



INSTALLATION AND OPERATION MANUAL

GARLAND GPD SERIES GAS PIZZA OVENS



FOR YOUR SAFETY:
DO NOT STORE OR USE GASOLINE
OR OTHER FLAMMABLE VAPORS OR
LIQUIDS IN THE VICINITY OF
THIS OR ANY OTHER
APPLIANCE

WARNING:
IMPROPER INSTALLATION, ADJUSTMENT,
ALTERATION, SERVICE OR MAINTENANCE
CAN CAUSE PROPERTY DAMAGE, INJURY,
OR DEATH. READ THE INSTALLATION,
OPERATING AND MAINTENANCE
INSTRUCTIONS THOROUGHLY
BEFORE INSTALLING OR
SERVICING THIS EQUIPMENT

PLEASE READ ALL SECTIONS OF THIS MANUAL
AND RETAIN FOR FUTURE REFERENCE.

THIS PRODUCT HAS BEEN CERTIFIED AS
COMMERCIAL COOKING EQUIPMENT AND
MUST BE INSTALLED BY PROFESSIONAL
PERSONNEL AS SPECIFIED.

IN THE COMMONWEALTH OF MASSACHUSETTS
THIS PRODUCT MUST BE INSTALLED BY A
LICENSED PLUMBER OR GAS FITTER. APPROVAL
NUMBER: G-1-07-05-28

For Your Safety:
Post in a prominent location, instructions to be
followed in the event the user smells gas. This
information shall be obtained by consulting
your local gas supplier.

Users are cautioned that maintenance and repairs must be performed by a Garland authorized service agent using genuine Garland replacement parts. Garland will have no obligation with respect to any product that has been improperly installed, adjusted, operated or not maintained in accordance with national and local codes or installation instructions provided with the product, or any product that has its serial number defaced, obliterated or removed, or which has been modified or repaired using unauthorized parts or by unauthorized service agents.

For a list of authorized service agents, please refer to the Garland web site at <http://www.garland-group.com>.

The information contained herein, (including design and parts specifications), may be superseded and is subject to change without notice.

GARLAND COMMERCIAL INDUSTRIES
185 East South Street
Freeland, Pennsylvania 18224
Phone: (570) 636-1000
Fax: (570) 636-3903

GARLAND COMMERCIAL RANGES, LTD.
1177 Kamato Road, Mississauga, Ontario L4W 1X4
CANADA
Phone: 905-624-0260
Fax: 905-624-5669

Enodis UK LTD.
Swallowfield Way, Hayes, Middlesex UB3 1DQ ENGLAND
Telephone: 081-561-0433
Fax: 081-848-0041

IMPORTANT INFORMATION

WARNING:

This product contains chemicals known to the state of california to cause cancer and/or birth defects or other reproductive harm. Installation and servicing of this product could expose you to airborne particles of glass wool/ceramic fibers. Inhalation of airborne particles of glass wool/ceramic fibers is known to the state of california to cause cancer. Operation of this product could expose you to carbon monoxide if not adjusted properly. Inhalation of carbon monoxide is known to the state of california to cause birth defects or other reproductive harm.

Keep appliance area free and clear of combustibles.

TABLE OF CONTENTS

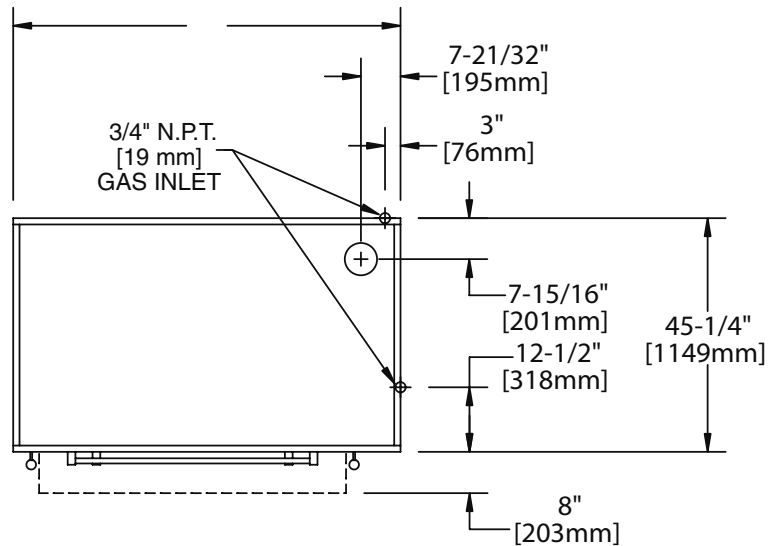
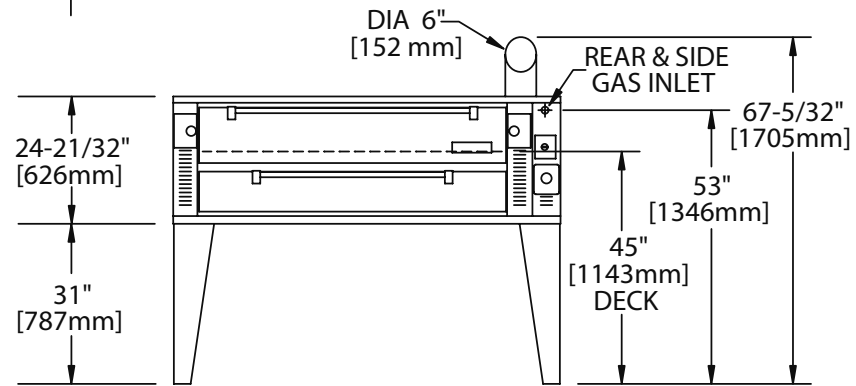
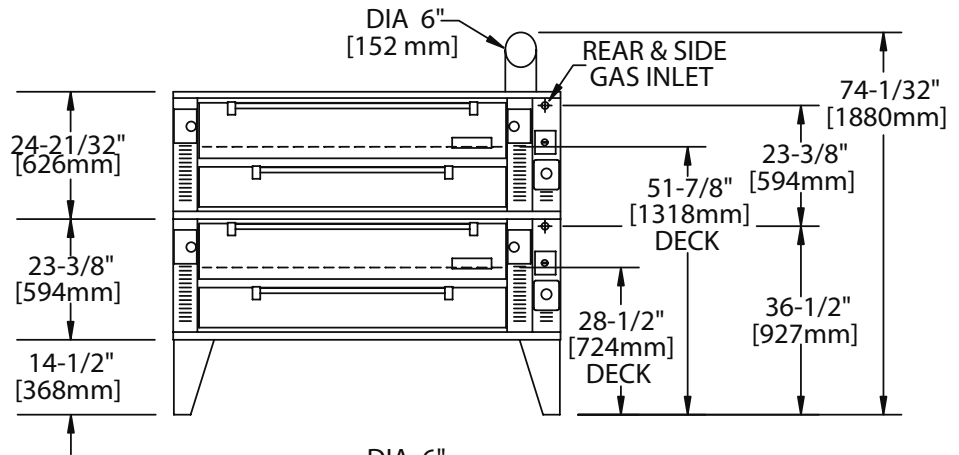
IMPORTANT INFORMATION	2
DIMENSIONS AND SPECIFICATIONS GPD SERIES	4
INSTALLATION	5
Rating Plate	5
Gas Connections	5
Installation Clearances	6
Preparation	6
Ventilation	6
Air Supply	6
Installing Under Ventilation Canopy:	6
Installing with Direct Ventilation	6
ASSEMBLY INSTRUCTIONS	7
Leg Installation	7
Hearth Installation	7
Double Deck Assembly	8
Gas Connection	8
ADJUSTMENTS	9
Gas Pressure Adjustments	9
Flame & Air Mixture Adjustment	9
By-Pass Flame Adjustment	9
OPERATION	10
Break-In	10
Calibration	10
Flame Diverters	10
Lighting/Shutdown Instructions	11
CLEANING	11
Oven Exterior	11
Oven Interior	11
Core Plates	11
TROUBLESHOOTING GUIDE	12

DIMENSIONS AND SPECIFICATIONS GPD SERIES

Ratings shown are for natural gas installations up to 2000 feet (610m) above sea level. BTU input ratings must be de-rated for high altitude installations. Specify altitude of product if over 2000 feet (610m). This product is not approved for residential use.

Installation Notes:	
Non-Combustible & Combustible Wall Clearances	
Sides	Back
1" (25mm)	6" (152mm)
Entry Clearance:	
Crated	Uncrated
35" (889mm)	26" (660mm)
Manifold Operating Pressure:	
Natural	Propane
6"WC (15mbar)	10"WC (25mbar)

INPUT SPECIFICATIONS Natural Or Propane			
MODEL	BTU/HR	KW	GAS INLET
GPD48	96,000	28.1	3/4" N.P.T.
GPD60	122,000	35.7	3/4" N.P.T.
GPD48-2	192,000	56.2	1" N.P.T.
GPD60-2	244,000	71.4	1" N.P.T.



MODEL NUMBER	Interior Dimensions: In (mm)			Exterior Dimensions In (mm)		
	W	H	D	W	H (w/NSF legs)	D
GPD48	48 (1220)	8 (203)	36 (914)	63 (1600)	52-3/4 (1340)	45-1/4 (1149)
GPD60	60 (1524)	8 (203)	36 (914)	75 (1905)	52-3/4 (1340)	45-1/4 (1149)
GPD48-2	48 (1220)	8 (203)	36 (914)	63 (1600)	62-1/2 (1588)	45-1/4 (1149)
GPD60-2	60 (1524)	8 (203)	36 (914)	75 (1905)	62-1/2 (1588)	45-1/4 (1149)

INSTALLATION

1. **Damage Check:** check carton or crate for possible damage incurred in shipping. After carefully uncrating, check for "concealed" damage. Report any damage immediately to your carrier.
2. The correct type of gas for which the unit was manufactured is noted on the rating plate, and this type of gas must be used.
3. The gas pressure must be checked when the unit is installed, to ensure that the unit gas pressure is the same as specified on the rating plate. If necessary pressure adjustments can be made at the pressure regulator, supplied on each unit.
4. Have a qualified gas technician check the gas pressure to make certain that existing gas facilities (meter, piping, etc.) will deliver the BTU's of gas required at the unit with no more than ½" water column pressure drop. When checking pressure, be certain that all the equipment on same gas line is turned to the "ON" position.
5. Make certain that the new piping, joints and connections have been made in a clean manner and have been purged, so that the piping compound, chips, etc will not clog pilots, valves and / or controls. Use pipe joint sealant that is certified for use with LP gas.
6. **WARNING;** check gas connections for leaks, using soap solution or similar means. **DO NOT CHECK WITH AN OPEN FLAME.**

Rating Plate

All burner-input ratings are shown on the serial plate located on the right side panel of the appliance.

When corresponding with the factory or your local authorized factory service center regarding service problems or replacement parts, be sure to refer to the particular unit by the correct model number (including the prefix and suffix letters and numbers) and the warranty serial number. The rating plate affixed to the unit contains this information.

We suggest installation, maintenance and repairs should be performed by your local authorized service agency listed in your information manual pamphlet.

In the event you have any questions concerning the installation, use, care or service of the product, write or call our Product Service Department.

This product must be installed by professional personnel as specified. Garland/U.S. Range products are not approved or authorized for home or residential use, but are intended for commercial applications only. Garland / U.S. Range will not provide service, warranty, maintenance or support of any kind other than in commercial applications.

Gas Connections

The inlet manifold size for connection to the main gas supply is (1) 3/4" NPT inlet for each deck.

The importance of proper installation of Commercial Gas cooking Equipment cannot be overstressed. Proper performance of the equipment is dependent, in great part, on the compliance of the installation with the manufacturer's specifications. Installation must conform to local codes with the Nation fuel code, ANSI Z223.1, Natural Gas Installation code, CAN/CGA-B149.1, or the Propane Installation code, CAN/CGA-B149.2, as applicable, including:

1. The appliance and its individual shut-off valve must be disconnected from the gas supply piping system during any pressure testing of that system at test pressures in excess of 1/2 psi (3.45 kPa).
2. The appliance must be isolated from the gas supply piping system by closing its individual manual shut-off valve during any pressure testing of the gas supply piping system at test pressures equal to or less than 1/2 psi (3.45 kPa).

Before assembly and connections, check gas supply.

- A. The type of gas for which the unit is equipped is stamped on the data plate located behind lower front panel. Connect a unit stamped "NAT" only to natural gas; connect those stamped "PRO" only to propane gas.
- B. If it is a new installation, have gas authorities check meter size and piping to assure that the unit is supplied with sufficient amount of gas pressure required to operate the unit.
- C. If it is additional or replacement equipment, have gas authorities check pressure to make certain that existing meter and piping will supply fuel at the unit with not more than ½" water column pressure drop.

NOTE: When checking pressure be sure that all other equipment on the same gas line is on. A pressure regulator is supplied with GARLAND Pizza Ovens. Regulator is preset to deliver gas at pressure shown on the rating plate.

INSTALLATION Continued

Installation Clearances

Minimum clearance for combustible and Non-Combustible Construction : 1" (25mm) sides and 6" (152mm) rear. Suitable for installation on combustible floors. Legs must be installed.

Preparation

1. Carefully remove unit from carton or crate. Burner tie wires and other packing material should be removed from units. On stainless steel units, the protective material covering the stainless steel should be removed immediately after the unit is installed.
2. This unit must be mounted on the factory-supplied legs when installed. Refer to section titled LEG INSTALLATION for details.
3. Provide adequate clearances for proper operation and servicing of the appliance.
4. For your safety: keep the appliance area free and clear from combustibles.
5. These units must be installed under an adequate ventilation system. Refer to sections titled "Ventilation" and "Air Supply" for further instructions.

Ventilation

This appliance must be installed in a location in which the facilities for ventilation permit satisfactory combustion of gas and proper venting. Proper ventilation is imperative for good operation of the appliance. The ideal method of ventilating equipment is the use of a properly designed ventilating canopy, which should extend at least 6"/152mm beyond all sides of the appliance (except against the wall if the canopy is a wall installation). This is usually part of a mechanical exhaust system.

Air Supply

1. It is necessary that sufficient room air ingress be allowed to compensate for the amount of air removed by any ventilating system. Otherwise a subnormal atmospheric pressure will occur, affecting the appliance operation adversely and causing undesirable working conditions.
2. Appliances shall be located so as not to interfere with proper circulation of air within the confined space. All gas burners and pilots require sufficient air to operate.

3. Large objects should not be placed in front of the appliance, which might obstruct the airflow through the front. Do not obstruct the flow of combustion and ventilation air.
4. Do not permit fans to blow directly at the appliance, and wherever possible, avoid open windows adjacent to the appliance sides and back; also wall type fans which create air cross-currents within the room.

Installing Under Ventilation Canopy:

Too strong a pull through the exhaust system will pull heat out of the oven too rapidly and cause uneven baking (strong bottoms and light tops).

All ovens, operating under a ventilating canopy should be equipped with a canopy flue diverter assembly (supplied to offset too strong a pull).

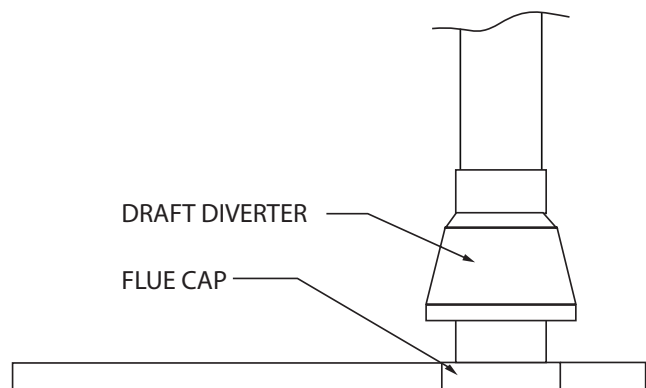
Installing with Direct Ventilation

Wherever a direct flue is unavoidable, it is necessary that:

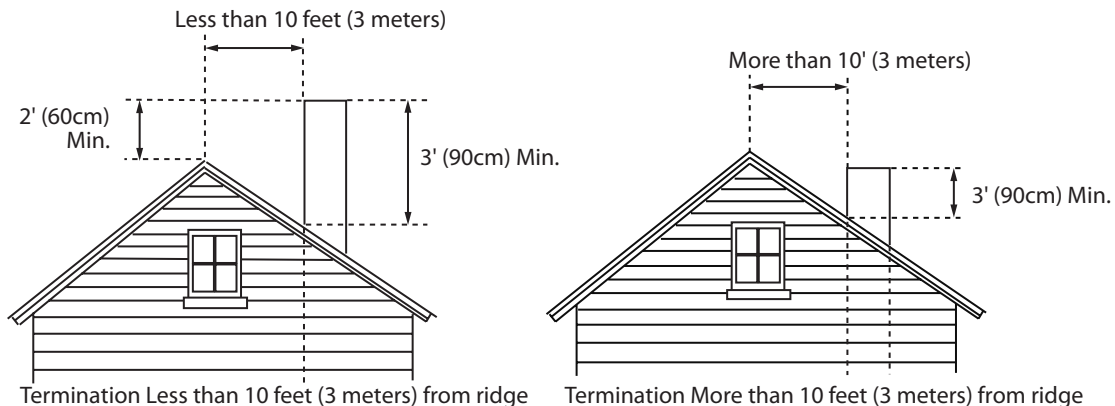
1. The draft diverter shipped with the oven is installed.
2. An adequately sized draft regulator (barometric damper) must be installed in the flue line as close to the oven connection as possible.

An adequately sized prefabricated metal vent should rise at least 10 feet (3m) above the roof of the building in which it is installed, or 10 feet (3m) above any proximate higher structure, and should be equipped with a well designed vent cap.

Never, under any circumstances, install a damper or place steel wool in an oven flue.



INSTALLATION continued



ASSEMBLY INSTRUCTIONS

Leg Installation

On single deck units, tip oven section units back. On double-deck units, tip lower oven section ONLY on its back. Each leg is secured with four 3/8" (16mm) hex head bolts, threaded into nuts located on the underside of the base angle. When both front legs are installed, lift and block up rear of unit. Install rear legs.

Hearth Installation

NOTE: Because of the weight of the hearth plates, be very careful to avoid injury to yourself and to shelf joint edges, when sliding shelf halves into the oven.

To install hearth core plates or steel hearth assembly, proceed as follows:

1. Slide the wooden frame out of the oven.
2. Before installing the hearth core plates or steel hearth assembly, be sure that the bottom heat deflectors are properly positioned with the treaded side (bumps) in the up position.
3. If the oven is supplied with a steel hearth assembly, place the hearth spacers (with the flat side in the up position) on the extreme left and right sides of the oven resting on the heat deflectors. Making sure the hearth spacers are not disturbed, slide the steel hearth assembly into the oven.
4. If oven is supplied with hearth core plates, slide the plates into the oven.
GPD-48 is supplied with (2) two hearth core plates.
GPD-60 is supplied with (3) three hearth core plates.
5. Installation instruction for Hearth.
 - a. Place a screwdriver, or a similar prying device, between the core plate and hearth frame support, (being careful not to chip the core plate) then place two spacer clips (PN G03086-1-9) between the core plate and the hearth frame support. (See instructions sheet -PN 1917401) 6" from front & 6" from rear.
 - b. Place a screwdriver between the back of the right core plate and hearth frame support. Pry the core plate forward, away from the hearth support and place a clip within the space centered on each core plate.
 - c. Repeat step 2 for the left core plate
 - d. Repeat step 3 for the center core plate for 60" unit.

ASSEMBLY INSTRUCTIONS Continued

Double Deck Assembly

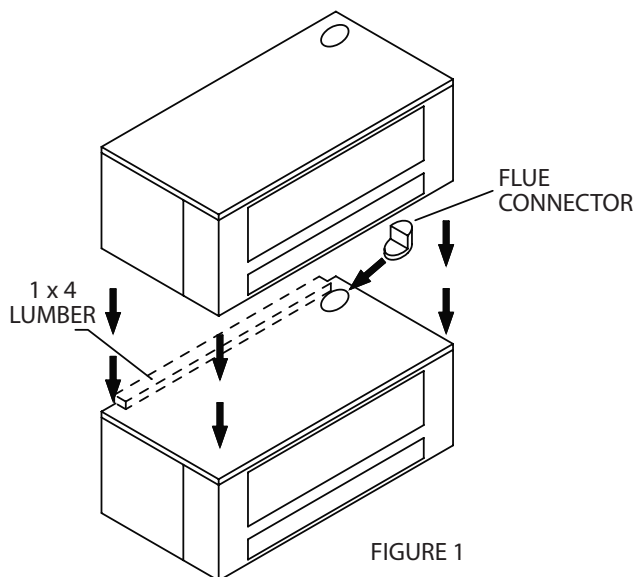
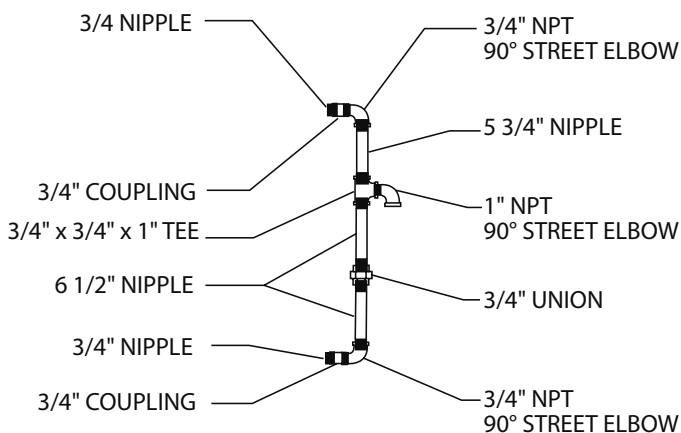


FIGURE 1



1. Secure legs to lower section
2. Remove stainless steel top trim strip from lower unit if not already removed.
3. Tip upper unit backward. Remove vent patch at lower rear if not already removed.
4. Place 1" x 4" x 65" (25mm x 100mm x 1650mm) long piece of lumber across the rear top of oven to prevent stacks from misarranging.

5. Place the flue connector on the lower unit with extended part to the right of the unit. (Fig 1)
6. Raise the top oven section up and onto the lower oven section.
7. Carefully remove piece of lumber ensuring lower section flue connector inserts into upper section vent hole.
8. Assemble the interconnecting gas piping as shown and connect to rear gas inlets.

Gas Connection

1. The appliance must be isolated from the gas supply piping system by closing its manual shut-off valve during any pressure testing of the gas supply piping system at test pressure equal to or less than 1/2 psig. (3.45 kpa.).
2. The appliance and its shut off valve must be disconnected from the gas supply piping system during any pressure testing of that system at test pressures in excess of 1/2 psig. (3.45 kpa.).

NOTE: The ovens should not be installed on the same line with space heaters, broilers or other equipment with high intermittent demand.

3. When making gas connections, use a pipe joint compound that is resistant to the action of liquefied petroleum gases.
4. Each oven is supplied with two possible gas connection locations. One is located on the right side and the other is located on the right rear corner.
5. The right side connection is plugged with a 3/4 counter sunken plug. If this connection is used, you must cap the rear connection.
6. The gas pressure regulator is part of the combination valve and is adjusted to yield a pressure of 6.0" water column for natural gas and 10" water column for propane gas.
7. A separate shut-off valve for each oven must be provided. It should be as close as possible to the place where the gas line goes into the oven. It must be located so that it is easily accessible. A handle or wrench should be chained to the valve where it will always be at hand.
8. For a stack of two ovens, two shut-off valves, one for each oven must be provided.

ADJUSTMENTS

Gas Pressure Adjustments

All GPD Series ovens are equipped with fixed orifices and cannot be adjusted for gas flow: If necessary, pressure adjustments can be made at the pressure regulator (located on the combination gas valve).

A pressure tap is supplied with the unit and it is installed on the manifold, downstream of the main valve. The gas pressure must be checked when the unit is installed, to ensure that the unit gas pressure is the same as specified on the rating plate.

IMPORTANT:

All gas burners and pilots need sufficient air to operate and large objects should not be placed in front of this oven, which would obstruct the airflow through the front. Objects should not be placed on main rear of oven while in use.

Flame & Air Mixture Adjustment

After the pilot burner is ignited, when heat is desired, turn gas cock dial to "ON" position and set the thermostat dial to the desired temperature. The oven burner flame should always have a blue appearance. This indicates a good mixture of air and gas. When using LP gas the flame will have a blue yellow appearance. Follow steps 1 thru 4 to adjust the flame for good quality.

1. Loosen the small knurled locking disk.
2. Turn the large adjusting disk towards the air mixture throat to reduce the opening. This restricts the amount of air, causing the flame to turn yellow.
3. Turn the adjusting disk gradually out, away from the air mixer throat, allowing more air into the air mixer until the yellow disappears and a sharp blue flame appears.
4. When the flame turns blue and spreads out, turn the locking disk tight against the adjusting disk. There may be intermittent yellow-orange flame noticed. This is caused by dust particles burning in the Flame. Should the burners fail to light, check to see if there is a problem with any or all of the following.

- A. The gas supply: If there are other gas appliances on the same supply line, shut them off temporarily and see if the flame comes back on, or if it fluctuates as other gas appliances are turned on and off. If so, it would indicate overloading of the gas supply or a faulty gas pressure regulator. You should contact a qualified service agency or the local gas company to check the gas supply.
- B. Dirty burner orifice or ports: With the oven cold, use a thin wire to check that the spud orifice (nozzle) is clear. If necessary, loosen and remove the spud. Be careful when cleaning not to enlarge the hole. Then, using a wire or thin nail, clear the burner ports of carbon deposits or other restrictions.

Periodically, after breaking the ovens in, check the burner flame and readjust the air mixture if needed. Black soot on the oven doors or in the burner compartment may indicate that not enough air is mixing with the gas. If this case back off the air adjustment disk until the proper flame and color is set.

By-Pass Flame Adjustment

The by-pass in the thermostat is a small gas supply through the control that is independent of the dial setting. It is controlled strictly by the Adjusting Screw. This small gas supply maintains a minimum flame or the burner(s), helping to maintain the heat in the oven and assisting in recovery. This adjustment is best done when the oven is being heated for the day's business. To adjust the by-pass flame follow steps 1 thru 4.

1. Turn the oven on and set the thermostat to the desired temperature.
2. Allow the oven to pre-heat until the burner flame begins to throttle down.
3. At this point, turn the thermostat dial all the way down. This ensures that the thermostat is in the by-pass mode. There should now be a small steady flame remaining across the burner without flickering or going out.

NOTE: It may be necessary to turn the thermostat back up to relight the burner(s) if there is not flame present.

4. Using a small screwdriver, reach through the access hold on the control panel to the left of the thermostat knob. Turn the by-pass adjustment screw to raise or lower the by-pass flame as required. Counter-clockwise raises the flame, clockwise lowers the flame. Take care not to turn the screw out too far as that will allow gas to leak around the adjustment screw.

ADJUSTMENTS Continued

Calibration

1. Field calibration is seldom necessary and should not be attempted unless experience with cooking results definitely proves that the control is not maintaining the temperature to which the dial is set.
2. Place the thermocouple of the test instrument or reliable mercury thermometer in the center of the oven approximately one or two inches (25mm – 50mm) above the hearth. Do not place the thermocouple directly in contact with the hearth.
3. Set the thermostat temperature dial to 500 degrees F (260 degrees C) and allow the oven temperature to stabilize. The thermostat must be allowed to cycle twice before taking a test reading.
4. Check the temperature when the burner just cycles off after the second cycle, compare the reading of thermocouple or thermometer with thermostat setting.
5. If the two do not agree (plus or minus 15 degrees F (8 degrees C)), carefully remove the thermostat dial, not disturbing dial settings.
6. Hold calibration plate and loosen the two calibration screws until the plate can be moved independently of the control.
7. Turn calibration plate so that the instrument of thermometer reading is in line with the indicator mark. Hold plate and tighten screws firmly.
8. Replace dial.
9. NOTE: If the above adjustment is prevented by the two loosened calibration lock screws being in contact with the ends of the screw clearance plate to the proper location, reassembly screws in the other tapped holes designed for them.

NOTE: NO ATTEMPT TO RECALIBRATE THE OVEN CONTROL SHOULD BE MADE WITHIN THE WARRANTY PERIOD IF THE TEMPERATURE IS WITHIN ± 20 DEGREES FAHRENHEIT OF THE DIAL SETTING. RECALIBRATION SHOULD BE MADE IF THE CONTROL IS OUT MORE THAN ± 20 DEGREES FAHRENHEIT AND LESS THAN ± 50 DEGREES FAHRENHEIT. IF THE CONTROL IS OUT MORE THAN 50 DEGREES FAHRENHEIT FROM THE DIAL SETTING, THE CONTROL WILL BE REPLACED UNDER WARRANTY, (WITHIN THE WARRANTY PERIOD).

Flame Diverters

Flame diverters distribute the heat evenly below the deck. They must be in good condition and properly placed in the burner chamber in order to be effective. Damaged or improperly installed flame diverters adversely affect the oven performance. Check them periodically and replace as needed. Make sure that the "V" shaped diverters are pushed all the way to the back of the oven as far as they will go.

OPERATION

Break-In

1. Once the equipment has been installed and tested by qualified professional personnel, the oven is ready for operation.
2. Many of the parts used in the oven have a thin protective oil covering. This oil should be burned off before the oven is used for the production of food products. It is normal for the unit to smoke while burning off excess oil. Washing the deck of the oven with a damp clean cloth and mild soap solution will remove some of the protective oil coating.

OPERATION Continued

3. Select a temperature of 300 degrees F (150 degrees C) and turn the gas cock dial to the ON position.
4. Allow the oven to warm to 300 degrees F (150 degrees C) and keep it there for FIVE HOURS, or at least until all smoke and fumes have disappeared. The smoke and fumes are from moisture in the deck and insulation and a light coat of oil.
5. Turn the thermostat knob to between 475 degrees F (250 degrees C). Allow the oven to warm up to your selected temperature for 1 to 1 1/2 hours.
6. When the oven has reached the selected temperature, experiment until you get the feel of the oven and the speed of the bake. In case of some initial unevenness in the baking, have patience for a few days until the oven cures.

Lighting/Shutdown Instructions

1. Open control panel door located on right hand side of unit. To access combination gas control.
2. Turn gas cock on combination control to the "OFF" position. Wait 5 minutes.
3. Turn gas cock on combination control to the "PILOT" position.
4. Depress gas cock and light pilot burner.
5. Hold gas cock depressed for one minute after pilot has been ignited, then release. Pilot should continue to burn.
6. If pilot does not continue to burn after releasing gas cock, repeat steps 2 thru 5 or have a qualified serviceman check the system. Do not allow anyone else to attempt repairs.
7. Once pilot is lit, turn gas cock to the "ON" position. It is not necessary to repeat lighting procedure unless the pilot is extinguished by any cause.
8. To shut down unit, turn gas cock on combination control to the "OFF" position

CLEANING

Oven Exterior

Painted Surfaces should be cleaned when cool, using a mild soap and warm water solution on a sponge or soft clean cloth. Rinse and dry thoroughly with a soft clean cloth.

Stainless Steel Surfaces usually respond to cleaning as noted above. Stubborn stains or heat tint may require the use of a commercial type cleaner, such as Penny Brite or stainless steel pad. Always rub in the direction of the polished lines. Rinse thoroughly with fresh water and wipe dry.

Oven Interior

Aluminized Steel Surfaces Should be cleaned with a damp soft cloth and mild household detergent.

Core Plates

CAUTION: The use of water to cool down or clean core plates will void warranty.

To clean core plates, set thermostat dial to 550 degrees F (288 degrees C) at the end of the cooking day and allow thermostat to cycle for one hour. When the oven has cooled, cooking residue will be carbonized and can be removed by sweeping with a stiff brush. Stubborn residue can be loosened with a scraper.

TROUBLESHOOTING GUIDE

Problem	Causes	Solutions
Hot Spots in Deck	Flame diverters not installed properly	Push all the way to the back of oven
	Flame diverters warped or damaged	May need replacing
Bottoms cook before top	Deposit on deck	Clean deck
	Low production oven idling	Turn temperature up after loading pizza. Make sure to turn the temperature down after bake is complete
	By-pass flame too high	Adjust by-pass flame
	Improper damper position	Adjust dampers
Bottoms become light during periods of heavy production	Improper damper position	Close dampers
	Placement of pizza	Change placement
	By-pass flame low	Increase by-pass flame
Color overall dark	High temperature	Lower temperature
	Pizza left in too long	Reduce bake time
	By-pass flame high	Reduce by-pass flame
	Thermostat	Check actual temperature; call for service
Color overall light	Short bake time	Bake longer
	Lower temperature	Increase temperature
	Dough	Check dough for freshness
	Pre-heat time short	Allow for adequate pre-heating
Top color light	Damper closed	Open damper
	Oven idles during slow periods	Increase temperature to bake, reduce again when bake is finished
Burner flame yellow/soft/lazy	Not enough air mixing	Open (adjust) air shutter
	Low gas pressure	Adjust pressure
Flame lifts off burner ports	Too much air mixed with gas	Close (adjust) air shutter
Flashes back in burner	Gas pressure too high	Adjust pressure
Pops excessively when turned off	Wrong orifice in unit	Replace with proper orifice
Burner flame too large	Unit over gassed or wrong orifice	Check gas pressure and orifice size
Burner flame shuts off when oven reaches set temperature	By-pass set too low	Adjust by-pass

 **Garland**[®]

Garland™

Problème	Causes	Solutions
Points chauds dans la section	Les réflecteurs de flamme ne sont pas bien installés	Pousser complètement jusqu'au fond du four
	Les réflecteurs de flamme sont déformés ou endommagés	Peut exiger le remplacement
Les fonds cuisent plus vite que les dessus	Dépôts sur la section	Nettoyer la section
	Faible production, four au ralenti	Augmenter la température après l'introduction de la pizza. Ne pas oublier de baisser la température après la cuisson.
	Flamme de dérivation trop forte	Régler la flamme de dérivation
	Mauvaise position des volets d'obturation	Régler les volets d'obturation
Les fonds cuisent moins bien pendant les périodes de forte production	Mauvaise position des volets d'obturation	Fermer les volets d'obturation
	Emplacement de la pizza	Changer d'emplacement
	Flamme de dérivation basse	Augmenter la flamme de dérivation
Couleur trop sombre	Température élevée	Abaisser la température
	Pizza restée trop longtemps	Réduire le temps de cuisson
	Flamme de dérivation trop forte	Réduire la flamme de dérivation
	Thermostat	Vérifier la température réelle; appeler un technicien d'entretien
Couleur trop claire	Temps de cuisson trop court	Prolonger la cuisson
	Température basse	Augmenter la température
	Pâte	Vérifier la fraîcheur de la pâte
	Temps de préchauffage trop court	Laisser le four préchauffer correctement
	Volet d'obturation fermé	Ouvrir le volet d'obturation
Couleur du dessus trop claire	Le four se met au ralenti pendant les périodes d'inactivité	Augmenter la température pour l'acuisson et l'abaisser ensuite
	Pas assez d'air dans le mélange	Ouvrir (régler) l'obturateur d'air
	Pression de gaz trop basse	Régler la pression
La flamme se détache des orifices des brûleurs	Trop d'air dans le mélange	Fermer (régler) l'obturateur d'air
Retours de flamme dans le brûleur	Pression de gaz trop élevée	Régler la pression
Claquement excessif à la fermeture du gaz	Erreur d'orifice dans l'appareil	Remplacer par une orifice correct
Flamme du brûleur trop large	Alimentation excessive en gaz ou erreur d'orifice	Vérifier la pression du gaz et la taille de l'orifice
Flamme du brûleur s'éteint lorsque la température est atteinte	Réglage de flamme de dérivation trop bas	Régler la flamme de dérivation

Extérieur Du Four

Les **surfaces peintes** doivent être nettoyées à froid, en utilisant une solution de savon doux et d'eau tiède sur un chiffon propre ou une éponge. Rincer et bien assécher avec un chiffon doux et propre.

Les **surfaces en acier inoxydable** sont généralement traitées de la façon expliquée plus haut. Les taches rebelles ou les traces de chaud peuvent exiger l'utilisation d'un produit de nettoyage commercial tels que : Penny-Brite ou de tampons d'acier inoxydable. Il faut toujours frotter dans le sens des lignes de polissage. Bien rincer à l'eau claire et assécher.

Intérieur du four

Les **surfaces en acier aluminisé** doivent être nettoyées avec un chiffon doux humide et du détergent ménager doux.

Plaques de sole

ATTENTION : L'utilisation d'eau pour refroidir ou nettoyer les plaques de sole annule la garantie.

Pour le nettoyage des plaques de sole, régler le thermostat à 550 degrés F (288 degrés C) à la fin de la journée de travail et laisser le thermostat accomplir son cycle pendant une heure. Après le refroidissement du four, les résidus de cuisson seront carbonisés et faciles à retirer à l'aide d'une brosse dure. Les résidus tenaces peuvent être délogés à l'aide d'un grattoir.

Rodage

1. Une fois l'installation de l'appareil par le personnel professionnel qualifié terminée, le four est prêt à fonctionner.
2. De nombreuses pièces du four sont couvertes d'huile de protection. Cette huile doit être brûlée avant d'utiliser le four pour la préparation de denrées alimentaires. Il est normal que l'appareil fume pendant l'élimination de l'huile de protection. Il est également possible d'enlever une partie de cette couche d'huile de protection en lavant l'appareil à l'aide d'un chiffon propre humecté de eau savonneuse.
3. Sélectionner une température de 300 degrés F (150 degrés C) et placer le robinet de gaz en position ON.
4. Laisser le four atteindre la température de 300 degrés F (150 degrés C) et le maintenir à cette température pendant CINQ HEURES ou au moins jusqu'à ce que toutes les émanations de fumée soient terminées. Ces émanations proviennent de humidité à l'intérieur du four et de la fine couche d'huile de protection.
5. Placer le bouton du thermostat vers la marque de 475 degrés F (250 degrés C). Laisser le four chauffer pour atteindre la température sélectionnée pendant 1 heure à 1 heure 1/2.
6. Lorsque le four a atteint la température sélectionnée, faire quelques expériences pratiques pour se familiariser avec le four et les vitesses de cuisson. Si certaines inégalités de cuisson apparaissent, il faut avoir la patience d'attendre quelques jours jusqu'à ce que le four sèche.

Instructions D'allumage Et D'arrêt

1. Ouvrir la porte du panneau de commande située sur le côté droit de l'appareil pour accéder à la commande combinée de gaz.
2. Tourner le robinet de gaz de la commande combinée en position « OFF ». Attendre 5 minutes.
3. Tourner le robinet de la commande combinée en position « PILOT ».
4. Appuyer sur le robinet de gaz et allumer la veilleuse.
5. Maintenir le robinet enfoncé pendant 1 minute après l'allumage de la veilleuse et le relâcher ensuite. La veilleuse devrait rester allumée.
6. Si la veilleuse ne reste pas allumée après avoir relâché le robinet de gaz, répéter les étapes 2 à 5 ou faire appel à un technicien qualifié pour vérifier le système. Ne laisser personne d'autre tenter de dépanner l'appareil.
7. Une fois que la veilleuse allumée, tourner le robinet de gaz en position « ON ». Il n'est pas nécessaire de répéter la procédure d'allumage, sauf si la veilleuse s'éteint.
8. Pour arrêter l'appareil, mettre le robinet de gaz de la commande combinée en position « OFF ».

4. Passer un petit tournevis par le trou d'accès du panneau de commande à gauche du bouton du thermostat. Tourner la vis du réglage de dérivation pour augmenter ou diminuer la flamme de dérivation, selon le cas. Le fait de tourner dans le sens contraire des aiguilles d'une montre augmente la flamme, le fait de tourner dans le sens des aiguilles d'une montre la diminue. Ne pas trop desserrer la vis, car cela peut provoquer des fuites de gaz autour de la vis de réglage.

Étalonnage

1. L'étalonnage sur place est rarement nécessaire et avant de le faire il convient de s'assurer que les résultats de cuisson proviennent que le four ne maintient pas la température sélectionnée sur le cadran.
2. Placer le thermocouple de l'appareil d'essai ou un bon thermomètre au mercure au milieu du four à u ou deux pouces (25 mm - 50 mm) au-dessus de la sole. Ne pas placer le thermocouple directement en contact avec la sole.
3. Régler le bouton du thermostat sur 500 degrés F (260 degrés C) et laisser la température du four se stabiliser. Laisser le cycle du thermostat s'accomplir deux fois avant de procéder à la lecture du résultat de l'essai.

4. Vérifier la température dès que le brûleur s'arrête après avoir effectué le second cycle, et comparer la lecture du thermocouple ou du thermomètre avec le réglage du thermostat.
5. En cas de désaccord entre les indications (plus ou moins 15 degrés F (8 degrés C)), retirer soigneusement le cadran du thermostat, sans modifier le réglage.

Déflecteurs De Flammes

Les déflecteurs de flammes répartissent également la chaleur sous la section. Ils doivent être en bon état et bien placés dans la chambre de combustion pour être efficaces. Les déflecteurs endommagés ou mal installés affectent négativement le fonctionnement du four. Les vérifier périodiquement et les remplacer si nécessaire. S'assurer que les déflecteurs en forme de « V » sont complètement poussés vers l'arrière du four jusqu'à la butée.

6. Maintenir la plaque d'étalonnage et desserrer les deux vis d'étalonnage jusqu'à ce qu'on puisse bouger la plaque indépendamment de la commande.
7. Tourner la plaque d'étalonnage de façon à ce l'indication du thermomètre soit conforme à la marque de l'indicateur. Maintenir la plaque et bien serrer les vis.
8. Remettre le bouton en place.
9. NOTE: S'il n'est pas possible d'effectuer le réglage ci-dessus parce que les vis de blocage d'étalonnage desserrées sont en contact avec les extrémités de la plaque de dégagement des vis, remonter les vis dans les autres trous filetés conçus pour elles.

NOTE: NE PAS TENTER D'ÉTALONNER DE NOUVEAU LE FOUR PENDANT LA DURÉE DE LA GARANTIE SI LA TEMPÉRATURE DEMEURE DANS UNE PLAGE DE + 20 DEGRÉS FAHRENHEIT DU RÉGLAGE DU CADRAN. L'ÉTALONNAGE DOIT ÊTRE EFFECTUÉ SI LA DIFFÉRENCE EST SUPÉRIEURE À ±20 DEGRÉS FAHRENHEIT ET INFÉRIEURE À ±50 DEGRÉS FAHRENHEIT. SI LA COMMANDE EST DÉRÉGÉE DE PLUS DE 50 DEGRÉS FAHRENHEIT PAR RAPPORT AU CADRAN, LA COMMANDE SERA REMPLACÉE AU TITRE DE LA GARANTIE (PENDANT LA DURÉE DE LA PÉRIODE DE GARANTIE).

Réglages de pression du gaz

Tous les fours de la série GPD sont équipés d'orifices fixes et le débit de gaz ne peut pas être réglé. Si nécessaire, les réglages de pression peuvent être faits au régulateur de pression (situé sur la valve combinée de gaz). Un robinet de pression est fourni avec l'appareil. Il est installé sur le collecteur, en aval du robinet principal. La pression de gaz doit être vérifiée lors de l'installation de l'appareil afin de s'assurer qu'elle est identique à celle spécifiée sur la plaque signalétique.

IMPORTANT :
Tous les brûleurs à gaz et les veilleuses ont besoin de suffisamment d'air pour fonctionner. Éviter de placer des objets de grande taille devant le four, car de tels objets risquent d'obstruer le débit d'air vers l'avant du four. On ne devra pas placer d'objets sur l'arrière principal du four pendant qu'il est utilisé.

Réglages De Flamme Et Du Mélange D'air

Une fois que la veilleuse est allumée et si on a besoin de chaleur, placer le cadran du robinet de gaz sur « ON » et régler le cadran du thermostat à la température désirée. La flamme du brûleur du four doit toujours être de couleur bleue. Cette couleur indique un bon mélange d'air et de gaz. Lorsque l'on utilise le gaz de pétrole liquéfié, la flamme est de couleur bleu-jaune. Suivre les étapes 1 à 4 pour régler la flamme.

1. Desserrer le petit disque de blocage moleté .

2. Tourner le grand disque de réglage vers la gorge de mélange d'air pour réduire l'ouverture. Cette action limite la quantité d'air et la flamme devient jaune.

3. En dévissant graduellement le disque de réglage, et en l'éloignant de la gorge de mélange d'air, on augmente la quantité d'air dans le mélange jusqu'à ce que le jaune disparaisse et qu'on obtienne une flamme bleu vif.

4. Lorsque la flamme devient bleue et qu'elle s'étale, tourner le disque de blocage contre le disque de réglage. Il se peut que de temps en temps, une lueur jaune-orange intermittente apparaisse dans la flamme. Ceci est causé par des particules de poussière brûlant dans la flamme. Si les brûleurs ne s'allument pas, vérifier les points suivants pouvant en être la cause.

Réglage De La Flamme De Dérivation:

La dérivation dans le thermostat est une alimentation en gaz arrivant à la commande indépendamment du réglage du cadran. Cette alimentation est commandée par la vis de réglage. Cette petite alimentation de gaz maintient une flamme minimale dans le(s) brûleur(s) et permet de maintenir le four chaud et de faciliter son réchauffage. La meilleure moment pour la régler est lorsque l'on met le four en chauffe pour la journée de travail. Pour régler la flamme de dérivation, suivre les étapes 1 à 4.

1 Allumer le four et régler le thermostat à la température désirée.

2. Laisser le four préchauffer jusqu'à ce que la flamme commence à baisser.

3. À ce moment-là, tourner le cadran du thermostat complètement vers le bas. Ceci fait passer le thermostat est en mode de dérivation. Il doit y avoir une petite flamme stable sur le brûleur qui ne clignote pas et reste allumée.

NOTE: Il peut être nécessaire d'augmenter le réglage du thermostat pour rallumer le(s) brûleur(s) s'il n'y a pas de flamme.

- A. Alimentation en gaz : S'il existe d'autres équipements fonctionnant au gaz sur la même conduite, les fermer provisoirement et voir si la flamme s'allume et si son intensité change chaque fois que d'autres appareils sont allumés ou éteints. Dans de tels cas, il s'agit probablement d'une surcharge de la conduite ou d'un régulateur de pression défectueux. Contacter une entreprise d'entretien qualifiée ou la compagnie locale de gaz pour faire vérifier l'alimentation.
- B. Ouverture ou orifices de brûleurs sales : Lorsque le four est froid, utiliser un fil métallique fin pour s'assurer que l'orifice d'injecteur (gicleur) est propre. Si nécessaire, desserrer et retirer l'injecteur. Faire attention de ne pas agrandir le trou pendant le nettoyage. Ensuite, à l'aide d'un fil métallique ou d'un clou fin, nettoyer les orifices des brûleurs pour enlever les dépôts de carbone ou d'autres matières.

Après le rodage du four, vérifier périodiquement la flamme des brûleurs et réajuster le mélange au besoin. De la suite noire sur les portes du four ou dans le compartiment des brûleurs peuvent indiquer que la quantité d'air dans le gaz est insuffisante. Dans de tels cas, reculer le disque de réglage d'air jusqu'à ce que la bonne couleur de flamme apparaisse.

Branchement De Gaz:

1. L'appareil doit être isolé de la canalisation d'alimentation de gaz par un robinet d'arrêt manuel pendant tout essai de pression du système de canalisations d'alimentation lorsque les pressions d'essai sont égales ou inférieures à 1/2 lb/po² (3,45 kpa.).
2. L'appareil et son robinet d'arrêt doivent être débranchés du système de canalisations d'alimentation pendant tout essai de pression du système lorsque les pressions d'essai sont supérieures à 1/2 lb/po² (3,45 kpa.).

NOTE: Le four ne doit pas être installé sur la même

canalisation que des appareils de chauffage, des rôtissoires ou que d'autres équipements à consommation intermittente importante.

3. Pour effectuer les branchements de gaz, utiliser une pâte à joints résistant aux gaz de pétrole liquéfiés.

4. Chaque four est équipé de deux emplacements de branchements possibles, dont l'un se trouve sur le côté droit et l'autre dans le coin arrière droit.

5. Le branchement de côté droit est équipé d'un bouchon à carré creux de 3/4 po. Si ce branchement est utilisé, il faut boucher la connexion arrière.

6. Le régulateur de pression de gaz fait partie de la valve combinée et est réglé pour produire une pression de 6 po de colonne d'eau pour le gaz naturel et de 10 po de colonne d'eau pour le propane.

7. Il est nécessaire d'installer un robinet d'arrêt séparé pour chaque four. Il devra être placé aussi près que possible de l'endroit d'entrée de la canalisation de gaz dans le four et devra être facilement accessible. Une poignée ou une clef doit être enchaînée au robinet pour être disponible à tout moment.
8. Pour deux fours superposés, il convient d'installer deux robinets d'arrêt, soit un pour chaque four.

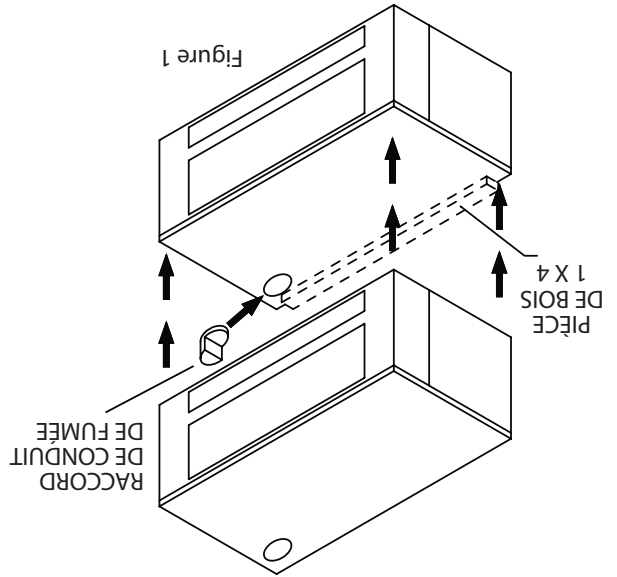
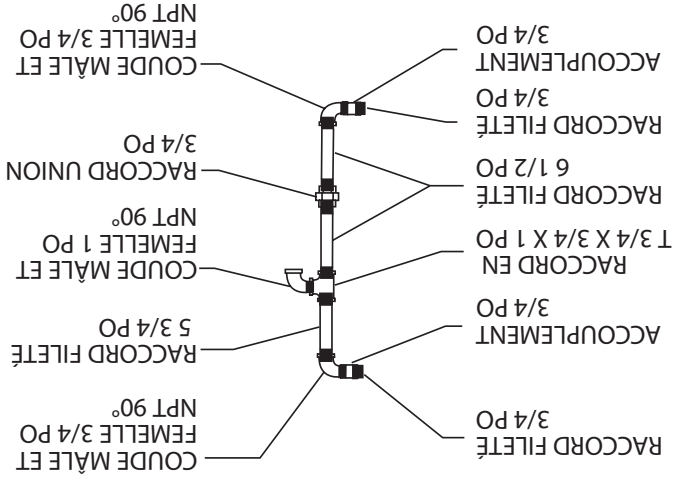


Figure 1



Installation Des Pieds

Dans le cas d'une unité à une section, faire basculer le four sur le dos. Dans le cas d'une unité à deux sections, faire basculer la partie inférieure du four UNIFORMEMENT sur le dos. Chaque pied est fixé avec quatre boulons hexagonaux (16 mm), vissés sur les écrous se trouvant dans la partie inférieure de l'angle de la base. Lorsque les deux pieds avant sont installés, soulever et bloquer l'arrière de l'appareil. Installer les pieds arrière.

Installation De La Sole

NOTE: À cause du poids des plaques de sole, faire preuve de prudence pour éviter les blessures et pour ne pas endommager les bords des joints de sole en glissant les moitiés de sole dans le four.
Pour installer les plaques de sole ou l'ensemble de sole en acier, procéder comme suit :

1. Faire glisser le cadre en bois hors du four.
 2. Avant d'installer les plaques de sole ou l'ensemble de sole en acier, s'assurer que les réflecteurs de chaleur inférieurs sont bien positionnés avec le côté à reliefs (bosses) dirigé vers le haut.
 3. Si le four est fourni avec l'ensemble de sole en acier, placer les entretoises de sole (côté plat vers le haut) sur les extrémité droite et gauche du four reposant sur les réflecteurs de chaleur. S'assurer que les entretoises de sole n'ont pas été déplacées, et faire glisser l'ensemble de sole dans le four.
 4. Si le four est fourni avec des plaques de sole, faire glisser les plaques dans le four.
- Le modèle GPD-48 est équipé de deux (2) plaques de sole.
- Le modèle GPD-60 est équipé de trois (3) plaques de sole.

Assemblage Du Four À Deux Sections

1. Fixer les pieds à la section inférieure.
2. Retirer la bande de finition supérieure en acier inoxydable de la section inférieure si elle n'a pas encore été enlevée.
3. Faire basculer vers l'arrière l'unité supérieure. Retirer le bouchon d'évent à la partie inférieure arrière de l'appareil s'il n'a pas encore été enlevé.
4. Placer une longue pièce de bois de 1 po x 4 po x 65 po (25 mm x 100 mm x 1650 mm) en travers de la partie supérieure arrière de l'appareil pour éviter de déranger les conduits de fumée.
5. Placer le raccord de conduit de fumée sur l'unité inférieure avec la partie prolongée à droite de l'unité. (Fig 1).
6. Soulever la section supérieure du four et la placer sur la partie inférieure.
7. Retirer soigneusement la pièce de bois en s'assurant que le raccord de conduit de fumée s'insère dans le trou d'évent de la section supérieure
8. Monter la canalisation d'interconnexion du gaz comme illustré et brancher les entrées de gaz arrière.

Installation Avec Une Ventilation Directe

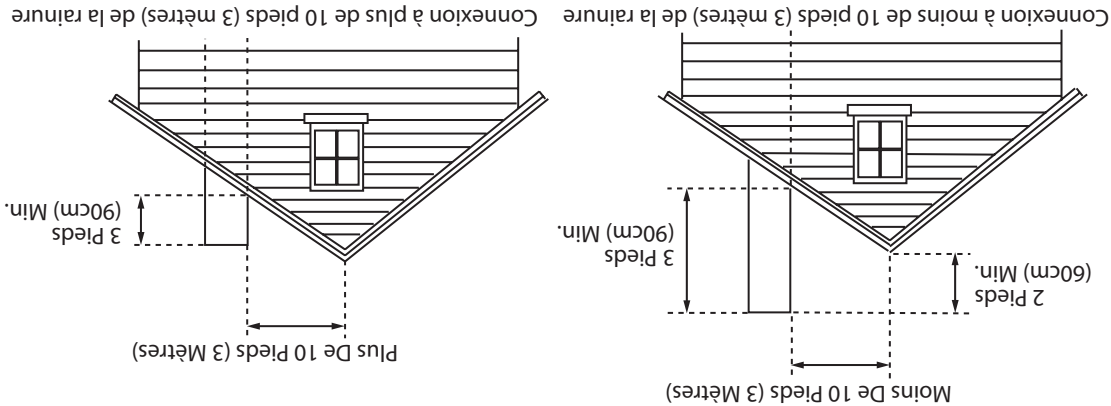
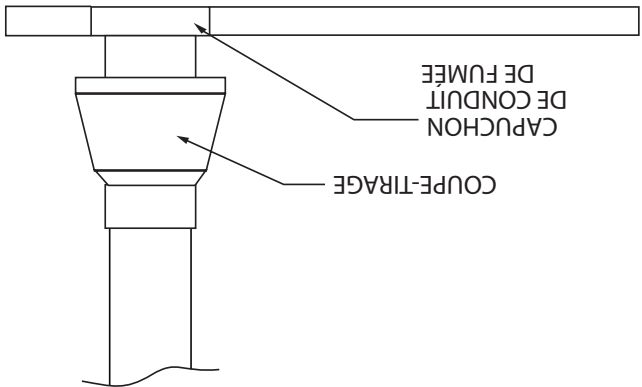
Chaque fois qu'il n'est pas possible d'éviter un conduit de fumée direct, il est nécessaire :

1. d'installer un déflecteur de conduit de fumée fourni avec le four.

2. d'installer un régulateur de tirage de taille adéquate (soupape barométrique) sur le conduit de fumée d'air aussi près que possible du branchement du four.

Un évent préfabriqué métallique de taille adéquate doit s'élever d'au moins 10 pieds (3m) au-dessus du toit du bâtiment d'installation du four, ou à 10 pieds (3m) au-dessus de toute structure plus haute avoisinante et doit être équipé d'un chapeau de cheminée bien conçu.

Ne jamais en aucun cas, installer un volet d'obturation ni placer de la laine d'acier dans le conduit de fumée d'un four.



- B. S'il s'agit d'une nouvelle installation, demander au fournisseur de gaz de vérifier la taille du compteur et la canalisation afin de s'assurer que l'appareil bénéficie d'une pression de gaz nécessaire et suffisante pour son fonctionnement.
 - C. S'il s'agit d'un équipement additionnel ou de remplacement, demander au fournisseur de gaz de vérifier la pression afin de s'assurer que le compteur et la canalisation existants peuvent alimenter l'appareil avec une chute de pression ne dépassant pas 1/2 po de colonne d'eau.
- NOTE:** Lors de la vérification de la pression, s'assurer que tous les autres équipements installés sur la même canalisation sont en position de marche. Un régulateur de pression est fourni avec les fours à pizza GARLAND. Le régulateur est réglé pour fournir le gaz à la pression indiquée sur la plaque signalétique.
- ## Dégagements D'installation
- Dégagement minimum pour constructions combustibles et incombustibles : Côtés de 1 po (25mm) et arrière de 6 po (152mm). Convient pour installation sur sols combustibles. Les pieds doivent être installés.
- ## Préparation
1. Retirer soigneusement l'appareil de son emballage. Enlever les fils d'attache des brûleurs et les autres matériaux d'emballage. Pour les unités en acier inoxydable, retirer le revêtement protecteur immédiatement après l'installation de l'appareil.
 2. L'appareil doit être monté sur les pieds fournis par l'usine. Consulter la section « INSTALLATION DES PIEDS » pour plus de détails.
 3. Laisser des dégagements suffisants pour l'entretien et l'utilisation de l'appareil.
 4. Pour la sécurité : maintenir la zone d'installation de l'appareil dégagée et libre de tout matériau combustible.
 5. Ces appareils doivent être installés sous un système de ventilation adéquat. Consulter les sections « Ventilation » et « Alimentation en air » pour plus de renseignements.

Ventilation

Cet appareil doit être installé dans un local disposant des équipements de ventilation permettant une combustion satisfaisante du gaz et une bonne ventilation. Une bonne ventilation est indispensable pour le bon fonctionnement de l'appareil. La méthode idéale de ventilation est constituée par une hotte de ventilation bien conçue, dont les dimensions dépassent celles de l'appareil d'au moins 6 po / 152 mm sur tout son périmètre (sauf le mur si la hotte est installée sur le mur). Ceci fait habituellement partie d'un système de ventilation mécanique.

Alimentation En Air

1. Il est nécessaire d'assurer un apport d'air frais pour compenser les quantités d'air évacuées par le système de ventilation. Dans le cas contraire, il se crée une pression atmosphérique inférieure à la normale qui nuira au bon fonctionnement de l'appareil et créera des conditions de travail indésirables.
2. Les appareils doivent être installés de façon à ne pas créer d'interréférences dans la circulation d'air de l'espace confiné. Tous les brûleurs de gaz et les veilleuses ont besoin de suffisamment d'air pour fonctionner.
3. Éviter de placer des objets de grandes dimensions devant l'appareil, qui pourraient obstruer le flux d'air à l'avant de l'appareil. Ne pas obstruer le flux d'air de combustion et de ventilation.
4. Éviter que des ventilateurs soufflent directement sur l'appareil et, dans la mesure du possible, éviter d'ouvrir des fenêtres près des côtés et de l'arrière de l'appareil et éviter également les ventilateurs muraux qui créent des courants d'air dans la pièce.

Installation Sous Une Hotte De Ventilation

Un tirage excessif du système de ventilation aspire trop rapidement l'air chaud de l'appareil et cause une cuisson inégale (fonds bien cuits, dessus pas assez cuits). Tous les fours fonctionnant sous une hotte de ventilation doivent être équipés d'un ensemble de déflecteur de conduit de fumée de hotte (fourni) pour compenser un tirade trop fort.

1. Vérification des dommages. Inspecter le carton ou la caisse pour détecter des dommages possibles de transport. Après avoir soigneusement déballé l'appareil, rechercher tout dommage « caché ». En informer immédiatement le transporteur.

2. Le type de gaz pour lequel l'appareil a été fabriqué est indiqué sur la plaque signalétique et l'on doit utiliser le type de gaz indiqué.

3. La pression de gaz doit être vérifiée au moment de l'installation de l'appareil pour s'assurer que la pression est identique à celle indiquée sur la plaque signalétique. Si nécessaire, faire les réglages à l'aide du régulateur de pression fourni avec chaque unité.

4. La pression de gaz doit être vérifiée par un spécialiste afin de s'assurer que les caractéristiques de l'installation existante (compteur, canalisations, etc.) peuvent fournir à l'appareil le nombre de BTU de gaz nécessaire et ce avec un chute de pression inférieure à 1/2 po de colonne d'eau. Lors de la vérification de la pression, s'assurer que tous les équipements installés sur la même canalisation de gaz se trouvent en position de marche.

5. S'assurer que les nouvelles canalisations, joints et branchements ont été faits de manière correcte et purgés de façon à ce que les débris d'installation ne puissent boucher les veillesuses, les robinets ou les commandes. Utiliser de la pâte à joints recommandée pour les installations de GPL.

6. **AVERTISSEMENT:** Vérifier les branchements de gaz pour détecter les fuites, en utilisant une solution savonneuse ou d'autres méthodes similaires. **NE PAS UTILISER UNE FLAMME NUE POUR LA VÉRIFICATION.**

Plaque Signalétique

Les consommations thermiques de tous les brûleurs sont indiquées sur la plaque avec le numéro de série sur le panneau latéral droit de l'appareil.

Pour correspondre avec l'usine ou le centre de service agréé local concernant des problèmes de service ou des pièces de rechange, bien faire référence à l'appareil avec le numéro de modèle correct (comprenant les lettres et chiffres du préfixe et du suffixe) et le numéro de série de garantie. La plaque signalétique fixée à l'appareil contient ces informations.

Nous suggérons de faire faire l'installation, l'entretien et les réparations par une agence de service agréée locale figurant dans la manuel d'informations.

En cas de questions concernant l'installation, l'utilisation, l'entretien ou la réparation du produit, écrire ou communiquer avec le département de service des produits. Ce produit doit être installé par du personnel professionnel tel que spécifié. Les produits Garland/US. Range ne sont pas agréés ni autorisés pour une utilisation personnelle ou résidentielle, mais sont destinés à des applications commerciales seulement. Garland / U.S. Range n'offre pas de services de réparation, garantie, entretien ou soutien de n'importe quelle sorte pour des applications autres que commerciales.

Branchements Du Gaz

La taille du collecteur d'entrée pour l'arrivée principale de gaz est de (1) 3/4 po NPT pour chaque section de four. On n'insistera jamais assez sur l'importance d'une installation correcte de l'équipement de cuisson au gaz professionnel. Les performances de l'équipement dépendent, en grande partie, de la conformité de l'installation aux spécifications du fabricant. De plus, l'installation doit être conforme aux codes locaux ou, en l'absence de codes locaux, au National Fuel Gas Code, ANSI Z223.1, Code d'installation du gaz naturel, CAN/CGA-B149.1 ou au Code d'installation du propane, CAN/CGA-B149.2, selon les cas.

1. L'appareil et son robinet d'arrêt individuel doivent être débranchés de la canalisation d'alimentation en gaz pendant tout essai de pression du système d'alimentation dès lors que les pressions d'essai dépassent 1/2 lb/po² (3,45 kPa). L'appareil doit être isolé de la canalisation d'alimentation par la fermeture de sa son robinet d'arrêt individuel pendant tout essai de pression du système d'alimentation dès lors que les pressions d'essai sont égales ou inférieures à 1/2 lb/po² (3,45 kPa).

Avant de procéder à l'assemblage ou au branchement, vérifier l'alimentation de gaz.

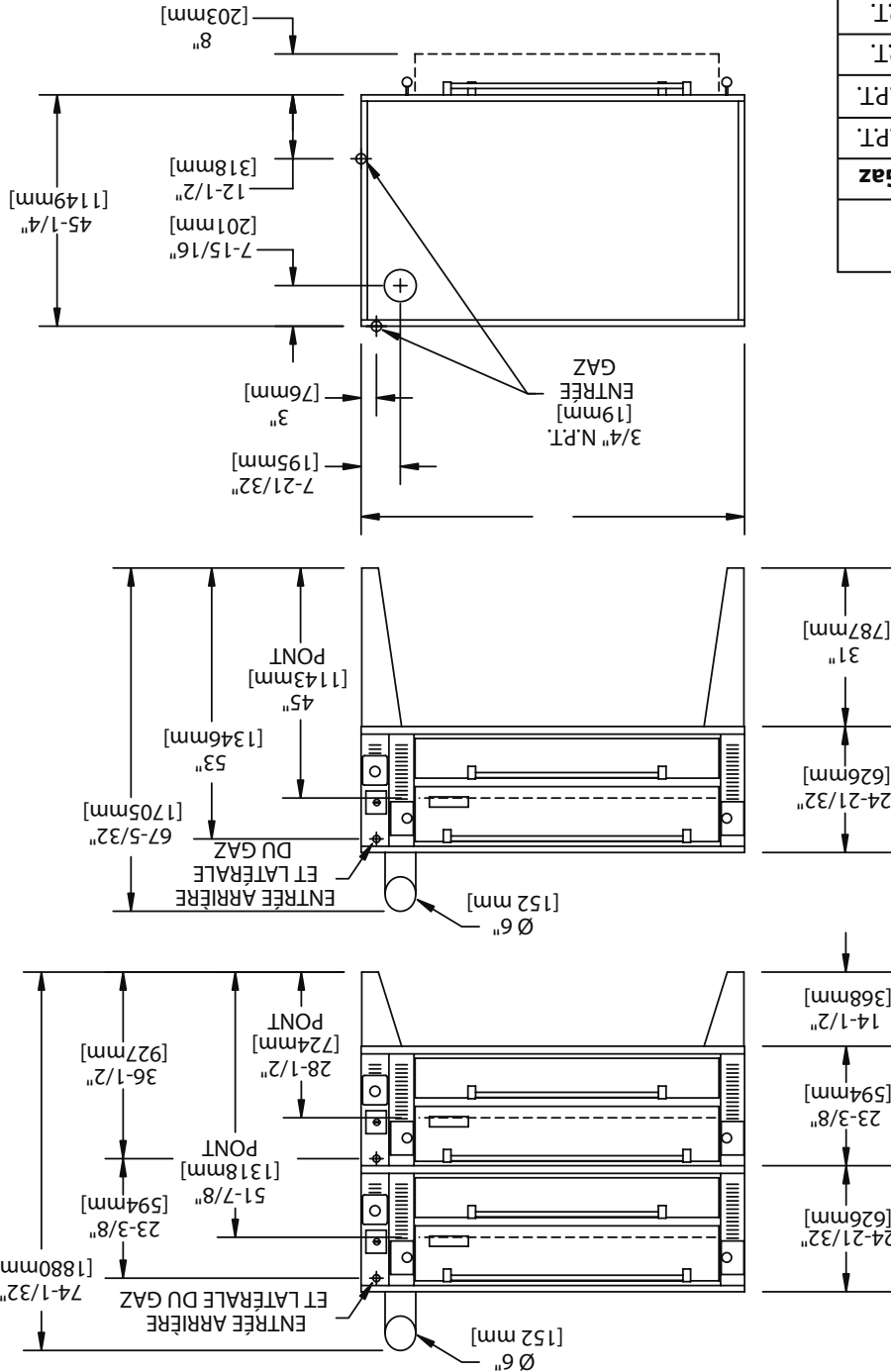
A. Le type de gaz pour lequel est l'appareil est calibré est estampillé sur la plaque signalétique située derrière le panneau inférieur avant. Brancher les unités estampillées « NAT » sur le gaz naturel uniquement. Les unités estampillées « PRO » doivent être branchées uniquement sur le propane.

Modèle	Dimensions Intérieures : Po (mm)					Dimensions Extérieures : Po (mm)				
	L	H	P	L	H	L	H	P	L	H
GPD60-2	60 (1524)	8 (203)	36 (914)	75 (1905)	62-1/2 (1588)	45-1/4 (1149)				
GPD48-2	48 (1220)	8 (203)	36 (914)	63 (1600)	62-1/2 (1588)	45-1/4 (1149)				
GPD60	60 (1524)	8 (203)	36 (914)	75 (1905)	52-3/4 (1340)	45-1/4 (1149)				
GPD48	48 (1220)	8 (203)	36 (914)	63 (1600)	52-3/4 (1340)	45-1/4 (1149)				
	L	H	P	L	H	H (avec pieds)				

SPÉCIFICATIONS D'ENTRÉE Gaz Naturel Ou Propane			
MODÈLE	BTU/HR	KW	Entrée Gaz
GPD60-2	244 000	71,4	1Po N.P.T.
GPD48-2	192 000	56,2	1Po N.P.T.
GPD60	122 000	35,7	3/4 Po N.P.T.
GPD48	96 000	28,1	3/4 Po N.P.T.

Notes D'installation	
Cégagements Par Rapport Aux Murs Incombustibles Et Combustibles	Côtés Arrière
Dégagement D'Entrée:	1Po (152mm) 6Po (152mm)
En Caisse	Déballé
35 Po (89mm)	26 Po (66mm)
Pression De Fonctionnement Du Collecteur	
Gaz Naturel	Propane
6 Po CE (15mbar)	10 Po CE (25mbar)

Les débits calorifiques s'appliquent à des installations de gaz naturel inférieures à 2000 pi (610 m) d'altitude au-dessus du niveau de la mer. Les débits calorifiques en BTU doivent être réduits en cas d'installation dans des altitudes élevées. Spécifier l'altitude d'installation du produit en si elle est supérieure à 2 000 pieds (610 m).
Ce produit n'est pas homologué pour un usage domestique



DIMENSIONS ET SPÉCIFICATIONS SÉRIE GPD

2..... **INFORMATIONS IMPORTANTES**

4..... **DIMENSIONS ET SPÉCIFICATIONS SÉRIE GPD**

5..... **INSTALLATION**

5..... Plaque Signalétique

5..... Branchements Du Gaz

6..... Dégagements D'installation

6..... Préparation

6..... Ventilation

6..... Alimentation En Air

6..... Installation Sous Une Hotte De Ventilation

7..... Installation Avec Une Ventilation Directe

8..... **INSTRUCTIONS D'ASSEMBLAGE**

8..... Installation Des Pieds

8..... Installation De La Sole

8..... Assemblage Du Four À Deux Sections

8..... Branchement De Gaz:

10..... **RÉGLAGES**

10..... Réglages de pression du gaz

10..... Réglages De Flamme Et Du Mélange D'air

10..... Réglage De La Flamme De Dérivation:

11..... Etalonnage

11..... Défecteurs De Flammes

12..... **FONCTIONNEMENT**

12..... Rodage

12..... Instructions D'allumage Et D'arrêt:

13..... **NETTOYAGE**

13..... Extérieur Du Four

13..... Intérieur du four

13..... Plaques de sole

14..... **GUIDE DE DÉPANNAGE**

Maintenir les abords de l'appareil dégagés et ne pas y stocker de produits combustibles

AVERTISSEMENT

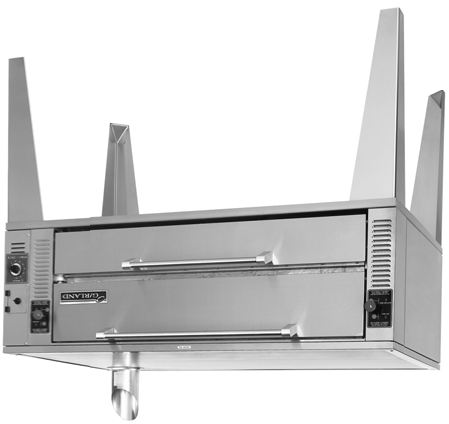
Ce produit contient des produits chimiques reconnus par l'état de Californie comme causant le cancer et/ou des malformations congénitales ou d'autres problèmes de reproduction. L'installation et l'entretien de ce produit peut vous exposer aux poussières de laine de verre/fibres céramiques. L'inhalation de ces particules de laine de verre ou de fibres céramiques est reconnue par l'état de Californie comme causant le cancer. L'utilisation de ce produit peut vous exposer au monoxyde de carbone en cas de mauvais réglage. L'inhalation de monoxyde de carbone est reconnue par l'état de Californie comme pouvant causer des malformations congénitales ou d'autres problèmes reproductifs.



**INSTRUCTIONS
D'INSTALLATION ET
D'UTILISATION
DES FOURS À PIZZA
GARLAND
SÉRIE GPD À GAZ**



<p>NE PAS STOCKER NI UTILISER D'ESSENCE OU D'AUTRES VAPEURS OU LIQUIDES INFLAMMABLES À PROXIMITÉ DE CET APPAREIL OU DE TOUT AUTRE APPAREIL</p>	<p>AVERTISSEMENT UNE INSTALLATION, DES RÉGLAGES, DES MODIFICATIONS, DES RÉPARATIONS OU UN ENTRETIEN MAL FAITS PEUVENT CAUSER DES DOMMAGES MATÉRIELS, DES BLES- SURES OU LA MORT. LIRE SOIGNEUSE- MENT LES INSTRUCTIONS D'INSTALLATION, D'UTILISATION ET D'ENTRETIEN AVANT D'INSTALLER OU DE RÉPARER L'ÉQUIPEMENT.</p>
---	--



LIRE TOUTES LES SECTIONS DU PRÉSENT
MANUEL ET LE CONSERVER POUR S'Y REPORTER
ULTÉRIEUREMENT.

CE PRODUIT A ÉTÉ HOMOLOGUÉ EN TANT
QU'ÉQUIPEMENT PROFESSIONNEL DE CUISSON
ET DOIT ÊTRE INSTALLÉ PAR DU PERSONNEL
PROFESSIONNEL TEL QUE SPÉCIFIÉ.

DANS L'ÉTAT DU MASSACHUSETTS, CE PRODUIT
DOIT ÊTRE INSTALLÉ PAR UN PLOMBIER OU UN
MONTEUR D'INSTALLATION AU GAZ. NUMÉRO
D'AUTORISATION : G-1-07-05-28

Pour votre sécurité
Placer dans un endroit bien en vue les
instructions à suivre en cas d'odeur de gaz
détectée par l'utilisateur. Cette information peut
être obtenue auprès du fournisseur de gaz local.

L'attention des utilisateurs est attirée sur le fait que l'entretien et les réparations doivent être effectués par un agent d'entretien autorisé par Garland utilisant des pièces de rechange d'origine Garland. Garland n'aura aucune obligation en ce qui concerne n'importe quel produit mal installé, réglé, utilisé ou qui n'aurait pas été entretenu conformément aux codes nationaux et locaux ou aux instructions d'installation fournies avec le produit ou n'importe quel produit dont le numéro de série aurait été mutilé, oblitéré ou supprimé ou qui aurait été modifié ou réparé avec des pièces non autorisées ou par des agents d'entretien non autorisés. Pour obtenir la liste des agents de service autorisés, consulter le site web de Garland à : <http://www.garland-group.com>. Les renseignements contenus dans le présent document (y compris la conception et les spécifications des pièces) peuvent être remplacés ou modifiés sans préavis.

GARLAND COMMERCIAL INDUSTRIES
185 East South Street
Freeland, Pennsylvanie 18224
Téléphone : (570) 636-1000
Télécopieur : (570) 636-3903
Pièce n° 1844063 Rev 1 (01/30/08)

GARLAND COMMERCIAL RANGES, LTD.
1177 Kamato Road, Mississauga, Ontario L4W 1X4
CANADA
Téléphone : 905-624-0260
Télécopieur : 905-624-5669

Enodis UK LTD.
Swallowfield Way, Hayes, Middlesex UB3 1DQ
ANGLETERRE
Téléphone : 081-561-0433
Télécopieur : 081-848-0041