

GT Series Heavy Duty Gas Counter Equipment

Parts List

Models

GTOG

GTGG

GTBG

Quality Factory Replacement Parts for the World's Finest Foodservice Equipment Solutions

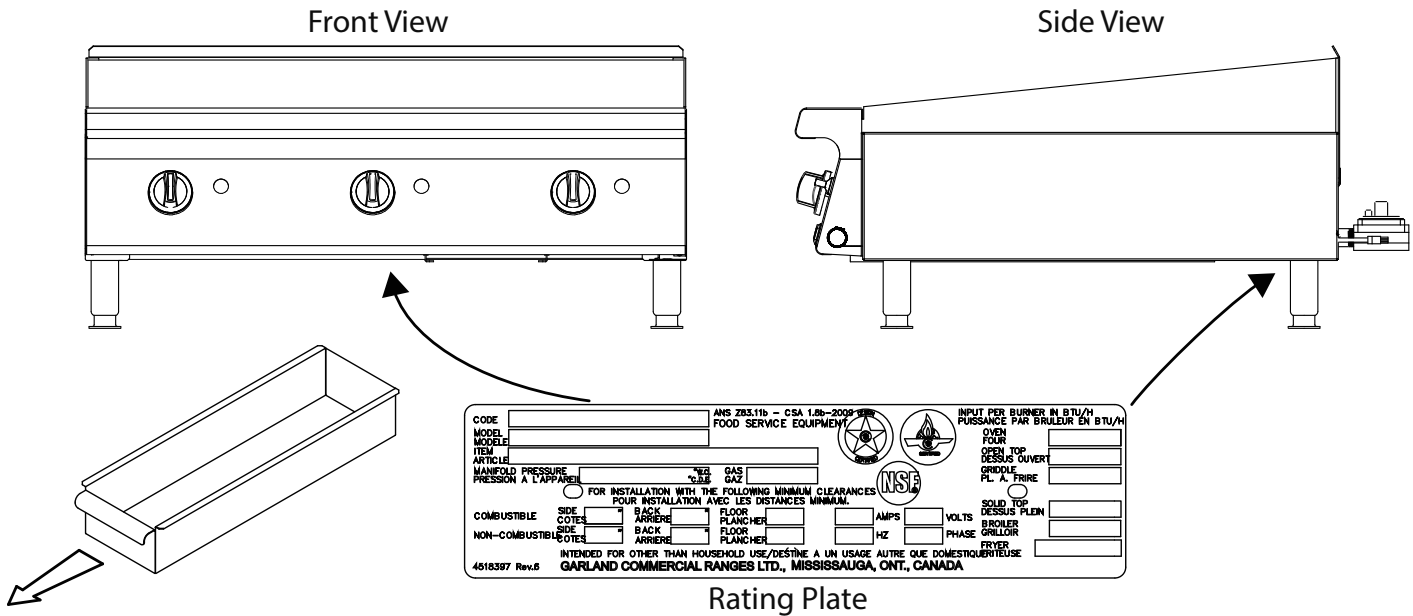
This parts list is updated regularly. Please find the most current revision
on our website @ www.Garland-Group.com

Table of Contents

Rating Plate Location, Serial# and Model Code Interpretation.....	4
Open Top — GTOG__-__	6
Open Top Step-Up — GTOG__-SU_.....	10
Griddle, Hi/Low Control — GTGG__-G__	14
<i>(For units manufactured up to: 31-Mar-2011 / serial# 1103100199999)</i>	
Griddle, Hi/Low Control — GTGG__-G__	18
<i>(For units manufactured from: 01-Apr-2011 / serial# 1104100100001)</i>	
Griddle, Hi/Low Control — GTGG__-G__M	22
Griddle, Thermostatic Control — GTGG__-GT__	26
<i>(For units manufactured up to: 31-Mar-2011 / serial# 1103100199999)</i>	
Griddle, Thermostatic Control — GTGG__-GT__ — Thermostat Control Assembly Details	28
<i>(For units manufactured up to: 31-Mar-2011 / serial# 1103100199999)</i>	
Griddle, Thermostatic Control — GTGG__-GT__	32
<i>(For units manufactured from: 01-Apr-2011 / serial# 1104100100001)</i>	
Griddle, Thermostatic Control — GTGG__-GT__ — Thermostat Control Assembly Details	34
<i>(For units manufactured from: 01-Apr-2011 / serial# 1104100100001)</i>	
Griddle, Thermostatic Control — GTGG__-GT__M	38
Broiler, Fixed Radiant (with Center Filler) — GTBG__-NR__	42
<i>(For units manufactured up to: 18-Nov-2010 / serial# 1011100100553)</i>	
Broiler, Fixed Radiant — GTBG__-NR__	46
<i>(For units manufactured from: 19-Nov-2010 / serial# 1011100100554)</i>	
Broiler, Adjustable Radiant — GTBG__-AR__	52
Broiler, Adjustable Charcoal — GTBG__-AB__	56
Equipment Stands.....	60
Cove Mount	62
Condiment Rail	63
Gas Conversion Kits — Natural to Propane	64
Gas Conversion Kits — Propane to Natural	65
Critical & Recommended Stock Parts List	66
Related Bulletins	67
Revision History.....	67

Rating Plate Location

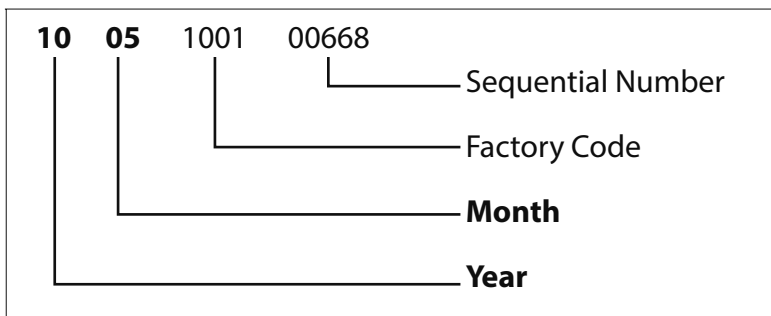
The rating plate is affixed to a bracket mounted at the rear of the unit but visible from the front. The grease drawer may need to be removed to view the rating plate.



Serial# - Year/Month Information

From June 2004 to Present:

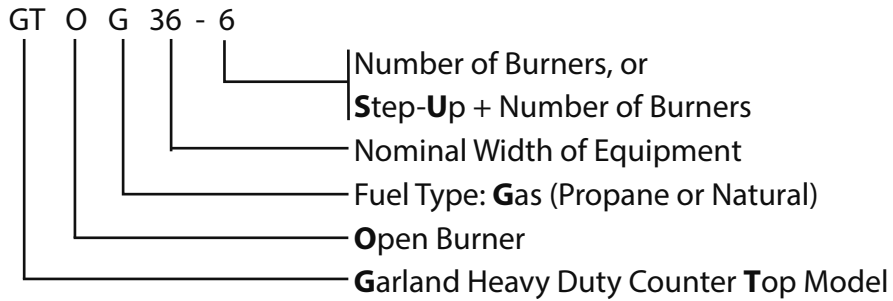
The Serial Number is **13 Digits** long and is stamped on the Rating Plate.
 See "Rating Plate Location".



Model Code Interpretation

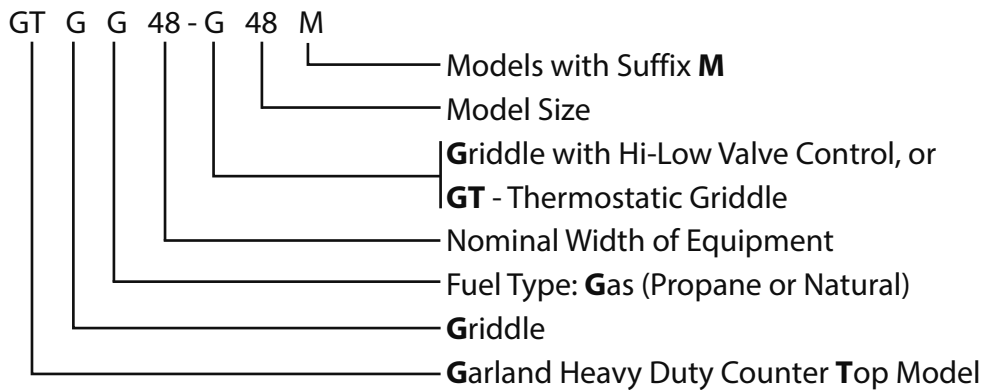
Open Top Models:

- GTOG__-__ Open Top Model
- GTOG__-SU__ Open Top Step-Up Model



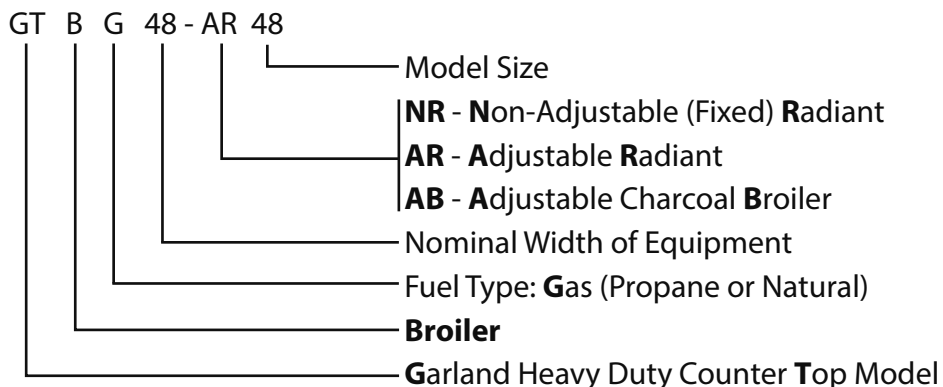
Griddle Models:

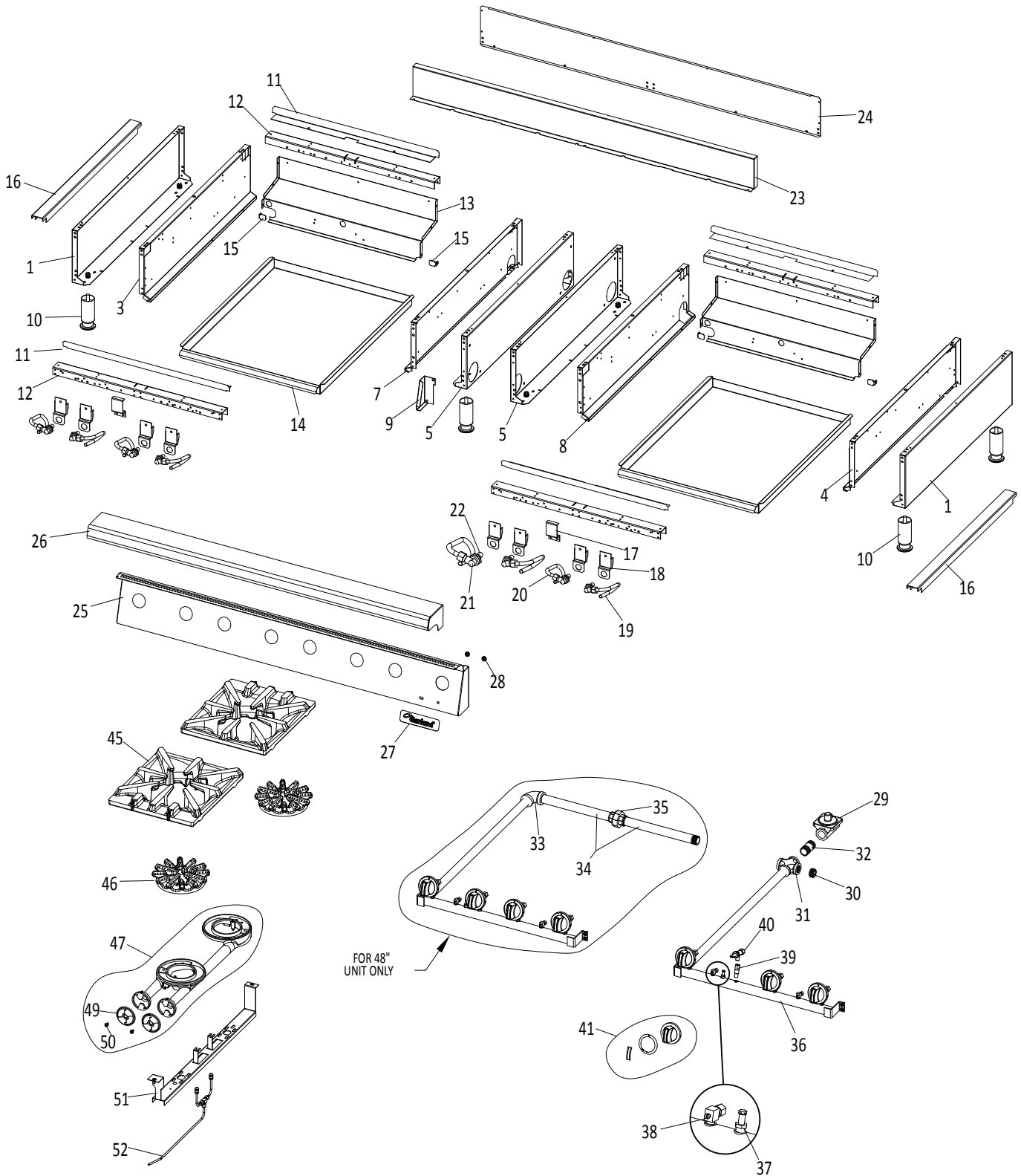
- GTGG__-G__ Valve-Controlled Griddle Model (*out-of-production*)
- GTGG__-G__M Valve-Controlled Griddle Model with Suffix M
- GTGG__-GT__ Thermostat-Controlled Griddle Model (*out-of-production*)
- GTGG__-GT__M Thermostat-Controlled Griddle Model with Suffix M



Broiler Models:

- GTBG__-NR__ Non-Adjustable (Fixed) Radiant Broiler Model
- GTBG__-AR__ Adjustable Radiant Broiler Model
- GTBG__-AB__ Adjustable Charcoal Broiler Model





GARLAND PARTS IDENTIFICATION
Heavy Duty Counter Line Open Top
models **GTOG12-2, GTOG24-4, GTOG36-6, GTOG48-8**

ITEM	PART #	DESCRIPTION	QUANTITY				CRITICAL
			12	24	36	48	
1	4528274	Body Side Outer W/Hex Nuts	2	2	2	2	
3	4528275	Body Side Inner Left	1	1	1	1	
4	4528276	Body Side Inner Right	1	1	1	1	
5	4528277	Body Side Center W/Hex Nuts				2	
7	4528279	Body Side Center Inner Right				1	
8	4528278	Body Side Center Inner Left				1	
9	4528245	Valve Panel Center Support				1	
10	4528395	4" Adjustable S/S Leg	4	4	4	6	
11	4527962	12" Drip Angle	2				
	4523186	24" Drip Angle		2		4	
	4523069	36" Drip Angle			2		
12	4527961	12" Main Channel	2				
	4523184	24" Main Channel		2		4	
	4523068	36" Main Channel			2		
13	4528342	12" Main Rear Panel	1				
	4528280	24" Main Rear Panel		1		2	
	4528281	36" Main Rear Panel			1		
14	4528144	12" Drip Tray	1				
	4528145	24" Drip Tray		1		2	
	4528146	36" Drip Tray			1		
15	4528149	Drip Tray Stop	2	2	2	4	
16	4523087	Grate Support Rail		1	2	2	
17	4523194	Rail Support Bracket		1	1	2	
18	4528292	Orifice Bracket Otb	2	4	6	8	
19	4528271	Tube Valve-Orifice Otb Right	1	2	3	4	
20	4528272	Tube Valve-Orifice Otb Left	1	2	3	4	
21	2431900	Orifice Fitting - 3/8 Tubing	2	4	6	8	C
22	M9-36	Small Orifice #36 - For Natural Gas	2	4	6	8	C
	M9-53	Small Orifice #53 - For Propane Gas					
23	4528284	Front Panel Bkgrd - 12" Open Top	1				
	4528285	Front Panel Bkgrd - 24" Open Top		1			
	4528286	Front Panel Bkgrd - 36" Open Top			1		
	4528287	Front Panel Bkgrd - 48" Open Top				1	
24	4528288	Rear Panel Bkgrd - 12" Open Top	1				
	4528289	Rear Panel Bkgrd - 24" Open Top		1			
	4528290	Rear Panel Bkgrd - 36" Open Top			1		
	4528291	Rear Panel Bkgrd - 48" Open Top				1	
25	4528231	Valve Panel - 12" Open Top	1				
	4528232	Valve Panel - 24" Open Top		1			
	4528233	Valve Panel - 36" Open Top			1		
	4528234	Valve Panel - 48" Open Top				1	
26	4528246	Front Rail - 12"	1				
	4528247	Front Rail - 24"		1			
	4528248	Front Rail - 36"			1		
	4528249	Front Rail - 48"				1	
27	4529725	Garland Logo Small	1	1	1	1	
28	F640	Pal Nut	2	2	2	2	
29	2127502	Regulator 4.5" W/C - For Natural Gas	1	1	1	1	C
	2127500	Regulator 10" W/C - For Propane Gas					
30	4528326	3/4-14 Npt Square Socket Plug	1	1	1	1	

* NOT ILLUSTRATED

RECOMMENDED STOCK PARTS

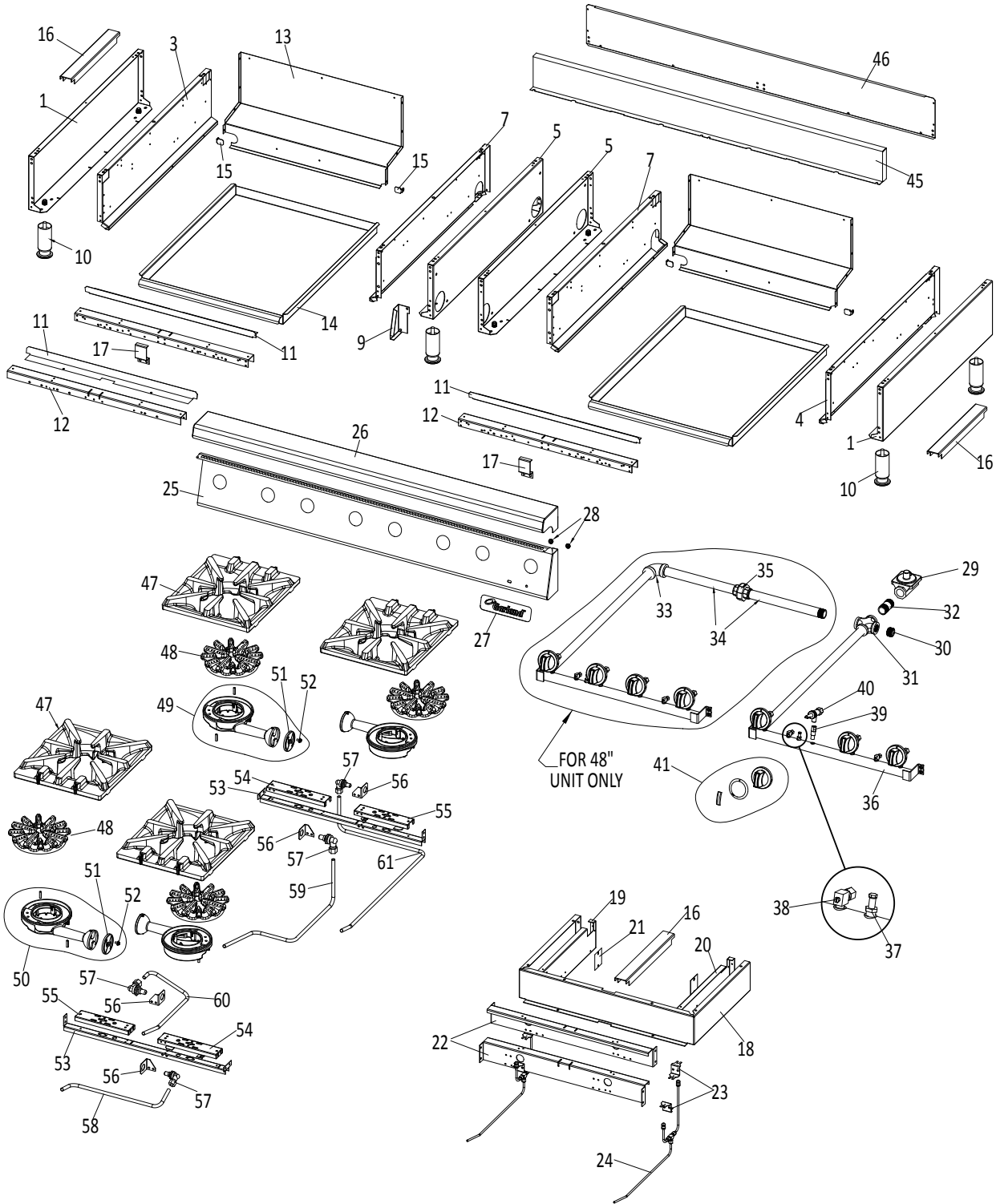
GARLAND PARTS IDENTIFICATION
Heavy Duty Counter Line Open Top
models **GTOG12-2, GTOG24-4, GTOG36-6, GTOG48-8**

ITEM	PART #	DESCRIPTION	QUANTITY				CRITICAL
			12	24	36	48	
31	4528727	3/4-14 Npt Cross Fitting				1	
	G01476-2	3/4-14 Npt Tee Fitting	1	1	1		
32	G01738-14	3/4-14 Npt X 2" Long Nipple	1	1	1	1	
33	G01474-5	3/4-14 Npt 90 Deg Elbow				1	
34	G01738-20	3/4-14 Npt X 10-5/8" Long Nipple				2	
35	G01963-1	3/4-14 Npt Union Fitting				1	
36	4528141	12" Manifold Assembly	1				
	4528142	24" Manifold Assembly		1		2	
	4528143	36" Manifold Assembly			1		
37	G02251-1	Pressure Test Spigot	1	1	1	2	
38	G03674-2	90 Deg Gum Valve - 3/16 Tubing	1	2	3	4	C
39	4528273	Valve Extension	2	4	6	8	C
40	227005	Gas Valve 1/8 Npt - 3/8 Tubing	2	4	6	8	C
41	CK4528835	GT/UT Open Top Knob Assembly	2	4	6	8	C
45	4523696	Garland Open Top Grate	2	4	6	8	
46	4522270	Garland Star Burner Head	2	4	6	8	
47	4522264	Dual Venturi Assembly	1	2	3	4	
49	4522266	Dual Venturi Air Shutter	2	4	6	8	
50	F43	#10-24 X 3/8" Long Hex Bolt W/Washer	2	4	6	8	
51	4523090	Burner Rest - Open Top	1	2	3	4	
52	4528340	GT/UT Open Top Pilot Tube Assembly	1	2	3	4	C

* NOT ILLUSTRATED

RECOMMENDED STOCK PARTS

NOTES



GARLAND PARTS IDENTIFICATION

Heavy Duty Counter Line Open Top Step-Up models GTOG24-SU4, GTOG36-SU6, GTOG48-SU8

ITEM	PART #	DESCRIPTION	QUANTITY			CRITICAL
			24	36	48	
1	CK4528343	Body Side Outer W/Hex Nuts	2	2	2	
3	4528275	Body Side Inner Left	1	1	1	
4	4528276	Body Side Inner Right	1	1	1	
5	CK4528609	Body Side Center W/Hex Nuts			2	
7	4528279	Body Side Center Inner Right			1	
8	4528278	Body Side Center Inner Left			1	
9	4528245	Valve Panel Center Support			1	
10	4528395	4" Adjustable S/S Leg	4	4	6	
11	4523186	24" Drip Angle	2		4	
	4523069	36" Drip Angle		2		
12	4523184	24" Main Channel	2		4	
	4523068	36" Main Channel		2		
13	4528282	24" Main Rear Panel Step Up	1		2	
	4528283	36" Main Rear Panel Step Up		1		
14	4528145	24" Drip Tray	1		2	
	4528146	36" Drip Tray		1		
15	4528149	Drip Tray Stop	2	2	4	
16	4528261	Grate Support Rail Step Up	2	4	4	
17	4523194	Rail Support Bracket	1	1	2	
18	4528263	Wrapper 24" Step Up	1		2	
	4528264	Wrapper 36" Step Up		1		
19	4528253	Inner Wrapper Left	1	1	2	
20	4528254	Inner Wrapper Right	1	1	2	
21	4528252	Patch Step Up Wrapper	2	2	4	
22	4528262	Channel 24" Step Up	2		4	
	4528334	Channel 36" Step Up		2		
23	4528260	Pilot Brkt G Step Up	4	6	8	
24	4528341	GT/UT Step Up Pilot Tube Assembly	2	3	4	C
25	4528232	Valve Panel - 24" Open Top	1			
	4528233	Valve Panel - 36" Open Top		1		
	4528234	Valve Panel - 48" Open Top			1	
26	4528247	Front Rail - 24"	1			
	4528248	Front Rail - 36"		1		
	4528249	Front Rail - 48"			1	
27	4529725	Garland Logo Small	1	1	1	
28	F640	Pal Nut	2	2	2	
29	2127502	Regulator 4.5" W/C - For Natural Gas	1	1	1	C
	2127500	Regulator 10" W/C - For Propane Gas				
30	4528326	3/4-14 Npt Square Socket Plug	1	1	1	
31	4528727	3/4-14 Npt Cross Fitting			1	
	G01476-2	3/4-14 Npt Tee Fitting	1	1		
32	G01738-14	3/4-14 Npt X 2" Long Nipple	1	1	1	
33	G01474-5	3/4-14 Npt 90 Deg Elbow			1	
34	G01738-20	3/4-14 Npt X 10-5/8" Long Nipple			2	
35	G01963-1	3/4-14 Npt Union Fitting			1	
36	4528142	24" Manifold Assembly	1		2	
	4528143	36" Manifold Assembly		1		
37	G02251-1	Pressure Test Spigot	1	1	2	
38	G03674-2	90 Deg Gum Valve - 3/16 Tubing	2	3	4	C
39	4528273	Valve Extension	4	6	8	C

* NOT ILLUSTRATED

RECOMMENDED STOCK PARTS

GARLAND PARTS IDENTIFICATION

Heavy Duty Counter Line Open Top Step-Up models GTOG24-SU4, GTOG36-SU6, GTOG48-SU8

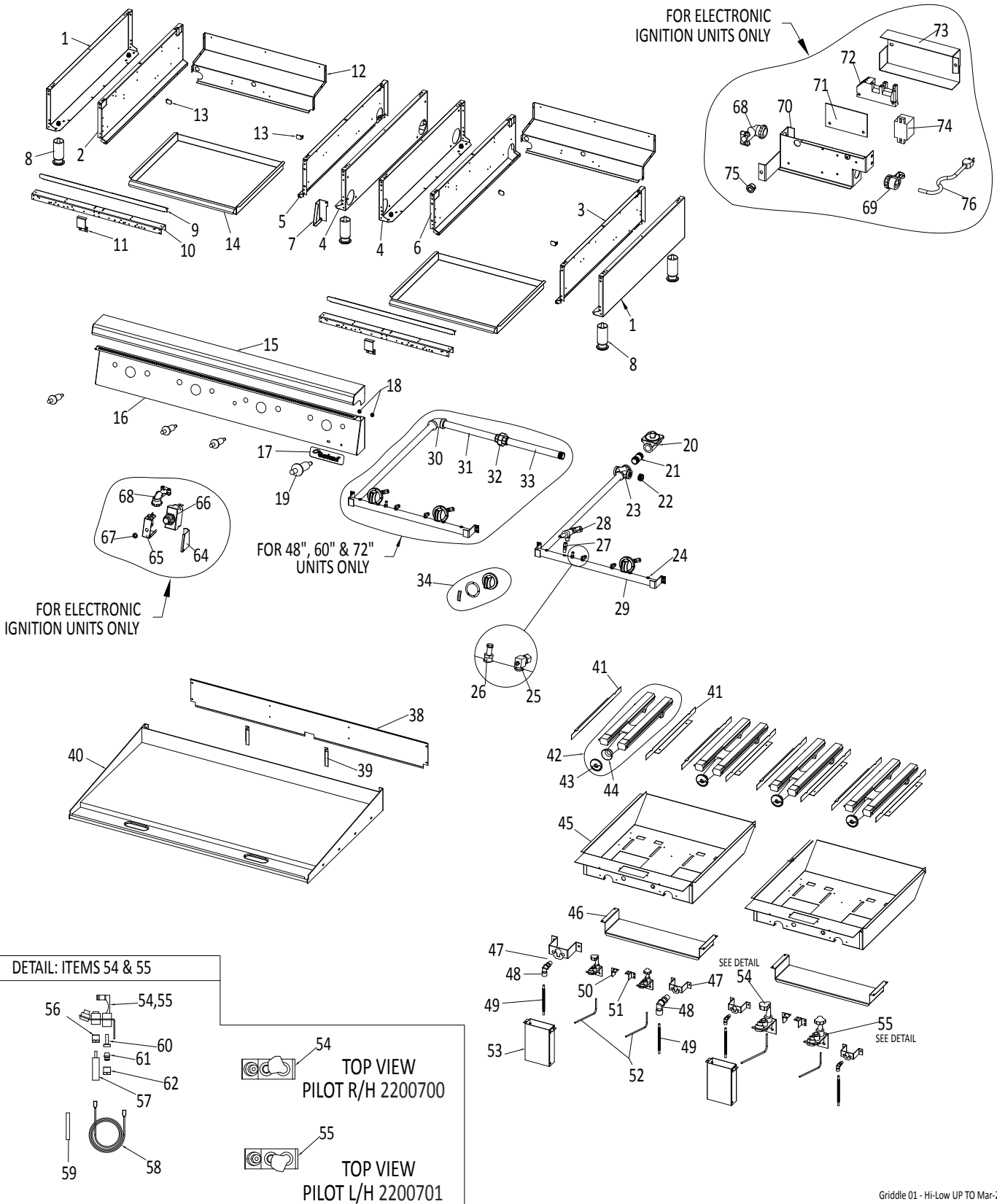
ITEM	PART #	DESCRIPTION	QUANTITY			CRITICAL
			24	36	48	
40	227005	Gas Valve 1/8 Npt - 3/8 Tubing	4	6	8	C
41	CK4528835	GT/UT Open Top Knob Assembly	4	6	8	C
45	4528285	Front Panel Bkgrd - 24" Open Top	1			
	4528286	Front Panel Bkgrd - 36" Open Top		1		
	4528287	Front Panel Bkgrd - 48" Open Top			1	
46	4528289	Rear Panel Bkgrd - 24" Open Top	1			
	4528290	Rear Panel Bkgrd - 36" Open Top		1		
	4528291	Rear Panel Bkgrd - 48" Open Top			1	
47	4523696	Garland Open Top Grate	4	6	8	
48	4522270	Garland Star Burner Head	4	6	8	
49	CK4528265	Single Venturi Left W/Shutter & Pins (Pos2)	2	4	4	
50	CK4528266	Single Venturi Right W/Shutter & Pins (Pos1)	2	2	4	
51	4522266	Venturi Air Shutter	4	6	8	
52	F43	#10-24 X 3/8" Long Hex Bolt W/Washer	4	6	8	
53	4528255	Burner Rest 24" Step Up	2		4	
	4528256	Burner Rest 36" Step Up		2		
54	4528257	Burner Support Right Step Up	2	2	4	
55	4528258	Burner Support Left Step Up	2	4	4	
56	4528259	Orifice Bracket Step Up	4	6	8	
57A	2431900	Orifice Fitting	4	6	8	C
57B	M8-36	Small Orifice #36 - For Natural Gas	4	6	8	C
	M8-1.6	Small Orifice 1.6Mm - For Propane Gas				
58	4528267	Tube Valve To Burner Step Up #1	1	1	2	
59	4528268	Tube Valve To Burner Step Up #2	1	2	2	
60	4528269	Tube Valve To Burner Step Up #3	1	2	2	
61	4528270	Tube Valve To Burner Step Up #4	1	1	2	

* NOT ILLUSTRATED

RECOMMENDED STOCK PARTS

NOTES

**FOR UNITS MANUFACTURED UP TO:
31-MAR-2011 / SERIAL# 1103100199999**



GARLAND PARTS IDENTIFICATION

Heavy Duty Counter Line Hi/Low Griddle

models GTGG24-G24, GTGG36-G36, GTGG48-G48, GTGG60-G60, GTGG72-G72

(For units manufactured UP TO: 31-MAR-2011 / SERIAL# 1103100199999)

ITEM	PART #	DESCRIPTION	QUANTITY					CRITICAL
			24	36	48	60	72	
1	CK4528343	Body Side Outer W/Hex Nuts	2	2	2	2	2	
2	4528275	Body Side Inner Left	1	1	1	1	1	
3	4528276	Body Side Inner Right	1	1	1	1	1	
4	CK4528609	Body Side Center W/Hex Nuts			2	2	2	
5	4528279	Body Side Center Inner Right			1	1	1	
6	4528278	Body Side Center Inner Left			1	1	1	
7	4528245	Valve Panel Center Support			1	1	1	
8	4528395	4" Adjustable S/S Leg	4	4	6	6	6	
9	4523186	24" Drip Angle	1		2	1		
	4523069	36" Drip Angle		1		1	2	
10	4523184	24" Main Channel	1		2	1		
	4523068	36" Main Channel		1		1	2	
11	4523194	Rail Support Bracket	1	1	2	2	2	
12	4528280	24" Main Rear Panel	1		2	1		
	4528281	36" Main Rear Panel		1		1	2	
13	4528149	Drip Tray Stop	2	2	4	4	4	
14	4528147	24" Griddle Drip Tray	1		2	1		
	4528148	36" Griddle Drip Tray		1		1	2	
15	4528247	Front Rail - 24"	1					
	4528248	Front Rail - 36"		1				
	4528249	Front Rail - 48"			1			
	4528250	Front Rail - 60"				1		
	4528251	Front Rail - 72"					1	
16	4528240	Valve Panel - 24" Hi/Low Griddle	1					
	4528241	Valve Panel - 36" Hi/Low Griddle		1				
	4528242	Valve Panel - 48" Hi/Low Griddle			1			
	4528243	Valve Panel - 60" Hi/Low Griddle				1		
	4528244	Valve Panel - 72" Hi/Low Griddle					1	
17	4529725	Garland Logo Small	1	1	1	1	1	
18	F640	Pal Nut	2	2	2	2	2	
19	1309201	Piezo Igniter Note: ONLY for units with Piezo Ignition. NOT for Electronic Ignition models.	2	3	4	5	6	C
20	2127502	Regulator 4.5" W/C - For Natural Gas	1	1	1	1	1	C
	2127500	Regulator 10" W/C - For Propane Gas						
21	G01738-14	3/4-14 Npt X 2" Long Nipple	1	1	1	1	1	
22	4528326	3/4-14 Npt Square Socket Plug	1	1	1	1	1	
23	4528727	3/4-14 Npt Cross Fitting			1	1	1	
	G01476-2	3/4-14 Npt Tee Fitting	1	1				
24	2203400	1/8 Npt Steel Hex Plug	2	3	4	5	6	
25	G03674-2	90 Deg Gum Valve - 3/16 Tubing	1	1	2	2	2	C
26	G02251-1	Pressure Test Spigot	1	1	2	2	2	
27	4528273	Valve Extension	2	3	4	5	6	C
28	G02599-01	Hi-Low Valve W/90 Deg Elbow	2	3	4	5	6	C
29	4528142	24" Manifold Assembly	1		2	1		
	4528143	36" Manifold Assembly		1		1	2	
30	G01474-5	3/4-14 Npt 90 Deg Elbow			1	1	1	
31	G01738-20	3/4-14 Npt X 10-5/8" Long Nipple			1	1		
	G01738-16	3/4-14 Npt X 22-3/4" Long Nipple					1	
32	G01963-1	3/4-14 Npt Union Fitting			1	1	1	

* NOT ILLUSTRATED

RECOMMENDED STOCK PARTS

GARLAND PARTS IDENTIFICATION

Heavy Duty Counter Line Hi/Low Griddle

models GTGG24-G24, GTGG36-G36, GTGG48-G48, GTGG60-G60, GTGG72-G72

(For units manufactured UP TO: 31-MAR-2011 / SERIAL# 1103100199999)

ITEM	PART #	DESCRIPTION	QUANTITY					CRITICAL
			24	36	48	60	72	
33	G01738-20	3/4-14 Npt X 10-5/8" Long Nipple			1	1	1	
34	4527467	GT/UT Hi/Low Grid Knob Assembly (Includes items 35, 36, 37)	2	3	4	5	6	C
35	4522583	Open Top Knob	2	3	4	5	6	
36	4525865	GT/UT Hi-Low Grid Knob Dial	2	3	4	5	6	
37	4522283	Open Top Knob Trim	2	3	4	5	6	
38	4528219	24" Griddle Flue Back	1					
	4528220	36" Griddle Flue Back		1				
	4528221	48" Griddle Flue Back			1			
	4528222	60" Griddle Flue Back				1		
	4528223	72" Griddle Flue Back					1	
39	4528728	Flue Spacer	1	1	2	3	3	
40	4528192	24" Griddle Assembly	1					
	4528197	24" Griddle Assembly Fully Grooved						
	4528202	24" Griddle Assembly 1/2 Grooved Right						
	4528207	24" Griddle Assembly 1/2 Grooved Left						
	4528212	24" Griddle Assembly Chromed						
	4528193	36" Griddle Assembly		1				
	4528198	36" Griddle Assembly Fully Grooved						
	4528203	36" Griddle Assembly 1/2 Grooved Right						
	4528208	36" Griddle Assembly 1/2 Grooved Left						
	4528213	36" Griddle Assembly Chromed						
	4528194	48" Griddle Assembly			1			
	4528199	48" Griddle Assembly Fully Grooved						
	4528204	48" Griddle Assembly 1/2 Grooved Right						
	4528209	48" Griddle Assembly 1/2 Grooved Left						
	4528214	48" Griddle Assembly Chromed						
	4528195	60" Griddle Assembly				1		
	4528200	60" Griddle Assembly Fully Grooved						
	4528205	60" Griddle Assembly 1/2 Grooved Right						
	4528210	60" Griddle Assembly 1/2 Grooved Left						
	4528215	60" Griddle Assembly Chromed						
4528196	72" Griddle Assembly					1		
4528201	72" Griddle Assembly Fully Grooved							
4528206	72" Griddle Assembly 1/2 Grooved Right							
4528211	72" Griddle Assembly 1/2 Grooved Left							
4528216	72" Griddle Assembly Chromed							
41	4525515	Burner Side Deflector	4	6	8	10	12	
42	4525463	H-Burner Partially Ported W/Small Shutter	2	3	4	5	6	
43	1028002	Small Air Shutter	2	3	4	5	6	
44	1014901	H-Burner Partially Ported	2	3	4	5	6	
45	4528150	24" Griddle Burner Box	1		2	1		
	4528151	36" Griddle Burner Box		1		1	2	
46	4528729	24" Heat Shield Griddle Bottom	1		2	1		
	4528564	36" Heat Shield Griddle Bottom		1		1	2	
47	4527389	Orifice Support Bracket	2	3	4	5	6	
48	G02486XX	Orifice Fitting - 1/4 Tubing	2	3	4	5	6	C
48A*	M8-37	Small Orifice #37 - For Natural Gas	2	3	4	5	6	C
	M8-53	Small Orifice #53 - For Propane Gas						
49	4525331	1/4 Flex Tube 6In Long (Valve To Burner Orifice)	2	3	4	5	6	C
50	4528154	Pilot Bracket Right	1	2	2	3	4	

* NOT ILLUSTRATED

RECOMMENDED STOCK PARTS

GARLAND PARTS IDENTIFICATION

Heavy Duty Counter Line Hi/Low Griddle

models GTGG24-G24, GTGG36-G36, GTGG48-G48, GTGG60-G60, GTGG72-G72

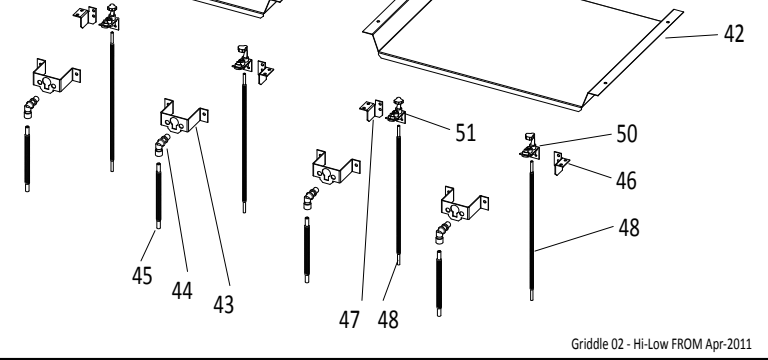
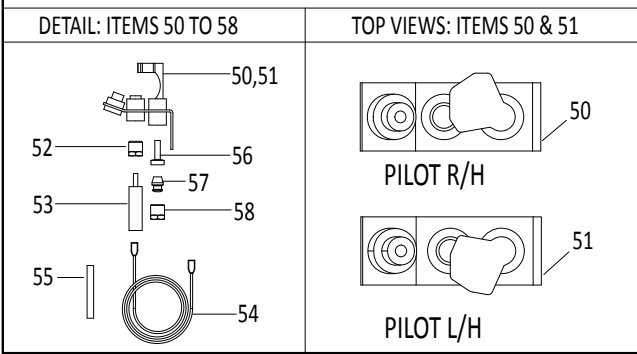
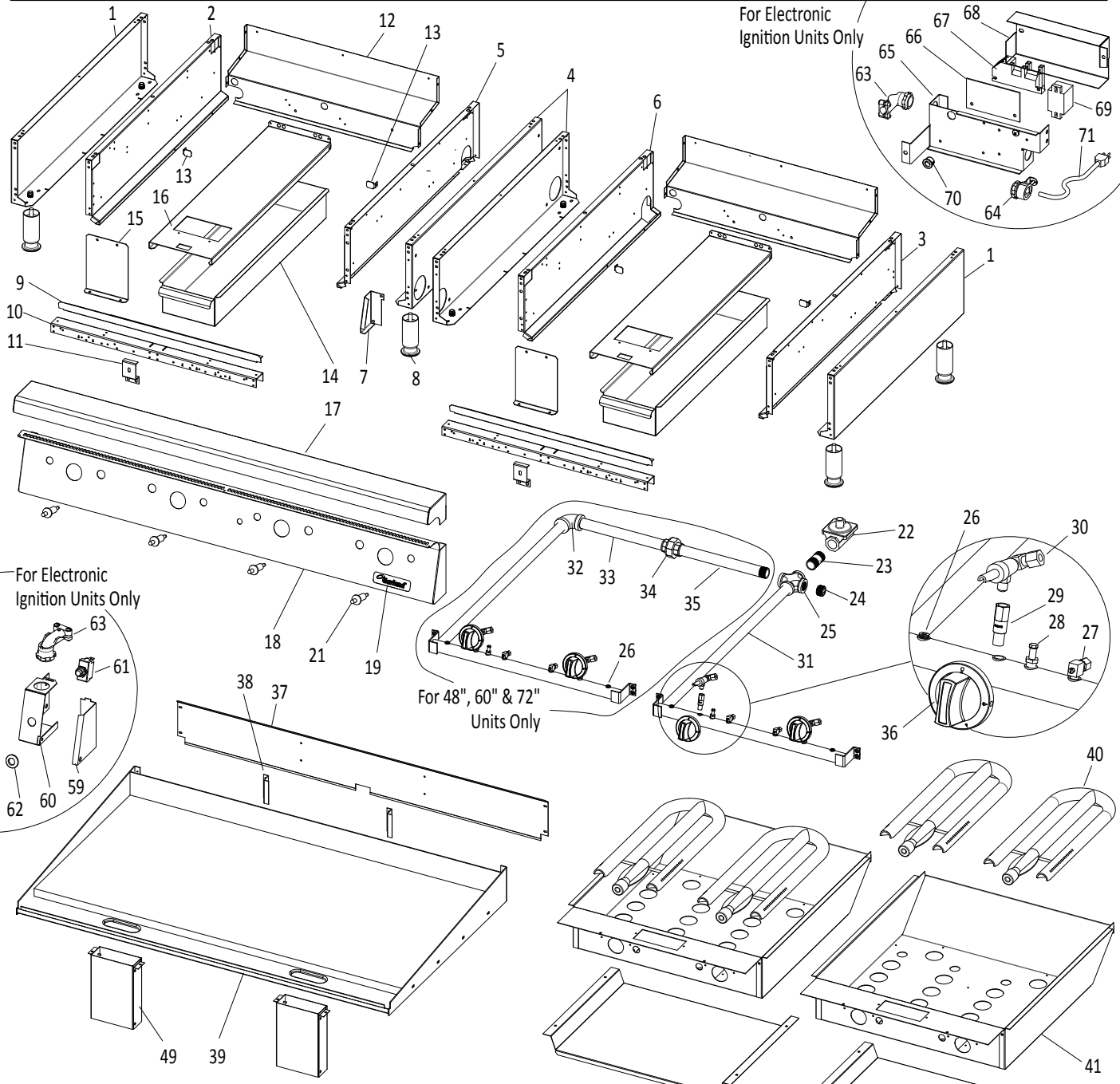
(For units manufactured UP TO: 31-MAR-2011 / SERIAL# 1103100199999)

ITEM	PART #	DESCRIPTION	QUANTITY					CRITICAL
			24	36	48	60	72	
51	4525503	Pilot Bracket Left	1	1	2	2	2	
52	4528228	Pilot Tube Left/Right	2	3	4	5	6	C
53	CK4528153	Grease Chute Kit - Hdcl Griddle	1	1	2	2	2	
54	2200700	Pilot R/H - #0.145.010	1	2	2	3	4	C
55	2200701	Pilot L/H - #0.145.007	1	1	2	2	2	C
56	2200707	Nut Electrode						C
57	2200708	Electrode						C
ITEM BELOW IS FOR UNITS WITH PIEZO IGNITION ONLY (NOT FOR ELECTRONIC IGNITION MODELS)								
	2200211	12" High Tension Wire Lead	2	3	4	5	6	C
ITEMS BELOW ARE FOR UNITS WITH ELECTRONIC IGNITION ONLY (NOT FOR PIEZO IGNITION MODELS)								
58	4515809	36" High Tension Wire Lead	2	3	2	3	3	C
	4515814	60" High Tension Wire Lead			2			C
	4515811	64" High Tension Wire Lead				2		C
	4515815	88" High Tension Wire Lead					3	C
59	G03883R	Thermo Flex Insulating Sleeve (sold by the foot) Note: To be cut to length. Length must match length of wire (ie 12", 36", 60" or 88" long).	2	3	4	5	6	C
60	2200702	Pilot Orifice #32 Natural Gas	2	3	4	5	6	C
	2200703	Pilot Orifice #23 Propane Gas						
61	2200705	3/16" Pilot Ferrule	2	3	4	5	6	C
62	2200704	3/16 Pilot Compression Nut	2	3	4	5	6	C
ITEMS 64 TO 76 ARE FOR ELECTRONIC IGNITION MODELS ONLY								
64	4528327	Switch Box Cover	1	1	1	1	1	
65	4528328	Switch Box	1	1	1	1	1	
66	4527834	Momentary Switch NOTE: Use Service Kit 4530075. See Bulletin# GAR-05-11-AIC.	1	1	1	1	1	C
	4530075	Kit - Momentary Switch Note: Kit includes a momentary switch (4527834), insulators, terminal tabs, and instructions. See Bulletin# GAR-05-11-AIC.	1	1	1	1	1	C
66A	4530074	Insulator, Momentary Switch Protection, 4 Sides	1	1	1	1	1	
66B	826-1337	Terminal Tab (Need 2 per switch. Come in package of 5.)	2	2	2	2	2	
67	3064800	Decorative Dress Nut - Momentary Switch	1	1	1	1	1	
68	1028500	Connector 3/8 - 90 Deg	2	2	2	2	2	
69	G01497-1	Connector 3/8 - Straight	1	1	1	1	1	
70	4528329	Spark Ignition Box 4 Pilots	1	1	1			C
	4528330	Spark Ignition Box 8 Pilots				1	1	
71	4516898	Insulator Plate	1	1	1	2	2	
72	4514750	120V Spark Generator - 4 Outlet	1	1	1	2	2	C
	4514749	230V Spark Generator - 4 Outlet						
73	4528331	Cover Ignition Box 4 Pilots	1	1	1			
	4528332	Cover Ignition Box 8 Pilots				1	1	
74	3050401	Terminal Block Assy 3 Ports	1	1	1	1	1	
75	1028806	9/16 Heyco Bushing	1	1	1	1	1	
76	4523398	Power Cord 6Ft Long (120V Only)	1	1	1	1	1	
77	CK2562511	Wire-.25 Fem 3/8 Strip, Blue,8in Kit	1	1	1	1	1	
FOR ALL OTHER WIRING, PLEASE REFER TO THE WIRE DIAGRAM # 4528421								

* NOT ILLUSTRATED

RECOMMENDED STOCK PARTS

**FOR UNITS MANUFACTURED FROM:
 01-APR-2011 / SERIAL# 1104100100001**



GARLAND PARTS IDENTIFICATION

Heavy Duty Counter Line Hi/Low Griddles

models GTGG24-G24, GTGG36-G36, GTGG48-G48, GTGG60-G60, GTGG72-G72

(For units manufactured FROM: 01-APR-2011 / SERIAL# 1104100100001)

ITEM	PART #	DESCRIPTION	QUANTITY					CRITICAL
			24	36	48	60	72	
1	CK4528343	Body Side Outer w/ Hex Nuts	2	2	2	2	2	
2	4528275	Body Side Inner Left	1	1	1	1	1	
3	4528276	Body Side Inner Right	1	1	1	1	1	
4	CK4528609	Body Side Center W/Hex Nuts			2	2	2	
5	4528279	Body Side Center Inner Right			1	1	1	
6	4528278	Body Side Center Inner Left			1	1	1	
7	4528245	Valve Panel Center Support			1	1	1	
8	4528395	4" Adjustable S/S Leg	4	4	6	6	6	
9	4523186	24" Drip Angle	1		2	1		
	4523069	36" Drip Angle		1		1	2	
10	4523184	24" Main Channel	1		2	1		
	4523068	36" Main Channel		1		1	2	
11	4523194	Rail Support Bracket	1	1	2	2	2	
12	4528280	24" Main Rear Panel	1		2	1		
	4528281	36" Main Rear Panel		1		1	2	
13	4528149	Drip Tray Stop	2	2	4	4	4	
14	4528147	24" Griddle Drip Tray (for units with Cove Mount) - not shown	1		2	1		
	4528148	36" Griddle Drip Tray (for units with Cove Mount) - not shown		1		1	2	
	4529777	Grease Drawer	1	1	2	2	2	
15	4529776	Grease Drawer Slide Support	1	1	2	2	2	
16	4529783	Grease Drawer Slide	1	1	2	2	2	
17	4528247	Front Rail - 24"	1					
	4528248	Front Rail - 36"		1				
	4528249	Front Rail - 48"			1			
	4528250	Front Rail - 60"				1		
	4528251	Front Rail - 72"					1	
18	4528240	Valve Panel - 24" Hi/Low Griddle	1					
	4528241	Valve Panel - 36" Hi/Low Griddle		1				
	4528242	Valve Panel - 48" Hi/Low Griddle			1			
	4528243	Valve Panel - 60" Hi/Low Griddle				1		
	4528244	Valve Panel - 72" Hi/Low Griddle					1	
19	4529725	Garland Logo Small	1	1	1	1	1	
21	ITEM 21 IS FOR UNITS WITH PIEZO IGNITION ONLY (NOT FOR ELECTRONIC IGNITION MODELS)							
	1309201	Piezo Igniter	2	3	4	5	6	C
22	2127502	Regulator 4.5" W/C - For Natural Gas	1	1	1	1	1	C
	2127500	Regulator 10" W/C - For Propane Gas						
23	G01738-14	3/4-14 Npt x 2" Long Nipple	1	1	1	1	1	
24	4528326	3/4-14 Npt Square Socket Plug	1	1	1	1	1	
25	4528727	3/4-14 Npt Cross Fitting			1	1	1	
	G01476-2	3/4-14 Npt Tee Fitting	1	1				
26	2203400	1/8 Npt Steel Hex Plug	2	3	4	5	6	
27	G03674-2	90 Deg Gum Valve - 3/16 Tubing	2	3	4	5	6	C
28	G02251-1	Pressure Test Spigot	1	1	2	2	2	
29	4528273	Valve Extension	2	3	4	5	6	C
30	G02599-01	Hi-Low Valve w/ 90 Deg Elbow	2	3	4	5	6	C
31	4528142	24" Manifold Assembly	1		2	1		
	4528143	36" Manifold Assembly		1		1	2	
32	G01474-5	3/4-14 Npt 90 Deg Elbow			1	1	1	

* NOT ILLUSTRATED

RECOMMENDED STOCK PARTS

GARLAND PARTS IDENTIFICATION

Heavy Duty Counter Line Hi/Low Griddles

models GTGG24-G24, GTGG36-G36, GTGG48-G48, GTGG60-G60, GTGG72-G72

(For units manufactured FROM: 01-APR-2011 / SERIAL# 1104100100001)

ITEM	PART #	DESCRIPTION	QUANTITY					CRITICAL
			24	36	48	60	72	
33	G01738-20	3/4-14 Npt x 10-5/8" Long Nipple			1	1		
	G01738-16	3/4-14 Npt x 22-3/4" Long Nipple					1	
34	G01963-1	3/4-14 Npt Union Fitting			1	1	1	
35	G01738-20	3/4-14 Npt X 10-5/8" Long Nipple			1	1	1	
36	4527467	GT/UT Hi/Low Grid Knob Assembly	2	3	4	5	6	C
37	4528219	24" Griddle Flue Back	1					
	4528220	36" Griddle Flue Back		1				
	4528221	48" Griddle Flue Back			1			
	4528222	60" Griddle Flue Back				1		
	4528223	72" Griddle Flue Back					1	
38	4528728	Flue Spacer	1	1	2	3	3	
39	4528192	24" Griddle Assembly	1					
	4528197	24" Griddle Assembly Fully Grooved						
	4528202	24" Griddle Assembly 1/2 Grooved Right						
	4528207	24" Griddle Assembly 1/2 Grooved Left						
	4528212	24" Griddle Assembly Chromed						
	4528193	36" Griddle Assembly		1				
	4528198	36" Griddle Assembly Fully Grooved						
	4528203	36" Griddle Assembly 1/2 Grooved Right						
	4528208	36" Griddle Assembly 1/2 Grooved Left						
	4528213	36" Griddle Assembly Chromed						
	4528194	48" Griddle Assembly			1			
	4528199	48" Griddle Assembly Fully Grooved						
	4528204	48" Griddle Assembly 1/2 Grooved Right						
	4528209	48" Griddle Assembly 1/2 Grooved Left						
	4528214	48" Griddle Assembly Chromed						
	4528195	60" Griddle Assembly				1		
	4528200	60" Griddle Assembly Fully Grooved						
	4528205	60" Griddle Assembly 1/2 Grooved Right						
	4528210	60" Griddle Assembly 1/2 Grooved Left						
	4528215	60" Griddle Assembly Chromed						
4528196	72" Griddle Assembly					1		
4528201	72" Griddle Assembly Fully Grooved							
4528206	72" Griddle Assembly 1/2 Grooved Right							
4528211	72" Griddle Assembly 1/2 Grooved Left							
4528216	72" Griddle Assembly Chromed							
40	4529762	U-Burner - Steel Tube c/w Shutter	2	3	4	5	6	
41	4529780	24" Griddle Burner Box	1		2	1		
	4529781	36" Griddle Burner Box		1		1	2	
42	4529802	24" Heat Shield Griddle Bottom	1		2	1		
	4529784	36" Heat Shield Griddle Bottom		1		1	2	
43	4527389	Orifice Support Bracket	2	3	4	5	6	
44	G02486XX	Orifice Fitting - 1/4 Tubing	2	3	4	5	6	C
44A*	M8-37	Small Orifice #37 - For Natural Gas	2	3	4	5	6	C
	M8-53	Small Orifice #53 - For Propane Gas						
45	4525331	1/4 Flex Tube 6" Long (Valve To Burner Orifice)	2	3	4	5	6	C
46	4529786	Pilot Bracket Right	1	1	2	2	2	
47	4529785	Pilot Bracket Left	1	2	2	3	4	
48	4525333	Flex Tube 3/16 S/S - 13" Long	2	3	4	5	6	C

* NOT ILLUSTRATED

RECOMMENDED STOCK PARTS

GARLAND PARTS IDENTIFICATION

Heavy Duty Counter Line Hi/Low Griddles

models GTGG24-G24, GTGG36-G36, GTGG48-G48, GTGG60-G60, GTGG72-G72

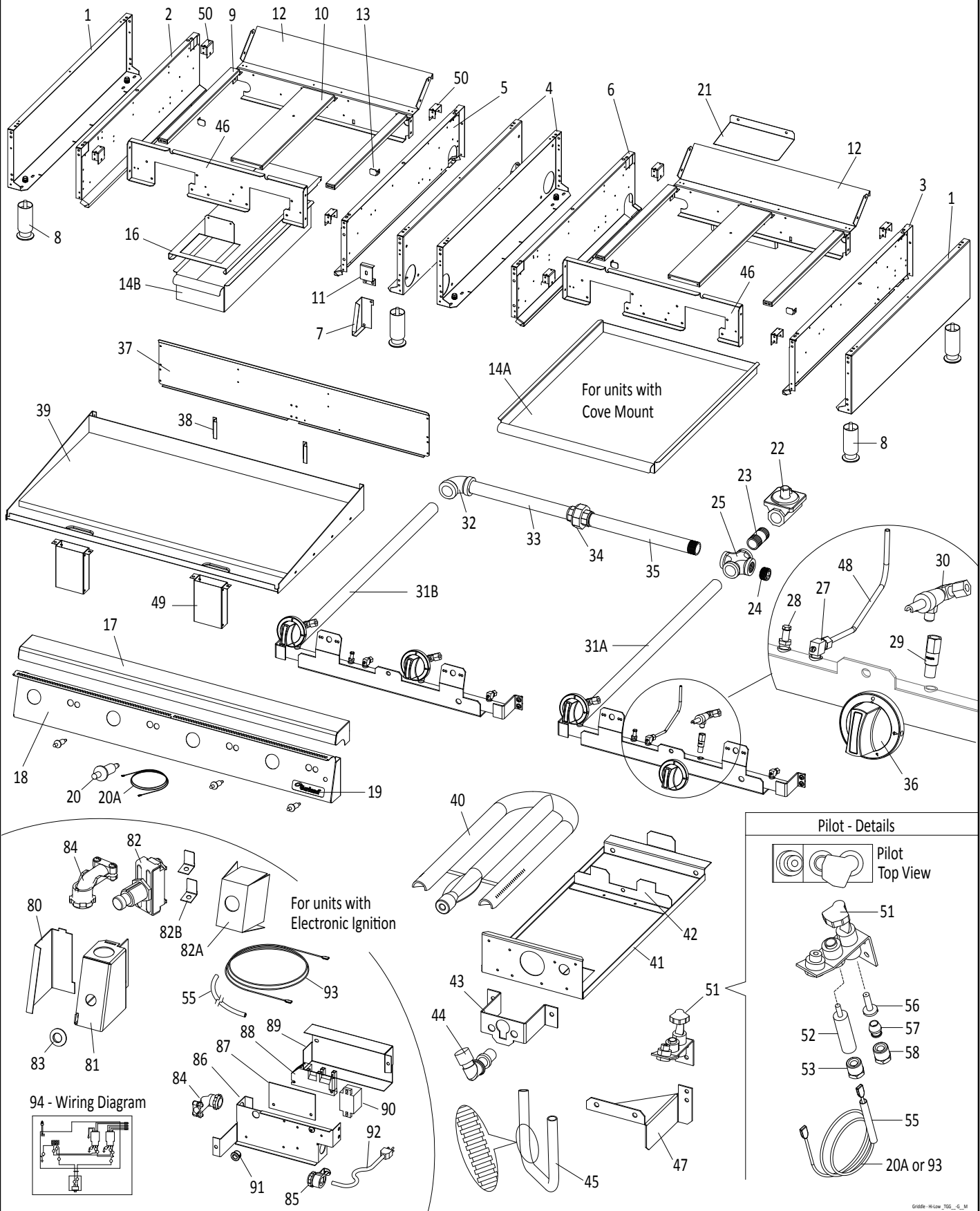
(For units manufactured FROM: 01-APR-2011 / SERIAL# 1104100100001)

ITEM	PART #	DESCRIPTION	QUANTITY					CRITICAL
			24	36	48	60	72	
49	CK4528153	Grease Chute Kit - HDCL Griddle	1	1	2	2	2	
50	2200700	Pilot R/H - #0.145.010	1	1	2	2	2	C
51	2200701	Pilot L/H - #0.145.007	1	2	2	3	4	C
52	2200707	Nut Electrode						C
53	2200708	Electrode						C
ITEM BELOW IS FOR UNITS WITH PIEZO IGNITION ONLY (NOT FOR ELECTRONIC IGNITION MODELS)								
	2200214	12" High Tension Wire	2	3	4	5	6	C
ITEMS BELOW ARE FOR UNITS WITH ELECTRONIC IGNITION ONLY (NOT FOR PIEZO IGNITION MODELS)								
54	4515809	36" High Tension Wire Lead	2	3	2	3	3	C
	4515814	60" High Tension Wire Lead			2			C
	4515811	64" High Tension Wire Lead				2		C
	4515815	88" High Tension Wire Lead					3	C
55	G03883R	Thermo Flex Insulating Sleeve (sold by the foot) Note: To be cut to length. Match length to length of wire (i.e., 12", 36", 60", 64" or 88" long).	2	3	4	5	6	C
56	2200702	Pilot Orifice #32 Natural Gas	2	3	4	5	6	C
	2200703	Pilot Orifice #23 Propane Gas						
57	2200705	3/16" Pilot Ferrule	2	3	4	5	6	C
58	2200704	3/16 Pilot Compression Nut	2	3	4	5	6	C
ITEMS 59 TO 71 ARE FOR ELECTRONIC IGNITION MODELS ONLY								
59	4528327	Switch Box Cover	1	1	1	1	1	
60	4528328	Switch Box	1	1	1	1	1	
61	4527834	Momentary Switch NOTE: Use Service Kit 4530075. See Bulletin# GAR-05-11-AIC.	1	1	1	1	1	C
	4530075	Kit - Momentary Switch NOTE: Kit includes a momentary switch, insulators, terminal tabs, and instructions. See Bulletin# GAR-05-11-AIC.	1	1	1	1	1	C
62	3064800	Decorative Dress Nut - Momentary Switch	1	1	1	1	1	
63	1028500	Connector 3/8 - 90 Deg	2	2	2	2	2	
64	G01497-1	Connector 3/8 - Straight	1	1	1	1	1	
65	4528329	Spark Ignition Box 4 Pilots	1	1	1			C
	4528330	Spark Ignition Box 8 Pilots				1	1	
66	4516898	Insulator Plate	1	1	1	2	2	
67	4514750	120V Spark Generator - 4 Outlet	1	1	1	2	2	C
	4514749	230V Spark Generator - 4 Outlet						
68	4528331	Cover Ignition Box 4 Pilots	1	1	1			
	4528332	Cover Ignition Box 8 Pilots				1	1	
69	3050401	Terminal Block Assy 3 Ports	1	1	1	1	1	
70	1028806	9/16 Heyco Bushing	1	1	1	1	1	
71	4523398	Power Cord 6 Feet Long (120V Only)	1	1	1	1	1	

FOR ALL OTHER WIRING, PLEASE REFER TO THE WIRE DIAGRAM # 4528421.

* NOT ILLUSTRATED

RECOMMENDED STOCK PARTS



GARLAND PARTS IDENTIFICATION

Heavy Duty Counter Line Hi/Low Griddles

models **GTGG24-G24M, GTGG36-G36M, GTGG48-G48M, GTGG60-G60M, GTGG72-G72M**

ITEM	PART#	DESCRIPTION	QUANTITY					CRITICAL
			24	36	48	60	72	
1	CK4528343	Body Side Outer w/ Hex Nuts	2	2	2	2	2	
2	4528275	Body Side Inner Left	1	1	1	1	1	
3	4528276	Body Side Inner Right	1	1	1	1	1	
4	CK4528609	Body Side Center W/Hex Nuts			2	2	2	
5	4528279	Body Side Center Inner Right			1	1	1	
6	4528278	Body Side Center Inner Left			1	1	1	
7	4528245	Valve Panel Center Support			1	1	1	
8	4528395	4" Adjustable S/S Leg	4	4	6	6	6	
9	4531207	Side Filler	2	2	4	4	4	
10	4531208	Center Filler	1	2	2	3	4	
11	4523194	Rail Support Bracket			1	1	1	
12	4531214	24" Main Back Panel	1		2	1		
	4531213	36" Main Back Panel		1		1	2	
13	4528149	Drip Tray Stop	2	2	4	4	4	
14A	4528147	24" Griddle Drip Tray (for units with Cove Mount)	1		2	1		
	4528148	36" Griddle Drip Tray (for units with Cove Mount)		1		1	2	
14B	4531217	Grease Drawer	1	1	2	2	2	
16	4531216	Grease Drawer Slide	1	1	2	2	2	
17	4528247	Front Rail - 24"	1					
	4528248	Front Rail - 36"		1				
	4528249	Front Rail - 48"			1			
	4528250	Front Rail - 60"				1		
	4528251	Front Rail - 72"					1	
18	4531226	Valve Panel - 24" Hi/Low Griddle	1					
	4531227	Valve Panel - 36" Hi/Low Griddle		1				
	4531228	Valve Panel - 48" Hi/Low Griddle			1			
	4531229	Valve Panel - 60" Hi/Low Griddle				1		
	4531230	Valve Panel - 72" Hi/Low Griddle					1	
19	4529725	Garland Logo Small	1	1	1	1	1	
20	1309201	Piezo Igniter Note: Only for units with Piezo ignition. NOT for electronic ignition models.	2	3	4	5	6	C
20A	2200214	19" High Tension Wire Lead Note: Only for units with Piezo ignition. NOT for electronic ignition models.	2	3	4	5	6	C
21	4531218	Regulator Cover	1	1	1	1	1	
22	2127502	Regulator 4.5" W.C. For Natural Gas	1	1	1	1	1	C
	2127500	Regulator 10.0" W.C. For Propane Gas	1	1	1	1	1	C
23	G01738-14	3/4-14 NPT x 2" Long Nipple	1	1	1	1	1	
24	4528326	3/4-14 NPT Square Socket Plug	1	1	1	1	1	
25	4528727	3/4-14 NPT Cross Fitting			1	1	1	
	G01476-2	3/4-14 NPT Tee Fitting	1	1				
27	G03674-2	90 Deg Gum Valve - 3/16 Tubing	2	3	4	5	6	C
28	G02251-1	Pressure Test Spigot	1	1	2	2	2	
29	4528273	Valve Extension	2	3	4	5	6	C
30	G02599-01	Hi-Low Gas Valve w/ 90 Deg Elbow	2	3	4	5	6	C
31A	4531137	24" Manifold Assembly	1		2	1		
31B	4531138	36" Manifold Assembly		1		1	2	
32	G01474-5	3/4-14 NPT 90 Deg Elbow			1	1	1	

* NOT ILLUSTRATED

RECOMMENDED STOCK PARTS

GARLAND PARTS IDENTIFICATION

Heavy Duty Counter Line Hi/Low Griddles

models **GTGG24-G24M, GTGG36-G36M, GTGG48-G48M, GTGG60-G60M, GTGG72-G72M**

ITEM	PART#	DESCRIPTION	QUANTITY					CRITICAL
			24	36	48	60	72	
33	G01738-20	3/4-14 NPT x 10-5/8" Long Nipple			1	1		
	G01738-16	3/4-14 NPT x 22-3/4" Long Nipple					1	
34	G01963-1	3/4-14 NPT Union Fitting			1	1	1	
35	G01738-20	3/4-14 NPT X 10-5/8" Long Nipple			1	1	1	
36	4527467	GT/UT Knob Assembly, Hi/Low, Brl (Assembly includes Knob, Open-top Knob Trim, and Hi/Low Dial Insert)	2	3	4	5	6	C
37	4531196	24" Griddle Flue Back	1					
	4531197	36" Griddle Flue Back		1				
	4531198	48" Griddle Flue Back			1			
	4531199	60" Griddle Flue Back				1		
	4531200	72" Griddle Flue Back					1	
38	4528728	Flue Spacer	1	1	2	3	3	
39	4531171	24" Griddle Assembly, Flat	1					
	4531176	24" Griddle Assembly Fully Grooved						
	4531181	24" Griddle Assembly 1/2 Grooved Right						
	4531186	24" Griddle Assembly 1/2 Grooved Left						
	4531191	24" Griddle Assembly Chromed						
	4531172	36" Griddle Assembly, Flat	1					
	4531177	36" Griddle Assembly Fully Grooved						
	4531182	36" Griddle Assembly 1/2 Grooved Right						
	4531187	36" Griddle Assembly 1/2 Grooved Left						
	4531192	36" Griddle Assembly Chromed						
	4531173	48" Griddle Assembly, Flat	1					
	4531178	48" Griddle Assembly Fully Grooved						
	4531183	48" Griddle Assembly 1/2 Grooved Right				1		
	4531188	48" Griddle Assembly 1/2 Grooved Left						
	4531193	48" Griddle Assembly Chromed						
	4531174	60" Griddle Assembly, Flat	1					
	4531179	60" Griddle Assembly Fully Grooved						
	4531184	60" Griddle Assembly 1/2 Grooved Right					1	
	4531189	60" Griddle Assembly 1/2 Grooved Left						
	4531194	60" Griddle Assembly Chromed						
4531175	72" Griddle Assembly, Flat	1						
4531180	72" Griddle Assembly Fully Grooved							
4531185	72" Griddle Assembly 1/2 Grooved Right						1	
4531190	72" Griddle Assembly 1/2 Grooved Left							
4531195	72" Griddle Assembly Chromed							
40	4531140	HDCL Griddle Burner w/ Air Shutter	2	3	4	5	6	
41	4531206	Burner Pan	2	3	4	5	6	
42	4531210	Burner Support	2	3	4	5	6	
43	4527389	Orifice Support Bracket, Hi/Low Griddle	2	3	4	5	6	
44	G02486XX	Orifice Fitting - 1/4 Tubing	2	3	4	5	6	C
44A*	M8-35	Small Orifice #35 - For Natural Gas	2	3	4	5	6	C
	M8-52	Small Orifice #52 - For Propane Gas	2	3	4	5	6	C
45	4525331	1/4 S/S Flex Tube, 6" Long, Valve To Burner Orifice	2	3	4	5	6	C
46	4531212	24" Front Support	1		2	1		
	4531211	36" Front Support		1		1	2	
47	4531209	Pilot Bracket	2	3	4	5	6	
48	4531263	3/16 Tube - approx. 11" Long (Griddle Pilot)	2	3	4	5	6	C
49	CK4531202	Grease Chute Assembly	1	1	2	2	2	

* NOT ILLUSTRATED

RECOMMENDED STOCK PARTS

GARLAND PARTS IDENTIFICATION

Heavy Duty Counter Line Hi/Low Griddles

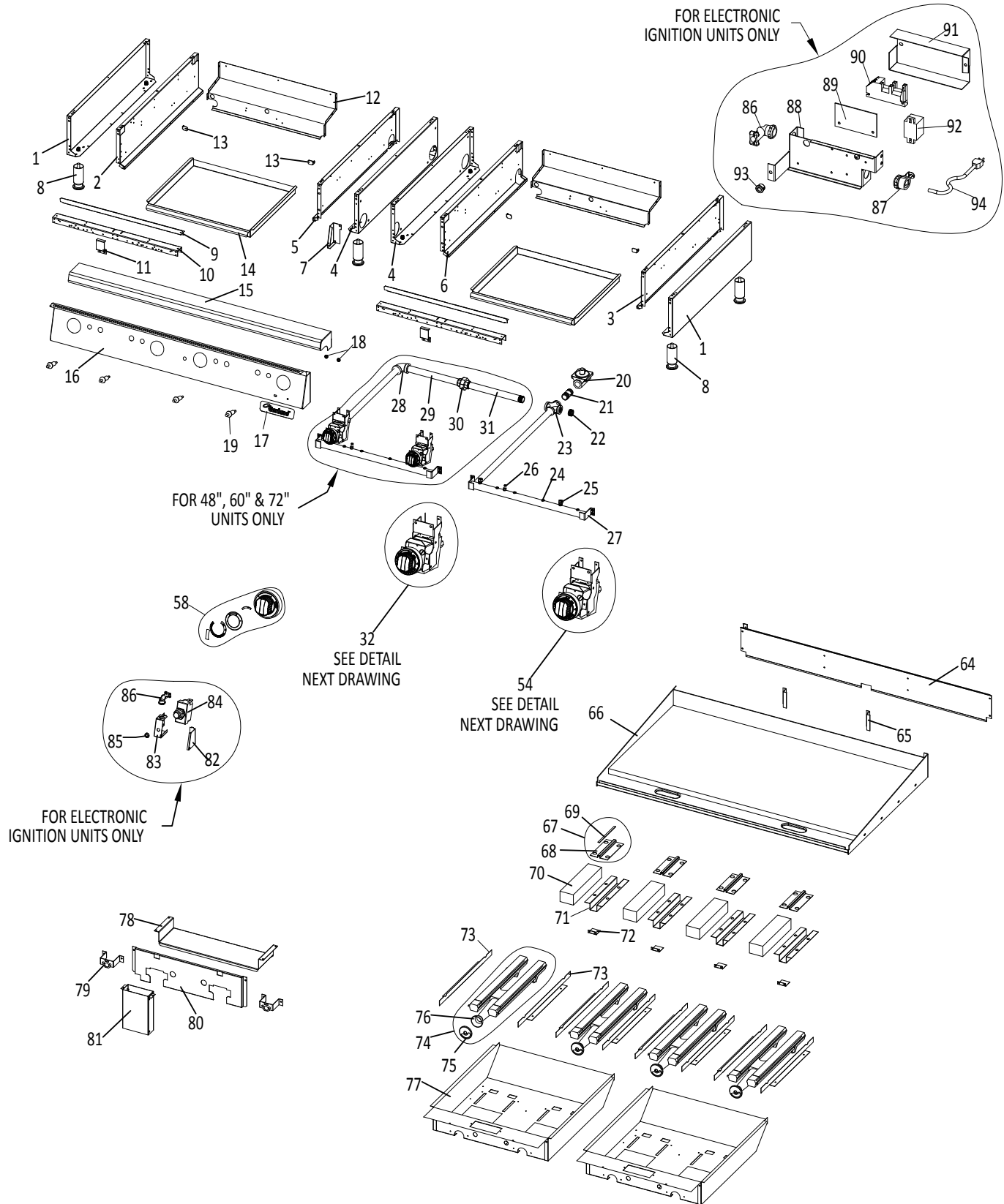
models **GTGG24-G24M, GTGG36-G36M, GTGG48-G48M, GTGG60-G60M, GTGG72-G72M**

ITEM	PART#	DESCRIPTION	QUANTITY					CRITICAL
			24	36	48	60	72	
50	4531215	Side Patch	4	4	8	8	8	
51	2200701	Pilot L/H - #0.145.007	2	3	4	5	6	C
52	2200707	Nut, Electrode	2	3	4	5	6	C
53	2200708	Electrode	2	3	4	5	6	C
55	G03883R	Thermo Flex Insulating Sleeve (sold by the foot) Note: To be cut to length. Match length with length of wire (i.e., 12", 36", 60", 64", or 88" long).	2	3	4	5	6	C
56	2200702	Pilot Orifice #32 Natural Gas	2	3	4	5	6	C
	2200703	Pilot Orifice #23 Propane Gas						
57	2200705	3/16 Pilot Ferrule	2	3	4	5	6	C
58	2200704	3/16 Pilot Compression Nut	2	3	4	5	6	C
Items 80 to 94 — For Units with Electronic Ignition								
80	4531219	Switch Box Cover	1	1	1	1	1	
81	4531220	Switch Box	1	1	1	1	1	
82	4531381	Momentary Switch - HDCL	1	1	1	1	1	C
82A	4530074	Insulator, Momentary Switch Protection, 4 Sides	1	1	1	1	1	
82B	826-1337	Terminal Tab (Need 2 tabs per switch. Come in a package of 5.)	1	1	1	1	1	
83	3064800	Decorative Dress Nut - Momentary Switch	1	1	1	1	1	
84	1028500	Connector 3/8 - 90 Deg	2	2	2	2	2	
85	G01497-1	Connector 3/8 - Straight	1	1	1	1	1	
86	4528329	Spark Ignition Box 4 Pilots	1	1	1			C
	4528330	Spark Ignition Box 8 Pilots				1	1	
87	4516898	Insulator Plate	1	1	1	2	2	
88	4514750	120V Spark Generator, 4-Outlet	1	1	1	2	2	C
	4514749	230V Spark Generator, 4-Outlet						
89	4528331	Cover, Ignition Box 4 Pilots	1	1	1			
	4528332	Cover, Ignition Box 8 Pilots				1	1	
90	3050401	Terminal Block Assy 3 Ports	1	1	1	1	1	
91	1028806	9/16 Heyco Bushing	1	1	1	1	1	
92	4523398	Power Cord 6 Feet Long (120V Only)	1	1	1	1	1	
93	CK4515809	36" High Tension Wire Lead	2	3	2	3	3	C
	CK4515814	60" High Tension Wire Lead			2			C
	4515811	64" High Tension Wire Lead				2		C
	4515815	90" High Tension Wire Lead					3	C
94	4531286	Wiring Diagram	1	1	1	1	1	

* NOT ILLUSTRATED

RECOMMENDED STOCK PARTS

**FOR UNITS MANUFACTURED UP TO:
 31-MAR-2011 / SERIAL# 110310019999 (DRAWING 1 OF 2)**



GARLAND PARTS IDENTIFICATION

Heavy Duty Counter Line Thermostatic Control Griddle

models GTGG24-GT24, GTGG36-GT36, GTGG48-GT48, GTGG60-GT60, GTGG72-GT72

(For units manufactured UP TO: 31-MAR-2011 / SERIAL# 1103100199999)

ITEM	PART #	DESCRIPTION	QUANTITY					CRITICAL
			24	36	48	60	72	
1	CK4528343	Body Side Outer W/Hex Nu ts	2	2	2	2	2	
2	4528275	Body Side Inner Left	1	1	1	1	1	
3	4528276	Body Side Inner Right	1	1	1	1	1	
4	CK4528609	Body Side Center W/Hex Nuts			2	2	2	
5	4528279	Body Side Center Inner Right			1	1	1	
6	4528278	Body Side Center Inner Left			1	1	1	
7	4528245	Valve Panel Center Support			1	1	1	
8	4528395	4" Adjustable S/S Leg	4	4	6	6	6	
9	4523186	24" Drip Angle	1		2	1		
	4523069	36" Drip Angle		1		1	2	
10	4523184	24" Main Channel	1		2	1		
	4523068	36" Main Channel		1		1	2	
11	4523194	Rail Support Bracket	1	1	2	2	2	
12	4528280	24" Main Rear Panel	1		2	1		
	4528281	36" Main Rear Panel		1		1	2	
13	4528149	Drip Tray Stop	2	2	4	4	4	
14	4528147	24" Griddle Drip Tray	1		2	1		
	4528148	36" Griddle Drip Tray		1		1	2	
15	4528247	Front Rail - 24"	1					
	4528248	Front Rail - 36"		1				
	4528249	Front Rail - 48"			1			
	4528250	Front Rail - 60"				1		
	4528251	Front Rail - 72"					1	
16	4528235	Valve Panel - 24" Thermostatic Griddle	1					
	4528236	Valve Panel - 36" Thermostatic Griddle		1				
	4528237	Valve Panel - 48" Thermostatic Griddle			1			
	4528238	Valve Panel - 60" Thermostatic Griddle				1		
	4528239	Valve Panel - 72" Thermostatic Griddle					1	
17	4529725	Garland Logo Small	1	1	1	1	1	
18	F640	Pal Nut	2	2	2	2	2	
19	ITEM 19 IS FOR UNITS WITH PIEZO IGNITION ONLY (NOT FOR ELECTRONIC IGNITION MODELS)							
	1309201	Piezo Igniter	2	3	4	5	6	C
20	2127502	Regulator 4.5" W/C - For Natural Gas	1	1	1	1	1	C
	2127500	Regulator 10" W/C - For Propane Gas						
21	G01738-14	3/4-14 Npt X 2" Long Nipple	1	1	1	1	1	
22	4528326	3/4-14 Npt Square Socket Plug	1	1	1	1	1	
23	4528727	3/4-14 Npt Cross Fitting			1	1	1	
	G01476-2	3/4-14 Npt Tee Fitting	1	1				
24	2203400	1/8 Npt Steel Hex Plug	4	6	8	10	12	
25	4523064	3/8 Tube To 1/8 Npt Straight Comp. Fitting	2	3	4	5	6	
26	G02251-1	Pressure Test Spigot	1	1	2	2	2	
27	4528142	24" Manifold Assembly	1		2	1		
	4528143	36" Manifold Assembly		1		1	2	
28	G01474-5	3/4-14 Npt 90 Deg Elbow			1	1	1	
29	G01738-20	3/4-14 Npt X 10-5/8" Long Nipple			1	1		
	G01738-16	3/4-14 Npt X 22-3/4" Long Nipple					1	
30	G01963-1	3/4-14 Npt Union Fitting			1	1	1	
31	G01738-20	3/4-14 Npt X 10-5/8" Long Nipple			1	1	1	

* NOT ILLUSTRATED

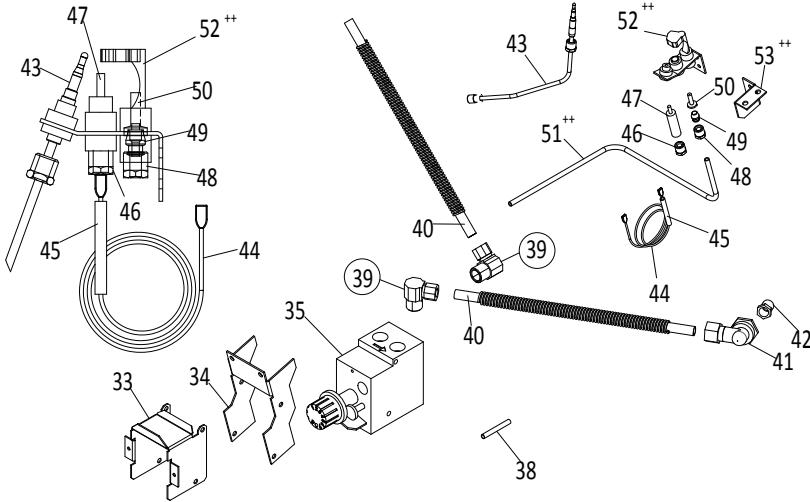
RECOMMENDED STOCK PARTS

**FOR UNITS MANUFACTURED UP TO:
 31-MAR-2011 / SERIAL# 1103100199999 (DRAWING 2 OF 2)**

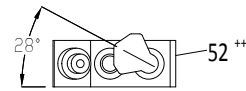
DETAIL VIEW - LEFT THERMOSTAT CONTROL ASSEMBLY (#32)

NOTE: Items with ** differ from assembly #54 below.

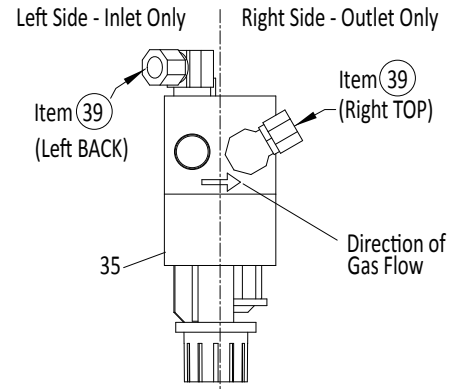
CAUTION: MUST INSTALL Item (39) in SAME LOCATION as on control being replaced.



TOP VIEW - PILOT R/H



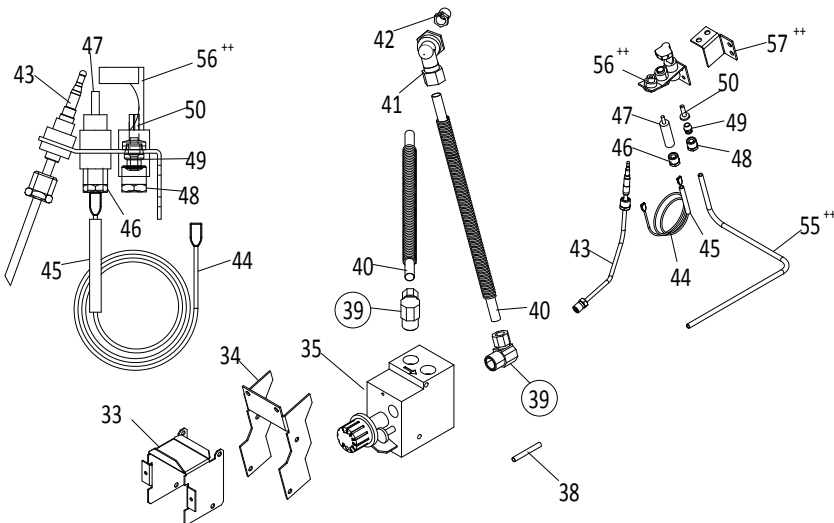
**TOP VIEWS - ELBOWS (#39)
 LOCATIONS & ORIENTATIONS**



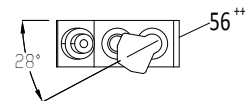
DETAIL VIEW - RIGHT THERMOSTAT CONTROL ASSEMBLY (#54)

NOTE: Items with ** differ from assembly #32 above.

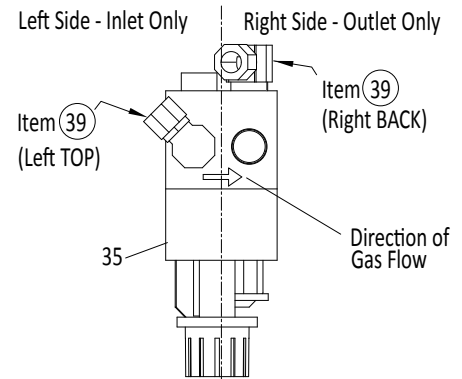
CAUTION: MUST INSTALL Item (39) in SAME LOCATION as on control being replaced.



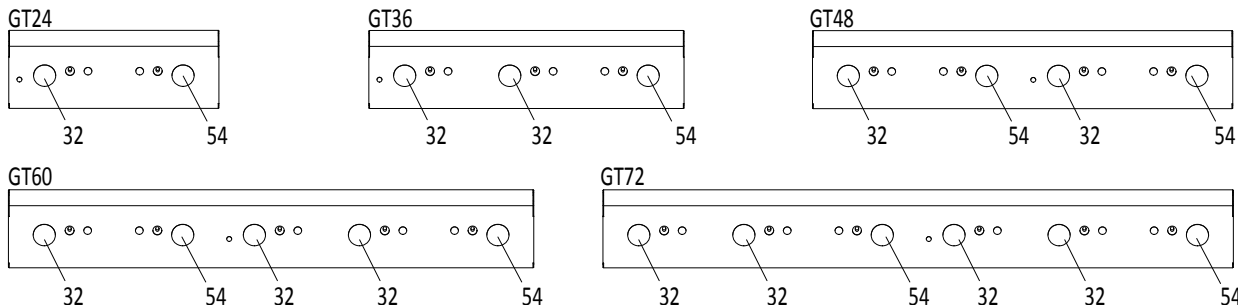
TOP VIEW - PILOT L/H



**TOP VIEWS - ELBOWS (#39)
 LOCATIONS & ORIENTATIONS**



ASSEMBLIES 32 & 54 PLACEMENT BY UNIT SIZE



GARLAND PARTS IDENTIFICATION

Heavy Duty Counter Line Thermostatic Control Griddle

models GTGG24-GT24, GTGG36-GT36, GTGG48-GT48, GTGG60-GT60, GTGG72-GT72

(For units manufactured UP TO: 31-MAR-2011 / SERIAL# 1103100199999)

ITEM	PART #	DESCRIPTION	QUANTITY					CRITICAL
			24	36	48	60	72	
32		LEFT THERMOSTATIC CONTROL ASSEMBLY (see DETAIL VIEW in drawing 2 of 2)	1	2	2	3	4	
33	4523081	Es Shield Mount	2	3	4	5	6	
34	4528224	Bracket SIT Control Griddle HDCL	2	3	4	5	6	
35	CK4528339	Griddle Thermostat SIT Control Note: Use Kit 4530177.	2	3	4	5	6	
	4530177	Griddle Thermostat SIT Control with Bypass Plug Note: Kit includes a SIT Control Unit, a SIT Control Bypass Plug, a Thermostat Bulb Clamp, and important notes & instructions. See Bulletin GAR-07-11-AIC .	2	3	4	5	6	C
38	G03883R	Thermoflex For Sit Capillary (Cut To 22" Long)	2	3	4	5	6	C
39	076050-26	Elbow 3/8 Comp. To 3/8 Npt	4	6	8	10	12	
40	4523409	3/8 Flex Tube 10In Long Tstat Griddle	4	6	8	10	12	C
41	2431900	Orifice Fitting	2	3	4	5	6	C
42	M8-36	Small Orifice #36 - For Natural Gas	2	3	4	5	6	C
	M8-51	Small Orifice #51 - For Propane Gas						
43	4523505	Thermocouple Sit - 18" Long	2	3	4	5	6	C
44	ITEM BELOW IS FOR UNITS WITH PIEZO IGNITION ONLY (NOT FOR ELECTRONIC IGNITION MODELS)							
	2200211	12" High Tension Wire	2	3	4	5	6	C
	ITEMS BELOW ARE FOR UNITS WITH ELECTRONIC IGNITION ONLY (NOT FOR PIEZO IGNITION MODELS)							
	4515809	36" High Tension Wire Lead	2	3	2	3	3	C
	4515814	60" High Tension Wire Lead			2			C
	4515811	64" High Tension Wire Lead				2		C
45	4515815	88" High Tension Wire Lead					3	C
	ITEM BELOW TO BE CUT TO LENGTH. LENGTH MATCHES LENGTH OF WIRE (IE: 12", 36", 60", 64" OR 88" LONG)							
	G03883R	Thermo Flex Insulating Sleeve (sold by the foot)	2	3	4	5	6	C
46	2200707	Nut Electrode	2	3	4	5	6	C
47	2200708	Electrode	2	3	4	5	6	C
48	2200704	3/16 Pilot Compression Nut	2	3	4	5	6	C
49	2200705	3/16" Pilot Ferrule	2	3	4	5	6	C
50	2200702	Pilot Orifice #32 Natural Gas	2	3	4	5	6	C
	2200703	Pilot Orifice #23 Propane Gas						
51	4528230	Tube - Pilot Tstat Griddle Right	1	2	2	3	4	
52	2200700	Pilot R/H - #0.145.010	1	2	2	3	4	C
53	4528154	Pilot Bracket Right	1	2	2	3	4	
54		RIGHT THERMOSTATIC CONTROL ASSEMBLY (see DETAIL VIEW in drawing 2 of 2)	1	1	2	2	2	
55	4528229	Tube - Pilot Tstat Griddle Left	1	1	2	2	2	
56	2200701	Pilot L/H - #0.145.007	1	1	2	2	2	C
57	4525503	Pilot Bracket Left	1	1	2	2	2	
58	CK4528358	Tstat Griddle Knob Assembly Deg F	2	3	4	5	6	C
	CK4528359	Tstat Griddle Knob Assembly Deg C						
64	4528219	24" GRIDDLE FLUE BACK	1					
	4528220	36" GRIDDLE FLUE BACK		1				
	4528221	48" GRIDDLE FLUE BACK			1			
	4528222	60" GRIDDLE FLUE BACK				1		
	4528223	72" GRIDDLE FLUE BACK					1	
65	4528728	Flue Spacer	1	1	2	3	3	

* NOT ILLUSTRATED

RECOMMENDED STOCK PARTS

GARLAND PARTS IDENTIFICATION

Heavy Duty Counter Line Thermostatic Control Griddle

models **GTGG24-GT24, GTGG36-GT36, GTGG48-GT48, GTGG60-GT60, GTGG72-GT72**

(For units manufactured UP TO: 31-MAR-2011 / SERIAL# 1103100199999)

ITEM	PART #	DESCRIPTION	QUANTITY					CRITICAL	
			24	36	48	60	72		
66	4528192	24" Griddle Assembly	1						
	4528197	24" Griddle Assembly Fully Grooved							
	4528202	24" Griddle Assembly 1/2 Grooved Right							
	4528207	24" Griddle Assembly 1/2 Grooved Left							
	4528212	24" Griddle Assembly Chromed							
	4528193	36" Griddle Assembly	1						
	4528198	36" Griddle Assembly Fully Grooved							
	4528203	36" Griddle Assembly 1/2 Grooved Right							
	4528208	36" Griddle Assembly 1/2 Grooved Left							
	4528213	36" Griddle Assembly Chromed							
	4528194	48" Griddle Assembly	1						
	4528199	48" Griddle Assembly Fully Grooved							
	4528204	48" Griddle Assembly 1/2 Grooved Right							
	4528209	48" Griddle Assembly 1/2 Grooved Left							
	4528214	48" Griddle Assembly Chromed							
	4528195	60" Griddle Assembly	1						
	4528200	60" Griddle Assembly Fully Grooved							
	4528205	60" Griddle Assembly 1/2 Grooved Right							
	4528210	60" Griddle Assembly 1/2 Grooved Left							
	4528215	60" Griddle Assembly Chromed							
4528196	72" Griddle Assembly	1							
4528201	72" Griddle Assembly Fully Grooved								
4528206	72" Griddle Assembly 1/2 Grooved Right								
4528211	72" Griddle Assembly 1/2 Grooved Left								
4528216	72" Griddle Assembly Chromed								
67	CK4528217	Bulb Clamp with Gortex Gasket Note: Use Part 4529782 (item 68).	2	3	4	5	6		
68	4528217	Bulb Clamp Note: Use Part 4529782.	2	3	4	5	6		
	4529782	Bulb Clamp, Thermostat	2	3	4	5	6		
69	1872601	Gortex Lid Gasket (Cut To 5.75" Long) Note: Not Required when using Part 4529782.	2	3	4	5	6		
70	1472325	2" Thick Insulation (Cut 2.5" Wide By 10" Long)	2	3	4	5	6		
71	4528218	Bulb Shield	2	3	4	5	6		
72	4524358	Capillary Shield	2	3	4	5	6		
73	4525515	Burner Side Deflector	4	6	8	10	12		
74	4525462	H-Burner Fully Ported W/Small Shutter	2	3	4	5	6		
75	1028002	Small Air Shutter	2	3	4	5	6		
76	1014900	H-Burner Fully Ported	2	3	4	5	6		
77	4528150	24" Griddle Burner Box	1		2	1			
	4528151	36" Griddle Burner Box		1		1	2		
78	4528729	24" Heat Shield Griddle Bottom	1		2	1			
	4528564	36" Heat Shield Griddle Bottom		1		1	2		
79	4523212	Orifice Brkt Tstat Griddle	2	3	4	5	6		
80	4528227	24" Heat Shield Griddle Front	1		2	1			
	4528226	36" Heat Shield Griddle Front		1		1	2		
81	CK4528153	Grease Chute Kit - Hdcl Griddle	1	1	2	2	2		
ITEMS 82 TO 94 ARE FOR ELECTRONIC IGNITION MODELS ONLY									
82	4528327	Switch Box Cover	1	1	1	1	1		

* NOT ILLUSTRATED

RECOMMENDED STOCK PARTS

GARLAND PARTS IDENTIFICATION

Heavy Duty Counter Line Thermostatic Control Griddle

models **GTGG24-GT24, GTGG36-GT36, GTGG48-GT48, GTGG60-GT60, GTGG72-GT72**

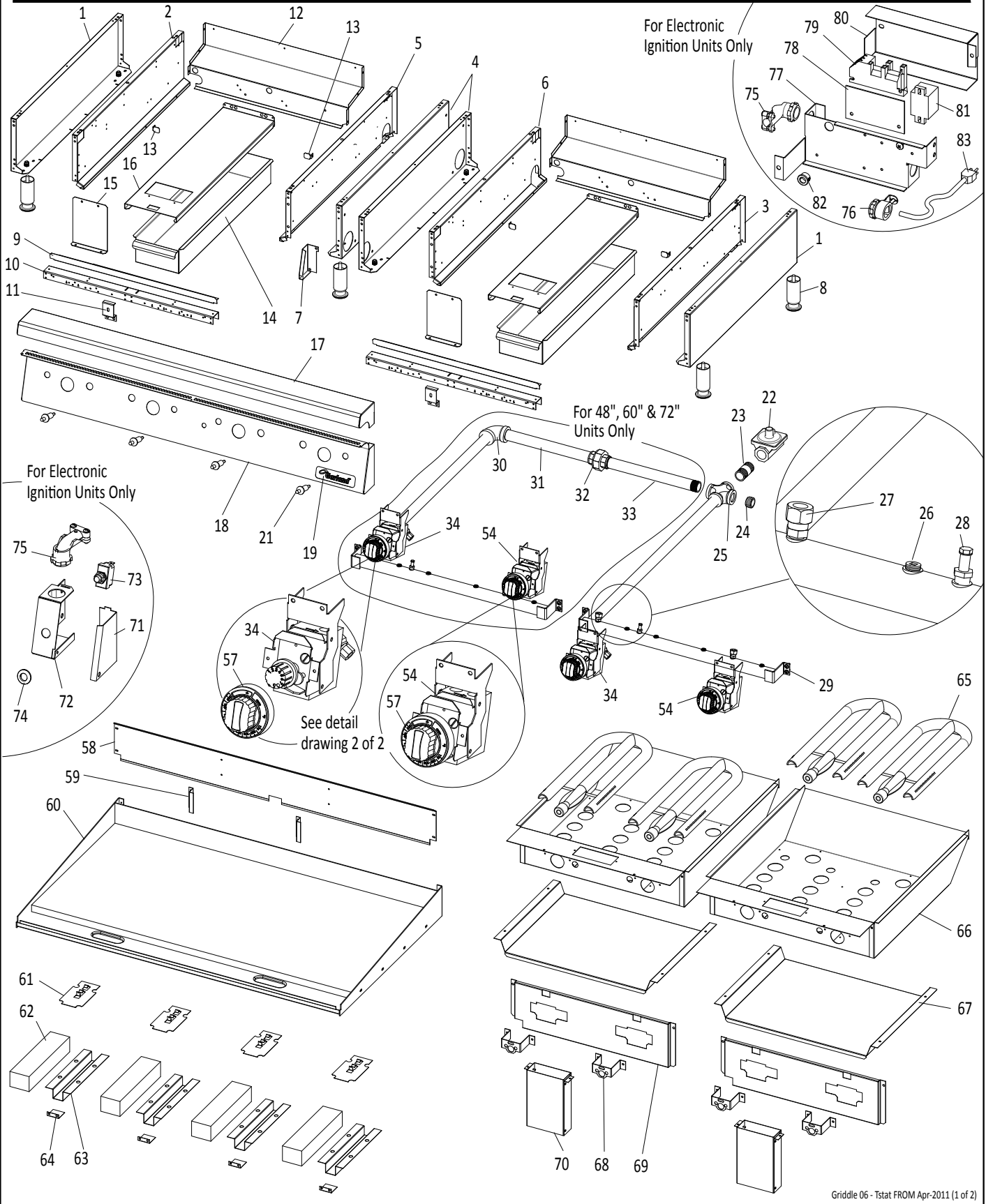
(For units manufactured UP TO: 31-MAR-2011 / SERIAL# 1103100199999)

ITEM	PART #	DESCRIPTION	QUANTITY					CRITICAL
			24	36	48	60	72	
83	4528328	Switch Box	1	1	1	1	1	
84	4527834	Momentary Switch NOTE: Use Service Kit 4530075. See Bulletin# GAR-05-11-AIC.	1	1	1	1	1	C
	4530075	Kit - Momentary Switch NOTE: Kit includes a momentary switch, insulators, terminal tabs, and instructions. See Bulletin# GAR-05-11-AIC.	1	1	1	1	1	C
85	3064800	Decorative Dress Nut - Momentary Switch	1	1	1	1	1	
86	1028500	Connector 3/8 - 90 Deg	2	2	2	2	2	
87	G01497-1	Connector 3/8 - Straight	1	1	1	1	1	
88	4528329	Spark Ignition Box 4 Pilots	1	1	1			C
	4528330	Spark Ignition Box 8 Pilots				1	1	
89	4516898	Insulator Plate	1	1	1	2	2	
90	4514750	120V Spark Generator - 4 Outlet	1	1	1	2	2	C
	4514749	230V Spark Generator - 4 Outlet						
91	4528331	Cover Ignition Box 4 Pilots	1	1	1			
	4528332	Cover Ignition Box 8 Pilots				1	1	
92	3050401	Terminal Block Assy 3 Ports	1	1	1	1	1	
93	1028806	9/16 Heyco Bushing	1	1	1	1	1	
94	4523398	Power Cord 6Ft Long (120V Only)	1	1	1	1	1	
FOR ALL OTHER WIRING, PLEASE REFER TO THE WIRE DIAGRAM # 4528421.								

* NOT ILLUSTRATED

RECOMMENDED STOCK PARTS

**FOR UNITS MANUFACTURED FROM:
 01-APR-2011 / SERIAL# 1104100100001 (DRAWING 1 OF 2)**



GARLAND PARTS IDENTIFICATION

Heavy Duty Counter Line Thermostatic Control Griddle

models GTGG24-GT24, GTGG36-GT36, GTGG48-GT48, GTGG60-GT60, GTGG72-GT72

(For units manufactured FROM: 01-APR-2011 / SERIAL# 1104100100001)

ITEM	PART #	DESCRIPTION	QUANTITY					CRITICAL
			24	36	48	60	72	
1	CK4528343	Body Side Outer w/ Hex Nuts	2	2	2	2	2	
2	4528275	Body Side Inner Left	1	1	1	1	1	
3	4528276	Body Side Inner Right	1	1	1	1	1	
4	CK4528609	Body Side Center w/Hex Nuts			2	2	2	
5	4528279	Body Side Center Inner Right			1	1	1	
6	4528278	Body Side Center Inner Left			1	1	1	
7	4528245	Valve Panel Center Support			1	1	1	
8	4528395	4" Adjustable S/S Leg	4	4	6	6	6	
9	4523186	24" Drip Angle	1		2	1		
	4523069	36" Drip Angle		1		1	2	
10	4523184	24" Main Channel	1		2	1		
	4523068	36" Main Channel		1		1	2	
11	4523194	Rail Support Bracket	1	1	2	2	2	
12	4528280	24" Main Rear Panel	1		2	1		
	4528281	36" Main Rear Panel		1		1	2	
13	4528149	Drip Tray Stop	2	2	4	4	4	
14	4528147	24" Griddle Drip Tray (for units with Cove Mount) - not shown	1		2	1		
	4528148	36" Griddle Drip Tray (for units with Cove Mount) - not shown				1	2	
	4529777	Grease Drawer	1	1	2	2	2	
15	4529776	Grease Drawer Slide Support	1	1	2	2	2	
16	4529783	Grease Drawer Slide	1	1	2	2	2	
17	4528247	Front Rail - 24"	1					
	4528248	Front Rail - 36"		1				
	4528249	Front Rail - 48"			1			
	4528250	Front Rail - 60"				1		
	4528251	Front Rail - 72"					1	
18	4528235	Valve Panel - 24" Thermostatic Griddle	1					
	4528236	Valve Panel - 36" Thermostatic Griddle		1				
	4528237	Valve Panel - 48" Thermostatic Griddle			1			
	4528238	Valve Panel - 60" Thermostatic Griddle				1		
	4528239	Valve Panel - 72" Thermostatic Griddle					1	
19	4529725	Garland Logo Small	1	1	1	1	1	
21	ITEM 21 IS FOR UNITS WITH PIEZO IGNITION ONLY (NOT FOR ELECTRONIC IGNITION MODELS)							
	1309201	Piezo Igniter	2	3	4	5	6	C
22	2127502	Regulator 4.5" W/C - For Natural Gas	1	1	1	1	1	C
	2127500	Regulator 10" W/C - For Propane Gas						
23	G01738-14	3/4-14 Npt x 2" Long Nipple	1	1	1	1	1	
24	4528326	3/4-14 Npt Square Socket Plug	1	1	1	1	1	
25	4528727	3/4-14 Npt Cross Fitting			1	1	1	
	G01476-2	3/4-14 Npt Tee Fitting	1	1				
26	2203400	1/8 Npt Steel Hex Plug	4	6	8	10	12	
27	4523064	3/8 Tube To 1/8 Npt Straight Comp. Fitting	2	3	4	5	6	
28	G02251-1	Pressure Test Spigot	1	1	2	2	2	
29	4528142	24" Manifold Assembly	1		2	1		
	4528143	36" Manifold Assembly		1		1	2	
30	G01474-5	3/4-14 Npt 90 Deg Elbow			1	1	1	
31	G01738-20	3/4-14 Npt x 10-5/8" Long Nipple			1	1		
	G01738-16	3/4-14 Npt x 22-3/4" Long Nipple					1	
32	G01963-1	3/4-14 Npt Union Fitting			1	1	1	

* NOT ILLUSTRATED

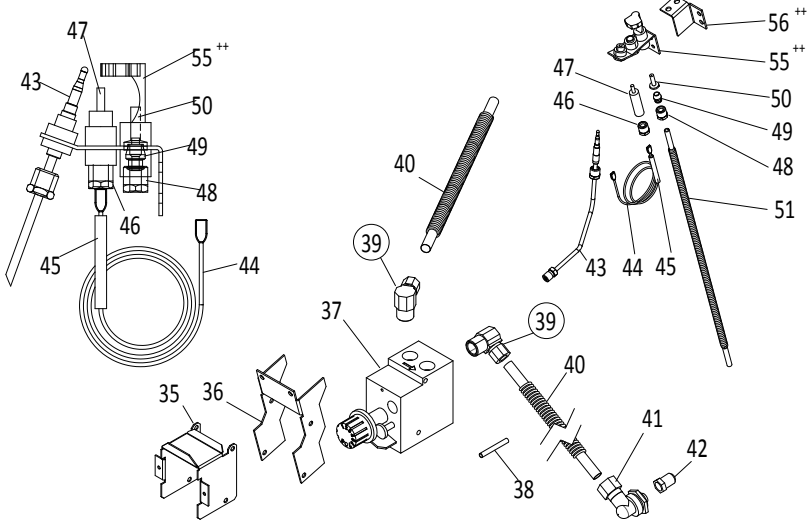
RECOMMENDED STOCK PARTS

**FOR UNITS MANUFACTURED FROM:
 01-APR-2011 / SERIAL# 1104100100001 (DRAWING 2 OF 2)**

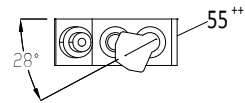
DETAIL VIEW - LEFT THERMOSTAT CONTROL ASSEMBLY (#34)

NOTE: Items with ** differ from assembly #54 below.

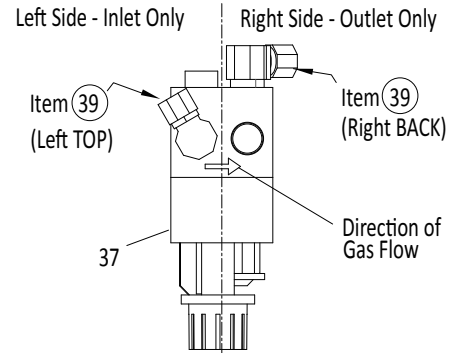
CAUTION: MUST INSTALL Item (39) in SAME LOCATION as on control being replaced.



TOP VIEW - PILOT L/H



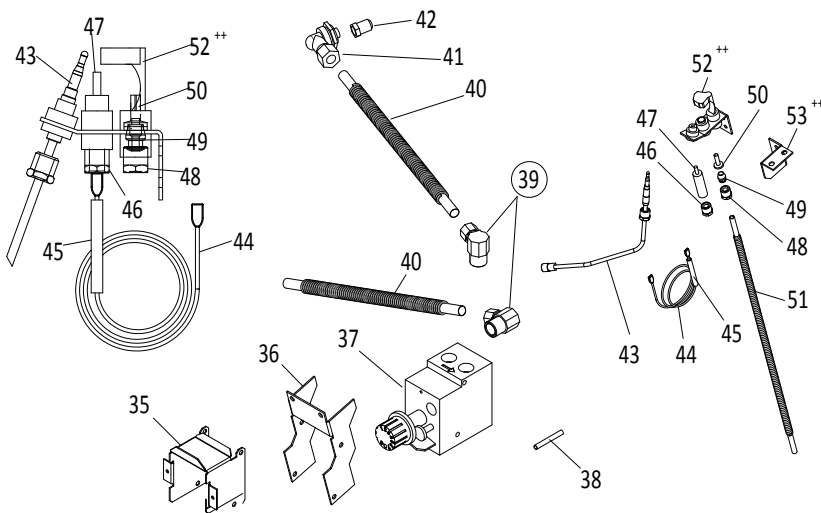
**TOP VIEWS - ELBOWS (#39)
 LOCATIONS & ORIENTATIONS**



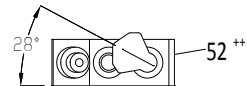
DETAIL VIEW - RIGHT THERMOSTAT CONTROL ASSEMBLY (#54)

NOTE: Items with ** differ from assembly #34 above.

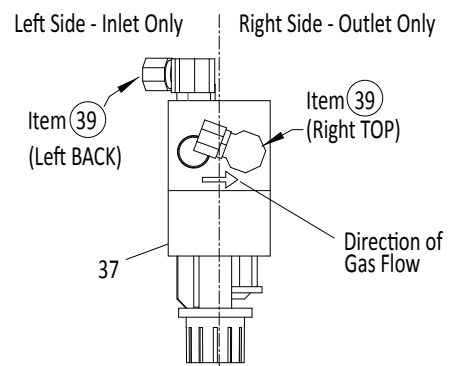
CAUTION: MUST INSTALL Item (39) in SAME LOCATION as on control being replaced.



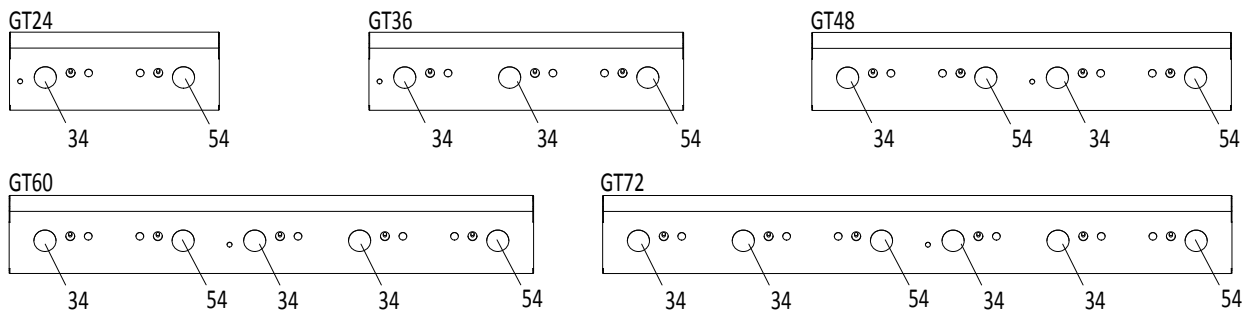
TOP VIEW - PILOT R/H



**TOP VIEWS - ELBOWS (#39)
 LOCATIONS & ORIENTATIONS**



ASSEMBLIES 34 & 54 PLACEMENT BY UNIT SIZE



GARLAND PARTS IDENTIFICATION

Heavy Duty Counter Line Thermostatic Control Griddle

models GTGG24-GT24, GTGG36-GT36, GTGG48-GT48, GTGG60-GT60, GTGG72-GT72

(For units manufactured FROM: 01-APR-2011 / SERIAL# 1104100100001)

ITEM	PART #	DESCRIPTION	QUANTITY					CRITICAL
			24	36	48	60	72	
33	G01738-20	3/4-14 Npt x 10-5/8" Long Nipple			1	1	1	
34		LEFT THERMOSTATIC CONTROL ASSEMBLY (see DETAIL VIEW in drawing 2 of 2)	1	2	2	3	4	
35	4523081	Es Shield Mount	2	3	4	5	6	
36	4528224	Bracket SIT Control Griddle HDCL	2	3	4	5	6	
37	CK4528339	Griddle Thermostat SIT Control Note: Use Kit 4530177. See Bulletin GAR-07-11-AIC.	2	3	4	5	6	
	4530177	Griddle Thermostat SIT Control with Bypass Plug Note: Kit includes a SIT Control Unit, a SIT Control Bypass Plug, a Thermostat Bulb Clamp, and instructions. See Bulletin GAR-07-11-AIC.	2	3	4	5	6	C
38	G03883R	Thermoflex For SIT Capillary (Cut To 22" Long)	2	3	4	5	6	C
39	076050-26	Elbow 3/8 Comp. To 3/8 Npt	4	6	8	10	12	
40	4523409	3/8 Flex Tube 10" Long Thermostatic Griddle	4	6	8	10	12	C
41	2431900	Orifice Fitting	2	3	4	5	6	C
42	M8-36	Small Orifice #36 - For Natural Gas	2	3	4	5	6	C
	M8-51	Small Orifice #51 - For Propane Gas						
43	4523505	Thermocouple SIT - 18" Long	2	3	4	5	6	C
44	ITEM BELOW IS FOR UNITS WITH PIEZO IGNITION ONLY (NOT FOR ELECTRONIC IGNITION MODELS)							
	2200214	19" High Tension Wire Lead	2	3	4	5	6	C
	ITEMS BELOW ARE FOR UNITS WITH ELECTRONIC IGNITION ONLY (NOT FOR PIEZO IGNITION MODELS)							
	4515809	36" High Tension Wire Lead	2	3	2	3	3	C
	4515814	60" High Tension Wire Lead			2			C
	4515811	64" High Tension Wire Lead				2		C
	4515815	88" High Tension Wire Lead					3	C
45	ITEM BELOW TO BE CUT TO LENGTH. LENGTH MATCHES LENGTH OF WIRE (IE: 12", 36", 60", 64" OR 88" LONG)							
	G03883R	Thermo Flex Insulating Sleeve (sold by the foot)	2	3	4	5	6	C
46	2200707	Nut Electrode	2	3	4	5	6	C
47	2200708	Electrode	2	3	4	5	6	C
48	2200704	3/16 Pilot Compression Nut	2	3	4	5	6	C
49	2200705	3/16" Pilot Ferrule	2	3	4	5	6	C
50	2200702	Pilot Orifice #32 Natural Gas	2	3	4	5	6	C
	2200703	Pilot Orifice #23 Propane Gas						
51	4525333	Flex Tube 3/16 S/S 13" Long	2	3	4	5	6	
52	2200700	Pilot R/H - #0.145.010	1	1	2	2	2	C
53	4529786	Pilot Bracket Right	1	1	2	2	2	
54		RIGHT THERMOSTATIC CONTROL ASSEMBLY (see DETAIL VIEW in drawing 2 of 2)	1	1	2	2	2	
55	2200701	Pilot L/H - #0.145.007	1	2	2	3	4	C
56	4529785	Pilot Bracket Left	1	2	2	3	4	
57	CK4528358	Thermostatic Griddle Knob Assembly Deg F	2	3	4	5	6	C
	CK4528359	Thermostatic Griddle Knob Assembly Deg C						
58	4528219	24" Griddle Flue Back	1					
	4528220	36" Griddle Flue Back		1				
	4528221	48" Griddle Flue Back			1			
	4528222	60" Griddle Flue Back				1		
	4528223	72" Griddle Flue Back					1	
59	4528728	Flue Spacer	1	1	2	3	3	

* NOT ILLUSTRATED

RECOMMENDED STOCK PARTS

GARLAND PARTS IDENTIFICATION

Heavy Duty Counter Line Thermostatic Control Griddle

models **GTGG24-GT24, GTGG36-GT36, GTGG48-GT48, GTGG60-GT60, GTGG72-GT72**

(For units manufactured FROM: 01-APR-2011 / SERIAL# 1104100100001)

ITEM	PART #	DESCRIPTION	QUANTITY					CRITICAL	
			24	36	48	60	72		
60	4528192	24" Griddle Assembly	1						
	4528197	24" Griddle Assembly Fully Grooved							
	4528202	24" Griddle Assembly 1/2 Grooved Right							
	4528207	24" Griddle Assembly 1/2 Grooved Left							
	4528212	24" Griddle Assembly Chromed							
	4528193	36" Griddle Assembly	1						
	4528198	36" Griddle Assembly Fully Grooved							
	4528203	36" Griddle Assembly 1/2 Grooved Right							
	4528208	36" Griddle Assembly 1/2 Grooved Left							
	4528213	36" Griddle Assembly Chromed							
	4528194	48" Griddle Assembly	1						
	4528199	48" Griddle Assembly Fully Grooved							
	4528204	48" Griddle Assembly 1/2 Grooved Right							
	4528209	48" Griddle Assembly 1/2 Grooved Left							
	4528214	48" Griddle Assembly Chromed							
	4528195	60" Griddle Assembly	1						
	4528200	60" Griddle Assembly Fully Grooved							
	4528205	60" Griddle Assembly 1/2 Grooved Right							
	4528210	60" Griddle Assembly 1/2 Grooved Left							
	4528215	60" Griddle Assembly Chromed							
4528196	72" Griddle Assembly	1							
4528201	72" Griddle Assembly Fully Grooved								
4528206	72" Griddle Assembly 1/2 Grooved Right								
4528211	72" Griddle Assembly 1/2 Grooved Left								
4528216	72" Griddle Assembly Chromed								
61	4529782	Bulb Clamp	2	3	4	5	6		
62	1472325	2" Thick Insulation (Cut 2.5" Wide By 10" Long)	2	3	4	5	6		
63	4528218	Bulb Shield	2	3	4	5	6		
64	4524358	Capillary Shield	2	3	4	5	6		
65	4529762	U-Burner, Steel Tube C/W Shutter	2	3	4	5	6		
66	4529780	24" Griddle Burner Box	1		2	1			
	4529781	36" Griddle Burner Box		1		1	2		
67	4529802	24" Heat Shield Griddle Bottom	1		2	1			
	4529784	36" Heat Shield Griddle Bottom		1		1	2		
68	4523212	Orifice Bracket Thermostatic Griddle	2	3	4	5	6		
69	4529778	24" Heat Shield Griddle Front	1		2	1			
	4529779	36" Heat Shield Griddle Front		1		1	2		
70	CK4528153	Grease Chute Kit - Hdcl Griddle	1	1	2	2	2		
ITEMS 71 TO 83 ARE FOR ELECTRONIC IGNITION MODELS ONLY									
71	4528327	Switch Box Cover	1	1	1	1	1		
72	4528328	Switch Box	1	1	1	1	1		

* NOT ILLUSTRATED

RECOMMENDED STOCK PARTS

GARLAND PARTS IDENTIFICATION

Heavy Duty Counter Line Thermostatic Control Griddle

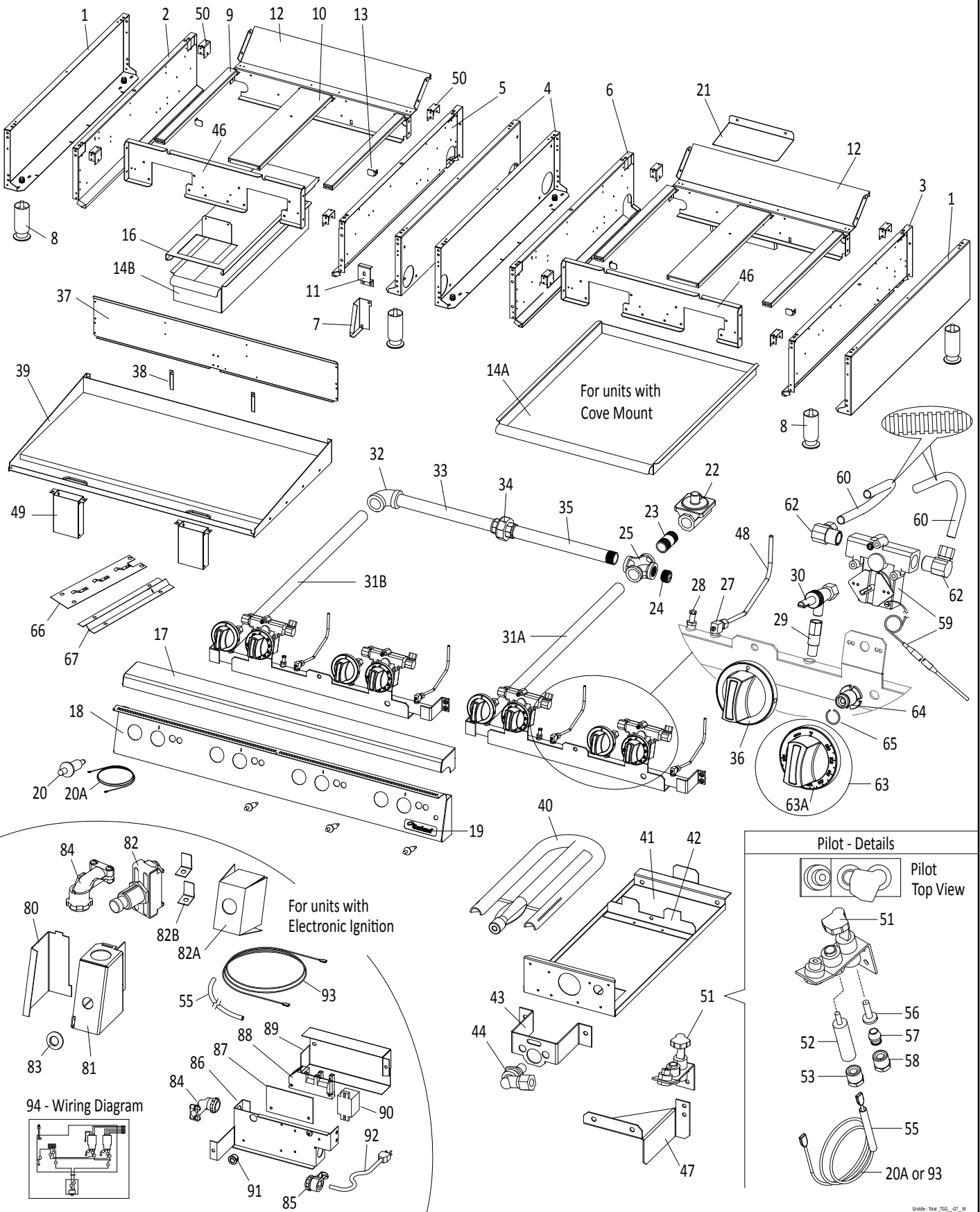
models **GTGG24-GT24, GTGG36-GT36, GTGG48-GT48, GTGG60-GT60, GTGG72-GT72**

(For units manufactured FROM: 01-APR-2011 / SERIAL# 1104100100001)

ITEM	PART #	DESCRIPTION	QUANTITY					CRITICAL
			24	36	48	60	72	
73	4527834	Momentary Switch NOTE: Use Service Kit 4530075. See Bulletin# GAR-05-11-AIC.	1	1	1	1	1	C
	4530075	Kit - Momentary Switch NOTE: Kit includes a momentary switch, insulators, terminal tabs, and instructions. See Bulletin# GAR-05-11-AIC.	1	1	1	1	1	C
73A	4530074	Insulator, Momentary Switch Protection, 4 Sides	1	1	1	1	1	
73B	826-1337	Terminal Tab (Need 2 tabs per switch. Come in a package of 5.)	1	1	1	1	1	
74	3064800	Decorative Dress Nut - Momentary Switch	1	1	1	1	1	
75	1028500	Connector 3/8 - 90 Deg	2	2	2	2	2	
76	G01497-1	Connector 3/8 - Straight	1	1	1	1	1	
77	4528329	Spark Ignition Box 4 Pilots	1	1	1			C
	4528330	Spark Ignition Box 8 Pilots				1	1	
78	4516898	Insulator Plate	1	1	1	2	2	
79	4514750	120V Spark Generator - 4 Outlet	1	1	1	2	2	C
	4514749	230V Spark Generator - 4 Outlet						
80	4528331	Cover Ignition Box 4 Pilots	1	1	1			
	4528332	Cover Ignition Box 8 Pilots				1	1	
81	3050401	Terminal Block Assembly 3 Ports	1	1	1	1	1	
82	1028806	9/16 Heyco Bushing	1	1	1	1	1	
83	4523398	Power Cord 6 Feet Long (120V Only)	1	1	1	1	1	
FOR ALL OTHER WIRING, PLEASE REFER TO THE WIRE DIAGRAM # 4528421.								

* NOT ILLUSTRATED

RECOMMENDED STOCK PARTS



GARLAND PARTS IDENTIFICATION

Heavy Duty Counter Line Thermostatic Griddles

models **GTGG24-GT24M, GTGG36-GT36M, GTGG48-GT48M, GTGG60-GT60M, GTGG72-GT72M**

ITEM	PART#	DESCRIPTION	QUANTITY					CRITICAL
			24	36	48	60	72	
1	CK4528343	Body Side Outer w/ Hex Nuts	2	2	2	2	2	
2	4528275	Body Side Inner Left	1	1	1	1	1	
3	4528276	Body Side Inner Right	1	1	1	1	1	
4	CK4528609	Body Side Center w/ Hex Nuts			2	2	2	
5	4528279	Body Side Center Inner Right			1	1	1	
6	4528278	Body Side Center Inner Left			1	1	1	
7	4528245	Valve Panel Center Support			1	1	1	
8	4528395	4" Adjustable S/S Leg	4	4	6	6	6	
9	4531207	Side Filler	2	2	4	4	4	
10	4531208	Center Filler	1	2	2	3	4	
11	4523194	Rail Support Bracket			1	1	1	
12	4531214	24" Main Back Panel	1		2	1		
	4531213	36" Main Back Panel		1		1	2	
13	4528149	Drip Tray Stop	2	2	4	4	4	
14A	4528147	24" Griddle Drip Tray (for units with Cove Mount)	1		2	1		
	4528148	36" Griddle Drip Tray (for units with Cove Mount)		1		1	2	
14B	4531217	Grease Drawer	1	1	2	2	2	
16	4531216	Grease Drawer Slide	1	1	2	2	2	
17	4528247	Front Rail - 24"	1					
	4528248	Front Rail - 36"		1				
	4528249	Front Rail - 48"			1			
	4528250	Front Rail - 60"				1		
	4528251	Front Rail - 72"					1	
18	4531221	Valve Panel - 24" Tstat Griddle	1					
	4531222	Valve Panel - 36" Tstat Griddle		1				
	4531223	Valve Panel - 48" Tstat Griddle			1			
	4531224	Valve Panel - 60" Tstat Griddle				1		
	4531225	Valve Panel - 72" Tstat Griddle					1	
19	4529725	Garland Logo Small	1	1	1	1	1	
20	1309201	Piezo Igniter Note: Only for units with Piezo ignition. NOT for electronic ignition models.	2	3	4	5	6	C
20A	2200214	19" High Tension Wire Lead Note: Only for units with Piezo ignition. NOT for electronic ignition models.	2	3	4	5	6	C
21	4531218	Regulator Cover	1	1	1	1	1	
22	2127502	Regulator 4.5" W.C. For Natural Gas	1	1	1	1	1	C
	2127500	Regulator 10.0" W.C. For Propane Gas	1	1	1	1	1	C
23	G01738-14	3/4-14 NPT x 2" Long Nipple	1	1	1	1	1	
24	4528326	3/4-14 NPT Square Socket Plug	1	1	1	1	1	
25	4528727	3/4-14 NPT Cross Fitting			1	1	1	
	G01476-2	3/4-14 NPT Tee Fitting	1	1	1			
27	G03674-2	90 Deg Gum Valve - 3/16 Tubing	2	3	4	5	6	C
28	G02251-1	Pressure Test Spigot	1	1	2	2	2	
29	4528273	Valve Extension	2	3	4	5	6	C
30	227005	Gas Valve BSR	2	3	4	5	6	C
31A	4531137	24" Manifold Assembly	1		2	1		
31B	4531138	36" Manifold Assembly		1		1	2	
32	G01474-5	3/4-14 NPT 90 Deg Elbow			1	1	1	
33	G01738-20	3/4-14 NPT x 10-5/8" Long Nipple			1	1		
	G01738-16	3/4-14 NPT x 22-3/4" Long Nipple					1	

* NOT ILLUSTRATED

RECOMMENDED STOCK PARTS

GARLAND PARTS IDENTIFICATION

Heavy Duty Counter Line Thermostatic Griddles

models **GTGG24-GT24M, GTGG36-GT36M, GTGG48-GT48M, GTGG60-GT60M, GTGG72-GT72M**

ITEM	PART#	DESCRIPTION	QUANTITY					CRITICAL
			24	36	48	60	72	
34	G01963-1	3/4-14 NPT Union Fitting			1	1	1	
35	G01738-20	3/4-14 NPT X 10-5/8" Long Nipple			1	1	1	
36	CK4528835	GT/UT Knob Assembly, Open-top (Assembly includes knob, knob trim, and knob insert.)	2	3	4	5	6	C
37	4531196	24" Griddle Flue Back	1					
	4531197	36" Griddle Flue Back		1				
	4531198	48" Griddle Flue Back			1			
	4531199	60" Griddle Flue Back				1		
	4531200	72" Griddle Flue Back					1	
38	4528728	Flue Spacer	1	1	2	3	3	
39	4531171	24" Griddle Assembly, Flat	1					
	4531176	24" Griddle Assembly Fully Grooved						
	4531181	24" Griddle Assembly 1/2 Grooved Right						
	4531186	24" Griddle Assembly 1/2 Grooved Left						
	4531191	24" Griddle Assembly Chromed						
	4531172	36" Griddle Assembly, Flat	1					
	4531177	36" Griddle Assembly Fully Grooved						
	4531182	36" Griddle Assembly 1/2 Grooved Right						
	4531187	36" Griddle Assembly 1/2 Grooved Left						
	4531192	36" Griddle Assembly Chromed						
	4531173	48" Griddle Assembly, Flat	1					
	4531178	48" Griddle Assembly Fully Grooved						
	4531183	48" Griddle Assembly 1/2 Grooved Right						
	4531188	48" Griddle Assembly 1/2 Grooved Left						
	4531193	48" Griddle Assembly Chromed						
	4531174	60" Griddle Assembly, Flat	1					
	4531179	60" Griddle Assembly Fully Grooved						
	4531184	60" Griddle Assembly 1/2 Grooved Right						
	4531189	60" Griddle Assembly 1/2 Grooved Left						
	4531194	60" Griddle Assembly Chromed						
4531175	72" Griddle Assembly, Flat	1						
4531180	72" Griddle Assembly Fully Grooved							
4531185	72" Griddle Assembly 1/2 Grooved Right							
4531190	72" Griddle Assembly 1/2 Grooved Left							
4531195	72" Griddle Assembly Chromed							
40	4531140	HDCL Griddle Burner w/ Air Shutter	2	3	4	5	6	
41	4531206	Burner Pan	2	3	4	5	6	
42	4531210	Burner Support	2	3	4	5	6	
43	4523212	Orifice Support Bracket, Tstat Griddle	2	3	4	5	6	
44	2431900	Orifice Fitting Assembly	2	3	4	5	6	C
44A*	M8-33	Small Orifice #33 - For Natural Gas	2	3	4	5	6	C
	M8-52	Small Orifice #52 - For Propane Gas	2	3	4	5	6	C
46	4531212	24" Front Support	1		2	1		
	4531211	36" Front Support		1		1	2	
47	4531209	Pilot Bracket	2	3	4	5	6	
48	4531263	3/16 Tube, approx. 11" Long (Griddle Pilot)	2	3	4	5	6	C
49	CK4531202	Grease Chute Assembly	1	1	2	2	2	
50	4531215	Side Patch	4	4	8	8	8	
51	2200701	Pilot L/H - #0.145.007	2	3	4	5	6	C
52	2200707	Nut, Electrode	2	3	4	5	6	C
53	2200708	Electrode	2	3	4	5	6	C

* NOT ILLUSTRATED

RECOMMENDED STOCK PARTS

GARLAND PARTS IDENTIFICATION

Heavy Duty Counter Line Thermostatic Griddles

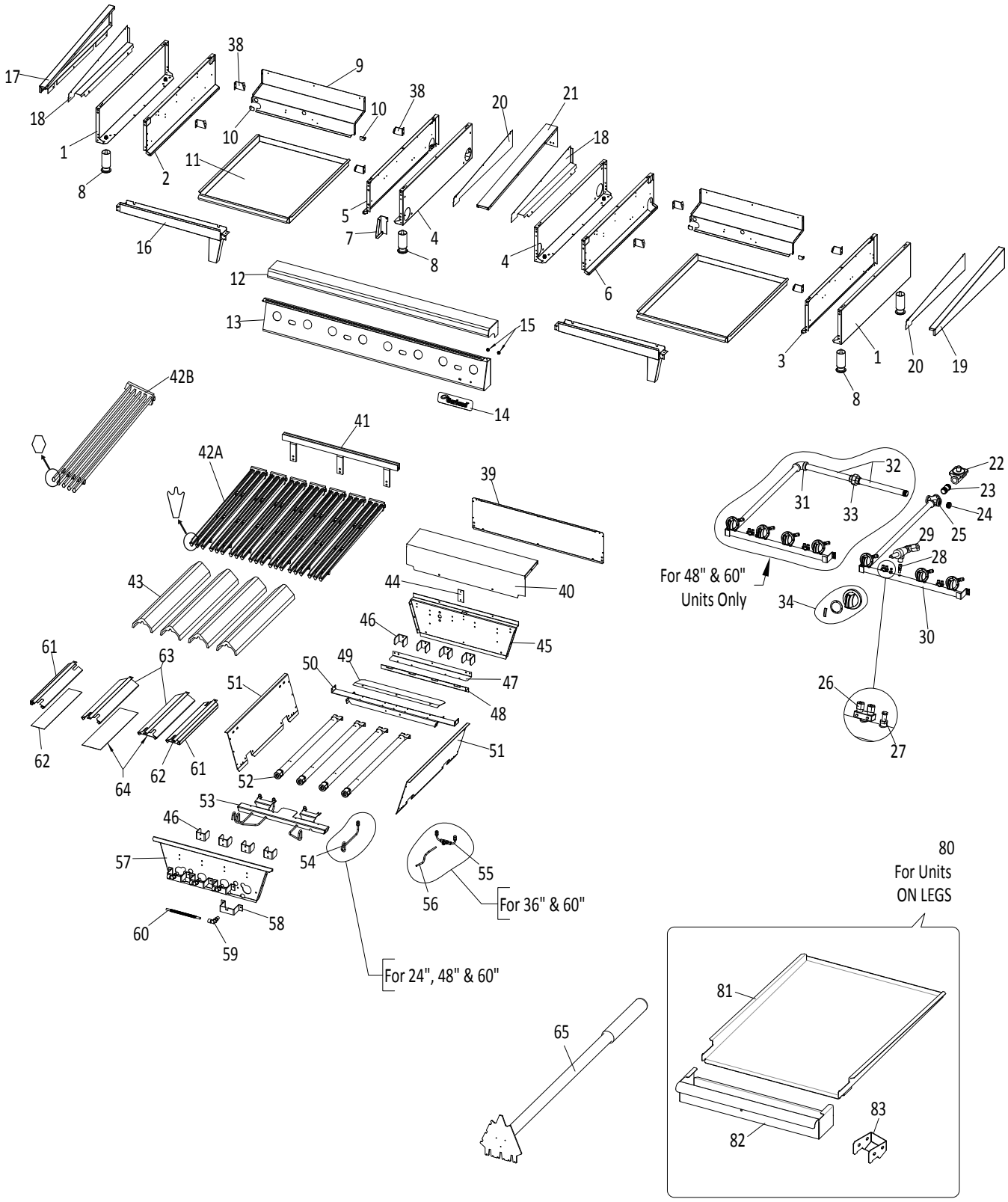
models **GTGG24-GT24M, GTGG36-GT36M, GTGG48-GT48M, GTGG60-GT60M, GTGG72-GT72M**

ITEM	PART#	DESCRIPTION	QUANTITY					CRITICAL
			24	36	48	60	72	
55	G03883R	Thermo Flex Insulating Sleeve (sold by the foot) Note: To be cut to length. Match length with length of wire (i.e., 12", 36", 60", 64", or 88" long).	2	3	4	5	6	C
56	2200702	Pilot Orifice #32 Natural Gas	2	3	4	5	6	C
	2200703	Pilot Orifice #23 Propane Gas	2	3	4	5	6	
57	2200705	3/16" Pilot Ferrule	2	3	4	5	6	C
58	2200704	3/16" Pilot Compression Nut	2	3	4	5	6	C
59	4531139	GS Thermostat -GT/UT	2	3	4	5	6	C
		Service Note: It is NOT necessary TO RAISE the griddle assembly to service or replace a thermostat. While grasping the capillary line as close as possible to front edge of griddle plate, carefully pull outward on the capillary and slide the thermostat bulb out of the clamp assembly (item 66) on bottom of plate. When re-assembling the thermostat bulb, ensure to push the bulb into the clamp assembly until it comes to a stop.						
60	4520721	3/8 S/S Flex Tube, 5.5", Thermostat To Orifice	4	6	8	10	12	
62	076050-26	Elbow, Compression, 69-6C, 3/8 Tube x 3/8 Pipe	4	6	8	10	12	
63	4531382	Tstat Knob Assembly, deg F (incl. Knob, Knob Trim, Dial Insert)	2	3	4	5	6	C
	4531383	Tstat Knob Assembly, deg C (incl. Knob, Knob Trim, Dial Insert)	2	3	4	5	6	C
63A	4531233	Dial Insert for Knob (item# 63), 550 deg F	2	3	4	5	6	
	4531234	Dial Insert for Knob (item# 63), 290 deg C	2	3	4	5	6	
64	4531372	Hub, 1/4", 0.188" Flat	2	3	4	5	6	
65	3043300	Spring Retainer	2	3	4	5	6	
66	4531384	Bulb Clamp Assembly (Bulb Clamp with Clips)	2	3	4	5	6	
67	4531204	Bulb Shield	2	3	4	5	6	
Items 80 to 94 — For Units with Electronic Ignition								
80	4531219	Switch Box Cover	1	1	1	1	1	
81	4531220	Switch Box	1	1	1	1	1	
82	4531381	Momentary Switch - HDCL	1	1	1	1	1	C
82A	4530074	Insulator, Momentary Switch Protection, 4 Sides	1	1	1	1	1	
82B	826-1337	Terminal Tab (Need 2 tabs per switch. Come in a package of 5.)	1	1	1	1	1	
83	3064800	Decorative Dress Nut - Momentary Switch	1	1	1	1	1	
84	1028500	Connector 3/8 - 90 Deg	2	2	2	2	2	
85	G01497-1	Connector 3/8 - Straight	1	1	1	1	1	
86	4528329	Spark Ignition Box 4 Pilots	1	1	1			C
	4528330	Spark Ignition Box 8 Pilots				1	1	C
87	4516898	Insulator Plate	1	1	1	2	2	
88	4514750	120V Spark Generator, 4-Outlet	1	1	1	2	2	C
	4514749	230V Spark Generator, 4-Outlet	1	1	1	2	2	C
89	4528331	Cover Ignition Box 4 Pilots	1	1	1			
	4528332	Cover Ignition Box 8 Pilots				1	1	
90	3050401	Terminal Block Assembly 3 Ports	1	1	1	1	1	
91	1028806	9/16 Heyco Bushing	1	1	1	2	2	
92	4523398	Power Cord 6 Feet Long (120V Only)	1	1	1	1	1	
93	CK4515809	36" High Tension Wire Lead	2	3	2	3	3	C
	CK4515814	60" High Tension Wire Lead			2			C
	4515811	64" High Tension Wire Lead				2		C
	4515815	90" High Tension Wire Lead					3	C
94	4531286	Wiring Diagram	1	1	1	1	1	

* NOT ILLUSTRATED

RECOMMENDED STOCK PARTS

**FOR UNITS MANUFACTURED UP TO:
 18-NOV-2010 / SERIAL# 1011100100553 WITH CENTER FILLER**



Broiler 01 - Fixed Radiant Broiler with Center Filler

GARLAND PARTS IDENTIFICATION

Heavy Duty Counter Line Fixed Radiant Broiler w/ CENTER FILLER
models GTBG24-NR24, GTBG36-NR36, GTBG48-NR48, GTBG60-NR60

(For units manufactured UP TO: 18-NOV-2010 / SERIAL# 1011100100553)

ITEM	PART #	DESCRIPTION	QUANTITY				CRITICAL
			24	36	48	60	
1	CK4528343	Body Side Outer W/Hex Nuts	2	2	2	2	
2	4528275	Body Side Inner Left	1	1	1	1	
3	4528276	Body Side Inner Right	1	1	1	1	
4	CK4528609	Body Side Center W/Hex Nuts			2	2	
5	4528279	Body Side Center Inner Right			1	1	
6	4528278	Body Side Center Inner Left			1	1	
7	4528245	Valve Panel Center Support			1	1	
8	4528395	4" Adjustable S/S Leg	4	4	6	6	
9	4528280	24" Main Rear Panel	1		2	1	
	4528281	36" Main Rear Panel		1		1	
10	4528149	Drip Tray Stop	2	2	4	4	
11	4528145	24" Drip Tray	1		2	1	
	4528146	36" Drip Tray		1		1	
12	4528247	Front Rail - 24"	1				
	4528248	Front Rail - 36"		1			
	4528249	Front Rail - 48"			1		
	4528250	Front Rail - 60"				1	
13	4528483	Valve Panel - 24" Fixed Radiant Broiler	1				
	4528484	Valve Panel - 36" Fixed Radiant Broiler		1			
	4528485	Valve Panel - 48" Fixed Radiant Broiler			1		
	4528443	Valve Panel - 60" Fixed Radiant Broiler				1	
14	4529725	Garland Logo Small	1	1	1	1	
15	F640	Pal Nut	2	2	2	2	
16	4528391	24" Grease Trough Assembly	1		2	1	
	4528382	36" Grease Trough Assembly		1		1	
17	4528387	Broiler Filler Outside Left	1	1	1	1	
18	4528388	Broiler Filler Inside Left	1	1	2	2	
19	4528385	Broiler Filler Outside Right	1	1	1	1	
20	4528386	Broiler Filler Inside Right	1	1	2	2	
21	4528732	Broiler Filler Outside Center			1	1	
22	2127502	Regulator 4.5" W/C - For Natural Gas	1	1	1	1	C
	2127500	Regulator 10" W/C - For Propane Gas					
23	G01738-14	3/4-14 Npt X 2" Long Nipple	1	1	1	1	
24	4528326	3/4-14 Npt Square Socket Plug	1	1	1	1	
25	4528727	3/4-14 Npt Cross Fitting			1	1	
	G01476-2	3/4-14 Npt Tee Fitting	1	1			
26	1510402	Double Gum Valve - 3/16 Tubing	2		4	2	C
	G03674-2	90 Deg Gum Valve - 3/16 Tubing		3		3	C
27	G02251-1	Pressure Test Spigot	1	1	2	2	
28	4528273	Valve Extension	4	6	8	10	C
29	G02599-01	Hi-Low Valve W/90 Deg Elbow	4	6	8	10	C
30	4528142	24" Manifold Assembly	1		2	1	
	4528143	36" Manifold Assembly		1		1	
31	G01474-5	3/4-14 Npt 90 Deg Elbow			1	1	

* NOT ILLUSTRATED

RECOMMENDED STOCK PARTS

GARLAND PARTS IDENTIFICATION

Heavy Duty Counter Line Fixed Radiant Broiler w/ CENTER FILLER
models GTBG24-NR24, GTBG36-NR36, GTBG48-NR48, GTBG60-NR60

(For units manufactured UP TO: 18-NOV-2010 / SERIAL# 1011100100553)

ITEM	PART #	DESCRIPTION	QUANTITY				CRITICAL
			24	36	48	60	
32	G01738-20	3/4-14 Npt X 10-5/8" Long Nipple			2	2	
33	G01963-1	3/4-14 Npt Union Fitting			1	1	
34	4527467	GT/UT Hi/Low Grid Knob Assembly	4	6	8	10	C
38	4528381	Hopper Mounting Bracket	4	4	8	8	
39	4528289	24" Upper Rear Panel Broiler	1		2	1	
	4528290	36" Upper Rear Panel Broiler		1		1	
40	4528465	24" Back Filler Broiler	1		2	1	
	4528390	36" Back Filler Broiler		1		1	
41	4528426	24" Grate Support Assembly	1		2	1	
	4528427	36" Grate Support Assembly		1		1	
42A	222040	Broiler Grate	7	11	14	18	
42B	4529636	Broiler Grate - Optional					
43	222024	Broiler Radiant	4	6	8	10	
44	4528389	Cover Plate - Rear Hopper	1	1	2	2	
45	4528455	24" Rear Hopper	1		2	1	
	4528394	36" Rear Hopper		1		1	
46	4528378	Radiant Support	8	12	16	20	
47	4528402	24" Burner Hold Down	1		2	1	
	4528401	36" Burner Hold Down		1		1	
48	4528404	24" Burner Rest	1		2	1	
	4528403	36" Burner Rest		1		1	
49	4528481	24" Rear Shield Rad Brl	1		2	1	
	4528482	36" Rear Shield Rad Brl		1		1	
50	4528441	24" Pivot Channel	1		2	1	
	4528442	36" Pivot Channel		1		1	
51	4528380	Hopper Side Lt/Rt	2	2	4	4	
52	4531547	Burner w/ Support & Air Shutter, S/S	4	6	8	10	
53	4528452	24" Pilot Channel Rad Brl	1		2	1	
	4528405	36" Pilot Channel Rad Brl		1		1	
54	4528406	Pilot Tip Assembly - 13" S/S Flex Tube	4		8	4	C
55	4528440	Dual Pilot Tip Assembly		3		3	C
56	4525333	13" S/S Flex Tube		3		3	C
57	4528400	24" Front Hopper Rad Brl	1		2	1	
	4528399	36" Front Hopper Rad Brl		1		1	
58	4528377	Orifice Support Bracket Rad Brl	4	6	8	10	
59	G02486XX	Orifice Fitting - 1/4 Tubing	4	6	8	10	C
59A	M8-45	Small Orifice #45 - For Natural Gas	4	6	8	10	C
	M8-1.3MM	Small Orifice 1.3Mm - For Propane Gas					
60	4525331	1/4 Flex Tube 6In Long (Valve To Burner Orifice)	4	6	8	10	C
61	4528437	24" End Shield	2		4	2	
	4528438	36" End Shield		2		2	
62	4528479	24" End Shield Bottom	2		4	2	
	4528480	36" End Shield Bottom		2		2	

* NOT ILLUSTRATED

RECOMMENDED STOCK PARTS

GARLAND PARTS IDENTIFICATION

Heavy Duty Counter Line Fixed Radiant Broiler w/ CENTER FILLER
models **GTBG24-NR24, GTBG36-NR36, GTBG48-NR48, GTBG60-NR60**

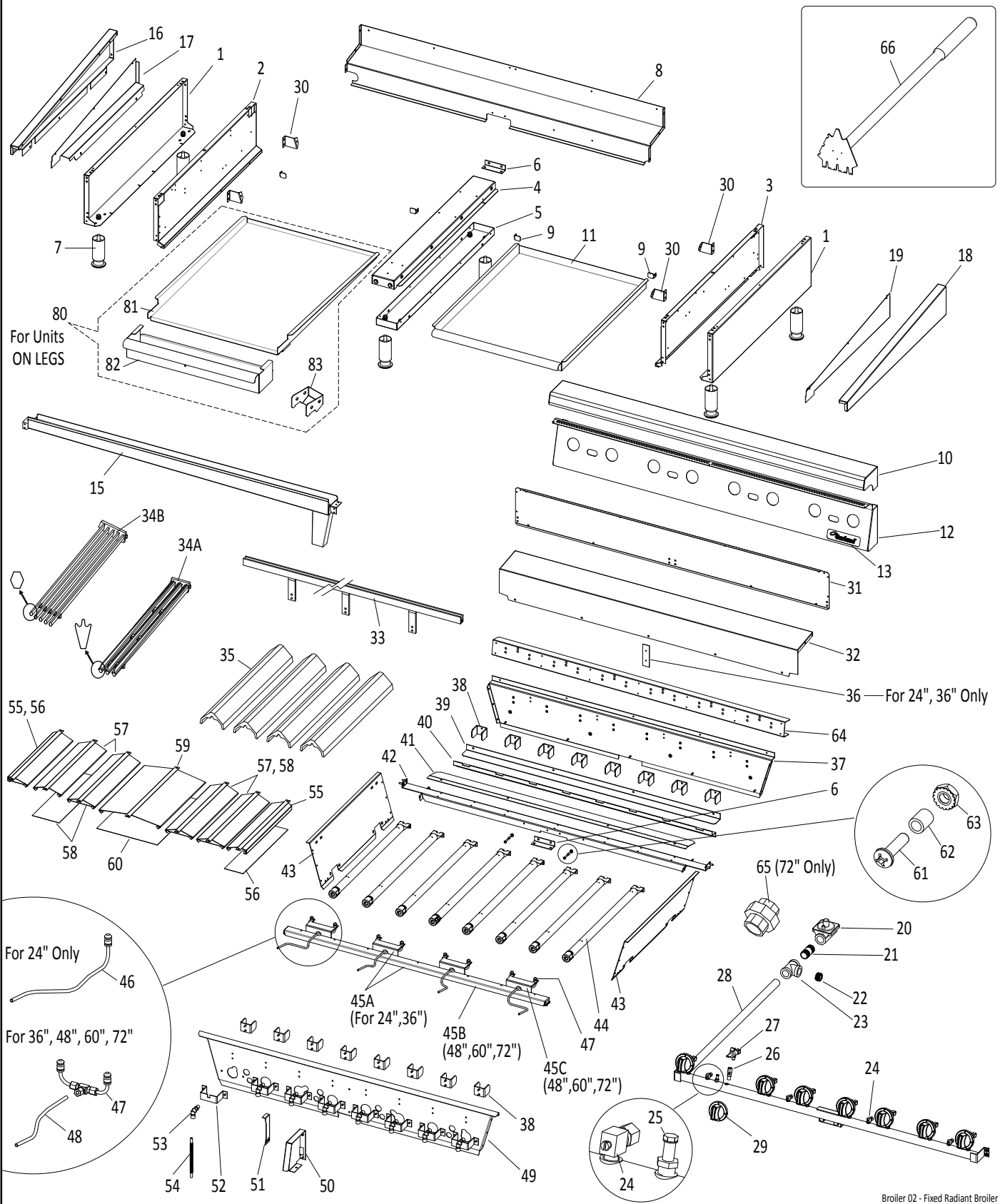
(For units manufactured UP TO: 18-NOV-2010 / SERIAL# 1011100100553)

ITEM	PART #	DESCRIPTION	QUANTITY				CRITICAL
			24	36	48	60	
63	4528435	24" Center Shield	2		4	2	
	4528436	36" Center Shield		4		4	
64	4528477	24" Center Shield Bottom	2		4	2	
	4528478	36" Center Shield Bottom		4		4	
65	4529721	Broiler grate cleaning tool (Optional Feature)					
80	4531243	Kit - Diverter Tray w/ Grease Drawer, 24" (For Unit on Legs)	1				
	4531244	Kit - Diverter Tray w/ Grease Drawer, 36" (For Unit on Legs)		1			
	4531245	Kit - Diverter Tray w/ Grease Drawer, 48" (For Unit on Legs)			1		
	4531246	Kit - Diverter Tray w/ Grease Drawer, 60" (For Unit on Legs)				1	
	<p>Note: Use this kit for any unit built UP TO (serial#) 1207100100523 (date) 17-July/2012 (model) GTBG48-AR48-0002. Any GT/UT Broiler ON LEGS built after this date/serial# will come with Grease Drawer(s). Units on Cove Mount will continue to equipt with Drip Trays (item 11). Kit includes items 81, 82, 83, fasteners and instructions (4531093).</p>						
81	4531094	Grease Diverter for Grease Catch Drawer, 24" (for item 82)	1		2	1	
	4531093	Grease Diverter for Grease Catch Drawer, 36" (for item 82)		1		1	
82	4531092	Grease Catch Drawer, 24" (for item 81)	1		2	1	
	4531091	Grease Catch Drawer, 36" (for item 81)		1		1	
83	4531095	Chute Deflector Note: Designed for Kit - Deep Grease Drawer (item 80).	1	1	1	1	

* NOT ILLUSTRATED

RECOMMENDED STOCK PARTS

For units manufactured FROM: 19-NOV-2010 / SERIAL# 1011100100554



Heavy Duty Counter Line Fixed Radiant Broiler
models GTBG24-NR24, GTBG36-NR36, GTBG48-NR48, GTBG60-NR60, GTBG72-NR72
(For units manufactured FROM: 19-NOV-2010 / SERIAL# 1011100100554)

ITEM	PART #	DESCRIPTION	QUANTITY					CRITICAL	
			24	36	48	60	72		
1	CK4528343	Body Side Outer w/ Hex Nuts	2	2	2	2	2		
2	4528275	Body Side Inner Left	1	1	1	1	1		
3	4528276	Body Side Inner Right	1	1	1	1	1		
4	CK4529406	Center Tray Support w/ Hex Nuts			1	1	1		
5	CK4529405	Center Tray Suppor Bottom w/ Hex Nuts			1	1	1		
6	4529225	Center Tray Support Bracket			2	2	2		
7	4528395	4" Adjustable S/S Leg	4	4	6	6	6		
8	4528280	24" Main Rear Panel	1						
	4528281	36" Main Rear Panel		1					
	4529217	48" Main Rear Panel			1				
	4529218	60" Main Rear Panel				1			
	4529860	72" Main Rear Panel					1		
9	4528149	Drip Tray Stop	2	2	4	4	4		
10	4528247	Front Rail - 24"	1						
	4528248	Front Rail - 36"		1					
	4528249	Front Rail - 48"			1				
	4528250	Front Rail - 60"				1			
	4528251	Front Rail - 72"					1		
11	4528145	24" Drip Tray	1		2	1			
	4528146	36" Drip Tray		1		1	2		
12	4528483	Valve Panel - 24" Fixed Radiant Broiler	1						
	4528484	Valve Panel - 36" Fixed Radiant Broiler		1					
	4529226	Valve Panel - 48" Fixed Radiant Broiler			1				
	4528443	Valve Panel - 60" Fixed Radiant Broiler				1			
	4529864	Valve Panel - 72" Fixed Radiant Broiler					1		
13	4529725	Garland Logo Small	1	1	1	1	1		
15	4528391	24" Grease Trough Assembly	1						
	4528382	36" Grease Trough Assembly		1					
	4529219	48" Grease Trough Assembly			1				
	4529220	60" Grease Trough Assembly				1			
	4529861	72" Grease Trough Assembly					1		
16	45 28387	Broiler Filler Outside Left	1	1	1	1	1		
17	4528388	Broiler Filler Inside Left	1	1	1	1	1		
18	4528385	Broiler Filler Outside Right	1	1	1	1	1		
19	4528386	Broiler Filler Inside Right	1	1	1	1	1		
20	2127502	Regulator 4.5" W/C - For Natural Gas	1	1	1	1		C	
	2127500	Regulator 10" W/C - For Propane Gas							
	4522421	1IN R600 Regulator 4.5" W/C - For Natural Gas						1	C
	4522422	R600 Regulator 10" W/C - For Propane Gas							
21	G01738-14	3/4 - 14 NPT x 2" Long Nipple	1	1	1	1			
	076029-204	1" NPT x 2" Long Nipple					2		
22	4528326	3/4 - 14 NPT Square Socket Plug	1	1	1	1			
	4530191	1" NPT Square HD Plug					1		
23	G01476-2	3/4 - 14 NPT Tee Fitting	1	1	1	1			
	4530190	1" NPT Tee Fitting					1		

* NOT ILLUSTRATED

RECOMMENDED STOCK PARTS

Heavy Duty Counter Line Fixed Radiant Broiler
models GTBG24-NR24, GTBG36-NR36, GTBG48-NR48, GTBG60-NR60, GTBG72-NR72
(For units manufactured FROM: 19-NOV-2010 / SERIAL# 1011100100554)

ITEM	PART #	DESCRIPTION	QUANTITY					CRITICAL
			24	36	48	60	72	
24	1510402	Double Gum Valve - 3/16 Tubing	2					C
	G03674-2	90 Deg Gum Valve - 3/16 Tubing		3	4	5	6	C
25	G02251-1	Pressure Test Spigot	1	1	1	1	1	
26	4528273	Valve Extension	4	6	8	10	12	C
27	G02599-01	Hi-Low Valve w/ 90 Deg Elbow	4	6	8	10	12	C
28	4528142	24" Manifold Assembly	1					
	4528143	36" Manifold Assembly		1				
	4529213	48" Manifold Assembly			1			
	4529214	60" Manifold Assembly				1		
	4529863	72" Manifold Assembly					1	
29	4527467	GT/UT Broiler Knob Assembly	4	6	8	10	12	C
30	4528381	Hopper Mounting Bracket	4	4	4	4	4	
31	4528289	24" Upper Rear Panel Broiler	1					
	4528290	36" Upper Rear Panel Broiler		1				
	4528291	48" Upper Rear Panel Broiler			1			
	4529239	60" Upper Rear Panel Broiler				1		
	4529868	72" Upper Rear Panel Broiler					1	
32	4528465	24" Back Filler Broiler	1					
	4528390	36" Back Filler Broiler		1				
	4529237	48" Back Filler Broiler			1			
	4529238	60" Back Filler Broiler				1		
	4529867	72" Back Filler Broiler					1	
33	4528426	24" Grate Support Assembly	1					
	4528427	36" Grate Support Assembly		1				
	4529242	48" Grate Support Assembly			1			
	4529243	60" Grate Support Assembly				1		
	4529874	72" Grate Support Assembly					1	
34A	222040	Broiler Grate	7	11	15	19	23	
34B	4529636	Broiler Grate - Optional	7	11	15	19	23	
35	222024	Broiler Radiant	4	6	8	10	12	
36	4528389	Cover Plate - Rear Hopper	1	1				
37	4528455	24" Rear Hopper	1					
	4528394	36" Rear Hopper		1				
	4529230	48" Rear Hopper			1			
	4529231	60" Rear Hopper				1		
	4529865	72" Rear Hopper					1	
38	4528378	Radiant Support	8	12	16	20	24	
39	4528402	24" Burner Hold Down	1					
	4528401	36" Burner Hold Down		1		2	1	
	4529232	48" Burner Hold Down			1		1	
40	4528404	24" Burner Rest	1					
	4528403	36" Burner Rest		1				
	4529233	48" Burner Rest			1			
	4529234	60" Burner Rest				1		
	4529866	72" Burner Rest					1	

* NOT ILLUSTRATED

RECOMMENDED STOCK PARTS

Heavy Duty Counter Line Fixed Radiant Broiler
models GTBG24-NR24, GTBG36-NR36, GTBG48-NR48, GTBG60-NR60, GTBG72-NR72
(For units manufactured FROM: 19-NOV-2010 / SERIAL# 1011100100554)

ITEM	PART #	DESCRIPTION	QUANTITY					CRITICAL
			24	36	48	60	72	
41	4528481	24" Rear Shield Radiant Broiler	1					
	4528482	36" Rear Shield Radiant Broiler		1				
	4529247	48" Rear Shield Radiant Broiler			1			
	4529248	60" Rear Shield Radiant Broiler				1		
	4529873	72" Rear Shield Radiant Broiler					1	
42	4528441	24" Pivot Channel	1					
	4528442	36" Pivot Channel		1				
	4529240	48" Pivot Channel			1			
	4529241	60" Pivot Channel				1		
	4529871	72" Pivot Channel					1	
43	4528380	Hopper Side Left/Right	2	2	2	2	2	
44	4531547	Burner w/ Support & Air Shutter, S/S	4	6	8	10	12	
45A	4528452	24" Pilot Channel Radiant Broiler	1					
	4528405	36" Pilot Channel Radiant Broiler		1				
45B	4530546	48" Pilot Channel Radiant Broiler (p/n for channel only)			1			
	4530547	60" Pilot Channel Radiant Broiler (p/n for channel only)				1		
	4530457	72" Pilot Channel Radiant Broiler (p/n for channel only)					1	
45C	4530549	Pilot Bracket - 48" Broiler			4			
	4530550	Pilot Bracket - 60/72" Broiler				5	6	
46	4528406	Pilot Tip Assembly - 13" S/S Flex Tube	4					C
47	4528440	Dual Pilot Tip Assembly 36		3				C
	4529215	Dual Pilot Tip Assembly 48			4			C
	4529216	Dual Pilot Tip Assembly 60				5	6	C
48	4525333	13" S/S Flex Tube		3	4	5	6	C
49	4528400	24" Front Hopper Radiant Broiler	1					
	4528399	36" Front Hopper Radiant Broiler		1				
	4529227	48" Front Hopper Radiant Broiler			1			
	4529228	60" Front Hopper Radiant Broiler				1		
	4529869	72" Front Hopper Radiant Broiler					1	
50	4529229	Valve Panel Support Bracket			1	2	1	
51	4529244	Front Rail Support Bracket			1	2	1	
52	4528377	Orifice Support Bracket Radiant Broiler	4	6	8	10	12	
53	G02486-XX	Orifice Fitting - 1/4 Tubing	4	6	8	10	12	C
53A*	M8-45	Small Orifice #45 - For Natural Gas	4	6	8	10	12	C
	M8-1.3MM	Small Orifice 1.3mm - For Propane Gas	4	6	8	10	12	C
54	4525331	1/4 Flex Tube 6" Long (Valve To Burner Orifice)	4	6	8	10	12	C
55	4528437	24" End Shield	2					
	4528438	36" End Shield		2	2	2	2	
56	4528479	24" End Shield Bottom	2					
	4528480	36" End Shield Bottom		2	2	2	2	
57	4528435	24" Center Shield	2					
	4528436	36" Center Shield		4	4	6	8	

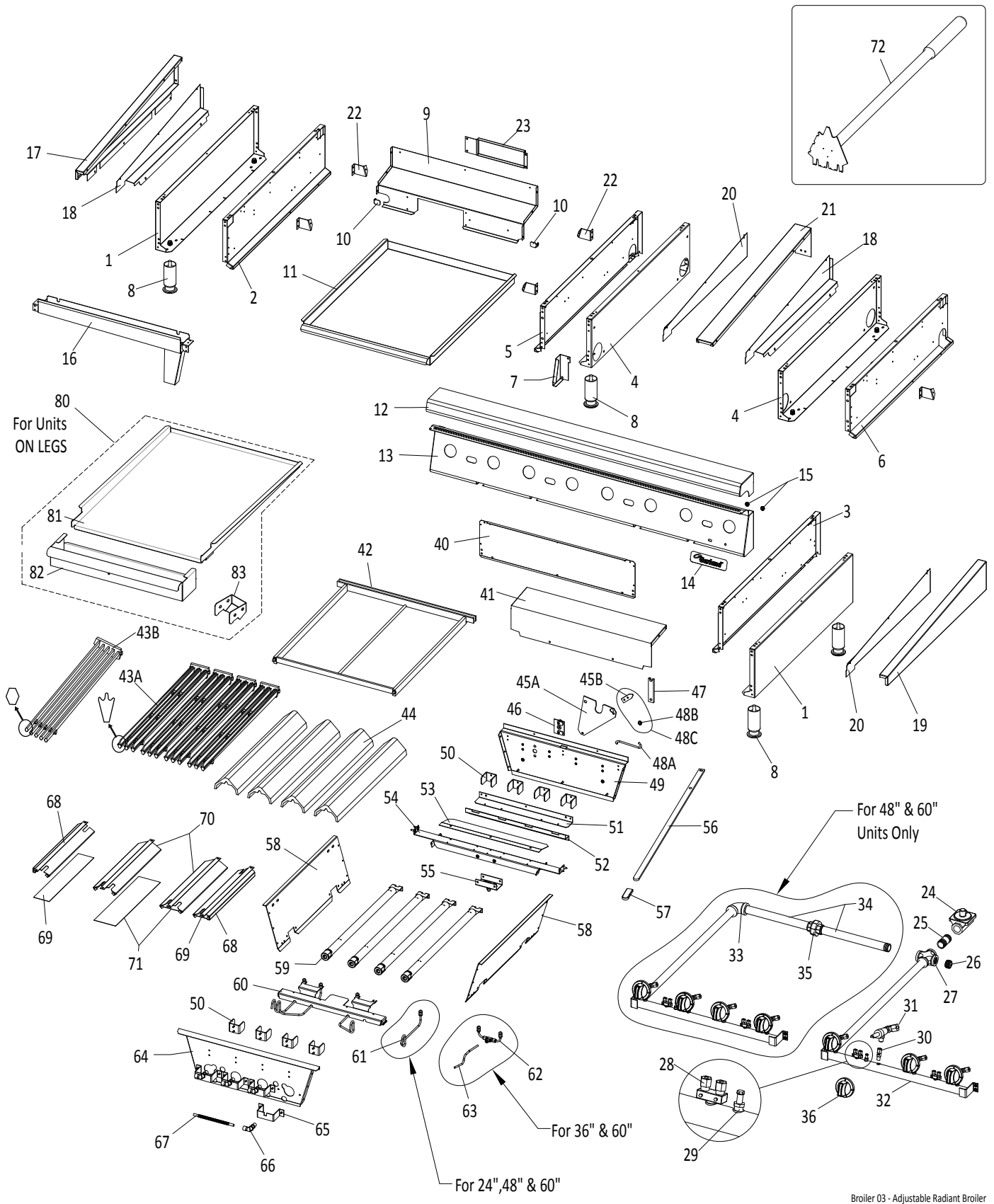
* NOT ILLUSTRATED

RECOMMENDED STOCK PARTS

Heavy Duty Counter Line Fixed Radiant Broiler
models **GTBG24-NR24, GTBG36-NR36, GTBG48-NR48, GTBG60-NR60, GTBG72-NR72**
(For units manufactured FROM: 19-NOV-2010 / SERIAL# 1011100100554)

ITEM	PART #	DESCRIPTION	QUANTITY					CRITICAL
			24	36	48	60	72	
58	4528477	24" Center Shield Bottom	2					
	4528478	36" Center Shield Bottom		4	4	6	8	
59	4529245	48/60" Middle Shield			1	1	1	
60	4529246	48/60" Middle Shield Bottom			1	1	1	
61	F29	Middle Shield Stop Bolt			2	2	2	
62	F444	Middle Shield Stop Spacer			2	2	2	
63	F87	Middle Shield Stop Lock Nut			2	2	2	
64	4529876	Hopper Rear Stiffner					1	
65	4530189	1" NPT Union					1	
66	4529721	Broiler grate cleaning tool (Optional Feature)						
80	4531243	Kit - Diverter Tray w/ Grease Drawer, 24" (For Unit on Legs)	1					
	4531244	Kit - Diverter Tray w/ Grease Drawer, 36" (For Unit on Legs)		1				
	4531245	Kit - Diverter Tray w/ Grease Drawer, 48" (For Unit on Legs)			1			
	4531246	Kit - Diverter Tray w/ Grease Drawer, 60" (For Unit on Legs)				1		
	4531247	Kit - Diverter Tray w/ Grease Drawer, 72" (For Unit on Legs)					1	
<p>Note: Use this kit for any unit built UP TO (serial#) 1207100100523 (date) 17-July/2012 (model) GTBG48-AR48-0002. Any GT/UT Broiler ON LEGS built after this date/serial# will come with Grease Drawer(s). Units on Cove Mount will continue to come with Trip Trays (item 11). Kit includes items 81, 82, 83, fasteners and instructions (4531093).</p>								
81	4531094	Grease Diverter for Grease Catch Drawer, 24" (for item 82)	1		2	1		
	4531093	Grease Diverter for Grease Catch Drawer, 36" (for item 82)		1		1	2	
82	4531092	Grease Catch Drawer, 24" (for item 81)	1		2	1		
	4531091	Grease Catch Drawer, 36" (for item 81)		1		1	2	
83	4531095	Chute Deflector Note: Designed for Kit - Deep Grease Drawer (item 80).	1	1	1	1	1	
83	4531095	Chute Deflector Note: Designed for Kit - Deep Grease Drawer (item 80).	1	1	1	1	1	
<p>* NOT ILLUSTRATED RECOMMENDED STOCK PARTS</p>								

NOTES



GARLAND PARTS IDENTIFICATION

Heavy Duty Counter Line Adjustable Radiant Broiler models GTBG24-AR24, GTBG36-AR36, GTBG48-AR48, GTBG60-AR60

ITEM	PART #	DESCRIPTION	QUANTITY				CRITICAL
			24	36	48	60	
1	CK4528343	Body Side Outer W/Hex Nuts	2	2	2	2	
2	4528275	Body Side Inner Left	1	1	1	1	
3	4528276	Body Side Inner Right	1	1	1	1	
4	CK4528609	Body Side Center W/Hex Nuts			2	2	
5	4528279	Body Side Center Inner Right			1	1	
6	4528278	Body Side Center Inner Left			1	1	
7	4528245	Valve Panel Center Support			1	1	
8	4528395	4" Adjustable S/S Leg	4	4	6	6	
9	4528458	24" Main Rear Panel Adj Brl	1		2	1	
	4528459	36" Main Rear Panel Adj Brl		1		1	
10	4528149	Drip Tray Stop	2	2	4	4	
11	4528145	24" Drip Tray	1		2	1	
	4528146	36" Drip Tray		1		1	
12	4528247	Front Rail - 24"	1				
	4528248	Front Rail - 36"		1			
	4528249	Front Rail - 48"			1		
	4528250	Front Rail - 60"				1	
13	4528444	Valve Panel - 24" Adj Radiant Broiler	1				
	4528445	Valve Panel - 36" Adj Radiant Broiler		1			
	4528446	Valve Panel - 48" Adj Radiant Broiler			1		
	4528447	Valve Panel - 60" Adj Radiant Broiler				1	
14	4529725	Garland Logo Small	1	1	1	1	
15	F640	Pal Nut	2	2	2	2	
16	4528391	24" Grease Trough Assembly	1		2	1	
	4528382	36" Grease Trough Assembly		1		1	
17	4528387	Broiler Filler Outside Left	1	1	1	1	
18	4528388	Broiler Filler Inside Left	1	1	2	2	
19	4528385	Broiler Filler Outside Right	1	1	1	1	
20	4528386	Broiler Filler Inside Right	1	1	2	2	
21	4528732	Broiler Filler Outside Center			1	1	
22	4528381	Hopper Mounting Bracket	4	4	8	8	
23	4528460	Main Rear Panel Cover Adj Brl	1	1	2	2	
24	2127502	Regulator 4.5" W/C - For Natural Gas	1	1	1	1	C
	2127500	Regulator 10" W/C - For Propane Gas					
25	G01738-14	3/4-14 Npt X 2" Long Nipple	1	1	1	1	
26	4528326	3/4-14 Npt Square Socket Plug	1	1	1	1	
27	4528727	3/4-14 Npt Cross Fitting			1	1	
	G01476-2	3/4-14 Npt Tee Fitting	1	1			
28	1510402	Double Gum Valve - 3/16 Tubing	2		4	2	C
	G03674-2	90 Deg Gum Valve - 3/16 Tubing		3		3	C
29	G02251-1	Pressure Test Spigot	1	1	2	2	
30	4528273	Valve Extension	4	6	8	10	C
31	G02599-01	Hi-Low Valve W/90 Deg Elbow	4	6	8	10	C
32	4528142	24" Manifold Assembly	1		2	1	
	4528143	36" Manifold Assembly		1		1	

* NOT ILLUSTRATED

RECOMMENDED STOCK PARTS

GARLAND PARTS IDENTIFICATION

Heavy Duty Counter Line Adjustable Radiant Broiler

models **GTBG24-AR24, GTBG36-AR36, GTBG48-AR48, GTBG60-AR60**

ITEM	PART #	DESCRIPTION	QUANTITY				CRITICAL	
			24	36	48	60		
33	G01474-5	3/4-14 Npt 90 Deg Elbow			1	1		
34	G01738-20	3/4-14 Npt X 10-5/8" Long Nipple			2	2		
35	G01963-1	3/4-14 Npt Union Fitting			1	1		
36	4527467	GT/UT Hi/Low Grid Knob Assembly	4	6	8	10	C	
40	4528289	24" Upper Rear Panel Broiler	1		2	1		
	4528290	36" Upper Rear Panel Broiler		1		1		
41	4528465	24" Back Filler Broiler	1		2	1		
	4528390	36" Back Filler Broiler		1		1		
42	4528433	24" Adj Grate Frame Assembly	1		2	1		
	4528434	36" Adj Grate Frame Assembly		1		1		
43A	222040	Broiler Grate	7	11	14	18		
43B	4529636	Broiler Grate - Optional	7	11	14	18		
44	222024	Broiler Radiant	4	6	8	10		
45A	4528473	Cam Plate Adj Brl	1	1	2	2		
45B	4529379	Lifting Bar Assembly Lock Note: Come with units manufactured from 14-Dec-2010 or serial# 1012100100695.	2	2	2	2		
46	4528466	Pivot Plate Assembly Rear	1	1	2	2		
47	4528471	Lift Bar Assembly Adj Brl	1	1	2	2		
48A	4528475	Wire Link Cam To Lever	1	1	2	2		
48B	F628	3/16" Dia. Retaining Ring Note: Come with units manufactured from 14-Dec-2010 or serial# 1012100100695.	4	4	4	4		
48C	4529587	Field Service Kit - HD Counter Adjustable Broiler Note: This kit is for units manufactured up to 13-Dec-2010 or serial# 1012100100694. Note: This kit includes items 45B, 48B, four #10-24 x 1/2" Pan-Head Type F screws (part# F32), and instruction sheets.	1 PER UNIT					
49	4528455	24" Rear Hopper	1		2	1		
	4528394	36" Rear Hopper		1		1		
50	4528378	Radiant Support	8	12	16	20		
51	4528402	24" Burner Hold Down	1		2	1		
	4528401	36" Burner Hold Down		1		1		
52	4528404	24" Burner Rest	1		2	1		
	4528403	36" Burner Rest		1		1		
53	4528481	24" Rear Shield Rad Brl	1		2	1		
	4528482	36" Rear Shield Rad Brl		1		1		
54	4528441	24" Pivot Channel	1		2	1		
	4528442	36" Pivot Channel		1		1		
55	4528468	Pivot Plate Assembly Main W/Studs	1	1	2	2		
56	4528472	Lever - Adjustable Broiler	1	1	2	2		
57	4528476	Lever Grip	1	1	2	2		
58	4528380	Hopper Side Lt/Rt	2	2	4	4		
59	4531547	Burner W/Support & Air Shutter, S/S	4	6	8	10		
60	4528452	24" Pilot Channel Rad Brl	1		2	1		
	4528405	36" Pilot Channel Rad Brl		1		1		

* NOT ILLUSTRATED

RECOMMENDED STOCK PARTS

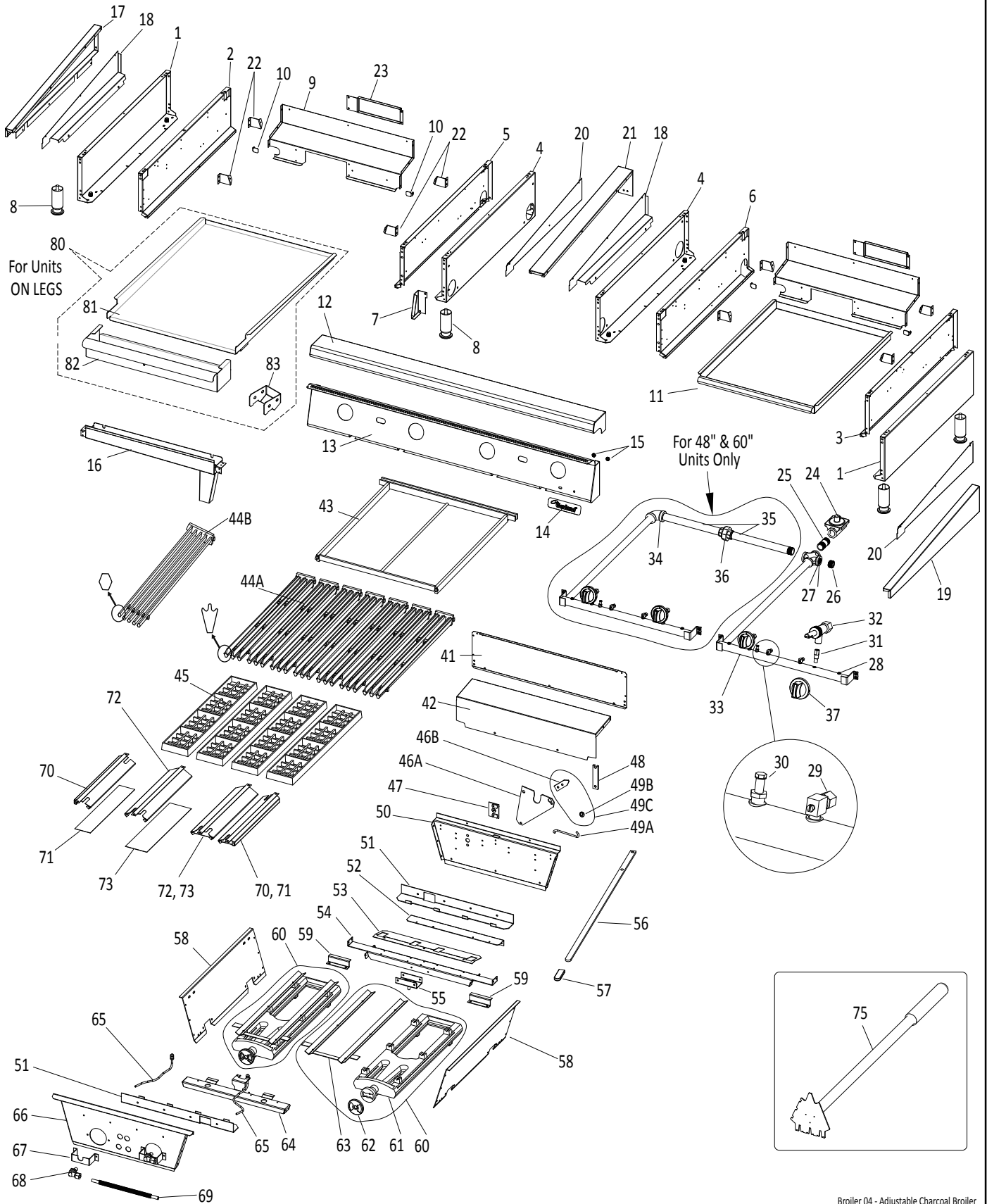
GARLAND PARTS IDENTIFICATION

Heavy Duty Counter Line Adjustable Radiant Broiler models GTBG24-AR24, GTBG36-AR36, GTBG48-AR48, GTBG60-AR60

ITEM	PART #	DESCRIPTION	QUANTITY				CRITICAL
			24	36	48	60	
61	4528406	Pilot Tip Assembly - 13" S/S Flex Tube	4		8	4	C
62	4528440	Dual Pilot Tip Assembly		3		3	C
63	4525333	13" S/S Flex Tube		3		3	C
64	4528400	24" Front Hopper Rad Brl	1		2	1	
	4528399	36" Front Hopper Rad Brl		1		1	
65	4528377	Orifice Support Bracket Rad Brl	4	6	8	10	
66	G02486XX	Orifice Fitting - 1/4 Tubing	4	6	8	10	C
66A*	M8-45	Small Orifice #45 - For Natural Gas	4	6	8	10	C
	M8-1.3MM	Small Orifice 1.3mm - For Propane Gas					
67	4525331	1/4 Flex Tube 6In Long (Valve To Burner Orifice)	4	6	8	10	C
68	4528437	24" End Shield	2		4	2	
	4528438	36" End Shield		2		2	
69	4528479	24" End Shield Bottom	2		4	2	
	4528480	36" End Shield Bottom		2		2	
70	4528435	24" Center Shield	2		4	2	
	4528436	36" Center Shield		4		4	
71	4528477	24" Center Shield Bottom	2		4	2	
	4528478	36" Center Shield Bottom		4		4	
72	4529721	Broiler grate cleaning tool (Optional Feature)					
80	4531243	Kit - Diverter Tray w/ Grease Drawer, 24" (For Unit on Legs)	1				
	4531244	Kit - Diverter Tray w/ Grease Drawer, 36" (For Unit on Legs)		1			
	4531245	Kit - Diverter Tray w/ Grease Drawer, 48" (For Unit on Legs)			1		
	4531246	Kit - Diverter Tray w/ Grease Drawer, 60" (For Unit on Legs)				1	
	<p>Note: Use this kit for any unit built UP TO (serial#) 1207100100523 (date) 17-July/2012 (model) GTBG48-AR48-0002. Any GT/UT Broiler ON LEGS built after this date/serial# will come with Grease Drawer(s). Units on Cove Mount will continue to come with Trip Trays (item 11). Kit includes items 81, 82, 83, fasteners and instructions (4531093).</p>						
81	4531094	Grease Diverter for Grease Catch Drawer, 24" (for item 82)	1		2	1	
	4531093	Grease Diverter for Grease Catch Drawer, 36" (for item 82)		1		1	
82	4531092	Grease Catch Drawer, 24" (for item 81)	1		2	1	
	4531091	Grease Catch Drawer, 36" (for item 81)		1		1	
83	4531095	Chute Deflector Note: Designed for Kit - Deep Grease Drawer (item 80).	1	1	1	1	

* NOT ILLUSTRATED

RECOMMENDED STOCK PARTS



GARLAND PARTS IDENTIFICATION

Heavy Duty Counter Line Adjustable Charcoal Broiler
models **GTBG24-AB24, GTBG36-AB36, GTBG48-AB48, GTBG60-AB60**

ITEM	PART #	DESCRIPTION	QUANTITY				CRITICAL
			24	36	48	60	
1	CK4528343	Body Side Outer W/Hex Nuts	2	2	2	2	
2	4528275	Body Side Inner Left	1	1	1	1	
3	4528276	Body Side Inner Right	1	1	1	1	
4	CK4528609	Body Side Center W/Hex Nuts			2	2	
5	4528279	Body Side Center Inner Right			1	1	
6	4528278	Body Side Center Inner Left			1	1	
7	4528245	Valve Panel Center Support			1	1	
8	4528395	4" Adjustable S/S Leg	4	4	6	6	
9	4528458	24" Main Rear Panel Adj Brl	1		2	1	
	4528459	36" Main Rear Panel Adj Brl		1		1	
10	4528149	Drip Tray Stop	2	2	4	4	
11	4528145	24" Drip Tray	1		2	1	
	4528146	36" Drip Tray		1		1	
12	4528247	Front Rail - 24"	1				
	4528248	Front Rail - 36"		1			
	4528249	Front Rail - 48"			1		
	4528250	Front Rail - 60"				1	
13	4528448	Valve Panel - 24" Adj Charcoal Broiler	1				
	4528449	Valve Panel - 36" Adj Charcoal Broiler		1			
	4528450	Valve Panel - 48" Adj Charcoal Broiler			1		
	4528451	Valve Panel - 60" Adj Charcoal Broiler				1	
14	4529725	Garland Logo Small	1	1	1	1	
15	F640	Pal Nut	2	2	2	2	
16	4528391	24" Grease Trough Assembly	1		2	1	
	4528382	36" Grease Trough Assembly		1		1	
17	4528387	Broiler Filler Outside Left	1	1	1	1	
18	4528388	Broiler Filler Inside Left	1	1	2	2	
19	4528385	Broiler Filler Outside Right	1	1	1	1	
20	4528386	Broiler Filler Inside Right	1	1	2	2	
21	4528732	Broiler Filler Outside Center			1	1	
22	4528381	Hopper Mounting Bracket	4	4	8	8	
23	4528460	Main Rear Panel Cover Adj Brl	1	1	2	2	
24	2127502	Regulator 4.5" W/C - For Natural Gas	1	1	1	1	C
	2127500	Regulator 10" W/C - For Propane Gas					
25	G01738-14	3/4-14 Npt X 2" Long Nipple	1	1	1	1	
26	4528326	3/4-14 Npt Square Socket Plug	1	1	1	1	
27	4528727	3/4-14 Npt Cross Fitting			1	1	
	G01476-2	3/4-14 Npt Tee Fitting	1	1			
28	2203400	1/8 Npt Steel Hex Plug	2	3	4	5	
29	G03674-2	90 Deg Gum Valve - 3/16 Tubing	2	3	4	5	C
30	G02251-1	Pressure Test Spigot	1	1	2	2	
31	4528273	Valve Extension	2	3	4	5	C
32	227005	Valve 1/8 Npt - 3/8 Tubing	2	3	4	5	C
33	4528142	24" Manifold Assembly	1		2	1	
	4528143	36" Manifold Assembly		1		1	

* NOT ILLUSTRATED

RECOMMENDED STOCK PARTS

GARLAND PARTS IDENTIFICATION

Heavy Duty Counter Line Adjustable Charcoal Broiler

models **GTBG24-AB24, GTBG36-AB36, GTBG48-AB48, GTBG60-AB60**

ITEM	PART #	DESCRIPTION	QUANTITY				CRITICAL	
			24	36	48	60		
34	G01474-5	3/4-14 Npt 90 Deg Elbow			1	1		
35	G01738-20	3/4-14 Npt X 10-5/8" Long Nipple			2	2		
36	G01963-1	3/4-14 Npt Union Fitting			1	1		
37	CK4528835	GT/UT Open Top Knob Assembly	2	3	4	5	C	
41	4528289	24" Upper Rear Panel Broiler	1		2	1		
	4528290	36" Upper Rear Panel Broiler		1		1		
42	4528465	24" Back Filler Broiler	1		2	1		
	4528390	36" Back Filler Broiler		1		1		
43	4528433	24" Adj Grate Frame Assembly	1		2	1		
	4528434	36" Adj Grate Frame Assembly		1		1		
44A	222040	Broiler Grate	7	11	14	18		
44B	4529636	Broiler Grate - Optional	7	11	14	18		
45	222034	Broiler Waffle Grate	4	6	8	10		
46A	4528473	Cam Plate Adj Brl	1	1	2	2		
46B	4529379	Lifting Bar Assembly Lock Note: Come with units manufactured from 14-Dec-2010 or serial# 1012100100695.	2	2	2	2		
47	4528466	Pivot Plate Assembly Rear	1	1	2	2		
48	4528471	Lift Bar Assembly Adj Brl	1	1	2	2		
49A	4528475	Wire Link Cam To Lever	1	1	2	2		
49B	F628	3/16" Dia. Retaining Ring Note: Come with units manufactured from 14-Dec-2010 or serial# 1012100100695.	4	4	4	4		
49C	4529587	Field Service Kit - HD Counter Adjustable Broiler Note: This kit is for units manufactured up to 13-Dec-2010 or serial# 1012100100694. Note: This kit includes items 46B, 49B, four #10-24 x 1/2" Pan-Head Type F screws (part# F32), and instruction sheets.	1 PER UNIT					
50	4528455	24" Rear Hopper	1		2	1		
	4528394	36" Rear Hopper		1		1		
51	4528461	24" Waffle Grate Support	2		4	2		
	4528462	36" Waffle Grate Support		2		2		
52	4528402	24" Burner Rest Chrcl Brl	1		2	1		
	4528401	36" Burner Rest Chrcl Brl		1		1		
53	4528396	24" Rear Shield Chrcl Brl	1		2	1		
	4528397	36" Rear Shield Chrcl Brl		1		1		
54	4528441	24" Pivot Channel	1		2	1		
	4528442	36" Pivot Channel		1		1		
55	4528468	Pivot Plate Assembly Main W/Studs	1	1	2	2		
56	4528472	Lever - Adjustable Broiler	1	1	2	2		
57	4528476	Lever Grip	1	1	2	2		
58	4528380	Hopper Side Lt/Rt	2	2	4	4		
59	4528463	Burner Hold Down Brkt	2	3	4	5		
60	CK4528841	Cast Burner W/Small Air Shutter & Shield Assy Note: This assembly includes items 61, 62, and 63.	2	3	4	5		
61	151726	Cast Burner	2	3	4	5		

* NOT ILLUSTRATED

RECOMMENDED STOCK PARTS

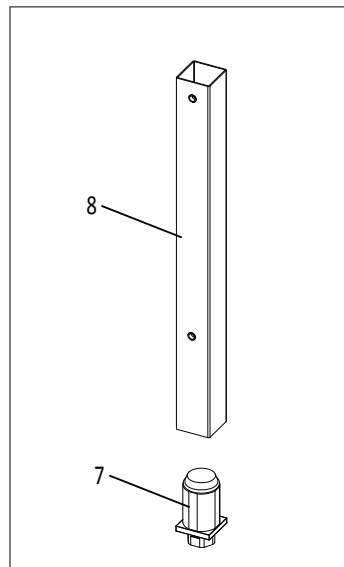
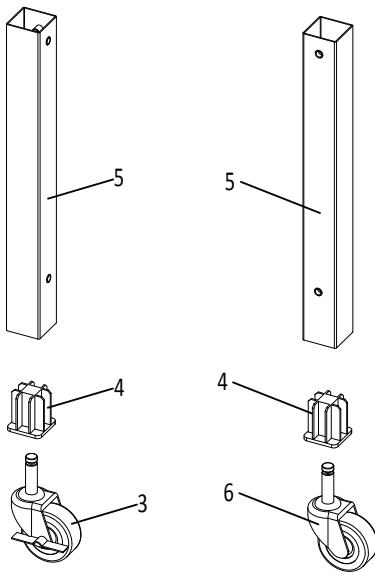
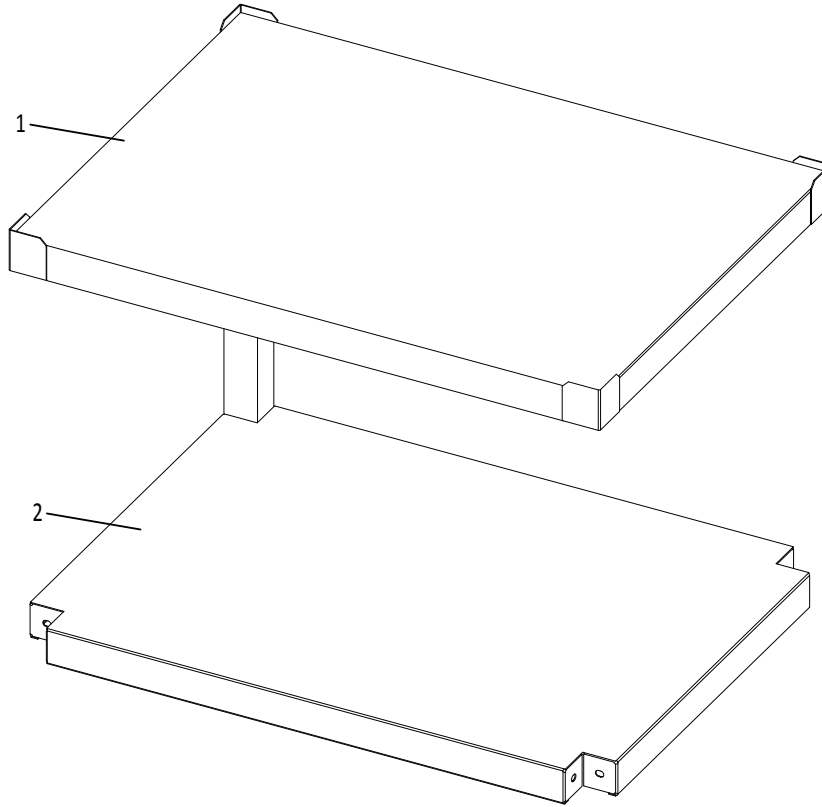
GARLAND PARTS IDENTIFICATION

Heavy Duty Counter Line Adjustable Charcoal Broiler
models **GTBG24-AB24, GTBG36-AB36, GTBG48-AB48, GTBG60-AB60**

ITEM	PART #	DESCRIPTION	QUANTITY				CRITICAL
			24	36	48	60	
62	223005	Small Air Shutter	2	3	4	5	
63	3064999	Burner Shield Assembly	2	3	4	5	
64	4528453	24" Pilot Channel Chrl Brl	1		2	1	
	4528454	36" Pilot Channel Chrl Brl		1		1	
65	4528406	Pilot Tip Assembly - 13" S/S Flex Tube	2	3	4	5	C
66	4528456	24" Front Hopper Chrl Brl	1		2	1	
	4528457	36" Front Hopper Chrl Brl		1		1	
67	4528439	Orifice Support Bracket Chrl Brl	2	3	4	5	
68	2431900	Orifice Fitting - 3/8 Tubing	2	3	4	5	C
68A*	M8-36	Small Orifice #36 - For Natural Gas	2	3	4	5	C
	M8-51	Small Orifice #51 - For Propane Gas	2	3	4	5	
69	4523409	3/8 Flex Tube 10In Long (Valve To Burner Orifice)	2	3	4	5	C
70	4528437	24" End Shield	2		4	2	
	4528438	36" End Shield		2		2	
71	4528479	24" End Shield Bottom	2		4	2	
	4528480	36" End Shield Bottom		2		2	
72	4528435	24" Center Shield	2		4	2	
	4528436	36" Center Shield		4		4	
73	4528477	24" Center Shield Bottom	2		4	2	
	4528478	36" Center Shield Bottom		4		4	
74*	4523902	Briquettes (84 Pcs)	1		2	1	
	4523903	Briquettes (126 Pcs)		1		1	
75	4529721	Broiler grate cleaning tool (Optional Feature)					
80	4531243	Kit - Diverter Tray w/ Grease Drawer, 24" (For Unit on Legs)	1				
	4531244	Kit - Diverter Tray w/ Grease Drawer, 36" (For Unit on Legs)		1			
	4531245	Kit - Diverter Tray w/ Grease Drawer, 48" (For Unit on Legs)			1		
	4531246	Kit - Diverter Tray w/ Grease Drawer, 60" (For Unit on Legs)				1	
	<p>Note: Use this kit for any unit built UP TO (serial#) 1207100100523 (date) 17-July/2012 (model) GTBG48-AR48-0002. Any GT/UT Broiler ON LEGS built after this date/serial# will come with Grease Drawer(s). Units on Cove Mount will continue to come with Trip Trays (item 11). Kit includes items 81, 82, 83, fasteners and instructions (4531093).</p>						
81	4531094	Grease Diverter for Grease Catch Drawer, 24" (for item 82)	1		2	1	
	4531093	Grease Diverter for Grease Catch Drawer, 36" (for item 82)		1		1	
82	4531092	Grease Catch Drawer, 24" (for item 81)	1		2	1	
	4531091	Grease Catch Drawer, 36" (for item 81)		1		1	
83	4531095	Chute Deflector Note: Designed for Kit - Deep Grease Drawer (item 80).	1	1	1	1	

* NOT ILLUSTRATED

RECOMMENDED STOCK PARTS



FOR STANDS WITH
AJUSTABLE FEET ONLY

GARLAND PARTS IDENTIFICATION

Heavy Duty Counter Line (HDCL) Stands - 24", 36", 48", 60", 72"

For All HDCL Models

ITEM	PART #	DESCRIPTION	QUANTITY					CRITICAL
			24	36	48	60	72	
1	4528310	24" Stand Top Assembly	1					
	4528311	36" Stand Top Assembly		1				
	4528312	48" Stand Top Assembly			1			
	4528313	60" Stand Top Assembly				1		
	4528314	72" Stand Top Assembly					1	
2	4528320	24" Shelf	1					
	4528321	36" Shelf		1				
	4528322	48" Shelf			1			
	4528323	60" Shelf				1		
	4528324	72" Shelf					1	
COMPONENTS FOR STANDS WITH CASTERS:								
3	3018800	Caster with Brake	2	2	2	2	2	
4	3018901	Caster Insert	4	4	4	4	4	
5	CK4528366	Leg Post Assembly for Casters	4	4	4	4	4	
6	3018801	Caster No Brake	2	2	2	2	2	
COMPONENTS FOR STANDS WITH FEET:								
7	G02954-1	Adjustable Foot	4	4	4	4	4	
8	CK4528488	Leg Post Assembly for Foot	4	4	4	4	4	

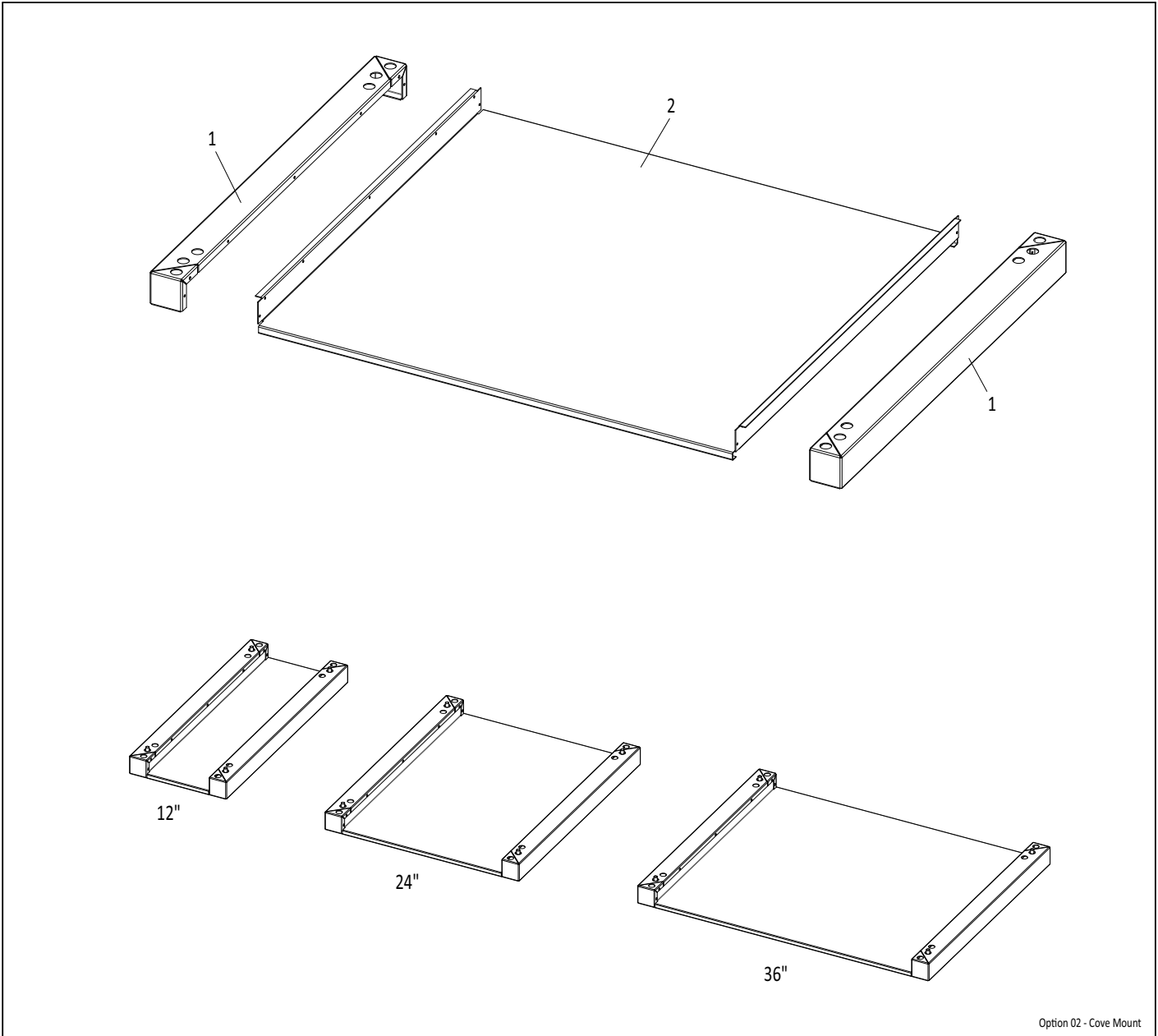
* NOT ILLUSTRATED

RECOMMENDED STOCK PARTS

GARLAND PARTS IDENTIFICATION

Heavy Duty Counter Line (HDCL) Cove Mount - 12", 24", 36", 48", 60", 72"

For All HDCL Models



ITEM	PART #	DESCRIPTION	QUANTITY						CRITICAL
			12	24	36	48	60	72	
1	4528294	Skirt RT/LT - Dias MTG	2	2	2	4	4	4	
2	4528295	Skirt Bottom 12" - Dias Mount MTG	1						
	4528296	Skirt Bottom 24" - Dias Mount MTG		1		2	1		
	4528297	Skirt Bottom 36" - Dias Mount MTG			1		1	2	

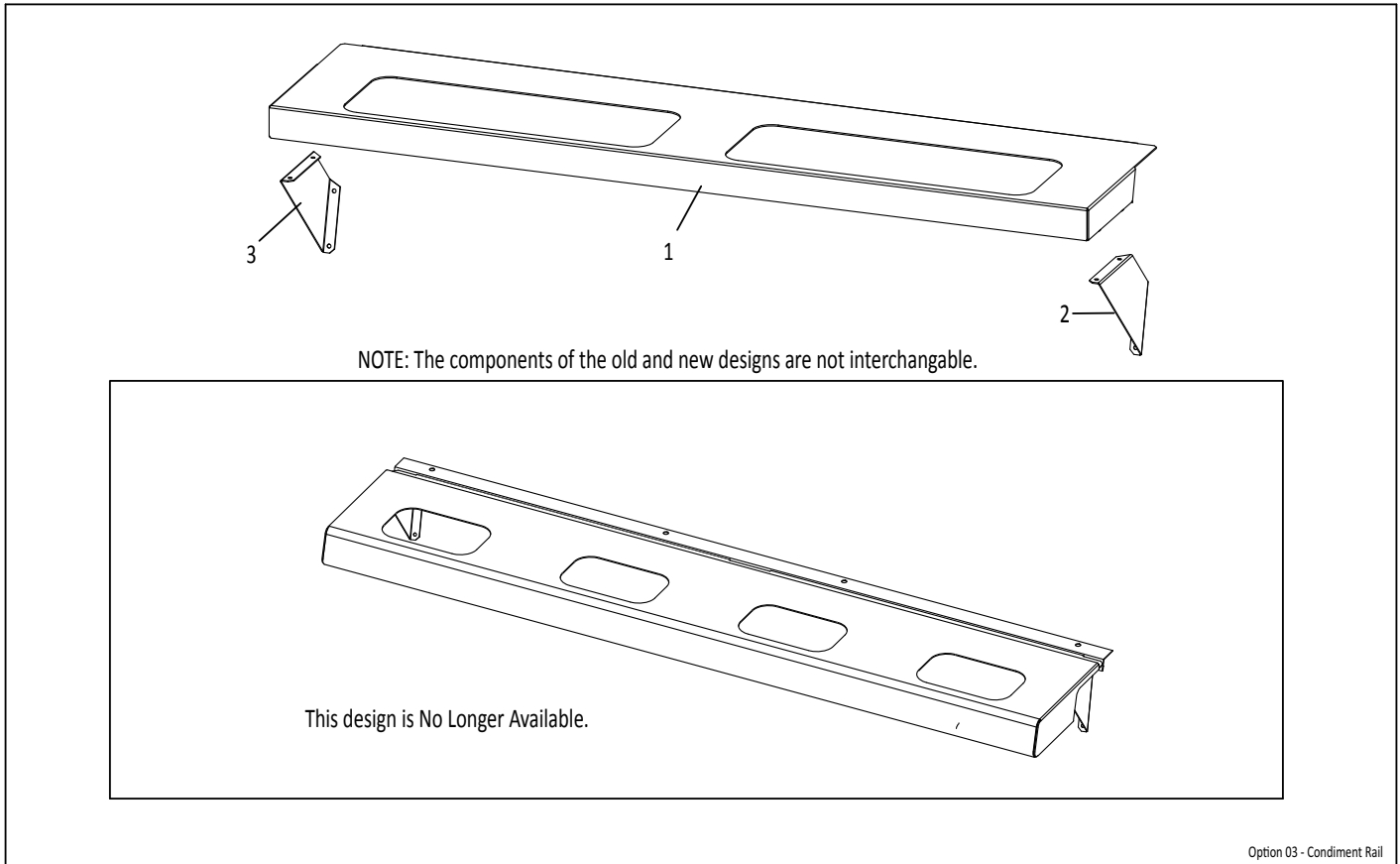
* NOT ILLUSTRATED

RECOMMENDED STOCK PARTS

GARLAND PARTS IDENTIFICATION

Heavy Duty Counter Line (HDCL) Condiment Rail - 12", 24", 36", 48", 60", 72"

For All HDCL Models



ITEM	PART #	DESCRIPTION	QUANTITY					
			12	24	36	48	60	72
1	4530948	Condiment Rail Assembly Add On - 12"	1					
	4530949	Condiment Rail Assembly Add On - 24"		1				
	4530950	Condiment Rail Assembly Add On - 36"			1			
	4530951	Condiment Rail Assembly Add On - 48"				1		
	4530952	Condiment Rail Assembly Add On - 60"					1	
	4530953	Condiment Rail Assembly Add On - 72"						1
2	4530946	End Support - Right Side	1	1	1	1	1	1
3	4530947	End Support - Left Side	1	1	1	1	1	1
4*	F35	SCREW, 10-24 X 3/8 IN TRUSS HD COMB	4	4	4	4	4	4
5*	F60	METAL SCREW, 10 X 5/8 INTLOCK QUAD PAN	4	4	4	4	4	4
6*	F90	NUT-10-24 STEEL ACORN-NICKEL	4	4	4	4	4	4
7*	F108	WASHER #10 SS FLAT 7/16" OD	4	4	4	4	4	4

NOTE

The previous condiment rail model and components (as shown in box) are no longer available. Note that the parts of the old and new designs are not interchangeable.

From 16-April/2012, upgrading or replacing any part of the old rail model will require a complete conversion to the new design (items 1-3).

* NOT ILLUSTRATED

RECOMMENDED STOCK PARTS

GARLAND PARTS IDENTIFICATION

Heavy Duty Counter Line Gas Conversion Kits (*from Natural to Propane*)

PART #	KIT COMPONENTS	BTU/HR PER BURNER	QTY
Open Tops and Step-Up Open Tops (Kit part# 4528882)			
M8-53	#53 Orifice – Open Top Burners (Hotplate Only) – Pro	26,000	8
M8-1.6MM	1.6Mm Orifice – Open Top Burners (Step Up Only) – Pro	27,000	8
4528897	Instructions Conversion Kit Hd Hotplate – Nat/Propane		1
4528891	Label – Conversion Ratings Hd Hotplates		1
4516405	Label - Conversion Declaration		1
2127500	3/4" Regulator Propane 10" W.C.		1
Hi/Low Griddle model GTGG __-G__ (Kit Part# 4528884)			
M8-53	#53 Orifice – Griddles (Hi-Lo Valve) – Pro	26,000	6
2200703	Pilot Orifice #23 Propane		6
4528898	Instructions Conversion Kit Hd Counter Griddles – Nat/Propane		1
4528893	Label – Conversion Ratings Hd Counter Griddles		1
4516405	Label - Conversion Declaration		1
2127500	3/4" Regulator Propane 10" W.C.		1
Hi/Low Griddle model GTGG __-G__ M (Kit Part# 4531366)			
M8-53	#53 Orifice – Griddles (Hi-Lo Valve) – Pro	27,000	6
2200703	Pilot Orifice #23 Propane		6
4531371	Instructions Conversion Kit GTGGM Griddle, Nat/Propane		1
4516405	Label - Conversion Declaration		1
4531369	Label - Conversion Ratings, Propane		1
2127500	3/4" Regulator Propane 10" W.C.		1
Thermostatic Griddle model GTGG __-GT__ (Kit Part# 4528886)			
M8-51	#51 Orifice – Griddles (Tstat) – Pro	32,000	6
2200703	Pilot Orifice #23 Propane		6
4528898	Instructions Conversion Kit Hd Counter Griddles – Nat/Propane		1
4528893	Label – Conversion Ratings Hd Counter Griddles		1
4516405	Label - Conversion Declaration		1
2127500	3/4" Regulator Propane 10" W.C.		1
Thermostatic Griddle model GTGG __-GT__ M (Kit Part# 4531368)			
M8-52	#52 Orifice – Griddles (Tstat) – Pro	28,000	6
2200703	Pilot Orifice #23 Propane		6
4531371	Instructions Conversion Kit GTGGM Griddle, Nat/Propane		1
4516405	Label - Conversion Declaration		1
4531369	Label - Conversion Ratings, Propane		1
2127500	3/4" Regulator Propane 10" W.C.		1
Fixed & Adjustable Radiant Broiler (Kit Part# 4528888)			
M8-1.3MM	1.3Mm Orifice – Radiant Broiler – Pro	18,000	10
4528899	Instructions Conversion Kit Hd Counter Broilers – Nat/Propane		1
4528895	Label – Conversion Ratings Hd Counter Broilers		1
4516405	Label - Conversion Declaration		1
2127500	3/4" Regulator Propane 10" W.C.		1
Adjustable Charcoal Broiler (Kit Part# 4528890)			
M8-51	#51 Orifice – Ceramic Briquette Broiler Pro	30,000	6
4528899	Instructions Conversion Kit Hd Counter Broilers – Nat/Propane		1
4528895	Label – Conversion Ratings Hd Counter Broilers		1
4516405	Label - Conversion Declaration		1
2127500	3/4" Regulator Propane 10" W.C.		1

GARLAND PARTS IDENTIFICATION

Heavy Duty Counter Line Gas Conversion Kits (*from Propane to Natural*)

PART #	KIT COMPONENTS	BTU/HR PER BURNER	QTY
Open Tops and Step-Up Open Tops (Kit part# 4528881)			
M8-36	#36 Orifice - Open Top Burners (All Models) - Nat	30,000	8
4528897	Instructions Conversion Kit Hd Hotplate – Nat/Propane		1
4528892	Label – Conversion Ratings Hd Hotplates		1
4516405	Label - Conversion Declaration		1
2127502	3/4" Regulator Natural 4½" W.C.		1
Hi/Low Griddle model GTGG __-G__ (Kit Part# 4528883)			
M8-37	#37 Orifice – Griddles (Hi-Lo Valve) - Nat	26,000	6
2200702	Pilot Orifice #32 Natural		6
4528898	Instructions Conversion Kit Hd Counter Griddles – Nat/Propane		1
4528894	Label – Conversion Ratings Hd Counter Griddles		1
4516405	Label - Conversion Declaration		1
2127502	3/4" Regulator Natural 4½" W.C.		1
Hi/Low Griddle model GTGG __-G__ M (Kit Part# 4531365)			
M8-37	#37 Orifice – Griddles (Hi-Lo Valve) - Nat	27,000	6
2200702	Pilot Orifice #32 Natural		6
4531371	Instructions Conversion Kit GTGGM Griddle, Nat/Propane		1
4516405	Label - Conversion Declaration		1
4531370	Label - Conversion Ratings, Natural		1
2127502	3/4" Regulator Natural 4½" W.C.		1
Thermostatic Griddle model GTGG __-GT__ (Kit Part# 4528885)			
M8-36	#36 Orifice – Griddles (Tstat) – Nat	32,000	6
2200702	Pilot Orifice #32 Natural		6
4528898	Instructions Conversion Kit Hd Counter Griddles – Nat/Propane		1
4528894	Label – Conversion Ratings Hd Counter Griddles		1
4516405	Label - Conversion Declaration		1
2127502	3/4" Regulator Natural 4½" W.C.		1
Thermostatic Griddle model GTGG __-GT__ M (Kit Part# 4531367)			
M8-33	#33 Orifice – Griddles (Tstat) – Nat	28,000	6
2200702	Pilot Orifice #32 Natural		6
4531371	Instructions Conversion Kit GTGGM Griddle, Nat/Propane		1
4516405	Label - Conversion Declaration		1
4531370	Label - Conversion Ratings, Natural		1
2127502	3/4" Regulator Natural 4½" W.C.		1
Fixed & Adjustable Radiant Broiler (Kit Part# 4528887)			
M8-45	#45 Orifice – Radiant Broiler - Nat	18,000	10
4528899	Instructions Conversion Kit Hd Counter Broilers – Nat/Propane		1
4528896	Label – Conversion Ratings Hd Counter Broilers		1
4516405	Label - Conversion Declaration		1
2127502	3/4" Regulator Natural 4½" W.C.		1
Adjustable Charcoal Broiler (Kit Part# 4528889)			
M8-36	#36 Orifice – Ceramic Briquette Broiler Nat	30,000	6
4528899	Instructions Conversion Kit Hd Counter Broilers – Nat/Propane		1
4528896	Label – Conversion Ratings Hd Counter Broilers		1
4516405	Label - Conversion Declaration		1
2127502	3/4" Regulator Natural 4½" W.C.		1

GARLAND PARTS IDENTIFICATION
Critical & Recommended Stock Parts List

PART #	DESCRIPTION
227005	Gas Valve 1/8 Npt - 3/8 Tubing
1309201	Piezo Igniter
1510402	Double Gum Valve - 3/16 Tubing
2127500	Regulator 10.0" W.C. - For Propane Gas
2127502	Regulator 4.5" W.C. - For Natural Gas
2200211	12" High Tension Wire
2200214	19" High Tension Wire Lead
2200700	Pilot R/H - #0.145.010
2200701	Pilot L/H - #0.145.007
2200702	Pilot Orifice #32 Natural Gas
2200703	Pilot Orifice #23 Propane Gas
2200704	3/16 Pilot Compression Nut
2200705	3/16 Pilot Ferrule
2200707	Nut, Pilot Electrode
2200708	Electrode, Pilot
2431900	Orifice Fitting - 3/8 Tubing
4514749	230V Spark Generator - 4 Outlet
4514750	120V Spark Generator - 4 Outlet
4515811	64" High Tension Wire Lead
4515815	90" High Tension Wire Lead
4522421	1In R600 Regulator 4.5" W/C - For Natural Gas
4522422	R600 Regulator 10" W/C - For Propane Gas
4523398	Power Cord, 6 Feet, 120V Unit
4523409	3/8 Flex Tube 10In Long (Valve To Burner Orifice)
4523505	18" Thermocouple
4525331	1/4 Flex Tube 6In Long (Valve To Burner Orifice)
4525333	13" S/S Flex Tube
4527467	GT/UT Hi-Low Griddle Knob Assembly
4528147	24" Griddle Drip Tray for Cove Mount Models
4528148	36" Griddle Drip Tray for Cove Mount Models
4528228	Pilot Tube Left/Right
4528273	Gas Valve Extension
4528329	Spark Ignition Box 4 Pilots
4528330	Spark Ignition Box 8 Pilots
4528340	GT/UT Open Top Pilot Tube Assembly
4528341	GT/UT Step-Up Pilot Tube Assembly
4528406	Pilot Tip Assembly - 13" S/S Flex Tube
4528440	Dual Pilot Tip Assembly 36
4529215	Dual Pilot Tip Assembly 48
4529216	Dual Pilot Tip Assembly 60
4530075	Kit - Momentary Switch
4530177	GT/UT Griddle Thermostat Sit Control W/ By-Pass Plug
4531139	GS Thermostat, GT/UT
4531140	HDCL Griddle Burner w/ Air Shutter
4531263	3/16" Tube, Griddle Pilot
4531381	Momentary Switch (GT(UT)GG__-G__M)
4531382	Tstat Knob Assembly, deg F, GT(UT)GG__-G__M
4531383	Tstat Knob Assembly, deg C, GT(UT)GG__-G__M
4531547	Burner W/Support & Air Shutter, S/S
CK4515809	36" High Tension Wire Lead
CK4515814	60" High Tension Wire Lead

PART #	DESCRIPTION
CK4528835	GT/UT Open Top Knob Assembly
CK4528358	Tstat Griddle Knob Assembly Deg F
CK4528359	Tstat Griddle Knob Assembly Deg C
G02486XX	Orifice Fitting - 1/4 Tubing
G02599-01	Hi-Low Valve W/90 Deg Elbow
G03674-2	90 Deg Gum Valve - 3/16 Tubing
G03883R	Thermo Flex Insulating Sleeve
M8-1.3MM	Small Orifice 1.3mm - For Propane Gas
M8-1.6MM	Small Orifice 1.6mm - For Propane Gas
M8-33	Small Orifice #33 - For Natural Gas
M8-35	Small Orifice #35 - For Natural Gas
M8-36	Small Orifice #36 - For Natural Gas
M8-37	Small Orifice #37 - For Natural Gas
M8-45	Small Orifice #45 - For Natural Gas
M8-51	Small Orifice #51 - For Propane Gas
M8-52	Small Orifice #52 - For Propane Gas
M8-53	Small Orifice #53 - For Propane Gas
M9-36	Small Orifice #36 - For Natural Gas
M9-53	Small Orifice #53 - For Propane Gas

Related Bulletins		
BULLETIN #	SUBJECT	DATE
03-B-2010-SP	New Heavy Duty Gas Counter line	20-JULY-10
07-B-2010-S	Wire Link Rod Upgrade	26-OCT-10
GAR-01-11-AIC	Wire Link Rod & Lifting Bar Assembly Lock Upgrades	4-FEB-11
GAR-02-11-AIC	Correct Gas Connections for SIT Griddle Controls	25-MAR-11
GAR-05-11-AIC	Service Kit for Momentary Switch Part Numbers 4527834 & G03053-1	13-SEP-11
GAR-07-11-AIC	New SIT Griddle Control Thermostat Kit	30-SEP-11

Revision History				
REV#	PAGE#	ITEM#	NOTES	DATE
5	41	45	Old P/N 4529235 replaced by 4530546, 4530549; 4529236 replaced by 4530547, 4530550; 4529872 replaced by 4530548, 4530550.	17-JUL-12
	34-51	80-83	Deep Grease Drawer Kit and components for units on legs.	
6	4		Included rating plate location.	31-OCT-12
	22-25		New griddle model - Hi/Low control GTGG__-G__M	
	38-41		New griddle model - Thermostat control GTGG__-GT__M	
	64-65		New conversion kits 4531365 /66 /67 /68	
	21	54	High Tension Wire Lead 2200214, was 2200211	
	35	44		
	21	61	Added switch kit 4530075, was missing	
	36	73		
18-21,34-37		GTGG__-G__, GTGG__-GT__ models are obsolete. Ref: PCO06438.		
7	44	52	Burner 4531547(S/S) replaced 3087601(AL). Used from GTBG36-NR36-0011 / 1211100101555 / 3-Dec-2012. The S/S and AL burners are directly interchangeable. Ref:PCO06516	7-JAN-13
	49	44		
	54	59		
8	7	1, 5	Corrected part numbers.	12-MAY-14
9	46, 48	34B	Part number 4529636 added	30-JULY-14
	58, 56	44B		
	52, 54	43B		
	42, 44	42B		
10	41	64	Hub, part changed from 3043207 to 4531372.	27-MAY-15
11	63		Added fasteners part#.	22-JUNE-17