

High Efficiency Radiant Char-Broilers

Parts List

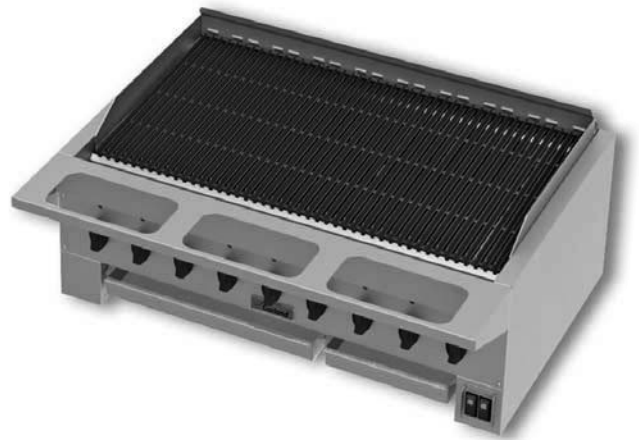
Models

HEEGM24CL

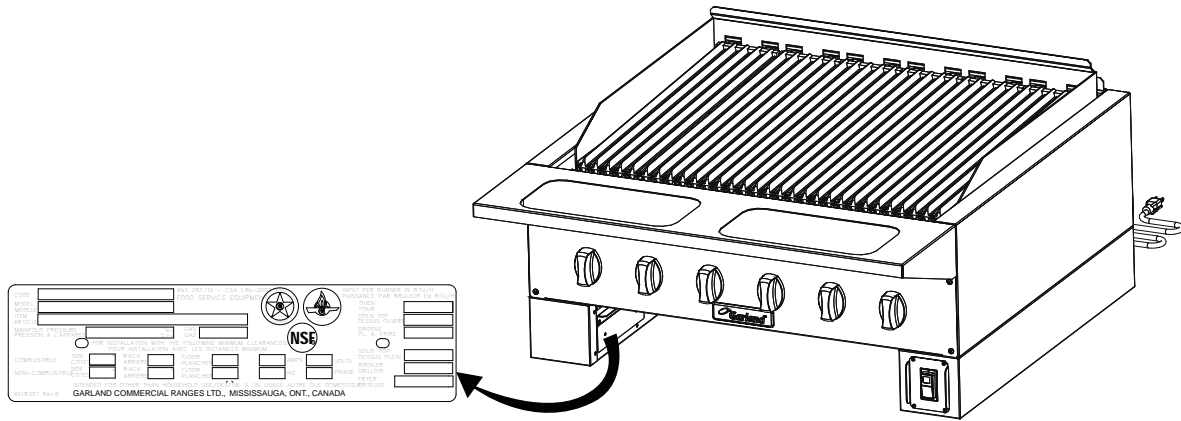
HEEGM36CL

HEEGM48CL

HEEGM60CL

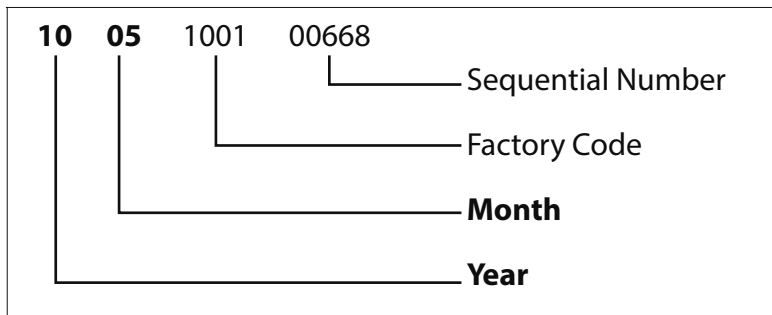


Rating Plate Location



Serial# - Year/Month Information

The Serial Number is **13 Digits** long and is stamped on the Rating Plate. See "Rating Plate Location".



High Efficiency Radiant Char-Broilers

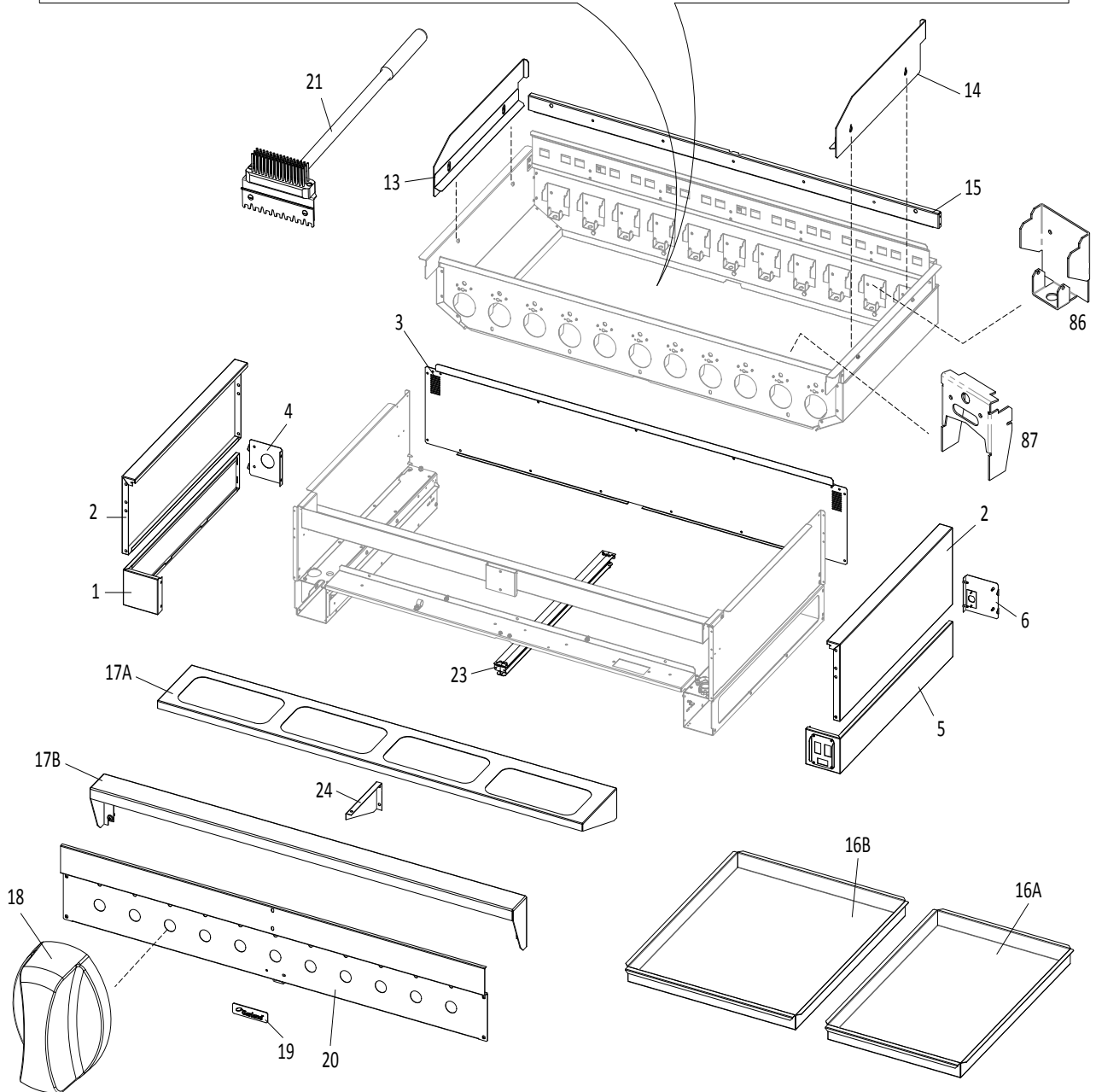
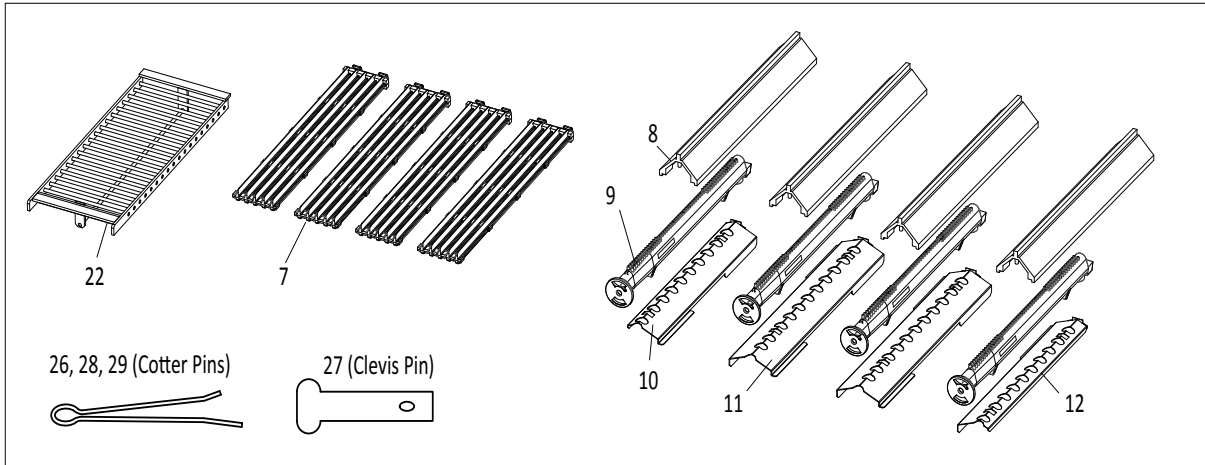
models

HEEGM24CL HEEGM36CL

HEEGM48CL HEEGM60CL

Table of Contents

Rating Plate Location / Serial# Information	2
Components	4
Equipment Stand — Casters and Legs	9
List of Wiring Diagrams	10
List of Wire Packages	10
Revision History.....	10



GARLAND PARTS IDENTIFICATION
High Efficiency Radiant Char-Broilers
models HEEGM 24/36/48/60 CL

COMPONENTS

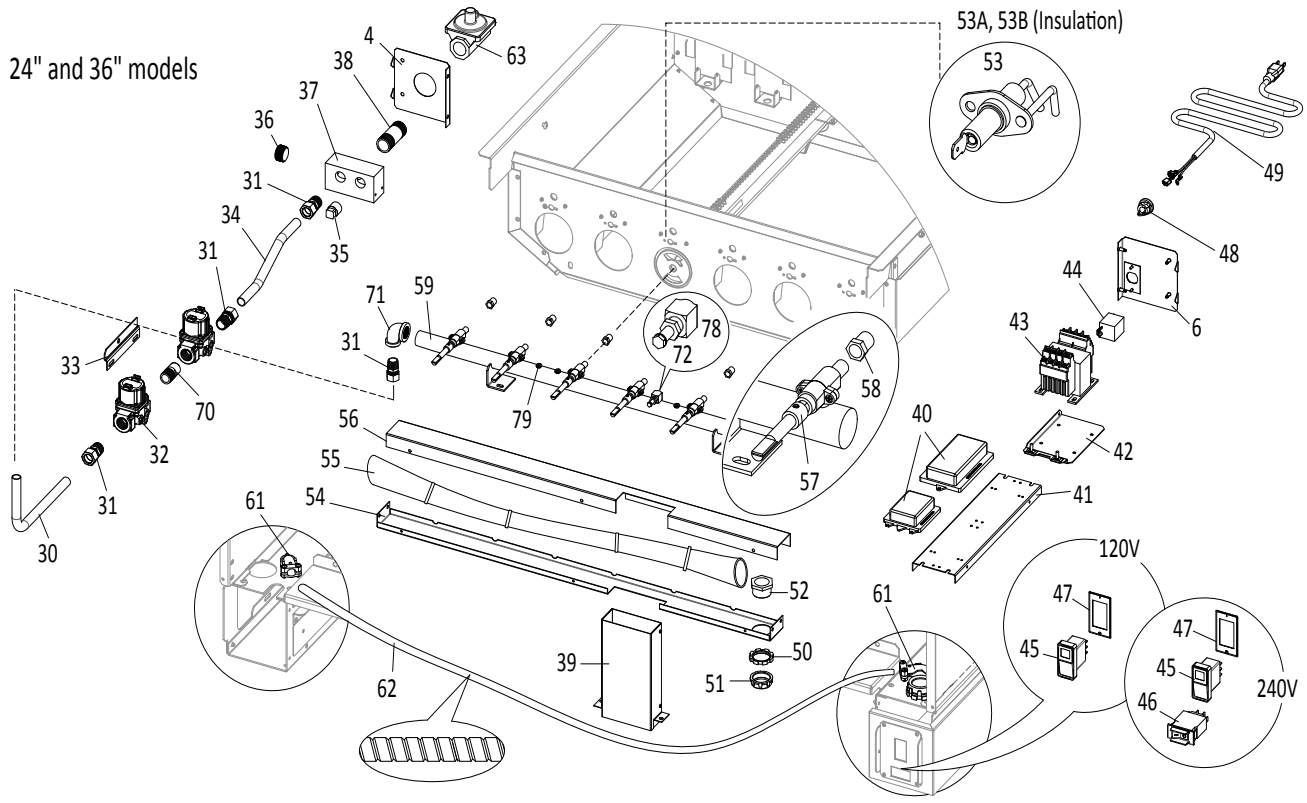
ITEM	PART#	DESCRIPTION	QUANTITY				CRITICAL
			24"	36"	48"	60"	
1	4530729	Leg Cover Left	1	1	1	1	
2	4530695	Main Side Outer	2	2	2	2	
3	4530725	Main Back 24In	1				
	4530726	Main Back 36In		1			
	4530727	Main Back 48In			1		
	4530728	Main Back 60In				1	
4	4530735	Leg Cover Rear Gas	1	1	1	1	
5	4531060	Leg Cover Assembly, 24"/36", Right, 120V Units	1	1			
	4531063	Leg Cover Assembly, 24"/36", Right, 240V Units	1	1			
	4531064	Leg Cover Assembly, 48"/60", Right, 120V Units			1	1	
	4531066	Leg Cover Assembly, 48"/60", Right, 240V Units			1	1	
6	4531059	Rear Leg Plate Assembly, 120V Units	1	1	1	1	
	4531061	Rear Leg Plate Assembly, 240V Units	1	1	1	1	
7	4526206	Cooking Grate - Reversible	4	6	9	11	
8	4522431	Radiant	4	6	9	11	
9	4532191	Burner Assembly, Natural Gas, C/W Shutter Asm, Constant Port	4	6	9	11	C
	4532192	Burner Assembly, Propane Gas, C/W Shutter Asm, Constant Port	4	6	9	11	C
10	CK4530883	Air Baffle Left C/W Stop Bracket	1	1	1	1	
11	CK4530831	Air Baffle Center C/W Stop Bracket	2	4	7	9	
12	CK4530884	Air Baffle Right C/W Stop Bracket	1	1	1	1	
13	4530700	Side Shield W/Deflector Assembly Right	1	1	1	1	
14	4530698	Side Shield W/Deflector Assembly Left	1	1	1	1	
15	4530719	Channel Rear 24In	1				
	4530720	Channel Rear 36In		1			
	4530721	Channel Rear 48In			1		
	4530722	Channel Rear 60In				1	
16A	4530741	Grease Tray 24In	1		1		
16B	4530742	Grease Tray 36In		1	1	2	
17A	4530875	Front Rail 1/3 Pan 24In	1				
	4530876	Front Rail 1/3 Pan 36In		1			
	4530877	Front Rail 1/3 Pan 48In			1		
	4530879	Front Rail 1/3 Pan 60In				1	
17B	4532204	Front Rail Stub 24In	1				
	4532205-GAR	Front Rail Stub 36In		1			
	4532206	Front Rail Stub 48In			1		
	4532207	Front Rail Stub 60In				1	
18	4522585	Knob	4	6	9	11	
19	4529725	Garland Logo	1	1	1	1	
20	4530737	Valve Panel 24In	1				
	4530738	Valve Panel 36In		1			
	4531067	Valve Panel Assembly 48In			1		
	4531068	Valve Panel Assembly 60In				1	
21	4531998	HEE Cleaning Utensil for Reversible Rack (Kit)	1	1	1	1	
22	4530880	Fajita Rack Grate - Option	1	1	1	1	
23	4530756	Center Tray Support Rail (qty=2 for each Support Assembly)			2	2	
24	4530736	Support, Front Rail, 1/3 Pans, 60" wide unit.				1	
26	8020602	Cotter Pin 7/64 Dia X 3" Long (Secure Burner To Rear Support)	4	6	9	11	
27	8020701	Clevis Pin 1/4 Dia X 1.5" Long (Secure Lt & Rt Air Baffles To Burners)	4	4	4	4	

* NOT ILLUSTRATED

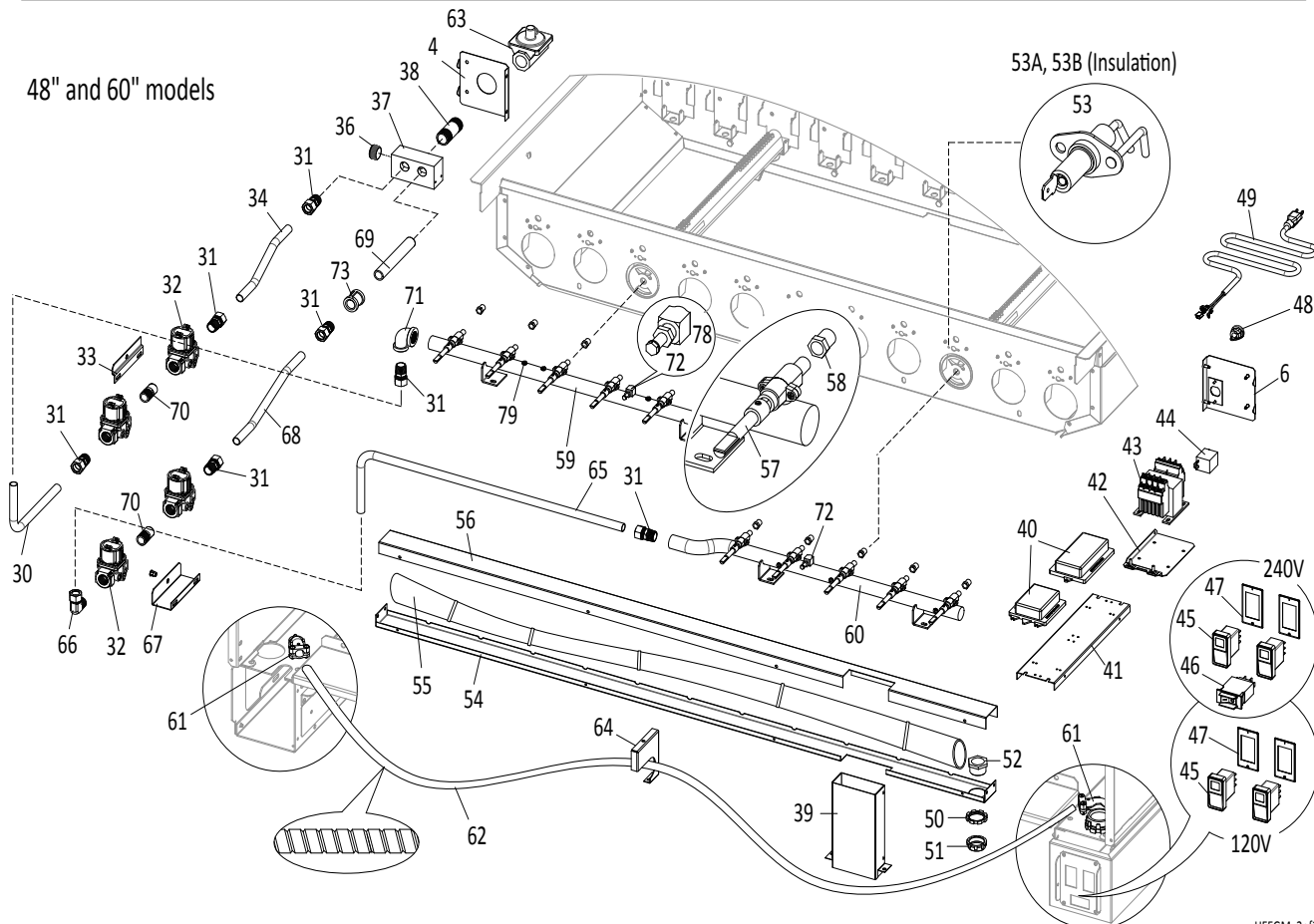
RECOMMENDED STOCK PARTS

COMPONENTS (drawing 2 of 2)

24" and 36" models



48" and 60" models



GARLAND PARTS IDENTIFICATION
High Efficiency Radiant Char-Broilers
models HEEGM 24/36/48/60 CL

COMPONENTS

ITEM	PART#	DESCRIPTION	QUANTITY				CRITICAL
			24"	36"	48"	60"	
28	F154	Cotter Pin 3/32 Dia X 1" Long (Secure Lt & Rt Air Baffles To Burners)	4	4	4	4	
29	8020601	Cotter Pin 7/64 Dia X 1-1/2" Long (Secure Center Air Baffles To Burner)	4	8	14	18	
30	4530806	Tube 5/8 Dia Bent Left Bank	1	1	1	1	
31	4530802	Adapter 1/2 Npt - 5/8 cc	4	4	7	7	
32	4530833	Solenoid Valve 120V 50/60Hz, 1/2 Npt X 1/2 NPT	2	2	4	4	C
33	4530708	Bracket Assembly Left Manifold Solenoids C/W #10-24 Threaded Insert	1	1	1	1	
34	4530804	Tube 5/8 Dia Inlet Left Bank	1	1	1	1	
35	G01747-4	Pipe Plug 1/2 Npt	1	1			
36	4528326	Square Socket Plug 3/4 Npt	1	1	1	1	
37	4530801	Inlet Block	1	1	1	1	
38	G01738-4	Nipple 3/4 Npt X 2.5" Long	1	1	1	1	
39	4530717	Chute Assembly	1	1	1	1	
40	4525444	Ignition Module 4 Spark	1		1		C
	4525445	Ignition Module 6 Spark		1	1	2	C
41	4530712	Tray - Ignition Module	1	1	1	1	
42	4531062	Tray - Transformer C/W Clip & Bolts - 240V Units Only	1	1	1	1	
43	4525479	Transformer - 240V Units Only	1	1	1	1	C
44	3050401	Miniature Terminal Block Asm 3P - 240V Units Only	1	1	1	1	
45	4520969	Switch, Illuminated	1	1	2	2	C
46	4526865	Switch, Power and Breaker, w/ Green Light - 240V Units Only	1	1	1	1	C
47	4523360	Switch Label	1	1	2	2	
48	2490500	Straight Thru Relief Bushing- 120V Units Only	1	1	1	1	
49	4523399	Power Cord, 9Ft Long, 3/14GA 15AMP - 120V Units Only	1	1	1	1	
50	G01572-1	Locknut 1" Npt Chase Nipple	2	2	2	2	
51	4530871	Bushing 1" Npt Chase Nipple	2	2	2	2	
52	4529901	Chase Nipple 1" Npt	2	2	2	2	
53	4522432	Spark Electrode Asm	4	6	9	11	C
53A*	G03883R	Thermoflex Insulating Sleeve, 3" per Electrode (Sold By The Foot)	-	-	-	-	
53B*	G03757-R	Insulating Sleeve, 1/2", for Ignition Wires in the R/H Leg Compartment. Quantity Required: • 24 & 36 Units, use one (1) 18" piece. • 48 & 60 Units, use one (1) 18" piece and one (1) 30" piece.	-	-	-	-	
54	4530743	Wire Channel 24In	1				
	4530744	Wire Channel 36In		1			
	4530745	Wire Channel 48In			1		
	4530747	Wire Channel 60In				1	
55	4530870	Silco Tape/Wire Sleeveing, 3" Wide (Sold By The Foot)	2.3'	3.0'	4.3'	5.3'	
56	4530749	Wire Channel Cover 24In	1				
	4530750	Wire Channel Cover 36In		1			
	4530751	Wire Channel Cover 48In			1		
	4530753	Wire Channel Cover 60In				1	
57	4530799	Valve High/Low (No Off), with Extension - Natural Gas	4	6	9	11	C
	4530800	Valve High/Low (No Off), with Extension - Propane Gas	4	6	9	11	C

* NOT ILLUSTRATED

RECOMMENDED STOCK PARTS

GARLAND PARTS IDENTIFICATION
High Efficiency Radiant Char-Broilers
models HEEGM 24/36/48/60 CL

COMPONENTS

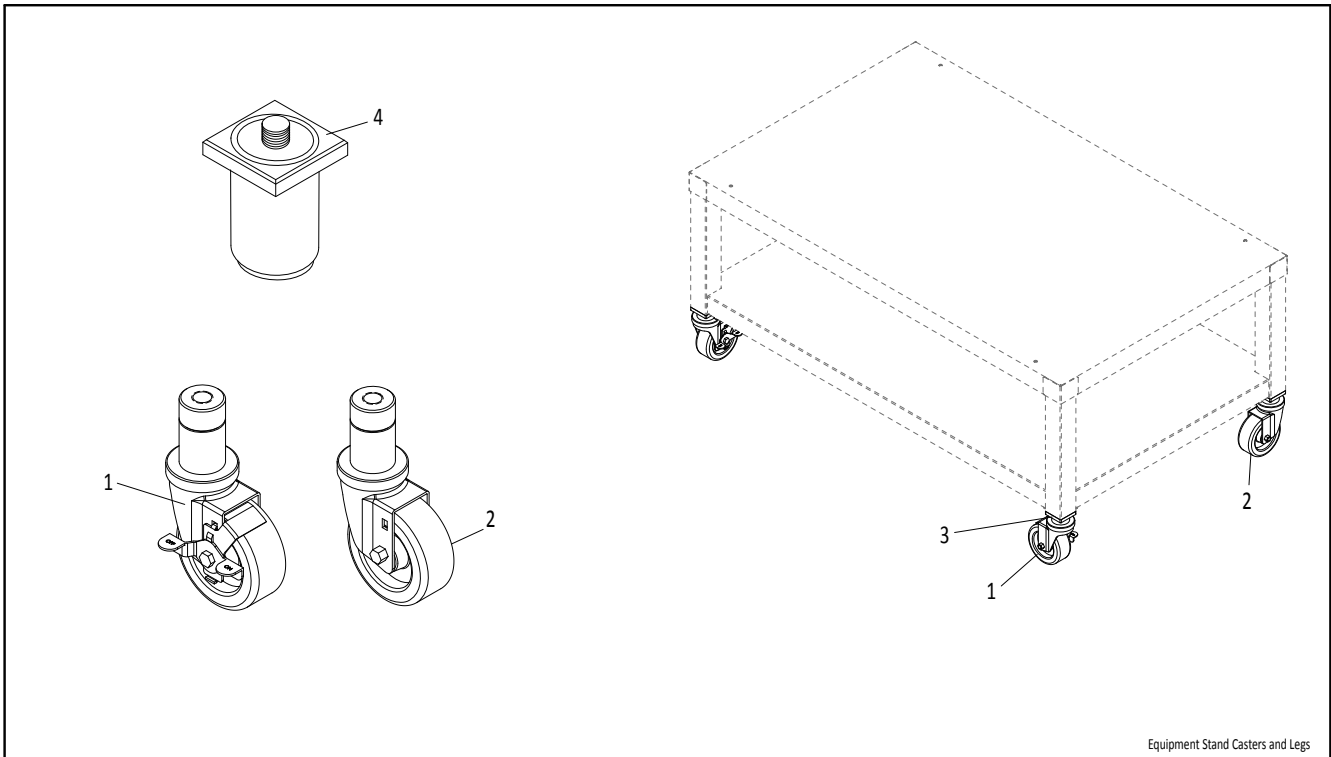
ITEM	PART#	DESCRIPTION	QUANTITY				CRITICAL
			24"	36"	48"	60"	
58	M8-1.8MM	Small Orifice Size 1.8mm - Natural Gas	4	6	9	11	C
	M8-57	Small Orifice Size #57 - Propane Gas	4	6	9	11	C
59	4530793	Manifold Assembly 4 Burner	1		1		
	4530794	Manifold Assembly 6 Burner		1		1	
60	4530792	Manifold Assembly 5 Burner			1	1	
61	1028500	BX Cable Connector 90 Deg	2	2	2	2	
62	1029400	BX Cable (Sold By The Meter)	0.5	0.8	1.1	1.4	
63	2127502	Regulator Natural Gas 4.5" W.C	1	1	1	1	C
	2127500	Regulator Propane 10" W.C	1	1	1	1	C
64	4530755	Support Wire Way & Valve Panel			1	1	
65	4530807	Tube 5/8 Dia Right Manifold Inlet 48In			1		
	4530869	Tube 5/8 Dia Right Manifold Inlet 60In				1	
66	4530803	Elbow 1/2 Npt - 5/8 Cc			1	1	
67	4530710	Bracket Assembly Right Manifold Solenoids C/W #10-24 Threaded Insert			1	1	
68	4530805	Tube 5/8 Dia Inlet Right Bank			1	1	
69	4530872	Nipple 1/2 Npt X 5.5" Long			1	1	
70	G01477-10	Nipple - 1/2" Npt X 1-1/2" Long	1	1	2	2	
71	G01474-9	3/4In X 1/2In Elbow 90	1	1	1	1	
72	G02251-1	Pressure Test Spigot	1	1	2	2	
73	2570600	1/2" NPT Coupling, Black			1	1	
78	G01917-1	Elbow 1/8 NPT Brass	1	1	2	2	
86	4530702	REAR RAD SUPT HE BRL	4	6	9	11	
87	4530724	FRONT RAD SUPT HE BRL	4	6	9	11	
*	4531776	Silicone Rubber Tape (Quantity in feet)	2.9'	4'	5.5'	6.5'	

* NOT ILLUSTRATED

RECOMMENDED STOCK PARTS

GARLAND PARTS IDENTIFICATION
High Efficiency Radiant Char-Broilers
models HEEGM 24/36/48/60 CL/CE

EQUIPMENT STAND — CASTERS AND LEGS



ITEM	PART#	DESCRIPTION	QUANTITY
1	1637700	Caster - Locking	2
2	1637701	Caster - Non-Locking	2
3	1236103	Square Housing, 2", for Caster	4
4	G02954-1	Square Foot Insert, 2", for Leg	4

* NOT ILLUSTRATED
RECOMMENDED STOCK PARTS

GARLAND PARTS IDENTIFICATION
High Efficiency Radiant Char-Broilers
models HEEGM 24/36/48/60 CL

LIST OF WIRING DIAGRAMS

(Part numbers listed for reference only. Please contact Technical Service Department for assistance.)

PART#	DESCRIPTION	QUANTITY			
		24"	36"	48"	60"
4530897	Wire Diagram 24in 120V	1			
4530898	Wire Diagram 24in 240V	1			
4530888	Wire Diagram 36in 120V		1		
4530891	Wire Diagram 36in 240V		1		
4530993	Wire Diagram 48in 120V			1	
4530994	Wire Diagram 48in 240V			1	
4530995	Wire Diagram 60in 120V				1
4530996	Wire Diagram 60in 240V				1

LIST OF WIRE PACKAGES

(Please contact Parts Department for assistance.)

PART#	DESCRIPTION	QUANTITY			
		24"	36"	48"	60"
CK4531035	Wire Package 24 HE Broiler 120V	1			
CK4531036	Wire Package 24 HE Broiler 240V	1			
CK4530978	Wire Package 36 HE Broiler 120V		1		
CK4530980	Wire Package 36 HE Broiler 240V		1		
CK4531007	Wire Package 48 HE Broiler 120V			1	
CK4531009	Wire Package 48 HE Broiler 240V			1	
CK4531029	Wire Package 60 HE Broiler 120V				1
CK4531031	Wire Package 60 HE Broiler 240V				1

Revision History (HEEGM CL)

REV	PAGE#	ITEM#	NOTES	DATE	BY
0			New release	MAR 27/13	HH
1	4-5	16A, 16B	corected quantities	NOV 04/14	HH
	4-5	17B	new stub rail option, added new parts		
	4-5	9	burner assembly changed, PCO 06949, 06960 4532191 was 4522477-1; 4532192 was 4522477-2		
	8	78	Added item G01917-1 Elbow.		
			New KitchenCare front and back covers		
2	5	17B	4532205-GAR, new part# for service/after market. ECO-000516.	APR 01/16	HH
3	4, 8	86, 87	Added radiant support brackets.	JUNE 06/17	HH

THIS PAGE INTENTIONALLY LEFT BLANK



1-844-724-CARE • 1-844-724-2273
www.mtwkitchencare.com
www.garland-group.com