

 **U.S. Range**[®]

**Regal Series Infra-Red
Cheesemelter**

models

IRCMA-24/36/48/60/72

With Serial# From 1109100100725



PARTS LIST

Parts & Service

P (USA & Canada): 1 800 427 6668

F (USA & Canada): 1 800 361 7745

www.Garland-Group.com

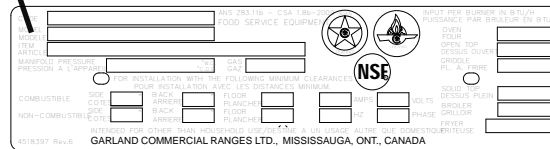
Garland Commercial Ranges, Ltd.
1177 Kamato Road
Mississauga, Ontario L4W 1X4 Canada
www.Garland-Group.com

General Inquiries 905 624 0260
General Fax 905 624 5669

 **Manitowoc**

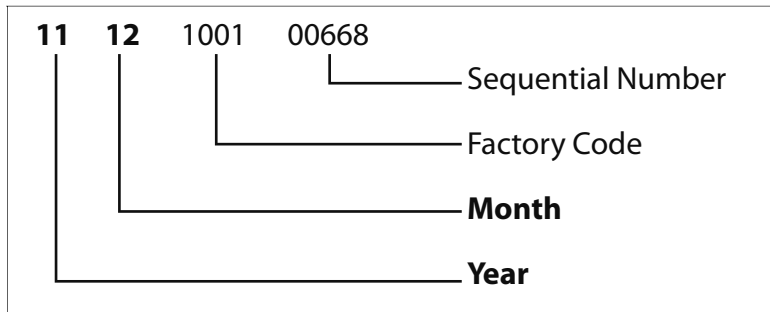
U_GC_PL_CHEESEMELTER_IRCMA (Rev 0)

Rating Plate Location



Serial# - Year/Month Information

The Serial Number is **13 Digits** long and is stamped on the Rating Plate.
See "Rating Plate Location".





**Regal Series Infra-Red
Cheesemelter**

models

IRCMA-24/36/48/60/72

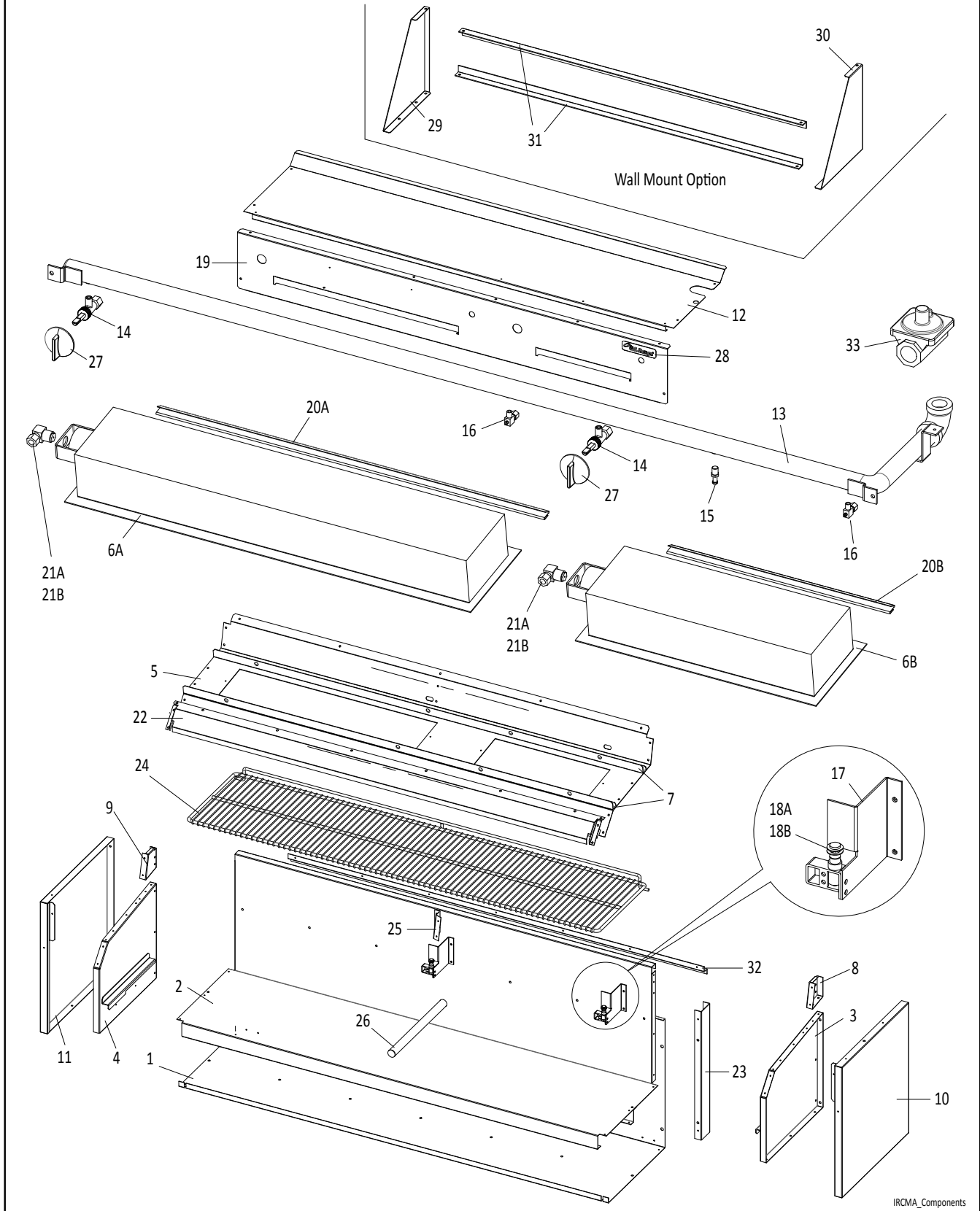
With Serial# From 1109100100725

Contents

Rating Plate Location / Serial# Information**2**
Components**4**
Revision History**7**

This parts list is updated regularly. Please find the most current revision on our website @ www.Garland-Group.com

COMPONENTS



U.S.RANGE PARTS IDENTIFICATION
Regal Series Infra-Red Cheesemelter
models IRCMA-24/36/48/60/72

COMPONENTS

ITEM	PART #	DESCRIPTION	QTY					CRITICAL
			24	36	48	60	72	
1	4529301	Back And Bottom 24	1					
	4529302	Back And Bottom 36		1				
	4529303	Back And Bottom 48			1			
	4529304	Back And Bottom 60				1		
	4529305	Back And Bottom 72					1	
2	4529316	Inside Body Assembly 24	1					
	4529317	Inside Body Assembly 36		1				
	4529318	Inside Body Assembly 48			1			
	4529319	Inside Body Assembly 60				1		
	4529320	Inside Body Assembly 72					1	
3	4529366	Inner Side Assembly Right	1	1	1	1	1	
4	4529367	Inner Side Assembly Left	1	1	1	1	1	
5	4529323	Inner Top 24	1					
	4529324	Inner Top 36		1				
	4529325	Inner Top 48			1			
	4529326	Inner Top 60				1		
	4529327	Inner Top 72					1	
6A	222106-2	IR Burner 27-1/4 x 6-3/4		1		1		
6B	222105-2	IR Burner 15-1/2 x 5-1/2	1		2	1	3	
7	4529328	Inner Top Stiffener 24	2					
	4529329	Inner Top Stiffener 36		2				
	4529330	Inner Top Stiffener 48			2			
	4529331	Inner Top Stiffener 60				2		
	4529332	Inner Top Stiffener 72					2	
8	4529335	Side Filler Top Right	1	1	1	1	1	
9	4529336	Side Filler Top Left	1	1	1	1	1	
10	4529333	Body Side Right	1	1	1	1	1	
11	4529334	Body Side Left	1	1	1	1	1	
12	4529337	Main Top 24	1					
	4529338	Main Top 36		1				
	4529339	Main Top 48			1			
	4529340	Main Top 60				1		
	4529341	Main Top 72					1	
13	4529342	Manifold Assembly 24	1					
	4529343	Manifold Assembly 36		1				
	4529344	Manifold Assembly 48			1			
	4529345	Manifold Assembly 60				1		
	4529346	Manifold Assembly 72					1	
14	227005	Gas Valve, 1/8 NPT - 3/8 Tubing	1	1	2	2	3	C
15	G02251-1	Pressure Test Spigot	1	1	1	1	1	
16	G03674-2	3/16 90deg Gum Valve	1	1	2	2	3	
17	4529347	Pilot Bracket	1	1	2	2	3	
18A	227041	Pilot	1	1	2	2	3	C
18B	223180	Pilot Orifice 0.021, for Natural Gas	1	1	2	2	3	C
	223183	Pilot Orifice 0.012, for Propane Gas	1	1	2	2	3	C

* NOT ILLUSTRATED

RECOMMENDED STOCK PARTS

U.S.RANGE PARTS IDENTIFICATION
Regal Series Infra-Red Cheesemelter
models IRCMA-24/36/48/60/72

COMPONENTS

ITEM	PART #	DESCRIPTION	QTY					CRITICAL
			24	36	48	60	72	
19	4529348	Valve Cover 24	1					
	4529349	Valve Cover 36		1				
	4529350	Valve Cover 48			1			
	4529351	Valve Cover 60				1		
	4529352	Valve Cover 72					1	
20A	253339-2	Z-Bracket, Burner Seal Large		1		1		
20B	253339-1	Z-Bracket, Burner Seal Small	1		2	1	3	
21A	227097	90 Orifice Elbow	1	1	2	2	3	C
21B	227059-39	Orifice, Natural Gas		1		1		C
	227059-46	Orifice, Natural Gas	1		2	1	3	C
	227059-52	Orifice, Propane Gas		1		1		C
	227059-55	Orifice, Propane Gas	1		2	1	3	C
22	4529358	Inside Cover Front 24	1					
	4529359	Inside Cover Front 36		1				
	4529360	Inside Cover Front 48			1			
	4529361	Inside Cover Front 60				1		
	4529362	Inside Cover Front 72					1	
23	4529363	Back Channel	2	2	2	2	2	
24	226004	Wire Rack 24in IRCM	1					
	226010	Wire Rack 36in IRCM		1				
	226005	Wire Rack 48in IRCM			1			
	226011	Wire Rack 60in IRCM				1		
	226006	Wire Rack 72in IRCM					1	
25	4529368	Center Support			1	1	1	
26	4529370	Centre Support Pipe Assembly	1			1	1	
27	4522137	Blade Knob	1	1	2	2	3	
28	4529727	US Range Logo, Small	1					
29	4529374	Wall Mount Bracket IRCM, Left	1	1	1	1	1	
30	4529373	Wall Mount Bracket IRCM, Right	1	1	1	1	1	
31	4529375	Wall Mount Angle 24	2					
	G01467-2-5	Wall Mount Angle 36		2				
	4529376	Wall Mount Angle 48			2			
	4529377	Wall Mount Angle 60				2		
	4529378	Wall Mount Angle 72					2	
32	4529353	Body Support Rear 24	1					
	4529354	Body Support Rear 36		1				
	4529355	Body Support Rear 48			1			
	4529356	Body Support Rear 60				1		
	4529357	Body Support Rear 72					1	
33	2127502	Regulator, Natural Gas, 4.5" W.C.	1	1	1	1	1	C
	2127500	Regulator, Propane Gas, 10" W.C.	1	1	1	1	1	C

* NOT ILLUSTRATED

RECOMMENDED STOCK PARTS

REVISION HISTORY (IRCMA)

REV	PAGE#	ITEM#	NOTES	DATE
0			New parts list for models built from serial# 1109100100725.	FEB 26/13



Regal Series Infra-Red Cheesemelter — IRCMA Parts List

Garland Commercial Ranges, Ltd.
1177 Kamato Road
Mississauga, Ontario L4W 1X4 Canada
www.Garland-Group.com

Parts & Service
1 800 427 6668 (Phone, US & Canada)
1 800 361 7745 (Fax, US & Canada)

