

MASTER SERIES HEAVY DUTY GAS FRYERS MODELS M/MST35 & M/MST70

Installation, Operation and Maintenance Manual

This manual is updated as new information and models are released. Visit our website for the latest manual.



IMPORTANT INFORMATION

WARNING:

This product contains chemicals known to the state of California to cause cancer and/or birth defects or other reproductive harm. Installation and servicing of this product could expose you to airborne particles of glass wool/ceramic fibers. Inhalation of airborne particles of glass wool/ceramic fibers is known to the state of California to cause cancer. Operation of this product could expose you to carbon monoxide if not adjusted properly. Inhalation of carbon monoxide is known to the state of California to cause birth defects or other reproductive harm.

Keep appliance area free and clear of combustibles.

NOTE: Before leaving the factory, the fryer was tested with oil in the frypot; therefore, it is necessary to clean the frypot before adding frying compound. Rinse the frypot with clean water, then put some fryer cleaner on a damp cloth, full strength, and wipe the entire frypot clean. Rinse it thoroughly and wipe dry. The fryer is now ready for use. If the fryer does not have a stainless steel frypot and is not to be used immediately after cleaning, coat the entire frypot surface with shortening or cooking oil to prevent rusting.

**FOR YOUR SAFETY:
DO NOT STORE OR USE GASOLINE
OR OTHER FLAMMABLE VAPORS OR
LIQUIDS IN THE VICINITY OF
THIS OR ANY OTHER
APPLIANCE**

**WARNING:
IMPROPER INSTALLATION, ADJUSTMENT,
ALTERATION, SERVICE OR MAINTENANCE
CAN CAUSE PROPERTY DAMAGE, INJURY,
OR DEATH. READ THE INSTALLATION,
OPERATING AND MAINTENANCE
INSTRUCTIONS THOROUGHLY
BEFORE INSTALLING OR
SERVICING THIS EQUIPMENT**

PLEASE READ ALL SECTIONS OF THIS MANUAL AND RETAIN FOR FUTURE REFERENCE.

THIS PRODUCT HAS BEEN CERTIFIED AS COMMERCIAL COOKING EQUIPMENT AND MUST BE INSTALLED BY PROFESSIONAL PERSONNEL AS SPECIFIED.

IN THE COMMONWEALTH OF MASSACHUSETTS THIS PRODUCT MUST BE INSTALLED BY A LICENSED PLUMBER OR GAS FITTER. APPROVAL NUMBER: G-1-07-05-28

For Your Safety:

Post in a prominent location, instructions to be followed in the event the user smells gas. This information shall be obtained by consulting your local gas supplier.

Users are cautioned that maintenance and repairs must be performed by a Garland authorized service agent using genuine Garland replacement parts. Garland will have no obligation with respect to any product that has been improperly installed, adjusted, operated or not maintained in accordance with national and local codes or installation instructions provided with the product, or any product that has its serial number defaced, obliterated or removed, or which has been modified or repaired using unauthorized parts or by unauthorized service agents.

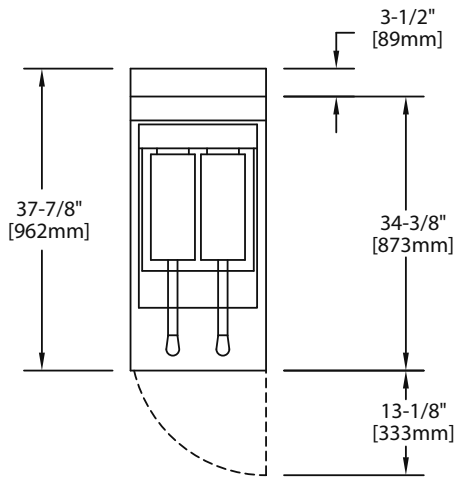
For a list of authorized service agents, please refer to the Garland web site at <http://www.garland-group.com>.

The information contained herein, (including design and parts specifications), may be superseded and is subject to change without notice.

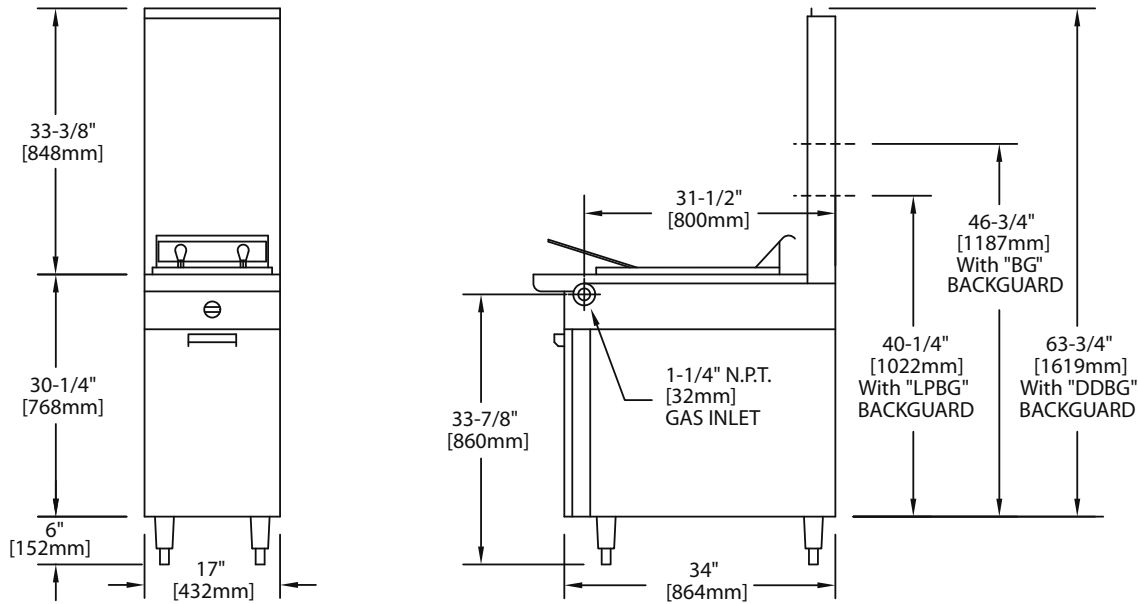
TABLE OF CONTENTS

Important Information	2	OPERATION	10
Dimensions And Specifications, Model M/MST35	4	Using the Fryer for the First Time	10
Dimensions And Specifications, Model M/MST70	5	Lighting Instructions	11
Installation	6	Stand By.....	11
Rating Plate.....	6	Complete Shut Down	11
Pre-Installation Instructions	6	Safety Concerns	11
Clearances	7	Optimum Operation Tips.....	11
Gas Connections and Piping Sizing	7	Suggestions for Quality Fried Food	12
Frypot.....	7	CLEANING AND MAINTENANCE	13
Casters	7	Routine Care.....	13
Legs.....	7	Cleaning.....	13
Ventilation and Air Supply.....	8	Painted Finishes	13
Assembly Of Battery	8	Stainless Steel.....	13
Assembly Instructions M-Series Low Profile Backguard	9	Draining and Filtering Of Fryer Compound ...	13
Assembly Instructions M-Series Backguard ...	9	Maintenance	14
Radiation Shield	10	Preventive Maintenance	14
		Trouble Shooting And Adjustments	15
		Adjustments.....	15
		Trouble Shooting	15
		Thermostat Calibration	16

DIMENSIONS AND SPECIFICATIONS, MODEL M/MST35



CLEARANCES				SHIPPING WEIGHT
INSTALLATION		ENTRY		
Sides	Rear	Crated	Uncrated	220lb. (100kg)
6" (152mm)	6" (152mm)	29-1/4" (746mm)	17-1/4" (618mm)	

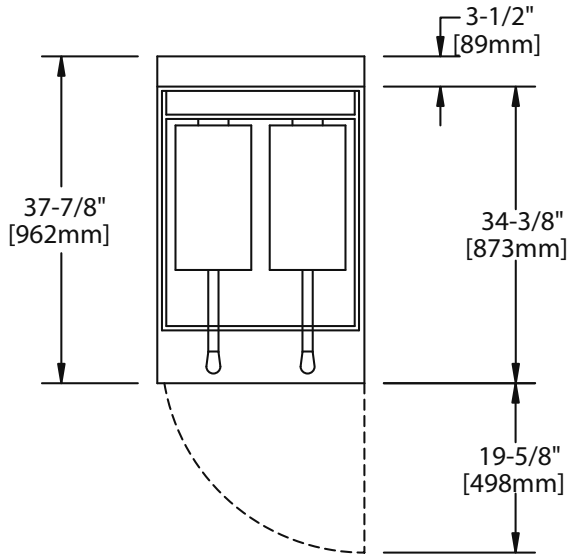


TOTAL INPUT		OPERATING PRESSURE		ORIFICE		MANIFOLD PIPE SIZE
Natural	Propane	NAT	PRO	NAT	PRO	
110,000 BTU/Hr (32.23kW/Hr)	85,000 BTU/Hr (24.91kW/Hr)	4.0" WC (10mbar)	9.0" WC (22mbar)	#51	1.05MM	1-1/4" N.P.T

Gas input ratings shown here are for installations up to 2,000 feet (610mm) above sea level. Input must be derated for high altitude installations.

FRYING CAPACITY (per hour)			
FRENCH FRIES		FISH	BREADED CHICKEN
Raw to Done	Blanched to Done	3oz. (84g), Battered	Raw to Done
60lb. (27kg)	80lb. (36kg)	60lb. (27kg)	28lb. (13kg)

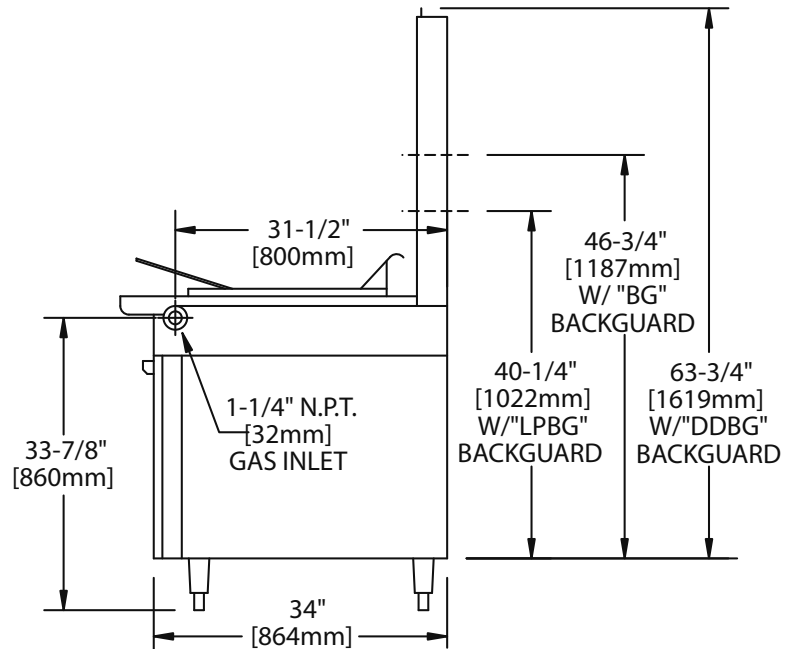
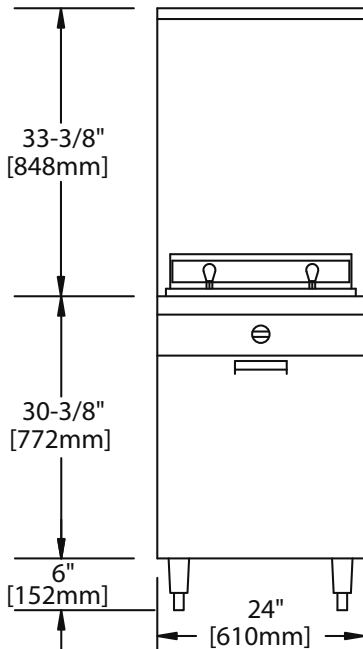
DIMENSIONS AND SPECIFICATIONS, MODEL M/MST70



DIMENSIONS & SPECIFICATIONS	
Width	24" (612mm)
Depth	38" (965mm)
Height (w/ NSF Legs)	36-3/8" (924mm)
Height (w/o NSF Legs)	30-3/8" (772mm)
Input-BTU (Natural Gas)	125,000 (36.62 kW)
Shipping WT:(LB/KG)	225(120.5)

Gas input ratings shown here are for installations up to 2,000 feet (610mm) above sea level Input must be derated for high altitude installations.

Gas manifold pipe size: 1-1/4" N.P.T.



INSTALLATION NOTES			
Combustible Wall Clearances ¹	Entry Clearances	Manifold Operating Pressure	Orifice
Sides: 6" (152mm) Back: 6" (152mm)	Crated: 29-1/4" (997mm) Uncrated: 17-1/4" (438mm)	Natural: 6" WC (15mbar) Propane: 10" WC (25mbar)	NAT #56 PRO #66

¹NOTE: Installation clearance reductions are applicable only where local codes permits. NOTE: Data applies only to North America.

PRODUCTION CHART: Frying Capacities (per hour)			
French Fries		Fish	Breaded Chicken
Raw to Finish 70 lb (32 kg)	Blanched to Finish 95 lb (43 kg)	3 oz Battered 100 lb (45 kg)	Raw to Done 28 lb (13 kg)

INSTALLATION

The importance of proper installation of commercial gas cooking equipment cannot be overstated. Proper performance of the equipment is dependent, in great part, on the compliance of the installation with the manufacturer's specifications. In addition, compliance with the National Fuel Gas code ANSI Z 223.1-1988/NFPA and/or Local code is required to assure safe and efficient operation.

Appliances shall be installed in a location in which the facilities for ventilation permit satisfactory combustion of gas and proper venting. Appliances shall be located so as not to interfere with proper circulation of air within the confined space. When buildings are so tight that normal infiltration does not provide the necessary air, outside air shall be introduced.

Rating Plate

When corresponding with the factory or your local authorized factory service center regarding service problems or replacement parts, be sure to refer to the particular unit by the correct model number (including the prefix and suffix letters and numbers) and the warranty serial number. The rating plate affixed to the unit contains this information.

We suggest installation, maintenance and repairs should be performed by your local authorized service agency listed in your information manual pamphlet.

In the event you have any questions concerning the installation, use, care or service of the product, write or call our Product Service Department.

This product must be installed by professional personnel as specified. Garland/U.S. Range products are not approved or authorized for home or residential use, but are intended for commercial applications only. Garland / U.S. Range will not provide service, warranty, maintenance or support of any kind other than in commercial applications.

Pre-Installation Instructions

Before assembly and connection check gas supply.

- A. The type of gas for which the unit is equipped is stamped on the data plate located on inner door panel. Connect a unit stamped "NAT" only to natural gas; connect those stamped "PRO" only to propane gas.

- B. If it is a new installation have the gas authorities check meter size and piping to assure that the unit is supplied with sufficient amount of gas pressure required to operate the UNIT.
- C. If it is additional or replacement equipment have gas authorities check pressure to make certain that existing meter and piping will supply fuel to the unit with not more than ½" water column pressure drop.

NOTE: When checking gas pressure be sure that all other equipment on the same gas line is on.

A pressure regulator is supplied as standard equipment with GARLAND Heavy Duty Gas Fryers and Restaurant Gas Series Fryers. The pressure regulator is "built-in" to the fryer, (the regulator is part of the combination safety valve). Installation must conform with the National Fuel Gas code ANSI Z223.1-1988 or latest edition NFPA No. 54-Latest Edition and National Electrical code ANSI/NFPA 70-1990 or latest edition and/or local code to assure safe and efficient operation.

NOTE: The appliance and its individual shut-off valve (not supplied by manufacturer) must be disconnected from the gas supply piping system during any pressure testing of that system at pressures in excess of 1/2 PSIG (3.45 KPa). The appliance must be isolated from the gas supply piping system by closing its individual manual shut-off (not supplied by manufacturer) during any testing of the gas supply piping system at test pressures equal to or less than 1/2 PSIG (3.45KPa).

NOTE: In Canada, the installation shall be in accordance with CAN/CGA-B149.1 NATURAL GAS INSTALLATION CODE or CAN/CGA-B149.2 PROPANE GAS INSTALLATION CODE and local codes where applicable.

NOTE: Adequate clearance must be provided for servicing and proper operation.

NOTE: This appliance is not recommended for residential installation.

INSTALLATION Continued

Clearances

From Combustible material 6" (152mm) sides and rear. A clearance of 0.0" to non combustible construction as sides & rear is acceptable. The fryer is suitable for installation on combustible floor.

Gas Connections and Piping Sizing

The size of the gas line is very important. If the line is too small, the gas pressure at the burner manifold will be low. This will cause slow recovery, delayed ignition, and pilot outage. Refer to the Gas Line Sizing Chart in the nation Fuel Codebook.

Before connecting new pipe to your GARLAND Fryer, the pipe must be thoroughly blown out to depose of all foreign particles. If these foreign particles get into the burner and controls they will cause improper and sometimes dangerous operation.

When using thread compound, use it sparingly and one on male threads. Use compound that is impervious to the action of Propane gases. Do not put any on the first two threads. This will prevent fouling the controls and clogging the pilot and main burner orifices.

Make sure that installer checks all plumbing with a soap solution for leaks. DO NOT USE A FLAME, MATCHES, CANDLES, or other ignition source in checking for leaks.

Frypot

Before leaving the factory, the fryer was tested, and the thermostat was calibrated, with oil in the frypot; therefore, it is necessary to clean the frypot before adding frying compound. Rinse the frypot with clean water, then put some fryer cleaner on a damp cloth, full strength, and wipe the entire frypot clean. Rinse it thoroughly and wipe dry. The fryer is now ready for use. If the fryer does not have a stainless steel frypot and is not to be used immediately after cleaning, coat the entire frypot surface with shortening or cooking oil to prevent rust.

Casters

- A. The installation shall be made with a connector that complies with the Standard for Connectors for Moveable Gas Appliances, ANSI Z21.69/CSA 6.16, Addenda Z21.69B-2006/CSA 6.16B-2006 (or latest edition), and a quick-disconnect device that complies with the Standard for Quick Disconnects for Use with Gas Fuel, ANSI Z21.41/CSA 6.9, Addenda Z21.41A-2005/CSA 6.16A-2005 (or latest edition).
- B. The front casters of the unit are equipped with brakes to limit the movement of the fryer without depending on the connector and any quick disconnect device or its associated piping to limit the appliance movement.
- C. Please be aware, required restraint is attached to a bracket on the fryer (connection point is located on the left rear caster of the fryer), and if disconnection of the restraint is necessary, be sure to reconnect the restraint after the fryer has been returned to its originally installed position.

NOTE: When installed, the fryer must be restrained to prevent tipping in order to avoid the splashing of hot liquid. The means of restraint may be the manner of installation, such as connection to a battery of appliances. Or installing the fryer in an alcove, or by separate means, such as adequate ties.

Legs

Raise front of the unit and block. Do not lay unit on its back.. Position leg insert into leg retainer opening and tap up until it seats at collar flange. Repeat at rear of unit making sure all four legs are adjusted to same height. Legs can be adjusted to overcome an uneven floor.

CAUTION: These types of GARLAND Fryers cannot be installed on a masonry base or without proper clearance from floor. Primary air is supplied to the 'jet - type" burner from the front and mainly from the bottom of the fryer. If installed on a masonry base or directly on floor without the use of the factory supplied 6" (152mm) legs or casters, improper combustion will occur.

INSTALLATION Continued

Ventilation and Air Supply

One of the most important considerations is ventilation. The fryer must be installed so that products of combustions are removed efficiently, but so that the kitchen ventilation system does not produce drafts that interfere with proper burner operation. The fryer flue opening must **NOT** be placed close to the intake of the exhaust fan.

The fryer must never have its flue extended in a chimney fashion. This changes the combustion characteristics of the fryer. This will cause the fryer to be slow to recover, frequently cause delayed ignition, and sometimes cause pilot outage.

The ideal method of ventilating a fryer is the use of a properly designed canopy which should extend six inches (6") (152mm) beyond all sides of the appliance and six feet (6') six inches (6") (1981mm) from the floor.

Many operators do not realize that the finest ventilation system will break down when it is not maintained properly. The duct system, the hood, and the filter bank must be cleaned on a regular basis and kept free of grease.

Adequate distances must be maintained from the flue outlet of the fryer to the lower edge of the filter bank. Filters should never be installed in the horizontal position. They should be installed at an angle of 45 degrees, and a drip tray should be located beneath the lowest edge of the filter. NFPA Standard No.96 states that "A Minimum distance of 18" (457mm) should be maintained between the flue outlet and the lower edge of the grease filter." We recommend that the MINIMUM DISTANCE BE 24" (610mm) FROM THE FLUE OUTLET TO THE BOTTOM EDGE OF THE FILTER WHEN THE APPLIANCE CONSUMES MORE THAN 120,000 B.T.U. PER HOUR.

A strong exhaust fan will create a vacuum in the room, for an exhaust system vent to work properly, replacement air must enter the room in which the vent is located.

All gas burners and pilots need sufficient air to operate and large objects should not be placed in front of this fryer which would obstruct the air flow through the front. A minimum of 24" (610mm) should be provided at the front of the unit for servicing and proper operation. Air for combustion enters the unit below the cabinet at the base. Do not place anything around the base or under the fryer.

Assembly Of Battery

All heavy duty batteries equipment is aligned and fitted at the factory, from left to right and must be installed in this order. There is a diagram provided with every heavy duty battery. All 35M/MST Fryers and 70M/MST Fryers may be installed to battery with other GARLAND 40 Series Ranges, sharing common manifold connections.

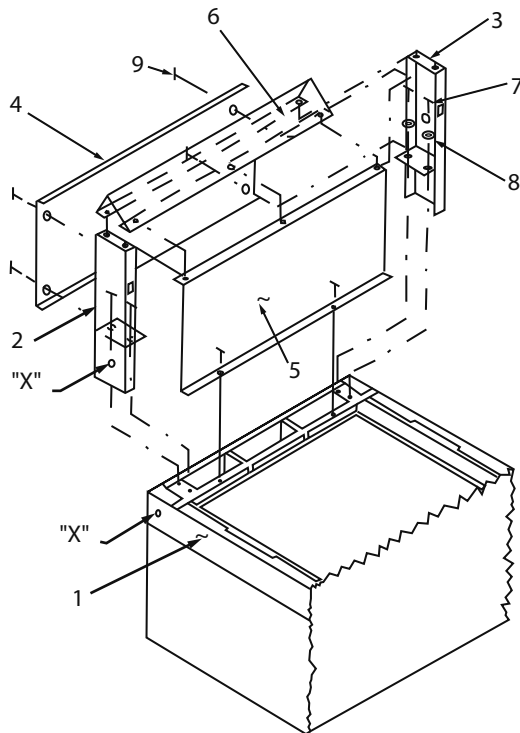
- A. All such units should be placed in their respective battery position. Detach valve panels to prevent damage, remove them from the area where the battery is being assembled.
- B. Level each unit (if a range, to the oven rack) by adjusting the six inch (6"/152mm) legs, or where legs are not used, adjust level with shims. Readjust legs, if required.
- C. Connect units together by mating the unions at each end of the manifold. (Adjoining units must have matching unions, unless the union parts are of the same specifications, a leak proof connection cannot be assured.) Hand tighten unions at this point.
- D. The units should be fastened at the rear by inserting 5/16" bolts through the holes provided at the rear of the burner box sides. Install washer and nut and hand tighten. Be sure of proper unit alignment in the battery before final tightening of these bolts or unions. Improper tightening will cause "fanning" or "bowing" of battered units.

The final tightening of the union should be accomplished by using a suitable spanner wrench. If such a wrench is not available, the GARLAND union collar has special ridges, and a cold chisel can be driven against these ridges to properly seat and seal the union.
- E. The manifold of this unit or the manifold of which is a part of must be equipped with a certified pressure regulator suitable for battery application and adjustable for an outlet pressure at the manifold as specified on the rating plate

INSTALLATION Continued

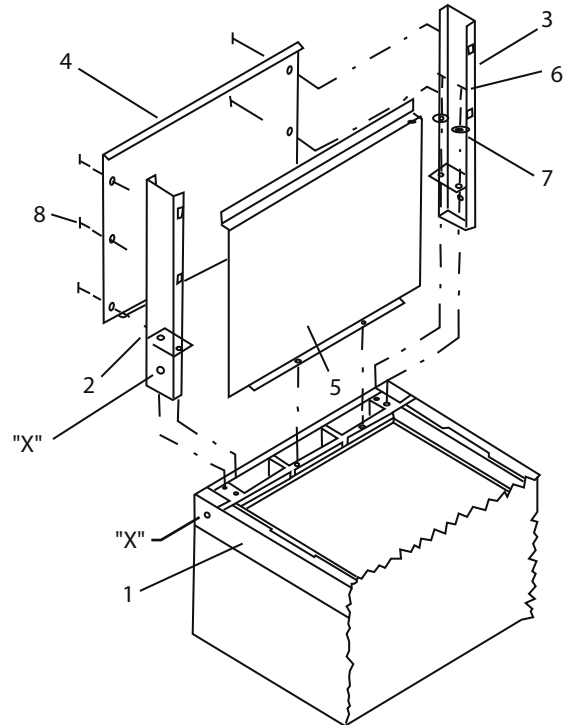
Assembly Instructions M-Series Low Profile Backguard

1. Remove flue cap #6 by removing six (6) [#10] sheet metal screws.
2. Remove front panel #5 by lifting upward.
3. With back panel #4 still attached to the left #2 and right #3 uprights, drop uprights into the rectangular cutouts at the rear of the range #1.
4. Fasten uprights #2 and #3 to the range #1 with four (4) 5/16" -18 bolts and flat washers #7 and #8.
5. If unit is in a battery lineup, fasten adjacent units together at hole marked "X" with 1/4" -20 bolts, nuts, and washers.
6. Install front panel #5 previously remove.
7. Install flue cap #6 previously removed.



Assembly Instructions M-Series Backguard

1. Remove front panel #5 by lifting upward.
2. With back panel #4 still attached to the left #2 and right #3 uprights, drop uprights into the rectangular cutouts at the rear of the range.
3. Fasten uprights #2 and #3 to the range #1 with four (4) 5/16" -18 bolts and flat washers #6 and #7.
4. If unit is in a battery line up, fasten adjacent units together at hole marked "X" with 1/4" -20 bolts and washers.
5. Install front panel #5 previously removed. Attach front panel #5 to range #1 with sheet metal screws.



INSTALLATION Continued

METHOD OF ATTACHING RADIATION SHIELD TO BACKGUARD OR HIGH SHELF

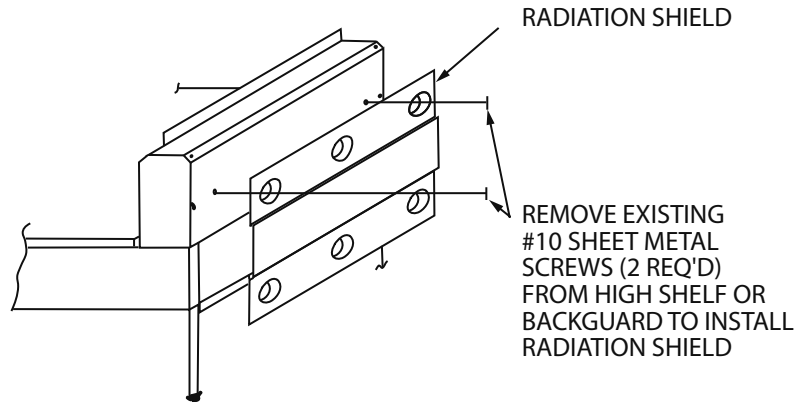


FIGURE 1

Radiation Shield

This radiation shield must be in place when fryer is installed in other than fire resistive locations.

IMPORTANT: The flue riser must be installed within the back guard. This rectangular riser fits over the collar of the flue collector box inside the fryer. Place the flue riser upright through opening in the back top and slide over collar. (See Figure 2.).

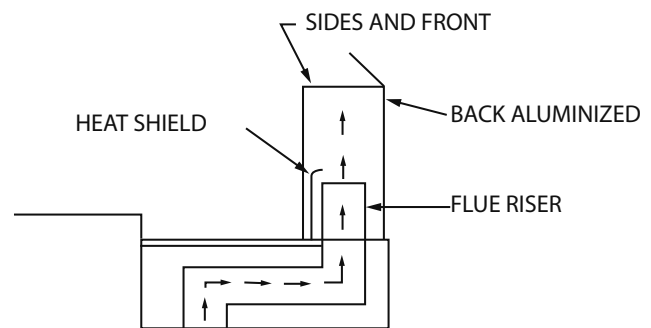


FIGURE 2

OPERATION

Using the Fryer for the First Time

Before lighting the pilot, fill the frypot with frying compound. Then light the pilot according to the instructions inside the fryer compartment on the inner panel. If you are using a cooking oil, you may now turn the main burner on by turning the knob on the automatic gas valve. If you use a hydrogenated (solid) frying compound, it is wise to melt it in a stock pot on the range before putting it in the fryer. If this is not done, pack the frypot with the compound and turn the main burner on for a few seconds and turn it off for a few. See the lighting and shut-down instructions for "How to turn on the main burner once the pilot is lighted."

Intervals of about three seconds on and ten seconds off are about right. Keep doing this until the shortening is melted. If any smoke is seen during this process, you are heating too fast and scorching the shortening, thus cutting down its useful life and possible damaging the frypot. Shortening level must cover the thermostat bulbs when fryer is in operation.

After turning the main burner on, set the thermostat at 325° to check calibration of the thermostat. Let the burner cycle at least four times and suspend a deep fat fryer thermometer in the middle of the frypot about 3" deep. When the burner just comes on after the fourth cycle, the reading on the thermostat should agree with the thermostat setting. If not, calibrate the thermostat according to the instructions in the Cleaning and Maintenance Section of this manual.

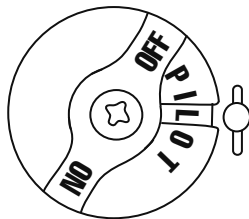
OPERATION Continued

Lighting Instructions

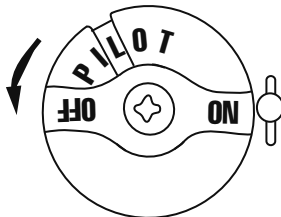
For specific models see "Lighting Instructions" on the inside of fryer compartment.

(Frypot must be filled before lighting).

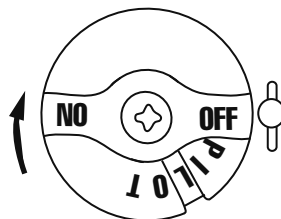
1. Turn thermostat knob to the frying temperature. The thermostat knob is located inside the compartment in the front of the frypot.
2. Open the fryer door and turn the combination safety valve knob to the PILOT position.
3. Push the knob in, light the pilot and continue to hold knob in for about sixty seconds after the flame has been lit.
4. Turn valve knob counter-clockwise to ON.
5. Main burners will now light and will be controlled automatically by the thermostat



AUTOMATIC VALVE KNOB
PILOT POSITION



AUTOMATIC VALVE KNOB
ON POSITION



AUTOMATIC VALVE KNOB
OFF POSITION

NOTE: Fryer cannot be shut off at the thermostat. Thermostat used only to control temperatures.

Stand By

1. Turn fryer gas valve knob to "PILOT" position.
2. Put frypot cover in place.

Complete Shut Down

Turn gas valve knob clockwise to pilot position, DEPRESS knob, slightly clockwise, release knob and continue turning clockwise to OFF.

Safety Concerns

WARNING: The operator should be aware of the HAZARDOUS NATURE, inadvertent splashing and spilling etc., and RESULTANT CONSEQUENCES, personal burns, fires, slipping on spilled liquid etc., when moving the fryer with liquid in the vessel. If the fryer is to be moved, it is recommended that the liquid in the vessel be cooled to room temperature and removed from the vessel.

To assure you of maximum protection and performance your GARLAND Fryer is equipped with the best and most reliable controls and safety devices available. The operation thermostat will regulate frying compound temperatures to close tolerances in a range between 250° and 375°.

If for any reason the pilot should be extinguished the combination safety valve will close off the gas flow to the main burners and pilot burner. As an additional safety feature this valve prevents gas from flowing to the main burners when the pilot is being ignited.

On all units, due to the high rate of heating, and high limit control device is provided as standard equipment. If for any reason the frying compound temperature exceed the maximum dial temperature the entire fryer will turn OFF at 450°F. If this should occur, have qualified service technician check the system. FOR NO REASON SHOULD THIS HIGH LIMIT DEVICE BE BY-PASSED!

Optimum Operation Tips

One of the most important considerations in the profitable use of a fryer is the choice of the frying compound used. A better frying compound will actually cost you less, because it lasts longer than the lower grades and produce fried foods with superior taste and appearance. There are numerous high-grade products available and you are strongly urged to use them.

OPERATION Continued

For maximum frying compound life, good operators find they do best by frying at the lowest temperature that will give a high-quality product. Thus, with a super-fast fryer, such as your GARLAND, you do not have to fry potatoes at 375°F or 400°F, your fry at 325°F. A little experimenting will determine just the right temperatures for your menu items.

The worst enemies of frying compound are light, heat, air and salt. Thus, its life can materially be lengthened by keeping the fryer covered when not in use, frying at the lowest temperatures, and by reducing the temperatures during stand-by periods.

A common habit which is harmful to frying compounds is that of salting foods in baskets over frypot. Also, if food is fried ahead and stored over the frypot to keep hot, as is often done, it will rapidly lose its crispness and will taste greasy.

A common error in frying is to overload the baskets under the mistaken impression that this will increase the production of the fryer. For any given fryer, and any given food product being fried there is a certain load which will produce the maximum amount of food per hour. For best results, we recommend the baskets be filled between ½ and ¾ full. If the baskets are loaded beyond this, the total hourly production rate will decrease.

To give you a starting point, the following chart suggests the temperatures at which most operators fry certain foods:

FRYING CHART			
PRODUCT	TEMPERATURE		TIME
	(°F)	(°C)	
French Fried Potatoes			
Raw-to-done	350	177	5-7 Min
Blanching	325	163	4 Min
Browning	350	177	2 Min
French Fried Onion Rings	360	182	2-3 Min
Seafood			
Shrimp	360	182	2-3 Min
Oysters	350	177	1-4 Min
Scallops	250	121	3-5 Min
Fillets	350	177	3-4 Min
Clams	350-360	177-182	1-3 Min
Chicken			
Small Pieces	350	177	6-10 Min
Large Pieces	350-360	177-182	8-11 Min
Cutlets, Chops (1" thick)	325	163	5-7 Min

FRYING CHART			
PRODUCT	TEMPERATURE		TIME
	(°F)	(°C)	
Fritters			
Fruit	350	177	3-5 Min
Vegetables (asparagus, cauliflower, corn, eggplant, tomato)	350	177	5-8 Min

Suggestions for Quality Fried Food

- Fresh, uncontaminated frying compound product better fried products.
- Taste the frying compound once a day. Your patrons do, when they eat the product.
- Filter the frying compound daily. Merely straining the shortening is inadequate. You may choose the GARLAND Filter Quick filtering system. This system is designed to match-up to your GARLAND Fryer. Or, you may choose to use a filter and filter cone.
- Drain or dry foods before frying. Excess moisture and water breaks down frying compound.
- Do not salt or otherwise season food over the fryer. This practice contaminates the frying compound and accelerates its deterioration.
- Do not shake breaded items over the fryer.
- Keep the frypot covered when not in use. This will prevent air from oxidizing the frying compound and will keep impurities out.
- Do not overheat the frying compound. Follow the temperature recommended in tested recipes. The company which provides your frying compound can provide tested recipes and techniques for use with their shorting.
- Watch for signs of compound breakdown. An unusual darkening of the compound or smoking are the first signs of breakdown. Foaming, objectionable change in flavour of the product and gumming also indicate a breakdown of the frying compound.
- Set the thermostat at 200°F or below, when not frying.
- Darkened frying compound and incorrect batter or breading can cause a fried product to appear to be done. Use tested recipe or obtain batter or breading specially prepared for today's frying techniques.

CLEANING AND MAINTENANCE

Routine Care

NEVER operate the burner with an empty frypot. It only takes a few minutes to completely ruin a frypot this way, and the frypot warranty is void if this is done.

The frying compound should be filtered at least once a day. If a heavy volume of breaded food is fried, it may be necessary to filter two or more times a day. This will increase the life of the frying compound and produce better-tasting food. GARLAND filter cones are ideal for this and are inexpensive and readily obtainable from your dealer or parts distributor.

The fryer should be cleaned daily, and this operation can be combined with filtering the frying compound. After the fryer is drained, wipe the inside with cloth saturated in a commercial fryer/griddle cleaner, then rinse thoroughly. Wipe dry and put the filtered compound back in the frypot. The frypot should be boiled out once a week with a commercial fryer/griddle cleaner according to direction on the bottle. Each day wipe down the controls and all inside the door with a damp cloth. Remove the basket hanger and clean at least once a week. This way your fryer will stay clean and new looking much longer. Be sure that the grease cover for the automatic gas valve is kept in place.

Cleaning

Painted Finishes

Establish a regular cleaning schedule. Any spills should be wiped off immediately.

The fryer should be permitted to cool down before cleaning exterior surfaces.

1. Wipe exposed, cleanable surface when cool with a mild detergent and hot water. Stubborn residue spots may be removed with a light weight non metallic scouring pad. Dry thoroughly with a clean cloth.
2. Stainless steel should be cleaned using a mild detergent, a soft cloth and hot water. If necessary to use a nonmetallic scouring pad, always rub in the direction of the grain in the metal to prevent scratching. Use a water based stainless cleaner (commercially available), if you want a high shine.

Stainless Steel

For routine cleaning just wash with a hot water and detergent solution. Wash just a small area at a time or the water will evaporate leaving chemicals behind causing streaking. Rinse the washed area with a clean sponge dipped in a sanitizing solution and wipe dry with a soft clean cloth before it can dry. Use a paste (of water and a mild scouring powder) if you have to, but never rub against the grain. All stainless steel has been polished in one direction. Rub with the polish lines to preserve the original finish. Then thoroughly rinse as before. To prevent fingerprints there are several stainless steel polishes on the market that leave an oily or waxy film. Do not use on surfaces that will be in contact with food.

Stainless steel may discolor if overheated. These stains can usually be removed by vigorous rubbing with a scouring powder paste. Use only stainless steel, wood or plastic tools if necessary to scrape off heavy deposits of grease and oil. Do not use ordinary steel scrapers or knives as particles of iron may become imbedded and rust. STEEL WOOL SHOULD NEVER BE USED. Either a typical bleach solution or hot water can be used to sanitize stainless steel with harm.

Draining and Filtering Of Fryer Compound

The draining and filtering of fryer compound must be accomplished with care to avoid the possibility of a burn resulting from careless handling.

Filtering: Turn fryer off. If you are using a filter other than the GARLAND Filter Quick, consult the filtering manufacturer's operation instructions for recommended filtering procedure. Instructions for use of the filter Quick are included in the Owners Manual shipped with your filter Quick unit.

The following is a recommended procedure to drain and filter your compound when no filter machine is available:

1. Screw the drain pipe provided with your fryer into the drain valve. Assure that you have firmly attached the drain pipe and that the curved end portion is pointing "down."

CLEANING AND MAINTENANCE Continued

2. Position the stock pot or other container under the drain pipe. The stock pot or other container must be of sufficient design to withstand the heat generated by the hot compound and must also be able to hold liquids. It is recommended that where no filter machine is available, the filter cone holder and filter cones be used. Be sure the filter cone holder is resting securely on the stock pot or other container.
3. Open the drain valve slowly to avoid splattering. However, since splattering may occur anyway, extreme caution should always be employed.
4. If the valve becomes clogged with food particles you may wish to use a poker-like tool. The tool must be used from the inside of the frypot only and caution should be employed that the tool is gripped by the user as far as possible from the hot fryer compound in the frypot. Do not hammer on the drain valve as damage to the ball inside the valve will cause it to leak. NEVER use this tool or any other tool to unclog the valve from the front of the valve. If the clog comes loose, hot compound could pour out rapidly so beware of splattering in this event.
5. We recommend that the drained compound be allowed to cool to 100°F (38°C) or lower before transporting the stock pot or other container, removing the drain pipe, or removing the filter cone holder and filter cone.

Maintenance

Your GARLAND equipment is ruggedly constructed and is designed, with normal care, to give you long and lasting service. It is, of course, desirable to keep your equipment in the best possible condition. As the equipment is used, whether in light or heavy duty service, it should be cleaned often and a regular cleaning schedule should be established on a daily, week and/or monthly basis, depending upon severity of use.

Preventive Maintenance

In order to keep the unit operation at top efficiency, it is advisable to perform preventive maintenance regularly. The frequency of this maintenance will depend on how hard the unit is used, and you should discuss this with your nearest GARLAND authorized Service Agent.

Preventive maintenance should cover at least the following:

1. Check pilot flame for correct length.
2. Check main burner flames for good ignition and proper burner adjustment.
3. Check thermostat calibration.
4. Check thermopile output.
5. This fryer needs no lubrication.

TROUBLE SHOOTING AND ADJUSTMENTS

Adjustments

The burner used on your GARLAND Fryer is a patented design which does not require primary air, so no primary air adjustment is possible. When the proper gas is being used, at the proper pressure, and the ceramic targets are adjusted properly, combustion will begin about even with the bottom of the ceramic. The sound that is characteristic is a low roar, similar to a blowtorch.

The correct type of gas and BTU content for which the fryer was equipped at the factory is noted on the nameplate, and this gas must be used.

NEVER THROTTLE DOWN THE INCOMING GAS IN AN EFFORT TO MAKE THE FLAME BURN DIRECTLY ON THE ORIFICE.

Trouble Shooting

A piece of mechanical equipment which is used as hard as a deep fat fryer is going to require service as the fryer gets older; therefore, the following chart outlines problems that are most likely to occur and what to do to correct them.

There are several possible sources of trouble in connection with the operating thermostat. Usually the trouble will be noticed by either the thermostat not causing the gas valve to open, or by causing it to open at the wrong temperature. If it opens the gas valve at the wrong temperature, it is said to be out of calibration. If all the other parts of the appliance are operation as they should, the following chart will help locate the source of trouble and correct it.

Possible Causes	Remedy
<ol style="list-style-type: none"> 1 Thermostat does not call for heat (does not open gas valve at all). <ol style="list-style-type: none"> a. Lead wires damaged. b. Set too low. c. Out of calibration d. Thermostat defective 2. Thermostat does not control set point <ol style="list-style-type: none"> a. Out of calibration. b. Contaminated or burned contacts c. Knob of thermostat loose on shaft 	<ol style="list-style-type: none"> 1 See Below: <ol style="list-style-type: none"> a. Repair or replace wires on thermostat. b. Raise setting. c. Re-calibrate d. Replace 2 See Below: <ol style="list-style-type: none"> a. Re-calibrate b. Replace thermostat c. Calibrate thermostat and tighten set screws.

TROUBLE SHOOTING AND ADJUSTMENTS Continued

Thermostat Calibration

To calibrate the Fenwal Thermostat, fill the frypot to the FULL mark with frying compound and turn the burner on. Insert a thermometer in the center of the frypot with the bulb about two inches below the surface. Allow the burner to cycle about four times, the thermometer reading should be within 5° of the thermostat knob setting. If this does not agree with the pointer of the thermostat knob:

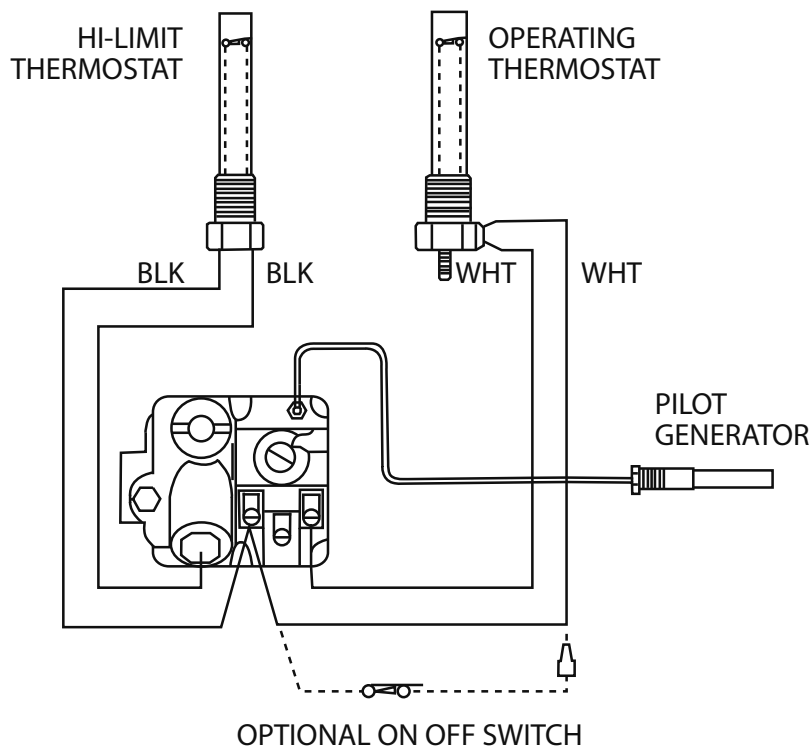
1. Loosen the two set screws on the thermostat knob
2. Set the pointer at the temperature indicated on the thermometer.
3. Tighten the set screws firmly.
4. Be sure the black surface of the knob is spaced away from the dial plate at least the thickness of a dime.

NOTE: DO NOT TURN ADJUSTING SHAFT MORE THAN TWO TURNS IN EITHER DIRECTION OR PERMANENT DAMAGE CAN RESULT. THIS ACTION MAY VOID THE STANDARD WARRANTY.

The Fenwal Thermostat is an electric switch with contacts that open on a temperature rise. It will respond to temperature changes of approximately 1° when the fryer is idling with no food being fried.

Turning the adjusting shaft counter-clockwise increases the temperature at which time the contacts will open. Some of the most common problems occur in connection with the pilot generator. These usually show as poor ignition of the main burner or frequent pilot outage.

Below is a diagram of how the Fenwal thermostat and Hi-Limit controls are wired to the safety system.





GARLAND
1177 KAMATO ROAD, MISSISSAUGA, ONTARIO, CANADA, L4W1X4

888-442-7526
WWW.GARLAND-GROUP.COM



Every new piece of Manitowoc Foodservice equipment comes with KitchenCare™ and you choose the level of service that meets your operational needs from one restaurant to multiple locations.

StarCare – Warranty & lifetime service, certified OEM parts, global parts inventory, performance audited

ExtraCare — CareCode, 24/7 Support, online/mobile product information

LifeCare – Install & equipment orientation, planned maintenance, KitchenConnect™, MenuConnect

Talk with KitchenCare™ • 1-844-724-CARE • www.mtwkitchencare.com



To learn how Manitowoc Foodservice and its leading brands can equip you, visit our global web site at www.manitowocfoodservice.com, then discover the regional or local resources available to you.





Every new piece of Manitowoc Foodservice equipment comes with KitchenCare™ and you choose the level of service that meets your operational needs from one restaurant to multiple locations.

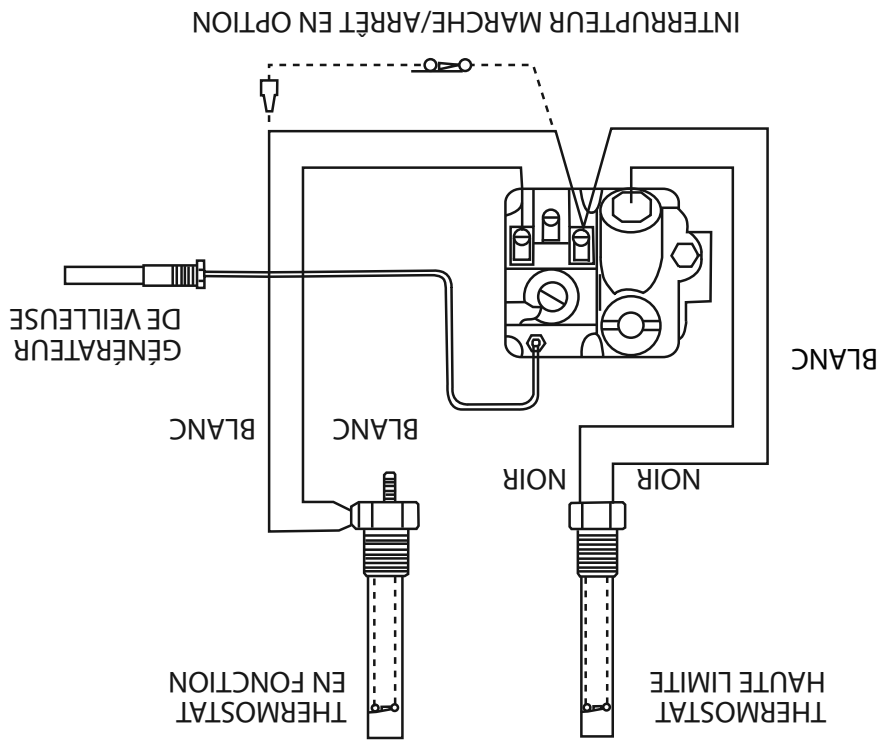
StarCare – Warranty & lifetime service, certified OEM parts, global parts inventory, performance audited
ExtraCare – CareCode, 24/7 Support, online/mobile product information
LifeCare – Install & equipment orientation, planned maintenance, KitchenConnect™, MenuConnect

Talk with KitchenCare™ • 1-844-724-CARE • www.mntwkitchencares.com



To learn how Manitowoc Foodservice and its leading brands can equip you, visit our global web site at www.manitowocfoodservice.com, then discover the regional or local resources available to you.





Solutions	Causes Possibles
<p>1 Voir Ci-bas : a. Réparer ou remplacer les fils du thermostat b. Relever le réglage. c. Calibrer à nouveau. d. Remplacer</p> <p>2 Voir Ci-bas : a. Calibrer à nouveau. b. Remplacer le thermostat. c. Calibrer le thermostat et serrer les vis.</p>	<p>1 Le thermostat ne fait aucune demande de chaleur (n'ouvre pas la soupape à gaz du tout) a. Fil conducteur est endommagé. b. Régie trop bas. c. Hors-calibrage. d. Thermostat défectueux.</p> <p>2. Le thermostat ne contrôle pas le point de réglage. a. Hors-calibrage. b. Contacts contaminés ou brûlés. c. Le bouton du thermostat est lâche.</p>

Directives Pour Le Calibrage Du Thermostat

Pour calibrer le Thermostat Fenwal, remplir la friteuse jusqu'à la marque « FULL » (plein) avec du composé à friture et allumer le brûleur. Introduire un thermomètre dans le centre de la friteuse, et placer le bulbe à environ deux pouces sous la surface. Laisser le brûleur effectuer environ quatre cycles, la lecture sur le thermomètre devrait être à moins de 5° du réglage du bouton du thermostat. Si la lecture ne correspond pas à l'indicateur du bouton du thermostat:

1. Dévisser les quatre vis sur le bouton du thermostat, régler l'indicateur du thermostat à la température indiquée sur le thermomètre,
3. serrer les vis fermement.
4. S'assurer qu'il y a un espace de l'épaisseur d'un dix sous au moins entre la surface noire du bouton et la plaque du bouton.

NOTE: NE PAS FAIRE PIVOTER LA TIGE D'AJUSTEMENT PLUS DE DEUX FOIS DANS UN SENS OU DANS L'AUTRE SINON DU DOMMAGE PERMANENT PEUT EN RÉSULTER. CETTE PRATIQUE PEUT ANNULER LA GARANTIE STANDARD.

Le thermostat Fenwal est un commutateur électrique avec des contacts qui ouvrent lorsqu'il y a une augmentation de chaleur. Il réagira à des changements de température de 1° lorsque la friteuse fonctionne au ralenti et qu'aucune nourriture n'est à frire.

Tourner la tige d'ajustement dans le sens anti-horaire augmente la température et à ce moment-là, les contacts s'ouvriront. Certains des problèmes les plus courants qui surviennent sont en rapport avec le générateur de la veilleuse. Ceux-ci sont normalement remarqués par un mauvais allumage du brûleur principal ou une flamme de veilleuse irrégulière.

Sous, un diagramme illustre comment le Thermostat Fenwal et les Contrôles de Hautes Limites sont reliés au système de sûreté.

5. Nous recommandons de laisser refroidir le composé drainé à 100°F (38°C) ou moins avant de transporter la marmite, ou l'autre contenant, d'enlever le tuyau de drainage, ou d'enlever le support et le filtre en forme de cône.

Entretien

Votre appareil GARLAND est de construction solide et est conçu pour vous donner un rendement de longue durée si entretenu normalement. Il est désirable, bien entendu, de garder votre appareil en parfaite condition. Au fur et à mesure que cet appareil est utilisé, que ce soit légèrement ou intensément, il doit être nettoyé souvent et un horaire de nettoyage régulier devrait être établi, sur une base journalière, semestrielle et/ou mensuelle, selon la sévérité de

l'utilisation.

Entretien Préventif

Afin de maintenir l'efficacité de l'appareil à son maximum, il est judicieux d'effectuer un entretien préventif régulièrement. La fréquence de cet entretien dépendra de l'utilisation de l'appareil et vous devriez demander conseil à votre Agent Autorisé de Service local GARLAND.

Un entretien préventif devrait couvrir les points suivants:

1. Vérifier la hauteur de la flamme de la veilleuse.
2. Vérifier l'allumage des flammes du brûleur principal et l'ajustement du brûleur.
3. Vérifier le calibrage du thermostat.
4. Vérifier le rendement de l'élément thermostatique.
5. Cette friteuse ne demande aucune lubrification.

Réglages

Le brûleur de votre Friteuse GARLAND, de conception brevetée, ne demande pas d'air primaire donc aucun ajustement possible. Lorsque le type de gaz requis est utilisé, la pression requise, et que les cibles en céramiques sont correctement ajustées, la combustion débutera au niveau de la base de la céramique. Le son qui est caractéristique est à un faible rugissement semblable à un chalumeau.

Le type de gaz requis et le contenu BTU pour lequel la friteuse est fabriquée à l'usine est indiqué sur la plaque signalétique, et ce gaz seulement doit être utilisé.

NE JAMAIS RÉDUIRE LE DÉBIT DE GAZ DANS UN EFFORT DE FAIRE BRÛLER LA FLAMME DIRECTEMENT SUR L'ORIFICE.

Dépannage

Un appareil mécanique utilisé aussi intensément qu'une friteuse aura besoin d'un entretien de service au fur et à mesure qu'elle vieillira; donc, le tableau suivant indique les problèmes probables qui surviendront et que faire pour y remédier.

Plusieurs sources de problèmes sont possibles en rapport avec le thermostat. Normalement le problème sera remarqué lorsque le thermostat ne peut faire ouvrir la soupape à gaz, ou lorsque l'ouverture de la soupape à gaz se fait à une mauvaise température; ceci indique un hors-calibrage. Si toutes les autres pièces de l'appareil fonctionnent comme il se doit, le tableau suivant aidera à localiser la source du problème et à le corriger.

Nettoyage

Les Surfaces Enduites De Peinture

Établir un horaire de nettoyage régulier. Les éclaboussures devraient être essuyées immédiatement.

Laisser refroidir la friteuse avant de nettoyer les surfaces extérieures.

1. Lorsque la friteuse est refroidie, essuyer les surfaces avec de l'eau chaude et un savon doux. Les taches rebelles peuvent être frottées avec un tampon à récurer léger et non métallique. Assécher à fond avec un linge propre.

2. L'acier inoxydable doit être lavé avec un chiffon délicat, de l'eau chaude et du savon doux. S'il est nécessaire d'utiliser un tampon à récurer non-métallique,

toujours frotter dans le sens du grain pour prévenir les égratignures. Utiliser un abrasif à base d'eau pour acier (disponible en magasin), si une surface brillante est désirée.

Acier Inoxydable

Pour un nettoyage de routine, simplement laver avec de l'eau chaude et du détergent. Laver soigneusement une petite surface à la fois sinon l'eau en évaporant laissera des bariloages. Rincer la surface lavée avec une éponge propre trempée dans une solution hygiénique et essuyer avec un linge doux et propre avant que la surface ne sèche. Utiliser une pâte (mélange d'eau et de poudre à récurer douce) si vous le devez mais toujours frotter dans le sens du grain. L'acier inoxydable a été poli dans une seule direction. Frotter dans le même sens que les lignes pour préserver son fini original. Ensuite, bien rincer comme auparavant. Vous trouverez sur le marché plusieurs marques de poliss pour l'acier inoxydable qui préviennent les marques de doigts, et ne laissent aucune huile ou cire. Ne pas les utiliser sur les surfaces qui sont en contact direct avec la nourriture.

L'acier inoxydable peut se décolorer si surchauffé. Ces tâches peuvent normalement être enlevées en frottant vigoureusement avec une pâte à récurer. Si nécessaire, utiliser seulement de la laine d'acier, un outil de bois ou de plastique pour enlever les dépôts de graisse ou d'huile. Ne pas utiliser de grattoirs de métal ou de couteaux puisque des parcelles de fer peuvent s'encroûter et rouiller. De la LAINE D'ACIER NE DEVRAIT JAMAIS ÊTRE UTILISÉE. Une solution de blanchiment ou d'eau chaude peut être utilisée pour nettoyer hygiéniquement l'acier inoxydable sans le déteriorer

Directives De Drainage Et De Filtrage

Le drainage et le filtrage du composé à friture doivent être accomplis soigneusement afin d'éviter la possibilité de brûlures.

Filtrage : Arrêter la friteuse. Si vous utilisez un filtre, autre que le « Filter Quick » GARLAND (filtre rapide Garland), consultez les directives du fabricant pour la méthode de filtrage recommandée. Les directives pour l'utilisation du « Filter Quick » sont incluses dans le Manuel de l'Utilisateur inclus avec chaque appareil « Filter Quick ».

La méthode suivante est recommandée pour drainer et filtrer votre composé lorsqu'une machine à filtrer n'est pas disponible :

1. Visser le tuyau de drainage fourni avec votre friteuse dans la soupape de drainage. S'assurer que le tuyau de drainage soit fixé solidement et que l'extrémité courbée est pointée vers le bas.

2. Placer une marmite ou un autre contenant sous le tuyau de drainage. La marmite, ou l'autre contenant, doit être capable de supporter la chaleur générée par le composé à friture chaud et doit aussi être capable de contenir les liquides. On recommande, lorsqu'une machine à filtrer n'est pas disponible, d'utiliser un support et un filtre en forme de cône. S'assurer que le support à filtre soit appuyé de façon sécuritaire sur la marmite ou l'autre contenant.

3. Ouvrir la soupape de drainage lentement pour éviter l'éclaboussement. Cependant, puisqu'un éclaboussement peut quand même survenir, d'extrêmes précautions devraient toujours être prises.

4. Si la soupape se bouche à cause des particules de nourriture, vous pouvez utiliser un outil semblable à un tisonnier. L'outil doit être utilisé à l'intérieur de la friteuse seulement et des précautions devraient être prises afin que l'utilisateur retienne l'outil de manière à se tenir aussi loin que possible du composé à friture chaud. Ne pas frapper sur la soupape de drainage puisque du dommage à la bille à l'intérieur de la soupape causera une fuite. NE JAMAIS utiliser cet outil, ou un autre, pour déboucher la soupape par l'avant de celle-ci. Si le bouchon se défait, le composé chaud peut couler rapidement alors soyez conscient de la possibilité d'éclaboussures.

Suggestions Pour Une Qualité D'aliments Frits

- Un composé à friture frais, non contaminé, produits de meilleurs aliments frits.

- Gouter au composé à friture une fois par jour. Vos clients le font, lorsqu'ils mangent le produit.

- Filtrer le composé à friture tous les jours. Etirer la graisse est inadéquat. Vous pouvez choisir le système de Filtration Rapide GARLAND; ce système est conçu pour égaler votre Friture Garland, ou vous pouvez choisir un filtre en forme de cône.

- Drainer ou essuyer la nourriture avant de la faire frire. L'excès d'humidité et de eau provoquent la dégradation du composé à friture.

- Ne pas saler ou assaisonner la nourriture au-dessus de la friture. Cette pratique contribue à contaminer le composé à friture et accélère sa détérioration.

- Ne pas secouer les aliments panés au-dessus de la friture.

- Laisser la friture couverte lorsqu'elle n'est pas utilisée. Ceci préviendra l'air d'oxyder le composé à friture et gardera les saletés à l'extérieur.

- Ne pas surchauffer le composé à friture. Suivre les températures recommandées. Le fournisseur de composé à friture peut vous fournir des recettes testées et des techniques pour l'utilisation de leur graisse.

- Surveiller les signes de dégradation de votre composé. Les premiers signes de dégradation sont: un brunissement inhabituel ou lorsque le composé émet de la fumée. De l'écume ou un changement désagréable dans le goût des produits et l'encrassement indiquent aussi une dégradation du composé à friture.
- Régler le thermostat à 200°F ou moins, lorsque la friture n'est pas utilisée.

- Un composé à friture brunissant et de la chapelure ou de la pâte inexactes peuvent laisser croire que les produits sont cuits. Utiliser une recette déjà expérimentée ou acheter de la chapelure ou de la pâte spécialement préparées pour les techniques de friture d'aujourd'hui.

Entretien Général

NE JAMAIS faire fonctionner le brûleur lorsque la friture est vide. En quelques minutes seulement, la friture peut être ruinée et la garantie de la friture est annulée dans ce cas-ci. Le composé à friture devrait être filtré une fois par jour au moins. Si un lourd volume de nourriture panée est frit, il peut être nécessaire de filtrer deux fois ou plus chaque jour. Ceci prolonge la vie du composé à friture et produit une nourriture de meilleur goût. Les filtres GARLAND en forme de cônes sont l'idéal et non disponibles; ils sont disponibles chez votre détaillant ou distributeur de pièces.

La friture devrait être nettoyée tous les jours, et ce travail peut être combiné avec le filtrage du composé à friture. Après avoir vidé la friture, essuyer l'intérieur avec un linge et un nettoyeur commercial pour fritures/plaques à frite, ensuite rincer minutieusement. Assécher et remettre le composé dans la friture. La friture devrait être amenée à ébullition une fois par semaine, avec un nettoyeur commercial pour fritures/plaques à frite, selon les directives sur la bouteille. Chaque jour, essuyer les contrôles et l'intérieur de la porte avec un linge humide. Enlever le support de paniers et le laver au moins une fois par semaine. De cette manière, votre friture restera propre et d'apparence neuve plus longtemps. S'assurer que le couvercle de la soupape à gaz automatique est laissé en place.

Problèmes De Sécurité

AVERTISSEMENT : L'utilisateur devrait connaître la NATURE DES RISQUES d'éclaboussures et de débordements etc., et DES CONSÉQUENCES pouvant en résulter, telles que brûlures corporelles, incendies, glissades sur du liquide renversé etc., si la friteuse est déplacée lorsqu'il y a du liquide à l'intérieur du récipient. Si la friteuse doit être déplacée, il est recommandé de refroidir le liquide du récipient à la température de la pièce et de l'enlever du récipient.

Pour vous assurer d'un bon fonctionnement et d'une protection maximale, votre Friteuse GARLAND est munie de meilleurs et des plus fiables contrôles et dispositifs de sûreté disponibles. Le thermostat de grande précision, contrôlera les températures du composé à friture entre 250° et 375°.

Si pour une raison ou une autre la veilleuse devait s'éteindre, la soupape de sûreté combinée arrêtera la circulation de gaz vers les brûleurs principaux et le brûleur de la veilleuse. Comme caractéristique supplémentaire, cette soupape empêche le gaz de circuler jusqu'aux brûleurs principaux pendant l'allumage de la veilleuse.

A cause du haut niveau de chaleur, tous les appareils sont munis, en équipement standard, d'un dispositif de contrôle de haute limite. Si pour une raison ou une autre, la température du composé à friture dépasse la température maximale du cadran, la friteuse en entier s'arrête à 450°. Si ceci se produit faire vérifier le système complet par un technicien de service qualifié. CE DISPOSITIF HAUTE LIMITE NE DOIT, POUR AUCUNE RAISON QUE CE SOIT, ÊTRE ANNULÉ.

Bouts Fonctionnants D'Optimum

Le choix du composé à friture est l'une des considérations importantes pour que l'utilisation de la friteuse soit profitable. Les composés à friture de meilleure qualité vous coûteront moins chers parce qu'ils durent plus longtemps que les composés moins dispendieux et qu'ils produisent des aliments de meilleur goût et d'apparence supérieure. Plusieurs produits de haute qualité sont disponibles et on vous recommande fortement de les utiliser.

Pour une période d'utilisation maximale du composé, les utilisateurs avisés trouvent qu'ils obtiennent les meilleurs résultats en cuisant les fritures à basse température. Par conséquent, avec une friteuse ultra-rapide, telle que la friteuse GARLAND, vous ne devez pas frire vos pommes de terre à 375°F ou 400°F, mais à 325°F. Effectuer des essais déterminera les températures requises pour vos menus. Les pires ennemis du composé à friture sont l'éclairage, la chaleur, l'air et le sel. Par conséquent, pour prolonger la

vie de la friteuse on doit la garder couverte lorsqu'elle n'est pas utilisée, frire à des températures basses, et réduire les températures pendant les périodes d'attente. Une habitude commune nocive au composé à friture est celle de saler les aliments dans le panier au-dessus de la friteuse. Aussi, si la nourriture est frite à l'avance et placée au-dessus de la friteuse pour la garder chaude, comme on le voit souvent, la nourriture perdra rapidement sa qualité croustillante et goûtera le gras.

Une erreur commune en friture est de surcharger les paniers sous l'impression erronée qu'on augmentera la productivité de la friteuse. Pour n'importe quelle friteuse et n'importe quelle nourriture à frire, on obtient seulement une certaine quantité de nourriture à l'heure. Pour de meilleurs résultats, nous recommandons de remplir les paniers entre la moitié (1/2) et les deux-tiers (2/3). Si les paniers sont remplis plus que ceci, le taux de production horaire diminuera.

Pour vous donner un point de départ, le tableau suivant suggère des températures qui sont utilisées pour certains aliments :

FRYING CHART			
TIME	PRODUCT		TEMPERATURE (°F)
	TEMPERATURE (°C)		
5-7 Min	Raw-to-done	350	177
	Blanching	325	163
	Browning	350	177
	French Fried Onion Rings	360	182
2-3 Min	Seafood	360	182
	Shrimp	360	182
	Oysters	350	177
	Scallops	250	121
3-5 Min	French Fried Potatoes	350	177
		350	177
		350	177
		350	177
3-4 Min	Clams	350-360	177-182
		350-360	177-182
		350	177
		350	177
6-10 Min	Chicken	350	177
		350-360	177-182
		325	163
		325	163
8-11 Min	Large Pieces	350	177
		350	177
		350	177
		350	177
5-7 Min	Fritters	350	177
		350	177
		350	177
		350	177
3-5 Min	Fruit	350	177
		350	177
		350	177
		350	177
5-8 Min	Vegetables (asparagus, cauliflower, corn, eggplant, tomato)	350	177
		350	177
		350	177
		350	177

Des périodes d'environ trois secondes en marche et dix secondes d'arrêt sont convenables. Continuer jusqu'à ce que le composé soit fondu. Si de la fumée se produit au cours de ce processus, ceci indique que le réchauffement est trop rapide et que la graisse brûle, donc réduit le temps d'utilisation de la graisse et peut endommager la friteuse. Le niveau de graisse doit couvrir les bulbes de thermostats lorsque la friteuse fonctionne.

Après avoir allumé le brûleur principal, régler le thermostat à 325° pour vérifier le calibrage du thermostat. Laisser le thermostat effectuer un minimum de quatre cycles et suspendre un thermomètre pour friteuse profonde dans le milieu de la friteuse, à environ 3 Po de profondeur. Lorsque le brûleur s'allume, après son quatrième cycle, la lecture sur le thermomètre devrait être identique au réglage du thermostat. Sinon, calibrer le thermostat selon les directives à la Section Entretien de ce manuel.

Directives D'allumage

Pour les modèles spécifiques, voir « Directives d'Allumage » à l'intérieur du compartiment de la friteuse.

(La friteuse doit être remplie avant son allumage).

1. Tourner le bouton du thermostat à la température pour friture. Le bouton du thermostat est situé à l'intérieur du compartiment à l'avant de la friteuse.

2. Ouvrir la porte de la friteuse et tourner le bouton de la soupape de sûreté combinée à la position « PILOT » (veilleuse).

3. Appuyer sur le bouton, allumer la veilleuse et continuer d'appuyer sur le bouton pendant environ soixante secondes après que la flamme soit allumée.

4. Tourner le bouton de la soupape dans le sens anti-horaire à la position « ON » (en marche).

5. Les brûleurs principaux s'allumeront et seront contrôlés automatiquement par le thermostat.

Tourner le bouton de la soupape à gaz dans le sens horaire à la position veilleuse. Appuyer légèrement sur le bouton dans le sens horaire, relâcher le bouton et continuer à tourner dans le sens horaire jusqu'à la position « OFF » (arrêt).

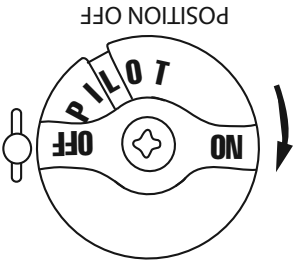
Arrêt Complet

2. Mettre le couvercle de la friteuse en place.

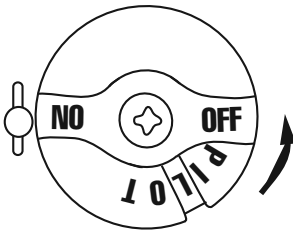
1. Tourner le bouton de la soupape à gaz de la friteuse à la position « PILOT » (veilleuse).

Friteuse Mise En Attente (stand-by)

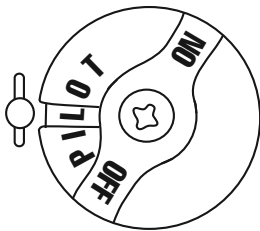
NOTE : La friteuse ne peut être arrêtée par le thermostat. Le thermostat contrôle seulement les températures.



DU BOUTON DE ROBINET AUTOMATIQUE



DU BOUTON DE ROBINET AUTOMATIQUE



POSITION PILOT

INSTALLATION suite

MÉTHODE DE FIXATION DE L'ÉCRAN DE CHALEUR AU PROTECTEUR ARRIÈRE OU À LA TABLETTE SUPÉRIEURE

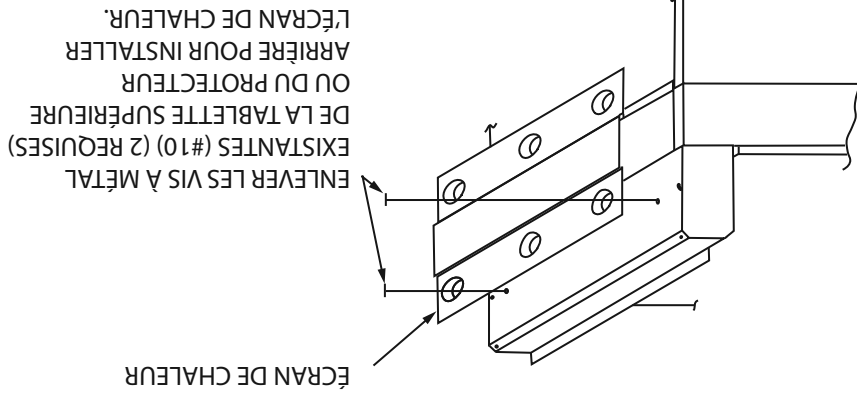
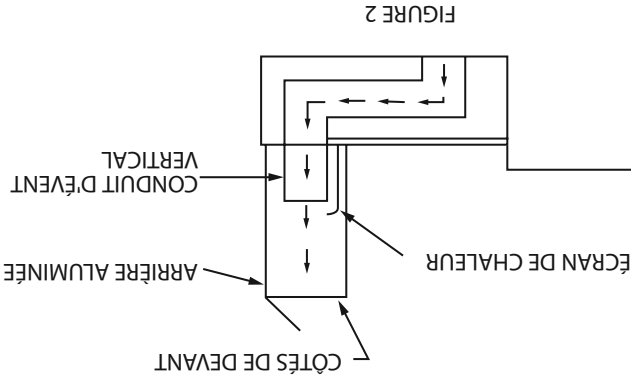


FIGURE 1

Écran De Chaleur

Cet écran de chaleur doit être en place lorsque la friteuse est installée dans un emplacement qui n'est pas à l'épreuve du feu.

IMPORTANT : Le conduit d'évent vertical doit être installé à l'intérieur du protecteur arrière. Ce conduit vertical s'ajuste sur le collet de la boîte du collecteur d'évent à l'intérieur de la friteuse. Placer le conduit d'évent vertical dans l'ouverture sur le dessus arrière et le glisser sur le collet. (Voir le Dessin 2.)



Première Utilisation De La Friteuse

Avant d'allumer la veilleuse, remplir le bac à l'huile avec un composé à friture. Ensuite, allumer la veilleuse selon les directives indiquées sur le panneau intérieur du compartiment de la friteuse. Si vous utilisez de l'huile à cuisson, vous pouvez maintenant allumer le brûleur principal en pivotant le bouton de la soupape à gaz automatique. Si vous utilisez un composé à friture hydrogène (solide), il est sage de le faire fondre dans une marmite, sur la cuisinière, avant de l'introduire dans la friteuse. Si on ne fait pas fondre le composé préalablement, remplir la friteuse avec le composé à friture et mettre le brûleur principal en marche pendant quelques secondes et l'arrêter pendant aussi quelques secondes. Voir les directives d'allumage et d'arrêt: « Comment allumer le brûleur principal lorsque la veilleuse est allumée ».

FONCTIONNEMENT

Directives D'assemblage Protecteur Arrière A Profil Bas Pour Série M

1. Enlever le capuchon d'évent #6 en enlevant six (6) vis à métal [#10].

2. Enlever le panneau avant #5 en le soulevant verticalement.

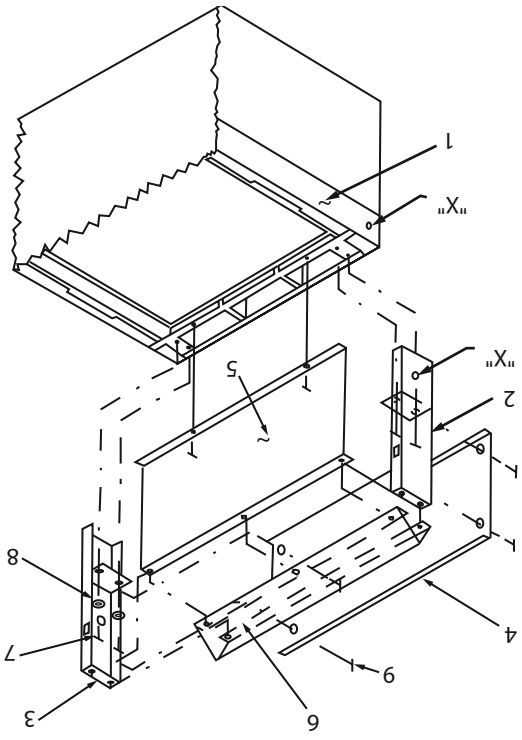
3. Avec le panneau arrière #4 relié aux montants gauche #2 et au droit #3, descendre les montants dans les découpés à l'arrière de la cuisinière #1.

4. Fixer les montants #2 et #3 à la cuisinière #1 avec quatre (4) boulons 5/16Po-18 et les rondelles plates #7 et #8.

5. Si l'appareil fait partie d'un groupe, fixer les appareils adjacents ensemble par le trou indiqué « X » à l'aide des boulons 1/4Po-20, écrous et rondelles.

6. Installer le panneau avant #5 enlevé précédemment.

7. Installer le capuchon d'évent #5 enlevé précédemment.



Directives D'assemblage Protecteur Arrière Pour Série M

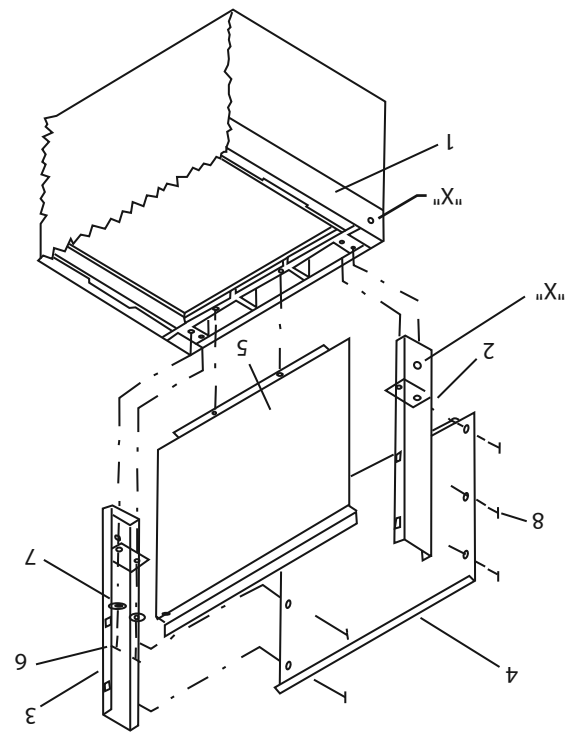
1. Enlever le panneau avant #5 en le soulevant verticalement.

2. Avec le panneau arrière #4 relié aux montants gauche #2 et au droit #3, descendre les montants dans les découpés à l'arrière de la cuisinière.

3. Fixer les montants #2 et #3 à la cuisinière #1 avec quatre (4) boulons 5/16Po-18 et les rondelles plates #6 et #7.

4. Si l'appareil fait partie d'un groupe, fixer les appareils adjacents ensemble par le trou indiqué « X » à l'aide des boulons 1/4Po-20, écrous et rondelles.

5. Installer le panneau avant #5 enlevé précédemment. Relier le panneau avant #5 à la cuisinière #1 à l'aide des vis à métal.



PRUDENCE : Ces genres de Friteuses GARLAND ne peuvent être installés sur une base en béton ou sans avoir le dégagement requis du plancher. L'air primaire est fourni au brûleur jet par l'avant et principalement par la base de la friteuse. Si l'appareil est installé sur une base en béton ou directement sur un plancher, sans l'utilisation des pattes ou des roulettes de 6 Po (152mm) fournies par le manufacturier, une mauvaise combustion se produira.

Evacuation Et Alimentation D'air

L'évacuation est l'une des plus importantes considérations lors de l'installation. L'installation de la friteuse doit assurer l'évacuation efficace des produits de la combustion mais le système de ventilation de la cuisine ne doit pas produire de courants d'air qui entravent le bon fonctionnement du brûleur. L'ouverture d'évent de la friteuse **NE** doit pas être près de l'entrée du ventilateur.

La friteuse ne doit jamais avoir un évent allongé à la manière d'une « cheminée ». Ceci change les caractéristiques de combustion de la friteuse et cause des effets négatifs comme une récupération lente de l'appareil, souvent un allumage retardé et quelques fois une flamme de veilleuse irrégulière. La méthode idéale pour éliminer les gaz d'évent d'une friteuse est l'utilisation d'une hotte conçue adéquatement laquelle devrait dépasser de six pouces (6Po) (152mm) sur tous les côtés de l'appareil et à six pieds et six pouces (6P) (6Po) (1981 mm) du plancher.

Beaucoup d'utilisateurs ne réalisent pas que le meilleur système d'évacuation se détriorera s'il n'est pas entreteenu correctement. Le système de conduits, la hotte et l'ensemble des filtres doivent être nettoyés sur une base régulière et sans aucune graisse.

Les distances adéquates doivent être maintenues entre la sortie d'évent de la friteuse et le côté inférieur de l'ensemble des filtres. Les filtres ne devraient jamais être installés en position horizontale. Ils devraient être installés dans un angle de 45 degrés, et un plateau d'égoûttement devrait être placé sous le côté le plus bas du filtre. Les Normes NFPA No. 96 stipulent que : « Une distance minimale de 18Po (457mm) devrait être maintenue entre la sortie d'évent et le côté inférieur du filtre à graisse ». Nous recommandons : UNE DISTANCE MINIMALE DE 24po (610mm) ENTRE LA SORTIE D'ÉVENT ET LE CÔTÉ INFÉRIEUR DU FILTRE LORSQUE L'APPAREIL CONSOMME PLUS DE 120,000 BTU À L'HEURE; Un bon ventilateur d'échappement créera le vide dans la pièce. Pour qu'un système d'évent fonctionne correctement, l'air de remplacement doit entrer dans la pièce où l'évent est situé.

Tous les brûleurs au gaz et les veilleuses ont besoins de suffisamment d'air pour fonctionner et de gros objets ne doivent pas être placés à l'avant de cette friteuse ce qui empêcherait la circulation d'air par l'avant. Un espace minimal de 24Po (152mm) à l'avant de l'appareil devrait être prévu pour un bon fonctionnement et le service d'entretien. L'air de combustion pénètre par la base. Ne pas placer des objets près de la base ou sous la friteuse.

Assemblage Du Groupe D'appareils

Tous les appareils haute performance regroupés sont alignés et ajustés à l'usine, en partant de la gauche vers la droite et doivent être installés dans cet ordre. Un diagramme est fourni avec chaque groupe d'appareils haute performance. Toutes les Friteuses 35M ainsi que 70M peuvent être installées en groupe avec d'autres cuisinières Garland, Série 40, et partager les raccords d'un collecteur commun.

A. Tous ces appareils devraient être placés dans leur position respective du groupe. Détacher les panneaux de soupape pour prévenir les dommages et les garder dans un endroit éloigné de l'installation.

B. Nivelier chaque appareil (si une cuisinière, par la grille du four) en ajustant les pattes de six pouces (6po/152mm) ou lorsque les pattes ne sont pas utilisées, ajuster le niveau à l'aide de cales (shims). Ajuster les pattes si requis.

C. Raccorder les appareils ensemble en jumelant les raccords à chaque extrémité du collecteur. (Les appareils contigus doivent être munis des raccords jumelés; à moins que les pièces de raccordement aient les mêmes caractéristiques, un raccord étanche ne peut être assuré). Serrer les raccords manuellement pour l'instant.

D. Les appareils devraient être fixés à l'arrière en insérant les boulons 5/16 Po dans les trous à l'arrière des côtés de la boîte de brûleur. Installer la rondelle et l'écrou et serrer manuellement. Vérifier l'alignement de l'appareil avant de serrer définitivement ces raccords ou ces boulons. Un serrage incorrect fera « courber » les appareils. Le serrage final du raccord devrait être exécuté à l'aide d'une clé anglaise. Si une clé anglaise n'est pas disponible, le collet de raccord Garland est muni d'arêtes spéciales et un ciseau à froid peut être passé le long de ces arêtes afin d'asseoir et de sceller le raccord.

E. Le collecteur de cet appareil ou le collecteur auquel il fait partie, doit être muni d'un régulateur de pression homologué approprié pour une installation en groupe et réglable pour une pression de sortie au collecteur telle que spécifiée sur la plaque signalétique.

NOTE : Au Canada, l'installation devra être conforme au Code d'Installation du Gaz Naturel, CAN/CGA-B149.1 ou au Code d'Installation du Gaz Propane, CAN/CGA-B 149.2 et aux codes locaux lorsqu'applicables.

NOTE: Un dégagement suffisant doit être prévu pour obtenir un bon fonctionnement et pour l'entretien de service.
NOTE: Cet appareil n'est pas recommandé pour une installation résidentielle.

Dégagements

6" (152mm) sur les côtés et à l'arrière près de matériaux combustibles. Aucun dégagement (0,0") sur les côtés et à l'arrière est acceptable près de matériaux non-combustibles. La friteuse est conçue pour une installation sur des planchers combustibles.

Raccordement De Gaz Et Taille De Pipe

La capacité de la canalisation est très importante. Si la canalisation est trop petite, la pression de gaz au collecteur du brûleur sera basse. Ceci causera des effets négatifs comme une récupération lente, un allumage retardé et une flamme de veilleuse irrégulière. Se référer au Tableau de Capacité de la Canalisation (Gas Line Sizing Chart) dans le manuel de Code National du Gaz.

Avant de raccorder une nouvelle canalisation à votre Friteuse GARLAND, la canalisation doit être parfaitement nettoyée afin d'éliminer toutes les particules étrangères. Si ces particules étrangères se rendent jusqu'au brûleur et aux contrôles, un mauvais fonctionnement, quelques fois dangereux, surviendra.

Lorsqu'un composé à joints est utilisé, en appliquer soigneusement sur les filets mâles seulement. Utiliser un composé étanche à l'action des gaz propane. Ne pas en appliquer sur les deux premiers filets. Ceci empêchera l'encrassement des contrôles et le blocage des buses de la veilleuse et du brûleur principal.

S'assurer que l'installateur vérifie toute la tuyauterie avec une solution savonneuse pour détecter les fuites. NE PAS UTILISER UNE FLAMME, DES ALLUMETTES, DES CHANDELLES ou d'autres sources d'allumage pour détecter les fuites.

Bassin De Friture

Avant de quitter l'usine, la friteuse a été testée et le thermostat a été calibré avec de l'huile dans le bac; par conséquent il est nécessaire de nettoyer le bac à l'huile avant d'ajouter le composé à friture. Rincer le bac avec de l'eau claire, et ensuite nettoyer complètement le bac avec un lingé humide et un nettoyeur pour friteuses. Le rincer complètement et l'assécher. La friteuse est maintenant prête à être utilisée. Si la friteuse n'est pas munie d'un bac à l'huile en acier inoxydable et n'est pas utilisée immédiatement après le nettoyage, enduire entièrement le bac avec de la graisse ou de l'huile à cuisson afin de prévenir la rouille.

Roulettes

- A. L'installation sera faite avec un raccord conforme à la norme Connectors for Movable Gas Appliances, ANSI Z21.69/CSA 6.16, Addenda Z21.69B-2006/CSA 6.16B-2006 (ou la dernière édition) et un raccord rapide conforme à la norme Standard for Quick Disconnects for Use with Gas Fuel, ANSI Z21.4 1/CSA 6.9, Addenda Z21.4 1A-2005/CSA 6.16A-2005 (ou la dernière édition).
- B. Les roulettes avant de l'appareil sont munies de freins afin de limiter tout mouvement de la friteuse sans dépendre du raccord et de tout dispositif de débranchement rapide ou de sa tuyauterie associée.
- C. La restriction requise est fixée à un taquet sur la friteuse (point de raccord est situé sur la roulette arrière gauche de la friteuse), et si le débranchement de cette restriction est nécessaire, s'assurer de la rebrancher après que la friteuse ait été replacée à son emplacement original.

NOTE: Après son installation, la friteuse doit être empêchée de basculer afin d'éviter l'éclaboussement du liquide chaud. Les moyens de restriction peuvent résider dans la manière de l'installer, tel qu'un raccordement à un groupe d'appareils ou installer la friteuse dans une alcôve, ou par des moyens séparés tels que des attaches adéquate.

Pattes

Relève l'avant de l'appareil et l'immobiliser. Ne pas placer l'appareil sur son côté arrière. Placer la patte dans l'ouverture et frapper légèrement sur la patte jusqu'à ce qu'elle soit en place. Répéter pour l'arrière de l'appareil en s'assurant que les quatre pattes soient ajustées à la même hauteur. Les pattes peuvent être ajustées pour corriger un plancher inégal.

Directives Pour La Pré-Installation

Avant l'assemblage et le raccordement, vérifier l'alimentation de gaz.

A. Le type de gaz requis pour cet appareil est imprimé sur la plaque de données située à l'intérieur du panneau de la porte. Raccorder les appareils identifiés « NAT » à du gaz naturel seulement; raccorder ceux identifiés « PRO » à du gaz propane seulement.

B. Si c'est une nouvelle installation: faire vérifier le compteur et la tuyauterie par les autorités du gaz afin de s'assurer que l'appareil est alimenté avec une pression de gaz suffisante requise pour faire fonctionner l'appareil.

C. Si c'est un appareil que l'on rajoute ou remplace: faire

vérifier la pression par les autorités du gaz afin de s'assurer que le compteur et la tuyauterie existants

alimenteront l'appareil sans perte de pression supérieure à 1/2 Po colonne d'eau.

NOTE: S'assurer que tous les appareils alimentés par la même ligne de gaz soient à la position en marche (ON) au moment du test de pression.

Un régulateur de pression est fourni comme équipement standard avec les Friteuses à Gaz Haute Performance GARLAND et les Friteuses à Gaz de Restaurant. Le régulateur de pression est « intégré » dans la friteuse (le régulateur fait partie de la soupape de contrôle combinée). L'installation doit être conforme au Code National du Gaz ANSI Z223.1-1988 ou la dernière édition, NFPA No. 54 - dernière édition et au Code Électrique National ANS/NFPA70-1990 ou la dernière édition et/ou aux codes locaux pour assurer un fonctionnement sécuritaire et efficace.

NOTE : L'appareil et sa soupape d'arrêt individuel (non fourni par le manufacturier) doivent être débarrassés du système d'alimentation du gaz au cours de tout test de pression de ce système, à des pressions supérieures à 1/2 LB/PO² (3,45 KPa). L'appareil doit être isolé de son système d'alimentation du gaz en fermant sa soupape individuelle d'arrêt manuel (non fourni par le manufacturier) au cours de tout test de pression de ce système d'alimentation à des pressions égales ou inférieures à 1/2 LB/PO² (3,45 KPa).

On n'insiste jamais trop sur le fait qu'une installation effectuée avec exactitude est primordiale pour un appareil au gaz à cuisson commerciale. Une bonne performance de l'appareil dépend, en grande partie, de la précision avec laquelle les directives du manufacturier auront été suivies. En plus, l'installation doit être conforme au Code National du Gaz, ANSI Z223.1-1988/NFPA et/ou aux codes locaux afin d'assurer un fonctionnement sécuritaire et efficace.

Les appareils seront installés dans un endroit où la ventilation permet une combustion des gaz et une évacuation satisfaisante. Les appareils seront placés de façon à ne pas interférer avec la circulation d'air dans l'espace confiné. Lorsque les bâtiments sont trop hermétiques et que l'infiltration normale de l'air ne fournit pas l'air nécessaire, l'air extérieur sera introduit.

Plaque Signalétique

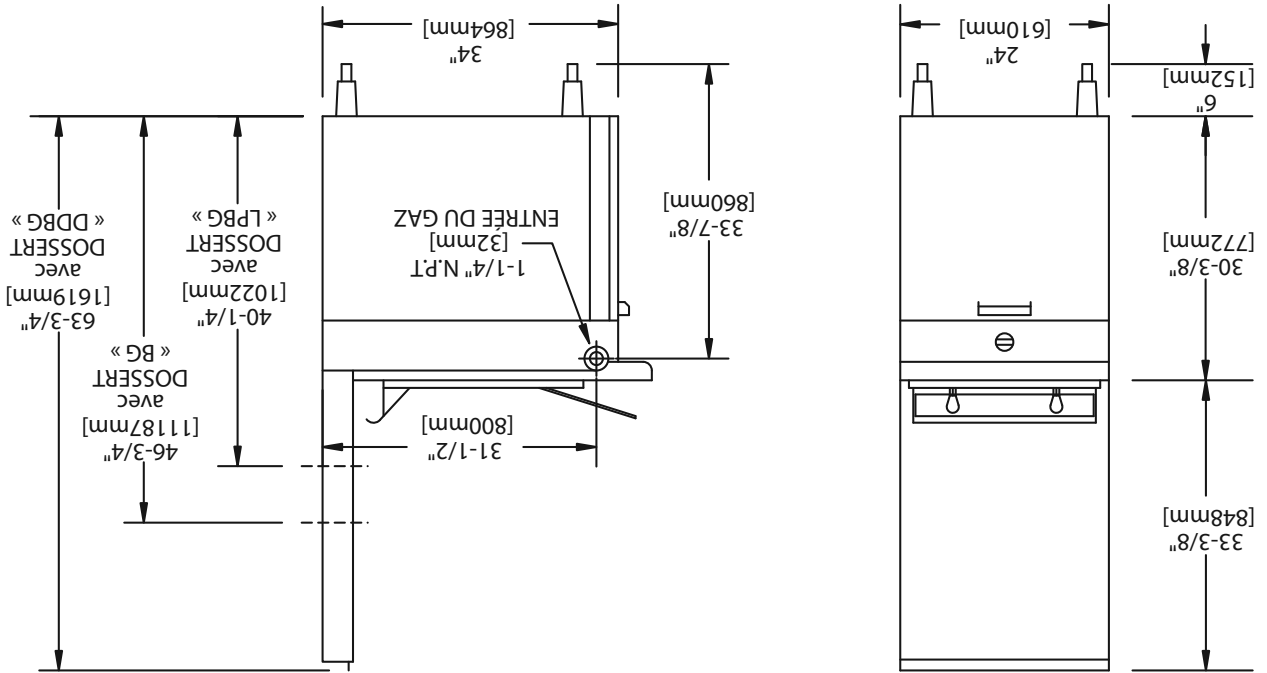
Pour correspondre avec l'usine ou le centre de service agréé local concernant des problèmes de service ou des pièces de rechange, bien faire référence à l'appareil avec le numéro de modèle correct (comprenant les lettres et chiffres du préfixe et du suffixe) et le numéro de série de garantie. La plaque signalétique fixée à l'appareil contient ces informations.

Nous suggérons de faire faire l'installation, l'entretien et les réparations par une agence de service agréée locale figurant dans la manuel d'informations.

En cas de questions concernant l'installation, l'utilisation, l'entretien ou la réparation du produit, écrire ou communiquer avec le département de service des produits.

Ce produit doit être installé par du personnel professionnel tel que spécifié. Les produits Garland/U.S. Range ne sont pas agréés ni autorisés pour une utilisation personnelle ou résidentielle, mais sont destinés à des applications commerciales seulement. Garland / U.S. Range n'offre pas de services de réparation, garantie, entretien ou soutien de n'importe quelle sorte pour des applications autres que commerciales.

DIMENSIONS ET SPÉCIFICATIONS, MODÈLE M/MST70



DIMENSIONS ET SPÉCIFICATIONS	
Largueur	24 Po (612mm)
Profondeur	38 Po (965mm)
Hauteur (Avec Des Pieds De NFS)	36-3/8 Po (924mm)
Hauteur (Sans Pieds De NFS)	30-3/8 Po (772mm)
Entrée-BTU (Gaz Naturels)	125,000 (36.62 kW)
Pds D'expédition: (LB/KG)	225 (120.5)

Les indications pour les entrées de gaz s'appliquent à des installations inférieures à 2 000 pi (610 m) d'altitude au-dessus du niveau de la mer. Le débit calorifique doit être réduit pour les installations en haute altitude.

Diamètre tuyau collecteur: 1-1/4 Po N.P.T.

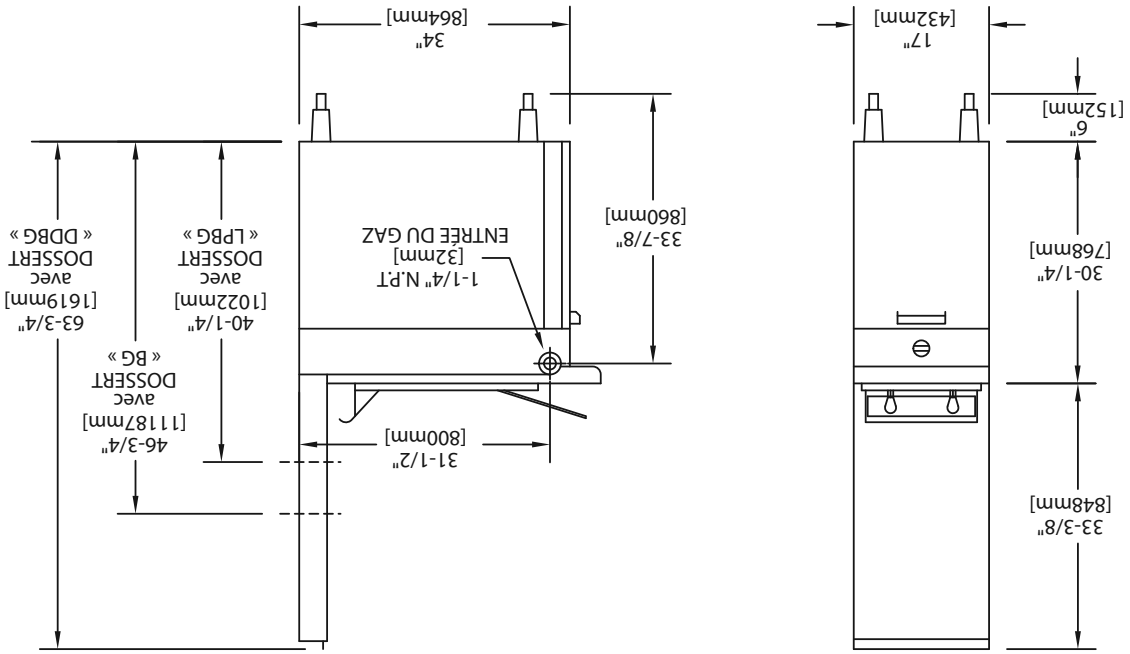
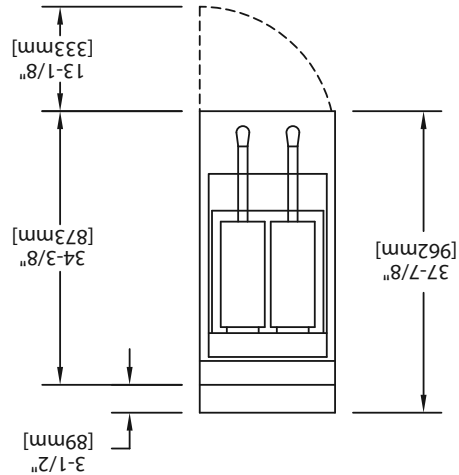
NOTES D'INSTALLATION			
Dégagements Par Rapport Aux Murs Combustibles ¹	Dégagement D'Entrée	Pression De Fonctionnement Du Collecteur	Orifice
Côtés: 6 Po (152mm) Arrière: 6 Po (152mm)	En Caisse: 29-1/4 Po (997mm) Déballe: 17-1/4 Po (438mm)	Gaz Naturel: 6 Po WC (15mbar) Propane: 10 Po WC (25mbar)	NAT #56 PRO #66

¹NOTA : Les réductions de dégagement d'installation ne sont applicables que lorsque les codes locaux les autorisent. REMARQUE : Ces données s'appliquent uniquement en Amérique du Nord.

CAPACITÉ DE FRITURE (par heure)			
Frites		Blanchies À Cuites	70 lb (32 kg)
Poisson		3 (84g), En Pâte À Frire	100 lb (45 kg)
Poulet Pané		Crues À Cuites	28 lb (13 kg)

DIMENSIONS ET SPÉCIFICATIONS, MODÈLE M/MST35

PDS	DÉGAGEMENTS			INSTALLATION			ENTRÉE		D'EXPÉDITION
	Côtés	Arrière	En Caisse	Déballé	6Po	29-1/4Po	17-1/4Po	220lb. (100kg)	
	(152mm)	6Po	(746mm)	(152mm)	29-1/4Po	(746mm)	17-1/4Po	(100kg)	
			(152mm)	(152mm)	6Po	(746mm)	17-1/4Po	220lb. (100kg)	



CAPACITÉ DE FRITURE (par heure)			
FRITES		POISSON	
Crues À Cuites	Blanchies À Cuites	3oz. (84g), En Pâte À Frire	Crues À Cuites
60lb. (27kg)	80lb. (36kg)	60lb. (27kg)	28lb. (13kg)

Les indications pour les entrées de gaz s'appliquent à des installations inférieures à 2 000 pi (610 m) d'altitude au-dessus du niveau de la mer. Le débit calorifique doit être réduit pour les installations en haute altitude.

AUSTRALIAN RATES					
DÉBIT CALORIFIQUE TOTAL		PRESSION DU COLLECTEUR		ORIFICE	
Naturel	Propane	NAT	PRO	NAT	PRO
110,000 BTU/Hr (32,23kW/Hr)	85,000 BTU/Hr (24,91kW/Hr)	4.0 Po CE (10mbar)	9.0 Po CE (22mbar)	#51	1.05MM
97.9MJ/Hr	97.9MJ/Hr	0.8 kpa	2.25 kpa	1.6mm	1.05mm
				1-1/4" N.P.T	

TABLE DES MATIÈRES

2	INFORMATIONS IMPORTANTES	13
4	DIMENSIONS ET SPÉCIFICATIONS, MODÈLE M/MST35	13
4	Nettoyage	13
14	Les Surfaces Enduites De Peinture	14
14	Acier Inoxydable	14
14	Directives De Drainage Et De Filtrage	14
15	Entretien	15
15	Entretien Préventif	15
15	DÉPANNAGE ET RÉGLAGES	15
15	Réglages	15
15	Dépannage	15
16	Directives Pour Le Calibrage Du Thermostat	16
2	INFORMATIONS IMPORTANTES	2
4	DIMENSIONS ET SPÉCIFICATIONS, MODÈLE M/MST35	4
5	DIMENSIONS ET SPÉCIFICATIONS, MODÈLE M/MST70	5
6	INSTALLATION	6
6	Plaque Signalétique	6
6	Directives Pour La Pré-installation	6
7	Dégagements	7
7	Raccordement De Gaz Et Taille De Pipe	7
7	Bassin De Friture	7
7	Roulettes	7
7	Patte	7
8	Évacuation Et Alimentation D'air	8
8	Assemblage Du Groupe D'appareils	8
8	Directives D'assemblage Protecteur Arrière A	8
9	Profil Bas Pour Série M	9
9	Directives D'assemblage Protecteur Arrière Pour Série M	9
10	Écran De Chaleur	10
10	FONCTIONNEMENT	10
10	Première Utilisation De La Friteuse	10
11	Directives D'allumage	11
11	Friteuse Mise En Attente (stand-by)	11
11	Arrêt Complet	11
12	Problèmes De Sécurité	12
12	Bouts Fonctionnants D'Optimum	12
13	Suggestions Pour Une Qualité D'aliments Frits	13

L'attention des utilisateurs est attirée sur le fait que l'entretien et les réparations doivent être effectués par un agent d'entretien autorisé par Garland utilisant des pièces de rechange d'origine Garland. Garland n'aura aucune obligation en ce qui concerne n'importe quel produit mal installé, réglé, utilisé ou qui n'aurait pas été entrete nu conformément aux codes nationaux et locaux ou aux instructions fournies avec le produit ou n'importe quel produit dont le numéro de série aurait été mutillé, oblitéré ou supprimé ou qui aurait été modifié ou réparé avec des pièces non autorisées ou par des agents d'entretien non autorisés. Pour obtenir la liste des agents de service autorisés, consulter le site web de Garland à : <http://www.garland-group.com>. Les renseignements contenus dans le présent document (y compris la conception et les spécifications des pièces) peuvent être remplacés ou modifiés sans préavis.

LIRE TOUTES LES SECTIONS DU PRÉSENT MANUEL ET LE CONSERVER POUR S'Y REPORTER ULTÉRIEUREMENT.

CE PRODUIT A ÉTÉ HOMOLOGUÉ EN TANT QU'ÉQUIPEMENT PROFESSIONNEL DE CUISSON ET DOIT ÊTRE INSTALLÉ PAR DU PERSONNEL PROFESSIONNEL TEL QUE SPÉCIFIÉ.

DANS L'ÉTAT DU MASSACHUSETTS, CE PRODUIT DOIT ÊTRE INSTALLÉ PAR UN PLOMBIER OU UN MONTEUR D'INSTALLATION AU GAZ. NUMÉRO D'AUTORISATION : G-1-07-05-28

Pour votre sécurité

Placer dans un endroit bien en vue les instructions à suivre en cas d'odeur de gaz détectée par l'utilisateur. Cette information peut être obtenue auprès du fournisseur de gaz local.

<p>AVERTISSEMENT</p> <p>UNE INSTALLATION, DES RÉGLAGES, DES MODIFICATIONS, DES RÉPARATIONS OU UN ENTRETIEN MAL FAITS PEUVENT CAUSER DES DOMMAGES MATÉRIELS, DES BLESSURES OU LA MORT. LIRE SOIGNEUSEMENT LES INSTRUCTIONS D'INSTALLATION, D'UTILISATION ET D'ENTRETIEN AVANT D'INSTALLER OU DE RÉPARER L'ÉQUIPEMENT.</p>	<p>POUR VOTRE SÉCURITÉ:</p> <p>NE PAS STOCKER NI UTILISER D'ESSENCE OU D'AUTRES VAPEURS OU LIQUIDES INFLAMMABLES À PROXIMITÉ DE CET APPAREIL OU DE TOUT AUTRE APPAREIL</p>
---	---

POUR L'Australie "POUR ÊTRE INSTALLÉ PAR UNE PERSONNE AUTORISÉE CONFORMÉMENT À ASS601, AUTORITÉ LOCALE APPLICABLE ET LES RÉGLEMENTATIONS LOCALES ET FABRICATION INSTRUCTIONS

NOTE: Avant de quitter l'usine, la friteuse a été testée avec de l'huile à l'intérieur du bac; par conséquent, il est nécessaire de nettoyer le bac à l'huile avant d'ajouter le mélange à friture. Rincer le bac à l'huile avec de l'eau propre, puis laver complètement le bac avec un linge humide et un nettoyeur pour friteuse. Rincer à fond et assécher. La friteuse est maintenant prête à être utilisée. Si le bac à frite n'est pas en acier inoxydable et n'est pas utilisé immédiatement après le lavage, enduire la surface entière du bac avec de la graisse végétale ou de l'huile à cuisson afin de prévenir la rouille.

Maintenir les abords de l'appareil dégagés et ne pas y stocker de produits combustibles

AVERTISSEMENT

Ce produit contient des produits chimiques reconnus par l'état de Californie comme causant le cancer et/ou des malformations congénitales ou d'autres problèmes de reproduction. L'installation et l'entretien de ce produit peut vous exposer aux poussières de laine de verre/fibres céramiques. L'inhalation de ces particules de laine de verre ou de fibres céramiques est reconnue par l'état de Californie comme causant le cancer. L'utilisation de ce produit peut vous exposer au monoxyde de carbone en cas de mauvais réglage. L'inhalation de monoxyde de carbone est reconnue par l'état de Californie comme pouvant causer des malformations congénitales ou d'autres problèmes reproductifs.



This manual is updated as new information and models are released. Visit our website for the latest manual.

Instructions D'installation et D'utilisation

FRITEUSE À GAZ HAUTE PERFORMANCE SÉRIE MASTER MODÈLES M35 & M70