



HEAVY DUTY GAS INFRA-RED BROILER
MODEL: M110XM

PARTS LIST

Toll Free Phone, (US & Canada): (800) 427-6668

Toll Free Fax, (US & Canada): (800) 361-7745

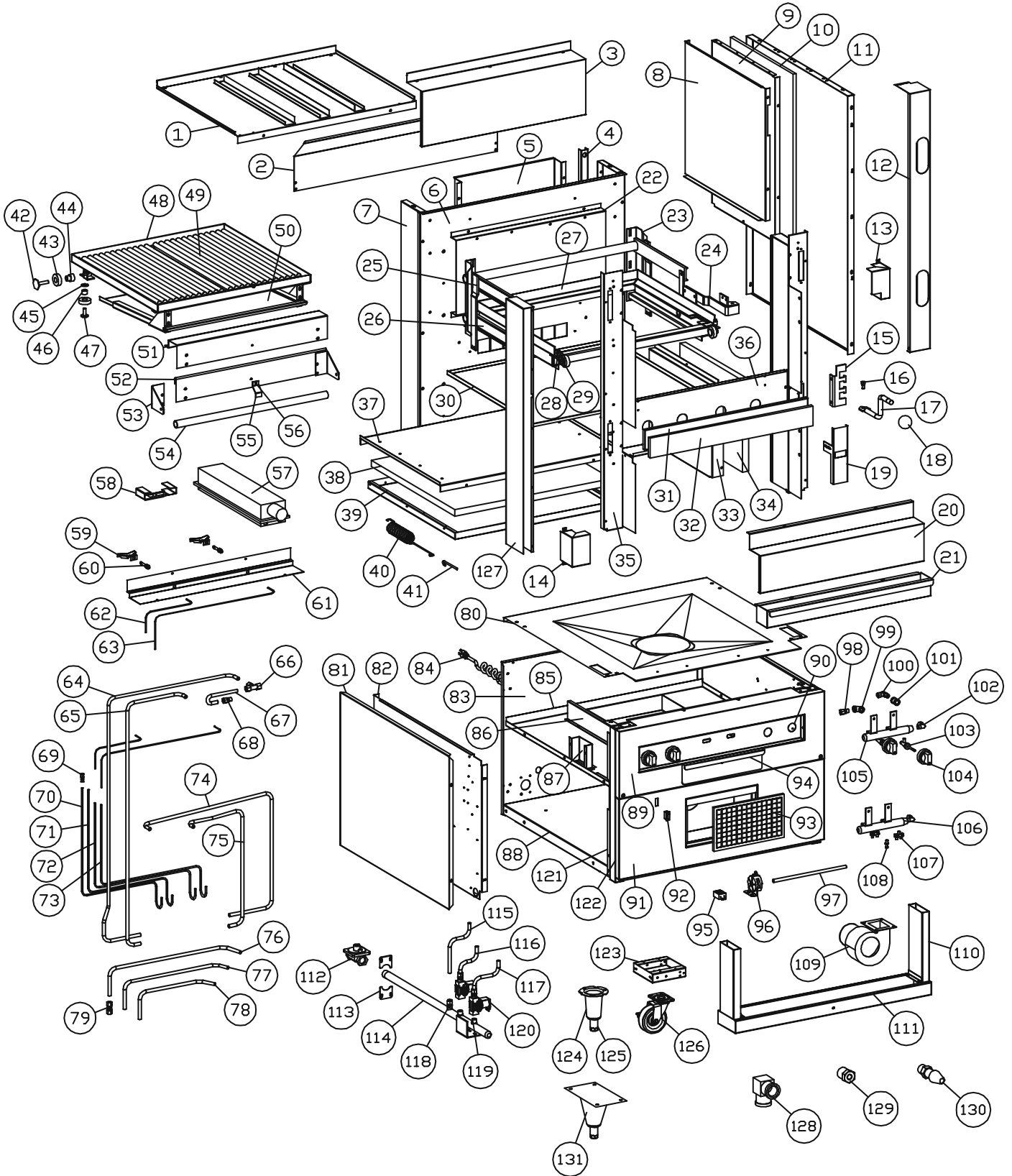
<http://www.garland-group.com>



HEAVY DUTY GAS INFRA-RED BROILER
MODEL: M110XM

Contents:

Heavy Duty Gas Infra-Red Broiler Page 4
Revision History Page Page 9



4514786

GARLAND PARTS IDENTIFICATION

Heavy Duty Gas Infra-Red Broiler

Model M110XM

ITEM	PART #	DESCRIPTION	QUANTITY	CRITICAL
1	2668100	Main Top	1	
2	2676301	Flue Diverter (Std.)	1	
3	G01215-2-9	Upper Front Panel	1	
4	G01260-01-8	Channel Brace Assy.	4	
5	G02000-1-7	Smoke Stack	1	
6	G02017-1-6	Main Back	1	
7	G01998-1-71	Main Back Extension Post	2	
8	2667700	Top Side Inner Liner	2	
9	2667600	Top Side Insulation Liner	2	
10	1472209	Upper Side Insulation 25.5" X 18" X 1"	2	
11	G02006-1-81	Main Side - Black Std.	2	
	G02006-1-91	Main Side - Stainless (Opt.)	2	
12	2645501	Corner Column RH	1	
	2645500	Corner Column LH	1	
13	3092600	Air Diverter RH	2	
14	3092500	Air Diverter LH	2	
15	2684400	Broiler Ratchet	2	
16	F58	Shoulder Bolt 5/16-18 X 3/8 X 1/4	10	
17	4516744	Rack Handle Assembly Plated	2	
18	1039602	Grey Ball Knob	2	
19	G01262-1-9	Rack Handle Cover	2	
20	G01213-2-9	Lower Front Panel	1	
21	G01188-1-9	Upper Grease Box	1	
22	G01996-1-6	Back Liner	2	
23	G01227-1-8	Carriage Support	4	
24	G01182-01-5	Rack Handle Lever Assembly	2	
25	G01234-01-5	Rack Raising Arm Upper Assembly	2	
26	G01234-02-5	Rack Raising Arm Lower Assembly	2	
27	G02024-01-8	Carriage Assembly	2	
28	F5	Hex Socket Screw 1/4-20 X 1.25	4	
29	G01989-1-8	Post Bearing	4	
30	2673399	Grease Diverter Assembly	1	
31	1472209	Heat Shield Insulation 27" X 3" X 1" (Cut from Item 10)	1	
32	G01212-1-6	Heat Shield	1	
33	G01999-2-6	Lower Side Liner	2	
34	1472316	Lower Side Insulation 18" x 14" x 2"	2	
35	G02018-2-61	Front Frame Side RH	1	
	G02018-2-62	Front Frame Side LH	1	
36	G01180-2-6	Burner Housing	2	
37	G01177-1-6	Top Insulation Liner	1	
38	1472305	Top Separator Insulation 29.5" x 23" x 2"	1	
39	G01199-1-6	Broiler Bottom	1	
40	G01245-1	Broiler Spring	4	C
41	G01246-1-8	Spring Hook	4	C
42	G6424	Glider Bolt Hex Head 3/8-16 x 2	4	
43	G01244-1	Roller Bearing 1 11/16 x 1/2	12	

* NOT ILLUSTRATED

RECOMMENDED STOCK PARTS

GARLAND PARTS IDENTIFICATION

Heavy Duty Gas Infra-Red Broiler

Model M110XM

ITEM	PART #	DESCRIPTION	QUANTITY	CRITICAL
44	G01247-3	Rear Bushing	4	
45	G01247-1-8	Washer Bearing	4	
46	G01247-2	Front Bearing	4	
47	F56	Hex Head Bolt	8	
48	2682799	Rack Frame Assembly	2	
49	4520650	Broiler Rack (Std.)	4	
	2684500	Broiler Rack Assembly Extended (Opt.)	10	
50	2682800	Drip Chute	2	
51	2682200	Broiler Rack Front Veneer (Std.Rack)	2	
52	2682201	Broiler Rack Front Veneer (Opt. Extended Rack)	2	
53	2682601	Handle End LH	2	
	2682600	Handle End RH	2	
54	G01904-03-9	Handle Assembly	2	
55	2682300	Drip Tray Stop	2	
56	F298	Truss Head Shoulder Bolt 10-24 X 3/8	10	
57	G01229-01	Infra-Red Burner (Specify Gas)	8	
58	G01994-1-6	Burner Bracket	8	
59	3093100	Pilot Shield	4	
60	3093000	Pilot	4	C
61	3093300	Pilot Mounting and Body Enclosure	2	
62	4513669	1/8 Tubing - Left Pilot	2	
63	4513670	1/8 Tubing - Right Pilot	2	
64	3101900	7/16 Tubing - Upper Right Burner	1	
65	3101800	7/16 Tubing - Upper Left Burner	1	
66	G01168-1	Compression Tee 7/16	4	
67	2655800	7/16 Tubing - Burner Orifice to Comp. Tee	8	
68	G01243-1	Straight Connector - 1/4 NPT to 7/16CC	10	
69	4513675	Straight Connector - 1/8CC to 3/16CC	4	
70	3102200	3/16 Tubing - Upper Left Pilot	1	
71	3102300	3/16 Tubing - Upper Right Pilot	1	
72	3102400	3/16 Tubing - Lower Left Pilot	1	
73	3102500	3/16 Tubing - Lower Right Pilot	1	
74	3102000	7/16 Tubing - Lower Left Burner	1	
75	3102100	7/16 Tubing - Lower Right Burner	1	
76	3100700	7/16 Tubing - Right Sub Manifold	1	
77	3100600	7/16 Tubing - Center Sub Manifold	1	
78	3100500	7/16 Tubing - Left Sub Manifold	1	
79	076050-88	7/16 Compression Union	3	
80	G02009-1-6	Grease Hopper	1	
81	G6196-1-8	Body Side - Black (Std.)	2	
	G6196-1-9	Body Side - Stainless (Opt.)	2	
82	2514401	Inner Side LH	1	
	2514400	Inner Side RH	1	
83	G6051-4-7	Main Back	1	
84	2642200	Cord & Plug	1	
85	3098400	Cabinet Shelf	1	
86	2576800	Drip Tray Guide	2	
87	3099500	Tubing Chase	1	

* NOT ILLUSTRATED

RECOMMENDED STOCK PARTS

GARLAND PARTS IDENTIFICATION

Heavy Duty Gas Infra-Red Broiler

Model M110XM

ITEM	PART #	DESCRIPTION	QUANTITY	CRITICAL
88	G01031-1-7	Main Bottom	1	
	G01031-3-7	Main Bottom For Adjustable Caster Only	1	
89	3102700	Front Panel	1	
90	2649701	Valve Panel	1	
91	3091999	Lower Panel	1	
92	2146800	Illuminated Power Switch	1	C
93	3096600	Filter Screen	1	
94	2682998	Grease Pan Assembly	1	
95	2573000	Terminal Block	1	
96	3096800	Air Pressure Switch	1	C
97	4514785	Flexible PVC Tubing	1	
98	G01243-1	Straight Connector - 1/4 NPT to 7/16CC	2	
99	G01474-4	Elbow 1/4 NPT	2	
100	076050-90	Compression Elbow - 1/4 NPT X 7/16CC	2	
101	1004806	Pipe Coupling - 1/4 NPT	2	
102	G02352-1	Compression Elbow. 3/8 NPT to 7/16CC	3	
103	1095100	Broiler Valve HML - Natural Gas	4	C
	1095101	Broiler Valve HML - LP	4	C
104	2522114	Knob	4	C
105	3089098	Sub Manifold - Left and Right	2	
106	3089099	Sub Manifold - Centre	1	
107	G01248-1	Double Pilot Valve Assembly	2	
108	G02251-1	Pressure Test Spigot	1	
109	3096700	Blower Motor Assembly	1	C
110	3089799	Lower Duct Assembly	2	
111	3089800	Air Plenum	1	
112	2127503	Pressure Regulator - Natural Gas	1	C
	2127500	Pressure Regulator - LP	1	C
113	2653700	Manifold Support	2	
114	3089199	Supply Manifold	1	
115	3101000	7/16 Tubing - Supply Manifold to Center Sub-Manifold	1	
116	3100900	7/16 Tubing - Solenoid to Right Sub-Manifold	1	
117	3100800	7/16 Tubing - Solenoid to Left Sub-Manifold	1	
118	1095499	Straight Connector - 3/8 NPT X 7/16CC	3	
119	076029-3R	Close Nipple 3/8 NPT	2	
120	G02965-1	Solenoid Valve	2	C
121	2514699	Front Frame Assembly	1	
122	2530105	Corner Column RH	1	
	2530104	Corner Column LH	1	
123	2167700	Base Corner	4	
	4516742	Base Corner For Adjustable Caster Only	4	
124	1027600	6" Leg Retainer - Plated (Std.)	4	
	2026299	Flanged Leg Retainer Assembly (Opt.)	4	
	2676699	6" Stainless Leg Assembly	4	
	2093800	4" Leg Retainer	4	
125	1150502	Bullet Leg (Std. 6" Leg and 4" Leg Option)	4	
	2393999	Flanged Leg Assembly (Flanged Leg Option)	4	

* NOT ILLUSTRATED

RECOMMENDED STOCK PARTS

GARLAND PARTS IDENTIFICATION

Heavy Duty Gas Infra-Red Broiler

Model M110XM

ITEM	PART #	DESCRIPTION	QUANTITY	CRITICAL
126	2628901	Polyurethane Swivel Caster w/Brake (Opt.)	2	
	2628900	Polyurethane Swivel Caster (Opt.)	2	
	4512219	Swivel Caster w/Brake (Opt.) Adjustable	2	
	4512220	Swivel Caster (Opt.) Adjustable	2	
127	3091300	Vent Front - Right	1	
	3091301	Vent Front - Left	1	
	3091200	Vent Rear - Right	1	
	3091201	Vent Rear - Left	1	
128	4513621	Plastic Elbow	1	
129	4513620	Reducing Bushing	1	
130	4513619	Hose Barb	1	
131	4519723	S/S Adjustable Leg (Optional)	4	

* NOT ILLUSTRATED

RECOMMENDED STOCK PARTS

GARLAND PARTS IDENTIFICATION

Revision History

REV. #	PAGE #	ITEM #	NOTE	DATE
1	7	88	Part number G01031-3-7 Added	Oct 23/03
		123	Part number 4516742 Added	
	8	126	Part number 2063701 replaced by 4512219	
			Part number 2063700 replaced by 4512220	
2	4,8	131	New Part Added - Adjustable Leg	Mar 22/05
3	5	2	Part # 267300 (Flue Diverted (Opt W/Stainless Back Veneer)) Removed	Feb 06/07
	6	49	Part # & Description Changed – Was G01544-01-5 (Broiler Rack Assembly (Std.))	
4	4	17	Part Replaced	Nov 20/07
	5	17	Part Number Deleted – Was G01219-02-5 (Rack Lifintg Assembly)	
			Critical Part Column Added	

NOTES

NOTES

 **Garland**[®]