



MASTER SERIES RANGES
M Models

PARTS LIST

Toll Free Phone, (US & Canada): (800) 427-6668

Toll Free Fax, (US & Canada): (800) 361-7745

<http://www.garland-group.com>



GARLAND®

MASTER SERIES RANGES

Contents:

Ranges And Attachments

Oven Section (R, E) Use For Any Model In This Section	Page 4
Oven Section (RC, RCE) Use For Any Model In This Section.....	Page 8
M42 / M42-6 (R, RC, S, T)	Page 12
M43 / M43FT (R, RC, S, T).....	Page 18
M43-1 / M43-2/M43-3 (R, RC, S, T).....	Page 24
M44 (R, RC, S, T) / M4 (S/T)	Page 32
M45 (R, RC, S, T) / M5 (S.T)	Page 38
M46 (R, RC, S, T) / M6 (S, T)	Page 42
M47-45 / M48-45 (R, RC, S, T).....	Page 46
M47 / M47-51 / M47-68 (R, RC, S, T) / M7 (S,T).....	Page 52
M48 / M48-51 / M48-68 (R, RC, S, T) / M8 (S,T).....	Page 52
M54 (R, RC, S, T)	Page 66
M17B / M24B / M34B Char Broilers	Page 70

Fryers

M35 / M35SS.....	Page 76
M70SS.....	Page 80
MFMA-17ES Filter Quick.....	Page 84

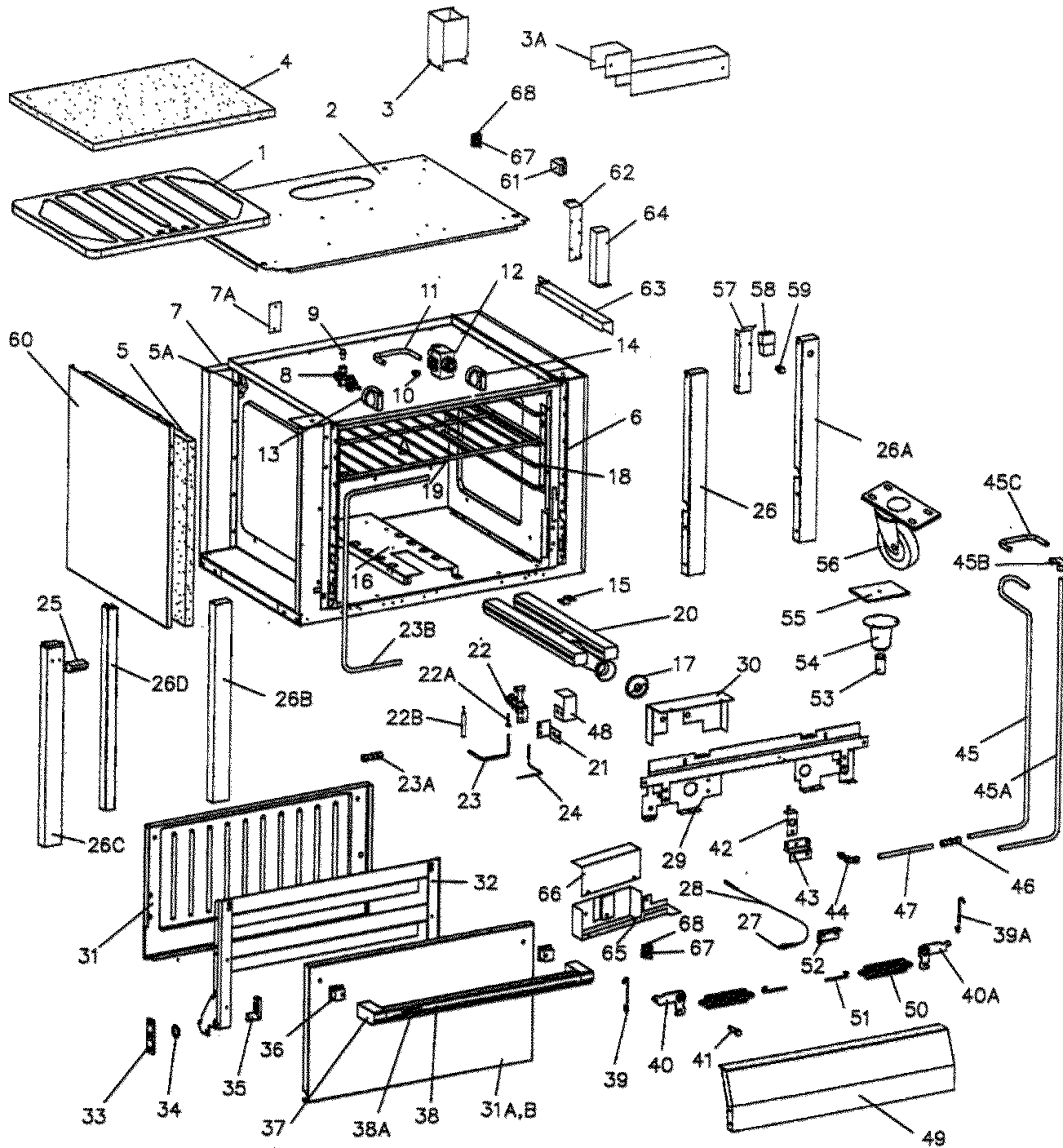
Broilers

M105 (R, RC, S, T) Infra-Red	Page 88
M100 (R, RC, S, T) Infra-Red	Page 92
M110 Double Infra-Red	Page 96
M60 (R, RC, S, T)	Page 100
M66 Double Ceramic.....	Page 104
M67 Infra-Red / Ceramic	Page 108
MCM34 / GCMxx 280 Infra-Red Cheesemelters.....	Page 114
MCM34 / GCxx 280 Backguard & Shelf	Page 115
MIR34 L Infra-Red Salamander.....	Page 120
MSRC / MSR16 Infra-Red Salamander.....	Page 124
MSR16-280 Infra-Red Salamander	Page 128
MSR16-288 Infra-Red Salamander	Page 132

Spreaders And Cabinets

M6 / M9 / M17 / M34 (SP, FE) Spreaders.....	Page 136
M12ES / M17ES Storage Cabinets	Page 142
M34ES Spreader	Page 146
M17ES-SINK Spreader Cabinet W/Sink.....	Page 150

Revision History.....	Page 153
-----------------------	----------



GARLAND PARTS IDENTIFICATION

Master Series

Heavy Duty Range Oven Section (R, RE)

ITEM	PART #	DESCRIPTION	QUANTITY
			MODEL
			R/RE
1	1438485	Oven Bottom Assembly	1
2	2512600	Burner Box Bottom - Aluminized	1
	2512601	Burner Box Bottom S/S	1
3	2558799	Flue Riser	1
4	1473205	Top Insulation	1
5	GM2	Insulation 30.5 x 27.5 x 2.5	2
5A	1472315	Insulation 28 x 21 x 2	1
6	2512899	Front Frame Assembly	1
7	G6051-1-17	Main Back	1
	2537700	Main Back - Elec. Ign	1
7A	2537600	Wire Access Cover - Elec Ing	1
8	2513399	F.S.D. Oven Valve Assembly (Safety Valve)	1
9	2198100	Valve Connector Fitting - 12 MM	1
10	1086597	Gum Valve 3/16" Pilot	1
11	2426100	Tube-Oven Valve to FD Control - 7/16" (M, MS, MST) 43	1
	2229900	Tube- Oven Valve to FD Control -7/16" (M, MS, MST) 42, 44, 45, 54 (Hot Top RT)	1
	2229600	Tube - Oven to FD Control -7/16" (M, MST) 46, 47	1
	2555901	Tube - Oven Valve to FD Control - 7/16" M54 Hot Top LT	1
	2538800	Tube - Oven Valve TO FD Control - 7/16" M48	1
12	G03145-048	FD Control Assembly	1
13	2522101	Knob (Oven Valve)	2
14	2522107	Knob - Oven T Stat °F	1
	2522103	Knob - Oven T Stat °C	1
15	2512200	Oven Burner Hold Down Bracket	1
16	2519400	Oven Burner Rest Support	1
17	2512100	Air Shutter	2
18	2424900	Oven Rack Slide Assembly LT & RT	1
19	2424800	Oven Rack	1
20	1014900	H Burner Oven	1
21	2498400	Oven Pilot Bracket	1
22	2200700	Pilot R/H (Pilot Assy)	1
22A	2200702	Pilot Orifice #32 - Natural Gas	1
	2200703	Pilot Orifice #23 - Propane Gas	1
	2200709	Pilot Orifice #40 - Manuf. Gas	1
22B	2200708	Electrode #0.915.025	1
23	2229800	Pilot Tube - Oven Pilot to Comp. Unon	1
23A	076050-89	Compression Union 3/16"	1
23B	2426200	Tube - Oven Valve to Comp. Union 3/16" (M, MST, 46/47)	1
	2426201	Tube - Oven Valve to Comp. Union 3/16" (M, MS, MST 43)	1
	2426202	Tube - Oven Valve To Comp. Union 3/16" (M, MS, MST, 42, 44, 45, 54)	1
24	2200601	Thermocouple - 60"	1
	G02905-01-8E	Oven Thermostat Capillary Tube Guard	
25	2193000	Grease Tray Handle	1
26	2230502	Corner Column RT - M/R, MS/R	1
	2230504	Corner Column RT - MST/R	1
26A	2230501	Corner Column RT - MST/RE, MS/RE	1
26B	2201000	Corner Column LT	1

* NOT ILLUSTRATED

RECOMMENDED STOCK PARTS

GARLAND PARTS IDENTIFICATION

Master Series

Heavy Duty Range Oven Section (R, RE)

ITEM	PART #	DESCRIPTION	QUANTITY
			MODEL
			R/RE
26C	2201499	Grease Container Assembly - (M, MS, MST) 42, 47, 48	1
26D	2201100	Corner Column LT (M, MS, MST) 42, 47, 48	1
27	1309201	Piezo Igniter #1244-41	1
28	2200205	Hi Tension Wire Lead - 24" (Oven)	1
29	1082001	Lower Front Plate	1
30	2512400	Oven Front Air Shield	1
31	1439796	Oven Door Liner	1
31A	2580100	Oven Door Panel - M40	1
31B	1439901	Oven Door Panel - MST40	1
32	G03984-03-8	Oven Door Insert Assembly (CK137D Complete Door)	1
33	1083001	Trunion Support	2
34	1082700	Harness Ring	2
35	1082500	Oven Door Trunion	2
36	2377300	Handle Ends Plastic Caps	2
37	2194900	Door Handle End RT	1
	2194901	Door Handle End LT	1
38	2193100	Oven Door Handle	1
38A	1592007	Handle Overlay	1
39	1082803	Oven Door Hinge Link LT	1
39A	1082802	Oven Door Hinge Link RT	1
40	1082198	Bell Crank (Left)	1
40A	1082199	Bell Crank (Right)	1
41	1082200	Bell Crank bolt	2
42	2512300	Oven Orifice Support Bracket	1
43	2301300	Door Spring Support	1
44	22701XX	Oven Orifice Fitting (Special) (Specify Gas/Destination)	1
	2270133F	Oven Orifice Fitting - Nat FAs (N. America)	1
	2270150F	Oven Orifice Fitting - Pro Gas (N. America)	1
	22701-2.6MM	Oven Orifice Fitting -G20 (Nat) & G25 (Nat) - Europe	1
	22701-1.8 MM	Oven Orifice Fitting -G31 (Pro) - Europe	1
45	2230000	Tube-FD Control to Comp. Union - M, MS, MST 42, 44, 45, 54	1
45A	2229200	Tube - Comp Union to 90 Deg Elbow 7/16" (M, MS, MST, 43, 46, 47, 48)	1
45B	1313800	Elbow - 7/16" 90° Compression (M, MS, MST 43, 46, 47, 48)	1
45C	2426000	Tube -FD Control to 90° Elbow 7/16" (M, MS, MST 43)	1
	2229400	Tube -FD Control to 90° Elbow 7/16" (M, MS, MST 46, 47, 48)	1
46	076050-88	Compression Union - 7/16"	1
47	2229500	Tube - Oven Orifice To Comp Untion- 7/16"	1
48	2561100	Oven Pilot Shield	1
49	1789301	Lower Front Panel	1
49A*	1798401	Hinge Panel Bracket Right	1
	1789402	Hinge Panel Bracket Left	1
50	1005800	Spring	2
51	9004701	Oven Door Spring Hook	2
52	2521700	Piezo Mounting Bracket	1
53	1150502	Bullet Legs	4
54	1027600	Standard 6" (Opt 4" Stubby Leg Retainer - 2093800)	4
55	2167700	Base cover	4

* NOT ILLUSTRATED

RECOMMENDED STOCK PARTS

GARLAND PARTS IDENTIFICATION

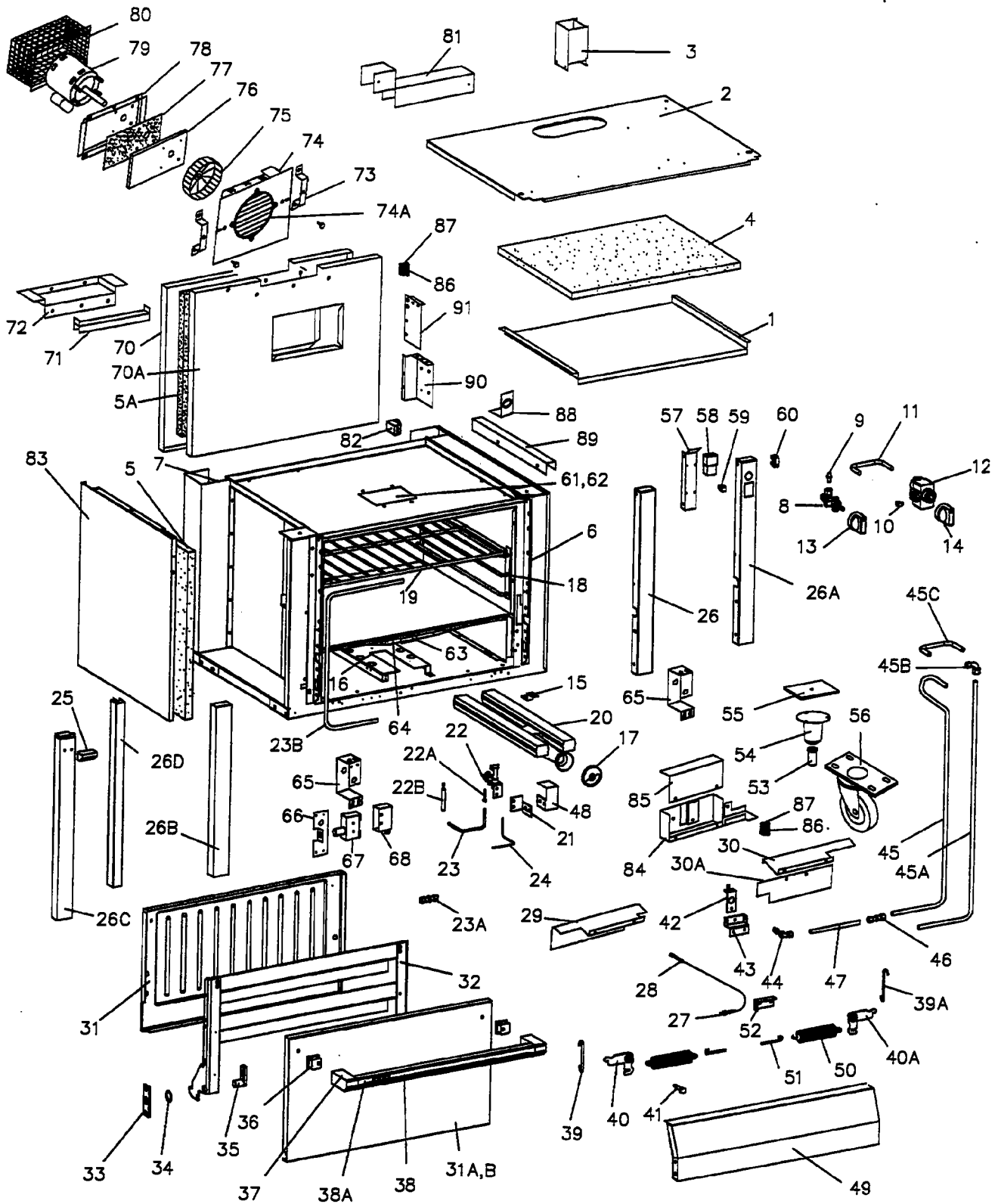
Master Series

Heavy Duty Range Oven Section (R, RE)

ITEM	PART #	DESCRIPTION	QUANTITY
			MODEL
			R/RE
56	1027800	Swivel Caster Less Brake	2
	1027801	Swivel Caster C/W Brake	2
57	2200900	Spark Module Mounting Bracket	1
58	2144000	240 V Spark Generator- 4 Outlet	1/2
	2144002	120 V Spark Generator - 4 Outlet	1/2
59	2200300	Push Button Switch (Elec Ign. Models)	1
60	G6196-1-8	Body Side (Painted)	2
	G6196-1-9	Body Side (S/S)	2
61	2533200	EMI Filter FN612-3.06 (MST Elec. Ign. Models)	1
62	2542700	Filter Supt Bracket	1
63	2527800	Wire Way	1
64	2527900	Terminal Black Enclosure	1
65	2561799	Electric Box Assy Front	1
66	2561800	Electric Box Cover Front	1
67	050069	Sectional Terminal Block	4
	050070	Sectional Terminal End	2
	G7075	1 1/4: Union (To Connect Gas)	

* NOT ILLUSTRATED

RECOMMENDED STOCK PARTS



GARLAND PARTS IDENTIFICATION

Master Series

Heavy Duty Convection Oven Section (RC, RCE)

ITEM	PART #	DESCRIPTION	QUANTITY
			MODEL
1	1412699	Top Insulation Pan Assembly	1
2	2512600	Burner Box Bottom - Aluminized	1
	2512601	Burner Box Bottom - SS	1
3	2558799	Flue Riser Assembly	1
4	1309022	Top Insulation - Cera Wool 22" x 28 3/4"	1
	1309025	Top Insulation Pan - Cera Wool 3" x 26 1/2"	
5	1309021	Side Insulation - Cera Wool 22" x 21 5/8"	2
5A	1472200	Rear Insulation - Fiberglass 22 1/2" x 27 1/2"	1
	1472202	Rear Insulation Lower Back - Fiberglass 22 1/2" x 27 1/2"	1
6	2512899	Front Frame Assembly	1
7	2397000	Main Back	1
8	2513399	F.S.D. Oven Valve Assembly	1
9	2198100	Valve Connector Fitting - 12 MM	1
10	1066597	Gum Valve - 3/16" Pilot	1
11	2426100	Tube - Oven Valve to FD Control 7/16" (M,MS, MST) 43	1
	2229900	Tube - Oven Valve to FD Control 7/16" (M,MS, MST) 42,44,45,54 (Hot Top-RT)	1
	2229600	Tube - Oven Valve to FD Control 7/16" (M, MST) 46,47	1
	2555901	Tube - Oven Valve to FD Control 7/16" M54 Hot Top LT	1
	2538800	Tube - Oven Valve to FD Control 7/16" M48	1
12	G03145-048	FD Control Assembly	1
13	2522101	Knob (Oven Valve) - 4152150	2
14	2522107	Knob - Oven T' Stat °F - 4512141	1
	2533103	Knob - Oven T' Stat °C	1
15	2512200	Oven Burner Hold Down Bracket	1
16	2519400	Oven Burner Rest Support	1
17	2512100	Air Shutter	1
18	1311101	Right Side Rack Assembly Plate	1
	1311100	Left Side Rack Assembly Plate	1
19	2301200	Oven Rack	2
20	1014900	H Burner-Oven	1
21	2498400	Oven Pilot Bracket	1
22	2200700	Pilot Burner RH	1
22A	2200702	Pilot Orifice #32 Nat.	1
	2200703	Pilot Orifice #23 Pro.	1
	2200709	Pilot Orifice #40 Manuf. Gas	1
22B	2200708	Electrode #0.915.025	1
23	2229800	Pilot Tube - Oven Pilot To comp. Union	1
23A	076050-89	Compression Union 3/16" Tube	1
23B	2426200	Tube - Oven Valve to Comp Union 3/16" (M, MST, 46/47)	1
	2426201	Tube - Oven Valve to Comp Union 3/16" (M, MST, 43)	1
	2426202	Tube - Oven Valve to Comp Union 3/16" (M, MST, 42,44,45,54)	1
24	2200601	Thermocouple - 60"	1
	2552399	Wire Harness From Micro Switch to 3 Position Switch	
25	2193000	Grease Tray Handle - (M,MS,MST) 42, 47, 48	1
26	2230500	Corner Column RT - MST/RCE, MS/RCE	1
26A	2230503	Corner Column RT - M/RC,MS/RC	1
	2230503	Corner Column RT - MST/RC	1
26B	2201000	Corner Column LT	1
26C	2201499	Grease Container Assembly	1

* NOT ILLUSTRATED

RECOMMENDED STOCK PARTS

GARLAND PARTS IDENTIFICATION

Master Series

Heavy Duty Convection Oven Section (RC, RCE)

ITEM	PART #	DESCRIPTION	QUANTITY
			MODEL
26D	2201100	Corner Column LT (M,MS,MST) 42,47,48	1
27	1309201	Piezo Igniter #1244-41	1
28	2200205	Hi Tension Wire Lead 24"	1
29	2519000	Left Roll Out Sheila	1
30A	1391100	Roll Out Shield Support	1
30	2519100	Right Roll Out Shield	1
31	1439703	Oven Door Liner	1
31A	2580100	Oven Door Panel - M40	1
31B	1439901	Oven Door Panel - MST40	1
32	G03984-03-8	Oven Door Insert Assy	1
33	1083001	Trunion Support	2
34	1082700	Harness Ring	2
35	1082500	Oven Door Trunion	2
36	2377300	Handle Ends Plastic Caps	2
37	2194900	Door Handle End RT	1
	2194901	Door Handle End LT	1
38	2193100	Oven Door Handle	1
38A	1592007	Handle Overlay	1
39	1082803	Oven Door Handle Link LT	1
40	1082198	Bell Crank Assembly LH	1
40A	1082199	Bell Crank Assembly RH	
41	1082200	Bell Crank Bolt	2
42	2512300	Oven Orifice Support Bracket	1
43	2301300	Door Spring Support	1
44	22701XX	Oven Orifice Fitting (Special)	1
	2270133F	Oven Orifice Fitting - Nat Gas N. America	1
	2270150F	Oven Orifice Fitting - Pro Gas N. America	1
	22701-2.5MM	Oven Orifice Filling - G20 (Nat) & G25 (Nat) Europe	1
	22701-1.5MM	Oven Orifice Fitting - G31 (Prop) Europe	1
45	2230000	Tube - FD Control to Comp. Union - M/MS/MST 42,44,45,54	1
45A	2229200	Tube - Comp Union to 90 Deg Elbow 7/16" (M,MS, MST, 42,44,45,54)	1
45B	1313800	Elbow - 7/16" 90° Compression (M,MS,MST 42,44,45,54)	1
45C	2426000	Tube - FD Control To 90° Elbow (7/16") (M/MS/MST 43)	1
	2229400	Tube - FD Control To 90° Elbow (7/16") (M/MST46,47,48)	1
46	076050-88	Compression Union - 7/16"	1
47	2229500	Tube - Oven Orifice to Comp. Union - 7/16"	1
48	2561100	Oven Pilot Shield	1
49	1789301	Lower Front Panel	1
	1789402	Lower Hinge Panel Bracket LH	1
	1789401	Lower Hinge Panel Bracket RH	1
50	1005800	Door Spring Support	2
51	9004701	Oven Door Spring Hook	2
52	2521700	Piezo Mounting Bracket	1
53	1150502	Bullet Legs	4
54	1027600	Standard Leg Retainer	4
54A	2093800	Stubby Leg Retainer (Optional)	4
55	2167700	Base Corner	4
56	1027800	Swivel Caster Less Brake	2
	1027801	Swivel Caster C/W Brake	2

* NOT ILLUSTRATED

RECOMMENDED STOCK PARTS

GARLAND PARTS IDENTIFICATION

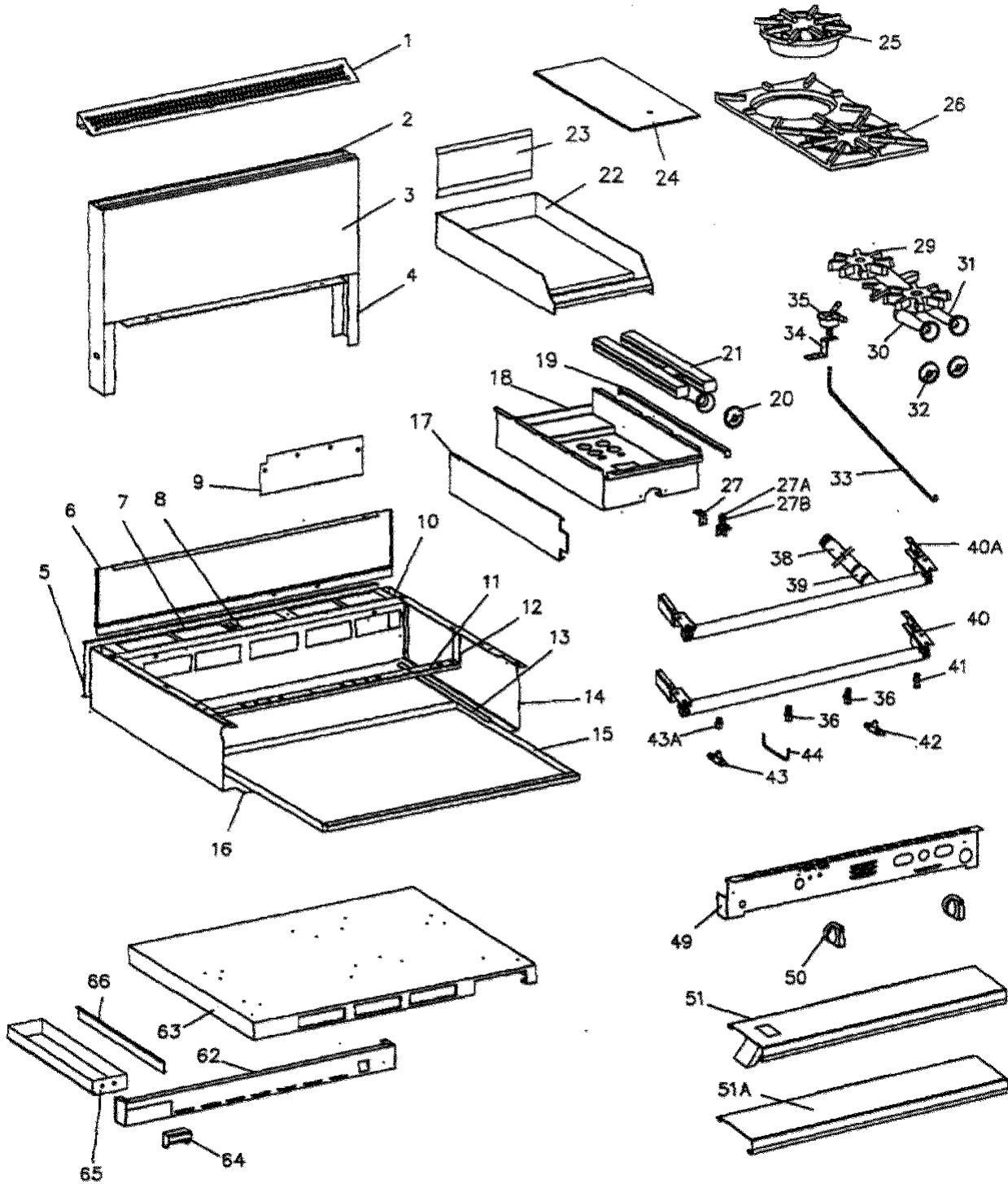
Master Series

Heavy Duty Convection Oven Section (RC, RCE)

ITEM	PART #	DESCRIPTION	QUANTITY
			MODEL
57	2200900	Spark Module Mounting Bracket	1
58	2144000	240V Spark Generator - 4 Outlet	2
	2144002	120V Spark Generator - 4 Outlet	2
59	2200300	Push Button Switch (Elec Ign. Models)	1
60	1729100	3 Position Switch McGill	1
61	1412300	Vent Slide	1
62	1412400	Vent Slide Housing	1
63	1357700	Fireplate	1
64	1411500	Casting Bottom	1
65	G04071-1-7	Bell Crank Support	2
66	2425200	Switch Mounting Bracket	1
67	2398600	Switch W/Seal Cap	1
	G10503-15	Activating Pin	
68	2398700	Terminal Cover	1
70	2397000	Main Back	1
70A	2396999	Main Back Insulation Pan Assy	1
71	1411900	Insulation Cover Bracket	1
72	G03857-1-6	Flue Box Cover	1
73	1361299	Air Baffle Support Assembly	2
74	2395999	Air Baffle Assembly (Enamel)	1
74A	2520100	Fan Protector Screen	1
75	G02952-01P	Blower Wheel Assembly Plated	1
76	2396700	Motor Mount Plate	1
77	1669100	Motor Pocket Insulation	1
78	2396600	Motor Mounting Pocket	1
79	2485801	Motor PSC 1/3HP 115V, 60 HZ	1
	2485800	Motor PSC 1/3HP 208.240V, 50HZ	1
80	2519799	Motor Guard Assembly	1
81	2224500	Concealed Flue Diverter	1
82	2533201	EMI Filter - FNG 12-6/06 (MST Elec Ignition)	1
83	G6196-1-8	Body Side (Painted)	2
	G6196-1-9	Body Side (S/S)	2
84	2561799	Electrical Box Assy Front	1
85	2561800	Electrical Box Cover Front	1
86	050069	Sectional Terminal Block	1
	050070	Sectional Terminal End	1
88	G01930-03-7	Wire Way Assembly	1
89	G03856-1-6	Wire Channel	1
90	2562400	Terminal Box	1
91	2564300	Terminal Box Enclosure	1

* NOT ILLUSTRATED

RECOMMENDED STOCK PARTS



GARLAND PARTS IDENTIFICATION
Master Series
Heavy Duty Griddle, (Even-Heat Hot Top)
Models M42R, RC, S, T

ITEM	PART #	DESCRIPTION	QUANTITY			
			MODEL			
			M42R	M42RC	M42S	M42T
1	1790601	LP BG Flue Cap 34"	1	1	1	1
2	1816407	LP BG Back Guard 34" AZ	1	1	1	1
	1816408	LP BG Back Guard 34" SS	1	1	1	1
3	1817304	LP Front Panel 34"	1	1	1	1
4	1768599	LP BG Upright Assy S/W	2	2	2	2
5	G7341-1-6	Rear Radiation Shield	1	1	1	1
	G7341-6-6	Rear Radiation Shield - RR Gas	1	1	1	1
6	1806101	Burner Box Back	1	1	1	
	2546400	Burner Box Back				1
	1086410	Burner Box Back - RR Gas	1	1	1	
	2546410	Burner Box Back - RR Gas				1
7	2553000	Back Top MST 40	1	1	1	1
8	2559000	Backguard Spacer	1	1	1	1
9	2570900	Back Top Baffle	1	1	1	1
10	1768399	Shelf Mtg. Brkt. Assy LT	1	1	1	1
	1768398	Shelf Mtg. Brkt. Assy RT	1	1	1	1
11	2552400	Burner Rest	1	1	1	1
12	2337400	Burner Hanger - RH	1	1	1	1
	2552600	Burner Hanger - LH	1	1	1	1
13	2505400	Drip Tray Guide RH	1	1	1	1
	2505401	Drip Tray Guide LH	1	1	1	1
14	1132804	Burner Box Side RH/CRS	1	1	1	
	1132805	Burner Box Side RH/SS	1	1	1	
	1132806	Burner Box Side LH/CRS	1	1	1	
	1132807	Burner Box Side LH/SS	1	1	1	
	2247600	Burner Box Side RH/CRS				1
	2247601	Burner Box Side RH/SS				1
	2247602	Burner Box Side LH/CRS				1
2247603	Burner Box Side LH/SS				1	
15	2342803	Drip Pan	1	1	1	1
16	2512600	Burner Box Bottom	1	1	1	
	2247000	Burner Box Bottom				1
17	G7338-1-6	Side Radiation Shield	1	1	1	1
18	2517399	Fire Box Body Assy	1	1	1	1
19	2404500	Top Grate Support	1	1	1	1
20	1028002	Air Shutter	1	1	1	1
21	1014900	Griddle H Burner	1	1	1	1
22	1781485	Frytop Assy	1	1	1	1
	1781469	Grooved Griddle Assy	1	1	1	1
23	G0444-017-9	Rear Splashguard Assy	1	1	1	1
25	1769101	Ring Grate/Bowl 35K	2	2	2	2
26	1769001	Top Grate 35K Burner	1	1	1	1
27	2194100	H Burner Pilot Bracket	1	1	1	1
27A	2200700	Pilot Burner RH	1	1	1	1
27B	2200702	Pilot Orifice #32 Nat	1	1	1	1
	2200703	Pilot Orifice #23 Pro	1	1	1	1
	2200709	Pilot Orifice #40 Mfg	1	1	1	1
	2200704	Compression Nut- 3/16	1	1	1	1
	2200705	Olive Sleeve 3/16	1	1	1	1

* NOT ILLUSTRATED

RECOMMENDED STOCK PARTS

GARLAND PARTS IDENTIFICATION

Master Series

Heavy Duty Griddle, (Even-Heat Hot Top)

Models M42R, RC, S, T

ITEM	PART #	DESCRIPTION	QUANTITY			
			MODEL			
			M42R	M42RC	M42S	M42T
29	2528200	Burner Head	2	2	2	2
30	2528000	Front Burner Housing	1	1	1	1
31	2528100	Rear Burner Housing	1	1	1	1
32	2519200	Air Shutter	2	2	2	2
33	1032617	Top Lighter Tube 1/8" OD x 17" Lg	1	1	1	1
34	2547800	Brkt. Open Burner Pilot	1	1	1	1
35	1801401	Open Top Lighter Assembly	1	1	1	1
36	1086199	Valve - 1/8" Pilot Adjust	2	2	2	2
38	1340521	Pipe Nipple RR Gas - 1" x 33" Lg	1	1	1	1
39	2437103	Reducing Coupling 1 1/4 x 1	1	1	1	1
40	2394599	Manifold Assy Std	1	1	1	1
	2581199	Manifold Assy Std RR Gas	1	1	1	1
40A	2394598	Manifold Assy Std - Mfg Gas	1	1	1	1
	2581198	Manifold Assy Std RR Connect - Mfg Gas	1	1	1	1
41	G02251-1	Test Spigot	1	1	1	1
42	G4447-38F	Valve Top Burner- Nat (N. America)	2	2	2	2
	G2447-1.8MM	Valve Top Burner- Pr (N. America)	2	2	2	2
	G4447-XX	Valve Top Burner-Mfg.Gas (Specify Gas/Destination)	2	2	2	2
43	G0105-6	Hi-Lo Valve #39 (Nat)	1	1	1	1
	G0105-5	Hi-Lo Valve # 54 (Pro)	1	1	1	1
	G0115-XX	Hi-Lo Valve Manufactured Gas	1	1	1	1
	G0105-XX	Hi-Lo Valve (Nat/Export)	1	1	1	1
	G0105-XX	Hi-Lo Valve (Pro/Export)	1	1	1	1
44	2604100	Tube-Valve to Pilot 3/16"	1	1	1	1
49	2552500	Valve Panel	1	1		
	2552501	Valve Panel			1	1
50	2522100	Knob-Open Burner	2	2	2	2
	2522111	Knob-Hot Top	1	1	1	1
	2527600	Spring-Knob	4	4	4	4
	2522101	Knob-Oven Valve	1	1		
	2522107	Knob-(FD Oven F)	1	1		
	2522103	Knob (FD Oven C)	1	1		
51	2190698	Front Rail Assy	1	1	1	1
62	2247702	Secondary Valve Panel				1
63	2247400	Secondary Burner Box Bottom				1
64	2193000	Grease Tray Handle				1
65	2201499	Grease Container Assy	1	1	1	
	2335699	Grease Tray Assy				1
66	245600	Grease Tray Guide				1

* NOT ILLUSTRATED

RECOMMENDED STOCK PARTS

GARLAND PARTS IDENTIFICATION

Master Series

Heavy Duty Griddle, (Even-Heat Hot Top) & Open Top Section

Models M42-6R, RC, S, T

ITEM	PART #	DESCRIPTION	QUANTITY			
			MODEL			
			M42-6R	M42-6RC	M42-6S	M42-6T
1	1790602	LP BG Flue Cap 34"	1	1	1	1
2	1816407	LP BG Back Guard 34" AZ	1	1	1	1
	1816408	LP BG Back Guard 34" SS	1	1	1	1
3	1817304	LP Front Panel 34"	1	1	1	1
4	1768599	LP BG Upright Assy S/W	2	2	2	2
5	G7341-1-6	Rear Radiation Shield	1	1	1	1
	G7341-6-6	Rear Radiation Shield - RR Gas	1	1	1	1
6	1806101	Burner Box Back	1	1	1	
	2546400	Burner Box Back				1
	1086410	Burner Box Back - RR Gas	1	1	1	
	2546410	Burner Box Back - RR Gas				1
7	2553000	Back Top MST 40	1	1	1	1
8	2559000	Backguard Spacer	1	1	1	1
9	2570900	Back Top Baffle	1	1	1	1
10	1768399	Shelf Mtg. Brkt. Assy LT	1	1	1	1
	1768398	Shelf Mtg. Brkt. Assy RT	1	1	1	1
11	2552400	Burner Rest	1	1	1	1
12	2337400	Burner Hanger - RH	1	1	1	1
	2552600	Burner Hanger - LH	1	1	1	1
13	2505400	Drip Tray Guide RH	1	1	1	1
	2505401	Drip Tray Guide LH	1	1	1	1
14	1132804	Burner Box Side RH/CRS	1	1	1	
	1132805	Burner Box Side RH/SS	1	1	1	
	1132806	Burner Box Side LH/CRS	1	1	1	
	1132807	Burner Box Side LH/SS	1	1	1	
	2247600	Burner Box Side RH/CRS				1
	2247601	Burner Box Side RH/SS				1
	2247602	Burner Box Side LH/CRS				1
2247603	Burner Box Side LH/SS				1	
15	2342803	Drip Pan	1	1	1	1
16	2512600	Burner Box Bottom	1	1	1	
	2247000	Burner Box Bottom				1
17	G7338-1-6	side Radiation Shield	1	1	1	1
18	2517399	Fire Box Body Assy	1	1	1	1
19	2404500	Top Grate Support	1	1	1	1
20	1028002	Air Shutter	1	1	1	1
21	1014900	Griddle H Burner	1	1	1	1
22	1781485	Frytop Assy	1	1	1	1
	1781469	Grooved Griddle Assy	1	1	1	1
23	G0444-017-9	Rear Splashguard Assy	1	1	1	1
24	G02552-1	Hot Top	1	1	1	1
24*	G6308-1-8	Lid Lifter	1	1	1	1
25	1769101	Ring Grate/Bowl 35K	2	2	2	2
26	1769001	Top Grate 35K Burner	1	1	1	1
27	2194100	H Burner Pilot Bracket	1	1	1	1
27A	2200700	Pilot Burner RH	1	1	1	1

* NOT ILLUSTRATED

RECOMMENDED STOCK PARTS

GARLAND PARTS IDENTIFICATION

Master Series

Heavy Duty Griddle, (Even-Heat Hot Top) & Open Top Section

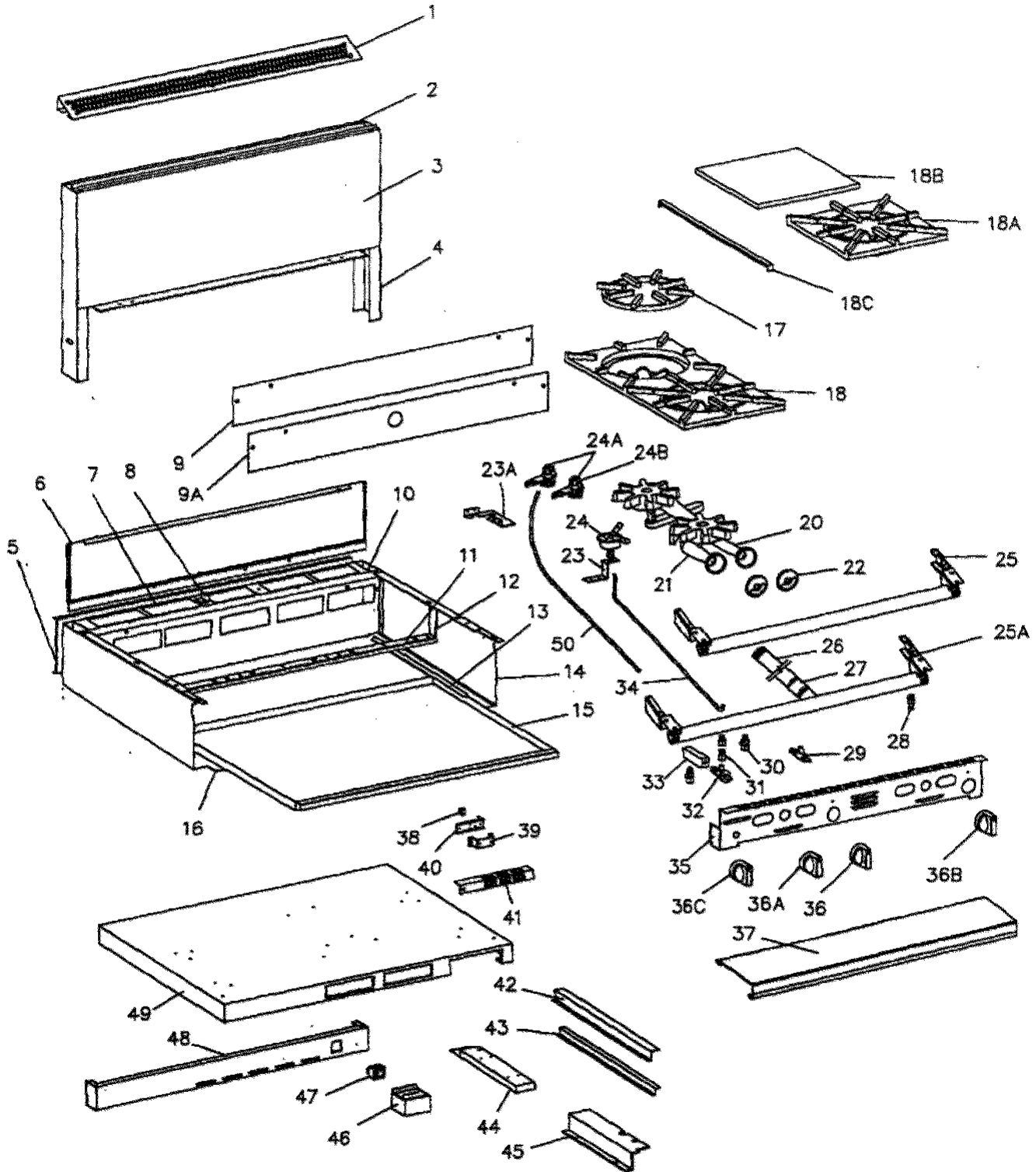
Models M42-6R, RC, S, T

ITEM	PART #	DESCRIPTION	QUANTITY			
			MODEL			
			M42-6R	M42-6RC	M42-6S	M42-6T
27B	2200702	Pilot Orifice #32 Nat	1	1	1	1
	2200703	Pilot Orifice #23 Pro	1	1	1	1
	2200709	Pilot Orifice #40 Mfg	1	1	1	1
	2200704	Compression Nut- 3/16	1	1	1	1
	2200705	Olive Sleeve-3/16	1	1	1	1
29	2547800	Burner Head	2	2	2	2
30	2528200	Front Burner Housing	1	1	1	1
31	2528000	Rear Burner Housing	1	1	1	1
32	2528100	Air Shutter	2	2	2	2
33	1032617	Top Lighter Tube 1/8" OD x 17" Lg	1	1	1	1
34	2547800	Brkt. Open Burner Pilot	1	1	1	1
35	1801401	Open Top Lighter Assembly	1	1	1	1
36	1086199	Valve - 1/8" Pilot Adjust	1	1	1	1
38	1340521	Pipe Nipple RR Gas - 1" x 33" Lg	1	1	1	1
39	2437103	Reducing Coupling 1 1/4 x 1	1	1	1	1
40	2394599	Manifold Assy Std	1	1	1	1
	2581199	Manifold Assy Std RR Gas	1	1	1	1
40A	2394598	Manifold Assy Std - Mfg Gas	1	1	1	1
	2581198	Manifold Assy Std RR Connect - Mfg Gas	1	1	1	1
41	G02251-1	Test Spigot	1	1	1	1
42	G4447-38F	Valve Top Burner- Nat (N. America)	2	2	2	2
	G2447-1.8MM	Valve Top Burner- Pr (N. America)	2	2	2	2
	G4447-XX	Valve Top Burner-Mfg.Gas (Specify Gas/Destination)	2	2	2	2
43	G0105-4	Hi-Lo Valve #41 (Nat)	1	1	1	1
	G0105-3	Hi-Lo Valve # 53 (Pro)	1	1	1	1
	G0115-XX	Hi-Lo Valve Manufactured Gas	1	1	1	1
	G0105-XX	Hi-Lo Valve (Nat/Export)	1	1	1	1
	G0105-XX	Hi-Lo Valve (Pro/Export)	1	1	1	1
44	2604100	Tube-Valve to Pilot 3/16"	1	1	1	1
49	2563799	Valve Panel - Hot Top LT	1	1		
	2563701	Valve Panel - Hot Top LT	1	1		
	2575600	Valve Panel - Hot Top RT			1	1
	2575601	Valve Panel - Hot Top Rt			1	1
50	2522100	Knob-Open Burner	2	2	2	2
	2522111	Knob-Hot Top	1	1	1	1
	2527600	Spring-Knob	3	3	3	3
	2522101	Knob-Oven Valve	1	1		
	2522107	Knob-(FD Oven F)	1	1		
	2522103	Knob (FD Oven C)	1	1		
51A	2190699	Front Rail Assy	1	1	1	1
62	2247702	Secondary Valve Panel				1
63	2247400	Secondary Burner Box Bottom				1
64	2193000	Grease Tray Handle				1
65	2201499	Grease Container Assy	1	1	1	
	2335699	Grease Tray Assy				1
66	245600	Grease Tray Guide				1

* NOT ILLUSTRATED

RECOMMENDED STOCK PARTS

NOTES



GARLAND PARTS IDENTIFICATION

Master Series

Heavy Duty Range Open Top Section

Models M43R, RC, S, T

ITEM	PART #	DESCRIPTION	QUANTITY			
			MODEL			
			M43R	M43RC	M43S	M43T
1	1790601	LP BG Flue Cap 34"	1	1	1	1
2	1816407	LP BG Back 34" AZ	1	1	1	1
	1816408	LP BG Back 34" S/S	1	1	1	1
3	1817304	LP Front Panel 34"	1	1	1	1
4	1768599	LB BG Upright Assembly S/W	2	2	2	2
5	G7341-1-6	Rear Radiation Shield	1	1	1	1
	G7341-6 -6	Rear Radiation Shield - RR Gas	1	1	1	1
6	1806101	Burner Box Back	1	1	1	
	1806102	Burner Box Back RR Gas	1	1	1	
	2546400	Burner Box Back M43T				1
	2546411	Burner Box Back M43T RR Gas				1
7	2553000	Back Top MST40	1	1	1	1
8	2559000	Back Guard Spacer	1	1	1	1
9	2132200	Back Top Adapter 33"	1	1	1	1
9A	2446900	Back Top Adapter RR Gas	1	1	1	1
10	1768399	Shelf Mtg. Brkt. Assy LT	1	1	1	1
	1768398	Shelf Mtg. Brkt. Assy RT	1	1	1	1
11	2194200	Burner Rest	1	1	1	1
12	2519500	Burner Hanger	2	2	2	2
13	2505400	Drip Tray Guide RH	1	1	1	1
	2505401	Drip Tray Guide LH	1	1	1	1
14	1132804	Burner Box Side RT CRS	1	1	1	
	1132805	Burner Box Side RT S/S	1	1	1	
	1132806	Burner Box Side LT CRS	1	1	1	
	1132807	Burner Box Side LT S/S	1	1	1	
	2247600	Burner Box Side RT CRS				1
	2247601	Burner Box Side RT S/S				1
	2247602	Burner Box Side LT CRS				1
2247603	Burner Box Side LT S/S				1	
15	2342800	Drip Pan	1	1	1	1
16	2512600	Burner Box Bottom	1	1	1	
	2426900	Burner Box Bottom M40T				1
17	G6214	Top Ring Grate	6	6	6	6
18	1758701	Top Grate 43-40 (24K)	3	3	3	3
20	2217300	Front Burner 20K	3	3	3	3
21	2217301	Rear Burner 20K	3	3	3	3
22	2519200	Air Shutter	6	6	6	6
23	2271100	Top Lighter Brkt. 20K	3	3	3	3
24	G7804-280	Lighter Assy	3	3	3	3
25	2394499	Manifold Assy	1	1	1	1
	2394498	Manifold Assy Read Gas	1	1	1	1
26	076029-184	Nipple 1-1/4" NPT x 29" LG	1	1	1	1
27	076029-183	Coupling 1-1/4" NPT Blk	1	1	1	1
28	G02551-1	Test Spigot	1	1	1	1
29	G4447-44F	Top Burner Valve Nat. M43	6	6	6	6
	G4447-55F	Valve Top Burner Prop	6	6	6	6
	G4447-XX	Valve Top Burner Mfg. (Spec. Gas/Dest.)	6	6	6	6
30	1086199	Valve - 1/8" Pilot Adjusting	3	3	3	3

* NOT ILLUSTRATED

RECOMMENDED STOCK PARTS

GARLAND PARTS IDENTIFICATION

Master Series

Heavy Duty Range Open Top Section

Models M43R, RC, S, T

ITEM	PART #	DESCRIPTION	QUANTITY			
			MODEL			
			M43R	M43RC	M43S	M43T
34	1032617	Top Lighter Tube- 1/8 OD x 17"	3	3	3	3
35	2525100	Valve Panel M43R/RC	1	1		
	2525101	Valve Panel M43S/T			1	1
36	2522100	Knob Top Burner Non FF	6	6	6	6
	2522101	Knob Oven Valve (On/OFF)	1	1		
	2522107	Knob FD Oven F	1	1		
	2522103	Knob FD Oven C	1	1		
37	2190699	Front Rail Assembly	1	1	1	1
48	2247700	Secondary Valve Panel				1
49	2247403	Secondary Burner Box Bottom				1

* NOT ILLUSTRATED

RECOMMENDED STOCK PARTS

GARLAND PARTS IDENTIFICATION

Master Series

Heavy Duty Range Open Top Section

Models: M43FTR, RC, S, T

ITEM	PART #	DESCRIPTION	QUANTITY			
			MODEL			
			M43FTR	M43FTRC	M43FTS	M43FTT
1	1790601	LP BG Flue Cap 34"	1	1	1	1
2	1816407	LP BG Back 34" AZ	1	1	1	1
	1816408	LP BG Back 34" S/S	1	1	1	1
3	1817304	LP Front Panel 34"	1	1	1	1
4	1768599	LB BG Upright Assembly S/W	2	2	2	2
5	G7341-1-6	Rear Radiation Shield	1	1	1	1
	G7341-6 -6	Rear Radiation Shield - RR Gas	1	1	1	1
6	1806101	Burner Box Back	1	1	1	
	1806102	Burner Box Back RR Gas	1	1	1	
	2546400	Burner Box Back M43T				1
	2546411	Burner Box Back M43T RR Gas				1
7	2553000	Back Top MST40	1	1	1	1
8	2559000	Back Guard Spacer	1	1	1	1
9	2132200	Back Top Adapter 33"	1	1	1	1
9A	2446900	Back Top Adapter RR Gas	1	1	1	1
10	1768399	Shelf Mtg. Brkt. Assy LT	1	1	1	1
	1768398	Shelf Mtg. Brkt. Assy Rt	1	1	1	1
11	2194200	Burner Rest	1	1	1	1
12	2519500	Burner Hanger	2	2	2	2
13	2505400	Drip Tray Guide RH	1	1	1	1
	2505401	Drip Tray Guide LH	1	1	1	1
14	1132804	Burner Box Side RT CRS	1	1	1	
	1132805	Burner Box Side RT S/S	1	1	1	
	1132806	Burner Box Side LT CRS	1	1	1	
	1132807	Burner Box Side LT S/S	1	1	1	
	2247600	Burner Box Side RT CRS				1
	2247601	Burner Box Side RT S/S				1
	2247602	Burner Box Side LT CRS				1
2247603	Burner Box Side LT S/S				1	
15	2342800	Drip Pan	1	1	1	1
16	2512600	Burner Box Bottom	1	1	1	
	2426900	Burner Box Bottom M40T				1
17	G6214	Top Ring Grate	6	6	6	6
18A	1758702	Top Grate - Modified(24K)	3	3	3	3
18B	G6272-1	Hot Top - Modified	3	3	3	3
18C	2404500	Top Grate Support	1	1	1	1
20	2217300	Front Burner 20K	3	3	3	3
21	2217301	Rear Burner 20K	3	3	3	3
22	2519200	Air Shutter	6	6	6	6
23	2271100	Top Lighter Brkt. 20K	3	3	3	3
24	G7804-280	Lighter Assy	3	3	3	3
25	2394499	Manifold Assy	1	1	1	1
	2394498	Manifold Assy Read Gas	1	1	1	1
26	076029-184	Nipple 1-1/4" NPT x 29" LG	1	1	1	1
27	076029-183	Coupling 1-1/4" NPT Bk	1	1	1	1
28	G02551-1	Test Spigot	1	1	1	1

* NOT ILLUSTRATED

RECOMMENDED STOCK PARTS

GARLAND PARTS IDENTIFICATION

Master Series

Heavy Duty Range Open Top Section

Models: M43FTR, RC, S, T

ITEM	PART #	DESCRIPTION	QUANTITY			
			MODEL			
			M43FTR	M43FTRC	M43FTS	M43FTT
29	G4447-49F	Valve Top Burner Front Natural	3	3	3	3
	G4447-52F	Valve Top Burner Front Natural	3	3	3	3
	G4447-56F	Valve Top Burner Front Propane	3	3	3	3
	G4447-56F	Valve Top Burner Front Propane	3	3	3	3
	G4447-XX	Valve Top Burner Ft. MFG. (Spec. Gas/Dest.)	3	3	3	3
	G4447-XX	Valve Top Burner Rr. MFG. (Spec. Gas/Dest.)	3	3	3	3
30	1086199	Valve - 1/8" Pilot Adjusting	3	3	3	3
34	1032617	Top Lighter Tube- 1/8 OD x 17"	3	3	3	3
35	2525100	Valve Panel M43R/RC	1	1		
	2525101	Valve Panel M43S/T			1	1
36	2522100	Knob Top Burner Non FF	6	6	6	6
	2522101	Knob Oven Valve (On/OFF)	1	1		
	2522107	Knob FD Oven F	1	1		
	2522103	Knob FD Oven C	1	1		
37	2190699	Front Rail Assembly	1	1	1	1
48	2247700	Secondary Valve Panel				1
49	2247403	Secondary Burner Box Bottom				1

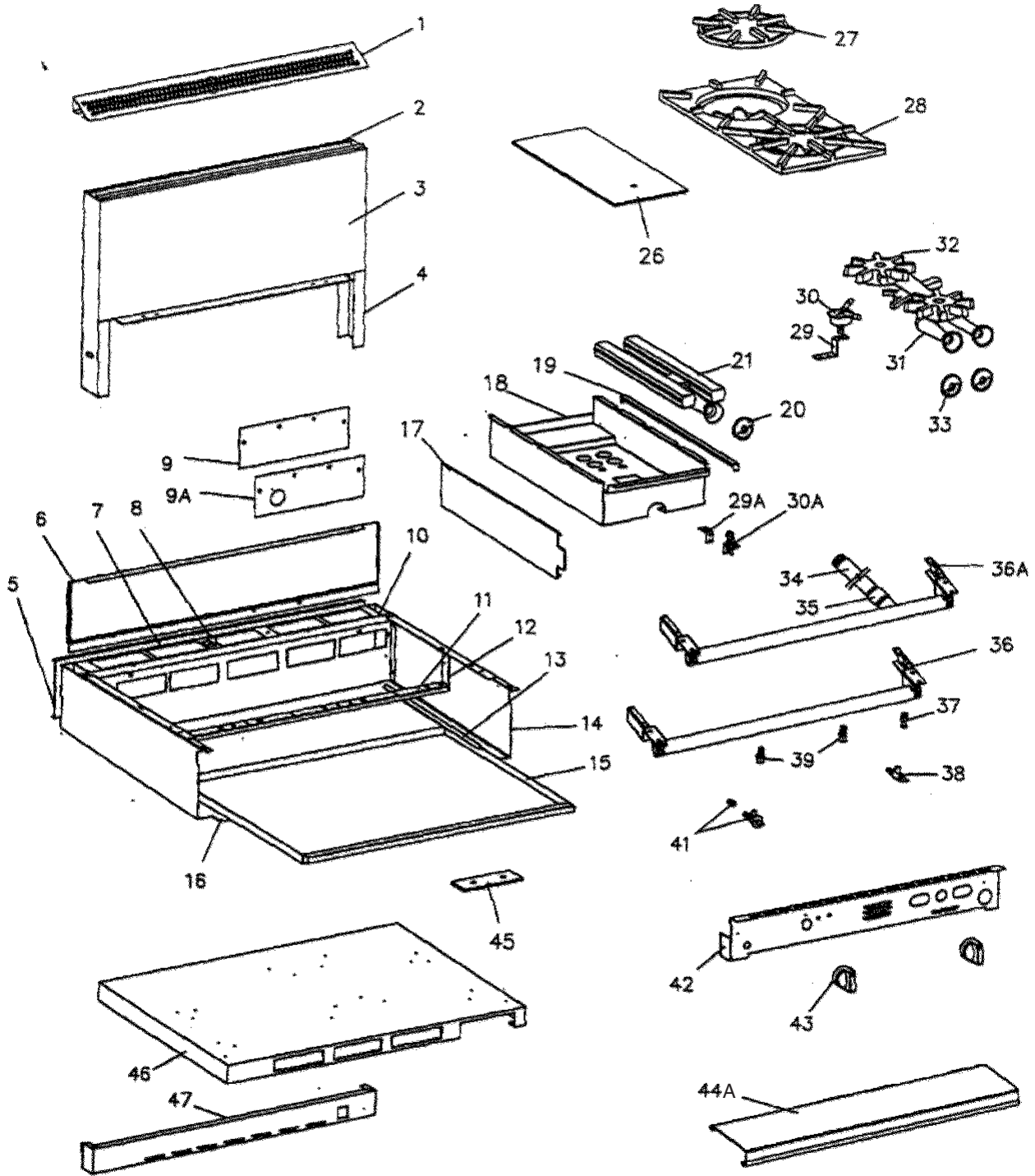
* NOT ILLUSTRATED

RECOMMENDED STOCK PARTS

NOTES



MASTER SERIES
HEAVY DUTY RANGE OPEN TOP SECTION
& EVEN HEAT HOT TOP
MODELS: M43-1, -2, -3R, RC, S, T



GARLAND PARTS IDENTIFICATION

Master Series

Heavy Duty Range Open Top Section & Even Heat Hot Top

Models: M43-1R, RC, S, T

ITEM	PART #	DESCRIPTION	QUANTITY			
			MODEL			
			M43-1R	M43-1RC	M43-1S	M43-1T
1	1790601	LP BG Flue Cap 34"	1	1	1	1
2	1816407	LP BG Back 34" AZ	1	1	1	1
	1816408	LP BG Back 34" S/S	1	1	1	1
3	1817304	LP Front Panel 34"	1	1	1	1
4	1768599	LP BG Upright Assembly S/W	2	2	2	2
5	G7341-1-6	Rear Radiation Shield	1	1	1	1
	G7344-5-6	Rear Radiation Shield (RR Gas)	1	1	1	1
6	1806101	Burner Box Back	1	1		
	1806102	Burner Box Back (RR Gas)	1	1	1	
	2546400	Burner Box Back				1
	2546411	Burner Box Back (RR Gas)				1
7	2553000	Back Top	1	1	1	1
8	2559000	Backguard Spacer	1	1	1	1
	2132201	Back Top Adapter	1	1	1	1
9A	2446900	Back Top Adapter	1	1	1	1
10	1768397	Shelf Mtg. Brkt Assy LH	1	1	1	1
	1768398	Shelf Mtg. Brkt Assy RH	1	1	1	1
11	2174200	Burner Rest	1	1	1	1
12	2588000	Burner Hanger	2	2	2	2
13	2505400	Drip Tray Guide RT	1	1	1	1
	2505401	Drip Tray Guide LT	1	1	1	1
14	1132806	Burner Box Side LT (Std.)	1	1	1	
	1132804	Burner Box Side RT (Std.)	1	1	1	
	1132805	Burner Box Side RT (Opt)	1	1	1	
	1132807	Burner Box Side LT (Opt.)	1	1	1	
	2247600	Burner Box Side RT (Std.)				1
	2247601	Burner Box Side RT (Opt.)				1
	2247602	Burner Box Side LT (Std.)				1
2247603	Burner Box Side LT (Opt.)				1	
15	2342800	Drip Tray	1	1	1	1
16	2512600	Burner Box Bottom	1	1	1	
	2247000	Burner Box Bottom				1
17	G7338-1-6	Side Radiation Shield	1	1	1	1
18	2194877	Fire Box Assy	1	1	1	1
19	2404500	Top Grate Support	2	2	2	2
20	1028002	Air Shutter	1	1	1	1
21	1014900	H-Burner	1	1	1	1
26	G6272	Hot Top	1	1	1	1
27	G6214	Top Ring Grate	4	4	4	4
28	1758701	Top Grate	2	2	2	2
29	2271100	Top Lighter Bracket	2	2	2	2
29A	2194100	H-Burner Pilot Bracket	1	1	1	1
30	G7804-280	Lighter Assy	2	2	2	2
30A	2200700	Pilot Burner	1	1	1	1
31	2217300	Front Burner	1	1	1	1
32	2217301	Rear Burner	2	2	2	2
33	2519200	Air Shutter	2	2	2	2

* NOT ILLUSTRATED

RECOMMENDED STOCK PARTS

GARLAND PARTS IDENTIFICATION

Master Series

Heavy Duty Range Open Top Section & Even Heat Hot Top

Models: M43-1R, RC, S, T

ITEM	PART #	DESCRIPTION	QUANTITY			
			MODEL			
			M43-1R	M43-1RC	M43-1S	M43-1T
34	076029-184	1-1/4" NPT x 29" Nipple	4	4	4	4
	076029-192	3/4" NPT x 29" Nipple	1	1	1	1
	1230521	1" NPT x 33" Nipple	1	1	1	1
35	076029-183	1-1/4" NPT Coupling	1	1	1	1
	2437012	1-1/4" x 3/4" NPT Reducing Cplg.	1	1	1	1
36	2394499	Manifold Assy	1	1	1	1
	2394498	Manifold Assy (RR Gas Opt.)	1	1	1	1
37	G02251-1	Pressure Test Spigot	1	1	1	1
38	G0105-4	Hi-Lo Valve (Nat)	1	1	1	1
	G0105-5	Hi-Lo Valve (Pro)	1	1	1	1
	G0105-6	Hi-Lo Valve (Nat)				
39	1086597	Gum Valve - 3/16 Pilot	3	3	3	3
41	G4447-44F	Top Burner Valve (Nat)	4	4	4	4
	G4447-55F	Top Burner Valve (Pro)	4	4	4	4
42	2558200	Valve Panel (Hot Top- Left)	1	1		
	2558201	Valve Panel (Hot Top- Left)			1	1
	2575300	Valve Panel (Hot Top- Right)	1	1		
	2575301	Valve Panel (Hot Top- Right)			1	1
	2522100	Knob - Open Top	4	4	4	4
	2522111	Knob (Griddle)	1	1	1	1
44	2576398	Front Rail Assy				
44A	2190600	Front Rail Assy	1	1	1	1
45	2587900	Burner Rest Spacer	4	4	4	4
46	2247400	Secondary Burner Box Bottom				1
47	2247701	Secondary Valve Panel				1
	2247702	Secondary Valve Panel				
	602335-1	End Cap				
	L-2207901	Cover Bracket				
	R-2270900	Cover Bracket				
	L-2208001	Stainless Steel Cover				
	R-2270900	Stainless Steel Cover				

NOTE: Master Series RC Base

The part number for the activating pin on the Master Series RC Base is G010503. It is a 1/4 20 bolt 1 3/4 length. This bold it fastened to the bell crank using two nuts and lock washers on either side of the crank.

* NOT ILLUSTRATED

RECOMMENDED STOCK PARTS

GARLAND PARTS IDENTIFICATION

Master Series

Heavy Duty Range Open Top Section & Even Heat Hot Top

Models: M43-2R,RC, S, T

ITEM	PART #	DESCRIPTION	QUANTITY			
			MODEL			
			M43-2R	M43-2RC	M43-2S	M43-2T
5	G7341-1-6	Rear Radiation Shield	1	1	1	1
	G7344-5-6	Rear Radiation Shield (RR Gas)	1	1	1	1
6	1806101	Burner Box Back	1	1		
	1860103	Burner Box Back	1	1	1	
	2546505	Burner Box Back				1
7	2553000	Back Top	1	1	1	1
8	2559000	Backguard Spacer	1	1	1	1
9	2132202	Back Top Adapter	1	1	1	1
10	1768397	Shelf Mtg. Brkt Assy LH	1	1	1	1
	1768398	Shelf Mtg. Brkt Assy RH	1	1	1	1
11	2174200	Burner Rest	1	1	1	1
12	2588000	Burner Hanger	2	2	2	2
13	2505400	Drip Tray Guide RT	1	1	1	1
	2505401	Drip Tray Guide LT	1	1	1	1
14	1132806	Burner Box Side LT (Std.)	1	1	1	
	1132804	Burner Box Side RT (Std.)	1	1	1	
	1132805	Burner Box Side RT (Opt)	1	1	1	
	1132807	Burner Box Side LT(Opt.)	1	1	1	
	2247600	Burner Box Side RT (Std.)				1
	2247601	Burner Box Side RT (Opt.)				1
	2247602	Burner Box Side LT (Std.)				1
	2247603	Burner Box Side LT (Opt.)				1
15	2342800	Drip Tray	1	1	1	1
16	2512600	Burner Box Bottom	1	1	1	
	2247000	Burner Box Bottom				1
17	G7338-1-6	Side Radiation Shield	1	1	1	1
18	2194897	Fire Box Assy	2	2	2	2
19	2404500	Top Grate Support	2	2	2	2
20	1028002	Air Shutter	2	2	2	2
21	1014900	H-Burner	2	2	2	2
26	G6272	Hot Top	2	2	2	2
27	G6214	Top Ring Grate	2	2	2	2
28	1758701	Top Grate	1	1	1	1
29	2271100	Top Lighter Bracket	1	1	1	1
29A	2194100	H-Burner Pilot Bracket	2	2	2	2
30	G7804-280	Lighter Assy	1	1	1	1
30A	2200700	Pilot Burner	2	2	2	2
31	2217300	Front Burner	1	1	1	1
32	2217301	Rear Burner	1	1	1	1
33	2519200	Air Shutter	2	2	2	2
34	076029-184	1-1/4" NPT x 29" Nipple	1	1	1	1
	076029-192	3/4" NPT x 29" Nipple	1	1	1	1
35	076029-183	1-1/4" NPT Coupling	1	1	1	1
	2437102	1-1/4" x 3/4" NPT Reducing Cplg.	1	1	1	1
36	2394499	Manifold Assembly	1	1	1	1
	2394498	Manifold Assembly (RR Gas Opt)	1	1	1	1

* NOT ILLUSTRATED

RECOMMENDED STOCK PARTS

GARLAND PARTS IDENTIFICATION

Master Series

Heavy Duty Range Open Top Section & Even Heat Hot Top

Models: M43-,2R. RC, S, T

ITEM	PART #	DESCRIPTION	QUANTITY			
			MODEL			
			M43-2R	M43-2RC	M43-2S	M43-2T
37	G02251-1	Pressure Test Spigot	1	1	1	1
38	G0105-4	Hi-Lo Valve (Nat)	2	2	2	2
	G0105-5	Hi-Lo Valve (Pro)	2	2	2	2
	G0105-6	Hi-Lo Valve (Nat)				
39	1086597	Gum Valve - 3/16 Pilot	3	3	3	3
40*	1360200	BJWA Griddle Thermostat				
41	G4447-44F	Top Burner Valve (Nat)	2	2	2	2
	G4447-55F	Top Burner Valve (Pro)	2	2	2	2
42	2570700	Valve Panel (Hot Top Right)	1	1		
	2558300	Valve Panel (Hot Top Left)	1	1		
	2558301	Valve Panel (Hot Top Left)			1	1
	2570701	Valve Panel (Hot Top Right)			1	1
43	2522108	Knob - Griddle Thermostat				
	2522100	Knob - Open Top	2	2	2	2
	2522111	Knob (Griddle)	2	2	2	2
44	2576398	Front Rail Assy				
44A	2190600	Front Rail Assy	1	1	1	1
45	2587900	Burner Rest Spacer	2	2	2	2
46	2247400	Secondary Burner Box Bottom				1
47	2247701	Secondary Valve Panel				1

* NOT ILLUSTRATED

RECOMMENDED STOCK PARTS

GARLAND PARTS IDENTIFICATION

Master Series

Heavy Duty Range Open Top Section & Even Heat Hot Top

Models: M43-3R, RC, S, T

ITEM	PART #	DESCRIPTION	QUANTITY			
			MODEL			
			M43-3R	M43-3RC	M43-3S	M43-3T
5	G7341-1-6	Rear Radiation Shield	1	1	1	1
	G7344-5-6	Rear Radiation Shield (RR Gas)	1	1	1	1
6	1806101	Burner Box Back	1	1		
	1860103	Burner Box Back	1	1	1	
	2546505	Burner Box Back				1
7	2553000	Back Top	1	1	1	1
8	2559000	Backguard Spacer	1	1	1	1
10	1768397	Shelf Mtg. Brkt Assy LH	1	1	1	1
	1768398	Shelf Mtg. Brkt Assy RH	1	1	1	1
11	2194200	Burner Rest	1	1	1	1
12	2588000	Burner Hanger	2	2	2	2
13	2505400	Drip Tray Guide RT	1	1	1	1
	2505401	Drip Tray Guide LT	1	1	1	1
14	1132806	Burner Box Side LT (Std.)	1	1	1	
	1132804	Burner Box Side RT (Std.)	1	1	1	
	1132805	Burner Box Side RT (Opt)	1	1	1	
	1132807	Burner Box Side LT(Opt.)	1	1	1	
	2247600	Burner Box Side RT (Std.)				1
	2247601	Burner Box Side RT (Opt.)				1
	2247602	Burner Box Side LT (Std.)				1
2247603	Burner Box Side LT (Opt.)				1	
15	2342800	Drip Tray	1	1	1	1
16	2512600	Burner Box Bottom	1	1	1	
	2247000	Burner Box Bottom				1
17	G7338-1-6	Side Radiation Shield	2	2	2	2
18	2194897	Fire Box Assy	3	3	3	3
	2194899	Fire Box Assy				
19	2404500	Top Grate Support	2	2	2	2
20	1028002	Air Shutter	3	3	3	3
21	1014900	H-Burner	3	3	3	3
26	G6272	Hot Top	3	3	3	3
29A	2194100	H-Burner Pilot Bracket	3	3	3	3
30A	2200700	Pilot Burner	3	3	3	3
34	076029-184	1-1/4" NPT x 29" Nipple	1	1	1	1
	076029-192	3/4" NPT x 29" Nipple	1	1	1	1
35	076029-183	1-1/4" NPT Coupling	1	1	1	1
	2437102	1-1/4" x 3/4" NPT Reducing Cplg.	1	1	1	1
36	2394499	Manifold Assy	1	1	1	1
	2394498	Manifold Assy (RR Gas Opt.)	1	1	1	1
37	G02251-1	Pressure Test Spigot	1	1	1	1
38	G0105-4	Hi-Lo Valve (Nat)	3	3	3	3
	G0105-5	Hi-Lo Valve (Pro)	3	3	3	3
	G0105-6	Hi-Lo Valve (Nat)				
39	1086597	Gum Valve - 3/16 Pilot	3	3	3	3
42	2559200	Valve Panel	1	1		
	2559201	Vavle Panel			1	1
43	2522111	Knob (Griddle)	3	3	3	3

* NOT ILLUSTRATED

RECOMMENDED STOCK PARTS

GARLAND PARTS IDENTIFICATION

Master Series

Heavy Duty Range Open Top Section & Even Heat Hot Top

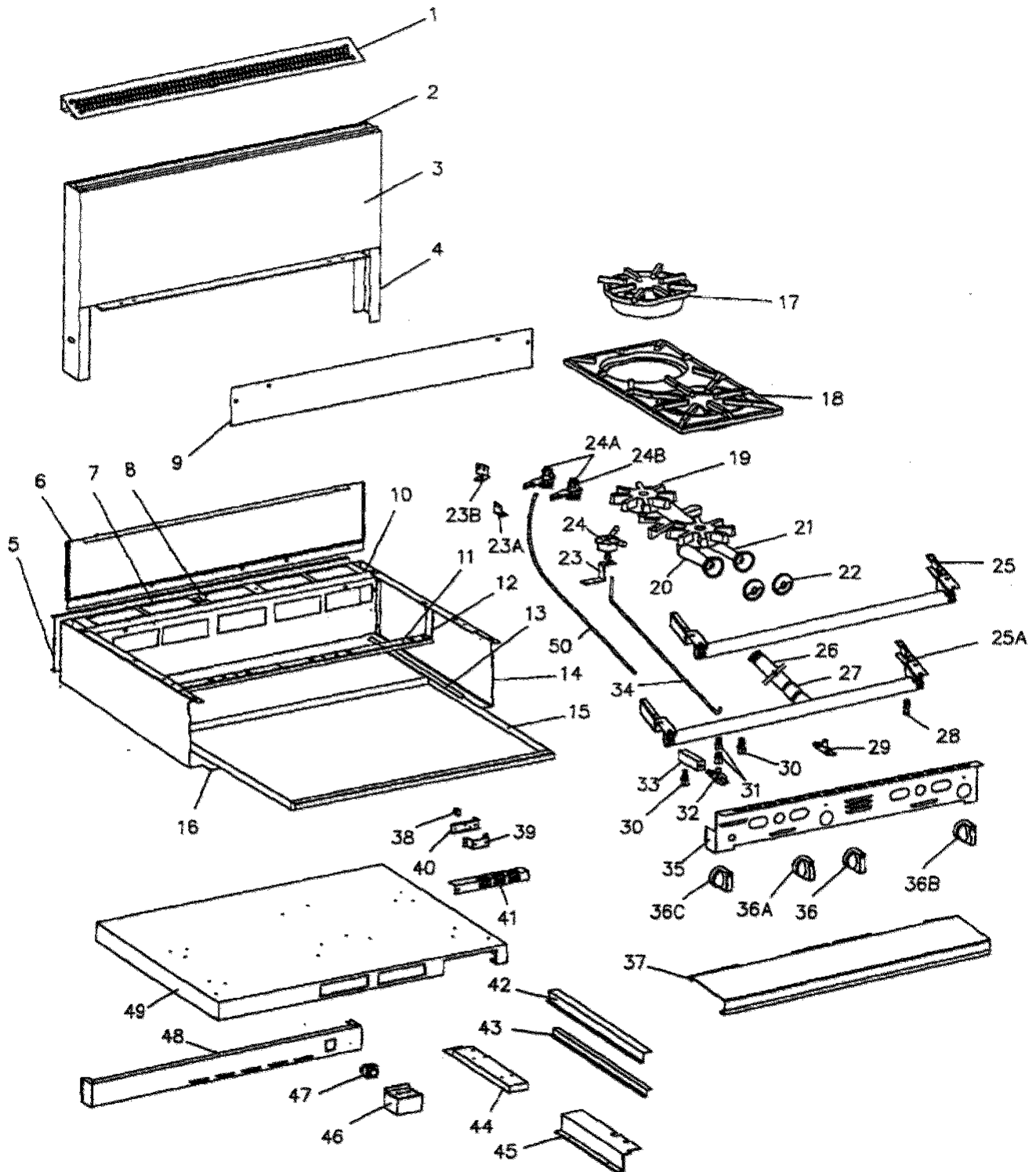
Models: M43-3R, RC, S, T

ITEM	PART #	DESCRIPTION	QUANTITY			
			MODEL			
			M43-3R	M43-3RC	M43-3S	M43-3T
44A	2190600	Front Rail Assy	1	1	1	1
46	2247400	Secondary Burner Box Bottom				1
47	2247701	Secondary Valve Panel				1

* NOT ILLUSTRATED

RECOMMENDED STOCK PARTS

NOTES



GARLAND PARTS IDENTIFICATION

Master Series

Heavy Duty Range Open Top Section

Models: M44R, RC, S, T

ITEM	PART #	DESCRIPTION	QUANTITY			
			MODEL			
			M44R	M44RC	M44S	M44T
1	1790601	LP BG Flue Cap 34"	1	1	1	1
2	1816407	LP BG Back 34" AZ	1	1	1	1
	1816408	LP BG Back 34" S/S	1	1	1	1
3	2660103	LP Front Panel (34" Use 2660103)	1	1	1	1
4	1768599	LP BG Upright Assembly S/W	2	2	2	2
5	G7341-1-6	Rear Radiation Shield	1	1	1	1
	G7341-6-6	Rear Radiation RR Gas	1	1	1	1
6	1806103	Burner Box Back	1	1	1	
	1806104	Burner Box Back RR Gas	1	1	1	
	2546400	Burner Box Back M40T 34"				1
	2546410	Burner Box Back M40T RR Gas				1
7	2553000	Back Top MST40	1	1	1	1
8	2559000	Backguard Spacer	1	1	1	1
9	G0585-1-6	Back Top Baffle	1	1	1	1
10	1768399	Shelf Mtg. Brkt. Assembly LT	1	1	1	1
	1768398	Shelf Mtg. Brkt. Assembly RT	1	1	1	1
11	2537300	Burner Rest	1	1	1	1
12	2537400	Burner Hanger	2	2	2	2
13	2505400	Drip Tray Guide RH	1	1	1	1
	2505401	Drip Tray Guide LH	1	1	1	1
14	1132804	Burner Box Side RT CRS	1	1	1	
	1132805	Burner Box Side RT S/S	1	1	1	
	1132806	Burner Box Side LT CRS	1	1	1	
	1132807	Burner Box Side LT S/S	1	1	1	
	2247600	Burner Box Side RT CRS				1
	2247601	Burner Box Side RT S/S				1
	2247602	Burner Box Side LT CRS				1
2247603	Burner Box Side LT S/S				1	
15	2342800	Drip Pan	1	1	1	1
16	2512600	Burner Box Bottom	1	1	1	
	2426900	Burner Box Bottom				1
17	1769101	Ring Grate/Bowl 35K	1	1	1	1
18	1769001	Top Grate 35K Burner	1	1	1	1
19	2528200	Burner Head 35K	1	1	1	1
20	2528000	Front Burner Housing 35K - Venturi (No Head)	1	1	1	1
21	2528100	Rear Burner Housing 35K - Venturi (No Head)	1	1	1	1
22	2519200	Air Shutter	4	4	4	4
	G4202-2	Air Shutter - Manufactured Gas	4	4	4	4
24	1801401	Open Top Light Assy (2" Standard Tube)	2	2	2	2
25	2394599	Manifold Assembly	1	1	1	1
	2581199	Manifold Assembly - Mfg. Gas)	1	1	1	1
25A	2394598	Manifold Assembly - 1-1/4" RR Gas	1	1	1	1
	2581198	Manifold Assembly - RR Gas 1 1/4" Mfg. Gas	1	1	1	1
26	076029-184	Nipple 1-1/4" NPT x 29" LG	1	1	1	1
27	076029-183	Coupling 1-1/4" NPT Blk.	1	1	1	1
28	G02251-1	Test Spigot	1	1	1	1
29	G4447-XX	Valve Top Burner (Special)	4	4	4	4
	G4447-38F	Valve Top Burner - Natural	4	4	4	4
	G4447-1.8MM	Valve Top Burner - Propane	4	4	4	4

* NOT ILLUSTRATED

RECOMMENDED STOCK PARTS

GARLAND PARTS IDENTIFICATION

Master Series

Heavy Duty Range Open Top Section

Models: M44R, RC, S, T

ITEM	PART #	DESCRIPTION	QUANTITY			
			MODEL			
			M44R	M44RC	M44S	M44T
30	1086199	Valve - 1/8" Pilot Adjusting	4	4	4	4
35	2358700	Valve Panel M44R/RC	1	1		
	2538701	Valve Panel M44S/T			1	1
36	2522100	Knob Top Burner Non FF	4	4	4	4
36A	2522101	Knob Oven Valve (With Spring 2527600)	1	1		
36B	2522107	Knob FD Oven F	1	1		
	2522103	Knob FD Oven C	1	1		
37	2190699	Front Rail Assembly	1	1	1	1
48	2247700	Secondary Valve Panel				1
49	2247401	Secondary Burner Box Bottom				1
*	2527600	Knob Inserts				

* NOT ILLUSTRATED

RECOMMENDED STOCK PARTS

GARLAND PARTS IDENTIFICATION

Master Series

Heavy Duty Range Open Top Section

Models: M4S, T

ITEM	PART #	DESCRIPTION	QUANTITY					
			MODEL					
			M4S	M4T	MS4S	MS4T	MS4SE	MS4TE
1	1790602	LP BG Flue Cap 17"	1	1	1	1	1	1
2	1816401	LP BG Back 17" AZ	1	1	1	1	1	1
	1816402	LP BG Back 17" SS	1	1	1	1	1	1
3	1817301	LP Front Panel 17"	1	1	1	1	1	1
4	1768559	LP BG Upright Assy S/W	2	2	2	2	2	2
5	2539000	Rear Radiation Shield	1	1	1	1	1	1
	2539001	Rear Radiation Shield RR Gas	1	1	1	1	1	1
6	2546701	Burner Box Back	1		1		1	
	2546401	Burner Box Back		1		1		1
	2546705	Burner Box Back - RR Gas	1		1		1	
	2546412	Burner Box Back - RR Gas		1		1		1
7	2584800	Back Top	1	1	1	1	1	1
8	255900	Backguard Spacer		1		1		1
10	1768398	Shelf Mtg. Brkt. Assy RT	1	1	1	1	1	1
	1768399	Shelf Mtg. Brkt. Assy LT	1	1	1	1	1	1
11	2538900	Burner Rest - M4	1	1	1	1	1	1
12	2537400	Burner Hanger	2	2	2	2	2	2
13	2505400	Drip Tray Guide RH	1	1	1	1	1	1
	2505401	Drip Tray Guide LH	1	1	1	1	1	1
14	1132804	Burner Box Side RH/CRS	1	1	1		1	
	1132805	Burner Box Side RH/SS	1	1	1		1	
	1132806	Burner Box Side LH/CRS	1	1	1		1	
	1132807	Burner Box Side LH/SS	1	1	1		1	
	2247600	Burner Box Side RH/CRS				1		1
	2247601	Burner Box Side RH/SS				1		1
	2247602	Burner Box Side LH/CRS				1		1
15	2342801	Drip Pan	1	1	1	1	1	1
16	2515200	Burner Box Bottom	1		1		1	
	2426901	Burner Box Bottom		1		1		1
17	1769101	Top Ring Grate/Bowl	2	2	2	2	2	2
18	1769001	Top Grate 35 K Burner	1	1	1	1	1	1
19	2528200	Burner Head 35K	2	2	2	2	2	2
20	2528000	Front Burner Housing	1	1	1	1	1	1
21	2528100	Rear Burner Housing	1	1	1	1	1	1
22	2519200	Air Shutter	2	2	2	2	2	2
	G4202-2	Air Shutter - Manufactured Gas	2	2	2	2	2	2
23	2547800	Pilot Bracket	1	1				
23A	2550200	Pilot Bracket Front 35K			1	1	1	1
23B	2550201	Pilot Bracket Rear 35K			1	1	1	1
24	1801401	Open Top Lighter Assy	1	1				
24A	2520800	Burner Pilot			2	2	2	2
24B	2520804	Sleeve 3/16" Comp. Nut			2	2	2	2
	2200704	3/16" Comp. Nut			2	2	2	2
	2520801	Orifice Pilot - Natural			2	2	2	2

* NOT ILLUSTRATED

RECOMMENDED STOCK PARTS

GARLAND PARTS IDENTIFICATION

Master Series

Heavy Duty Range Open Top Section

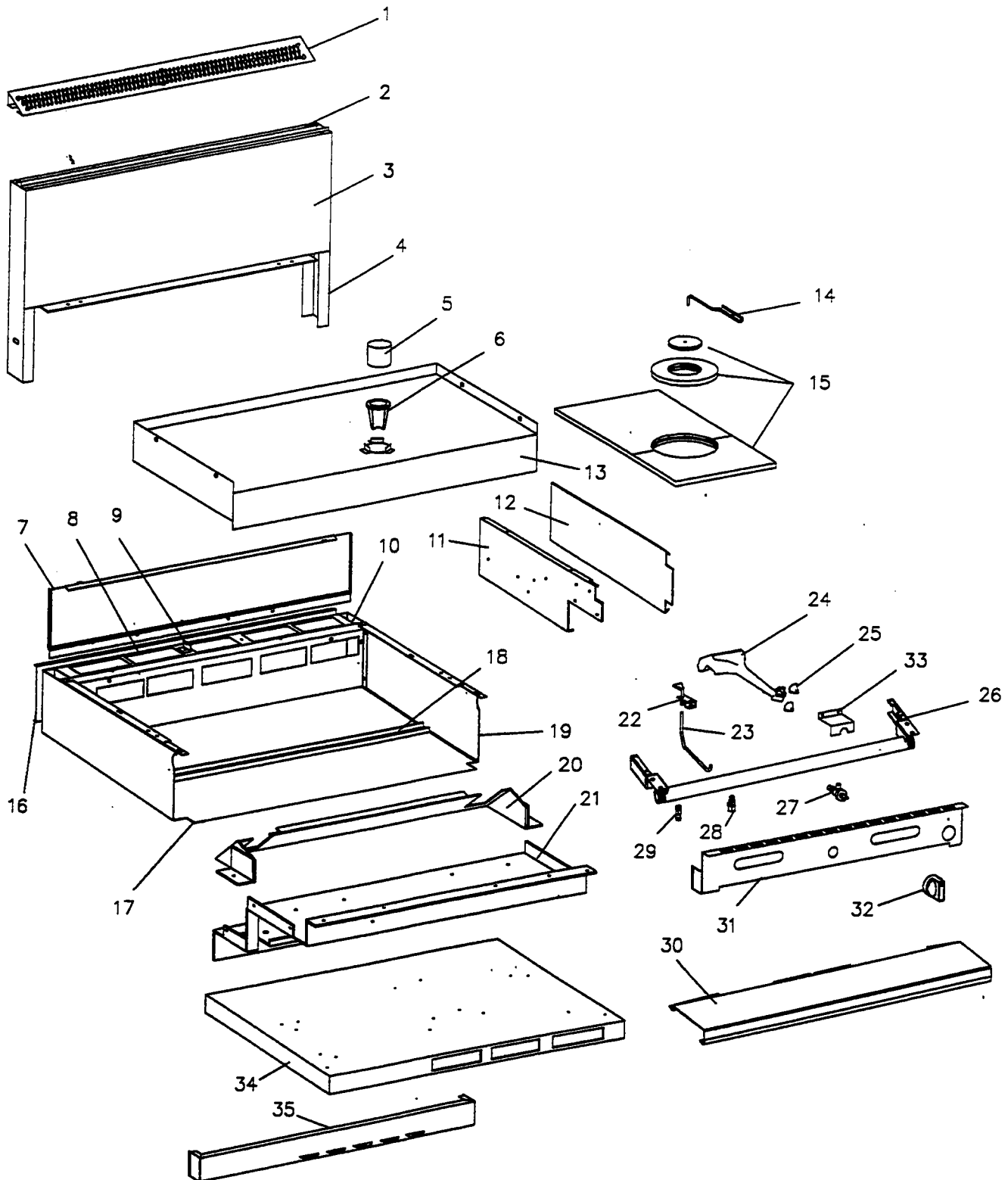
Models: M4S, T

ITEM	PART #	DESCRIPTION	QUANTITY					
			MODEL					
			M4S	M4T	MS4S	MS4T	MS4SE	MS4TE
24B Cont	2520802	Orifice Pilot - Propane			2	2	2	2
	2520803	Orifice Pilot - Manufactured Gas			2	2	2	2
	2200707	Nut-Electrode					2	2
	2200900	Electrode					2	2
25	2445899	Manifold Assy Std	1	1	1	1	1	1
	2581499	Manifold Assy Manufactured Gas	1	1	1	1	1	1
25A	2445898	Manifold Assy - Rear Gas	1	1	1	1	1	1
	2581498	Manifold Assy - Rear Gas Manufactured Gas	1	1	1	1	1	1
26	076029-185	Nipple - 1" NPT x 29" Lg	1	1	1	1	1	1
27	076029-186	Elbow - 1" NPT x 45 Deg.	1	1	1	1	1	1
28	G02251-1	Test Spigot	1	1	1	1	1	1
29	G4447-XX	Valve Top Burner (Special)	6	6	6	6	6	6
	G4447-38A	Valve Top Burner Natural			2	2	2	2
	G4447-1.8MM	Valve Top Burner	2	2	2	2	2	2
30	1086199	Valve - 1/8" Pilot Adjusting	1	1	1			
	1086597	Gum Valve - 3/16 Pilot			1	1	1	1
31	2224300	1/8 NPT Extended Adaptor			1	1	1	1
32	2124500	Pilot Shut-Off Valve			1	1	1	1
33	2522400	Pilot Block			1	1	1	1
34A	2581600	LT Front Pilot Tube - MS44	1	1	1	1	1	1
34B	2581700	LT Rear Pilot Tube - MS44	1	1	1	1	1	1
35	2528900	Valve Panel	1	1	1	1	1	1
36	2522100	Knob Top Non FF	2	2	2	2	2	2
36C	2529500	Knob Pilot Shutoff			1	1	1	1
37	2426899	Front Rail Assembly	1	1	1	1	1	1
38	050069	Sectional Terminal Block					2	2
	050070	Sectional Terminal End					1	1
39	2336400	Mounting Bracket						1
40	2336300	Terminal Block Bracket						1
41	2336200	Terminal Block Enclosure						1
42	2247100	Wire Way						1
43	233600	Insulation Retainer						1
44	2247300	Spark Modular Support						1
45	2247200	Spark Modular Enclosure						1
46	2144000	240V Spark Generator						1
	2144002	120V Spark Generator						1
47	2200300	Push Button Switch						1
48	2427100	Secondary Valve Panel		1		1		
	2427103	Secondary Valve Panel						1
49	2427001	Secondary Burner Box Bottom		1		1		
50	2200208	High Tension Lead 60"					1	
	2200200	High Tension Lead 48"					1	1
	2200201	High Tension Lead 36"						1

* NOT ILLUSTRATED

RECOMMENDED STOCK PARTS

NOTES



GARLAND PARTS IDENTIFICATION

Master Series

Heavy Duty Range Front Fired Hot Top

Models: M45, RC, S, T; M5S, T

ITEM	PART #	DESCRIPTION	QUANTITY					
			MODEL					
			M45R	M45RC	M45S	M45T	M5S	M5T
1	1790601	LP BG Flue Cap 34"	1	1	1	1		
	1790602	LP BG Flue Cap 17"					1	1
2	1816407	LP BG Back 34" AZ	1	1	1	1		
	1816401	LB BG Back 34" SS	1	1	1	1		
	1816401	LP BG Back 17" AZ					1	1
	1816402	LP BG Back 17" SS					1	1
3	1817304	LP Front Panel 34"	1	1	1	1		
	1817301	LP Front Panel 17"					1	1
4	1768599	LP BG Upright Assy S/W	1	2	2	2	2	2
5	G01275-1	Alumdum Support	1	1	1	1		
6	G02398-1	Brick Post Support	1	1	1	1		
7	1806101	Burner Box Back	1	1	1			
	2546400	Burner Box Back				1		
	2546701	Burner Box Back 17"					1	
	2545401	Burner Box Back M40T 17"						1
8	2553000	Back Top MST40	1	1	1	1		
	2584800	Back Top - 17"					1	1
9	2559000	Backguard Spacer	1	1	1	1		
10	1768399	Self Mtg. Brk. Assy LT	1	1	1	1	1	1
	1768398	Self Mtg. Brk. Assy RT	1	1	1	1	1	1
11	2548701	Side Radiation Shield LH	1	1	1	1		
	2548700	Side Radiation Shield RH	1	1	1	1		
	2565901	Side Radiation Shield LH					1	1
	2565900	Side Radiation Shield RH					1	1
12	G7338-1-6	Side Radiation Shield	2	2	2	2	2	2
13	G0450-01-6	Radiation Pan Assy	1	1	1	1		
	2340699	Radiation Pan Assy					1	1
14	G6308-1-8	Lid Lifter	1	1	1	1		
15	G6117-01	Key Plate Assy - Machined	2	2	2	2	1	1
16	G7341-1-6	Rear Radiation Shield	1	1	1	1		
	2539000	Rear Radiation Shield 17"					1	1
17	2512601	Burner Box Bottom	1	1	1			
	2546301	Burner Box Bottom M40T				1		
	2546303	Burner Box Bottom M40T 17"						1
	2575301	Burner Box Bottom					1	
18	G6307-1-5	Burner Box Brick Post Sup.	1	1	1	1		
19	1132804	Burner Box Side RT/CRS	1	1	1		1	
	1132805	Burner Box Side RT/SS	1	1	1		1	
	1132806	Burner Box Side LT/CRS	1	1	1		1	
	1132807	Burner Box Side LT/SS	1	1	1		1	
	2247600	Burner Box Side RT/CRS				1		1
	2247601	Burner Box Side RT/SS				1		1
	2247602	Burner Box Side LT/CRS				1		1
	2247603	Burner Box Side RT/SS				1		1
20	2207799	Burner Air Shield Assy	1	1	1		1	
	2554299	Burner Air Shield Assy				1		1

* NOT ILLUSTRATED

RECOMMENDED STOCK PARTS

GARLAND PARTS IDENTIFICATION

Master Series

Heavy Duty Range Front Fired Hot Top

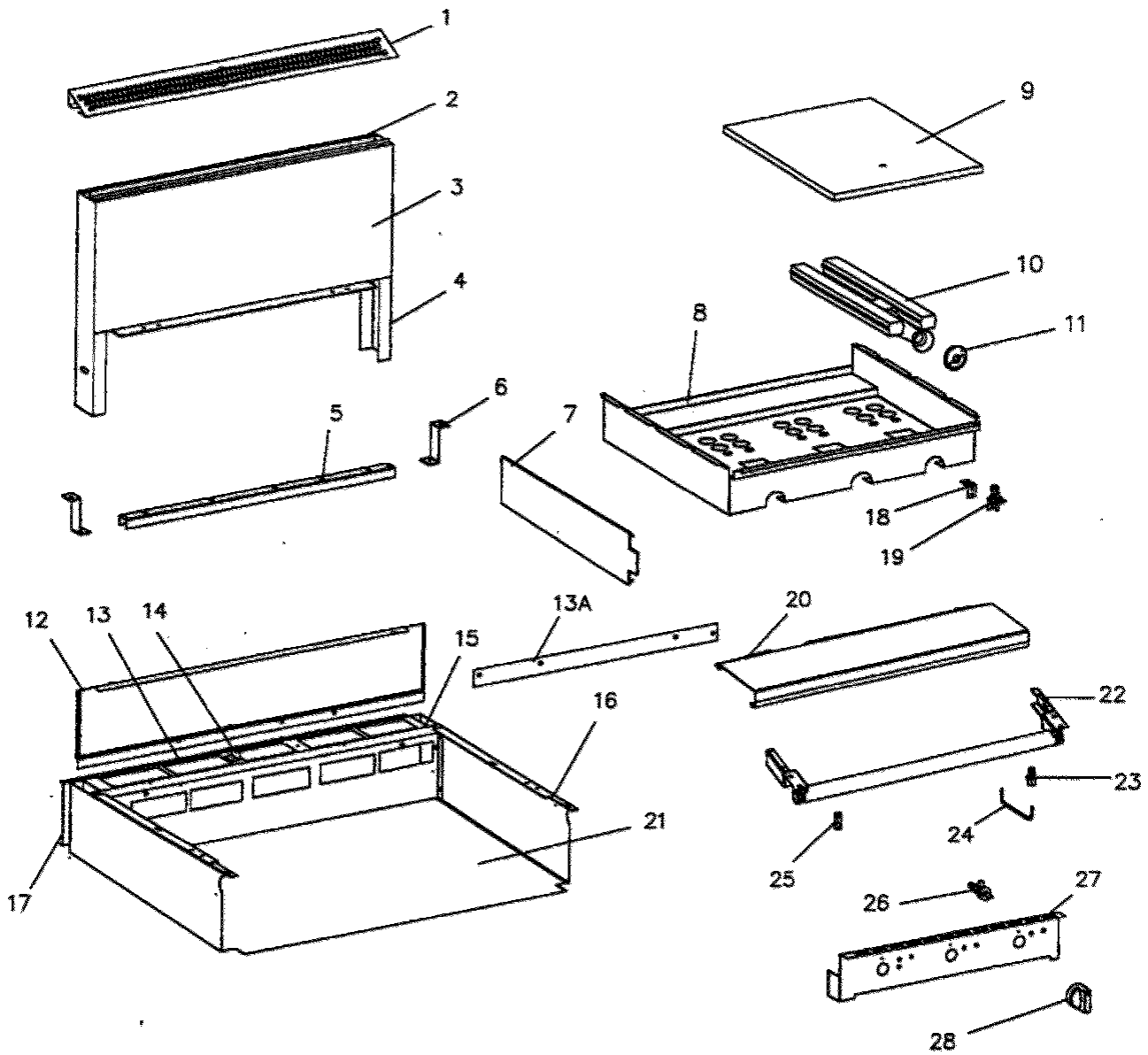
Models: M45, RC, S, T; M5S, T

ITEM	PART #	DESCRIPTION	QUANTITY					
			MODEL					
			M45R	M45RC	M45S	M45T	M5S	M5T
21	2209200	Top Burner Housing	1	1	1	1		
	2553600	Top Burner Housing					1	1
22	G0526-1	2C-2 Pilot Natural	4	4	4	4	2	2
	G0526-2	2C-2 Pilot Propane	4	4	4	4	2	2
	G0526-3	2C-2 Pilot Manufactured	4	4	4	4	2	2
23	G0508-1-8R	Pilot Tube -1/4" O.D.	4	4	4	4	2	2
24	G3575-32	Top Burner Natural	6	6	6	6	3	3
	G3575-36	Top Burner Propane	6	6	6	6	3	3
	G3575-40	Top Burner Manufactured	6	6	6	6	3	3
25	G4155	Air Shutter	12	12	12	12	12	12
26	2190997	Manifold Assy M45	1	1	1	1		
	2554498	Manifold Assy M5-3/4RR Gas					1	1
	2554499	Manifold Assy M5-3/4RR Gas					1	1
27	G4447-51F	Valve Top Burner Nat (N. America)	6	6	6	6	3	3
	G4447-62F	Valve Top Burner Propane (N. America)	6	6	6	6	3	3
	G4447-XX	Valve Top Burner (Special) (Specify Gas/Destination)	6	6	6	6	3	3
28	1086597	Gum Valve -3/16 Pilot	4	4	4	4	2	2
29	G02251-1	Test Spigot	1	1	1	1	1	1
30	2190699	Front Rail Assembly	1	1	1	1		
	2426899	Front Rail Assembly					1	1
31	1823501	Valve Panel M45R	1	1				
	1823502	Valve Panel M45S/T			1	1		
	1823503	Valve Panel M5					1	1
32	4512150	Knob - Oven Valve	1	1				
	4512141	Knob (FD Oven F)	1	1				
	2522103	Knob (FD Oven C)	1	1				
	4512141	Knob (Top Burner Non FF)	6	6	6	6	3	3
33	2341600	Thermostat heat Shield	1	1				
34	2247401	Secondary Burner Box Bottom				1		
	2427001	Secondary Burner Box Bottom						1
35	2247701	Secondary Valve Panel				1		
	2427103	Secondary Valve Panel						1
*	2527600	Spring Knob						

* NOT ILLUSTRATED

RECOMMENDED STOCK PARTS

NOTES



GARLAND PARTS IDENTIFICATION

Master Series

Heavy Duty Range Even Heat Hot Top

Models: M6S, RC, S, T; M6S, T

ITEM	PART #	DESCRIPTION	QUANTITY					
			MODEL					
			M46R	M46RC	M46S	M46T	M6S	M6T
1	1790601	LP BG Flue Cap 34"	1	1	1	1		
	1790602	LP BG Flue Cap 17"					1	1
2	1816407	LP BG Back 34" AZ	1	1	1	1		
	1816408	LP BG Back 34" SS	1	1	1	1		
	1816401	LP BG Back 17" AZ					1	1
	1816402	LP BG Back 17" SS					1	1
3	1817304	LP Front Panel 34"	1	1	1	1		
	1817301	LP Front Panel 17"					1	1
4	1568599	LP BG Upright Assy S/W 1768599	2	2	2	2	2	2
5	2552200	Burner Rest	1	1	1	1		
	2551400	Attach Burner Rest					1	1
6	2194300	Burner Hanger	2	2	2	2	2	2
7	G7338-1-6	Side Radiation Shield	2	2	2	2	2	2
8	2194899	Fire Box Body Assy	1	1	1	1		
	2517399	Fire Box Body Assy					1	1
9	G0552-1	Hot Top	2	2	2	2	1	1
10	1014900	Griddle H Burner	3	3	3	3	1	1
11	1028002	Air Shutter	3	3	3	3	1	1
12	1086101	Burner Box Back	1	1	1	1		
	1860103	Burner Box Back RR Gas	1	1	1	1		
	2546701	Burner Box Back 17"					1	1
	2546704	Burner Box Back RR Gas					1	1
13	2553000	Back Top	1	1	1	1		
	2584800	Back Top					1	1
13A	2132200	Back Top Adapter	1	1	1	1		
14	2559000	Backguard Spacer	1	1	1	1		1
15	1768399	Shelf Mtg. Brk. Assy LT	1	1	1	1	1	1
	1768398	Shelf Mtg. Brk. Assy RT	1	1	1	1	1	1
16	1132806	Burner Box Side LT CRS	1	1	1	1	1	1
	1132804	Burner Box Side RT CRS	1	1	1	1	1	1
	1132805	Burner Box Side LT SS	1	1	1	1	1	1
	1132807	Burner Box Side RT SS	1	1	1	1	1	1
	2247000	Burner Box Side LT CRS				1		1
	2247001	Burner Box Side RT CRS				1		1
	2247002	Burner Box Side LT SS				1		1
	2247003	Burner Box Side RT SS				1		1
17	G7341-1-6	Rear Radiation Shield	1	1	1	1		
	G7341-4-6	Rear Radiation Shield RR Gas	1	1	1	1		
	2539000	Rear Radiation Shield 17"					1	1
	2539002	Rear Radiation Shield RR Gas					1	1
18	2194100	H Burner Pilot Bracket	3	3	3	3	1	1
19	2200700	Pilot Burner RH	3	3	3	3	1	1
	2200701	Pilot Orifice # 32 Nat	3	3	3	3	1	1
	2200702	Pilot Orifice # 23 Pro	3	3	3	3	1	1
	2200709	Pilot Orifice # 40 Mfgt	3	3	3	3	1	1
	2200704	Compression Nut 3/16	3	3	3	3	1	1

* NOT ILLUSTRATED

RECOMMENDED STOCK PARTS

GARLAND PARTS IDENTIFICATION

Master Series

Heavy Duty Range Even Heat Hot Top

Models: M65, RC, S, T; M6S, T

ITEM	PART #	DESCRIPTION	QUANTITY					
			MODEL					
			M46R	M46RC	M46S	M46T	M6S	M6T
19 Cont	2200705	Olive Sleeve - 3/16	3	3	3	3	1	1
	2200706	Nut - Thermocouple Retaining	3	3	3	3	1	1
20	2190699	Front Rail Assembly	1	1	1	1		
	2426899	Front Rail Assembly					1	1
21	2512601	Burner Box Bottom S/S	1	1	1			
	2546303	Burner Box Bottom M40T				1		
	2515201	Burner Box Bottom					1	1
23	1086597	Gum Valve - 3/16 Pilot	1	1	1	1	1	1
25	G02251-1	Test Spigot	1	1	1	1	1	1
26	G0105-4	Hi-Lo Valve # 41 (Nat)	3	3	3	3		
	G0105-5	Hi-Lo Valve # 53 (Pro)	3	3	3	3	1	1
	G0105-XX	Hi-Lo Valve Special (Manuf.)	3	3	3	3	1	1
	G0105-6	Valve Hi-Lo #39 (Nat)					1	1
27	2550600	Valve Panel M46R/RC	1	1				
	2550601	Valve Panel M46S/T			1	1		
	2529300	Valve Panel					1	1
28	4512144	Knob	3	3	3	3	1	1
	4512150	Knob-Oven Valve	1	1				
	2522103	Knob-Oven C	1	1				
	4512141	Knob-Oven F	1	1				
*	2527600	Knob Adapter						

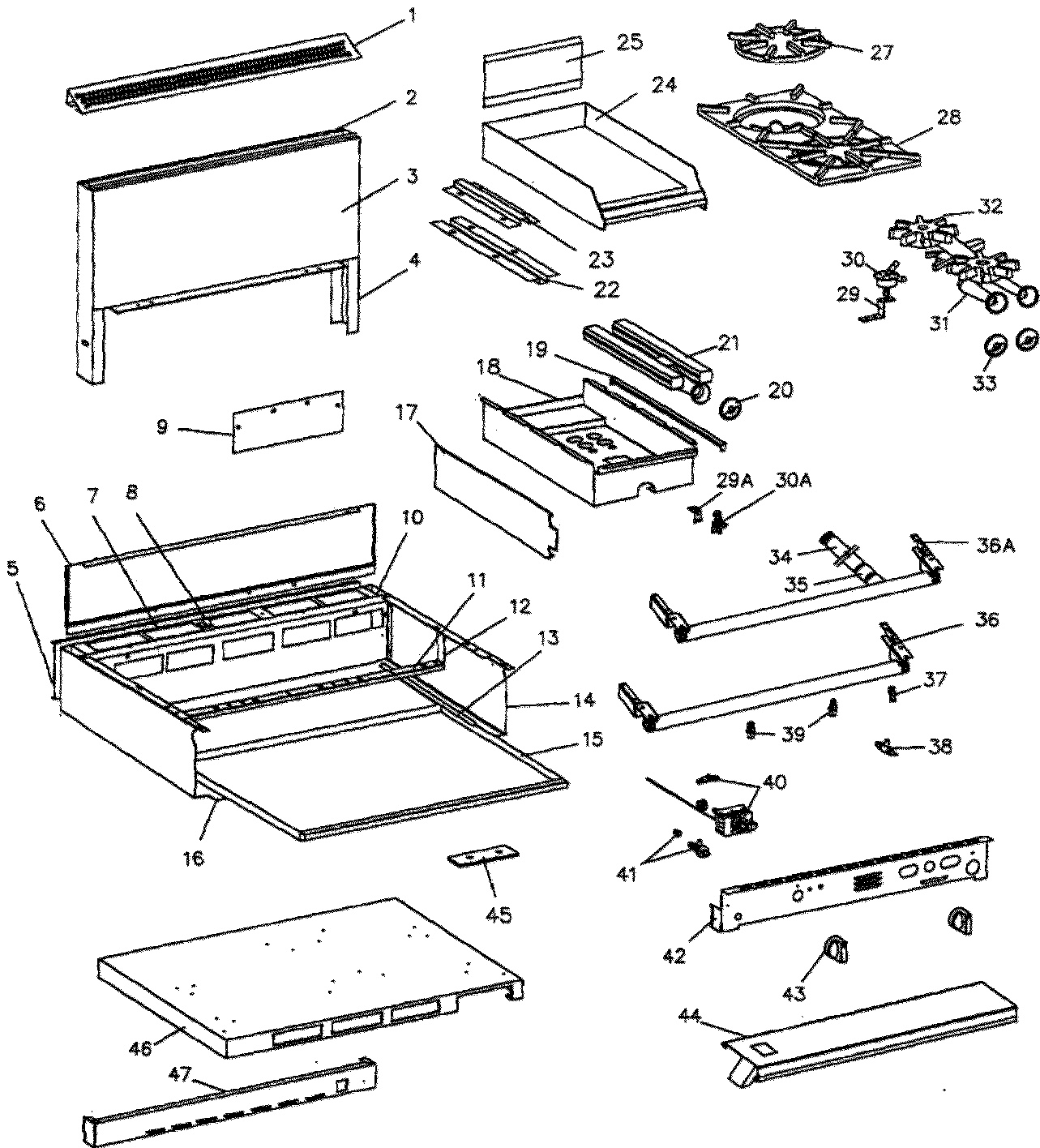
* NOT ILLUSTRATED

RECOMMENDED STOCK PARTS

NOTES



MASTER SERIES
HEAVY DUTY GRIDDLE &
OPEN TOP SECTION
MODELS: M47-45R,RC,S,T; M48-45R,RC,S,T



GARLAND PARTS IDENTIFICATION

Master Series

Heavy Duty Griddle & Open Top Section

Models: M47-45R, RC, S, T

ITEM	PART #	DESCRIPTION	QUANTITY			
			MODEL			
			M47-45R	M47-45RC	M47-45S	M47-45T
1	1790601	LP BG Flue Cap 34"	1	1	1	1
2	1816407	LP BG Back 34" AZ	1	1	1	1
	1816408	LP BG Back 34" S/S	1	1	1	1
3	1817304	LP Front Panel 34"	1	1	1	1
4	1768599	LP BG Upright Assembly S/W	2	2	2	
5	G7341-1-6	Rear Radiation Shield	1^, 2	1^, 2	1^, 2	1^, 2
	G7341-4-6	Rear Radiation Shield	1^	1^	1^	1^
6	1806101	Burner Box Back	1^, 2	1^, 2	1^, 2	1^, 2
	1860103	Burner Box Back	1^	1^	1^	
	2546400	Burner Box Back				1^, 2
	2546505	Burner Box Back				1^
7	2553000	Back Top	1^, 2	1^, 2	1^, 2	1^, 2
	2553002	Back Top	1^	1^	1^	1^
8	2559000	Backguard Spacer	2	2	2	2
9	2132200	Back Top Adapter	1	1	1	1
10	1768397	Shelf Mtg. Brkt Assy LH	2	2	2	2
	1768398	Shelf Mtg. Brkt Assy RH	2	2	2	2
11	2552200	Burner Rest	1	1	1	1
	2568000	Burner Rest	1	1	1	1
12	2588000	Burner Hanger	1	1	1	1
	2194300	Burner Hanger	3	3	3	3
13	2505400	Drip Tray Guide RT	1	1	1	1
	2505401	Drip Tray Guide LT	1	1	1	1
14	1132806	Burner Box Side LT (Std.)	2	2	2	
	1132804	Burner Box Side RT (Std.)	2	2	2	
	1132805	Burner Box Side RT (Opt)	2	2	2	
	1132807	Burner Box Side LT (Opt.)	2	2	2	
	2247600	Burner Box Side RT (Std.)				2
	2247601	Burner Box Side RT (Opt.)				2
	2247602	Burner Box Side LT (Std.)				2
2247603	Burner Box Side LT (Opt.)				2	
15	2342800	Drip Tray	1	1	1	1
16	2512600	Burner Box Bottom	2	2	2	
	2247000	Burner Box Bottom				2
17	G7338-1-6	Side Radiation Shield	1	1	1	1
18	2194877	Fire Box Assy	1	1	1	1
	2194899	Fire Box Assy	1	1	1	1
19	2404500	Top Grate Support	1	1	1	1
20	1028002	Air Shutter	4	4	4	4
21	1014900	H-Burner	4	4	4	4
24	1781488	Griddle Assy (Std.)		1	1	1
	1781496	Griddle Assy (Opt.)	1	1	1	1
25	G0444-045-9	Rear Splashguard Assy	1	1	1	1
27	G6214	Top Ring Grate	4	4	4	4
28	1758701	Top Grate	2	2	2	2
29	2271100	Top Lighter Bracket	2	2	2	2
29A	2194100	H-Burner Pilot Bracket	4	4	4	4
30	G7804-280	Lighter Assy	2	2	2	2

^ REAR GAS OPTION

* NOT ILLUSTRATED

RECOMMENDED STOCK PARTS

GARLAND PARTS IDENTIFICATION

Master Series

Heavy Duty Griddle & Open Top Section

Models: M47-45R, RC, S, T

ITEM	PART #	DESCRIPTION	QUANTITY			
			MODEL			
			M47-45R	M47-45RC	M47-45S	M47-45T
30A	2200700	Pilot Burner	4	4	4	4
31	2217300	Front Burner	2	2	2	2
32	2217301	Rear Burner	2	2	2	2
33	2519200	Air Shutter	4	4	4	4
34	1230521	1" NPT x 33" Nipple	1	1	1	1
	076029-182	3/4" NPT x33" Nipple	1	1	1	1
35	G01474-3	Elbow Reducing 3/4" - 1" NPT	1	1	1	1
	076029-171	Elbow 1" x 90°	1	1	1	1
36	2394499	Manifold Assy	1	1	1	1
	2194799	Manifold Assy	1	1	1	1
	2194797	Manifold Assy	1	1	1	1
	2582199	Manifold Assy	1	1	1	1
	2582198	Manifold Assy	1	1	1	1
37	G02251-1	Pressure Test Spigot	2	2	2	2
41	G4447-44F	Top Burner Valve (Nat)	4	4	4	4
	G4447-55F	Top Burner Valve (Pro)	4	4	4	4
42	2595700	Valve Panel	1	1		
	1825401	Valve Panel			1	1
	2595701	Valve Panel			1	1
43	2522100	Knob - Open Top	4	4	4	4
	2522111	Knob (Griddle)	4	4	4	4
44	2576398	Front Rail Assy	1	1	1	1
44A	2190600	Front Rail Assy				
45	2587900	Burner Rest Spacer	4	4	4	4
46	2247400	Secondary Burner Box Bottom				2
47	2247701	Secondary Valve Panel				1
	2247702	Secondary Valve Panel				1

^ REAR GAS OPTION

* NOT ILLUSTRATED

RECOMMENDED STOCK PARTS

GARLAND PARTS IDENTIFICATION

Master Series

Heavy Duty Griddle & Open Top Section

Models: M48-45R, RC, S, T

ITEM	PART #	DESCRIPTION	QUANTITY			
			MODEL			
			M48-45R	M48-45RC	M48-45S	M48-45T
1	1790601	LP BG Flue Cap 34"	1	1	1	1
2	1816407	LP BG Back 34" AZ	1	1	1	1
	1816408	LP BG Back 34" S/S	1	1	1	1
3	1817304	LP Front Panel 34"	1	1	1	1
4	1768599	LP BG Upright Assembly S/W	2	2	2	
5	G7341-1-6	Rear Radiation Shield	1^, 2	1^, 2	1^, 2	1^, 2
	G7341-4-6	Rear Radiation Shield	1	1	1	1
6	1806101	Burner Box Back	1^, 2	1^, 2	1^, 2	1^, 2
	1860102	Burner Box Back (RR Gas)				
	1860103	Burner Box Back	1^	1^	1^	
	2546400	Burner Box Back				1^, 2
	2546505	Burner Box Back				1^
7	2553000	Back Top	1^, 2	1^, 2	1^, 2	1^, 2
	2553002	Back Top	1^	1^	1^	1^
8	2559000	Backguard Spacer	2	2	2	2
9	2132200	Back Top Adapter	1	1	1	1
10	1768397	Shelf Mtg. Brkt Assy LH	2	2	2	2
	1768398	Shelf Mtg. Brkt Assy RH	2	2	2	2
11	2552200	Burner Rest	1	1	1	1
	2568000	Burner Rest	1	1	1	1
12	2588000	Burner Hanger	1	1	1	1
	2194300	Burner Hanger	3	3	3	3
13	2505400	Drip Tray Guide RT	1	1	1	1
	2505401	Drip Tray Guide LT	1	1	1	1
14	1132806	Burner Box Side LT (Std.)	2	2	2	
	1132804	Burner Box Side RT (Std.)	2	2	2	
	1132805	Burner Box Side RT (Opt)	2	2	2	
	1132807	Burner Box Side LT (Opt.)	2	2	2	
	2247600	Burner Box Side RT (Std.)				2
	2247601	Burner Box Side RT (Opt.)				2
	2247602	Burner Box Side LT (Std.)				2
2247603	Burner Box Side LT (Opt.)				2	
15	2342800	Drip Tray	1	1	1	1
16	2512600	Burner Box Bottom	2	2	2	
	2247000	Burner Box Bottom				2
17	G7338-1-6	Side Radiation Shield	1	1	1	1
18	2194877	Fire Box Assy	1	1	1	1
	2194899	Fire Box Assy	1	1	1	1
19	2404500	Top Grate Support	1	1	1	1
20	1028002	Air Shutter	4	4	4	4
21	1014900	H-Burner	4	4	4	4
22	1325601	Bulb Shield - Outer	4	4	4	4
23	1821101	Bulb Shield	4	4	4	4
24	1781480	Griddle Assy (Std.)	1	1	1	1
	1781472	Griddle Assy (Opt.)	1	1	1	1
25	G0444-045-9	Rear Splashguard Assy	1	1	1	1
27	G6214	Top Ring Grate	4	4	4	4
28	1758701	Top Grate	2	2	2	2

^ REAR GAS OPTION

* NOT ILLUSTRATED

RECOMMENDED STOCK PARTS

GARLAND PARTS IDENTIFICATION

Master Series

Heavy Duty Griddle & Open Top Section

Models: M48-45R, RC, S, T

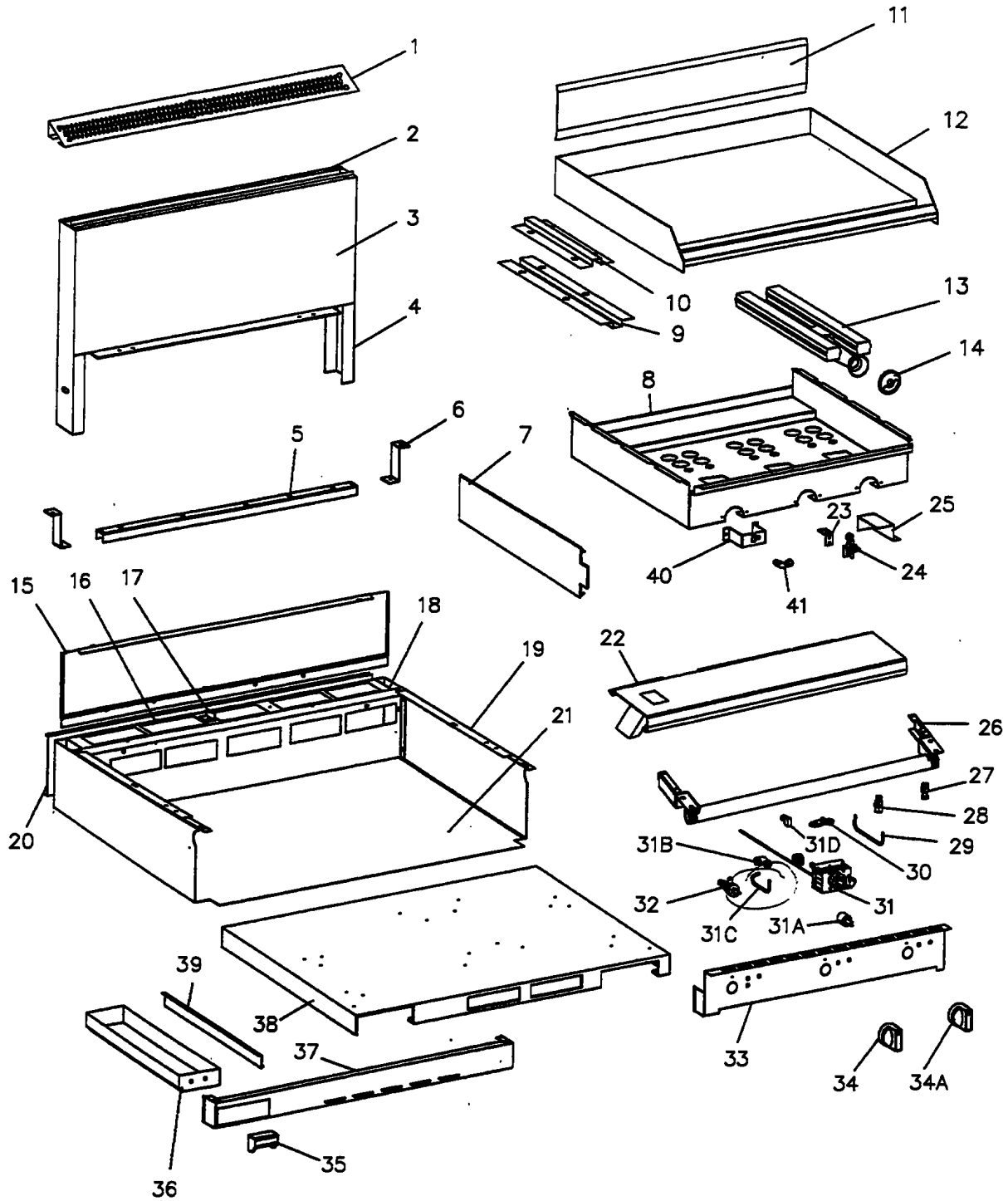
ITEM	PART #	DESCRIPTION	QUANTITY			
			MODEL			
			M48-45R	M48-45RC	M48-45S	M48-45T
29	2271100	Top Lighter Bracket	2	2	2	2
29A	2194100	H-Burner Pilot Bracket	4	4	4	4
30	G7804-280	Lighter Assy	2	2	2	2
30A	2200700	Pilot Burner	4	4	4	4
31	2217300	Front Burner	2	2	2	2
32	2217301	Rear Burner	2	2	2	2
33	2519200	Air Shutter	4	4	4	4
34	1230521	1" NPT x 33" Nipple	1	1	1	1
	076029-182	3/4" NPT x33" Nipple	1	1	1	1
36	2394499	Manifold Assy	1	1	1	1
	2518199	Manifold Assy	1	1	1	1
	2528198	Manifold Assy	1	1	1	1
37	G02251-1	Pressure Test Spigot	2	2	2	2
40	1360200	BJWA Griddle Thermostat	3	3	3	3
*	2527700	Knob Adapter Used				
41	G4447-44F	Top Burner Valve (Nat)	4	4	4	4
	G4447-55F	Top Burner Valve (Pro)	4	4	4	4
42	1825901	Valve Panel			1	1
	2583101	Valve Panel			1	1
	1805601	Valve Panel	1	1		
	2583100	Valve Panel	1	1		
43	2522108	Knob - Griddle Thermostat	4	4	4	4
	2522100	Knob - Open Top	4	4	4	4
44	2576398	Front Rail Assy	1	1	1	1
44A	2190600	Front Rail Assy				
45	2587900	Burner Rest Spacer	4	4	4	4
46	2247400	Secondary Burner Box Bottom				2
47	2247701	Secondary Valve Panel				1
	2247702	Secondary Valve Panel				1

^ REAR GAS OPTION

* NOT ILLUSTRATED

RECOMMENDED STOCK PARTS

NOTES



GARLAND PARTS IDENTIFICATION

Master Series

Heavy Duty Griddle

Models: M47 R, RC, S, T; M7S, T

ITEM	PART #	DESCRIPTION	QUANTITY					
			MODEL					
			M47R	M47RC	M47S	M47T	M7S	M7T
1	1790601	LP BG Flue Cap 34"	1	1	1	1		
	1790602	LP BG Flue Cap 17"					1	1
2	1816407	LP BG Back 34" AZ	1	1	1	1		
	1816408	LP BG Back 34" SS	1	1	1	1		
	1816401	LP BG Back 17" AZ					1	1
	1816402	LP BG Back 17" SS					1	1
3	1817304	LP Front Panel 34"	1	1	1	1		
	1817301	LP Front Panel 17"					1	1
4	1768599	LP BG Upright Assy S/W	2	2	2	2	2	2
5	252200	Burner Rest M46/47/48	1	1	1	1		
	2551400	Attach Burner Rest M6/7/8					1	1
6	2194300	Burner Hanger	2	2	2	2	2	2
7	G7338-1-6	Side Radiation shield	2	2	2	2	2	2
8	2194899	Fire Box Body Assy	1	1	1	1		
	2517399	Fire Box Assy					1	1
11	G0444-034-9	Rear Splashguard Assy	1	1	1	1		
	G0444-017-9	Rear Splashguard Assy					1	1
12	1781487	Frytop Weld Assy 34"	1	1	1	1		
	1781471	Grooved Griddle Weld Assy 34"	1	1	1	1		
	1781485	Frytop Weld Assy 17"					1	1
	1781469	Grooved Griddle Weld Assy 17"					1	1
13	1014900	Griddle H Burner	3	3	3	3	1	1
14	1028002	Air Shutter	3	3	3	3	1	1
	G4202-2	Air Shutter (Mfg Gas)	3	3	3	3	1	1
15	1806101	Burner Box Back	1		1	1		
	1806103	Burner Box Back- M47 RR Gas	1	1	1	1		
	2546701	Burner Box Back 17"					1	
	2546704	Burner Box Back - M7RR Gas					1	
	2546400	Burner Box Back				1		
	2546405	Burner Box Back RR Gas				1		
	2546401	Burner Box Back						1
16	2584800	Back Top					1	1
	2553000	Back Top - M47	1	1	1	1		
	2553002	Back Top Rear Gas	1	1	1	1		
17	2559000	Backgurad Spacer	1	1	1	1		
18	1768399	Shelf Mtg. Brkt. Assy LT	1	1	1	1	1	1
	1768398	Shelf Mtg. Brkt. Assy RT	1	1	1	1	1	1
19	1132806	Burner Box Side LT/CRS	1	1	1		1	1
	1132804	Burner Box Side RT/CRS	1	1	1		1	1
	1132805	Burner Box Side RT/SS	1	1	1		1	1
	1132807	Burner Box Side LT/SS	1	1	1		1	1
	2247602	Burner Box Side LT/CRS				1		
	2247603	Burner Box Side RT/CRS				1		
	2247600	Burner Box Side RT/SS				1		
	2247601	Burner Box Side LT/SS				1		

* NOT ILLUSTRATED

RECOMMENDED STOCK PARTS

GARLAND PARTS IDENTIFICATION

Master Series

Heavy Duty Griddle

Models: M47 R, RC, S, T; M7S, T

ITEM	PART #	DESCRIPTION	QUANTITY					
			MODEL					
			M47R	M47RC	M47S	M47T	M7S	M7T
20	G7341-1-6	Rear Radiation Shield	1	1	1	1		
	G7341-4-6	Rear Radiation Shield RR Gas	1	1	1	1		
	2539000	Rear Radiation Shield 17"					1	1
21	2512600	Burner Box Bottom	1	1	1			
	2247000	Burner Box Bottom				1		
	2426900	Burner Box Bottom						1
	2515200	Burner Box Bottom					1	
22	2190698	Front Rail Assembly	1	1	1	1		
	2426898	Front Rail Assembly						1
	2426899	Front Rail Assembly					1	
23	2194100	H Burner Pilot Bracket	3	3	3	3	1	1
24	2200700	Pilot Burner RH	3	3	3	3	1	1
	2200702	Pilot Orifice # 32 - Natural Gas	3	3	3	3	1	1
	2200703	Pilot Orifice # 23 - Propane Gas	3	3	3	3	1	1
	2200709	Pilot Orifice # 40 Manufactured Gas	3	3	3	3	1	1
25	2270200	Pilot Shield	1	1	1	1		
26	2194799	Manifold Assy	1	1	1	1		
	2194797	Manifold Assy Rear Gas	1	1	1	1		
	2582199	Manifold Assy M47 Manf.	1	1	1	1		
	2582198	Manifold Assy M47 Manf. RR Gas	1	1	1	1		
	2445799	Manifold Assy					1	1
	2945798	Manifold Assy (Rear Gas)					1	1
	2582099	Manifold Assy (Mfg, Gas)					1	1
2582098	Manifold Assy (Mfg, Gas Rear Gas)					1	1	
27	G02251-1	Test Spigot	1	1	1	1	1	1
28	1086597	Gum Valve- 3/16 Pilot	3	3	3	3	1	1
29	2604100	Pilot Tube	3	3	3	3	1	1
32	G0105-6	Hi-Lo Valve # 39 (Nat) N. America	3	3	3	3	1	1
	G0105-5	Hi-Lo Valve # 52 (Pro) N. America	3	3	3	3	1	1
	G0115-XX	Hi-Lo Valve Manufactured Gas	3	3	3	3	1	1
	G0105-XX	Hi-Lo Valve (Nat/Export)	3	3	3	3	1	1
	G0105-XX	Hi-Lo Valve (Pro/Export)	3	3	3	3	1	1
33	1825501	Valve Panel	1	1				
	1825401	Valve Panel			1	1		
	2529300	Valve Panel					1	1
34	4512144	Knob	3	3	3	3	1	1
34A	2512141	Knob (FD Oven F)	1	1				
	2522103	Knob (FD Oven C)						
35	2193000	Grease Tray Handle	1	1	1	1		1
36	2201499	Grease Container Assy	1	1	1			
	2335699	Grease Tray Assy				1		1
	2515600	Grease Pan					1	
37	2427102	Secondary Valve Panel						1
	2247702	Secondary Valve Panel				1		
38	2247400	Secondary Burner Bottom				1		
	2427000	Secondary Burner Bottom						1
39	2425600	Grease Tray Guide				1		1

* NOT ILLUSTRATED

RECOMMENDED STOCK PARTS

GARLAND PARTS IDENTIFICATION

Master Series

Heavy Duty Griddle

Models: M47-51R, RC, S, T

ITEM	PART #	DESCRIPTION	QUANTITY			
			MODEL			
			M47-51R	M47-51RC	M47-51S	M47-51T
1	1790608	LP BG Flue Cap 51"	1	1	1	1
2	1816415	LP BG Back 51" AZ	1	1	1	1
	1815416	LP BG Back 51" SS	1	1	1	1
3	1817308	LP Front Panel 51"	1	1	1	1
4	1768599	LP BG Upright Assy S/W	2	2	2	2
5	2551400	Burner Rest M6/7/8	1	1	1	1
	2552200	Burner Rest M46/M47/48	1	1	1	1
6	2194300	Burner Hanger	4	4	4	4
7	G7338-1-6	Side Radiation Shield	2	2	2	2
8	2194899	Fire Box Body Assy 34"	1	1	1	1
	2517399	Fire Box Body Assy 17"	1	1	1	1
11	G0444-051-9	Rear Splashguard Assy	1	1	1	1
12	1781489	Fry Top Weld Assy 51"	1	1	1	1
	1781473	Grooved Grid Weld Assy	1	1	1	1
13	1014900	Griddle H Burner	4	4	4	4
14	1028002	Air Shutter	4	4	4	4
	G4202-2	Air Shutter (MGF Gas)	4	4	4	4
15	1806101	Burner Box Back	1	1	1	1
	1806103	Burner Box Back RR Gas	1	1	1	1
	254701	Burner Box Back 17"	1	1	1	1
	2546400	Burner Box Back				1
	2546405	Burner Box Back RR Gas				1
	2546401	Burner Box Back 17"				1
16	2553000	Back Top MST 40	1	1	1	1
	2584800	Back Top 17"	1	1	1	1
	2553002	Back Top MST 46/47 RR Gas	1	1	1	1
17	2559000	Backguard Spacer	1	1	1	1
18	1768399	Shelf Mtg. Bracket Assy LT	1	1	1	1
	1768398	Shelf Mtg. Bracket Assy RT	1	1	1	1
19	1132806	Burner Box Side LT/CRS	1	1	1	
	1132807	Burner Box Side RT/CRS	1	1	1	
	1132804	Burner Box Side LT/SS	1	1	1	
	1132805	Burner Box Side RT/SS	1	1	1	
	2247602	Burner Box Side LT/CRS				1
	2247603	Burner Box Side LT/SS				1
	2247600	Burner Box Side RT/CRS				1
	2247601	Burner Box Side RT/SS				1
20	G7341-1-6	Rear Radiation Shield	1	1	1	1
	G7341-4-6	Rear Radiation Shield RR Gas	1	1	1	1
	2539000	Rear Radiation Shield- 17"	1	1	1	1
21	2512600	Burner Box Bottom	1	1	1	
	2515200	Burner Box Bottom - 17"	1	1	1	
	2247000	Burner Box Bottom				1
	2426900	Burner Box Bottom				1
22	2551399	Front Rail Assy 51"	1	1	1	1
23	2194100	H Burner Pilot Bracket	4	4	4	4
24	2200700	Pilot Burner RH	4	4	4	4

* NOT ILLUSTRATED

RECOMMENDED STOCK PARTS

GARLAND PARTS IDENTIFICATION

Master Series

Heavy Duty Griddle

Models: M47-51R, RC, S, T

ITEM	PART #	DESCRIPTION	QUANTITY			
			MODEL			
			M47-51R	M47-51RC	M47-51S	M47-51T
25	2270200	Pilot Shield	1	1	1	1
26	2194799	Manifold Assy - M47 Std.	1	1	1	1
	2194797	Manifold Assy - M47 RR Gas	1	1	1	1
	2445799	Manifold Assy - M7 Std.	1	1	1	1
27	G02251-1	Test Spigot	1	1	1	1
28	1086597	Gum Valve -3/16 Pilot	4	4	4	4
29	2604100	Pilot Tube	4	4	4	4
32	G0105-XX	Hi-Lo Valve (Special) Specify Gas	4	4	4	4
	G0105-5	Hi-Lo Valve # 52 Pro N America Only	4	4	4	4
	G0105-6	Hi-Lo Valve # 39 Nat. N America Only	4	4	4	4
	G0115-XX	Valve Hi-Lo Manuf Gas	4	4	4	4
33	1825501	Valve Panel- M47R	1	1		
	1825401	Valve Panel- M47S			1	1
	2529300	Valve Panel	1	1	1	1
34	2522107	Knob (FD Oven °C)	1	1		
	1825401	Knob (FD Oven °F)	1	1		
	2522111	Knob	4	4	4	4
35	2193000	Grease Tray Handle	1	1	1	1
36	2201499	Grease Container Assy	1	1	1	
	2335699	Grease Tray Assy				1
37	2247702	Secondary Valve Panel				1
38	2247400	Secondary Burner Box Bottom				1
39	2425600	Grease Tray Guide				1

* NOT ILLUSTRATED

RECOMMENDED STOCK PARTS

GARLAND PARTS IDENTIFICATION

Master Series

Heavy Duty Griddle

Models: M47-68R, RC, S, T

ITEM	PART #	DESCRIPTION	QUANTITY			
			MODEL			
			M47-68R	M47-68RC	M47-68S	M47-68T
1	1790610	LP BG Flue Cap 68"	1	1	1	1
2	1816419	LP BG Back 68" AZ	1	1	1	1
	1816420	LP BG Back 68" SS	1	1	1	1
3	1817310	LP BG Upright Assy S/W	2	2	2	2
5	2552200	Burner Rest	2	2	2	2
6	2194300	Burner Hanger	4	4	4	4
7	G7338-1-6	Side Radiation Shield	4	4	4	4
8	2194899	Fire Box Body Assy	2	2	2	2
11	G0444-068-9	Rear Splashguard Assy	1	1	1	1
12	1781491	Fry Top Weld Assy 68"	1	1	1	1
	1781499	Grv. Griddle Weld Assy	1	1	1	1
13	1014900	Griddle H Burner	6	6	6	6
14	1028002	Air Shutter	6	6	6	6
	G4202-2	Air Shutter (Mfg Gas)	6	6	6	6
15	1806101	Burner Box Back	2	2	2	2
	2546400	Burner Box Back				2
	2546405	Burner Box Back RR Gas				2
	1806103	Burner Box Back RR Gas	2	2	2	2
16	2553000	Back Top MST 40	2	2	2	2
	2553002	Back Top MST 46/47 RR	1	1	1	1
17	2559000	Backguard Spacer	2	2	2	2
18	1768399	Shelf Mtg. Bracket Assy LT	2	2	2	2
	1768398	Shelf Mtg. Bracket Assy RT	2	2	2	2
19	1132806	Burner Box Side LT/CRS	2	2	2	
	1132807	Burner Box Side LT/SS	2	2	2	
	1132804	Burner Box Side RT/CRS	2	2	2	
	1132805	Burner Box Side RT/SS	2	2	2	
	2247602	Burner Box Side LT/CRS				2
	2247603	Burner Box Side LT/SS				2
	2247600	Burner Box Side RT/CRS				2
20	G7341-1-6	Rear Radiation Shield	2	2	2	2
	G7341-4-6	Rear Radiation Shield RR Gas	1	1	1	1
21	2512600	Burner Box Bottom	2	2	2	2
	224700	Burner Box Bottom				2
22	2576398	Front Rail Assy 68"	1	1	1	1
23	2194100	H Burner Pilot Bracket	6	6	6	6
24	2200700	Pilot Burner RH	6	6	6	5
25	2270200	Pilot Shield	2	2	2	2
26	2194797	Manifold Assy M47 Std.	2	2	2	2
	2194799	Manifold Assy Rear Gas	2	2	2	2
27	G02251-1	Test Spigot	2	2	2	2
28	1086597	Gum Valve - 3/16 Pilot	6	6	6	6
32	G0105-XX	Hi-Lo Valve (Special) (Specify Gas)	6	6	6	6
	G0105-5	Hi-Lo Valve #52 Pro. (N. America Only)	6	6	6	6
	G0105-6	Hi-Lo Valve #39 Nat. (N. America Only)	6	6	6	6
	G0115-XX	Valve Hi-Lo Manuf. Gas	6	6	6	6

* NOT ILLUSTRATED

RECOMMENDED STOCK PARTS

GARLAND PARTS IDENTIFICATION

Master Series

Heavy Duty Griddle

Models: M47-68R, RC, S, T

ITEM	PART #	DESCRIPTION	QUANTITY			
			MODEL			
			M47-68R	M47-68RC	M47-68S	M47-68T
33	1825501	Valve Panel M47R	2	2		
	1825401	Valve Panel M47S/T			2	2
34	4512142	Knob (FD Oven °C)	2	2		
	4512141	Knob (FD Oven °F)	2	2		
34A	4512144	Knob	6	6	6	6
35	2193000	Grease Tray Handle	2	2	2	2
36	2201400	Grease Container Assy	2	2	2	2
	2335699	Grease Try Assy				2
37	2247702	Secondary Valve Panel				2
38	2247400	Secondary Burner Box Bottom				2
39	2925600	Grease Tray Guide				2

* NOT ILLUSTRATED

RECOMMENDED STOCK PARTS

GARLAND PARTS IDENTIFICATION

Master Series

Heavy Duty Griddle

Models: M48 R, RC, S, T; M8S, T

ITEM	PART #	DESCRIPTION	QUANTITY					
			MODEL					
			M48R	M48RC	M48S	M48T	M8S	M8T
1	1790601	LP BG Flue Cap 34"	1	1	1	1		
	1790602	LP BG Flue Cap 17"					1	1
2	1816407	LP BG Back 34" AZ	1	1	1	1		
	1816408	LP BG Back 34" SS	1	1	1	1		
	1816401	LP BG Back 17" AZ					1	1
	1816402	LP BG Back 17" SS					1	1
3	1817304	LP Front Panel 34"	1	1	1	1		
	1817301	LP Front Panel 17"					1	1
4	1768599	LP BG Upright Assy S/W	2	2	2	2	2	2
5	2552200	Burner Rest M46/47/48	1	1	1	1		
	2551400	Attach Burner Rest M6/7/8					1	1
6	2194300	Burner Hanger	2	2	2	2	2	2
7	G7338-1-6	Side Radiation shield	2	2	2	2	2	2
8	2194899	Fire Box Body Assy	1	1	1	1		
	2517399	Fire Box Assy					1	1
9	1325602	Bulb Shield Outer	3	3	3	3	1	1
10	1821101	Bulb Shield	3	3	3	3	1	1
11	G0444-034-9	Rear Splashguard Assy	1	1	1	1		
	G0444-017-9	Rear Splashguard Assy					1	1
12	1781479	Frytop Weld Assy 34"	1	1	1	1		
	1781471	Grooved Griddle Weld Assy 34"	1	1	1	1		
	2539398	Frytop Weld Assy 17" T Stat					1	1
	2539498	Grooved Griddle Weld Assy 17"					1	1
13	1014900	Griddle H Burner	3	3	3	3	1	1
14	1028002	Air Shutter	3	3	3	3	1	1
15	1806101	Burner Box Back	1	1	1			
	1806103	Burner Box Back-RR Gas	1	1	1			
	2546400	Burner Box Back				1		
	2546405	Burner Box Back - RR Gas				1		
	2546701	Burner Box Back 17"					1	1
	2546704	Burner Box Back RR Gas					1	1
	2546401	Burner Box Back						1
	2546409	Burner Box Back						1
16	2553000	Back Top M47	1	1	1	1		
	2584800	Back Top 17"7					1	1
	2553002	Back Top M48 Rear Gas	1	1	1	1		
17	2559000	Backgurad Spacer	1	1	1	1		
18	1768399	Shelf Mtg. Brkt. Assy LT	1	1	1	1	1	1
	1768398	Shelf Mtg. Brkt. Assy RT	1	1	1	1	1	1
19	1132806	Burner Box Side LT/CRS	1	1	1		1	
	1132804	Burner Box Side RT/CRS	1	1	1		1	
	1132805	Burner Box Side RT/SS	1	1	1		1	
	1132807	Burner Box Side LT/SS	1	1	1		1	
	2247600	Burner Box Side RT/CRS				1		1
	2247602	Burner Box Side LT/CRS				1		1
	2247601	Burner Box Side RT/SS				1		1
	2247603	Burner Box Side LT/SS				1		1

* NOT ILLUSTRATED

RECOMMENDED STOCK PARTS

GARLAND PARTS IDENTIFICATION

Master Series

Heavy Duty Griddle

Models: M48 R, RC, S, T; M8S, T

ITEM	PART #	DESCRIPTION	QUANTITY					
			MODEL					
			M48R	M48RC	M48S	M48T	M8S	M8T
20	G7341-1-6	Rear Radiation Shield	1	1	1	1		
	G7341-4-6	Rear Radiation Shield RR Gas	1	1	1	1		
	2539000	Rear Radiation Shield 17"					1	1
	2539002	Rear Radiation Shield RR Gas					1	1
21	2512600	Burner Box Bottom	1	1	1			
	2247000	Burner Box Bottom				1		
	2426900	Burner Box Bottom						1
	2515200	Burner Box Bottom					1	
22	2190698	Front Rail Assembly	1	1	1	1		
	2426898	Front Rail Assembly						1
	2426899	Front Rail Assembly					1	
23	2194100	H Burner Pilot Bracket	3	3	3	3	1	1
24	2200700	Pilot Burner RH	3	3	3	3	1	1
25	2270200	Pilot Shield	1	1	1	1	1	1
26	2538199	Manifold Assy-M48	1	1	1	1		
	2538108	Manifold Assy-Rear Gas -M48	1	1	1	1		
	2445799	Manifold Assy-M8					1	1
	2445798	Manifold Assy-Rear Gas -M8					1	1
27	G0225-1	Test Spigot	1	1	1	1	1	1
28	1086597	Gum Valve - 3/16 Pilot	3	3	3	3	1	1
29	2604100	Tube - Pilot	3	3	3	3	1	1
30	1086000	Adapter 1/8 NPT - BJ T'Stat	3	3	3	3	1	1
31	1360200	Thermostat BJNA-3-1-C	3	3	3	3	1	1
31A	2527700	Adapter - Knob BJ Thermostat	3	3	3	3	1	1
31B	076050-80	Elbow-Compression 1/4T x 1/8NPT	3	3	3	3	1	1
31C	2558400	Tube -250 -Bj2 Orifice	3	3	3	3	1	1
31D	G01817-1	Elbow-1/8 NPT Street	3	3	3	3	1	1
33	1805601	Valve Panel M48R	1	1				
	1825901	Valve Panel M48S/T			1	1		
	2542400	Valve Panel					1	1
34	2522108	Knob Griddle	3	3	3	3	1	1
34A	2522107	Knob (FD Oven °F)	1	1				
	2522103	Knob (FD Oven °C)	1	1				
35	2193000	Grease Tray Handle	1	1	1	1		1
36	2201499	Grease Container Assy	1	1	1			
	2335699	Grease Container Assy				1		1
	2525600	Grease Pan					1	
37	2427102	Secondary Valve Panel						1
	2247702	Secondary Valve Panel				1		
38	2447000	Secondary Burner Box Bottom				1		
	2427000	Secondary Burner Box Bottom						1
39	2425600	Grease Tray Guide				1		1
40	2188700	Orifice Support	3	3	3	3	1	1
41	G02486-39F	Orifice Fitting (Nat)	3	3	3	3	1	1
	G02486-52F	Orifice Fitting (Pro)	3	3	3	3	1	1
	G02486-XX	Orifice Fitting (Spec)	3	3	3	3	1	1

* NOT ILLUSTRATED

RECOMMENDED STOCK PARTS

GARLAND PARTS IDENTIFICATION

Master Series

Heavy Duty Griddle

Models: M48-51R, RC, S, T

ITEM	PART #	DESCRIPTION	QUANTITY			
			MODEL			
			M48-51R	M48-51RC	M48-51S	M48-51T
1	1790608	LP BG Flue Cap 51"	1	1	1	1
2	1816415	LP BG Back 51" AZ	1	1	1	1
	1815416	LP BG Back 51" SS	1	1	1	1
3	1817308	LP Front Panel 51"	1	1	1	1
4	1768599	LP BG Upright Assy S/W	2	2	2	2
5	2551400	Burner Rest M6/7/8	1	1	1	1
	2552200	Burner Rest M46/M47/48	1	1	1	1
6	2194300	Burner Hanger	4	4	4	4
7	G7338-1-6	Side Radiation Shield	2	2	2	2
8	2194899	Fire Box Body Assy 34"	1	1	1	1
	2517399	Fire Box Body Assy 17"	1	1	1	1
9	1325602	Bulb Shield Outer	4	4	4	4
10	1821101	Bulb Shield	4	4	4	4
11	G0444-051-9	Rear Splashguard Assy	1	1	1	1
12	1780322	Fry Top Weld Assy 51"	1	1	1	1
	1780330	Grooved Grid Weld Assy	1	1	1	1
13	1014900	Griddle H Burner	4	4	4	4
14	1028002	Air Shutter	4	4	4	4
15	1806101	Burner Box Back	1	1	1	
	2546701	Burner Box Back- 17"	1	1	1	
	1806103	Burner Box Back RR Gas	1	1	1	
	2546400	Burner Box Back				1
	2546401	Burner Box Back- 17"				1
16	2553000	Back Top MST40	1	1	1	1
	2553002	Back Top MS46/47/RR Gas	1	1	1	1
17	2559000	Backguard Spacer	2	2	2	2
18	1768399	Shelf Mtg. Bracket Assy LT	2	2	2	2
	1768398	Shelf Mtg. Bracket Assy RT	2	2	2	2
19	1132806	Burner Box Side LT/CRS	1	1	1	
	1132807	Burner Box Side LT/SS	1	1	1	
	1132804	Burner Box Side RT/CRS	1	1	1	
	1132805	Burner Box Side RT/SS	1	1	1	
	2247600	Burner Box Side RT				1
	2247601	Burner Box Side RT				1
	2247601	Burner Box Side LT				1
20	G7341-1-6	Rear Radiation Shield	1	1	1	1
	G7341-4-6	Rear Radiation Shield	1	1	1	1
21	2247000	Burner Box Bottom 34"				1
	2426900	Burner Box Bottom 17"				1
	2512600	Burner Box Bottom 34"	1	1	1	
	2515200	Burner Box Bottom 17"	1	1	1	
22	2551399	Front Rail Assy 51"	1	1	1	1
23	2194100	H Burner Pilot Bracket	4	4	4	4
24	2200700	Pilot Burner RH	4	4	4	4
25	2270200	Pilot Shield	1	1	1	1

* NOT ILLUSTRATED

RECOMMENDED STOCK PARTS

GARLAND PARTS IDENTIFICATION

Master Series

Heavy Duty Griddle

Models: M48-51R, RC, S, T

ITEM	PART #	DESCRIPTION	QUANTITY			
			MODEL			
			M48-51R	M48-51RC	M48-51S	M48-51T
26	2538198	Manifold Assy - M48 Rear Gas	1	1	1	1
	2538199	Manifold Assy -M48	1	1	1	1
	2445799	Manifold Assy - M8 STD	1	1	1	1
27	G02251-1	Test Spigot	1	1	1	1
28	1086597	Gum Valve - 3/16 Pilot	4	4	4	4
29	2604100	Tube-Pilot	4	4	4	4
30	1086000	Adapter 1/8NPT-BJ T'Stat	4	4	4	4
31	1360200	Thermostat BJWA-3-1-C	4	4	4	4
31A	2527700	Adapter -Knob BJ T'Stat	4	4	4	4
31B	076050-80	Elbow-Compression 1/4T x 1/8NPT	4	4	4	4
31C	2558400	Tube - .250 BJ to Orifice	4	4	4	4
31D	G01917-1	Elbow -1/8 NPT Street	4	4	4	4
33	1805601	Valve Panel M48R, RC	1	1		
	1825901	Valve Panel M48S, T			1	1
	25442400	Valve Panel -M8			1	1
34	2522108	Knob	4	4	4	4
	2522103	Knob (FD Oven °C)	1	1		
	2522197	Knob (FD Oven °F)	1	1		
35	2193000	Grease Tray Handle	1	1	1	1
36	2201499	Grease Container Assy	1	1	1	
	2335699	Grease Tray Assy				1
37	2247701	Secondary Valve Panel				1
38	2297400	Secondary Burner Box Bottom				1
39	2425600	Grease Tray Guide				1
40	2188700	Orifice Support	4	4	4	4
41	G02486-31F	Orifice Fitting (Nat)	4	4	4	4
	G02486-52F	Orifice Fitting (Pro)	4	4	4	4
	G02486-XX	Orifice Fitting (Spec)	4	4	4	4

* NOT ILLUSTRATED

RECOMMENDED STOCK PARTS

GARLAND PARTS IDENTIFICATION

Master Series

Heavy Duty Griddle

Models: M4868R, RC, S, T

ITEM	PART #	DESCRIPTION	QUANTITY			
			MODEL			
			M48-68R	M48-68RC	M48-68S	M48-68T
1	1790610	LP BG Flue Cap 68"	1	1	1	1
2	1816419	LP BG Back 68" AZ	1	1	1	1
	1816420	LP BG Back 68" SS	1	1	1	1
3	1817310	LP BG Upright Assy S/W	2	2	2	2
5	2552200	Burner Rest	2	2	2	2
6	2194300	Burner Hanger	4	4	4	4
7	G7338-1-6	Side Radiation Shield	4	4	4	4
8	2194899	Fire Box Body Assy	2	2	2	2
9	1325602	Bulb Shield Outer	4	4	4	4
10	1821101	Bulb Shield Outer	4	4	4	4
11	G0444-068-9	Rear Splashguard Assy	1	1	1	1
12	1781483	Fry Top Weld Assy 68"	1	1	1	1
	1781475	Grv. Griddle Weld Assy	1	1	1	1
13	1014900	Griddle H Burner	6	6	6	6
14	1028002	Air Shutter	6	6	6	6
15	1806101	Burner Box Back	2	2	2	2
	1806103	Burner Box Back RR Gas	2	2	2	2
	2546400	Burner Box Back				2
	2546409	Burner Box Back RR Gas				1
16	2553000	Back Top MST40	1	1	1	1
	2559000	Back Top MST 46/47/48	1	1	1	1
17	2559000	Back Guard Spacer	1	1	1	1
18	1768399	Shelf Mtg. Bracket Assy LT	2	2	2	2
	1768398	Shelf Mtg. Bracket Assy RT	2	2	2	2
19	1132806	Burner Box Side LT/CRS	2	2	2	
	1132807	Burner Box Side LT/SS	2	2	2	
	1132804	Burner Box Side RT/CRS	2	2	2	
	1132805	Burner Box Side RT/SS	2	2	2	
	2247600	Burner Box Side RT				2
	2247601	Burner Box Side RT				2
	2247602	Burner Box Side LT				2
20	G7341-1-6	Rear Radiation Shield	2	2	2	2
	G7341-4-6	Rear Radiation Shield RR Gas	1	1	1	1
21	2512600	Burner Box Bottom	2	2	2	
	2247000	Burner Box Bottom				2
22	2576398	Front Rail Assy	1	1	1	1
23	2194100	H Burner Pilot Bracket	6	6	6	6
24	2200700	Pilot Burner RH	6	6	6	5
25	2279200	Pilot Shield	2	2	2	2
26	2538199	Manifold Assy-M48	2	2	2	2
	2538198	Manifold Assy-M48 Rear Gas	1	1	1	1
27	G02251-1	Test Spigot	1	1	1	1
28	1086597	Gum Valve - 3/16 Pilot	6	6	6	6
29	2604100	Tube Pilot	6	6	6	6
30	1086000	Adapter 1/8	6	6	6	6
31	1360200	Thermostat BJWA-3-1-C	6	6	6	6

* NOT ILLUSTRATED

RECOMMENDED STOCK PARTS

GARLAND PARTS IDENTIFICATION

Master Series

Heavy Duty Griddle

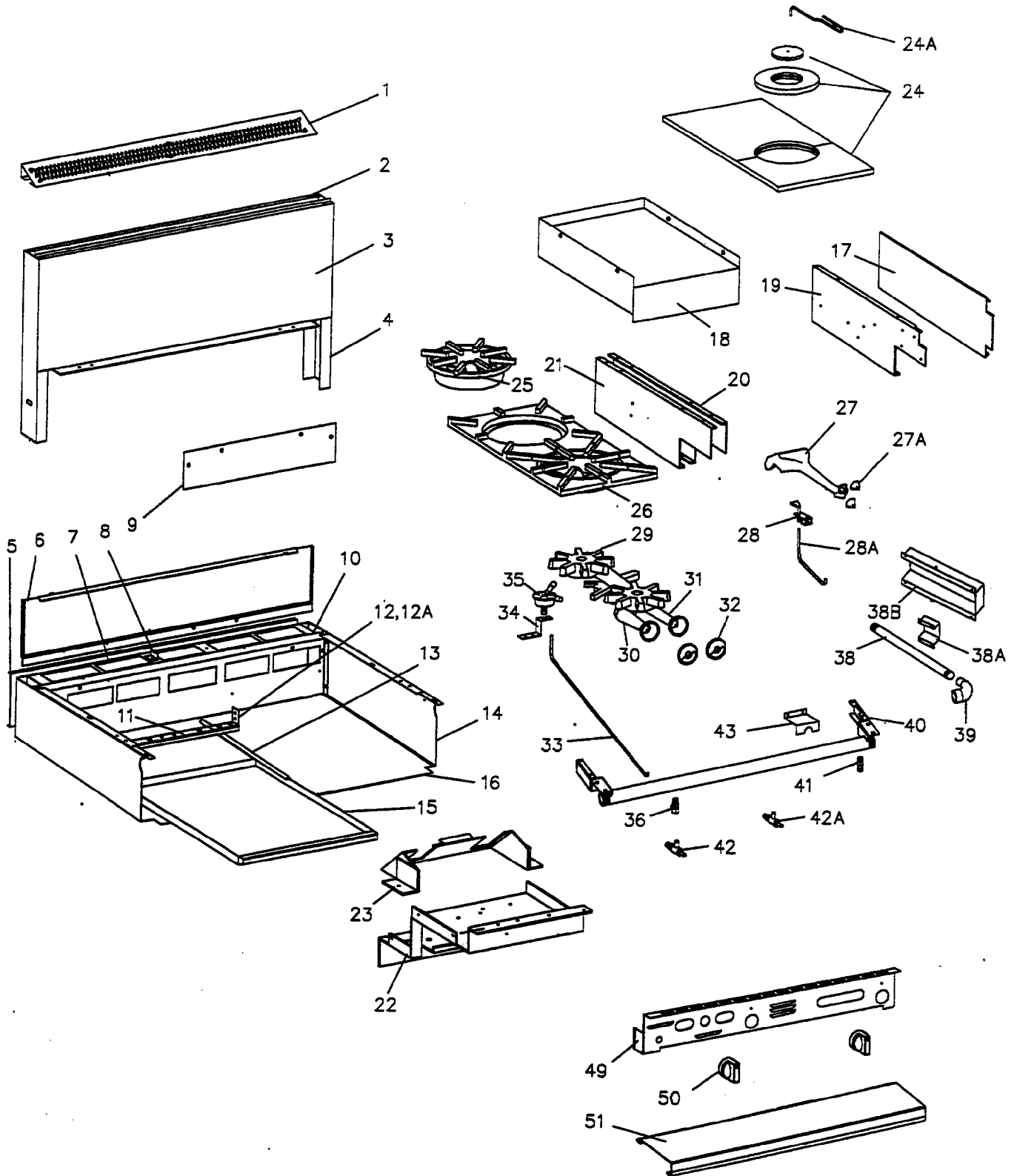
Models: M4868R, RC, S, T

ITEM	PART #	DESCRIPTION	QUANTITY			
			MODEL			
			M48-68R	M48-68RC	M48-68S	M48-68T
31A	2527700	Adapter 1/8	6	6	6	6
31B	076050-80	Elbow	6	6	6	6
31C	2558400	Tube	6	6	6	6
31D	G01917-1	Elbow	6	6	6	6
33	1805601	Valve Panel M48R	2	2		
	1825901	Valve Panel M48S/T			2	2
34	2533108	Knob	6	6	6	6
	2522103	Knob (FD Oven °C)	2	2		
	2522107	Knob (FD Oven °F)	2	2		
35	2193000	Grease Tray Handle	2	2	2	2
36	2201499	Grease Container Ass	2	2	2	
	235699	Grease Tray Assy				2
37	2247702	Secondary Valve Panel				2
39	2425600	Grease Tray Guide				2
40	2188700	Orifice Support	6	6	6	6
41	G02486-31F	Orifice Fitting (Nat)	6	6	6	6
	G02486-52F	Orifice Fitting (Pro)	6	6	6	6
	G02486-XX	Orifice Fitting (Spec)	6	6	6	6

* NOT ILLUSTRATED

RECOMMENDED STOCK PARTS

NOTES



GARLAND PARTS IDENTIFICATION

Master Series

Heavy Duty Range Front-Fired Hot Top & Open Top Section

Models: M54R, RC, S, T

ITEM	PART #	DESCRIPTION	QUANTITY			
			MODEL			
			M54R	M54RC	M54S	M54T
1	1790602	LP BG Flue Cap 34"	1	1	1	1
2	1816407	LP BG Back Guard 34" AZ	1	1	1	1
	1816408	LP BG Back Guard 34" SS	1	1	1	1
3	1817304	LP Front Panel 34"	1	1	1	1
4	1768599	LP BG Upright Assy S/W	2	2	2	2
5	G7341-1-6	Rear Radiation Shield	1	1	1	1
6	1806101	Burner Box Back	1	1	1	
	2546400	Burner Box Back				1
7	2553000	Back Top MST 40	1	1	1	1
8	2559000	Backguard Spacer	1	1	1	1
9	2570900	Back Top Baffle	1	1	1	1
10	1768399	Shelf MTG. Brkt. Assy LT	1	1	1	1
	1768398	Shelf MTG. Brkt. Assy RT	1	1	1	1
11	2340300	Burner Rest	1	1	1	1
12	2431300	Burner Hanger-Side	1	1	1	1
	2537400	Burner Hanger-Centre	1	1	1	1
13	2505400	Drip Tray Guide RH	1	1	1	1
	2505401	Drip Tray Guide LH	1	1	1	1
14	1132804	Burner Box Side RH/CRS	1	1	1	
	1132805	Burner Box Side RH/SS	1	1	1	
	1132806	Burner Box Side LH/CRS	1	1	1	
	1132807	Burner Box Side LH/SS	1	1	1	
	2247600	Burner Box Side RH/CRS				1
	2247601	Burner Box Side RH/SS				1
	2247602	Burner Box Side LH/CRS				1
2247603	Burner Box Side LH/SS				1	
15	2342803	Drip Pan	1	1	1	1
16	2512601	Burner Box Bottom	1	1	1	
	2247001	Burner Box Bottom				1
17	G7338-1-6	Side Radiation Shield	1	1	1	1
18	2340699	Radiation Pan Assy	1	1	1	1
19	G0453-1-61	Side Radiation Shield-Hot Top Right	1	1	1	1
	G0453-1-62	Side Radiation Shield-Hot Top Left	1	1	1	1
20	2341000	Radiation Shield Support-Hot Top LT	1	1	1	1
	2341001	Radiation Shield Support-Hot Top RT	1	1	1	1
21	2341100	Side Rad. Shield Support-Hot Top LT	1	1	1	1
	2341101	Side Rad. Shield Support-Hot Top RT	1	1	1	1
22	2341200	Top Burner Housing-Hot Top LT	1	1	1	1
	2341201	Top Burner Housing-Hot Top RT	1	1	1	1
23	2554299	Burner Air Shield Assembly	1	1	1	1
24	G6117-01	Key Plate Assembly	1	1	1	1
24A	G6308-1-8	Lid Lifter	1	1	1	1
25	1769101	Ring Grate/Bowl 35K	2	2	2	2
26	1769001	Top Grate 35K Burner	1	1	1	1
27	G3575-32	Top Burner- Natural Gas	3	3	3	3
	G2575-36	Top Burner- Propane	3	3	3	3
	G3575-40	Top Burner- Manufactured Gas	3	3	3	3
27A	G4155	Air Shutter	6	6	6	6

* NOT ILLUSTRATED

RECOMMENDED STOCK PARTS

GARLAND PARTS IDENTIFICATION

Master Series

Heavy Duty Range Front-Fired Hot Top & Open Top Section

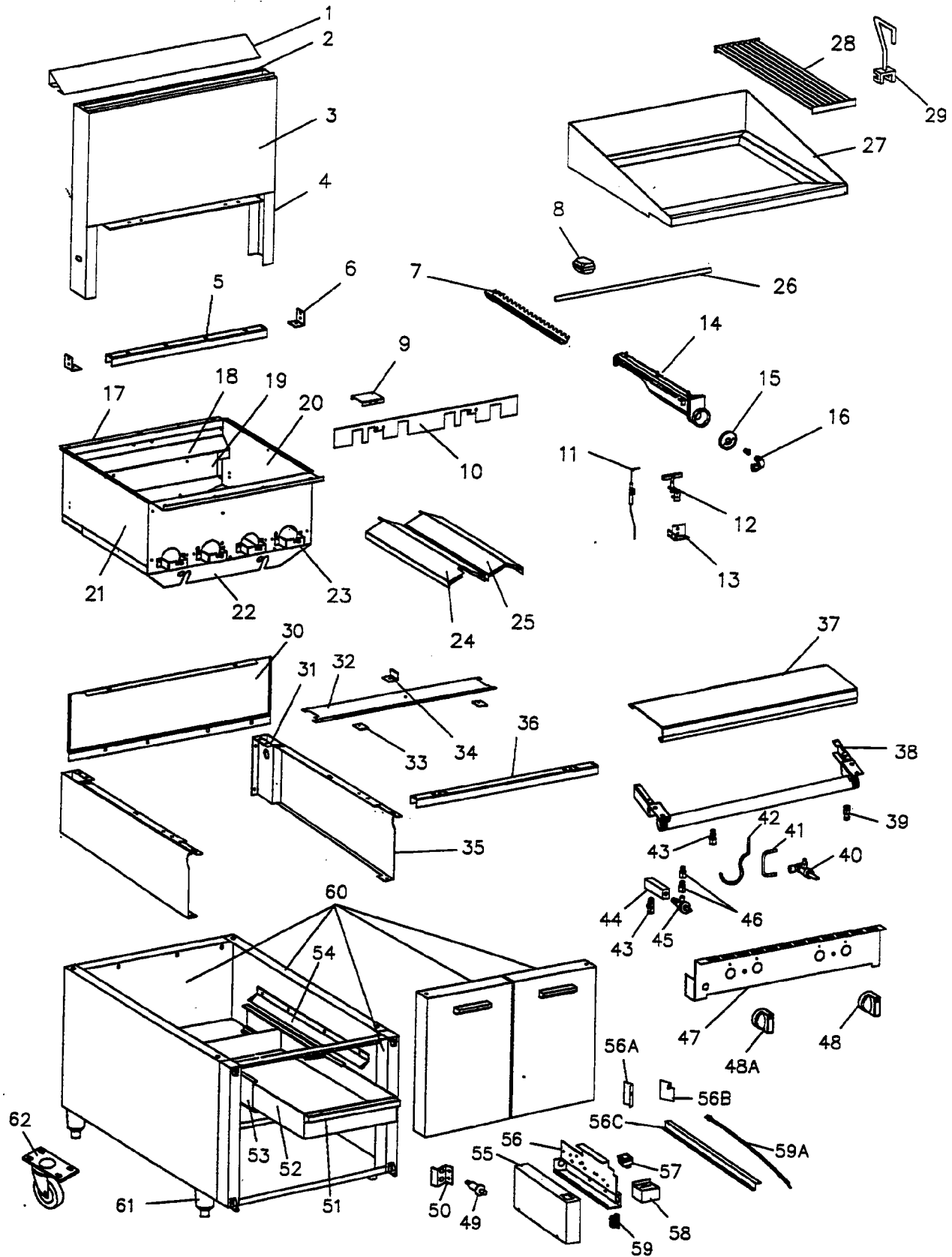
Models: M54R, RC, S, T

ITEM	PART #	DESCRIPTION	QUANTITY			
			MODEL			
			M54R	M54RC	M54S	M54T
28	G0526-1	Pilot Burner (2C-2) Natural Gas	2	2	2	2
	G0526-2	Pilot Burner (2C-2) Propane	2	2	2	2
	G0526-3	Pilot Burner (2C-2) Manufactured Gas	2	2	2	2
28A	G0508-1-8R	Pilot Tube-1/4" Alum. X 12" Lg	2	2	2	2
29	2547800	Burner Head	2	2	2	2
30	2528200	Front Burner Housing	1	1	1	1
31	2528000	Rear Burner Housing	1	1	1	1
32	2519200	Air Shutter	2	2	2	2
	G4202-2	Air Shutter (Mfg. Gas)	2	2	2	2
33	1032617	Top Lighter Tube 1/8"Od x 17" Lg	1	1	1	1
34	2547800	Brkt. Open Burner Pilot	1	1	1	1
35	1801401	Open Top Lighter Assembly	1	1	1	1
36	1086199	Valve-1/8" Pilot Adjust	1	1	1	1
38	076029-182	Pilot Nipple RR Gas-3/4" x 33" Lg	1	1	1	1
38A	1823301	Tail Pipe Support-Rear Gas	1	1	1	1
38B	1823302	Side Gas Cover-Rear Gas	1	1	1	1
39	2536300	1 1/4" NPT Elbow-Rear Gas	1	1	1	1
39A*	060295-6	Reducer Bushing 1-1/4" x 3/4"-RR Gas	1	1	1	1
40	2555699	Manifold Assy Std.- Hot Top Right	1	1	1	1
	2555599	Manifold Assy Std.- Hot Top Left	1	1	1	1
	2581399	Manifold Assy Mfg. Gas-Hot Top RT	1	1	1	1
	2581299	Manifold Assy Mfg. Gas-Hot Top LT	1	1	1	1
41	G02251-1	Test Spigot	1	1	1	1
42	G4447-38F	Valve-Top Burner-Nat (N. America)	2	2	2	2
	G4447-1.8MM	Valve-Top Burner-Pro (N. America)	2	2	2	2
	G4447-XX	Valve-Top Burner-Special (Spec Gas/Destination)	2	2	2	2
	2564600	Valve-Top Burner-Mft Gas (Spec Gas/Destination)	2	2	2	2
42A	G4447-52F	Valve-Hot Top Burner-Nat (N. America)	3	3	3	3
	G4447-62F	Valve-Hot Top Burner-Pro (N. America)	3	3	3	3
	G4447-XX	Valve-Hot Top Burner-Mfg Gas (Spec Gas/Destination)	3	3	3	3
	G4447-XX	Valve-Hot Top Burner-(Nat/Export) (Spec Gas/Destination)	3	3	3	3
	G4447-XX	Valve-Hot Top Burner-(Pro/Export) (Spec Gas/Destination)	3	3	3	3
43	2341600	Thermostat Heat Shield	1	1		
49	2555800	Valve Panel-Hot Top Right	1	1		
	2555801	Valve Panel-Hot Top Right			1	1
	2555700	Valve Panel-Hot Top Left	1	1		
	2555701	Valve Panel-Hot Top Left			1	1
50	2522100	Knob	5	5	5	5
	2527600	Spring-Knob	5	5	5	5
	2522107	Knob (FD Oven F)	1	1		
	2522103	Knob (FD Oven C)	1	1		
51	2190699	Front Rail Assy	1	1	1	1
62	2247703	Secondary Valve Panel				1
63	2247401	Secondary Burner Box Bottom				1

* NOT ILLUSTRATED

RECOMMENDED STOCK PARTS

NOTES



GARLAND PARTS IDENTIFICATION

Master Series

Heavy Duty Gas Char-Broiler

Models: M17B, M24B, M34B

ITEM	PART #	DESCRIPTION	QUANTITY		
			MODEL		
			M17B	M24B	M34B
1	2526000	LP BG Flue Cap 34"			1
	2526001	LP BG Flue Cap 24"		1	
	2526002	LP BG Flue Cap 17"	1		
2	1816401	LP BG Back 17" AZ	1		
	1816402	LP BG Back 17" S/S	1		
	1816403	LP BG Back 24" AZ		1	
	1816404	LP BG Back 24" S/S		1	
	1816407	LP BG Back 34" AZ			1
	1816408	LP BG Back 34" S/S			1
3	1817301	LP Front Panel 17"	1		
	1817302	LP Front Panel 24"		1	
	1817304	LP Front Panel 34"			1
4	1768599	LP BG Upright Assy S/W	2	2	2
5	G02638-5-6	Burner Rest	1		
	G02638-1-6	Burner Rest		1	
	G02638-4-6	Burner Rest			1
6	2532800	Burner Support Bracket	2		
	G026390-1-6	Burner Support Bracket		2	2
7	G02646-2-9	Porcelain Support	3	4	6
8	G02342-1	Briquetts-20 lb	1	1	1
9	2517800	Bracket Pilot cover	2	2	3
10	2533600	Burner Shield	1		
	G02641-1-6	Burner Shield		1	
	G02642-1-6	Burner Shield			1
11	G03151-1	Piezo Electrode 16"	1	1	2
	G03151-5	Piezo Electrode 28"	1		
	G03151-6	Piezo Electrode 38"		1	1
12	2206400	Pilot Burner (Natural)	2	2	3
	2206401	Pilot Burner (Propane)	2	2	3
		Pilot Burner (Mfg Gas)	2	2	3
13	2438800	Pilot Mounting Bracket	2	2	2
14	1090500	Burner	2	4	6
15	1028002	Air Shutter	3	4	6
16	G02486-52F	Orifice Fitting (Natural)	3	4	6
	G02486-57F	Orifice Fitting (Propane)	3	4	6
	G02486-XX	Orifice Fitting (Special - Specify Gas)	3	4	6
17	2286100	Back Liner	1		
	G02621-1-6	Back Liner		1	
	G02743-1-6	Back Liner			1
18	G02623-18-6	Back Spacer	1		
	G02623-24-6	Back Spacer		1	
	G02623-24-6	Back Spacer			1
19	2424700	Burner Hold Down	1		
	2424702	Burner Hold Down		1	
	2424704	Burner Hold Down			1

* NOT ILLUSTRATED

RECOMMENDED STOCK PARTS

GARLAND PARTS IDENTIFICATION

Master Series

Heavy Duty Gas Char-Broiler

Models: M17B, M24B, M34B

ITEM	PART #	DESCRIPTION	QUANTITY		
			MODEL		
			M17B	M24B	M34B
20	G02622-4-61	Side Liner R/H	1		
	G02622-1-61	Side Line R/H		1	1
21	G02622-4-62	Side Liner L/H	1		
	G02622-1-62	Side Liner L/H		1	1
22	2532300	Front Liner	1		
	2438600	Front Liner		1	
	2438700	Front Liner			1
23	G02640-1-6	Orifice Support	3	4	6
25	G02637-01-6	Centre Radiation Shield Assy	1	1	2
25A*	2511800	Rad Shield Support- 17B			
25B*	2511801	Rad Shield Support- 24B			
25C*	2511802	Rad Shield Support- 24B			
26	G03866-5-5	Steel Grate Bar 15"	14		
	G03866-1-6	Steel Grate Bar 21"		14	
	G03866-4-5	Steel Grate Bar 31.375"			14
27	2531299	Main Top Assy	1		
	2437999	Main Top Assy		1	
	2438099	Main Top Assy			1
28	G02647-01-5	Broiler Rack Assembly		4	
	G03484-01-5	Broiler Rack Assy Diamond		4	
	G03724-01-5	Broiler Rack Assembly	2		4
	G03483-01-5	Broiler Rack Assy Diamond	2		4
29	G02685-01-8	Rack Lifter Assembly	1	1	1
30	2532700	Burner Box Back	1		
	G6149-22-7	Burner Box Back		1	
	1896101	Burner Box Back			1
31	1768399	Shelf Mounting Bracket Assy LT	1	1	1
	1768398	Shelf Mounting Bracket Assy RT	1	1	1
32	2532600	Back Top 17	1		
	2532601	Back Top 24		1	
	2532602	Back Top 34			1
33	G03128-1-6	Main Top Spacer	2	2	2
34	2559000	Backguard Spacer	1	1	1
35	2531303	Burner Box Side LT CRS	1		
	2531302	Burner Box Side RT CRS	1		
	2531301	Burner Box Side LT S/S	1		
	2531300	Burner Box Side RT S/S	1		
	2112903	Burner Box Side LT CRS		1	1
	2112902	Burner Box Side RT CRS		1	1
	2112900	Burner Box Side LT S/S		1	1
	2112901	Burner Box Side RT S/S		1	1
36	2533000	Attachment Burner Rest	1		
	2191400	Attachment Burner Rest		1	
	G6302-1-8	Attachment Burner Rest			1
37	2426899	Front Rail Assy	1		
	2450199	Front Rail Assy		1	
	2190699	Front Rail Assy			1

* NOT ILLUSTRATED

RECOMMENDED STOCK PARTS

GARLAND PARTS IDENTIFICATION

Master Series

Heavy Duty Gas Char-Broiler

Models: M17B, M24B, M34B

ITEM	PART #	DESCRIPTION	QUANTITY		
			MODEL		
			M17B	M24B	M34B
38	2532499	Manifold Assy	1		
	2526499	Manifold Assy		1	
	2552999	Manifold Assy			1
39	G02225-1	Test Spigot	1	1	1
40	G02755-1	Valve	3	4	6
41	2533300	Valve Tubing	2		
	2528600	Valve Tubing		2	2
	2528700	Valve Tubing		2	2
	2528500	Valve Tubing			2
42	2533400	Pilot Tubing			
	2535700	Pilot Tubing			
	2528800	Pilot Tubing	2	2	3
43	1086587	Gum Valve - 3/16 Pilot	2	2	3
44	2147200	Pilot Block			
45	2124500	Pilot Shut-Off Valve			
46	1086000	1/8 NPT Adapter			
47	2532500	Valve Panel	1		
	2529200	Valve Panel		1	
	2529100	Valve Panel			1
48	4512152	Knob			
48A	4512144	Knob	3	4	6
49	1309201	Piezo Igniter	2	2	3
50	2525800	Piezo Support Bracket	1	1	2
52	2524902	Drip Tray 17B	1		
	2524901	Drip Tray 24B		1	
	2524900	Drip Tray 34B			1
53	G02635-1-7	Drip Tray Slide	2	2	2
54	G02745-1-6	Drip Chute	2	2	2
60	G6196-1-8	Body Side (CRS) LT & RT	2	2	2
	G6196-1-9	Body Side (S/S) LT & RT	2	2	2
	2515300	Main Bottom 17"	1		
	2442600	Main Bottom 24"		1	
	G01031-1-7	Main Bottom 34"			1
	2546500	Lower Front Channel Molding	1		
	2546501	Lower Front Channel Molding		1	
	2442500	Lower Front Channel Molding			1
	2514697	Front Frame Assy-17	1		
	2514699	Front Frame Assy-24		1	
	2514698	Front Frame Assy-34			1
	2524800	Main Back 17"	1		
	2524801	Main Back 24"		1	
	G6051-1-7	Main Back 34"			1
	2530102	Corner Column LT	1	1	1
	2530103	Corner Column RT	1	1	1
	2529900	Magnet Support Bracket	1	1	
2544200	Magnet Support Bracket (Double)			1	
078174-1	Magnetic Door Catch	1	1	1	

* NOT ILLUSTRATED

RECOMMENDED STOCK PARTS

GARLAND PARTS IDENTIFICATION

Master Series

Heavy Duty Gas Char-Broiler

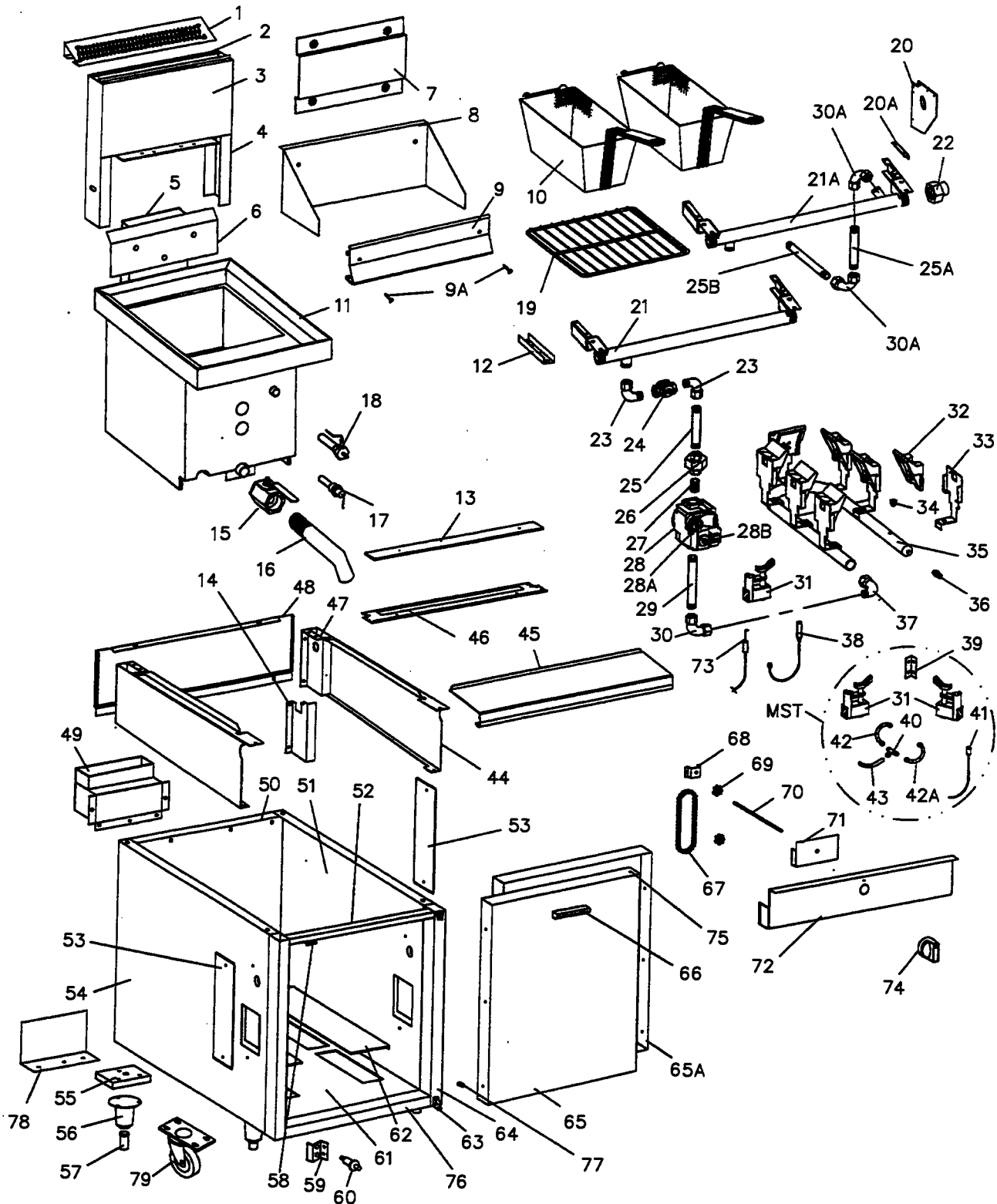
Models: M17B, M24B, M34B

ITEM	PART #	DESCRIPTION	QUANTITY		
			MODEL		
			M17B	M24B	M34B
60 Cont	2514400	Inner Side RH	1	1	1
	2514401	Inner Side LH	1	1	1
	2194598	Door Hinge Assembly LH	1	1	1
	2194599	Door Hingel Assembly RH	1	1	1
	2193500	Door Panel	1		2
	2431200	Door Panel		1	
	2193900	Door Lining	1		2
	2431300	Door Lining		1	
	2192900	Storage Door Handle	1	1	2
	2327100	Door Stop Bumper	1	1	1
	2327200	Hinge Pin	2	2	4
	G02973-2	Plastic Hole Plug 1/2"	4	4	6
	2530900	Hole Plug 3/8"	3	3	6
	078056-5	Flange Bearing	2	2	4
	2526200	Cabinet Shelf	1		
2515000	Cabinet Shelf		1		
2514500	Cabinet Shelf			1	
61	1027600	Leg Retainer Plate 6"	4	4	4
	1150502	Bullet Legs	4	4	4
	1542001	S/S Leg Assy	4	4	4
	1566400	Plate Leg Sub Assy	4	4	4
62	1027800	Swivel Caster Less Brake	2	2	2
	10278011	Swivel Caster C/W Brake	2	2	2

* NOT ILLUSTRATED

RECOMMENDED STOCK PARTS

NOTES



GARLAND PARTS IDENTIFICATION

Master Series Heavy Duty Gas Fryer Models: M35, M35SS

ITEM	PART #	DESCRIPTION	QUANTITY	
			MODEL	
			M35	M35SS
1	1790602	LP BG Flue Cap 17"	1	1
2	1816401	LP BG Back 17" AZ	1	1
	1816402	LP BG Back 17" S/S	1	1
3	1817301	LP Front Panel 17"	1	1
4	1768599	LP BG Upright Assy	2	2
5	2429199	Flue Riser Extension Assy	1	1
	1749999	Flue Riser Assy 17" BG	1	1
6	G0562-2-6	Heat Shield	1	1
7	G0549-3-7	Back Guard Radiation Shield	1	1
8	1480600	Fry Pot Back-Splash	1	1
9	F826-1015	Basket Hanger Kit	1	1
9A	F8090171	Thumb Screw 1/4" x 1-3/8"	2	2
10	F803-0020	Twin Basket	2	2
	F803-0015	Large Single Basket	1	1
11	1600996	Fry Pot Assy Complete LP CRS	1	
	1600997	Fry Pot Assy Complete Nat CRS	1	
	1600998	Fry Pot Assy Complete LP S/S		1
	1600999	Fry Pot Assy Complete Nat S/S	1	
	2566102	Fry Tank Assy CE (G20) Nat S/S		
	2566103	Fry Tank Assy CE (G31) LP S/S		
	2566104	Fry Pot - XJ2X - CE (G20/G25) FRA		
	2566105	Fry Pot- XJ2X - CE (G31) FRA		
12	2584400	Front Rail Support Brkt	2	2
13	2429700	Back Top Cover Plate	1	1
14	1550200	Rear Heat Shield RT	1	1
	1550201	Rear Heat Shield LT	1	1
15	F823-1363	Drain Valve 1-1/4" X 1"	1	1
	F810-0662	Handle Drain Valve C/W Lock Pin	1	1
16	F812-1227	Drain Extension 1"	1	1
17	F806-0184	Thermostat Opening	1	1
18	F826-1177	Thermostat Hi Limit (Sold Sep. Thermostat Knob 4512149)	1	1
19	F803-0032	Basket Support Rack	1	1
20	2208002	End Enclosure RT	1	1
	2208003	End Enclosure LT	1	1
21	2445699	Manifold Assy	1	1
21A	2445696	Manifold Assy 3/4" NPT Rear Gas	1	1
	2445695	Manifold Assy 1-1/4" NPT Rear Gas	1	1
22	G7075	1-1/4" NPT Union	1	1
23	G01475-1	1/2" NPT Street Elbow	2	2
24	G01517-1	Valve-Swing Type Shut Off Gas	1	1
25	G01896-1	Nipple 1/2" NPT x 3"	1	1
25A	076029-190	Nipple 3/4" NPT x 15"	1	1
	076029-195	Nipple 1-1/4" NPT x 16"	1	1
25B	076029-192	Nipple 3/4" NPT x 29"	1	1
	076029-196	Nipple 1-1/4" NPT x 27"	1	1
26	G01739-1	1/2" NPT	1	1
27	G01477-10	1/2" NPT x 1-1/2"	1	1

* NOT ILLUSTRATED

RECOMMENDED STOCK PARTS

GARLAND PARTS IDENTIFICATION

Master Series

Heavy Duty Gas Fryer

Models: M35, M35SS

ITEM	PART #	DESCRIPTION	QUANTITY	
			MODEL	
			M35	M35SS
28(1)	F826-159	Valve Robert Shaw Unitorl 1/2" Nat	1	1
28(2)	F807-2424	Valve Robert Shaw Unitorl 1/2" LP	1	1
28(3)	2577399	Honeywell Valve (G20) Nat		
28(4)	2577398	Honeywell Valve (G31) LP		
28A	F810-0187	Regulator Nat For Item 28(1)	1	1
	F819-0099	Regulator LP For Item 28(2) - F817-0099	1	1
	F807-1849	Regulator Nat For Item 28(3)		
	F807-1846	Regulator LP For Item 28(4)		
28B	F819-0109	Knob Gas Valve For Item 28 (1&2)	1	1
29	G01896-2	Nipple 1/2" NPT x 3-1/2"	1	1
30	G01474-2	Elbow 1/2" NPT 90°	1	1
	G01474-5	Elbow 3/4" NPT 90°	2	2
	2536300	Elbow 1-1/4" NPT 90°	2	2
31	F810-0615	Pilot Burner	1	1
31A*	F810-0149	Pilot Orifice Nat	1	1
	F810-0148	Pilot Orifice LP	1	1
32	F806-4720	Deflector Single	9	9
33	F810-0152	Deflector Brkt	9	9
34	F810-0129	Orifice Main Burner Nat 51 F 1.70mm	9	9
	F810-0134	Orifice Main Burner Nat 59 F 1.05mm	9	9
35	F823-0106	Manifold Weld Assy	1	1
36	G02251-1	Pressure Test Spigot	1	1
37	G01916-1	3/4" to 1/2 Reduction Street Elbow	1	1
38	F810-0617-1	Thermopile (2 Wire Lead))	1	1
39	F900-1032	Pilot Mounting Brkt	1	1
40	G02569-1	1/4" Compression Tee		
41	F810-0162	Thermopile (Third IN)		
42	GM308	1/4" Pilot Tubing x 6"		
42A	GM308	1/4" Pilot Tubing x 6"		
43	F810-0703	1/4" Pilot Tubing x 17-1/2"	1	1
44	1824100	Burner Box Side RT CRS	1	1
	1824101	Burner Box Side LT CRS	1	1
	1824102	Burner Box Side RT S/S	1	1
	1824100	Burner Box Side LT S/S	1	1
45	24302299	Front Rail Assy	1	1
46	2429600	Back Top	1	1
47	1768399	Shelf Mounting Brkt LT	1	1
	1768398	Shelf Mounting Brkt RT	1	1
48	2580700	Burner Box Back	1	1
	2580701	Burner Box Back S/S	1	1
49	2429299	Flue Assembly	1	1
50	2524802	Main Back M35	1	1
	2524803	Main Back S/S M35	1	1
51	2575900	Inner Side RH M35	1	1
	2575901	Inner Side LH M36	1	1
52	2514697	Front Frame Assy 17"	1	1
53	1574000	Body Side Patch S/S	2	2
	1574001	Body Side Patch CRS	2	2

* NOT ILLUSTRATED

RECOMMENDED STOCK PARTS

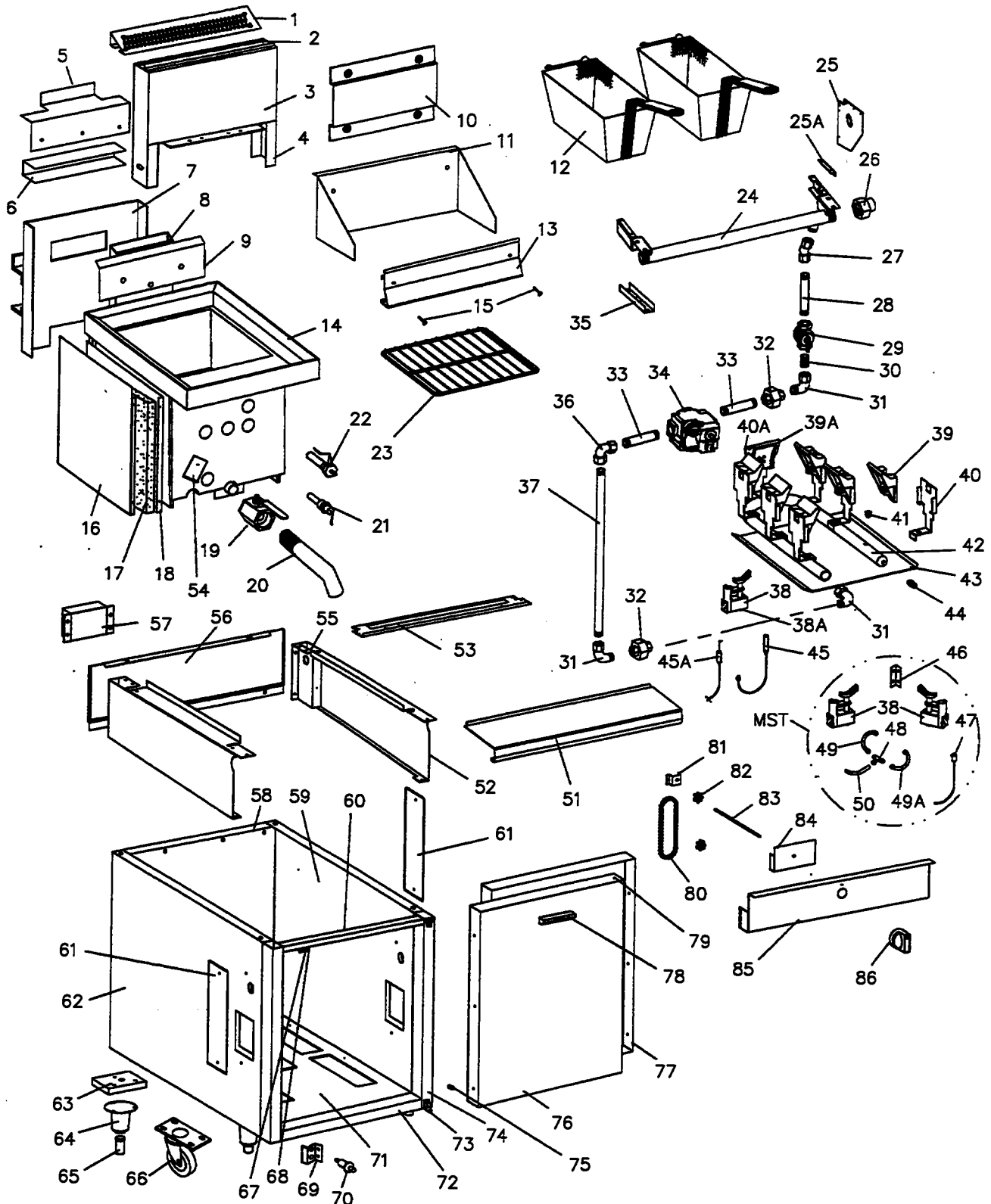
GARLAND PARTS IDENTIFICATION

Master Series
Heavy Duty Gas Fryer
Models: M35, M35SS

ITEM	PART #	DESCRIPTION	QUANTITY	
			MODEL	
			M35	M35SS
54	2575800	Body Side LT CRS M35	1	1
	2575801	Body Side LT S/S M35	1	1
	2575802	Body Side RT CRS M35	1	1
	2575803	Body Side RT S/S M35	1	1
55	216700	Base Corner	4	4
56	1027600	Leg Retainer Plated	4	4
57	1150502	Bullet Legs	4	4
58	2529900	Magnet Support Brkt	1	1
	078174-1	Magnetic Door Catch	1	1
59	2525800	Piezo Mounting Brkt	1	1
60	1309201	Piezo Igniter	1	1
61	2515301	Main Bottom	1	1
62	11290203	Shield Side RT/LT	2	2
63	2194598	Door Hinge Assy LT	1	1
	2194599	Door Hinge Assy RT	1	1
64	2530002	Corner Column LT	1	1
	2530003	Corner Column RT	1	1
65	2193500	Panel Door	1	1
65A	2193900	Door Liner Cabinet	1	1
66	2192900	Handle Storage Door	1	1
67	G066-5-8	Drive Chain #25	1	1
68	G0963-1-7	Connecting Rod Support	1	1
69	G02426-1	Gear (Boston)	2	2
70	1805199	Connecting Rod Assy	1	1
71	G0965-1-7	Dial Plate Support	1	1
72	2561905	Valve Panel M35	1	1
73	G03151-2	Piezo Electrode	1	1
74	2522105	Knob Fryer Thermostat F°	1	1
	2522112	Knob Fryer Thermostat C°	1	1
75	G02973-1	Hole Plug 1/2"	2	2
76	2546500	Lower Front Channel Molding	1	1
77	2327100	Door Stop Bumper	1	1
78	1290204	Shield Rear	1	1
79	1027800	Casters Less Brake	2	2
	1027801	Caster C/W Brake	2	2
*	F806-0087	Dial Plate For Thermo		
*	78056	Flange Bearing		

* NOT ILLUSTRATED

RECOMMENDED STOCK PARTS



GARLAND PARTS IDENTIFICATION

Master Series

Heavy Duty Gas Fryer

Model: M70SS

ITEM	PART #	DESCRIPTION	QUANTITY
			MODEL
			M70SS
1	1890603	LP BG Flue Cap 24"	1
2	1816403	LP BG Back 24" AZ	1
	1816404	LP BG Back 24" S/S	1
3	1817302	LP Front Panel 24"	1
4	1768599	LP BG Upright Assy	2
5	2430600	Flue Riser Stop	1
6	G02402-1-6	Spacer	1
7	G02409-01--6	Rear Enclosure Assy	1
8	2430799	Flue Riser Assy	1
9	G02400-1-6	Heat Shield	1
10	G0549-2-7	Back Guard Radiation Shield	1
11	F910-6470	Heat Shield	1
12	F043-1	Fryer Basket	2
	F046-1	Fryer Basket Large	1
13	F803-0029	Basket Hanger	1
14	G02418-01	Fry Pot Assy Complete Nat	1
	G02418-02	Fry Pot Assy Complete LP	1
	2575400	Fry Pot Assy Complete (G20) Nat	
	2575401	Fry Pot Assy Complete G31) LP	
	2575402	Fry Pot Assy Complete (G25) Nat FRA	
	2575403	Fry Pot Assy Complete (G31) LP FRA	
15	F809-0171	Basket Hanger Mount Screws	2
16	G02411-1-62	Outer Side Encl LT	1
	G02411-1-61	Outer Side Encl RT	1
17	F26-0861	Fry Pot Insulation Kit	1
18	G02410-1-6	Inner Side Encl RT/LT	2
19	F810-0204	Drain Valve - F810-1338	1
20	F813-0188	Drain Pipe	1
21	F826-1177	Thermostat Hi-Limit	1
22	F806-0183	Thermostat Operating	1
23	F803-0137	Basket Support Rack	1
24	2431899	Manifold Assy	1
25	2208002	End Enclosure RT	1
	2208003	End Enclosure LT	1
25A	2582800	End Enclosure Support Brkt RT	1
	2582801	End Enclosure Support Brkt LT	1
26	G7075	1-1/4" NPT Union	1
27	G02419-1	3/4" NPT 45 ° Elbow	1
28	G01738-5	Nipple 3/4" NPT x 6-1/2	1
29	G01518-1	Valve Swing Type Shut-Off Gas	1
30	G01538-9	Nipple 3/4" NPT x 1-1/2" Close	1
31	G01475-2	Elbow Street 3/4" NPT 90°	2
32	G01963-1	Union 3/4" NPT	2
33	G01738-11	Nipple 3/4" NPT x 3-1/2"	2
34	F826-1645	Robert Shaw Gas Valve Nat	1
	F826-1646	Robert Shaw Gas Valve LP (3/4")	1
	2574499	Honeywell Gas Valve (G20) Nat	
	2574498	Honeywell Gas Valve (G31) LP	
35	2584400	Front Rail Support Brkt	1

* NOT ILLUSTRATED

RECOMMENDED STOCK PARTS

GARLAND PARTS IDENTIFICATION

Master Series

Heavy Duty Gas Fryer

Model: M70SS

ITEM	PART #	DESCRIPTION	QUANTITY
			MODEL
			M70SS
36	G01474-5	Elbow 3/4" NPT 90°	1
37	G01738-5	Nipple 3/4" NPT x 6-1/2"	1
38	F810-0426	Pilot Burner Nat	1
	F810-0427	Pilot Burner LP	1
38A	F810-0149	Pilot Orifice Nat	1
	F810-0148	Pilot Orifice LP	1
39	F814-0034	Ceramic Target (Side Target)	10
	F810-0424	Ceramic Target (Wide Rear)	1
40	F910-0226	Deflector Brkt (Side)	10
	F910-1465	Deflector Brkt (Rear)	1
41	F810-0343	Orifice 1.24mm Nat	21
	F810-0340	Orifice 0.86mm LP	21
	F810-330	Orifice (G20) Nat	
	F810-0906	Orifice (G31) LP	
42	F823-0289	Burner Manifold	1
43	F383-0330	Burner Suspend Heat Shield	1
44	G02251-1	Pressure Test Spigot	1
45	F810-0162	Pilot Generator (Robert Shaw)	1
	F810-0617-1	Pilot Generator (2 Wire Lead)	
45A	G03151-1	Piezo Igniter	1
46	F900-1032	Pilot Mounting Brkt	
47	F807-0699	Thermocouple 20"	
48	G02569-1	1/4" Compression Tee	
49	F810-0700	1/4" Pilot Tubing x 8.85"	
49A	F810-0700	1/4" Pilot Tubing x 8.85"	
50	F810-0704	1/4" Pilot Tubing x 19-1/2"	1
51	2430399	Front Rail Assy	1
52	1335604	Burner Box Side CRS RT	1
	1335606	Burner Box Side CRS LT	1
	1335605	Burner Box Side S/S RT	1
	1335607	Burner Box Side S/S LT	1
53	2431100	Back Top	1
54	G02399-1-6	Pilot Entrance Cover	1
55	2584699	Shelf Mounting Bracket Assy LH	1
	2584698	Shelf Mounting Bracket Assy RH	1
56	2586000	Burner Box Back M70	1
	2586001	Burner Box Back S/S M70	1
57	G02407-1-6	Rear Burner Tile Enclosure	1
58	2424802	Main Back 24"	1
	2524804	Main Back S/S M70	1
59	2575900	Inner Side RH	1
	2575901	Inner Side LH	1
60	2514699	Front Frame Assy 24"	1
61	1574400	Body Side Patch S/S	1
	1574401	Body Side Patch CRS	1
62	2575800	Body Side LT CRS	1
	2575801	Body Side LT S/S	1
	2575802	Body Side RT CRS	1
	2575803	Body Side RT S/S	1

* NOT ILLUSTRATED

RECOMMENDED STOCK PARTS

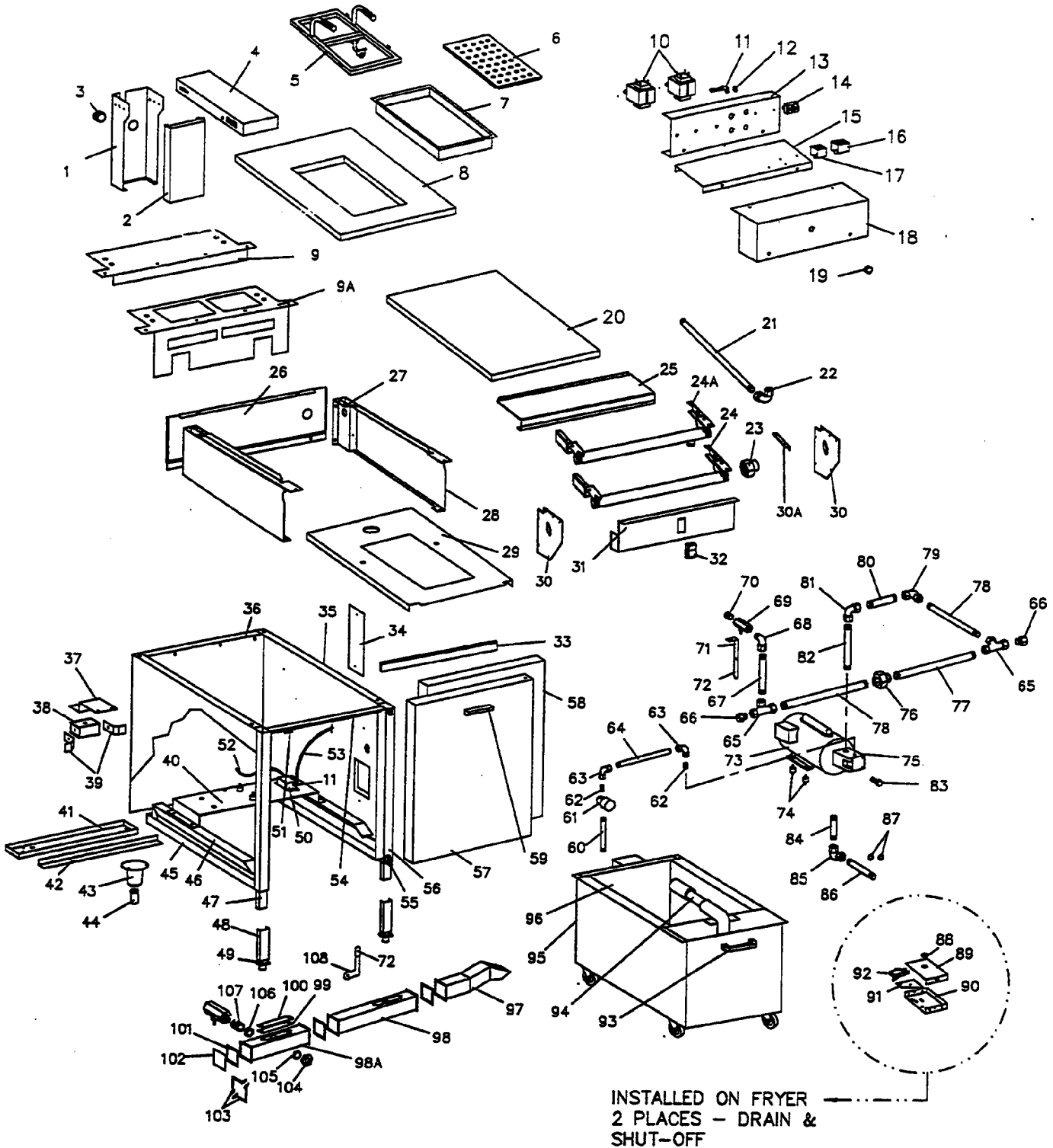
GARLAND PARTS IDENTIFICATION

Master Series
Heavy Duty Gas Fryer
Model: M70SS

ITEM	PART #	DESCRIPTION	QUANTITY
			MODEL
			M70SS
63	2167700	Base Corner	4
64	1027600	Leg Retainer Plated	4
65	1150502	Bullet Legs	4
66	1027800	Caster Less Brake	2
	1027801	Caster C/W Brake	2
67	78174-1	Magnetic Door Catch	1
68	2529900	Magnet Support Brkt	1
69	2525800	Piezo Support Brkt	1
70	1308201	Piezo Igniter	1
71	G02414-1-6	Main Bottom M70SS	1
72	2546500	Lower Front Channel Molding	1
73	2194598	Door Hinge Assy LT	1
	2194599	Door Hinge Assy RT	1
74	2530102	Corner Column LT	1
	2530103	Corner Column RT	1
75	2327100	Door Stop bumper	1
76	2421200	Door Panel	1
77	2421300	Door Lining	1
78	2192900	Storage Door Handle	1
79	G02973-1	Hole Plug 1/2"	2
80	G066-5-8	Drive Chain # 25	1
81	G0963-1-7	Connecting Rod Support	1
82	G02426-1	Gear Boston	2
83	1805199	Connecting Rod Assy	1
84	G0965-1-7	Dial Plate Support	1
85	2431701	Valve Panel	1
86	2522105	Knob Fryer Thermostat F°	1
	2522112	Knob Fryer Thermostat C°	1

* NOT ILLUSTRATED

RECOMMENDED STOCK PARTS



GARLAND PARTS IDENTIFICATION

Master Series

Heavy Duty Filter-Quick

Model: MFMA17-ES

ITEM	PART #	DESCRIPTION	QUANTITY
			MODEL
			MFMA17-ES
1	1651099	Heat Lamp Mounting Bracket W/A	1
2	1651001	Heat Lamp Veneer	1
3	G01487-2	Heyco Bushing	1
4	1651400	Merco heat Lamp	1
5	1600799	Power Shower	1
6	1651301	1" Pan Insert	1
7	1651300	2--1/2" Pan	1
8	1220402	Main Top S/S	1
9	2433100	Main Top Back	1
9A	2446800	Back Top	1
10	1578300	Transformer 120V/24V	2
	1578301	Transformer 240V/24V	2
11	G01497-1	BX Connector Straight	3
12	1028801	Snap Bushing	1
13	1574100	Control Box Back	1
14	1578400	Pump Motor Relay	1
15	1573600	Control Box Bottom	1
16	1579300	16 Pin Terminal Block	1
17	1579200	12 Pin Terminal Block	1
18	1573700	Control Box Front	1
19	1028806	Heyco Bushing	1
20	2542801	17" Spreader Top	1
21	1340521	Pipe Rear Gas 1" NPT	1
	076029-182	Pipe Rear Gas #/4" NPT	1
22	076029-171	Elbow 1" NPT	1
	G01474-3	Elbow -Reducing 1"-3/4" NPT	1
23	G02335-1	1-1/4" NPT Pipe Cap	1
24	2530699	Manifold 17" Spreader	1
24A	2530698	Manifold Rear Gas	1
25	2426899	Front Rail Assembly	1
26	2546709	Burner Box Back	1
	2546710	Burner Box Back Rear Gas	1
27	1768399	Shelf Mounting Bracket LT	1
	1768398	Shelf Mounting Bracket RT	1
28	1132806	Burner Box Side L/H Black	1
	1132807	Burner Box Side L/H S/S	1
	1132804	Burner Box Side R/H Black	1
	1132805	Burner Box Side R/H S/S	1
30	2208003	End Enclosure L/H	1
	2208002	End Enclosure R/H	1
30A	2207900	End Enclosure Bracket	2
31	1827501	Valve Panel	1
32	1578800	Switch Heater On/Off	1
33	2583200	Support Front Frame	1
34	1574400	Body Side Patch S/S	1
	1574401	Body Side Patch CRS	1

* NOT ILLUSTRATED

RECOMMENDED STOCK PARTS

GARLAND PARTS IDENTIFICATION

Master Series

Heavy Duty Filter-Quick

Model: MFMA17-ES

ITEM	PART #	DESCRIPTION	QUANTITY
			MODEL
			MFMA17-ES
35	2575800	Body Side L/H Black	1
	2575801	Body Side L/H S/S	1
	2575802	Body Side R/H Black	1
	2575803	Body Side R/H S/S	1
36	2524807	Main Back	1
37	1574600	Contacto Support Bracket	1
38	1640600	Contacto Block	1
39	1604500	Contacto	2
40	1574700	Pump Support	1
41	1575100	Base Channel	1
42	1575000	Base Reinforcement	1
43	1027603	Leg Retainer	2
44	1150503	Bullet Foot	2
45	1575900	Lifting Angle LT	1
	1575901	Lifting Angle RT	1
46	1574600	Filter Slide LT	1
	1574601	Filter Slide RT	1
47	2583300	Leg	2
48	1575200	Leg Veneer LT	1
	1575201	Leg Veneer RT	1
49	1236100	Leg Stud	2
50	1579700	Junction Box	1
51	2529900	Magnetic Support Bracket	1
	078174-1	Magnetic Door Catch	1
52	G2840-1	Power Cord Set	1
53	G02983-26	Romex 3/8 x 40" LG	3
54	2583499	Front Frame Assembly	1
55	2194599	Door Hinge Assembly RT	2
	2194598	Door Hinge Assembly LT	2
56	2530102	Corner Column LT	1
	2530103	Corner Column RT	1
57	2193500	Door Panel RT	1
58	2193900	Door Panel Lining	1
59	2192900	Storage Door Handle	1
60	1004606	Nipple 1/8" NPT x 4"	1
61	1578500	Solenoid Vent Valve	1
62	1004500	Closed Nipple 1/8" NPT	2
63	1026700	Elbow 90° 1/8" NPT	1
64	1004606	Nipple 1/8" NPT x 4"	1
65	G01474-2	Tee 1/2" NPT	1/Fryer+1
66	G01747-4	Pipe Plug 1/2" NPT	2
67	G0186-1	Nipple 1/2" NPT x 3"	1/Fryer
68	G01475-1	90° Street Elbow 1/2" NPT	1/Fryer
69	1578100	Valve 1/2" NPT Ball- F810-0278	1/Fryer
70	G01736-1-	Close Nipple 1/2" NPT	1/Fryer
71	2593700	Handle Valve	1/Fryer
72	1673400	Red Plastisol Handle - F816-0211	1/Fryer

* NOT ILLUSTRATED

RECOMMENDED STOCK PARTS

GARLAND PARTS IDENTIFICATION

Master Series

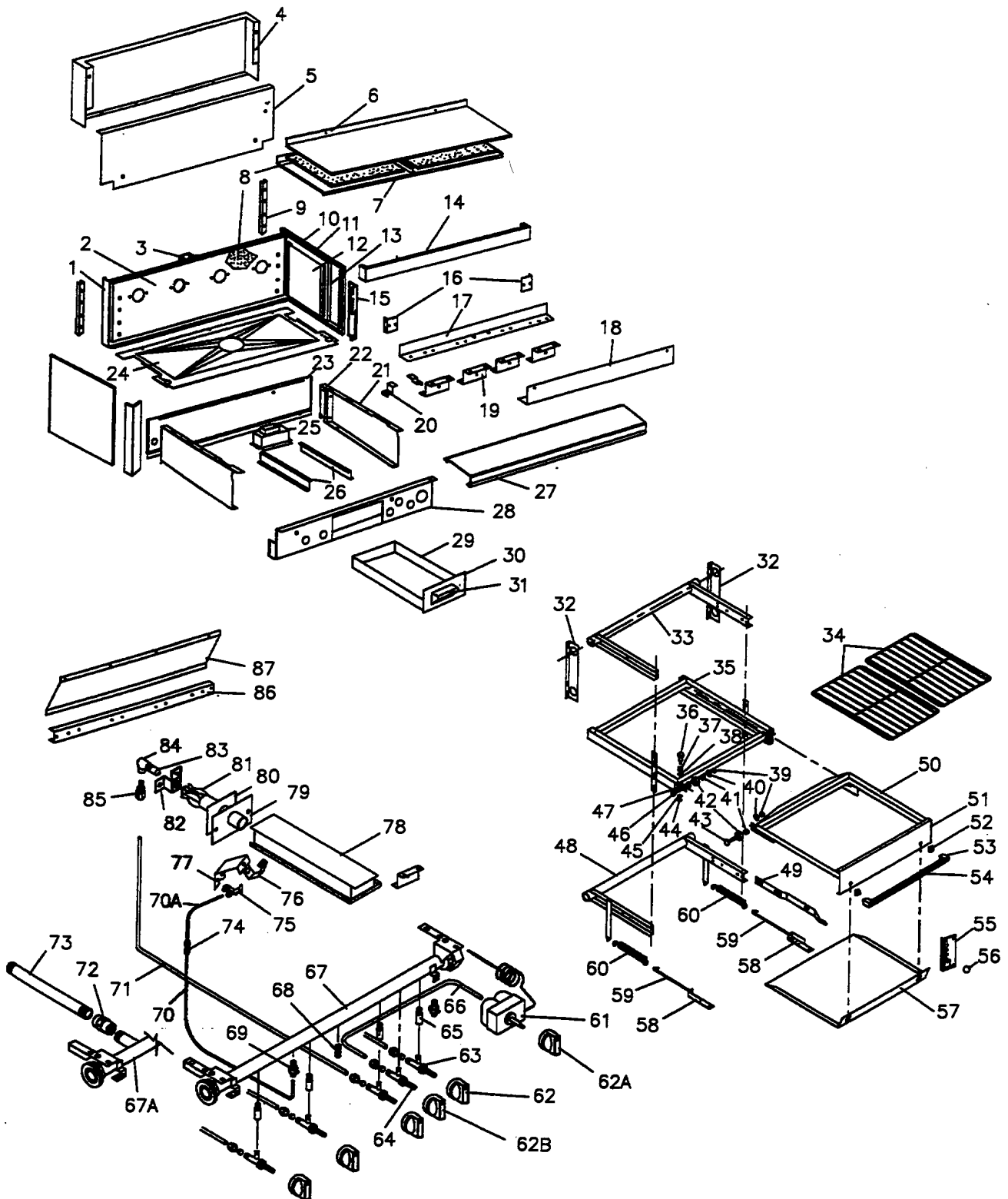
Heavy Duty Filter-Quick

Model: MFMA17-ES

ITEM	PART #	DESCRIPTION	QUANTITY
			MODEL
			MFMA17-ES
73	2599200	Electric Pump Motor 120v	1
	2599201	Electric Pump Motor 240v	1
74	1580000	Vibration Mounts	4
75	2599100	Pump	1
76	G01739-1	Union 1/2" NPT	1/Fryer
77	G01477-4	Nipple 1/2" NPT x 2-1/2"	1/Fryer
78	G01477-1	Nipple 1/2" NPT x 12-3/4"	1/Fryer+1
79	G01474-2	Elbow 90° 1/2" NPT	2
80	G01477-3	Nipple 1/2" NPT x 2"	1
81	G01474-2	Elbow 90° 1/2" NPT	2
82	G01477-2	Nipple 1/2" NPT x 4-1/8"	1
83	F516	5/16"-18x4-1/2" Hex HD Bolt Gr 8	4
84	G01477-4	Nipple 1/2" NPT x 2-1/2"	1
85	G01474-2	Elbow 90° 1/2" NPT	1
86	1576200	Male Disconnect	1
87	2599400	O-Ring	2
88	1028806	Heyco Bushing	2/Fryer
89	2600100	Cover, Microswitch	2/Fryer
90	2600000	Bracket Microswitch	2/Fryer
91	2600300	Shield, Microswitch	2/Fryer
92	1578600	Microswitch	2/Fryer
93	1574000	Handle (Some Units)	1
94	1601797	Filter Foot	1
95	1601799	Drain Pan Assembly	1
96	1601798	Crumb Screen	1
97	2599999	Elbow, Drain W/A LT	1
	2599998	Elbow, Drain W/A RT	1
98	1576599	Drain Tube W/A 16"	1/Fryer
98A	1576699	Drain Tube W/A 12"	1/Fryer
99	1580700	Gasket Drain Clean Out	1/Fryer
100	1580800	Cover Drain Clean Out	1/Fryer
101	1580100	Gasket, Drain	1/Fryer+2
102	1580200	Cover , Drain End	1 or 2
103	1580900	Clamp Drain Gasket	2/Fryer+2
104	1580300	Nut, Retainer	1/Fryer
105	1580400	Washer, Retainer	1/Fryer
106	1580500	Gasket Drain - F816-0092	1/Fryer
107	1580600	Close Nipple 1"	1/Fryer
108	2600200	Handle, Drain	1/Fryer

* NOT ILLUSTRATED

RECOMMENDED STOCK PARTS



GARLAND PARTS IDENTIFICATION

Master Series

Heavy Duty Gas Infra-Red Broiler

Model: M105R, RC, S, T

ITEM	PART #	DESCRIPTION	QUANTITY
			MODEL
1	1647800	Main Back	1
2	1647200	Lower Back Insul. Lining	1
3	1146199	Oven Flue Raiser Assy	1
4	1649201	Flue Riser Box S/S	1
5	1149101	Flue Rider Front Panel	1
6	1649301	Main Top S/S	1
7	1648899	Upper Broiler Insul. Lining	1
8	1472305	Insulation	2
9	1134700	Main Back Channel Brace	2
10	1472305	Insulation	2
11	1649000	Broiler Body Side LT CRS	1
	1649002	Broiler Body Side RT CRS	1
	1649001	Broiler Body Side LT S/S	1
	1649003	Broiler Body Side RT S/S	1
12	1648799	Aeration Shield	2
13	1649100	Lower Side Lining RT	1
	1649101	Lower Side Lining LT	1
14	1148901	Upper Main Front	1
15	1647703	Corner Column RT	1
	1647702	Corner Column LT	1
16	1832801	Burner Hanger Bracket	2
17	1646600	Front Burner Support	1
18	1646300	Heat Shield	1
	164700	Top Burner Shield	1
19	1832801	Burner Hanger Brkt	4
20	1835002	Hold Down Bracket	8
21	1132806	Burner Box Side LT CRS	1
	1132804	Burner Box Side RT CRS	1
	1132805	Burner Box Side RT S/S	1
	1132807	Burner Box Side LT S/S	1
22	1555699	Broiler Support Brkt W/A	2
23	1806101	Burner Box Back	1
	1806105	Burner Box Back, Rear Gas	1
24	1134200	Grease Hopper	1
25	1144699	Oven Flue Collector Box Assy	1
26	2576800	Drip Tray Guide	2
27	2585199	Front Rail Assy	1
28	1832101	Valve Panel	1
29	1831501	Grease Tray	1
30	1831101	Grease Pan Front	1
31	2192900	Storage Door Handle	1
32	1009500	Carriage Support Angle	2
33	1134998	Broiler Rack Raising Arm	1
34	1647300	M40 HD Broiler Rack	2
35	1176889	Inner Rack Frame Assy	1
36	1021301	Broiler Rack Roller Pin	2
37	1035400	Double Row Unground Bearing	2
38	1021302	Rack Roller Wire Spacer	2
39	F78	3/8" UNC Nut	4

* NOT ILLUSTRATED

RECOMMENDED STOCK PARTS

GARLAND PARTS IDENTIFICATION

Master Series

Heavy Duty Gas Infra-Red Broiler

Model: M105R, RC, S, T

ITEM	PART #	DESCRIPTION	QUANTITY
			MODEL
39	F78	3/8" UNC Nut	4
40	F112	3/8" Flat Washer	4
41	G01247-3	Broiler Roller Bearing	2
42	G01244-1	Bearing	4
43	G6424	Leveling Bolt	2
44	F111	1/4" Flat Washer	2
45	F76	1/4"-20 UNC Bolt	2
46	G6424	Leveling Bolt	2
47	Go1247-3	Broiler Roller Bearing	2
48	1134996	Lower Broiler Raising Arm Assy	1
49	1647999	Broiler Rack Raising Arm W/A	1
50	1648597	Outer Rack Frame W/A	1
51	1648100	Rack Front Piece	1
52	2580600	Door Handle End Insert	2
53	2559100	Door Handle End RT	1
	2559101	Door Handle End LT	1
54	2193101	Extruded Handle 18.347"	1
	1788401	Gray Garland Overlay	1
55	1655000	Rack Handle Index Plate	1
56	1039602	Ball Knob 1-1/8" Gray	1
57	1151801	Broiler Rack Drip Shield	1
58	1134100	Rack Carriage Spring Support RT	1
	1134101	Rack Carriage Spring Support LT	1
59	1139001	Spring Hook	2
60	1005800	Broiler Spring	2
61	G03145-048	F.D. Control Assy	1
62	2522114	Knob	4
62A	2522197	Knob F.D. Oven	1
62B	2522101	Knob Oven Valve	1
63	1139995	M40 Hi-Med-Lo Valve Nat	4
	1139996	M40 Hi-Med-Lo Valve LP	4
64	2513399	F.S. D. Oven Valve Assy	1
65	G4523	Valve Adapter	4
66	GM309	7/16 Tubing x 18"	1
67	2575299	Manifold Assy	1
67A	2575298	Manifold Assy Rear Gas	1
68	G01477-1	1/8" Standard Black Sq Head Plug	1
69	1150096	Pilot Filter Assy	2
70	GM308	1/4" Pilot Tubing x 60"	2
70A	GM308	1/4" Pilot Tubing x 30"	2
71	GM309	7/16" Tubing x 60"	4
72	076029-183	1-1/4 Coupling	1
73	076029-184	Nipple 1-1/4 NPT	1
74	076050-89	Compression Union 3/16 Tube	2
75	1647400	Pilot Burner Nat	2
76	1647401	Pilot Burner Pro	2
77	1646200	Pilot Mounting Brkt	2
78	1647100	IR Burner	4
79	1145113	Venturi Enclosure Plate	4

* NOT ILLUSTRATED

RECOMMENDED STOCK PARTS

GARLAND PARTS IDENTIFICATION

Master Series

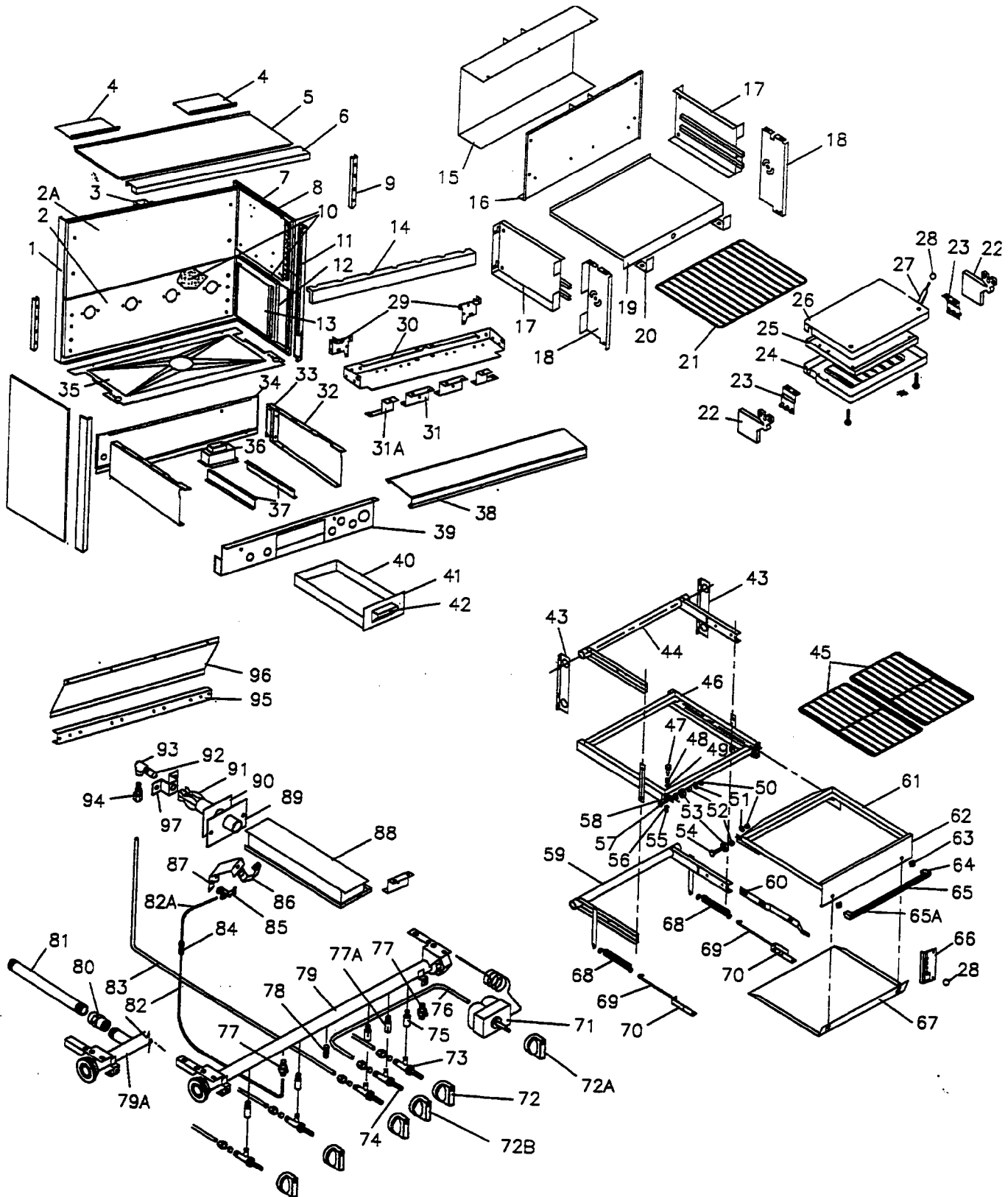
Heavy Duty Gas Infra-Red Broiler

Model: M105R, RC, S, T

ITEM	PART #	DESCRIPTION	QUANTITY
			MODEL
80	1041000	Ventura Gasket	4
81		Ventura Assay (Part of 1647100)	4
82	1145800	Orifice Holder Stabilizer	4
83	1647148	Orifice Fitting # 48 Nat	4
	1647155	Orifice Fitting # 55 Lp	4
84		Orifice Holder (Part of 1647100)	4
85	G01243-1	Tubing to NPT Connector	4
86	1646400	Orifice Holder Support	1
87	1147901	Rear Orifice Shield	1

* NOT ILLUSTRATED

RECOMMENDED STOCK PARTS



GARLAND PARTS IDENTIFICATION

Master Series

Heavy Duty Gas Infra-Red Broiler

Model: M100R, RC, S, T

ITEM	PART #	DESCRIPTION	QUANTITY
			MODEL
1	1651900	Broiler Main Back	1
2	1650298	Lower Back Insulation Lining	1
2A	1145600	Upper Back Insulation Lining	1
3	1145199	Oven Flue Riser Assembly	1
4	1134600	Flue Closure CG	2
5	1950900	Main Top CR	1
6	1002406	Broiler Front	1
7	1651800	Broiler Body Side Black	2
	1651801	Broiler Body Side S/S	2
8	1651600	Broiler Insulation Lining LT	1
	1651601	Broiler Insulation Lining RT	1
9	1134700	Main Back Channel Brace	2
10	1472305	Insulation	4
11	1651102	Broiler Front Column RT	1
	1651103	Broiler Front Column LT	1
12	1651700	Lower Insulation Lining	2
13	1648799	Aeration Shield	2
14	1002501	Cover Center Section	1
15	1650099	Flue Spacer S/W	1
16	1117499	Upper Back Lining Assembly CR	2
17	G6344-01-81E	Oven Side Lining Assy RT	1
	G6344-01-82E	Oven Side Lining Assy LT	1
18	G01030-01-81E	Oven Door Support RH	1
	G01030-01-82E	Oven Door Support LH	1
19	2580300	Oven Bottom Upper Broiler	1
20	1023801	Window Hold Down Strap (Door Stop)	2
21	G6152-40	Oven Rack Chrome	1
22	1136302	Door Counter Weight RT	1
	1136303	Door Counter Weight LT	1
23	G6036-01-8	Door Hinge Assembly	2
24	1439796	Oven Door Lining Enameled	1
25	1138399	Broiler Insert Box Assy	1
26	1080719	Oven Door Panel S/S	1
27	1831299	Warming Oven Door Handle W/A	1
28	1039602	Ball Knob 1-1/8 Gray	2
29	1136000	Broiler Front Burner Shield RT	1
	1136001	Broiler Front Burner Shield LT	1
30	1650601	Front Filler Strip	1
31	1646400	Front Burner Mounting Bracket	2
31A	1651501	Front Burner Mounting Bracket LT	1
	1651502	Front Burner Mounting Bracket RT	1
32	1732804	Burner Box Side RT CRS	1
	1732806	Burner Box Side LT CRS	1
	1732805	Burner Box Side RT S/S	1
	1732807	Burner Box Side LT S/S	1
33	1555699	Broiler Support Bracket W/A	2
34	1806105	Burner Box Back	1
35	1134200	Grease Hopper	1
36	1144699	Oven Flue Collector Box Assembly	1

* NOT ILLUSTRATED

RECOMMENDED STOCK PARTS

GARLAND PARTS IDENTIFICATION

Master Series

Heavy Duty Gas Infra-Red Broiler

Model: M100R, RC, S, T

ITEM	PART #	DESCRIPTION	QUANTITY
			MODEL
36	1144699	Oven Flue Collector Box Assembly	1
37	2576800	Drip Tray Guide	2
38	2585199	Front Rail W/A	1
39	1832101	Valve Panel	1
40	1831501	Grease Tray	1
41	1831101	Grease Pan Front	1
42	2192900	Storage Door Handle	1
43	1009500	Carriage Support Angle	2
44	1134998	Upper Broiler Rack Raising Arm	1
45	1647300	H/D Broiler Rack	2
46	1648597	Outer Rack Frame W/A	1
47	1031301	Broiler Rack Roller Pin	2
48	1025400	Double Row Unground Bearing	2
49	1031302	Rack Roller Wire Spacer	2
50	F78	3/8-16 Nut UNC	4
51	F112	3/8 Flat Washer	4
52	G01247-3	Broiler Roller Bearing	4
53	G01244-1	Bearing	4
54	G6424	Leveling Bolt	2
55	F76	1/4-20 Nut UNC	2
56	F111	1/4 Flat Washer	2
57	G6424	Leveling Bolt	2
58	G01247-3	Broiler Roller Bearing	2
59	1134996	Lower BR Rack Raising Arm Assy	1
60	1647999	Broiler Rack Raising Arm	1
61	1648597	Outer Rack Frame W/A	1
62	1648100	Rack Front Piece	1
63	2580600	Door Handle End Insert	2
64	2559101	Door Handle End LT	1
	2559100	Door Handle End RT	1
65	2193101	Extruded Handle 18.347	1
65A	1799401	Gray Garland Overlay	
66	1655000	Rack Handle Index Plate	1
67	1151800	Broiler Rack Drip Shield	1
68	G01245-1	Broiler Spring	2
69	1139001	Spring Hook	2
70	1134101	Carriage Spring Support Arm LT	1
	1134100	Carriage Spring Support Arm RT	1
71	G03145-048	F.D Control Assembly	1
72	2522114	Knob-IR Burner	4
72A	2522107	Knob FD Oven F	1
	2522103	Knob FD Oven C	1
73	1139995	M40 Hi-Med-Lo Valve Nat	4
	1139996	M40 Hi-Med-Lo Valve LP	4
74	2513399	F.S.D. Oven Valve Assembly	1
75	G4523	Valve Adapter	4
76	2572600	.437 Oven Tube	1
77	1086597	Gum Valve -3/16 Pilot	2
77A	2189100	Valve Connector Fitting 12mm	1

* NOT ILLUSTRATED

RECOMMENDED STOCK PARTS

GARLAND PARTS IDENTIFICATION

Master Series

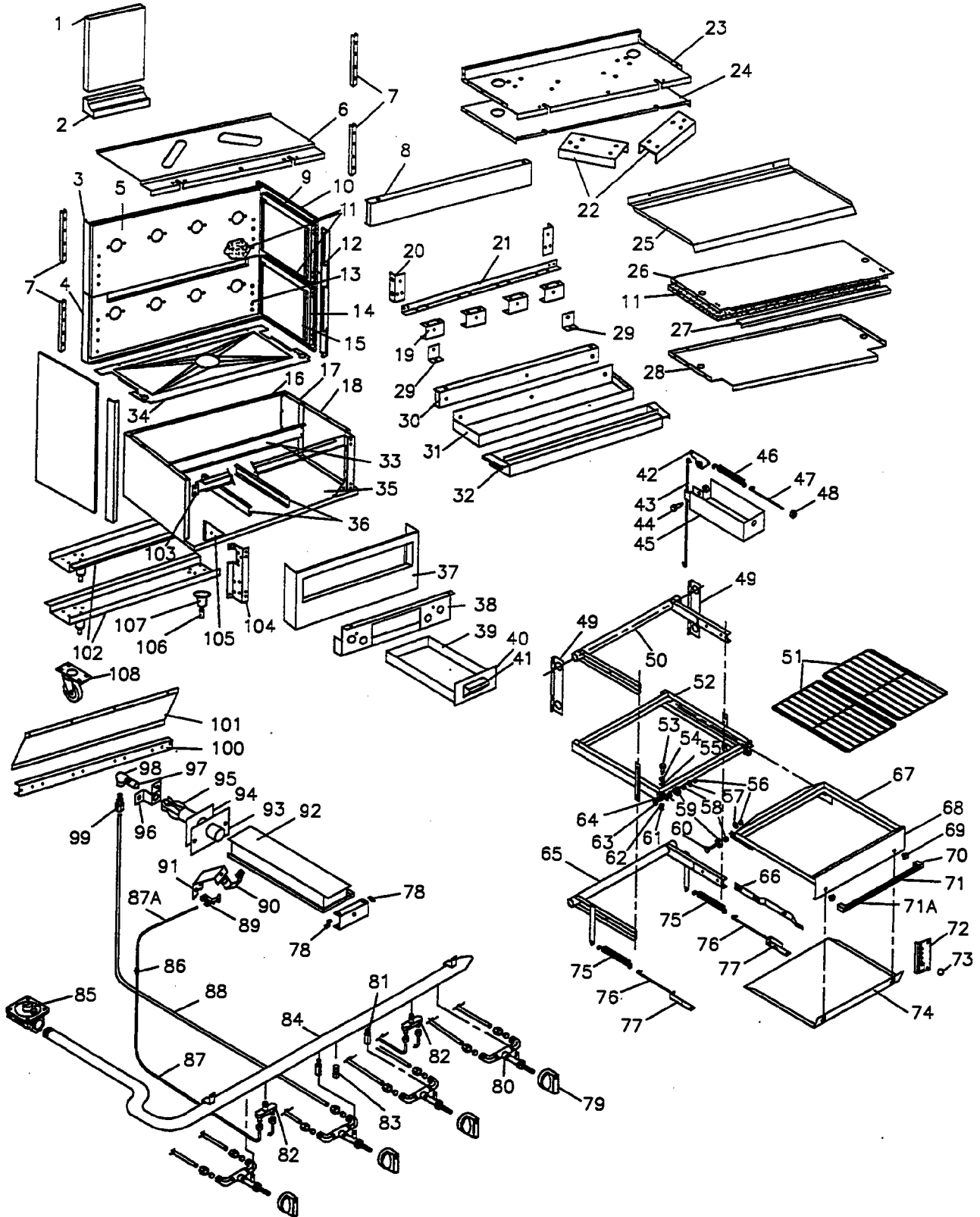
Heavy Duty Gas Infra-Red Broiler

Model: M100R, RC, S, T

ITEM	PART #	DESCRIPTION	QUANTITY
			MODEL
77A	2189100	Valve Connector Fitting 12mm	1
78	G01747-1	1/8 Std Black Head Sq Plug	1
79	2575299	Manifold Assembly M100	1
79A	2575298	Manifold Assembly M100 Rear Gas	1
80	076029-183	1-1/4 NPT Coupling Black	1
81	076029-184	Nipple 1-1/4 NPT x 29" Long Black	1
82	GM308	Pilot Tubing 1/4" (2 req'd)	30"
82A	GM308	Pilot Tubing 1/4" (2 req'd)	30"
83	1151900	Valve to Orifice Tubing	1
	1151901	Valve to Orifice Tubing	1
	1152000	Valve to Orifice Tubing	1
	1152001	Valve to Orifice Tubing	1
84	076050-89	Compression Union 3/16 Tube	2
85	1647400	Pilot Burner Nat	2
86	1647401	Pilot Burner Nat	2
87	1646200	Pilot Mounting Bracket	2
88	1647100	IR Burner (4 x 23")	4
89	1145113	Venturi Enclosure Plate	4
90	1041000	Venturi Gasket	4
91		Venturi Assembly (Part of 1647100 IR Burner)	4
92	1647148	Orifice Fitting #48 Nat	4
	1647155	Orifice Fitting #55 LP	4
93		Orifice Holder (Part of 1647100 IR Burner)	4
94	G012343-1	Tubing to NPT Connector	4
95	1646400	Orifice Holder Support	1
96	1147901	Rear Orifice Shield	2
97	1145800	Orifice Holder Stabilizer	4

* NOT ILLUSTRATED

RECOMMENDED STOCK PARTS



GARLAND PARTS IDENTIFICATION
Master Series
Heavy Duty Gas Double Infra-Red Broiler
Model: M110

ITEM	PART #	DESCRIPTION	QUANTITY
			MODEL
1	1663899	Flue Raiser Collar S/W	1
2	1658199	Flue Raiser S/W	1
3	1653500	Upper Main Back	1
4	1653700	Lower Main Back	1
5	1654398	Upper Back Liner	1
6	1002202	Top Front	1
7	1134700	Main Back Channel Brace	4
8	1658702	Upper Front Cover	1
9	1653801	Upper Side Lining LT	1
	1653800	Upper Side Lining RT	1
10	1149400	Body Side RT	1
	1149401	Body Side LT	1
	1149402	Body Side RT S/S	1
	1149403	Body Side LT S/S	1
11	1472305	Insulation	8
12	1659800	Corner Column RT S/S	1
	1659802	Corner Column LT S/S	1
13	1134800	Back Lining Insulation Body	1
14	1654000	Lower Side Lining RT	1
	1654001	Lower Side Lining LT	1
15	1135400	Aeration Shield	4
16	10015001	Back Cabinet Base S/S	1
	10015000	Back Cabinet Base	1
17	1009200	Inner Rear Support LT/RT Painted	2
18	1001400	Cabinet Base Body Side R/T	1
	1001401	Cabinet Base Body Side L/T	1
	1001402	Cabinet Base Body Side R/T-S/S	1
	1001403	Cabinet Base Body Side L/T-S/S	1
19	1653400	Front Burner Support Bracket	8
20	1832801	Burner Hanger Bracket	4
21	1646600	Front Burner Support	2
22	1151001	Maintop Stiffener GG	2
23	1654600	Maintop	1
24	1654200	Upper Broiler Top Insulation Lining	1
25	1663600	Incline Grease Pan S/S	1
26	1654599	Upper Broiler Bottom Deck GCE	1
27	1351300	Insulation Pan Spacer	1
28	1654700	Lower Broiler Top Insulation Lining	1
29	1835301	Front Panel Support Bracket Infra-Red	2
30	1659002	Lower Front Cover	1
31	1151700	Grease Container Support S/S	1
32	1002602	Grease container S/S/S	1
33	1001204	Grease Drawer Guide	2
34	1134200	Grease Hopper	1
35	1001099	Main Bottom Assembly	1
36	1001102	Rear Grease Guide Support	2
37	1001699	Cab Base Front Panel Assembly S/S	1
38	1001604	Valve Panel	1
39	1831501	Grease Tray	1

* NOT ILLUSTRATED

RECOMMENDED STOCK PARTS

GARLAND PARTS IDENTIFICATION
Master Series
Heavy Duty Gas Double Infra-Red Broiler
Model: M110

ITEM	PART #	DESCRIPTION	QUANTITY
			MODEL
40	1831101	Grease Pan Front	1
41	2192900	Storage Door Handle	1
42	1151499	Bell Crank Assembly	2
43	1151501	Bell Crank Link LT	1
	1151500	Bell Crank Link RT	1
44	1082200	Bell Crank Bolt	2
45	1150900	Bell Crank & Spring Support LT/RT	2
46	1005800	Broiler Spring	2
47	1139001	Spring Hook	2
48	F76	Nut 1/4"-20 UNC	4
40	1009500	Carriage Support Angle	4
50	1134995	Upper Broiler Rack Raising Arm	1
	1134998	Broiler Rack Raising Arm	2
51	1647300	M40 H/D Broiler Rack	4
52	1176889	Inner Rack Frame Assembly	2
53	1031301	Broiler Rack Broiler Pin	4
54	1035400	Double Row Unground Bearing	4
55	1031302	Rack Roller Wire Spacer	4
56	F78	3/8-16 Nut UNC	8
57	F112	3/8 Flat Washer	8
58	G01247-3	Broiler Roller Bearing	4
59	G01244-1	Bearing	8
60	G6424	Leveling Bolt	4
61	F76	1/4-20 Nut UNC	4
62	F111	1/4 Washer	4
63	G6424	Leveling Bolt	4
64	G01247-3	Broiler Roller Bearing	4
65	1134996	Lower Broiler Raising Arm Assembly	1
66	1647999	Broiler Rack Raising Arm W/A	2
67	1648597	Outer Rack Frame W/A	2
68	1648100	Rack Front Piece	2
69	2580600	Door Handle End Insert	4
70	2559101	Door Handle End LT	2
	2559100	Door Handle End RT	2
71	2193101	Extruded Handle 18.347"	2
71A	1799401	Gray Garland Overlay	2
72	1655000	Rack Handle Index Plate	2
73	1039602	Ball Knob 1-1/8 Gray	2
74	1151800	Broiler Rack Drip Shield	2
75	1005800	Broiler Spring	2
76	1139001	Spring Hook	2
77	1134102	Rack Carriage Spring Support RT	1
	1134103	Rack Carriage Spring Support LT	1
78	1835002	Hold Down Brkt	16
79	2522114	Knob	4
80	1095197	Nat Hi-Med-Lo Valve	4
	1095196	LP Hi-Med-Lo Valve	4
81	2591500	Adapter Valve	2
82	1510402	3/16 x 3/16 Y Pilot Adjust Valve	2

* NOT ILLUSTRATED

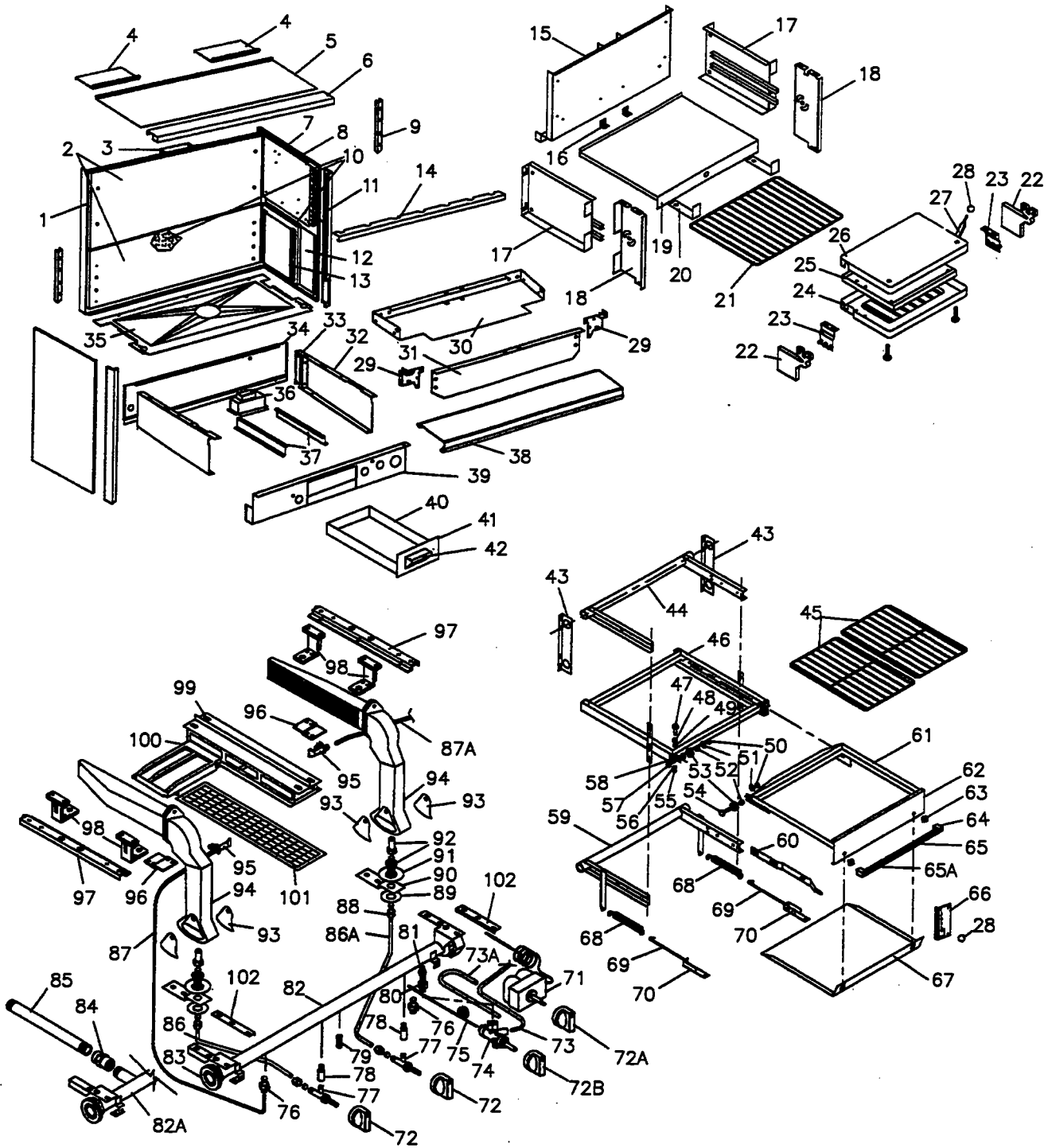
RECOMMENDED STOCK PARTS

GARLAND PARTS IDENTIFICATION
Master Series
Heavy Duty Gas Double Infra-Red Broiler
Model: M110

ITEM	PART #	DESCRIPTION	QUANTITY
			MODEL
83	G01747-1	1/8 Standard Black Head Sq Plug	1
84	1001988	Manifold Assembly	1
85	2127503	Regulator Natural	1
	2127500	Regulator Propane	1
87	GM308	1/4" Pilot Tubing (2 Req'd)	60" Lg
87A	GM308	1/4" Pilot Tubing (2 Req'd)	30" Lg
88	GM309	7/16" Tube-Valve To Orifice (2 Requi'd)	60" Lg
	GM309	7/16" Tube-Valve To Orifice (2 Requi'd)	84" LG
89	2206400	Pilot Burner Nat	2
	2206401	Pilot Burner LP	2
90	G01243-1	1/4 CC x 1/4" NPT Connect	4
91	1646200	Pilot Bracket	4
92	1647100	IR Burner	8
93	1145113	Venturi Enclosure Plate	8
94	1041000	Venturi Gasket	8
95		Venturi (Part of 1657100)	8
96	1145800	Orifice Holder Stabilizers	8
97	1647149	Orifice Nat	8
	1647156	Orifice Nat	8
98		Orifice Holder (Part of 1647100)	8
99	G01243-1	7/16" CC x 3/8" NPT Fitting	8
100	1648400	Orifice Holder Support	1
101	1147901	Rear Orifice Shield	1
102	1001003	Base Channel	2
	1001004	Base Channel S/S	2
103	1001904	Manifold Support	1
104	1101302	Front Upright RT	1
	1101301	Front Upright LT	1
105	1001802	Corner Gusset	2
106	1150502	Bullet Legs	4
107	1027600	Leg Retainer Plated 6"	4
108	1027800	Swivel Caster Less Brake	2
	1027801	Swivel Caster C/W Brake	2

* NOT ILLUSTRATED

RECOMMENDED STOCK PARTS



GARLAND PARTS IDENTIFICATION

Master Series

Heavy Duty Gas Ceramic Broiler W/Upper Finishing Oven

Model: M60R, RC, S, T

ITEM	PART #	DESCRIPTION	QUANTITY
			MODEL
1	1134400	Main Back Broiler	1
2	1134800	Back Lining Insulation Body	2
3	1139599	Flue Riser Assembly	1
4	1134600	Flue Closure GG	2
5	1650900	Main Top CR	1
6	1002406	Broiler Front	1
7	1651800	Broiler Side CRS	2
	1651801	Broiler Side S/S	2
8	1135702	Broiler Insulation Lining LT	2
	1135703	Broiler Insulation Lining RT	2
9	1134700	Main Back Channel Brace	2
10	1472305	Insulation	4
11	1651102	Broiler Front Column RT	1
	1651103	Broiler Front Column LT	1
12	1832601	Lower Insulation Lining	2
13	1135400	Aeration Shield-Raw	2
14	1002501	Cover Center Section	1
15	1832308	Back Oven Liner S/E	1
16	1832501	Cover Center Section	2
17	G6344-01-81E	Oven Side Lining Assembly RT	1
	G6344-01-82E	Oven Side Lining Assembly LT	1
18	G01030-01-81	Oven Door Support RH	1
	G01030-01-82	Oven Door Support LH	1
19	2580300	Oven Bottom Upper Broiler	1
20	1832401	Warming Oven Stop Bracket (For Upper Finishing Only)	2
21	G6152-40	Oven Rack Chrome	1
22	1136302	Door Counter Weight RT	1
	1136303	Door Counter Weight LT	1
23	G6036-01-8	Door Hinge Assembly	2
24	1439796	Oven Door Lining Enameled	1
25	1138399	Broiler Inset Box Assy	1
26	1080719	Oven Door Panel S/S	1
27	1831399	Warming Oven Door Handle W/A	1
28	1039602	Ball Knob 1-1/8 Gray	1
29	1136000	Broiler Front Burner Shield RT	1
	1136001	Broiler Front Burner Shield LT	1
30	1650601	Front Filler Strip	1
31	1138100	Broiler Burner Shield	1
32	1732804	Burner Box Side RT CRS	1
	1732806	Burner Box Side LT CRS	1
	1732805	Burner Box Side RT S/S	1
	1732807	Burner Box Side LT S/S	1
33	1555699	Broiler Support Bracket W/A	2
34	1086105	Burner Box Back	1
35	1134200	Grease Hopper	1
*	1138399	Warming Door	1
	1080719	Warming Door	1
	1439794	Warming Door	1
	1831299	Warming Door	1
	1039602	Warming Door	1

* NOT ILLUSTRATED

RECOMMENDED STOCK PARTS

GARLAND PARTS IDENTIFICATION

Master Series

Heavy Duty Gas Ceramic Broiler W/Upper Finishing Oven

Model: M60R, RC, S, T

ITEM	PART #	DESCRIPTION	QUANTITY
			MODEL
36	1139598	Lower Oven Flue Box	1
37	2576800	Drip Tray Guide	2
38	2585199	Front Top Rail W/A	1
39	1832103	Valve Panel	1
40	1831501	Grease Tray	1
41	1831101	Grease Pan Front	1
42	2192900	Storage Door Handle	1
43	1009500	Carriage Support Angle	2
44	1134998	Upper Broiler Rack Raising Arm	1
45	1647300	H/D Broiler Rack	2
46	1176899	Inner Rack Frame W/A	1
47	1031301	Broiler Rack Roller Pin	2
48	1035400	Double Row Unground Bearing	2
49	1031302	Rack Roller Wire Spacer	2
50	F78	3/8-16 Nut UNC	4
51	F112	3/8 Flat Washer	4
52	G01247-3	Broiler Roller Bearing	4
53	G01244-1	Bearing	4
54	G6424	Leveling Bolt	2
55	F76	1/4-20 Nut UNC	2
56	F111	1/4 Flat Washer	2
57	G6424	Leveling Bolt	2
58	G01247-3	Broiler Roller Bearing	2
59	1134996	Lower BR Rack Raising Arm Assy	1
60	1647999	Broiler Rack Raising Arm	1
61	1648597	Outer Rack Frame W/A	1
62	1648100	Rack Front Piece	1
63	2580600	Door Handle End Insert	2
64	2559101	Door Handle End LT	1
	2559100	Door Handle End RT	1
65	2193101	Extruded Handle 18.347	1
65A	1799401	Gray Garland Overlay	1
66	1655000	Rack Handle Index Plate	1
67	1151801	Broiler Rack Drip Shield	1
68	G01245-1	Broiler Spring	2
69	1139001	Spring Hook	2
70	1134101	Carriage Spring Support Arm LT	1
	1134100	Carriage Spring Support Arm Rt	1
71	G03145-048	F.D. Control Assembly	1
72	4512145	Knob M60 Burner	2
72A	2522103	Knob FD Oven C	1
	2522107	Knob FD Oven F	1
72B	2522101	Knob Oven Valve	1
73	GM293	Oven Pilot Tubing 3/16"	1
73A	GM309	Tubing - Oven to T'Stat 7/16"	1
74	2513399	F.S.D. Oven Valve Assembly	1
75	2200601	Thermocouple	1
76	1086597	Gum Valve-3/16 Pilot	2

* NOT ILLUSTRATED

RECOMMENDED STOCK PARTS

GARLAND PARTS IDENTIFICATION

Master Series

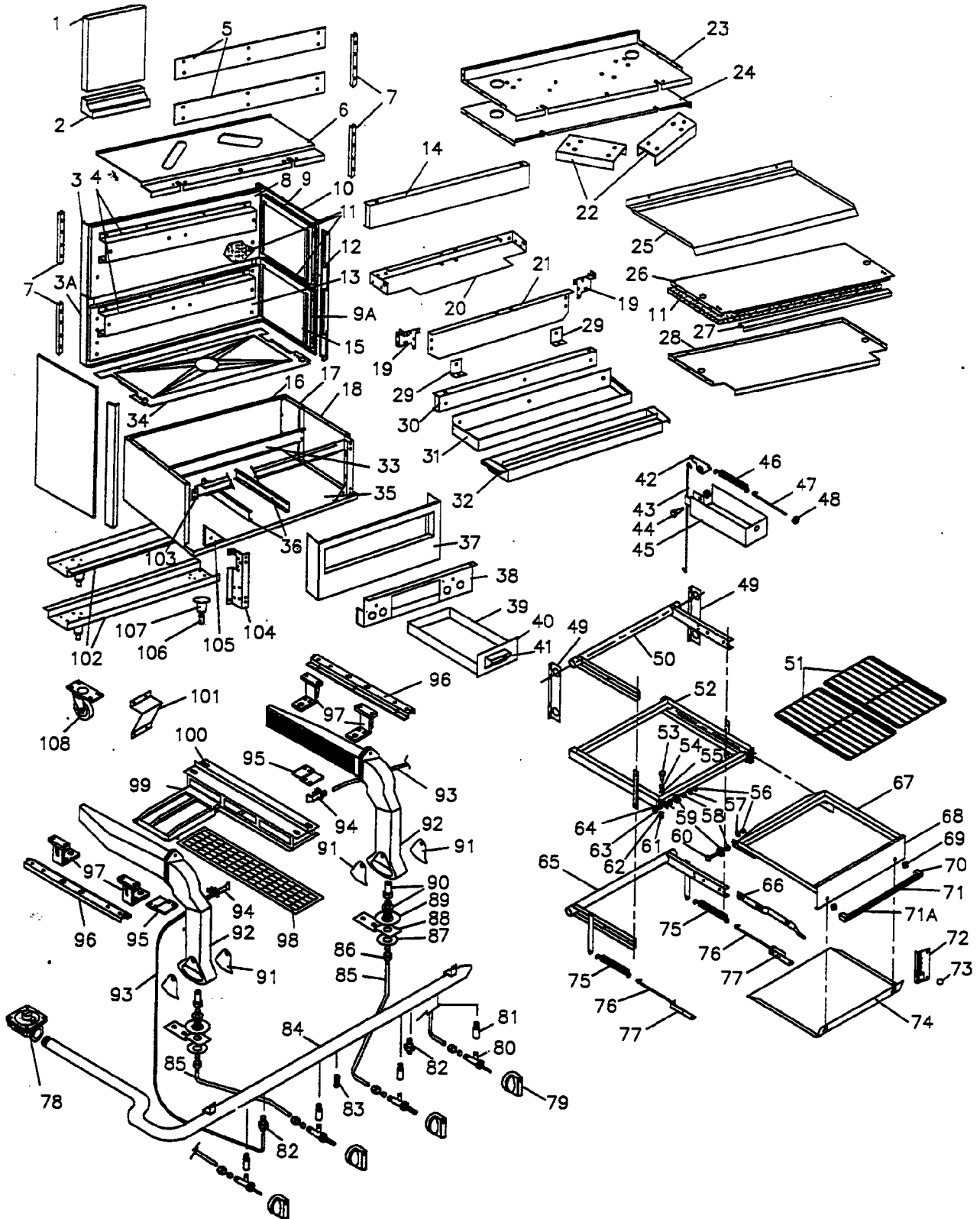
Heavy Duty Gas Ceramic Broiler W/Upper Finishing Oven

Model: M60R, RC, S, T

ITEM	PART #	DESCRIPTION	QUANTITY
			MODEL
77	G4416-2	Valve Oven Burner	2
78	G4523	Adapt DV Valve 3/8 mx 9/16-27NS	2
79	G01747-1	1/8 Std Black Head Sq Plug	1
80		Ferrule and Nut (Part of 2513399)	1
81	2189100	Valve Connector Fitting 12mm	1
82	2572599	Manifold Assy	1
82A	2572598	Manifold Assy Rear Gas	1
83	G07175	1-1/4" NPT Union Pipe	1
84	076029-183	Nipple 1-1/4" NPT Coupling Black	1
85	076029-184	Nipple 1-1/4" NPT x 29" Black	1
86	1134000	Tubing From Valve To Orifice	1
86A	1134001	Tubing From Valve To Orifice	1
87	GM308	Pilot Tubing 1/4" (2 Req'd)	36"
88		7/16 Tubing Ferrule and Nut (Part of Item 92)	2
89	1805501	Washer 1 5/16 OD x 3/4 IN S/S	2
90	1137500	Orifice Support	2
91	1805501	Washer 1 5/16 OD x 3/4 IN S/S	2
92	G5420-35F	Orifice Fitting Natural	2
	G5420-48F	Orifice Fitting Propane	2
93	G6093	Broiler Burner Air Shutter	4
94	G60223R	Broiler Burner R/H	1
	G60223L	Broiler Burner L/H	1
95	1415300	2C-2 Pilot Burner Natural	2
	1415301	2C-2 Pilot Burner Propane	2
96	G01358-1-6	Pilot Bracket	2
97	G6015-1	Broiler Burner Shield	2
98	G5054	Broiler Burner Hanger	4
99	G6771-02-9	Ceramic Support Assembly	1
100	G6030	Ceramic	6

* NOT ILLUSTRATED

RECOMMENDED STOCK PARTS



GARLAND PARTS IDENTIFICATION

Master Series

Heavy Duty Gas Double Ceramic Broiler

Model:M66

ITEM	PART #	DESCRIPTION	QUANTITY
			MODEL
1	1663899	Flue Raiser Collar S/W	1
2	1658199	Flue Raiser S/W	1
3	1653500	Upper Main Back	1
3A	1653700	Lower Main Back	1
4	1835199	Ceramic Filler Pcs Assy	2
5	1835202	Main Back Patch	2
6	1002202	Top Front	1
7	1134700	Main Back Channel Brace	4
8	1134800	Back Lining Insulation Body	1
9	1653800	Upper Side Lining LT	1
	1653801	Upper Side Lining RT	1
9A	1654000	Lower Side Lining RT	1
	1654001	Lower Side Lining LT	1
10	1148400	Body Side RT	1
	1148401	Body Side LT	1
	1148402	Body Side RT S/S	1
	1148403	Body Side LT S/S	1
11	GMCS19	Insulation	
12	1659800	Corner Column RT S/S	1
	1659802	Corner Column RT S/S	1
13	1134800	Back Lining Insulation Body	1
14	1658702	Upper Front Cover	1
15	1135400	Aeration Shield	4
16	10015001	Back Cabinet Base S/S	1
	10015000	Back Cabinet Base	1
17	1009200	Inner Rear Support LT/RT Painter	2
18	1001400	Cabinet Base Body Side RT	1
	1001401	Cabinet Base Body Side LT	1
	1001402	Cabinet Base Body Side RT-S/S	1
	1001403	Cabinet Base Body Side LT-S/S	1
19	1136001	Broiler Front Burner Shield LT	1
	1136000	Broiler Front Burner Shield RT	1
20	1650600	Front Filler Strip	2
21	1138100	Broiler Burner Shield	2
22	1151001	Maintop Stiffener	2
23	1654600	Maintop	1
24	1654200	Upper Broiler Top Insulation Lining	1
25	1663600	Incline Grease Pan S/S	1
26	1654599	Upper Broiler Bottom Deck GCE	1
27	1351300	Insulation Pan Spacer	1
28	1654700	Lower Broiler Top Insulation Lining	1
29	1835301	Front Panel Support Bracket Infra-Red	4
30	1659002	Lower Front Cover	1
31	1151700	Grease Container Support S/S	1
32	1002602	Grease Container S/S	1
33	1001102	Rear Grease Guide Support	1
34	1134201	Grease Hopper M66	1
35	1001099	Main Bottom Assembly	1
36	1001204	Grease Drawer Guide	2

* NOT ILLUSTRATED

RECOMMENDED STOCK PARTS

GARLAND PARTS IDENTIFICATION
Master Series
Heavy Duty Gas Double Ceramic Broiler
Model:M66

ITEM	PART #	DESCRIPTION	QUANTITY
			MODEL
37	1001699	Cabinet Base Front Panel Assembly S/S	1
38	1001604	Valve Panel	1
39	1831501	Grease Tray	1
40	1831101	Grease Pan Front	1
41	2192900	Storage Door Handle	1
42	1151499	Bell Crank Assembly	2
43	1151501	Bell Crank Link LT	1
	1151500	Bell Crank Link RT	1
44	1082200	Bell Crank Bolt	2
45	1150900	Bell Crank & Spring Support LT/RT	2
46	1005800	Broiler Spring	2
47	1139001	Spring Hook	2
48	F76	Nut 1/4"-20 UNC	4
49	1009500	Carriage Support Angle	4
50	1134995	Upper Broiler Rack Raising Arm	1
	1134998	Broiler Rack Raising Arm	2
51	1647300	M40 H/D Broiler Rack	4
52	1176889	Inner Rack Frame Assy	2
53	1031301	Broiler Rack Roller Pin	4
54	1035400	Double Row Unground Bearing	4
55	1031302	Rack Roller Wire Spacer	4
56	F78	3/8-16 Nut UNC	8
57	F112	3/8 Flat Washer	8
58	G01247-3	Broiler Roller Bearing	4
59	G01244-1	Bearing	8
60	G6424	Leveling Bolt	4
61	F76	1/4-20 Nut UNC	4
62	F111	1/4 Washer	4
63	G6424	Leveling Bolt	4
64	G0127-3	Broiler Roller Bearing	4
65	1134996	Lower Broiler Raising Arm Assembly	1
66	1647999	Broiler Rack Raising W/A	2
67	1648597	Outer Rack Frame W/A	2
68	1648100	Rack Front Piece	2
69	2580600	Door Handle End Insert	4
70	2259101	Door Handle End LT	2
	2259100	Door Handle End RT	2
71	2193101	Extruded Handle 18.347"	2
71A	1799401	Gray Garland Overlay	
72	1655000	Rack Handle Index Plate	2
73	1039602	Ball Knob 1-1/8 Gray	2
74	1151800	Broiler Rack Drip Shield	2
75	1005800	Broiler Spring	2
76	1139001	Spring Hook	2
77	1134102	Rack Carriage Spring Supt RT	1
	1134103	Rack Carriage Spring Supt LT	1
78	2127503	Regulator Nat	1
	2127500	Regulator Pro	1
79	2522114	Knob	4

* NOT ILLUSTRATED

RECOMMENDED STOCK PARTS

GARLAND PARTS IDENTIFICATION
Master Series
Heavy Duty Gas Double Ceramic Broiler
Model:M66

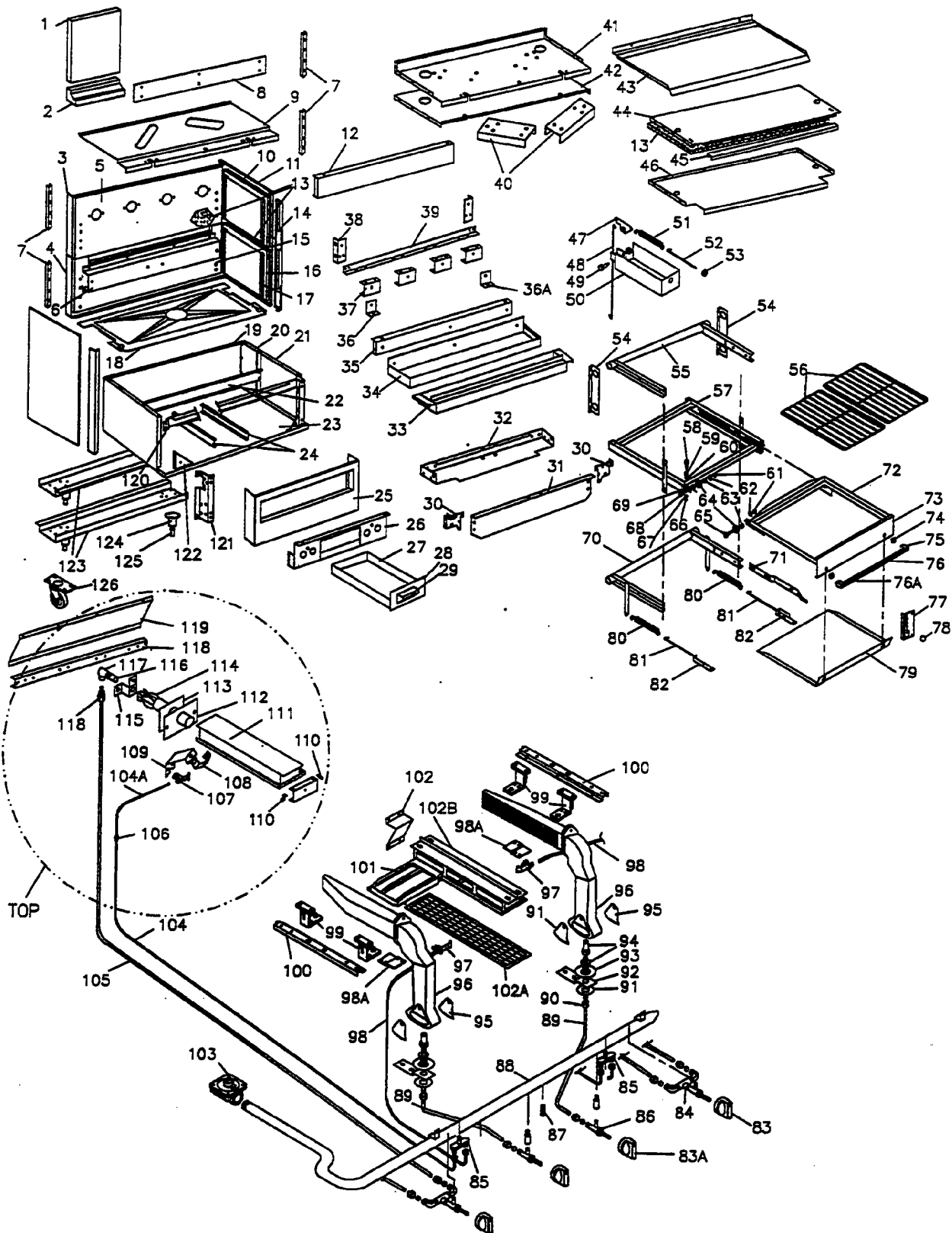
ITEM	PART #	DESCRIPTION	QUANTITY
			MODEL
80	G4415-2	Valve Open Burner	4
81	2591500	Adapter Valve	4
82	1510402	3/16 x 3/16 Y Pilot Adjust Valve	2
83	G01747-1	1/8 Standard Black Headed Square Plug	1
84	1001988	Manifold Assy	1
85	GM309	Valve to Orifice Tubing (6 Req'd)	60"
86		Ferrule and Tube Nut (Included With Item 90)	4
87	1805501	Washer 1-5/16 OD x 3/4 ID S/S	2
88	1137501	Lower Orifice Support	2
89	1895501	Washer 1-5/16 OD x 3/4 ID S/S	2
90	G5420-35F	Orifice Fitting	4
	G5420-48F	Orifice Fitting	4
91	G6093	Broiler Burner Air Shutter	8
92	G6023R	Broiler Burner R/H	2
	G6023L	Broiler Burner L/H	2
93	GM308	Pilot Tubing	4
94	1415300	2C-2 Pilot Natural	4
	1415301	2C-2 Pilot Natural	4
95	G01358-1-6	Pilot Bracket	4
96	G6015-1	Broiler Burner Shield	4
97	G5054	Burner Hanger	8
98	G6295-1	Ceramic Support	2
99	G6030	Ceramic	12
100	G677-02-9	Ceramic Support Assembly	2
101	2593400	Bracket Centre Support	1
102	1001003	Base Channel	2
	1001004	Base Channel S/S	2
103	1001904	Manifold Support	1
104	1001302	Front Upright RT	1
	1001301	Front Upright LT	1
105	1001802	Corner Gusset	2
106	1150502	Bullet Legs	4
107	1027600	Leg Retainer Plated 6"	4
108	1027800	Swivel Caster Less Brake	2
	1027801	Swivel Caster C/WBrake	2

* NOT ILLUSTRATED

RECOMMENDED STOCK PARTS



MASTER SERIES
HEAVY DUTY GAS INFRA-RED (TOP)/
CERAMIC, (BOTTOM), DOUBLBE BROILER
MODEL: M67



GARLAND PARTS IDENTIFICATION

Master Series

Heavy Duty Gas Infra-Red, (Top) / Ceramic, (Bottom) Double Broiler

Model:M67

ITEM	PART #	DESCRIPTION	QUANTITY
			MODEL
1	1663899	Flue Raiser Collar S/W	1
2	1658199	Flue Raiser S/W	1
3	1653500	Upper Main Back	1
4	1653700	Lower Main Back	1
5	1654398	Upper Back Liner	1
6	1835199	Ceramic Filler Pcs Assy	1
7	1134700	Main Back Channel Brace	4
8	1835202	Main Back Patch	1
9	1002202	Top Front	1
10	1653801	Upper Side Lining LT	1
	1653800	Upper Side Lining RT	1
11	1149400	Body Side RT	1
	1149401	Body Side LT	1
	1149402	Body Side RT S/S	1
	1149403	Body Side LT S/S	1
12	1658702	Upper Front Cover	1
13	1472305	Insulation	8
14	1659800	Corner Column RT S/S	1
	1659802	Corner Column LT S/S	1
15	1138480	Back Lining Insulation Body	1
16	1654000	Lower Side Lining RT	1
	1654001	Lower Side Lining LT	1
17	1135400	Aeration Shield	4
18	1134200	Grease Hopper	1
19	10015001	Back Cabinet Base S/S	1
	10015000	Back Cabinet Base	1
20	1009200	Inner Rear Support LT/RT Painted	2
21	1001400	Cabinet Base Body Side R/T	1
	1001401	Cabinet Base Body Side L/T	1
	1001402	Cabinet Base Body Side R/T-S/S	1
	1001403	Cabinet Base Body Side LT-S/S	1
22	1001102	Rear Grease Guide Support	1
23	1001099	Main Bottom Assembly	1
24	1001204	Grease Drawer Guide	2
25	1001699	Cab Base Front Panel Assembly S/S	1
26	1001604	Valve Panel	1
27	1831501	Grease Tray	1
28	1831101	Grease Pan Front	1
29	2192900	Storage Door Handle	1
30	1136001	Broiler Front Burner Shield LT	1
	1136000	Broiler Front Burner Shield RT	1
31	1138100	Broiler Burner Shield	1
32	1650600	Front Filler Strip	1
33	1002602	Grease Container S/S	1
34	1151700	Grease Container Support S/S	1
35	1659002	Lower Front Cover	1
36	1835301	Front Panel Supt Bracket Infra-Red	2
36A	1835300	Front Panel Supt Bracket	2
37	1653400	Front Burner Support Bracket	4
38	1832801	Burner Hanger Bracket	2

* NOT ILLUSTRATED

RECOMMENDED STOCK PARTS

GARLAND PARTS IDENTIFICATION

Master Series

Heavy Duty Gas Infra-Red, (Top) / Ceramic, (Bottom) Double Broiler

Model:M67

ITEM	PART #	DESCRIPTION	QUANTITY
			MODEL
39	1646600	Front Burner Support	1
40	1151001	Maintop Stiffener GG	2
41	1654600	Maintop	1
42	1654200	Upper Broiler Top Insulation Lining	1
43	1663600	Incline Grease Pan S/S	1
44	1654599	Upper Broiler Bottom Deck GCE	1
45	1351300	Insulation Pan Spacer	1
46	1654700	Lower Broiler Top Insulation Lining	1
47	1151499	Bell Crank Assembly	2
48	1151501	Bell Crank Link LT	1
	1151500	Bell Crank Link Rt	1
49	1082200	Bell Crank Bolt	2
50	1150900	Bell Crank & Spring Support LT/Rt	2
51	1005800	Broiler Spring	2
52	1139001	Spring Hook	2
53	F76	Nut 1/4"-20 UNC	4
54	1009500	Carriage Support Angle	4
55	1134995	Upper Broiler Rack Raising Arm	1
	1134998	Broiler Rack Raising Arm	2
56	1647300	M40 H/D Broiler Rack	4
57	1176889	Inner Rack Frame Assembly	2
58	1031301	Broiler Rack Roller Pin	4
59	1035400	Double Row Unground Bearing	4
60	1031302	Rack Roller Wire Spacer	4
61	F78	3/8-16 Nut UNC	8
62	F112	3/8 Flat Washer	8
63	G01247-3	Broiler Roller Bearing	4
64	G01244-1	Bearing	8
65	G6424	Leveling Bolt	4
66	F76	1/4-20 Nut UNC	4
67	F111	1/4 Washer	4
68	G6424	Leveling Bolt	4
69	G01247-3	Broiler Roller Bearing	4
70	1134996	Lower Broiler Raising Arm Assy	1
71	1647999	Broiler Rack Raising W/A	2
72	1648597	Outer Rack Frame W/A	2
73	1648100	Rack Front Piece	2
74	2580600	Door Handle End Insert	4
75	2559101	Door Handle End LT	2
	2559100	Door Handle End RT	2
76	2193101	Extruded Handle 18.347"	2
76A	1799401	Gray Garland Overlay	2
77	1655000	Rack Handle Index Plate	2
78	1039602	Ball Knob 1-1/8 Gray	2
79	1151800	Broiler Rack Drip Shield	2
80	1005800	Broiler Spring	2
81	1139001	Spring Hook	2
82	1134102	Rack Carriage Spring Support RT	1
	1134103	Rack Carriage Spring Support LT	1

* NOT ILLUSTRATED

RECOMMENDED STOCK PARTS

GARLAND PARTS IDENTIFICATION

Master Series

Heavy Duty Gas Infra-Red, (Top) / Ceramic, (Bottom) Double Broiler

Model:M67

ITEM	PART #	DESCRIPTION	QUANTITY
			MODEL
84	1095197	Nat Hi-Med-Lo Valve	2
	1095196	LP Hi-Med-Lo Valve	2
85	1510402	3/16 x 3/16 Y pilot Adjust Valve	2
86	G4416-2	Valve , Open Burner	2
86A*	2591500	Adapter Valve	2
87	G01747-1	1/8 STD Black Head Sq Plug	1
88	1001988	Manifold Assembly	1
89		7/16" Valve To Orifice Tubing	2
90		7/16" Tube Fitting	2
91	1805501	Washer 1-5/16 OD x 3/4 ID S/S	2
92	1137500	Orifice Support	2
93	1805501	Washer 1-5/16 OD x 3/4 ID S/S	2
94	G5420-35F	Orifice Fitting Natural	2
	G5420-48F	Orifice Fitting Propane	2
95	G6093	Broiler Burner Air shutter	4
96	G6023R	Broiler Burner R/H	1
	G6023L	Broiler Burner L/H	1
97	1415300	2C-2 Pilot Natural	1
	1415301	2C-2 Pilot Propane	1
98	GM308	Pilot Tubing 1/4" (2 Req'd)	60"
98A	G01358-1-6	Pilot Bracket	2
99	G5054	Burner Hanger Bracket	4
100	G6015-1	Broiler Burner Shield	2
101	G6030	Ceramic	6
102	2503400	Bracket Centre Support	1
102A	G6295-1	Ceramic Support	1
102B	G677-02-9	Ceramic Support Assembly	1
103	2127503	Regulator Nat	1
	2127500	Regulator Pro	1
104	GM308	Pilot Tubing 1/4" (2 Req'd)	60"
105	GM309	7/16 Tubing Valve-IR Orifice Holder (4 Req'd)	60"
106	076050-88	Straight Connector	4
107	2206400	Pilot Burner Nat	2
	2206401	Pilot Burner LP	2
108	G01243-1	Tubing to NPT Connector	4
109	1646200	Pilot Bracket	2
110	1835002	Hold Down Bracket	8
111	164100	IR Burner	4
112	1145113	Venturi Enclosure Plate	4
113	1041000	Venturi Gasket	4
114		Venturi (Part of 1647100)	4
115	1145800	Orifice Holder Stabilizer	4
116	1647149	Orifice Nat	4
	1647156	Orifice Pro	4
117		Orifice Holder (Part of 1647100)	4
118	1649400	Orifice Holder Support	1
119	1147901	Rear Orifice Shield	1
120	1001904	Manifold Support	1

* NOT ILLUSTRATED

RECOMMENDED STOCK PARTS

GARLAND PARTS IDENTIFICATION

Master Series

Heavy Duty Gas Infra-Red, (Top) / Ceramic, (Bottom) Double Broiler

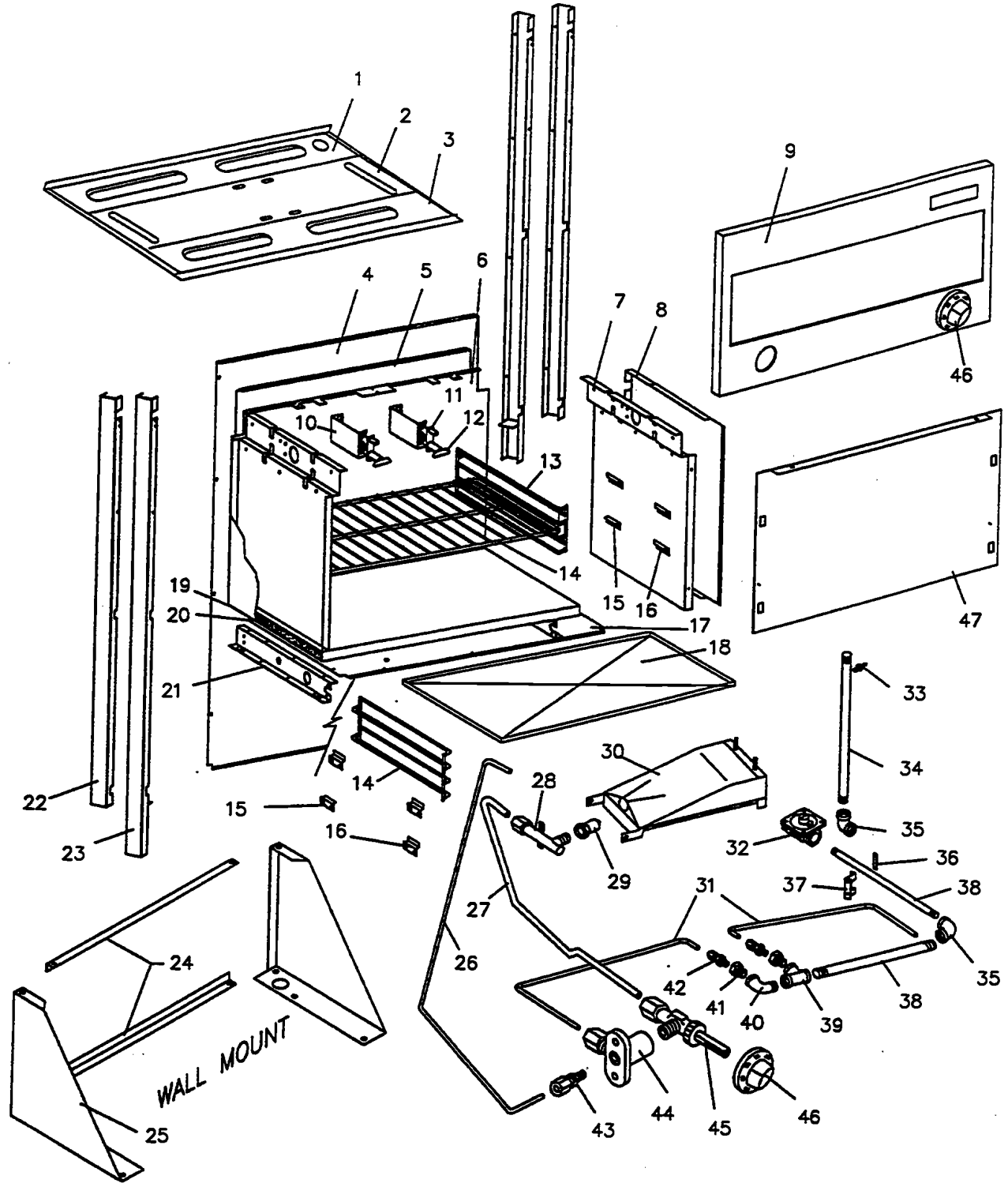
Model:M67

ITEM	PART #	DESCRIPTION	QUANTITY
			MODEL
121	1001302	Front Upright RT	1
	1001301	Front Upright LT	1
122	1001802	Corner Gusset	2
123	1001003	Base Channel	2
	1001004	Base Channel S/S	2
124	1150502	Bullet Legs	4
125	1027600	Leg Retainer Plated 6"	4
126	1027800	Swivel Caster Less Brake	2
	1027801	Swivel Caster C/W Brake	2

* NOT ILLUSTRATED

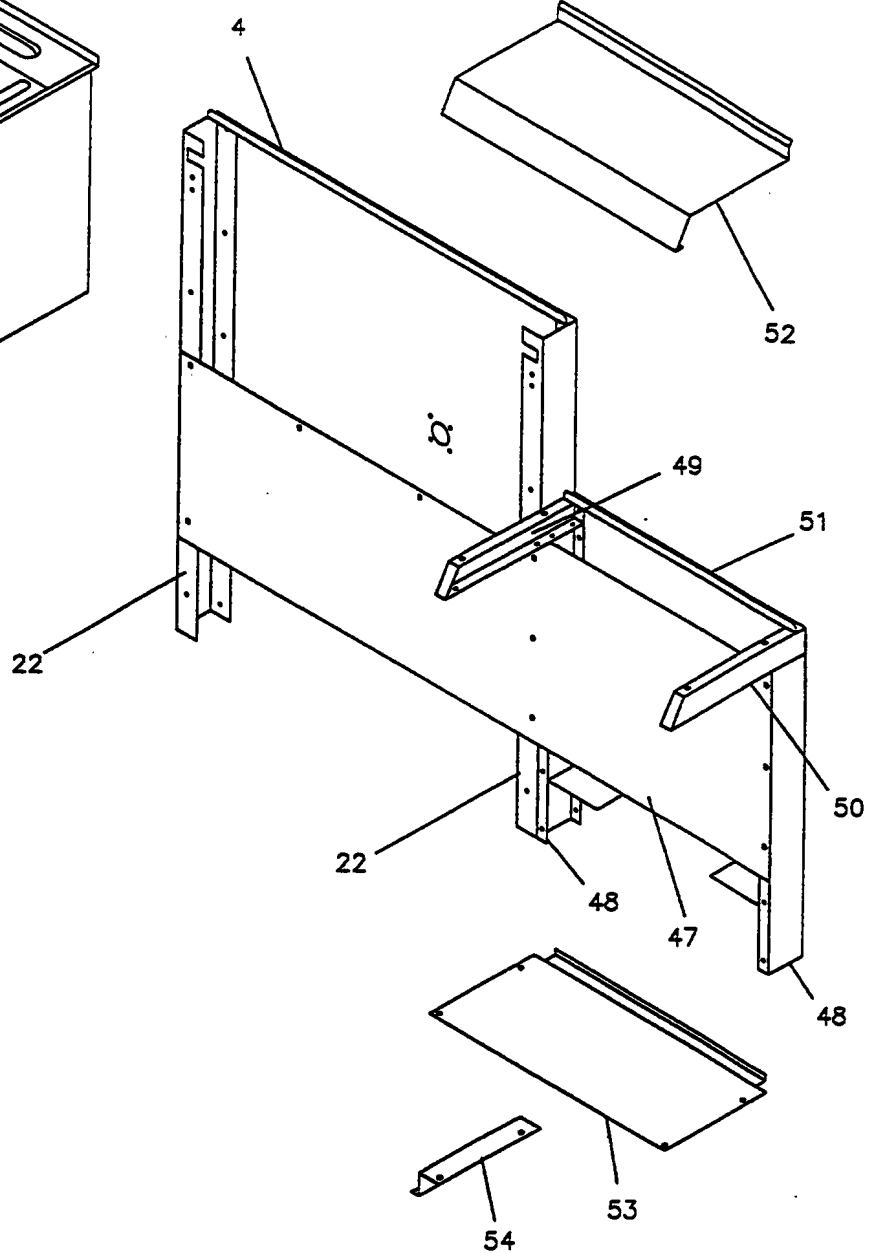
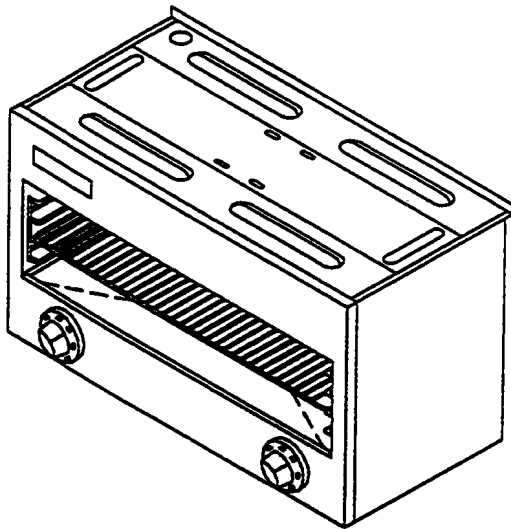
RECOMMENDED STOCK PARTS

NOTES





MASTER SERIES
HEAVY DUTY GAS CHEESEMELTER
BACKGUARD & SHELF FOR
MODELS MCM34, GCM24 /36/48/60/72-280



GARLAND PARTS IDENTIFICATION

Master Series

Heavy Duty Gas Infra-Red Cheesemelters

Models: MCM34, GCM24 / 36 / 48 / 60 / 72-280

ITEM	PART #	DESCRIPTION	QUANTITY					
			MODELS					
			MCM34	GCM24-280	GCM36-280	GCM48-380	GCM60-280	GCM72-280
1	G01377-1-6	Main Top Back	1					1
	G01377-1-9	Main Top Back			1		1	
	1376205	Main Top Back		1		1		
2	G01376-1-6	Main Top Center	1					1
	G01376-1-9	Main Top Center			1		1	
	1376204	Main Top Center		1		1		
3	G01375-1-6	Main Top Front	1		1		1	1
	G01375-1-9	Main Top Front			1		1	
	1376200	Main Top Front 24" AZ		1		1		
	1376201	Main Top Front 24" S/S		1		1		
4	1831801	Back Panel AZ	1					
	1831802	Back Panel S/S	1					
	1377400	Backguard Back AZ		1		1		
	1377405	Backguard Back S/S		1		1		
	1377402	Backguard Back AZ			1		1	1
	1377407	Backguard Back S/S			1		1	1
5	1375900	Back Shield 24"		1		1		
	1375901	Back Shield 34"	1		1		1	1
6	1375297	Bottom Back Liner S/W 24"		1		1		
	1375298	Bottom Back Liner S/W 34"	1		1		1	1
7	1375697	Side Liner 24" RT S/W		1		1		
	1375698	Side Liner RT S/W	1		1		1	1
	1375699	Side Liner LT S/W	1		1		1	1
8	1376700	Side Panel RT/LT GG		2	2	2	2	2
	1376701	Side Panel RT/LT S/S	2	2	2	2	2	2
9	1375900	Front Panel 24"		1		1		
	1375901	Front Panel 34"	1		1		1	1
10	1376100	Pilot Mounting Brkt	2	1	2	1	2	2
11	G0554-1	3C-2 Pilot Natural Gas	2	1	2	1	2	2
12	G0554-2	3C-2 Pilot LP	2	1	2	1	2	2
13	9004000	Rack Guide RT/LT	2	2	2	2	2	2
14	9003900	Rack Cheesemelter 24"		1		1		
	9003901	Rack Cheesemelter 34"	1		1		1	1
15	1317601	Rack Guide Hold Down Bracket	6	6	6	6	6	6
16	1317600	Rack Guide Bracket	2	2	2	2	2	2
17	1375100	Main Bottom 24"		1		1		
	1375101	Main Bottom 34"	1		1		1	1
18	1376400	Crumb Tray 21"		1		1		
	1376401	Crumb Tray 31"	1		1		1	1
19	1375000	Bottom Insulation Panel 24"		1		1		
	1375001	Bottom Insulation Panel 34"	1		1		1	1
20	GM2	Insulation						
21	1378198	Main Support Brkt RT S/W	1	1	1	1	1	1
	1378199	Main Support Brkt LT S/W	1	1	1	1	1	1

* NOT ILLUSTRATED

RECOMMENDED STOCK PARTS

GARLAND PARTS IDENTIFICATION
Master Series
Heavy Duty Gas Infra-Red Cheesemelters
Models: MCM34, GCM24 / 36 / 48 /60 / 72-280

ITEM	PART #	DESCRIPTION	QUANTITY					
			MODELS					
			MCM34	GCM24-280	GCM36-280	GCM48-380	GCM60-280	GCM72-280
22	1378300	Veneer Support Brkt RT 24"		1		1		
	1378301	Veneer Support Brkt RT 36"			1		1	1
	1378103	Veneer Support Brkt LT 24"		1		1		
	1378104	Veneer Support Brkt LT 34"			1		1	1
	1831701	Veneer Support Brkt RT	1					
	1831702	Veneer Support Brkt LT	1					
23	1377500	Support Brkt RT 24" GG		1		1		
	1377501	Support Brkt Rt 36" GG			1		1	1
	1377503	Support Brkt LT 24" GG		1			1	
	1377504	Support Brkt LT 36" GG			1		1	1
	1831698	Support Brkt RT W/A	1					
	1831699	Support Brkt LT W/A	1					
24	G01467-1-5	Angle Brkt	2					
25	G01400-1-91	Bracket RH	1					
	G01400-1-92	Bracket LH	1					
26	1028737	1/4" Pilot Tubing x 37"	2	1	2	1	2	1
27	1377201	Valve To Orifice Tubing	2	1	2	1	2	2
28	G01422-50F	Orifice Fitting Nat. N. America	2	1	2	1	2	2
	G01422-56F	Orifice Fitting Prop. N. America	2	1	2	1	2	1
	G01422-XX	Orifice Fitting (Less Hood)	2	1	2	1	2	1
29		Orifice Hood-Special (Gas/Dest)	2	1	2	1	2	2
30	1035103	Burner	2	1	2	1	2	2
31	1377200	Feed Tubing	2		2		2	2
	1377202	Feed Tubing		1		1		
32	2127500	Regulator LP	1	1	1	1	1	1
	2127503	Regulator Nat	1	1	1	1	1	1
33	1007300	1/8" NPT Pipe Plug	1	1	1	1	1	1
34	G01477-6	Nipple 1/2" NPT x 20"	1	1	1	1	1	1
35	G01474-2	Elbow 1/2" NPT 90°	2	2	2	2	2	2
36	1375701	Pipe Retainer	1	1	1	1	1	1
37	1375700	Pipe Support Bracket	1	1	1	1	1	1
38	G01477-1	Nipple 1/2" NPT x 12-3/4"	2	2	2	2	2	2
39	G01486-1	Tee 1/2" NPT	1		1		1	1
40	G01475-1	Street Elbow 1/2" NPT	1		1		1	1
41	G01569-1	Reducing Bushing	2		2		2	2
42	G01243-1	Straight Fitting 1/2 NPT x 7/17	2	1	2	1	2	2
43	G6809	Valve Pilot	2	1	2	1	2	2
44	1037901	Flanged Elbow	2	1	2	1	2	2
45	G01410-1	Valve Hi-Lo 1/4" NPT 7/16" CC	2	1	2	1	2	2
46	G02716-2	Dial (Universal) Med. Shaft		1	2	1	2	2
	1555200	Dial Insert		1	2	1	2	2
	1800604	M40 Gray Left IR Sal Knob	1					
	1800606	M40 Gray Right IR Sal Knob	1					

* NOT ILLUSTRATED

RECOMMENDED STOCK PARTS

GARLAND PARTS IDENTIFICATION

Master Series

Heavy Duty Gas Infra-Red Cheesemelters

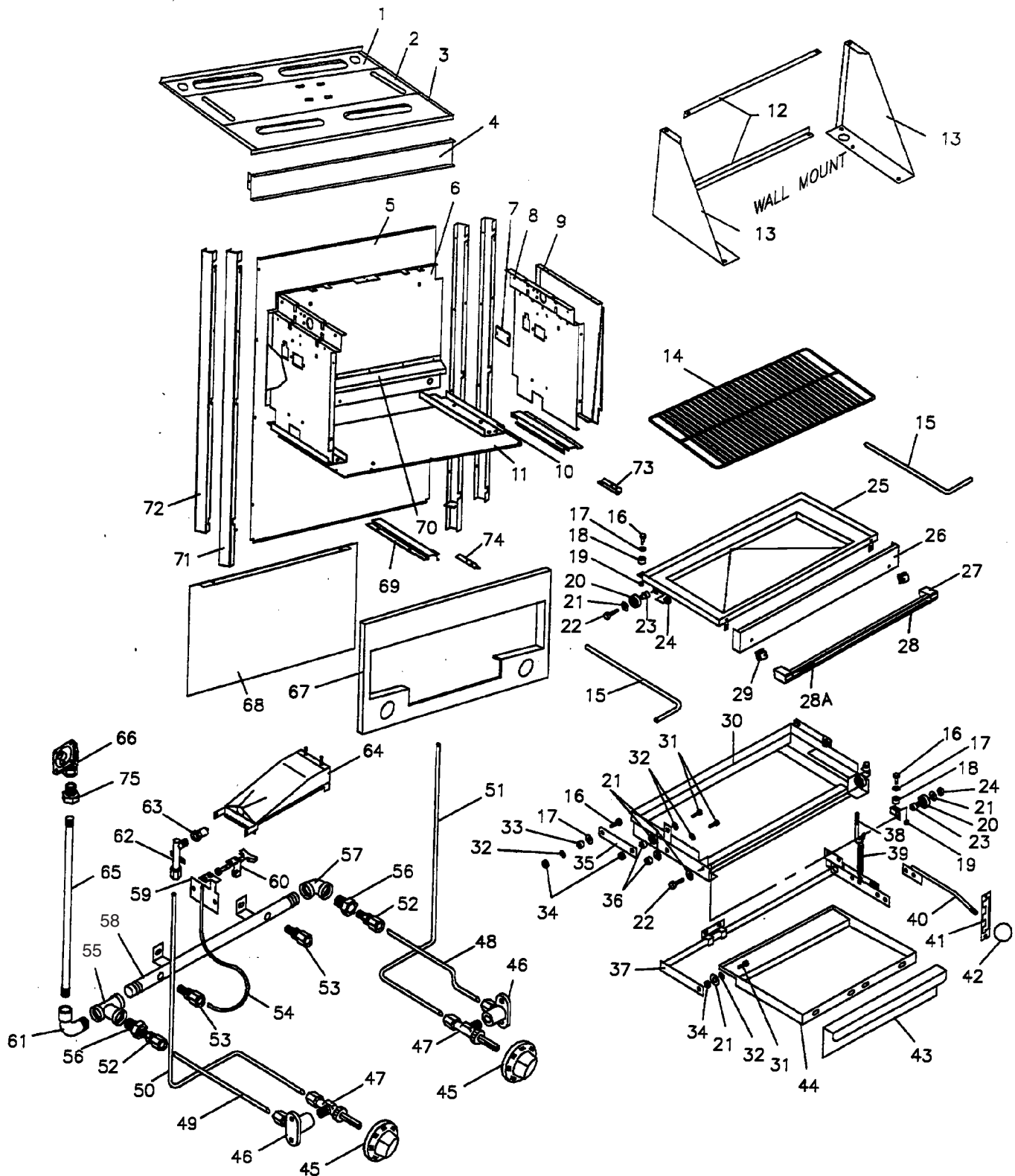
Models: MCM34, GCM24 / 36 / 48 / 60 / 72-280

ITEM	PART #	DESCRIPTION	QUANTITY					
			MODELS					
			MCM34	GCM24-280	GCM36-280	GCM48-380	GCM60-280	GCM72-280
47	2567800	MSR16 Front Panel	1					
	1376005	Bottom Front Panel 24"		1				
	1376007	Bottom Front Panel 34"			1			
	1386601	Front Panel (GCM48-280) S/S				1		
	1386613	Front Panel (281/285) S/S					1	
	1386611	Front Panel (282/283) S/S					1	
	1386613	Front Panel (284/287) S/S					1	
48	1390100	Upright RT/LT GG				2	2	2
	1390101	Upright RT/LT S/S				2	2	2
49	1364900	Shelf Support LT GG				1	1	1
	1364902	Shelf Support LT S/S				1	1	1
50	1364901	Shelf Support RT GG				1	1	1
	1364903	Shelf Support RT S/S				1	1	1
51	1390500	SDHS Back AZ				1	1	
	1390501	High Shelf Back 36"					1	
	1390502	SDHS Back S/S						1
	1390503	High Shelf Back S/S						1
52	1364700	Shelf Top 24" S/S				1	1	
	1364701	Shelf Top 36" S/S						1
53	1500502	Shelf Bottom 24" S/S				1	1	
	1500503	Shelf Bottom 36" S/S						1
54	1561800	Shelf Bracket GG					1	
	1561801	Shelf Bracket S/S					1	

* NOT ILLUSTRATED

RECOMMENDED STOCK PARTS

NOTES



GARLAND PARTS IDENTIFICATION
Master Series
Heavy Duty Gas Infra-Red Salamander Broiler
Model: MIR-34L

ITEM	PART #	DESCRIPTION	QUANTITY
			MODEL
1	G01377-1-6	Main Top Back	1
2	G01376-1-6	Main Back Centre	1
3	G01375-1-6	Main Top Front	1
4	G01391-1-6	Front Brace	1
5	G6704-34-7	Main Back 34"	1
6	2584000	Flue Back	1
7	G01372-1-6	Orifice Fitting Cover	2
8	2584100	Side Liner R/H	1
	2584101	Side Liner L/H	1
9	G01392-1-91	Main Side R/H	1
	G01392-1-92	Main Side L/H	1
10	G013878-01-61	R/H Bottom Assembly	1
	G013878-01-62	L/H Bottom Assembly	
11	2540800	Bottom Cover	1
12	G01467-1-5	Angle Bracket	2
13	G01400-1-91	Bracket R/H	1
	G01400-1-92	Bracket L/H	1
14	1347200	Salamander Rack	1
15	1387200	Protecting Rod	2
16	1031301	Broiler Rack Roller Pin	4
17	1031302	Rack Roller Wire Spacer	4
18	1035400	Double Row Unground Bearing	4
19	F76	1/4-20 UNC Nut	4
20	G01244-1	Bearing	4
21	F112	3/8" Flat Washer	4
22	G6424	Leveling Bolt	4
23	G01247-3	Rear Bushing	4
24	F78	3/8"-16 Nut	1
25	1037286	Rack Frame Weld Assy	1
26	1819101	Rack Handle Front	1
27	2559100	Door Handle End RT	1
	2559101	Door Handle End LT	1
28	2193100	Door Handle Bar	1
28A	1592007	Handle Overlay	2
29	2580600	Door Handle End Insert	2
30	1342596	Rack Frame Assy	1
31	F40	1/4-20 x 3/4" Lg Hex Bolt	4
32	F111	1/4" Flat Washer	4
33	G01247-3	Rear Bushing	4
34	F76	1/4-20 Nuts	4
35	1342099	Upper Arm Assembly	2
36	1031300	Broiler Rock Roller Bushing	4
37	134299	Lever Assy	1
38	9004701	Oven Door Spring Hook	1
39	1005803	Springs	1
40	1342198	Handle Assy N/C Plate	1
41	1341800	Face Plate	1
42	1039603	Gray Ball Knob	1
43	2540700	Grease Tray Front (2001300 Up to 17 Dec 01)	1

* NOT ILLUSTRATED

RECOMMENDED STOCK PARTS

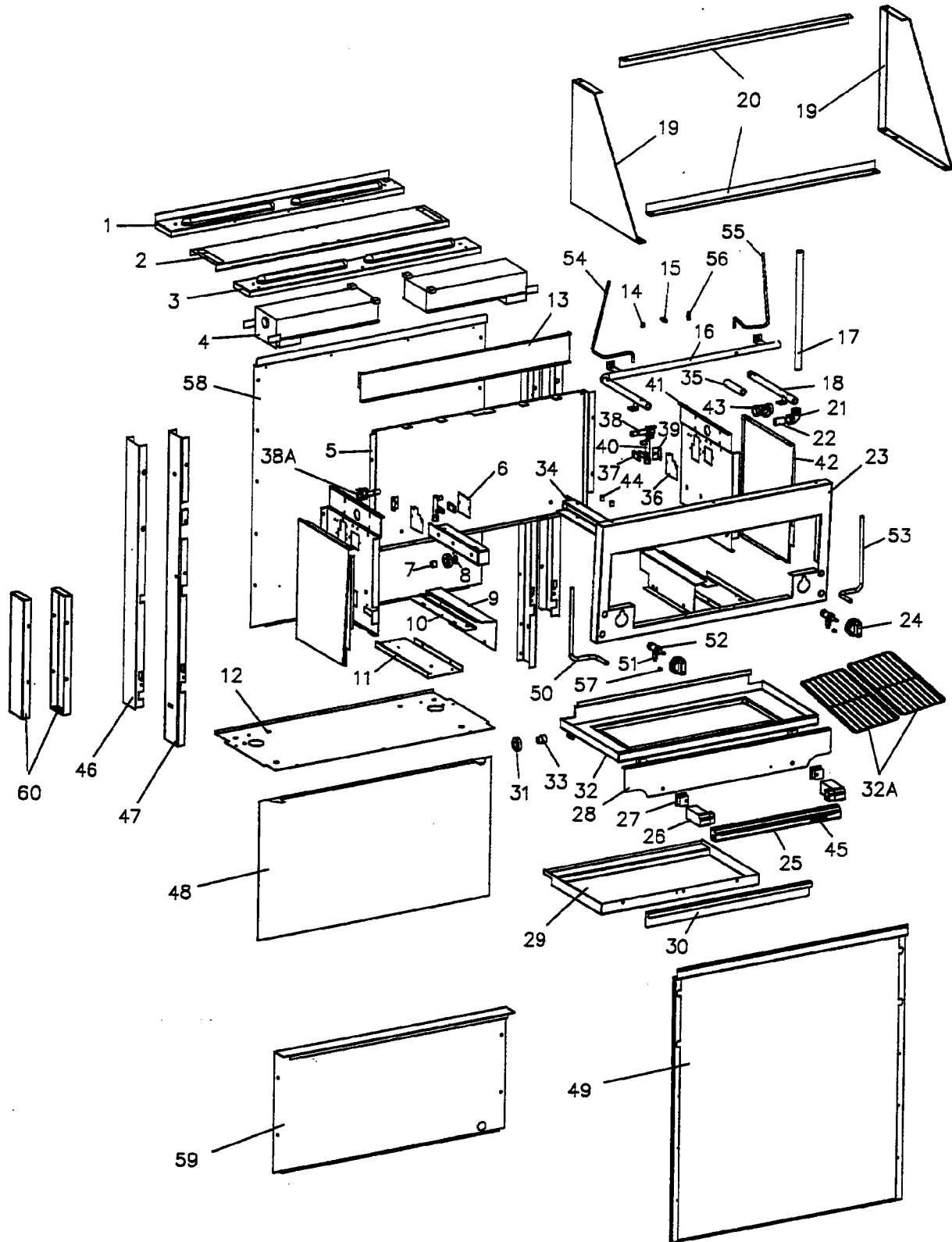
GARLAND PARTS IDENTIFICATION
Master Series
Heavy Duty Gas Infra-Red Salamander Broiler
Model: MIR-34L

ITEM	PART #	DESCRIPTION	QUANTITY
			MODEL
44	2601301	Grease Tray	1
45	1800606	M40 Gray Right I/R-Sal Knob	1
	4512124	M40 Gray Left I/R-Sal Knob	1
46	G01435-1	Elbow Flanged	2
47	G01410-1	Valve Hi-Lo 1/4 NPT to 7/16 CC	2
48	G01471-1-8	7/16 Steel Tubing x 8.937"	1
49	G01471-1-8	7/16 Steel Tubing x 8.937"	1
50	G01473-1-81	7/16 Steel Tubing x 16.312"	1
51	G01473-1-82	7/16 Steel Tubing x 16.312"	1
52	G01243-1	Fitting	2
53	G6809	Valve Pilot	2
54	Gm320	1/4 Aluminum Tubing x 18"	2
55	G01476-1	1/2" NPT Tee	1
56	G01569-1	1/2" to 1/4" NPT Reducer	2
57	G01474-2	1/2" NPT Elbow	1
58	G01412-01-8	Manifold Assembly	1
59	1815602	Pilot Bracket R/H NLA Use 1815606 R/H	1
	1815602	Pilot Bracket L/H NLA Use 1815606 L/H	1
60	1806601 Nat	Nat IR Sal Pilot Burner Assy	1
	1806602 LP	Pro IR Sal Pilot Burner Assy	1
61	G01475-1	Elbow Street 1/2" NPT 90 Deg	1
62	G01411-XX	Orifice Fitting Holder	2
63	G01411-48	Orifice Fitting # 48 Nat	2
	G01411-55	Orifice Fitting # 55 LP	2
64	CK117	Burner Assembly	2
65	G01477-1	Nipple 1/2" NPT x 12 3/4" Raw	
66	2127503	Regulator Nat	1
	2127500	Regulator Pro	1
67	1038702	Main Front S/S MIR34L	1
68	2567800	MSR16 Front Panel	1
69	G01384-01-61	Valve Housing R/H Assembly	1
	G01384-01-62	Valve Housing L/H Assembly	1
70	1819001	Salamander Grease Shield	1
71	2582398	Bracket Upright Assy L/H	1
	2582399	Bracket Upright Assy L/H	1
72	2584500	Upright Veneer MIR-34L	2
73	2588601	Strip Filler R/H	1
74	2588600	Strip Filler L/H	1
75	G01918-5	Bushing 3/4 to 1/2 NPT Brass	1

* NOT ILLUSTRATED

RECOMMENDED STOCK PARTS

NOTES



GARLAND PARTS IDENTIFICATION
Master Series
Heavy Duty Gas Infra-Red Salamander Broiler
Model: MSRC, MSR16

ITEM	PART #	DESCRIPTION	QUANTITY	
			MODEL	
			MSRC	MSR16
1	G01377-1-6	Main Top Back		1 (Std)
	G01377-1-9	Main Top Back	1	1 (Opt)
2	G01376-1-6	Main Top Centre		1 (Std)
	G01376-1-9	Main Top Centre	1	1 (Opt)
3	G01375-1-9	Main Top Front	1	1
4	2572100	Infra Red Burner	2	2
5	2564200	Flue Back	1	1
6	G01372-1-6	Orifice Fitting Cover	2	2
7	G01247-2	Front Bearing	2	2
8	G01247-1-8	Washer Bearing	2	2
9	2540398**	Valve Housing Assy LH	1	1
	2540399**	Valve Housing Assy RH	1	1
	2592798	Valve Housing Assy LH	1	1
	2592799	Valve Housing Assy RH	1	1
10	2576200	Valve Housing Retainer	2	2
11	2541998	Manifold Housing Bottom LH	1	1
	2541999	Manifold Housing Bottom RH	1	1
12	2540800	Bottom Cover	1 (Opt)	1 (Opt)
13	2580200	Front Brace	1	1
14	2203400	Cnt. Sunk 1/8" NPT Hex Plug	2	2
15	G02251-1	Pressure Test Spigot	1	1
16	2541799	Manifold Assembly	1	1
17	G01477-9	Nipple 1/2" NPT x 18" Long	1	1
18	2567999	Sub-Manifold Assembly	1	1
19	2582600	Wall Mount Bracket RH (Black)	1 (Opt)	
	2582602	Wall Mount Bracket RH (S/S)	1 (Opt)	
	2582601	Wall Mount Bracket LH (Black)	1 (Opt)	
	2582603	Wall Mount Bracket LH (S/S)	1 (Opt)	
20	G01467-1-5	Angle Bracket	2	
21	G01474-2	Elbow-1/2 NPT	1	1
22	G01477-10	Nipple 1/2" NPT x 1/2" Long	1 (Opt)	1
23	2564400**	Front Frame	1	1
	2593100	Front Frame	1	1
24	2522166	Knob	2	2
25	2193100**	Door Handle	1	1
	2193101	Door Handle	1	1
26	2559101	Door Handle End LT	1	1
	2559100	Door Handle End RT	1	1
27	2580600	Door Handle End Insert	2	2
28	2547600**	Rack Veneer	1	1
	2592600	Rack Veneer	1	1
29	2540600**	Grease Tray	1	1
	2601300	Grease Tray	1	1
30	2540700	Grease Tray Front	1	1
31	G01244-1	Bearing	4	4
32	2540199**	Rack Frame & Grease Chute Assy	1	1
	2593099	Rack Frame & Grease Chute Assy	1	1
32A	G02468-01-5	Half Round Rack	2	2

* NOT ILLUSTRATED

RECOMMENDED STOCK PARTS

GARLAND PARTS IDENTIFICATION

Master Series

Heavy Duty Gas Infra-Red Salamander Broiler

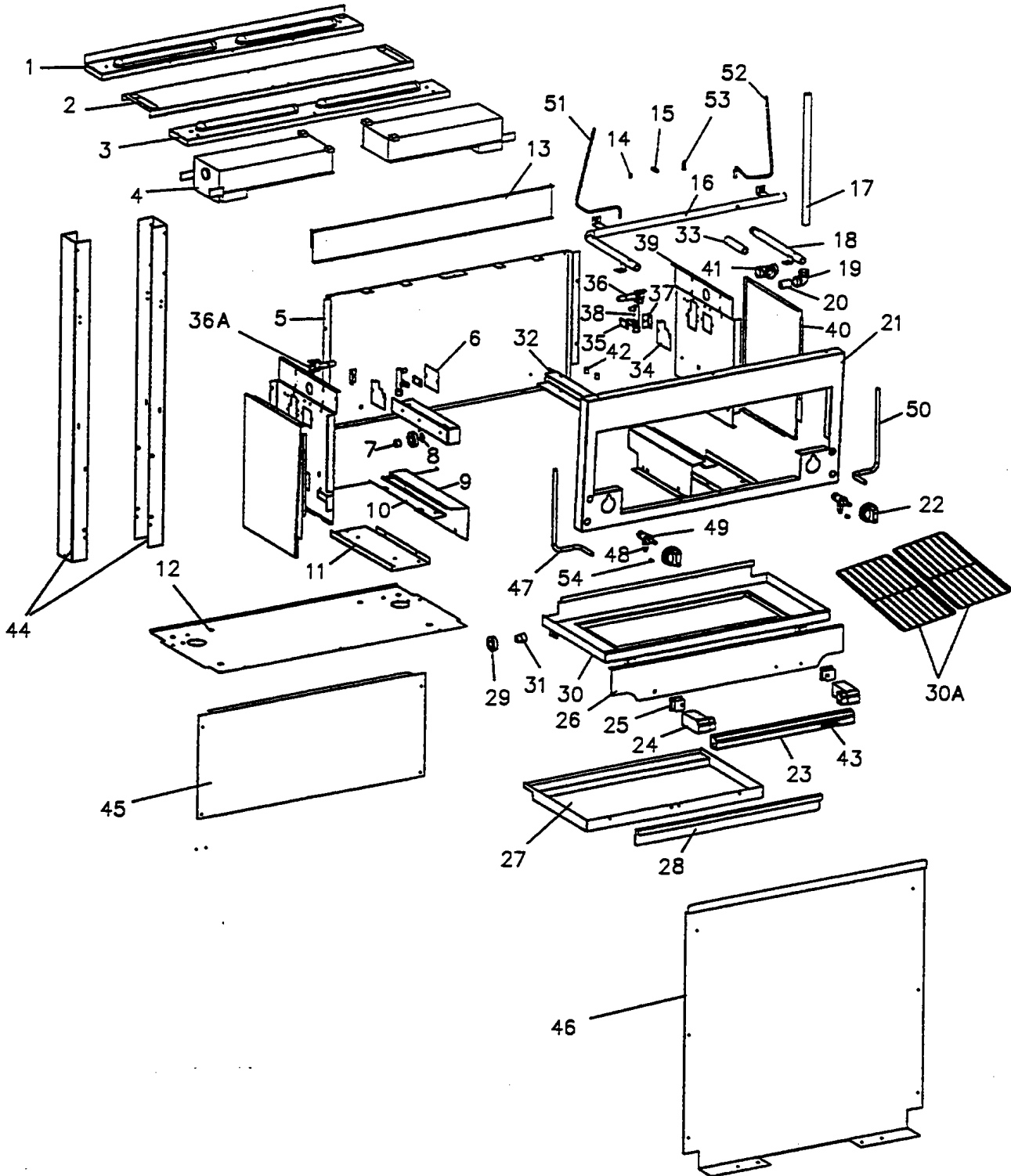
Model: MSRC, MSR16

ITEM	PART #	DESCRIPTION	QUANTITY	
			MODEL	
			MSRC	MSR16
33	G01247-3	Rear Bushing	2	2
34	G0249-01-81	Roller Guide Assembly RH	1	1
	G0249-01-82	Roller Guide Assembly LH	1	1
35	G01477-2	Nipple 1/2" x 4-1/8" Long	1	
36	2554600	Cover Plate	2	2
37	2554800	Orifice Fitting Shim	2	2
38	G01267-5	Pilot Burner	2	2
38A	G01267-2	Pilot Orifice (Natural)	2	2
	G01267-3	Pilot Orifice (Propane)	2	2
39	G02649-1-6	Pilot Bracket	2	2
40	G01411-55	Orifice Fitting Natural (N. America)	2	2
	G01411-1.2mm	Orifice Fitting Propane (N. America)	2	2
	G01411-XX	Orifice Fitting Natural (Export)	2	2
	G01411-XX	Orifice Fitting Propane (Export)	2	2
	G01411-XX	Orifice Fitting Special (Gas/Destination)	2	2
41	2542100	Side Liner RH	1	1
	2542101	Side Liner LH	1	1
42	2567300	Main Side RH (Black)	1 (Std)	1 (Std)
	2567302	Main Side RH (S/S)	1 (Opt)	1 (Opt)
	2567301	Main Side LH (Black)	1 (Std)	1 (Std)
	2567303	Main Side LH (S/S)	1 (Opt)	1 (Opt)
43	G01476-1	Tee 1/2" NPT	1	1
44	G01989-1-8	Post Bearing 1/2" Dia x 1/2" Long	4	4
45	1592007**	Handle Overlay	1	1
	1799401	Handle Overlay	1	1
46	2567701	Upright Veneer LH		1
	2567700	Upright Veneer RH		1
47	2567698	Upright Assy LH		1
	2567699	Upright Assy RH		1
48	2567800	Front Panel		1
49	2580500	Veneer Back (Opt)		1
50	2586200	7/16 Dia Tubing Valve - Orifice LT	1	1
51	2558500	1/4 x 1/8 NPT Adapter	2	2
52	G01410-1	Valve Hi-Lo	2	2
53	2586100	7/16 Dia Tubing Valve - Orifice RT	1	1
54	2586500	1/4 Dia Tubing Pilot - G. Valve LT	1	1
55	2586600	1/4 Dia Tubing Pilot - G. Valve RT	1	1
56	G6809	Valve - Pilot	2	2
57	2527600	Spring Knob	2	2
58	2567500	Main Back		1
59	2567200	Main Back (Black)	1 (Std)	
	2567201	Main Back (S/S)	1 (Opt)	
60	2567198	Support Bracket Assy (S/S)	2 (Std)	
	2567199	Support Bracket Assy (Black)	2 (Opt)	

* NOT ILLUSTRATED

RECOMMENDED STOCK PARTS

NOTES



GARLAND PARTS IDENTIFICATION

Master Series

Gas Infra-Red Salamander Broiler

Model: MSR16-280

ITEM	PART #	DESCRIPTION	QUANTITY
			MODEL
1	G01377-1-6	Main Top Back	1 (Std)
	G01377-1-9	Main Top Back	1 (Opt)
2	G01376-1-6	Main Top Centre	1 (Std)
	G01376-1-9	Main Top Centre	1 (Opt)
3	G01375-1-9	Main Top Front	1
4	2572100	Infra Red Burner	2
5	2564200	Flue Back	1
6	G01371-1-6	Orifice Fitting Cover	2
7	G01247-2	Front Bearing	2
8	G01247-1-8	Washer Bearing	2
9	2540398**	Valve Housing Assy LH	1
	2540399**	Valve Housing Assy RH	1
	2592798	Valve Housing Assy LH	1
	2592799	Valve Housing Assy RH	1
10	2576200	Valve Housing Retainer	2
11	2541998	Manifold Housing Bottom LH	1
	2541999	Manifold Housing Bottom RH	1
12	2540800	Bottom Cover	1 (Opt)
13	2580200	Front Brace	1
14	2203400	Cnt. Sunk 1/8" NPT Hex Plug	2
15	G02551-1	Pressure Test Spigot	1
16	2541799	Manifold Assembly	1
17	G01477-9	Nipple 1/2" NPT x 18" Long	1
18	2567999	Sub-Manifold Assembly	1
19	G01474-2	Elbow - 1/2 NPT	1
20	G01477-10	Nipple 1/2" NPT x 1-1/2" Long	1
21	2564400**	Front Frame	1
	2593100	Front Frame	1
22	2522116	Knob	2
23	2193100**	Door Handle	1
24	2559101	Door Handle End LT	1
	2559100	Door Handle End RT	1
25	2580600	Door Handle End Insert	2
26	2547600**	Rack Veneer	1
	2592600	Rack Veneer	1
27	2540600**	Grease Tray	1
	2601300	Grease Tray	1
28	2540700	Grease Tray Front	1
29	G01244-1	Bearing	4
30	2540199**	Rack Frame & Grease Chute Assy	1
	2593099	Rack Frame & Grease Chute Assy	1
30A	G02468-01-5	Half Round Rack	2
31	G01247-3	Rear Bushing	2
32	G02469-01-81	Roller Guide Assembly RH	1
	G02469-01-82	Roller Guide Assembly LH	1
33	G01477-2	Nipple 1/2" NPT x 4-1/8" Long	
34	2554600	Cover Plate	2
35	2554800	Orifice Fitting Shim	
36	G01267-5	Pilot Burner	2

* NOT ILLUSTRATED

RECOMMENDED STOCK PARTS

GARLAND PARTS IDENTIFICATION

Master Series

Gas Infra-Red Salamander Broiler

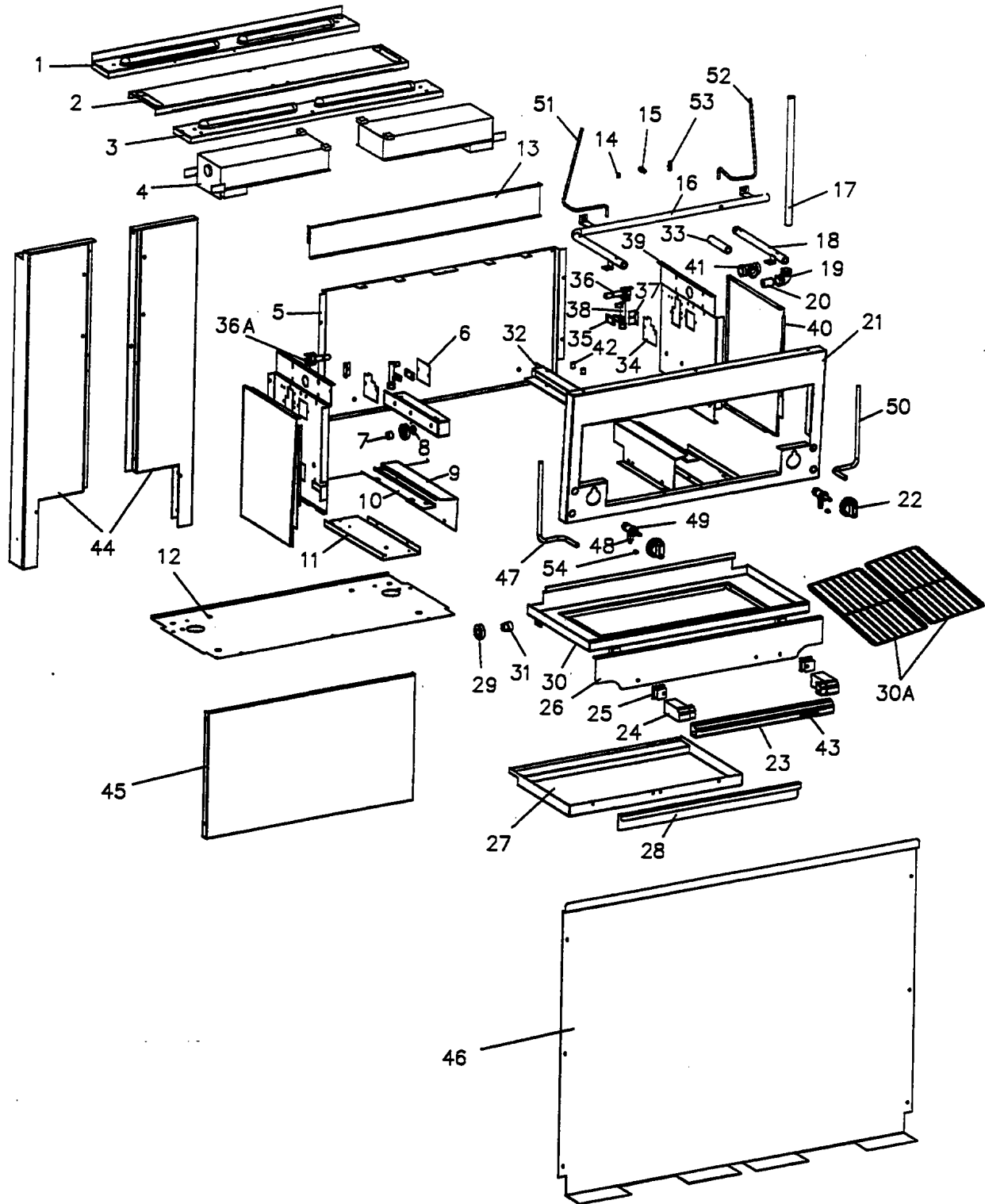
Model: MSR16-280

ITEM	PART #	DESCRIPTION	QUANTITY
			MODEL
36A	G01267-2	Pilot Orifice (Natural)	2
	G01267-3	Pilot Orifice (Propane)	2
37	G02649-1-6	Pilot Bracket	2
38	G01411-55	Orifice Fitting Natural (N. America)	2
	G01411-1.2mm	Orifice Fitting Propane (N. America)	2
	G01411-XX	Orifice Fitting Natural (Export)	2
	G01411-XX	Orifice Fitting Propane (Export)	2
	G01411-XX	Orifice Fitting - Special (Gas/Destination)	2
39	2542100	Side Liner RH	1
	2542101	Side Liner LH	1
40	2567300	Main Side RH (Black)	1 (Std)
	2567302	Main Side RH (S/S)	1 (Opt)
	2567301	Main Side LH (Black)	1 (Std)
	2567303	Main Side LH (S/S)	1 (Opt)
41	G01476-1	Tee 1/2" NPT	1
42	G01989-1-9	Post Bearing 1/2" Dia x 1/2" Long	4
43	1592008**	Handle Overlay	1
	1799401	Handle Overlay	1
44	2567400	Bracket - SR Salamander (Black)	2 (Std)
	2567401	Bracket - SR Salamander (S/S)	2 (Opt)
45	2571800	Front Panel (Black)	1 (Std)
	2571801	Front Panel (S/S)	
46	2571900	Main Back	1 (Std)
	2571901	Main Back (S/S)	1 (Opt)
47	2586200	7/16 Dia Tubing Valve - Orifice LT	1
48	2558500	1/4 X 1/8 NPT Adapter	2
49	G01410-1	Valve Hi-Lo	2
50	2586100	7/16 Dia Tubing Valve - Orifice RT	1
51	2586500	1/4 Dia Tubing Pilot - G. Valve LT	1
52	2586600	1/4 Dia Tubing Pilot - G. Valve RT	2
53	G68909	Valve - Pilot	2
54	2527600	Spring - Knob	2

* NOT ILLUSTRATED

RECOMMENDED STOCK PARTS

NOTES



GARLAND PARTS IDENTIFICATION

Master Series

Gas Infra-Red Salamander Broiler

Model: MSR16-288

ITEM	PART #	DESCRIPTION	QUANTITY
			MODEL
1	G01377-1-6	Main Top Back	1 (Std)
	G01377-1-9	Main Top Back	1 (Opt)
2	G01376-1-6	Main Top Centre	1 (Std)
	G01376-1-9	Main Top Centre	1 (Opt)
3	G01375-1-9	Main Top Front	1
4	2572100	Infra Red Burner	2
5	2564200	Flue Back	1
6	G01371-1-6	Orifice Fitting Cover	2
7	G012747-1	Front Bearing	2
8	G01247-1-8	Washer Bearing	2
9	2540398**	Valve Housing Assy LH	1
	2540398**	Valve Housing Assy RH	1
	2592798	Valve Housing Assy LH	1
	2592799	Valve Housing Assy RH	1
10	2576200	Valve Housing Retainer	2
11	2541998	Manifold Housing Bottom LH	1
	2541999	Manifold Housing Bottom RH	1
12	2540800	Bottom Cover	1 (Opt)
13	2580200	Front Brace	1
14	2203400	Cnt. Sunk 1/8" NPT Hex Plug	2
15	G02251-1	Pressure Test Spigot	1
16	241799	Manifold Assembly	1
17	G01477-9	Nipple 1/2" NPT x 18" Long	1
18	2567999	Sub-Manifold Assembly	2
19	G01474-2	Elbow - 1/2" NPT	1
20	G01477-10	Nipple 1/2" NPT x 1-1/2" Long	1
21	2564400**	Front Frame	1
	2593100	Front Frame	1
22	2522116	Knob	2
	2193100**	Door Handle	1
23	2193101	Door Handle	1
	2559101	Door Handle End LT	1
24	2559100	Door Handle End RT	1
	2580600	Door Handle End Insert	2
26	2540600**	Rack Veneer	1
	2592600	Rack Veneer	1
27	2540600**	Grease Tray	1
	2601300	Grease Tray	1
28	2540700	Grease Tray Front	1
29	G01244-1	Bearing	4
30	2540199**	Rack Frame & Grease Chute Assy	1
	2590399	Rack Frame & Grease Chute Assy	1
30A	G02468-01-5	Half Round Rack	2
31	G01247-3	Rear Bushing	2
32	G02469-01-81	Roller Guide Assembly RH	1
	G02469-01-82	Roller Guide Assembly LH	1
33	G01477-2	Nipple 1/2" NPT x 4-1/8" Long	
34	2554600	Cover Plate	2
35	2554800	Orifice Fitting Shim	2

* NOT ILLUSTRATED

RECOMMENDED STOCK PARTS

GARLAND PARTS IDENTIFICATION

Master Series

Gas Infra-Red Salamander Broiler

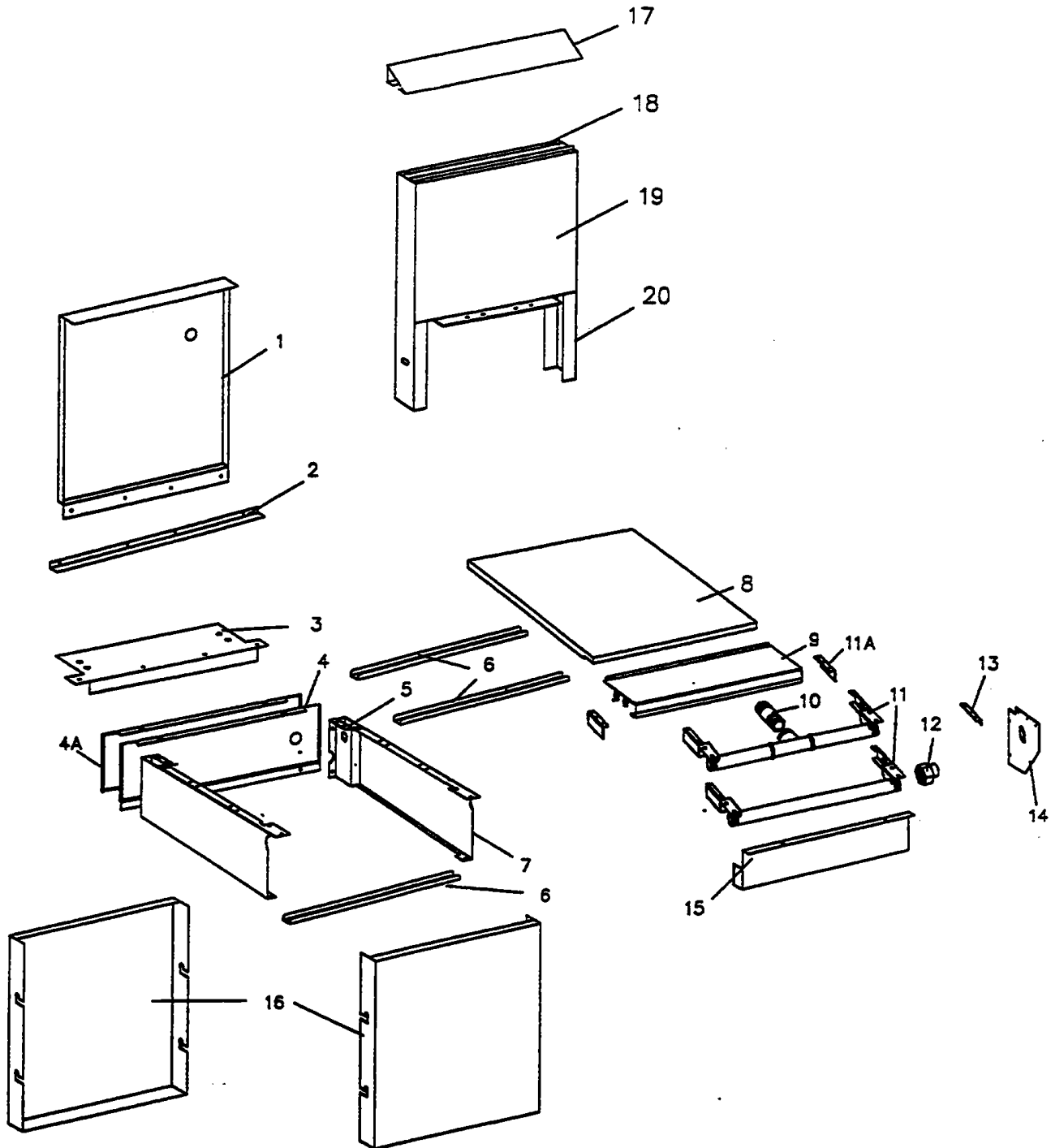
Model: MSR16-288

ITEM	PART #	DESCRIPTION	QUANTITY
			MODEL
36	G01267-5	Pilot Burner	2
36A	G01267-2	Pilot Orifice (Natural)	2
	G01267-3	Pilot Orifice (Propane)	2
37	G01411-55	Orifice Fitting- Natural (N. America)	2
	G01411-1.2mm	Orifice Fitting- Propane (N. America)	2
	G01411-XX	Orifice Fitting- Natural (Export)	2
	G01411-XX	Orifice Fitting- Propane (Export)	2
	G01411-XX	Orifice Fitting- Special (Gas/Destination)	2
39	2542100	Side Liner RH	1
	2542101	Side Liner LH	1
40	2567300	Main Side RH (Black)	1 (Std)
	2567302	Main Side RH (S/S)	1 (Opt)
	2567301	Main Side LH (Black)	1 (Std)
	2567303	Main Side LH (S/S)	1 (Opt)
41	G01476-1	Tee 1/2" NPT	1
42	G01989-1-8	Post Bearing 1/2" Dia x 1/2" Long	4
43	1799402**	Handle Overlay (Up To July-96)	1
	1799401	Handle Overlay (July-96 -Sep-96)	
44	2571503	Left Bracket-Painted (After Sep-96)	1 (Std)
	2571502	Left Bracket-S/S	1 (Opt)
	2571500	Right Bracket - S/S	1 (Std)
	2571501	Right Bracket - Painted	1 (Opt)
45	2571600	Front Panel- Painted	1 (Std)
	2571601	Front Panel- Stainless	1 (Opt)
46	2571700	Main Back	1 (Std)
	2571701	Main Back - Stainless	1 (Opt)
47	2586200	7/16" Dia Tubing Valve - Orifice LT	1
48	2558500	1/4 x 1/8 NPT Adapter	2
49	G01410-1	Valve Hi-Lo	2
50	2586100	7/16" Dia Tubing Valve - Orifice RT	1
51	2586500	1/4" Dia Tubing Pilot - G Valve LT	1
52	2586600	1/4" Dia Tubing Pilot - G Valve RT	1
53	G6809	Valve - Pilot	2
54	2527600	Spring- Knob	2

* NOT ILLUSTRATED

RECOMMENDED STOCK PARTS

NOTES



GARLAND PARTS IDENTIFICATION

Master Series

Spreaders

Models: M6 / 9 / 17 / 34SP

ITEM	PART #	DESCRIPTION	QUANTITY			
			MODEL			
			M6SP	M9SP	M17SP	M34SP
1	G01867-6-9	Main Back Veneer	1			
	G01867-9-9	Main Back Veneer		1		
	2601400	Main Back Veneer			1	
	2601403	Main Back Veneer Rear Gas			1	
	G01867-34-9	Main Back Veneer				1
2	G01491-6-6	Veneer Support Angle	1			
	G01491-9-6	Veneer Support Angle		1		
	G01491-17-6	Veneer Support Angle			1	
	G01491-34-6	Veneer Support Angle				1
3	2433104	Back Top	1			
	2433102	Back Top 9"		1		
	2433100	Back Top 17"			1	
	2433103	Back Top 34"				1
4	2546404	Burner Box Back	1			
	2546413	Burner Box Back Rear Gas	1			
	2546403	Burner Box Back 9"		1		
	2546408	Burner Box Back 9" Rear Gas		1		
	2546401	Burner Box Back 17"			1	
	2546407	Burner Box Back 17" Rear Gas			1	
	2546400	Burner Box Back 34"				1
4A	2546406	Burner Box Back 34" Rear Gas				1
	G01780-6-9	Burner Box Back Veneer 6"	1			
	G01780-9-9	Burner Box Back Veneer 9"		1		
	G01780-17-9	Burner Box Back Veneer 17"			1	
5	G01780-34-9	Burner Box Back Veneer 34"				1
	1768398	Shelf Mtg Brkt LT	1	1	1	1
6	1768399	Shelf Mtg Brkt RT	1	1	1	1
	2433004	Spreader Plate Baffle	3			
	2433003	Spreader Plate Baffle 9"		3		
	2433001	Spreader Plate Baffle 17"			3	
	2433000	Spreader Plate Baffle 34"				3
7	1132804	Burner Box Side RT CRS	1	1	1	1
	1132803	Burner Box Side LT CRS	1	1	1	1
	1132801	Burner Box Side RT S/S	1	1	1	1
	1132800	Burner Box Side LT S/S	1	1	1	1
8	2542803	Spreader Plate M6SP	1			
	2542802	Spreader Plate M9SP		1		
	2542801	Spreader Plate M17SP			1	
	2542800	Spreader Plate M34SP				1
9	2570898	Front Rail Assy M6SP	1			
	2570899	Front Rail Assy M9SP		1		
	2426899	Front Rail Assy 17"			1	
	2190699	Front Rail Assy 34"				1
10	2539900	Nipple 2" NPT (Rear Gas)	1	1	1	1

* NOT ILLUSTRATED

RECOMMENDED STOCK PARTS

GARLAND PARTS IDENTIFICATION

Master Series

Spreaders

Models: M6 / 9 / 17 / 34SP

ITEM	PART #	DESCRIPTION	QUANTITY			
			MODEL			
			M6SP	M9SP	M17SP	M34SP
11	2543199	Manifold M6SP	1			
	2543198	Manifold M6SP Rear Gas	1			
	2530599	Manifold Assembly		1		
	2542698	Manifold Assy Rear Gas		1		
	2530699	Manifold Assy 17"			1	
	2542698	Manifold Assy Rear Gas			1	
	2530799	Manifold Assy 34"				1
	2542699	Manifold Assy Rear Gas				1
11A	2544100	Manifold Brkt Extension R/H	1	1	1	1
	2544101	Manifold Brkt Extension R/H	1	1	1	1
12	G7075	1-1/4" NPT Union	1	1	1	1
13	2207900	End Enclosure Supt Brk	2	2	2	2
14	2208000	End Enclosure RT	1	1	1	1
	2208001	End Enclosure LT	1	1	1	1
15	2561903	Valve Panel 6"	1			
	2561902	Valve Panel 9"		1		
	2561901	Valve Panel 17"			1	
	2561900	Valve Panel 34"				1
16	G1919-06-9	Front Enclosure Assy 6"	1			
	G1919-09-9	Front Enclosure Assy 9"		1		
	G1919-017-9	Front Enclosure Assy 17"			1	
	G1919-034-09	Front Enclosure Assy 34"				1
17	1790601	LP BG Flue Cap 34"				1
	1790602	LP BG Flue Cap 17"			1	
18	1816401	LP BG Back 17" AZ			1	
	1816402	LP BG Back 17" S/S			1	
	1816407	LP BG Back 34" AZ				1
	1816408	LP BG Back 34" S/S				1
19	1817301	LP Front Panel 17"			1	
	1817304	LP Front Panel 34"				1
20	1768599	LP BG Upright Assy S/W			2	2

* NOT ILLUSTRATED

RECOMMENDED STOCK PARTS

GARLAND PARTS IDENTIFICATION

Master Series

Spreaders

Models: M6 / 9 / 17 / 34FE

ITEM	PART #	DESCRIPTION	QUANTITY			
			MODEL			
			M6FE	M9FE	M17FE	M34FE
1	G01867-6-9	Main Back Veneer	1			
	G01867-9-9	Main Back Veneer		1		
	2601400	Main Back Veneer			1	
	2601403	Main Back Veneer Rear Gas			1	
	G01867-34-9	Main Back Veneer				1
2	G01491-6-6	Veneer Support Angle	1			
	G01491-9-6	Veneer Support Angle		1		
	G01491-17-6	Veneer Support Angle			1	
	G01491-34-6	Veneer Support Angle				1
3	2433104	Back Top	1			
	2433102	Back Top 9"		1		
	2433100	Back Top 17"			1	
	2433103	Back Top 34"				1
4	2546404	Burner Box Back	1			
	2546413	Burner Box Back Rear Gas	1			
	2546403	Burner Box Back 9"		1		
	2546408	Burner Box Back 9" Rear Gas		1		
	2546401	Burner Box Back 17"			1	
	2546407	Burner Box Back 17" Rear Gas			1	
	2546400	Burner Box Back 34"				1
4A	2546406	Burner Box Back 34" Rear Gas				1
	G01780-6-9	Burner Box Back Veneer 6"	1			
	G01780-9-9	Burner Box Back Veneer 9"		1		
	G01780-17-9	Burner Box Back Veneer 17"			1	
5	G01780-34-9	Burner Box Back Veneer 34"				1
	1768398	Shelf Mtg Brkt LT	1	1	1	1
6	1768399	Shelf Mtg Brkt RT	1	1	1	1
	2433004	Spreader Plate Baffle	3			
	2433003	Spreader Plate Baffle 9"		3		
	2433001	Spreader Plate Baffle 17"			3	
7	2433000	Spreader Plate Baffle 34"				3
	1132804	Burner Box Side RT CRS	1	1	1	1
	1132803	Burner Box Side LT CRS	1	1	1	1
	1132801	Burner Box Side RT S/S	1	1	1	1
8	1132800	Burner Box Side LT S/S	1	1	1	1
	2542803	Spreader Plate M6SP	1			
	2542802	Spreader Plate M9SP		1		
	2542801	Spreader Plate M17SP			1	
9	2542800	Spreader Plate M34SP				1
	2570898	Front Rail Assy M6SP	1			
	2570899	Front Rail Assy M9SP		1		
	2426899	Front Rail Assy 17"			1	
10	2190699	Front Rail Assy 34"				1
10	2539900	Nipple 2" NPT (Rear Gas)	1	1	1	1

* NOT ILLUSTRATED

RECOMMENDED STOCK PARTS

GARLAND PARTS IDENTIFICATION

Master Series

Spreaders

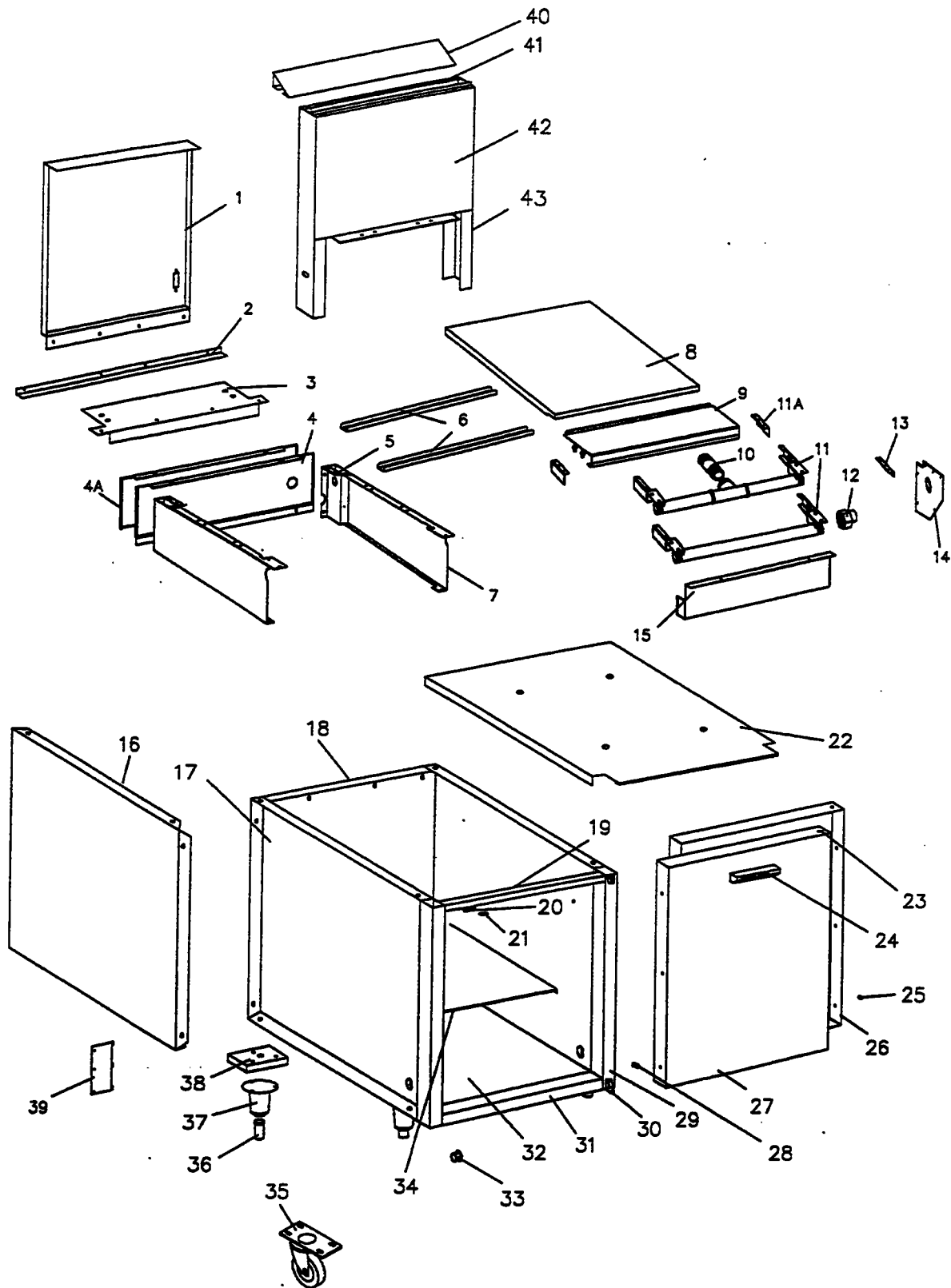
Models: M6 / 9 / 17 / 34FE

ITEM	PART #	DESCRIPTION	QUANTITY			
			MODEL			
			M6FE	M9FE	M17FE	M34FE
11	2543199	Manifold M6SP	1			
	2543198	Manifold M6SP Rear Gas	1			
	2530599	Manifold Assembly		1		
	2542698	Manifold Assy Rear Gas		1		
	2530699	Manifold Assy 17"			1	
	2542698	Manifold Assy Rear Gas			1	
	2530799	Manifold Assy 34"				1
	2542699	Manifold Assy Rear Gas				1
11A	2544100	Manifold Brkt Extension R/H	1	1	1	1
	2544101	Manifold Brkt Extension R/H	1	1	1	1
12	G7075	1-1/4" NPT Union	1	1	1	1
13	2207900	End Enclosure Supt Brk	2	2	2	2
14	2208000	End Enclosure RT	1	1	1	1
	2208001	End Enclosure LT	1	1	1	1
15	2561903	Valve Panel 6"	1			
	2561902	Valve Panel 9"		1		
	2561901	Valve Panel 17"			1	
	2561900	Valve Panel 34"				1
16	G1919-06-9	Front Enclosure Assy 6"	2			
	G1919-09-9	Front Enclosure Assy 9"		2		
	G1919-017-9	Front Enclosure Assy 17"			2	
	G1919-03409	Front Enclosure Assy 34"				2
17	1790601	LP BG Flue Cap 34"				1
	1790602	LP BG Flue Cap 17"			1	
18	1816401	LP BG Back 17" AZ			1	
	1816402	LP BG Back 17" S/S			1	
	1816407	LP BG Back 34" AZ				1
	1816408	LP BG Back 34" S/S				1
19	1817301	LP Front Panel 17"			1	
	1817304	LP Front Panel 34"				1
20	1768599	LP BG Upright Assy S/W			2	2

* NOT ILLUSTRATED

RECOMMENDED STOCK PARTS

NOTES



GARLAND PARTS IDENTIFICATION

Master Series

Storage Cabinets

Models: M12ES, M17ES

ITEM	PART #	DESCRIPTION	QUANTITY	
			MODEL	
			M12ES	M17ES
1	2550300	Main Back Veneer M12	1	
	2601402	Main Back Veneer		1
2	G01491-17-6	Veneer Back Support Angle	1	
3	2433101	Back Top 12"	1	
	2433100	Back Top 17"		1
4	1788501	Burner Box Back M12	1	
	1788504	Burner Box Back 12" Rear Gas	1	
	2546701	Burner Box Back 17"		1
	2546703	Burner Box Back Rear Gas		1
5	1768398	Shelf Mtg Brkt RT	1	1
	1768399	Shelf Mtg Brkt LT	1	1
6	2433002	Spreader Plate Baffle 12"	3	
	2433001	Spreader Plate Baffle 17"		3
7	1132804	Burner Box Side RT CRS	1	1
	1132806	Burner Box Side LT CRS	1	1
	1132805	Burner Box Side RT S/S	1	1
	1132807	Burner Box Side LT S/S	1	1
8	2542804	Spreader Plate M12SP	1	
	2542801	Spreader Plate M17SP		1
9	2549699	Front Rail Assy M12	1	
	2426899	Front Rail Assy		1
10	2539900	Nipple 2" NPT	1	
11	2551299	Manifold Assy M12SP	1	
	2542696	Manifold Assy M12 Rear Gas	1	
	2530699	Manifold Assy 17"		1
	2530698	Manifold Assy Rear Gas 17"		1
11A	2544100	Manifold Extension Brkt RH	1	1
	2544101	Manifold Extension Brkt LH	1	1
12	G7075	1-1/4 NPT Union	1	1
13	2207900	End Enclosure Support Brkt	2	2
14	2208000	End Enclosure RT	1	1
	2208001	End Enclosure LT	1	1
15	2561904	Valve Panel 12"	1	
	2561901	Valve Panel 17"		1
16	G6196-1-8	Body Side	2	2
	G6196-1-9	Body Side S/S	2	2
17	2514400	Inner Side RH	1	1
	2514401	Inner Side LH	1	1
18	2549300	Main Back 12"	1	
	2524800	Main Back		1
19	2514696	Front Frame Assy	1	
	2514697	Front Frame Assy 17"		1
20	2529900	Magnet Support Bracket	1	1
21	078174-1	Magnetic Door Catch	1	1
22	2549200	Burner Box Bottom	1	
	2515200	Burner Box Bottom		1
23	G02973-2	Plastic Hole Plug 1/2"	2	2

* NOT ILLUSTRATED

RECOMMENDED STOCK PARTS

GARLAND PARTS IDENTIFICATION

Master Series

Storage Cabinets

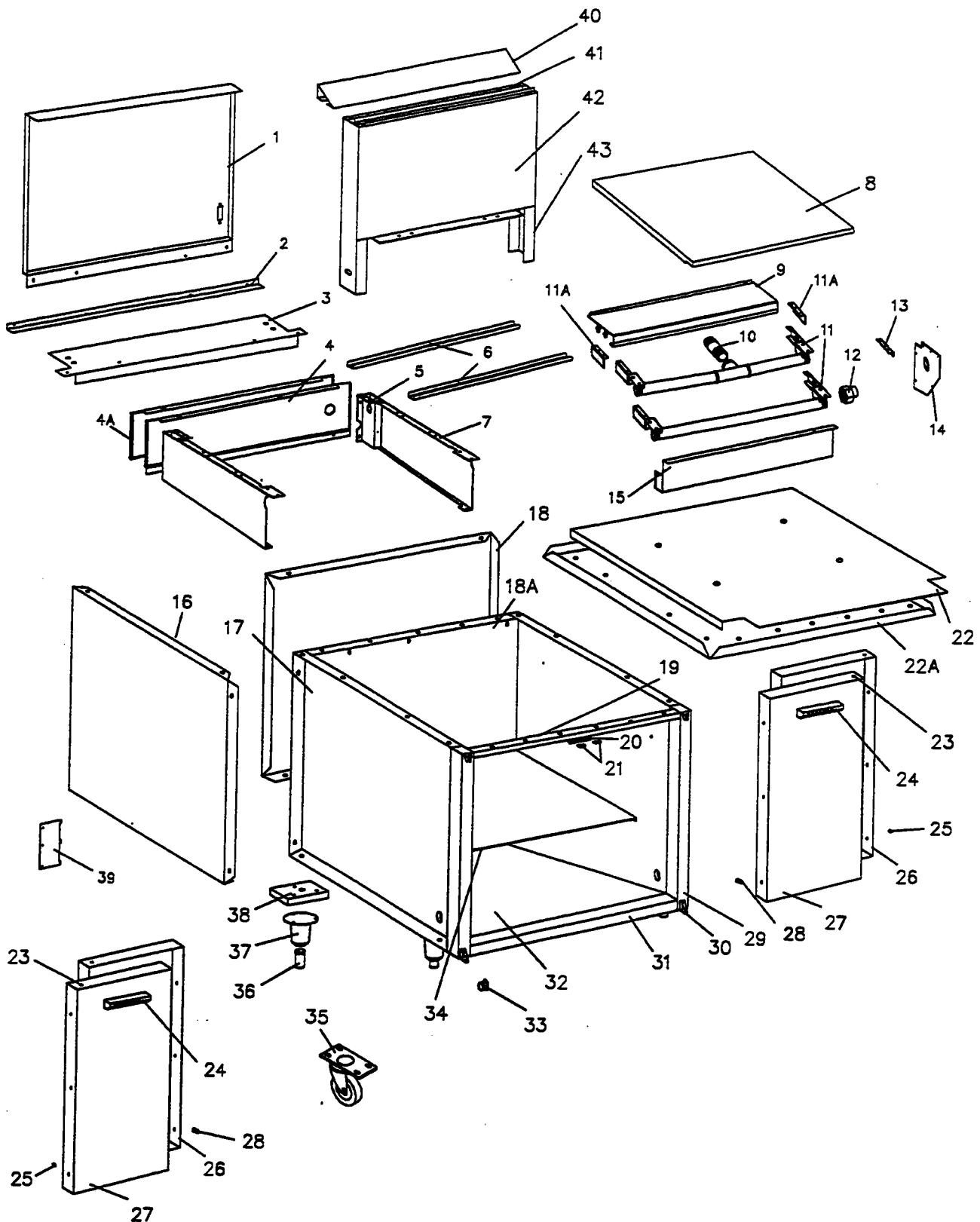
Models: M12ES, M17ES

ITEM	PART #	DESCRIPTION	QUANTITY	
			MODEL	
			M12ES	M17ES
24	2192900	Storage Door Handle	1	1
25	2530900	3/8" Hole Plug	2	3
26	2549000	Door Liner (Up to 30-Jun-00 After 2549001	1	
	2193900	Door Lining		1
27	2548900	Door Panel	1	
	2193500	Door Panel		1
28	2327100	Door Stop Bumper	1	1
29	2530102	Corner Column LT	1	1
	2530103	Corner Column RT	1	1
30	2194598	Door Hinge Assy LH	1	1
	2194599	Door Hinge Assy LH	1	1
33	2530902	1.250 Hole Plug		2
34	2565700	Cabinet Shelf AZ		1
	2565701	Cabinet Shelf S/S		1
35	2063700	Swivel Caster Less Brake	2	2
	2063701	Swivel Caster With Brake	2	2
36	1150502	Bullet Legs	4	4
37	1027600	Leg Retainer Plated 6"	4	4
38	2167700	Base Corner	4	4
39	2143601	Wiring Access Cover	1	
40	1790602	LB BG Flue Cap 17"		1
41	1816401	LB BG Back 17"		1
	1816402	LB BG Back 17" S/S		1
42	1817301	LP Front Panel 17"		1
43	1768599	LP BG Upright Assy S/W		2

* NOT ILLUSTRATED

RECOMMENDED STOCK PARTS

NOTES



GARLAND PARTS IDENTIFICATION

Master Series

Spreader With Cabinet Doors

Model: M34ES

ITEM	PART #	DESCRIPTION	QUANTITY
			MODEL
1	G01867-34-9	Main Back Veneer	1
2	G01491-34-6	Veneer Back Support Angle	1
3	2433103	Backtop 34"	1
4	1806101	Burner Box Back	1
	1806104	Burner Box Back Rear Gas	1
4A	G01870-34-9	Burner Box Back Veneer	1
5	1768398	Shelf Mounting Brkt RT	1
	1768399	Shelf Mounting Brkt LT	1
6	2433000	Spreader Plate Baffle 34"	3
7	1132804	Burner Box Side RT CRS	1
	1132805	Burner Box Side RT S/S	1
	1132806	Burner Box Side LT CRS	1
	1132807	Burner Box Side LT S/S	1
8	2542800	Spreader Plate 34"	1
9	2190699	Front Rail Assy	1
10	2539900	Nipple 2" NPT x 4"	1
11	2530799	Manifold Assy	1
	2542599	Manifold Assy Rear Gas	1
11A	2544100	Manifold Extension Brkt RT	1
	2544101	Manifold Extension Brkt LT	1
12	G7075	1-1/4" NPT Union	1
13	2207900	End Enclosure Brkt	2
14	2208000	End Enclosure RT	1
	2208001	End Enclosure LT	1
15	2561900	Valve Panel 34"	1
16	G6196-1-8	Body Side Black	2
	G6196-1-9	Body Side S/S	2
17	2513900	Cabinet Inner Side Lining RT	1
	2513901	Cabinet Inner Side Lining LT	
18	G6051-1-7	Main Back	1
18A	2514200	Storage Back Lining	1
19	2512898	Front Frame Assy	1
20	2544200	Magnetic Support Brkt Double	1
21	078174-1	Magnetic Door Catch	2
22	2512600	Burner Box Bottom	1
22A	2514100	Storage Top Lining	1
23	G02973-2	Plastic Hole Plug 1/2"	2
24	2192900	Storage Door Handle	2
25	2530900	3/8" Plastic Hole Plug	6
26	2193900	Door Lining Cabinet	2
27	2193500	Door Panel	2
28	2327100	Door Stop Bumper	2
29	2530002	Corner Column LT	1
	2530003	Corner Column RT	1
30	2194598	Door Hinge Assy LH	2
	2194599	Door Hinge Assy RH	2
31	2546502	Lower Front Channel Molding	1
32	G01031-1-7	Main Bottom	1

* NOT ILLUSTRATED

RECOMMENDED STOCK PARTS

GARLAND PARTS IDENTIFICATION

Master Series

Spreader With Cabinet Doors

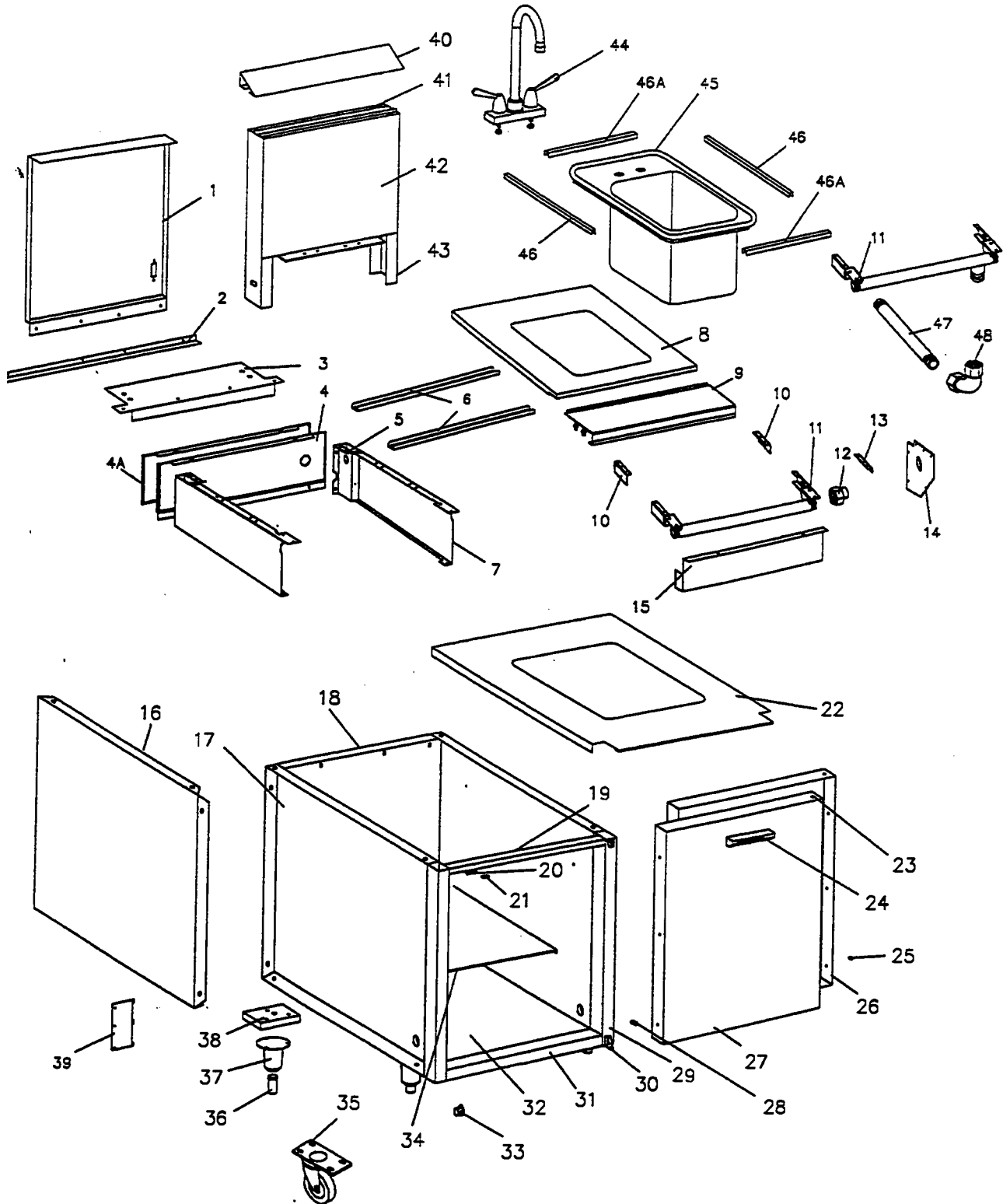
Model: M34ES

ITEM	PART #	DESCRIPTION	QUANTITY
			MODEL
33	2530902	1-1/4" Hole Plug	2
34	2523000	Cabinet Shelf AZ	1
	2523001	Cabinet Shelf S/S	1
35	1027800	Caster Less Brake	2
	1027801	Caster C/W Brake	2
36	1150502	Bullet Legs	4
37	1027600	Leg Retainer Plated	4
38	2167700	Base Corner	4
39	2143601	Wire Access Cover	1
40	1790601	LP BG Flue Cap	1
41	1816407	LP BG Back 34" AZ	1
	1816408	LP BG Back 34" S/S	1
42	1817304	LP Front Panel 34"	1
43	1768599	LP BG Upright	2

* NOT ILLUSTRATED

RECOMMENDED STOCK PARTS

NOTES



GARLAND PARTS IDENTIFICATION
Master Series
Heavy Duty Spreader Cabinet With Sink
Model: M17ES-SINK

ITEM	PART #	DESCRIPTION	QUANTITY
			MODEL
1	26021400	Main Back Veneer	1
	26021401	Main Back Veneer (Rear Gas)	1
2	G01491-17-6	Veneer Back Support Angle	1
3	2433100	Back Top 17"	1
4	2546701	Burner Box Back 17"	1
	2546704	Burner Box Back Rear Gas (6)	2
5	1768398	Shelf Mtg Brkt RT	1
	1768399	Shelf Mtg Brkt RT	1
6	2433001	Spreader Plate Baffle 17"	1
7	1132804	Burner Box Side RT CRS	1
	1132806	Burner Box Side LT CRS	1
	1132805	Burner Box Side RT S/S	1
	1132807	Burner Box Side LT S/S	1
8	2578900	Spreader Plate M17ES Sink	1
9	2426899	Front Rail Assy	1
10	2544100	Manifold Brkt Extension RH	1
	2544101	Manifold Brkt Extension LH	1
11	2530697	Manifold Assy M17ES Sink	1
	2530698	Manifold Assy MFMA 40-RR Gas	1
12	G7075	1-1/4 NPT Union	1
13	2207900	End Enclosure Support Brkt	2
14	2208000	End Enclosure RT	1
	2208001	End Enclosure LT	
15	2561901	Valve Panel 17"	1
16	G6196-1-8	Body Side	2
	G6196-1-9	Body Side S/S	2
17	2514400	Inner Side RH	1
	2514401	Inner Side LH	1
19	2514697	Front Frame Assy 17"	1
20	2529900	Magnet Support Bracket	1
21	078174-1	Magnetic Door Catch	1
22	1059502	Burner Box Bottom	1
23	G02973-2	Plastic Hole Plug 1/2"	2
24	2192900	Storage Door Handle	1
25	2530900	3/8" Hole Plug	3
26	2193900	Door Lining	1
27	2193500	Door Panel	1
28	2327100	Door Stop Bumper	1
29	2530102	Corner Column LT	1
	2530103	Corner Column RT	1
30	2194598	Door Hinge Assy LH	1
	2194599	Door Hinge Assy RH	1
31	2546500	Lower Front Channel Molding	1
32	2515300	Main Bottom	1
33	2530902	1.250 Hole Plug	2
34	2565700	Cabinet Shelf AZ	1
	2565701	Cabinet Shelf S/S	1
35	2064700	Swivel Caster Less Brake	2
	2064701	Swivel Caster With Brake	2

* NOT ILLUSTRATED

RECOMMENDED STOCK PARTS

GARLAND PARTS IDENTIFICATION
Master Series
Heavy Duty Spreader Cabinet With Sink
Model: M17ES-SINK

ITEM	PART #	DESCRIPTION	QUANTITY
			MODEL
36	1150502	Bullet Legs	4
37	1027600	Leg Retainer Plated 6"	4
38	2167700	Base Corner	4
39	2143601	Wiring Access Cover	
40	1790602	LP BG Flue Cap 17"	1
41	1816401	LP BG Back 17"	1
	1816402	LP BG Back 17" S/S	1
42	1817301	LP Front Panel 17"	1
43	1768599	LP BG Upright Assy S/W	2
44	2578800	Faucet-Bar Sink	1
45	1818501	Sink 12-5/8 x 19	1
46	2579001	Bracket, Shink Hold Down Sides	2
46A	2579000	Bracket, Shink Hold Down Frt/Rr	2
47	076029-198	Nipple 1-1/4" NPT x 33" Long	1
48	2536300	1-1/4" 90 Degree Elbow	1

* NOT ILLUSTRATED

RECOMMENDED STOCK PARTS

GARLAND PARTS IDENTIFICATION

Revision History

REV. #	PAGE #	ITEM #	NOTE	DATE
1			Entire Book Reformatted	May 14/04

NOTES

NOTES

