



**CE Certified Master Full Size
Gas Convection Oven**

models **MCO-GS/GD-10/20CE**

from serial# **1107230000001 (01-JULY-11)**

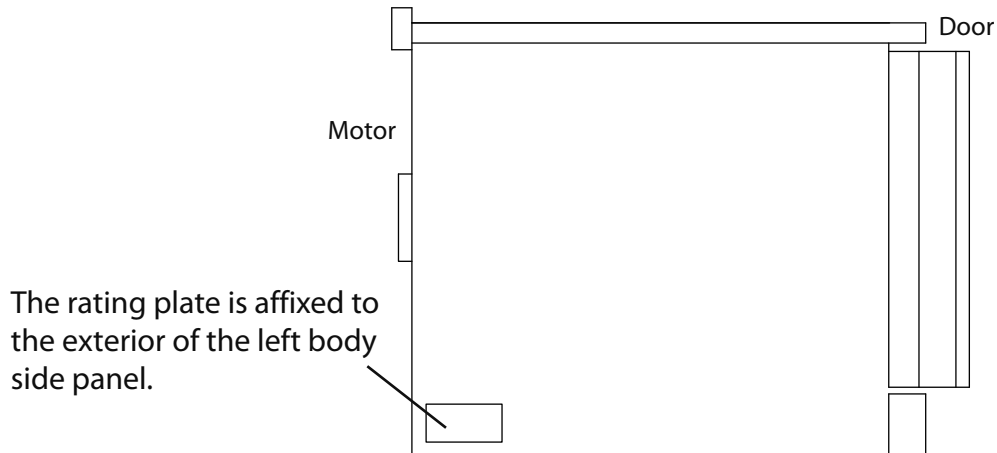
PARTS LIST

P (US & Canada): 1 800 427 6668

F (US & Canada): 1 800 361 7745

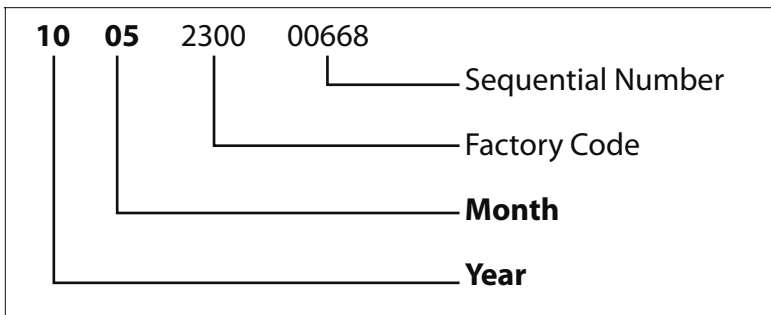
www.Garland-Group.com

Rating Plate Location



Serial# - Year/Month Information

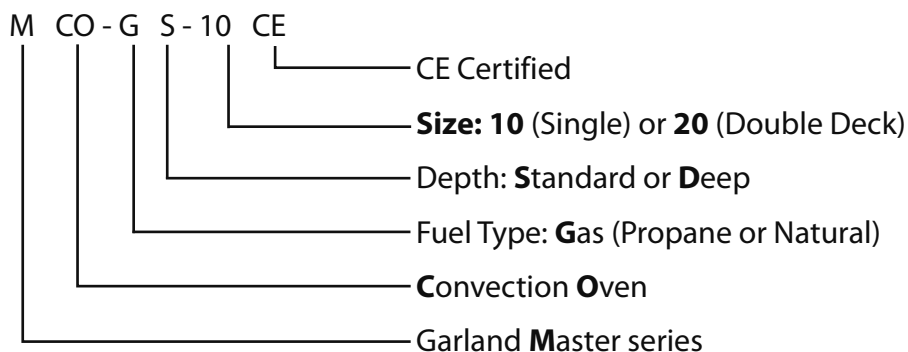
The Serial Number is **13 Digits** long and is stamped on the Rating Plate. See "Rating Plate Location".



Model Code Interpretation

MCO Full-Size Gas Models:

- MCO-GS-10CE, MCO-GS-20CE
- MCO-GD-10CE, MCO-GD-20CE





CE Certified Master Full Size Gas Convection Oven

models **MCO-GS/GD-10/20CE**

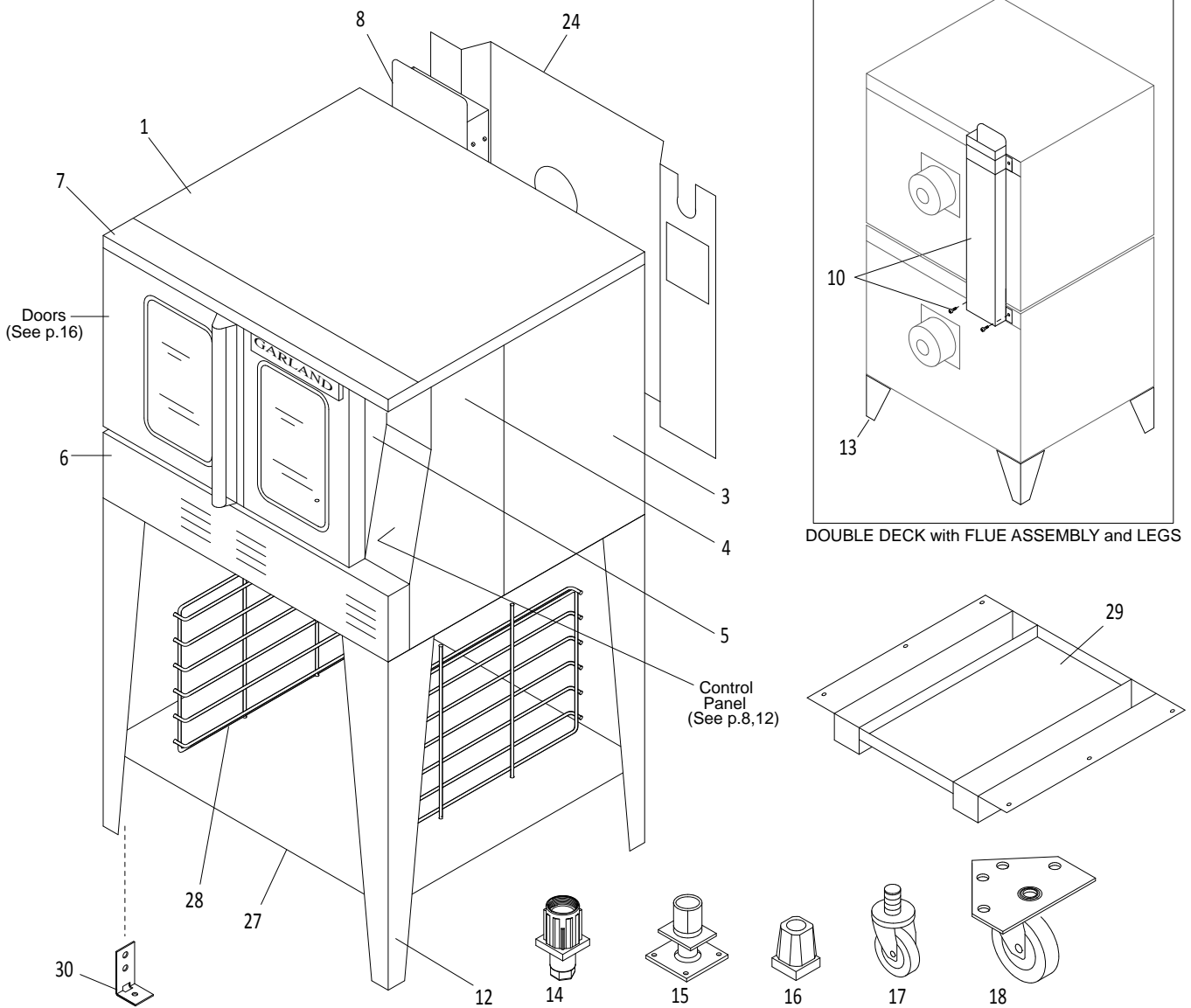
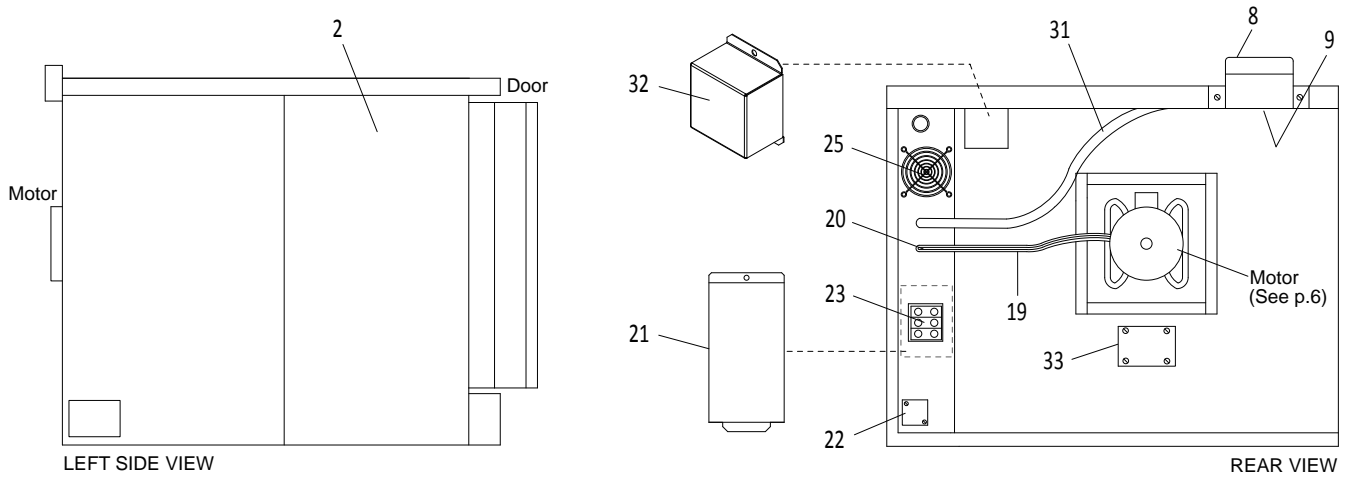
from **serial# 1107230000001 (01-JULY-11)**

Table of Contents

| | |
|---|----|
| Rating Plate Location / Model & Serial# Interpretation | 2 |
| Exterior Components | 4 |
| Oven Components | 6 |
| (Fastron) Master 450 Control Panel & Components (1 of 2)..... | 8 |
| (Fastron) Master 450 Control Panel & Components (2 of 2)..... | 10 |
| (Elreha) Master 450 Control Panel & Components | 12 |
| Burner Package | 14 |
| Door Components & Assemblies | 16 |
| Wire Harness Identification / Wiring Diagram Part# | 20 |
| List of Available Kits | 22 |
| Related Bulletins | 22 |
| Critical & Recommended Stock Parts List..... | 23 |
| Revision History..... | 23 |

This parts list is updated regularly. Please find the most current revision
on our website @ www.Garland-Group.com

EXTERIOR COMPONENTS



GARLAND PARTS IDENTIFICATION
MASTER FULL SIZE GAS CONVECTION OVEN
models MCO-GS/GD-10/20CE

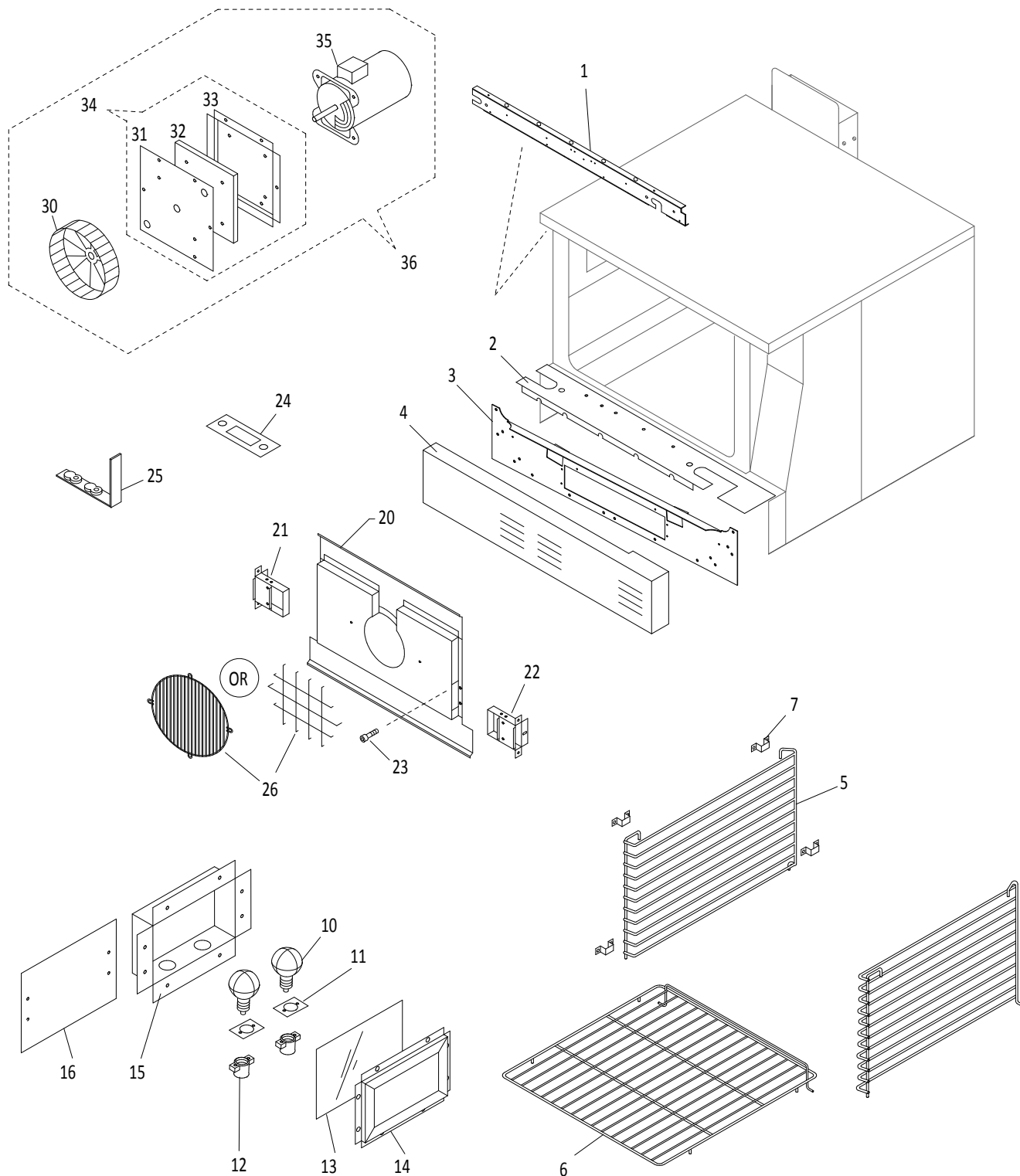
EXTERIOR COMPONENTS

| ITEM | PART # | DESCRIPTION | QUANTITY | CRITICAL |
|------|-----------|--|----------|----------|
| 1 | 1917602 | Cover - Main Top, SS | 1 | |
| 2 | 1920201 | Cover - Body Side Left, SS | 1 | |
| 3 | 1918701 | Cover - Body Side Right, SS | 1 | |
| 4 | 1918801 | Cover - Control Panel Right, SS | 1 | |
| 5 | 1925501 | Cover - Control Panel Left, SS | 1 | |
| 6 | 4519724 | Cover - Lower Front Trim, SS | 1 | |
| 6A* | 8003107 | Mscr-Th-Phl 10-24 x 3/4 (for Lower Front Trim Cover) | 3 | |
| 7 | 1925301 | Cover - Upper Front Trim, SS | 1 | |
| 7A* | 8002107 | Mscr-Th-Phl-B #10 x 1/2 Stl 2P (for Upper Front Trim Cover) | 3 | |
| 8 | 1919999 | Vent Assembly - Outer Standard/Deep | 1 | |
| 9 | 1919399 | Vent Assembly - Standard | 1 | |
| | 1919398 | Vent Assembly - Deep | 1 | |
| 10 | CK1920099 | Flue Assembly for Double Deck Note: Kit includes sheet metal flue channels (part# 1920001, 1920002) and fasteners (8002106). | 1 | |
| 12 | 1927199 | Leg - Single Deck, SS, for Casters, approx. 19-3/4" | 4 | |
| | 1927197 | Leg - Single Deck, SS, for Foot Inserts, 24" | 4 | |
| 13 | 1927195 | Leg - Double Deck, SS | 4 | |
| 14 | 1236100 | 1-1/2" Square Foot Insert - Chrome Plated | 4 | |
| 15 | 1949701 | Flanged Foot Insert (Optional Feature) | 4 | |
| 16 | 1775102 | Caster Insert (Single Deck Only) | 4 | |
| 17 | 1926501 | Caster - 4" Swivel without Brake, 3/4NPT | 4 | |
| | 1926502 | Caster - 4" Swivel with Brake, 3/4NPT | 4 | |
| 18 | 1926531 | Heavy Duty Caster - 5" Swivel without Brake, for Double Deck | 4 | |
| | 1926532 | Heavy Duty Caster - 5" Swivel with Brake, for Double Deck | 4 | |
| | 4524736 | Kit - Casters 3" Swivel without Brake (low profile) Note: Kit Includes Two Casters | 1 | |
| | 4524737 | Kit - Casters 3" Swivel with Brake (low profile) Note: Kit Includes Two Casters | 1 | |
| 19 | 1029426 | 3/8 BX Cable 26" Long | 1 | |
| 20 | 1028501 | BX Connector - Straight | 1 | |
| 21 | 1927898 | Cover - External Terminal Block | 1 | |
| 22 | 1928206 | Plate - Line Cord Patch | 1 | |
| 23 | 4516982 | Terminal Block - 10mm | 1 | |
| 24 | 1921001 | Cover - Main Back, Standard Depth, SS | 1 | |
| | 1921003 | Cover - Main Back, Deep SS | 1 | |
| 25 | 1919001 | Cooling Fan Guard - 120mm | 1 | |
| 27 | 1926902 | Panel - Open Base, SS | 1 | |
| 28 | 1926702 | Rack Guide - Lower, Open Base | 2 | |
| 29 | 1926802 | Support - Rack Guide, Upper | 1 | |
| 30 | 1927001 | Clip - Lower Rack Guide Support | 4 | |
| 31 | 250SILTUB | 1/4" Silicone Tubing (sold by foot) | 1 | |
| 32 | 1916301 | Probe Connector Cover | 1 | |
| 33 | 1928204 | Plate - Element Patch | 1 | |

* NOT ILLUSTRATED

RECOMMENDED STOCK PARTS

OVEN COMPONENTS



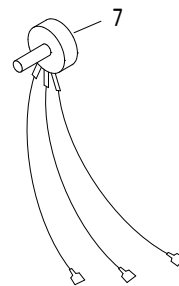
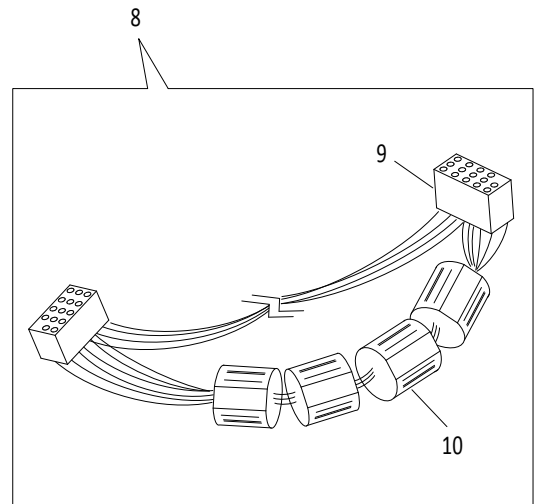
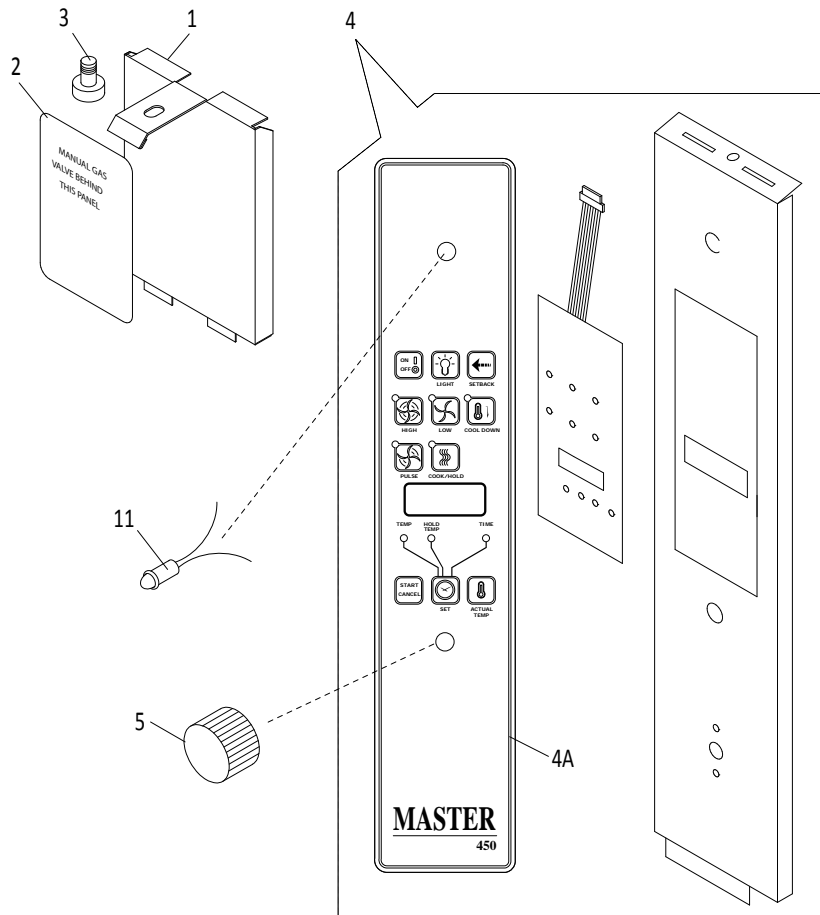
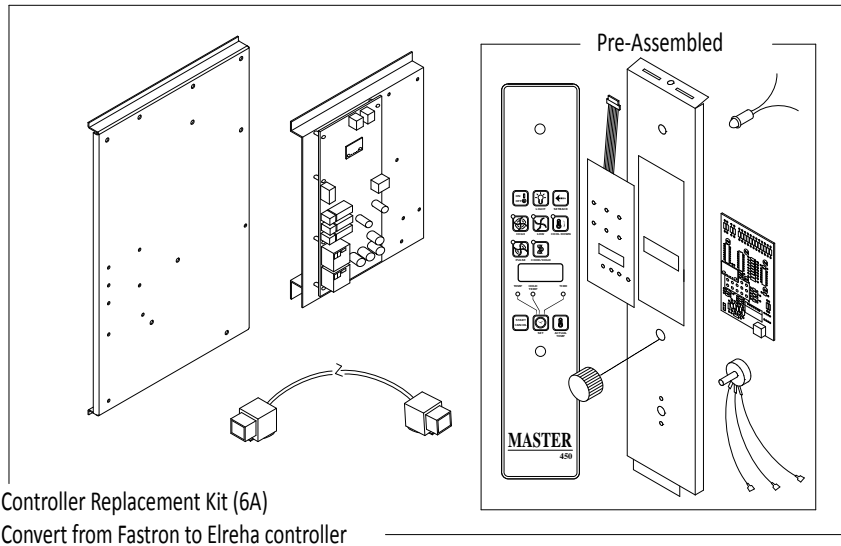
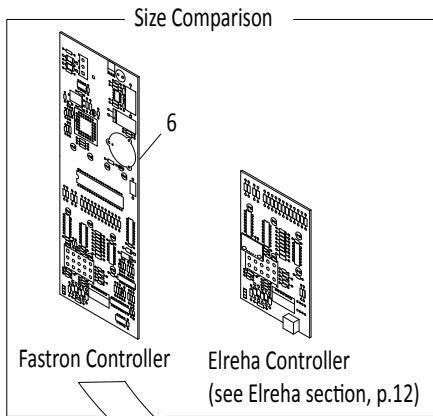
GARLAND PARTS IDENTIFICATION
MASTER FULL SIZE GAS CONVECTION OVEN
models MCO-GS/GD-10/20CE

OVEN COMPONENTS

| ITEM | PART # | DESCRIPTION | QUANTITY | CRITICAL |
|------|------------------|--|----------|----------|
| 1 | 1925201 | Channel - Upper Hinge | 1 | |
| 2 | 1925202 | Channel - Lower Hinge | 1 | |
| 3 | 1915401 | Cover, Burner Box Front | 1 | |
| 4 | 4519724 | Cover Lower Front Trim | 1 | |
| 5 | 1922001 | Oven Rack Guide - 10 Pos, Standard | 2 | |
| | 1922002 | Oven Rack Guide - 10 Pos, Deep | 2 | |
| | 1922101 | Oven Rack Guide - 13 Pos, Standard | 2 | |
| | 1922102 | Oven Rack Guide - 13 Pos, Deep | 2 | |
| 6 | 1922211 | Oven Rack - Standard Depth | 6 | |
| | 1922212 | Oven Rack - Deep | 6 | |
| 7 | 1765212 | Oven Rack Clip | 8 | |
| 10 | 1623900 | Light Bulb 40W | 2 | |
| 11 | 1025900 | Light Socket Gasket | 2 | |
| 12 | 1025800 | Lamp Socket - Porcelain | 2 | |
| 13 | 1676901 | Glass, High Temp | 1 | |
| 14 | 1921801 | Cover, Light Box | 1 | |
| 15 | 1921902 | Light Box | 1 | |
| 16 | 1928299 | Plate, Light Box Patch - Porcelain (for no oven lights option) | 1 | |
| | 1928201 | Plate, Light Box Patch - SS (for no oven lights option) | 1 | |
| 20 | 1802999 | Fan Cover | 1 | |
| 21 | 1782599 | Fan Cover Duct, Left | 1 | |
| 22 | 1782598 | Fan Cover Duct, Right | 1 | |
| 23 | 8004005 | 1/4-20 x 3/8" Allen Head Screw | 4 | |
| 24 | 1784302 | Oven Vent Cap - 60K BTU | 1 | |
| 25 | 1785998 | Fan Duct Restrictor - 60K BTU | 2 | |
| 26 | 1839301 | Blower Inlet Cover (Convection Fan Guard) with Hand Guard | 1 | |
| | 1014500 | Blower Inlet Cover (Convection Fan Guard) | 1 | |
| 30 | G02952-01P | Blower Wheel Assembly Plated | 1 | |
| 31 | 1916401 | Plate, Motor Pocket Front | 1 | |
| 32 | 1915921 | Insulation - Motor Pocket | 1 | |
| 33 | 1916402 | Motor Pocket Back | 1 | |
| 34 | 1916499 | Motor Pocket Assembly | 1 | |
| 35 | 1686712 | Motor - 3/4 HP, 208/240V, 2 Speed | 1 | C |
| 36 | CK1003091 | Motor Assembly - 2 Speed, 208/240 V | 1 | C |
| 38* | 113361 | Insulation Kit - Standard Depth | 1 | |
| | 113364 | Insulation Kit - Deep Depth | 1 | |
| 39* | 1959401 | Drip Pan - S/S, Standard Depth | 1 | |
| | 1959402 | Drip Pan - S/S, Deep Depth | 1 | |

* NOT ILLUSTRATED

RECOMMENDED STOCK PARTS



GARLAND PARTS IDENTIFICATION
MASTER FULL SIZE GAS CONVECTION OVEN
models MCO-GS/GD-10/20CE

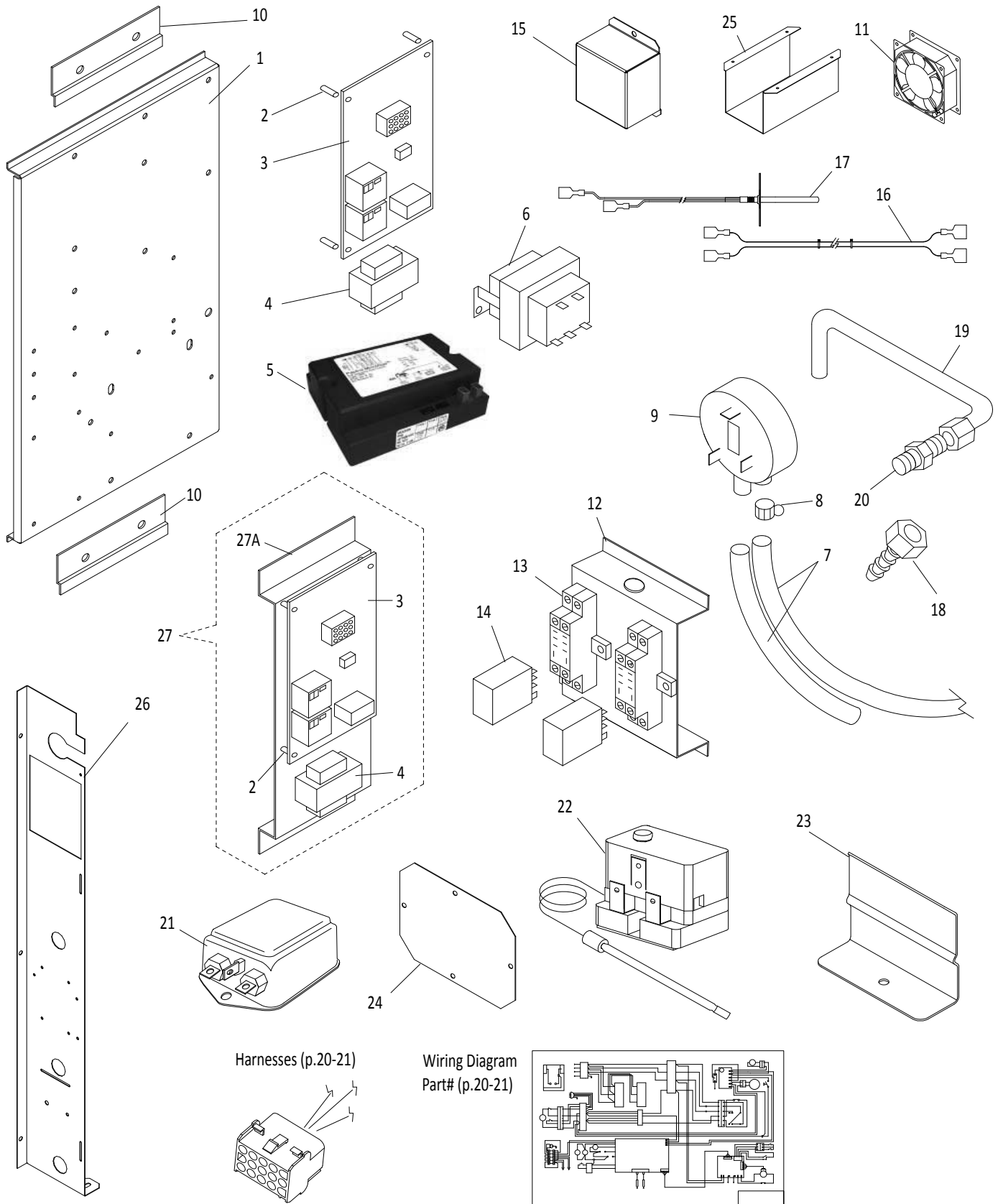
(FASTRON) MASTER 450 DIGITAL CONTROL PANEL & COMPONENTS (1 OF 2)

| ITEM | PART # | DESCRIPTION | QUANTITY | CRITICAL |
|------|----------------|--|------------|----------|
| 1 | 1918501 | Cover - Upper Control Panel, SS | 1 | |
| 2 | 1789605 | Overlay - Top Control Panel, Gas | 1 | |
| 3 | GF297 | Slotted Thumb Screw - 10-24 x 1/2" | 1 | |
| 4 | 1952898 | Control Panel Assembly - Master 450 Keypad, with Light Note: Assembly Includes a S/S Panel, a Key-Pad Control and Overlay (1908503). S/S Panel and Key Pad Not Sold Separately. | 1 | |
| 4A | 1908503 | Overlay - Master 450 with Light | 1 | |
| 5 | 1720502 | Fluted Fast Control Knob | 1 | |
| 6 | 1905703 | 450 Digital Control - Cook-N -Hold (Fastron) Note: Use Kit 4531125 (item 6A) | NLA | |
| 6A | 4531125 | Kit, MCO 450 CE Controller Replacement (Gas/Electric), Elreha Note: Kit includes a panel assembly with Elreha control, a relay board assembly, a cable (control to relay), a bracket and instructions (4531128). | 1 | C |
| 7 | 1911601 | Potentiometer - Encoder | 1 | C |
| 8 | 300812 | Wire Harness (CE) - Control to Relay/PCB Board with Ferrites Note: Harness assembly includes items 9, 10. | 1 | |
| 9 | 1905901 | Wire Harness (CE) - Control to Relay | 1 | |
| 10 | 300811 | Snap-On Ferrite Cores | 4 | |
| 11 | 1270000 | Indicator Lamp - Amber, 28V | 1 | |
| 12* | 1955703 | 1/4" ID x 9/16" Nylon Standoff | 6 | |
| 13* | 8003123 | 10-24 x 5/8" Machine Screw-TH-Phil Stl Zinc | 1 | |
| 14* | 8001502 | Nut with Lockwasher 6-32 kep Zinc | 6 | |

* NOT ILLUSTRATED

RECOMMENDED STOCK PARTS

NLA = No Longer Available



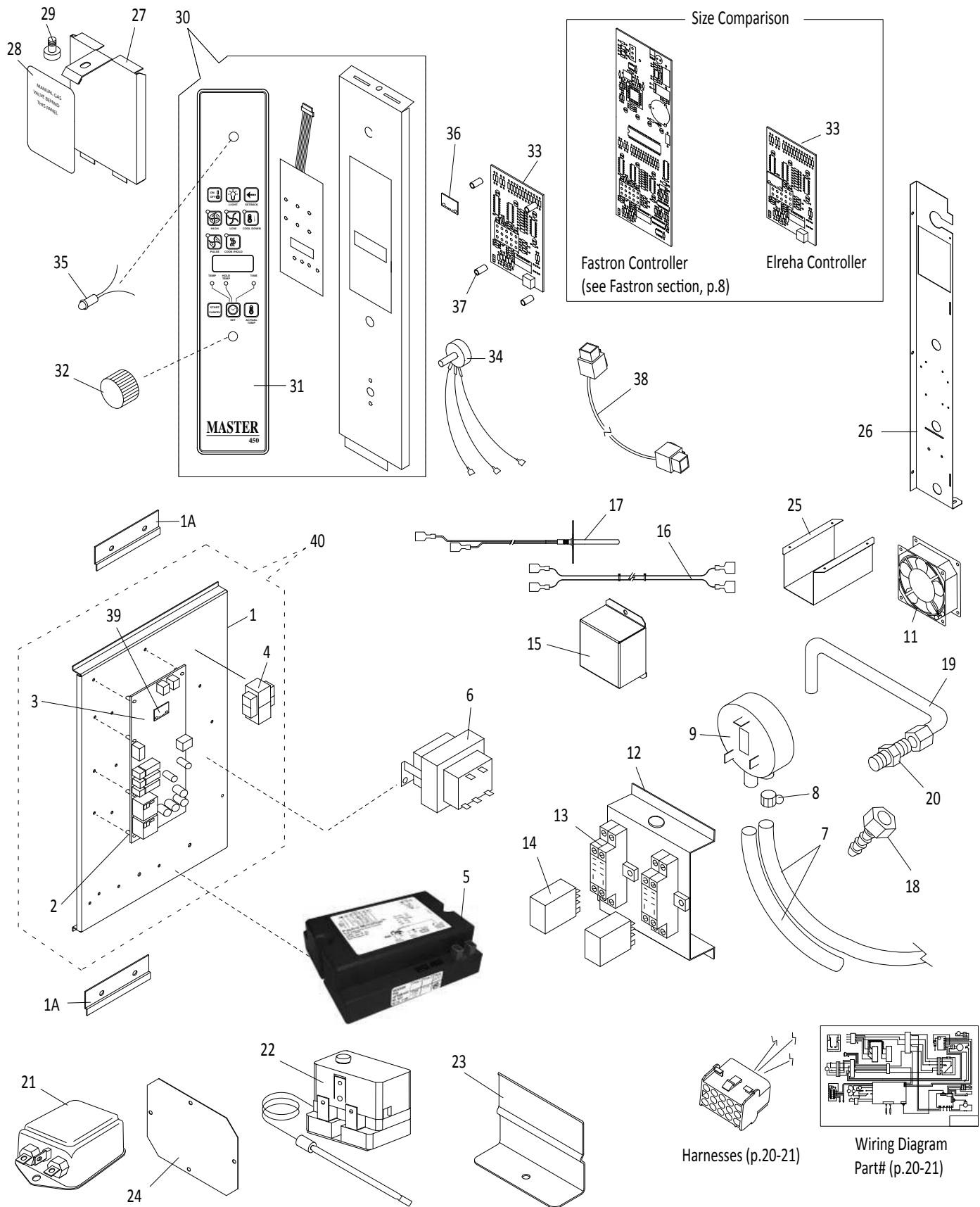
GARLAND PARTS IDENTIFICATION
MASTER FULL SIZE GAS CONVECTION OVEN
models MCO-GS/GD-10/20CE

(FASTRON) MASTER 450 DIGITAL CONTROL PANEL & COMPONENTS (2 OF 2)

| ITEM | PART # | DESCRIPTION | QUANTITY | CRITICAL |
|------|----------------|---|----------|----------|
| 1 | 1933406 | Bracket - Ignition Control | 1 | |
| 2 | 1767901 | Nylon Spacer | 4 | |
| 3 | 1916903 | Power Control Board Assembly - CE | 1 | C |
| 4 | 1917103 | Transformer 230V CE | 1 | C |
| 5 | 4524665 | Ignition Control - MCO CE | 1 | C |
| 6 | 1636000 | Transformer - 24V (gas control module transformer) | 1 | C |
| 7 | 250SILTUB | 1/4" Silicone Tubing (sold by foot) | 9FT | |
| 8 | 1029801 | Cable Tie - 4" | 2 | |
| 9 | 1960401 | Switch - Air Pressure | 1 | C |
| 10 | 1911301 | Relay Bracket Slide | 2 | |
| 11 | 1671101 | Cooling Fan 208 / 240 V Note: For Fan Installation, refer to Service Bulletin B-97-2009-S. | 1 | C |
| 12 | 1925003 | Bracket - CE Components | 1 | |
| 13 | 2475600 | Relay Socket | 2 | |
| 14 | 2475501 | Relay 240V | 2 | C |
| 15 | 1916301 | Cover - Probe Connector | 1 | |
| 16 | 1906003 | Probe Interconnect Harness (USE ONLY WITH 1906002) | 1 | C |
| 17 | 1906002 | Flange Mount Oven Probe (USE ONLY WITH 1906003) | 1 | C |
| 18 | 1949401 | Fitting - Hose Barb 1/4 npt x 1/4 | 1 | |
| 19 | 1848501 | Air Switch Supply Tube | 1 | |
| 20 | G01243-1 | Straight Connector 7/16" cc with external 1/4 npt | 1 | |
| 21 | 300810 | Line Filter - CE, 20A 250V | 1 | C |
| 22 | C5001041 | High Limit Safety Switch (Safety Temperature Limiter) - CE | 1 | C |
| 23 | 113418 | Bracket - High Limit Safety Switch Mounting | 1 | |
| 24 | 113363 | Patch (High Limit Access) | 1 | |
| 25 | 1918001 | Air Exhaust Duct - Standard | 1 | |
| | 1918002 | Air Exhaust Duct - Deep Depth | 1 | |
| 26 | 1926001 | Panel - Right Side, Mid | 1 | |
| 27 | S113852 | Relay Board Assembly, Fast, CE Note: Assembly includes the items shown, relay board jumper (1949565), jumper assembly (1949566), and machine screws (8002106). | 1 | C |
| 27A | 1916801 | Bracket - Relay Board Assembly, Fast, CE | 1 | |

* NOT ILLUSTRATED

RECOMMENDED STOCK PARTS



GARLAND PARTS IDENTIFICATION
MASTER FULL SIZE GAS CONVECTION OVEN
models MCO-GS/GD-10/20CE

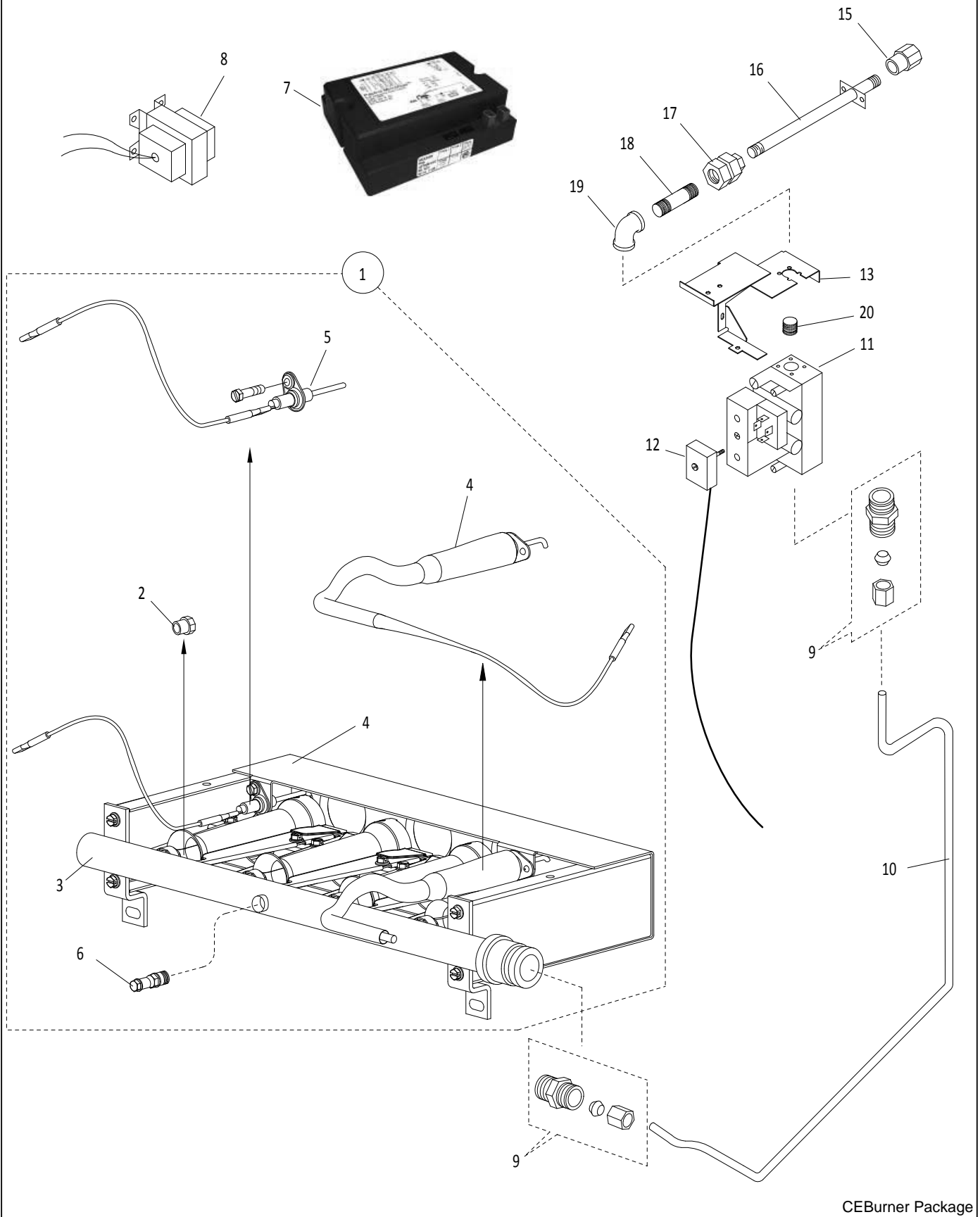
(ELREHA) MASTER 450 DIGITAL CONTROL PANEL & COMPONENTS

| ITEM | PART # | DESCRIPTION | QUANTITY | CRITICAL |
|------|-----------------|--|----------|----------|
| 1 | 4528498 | Bracket - Ignition Control/SRB, Elreha | 1 | |
| 1A | 1911301 | Relay Bracket Slide | 2 | |
| 2 | 1767901 | Nylon Spacers | 8 | |
| 3 | 4527484 | Relay Board / SRB - Digital Control, Elreha | 1 | C |
| 4 | 1917103 | Transformer 230V CE (Relay Board Transformer) | 1 | C |
| 5 | 4524665 | Ignition Control - MCO CE | 1 | C |
| 6 | 1636000 | Transformer - 24V (gas control module transformer) | 1 | C |
| 7 | 250SILTUB | 1/4" Silicone Tubing (sold by foot) | 9FT | |
| 8 | 1029801 | Cable Tie - 4" | 2 | |
| 9 | 1960401 | Switch - Air Pressure | 1 | C |
| 11 | 1671101 | Cooling Fan 208 / 240 V Note: For Fan Installation, refer to Service Bulletin B-97-2009-S. | 1 | C |
| 12 | 1925003 | Bracket - CE Components | 1 | |
| 13 | 2475600 | Relay Socket | 2 | |
| 14 | 2475501 | Relay 240V | 2 | C |
| 15 | 1916301 | Cover - Probe Connector | 1 | |
| 16 | 1906003 | Probe Interconnect Harness (USE ONLY WITH 1906002) | 1 | C |
| 17 | 1906002 | Flange Mount Oven Probe (USE ONLY WITH 1906003) | 1 | C |
| 18 | 1949401 | Fitting - Hose Barb 1/4 npt x 1/4 | 1 | |
| 19 | 1848501 | Air Switch Supply Tube | 1 | |
| 20 | G01243-1 | Straight Connector 7/16" cc with external 1/4 npt | 1 | |
| 21 | 300810 | Line Filter - CE, 20A 250V | 1 | |
| 22 | C5001041 | High Limit Safety Switch (Safety Temperature Limiter) - CE | 1 | C |
| 23 | 113418 | Bracket - High Limit Safety Switch Mounting | 1 | |
| 24 | 113363 | Patch (High Limit Access) | 1 | |
| 25 | 1918001 | Air Exhaust Duct - Standard | 1 | |
| | 1918002 | Air Exhaust Duct - Deep Depth | 1 | |
| 26 | 1926001 | Panel - Right Side, Mid | 1 | |
| 27 | 1918501 | Cover - Upper Control Panel, SS | 1 | |
| 28 | 1789605 | Overlay - Top Control Panel, Gas | 1 | |
| 29 | GF297 | Slotted Thumb Screw - 10-24 x 1/2" | 1 | |
| 30 | 4530502 | Master 450 Keypad Panel Kit (Elreha) Note: Assembly includes a S/S Control Panel, a Master 450 Overlay (4529263), and a Key Pad Control(Membrane Switch). S/S Panel and Key Pad Not Sold Separately. | 1 | |
| 31 | 4529263 | Overlay - Master 450 with Light, Elreha | 1 | |
| 32 | 1720502 | Fluted Fast Control Knob | 1 | |
| 33 | 4527483 | User Interface Board / UI Board (Elreha) | 1 | |
| 34 | 1911601 | Potentiometer - Encoder | 1 | C |
| 35 | 1270000 | Indicator Lamp - Amber, 28V | 1 | |
| 36 | 4529740 | Personality Module on UI, Elreha | 1 | |
| 37 | 1955703 | Standoff Nylon, 1/4" dia, 9/16" long. | 4 | |
| 38 | 4529003 | Cable - UI/SRB 0.5M Elreha | 1 | |
| 39 | 4529761 | Personality Module on Relay Board/SRB, Elreha | 1 | |
| 40 | CK113999 | Relay Board Assembly, Elreha, CE, Gas Note: Assembly includes items 1, 2, 3, 4, 39 and machine screws (8002106). | 1 | C |

* NOT ILLUSTRATED

RECOMMENDED STOCK PARTS

BURNER PACKAGE



CEBurner Package

GARLAND PARTS IDENTIFICATION
MASTER FULL SIZE GAS CONVECTION OVEN
models MCO-GS/GD-10/20CE

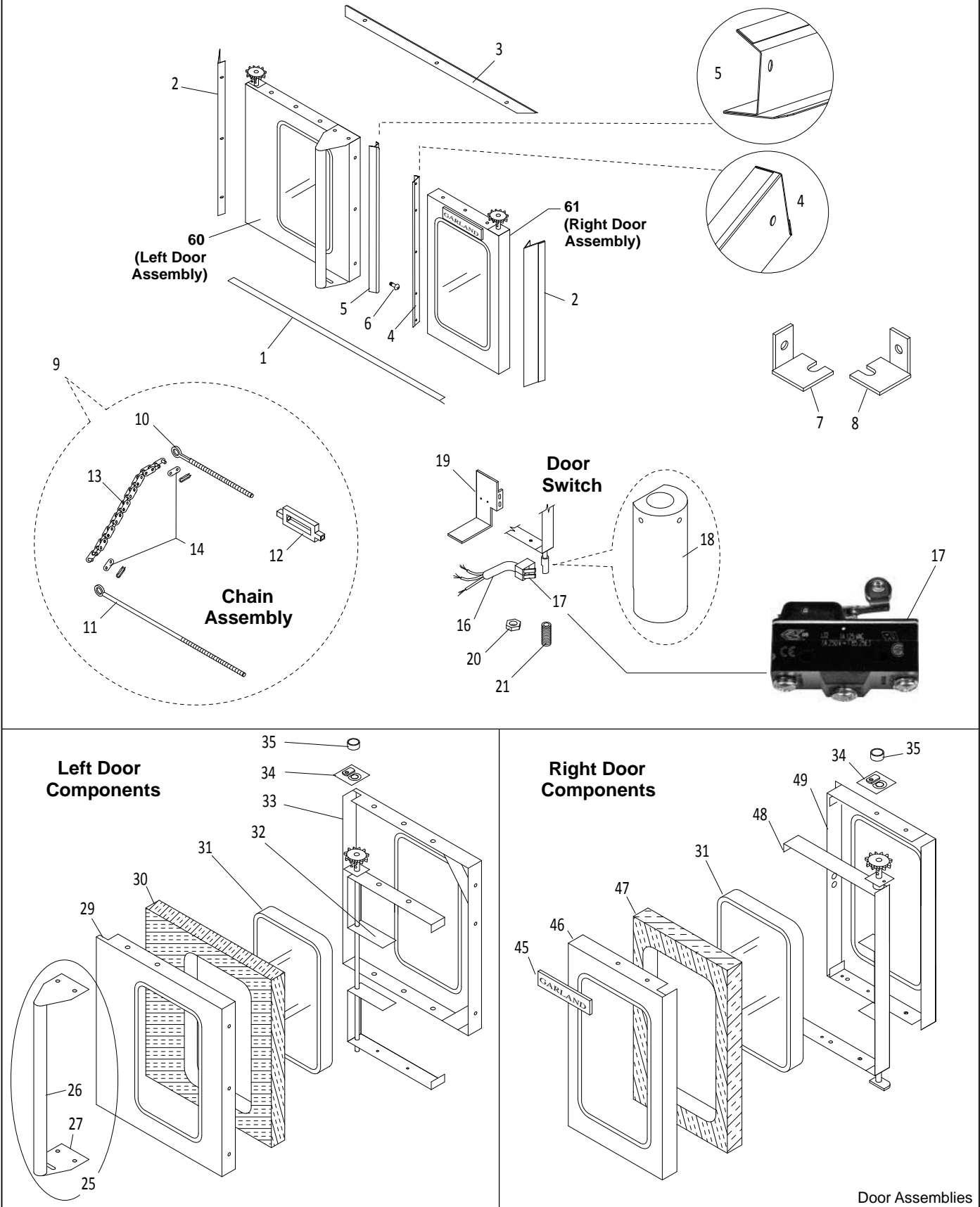
BURNER PACKAGE

| ITEM | PART # | DESCRIPTION | QUANTITY | CRITICAL |
|------|----------------|--|----------|----------|
| 1 | 4521462 | Burner Pack - DSI MCO 60K Natural | 1 | |
| | 4525010 | Burner Pack, DSI MCO 60K Natural Gas Converted CE | 1 | |
| | 4521464 | Burner Pack, DSI MCO 60K Propane Converted | 1 | |
| 2 | 4521466-05 | Orifice, DSI MCO 60K Natural #51 Note: Use with Burner Pack 4525010. | 4 | |
| | 4521466-01 | Orifice, DSI MCO 60K Propane #56 Note: Use with Burner Pack 4521464. | 4 | |
| 3 | 1916101 | Manifold Pipe | 1 | |
| 4 | 4523414 | Ignitor - DSI Burner Pack | 1 | C |
| 5 | 4523415 | Flame Sensor - DSI Burner Pack | 1 | C |
| 6 | 02251-1 | Pressure Test Spigot | 1 | |
| 7 | 4524665 | Ignition Control - MCO CE | 1 | C |
| 8 | 1636000 | Transformer - 24V (gas control module transformer) | 1 | C |
| 9 | 1095499 | Straight Connector Assembly - 3/8 x 7/16 CC (Includes Nut & Ferrule) | 2 | |
| 10 | 1949204 | Tubing - Valve to Manifold - CE | 1 | |
| 11 | 2579700 | Multi-Function Valve Gas | 1 | C |
| 12 | 2579701 | Plug with Cord | 1 | |
| | 2579702 | Gasket and Screw | 1 | |
| 13 | 1918999 | Bracket, Gas Valve Mount | 1 | |
| 15 | 113598 | Fitting (Brass Adaptor) - NPTF 1/2 To BSPT 1/2 | 1 | |
| 16 | 1916199 | Tailpipe - Standard Depth | 1 | |
| | 1916198 | Tailpipe - Deep Depth | 1 | |
| 17 | 21302 | Union - 1/2" NPT | 1 | |
| 18 | 14332 | Nipple - 1/2" NPT x 3", Black | 1 | |
| 19 | 05249 | 1/2" NPT x 90 Degree Elbow | 1 | |
| 20 | 14323 | Close Nipple - 1/2" NPT, Black | 1 | |

* NOT ILLUSTRATED

RECOMMENDED STOCK PARTS

DOOR COMPONENTS & ASSEMBLIES



GARLAND PARTS IDENTIFICATION
MASTER FULL SIZE GAS CONVECTION OVEN
models MCO-GS/GD-10/20CE

DOOR COMPONENTS & ASSEMBLIES

| ITEM | PART # | DESCRIPTION | QUANTITY | CRITICAL |
|---|----------------|--|----------|----------|
| 1 | 1924712 | Seal - Door, Bottom | 1 | |
| 2 | 1924601 | Seal - Door, Left & Right | 2 | |
| 3 | 1924711 | Seal - Door Top | 1 | |
| 4 | 1924411 | Center - Right Door Seal | 1 | |
| 5 | 1924412 | Center - Left Door Seal | 1 | |
| 6 | 8003123 | #10-24 x 5/8" Machine Screw, Phillips, Stl | 6 | |
| 7A | 1925013 | Bracket - Door Stop L/H | 1 | |
| 7B | 4519740 | Bracket - Door Stop R/H | 1 | |
| DOOR CHAIN COMPONENTS (items 9 - 14) | | | | |
| 9 | 4520166 | Door Chain Assembly Note: Includes Items 10 -14. | 2 | C |
| 10 | 1014201 | Connecting Door Rod - Short Note: Item listed for reference only. Not Sold Separately. | 2 | |
| 11 | 1014200 | Connecting Door Rod - Long Note: Item listed for reference only. Not Sold Separately. | 2 | |
| 12 | 1015000 | Turnbuckle 1/4-20 with 4" Take Up | 2 | |
| 13 | 1021100 | Roller Chain #40 | 2 | |
| 14 | 1021299 | Connecting Link #40 | 4 | |
| DOOR SWITCH COMPONENTS (items 16 - 23) | | | | |
| 16 | 1804727 | Harness - Door Micro Switch | 1 | C |
| 17 | 1855603 | High Temp Micro Switch | 2 | C |
| 18 | 1925101 | Cam - Door Switch | 1 | |
| 19 | 1925001 | Bracket Door Switch Right | 1 | |
| 20 | 8001203 | Nut - Hex, Steel, 8-32 | 2 | |
| 21 | 8003802 | #10-24 x 3/8" Set Screw | 2 | |
| 22* | 8001502 | #6-32 Nut with Washer Ksp | 2 | |
| 23* | 8003208 | #6-32 x 2" Machine Screw, Phillips, Stl, Zinc | 2 | |

* NOT ILLUSTRATED

RECOMMENDED STOCK PARTS

GARLAND PARTS IDENTIFICATION
MASTER FULL SIZE GAS CONVECTION OVEN
models MCO-GS/GD-10/20CE

LEFT & RIGHT DOORS COMPONENTS

| ITEM | PART # | DESCRIPTION | QUANTITY | CRITICAL |
|--|----------------|---|----------|----------|
| LEFT & RIGHT DOOR COMPONENTS - with Window or Solid | | | | |
| 25 | 1924396 | Door Handle Assembly- Black Note: Assembly includes items 26, 27, 28. | 1 | |
| 26 | 1924195 | Tube - Door | 1 | |
| 27 | 1924206 | Plate - Door Handle | 2 | |
| 28* | 8003605 | 1/4-20 x 1" Carriage Bolt, Black | 2 | |
| 29 | 1924001 | Panel - Left Door (Solid) | 1 | |
| | 1924002 | Panel - Left Door (Window) | 1 | |
| 30 | 1915914 | Insulation - Left Door (Window) | 1 | |
| | 1915915 | Insulation - Left Door (Solid) | 1 | |
| 31 | 1010999 | Oven Door Window - 3/16" Glass (Window Option) | 1 | |
| 32 | 4520373 | Weld Assembly Frame Left Door Extended Bearing Plate | 1 | |
| 33 | 1923997 | Panel - Left Door Liner (Window) | 1 | |
| | 1923996 | Panel - Left Door Liner (Solid) | 1 | |
| 34 | 4520301 | Plate - Door Bushing Extended | 2 | |
| 35 | 1923201 | Spacer - Door Hinge | 2 | |
| 45 | 3077100 | 7-5/8" GARLAND Nameplate | 1 | |
| 46 | 1924003 | Panel - Right Door (Solid) | 1 | |
| | 1924004 | Panel - Right Door (Window) | 1 | |
| 47 | 1915916 | Insulation Right Door (Window) | 1 | |
| | 1915917 | Insulation - Right Door (Solid) | 1 | |
| 48 | 4520374 | Weld Assembly Frame Right Door Extended Bearing Plate | 1 | |
| 49 | 1923998 | Panel - Right Door Liner (Solid) | 1 | |
| | 1923904 | Panel - Right Door Liner (Window) | 1 | |

* NOT ILLUSTRATED

RECOMMENDED STOCK PARTS

GARLAND PARTS IDENTIFICATION
MASTER FULL SIZE GAS CONVECTION OVEN
models **MCO-GS/GD-10/20CE**

COMPLETE DOOR ASSEMBLIES

| ITEM | PART # | DESCRIPTION | QUANTITY | CRITICAL |
|--|---------|--|----------|----------|
| LEFT DOOR - COMPLETE ASSEMBLIES (includes Left Door Components and the Center Door Seal) | | | | |
| 60 | 4520311 | MCO Complete Door Kit - Left (WINDOW) | 1 | |
| | 4520313 | MCO Complete Door Kit - Left (SOLID) | 1 | |
| RIGHT DOOR - COMPLETE ASSEMBLIES (includes Right Door Components and the Center Door Seal) | | | | |
| 61 | 4520312 | MCO Complete Door Kit - Right (WINDOW) | 1 | |
| | 4520314 | MCO Complete Door Kit - Right (SOLID) | 1 | |

* NOT ILLUSTRATED

RECOMMENDED STOCK PARTS

GARLAND PARTS IDENTIFICATION
MASTER FULL SIZE GAS CONVECTION OVEN
models MCO-GS/GD-10/20CE

WIRE HARNESS IDENTIFICATION / WIRING DIAGRAM PART NO.

| ITEM | PART # | DESCRIPTION |
|------|---------|---|
| 1 | 1949579 | Wire Harness - Oven Lights |
| 2 | 300812 | Wire Harness Assembly - CE, Control to Relay/PCB - FOR ANY UNIT WITH FASTRON CONTROL Note: Includes items 2A (x1) and 2B (x4). |
| 2A | 1905901 | Wire Harness (CE) - Control to Relay/PCB - FOR ANY UNIT WITH FASTRON CONTROL |
| 2B | 300811 | Snap-On Ferrite Core - FOR ANY UNIT WITH FASTRON CONTROL |
| 2C* | 4529003 | Cable, UI / SRB - FOR ANY UNIT WITH ELREHA CONTROL |
| 3 | 1949565 | Jumper - Relay Board |
| 4 | 1949566 | Jumper Assembly - Transformer Leads |
| 5 | 1949578 | Wire Harness - Relay Board |
| 6 | 1804727 | Door Harness |
| 7 | 300816 | Wire Harness - Main Wiring, 230V, Gas MCO, CE |
| 8 | 4524981 | Wire Harness - Gas Valve / Transformer DSI, CE |
| 9 | 1949564 | Jumper - Pilot Lamp, CE |
| 10 | 4524985 | Wire Harness - Transformer / Ignition Module DSI, CE |
| 11* | 300814 | Wiring Diagram - 230V 50Hz CE Gas Fast Control (400 Series) Note: Item listed For Reference Only . Please contact Technical Service for assistance. |

* NOT ILLUSTRATED

RECOMMENDED STOCK PARTS

GARLAND PARTS IDENTIFICATION
MASTER FULL SIZE GAS CONVECTION OVEN
models MCO-GS/GD-10/20CE

AVAILABLE KITS

Single Deck Kits (Legs / Casters / Open Base)
(For Reference Only - Contact Sales Department for assistance)

| PART # | DESCRIPTION |
|---------------|---|
| 1951213 | S/S Open Base & Feet Kit - Full Size MCO |
| 1951214 | S/S Open Base & Casters - Full Size MCO |
| 1951204 | Single Deck S/S Legs & Feet Inserts - Full Size MCO |
| 1951205 | Single Deck S/S Legs and Casters - Full Size MCO |

Double Deck Kits (Legs / Casters)
(For Reference Only - Contact Sales Department for assistance)

| PART # | DESCRIPTION |
|---------------|--------------------------------------|
| 1951209 | Kit MCO - Heavy Duty Casters |
| 1951210 | Kit MCO - LO-Profile Casters |
| 1951223 | Double Deck Gas W/Inserts |
| 1951226 | Double Deck Gas W/Casters |
| 1951228 | Double Deck Gas W/Lo Profile Casters |

Ventilation Kit
(For Reference Only - Contact Sales Department for assistance)

| PART # | DESCRIPTION |
|---------------|---------------------------------|
| 1951229 | Stainless Steel Canopy Diverter |

RELATED BULLETINS

| BULLETIN # | SUBJECT | DATE |
|-------------------|--------------------------------------|-------------|
| B-97-2009-S | Axial Cooling Fan (Fan Installation) | SEP 17/09 |

GARLAND PARTS IDENTIFICATION
MASTER FULL SIZE GAS CONVECTION OVEN
models MCO-GS/GD-10/20CE

CRITICAL & RECOMMENDED STOCK PARTS LIST

| PART # | DESCRIPTION | CRITICAL | RECOMMENDED |
|---------------|---|-----------------|--------------------|
| 300810 | Line Filter - CE, 20A 250V | C | |
| 1010999 | Oven Door Window - 3/16" Glass (Door with Window Option) | | R |
| 1270000 | Indicator Lamp - Amber, 28V | | R |
| 1623900 | Light Bulb 40W | | R |
| 1636000 | Transformer - 24V | C | R |
| 1671101 | Cooling Fan 208 / 240 V | C | R |
| 1686712 | Motor - 3/4 HP, 208/240V, 2 Speed | C | |
| 1720502 | Fluted Fast Control Knob | | R |
| 1804727 | Harness - Door Micro Switch | C | |
| 1855603 | High Temp Micro Switch | C | R |
| 1906002 | Flange Mount Oven Probe (USE ONLY WITH 1906003) | C | |
| 1906003 | Probe Interconnect Harness (USE ONLY WITH 1906002) | C | |
| 1911601 | Potentiometer - Encoder | C | R |
| 1916903 | Power Control Board Assembly - CE | C | R |
| 1917103 | Transformer 230V CE | C | R |
| 1924411 | Center - Right Door Seal | | R |
| 1924412 | Center - Left Door Seal | | R |
| 1924601 | Seal - Door, Left & Right | | R |
| 1924711 | Seal - Door Top | | R |
| 1924712 | Seal - Door, Bottom | | R |
| 1960401 | Switch - Air Pressure | C | R |
| 2475501 | Relay 240V | C | R |
| 2579700 | Multi-Function Valve Gas | C | R |
| 2579701 | Plug with Cord | | R |
| 4520166 | Door Chain Assembly | C | R |
| 4523414 | Ignitor - DSI Burner Pack | C | R |
| 4523415 | Flame Sensor - DSI Burner Pack | C | R |
| 4524665 | Ignition Control, MCO-CE | C | R |
| 4531125 | Kit, MCO 450 CE Controller Replacement (Gas/Electric), Elreha | C | |
| 8003123 | Machine Screws - Phillips, #10-24 x 5/8" Stl 2P (for Oven Door Seals) | | R |
| C5001041 | High Limit Safety Switch (Safety Temperature Limiter) - CE | C | |
| CK1003091 | Motor Assembly - 2 Speed, 208/240 V | C | |
| CK113999 | Relay Board Assembly, Elreha, Gas, CE | C | R |
| S113852 | Relay Board Assembly, Fast, CE | C | R |

REVISION HISTORY

| REV | PAGE # | ITEM # | NOTES | DATE |
|------------|---------------|---------------|--|-------------|
| 0 | | | New CE Certified Model: MCO-GS/GD-10CE (2011) | OCT 06/11 |
| 1 | 6 | 38 | Added insulation kits 113361, 113364 | AUG 10/12 |
| | 6 | 39 | Added drip pans 1959401, 1959402 | |
| | 8-10 | 4A,6A | Added Overlay P/N. Added New Control Conversion Kit. 4531125 as 1905703 is NLA. | |
| | 10-11 | 27, 27A | Added relay board asm (S113852) and bracket (1916801) | |
| | 12-13 | | Inserted pages for Elreha control panel and components. | |
| | 21 | 2C | Added - Cable (4529003) for Elreha Control | |
| 2 | 12 | 40 | New Relay Board Assembly Kit, Elreha, CE, P/N. CK113999 | JAN 16/13 |

 **Garland**[®]
