

Master Series

Half Size Electric Convection Oven

Parts List

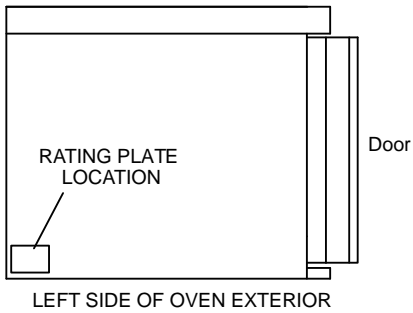
Models:

MCO-E-5-C

MCO-E-25-C

from **serial# 1106230000001 (01-JUNE-11)**

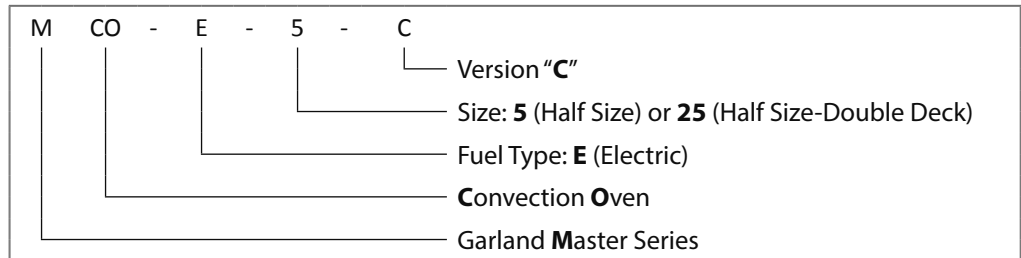
Rating Plate Location



Reading the Model Code

MCO Half Size Models:

- *MCO-E-5-C*
- *MCO-E-25-C*



Serial# (Year/Month Information)

The Serial Number is **13 Digits** long and is stamped on the Rating Plate.

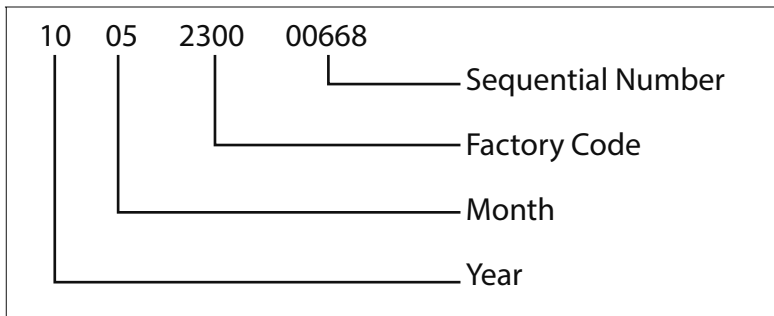


Table of Contents

Model & Serial# Interpretation / Rating Plate Location2

Revision History3

Oven Components4

Side Partition Assembly.....8

Master 200 Control Panel & Components 10

Elements & Components..... 12

Door Components & Assemblies 14

Equipment Stand with Optional Rack Guides and Racks..... 16

Critical & Recommended Stock Parts List..... 18

List of Harnesses & Wiring Diagram Part Numbers 18

Related Bulletins 19

Heat Shield Kit (Accessories)..... 19

REVISION HISTORY

| REV | PAGE# | ITEM# | NOTES | DATE |
|-----|-------|---------|---|-----------|
| 0 | | | New Product Parts List Released | AUG 03/11 |
| 1 | 13 | 5 | IM200 Controller 300867 was 1955501. Note: First unit manufactured with controller 300867 has (date) 13-Jan-2012, (serial#) 1201230000125, (model) MCO-E5-C-0037. | FEB 08/12 |
| | | 21 | Added bulletin info for controller 300867. | |
| 2 | 20 | | Harness Kit P/N - CK300827 replaced 300827. | AUG 27/12 |
| | 13 | 22C/22D | Main Harness 300887 replaced 1949589. | |
| 3 | 17 | 50, 60 | P/N CK113539 replaced 113539; CK113680 replaced 113680. | SEP 7/12 |
| 4 | 11 | 6 | New timer, new service kit. ECO-001007A. GAR_SB_0049 | 5/12/2017 |
| | | | Updated bulletin list. | |
| 5 | 19 | | Added Heat Shield Kit A4602982, Accessory (instructions 4602983) | 7/12/2017 |

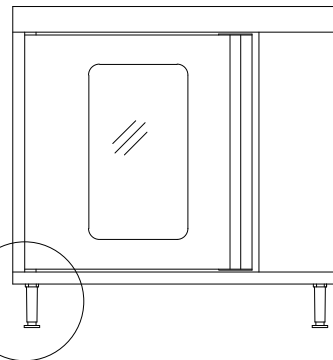
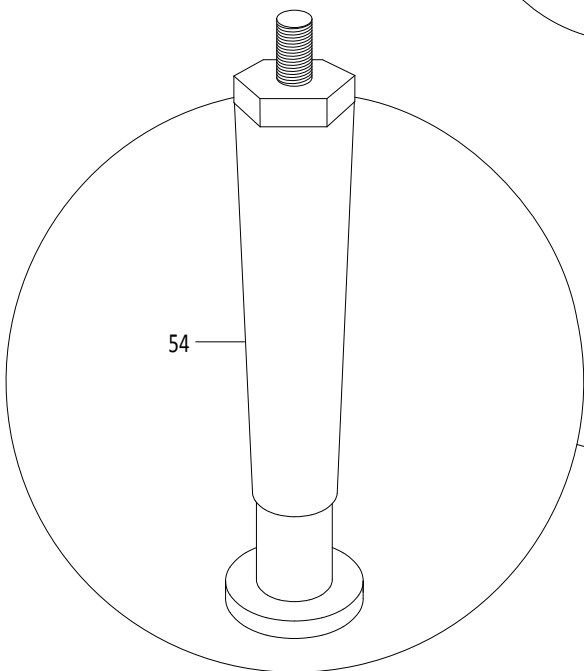
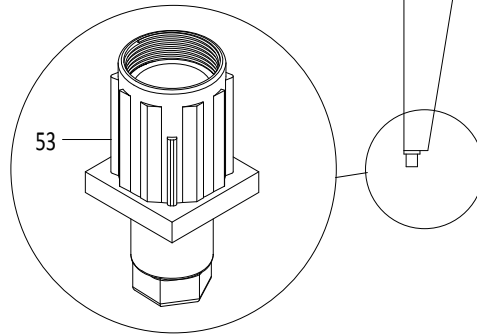
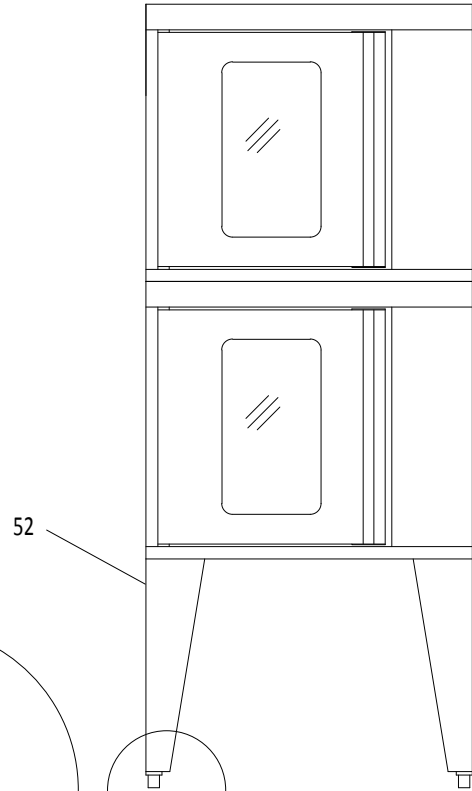
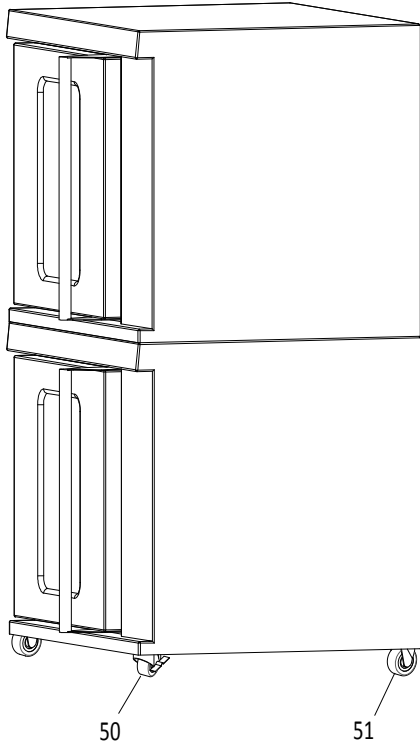
GARLAND PARTS IDENTIFICATION
Master Half Size Electric Convection Oven (MCO-E-5-C, MCO-E-25-C)

OVEN COMPONENTS

| ITEM | PART # | DESCRIPTION | QTY | CRITICAL |
|------|----------------|--|-----|----------|
| 1 | 1960901 | Main Top | 1 | |
| 2 | 1960902 | Cover - Micro Switch Access | 1 | |
| 3 | 1960502 | Flue Box MCOE5 | 1 | |
| 4 | | Side Partition Assembly Note: For components detail, see "Side Partition Assembly"; p. 10. | 1 | |
| 5 | 1671101 | Fan - 110MM, 208/240V | 2 | C |
| 6 | 1951402 | Body Side - Control, Right Side | 1 | |
| 7 | CK1385497 | Hinge Bracket Assembly | 2 | |
| 8 | 1011201 | Steel Tubing Chrome Spacer | 2 | |
| 9 | 1951401 | Body Side - Oven | 1 | |
| 10 | 1960709 | Baffle Mounting Bracket | 2 | |
| 11 | 1766001 | Oven Rack | 5 | |
| 12 | 1966503 | Door Seal - Hinge Side, MCOE5 | 1 | |
| 13 | 1766002 | Rack Guide | 2 | |
| 14 | | Door Assembly (with or without Window) - MCO-E-5-C Note: For components detail, see "Door Assembly"; p. 16 | 1 | |
| 15 | 1966501 | Door Seal RT Silicon | 1 | C |
| 16 | 1966502 | Door Seal Top/Bottom Silicon | 2 | C |
| 17 | | Element - Inner, Outer, and Center (Optional) Note: For components detail, see "Elements & Components"; p. 14. | 1 | |
| 18 | 1960797 | Baffle Assembly | 1 | |
| 19 | | IM200 Control Assembly - MCO-E-5-C Note: For components detail, see "Master 200 Control Assembly & Components"; p. 12. | 1 | |
| 20 | CK4519657 | Blower Wheel Assembly (includes 1765704 Blower Wheel) | 1 | |
| 21 | 1951502 | Motor - 208/240V 1/3HP 5/8 Shaft 2 Speed | 1 | C |
| 22 | 1028500 | BX Connector - 3/8" 90 deg | 1 | |
| 23 | 1960504 | BX Cable - 15 3/8" | 1 | |
| 24 | 1960503 | High Limit Cover | 1 | |
| 25 | 4520416 | High Limit - 135 deg F | 1 | C |
| 26 | 1028501 | BX Connector - 3/8" Straight | 1 | |
| 27 | 113547 | 15 Amp Micro-Switch (Door Switch) Assembly Note: Assembly includes items 28 - 32. | 1 | |
| 28 | 9006402 | 15 Amp Mini Snap Hi-Temp Switch | 2 | C |
| 29 | 1962106 | Micro-Switch Bracket | 1 | |
| 30 | 8000210 | Split Lock Washer - #4 x 13/64 x .04 | 2 | |
| 31 | 8001201 | Hex Nut - #4 - 40 | 2 | |
| 32 | 8003222 | Machine Screw - #4 - 40 x 1-1/2" Philip Head | 2 | |
| 33 | 1750501 | Door Catch | 1 | C |

* NOT ILLUSTRATED

RECOMMENDED STOCK PARTS



GARLAND PARTS IDENTIFICATION
Master Half Size Electric Convection Oven (MCO-E-5-C, MCO-E-25-C)

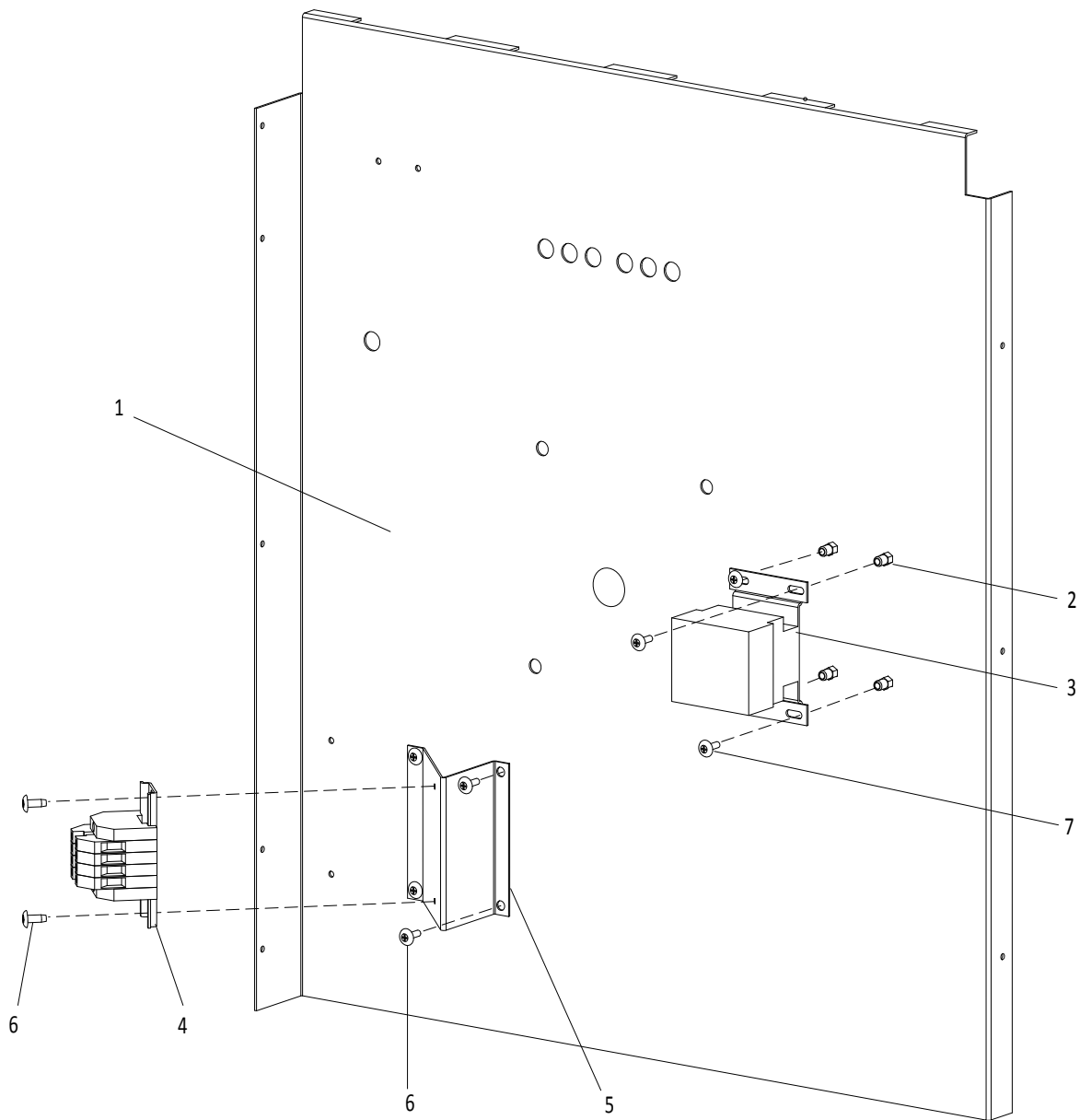
OVEN COMPONENTS

| ITEM | PART # | DESCRIPTION | QTY | CRITICAL |
|-----------------------------|-----------|--|-----|----------|
| Three Phase Option: | | | | |
| 34A | 4512340 | Three Phase Cord Set Note: Includes a plug, a receptable, an 8' cord, and a BX connector. | 1 | |
| | CK4529043 | Three Phase Cord Set - 208/240V 30A Pin & Sleeve Note: Includes an 8' cord, a plug, a cord connector and a lock nut. | 1 | |
| Single Phase Option: | | | | |
| 34B* | 4512339 | Single Phase Cord Set Note: Includes a plug, a receptable, an 8' cord, and a BX connector. | 1 | |
| | 4520534A | Single Phase Twist-Lock Cord and Plug Set Note: Includes an 8' cord and a plug. | 1 | |
| 35 | 4513157 | Fuse (600V / 10A) | 2 | C |
| 36 | 1774101 | Fuse Holder | 2 | C |
| LEGS AND CASTERS | | | | |
| 50 | 1027801 | Caster, Swivel, with Wheel Lock | 2 | |
| 51 | 1027800 | Caster, Swivel, without Wheel Lock | 2 | |
| 52 | 1927199 | Legs, 21 1/4" (540mm), S/S | 4 | |
| 53 | 1236100 | Foot Insert, Square | 4 | |
| 54 | 06158 | Leg, 4", Adjustable, Flange Foot, Threaded Stud Mount, S/S | 4 | |

* NOT ILLUSTRATED

RECOMMENDED STOCK PARTS

SIDE PARTITION ASSEMBLY



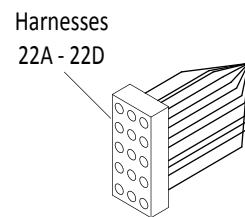
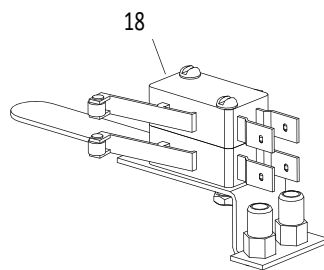
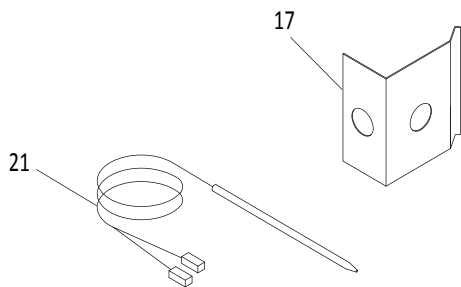
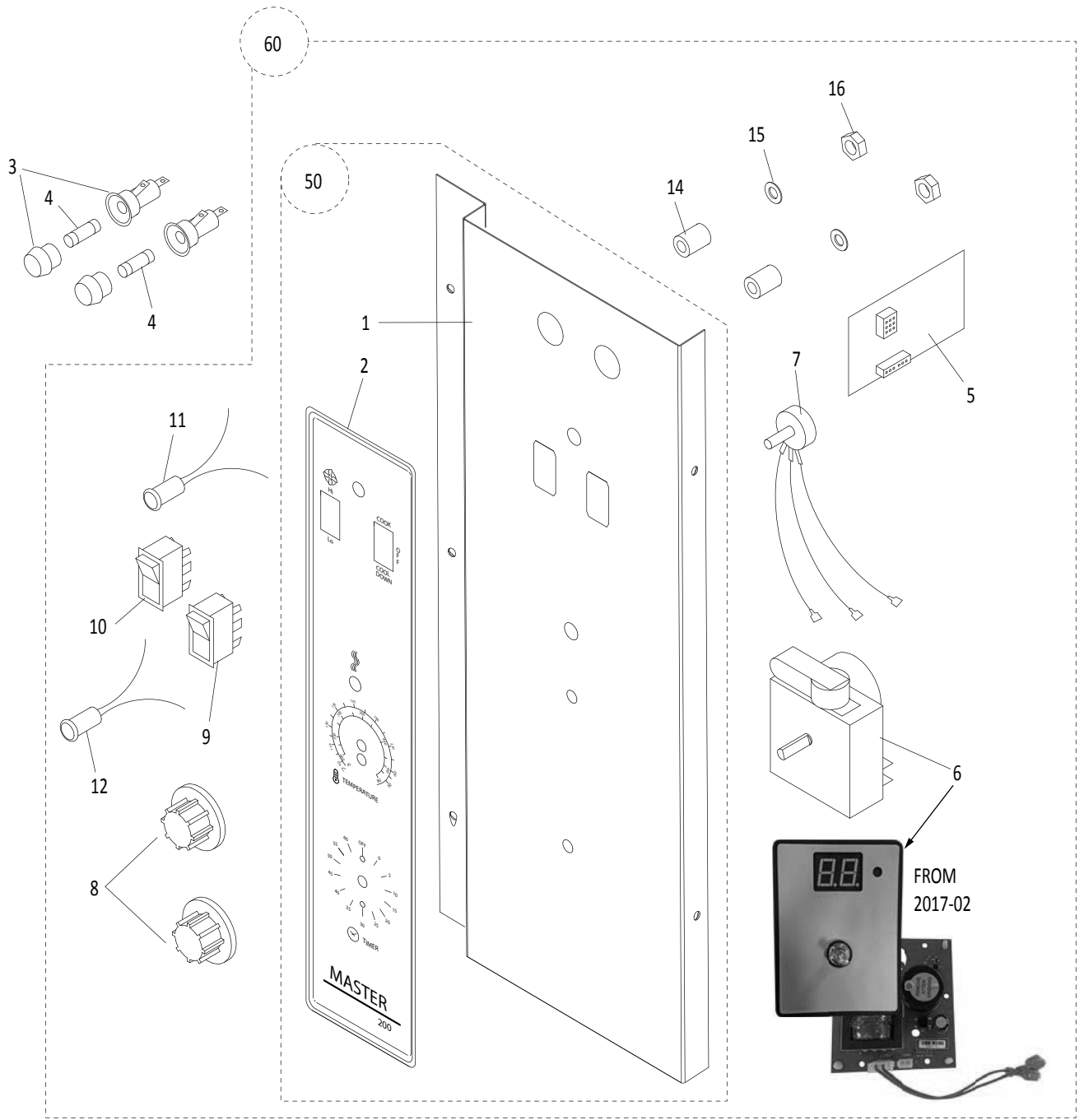
GARLAND PARTS IDENTIFICATION
Master Half Size Electric Convection Oven (MCO-E-5-C, MCO-E-25-C)

SIDE PARTITION ASSEMBLY

| ITEM | PART # | DESCRIPTION | QTY | CRITICAL |
|------|---------|--|-----|----------|
| 1 | 1961101 | Partition Side | 1 | |
| 2 | F600 | #10-24 Threaded Hex Insert | 4 | |
| 3 | 1637002 | Contactora 240V Coil | 1 | C |
| 4 | 4516982 | Terminal Block 4 Lug | 1 | |
| 5 | 1962208 | Bracket, Terminal Block | 1 | |
| 6 | 8002107 | #10 x 1/2" Truss, Pan Head | 4 | |
| 7 | 8003123 | #10-24 x 5/8" Truss, Pan Head | 4 | |
| 8* | 300825 | Contactora Harness - from Terminal Block to Contactora | 1 | |

* NOT ILLUSTRATED

RECOMMENDED STOCK PARTS



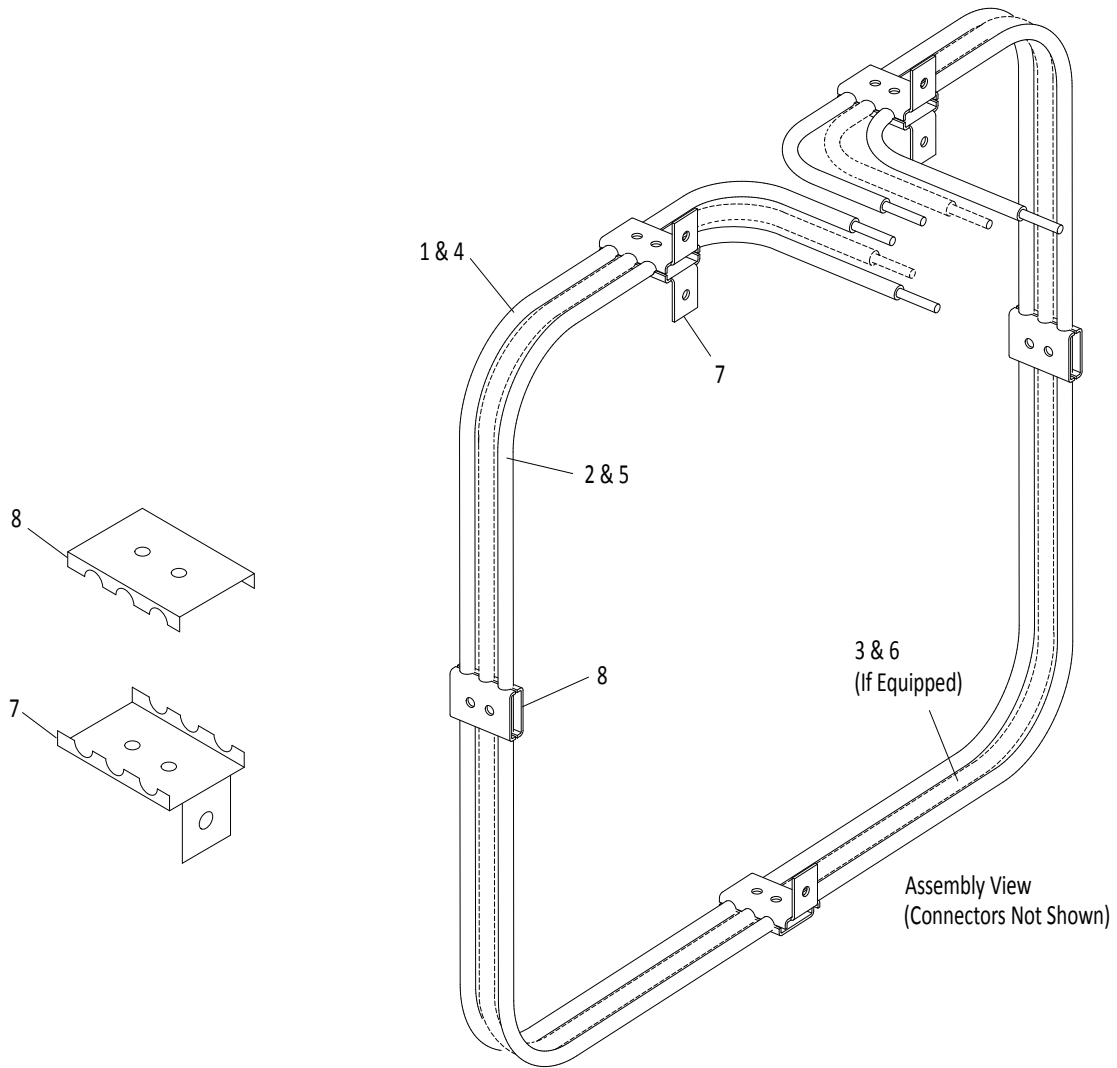
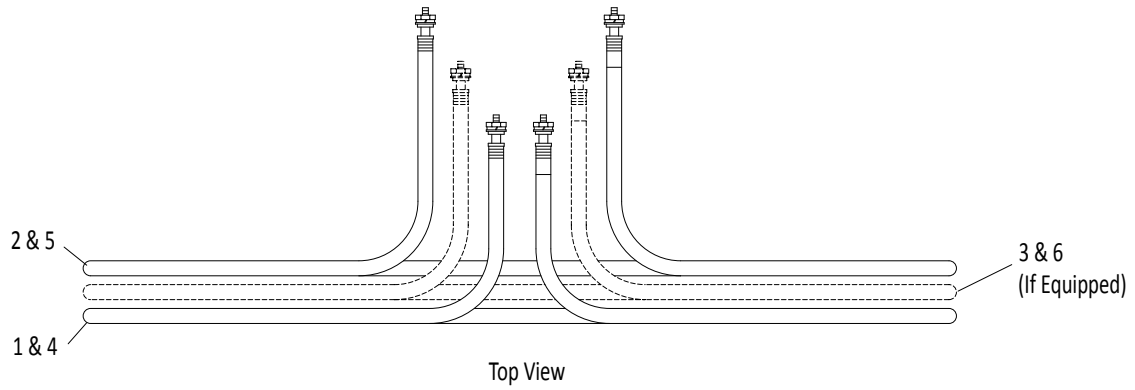
GARLAND PARTS IDENTIFICATION
Master Half Size Electric Convection Oven (MCO-E-5-C, MCO-E-25-C)

MASTER 200 CONTROL PANEL & COMPONENTS

| ITEM | PART # | DESCRIPTION | QTY | CRITICAL |
|------|----------------------|---|-----|----------|
| 1 | 113527 | Control Panel, MCO-E-5-C IM200 | 1 | |
| 2 | 1908528 | Overlay, MCO 200 WO/Light | 1 | |
| 3 | 1774101 | Fuse Holder 600V 30A HPG | 2 | C |
| 4 | 4513157 | Fuse - 10 Amp 600V Time Delay | 2 | C |
| 5 | 300867 | Power Control Board - IM200, 150-500 deg F | 1 | C |
| 6 | CK11000301072 | Timer, Complete, 230V Conversion, Digital, 90min (for 208V, 240V, 460V Ovens, Gas or Electric). Was 1956002. Bulletin GAR_SB_0049 | 1 | C |
| 7 | 1955601 | Potentiometer - IM200, 150-500 deg | 1 | C |
| 8 | 1765802 | Knob, Fluted, with Two Set Screws | 2 | |
| 9 | 1955401 | Switch, Rocker ON-OFF-ON | 1 | C |
| 10 | 1955402 | Switch, Rocker ON-ON | 1 | C |
| 11 | G01296-3 | Indicator Lamp, Green, 250V | 1 | C |
| 12 | 1936104 | Indicator Lamp, Amber, 250V | 1 | C |
| 14 | 1955701 | Nylon Standoff 1/4 x 1/2 x 1 | 2 | |
| 15 | 1955801 | Teflon Washer 7/16 OD | 2 | |
| 16 | 8001502 | Nut with Lockwasher 6-32 KEP | 2 | |
| 17 | 1768701 | Probe Holder | 1 | |
| 18 | 113547 | 15 Amp Micro-Switch (Door Switch) Assembly Note: For assembly components detail, see "Oven Components" p. 6-7. | 1 | |
| 21 | 9006800 | RTD Temperature Sensor | 1 | C |
| 22A | 1804741 | Harness - Control Panel | 1 | |
| 22B | 1804747 | Door Switch (Micro-Switch) Harness - from Door Switch to Control Panel | 1 | |
| 22C | 300887 | Main Wiring Harness - from Control Panel Harness to Motor, Terminal Block, Contactor | 1 | |
| 22D | CK300827 | Wiring Harness Kit Note: Kit includes Items# 22A, 22B, 22C, the Contactor Harness (part# 300825, see "Side Partition Assembly" p.10). | 1 | |
| 23* | 300823 | Wiring Diagram, MCO-E-5-C IM200 208/240V 60Hz 2SP | | |
| 24* | 260BGL | Installation and Operation Manual | | |
| 50 | 113567 | Control Panel with Overlay - IM200 Note: Includes items 1 and 2. | 1 | |
| 60 | 113569 | IM200 CONTROL ASSEMBLY - MCO-E-5-C Note: Includes Items 1, 2, 5 - 12, 14 - 16 | 1 | |

* NOT ILLUSTRATED
RECOMMENDED STOCK PARTS

ELEMENTS & COMPONENTS



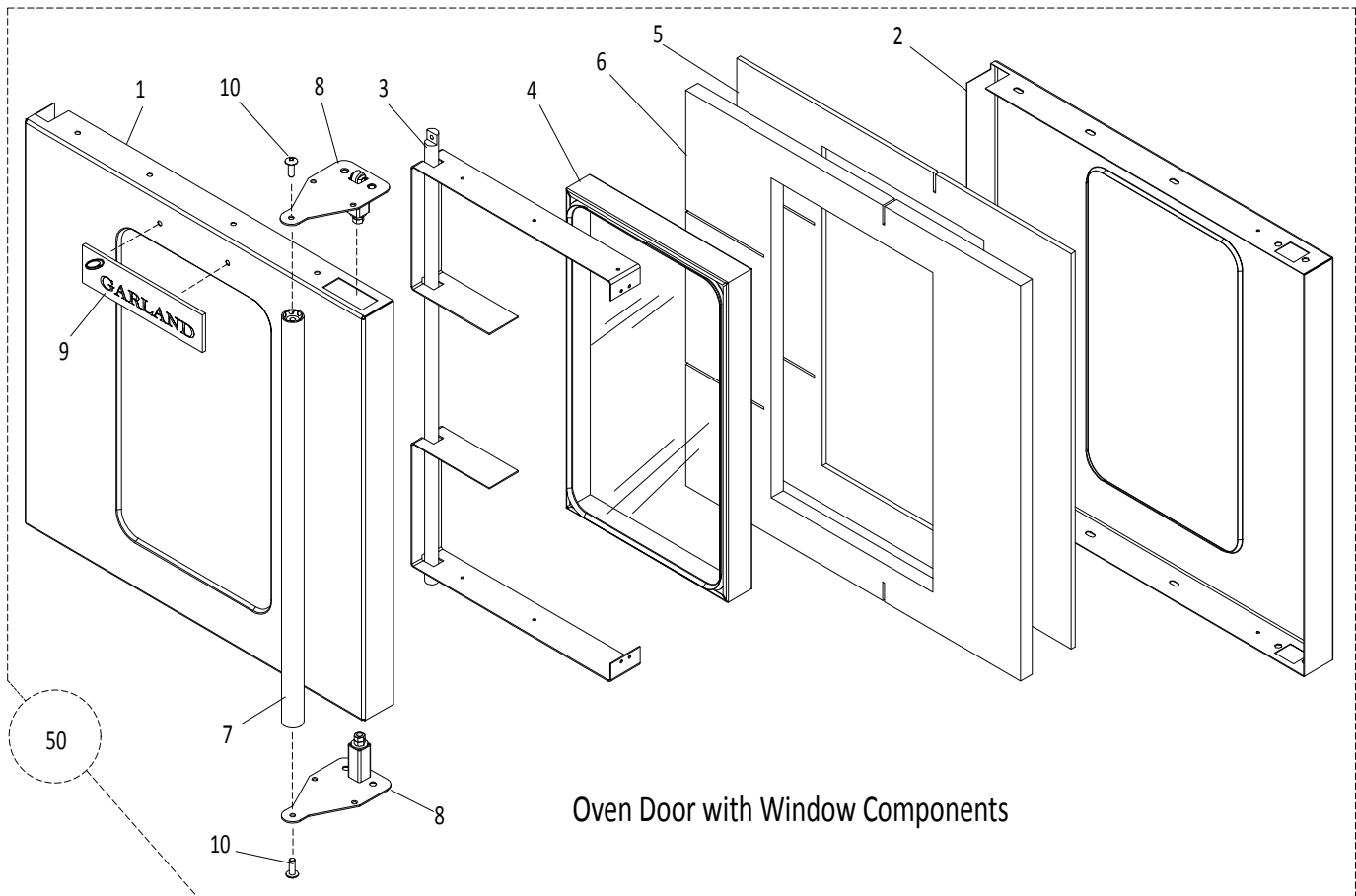
GARLAND PARTS IDENTIFICATION
Master Half Size Electric Convection Oven (MCO-E-5-C, MCO-E-25-C)

ELEMENTS & COMPONENTS

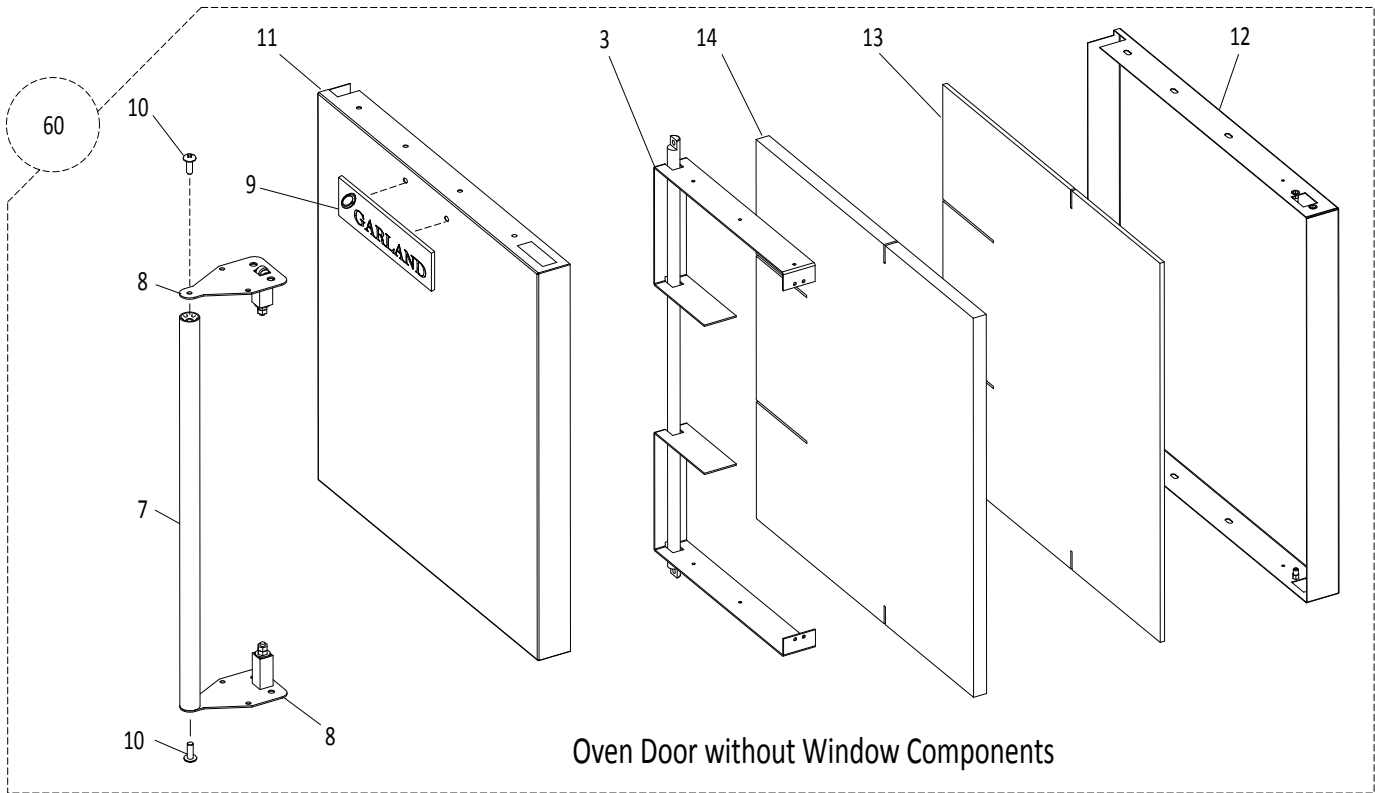
| ITEM | PART # | DESCRIPTION | QTY | CRITICAL |
|------|---------|--|-----|----------|
| 1 | 1765101 | Element Inner 208V 2500W 60Hz 5.0 & 7.5kW | 1 | C |
| 2 | 1765102 | Element Outer 208V 2500W 60Hz 5.0 & 7.5kW | 1 | C |
| 3 | 1765111 | Element Center 208V 2500W 60Hz 7.5kW ONLY Note: This is an Optional Feature. | 1 | C |
| 4 | 1765109 | Element Inner 240V 2500W 60Hz 5.0 & 7.5kW | 1 | C |
| 5 | 1765110 | Element Outer 240V 2500W 60Hz 5.0 & 7.5kW | 1 | C |
| 6 | 1765112 | Element Center 240V 2500W 60Hz 7.5kW ONLY Note: This is an Optional Feature. | 1 | C |
| 7 | 1765105 | Element Holder with Flange | 5 | |
| 8 | 1765106 | Element Holder without Flange | 5 | |
| 9* | 300826 | Element Harness - from Contactor to Elements on 5.0kW MCO-E-5-C Models | 1 | |
| 10* | 300842 | Element Harness - from Contactor to Elements on 7.5kW MCO-E-5-C Models | 1 | |

* NOT ILLUSTRATED

RECOMMENDED STOCK PARTS



Oven Door with Window Components



Oven Door without Window Components

Door Components

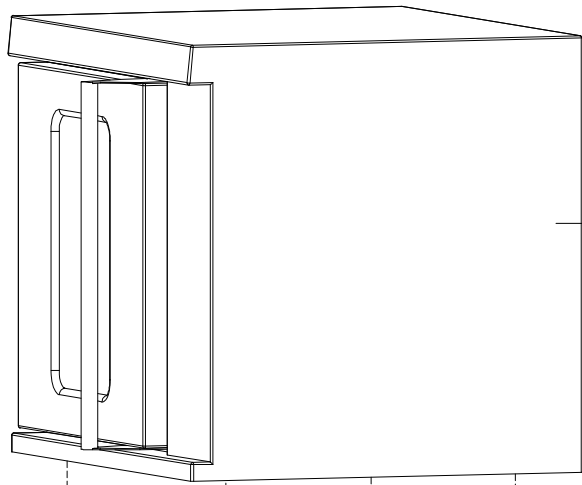
GARLAND PARTS IDENTIFICATION
Master Half Size Electric Convection Oven (MCO-E-5-C, MCO-E-25-C)

DOOR COMPONENTS & ASSEMBLIES

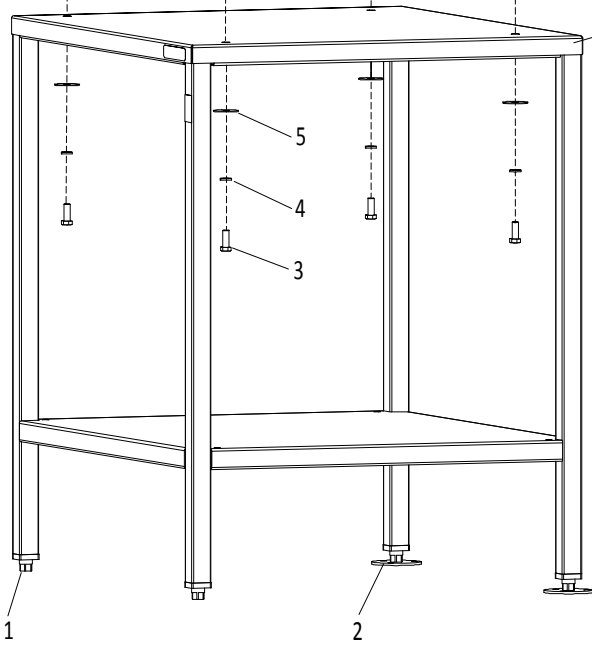
| ITEM | PART # | DESCRIPTION | QTY | CRITICAL |
|------|----------------|--|-----|----------|
| 1 | 113540 | Door Panel with Window | 1 | |
| 2 | 1962122 | Door Liner with Window | 1 | |
| 3 | CK1962198 | Door Frame Assembly | 1 | |
| 4 | 1010999 | Door Window (3/16" Glass) | 1 | |
| 5 | 113428 | Insulation - ATD T5000 | 1 | |
| 6 | 113429 | Insulation - Fiberglass | 1 | |
| 7 | CK1952098 | Handle - Half Size Convection Oven | 1 | |
| 8 | CK1952096 | Handle End Latch Assembly | 2 | C |
| 9 | 3077100 | Name-plate | 1 | |
| 10 | 8003142 | Screw - 1/4-20 x 3/4" | 2 | |
| 11 | 113679 | Door Panel, Solid | 1 | |
| 12 | CK1962197 | Door Liner, Solid | 1 | |
| 13 | 1961906 | Insulation - ATD T5000 | 1 | |
| 14 | 1961907 | Insulation - Fiberglass | 1 | |
| 50 | CK113539 | DOOR with WINDOW ASSEMBLY - MCO-E-5-C Note: Assembly includes items# 1 to 10. | 1 | |
| 60 | CK113680 | SOLID DOOR ASSEMBLY - MCO-E-5-C Note: Assembly includes items# 11 - 14, 7 - 10. | 1 | |

* NOT ILLUSTRATED

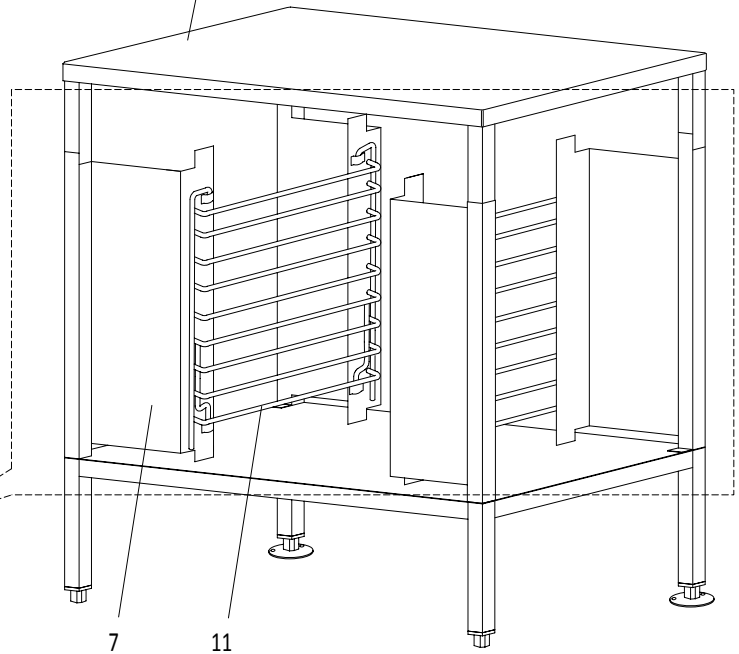
RECOMMENDED STOCK PARTS



Oven
Shown for Reference



Equipment Stand -
(Optional Feature,
Shown for Reference)



Equipment Stand with Rack Guides & Racks Option

GARLAND PARTS IDENTIFICATION
Master Half Size Electric Convection Oven (MCO-E-5-C, MCO-E-25-C)

EQUIPMENT STAND WITH OPTIONAL RACK GUIDES & RACKS

| ITEM | PART # | DESCRIPTION | QTY | CRITICAL |
|------|---------|--|-----|----------|
| 1 | 100241 | Foot, Adjustable, 1 1/4" Square Tube | 2 | |
| 2 | 100413 | Foot, Adjustable, Anchorable | 2 | |
| 3 | 19134 | Screw, 3/8-16 x 1", HH, SST | 4 | |
| 4 | WR50167 | Washer, Lock, 3/8, SST | 4 | |
| 5 | 107220 | Washer, Fender, 13/32 ID x 1 1/2 OD, SST | 4 | |
| 6* | 260BGI | Mounting Instructions - MCO-E-5-C To Stand | 1 | |
| 7 | 113566 | Rack Supports | 4 | |
| 8* | 108644 | Screw, Carriage, 1/4-20 x 1/2", SST | 4 | |
| 9* | 23105 | Washer, Lock, 1/4", SST | 4 | |
| 10* | 14618 | Nut, Hex, 1/4-20, SST | 4 | |
| 11 | 1766002 | Oven Rack Guide, Left/Right | 2 | |
| 12* | 260BGH | Installation Instructions - Rack Support Kit | 1 | |
| 50 | 113580 | Rack Support Kit Note: Kit includes items 7 - 12. | 1 | |

* NOT ILLUSTRATED

RECOMMENDED STOCK PARTS

**GARLAND PARTS IDENTIFICATION
CRITICAL & RECOMMENDED STOCK PARTS LIST**

| PART # | DESCRIPTION | CRITICAL |
|---------------|--|-----------------|
| 1010999 | Door Window (3/16" Glass) | R |
| 1637002 | Contactors 240V Coil | C |
| 1671101 | Fan - 110MM, 208/240V | C |
| 1765101 | Element Inner 208V 2500W 60Hz 5.0 & 7.5kW | C |
| 1765102 | Element Outer 208V 2500W 60Hz 5.0 & 7.5kW | C |
| 1765109 | Element Inner 240V 2500W 60Hz 5.0 or 7.5kW | C |
| 1765110 | Element Outer 208V 2500W 60Hz 5.0 & 7.5kW | C |
| 1765111 | Element Center 208V 2500W 60Hz 7.5kW Only | C |
| 1765112 | Element Center 240V 2500W 60Hz 7.5kW Only | C |
| 1765802 | Knob, Fluted, with Two Set Screws | R |
| 1774101 | Fuse Holder 600V 30A HPG | C |
| G01296-3 | Indicator Lamp, Green, 250V | C |
| 1936104 | Indicator Lamp, Amber, 250V | C |
| 1951502 | Motor 208/240V 1/3HP 5/8 Shaft | C |
| CK1952096 | Handle End Latch Assembly | C |
| 1955401 | Switch, Rocker ON-OFF-ON | C |
| 1955402 | Switch, Rocker ON-ON | C |
| 300867 | Power Control Board - IM200, 150-500 DEG F | C |
| 1955601 | Potentiometer - IM200 150-500 DEG | C |
| CK11000301072 | Timer, Complete; 230V Conversion; Digital; 90min (for 208V, 240V, 460V Ovens) | C |
| 1750501 | Door Catch | C |
| 1966501 | Door Seal RT Silicon | C |
| 1966502 | Door Seal Top/Bottom Silicon | C |
| 4513157 | Fuse - 10 Amp 600V Time Delay | C |
| 4520416 | High Limit 135 Degree F | C |
| 9006402 | Switch-Mini Snap Hi-Temp 15 Amp | C |
| 9006800 | RTD - Temperature Probe | C |

C = CRITICAL PARTS

R = RECOMMENDED STOCK PARTS

LIST OF HARNESES & WIRING DIAGRAM

| PART # | DESCRIPTION |
|---------------|--|
| 300826 | Element Harness - from Contactor to Elements on 5.0kW MCO-E-5-C Models |
| 300842 | Element Harness - from Contactor to Elements on 7.5kW MCO-E-5-C Models |
| 1804741 | Harness - Control Panel |
| 1804747 | Door Switch (Micro-Switch) Harness - from Door Switch to Control Panel |
| 300887 | Main Wiring Harness - from Control Panel Harness to Motor / Terminal Block / Contactor |
| 300825 | Contactors Harness - from Terminal Block to Contactor |
| CK300827 | Wiring Harness Kit Note: Kit includes parts 1804741, 1804747, 300887, 300825. |
| 300823 | Wiring Diagram MCO-E-5-C - IM200 208/240V 60Hz 2SP |

GARLAND PARTS IDENTIFICATION

RELATED BULLETINS

| CATEGORY | BULLETIN# | SUBJECT | DATE |
|------------------|---------------|--|------------|
| Parts, Technical | GAR-03-12-AIC | Master 200 Series Controller (Od P/N 1955501; New P/N 300867) | 2012-02-08 |
| Parts, Technical | GAR_SB_0040 | Garland Part 300867 PCB Temperature Controller | 2016-11-04 |
| Parts, Technical | GAR_SB_0044 | Updates! New Garland Part 300867 PCB Temperature Controller (Identifying new vs old parts) | 2016-12-06 |
| Parts, Technical | GAR_SB_0049 | New Timer Kits for Convection Ovens with Master 200 / Manual Controllers, Kits CK11000301070 and CK11000301072 | 2017-02-14 |
| Warranty | GAR_SB_0047 | Returning Warranty Required Parts (supersedes GAR-20-13-A) | 2016-12-21 |

| | |
|---|--|
| ACCESSORIES: HEAT SHIELD KIT | |
| (PLEASE CONTACT SALES DEPARTMENT FOR INFO) | |

| ITEM# | DESCRIPTION |
|----------|--------------------------------------|
| A4602982 | ACCESSORY - HEAT SHIELD HALF SIZE CO |