

Master Series

Full Size Electric Convection Ovens

Parts List

MCO-ES-10, MCO-ES-20

MCO-ED-10, MCO-ED-20

MCO-ES-10S, MCO-ES-20S

MCO-ED-10S, MCO-ED-20S

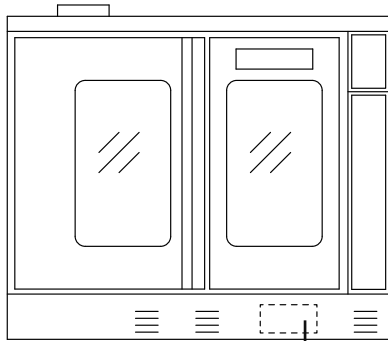
from (serial#) 0004CJ0001

(date) 01-April-2000



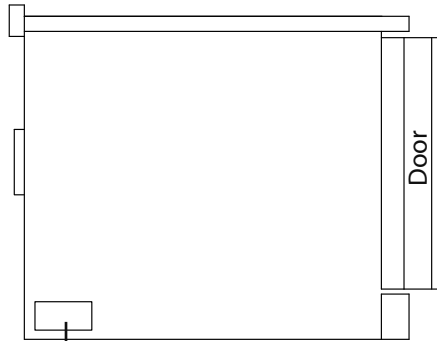
Rating Plate Location

Units Built **UPTO 31-MAR-2011**



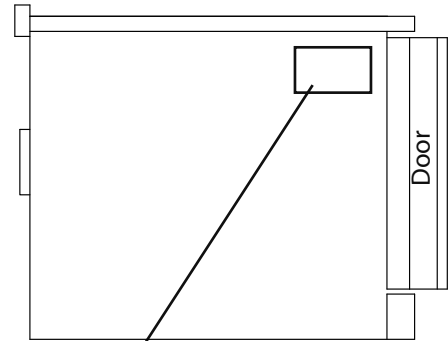
Rating Plate
(On the Inside of Lower Front Cover)

Units Built **FROM 01-APR-2011**
UP TO 02-FEB-2015



Rating Plate
(Left Body Side Panel)

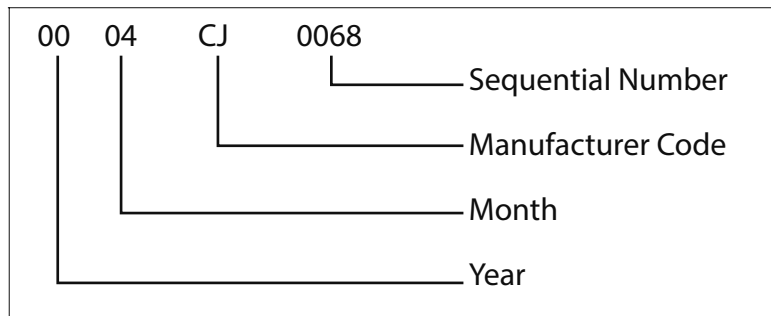
Units Built **FROM 02-FEB-2015**



Rating Plate
(Left Body Side Panel)

Serial# (Year/Month Information)

10 Digits Serial Number:



13 Digits Serial Number:

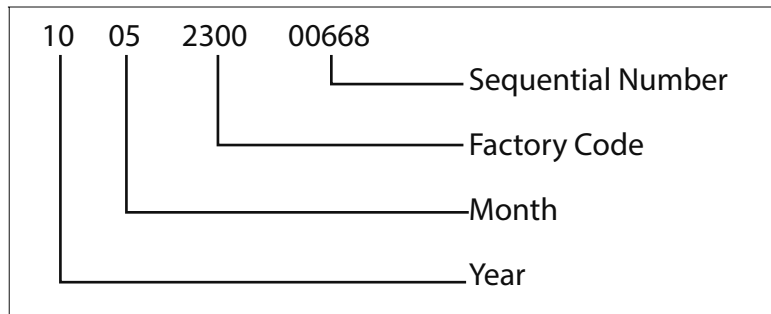
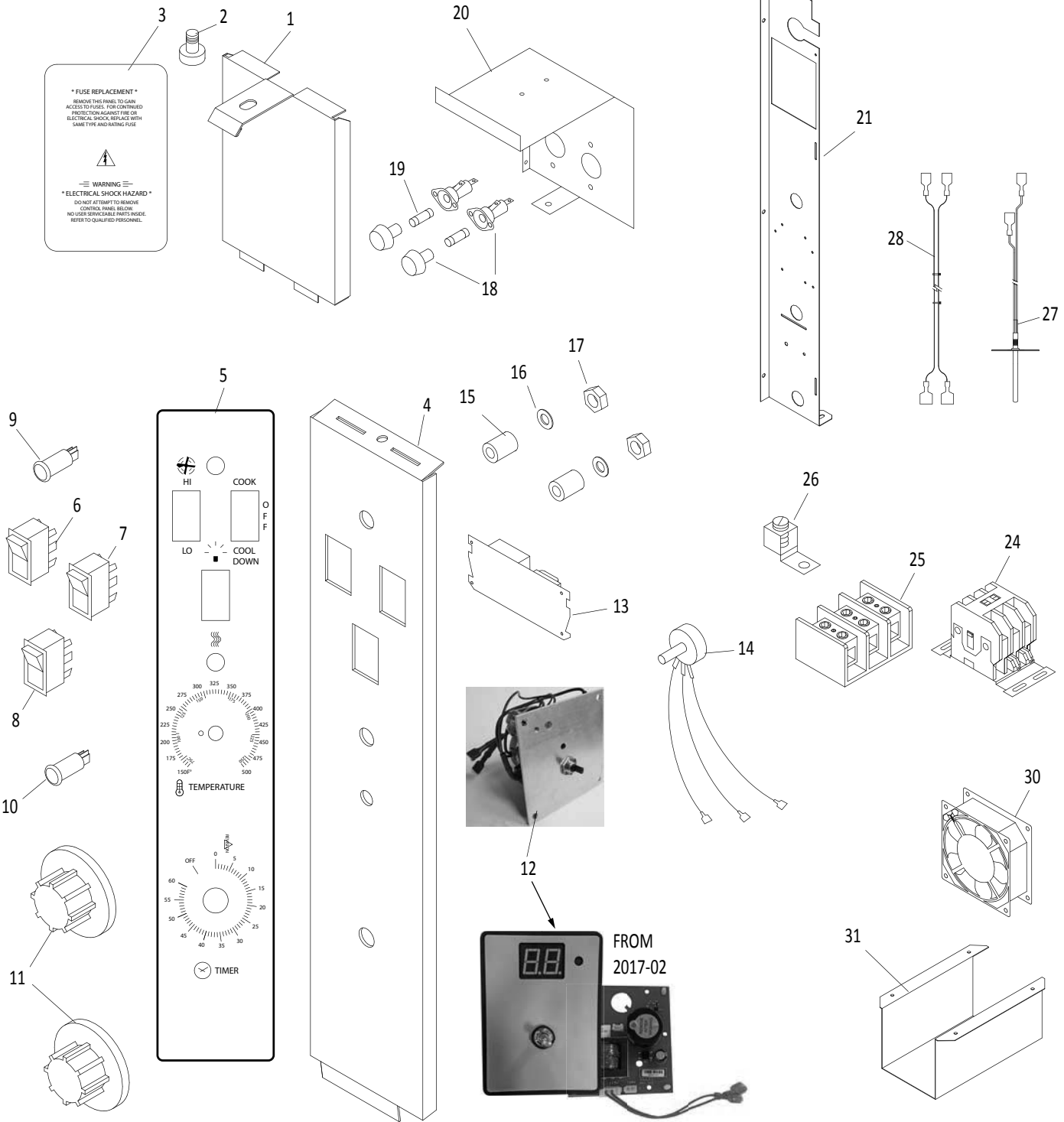


Table of Contents

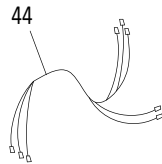
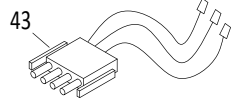
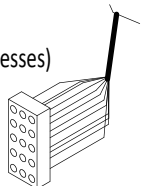
Rating Plate Location / Serial Number Information	2
Master 200 Manual Control - Control Panel & Components	4
Master 300 / 410 / 470 / 475 Control Panels & Components.....	6
Digital Controller Kits - Replacement Kits / Cooling Kits	10
Master 450 / 455 (FASTRON) Digital Control Panels & Components	12
Master 450 / 455 (ELREHA) Digital Control Panels & Components.....	16
Door Components & Assemblies (for units manufactured UP TO 14-APRIL-2005)	20
Door Components & Assemblies (for units manufactured FROM 14-APRIL-2005)	24
Oven Components	28
Exterior Components	32
List of Wiring Diagrams & Available Kits	34
Critical & Recommended Stock Parts List	35
Related Bulletins	36
Revision History.....	36

MASTER 200 CONTROL PANEL & COMPONENTS

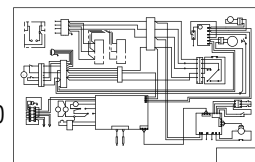
MASTER 200 control (Introduced in May, 2001)



40 - 44
(Wire Harnesses)



(Wiring Diagrams)



GARLAND Master 200 Full Size Electric Convection Ovens
models MCO-ES/ED-10S/20S

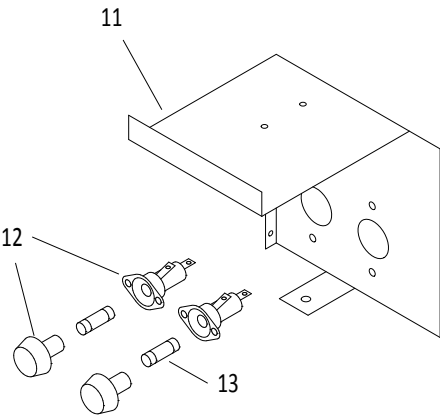
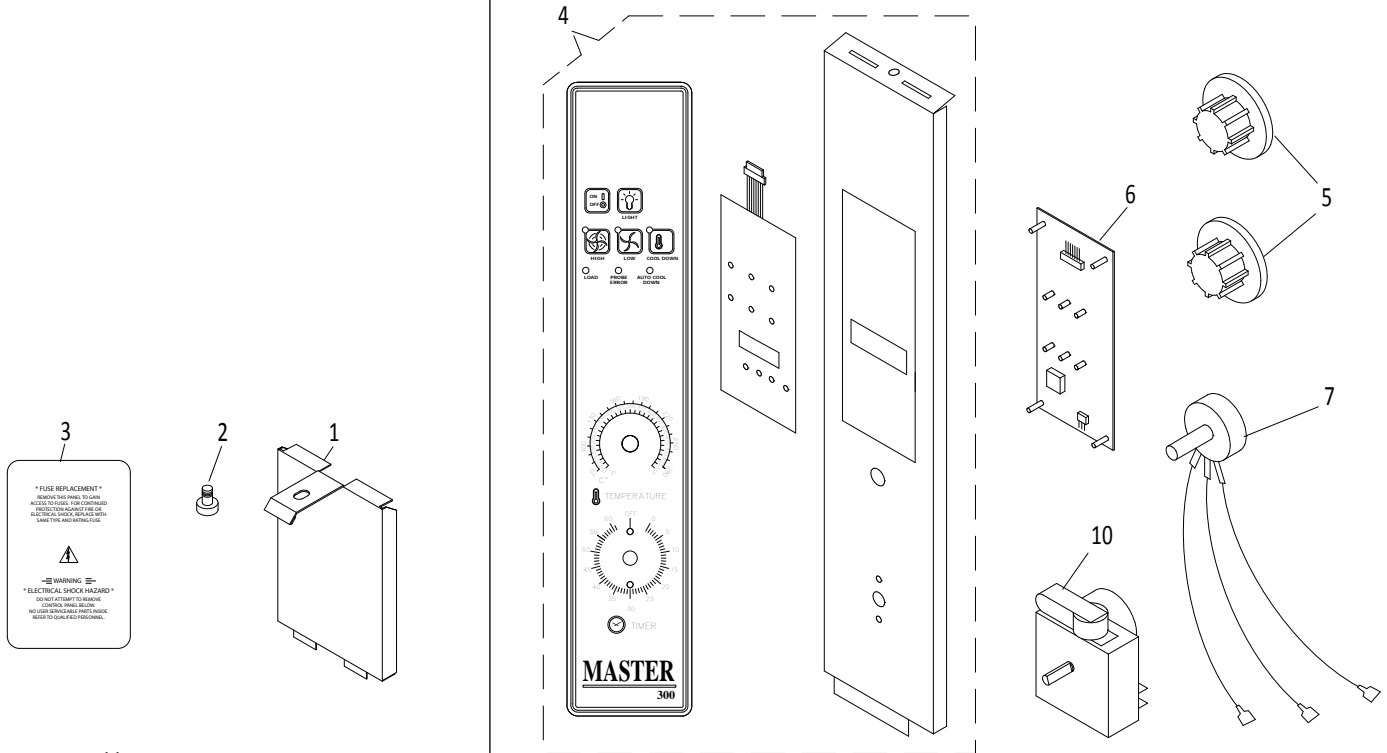
MASTER 200 MANUAL CONTROL PANEL & COMPONENTS (FROM MAY-2001)

ITEM	PART #	DESCRIPTION	QTY	FROM DATE	UP TO DATE	CRITICAL
1	1918501	Cover - Upper Control Panel, SS	1			
2	GF297	Slotted Thumb Screw 10-24 x 1/2"	1			
3	1933511	Overlay - Top Control Panel, Electric (black)	1			
	115269	Overlay - Top Control Panel, Electric (silver/gray)	1			
4	1946690	Control Panel Mechanical	1			
5	1908526	Overlay - IM200 Manual Control (black)	1			
	115260	Overlay - IM200 Manual Control (silver/gray)	1			
6	1955402	Rocker Switch - 2 Positions, Hi/Low	1			C
7	1955401	Rocker Switch - 3 Positions, Cook/Off/CoolDown	1			C
8	1955403	Momentary Rocker Switch	1			C
9	1936102	Indicator Lamp - Green 250V	1			
10	1936104	Indicator Lamp - Amber 250V	1			
11	1765802	Fluted Knob with two Set Screws	2			
12	CK11000301072	TIMER; COMPLETE; 230V Conversion; DIGITAL; 90 MIN (for 208V, 240V, 460V ovens, gas/electric). Was 1956002. Bulletin GAR_SB_0049	1	2017-02		C
13	300867	Power Control Board - Solid State Controller, 150-500 deg F Note: Related Bulletin - GAR-03-12-AIC.	1			C
14	1955601	Potentiometer	1			C
15	1955701	Nylon Standoff - 1/4 x 1/2 x 1	2			
16	1955801	Teflon Washer - 7/16 OD	2			
17	8001502	Nut with Lockwasher - 6-32 Kep, Zinc	2			
18	1130102	Fuse Holder	2			
	1130100	Fuse Holder (460V ONLY)	2			
19	1130103	Fuse - 20A 208/240V	2			C
	1130109	Fuse - 15A 600V Class CC	2			C
20	1918989	Bracket - Fuse Mount	1			
21	1926001	Panel - Right Side, Mid	1			
24	1637002	Main Contactor - 240V Coil Note: Used FROM: serial# 0106CJ0401 or units with 13-digits serial#. (Ref: original - mercury contactor 9005400)	1	JUN/01		C
25	1193900	Terminal Block - 3 Pole, High Voltage	1			C
26	1028402	Ground Lug - 208/240V	1			
27	1906002	Probe - RTD, Flange Mount (USE ONLY WITH 1906003)	1			C
28	1906003	Cable Assembly - Probe Extension (USE ONLY WITH 1906002)	1			C
29*	1033700	460V Transformer 2KVA 50/60Hz (460V ONLY)	1			
30	1671101	Cooling Fan 208 / 240 V Note: For Fan Installation, refer to Service Bulletin B-97-2009-S.	1			C
31	1918001	Air Exhaust Duct - Standard Depth	1			
	1918002	Air Exhaust Duct - Deep	1			
40*	1949576	Wire Harness - Mechanical Control Panel (Ref: original 1949576)	1	JULY/11		
41*	1949585	Wire Harness - Electric Elements	1			
42*	1949584	Wire Harness - 460V Transformer	1			
43	1949579	Wire Harness - Lights	1			
44	1949589	Wire Harness - Electrics	1			
50*	1949515	Wiring Diagram - 460V 60 Hz	1			
	1949514	Wiring Diagram - 208/240V Electric Mechanical	1			
Note: Diagram part#s listed For Reference Only. Please contact Technical Service for assistance.						
51*	4522523	Conversion Kit - from Digital to Manual Controller FOR MCO with FASTRON Controller Note: Kit includes items 4, 5, 6, 7, 8, 9, 10, 11, 12, 13, 14, 15, 16, 17, 40, door micro-switch (4519715), switch harness(1949575), transition harness(4522524), wiring diagrams (4522526, 4518907), and instructions.				

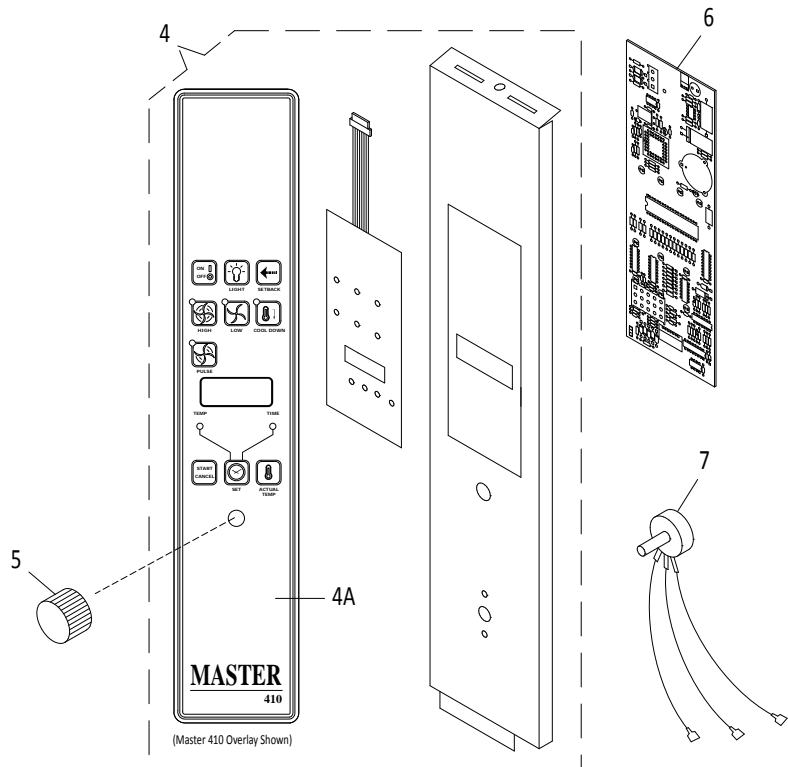
* NOT ILLUSTRATED

RECOMMENDED STOCK PARTS

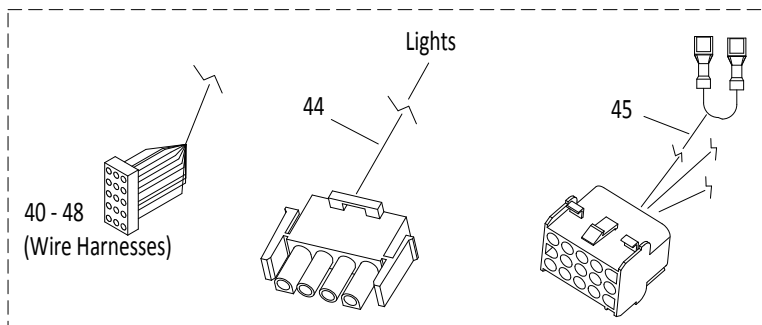
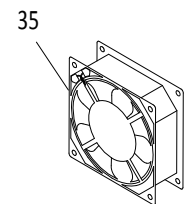
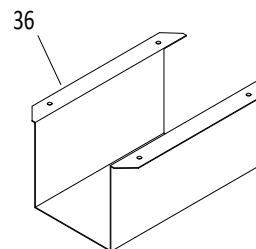
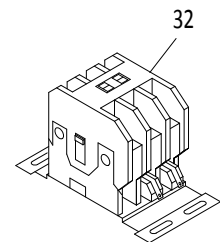
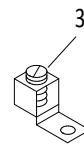
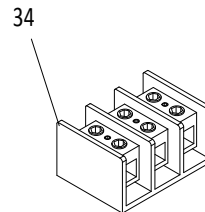
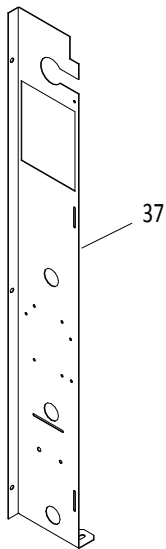
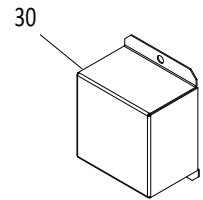
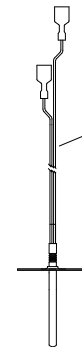
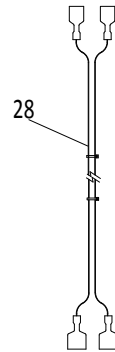
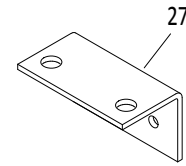
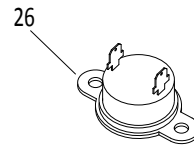
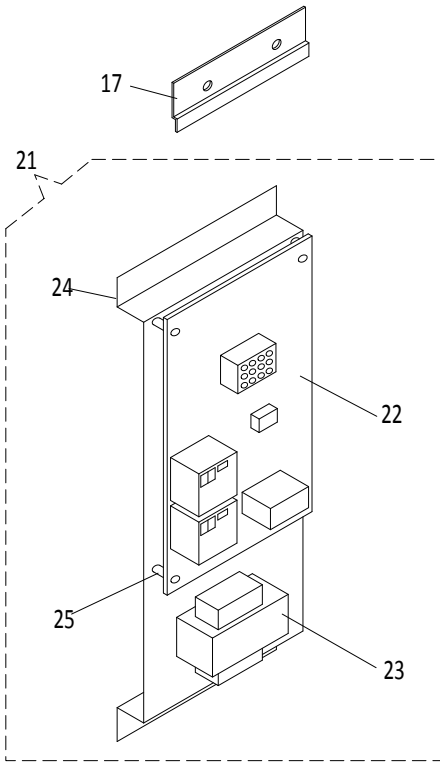
300 Series Control (FROM Mar-1999 TO Mar-2003)



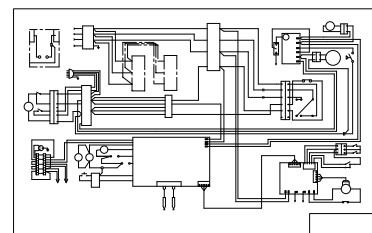
410 Series Control (Introduced in March, 1999. Obsolete Model.)
470/475 Series (FROM Apr-2000 TO 2009)



CONTROL PANELS & COMPONENTS (2 of 2)



50 (Wiring Diagrams)



GARLAND Master 300/410/470/475 Full Size Electric Convection Ovens
models MCO-ES/ED-10/20

**(OBSOLETE) MASTER 300 / 410 / 470 / 475
 CONTROLS PANELS & COMPONENTS**

ITEM	PART #	DESCRIPTION	QTY	FROM DATE	UP TO DATE	CRITICAL
1	1918501	Cover - Upper Control Panel, SS	1			
2	GF297	Slotted Thumb Screw #10-24 x 1/2"	1			
3	1933511	Overlay - Top Control Panel, Electric MCO, black	1			
	115269	Overlay - Top Control Panel, Electric MCO, silver/gray	1			
	1908522	Overlay - Top Control Panel, Electric MCO (Olive Garden)	1	NLA	NLA	
4	1952893	IM300 Replacement Panel - 300L Keypad, with Light	1			
	CK1952894	IM300 Replacement Panel - 300N Keypad, without Light	1			
	1952899	IM410 Replacement Panel	1			
	1952896	IM470 Replacement Panel	1			
	1952895	IM475 Replacement Panel (Limited stock. NLA when out of stock)	1			
Note: Keypad and S/S Panel are not field replaceable.						
4A	1908513	Overlay - IM300, with Light	1			
	1908514	Overlay - IM300, without Light	1			
	1908501	Overlay - IM410	1			
5	1765802	Fluted Knob with two Set Screws (IM300 ONLY)	2			
	1720502	Fast Control Knob	1			
6	1905701	IM300 Digital Control Board Note: Use Conversion Kit 4522523. For a list of components in this Kit, see Master 200 Manual Control (p.5, item 51). Ref: Bulletin# GAR-02-14-AC.	1	NLA	NLA	C
	1905702	IM410 Digital Control Board Note: Use Conversion Kit 4522523. For a list of components in this Kit, see Master 200 Manual Control (p.5, item 51). Ref: Bulletin# GAR-02-14-AC.	1	NLA	NLA	C
	4514192	IM470 Digital Control Board (OBSOLETE)	1	NLA	NLA	C
	1905708	IM475 Digital Control Board	1	NLA	NLA	
7	1911801	IM300 Potentiometer (IM300 ONLY)	1			
	1911601	Potentiometer / Encoder	1			
10	1285701	IM300 - Timer - 1 Hour, 230V	1		FEB/07	
	1956002	IM300 - Timer - 1 Hour, 240V, with Alarm	1	FEB/07		C
	1956001	IM300 - Timer - 1 Hour, 115V, with Alarm (Olive Garden)	1			
11	1918989	Fuse Mounting Bracket	1			
12	1130102	Fuse Holder	2			
	1130100	Fuse Holder (460V MCO ONLY)	2			
13	1130109	Fuse - 15A 600V Class CC	2			C
	1130103	Fuse - 20A 300V SC-20	2			C
14*	1955703	Nylon Standoff - 1/4 dia x 9/16 long	2 TO 6			
15*	8003123	MSCR-TH-Phil 10-24 x 5/8	2 TO 8			
16*	8001502	Nut with Lockwasher - 6-32 Kep, Zinc	2 TO 6			
17	1911301	Relay Bracket Slide	2			
21	S113851	Relay Board Assembly - 208/240V Note: Assembly includes items 22, 23 (part# 1917198), 24, 25.	1			C
22	1916901	Relay Board PCB Assembly	1			C
23	1917198	Transformer - 208/240V to 24VAC	1			C
23A*	1033700	Transformer - 460V 2KVA 50/60Hz (460V MCO ONLY)	1			C

* NOT ILLUSTRATED

RECOMMENDED STOCK PARTS

NLA = No Longer Available

GARLAND Master 300/410/470/475 Full Size Electric Convection Ovens
models MCO-ES/ED-10/20

**(OBSOLETE) MASTER 300 / 410 / 470 / 475
CONTROLS PANELS & COMPONENTS**

ITEM	PART #	DESCRIPTION	QTY	FROM DATE	UP TO DATE	CRITICAL
24	1916801	Bracket - Relay Board Assembly	1			
25	1767901	Nylon Spacers	4			
26	1955101	Switch - Thermal Disc, Cooling Fan	1			C
27	1910901	Bracket - Hi Limit or Thermal Disc	1			
28	1906003	Cable Assembly - Probe Extension (USE ONLY WITH 1906002)	1			C
29	1906002	Probe - RTD, Flange Mount (USE ONLY WITH 1906003)	1			C
30	1916301	Cover - Probe Connector	1			
31	1028402	Ground Lug	1			
32	1637002	Contact - 240V Coil Note: Used FROM serial# 0106CJ0400. (Ref: original - mercury contactor 9005400)	1	JUNE/01		
34	1193900	Terminal Block - 3 Pole - for 208/240V	1			C
		Terminal Block - 3 Pole - for 380/415V	2			C
	4516982	Terminal Block - 10mm	1			C
35	1671101	Cooling Fan 208 / 240 V Note: For Fan Installation, refer to Service Bulletin B-97-2009-S.	1			C
36	1918001	Air Exhaust Duct - Standard Depth	1			
	1918002	Air Exhaust Duct - Deep	1			
37	1926001	Panel - Right Side, Mid	1			
40*	1804728	Harness - MCO Main	1		JULY/01	
41*	1949589	Harness - Electric	1	JULY/01		
42*	1949585	Harness - Electric Elements	1	JULY/01		
43*	1949584	Harness - 460V Transformer (460V MCO ONLY)	1	JULY/01		
44	1949579	Harness - Lights	1	JULY/01		
45	1949578	Harness - Fast Relay Board	1	JULY/01		
46*	1905901	Harness - Control to Relay	1			
48*	1804710	Harness - Arby Electric	1	NLA	JUNE/01	
	1949586	Harness - Arby Electric, 208/240V	1	JULY/01		
50*	1949504	Wiring Diagram - Fast Electric 208/240V	1			
	1949505	Wiring Diagram - Fast Electric 460V 60Hz	1			
	1949506	Wiring Diagram - Fast Electric 380/415V 50Hz	1			
Note: Diagram part#s listed For Reference Only. Please contact KitchenCare for assistance.						

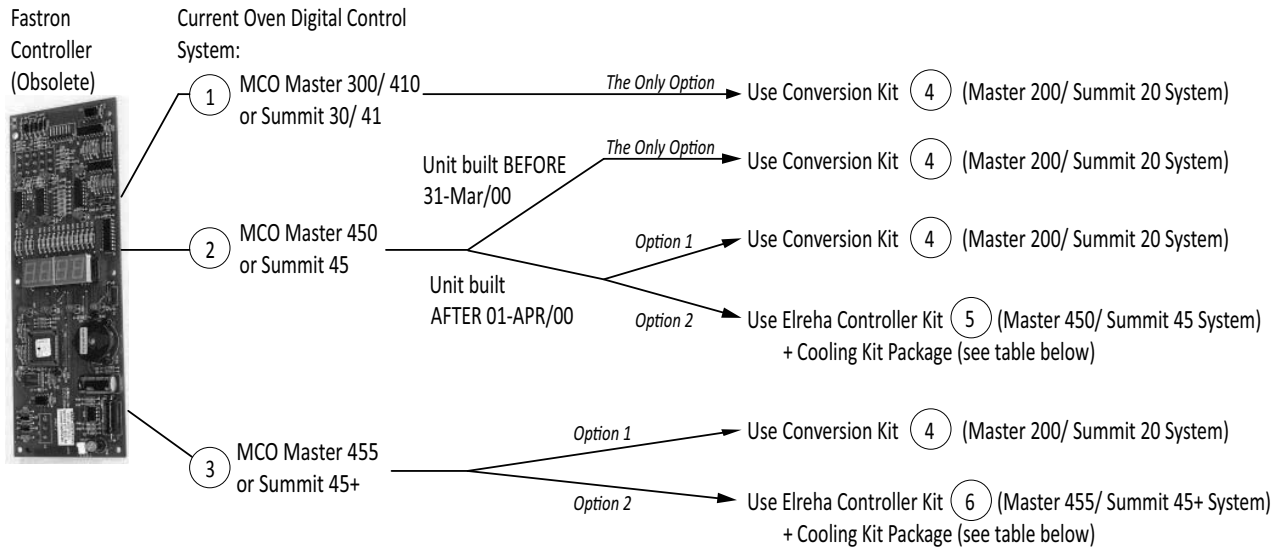
* NOT ILLUSTRATED

RECOMMENDED STOCK PARTS

NLA = No Longer Available

CONTROLLER REPLACEMENT KIT OPTIONS

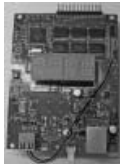
(for Convection Ovens with Fastron Control System)



COOLING KIT PACKAGES

** Not Required for Conversion Kit 4

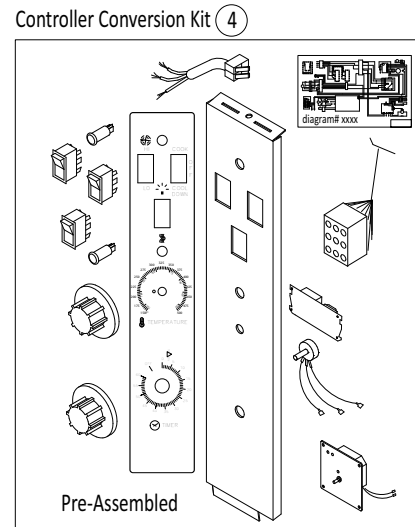
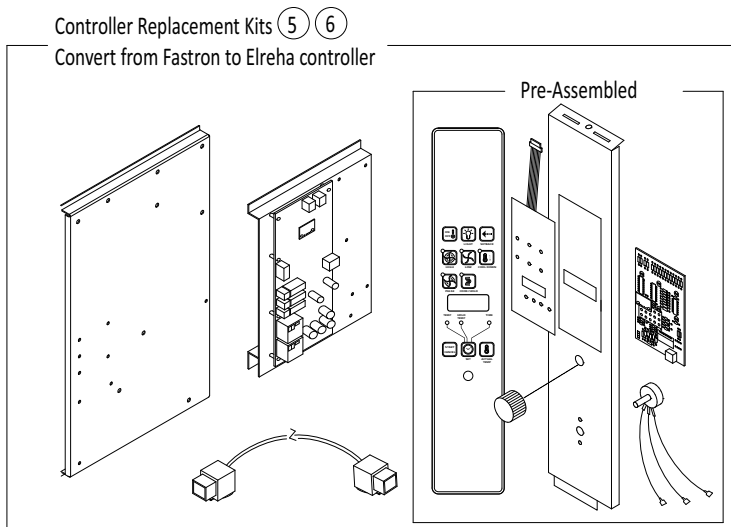
** for convection ovens built before Jan, 2014 with Elreha conversion kits/control system)



Elreha Controller

Ovens with Elreha Controller	All Ovens Built Prior to October, 2007	All Ovens Built between Oct, 2007 - Jan, 2014
Standard Depth Oven (oven rack 22" deep)	7 115320 + 9 115322 (Supplementary Kit)	7 115320
Deep Depth Oven (oven rack 26" deep)	8 115321 + 9 115322 (Supplementary Kit)	8 115321

KIT COMPONENTS



GARLAND Master 450/455 Full Size Electric Convection Ovens
models MCO-ES/ED-10/20

**FASTRON CONTROLLER REPLACEMENT KITS &
ELREHA COOLING KITS**

ITEM	PART#	DESCRIPTION	QTY	CRITICAL
FASTRON CONTROLLER REPLACEMENT KITS				
1	1905701	Master 300 Digital Controller Note: Use Kit 4522523 (Item #4) Ref: Bulletin# GAR-02-14-AC.	NLA+	C
	1905702	Master 410 Digital Controller Note: Use Kit 4522523 (Item #4) Ref: Bulletin# GAR-02-14-AC.	NLA+	C
2	1905703	Master 450 Digital Controller with Cook-N-Hold Note: Use Kit 4522523 (Item #4) or 4529705 (Item #5). Ref: Bulletin# GAR-02-14-AC.	NLA+	C
3	1905704	Master 455 Digital Controller with Cook-N-Hold and Core Probe Note: Use Kit 4529706 (item 6). Ref: Bulletin# GAR-02-14-AC.	NLA+	C
4	4522523	Controller Replacement/Conversion Kit (Gas) - from digital to manual Master 200 control Note: This Kit is the ONLY OPTION available for any unit built before 31-March/2000 . For a list of components in this Kit, see Master 200 Manual Control (p.5, item 51). Ref: Bulletin# GAR-02-14-AC.	1	C
5	4529705	Controller Replacement Kit - MCO 450 (Gas/Electric), Elreha Note: Use this Kit for any unit manufactured after 01-April/2000 . Kit includes a panel assembly with Elreha control, a relay board assembly, a cable, a bracket and instruction# 4529741. Ref: Bulletin# GAR-02-14-AC.	1	C
6	4529706	Controller Replacement Kit - MCO 455 (Gas/Electric), Elreha Note: Kit includes a panel assembly with Elreha control, a relay board assembly, a cable, a bracket and instruction# 4529741. Ref: Bulletin# GAR-02-14-AC.	1	C
COOLING KITS				
Not required for ovens with manual controls (Master 200) . These kits are for any oven built before Jan, 2014 with Elreha conversion kit (items 5, 6) / Elreha control system. Ref: Bulletin# GAR-02-14-AC.				
7	115320	Cooling Kit, Standard Depth Oven, with Elreha Control Note: • Kit includes a duct assembly, a hole plug, a cover plate, and fasteners. • Also require Kit 115322 (item 9) for any oven built before October, 2007.	1	
8	115321	Cooling Kit, Deep Depth Oven, with Elreha Control Note: • Kit includes a duct assembly, a hole plug, a cover plate, and fasteners. • Also require Kit 115322 (item 9) for any oven built before October, 2007.	1	
9	115322	Supplementary Cooling Kit Note: • Only required for ovens built before October, 2007; use this kit with either 115320 (item 7) for standard depth or 115321 (item 8) for deep depth oven. • Kit includes a high limit assembly, a circuit board support, insulation, a finger guard, and fasteners.	1	

* NOT ILLUSTRATED

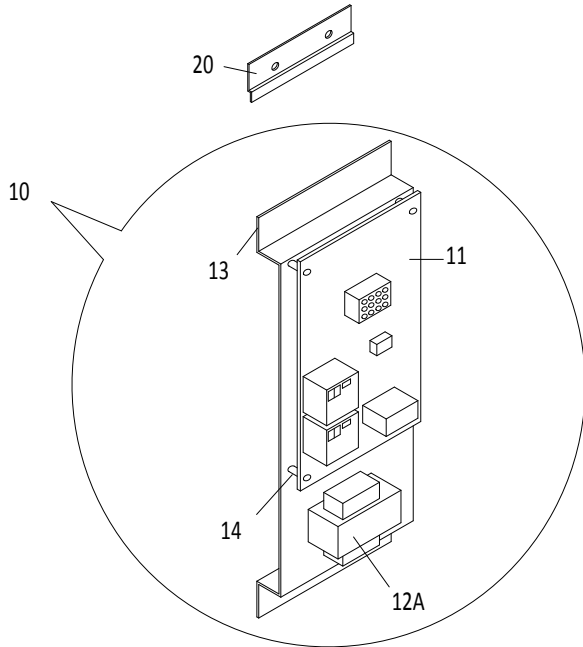
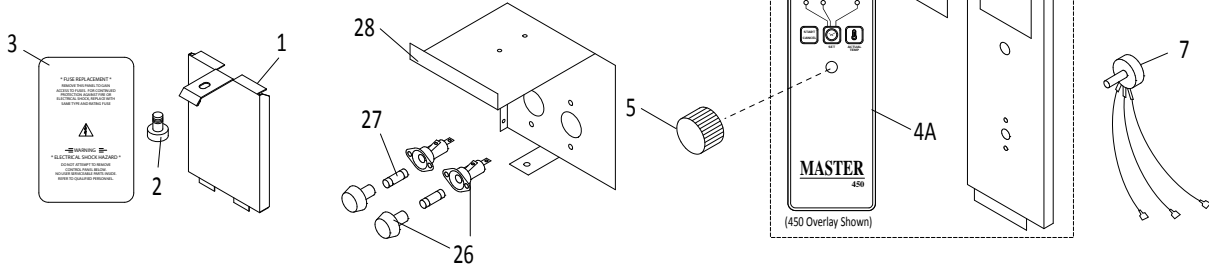
RECOMMENDED STOCK PARTS

+ NLA = No Longer Available

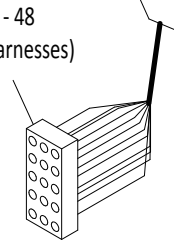
Fastron Controller
(Obsolete)
For Fastron controller
replacement kits, see
p. 10.



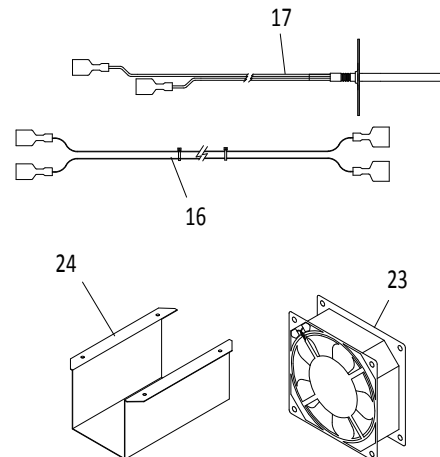
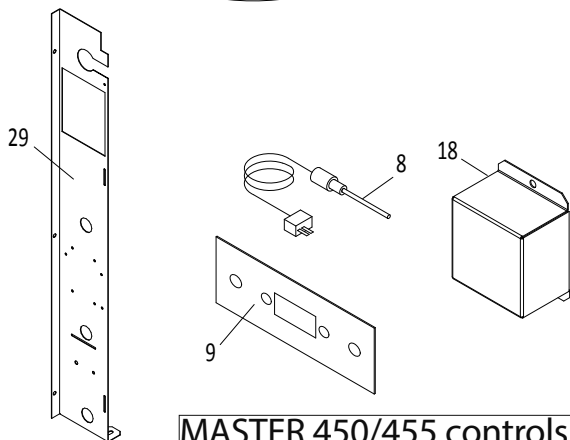
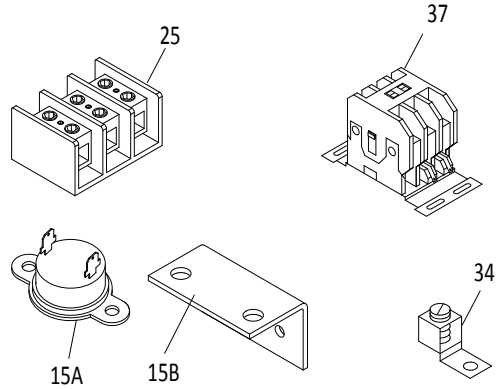
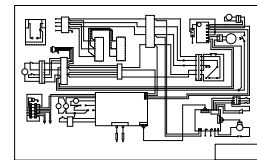
Elreha Controller
See p. 16.



40 - 48
(Harnesses)



50 (Wiring Diagrams)



MASTER 450/455 controls
(Introduced in March, 1999)

GARLAND Master 450/455 Full Size Electric Convection Ovens
models MCO-ES/ED-10/20

(FASTRON) MASTER 450 / 455 DIGITAL CONTROL PANELS & COMPONENTS

ITEM	PART #	DESCRIPTION	QTY	FROM DATE	UP TO DATE	CRITICAL
1	1918501	Cover - Upper Control Panel, SS	1			
2	GF297	Slotted Thumb Screw #10-24 x 1/2"	1			
3	1933511	Overlay - Top Control Panel, Electric MCO, black	1			
	115269	Overlay - Top Control Panel, Electric MCO, silver/gray	1			
4	1952898	Control Panel Assembly - Master 450 Keypad, with Light Note: Assembly Includes a S/S Panel, a Key-Pad Control and Overlay (item 4A). S/S Panel and Key Pad Not Sold Separately.	1			
	CK1952897	Control Panel Assembly - Master 455 Keypad, with Light Note: Assembly Includes a S/S Panel, a Key-Pad Control and Overlay (item 4A). S/S Panel and Key Pad Not Sold Separately.	1			
4A	1908503	Overlay - Master 450 with Light	1			
	1908505	Overlay - Master 455 with Light	1			
5	1720502	Fast Control Knob	1			
7	1911601	Potentiometer / Encoder	1			
8	1906004	Core Probe (Meat Probe) - IM455 ONLY	1			
9	1946701	Core Probe Bracket - IM455 ONLY	1			
10	S113851	Relay Board Assembly - 208/240V Note: Assembly includes items 11, 12A, 13, 14.	1			C
11	1916901	Relay Board PCB Assembly	1			C
12A	1917198	Transformer - 208/240V to 24VAC	1			C
12B*	1033700	Transformer - 460V 2KVA 50/60Hz (460V MCO ONLY)	1			C
13	1916801	Bracket - Relay Board Assembly	1			
14	1767901	Nylon Spacers	4			
15A	1955101	Switch - Thermal Disc, Cooling Fan	1			C
15B	1910901	Bracket - Hi Limit or Thermal Disc	1			
16	1906003	Cable Assembly - Probe Extension (USE ONLY WITH 1906002)	1			C
17	1906002	Probe - RTD, Flange Mount (USE ONLY WITH 1906003)	1			C
18	1916301	Cover - Probe Connector	1			
20	1911301	Relay Bracket Slide	2			
23	1671101	Cooling Fan 208 / 240 V Note: For Fan Installation, refer to Service Bulletin B-97-2009-S.	1			C
24	1918001	Air Exhaust Duct - Standard Depth	1			
	1918002	Air Exhaust Duct - Deep Depth	1			
25	1193900	Terminal Block - 3 Pole - for 208/240V	1			C
		Terminal Block - 3 Pole - for 380/415V	2			C
	4516982	Terminal Block - 10mm	1			C
26	1130102	Fuse Holder	2			
	1130100	Fuse Holder (460V MCO ONLY)	2			
27	1130109	Fuse - 15A 600V Class CC	2			C
	1130103	Fuse - 20A 300V SC-20	2			C
28	1918989	Fuse Mounting Bracket	1			
29	1926001	Panel - Right Side, Mid	1			
34	1028402	Ground Lug	1			
37	1637002	Contactors - 240V Coil Note: Used FROM serial# 0106CJ0400. (Ref: original - mercury contactor 9005400)	1	JUN/01		C

* NOT ILLUSTRATED

RECOMMENDED STOCK PARTS

NLA = No Longer Available

GARLAND Master 450/455 Full Size Electric Convection Ovens
models MCO-ES/ED-10/20

(FASTRON) MASTER 450 / 455 DIGITAL CONTROL PANELS & COMPONENTS

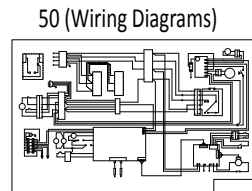
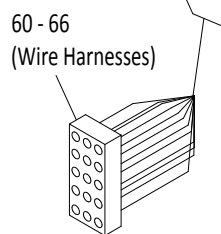
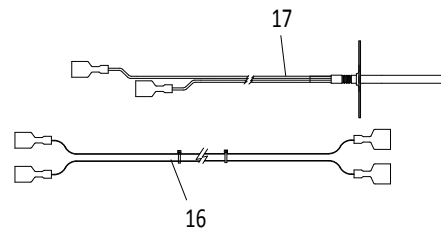
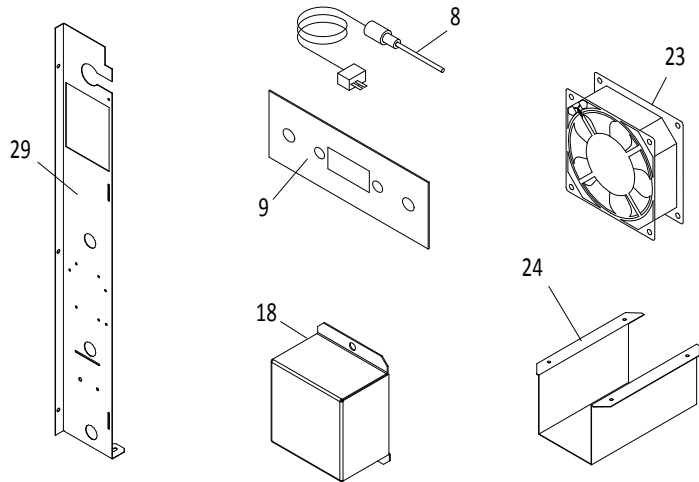
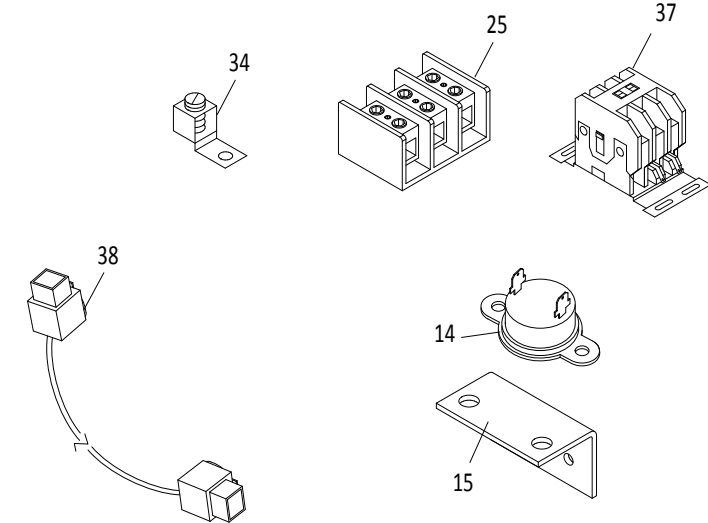
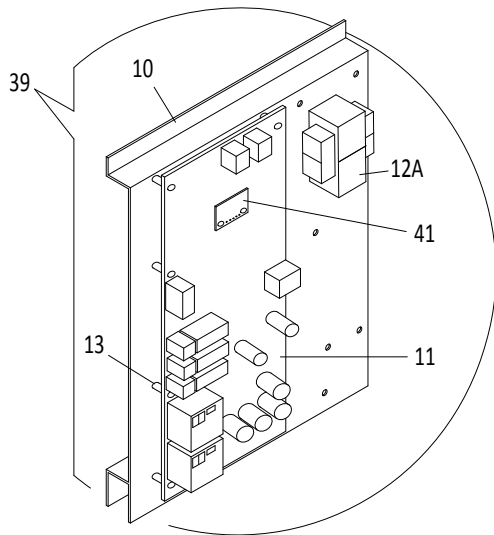
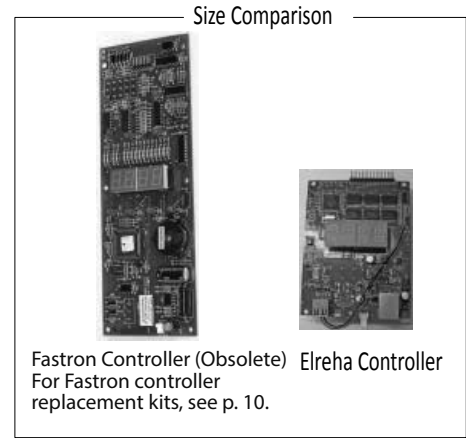
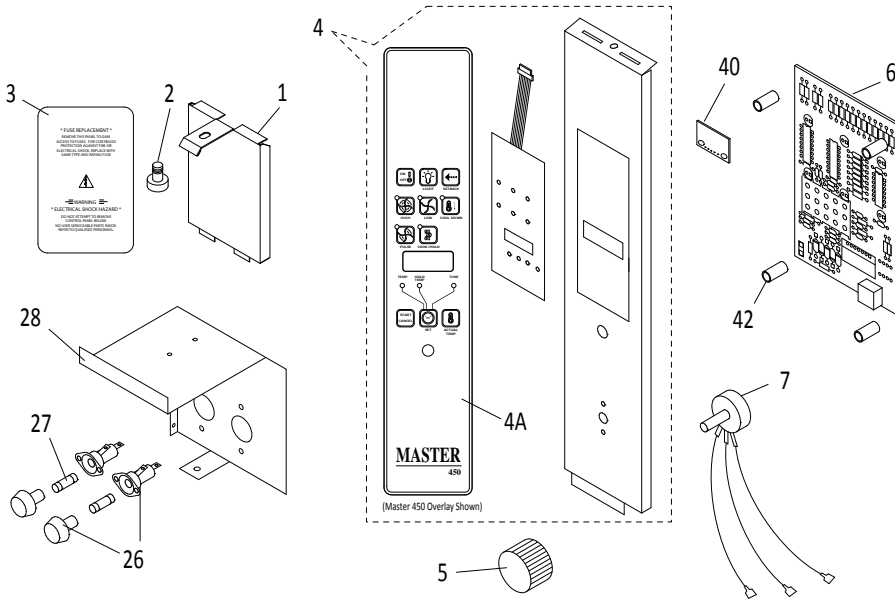
ITEM	PART #	DESCRIPTION	QTY	FROM DATE	UP TO DATE	CRITICAL
40*	1804728	Harness - MCO Main	1		JULY/01	
41*	1949589	Harness - Electric	1	JULY/01		
42*	1949585	Harness - Electric Elements	1	JULY/01		
43*	1949584	Harness - 460V Transformer (460V MCO ONLY)	1	JULY/01		
44	1949579	Harness - Lights	1	JULY/01		
45	1949578	Harness - Fast Relay Board	1	JULY/01		
46*	1905901	Harness - Control to Relay	1			
47*	1905902	Harness - Core Probe (Master 455 ONLY)	1			
48*	1804710	Harness - Arby Electric	1	NLA	JUN/01	
	1949586	Harness - Arby Electric, 208/240V	1	JULY/01		
50*	1949504	Wiring Diagram - Fast Electric 208/240V	1			
	1949505	Wiring Diagram - Fast Electric 460V 60Hz	1			
	1949506	Wiring Diagram - Fast Electric 380/415V 50Hz	1			
Note: Diagram part#s listed For Reference Only. Please contact KitchenCare for assistance.						

* NOT ILLUSTRATED

RECOMMENDED STOCK PARTS

NLA = No Longer Available

Blank Page



GARLAND Master 450/455 Full Size Electric Convection Ovens
models MCO-ES/ED-10/20

(ELREHA) MASTER 450/455 DIGITAL CONTROL PANEL & COMPONENTS

ITEM	PART #	DESCRIPTION	QTY	CRITICAL
1	1918501	Cover - Upper Control Panel, SS	1	
2	GF297	#10-24 x 1/2" Slotted Thumb Screw	1	
3	115269	Overlay - Top Control Panel, Electric MCO, silver/gray	1	
4	4530502	Master 450 Keypad Panel Kit (Elreha) Note: Assembly includes a S/S Control Panel, a Master 450 Overlay (item 4A), and a Key Pad Control(Membrane Switch). S/S Panel and Key Pad Not Sold Separately.	1	
	4530503	Master 455 Keypad Panel Kit (Elreha) Note: Assembly includes a S/S Control Panel, a Master 455 Overlay (item 4A), and a Key Pad Control(Membrane Switch). S/S Panel and Key Pad Not Sold Separately.	1	
4A	115261	Overlay - Master 450 with Light, Elreha, silver/gray	1	
	115262	Overlay - Master 455 with Light, Elreha, silver/gray	1	
5	1720502	Fluted Knob (Fast Control Knob)	1	
6	4527483	User Interface Board / UI Board (Elreha)	1	
7	1911601	Potentiometer - Encoder	1	C
8	1906004	Core Probe (Meat Probe) - for Master 455 Control Only	1	
9	1946701	Core Probe Bracket - for Master 455 Control Only	1	
10	113570	Bracket - Relay Panel/SRB Mounting, Elreha	1	
11	4527484	Relay Board / SRB - Digital Control, Elreha	1	C
12A	1917198	Transformer 208/240V to 24VAC	1	C
12B*	1033700	460V Transformer 2KVA 50/60Hz (460V ONLY)	1	C
13	1767901	Nylon Spacers	8	
14	1955101	Switch - Thermal Disc, Cooling Fan	1	C
15	1910901	Hi-Limit Bracket	1	
16	1906003	Cable Assembly - Probe Extension (USE ONLY WITH 1906002)	1	C
17	1906002	Probe - RTD, Flange Mount (USE ONLY WITH 1906003)	1	C
18	1916301	Cover - Probe Connector	1	
20	1911301	Relay Bracket Slide	2	C
23	1671101	Boxer Cooling Fan 120mm 230V Note: For Fan Installation, refer to Service Bulletin B-97-2009-S.	1	C
24	1918001	Air Exhaust Duct - Standard Depth	1	
	1918002	Air Exhaust Duct - Deep Depth	1	
25	1193900	Terminal Block - 3 Pole, High Voltage	1	
26	1130102	Fuse Holder	2	
	1130100	Fuse Holder (460V ONLY)	2	
27	1130103	Fuse - 20A 208/240V	2	
	1130109	Fuse - 15A 600V Class CC	2	
28	1918989	Bracket - Fuse Mount	1	
29	1926001	Panel - Right Side, Mid	1	
34	1028402	Ground Lug	1	
37	1637002	Contactactor 240V Coil	1	
38	4529003	Cable - UI/SRB 0.5M Elreha	1	
39	S113849	Relay Board Assembly - Electric, Elreha Note: Assembly includes a mounting panel (#10), relay board (#11), personality module, transformer (#12A - 1917198), and fasteners.	1	
40	4529740	Personality Module on UI, Elreha	1	
41	4529761	Personality Module on Relay Board/SRB, Elreha	1	
42	1955703	Standoff Nylon, 1/4" dia.	4	

* NOT ILLUSTRATED

RECOMMENDED STOCK PARTS

GARLAND Master 450/455 Full Size Electric Convection Ovens
models MCO-ES/ED-10/20

(ELREHA) MASTER 450/455 DIGITAL CONTROL PANEL & COMPONENTS

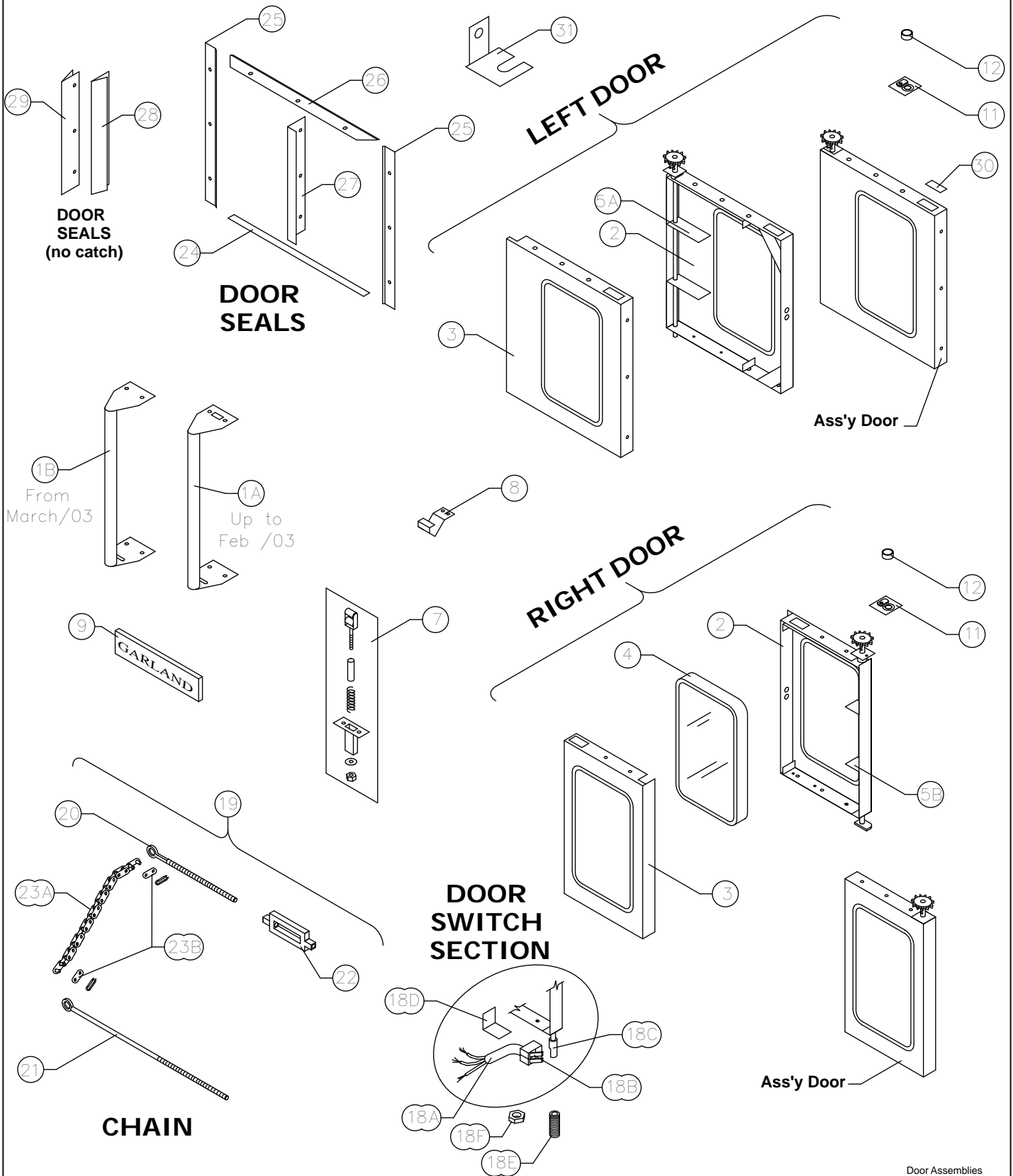
ITEM	PART #	DESCRIPTION	QTY	CRITICAL
50*	1949504	Wiring Diagram 208/240V Electric Fast Control	1	
	1949505	Wiring Diagram 460V 60Hz Electric Fast Control	1	
	Note: Wiring Diagram part#s listed For Reference Only. Please contact Technical Service for assistance.			
60*	1949578	Wire Harness - Fast Relay Board	1	
62*	1905902	Wire Harness - Core Probe, for Master 455 Control Only	1	
63*	1949585	Wire Harness - Electric Elements	1	
64*	1949584	Wire Harness - 460V Transformer	1	
65*	1949579	Wire Harness - Lights	1	
66*	1949589	Wire Harness - Electric	1	
45*	1949579	Wire Harness - Lights	1	
46*	1936095	Wire Harness - Ignition Module (IPI/DSI)	1	

* NOT ILLUSTRATED

RECOMMENDED STOCK PARTS

Blank Page

(for units manufactured UP TO 14-APRIL-2005)



GARLAND Master Series Full Size Electric Convection Ovens
models MCO-ES/ED-10/20, MCO-ES/ED-10S/20S

DOOR COMPONENTS & ASSEMBLIES
(for units manufactured UP TO 14-APRIL-2005)

ITEM	PART #	DESCRIPTION	QTY	FROM DATE	UP TO DATE	CRITICAL
Complete Door Assembly Kits (see page 23)						
1A	CK1924395	Door Handle - Black	1		FEB-03	
1B	CK1924396	Door Handle - Black	1	MAR-03		
1C*	1922799	Wooden Handle Assembly (Olive Garden)	1	NLA	3-DEC-02	
2	CK1923997	Panel - Left Door Liner Window	1			
	CK1923996	Panel - Left Door Liner Solid	1			
	CK1923998	Panel - Right Door Liner Solid	1			
	CK1923999	Panel - Right Door Liner Window	1			
3	1924001	Panel - Left Door Solid	1			
	1924002	Panel - Left Door Window	1			
	1924007	Panel - Left Door Solid (Prison) Ref: CLVQAD	1			
	1924009	Panel - Left Door, (Olive Garden)	1			
	1924011	Panel - Left Door Window (Prison) Ref: CLVQAD	1			
	1924003	Panel - Right Door Solid	1			
	1924008	Panel - Right Door Solid (Prison) Ref: CLVQAD	1			
	1924010	Panel - Right Door, (Olive Garden)	1			
	1924004	Panel - Right Door Window	1			
4	1010999	Oven Door Window (3/16" Glass)	1			
5A	CK1923899	Frame W/A - Left Door	1		14-APR-05	
5B	CK1923898	Frame W/A - Right Door	1		14-APR-05	
6*	1925099	Bracket W/A - Door Hasp (Prison) Ref: CLVQAD				
7	CK1757998	Latch Bench Ass'y	1	AUG-95	JAN-03	
8	1925005	Bracket - Door Latch	1			
9	1902917	10" GARLAND Nameplate	1	NLA	SEP-01	
	4529724	7-5/8" GARLAND Nameplate (was 3077100)	1	OCT-01		
10*	1925009	Plate - Door Hasp Back (Prison)				
11	CK1923499	Plate - Door Bushing	2		14-APR-05	
12	1923201	Spacer - Door Hinge	2			
18A	1804727	Harness - Door Micro Switch	1			
	1949575	Wire Harness - Mechanical Door Switches Note: IM200 Control Only.	1			
	1949574	Door Switch Wire Harness for Arby's ONLY	1			
18B	1855603	High Temp Micro Switch	2			
	4519715	Micro Switch Hi Temp - Hi Current Note: IM200 Control Only.	2			
18C	1925101	Cam - Door Switch	1			
18D	1925001	Bracket Door Switch Right	1			
18E	8003802	Set Screw 10x24x3/8"	2			
18F	8001203	Nut Hex Stl 8-32	2			
18G*	8001502	Nut w/Washer 6-32 ksp	2			
18H*	8003208	MSCR-PH-6 32x32 ST 2P	2			
19	4520166	Door Chain Assembly Note: Includes items 20, 21, 22, 23A, 23B. Items 20 and 21	1			
20	1014201	Connecting Door Rod - Short (Not sold separately)	2			
21	1014200	Connecting Door Rod - Long (Not sold separately)	2			

* NOT ILLUSTRATED

RECOMMENDED STOCK PARTS

NLA = No Longer Available

GARLAND Master Series Full Size Electric Convection Ovens
models MCO-ES/ED-10/20, MCO-ES/ED-10S/20S

DOOR COMPONENTS & ASSEMBLIES
(for units manufactured UP TO 14-APRIL-2005)

ITEM	PART #	DESCRIPTION	QTY	FROM DATE	UP TO DATE	CRITICAL
22	1015000	Turnbuckle 1/4-20 w/4" Take Up (Not sold separately)	2			
23A	1021100	Roller Chain #40	2			
23B	1021299	Connecting Link #40	4			
24	1924712	Seal - Door, Bottom	1			
25	1924601	Seal - Door, Left & Right	2			
26	1924711	Seal - Door Top	1			
27	1924402	Seal - Door, Center (old style) Note: Use 1924411 (item 28).	1			
28	1924411	Center Right Seal From serial # 0301CJ0082	1	JAN-03		
29	1924412	Center Left Seal From serial # 0301CJ0082	1	JAN-03		
30	1928209	Plate Door Handle From serial # 0301CJ0082 Note: Item will not be available once stock is out.	1	JAN-03		
31	1925013	Bracket - Door Stop L/H	1	APR-00		
	4519740	Bracket - Door Stop R/H	1	APR-05		
32*	8003603	Carriage Bolt 3/8-16 X 3/4				
33*	1922801	Olive Garden Handle Bracket Plate Ref: CLVQAD				
34*	1019800	Self Threading Pal Nut	NLA			
35*	8001210	Nut Hex 3/8-16 Stl 2P	3			
36*	8000308	Washer - Flat 3/8x3/4 Stl 2P	3			
37*	1915914	Insulation - Left Door, W/Window Ref: CLVQAD	1			
	1915915	Insulation - Left Door, Solid Ref: CLVQAD	1			
38*	1915916	Insulation Right Door, W/Window Ref: CLVQAD	1			
	1915917	Insulation - Right Door, Solid Ref: CLVQAD	1			

* NOT ILLUSTRATED

RECOMMENDED STOCK PARTS

NLA = No Longer Available

GARLAND Master Series Full Size Electric Convection Ovens
models MCO-ES/ED-10/20, MCO-ES/ED-10S/20S

COMPLETE DOOR ASSEMBLIES (NON-PRISON)

Units Manufactured Date	Dependent or Independent Door	Left Door (with Window)	Left Door (Solid)	Right Door (with Window)	Right Door (Solid)
Prior Mar-99	Dependent	CK1803789-A (NLA)	CK1803788-A (NLA)	CK1803785-A (LQ)	CK1803784-A (NLA, ALT: CK1803785-A)
	Independent	CK1803789-A (NLA)	CK1803788-A (NLA)	CK1803787-A (NLA)	CK1803786-A (NLA)
Mar-99 to Apr-00	Dependent	CK1803789-A (NLA)	CK1803788-A (NLA)	CK1803785-B (LQ)	CK1803784-B (LQ)
	Independent	CK1803789-A (NLA)	CK1803788-A (NLA)	CK1803787-B (NLA, ALT: CK1803786-B)	CK1803786-B
Apr-00 to 31-Dec-02	Dependent	CK02-001 (LQ)	CK02-003 (NLA - Contact CSR for assistance. Use CK02-001)	CK02-002 (LQ)	CK02-004 (NLA)
Jan-03 to 14-Apr-05	Dependent	CK1924869 (NLA)	1924868 (NLA)	CK1924969 (LQ)	1924968 (Use CK1924969)
	Dependent - S/S (Olive Garden)		1924878 (NLA)		1924978 (NLA)
From 14-Apr-05 to Present	Dependent (Ext. Bearing Plate) (Also Used for Olive Garden)	4520311	4520313	4520312	4520314

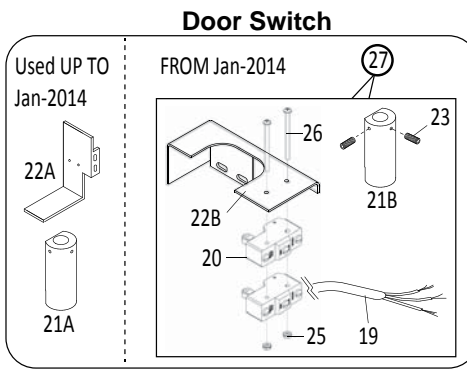
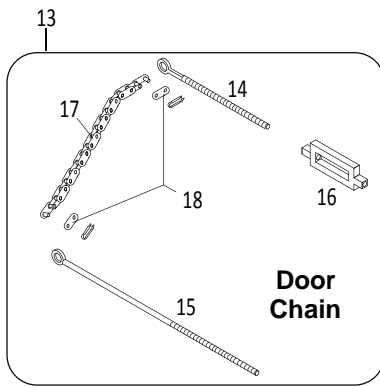
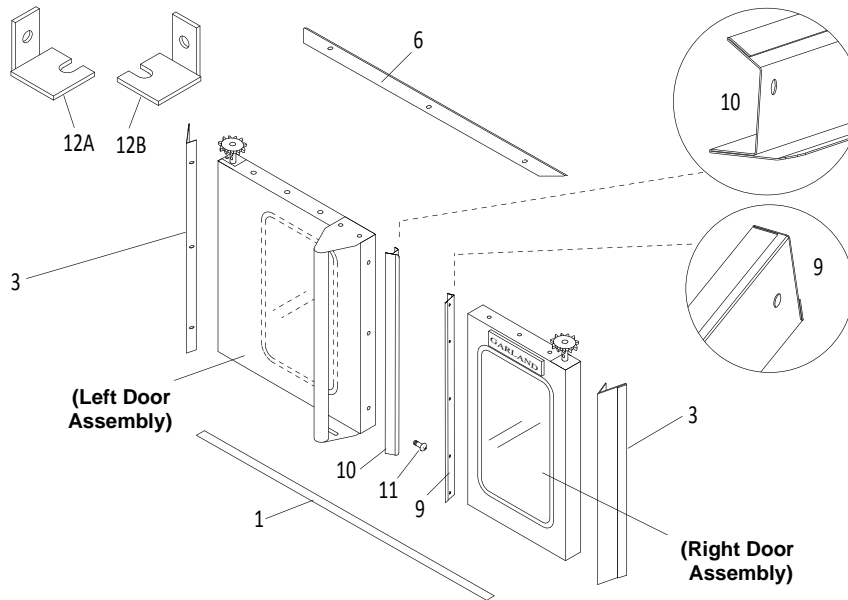
COMPLETE DOOR ASSEMBLIES (PRISON)

Units Manufactured Date	Dependent or Independent Door	Prison Left Door (with Window)	Prison Left Door(Solid)	Prison Right Door (with Window)	Prison Right Door (Solid)
Apr-00 to 31-Dec-02	Dependent	CK02-007 (NLA)	CK02-005 (NLA)	NA	CK02-006 (NLA)
Jan-03 to 14-Apr-05	Dependent	CK1924867 (LQ)	CK1924866 (LQ)	NA	CK1924966 (LQ)
From 14-Apr-05 to Present	Dependent (Ext. Bearing Plate)	4520317	4520315	NA	4520316

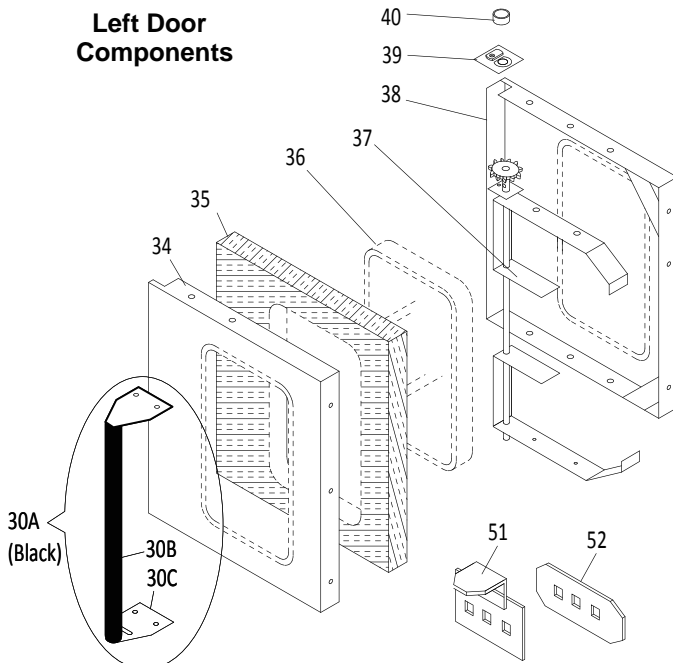
LQ = Limited Quantity. Item will not be available once stock is out.

NLA = No Longer Available

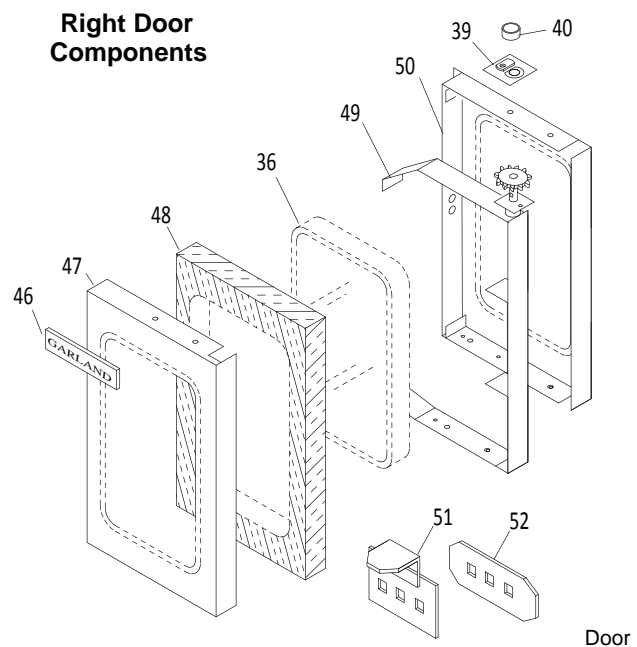
(for units manufactured FROM 14-April-2005)



Left Door Components



Right Door Components



GARLAND Master Series Full Size Electric Convection Ovens
models MCO-ES/ED-10/20, MCO-ES/ED-10S/20S

DOOR COMPONENTS
(for units manufactured FROM 14-APRIL-2005)

ITEM	PART #	DESCRIPTION	QUANTITY	CRITICAL
1	1924712	Seal - Door, Bottom	1	
3	1924601	Seal - Door, Left & Right	2	
6	1924711	Seal - Door Top	1	
9	1924411	Center - Right Door Seal	1	
10	1924412	Center - Left Door Seal	1	
10A*	113858	Center - Left Door Seal (Not Shown, Prison Package Only, Window or Solid Door)	1	
11	8003123	Mscr - TH - Phil 10-24 x 5/8" Stl ZP	6	
12A	1925013	Bracket - Door Stop L/H	1	
12B	4519740	Bracket - Door Stop R/H	1	
DOOR CHAIN COMPONENTS				
13	4520166	Door Chain Assembly Note: Includes Items 14-18.	2	C
14	1014201	Connecting Door Rod - Short Note: Item listed for reference only. Not Sold Separately.	2	
15	1014200	Connecting Door Rod - Long Note: Item listed for reference only. Not Sold Separately.	2	
16	1015000	Turnbuckle 1/4-20 with 4" Take Up	2	
17	1021100	Roller Chain #40	2	
18	1021299	Connecting Link #40	4	
DOOR SWITCH COMPONENTS AND KITS				
19	1804727	Wire Harness - Door Micro Switch, Digital Control	1	
	1949575	Wire Harness - Door Micro Switch, Mechanical Control. Note: For MCO-ES/ED-10S (200 series) models.	1	
19A	1949574	Door Switch Wire Harness for Arby's	1	
20	1855603	High Temp Micro Switch Note: For MCO-ES/ED-10 models.	2	C
	4519715	Door Micro Switch - High Temp, High Current Note: For MCO-ES/ED-10S (200 series) models.	2	C
21A	1925101	Cam - Door Switch. Obsolete. Used UP TO Jan-2014. USE item 27..	1	
21B	115338	Cam Assembly - Door Switch (Installed on any unit built after Jan-2014, serial# 1401 2300 01225. Can be used to replace item# 21A(1925101).	1	
22A	1925001	Bracket Door Switch Right. Obsolete. Used UP TO Jan-2014. USE item 27.	1	
22B	114179	Bracket Door Switch (Installed on any unit built after Jan-2014, serial# 1401 2300 01225)	1	
23	8003802	Set Screw 10x 24x 3/8"	2	
25	8001502	Nut w/Washer 6-32 KPS	2	
26	8003208	MSCR-PH-6 32x32 ST ZP	2	
27	115346	Kit, Door Switch, Mechanical Control <ul style="list-style-type: none"> • For any unit built before Jan-2014, serial# 1401 2300 01225. • Kit includes items 19 (P/N 1949575), 20 (P/N 4519715), 21B, 22B. • Ref: Bulletin# GAR-04-14-AC. 	1	
	115347	Kit, Door Switch, Digital Control <ul style="list-style-type: none"> • For any unit built before Jan-2014, serial# 1401 2300 01225. • Kit includes items 19 (P/N 1804727), 20 (P/N 1855603), 21B, 22B. • Ref: Bulletin# GAR-04-14-AC. 	1	

* NOT ILLUSTRATED

RECOMMENDED STOCK PARTS

GARLAND Master Series Full Size Electric Convection Ovens
models MCO-ES/ED-10/20, MCO-ES/ED-10S/20S

DOOR COMPONENTS
(for units manufactured FROM 14-APRIL-2005)

ITEM	PART #	DESCRIPTION	QUANTITY	CRITICAL
LEFT & RIGHT DOOR COMPONENTS (Window / Solid)				
30A	CK1924396	Door Handle Assembly- Black Note: Assembly includes items 30B, 30C, 30D.	1	
30B	1924195	Tube Door	1	
30C	1924206	Plate - Door Handle	2	
30D*	8003605	1/4-20 x 1" Carriage Bolt, Black	2	
34	1924001	Panel - Left Door (Solid)	1	
	1924002	Panel - Left Door (Window)	1	
	1924007	Panel - Left Door (Solid - Prison)	1	
	1924011	Panel - Left Door (Window - Prison)	1	
35	113862	Insulation - Left Door (Window)	1	
	113863	Insulation - Left Door (Solid)	1	
36	1010999	Oven Door Window - 3/16" Glass (Window Option)	1	
37	4520373	Weld Assembly Frame Left Door Extended Bearing Plate	1	
38	CK1923997	Panel - Left Door Liner (Window)	1	
	1923902	Panel - Left Door Liner (Window - Prison)	1	
	CK1923996	Panel - Left Door Liner (Solid) Note: For both Standard and Prison Models.	1	
39	4520301	Plate - Door Bushing Extended	2	
40	1923201	Spacer - Door Hinge	2	
46	4529724	Logo, Garland, Std, Large (for non-prison door)	1	
47	1924003	Panel - Right Door (Solid)	1	
	1924008	Panel - Right Door (Solid - Prison)	1	
	1924004	Panel - Right Door (Window)	1	
48	113864	Insulation Right Door (Window)	1	
	113865	Insulation - Right Door (Solid)	1	
49	CK4520374	Weld Assembly Frame Right Door Extended Bearing Plate	1	
50	1923998	Panel - Right Door Liner (Solid) Note: For both Standard and Prison Models.	1	
	1923999	Panel - Right Door Liner (Window)	1	
Maximum Security Prison Package Hardware/Fasteners for Left/Right Door: Items 51-53				
51	1925099	Door Hasp Bracket Weldment Assembly (Prison, Left / Right Door)	1	
52	1925009	Plate - Door Hasp Back (Prison, Left / Right Door)	1	
53*	8003603	3/8-16 x 3/4 Carriage Bolt (Prison, Left / Right Door)	3	
	8001210	3/8-16 Hex Nut Stl Zinc (Prison, Left / Right Door)	3	
	8000308	3/8 x 3/4 Flat Washer Stl Zinc (Prison, Left / Right Door)	3	
	8000207	3/8 x 11/64 x 3/32 Split Lock Washer, Stl Zinc (Prison, Left / Right Door)	3	

* NOT ILLUSTRATED

RECOMMENDED STOCK PARTS

GARLAND Master Series Full Size Electric Convection Ovens
models MCO-ES/ED-10/20, MCO-ES/ED-10S/20S

COMPLETE DOOR ASSEMBLIES (NON-PRISON)

Units Manufactured Date	Dependent or Independent Door	Left Door (with Window)	Left Door (Solid)	Right Door (with Window)	Right Door (Solid)
Prior Mar-99	Dependent	CK1803789-A (NLA)	CK1803788-A (NLA)	CK1803785-A (LQ)	CK1803784-A (NLA, ALT: CK1803785-A)
	Independent	CK1803789-A (NLA)	CK1803788-A (NLA)	CK1803787-A (NLA)	CK1803786-A (NLA)
Mar-99 to Apr-00	Dependent	CK1803789-A (NLA)	CK1803788-A (NLA)	CK1803785-B (LQ)	CK1803784-B (LQ)
	Independent	CK1803789-A (NLA)	CK1803788-A (NLA)	CK1803787-B (NLA, ALT: CK1803786-B)	CK1803786-B
Apr-00 to 31-Dec-02	Dependent	CK02-001 (LQ)	CK02-003 (NLA - Contact CSR for assistance. Use CK02-001)	CK02-002 (LQ)	CK02-004 (NLA)
Jan-03 to 14-Apr-05	Dependent	CK1924869 (NLA)	1924868 (NLA)	CK1924969 (LQ)	1924968 (Use CK1924969)
	Dependent - S/S (Olive Garden)		1924878 (NLA)		1924978 (NLA)
From 14-Apr-05 to Present	Dependent (Ext. Bearing Plate) (Also Used for Olive Garden)	4520311	4520313	4520312	4520314

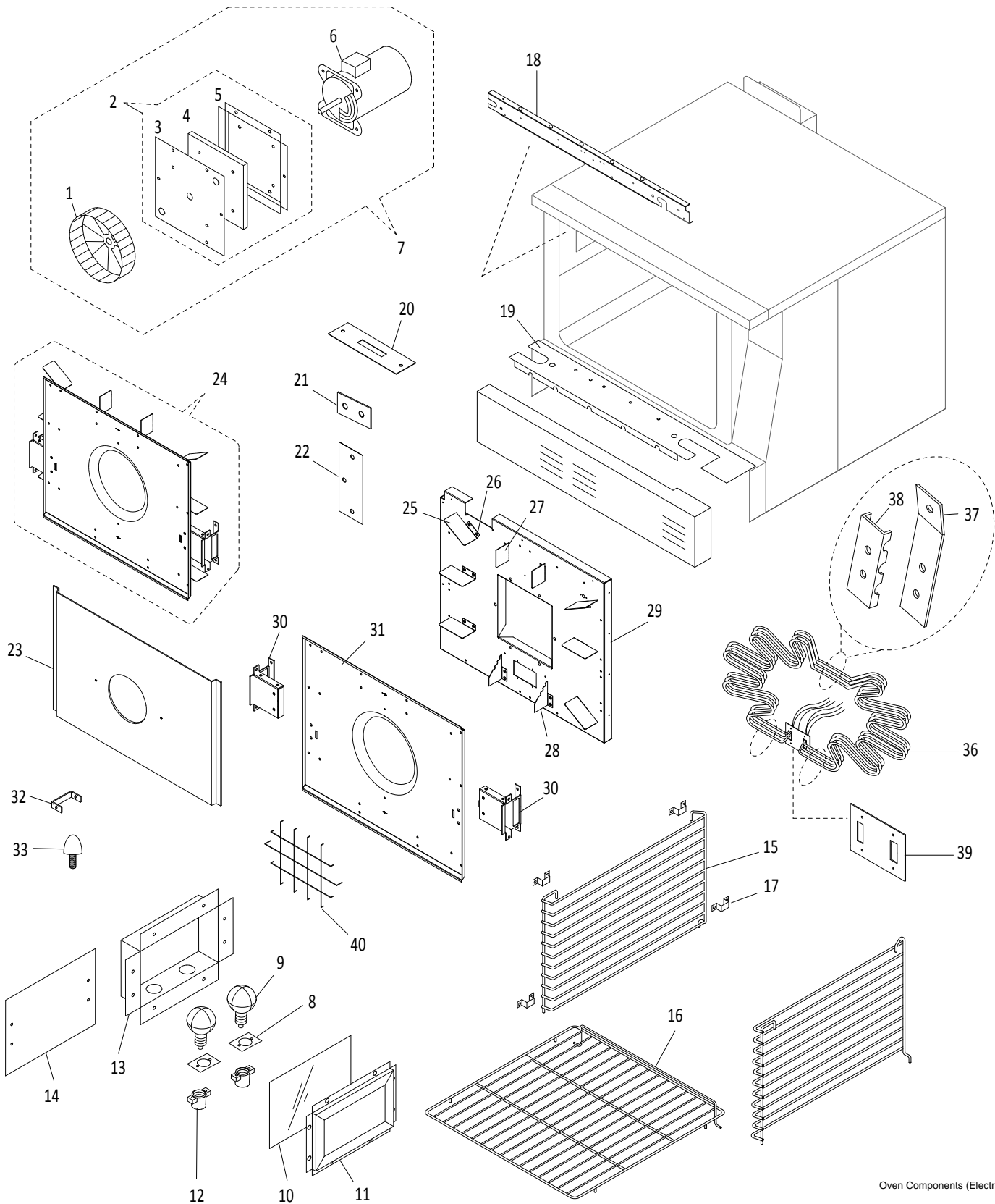
COMPLETE DOOR ASSEMBLIES (PRISON)

Units Manufactured Date	Dependent or Independent Door	Prison Left Door (with Window)	Prison Left Door(Solid)	Prison Right Door (with Window)	Prison Right Door (Solid)
Apr-00 to 31-Dec-02	Dependent	CK02-007 (NLA)	CK02-005 (NLA)	NA	CK02-006 (NLA)
Jan-03 to 14-Apr-05	Dependent	CK1924867 (LQ)	CK1924866 (LQ)	NA	CK1924966 (LQ)
From 14-Apr-05 to Present	Dependent (Ext. Bearing Plate)	4520317	4520315	NA	4520316

LQ = Limited Quantity. Item will not be available once stock is out.

NLA = No Longer Available

OVEN COMPONENTS



Oven Components (Electric)

GARLAND Master Series Full Size Electric Convection Ovens
models MCO-ES/ED-10/20, MCO-ES/ED-10S/20S

OVEN COMPONENTS

ITEM	PART #	DESCRIPTION	QTY	FROM DATE	UP TO DATE	CRITICAL
1	G02952-01P	Blower Wheel Assembly Plated	1			
2	1916499	Motor Pocket Assembly	1			
3	1916401	Plate, Motor Pocket Front	1			
4	1915921	Insulation - Motor Pocket	1			
5	1916402	Motor Pocket Back	1			
6	1686712	Motor 3/4 HP, 208/240V, 2 Speed	1			
7	CK1003091	Motor Assembly - 2 Speed - 208/240 V	1			C
8	1025900	Light Socket Gasket	2			
9	1623900	Light Bulb - 40W	2			
10	1676901	Glass, High Temp	1			
11	1921801	Cover, Light Box	1			
12	1025800	Lamp Socket - Porcelain	2			
13	1921902	Light Box	1			
14	1928299	Plate, Light Box Patch - Porcelain (for no oven light option)	1			
	1928201	Plate, Light Box Patch - SS (for no oven light option)	1			
15	1922001	Oven Rack Guide - 10 Positions, Standard	2			
	1922002	Oven Rack Guide - 10 Positions, Deep	2			
	1922101	Oven Rack Guide - 13 Positions, Standard	2			
	1922102	Oven Rack Guide - 13 Positions, Deep	2			
16	1922211	Oven Rack - Standard	6			
	1922212	Oven Rack - Deep	6			
17	1765212	Oven Rack Clip	8			
18	1925201	Channel - Upper Hinge	1	14-APR/05		
19	1925202	Channel - Lower Hinge	1	14-APR/05		
20	4527190	Oven Vent Cap - MCO, Electric	1			
21	1843301	Probe Patch (for SS Interior Option)	1			
22	1809301	Inlet Patch	2		18-SEP/09	
23	1901602	Baffle - MCO (No Longer Available) Note: Unit manufactured UP TO 18-Sep-2009 requires item# 24.	1	NLA	18-SEP/09	
24	CK4527817	Kit - MCO Electric, Fan Cover with Air Diverter Note: <ul style="list-style-type: none"> Use this Kit for any unit built UP TO 18-Sep-2009. Kit includes an Air Diverter Assembly (as shown), an Oven Vent Cap, fasteners, and an instructions. 	1		18-SEP/09 (SEE NOTE)	
25 ⁺⁺	4527186	Air Diverter - 4.75"	6	19-SEP/09		
26	8002106	#10 x 1/2", SMSCP, TH PHIL-A, STL 2P	20	19-SEP/09		
27 ⁺⁺	4527187	Air Diverter - 3"	2	19-SEP/09		
28 ⁺⁺	4527188	Air Diverter - Bottom	2	19-SEP/09		
29 ⁺⁺	4527185	Cavity Back Panel (Porcelain)	1	19-SEP/09		
	4527276	Cavity Back Panel (SS)	1	19-SEP/09		
30 ⁺⁺	CK4527194	Fan Cover Mounting Assembly	2	19-SEP/09		
31 ⁺⁺	4527191	Fan Cover Back	1	19-SEP/09		
32	1925006	Baffle Mounting Bracket (No Longer Available)	2	NLA	18-SEP/09	
33	8005000	1/4 Turn Pin	2		18-SEP/09	
34*	8005100	1/4 Turn Fastener Receptable	4			

* NOT ILLUSTRATED

RECOMMENDED STOCK PARTS

** **Note:** For units built FROM 19-Sep-09 / serial# 0909100200337 / model# MCO-ED-10-0007.

GARLAND Master Series Full Size Electric Convection Ovens
models MCO-ES/ED-10/20, MCO-ES/ED-10S/20S

OVEN COMPONENTS

ITEM	PART #	DESCRIPTION	QTY	FROM DATE	UP TO DATE	CRITICAL
36	4518354	Complete Element Assembly - 10 kW 208V	1			C
	4518356	Complete Element Assembly - 10 kW 240V	1			C
	4518357	Complete Element Assembly - 10 kW 460V	1			C
	Note: A Complete Element Assembly includes heating elements, mounting brackets (item 37), element clamps (item 38), and wire leads.					
37	1925007	Bracket - Element Mounting. Note: No Longer Available. Part is shown and listed for reference only. Not sold separately.	3			
38	1547600	Element Clamp	3			
39	1928205	Plate - Element Opening	1			
40	1014500	Blower Inlet Cover	1			
41*	113361	Insulation Kit - Standard Depth	1			
	113364	Insulation Kit - Deep Depth	1			
42*	115074	Drip Pan - Standard Depth	1			
	115075	Drip Pan - Deep Depth	1			

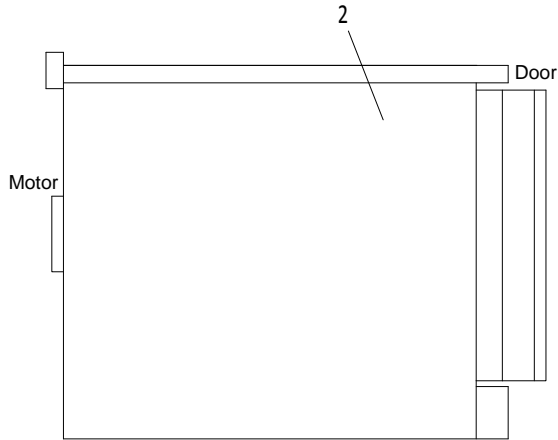
* NOT ILLUSTRATED

RECOMMENDED STOCK PARTS

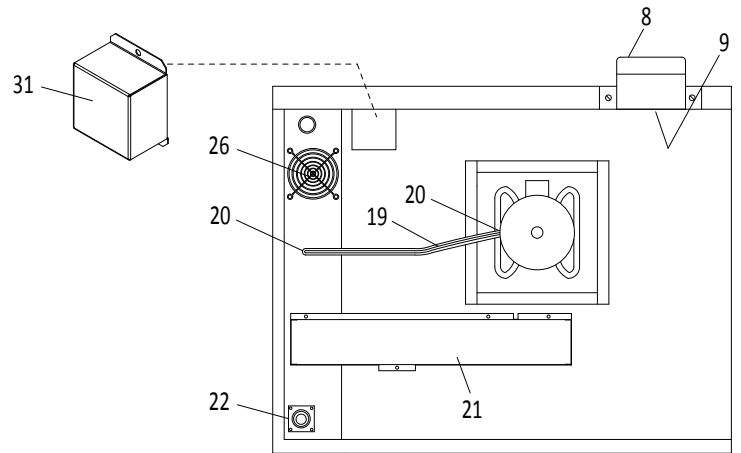
** **Note:** For units built FROM 19-Sep-09 / serial# 0909100200337 / model# MCO-ED-10-0007.

Blank Page

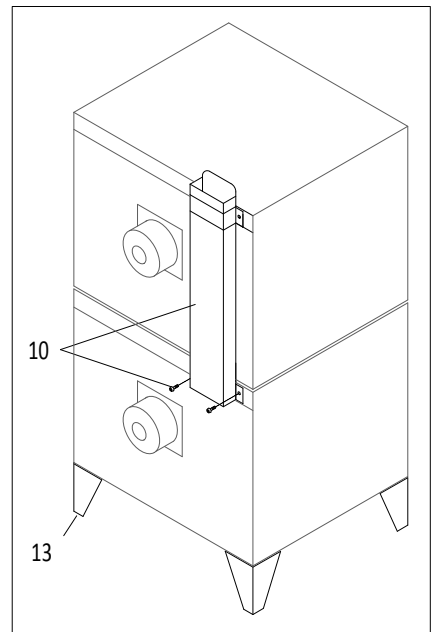
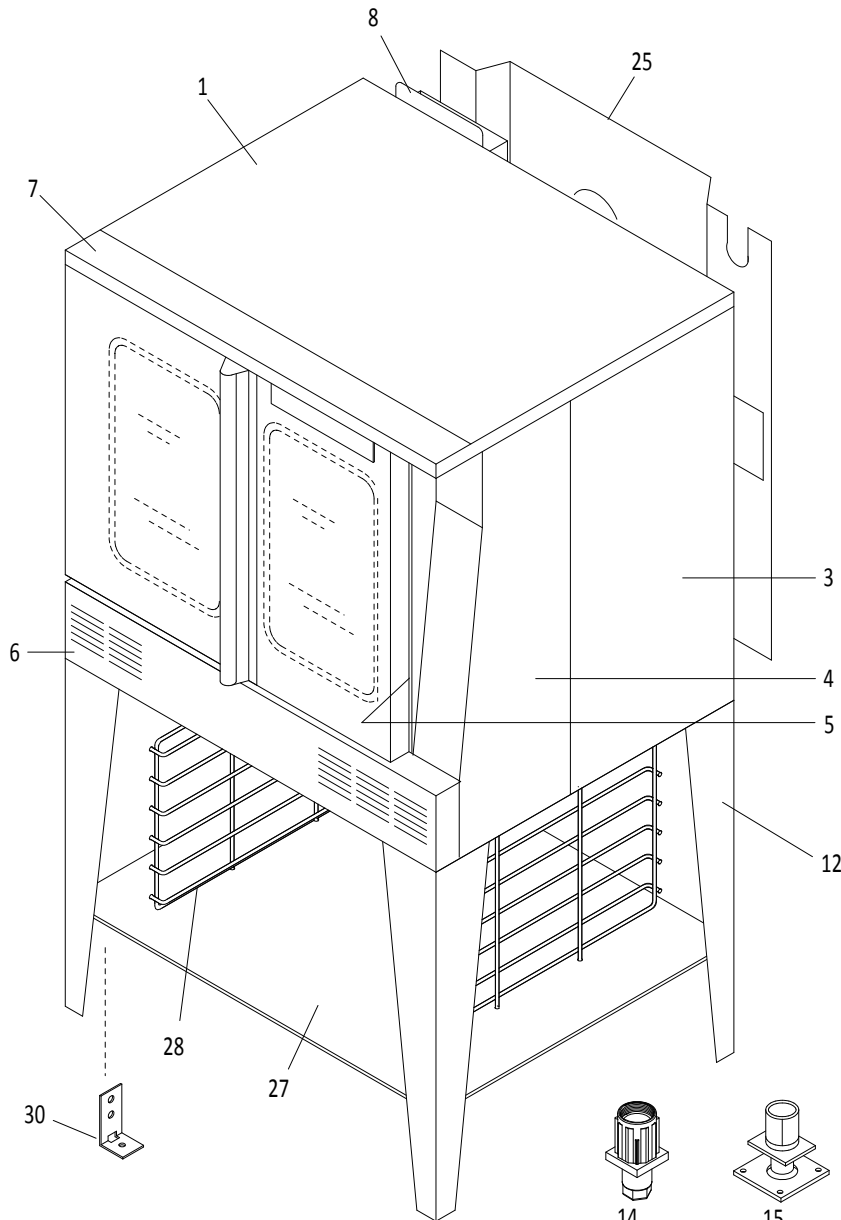
EXTERIOR COMPONENTS



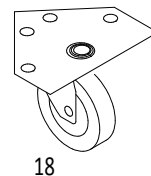
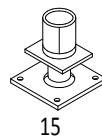
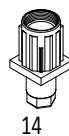
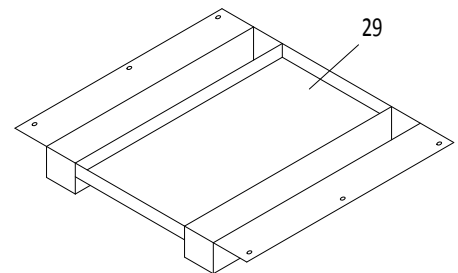
LEFT SIDE VIEW



REAR VIEW



DOUBLE DECK with FLUE ASSEMBLY and LEGS



Exterior Components

GARLAND Master Series Full Size Electric Convection Ovens
models MCO-ES/ED-10/20, MCO-ES/ED-10S/20S

EXTERIOR COMPONENTS

ITEM	PART #	DESCRIPTION	QTY	FROM DATE	UP TO DATE	CRITICAL
1	1917602	Cover - Main Top, SS	1			
2	1920201	Cover - Body Side, Left, SS	1			
3	1918701	Cover - Body Side, Right, SS	1			
4	1918801	Cover - Control Panel, Right, SS	1			
	1925999	Cover - Control Panel, Right (Prison)	1			
5	1925501	Cover - Control Panel, Left, SS	1			
	1925599	Cover - Lockable Control Panel (Prison)	1			
6	CK4519724	Cover - Lower Front Trim, SS	1			
6A*	8003107	#10-24 x 3/4" Machine Screw-Th-Phl (for Lower Front Trim Cover)				
7	1925301	Cover - Upper Front Trim, SS	1			
7A*	8002107	#10 x 1/2" Machine Screw-Th-Phl-B Stl 2P (for Upper Front Trim Cover)				
8	1919999	Vent Assembly - Outer (Standard or Deep)	1			
9	1919399	Vent Assembly - Standard	1			
	1919398	Vent Assembly - Deep	1			
10	CK1920099	Flue Assembly for Double Deck Note: Kit includes sheet metal flue channels (part# 1920001, 1920002) and fasteners (8002106).	1			
12	1927199	Leg - Sing Deck, for Caster, SS, approx. 19-3/4"H	4			
	CK1927197	Leg - Sing Deck, for Foot Insert, SS, 24"H	4			
13	1927195	Leg - Double Stack, SS	4			
14	1236100	1-1/2" Square Foot Insert - Chrome Plated	4			
15	1949701	Flanged Foot Insert (Optional Feature)	4			
16	1775102	Caster Insert (Single Deck Only)	4			
17	1926501	Caster - 4" Swivel without Brake, 3/4NPT	4			
	1926502	Caster - 4" Swivel with Brake, 3/4NPT	4			
18	1926531	Heavy Duty Caster - 5" Swivel NO Brake, Double Deck	4			
	1926532	Heavy Duty Caster - 5" Swivel WITH Brake, Double Deck	4			
	4524736	Kit - Casters 3" Swivel without Brake (low profile) Note: Kit Includes Two Casters	1			
	4524737	Kit - Casters 3" Swivel with Brake (low profile) Note: Kit Includes Two Casters	1			
19	1029426	3/8 BX Cable 26" Long	1			
20	1028501	BX Connector - Straight	1			
21	1927899	Element Wire Raceway	1			
22	G1053-3-8	Knockout Plate with Holes (Alt. 4523287)	1			
25	1921001	Cover - Main Back, Std SS	1			
	1921003	Cover - Main Back, Deep SS	1			
	1921098	Cover - Main Back, Std Depth (Prison)	1	APR/00	FEB/02	
	1921089	Cover - Back, Standard Depth (Prison)	1	FEB/02		
	1921099	Cover - Main Back, Deep Electric (Prison)	1	APR/00	FEB/02	
	1921087	Cover W/A-Deep Depth Electric (Prison)	1	FEB/02		
	1921086	Cover W/A-Deep Depth 460V (Prison)	1			
26	1919001	Cooling Fan Guard - 120mm	1			
27	1926902	Panel - Open Base, SS	1			
28	1926702	Rack Guide - Lower, Open Base	2			
29	1926802	Support - Rack Guide, Upper	1			
30	1927001	Clip - Lower Rack Guide Support	4			
31	1916301	Probe Connector Cover	1			

* NOT ILLUSTRATED

RECOMMENDED STOCK PARTS

GARLAND MASTER FULL SIZE ELECTRIC CONVECTION OVEN
models MCO-ES/ED-10/20, MCO-ES/ED-10S/20S

Electric Wiring Diagrams

(For Reference Only. Please contact Tech Service for assistance)

PART #	DESCRIPTION
1949514	208/220/240 Volt 60Hz Electric - Mechanical Control (200 Series)
1949504	208/240 Volt 60Hz Electric - FAST Control (300 Series / 400 Series)
1949515	460 Volt 60Hz Electric - Mechanical Control (200 Series)
1949505	460 Volt 60Hz Electric - FAST Control (300 Series / 400 Series)
1949506	Wiring Diagram - Fast Electric 380/415V 50Hz
4522526	Wiring Diagram - 410/200 Conversion Kit
4518907	Wiring Diagram - COM6000/IM200 ELEC

Controller Conversion Kits

(For Reference Only. Please contact Tech Service for assistance)

PART #	DESCRIPTION
4522523	450/410 To 200 Conv. Kit - MCO Electric
4518192	200 To 450 Conv. Kit - MCO Electric Note: Kit will not be available once stock is out

Oven Interior Kits

(For Reference Only. Please contact Tech Service for assistance)

PART #	DESCRIPTION
CK4527817	Kit - MCO Fan Cover - W/Air Diverters - MCO Electric Note: This kit is required for all units manufactured UP TO 18-SEPTEMBER-2009.

Single Deck Kits (Legs / Casters / Open Base)

(For Reference Only. Please contact Garland Sales Department for assistance)

PART #	DESCRIPTION
1951213	S/S Open Base & Feet Kit - Full Size MCO
1951214	S/S Open Base & Casters - Full Size MCO
1951204	Single Deck S/S Legs & Feet Inserts - Full Size MCO
1951205	Single Deck S/S Legs and Casters - Full Size MCO

Double Deck Kits (Legs / Casters)

(For Reference Only. Please contact Garland Sales Department for assistance)

PART #	DESCRIPTION
1951209	Kit MCO - Heavy Duty Casters - Full Size MCO
1951210	Kit MCO - LO-Profile Casters - Full Size MCO
1951221	Electric - Double Deck Leg Stacking Kit
1951225	Electric - Double Deck Caster Stacking Kit
1951227	Electric - Double Deck Low Profile Caster Stacking Kit

SERVICE KITS

PART #	DESCRIPTION
4602253	KIT, DOOR SHIMS FULL SIZE CONV OVENS
CK115350	KIT, HEAT SHIELD FULL SIZE CONV OVENS

GARLAND MASTER FULL SIZE ELECTRIC CONVECTION OVEN
models MCO-ES/ED-10/20, MCO-ES/ED-10S/20S

CRITICAL & RECOMMENDED STOCK PARTS LIST

PART #	DESCRIPTION	CRITICAL**
300867	Power Control Board - Solid State Controller, 150-500 deg F	R, C
1010999	Oven Door Window (3/16" Glass)	R
1033700	Transformer - 460V 2KVA 50/60Hz (460V MCO ONLY)	C
1130103	Fuse - 20A 300V SC-20	R, C
1130109	Fuse - 15A 600V Class CC	R, C
1193900	Terminal Block - 3 Pole	C
1623900	Light Bulb - 40W	R
1637002	Contactactor - 240V Coil	C
1671101	Cooling Fan 208 / 240 V	C
1686712	Motor 3/4 HP, 208/240V, 2 Speed	C
1855603	High Temp Door Micro Switch (for MCO-GS/GD-10 models)	R, C
1905701	IM300 Digital Control Board (NLA)	C
1905702	IM410 Digital Control Board (NLA)	C
1905703	IM450 Digital Control Board with Cook-N-Hold (NLA)	C
1905704	IM455 Digital Control Board with Cook-N-Hold & Core Probe (NLA)	C
1906002	Probe - RTD, Flange Mount (USE ONLY WITH 1906003)	C
1906003	Cable Assembly - Probe Extension (USE ONLY WITH 1906002)	C
1911601	Potentiometer - Encoder	C
1916901	Relay Board PCB Assembly	C
1917098	Relay Board Assembly - 208/240V (includes items 1916901, 1917198, 1033700)	C
1917198	Transformer - 208/240V to 24VAC	C
1924411	Center - Right Door Seal	R
1924412	Center - Left Door Seal	R
1924601	Seal - Door, Left & Right	R
1924711	Seal - Door Top	R
1924712	Seal - Door, Bottom	R
1928209	Plate - Door Handle (for units manufactured UP TO 14-Apr-2005) Note: Item will not be available once stock is out.	R
1955101	Switch - Thermal Disc, Cooling Fan	R, C
1955401	Rocker Switch - 3 Positions, Cook/Off/CoolDown	C
1955402	Rocker Switch - 2 Positions, Hi/Low	R, C
1955403	Momentary Rocker Switch	C
1955601	Potentiometer	R, C
CK11000301072	TIMER; COMPLETE; 230V Conversion; DIGITAL; 90 MIN (for 208V, 240V, 460V ovens, gas/electric)	C
4514192	IM470 Digital Control Board (NLA)	C
4516982	Terminal Block - 10mm	C
4518354	Complete Element Assembly - 10 kW 208V	R, C
4518356	Complete Element Assembly - 10 kW 240V	R, C
4518357	Complete Element Assembly - 10 kW 460V	R, C
4519715	Door Micro Switch - High Temp, High Current (for MCO-GS/GD-10S (200 series) models)	R, C
4520166	Door Chain Assembly	R, C
8003123	#10-24 x 5/8" Machine Screw - Phillips, Stl, 2P (for Door Center Seals)	R
4522523	Controller Replacement/Conversion Kit (Gas) - from digital to manual Master 200 control	C
4527484	Relay Board / SRB - Digital Control, Elreha	C
4529705	Controller Replacement Kit - MCO 450 (Gas/Electric), Elreha	C
4529706	Controller Replacement Kit - MCO 455 (Gas/Electric), Elreha	C
CK1003091	Motor Assembly - 2 Speed - 208/240 V	R, C
S113851	Relay Board Assembly - 208/240V	C

** C = CRITICAL PARTS / R = RECOMMENDED STOCK PARTS

NLA = No Longer Available

GARLAND PARTS IDENTIFICATION

BULLETINS

(For all full size convection ovens)

CATEGORY	BULLETIN#	SUBJECT	DATE
Parts, Technical	GAR-03-12-AIC	Master 200 Series Controller (Od P/N 1955501; New P/N 300867)	2012-02-08
Parts, Technical	GAR-11-12-AC	New Elreha Controller Critical & Recommended Stock Parts	2012-09-21
Parts, Technical	GAR-06-13-AIC	Error Messages and Description, Elreha Digital Controls	2013-09-06
Parts, Technical	GAR-04-14-AC	Door Switch Replacement Kits	2014-02-14
Parts, Technical	GAR-02-14-AC	Digital Controller Conversion Kits Availability Chart	2014-01-28
Parts, Technical	GAR_SB_0006	New Electrical Phase Conversion Kit (P/N 4533009)	2015-10-07
Parts, Technical	GAR_SB_0040	Garland Part 300867 PCB Temperature Controller	2016-11-04
Parts, Technical	GAR_SB_0044	Updates! New Garland Part 300867 PCB Temperature Controller (Identifying new vs old parts)	2016-12-06
Parts, Technical	GAR_SB_0043	Door Shim Service Kit P/N 4602253	2016-11-21
Parts, Technical	GAR_SB_0049	New Timer Kits for Convection Ovens with Master 200 / Manual Controllers, Kits CK11000301070 and CK11000301072	2017-02-14
Technical	B-97-2009-S	New Axial Cooling Fan Install Instructions	2009-09-17
Technical	GAR-08-13-AIC	Keypad Test Points Chart (Elreha Digital Control)	2013-10-16
Warranty	GAR_SB_0047	Returning Warranty Required Parts (supersedes GAR-20-13-A)	2016-12-21

REVISION HISTORY (MCO-ES/ED-10)

REV	PAGE#	ITEM#	NOTES	DATE
16	30	37	Added note: part listed for reference. Item 38- still available.	FEB 27/14
	30	49	New drip pans. Ref:ECN130005.	
	5	3,5	(IM200) Black Overlays 1789605 and 1908526 - still available. (IM200) Added silver overlays 115260, 115269. PCC 130093	
	10-11		<ul style="list-style-type: none"> • Created new section: Fastron Controller Replacement Kit Option Chart. Modified previous illustrations. No change to Fastron kits from 2012. • New Cooling Kits for Elreha, PCC 130205. 	
	24-27		New door switch kits; New bracket for door switch; new CAM assebmly for door switch. PCC# 130223.	
	36		New bulletins	
	8	3	Added overlay 115269. 1933511(black) is still available.	
	8-9		Marked items that are no longer available.	
	13	3 4A	Added overlay 115269. PCC 130093 Overlays 1908503, 1908505 are still available.	
	17	3 4A	Overlay 115269 replaced 1835906. PCC130093. Overlay 115261 replaced 4529263; 115262 replaced 4529265 PCC130093	
	35		Updaed critical and recommended parts table	
24	37, 49	Corrected illustration. Arms on frames are bented.		
17			New rating plate location - all models Feb 2015 New KitchenCare covers. Minor revisions to some part numbers, added pre-fix CK. Many door assemblies for older models are no longer available.	FEB 03/15
	26	35, 48, 46	Door insulation - current 113862, was 1915914; 113863, was 1915915; 113864, was 1915916; 113864, was 1915917. Logo - current 4529724, was 3077100	
18	5	4	1946690 supersedes CK1946690 ECO-000857A	MAY 12/17
	34		Added Service Kit table New door shim kit ECO-000928A New heat shield kit ECO-000830	
	26	49	CK4520374 supersedes 4520374 ECO-000745	
	29	30	CK4527194 supersedes 4527194 ECO-001394	
	5	12	New digital timer kit supersedes 1956002, on manual control. Bulletin GAR_SB_0049.	
	37		Updated bulletin list	



1-844-724-CARE • www.mtwkitchencare.com