

# Master Series

## Full Size Gas Convection Ovens

### Parts List

#### Standard Models

**MCO-GS-10, MCO-GS-20**

**MCO-GD-10, MCO-GD-20**

**MCO-GS-10S, MCO-GS-20S**

**MCO-GD-10S, MCO-GD-20S**

from (serial#) 0709100242026

(date) 11-September-2007

#### Energy Star Models

**MCOGS10ESS**

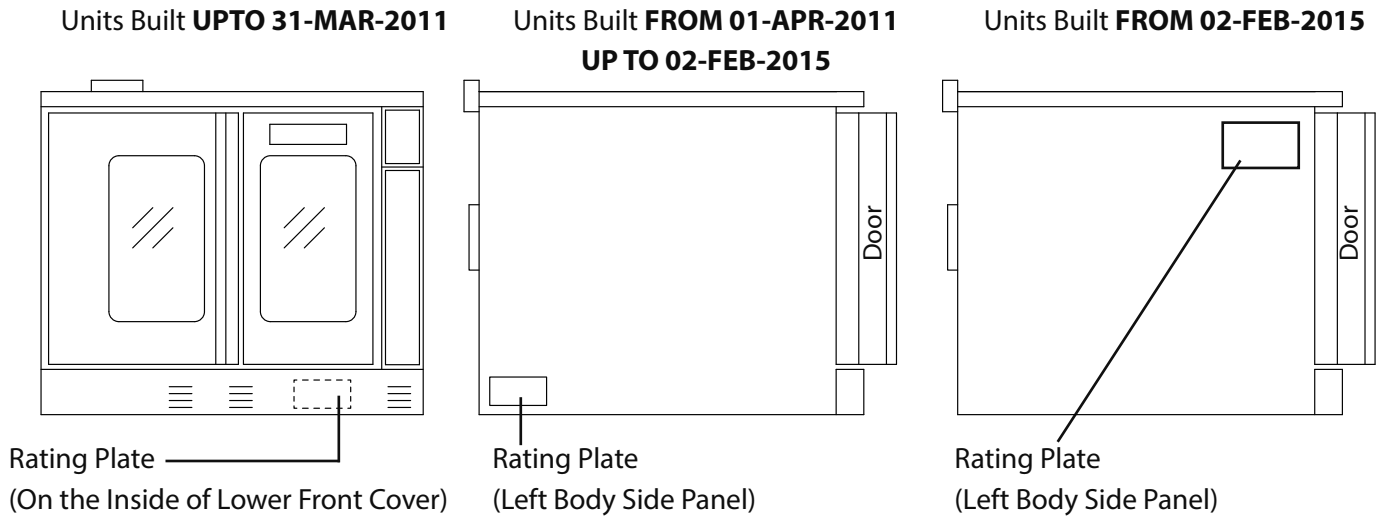
**MCOGS20ESS**

from (serial#) 1106230000001

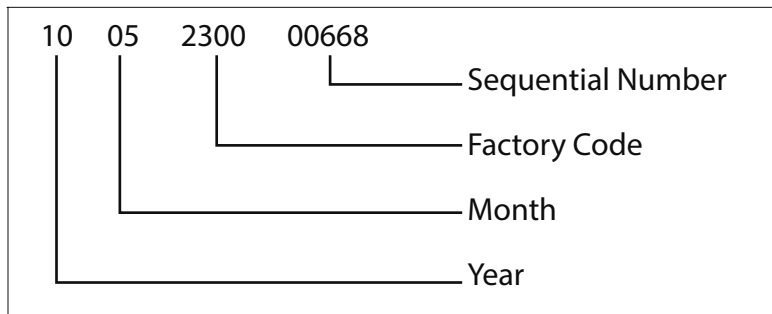
(date) 14-June-2011



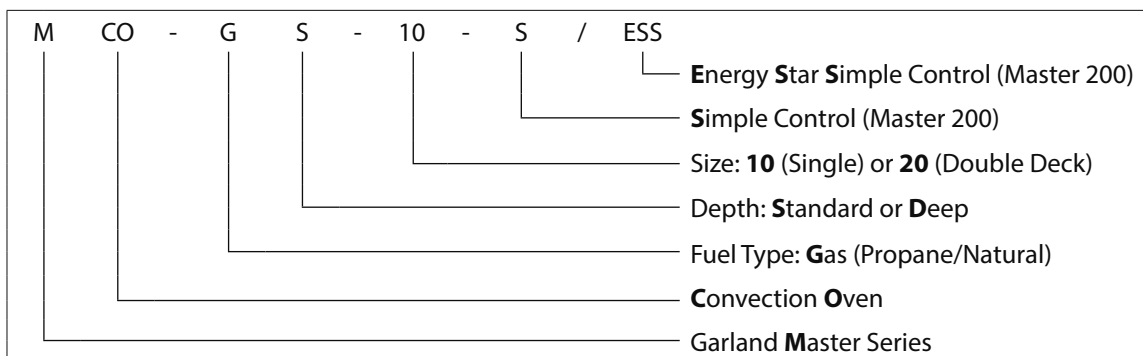
## Rating Plate Location



## Serial# (13-Digits, Year/Month Information)

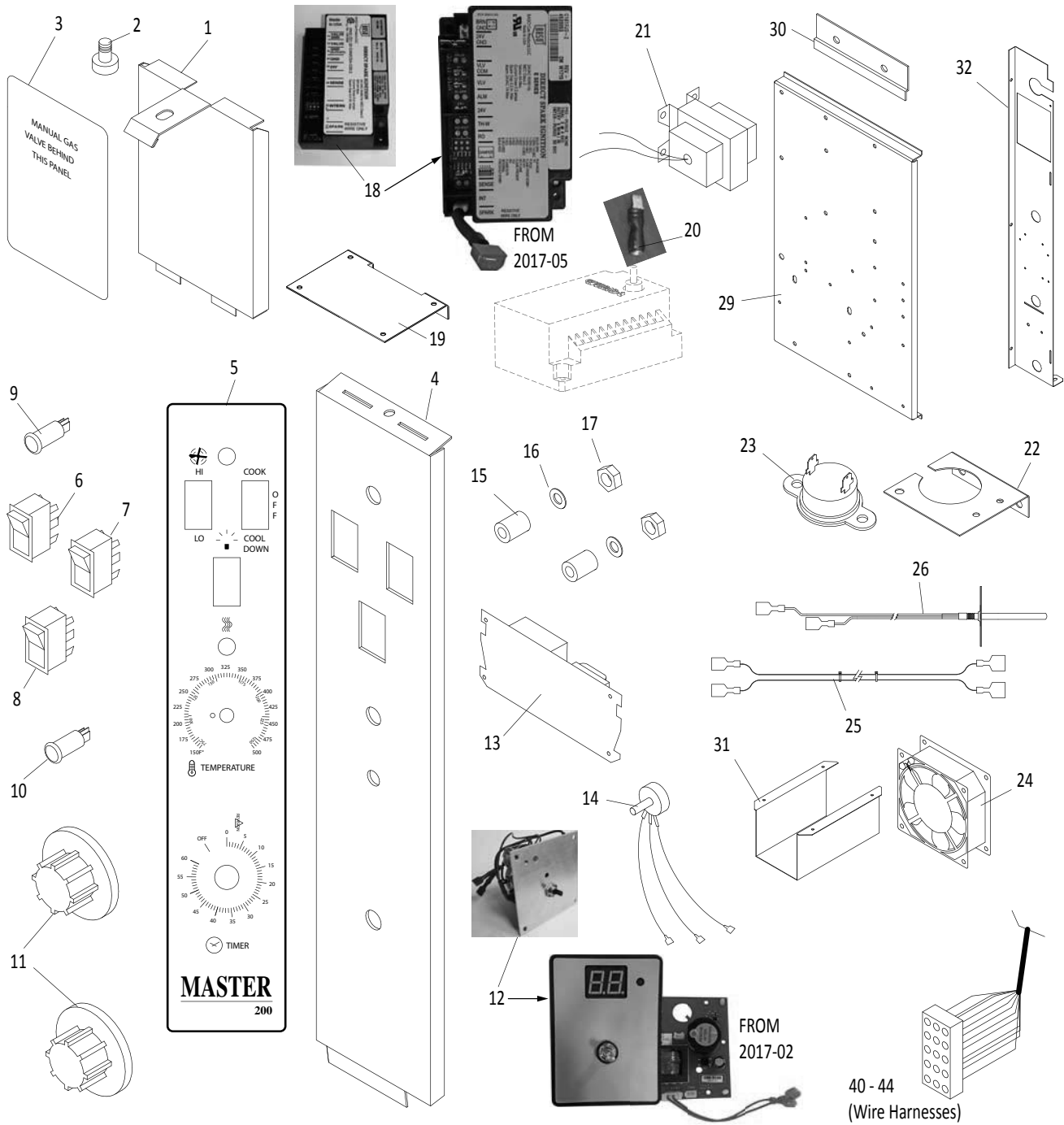


## Model Code Explained

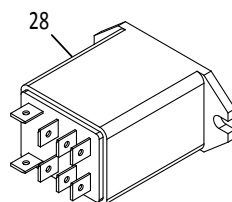
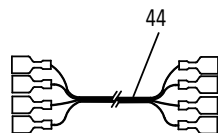


# Table of Contents

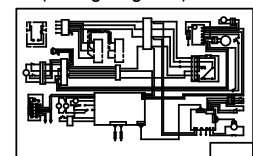
Rating Plate Location / Serial# and Model# Information .....	2
Master 200 Manual Control Panel & Components .....	4
Digital Controller Kits - Replacement Kits / Cooling Kits .....	6
Master 450/455 FASTRON Digital Control Panel & Components .....	8
Master 450/455 ELREHA Digital Control Panel & Components.....	12
Burner Package .....	16
Door Components & Assemblies .....	18
Oven Components .....	22
Exterior Components .....	24
Wiring Diagrams .....	26
Controller Conversion Kits - FAST Control.....	26
Gas Conversion Kits .....	26
Single & Double Deck Kits (Open Base, Legs & Casters) .....	26
Ventilation Kits.....	26
Service Kits.....	26
Critical & Recommended Stock Parts List.....	27
Bulletins .....	28
Revision History.....	29



For Energy Star Models  
 (MCO-GS-10-ESS)



50 (Wiring Diagrams)



**GARLAND Master Series Full Size Gas Convection Ovens  
MCO-GS/GD-10S/20S, MCOGS10ESS/20ESS  
MASTER 200 MANUAL CONTROL PANEL & COMPONENTS**

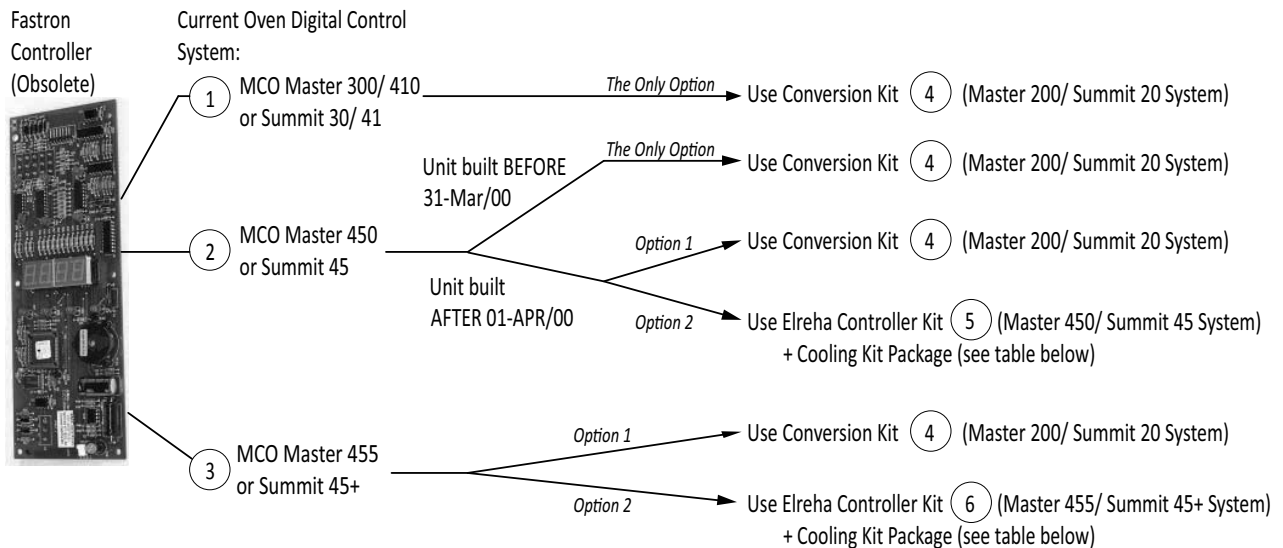
ITEM	PART #	DESCRIPTION	QUANTITY		CRITICAL
			STANDARD MODELS	ENERGY STAR (-ESS)	
1	1918501	Cover - Upper Control Panel, SS	1	1	
2	GF297	#10-24 x 1/2" Slotted Thumb Screw	1	1	
3	1789605	Overlay - Top Control Pane, Gas, black Obsolete	-	-	
	115268	Overlay - Top Control Pane, Gas, silver/gray	1	1	
4	1946690	Control Panel Mechanical	1	1	
5	1908526	Overlay - IM200 Manual Control, black	1	1	
	115260	Overlay - IM200 Manual Control, silver/gray	1	1	
6	<b>1955402</b>	<b>Rocker Switch - 2 Positions, Hi/Low</b>	1	1	C
7	<b>1955401</b>	<b>Rocker Switch - 3 Positions, Cook/Off/CoolDown</b>	1	1	C
8	1955403	Momentary Rocker Switch	1	1	
9	1936101	Indicator Lamp - Green, 120V for 115V-MCO	1	1	
	1936102	Indicator Lamp - Green, 250V for 208/240V-MCO	1	1	
10	1936103	Indicator Lamp - Amber 28V	1	1	
11	1765802	Fluted Knob with two Set Screws	2	2	
12	CK11000301070	TIMER; COMPLETE 115V DIGITAL; 90 MIN (For 115V ovens, gas/elec) Was 1956001. Bulletin GAR_SB_0049	1	1	C
	CK11000301072	TIMER; COMPLETE; 230V Conversion; DIGITAL; 90 MIN (for 208V, 240V, 460V ovens, gas/electric). Was 1956002. Bulletin GAR_SB_0049	1	1	C
13	<b>300867</b>	<b>Power Control Board 150-500 deg F</b>	1	1	C
14	<b>1955601</b>	<b>Potentiometer</b>	1	1	C
15	1955701	Nylon Standoff - 1/4 x 1/2 x 1	2	2	
16	1955801	Teflon Washer - 7/16 OD	2	2	
17	8001502	Nut with Lockwasher - 6-32 Kep, Zinc	2	2	
18	<b>CK4533053</b>	<b>DSI Ignition Module Kit</b>	1	1	C
19	4522605	Bracket - DSI Ignition Module	1	1	
20	1666300	1/4 Spade To Rajh Type Adaptor			
21	1269899	Transformer, Class 2, 120V to 24VAC w/Insulated Slipon Terminal	1	1	C
	1636000	Transformer - Primary 208/240V - Secondary 24V	1	1	C
22	4519862	Bracket - Wireway Hi Limit	1	1	
23	<b>1955101</b>	<b>Switch - Thermal Disc, Cooling</b>	1	1	C
24	<b>1671100</b>	<b>Polar Fan 115V</b> (For Fan Installation, see Bulletin B-97-2009-S)	1	1	C
25	1906003	Cable Assembly - Probe Extension ( <b>USE ONLY WITH 1906002</b> )	1	1	C
26	1906002	Probe - RTD, Flange Mount ( <b>USE ONLY WITH 1906003</b> )	1	1	C
27*	105966	Relay 120V, ESS		1	
28	300852	Relay 220-240V, ESS		1	
29	1933406	Bracket - Ignition Control	1	1	
30	1911301	Relay Bracket Slide	2	2	
31	1918001	Air Exhaust Duct - Standard Depth	1	1	
	1918002	Air Exhaust Duct - Deep Depth	1		
32	1926001	Panel - Right Side, Mid	1	1	
40*	1949599	Wire Harness - 115V 60HZ Gas	1	1	
	1949598	Wire Harness - 208/240V 60Hz Gas	1	1	
41*	1949576	Wire Harness - Mechanical Control Panel	1	1	
42*	1949579	Wire Harness - Lights	1	1	
43*	1936095	Wire Harness - Ignition Module (IPI/DSI)	1	1	
44	300829	Wire Harness - Two-Stage Gas Valve, ESS		1	
50*	1949511	Wiring Diagram - 115V 60Hz, Gas, Mechanical Control	1		
	1949512	Wiring Diagram - 208/240V, Gas, Mechanical Control	1		
	300830	Wiring Diagram - 15V, 60Hz, Gas, Mechanical Control, ESS		1	
	300837	Wiring Diagram - 208/240V, 60Hz, Gas, Mechanical Control, ESS		1	
<b>Note:</b> Diagram part#s listed For Reference Only. Please contact KitchenCare for assistance.					
51*	4522593	Conversion Kit - from Digital to Manual Controller <b>FOR MCO with FASTRON Controller(p.10)</b> <b>Note:</b> Kit includes items 4, 5, 6, 7, 8, 9(1936101), 10, 11, 12(1956001), 13, 14, 15, 16, 17, 41, door micro-switch (4519715), switch harness(1949575), transition harness(4522524), wiring diagram(4522595), and instructions.			

\* NOT ILLUSTRATED

**RECOMMENDED STOCK PARTS**

**CONTROLLER REPLACEMENT KIT OPTIONS**

(for Convection Ovens with Fastron Control System)



**COOLING KIT PACKAGES**

\*\* Not Required for Conversion Kit 4

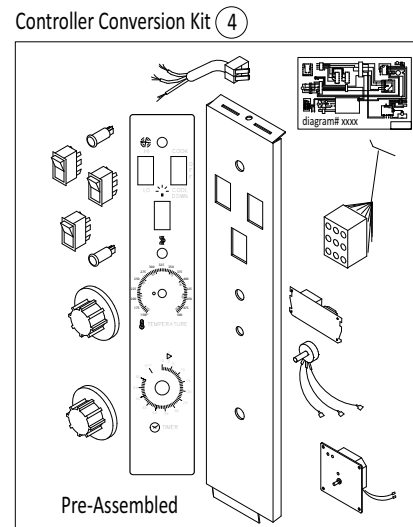
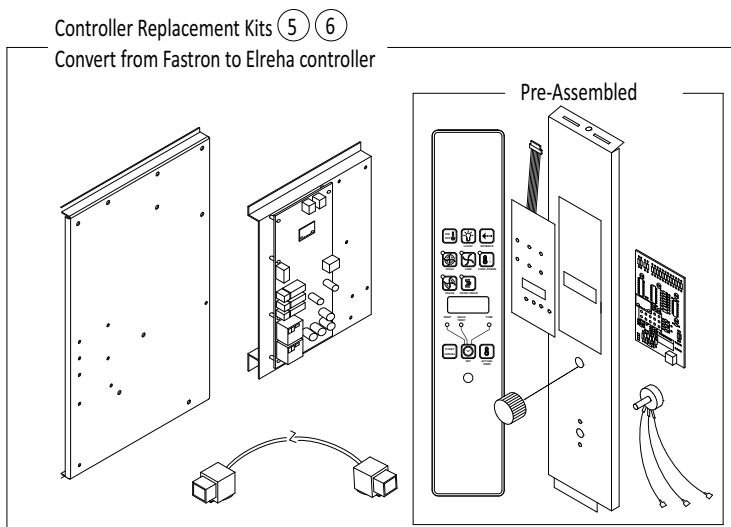
\*\* for convection ovens built before Jan, 2014 with Elreha conversion kits/control system)



Elreha Controller

Ovens with Elreha Controller	All Ovens Built Prior to October, 2007	All Ovens Built between Oct, 2007 - Jan, 2014
Standard Depth Oven (oven rack 22" deep)	7 115320 + 9 115322 (Supplementary Kit)	7 115320
Deep Depth Oven (oven rack 26" deep)	8 115321 + 9 115322 (Supplementary Kit)	8 115321

**KIT COMPONENTS**



**GARLAND Master Series Full Size Gas Convection Ovens with Digital Controllers**  
models **MCO-GS/GD-10/20**

**FASTRON CONTROLLER REPLACEMENT KITS &  
ELREHA COOLING KITS**

ITEM	PART#	DESCRIPTION	QTY	CRITICAL
<b>FASTRON CONTROLLER REPLACEMENT KITS</b>				
1	1905702	<b>Master 410</b> Digital Controller <b>Note:</b> Use Kit 4522593 (Item #4) Ref: Bulletin# GAR-02-14-AC.	NLA <sup>+</sup>	C
2	1905703	<b>Master 450</b> Digital Controller with Cook-N-Hold <b>Note:</b> Use Kit 4522593 (Item #4) or 4529705 (Item #5). Ref: Bulletin# GAR-02-14-AC.	NLA <sup>+</sup>	C
3	1905704	<b>Master 455</b> Digital Controller with Cook-N-Hold and Core Probe <b>Note:</b> Use Kit 4529706 (item 6). Ref: Bulletin# GAR-02-14-AC.	NLA <sup>+</sup>	C
4	4522593	Controller Replacement/Conversion Kit (Gas) - from digital to manual Master 200 control <b>Note:</b> This Kit is the <b>ONLY OPTION</b> available for any unit built <b>before 31-March/2000</b> . For a list of components in this Kit, see Master 200 Manual Control (p.5, item 51). Ref: Bulletin# GAR-02-14-AC.	1	C
5	4529705	Controller Replacement Kit - <b>MCO 450</b> (Gas/Electric), Elreha <b>Note:</b> Use this Kit for any unit manufactured <b>after 01-April/2000</b> . Kit includes a panel assembly with Elreha control, a relay board assembly, a cable, a bracket and instruction# 4529741. Ref: Bulletin# GAR-02-14-AC.	1	C
6	4529706	Controller Replacement Kit - <b>MCO 455</b> (Gas/Electric), Elreha <b>Note:</b> Kit includes a panel assembly with Elreha control, a relay board assembly, a cable, a bracket and instruction# 4529741. Ref: Bulletin# GAR-02-14-AC.	1	C
<b>COOLING KITS</b>				
<b>Not required for ovens with manual controls. These kits are for any oven built before Jan, 2014 with Elreha conversion kit (items 5, 6) / Elreha control system. Ref: Bulletin# GAR-02-14-AC.</b>				
7	115320	Cooling Kit, Standard Depth Oven, with Elreha Control <b>Note:</b> • Kit includes a duct assembly, a hole plug, a cover plate, and fasteners. • Also require Kit 115322 (item 9) for any oven built before October, 2007.	1	
8	115321	Cooling Kit, Deep Depth Oven, with Elreha Control <b>Note:</b> • Kit includes a duct assembly, a hole plug, a cover plate, and fasteners. • Also require Kit 115322 (item 9) for any oven built before October, 2007.	1	
9	115322	Supplementary Cooling Kit <b>Note:</b> • Only required for ovens built before October, 2007; use this kit with either 115320 (item 7) for standard depth or 115321 (item 8) for deep depth oven. • Kit includes a high limit assembly, a circuit board support, insulation, a finger guard, and fasteners.	1	

\* NOT ILLUSTRATED

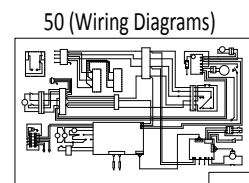
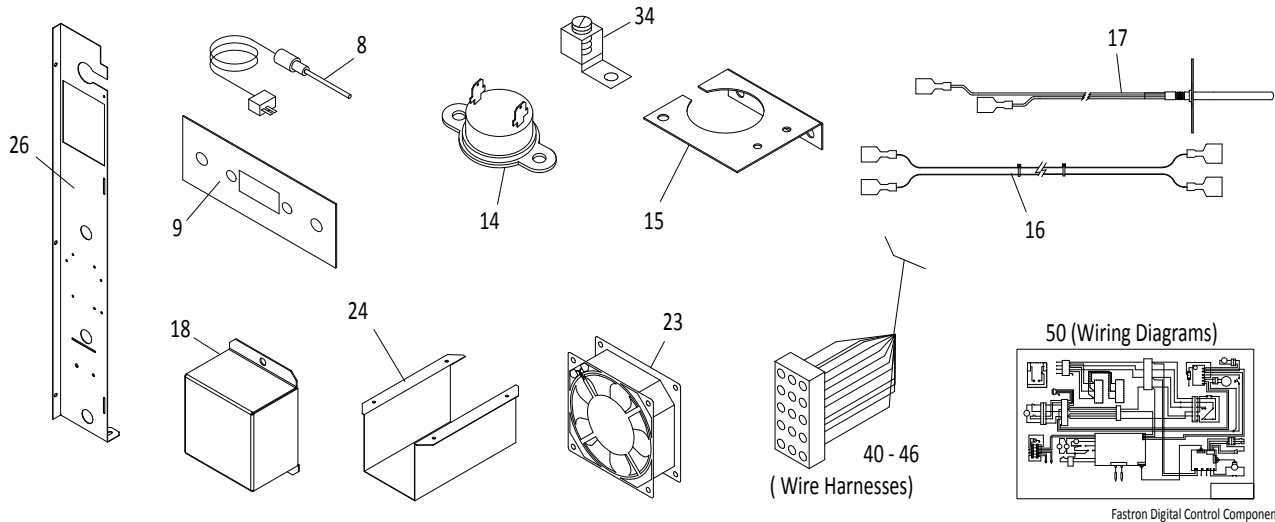
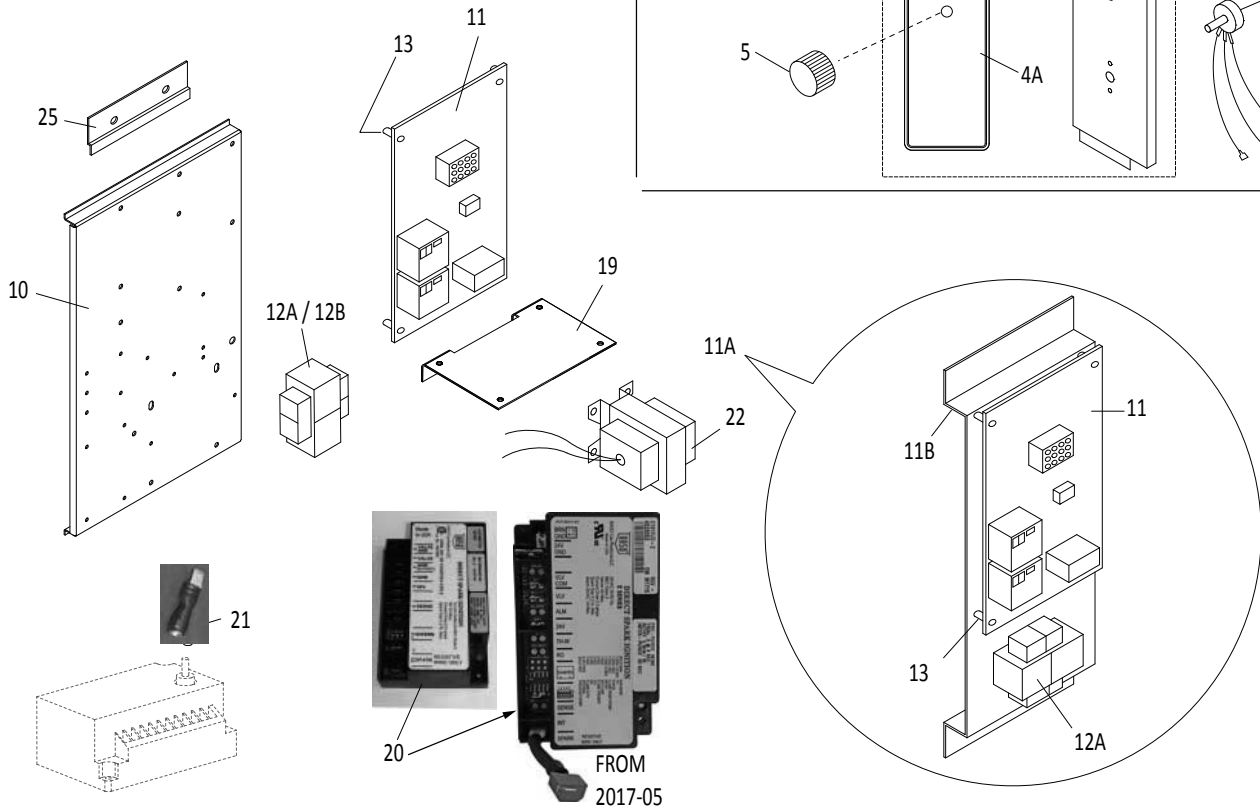
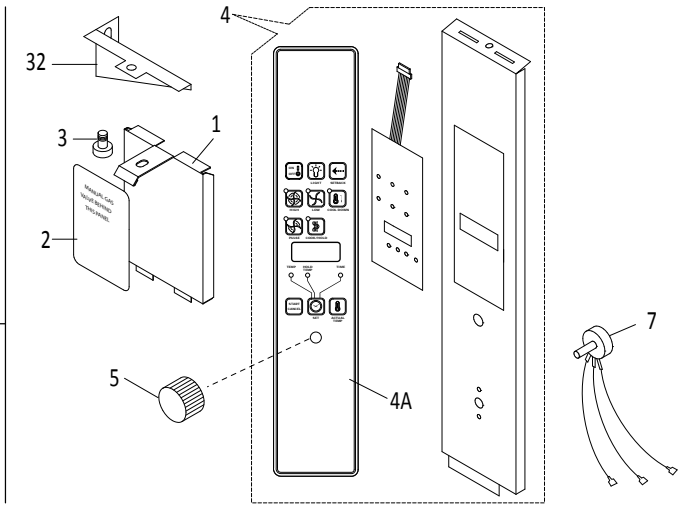
**RECOMMENDED STOCK PARTS**

+ NLA = No Longer Available

Fastron Controller (Obsolete)  
 For Fastron controller  
 replacement kits, see p. 6.



Elreha Controller  
 See p. 12.



Fastron Digital Control Components



**GARLAND Master 450/455 Series Full Size Gas Convection Ovens**  
models **MCO-GS/GD-10/20**

**(FASTRON) MASTER 450/455 DIGITAL CONTROL PANEL & COMPONENTS**

ITEM	PART#	DESCRIPTION	QTY	CRITICAL
1	1918501	Cover - Upper Control Panel, SS	1	
2	1789605	Overlay Top Control Panel Gas, black	1	
	115268	Overlay Top Control Panel Gas, silver/gray	1	
3	GF297	#10-24 x 1/2" Slotted Thumb Screw / Knurled Screw	1	
4	1952898	Control Panel Assembly - <b>Master 450</b> Keypad, with Light <b>Note:</b> Assembly Includes a S/S Panel, a Key-Pad Control and Overlay (item 4A). S/S Panel and Key Pad Not Sold Separately.	1	
	CK1952897	Control Panel Assembly - <b>Master 455</b> Keypad, with Light <b>Note:</b> Assembly Includes a S/S Panel, a Key-Pad Control and Overlay (item 4A). S/S Panel and Key Pad Not Sold Separately.	1	
4A	1908503	Overlay - <b>Master 450</b> with Light	1	
	1908505	Overlay - <b>Master 455</b> with Light	1	
5	1720502	Fluted Knob (Fast Control Knob)	1	
7	1911601	Potentiometer - Encoder	1	C
8	1906004	Core Probe (Meat Probe) - for <b>IM455</b> Control Only	1	
9	1946701	Core Probe Bracket - for <b>IM455</b> Control Only	1	
10	1933406	Bracket - Ignition Control for units with Fastron Control.	1	
11	1916901	Relay Board PCB Assy	1	C
11A	S113850	Relay Board Assembly Kit - 120V <b>Note:</b> Kit includes PCB Asm (1916901/item 11), transformer (1917199/item 12A), bracket (1916801/item 11B), nylon spacers and fasteners.	1	
11B	1916801	Bracket - Relay Board Assembly	1	
12A	1917199	Transformer 120V to 24VAC	1	C
12B	1917198	Transformer 208/240V to 24VAC	1	C
13	1767901	Nylon PCB Spacer	4	
14	<b>1955101</b>	<b>Switch - Thermal Disc, Cooling Fan</b>	1	C
15	4519862	Bracket - Thermal Disc Switch	1	
16	1906003	Cable Assembly - Probe Extension ( <b>USE ONLY WITH 1906002</b> )	1	C
17	1906002	Probe - RTD, Flange Mount ( <b>USE ONLY WITH 1906003</b> )	1	C
18	1916301	Cover - Probe Connector	1	
19	4522605	Bracket - DSI Ignition Module	1	
20	<b>CK4533053</b>	<b>DSI Ignition Module Kit</b>	1	C
21	1666300	1/4 Spade To Rajh Type Adaptor	1	
22	1269899	Transformer - Class 2,120V to 24V (with Insulated Slip on Terminal), for 115V-unit	1	C
	1636000	Transformer - 24VAC, for 208/240V-unit	1	C
23	1671100	Polar Fan 115V <b>Note:</b> For Fan Installation, refer to Service Bulletin B-97-2009-S.	1	C
	1671101	Cooling Fan 208 / 240 V <b>Note:</b> For Fan Installation, refer to Service Bulletin B-97-2009-S.	1	C
24	1918001	Air Exhaust Duct - Standard Depth	1	
	1918002	Air Exhaust Duct - Deep Depth	1	
25	1911301	Relay Bracket Slide	2	
26	1926001	Panel - Right Side, Mid	1	
32	1918902	Bracket - Upper Control Panel Mounting	1	
34	1028402	Ground Lug (208/240V 1920102 module)	1	

\* NOT ILLUSTRATED

**RECOMMENDED STOCK PARTS**

**GARLAND Master 450/455 Series Full Size Gas Convection Ovens**  
*models MCO-GS/GD-10/20*

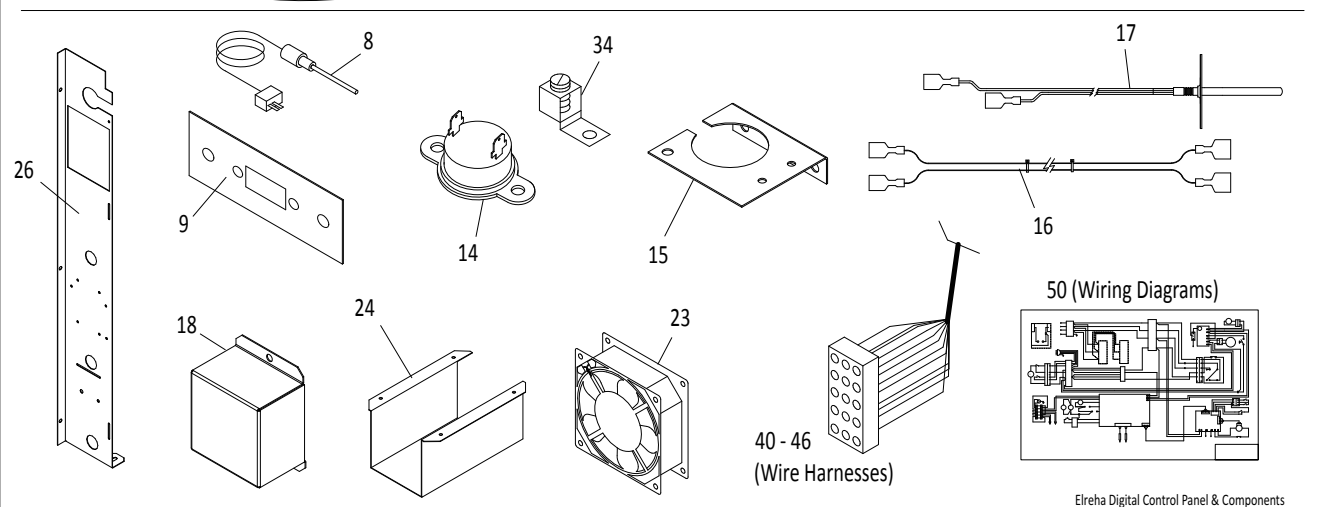
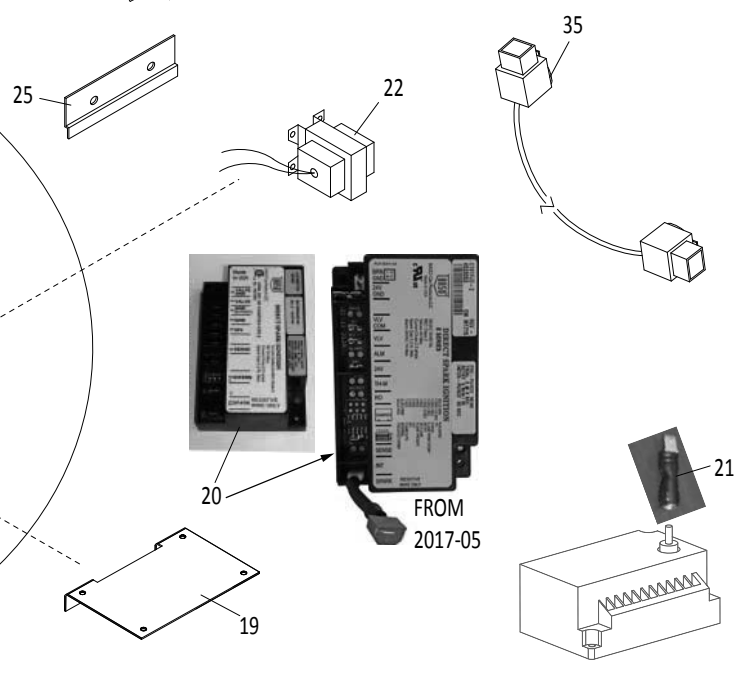
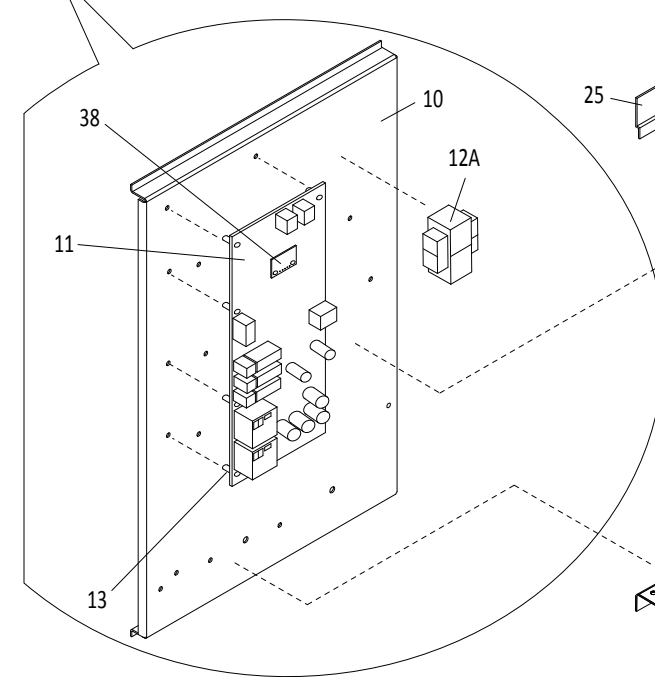
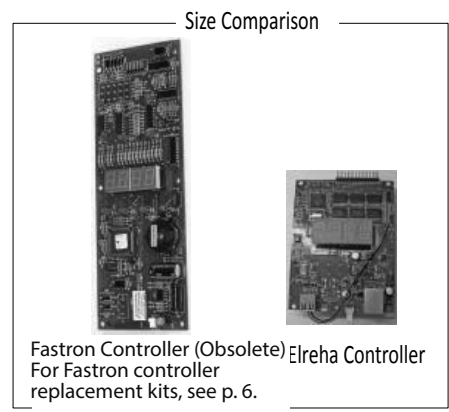
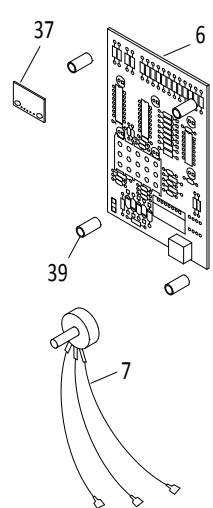
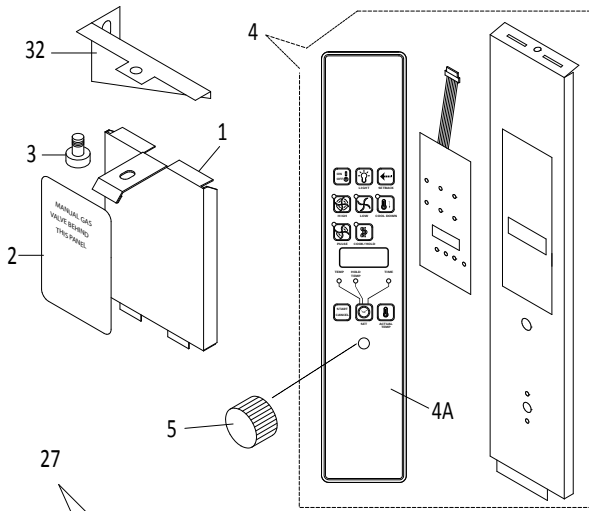
**(FASTRON) MASTER 450/455 DIGITAL CONTROL PANEL & COMPONENTS**

ITEM	PART#	DESCRIPTION	QTY	CRITICAL
40*	1949599	Wire Harness - 115V 60Hz Gas	1	
	1949598	Wire Harness - 208/240V 60Hz Gas	1	
41*	1949578	Wire Harness - Relay Board	1	
42*	1949596	Main Wire Harness for Arby's	1	
43*	1905901	Harness - Control to Relay	1	
44*	1905902	Wire Harness - Core Probe, for <b>Master 455</b> Control Only	1	
45*	1949579	Wire Harness - Lights	1	
46*	1936095	Wire Harness - Ignition Module (IPI/DSI)	1	
50*	1949501	Wiring Diagram 115V 60Hz Gas Fast Control	1	
	1949502	Wiring Diagram 208/240V Gas Fast Control	1	
<b>Note:</b> Diagram part#s listed For Reference Only. Please contact Technical Service for assistance.				

\* NOT ILLUSTRATED

**RECOMMENDED STOCK PARTS**

Blank Page



**GARLAND Master 450/455 Series Full Size Gas Convection Ovens**  
models **MCO-GS/GD-10/20**

**(ELREHA) MASTER 450/455 DIGITAL CONTROL PANEL & COMPONENTS**

ITEM	PART #	DESCRIPTION	QTY	CRITICAL
1	1918501	Cover - Upper Control Panel, SS	1	
2	1789605	Overlay Top Control Panel Gas, black	1	
	115268	Overlay Top Control Panel Gas, silver/gray	1	
3	GF297	#10-24 x 1/2" Slotted Thumb Screw / Knurled Screw	1	
4	4530502	<b>Master 450</b> Keypad Panel Kit (Elreha) <b>Note:</b> Assembly includes a S/S Control Panel, a Master 450 Overlay (item 4A), and a Key Pad Control(Membrane Switch). S/S Panel and Key Pad Not Sold Separately.	1	
	4530503	<b>Master 455</b> Keypad Panel Kit (Elreha) <b>Note:</b> Assembly includes a S/S Control Panel, a Master 455 Overlay (item 4A), and a Key Pad Control(Membrane Switch). S/S Panel and Key Pad Not Sold Separately.	1	
4A	115261	Overlay - <b>Master 450</b> with Light, Elreha, silver/gray	1	
	115262	Overlay - <b>Master 455</b> with Light, Elreha, silver/gray	1	
5	1720502	Fluted Knob (Fast Control Knob)	1	
6	4527483	User Interface Board / UI Board (Elreha)	1	
7	<b>1911601</b>	<b>Potentiometer - Encoder</b>	1	C
8	1906004	Core Probe (Meat Probe) - for <b>Master 455</b> Control Only	1	
9	1946701	Core Probe Bracket - for <b>Master 455</b> Control Only	1	
10	4528498	Bracket - Ignition Control/SRB, Elreha	1	
11	4527484	Relay Board / SRB - Digital Control, Elreha	1	C
12A	1917199	Transformer 120V to 24VAC	1	C
12B*	1917198	Transformer 208/240V to 24VAC	1	C
13	1767901	Nylon Spacers	8	
14	<b>1955101</b>	<b>Switch - Thermal Disc, Cooling Fan</b>	1	C
15	4519862	Bracket - Thermal Disc Switch	1	
16	1906003	Cable Assembly - Probe Extension ( <b>USE ONLY WITH 1906002</b> )	1	C
17	1906002	Probe - RTD, Flange Mount ( <b>USE ONLY WITH 1906003</b> )	1	C
18	1916301	Cover - Probe Connector	1	
19	4522605	Bracket - DSI Ignition Module	1	
20	<b>CK4533053</b>	<b>DSI Ignition Module Kit</b>	1	C
21	1666300	1/4 Spade To Rajh Type Adaptor	1	
22	1269899	Transformer - Class 2,120V to 24V (with Insulated Slip on Terminal), for 115V-unit	1	C
	1636000	Transformer - 24VAC, for 208/240V-unit	1	C
23	1671100	Polar Fan 115V <b>Note:</b> For Fan Installation, refer to Service Bulletin B-97-2009-S.	1	C
	1671101	Cooling Fan 208 / 240 V <b>Note:</b> For Fan Installation, refer to Service Bulletin B-97-2009-S.	1	C
24	1918001	Air Exhaust Duct - Standard Depth	1	
	1918002	Air Exhaust Duct - Deep Depth	1	
25	1911301	Relay Bracket Slide	2	
26	1926001	Panel - Right Side, Mid	1	
27	S113848	Relay Board Assembly - Gas, Elreha <b>Note:</b> Assembly includes a mounting panel, relay board, personality module, transformer (1917199), and fasteners.	1	
32	1918902	Bracket - Upper Control Panel Mounting	1	
34	1028402	Ground Lug (208/240V 1920102 module)	1	
35	4529003	Cable - UI/SRB 0.5M Elreha	1	
37	4529740	Personality Module on UI, Elreha	1	

\* NOT ILLUSTRATED

**RECOMMENDED STOCK PARTS**

**GARLAND Master 450/455 Series Full Size Gas Convection Ovens**  
*models MCO-GS/GD-10/20*

**(ELREHA) MASTER 450/455 DIGITAL CONTROL PANEL & COMPONENTS**

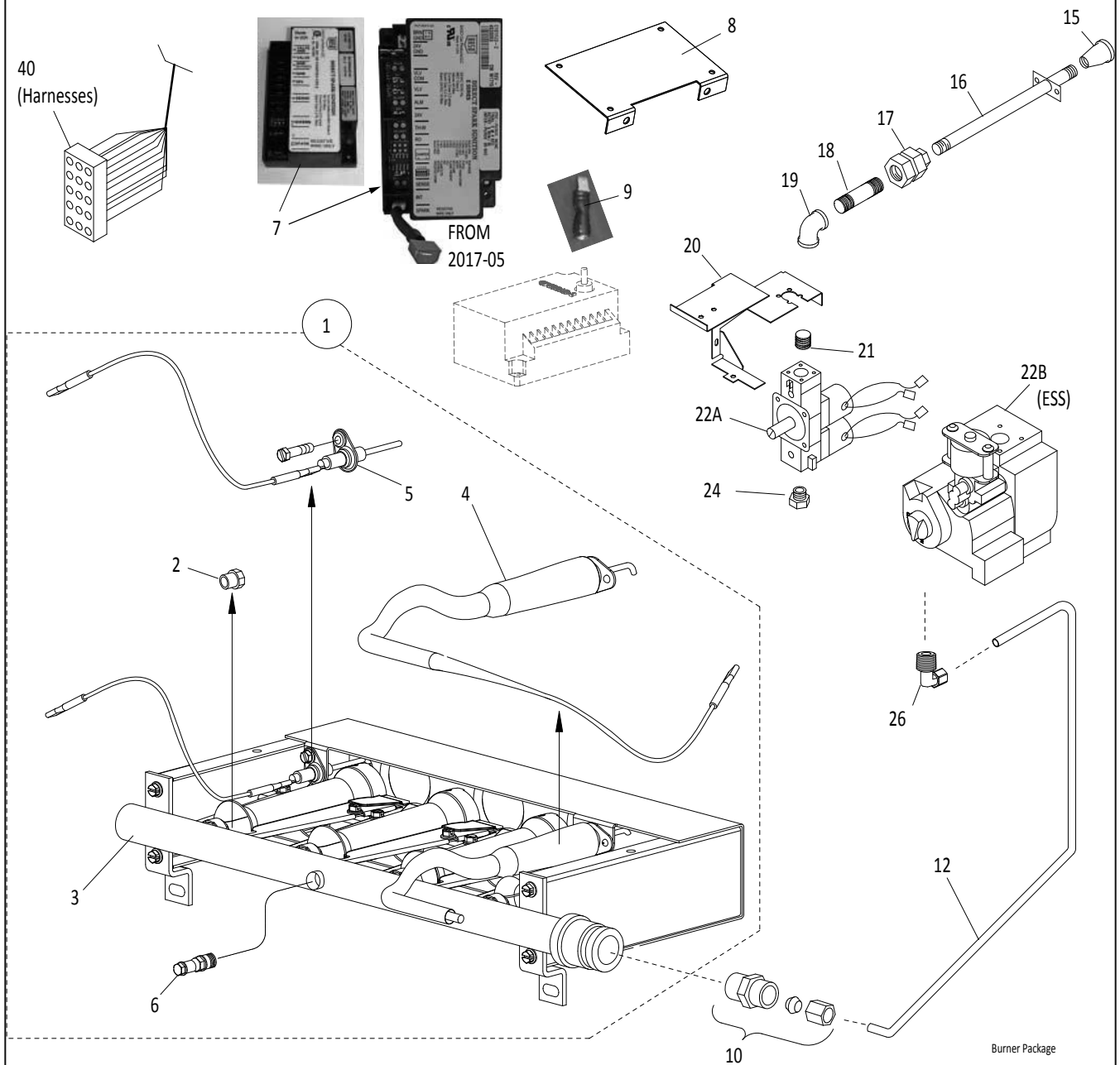
ITEM	PART #	DESCRIPTION	QTY	CRITICAL
38	4529761	Personality Module on Relay Board/SRB, Elreha	1	
39	1955703	Standoff Nylon, 1/4" dia.	4	
40*	1949599	Wire Harness - 115V 60Hz Gas	1	
	1949598	Wire Harness - 208/240V 60Hz Gas	1	
41*	1949578	Wire Harness - Relay Board	1	
44*	1905902	Wire Harness - Core Probe, for <b>Master 455</b> Control Only	1	
45*	1949579	Wire Harness - Lights	1	
46*	1936095	Wire Harness - Ignition Module (IPI/DSI)	1	
50*	1949501	Wiring Diagram 115V 60Hz Gas Fast Control	1	
	1949502	Wiring Diagram 208/240V Gas Fast Control	1	
<b>Note:</b> Diagram part#s listed For Reference Only. Please contact Technical Service for assistance.				

\* NOT ILLUSTRATED

**RECOMMENDED STOCK PARTS**

Blank Page

## BURNER PACKAGE





**GARLAND Master Series Full Size Gas Convection Ovens**  
*models MCO-GS/GD-10/20, MCO-GS/GD-10S/20S, MCOGS10ESS/20ESS*

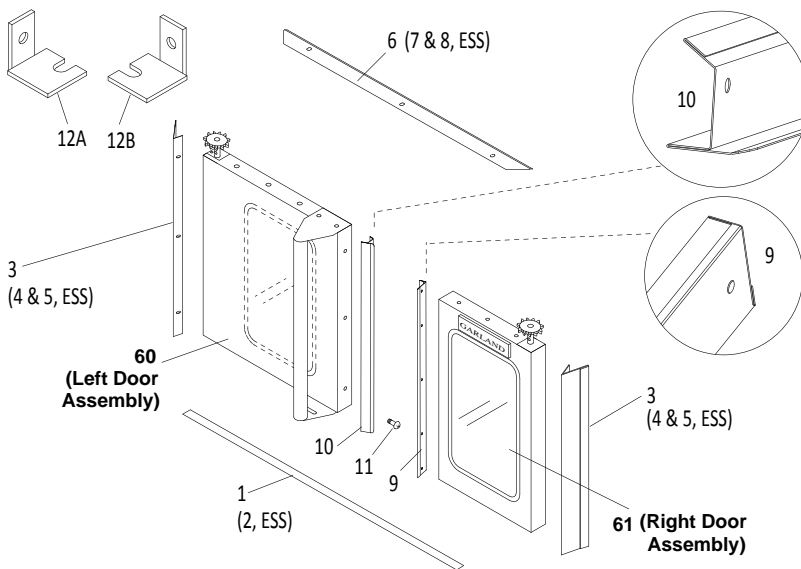
**BURNER PACKAGE**

ITEM	PART #	DESCRIPTION	QUANTITY		CRITICAL
			STANDARD MODELS	ENERGY STAR (-ESS)	
1	4521462	Burner Pack - DSI MCO 60K Natural	1	1	
	CK4521468	Burner Pack Converted - DSI MCO 80K Natural	1	-	
	CK4521464	Burner Pack Converted - DSI MCO 60K Propane	1	-	
2	4521466-04	Orifice, DSI MCO 80K Natural #47 <b>Note:</b> Use with Burner Pack CK4521468.	4	-	
	4521466-01	Orifice, DSI MCO 60K Propane #56 <b>Note:</b> Use with Burner Pack CK4521464.	4	-	
3	1916101	Manifold Pipe (x1) <b>NO LONGER AVAILABLE</b>	NLA	NLA	
4	<b>4523414</b>	<b>Ignitor - DSI Burner Pack</b>	1	1	C
5	<b>4523415</b>	<b>Flame Sensor - DSI Burner Pack</b>	1	1	C
6	02251-1	Pressure Test Spigot (x1) <b>NO LONGER AVAILABLE</b>	NLA	NLA	
7	<b>CK4533053</b>	<b>DSI Ignition Module Kit</b>	1	1	C
8	4522605	Bracket - DSI Ignition Module	1	1	
9	1666300	1/4 Spade To Rajh Type Adaptor	1	-	
10	1095499	Straight Connector Assembly - 3/8 NPT x 7/16 CC (Includes Nut & Ferrule) For Energy Star ESS models, used FROM Feb 2015.	1	1	
11*	06202	Straight Connector Assembly - 1/2"	-	UP TO FEB/15	
12	1934308	Tubing - Gas Valve to Manifold For Energy Star ESS models, used FROM Feb 2015.	1	1	
13*	113645	Tubing - Gas Valve to Manifold, Energy Star	-	UP TO FEB/15	
15	1004849	Bell Reducer - 3/4 to 1/2 NPT	1	1	
16	1916102	Tailpipe - Standard/Deep Depth	1	1	
17	21302	Union - 1/2" NPT, Black (replaced 1026903)	1	1	
18	14332	Nipple - 1/2" NPT x 3", Black (replaced 1004644)	1	1	
19	05249	1/2" NPT x 90 Degree Elbow (replaced 1026703 / 1026733)	1	1	
20	1918999	Bracket, Gas Valve Mount	1	1	
21	14323	Close Nipple - 1/2" NPT x 1" Long (replaced 1004640)	1	1	
22A	<b>1935701</b>	<b>Gas Valve - Natural, Dual with Shut 4"</b>	1	-	C
	<b>1935702</b>	<b>Gas Valve - Propane, Dual with Shut 10"</b>	1	-	C
22B	<b>300828</b>	<b>Gas Valve - 2 Stage - Natural Gas (Energy Star)</b>		1	C
24	02558	Hex Bushing 1/2 x 3/8 NPT Black (replaced 1038401) For Energy Star ESS models, used FROM Feb 2015.	1	1	
25*	06205	90 deg. Male Connector Assembly 1/2" Tube 1/2" Pipe Thread	-	UP TO FEB/15	
26	1027499	90 deg. Male Connector Assembly 7/16 CC x 3/8 NPT (includes a 7/16 CC Nut and a 7/16 CC Ferrule) For Energy Star ESS models, used FROM Feb 2015.	1	1	
40*	1936095	Wire Harness - Ignition Module (IPI/DSI)	1	1	

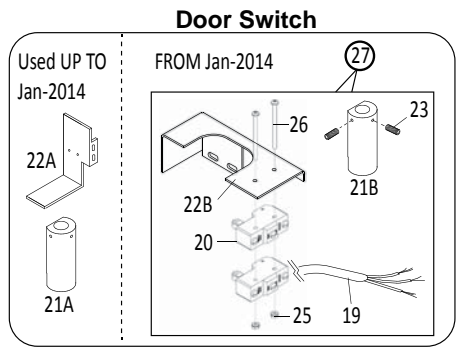
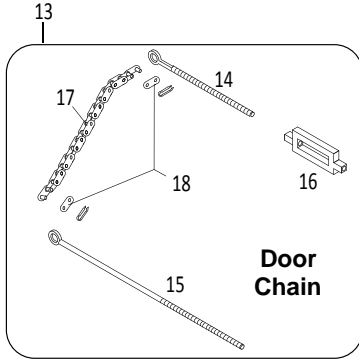
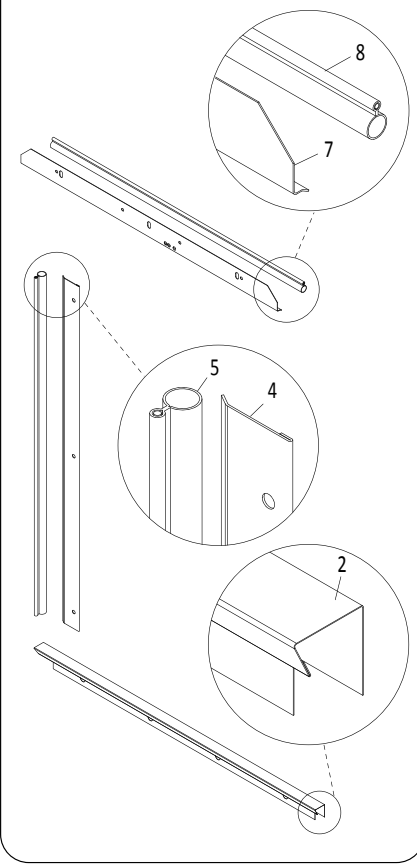
\* NOT ILLUSTRATED

**RECOMMENDED STOCK PARTS**

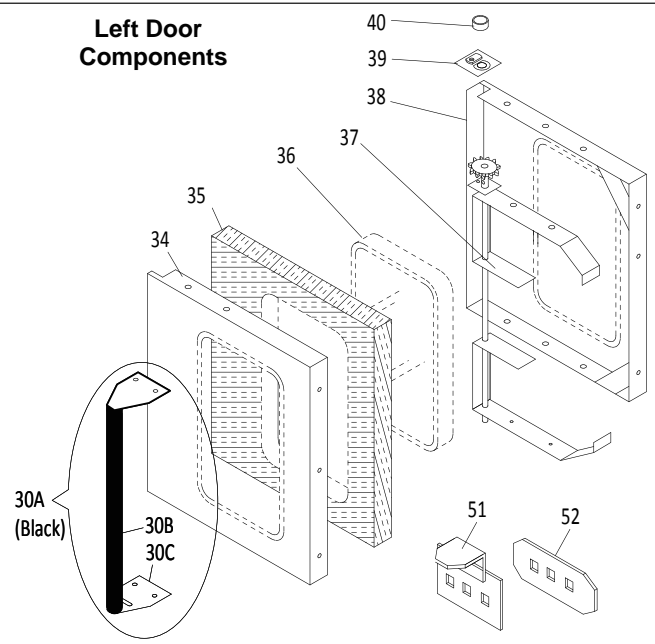
### DOOR COMPONENTS & ASSEMBLIES



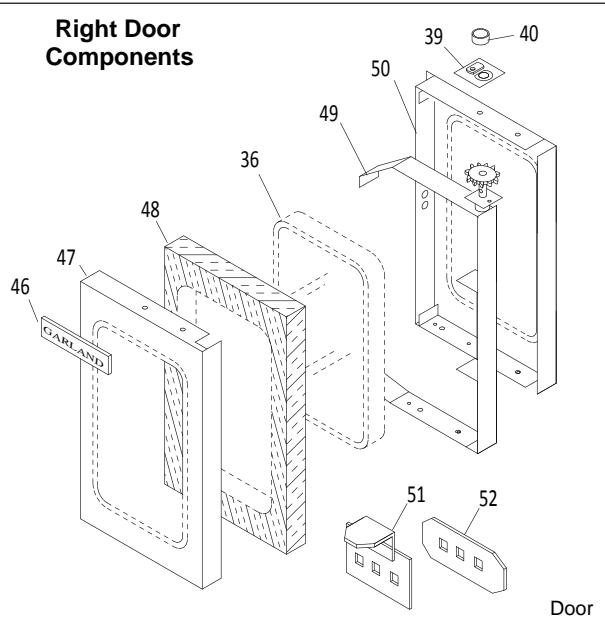
**For Energy Star Models (ESS)**



**Left Door Components**



**Right Door Components**



**GARLAND Master Series Full Size Gas Convection Ovens**  
*models* **MCO-GS/GD-10/20, MCO-GS/GD-10S/20S, MCOGS10ESS/20ESS**

**DOOR COMPONENTS**

ITEM	PART #	DESCRIPTION	QUANTITY		CRITICAL
			STANDARD MODELS	ENERGY STAR (-ESS)	
1	1924712	<i>Seal - Door, Bottom</i>	1		
2	113548	<i>Bracket, Door Gasket Seal, Bottom</i>		1	
3	1924601	<i>Seal - Door, Left &amp; Right</i>	2		
4	113546	<i>Bracket, Door Gasket, Left &amp; Right</i>		2	
5	113543	<i>Gasket, Door Seal, Left &amp; Right</i>		2	
6	1924711	<i>Seal - Door Top</i>	1		
7	1304202	<i>Top / Bottom Door Seal</i>		1	
8	113542	<i>Gasket - Door Seal Top</i>		1	
9	1924411	<i>Center - Right Door Seal</i>	1	1	
10	1924412	<i>Center - Left Door Seal</i>	1	1	
10A*	113858	<i>Center - Left Door Seal (Prison Package Only, Window or Solid Door)</i>	1	1	
11	8003123	<i>Mscr - TH - Phil 10-24 x 5/8" Stl ZP</i>	6	6	
12A	1925013	Bracket - Door Stop L/H	1	1	
12B	4519740	Bracket - Door Stop R/H	1	1	
<b>DOOR CHAIN COMPONENTS</b>					
13	4520166	<i>Door Chain Assembly</i> (Includes Items 14-18)	2	2	C
14	1014201	Connecting Door Rod - Short <b>Note:</b> Item listed for reference only. Not Sold Separately.	2	2	
15	1014200	Connecting Door Rod - Long <b>Note:</b> Item listed for reference only. Not Sold Separately.	2	2	
16	1015000	Turnbuckle 1/4-20 with 4" Take Up	2	2	
17	1021100	Roller Chain #40	2	2	
18	1021299	Connecting Link #40	4	4	
<b>DOOR SWITCH COMPONENTS AND KITS</b>					
19	1804727	Wire Harness - Door Micro Switch, Digital Control. <b>Note:</b> For <b>MCO-GS/GD-10 Digital Control</b> models.	1		
	1949575	Wire Harness - Door Micro Switches, Mechanical Control. <b>Note:</b> For <b>MCO-GS/GD-10S</b> and <b>Energy Star</b> models.	1	1	
19A*	1949574	Door Switch Wire Harness for <b>Arby's</b>	1		
20	1855603	<i>High Temp Micro Switch</i> (For <b>Digital Control</b> models)	2		C
	4519715	<i>Door Micro Switch - High Temp, High Current</i> <b>Note:</b> For <b>MCO-GS/GD-10S</b> and <b>Energy Star</b> models.	2	2	C
21A	1925101	Cam - Door Switch. <b>Obsolete.</b> Used UP TO Jan-2014. USE item 27.	1	1	
21B	115338	Cam Assembly - Door Switch (Installed on any unit built after Jan-2014, serial# 1401 2300 01225. Can be used to replace item# 21A(1925101).	1	1	
22A	1925001	Bracket Door Switch Right. <b>Obsolete.</b> Used UP TO Jan-2014. USE item 27.	1	1	
22B	114179	Bracket Door Switch (Installed on any unit built after Jan-2014, serial# 1401 2300 01225)	1	1	
23	8003802	Set Screw 10x 24x 3/8"	2	2	
25	8001502	Nut w/Washer 6-32 KPS	2	2	
26	8003208	MSCR-PH-6 32x32 ST ZP	2	2	
27	115346	Kit, Door Switch, Mechanical Control (Bulletin# GAR-04-14-AC) For any unit built <b>before</b> Jan-2014, serial# 1401 2300 01225. Kit includes items 19 (P/N 1949575), 20 (P/N 4519715), 21B, 22B.	1	1	
	115347	Kit, Door Switch, Digital Control (Bulletin# GAR-04-14-AC) For any unit built <b>before</b> Jan-2014, serial# 1401 2300 01225. Kit includes items 19 (P/N 1804727), 20 (P/N 1855603), 21B, 22B.	1		

\* NOT ILLUSTRATED

**RECOMMENDED STOCK PARTS**

**GARLAND Master Series Full Size Gas Convection Ovens**  
*models* **MCO-GS/GD-10/20, MCO-GS/GD-10S/20S, MCOGS10ESS/20ESS**

**LEFT & RIGHT DOORS COMPONENTS**

ITEM	PART #	DESCRIPTION	QUANTITY		CRITICAL
			STANDARD MODELS	ENERGY STAR (-ESS)	
<b>LEFT &amp; RIGHT DOOR COMPONENTS (Window / Solid)</b>					
30A	CK1924396	Door Handle Assembly- Black <b>Note:</b> Assembly includes items 30B, 30C, 30D.	1	1	
30B	1924195	Tube Door	1	1	
30C	1924206	Plate - Door Handle	2	2	
30D*	8003605	1/4-20 x 1" Carriage Bolt, Black	2	2	
34	1924001	Panel - Left Door (Solid)	1	1	
	1924002	Panel - Left Door (Window)	1	1	
	1924007	Panel - Left Door (Solid - Prison)	1	1	
	1924011	Panel - Left Door (Window - Prison)	1	1	
35	113862	Insulation - Left Door (Window)	1	1	
	113863	Insulation - Left Door (Solid)	1	1	
36	<b>1010999</b>	<b>Oven Door Window - 3/16" Glass (Window Option)</b>	1	1	
37	4520373	Weld Assembly Frame Left Door Extended Bearing Plate	1	1	
38	CK1923997	Panel - Left Door Liner (Window)	1	1	
	1923902	Panel - Left Door Liner (Window - Prison)	1	1	
	CK1923996	Panel - Left Door Liner (Solid) <b>Note:</b> For both Standard and Prison Models.	1	1	
39	4520301	Plate - Door Bushing Extended	2	2	
40	1923201	Spacer - Door Hinge	2	2	
46	4529724	Logo, Garland, Std, Large (for non-prison door)	1	1	
47	1924003	Panel - Right Door (Solid)	1	1	
	1924008	Panel - Right Door (Solid - Prison)	1	1	
	1924004	Panel - Right Door (Window)	1	1	
48	113864	Insulation Right Door (Window)	1	1	
	113865	Insulation - Right Door (Solid)	1	1	
49	CK4520374	Weld Assembly Frame Right Door Extended Bearing Plate	1	1	
50	1923998	Panel - Right Door Liner (Solid) <b>Note:</b> For both Standard and Prison Models.	1	1	
	1923999	Panel - Right Door Liner (Window)	1	1	
<b>Maximum Security Prison Package Hardware/Fasteners for Left/Right Door: Items 51-53</b>					
51	1925099	Door Hasp Bracket Weldment Assembly (Prison, Left / Right Door)	1	1	
52	1925009	Plate - Door Hasp Back (Prison, Left / Right Door)	1	1	
53*	8003603	3/8-16 x 3/4 Carriage Bolt (Prison, Left / Right Door)	3	3	
	8001210	3/8-16 Hex Nut Stl Zinc (Prison, Left / Right Door)	3	3	
	8000308	3/8 x 3/4 Flat Washer Stl Zinc (Prison, Left / Right Door)	3	3	
	8000207	3/8 x 11/64 x 3/32 Split Lock Washer, Stl Zinc (Prison, Left / Right Door)	3	3	

\* NOT ILLUSTRATED

**RECOMMENDED STOCK PARTS**

**GARLAND Master Series Full Size Gas Convection Ovens**  
*models* **MCO-GS/GD-10/20, MCO-GS/GD-10S/20S, MCOGS10ESS/20ESS**

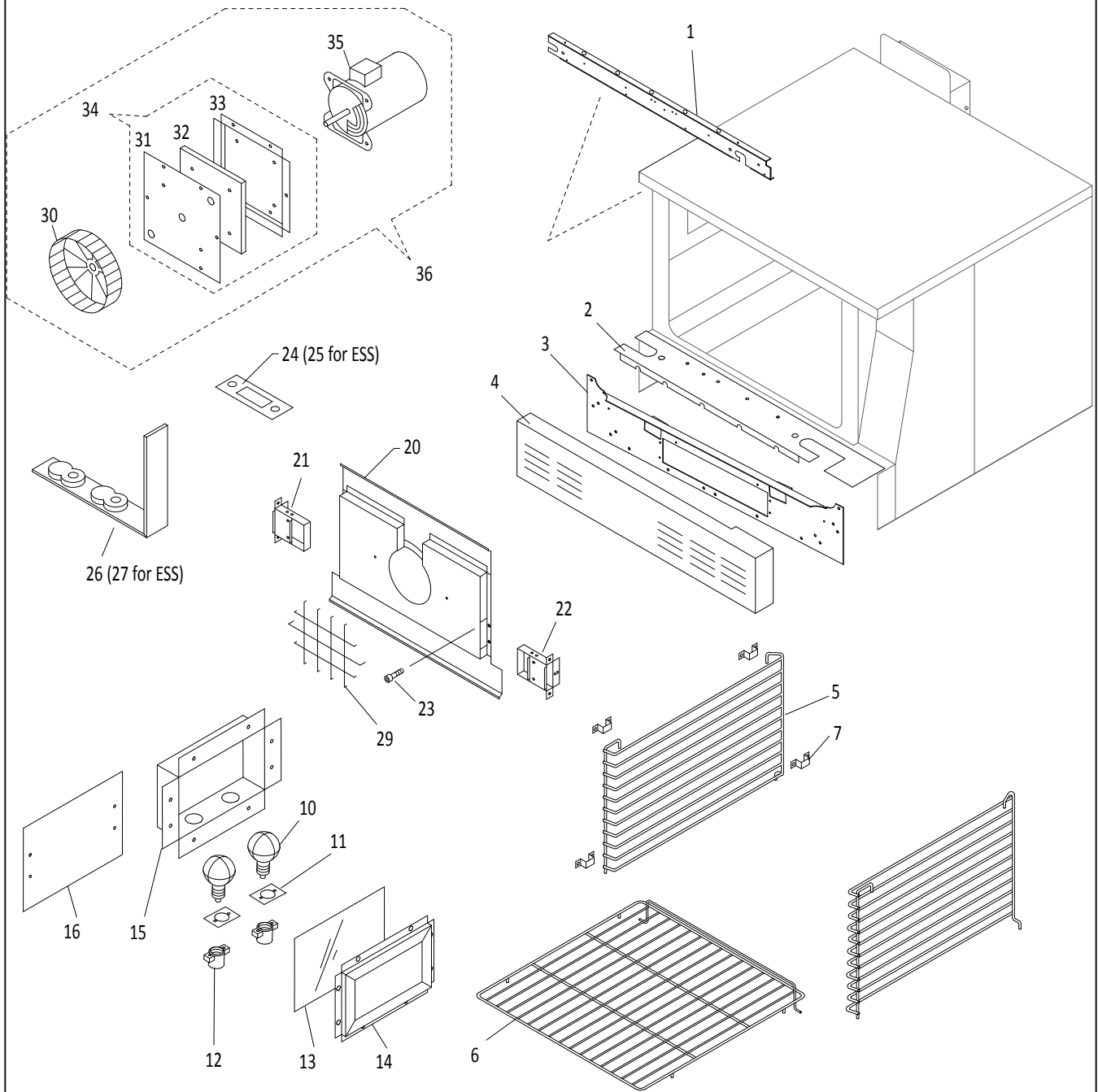
**COMPLETE DOOR ASSEMBLIES**

<b>ITEM</b>	<b>PART #</b>	<b>DESCRIPTION</b>
<b>LEFT DOOR - COMPLETE ASSEMBLIES</b> (includes Left Door Components and Left Door Center Seal)		
60	<b>STANDARD DOORS</b>	
	4520311	MCO Complete Door Kit - Left (WINDOW)
	4520313	MCO Complete Door Kit - Left (SOLID)
	<b>PRISON DOORS</b>	
	4520317	MCO Complete Door Kit - Left (PRISON - WINDOW)
	4520315	MCO Complete Door Kit - Left (PRISON - SOLID)
<b>RIGHT DOOR - COMPLETE ASSEMBLIES</b> (includes Right Door Components and Right Door Center Seal)		
61	<b>STANDARD DOORS</b>	
	4520312	MCO Complete Door Kit - Right (WINDOW, with Nameplate)
	4520314	MCO Complete Door Kit - Right (SOLID, with Nameplate)
	<b>PRISON DOORS</b>	
	4520316	MCO Complete Door Kit - Right (PRISON - SOLID, No Nameplate)

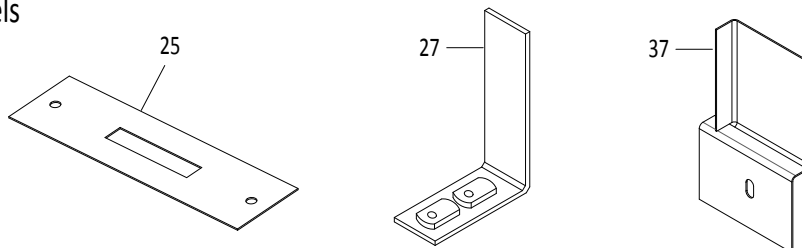
\* NOT ILLUSTRATED

**RECOMMENDED STOCK PARTS**

### OVEN COMPONENTS



For Energy Star Models  
(ESS)



Oven Components

**GARLAND Master Series Full Size Gas Convection Ovens**  
*models MCO-GS/GD-10/20, MCO-GS/GD-10S/20S, MCOGS10ESS/20ESS*

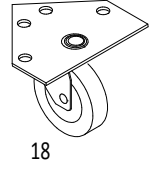
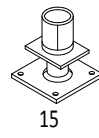
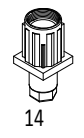
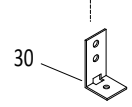
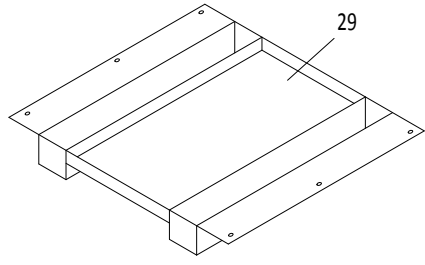
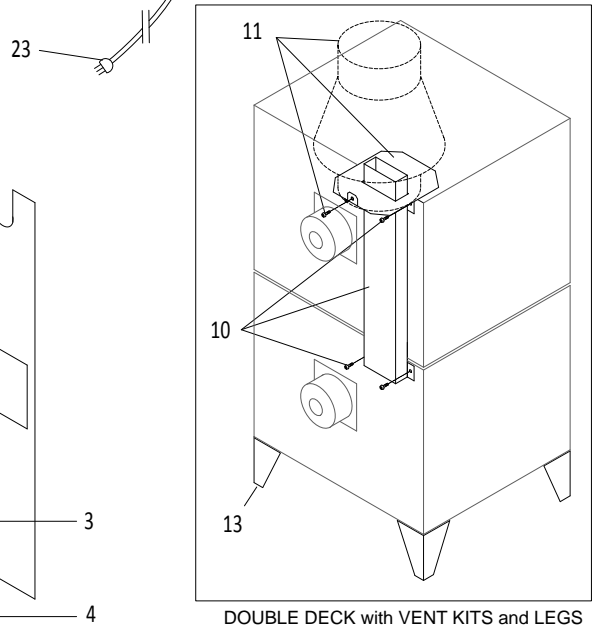
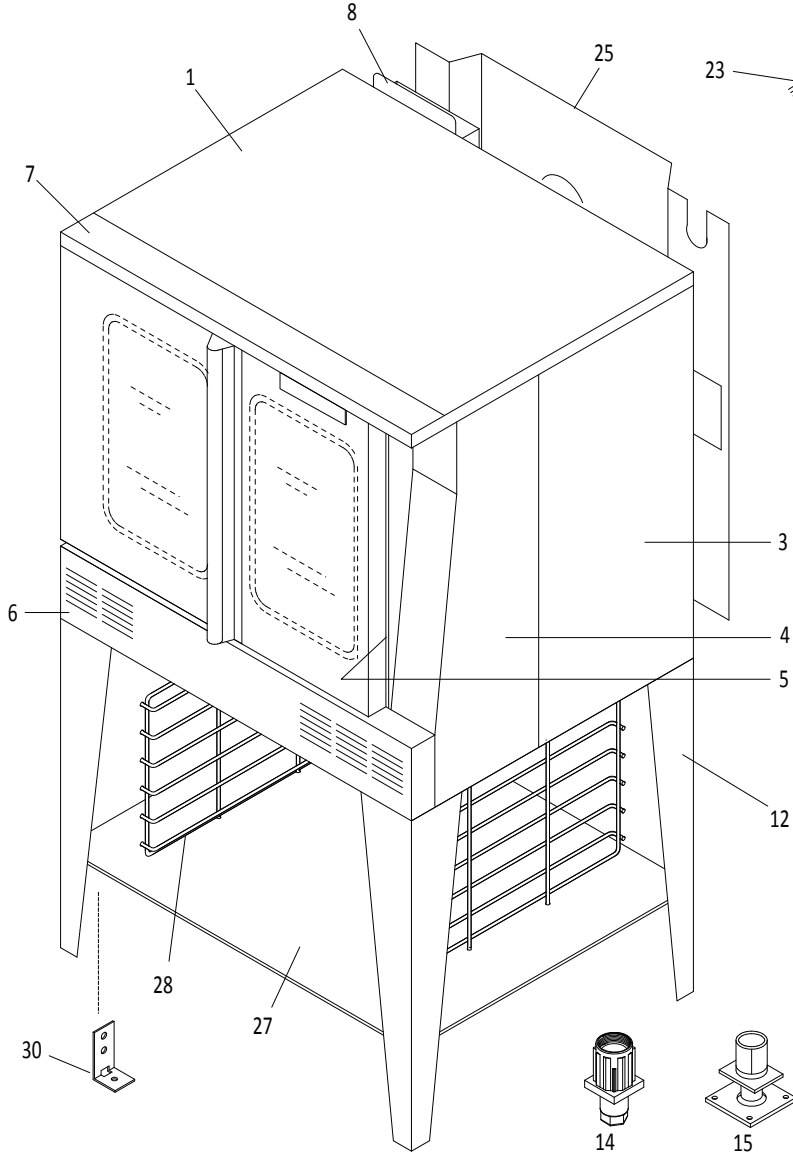
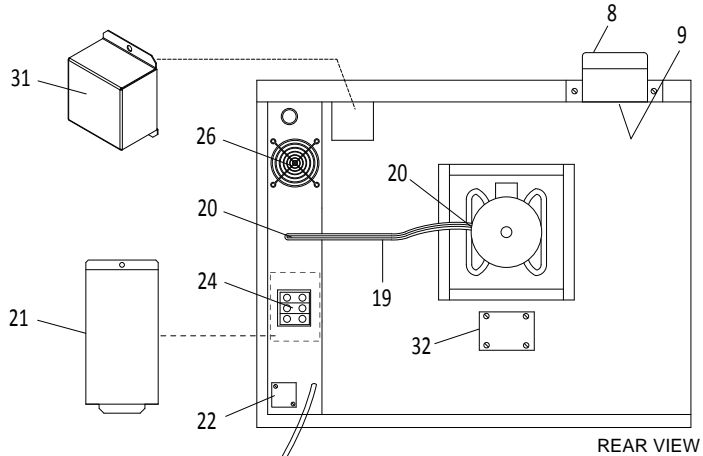
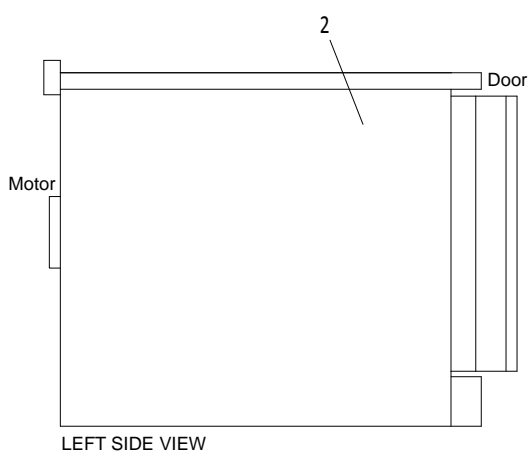
**OVEN COMPONENTS**

ITEM	PART #	DESCRIPTION	QUANTITY		CRITICAL
			STANDARD MODELS	ENERGY STAR (-ESS)	
1	1925201	Channel - Upper Hinge	1	1	
2	1925202	Channel - Lower Hinge	1	1	
3	1915401	Cover - Burner Box Front	1	1	
4	CK4519724	Cover - Lower Front Trim	1	1	
5	1922001	Oven Rack Guide - 10 Positions, Standard	2	2	
	1922002	Oven Rack Guide - 10 Positions, Deep	2		
	1922101	Oven Rack Guide - 13 Positions, Standard	2	2	
	1922102	Oven Rack Guide - 13 Positions, Deep	2		
6	1922211	Oven Rack - Standard	6	6	
	1922212	Oven Rack - Deep	6		
7	1765212	Oven Rack Clip	8	8	
10	<b>1623900</b>	<b>Light Bulb - 40W</b>	2	2	
11	1025900	Light Socket Gasket	2	2	
12	1025800	Lamp Socket - Porcelain	2	2	
13	1676901	Glass, High Temp	1	1	
14	1921801	Cover, Light Box	1	1	
15	1921902	Light Box	1	1	
16	1928299	Plate, Light Box Patch - Porcelain (for no oven lights option)	1	1	
	1928201	Plate, Light Box Patch - SS (for no oven lights option)	1	1	
20	1802999	Fan Cover	1	1	
21	1782599	Fan Cover Duct, Left	1	1	
22	1782598	Fan Cover Duct, Right	1	1	
23	8004005	1/4-20 x 3/8" Allen Head Screws	4	4	
24	1784302	Oven Vent Cap - 60K BTU	1		
	1784303	Oven Vent Cap - 80K BTU	1		
25	113386	Oven Vent Cap - 60K BTU Energy Star		1	
26	1785996	Fan Duct Restrictor - 80K BTU	2		
	1785998	Fan Duct Restrictor - 60K BTU	2		
27	113385	Fan Duct Restrictor, Energy Star Models		2	
29	G02904-01P	Blower Inlet Cover	1	1	
30	G02952-01P	Blower Wheel Assembly Plated	1	1	
31	1916401	Plate, Motor Pocket Front	1	1	
32	1915921	Insulation - Motor Pocket	1	1	
33	1916402	Motor Pocket Back	1	1	
34	CK1916499	Motor Pocket Assembly	1	1	
35	1686711	Motor 3/4 HP, 115V, 2 Speed	1	1	
	1686712	Motor 3/4 HP, 208/240V, 2 Speed	1	1	
36	<b>CK1003090</b>	<b>Motor Assembly - 2 Speed - 115V</b>	1	1	C
	<b>CK1003091</b>	<b>Motor Assembly - 2 Speed - 208/240 V</b>	1		C
37	113532	Diverter Bracket, Energy Star		1	
38*	113361	Insulation Kit - Standard Depth	1	1	
	113364	Insulation Kit - Deep Depth	1		
39*	115074	Drip Pan - Standard Depth, Oven Rack 22in Deep	1	1	
	115075	Drip Pan - Deep Depth, Oven Rack 26in Deep	1		

\* NOT ILLUSTRATED

**RECOMMENDED STOCK PARTS**

### EXTERIOR COMPONENTS



Exterior Components



**GARLAND Master Series Full Size Gas Convection Ovens**  
*models* **MCO-GS/GD-10/20, MCO-GS/GD-10S/20S, MCOGS10ESS/20ESS**

**EXTERIOR COMPONENTS**

ITEM	PART #	DESCRIPTION	QUANTITY		CRITICAL
			STANDARD MODELS	ENERGY STAR (-ESS)	
1	1917602	Cover - Main Top, SS	1	1	
2	1920201	Cover - Body Side, Left, SS	1	1	
3	1918701	Cover - Body Side, Right, SS	1	1	
4	1918801	Cover - Control Panel, Right, SS	1	1	
	1925999	Cover - Control Panel, Right, Prison Pack	1	1	
5	1925501	Cover - Control Panel, Left, SS	1	1	
	1925899	Cover - Lockable Control Panel, Prison Pack	1	1	
6	CK4519724	Cover - Lower Front Trim, SS	1	1	
6A*	8003107	#10-24 x 3/4" Machine Screw-Th-Phl (for Lower Front Trim Cover)	3	3	
7	1925301	Cover - Upper Front Trim, SS	1	1	
7A*	8002107	#10 x 1/2" Mach. Screw-Th-Phl-B Stl ZP(Upper Front Trim Cover)	3	3	
8	1919999	Vent Assembly - Outer (Standard or Deep)	1	1	
9	1919399	Vent Assembly - Standard	1	1	
	1919398	Vent Assembly - Deep	1		
10	CK1920099	Flue Assembly for Double Deck <b>Note:</b> Kit incl. sheet metal flue channels (1920001, 1920002) and fasteners (8002106).	1	1	
11	1951217	Direct Vent Kit (for single or double deck) <b>Note:</b> Kit includes Flue Adapter Plate (1953001), Direct Vent Bell (1190100), and fasteners (8002108).	1	1	
12	1927199	Leg - Single Deck, SS, for Casters, approx. 19-3/4"	4	4	
	1927197	Leg - Single Deck, SS, for Foot Inserts, 24"	4	4	
13	1927195	Leg - Double Deck, SS	4	4	
14	1236100	1-1/2" Square Foot Insert - Chrome Plated	4	4	
15	1949701	Flanged Foot Insert ( <b>Optional Feature</b> )	4	4	
16	1775102	Caster Insert (Single Deck Only)	4	4	
17	1926501	Caster - 4" Swivel without Brake, 3/4NPT	4	4	
	1926502	Caster - 4" Swivel with Brake, 3/4NPT	4	4	
18	1926531	Heavy Duty Caster - 5" Swivel without Brake, for Double Deck	4	4	
	1926532	Heavy Duty Caster - 5" Swivel with Brake, for Double Deck	4	4	
	4524736	Caster Kit 3" Swivel NO Brake, low profile. Kit incl. two casters.	1	1	
	4524737	Caster Kit 3" Swivel WITH Brake, low profile. Kit incl. two casters.	1	1	
19	1029426	3/8 BX Cable 26" Long	1	1	
20	1028501	BX Connector - Straight	1	1	
21	1927898	Cover - External Terminal Block (208/240V Units)	1	1	
22	1928206	Plate - Line Cord Patch	1	1	
23	<b>1029501</b>	<b>8' Long Power Cord (115V Gas Units)</b>	1	1	
24	1193900	Terminal Block - 3 Pole-Hi Voltage	1	1	
25	1921001	Cover - Main Back, Std SS	1	1	
	1921003	Cover - Main Back, Deep SS	1		
	1921098	Cover - Main Back, Std Depth (Prison Pack)			
	1921089	Cover - Back, Standard Depth (Prison Pack)	1	1	
	1921097	Cover - Main Back, Deep Gas (Prison Pack)			
	1921088	Cover W/A-Deep Depth Gas (Prison Pack)	1		
26	1919001	Cooling Fan Guard - 120mm	1	1	
27	1926902	Panel - Open Base, SS	1	1	
28	1926702	Rack Guide - Lower, Open Base	2	2	
29	1926802	Support - Rack Guide, Upper	1	1	
30	1927001	Clip - Lower Rack Guide Support	4	4	
31	1916301	Probe Connector Cover	1	1	
32	1928204	Plate - Element Patch	1	1	

\* NOT ILLUSTRATED

**RECOMMENDED STOCK PARTS**

## GARLAND PARTS IDENTIFICATION

### WIRING DIAGRAMS

*(For Reference Only - Contact Tech Service for assistance)*

PART #	DESCRIPTION
1949511	115V 60HZ Gas, Mechanical Control ( <b>200 Series</b> ) - Direct Spark Ignition
1949501	115V 60HZ Gas, FAST Control ( <b>400 Series</b> ) - Direct Spark Ignition
1949512	208/240V Gas, Mechanical Control ( <b>200 Series</b> ) - Direct Spark Ignition
1949502	208/240V Gas, FAST Control ( <b>400 Series</b> ) - Direct Spark Ignition
300830	Mechanical Control (200 Series) - 115V, 60Hz, Gas - <b>Energy Star</b> Model
300837	Mechanical Control (200 Series) - 208/240V, 60Hz, Gas - <b>Energy Star</b> Model
4522595	Conversion - from digital to manual control.

### CONTROLLER CONVERSION KITS - FAST CONTROL

PART #	DESCRIPTION
4522593	450/410 to 200 CONV KIT - MCO Gas
4518191	KIT, MCO 200 to 450 - GAS 115V
4529705	KIT, MCO 450, Fastron to Elreha Controller Replacement
4529706	KIT, MCO 455, Fastron to Elreha Controller Replacement

### GAS CONVERSION KITS

PART #	DESCRIPTION
4526640-2	Gas Conversion Kit for 60,000 BTU/HR Natural Gas Final Configuration (Ref: 113412)
4526640-3	Gas Conversion Kit for 80,000 BTU/HR Natural Gas Final Configuration (Ref: 113413)
4526640-1	Gas Conversion Kit for 60,000 BTU/HR Propane Gas Final Configuration (Ref: 113414)

### SINGLE & DOUBLE DECK KITS (OPEN BASE, LEGS & CASTERS)

*(For Reference Only - Contact Garland Sales Department for availability and assistance)*

PART #	DESCRIPTION
1951213	Single Deck S/S Open Base & Feet Kit - Full Size MCO
1951214	Single Deck S/S Open Base & Casters - Full Size MCO
1951204	Single Deck S/S Legs & Feet Inserts - Full Size MCO
1951205	Single Deck S/S Legs and Casters - Full Size MCO
1951209	Kit MCO - Heavy Duty Casters - Full Size MCO
1951210	Kit MCO - LO-Profile Casters - Full Size MCO
1951223	Double Deck Gas W/Inserts S/S Legs - Full Size MCO
1951226	Double Deck Gas W/Casters - Full Size MCO-SGM & SUMG
1951228	Double Deck Gas W/Lo Profile Casters - Full Size MCO

### VENTILATION KITS

*(For Reference Only - Contact Garland Sales Department for availability and assistance)*

PART #	DESCRIPTION
1951217	Direct Connect Venting Kit

### SERVICE KITS

PART #	DESCRIPTION
4602253	KIT, DOOR SHIMS FULL SIZE CONV OVENS (See details in Bulletin GAR_SB_0043 released on Nov 21, 2016)
CK115350	KIT, HEAT SHIELD FULL SIZE CONV OVENS (MCO, Summit, and Sunfire (built after 06/2012)) (Provides insulation on oven's control side if oven is installed next to heat generating equipment such as grills, griddles or ranges. Shield can also be installed on the oven's left side to protect kitchen personnel from accidentally contacting hot spots on the left side panel. )

**GARLAND PARTS IDENTIFICATION  
CRITICAL & RECOMMENDED STOCK PARTS LIST**

PART #	DESCRIPTION	STANDARD MODELS	ENERGY STAR (ESS)
113542	Gasket - Door Seal Top		R
113543	Gasket - Door Seal, Left & Right		R
113546	Bracket - Door Gasket, Left & Right		R
113548	Bracket - Door Gasket Seal, Bottom		R
300828	Gas Valve - 2 Stage, Natural Gas (Energy Star)		C, R
300867	Power Control Board - Solid State Controller, 150-500 deg F (200 Series Control Only)	C, R	C, R
1010999	Oven Door Window (3/16" Glass)	R	R
1029501	8' Long Power Cord (115V Gas Units)	R	R
1269899	Transformer - Class 2 - 120V to 24V (with Insulated Slip on Terminal)	C	C
1304202	Top / Bottom Door Seal		R
1623900	Light Bulb - 40W	R	R
1636000	Transformer - Primary 208/240V - Secondary 24V	C	C
1671100	Polar Fan 115V	C	C
1671101	Cooling Fan 208 / 240 V (400 Series Digital Control Only)	C	
1855603	Door High Temp Micro Switch (400 Series Digital Control)	C, R	
1905703	450 Digital Control with Cook-N-Hold	C	
1905704	455 Digital Control with Cook-N-Hold and Core Probe	C	
1906002	Probe - RTD, Flange Mount (USE ONLY WITH 1906003)	C	C
1906003	Cable Assembly - Probe Extension (USE ONLY WITH 1906002)	C	C
1911601	Potentiometer - Encoder (400 Series Digital Control Only)	C	
1916901	Relay Board PCB Assy (400 Series Digital Control Only)	C	
1917198	Transformer 208-240V to 24VAC (400 Series Digital Control Only)	C	
1917199	Transformer 120V to 24VAC (400 Series Digital Control Only)	C	
1924411	Center - Right Door Seal	R	R
1924412	Center - Left Door Seal	R	R
1924601	Seal - Door, Left & Right	R	
1924711	Seal - Door Top	R	
1924712	Seal - Door, Bottom	R	
1935701	Gas Valve - Natural, Dual W/Shut 4"	C, R	
1935702	Gas Valve - Propane, Dual W/Shut 10"	C, R	
1955101	Switch - Thermal Disc, Cooling	C, R	C, R
1955401	Rocker Switch - 3 Positions, Cook/Off/CoolDown (200 Series Control Only)	C, R	C, R
1955601	Potentiometer (200 Series Control Only)	C, R	C, R
CK11000301070	Timer, Complete 115V Digital; 90 min, 115V Ovens, Gas/Elec w/ manual control	C	C
CK11000301072	TIMER; COMPLETE; 230V Conversion; DIGITAL; 90 MIN (for 208V, 240V, 460V ovens, gas/electric with manual control)	C	C
4519715	Door Micro Switch High Temp - High Current (200 Series Control Only)	C, R	C, R
4520166	Door Chain Assembly	C, R	C, R
CK4533053	DSI Ignition Module	C, R	C, R
4522593	Controller Replacement/Conversion Kit (Gas) - from digital to manual Master 200 control	C	
4529705	Controller Replacement Kit - <b>MCO 450</b> (Gas/Electric), Elreha	C	
4529706	Controller Replacement Kit - <b>MCO 455</b> (Gas/Electric), Elreha	C	
4523414	Ignitor - DSI Burner Pack	C, R	C, R
4523415	Flame Sensor - DSI Burner Pack	C, R	C, R
4527484	Relay Board / SRB - Digital Control, Elreha	C	
8003123	Mscr - TH - Phil 10-24 x 5/8" Stl 2P (For Center Door Seals)	R	R
CK1003090	Motor Assembly - 2 Speed - 115V	C, R	C, R
CK1003091	Motor Assembly - 2 Speed - 208/240 V	C, R	

C = CRITICAL PARTS

R = RECOMMENDED STOCK PARTS

## GARLAND PARTS IDENTIFICATION

### BULLETINS

**(For all full size convection ovens)**

<b>CATEGORY</b>	<b>BULLETIN#</b>	<b>SUBJECT</b>	<b>DATE</b>
Parts, Technical	GAR-03-12-AIC	Master 200 Series Controller (Od P/N 1955501; New P/N 300867)	2012-02-08
Parts, Technical	GAR-11-12-AC	New Elreha Controller Critical & Recommended Stock Parts	2012-09-21
Parts, Technical	GAR-06-13-AIC	Error Messages and Description, Elreha Digital Controls	2013-09-06
Parts, Technical	GAR-04-14-AC	Door Switch Replacement Kits	2014-02-14
Parts, Technical	GAR-02-14-AC	Digital Controller Conversion Kits Availability Chart	2014-01-28
Parts, Technical	GAR_SB_0006	New Electrical Phase Conversion Kit (P/N 4533009)	2015-10-07
Parts, Technical	GAR_SB_0040	Garland Part 300867 PCB Temperature Controller	2016-11-04
Parts, Technical	GAR_SB_0044	Updates! New Garland Part 300867 PCB Temperature Controller (Identifying new vs old parts)	2016-12-06
Parts, Technical	GAR_SB_0043	Door Shim Service Kit P/N 4602253	2016-11-21
Parts, Technical	GAR_SB_0049	New Timer Kits for Convection Ovens with Master 200 / Manual Controllers, Kits CK11000301070 and CK11000301072	2017-02-14
Technical	B-97-2009-S	New Axial Cooling Fan Install Instructions	2009-09-17
Technical	GAR-08-13-AIC	Keypad Test Points Chart (Elreha Digital Control)	2013-10-16
Warranty	GAR_SB_0047	Returning Warranty Required Parts (supersedes GAR-20-13-A)	2016-12-21

### REVISION HISTORY (MCO-GS/GD-10)

REV	PAGE	ITEM	NOTES	DATE
8	5	3, 5	(IM200) Black Overlays 1789605 and 1908526 - are still available. Added New Overlays 115268, 115260. PCC130093.	Feb 27/14
	6		Created new section: Fastron Controller Replacement Kits Chart. Modified previous illustrations. No change to Fastron kits from 2012. New Cooling Kits for Elreha, PCC 130205.	
	9	2 4A	Added New Overlay 115268, PCC130093. Overlays 1908503, 1908505 are still available.	
	13	2 4A	Added New Overlay 115268, PCC130093. New Silver/Gray color Overlays: 115261, 115262, PCC 130093.	
	18		New door switch kits; New bracket for door switch; new CAM assebmly for door switch. PCC# 130223. New illustration for items 41, 42.	
	26		Removed Canopy Diverter kit 1951229. NLA.	
	27		Updated critical and recommended stock parts table.	
	Bulletins		New bulletins	
	23		New MCO oven drip pans 115074, 115075. Replaced 1959401, 1959402. PCC# 130005.	
18	37, 49	Corrected illustrations. Arms on frames are bented.		
9			New rating plate location - all models Feb 2015 Minor revisions to some part numbers, added pre-fix CK.	Feb 9/15
	17		NLA parts - 1916101, 02251-1, 06202, 113645, 06205. Standardized parts - Tailpipe part 1916199 (Std) and 1916198 (Deep) is no longer used. 1916102 is used. Parts 1095499, 1934308, 02558, 1027499 are now used on ALL gas units, including Energy Star (FROM Feb 2015, relate to introduction of SCO/Summit ESS models)	
	20	35, 48, 46	Door insulation - current 113862, was 1915914; 113863, was 1915915; 113864, was 1915916; 113864, was 1915917. Logo - current 4529724, was 3077100	
10	5	4	1946690 supersedes CK1946690 ECO-000857A	May 12/17
	26		Added Service Kit table New door shim kit ECO-000928A New heat shield kit ECO-000830	
	20	49	CK4520374 supersedes 4520374 ECO-000745	
	28		Updated bulletin list	
	5	12	New timer kits for conv ovens with manual control. ECO-001007A. Were 1956001, 1956002. Bulletin GAR_SB_0049	
	27			
	5/9 17/20 27	18/20 7/13		



1-844-724-CARE • [www.mtwkitchencare.com](http://www.mtwkitchencare.com)