

Electric/Gas Dual Side Xpress Grill

Parts List Manual

Models:

M(E/G)1P, M(E/G)2P



M(E/G)2P Shown



M(E/G)1P Shown

Original Instructions

Document #: GAR_P_4602410 Rev 6

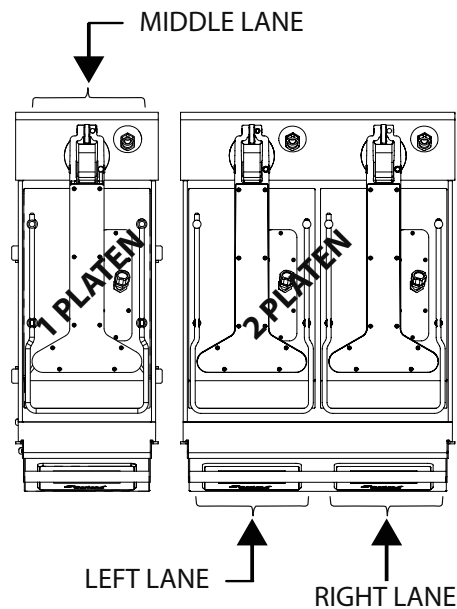


THIS PAGE INTENTIONALLY LEFT BLANK

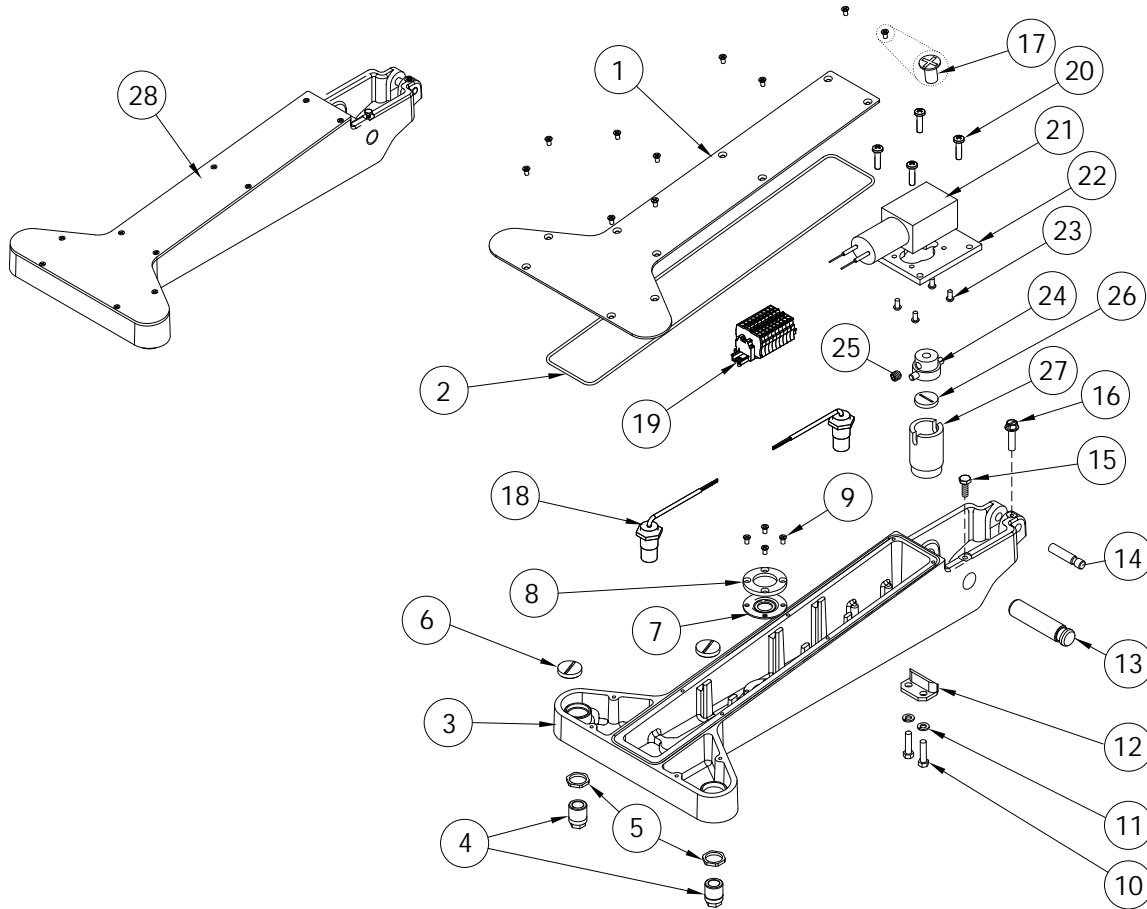
Contents

Top Platen Grill - All Models, Part 1	4
Top Platen Grill - All Models, Part 2	5
One (1) Platen Grill External Parts	6
Two (2) Platen Grill External Parts	7
Bottom Grill Burner - All Models Gas	8
Bottom Grill Element - All Models Electric	9
Electronic Components - All Models	10
Shaft Mechanism - All Models	11
Accessories - All Models	13
Information / Warning Stickers	14
Electrical Schematic Diagrams - All Models	15
Wiring Harnesses - All Models	16

McDonald's Grill Lane Configuration

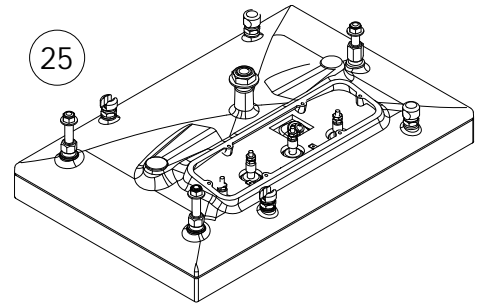
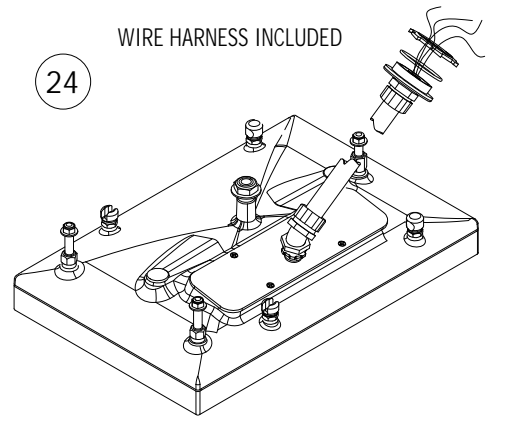
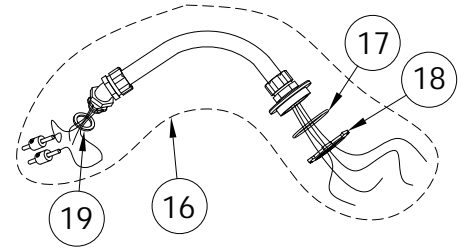
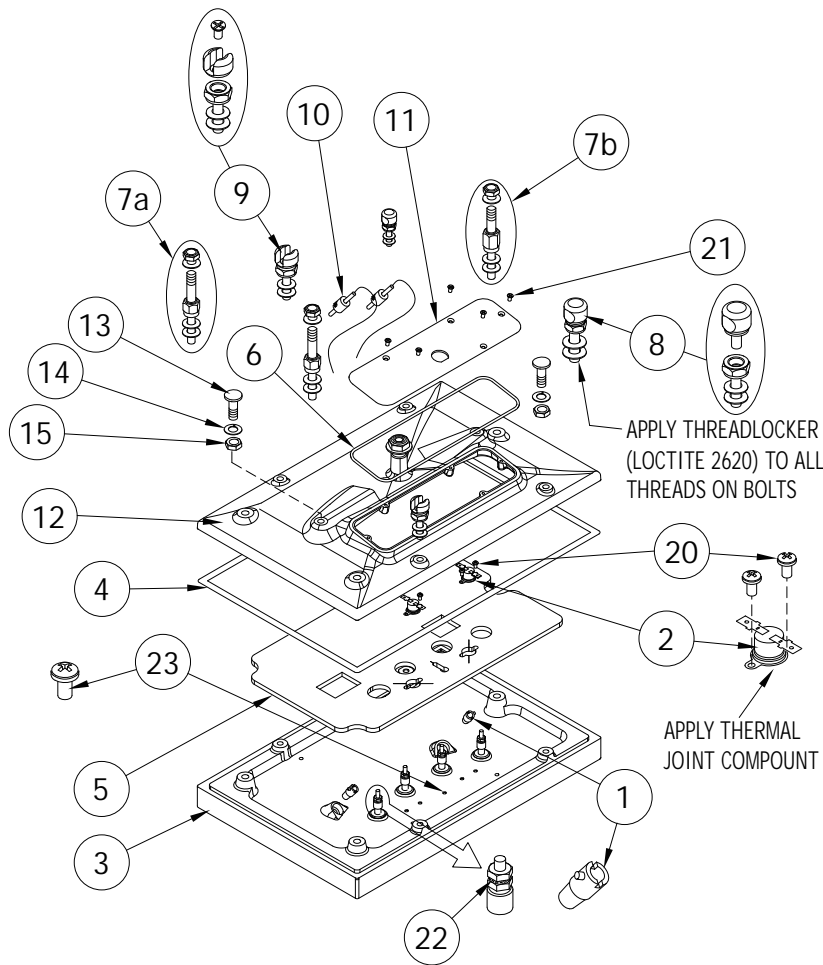


Top Platen Grill - All Models, Part 1



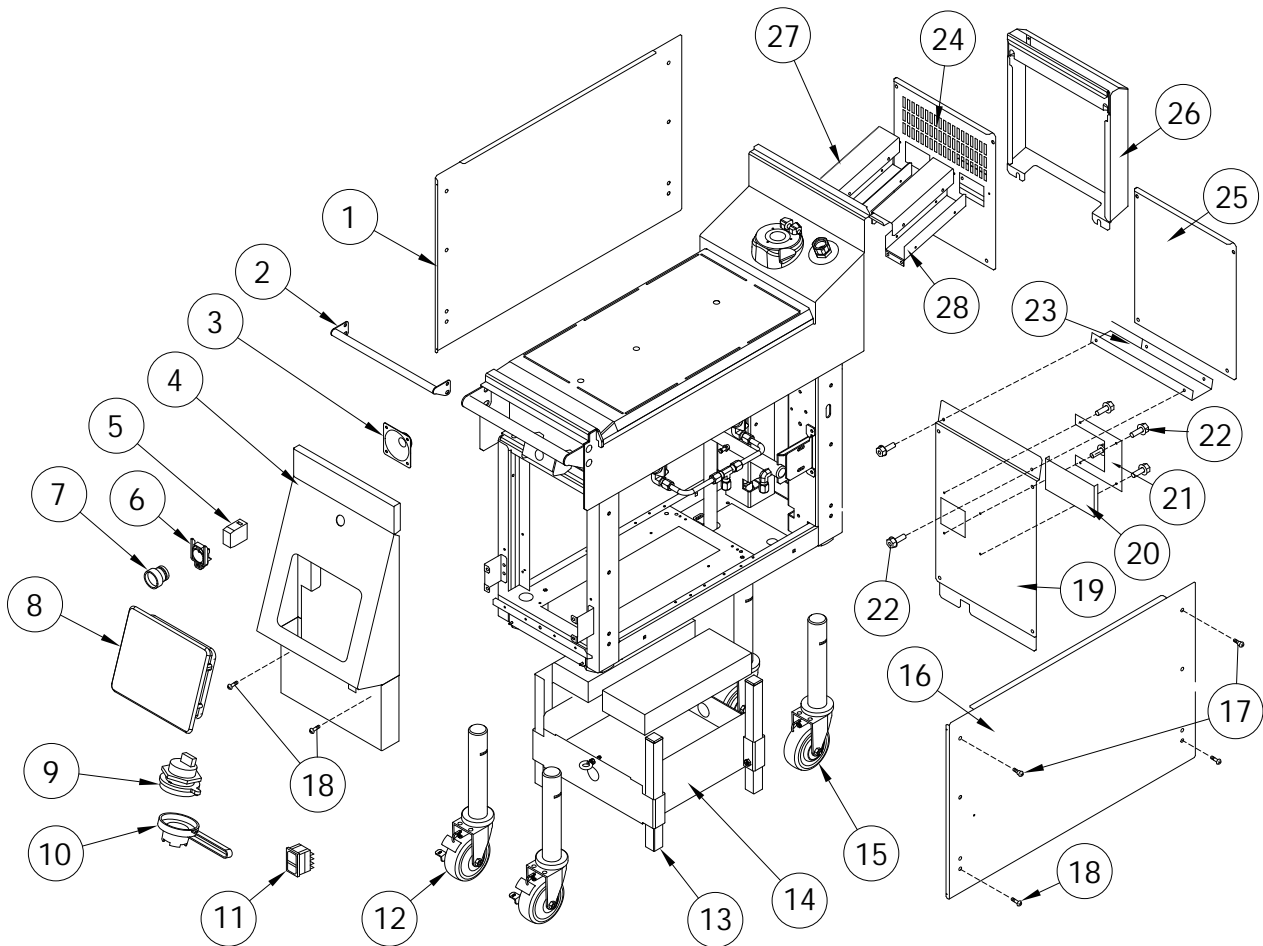
Item#	Photo	Part#	Description	Qty	Critical or Recommended
1	Photo	4532736	Platen Arm Cover, Pearl	1	
2	Photo	4600481	Seal, Platen Arm to Cover	1	
3	Photo	4600390	Machined/Cast Platen Arm WG (C/W Threaded Bushings)	1	
4	Photo	4600578	SB Adj. Nut, Pearl	2	
5	Photo	4600579	SB Adj. Nut Lock, Pearl	2	
6	Photo	4600568	SB Cap	3	
7	Photo	4600567	Seal Cowl to Arm	1	
8	Photo	4600566	Seal Cap, Arm	1	
9		F766	#8-32 X 1/2" Flat Head Machine Screw 18-8 SS	4	
10		F191	Screw-1/4-20 x 5/8in Hex Head S-S Bolt	2	
11		F255	Lockwasher-1/4 S/S Split	2	
12	Photo	4600570	Arm Stop	1	
13	Photo	4600619	Pin Pivot	1	
14	Photo	4600569	Arm Link Pin	1	
15		F767	1/4-20 X 3/4" Thread-Locking Cap Screw SS	1	
16		F768	#10-24 X 3/8" Hex/Slot Washer Head Machine Screw SS	1	
17		F717	#8-32X.312 U/CUT FHMS PH SS	10	
18	Photo	4600127	Sensor - Inductive Proximity PWM	2	
19	Photo	4600480	Terminal Block - Mini Sensor & Motor	1	
20		8003219	Mscr-Ph-Phillip 8-32X1/2 STL ZP	4	
21		4600128	Motor - 24VDC Levelling	1	C
22		4600572	AL Motor Mount, Pearl -WG	1	
23		F779	M3X0.5X6mm Pan HD M/S 18-8SS	4	
24	Photo	4600574	Auto-Level Coupler Assembly, Pearl	1	
25		F778	1/4"-20X1/4" Flat PT Socket Set Screw	1	
26	Photo	4600573	Rear SB Lock Cap	1	
27	Photo	4600538	Rear SB Adj. Nut	1	
28		4600310	Platen Arm Assembly WG - Complete	1	

Top Platen Grill - All Models, Part 2



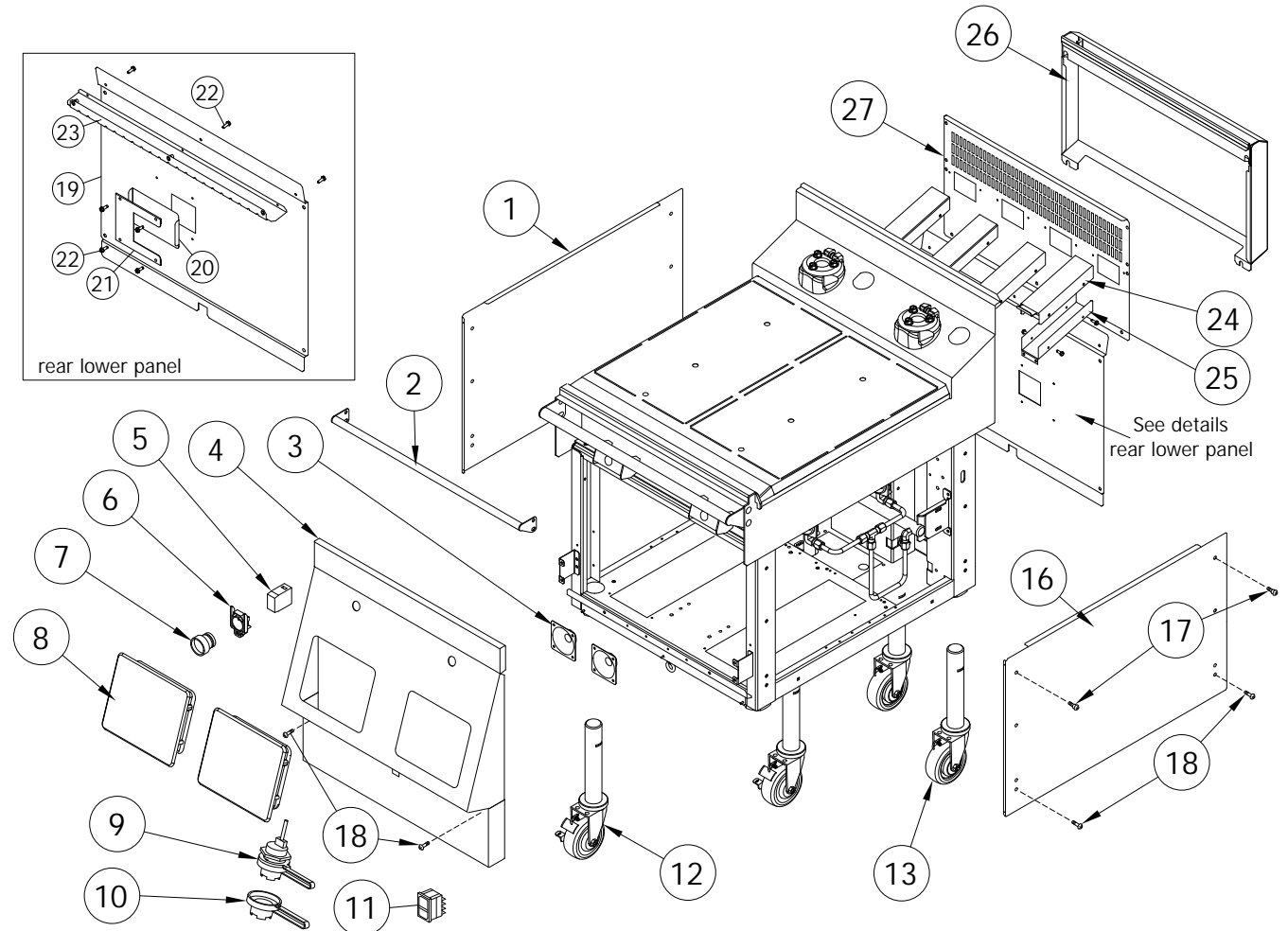
Item#	Photo	Part#	Description	Qty	Critical or Recommended
1		1859402	Platen Bayonet Adapter	2	
2	Photo	4531977	Thermostat SPST (open on rise 500F, close 420F)	2	C
3		4600191	Platen Heater 17.5" x 11.5" (must replace seal item # 4)	1	
4	Photo	4532744	Seal, Cowl to Platen	1	R
5	Photo	4600146	Platen Insulation	1	
6	Photo	4600584	Seal, Cowl to Lid (FKM O-Ring, As S68A-169)	1	
7a	Photo	CK4600585	Std Shoulder Bolt Assembly, Pearl	2	
7b		CK4600586	Short Shoulder Bolt Assembly, Pearl	1	
8	Photo	CK4600590	U-Bar Rear Holder Assembly	2	R
9	Photo	CK4600591	U-Bar Front Holder Assembly	2	R
10	Photo	4600100	Platen Thermocouple	2	C
11		4600645	Cowl Access Lid, Pearl	1	
12		4600718	Cowl Asm, Pearl WG (World Grill)	1	
13		4600646	Sensor Target	2	C
14		F746	Lock Washer	2	
15		F747	Nut	2	
16		4600725	Platen Harness TC Conduit GM Pkg - (Thermocouples & harness included)	1	
17		4600652	O-Ring, AS568A - 137	1	
18		4600653	Conduit Fitting Locknut, 1.5"	1	
19		4600606	Seal Conduit Fitting	1	
20		F162	Screw-6-32 X 1/4" Phillips Pan S/S	4	
21		F717	#8-32X.312 U/Cut FHMS PH SS	6	
22		F715	#10-32 Hex Keps Nut SS (for the element)	4	
23		F783	#8-32X3/16 Truss M/S SS (ground)	1	
24	Photo	CK4600396	Complete Assembled Platen - Cowl Assembly with Conduit - WG	1	
25		CK4602048	Complete Assembled Platen - Cowl Assembly - WG	1	R

One (1) Platen Grill External Parts



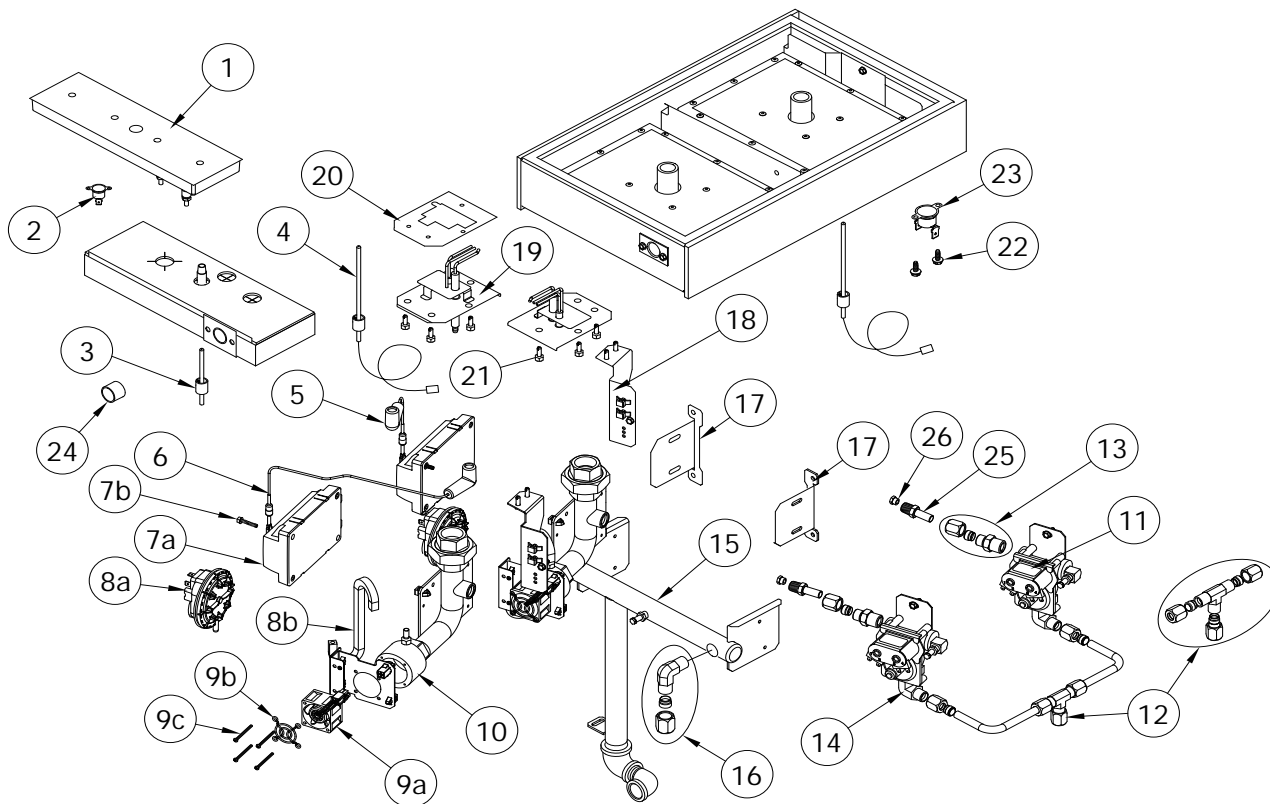
Item#	Part#	Description	Qty	Critical or Recommended
1	4532768	Body Side, RT	1	
2	4600189	Towel Bar Assembly 12	1	
3	4523482	Speaker, 4 Watts SMT	1	C
4	4602221	Control Panel, 1P Electric	1	
	4602224	Control Panel, 1P Gas	1	
5	1859606	Contact Block	1	C
6	1859607	Mounting Latch	1	C
7	1859605	Push Button Green	1	C
8	CK4601735	User Interface Assembly	1	C
9	4532040	USB Panel Mount Assy c/w Lock Nut	1	C
10	4532043	USB Cap	1	R
11	4600614	Main Power Switch 250VAC 10A	1	C
12	4532675	Caster 1-1/2-12 Stem Sep. Swivel & Wheel Lock (front)	2	R
13	4600956	Stability Post	4	
14	4600955	Weight Box Assy 1P	1	
15	4532676	Caster 1-1/2-12 Stem Swivel Lock Only (rear)	2	R
16	4532769	Body Side, LT	1	
17	F298	#10-24x 3/8 Shoulder Bolt Nickel Plated	6	
18	8003128	10-24 X 1/2IN S/S Trust Head Phillip MS	4	
19	4600181	Rear Panel, Lower 1P	1	
20	4600266	Slide-Cover Circuit Breaker	1	
21	4532765	Guide - Circuit Breaker Cover	1	
22	F588	Screw #10-24X1/2" Hex HD Type F S.N.#GARL92144	6	
23	4600959	Drip Channel Lower Back 1P	1	
24	4600532	Rear Panel Upper 1P Gas	1	
25	4600179	Rear Panel Upper 1P Electric	1	
26	4602037	Flue Box Assy 12 (Gas Model Only)	1	
27	4600070	Flue Box Top	2	
28	4600069	Flue Box Bottom	2	

Two (2) Platen Grill External Parts



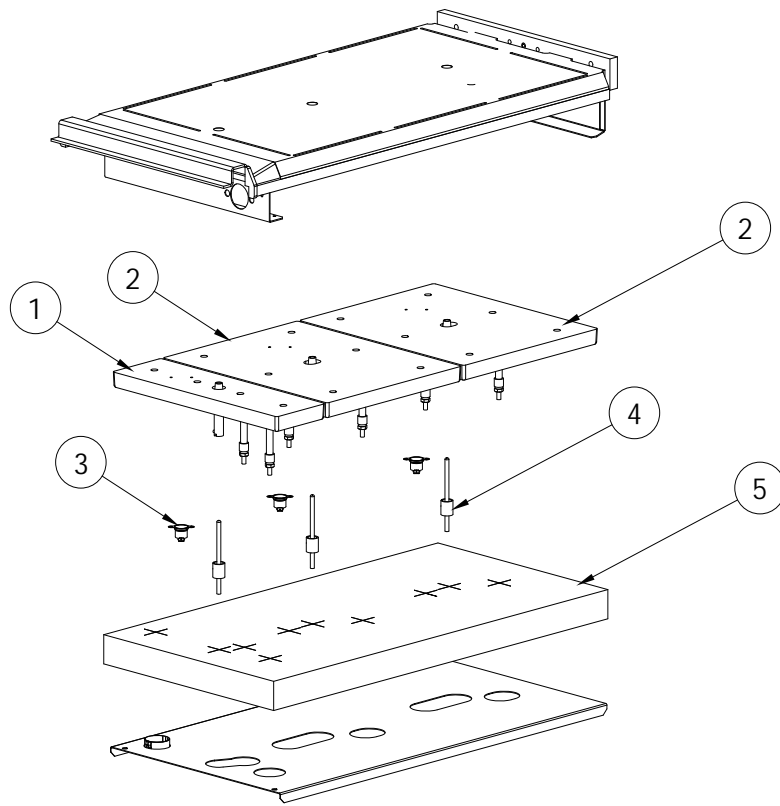
Item#	Part#	Description	Qty	Critical or Recommended
1	4532768	Body Side, RT	1	
2	4532366	Towel Bar Assy 2P	1	
3	4523482	Speaker, 4 Watts SMT	2	C
4	4602222	Control Panel, 2P Electric	1	
	4602225	Control Panel, 1P Gas	1	
5	1859606	Contact Block	1per lane	C
6	1859607	Mounting Latch	2	C
7	1859605	Push Button Green	2	C
8	CK4601735	User Interface Assy	2	C
9	4532040	USB Panel Mount Assy c/w Lock Nut	2	C
10	4532043	USB Cap	2	R
11	4600614	Main Power Switch 250VAC 10A	1	C
12	4532675	Caster 1-1/2-12 Stem Sep. Swivel & Wheel Lock (front)	2	R
13	4532676	Caster 1-1/2-12 Stem Swivel Lock Only (rear)	2	R
16	4532769	Body Side, LT	1	
17	F298	#10-24x 3/8 Shoulder Bolt Nickel Plated		
18	8003128	10-24 X 1/2IN S/S Trust Head Phillip MS		
19	4532764	Rear Panel Lower - 2P	1	
20	4600266	Slide-Cover Circuit Breaker		
21	4532765	Guide - Circuit Breaker Cover		
22	F588	Screw #10-24X1/2" Hex HD Type F S.N.#GARL92144		
23	4600960	Drip Channel Lower Back 2P		
24	4602047	Flue Top	4	
25	4602046	Flue Bottom	4	
26	4602036	Flue Box Main 24 (Gas Model Only)	1	
27	4600533	Rear Panel, Upper 2P (Gas Model Only)	1	

Bottom Grill Burner - All Models Gas



Item	Photo	Part#	Description	Qty per lane	Critical or Recommended
1		4532397	Front Heater Casting (small)	1	
2		4531977	Thermostat SPST (open on rise 500F, close 450F)	1	C
3	Photo	4600101	Grill Plate Thermocouple Electric	1	C
4	Photo	4600280	Grill Plate Thermocouple Gas	2	C
5	Photo	4600092	H.V. Cable Teflon Back, 90 Deg Rajah To 1/4 QC, 6.5in Long	1	C
6	Photo	4600067	H.V. Cable Teflon Front, 90 Deg Rajah To 1/4 QC, 14in Long	1	C
7a	Photo	4601966	Ignition Module 24VDC	2	C
7b		F741	#8-32X1.0" HWHMS Slotted 18/8 S/S (to mount ignition module)		
8a	Photo	4601975	Pressure Switch - Huba Model 605, N. OPEN, GREY, PR 0.15" W.C.	2	C
	Photo	4601145	Pressure Switch - Huba Model 605, N. OPEN, RED, PR 0.32" W.C. (CE Models)	2	C
8b		4601157	Tubing EPDM 3/16 ID, 3/8 SQ OD, 9.5in Long, Kink Resistant	2	
9a	Photo	4600056	Fan 40MM X 40MM X 28MM W/Lead Wires & Connector	2	C
9b	Photo	4600905	Guard Fan, Wire Form Style, STD 40MM Size	2	
9c		8003222	Screw	8	
10		4600064	Fan MTG Fitting W/Pressure Tap	2	
11	Photo	CK4600010	Gas Valve W/Regulator, 24VDC Dual Coil (include item 12, 14, 13 & bracket)	2	C
12	Photo	4600541	Fitting Tee 3/8 Tube Steel Compression All Sides, C/W Sleeves & Nuts	1	R
13	Photo	4600539	Fitting Straight 3/8 NPT TO 3/8 Tube Steel Compression, C/W Sleeve & Nut	2	R
14	Photo	4600540	Fitting Elbow 3/8 NPT TO 3/8 Tube Steel Compression, C/W Sleeve & Nut	2	R
15		4600351	Manifold Assembly (1 platen)	1	
		4600378	Manifold Assembly (2 platen)	1	
16		4600547	Fitting Elbow 1/4 NPT TO 3/8 Tube Steel Compression, C/W Sleeve & Nut	2	R
17		4600680	Manifold Bracket	2	
18		4600021	Bracket Valve Hanger	2	
19	Photo	CK4602052	Electrode & Gasket Assembly	2	C
20	Photo	4602051	Electrode Gasket	2	
21		F588	Screw #10-24X1/2" Hex HD TYPE F S.N.#GARL92144	10	
22		F757	#6-32 X 3/8" Phillips Pan Screw	2	
23		4600483	Thermostat SPST (open on rise 500F, close 450F)	1	C
24		4600972	Window Plug Clear	1	
25		4600062	Orifice Adapter Fitting 1/4 NPT To 7/16 Tube	2	
26		4600260	Orifice Fitting 1.2mm	2	
		4600063	Orifice Fitting 1.5mm	2	

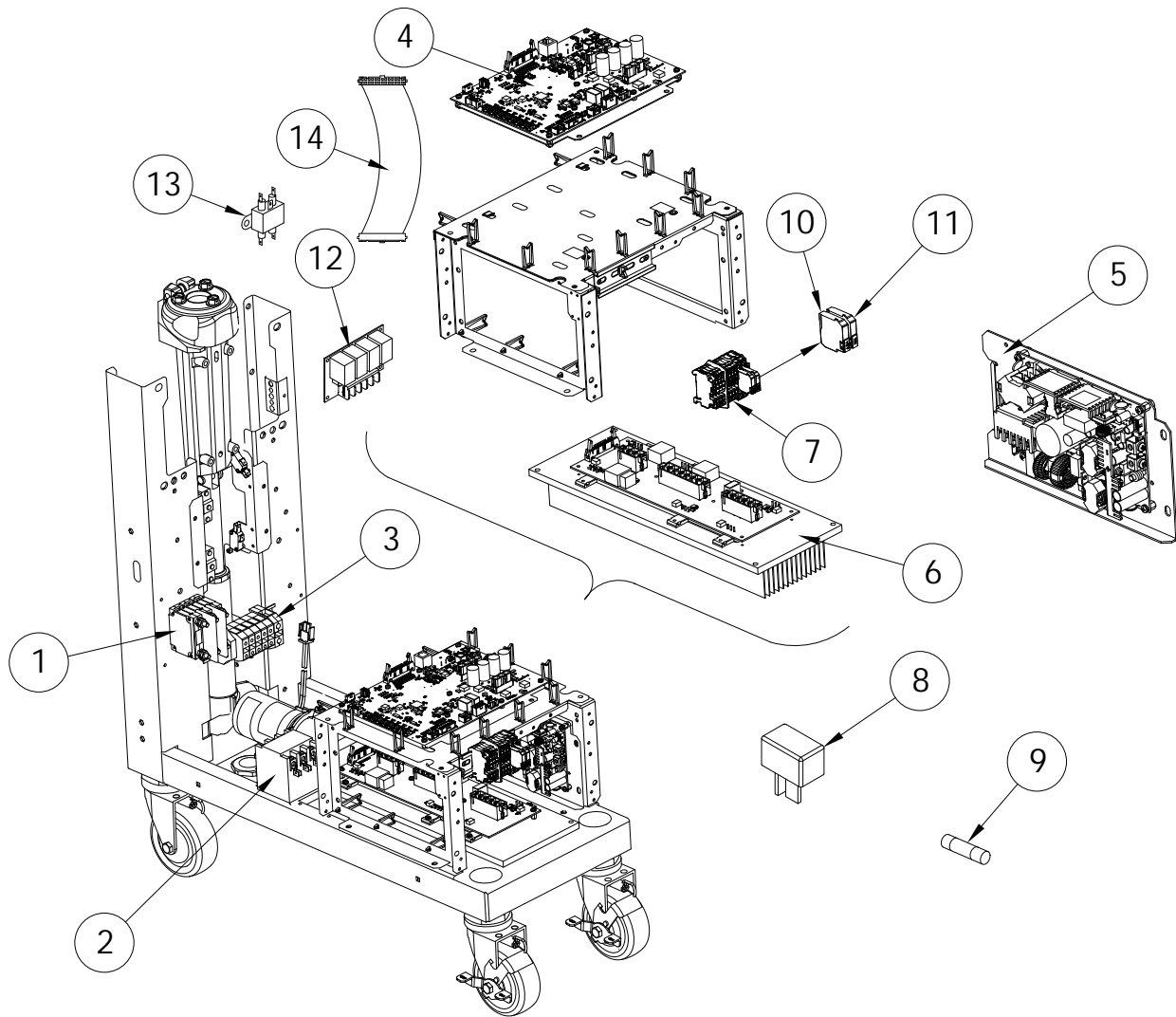
Bottom Grill Element - All Models Electric



Item#	Part#	Description	Qty per lane	Critical or Recommended
1	4532397	Front Heater Casting (small)	1	
2	4532399	Middle/Rear Heater Casting (Large)	2	
3	4531977	Thermostat SPST (open on rise 500F, close 450F)	3	C
4	4600101	Grill Plate Thermocouple Electric	3	C
5	4600202	Fibreglass Insulation 12"x22.5"	1	

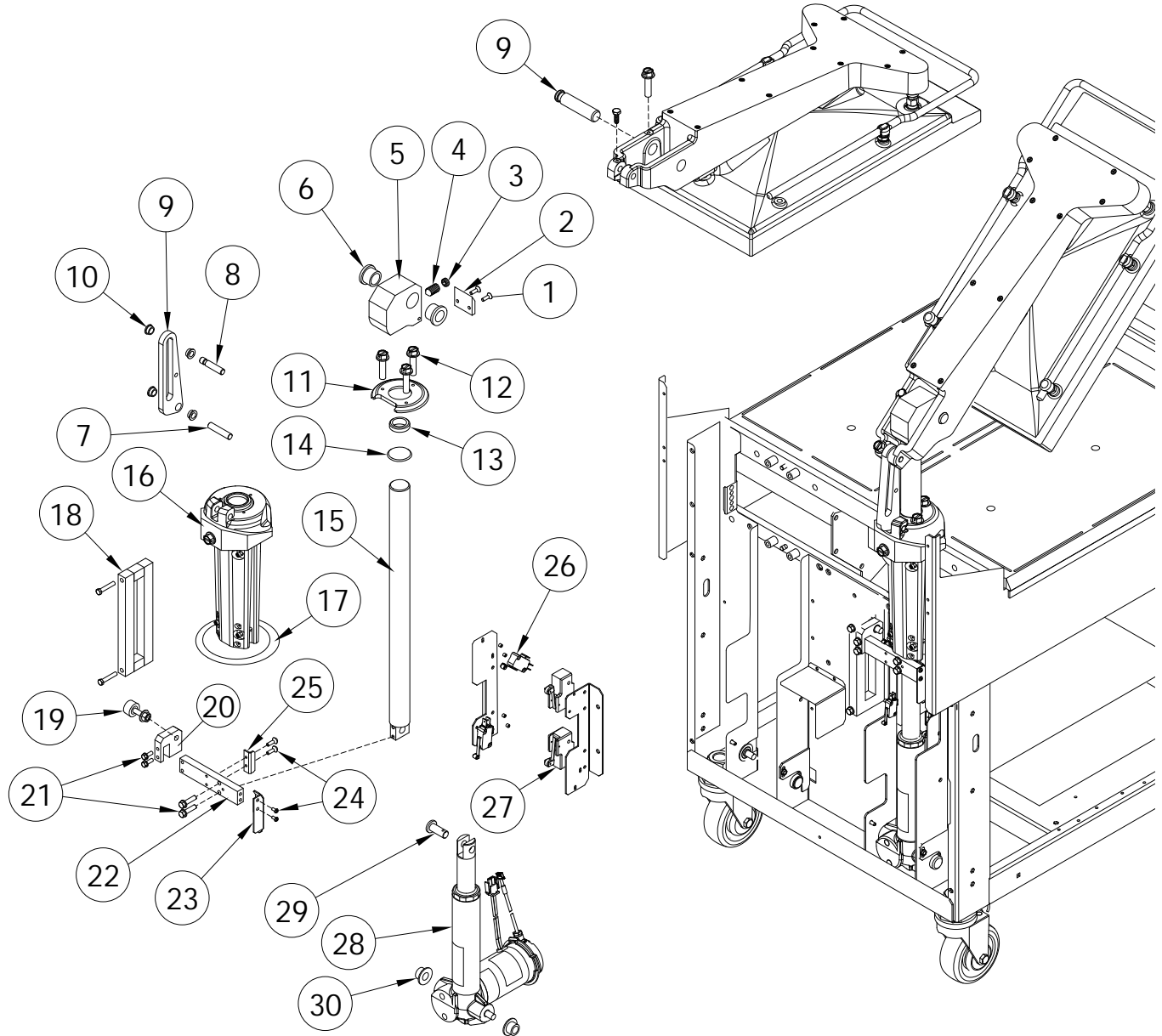
* Not Illustrated

Electronic Components - All Models



Item#	Photo	Part#	Description	Qty per lane	Critical or Recommended
1	Photo	4532382	Circuit Breaker 60A, Nader (3P)	1 per unit	R
	Photo	4600124	Circuit Breaker 32A, (White Handle) Nader (2P)	1 per unit	R
	Photo	4600125	Circuit Breaker 25A, (Yellow Toggle) Nader (1P)	1	R
	Photo	4600630	Circuit Breaker 40A, Nader	1	R
2	Photo	1637001	Contactor 120V Coil UL	1	C
	Photo	1637002	Contactor 240V Coil CE	1	C
3	Photo	4529170	Main Terminal Block CE	1 per unit	
	Photo	4600126	Main Terminal Block UL	1 per unit	
4	Photo	4601832	SIB & Mount Plate Assembly	1	C
5	Photo	4600838	Power Supply 24V Omron	1	C
6	Photo	4531775-9	SSRB Heatsink Assembly	1	C
7	Photo	4600482	Terminal Block Control Power 10A UL	1	
	Photo	4600485	Terminal Block Control Power 6.3A (CE version)	1	
8	Photo	4531933	Diode - 15A	2	C
9	Photo	4600129	Fuse 5A (inside fuse holder)	1	C
10	Photo	4600637	Fuse 6.3A CE (fuse only, located inside the fuse holder of terminal block item 7)	2 per unit	C
11	Photo	4600638	Fuse 10A UL (fuse only, located inside the fuse holder of terminal block item 7)	2 per unit	C
12	Photo	4601675	EMC Filter 3 Phase (CE models)	1 per unit	C
13	Photo	4601719	Power Inlet Line Filter (CE models)	1 per lane	C
14	Photo	4600613	26 Pin Ribbon Cable	1 per lane	C

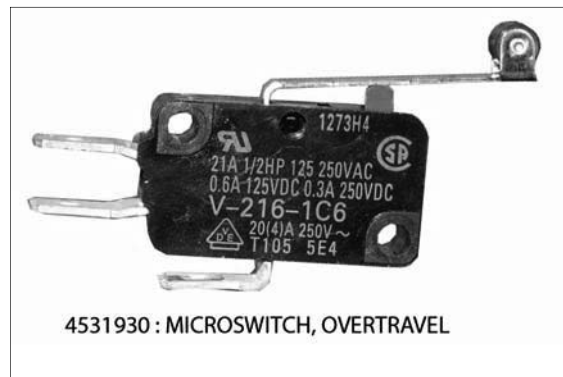
Shaft Mechanism - All Models



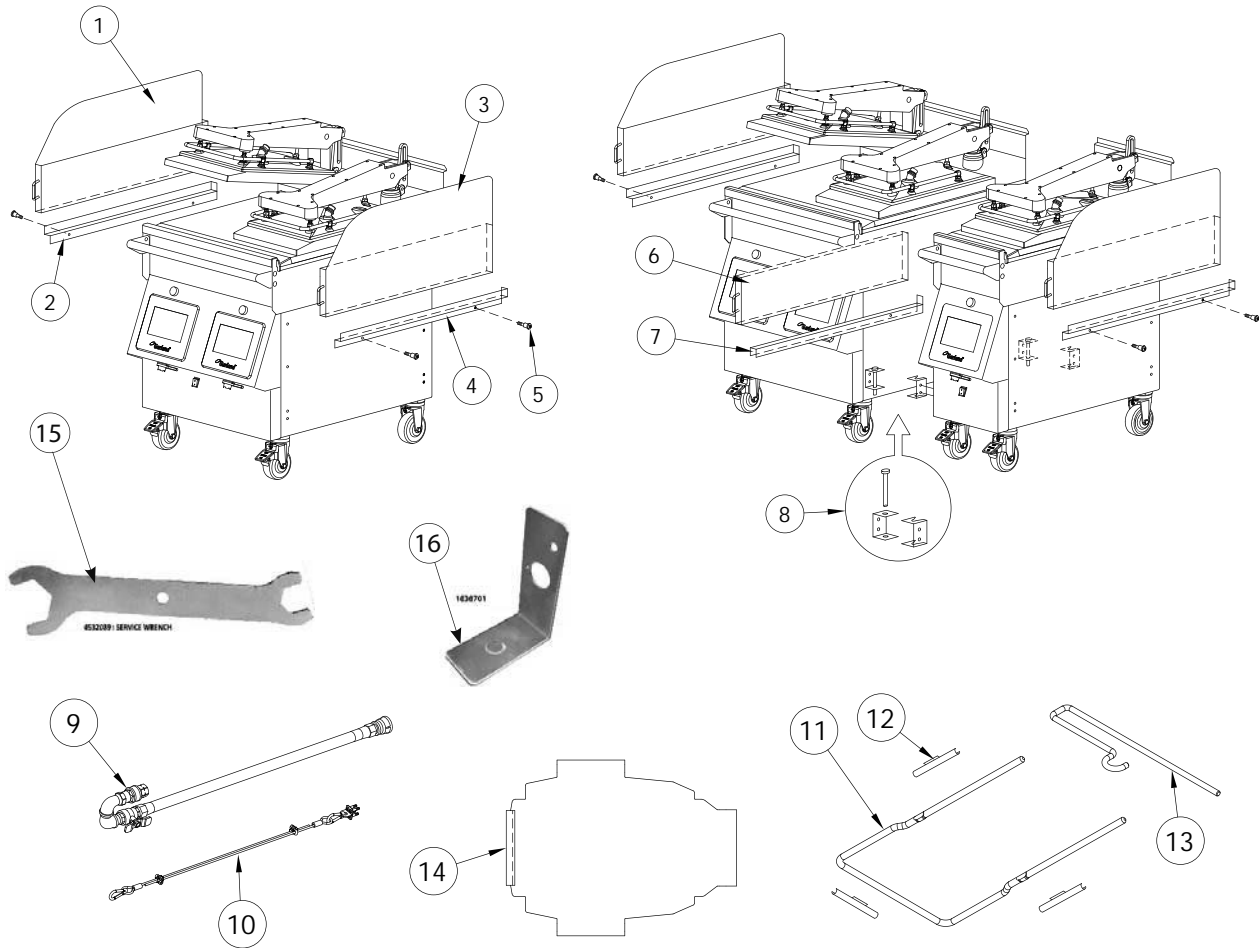
Item#	Part#	Description	Qty per lane	Critical or Recommended
1	F655	#10-32 UNF Flat Socket Head Machine Screw	2	
2	4600618	Wear Pad, Pearl	1	
3	F764	Black Alloy Steel Hollow-Lock Set Screw, 1/2"-13 Thread, 1/4" Long	1	
4	F721	High Hold Cone Point Set Screw 1/2-13X1"	1	
5	4600617	Carriage Block, Base	1	
6	4532752	A200 - Flange Bearing, IN	2	R
7	4600631	Shaft Tube / Link Pin, Pearl	1	
8	4600569	Arm Link Pin, Pearl	1	
9	4532732	Pivot Link Machined	1	
10	4532733	Pivot Link Bearing 3/8" X 1/4" FL	4	
11	4532393	Seal Cap	1	R
12	F700	#8-32 X 3/4" Hex Washer Head Screw, 18-8 SS	3	R

Item#	Part#	Description	Qty per lane	Critical or Recommended
13	4532394	Shaft Seal	1	C
14	4600605	O-Ring	1	C
15	4600620	1-1/4 Shaft	1	
16	4532385	Shaft Tube with Bearings	1	
17	4600477	Seal, Shaft Tube to Backsplash	1	
18	4600721	Anti-Rotate Guide Channel Assembly	1	
19	4600707	Eccentric 7/8" Cam Follower	1	
	F112	Washer -3/8IN SAE Steel Zinc CHR	1	
	F576	18-8 SS 3/8-24 HEX JAM NUT	1	
20	4600623	Cam Follower Block	1	
21	F765	1/4"-20 X 1" GR. 8 Hex HD Cap Screw ZP	4	
	F255	Lockwasher -1/4 S/S Split	4	
22	4600622	Cross Bar	1	
23	4600636	Home Switch Activation Bracket	1	
24	F162	Screw-6-32 X 1/4" Phillips Pan S/S	4	
25	4532760	Bracket, Pin Keeper	1	
26	4531930	Micro-switch, Over-travel	2	C
27	4600616	Limit Switch, Snap Action, Short Hinge Roller Lever	2	C
28	4600170	Actuator Assembly - SKF	1	C
29	F759	Clevis Pin, M12 DIA., 30MM LG, 23MM Usable LG	1	
30	4600863	Igus Flange Bearing GFI-1214-08 3/4 X 1/2	2	

* Not Illustrated



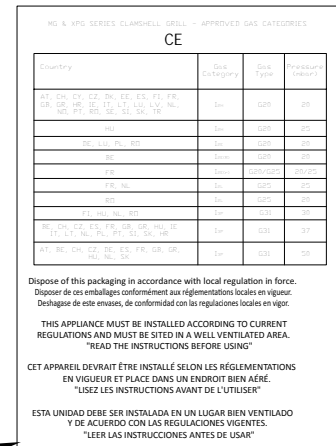
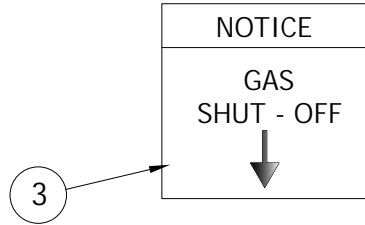
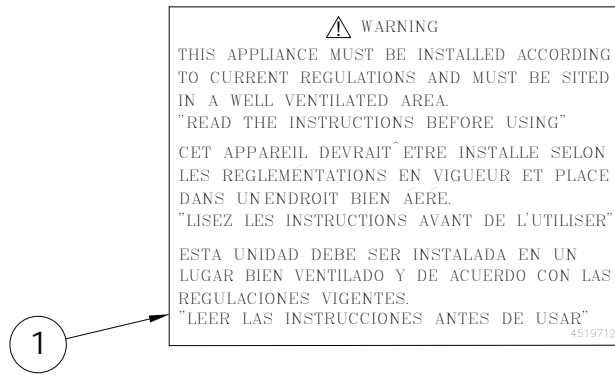
Accessories - All Models



Item#	Part#	Description	Qty	Critical or Recommended
1	4600418	Grease Drawer Assembly Left WG	1	
2	4600415	Grease Drawer Slide Left - WG	1	
3	4600411	Grease Drawer Assembly Right WG	1	
4	4600416	Grease Drawer Slide Right WG	1	
5	F298	Shoulder Bolt Nickel Plated	4	
6	4600427	Grease Drawer Assembly Middle - WG	1	
7	4600417	Grease Drawer Slide Middle - WG	1	
8	4601744	Two & One Hardware PKG	1	
9	4601265	Gas QD & Shut Off Valve Assy 3/4in (2 & 3 Platen Gas Model Only)	1	R
	4601266	Gas QD & Shut Off Valve Assy 1/2in (1 platen Gas Model Only)	1	R
10	4601483	Adjustable Restraining Cable Assembly with Hardware (Gas Model Only)	1	
11	4600597	U-Bar - WG, Pearl	1 per lane	
12	4527294	Teflon Sheet Clip	3 per lane	R
13	4600722	Teflon Rear Loop Hanger	1 per lane	R
14	4600290	Teflon Sheet - McDonald's (box of 6 sheets)	1 per lane	R
15	4532089	Service Wrench	1	
16	1838701	Platen Levelling Tool	1	

* Not Illustrate

Information / Warning Stickers



Item#	Part#	Description	Qty	Critical
1	4519712	Label - CE Warning	1	
2	4522374	Label, Pull Plugs	1	
3	4527792	Label, Gas Shut-Off	1	
4	4601259	Label CE Gas Pearl Clamshell	1	
5*	4518261	Label Cert.Row	1	
6*	1876901	Warranty Label	1	
7*	1167800	Label Disconnect From Dual	1	
8*	1286000	Label Use Only Leg or Casters	1	
9*	G01648-5	Disconnect Label	1	
10*	1739401	Label Warning Improper	1	
11*	2390100	Gas - Caster Mounting Label	1	
12*	M325	Tag, Fuel Type	1	

* Not Illustrated

Note: Stickers should not be removed under any circumstance, if sticker is damaged replace it immediately.

Electrical Schematic Diagrams - All Models

Electrical schematic diagrams are combined by lanes, right, middle and left lanes. For 1 platen, total of one electrical schematic sheet, 2 platen, total of two electrical schematic sheets.

McD Electric (WYE connection)

	Part#	Description
1 PLATEN	4532844	1 Platen - ME12 WYE
2 PLATEN	4532845	2 Platen - ME24 WYE
	4532857	2 Platen - ME24 WYE, 2 inputs
3 PLATEN	4532846	3 Platen - ME36 WYE
	4532858	3 Platen - ME36 WYE, 2 inputs
	4532859	3 Platen - ME36 WYE, 3 inputs

McD Gas (WYE connection)

	Part#	Description
1 PLATEN	4532847	1 Platen - MG12 WYE
2 PLATEN	4532848	2 Platen - MG24 WYE
3 PLATEN	4532849	3 Platen - MG36 WYE

McD Electric (DELTA connection)

	Part#	Description
1 PLATEN	4532850	1 Platen - ME12 DELTA
2 PLATEN	4532851	2 Platen - ME24 DELTA
	4532860	2 Platen - ME24 DELTA, 2 inputs
3 PLATEN	4532852	3 Platen - MG36 DELTA, 2 inputs



McD Gas (DELTA connection)



	Part#	Description
1 PLATEN	4532853	1 Platen - MG12 DELTA
2 PLATEN	4532854	2 Platen - MG24 DELTA
3 PLATEN	4532855	3 Platen - MG36 DELTA
	4602716	3 Platen - ME36 DELTA, 2 inputs

* Electrical schematic diagrams are not illustrated.





Wiring Harnesses - All Models

Electrical wiring harnesses are combined by zones, left, middle and right lanes.

 <p>4532490 HARNESS POWER DISB L UL (left)</p>	 <p>4532489 HARNESS POWER DISB M UL (middle)</p>
<p>4532490 : HARNESS POWER DISB L (left) UL From: SSRB Heatsink To: Power Supply</p>	<p>4532489 : HARNESS POWER DISB M (middle) UL From: SSRB Heatsink To: Power Supply</p>
	1 platen (middle)
2 platen (left)	2 platen (middle)
3 platen (left)	3 platen (middle)

 <p>4532501 HARNESS POWER DISB LEFT CE</p>	 <p>4532500 HARNESS POWER DISB MIDDLE CE</p>	
<p>4532501 : HARNESS POWER DISB L (left) CE From: SSRB Heatsink To: Power Supply</p>	<p>4532500 : HARNESS POWER DISB M (middle) CE From: SSRB Heatsink To: Power Supply</p>	
	1 platen (middle)	
2 platen (left)	2 platen (middle)	

Wiring Harnesses - All Models

 <p style="text-align: center;">4532622 HARNESS GRILL LIMIT SW. G</p>	 <p style="text-align: center;">4532626 HARNESS GRILL HEATER (Electric)</p>	 <p style="text-align: center;">4532624 HARNESS GRILL HEATER GAS</p>
<p>4532622 : HARNESS GRILL LIMIT SW. G From: Thermostat To: Main harness</p>	<p>4532626 : HARNESS GRILL HEATER E From: To:</p>	<p>4532624 : HARNESS GRILL HEATER GAS From: To:</p>
<p>1, 2 & 3 platen gas only</p>	<p>1, 2 & 3 platen electric only</p>	<p>1, 2 & 3 platen gas only</p>
 <p style="text-align: center;">4532625 HARNESS GRILL THERMOSTAT E</p>		
<p>4532625 : HARNESS GRILL THERMOSTAT E From: To:</p>		
<p>1, 2 & 3 platen electric only</p>		

