



# PARTS LIST



Toll Free Phone, (US & Canada): (800) 427-6668

Toll Free Fax, (US & Canada): (800) 361-7745

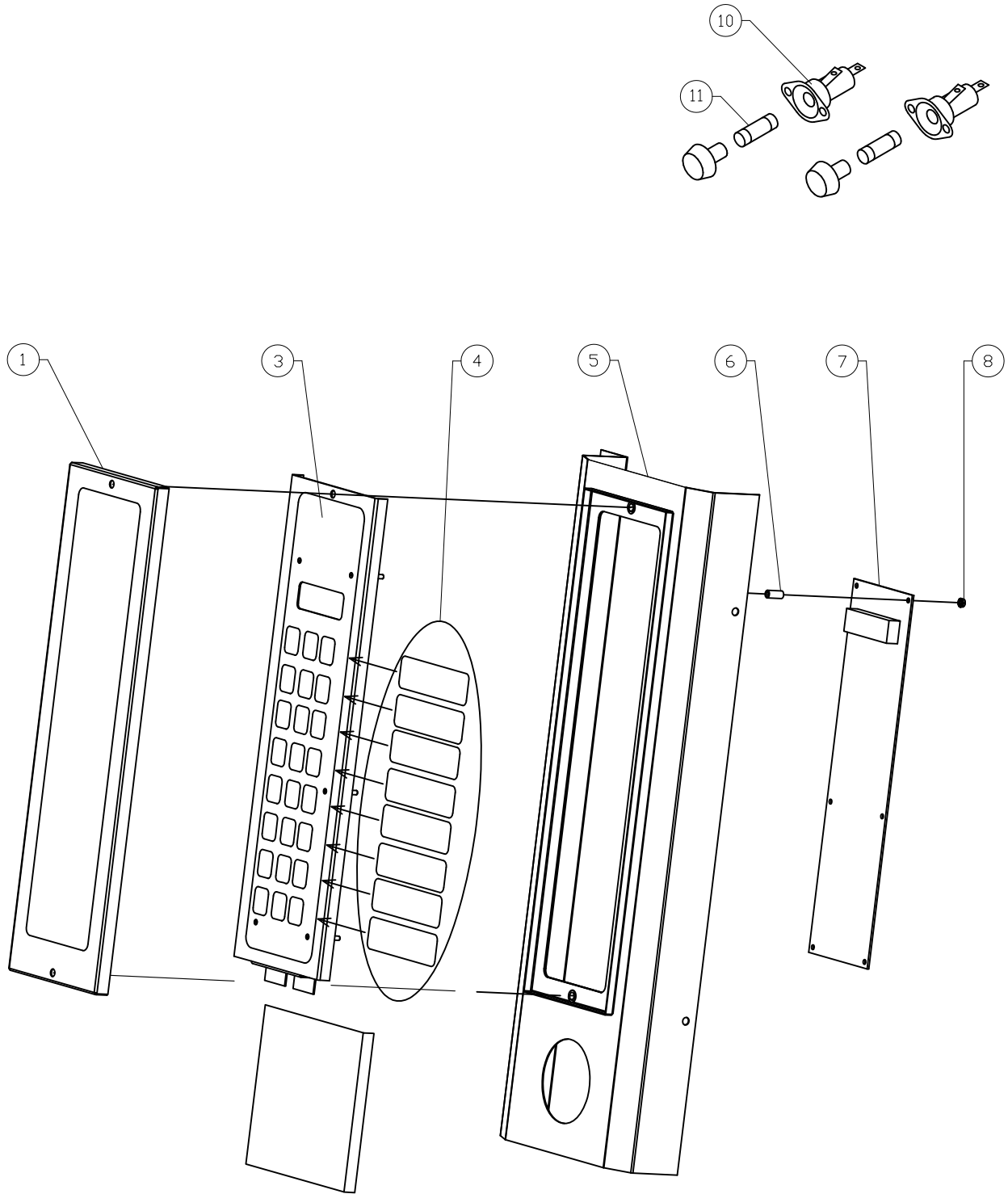
<http://www.garland-group.com>





## HALF SIZE MOISTURE PLUS

DESCRIPTION	PAGE
CONTROL PANEL ASSEMBLY VIEW	4
PARTITION ASSEMBLY VIEW	6
DOOR ASSEMBLY VIEW	8
GLASS ASSEMBLY VIEW	10
DOOR COMPONENTS ASSEMBLY VIEW	12
INSIDE OVEN COMPONENTS ASSEMBLY	14
WATER COMPONENTS ASSEMBLY VIEW	16
HOOD COMPONENTS ASSEMBLY VIEW	18
COVER COMPONENTS ASSEMBLY VIEW	20
PARTS DIGITAL PHOTOS	22

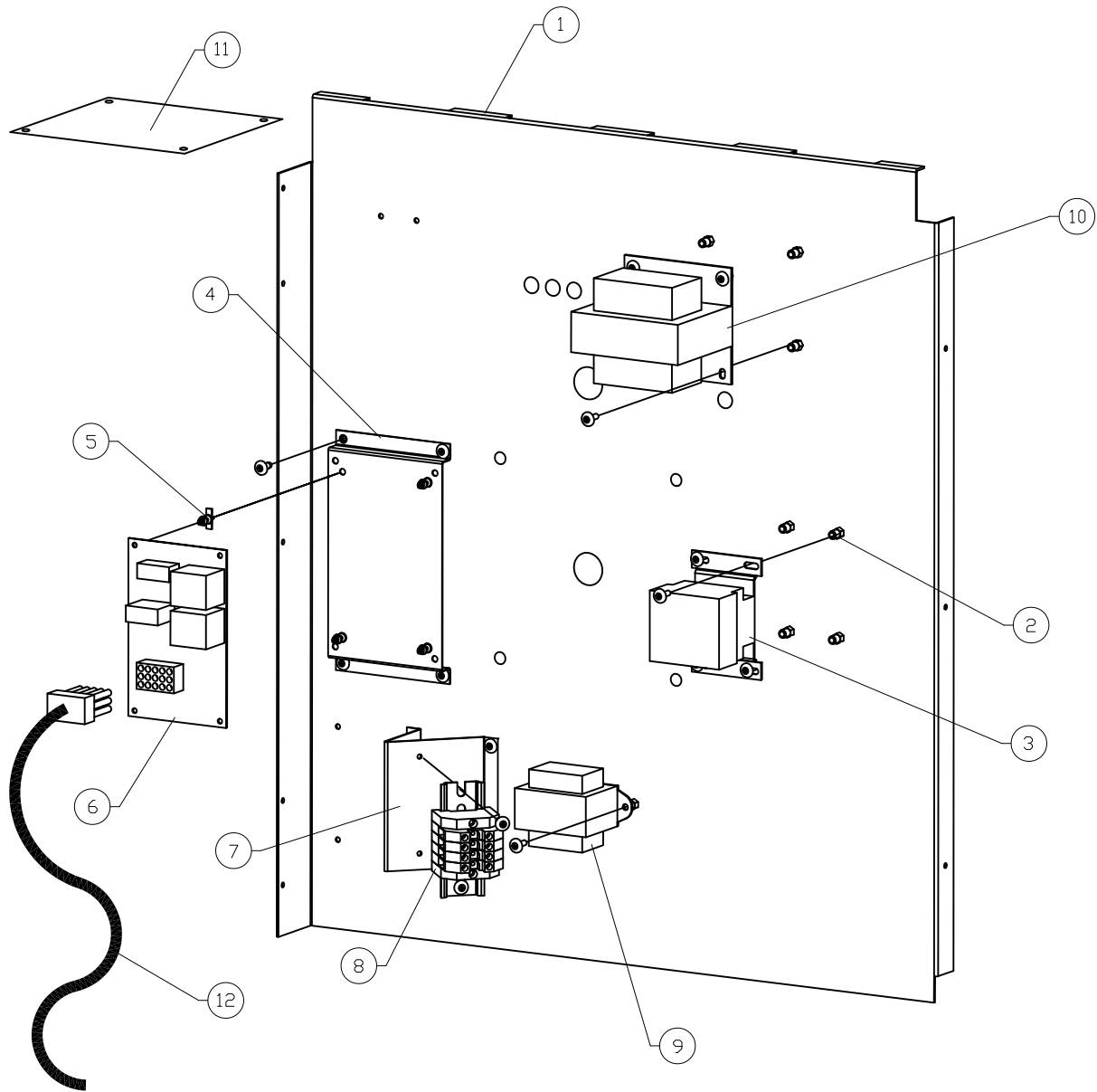


**GARLAND PARTS IDENTIFICATION**  
**CONTROL PANEL ASSEMBLY VIEW - MODEL: MPOE5**

<b>ITEM</b>	<b>PART #</b>	<b>DESCRIPTION</b>	<b>QTY</b>	<b>CRITICAL</b>
1	4517387	Veneer, Control Panel MPOE5L	1	
3	<b>4518206</b>	<b>Kit - MPOE5 - TDL Control Panel</b>	1	C
4	4522418	Icons - Tim Horton	1	
5	4517535	Build Assembly Control Panel MPOE5L-Th	1	
6	1955703	Spacer	6	
7	4515854	Control, M+	1	C
8	8001502	Nut W/L'Washer 6-32 Kep	6	
10	1774101	Fuse Holder 600V 30A HPG	2	
11	<b>4513157</b>	<b>Fuse, 600V 10A Time Delay</b>	1	C

\* NOT ILLUSTRATED

**RECOMMENDED STOCK PARTS**

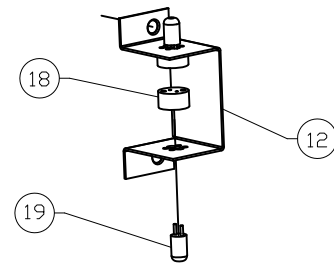
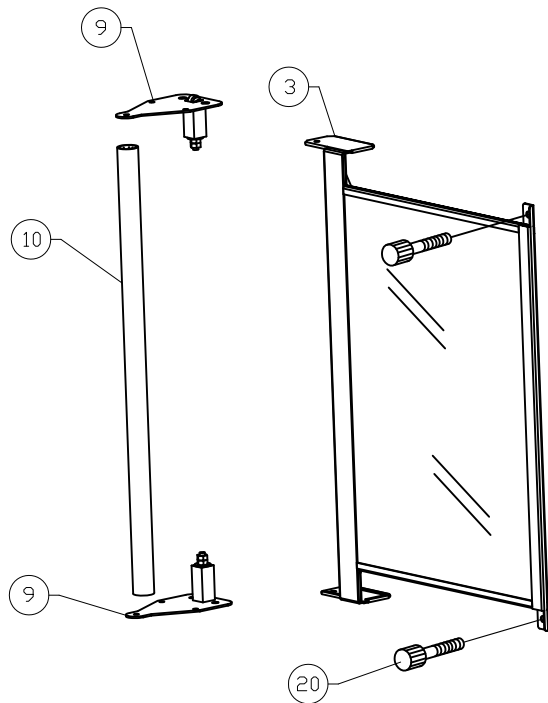
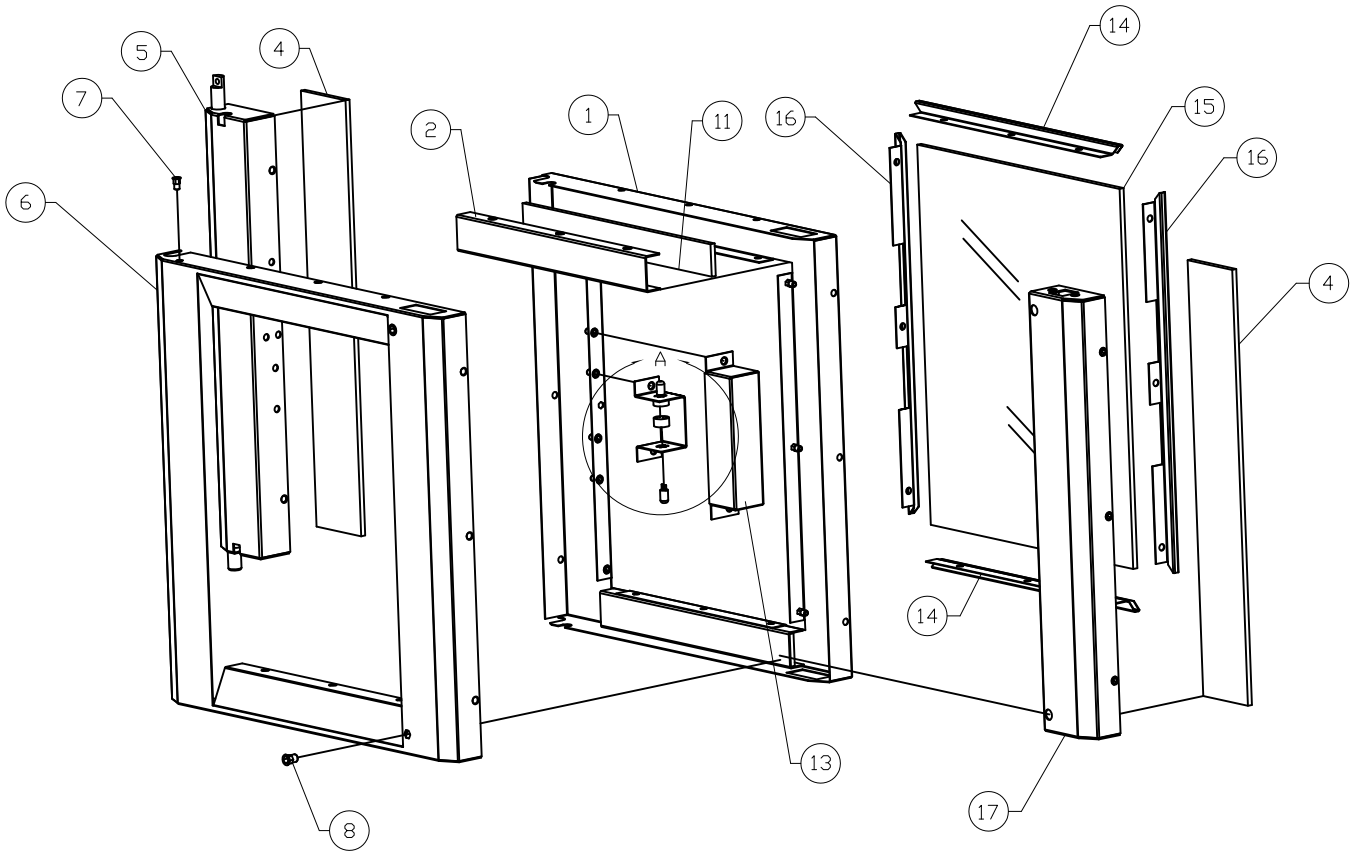


**GARLAND PARTS IDENTIFICATION**  
**PARTITION ASSEMBLY VIEW - MODEL: MPOE5**

ITEM	PART #	DESCRIPTION	QTY	CRITICAL
1	1961102	Partition Side MPOE5L	1	
2	9000902	#10-24 Hexagonal Tns	10	
3	<b>1637002</b>	<b>Contactor 240V Coil</b>	1	C
4	1962201	Relay Board Mounting Brkt	1	
5	1767901	Nylon Pcb Spacer	4	
6	<b>1933801</b>	<b>Relay Board, M+</b>	1	C
7	1962208	Bracket, Terminal Block Mtg	1	
8	4516982	Terminal Block - 10 mm	1	
9	<b>4521630</b>	<b>Transformer, 120/240v - 24v, 40VA</b> <b>Used from serial # 0709100242104 - Sept 7, 2007</b>	1	C
	<b>4523845</b>	<b>Transformer Kit</b>		
9A*	<b>Note: Unit manufactured before Serial Number 0709100242104 - Sept 7, 2007 will required transformer kit Part number 4523845</b>		1	
10	<b>4517595</b>	<b>Transformer 120/240 To 24V</b>	1	C
11	1966404	Card Reader	1	
12	1936076	Wire Harness Relay Board Control - M+	1	

\* NOT ILLUSTRATED

**RECOMMENDED STOCK PARTS**



DETAIL A



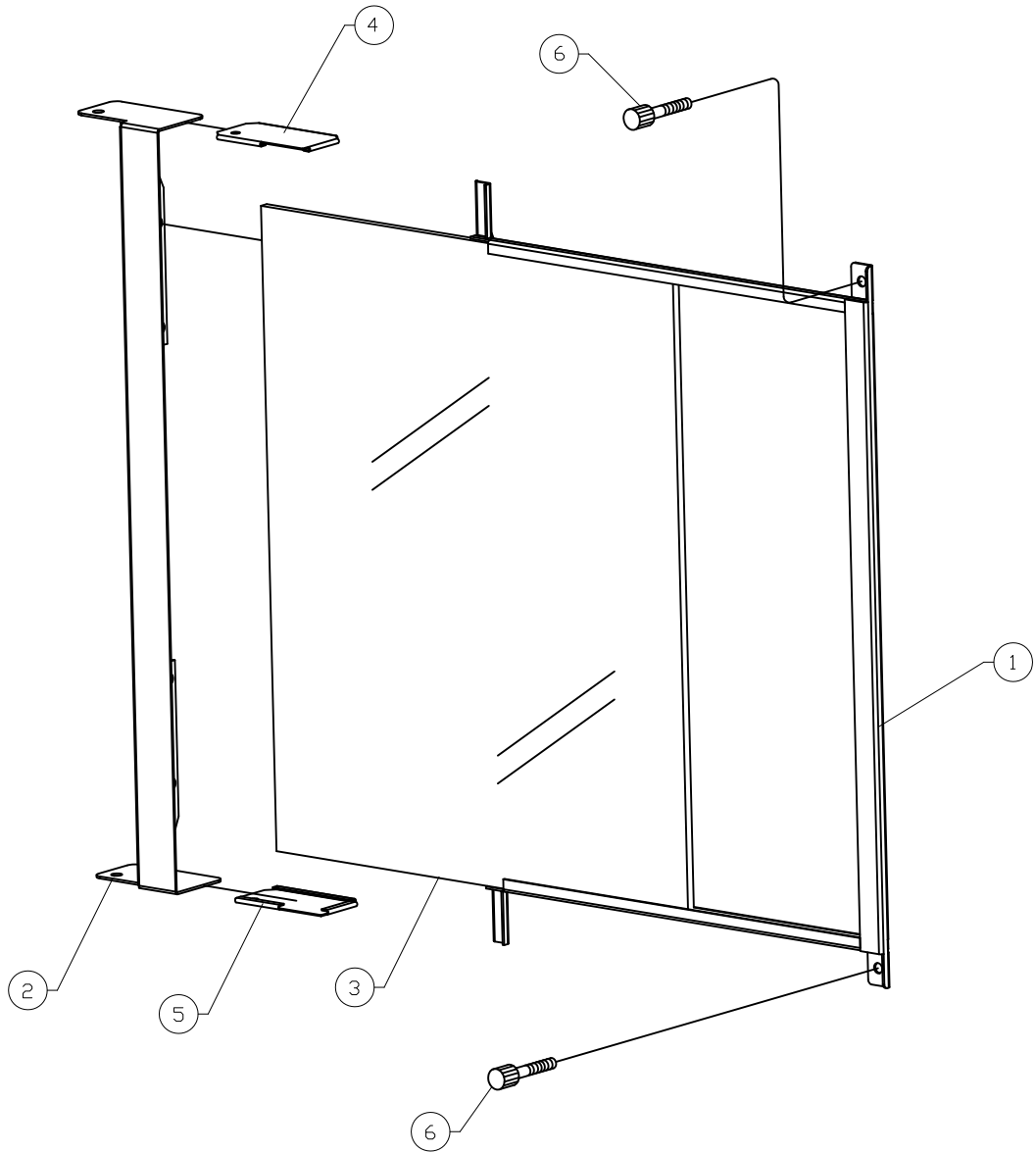
**GARLAND PARTS IDENTIFICATION  
DOOR ASSEMBLY VIEW - MODEL: MPOE5**

ITEM	PART #	DESCRIPTION	QTY	UPTO	FROM	CRITICAL
1	4516957	Build Assembly, Liner MPOE5 Door	1			
2	4516953	Build Assembly, Frame Top/Btm MPOE5 Door	1			
3	4523929	Build Assembly, Frt Door Glass MPOE5	1			
4	4517992	Insul-Atd T5000 Door Lt/Rt	2			
5	4516951	Insul-Atd T5000 Door Lt/Rt	1			
6	4516947	Panel, MPOE5L Door	1			
7	9000902	#10-24 Hexagonal Tns	2			
8	1916701	Thrded Insrt 1/4-20 Open End	2			
9	<b>1952096</b>	<b>Build Assembly, Handle End Latch</b>	2			
10	1952098	Build Assembly, Handle Half Size Co	1			
11	4517991	Insul-Atd T5000 Door Top/Btm	2			
12	<b>4517362</b>	<b>Bulb Holder</b>	1			
13	4517361	Light Box	1			
14	4523918	Frame, Top/Btm MPOE5 Window	2			
15A	4517384	Window, 3/8" x 15 X 18.5 MPOE5L	1	29-Oct-07		
15B	4523920	Inner Window - 1/4" x 14.813 x 18.375 MPOE5L			30-Oct-07	
16	4523917	Frame, Lt/Rt MPOE5L Window	2			
17	4516950	Build Assembly, Frame Handle Side MPOE5	1			
18	<b>4518014</b>	<b>Socket, Oven Door Light MPOE5L</b>	2			
19	<b>4517905</b>	<b>Bulb, Halogen 50W 24V Clr</b>	2			
20	8006501	Thumb Screw	2			
21	4520686	Door Assembly MPOE5L Part Service Kit	1			

\* NOT ILLUSTRATED

**RECOMMENDED STOCK PARTS**

**Important Note:** In the Month of October 2007, both Inner Glass P/N 4517384 & new P/N 4523920 were used by production. Please verify Glass thickness & match to current inner Glass Part Number.



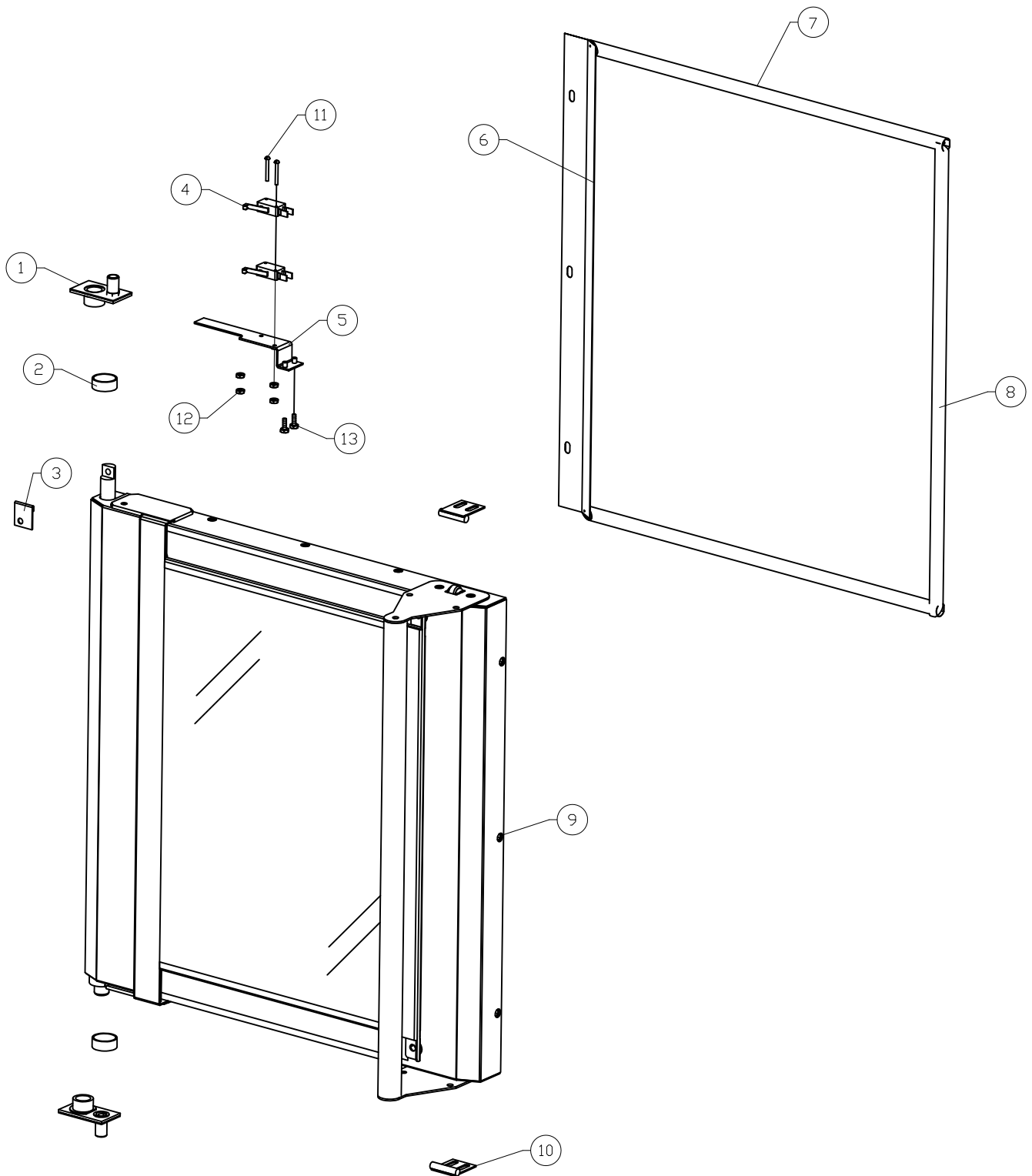
**GARLAND PARTS IDENTIFICATION**  
**GLASS ASSEMBLY VIEW - MODEL: MPOE5**

ITEM	PART #	DESCRIPTION	QTY	UPTO	FROM	CRITICAL
1	4523925	Weld Assembly, Front Door Glass MPOE5	1			
2	4523921	Bracket - Left Support Outer Door Window	1			
3A	4517384	Outer Window, 3/8" x 15 X 18.5 MPOE5L	1	29-Oct-07		
3B	4523928	Outer Window, 3/8" x 14.680 x 18.438 MPOE5L	1		30-Oct-07	
4	4523987	Trim, Window Bracket Top	1			
5	4523988	Trim, Window Bracket Bottom	1			
6	8006501	Thumb Screw	2			

\* NOT ILLUSTRATED

**RECOMMENDED STOCK PARTS**

<p><b>Important Note:</b> In the Month of October 2007, both Outer Glass P/N 4517384 &amp; new P/N 4523928 were used by production. Please contact The Garland Parts Department and provide your S/N so they may validate the current Outer Glass Part number required.</p>
---

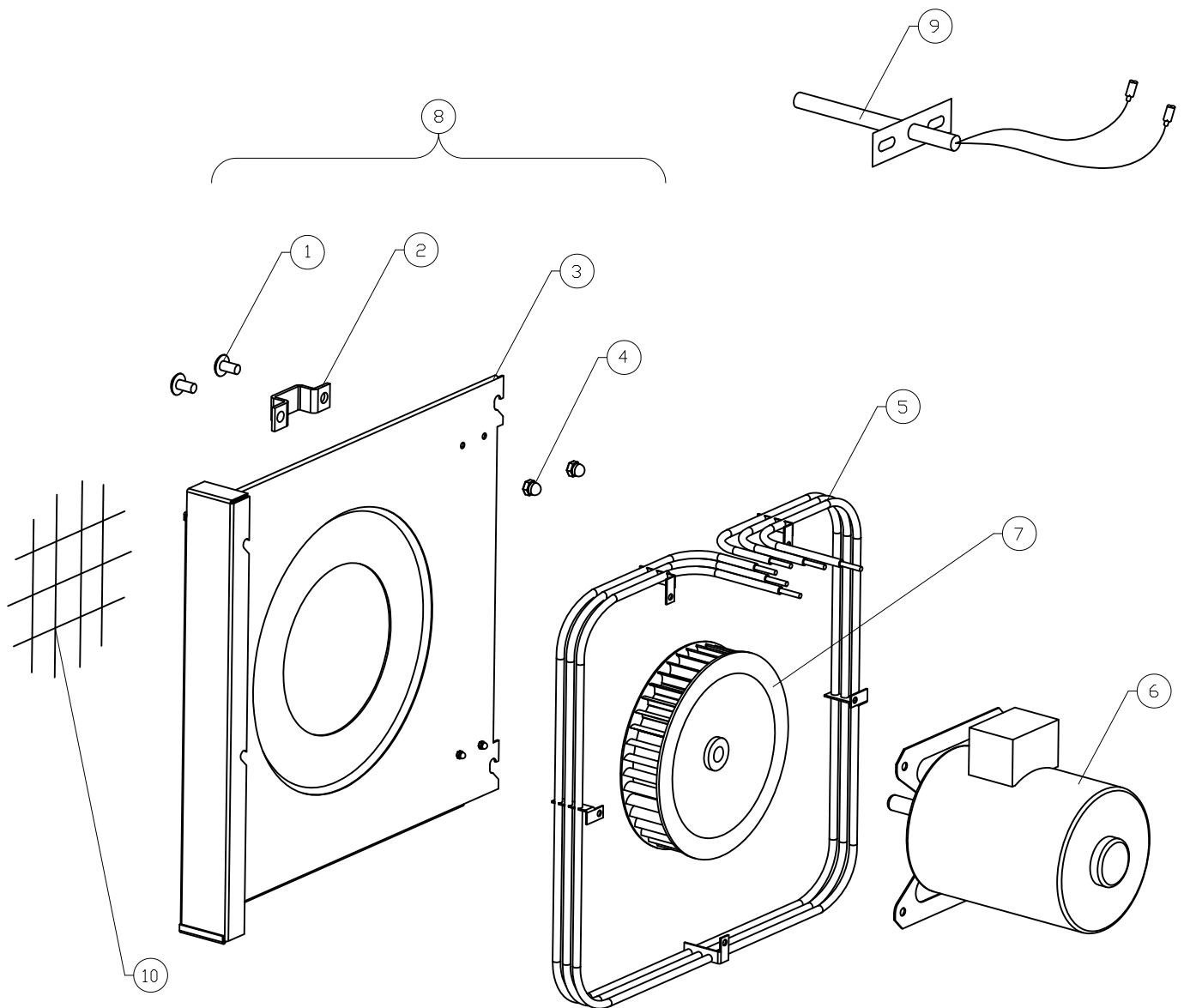


**GARLAND PARTS IDENTIFICATION**  
**DOOR COMPONENTS ASSEMBLY VIEW - MODEL: MPOE5**

ITEM	PART #	DESCRIPTION	QTY	CRITICAL
1	CK1385497	Hinge Bracket Assembly	2	
2	8006301	Trim Ring S/S .438 (7/16")	2	
3	1962105	Micro Switch Activator	1	
4	<b>9006401</b>	<b>Switch-Mini Snap Hi-Temp 1 Amp</b>	2	C
5	4522011	Kit MPOE5L Door Switches	1	
		Item # 13 Included In This Kit		
		Note: Micro Switches Are Not Part Of This Kit		
6	<b>1966503</b>	<b>Door Seal Hinge Side SS</b>	1	
7	<b>1966502</b>	<b>Door Seal Top/Btm Silicon</b>	2	
8	<b>1966501</b>	<b>Door Seal Rt Silicon</b>	1	
9	4516956	Door MPOE5	1	
		More details - Page 8		
10	4518123	Weld Assembly, Door Catch MPOE5	2	
11	8003222	MSCR-PH-Phil 4-40x1-1/2" STL 2P	2	
12	8001201	Nut Hex 4-40 Stl ZP	4	
13	4521273	10-24x1/2" Pan Head Screw - Type "F"	2	

\* NOT ILLUSTRATED

**RECOMMENDED STOCK PARTS**



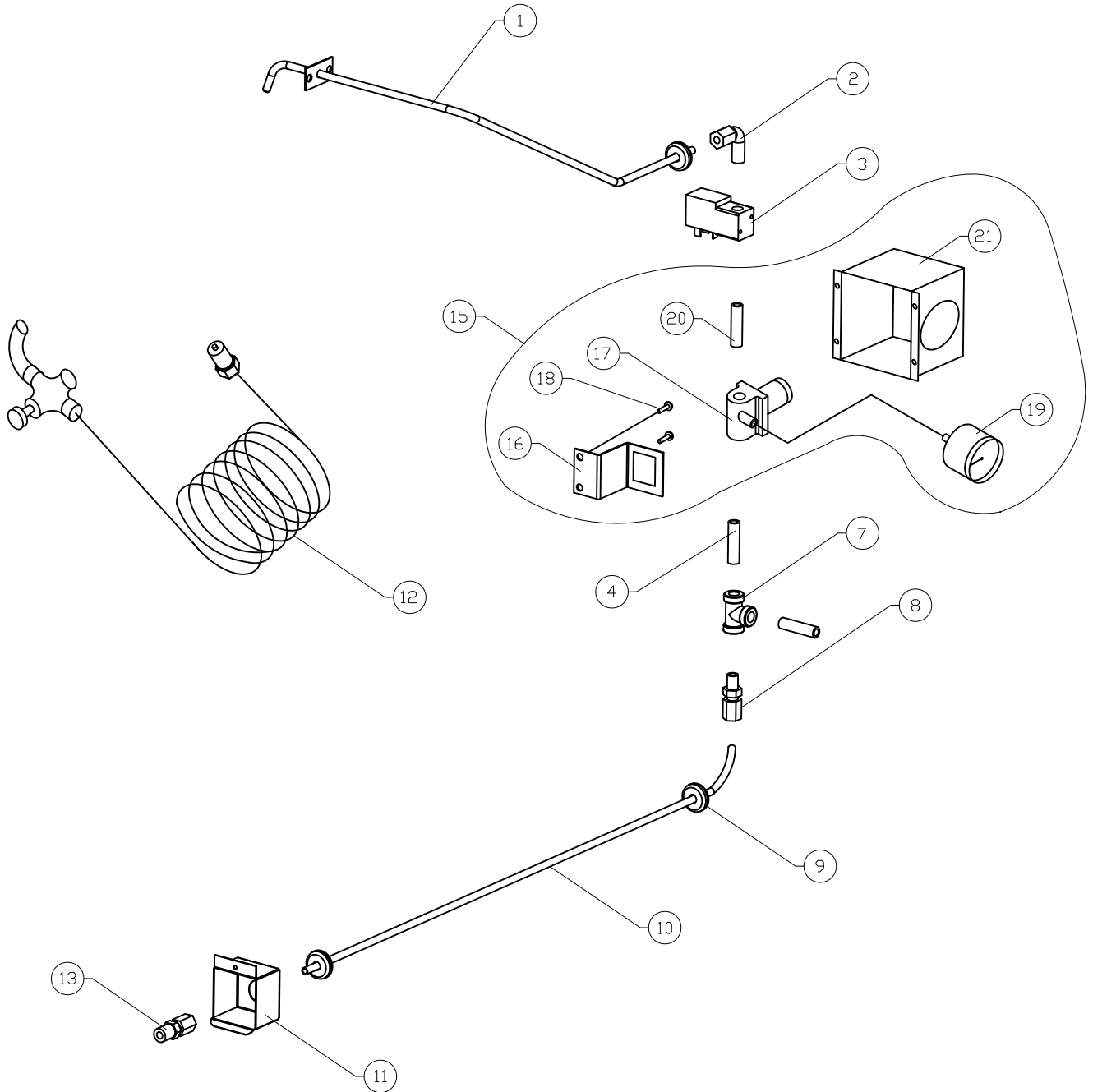
**GARLAND PARTS IDENTIFICATION**  
**INSIDE OVEN COMPONENTS ASSEMBLY - MODEL: MPOE5**

<b>ITEM</b>	<b>PART #</b>	<b>DESCRIPTION</b>	<b>QTY</b>	<b>CRITICAL</b>
1	8003140	Mscr-Th-Phil 10-24 X 3/8 Ss	16	
2	1765212	Rack Clip	8	
3	4517348	Baffle, MPOE5L SS	1	
4	4518088	Nut, Acorn 10-24 Ss	16	
5	<b>4517469</b>	<b>Element Pkg, 208V 7.5Kw Mcoe5</b>	1	C
	<b>4517470</b>	<b>Element Pkg, 240V 7.5Kw Mcoe5</b>		C
	<b>4517471</b>	<b>Element Pkg, 208V 5.0Kw Mcoe5</b>		C
	<b>4517472</b>	<b>Element Pkg, 240V 5.0Kw Mcoe5</b>		C
6	<b>1951502</b>	<b>Motor 240V 1/3Hp 2Sp 5/8 Shaft</b>	1	C
7	<b>4517536</b>	<b>Blower Wheel</b>	1	C
8	4517349	Complete Baffle MPOE5L SS	1	
		Item Included - 1, 2, 3 & 4		
9^	<b>1906002</b>	<b>Probe - Rtd, Flange Mount</b>	1	C
10	4522317	Blower Inlet Cover	1	

\* NOT ILLUSTRATED

^ DIGITAL PHOTO AT THE END

**RECOMMENDED STOCK PARTS**



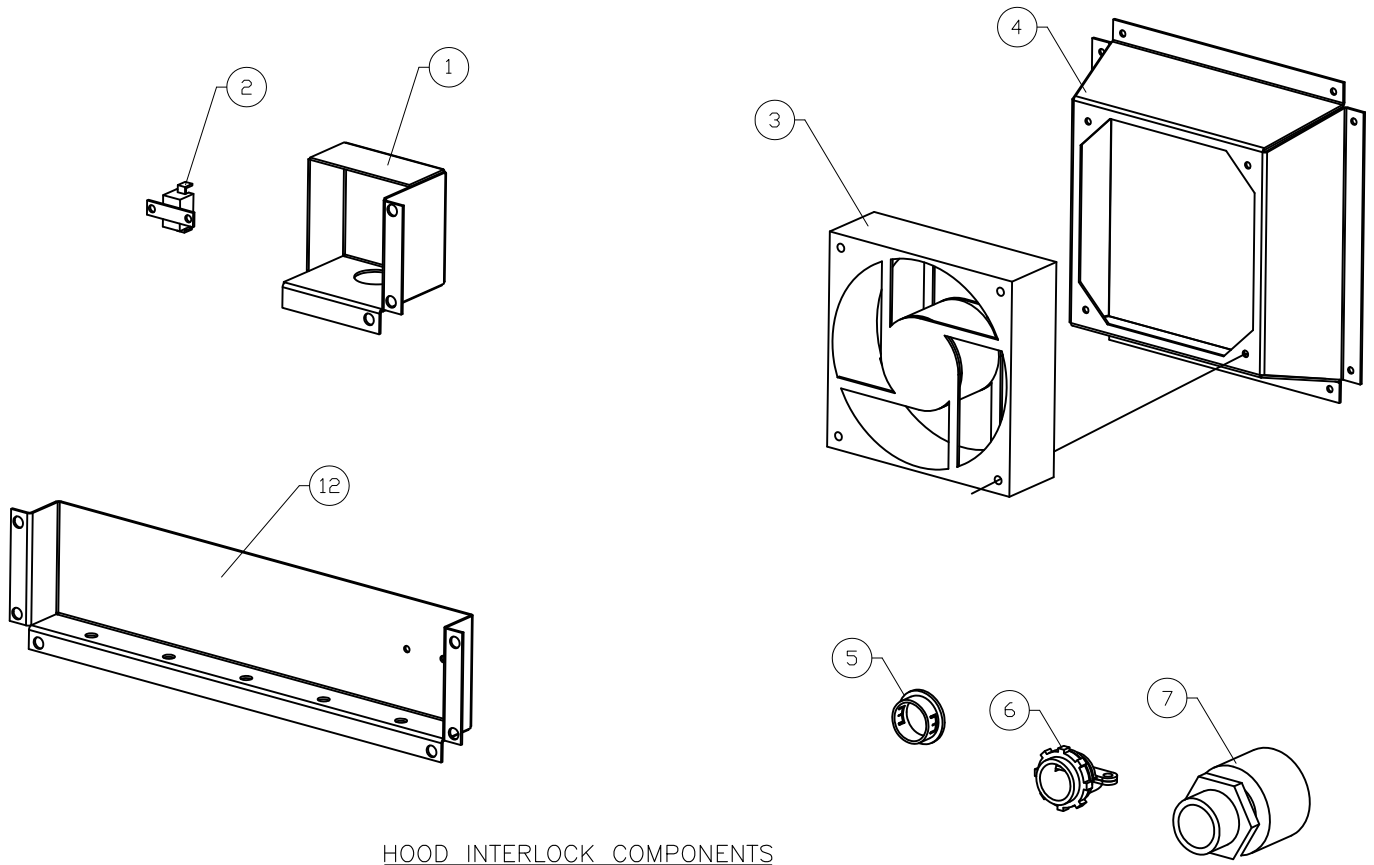


**GARLAND PARTS IDENTIFICATION**  
**WATER COMPONENTS ASSEMBLY VIEW - MODEL: MPOE5**

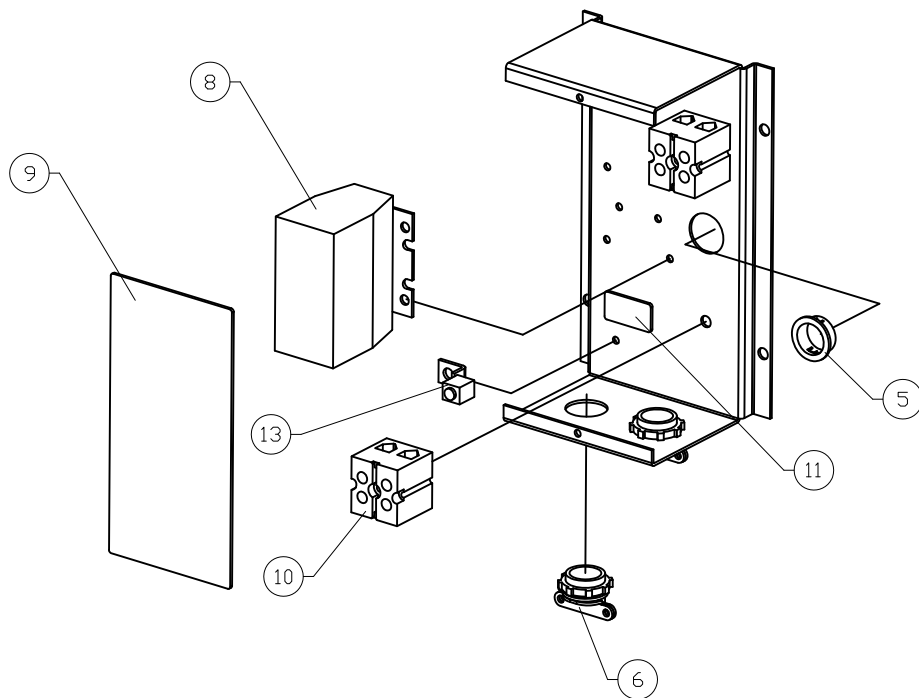
ITEM	PART #	DESCRIPTION	QTY	UP TO	FROM	CRITICAL
1	4517533	Tubing, Spritz Nozzle MPOE5	1			
2	1934902	Fitting-1/8Npt 90 To Cc SS				
3	<b>1934401</b>	<b>Solenoid-M+</b>	1			C
4	1935201	Fitting-1/8Npt 1-1/2 Nipple SS	3			
5*	<b>4518124</b>	<b>Regulator, 10Psi Fixed</b> <b>NLA - Use item number 15</b>	1	Apr-07		
6*	4518038	Bracket, Regulator Mounting NLA - Use item number 15	1	Apr-07		
7	1935203	Fitting-1/8 Npt T, Ss M+				
8	1934901	Fitting-1/8 Npt-Cc Ss, M+	2			
9	4517477	Grommet,H2O Line .313 Idx1 Od	3			
10	4517534	Tubing, Hose Connection Mpoe5				
11	1933411	Cover, Water Connection				
12	4517543	Spray Valve Assembly with 10' Hose & Quick Diconnect	1			
13	1934901	Fitting 1/8 NPT-CC SS M+	1			
15	<b>4522822</b>	<b>TDL Water Regulator Kit</b> Items included: 16,17,18,19,20,21	1		Apr-07	C
16	4522392	Bracket, Water Soleniod	1		Apr-07	
17	1934501	Pressure Regulator ASCO	1		Apr-07	C
18	8002107	Screw Philips #10 X 1/2"	2		Apr-07	
19	1934502	Pressure Gauge	1		Apr-07	
20	1935201	1/8" NPT x 1-1/2" Nipple	1		Apr-07	
21	4517019	Cover Spritz Components	1		Apr-07	

\* NOT ILLUSTRATED

**RECOMMENDED STOCK PARTS**



HOOD INTERLOCK COMPONENTS

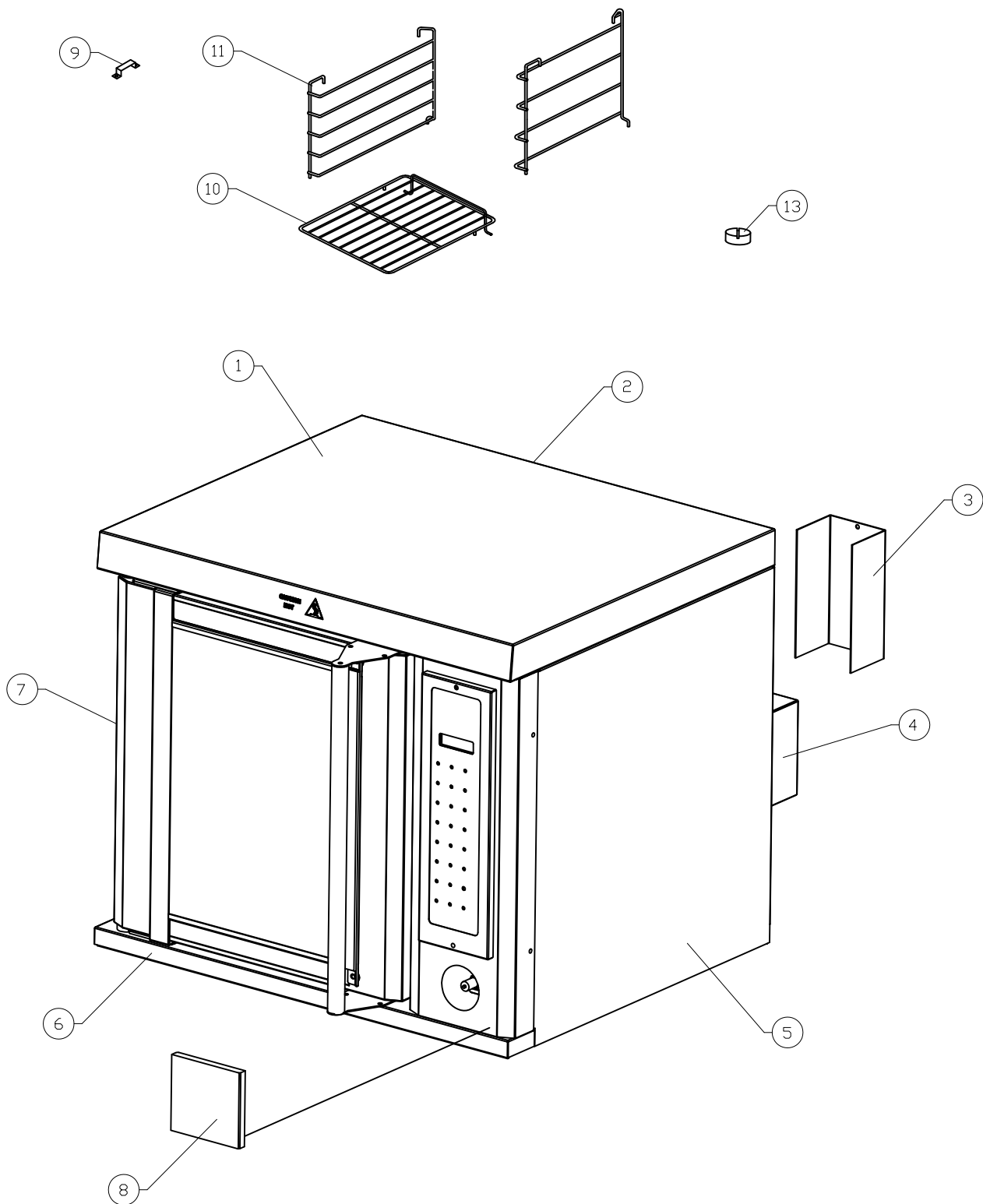


**GARLAND PARTS IDENTIFICATION**  
**HOOD COMPONENTS ASSEMBLY VIEW - MODEL: MPOE5**

<b>ITEM</b>	<b>PART #</b>	<b>DESCRIPTION</b>	<b>QTY</b>	<b>CRITICAL</b>
1	1960503	Hi-Limit Box	1	
2	<b>1966409</b>	<b>Hi-Limit</b>	1	C
3	<b>1671101</b>	<b>Fan - 120MM 230V</b>	1	C
4	1962205	Cooling Fan Cowl	1	
5	1028809	Snap Bushing .875 Dia		
6	1028501	3/8 Bx Straight Connector	2	
7	4517499	Cord Connector & Nut - Nylon		
8	1772801	30 Amp Single Pole Contactor	1	
9	1772401	Label - Card Control	1	
10	1772901	Mini 2 Pole Terminal Block	2	
11	1104300	Label Ground Symbol	1	
12	1960502	Flue Box Mcoe5	1	
13	1028402	Ground Lug	1	

\* NOT ILLUSTRATED

**RECOMMENDED STOCK PARTS**

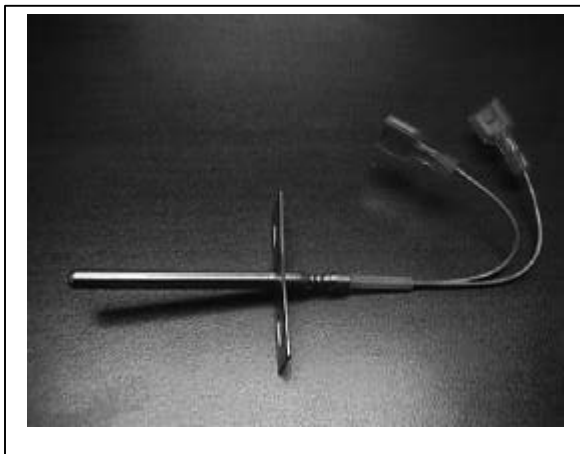


**GARLAND PARTS IDENTIFICATION**  
**COVER COMPONENTS ASSEMBLY VIEW - MODEL: MPOE5**

<b>ITEM</b>	<b>PART #</b>	<b>DESCRIPTION</b>	<b>QTY</b>	<b>CRITICAL</b>
1	1960901	Main Top SS	1	
2	1960507	Main Back MPOE5L SS	1	
3	1966102	Hood Interlock Relay Cover	1	
4	4517019	Cover, Spritz Components	1	
5	4517016	Body Side, Cntrl Ss MPOE5	1	
6	1960802	Front Base Veneer MPOE5L	1	
7	1951401	Body Side, Oven Ss	1	
8	4518153	Cover , Hose Connection	1	
9	1765212	Rack Clip SS	4	
10	4517760	Oven Rack SS	4	
11	4517761	Rack Guide SS 4-Positions	2	
12*	1960504	BX Cable 15.375"	1	
13	4517906	Drain Stop	1	

\* NOT ILLUSTRATED

**RECOMMENDED STOCK PARTS**



1906002  
PROBE - RTD, FLANGE MOUNT

## GARLAND PARTS IDENTIFICATION

### Revision History

REV. #	PAGE #	ITEM #	NOTE	DATE	
00			Part List Book Released	March 30/04	
01	9	21	Part number 4516956 replaced by 4520686	Sept 20/05	
02	14,15	10	New part number added	Jan 4/06	
03	13	2	New part number - was 1011201	Jan 10/06	
04	9,11	20,6	Part number changed	Feb 21/06	
5	12		New drawing - Item 5 modified	Feb 5/07	
	13	5	Part number & description changed - was #1962106 (Micro Switch Bracket)		
	15	10	Part number changed - was #1014500		
6	12		New drawing	Feb 12/07	
	13	5	Description added: Item # 13 Included In This Kit		
7	11,12,13		New part number added	May 29/07	
	4, 5	4	New part number added		
	20, 21	13	New part number added		
	12		New drawing		
	13	11	New part number - was 8003221 (MSCR-PH-Phil 4-40x1-1/2" STL 2P)		
	12		New part number - was 8001505 (Nut W/L Washer 4-40 KEP ZP)		
	16		New Drawing		
17	5,6		Parts no longer available - use kit number as specified		
	15 to 21		New part number added		
8	16,17	13	Part number added	Aug 16/07	
9	6,7	12	New part number added	Dec 12/07	
		9	Part # replaced - was 1636000 (Transformer,24 Vac)		
		9A	New part number & note added		
	9	3			Part # replaced - was 4517993
		14			Part # replaced - was 4516955
		15A			Description changed
		15B			New part number added
		16			Part # replaced - was 4516954
		21			Part # replaced - was 4520686
			Important note added at the bottom		
	11	1			Part # replaced - was 4518025
		3A			Description changed - was Window 15 X 18.5 MPOE5L
		3B			New part number added
			Important note added at the bottom		
19	7		Description added		
			Critical column added		
10	7	8	Part number changed - was 1860113	May 27/10	
	11	2	Part # replaced - was 4517066		
		4	Part # replaced - was 4523988		
		5	Part # replaced - was 4518017		
	13	1	Part number changed - was 1385497		

## *NOTES*



## *NOTES*

 **Garland**<sup>®</sup>