

Master “MS” Series Gas Ranges & Other Equipment

Parts List

MS Series Gas Models

Ranges and Range Attachments

Broilers (Salamanders)

Spreaders and Cabinets

Master Series MS Models

Contents:

Ranges & Attachments

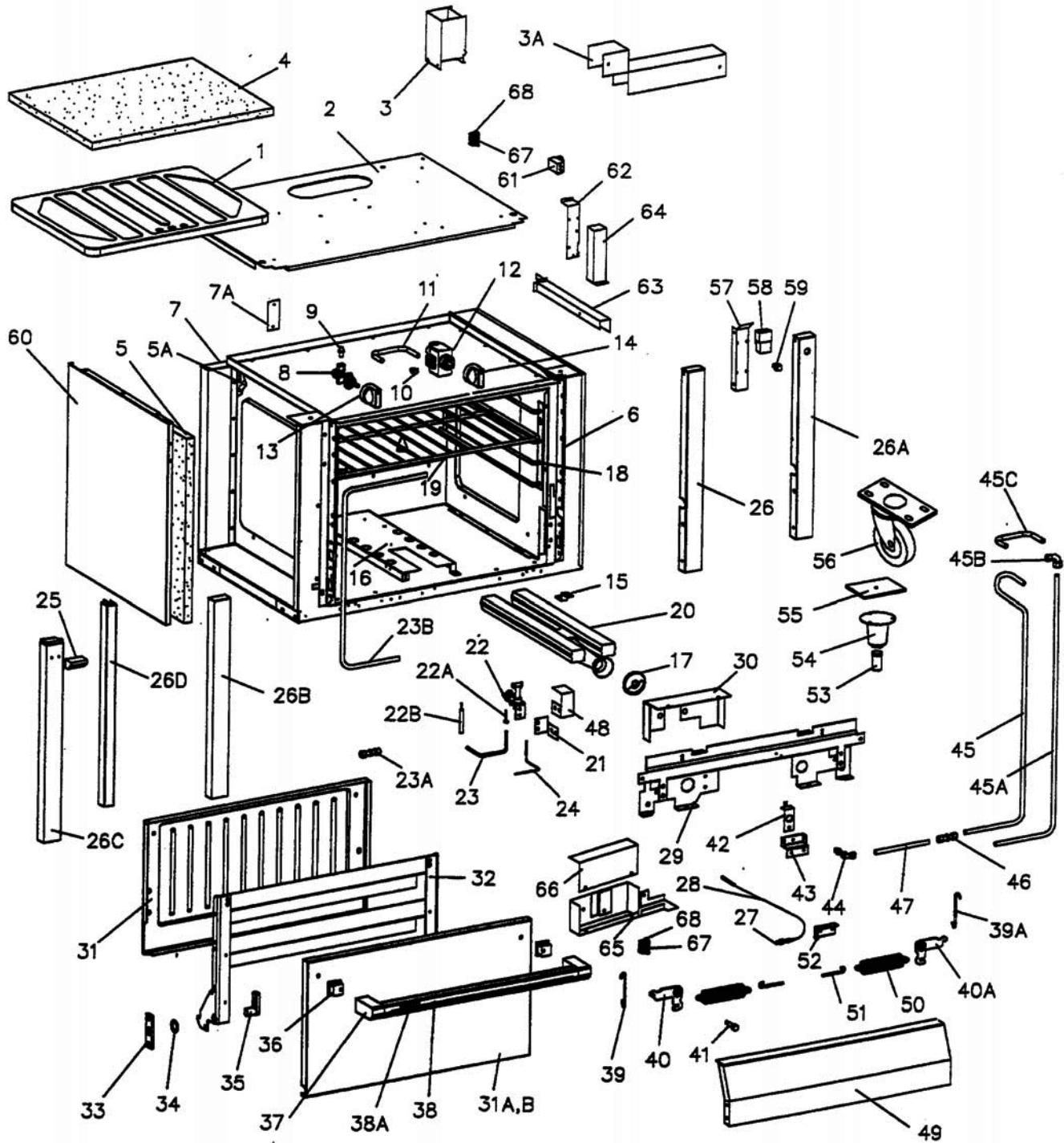
Oven Section (R, RE)	Page 4
Oven Section (RC, RCE).....	Page 8
MS42/MS4206 (R, RC, S, T)	Page 12
MS43 (R, RC, S, T, RE, RCE, SE, TE)	Page 26
MS44 (R, RC, S, T, RE, RCE, SE, TE)/MS4 (S, T)	Page 32
MS54 (R, RC, S, T, RE, RCE, SE, TE)	Page 40
MS17B/MS24B/MS34B Char-Broilers	Page 48

Broilers

MSSRC / MSSR16 Infra-Red Salamander	Page 58
MSSR16-280 Infra-Red Salamander	Page 62
MSSR16-288 Infra-Red Salamander	Page 66

Spreaders & Cabinets

M6/M9/M17/M34 (SP, FE) Spreaders	Page 70
M12ES/M17ES Storage Cabinets.....	Page 76
M34ES Spreader	Page 80
M17ES-SINK Spreader Cabinet W/Sink	Page 84



GARLAND PARTS IDENTIFICATION
MS Series
Heavy Duty Range Oven Section (R, RE)

ITEM	PART #	DESCRIPTION	QUANTITY
			MODEL
			R/RE
1	1438485	Oven Bottom Assembly	1
2	2512600	Burner Box Bottom - Aluminized	1
	2512601	Burner Box Bottom S/S	1
3	2558799	Flue Riser	1
4	1473205	Top Insulation	1
5	GM2	Insulation 30.5 x 27.5 x 2.5	2
5A	1472315	Insulation 28 x 21 x 2	1
6	2512899	Front Frame Assembly	1
7	G6051-1-17	Main Back	1
	2537700	Main Back - Elec. Ign	1
7A	2537600	Wire Access Cover - Elec Ing	1
8	4601583	Flame Failure Oven Valve Assembly (Safety Valve)	1
9	2198100	Valve Connector Fitting - 12 MM	1
10	1086597	Gum Valve 3/16" Pilot	1
11	2426100	Tube-Oven Valve to FD Control - 7/16" (M, MS, MST) 43	1
	2229900	Tube- Oven Valve to FD Control -7/16" (M, MS, MST) 42, 44, 45, 54 (Hot Top RT)	1
	2229600	Tube - Oven to FD Control -7/16" (M, MST) 46, 47	1
	2555901	Tube - Oven Valve to FD Control - 7/16" M54 Hot Top LT	1
	2538800	Tube - Oven Valve TO FD Control - 7/16" M48	1
12	G03145-048	FD Control Assembly	1
13	2522101	Knob (Oven Valve)	2
14	2522107	Knob - Oven T Stat ° F	1
	2522103	Knob - Oven T Stat ° C	1
	2512200	Oven Burner Hold Down Bracket	1
16	2519400	Oven Burner Rest Support	1
17	2512100	Air Shutter	2
18	2424900	Oven Rack Slide Assembly LT & RT	1
19	2424800	Oven Rack	1
20	1014900	H Burner Oven	1
21	2498400	Oven Pilot Bracket	1
22	2200701	Pilot R/H (Pilot Assy)	1
22A	2200702	Pilot Orifice #32 - Natural Gas	1
	2200703	Pilot Orifice #23 - Propane Gas	1
	2200709	Pilot Orifice #40 - Manuf. Gas	1
22B	2200708	Electrode #0.915.025	1
23	2229800	Pilot Tube - Oven Pilot to Comp. Union	1
23A	076050-89	Compression Union 3/16"	1
23B	2426200	Tube - Oven Valve to Comp. Union 3/16" (M, MST, 46/47)	1
	2426201	Tube - Oven Valve to Comp. Union 3/16" (M, MS, MST 43)	1
	2426202	Tube - Oven Valve To Comp. Union 3/16" (M, MS, MST, 42, 44, 45, 54)	1
24	2200601	Thermocouple - 60"	1
25	2193000	Grease Tray Handle	1
26	2230502	Corner Column RT - M/R, MS/R	1
	2230504	Corner Column RT - MST/R	1
26A	2230501	Corner Column RT - MST/RE, MS/RE	1
26B	2201000	Corner Column LT	1
26C	2201499	Grease Container Assembly - (M, MS, MST) 42, 47, 48	1

* NOT ILLUSTRATED

RECOMMENDED STOCK PARTS

GARLAND PARTS IDENTIFICATION
MS Series
Heavy Duty Range Oven Section (R, RE)

ITEM	PART #	DESCRIPTION	QUANTITY
			MODEL
			R/RE
26D	2201100	Corner Column LT (M, MS, MST) 42, 47, 48	1
27	1309201	Piezo Igniter #1244-41	1
28	2200205	Hi Tension Wire Lead - 24" (Oven)	1
29	1082001	Lower Front Plate	1
30	2512400	Oven Front Air Shield	1
31	1439703	Oven Door Liner	1
31A	2580100	Oven Door Panel - M40	1
31B	1439901	Oven Door Panel - MST40	1
32	G03984-03-8	Oven Door Insert Assembly (CK137D Complete Door)	1
33	1083001	Trunion Support	2
34	1082700	Harness Ring	2
35	1082500	Oven Door Trunion	2
36	2377300	Handle Ends Plastic Caps	2
37	2194900	Door Handle End RT	1
	2194901	Door Handle End LT	1
38	2193100	Oven Door Handle	1
38A	1592007	Handle Overlay	1
39	1082803	Oven Door Hinge Link LT	1
39A	1082802	Oven Door Hinge Link RT	1
40	1082198	Bell Crank (Left)	1
40A	1082199	Bell Crank (Right)	1
41	1082200	Bell Crank bolt	2
42	2512300	Oven Orifice Support Bracket	1
43	2301300	Door Spring Support	1
44	22701XX	Oven Orifice Fitting (Special) (Specify Gas/Destination)	1
	2270134F	Oven Orifice Fitting - Nat FAs (N. America)	1
	2270148F	Oven Orifice Fitting - Pro Gas (N. America)	1
	22701-2.6MM	Oven Orifice Fitting -G20 (Nat) & G25 (Nat) - Europe	1
	22701-1.8 MM	Oven Orifice Fitting -G31 (Pro) - Europe	1
45	2230000	Tube-FD Control to Comp. Union - M, MS, MST 42, 44, 45, 54	1
45A	2229200	Tube - Comp Union to 90 Deg Elbow 7/16" (M, MS, MST, 43, 46, 47, 48)	1
45B	1313800	Elbow - 7/16" 90° Compression (M, MS, MST 43, 46, 47, 48)	1
45C	2426000	Tube -FD Control to 90° Elbow 7/16" (M, MS, MST 43)	1
	2229400	Tube -FD Control to 90° Elbow 7/16" (M, MS, MST 46, 47, 48)	1
46	076050-88	Compression Union - 7/16"	1
47	2229500	Tube - Oven Orifice To Comp Union- 7/16"	1
48	2561100	Oven Pilot Shield	1
49	1789301	Lower Front Panel	1
50	1005800	Spring	2
51	9004701	Oven Door Spring Hook	2
52	2521700	Piezo Mounting Bracket	1
53	1150502	Bullet Legs	4
54	2093800	4" Stubby Leg Retainer	4
55	2167700	Base cover	4
56	1027800	Swivel Caster Less Brake	2
	1027801	Swivel Caster C/W Brake	2
57	2200900	Spark Module Mounting Bracket	1

* NOT ILLUSTRATED

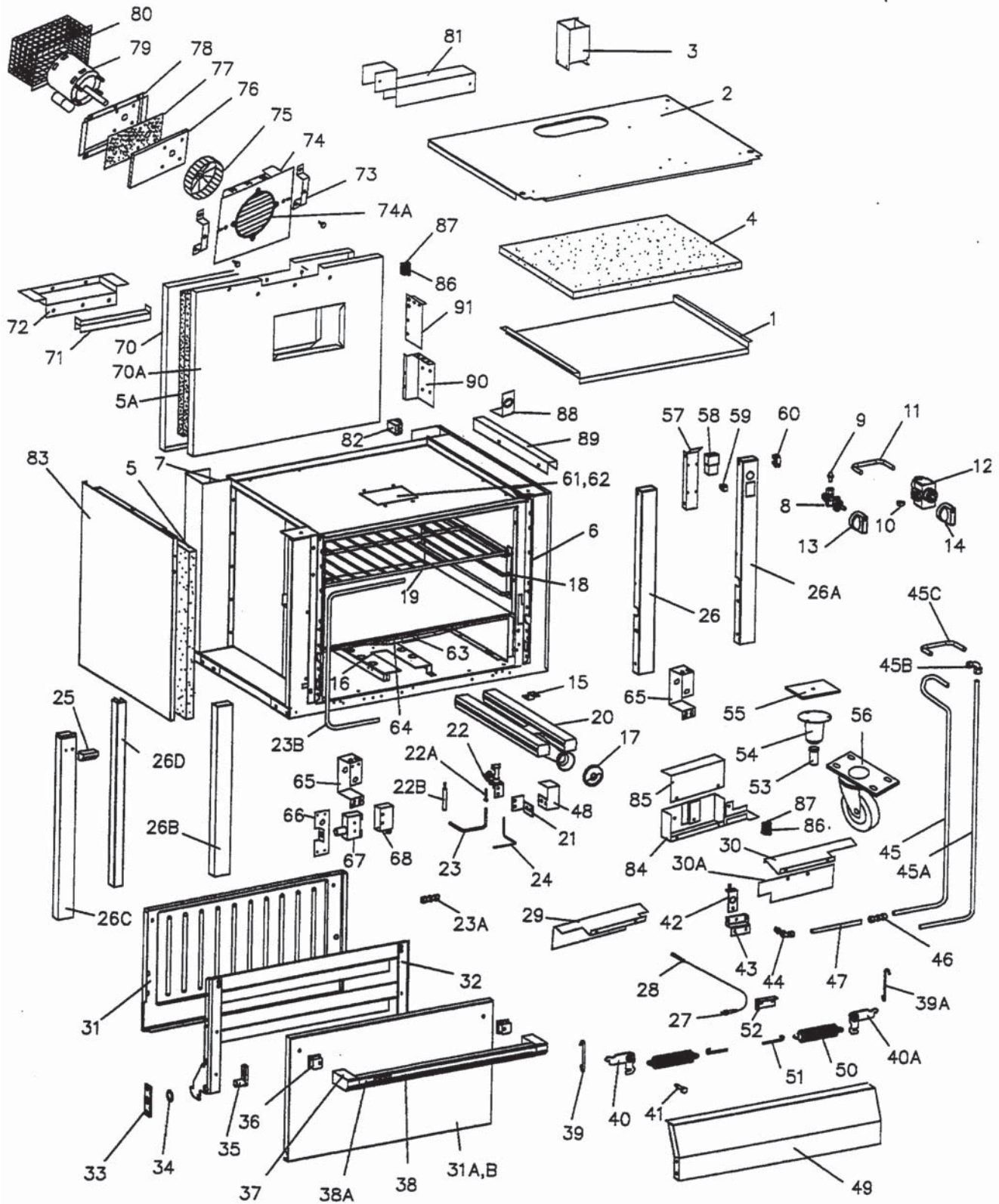
RECOMMENDED STOCK PARTS

GARLAND PARTS IDENTIFICATION
MS Series
Heavy Duty Range Oven Section (R, RE)

ITEM	PART #	DESCRIPTION	QUANTITY
			MODEL
			R/RE
58	2144000	240 V Spark Generator- 4 Outlet	1/2
	2144002	120 V Spark Generator - 4 Outlet	1/2
59	2200300	Push Button Switch (Elec Ign. Models)	1
60	G6196-1-8	Body Side (Painted)	2
	G6196-1-9	Body Side (S/S)	2
61	2533200	EMI Filter FN612-3.06 (MST Elec. Ign. Models)	1
62	2542700	Filter Supt Bracket	1
63	2527800	Wire Way	1
64	2527900	Terminal Black Enclosure	1
65	2561799	Electric Box Assy Front	1
66	2561800	Electric Box Cover Front	1
67	050069	Sectional Terminal Block	4
	050070	Sectional Terminal End	2

* NOT ILLUSTRATED

RECOMMENDED STOCK PARTS



GARLAND PARTS IDENTIFICATION

MS Series

Heavy Duty Convection Oven Section (RC, RCE)

ITEM	PART #	DESCRIPTION	QUANTITY
			MODEL
			RC / RCE
1	1412699	Top Insulation Pan Assembly	1
2	2512600	Burner Box Bottom - Aluminized	1
	2512601	Burner Box Bottom - SS	1
3	2558799	Flue Riser Assembly	1
4	1309022	Top Insulation - Cera Wool 22" x 28 3/4"	1
	1309025	Top Insulation Pan - Cera Wool 3" x 26 1/2"	
5	1309021	Side Insulation - Cera Wool 22" x 21 5/8"	2
5A	1472200	Rear Insulation - Fiberglass 22 1/2" x 27 1/2"	1
	1472202	Rear Insulation Lower Back - Fiberglass 22 1/2" x 27 1/2"	1
6	2512899	Front Frame Assembly	1
7	2397000	Main Back	1
8	4601583	Flame Failure Oven Valve Assembly (Safety Valve)	1
9	2198100	Valve Connector Fitting - 12 MM	1
10	1066597	Gum Valve - 3/16" Pilot	1
11	2426100	Tube - Oven Valve to FD Control 7/16" (M,MS, MST) 43	1
	2229900	Tube - Oven Valve to FD Control 7/16" (M,MS, MST) 42,44,45,54 (Hot Top-RT)	1
	2229600	Tube - Oven Valve to FD Control 7/16" (M, MST) 46,47	1
	2555901	Tube - Oven Valve to FD Control 7/16" M54 Hot Top LT	1
	2538800	Tube - Oven Valve to FD Control 7/16" M48	1
12	G03145-048	FD Control Assembly	1
13	2522101	Knob (Oven Valve) - 4152150	2
14	2522107	Knob - Oven T' Stat °F - 4512141	1
	2533103	Knob - Oven T' Stat °C	1
15	2512200	Oven Burner Hold Down Bracket	1
16	2519400	Oven Burner Rest Support	1
17	2512100	Air Shutter	1
18	1311101	Right Side Rack Assembly Plate	1
	1311100	Left Side Rack Assembly Plate	1
19	2424800	Oven Rack	2
20	1014900	H Burner-Oven	1
21	2498400	Oven Pilot Bracket	1
22	2200700	Pilot Burner RH	1
22A	2200702	Pilot Orifice #32 Nat.	1
	2200703	Pilot Orifice #23 Pro.	1
	2200709	Pilot Orifice #40 Manuf. Gas	1
22B	2200708	Electrode #0.915.025	1
23	2229800	Pilot Tube - Oven Pilot To Comp. Union	1
23A	076050-89	Compression Union 3/16" Tube	1
23B	2426200	Tube - Oven Valve to Comp Union 3/16" (M, MST, 46/47)	1
	2426201	Tube - Oven Valve to Comp Union 3/16" (M, MST, 43)	1
	2426202	Tube - Oven Valve to Comp Union 3/16" (M, MST, 42,44,45,54)	1
24	2200601	Thermocouple - 60"	1
25	2193000	Grease Tray Handle - (M,MS,MST) 42, 47, 48	1
26	2230500	Corner Column RT - MST/RCE, MS/RCE	1
26A	2230503	Corner Column RT - M/RC,MS/RC	1
	2230503	Corner Column RT - MST/RC	1
26B	2201000	Corner Column LT	1
26C	2201499	Grease Container Assembly	1
26D	2201100	Corner Column LT (M,MS,MST) 42,47,48	1

* NOT ILLUSTRATED

RECOMMENDED STOCK PARTS

GARLAND PARTS IDENTIFICATION

MS Series

Heavy Duty Convection Oven Section (RC, RCE)

ITEM	PART #	DESCRIPTION	QUANTITY
			MODEL
			RC / RCE
27	1309201	Piezo Igniter #1244-41	1
28	2200205	Hi Tension Wire Lead 24"	1
29	2519000	Left Roll Out Sheila	1
30A	1391100	Roll Out Shield Support	1
30	2519100	Right Roll Out Shield	1
31	1439703	Oven Door Liner	1
31A	2580100	Oven Door Panel - M40	1
31B	1439901	Oven Door Panel - MST40	1
32	G03984-03-8	Oven Door Insert Assy	1
33	1083001	Trunion Support	2
34	1082700	Harness Ring	2
35	1082500	Oven Door Trunion	2
36	2377300	Handle Ends Plastic Caps	2
37	2194900	Door Handle End RT	1
	2194901	Door Handle End LT	1
38	2193100	Oven Door Handle	1
38A	1592007	Handle Overlay	1
39	1082803	Oven Door Handle Link LT	1
40	1082198	Bell Crank Assembly LH	1
40A	1082199	Bell Crank Assembly RH	
41	1082200	Bell Crank Bolt	2
42	2512300	Oven Orifice Support Bracket	1
43	2301300	Door Spring Support	1
44	22701XX	Oven Orifice Fitting (Special)	1
	2270134F	Oven Orifice Fitting - Nat Gas N. America	1
	2270148F	Oven Orifice Fitting - Pro Gas N. America	1
	22701-2.5MM	Oven Orifice Filling - G20 (Nat) & G25 (Nat) Europe	1
	22701-1.5MM	Oven Orifice Fitting - G31 (Prop) Europe	1
45	2230000	Tube - FD Control to Comp. Union - M/MS/MST 42,44,45,54	1
45A	2229200	Tube - Comp Union to 90 Deg Elbow 7/16" (M,MS, MST, 42,44,45,54)	1
45B	1313800	Elbow - 7/16" 90° Compression (M,MS,MST 42,44,45,54)	1
45C	2426000	Tube - FD Control To 90° Elbow (7/16") (M/MS/MST 43)	1
	2229400	Tube - FD Control To 90° Elbow (7/16") (M/MST46,47,48)	1
46	076050-88	Compression Union - 7/16"	1
47	2229500	Tube - Oven Orifice to Comp. Union - 7/16"	1
48	2561100	Oven Pilot Shield	1
49	1789301	Lower Front Panel	1
	1789402	Lower Hinge Panel Bracket LH	1
	1789401	Lower Hinge Panel Bracket RH	1
50	1005800	Door Spring Support	2
51	9004701	Oven Door Spring Hook	2
52	2521700	Piezo Mounting Bracket	1
53	1150502	Bullet Legs	4
54	2093800	Stubby Leg Retainer	4
55	2167700	Base Corner	4
56	1027800	Swivel Caster Less Brake	2
	1027801	Swivel Caster C/W Brake	2
57	2200900	Spark Module Mounting Bracket	1

* NOT ILLUSTRATED

RECOMMENDED STOCK PARTS

GARLAND PARTS IDENTIFICATION
MS Series
Heavy Duty Convection Oven Section (RC, RCE)

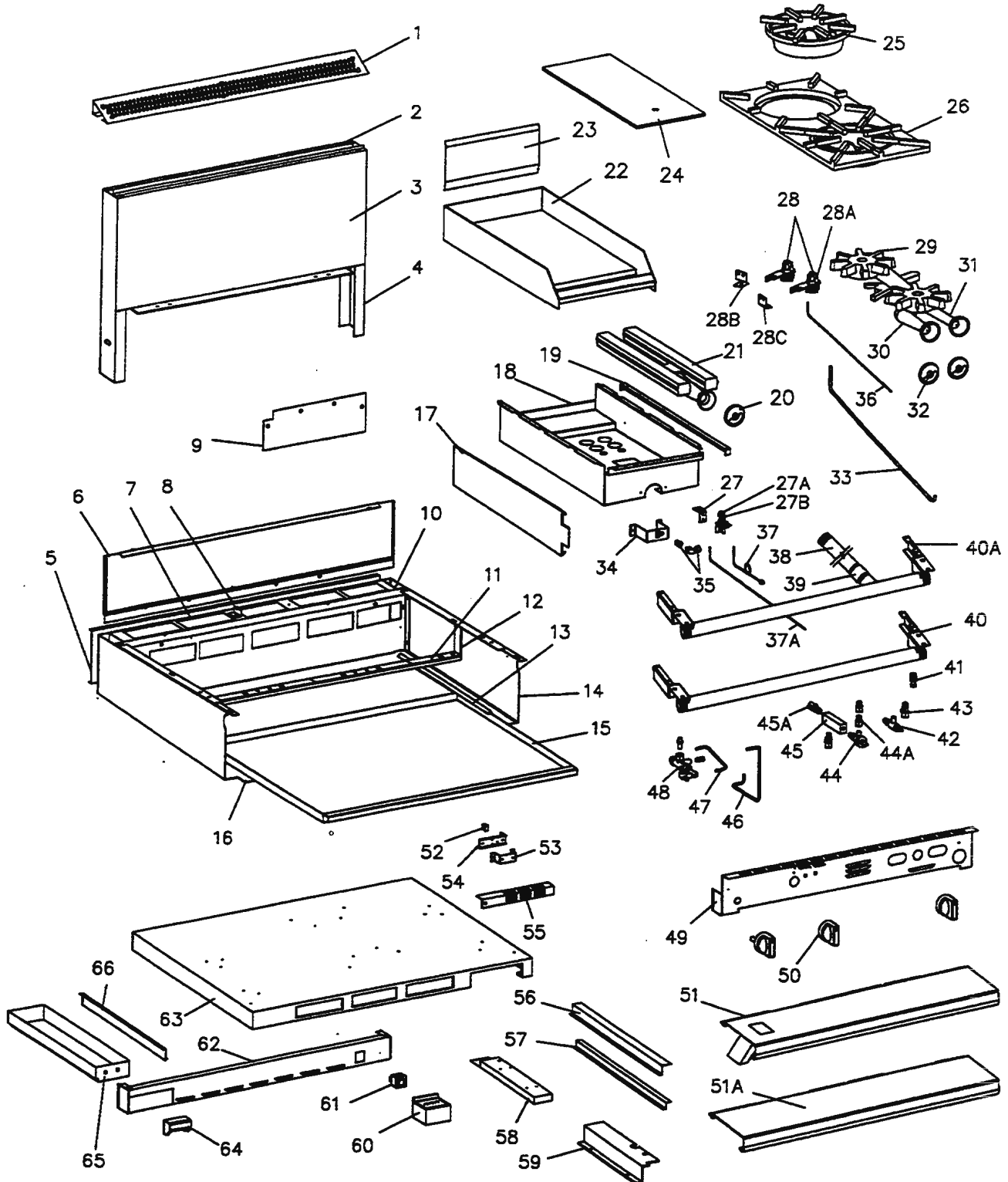
ITEM	PART #	DESCRIPTION	QUANTITY
			MODEL
			RC / RCE
57	2200900	Spark Module Mounting Bracket	1
58	2144000	240V Spark Generator - 4 Outlet	2
	2144002	120V Spark Generator - 4 Outlet	2
59	2200300	Push Button Switch (Elec Ign. Models)	1
60	1729100	3 Position Switch McGill	1
61	1412300	Vent Slide	1
62	1412400	Vent Slide Housing	1
63	1357700	Fireplate	1
64	1411500	Casting Bottom	1
65	G04071-1-7	Bell Crank Support	2
66	2425200	Switch Mounting Bracket	1
67	2398600	Switch W/Seal Cap	1
	G10503-15	Activating Pin	
68	2398700	Terminal Cover	1
70	2397000	Main Back	1
70A	2396999	Main Back Insulation Pan Assy	1
71	1411900	Insulation Cover Bracket	1
72	G03857-1-6	Flue Box Cover	1
73	1361299	Air Baffle Support Assembly	2
74	2395999	Air Baffle Assembly (Enamel)	1
74A	2520100	Fan Protector Screen	1
75	G02952-01P	Blower Wheel Assembly Plated	1
76	2396700	Motor Mount Plate	1
77	1669100	Motor Pocket Insulation	1
78	2396600	Motor Mounting Pocket	1
79	2485801	Motor PSC 1/3HP 115V, 60 HZ	1
	2485800	Motor PSC 1/3HP 208.240V, 50HZ	1
80	2519799	Motor Guard Assembly	1
81	2224500	Concealed Flue Diverter	1
82	2533201	EMI Filter - FNG 12-6/06 (MST Elec Ignition)	1
83	G6196-1-8	Body Side (Painted)	2
	G6196-1-9	Body Side (S/S)	2
84	2561799	Electrical Box Assy Front	1
85	2561800	Electrical Box Cover Front	1
86	050069	Sectional Terminal Block	1
	050070	Sectional Terminal End	1
88	G01930-03-7	Wire Way Assembly	1
89	G03856-1-6	Wire Channel	1
90	2562400	Terminal Box	1
91	2564300	Terminal Box Enclosure	1

* NOT ILLUSTRATED

RECOMMENDED STOCK PARTS



MASTER SERIES
HEAVY DUTY GRIDDLE (EVEN HEAT HOT TOP) & OPEN TOP SECTION
MODELS: MS42R, RC,S,T,RE,RCE,SE,TE;
MS42-6R,RC,S,T,RE,RCE,SE,TE



GARLAND PARTS IDENTIFICATION

MS Series

Heavy Duty Griddle, (Even-Heat Hot Top) & Open Top Section

Models MS42R, RC, S, T

ITEM	PART #	DESCRIPTION	QUANTITY			
			MODEL			
			MS42R	MS42RC	MS42S	MS42T
1	1790602	LP BG Flue Cap 34"	1	1	1	1
2	1816407	LP BG Back Guard 34" AZ	1	1	1	1
	1816408	LP BG Back Guard 34" SS	1	1	1	1
3	1817304	LP Front Panel 34"	1	1	1	1
4	1768599	LP BG Upright Assy S/W	2	2	2	2
5	G7341-1-6	Rear Radiation Shield	1	1	1	1
	G7341-6-6	Rear Radiation Shield - RR Gas	1	1	1	1
6	1806101	Burner Box Back	1	1	1	
	2546400	Burner Box Back				1
	1086410	Burner Box Back - RR Gas	1	1	1	
	2546410	Burner Box Back - RR Gas				1
7	2553000	Back Top MST 40	1	1	1	1
8	2559000	Backguard Spacer	1	1	1	1
9	2570900	Back Top Baffle	1	1	1	1
10	1768399	Shelf Mtg. Brkt. Assy LT	1	1	1	1
	1768398	Shelf Mtg. Brkt. Assy RT	1	1	1	1
11	2552400	Burner Rest	1	1	1	1
12	2337400	Burner Hanger - RH	1	1	1	1
	2552600	Burner Hanger - LH	1	1	1	1
13	2505400	Drip Tray Guide RH	1	1	1	1
	2505401	Drip Tray Guide LH	1	1	1	1
14	1132804	Burner Box Side RH/CRS	1	1	1	
	1132805	Burner Box Side RH/SS	1	1	1	
	1132806	Burner Box Side LH/CRS	1	1	1	
	1132807	Burner Box Side LH/SS	1	1	1	
	2247600	Burner Box Side RH/CRS				1
	2247601	Burner Box Side RH/SS				1
	2247602	Burner Box Side LH/CRS				1
2247603	Burner Box Side LH/SS				1	
15	2342803	Drip Pan	1	1	1	1
16	2512600	Burner Box Bottom	1	1	1	
	2247000	Burner Box Bottom				1
17	G7338-1-6	Side Radiation Shield	1	1	1	1
18	2517399	Fire Box Body Assy	1	1	1	1
19	2404500	Top Grate Support	1	1	1	1
20	1028002	Air Shutter	1	1	1	1
21	1014900	Griddle H Burner	1	1	1	1
22	1781485	Frytop Assy	1	1	1	1
	1781469	Grooved Griddle Assy	1	1	1	1
23	G0444-017-9	Rear Splashguard Assy	1	1	1	1
25	1769101	Ring Grate/Bowl 35K	2	2	2	2
26	1769001	Top Grate 35K Burner	1	1	1	1
27	2194100	H Burner Pilot Bracket	1	1	1	1
27A	2200700	Pilot Burner RH	1	1	1	1

* NOT ILLUSTRATED

RECOMMENDED STOCK PARTS

GARLAND PARTS IDENTIFICATION

MS Series

Heavy Duty Griddle, (Even-Heat Hot Top) & Open Top Section

Models MS42R, RC, S, T

ITEM	PART #	DESCRIPTION	QUANTITY			
			MODEL			
			MS42R	MS42RC	MS42S	MS42T
27B	2200702	Pilot Orifice #32 Nat	1	1	1	1
	2200703	Pilot Orifice #23 Pro	1	1	1	1
	2200709	Pilot Orifice #40 Mfg	1	1	1	1
	2200704	Compression Nut- 3/16	1	1	1	1
	2200705	Olive Sleeve-3/16	1	1	1	1
	2200706	Nut-Thermocouple Retaining	1	1	1	1
28	2520800	Pilot Burner	2	2	2	2
28A	2520804	Sleeve 3/16" Compression	2	2	2	2
	2200704	Compression Nut- 3/16"	2	2	2	2
	2520801	Pilot Orifice - Nat 51	2	2	2	2
	2520802	Pilot Orifice - Pro 30	2	2	2	2
	2520803	Pilot Orifice - Mfg Gas	2	2	2	2
28B	2550200	Pilot Bracket MST44	1	1	1	1
28C	2550201	Pilot Bracket - 25K Front	1	1	1	1
29	2528200	Burner Head	2	2	2	2
30	2528000	Front Burner Housing	1	1	1	1
31	2528100	Rear Burner Housing	1	1	1	1
32	2519200	Air Shutter	2	2	2	2
33	2341800	Pilot Tube -Front	1	1	1	1
	2341900	Pilot Tube -Rear	1	1	1	1
34	2188700	Orifice Support	1	1	1	1
35	G02486-2.2mm	Orifice Fitting-Nat (N. America)	1	1	1	1
	G02486-53	Orifice Fitting-Pro (N. America)	1	1	1	1
	G02486-2.1MM	Orifice Fitting-Nat G20/G25 Europe-CE	1	1	1	1
	G02486-54F	Orifice Fitting-Pro G31 Europe-CE	1	1	1	1
	G02486-00	Orifice Fitting-Special (Spec Gas/Dest.)	1	1	1	1
	M8-XX	Orifice-MFG Gas (Spec Gas/Dest)	1	1	1	1
37	2200600	Thermocouple-18"	1	1	1	1
38	1340521	Pipe Nipple RR Gas 1" x 33" Lg	1	1	1	1
39	2437103	Reducing Coupling -1 1/4" x 1	1	1	1	1
40	2394599	Manifold Assy Std.	1	1	1	1
	2581199	Manifold Assy Std. Mfg Gas	1	1	1	1
40A	2394598	Manifold Assy RR Gas	1	1	1	1
	2581198	Manifold Assy RR Gas RR Connect Mfg Gas	1	1	1	1
41	G02251-1	Test Spigot	1	1	1	1
42	G4447-38F	Valve-Top Burner- Nat (N. America)	2	2	2	2
	G4447-1.8mm	Valve-Top Burner- Pro (N. America)	2	2	2	2
	G4447-XX	Valve-Top Burner-Special (Spec Gas/Dest)	2	2	2	2
	2564600	Valve-Top Burner-Mfg Gas (Spec Gas/Dest)	2	2	2	2
44	2124500	Valve-Pilot Shut Off	1	1	1	1
44A	2224300	1/8 NPT Extended Adapter	1	1	1	1
45	2522400	Pilot Block	1	1	1	1
45A	1086597	Gum Valve-Pilot Adjust	2	2	2	2
46	2229300	Pilot Tube-3/16"	1	1	1	1
47	2229700	Tube-Valve to Orifice 1/4"	1	1	1	1
48	4601578	Flame Failure Valve 46/47	1	1	1	1
	CK4601581	Valve/Adapter Assy-Mfg Gas	1	1	1	1
49	2552502	Valve Panel	1	1		
	2552503	Valve Panel			1	1

* NOT ILLUSTRATED

RECOMMENDED STOCK PARTS

GARLAND PARTS IDENTIFICATION

MS Series

Heavy Duty Griddle, (Even-Heat Hot Top) & Open Top Section

Models MS42R, RC, S, T

ITEM	PART #	DESCRIPTION	QUANTITY			
			MODEL			
			MS42R	MS42RC	MS42S	MS42T
50	2522100	Knob-Open Burner	2	2	2	2
	2529500	Knob-Pilot Shut-Off	1	1	1	1
	2527600	Spring-Knob	3	3	3	3
	2522102	Knob-Griddle	1	1	1	1
	2522101	Knob-Oven Valve	1	1		
	2522107	Knob (FD Oven F)	1	1		
	2522103	Knob (FD Oven C)	1	1		
51	2190698	Front Rail Assy	1	1	1	1
62	2247702	Secondary Burner Valve Panel				1
63	2247400	Secondary Burner Box Bottom				1
64	2193000	Grease Tray Handle				1
65	2201499	Grease Container Assy	1	1	1	
	2335699	Grease Tray Assy				1
66	2425600	Grease Guide				1

* NOT ILLUSTRATED

RECOMMENDED STOCK PARTS

GARLAND PARTS IDENTIFICATION

MS Series

Heavy Duty Griddle, (Even-Heat Hot Top) & Open Top Section

Models MS42RE, RCE, SE, TE

ITEM	PART #	DESCRIPTION	QUANTITY			
			MODEL			
			MS42RE	MS42RCE	MS42SE	MS42TE
1	1790602	LP BG Flue Cap 34"	1	1	1	1
2	1816407	LP BG Back Guard 34" AZ	1	1	1	1
	1816408	LP BG Back Guard 34" SS	1	1	1	1
3	1817304	LP Front Panel 34"	1	1	1	1
4	1768599	LP BG Upright Assy S/W	2	2	2	2
5	G7341-1-6	Rear Radiation Shield	1	1	1	1
	G7341-6-6	Rear Radiation Shield - RR Gas	1	1	1	1
6	1806101	Burner Box Back	1	1	1	
	2546400	Burner Box Back				1
	1086410	Burner Box Back - RR Gas	1	1	1	
	2546410	Burner Box Back - RR Gas				1
7	2553000	Back Top MST 40	1	1	1	1
8	2559000	Backguard Spacer	1	1	1	1
9	2570900	Back Top Baffle	1	1	1	1
10	1768399	Shelf Mtg. Brkt. Assy LT	1	1	1	1
	1768398	Shelf Mtg. Brkt. Assy RT	1	1	1	1
11	2552400	Burner Rest	1	1	1	1
12	2337400	Burner Hanger - RH	1	1	1	1
	2552600	Burner Hanger - LH	1	1	1	1
13	2505400	Drip Tray Guide RH	1	1	1	1
	2505401	Drip Tray Guide LH	1	1	1	1
14	1132804	Burner Box Side RH/CRS	1	1	1	
	1132805	Burner Box Side RH/SS	1	1	1	
	1132806	Burner Box Side LH/CRS	1	1	1	
	1132807	Burner Box Side LH/SS	1	1	1	
	2247600	Burner Box Side RH/CRS				1
	2247601	Burner Box Side RH/SS				1
	2247602	Burner Box Side LH/CRS				1
2247603	Burner Box Side LH/SS				1	
15	2342803	Drip Pan	1	1	1	1
16	2512600	Burner Box Bottom	1	1	1	
	2247000	Burner Box Bottom				1
17	G7338-1-6	side Radiation Shield	1	1	1	1
18	2517399	Fire Box Body Assy	1	1	1	1
19	2404500	Top Grate Support	1	1	1	1
20	1028002	Air Shutter	1	1	1	1
21	1014900	Griddle H Burner	1	1	1	1
22	1781485	Frytop Assy	1	1	1	1
	1781469	Grooved Griddle Assy	1	1	1	1
23	G0444-017-9	Rear Splashguard Assy	1	1	1	1
25	1769101	Ring Grate/Bowl 35K	2	2	2	2
26	1769001	Top Grate 35K Burner	1	1	1	1
27	2194100	H Burner Pilot Bracket	1	1	1	1
27A	2200700	Pilot Burner RH	1	1	1	1
27B	2200702	Pilot Orifice #32 Nat	1	1	1	1
	2200703	Pilot Orifice #23 Pro	1	1	1	1
	2200709	Pilot Orifice #40 Mfg	1	1	1	1
	2200704	Compression Nut- 3/16	1	1	1	1

* NOT ILLUSTRATED

RECOMMENDED STOCK PARTS

GARLAND PARTS IDENTIFICATION

MS Series

Heavy Duty Griddle, (Even-Heat Hot Top) & Open Top Section

Models MS42RE, RCE, SE, TE

ITEM	PART #	DESCRIPTION	QUANTITY			
			MODEL			
			MS42RE	MS42RCE	MS42SE	MS42TE
27B Cont	2200705	Olive Sleeve-3/16	1	1	1	1
	2200706	Nut-Thermocouple Retaining	1	1	1	1
	2200707	Nut-Electrode	1	1	1	1
	2200708	Electrode	1	1	1	1
28	2520800	Pilot Burner	2	2	2	2
28A	2520804	Sleeve 3/16" Compression	2	2	2	2
	2200704	Compression Nut- 3/16"	2	2	2	2
	2200707	Nut-Electrode	2	2	2	2
	2200708	Electrode	2	2	2	2
	2520801	Pilot Orifice - Nat 51	2	2	2	2
	2520802	Pilot Orifice - Pro 30	2	2	2	2
	2520803	Pilot Orifice - Mfg Gas	2	2	2	2
28B	2550200	Pilot Bracket MST44	1	1	1	1
28C	2550201	Pilot Bracket - 25K Front	1	1	1	1
29	2528200	Burner Head	2	2	2	2
30	2528000	Front Burner Housing	1	1	1	1
31	2528100	Rear Burner Housing	1	1	1	1
32	2519200	Air Shutter	2	2	2	2
33	2341800	Pilot Tube -Front	1	1	1	1
	2341900	Pilot Tube -Rear	1	1	1	1
34	2188700	Orifice Support	1	1	1	1
35	G02486-2.2mm	Orifice Fitting-Nat (N. America)	1	1	1	1
	G02486-53	Orifice Fitting-Pro (N. America)	1	1	1	1
	G02486-2.1MM	Orifice Fitting-Nat G20/G25 Europe-CE	1	1	1	1
	G02486-54F	Orifice Fitting-Pro G31 Europe-CE	1	1	1	1
	G02486-00	Orifice Fitting-Special (Spec Gas/Dest.)	1	1	1	1
	M8-XX	Orifice-MFG Gas (Spec Gas/Dest)	1	1	1	1
36	2200200	High Tension Wire-48"	1	1	1	2
	2200201	High Tension Wire-36"	1	1		
	2200208	High Tension Wire-60"			1	
37	2200600	Thermocouple-18"	1	1	1	1
37A	2200200	High Tension Wire-48"	1	1		
	2200208	High Tension Wire-60"			1	1
38	1340521	Pipe Nipple RR Gas 1" x 33" Lg	1	1	1	1
39	2437103	Reducing Coupling -1 1/4" x 1	1	1	1	1
40	2394599	Manifold Assy Std.	1	1	1	1
	2581199	Manifold Assy Std. Mfg Gas	1	1	1	1
40A	2394598	Manifold Assy RR Gas	1	1	1	1
	2581198	Manifold Assy RR Gas RR Connect Mfg Gas	1	1	1	1
41	G02251-1	Test Spigot	1	1	1	1
42	G4447-38F	Valve-Top Burner- Nat (N. America)	2	2	2	2
	G4447-1.8mm	Valve-Top Burner- Pro (N. America)	2	2	2	2
	G4447-XX	Valve-Top Burner-Special (Spec Gas/Dest)	2	2	2	2
	2564600	Valve-Top Burner-Mfg Gas (Spec Gas/Dest)	2	2	2	2
43	1085697	Gum Valve-Pilot 3/16"	1	1	1	1
44	2124500	Valve-Pilot Shut Off	1	1	1	1
44A	2224300	1/8 NPT Extended Adapter	1	1	1	1
45	2522400	Pilot Block	1	1	1	1

* NOT ILLUSTRATED

RECOMMENDED STOCK PARTS

GARLAND PARTS IDENTIFICATION

MS Series

Heavy Duty Griddle, (Even-Heat Hot Top) & Open Top Section

Models MS42RE, RCE, SE, TE

ITEM	PART #	DESCRIPTION	QUANTITY			
			MODEL			
			MS42RE	MS42RCE	MS42SE	MS42TE
45A	1086597	Gum Valve-Pilot Adjust	2	2	2	2
46	2229300	Pilot Tube-3/16"	1	1	1	1
47	2229700	Tube-Valve to Orifice 1/4"	1	1	1	1
48	4601578	Flame Failure Valve 46/47	1	1	1	1
	CK4601581	Valve/Adapter Assy-Mfg Gas	1	1	1	1
49	2552502	Valve Panel	1	1		
	2552503	Valve Panel			1	1
50	2522100	Knob-Open Burner	2	2	2	2
	2529500	Knob-Pilot Shut-Off	1	1	1	1
	2527600	Spring-Knob	3	3	3	3
	2522102	Knob-Griddle	1	1	1	1
	2522101	Knob-Oven Valve	1	1		
	2522107	Knob (FD Oven F)	1	1		
	2522103	Knob (FD Oven C)	1	1		
51	2190698	Front Rail Assy	1	1	1	1
52	050069	Sectional Terminal Block				1
	050070	Sectional Terminal End				1
53	2336400	Mounting Bracket				1
54	2336300	Terminal Block Bracket				1
55	2336200	Terminal Block Enclosure				1
56	2247100	Wire Way				1
57	2336000	Insulation Retainer				1
58	2247300	Spark Modular Support				1
59	2247200	Spark Modular Enclosure				1
60	2144002	120 Volt Spark Generator				1
	2144000	240 Volt Spark Generator				1
61	2200300	Push Button Switch	1	1	1	1
62	2247702	Secondary Burner Valve Panel				1
63	2247400	Secondary Burner Box Bottom				1
64	2193000	Grease Tray Handle	1	1	1	1
65	2201499	Grease Container Assy	1	1	1	
	2335699	Grease Tray Assy				1
66	2425600	Grease Guide				1

* NOT ILLUSTRATED

RECOMMENDED STOCK PARTS

GARLAND PARTS IDENTIFICATION

MS Series

Heavy Duty Griddle, (Even-Heat Hot Top) & Open Top Section

Models MS42-6R, RC, S, T

ITEM	PART #	DESCRIPTION	QUANTITY			
			MODEL			
			MS42-6R	MS42-6RC	MS42-6S	MS42-6T
1	1790602	LP BG Flue Cap 34"	1	1	1	1
2	1816407	LP BG Back Guard 34" AZ	1	1	1	1
	1816408	LP BG Back Guard 34" SS	1	1	1	1
3	1817304	LP Front Panel 34"	1	1	1	1
4	1768599	LP BG Upright Assy S/W	2	2	2	2
5	G7341-1-6	Rear Radiation Shield	1	1	1	1
	G7341-6-6	Rear Radiation Shield - RR Gas	1	1	1	1
6	1806101	Burner Box Back	1	1	1	
	2546400	Burner Box Back				1
	1086410	Burner Box Back - RR Gas	1	1	1	
	2546410	Burner Box Back - RR Gas				1
7	2553000	Back Top MST 40	1	1	1	1
8	2559000	Backguard Spacer	1	1	1	1
9	2570900	Back Top Baffle	1	1	1	1
10	1768399	Shelf Mtg. Brkt. Assy LT	1	1	1	1
	1768398	Shelf Mtg. Brkt. Assy RT	1	1	1	1
11	2552400	Burner Rest	1	1	1	1
12	2337400	Burner Hanger - RH	1	1	1	1
	2552600	Burner Hanger - LH	1	1	1	1
13	2505400	Drip Tray Guide RH	1	1	1	1
	2505401	Drip Tray Guide LH	1	1	1	1
14	1132804	Burner Box Side RH/CRS	1	1	1	
	1132805	Burner Box Side RH/SS	1	1	1	
	1132806	Burner Box Side LH/CRS	1	1	1	
	1132807	Burner Box Side LH/SS	1	1	1	
	2247600	Burner Box Side RH/CRS				1
	2247601	Burner Box Side RH/SS				1
	2247602	Burner Box Side LH/CRS				1
2247603	Burner Box Side LH/SS				1	
15	2342803	Drip Pan	1	1	1	1
16	2512600	Burner Box Bottom	1	1	1	
	2247000	Burner Box Bottom				1
17	G7338-1-6	Side Radiation Shield	1	1	1	1
18	2517399	Fire Box Body Assy	1	1	1	1
19	2404500	Top Grate Support	1	1	1	1
20	1028002	Air Shutter	1	1	1	1
21	1014900	Griddle H Burner	1	1	1	1
24	G0552-1	Hot Top	1	1	1	1
24A*	G6308-1-8	Lid Lifter	1	1	1	1
25	1769101	Ring Grate/Bowl 35K	2	2	2	2
26	1769001	Top Grate 35K Burner	1	1	1	1
27	2194100	H Burner Pilot Bracket	1	1	1	1
27A	2200700	Pilot Burner RH	1	1	1	1
27B	2200702	Pilot Orifice #32 Nat	1	1	1	1
	2200703	Pilot Orifice #23 Pro	1	1	1	1
	2200709	Pilot Orifice #40 Mfg	1	1	1	1
	2200704	Compression Nut- 3/16	1	1	1	1

* NOT ILLUSTRATED

RECOMMENDED STOCK PARTS

GARLAND PARTS IDENTIFICATION

MS Series

Heavy Duty Griddle, (Even-Heat Hot Top) & Open Top Section

Models MS42-6R, RC, S, T

ITEM	PART #	DESCRIPTION	QUANTITY			
			MODEL			
			MS42-6R	MS42-6RC	MS42-6S	MS42-6T
27B	2200705	Olive Sleeve-3/16	1	1	1	1
Cont	2200706	Nut-Thermocouple Retaining	1	1	1	1
28	2520800	Pilot Burner	2	2	2	2
28A	2520804	Sleeve 3/16" Compression	2	2	2	2
	2200704	Compression Nut- 3/16"	2	2	2	2
	2520801	Pilot Orifice - Nat 51	2	2	2	2
	2520802	Pilot Orifice - Pro 30	2	2	2	2
	2520803	Pilot Orifice - Mfg Gas	2	2	2	2
28B	2550200	Pilot Bracket MST44	1	1	1	1
28C	2550201	Pilot Bracket - 25K Front	1	1	1	1
29	2528200	Burner Head	2	2	2	2
30	2528000	Front Burner Housing	1	1	1	1
31	2528100	Rear Burner Housing	1	1	1	1
32	2519200	Air Shutter	2	2	2	2
33	2341400	Pilot Tube -Front	1	1	1	1
	2341500	Pilot Tube -Rear	1	1	1	1
34	2188700	Orifice Support	1	1	1	1
34A	2200200	High Tension Wire-48"	1	1	1	1
	2200201	High Tension Wire-36"	1	1		
	2200208	High Tension Wire-60"	1		1	1
35	G02486-44F	Orifice Fitting-Nat. (N. America)	1	1	1	1
	G02486-54F	Orifice Fitting-Pro. (N. America)	1	1	1	1
	G02486-45F	Orifice Fitting-Nat. G20/G25 Europe-CE	1	1	1	1
	G02486-54F	Orifice Fitting-Pro G31 Europe-CE	1	1	1	1
	G02486-004F	Orifice Fitting-Special (Spec. Gas/Dest)	1	1	1	1
	M8-XX	Orifice Mfg Gas (Spec Gas/Des)	1	1	1	1
37	2200600	Thermocouple-18"	1	1	1	1
37A	2200200	High Tension Wire-48"	1	1		
	2200208	High Tension Wire-60"			1	1
38	1340521	Pipe Nipple RR Gas- 1" x 33" LG	1	1	1	1
39	2437103	Reducing Coupling 1 1/4 x 1	1	1	1	1
40	2394599	Manifold Assy Std.	1	1	1	1
	2581199	Manifold Assy Std- Mfg Gas	1	1	1	1
40A	2394598	Manifold Assy - RR Gas	1	1	1	1
	2581198	Manifold Assy - RR Connect- Mfg Gas	1	1	1	1
41	G02251-1	Test Spigot	1	1	1	1
42	G4447-38F	Valve-Top Burner-Nat (N. America)	2	2	2	2
	G4447-1.8MM	Valve-Top Burner-Pro (N. America)	2	2	2	2
	G4447-XX	Valve-Top Burner Special (Spec Gas/Dest)	2	2	2	2
	2564600	Valve-Top Burner Mfg Gas (Spec Gas/Dest)	2	2	2	2
43	1085697	Gum Valve-Pilot 3/16"	1	1	1	1
44	2124500	Valve-Pilot Shut Off	1	1	1	1
44A	2224300	1/8 NPT Extended Adapter	1	1	1	1
45	2522400	Pilot Block	1	1	1	1
45A	1086597	Gum Valve-Pilot Adjust	2	2	2	2
46	2229300	Pilot Tube-3/16"	1	1	1	1
47	2229700	Tube-Valve to Orifice 1/4"	1	1	1	1

* NOT ILLUSTRATED

RECOMMENDED STOCK PARTS

GARLAND PARTS IDENTIFICATION
MS Series
Heavy Duty Griddle, (Even-Heat Hot Top) & Open Top Section
Models MS42-6R, RC, S, T

ITEM	PART #	DESCRIPTION	QUANTITY			
			MODEL			
			MS42-6R	MS42-6RC	MS42-6S	MS42-6T
48	4601578	Flame Failure Valve 46/47	1	1	1	1
49	2563702	Valve Panel-Hot Top LT	1	1		
	2563703	Valve Panel-Hot Top LT	1	1		
	2575602	Valve Panel-Hot Top RT			1	1
	2575603	Valve Panel-Hot Top RT			1	1
50	2522100	Knob-Open Burner	2	2	2	2
	2529500	Knob-Pilot Shut-Off	1	1	1	1
	2527600	Spring-Knob	3	3	3	3
	2522102	Knob-Hot Top	1	1	1	1
	2522101	Knob-Oven Valve	1	1		
	2522107	Knob (FD Oven F)	1	1		
	2522103	Knob (FD Oven C)	1	1		
51A	2190699	Front Rail Assy	1	1	1	1
62	2247702	Secondary Valve Panel				1
63	2247400	Secondary Burner Box Bottom				1

* NOT ILLUSTRATED

RECOMMENDED STOCK PARTS

GARLAND PARTS IDENTIFICATION

MS Series

Heavy Duty Griddle, (Even-Heat Hot Top) & Open Top Section

Models MS42-6RE, RCE, SE, TE

ITEM	PART #	DESCRIPTION	QUANTITY			
			MODEL			
			MS42-6RE	MS42-6RCE	MS42-6SE	MS42-6TE
1	1790602	LP BAG Flue Cap 34"	1	1	1	1
2	1816407	LP BAG Back Guard 34" AZ	1	1	1	1
	1816408	LP BAG Back Guard 34" SS	1	1	1	1
3	1817304	LP Front Panel 34"	1	1	1	1
4	1768599	LP BAG Upright Assay S/W	2	2	2	2
5	G7341-1-6	Rear Radiation Shield	1	1	1	1
	G7341-6-6	Rear Radiation Shield - RR Gas	1	1	1	1
6	1806101	Burner Box Back	1	1	1	
	2546400	Burner Box Back				1
	1086410	Burner Box Back - RR Gas	1	1	1	
	2546410	Burner Box Back - RR Gas				1
7	2553000	Back Top MST 40	1	1	1	1
8	2559000	Backboard Spacer	1	1	1	1
9	2570900	Back Top Baffle	1	1	1	1
10	1768399	Shelf Mtg. Brat. Assay LT.	1	1	1	1
	1768398	Shelf Mtg. Brat. Assay RT.	1	1	1	1
11	2552400	Burner Rest	1	1	1	1
12	2337400	Burner Hanger - RAH	1	1	1	1
	2552600	Burner Hanger - HL	1	1	1	1
13	2505400	Drip Tray Guide RAH	1	1	1	1
	2505401	Drip Tray Guide HL	1	1	1	1
14	1132804	Burner Box Side RAH/CRS	1	1	1	
	1132805	Burner Box Side RAH/SS	1	1	1	
	1132806	Burner Box Side HL/CRS	1	1	1	
	1132807	Burner Box Side HL/SS	1	1	1	
	2247600	Burner Box Side RAH/CRS				1
	2247601	Burner Box Side RAH/SS				1
	2247602	Burner Box Side HL/CRS				1
	2247603	Burner Box Side HL/SS				1
15	2342803	Drip Pan	1	1	1	1
16	2512600	Burner Box Bottom	1	1	1	
	2247000	Burner Box Bottom				1
17	G7338-1-6	Side Radiation Shield	1	1	1	1
18	2517399	Fire Box Body Assay	1	1	1	1
19	2404500	Top Grate Support	1	1	1	1
20	1028002	Air Shutter	1	1	1	1
21	1014900	Griddle H Burner	1	1	1	1
24	G0552-1	Hot Top	1	1	1	1
24A*	G6308-1-8	Lid Lifter	1	1	1	1
25	1769101	Ring Grate/Bowl 35K	2	2	2	2
26	1769001	Top Grate 35K Burner	1	1	1	1
27	2194100	H Burner Pilot Bracket	1	1	1	1
27A	2200700	Pilot Burner RAH	1	1	1	1
27B	2200702	Pilot Orifice #32 Nat	1	1	1	1
	2200703	Pilot Orifice #23 Pro	1	1	1	1
	2200709	Pilot Orifice #40 Mfg.	1	1	1	1
	2200704	Compression Nut- 3/16	1	1	1	1

* NOT ILLUSTRATED

RECOMMENDED STOCK PARTS

GARLAND PARTS IDENTIFICATION

MS Series

Heavy Duty Griddle, (Even-Heat Hot Top) & Open Top Section

Models MS42-6RE, RCE, SE, TE

ITEM	PART #	DESCRIPTION	QUANTITY			
			MODEL			
			MS42-6RE	MS42-6RCE	MS42-6SE	MS42-6TE
27B Cont	2200705	Olive Sleeve-3/16	1	1	1	1
	2200706	Nut-Thermocouple Retaining	1	1	1	1
	2200707	Nut-Electrode	1	1	1	1
	2200708	Electrode	1	1	1	1
28	2520800	Pilot Burner	2	2	2	2
28A	2520804	Sleeve 3/16" Compression	2	2	2	2
	2200704	Compression Nut- 3/16"	2	2	2	2
	2200707	Nut-Electrode	2	2	2	2
	2200708	Electrode	2	2	2	2
	2520801	Pilot Orifice - Nat 51	2	2	2	2
	2520802	Pilot Orifice - Pro 30	2	2	2	2
	2520803	Pilot Orifice - Mfg. Gas	2	2	2	2
28B	2550200	Pilot Bracket MST44	1	1	1	1
28C	2550201	Pilot Bracket - 25K Front	1	1	1	1
29	2528200	Burner Head	2	2	2	2
30	2528000	Front Burner Housing	1	1	1	1
31	2528100	Rear Burner Housing	1	1	1	1
32	2519200	Air Shutter	2	2	2	2
33	2341400	Pilot Tube -Front	1	1	1	1
	2341500	Pilot Tube -Rear	1	1	1	1
34	2188700	Orifice Support	1	1	1	1
35	G02486-44F	Orifice Fitting-Nat. (N. America)	1	1	1	1
	G02486-54F	Orifice Fitting-Pro. (N. America)	1	1	1	1
	G02486-45F	Orifice Fitting-Nat. G20/G25 Europe-CE	1	1	1	1
	G02486-54F	Orifice Fitting-Pro G31 Europe-CE	1	1	1	1
	G02486-004F	Orifice Fitting-Special (Spec. Gas/Des)	1	1	1	1
	M8-XX	Orifice Mfg. Gas (Spec Gas/Des)	1	1	1	1
	2200200	High Tension Wire-48"	1	1	1	1
	2200201	High Tension Wire-36"	1	1	1	
2200208	High Tension Wire-60"					
37	2200600	Thermocouple-18"	1	1	1	1
37A	2200200	High Tension Wire-48"	1	1		1
	2200208	High Tension Wire-60"			1	
38	1340521	Pipe Nipple RR Gas- 1" x 33" LG.	1	1	1	1
39	2437103	Reducing Coupling 1 1/4 x 1	1	1	1	1
40	2394599	Manifold Assay Std.	1	1	1	1
	2581199	Manifold Assay Std- Mfg. Gas	1	1	1	1
40A	2394598	Manifold Assay - RR Gas	1	1	1	1
	2581198	Manifold Assay - RR Connect- Mfg. Gas	1	1	1	1
41	G02251-1	Test Spigot	1	1	1	1
42	G4447-38F	Valve-Top Burner-Nat (N. America)	2	2	2	2
	G4447-1.8MM	Valve-Top Burner-Pro (N. America)	2	2	2	2
	G4447-XX	Valve-Top Burner Special (Spec Gas/Des)	2	2	2	2
	2564600	Valve-Top Burner Mfg. Gas (Spec Gas/Des)	2	2	2	2
43	1085697	Gum Valve-Pilot 3/16"	1	1	1	1
44	2124500	Valve-Pilot Shut Off	1	1	1	1
44A	2224300	1/8 NPR Extended Adapter	1	1	1	1

* NOT ILLUSTRATED

RECOMMENDED STOCK PARTS

GARLAND PARTS IDENTIFICATION

MS Series

Heavy Duty Griddle, (Even-Heat Hot Top) & Open Top Section

Models MS42-6RE, RCE, SE, TE

ITEM	PART #	DESCRIPTION	QUANTITY			
			MODEL			
			MS42-6RE	MS42-6RCE	MS42-6SE	MS42-6TE
45	2522400	Pilot Block	1	1	1	1
45A	1086597	Gum Valve-Pilot Adjust	2	2	2	2
46	2229300	Pilot Tube-3/16"	1	1	1	1
47	2229700	Tube-Valve to Orifice 1/4"	1	1	1	1
48	4601578	Flame Failure Valve 46/47	1	1	1	1
49	2563702	Valve Panel-Hot Top LT.	1	1		
	2563703	Valve Panel-Hot Top LT.	1	1		
	2575602	Valve Panel-Hot Top RT.			1	1
	2575603	Valve Panel-Hot Top RT.			1	1
50	2522100	Knob-Open Burner	2	2	2	2
	2529500	Knob-Pilot Shut-Off	1	1	1	1
	2527600	Spring-Knob	3	3	3	3
	2522102	Knob-Hot Top	1	1	1	1
	2522101	Knob-Oven Valve	1	1		
	2522107	Knob (FD Oven F)	1	1		
	2522103	Knob (FD Oven C)	1	1		
51A	2190699	Front Rail Assay	1	1	1	1
52	050069	Sectional Terminal Block				1
	050070	Sectional Terminal End				1
53	2336400	Mounting Bracket				1
54	2336300	Terminal Block Bracket				1
55	2336200	Terminal Block Enclosure				1
56	2247100	Wire Way				1
57	2336000	Insulation Retainer				1
58	2247300	Spark Modular Support				1
59	2247200	Spark Modular Enclosure				1
60	2144002	120 Volt Spark Generator				1
	2144000	240 Volt Spark Generator				1
61	2200300	Push Button Switch	1	1	1	1
62	2247702	Secondary Valve Panel				1
63	2247400	Secondary Burner Box Bottom				1

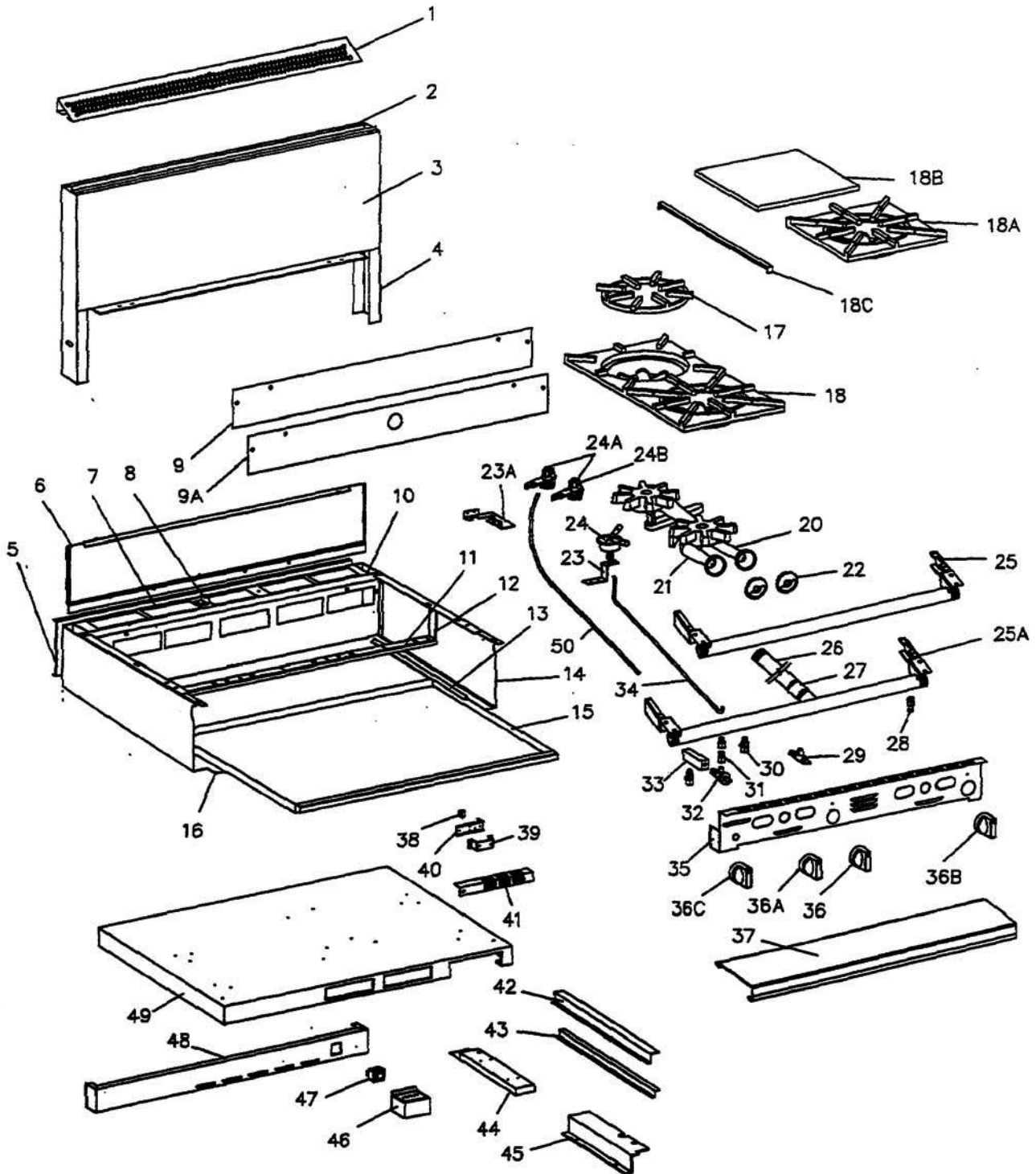
* NOT ILLUSTRATED

RECOMMENDED STOCK PARTS

NOTES



MASTER SERIES
HEAVY DUTY RANGE OPEN TOP SECTION
MODELS: MS43R,RC,S,T,RE,RCE,SE,TE



GARLAND PARTS IDENTIFICATION
MS Series
Heavy Duty Range Open Top Section
Models MS43 R, RC, S, T

ITEM	PART #	DESCRIPTION	QUANTITY			
			MODEL			
			MS43R	MS43RC	MS43S	MS43T
1	1790601	LP BG Flue Cap 34"	1	1	1	1
2	1816407	LP BG Back 34" AZ	1	1	1	1
	1816408	LP BG Back 34" S/S	1	1	1	1
3	1817304	LP Front Panel 34"	1	1	1	1
4	1768599	LB BG Upright Assembly S/W	2	2	2	2
5	G7341-1-6	Rear Radiation Shield	1	1	1	1
	G7341-6 -6	Rear Radiation Shield - RR Gas	1	1	1	1
6	1806101	Burner Box Back	1	1	1	1
	1806102	Burner Box Back RR Gas	1	1	1	1
7	2553000	Back Top MST40	1	1	1	1
8	2559000	Back Guard Spacer	1	1	1	1
9	3132200	Back Top Adapter 33"	1	1	1	1
9A	2446900	Back Top Adapter RR Gas	1	1	1	1
10	1768399	Shelf Mtg. Brkt. Assy LT	1	1	1	1
	1768398	Shelf Mtg. Brkt. Assy RT	1	1	1	1
11	2194200	Burner Rest	1	1	1	1
12	2519500	Burner Hanger	2	2	2	2
13	2505400	Drip Tray Guide RH	1	1	1	1
	2505401	Drip Tray Guide LH	1	1	1	1
14	1132804	Burner Box Side RT CRS	1	1	1	
	1132805	Burner Box Side RT S/S	1	1	1	
	1132806	Burner Box Side LT CRS	1	1	1	
	1132807	Burner Box Side LT S/S	1	1	1	
	2247600	Burner Box Side RT CRS				1
	2247601	Burner Box Side RT S/S				1
	2247602	Burner Box Side LT CRS				1
	2247603	Burner Box Side LT S/S				1
15	2342800	Drip Pan	1	1	1	1
16	2512600	Burner Box Bottom	1	1	1	
	2426900	Burner Box Bottom M40T				1
17	G6214	Top Ring Grate	6	6	6	6
18	1758701	Top Grate 43-40 (24K)	3	3	3	3
20	2217304	Sentry Rear Burner	3	3	3	3
21	2217302	Front Burner Modified	3	3	3	3
22	2519200	Air Shutter	6	6	6	6
23A	2521100	Brk Open Burner Pilot	3	3	3	3
24A	2520800	Burner Pilot	6	6	6	6
24B	2520801	Pilot Orifice-Natural	6	6	6	6
	2520802	Pilot Orifice-Propane	6	6	6	6
	2520803	Pilot Orifice-Manufactured	6	6	6	6
	2520804	Sleeve 3/16" Comp.	6	6	6	6
	2200704	3/16" Comp. Nut	6	6	6	6
25	2394499	Manifold Assy	1	1	1	1
	2394498	Manifold Assy Read Gas	1	1	1	1
26	076029-184	Nipple 1-1/4" NPT x 29" LG	1	1	1	1
27	076029-183	Coupling 1-1/4" NPT Blk	1	1	1	1
28	G02551-1	Test Spigot	1	1	1	1

* NOT ILLUSTRATED

RECOMMENDED STOCK PARTS

GARLAND PARTS IDENTIFICATION
MS Series
Heavy Duty Range Open Top Section
Models MS43 R, RC, S, T

ITEM	PART #	DESCRIPTION	QUANTITY			
			MODEL			
			MS43R	MS43RC	MS43S	MS43T
29	G4447-XX	Valve Top Burner Special (Spec Gas/Dest)	6	6	6	6
	G4447-44F	Valve Top Burner Natural	6	6	6	6
	G4447-55F	Valve Top Burner Special Propane	6	6	6	6
30	1086597	Gum Valve-3/16 Pilot	6	6	6	6
31	2224300	1/8 NPT Extended Adapter	1	1	1	1
32	2124500	Pilot Shut-Off Valve	1	1	1	1
33	2522400	Pilot Block	1	1	1	1
34	2524000	Pilot Tubing Front Centre	1	1	1	1
	2524100	Pilot Tubing Rear Centre	1	1	1	1
	2524200	Pilot Tubing Front Right	1	1	1	1
	2524300	Pilot Tubing Rear Right	1	1	1	1
	2524400	Pilot Tubing Rear Left	1	1	1	1
	2524500	Pilot Tubing Front Left	1	1	1	1
35	2525102	Valve Panel MS43R/RC	1	1		
	2525103	Valve Panel MS43S/T			1	1
36	2522100	Knob Top Burner Non FF	2	2	2	2
36A	2522101	Knob Oven Valve	1	1		
36B	2522103	Knob FD Oven C	1	1		
	2522107	Knob FD Oven F	1	1		
36C	2529500	Knob - Pilot Shut Off	1	1	1	1
37	2190699	Front Rail Assembly	1	1	1	1
48	2247700	Secondary Valve Panel				1
49	2247403	Secondary Burner Box				1

* NOT ILLUSTRATED

RECOMMENDED STOCK PARTS

GARLAND PARTS IDENTIFICATION
MS Series
Heavy Duty Range Open Top Section
Models MS43 RE, RCE, SE, TE

ITEM	PART #	DESCRIPTION	QUANTITY			
			MODEL			
			MS43RE	MS43RCE	MS43SE	MS43TE
1	1790601	LP BG Flue Cap 34"	1	1	1	1
2	1816407	LP BG Back 34" AZ	1	1	1	1
	1816408	LP BG Back 34" S/S	1	1	1	1
3	1817304	LP Front Panel 34"	1	1	1	1
4	1768599	LB BG Upright Assembly S/W	2	2	2	2
5	G7341-1-6	Rear Radiation Shield	1	1	1	1
	G7341-6-6	Rear Radiation Shield - RR Gas	1	1	1	1
6	1806101	Burner Box Back	1	1	1	1
	1806102	Burner Box Back RR Gas	1	1	1	1
7	2553000	Back Top MST40	1	1	1	1
8	2559000	Back Guard Spacer	1	1	1	1
9	2132200	Back Top Adapter 33"	1	1	1	1
9A	2446900	Back Top Adapter RR Gas	1	1	1	1
10	1768399	Shelf Mtg. Brkt. Assy LT	1	1	1	1
	1768398	Shelf Mtg. Brkt. Assy RT	1	1	1	1
11	2194200	Burner Rest	1	1	1	1
12	2519500	Burner Hanger	2	2	2	2
13	2505400	Drip Tray Guide RH	1	1	1	1
	2505401	Drip Tray Guide LH	1	1	1	1
14	1132804	Burner Box Side RT CRS	1	1	1	
	1132805	Burner Box Side RT S/S	1	1	1	
	1132806	Burner Box Side LT CRS	1	1	1	
	1132807	Burner Box Side LT S/S	1	1	1	
	2247600	Burner Box Side RT CRS				1
	2247601	Burner Box Side RT S/S				1
	2247602	Burner Box Side LT CRS				1
	2247603	Burner Box Side LT S/S				1
15	2342800	Drip Pan	1	1	1	1
16	2512600	Burner Box Bottom	1	1	1	
	2247000	Burner Box Bottom				1
17	G6214	Top Ring Grate	6	6	6	6
18	1758701	Top Grate 43-40 (24K)	3	3	3	3
20	2217304	Sentry Rear Burner	3	3	3	3
21	2217302	Front Burner Modified	3	3	3	3
22	2519200	Air Shutter	6	6	6	6
23A	2521100	Brk Open Burner Pilot	3	3	3	3
24A	2520800	Burner Pilot	6	6	6	6
24B	2520801	Pilot Orifice-Natural	6	6	6	6
	2520802	Pilot Orifice-Propane	6	6	6	6
	2520803	Pilot Orifice-Manufactured	6	6	6	6
	2520804	Sleeve 3/16" Comp.	6	6	6	6
	2200704	3/16" Comp. Nut	6	6	6	6
25	2394499	Manifold Assy	1	1	1	1
	2394498	Manifold Assy Read Gas	1	1	1	1
26	076029-184	Nipple 1-1/4" NPT x 29" LG	1	1	1	1
27	076029-183	Coupling 1-1/4" NPT Blk	1	1	1	1
28	G02551-1	Test Spigot	1	1	1	1

* NOT ILLUSTRATED

RECOMMENDED STOCK PARTS

GARLAND PARTS IDENTIFICATION
MS Series
Heavy Duty Range Open Top Section
Models MS43 RE, RCE, SE, TE

ITEM	PART #	DESCRIPTION	QUANTITY			
			MODEL			
			MS43RE	MS43RCE	MS43SE	MS43TE
29	G4447-XX	Valve Top Burner Special (Spec Gas/Dest)	6	6	6	6
	G4447-44F	Valve Top Burner Natural	6	6	6	6
	G4447-55F	Valve Top Burner Special Propane	6	6	6	6
30	1086597	Gum Valve-3/16 Pilot	6	6	6	6
31	2224300	1/8 NPT Extended Adapter	1	1	1	1
32	2124500	Pilot Shut-Off Valve	1	1	1	1
33	2522400	Pilot Block	1	1	1	1
34	2524000	Pilot Tubing Front Centre	1	1	1	1
	2524100	Pilot Tubing Rear Centre	1	1	1	1
	2524200	Pilot Tubing Front Right	1	1	1	1
	2524300	Pilot Tubing Rear Right	1	1	1	1
	2524400	Pilot Tubing Rear Left	1	1	1	1
	2524500	Pilot Tubing Front Left	1	1	1	1
35	2525102	Valve Panel MS43R/RC	1	1		
	2525103	Valve Panel MS43S/T			1	1
36	2522100	Knob Top Burner Non FF	2	2	2	2
36A	2522101	Knob Oven Valve	1	1		
36B	2522103	Knob FD Oven C	1	1		
	2522107	Knob FD Oven F	1	1		
36C	2529500	Knob - Pilot Shut Off	1	1	1	1
37	2190699	Front Rail Assembly	1	1	1	1
38	050069	Sectional Terminal Block	2	2	2	2
	050070	Sectional Terminal End	1	1	1	1
39	2336400	Mounting Bracket				1
40	2336300	Terminal Block Bracket				1
41	2336200	Terminal Block Enclosure				1
42	2247100	Wire Way				1
43	2336000	Insulation Retainer				1
44	2247300	Spark Modular Support				1
45	2247200	Spark Modular Enclosure				1
46	2144002	120 Volt Spark Generator				2
	2144000	240 Volt Spark Generator				2
47	2200300	Push Button Switch				1
48	2247700	Secondary Valve Panel				1
49	2247400	Secondary Burner Box				1
50	2200200	High Tension Wire 48"	2	2	3	2
	2200201	High Tension Wire 36"	4	4	1	4
	2200208	High Tension Wire 60"			2	

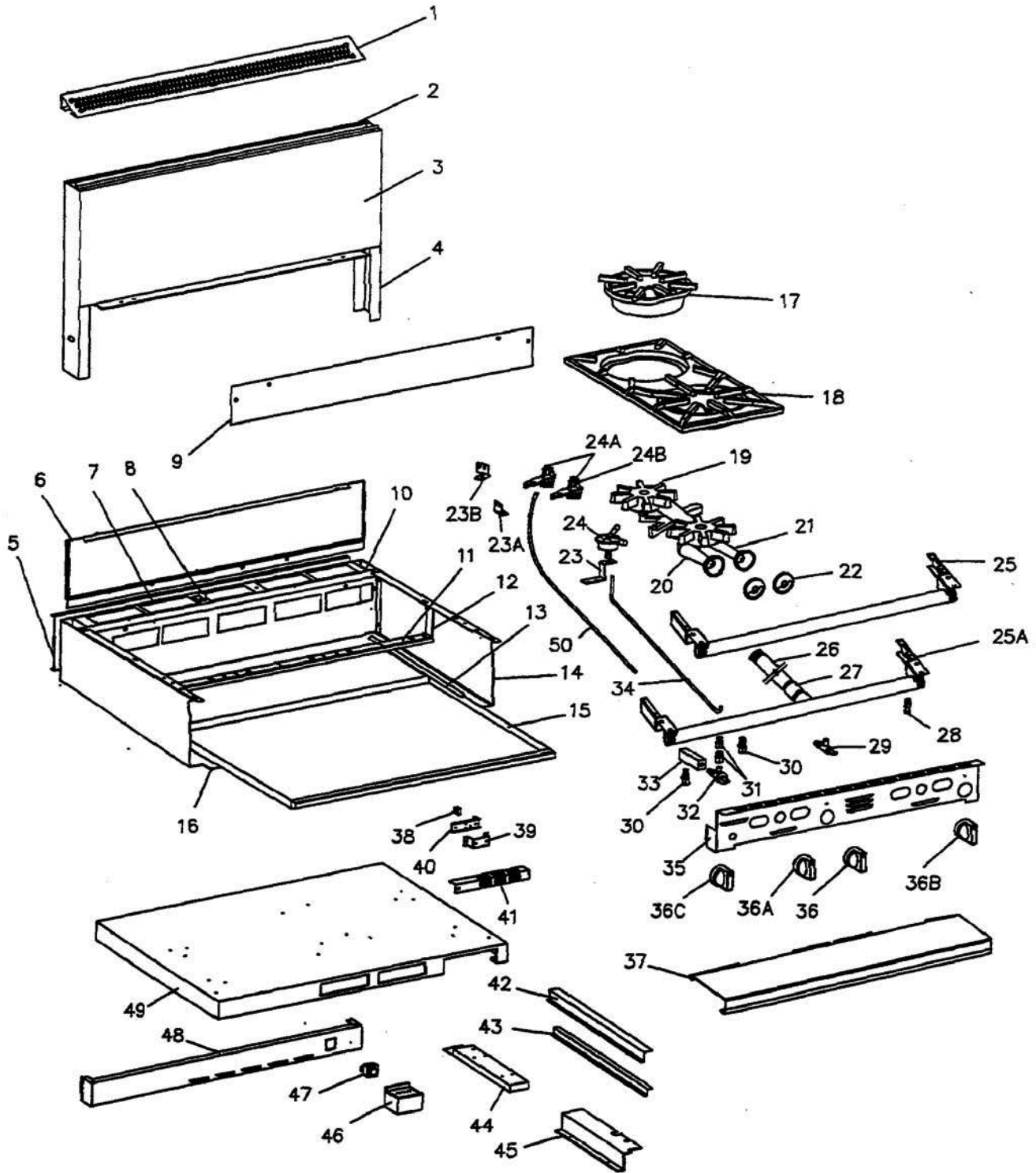
* NOT ILLUSTRATED

RECOMMENDED STOCK PARTS

NOTES



MASTER SERIES
HEAVY DUTY RANGE OPEN TOP SECTION
MODELS: MS43,RC,S,T,RE,RCE,SE,TE;
M4S,T,SE,TE



GARLAND PARTS IDENTIFICATION
MS Series
Heavy Duty Range Open Top Section
Models: MS44R, RC, S, T

ITEM	PART #	DESCRIPTION	QUANTITY			
			MODEL			
			MS44R	MS44RC	MS44S	MS44T
1	1790601	LP BG Flue Cap 34"	1	1	1	1
2	1816407	LP BG Back 34" AZ	1	1	1	1
	1816408	LP BG Back 34" S/S	1	1	1	1
3	2660104	LP Front Panel 34"	1	1	1	1
4	1768599	LP BG Upright Assembly S/W	2	2	2	2
5	G7341-1-6	Rear Radiation Shield	1	1	1	1
	G7341-6-6	Rear Radiation RR Gas	1	1	1	1
6	1806101	Burner Box Back	1	1	1	
	2546400	Burner Box Back				1
	1806104	Burner Box Back-RR Gas	1	1	1	
	2546410	Burner Box Back -RR Gas				1
7	2553000	Back Top MST40	1	1	1	1
8	2559000	Backguard Spacer	1	1	1	1
9	G0585-1-6	Back Top Baffle	1	1	1	1
10	1768399	Shelf Mtg. Brkt. Assembly LT	1	1	1	1
	1768398	Shelf Mtg. Brkt. Assembly RT	1	1	1	1
11	2537300	Burner Rest	1	1	1	1
12	2537400	Burner Hanger	2	2	2	2
13	2505400	Drip Tray Guide RH	1	1	1	1
	2505401	Drip Tray Guide LH	1	1	1	1
14	1132804	Burner Box Side RT CRS	1	1	1	
	1132805	Burner Box Side RT S/S	1	1	1	
	1132806	Burner Box Side LT CRS	1	1	1	
	1132807	Burner Box Side LT S/S	1	1	1	
	2247600	Burner Box Side RT CRS				1
	2247601	Burner Box Side RT S/S				1
	2247602	Burner Box Side LT CRS				1
2247603	Burner Box Side LT S/S				1	
15	2342800	Drip Pan	1	1	1	1
16	2512600	Burner Box Bottom	1	1	1	
	2247000	Burner Box Bottom				1
17	1769101	Ring Grate/Bowl 35K	4	4	4	4
18	1769001	Top Grate 35K Burner	2	2	2	2
19	2528200	Burner Head 35K	4	4	4	4
20	2528000	Front Burner Housing 35K - Venturi (No Head)	2	2	2	2
21	2528100	Rear Burner Housing 35K - Venturi (No Head)	4	4	4	4
22	2519200	Air Shutter	4	4	4	4
	G4202-2	Air Shutter - Manufactured Gas	4	4	4	4
23A	2550200	Pilot Bracket - 35K Rear	2	2	2	2
23B	2550201	Pilot Bracket - 35K Front	2	2	2	2
24A	2520800	Burner Pilot	4	4	4	4
24B	2520801	Pilot Orifice - Natural	4	4	4	4
	2520802	Pilot Orifice - Propane	4	4	4	4
	2520803	Pilot Orifice - Mfg Gas	4	4	4	4
	2520804	Sleeve 3/16" Compression	4	4	4	4
	2200704	Nut 3/16" Compression	4	4	4	4
25	2394599	Manifold Assembly	1	1	1	1
	2581199	Manifold Assembly - Mfg. Gas)	1	1	1	1

* NOT ILLUSTRATED

RECOMMENDED STOCK PARTS

GARLAND PARTS IDENTIFICATION
MS Series
Heavy Duty Range Open Top Section
Models: MS44R, RC, S, T

ITEM	PART #	DESCRIPTION	QUANTITY			
			MODEL			
			MS44R	MS44RC	MS44S	MS44T
25A	2394598	Manifold Assembly - 1-1/4" RR Gas	1	1	1	1
	2581198	Manifold Assembly - RR Gas 1 1/4" Mfg. Gas	1	1	1	1
26	076029-184	Nipple 1-1/4" NPT x 29" LG	1	1	1	1
27	076029-183	Coupling 1-1/4" NPT Blk.	1	1	1	1
28	G02251-1	Test Spigot	1	1	1	1
29	G4447-XX	Valve Top Burner (Special)	4	4	4	4
	G4447-38F	Valve Top Burner - Natural	4	4	4	4
	G4447-1.8MM	Valve Top Burner - Propane	4	4	4	4
30	1086197	Gum Valve - 3/16" Pilot	4	4	4	4
31	2224300	1/8 NPT Extended Adapter	1	1	1	1
32	2124500	Pilot Shut-Off Valve	1	1	1	1
33	2522400	Pilot Block	1	1	1	1
34	2581600	LT Front Pilot Tube	1	1	1	1
	2581700	LT Rear Pilot Tube	1	1	1	1
	2581800	RT Front Pilot Tube	1	1	1	1
	2581900	RT Rear Pilot Tube	1	1	1	1
35	2358702	Valve Panel M44R/RC	1	1		
	2538703	Valve Panel M44S/T			1	1
36	2522100	Knob Top Burner Non FF	2	2	2	2
36A	2522101	Knob Oven Valve	1	1		
36B	2522107	Knob FD Oven F	1	1		
	2522103	Knob FD Oven C	1	1		
36C	2529500	Knob Pilot Shutoff	1	1	1	1
37	2190699	Front Rail Assembly	1	1	1	1
48	2247703	Secondary Valve Panel				1
49	2247400	Secondary Burner Box Bottom				1

* NOT ILLUSTRATED

RECOMMENDED STOCK PARTS

GARLAND PARTS IDENTIFICATION
MS Series
Heavy Duty Range Open Top Section
Models: MS44RE, RCE, SE, TE

ITEM	PART #	DESCRIPTION	QUANTITY			
			MODEL			
			MS44RE	MS44RCE	MS44SE	MS44TE
1	1790601	LP BG Flue Cap 34"	1	1	1	1
2	1816407	LP BG Back 34" AZ	1	1	1	1
	1816408	LP BG Back 34" S/S	1	1	1	1
3	2660104	LP Front Panel 34"	1	1	1	1
4	1768599	LP BG Upright Assembly S/W	2	2	2	2
5	G7341-1-6	Rear Radiation Shield	1	1	1	1
	G7341-6-6	Rear Radiation RR Gas	1	1	1	1
6	1806101	Burner Box Back	1	1	1	
	1806104	Burner Box Back (Rear)				1
	2546400	Burner Box Back-(M40T)	1	1	1	
	2546410	Burner Box Back -RR Gas				1
7	2553000	Back Top MST40	1	1	1	1
8	2559000	Backguard Spacer	1	1	1	1
9	G0585-1-6	Back Top Baffle	1	1	1	1
10	1768399	Shelf Mtg. Brkt. Assembly LT	1	1	1	1
	1768398	Shelf Mtg. Brkt. Assembly RT	1	1	1	1
11	2537300	Burner Rest	1	1	1	1
12	2537400	Burner Hanger	2	2	2	2
13	2505400	Drip Tray Guide RH	1	1	1	1
	2505401	Drip Tray Guide LH	1	1	1	1
14	1132804	Burner Box Side RT CRS	1	1	1	
	1132805	Burner Box Side RT S/S	1	1	1	
	1132806	Burner Box Side LT CRS	1	1	1	
	1132807	Burner Box Side LT S/S	1	1	1	
	2247600	Burner Box Side RT CRS				1
	2247601	Burner Box Side RT S/S				1
	2247602	Burner Box Side LT CRS				1
2247603	Burner Box Side LT S/S				1	
15	2342800	Drip Pan	1	1	1	1
16	2426900	Burner Box Bottom	1	1	1	
	2512600	Burner Box Bottom				1
17	1769101	Ring Grate/Bowl 35K	4	4	4	4
18	1769001	Top Grate 35K Burner	2	2	2	2
19	2528200	Burner Head 35K	4	4	4	4
20	2528000	Front Burner Housing 35K - Venturi (No Head)	2	2	2	2
21	2528100	Rear Burner Housing 35K - Venturi (No Head)	4	4	4	4
22	2519200	Air Shutter	4	4	4	4
23A	2550200	Pilot Bracket - 35K Rear	2	2	2	2
23B	2550201	Pilot Bracket - 35K Front	2	2	2	2
24A	2520800	Burner Pilot	4	4	4	4
24B	2520801	Pilot Orifice - Natural	4	4	4	4
	2520802	Pilot Orifice - Propane	4	4	4	4
	2520803	Pilot Orifice - Mfg Gas	4	4	4	4
	2520804	Sleeve 3/16" Compression	4	4	4	4
	2200704	Nut 3/16" Compression	4	4	4	4
	2200707	Nut-Electrode	4	4	4	4
	2200900	Electrode	4	4	4	4

* NOT ILLUSTRATED

RECOMMENDED STOCK PARTS

GARLAND PARTS IDENTIFICATION
MS Series
Heavy Duty Range Open Top Section
Models: MS44RE, RCE, SE, TE

ITEM	PART #	DESCRIPTION	QUANTITY			
			MODEL			
			MS44RE	MS44RCE	MS44SE	MS44TE
25	2394599	Manifold Assembly	1	1	1	1
	2581199	Manifold Assembly - Mfg. Gas)	1	1	1	1
25A	2394598	Manifold Assembly - 1-1/4" RR Gas	1	1	1	1
	2581198	Manifold Assembly - RR Gas 1 1/4" Mfg. Gas	1	1	1	1
26	076029-184	Nipple 1-1/4" NPT x 29" LG	1	1	1	1
27	076029-183	Coupling 1-1/4" NPT Blk.	1	1	1	1
28	G02251-1	Test Spigot	1	1	1	1
29	G4447-XX	Valve Top Burner (Special)	4	4	4	4
	G4447-38F	Valve Top Burner - Natural	4	4	4	4
	G4447-1.8MM	Valve Top Burner - Propane	4	4	4	4
30	1086197	Gum Valve - 3/16" Pilot	4	4	4	4
31	2224300	1/8 NPT Extended Adapter	1	1	1	1
32	2124500	Pilot Shut-Off Valve	1	1	1	1
33	2522400	Pilot Block	1	1	1	1
34	2581600	LT Front Pilot Tube - MS44	1	1	1	1
	2581700	LT Rear Pilot Tube -MS44	1	1	1	1
	2581800	RT Front Pilot Tube - MS44	1	1	1	1
	2581900	RT Rear Pilot Tube - MS44	1	1	1	1
35	2358702	Valve Panel M44R/RC	1	1		
	2538703	Valve Panel M44S/T			1	1
36	2522100	Knob Top Burner Non FF	2	2	2	2
36A	2522101	Knob Oven Valve	1	1		
	2522107	Knob FD Oven F	1	1		
36B	2522103	Knob FD Oven C	1	1		
37	2190699	Front Rail Assembly	1	1	1	1
38	050069	Sectional Terminal Block	4	4	2	2
	050070	Sectional Terminal End	2	2	1	1
39	2336400	Mounting Bracket				1
40	2336300	Terminal Block Bracket				1
41	2336200	Terminal Block Enclosure				1
42	2247100	Wire Way				1
43	2336000	Insulation Retainer				1
44	2247300	Spark Modular Support				1
45	2247200	Spark Modular Enclosure				1
46	2144002	120 Volt Spark Generator				1
	2144000	240 Volt Spark Generator				1
47	2200300	Push Button Switch				1
48	2247703	Secondary Valve Panel				1
49	2247400	Secondary Burner Box Bottom				1
50	2200208	High Tension Lead 60"			2	2
	2200200	High Tension Lead 48"	2	2	2	2
	2200201	High Tension Lead 36"	2	2		

* NOT ILLUSTRATED

RECOMMENDED STOCK PARTS

GARLAND PARTS IDENTIFICATION
MS Series
Heavy Duty Range Open Top Section
Models: M4S, T, SE, TE

ITEM	PART #	DESCRIPTION	QUANTITY					
			MODEL					
			M4S	M4T	MS4S	MS4T	MS4SE	MS4TE
1	1790602	LP BG Flue Cap 17"	1	1	1	1	1	1
2	1816401	LP BG Back 17" AZ	1	1	1	1	1	1
	1816402	LP BG Back 17" SS	1	1	1	1	1	1
3	1817301	LP Front Panel 17"	1	1	1	1	1	1
4	1768559	LP BG Upright Assy S/W	2	2	2	2	2	2
5	2539000	Rear Radiation Shield	1	1	1	1	1	1
	2539001	Rear Radiation Shield RR Gas	1	1	1	1	1	1
6	2546701	Burner Box Back	1		1		1	
	2546401	Burner Box Back		1		1		1
	2546705	Burner Box Back - RR Gas	1		1		1	
	2546412	Burner Box Back - RR Gas		1		1		1
7	2584800	Back Top	1	1	1	1	1	1
8	255900	Backguard Spacer		1		1		1
10	1768398	Shelf Mtg. Brkt. Assy RT	1	1	1	1	1	1
	1768399	Shelf Mtg. Brkt. Assy LT	1	1	1	1	1	1
11	2538900	Burner Rest - M4	1	1	1	1	1	1
12	2537400	Burner Hanger	2	2	2	2	2	2
13	2505400	Drip Tray Guide RH	1	1	1	1	1	1
	2505401	Drip Tray Guide LH	1	1	1	1	1	1
14	1132804	Burner Box Side RH/CRS	1	1	1		1	
	1132805	Burner Box Side RH/SS	1	1	1		1	
	1132806	Burner Box Side LH/CRS	1	1	1		1	
	1132807	Burner Box Side LH/SS	1	1	1		1	
	2247600	Burner Box Side RH/CRS				1		1
	2247601	Burner Box Side RH/SS				1		1
	2247602	Burner Box Side LH/CRS				1		1
2247603	Burner Box Side LH/SS				1		1	
15	2342801	Drip Pan	1	1	1	1	1	1
16	2515200	Burner Box Bottom	1		1		1	
	2426901	Burner Box Bottom		1		1		1
17	1769101	Top Ring Grate/Bowl	2	2	2	2	2	2
18	1769001	Top Grate 35 K Burner	1	1	1	1	1	1
19	2528200	Burner Head 35K	2	2	2	2	2	2
20	2528000	Front Burner Housing	1	1	1	1	1	1
21	2528100	Rear Burner Housing	1	1	1	1	1	1
22	2519200	Air Shutter	2	2	2	2	2	2
	G4202-2	Air Shutter - Manufactured Gas	2	2	2	2	2	2
23	2547800	Pilot Bracket	1	1				
23A	2550200	Pilot Bracket Front 35K			1	1	1	1
23B	2550201	Pilot Bracket Rear 35K			1	1	1	1
24	1801401	Open Top Lighter Assy	1	1				
24A	2520800	Burner Pilot			2	2	2	2
24B	2520804	Sleeve 3/16" Comp. Nut			2	2	2	2
	2200704	3/16" Comp. Nut			2	2	2	2
	2520801	Orifice Pilot - Natural			2	2	2	2

* NOT ILLUSTRATED

RECOMMENDED STOCK PARTS

GARLAND PARTS IDENTIFICATION
MS Series
Heavy Duty Range Open Top Section
Models: MS4S, T, SE, TE

ITEM	PART #	DESCRIPTION	QUANTITY					
			MODEL					
			M4S	M4T	MS4S	MS4T	MS4SE	MS4TE
24B Cont	2520802	Orifice Pilot - Propane			2	2	2	2
	2520803	Orifice Pilot - Manufactured Gas			2	2	2	2
	2200707	Nut-Electrode					2	2
	2200900	Electrode					2	2
25	2445899	Manifold Assy Std	1	1	1	1	1	1
	2581499	Manifold Assy Manufactured Gas	1	1	1	1	1	1
25A	2445898	Manifold Assy - Rear Gas	1	1	1	1	1	1
	2581498	Manifold Assy - Rear Gas Manufactured Gas	1	1	1	1	1	1
26	076029-185	Nipple - 1" NPT x 29" Lg	1	1	1	1	1	1
27	076029-186	Elbow - 1" NPT x 45 Deg.	1	1	1	1	1	1
28	G02251-1	Test Spigot	1	1	1	1	1	1
29	G4447-XX	Valve Top Burner (Special)	6	6	6	6	6	6
	G4447-38A	Valve Top Burner Natural			2	2	2	2
	G4447-1.8MM	Valve Top Burner	2	2	2	2	2	2
30	1086199	Valve - 1/8" Pilot Adjusting	1	1	1			
	1086597	Gum Valve - 3/16 Pilot			1	1	1	1
31	2224300	1/8 NPT Extended Adaptor			1	1	1	1
32	2124500	Pilot Shut-Off Valve			1	1	1	1
33	2522400	Pilot Block			1	1	1	1
34A	2581600	LT Front Pilot Tube - MS44	1	1	1	1	1	1
34B	2581700	LT Rear Pilot Tube - MS44	1	1	1	1	1	1
35	2528900	Valve Panel	1	1	1	1	1	1
36	2522100	Knob Top Non FF	2	2	2	2	2	2
36C	2529500	Knob Pilot Shutoff			1	1	1	1
37	2426899	Front Rail Assembly	1	1	1	1	1	1
38	050069	Sectional Terminal Block					2	2
	050070	Sectional Terminal End					1	1
39	2336400	Mounting Bracket						1
40	2336300	Terminal Block Bracket						1
41	2336200	Terminal Block Enclosure						1
42	2247100	Wire Way						1
43	233600	Insulation Retainer						1
44	2247300	Spark Modular Support						1
45	2247200	Spark Modular Enclosure						1
46	2144000	240V Spark Generator						1
	2144002	120V Spark Generator						1
47	2200300	Push Button Switch						1
48	2427100	Secondary Valve Panel		1		1		
	2427103	Secondary Valve Panel						1
49	2427001	Secondary Burner Box Bottom		1		1		
50	2200208	High Tension Lead 60"					1	
	2200200	High Tension Lead 48"					1	1
	2200201	High Tension Lead 36"						1

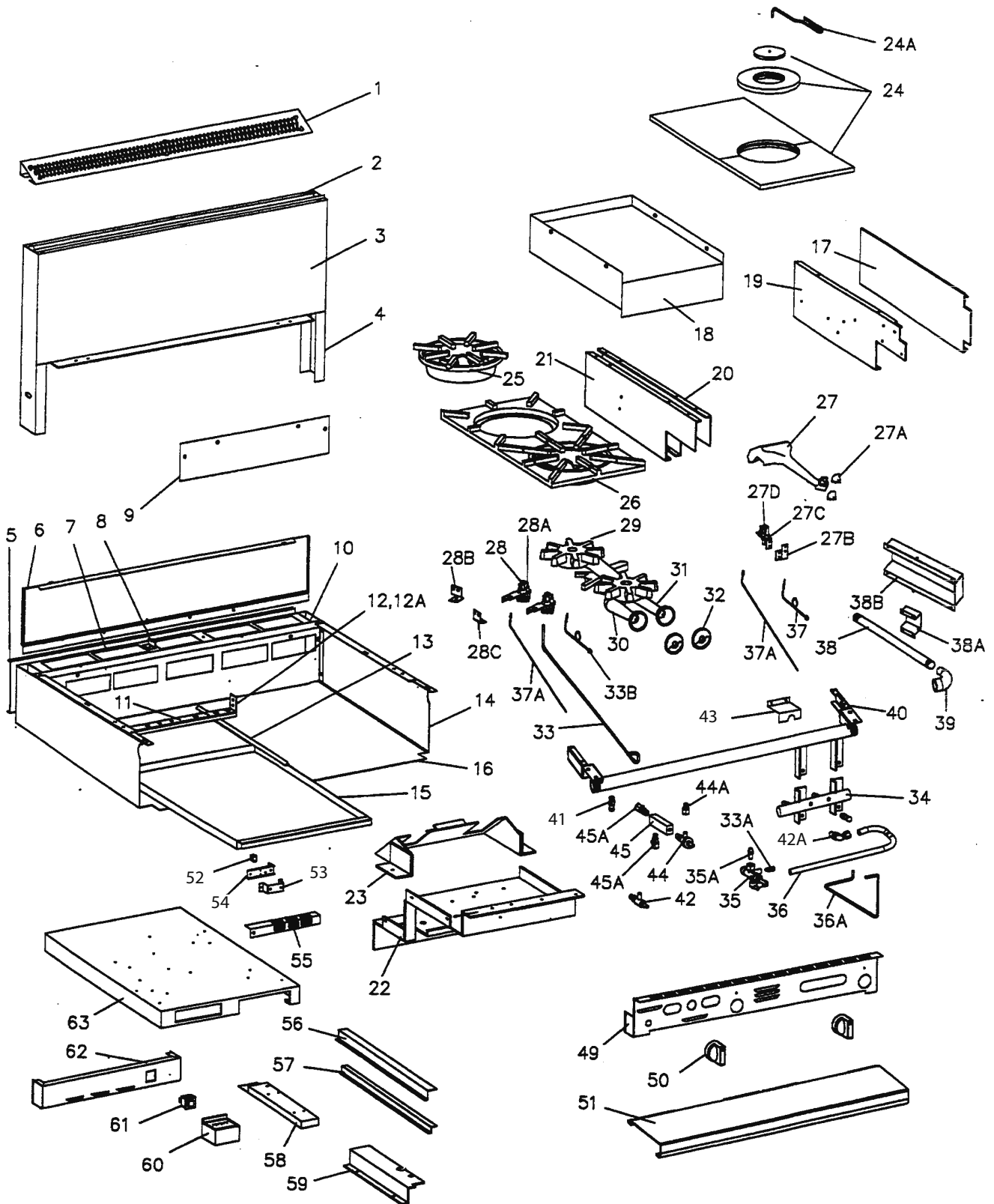
* NOT ILLUSTRATED

RECOMMENDED STOCK PARTS

NOTES



MASTER SERIES
HEAVY DUTY RANGE FRONT-FIRED
HOT TOP & OPEN TOP SECTION
MODELS: MS54R,RC,S,T,RE,RCE,SE,TE



GARLAND PARTS IDENTIFICATION

MS Series

Heavy Duty Range Front-Fired Hot Top & Open Top Section

Models: MS54R, RC, S, T

ITEM	PART #	DESCRIPTION	QUANTITY			
			MODEL			
			MS54R	MS54RC	MS54S	MS54T
1	1790602	LP BG Flue Cap 34"	1	1	1	1
2	1816407	LP BG Back Guard 34" AZ	1	1	1	1
	1816408	LP BG Back Guard 34" SS	1	1	1	1
3	1817304	LP Front Panel 34"	1	1	1	1
4	1768599	LP BG Upright Assy S/W	2	2	2	2
5	G7341-1-6	Rear Radiation Shield	1	1	1	1
6	1806101	Burner Box Back	1	1	1	
	2546400	Burner Box Back				1
	1806104	Burner Box Back - RR Gas	1	1	1	
	2546410	Burner Box Back - RR Gas				1
7	2553000	Back Top MST 40	1	1	1	1
8	2559000	Backguard Spacer	1	1	1	1
9	2570900	Back Top Baffle	1	1	1	1
10	1768399	Shelf MTG. Brkt. Assy LT	1	1	1	1
	1768398	Shelf MTG. Brkt. Assy RT	1	1	1	1
11	2340300	Burner Rest	1	1	1	1
12	2431300	Burner Hanger-Side	1	1	1	1
	2537400	Burner Hanger-Centre	1	1	1	1
13	2505400	Drip Tray Guide RH	1	1	1	1
	2505401	Drip Tray Guide LH	1	1	1	1
14	1132804	Burner Box Side RH/CRS	1	1	1	
	1132805	Burner Box Side RH/SS	1	1	1	
	1132806	Burner Box Side LH/CRS	1	1	1	
	1132807	Burner Box Side LH/SS	1	1	1	
	2247600	Burner Box Side RH/CRS				1
	2247601	Burner Box Side RH/SS				1
	2247602	Burner Box Side LH/CRS				1
2247603	Burner Box Side LH/SS				1	
15	2342803	Drip Pan	1	1	1	1
16	2512601	Burner Box Bottom	1	1	1	
	2247001	Burner Box Bottom				1
17	G7338-1-6	Side Radiation Shield	1	1	1	1
18	2340699	Radiation Pan Assy	1	1	1	1
19	G0453-1-61	Side Radiation Shield-Hot Top Right	1	1	1	1
	G0453-1-62	Side Radiation Shield-Hot Top Left	1	1	1	1
20	2341000	Radiation Shield Support-Hot Top LT	1	1	1	1
	2341001	Radiation Shield Support-Hot Top RT	1	1	1	1
21	2341100	Side Rad. Shield Support-Hot Top LT	1	1	1	1
	2341101	Side Rad. Shield Support-Hot Top RT	1	1	1	1
22	2341200	Top Burner Housing-Hot Top LT	1	1	1	1
	2341201	Top Burner Housing-Hot Top RT	1	1	1	1
23	2554299	Burner Air Shield Assembly	1	1	1	1
24	G6117-01	Key Plate Assembly	1	1	1	1
24A	G6308-1-8	Lid Lifter	1	1	1	1
25	1769101	Ring Grate/Bowl 35K	2	2	2	2
26	1769001	Top Grate 35K Burner	1	1	1	1

* NOT ILLUSTRATED

RECOMMENDED STOCK PARTS

GARLAND PARTS IDENTIFICATION

MS Series

Heavy Duty Range Front-Fired Hot Top & Open Top Section

Models: MS54R, RC, S, T

ITEM	PART #	DESCRIPTION	QUANTITY			
			MODEL			
			MS54R	MS54RC	MS54S	MS54T
27	G3575-32	Top Burner- Natural Gas	3	3	3	3
	G2575-36	Top Burner- Propane	3	3	3	3
	G3575-40	Top Burner- Manufactured Gas	3	3	3	3
27A	G4155	Air Shutter	6	6	6	6
27B	2190700	Pilot Mounting Bracket	1	1	1	1
27C	2200701	Pilot Burner LH	1	1	1	1
27D	2200702	Pilot Orifice #32 Nat.	1	1	1	1
	2200703	Pilot Orifice #23 Pro	1	1	1	1
	2200709	Pilot Orifice #40 Mfg	1	1	1	1
	2200704	Compression Nut-3/16	1	1	1	1
	2200705	Olive Sleeve 3/16"	1	1	1	1
	2200706	Nut-Thermocouple Retaining	1	1	1	1
28	2520800	Pilot Burner	2	2	2	2
28A	2520804	Sleeve 3/16" Compression	2	2	2	2
	2200704	Compression Nut-3/16	2	2	2	2
	2200706	Nut-Thermocouple Retaining	2	2	2	2
	2520801	Pilot Orifice- Nat. 51	2	2	2	2
	2520802	Pilot Orifice- Pro 30	2	2	2	2
	2520803	Pilot Orifice-Mfg Gas	2	2	2	2
28B	2550200	Pilot Bracket-35K Rear	1	1	1	1
28C	2550201	Pilot Bracket-35K Front	1	1	1	1
29	2528200	Burner Head	2	2	2	2
30	2528000	Front Burner Housing	1	1	1	1
31	2528100	Rear Burner Housing	1	1	1	1
32	2519200	Air Shutter	2	2	2	2
	G4202-2	Air Shutter- Manufactured Gas	2	2	2	2
33	2341800	Pilot Tube-Front	1	1	1	1
	2341900	Pilot Tube-Rear	1	1	1	1
33A	2200600	Thermocouple-18" Front	1	1	1	1
	2200602	Thermocouple-24" Rear	1	1	1	1
34	2190499	Secondary Manifold Pipe Assembly	1	1	1	1
35	4601575	Flame Failure Valve -Hot Top	1	1	1	1
35A	2198100	Valve Connector Fitting-12mm	1	1	1	1
36	2230100	Tube-Valve To Secondary Manifold	1	1	1	1
36A	2229000	Pilot Tube-Hot Top Left	1	1	1	1
	2229100	Pilot Tube-Hot Top Right	1	1	1	1
37	2200600	Thermocouple-18"	1	1	1	1
38	076029-182	Pipe Nipple RR Gas 3/4" x 33" Lg	1	1	1	1
38A	1823301	Tail Pipe Support-Rear Gas	1	1	1	1
38B	1823302	Side Gas Cover-Rear Gas	1	1	1	1
39A*	060295-6	Reducer Bushing 1-1/4" x 3/4" RR Gas	1	1	1	1
40	2555699	Manifold Assy Std. - Hot Top Right	1	1	1	1
	2555599	Manifold Assy Std. - Hot Top Left	1	1	1	1
	2581399	Manifold Assy Mfg Gas - Hot Top Right	1	1	1	1
	2581299	Manifold Assy Mfg Gas - Hot Top Left	1	1	1	1
41	G02251-1	Test Spigot	1	1	1	1

* NOT ILLUSTRATED

RECOMMENDED STOCK PARTS

GARLAND PARTS IDENTIFICATION

MS Series

Heavy Duty Range Front-Fired Hot Top & Open Top Section

Models: MS54R, RC, S, T

ITEM	PART #	DESCRIPTION	QUANTITY			
			MODEL			
			MS54R	MS54RC	MS54S	MS54T
42	G4447-38F	Valve -Top Burner-Nat (N. America)	2	2	2	2
	G4447-1.8MM	Valve -Top Burner-Pro (N. America)	2	2	2	2
	G4447-XX	Valve -Top Burner-Special (Spec Gas/Dest)	2	2	2	2
	2564600	Valve-Top Burner-Mfg Gas (Spec Gas/Dest)	2	2	2	2
42A	2104553	Orifice Fitting #53-Nat (N. America)	3	3	3	3
	2104563	Orifice Fitting #63-Nat (N. America)	3	3	3	3
	21045XX	Orifice Fitting Nat Export (Specify Gas/Dest)	3	3	3	3
	21045XX	Orifice Fitting #52-Pro Export (Specify Gas/Dest)	3	3	3	3
	21045XX	Orifice Fitting #52-Mfg Gas Export (Spec Gas/Dest)	3	3	3	3
43	2341600	Thermostat Heat Shield	1	1		
44	2124500	Valve-Pilot Shut-Off	1	1	1	1
44A	2224300	1/8 NPT Extender Adapter	1	1	1	1
45	2522400	Pilot Block	1	1	1	1
45A	1086597	Gum Valve 3/16"-Pilot Adjust	2	2	2	2
49	2588300	Valve Panel- Hot Top Left	1	1		
	2588400	Valve Panel- Hot Top Right	1	1		
	2588301	Valve Panel- Hot Top Left			1	1
	2588401	Valve Panel- Hot Top Right			1	1
50	2522100	Knob	2	2	2	2
	2529500	Knob-Pilot Shut-Off	1	1	1	1
	2527600	Spring-Knob	3	3	3	3
	2522106	Knob-Hot Top	1	1	1	1
	2522107	Knob-(FD Oven F)	1	1		
	2522103	Knob-(FD Oven C)	1	1		
51	2190699	Front Rail Assy	1	1	1	1
62	2247703	Secondary Valve Panel				1
63	2247401	Secondary Burner Box Bottom				1

* NOT ILLUSTRATED

RECOMMENDED STOCK PARTS

GARLAND PARTS IDENTIFICATION

MS Series

Heavy Duty Range Front-Fired Hot Top & Open Top Section

Models: MS54RE, RCE, SE, TE

ITEM	PART #	DESCRIPTION	QUANTITY			
			MODEL			
			MS54RE	MS54RCE	MS54SE	MS54TE
1	1790602	LP BG Flue Cap 34"	1	1	1	1
2	1816407	LP BG Back Guard 34" AZ	1	1	1	1
	1816408	LP BG Back Guard 34" SS	1	1	1	1
3	1817304	LP Front Panel 34"	1	1	1	1
4	1768599	LP BG Upright Assy S/W	2	2	2	2
5	G7341-1-6	Rear Radiation Shield	1	1	1	1
6	1806101	Burner Box Back	1	1	1	
	2546400	Burner Box Back				1
	1806104	Burner Box Back - RR Gas	1	1	1	
	2546410	Burner Box Back - RR Gas				1
7	2553000	Back Top MST 40	1	1	1	1
8	2559000	Backguard Spacer	1	1	1	1
9	2570900	Back Top Baffle	1	1	1	1
10	1768399	Shelf MTG. Brkt. Assy LT	1	1	1	1
	1768398	Shelf MTG. Brkt. Assy RT	1	1	1	1
11	2340300	Burner Rest	1	1	1	1
12	2431300	Burner Hanger-Side	1	1	1	1
	2537400	Burner Hanger-Centre	1	1	1	1
13	2505400	Drip Tray Guide RH	1	1	1	1
	2505401	Drip Tray Guide LH	1	1	1	1
14	1132804	Burner Box Side RH/CRS	1	1	1	
	1132805	Burner Box Side RH/SS	1	1	1	
	1132806	Burner Box Side LH/CRS	1	1	1	
	1132807	Burner Box Side LH/SS	1	1	1	
	2247600	Burner Box Side RH/CRS				1
	2247601	Burner Box Side RH/SS				1
	2247602	Burner Box Side LH/CRS				1
2247603	Burner Box Side LH/SS				1	
15	2342803	Drip Pan	1	1	1	1
16	2512601	Burner Box Bottom	1	1	1	
	2247001	Burner Box Bottom				1
17	G7338-1-6	Side Radiation Shield	1	1	1	1
18	2340699	Radiation Pan Assy	1	1	1	1
19	G0453-1-61	Side Radiation Shield-Hot Top Right	1	1	1	1
	G0453-1-62	Side Radiation Shield-Hot Top Left	1	1	1	1
20	2341000	Radiation Shield Support-Hot Top LT	1	1	1	1
	2341001	Radiation Shield Support-Hot Top RT	1	1	1	1
21	2341100	Side Rad. Shield Support-Hot Top LT	1	1	1	1
	2341101	Side Rad. Shield Support-Hot Top RT	1	1	1	1
22	2341200	Top Burner Housing-Hot Top LT	1	1	1	1
	2341201	Top Burner Housing-Hot Top RT	1	1	1	1
23	2554299	Burner Air Shield Assembly	1	1	1	1
24	G6117-01	Key Plate Assembly	1	1	1	1
24A	G6308-1-8	Lid Lifter	1	1	1	1
25	1769101	Ring Grate/Bowl 35K	2	2	2	2
26	1769001	Top Grate 35K Burner	1	1	1	1
27	G3575-32	Top Burner- Natural Gas	3	3	3	3
	G2575-36	Top Burner- Propane	3	3	3	3
	G3575-40	Top Burner- Manufactured Gas	3	3	3	3

* NOT ILLUSTRATED

RECOMMENDED STOCK PARTS

GARLAND PARTS IDENTIFICATION

MS Series

Heavy Duty Range Front-Fired Hot Top & Open Top Section

Models: MS54RE, RCE, SE, TE

ITEM	PART #	DESCRIPTION	QUANTITY			
			MODEL			
			MS54RE	MS54RCE	MS54SE	MS54TE
27A	G4155	Air Shutter	6	6	6	6
27B	2190700	Pilot Mounting Bracket	1	1	1	1
27C	2200701	Pilot Burner LH	1	1	1	1
27D	2200702	Pilot Orifice #32 Nat.	1	1	1	1
	2200703	Pilot Orifice #23 Pro	1	1	1	1
	2200709	Pilot Orifice #40 Mfg	1	1	1	1
	2200704	Compression Nut-3/16	1	1	1	1
	2200705	Olive Sleeve 3/16"	1	1	1	1
	2200706	Nut-Thermocouple Retaining	1	1	1	1
	220007	Nut-Electrode	1	1	1	1
	220008	Electrode	1	1	1	1
28	2520800	Pilot Burner	2	2	2	2
28A	2520804	Sleeve 3/16" Compression	2	2	2	2
	2200704	Compression Nut-3/16	2	2	2	2
	2200706	Nut-Thermocouple Retaining	2	2	2	2
	2200707	Nut-Electrode	2	2	2	2
	2200708	Electrode	2	2	2	2
	2520801	Pilot Orifice- Nat. 51	2	2	2	2
	2520802	Pilot Orifice- Pro 30	2	2	2	2
	2520803	Pilot Orifice-Mfg Gas	2	2	2	2
28B	2550200	Pilot Bracket-35K Rear	1	1	1	1
28C	2550201	Pilot Bracket-35K Front	1	1	1	1
29	2528200	Burner Head	2	2	2	2
30	2528000	Front Burner Housing	1	1	1	1
31	2528100	Rear Burner Housing	1	1	1	1
32	2519200	Air Shutter	2	2	2	2
	G4202-2	Air Shutter- Manufactured Gas	2	2	2	2
33	2341800	Pilot Tube-Front	1	1	1	1
	2341900	Pilot Tube-Rear	1	1	1	1
33A	2200600	Thermocouple-18" Front	1	1	1	1
	2200602	Thermocouple-24" Rear	1	1	1	1
34	2190499	Secondary Manifold Pipe Assembly	1	1	1	1
35	4601575	Flame Failure Valve-Hot Top	1	1	1	1
35A	2198100	Valve Connector Fitting-12mm	1	1	1	1
36	2230100	Tube-Valve To Secondary Manifold	1	1	1	1
36A	2229000	Pilot Tube-Hot Top Left	1	1	1	1
	2229100	Pilot Tube-Hot Top Right	1	1	1	1
37	2200600	Thermocouple-18"	1	1	1	1
37A	2200200	High Tension Wire-48"	1	1	1	1
	2200201	High Tension Wire-35"	2	2		2
	2200208	High Tension Wire-60"			2	
38	076029-182	Pipe Nipple RR Gas 3/4" x 33" Lg	1	1	1	1
38A	1823301	Tail Pipe Support-Rear Gas	1	1	1	1
38B	1823302	Side Gas Cover-Rear Gas	1	1	1	1
39A*	060295-6	Reducer Bushing 1-1/4" x 3/4" RR Gas	1	1	1	1
40	2555699	Manifold Assy Std. - Hot Top Right	1	1	1	1
	2555599	Manifold Assy Std. - Hot Top Left	1	1	1	1
	2581399	Manifold Assy Mfg Gas - Hot Top Right	1	1	1	1
	2581299	Manifold Assy Mfg Gas - Hot Top Left	1	1	1	1

* NOT ILLUSTRATED

RECOMMENDED STOCK PARTS

GARLAND PARTS IDENTIFICATION

MS Series

Heavy Duty Range Front-Fired Hot Top & Open Top Section

Models: MS54RE, RCE, SE, TE

ITEM	PART #	DESCRIPTION	QUANTITY			
			MODEL			
			MS54RE	MS54RCE	MS54SE	MS54TE
41	G02251-1	Test Spigot	1	1	1	1
42	G4447-38F	Valve -Top Burner-Nat (N. America)	2	2	2	2
	G4447-1.8MM	Valve -Top Burner-Pro (N. America)	2	2	2	2
	G4447-XX	Valve -Top Burner-Special (Spec Gas/Dest)	2	2	2	2
	2564600	Valve-Top Burner-Mfg Gas (Spec Gas/Dest)	2	2	2	2
42A	2104553	Orifice Fitting #53-Nat (N. America)	3	3	3	3
	2104563	Orifice Fitting #63-Nat (N. America)	3	3	3	3
	21045XX	Orifice Fitting Nat Export (Specify Gas/Dest)	3	3	3	3
	21045XX	Orifice Fitting #52-Pro Export (Specify Gas/Dest)	3	3	3	3
	21045XX	Orifice Fitting #52-Mfg Gas Export (Spec Gas/Dest)	3	3	3	3
43	2341600	Thermostat Heat Shield	1	1		
44	2124500	Valve-Pilot Shut-Off	1	1	1	1
44A	2224300	1/8 NPT Extender Adapter	1	1	1	1
45	2522400	Pilot Block	1	1	1	1
45A	1086597	Gum Valve 3/16"-Pilot Adjust	2	2	2	2
49	2588300	Valve Panel- Hot Top Left	1	1		
	2588400	Valve Panel- Hot Top Right	1	1		
	2588301	Valve Panel- Hot Top Left			1	1
	2588401	Valve Panel- Hot Top Right			1	1
50	2522100	Knob	2	2	2	2
	2529500	Knob-Pilot Shut-Off	1	1	1	1
	2527600	Spring-Knob	3	3	3	3
	2522106	Knob-Hot Top	1	1	1	1
	2522107	Knob-(FD Oven F)	1	1		
	2522103	Knob-(FD Oven C)	1	1		
51	2190699	Front Rail Assy	1	1	1	1
52	050069	Sectional Terminal Block				1
	050070	Sectional Terminal End				1
53	2336400	Mounting Bracket				1
54	2336300	Terminal Block Bracket				1
55	2336200	Terminal Block Enclosure				1
56	2247100	Wire Way				1
57	2336000	Insulation Retainer				1
58	2247300	Spark Modular Support				1
59	2247200	Spark Modular Enclosure				1
60	2144002	120 Volt Spark Generator				1
	2144000	240 Volt Spark Generator				1
61	2200300	Push Button Switch				1
62	2247700	Secondary Valve Panel				1
63	2247401	Secondary Burner Box Bottom				1

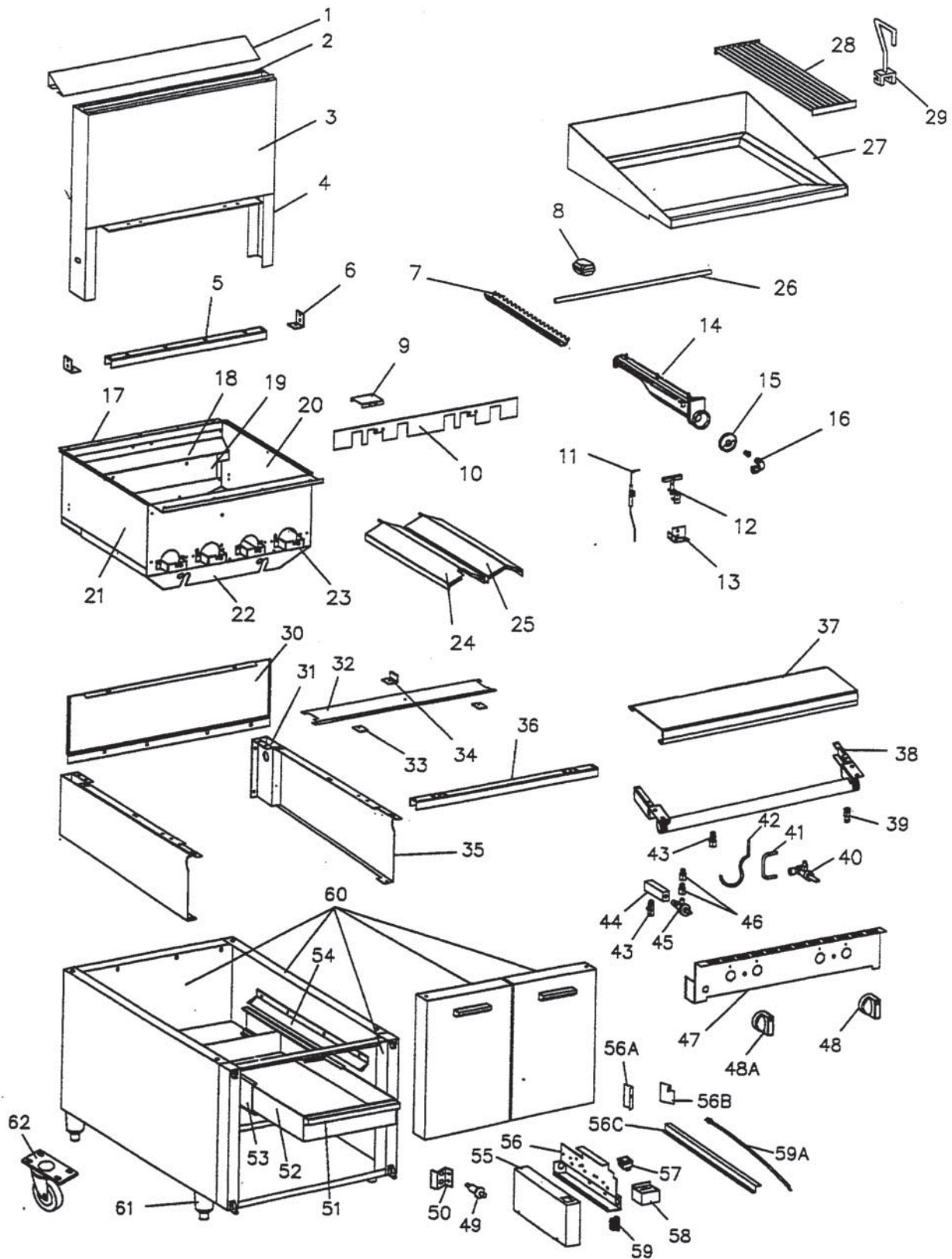
* NOT ILLUSTRATED

RECOMMENDED STOCK PARTS

NOTES



MASTER SERIES
HEAVY DUTY GAS CHAR-BROILER
MODELS: MS17B, MS24B, MS34B;
MS17BE, MS24BE, MS34BE



GARLAND PARTS IDENTIFICATION

MS Series

Heavy Duty Gas Char-Broiler

Models: MS17B, MS24B, MS34B

ITEM	PART #	DESCRIPTION	QUANTITY		
			MODEL		
			MS17B	MS24B	MS34B
1	2526000	LP BG Flue Cap 34"			1
	2526001	LP BG Flue Cap 24"		1	
	2526002	LP BG Flue Cap 17"	1		
2	1816401	LP BG Back 17" AZ	1		
	1816402	LP BG Back 17" S/S	1		
	1816403	LP BG Back 24" AZ		1	
	1816404	LP BG Back 24" S/S		1	
	1816407	LP BG Back 34" AZ			1
	1816408	LP BG Back 34" S/S			1
	1817301	LP Front Panel 17"	1		
3	1817302	LP Front Panel 24"		1	
	1817304	LP Front Panel 34"			1
4	1768599	LP BG Upright Assy SW	2	2	2
5	G02638-5-6	Burner Rest	1		
	G02638-1-6	Burner Rest		1	
	G02638-4-6	Burner Rest			1
6	2532800	Burner Support Bracket	2		
	G026390-1-6	Burner Support Bracket		2	2
7	G02646-2-9	Porcelain Support	3	4	6
8	G02342-1	Briquetts-20 lb	1	1	1
9	2517800	Bracket Pilot cover	2	2	3
10	2533600	Burner Shield	1		
	G02641-1-6	Burner Shield		1	
	G02642-1-6	Burner Shield			1
11	G03151-1	Piezo Electrode 16"	1	1	2
	G03151-5	Piezo Electrode 28"	1		
	G03151-6	Piezo Electrode 38"		1	1
12	2206400	Pilot Burner (Natural)	2	2	3
	2206401	Pilot Burner (Propane)	2	2	3
		Pilot Burner (Mfg Gas)	2	2	3
13	2938800	Pilot Mounting Bracket	2	2	2
14	1090500	Burner	2	4	6
15	1028002	Air Shutter	3	4	6
16	G02486-52F	Orifice Fitting (Natural)	3	4	6
	G02486-57F	Orifice Fitting (Propane)	3	4	6
	G02486-XX	Orifice Fitting (Special - Specify Gas)	3	4	6
17	2286100	Back Liner	1		
	G02621-1-6	Back Liner		1	
	G02743-1-6	Back Liner			1
18	G02623-18-6	Back Spacer	1		
	G02623-24-6	Back Spacer		1	
	G02623-24-6	Back Spacer			1
19	2424700	Burner Hold Down	1		
	2424702	Burner Hold Down		1	
	2424704	Burner Hold Down			1
20	G02622-4-61	Side Liner R/H	1		
	G02622-1-61	Side Liner R/H		1	1
21	G02622-4-62	Side Liner L/H	1		
	G02622-1-62	Side Liner L/H		1	1

* NOT ILLUSTRATED

RECOMMENDED STOCK PARTS

GARLAND PARTS IDENTIFICATION

MS Series

Heavy Duty Gas Char-Broiler

Models: MS17B, MS24B, MS34B

ITEM	PART #	DESCRIPTION	QUANTITY		
			MODEL		
			MS17B	MS24B	MS34B
22	2532300	Front Liner	1		
	2438600	Front Liner		1	
	2438700	Front Liner			1
23	G02640-1-6	Orifice Support	3	4	6
25	G02637-01-6	Centre Radiation Shield Assy	1	1	2
26	G03866-5-5	Steel Grate Bar 15"	14		
	G03866-1-6	Steel Grate Bar 21"		14	
	G03866-4-5	Steel Grate Bar 31.375"			14
27	2531299	Main Top Assy	1		
	2437999	Main Top Assy		1	
	2438099	Main Top Assy			1
28	G02647-01-5	Broiler Rack Assembly		4	
	G03484-01-5	Broiler Rack Assy Diamond		4	
	G03724-01-5	Broiler Rack Assembly	2		4
	G03483-01-5	Broiler Rack Assy Diamond	2		4
29	G02685-01-8	Rack Lifter Assembly	1	1	1
30	2532700	Burner Box Back	1		
	G6149-22-7	Burner Box Back		1	
	1896101	Burner Box Back			1
31	1768399	Shelf Mounting Bracket Assy LT	1	1	1
	1768398	Shelf Mounting Bracket Assy RT	1	1	1
32	2532600	Back Top 17	1		
	2532601	Back Top 24		1	
	2532602	Back Top 34			1
33	G03128-1-6	Main Top Spacer	2	2	2
34	2559000	Backguard Spacer	1	1	1
35	2531303	Burner Box Side LT CRS	1		
	2531302	Burner Box Side RT CRS	1		
	2531301	Burner Box Side LT S/S	1		
	2531300	Burner Box Side RT S/S	1		
	2112903	Burner Box Side LT CRS		1	1
	2112902	Burner Box Side RT CRS		1	1
	2112900	Burner Box Side LT S/S		1	1
2112901	Burner Box Side RT S/S		1	1	
36	2533000	Attachment Burner Rest	1		
	2191400	Attachment Burner Rest		1	
	G6302-1-8	Attachment Burner Rest			1
37	2426899	Front Rail Assy	1		
	2450199	Front Rail Assy		1	
	2190699	Front Rail Assy			1
38	2532499	Manifold Assy	1		
	2526499	Manifold Assy		1	
	2552999	Manifold Assy			1
39	G02225-1	Test Spigot	1	1	1
40	G02755-1	Valve	3	4	6
41	2533300	Valve Tubing	2		
	2528600	Valve Tubing		2	2
	2528700	Valve Tubing		2	2
	2528500	Valve Tubing			2

* NOT ILLUSTRATED

RECOMMENDED STOCK PARTS

GARLAND PARTS IDENTIFICATION

MS Series

Heavy Duty Gas Char-Broiler

Models: MS17B, MS24B, MS34B

ITEM	PART #	DESCRIPTION	QUANTITY		
			MODEL		
			MS17B	MS24B	MS34B
42	2533400	Pilot Tubing	1		
	2535700	Pilot Tubing	1		
	2528800	Pilot Tubing		2	3
43	1086587	Gum Valve - 3/16 Pilot	2	2	3
44	2147200	Pilot Block			1
45	2124500	Pilot Shut-Off Valve	1	1	1
46	1086000	1/8 NPT Adapter	1	1	1
47	2532500	Valve Panel	1		
	2529200	Valve Panel		1	
	2529100	Valve Panel			1
48	2529500	Knob	1	1	1
48A	2522111	Knob	3	4	6
49	1309201	Piezo Igniter	2	2	3
50	2525800	Piezo Support Bracket	1	1	2
52	2524902	Drip Tray 17B	1		
	2524901	Drip Tray 24B		1	
	2524900	Drip Tray 34B			1
53	G02635-1-7	Drip Tray Slide	2	2	2
54	G02745-1-6	Drip Chute	2	2	2
60	G6196-1-8	Body Side (CRS) LT & RT	2	2	2
	G6196-1-9	Body Side (S/S) LT & RT	2	2	2
	2515300	Main Bottom 17"	1		
	2442600	Main Bottom 24"		1	
	G01031-1-7	Main Bottom 34"			1
	2546500	Lower Front Channel Molding	1		
	2546501	Lower Front Channel Molding		1	
	2442500	Lower Front Channel Molding			1
	2514697	Front Frame Assy-17	1		
	2514699	Front Frame Assy-24		1	
	2514698	Front Frame Assy-34			1
	2524800	Main Back 17"	1		
	2524801	Main Back 24"		1	
	G6051-1-7	Main Back 34"			1
	2530102	Corner Column LT	1	1	1
	2530103	Corner Column RT	1	1	1
	2529900	Magnet Support Bracket	1	1	
	2544200	Magnet Support Bracket (Double)			1
	078174-1	Magnetic Door Catch	1	1	1
	2514400	Inner Side RH	1	1	1
	2514401	Inner Side LH	1	1	1
	2194598	Door Hinge Assy LH	1	1	1
	2194599	Door Hinge Assy RH	1	1	1
	2193500	Door Panel	1		2
	2431200	Door Panel		1	
	2193900	Door Lining	1		2
2431300	Door Lining		1		
2192900	Storage Door Handle	1	1	2	
2327100	Door Stop Bumper	1	1	1	
2327200	Hinge Pin	2	2	4	

* NOT ILLUSTRATED

RECOMMENDED STOCK PARTS

GARLAND PARTS IDENTIFICATION

MS Series

Heavy Duty Gas Char-Broiler

Models: MS17B, MS24B, MS34B

ITEM	PART #	DESCRIPTION	QUANTITY		
			MODEL		
			MS17B	MS24B	MS34B
60 Cont	G02973-2	Plastic Hole Plug 1/2"	4	4	6
	2530900	Hole Plug 3/8"	3	3	6
	078056-5	Flange Bearing	2	2	4
	2526200	Cabinet Shelf	1		
	2515000	Cabinet Shelf		1	
	2514500	Cabinet Shelf			1
61	1027600	Leg Retainer Plate 6"	4	4	4
	1150502	Bullet Legs	4	4	4
	1542001	S/S Leg Assy	4	4	4
	1566400	Plate Leg Sub Assy	4	4	4
62	1027800	Swivel Caster Less Brake	2	2	2
	10278011	Swivel Caster C/W Brake	2	2	2

* NOT ILLUSTRATED

RECOMMENDED STOCK PARTS

GARLAND PARTS IDENTIFICATION

MS Series

Heavy Duty Gas Char-Broiler

Models: MS17B, MS24B, MS34B

ITEM	PART #	DESCRIPTION	QUANTITY		
			MODEL		
			MS17B	MS24B	MS34B
1	2526000	LP BG Flue Cap 34"			1
	2526001	LP BG Flue Cap 24"		1	
	2526002	LP BG Flue Cap 17"	1		
2	1816401	LP BG Back 17" AZ	1		
	1816402	LP BG Back 17" S/S	1		
	1816403	LP BG Back 24" AZ		1	
	1816404	LP BG Back 24" S/S		1	
	1816407	LP BG Back 34" AZ			1
	1816408	LP BG Back 34" S/S			1
3	1817301	LP Front Panel 17"	1		
	1817302	LP Front Panel 24"		1	
	1817304	LP Front Panel 34"			1
4	1768599	LP BG Upright Assy SW	2	2	2
5	G02638-5-6	Burner Rest	1		
	G02638-1-6	Burner Rest		1	
	G02638-4-6	Burner Rest			1
6	2532800	Burner Support Bracket	2		
	G026390-1-6	Burner Support Bracket		2	2
7	G02646-2-9	Porcelain Support	3	4	6
8	G02342-1	Briquetts-20 lb	1	1	1
9	2517800	Bracket Pilot cover	2	2	3
10	2533600	Burner Shield	1		
	G02641-1-6	Burner Shield		1	
	G02642-1-6	Burner Shield			1
11	G03151-1	Piezo Electrode 16"	2	2	
	G03151-5	Piezo Electrode 28"			1
	G03151-6	Piezo Electrode 38"			1
	G03151-7	Piezo Electrode 48"			1
12	2206400	Pilot Burner (Natural)	2	2	3
	2206401	Pilot Burner (Propane)	2	2	3
		Pilot Burner (Mfg Gas)	2	3	4
13	2938800	Pilot Mounting Bracket	2	2	2
14	1090500	Burner	2	4	6
15	1028002	Air Shutter	3	4	6
16	G02486-52F	Orifice Fitting (Natural)	3	4	6
	G02486-57F	Orifice Fitting (Propane)	3	4	6
	G02486-XX	Orifice Fitting (Special - Specify Gas)	3	4	6
17	2286100	Back Liner	1		
	G02621-1-6	Back Liner		1	
	G02743-1-6	Back Liner			1
18	G02623-18-6	Back Spacer	1		
	G02623-24-6	Back Spacer		1	
	G02623-24-6	Back Spacer			1
19	2424700	Burner Hold Down	1		
	2424702	Burner Hold Down		1	
	2424704	Burner Hold Down			1
20	G02622-4-61	Side Liner R/H	1		
	G02622-1-61	Side Liner R/H		1	1

* NOT ILLUSTRATED

RECOMMENDED STOCK PARTS

GARLAND PARTS IDENTIFICATION

MS Series

Heavy Duty Gas Char-Broiler

Models: MS17B, MS24B, MS34B

ITEM	PART #	DESCRIPTION	QUANTITY		
			MODEL		
			MS17B	MS24B	MS34B
21	G02622-4-62	Side Liner L/H	1		
	G02622-1-62	Side Liner L/H		1	1
22	2532300	Front Liner	1		
	2438600	Front Liner		1	
	2438700	Front Liner			1
23	G02640-1-6	Orifice Support	3	4	6
25	G02637-01-6	Centre Radiation Shield Assy	1	1	2
26	G03866-5-5	Steel Grate Bar 15"	14		
	G03866-1-6	Steel Grate Bar 21"		14	
	G03866-9-5	Steel Grate Bar 31.375"			14
27	2531299	Main Top Assy	1		
	2437999	Main Top Assy		1	
	2438099	Main Top Assy			1
28	G02647-01-5	Broiler Rack Assembly		4	
	G03484-01-5	Broiler Rack Assy Diamond		4	
	G03724-01-5	Broiler Rack Assembly	2		4
	G03483-01-5	Broiler Rack Assy Diamond	2		4
29	G02685-01-8	Rack Lifter Assembly	1	1	1
30	2532700	Burner Box Back	1		
	G6149-22-7	Burner Box Back		1	
	1896101	Burner Box Back			1
31	1768399	Shelf Mounting Bracket Assy LT	1	1	1
	1768398	Shelf Mounting Bracket Assy RT	1	1	1
32	2532600	Back Top 17	1		
	2532601	Back Top 24		1	
	2532602	Back Top 34			1
33	G03128-1-6	Main Top Spacer	2	2	2
34	2559000	Backguard Spacer	1	1	1
35	2531303	Burner Box Side LT CRS	1		
	2531302	Burner Box Side RT CRS	1		
	2531301	Burner Box Side LT S/S	1		
	2531300	Burner Box Side RT S/S	1		
	2112903	Burner Box Side LT CRS		1	1
	2112902	Burner Box Side RT CRS		1	1
	2112900	Burner Box Side LT S/S		1	1
2112901	Burner Box Side RT S/S		1	1	
36	2533000	Attachment Burner Rest	1		
	2191400	Attachment Burner Rest		1	
	G6302-1-8	Attachment Burner Rest			1
37	2426899	Front Rail Assy	1		
	2450199	Front Rail Assy		1	
	2190699	Front Rail Assy			1
38	2532499	Manifold Assy	1		
	2526499	Manifold Assy		1	
	2552999	Manifold Assy			1
39	G02225-1	Test Spigot	1	1	1
40	G02755-1	Valve	3	4	6

* NOT ILLUSTRATED

RECOMMENDED STOCK PARTS

GARLAND PARTS IDENTIFICATION

MS Series

Heavy Duty Gas Char-Broiler

Models: MS17B, MS24B, MS34B

ITEM	PART #	DESCRIPTION	QUANTITY		
			MODEL		
			MS17B	MS24B	MS34B
41	2533300	Valve Tubing	2		
	2528600	Valve Tubing		2	2
	2528700	Valve Tubing		2	2
	2528500	Valve Tubing			2
42	2533400	Pilot Tubing	1		
	2535700	Pilot Tubing	1		
43	1086587	Gum Valve - 3/16 Pilot	1	2	3
44	2147200	Pilot Block			1
45	2124500	Pilot Shut-Off Valve	1	1	1
46	1086000	1/8 NPT Adapter	1	1	1
47	2532500	Valve Panel	1		
	2529200	Valve Panel		1	
	2529100	Valve Panel			1
48	2529500	Knob	1	1	1
48A	2522111	Knob	3	4	6
49	1309201	Piezo Igniter	2	2	3
50	2525800	Piezo Support Bracket	1	1	2
52	2524902	Drip Tray 17B	1		
	2524901	Drip Tray 24B		1	
	2524900	Drip Tray 34B			1
53	G02635-1-7	Drip Tray Slide	2	2	2
54	G02745-1-6	Drip Chute	2	2	2
55	2193600	Electric Box Enclosure	1	1	1
56	2524600	Electric Connection Box	1	1	1
56A	2543600	Enclosure Shield-Large	1	1	1
56B	2543700	Enclosure Shield-Small	1	1	1
56C	2442400	Wire Way	1	1	1
57	2200300	Push Button Switch			
58	2144002	Spark Generator-120V	1	1	1
	2144000	Spark Generator-240V	1	1	1
59	050069	Terminal Block	2	2	2
	050070	Terminal Block End	1	1	1
59A	G2840-1	Cord & Plug Set 3/14 Wire (120 V Only)	1	1	1
60	G6196-1-8	Body Side (CRS) LT & RT	2	2	2
	G6196-1-9	Body Side (S/S) LT & RT	2	2	2
	2515300	Main Bottom 17"	1		
	2442600	Main Bottom 24"		1	
	G01031-1-7	Main Bottom 34"			1
	2546500	Lower Front Channel Molding	1		
	2546501	Lower Front Channel Molding		1	
	2442500	Lower Front Channel Molding			1
	2514697	Front Frame Assy-17	1		
	2514699	Front Frame Assy-24		1	
	2514698	Front Frame Assy-34			1
	2524800	Main Back 17"	1		
	2524801	Main Back 24"		1	
G6051-1-7	Main Back 34"			1	

* NOT ILLUSTRATED

RECOMMENDED STOCK PARTS

GARLAND PARTS IDENTIFICATION

MS Series

Heavy Duty Gas Char-Broiler

Models: MS17B, MS24B, MS34B

ITEM	PART #	DESCRIPTION	QUANTITY		
			MODEL		
			MS17B	MS24B	MS34B
60 Cont	2530102	Corner Column LT	1	1	1
	2530103	Corner Column RT	1	1	1
	2529900	Magnet Support Bracket	1	1	
	2544200	Magnet Support Bracket (Double)			1
	078174-1	Magnetic Door Catch	1	1	1
	2514400	Inner Side RH	1	1	1
	2514401	Inner Side LH	1	1	1
	2194598	Door Hinge Assy LH	1	1	1
	2194599	Door Hinge Assy RH	1	1	1
	2193500	Door Panel	1		2
	2431200	Door Panel		1	
	2193900	Door Lining	1		2
	2431300	Door Lining		1	
	2192900	Storage Door Handle	1	1	2
	2327100	Door Stop Bumper	1	1	1
	2327200	Hinge Pin	2	2	4
	G02973-2	Plastic Hole Plug 1/2"	4	4	6
	2530900	Hole Plug 3/8"	3	3	6
	078056-5	Flange Bearing	2	2	4
2526200	Cabinet Shelf	1			
2515000	Cabinet Shelf		1		
2514500	Cabinet Shelf			1	
61	1027600	Leg Retainer Plate 6"	4	4	4
	1150502	Bullet Legs	4	4	4
	1542001	S/S Leg Assy	4	4	4
	1566400	Plate Leg Sub Assy	4	4	4
62	1027800	Swivel Caster Less Brake	2	2	2
	10278011	Swivel Caster C/W Brake	2	2	2

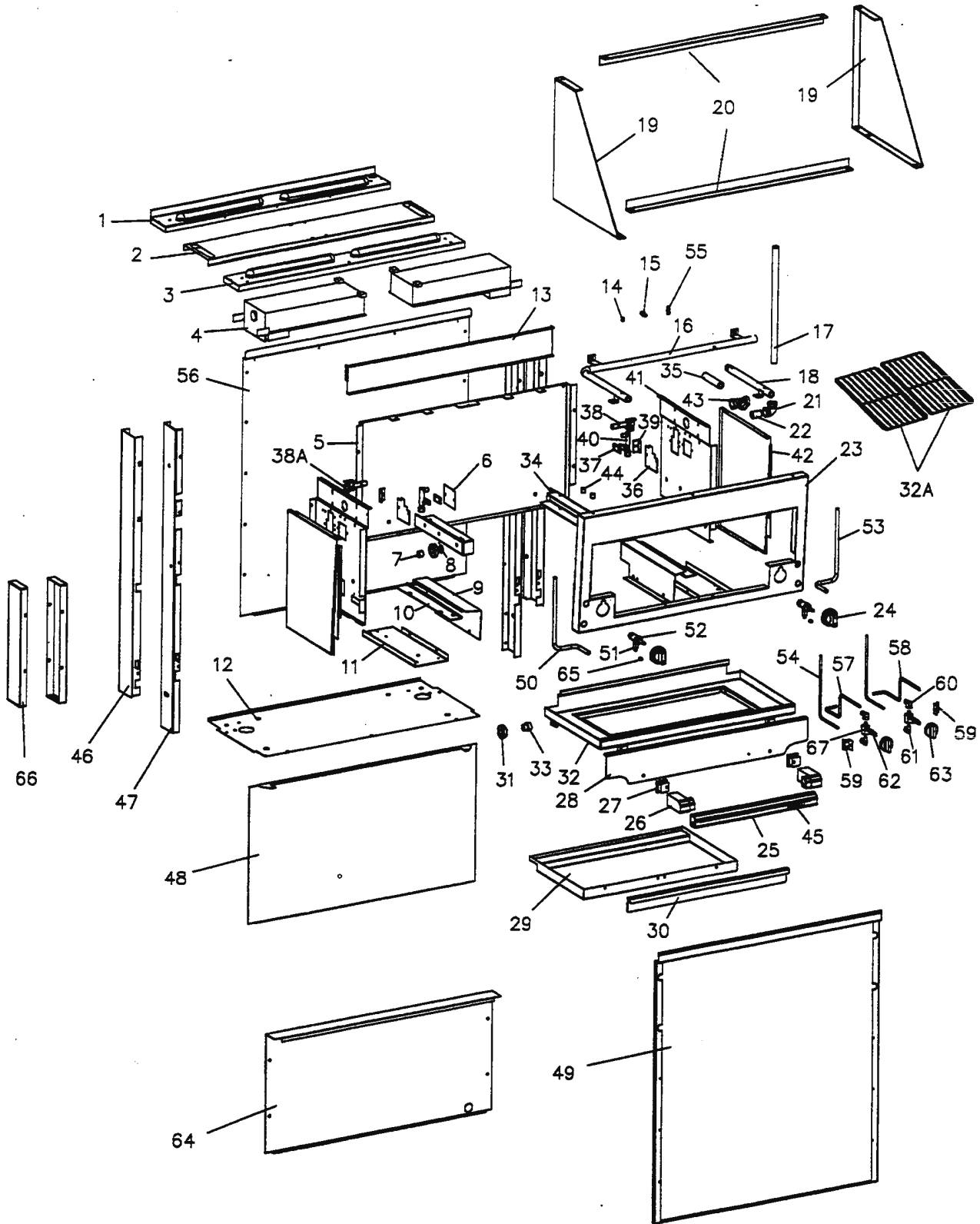
* NOT ILLUSTRATED

RECOMMENDED STOCK PARTS

NOTES



MASTER SERIES
HEAVY DUTY GAS INFRA-RED
SALAMANDER BROILER
MODELS: MSSRC, MSSR16



GARLAND PARTS IDENTIFICATION
MS Series
Heavy Duty Gas Infra-Red Salamander Broiler
Model: MSSRC, MSSR16

ITEM	PART #	DESCRIPTION	QUANTITY	
			MODEL	
			MSSRC	MSSR16
1	G01377-1-6	Main Top Back		1 (Std)
	G01377-1-9	Main Top Back	1	1 (Opt)
2	G01376-1-6	Main Top Centre		1 (Std)
	G01376-1-9	Main Top Centre	1	1 (Opt)
3	G01375-1-9	Main Top Front	1	1
4	2572100	Infra Red Burner	2	2
5	2564200	Flue Back	1	1
6	G01372-1-6	Orifice Fitting Cover	2	2
7	G01247-2	Front Bearing	2	2
8	G01247-1-8	Washer Bearing	2	2
9	2540398**	Valve Housing Assy LH	1	1
	2540399**	Valve Housing Assy RH	1	1
	2592798	Valve Housing Assy LH	1	1
	2592799	Valve Housing Assy RH	1	1
10	2576200	Valve Housing Retainer	2	2
11	2541998	Manifold Housing Bottom LH	1	1
	2541999	Manifold Housing Bottom RH	1	1
12	2540800	Bottom Cover	1 (Opt)	1 (Opt)
13	2580200	Front Brace	1	1
14	2203400	Cnt. Sunk 1/8" NPT Hex Plug	2	2
15	G02251-1	Pressure Test Spigot	1	1
16	2541799	Manifold Assembly	1	1
17	G01477-9	Nipple 1/2" NPT x 18" Long	1 (Opt)	1 (Opt)
18	2567999	Sub-Manifold Assembly	1	1
19	2582600	Wall Mount Bracket RH (Black)	1 (Opt)	
	2582602	Wall Mount Bracket RH (S/S)	1 (Opt)	
	2582601	Wall Mount Bracket LH (Black)	1 (Opt)	
	2582603	Wall Mount Bracket LH (S/S)	1 (Opt)	
20	G01467-1-5	Angle Bracket	2 (Opt)	
21	G01474-2	Elbow-1/2 NPT	1	1
22	G01477-10	Nipple 1/2" NPT x 1/2" Long	1 (Opt)	1
23	2564400**	Front Frame	1	1
	2593100	Front Frame	1	1
24	2522116	Knob	2	2
25	2193100**	Door Handle	1	1
	2193101	Door Handle	1	1
26	2559101	Door Handle End LT	1	1
	2559100	Door Handle End RT	1	1
27	2580600	Door Handle End Insert	2	2
28	2547600**	Rack Veneer	1	1
	2592600	Rack Veneer	1	1
29	2540600**	Grease Tray	1	1
	2601300	Grease Tray	1	1
30	2540700	Grease Tray Front	1	1
31	G01244-1	Bearing	4	4
32	2540199**	Rack Frame & Grease Chute Assy	1	1
	2593099	Rack Frame & Grease Chute Assy	1	1
32A	G02468-01-5	Half Round Rack	2	2

* NOT ILLUSTRATED

RECOMMENDED STOCK PARTS

GARLAND PARTS IDENTIFICATION

MS Series

Heavy Duty Gas Infra-Red Salamander Broiler

Model: MSSRC, MSSR16

ITEM	PART #	DESCRIPTION	QUANTITY	
			MODEL	
			MSSRC	MSSR16
33	G01247-3	Rear Bushing	2	2
34	G0249-01-81	Roller Guide Assembly RH	1	1
	G0249-01-82	Roller Guide Assembly LH	1	1
35	G01477-2	Nipple 1/2" x 4-1/8" Long	1	
36	2554600	Cover Plate	2	2
37	2554800	Orifice Fitting Shim	2	2
38	G01267-5	Pilot Burner	2	2
38A	G01267-2	Pilot Orifice (Natural)	2	2
	G01267-3	Pilot Orifice (Propane)	2	2
39	G02649-1-6	Pilot Bracket	2	2
40	G01411-55	Orifice Fitting Natural (N. America)	2	2
	G01411-1.2MM	Orifice Fitting Propane (N. America)	2	2
	G01411-XX	Orifice Fitting Natural (Export)	2	2
	G01411-XX	Orifice Fitting Propane (Export)	2	2
	G01411-XX	Orifice Fitting Special (Spec Gas/Dest)	2	2
41	2542100	Side Liner RH	1	1
	2542101	Side Liner LH	1	1
42	2567300	Main Side RH (Black)	1	1
	2567302	Main Side RH (S/S)	1	1
	2567301	Main Side LH (Black)	1	1
	2567303	Main Side LH (S/S)	1	1
43	G01476-2	Tee 1/2" NPT	1	1
44	G01989-1-8	Post Bearing 1/2" Dia x 1/2" Long	4	4
45	1592007**	Handle Overlay	1	1
	1799401	Handle Overlay	1	1
46	2567701	Upright Veneer LH		1
	2567700	Upright Veneer RH		1
47	2567698	Upright Assy LH		1
	2567699	Upright Assy RH		1
48	2567800	Front Panel		1
49	2580500	Veneer Back (Opt)		1
50	2586200	7/16 Dia Tubing Valve-Orifice LT	1	1
51	2558500	1/4 x 1/8 NPT Adaptor	2	2
52	G01410-1	Valve Hi-Lo	2	2
53	2586100	7/16 Dia Tubing Valve-Orifice RT	1	1
54	2589000	1/4 Dia Tubing Pilot - P.S.O. LT/Rt	2	2
55	G6809	Valve- Pilot	2	2
56	2567500	Main Back		1
57	2588900	1/4" Dia Tubing P.S.O. -G.V. LT	1	1
58	2588800	1/4" Dia Tubing P.S.O. -G.V. RT	1	1
59	2270400	1/4 Turn Pilot Valve Bracket	2	2
60	076050-63	Elbow Comp. 1/4T x 1/8F	2	2
61	076050-80	Elbow Comp. 1/4T x 1/8P	2	2
62	2536500	Valve Extension	2	2
63	2385900	Pilot Knob	2	2
64	2567200	Main Back (Black)	1 (Std)	
	2567201	Main Back (S/S)	1 (Opt)	
65	2527600	Spring-Knob	2	2

* NOT ILLUSTRATED

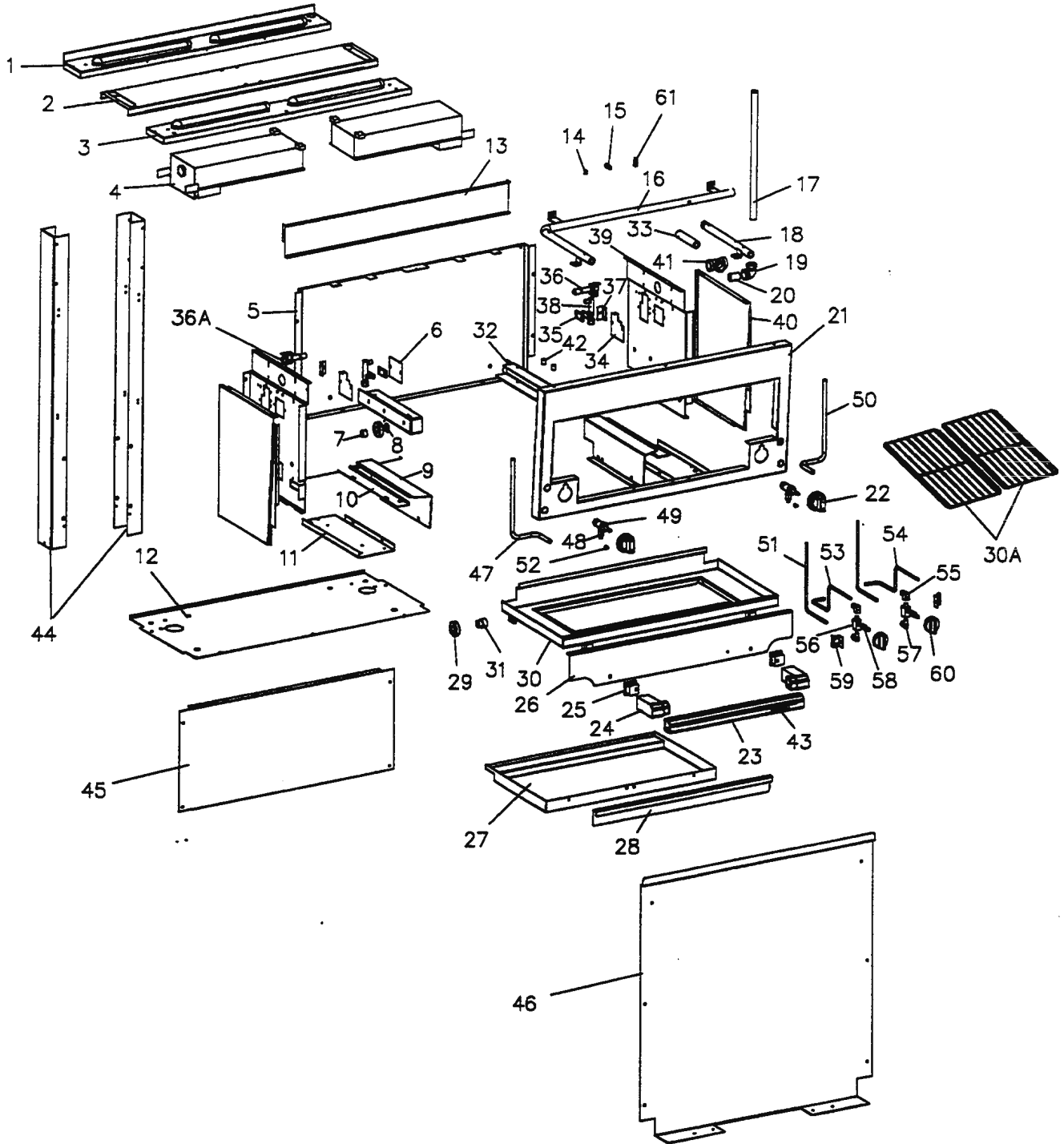
RECOMMENDED STOCK PARTS

GARLAND PARTS IDENTIFICATION
MS Series
Heavy Duty Gas Infra-Red Salamander Broiler
Model: MSSRC, MSSR16

ITEM	PART #	DESCRIPTION	QUANTITY	
			MODEL	
			MSSRC	MSSR16
66	2567198	Support Bracket Assy (S/S)	2 (Opt)	
	2567199	Support Bracket Assy (Black)	2 (Std)	
67	G03601-1	Valve Shut Off 1/4 Turn	2	2

* NOT ILLUSTRATED

RECOMMENDED STOCK PARTS



GARLAND PARTS IDENTIFICATION

MS Series

Gas Infra-Red Salamander Broiler

Model: MSSR16-280

ITEM	PART #	DESCRIPTION	QUANTITY
			MODEL
1	G01377-1-6	Main Top Back	1 (Std)
	G01377-1-9	Main Top Back	1 (Opt)
2	G01376-1-6	Main Top Centre	1 (Std)
	G01376-1-9	Main Top Centre	1 (Opt)
3	G01375-1-9	Main Top Front	1
4	2572100	Infra Red Burner	2
5	2564200	Flue Back	1
6	G01371-1-6	Orifice Fitting Cover	2
7	G01247-2	Front Bearing	2
8	G01247-1-8	Washer Bearing	2
9	2540398**	Valve Housing Assy LH	1
	2540399**	Valve Housing Assy RH	1
	2592798	Valve Housing Assy LH	1
	2592799	Valve Housing Assy RH	1
10	2576200	Valve Housing Retainer	2
11	2541998	Manifold Housing Bottom LH	1
	2541999	Manifold Housing Bottom RH	1
12	2540800	Bottom Cover	1 (Opt)
13	2580200	Front Brace	1
14	2203400	Cnt. Sunk 1/8" NPT Hex Plug	2
15	G02551-1	Pressure Test Spigot	1
16	2541799	Manifold Assembly	1
17	G01477-9	Nipple 1/2" NPT x 18" Long	1
18	2567999	Sub-Manifold Assembly	1
19	G01474-2	Elbow - 1/2 NPT	1
20	G01477-10	Nipple 1/2" NPT x 1-1/2" Long	1
21	2564403**	Front Frame	1
	2593103	Front Frame	1
22	25522116	Knob	2
23	2193101	Door Handle	1
24	2559101	Door Handle End LT	1
	2559100	Door Handle End RT	1
25	2580600	Door Handle End Insert	2
26	2547600**	Rack Veneer	1
	2592600	Rack Veneer	1
27	2540600**	Grease Tray	1
	2593099	Grease Tray	1
28	2540700	Grease Tray Front	1
29	G01244-1	Bearing	4
30	2540199**	Rack Frame & Grease Chute Assy	1
	2593099	Rack Frame & Grease Chute Assy	1
30A	G02468-01-5	Half Round Rack	2
31	G01247-3	Rear Bushing	2
32	G02469-01-81	Roller Guide Assembly RH	1
	G02469-01-82	Roller Guide Assembly LH	1
33	G01477-2	Nipple 1/2" NPT x 4-1/8" Long	
34	2554600	Cover Plate	2
35	2554800	Orifice Fitting Shim	2
36	G01267-5	Pilot Burner	2

* NOT ILLUSTRATED

RECOMMENDED STOCK PARTS

GARLAND PARTS IDENTIFICATION

MS Series

Gas Infra-Red Salamander Broiler

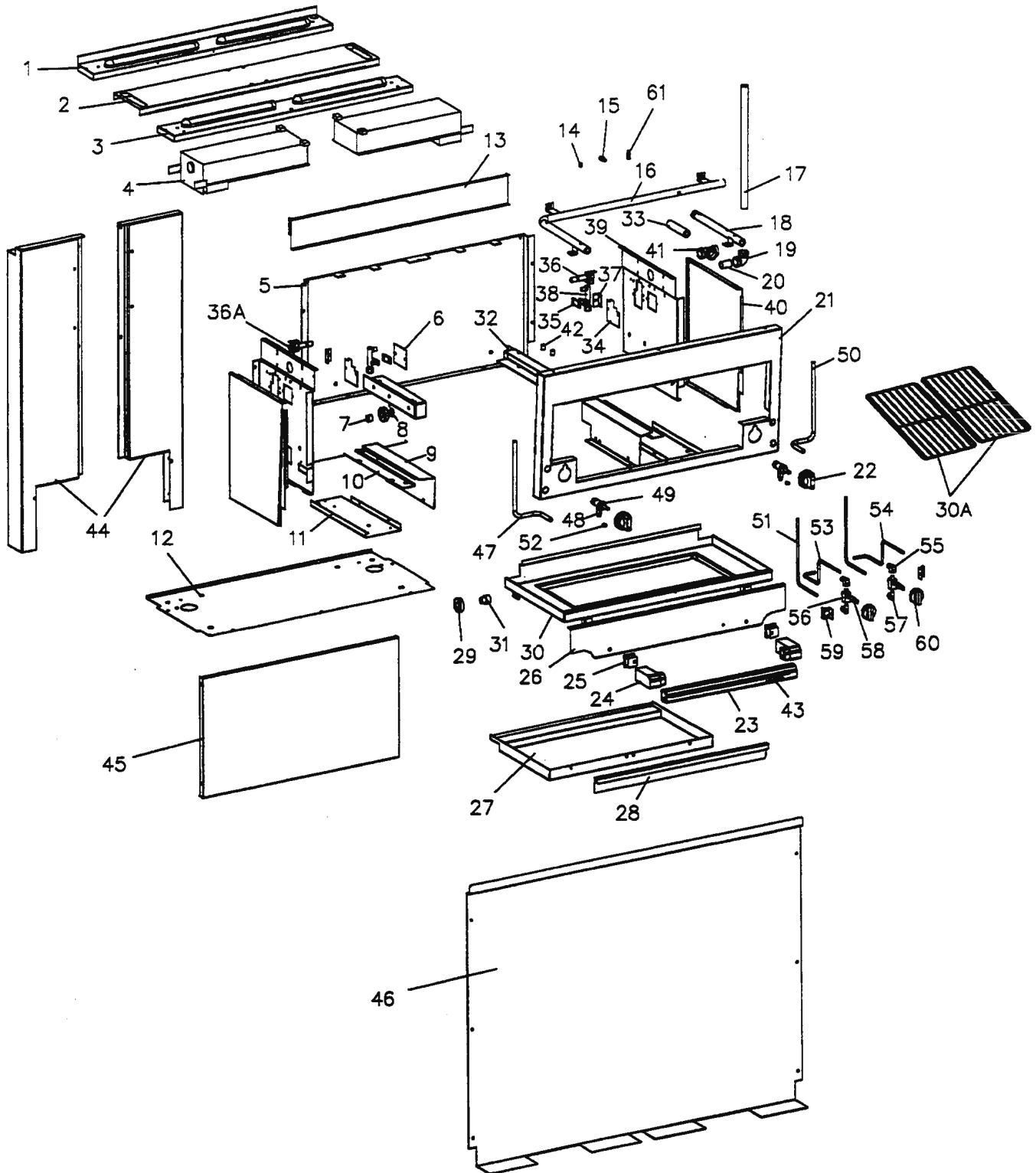
Model: MSSR16-280

ITEM	PART #	DESCRIPTION	QUANTITY
			MODEL
36A	G01267-2	Pilot Orifice (Natural)	2
	G01267-3	Pilot Orifice (Propane)	2
37	G02649-1-6	Pilot Bracket	2
38	G01411-55	Orifice Fitting Natural (N. America)	2
	G01411-1.2mm	Orifice Fitting Propane (N. America)	2
	G01411-XX	Orifice Fitting Natural (Export)	2
	G01411-XX	Orifice Fitting Propane (Export)	2
	G01411-XX	Orifice Fitting - Special (Gas/Destination)	2
39	2542100	Side Liner RH	1
	2542101	Side Liner LH	1
40	2567300	Main Side RH (Black)	1 (Std)
	2567302	Main Side RH (S/S)	1 (Opt)
	2567301	Main Side LH (Black)	1 (Std)
	2567303	Main Side LH (S/S)	1 (Opt)
41	G01476-1	Tee 1/2" NPT	1
42	G01989-1-8	Post Bearing 1/2" Dia x 1/2" Long	4
43	1592008**	Handle Overlay	1
	1799401	Handle Overlay	1
44	2567400	Bracket - SR Salamander (Black)	2 (Std)
	2567401	Bracket - SR Salamander (S/S)	2 (opt)
45	2571800	Front Panel (Black)	1 (Std)
	2571801	Front Panel (S/S)	1 (Opt)
46	2571900	Main Back	1 (Std)
	2571901	Main Back (S/S)	1 (Opt)
47	2586200	7/16 Dia Tubing Valve - Orifice LT	1
48	2558500	1/4 X 1/8 NPT Adapter	2
49	G01410-1	Valve Hi-Lo	2
50	2586100	7/16 Dia Tubing Valve - Orifice RT	1
51	2589000	1/4 Dia Tubing Pilot- P.S.O. LT/RT	2
52	2527600	Spring Knob	2
53	2588900	1/4" Dia. Tubing P.S.O. - G.V. LT	1
54	2588800	1/4" Dia. Tubing P.S.O. - G.V. RT	1
55	076050-63	Elbow Comp. 1/4T x 1/8F	2
56	G03601-1	Valve Shut off 1/4 Turn	2
57	076050-80	Elbow Comp. 1/4T x 1/8P	2
58	2536500	Valve Extension	2
59	2270400	1/4 Turn Pilot Valve Bracket	2
60	2385900	Pilot Knob	2
61	G6809	Valve Pilot	2

* NOT ILLUSTRATED

RECOMMENDED STOCK PARTS

NOTES



GARLAND PARTS IDENTIFICATION

MS Series

Gas Infra-Red Salamander Broiler

Model: MSSR16-288

ITEM	PART #	DESCRIPTION	QUANTITY
			MODEL
1	G01377-1-6	Main Top Back	1 (Std)
	G01377-1-9	Main Top Back	1 (Opt)
2	G01376-1-6	Main Top Centre	1 (Std)
	G01376-1-9	Main Top Centre	1 (Opt)
3	G01375-1-9	Main Top Front	1
4	2572100	Infra Red Burner	2
5	2564200	Flue Back	1
6	G01371-1-6	Orifice Fitting Cover	2
7	G012747-1	Front Bearing	2
8	G01247-1-8	Washer Bearing	2
9	2540398**	Valve Housing Assy LH	1
	2540398**	Valve Housing Assy RH	1
	2592798	Valve Housing Assy LH	1
	2592799	Valve Housing Assy RH	1
10	2576200	Valve Housing Retainer	2
11	2541998	Manifold Housing Bottom LH	1
	2541999	Manifold Housing Bottom RH	1
12	2540800	Bottom Cover	1
13	2580200	Front Brace	1
14	2203400	Cnt. Sunk 1/8" NPT Hex Plug	2
15	G02251-1	Pressure Test Spigot	1
16	241799	Manifold Assembly	1
17	G01477-9	Nipple 1/2" NPT x 18" Long	1
18	2567999	Sub-Manifold Assembly	1
19	G01474-2	Elbow - 1/2" NPT	1
20	G01477-10	Nipple 1/2" NPT x 1-1/2" Long	1
21	2564400**	Front Frame	1
	2593100	Front Frame	1
22	2522116	Knob	2
23	2193100**	Door Handle	1
	2193101	Door Handle	1
24	2559101	Door Handle End LT	1
	2559100	Door Handle End RT	1
25	2580600	Door Handle End Insert	2
26	2540600**	Rack Veneer	1
	2592600	Rack Veneer	1
27	2540600**	Grease Tray	1
	2601300	Grease Tray	1
28	2540700	Grease Tray Front	1
29	G01244-1	Bearing	4
30	2540199**	Rack Frame & Grease Chute Assy	1
	2590399	Rack Frame & Grease Chute Assy	1
30A	G02468-01-5	Half Round Rack	2
31	G01247-3	Rear Bushing	2
32	G02469-01-81	Roller Guide Assembly RH	1
	G02469-01-82	Roller Guide Assembly LH	1
33	G01477-2	Nipple 1/2" NPT x 4-1/8" Long	2
34	2554600	Cover Plate	2
35	2554800	Orifice Fitting Shim	2

* NOT ILLUSTRATED

RECOMMENDED STOCK PARTS

GARLAND PARTS IDENTIFICATION

MS Series

Gas Infra-Red Salamander Broiler

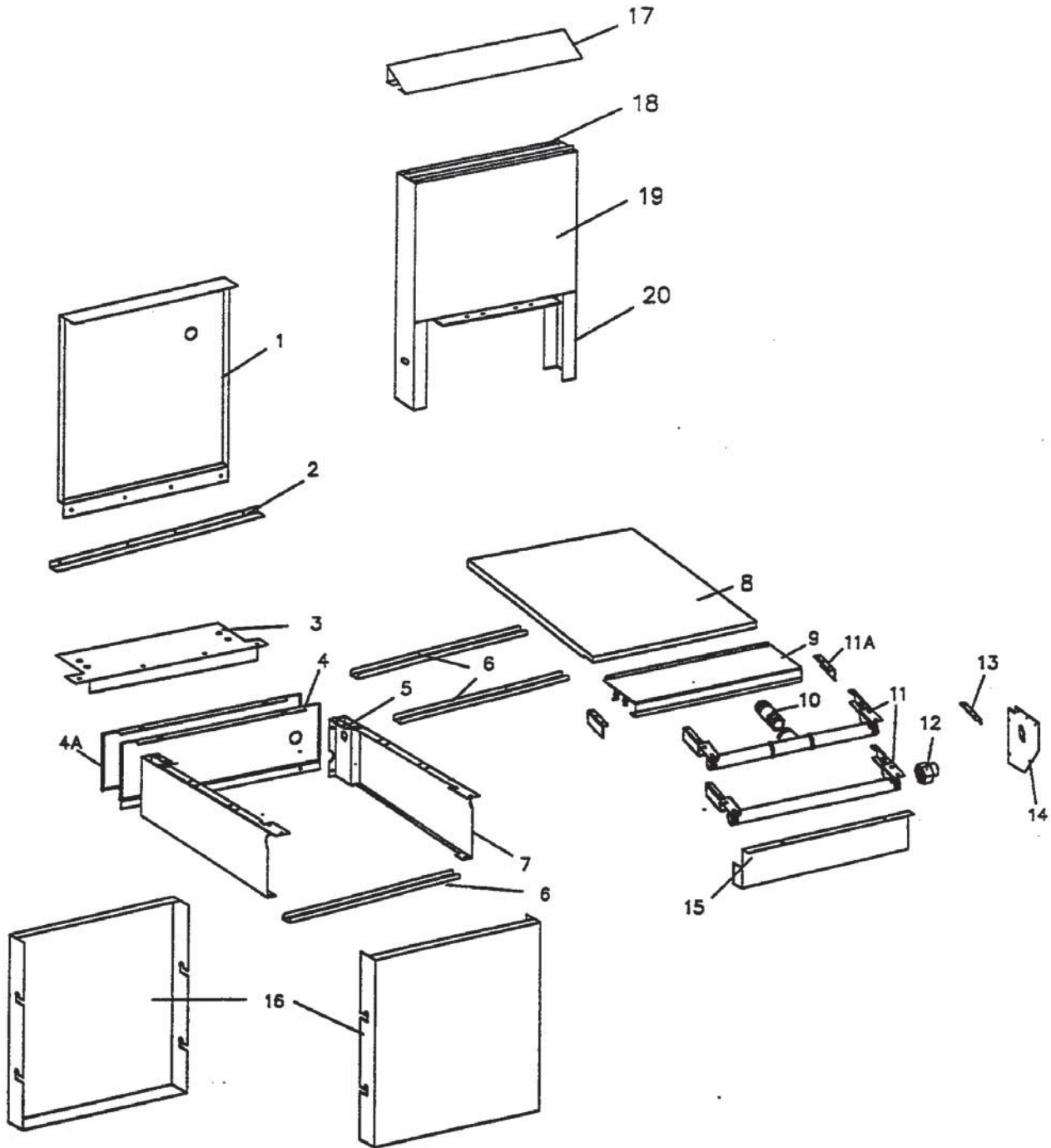
Model: MSSR16-288

ITEM	PART #	DESCRIPTION	QUANTITY
			MODEL
36	G01267-5	Pilot Burner	2
36A	G01267-2	Pilot Orifice (Natural)	2
	G01267-3	Pilot Orifice (Propane)	2
37	G02649-1-6	Pilot Bracket	2
38	G01411-	Orifice Fitting Natural (N. America)	2
	G01411-	Orifice Fitting Propane (N. America)	2
	G01411-	Orifice Fitting Natural (Export)	2
	G01411-	Orifice Fitting Propane (Export)	2
	G01411-	Orifice Fitting Special (Spec Gas/Dest)	2
39	2542100	Side Liner RH	1
	2542101	Side Liner LH	1
40	2567300	Main Side RH (Black)	1 (Std)
	2567302	Main Side RH (S/S)	1 (Opt)
	2567301	Main Side LH (Black)	1 (Std)
	2567303	Main Side LH (S/S)	1 (Opt)
41	G01476-1	Tee 1/2" NPT	1
42	G01989-1-8	Post Bearing 1/2" Dia x 1/2" Long	4
43	1592007**	Handle Overlay	1
	1799401	Handle Overlay	1
44	2571503	Left Bracket-Painted	1 (Std)
	2571502	Left Bracket-S/S	1 (Opt)
	2571500	Right Bracket - S/S	1 (Opt)
	2571501	Right Bracket - Painted	1 (Std)
45	2571600	Front Panel- Painted	1 (Std)
	2571601	Front Panel- Stainless	1 (Opt)
46	2571700	Main Back	1 (Std)
	2571701	Main Back - Stainless	1 (Opt)
47	2586200	7/16" Dia Tubing Valve - Orifice LT	1
48	2558500	1/4 X 1/8 NPT Adapter	2
49	G01410-1	Valve Hi-Lo	2
50	2586100	7/16" Dia Tubing Valve - Orifice RT	1
51	2589000	1/4" Dia. Tubing Pilot-P.O.S. LT/RT	2
52	2527600	Spring Knob	2
53	2588900	1/4" Dia. Tubing P.S.O. -G.V. LT	1
54	2588800	1/4" Dia. Tubing P.S.O. -G.V. RT	1
55	076050-63	Elbow - Comb 1/4T x 1/8F	2
56	G03601-1	Valve Shut Off 1/4 Turn	2
57	076050-80	Elbow Comp 1/4T x 1/8P	2
58	2536500	Valve Extension	2
59	2270400	1/4 Turn Pilot Bracket	2
60	2585900	Pilot Knob	2
61	G6809	Valve Pilot	

* NOT ILLUSTRATED

RECOMMENDED STOCK PARTS

NOTES



GARLAND PARTS IDENTIFICATION

Master Series

Spreaders

Models: M6 / 9 / 17 / 34SP

ITEM	PART #	DESCRIPTION	QUANTITY			
			MODEL			
			M6SP	M9SP	M17SP	M34SP
1	G01867-6-9	Main Back Veneer	1			
	G01867-9-9	Main Back Veneer		1		
	2601400	Main Back Veneer			1	
	2601403	Main Back Veneer Rear Gas			1	
	G01867-34-9	Main Back Veneer				1
2	G01491-6-6	Veneer Support Angle	1			
	G01491-9-6	Veneer Support Angle		1		
	G01491-17-6	Veneer Support Angle			1	
	G01491-34-6	Veneer Support Angle				1
3	2433104	Back Top	1			
	2433102	Back Top 9"		1		
	2433100	Back Top 17"			1	
	2433103	Back Top 34"				1
4	2546404	Burner Box Back	1			
	2546413	Burner Box Back Rear Gas	1			
	2546403	Burner Box Back 9"		1		
	2546408	Burner Box Back 9" Rear Gas		1		
	2546401	Burner Box Back 17"			1	
	2546407	Burner Box Back 17" Rear Gas			1	
	2546400	Burner Box Back 34"				1
4A	G01780-6-9	Burner Box Back Veneer 6"	1			
	G01780-9-9	Burner Box Back Veneer 9"		1		
	G01780-17-9	Burner Box Back Veneer 17"			1	
	G01780-34-9	Burner Box Back Veneer 34"				1
5	1768398	Shelf Mtg Brkt LT	1	1	1	1
	1768399	Shelf Mtg Brkt RT	1	1	1	1
6	2433004	Spreader Plate Baffle	3			
	2433003	Spreader Plate Baffle 9"		3		
	2433001	Spreader Plate Baffle 17"			3	
	2433000	Spreader Plate Baffle 34"				3
7	1132804	Burner Box Side RT CRS	1	1	1	1
	1132803	Burner Box Side LT CRS	1	1	1	1
	1132801	Burner Box Side RT S/S	1	1	1	1
	1132800	Burner Box Side LT S/S	1	1	1	1
8	2542803	Spreader Plate M6SP	1			
	2542802	Spreader Plate M9SP		1		
	2542801	Spreader Plate M17SP			1	
	2542800	Spreader Plate M34SP				1
9	2570898	Front Rail Assy M6SP	1			
	2570899	Front Rail Assy M9SP		1		
	2426899	Front Rail Assy 17"			1	
	2190699	Front Rail Assy 34"				1
10	2539900	Nipple 2" NPT (Rear Gas)	1	1	1	1

* NOT ILLUSTRATED

RECOMMENDED STOCK PARTS

GARLAND PARTS IDENTIFICATION

Master Series

Spreaders

Models: M6 / 9 / 17 / 34SP

ITEM	PART #	DESCRIPTION	QUANTITY			
			MODEL			
			M6SP	M9SP	M17SP	M34SP
11	2543199	Manifold M6SP	1			
	2543198	Manifold M6SP Rear Gas	1			
	2530599	Manifold Assembly		1		
	2542698	Manifold Assy Rear Gas		1		
	2530699	Manifold Assy 17"			1	
	2542698	Manifold Assy Rear Gas			1	
	2530799	Manifold Assy 34"				1
11A	2542699	Manifold Assy Rear Gas				1
	2544100	Manifold Brkt Extension R/H	1	1	1	1
	2544101	Manifold Brkt Extension R/H	1	1	1	1
12	G7075	1-1/4" NPT Union	1	1	1	1
13	2207900	End Enclosure Supt Brk	2	2	2	2
14	2208000	End Enclosure RT	1	1	1	1
	2208001	End Enclosure LT	1	1	1	1
15	2561903	Valve Panel 6"	1			
	2561902	Valve Panel 9"		1		
	2561901	Valve Panel 17"			1	
	2561900	Valve Panel 34"				1
16	G1919-06-9	Front Enclosure Assy 6"	1			
	G1919-09-9	Front Enclosure Assy 9"		1		
	G1919-017-9	Front Enclosure Assy 17"			1	
	G1919-034-09	Front Enclosure Assy 34"				1
17	1790601	LP BG Flue Cap 34"				1
	1790602	LP BG Flue Cap 17"			1	
18	1816401	LP BG Back 17" AZ			1	
	1816402	LP BG Back 17" S/S			1	
	1816407	LP BG Back 34" AZ				1
	1816408	LP BG Back 34" S/S				1
19	1817301	LP Front Panel 17"			1	
	1817304	LP Front Panel 34"				1
20	1768599	LP BG Upright Assy S/W			2	2

* NOT ILLUSTRATED

RECOMMENDED STOCK PARTS

GARLAND PARTS IDENTIFICATION

Master Series

Spreaders

Models: M6 / 9 / 17 / 34FE

ITEM	PART #	DESCRIPTION	QUANTITY			
			MODEL			
			M6FE	M9FE	M17FE	M34FE
1	G01867-6-9	Main Back Veneer	1			
	G01867-9-9	Main Back Veneer		1		
	2601400	Main Back Veneer			1	
	2601403	Main Back Veneer Rear Gas			1	
	G01867-34-9	Main Back Veneer				1
2	G01491-6-6	Veneer Support Angle	1			
	G01491-9-6	Veneer Support Angle		1		
	G01491-17-6	Veneer Support Angle			1	
	G01491-34-6	Veneer Support Angle				1
3	2433104	Back Top	1			
	2433102	Back Top 9"		1		
	2433100	Back Top 17"			1	
	2433103	Back Top 34"				1
4	2546404	Burner Box Back	1			
	2546413	Burner Box Back Rear Gas	1			
	2546403	Burner Box Back 9"		1		
	2546408	Burner Box Back 9" Rear Gas		1		
	2546401	Burner Box Back 17"			1	
	2546407	Burner Box Back 17" Rear Gas			1	
	2546400	Burner Box Back 34"				1
4A	2546406	Burner Box Back 34" Rear Gas				1
	G01780-6-9	Burner Box Back Veneer 6"	1			
	G01780-9-9	Burner Box Back Veneer 9"		1		
	G01780-17-9	Burner Box Back Veneer 17"			1	
5	G01780-34-9	Burner Box Back Veneer 34"				1
	1768398	Shelf Mtg Brkt LT	1	1	1	1
6	1768399	Shelf Mtg Brkt RT	1	1	1	1
	2433004	Spreader Plate Baffle	3			
	2433003	Spreader Plate Baffle 9"		3		
	2433001	Spreader Plate Baffle 17"			3	
7	2433000	Spreader Plate Baffle 34"				3
	1132804	Burner Box Side RT CRS	1	1	1	1
	1132803	Burner Box Side LT CRS	1	1	1	1
	1132801	Burner Box Side RT S/S	1	1	1	1
8	1132800	Burner Box Side LT S/S	1	1	1	1
	2542803	Spreader Plate M6SP	1			
	2542802	Spreader Plate M9SP		1		
	2542801	Spreader Plate M17SP			1	
9	2542800	Spreader Plate M34SP				1
	2570898	Front Rail Assy M6SP	1			
	2570899	Front Rail Assy M9SP		1		
	2426899	Front Rail Assy 17"			1	
10	2190699	Front Rail Assy 34"				1
	2539900	Nipple 2" NPT (Rear Gas)	1	1	1	1

* NOT ILLUSTRATED

RECOMMENDED STOCK PARTS

GARLAND PARTS IDENTIFICATION

Master Series

Spreaders

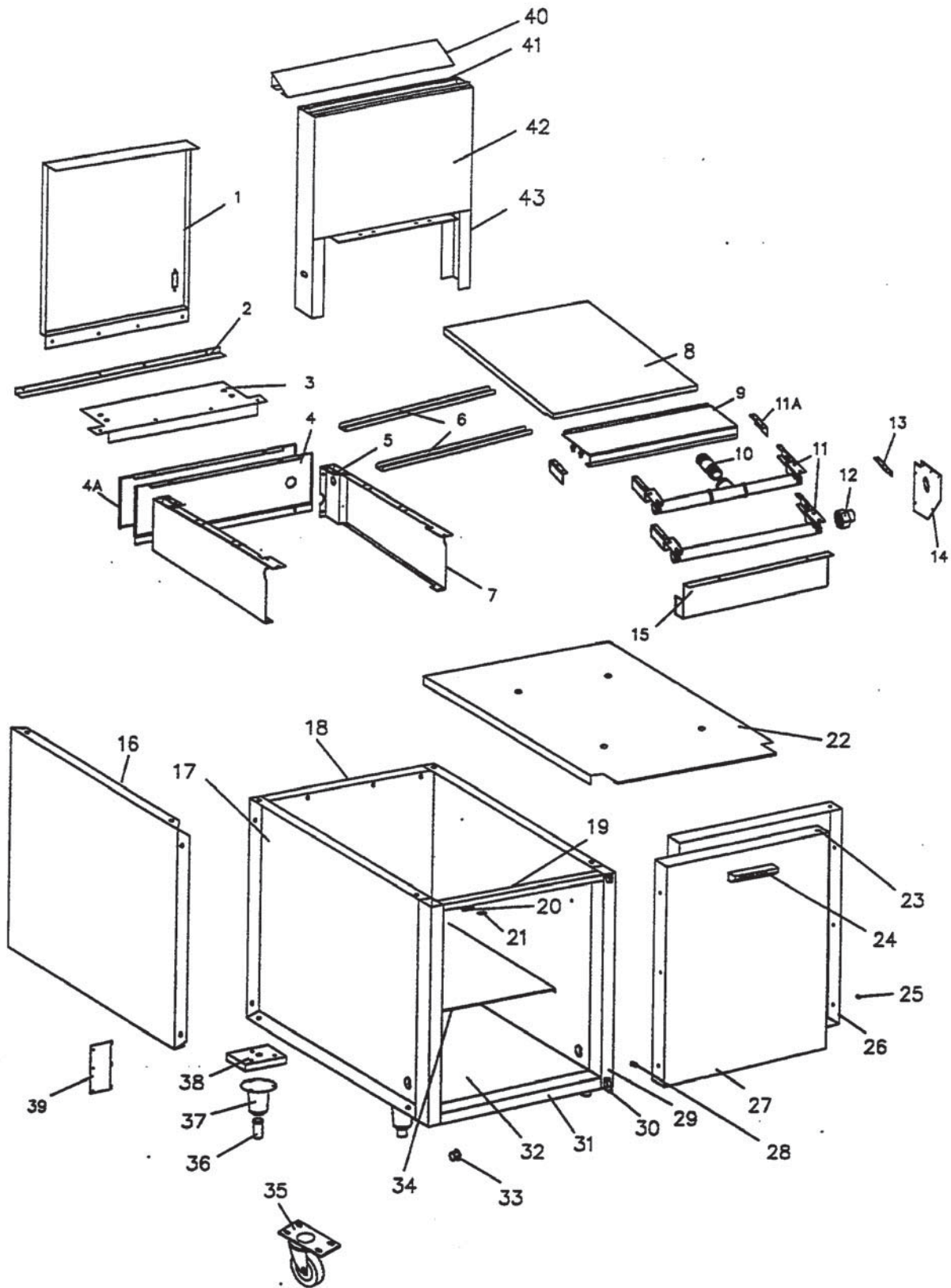
Models: M6 / 9 / 17 / 34FE

ITEM	PART #	DESCRIPTION	QUANTITY			
			MODEL			
			M6FE	M9FE	M17FE	M34FE
11	2543199	Manifold M6SP	1			
	2543198	Manifold M6SP Rear Gas	1			
	2530599	Manifold Assembly		1		
	2542698	Manifold Assy Rear Gas		1		
	2530699	Manifold Assy 17"			1	
	2542698	Manifold Assy Rear Gas			1	
	2530799	Manifold Assy 34"				1
11A	2542699	Manifold Assy Rear Gas				1
	2544100	Manifold Brkt Extension R/H	1	1	1	1
	2544101	Manifold Brkt Extension R/H	1	1	1	1
12	G7075	1-1/4" NPT Union	1	1	1	1
13	2207900	End Enclosure Supt Brk	2	2	2	2
14	2208000	End Enclosure RT	1	1	1	1
	2208001	End Enclosure LT	1	1	1	1
15	2561903	Valve Panel 6"	1			
	2561902	Valve Panel 9"		1		
	2561901	Valve Panel 17"			1	
	2561900	Valve Panel 34"				1
16	G1919-06-9	Front Enclosure Assy 6"	2			
	G1919-09-9	Front Enclosure Assy 9"		2		
	G1919-017-9	Front Enclosure Assy 17"			2	
	G1919-03409	Front Enclosure Assy 34"				2
17	1790601	LP BG Flue Cap 34"				1
	1790602	LP BG Flue Cap 17"			1	
18	1816401	LP BG Back 17" AZ			1	
	1816402	LP BG Back 17" S/S			1	
	1816407	LP BG Back 34" AZ				1
	1816408	LP BG Back 34" S/S				1
19	1817301	LP Front Panel 17"			1	
	1817304	LP Front Panel 34"				1
20	1768599	LP BG Upright Assy S/W			2	2

* NOT ILLUSTRATED

RECOMMENDED STOCK PARTS

NOTES



GARLAND PARTS IDENTIFICATION

Master Series

Storage Cabinets

Models: M12ES, M17ES

ITEM	PART #	DESCRIPTION	QUANTITY	
			MODEL	
			M12ES	M17ES
1	2550300	Main Back Veneer M12	1	
	2601402	Main Back Veneer		1
2	G01491-17-6	Veneer Back Support Angle	1	
3	2433101	Back Top 12"	1	
	2433100	Back Top 17"		1
4	1788501	Burner Box Back M12	1	
	1788504	Burner Box Back 12" Rear Gas	1	
	2546701	Burner Box Back 17"		1
	2546703	Burner Box Back Rear Gas		1
5	1768398	Shelf Mtg Brkt RT	1	1
	1768399	Shelf Mtg Brkt LT	1	1
6	2433002	Spreader Plate Baffle 12"	3	
	2433001	Spreader Plate Baffle 17"		3
7	1132804	Burner Box Side RT CRS	1	1
	1132806	Burner Box Side LT CRS	1	1
	1132805	Burner Box Side RT S/S	1	1
	1132807	Burner Box Side LT S/S	1	1
8	2542804	Spreader Plate M12SP	1	
	2542801	Spreader Plate M17SP		1
9	2549699	Front Rail Assy M12	1	
	2426899	Front Rail Assy		1
10	2539900	Nipple 2" NPT	1	
11	2551299	Manifold Assy M12SP	1	
	2542696	Manifold Assy M12 Rear Gas	1	
	2530699	Manifold Assy 17"		1
	2530698	Manifold Assy Rear Gas 17"		1
11A	2544100	Manifold Extension Brkt RH	1	1
	2544101	Manifold Extension Brkt LH	1	1
12	G7075	1-1/4 NPT Union	1	1
13	2207900	End Enclosure Support Brkt	2	2
14	2208000	End Enclosure RT	1	1
	2208001	End Enclosure LT	1	1
15	2561904	Valve Panel 12"	1	
	2561901	Valve Panel 17"		1
16	G6196-1-8	Body Side	2	2
	G6196-1-9	Body Side S/S	2	2
17	2514400	Inner Side RH	1	1
	2514401	Inner Side LH	1	1
18	2549300	Main Back 12"	1	
	2524800	Main Back		1
19	2514696	Front Frame Assy	1	
	2514697	Front Frame Assy 17"		1
20	2529900	Magnet Support Bracket	1	1
21	078174-1	Magnetic Door Catch	1	1
22	2549200	Burner Box Bottom	1	
	2515200	Burner Box Bottom		1
23	G02973-2	Plastic Hole Plug 1/2"	2	2

* NOT ILLUSTRATED

RECOMMENDED STOCK PARTS

GARLAND PARTS IDENTIFICATION

Master Series

Storage Cabinets

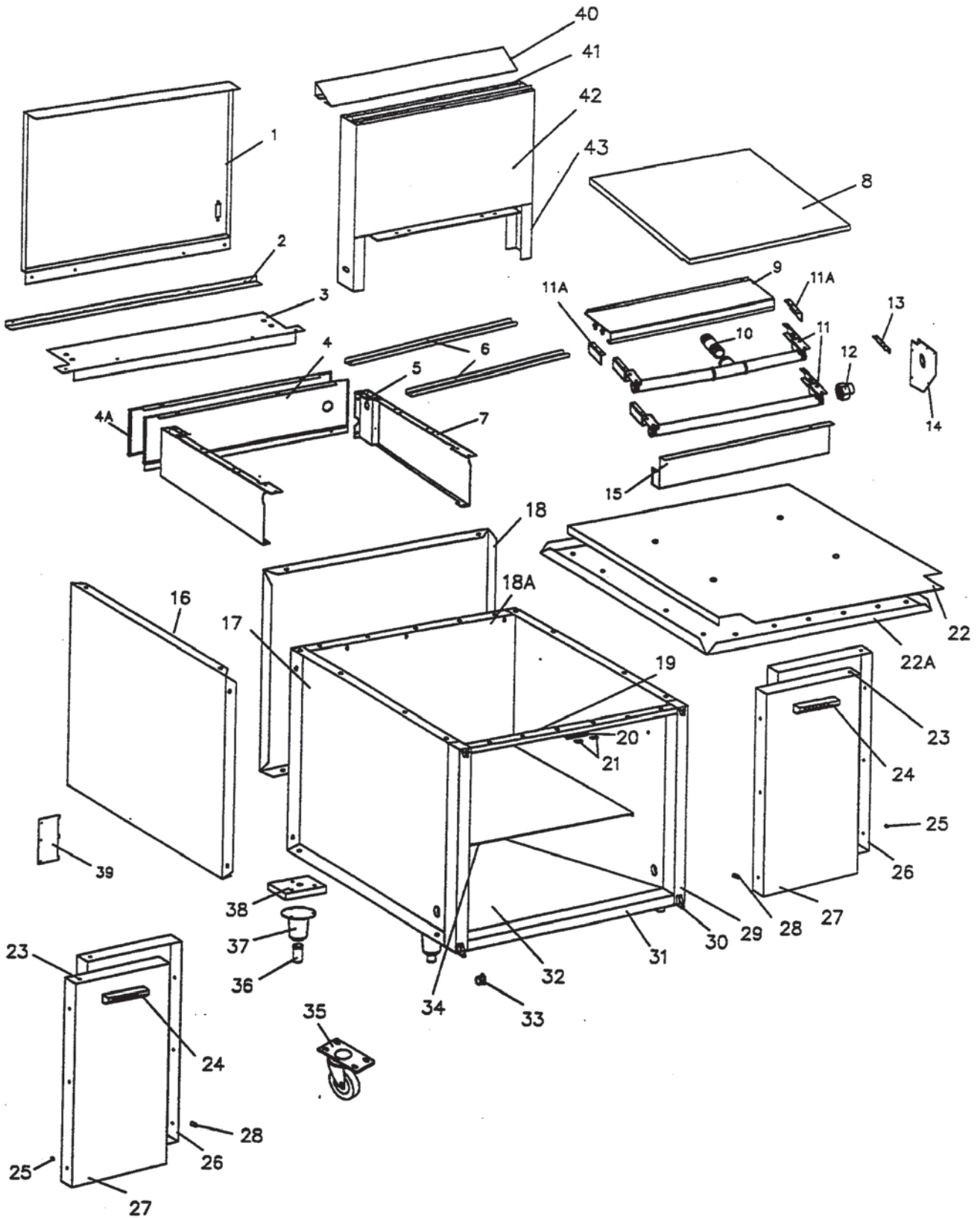
Models: M12ES, M17ES

ITEM	PART #	DESCRIPTION	QUANTITY	
			MODEL	
			M12ES	M17ES
24	2192900	Storage Door Handle	1	1
25	2530900	3/8" Hole Plug	2	3
26	2549000	Door Liner	1	
	2193900	Door Lining		1
27	2548900	Door Panel	1	
	2193500	Door Panel		1
28	2327100	Door Stop Bumper	1	1
29	2530102	Corner Column LT	1	1
	2530103	Corner Column RT	1	1
30	2194598	Door Hinge Assy LH	1	1
	2194599	Door Hinge Assy LH	1	1
33	2530902	1.250 Hole Plug		2
34	2565700	Cabinet Shelf AZ		1
	2565701	Cabinet Shelf S/S		1
35	2063700	Swivel Caster Less Brake	2	2
	2063701	Swivel Caster With Brake	2	2
36	1150502	Bullet Legs	4	4
37	1027600	Leg Retainer Plated 6"	4	4
38	2167700	Base Corner	4	4
39	2143601	Wiring Access Cover	1	
40	1790602	LB BG Flue Cap 17"		1
41	1816401	LB BG Back 17"		1
	1816402	LB BG Back 17" S/S		1
42	1817301	LP Front Panel 17"		1
43	1768599	LP BG Upright Assy S/W		2

* NOT ILLUSTRATED

RECOMMENDED STOCK PARTS

NOTES



GARLAND PARTS IDENTIFICATION

Master Series

Spreader With Cabinet Doors

Model: M34ES

ITEM	PART #	DESCRIPTION	QUANTITY
			MODEL
1	G01867-34-9	Main Back Veneer	1
2	G01491-34-6	Veneer Back Support Angle	1
3	2433103	Backtop 34"	1
4	1806101	Burner Box Back	1
	1806104	Burner Box Back Rear Gas	1
4A	G01870-34-9	Burner Box Back Veneer	1
5	1768398	Shelf Mounting Brkt RT	1
	1768399	Shelf Mounting Brkt LT	1
6	2433000	Spreader Plate Baffle 34"	3
7	1132804	Burner Box Side RT CRS	1
	1132805	Burner Box Side RT S/S	1
	1132806	Burner Box Side LT CRS	1
	1132807	Burner Box Side LT S/S	1
8	2542800	Spreader Plate 34"	1
9	2190699	Front Rail Assy	1
10	2539900	Nipple 2" NPT x 4"	1
11	2530799	Manifold Assy	1
	2542599	Manifold Assy Rear Gas	1
11A	2544100	Manifold Extension Brkt RT	1
	2544101	Manifold Extension Brkt LT	1
12	G7075	1-1/4" NPT Union	1
13	2207900	End Enclosure Brkt	2
14	2208000	End Enclosure RT	1
	2208001	End Enclosure LT	1
15	2561900	Valve Panel 34"	1
16	G6196-1-8	Body Side Black	2
	G6196-1-9	Body Side S/S	2
17	2513900	Cabinet Inner Side Lining RT	1
	2513901	Cabinet Inner Side Lining LT	
18	G6051-1-7	Main Back	1
18A	2514200	Storage Back Lining	1
19	2512898	Front Frame Assy	1
20	2544200	Magnetic Support Brkt Double	1
21	078174-1	Magnetic Door Catch	2
22	2512600	Burner Box Bottom	1
22A	2514100	Storage Top Lining	1
23	G02973-2	Plastic Hole Plug 1/2"	2
24	2192900	Storage Door Handle	2
25	2530900	3/8" Plastic Hole Plug	6
26	2193900	Door Lining Cabinet	2
27	2193500	Door Panel	2
28	2327100	Door Stop Bumper	2
29	2530002	Corner Column LT	1
	2530003	Corner Column RT	1
30	2194598	Door Hinge Assy LH	2
	2194599	Door Hinge Assy RH	2
31	2546502	Lower Front Channel Molding	1
32	G01031-1-7	Main Bottom	1

* NOT ILLUSTRATED

RECOMMENDED STOCK PARTS

GARLAND PARTS IDENTIFICATION

Master Series

Spreader With Cabinet Doors

Model: M34ES

ITEM	PART #	DESCRIPTION	QUANTITY
			MODEL
33	2530902	1-1/4" Hole Plug	2
34	2523000	Cabinet Shelf AZ	1
	2523001	Cabinet Shelf S/S	1
35	1027800	Caster Less Brake	2
	1027801	Caster C/W Brake	2
36	1150502	Bullet Legs	4
37	1027600	Leg Retainer Plated	4
38	2167700	Base Corner	4
39	2143601	Wire Access Cover	1
40	1790601	LP BG Flue Cap	1
41	1816407	LP BG Back 34" AZ	1
	1816408	LP BG Back 34" S/S	1
42	1817304	LP Front Panel 34"	1
43	1768599	LP BG Upright	2

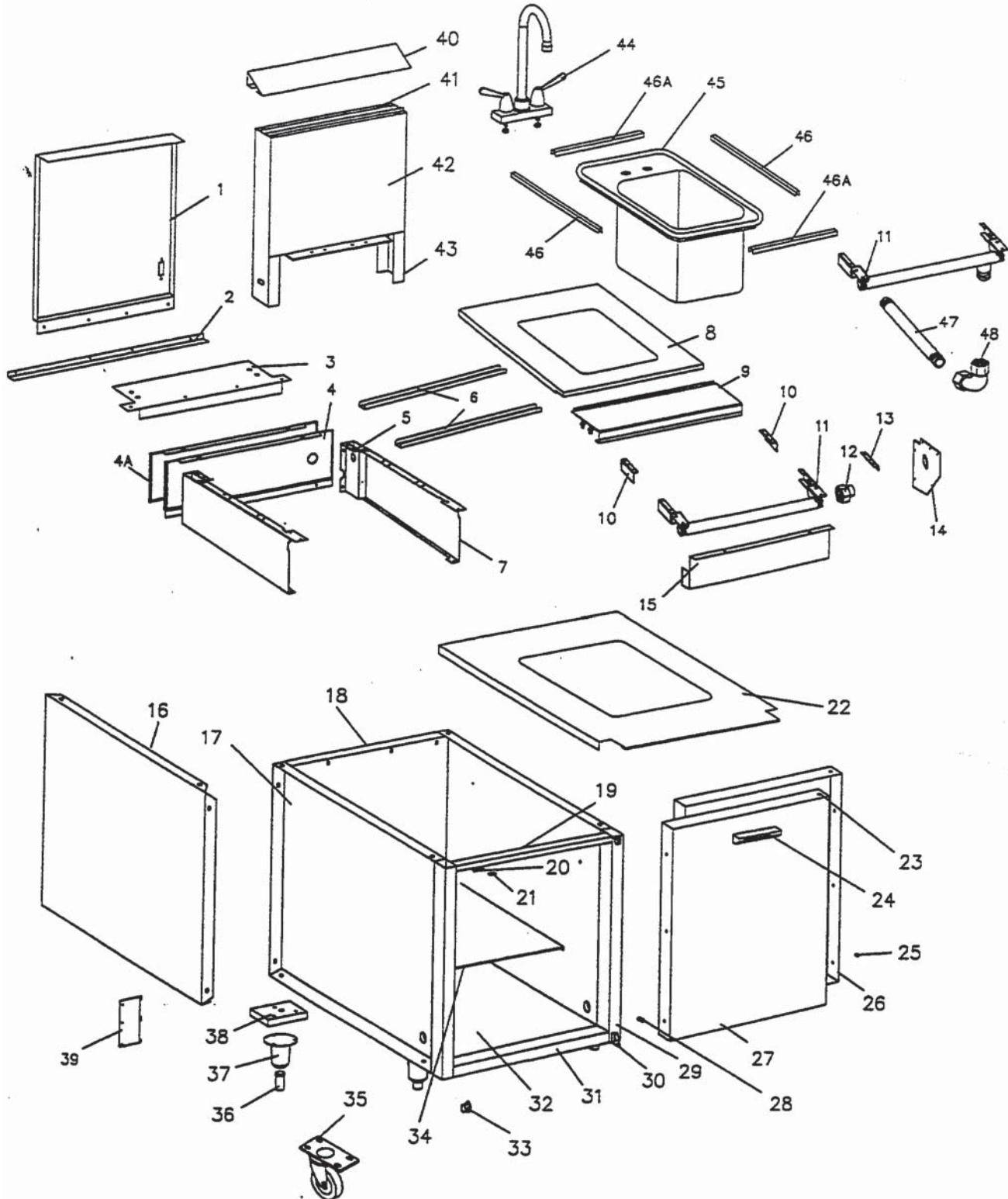
* NOT ILLUSTRATED

RECOMMENDED STOCK PARTS

NOTES



MASTER SERIES
HEAVY DUTY SPREADER CABINET
WITH SINK
MODEL: M17ES-SINK



GARLAND PARTS IDENTIFICATION
Master Series
Heavy Duty Spreader Cabinet With Sink
Model: M17ES-SINK

ITEM	PART #	DESCRIPTION	QUANTITY
			MODEL
1	26021400	Main Back Veneer	1
	26021401	Main Back Veneer (Rear Gas)	1
2	G01491-17-6	Veneer Back Support Angle	1
3	2433100	Back Top 17"	1
4	2546701	Burner Box Back 17"	1
	2546704	Burner Box Back Rear Gas (6)	2
5	1768398	Shelf Mtg Brkt RT	1
	1768399	Shelf Mtg Brkt RT	1
6	2433001	Spreader Plate Baffle 17"	1
7	1132804	Burner Box Side RT CRS	1
	1132806	Burner Box Side LT CRS	1
	1132805	Burner Box Side RT S/S	1
	1132807	Burner Box Side LT S/S	1
8	2578900	Spreader Plate M17ES Sink	1
9	2426899	Front Rail Assy	1
10	2544100	Manifold Brkt Extension RH	1
	2544101	Manifold Brkt Extension LH	1
11	2530697	Manifold Assy M17ES Sink	1
	2530698	Manifold Assy MFMA 40-RR Gas	1
12	G7075	1-1/4 NPT Union	1
13	2207900	End Enclosure Support Brkt	2
14	2208000	End Enclosure RT	1
	2208001	End Enclosure LT	
15	2561901	Valve Panel 17"	1
16	G6196-1-8	Body Side	2
	G6196-1-9	Body Side S/S	2
17	2514400	Inner Side RH	1
	2514401	Inner Side LH	1
19	2514697	Front Frame Assy 17"	1
20	2529900	Magnet Support Bracket	1
21	078174-1	Magnetic Door Catch	1
22	1059502	Burner Box Bottom	1
23	G02973-2	Plastic Hole Plug 1/2"	2
24	2192900	Storage Door Handle	1
25	2530900	3/8" Hole Plug	3
26	2193900	Door Lining	1
27	2193500	Door Panel	1
28	2327100	Door Stop Bumper	1
29	2530102	Corner Column LT	1
	2530103	Corner Column RT	1
30	2194598	Door Hinge Assy LH	1
	2194599	Door Hinge Assy RH	1
31	2546500	Lower Front Channel Molding	1
32	2515300	Main Bottom	1
33	2530902	1.250 Hole Plug	2
34	2565700	Cabinet Shelf AZ	1
	2565701	Cabinet Shelf S/S	1
35	2064700	Swivel Caster Less Brake	2
	2064701	Swivel Caster With Brake	2

* NOT ILLUSTRATED

RECOMMENDED STOCK PARTS

GARLAND PARTS IDENTIFICATION
Master Series
Heavy Duty Spreader Cabinet With Sink
Model: M17ES-SINK

ITEM	PART #	DESCRIPTION	QUANTITY
			MODEL
36	1150502	Bullet Legs	4
37	1027600	Leg Retainer Plated 6"	4
38	2167700	Base Corner	4
39	2143601	Wiring Access Cover	
40	1790602	LP BG Flue Cap 17"	1
41	1816401	LP BG Back 17"	1
	1816402	LP BG Back 17" S/S	1
42	1817301	LP Front Panel 17"	1
43	1768599	LP BG Upright Assy S/W	2
44	2578800	Faucet-Bar Sink	1
45	1818501	Sink 12-5/8 x 19	1
46	2579001	Bracket, Shink Hold Down Sides	2
46A	2579000	Bracket, Shink Hold Down Frt/Rr	2
47	076029-198	Nipple 1-1/4" NPT x 33" Long	1
48	2536300	1-1/4" 90 Degree Elbow	1

* NOT ILLUSTRATED

RECOMMENDED STOCK PARTS

GARLAND PARTS IDENTIFICATION

Revision History

REV. #	PAGE #	ITEM #	NOTE	DATE
1			Entire Book Reformatted	Jun 01/04
2	42, 45	35	New FF Valve 4601575. Was 2187099.	Jun 30/16
	14, 18, 21, 24	48	New FF Valve 4601578. Was 2200199.	
	5, 9	8	New FF Valve 4601583. Was 2513399.	
	14, 18	48	New FF Valve CK4601581. Was 2200195.	



1-844-724-CARE • www.mtwkitchencare.com