

Master “MST” Series Ranges & Other Equipment

Parts List

MST Series Gas Models

Ranges and Range Attachments

Fryers

Broilers, Salamanders

Spreaders and Cabinets

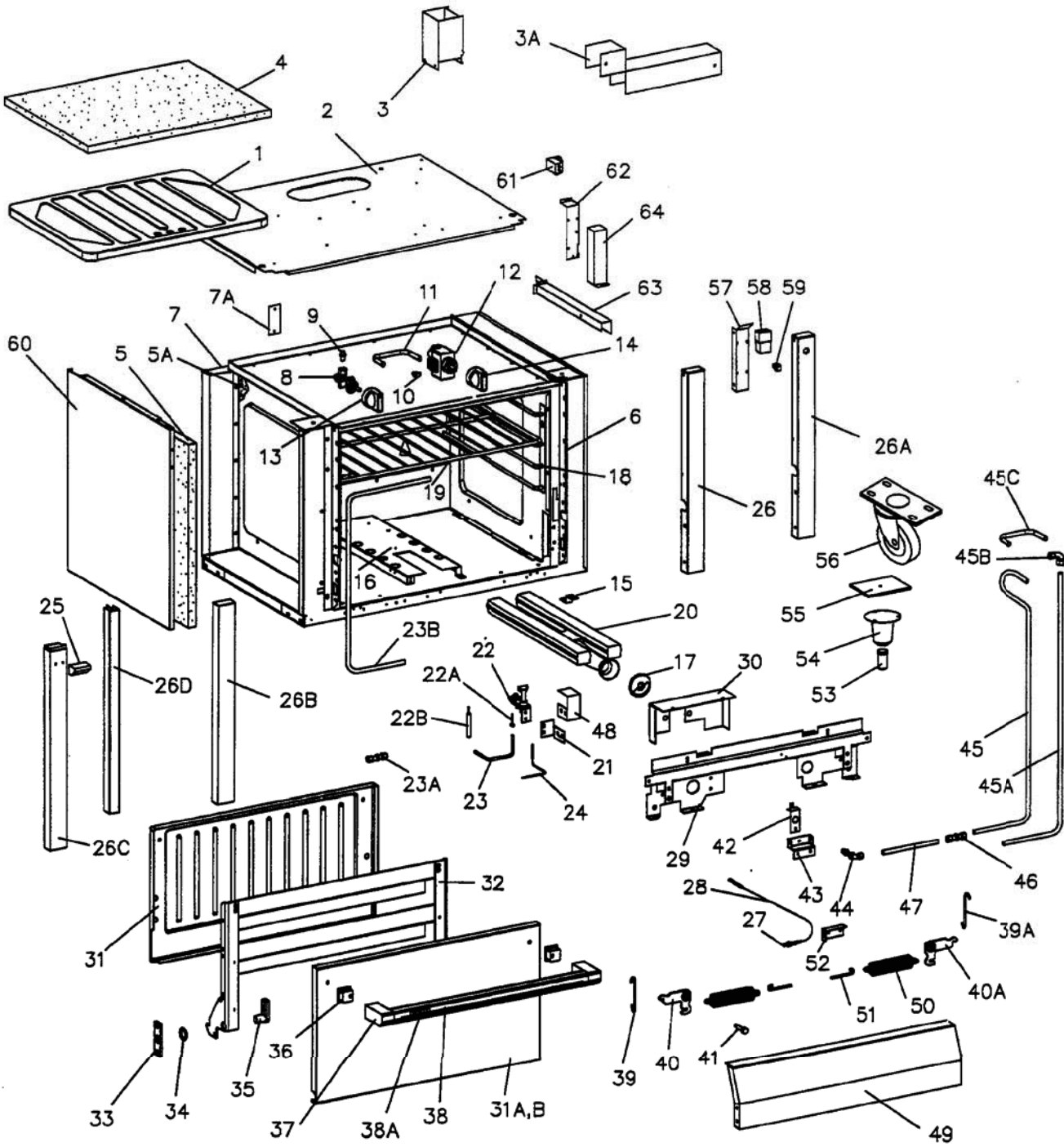


GARLAND®

Master Series MST Models

Contents

RANGES & ATTACHMENTS	4
Standard Oven Section (R, RE).....	4
Convection Oven Section (RC, RCE)	8
MST42/ MST42-6: Two Open Burners with 17"W Griddle/ Flat Hot Top.....	12
MST43: 6 Open Burners	26
MST44 / MST4: Four 35K Open Burners / Two 35K Open Burners	32
MST45: Two 45K Front-Fired Hot Top or French Top	40
MST5: One 45K Front-Fired Hot Top or French Top	40
MST46: Two 17" Hot Top Sections	50
MST6: One 17" Hot Top Section	50
MST47 / MST47-51 / MST47-68: One Griddle Top	58
MST7: 17" Griddle Top	58
MST54: Two Open Burners + One Front-Fired Hot Top or French Top	78
MST17B (E) / MST24B (E) / MST34B (E) Char-Broilers.....	86
FRYERS	92
MST35SS.....	92
MST70SS.....	96
Broilers / Infra-Red Salamanders	100
MSTSRC / MSTSR16 Infra-Red Salamander.....	100
MSTSRM / MSTSR16M Infra-Red Salamander (FROM 2014-05)	104
MSTSR16-280 Infra-Red Salamander	108
MSTSR16-288 Infra-Red Salamander	112
SPREADERS & CABINETS	116
M6 / M9 / M17 / M34 (SP, FE) Spreaders	116
M12ES / M17ES Storage Cabinets	122
M34ES Spreader with Cabinet Doors.....	126
M17ES-SINK Spreader Cabinet with Sink	130
Revision History	133



GARLAND PARTS IDENTIFICATION

Standard Oven Section "M" & "MST" Series, models: M__R, MST__R/RE

Item	Current Part#	Old Part#	Description	Quantity	
				M__R	MST__R MST__RE
1	1438485		Oven Bottom Assembly	1	1
2		2512600	Burner Box Bottom - Aluminized (Obsolete on Master Series Models)	1	1
	2512601		Burner Box Bottom S/S	1	1
3	4527837	2558799	Flue Riser Assembly	1	1
4	1472305	1473205	Insulation 32 x 28 x 2	1	1
5	1472217	GM2	Insulation 30.5 x 22.5 x 1.0	4	4
5A	1472315		Insulation 28 x 21 x 2	1	2
6	2512899		Front Frame Assembly	1	1
7	G6051-1-7	G6051-1-17	Main Back	1	1
	2537700		Main Back - Electronic Ignition (RE)	-	1
7A	2537600		Wire Access Cover - Electronic Ignition (RE)	-	1
8	4601583	2513399	Oven Flame Failure Valve Assembly (First unit built with new oven valve, serial#=1604100100644, model=MST44RE-0649, date=April 19/2016)	1	1
9	2198100		Valve Connector Fitting - 12mm	1	1
10	1086597		Gum Valve 3/16" Pilot	1	1
11	CK2426100	2426100	Kit, Tube - Oven Valve to FD Control - 7/16" (For models: M43 except M43-3R/RC, MS43, MST43) (Kit includes oven valve tube, ball sleeve and compression nut.)	1	1
	CK2229900	2229900	Kit, Tube - Oven Valve to FD Control -7/16" (For models: M45, M54, MS42RC, MS54, MST42RC, MST44RC, MST54) (Kit includes oven valve tube, ball sleeve and compression nut.)	1	1
	CK2229600	2229600	Kit, Tube - Oven to FD Control -7/16" (For models: M43-3R/RC, M46, M47, MST46, MST47) (Kit includes oven valve tube, ball sleeve and compression nut.)	1	1
	2555901		Tube - Oven Valve to FD Control 7/16" (For models: M54R/RC Hot Top LT)	1	-
	2538800		Tube - Oven Valve to FD Control 7/16" (For models: M48)	1	-
12	G03145-048		FD Control Assembly	1	1
13	4512150	2522101	Knob Kit (Oven Valve)	2	2
14	4512141	2522107	Knob Kit - Oven T Stat °F	1	1
	4512142	2522103	Knob Kit - Oven T Stat °C	1	1
15	2512200		Oven Burner Hold Down Bracket	1	1
16	2519300	2519400	Oven Burner Rest Support	1	1
17	CK2512100	2512100	Air Shutter Kit	1	1
18	2424900		Oven Rack Slide Assembly LT & RT	2	2
19	2424800		Oven Rack 25.875 x 26.75	1	1
20	4525461	1014900	H Burner Oven, Includes Shutter	1	1
21	2498400		Oven Pilot Bracket	1	1
22A	2200700	2200701	Pilot R/H (Pilot Assembly)	1	1
	2200702		Pilot Orifice #32 - Natural Gas	1	1
	2200703		Pilot Orifice #23 - Propane Gas	1	1
	2200709		Pilot Orifice #40 - Manufactured Gas	1	1
22B	2200708		Electrode #0.915.025	1	1
23	CK2229800	2229800	Pilot Tube - Oven Pilot to Comp. Union	1	1
23A	076050-89		Compression Union 3/16"	1	1

* NOT ILLUSTRATED

RECOMMENDED STOCK PARTS

GARLAND PARTS IDENTIFICATION

Standard Oven Section "M" & "MST" Series, models: M__R, MST__R/RE

Item	Current Part#	Old Part#	Description	Quantity	
				M__R	MST__R MST__RE
23B	CK2426200	2426200	Tube - Oven Valve to Comp. Union 3/16" (M, MST, 46/47)	1	1
	CK2426201	2426201	Tube - Oven Valve to Comp. Union 3/16" (M, MS, MST 43)	1	1
	CK2426202	2426202	Tube - Oven Valve To Comp. Union 3/16" (M, MS, MST, 42, 44, 45, 54)	1	1
24	2200601		Thermocouple - 60"	1	1
24A*	G02905-01-8E		Oven Thermostat Capillary Tube Guard	1	-
25	3041000	2193000	Grease Tray Handle (Range with Griddle Top Section)	1	1
26	2230502		Corner Column RT - M__R, MS__R, MST__R	1	-
	2230504		Corner Column RT - MST__R (UP TO July 2009)	-	1
26A	2230501		Corner Column RT - MST__RE, MS__RE	-	1
26B	2201000		Corner Column LT	1	1
26C	4527288	2201499	Grease Container Assembly (New part# used FROM serial# 0908100101130)	1	1
26D	2201100		Corner Column LT (M/MS/MST 42, 47, 48)	1	1
27	1309201		Piezo Igniter #1244-41	1	1
28	CK2200205	2200205	Kit, High Tension Wire Lead - 24" (Oven)	1	1
29	3051900	1082001	Lower Front Plate	1	1
30	2512400		Oven Front Air Shield	1	1
31	1439796	1439703	Oven Door Liner	1	1
31A	1080714	2580100	Oven Door Panel	1	1
31B		1439901	Oven Door Panel (No Longer Available. Alternate 1080714)	1	1
32	G03984-06-8	G03984-03-8	Oven Door Insert Assembly (Complete door, item# 99)	1	1
33	1083001		Trunion Support	2	2
34	1082700		Harness Ring	2	2
35	1082500		Oven Door Trunion	2	2
36	3010000	2377300	Handle Spacer (Inserts)	2	2
37	CK30	2194900 / 2194901	Door Handle End Right/Left (UP TO May, 2004. See item# 100)	1	1
	3007300		Handle End Left/Right (FROM May, 2004. Handle Kit, see item# 100.)	2	2
38		2193100	Door Handle Bar (UP TO May, 2004. No Longer Available when stock is out)	1	1
	3017000-GAR		Oven Door Handle (Handle Kit, see item# 100.)	1	1
38A		1592007	Handle Overlay (No Longer Available)	1	1
39	1082803		Oven Door Hinge Link LT	1	1
39A	1082802		Oven Door Hinge Link RT	1	1
40	1082198		Bell Crank (Left)	1	1
40A	1082199		Bell Crank (Right)	1	1
41	F299	1082200	Bolt-1/4-20 x 1/2 Bell Crank	2	2
42	2512300		Oven Orifice Support Bracket	1	1
43	2301300		Door Spring Support	1	1
44	22701XX		Oven Orifice Fitting (Special) (Specify Gas/Destination)	1	1
	2270133F		Oven Orifice Fitting #33 - Natural Gas (USA, Canada)	1	
		2270134F		Oven Orifice Fitting #34 - Natural Gas (USA, Canada)	
	2270151		Oven Orifice Fitting - Pro Gas (N. America)	1	
		2270148F		Oven Orifice Fitting - Pro Gas (N. America)	
	22701-2600	22701- 2.6MM	Oven Orifice Fitting 2.6mm -G20 (Nat) & G25 (Nat) - Europe	1	1
2270153F	22701- 1.8MM	Oven Orifice Fitting - Propane - Europe	1	1	
45	CK2230000	2230000	Tube-FD Control to Comp. Union (M/MST 42/44/45/54. MS42/44/54)	1	1

* NOT ILLUSTRATED

RECOMMENDED STOCK PARTS

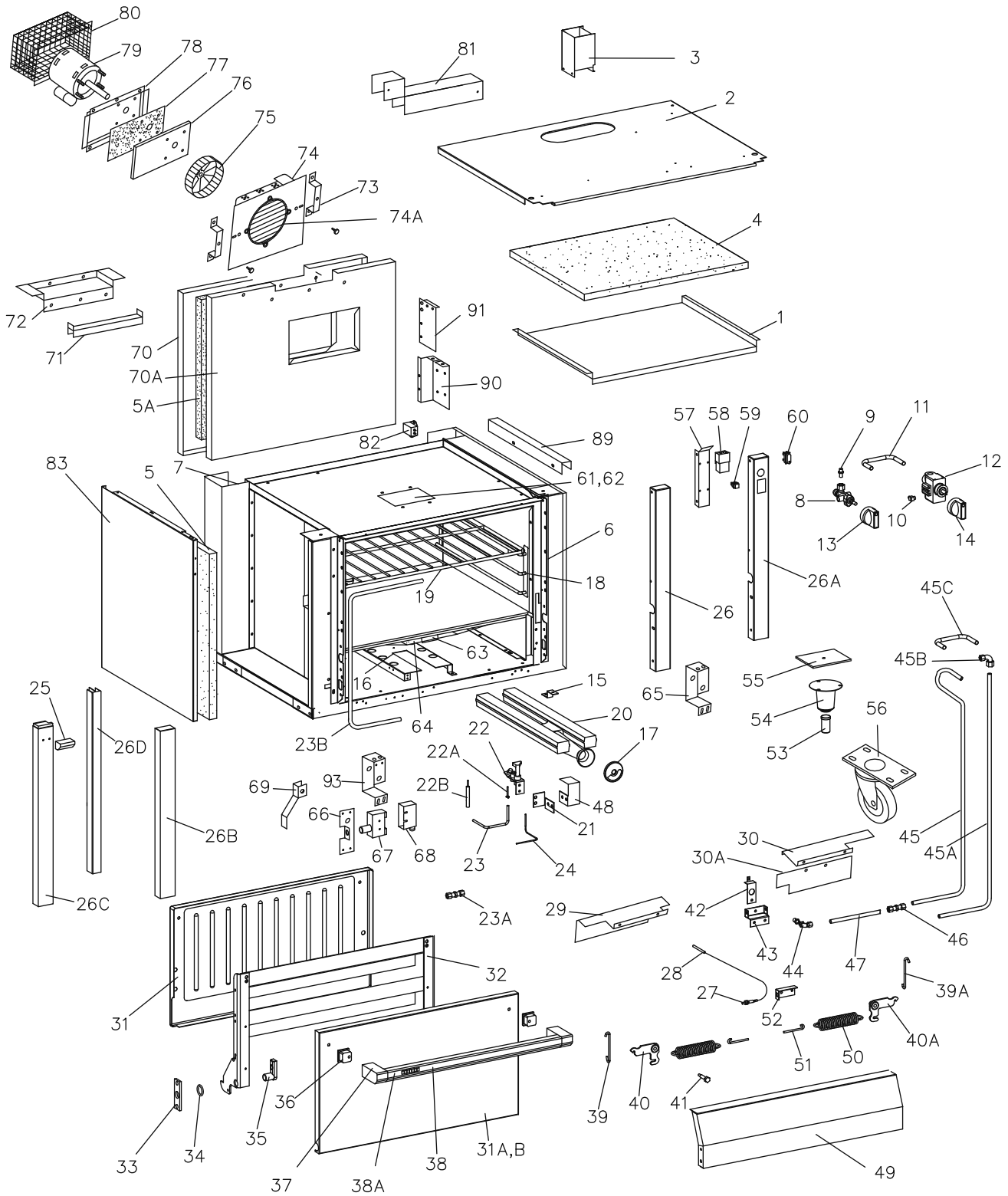
GARLAND PARTS IDENTIFICATION

Standard Oven Section "M" & "MST" Series, models: M __ R, MST __ R/RE

Item	Current Part#	Old Part#	Description	Quantity	
				M __ R	MST __ R MST __ RE
45A	CK2229200	2229200	Tube - Comp Union to 90 Deg Elbow 7/16" (M, MS, MST, 43, 46, 47, 48)	1	1
45B	1313800		Elbow - 7/16" 90° Compression (M, MS, MST 43, 46, 47, 48)	1	1
45C	CK2426000	2426000	Tube -FD Control to 90° Elbow 7/16" (M, MS, MST 43)	1	1
	CK2229400	2229400	Tube -FD Control to 90° Elbow 7/16" (M, MS, MST 46, 47, 48)	1	1
46	076050-88		Compression Union - 7/16"	1	1
47	CK2229500	2229500	Tube - Oven Orifice To Comp Union- 7/16"	1	1
48		2561100	Oven Pilot Shield	1	1
49	1789301		Lower Front Panel	1	1
49A*	1798401		Hinge Panel Bracket Right	1	1
	1789402		Hinge Panel Bracket Left	1	1
50	1005800		Spring	2	2
51	9004701		Oven Door Spring Hook	2	2
52	2521700		Piezo Mounting Bracket	1	1
53	1150502		Bullet Legs	4	4
54	CK2093800	2093800	Leg Retainer 4in Kit	4	4
	CK1027600		Leg Retainer 6in Kit (NSF), Standard	4	4
	4519723		6IN SS LEG ASSY (Option)	4	4
55	2167700		Base cover	4	4
56	4519839	1027800	Swivel Caster Less Brake	2	2
	4519840	1027801	Swivel Caster C/W Brake	2	2
57	2200900		Spark Module Mounting Bracket	-	1
58	4532529	2144000	240 V Spark Ignition Kit - 4 Outlet (Electronic Ignition Models - RE)	-	max 2
	4532528	2144002	120 V Spark Ignition Kit - 4 Outlet (Electronic Ignition Models - RE)	-	max 2
59	4530062	2200300	Push Button Switch and Sticker Kit (Electronic Ignition Models - RE)	-	1
60		G6196-1-8	Body Side (Painted). Painted version is no longer available.	2	2
		G6196-1-9	Body Side (S/S).	2	2
61	2533200		EMI Filter FN612-3.06 (Electronic Ignition Models - RE)	-	1
62	2542700		Filter Support Bracket (Electronic Ignition Models - RE)	-	1
63	2537800		Wire Way (Electronic Ignition Models - RE)	-	1
64	2537900		Terminal Block Enclosure (Electronic Ignition Models - RE)	-	1
65*		2561799	Electric Box Assembly Front	1	1
66*		2561800	Electric Box Cover Front	1	1
67*		050069	Sectional Terminal Block	4	4
		050070	Sectional Terminal End	2	2
99*	CK137A	CK137D	Complete Door Assembly (Round) USA/Canada	1	1
100*	CK30		Door Handle Kit (Full Size) Kit includes Door Handle Bar, Handle Ends and Inserts.	1	1

* NOT ILLUSTRATED

RECOMMENDED STOCK PARTS



GARLAND PARTS IDENTIFICATION

Convection Oven Section, "M" & "MST" Series, models: M_RC, MST_RC/RCE

Item	Current Part#	Old Part#	Description	Quantity	
				M_RC	MST_RC MST_RCE
1		1412699	Top Insulation Pan Assembly (UP TO 2004)	1	1
	3020199		Top Insulation Pan Assembly (From 2004)	1	1
2		2512600	Burner Box Bottom - Aluminized (Obsolete on Master Series Models)	1	1
	2512604	2512601	Burner Box Bottom - SS (RC)	1	1
3	4527837	2558799	Flue Riser Assembly	1	1
4	4527369	1309022	1/2" Insulation, RC Top	1	1
	4527370	1309025	1/2" Insulation, RC Front Top	1	1
5	4527368	1309021	1/2" Insulation, RC Side with Foil	2	2
5A		1472200	Rear Insulation - Fiberglass 22 1/2" x 27 1/2"	1	1
		1472202	Rear Insulation Lower Back - Fiberglass 22 1/2" x 27 1/2"	1	1
6	2512899		Front Frame Assembly	1	1
7	3013900	2397000	Main Back RC	1	1
8	4601583	2513399	Oven Flame Failure Valve Assembly (First unit built with new oven valve, serial#=1604100100644, model=MST44RE-0649, date=April 19/2016)	1	1
9	2198100		Valve Connector Fitting - 12 MM	1	1
10	1086597		Gum Valve - 3/16" Pilot	1	1
11	CK2426100	2426100	Kit, Tube - Oven Valve to FD Control - 7/16" (M43 except M43-3R/RC, MS43, MST43) (Kit includes oven valve tube, ball sleeve and compression nut.)	1	1
	CK2229900	2229900	Kit, Tube - Oven Valve to FD Control -7/16" (M45, M54, MS42RC, MS54, MST42RC, MST44RC, MST54) (Kit includes oven valve tube, ball sleeve and compression nut.)	1	1
	CK2229600	2229600	Kit, Tube - Oven to FD Control -7/16" (M43-3R/RC, M46, M47, MST46, MST47) (Kit includes oven valve tube, ball sleeve and compression nut.)	1	1
	2555901		Tube - Oven Valve to FD Control 7/16" (M54R/RC Hot Top LT)	1	-
	2538800		Tube - Oven Valve to FD Control 7/16" (M48)	1	-
12	G03145-048		FD Control Assembly	1	1
13	4512150	2522101	Knob Kit	2	2
14	4512141	2522107	Knob - Oven T' Stat °F	1	1
	4512142	2533103	Knob - Oven T' Stat °C	1	1
15	2512200		Oven Burner Hold Down Bracket	1	1
16	2519400		Oven Burner Rest Support	1	1
17	CK2512100	2512100	Air Shutter Kit	1	1
18	1311101		Right Side Rack Assembly Plate	1	1
	1311100		Left Side Rack Assembly Plate	1	1
19	4522409	2301200	OVEN RACK-25 7/16W X 20D	2	-
		2424800	OVEN RACK-25 7/16W X 20D	-	2
20	4525461	1014900	H Burner-Oven, includes Shutter	1	1
21	2498400		Oven Pilot Bracket	1	1
22	2200700		Pilot Burner RH	1	1
22A	2200702		Pilot Orifice #32 Nat.	1	1
	2200703		Pilot Orifice #23 Pro.	1	1
	2200709		Pilot Orifice #40 Manuf. Gas	1	1
22B	2200708		Electrode #0.915.025	1	1
23	CK2229800	2229800	Pilot Tube - Oven Pilot To Comp. Union	1	1
23A	076050-89		Compression Union 3/16" Tube	1	1
23B	CK2426200	2426200	Tube - Oven Valve to Comp Union 3/16" (M, MST, 46/47)	1	1
	CK2426201	2426201	Tube - Oven Valve to Comp Union 3/16" (M, MST, 43)	1	1
	CK2426202	2426202	Tube - Oven Valve to Comp Union 3/16" (M, MST, 42,44,45,54)	1	1
24	2200601		Thermocouple - 60"	1	1
25	3041000	2193000	Grease Tray Handle - Ranges with Griddle Top	1	1
26	2230500		Corner Column RT - MST/RCE, MS/RCE	-	1

* NOT ILLUSTRATED

RECOMMENDED STOCK PARTS

G_GHD_PL_RANGES_MSTSERIES (Rev 3)

Page 9

GARLAND PARTS IDENTIFICATION

Convection Oven Section, "M" & "MST" Series, models: M__RC, MST__RC/RCE

Item	Current Part#	Old Part#	Description	Quantity		
				M__RC	MST__RC MST__RCE	
26A	2230503		Corner Column RT - M/RC,MS/RC, MST/RC	1	1	
26B	2201000		Corner Column LT	1	1	
26C	4527288	2201499	Grease Container Assembly (New part# used FROM serial# 0908100101130)	1	1	
26D	2201100		Corner Column LT (M, MS, MST 42, 47, 48)	1	1	
27	1309201		Piezo Igniter #1244-41	1	1	
28	CK2200205	2200205	Hi Tension Wire Lead 24"	1	1	
29	2519000		Left Roll Out Sheild	1	1	
30A	1391100		Roll Out Shield Support	1	1	
30	2519100		Right Roll Out Shield	1	1	
31	1439796	1439703	Oven Door Liner	1	1	
31A	1080714	2580100	Oven Door Panel	1	1	
31B		1439901	Oven Door Panel (No Longer Available. Alternate: 1080714)	1	1	
32	G03984-06-8	G03984-03-8	Oven Door Insert Assy	1	1	
33	1083001		Trunion Support	2	2	
34	1082700		Harness Ring	2	2	
35	1082500		Oven Door Trunion	2	2	
36	3010000	2377300	Handle Spacer (Inserts)	2	2	
37	CK30	2194900 / 2194901	Door Handle End Right (UP TO May, 2004. See item# 100)	1	1	
	3017000-GAR		Oven Door Handle (Handle Kit, see item# 100.)	2	2	
38	2193100		Door Handle Bar Note: Used UP TO May, 2004.	1	1	
	3017000		Oven Door Handle	1	1	
38A		1592007	Handle Overlay (No Longer Available)	1	1	
39	1082803		Oven Door Handle Link LT	1	1	
39A	1082802		Oven Door Hinge Link RT	1	1	
40	1082198		Bell Crank Assembly LH	1	1	
40A	1082199		Bell Crank Assembly RH	1	1	
41	F299	1082200	Bolt-1/4-20 x 1/2 Bell Crank	2	2	
42	2512300		Oven Orifice Support Bracket	1	1	
43	2301300		Door Spring Support	1	1	
44	22701XX		Oven Orifice Fitting (Specify Gas/Destination)	1	1	
	2270133F		Oven Orifice Fitting #33 - Natural Gas (USA, Canada)	1	-	
		2270134F		Oven Orifice Fitting #33 - Natural Gas (USA, Canada)	-	1
	2270151	2270150F		Oven Orifice Fitting - Pro Gas (N. America)	1	-
		2270148F		Oven Orifice Fitting - Pro Gas (N. America)	-	1
	22701-2600	22701-2.5MM		Oven Orifice Fitting 2.6mm -G20 (Nat) & G25 (Nat) - Europe	1	1
2270153F	22701-1.5MM		Oven Orifice Fitting Propane - Europe	1	1	
45	CK2230000	2230000	Tube-FD Control to Comp. Union (M/MST 42/44/45/54. MS42/44/54)	1	1	
45A	CK2229200	2229200	Tube - Comp Union to 90 Deg Elbow 7/16" (M, MS, MST, 43, 46, 47, 48)	1	1	
45B	1313800		Elbow - 7/16" 90° Compression (M, MS, MST 43, 46, 47, 48)	1	1	
45C	CK2426000	2426000	Tube -FD Control to 90° Elbow 7/16" (M, MS, MST 43)	1	1	
	CK2229400	2229400	Tube -FD Control to 90° Elbow 7/16" (M, MS, MST 46, 47, 48)	1	1	
46	076050-88		Compression Union - 7/16"	1	1	
47	CK2229500	2229500	Tube - Oven Orifice To Comp Union- 7/16"	1	1	
48	2561100		Oven Pilot Shield	1	1	
49	1789301		Lower Front Panel	1	1	
	1798401		Hinge Panel Bracket Right	1	1	
	1789402		Hinge Panel Bracket Left	1	1	
50	1005800		Door Spring	2	2	
51	9004701		Oven Door Spring Hook	2	2	

* NOT ILLUSTRATED

RECOMMENDED STOCK PARTS

GARLAND PARTS IDENTIFICATION

Convection Oven Section, "M" & "MST" Series, models: M_RC, MST_RC/RCE

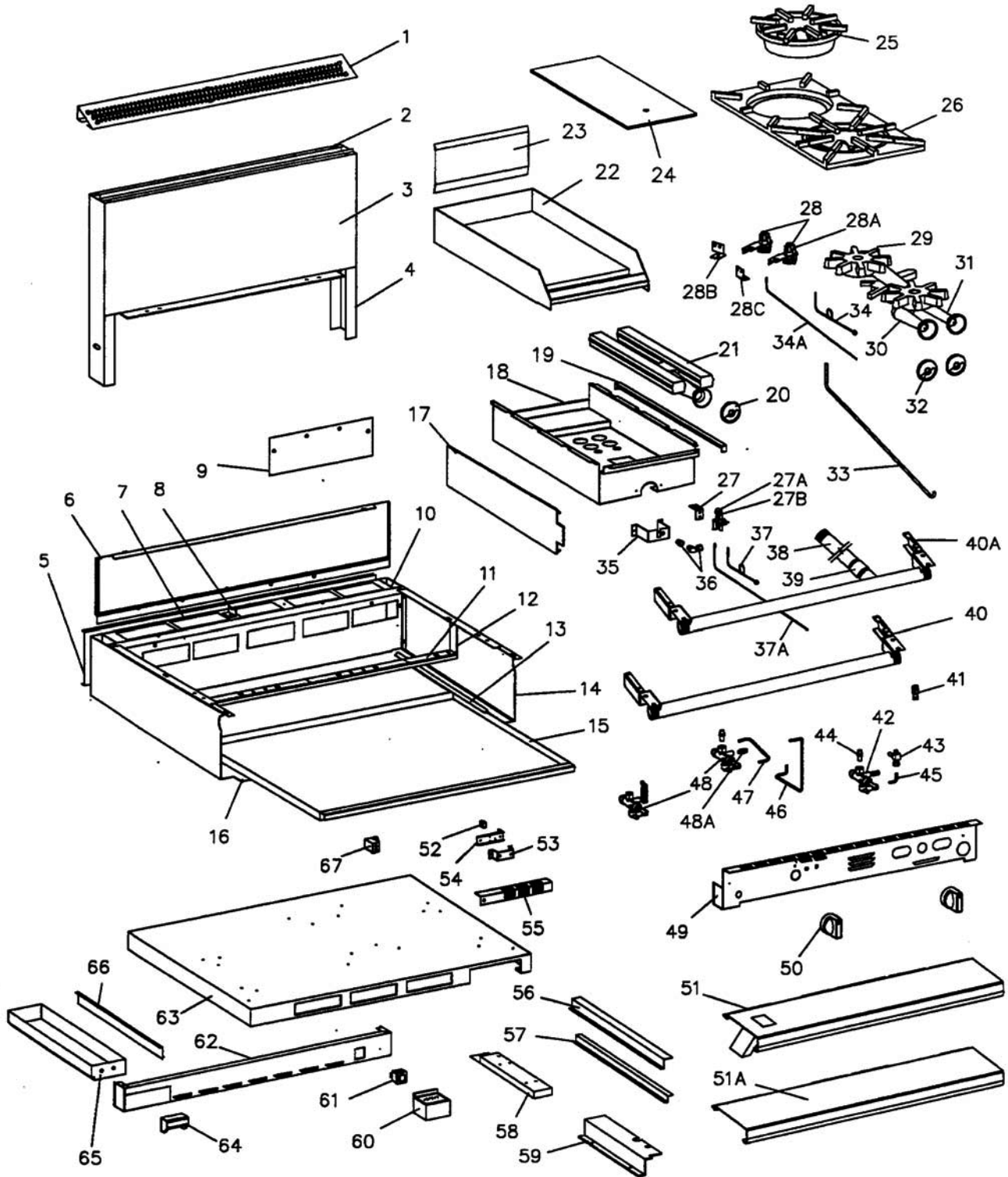
Item	Current Part#	Old Part#	Description	Quantity	
				M_RC	MST_RC MST_RCE
52	2521700		Piezo Mounting Bracket	1	1
53	1150502		Bullet Legs	4	4
54	CK2093800	2093800	Leg Retainer 4in Kit	4	4
	CK1027600	1027600	Leg Retainer 6in Kit (NSF), Standard	4	4
	4519723		6IN SS LEG ASSY (Option)	4	4
55	2167700		Base Corner	4	4
56	4519839	1027800	Swivel Caster Less Brake	2	2
	4519840	1027801	Swivel Caster C/W Brake	2	2
57	2200900		Spark Module Mounting Bracket (Electronic Ignition Models - RE)	-	1
58	4532529	2144000	240V Spark Ignition Kit - 4 Outlet (Electronic Ignition Models - RE)	-	max 2
	4532528	2144002	120V Spark Ignition Kit - 4 Outlet (Electronic Ignition Models - RE)	-	max 2
59	4530062	2200300	Push Button Switch & Sticker Kit (Electronic Ignition Models - RE)	-	1
60	4527835	1729100	3 Position Switch	-	1
61		1412300	Vent Slide (Feature Obsolete on this series models)	1	1
62		1412400	Vent Slide Housing (Feature Obsolete on this series models)	1	1
63	1357702	1357700	Fire Plate	1	2
64	3019701	1411500	Casting Bottom	1	1
65	G04071-1-7		Bell Crank Support	2	2
66	2425200		Switch Mounting Bracket	1	1
67	CK4601247	2398600	Kit, Convection Oven Switch	1	1
	G01503-16	G10503-15	WELD STUD 1/4 - 20 X 1 3/4	1	1
68	4601248	2398700	Terminal Cover	1	1
69	4526085		Hinge RC Door Switch (From serial# 0903100100739, model=M44RC-0254, date=March 23/09)	1	1
70	3013900	2397000	Main Back (was 2397000)	1	1
70A	3014099	2396999	Main Back Insulation Pan Assembly	1	1
71		1411900	Insulation Cover Bracket (No Longer Available)	1	1
72	3020300	G03857-1-6	Flue Collector Box	1	1
73	CK226	1361299	Air Baffle Kit (includes Air Baffle Support Bracket and fasteners.)	2	2
74	2395999		Air Baffle Assembly (Enamel)	1	1
74A	2520100		Fan Protector Screen	1	1
75	G02952-01P		Blower Wheel Assembly Plated	1	1
76	3013401	2396700	Motor Mount Plate	1	1
77	1669101	1669100	Motor Pocket Insulation Board	1	1
78	3013300	2396600	Motor Mounting Pocket	1	1
79	2485801		Motor PSC 1/3HP 115V, 60 HZ	1	1
	2485800		Motor PSC 1/3HP 208.240V, 50HZ	1	1
80	2519799		Motor Guard Assembly	1	1
81	2224500		Concealed Flue Diverter	1	1
82	2533201		EMI Filter - FNG 12-6/06 (MST Electronic Ignition Models - RE)	-	1
83	G6196-1-8		Body Side (Painted) Painted version is no longer available.	2	2
	G6196-1-9		Body Side (S/S)	2	2
84*		2561799	Electrical Box Assy Front	1	
85*		2561800	Electrical Box Cover Front	1	
86*		050069	Sectional Terminal Block	1	
87*		050070	Sectional Terminal End	1	
88*		G01930-03-7	Wire Way Assembly	1	
89	G03856-1-6		Wire Channel	1	1
90	2562400		Terminal Box	1	1
91	2564300		Terminal Box Enclosure	1	1
92*	4523398		Power Cord 6 Feet 3/14Ga 15 Amps SJ00W	1	1
93	G04071-1-7		Bell Crank Support	1	1
100*	CK30		Door Handle Kit (Full Size) Kit includes Door Handle Bar, Handle Ends and Inserts.	1	1

* NOT ILLUSTRATED

RECOMMENDED STOCK PARTS



MODELS: MST42 (R,RC,S,T,RE,RCE,SE,TE)
MST42-6 (R,RC,S,T,RE,RCE,SE,TE)



GARLAND PARTS IDENTIFICATION

MST42 Top Configuration: 2 Open Top Burners + 17" Griddle
models: MST42R, MST42RC, MST42S, MST42T

ITEM	PART #	DESCRIPTION	QUANTITY			
			MODEL			
			MST42R	MST42RC	MST42S	MST42T
1	1790602	LP BG Flue Cap 34"	1	1	1	1
2	1816407	LP BG Back Guard 34" AZ	1	1	1	1
	1816408	LP BG Back Guard 34" SS	1	1	1	1
3	1817304	LP Front Panel 34"	1	1	1	1
4	1768599	LP BG Upright Assy S/W	2	2	2	2
5	G7341-1-6	Rear Radiation Shield	1	1	1	1
	G7341-6-6	Rear Radiation Shield - RR Gas	1	1	1	1
6	1806101	Burner Box Back	1	1	1	
	2546400	Burner Box Back				1
	1086410	Burner Box Back - RR Gas	1	1	1	
	2546410	Burner Box Back - RR Gas				1
7	2553000	Back Top MST 40	1	1	1	1
8	2559000	Backguard Spacer	1	1	1	1
9	2570900	Back Top Baffle	1	1	1	1
10	1768399	Shelf Mtg. Brkt. Assy LT	1	1	1	1
	1768398	Shelf Mtg. Brkt. Assy RT	1	1	1	1
11	2552400	Burner Rest	1	1	1	1
12	2337400	Burner Hanger - RH	1	1	1	1
	2552600	Burner Hanger - LH	1	1	1	1
13	2505400	Drip Tray Guide RH	1	1	1	1
	2505401	Drip Tray Guide LH	1	1	1	1
14	1132804	Burner Box Side RH/CRS	1	1	1	
	1132805	Burner Box Side RH/SS	1	1	1	
	1132806	Burner Box Side LH/CRS	1	1	1	
	1132807	Burner Box Side LH/SS	1	1	1	
	2247600	Burner Box Side RH/CRS				1
	2247601	Burner Box Side RH/SS				1
	2247602	Burner Box Side LH/CRS				1
2247603	Burner Box Side LH/SS				1	
15	2342803	Drip Pan	1	1	1	1
16	2512600	Burner Box Bottom	1	1	1	
	2247000	Burner Box Bottom				1
17	G7338-1-6	Side Radiation Shield	1	1	1	1
18	4526218	GRIDDLE BOX 17" MASTER SERIES	1	1	1	1
19	2404500	Top Grate Support	1	1	1	1
20	1028002	Air Shutter	1	1	1	1
21	4525461	Griddle H Burner, includes Shutter	1	1	1	1
22	1781485	Frytop Assy	1	1	1	1
	1781469	Grooved Griddle Assy	1	1	1	1
23	G0444-017-9	Rear Splashguard Assy	1	1	1	1
25	1769101	Ring Grate/Bowl 35K	2	2	2	2
26	1769001	Top Grate 35K Burner	1	1	1	1
27	2194100	H Burner Pilot Bracket	1	1	1	1
27A	2200700	Pilot Burner RH	1	1	1	1
27B	2200702	Pilot Orifice #32 Nat	1	1	1	1
	2200703	Pilot Orifice #23 Pro	1	1	1	1
	2200709	Pilot Orifice #40 Mfg	1	1	1	1
	2200704	Compression Nut- 3/16	1	1	1	1

* NOT ILLUSTRATED

RECOMMENDED STOCK PARTS

GARLAND PARTS IDENTIFICATION

MST42 Top Configuration: 2 Open Top Burners + 17" Griddle models: MST42R, MST42RC, MST42S, MST42T

ITEM	PART #	DESCRIPTION	QUANTITY			
			MODEL			
			MST42R	MST42RC	MST42S	MST42T
27B	2200705	Olive Sleeve-3/16	1	1	1	1
Cont	2200706	Nut-Thermocouple Retaining	1	1	1	1
28	2520800	Pilot Burner	2	2	2	2
28A	2520804	Sleeve 3/16" Compression	2	2	2	2
	2200704	Compression Nut- 3/16"	2	2	2	2
	2200706	Nut-Thermocouple Retaining	2	2	2	2
	2520801	Pilot Orifice - Nat 51	2	2	2	2
	2520802	Pilot Orifice - Pro 30	2	2	2	2
	2520803	Pilot Orifice - Mfg Gas	2	2	2	2
28B	2550200	Pilot Bracket MST44	1	1	1	1
28C	2550201	Pilot Bracket - 25K Front	1	1	1	1
29	2528200	Burner Head	2	2	2	2
30	2528000	Front Burner Housing	1	1	1	1
31	2528100	Rear Burner Housing	1	1	1	1
32	2519200	Air Shutter	2	2	2	2
33	2341400	Pilot Tube -Front	1	1	1	1
	2341500	Pilot Tube -Rear	1	1	1	1
34	2200600	Thermocouple - 18" Front	1	1	1	1
	2200601	Thermocouple - 24" Rear	1	1	1	1
35	2188700	Orifice Support	1	1	1	1
36	G02486-2.2mm	Orifice Fitting-Nat (N. America)	1	1	1	1
	G02486-53	Orifice Fitting-Pro (N. America)	1	1	1	1
	G02486-2.1MM	Orifice Fitting-Nat G20/G25 Europe-CE	1	1	1	1
	G02486-54F	Orifice Fitting-Pro G31 Europe-CE	1	1	1	1
	G02486-00	Orifice Fitting-Special (Spec. Gas/Dest.)	1	1	1	1
	M8-XX	Orifice-MFG Gas (Spec. Gas/Dest)	1	1	1	1
37	2200600	Thermocouple-18"	1	1	1	1
38	1340521	Pipe Nipple RR Gas 1" x 33" Lg	1	1	1	1
39	076029-183	Coupling-1 1/4" x 1"	1	1	1	1
40	2394599	Manifold Assy Std.	1	1	1	1
40A	2394598	Manifold Assy - RR Gas	1	1	1	1
41	G02251-1	Test Spigot	1	1	1	1
42	4601578	Flame Failure Valve Assembly	2	2	2	2
	2595199	Valve/Adapter Assy.-Mfg. Gas	1	1	1	1
43	G7266-37F	Orifice Holder- Nat (N. America)	2	2	2	2
	G7266-1.8MM	Orifice Holder- Pro (N. America)	2	2	2	2
	G7266-37F	Orifice Holder- Nat G20/25 (Europe-CE)	2	2	2	2
	G7266-1.8MM	Orifice Holder- Pro G31 (Europe-CE)	2	2	2	2
	G7266-XX	Orifice Holder- Less Hood (Special)	2	2	2	2
	M9-XX	Orifice-Mfg Gas (Spec. Gas/Dest.)	2	2	2	2
44	2198102	Valve Connector Fitting-10mm	3	3	3	3
45	2519600	1/4 Tube Valve to Orifice	2	2	2	2
46	229300	Pilot Tube-3/16"	1	1	1	1
47	2229700	Tube-Valve to Orifice 1/4"	1	1	1	1
48	4601578	Flame Failure Valve Assembly	1	1	1	1
	CK4601581	FF Valve/Adapter Assy-Mfg Gas	1	1	1	1
48A	1086597	Gum Valve 3/16"	1	1	1	1
49	2552500	Valve Panel	1	1		
	2552501	Valve Panel			1	1

* NOT ILLUSTRATED

RECOMMENDED STOCK PARTS

GARLAND PARTS IDENTIFICATION

MST42 Top Configuration: 2 Open Top Burners + 17" Griddle
models: MST42R, MST42RC, MST42S, MST42T

ITEM	PART #	DESCRIPTION	QUANTITY			
			MODEL			
			MST42R	MST42RC	MST42S	MST42T
50	4512120	KNOB KIT, HI/LOW FF	3	3	3	3
	4512140	Knob Kit-Open Burner (Mfg. Gas)	2	2	2	2
	4512150	Knob Kit -Oven Valve	1	1		
	4512141	Knob Kit (FD Oven F)	1	1		
	4512142	Knob Kit (FD Oven C)	1	1	1	1
51	2190698	Front Rail Assy	1	1		1
62	2247702	Secondary Valve Panel				1
63	2247400	Secondary Burner Box Bottom				1
64	2193000	Grease Tray Handle			1	
65	2201499	Grease Container Assembly (used UP TO September 8, 2009)	1	1		1
	4527288	Grease Container Assembly (used FROM serial# 0908100101130)	1	1		1
	2335699	Grease Tray Assy				1
66	2425600	Grease Tray Guide				

* NOT ILLUSTRATED

RECOMMENDED STOCK PARTS

GARLAND PARTS IDENTIFICATION

**MST42 Top Configuration: 2 Open Top Burners + 17" Griddle + Spark Ignition
models: MST42RE, MST42RCE, MST42SE, MST42TE**

ITEM	PART #	DESCRIPTION	QUANTITY			
			MODEL			
			MST42RE	MST42RCE	MST42SE	MST42TE
1	1790602	LP BG Flue Cap 34"	1	1	1	1
2	1816407	LP BG Back Guard 34" AZ	1	1	1	1
	1816408	LP BG Back Guard 34" SS	1	1	1	1
3	1817304	LP Front Panel 34"	1	1	1	1
4	1768599	LP BG Upright Assy S/W	2	2	2	2
5	G7341-1-6	Rear Radiation Shield	1	1	1	1
	G7341-6-6	Rear Radiation Shield - RR Gas	1	1	1	1
6	1806101	Burner Box Back	1	1	1	
	2546400	Burner Box Back				1
	1086410	Burner Box Back - RR Gas	1	1	1	
	2546410	Burner Box Back - RR Gas				1
7	2553000	Back Top MST 40	1	1	1	1
8	2559000	Backguard Spacer	1	1	1	1
9	2570900	Back Top Baffle	1	1	1	1
10	1768399	Shelf Mtg. Brkt. Assy LT	1	1	1	1
	1768398	Shelf Mtg. Brkt. Assy RT	1	1	1	1
11	2552400	Burner Rest	1	1	1	1
12	2337400	Burner Hanger - RH	1	1	1	1
	2552600	Burner Hanger - LH	1	1	1	1
13	2505400	Drip Tray Guide RH	1	1	1	1
	2505401	Drip Tray Guide LH	1	1	1	1
14	1132804	Burner Box Side RH/CRS	1	1	1	
	1132805	Burner Box Side RH/SS	1	1	1	
	1132806	Burner Box Side LH/CRS	1	1	1	
	1132807	Burner Box Side LH/SS	1	1	1	
	2247600	Burner Box Side RH/CRS				1
	2247601	Burner Box Side RH/SS				1
	2247602	Burner Box Side LH/CRS				1
2247603	Burner Box Side LH/SS				1	
15	2342803	Drip Pan	1	1	1	1
16	2512600	Burner Box Bottom	1	1	1	
	2247000	Burner Box Bottom				1
17	G7338-1-6	Side Radiation Shield	1	1	1	1
18	4526218	GRIDDLE BOX 17" MASTER SERIES	1	1	1	1
19	2404500	Top Grate Support	1	1	1	1
20	1028002	Air Shutter	1	1	1	1
21	4525461	Griddle H Burner, includes Shutter	1	1	1	1
22	1781485	Frytop Assy	1	1	1	1
	1781469	Grooved Griddle Assy	1	1	1	1
23	G0444-017-9	Rear Splashguard Assy	1	1	1	1
25	1769101	Ring Grate/Bowl 35K	2	2	2	2
26	1769001	Top Grate 35K Burner	1	1	1	1
27	2194100	H Burner Pilot Bracket	1	1	1	1
27A	2200700	Pilot Burner RH	1	1	1	1

* NOT ILLUSTRATED

RECOMMENDED STOCK PARTS

GARLAND PARTS IDENTIFICATION

**MST42 Top Configuration: 2 Open Top Burners + 17" Griddle + Spark Ignition
models: MST42RE, MST42RCE, MST42SE, MST42TE**

ITEM	PART #	DESCRIPTION	QUANTITY			
			MODEL			
			MST42RE	MST42RCE	MST42SE	MST42TE
27B	2200702	Pilot Orifice #32 Nat	1	1	1	1
	2200703	Pilot Orifice #23 Pro	1	1	1	1
	2200709	Pilot Orifice #40 Mfg	1	1	1	1
	2200704	Compression Nut- 3/16	1	1	1	1
	2200705	Olive Sleeve-3/16	1	1	1	1
	2200706	Nut-Thermocouple Retaining	1	1	1	1
	2200707	Nut-Electrode	1	1	1	1
	2200708	Electrode	1	1	1	1
28	2520800	Pilot Burner	2	2	2	2
28A	2520804	Sleeve 3/16" Compression	2	2	2	2
	2200704	Compression Nut- 3/16"	2	2	2	2
	2200706	Nut-Thermocouple Retaining	2	2	2	2
	2200707	Nut-Electrode	2	2	2	2
	2200708	Electrode	2	2	2	2
	2520801	Pilot Orifice - Nat 51	2	2	2	2
	2520802	Pilot Orifice - Pro 30	2	2	2	2
2520803	Pilot Orifice - Mfg Gas	2	2	2	2	
28B	2550200	Pilot Bracket MST44	1	1	1	1
28C	2550201	Pilot Bracket - 25K Front	1	1	1	1
29	2528200	Burner Head	2	2	2	2
30	2528000	Front Burner Housing	1	1	1	1
31	2528100	Rear Burner Housing	1	1	1	1
32	2519200	Air Shutter	2	2	2	2
33	2341400	Pilot Tube -Front	1	1	1	1
	2341500	Pilot Tube -Rear	1	1	1	1
34	2200600	Thermocouple - 18" Front	1	1	1	1
	2200601	Thermocouple - 24" Rear	1	1	1	1
34A	2200200	High Tension Wire-48"	1	1	1	2
	2200201	High Tension Wire-36"	1	1		
	2200208	High Tension Wire-60"			1	
35	2188700	Orifice Support	1	1	1	1
36	G02486-2.2mm	Orifice Fitting-Nat (N. America)	1	1	1	1
	G02486-53	Orifice Fitting-Pro (N. America)	1	1	1	1
	G02486-2.1MM	Orifice Fitting-Nat G20/G25 Europe-CE	1	1	1	1
	G02486-54F	Orifice Fitting-Pro G31 Europe-CE	1	1	1	1
	G02486-00	Orifice Fitting-Special (Spec. Gas/Dest.)	1	1	1	1
37	2200600	Thermocouple-18"	1	1	1	1
37A	2200200	High Tension Wire-48"	1	1		1
	2200208	High Tension Wire-60"			1	
38	1340521	Pipe Nipple RR Gas 1" x 33" Lg	1	1	1	1
39	076029-183	Coupling-1 1/4" x 1"	1	1	1	1
40	2394599	Manifold Assy Std.	1	1	1	1
40A	2394598	Manifold Assy - RR Gas	1	1	1	1
41	G02251-1	Test Spigot	1	1	1	1

* NOT ILLUSTRATED

RECOMMENDED STOCK PARTS

GARLAND PARTS IDENTIFICATION

**MST42 Top Configuration: 2 Open Top Burners + 17" Griddle + Spark Ignition
models: MST42RE, MST42RCE, MST42SE, MST42TE**

ITEM	PART #	DESCRIPTION	QUANTITY			
			MODEL			
			MST42RE	MST42RCE	MST42SE	MST42TE
42	4601578	Flame Failure Valve Assembly	2	2	2	2
	2595199	Valve/Adapter Assy.-Mfg. Gas	1	1	1	1
43	G7266-37F	Orifice Holder- Nat (N. America)	2	2	2	2
	G7266-1.8MM	Orifice Holder- Pro (N. America)	2	2	2	2
	G7266-37F	Orifice Holder- Nat G20/25 (Europe-CE)	2	2	2	2
	G7266-1.8MM	Orifice Holder- Pro G31 (Europe-CE)	2	2	2	2
	G7266-XX	Orifice Holder- (Special) (Spec Gas/Dest)	2	2	2	2
44	2198102	Valve Connector Fitting-10mm	3	3	3	3
45	2519600	1/4 Tube Valve to Orifice	2	2	2	2
46	229300	Pilot Tube-3/16"	1	1	1	1
47	2229700	Tube-Valve to Orifice 1/4"	1	1	1	1
48	4601578	Flame Failure Valve Assembly	1	1	1	1
	CK4601581	FF Valve/Adapter Assy-Mfg Gas	1	1	1	1
48A	1086597	Gum Valve 3/16"	1	1	1	1
49	2552500	Valve Panel	1	1		
	2552501	Valve Panel			1	1
50	4512120	KNOB KIT, HI/LOW FF	3	3	3	3
	4512140	Knob Kit-Open Burner (Mfg. Gas)	2	2	2	2
	4512150	Knob Kit -Oven Valve	1	1		
	4512141	Knob Kit (FD Oven F)	1	1		
	4512142	Knob Kit (FD Oven C)	1	1	1	1
51	2190698	Front Rail Assy	1	1		1
52	050069	Sectional Terminal Block				1
	050070	Sectional Terminal End				1
53	2336400	Mounting Bracket				1
54	2336300	Terminal Block Bracket				1
55	2336200	Terminal Block Enclosure				1
56	2247100	Wire Way				1
57	2336000	Insulation Retainer				1
58	2247300	Spark Modular Support				1
59	2247200	Spark Modular Enclosure				1
60	2144002	120 Volt Spark Generator				1
	2144000	240 Volt Spark Generator				1
61	2200300	Push Button Switch				1
62	2247702	Secondary Valve Panel				1
63	2247400	Secondary Burner Box Bottom	1	1	1	1
64	2193000	Grease Tray Handle				
65	2201499	Grease Container Assembly (used UP TO September 8, 2009)				1
	4527288	Grease Container Assembly (used FROM serial# 0908100101130)				1
	2335699	Grease Tray Assy				1
66	2425600	Grease Tray Guide				
67	2533200	EMI Filter				1

* NOT ILLUSTRATED

RECOMMENDED STOCK PARTS

GARLAND PARTS IDENTIFICATION

MST42-6 Top Configuration: 2 Open Top Burners + 17" Even-Heat Hot Top
models: MST42-6R, MST42-6RC, MST42-6S, MST42-6T

ITEM	PART #	DESCRIPTION	QUANTITY			
			MODEL			
			MST42-6R	MST42-6RC	MST42-6S	MST42-6T
1	1790602	LP BG Flue Cap 34"	1	1	1	1
2	1816407	LP BG Back Guard 34" AZ	1	1	1	1
	1816408	LP BG Back Guard 34" SS	1	1	1	1
3	1817304	LP Front Panel 34"	1	1	1	1
4	1768599	LP BG Upright Assy S/W	2	2	2	2
5	G7341-1-6	Rear Radiation Shield	1	1	1	1
	G7341-6-6	Rear Radiation Shield - RR Gas	1	1	1	1
6	1806101	Burner Box Back	1	1	1	
	2546400	Burner Box Back				1
	1086410	Burner Box Back - RR Gas	1	1	1	
	2546410	Burner Box Back - RR Gas				1
7	2553000	Back Top MST 40	1	1	1	1
8	2559000	Backguard Spacer	1	1	1	1
9	2570900	Back Top Baffle	1	1	1	1
10	1768399	Shelf Mtg. Brkt. Assy LT	1	1	1	1
	1768398	Shelf Mtg. Brkt. Assy RT	1	1	1	1
11	2552400	Burner Rest	1	1	1	1
12	2337400	Burner Hanger - RH	1	1	1	1
	2552600	Burner Hanger - LH	1	1	1	1
13	2505400	Drip Tray Guide RH	1	1	1	1
	2505401	Drip Tray Guide LH	1	1	1	1
14	1132804	Burner Box Side RH/CRS	1	1	1	
	1132805	Burner Box Side RH/SS	1	1	1	
	1132806	Burner Box Side LH/CRS	1	1	1	
	1132807	Burner Box Side LH/SS	1	1	1	
	2247600	Burner Box Side RH/CRS				1
	2247601	Burner Box Side RH/SS				1
	2247602	Burner Box Side LH/CRS				1
2247603	Burner Box Side LH/SS				1	
15	2342803	Drip Pan	1	1	1	1
16	2512600	Burner Box Bottom	1	1	1	
	2247000	Burner Box Bottom				1
17	G7338-1-6	Side Radiation Shield	1	1	1	1
18	4526218	GRIDDLE BOX 17" MASTER SERIES	1	1	1	1
19	2404500	Top Grate Support	1	1	1	1
20	1028002	Air Shutter	1	1	1	1
21	4525461	Griddle H Burner, includes Shutter	1	1	1	1
24	G0552-1	Hot Top	1	1	1	1
24A*	G6308-1-8	Lid Lifter	1	1	1	1
25	1769101	Ring Grate/Bowl 35K	2	2	2	2
26	1769001	Top Grate 35K Burner	1	1	1	1
27	2194100	H Burner Pilot Bracket	1	1	1	1
27A	2200700	Pilot Burner RH	1	1	1	1
27B	2200702	Pilot Orifice #32 Nat	1	1	1	1
	2200703	Pilot Orifice #23 Pro	1	1	1	1
	2200709	Pilot Orifice #40 Mfg	1	1	1	1
	2200704	Compression Nut- 3/16	1	1	1	1
	2200705	Olive Sleeve-3/16	1	1	1	1
	2200706	Nut-Thermocouple Retaining	1	1	1	1

* NOT ILLUSTRATED
 RECOMMENDED STOCK PARTS

GARLAND PARTS IDENTIFICATION

**MST42-6 Top Configuration: 2 Open Top Burners + 17" Even-Heat Hot Top
models: MST42-6R, MST42-6RC, MST42-6S, MST42-6T**

ITEM	PART #	DESCRIPTION	QUANTITY			
			MODEL			
			MST42-6R	MST42-6RC	MST42-6S	MST42-6T
28	2520800	Pilot Burner	2	2	2	2
28A	2520804	Sleeve 3/16" Compression	2	2	2	2
	2200704	Compression Nut- 3/16"	2	2	2	2
	2200706	Nut-Thermocouple Retaining	2	2	2	2
	2520801	Pilot Orifice - Nat 51	2	2	2	2
	2520802	Pilot Orifice - Pro 30	2	2	2	2
	2520803	Pilot Orifice - Mfg Gas	2	2	2	2
28B	2550200	Pilot Bracket MST44	1	1	1	1
28C	2550201	Pilot Bracket - 25K Front	1	1	1	1
29	2528200	Burner Head	2	2	2	2
30	2528000	Front Burner Housing	1	1	1	1
31	2528100	Rear Burner Housing	1	1	1	1
32	2519200	Air Shutter	2	2	2	2
33	2341400	Pilot Tube -Front	1	1	1	1
	2341500	Pilot Tube -Rear	1	1	1	1
34	2200600	Thermocouple - 18" Front	1	1	1	1
	2200601	Thermocouple - 24" Rear	1	1	1	1
35	2188700	Orifice Support	1	1	1	1
36	G02486-2.2mm	Orifice Fitting-Nat (N. America)	1	1	1	1
	G02486-53	Orifice Fitting-Pro (N. America)	1	1	1	1
	G02486-2.1MM	Orifice Fitting-Nat G20/G25 Europe-CE	1	1	1	1
	G02486-54F	Orifice Fitting-Pro G31 Europe-CE	1	1	1	1
	G02486-00	Orifice Fitting-Special (Spec. Gas/Dest.)	1	1	1	1
	M8-XX	Orifice-MFG Gas (Spec. Gas/Dest)	1	1	1	1
37	2200600	Thermocouple-18"	1	1	1	1
38	1340521	Pipe Nipple RR Gas 1" x 33" Lg	1	1	1	1
39	076029-183	Coupling-1 1/4" x 1"	1	1	1	1
40	2394599	Manifold Assy Std.	1	1	1	1
40A	2394598	Manifold Assy - RR Gas	1	1	1	1
41	G02251-1	Test Spigot	1	1	1	1
42	4601578	Flame Failure Valve Assembly	2	2	2	2
	2595199	Valve/Adapter Assy.-Mfg. Gas	1	1	1	1
43	G7266-37F	Orifice Holder- Nat (N. America)	2	2	2	2
	G7266-1.8MM	Orifice Holder- Pro (N. America)	2	2	2	2
	G7266-37F	Orifice Holder- Nat G20/25 (Europe-CE)	2	2	2	2
	G7266-1.8MM	Orifice Holder- Pro G31 (Europe-CE)	2	2	2	2
	G7266-XX	Orifice Holder- Less Hood (Special)	2	2	2	2
	M9-XX	Orifice-Mfg Gas (Spec. Gas/Dest.)	2	2	2	2
44	2198102	Valve Connector Fitting-10mm	3	3	3	3
45	2519600	1/4 Tube Valve to Orifice	2	2	2	2
46	229300	Pilot Tube-3/16"	1	1	1	1
47	2229700	Tube-Valve to Orifice 1/4"	1	1	1	1
48	4601578	Flame Failure Valve Assembly	1	1	1	1
	CK4601581	FF Valve/Adapter Assy.-Mfg Gas	1	1	1	1
48A	1086597	Gum Valve 3/16"	1	1	1	1
49	2552500	Valve Panel	1	1		
	2552501	Valve Panel			1	1

* NOT ILLUSTRATED

RECOMMENDED STOCK PARTS

GARLAND PARTS IDENTIFICATION

**MST42-6 Top Configuration: 2 Open Top Burners + 17" Even-Heat Hot Top
models: MST42-6R, MST42-6RC, MST42-6S, MST42-6T**

ITEM	PART #	DESCRIPTION	QUANTITY			
			MODEL			
			MST42-6R	MST42-6RC	MST42-6S	MST42-6T
50	4512120	KNOB KIT, HI/LOW FF	3	3	3	3
	4512140	Knob Kit-Open Burner (Mfg. Gas)	2	2	2	2
	4512150	Knob Kit -Oven Valve	1	1		
	4512141	Knob Kit (FD Oven F)	1	1		
	4512142	Knob Kit (FD Oven C)	1	1		
51	2190698	Front Rail Assy	1	1	1	1
62	2247702	Secondary Valve Panel				1
63	2247400	Secondary Burner Box Bottom				1
64	2193000	Grease Tray Handle				1
65	2201499	Grease Container Assembly (used UP TO September 8, 2009)	1	1	1	
	4527288	Grease Container Assembly (used FROM serial# 0908100101130)	1	1	1	
	2335699	Grease Tray Assy				1
66	2425600	Grease Tray Guide				1

* NOT ILLUSTRATED

RECOMMENDED STOCK PARTS

GARLAND PARTS IDENTIFICATION

**MST42-6 Top Configuration: 2 Open Top Burners + 17" Even-Heat Hot Top + Spark Ignition
models: MST42-6RE, MST42-6RCE, MST42-6SE, MST42-6TE**

ITEM	PART #	DESCRIPTION	QUANTITY			
			MODEL			
			MST42-6RE	MST42-6RCE	MST42-6SE	MST42-6TE
1	1790602	LP BG Flue Cap 34"	1	1	1	1
2	1816407	LP BG Back Guard 34" AZ	1	1	1	1
	1816408	LP BG Back Guard 34" SS	1	1	1	1
3	1817304	LP Front Panel 34"	1	1	1	1
4	1768599	LP BG Upright Assy S/W	2	2	2	2
5	G7341-1-6	Rear Radiation Shield	1	1	1	1
	G7341-6-6	Rear Radiation Shield - RR Gas	1	1	1	1
6	1806101	Burner Box Back	1	1	1	
	2546400	Burner Box Back				1
	1086410	Burner Box Back - RR Gas	1	1	1	
	2546410	Burner Box Back - RR Gas				1
7	2553000	Back Top MST 40	1	1	1	1
8	2559000	Backguard Spacer	1	1	1	1
9	2570900	Back Top Baffle	1	1	1	1
10	1768399	Shelf Mtg. Brkt. Assy LT	1	1	1	1
	1768398	Shelf Mtg. Brkt. Assy RT	1	1	1	1
11	2552400	Burner Rest	1	1	1	1
12	2337400	Burner Hanger - RH	1	1	1	1
	2552600	Burner Hanger - LH	1	1	1	1
13	2505400	Drip Tray Guide RH	1	1	1	1
	2505401	Drip Tray Guide LH	1	1	1	1
14	1132804	Burner Box Side RH/CRS	1	1	1	
	1132805	Burner Box Side RH/SS	1	1	1	
	1132806	Burner Box Side LH/CRS	1	1	1	
	1132807	Burner Box Side LH/SS	1	1	1	
	2247600	Burner Box Side RH/CRS				1
	2247601	Burner Box Side RH/SS				1
	2247602	Burner Box Side LH/CRS				1
2247603	Burner Box Side LH/SS				1	
15	2342803	Drip Pan	1	1	1	1
16	2512600	Burner Box Bottom	1	1	1	
	2247000	Burner Box Bottom				1
17	G7338-1-6	Side Radiation Shield	1	1	1	1
18	4526218	GRIDDLE BOX 17" MASTER SERIES	1	1	1	1
19	2404500	Top Grate Support	1	1	1	1
20	1028002	Air Shutter	1	1	1	1
21	4525461	Griddle H Burner, includes Shutter	1	1	1	1
24	G0552-1	Hot Top	1	1	1	1
	G6308-1-8	Lid Lifter	1	1	1	1
25	1769101	Ring Grate/Bowl 35K	2	2	2	2
26	1769001	Top Grate 35K Burner	1	1	1	1
27	2194100	H Burner Pilot Bracket	1	1	1	1
27A	2200700	Pilot Burner RH	1	1	1	1
27B	2200702	Pilot Orifice #32 Nat	1	1	1	1
	2200703	Pilot Orifice #23 Pro	1	1	1	1
	2200709	Pilot Orifice #40 Mfg	1	1	1	1
	2200704	Compression Nut- 3/16	1	1	1	1
	2200705	Olive Sleeve-3/16	1	1	1	1

* NOT ILLUSTRATED

RECOMMENDED STOCK PARTS

GARLAND PARTS IDENTIFICATION

**MST42-6 Top Configuration: 2 Open Top Burners + 17" Even-Heat Hot Top + Spark Ignition
models: MST42-6RE, MST42-6RCE, MST42-6SE, MST42-6TE**

ITEM	PART #	DESCRIPTION	QUANTITY			
			MODEL			
			MST42-6RE	MST42-6RCE	MST42-6SE	MST42-6TE
27B Cont	2200706	Nut-Thermocouple Retaining	1	1	1	1
	2200707	Nut-Electrode	1	1	1	1
	2200708	Electrode	1	1	1	1
28	2520800	Pilot Burner	2	2	2	2
28A	2520804	Sleeve 3/16" Compression	2	2	2	2
	2200704	Compression Nut- 3/16"	2	2	2	2
	2200706	Nut-Thermocouple Retaining	2	2	2	2
	2200707	Nut-Electrode	2	2	2	2
	2200708	Electrode	2	2	2	2
	2520801	Pilot Orifice - Nat 51	2	2	2	2
	2520802	Pilot Orifice - Pro 30	2	2	2	2
	2520803	Pilot Orifice - Mfg Gas	2	2	2	2
28B	2550200	Pilot Bracket MST44	1	1	1	1
28C	2550201	Pilot Bracket - 25K Front	1	1	1	1
29	2528200	Burner Head	2	2	2	2
30	2528000	Front Burner Housing	1	1	1	1
31	2528100	Rear Burner Housing	1	1	1	1
32	2519200	Air Shutter	2	2	2	2
33	2341400	Pilot Tube -Front	1	1	1	1
	2341500	Pilot Tube -Rear	1	1	1	1
34	2200600	Thermocouple - 18" Front	1	1	1	1
	2200601	Thermocouple - 24" Rear	1	1	1	1
34A	2200200	High Tension Wire-48"	1	1	1	2
	2200201	High Tension Wire-36"	1	1		
	2200208	High Tension Wire-60"			1	
35	2188700	Orifice Support	1	1	1	1
36	G02486-44F	Orifice Fitting-Nat (N. America)	1	1	1	1
	G02486-54F	Orifice Fitting-Pro (N. America)	1	1	1	1
	G02486-45F	Orifice Fitting-Nat G20/G25 Europe-CE	1	1	1	1
	G02486-54F	Orifice Fitting-Pro G31 Europe-CE	1	1	1	1
	G02486-00	Orifice Fitting-Special (Spec. Gas/Dest.)	1	1	1	1
	M8-XX	Orifice - MFG Gas (Spec Gas/Dest)	1	1	1	1
37	2200600	Thermocouple-18"	1	1	1	1
37A	2200200	High Tension Wire-48"	1	1		1
	2200208	High Tension Wire-60"			1	
38	1340521	Pipe Nipple RR Gas 1" x 33" Lg	1	1	1	1
39	076029-183	Coupling-1 1/4" x 1"	1	1	1	1
40	2394599	Manifold Assy Std.	1	1	1	1
40A	2394598	Manifold Assy - RR Gas	1	1	1	1
41	G02251-1	Test Spigot	1	1	1	1
42	4601578	Flame Failure Valve Assembly	2	2	2	2
	2595199	Valve/Adapter Assy.-Mfg. Gas	1	1	1	1
43	G7266-37F	Orifice Holder- Nat (N. America)	2	2	2	2
	G7266-1.8MM	Orifice Holder- Pro (N. America)	2	2	2	2
	G7266-44F	Orifice Holder- Nat G20/25 (Europe-CE)	2	2	2	2
	G7266-1.8MM	Orifice Holder- Pro G31 (Europe-CE)	2	2	2	2
	G7266-XX	Orifice Holder- (Special) (Spec Gas/Dest)	2	2	2	2
	M9-XX	Orifice- Mfg Gas (Spec Gas/Dest)				

* NOT ILLUSTRATED

RECOMMENDED STOCK PARTS

GARLAND PARTS IDENTIFICATION

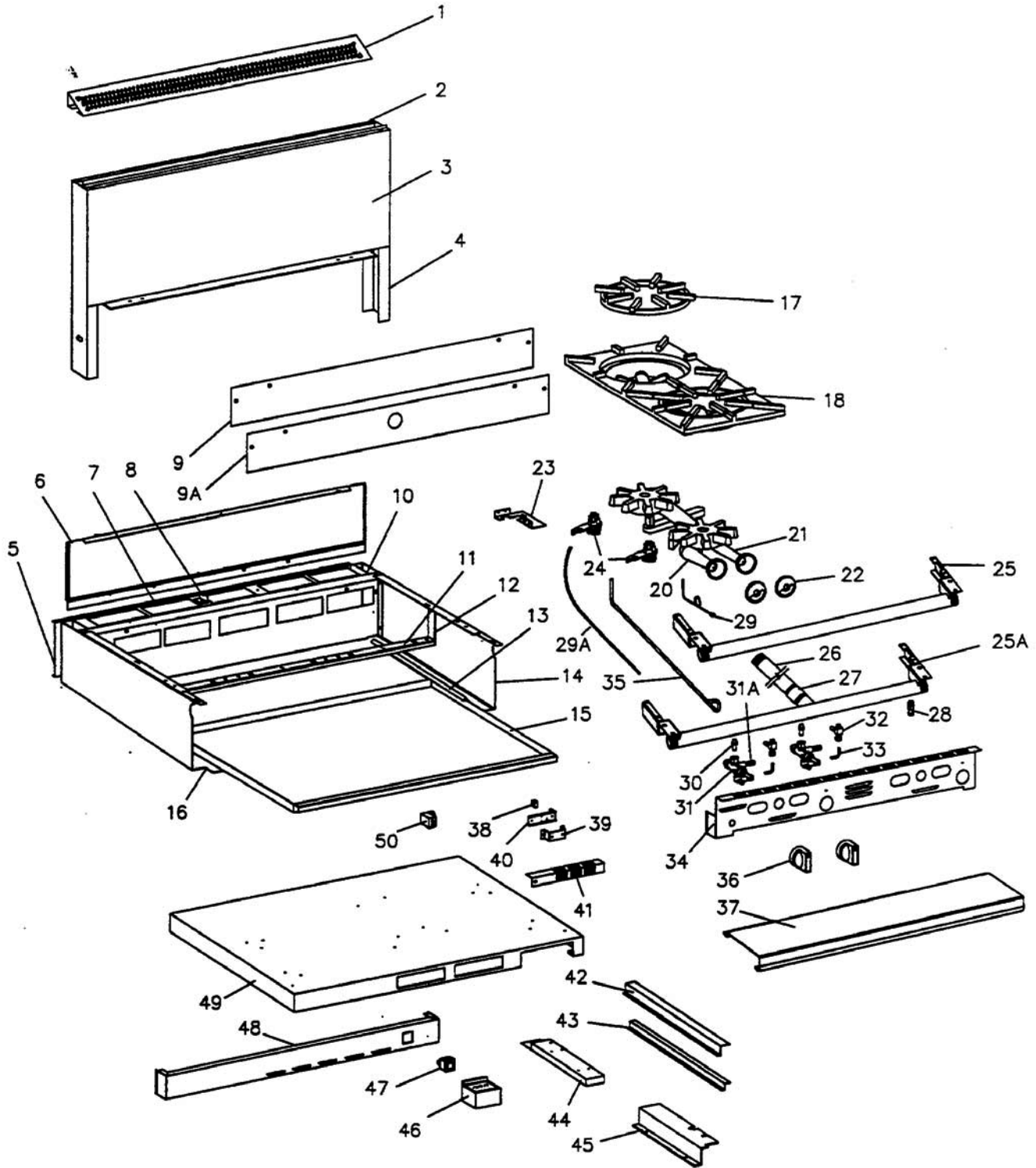
**MST42-6 Top Configuration: 2 Open Top Burners + 17" Even-Heat Hot Top + Spark Ignition
models: MST42-6RE, MST42-6RCE, MST42-6SE, MST42-6TE**

ITEM	PART #	DESCRIPTION	QUANTITY			
			MODEL			
			MST42-6RE	MST42-6RCE	MST42-6SE	MST42-6TE
44	2198102	Valve Connector Fitting-10mm	3	3	3	3
45	2519600	1/4 Tube Valve to Orifice	2	2	2	2
46	229300	Pilot Tube-3/16"	1	1	1	1
47	2229700	Tube-Valve to Orifice 1/4"	1	1	1	1
48	4601578	Flame Failure Valve Assembly	1	1	1	1
	CK4601581	FF Valve/Adapter Assy-Mfg Gas	1	1	1	1
48A	1086597	Gum Valve 3/16"	1	1	1	1
49	2552500	Valve Panel	1	1		
	2552501	Valve Panel			1	1
50	4512120	KNOB KIT, HI/LOW FF	3	3	3	3
	4512140	Knob Kit-Open Burner (Mfg. Gas)	2	2	2	2
	4512150	Knob Kit -Oven Valve	1	1		
	4512141	Knob Kit (FD Oven F)	1	1		
	4512142	Knob Kit (FD Oven C)	1	1		
51A	2190699	Front Rail Assy	1	1	1	1
52	050069	Sectional Terminal Block				1
	050070	Sectional Terminal End				1
54	2336400	Mounting Bracket				1
54	2336300	Terminal Block Bracket				1
55	2336200	Terminal Block Enclosure				1
56	2247100	Wire Way				1
57	2336000	Insulation Retainer				1
58	2247300	Spark Modular Support				1
59	2247200	Spark Modular Enclosure				1
60	2144002	120 Volt Spark Generator				1
	2144000	240 Volt Spark Generator				1
61	2200300	Push Button Switch				1
62	2247702	Secondary Valve Panel				1
63	2247400	Secondary Burner Box Bottom	1	1	1	1
64	2193000	Grease Tray Handle				
65	2201499	Grease Container Assembly (used UP TO September 8, 2009)				1
	4527288	Grease Container Assembly (used FROM serial# 0908100101130)				1
	2335699	Grease Tray Assy				1
66	2425600	Grease Tray Guide				1
67	2533200	EMI Filter				

* NOT ILLUSTRATED

RECOMMENDED STOCK PARTS

NOTES



GARLAND PARTS IDENTIFICATION
MST43 Top Configuration: Six 24K Open Top Burners
models: MST43R, MST43RC, MST43S, MST43T

ITEM	PART #	DESCRIPTION	QUANTITY			
			MODEL			
			MST43R	MST43RC	MST43S	MST43T
1	1790601	LP BG Flue Cap 34"	1	1	1	1
2	1816407	LP BG Back 34" AZ	1	1	1	1
	1816408	LP BG Back 34" S/S	1	1	1	1
3	1817304	LP Front Panel 34"	1	1	1	1
4	1768599	LB BG Upright Assembly S/W	2	2	2	2
5	G7341-1-6	Rear Radiation Shield	1	1	1	1
	G7341-6-6	Rear Radiation Shield - RR Gas	1	1	1	1
6	1806101	Burner Box Back	1	1	1	
	1806102	Burner Box Back RR Gas	1	1	1	
	2546400	Burner Box Back M43T				1
	2546411	Burner Box Back M43T RR Gas				1
7	2553000	Back Top MST40	1	1	1	1
8	2559000	Back Guard Spacer	1	1	1	1
9	2133200	Back Top Adapter 33"	1	1	1	1
9A	G0585-1-6	Back Top Baffle - Rear Gas	1	1	1	1
10	1768399	Shelf Mtg. Brkt. Assy LT	1	1	1	1
	1768398	Shelf Mtg. Brkt. Assy RT	1	1	1	1
11	2194200	Burner Rest	1	1	1	1
12	2519500	Burner Hanger	2	2	2	2
13	2505400	Drip Tray Guide RH	1	1	1	1
	2505401	Drip Tray Guide LH	1	1	1	1
14	1132804	Burner Box Side RT CRS	1	1	1	
	1132805	Burner Box Side RT S/S	1	1	1	
	1132806	Burner Box Side LT CRS	1	1	1	
	1132807	Burner Box Side LT S/S	1	1	1	
	2247600	Burner Box Side RT CRS				1
	2247601	Burner Box Side RT S/S				1
	2247602	Burner Box Side LT CRS				1
2247603	Burner Box Side LT S/S				1	
15	2342800	Drip Pan	1	1	1	1
16	2512600	Burner Box Bottom	1	1	1	
	2247000	Burner Box Bottom				1
17	G6214	Top Ring Grate	6	6	6	6
18	1758701	Top Grate 43-40 (24K)	3	3	3	3
20	2217302	Front Burner	3	3	3	3
21	2217304	Rear Burner	3	3	3	3
22	2519200	Air Shutter	6	6	6	6
23	2521100	Open Burner Pilot Bracket	3	3	3	3
24	2520800	Burner Pilot	6	6	6	6
	2520804	Sleeve 3/16" Comp.	6	6	6	6
	2200704	3/16" Comp Nut	6	6	6	6
	2200706	Nut Thermocouple Retaining	6	6	6	6
	2520801	Orifice Pilot (51) Nat.	6	6	6	6
	2520802	Orifice Pilot (30) Pro.	6	6	6	6

* NOT ILLUSTRATED
RECOMMENDED STOCK PARTS

GARLAND PARTS IDENTIFICATION
MST43 Top Configuration: Six 24K Open Top Burners
models: MST43R, MST43RC, MST43S, MST43T

ITEM	PART #	DESCRIPTION	QUANTITY			
			MODEL			
			MST43R	MST43RC	MST43S	MST43T
24 Cont	2520803	Orifice Pilot Manuf	6	6	6	6
	2200707	Nut - Electrode				
	2200708	Electrode				
25	2394499	Manifold Assy	1	1	1	1
	2394498	Manifold Assy (Rear)	1	1	1	1
26	076029-184	Nipple 1-1/4" NPT x 29" LG Blk	1	1	1	1
27	076029-183	Coupling 1-1/4" NPT Blk	1	1	1	1
28	G02251-1	Test Spigot	1	1	1	1
29	2200600	18" Thermocouple	3	3	3	3
	2200602	24" Thermocouple	3	3	3	3
30	2198102	Valve Connector Fitting	6	6	6	6
31	4601578	Flame Failure Valve Assembly	6	6	6	6
31A	1086597	Gum Valve 3/16"	6	6	6	6
32	G7266-XX	Orifice Holder Special (Gas/Dest)	6	6	6	6
	G7266-1-2	Orifice Holder 1.2MM G31 Pro	6	6	6	6
	G7266-45F	Orifice Holder - #45 Nat.	6	6	6	6
	G7266-49F	Orifice Holder - #49 G20/G25 Nat.	6	6	6	6
	G7266-54F	Orifice Holder - #54	6	6	6	6
33	2519600	1/4 Tube Valve Orifice	6	6	6	6
34	2395700	Valve Panel	1	1		
	2395701	Valve Panel			1	1
35	2425800	Pilot Tube-3/16" Front Burner	3	3	3	3
	2425900	Pilot Tube-3/16" Rear Burner	3	3	3	3
35A*	1086597	Gum Valve 3/16" Pilot	6	6	6	6
36	4512120	KNOB KIT, HI/LOW FF	6	6	6	6
	4512150	Knob Kit (Oven Valve)	1	1		
	2522105	Knob (FD Oven C)	1	1		
	4512141	Knob Kit (FD Oven F)	1	1		
37	2190699	Front Rail Assy	1	1	1	1

* NOT ILLUSTRATED
RECOMMENDED STOCK PARTS

GARLAND PARTS IDENTIFICATION

**MST43 Top Configuration: Six 24K Open Top Burners + Spark Ignition
models: MST43RE, MST43RCE, MST43SE, MST43TE**

ITEM	PART #	DESCRIPTION	QUANTITY			
			MODEL			
			MST43RE	MST43RCE	MST43SE	MST43TE
1	1790601	LP BG Flue Cap 34"	1	1	1	1
2	1816407	LP BG Back 34" AZ	1	1	1	1
	1816408	LP BG Back 34" S/S	1	1	1	1
3	1817304	LP Front Panel 34"	1	1	1	1
4	1768599	LB BG Upright Assembly S/W	2	2	2	2
5	G7341-1-6	Rear Radiation Shield	1	1	1	1
	G7341-6 -6	Rear Radiation Shield - RR Gas	1	1	1	1
6	1806101	Burner Box Back	1	1	1	
	1806102	Burner Box Back RR Gas	1	1	1	
	2546400	Burner Box Back M43T				1
	2546411	Burner Box Back M43T RR Gas				1
7	2553000	Back Top MST40	1	1	1	1
8	2559000	Back Guard Spacer	1	1	1	1
9	2133200	Back Top Adapter 33"	1	1	1	1
9A	G0585-1-6	Back Top Baffle - Rear Gas	1	1	1	1
10	1768399	Shelf Mtg. Brkt. Assy LT	1	1	1	1
	1768398	Shelf Mtg. Brkt. Assy Rt	1	1	1	1
11	2194200	Burner Rest	1	1	1	1
12	2519500	Burner Hanger	2	2	2	2
13	2505400	Drip Tray Guide RH	1	1	1	1
	2505401	Drip Tray Guide LH	1	1	1	1
14	1132804	Burner Box Side RT CRS	1	1	1	
	1132805	Burner Box Side RT S/S	1	1	1	
	1132806	Burner Box Side LT CRS	1	1	1	
	1132807	Burner Box Side LT S/S	1	1	1	
	2247600	Burner Box Side RT CRS				1
	2247601	Burner Box Side RT S/S				1
	2247602	Burner Box Side LT CRS				1
2247603	Burner Box Side LT S/S				1	
15	2342800	Drip Pan	1	1	1	1
16	2512600	Burner Box Bottom	1	1	1	
	2247000	Burner Box Bottom				1
17	G6214	Top Ring Grate	6	6	6	6
18	1758701	Top Grate 43-40 (24K)	3	3	3	3
20	2217302	Front Burner	3	3	3	3
21	2217304	Rear Burner	3	3	3	3
22	2519200	Air Shutter	6	6	6	6
23	2521100	Open Burner Pilot Bracket	3	3	3	3
24	2520800	Burner Pilot	6	6	6	6
	2520804	Sleeve 3/16" Comp.	6	6	6	6
	2200704	3/16" Comp Nut	6	6	6	6
	2200706	Nut Thermocouple Retaining	6	6	6	6
	2520801	Orifice Pilot (51) Nat.	6	6	6	6
	2520802	Orifice Pilot (30) Pro.	6	6	6	6
	2520803	Orifice Pilot Manuf	6	6	6	6

* NOT ILLUSTRATED

RECOMMENDED STOCK PARTS

GARLAND PARTS IDENTIFICATION

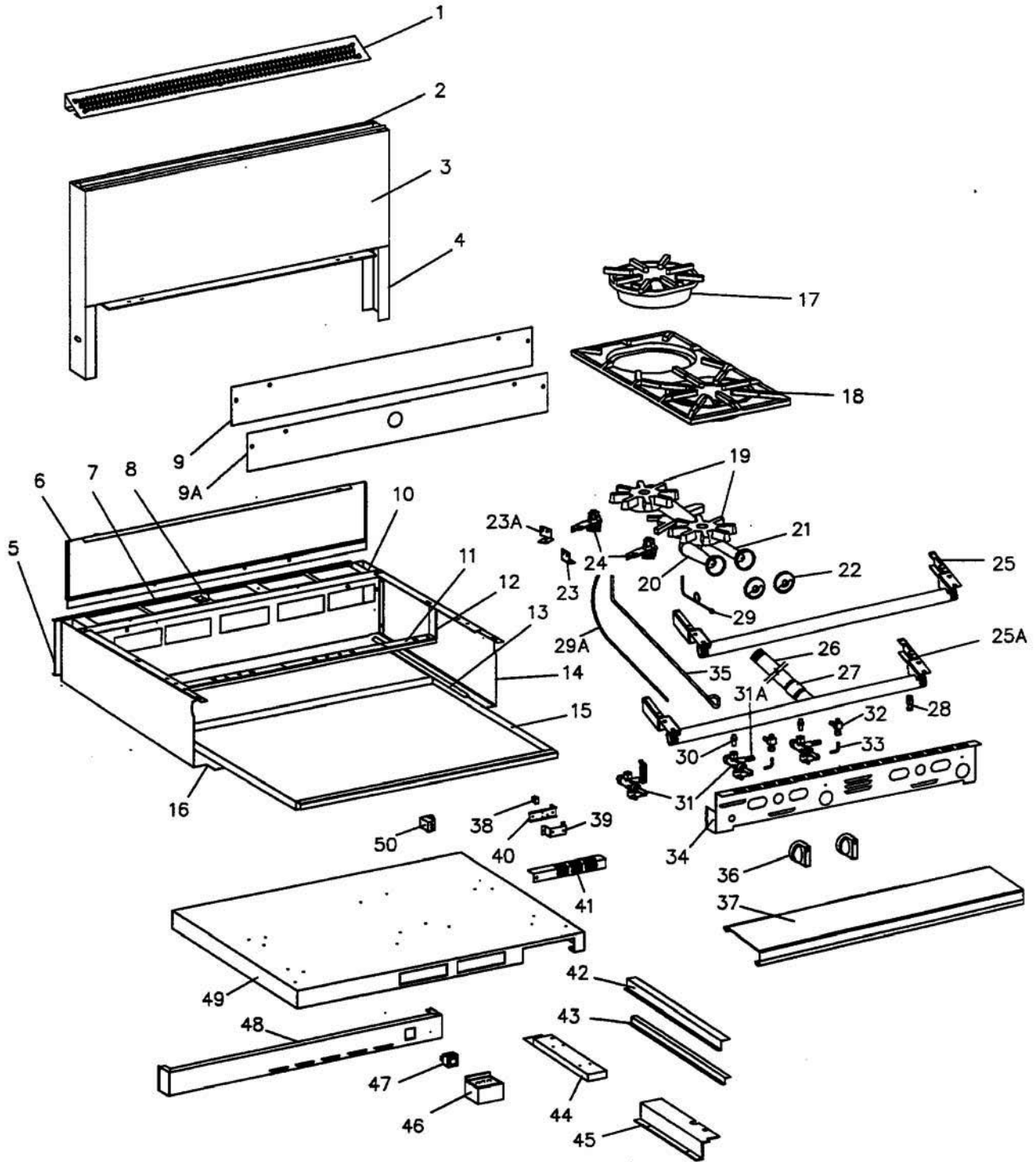
**MST43 Top Configuration: Six 24K Open Top Burners + Spark Ignition
models: MST43RE, MST43RCE, MST43SE, MST43TE**

ITEM	PART #	DESCRIPTION	QUANTITY			
			MODEL			
			MST43RE	MST43RCE	MST43SE	MST43TE
24 Cont	2200707	Nut - Electrode	6	6		
	2200900	Electrode	6	6		
25	2394499	Manifold Assy	1	1	1	1
	2394498	Manifold Assy (Rear)	1	1	1	1
26	076029-184	Nipple 1-/14" NPT x 29" LG Blk	1	1	1	1
27	076029-183	Coupling 1-1/4" NPT Blk	1	1	1	1
28	G02251-1	Test Spigot	1	1	1	1
29	2200600	18" Thermocouple	3	3	3	3
	2200602	24" Thermocouple	3	3	3	3
30	2198102	Valve Connector Fitting	6	6	6	6
31	4601578	Flame Failure Valve Assembly	6	6	6	6
31A	1086597	Gum Valve 3/16"	6	6	6	6
32	G7266-XX	Orifice Holder Special (Gas/Dest)	6	6	6	6
	G7266-1-2	Orifice Holder 1.2MM G31 Pro	6	6	6	6
	G7266-45F	Orifice Holder - #45 Nat.	6	6	6	6
	G7266-49F	Orifice Holder - #49 G20/G25 Nat.	6	6	6	6
	G7266-54F	Orifice Holder - #54	6	6	6	6
33	2519600	1/4 Tube Valve Orifice	6	6	6	6
34	2395700	Valve Panel	1	1		
	2395701	Valve Panel			1	1
35	2425800	Pilot Tube-3/16" Front Burner	3	3	3	3
	2425900	Pilot Tube-3/16" Rear Burner	3	3	3	3
35A*	1086597	Gum Valve 3/16" Pilot	6	6	6	6
36	4512120	KNOB KIT, HI/LOW FF	6	6	6	6
	4512150	Knob Kit (Oven Valve)	1	1		
	2522105	Knob (FD Oven C)	1	1		
	4512141	Knob Kit (FD Oven F)	1	1		
37	2190699	Front Rail Assy	1	1	1	1
38	050059	Sectional Terminal Block	4	4	2	2
	050060	Sectional Terminal End	2	2	1	1
39	2336400	Mounting Bracket				1
40	2336300	Terminal Block Bracket				1
41	2336200	Terminal Block Enclosure				1
42	2247100	Wire Way				1
43	2336000	Insulation Retainer				1
44	2247300	Spark Modular Support				1
45	2247200	Spark Modular Enclosure				1
46	2144002	120V Spark Generator	2	2	2	2
	2144000	240V Spark Generator	2	2	2	2
47	2200300	Push Bottom Switch	1	1	1	1
48	2247700	Secondary Valve Panel				1
49	2247400	Secondary Burner Bottom				1
50*	2533201	EMI FILTER FN612-6/06, for 120V units		1		
	2533200	EMI FILTER FN612-3/06, for 240V units		1		

* NOT ILLUSTRATED

RECOMMENDED STOCK PARTS

NOTES



GARLAND PARTS IDENTIFICATION
MST44 Top Configuration: Four 35K Open Top Burners
models: MST44R, MST44RC, MST44S, MST44T

ITEM	PART #	DESCRIPTION	QUANTITY			
			MODEL			
			MST44R	MST44RC	MST44S	MST44T
1	1790602	LP BG Flue Cap 34"	1	1	1	1
2	1816407	LP BG Back 34" AZ	1	1	1	1
	1816408	LP BG Back 34" S/S	1	1	1	1
3	1817304	LP Front Panel (34" Use 2660103)	1	1	1	1
4	1768599	LP BG Upright Assembly S/W	2	2	2	2
5	G7341-1-6	Rear Radiation Shield	1	1	1	1
	G7341-6-6	Rear Radiation RR Gas	1	1	1	1
6	1806101	Burner Box Back	1	1	1	
	1806104	Burner Box Back RR Gas	1	1	1	
	2546400	Burner Box Back				1
	2546410	Burner Box Back Gas				1
7	2553000	Back Top MST40	1	1	1	1
8	2559000	Backguard Spacer	1	1	1	1
9	2133200	Back Top Baffle	1	1	1	1
9A	G0585-1-6	Back Top Baffle-Rear Gas	1	1	1	1
10	1768399	Shelf Mtg. Brkt. Assembly LT	1	1	1	1
	1768398	Shelf Mtg. Brkt. Assembly RT	1	1	1	1
11	2537300	Burner Rest	1	1	1	1
12	2537400	Burner Hanger	2	2	2	2
13	2505400	Drip Tray Guide RH	1	1	1	1
	2505401	Drip Tray Guide LH	1	1	1	1
14	1132804	Burner Box Side RT CRS	1	1	1	
	1132805	Burner Box Side RT S/S	1	1	1	
	1132806	Burner Box Side LT CRS	1	1	1	
	1132807	Burner Box Side LT S/S	1	1	1	
	2247600	Burner Box Side RT CRS				1
	2247601	Burner Box Side RT S/S				1
	2247602	Burner Box Side LT CRS				1
2247603	Burner Box Side LT S/S				1	
15	2342800	Drip Pan	1	1	1	1
16	2512600	Burner Box Bottom	1	1	1	
	2426900	Burner Box Bottom				1
17	1769101	Ring Grate/Bowl 35K	4	4	4	4
18	1769001	Top Grate 35K Burner	2	2	2	2
19	2528200	Burner Head 35K	4	4	4	4
20	2528000	Front Burner Housing 35K - Venturi (No Head)	2	2	2	2
21	2528100	Rear Burner Housing 35K - Venturi (No Head)	2	2	2	2
22	2519200	Air Shutter	4	4	4	4
	G4202-2	Air Shutter - Manufactured Gas	4	4	4	4
23	2550200	Pilot Bracket-MST44-Rear Burner (UP TO DEC/20/2000)	2	2	2	2
	2550202	Pilot Bracket-MST44-Rear Burner (FROM DEC/20/2000)	2	2	2	2
23A	2550201	Pilot Bracket-MST44-Front Burner (UP TO DEC/20/2000)	2	2	2	2
	2550203	Pilot Bracket-MST44-Front Burner (FROM DEC/20/2000)	2	2	2	2
24	2520800	Burner Pilot	4	4	4	4
	2520804	Sleeve 3/16" Comp.	4	4	4	4
	2200704	3/16" Comp. Nut	4	4	4	4
	2200706	Nut Thermocouple Retaining	4	4	4	4

* NOT ILLUSTRATED

RECOMMENDED STOCK PARTS

GARLAND PARTS IDENTIFICATION
MST44 Top Configuration: Four 35K Open Top Burners
models: MST44R, MST44RC, MST44S, MST44T

ITEM	PART #	DESCRIPTION	QUANTITY			
			MODEL			
			MST44R	MST44RC	MST44S	MST44T
24 Cont	2520801	Orifice Pilot - 51 Nat	4	4	4	4
	2520802	Orifice Pilot - 30 Pro	4	4	4	4
	2520803	Orifice Pilot - Manuft	4	4	4	4
	2200707	Nut-Electrode	4	4	4	4
	2200900	Electrode	1	1	1	1
25	2394598	Manifold Assy Std.	1	1	1	1
	2394599	Manifold Assy RR Gas	1	1	1	1
26	076029-184	Nipple 1-1/4" NPT Blk	1	1	1	1
27	076029-183	Coupling 1-1/4" NPT BLK	1	1	1	1
28	G02251-1	Test Spigot	2	2	2	2
29	2200600	18" Thermocouple	2	2	2	2
	2200602	24" Thermocouple	2	2	2	2
30	2198102	Valve Connector Fitting	4	4	4	4
31	4601578	Flame Failure Valve Assembly	4	4	4	4
	2595199	FF Valve/Adapter Assy-Mfg. Gas	4	4	4	4
31A*	1086597	Gum Valve 3/16"	4	4	4	4
32	G7266-XX	Orifice Holder Special (Gas/Dest.)	4	4	4	4
	G7266-39F	Orifice Holder #39 N. America	4	4	4	4
	G7266-50F	Orifice Holder #50 N. America	4	4	4	4
	G7266-44F	Orifice Holder #44 G20/G25 Nat. Europe-CE	4	4	4	4
	G7266-54F	Orifice Holder #54 G31 Pro Europe-CE	4	4	4	4
	M9-XX	Orifice-MFG Gas (Spec Gas/Dest)	4	4	4	4
33	2519600	1/4 Tube Valve to Orifice	2	2	2	2
34	2395800	Valve Panel	1	1		
	2395801	Valve Panel			1	1
36	4512150	Knob Kit Oven Valve	1	1		
	4512120	KNOB KIT, HI/LOW FF	4	4	4	4
	4512140	Knob Kit (Top FF PEL) MFg Gas	4	4	4	4
	4512142	Knob Kit (FD Oven C)	1	1		
	4512141	Knob Kit (FD Oven F)	1	1		
37	2190699	Front Rail Assy	1	1	1	1
48	2247703	Secondary Valve Panel				1
49	2247400	Secondary Burner Box Bottom				1

* NOT ILLUSTRATED
RECOMMENDED STOCK PARTS

GARLAND PARTS IDENTIFICATION
MST44 Top Configuration: Four 35K Open Top Burners + Spark Ignition
models: MST44RE, MST44RCE, MST44SE, MST44TE

ITEM	PART #	DESCRIPTION	QUANTITY			
			MODEL			
			MST44RE	MST44RCE	MST44SE	MST44TE
1	1790601	LP BG Flue Cap 34"	1	1	1	1
2	1816407	LP BG Back 34" AZ	1	1	1	1
	1816408	LP BG Back 34" S/S	1	1	1	1
3	1817304	LP Front Panel (34" Use 2660103)	1	1	1	1
4	1768599	LP BG Upright Assembly S/W	2	2	2	2
5	G7341-1-6	Rear Radiation Shield	1	1	1	1
	G7341-6-6	Rear Radiation RR Gas	1	1	1	1
6	1806101	Burner Box Back	1	1	1	
	1806104	Burner Box Back RR Gas	1	1	1	
	2546400	Burner Box Back (M40T)				1
	2546410	Burner Box Back Gas				1
7	2553000	Back Top MST40	1	1	1	1
8	2559000	Backguard Spacer	1	1	1	1
9	2133200	Back Top Baffle	1	1	1	1
9A	G0585-1-6	Back Top Baffle-Rear Gas	1	1	1	1
10	1768399	Shelf Mtg. Brkt. Assembly LT	1	1	1	1
	1768398	Shelf Mtg. Brkt. Assembly RT	1	1	1	1
11	2537300	Burner Rest	1	1	1	1
12	2537400	Burner Hanger	2	2	2	2
13	2505400	Drip Tray Guide RH	1	1	1	1
	2505401	Drip Tray Guide LH	1	1	1	1
14	1132804	Burner Box Side RT CRS	1	1	1	
	1132805	Burner Box Side RT S/S	1	1	1	
	1132806	Burner Box Side LT CRS	1	1	1	
	1132807	Burner Box Side LT S/S	1	1	1	
	2247600	Burner Box Side RT CRS				1
	2247601	Burner Box Side RT S/S				1
	2247602	Burner Box Side LT CRS				1
2247603	Burner Box Side LT S/S				1	
15	2342800	Drip Pan	1	1	1	1
16	2512600	Burner Box Bottom	1	1	1	
	2426900	Burner Box Bottom				1
17	1769101	Ring Grate/Bowl 35K	4	4	4	4
18	1769001	Top Grate 35K Burner	2	2	2	2
19	2528200	Burner Head 35K	4	4	4	4
20	2528000	Front Burner Housing 35K - Venturi (No Head)	2	2	2	2
21	2528100	Rear Burner Housing 35K - Venturi (No Head)	2	2	2	2
22	2519200	Air Shutter	4	4	4	4
	G4202-2	Air Shutter - Manufactured Gas	4	4	4	4
23	2550200	Pilot Bracket-MST44-Rear Burner	2	2	2	2
23A	2550201	Pilot Bracket-MST44-Front Burner	2	2	2	2
24	2520800	Burner Pilot	4	4	4	4
	2520804	Sleeve 3/16" Comp.	4	4	4	4
	2200704	3/16" Comp. Nut	4	4	4	4
	2200706	Nut Thermocouple Retaining	4	4	4	4
	2520801	Orifice Pilot - 51 Nat	4	4	4	4

* NOT ILLUSTRATED

RECOMMENDED STOCK PARTS

GARLAND PARTS IDENTIFICATION
MST44 Top Configuration: Four 35K Open Top Burners + Spark Ignition
models: MST44RE, MST44RCE, MST44SE, MST44TE

ITEM	PART #	DESCRIPTION	QUANTITY			
			MODEL			
			MST44RE	MST44RCE	MST44SE	MST44TE
24 Cont	2520802	Orifice Pilot - 30 Pro	4	4	4	4
	2520803	Orifice Pilot - Manuft	4	4	4	4
	2200707	Nut-Electrode	4	4	4	4
	2200900	Electrode	1	1	1	1
25	2394598	Manifold Assy Std.	1	1	1	1
	2394599	Manifold Assy RR Gas	1	1	1	1
26	076029-184	Nipple 1-1/4" NPT Blk	1	1	1	1
27	076029-183	Coupling 1-1/4" NPT BLK	1	1	1	1
28	G02251-1	Test Spigot	1	1	1	1
29	2200600	18" Thermocouple	2	2	2	2
	2200602	24" Thermocouple	2	2	2	2
29A	2200201	36" HT Wire	1	1	1	1
	2200200	48" HT Wire	3	3	3	3
30	2198102	Valve Connector Fitting	4	4	4	4
31	4601578	Flame Failure Valve Assembly	4	4	4	4
	2595199	FF Valve/Adapter Assy-Mfg. Gas	4	4	4	4
31A*	1086597	Gum Valve 3/16"	4	4	4	4
32	G7266-XX	Orifice Holder Special (Gas/Dest.)	4	4	4	4
	G7266-39F	Orifice Holder #39 Nat N. America	4	4	4	4
	G7266-50F	Orifice Holder #50 Pro N. America	4	4	4	4
	G7266-44F	Orifice Holder #44 G20/G25 Nat. Europe-CE	4	4	4	4
	G7266-54F	Orifice Holder #54 G31 Pro Europe-CE	4	4	4	4
	M9-XX	Orifice-MFG Gas (Spec Gas/Dest)	4	4	4	4
33	2519600	1/4 Tube Valve to Orifice	4	4	4	4
34	2395800	Valve Panel	1	1		
	2395801	Valve Panel			1	1
36	4512150	Knob Kit Oven Valve	1	1		
	4512120	KNOB KIT, HI/LOW FF	4	4	4	4
	4512140	Knob Kit (Top FF PEL) Mfg Gas	4	4	4	4
	4512142	Knob Kit (FD Oven C)	1	1		
	4512141	Knob Kit (FD Oven F)	1	1		
37	2190699	Front Rail Assy	1	1	1	1
38	050069	Sectional Terminal Block	4	4	2	2
	050070	Sectional Terminal End	2	2	1	1
39	2336400	Mounting Bracket				1
40	2336300	Terminal Block Bracket				1
41	2336200	Terminal Block Enclosure				1
42	2247100	Wire Way				1
43	2336300	Insulation Retainer				1
44	2247300	Spark Modular Support				1
45	2247200	Spark Modular Enclosure				1
46	2144000	240 Volt Spark Generator				1
	2144002	120Volt Spark Generator				1
47	2200300	Push Button Switch				1
48	2247703	Secondary Valve Panel				1
49	2247400	Secondary Burner Box Bottom				1

* NOT ILLUSTRATED
RECOMMENDED STOCK PARTS

GARLAND PARTS IDENTIFICATION

**MST4 Top Configuration: Two 35K Open Top Burners / with or without Spark Ignition (E)
models: MST4S, MST4T, MST4SE, MST4TE**

ITEM	PART #	DESCRIPTION	QUANTITY			
			MODEL			
			MST4S	MST4T	MST4SE	MST4TE
1	1790602	LP BG Flue Cap 17"	1	1	1	1
2	1816401	LP BG Back 17" AZ	1	1	1	1
	1816402	LP BG Back 17" SS	1	1	1	1
3	1817301	LP Front Panel 17"	1	1	1	1
4	1768559	LP BG Upright Assy S/W	2	2	2	2
5	2539000	Rear Radiation Shield	1	1	1	1
	2539001	Rear Radiation Shield RR Gas	1	1	1	1
6	2546701	Burner Box Back	1		1	
	2546401	Burner Box Back		1		1
	2546705	Burner Box Back - RR Gas	1		1	
	2546412	Burner Box Back - RR Gas		1		1
7	2584800	Back Top	1	1	1	1
8	255900	Backguard Spacer		1		1
10	1768398	Shelf Mtg. Brkt. Assy RT	1	1	1	1
	1768399	Shelf Mtg. Brkt. Assy LT	1	1	1	1
11	2538900	Burner Rest - M4	1	1	1	1
12	2537400	Burner Hanger	2	2	2	2
13	2505400	Drip Tray Guide RH	1	1	1	1
	2505401	Drip Tray Guide LH	1	1	1	1
14	1132804	Burner Box Side RH/CRS	1		1	
	1132805	Burner Box Side RH/SS	1		1	
	1132806	Burner Box Side LH/CRS	1		1	
	1132807	Burner Box Side LH/SS	1		1	
	2247600	Burner Box Side RH/CRS		1		1
	2247601	Burner Box Side RH/SS		1		1
	2247602	Burner Box Side LH/CRS		1		1
2247603	Burner Box Side LH/SS		1		1	
15	2342802	Drip Pan	1	1	1	1
16	2515200	Burner Box Bottom	1		1	
	2426900	Burner Box Bottom		1		1
17	1769101	Top Ring Grate/Bowl	2	2	2	2
18	1769001	Top Grate 35 K Burner	1	1	1	1
19	2528200	Burner Head 35K	2	2	2	2
20	2528000	Front Burner Housing	1	1	1	1
21	2528100	Rear Burner Housing	1	1	1	1
22	2519200	Air Shutter	2	2	2	2
	G4202-2	Air Shutter - Manufactured Gas	2	2	2	2
23	2550200	Pilot Bracket-MST44 Rear Burner	1	1	1	1
23A	2550201	Pilot Bracket-MST44 Front Burner	1	1	1	1
24	2520800	Burner Pilot	2	2	2	2
	2520804	Sleeve 3/16" Comp	2	2	2	2
	2200704	3/16" Comp Nut	2	2	2	2
	2200706	Nut Thermo. Retain	2	2	2	2
	2520801	Orifice Pilot-51 Nat	2	2	2	2
	2520802	Orifice Pilot-30 Pro	2	2	2	2
	2520803	Orifice Pilot-23 Mfg Gas	2	2	2	2
	2200707	Nut-Electrode			2	2
2200900	Electrode			2	2	

* NOT ILLUSTRATED

RECOMMENDED STOCK PARTS

GARLAND PARTS IDENTIFICATION

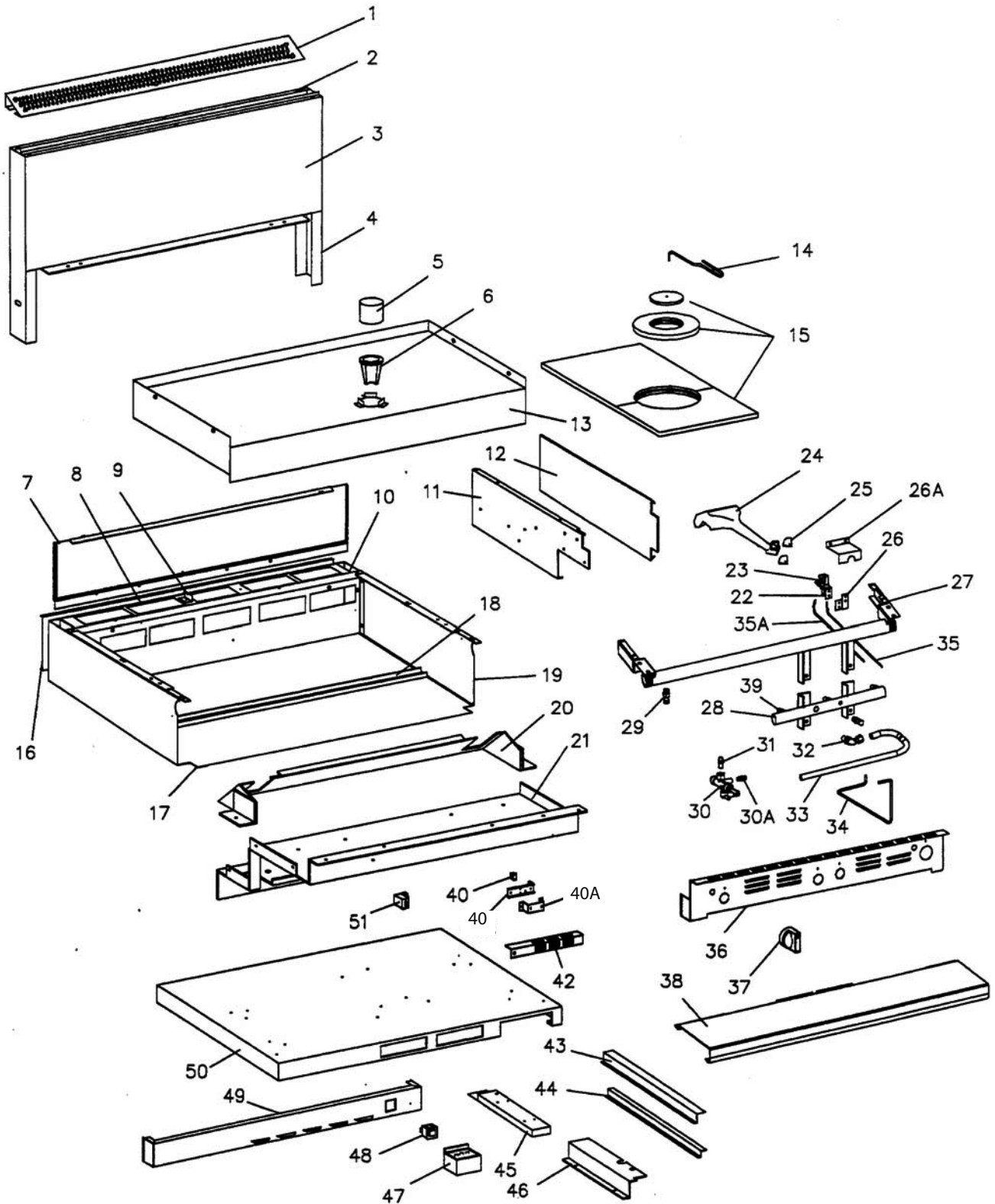
**MST4 Top Configuration: Two 35K Open Top Burners / with or without Spark Ignition (E)
models: MST4S, MST4T, MST4SE, MST4TE**

ITEM	PART #	DESCRIPTION	QUANTITY			
			MODEL			
			MST4S	MST4T	MST4SE	MST4TE
25	2445899	Manifold Assy	1	1	1	1
	2445898	Manifold Assy-Rear Gas	1	1	1	1
28	076029-185	Nipple - 1" NPY x 29" Lg	1	1	1	1
29	2200600	18" Thermocouple	1	1	1	1
	2200602	24" Thermocouple	1	1	1	1
	2200201	36" HT Wire			2	2
30	2198102	Valve Connector Fitting	2	2	2	2
31	4601578	Flame Failure Valve Assembly	2	2	2	2
	2595199	FF Valve/Adapter Assy. Mfg. Gas	2	2	2	2
31A	1086597	Gum Valve	2	2	2	2
32	G7266-XX	Orifice Holder Special (Gas/Dest.)	2	2	2	2
	G7266-39F	Orifice Holder #39 Nat N. America	2	2	2	2
	G7266-50F	Orifice Holder #50 Pro N. America	2	2	2	2
	G7266-44F	Orifice Holder #44 G20/G25 Nat. Europe-CE	2	2	2	2
	G7266-54F	Orifice Holder #54 G31 Pro Europe-CE	2	2	2	2
	M9-XX	Orifice-MFG Gas (Spec Gas/Dest)	2	2	2	2
33	2519600	1/4 Tube Valve to Orifice	2	2	2	2
34	2445900	Valve Panel	1	1	1	1
36	4512120	KNOB KIT, HI/LOW FF	2	2	2	2
	4512140	Knob Kit (Top FF PEL) Mfg. Gas	2	2	2	2
37	2426899	Front Rail Assy	1	1	1	1
38	050069	Sectional Terminal Block			1	1
	050070	Sectional Terminal Enclosure			1	1
39	2336400	Mounting Bracket				1
40	2336300	Terminal Block Bracket				1
41	2336200	Terminal Block Enclosure				1
42	2247100	Wire Way				1
43	2336000	Insulation Retainer				1
44	2247300	Spark Modular Support				1
45	2247200	Spark Modular Enclosure				1
46	2144000	240V Spark Generator				1
	2144002	120V Spark Generator				1
47	2200300	Push Button Switch				1
48	2427100	Secondary Valve Panel				1
	2427103	Secondary Valve Panel			1	
49	2427000	Secondary Burner Box Bottom			1	
	2427001	Secondary Burner Box Bottom				1

* NOT ILLUSTRATED

RECOMMENDED STOCK PARTS

NOTES



GARLAND PARTS IDENTIFICATION

**MST45 Top Configuration: Two 45K Front-Fired Hot Top or French Top
models: MST45R, MST45RC, MST45S, MST45T**

ITEM	PART #	DESCRIPTION	QUANTITY			
			MODEL			
			MST45R	MST45RC	MST45S	MST45T
1	1790601	LP BG Flue Cap 34"	1	1	1	1
	1816407	LP BG Back 34" AZ	1	1	1	1
	1816408	LP BG Back 34" SS	1	1	1	1
3	1817304	LP Front Panel 34"	1	1	1	1
4	1768599	LP BG Upright Assy S/W	2	2	2	2
5	G01275-1	Alumdum Support	1	1	1	1
6	G02398-1	Brick Post Support	1	1	1	1
7	1806101	Burner Box Back	1	1	1	
	2546400	Burner Box Back				1
8	2553000	Back Top MST 40	1	1	1	1
9	2559000	Back Guard Spacer	1	1	1	1
10	1768399	Self Mtg Brkt. Assy LT	1	1	1	1
	1768398	Self Mtg Brkt. Assy RT	1	1	1	1
11	2548701	Side Radiation Shield LH	1	1	1	1
	2548700	Side Radiation Shield RH	1	1	1	1
12	G7338-1-6	Side Radiation Shield	2	2	2	2
13	G0450-01-6	Radiation Pan Assy	1	1	1	1
14	G6308-1-8	Lid Lifter	1	1	1	1
15	G6117-01	Key Plate Assy-Machined	2	2	2	2
16	G7341-1-6	Rear Radiation Shield	1	1	1	1
17	2512601	Burner Box Bottom	1	1	1	
	2546301	Burner Box Bottom M40T				1
18	G6307-1-5	Burner Box Brick Post Sup	1	1	1	1
19	1132804	Burner Box Side RT/CRS	1	1	1	
	1132805	Burner Box Side RT/SS	1	1	1	
	1132806	Burner Box Side LT/CRS	1	1	1	
	1132807	Burner Box Side LT/SS	1	1	1	
	2247602	Burner Box Side LT/CRS				1
	2247603	Burner Box Side RT/CRS				1
	2247600	Burner Box Side RT/SS				1
20	2207799	Burner Air Shield Assy	1	1	1	1
21	2209200	Top Burner Housing	1	1	1	1
22	2200700	Pilot Burner RH	2	2	2	2
23	2200702	Pilot Orifice # 32 Nat	2	2	2	2
	2200703	Pilot Orifice # 23 Pro	2	2	2	2
	2200709	Pilot Orifice # 40 MFG	2	2	2	2
	2200704	Compression Nut-2/16	2	2	2	2
	2200705	Olive Sleeve-3/16	2	2	2	2
	2200706	Nut-Thermocouple Retaining	2	2	2	2
24	G3575-32	Top Burner Natural	6	6	6	6
	G3575-36	Top Burner Propane	6	6	6	6
	G3575-40	Top Burner Manufactured	6	6	6	6
25	G4155	Air Shutter	12	12	12	12
26	2190700	Pilot Mtg Bracket	2	2	2	2

* NOT ILLUSTRATED

RECOMMENDED STOCK PARTS

GARLAND PARTS IDENTIFICATION

**MST45 Top Configuration: Two 45K Front-Fired Hot Top or French Top
models: MST45R, MST45RC, MST45S, MST45T**

ITEM	PART #	DESCRIPTION	QUANTITY			
			MODEL			
			MST45R	MST45RC	MST45S	MST45T
26A	2341600	Thermostat Heat Shield	1	1	1	1
27	2190999	Manifold Assy M45	1	1	1	1
28	2190499	Secondary Manifold Assy	1	1	1	1
29	G02251-1	Test Spigot	1	1	1	1
30	2180799	Flame Failure Valve	2	2	2	2
30A	1086597	Gum Valve - 3/16 Pilot	2	2	2	2
31	2198100	Valve Connector Fitting-12mm	2	2	2	2
32	076050-90	7/16CC x 1/4 NPT Elbow	1	1	1	1
33	2230100	Tube-7/16" Valve-Sec Manifold	2	2	2	2
34	2229000	Pilot Tube-LH	1	1	1	1
	2229100	Pilot Tube-RH	1	1	1	1
35	2200600	Thermocouple-18"	1	1	1	1
	2200601	Thermocouple-24"	1	1	1	1
37	4512140	Knob Kit-Hot Top	2	2	2	2
	4512141	Knob Kit (FD Oven F)	1	1		
	4512142	Knob Kit (FD Oven C)	1	1		
38	2190699	Front Rail Assembly	1	1	1	1
39	2104552	Orifice- Natural (N. America)	6	6	6	6
	2104563	Orifice- Propane (N. America)	6	6	6	6
	2104554	Orifice- Nat G20/25 Europe-CE	6	6	6	6
	2104563	Orifice- Pro. G31 Europe-CE	6	6	6	6
	21045XX	Orifice- Special (Spec Gas/Dest)	6	6	6	6
49	2247702	Secondary Valve Panel				1
50	2247400	Secondary Burner Box Bottom				1

* NOT ILLUSTRATED
RECOMMENDED STOCK PARTS

GARLAND PARTS IDENTIFICATION

**MST45 Top Configuration: Two 45K Front-Fired Hot Top or French Top + Spark Ignition
models: MST45RE, MST45RCE, MST45SE, MST45TE**

ITEM	PART #	DESCRIPTION	QUANTITY			
			MODEL			
			MST45RE	MST45RCE	MST45SE	MST45TE
1	1790601	LP BG Flue Cap 34"	1	1	1	1
	1816407	LP BG Back 34" AZ	1	1	1	1
	1816408	LP BG Back 34" SS	1	1	1	1
3	1817304	LP Front Panel 34"	1	1	1	1
4	1768599	LP BG Upright Assy S/W	2	2	2	2
5	G01275-1	Alumdum Support	1	1	1	1
6	G02398-1	Brick Post Support	1	1	1	1
7	1806101	Burner Box Back	1	1	1	
	2546400	Burner Box Back				1
8	2553000	Back Top MST 40	1	1	1	1
9	2559000	Back Guard Spacer	1	1	1	1
10	1768399	Self Mtg Brkt. Assy LT	1	1	1	1
	1768398	Self Mtg Brkt. Assy RT	1	1	1	1
11	2548701	Side Radiation Shield LH	1	1	1	1
	2548700	Side Radiation Shield RH	1	1	1	1
12	G7338-1-6	Side Radiation Shield	2	2	2	2
13	G0450-01-6	Radiation Pan Assy	1	1	1	1
14	G6308-1-8	Lid Lifter	1	1	1	1
15	G6117-01	Key Plate Assy-Machined	2	2	2	2
16	G7341-1-6	Rear Radiation Shield	1	1	1	1
17	2512601	Burner Box Bottom	1	1	1	
	2546301	Burner Box Bottom M40T				1
18	G6307-1-5	Burner Box Brick Post Sup	1	1	1	1
19	1132804	Burner Box Side RT/CRS	1	1	1	
	1132805	Burner Box Side RT/SS	1	1	1	
	1132806	Burner Box Side LT/CRS	1	1	1	
	1132807	Burner Box Side LT/SS	1	1	1	
	2247602	Burner Box Side LT/CRS				1
	2247603	Burner Box Side RT/CRS				1
	2247600	Burner Box Side RT/SS				1
2247601	Burner Box Side LT/SS				1	
20	2207799	Burner Air Shield Assy	1	1	1	1
21	2209200	Top Burner Housing	1	1	1	1
22	2200700	Pilot Burner RH	2	2	2	2
23	2200702	Pilot Orifice # 32 Nat	2	2	2	2
	2200703	Pilot Orifice # 23 Pro	2	2	2	2
	2200709	Pilot Orifice # 40 MFG	2	2	2	2
	2200704	Compression Nut-2/16	2	2	2	2
	2200705	Olive Sleeve-3/16	2	2	2	2
	2200706	Nut-Thermocouple Retaining	2	2	2	2
	2200702	Nut-Electrode	2	2	2	2
	2200708	Electrode	2	2	2	2
24	G3575-32	Top Burner Natural	6	6	6	6
	G3575-36	Top Burner Propane	6	6	6	6
	G3575-40	Top Burner Manufactured	6	6	6	6

* NOT ILLUSTRATED

RECOMMENDED STOCK PARTS

GARLAND PARTS IDENTIFICATION

**MST45 Top Configuration: Two 45K Front-Fired Hot Top or French Top + Spark Ignition
models: MST45RE, MST45RCE, MST45SE, MST45TE**

ITEM	PART #	DESCRIPTION	QUANTITY			
			MODEL			
			MST45RE	MST45RCE	MST45SE	MST45TE
25	G4155	Air Shutter	12	12	12	12
26	2190700	Pilot Mtg Bracket	2	2	2	2
26A	2341600	Thermostat Heat Shield	1	1	1	1
27	2190999	Manifold Assy M45	1	1	1	1
28	2190499	Secondary Manifold Assy	1	1	1	1
29	G02251-1	Test Spigot	1	1	1	1
30	2180799	Flame Failure Valve	2	2	2	2
30A	1086597	Gum Valve - 3/16 Pilot	2	2	2	2
31	2198100	Valve Connector Fitting-12mm	2	2	2	2
32	076050-90	7/16CC x 1/4 NPT Elbow	1	1	1	1
33	2230100	Tube-7/16" Valve-Sec Manifold	2	2	2	2
34	2229000	Pilot Tube-LH	1	1	1	1
	2229100	Pilot Tube-RH	1	1	1	1
35	2200600	Thermocouple-18"	1	1	1	1
	2200601	Thermocouple-24"	1	1	1	1
35A	2200200	High Tension Wire-48"	1	1	1	1
	2200201	High Tension Wire-36"	1	1	1	1
37	4512140	Knob Kit-Hot Top	2	2	2	2
	4512141	Knob Kit (FD Oven F)	1	1		
	4512142	Knob Kit (FD Oven C)	1	1		
38	2190699	Front Rail Assembly	1	1	1	1
39	2104552	Orifice- Natural (N. America)	6	6	6	6
	2104563	Orifice- Propane (N. America)	6	6	6	6
	2104554	Orifice- Nat G20/25 Europe-CE	6	6	6	6
	2104563	Orifice- Pro. G31 Europe-CE	6	6	6	6
	21045XX	Orifice- Special (Spec Gas/Dest)	6	6	6	6
40	050069	Sectional Terminal Block				1
	050070	Sectional Terminal End				1
40A	2336400	Mounting Bracket				1
41	2336300	Terminal Block Bracket				1
42	2336200	Terminal Block Enclosure				1
43	2247100	Wire Way				1
44	2336000	Insulation Retainer Secondary				1
45	2237300	Spark Modular Support				1
46	2247200	Spark Modular Enclosure				1
47	2144002	120V Spark Generator				1
	2144000	240V Spark Generator				1
48	2200300	Push Button Switch				1
49	2247702	Secondary Valve Panel				1
50	2247400	Secondary Burner Box Bottom				1
51	2533200	EMI Filter				1

* NOT ILLUSTRATED
RECOMMENDED STOCK PARTS

GARLAND PARTS IDENTIFICATION

**MST5 Top Configuration: One 45K Front-Fired Hot Top or French Top
models: MST5S, MST5T**

ITEM	PART #	DESCRIPTION	QUANTITY	
			MODEL	
			MST5S	MST5T
1	1790602	LP BG Flue Cap 17"	1	1
2	1816401	LP BG Back 17" AZ	1	1
	1816402	LP BG Back 17" SS	1	1
3	1817301	LP Front Panel 17"	1	1
4	1768599	LP BG Upright Assy S/w	1	1
7	2546701	Burner Box Back 17"	1	
	2546401	Burner Box Back M40T 17"		1
8	2584800	Back Top-17"	1	1
10	1768399	Shelf Mfg. Brkt. Assy LT	1	1
	1768398	Shelf Mfg. Brkt. Assy RT	1	1
11	2565901	Side Radiation Shield LH	1	1
	2565900	Side Radiation Shield RH	1	1
12	G7338-1-6	Side Radiation Shield	2	2
13	2340699	Radiation Pan Assembly	1	1
14	G6308-1-8	Lid Lifter		
15	G61170-011	Key Plate Assy-Machined	1	1
16	2539000	Rear Radiation Shield 17"	1	1
17	2546303	Burner Box Bottom M40T 17"		1
	2575201	Burner Box Bottom	1	
19	1132804	Burner Box Side RT/CRS	1	
	1132805	Burner Box Side RT/SS	1	
	1132806	Burner Box Side LT/CRS	1	
	1132807	Burner Box Side LT/SS	1	
	2247602	Burner Box Side LT/CRS		1
	2247603	Burner Box Side RT/CRS		1
	2247600	Burner Box Side RT/SS		1
2247601	Burner Box Side LT/SS		1	
20	2554299	Burner Air Shield Assy		1
21	2341201	Top Burner Housing	1	1
22	2200700	Pilot Burner RH	1	1
23	2200702	Pilot Orifice #32 Nat	1	1
	2200703	Pilot Orifice #23 Pro	1	1
	2200709	Pilot Orifice #40 Mfg	1	1
	2200704	Compression Nut 3/16	1	1
	2200705	Olive Sleeve-3/16	1	1
	2200706	Nut-Thermocouple Retaining	1	1
24	G3575-32	Top Burner Natural	3	3
	G3575-36	Top Burner Propane	3	3
	G3575-40	Top Burner Manufactured	3	3
25	G4155	Air Shutter	6	6
26	2190700	Pilot Mtg. Bracket	1	1
27	2554499	Manifold Assy M5	1	1
	2554498	Manifold Assy M5-3/4RR Gas	1	1
28	2190499	Secondary Manifold Assy	1	1
29	G02251-1	Test Spigot	1	1
30	4601575	Flame Failure Valve	1	1
30A	1086597	Gum Valve-3/16 Pilot	1	1
31	2198100	Valve Connector Fitting-12mm	1	1

* NOT ILLUSTRATED

RECOMMENDED STOCK PARTS

GARLAND PARTS IDENTIFICATION

**MST5 Top Configuration: One 45K Front-Fired Hot Top or French Top
models: MST5S, MST5T**

ITEM	PART #	DESCRIPTION	QUANTITY	
			MODEL	
			MST5S	MST5T
32	076050-90	7/16 CC x 1/4 NPT Elbow	1	1
33	2230100	Tube 7/16" Valve-Sec Manifold	1	1
34	2229100	Pilot Tube-RH	1	1
35	2200601	Thermocouple-24"	1	1
36	2565800	Valve Panel	1	1
37	4512140	Knob Kit-Hot Top	1	1
38	2426899	Front Rail Assembly	1	1
39	2104553	Orifice-Nat (N. America)	3	3
	2104563	Orifice-Pro (N. America)	3	3
	2104554	Orifice-Nat G20/25 Europe-CE	3	3
	2104563	Orifice-Pro G31 Europe-CE	3	3
	21045XX	Orifice Special (Spec Gas/Dest)	3	3
49	2427100	Secondary Valve Panel	1	1
50	2427001	Secondary Burner Box Bottom	1	1

* NOT ILLUSTRATED
RECOMMENDED STOCK PARTS

GARLAND PARTS IDENTIFICATION

**MST5 Top Configuration: One 45K Front-Fired Hot Top or French Top + Spark Ignition
models: MST5SE, MST5TE**

ITEM	PART #	DESCRIPTION	QUANTITY	
			MODEL	
			MST5SE	MST5TE
1	1790602	LP BG Flue Cap 17"	1	1
2	1816401	LP BG Back 17" AZ	1	1
	1816402	LP BG Back 17" SS	1	1
3	1817301	LP Front Panel 17"	1	1
4	1768599	LP BG Upright Assy S/w	1	1
7	2546701	Burner Box Back 17"	1	
	2546401	Burner Box Back M40T 17"		1
8	2584800	Back Top-17"	1	1
10	1768399	Shelf Mfg. Brkt. Assy LT	1	1
	1768398	Shelf Mfg. Brkt. Assy RT	1	1
11	2565901	Side Radiation Shield LH	1	1
	2565900	Side Radiation Shield RH	1	1
12	G7338-1-6	Side Radiation Shield	2	2
13	2340699	Radiation Pan Assembly	1	1
14	G6308-1-8	Lid Lifter		
15	G61170-011	Key Plate Assy-Machined	1	1
16	2539000	Rear Radiation Shield 17"	1	1
17	2546303	Burner Box Bottom M40T 17"		1
	2575201	Burner Box Bottom	1	
19	1132804	Burner Box Side RT/CRS	1	
	1132805	Burner Box Side RT/SS	1	
	1132806	Burner Box Side LT/CRS	1	
	1132807	Burner Box Side LT/SS	1	
	2247602	Burner Box Side LT/CRS		1
	2247603	Burner Box Side RT/CRS		1
	2247600	Burner Box Side RT/SS		1
2247601	Burner Box Side LT/SS		1	
20	2554299	Burner Air Shield Assy		1
21	2341201	Top Burner Housing	1	1
22	2200700	Pilot Burner RH	1	1
23	2200702	Pilot Orifice #32 Nat	1	1
	2200703	Pilot Orifice #23 Pro	1	1
	2200709	Pilot Orifice #40 Mfg	1	1
	2200704	Compression Nut 3/16	1	1
	2200705	Olive Sleeve-3/16	1	1
	2200706	Nut-Thermocouple Retaining	1	1
	2200707	Nut-Electrode	1	1
	2200708	Electrode	1	1
24	G3575-32	Top Burner Natural	3	3
	G3575-36	Top Burner Propane	3	3
	G3575-40	Top Burner Manufactured	3	3
25	G4155	Air Shutter	6	6
26	2190700	Pilot Mtg. Bracket	1	1
27	2554499	Manifold Assy M5	1	1
	2554498	Manifold Assy M5-3/4RR Gas	1	1
28	2190499	Secondary Manifold Assy	1	1
29	G02251-1	Test Spigot	1	1
30	4601575	Flame Failure Valve	1	1

* NOT ILLUSTRATED

RECOMMENDED STOCK PARTS

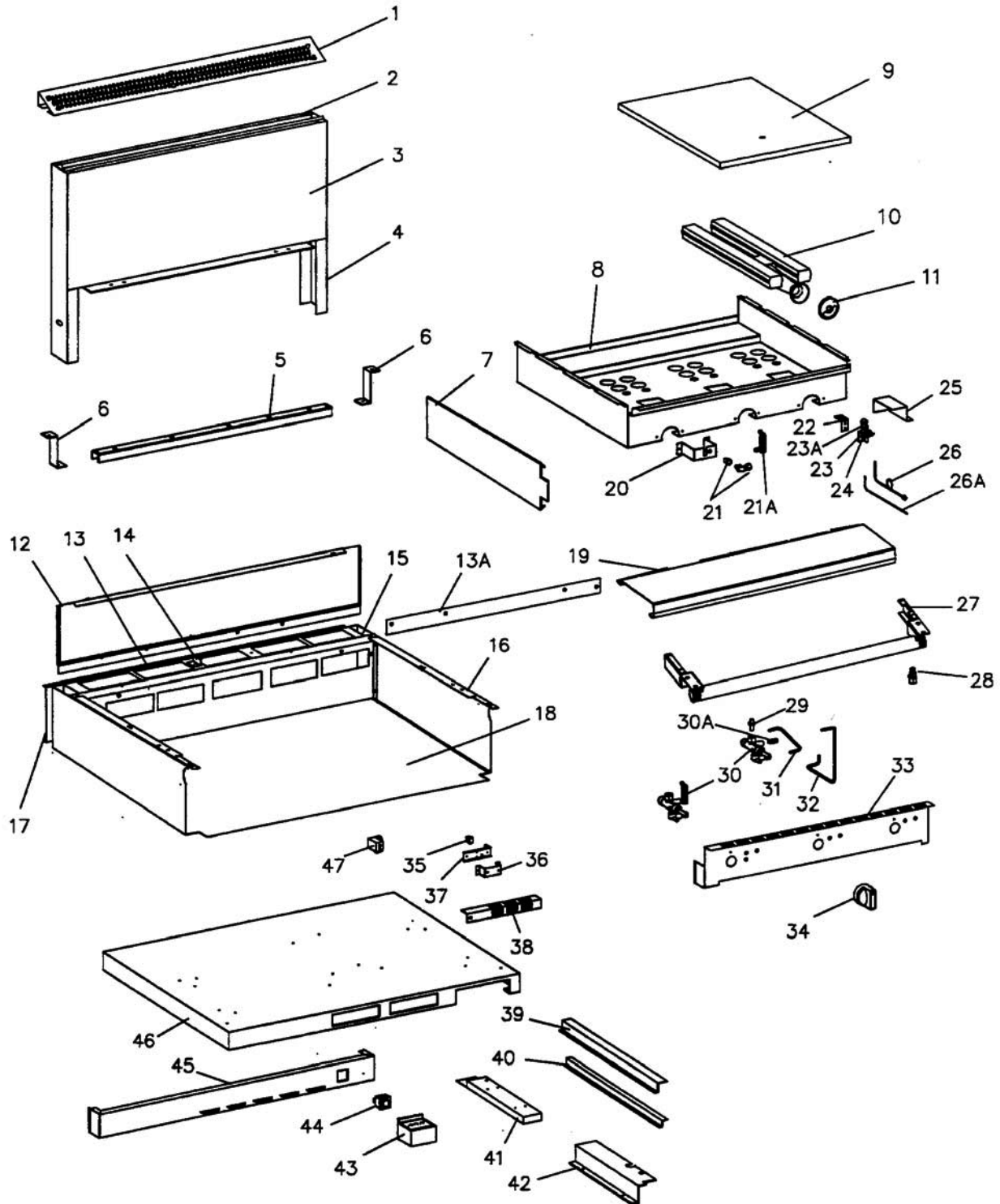
GARLAND PARTS IDENTIFICATION

**MST5 Top Configuration: One 45K Front-Fired Hot Top or French Top + Spark Ignition
models: MST5SE, MST5TE**

ITEM	PART #	DESCRIPTION	QUANTITY	
			MODEL	
			MST5SE	MST5TE
30A	1086597	Gum Valve-3/16 Pilot	1	1
31	2198100	Valve Connector Fitting-12mm	1	1
32	076050-90	7/16 CC x 1/4 NPT Elbow	1	1
33	2230100	Tube 7/16" Valve-Sec Manifold	1	1
34	2229100	Pilot Tube-RH	1	1
35	2200601	Thermocouple-24"	1	1
	2200208	High Tension Wire-60"	1	
	2200200	High Tension Wire-48"		1
36	2565800	Valve Panel	1	1
37	4512140	Knob Kit-Hot Top	1	1
38	2426899	Front Rail Assembly	1	1
39	2104553	Orifice-Nat (N. America)	3	3
	2104563	Orifice-Pro (N. America)	3	3
	2104554	Orifice-Nat G20/25 Europe-CE	3	3
	2104563	Orifice-Pro G31 Europe-CE	3	3
	21045XX	Orifice Special (Spec Gas/Dest)	3	3
40	050069	Sectional Terminal Block		1
	050070	Sectional Terminal End		1
40A	2336400	Mounting Bracket		1
41	2336300	Terminal Block Bracket		1
42	2336200	Terminal Block Enclosure		1
43	2247100	Wire Way		1
44	2336000	Insulation Retainer Secondary		1
45	2237300	Spark Modular Support		1
46	2247200	Spark Modular Enclosure		1
47	2144002	120V Spark Generator		1
	2144000	240V Spark Generator		1
48	2200300	Push Button Switch		1
49	2427100	Secondary Valve Panel		1
50	2427001	Secondary Burner Box Bottom		1
51	2533200	EMI Filter		1

* NOT ILLUSTRATED
RECOMMENDED STOCK PARTS

NOTES



GARLAND PARTS IDENTIFICATION
MST46 Top Configuration: Two 17" W Hot Top Sections
models: MST46R, MST46RC, MST46S, MST46T

ITEM	PART #	DESCRIPTION	QUANTITY			
			MODEL			
			MST46R	MST46RC	MST46S	MST46T
1	1790601	LB BG Flue Cap 34"	1	1	1	1
2	1816407	LB BG Back 34" AZ	1	1	1	1
	1816408	LB BG Back 34" SS	1	1	1	1
3	1817304	LP Front Panel 34"	1	1	1	1
4	1568399	LP BG Upright Assy S/W	2	2	2	2
5	2552200	Burner Rest	1	1	1	1
6	2194300	Burner Hanger	2	2	2	2
7	G7338-1-6	Side Radiation Shield	2	2	2	2
8	4526220	GRIDDLE BOX 34" MASTER SERIES	1	1	1	1
9	G0552-1	Hot Top	2	2	2	2
10	4525461	Griddle H Burner, includes Shutter	3	3	3	3
11	1028002	Air Shutter	3	3	3	3
12	1806101	Burner Box Back	1	1	1	
	1806103	Burner Box Back RR Gas	1	1	1	
	2546400	Burner Box Back M40T				1
	2546405	Burner Box Back M40T RR Gas				1
13	2553000	Back Top	1	1	1	1
13A	2132200	Back Top Adapter	1	1	1	1
14	2559000	Backguard Spacer	1	1	1	1
15	1768299	Shelf Mtg Brkt Assy LT	1	1	1	1
	1768298	Shelf Mtg Brkt Assy RT	1	1	1	1
16	1132806	Burner Box Side RT CRS	1	1	1	
	1132804	Burner Box Side RT S/S	1	1	1	
	1132805	Burner Box Side LT CRS	1	1	1	
	1132806	Burner Box Side LT S/S	1	1	1	
	2247600	Burner Box Side RT CRS				1
	2247601	Burner Box Side RTS/S				1
	2247602	Burner Box Side LT CRS				1
2247603	Burner Box Side LT S/S				1	
17	G7341-1-6	Rear Radiation Shield	1	1	1	1
	G7341-4-6	Rear Radiation Shield RR Gas	1	1	1	1
18	2512601	Burner Box Bottom S/S	1	1	1	
	2247000	Burner Box Bottom				1
19	2190699	Front Rail Assy	1	1	1	1
20	2188700	Orifice Support	3	3	3	3
21	G02486-2.2mm	Orifice Fitting Nat N. American	3	3	3	3
	G02486-53	Orifice Fitting Pro N. American	3	3	3	3
	G02486-2.1	Orifice Fitting G20/G25 Nat Europe CE	3	3	3	3
	G02486-54F	Orifice Fitting - G31 Pro Europe CE	3	3	3	3
	G02486-00	Orifice Fitting Special (Specify Gas)	3	3	3	3
	M8-XX	Orifice -Mfg Gas (Spec Gas/Dest)	3	3	3	3
22	2194100	H Burner Pilot Bracket	3	3	3	3
23	2200700	Pilot Burner RH	3	3	3	3

* NOT ILLUSTRATED
RECOMMENDED STOCK PARTS

GARLAND PARTS IDENTIFICATION
MST46 Top Configuration: Two 17" W Hot Top Sections
models: MST46R, MST46RC, MST46S, MST46T

ITEM	PART #	DESCRIPTION	QUANTITY			
			MODEL			
			MST46R	MST46RC	MST46S	MST46T
23A	2200702	Pilot Orifice #32 Natural	3	3	3	3
	2200703	Pilot Orifice #23 Propane	3	3	3	3
	2200709	Pilot Orifice #40 Manufactured Gas	3	3	3	3
24	2200708	Electrode				
25	2270200	Pilot Shield	1	1	1	1
26	2200600	18" Thermocouple	3	3	3	3
27	2194799	Manifold Assy M47 Std.	1	1	1	1
	2194797	Manifold Assy Rear Gas	1	1	1	1
28	G02251-1	Test Spigot	1	1	1	1
29	2198102	Valve Connector Fitting	3	3	3	3
30	4601578	Flame Failure Valve Assembly	3	3	3	3
	CK4601581	FF Valve/Adapter Assy-Mfg. Gas	3	3	3	3
30A	1086597	Gum Valve - 3/16 Pilot	3	3	3	3
31	2229300	.187 Tube Valve Pilot	3	3	3	3
32	2229700	.250 Tube Valve Orifice	3	3	3	3
33	2563800	Valve Panel	1	1		
	2563801	Valve Panel			1	1
34	4512120	Knob (Top FF PEL)	3	3	3	3
45	2247701	Secondary Valve Panel				1
46	2247401	Secondary Burner Box Bottom				1

* NOT ILLUSTRATED
RECOMMENDED STOCK PARTS

GARLAND PARTS IDENTIFICATION

**MST46 Top Configuration: Two 17" W Hot Top Sections + Spark Ignition
models: MST46RE, MST46RCE, MST46SE, MST46TE**

ITEM	PART #	DESCRIPTION	QUANTITY			
			MODEL			
			MST46RE	MST46RCE	MST46SE	MST46TE
1	1790601	LB BG Flue Cap 34"	1	1	1	1
2	1816407	LB BG Back 34" AZ	1	1	1	1
	1816408	LB BG Back 34" SS	1	1	1	1
3	1817304	LP Front Panel 34"	1	1	1	1
4	1568399	LP BG Upright Assy S/W	2	2	2	2
5	2552200	Burner Rest	1	1	1	1
6	2194300	Burner Hanger	2	2	2	2
7	G7338-1-6	Side Radiation Shield	2	2	2	2
8	4526220	GRIDDLE BOX 34" MASTER SERIES	1	1	1	1
9	G0552-1	Hot Top	2	2	2	2
10	4525461	Griddle H Burner, Includes Shutter	3	3	3	3
11	1028002	Air Shutter	3	3	3	3
12	1806101	Burner Box Back	1	1	1	
	1806103	Burner Box Back RR Gas	1	1	1	
	2546400	Burner Box Back M40T				1
	2546405	Burner Box Back M40T RR Gas				1
13	2553000	Back Top	1	1	1	1
13A	2132200	Back Top Adapter	1	1	1	1
14	2559000	Backguard Spacer	1	1	1	1
15	1768299	Shelf Mtg Brkt Assy LT	1	1	1	1
	1768298	Shelf Mtg Brkt Assy RT	1	1	1	1
16	1132806	Burner Box Side RT CRS	1	1	1	
	1132804	Burner Box Side RT S/S	1	1	1	
	1132805	Burner Box Side LT CRS	1	1	1	
	1132806	Burner Box Side LT S/S	1	1	1	
	2247600	Burner Box Side RT CRS				1
	2247601	Burner Box Side RTS/S				1
	2247602	Burner Box Side LT CRS				1
2247603	Burner Box Side LT S/S				1	
17	G7341-1-6	Rear Radiation Shield	1	1	1	1
	G7341-4-6	Rear Radiation Shield RR Gas	1	1	1	1
18	2512601	Burner Box Bottom S/S	1	1	1	
	2247000	Burner Box Bottom				1
19	2190699	Front Rail Assy	1	1	1	1
20	2188700	Orifice Support	3	3	3	3
21	G02486-2.2mm	Orifice Fitting Nat N. American	3	3	3	3
	G02486-53m	Orifice Fitting Pro N. American	3	3	3	3
	G02486-2.1	Orifice Fitting G20/G25 Nat Europe CE	3	3	3	3
	G02486-54F	Orifice Fitting - G31 Pro Europe CE	3	3	3	3
	G02486-00	Orifice Fitting Special (Specify Gas)	3	3	3	3
	M8-XX	Orifice -Mfg. Gas (Spec Gas/Dest)	3	3	3	3
22	2194100	H Burner Pilot Bracket	3	3	3	3
23	2200700	Pilot Burner RH	3	3	3	3

* NOT ILLUSTRATED

RECOMMENDED STOCK PARTS

GARLAND PARTS IDENTIFICATION

**MST46 Top Configuration: Two 17"W Hot Top Sections + Spark Ignition
models: MST46RE, MST46RCE, MST46SE, MST46TE**

ITEM	PART #	DESCRIPTION	QUANTITY			
			MODEL			
			MST46RE	MST46RCE	MST46SE	MST46TE
23A	2200702	Pilot Orifice #32 Natural	3	3	3	3
	2200703	Pilot Orifice #23 Propane	3	3	3	3
	2200709	Pilot Orifice #40 Manufactured Gas	3	3	3	3
24	2200708	Electrode	3	3		
25	2270200	Pilot Shield	1	1	1	1
26	2200600	18" Thermocouple	3	3	3	3
26A	2200200	High Tension Wire-48"	2	2	1	2
	2200201	High Tension Wire-36"			1	1
	2200208	High Tension Wire-60"			1	
27	2194799	Manifold Assy M47 Std.	1	1	1	1
	2194797	Manifold Assy Rear Gas	1	1	1	1
28	G02251-1	Test Spigot	1	1	1	1
29	2198102	Valve Connector Fitting	3	3	3	3
30	4601578	Flame Failure Valve Assembly	3	3	3	3
	CK4601581	FF Valve/Adapter Assy-Mfg. Gas	3	3	3	3
30A	1086597	Gum Valve - 3/16 Pilot	3	3	3	3
31	2229300	.187 Tube Valve Pilot	3	3	3	3
32	2229700	.250 Tube Valve Orifice	3	3	3	3
33	2563800	Valve Panel	1	1		
	2563801	Valve Panel			1	1
34	252210	Knob (Top FF PEL)	3	3	3	3
35	050069	Sectional Terminal Block				2
	050070	Sectional Terminal End				1
36	2336400	Mounting Bracket				1
37	2336300	Terminal Block Bracket				1
38	2336200	Terminal Block Enclosure				1
39	2247100	Wire Way				1
40	2336000	Insulation Retainer Secondary				1
41	2237300	Spark Modular Support				1
42	2247200	Spark Modular Enclosure				1
43	2144002	120V Spark Generator				1
	2144000	240V Spark Generator				1
44	2200300	Push Button Switch				1
45	2247700	Secondary Valve Panel				1
46	2247400	Secondary Burner Box Bottom				1
47	2533200	EMI Filter				1

* NOT ILLUSTRATED
RECOMMENDED STOCK PARTS

GARLAND PARTS IDENTIFICATION

**MST6 Top Configuration: One 17" W Hot Top Section with or without Spark Ignition (E)
models: MST6S, MST6T, MST6SE, MST6TE**

ITEM	PART #	DESCRIPTION	QUANTITY			
			MODEL			
			MST6S	MST6T	MST6SE	MST6TE
1	1790602	LP BG Flue Cap 17"	1	1	1	1
2	1816401	LP BG Back 17" Az	1	1	1	1
	1816402	LP BG Back 17" SS	1	1	1	1
3	1817301	LP Front Panel 17"	1	1	1	1
4	1568599	LP BG Upright Assy S/N	2	2	2	2
5	2551400	Attach Burner Rest	1	1	1	1
6	2194300	Burner Hanger	2	2	2	2
7	G7338-1-6	Side Radiation Shield	2	2	2	2
8	4526218	GRIDDLE BOX 17" MASTER SERIES	1	1	1	1
9	G0552-1	Hot Top	1	1	1	1
10	4525461	Griddle H Burner, includes Shutter	1	1	1	1
11	1028002	Air Shutter	1	1	1	1
12	2546704	Burner Box Back RR Gas	1	1	1	1
	2546701	Burner Box Back	1	1	1	1
	2546401	Burner Box Back				1
	2546405	Burner Box Back RR Gas				1
13	2584800	Back Top	1	1	1	1
14	2559000	Back Guard Spacer	1	1	1	1
15	1768399	Shelf Mtg. Bracket Assy LT	1	1	1	1
	1768398	Shelf Mtg. Bracket Assy RT	1	1	1	1
16	1132806	Burner Box Side LT CRS	1		1	
	1132804	Burner Box Side RT CRS	1		1	
	1132805	Burner Box Side RT S/S	1		1	
	1132807	Burner Box Side LT S/S	1		1	
	2247600	Burner Box Side RT CRS		1		1
	2247601	Burner Box Side RT S/S		1		1
	2247602	Burner Box Side LT CRS		1		1
17	2539000	Rear Radiation Shield 17"	1	1	1	1
	2539002	Rear Radiation Shield	1	1	1	1
	2515201	Burner Box Bottom	1		1	
18	2426900	Burner Box Bottom		1		1
	2426899	Front Rail Assy	1	1	1	1
20	2188700	Orifice Support	1	1	1	1
21	G02486-2.2mm	Orifice Fitting Nat N. American	1	1	1	1
	G02486-53F	Orifice Fitting Pro N. American	1	1	1	1
	G02486-2.1	Orifice Fitting G20/G25 Nat Europe CE	1	1	1	1
	G02486-54F	Orifice Fitting - G31 Pro Europe CE	1	1	1	1
	G02486-00	Orifice Fitting Special (Specify Gas)	1	1	1	1
	M8-XX	Orifice -Mfg Gas (Spec Gas/Dest)	1	1	1	1
22	2194100	H Burner Pilot Bracket	1	1	1	1
23	2200700	Pilot Burner RH	1	1	1	1
24	2200708	Electrode			1	1
25	2270200	Pilot Shield	1	1	1	1
26	2200600	18" Thermocouple	1	1	1	1
26A	2200200	High Tension Wire-48"				1
	2200208	High Tension Wire-60"			1	

* NOT ILLUSTRATED

RECOMMENDED STOCK PARTS

GARLAND PARTS IDENTIFICATION

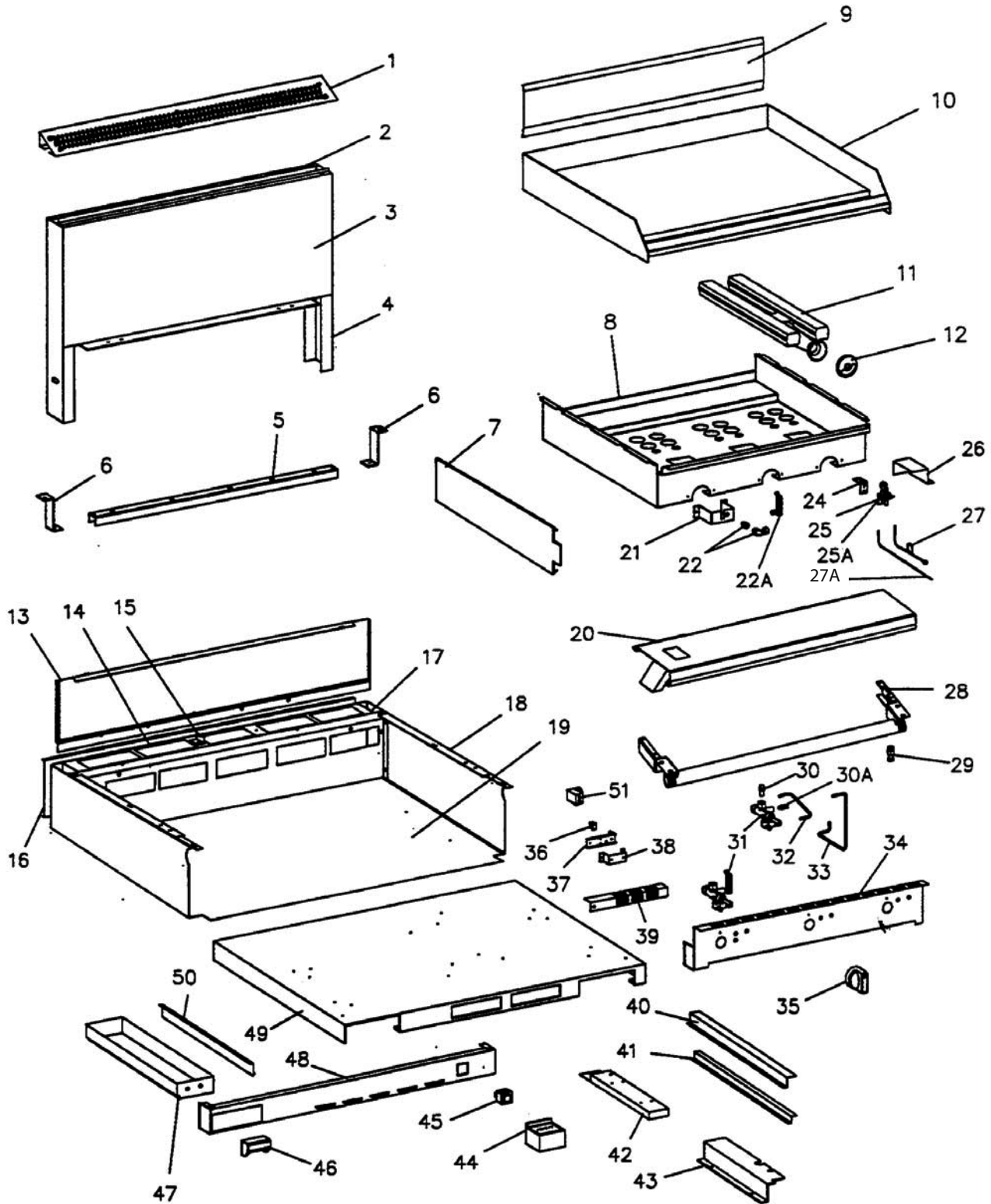
**MST6 Top Configuration: One 17"W Hot Top Section with or without Spark Ignition (E)
models: MST6S, MST6T, MST6SE, MST6TE**

ITEM	PART #	DESCRIPTION	QUANTITY			
			MODEL			
			MST6S	MST6T	MST6SE	MST6TE
27	2445799	Manifold Assy M6/7 STD	1	1	1	1
	2445798	Manifold Assy M6/7 Rear Gas	1	1	1	1
28	G02251-1	Test Spigot	1	1	1	1
29	2198102	Valve Connector Fitting 10mm	1	1	1	1
30	4601578	Flame Failure Valve Assembly	1	1	1	1
	CK4601581	FF Valve/Adapter Assy. - Mfg Gas	1	1	1	1
30A	1086587	Gum Valve - 3/16 Pilot	1	1	1	1
31	2229300	.187 Tube Valve Pilot	1	1	1	1
32	2229700	.250 Tube Valve Orifice	1	1	1	1
33	2427200	Valve Panel	1	1	1	1
34	4512120	KNOB KIT, HI/LOW FF	1	1	1	1
35	050069	Sectional Terminal Block				1
	050070	Sectional Terminal End				1
36	2336400	Mounting Bracket				1
37	2336300	Terminal Block Bracket				1
38	2336200	Terminal Block Enclosure				1
39	2247100	Wire Way				1
40	2336000	Insulation Retainer Secondary				1
41	2237300	Spark Modular Support				1
42	2247200	Spark Modular Enclosure				1
43	2144002	120V Spark Generator				1
	2144000	240V Spark Generator				1
44	2200300	Push Button Switch				1
45	2427103	Secondary Valve Panel		1		1
46	2427001	Secondary Burner Box Bottom		1		1
47	2533200	EMI Filter				1

* NOT ILLUSTRATED

RECOMMENDED STOCK PARTS

NOTES



GARLAND PARTS IDENTIFICATION
MST47 Top Configuration: One Griddle Top Section
models: MST47R, MST47RC, MST47S, MST47T

ITEM	PART #	DESCRIPTION	QUANTITY			
			MODEL			
			MST47R	MST47RC	MST47S	MST47T
1	1790601	LB BG Flue Cap 34"	1	1	1	1
2	1816407	LB BG Back 34" AZ	1	1	1	1
	1816408	LB BG Back 34" SS	1	1	1	1
3	1817304	LP Front Panel 34"	1	1	1	1
4	1568399	LP BG Upright Assy S/W	2	2	2	2
5	2552200	Burner Rest	1	1	1	1
6	2194300	Burner Hanger	2	2	2	2
7	G7338-1-6	Side Radiation Shield	2	2	2	2
8	4526220	GRIDDLE BOX 34" MASTER SERIES	1	1	1	1
9	G044-034-9	Rear Splashguard Assy	1	1	1	1
10	1781487	Frytop Weld Assy 34"	1	1	1	1
	1781471	Grooved Griddle Weld Assy 34"	1	1	1	1
	4521123	1-2 Grooved RT Griddle Assembly	1	1	1	1
	4521124	1-2 Grooved LT Griddle Assembly	1	1	1	1
11	4525461	Griddle H Burner, includes Shutter	3	3	3	3
12	1028002	Air Shutter	3	3	3	3
13	1806101	Burner Box Back	1	1	1	
	1806103	Burner Box Back- RR Gas	1	1	1	
	2546400	Burner Box Back				1
	2546405	Burner Box Back- RR Gas				1
14	2553000	Back Top-M47	1	1	1	1
	2553002	Back Top Rear Gas	1	1	1	1
15	2559000	Backguard Spacer	1	1	1	1
16	G7341-1-6	Rear Radiation Shield	1	1	1	1
	G7341-4-6	Rear Radiation Shield-RR Gas	1	1	1	1
17	1768399	Shelf Mtg. Brkt Assy LT	1	1	1	1
	1768398	Shelf Mtg. Brkt Assy RT	1	1	1	1
18	1132806	Burner Box Side LT/CRS	1	1	1	
	1132804	Burner Box Side RT/CRS	1	1	1	
	1132805	Burner Box Side RT/SS	1	1	1	
	1132807	Burner Box Side LT/SS	1	1	1	
	2247602	Burner Box Side RT/CRS				1
	2247603	Burner Box Side RT/SS				1
	2247600	Burner Box Side LT/CRS				1
19	2512600	Burner Box Bottom	1	1	1	
	2247000	Burner Box Bottom				1
20	2190698	Front Rail Assembly	1	1	1	1
	2426898	Front Rail Assembly				
21	2188700	Orifice Support	3	3	3	3
22	G02486-2.2mm	Orifice Fitting Nat N. American	3	3	3	3
	G02486-53	Orifice Fitting Pro N. American	3	3	3	3
	G02486-2.1mm	Orifice Fitting G20/G25 Nat Europe CE	3	3	3	3
	G02486-54F	Orifice Fitting - G31 Pro Europe CE	3	3	3	3
	G02486-00	Orifice Fitting Special (Specify Gas)	3	3	3	3
	M8-XX	Orifice -Mfg Gas (Spec Gas/Dest)	3	3	3	3
24	2194100	H Burner Pilot Bracket	3	3	3	3

* NOT ILLUSTRATED
RECOMMENDED STOCK PARTS

GARLAND PARTS IDENTIFICATION
MST47 Top Configuration: One Griddle Top Section
models: MST47R, MST47RC, MST47S, MST47T

ITEM	PART #	DESCRIPTION	QUANTITY			
			MODEL			
			MST47R	MST47RC	MST47S	MST47T
25	2200700	Pilot Burner RH	3	3	3	3
25A	2200702	Pilot Orifice #32 Natural	3	3	3	3
	2200703	Pilot Orifice #23 Propane	3	3	3	3
	2200709	Pilot Orifice #40 Manufactured Gas	3	3	3	3
	2200704	Compression Nut- 3/16	3	3	3	3
	2200705	Olive Sleeve-3/16	3	3	3	3
	2200706	Nut-Thermocouple Retaining	3	3	3	3
26	2270200	Pilot Shield	1	1	1	1
27	2200600	Thermocouple-18"	3	3	3	3
28	2194799	Manifold Assy	1	1	1	1
	2184797	Manifold Assy Rear Gas	1	1	1	1
29	G02251-1	Test Spigot	1	1	1	1
30	2198102	Valve Connector-10mm	3	3	3	3
30A	1086597	Gum Valve-3/16 Pilot	3	3	3	3
31	4601578	Flame Failure Valve Assembly	3	3	3	3
	CK4601581	Valve/Adapter Assy-FF Mfg. Gas	3	3	3	3
32	2229300	.187 Tube Valve Pilot	3	3	3	3
33	2229700	.250 Tube Valve Orifice	3	3	3	3
34	2224600	Valve Panel	1	1		
	2224601	Valve Panel			1	1
35	4512120	Knob Kit, Hi/Lo FF	3	3	3	3
	4512141	Knob Kit (FD Oven F)	1	1		
	4512142	Knob (FD Oven C)	1	1		
46	2193000	Grease Tray Handle	1	1	1	1
47	2201499	Grease Container Assembly (used UP TO September 8, 2009)	1	1	1	
	4527288	Grease Container Assembly (used FROM serial# 0908100101130)	1	1	1	
	2335699	Grease Tray Assy				1
48	2247702	Secondary Valve Panel				1
49	2247400	Secondary Burner Box Bottom				1
50	2425600	Grease Tray Guide				1

* NOT ILLUSTRATED
RECOMMENDED STOCK PARTS

GARLAND PARTS IDENTIFICATION

MST47 Top Configuration: One Griddle Top Section + Spark Ignition (E)

models: MST47RE, MST47RCE, MST47SE, MST47TE

ITEM	PART #	DESCRIPTION	QUANTITY			
			MODEL			
			MST47RE	MST47RCE	MST47SE	MST47TE
1	1790601	LB BG Flue Cap 34"	1	1	1	1
2	1816407	LB BG Back 34" AZ	1	1	1	1
	1816408	LB BG Back 34" SS	1	1	1	1
3	1817304	LP Front Panel 34"	1	1	1	1
4	1568399	LP BG Upright Assy S/W	2	2	2	2
5	2552200	Burner Rest	1	1	1	1
6	2194300	Burner Hanger	2	2	2	2
7	G7338-1-6	Side Radiation Shield	2	2	2	2
8	4526220	GRIDDLE BOX 34" MASTER SERIES	1	1	1	1
9	G044-034-9	Rear Splashguard Assy	1	1	1	1
10	1781487	Frytop Weld Assy 34"	1	1	1	1
	1781471	Grooved Griddle Weld Assy 34"	1	1	1	1
	4521123	1-2 Grooved RT Griddle Assembly	1	1	1	1
	4521124	1-2 Grooved LT Griddle Assembly	1	1	1	1
11	4525461	Griddle H Burner, includes Shutter	3	3	3	3
12	1028002	Air Shutter	3	3	3	3
13	1806101	Burner Box Back	1	1	1	
	1806103	Burner Box Back- RR Gas	1	1	1	
	2546400	Burner Box Back				1
	2546405	Burner Box Back- RR Gas				1
14	2553000	Back Top-M47	1	1	1	1
	2553002	Back Top Rear Gas	1	1	1	1
15	2559000	Backguard Spacer	1	1	1	1
16	G7341-1-6	Rear Radiation Shield	1	1	1	1
	G7341-4-6	Rear Radiation Shield-RR Gas	1	1	1	1
17	1768399	Shelf Mtg. Brkt Assy LT	1	1	1	1
	1768398	Shelf Mtg. Brkt Assy RT	1	1	1	1
18	1132806	Burner Box Side LT/CRS	1	1	1	
	1132804	Burner Box Side RT/CRS	1	1	1	
	1132805	Burner Box Side RT/SS	1	1	1	
	1132807	Burner Box Side LT/SS	1	1	1	
	2247602	Burner Box Side RT/CRS				1
	2247603	Burner Box Side RT/SS				1
	2247600	Burner Box Side LT/CRS				1
	2247601	Burner Box Side LT/SS				1
19	2512600	Burner Box Bottom	1	1	1	
	2247000	Burner Box Bottom				1
20	2190698	Front Rail Assembly	1	1	1	1
	2426898	Front Rail Assembly				
21	2188700	Orifice Support	3	3	3	3
22	G02486-2.2mm	Orifice Fitting Nat N. American	3	3	3	3
	G02486-53	Orifice Fitting Pro N. American	3	3	3	3
	G02486-2.1mm	Orifice Fitting G20/G25 Nat Europe CE	3	3	3	3
	G02486-54F	Orifice Fitting - G31 Pro Europe CE	3	3	3	3
	G02486-00	Orifice Fitting Special (Specify Gas)	3	3	3	3
	M8-XX	Orifice -Mfg Gas (Spec Gas/Dest)	3	3	3	3

* NOT ILLUSTRATED

RECOMMENDED STOCK PARTS

GARLAND PARTS IDENTIFICATION

MST47 Top Configuration: One Griddle Top Section + Spark Ignition (E)
models: MST47RE, MST47RCE, MST47SE, MST47TE

ITEM	PART #	DESCRIPTION	QUANTITY			
			MODEL			
			MST47RE	MST47RCE	MST47SE	MST47TE
24	2194100	H Burner Pilot Bracket	3	3	3	3
25	2200700	Pilot Burner RH	3	3	3	3
25A	2200702	Pilot Orifice #32 Natural	3	3	3	3
	2200703	Pilot Orifice #23 Propane	3	3	3	3
	2200709	Pilot Orifice #40 Manufactured Gas	3	3	3	3
	2200704	Compression Nut- 3/16	3	3	3	3
	2200705	Olive Sleeve-3/16	3	3	3	3
	2200706	Nut-Thermocouple Retaining	3	3	3	3
	2200707	Nut-Electrode	3	3	3	3
	2200708	Electrode	3	3	3	3
26	2270200	Pilot Shield	1	1	1	1
27	2200600	Thermocouple-18"	3	3	3	3
27A	2200200	High Tension Wire-48"	2	2	1	2
	2200201	High Tension Wire-36"	1	1	1	1
	2200208	High Tension Wire-60"			1	
	G03883-8	Insulation Sleeve	3	3	3	3
28	2194799	Manifold Assy	1	1	1	1
	2184797	Manifold Assy Rear Gas	1	1	1	1
29	G02251-1	Test Spigot	1	1	1	1
30	2198102	Valve Connector-10mm	3	3	3	3
30A	1086597	Gum Valve-3/16 Pilot	3	3	3	3
31	4601578	Flame Failure Valve Assembly	3	3	3	3
	CK4601581	Valve/Adapter Assy-FF Mfg. Gas	3	3	3	3
32	2229300	.187 Tube Valve Pilot	3	3	3	3
33	2229700	.250 Tube Valve Orifice	3	3	3	3
34	2224600	Valve Panel	1	1		
	2224601	Valve Panel			1	1
35	4512120	KNOB KIT, HI/LOW FF	3	3	3	3
	4512141	Knob Kit (FD Oven F)	1	1		
	2522104	Knob (FD Oven C)	1	1		
36	050069	Sectional Terminal Block				1
	050070	Sectional Terminal End				1
37	2336400	Mounting Bracket				1
38	2336300	Terminal Block Bracket				1
39	2336200	Terminal Block Enclosure				1
40	2247100	Wire Way				1
41	2336000	Insulation Retainer Secondary				1
42	2237300	Spark Modular Support				1
43	2247200	Spark Modular Enclosure				1
44	2144002	120V Spark Generator				1
	2144000	240V Spark Generator				1
45	2200300	Push Button Switch				1
46	2193000	Grease Tray Handle	1	1	1	1

* NOT ILLUSTRATED

RECOMMENDED STOCK PARTS

GARLAND PARTS IDENTIFICATION

**MST47 Top Configuration: One Griddle Top Section + Spark Ignition (E)
models: MST47RE, MST47RCE, MST47SE, MST47TE**

ITEM	PART #	DESCRIPTION	QUANTITY			
			MODEL			
			MST47RE	MST47RCE	MST47SE	MST47TE
47	2193000	Grease Container Assy	1	1	1	
	2335699	Grease Tray Assy				1
48	2247702	Secondary Valve Panel				1
49	2247400	Secondary Burner Box Bottom				1
50	2425600	Grease Tray Guide				1
51	2533200	EMI Filter				1

* NOT ILLUSTRATED

RECOMMENDED STOCK PARTS

GARLAND PARTS IDENTIFICATION

MST47-51 Top Configuration: One Griddle Top Section
models: MST47-51R, MST47-51RC, MST47-51S, MST47-51T

ITEM	PART #	DESCRIPTION	QUANTITY			
			MODEL			
			MST47-51R	MST47-51RC	MST47-51S	MST47-51T
1	1790608	LP BG Flue Cap 51"	1	1	1	1
2	1816415	LP BG Back 51" AZ	1	1	1	1
	1815416	LP BG Back 51" SS	1	1	1	1
3	1817308	LP Front Panel 51"	1	1	1	1
4	1768599	LP BG Upright Assy S/W	2	2	2	2
5	2551400	Burner Rest M6/7/8	1	1	1	1
	2552200	Burner Rest M46/M47/48	1	1	1	1
6	2194300	Burner Hanger	4	4	4	4
7	G7338-1-6	Side Radiation Shield	2	2	2	2
8	4526220	GRIDDLE BOX 34" MASTER SERIES	1	1	1	1
	4526218	GRIDDLE BOX 17" MASTER SERIES	1	1	1	1
9	G0444-051-9	Rear Splashguard Assy	1	1	1	1
10	1781489	Fry Top Weld Assy 51"	1	1	1	1
	1781473	Grooved Grid Weld Assy	1	1	1	1
11	4525461	Griddle H Burner, includes Shutter	4	4	4	4
12	1028002	Air Shutter	4	4	4	4
13	1806101	Burner Box Back	1	1	1	1
	2546400	Burner Box Back	1	1	1	1
	2546405	Burner Box Back	1	1	1	1
	2546401	Burner Box Back RR Gas	1	1	1	1
	2546403	Burner Box Back-17"	1	1	1	1
	1806103	Burner Box Back RR Gas	1	1	1	1
14	2553000	Back Top MST 40	1	1	1	1
	2584800	Back Top - 17"	1	1	1	1
15	2559000	Backguard Spacer	1	1	1	1
16	G7341-1-6	Rear Radiation Shield	1	1	1	1
	G7341-4-6	Rear Radiation Shield RR Gas	1	1	1	1
	2539000	Rear Radiation Shield - 17"	1	1	1	1
17	1768399	Shelf Mtg. Bracket Assy LT	1	1	1	1
	1768398	Shelf Mtg. Bracket Assy RT	1	1	1	1
18	1132806	Burner Box Side LT/CRS	1	1	1	
	1132807	Burner Box Side LT/SS	1	1	1	
	1132804	Burner Box Side RT/CRS	1	1	1	
	1132805	Burner Box Side RT/SS	1	1	1	
	2247602	Burner Box Side LT/CRS				1
	2247603	Burner Box Side LT/SS				1
	2247600	Burner Box Side RT/CRS				1
19	2247601	Burner Box Side RT/SS				1
	2512600	Burner Box Bottom	1	1	1	
	2515200	Burner Box Bottom-17"	1	1	1	
	2247000	Burner Box Bottom-M40T				1
20	2426900	Burner Box Bottom-17"T				1
20	2551399	Front Rail Assy 51"	1	1	1	1
21	2188700	Orifice Support	4	4	4	4

* NOT ILLUSTRATED
RECOMMENDED STOCK PARTS

GARLAND PARTS IDENTIFICATION

MST47-51 Top Configuration: One Griddle Top Section
models: MST47-51R, MST47-51RC, MST47-51S, MST47-51T

ITEM	PART #	DESCRIPTION	QUANTITY			
			MODEL			
			MST47-51R	MST47-51RC	MST47-51S	MST47-51T
22	G02486-2.2mm	Orifice Fitting Nat N. American	4	4	4	4
	G02486-53	Orifice Fitting Pro N. American	4	4	4	4
	G02486-2.1mm	Orifice Fitting G20/G25 Nat Europe CE	4	4	4	4
	G02486-54F	Orifice Fitting - G31 Pro Europe CE	4	4	4	4
	G02486-00	Orifice Fitting Special (Specify Gas)	4	4	4	4
	M8-XX	Orifice -Mfg Gas (Spec Gas/Dest)	4	4	4	4
24	2194100	H Burner Pilot Bracket	4	4	4	4
25	2200700	Pilot Burner RH	4	4	4	4
25A	2200702	Pilot Orifice #32 Natural	4	4	4	4
	2200703	Pilot Orifice #23 Propane	4	4	4	4
	2200709	Pilot Orifice #40 Manufactured Gas	4	4	4	4
	2200704	Compression Nut- 3/16	4	4	4	4
	2200705	Olive Sleeve-3/16	4	4	4	4
	2200706	Nut-Thermocouple Retaining	4	4	4	4
26	2270200	Pilot Shield	4	4	4	4
27	2200600	Thermocouple-18"	4	4	4	4
28	2194799	Manifold Assy-M47 Std	1	1	1	1
	2184797	Manifold Assy-47 Rear Gas	1	1	1	1
	2445799	Manifold Assy-M7 Std	1	1	1	1
29	G02251-1	Test Spigot	1	1	1	1
30	2198102	Valve Connector-10mm	4	4	4	4
30A	1086597	Gum Valve-3/16 Pilot	4	4	4	4
31	4601578	Flame Failure Valve Assembly	4	4	4	4
	CK4601581	Valve/Adapter Assy-FF Mfg. Gas	4	4	4	4
32	2229300	.187 Tube Valve Pilot	4	4	4	4
33	2229700	.250 Tube Valve Orifice	4	4	4	4
34	2224600	Valve Panel-MST47R	1	1		
	2224601	Valve Panel-MST47S			1	1
	2427200	Vavle Panel MST7S	1	1	1	1
35	4512120	KNOB KIT, HI/LOW FF	4	4	4	4
	4512141	Knob Kit (FD Oven F)	1	1		
	2522104	Knob (FD Oven C)	1	1		
46	2193000	Grease Tray Handle	1	1	1	1
47	2201499	Grease Container Assembly (used UP TO September 8, 2009)	1	1	1	
	4527288	Grease Container Assembly (used FROM serial# 0908100101130)	1	1	1	
	2335699	Grease Tray Assy				1
48	2247702	Secondary Valve Panel				1
	2427102	Secondary Valve Panel-17"				1
49	2247400	Secondary Burner Bottom - M40T				1
	2427000	Secondary Burner Bottom - 17"				1
50	2425600	Grease Tray Guide				1

* NOT ILLUSTRATED

RECOMMENDED STOCK PARTS

GARLAND PARTS IDENTIFICATION

MST47-51 Top Configuration: One Griddle Top Section + Spark Ignition (E)
models: MST47-51RE, MST47-51RCE, MST47-51SE, MST47-51TE

ITEM	PART #	DESCRIPTION	QUANTITY			
			MODEL			
			MST47-51RE	MST47-51RCE	MST47-51SE	MST47-51TE
1	1790608	LP BG Flue Cap 51"	1	1	1	1
2	1816415	LP BG Back 51" AZ	1	1	1	1
	1815416	LP BG Back 51" SS	1	1	1	1
3	1817308	LP Front Panel 51"	1	1	1	1
4	1768599	LP BG Upright Assy S/W	2	2	2	2
5	2551400	Burner Rest M6/7/8	1	1	1	1
	2552200	Burner Rest M46/M47/48	1	1	1	1
6	2194300	Burner Hanger	4	4	4	4
7	G7338-1-6	Side Radiation Shield	2	2	2	2
8	4526220	GRIDDLE BOX 34" MASTER SERIES	1	1	1	1
	4526218	GRIDDLE BOX 17" MASTER SERIES	1	1	1	1
9	G0444-051-9	Rear Splashguard Assy	1	1	1	1
10	1781489	Fry Top Weld Assy 51"	1	1	1	1
	1781473	Grooved Grid Weld Assy	1	1	1	1
11	4525461	Griddle H Burner, includes Shutter	4	4	4	4
12	1028002	Air Shutter	4	4	4	4
13	1806101	Burner Box Back	1	1	1	1
	2546400	Burner Box Back	1	1	1	1
	2546405	Burner Box Back	1	1	1	1
	2546401	Burner Box Back RR Gas	1	1	1	1
	2546403	Burner Box Back-17"	1	1	1	1
	1806103	Burner Box Back RR Gas	1	1	1	1
14	2546701	Burner Box Back-17"	1	1	1	1
	2553000	Back Top MST 40	1	1	1	1
15	2584800	Back Top - 17"	1	1	1	1
	2559000	Backguard Spacer	1	1	1	1
16	G7341-1-6	Rear Radiation Shield	1	1	1	1
	G7341-4-6	Rear Radiation Shield RR Gas	1	1	1	1
	2539000	Rear Radiation Shield - 17"	1	1	1	1
17	1768399	Shelf Mtg. Bracket Assy LT	1	1	1	1
	1768398	Shelf Mtg. Bracket Assy RT	1	1	1	1
18	1132806	Burner Box Side LT/CRS	1	1	1	
	1132807	Burner Box Side LT/SS	1	1	1	
	1132804	Burner Box Side RT/CRS	1	1	1	
	1132805	Burner Box Side RT/SS	1	1	1	
	2247602	Burner Box Side LT/CRS				1
	2247603	Burner Box Side LT/SS				1
	2247600	Burner Box Side RT/CRS				1
19	2247601	Burner Box Side RT/SS				1
	2512600	Burner Box Bottom	1	1	1	
	2515200	Burner Box Bottom-17"	1	1	1	
	2247000	Burner Box Bottom-M40T				1
20	2426900	Burner Box Bottom-17"T				1
	2551399	Front Rail Assy 51"	1	1	1	1
21	2188700	Orifice Support	4	4	4	4

* NOT ILLUSTRATED

RECOMMENDED STOCK PARTS

GARLAND PARTS IDENTIFICATION

MST47-51 Top Configuration: One Griddle Top Section + Spark Ignition (E)
models: MST47-51RE, MST47-51RCE, MST47-51SE, MST47-51TE

ITEM	PART #	DESCRIPTION	QUANTITY			
			MODEL			
			MST47-51RE	MST47-51RCE	MST47-51SE	MST47-51TE
22	G02486-2.2mm	Orifice Fitting Nat N. American	4	4	4	4
	G02486-53	Orifice Fitting Pro N. American	4	4	4	4
	G02486-2.1mm	Orifice Fitting G20/G25 Nat Europe CE	4	4	4	4
	G02486-54F	Orifice Fitting - G31 Pro Europe CE	4	4	4	4
	G02486-00	Orifice Fitting Special (Specify Gas)	4	4	4	4
	M8-XX	Orifice -Mfg Gas (Spec Gas/Dest)	4	4	4	4
24	2194100	H Burner Pilot Bracket	4	4	4	4
25	2200700	Pilot Burner RH	4	4	4	4
25A	2200702	Pilot Orifice #32 Natural	4	4	4	4
	2200703	Pilot Orifice #23 Propane	4	4	4	4
	2200709	Pilot Orifice #40 Manufactured Gas	4	4	4	4
	2200704	Compression Nut- 3/16	4	4	4	4
	2200705	Olive Sleeve-3/16	4	4	4	4
	2200706	Nut-Thermocouple Retaining	4	4	4	4
	2200707	Nut-Electrode	4	4	4	4
	2200708	Electrode	4	4	4	4
26	2270200	Pilot Shield	4	4	4	4
27	2200600	Thermocouple-18"	4	4	4	4
27A	2200200	High Tension Wire-48"	1	1	2	3
	2200201	High Tension Wire-36"	2	2	1	1
	2200208	High Tension Wire-60"	1	1	1	
	G02883-8	Insulating Sleeve	4	4	4	4
28	2194799	Manifold Assy-M47 Std	1	1	1	1
	2184797	Manifold Assy-47 Rear Gas	1	1	1	1
	2445799	Manifold Assy-M7 Std	1	1	1	1
29	G02251-1	Test Spigot	1	1	1	1
30	2198102	Valve Connector-10mm	4	4	4	4
30A	1086597	Gum Valve-3/16 Pilot	4	4	4	4
31	4601578	Flame Failure Valve Assembly	4	4	4	4
	CK4601581	Valve/Adapter Assy-FF Mfg. Gas	4	4	4	4
32	2229300	.187 Tube Valve Pilot	4	4	4	4
33	2229700	.250 Tube Valve Orifice	4	4	4	4
34	2224600	Valve Panel-MST47R	1	1		
	2224601	Valve Panel-MST47S			1	1
	2427200	Vavle Panel MST7S	1	1	1	1
35	4512120	KNOB KIT, HI/LOW FF	4	4	4	4
	4512141	Knob Kit (FD Oven F)	1	1		
	2522104	Knob (FD Oven C)	1	1		
36	050069	Sectional Terminal Block				1
	050070	Sectional Terminal End				1
37	2336400	Mounting Bracket				1
38	2336300	Terminal Block Bracket				1
39	2336200	Terminal Block Enclosure				1
40	2247100	Wire Way				1
41	2336000	Insulation Retainer Secondary				1
42	2237300	Spark Modular Support				1
43	2247200	Spark Modular Enclosure				1
44	2144002	120V Spark Generator				1
	2144000	240V Spark Generator				1
45	2200300	Push Button Switch				1

* NOT ILLUSTRATED

RECOMMENDED STOCK PARTS

GARLAND PARTS IDENTIFICATION

MST47-51 Top Configuration: One Griddle Top Section + Spark Ignition (E)
models: MST47-51RE, MST47-51RCE, MST47-51SE, MST47-51TE

ITEM	PART #	DESCRIPTION	QUANTITY			
			MODEL			
			MST47-51RE	MST47-51RCE	MST47-51SE	MST47-51TE
46	2193000	Grease Tray Handle	1	1	1	1
47	2201499	Grease Container Assembly (used UP TO September 8, 2009)	1	1	1	
	4527288	Grease Container Assembly (used FROM serial# 0908100101130)	1	1	1	
	2335699	Grease Tray Assy				1
	2515600	Grease Pan				
48	2247702	Secondary Valve Panel				
	2427102	Secondary Valve Panel				1
49	2247400	Secondary Burner Bottom				1
	2427000	Secondary Burner Bottom				
50	2425600	Grease Tray Guide				1
51	2533200	EMI Filter				1

* NOT ILLUSTRATED

RECOMMENDED STOCK PARTS

GARLAND PARTS IDENTIFICATION

MST47-68 Top Configuration: One Griddle Top Section
models: MST47-68R, MST47-68RC, MST47-68S, MST47-68T

ITEM	PART #	DESCRIPTION	QUANTITY			
			MODEL			
			MST47-68R	MST47-68RC	MST47-68S	MST47-68T
1	1790610	LP BG Flue Cap 68"	1	1	1	1
2	1816419	LP BG Back 68" AZ	1	1	1	1
	1816420	LP BG Back 68" SS	1	1	1	1
3	1817310	LP BG Upright Assy S/W	2	2	2	2
5	2552200	Burner Rest	2	2	2	2
6	2194300	Burner Hanger	4	4	4	4
7	G7338-1-6	Side Radiation Shield	4	4	4	4
8	4526220	GRIDDLE BOX 34" MASTER SERIES	2	2	2	2
9	G0444-068-9	Rear Splashguard Assy	1	1	1	1
10	1781491	Fry Top Weld Assy 68"	1	1	1	1
	1781499	Grv. Griddle Weld Assy	1	1	1	1
11	4525461	Griddle H Burner, includes Shutter	6	6	6	6
12	1028002	Air Shutter	6	6	6	6
13	1806101	Burner Box Back	2	2	2	2
	2546400	Burner Box Back				2
	2546405	Burner Box Back RR Gas				2
	1806103	Burner Box Back RR Gas	2	2	2	2
14	2553000	Back Top MST40	2	2	2	2
	2553002	Back Top MST46/47 RR	1	1	1	1
15	2559000	Backguard Spacer	2	2	2	2
16	G7341-1-6	Rear Radiation Shield	2	2	2	2
	G7341-4-6	Rear Radiation Shield RR Gas	1	1	1	1
17	1768399	Shelf Mtg Bracket Assy RT	2	2	2	2
	1768398	Shelf Mtg Bracket Assy LT	2	2	2	2
18	1132806	Burner Box Side LT/CRS	2	2	2	
	1132807	Burner Box Side LT/SS	2	2	2	
	1132804	Burner Box Side RT/CRS	2	2	2	
	1132805	Burner Box Side RT/SS	2	2	2	
	2247602	Burner Box Side LT/CRS				2
	2247603	Burner Box Side LT/SS				2
	2247600	Burner Box Side RT/CRS				2
	2247601	Burner Box Side RT/SS				2
19	2512600	Burner Box Bottom	2	2	2	2
20	2576398	Front Rail Assy 68"	1	1	1	1
21	2188700	Orifice Support	6	6	6	6
22	G02486-2.2mm	Orifice Fitting Nat N. American	6	6	6	6
	G02486-53	Orifice Fitting Pro N. American	6	6	6	6
	G02486-2.1	Orifice Fitting G20/G25 Nat Europe CE	6	6	6	6
	G02486-54F	Orifice Fitting - G31 Pro Europe CE	6	6	6	6
	G02486-00	Orifice Fitting Special (Specify Gas)	6	6	6	6
	M8-XX	Orifice -Mfg Gas (Spec Gas/Dest)	6	6	6	6
24	2194100	H Burner Pilot Bracket	6	6	6	6
25	2200700	Pilot Burner RH	6	6	6	6
25A	2200702	Pilot Orifice #32 Natural	6	6	6	6
	2200703	Pilot Orifice #23 Propane	6	6	6	6
	2200709	Pilot Orifice #40 Manufactured Gas	6	6	6	6
	2200704	Compression Nut- 3/16	2	2	2	2
	2200705	Olive Sleeve-3/16	6	6	6	6

* NOT ILLUSTRATED

RECOMMENDED STOCK PARTS

GARLAND PARTS IDENTIFICATION

MST47-68 Top Configuration: One Griddle Top Section
models: MST47-68R, MST47-68RC, MST47-68S, MST47-68T

ITEM	PART #	DESCRIPTION	QUANTITY			
			MODEL			
			MST47-68R	MST47-68RC	MST47-68S	MST47-68T
28	2194799	Manifold Assy-M47 Std	2	2	2	2
	2184797	Manifold Assy Rear Gas	2	2	2	2
29	G02251-1	Test Spigot	2	2	2	2
30	2198102	Valve Connector-10mm	6	6	6	6
30A	1086597	Gum Valve-3/16 Pilot	6	6	6	6
31	4601578	Flame Failure Valve Assembly	6	6	6	6
	CK4601581	Valve/Adapter Assy-FF Mfg. Gas	6	6	6	6
32	2229300	.187 Tube Valve Pilot	6	6	6	6
33	2229700	.250 Tube Valve Orifice	6	6	6	6
34	1825501	Valve Panel-M47R	2	2		
	1825401	Valve Panel-M47S/T			2	2
	2427200	Valve Panel MST7S				
35	4512120	KNOB KIT, HI/LOW FF	6	6	6	6
	4512141	Knob Kit (FD Oven F)	2	2		
	2522111	Knob (FD Oven C)	2	2		
46	2193000	Grease Tray Handle	2	2	2	2
47	22001400	Grease Container Assy	2	2	2	
	2335699	Grease Tray Assy				2
48	2247702	Secondary Valve Panel				2
49	2247400	Secondary Burner Box Bottom				2
50	2425600	Grease Tray Guide				2

* NOT ILLUSTRATED

RECOMMENDED STOCK PARTS

GARLAND PARTS IDENTIFICATION

MST47-68 Top Configuration: One Griddle Top Section + Spark Ignition (E)
models: MST47-68RE, MST47-68RCE, MST47-68SE, MST47-68TE

ITEM	PART #	DESCRIPTION	QUANTITY			
			MODEL			
			MST47-68RE	MST47-68RCE	MST47-68SE	MST47-68TE
1	1790610	LP BG Flue Cap 68"	1	1	1	1
2	1816419	LP BG Back 68" AZ	1	1	1	1
	1816420	LP BG Back 68" SS	1	1	1	1
3	1817310	LP BG Upright Assy S/W	2	2	2	2
5	2552200	Burner Rest	2	2	2	2
6	2194300	Burner Hanger	4	4	4	4
7	G7338-1-6	Side Radiation Shield	4	4	4	4
8	4526220	GRIDDLE BOX 34" MASTER SERIES	2	2	2	2
9	G0444-068-9	Rear Splashguard Assy	1	1	1	1
10	1781491	Fry Top Weld Assy 68"	1	1	1	1
	1781499	Grv. Griddle Weld Assy	1	1	1	1
11	4525461	Griddle H Burner, Includes Shutter	6	6	6	6
12	1028002	Air Shutter	6	6	6	6
13	1806101	Burner Box Back	2	2	2	2
	2546400	Burner Box Back				2
	2546405	Burner Box Back RR Gas				2
	1806103	Burner Box Back RR Gas	2	2	2	2
14	2553000	Back Top MST40	2	2	2	2
	2553002	Back Top MST46/47 RR	1	1	1	1
15	2559000	Backguard Spacer	2	2	2	2
16	G7341-1-6	Rear Radiation Shield	2	2	2	2
	G7341-4-6	Rear Radiation Shield RR Gas	1	1	1	1
17	1768399	Shelf Mtg Bracket Assy RT	2	2	2	2
	1768398	Shelf Mtg Bracket Assy LT	2	2	2	2
18	1132806	Burner Box Side LT/CRS	2	2	2	
	1132807	Burner Box Side LT/SS	2	2	2	
	1132804	Burner Box Side RT/CRS	2	2	2	
	1132805	Burner Box Side RT/SS	2	2	2	
	2247602	Burner Box Side LT/CRS				2
	2247603	Burner Box Side LT/SS				2
	2247600	Burner Box Side RT/CRS				2
	2247601	Burner Box Side RT/SS				2
19	2512600	Burner Box Bottom	2	2	2	2
20	2576398	Front Rail Assy 68"	1	1	1	1
21	2188700	Orifice Support	6	6	6	6
22	G02486-2.2mm	Orifice Fitting Nat N. American	6	6	6	6
	G02486-53	Orifice Fitting Pro N. American	6	6	6	6
	G02486-2.1mm	Orifice Fitting G20/G25 Nat Europe CE	6	6	6	6
	G02486-54F	Orifice Fitting - G31 Pro Europe CE	6	6	6	6
	G02486-00	Orifice Fitting Special (Specify Gas)	6	6	6	6
	M8-XX	Orifice -Mfg Gas (Spec Gas/Dest)	6	6	6	6
24	2194100	H Burner Pilot Bracket	6	6	6	6
25	2200700	Pilot Burner RH	6	6	6	6
25A	2200702	Pilot Orifice #32 Natural	6	6	6	6
	2200703	Pilot Orifice #23 Propane	6	6	6	6
	2200709	Pilot Orifice #40 Manufactured Gas	6	6	6	6
	2200704	Compression Nut- 3/16	2	2	2	2
	2200705	Olive Sleeve-3/16	6	6	6	6

* NOT ILLUSTRATED

RECOMMENDED STOCK PARTS

GARLAND PARTS IDENTIFICATION

MST47-68 Top Configuration: One Griddle Top Section + Spark Ignition (E)
models: MST47-68RE, MST47-68RCE, MST47-68SE, MST47-68TE

ITEM	PART #	DESCRIPTION	QUANTITY			
			MODEL			
			MST47-68RE	MST47-68RCE	MST47-68SE	MST47-68TE
25A Cont	2200706	Nut-Thermocouple Retaining	6	6	6	6
	2200707	Nut-Electrode	6	6	6	6
	2200708	Electrode	6	6	6	6
26	2270200	Pilot Shield	2	2	2	2
27	2200600	Thermocouple-18"	6	6	6	6
28	2194799	Manifold Assy-M47 Std	2	2	2	2
	2184797	Manifold Assy Rear Gas	2	2	2	2
29	G02251-1	Test Spigot	2	2	2	2
30	2198102	Valve Connector-10mm	6	6	6	6
30A	1086597	Gum Valve-3/16 Pilot	6	6	6	6
31	4601578	Flame Failure Valve Assembly	6	6	6	6
	CK4601581	Valve/Adapter Assy-FF Mfg. Gas	6	6	6	6
32	2229300	.187 Tube Valve Pilot	6	6	6	6
33	2229700	.250 Tube Valve Orifice	6	6	6	6
34	1825501	Valve Panel-M47R	2	2		
	1825401	Valve Panel-M47S/T			2	2
	2427200	Valve Panel MST7S				
35	4512120	KNOB KIT, HI/LOW FF	6	6	6	6
	4512141	Knob Kit (FD Oven F)	2	2		
	2522111	Knob (FD Oven C)	2	2		
36	050069	Sectional Terminal Block				2
	050070	Sectional Terminal End				2
37	2336400	Mounting Bracket				2
38	2336300	Terminal Block Bracket				2
39	2336200	Terminal Block Enclosure				2
40	2247100	Wire Way				2
41	2336000	Insulation Retainer Secondary				2
42	2237300	Spark Modular Support	2	2	2	2
43	2247200	Spark Modular Enclosure	2	2	2	
44	2144002	120V Spark Generator				2
	2144000	240V Spark Generator				2
45	2200300	Push Button Switch				2
46	2193000	Grease Tray Handle				2
47	22001400	Grease Container Assy				2
	2335699	Grease Tray Assy				2
48	2247702	Secondary Valve Panel				2
49	2247400	Secondary Burner Box Bottom				2
50	2425600	Grease Tray Guide				2
51	2533200	EMI Filter				2

* NOT ILLUSTRATED
RECOMMENDED STOCK PARTS

GARLAND PARTS IDENTIFICATION
MST7 Top Configuration: One 17"W Griddle Top
models: MST7S, MST7T

ITEM	PART #	DESCRIPTION	QUANTITY	
			MODEL	
			MST7S	MST7T
1	1790602	LB BG Flue Cap 17"	1	1
2	1816401	LP BG Back 17" AZ	1	1
	1816402	LP BG Back 17" SS	1	1
3	1817301	LP Front Panel 17"	1	1
4	1768599	LP BG Upright Assy S/W	2	2
5	2551400	Burner Rest	1	1
6	2194300	Burner Hanger	2	2
7	G7338-1-6	Side Radiation Shield	2	2
8	4526218	GRIDDLE BOX 17" MASTER SERIES		
9	G0444-017-9	Rear Splashguard Assy	1	1
10	1781485	Frytop Weld Assy 17"		
	1781469	Grooved Griddle Weld Assy 17"	1	1
11	4525461	Griddle H Burner, includes Shutter		
12	1028002	Air Shutter		
13	2546701	Burner Box Back 17"	1	
	2546704	Burner Box Back M7 RR Gas	1	
	2546401	Burner Box Back		1
	2546409	Burner Box Back RR Gas		1
14	2584800	Back Top	1	1
16	2539000	Rear Radiation Shield 17"	1	1
17	1768399	Shelf Mtg. Brkt, Assy LT	1	1
	1768398	Shelf Mtg. Brkt, Assy RT	1	1
18	1132806	Burner Box Side LT/CRS	1	
	1132804	Burner Box Side RT/CRS	1	
	1132805	Burner Box Side RT/SS	1	
	1132807	Burner Box Side LT/SS	1	
	2247602	Burner Box Side LT/CRS		1
	2247603	Burner Box Side RT/CRS		1
	2247600	Burner Box Side RT/SS		1
19	2426900	Burner Box Bottom		1
	2515200	Burner Box Bottom	1	
20	2426899	Front Rail Assembly	1	1
21	2188700	Orifice Support	1	1
22	G02486-2.2mm	Orifice Fitting Nat N. American	1	
	G02486-53	Orifice Fitting Pro N. American	1	1
	G02486-2.1mm	Orifice Fitting G20/G25 Nat Europe CE	1	1
	G02486-54F	Orifice Fitting - G31 Pro Europe CE	1	1
	G02486-00	Orifice Fitting Special (Specify Gas)	1	1
	M8-XX	Orifice -Mfg Gas (Spec Gas/Dest)	1	1
24	2194100	H Burner Pilot Bracket	1	1
25	2200700	Pilot Burner RH	1	1
25A	2200702	Pilot Orifice #32 Natural	1	1
	2200703	Pilot Orifice #23 Propane	1	1
	2200709	Pilot Orifice #40 Manufactured Gas	1	1
	2200704	Compression Nut- 3/16	1	1
	2200705	Olive Sleeve-3/16	1	1
	2200706	Nut-Thermocouple Retaining	1	1

* NOT ILLUSTRATED
RECOMMENDED STOCK PARTS

GARLAND PARTS IDENTIFICATION
MST7 Top Configuration: One 17"W Griddle Top
models: MST7S, MST7T

ITEM	PART #	DESCRIPTION	QUANTITY	
			MODEL	
			MST7S	MST7T
26	2270200	Pilot Shield	1	1
27	2200600	Thermocouple-18"	1	1
28	2445799	Manifold Assy	1	1
	2184798	Manifold Assy Rear Gas	1	1
29	G02251-1	Test Spigot	1	1
30	2198102	Valve Connector-10mm	1	1
30A	1086597	Gum Valve-3/16 Pilot	1	1
31	4601578	Flame Failure Valve Assembly	1	1
	CK4601581	Valve/Adapter Assy-FF Mfg. Gas	1	1
32	2229300	.187 Tube Valve Pilot	1	1
33	2229700	.250 Tube Valve Orifice	1	1
34	2427200	Valve Panel	1	1
35	4512120	KNOB KIT, HI/LOW FF	1	1
46	2193000	Grease Tray Handle		1
47	2335699	Grease Tray Assy		1
	2515600	Grease Pan	1	
48	2427102	Secondary Valve Panel		1
49	2427000	Secondary Burner Box Bottom		1
50	2425600	Grease Tray Guide		1

* NOT ILLUSTRATED

RECOMMENDED STOCK PARTS

GARLAND PARTS IDENTIFICATION

**MST7 Top Configuration: One 17" W Griddle Top + Spark Ignition (E)
models: MST7SE, MST7TE**

ITEM	PART #	DESCRIPTION	QUANTITY	
			MODEL	
			MST7SE	MST7TE
1	1790602	LB BG Flue Cap 17"	1	1
2	1816401	LP BG Back 17" AZ	1	1
	1816402	LP BG Back 17" SS	1	1
3	1817301	LP Front Panel 17"	1	1
4	1768599	LP BG Upright Assy S/W	2	2
5	2551400	Burner Rest	1	1
6	2194300	Burner Hanger	2	2
7	G7338-1-6	Side Radiation Shield	2	2
8	4526218	GRIDDLE BOX 17" MASTER SERIES	1	1
9	G0444-017-9	Rear Splashguard Assy	1	1
10	1781485	Frytop Weld Assy 17"	1	1
	1781469	Grooved Griddle Weld Assy 17"	1	1
11	4525461	Griddle H Burner, includes Shutter	1	1
12	1028002	Air Shutter	1	1
13	2546701	Burner Box Back 17"	1	
	2546704	Burner Box Back M7 RR Gas	1	
	2546401	Burner Box Back		1
	2546409	Burner Box Back RR Gas		1
14	2584800	Back Top	1	1
16	2539000	Rear Radiation Shield 17"	1	1
17	1768399	Shelf Mtg. Brkt, Assy LT	1	1
	1768398	Shelf Mtg. Brkt, Assy RT	1	1
18	1132806	Burner Box Side LT/CRS	1	
	1132804	Burner Box Side RT/CRS	1	
	1132805	Burner Box Side RT/SS	1	
	1132807	Burner Box Side LT/SS	1	
	2247602	Burner Box Side LT/CRS		1
	2247603	Burner Box Side RT/CRS		1
	2247600	Burner Box Side RT/SS		1
19	2426900	Burner Box Bottom		1
	2515200	Burner Box Bottom	1	
20	2190698	Front Rail Assembly		1
	2426898	Front Rail Assembly		1
	2426899	Front Rail Assembly	1	
21	2188700	Orifice Support	1	1
22	G02486-2.2mm	Orifice Fitting Nat N. American	1	
	G02486-53	Orifice Fitting Pro N. American	1	1
	G02486-2.1mm	Orifice Fitting G20/G25 Nat Europe CE	1	1
	G02486-54F	Orifice Fitting - G31 Pro Europe CE	1	1
	G02486-00	Orifice Fitting Special (Specify Gas)	1	1
	M8-XX	Orifice -Mfg Gas (Spec Gas/Dest)	1	1
24	2194100	H Burner Pilot Bracket	1	1
25	2200700	Pilot Burner RH	1	1

* NOT ILLUSTRATED

RECOMMENDED STOCK PARTS

GARLAND PARTS IDENTIFICATION

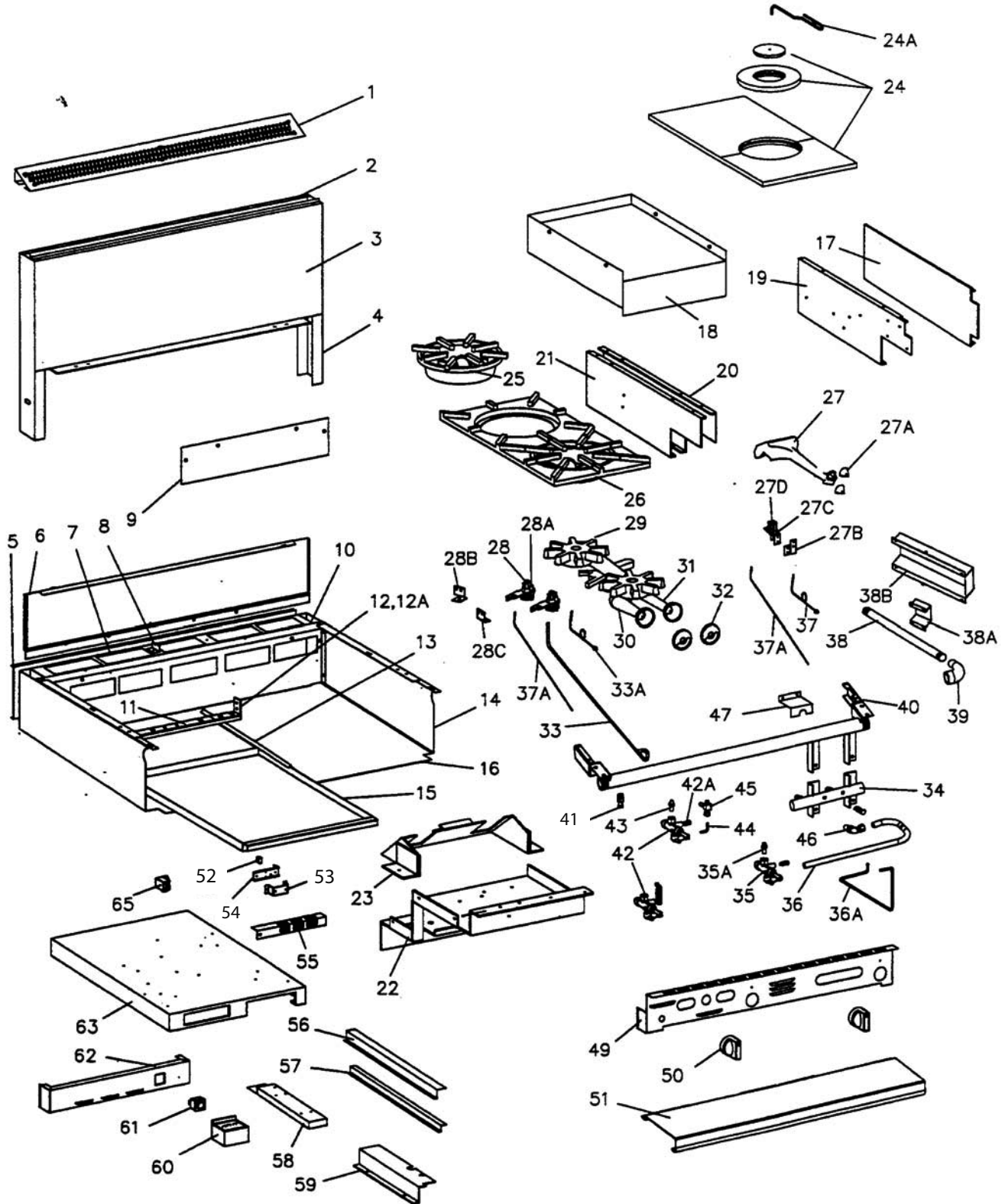
MST7 Top Configuration: One 17" W Griddle Top + Spark Ignition (E)
models: MST7SE, MST7TE

ITEM	PART #	DESCRIPTION	QUANTITY	
			MODEL	
			MST7SE	MST7TE
25A	2200702	Pilot Orifice #32 Natural	1	1
	2200703	Pilot Orifice #23 Propane	1	1
	2200709	Pilot Orifice #40 Manufactured Gas	1	1
	2200704	Compression Nut- 3/16	1	1
	2200705	Olive Sleeve-3/16	1	1
	2200706	Nut-Thermocouple Retaining	1	1
	2200707	Nut-Electrode	1	1
	2200708	Electrode	1	1
27	2200600	Thermocouple-18"	1	1
27A	2200201	High Tension Wire-36"	1	1
	G03883-8	Insulation Sleeve	1	1
28	2445799	Manifold Assy	1	1
	2184798	Manifold Assy Rear Gas	1	1
29	G02251-1	Test Spigot	1	1
30	2198102	Valve Connector-10mm	1	1
30A	1086597	Gum Valve-3/16 Pilot	1	1
31	4601578	Flame Failure Valve Assembly	1	1
	CK4601581	Valve/Adapter Assy-FF Mfg. Gas	1	1
32	2229300	.187 Tube Valve Pilot	1	1
33	2229700	.250 Tube Valve Orifice	1	1
34	2427200	Valve Panel	1	1
35	4512120	KNOB KIT, HI/LOW FF	1	1
36	050069	Sectional Terminal Block		1
	050070	Sectional Terminal End		1
37	2336400	Mounting Bracket		1
38	2336300	Terminal Block Bracket		1
39	2336200	Terminal Block Enclosure		1
40	2247100	Wire Way		1
41	2336000	Insulation Retainer Secondary		1
42	2237300	Spark Modular Support		1
43	2247200	Spark Modular Enclosure		1
44	2144002	120V Spark Generator		1
	2144000	240V Spark Generator		1
45	2200300	Push Button Switch		1
46	2193000	Grease Tray Handle		1
47	2335699	Grease Tray Assy		1
	2515600	Grease Pan	1	
48	2427102	Secondary Valve Panel		1
49	2427000	Secondary Burner Box Bottom		1
50	2425600	Grease Tray Guide		1
51	2533200	EMI Filter		1

* NOT ILLUSTRATED

RECOMMENDED STOCK PARTS

NOTES



GARLAND PARTS IDENTIFICATION

**MST54 Top Configuration: Two 35K Open Burners + One 45K Front-Fried Hot Top or French Top
models: MST54R, MST54RC, MST54S, MST54T**

ITEM	PART #	DESCRIPTION	QUANTITY			
			MODEL			
			MST54R	MST54RC	MST54S	MST54T
1	1790602	LP BG Flue Cap 34"	1	1	1	1
2	1816407	LP BG Back Guard 34" AZ	1	1	1	1
	1816408	LP BG Back Guard 34" SS	1	1	1	1
3	1817304	LP Front Panel 34"	1	1	1	1
4	1768599	LP BG Upright Assy S/W	2	2	2	2
5	G7341-1-6	Rear Radiation Shield	1	1	1	1
6	1806101	Burner Box Back	1	1	1	
	2546400	Burner Box Back				1
	1806104	Burner Box Back - RR Gas	1	1	1	
	2546410	Burner Box Back - RR Gas				1
7	2553000	Back Top MST 40	1	1	1	1
8	2559000	Backguard Spacer	1	1	1	1
9	2570900	Back Top Baffle	1	1	1	1
10	1768399	Shelf MTG. Brkt. Assy LT	1	1	1	1
	1768398	Shelf MTG. Brkt. Assy RT	1	1	1	1
11	2340300	Burner Rest	1	1	1	1
12	2431300	Burner Hanger-Side	1	1	1	1
	2537400	Burner Hanger-Centre	1	1	1	1
13	2505400	Drip Tray Guide RH	1	1	1	1
	2505401	Drip Tray Guide LH	1	1	1	1
14	1132804	Burner Box Side RH/CRS	1	1	1	
	1132805	Burner Box Side RH/SS	1	1	1	
	1132806	Burner Box Side LH/CRS	1	1	1	
	1132807	Burner Box Side LH/SS	1	1	1	
	2247600	Burner Box Side RH/CRS				1
	2247601	Burner Box Side RH/SS				1
	2247602	Burner Box Side LH/CRS				1
2247603	Burner Box Side LH/SS				1	
15	2342803	Drip Pan	1	1	1	1
16	2512601	Burner Box Bottom	1	1	1	
	2247001	Burner Box Bottom				1
17	G7338-1-6	Side Radiation Shield	1	1	1	1
18	2340699	Radiation Pan Assy	1	1	1	1
19	G0453-1-61	Side Radiation Shield-Hot Top Right	1	1	1	1
	G0453-1-62	Side Radiation Shield-Hot Top Left	1	1	1	1
20	2341000	Radiation Shield Support-Hot Top LT	1	1	1	1
	2341001	Radiation Shield Support-Hot Top RT	1	1	1	1
21	2341100	Side Rad. Shield Support-Hot Top LT	1	1	1	1
	2341101	Side Rad. Shield Support-Hot Top RT	1	1	1	1
22	2341200	Top Burner Housing-Hot Top LT	1	1	1	1
	2341201	Top Burner Housing-Hot Top RT	1	1	1	1
23	2554299	Burner Air Shield Assembly - Hot Top Right	1	1	1	1
	2340498	Burner Air Shield Assembly - Hot Top Left	1	1	1	1
24	G6117-01	Key Plate Assembly	1	1	1	1
24A	G6308-1-8	Lid Lifter	1	1	1	1

* NOT ILLUSTRATED

RECOMMENDED STOCK PARTS

GARLAND PARTS IDENTIFICATION

**MST54 Top Configuration: Two 35K Open Burners + One 45K Front-Fried Hot Top or French Top
models: MST54R, MST54RC, MST54S, MST54T**

ITEM	PART #	DESCRIPTION	QUANTITY			
			MODEL			
			MST54R	MST54RC	MST54S	MST54T
25	1769101	Ring Grate-Bowl 35K	2	2	2	2
26	1769001	Top Grate 35K Burner	1	1	1	1
27	G3575-32	Top Burner- Natural Gas	3	3	3	3
	G2575-36	Top Burner- Propane	3	3	3	3
	G3575-40	Top Burner- Manufactured Gas	3	3	3	3
27A	G4155	Air Shutter	6	6	6	6
27B	2190700	Pilot Mounting Bracket	1	1	1	1
27C	2200701	Pilot Burner LH	1	1	1	1
27D	2200702	Pilot Orifice #32 Nat.	1	1	1	1
	2200703	Pilot Orifice #23 Pro	1	1	1	1
	2200709	Pilot Orifice #40 Mfg	1	1	1	1
	2200704	Compression Nut-3/16	1	1	1	1
	2200705	Olive Sleeve 3/16"	1	1	1	1
	2200706	Nut-Thermocouple Retaining	1	1	1	1
28	2520800	Pilot Burner	2	2	2	2
28A	2520804	Sleeve 3/16" Compression	2	2	2	2
	2200704	Compression Nut 3/16"	2	2	2	2
	2200706	Nut-Thermocouple Retaining	2	2	2	2
	2520801	Pilot Orifice- Nat. 51	2	2	2	2
	2520802	Pilot Orifice- Pro 30	2	2	2	2
	2520803	Pilot Orifice-Mfg Gas	2	2	2	2
28B	2550200	Pilot Bracket-35K Rear	1	1	1	1
28C	2550201	Pilot Bracket-35K Front	1	1	1	1
29	2528200	Burner Head	2	2	2	2
30	2528000	Front Burner Housing	1	1	1	1
31	2528100	Rear Burner Housing	1	1	1	1
32	2519200	Air Shutter	2	2	2	2
	G4202-2	Air Shutter- Manufactured Gas	2	2	2	2
33	2341400	Pilot Tube-Front	1	1	1	1
	2341500	Pilot Tube-Rear	1	1	1	1
33A	2200600	Thermocouple-18" Front	1	1	1	1
	2200602	Thermocouple-24" Rear	1	1	1	1
34	2190499	Secondary Manifold Pipe Assembly	1	1	1	1
35	4601575	Flame Failure Valve-Hot Top	1	1	1	1
35A	2198100	Valve Connector Fitting-12mm	1	1	1	1
36	2230100	Tube-Valve To Secondary Manifold	1	1	1	1
36A	2229000	Pilot Tube-Hot Top Left	1	1	1	1
	2229100	Pilot Tube-Hot Top Right	1	1	1	1
37	2200600	Thermocouple-18"	1	1	1	1
38	076029-182	Pipe Nipple RR Gas 3/4" x 33" Lg	1	1	1	1
38A	1823301	Tail Pipe Support-Rear Gas	1	1	1	1
38B	1823302	Side Gas Cover-Rear Gas	1	1	1	1
39A*	060295-6	Reducer Bushing 1-1/4" x 3/4" RR Gas	1	1	1	1
40	2340299	Manifold Assy Std. - Hot Top Right	1	1	1	1
	2340199	Manifold Assy Std. - Hot Top Left	1	1	1	1

* NOT ILLUSTRATED
RECOMMENDED STOCK PARTS

GARLAND PARTS IDENTIFICATION

**MST54 Top Configuration: Two 35K Open Burners + One 45K Front-Fried Hot Top or French Top
models: MST54R, MST54RC, MST54S, MST54T**

ITEM	PART #	DESCRIPTION	QUANTITY			
			MODEL			
			MST54R	MST54RC	MST54S	MST54T
41	G02251-1	Test Spigot	1	1	1	1
42	4601578	Flame Failure Valve Assembly Open Burner	2	2	2	2
	2591599	Valve/Adapter Assy-Open Brnr. Mfg. Gas	2	2	2	2
42A	1086597	Gum Valve-3/16"	2	2	2	2
43	2198102	Valve Connector Fitting-10mm	2	2	2	2
	2198100	Valve Connector Fitting-12mm Mfg. /gas	2	2	2	2
44	2519600	Tube-1/4" Valve To Orifice	2	2	2	2
45	G7266-37F	Orifice Holder-Nat (N. America)	2	2	2	2
	G7266-1.8mm	Orifice Holder-Pro (N. America)	2	2	2	2
	G7266-44F	Orifice Holder-Nat G20/25 (Europe-CE)	2	2	2	2
	G7266-54F	Orifice Holder-Pro G31 (Europe-CE)	2	2	2	2
	G7266-XX	Orifice Holder-Nat Less Hood (Special)	2	2	2	2
	M9-XX	Orifice Manufactured Gas(Special)	2	2	2	2
46	2104553	Orifice Fitting #53-Nat (N. America)	3	3	3	3
	2104563	Orifice Fitting #63-Pro (N. America)	3	3	3	3
	2104554	Orifice Fitting #54-Nat G20/25 (Europe-CE)	3	3	3	3
	2104563	Orifice Fitting #63-Pro G31 (Europe-CE)	3	3	3	3
	21045XX	Orifice Fitting -Special (Specify Gas/Dest)	3	3	3	3
	2104558	Orifice Fitting #53-Nat (N. America)	3	3	3	3
47	2341600	Thermostat Heat Shield	1	1		
49	2341700	Valve Panel-Hot Top Left	1	1		
	2341800	Valve Panel-Hot Top Right	1	1		
	2341701	Valve Panel-Hot Top Left			1	1
	2341801	Valve Panel-Hot Top Right			1	1
50	4512120	KNOB KIT, HI/LOW FF -Open Burners	2	2	2	2
	4512140	Knob Kit-Open Burners (Mfg Gas)	2	2	2	2
	4512140	Knob Kit-Hot Top	1	1	1	1
	4512141	Knob Kit (FD Oven F)	1	1		
	4512142	Knob Kit (FD Oven C)	1	1		
51	2190699	Front Rail Assy	1	1	1	1
62	2247703	Secondary Valve Panel				1
63	2247401	Secondary Burner Box Bottom				1

* NOT ILLUSTRATED

RECOMMENDED STOCK PARTS

GARLAND PARTS IDENTIFICATION

**MST54 Top Configuration: Two 35K Open Burners +
One 45K Front-Fried Hot Top or French Top + Spark Ignition (E)
models: MST54RE, MST54RCE, MST54SE, MST54TE**

ITEM	PART #	DESCRIPTION	QUANTITY			
			MODEL			
			MST54RE	MST54RCE	MST54SE	MST54TE
1	1790602	LP BG Flue Cap 34"	1	1	1	1
2	1816407	LP BG Back Guard 34" AZ	1	1	1	1
	1816408	LP BG Back Guard 34" SS	1	1	1	1
3	1817304	LP Front Panel 34"	1	1	1	1
4	1768599	LP BG Upright Assy S/W	2	2	2	2
5	G7341-1-6	Rear Radiation Shield	1	1	1	1
6	1806101	Burner Box Back	1	1	1	
	2546400	Burner Box Back				1
	1806104	Burner Box Back - RR Gas	1	1	1	
	2546410	Burner Box Back - RR Gas				1
7	2553000	Back Top MST 40	1	1	1	1
8	2559000	Backguard Spacer	1	1	1	1
9	2570900	Back Top Baffle	1	1	1	1
10	1768399	Shelf MTG. Brkt. Assy LT	1	1	1	1
	1768398	Shelf MTG. Brkt. Assy RT	1	1	1	1
11	2340300	Burner Rest	1	1	1	1
12	2431300	Burner Hanger-Side	1	1	1	1
	2537400	Burner Hanger-Centre	1	1	1	1
13	2505400	Drip Tray Guide RH	1	1	1	1
	2505401	Drip Tray Guide LH	1	1	1	1
14	1132804	Burner Box Side RH/CRS	1	1	1	
	1132805	Burner Box Side RH/SS	1	1	1	
	1132806	Burner Box Side LH/CRS	1	1	1	
	1132807	Burner Box Side LH/SS	1	1	1	
	2247600	Burner Box Side RH/CRS				1
	2247601	Burner Box Side RH/SS				1
	2247602	Burner Box Side LH/CRS				1
2247603	Burner Box Side LH/SS				1	
15	2342803	Drip Pan	1	1	1	1
16	2512601	Burner Box Bottom	1	1	1	
	2247001	Burner Box Bottom				1
17	G7338-1-6	Side Radiation Shield	1	1	1	1
18	2340699	Radiation Pan Assy	1	1	1	1
19	G0453-1-61	Side Radiation Shield-Hot Top Right	1	1	1	1
	G0453-1-62	Side Radiation Shield-Hot Top Left	1	1	1	1
20	2341000	Radiation Shield Support-Hot Top LT	1	1	1	1
	2341001	Radiation Shield Support-Hot Top RT	1	1	1	1
21	2341100	Side Rad. Shield Support-Hot Top LT	1	1	1	1
	2341101	Side Rad. Shield Support-Hot Top RT	1	1	1	1
22	2341200	Top Burner Housing-Hot Top LT	1	1	1	1
	2341201	Top Burner Housing-Hot Top RT	1	1	1	1
23	2554299	Burner Air Shield Assembly	1	1	1	1
24	G6117-01	Key Plate Assembly	1	1	1	1
24A	G6308-1-8	Lid Lifter	1	1	1	1

* NOT ILLUSTRATED

RECOMMENDED STOCK PARTS

GARLAND PARTS IDENTIFICATION

**MST54 Top Configuration: Two 35K Open Burners +
One 45K Front-Fried Hot Top or French Top + Spark Ignition (E)
models: MST54RE, MST54RCE, MST54SE, MST54TE**

ITEM	PART #	DESCRIPTION	QUANTITY			
			MODEL			
			MST54RE	MST54RCE	MST54SE	MST54TE
25	1769101	Ring Grate/Bowl 35K	2	2	2	2
26	1769001	Top Grate 35K Burner	1	1	1	1
27	G3575-32	Top Burner- Natural Gas	3	3	3	3
	G2575-36	Top Burner- Propane	3	3	3	3
	G3575-40	Top Burner- Manufactured Gas	3	3	3	3
27A	G4155	Air Shutter	6	6	6	6
27B	2190700	Pilot Mounting Bracket	1	1	1	1
27C	2200701	Pilot Burner LH	1	1	1	1
27D	2200702	Pilot Orifice #32 Nat.	1	1	1	1
	2200703	Pilot Orifice #23 Pro	1	1	1	1
	2200709	Pilot Orifice #40 Mfg	1	1	1	1
	2200704	Compression Nut-3/16	1	1	1	1
	2200705	Olive Sleeve 3/16"	1	1	1	1
	2200706	Nut-Thermocouple Retaining	1	1	1	1
	2200707	Nut-Electrode	1	1	1	1
28	2520800	Pilot Burner	2	2	2	2
28A	2520804	Sleeve 3/16" Compression	2	2	2	2
	2200704	Compression Nut-3/16"	2	2	2	2
	2200706	Nut-Thermocouple Retaining	2	2	2	2
	2200707	Nut-Electrode	2	2	2	2
	2200708	Electrode	2	2	2	2
	2520801	Pilot Orifice- Nat. 51	2	2	2	2
	2520802	Pilot Orifice- Pro 30	2	2	2	2
2520803	Pilot Orifice-Mfg Gas	2	2	2	2	
28B	2550200	Pilot Bracket-35K Rear	1	1	1	1
28C	2550201	Pilot Bracket-35K Front	1	1	1	1
29	2528200	Burner Head	2	2	2	2
30	2528000	Front Burner Housing	1	1	1	1
31	2528100	Rear Burner Housing	1	1	1	1
32	2519200	Air Shutter	2	2	2	2
	G4202-2	Air Shutter- Manufactured Gas	2	2	2	2
33	2341400	Pilot Tube-Front	1	1	1	1
	2341500	Pilot Tube-Rear	1	1	1	1
33A	2200600	Thermocouple-18" Front	1	1	1	1
	2200602	Thermocouple-24" Rear	1	1	1	1
34	2190499	Secondary Manifold Pipe Assembly	1	1	1	1
35	4601575	Flame Failure Valve-Hot Top	1	1	1	1
35A	2198100	Valve Connector Fitting-12mm	1	1	1	1
36	2230100	Tube-Valve To Secondary Manifold	1	1	1	1
36A	2229000	Pilot Tube-Hot Top Left	1	1	1	1
	2229100	Pilot Tube-Hot Top Right	1	1	1	1
37	2200600	Thermocouple-18"	1	1	1	1

* NOT ILLUSTRATED

RECOMMENDED STOCK PARTS

GARLAND PARTS IDENTIFICATION

**MST54 Top Configuration: Two 35K Open Burners +
One 45K Front-Fried Hot Top or French Top + Spark Ignition (E)
models: MST54RE, MST54RCE, MST54SE, MST54TE**

ITEM	PART #	DESCRIPTION	QUANTITY			
			MODEL			
			MST54RE	MST54RCE	MST54SE	MST54TE
37A	2200200	High Tension Wire-48"	1	1	1	1
	2200201	High Tension Wire-36"	2	2		2
	2200208	High Tension Wire-60"			2	
38	076029-182	Pipe Nipple RR Gas 3/4" x 33" Lg	1	1	1	1
38A	1823301	Tail Pipe Support-Rear Gas	1	1	1	1
38B	1823302	Side Gas Cover-Rear Gas	1	1	1	1
39A*	060295-6	Reducer Bushing 1-1/4" x 3/4" RR Gas	1	1	1	1
40	2340299	Manifold Assy Std. - Hot Top Right	1	1	1	1
	2340199	Manifold Assy Std. - Hot Top Left	1	1	1	1
41	G02251-1	Test Spigot	1	1	1	1
42	4601578	Flame Failure Valve Assembly Open Burner	2	2	2	2
	2591599	Valve/Adapter Assy-Open Brnr. Mfg. Gas	2	2	2	2
42A	1086597	Gum Valve-3/16"	2	2	2	2
43	2198102	Valve Connector Fitting-10mm	2	2	2	2
	2198100	Valve Connector Fitting-12mm Mfg. /gas	2	2	2	2
44	2519600	Tube-1/4" Valve To Orifice	2	2	2	2
45	G7266-37F	Orifice Holder-Nat (N. America)	2	2	2	2
	G7266-1.8mm	Orifice Holder-Pro (N. America)	2	2	2	2
	G7266-44F	Orifice Holder-Nat G20/25 (Europe-CE)	2	2	2	2
	G7266-54F	Orifice Holder-Pro G31 (Europe-CE)	2	2	2	2
	G7266-XX	Orifice Holder-Nat Less Hood (Special)	2	2	2	2
	M9-XX	Orifice Manufactured Gas(Special)	2	2	2	2
46	2104553	Orifice Fitting #53-Nat (N. America)	3	3	3	3
	2104563	Orifice Fitting #63-Pro (N. America)	3	3	3	3
	2104554	Orifice Fitting #54-Nat G20/25 (Europe-CE)	3	3	3	3
	2104563	Orifice Fitting #63-Pro G31 (Europe-CE)	3	3	3	3
	21045XX	Orifice Fitting -Special (Specify Gas/Dest)	3	3	3	3
	2104558	Orifice Fitting #53-Nat (N. America)	3	3	3	3
47	2341600	Thermostat Heat Shield	1	1		
49	2341700	Valve Panel-Hot Top Left	1	1		
	2341800	Valve Panel-Hot Top Right	1	1		
	2341701	Valve Panel-Hot Top Left			1	1
	2341801	Valve Panel-Hot Top Right			1	1
50	4512120	KNOB KIT, HI/LOW FF-Open Burners	2	2	2	2
	4512140	Knob Kit-Open Burners (Mfg Gas)	2	2	2	2
	4512140	Knob Kit-Hot Top	1	1	1	1
	4512141	Knob Kit (FD Oven F)	1	1		
	4512142	Knob Kit (FD Oven C)	1	1		
51	2190699	Front Rail Assy	1	1	1	1
52	050069	Sectional Terminal Block				1
	050070	Sectional Terminal End				1
53	2336400	Mounting Bracket				1
54	2336300	Terminal Block Bracket				1

* NOT ILLUSTRATED

RECOMMENDED STOCK PARTS

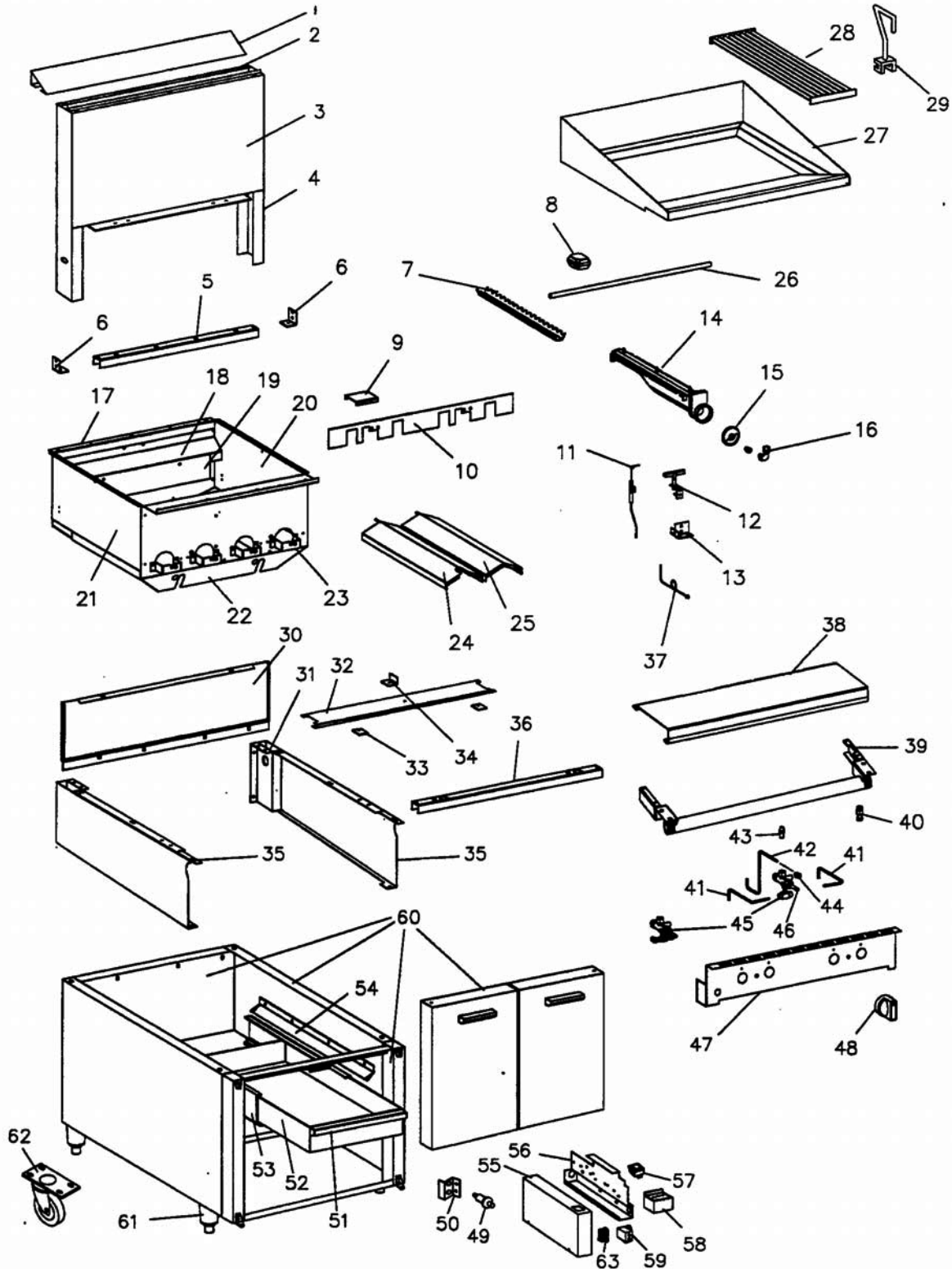
GARLAND PARTS IDENTIFICATION

**MST54 Top Configuration: Two 35K Open Burners +
One 45K Front-Fried Hot Top or French Top + Spark Ignition (E)
models: MST54RE, MST54RCE, MST54SE, MST54TE**

ITEM	PART #	DESCRIPTION	QUANTITY			
			MODEL			
			MST54RE	MST54RCE	MST54SE	MST54TE
55	2336200	Terminal Block Enclosure				1
56	2247100	Wire Way				1
57	2336000	Insulation Retainer				1
58	2247300	Spark Modular Support				1
59	2247200	Spark Modular Enclosure				1
60	2144002	120 Volt Spark Generator				1
	2144000	240 Volt Spark Generator				1
61	2200300	Push Button Switch				1
62	2247703	Secondary Valve Panel				1
63	2247401	Secondary Burner Box Bottom				1
64	2533200	EMI Filter	1	1	1	1

* NOT ILLUSTRATED

RECOMMENDED STOCK PARTS



GARLAND PARTS IDENTIFICATION

Master Series

Heavy Duty Gas Char-Broiler

Models: MST17B, MST24B, MST34B, MST17BE, MST24BE, MST34BE

ITEM	PART #	DESCRIPTION	QUANTITY					
			MODEL					
			MST17B	MST24B	MST34B	MST17BE	MST24BE	MST34BE
1	2526000	LP BG Flue Cap 34"			1			1
	2526001	LP BG Flue Cap 24"		1			1	
	2526002	LP BG Flue Cap 17"	1			1		
2	1816401	LP BG Back 17" AZ	1			1		
	1816402	LP BG Back 17" S/S	1			1		
	1816403	LP BG Back 24" AZ		1			1	
	1816404	LP BG Back 24" S/S		1			1	
	1816407	LP BG Back 34" AZ			1			1
	1816408	LP BG Back 34" S/S			1			1
3	1817301	LP Front Panel 17"	1			1		
	1817302	LP Front Panel 24"		1			1	
	1817304	LP Front Panel 34"			1			1
4	1768599	LP BG Upright Assy S/W	2	2	2	2	2	2
5	G02638-5-6	Burner Rest	1			1		
	G02638-1-6	Burner Rest		1			1	
	G02638-4-6	Burner Rest			1			1
6	2532800	Burner Support Bracket	2			2		
	G026390-1-6	Burner Support Bracket		2	2		2	2
7	G02646-2-9	Porcelain Support	3	4	6	3	4	6
8	G02342-1	Briquettes-20 lb	1	1	1		1	1
9	2517800	Bracket Pilot Cover	2	2	3	2	2	3
10	2533600	Burner Shield	1			1		
	G02641-1-6	Burner Shield		1			1	
	G02642-1-6	Burner Shield			1			1
11	G03151-1	Piezo Electrode 16"	1	1	1			
	G03151-5	Piezo Electrode 28"	1	1	2			
	G03151-6	Piezo Electrode 38"						
	G03151-11	Piezo Electrode 60"				2	2	3
12	2206400	Pilot Burner (Natural)	2	2	3	2	2	3
	2206401	Pilot Burner (Propane)	2	2	3	2	2	3
13	2438800	Pilot Mounting Bracket	2	2	2	2	2	2
14	1090500	Burner	3	4	6	2	4	6
15	1028002	Air Shutter	3	4	6	2	4	6
16	G02486-52F	Orifice Fitting (Natural)	3	4	6	2	4	6
	G02486-51F	Orifice Fitting (Propane)	3	4	6	2	4	6
	G02486-XX	Orifice Fitting (Special - Specify Gas)	3	4	6	2	4	6
17	2286100	Back Liner	1			1		
	G02621-1-6	Back Liner		1			1	
	G02743-1-6	Back Liner			1			1
18	G02623-18-6	Back Spacer	1			1		
	G02623-24-6	Back Spacer		1			1	
	G02623-24-6	Back Spacer			1			1
19	2424700	Burner Hold Down	1			1		
	2424701	Burner Hold Down		1			1	
	2424704	Burner Hold Down			1			1
20	G02622-4-61	Side Liner R/H	1			1		
	G02622-1-61	Side Liner R/H		1	1		1	1

* NOT ILLUSTRATED

RECOMMENDED STOCK PARTS

GARLAND PARTS IDENTIFICATION

Master Series

Heavy Duty Gas Char-Broiler

Models: MST17B, MST24B, MST34B, MST17BE, MST24BE, MST34BE

ITEM	PART #	DESCRIPTION	QUANTITY					
			MODEL					
			MST17B	MST24B	MST34B	MST17BE	MST24BE	MST34BE
21	G02622-4-62	Side Liner L/H	1			1		
	G02622-1-62	Side Liner L/H		1	1		1	1
22	2532300	Front Liner	1			1		
	2438600	Front Liner		1			1	
	2438700	Front Liner			1			1
23	G02640-1-6	Orifice Support	3	4	6	3	4	6
24/25	G02637-01-6	Centre Radiation Shield Assy	1	1	2	1	1	2
26	G03866-5-5	Steel Grate Bar 15"	14			14		
	G03866-1-6	Steel Grate Bar 21"		14			14	
	G03866-4-5	Steel Grate Bar 31.375"			14			14
27	2531299	Main Top Assy	1			1		
	2437999	Main Top Assy		1			1	
	2438099	Main Top Assy			1			1
28	4519965	Half Round Cast Iron Broiler Rack		4			4	
	G03484-01-5	Broiler Rack Assy Diamond		4			4	
	4520648	8-Inch Broiler Rack	2		4	2		4
	G03983-01-5	Broiler Rack Assy Diamond	2		4	2		4
29	G02685-01-8	Rack Lifter Assembly	1	1	1	1	1	1
30	2532700	Burner Box Back	1			1		
	G6149-22-7	Burner Box Back		1			1	
	1896101	Burner Box Back			1			1
31	1768399	Shelf Mounting Bracket Assy LT	1	1	1	1	1	1
	1768398	Shelf Mounting Bracket Assy RT	1	1	1	1	1	1
32	2532600	Back Top 17	1			1		
	2532601	Back Top 24		1			1	
	2532602	Back Top 34			1			1
33	G03128-1-6	Main Top Spacer	2	2	2	2	2	2
35	2531303	Burner Box Side LT CRS	1			1		
	2531302	Burner Box Side RT CRS	1			1		
	2531301	Burner Box Side LT S/S	1			1		
	2531300	Burner Box Side RT S/S	1			1		
	2112903	Burner Box Side LT CRS		1	1		1	1
	2112902	Burner Box Side RT CRS		1	1		1	1
	2112900	Burner Box Side LT S/S		1	1		1	1
	2112901	Burner Box Side RT S/S		1	1		1	1
36	2533000	Attachment Burner Rest	1			1		
	2191400	Attachment Burner Rest		1			1	
	G6302-1-8	Attachment Burner Rest			1			1
37A	2321900	Thermocouple 6"	2	2	3	2	2	3
	2321901	Thermocouple 16"* Recommended to order item # 37B also	2	2	3	2	2	3
37B	2155202	M8x1 Retaining Nut	4	4	6	4	4	6
38	2426899	Front Rail Assembly	1			1		
	2450199	Front Rail Assembly		1			1	
	2190699	Front Rail Assembly			1			1

* NOT ILLUSTRATED

RECOMMENDED STOCK PARTS

GARLAND PARTS IDENTIFICATION

Master Series Heavy Duty Gas Char-Broiler

Models: MST17B, MST24B, MST34B, MST17BE, MST24BE, MST34BE

ITEM	PART #	DESCRIPTION	QUANTITY					
			MODEL					
			MST17B	MST24B	MST34B	MST17BE	MST24BE	MST34BE
39	2532499	Manifold Assembly	1			1		
	2526499	Manifold Assembly		1			1	
	2552999	Manifold Assembly			1			1
40	G02251-1	Test Spigot	1	1	1	1	1	1
41	CK2444600	1/4 Tube Orifice - Tee RT (Used UP TO 2009-03 and reinstated FROM 2017-03-17)	2	2	3	2	2	3
	CK2444601	1/4 Tube Orifice - Tee LT (Used UP TO 2009-03 and reinstated FROM 2017-03-17)	1	2	3	1	2	3
	4525331	1/4 S/S Flex Tube 6" Long, Orifice to Tee Left/Right (FROM 2009-03 UP TO 2017-03-17)	3	4	6	3	4	6
	2609900	1/4 Tube Orifice - RT (Mfg Gas)	2	2	3	2	2	3
	2609901	1/4 Tube Orifice - LT (Mfg Gas)	1	2	3	1	2	3
42	2444700	1/4 Tube Pilot - Elbow	2	2	3	2	2	3
43	1086597	Gum Valve - 3/16 Pilot	1	2	3	1	2	3
43A*	2198102	Valve Connector Fitting -10mm	1	2	3	1	2	3
	2198100	Valve Connector Fitting -12mm Mfg Gas	1	2	3	1	2	3
44	G03674-3	Valve Pilot 1/4" Angle	2	2	3	2	2	3
45	2333899	Tee 1/4 x 1.4 CC x MF Assy	2	2	3	2	2	3
46	2200196	Valve-Flame Failure	1	2	3	1	2	3
	4601578	Flame Failure Valve Assembly (Right)	1			1		
	2187097	Valve Assy. FF Mfg Gas	1	2	3	1	2	3
	2187098	Valve Assy. FF Mfg Gas (Right)	1			1		
47	2533700	Valve Panel	1			1		
	2442800	Valve Panel		1			1	
	2442700	Valve Panel			1			1
48	4512120	KNOB KIT, HI/LOW FF	2	2	3	2	2	3
	4512140	Knob Kit (Top FF Mfg. Gas)	2	2	3	2	2	3
49	1309201	Piezo Igniter				2	2	3
50	2525800	Piezo Support Bracket				1	1	2
52	2524902	Drip Tray 17B	1			1		
	2524901	Drip Tray 24B		1			1	
	2524900	Drip Tray 36B			1			1
53	G02635-1-7	Drip Tray Slide	2	2	2	2	2	2
54	G02745-1-6	Drip Chute	2	2	2	2	2	2
55	2193600	Electric Box Enclosure				1	1	1
56	2524600	Electric Connection Box				1	1	1
56A*	2543600	Enclosure Shield-Large				1	1	1
56B*	2543700	Enclosure Shield-Small				1	1	1
56C*	2442400	Wire Way				1	1	1
57	2200300	Push Button Switch				1	1	1
58	2144002	Spark Generator-120V				1	1	1
	2144000	Spark Generator-240V				1	1	1
59	050069	Terminal Block				2	2	2
	050070	Terminal Block End				1	1	1
59A*	G2840-1	Chord/Plug Set 3/14 Wire (120V Only)				1	1	1
60	G6196-1-8	Body Side (CRS) LT & RT	2	2	2	2	2	2
	G6196-1-9	Body Side (S/S) LT & RT	2	2	2	2	2	2
	2515300	Main Bottom 17"	1			1		
	2442600	Main Bottom 24"		1			1	
	G01031-1-7	Main Bottom 34"			1			1

* NOT ILLUSTRATED

RECOMMENDED STOCK PARTS

GARLAND PARTS IDENTIFICATION

Master Series

Heavy Duty Gas Char-Broiler

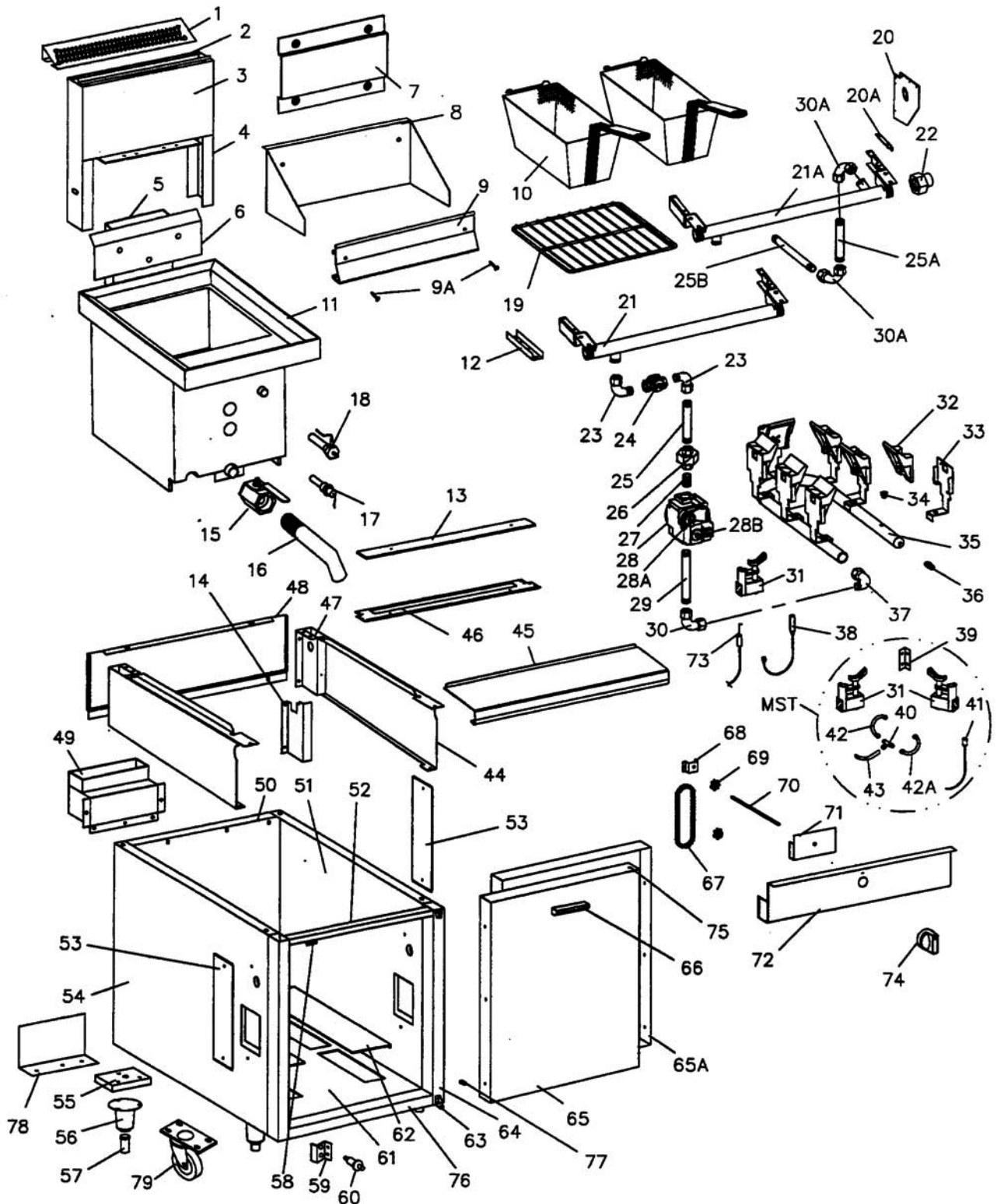
Models: MST17B, MST24B, MST34B, MST17BE, MST24BE, MST34BE

ITEM	PART #	DESCRIPTION	QUANTITY					
			MODEL					
			MST17B	MST24B	MST34B	MST17BE	MST24BE	MST34BE
60 Cont	2546500	Lower Front Channel Molding	1			1		
	2546501	Lower Front Channel Molding		1			1	
	2442500	Lower Front Channel Molding			1			1
	2514697	Front Frame Assy-17	1			1		
	2514699	Front Frame Assy-24		1			1	
	2514698	Front Frame Assy-34			1			1
	2524800	Main Back 17"	1			1		
	2524801	Main Back 24"		1			1	
	G6051-1-7	Main Back 34"			1			1
	2530102	Corner Column LT	1	1	1	1	1	1
	2530103	Corner Column RT	1	1	1	1	1	1
	2529900	Magnet Support Bracket	1	1	1	1	1	1
	2544200	Magnet Support Bracket (Double)	1	1	1	1	1	1
	078174-1	Magnetic Door Catch	1	1	1	1	1	1
	2514400	Inner Side RH	1	1	1	1	1	1
	2514401	Inner Side LH	1	1	1	1	1	1
	2194598	Door Hinge Assy LH	1	1	1	1	1	1
	2194599	Door Hinge Assy RH	1		2	1		2
	2193500	Door Panel		1			1	
	2431200	Door Panel	1		2	1		2
	2193900	Door Lining	1		2	1	1	2
	2431300	Door Lining		1			1	
	2192900	Storage Door Handle	1	1	2	1	1	2
	2327100	Door Stop Bumper	1	1	1	1	2	1
	2327200	Hinge Pin	2	2	4	2	4	4
	G02973-2	Plastic Hole Plug 1/2"	4	4	6	4	3	6
	2530900	Hole Plug 3/8"	3	3	6	3	2	6
	078056-5	Flange Bearing	2	2	4	2		4
	2526200	Cabinet Shelf	1			1	1	
	2515000	Cabinet Shelf		1				
	2514500	Cabinet Shelf			1		4	1
	61	1027600	Leg Retainer Plate 6"	4	4	4	4	4
1150502		Bullet Legs	4	4	4	4	4	4
1542001		S/S Leg Assy	4	4	4	4	4	4
1566400		Plate Leg Sub Assy (Opt)	4	4	4	4	4	4
62	1027800	Swivel Caster Less Brake	2	2	2	2	2	2
	10278011	Swivel Caster C/W Brake	2	2	2	2	2	2
63	1027801	EMI Filter				1		1
64*	2585900	HI-VOLT BARRIER				1	1	1

* NOT ILLUSTRATED

RECOMMENDED STOCK PARTS

NOTES



GARLAND PARTS IDENTIFICATION

Master Series

Heavy Duty Gas Fryer

Models: MST35SS

ITEM	PART #	DESCRIPTION	QUANTITY
			MODEL
			MST35SS
1	1790601	LP BAG Flue Cap 17"	1
2	1816401	LP BAG Back 17" AZ	1
	1816402	LP BAG Back 17" S/S	1
3	1817301	LP Front Panel 17"	1
4	1768599	LP BAG Upright Assay	2
5	2429199	Flue Riser Extension Assay	1
	1749999	Flue Riser Assay 17" BAG	1
6	G0562-2-6	Heat Shield	1
7	G0549-3-7	Back Guard Radiation Shield	1
8	1480600	Fry Pot Back-Splash	1
9	F826-1015	Basket Hanger Kit	1
9A	F8090171	Thumb Screw 1/4" x 1-3/8"	2
10	F042-1	Twin Basket	2
	F045-1	Large Single Basket	1
11	1600996	Fry Pot Assay Complete LP CRS	
	1600997	Fry Pot Assay Complete Nat CRS	
	1600998	Fry Pot Assay Complete LP S/S	
	1600999	Fry Pot Assay Complete Nat S/S	
	2566102	Fry Tank Assay CE (G20) Nat S/S	1
	2566103	Fry Tank Assay CE (G31) LP S/S	1
	2566104	Fry Pot - XJ2X - CE (G20/G25) FRA	1
	2566105	Fry Pot- XJ2X - CE (G31) FRA	1
12	2584400	Front Rail Support Brkt	2
13	2429700	Back Top Cover Plate	1
14	1550200	Rear Heat Shield RT	1
	1550201	Rear Heat Shield LT	1
15	F823-1363	Drain Valve 1-1/4" X 1"	1
	F810-0662	Handle Drain Valve C/W Lock Pin	1
16	F12-1227	Drain Extension 1"	1
17	F806-7541	Thermostat Opening	1
18	F826-1177	Thermostat Hi Limit	1
19	F803-0032	Basket Support Rack	1
20	2208002	End Enclosure RT	1
	2208003	End Enclosure LT	1
21	2445699	Manifold Assy	1
21A	2445696	Manifold Assy 3/4" NPT Rear Gas	1
	2445695	Manifold Assy 1-1/4" NPT Rear Gas	1
22	G7075	1-1/4" NPT Union	1
23	G01475-1	1/2" NPT Street Elbow	2
24	G01517-1	Valve-Swing Type Shut Off Gas	1
25	G01896-1	Nipple 1/2" NPT x 3"	1
25A	076029-190	Nipple 3/4" NPT x 15"	1
	076029-195	Nipple 1-1/4" NPT x 16"	1
25B	076029-192	Nipple 3/4" NPT x 29"	1
	076029-196	Nipple 1-1/4" NPT x 27"	1
26	G01739-1	1/2" NPT	1
27	G01477-10	1/2" NPT x 1-1/2"	1

* NOT ILLUSTRATED

RECOMMENDED STOCK PARTS

GARLAND PARTS IDENTIFICATION

Master Series

Heavy Duty Gas Fryer

Models: MST35SS

ITEM	PART #	DESCRIPTION	QUANTITY
			MODEL
			MST35SS
28(1)	F807-2427	Valve Robertshaw Unitorl 1/2" Nat	1
28(2)	F807-2424	Valve Robertshaw Unitorl 1/2" LP	
28(3)	2577399	Honeywell Valve (G20) Nat	1
28(4)	2577398	Honeywell Valve (G31) LP	1
28A	F810-0187	Regulator Nat For Item 28(1)	
	F819-0099	Regulator LP For Item 28(2) - F817-0099	
	F807-1849	Regulator Nat For Item 28(3)	1
	F807-1846	Regulator LP For Item 28(4)	1
28B	F819-0109	Knob Gas Valve For Item 28 (1&2)	
29	G01896-2	Nipple 1/2" NPT x 3-1/2"	1
30	G01474-2	Elbow 1/2" NPT 90°	1
	G01474-5	Elbow 3/4" NPT 90°	2
	2536300	Elbow 1-1/4" NPT 90°	2
31	F810-0615	Pilot Burner	2
31A*	F810-0149	Pilot Orifice Nat	2
	F810-0148	Pilot Orifice LP	2
32	F806-4720	Deflector Single	9
33	F810-0152	Deflector Brkt	9
34	F810-0129	Orifice Main Burner Nat 51 F 1.70mm	9
	F810-0134	Orifice Main Burner Nat 59 F 1.05mm	9
35	F823-0106	Manifold Weld Assy	1
36	G02251-1	Pressure Test Spigot	1
37	G01916-1	3/4" to 1/2 Reduction Street Elbow	1
38	F810-0617-1	Thermopile (2 Wire Lead))	1
39	F900-1032	Pilot Mounting Brkt	1
40	G02569-1	1/4" Compression Tee	1
41	F810-0162	Thermopile (Third IN)	1
42	GM308	1/4" Pilot Tubing x 6"	1
42A	GM308	1/4" Pilot Tubing x 6"	1
43	F810-0703	1/4" Pilot Tubing x 17-1/2"	1
44	1824100	Burner Box Side RT CRS	1
	1824101	Burner Box Side LT CRS	1
	1824102	Burner Box Side RT S/S	1
	1824100	Burner Box Side LT S/S	1
45	24302299	Front Rail Assy	1
46	2429600	Back Top	1
47	1768399	Shelf Mounting Brkt LT	1
	1768398	Shelf Mounting Brkt RT	1
48	2580700	Burner Box Back	1
	2580701	Burner Box Back S/S	1
49	2429299	Flue Assembly	1
50	2524802	Main Back M35	1
	2524803	Main Back S/S M35	1
51	2575900	Inner Side RH M35	1
	2575901	Inner Side LH M36	1
52	2514697	Front Frame Assy 17"	1
53	1574000	Body Side Patch S/S	2
	1574001	Body Side Patch CRS	2

* NOT ILLUSTRATED

RECOMMENDED STOCK PARTS

GARLAND PARTS IDENTIFICATION

Master Series

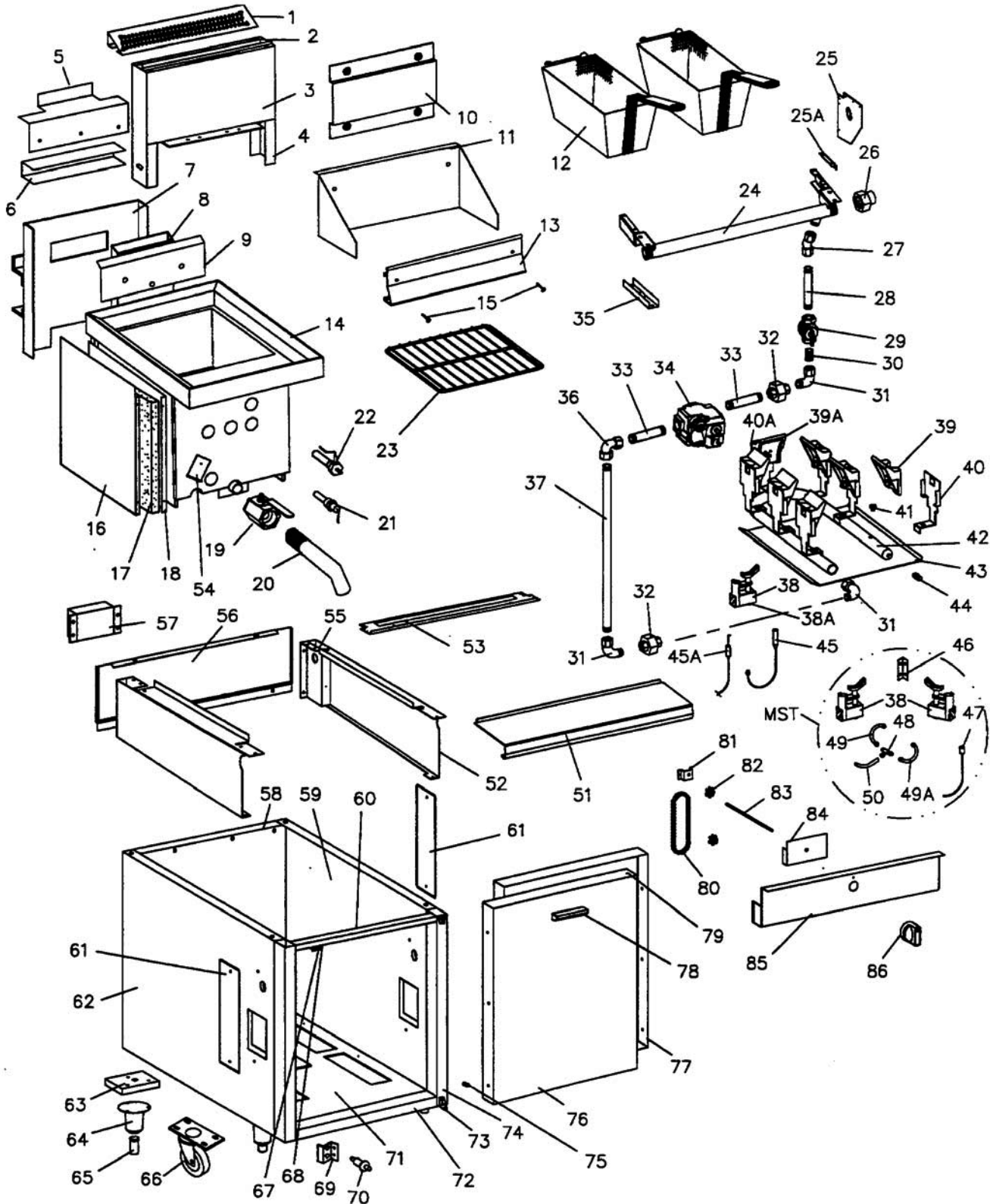
Heavy Duty Gas Fryer

Models: MST35SS

ITEM	PART #	DESCRIPTION	QUANTITY
			MODEL
			MST35SS
54	2575800	Body Side LT CRS M35	1
	2575801	Body Side LT S/S M35	1
	2575802	Body Side RT CRS M35	1
	2575803	Body Side RT S/S M35	1
55	216700	Base Corner	4
56	1027600	Leg Retainer Plated	4
57	1150502	Bullet Legs	4
58	2529900	Magnet Support Brkt	1
	078174-1	Magnetic Door Catch	1
59	2525800	Piezo Mounting Brkt	1
60	1309201	Piezo Igniter	1
61	2515301	Main Bottom	1
62	11290203	Shield Side RT/LT	2
63	2194598	Door Hinge Assy LT	1
	2194599	Door Hinge Assy RT	1
64	2530002	Corner Column LT	1
	2530003	Corner Column RT	1
65	2193500	Panel Door	1
65A	2193900	Door Liner Cabinet	1
66	2192900	Handle Storage Door	1
67	G066-5-8	Drive Chain #25	1
68	G0963-1-7	Connecting Rod Support	1
69	G02426-1	Gear (Boston)	2
70	1805199	Connecting Rod Assy	1
71	G0965-1-8	Dial Plate Support	1
72	2561905	Valve Panel M35	1
73	G03151-2	Piezo Electrode	1
74	2522105	Knob Fryer Thermostat F°	1
	2522112	Knob Fryer Thermostat C°	1
75	G02973-1	Hole Plug 1/2"	2
76	2546500	Lower Front Cannel Molding	1
77	2327100	Door Stop Bumper	1
78	1290204	Shield Rear	1
79	1027800	Casters Less Brake	2
	1027801	Caster C/W Brake	2

* NOT ILLUSTRATED

RECOMMENDED STOCK PARTS



GARLAND PARTS IDENTIFICATION

Master Series

Heavy Duty Gas Fryer

Model: MST70SS

ITEM	PART #	DESCRIPTION	QUANTITY
			MODEL
			MST70SS
1	1890603	LP BG Flue Cap 24"	1
2	1816403	LP BG Back 24" AZ	1
	1816404	LP BG Back 24" S/S	1
3	1817302	LP Front Panel 24"	1
4	1768599	LP BG Upright Assy	2
5	2430600	Flue Riser Stop	1
6	G02402-1-6	Spacer	1
7	G02409-01--6	Rear Enclosure Assy	1
8	2430799	Flue Riser Assy	1
9	G02400-1-6	Heat Shield	1
10	G0549-2-7	Back Guard Radiation Shield	1
11	F910-6470	Heat Shield	1
12	F043-1	Fryer Basket	2
	F046-1	Fryer Basket Large	1
13	F803-0029	Basket Hanger	1
14	G02418-01	Fry Pot Assy Complete Nat	1
	G02418-02	Fry Pot Assy Complete LP	1
	2575400	Fry Pot Assy Complete (G20) Nat	1
	2575401	Fry Pot Assy Complete G31) LP	1
	2575402	Fry Pot Assy Complete (G25) Nat FRA	1
	2575403	Fry Pot Assy Complete (G31) LP FRA	1
15	F809-0171	Basket Hanger Mount Screws	2
16	G02411-1-62	Outer Side Encl LT	1
	G02411-1-61	Outer Side Encl RT	1
17	F26-0861	Fry Pot Insulation Kit	1
18	G02410-1-6	Inner Side Encl RT/LT	2
19	F810-0204	Drain Valve	1
20	F813-0188	Drain Pipe	1
21	F826-1177	Thermostat Hi-Limit	1
22	F806-0183	Thermostat Operating	1
23	F803-0137	Basket Support Rack	1
24	2431899	Manifold Assy	1
25	2208002	End Enclosure RT	1
	2208003	End Enclosure LT	1
25A	2582800	End Enclosure Support Brkt RT	1
	2582801	End Enclosure Support Brkt LT	1
26	G7075	1-1/4" NPT Union	1
27	G02419-1	3/4" NPT 45 ° Elbow	1
28	G01738-5	Nipple 3/4" NPT x 6-1/2	1
29	G01518-1	Valve Swing Type Shut-Off Gas	1
30	G01538-9	Nipple 3/4" NPT x 1-1/2" Close	1
31	G01475-2	Elbow Street 3/4" NPT 90°	2
32	G01963-1	Union 3/4" NPT	2
33	G01738-11	Nipple 3/4" NPT x 3-1/2"	2
34	F807-2428	Robershaw Gas Valve Nat	
	F807-2425	Robertshaw Gas Valve LP (3/4")	
	2574499	Honeywell Gas Valve (G20) Nat	1
	2574498	Honeywell Gas Valve (G31) LP	1
35	2584400	Front Rail Support Brkt	1

* NOT ILLUSTRATED

RECOMMENDED STOCK PARTS

GARLAND PARTS IDENTIFICATION

Master Series

Heavy Duty Gas Fryer

Model: MST70SS

ITEM	PART #	DESCRIPTION	QUANTITY
			MODEL MST70SS
36	G01474-5	Elbow 3/4" NPT 90°	1
37	G01738-5	Nipple 3/4" NPT x 6-1/2"	1
38	F810-0426	Pilot Burner Nat	2
	F810-0427	Pilot Burner LP	2
38A	F810-0149	Pilot Orifice Nat	2
	F810-0148	Pilot Orifice LP	2
39	F814-0034	Ceramic Target (Side Target)	10
	F810-0424	Ceramic Target (Wide Rear)	1
40	F910-0226	Deflector Brkt (Side)	10
	F910-1465	Deflector Brkt (Rear)	1
41	F810-0343	Orifice 1.24mm Nat	
	F810-0340	Orifice 0.86mm LP	
	F810-330	Orifice (G20) Nat	21
	F810-0906	Orifice (G31) LP	21
42	F823-0289	Burner Manifold	1
43	F383-0330	Burner Suspend Heat Shield	1
44	G02251-1	Pressure Test Spigot	1
45	F810-0162	Pilot Generator (Robertshaw)	
	F810-0617-1	Pilot Generator (2 Wire Lead)	1
45A	G03151-1	Piezo Igniter	1
46	F900-1032	Pilot Mounting Brkt	1
47	F807-0699	Thermocouple 20"	1
48	G02569-1	1/4" Compression Tee	1
49	F810-0700	1/4" Pilot Tubing x 8.85"	1
49A	F810-0700	1/4" Pilot Tubing x 8.85"	1
50	F810-0704	1/4" Pilot Tubing x 19-1/2"	1
51	2430399	Front Rail Assy	1
52	1335604	Burner Box Side CRS RT	1
	1335606	Burner Box Side CRS LT	1
	1335605	Burner Box Side S/S RT	1
	1335607	Burner Box Side S/S LT	1
53	2431100	Back Top	1
54	G02399-1-6	Pilot Entrance Cover	1
55	2584699	Shelf Mounting Bracket Assy LH	1
	2584698	Shelf Mounting Bracket Assy RH	1
56	2586000	Burner Box Back M70	1
	2586001	Burner Box Back S/S M70	1
57	G02407-1-6	Rear Burner Tile Enclosure	1
58	2424802	Main Back 24"	1
	2524804	Main Back S/S M70	1
59	2575900	Inner Side RH	1
	2575901	Inner Side LH	1
60	2514699	Front Frame Assy 24"	1
61	1574400	Body Side Patch S/S	1
	1574401	Body Side Patch CRS	1
62	2575800	Body Side LT CRS	1
	2575801	Body Side LT S/S	1
	2575802	Body Side RT CRS	1
	2575803	Body Side RT S/S	1

* NOT ILLUSTRATED

RECOMMENDED STOCK PARTS

GARLAND PARTS IDENTIFICATION

Master Series

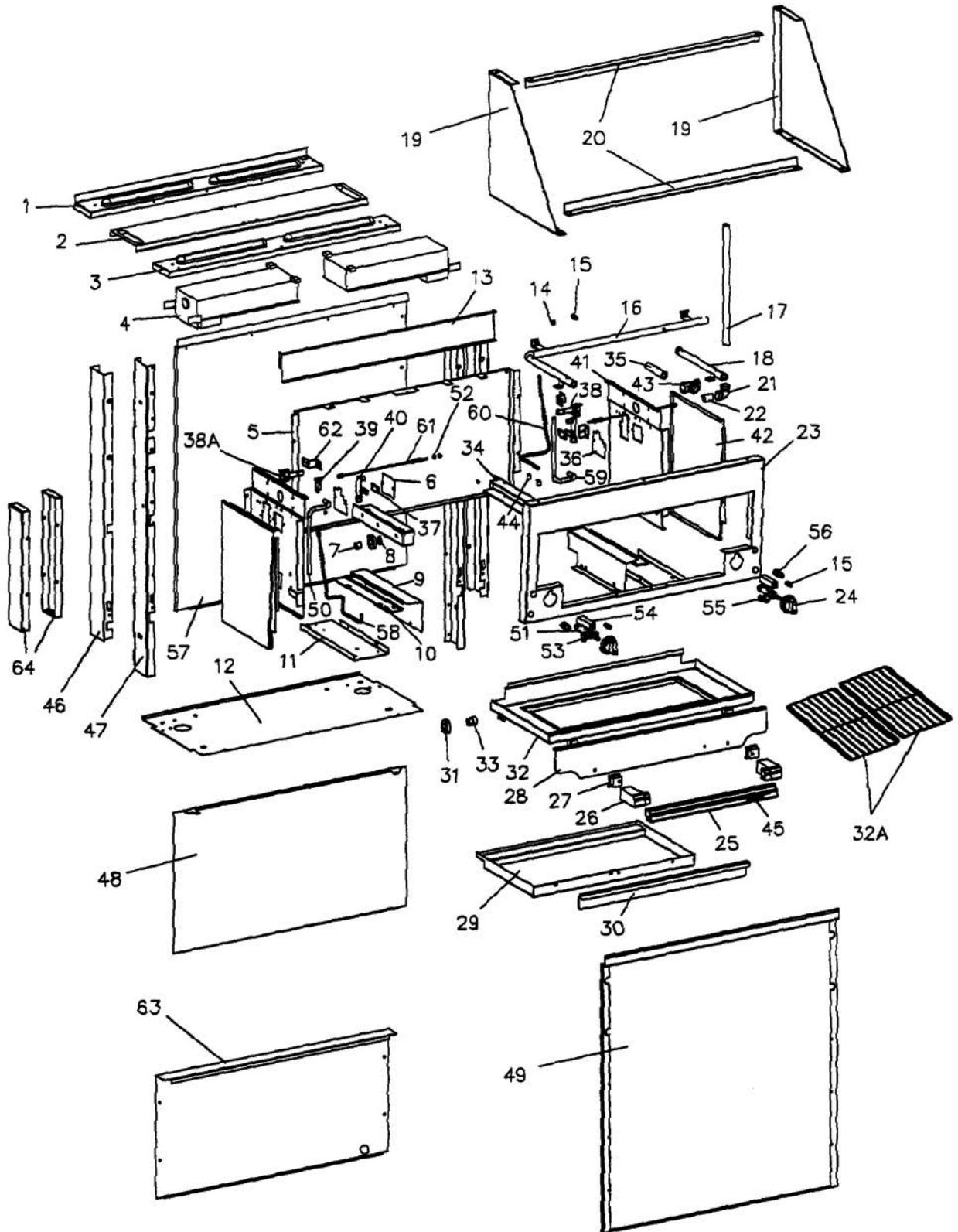
Heavy Duty Gas Fryer

Model: MST70SS

ITEM	PART #	DESCRIPTION	QUANTITY
			MODEL
			MST70SS
63	2167700	Base Corner	4
64	1027600	Leg Retainer Plated	4
65	1150502	Bullet Legs	4
66	1027800	Caster Less Brake	2
	1027801	Caster C/W Brake	2
67	78174-1	Magnetic Door Catch	1
68	2529900	Magnet Support Brkt	1
69	2525800	Piezo Support Brkt	1
70	1308201	Piezo Igniter	1
71	G02414-1-6	Main Bottom M70SS	1
72	2546500	Lower Front Channel Molding	1
73	2194598	Door Hinge Assy LT	1
	2194599	Door Hinge Assy RT	1
74	2530102	Corner Column LT	1
	2530103	Corner Column RT	1
75	2327100	Door Stop bumper	1
76	2421200	Door Panel	1
77	2421300	Door Lining	1
78	2192900	Storage Door Handle	1
79	G02973-1	Hole Plug 1/2"	2
80	G066-5-8	Drive Chain # 25	1
81	G0963-1-7	Connecting Rod Support	1
82	G02426-1	Gear Boston	2
83	1805199	Connecting Rod Assy	1
84	G0965-1-7	Dial Plate Support	1
85	2431701	Valve Panel	1
86	2522105	Knob Fryer Thermostat F°	1
	2522112	Knob Fryer Thermostat C°	1

* NOT ILLUSTRATED

RECOMMENDED STOCK PARTS



GARLAND PARTS IDENTIFICATION
MST Series Heavy Duty Gas Infra-Red Salamander Broiler
Model: MSTSRC, MSTSR16

ITEM	PART #	DESCRIPTION	QUANTITY	
			MODEL	
			MSTSRC	MSTSR16
1	G01377-1-6	Main Top Back		1
	G01377-1-9	Main Top Back	1	1 (Option)
2	G01376-1-6	Main Top Centre		1
	G01376-1-9	Main Top Centre	1	1 (Option)
3	G01375-1-9	Main Top Front	1	1
4	2572100	Infra Red Burner	2	2
	CK117	SRC Burner Assembly Kit (Australia AGA) Incl. burner# G01408-01	2	2
5	2564200	Flue Back	1	1
6	G01372-1-6	Orifice Fitting Cover	2	2
7	G01247-2	Front Bearing	2	2
8	F112	Washer Bearing	2	2
9	2592798	Valve Housing Assy LH	1	1
	2592799	Valve Housing Assy RH	1	1
10	2576200	Valve Housing Retainer	2	2
11	2541998	Manifold Housing Bottom LH	1	1
	2541999	Manifold Housing Bottom RH	1	1
12	2540800	Bottom Cover	1	1
13	2580200	Front Brace	1	1
14	2203400	Cnt. Sunk 1/8" NPT Hex Plug	4	4
15	G02251-1	Pressure Test Spigot	3	3
16	2541799	Manifold Assembly	1	1
17	G01477-9	Nipple 1/2" NPT x 18" Long	1	1
18	2567999	Sub-Manifold Assembly	1	1
19	2582602	Wall Mount Bracket RH (S/S) Note: Black bracket 2582600 No Longer Available.	1 (Opt)	
	2582603	Wall Mount Bracket LH (S/S) Note: Black bracket 2582601 No Longer Available.	1 (Opt)	
20	G01467-1-5	Angle Bracket	2	
21	G01474-2	Elbow-1/2 NPT	1	1
22	G01477-10	Nipple 1/2" NPT x 1/2" Long	1	1
23	2593100	Front Frame	1	1
24	4512120	Knob Kit, Hi/Low, FF	2	2
25	CK24	Door Handle Kit (Compact) Incl. items 25, 26, 27.	1	1
26		Door Handle End LT/ RT. See item 25.	1	1
27		Door Handle End Insert. See item 25.	2	2
28	2592600	Rack Veneer	1	1
29	2601300	Grease Tray	1	1
30	2540700	Grease Tray Front	1	1
31	G01244-1	Large Roller Bearing	4	4
32	2593099	Rack Frame & Grease Chute Assy	1	1
32A	4520649	Rack SR-16	2	2

* NOT ILLUSTRATED

RECOMMENDED STOCK PARTS

GARLAND PARTS IDENTIFICATION
MST Series Heavy Duty Gas Infra-Red Salamander Broiler
Model: MSTSRC, MSTSR16

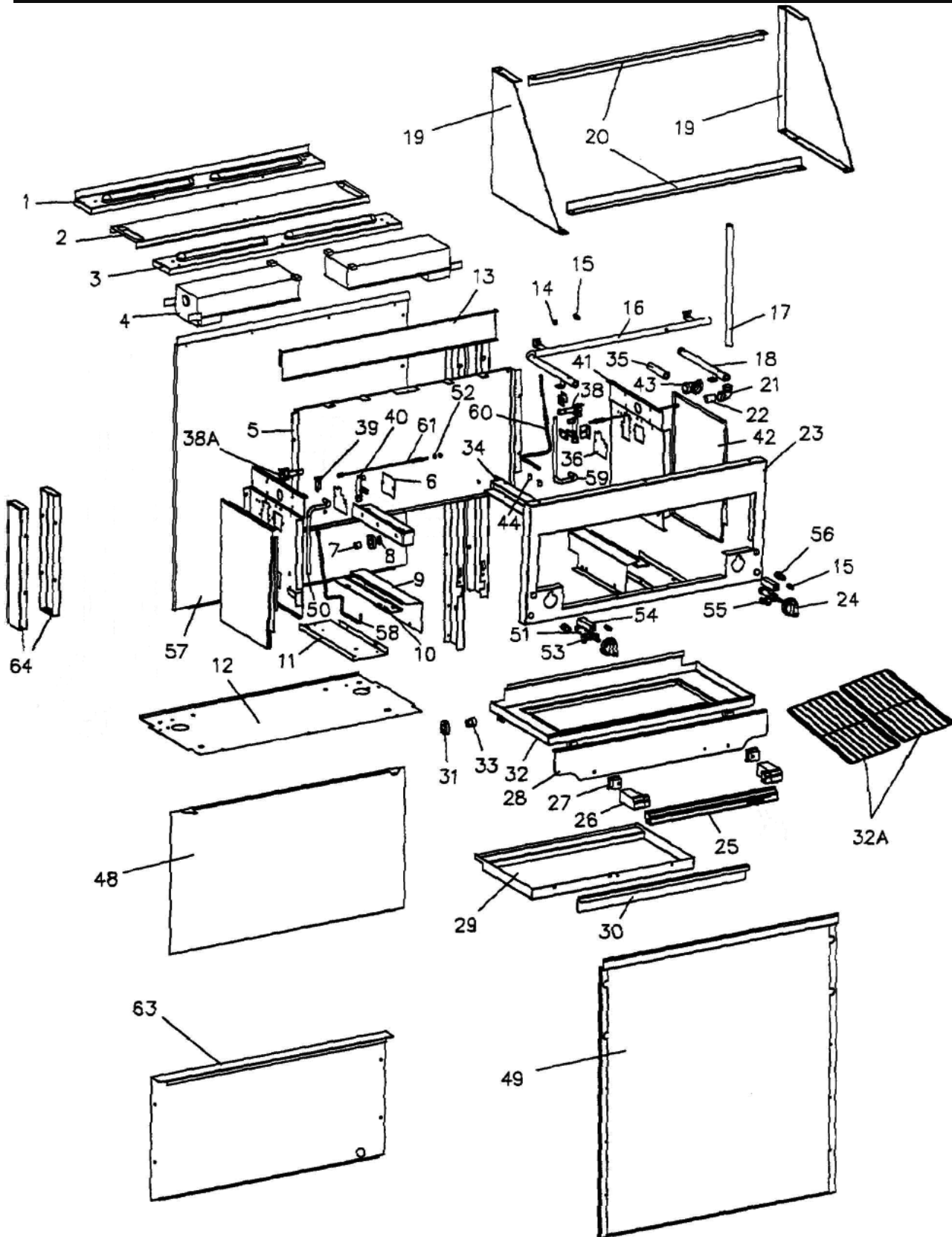
ITEM	PART #	DESCRIPTION	QUANTITY	
			MODEL	
			MSTSRC	MSTSR16
33	G01247-3	Rear Bushing	2	2
34	G02469-01-81	Roller Guide Assembly RH	1	1
	G02469-01-82	Roller Guide Assembly LH	1	1
35	G01477-2	Nipple 1/2" x 4-1/8" Long	1	
36	4526781	Cover Plate	2	2
	4526782	Cover Plate AGA	2	2
37	2554800	Orifice Fitting Shim	2	2
38	G01267-5	Pilot Burner	2	2
38A	G01267-2	Pilot Orifice (Natural)	2	2
	G01267-3	Pilot Orifice (Propane)	2	2
	G01267-4	Pilot Orifice (Manufactured Gas, Export)	2	2
39	G02649-1-6	Pilot Bracket	2	2
40	G01411-XX	Orifice Fitting Less Hood	2	2
	G01411-48	Orifice Fitting Natural Gas	2	2
	G01411-12	Orifice Fitting 1.2mm LP	2	2
41	2542100	Side Liner RH (Used UP TO May, 2009)	1	1
	2542101	Side Liner LH (Used UP TO May, 2009)	1	1
	4526785	Side Liner RH (FROM May, 2009)	1	1
	4526786	Side Liner LH (FROM May, 2009)	1	1
42	2567302	Main Side RH (S/S) Note: Black Main Side 2567300 NLA.	1 (Opt)	1 (Opt)
	2567303	Main Side LH (S/S) Note: Black Main Side 2567301 NLA.	1 (Opt)	1 (Opt)
43	G01476-1	Tee 1/2" NPT	1	1
44	G01989-1-8	Post Bearing 1/2" Dia x 1/2" Long	4	4
45	1592007	Handle Overlay (No Longer Available)	1	1
	1799401	Handle Overlay (No Longer Available)	1	1
46	2567701	Upright Veneer LH		1
	2567700	Upright Veneer RH		1
47	2567698	Upright Assy LH		1
	2567699	Upright Assy RH		1
48	2567800	Front Panel		1
49	2580500	Veneer Back (Opt)		1
50	4527406	(FLEX) 7/16 Dia Tubing, Valve - Orifice Left (Used UP TO June-23-2016)	1	1
	2541000	(SOLID) 7/16 Tubing, Valve - Orifice Left (Used FROM June-24-2016)	1	1
51	4601578	Flame Failure Valve Assembly	2	2
52	2155202	M8X1 Brass Nut-Thermocouple	4	4
53	2198102	Valve Connector Fitting 10mm	2	2
54	2542000	Valve Extension Block	2	2
55	G03674-3	Valve Pilot 1/4" 90°	2	2
56	G01243-1	Fitting - 7/16" CC X 1/4" NPT	2	2
57	2567500	Main Back		1
58	4527418	(FLEX) 1/4" x 18" Dia Tubing, Pilot - Flame Failure Left (Used UP TO June-23-2016)	1	1
	4602111	(SOLID) 1/4 Tubing, Pilot - Flame Failure Left Salamander (Used FROM June-24-2016)	1	1
59	4527406	(FLEX) 7/16 x 16 Tubing, Valve - Orifice Right (Used UP TO June-23-2016)	1	1
	2541200	(SOLID) 7/16 Tubing, Valve - Orifice Right (Used FROM June-24-2016)	1	1

* NOT ILLUSTRATED
RECOMMENDED STOCK PARTS

GARLAND PARTS IDENTIFICATION
MST Series Heavy Duty Gas Infra-Red Salamander Broiler
Model: MSTSRC, MSTSR16

ITEM	PART #	DESCRIPTION	QUANTITY	
			MODEL	
			MSTSRC	MSTSR16
60	4527418	(FLEX) 1/4 Tubing, Pilot - Flame Failure Right (Used UP TO June-23-2016)	1	1
	2536000	(SOLID) 1/4 Tubing, Pilot FF Valve Right (Used FROM June-24-2016)	1	1
61	2321902	Thermocouple 23-1/2"	2	2
62	2554501	Thermocouple Support Bracket - LT	1	1
	2554500	Thermocouple Support Bracket - RT	1	1
63	2567200	Main Back (Black). No Longer Available.	1 (Std)	
	2567201	Main Back, S/S. No Longer Available.	1 (Opt)	
	2567203	Main Back, S/S.	1	
64	2567198	Support Bracket Assy (S/S)	2 (Std)	
	2567199	Support Bracket Assy (Black)	2 (Opt)	

* NOT ILLUSTRATED
RECOMMENDED STOCK PARTS



GARLAND PARTS IDENTIFICATION
MST Series Heavy Duty Gas Infra-Red Salamander Broiler
Model: MSTSRCM, MSTSR16M (FROM 2014-05)

ITEM	PART #	DESCRIPTION	QUANTITY	
			MODEL	
			MSTSRCM	MSTSR16M
1	G01377-1-9	Main Top Back	1	1
2	G01376-1-9	Main Top Centre	1	1
3	G01375-1-9	Main Top Front	1	1
4	CK117	SRC Burner Assembly Kit (Australia AGA) Incl. burner# G01408-01	2	2
5	2564200	Flue Back	1	1
6	G01372-1-6	Orifice Fitting Cover	2	2
7	G01247-2	Front Bearing	2	2
8	F112	Washer Bearing	2	2
9	2592798	Valve Housing Assy LH	1	1
	2592799	Valve Housing Assy RH	1	1
10	2576200	Valve Housing Retainer	2	2
11	2541998	Manifold Housing Bottom LH	1	1
	2541999	Manifold Housing Bottom RH	1	1
12	2540800	Bottom Cover	1	1
13	2580200	Front Brace	1	1
14	2203400	Cnt. Sunk 1/8" NPT Hex Plug	4	4
15	G02251-1	Pressure Test Spigot	3	3
16	2541799	Manifold Assembly	1	1
17	G01477-9	Nipple 1/2" NPT x 18" Long	1	1
18	2567999	Sub-Manifold Assembly	1	1
19	2582602	Wall Mount Bracket RH (S/S)	1 (Opt)	
	2582603	Wall Mount Bracket LH (S/S)	1 (Opt)	
20	G01467-1-5	Angle Bracket	2	
21	G01474-2	Elbow-1/2 NPT	1	1
22	G01477-10	Nipple 1/2" NPT x 1/2" Long	1	1
23	2593100	Front Frame	1	1
24	4512120	Knob Kit, Hi/Low, FF	2	2
25	CK24	Door Handle Kit (Compact) Incl. items 25, 26, 27.	1	1
26	3007300	Door Handle End LT/ RT. See item 25.	1	1
27	3010001	Door Handle End Insert. See item 25.	2	2
28	2592600	Rack Veneer	1	1
29	2601300	Grease Tray	1	1
30	2540700	Grease Tray Front	1	1
31	G01244-1	Large Roller Bearing	4	4
32	2593099	Rack Frame & Grease Chute Assy	1	1
32A	4520649	Rack SR-16	2	2
33	G01247-3	Rear Bushing	2	2
34	G02469-01-81	Roller Guide Assembly RH	1	1
	G02469-01-82	Roller Guide Assembly LH	1	1
35	G01477-2	Nipple 1/2" x 4-1/8" Long	1	1
36	4526781	Cover Plate	2	2
	4526782	Cover Plate AGA	2	2

* NOT ILLUSTRATED

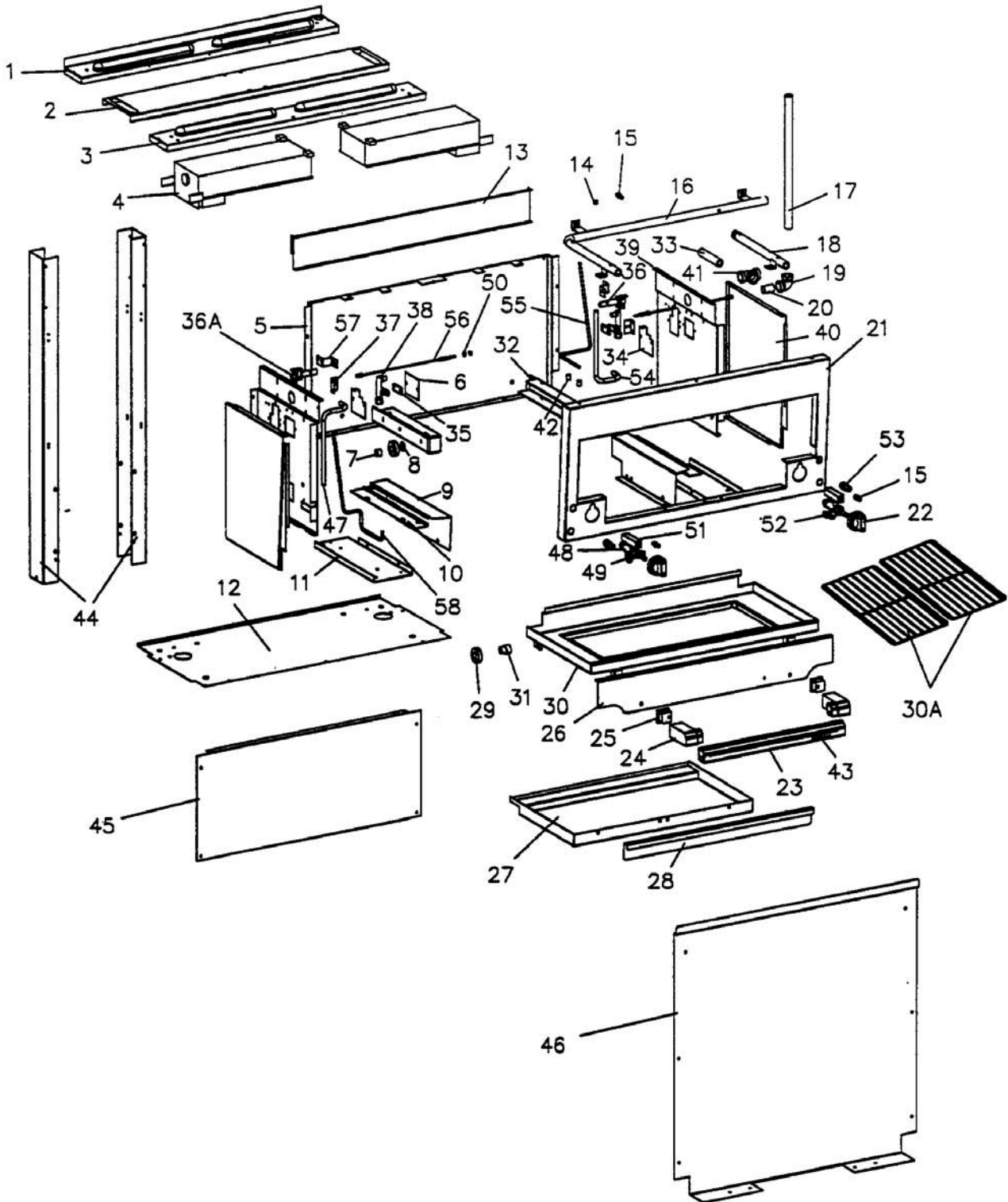
RECOMMENDED STOCK PARTS

GARLAND PARTS IDENTIFICATION
MST Series Heavy Duty Gas Infra-Red Salamander Broiler
Model: MSTSRM, MSTSR16M (FROM 2014-05)

ITEM	PART #	DESCRIPTION	QUANTITY	
			MODEL	
			MSTSRM	MSTSR16M
38	G01267-5	Pilot Burner	2	2
38A	G01267-2	Pilot Orifice (Natural)	2	2
	G01267-6	PILOT ORIFICE FITT. L.P. #14Z	2	2
39	G02649-1-6	Pilot Bracket	2	2
40	G01411-XX	Orifice Fitting Less Hood	2	2
	M7-43	SRC Orifice NATURAL GAS, 43 Size (from sea-level 0-2000 feet)	2	2
	M7-1.4MM	Small Orifice PROPANE, Salamander, 1.4mm (from sea-level 0-2000 feet)	2	2
41	4526785	CE AND AUS SIDE LINER RH	1	1
	4526786	CE AND AUS SIDE LINER LH	1	1
42	2567302	Main Side RH (S/S)	1 (Opt)	1 (Opt)
	2567303	Main Side LH (S/S)	1 (Opt)	1 (Opt)
43	G01476-1	Tee 1/2" NPT	1	1
44	G01989-1-8	Post Bearing 1/2" Dia x 1/2" Long	4	4
48	2567800	MSR16 FRONT PANEL		1
49	2580500	MSR16 VENEER BACK		1 (Opt)
50	4527406	(FLEX) 7/16 Dia Tubing, Valve - Orifice Left (Used UP TO June-23-2016)	1	1
	2541000	(SOLID) 7/16 Tubing, Valve - Orifice Left (Used FROM June-24-2016)	1	1
51	4601578	Flame Failure Valve Assembly	2	2
52	2155202	M8 x 1 Brass Nut-Thermocouple	4	4
53	2198102	Valve Connector Fitting 10mm	2	2
54	2542000	Valve Extension Block	2	2
55	G03674-3	Valve Pilot 1/4" 90°	2	2
56	G01243-1	Fitting - 7/16" CC X 1/4" NPT	2	2
57	2567500	MSR16 MAIN BACK		1
58	4527418	(FLEX) 1/4" x 18" Dia Tubing, Pilot - Flame Failure Left (Used UP TO June-23-2016)	1	1
	4602111	(SOLID) 1/4 Tubing, Pilot - Flame Failure Left Salamander (Used FROM June-24-2016)	1	1
59	4527406	(FLEX) 7/16 x 16 Tubing, Valve - Orifice Right (Used UP TO June-23-2016)	1	1
	2541200	(SOLID) 7/16 Tubing, Valve - Orifice Right (Used FROM June-24-2016)	1	1
60	4527418	(FLEX) 1/4 Tubing, Pilot - Flame Failure Right (Used UP TO June-23-2016)	1	1
	2536000	(SOLID) 1/4 Tubing, Pilot FF Valve Right (Used FROM June-24-2016)	1	1
61	2321902	Thermocouple 23-1/2"	2	2
63	2567203	Main Back, S/S.	1	
64	2567198	Support Bracket Assy (S/S)	2	

* NOT ILLUSTRATED
RECOMMENDED STOCK PARTS

NOTES



GARLAND PARTS IDENTIFICATION

Master Series

Gas Infra-Red Salamander Broiler

Model: MSTSR16-280

ITEM	PART #	DESCRIPTION	QUANTITY
			MODEL
1	G01377-1-6	Main Top Back	1 (Std)
	G01377-1-9	Main Top Back	1 (Opt)
2	G01376-1-6	Main Top Centre	1 (Std)
	G01376-1-9	Main Top Centre	1 (Opt)
3	G01375-1-9	Main Top Front	1
4	2572100	Infra Red Burner	2
	CK117	SRC Burner Assembly Kit (Australia AGA). Kit includes burner# G01408-01	2
5	2564200	Flue Back	1
6	G01371-1-6	Orifice Fitting Cover	2
7	G01247-2	Front Bearing	2
8	F112	Washer Bearing	2
9	2592798	Valve Housing Assy LH	1
	2592799	Valve Housing Assy RH	1
10	2576200	Valve Housing Retainer	2
11	2541998	Manifold Housing Bottom LH	1
	2541999	Manifold Housing Bottom RH	1
12	2540800	Bottom Cover	1 (Opt)
13	2580200	Front Brace	1
14	2203400	Cnt. Sunk 1/8" NPT Hex Plug	4
15	G02551-1	Pressure Test Spigot	3
16	2541799	Manifold Assembly	1
17	G01477-9	Nipple 1/2" NPT x 18" Long	1
18	2567999	Sub-Manifold Assembly	1
19	G01474-2	Elbow - 1/2 NPT	1
20	G01477-10	Nipple 1/2" NPT x 1-1/2" Long	1
21	2593100	Front Frame	1
22	4512120	Knob Kit, Hi/Low Flame Failure	2
23	CK24	Door Handle Kit (Compact) Incl. items 25, 26, 27.	1
24		Door Handle End LT/ RT. See item 23.	1
25		Door Handle End Insert. See item 23.	2
26	2592600	Rack Veneer	1
27	2601300	Grease Tray	1
28	2540700	Grease Tray Front	1
29	G01244-1	Bearing	4
30	2593099	Rack Frame & Grease Chute Assy	1
30A	4520649	Rack SR-16	2
31	G01247-3	Rear Bushing	2
32	G02469-01-81	Roller Guide Assembly RH	1
	G02469-01-82	Roller Guide Assembly LH	1
33	G01477-2	Nipple 1/2" NPT x 4-1/8" Long	2
34	4526781	Cover Plate	2
	4526782	Cover Plate, AGA	2
35	2554800	Orifice Fitting Shim	2

* NOT ILLUSTRATED

RECOMMENDED STOCK PARTS

GARLAND PARTS IDENTIFICATION

Master Series

Gas Infra-Red Salamander Broiler

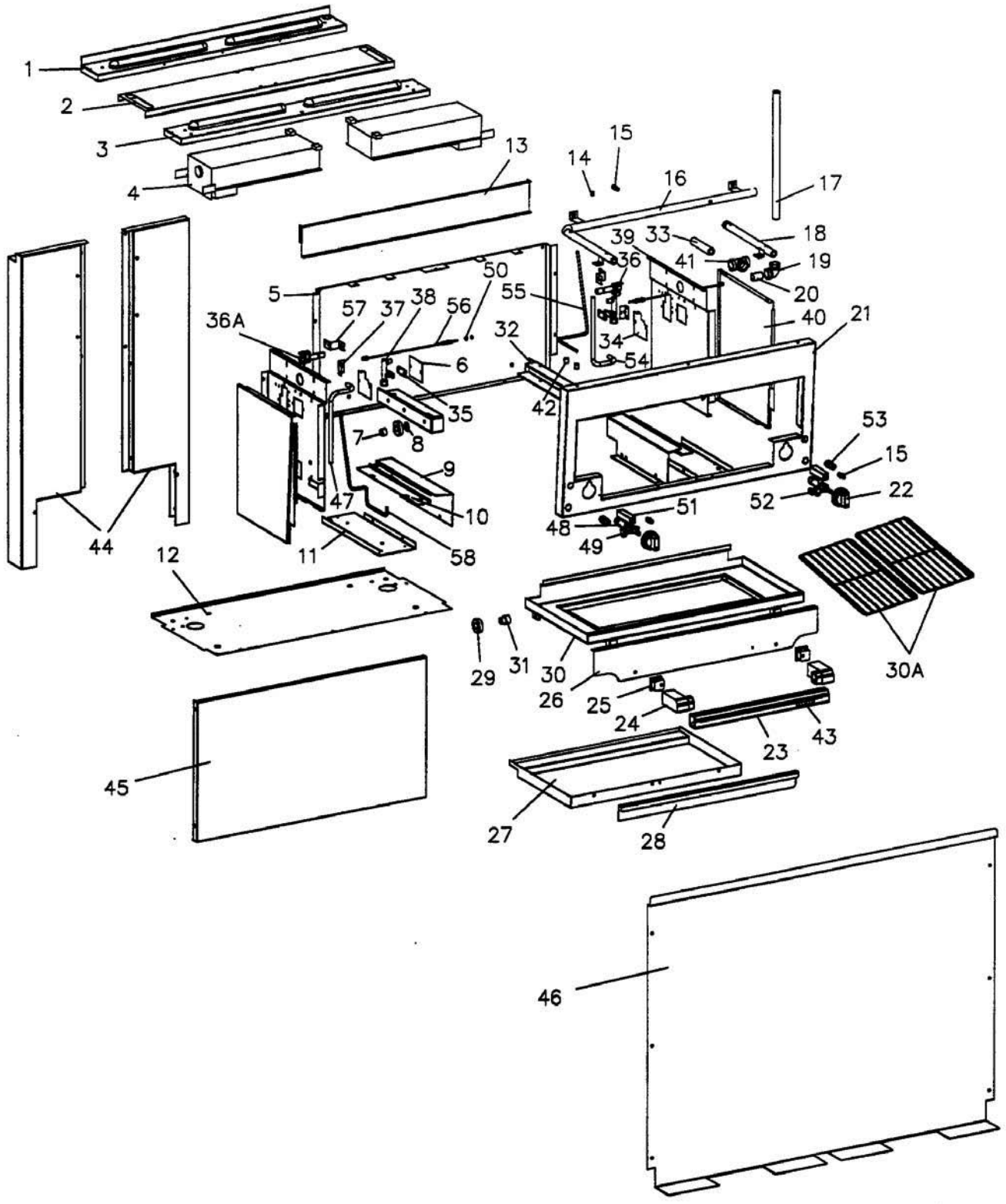
Model: MSTSR16-280

ITEM	PART #	DESCRIPTION	QUANTITY
			MODEL
36	G01267-5	Pilot Burner	2
36A	G01267-2	Pilot Orifice (Natural)	2
	G01267-3	Pilot Orifice (Propane)	2
37	G02649-1-6	Pilot Bracket	2
38	G01411-55	Orifice Fitting Natural (N. America)	2
	G01411-1.2mm	Orifice Fitting Propane (N. America)	2
	G01411-XX	Orifice Fitting Natural (Export)	2
	G01411-XX	Orifice Fitting Propane (Export)	2
	G01411-XX	Orifice Fitting - Special (Gas/Destination)	2
39	2542100	Side Liner RH (Used UP TO May, 2009)	1
	2542101	Side Liner LH (Used UP TO May, 2009)	1
	4526785	Side Liner RH (FROM May, 2009)	1
	4526786	Side Liner LH (FROM May, 2009)	1
40	2567300	Main Side RH (Black). No Longer Available. Use S/S version.	1 (Std)
	2567302	Main Side RH (S/S)	1 (Opt)
	2567301	Main Side LH (Black). No Longer Available. Use S/S version.	1 (Std)
	2567303	Main Side LH (S/S)	1 (Opt)
41	G01476-1	Tee 1/2" NPT	1
42	G01989-1-8	Post Bearing 1/2" Dia x 1/2" Long	4
43	1592008	Handle Overlay (No Longer Available)	1
	1799401	Handle Overlay (No Longer Available)	1
44	2567400	Bracket - SR Salamander (Black)	2 (Std)
	2567401	Bracket - SR Salamander (S/S)	2 (Opt)
45	2571800	Front Panel (Black)	1 (Std)
	2571801	Front Panel (S/S)	1 (Opt)
46	2571900	Main Back	1 (Std)
	2571901	Main Back (S/S)	1 (Opt)
47	4527406	(FLEX) 7/16 Dia Tubing, Valve - Orifice Left (Used UP TO June-23-2016)	1
	2541000	(SOLID) 7/16 Tubing Valve - Orifice Left (Used FROM June-24-2016)	1
48	4601578	Flame Failure Valve Assembly	2
49	2198102	Valve Connector Fitting 10mm	2
50	2155202	M8X1 Brass Nut -Thermocouple	4
51	2542000	Valve Extension Block	2
52	G03674-3	Valve-Pilot 1/4" 90°	2
53	G01243-1	Fitting-7-16" CC x 1/4" NPT	2
54	4527406	(FLEX) 7/16" x 16" Dia Tubing Valve - Orifice Right (Used UP TO June-23-2016)	1
	2541200	(SOLID) 7/16 Tubing Valve - Orifice Right (Used FROM June-24-2016)	1
55	4527418	(FLEX) 1/4" Dia Tubing Pilot - Flame Failure Right (Used UP TO June-23-2016)	1
	2536000	(SOLID) 1/4 Tubing Pilot FF Valve RT (Used FROM June-24-2016)	1
56	2321902	Thermocouple 23-1/2"	2
57	2554501	Thermocouple Support Bracket - LT	1
	2554500	Thermocouple Support Bracket - RT	1
58	4527418	(FLEX) 1/4" x 18" Dia Tubing Pilot - Flame Failure Left (Used UP TO June-23-2016)	1
	4602111	(SOLID) 1/4 Tubing Pilot - Flame Failure Left Salamander (Used FROM June-24-2016)	1

* NOT ILLUSTRATED

RECOMMENDED STOCK PARTS

NOTES



GARLAND PARTS IDENTIFICATION

Master Series

Gas Infra-Red Salamander Broiler

Model: MSTSR16-288 (Out Of Production)

ITEM	PART #	DESCRIPTION	QUANTITY
			MODEL
1	G01377-1-6	Main Top Back	1 (Std)
	G01377-1-9	Main Top Back	1 (Opt)
2	G01376-1-6	Main Top Centre	1 (Std)
	G01376-1-9	Main Top Centre	1 (Opt)
3	G01375-1-9	Main Top Front	1
4	2572100	Infra Red Burner	2
	CK117	SRC Burner Assembly Kit (Australia AGA). Kit includes burner# G01408-01	2
5	2564200	Flue Back	1
6	G01371-1-6	Orifice Fitting Cover	2
7	G012747-1	Front Bearing	2
8	F112	Washer Bearing	2
9	2592798	Valve Housing Assy LH	1
	2592799	Valve Housing Assy RH	1
10	2576200	Valve Housing Retainer	2
11	2541998	Manifold Housing Bottom LH	1
	2541999	Manifold Housing Bottom RH	1
12	2540800	Bottom Cover	1 (Opt)
13	2580200	Front Brace	1
14	2203400	Cnt. Sunk 1/8" NPT Hex Plug	4
15	G02251-1	Pressure Test Spigot	2
16	241799	Manifold Assembly	1
17	G01477-9	Nipple 1/2" NPT x 18" Long	1
18	2567999	Sub-Manifold Assembly	1
19	G01474-2	Elbow - 1/2" NPT	1
20	G01477-10	Nipple 1/2" NPT x 1-1/2" Long	1
21	2593100	Front Frame	1
22	2522116	Knob	2
23	CK24	Door Handle Kit (Compact) Incl. items 25, 26, 27.	1
24		Door Handle End LT/ RT. See item 23.	1
25		Door Handle End Insert. See item 23.	2
16	2592600	Rack Veneer	1
27	2601300	Grease Tray	1
28	2540700	Grease Tray Front	1
29	G01244-1	Bearing	4
30	2593099	Rack Frame & Grease Chute Assy	1
30A	4520649	Rack SR-16	2
31	G01247-3	Rear Bushing	2
32	G02469-01-81	Roller Guide Assembly RH	1
	G02469-01-82	Roller Guide Assembly LH	1
33	G01477-2	Nipple 1/2" NPT x 4-1/8" Long	2
34	4526781	Cover Plate	2
	4526782	Cover Plate, AGA	2
35	2554800	Orifice Fitting Shim	2

* NOT ILLUSTRATED

RECOMMENDED STOCK PARTS

GARLAND PARTS IDENTIFICATION

Master Series

Gas Infra-Red Salamander Broiler

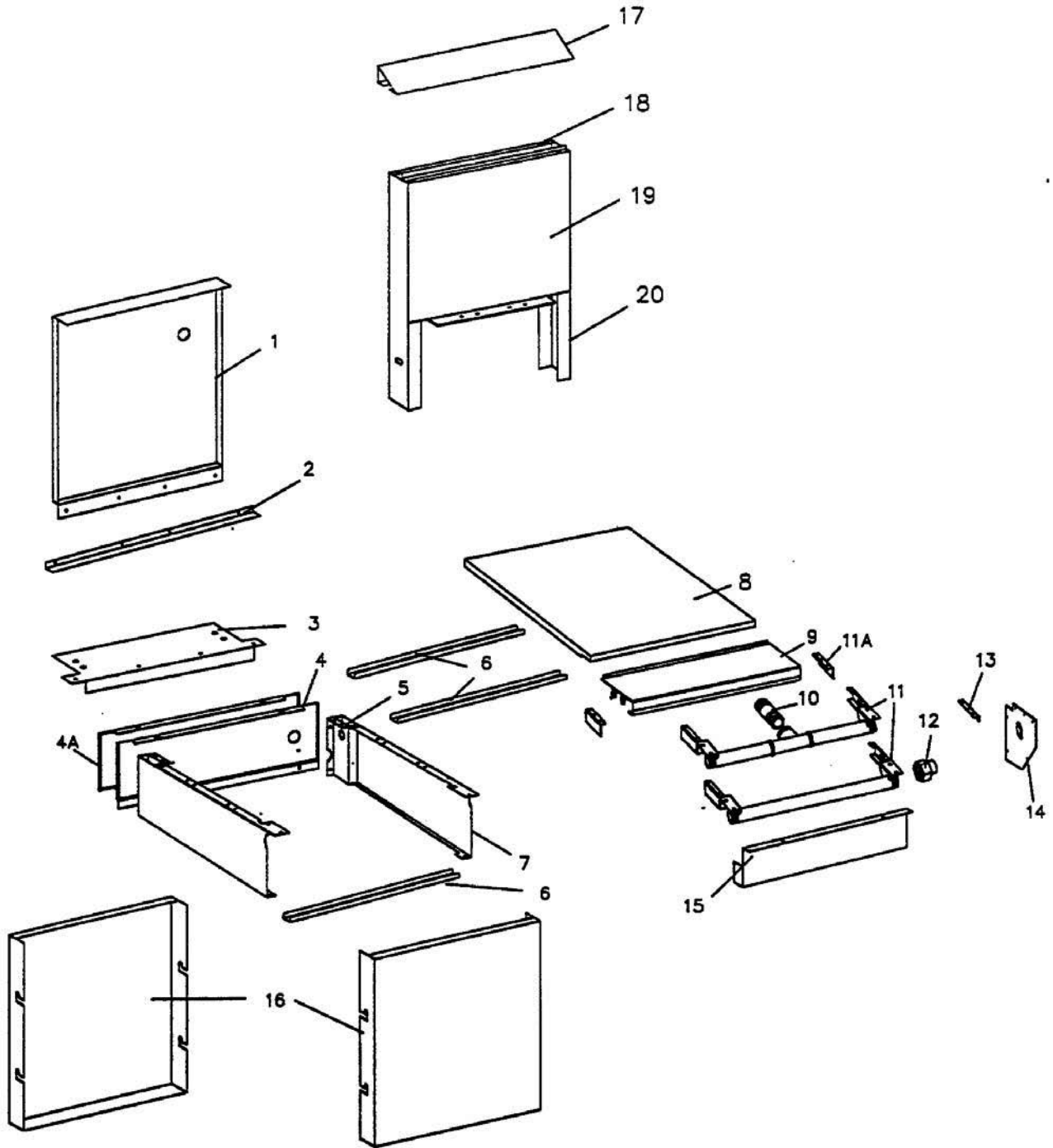
Model: MSTSR16-288 (Out Of Production)

ITEM	PART #	DESCRIPTION	QUANTITY
			MODEL
36	G01267-5	Pilot Burner	2
36A	G01267-2	Pilot Orifice (Natural)	2
	G01267-3	Pilot Orifice (Propane)	2
37	G01411-	Orifice Fitting- Natural	2
	G01411-	Orifice Fitting- Propane	2
39	2542100	Side Liner RH (Used UP TO May, 2009)	1
	2542101	Side Liner LH (Used UP TO May, 2009)	1
	4526785	Side Liner RH (FROM May, 2009)	1
	4526786	Side Liner LH (FROM May, 2009)	1
40	2567300	Main Side RH (Black). No Longer Available. Use S/S version.	1 (Std)
	2567302	Main Side RH (S/S)	1 (Opt)
	2567301	Main Side LH (Black). No Longer Available. Use S/S version.	1 (Std)
	2567303	Main Side LH (S/S)	1 (Opt)
41	G01476-1	Tee 1/2" NPT	1
42	G01989-1-8	Post Bearing 1/2" Dia x 1/2" Long	4
43	1592007	Handle Overlay (No Longer Available)	1
	1799401	Handle Overlay (No Longer Available)	1
44	2571503	Left Bracket-Painted	1 (Std)
	2571502	Left Bracket-S/S	1 (Opt)
	2571500	Right Bracket - S/S	1 (Std)
	2571501	Right Bracket - Painted	1 (Opt)
45	2571600	Front Panel- Painted	1 (Std)
	2571601	Front Panel- Stainless	1 (Opt)
46	2571700	Main Back	1 (Std)
	2571701	Main Back - Stainless	1 (Opt)
47	4527406	7/16 Dia Tubing Valve - Orifice Left	1
48	4601578	Flame Failure Valve Assembly	2
49	2198102	Valve Connector Fitting 10 mm	2
50	2155202	M8X1 Brass Nut-Thermocouple	4
51	2544500	Valve Extension Block	2
52	G03674-3	Valve - Pilot 1.4" 90°	2
53	G01243-1	Fitting-7/16" CC X 1/4 NPT	2
54	4527406	7/16" x 16" Dia Tubing Valve - Orifice Right	1
55	4527418	1/4" Dia Tubing Pilot - Flame Failure Right	1
56	2321902	Thermocouple 23-1/2"	2
57	26554501	Thermocouple Support Bracket - LT	1
	26554500	Thermocouple Support Bracket - RT	1
58	4527418	1/4" x 18" Dia Tubing Pilot - Flame Failure Left	1

* NOT ILLUSTRATED

RECOMMENDED STOCK PARTS

NOTES



GARLAND PARTS IDENTIFICATION

Master Series

Spreaders

Models: M6SP / M9SP / M17SP / M34SP

ITEM	PART #	DESCRIPTION	QUANTITY			
			MODEL			
			M6SP	M9SP	M17SP	M34SP
1	G01867-6-9	Main Back Veneer	1			
	G01867-9-9	Main Back Veneer		1		
	2601400	Main Back Veneer			1	
	2601403	Main Back Veneer Rear Gas			1	
	G01867-34-9	Main Back Veneer				1
2	G01491-6-6	Veneer Support Angle	1			
	G01491-9-6	Veneer Support Angle		1		
	G01491-17-6	Veneer Support Angle			1	
	G01491-34-6	Veneer Support Angle				1
3	2433104	Back Top	1			
	2433102	Back Top 9"		1		
	2433100	Back Top 17"			1	
	2433103	Back Top 34"				1
4	2546404	Burner Box Back	1			
	2546413	Burner Box Back Rear Gas	1			
	2546403	Burner Box Back 9"		1		
	2546408	Burner Box Back 9" Rear Gas		1		
	2546401	Burner Box Back 17"			1	
	2546407	Burner Box Back 17" Rear Gas			1	
	2546400	Burner Box Back 34"				1
4A	G01780-6-9	Burner Box Back Veneer 6"	1			
	G01780-9-9	Burner Box Back Veneer 9"		1		
	G01780-17-9	Burner Box Back Veneer 17"			1	
	G01780-34-9	Burner Box Back Veneer 34"				1
5	1768398	Shelf Mtg Brkt LT	1	1	1	1
	1768399	Shelf Mtg Brkt RT	1	1	1	1
6	2433004	Spreader Plate Baffle	3			
	2433003	Spreader Plate Baffle 9"		3		
	2433001	Spreader Plate Baffle 17"			3	
	2433000	Spreader Plate Baffle 34"				3
7	1132804	Burner Box Side RT CRS	1	1	1	1
	1132803	Burner Box Side LT CRS	1	1	1	1
	1132801	Burner Box Side RT S/S	1	1	1	1
	1132800	Burner Box Side LT S/S	1	1	1	1
8	2542803	Spreader Plate M6SP	1			
	2542802	Spreader Plate M9SP		1		
	2542801	Spreader Plate M17SP			1	
	2542800	Spreader Plate M34SP				1
9	2570898	Front Rail Assy M6SP	1			
	2570899	Front Rail Assy M9SP		1		
	2426899	Front Rail Assy 17"			1	
	2190699	Front Rail Assy 34"				1
10	2539900	Nipple 2" NPT (Rear Gas)	1	1	1	1

* NOT ILLUSTRATED

RECOMMENDED STOCK PARTS

GARLAND PARTS IDENTIFICATION

Master Series

Spreaders

Models: M6SP / M9SP / M17SP / M34SP

ITEM	PART #	DESCRIPTION	QUANTITY			
			MODEL			
			M6SP	M9SP	M17SP	M34SP
11	2543199	Manifold M6SP	1			
	2543198	Manifold M6SP Rear Gas	1			
	2530599	Manifold Assembly		1		
	2542698	Manifold Assy Rear Gas		1		
	2530699	Manifold Assy 17"			1	
	2542698	Manifold Assy Rear Gas			1	
	2530799	Manifold Assy 34"				1
11A	2542699	Manifold Assy Rear Gas				1
	2544100	Manifold Brkt Extension R/H	1	1	1	1
	2544101	Manifold Brkt Extension R/H	1	1	1	1
12	G7075	1-1/4" NPT Union	1	1	1	1
13	2207900	End Enclosure Supt Brk	2	2	2	2
14	CK2208000	End Enclosure RT Kit	1	1	1	1
	CK2208001	End Enclosure LT Kit	1	1	1	1
15	2561903	Valve Panel 6"	1			
	2561902	Valve Panel 9"		1		
	2561901	Valve Panel 17"			1	
	2561900	Valve Panel 34"				1
16	G1919-06-9	Front Enclosure Assy 6"	1			
	G1919-09-9	Front Enclosure Assy 9"		1		
	G1919-017-9	Front Enclosure Assy 17"			1	
	G1919-034-09	Front Enclosure Assy 34"				1
17	1790601	LP BG Flue Cap 34"				1
	1790602	LP BG Flue Cap 17"			1	
18	1816401	LP BG Back 17" AZ			1	
	1816402	LP BG Back 17" S/S			1	
	1816407	LP BG Back 34" AZ				1
	1816408	LP BG Back 34" S/S				1
19	1817301	LP Front Panel 17"			1	
	1817304	LP Front Panel 34"				1
20	1768599	LP BG Upright Assy S/W			2	2

* NOT ILLUSTRATED
RECOMMENDED STOCK PARTS

GARLAND PARTS IDENTIFICATION

Master Series

Spreaders

Models: M6FE / M9FE / M17FE/ M34FE

ITEM	PART #	DESCRIPTION	QUANTITY			
			MODEL			
			M6FE	M9FE	M17FE	M34FE
1	G01867-6-9	Main Back Veneer	1			
	G01867-9-9	Main Back Veneer		1		
	2601400	Main Back Veneer			1	
	2601403	Main Back Veneer Rear Gas			1	
	G01867-34-9	Main Back Veneer				1
2	G01491-6-6	Veneer Support Angle	1			
	G01491-9-6	Veneer Support Angle		1		
	G01491-17-6	Veneer Support Angle			1	
	G01491-34-6	Veneer Support Angle				1
3	2433104	Back Top	1			
	2433102	Back Top 9"		1		
	2433100	Back Top 17"			1	
	2433103	Back Top 34"				1
4	2546404	Burner Box Back	1			
	2546413	Burner Box Back Rear Gas	1			
	2546403	Burner Box Back 9"		1		
	2546408	Burner Box Back 9" Rear Gas		1		
	2546401	Burner Box Back 17"			1	
	2546407	Burner Box Back 17" Rear Gas			1	
	2546400	Burner Box Back 34"				1
4A	2546406	Burner Box Back 34" Rear Gas				1
	G01780-6-9	Burner Box Back Veneer 6"	1			
	G01780-9-9	Burner Box Back Veneer 9"		1		
	G01780-17-9	Burner Box Back Veneer 17"			1	
5	G01780-34-9	Burner Box Back Veneer 34"				1
	1768398	Shelf Mtg Brkt LT	1	1	1	1
6	1768399	Shelf Mtg Brkt RT	1	1	1	1
	2433004	Spreader Plate Baffle	3			
	2433003	Spreader Plate Baffle 9"		3		
	2433001	Spreader Plate Baffle 17"			3	
7	2433000	Spreader Plate Baffle 34"				3
	1132804	Burner Box Side RT CRS	1	1	1	1
	1132803	Burner Box Side LT CRS	1	1	1	1
	1132801	Burner Box Side RT S/S	1	1	1	1
8	1132800	Burner Box Side LT S/S	1	1	1	1
	2542803	Spreader Plate M6SP	1			
	2542802	Spreader Plate M9SP		1		
	2542801	Spreader Plate M17SP			1	
9	2542800	Spreader Plate M34SP				1
	2570898	Front Rail Assy M6SP	1			
	2570899	Front Rail Assy M9SP		1		
	2426899	Front Rail Assy 17"			1	
10	2190699	Front Rail Assy 34"				1
	2539900	Nipple 2" NPT (Rear Gas)	1	1	1	1

* NOT ILLUSTRATED

RECOMMENDED STOCK PARTS

GARLAND PARTS IDENTIFICATION

Master Series

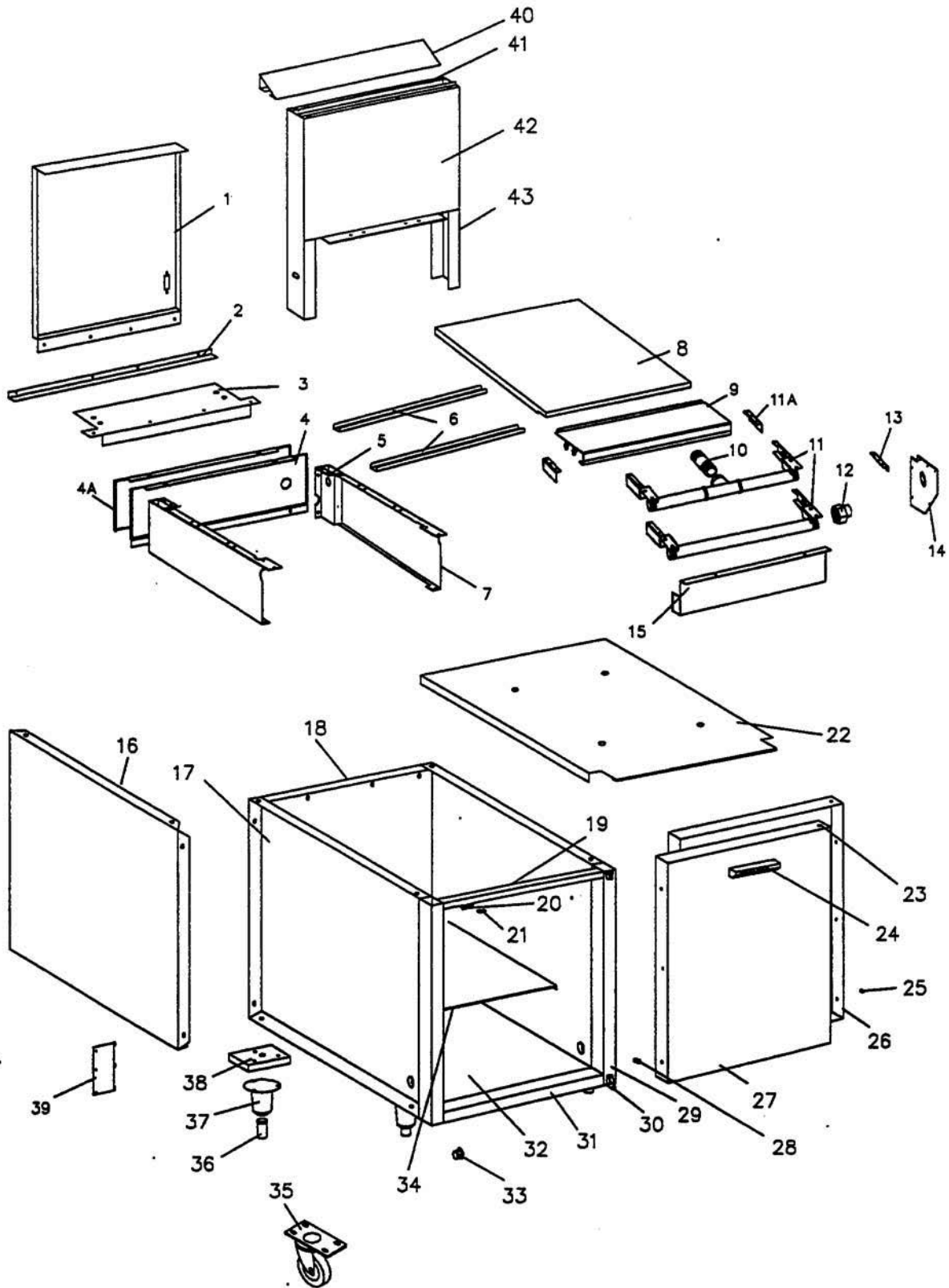
Spreaders

Models: M6FE / M9FE / M17FE/ M34FE

ITEM	PART #	DESCRIPTION	QUANTITY			
			MODEL			
			M6FE	M9FE	M17FE	M34FE
11	2543199	Manifold M6SP	1			
	2543198	Manifold M6SP Rear Gas	1			
	2530599	Manifold Assembly		1		
	2542698	Manifold Assy Rear Gas		1		
	2530699	Manifold Assy 17"			1	
	2542698	Manifold Assy Rear Gas			1	
	2530799	Manifold Assy 34"				1
11A	2544100	Manifold Brkt Extension R/H	1	1	1	1
	2544101	Manifold Brkt Extension R/H	1	1	1	1
12	G7075	1-1/4" NPT Union	1	1	1	1
13	2207900	End Enclosure Supt Brk	2	2	2	2
14	CK2208000	End Enclosure RT Kit	1	1	1	1
	CK2208001	End Enclosure LT Kit	1	1	1	1
15	2561903	Valve Panel 6"	1			
	2561902	Valve Panel 9"		1		
	2561901	Valve Panel 17"			1	
	2561900	Valve Panel 34"				1
16	G1919-06-9	Front Enclosure Assy 6"	2			
	G1919-09-9	Front Enclosure Assy 9"		2		
	G1919-017-9	Front Enclosure Assy 17"			2	
	G1919-03409	Front Enclosure Assy 34"				2
17	1790601	LP BG Flue Cap 34"				1
	1790602	LP BG Flue Cap 17"			1	
18	1816401	LP BG Back 17" AZ			1	
	1816402	LP BG Back 17" S/S			1	
	1816407	LP BG Back 34" AZ				1
	1816408	LP BG Back 34" S/S				1
19	1817301	LP Front Panel 17"			1	
	1817304	LP Front Panel 34"				1
20	1768599	LP BG Upright Assy S/W			2	2

* NOT ILLUSTRATED
RECOMMENDED STOCK PARTS

NOTES



GARLAND PARTS IDENTIFICATION

Master Series

Storage Cabinets

Models: M12ES, M17ES

ITEM	PART #	DESCRIPTION	QUANTITY	
			MODEL	
			M12ES	M17ES
1	2550300	Main Back Veneer M12	1	
	2601402	Main Back Veneer		1
2	G01491-17-6	Veneer Back Support Angle	1	
3	2433101	Back Top 12"	1	
	2433100	Back Top 17"		1
4	1788501	Burner Box Back M12	1	
	1788504	Burner Box Back 12" Rear Gas	1	
	2546701	Burner Box Back 17"		1
	2546703	Burner Box Back Rear Gas		1
5	1768398	Shelf Mtg Brkt RT	1	1
	1768399	Shelf Mtg Brkt LT	1	1
6	2433002	Spreader Plate Baffle 12"	3	
	2433001	Spreader Plate Baffle 17"		3
7	1132804	Burner Box Side RT CRS	1	1
	1132806	Burner Box Side LT CRS	1	1
	1132805	Burner Box Side RT S/S	1	1
	1132807	Burner Box Side LT S/S	1	1
8	2542804	Spreader Plate M12SP	1	
	2542801	Spreader Plate M17SP		1
9	2549699	Front Rail Assy M12	1	
	2426899	Front Rail Assy		1
10	2539900	Nipple 2" NPT	1	
11	2551299	Manifold Assy M12SP	1	
	2542696	Manifold Assy M12 Rear Gas	1	
	2530699	Manifold Assy 17"		1
	2530698	Manifold Assy Rear Gas 17"		1
11A	2544100	Manifold Extension Brkt RH	1	1
	2544101	Manifold Extension Brkt LH	1	1
12	G7075	1-1/4 NPT Union	1	1
13	2207900	End Enclosure Support Brkt	2	2
14	CK2208000	End Enclosure RT Kit	1	1
	CK2208001	End Enclosure LT Kit	1	1
15	2561904	Valve Panel 12"	1	
	2561901	Valve Panel 17"		1
16	G6196-1-8	Body Side	2	2
	G6196-1-9	Body Side S/S	2	2
17	2514400	Inner Side RH	1	1
	2514401	Inner Side LH	1	1
18	2549300	Main Back 12"	1	
	2524800	Main Back		1
19	2514696	Front Frame Assy	1	
	2514697	Front Frame Assy 17"		1
20	2529900	Magnet Support Bracket	1	1
21	078174-1	Magnetic Door Catch	1	1
22	2549200	Burner Box Bottom	1	
	2515200	Burner Box Bottom		1
23	G02973-2	Plastic Hole Plug 1/2"	2	2

* NOT ILLUSTRATED

RECOMMENDED STOCK PARTS

GARLAND PARTS IDENTIFICATION

Master Series

Storage Cabinets

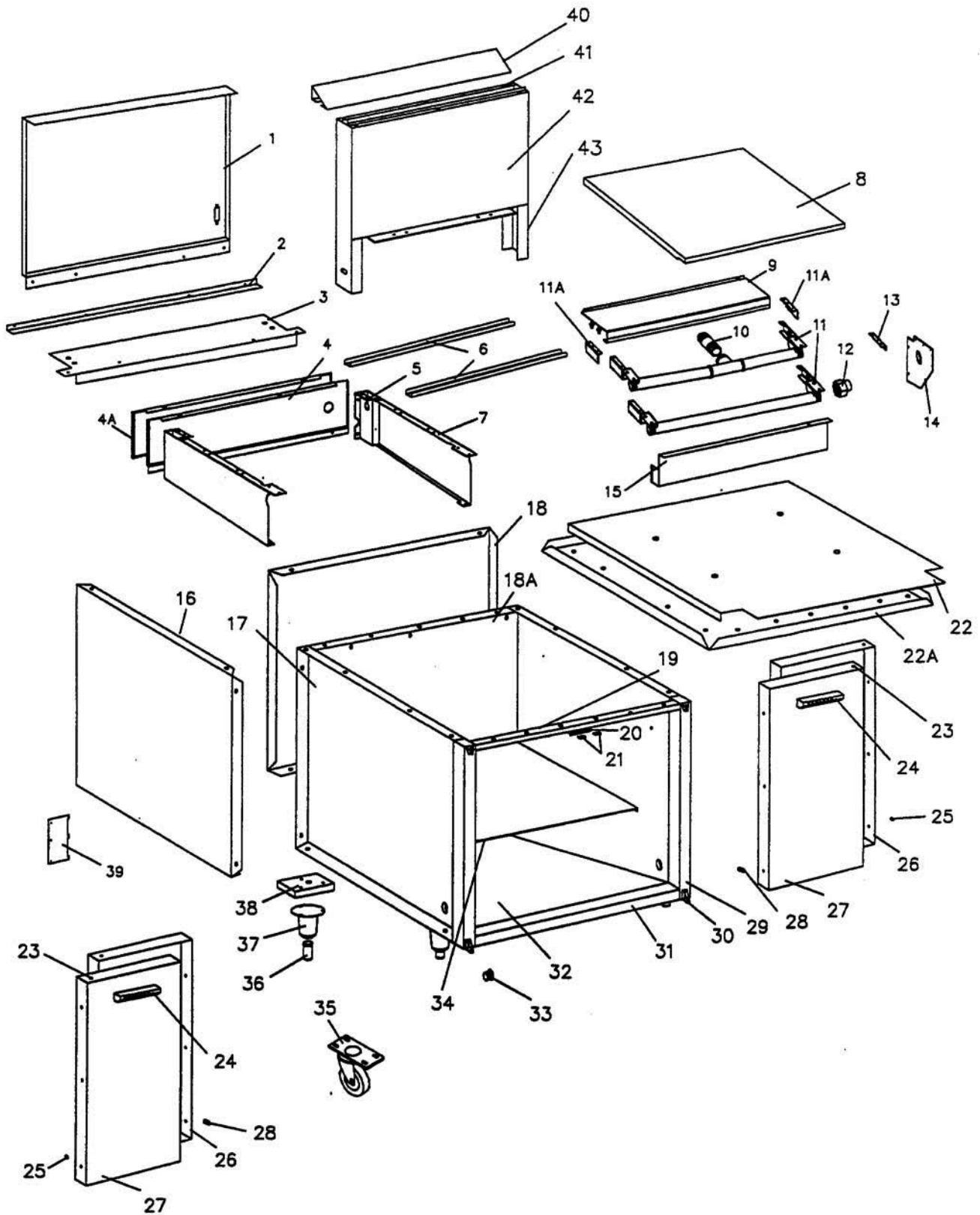
Models: M12ES, M17ES

ITEM	PART #	DESCRIPTION	QUANTITY	
			MODEL	
			M12ES	M17ES
24	2192900	Storage Door Handle	1	1
25	2530900	3/8" Hole Plug	2	3
26	2549000	Door Liner (Up to 30-Jun-00 After 2549001	1	
	2193900	Door Lining		1
27	2548900	Door Panel	1	
	2193500	Door Panel		1
28	2327100	Door Stop Bumper	1	1
29	2530102	Corner Column LT	1	1
	2530103	Corner Column RT	1	1
30	2194598	Door Hinge Assy LH	1	1
	2194599	Door Hinge Assy LH	1	1
33	2530902	1.250 Hole Plug		2
34	2565700	Cabinet Shelf AZ		1
	2565701	Cabinet Shelf S/S		1
35	2063700	Swivel Caster Less Brake	2	2
	2063701	Swivel Caster With Brake	2	2
36	1150502	Bullet Legs	4	4
37	1027600	Leg Retainer Plated 6"	4	4
38	2167700	Base Corner	4	4
39	2143601	Wiring Access Cover	1	
40	1790602	LB BG Flue Cap 17"		1
41	1816401	LB BG Back 17"		1
	1816402	LB BG Back 17" S/S		1
42	1817301	LP Front Panel 17"		1
43	1768599	LP BG Upright Assy S/W		2

* NOT ILLUSTRATED

RECOMMENDED STOCK PARTS

NOTES



GARLAND PARTS IDENTIFICATION

Master Series

Spreader With Cabinet Doors

Model: M34ES

ITEM	PART #	DESCRIPTION	QUANTITY
			MODEL
1	G01867-34-9	Main Back Veneer	1
2	G01491-34-6	Veneer Back Support Angle	1
3	2433103	Backtop 34"	1
4	1806101	Burner Box Back	1
	1806104	Burner Box Back Rear Gas	1
4A	G01870-34-9	Burner Box Back Veneer	1
5	1768398	Shelf Mounting Brkt RT	1
	1768399	Shelf Mounting Brkt LT	1
6	2433000	Spreader Plate Baffle 34"	3
7	1132804	Burner Box Side RT CRS	1
	1132805	Burner Box Side RT S/S	1
	1132806	Burner Box Side LT CRS	1
	1132807	Burner Box Side LT S/S	1
8	2542800	Spreader Plate 34"	1
9	2190699	Front Rail Assy	1
10	2539900	Nipple 2" NPT x 4"	1
11	2530799	Manifold Assy	1
	2542599	Manifold Assy Rear Gas	1
11A	2544100	Manifold Extension Brkt RT	1
	2544101	Manifold Extension Brkt LT	1
12	G7075	1-1/4" NPT Union	1
13	2207900	End Enclosure Brkt	2
14	CK2208000	End Enclosure RT Kit	1
	CK2208001	End Enclosure LT Kit	1
15	2561900	Valve Panel 34"	1
16	G6196-1-8	Body Side Black	2
	G6196-1-9	Body Side S/S	2
17	2513900	Cabinet Inner Side Lining RT	1
	2513901	Cabinet Inner Side Lining LT	
18	G6051-1-7	Main Back	1
18A	2514200	Storage Back Lining	1
19	2512898	Front Frame Assy	1
20	2544200	Magnetic Support Brkt Double	1
21	078174-1	Magnetic Door Catch	2
22	2512600	Burner Box Bottom	1
22A	2514100	Storage Top Lining	1
23	G02973-2	Plastic Hole Plug 1/2"	2
24	2192900	Storage Door Handle	2
25	2530900	3/8" Plastic Hole Plug	6
26	2193900	Door Lining Cabinet	2
27	2193500	Door Panel	2
28	2327100	Door Stop Bumper	2
29	2530002	Corner Column LT	1
	2530003	Corner Column RT	1
30	2194598	Door Hinge Assy LH	2
	2194599	Door Hinge Assy RH	2
31	2546502	Lower Front Channel Molding	1
32	G01031-1-7	Main Bottom	1

* NOT ILLUSTRATED

RECOMMENDED STOCK PARTS

GARLAND PARTS IDENTIFICATION

Master Series

Spreader With Cabinet Doors

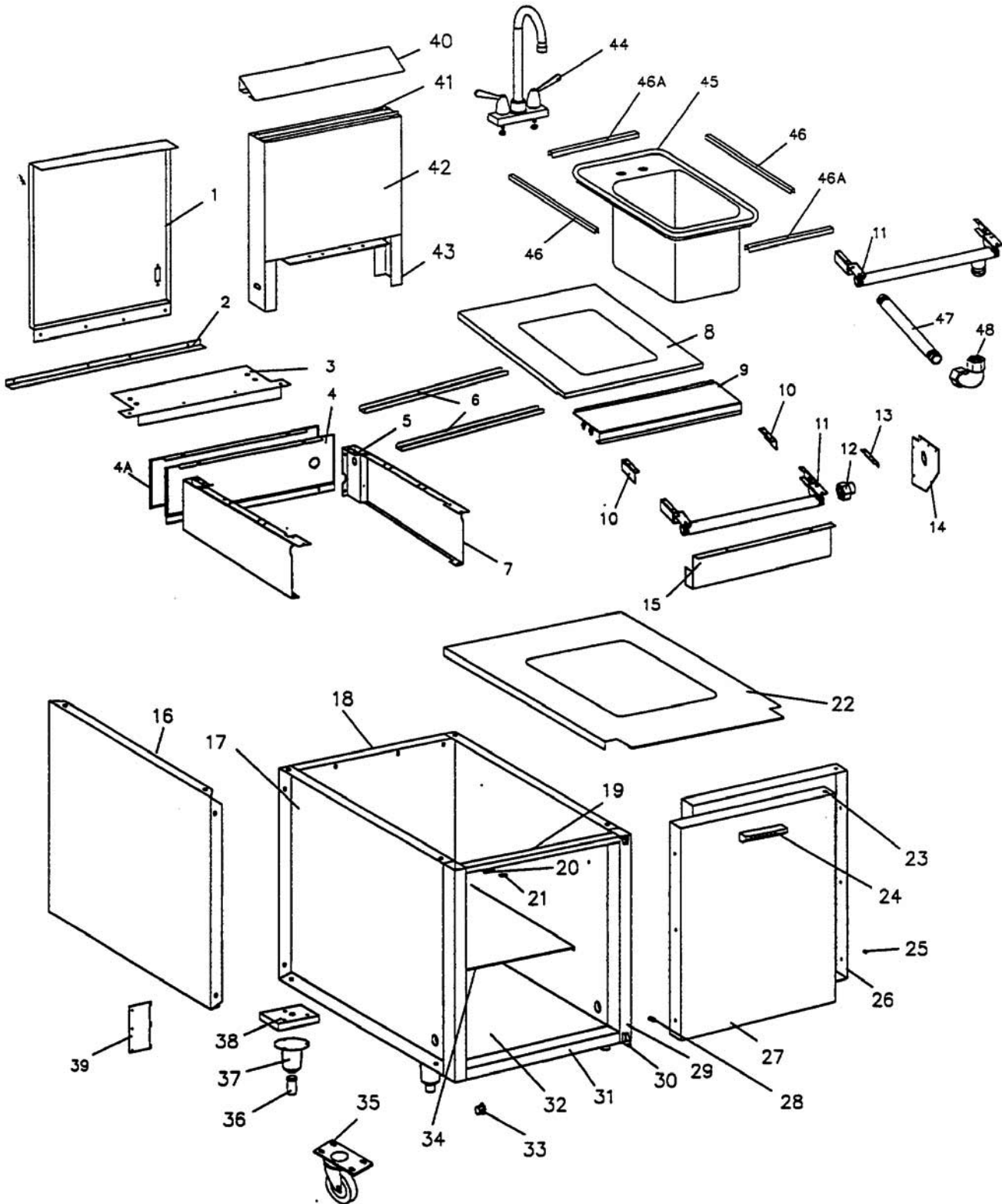
Model: M34ES

ITEM	PART #	DESCRIPTION	QUANTITY
			MODEL
33	2530902	1-1/4" Hole Plug	2
34	2523000	Cabinet Shelf AZ	1
	2523001	Cabinet Shelf S/S	1
35	1027800	Caster Less Brake	2
	1027801	Caster C/W Brake	2
36	1150502	Bullet Legs	4
37	1027600	Leg Retainer Plated	4
38	2167700	Base Corner	4
39	2143601	Wire Access Cover	1
40	1790601	LP BG Flue Cap	1
41	1816407	LP BG Back 34" AZ	1
	1816408	LP BG Back 34" S/S	1
42	1817304	LP Front Panel 34"	1
43	1768599	LP BG Upright	2

* NOT ILLUSTRATED

RECOMMENDED STOCK PARTS

NOTES



GARLAND PARTS IDENTIFICATION
Master Series
Heavy Duty Spreader Cabinet With Sink
Model: M17ES-SINK

ITEM	PART #	DESCRIPTION	QUANTITY
			MODEL
1	26021400	Main Back Veneer	1
	26021401	Main Back Veneer (Rear Gas)	1
2	G01491-17-6	Veneer Back Support Angle	1
3	2433100	Back Top 17"	1
4	2546701	Burner Box Back 17"	1
	2546704	Burner Box Back Rear Gas (6)	2
5	1768398	Shelf Mtg Brkt RT	1
	1768399	Shelf Mtg Brkt RT	1
6	2433001	Spreader Plate Baffle 17"	1
7	1132804	Burner Box Side RT CRS	1
	1132806	Burner Box Side LT CRS	1
	1132805	Burner Box Side RT S/S	1
	1132807	Burner Box Side LT S/S	1
8	4527734	Spreader Plate M17ES Sink (was 2578900)	1
9	2426899	Front Rail Assy	1
10	2544100	Manifold Brkt Extension RH	1
	2544101	Manifold Brkt Extension LH	1
11	2530697	Manifold Assy M17ES Sink	1
	2530698	Manifold Assy MFMA 40-RR Gas	1
12	G7075	1-1/4 NPT Union	1
13	2207900	End Enclosure Support Brkt	2
14	CK2208000	End Enclosure RT Kit	1
	CK2208001	End Enclosure LT Kit	
15	2561901	Valve Panel 17"	1
16	G6196-1-8	Body Side	2
	G6196-1-9	Body Side S/S	2
17	2514400	Inner Side RH	1
	2514401	Inner Side LH	1
19	2514697	Front Frame Assy 17"	1
20	2529900	Magnet Support Bracket	1
21	078174-1	Magnetic Door Catch	1
22	1059504	Burner Box Bottom SINK (was 1059502)	1
23	G02973-2	Plastic Hole Plug 1/2"	2
24	2192900	Storage Door Handle	1
25	2530900	3/8" Hole Plug	3
26	2193900	Door Lining	1
27	2193500	Door Panel	1
28	2327100	Door Stop Bumper	1
29	2530102	Corner Column LT	1
	2530103	Corner Column RT	1
30	2194598	Door Hinge Assy LH	1
	2194599	Door Hinge Assy RH	1
31	2546500	Lower Front Channel Molding	1
32	2515300	Main Bottom	1
33	2530902	1.250 Hole Plug	2
34	2565700	Cabinet Shelf AZ	1
	2565701	Cabinet Shelf S/S	1
35	2064700	Swivel Caster Less Brake	2
	2064701	Swivel Caster With Brake	2

* NOT ILLUSTRATED

RECOMMENDED STOCK PARTS

GARLAND PARTS IDENTIFICATION
Master Series
Heavy Duty Spreader Cabinet With Sink
Model: M17ES-SINK

ITEM	PART #	DESCRIPTION	QUANTITY
			MODEL
36	1150502	Bullet Legs	4
37	1027600	Leg Retainer Plated 6"	4
38	2167700	Base Corner	4
39	2143601	Wiring Access Cover	
40	1790602	LP BG Flue Cap 17"	1
41	1816401	LP BG Back 17"	1
	1816402	LP BG Back 17" S/S	1
42	1817301	LP Front Panel 17"	1
43	1768599	LP BG Upright Assy S/W	2
44	2578800	Faucet-Bar Sink	1
45	4527821	SINK - 12 3/4 X 18 7/8 IN (was 1818501)	1
46	2579001	Bracket, Shink Hold Down Sides	2
46A	2579000	Bracket, Shink Hold Down Frt/Rr	2
47	076029-198	Nipple 1-1/4" NPT x 33" Long	1
48	2536300	1-1/4" 90 Degree Elbow	1

* NOT ILLUSTRATED

RECOMMENDED STOCK PARTS

Revision History MST Series Equipment

REV	PAGE #	ITEM #	NOTE	DATE	
1	88	37B	New Part Added	Feb 23/07	
2	8		New Drawing	Dec 04/09	
	11	69	New Part Added		
	87	11	MST24B 1x G03151-5, 0x G03151-6	Nov 25/15	
			MST34B 1x G03151-1, 2x G03151-5		
			Added G03151-11 to BE models. Removed other quantities from BE models.		
	All		<ul style="list-style-type: none"> • F112 replaces G01247-1-8, washer bearing. • 4520649 replaces G02468-01-5 Half Round Rack. • Removed 2540398, 2540399. No record of usage. • Knob Kits: 4512141 was 2522107; 4512142 was 2522103; 4512150 was 2522101. • 1592007, 1592008, 1799401 Handle Overlay - NLA. • Grease Tray, removed 2540600. No usage. • Rack Frame & Grease Chute Assembly, removed 2540199. No usage. • Black Main Side 2567300, 2567301 NLA. Use S/S versions. • Front Frame. Removed 2564400. Alternate P/N listed. • Rack Veneer. Removed 2547600. Alternate P/N listed. • Oven Tube kits: added "CK" to tube parts 2426200, 2426201, 2426202, 2229400, 2229500, 2229600, 2229800, 2229900, 2230000, 2426000, 2426100 • Flame Failure Valve ECO-000437: <ul style="list-style-type: none"> • 4601578 replaces 2200199 • 4601583 replaces 2513399 • 4601575 replaces 2187099 • CK4601581 replaces CK2200195 • Bell Crank Bolt, new F299, was 1082200. • Oven Handle inserts 3010000 replaced 2377300. • Oven handle parts, old 2194900, 2194901 - Use Kit CK30. Added notes. New, 3007300. 		
	101	34	Wrong P/N. Were G0249-01-81/ -82		
3	Salamanders		2582600, 2582601 Black brackets NLA. Use S/S versions.	MAY 23/17	
			Cover Plate, Pilot, 4526781 replaces 2554600.		
			Added alternate p/n 4526782 for AGA, qty=2.		
			Wrong P/N. Correct P/N=2593099, was 2590399.		
			Solid tubing 2541000, 2541200 replaces flex tubing 4527406. Date used noted.		
			Solid tubing 2536000, 4602111 replaces flex tubing 4527418. Date used noted.		
			2567200, 2567201 Main Back No Longer Available. Added 2567203.		
			Add burner p/n CK117 for Australia (AGA)		
			Added CK24 handle kit.		
			2542100, 2542101 Used UP TO May-09. Added 4526785, 4526786		
			Added G01267-4 for Manufactured Gas units.		
			Removed current G01411- and G10411- . Added G01411-XX, G01411-48, G01411-12.		
		5	4		Corrected part number. Was 1473205.
			7		Corrected part number. Was G6051-1-17.
			16		Corrected part number. Was 2519400.
20	Oven Burner, was 1014900.				
22	Corrected part number.				
6	25	3041000 replaced 2193000.			
	29	Oven lower front plate: 3051900 replaced 1082001.			
	31	Corrected part number for MST. Was 1439703.			
	31A	Oven Door Panel, use 1080714. Was 2580100.			
	31B	Oven Door Panel 1439901 NLA			
	32	Oven door insert: G03984-06-8 replaced G03984-03-8.			
	70	Added part kit CK30 Oven Door Handle			
	38	Added 3017000 Oven Door Handle. Old part 2193100 still available.			
	56	New casters 4519839, 4519840. Were 1027800, 1027801.			
	58	New Spark Ignition Kits 4532528, 4532529. Were 2144002, 2144000.			
	59	New Push Button Kit 4530062. Was 2200300.			
	63-64	Corrected part numbers.			
	89	41	Added 4525331 Fex Tube. PCO03631 MST only.		
	88	28	Broiler Rack 4519965. Was G0247-01-5		
	104 - 107		Added models MSTSRCM and MSTSR16M		
	89	41	Solid tubing re-instated. ECO-001113. MST broilers only.		
	90	64	Added 2585900 shield for MST 17/24/34BE only. ECO-00973.		
	30	50	Added 2533201 / 2533200 EMI Filters. ECO-000619		
G_GHD_PL_RANGES_MSTSERIES (Rev 3)				Page 133	



WELBILT®
Bringing innovation to the table

WWW.WELBILT.COM

Welbilt provides the world's top chefs, and premier chain operators or growing independents with industry leading equipment and solutions. Our cutting-edge designs and lean manufacturing tactics are powered by deep knowledge, operator insights, and culinary expertise. All of our products are backed by KitchenCare® – our aftermarket, repair, and parts service.

▶ CLEVELAND
▶ CONVOTHERM®

▶ DELFIELD®
▶ FITKITCHEN™

▶ FRYMASTER®
▶ GARLAND

▶ KOLPAK®
▶ LINCOLN

▶ MANITOWOC®
▶ MERCO®

▶ MERRYCHEF®
▶ MULTIPLEX®