



***MASTER SERIES***  
***Upright Gas-Fired Broilers***

*All "X" Models:*  
*M60X, M67X, M100X, M105X, M110X*

**PARTS LIST**

Toll Free Phone, (US & Canada): (800) 427-6668

Toll Free Fax, (US & Canada): (800) 361-7745

<http://www.garland-group.com>





# ***MASTER SERIES***

## ***Upright Gas-Fired Broilers***

***All "X" Models:  
M60X, M67X, M100X, M105X, M110X***

### ***Contents:***

**Models M60XR, M60XRC, M60XS, M60XT**

Master Series Ceramic Broiler With Upper Finishing Oven ..... Page 4

**Model M67X**

Master Series Upright Broiler - Upper Section Infra-Red, Lower Section Ceramic ..... Page 8

**Models M100XR, M100XRC, M100XS, M100XT**

Master Series Infra-Red Broiler With Upper Finishing Oven ..... Page 14

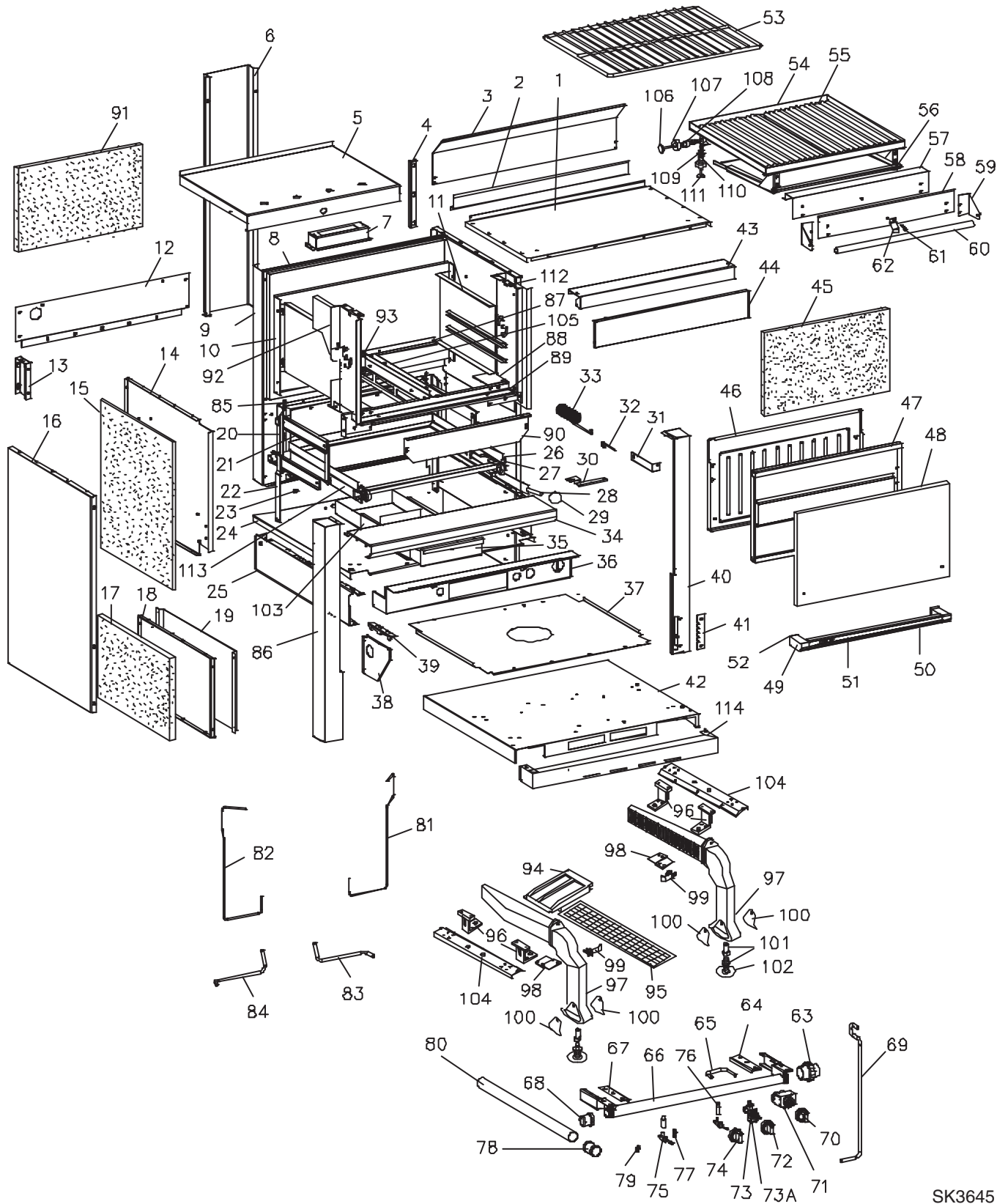
**Models M105XR, M105XRC, M105XS, M105XT**

Master Series Infra-Red Broiler ..... Page 20

**Model M110X**

Master Series Double Infra-Red Broiler..... Page 24

Revision History ..... Page 28



SK3645

## GARLAND PARTS IDENTIFICATION

Models M60XR, M60XRC, M60XS, M60XT

### Master Series Ceramic Broiler With Upper Finishing Oven

ITEM	PART #	DESCRIPTION	QUANTITY			
			M60XR	M60XRC	M60XS	M60XT
1	2666200	Main Top (Std)	1	1	1	1
	2666201	Main Top - Stainless (Opt)	1	1	1	1
2	2665300	Flue Shield	1	1	1	1
3	2576301	Flue Diverter (STD)	1	1	1	1
	2576300	Flue Diverter (Opt. With Stainless Back Veneer)	1	1	1	1
4	G01260-01-8	Channel Brace Assembly	2	2	2	2
5	2666000	Upper Oven Bottom	1	1	1	1
6	1139699	Flue Riser Assembly	1	1		
7	1139598	Lower Oven Flue Box	1	1		
8	2680500	Back Insulation Box	1	1	1	1
9	2632200	Main Back	1	1	1	1
10	2635600	Back Insulation Lining	1	1	1	1
11	G6344-01-81E	Oven Side Lining Assembly RH	1	1	1	1
	G6344-01-82E	Oven Side Lining Assembly LH	1	1	1	1
12	1806101	Burner Box Back	1	1	1	
	2546400	Burner Box Back				1
	1806105	Burner Box Back Rear Gas	1	1	1	
	2546419	Burner Box Back Rear Gas				1
13	2634299	Broiler Support Bracket Assembly	2	2	2	2
14	2631900	Upper Insulation Lining LH	1	1	1	1
	2631901	Upper Insulation Lining RH	1	1	1	1
15	1472210	Upper Side Insulation 23" X 23.5" X 1"	2	2	2	2
16	2636000	Main Side - Black (Std)	2	2	2	2
	2636001	Main Side - Stainless (Opt)	2	2	2	2
17	1472211	Lower Side Insulation 23" X 13" X 1"	2	2	2	2
18	2679800	Lower Side Insulation Lining	2	2	2	2
19	2671300	Aeration Shield	2	2	2	2
20	G01227-1-8	Carriage Support	2	2	2	2
21	G01234-01-5	Rack Raising Arm Upper Assembly	1	1	1	1
22	G01234-02-5	Rack Raising Arm Lower Assembly	1	1	1	1
23	F517	5/16-18 X 1.25" Flathead Socket Screw (Upper Raising Arm to Lower Raising Arm (Lower))	2	2	2	2
	F58	5/16-18 X 3/8 X 1/4 Shoulder Bolt (Upper Raising Arm To Lower Raising Arm (Upper))	2	2	2	2
24	2512600	Burner Box Bottom	1	1	1	
	2247000	Burner Box Bottom				1
25	1132806	Burner Box Side LH - Black (Std)	1	1	1	
	1132807	Burner Box Side LH - Stainless (Opt.)	1	1	1	
	1132804	Burner Box Side RH - Black (Std.)	1	1	1	
	1132805	Burner Box Side RH - Stainless (Opt.)	1	1	1	
	2247602	Burner Box Side LH - Black (Std)				1
	2247603	Burner Box Side LH - Stainless (Opt.)				1
	2247600	Burner Box Side RH - Black (Std.)				1
2247601	Burner Box Side RH - Stainless (Opt.)				1	
26	F5	1/4-20 X 1.25" Hex Socket Screw	2	2	2	2
27	G01989-1-8	Post Bearing	2	2	2	2
28	G01450-02-5	Rack Raising Lever Assembly	1	1	1	1
29	1039602	Grey Ball Knob	1	1	1	1
30	2680400	Orifice Support RH	1	1	1	1
	2680401	Orifice Support LH	1	1	1	1

\* NOT ILLUSTRATED

#### **RECOMMENDED STOCK PARTS**

## GARLAND PARTS IDENTIFICATION

Models M60XR, M60XRC, M60XS, M60XT

Master Series Ceramic Broiler With Upper Finishing Oven

ITEM	PART #	DESCRIPTION	QUANTITY			
			M60XR	M60XRC	M60XS	M60XT
31	G6769-2-8	Carriage Spring Support Arm	2			
32	G01246-1-8	Spring Hook	2	2	2	2
33	G01245-1	Broiler Spring	2	2	2	2
34	2190699	Front Rail Assembly	1	1	1	1
35	2682999	Grease Pan Assembly	1	1		
36	2679600	Valve Panel			1	1
	2679601	Valve Panel			1	1
37	2680000	Grease Hopper	1	1	1	1
38	2208000	End Enclosure RH (Opt.)	1	1	1	1
	2208001	End Enclosure LH (Opt.)	1	1	1	1
39	2207900	End Enclosure Support Bracket	1 Per Enclosure (Item 38)			
40	2679700	Corner Column RH	1	1	1	1
41	2671000	Broiler Rack Lever Ratchet	1	1	1	1
42	2247400	Secondary Burner Box Bottom				1
43	2668200	Main Front	1	1	1	1
44	2679900	Front Panel	1	1	1	1
45	1472201	15.5" X 28" X 1" Insulation Finishing Oven Door	1	1	1	1
46	1439794	Oven Door Lining Assembly	1	1	1	1
47	1138399	Broiler Insert Box Assembly	1	1	1	1
48	1080714	Oven Door Panel	1	1	1	1
49	2194900	Door Handle End RH	1	1	1	1
	2194901	Door Handle End LH	1	1	1	1
50	2193100	Door Handle Bar	1	1	1	1
51	1592007	Door Handle Overlay	1	1	1	1
52	2377300	Door Handle End Plastic Insert	2	2	2	2
53	G6152-40	Oven Rack	1	1	1	1
54	2682799	Rack Frame Assembly	1	1	1	1
55	G01544-01-5	Broiler Rack Assembly (Std.)	2	2	2	2
	2684500	Broiler Rack Assembly - Extended (Opt.)	5	5	5	5
56	2682800	Drip Chute	1	1	1	1
57	2682200	Broiler Rack Front Veneer (Std.)	1	1	1	1
58	2682201	Broiler Rack Front Veneer (Opt. Extended Rack)	1	1	1	1
59	2682600	Rack Handle End RH	1	1	1	1
	2682601	Rack Handle End LH	1	1	1	1
60	G01904-03-9	Handle Assembly	1	1	1	1
61	F298	10-24 X 3/8" Truss Head Shoulder Bolt	1	1	1	1
62	2682300	Drip Tray Stop	1	1	1	1
63	G7075	1 1/4 No. 18 Union	1	1	1	1
64	2544100	Manifold Bracket Extension RH	1	1	1	1
65	2572600	7/16" Tubing -FD Control to Comp. Union	1	1	1	1
66	2572599	Manifold Assembly (Std)	1	1	1	1
	2572598	Manifold Assembly - Rear Gas Connect. (Opt)	1	1	1	1
67	2544101	Manifold Bracket Extension LH	1	1	1	1
68	G02335-1	Pipe Cap - 1-1/4 NPT (Opt.)	1	1	1	1
69	2230000	7/16" Tubing FD Control to Comp. Union	1	1		
70	2522107	Knob - FD Control - Oven	1	1		
71	G03145-048	FD Control Assembly	1	1		
72	2522101	Knob - Oven Valve	1	1		
73	2513399	Oven Valve	1	1		

\* NOT ILLUSTRATED

**RECOMMEND STOCK PARTS**

## GARLAND PARTS IDENTIFICATION

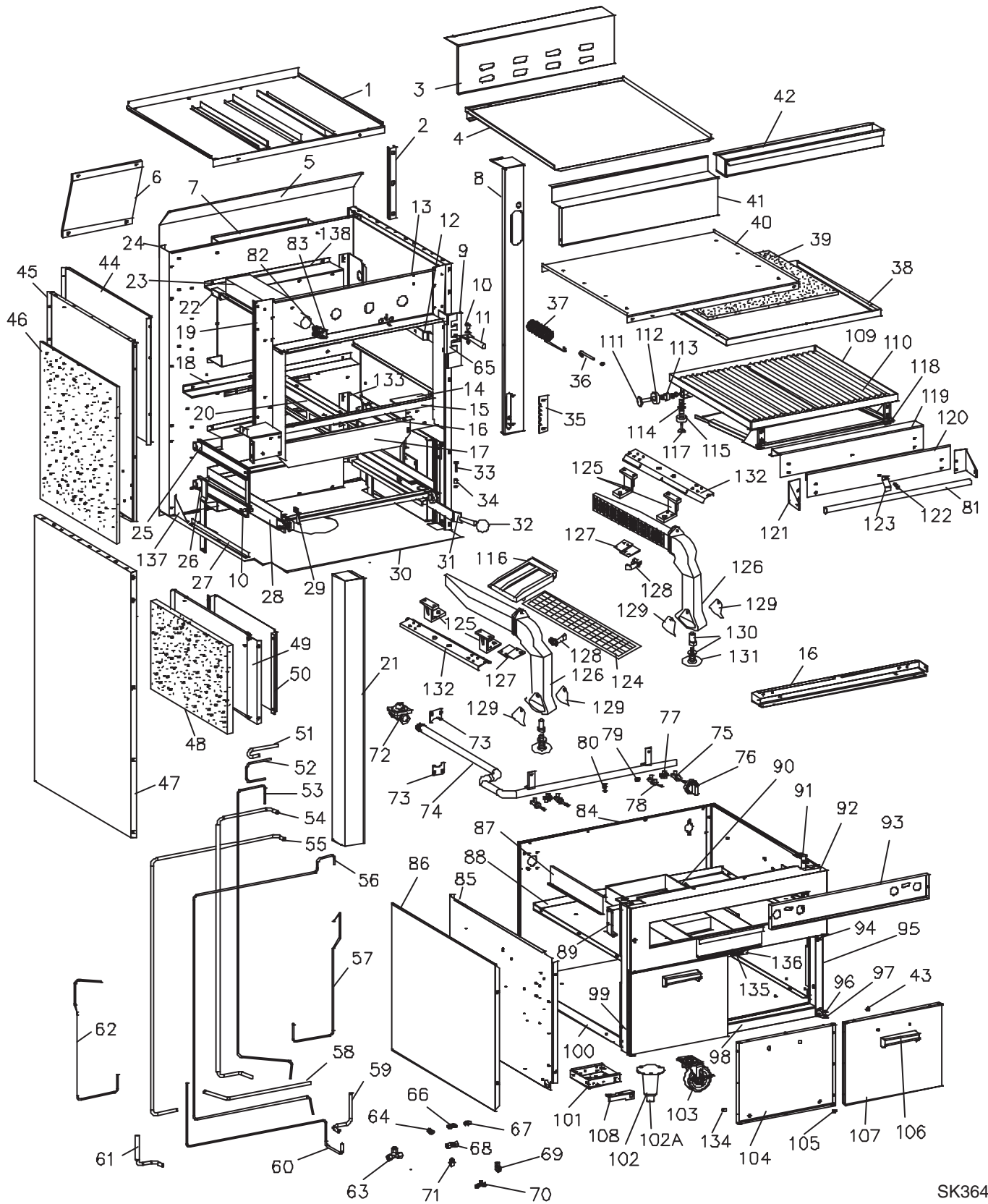
Models M60XR, M60XRC, M60XS, M60XT

### Master Series Ceramic Broiler With Upper Finishing Oven

ITEM	PART #	DESCRIPTION	QUANTITY			
			M60XR	M60XRC	M60XS	M60XT
73A	2198100	Valve Connector Fitting - 12 mm	1	1		
74	2522115	Knob - Broiler	2	2	2	2
75	1150399	Broiler Valve	2	2	2	2
76	1133600	Adaptor - Broiler Valve	2	2	2	2
77	G02251-1	Pressure Test Spigot	1	1	1	1
78	076029-183	Coupling -1 1/4 NPT (1-1/4 Rear Gas Opt.)	1	1	1	1
	2437102	1 1/4 X 3/4 Reducing Coupling (3/4 Rear Gas Opt)	1	1	1	1
79	1086597	3/16 Pilot Valve	2	2	2	2
80	076029-184	1 1/4 NPT X 29" Nipple (1-1/4 Rear Gas Opt.)	1	1	1	1
	076029-192	3/4 NPT X 29" Nipple (3/4 Rear Gas Option)	1	1	1	1
81	2674901	3/16 Tubing - Pilot Valve to RH Pilot	1	1	1	1
82	2674900	3/16 Tubing - Pilot Valve to LH Pilot	1	1	1	1
83	2695000	7/16 Tubing - Broiler Valve to Orifice Fitting RH	1	1	1	1
84	2695001	7/16 Tubing - Broiler Valve to Orifice Fitting LH	1	1	1	1
85	G01996-1-6	Broiler Back Liner	1	1	1	1
86	2679701	Corner Column - LH	1	1	1	1
87	2680100	Broiler Rear Brick Support	1	1	1	1
88	2632300	Front Burner Shield RH	1	1	1	1
	2632301	Front Burner Shield LH	1	1	1	1
89	2635700	Front Filler Strip	1	1	1	1
90	2669100	Centre Burner Shield	1	1	1	1
91	1472208	Insulation 33" X 17" X 1" -Back Insulation Liner	1	1	1	1
92	G6007L	Door Counterweight LH	1	1	1	1
	G6007R	Door Counterweight RH	1	1	1	1
93	G6036-01-8	Door Hinge Assembly	2	2	2	2
94	G6030	Ceramic Radiant	6	6	6	6
95	G6295-1	Incoloy Mesh	1	1	1	1
96	G5054	Burner Hanger	4	4	4	4
97	G6023L	Broiler Burner LH	1	1	1	1
	G6023R	Broiler Burner RH	1	1	1	1
98	G01358-1-6	Pilot Bracket	2	2	2	2
99	G0635	2C-2 Pilot (Specify Gas)	2	2	2	2
100	G6093	Broiler Burner Air Shutter	4	4	4	4
101	G5420	Orifice Fitting (Specify Gas)	2	2	2	2
102	G01530-1-8	Orifice Washer	2	2	2	2
103	2576800	Drip Tray Guide	2	2	2	2
104	G6015	Broiler Burner Shield	2	2	2	2
105	G6771-02-9	Ceramic Support Assembly	1	1	1	1
106	G6424	Glider Bolt Hex Head 3/8-16 X 2	2	2	2	2
107	G01244-1	1 11/16 X 1/2 Roller Bearing	6	6	6	6
108	G01247-3	Rear Bushing	2	2	2	2
109	G01247-1-8	Washer Bearing	2	2	2	2
110	G01247-2	Front Bearing	2	2	2	2
111	F56	Hex Head Bolt 5/16-18 X 1	4	4	4	4
112	G01030-01-81E	Oven Door Support RH	1	1	1	1
	G01030-01-82E	Oven Door Support LH	1	1	1	1
113	G02024-01-8	Carriage Assembly	1	1	1	1
114	2247703	Secondary Valve Panel				1

\* NOT ILLUSTRATED

#### **RECOMMENDED STOCK PARTS**



SK3646



## GARLAND PARTS IDENTIFICATION

### Model M67X

#### Master Series Upright Broiler - Upper Section Infra-Red, Lower Section Ceramic

ITEM	PART #	DESCRIPTION	QUANTITY
1	2671700	Main Top	1
2	G01260-01-8	Channel Brass Assembly	2
3	G01215-1-9	Upper Front Panel	1
4	2673699	Grease Diverter Assembly	1
5	2676301	Flue Diverter (Std.)	1
	2676300	Flue Diverter (Opt. With Stainless Black Veneer)	1
6	2688200	Main Back Support	1
7	2668700	Smoke Stack	1
8	2669401	Corner Column - RH	1
9	G01262-1-9	Rack Handle Cover	1
10	F517	5/16-18X1.25" Flat Head Socket Screw (Upper Raising Arm to Lower Raising Arm (Lower))	2
	F58	5/16-18X3/8X1/4 Shoulder Bolt (Upper Raising Arm to Lower Raising Arm (Upper) & Ratchet Lever Assembly)	3
11	G01219-02-5	Rack Lifting Handle Assembly	1
12	G01182-01-5	Rack Handle Lever Assembly	1
13	G01180-1-6	Burner Housing	1
14	2632300	Front Burner Shield - RH	1
	2632301	Front Burner Shield - LH	1
15	2668900	Lower Front Panel Support	1
16	2635700	Front Filler Strip	1
17	2669100	Center Burner Shield	1
18	2668500	Rear Brick Support	1
19	2669201	Front Frame Side - LH	1
	2669200	Front Frame Side - RH	1
20	G6771-02-9	Ceramic Support Assembly	1
21	2669400	Corner Column - LH	1
22	G01994-1-6	Burner Bracket	4
23	G01229-01	Infra-Red Burner (Specify Gas)	4
24	2668300	Main Back	1
25	G01234-01-5	Rack Raising Arm Upper Assembly	2
26	G01234-02-5	Rack Raising Arm Lower Assembly	2
27	2669800	Hopper Guide	2
28	G02024-01-8	Carriage Assembly	2
29	2696300	Unit Front Support	2
30	2672700	Grease Hopper	1
31	G01450-01-5	Rack Raising Lever Assembly	1
32	1039602	Grey Ball Knob	2
33	F5	1/4-20X1.25" Hex Socket Screw	4
34	G01989-1-8	Post Bearing	4
35	2671000	Broiler Rack Lever Ratchet	1
36	G01246-1-8	Spring Hook	4
37	G01245-1	Broiler Spring	4
38	2672900	Broiler Bottom	1
39	1472305	2" Insulation -Separator	1

\* NOT ILLUSTRATED

#### **RECOMMENDED STOCK PARTS**

## GARLAND PARTS IDENTIFICATION

Model M67X

### Master Series Upright Broiler - Upper Section Infra-Red, Lower Section Ceramic

ITEM	PART #	DESCRIPTION	QUANTITY
40	2673000	Top Insulation Liner	1
41	2669300	Lower Front Panel	1
42	G01188-1-9	Upper Grease Box	1
43	G02973-1	Plastic Hole Plug 1/2"	4
44	2668600	Upper Broiler Inner Liner	2
45	2668801	Upper Side Insulation Liner - LH	1
	2668800	Upper Side Insulation Liner - RH	1
46	1472209	Upper Side Insulation 29 x 26" x 1"	2
47	2669500	Main Side - Black (Std.)	2
	2669501	Main Side - Stainless (Opt.)	2
48	1472211	Lower Side Insulation 23 x 14" x 1"	2
49	2668400	Side Insulation Lining	2
50	2671300	Aeration Shield	2
51	2655800	7/16" Tubing - Burner to Comp. Tee	4
52	2655900	1/4" Tubing - Pilot to Comp. Tee	4
53	2675000	1/4" Tubing -LH Pilot Valve to Comp Tee	1
54	2674600	7/16" Tubing -LH HML Valve to Comp. Tee	1
55	2674700	7/16" Tubing -Comp. Union to Comp. Tee	1
56	2675100	1/4" Tubing - RH Pilot to Comp. Tee	1
57	2674901	3/16" Tubing - Pilot Valve to RH Pilot	1
58	2695300	7/16" Tubing - HML Valve to Comp. Union RH	1
59	2674800	7/16" Tubing - RH On/Off Valve to Orifice Fitting	1
60	2656000	1/4" Tubing - Pilot Valve to Comp., Union RH	1
61	2674801	7/16" Tubing - LH On/Off Valve to Orifice Fitting	1
62	2674900	3/16" Tubing - Pilot Valve to LH Pilot	1
63	G01168-1	7/16" Fitting Tee	2
64	G01243-1	Straight Connector - 1/4" NPT Comp. Elbow	4
65	2684400	Broiler Ratchet	1
66	076050-87	1/4" Compression Union	1
67	1004806	1/4 NPT Pipe Coupling "	1
68	076050-88	7/16" Compression Union	1
69	076050-90	7/16 cc x 1/4 NPT Comp. Elbow	1
70	G02569-1	1/4" Compression Tee	2
71	G01474-4	Elbow - 1/4 NPT	1
72	2127503	Pressure Regulator - Natural Gas	1
	2127500	Pressure Regulator - Propane	1
73	2653700	Manifold Support	2
74	2650398	Manifold Assembly	1
75	1095100	Valve - HML - Natural Gas	2
	1095101	Valve - HML - Propane	2
76	2522114	Knob - HML Broiler Valve	2
	2522115	Knob - On/Off Broiler Valve	2
77	G01248-1	1/4 xtttt 3/16 Double Pilot Valve Assembly	2
78	1150399	Broiler Valve - On/Off	2
79	2203400	Countersunk Hex Plug 1/8 NPT	1

\* NOT ILLUSTRATED

**RECOMMENDED STOCK PARTS**

## GARLAND PARTS IDENTIFICATION

### Model M67X

#### Master Series Upright Broiler - Upper Section Infra-Red, Lower Section Ceramic

ITEM	PART #	DESCRIPTION	QUANTITY
80	G02251-1	Pressure Test Spigot	1
81	G01904-03-9	Handle Assembly	2
82	G02568-1-6	Pilot Bracket	2
83	G01267-5	Pilot Burner (Less Orifice)	4
	G01267-X	Pilot Orifice (Specify Gas)	4
84	G6051-5-7	Main Back	1
85	2514401	Inner Side - LH	1
	2514400	Inner Side - RH	1
86	G6196-1-8	Body Side - Black (Std.)	2
	G6196-1-9	Body Side - Stainless	2
87	2576800	Drip Tray Guide	2
88	2514500	Cabinet Shelf	1
89	2669600	Spring Support - LH	1
	2669601	Spring Support - RH	1
90	2682999	Grease Pan Assembly	1
91	2674500	Orifice Bracket	2
92	2645000	Lower Front Panel	1
93	2649700	Valve Panel	1
94	2683299	Door Hinge Assembly - RH	2
95	2530105	Corner Column - RH	1
	2530104	Corner Column - LH	1
96	078056-5	Flange Bearing	4
97	2683298	Door Hinge Assembly - LH	2
98	2442500	Lower Front Channel	1
99	2514698	Front Frame Assembly	1
100	G01031-1-7	Main Bottom	1
101	2167700	Base Corner	4
102	1027600	6" Leg Retainer - Plated (Std.)	4
	2026299	Flanged Leg Retainer Assembly (Opt.)	4
	4519723	6" Stainless Leg Assembly (Opt.)	4
	2093800	4" Leg Retainer	4
102A	1150502	Bullet Leg (Std. 6" Leg and 4" Leg Option)	4
	2393999	Flanged Leg Assembly (Flanged Leg Option)	4
103	2628901	Polyurethane Swivel Caster W/Break (Option)	2
	2628900	Polyurethane Swivel Caster / Option	2
	2063701	Swivel Caster W/Brake	2
	2063700	Swivel Caster (Option)	2
104	2644600	Door Lining	2
105	2530900	3/8" Hole Plug	6
106	2192900	Storage Door Handle	2
107	2644700	Door Panel	2
108	1748701	Restraint Attachment Bracket W/Casters	1
109	2682799	Rack Frame Assembly	1
110	G01544-01-5	Broiler Rack Assembly (Std.)	4
	2684500	Broiler Rack Assembly Extended (Opt.)	10

\* NOT ILLUSTRATED

#### **RECOMMENDED STOCK PARTS**

## GARLAND PARTS IDENTIFICATION

### Model M67X

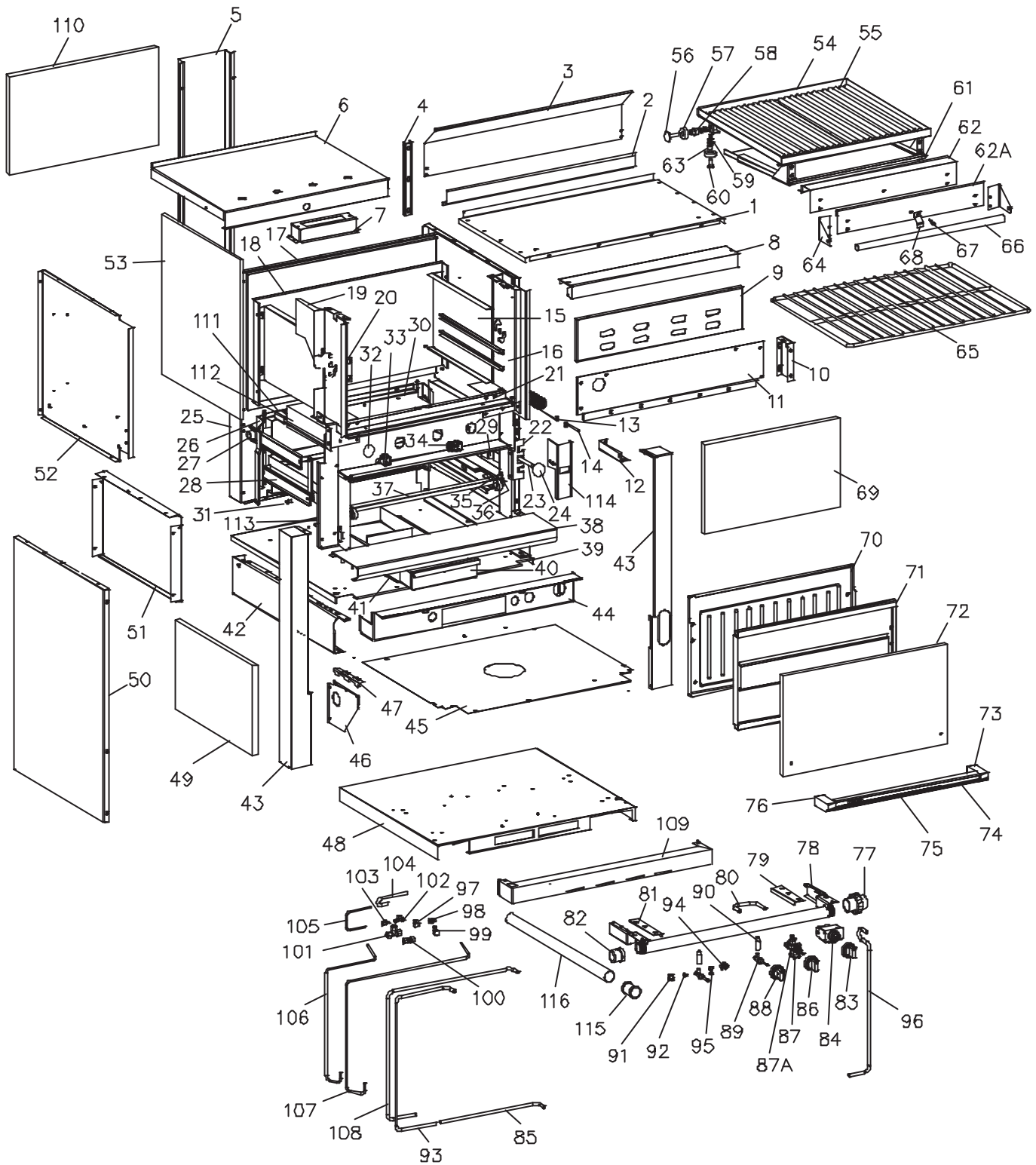
#### Master Series Upright Broiler - Upper Section Infra-Red, Lower Section Ceramic

ITEM	PART #	DESCRIPTION	QUANTITY
111	G6424	Glider Bolt Hex Head 3/8-16 x 2	4
112	G01244-1	1 11/16 x 1/2 Roller Bearing	12
113	G01247-3	Rear Bushing	4
114	G01247-1-8	Washer Bearing	4
115	G01247-2	Front Bearing	4
116	G6030	Ceramic Radiant	6
117	F56	Hex Head Bolt 5/16-18 x 1	8
118	2682800	Drip Chute	
119	2682200	Broiler Rack Front Veneer (Std. Rack)	2
120	2682201	Broiler Rack Front Veneer (Opt. Extended Rack)	2
121	2682600	Handle End - RH	2
	2682601	Handle End - LH	2
122	F298	10-24 x 3/8 Truss Head Shoulder Bolt	6
123	2682300	Drip Tray Stop	2
124	G6295-1	Incoloy Mesh	1
125	G5054	Burner Hanger	4
126	G6023L	Broiler Burner - LH	1
	G6023R	Broiler Burner - RH	1
127	G01358-1-6	Pilot Bracket	2
128	G0635	2C-2 Pilot (Specify Gas)	2
129	G6093	Broiler Burner Air Shutter	4
130	G5420	Orifice Fitting (Specify Gas)	2
131	G01530-1-8	Orifice Washer	2
132	G6015	Broiler Burner Shield	2
133	2671800	Carriage Support	2
134	2327100	Door Stop Bumper	2
135	078174-1	Magnetic Catch	2
136	2664000	Magnet Support Bracket	1
137	3010400	Unit Support, Rear	2
138	2671900	Broiler Back Liner	2

\* NOT ILLUSTRATED

#### **RECOMMENDED STOCK PARTS**

## ***NOTES***



SK3642

## GARLAND® PARTS IDENTIFICATION

Models M100XR, M100XRC, M100XS, M100XT

### Master Series Infra-Red Broiler With Upper Finishing Oven

ITEM	PART #	DESCRIPTION	QUANTITY			
			M100XR	M100XRC	M100XS	M100XT
1	2666200	Main Top - Std.	1	1	1	1
	2666201	Main Top - Stainless (Opt.)	1	1	1	1
2	2665300	Flue Shield	1	1	1	1
3	2676301	Flue Diverter (Std.)	1	1	1	1
	2676300	Flue Diverter (Opt. With Stainless Back Veneer)	1	1	1	1
4	G01260-01-8	Channel Brace Assembly	2	2	2	2
5	1139699	Flue Riser Assembly	1	1		
6	2666000	Upper Oven Bottom	1	1	1	1
7	1139598	Lower Oven Flue Box	1	1		
8	2668200	Main Front	1	1	1	1
9	2635800	Front Panel	1	1	1	1
10	2634299	Broiler Support Bracket Assembly	2	2	2	2
11	1806101	Burner Box Back (Std.)	1	1	1	
	1806105	Burner Box Back - Rear Gas (Opt.)	1	1	1	
	2546400	Burner Box Back (Std.)				1
	2546419	Burner Box Back - Rear Gas (Opt.)				1
12	1134100	Carriage Spring Support Arm RH				1
	1134101	Carriage Spring Support Arm LH				1
13	G01245-1	Broiler Spring	2	2	2	2
14	G01246-1-8	Spring Hook	2	2	2	2
15	G6344-01-81E	Oven Side Lining Assembly RH	1	1	1	1
	G6344-01-82E	Oven Side Lining Assembly LH	1	1	1	1
16	G01030-01-81E	Oven Door Support RH	1	1	1	1
	G01030-01-82E	Oven Door Support LH	1	1	1	1
17	2680500	Back Insulation Box	1	1	1	1
18	2635600	Back Insulation Lining	1	1	1	1
19	G6007L	Door Counterweight LH	1	1	1	1
	G6007R	Door Counterweight RH	1	1	1	1
20	G6036-01-8	Door Hinge Assembly	2	2	2	2
21	2635700	Front Filler Strip	1	1	1	1
22	2684400	Broiler Ratchet	1	1	1	1
23	G01219-02-5	Rack Lifting Handle Assembly	1	1	1	1
24	1039602	Grey Ball Knob	1	1	1	1
25	2632200	Main Back	1	1	1	1
26	G01227-1-8	Carriage Support	2	2	2	2
27	G01234-01-5	Rack Raising Arm Upper Assembly	1	1	1	1
28	G01234-02-5	Rack Raising Arm Lower Assembly	1	1	1	1
29	G01182-01-5	Rack Handle Lever Assembly	1	1	1	1
30	G01996-1-6	Back Liner	1	1	1	1
31	F58	5/16-18x3/8x1/4 Shoulder Bolt	5	5	5	5
32	2632100	Burner Housing	1	1	1	1
33	G02568-1-6	Pilot Bracket	2	2	2	2
34	G01267-5	Pilot (Less Orifice)	4	4	4	4
	G01267-X	Pilot Orifice Fitting (Specify Gas)	4	4	4	4
35	F5	1/4-20x1.25" Hex Socket Screw	2	2	2	2

\* NOT ILLUSTRATED

#### **RECOMMENDED STOCK PARTS**

**GARLAND PARTS IDENTIFICATION**  
**Models M100XR, M100XRC, M100XS, M100XT**  
**Master Series Infra-Red Broiler With Upper Finishing Oven**

ITEM	PART #	DESCRIPTION	QUANTITY			
			M100XR	M100XRC	M100XS	M100XT
36	G01989-1-8	Post Bearing	2	2	2	2
37	G02024-01-8	Carriage Assembly	1	1	1	1
38	2190699	Front Rail Assembly	1	1	1	
39	2512600	Burner Box Bottom	1	1	1	
	2247000	Burner Box Bottom				1
40	2682999	Grease Pan Assembly	1	1	1	1
41	2576800	Drip Tray Guide	2	2	2	2
42	1132806	Burner Box Side LH - Black (Std.)	1	1	1	
	1132807	Burner Box Side LH -Stainless (Opt.)	1	1	1	
	1132804	Burner Box Side RH - Black (Std.)	1	1	1	
	1132805	Burner Box Side RH - Stainless (Opt.)	1	1	1	
	2247602	Burner Box Side LH - Black (Std.)				1
	2247603	Burner Box Side LH - Stainless (Opt.)				1
	2247600	Burner Box Side RH - Black (Std.)				1
43	2247601	Burner Box Side RH - Stainless (Opt.)				1
	2668000	Corner Column LH	1	1	1	1
44	2668001	Corner Column RH	1	1	1	1
	2673700	Valve Panel	1	1		
45	2673701	Valve Panel			1	1
	2673400	Grease Hopper	1	1	1	1
46	2208001	End Enclosure LH (Opt.)	1	1	1	1
	2208000	End Enclosure RH (Opt.)	1	1	1	1
47	2207900	End Enclosure Support Bracket (opt.)	1 Per Enclosure			
48	2247400	Secondary Burner Box Bottom	1			
49	1472316	Lower Side Insulation 23x13x2"	2	2	2	2
50	2636000	Main Side -Black	2	2	2	2
	2636001	Main Side - Stainless	2	2	2	2
51	2632500	Lower Liner	2	2	2	2
52	2631900	Upper Insulation Lining LH	1	1	1	1
	2631901	Upper Insulation Lining RH	1	1	1	1
53	1472210	Upper Side Insulation 23"x23.5"x1"	2	2	2	2
54	2682799	Rack Frame Assembly	1	1	1	1
55	G01544-01-5	Broiler Rack Assembly (Std.)	2	2	2	2
	2684500	Broiler Rack Assembly - Extended (Opt.)	5	5	5	5
56	G6424	Glider Bolt Hex Head 3/8-16x2	2	2	2	2
57	G01244-1	1 11/16X1/2 Roller Bearing	6	6	6	6
58	G01247-3	Rear Bushing	2	2	2	2
59	G01247-1-8	Washer Bearing	2	2	2	2
60	F56	Hex Head Bolt 5/16-18x 1	4	4	4	4
61	2682800	Drip Chute	1	1	1	1
62	2682200	Broiler Rack Front Veneer (Std.)	1	1	1	1
62A	2682201	Broiler Rack Front Veneer (Opt. Extended Rack)	1	1	1	1
63	G01247-2	Front Bearing	2	2	2	2

\* NOT ILLUSTRATED

**RECOMMENDED STOCK PARTS**



## GARLAND PARTS IDENTIFICATION

Models M100XR, M100XRC, M100XS, M100XT

### Master Series Infra-Red Broiler With Upper Finishing Oven

ITEM	PART #	DESCRIPTION	QUANTITY			
			M100XR	M100XRC	M100XS	M100XT
64	2682600	Handle End - RH	1	1	1	1
	2682601	Handle End _ LH	1	1	1	1
65	G6152-40	Oven Rack	1	1	1	1
66	G01904-03-9	Handle Assembly	1	1	1	1
67	F298	10-24X3/8" Truss Head Shoulder Bolt	5	5	5	5
68	2682300	Drip Tray Stop	1	1	1	1
69	1472201	15.5"x28"x1" Insulation Finishing Oven Door	1	1	1	1
70	1439794	Oven Door Lining Assembly	1	1	1	1
71	1138399	Broiler Insert Box Assembly	1	1	1	1
72	1080714	Oven Door Panel	1	1	1	1
73	2194900	Door Handle End RH	1	1	1	1
	2194901	Door Handle End LH	1	1	1	1
74	2193100	Door Handle Bar	1	1	1	1
75	1592007	Door Handle Overlay	1	1	1	1
76	2377300	Door Handle End Plastic Insert	2	2	2	2
77	G7075	1 1/4 No. 18 Union	1	1	1	1
78	2575299	Manifold Assembly (Std.)	1	1	1	1
	2575298	Manifold Assembly (Opt. Rear Gas Connect.)	1	1	1	1
79	2544100	Manifold Bracket Extension RH	1	1	1	1
80	2572600	7/16" Tubing -Oven Valve	1	1		
81	2544101	Manifold Bracket Extension LH	1	1	1	1
82	G02335-1	Pipe Cap -1-1/4 NPT (Opt.)	1	1	1	1
83	2522107	Knob -FD Control - Oven	1	1		
84	G03145-048	FD Control Assembly	1	1		
85	2672500	7/16 Tube Extension	1	1	1	1
86	2522101	Knob - Oven Valve	1	1		
87	2513399	Oven Valve	1	1		
87A	2198100	Valve Connector Fitting - 12 mm	1	1		
88	2522114	Knob - Broiler	2	2	2	2
89	1095100	Broiler Valve - Natural Gas Optional	2	2	2	2
	1095101	Broiler Valve - Propane Optional	2	2	2	2
90	G4523	Adapter - Broiler Valve	2	2	2	2
91	076029-144	Reducing Bushing 3/8 NPTx1/8 NPT	2	2	2	2
92	2203400	1/8 NPT Hex Plug	3	3	4	4
93	2656600	7/16 Tubing HML Valve to 7/16 Comp. Tee LH	1	1	1	1
94	G01248-1	1/4x1/4 Double Pilot Valve Assembly	1	1	1	1
95	G02251-1	Pressure test Spigot	1	1	1	1
96	2230000	7/16 Tubing FD Control to Comp. Union	1	1		
97	G01474-4	Elbow - 1/4 NPT	1	1	1	1
98	1004806	1/4 NPT Pipe Coupling	2	2	2	2
99	076050-90	7/16cc x 1/4 NPT Comp. Elbow	2	2	2	2
100	076050-88	7/16 Comp. Union	1	1	1	1
101	G01168-1	7/16 Comp. Tee	2	2	2	2

\* NOT ILLUSTRATED

#### **RECOMMENDED STOCK PARTS**

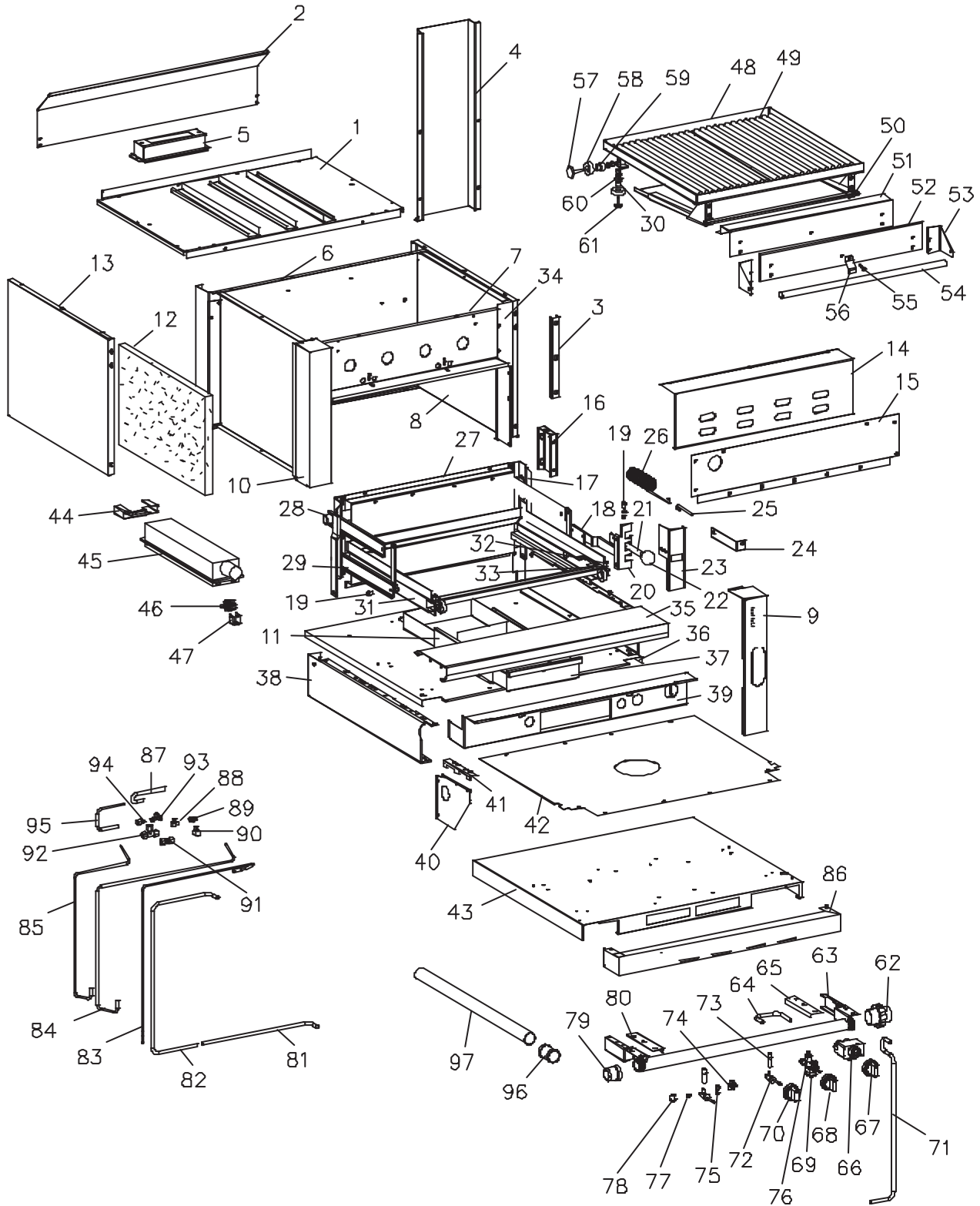
**GARLANDPARTS IDENTIFICATION**  
**Models M100XR, M100XRC, M100XS, M100XT**  
**Master Series Infra-Red Broiler With Upper Finishing Oven**

ITEM	PART #	DESCRIPTION	QUANTITY			
			M100XR	M100XRC	M100XS	M100XT
102	G02569-1	1/4 Comp. Tee	2	2	2	2
103	G01243-1	Straight Connector -1/4 NPT to 7/16 cc	4	4	4	4
104	2655800	7/16 Tubing Burner Orifice to Comp. Tee	4	4	4	4
105	2655900	1/4 Tubing Pilot to Comp. Tee	4	4	4	4
106	2656500	1/4 Tubing Pilot Valve to 1/4 Comp. Tee LH	1	1	1	1
107	2656400	1/4 Tubing Pilot Valve to 1/4 Comp. Tee RH	1	1	1	1
108	2656300	7/16 Tubing HML Valve to 7/16 Comp. Tee RH	1	1	1	1
109	2247703	Secondary Valve Panel				1
110	1472208	Insulation -Back Insulation Liner 33"x17"X1"	1	1	1	1
111	G01994-1-6	Burner Bracket	4	4	4	4
112	G01229-01	Infra Red Burner Specify Gas)	4	4	4	4
113	2632400	Front Frame Side LH	1	1	1	1
	2632401	Front Frame Side RH	1	1	1	1
114	G01262-1-9	Rack Handle Cover	1	1	1	1
115	076029-183	Coupling 1 1/4 NPT (1-1/4 Rear Gas Opt.)	1	1	1	1
	2437102	1 1/4 x 3/4 Reducing Coupling (3/4 Rear Gas Opt)	1	1	1	1
116	076029-184	1 1/4 x 29" Nipple (1-1/4 Rear Gas Opt.)	1	1	1	1
	076029-192	3/4 NPT x 29" Nipple (3/4 Rear Gas Opt.)	1	1	1	1

\* NOT ILLUSTRATED

**RECOMMENDED STOCK PARTS**

## ***NOTES***



SK3643

**GARLAND PARTS IDENTIFICATION**  
**Models M105XR, M105XRC, M105XS, M105XT**  
**Master Series Infra-Red Broiler**

ITEM	PART #	DESCRIPTION	QUANTITY			
			M105XR	M105XRC	M105XS	M105XT
1	2678300	Main Top	1	1	1	1
2	2676301	Flue Diverter (Std.)	1	1	1	1
	2676300	Flue Diverter (Opt. With Stainless Back Veneer)	1	1	1	1
3	G01260-01-8	Channel Brace Assembly	2	2	2	2
4	G02097-01-7	Oven Flue Stack Assembly	1	1		
5	G02098-1-7	Oven Flue Box	1	1		
6	2677900	Main Back	1	1	1	1
7	G01180-1-6	Burner Housing	1	1	1	1
8	2678000	Side Liner	2	2	2	2
9	2678201	Corner Column RH	1	1	1	1
10	2678200	Corner Column LH	1	1	1	1
11	2576800	Drip Tray Guide	2	2	2	2
12	1472316	Side Insulation 23"x19"x2"	2	2	2	2
13	2678100	Main Side - Black (Std.)	2	2	2	2
	2678101	Main Side - Stainless (Opt.)	2	2	2	2
14	G01215-1-9	Upper Front Panel	1	1	1	1
15	1806101	Burner Box Back (Std.)	1	1	1	
	1806105	Burner Box Back - (Opt. Rear Gas Connect)	1	1	1	
	2546400	Burner Box Back (Std.)				1
	2546419	Burner Box Back - (Opt. Rear Gas Connect)				1
16	2634299	Broiler Support Bracket Assembly	2	2	2	2
17	G01227-1-8	Carriage Support	2	2	2	2
18	G01182-01-5	Rack Handle Lever Assembly	1	1	1	1
19	F58	5/16-18x3/8x1/4 Shoulder Bolt	5	5	5	5
20	2684400	Broiler Ratchet	1	1	1	1
21	G01219-02-5	Rack Lifting Handle Assembly	1	1	1	1
22	1039602	Grey Ball Knob	1	1	1	1
23	G01262-1-9	Rack Handle Cover	1	1	1	1
24	1134100	Carriage Spring Support Arm RH				1
	1134101	Carriage Spring Support Arm LH				1
25	G01246-1-8	Spring Hook	2	2	2	2
26	G01245-1	Broiler Spring	2	2	2	2
27	G01996-1-6	Back Liner	1	1	1	1
28	G01234-01-5	Rack Raising Arm Upper Assembly	1	1	1	1
29	G01234-02-5	Rack Raising Arm Lower Assembly	1	1	1	1
30	G01247-2	Front Bearing	2	2	2	2
31	G02024-01-8	Carriage Assembly	1	1	1	1
32	F5	1/4-20x1.25" Hex Socket Screw	2	2	2	2
33	G01989-1-8	Post Bearing	2	2	2	2
34	G02003-1-61	Front Frame Side RH	1	1	1	1
	G02003-1-62	Front Frame Side LH	1	1	1	1
35	2190699	Front Rail Assembly	1	1	1	1
36	2512600	Burner Box Bottom	1	1	1	
	2247000	Burner Box Bottom				1

\* NOT ILLUSTRATED

**RECOMMENDED STOCK PARTS**

**GARLAND PARTS IDENTIFICATION**  
**Models M105XR, M105XRC, M105XS, M105XT**  
**Master Series Infra-Red Broiler**

ITEM	PART #	DESCRIPTION	QUANTITY			
			M105XR	M105XRC	M105XS	M105XT
37	2682999	Grease Pan Assembly	1	1	1	1
38	1132806	Burner Box Side LH - Black (Std.)	1	1	1	
	1132807	Burner Box Side LH - Stainless (Opt.)	1	1	1	
	1132804	Burner Box Side RH - Black (Std.)	1	1	1	
	1132805	Burner Box Side RH - Stainless (Opt.)	1	1	1	
	2247602	Burner Box Side LH - Black (Std.)				1
	2247603	Burner Box Side LH - Stainless (Opt.)				1
	2247600	Burner Box Side RH - Black (Std.)				1
39	2247601	Burner Box Side RH - Stainless (Opt.)				1
	2673700	Valve Panel	1	1		
40	2673701	Valve Panel			1	1
	2208001	End Enclosure LH (Opt.)	1	1	1	1
41	2208000	End Enclosure RH (Opt.)	1	1	1	1
	2207900	End Enclosure Support Bracket (Opt.)	1 per enclosure (Item 40)			
42	2673400	Grease Hopper	1	1	1	1
43	2247400	Secondary Burner Box Bottom	1			
44	G01994-1-6	Burner Bracket	4	4	4	4
45	G01229-01	Infra-Red Burner (Specify Gas)	4	4	4	4
46	G01267-5	Pilot (Less Orifice)	4	4	4	4
	G01267-X	Pilot Orifice Fitting (Specify Gas)	4	4	4	4
47	G02568-1-6	Pilot Bracket	2	2	2	2
48	2682799	Rack Frame Assembly	1	1	1	1
49	G01544-01-5	Broiler Rack Assembly (Std.)	2	2	2	2
	2684500	Broiler Rack Assembly Extended (Opt.)	5	5	5	5
50	2682800	Drip Chute	1	1	1	1
51	2682200	Broiler Rack Front Veneer (Std.)	1	1	1	1
52	2682201	Broiler Rack Front Veneer (Opt.)	1	1	1	1
53	2682600	Handle End RH	1	1	1	1
	2682601	Handle End LH	1	1	1	1
54	G01904-03-9	Handle Assembly	1	1	1	1
55	F298	10-24x3/8 Truss Head Shoulder Bolt	5	5	5	5
56	2682300	Drip Tray Stop	1	1	1	1
57	G6424	Glider Bolt Hex Head 3/8-16x2	2	2	2	2
58	G01244-1	1 11/16x1/2 Roller Bearing	6	6	6	6
59	G01247-3	Rear Bushing	2	2	2	2
60	G01247-1-8	Washer Bearing	2	2	2	2
61	F56	Hex Head Bolt 5/16-18x1	4	4	4	4
62	G7075	1 1/4 No. 18 Union	1	1	1	1
63	2575299	Manifold Assembly	1	1	1	1
	2575298	Manifold Assembly (Opt. Rear Gas Connect)	1	1	1	1
64	2572600	7/16 Tubing - Oven Valve to FD Control	1	1		
65	2544100	Manifold Bracket Extension RH	1	1	1	1
66	G03145-048	FD Control Assembly	1	1		
67	2522107	Knob - FD Control - Oven	1	1		

\* NOT ILLUSTRATED

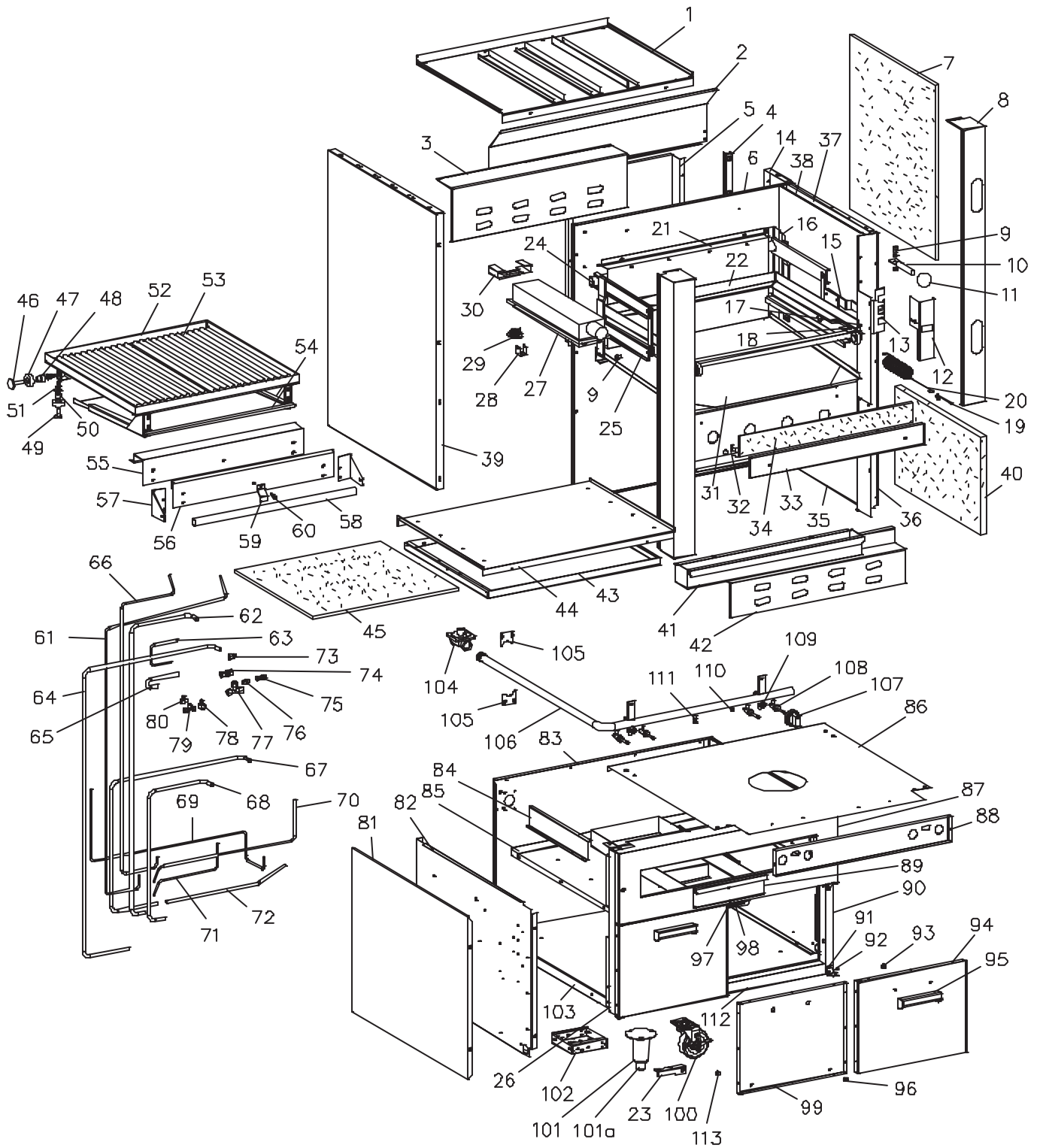
**RECOMMENDED STOCK PARTS**

**GARLAND PARTS IDENTIFICATION**  
**Models M105XR, M105XRC, M105XS, M105XT**  
**Master Series Infra-Red Broiler**

ITEM	PART #	DESCRIPTION	QUANTITY			
			M105XR	M105XRC	M105XS	M105XT
68	2522101	Knob - Oven Valve	1	1		
69	2513399	Oven Valve	1	1		
70	2522114	Knob - Broiler Valve	2	2	2	2
71	2230000	7/16 Tubing - FD Control to Comp Union	1	1		
72	1095100	Broiler Valve - Natural Gas	2	2	2	2
	1095101	Broiler Valve - Propane	2	2	2	2
73	G4523	Adapter - Broiler Valve 3/8 NPT x 9/16-27	2	2	2	2
74	G01248-1	1/4x1/4 Double Pilot Valve Assembly	1	1	1	1
75	G02251-1	Pressure Test Spigot - 12mm	1	1	1	1
76	2198100	Valve Connector Fitting -	1	1		
77	2203400	1/8 NPT Hex Plug	3	3	4	4
78	076029-144	Reducing Bushing 3/8NPTx1/8NPT	2	2	2	2
79	G02335-1	Pipe Cap -1 1/4 NPT (Opt.)	1	1	1	1
80	2544101	Manifold Bracket Extension LH	1	1	1	1
81	2672500	7/16 Tube Extension	1	1	1	1
82	2656600	7/16 Tubing HML Valve to Comp. Tee LH	1	1	1	1
83	2656300	7/16 Tubing HML Valve to Comp. Tee RH	1	1	1	1
84	2656400	1/4 Tubing Pilot Valve to Comp. Tee RH	1	1	1	1
85	2656500	1/4 Tubing Pilot Valve to Comp. Tee LH	1	1	1	1
86	2247703	Secondary Valve Panel				1
87	2655800	7/16 Tubing -Burner Orifice to Comp. Tee	1	1	1	1
88	G01474-4	Elbow - 1/4 NPT	1	1	1	1
89	1004806	1/4 NPT Pipe Coupling	2	2	2	2
90	076050-90	7/16ccX1/4NPT Comp. Elbow	2	2	2	2
91	076050-88	7/16 Comp. Union	1	1	1	1
92	G01168-1	7/16 Comp. Tee	2	2	2	2
93	G02561-1	1/4 Comp. Tee	2	2	2	1
94	G01243-1	Straight Connector - 1/4 NPT to 7/16cc	4	4	4	4
95	2655900	1/4 Tubing -Pilot to Comp. Tee	4	4	4	4
96	076029-183	Coupling 1 1/4 NPT (1 1/4 Rear Gas Opt.)	1	1	1	1
	2437102	1 1/4 x 3/4 Reducing Coupling (3/4 Rear Gas Opt)	1	1	1	1
97	076029-184	1 1/4 x 29" Nipple (1-1/4 Rear Gas Opt.)	1	1	1	1
	076029-192	3/4 NPT x 29" Nipple 3/4 Rear Gas Opt.)	1	1	1	1

\* NOT ILLUSTRATED

**RECOMMENDED STOCK PARTS**



SK3644



## GARLAND PARTS IDENTIFICATION

Model M110X

### Master Series Double Infra-Red Broiler

ITEM	PART #	DESCRIPTION	QUANTITY
1	2668100	Main Top	1
2	2676301	Flue Diverter (Std.)	1
	2676300	Flue Diverter (Opt. W/Stainless Back Veneer)	
3	G01215-1-9	Upper Front Panel	1
4	G01260-01-8	Channel Brace Assembly	4
5	G02000-1-7	Smoke Stack	1
6	G02017-1-6	Main Back	1
7	1472209	Upper Side Insulation 25.5"x23"x1"	2
8	2645501	Corner Column RH	1
	2645500	Corner Column LH	1
9	F58	5/16-18x3/8x1/4 Shoulder Bolt	10
10	G01219-02-5	Rack Lifting Handle Assembly	2
11	1039602	Grey Ball Knob	2
12	G01262-1-9	Rack Handle Cover	2
13	2684400	Broiler Ratchet	2
14	G01998-1-71	Main Back Extension Post	2
15	G01182-01-5	Rack Handle Lever Assembly	2
16	G01227-1-8	Carriage Support	4
17	F5	1/4-20x1.25 Hex Socket Screw	4
18	G01989-1-8	Post Bearing	4
19	G01246-1-8	Spring Hook	4
20	G01245-1	Broiler Spring	4
21	G01996-1-6	Back Liner	2
22	G02024-01-8	Carriage Assembly	2
23	1748701	Restraint Attachment Bracket (Opt. - Incl. W/Caster Options)	1
24	G01234-01-5	Rack Raising Arm Upper Assembly	2
25	G01234-02-5	Rack Raising Arm Lower Assembly	2
26	2514699	Front Frame Assembly	1
27	G01229-01	Infra Red Burner (Specify Gas)	8
28	G02568-1-6	Pilot Bracket	4
29	G01267-5	Pilot (Less Orifice)	8
	G01267-X	Pilot Orifice Fitting (Specify Gas)	8
30	G01994-1-6	Burner Bracket	8
31	2673399	Grease Diverter Assembly	1
32	G01180-1-6	Burner Housing	2
33	G01212-1-6	Heat Shield	1
34	1472209	Heat Shield Insulation 27"x3"x1" (Cut From Item 7)	1
35	G01999-1-6	Side Liner (Lower)	2
36	G02018-1-61	Front Frame Side RH	1
	G02018-1-62	Front Frame Side LH	1
37	2667600	Top Side Insulation Liner	2
38	2667700	Top Side Inner Liner	2
39	G02006-1-81	Main Side - Black (Std.)	2
	G02006-1-91	Main Side - Staniless (Opt.)	2
40	1472316	Lower Side Insulation 23"X14"x2"	2
41	G01188-1-9	Upper Grease Box	1
42	G01213-1-9	Lower front Panel	1

\* NOT ILLUSTRATED

#### **RECOMMENDED STOCK PARTS**

## GARLAND PARTS IDENTIFICATION

Model M110X

### Master Series Double Infra-Red Broiler

ITEM	PART #	DESCRIPTION	QUANTITY
43	G01199-1-6	Broiler Bottom	1
44	G01177-1-6	Top Insulation Liner	1
45	1472305	Top Separator Insulation 29".5x23"x2"	1
46	G6424	Glider Bolt Hex Head 3/18-16X2	4
47	G01244-1	1 11/16x1/2 Roller Bearing	12
48	G01247-3	Rear Bushing	4
49	F56	Hex Head Bolt 5/16-18x1	8
50	G01247-2	Front Bearing	4
51	G01247-1-8	Washer Bearing	4
52	2682799	Rack Frame Assembly	2
53	G01544-01-5	Broiler Rack Assembly (Std.)	4
	2684500	Broiler Rack Assembly Extended (Opt.)	10
54	2682800	Drip Chute	2
55	2682200	Broiler Rack Front Veneer (Std. Rack)	2
56	2682201	Broiler Rack Front Veneer (Opt. Extended Rack)	2
57	2682601	Handle End - LH	2
	2682600	Handle End - RH	2
58	G01904-03-9	Handle Assembly	2
59	2682300	Drip Tray Stop	2
60	F298	10-24x3/8 Truss Head Shoulder Bolt	10
61	2656100	1/4 Tubing - Pilot Valve To Comp. Tee LH	1
62	2650900	7/16 Tubing - HML Valve to Comp. Tee LH	1
63	2655900	1/4 Tubing - Pilot Valve To Comp. Tee	8
64	2650600	7/16 Tubing - HML Valve to Comp. Tee RH	1
65	2655800	7/16 Tubing - Burner Orifice to Comp. Tee	8
66	2656200	1/4 Tubing - Pilot Valve to Comp. Tee	1
67	2650700	7/16 Tubing - Comp. Union to Comp. Tee RH	1
68	2650800	7/16 Tubing Comp. Union to Comp. Tee LH	1
69	2656000	1/4 Tubing - Pilot Valve to Comp. Union RH	1
70	2655700	1/4 Tubing - Comp. Tee to Comp. Union RH	1
71	2655600	1/4 Tubing - Comp. Tee to Comp. Union LH	1
72	2651000	7/16 Tubing - HML Valve to Comp. Union RH	1
73	G01243-1	Straight Connector - 1/4 NPT to 7/16cc	10
74	076050-88	7/16 Comp. Union	2
75	076050-87	1/4 Comp. Union	2
76	1004806	1/4NPT Pipe Coupling	2
77	G01168-1	7/16 Comp. Tee	4
78	076050-90	7/16cc X 1/4NPT Comp. Elbow	2
79	G02569-1	1/4 Comp. Tee	4
80	G01474-4	Elbow - 1/4 NPT	2
81	G6196-1-8	Body Side - Black (Std.)	2
	G6196-1-9	Body Side - Stainless (Opt.)	2
82	2514401	Inner Side LH	1
	2514400	Inner Side RH	1
83	G6051-5-7	Main Back	1
84	2576800	Drip Tray Guide	2
85	2514500	Cabinet Shelf	1
86	G02009-1-6	Grease Hopper	1

\* NOT ILLUSTRATED

#### **RECOMMENDED STOCK PARTS**

## GARLAND PARTS IDENTIFICATION

Model M110X

### Master Series Double Infra-Red Broiler

ITEM	PART#	DESCRIPTION	QUANTITY
87	2645000	Lower Front Panel	1
88	2649700	Valve Panel	1
89	2682999	Grease Pan Assembly	1
90	2530105	Corner Column RH	1
	2530104	Corner Column LH	1
91	2683298	Door Hinge Assembly LH	2
	2683299	Door Hinge Assembly RH	2
92	078056-5	Flange Bearing	4
93	G02973-1	1/2 Plastic Hole Plug "	4
94	2644700	Door Panel	2
95	2192900	Storage Door Handle	2
96	2530900	3/8 Hole Plug "	6
97	2664000	Magnet Support Bracket	1
98	078174-1	Magnetic Door Catch	2
99	2644600	Door Lining	2
100	2628901	Polyurethane Swivel Caster W/Break (Opt.)	2
	2628900	Polyurethane Swivel Caster (Opt.)	2
	2063701	Swivel Caster W/Break (Opt.)	2
	2063700	Swivel Caster (Opt.)	2
101	1027600	6" Leg Retainer - Plated (Std.)	4
	2026299	Flanged Leg Retainer Assembly (Opt.)	4
	4519723	6" Stainless Leg Assembly (Opt.)	4
	2093800	4" Leg Retainer (Opt.)	4
101A	1150502	Bullet Leg (Std. 6" Leg and 4" Optional)	4
	2393999	Flanged Leg Assembly (Flanged Leg Option)	4
102	2167700	Base Corner	4
103	G01031-1-7	Main Bottom	1
104	2127503	Pressure Regulator - Natural Gas	1
	2127500	Pressure Regulator - Propane	1
105	2653700	Manifold Support	2
106	2650399	Manifold Assembly	1
107	2522114	Knob - Broiler	4
108	1095100	Broiler Valve HML - Natural Gas	4
	1095101	Broiler Valve HML - Propane	4
109	G01248-1	1/4x1/4 Double Pilot Valve Assembly	2
110	2203400	Countersunk Hex Plug 1/8NPT	1
111	G02251-1	Pressure Test Spigot	1
112	2442500	Lower Front Channel	1
113	2327100	Door Stop Bumper	2

\* NOT ILLUSTRATED

#### **RECOMMENDED STOCK PARTS**

# GARLAND PARTS IDENTIFICATION

## Revision History

REV. #	PAGE #	ITEM #	NOTE	DATE
1	4 &6		New Drawings	Dec 10/02
2			Entire Book Reformatted	Jan 26/04
3	11	102	New Part Number 4519723 - Was 2676699	Mar 22/05
	27	101		

# ***NOTES***

## ***NOTES***

# ***NOTES***

 **GARLAND**<sup>®</sup>