

# Sunfire Series Gas Convection Oven

## Installation, Operation and Maintenance Manual

This manual is updated as new information and models are released. Visit our website for the latest manual.





# SAFETY NOTICES

**WARNING:**

This product contains chemicals known to the state of California to cause cancer and/or birth defects or other reproductive harm. Installation and servicing of this product could expose you to airborne particles of glass wool/ceramic fibers. Inhalation of airborne particles of glass wool/ceramic fibers is known to the state of California to cause cancer. Operation of this product could expose you to carbon monoxide if not adjusted properly. Inhalation of carbon monoxide is known to the state of California to cause birth defects or other reproductive harm.

## Keep appliance area free and clear of combustibles.

### Rights written notice

2012 ALL RIGHTS RESERVED. This manual and the text and images it contains may not be modified in any way, by any means, without written permission from Garland Commercial Ranges Ltd. .

**FOR YOUR SAFETY:  
DO NOT STORE OR USE GASOLINE  
OR OTHER FLAMMABLE VAPORS OR  
LIQUIDS IN THE VICINITY OF  
THIS OR ANY OTHER  
APPLIANCE**

**WARNING:  
IMPROPER INSTALLATION, ADJUSTMENT,  
ALTERATION, SERVICE OR MAINTENANCE  
CAN CAUSE PROPERTY DAMAGE, INJURY,  
OR DEATH. READ THE INSTALLATION,  
OPERATING AND MAINTENANCE  
INSTRUCTIONS THOROUGHLY  
BEFORE INSTALLING OR  
SERVICING THIS EQUIPMENT**

PLEASE READ ALL SECTIONS OF THIS MANUAL AND RETAIN FOR FUTURE REFERENCE.

THIS PRODUCT HAS BEEN CERTIFIED AS COMMERCIAL COOKING EQUIPMENT AND MUST BE INSTALLED BY PROFESSIONAL PERSONNEL AS SPECIFIED.

IN THE COMMONWEALTH OF MASSACHUSETTS THIS PRODUCT MUST BE INSTALLED BY A LICENSED PLUMBER OR GAS FITTER. APPROVAL NUMBER: G-1-07-05-28

For Your Safety:

Post in a prominent location, instructions to be followed in the event the user smells gas. This information shall be obtained by consulting your local gas supplier.

Users are cautioned that maintenance and repairs must be performed by a Garland authorized service agent using genuine Garland replacement parts. Garland will have no obligation with respect to any product that has been improperly installed, adjusted, operated or not maintained in accordance with national and local codes or installation instructions provided with the product, or any product that has its serial number defaced, obliterated or removed, or which has been modified or repaired using unauthorized parts or by unauthorized service agents. For a list of authorized service agents, please refer to the Garland web site at <http://www.garland-group.com>. The information contained herein, (including design and parts specifications), may be superseded and is subject to change without notice.

THIS PAGE INTENTIONALLY LEFT BLANK

# TABLE OF CONTENTS

---

---

<b>Safety Notices</b> .....	<b>3</b>	<b>OPERATING INSTRUCTIONS</b> .....	<b>12</b>
<b>DIMENSIONS AND SPECIFICATIONS</b> .....	<b>7</b>	Sunfire 200 Solid State Control with Electromechanical Timer .....	12
<b>INTRODUCTION</b> .....	<b>8</b>	In Off Mode .....	12
Rating Plate.....	8	Start Up.....	12
<b>INSTALLATION</b> .....	<b>8</b>	Fan Speed Selection (If equipped).....	12
Clearances.....	8	Single Fan Speed.....	12
Location.....	8	Lights (If equipped).....	12
Installation                      Of                      Ovens		Cool Down.....	12
Equipped With Casters .....	8	Temperature .....	12
Installation of Double Deck Models .....	8	Timer .....	12
Gas Supply .....	9	<b>PERFORMANCE RECOMMENDATIONS</b> ..	<b>13</b>
Gas Connections.....	9	<b>COOKING GUIDE</b> .....	<b>14</b>
Electrical Connections.....	10	<b>PROBLEM/SOLUTIONS</b> .....	<b>15</b>
Power Failure .....	10	<b>CLEANING AND MAINTENANCE</b> .....	<b>15</b>
Ventilation and Air Supply.....	10	Break-In Period .....	15
Installation of Direct Flue.....	10	Exterior Cleaning .....	15
<b>TESTING AND ADJUSTMENTS</b> .....	<b>11</b>	Interior Cleaning .....	16
Adjustments.....	11	Fan Area Maintenance .....	16
Lighting .....	11	Motor Care .....	16
To Conserve Energy.....	11		

THIS PAGE INTENTIONALLY LEFT BLANK

# DIMENSIONS AND SPECIFICATIONS

Model	Int. Dimensions :In (mm)			Ext. Dimensions: In (mm)			Ship Wt	Ship Dim.
	W	H	D	W	H	D	Lbs/kg	Cubic Ft.
SCO-GS-10S	29 (736)	24 (610)	24 (610)	38 (965)	57-1/2 (1461)	41-1/4 (1048)	515 / 230	64
SCO-GS-20S	29 (736)	24 (610)	24 (610)	38 (965)	70-1/2 (1791) **	41-1/4 (1048)	1030 / 465	128
SCO-GS-10-ESS	29 (736)	24 (610)	24 (610)	38 (965)	57-1/2 (1461)	41-1/4 (1048)	515 / 230	64
SCO-GS-20-ESS	29 (736)	24 (610)	24 (610)	38 (965)	70-1/2 (1791) **	41-1/4 (1048)	1030 / 465	128

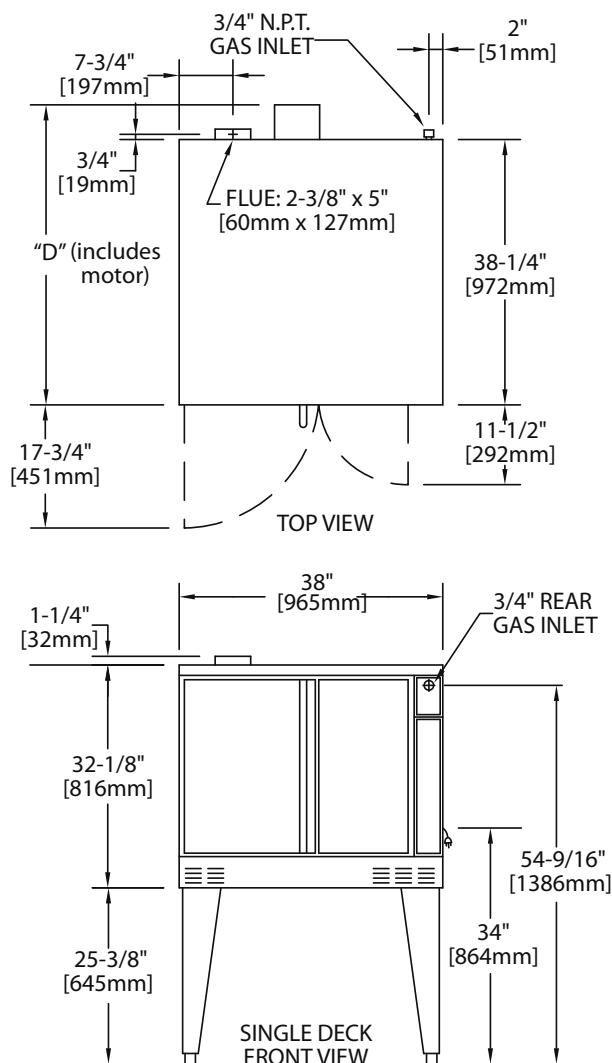
\*\* Height with legs or with standard casters. Height with low profile casters (double deck) is 68-1/2" (1740mm).

Models	Input Ratings			Operating Pressure *		Electrical Specifications	
		BTU/hr	kW Equiv.	Gas Inlet	Natural	Propane	120V/1Ph.
SCO-GS-10S	Natural & Propane	53 000	15.53	(1) @ 3/4" NPT	4" WC (10 mbar)	10" WC (25 mbar)	(1) @9.8A
SCO-GS-20S		106 000	31.06	(1) @1" NPT			(2) @9.8A
SCO-GS-10-ESS	Natural Gas	53 000	15.53	(1) @ 3/4" NPT	4" WC (10 mbar)	n/a	(1) @9.8A
SCO-GS-20-ESS		106 000	31.06	(1) @1" NPT			(2) @9.8A

\*Maximum Pressure 13.8" WC @ 70°F (21°C).

Many local codes exist and it is the responsibility of the owner and installer to comply with those codes.

These appliances are intended for commercial use by professionally trained personnel.



**Notes:**

- Standard electrical specifications include motor requirements.
- (120V units) 115V 3/4 HP, 2-speed motor; 1140 and 1725 rpm 60Hz.
- A 6 ft. line cord is provided for each 120V deck with a (NEMA #5-15P) plug.
- A separate 15 AMP circuit for each 120V unit is recommended.

Installation Notes:			
<b>Combustible &amp; Non-Combustible Wall Clearances:</b>			
Sides	1" (25mm)	Back	3" (76mm)
<b>Entry Clearances: inch (mm)</b>			
Crated	44-1/2 (1130)	Uncrated	32-1/2 (826)

# INTRODUCTION

Like any other fine, precision built appliance, your oven should be given regular care and maintenance. Periodic inspections by your dealer or a qualified service agency is recommended.

## Rating Plate

When corresponding with the factory or your local authorized factory service center regarding service problems or replacement parts, be sure to refer to the particular unit by the correct model number (including the prefix and suffix letters and numbers) and the warranty serial number.

The rating plate is located either on the lower-rear corner of the left side panel, or on the top-front corner of the left side panel of the oven.

# INSTALLATION

## Clearances

Combustible and non-combustible wall clearances are: side, 1.0" (25mm) and rear, 3.0" (76mm).

## Location

Each gas appliance shall be located with respect to building construction and other equipment so as to permit access to the appliance. Such access and clearance may be necessary for servicing and cleaning.

**IMPORTANT:** All gas burners and pilots need sufficient air to operate and large objects should not be placed in front of this oven, which would obstruct the airflow through the front. Objects should not be placed on main top rear of oven while in use. This could obstruct the venting system of the unit's flue products.

## Installation Of Ovens Equipped With Casters

A. For an appliance equipped with casters, the installation shall be made with a connector that complies with the Standard for Connectors for Movable Gas Appliances, ANSI Z21.69 /CSA 6.16, and a quick-disconnect device that complies with the Standard for Quick-Disconnect Devices for Use With Gas Fuel, ANSI Z21.41 / CSA 6.9, and adequate means must be provided to limit the movement of the appliance without depending on the connector and the quick-disconnect device or its associated piping to limit the appliance movement and the location(s) where the restraining means may be attached to the appliance shall be specified.

- B. The front casters of the unit are equipped with brakes to limit the movement of the oven without depending on the connector and any quick-disconnect device or its associated piping to limit the appliance movement.
- C. The restraint can be attached to the unit near the gas inlet. If the restraint is disconnected, be sure to reconnect the restraint after the oven has been returned to its originally installed position.

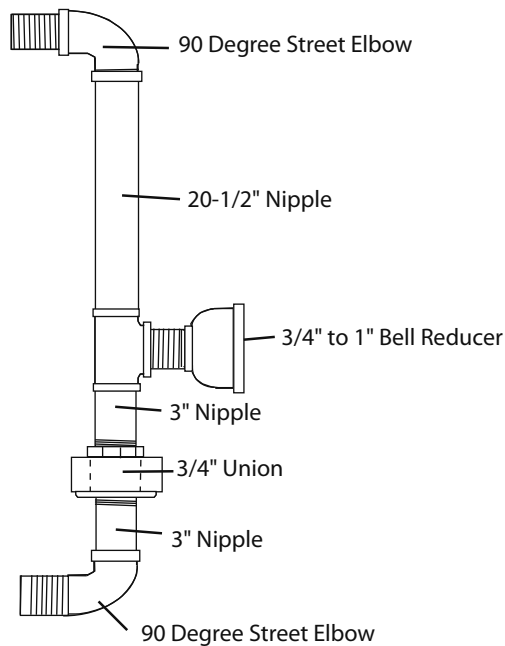
## Installation of Double Deck Models

- A. Position insert in bottom leg opening and tap insert up into leg until it seats at collar. Attach six inch (6", 152mm) legs to lower oven section. Raise unit or lay on its left side. Place the front legs on the oven so as to line up with four (4) attaching bolt holes. Secure leg to oven frame using (4) 3/8-16 x 3/4 bolts and washers provided. Repeat at rear of unit.
- B. Remove lower front cover of top deck (located under oven doors). Raise top deck into place and line up body sides and back of the unit. Fasten the rear of the units together, with the stacking bracket, using (6) 1/4-20 machine screws, lock washers and nuts, (provided).
- C. Install the interconnecting flue parts, carefully following the instructions contained in the stacking kit. Pay particular attention to the type of ovens you are stacking and be sure to follow the corresponding instructions.



# INSTALLATION Continued

- D. Assemble the stacking pipes provided in the stacking kit as shown in diagram. This allows both ovens to be supplied by a single gas line. The minimum recommended size of the a single supply line for two stacked ovens is 1 inch (25mm). Use a pipe thread compound that is intended for use on propane gas piping and be sure to check for leaks before finalizing the installation.



- E. Check leveling of unit four (4) ways (using a common carpenter's level on the rack inside the oven).
- F. Plug the cord set of each unit into a 115-Volt power supply outlet.
- G. Maintain clearance from combustibles.

**CAUTION:** Disconnect Both Units from Electrical Supply Before Servicing.

## Gas Supply

The importance of the proper installation of commercial Gas cooking Equipment cannot be over stressed. Proper performance of the equipment is dependent, in great part, on the compliance of the installation with the manufacturer's specifications. Installation must conform to local codes or, in the absence of local codes, with the National Fuel code, ANSI Z223.1, Natural Gas Installation code, CAN/CGA-B149.1 or the Propane Installation Code, CAN/CGA-B149.2, as applicable.

Before assembly and connection, check gas supply.

- A. The type of gas for which the unit is equipped is stamped on the data plate located on the lower rear of the left side panel. Connect a unit stamped "NAT" only to natural gas; connect a unit stamped "PRO" only to propane gas.
- B. If it is a new installation, have gas authorities check meter size and piping to assure that the unit is supplied with sufficient amount of gas pressure required to operate the unit.
- C. If it is additional or replacement equipment, have gas authorities check pressure to make certain that existing meter and piping will supply fuel at the unit with not more than 1/2" water column pressure drop.

**NOTE:** When checking pressure be sure that all other equipment on the same gas line is on. An internal pressure regulator is supplied with Sunfire Convection Ovens. Regulator is preset to deliver gas at pressure shown on the rating plate.

The appliance and its individual shut-off valve must be disconnected from the gas supply piping system during any pressure testing of that system at test pressures in excess of 1/2 PSI (3.45kPa.).

The appliance must be isolated from the gas supply piping system by closing its individual manual shut-off valve during any pressure testing of the gas supply piping system at test pressures equal to or less than 1/2 PSI (3.45 kPa).

**NOTE:** Adequate clearance must be provided for servicing and proper operation.

## Gas Connections

The 1" NPT inlet at the rear must be considered in piping the gas supply for double stack units or 3/4" NPT for individual (or single deck) connections. Undersized gas supply line(s) may restrict the gas supply and affect performance. If other gas appliances are supplied by the same supply line, the supply line must be sized to carry the combined volume without causing more than 1/2" pressure drop at the manifold of each appliance on the line at full rate.

Recommended supply pressures are 7" WC, (NAT), and 11" WC, (PRO);  $\pm 5\%$ . (Must not exceed 13.8" WC[NAT], and 15"

# INSTALLATION Continued

WC[PRO]).

## Electrical Connections

### Electrical Grounding Instructions:

A 15 AMP service must be provided for each oven. For 115 VAC usage, a cord and plug (NEMA #5-15P) is provided but connection to the electrical service must be electrically grounded in accordance with local codes, or in the absence of local codes, with the National electrical code, ANSI/NFPA 70, or the Canadian electrical Code, CSA C22.2, as applicable.

This appliance is equipped with a three-prong (grounding) plug for your protection against shock hazard and should be plugged directly into properly grounded three-prong receptacle. **DO NOT CUT OR REMOVE THE GROUNDING PRONG FROM THIS PLUG.**

A wire diagram is affixed to the rear of the unit.

## Power Failure

In the event of a power failure, no attempt should be made to operate this oven.

## Ventilation and Air Supply

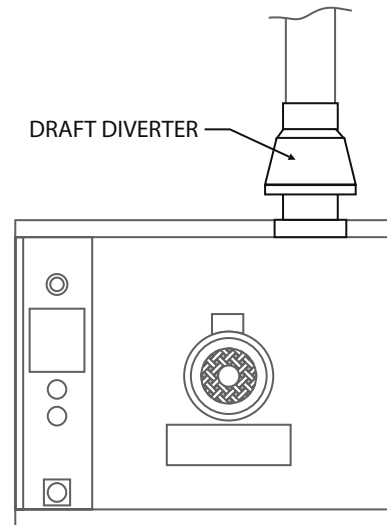
Proper ventilation is highly important for good operation. There are only two choices for properly venting an oven: **1) canopy hood style or 2) direct venting.** The ideal method of venting a GAS Convection Oven is through the use of a properly designed canopy, which should extend 6" (152 mm), beyond all sides of the appliance and 6'6" (1981 mm) from the floor.

A strong exhaust fan will create a vacuum in the room. For an exhaust system vent to work properly, exhaust and make-up air must be balanced properly. For proper air balance contact your local H.V.A.C. contractor.

All gas burners and pilots need sufficient air to operate and large objects should not be placed in front of this oven, which would obstruct the airflow through the front.

## Installation of Direct Flue

When the installation of a canopy type exhaust hood is impossible the oven may be direct vented. Before direct venting check your local codes on ventilation, in the absence of local codes, refer to the National Fuel Code NFPA 54, ANSI Z223.1 (latest revision).



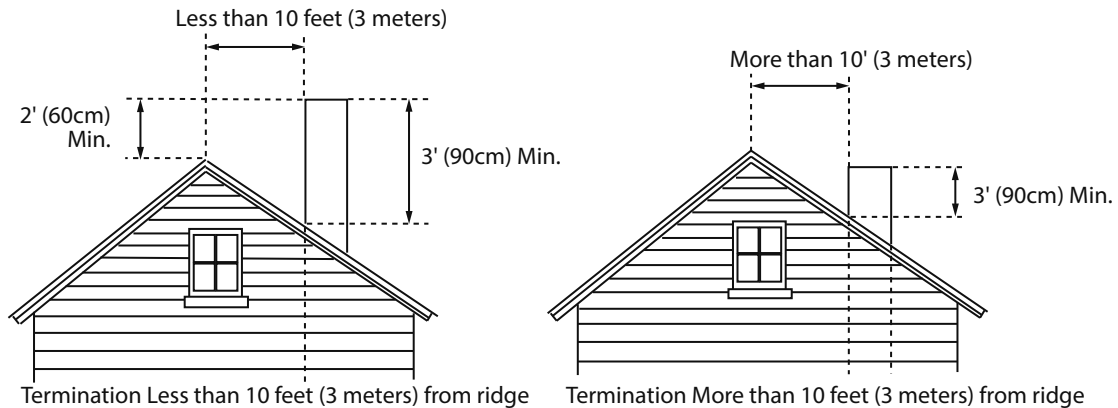
If the unit is to be connected to a direct flue, it is necessary that draft diverter be installed to insure proper ventilation.

Direct venting, should be positioned on the main top and fastened with sheet metal screws provided.

**DO NOT UNDER SIZE VENT PIPE!** This can cause resistance to flow and impede good venting. We suggest that if a horizontal run must be used it should rise not less than 1/4" (6.25mm) for each linear foot of run, and after a total of 180° of bends you should increase the size of stove pipe by two (2") inches. The flue should rise 2' (60cm) to 3' (91cm) above the roof line or 2' (60mm) to 3' (91cm) above any portion of a building within a horizontal distance of 10 (3 meters) feet.

The following diagram is only one example from the National Fuel Gas code Book NFPA 54, ANSI Z223.1,7,5,3:

## INSTALLATION Continued



## TESTING AND ADJUSTMENTS

### Adjustments

NOTE: Each oven has been factory tested and adjusted prior to shipment. It may be necessary to further adjust the oven as part of a proper installation. Such adjustments are the responsibility of the installer. Adjustments are not considered defects in material and workmanship, and they are not covered under the original equipment warranty.

### Lighting

1. Turn on main gas valve. Remove the lower front cover and the service panel above the control panel. Drop the control panel and leak test all fittings and connections upstream from the service valve located on the redundant combination gas valve. Should any gas leaks be detected, turn OFF main gas valve, correct the problem and retest.
2. Open shutoff valve located on the redundant combination gas valve. Activate control panel and set to desired temperature. The burners are ignited by direct spark, check all fittings again and correct any leaks and recheck.

Replace all service panels and covers before operation.

NOTE: All electronic ignition systems are supplied with a redundant gas valve. Therefore, the unit is not supplied with an external pressure regulator.

NOTE: During installation there will be air in the gas line. This air will have to bleed off before ignition can be established. The electronic ignition system has a ninety second lock-out as a safety device on all units. Therefore, several attempts may be required before pilot ignition is established, wait five minutes after each attempt.

**FOR YOUR SAFETY: KEEP YOUR APPLIANCE ARE FREE FROM COMBUSTIBLES.**

### To Conserve Energy

Do not waste energy by leaving controls at high temperature settings during idle periods. Lower settings will keep oven warm and ready for next use period.

# OPERATING INSTRUCTIONS

## Sunfire 200 Solid State Control with Electromechanical Timer

### In Off Mode

When the oven is off, there are no lights or indicators.

### Start Up

Press the Cook/Off/Cool Down rocker switch to the "Cook" position. The green lamp will light indicating the oven is powered in cook mode.

The oven will begin to heat to the temperature set on the thermostat dial. The amber lamp will light indicating the heat is active. As the heat cycles on and off to maintain the set temperature this light will go on and off accordingly.

The door must be closed for the oven to operate in cook mode. Opening the door will cause the heat to stop and the motor and fan will shut off. *This is a safety feature.*

### Fan Speed Selection (If equipped)

The fan speed can be either high (1725 RPM) or low (1140 RPM). The fan speed is controlled by the left rocker switch marked high and low.

### Single Fan Speed

Single speed units operate at high (1725 RPM) only and do not have a fan speed switch on the control panel.

### Lights (If equipped)

The oven lights are activated by pressing the light switch on the control panel. This is a momentary switch and the lights will only stay lit as long as this button held in the on position. Lights will work whenever there is electrical power connected to the oven. Unit not equipped with lights do not have a light switch on the control panel

### Cool Down

Pressing the Cook/Off/Cool down rocker switch to the Cool down position activates the fan and motor to cool the oven cavity. The door must be open slightly for the fan and motor to start. The heat is not active in this mode.

Optimal cool down will be achieved with the door open slightly. Opening the door too far will shut the fan and motor off. *This is a patented safety feature.*

Pressing the button to the OFF position cancels the cool down and turns the oven off.

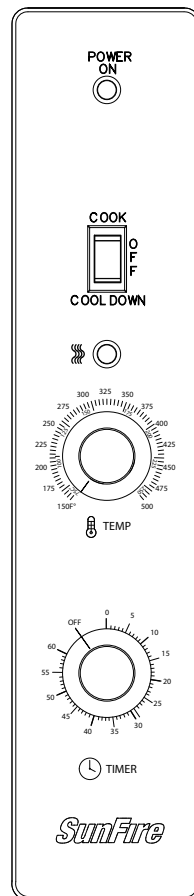
### Temperature

The temperature range is from 150° to 500°F (66°C to 250°C) is controlled by rotating the temperature dial and aligning the indicator to the desired temperature.

### Timer

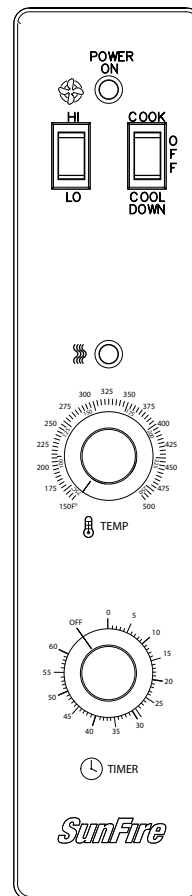
The timer is set by rotating the dial clockwise aligning the indicator to the desired time cycle. The timer will count down from 2 minutes to 60 minutes. At the end of the timing cycle the buzzer will sound. The buzzer is turned off by rotating the dial counter-clockwise to the off position as shown on the control panel.

NOTE: Timer does not control heating.



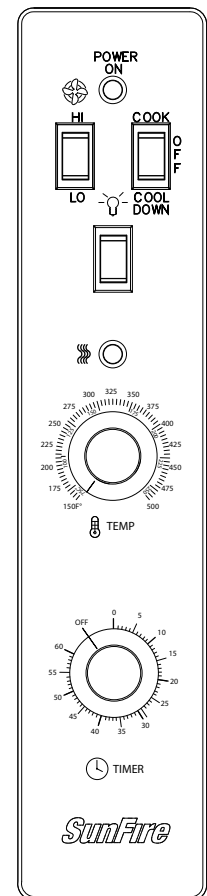
Single Speed Motor Control Panel

Standard on SCO-GS-10S/20S Models



Two Speed Motor Control Panel

Option available for SCO-GS-10S/20S models.



Two Speed Motor Control Panel with Oven Interior Light

Standard on SCO-GS-10/20ESS Models.

Option available for SCO-GS-10S/20S models.

# PERFORMANCE RECOMMENDATIONS

1. Preheat oven thoroughly (approx. 20 minutes) before use.
  2. As a general rule, temperature should be reduced 25° to 50° from that used in a standard/conventional oven. Cooking time may also be shorter, so we suggest closely checking the first batch of each product prepared.
  3. Use the chart of suggested times and temperatures as a guide. These will vary depending upon such factors as size of load, temperature, and mixture of product (particularly moisture) and density of product.
  4. Keep a record of the times, temperature, and load sizes you establish for various products. Once you have determined these, they will be similar for succeeding loads.
  5. When practical, start cooking the lowest temperature product first and gradually work up to higher temperatures.
  6. If you find that your previous temperature setting is more than 10° higher than needed for succeeding loads, press **COOL DOWN** to reach the desired temperature before setting a new cooking temperature.
  7. When loading oven, work as quickly as possible to prevent loss of heat.
  8. Oven will continue to heat even though the timer goes off. Product should be removed from the oven as soon as possible to avoid over cooking.
  9. Center pans on racks and load each shelf evenly to allow for proper air circulation within the cavity.
  10. When baking, weigh or measure the product in each pan to assure even cooking.
  11. When cooking five pans, use rack positions 1, 4, 6, 8, and 10, starting from the top.
  12. Do not overload the oven. Five pans are suggested for most items, i.e., cakes, cookies, rolls, etc. However, the maximum (10 pans) may be used for fish sticks, chicken nuggets and hamburgers. Cooking times will have to be adjusted.
  13. Muffin pans should be placed in the oven back to front or with the short side of the pans facing the front. This results in the most evenly baked product.
  14. When re-thermalizing frozen casseroles, preheat the oven 100° over the suggested temperature. Return to cooking temperature when the oven is loaded. This will help compensate for the introduction of a large frozen mass into the cavity.
  15. Use pan extenders or two inch deep 18" x 26" pans for batter type products which weigh more than eight pounds, i.e., Pineapple Upside down Cake.
  16. Never place anything directly on the bottom of the oven cavity. This obstructs the airflow and will cause uneven results.
  17. Ovens equipped with 2-speed fan motor options will yield better baking results, particularly with delicate pastries
- NOTE: Moisture will escape around the doors when baking products with heavy moisture content, such as chicken, potatoes, etc. This is normal.

# COOKING GUIDE

The following suggested times and temperatures are provided as a starting guide. Elevation, atmospheric conditions, recipe, cooking pans and if your oven has a 2-speed motor fan option may affect your actual results.

PRODUCT	TEMPERATURE (°F)	TIME
<b>Cakes</b>		
White Sheet Cakes – 5 lbs	300°	20 min
White Sheet Cakes – 6 lbs	300°	22 min
Yellow Sheet Cake – 5 lbs	325°	15 min
Chocolate Layer Cake – 21 oz	300°	22 min
Angel Food Cake	375°	22 min
Brownies	350°	15 min
<b>Breads</b>		
Soda Biscuits	400°	6 min
Yeast Rolls	325°	24 min
Sweet Bread	325°	24 min
Corn Bread	350°	22 min
Gingerbread	300°	24 min
Apple Turnovers	350°	25 min
Cream Puffs	300°	25 min
Sugar Cookies	325°	12 min
Chocolate Chip cookies	375°	8 min
Apple Pie (Fresh)	375°	25 min
Blueberry Pie (Fresh)	350°	30 min
Blueberry Pie (Frozen)	300°	50 min
Pumpkin Pie (Frozen)	300°	50 min
Frozen Pizza	300°	6 min
Macaroni & Cheese	350°	15 min
Fish Sticks	350°	16 min
Stuffed Peppers	350°	45 min
Baked Potatoes	350°	60 min
<b>Meats</b>		
Chick Parts	350°	45 min
Hamburger Patties -10/lb frozen	350°	8 min
Hamburger Patties - 10/lb fresh	350°	5 min
Hamburger Patties - 4/lb frozen	350°	12 min
Hamburger Patties – 4/lb fresh	350°	8 min
Meatloaf – 4lb	325°	45 min
Bacon	350°	10 min
Roast Beef 20lb	325°	3 hr 15 min
Prime Rib 10lb	300°	1 hr 45 min
Stuffed Port chops	350°	45 min
Lamb chops	375°	40 min
Boneless Veal Roast	300°	3 Hr

## PROBLEM/SOLUTIONS

Problem	Solution
Cakes are dark on the sides and not done in the center	Lower oven temperature
Cakes edges are too brown	Reduce number of pans or lower oven temperature
Cakes have light outer color	Raise temperature
Cake settles slightly in the center	Bake longer or raise oven temperature slightly. Do not open doors too often or for long periods
Cake ripples	Overloading pans or batter is too thin
Cakes are too coarse	Lower oven Temperature
Pies have uneven color	Reduce number of pies per rack or eliminate use of bake pans
Cupcakes crack on top	Lower oven temperature
Meats are browned and not done in center	Lower temperature and roast longer.
Meats are well done and browned	Reduce time. Limit amount of moisture
Meats develop hard crust	Reduce temperature or place pan of water in oven.
Rolls have uneven color	Reduce number or size of pans.

## CLEANING AND MAINTENANCE

Note: Disconnect line cord from power supply before cleaning or servicing.

### Break-In Period

When oven is new, operate it for one hour at 375°F (191°C) before you begin your normal cooking operation. After cooling, wipe the interior, including the racks, with a clean damp cloth.

### Exterior Cleaning

Establish a regular schedule. Any spills should be wiped off immediately.

1. The oven should always be allowed to cool sufficiently before any cleaning is attempted.
2. Wipe exposed, cleanable surface when cool with a mild detergent and hot water. Stubborn residue spots may be removed with a lightweight non-metallic scouring pad. Dry thoroughly with a clean cloth.
3. Stubborn stains may be removed by using a non-metallic abrasive pad, rubbing in the direction of the metal's grain. If necessary, for particularly heavy deposits, you may mix a thin paste of water and scouring powder, and apply it with a sponge. Be careful to apply light pressure and remember to rub only in the direction of the grain in the metal.
4. The control panel surface is easily cleaned with hot water, soap and a soft cloth. Do not use hard abrasives, solvent type materials or metallic scouring pads since these will scratch or cloud the surface.
5. Never spray the perforated areas or control panel with steam or water, as this will allow moisture into the control cavity, which could damage electrical components.

# CLEANING AND MAINTENANCE Continued

## Interior Cleaning

Establish a regular cleaning schedule or wipe off, on the same day when spill overs occur.

1. Cool down oven.
2. Remove oven racks.
3. Lift rack guides on either side of oven off of holders. Racks and guides may be run through dishwasher while oven cavity is being cleaned.
4. Clean with soap and water using a non-metallic scouring pad, if necessary. If dirt and grease have accumulated, a mild ammonia solution or commercial oven cleaner such as Easy-Off or Dow may be used.
5. To reinstall, reverse procedure. Place the bottom of the rack guide against the cavity wall. Keeping the top pulled away from the wall lift up. Push the top of the guide against the wall and push down locking it into place.

## Fan Area Maintenance

If aluminum foil is routinely used to wrap food or cooking vessels during oven operation, the following preventive maintenance must be performed:

1. Turn power switch to "Off" position
2. Remove oven racks and rack guides.
3. Remove air baffle and clean any stains or deposits.
4. Check blower wheel and air baffle for particles of aluminum foil or food deposits. Clean fins of blower wheel. (Caution: edges of blower wheel fins may be sharp).
5. Reinstall the air baffle, rack guides and oven racks.

This simple practice, if performed on a regular basis will keep your Sunfire oven operating at peak performance.

## Motor Care

The motor on your convection oven is maintenance free since it is constructed with self-lubricating sealed ball bearings. It is designed to provide durable service when treated with ordinary care. We have a few suggestions to follow on the care of your motor. When the motor is operating, it cools itself internally by air entering at the rear of the motor case, provided proper clearance has been allowed.

Since the blower wheel is in the oven cavity it is at the same temperature as the oven. If the motor is stopped while the oven is hot, the heat from the blower wheel is conducted down the shaft and into the armature of the motor. This action could shorten the life of the motor.

We recommend, at the end of the bake or roasting period, when the oven will be idle for any period of time, or before shutting down completely, that the doors be left open slightly and the oven switched to cool down mode. The fan will continue to run, cooling the oven.

At the end of the day, push the rocker switch to COOL DOWN position. This feature cools the oven cavity and protects the oven motor from pre-mature failure. Once cool set the rocker switch to OFF.

NOTE: Optimal cool-down will be achieved with the door open slightly.



THIS PAGE INTENTIONALLY LEFT BLANK

THIS PAGE INTENTIONALLY LEFT BLANK



Every new piece of Manitowoc Foodservice equipment comes with KitchenCare™ and you choose the level of service that meets your operational needs from one restaurant to multiple locations.

**StarCare** – Warranty & lifetime service, certified OEM parts, global parts inventory, performance audited

**ExtraCare** — CareCode, 24/7 Support, online/mobile product information

**LifeCare** – Install & equipment orientation, planned maintenance, KitchenConnect™, MenuConnect

**Talk with KitchenCare™** • 1-844-724-CARE • [www.mtwkitchencare.com](http://www.mtwkitchencare.com)



To learn how Manitowoc Foodservice and its leading brands can equip you, visit our global web site at [www.manitowocfoodservice.com](http://www.manitowocfoodservice.com), then discover the regional or local resources available to you.





Every new piece of Manitowoc Foodservice equipment comes with KitchenCare™ and you choose the level of service that meets your operational needs from one restaurant to multiple locations.

**StarCare** – Warranty & lifetime service, certified OEM parts, global parts inventory, performance audited

**ExtraCare** — CareCode, 24/7 Support, online/mobile product information

**LifeCare** – Install & equipment orientation, planned maintenance, KitchenConnect™, MenuConnect

**Talk with KitchenCare™** • 1-844-724-CARE • [www.mtwkitchencares.com](http://www.mtwkitchencares.com)



To learn how Manitowoc Foodservice and its leading brands can equip you, visit our global web site at [www.manitowocfoodservice.com](http://www.manitowocfoodservice.com), then discover the regional or local resources available to you.





CETTE PAGE EST LAISSÉE BLANCHE INTENTIONNELLEMENT.

## Nettoyage intérieur

Établissez un horaire régulier de nettoyage ou essuyez le jour même où des déversements se sont produits.

1 Laissez refroidir le four.

2 Retirez les grilles du four.

3 Soulevez les guides de grille de chaque côté du four hors des supports. Vous pouvez passer les grilles et les guides au lave-vaisselle pendant que vous nettoyez la cavité du four.

4 Nettoyez avec du savon et de l'eau à l'aide d'un tampon à récure non métallique, si nécessaire. Si la saleté et la graisse se sont accumulées, une solution légèrement ammoniacale ou un nettoyant pour four du commerce tel que Easy-Off ou Dow peuvent-être utilisés.

5 Pour réinstaller, inversez la procédure. Placez le fond du guide de grille contre la paroi de la cavité. Gardez le haut à distance de la partie relevable de la paroi. Poussez le haut du guide contre la paroi et appuyez pour le bloquer en place.

## Entretien de la zone du ventilateur

Si une feuille d'aluminium est couramment utilisée pour envelopper des aliments ou des récipients de cuisson lors de l'utilisation du four, il convient d'effectuer l'entretien préventif suivant :

1 Mettez le bouton d'alimentation en position « Off ».

2 Retirez les grilles de four et les guides de grille.

3 Retirez le déflecteur d'air et nettoyez les taches ou les dépôts.

4 Recherchez la présence de particules de papier d'aluminium ou de dépôts de nourriture sur la roue de ventilateur et le déflecteur d'air. Nettoyez les ailettes de la roue de ventilateur. (Attention : les bords des ailettes de la roue de ventilateur peuvent être coupants).

5 Réinstallez le déflecteur d'air, les guides de grille et les grilles de four.

Cet entretien simple, s'il est effectué sur une base régulière, permettra à votre four Sunfire de conserver des performances optimales.

## Soins au moteur

Le moteur sur votre four à convection ne demande pas d'entretien, puisqu'il est construit avec des roulements à billes étanches auto-lubrifiants. Il est conçu pour fournir un service durable lorsqu'on en prend soin de manière ordinaire. Voici quelques suggestions à suivre pour prendre soin de votre moteur. Lorsque le moteur est en marche, il se refroidit lui-même en interne par l'air entrant à l'arrière du carter de moteur, à condition qu'un dégagement adéquat ait été autorisé.

Étant donné que la roue du ventilateur se trouve dans la cavité du four, elle est à la même température que le four. Si le moteur est arrêté pendant que le four est chaud, la chaleur provenant de la roue du ventilateur se propage le long de l'arbre jusque dans l'armature du moteur. Cela pourrait raccourcir la durée de vie du moteur.

Nous recommandons, à la fin de la période de cuisson ou de grillade, lorsque le four sera inactif pour une certaine période de temps, ou avant de fermer complètement, que les portes restent légèrement ouvertes et que le four soit mis en mode refroidissement. Le ventilateur continue de fonctionner, refroidissant le four.

À la fin de la journée, mettez l'interrupteur à bascule sur la position COOL DOWN (refroidissement). Cette fonction refroidit la cavité du four et protège le moteur du four d'une défaillance prématurée. Une fois refroidi, mettez l'interrupteur à bascule sur OFF.

REMARQUE : Un refroidissement optimal sera atteint avec la porte légèrement ouverte.



<b>Problème</b>	<b>Solution</b>
Les gâteaux sont sombres sur les côtés et pas cuits au centre	Baissez la température du four
Les bords des gâteaux sont trop bruns	Réduisez le nombre de plats ou baissez la température du four
Les gâteaux ont une couleur extérieure claire	Augmentez la température
Les gâteaux s'affaissent légèrement au centre	Augmentez le temps de cuisson ou augmentez légèrement la température N'ouvrez pas les portes trop souvent ou pour de longues périodes
Le gâteau ondule	Surcharge de plats ou la pâte est trop mince
Les gâteaux sont trop grossiers	Baissez la température du four
Les tartes ont une couleur inégale	Réduisez le nombre de tartes par grille ou n'utilisez pas de plats de cuisson
Les petits gâteaux se fissurent sur le dessus	Baissez la température du four
La viande est dorée mais pas cuite au centre	Baissez la température et faites rôtir plus longtemps.
Les viandes sont bien cuites et dorées	Diminuez le temps. Limitez l'humidité
La viande développe une croûte dure	Réduisez la température, ou placez un récipient d'eau dans le four.
Les petits pains ont une couleur inégale	Réduisez le nombre ou la taille des plats.

**NETTOYAGE ET ENTRETIEN**

**Période de rodage**

Remarque : Débranchez le cordon d'alimentation électrique avant de le nettoyer ou l'entretenir.

Quand le four est neuf, faites le fonctionner pendant une heure à 375 °F (191 °C) avant de commencer à l'utiliser normalement pour la cuisson. Après refroidissement, essuyez l'intérieur, y compris les grilles, avec un chiffon propre humide.

**Nettoyage extérieur**

Établissez un horaire régulier. Tout déversement doit être essuyé immédiatement.

1 Laissez toujours le four refroidir suffisamment avant toute tentative de nettoyage.

2 Essayez la surface exposée, lavable lorsqu'elle est tiède, avec un détergent doux et de l'eau chaude. Les taches de résidus tenaces peuvent être enlevées avec un tampon à récureur non métallique léger. Séchez soigneusement avec un chiffon propre.

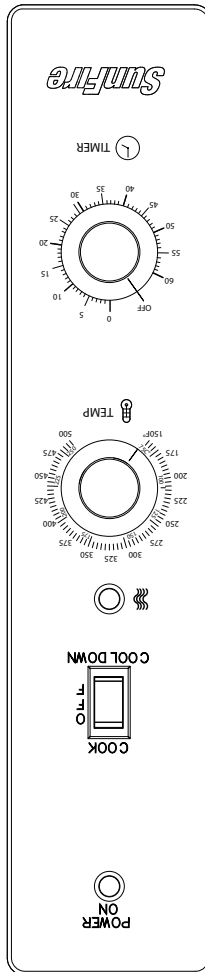
- Les taches tenaces peuvent être enlevées à l'aide d'un tampon abrasif non métallique, en frottant dans le sens du grain du métal. Au besoin, pour des dépôts particulièrement importants, vous pouvez mélanger une fine pâte faite d'eau et de poudre récureur et l'appliquer avec une éponge. Veillez à appliquer une légère pression et n'oubliez pas de frotter uniquement dans le sens du grain du métal.
- La surface de panneau de commande se nettoie facilement avec un chiffon doux, de l'eau chaude et du savon. N'utilisez pas d'abrasifs durs, de matériaux de type solvant ou de tampons à récureur métalliques, car ces derniers risquent d'érayer ou de ternir la surface.
- Ne pulvérisez jamais les zones perforées ou le panneau de commandes avec de la vapeur ou de l'eau, car cela ferait entrer de l'humidité dans la cavité de commandes, ce qui pourrait endommager les composants électriques.

Les temps et les températures de cuisson suivants sont fournis comme point de départ. L'altitude, les conditions atmosphériques, les recettes, les plats pour cuisson et le fait que votre four dispose ou non d'une option moteur de ventilateur à 2 vitesses, peuvent affecter vos résultats réels.

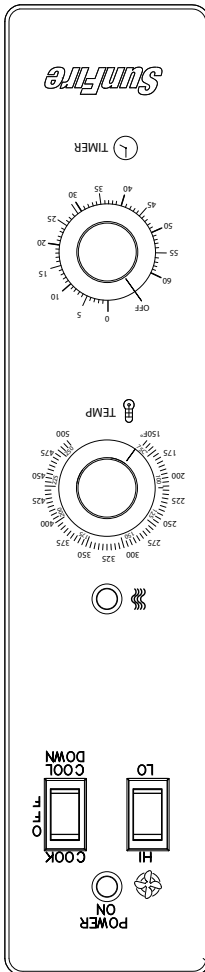
PRODUIT	TEMPÉRATURE (°F)	TEMPS
<b>Gâteaux</b>		
Galettes blanches - 5 lb	300 °	20 min
Galettes blanches - 6 lb	300 °	22 min
Galettes jaunes - 5 lb	325 °	15 min
Gâteaux étagés au chocolat - 21 oz	300 °	22 min
Gâteau des anges	375 °	22 min
Carres au chocolat	350 °	15 min
<b>Pains</b>		
Biscuits soda	400 °	6 min
Petits pains à la levure	325 °	24 min
Pain sucré	325 °	24 min
Pain de maïs	350 °	22 min
Pain d'épice	300 °	24 min
Chaussons aux pommes	350 °	25 min
Choux à la crème	300 °	25 min
Biscuits au sucre	325 °	12 min
Biscuits aux pépites de chocolat	375 °	8 min
Tarte aux pommes (fraîche)	375 °	25 min
Tarte aux bleuets (fraîche)	350 °	30 min
Tarte aux bleuets (surgelée)	300 °	50 min
Tarte à la citrouille (surgelée)	300 °	50 min
Pizza surgelée	300 °	6 min
Macaroni au fromage	350 °	15 min
Bâtonnets de poisson	350 °	16 min
Poivrons farcis	350 °	45 min
Pommes de terre au four	350 °	60 min
<b>Vianades</b>		
Morceaux de poulet	350 °	45 min
Galettes de steak haché - 10 lb surgelées	350 °	8 min
Galettes de steak haché - 10 lb fraîches	350 °	5 min
Galettes de steak haché - 4 lb surgelées	350 °	12 min
Galettes de steak haché - 4 lb fraîches	350 °	8 min
Pain de viande - 4 lb	325 °	45 min
Bacon	350 °	10 min
Rôti de bœuf 20 lb	325 °	3 h 15 min
Côte de bœuf 10 lb	300 °	1 h 45 min
Côtelettes de porc farcies	350 °	45 min
Côtelettes d'agneau	375 °	40 min
Rôti de veau désossé	300 °	3 h

- 1 Préchauffer le four de façon approfondie (environ 20 minutes) avant de l'utiliser.
- 2 En règle générale, la température devrait être réduite de 25 à 50 ° par rapport à celle utilisée dans un four classique/conventionnel. Le temps de cuisson peut aussi être plus court, si bien que nous suggérons de vérifier attentivement le premier lot de chaque produit préparé.
- 3 Référez-vous au tableau de suggestions de temps de cuisson et de températures. Ces derniers varient en fonction de facteurs tels que la taille de la charge, la température et le mélange de produits (particulièrement l'humidité) et la densité du produit.
- 4 Notez les temps, la température et la taille des charges que vous avez établis pour divers produits. Une fois que vous avez déterminé ceux-ci, vous pourrez les réutiliser pour les charges suivantes.
- 5 Dans la pratique, commencez par cuire le produit nécessitant la température de cuisson la plus basse et progressez graduellement vers des températures plus élevées.
- 6 Si vous trouvez que votre réglage de température précédent est plus élevé par plus de 10 ° que nécessaire pour les charges suivantes, appuyez sur **COOL DOWN** pour atteindre la température désirée avant de définir une nouvelle température cuisson.
- 7 Lors du chargement du four, travaillez aussi rapidement que possible pour éviter une perte de chaleur.
- 8 Le four continue à chauffer, même quand la minuterie s'arrête. Le produit doit être retiré du four dès que possible afin d'éviter qu'il ne soit trop cuit.
- 9 Centrez les plats sur les grilles et chargez chaque plateau uniformément afin de permettre une circulation d'air adéquate dans la cavité.
- 10 Lors de la cuisson, pesez ou mesurez le produit dans chaque plat pour assurer une cuisson uniforme.
- 11 Lors de la cuisson de cinq plats, utilisez les positions de grille 1, 4, 6, 8 et 10, à partir du haut.
- 12 Ne surchargez pas le four. Cinq plats sont suggérés comme maximum, par exemple, des gâteaux, des biscuits, des petits pains, etc. Cependant, un maximum (10 plats) peut être utilisé pour les bâtonnets de poisson, les croquettes de poulet et les hamburgers. Le temps de cuisson devra être ajusté.
- 13 Les plats de muffins doivent être placés dans le four avec l'avant derrière, ou avec le petit côté du plat à l'avant. Il en résulte un produit plus uniformément cuit.
- 14 Pour réchauffer les plats congelés, préchauffez le four à 100 ° de plus que la température suggérée. Revenez à la température de cuisson, quand le four est chargé. Cela aidera à compenser pour l'introduction d'une grande masse congelée dans la cavité.
- 15 Utilisez des prolongateurs de plats ou des plats 18 po x 26 po de deux pouces de profondeur pour produits de type pâte qui pèsent plus de huit livres, par exemple, Pineapple Upside down Cake.
- 16 Ne placez jamais quoi que ce soit directement sur le fond de la cavité du four. Cela entrave la circulation de l'air et donne des résultats inégaux.
- 17 Les fours équipés d'options de moteur de ventilateur à 2 vitesses donnent de meilleurs résultats de cuisson, particulièrement pour les pâtisseries délicates.

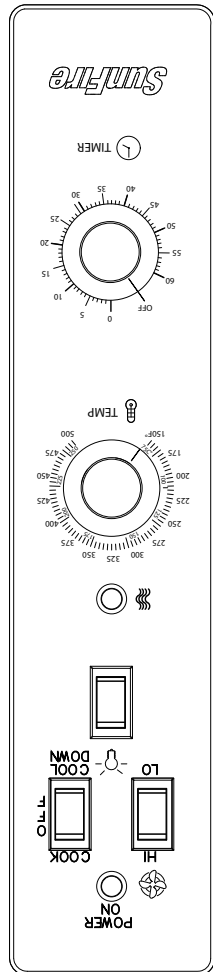
**REMARQUE :** L'humidité s'échappe autour des portes lors de la cuisson de produits à forte teneur en eau, comme le poulet, les pommes de terre, etc.. C'est normal.



Panneau de commandes du moteur à une seule vitesse  
standard pour les modèles SCO-GS-105/205



Panneau de commandes du moteur à deux vitesses  
en option pour un modèle SCO-GS-105/205



Panneau de commandes du moteur à deux vitesses en option avec éclairage intérieur du four  
standard pour les modèles SCO-GS-105/205

## Sunfire 200 Commande à semi-conducteurs avec minuterie électromécanique

### En mode éteint

Lorsque le four est éteint, il n'y a aucun éclairage ou indicateur.

### Démarrage

Placez l'interrupteur à bascule Cook/Off/Cool Down (cuisson/éteint/refroidissement) sur la position « Cook » (cuisson). Le voyant vert s'allume, indiquant que le four est allumé en mode cuisson.

Le four commence à chauffer à la température définie sur le cadran du thermostat. Le voyant orange s'allume, indiquant que la fonction chauffante est active. Alors que la fonction chauffante s'allume et s'éteint pour maintenir la température définie, ce voyant s'allume et s'éteint également.

La porte doit être fermée pour que le four fonctionne en

mode cuisson. L'ouverture de la porte arrête la fonction

chauffage et le moteur et le ventilateur s'arrêtent. *Il s'agit d'un dispositif de sécurité.*

### Sélection de la vitesse du ventilateur (selon l'équipement)

La vitesse du ventilateur peut être soit élevée (1 725 tr/min) soit faible (1 140 tr/min). La vitesse du ventilateur est contrôlée par l'interrupteur à bascule de gauche marqué « high » et « low » (élevée et faible).

### Ventilateur à une seule vitesse

Les unités à une seule vitesse fonctionnent uniquement à vitesse élevée (1 725 tr/min) et n'ont pas d'interrupteur de vitesse de ventilateur sur le panneau de commandes.

### Éclairage (selon l'équipement)

L'éclairage du four est activé en appuyant sur l'interrupteur du panneau de commandes. Il s'agit d'un interrupteur momentané et les lumières ne restent allumées qu'aussi longtemps que ce bouton a maintenu en position « on ». L'éclairage fonctionne du moment qu'une source d'alimentation électrique est connectée au four. Les unités non équipées de lumières n'ont pas d'interrupteur sur le panneau de commande.

### Refroidissement

Placez l'interrupteur à bascule Cook/Off/Cool down (cuisson/éteint/refroidissement) sur la position « Cool down » (refroidissement) active le ventilateur et le moteur pour refroidisseur la cavité du four. La porte doit être légèrement ouverte pour que le ventilateur et le moteur puissent démarrer. La fonction chauffage n'est pas active dans ce mode.

Un refroidissement optimal sera atteint avec la porte légèrement ouverte. Si la porte est trop ouverte, cela arrêtera le ventilateur et le moteur. *Il s'agit d'un dispositif de sécurité breveté.*

Appuyer le bouton en position OFF annule le refroidissement et éteint le four.

### Température

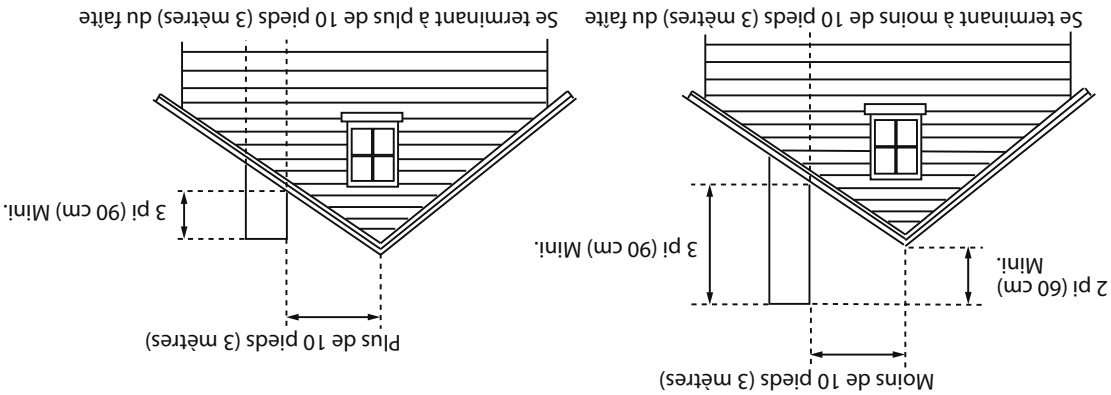
La gamme de température, de 150 à 500 °F (66 à 250 °C), est contrôlée en tournant le cadran de température pour aligner l'indicateur sur la température désirée.

### Minuterie

La minuterie est réglée en tournant le cadran dans le sens horaire pour aligner l'indicateur sur le cycle de temps désiré. La minuterie décompte de 2 à 60 minutes. À la fin du cycle de temps, la sonnerie retentit. La sonnerie est désactivée en tournant le cadran dans le sens antihoraire jusqu'à la position « off » comme indiqué sur le panneau de commandes.

REMARQUE : La minuterie ne contrôle pas le chauffage.

## TESTS ET RÉGLAGES



## INSTALLATION suite

### Réglages

**REMARQUE :** Chaque four a été testé en usine et réglé avant expédition. Il peut être nécessaire de régler davantage le four dans le cadre d'une installation correcte. Ces réglages ne sont pas considérés comme des vices de matériau et de fabrication; ils ne sont pas couverts par la garantie de matériel original.

### Allumage

1 Tournez le robinet de gaz principal. Enlevez le couvercle avant inférieur et le panneau de service au-dessus du panneau de commandes. Enlevez le panneau de commandes et recherchez des fuites dans tous les raccords et connexions en amont du robinet de service situé sur le robinet de gaz à combinaison de secours. Si une fuite de gaz est détectée, fermez le robinet de gaz principal, corrigez le problème et refaites le test.

2 Ouvrez la vanne d'arrêt située sur le robinet de gaz à combinaison de secours. Activez le panneau de commandes et réglez la température désirée. Les brûleurs sont allumés par étincelle directe; vérifiez à nouveau tous les raccords, corrigez toute fuite et vérifiez une nouvelle fois.

### Pour conserver l'énergie

Ne gaspillez pas d'énergie en laissant les contrôles réglés à des températures élevées pendant les périodes d'inactivité. Un réglage plus bas gardera le four chaud et prêt pour la prochaine période d'utilisation.

**POUR VOTRE SÉCURITÉ : DÉGAGEZ LA ZONE D'UTILISATION DE L'APPAREIL DE TOUT PRODUIT COMBUSTIBLE.**

**REMARQUE :** Lors de l'installation il y aura de l'air dans la conduite de gaz. Cet air devra être purgé avant de pouvoir allumer. Le système d'allumage électronique a un verrouillage de quatre-vingt-dix secondes comme dispositif de sécurité, sur toutes les unités. C'est pourquoi, plusieurs tentatives peuvent être nécessaires avant que l'allumage électronique (pilote) soit effectif; attendez cinq minutes entre deux tentatives.

**REMARQUE :** Tous les systèmes d'allumage électroniques sont fournis avec un robinet de gaz de secours. Par conséquent, l'unité n'est pas fournie avec un régulateur de pression externe.

Remettez en place tous les panneaux de service et couvrez les avant l'utilisation.

Les pressions d'alimentation recommandées sont 7 po WC, (NAT), et 11 po WC, (PRO); ± 5%. (elle ne doit pas dépasser 13,8 po WC[NAT], et 15 po WC[PRO]).

## Raccordements électriques

Instructions de mise à la terre électrique :

Une entrée de 15 ampères doit être fournie pour chaque four. Pour l'utilisation avec une tension du courant alternatif de 115, un cordon et une fiche (NEMA n° 5-15P) sont fournis, mais le raccordement à l'entrée électrique doit être électriquement mis à la terre conformément aux codes locaux, ou en l'absence de codes locaux, au National electrical code, ANSI/NFPA 70, ou au Code canadien de l'électricité, CSA C22.2, le cas échéant.

Cet appareil est équipé d'une fiche à trois pointes (mise à la terre) pour vous protéger contre les chocs électriques et doit être branché directement dans une prise à trois pointes correctement mise à la terre. VEUILLEZ NE PAS COUPER OU ENLEVER LA POINTE DE MISE À LA TERRE DE CETTE FICHE. Un schéma de câblage est apposé à l'arrière de l'unité.

## Panne de courant

En cas de panne de courant, il ne faut pas essayer d'utiliser ce four.

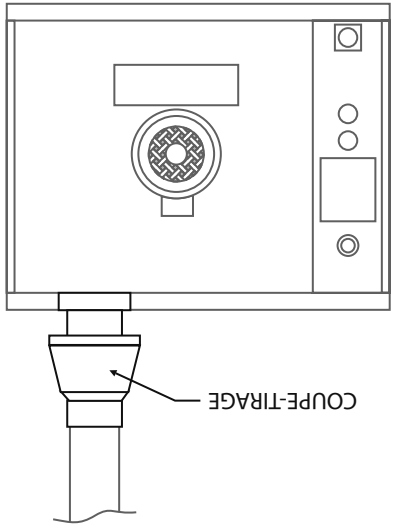
## Ventilation et alimentation en air

Une ventilation appropriée est très importante pour un bon fonctionnement. Il n'y a que deux choix pour bien ventiler un four :

1) **ventilation par la hotte ou 2) ventilation directe.** La méthode idéale pour ventiler un four à Convection à gaz utilise une hotte bien conçue, qui devrait dépasser de 6 po (152 mm), de tous les côtés de l'appareil et se situer à 6 po (152 mm) au-dessus du sol.

Un ventilateur aspirant puissant crée un vide dans la pièce. Pour qu'un système d'évacuation par aspiration fonctionne bien, l'air aspiré et l'air d'appoint doivent être bien équilibrés. Pour un bon équilibre de l'air, communiquez avec votre contractant local en chauffage, ventilation et climatisation. Tous les brûleurs et les brûleurs d'allumage à gaz ont besoin de suffisamment d'air pour fonctionner et de gros objets ne doivent pas être placés devant ce four, ce qui pourrait entraver le flux d'air par l'avant.

Lorsque l'installation d'une hotte aspirante est impossible le four peut être ventilé directement. Avant de procéder à une ventilation directe vérifiez vos codes locaux sur la ventilation,



en l'absence de codes locaux, référez-vous au National Fuel Code NFPA 54, ANSI Z223.1 (dernière révision).

Si l'unité doit être reliée à un conduit direct, il est nécessaire qu'un coupe-tirage soit installé afin d'assurer une ventilation adéquate.

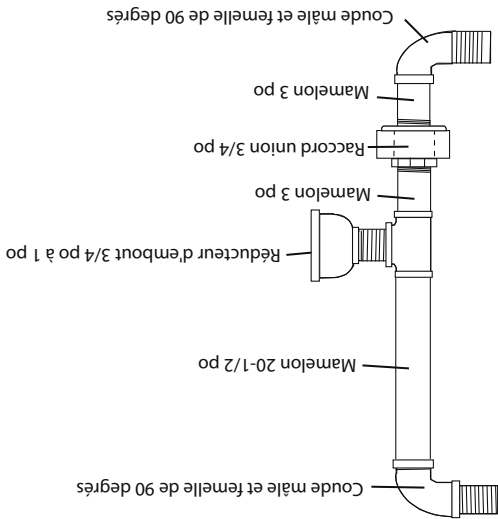
La ventilation directe doit être positionnée sur le dessus principal et fixée avec des vis à tôle fournies.

## N'UTILISEZ PAS UN CONDUIT DE VENTILATION SOUS-DIMENSIONNÉ! Cela peut entraîner une résistance au flux

et empêcher une bonne ventilation. Nous suggérons que si une course horizontale doit être utilisée, celle-ci ne s'élève pas par moins de 1/4 po (6,25 mm) pour chaque pied linéaire de course; après un total de 180° de coudes, vous devez augmenter la taille du tuyau de poêle par deux (2 po) pouces. Le conduit doit s'élever de 2 po (60 cm) à 3 po (91 cm) au-dessus de la ligne de toit ou 2 po (60 mm) à 3 pi (91 cm) au-dessus de toute partie d'un bâtiment à une distance horizontale de 10 (3 m) pieds.

Le schéma ci-dessous n'est qu'un exemple tiré du livre du National Fuel Gas Code NFPA 54, ANSI Z223.1, 7, 5, 3 :

D. Assemblez les tuyaux d'empliage fournis dans le kit d'empliage, comme illustré sur le schéma. Ceci permet aux deux fours d'être alimentés par une conduite de gaz unique. La taille minimale recommandée pour une conduite de gaz unique pour deux fours empilés est 1 pouce (25 mm). Utilisez un composé pour filets de tuyau conçu pour une utilisation avec une tuyauterie de gaz propane et n'oubliez pas de vérifier qu'il n'y a pas de fuites avant de terminer l'installation.



- E. Vérifiez la mise à niveau de l'unité de quatre (4) façons (à l'aide d'un simple niveau de charpentier sur la grille à l'intérieur du four).
  - F. Branchez le câble de chaque unité dans une prise d'alimentation de 115 volts.
  - G. Maintenez une distance avec les matières combustibles.
- ATTENTION : Débranchez les deux unités de l'alimentation électrique avant l'entretien.

**Alimentation en gaz**

On ne saurait trop insister sur l'importance de la bonne installation d'un équipement commercial de cuisine au gaz. La bonne performance de l'équipement dépend, en grande partie, de la conformité de l'installation aux spécifications du fabricant. L'installation doit être conforme aux codes locaux ou, en l'absence de codes locaux, au National Fuel Code, ANSI Z223.1, au Code d'installation du gaz naturel, CAN/CGA-B149.1 ou au Code d'installation du gaz propane, CAN/CGA-B149, le cas échéant.

Avant l'assemblage et le branchement, vérifier l'alimentation en gaz.

- A. Le type de gaz pour lequel l'unité est équipée est apposé sur la plaque signalétique située sur l'arrière inférieur du panneau de gauche. Branchez une unité estampillée « NAT » uniquement au gaz naturel ; branchez une unité estampillée « PRO » uniquement au gaz propane.

- B. S'il s'agit d'une nouvelle installation, demandez aux autorités gazières de vérifier la taille du compteur et de la tuyauterie afin de vous assurer que l'unité est approvisionnée par une quantité suffisante de gaz sous pression, nécessaire au fonctionnement de l'unité.

- C. S'il s'agit d'un équipement supplémentaire ou de remplacement, demandez aux autorités gazières de vérifier la pression, afin de vous assurer que le compteur et la tuyauterie existants fourniront le carburant à l'unité avec une chute de pression dans la colonne d'eau ne dépassant pas 1/2 po.

REMARQUE : Lors de la vérification de la pression, assurez-vous que tous les autres appareils sur la même conduite de gaz sont en marche. Un régulateur de pression interne est fourni avec les fours à convection Sunfire. Le régulateur est réglé pour livrer le gaz à la pression indiquée sur la plaque signalétique.

L'appareil et sa vanne d'arrêt individuelle doivent être débranchés du système de tuyauterie d'alimentation en gaz pendant tout test de pression de ce système pour les tests de pression de plus de 1/2 lb/po2 (3,45 kPa).

L'appareil doit être isolé du système de tuyauterie d'alimentation en gaz en fermant sa vanne d'arrêt manuelle individuelle durant tout test de pression du système de tuyauterie d'alimentation en gaz pour des tests de pression de 1/2 lb/po2 (3,45 kPa) ou moins.

REMARQUE : Un dégagement suffisant doit être fourni pour l'entretien et un bon fonctionnement.

**Raccordements pour le gaz**

L'admission 1 po NPT à l'arrière doit être utilisée pour la tuyauterie de l'approvisionnement en gaz des unités doubles empilées et 3/4 po NPT pour un raccordement individuel (ou sans étage). Une conduite de gaz sous-dimensionnée peut limiter l'alimentation en gaz et affecter la performance. Si d'autres appareils à gaz sont alimentés par la même conduite d'approvisionnement, la conduite d'alimentation doit être dimensionnée pour transporter le volume combiné sans provoquer de perte de pression de plus de 1/2 po au niveau du collecteur de chaque appareil sur la conduite, à plein débit.



Comme pour tout appareil électrique de précision, votre four doit être l'objet d'une maintenance et d'un entretien réguliers. Des inspections périodiques par votre revendeur ou une agence de service qualifiée sont recommandées.

## Plaque signalétique

Lors de correspondances avec l'usine ou avec le centre de service usine local agréé au sujet de problèmes de service ou de pièces de rechange, veuillez désigner l'unité concernée par le bon numéro de modèle (y compris les lettres et chiffres du préfixe et du suffixe) et le numéro de série de garantie. La plaque signalétique se trouve sur le coin inférieur arrière du panneau latéral gauche, ou sur le coin supérieur avant du panneau latéral gauche du four.

# INSTALLATION

## Dégagements

Les dégagements aux parois combustibles et non-combustibles sont : côté, 1,0 po (25 mm) et arrière, 3,0 po (76 mm).

## Emplacement

Chaque appareil à gaz doit être situé en fonction du bâtiment et d'autres équipements, afin de permettre l'accès à l'appareil. L'accès et le dégagement peuvent être nécessaires pour l'entretien et le nettoyage.

**IMPORTANT :** Tous les brûleurs et les brûleurs d'allumage à gaz ont besoin de suffisamment d'air pour fonctionner et de gros objets ne doivent pas être placés devant ce four, ce qui pourrait entraver le flux d'air par l'avant. Ne placez pas d'objets sur le dessus de l'arrière principal du four quand il fonctionne. Cela pourrait entraver le système de ventilation des pièces de combustion de l'unité.

## Installation des fours équipés de roulettes

A. Pour un appareil équipé de roulettes, l'installation doit être faite avec un connecteur conforme à la norme pour les connecteurs pour appareils mobiles, ANSI Z21.69 / CSA 6.16 et avec un dispositif de débranchement rapide conforme à la norme pour les dispositifs de débranchement rapide avec du gaz combustible, ANSI Z21.41 / CSA 6.9. Des moyens appropriés doivent être fournis afin de limiter le mouvement de l'appareil sans dépendre du connecteur et pour que le dispositif de débranchement rapide ou sa tuyauterie afférente limitent le mouvement de l'appareil. L'(les) emplacement(s) où les moyens de retenue peuvent être fixés à l'appareil doit(vent) être précisé(s).

B. Les roulettes avant de l'unité sont équipées de freins pour limiter le mouvement du four sans dépendre du connecteur ou de tout dispositif de débranchement rapide ou de sa tuyauterie afférente pour limiter le mouvement de l'appareil.

## Installation des modèles à étage

- A. Placez l'encastrement dans l'ouverture au bas du pied et faites le entrer dans le pied en le tapotant vers le haut jusqu'à ce qu'il repose sur le collier. Fixez les pieds de six pouces (6 po, 152 mm) à la section inférieure du four. Soulevez l'unité ou couchez-la sur son côté gauche. Placez les pieds avant sur le four de manière à les aligner sur quatre (4) trous de fixation pour boulon. Fixez les pieds au cadre du four en utilisant (4) boulons 3/8-16 x 3/4 et les rondelles fournis. Recommencez pour l'arrière de l'unité.
- B. Retirez le couvercle avant inférieur de l'étage (situé sous les portes du four). Soulevez l'étage en place et alignez les côtés et l'arrière de l'unité. Fixez l'arrière des unités ensemble, avec le support d'empilage, à l'aide de (6) vis à métaux 1/4-20, de rondelles de blocage et d'écrous (fournis).
- C. Installez les pièces de combustion inter-connectées, en suivant attentivement les instructions contenues dans le kit d'empilage. Portez une attention particulière au type de fours que vous empilez et assurez-vous de suivre les instructions correspondantes.

# DIMENSIONS ET SPÉCIFICATIONS

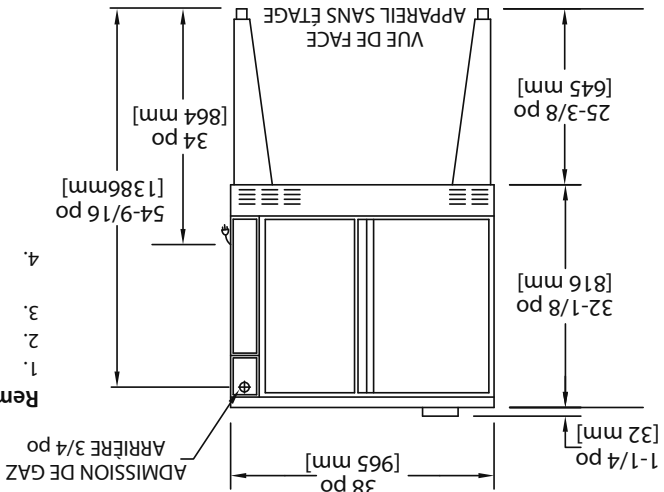
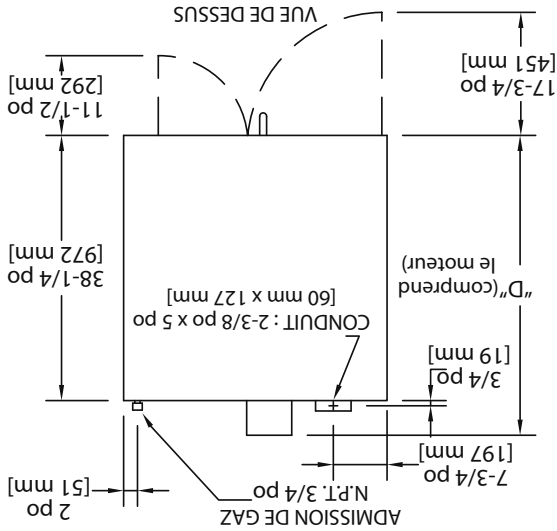
Modèle	Intérieur Dimensions: po (mm)				Extérieur Dimensions: po (mm)			Poids d'expédition	Volume d'expédition
	L	H	P	L	H	"D" (w/moteur)	livre/kilogram		
SCO-GS-10S	29 (736)	24 (610)	24 (610)	38 (965)	57-1/2 (1461)	41-1/4 (1048)	515 / 230	64	
SCO-GS-20S	29 (736)	24 (610)	24 (610)	38 (965)	70-1/2 (1791)**	41-1/4 (1048)	1030 / 465	128	
SCO-GS-10-ESS	29 (736)	24 (610)	24 (610)	38 (965)	57-1/2 (1461)	41-1/4 (1048)	515 / 230	64	
SCO-GS-20-ESS	29 (736)	24 (610)	24 (610)	38 (965)	70-1/2 (1791)**	41-1/4 (1048)	1030 / 465	128	

\*\* Hauteur avec les jambes ou à roulettes standard. Hauteur avec roulettes à profil bas (double pont) est 68-1/2" (1740mm).

Modèles	Débit calorifique			Pression d'utilisation *	Caractéristiques électriques
	BTU/h	KW Équival.	Admission de gaz		
SCO-GS-10S	53 000	15,53	(1) à 3/4 po NPT	4 po WC	120V/1Ph.
SCO-GS-20S	106 000	31,06	(1) à 1 po NPT	10 po WC	
SCO-GS-10-ESS	53 000	15,53	(1) à 3/4 po NPT	4 po WC	(2) à 9,8 A
SCO-GS-20-ESS	106 000	31,06	(1) à 1 po NPT	10 po WC	

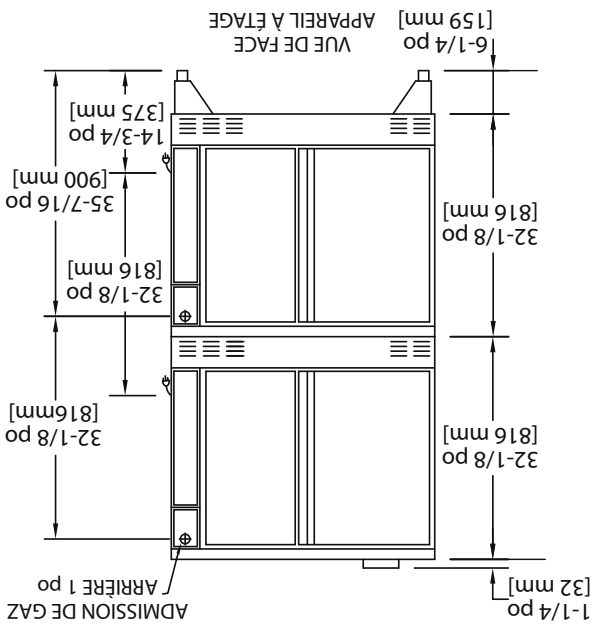
\*Pression maximale 13,8 po WC à 70 °F (21 °C).

De nombreux codes locaux existent et il est de la responsabilité du propriétaire et de l'installateur de se conformer à ces codes. Ces appareils sont destinés à un usage commercial par un personnel qualifié.



**Remarques :**

1. Les spécifications électriques standard comprennent les exigences motrices.
2. (unités 120 V) 115 V 3/4 HP, moteur 2 vitesses; 1140 et 1725 tr/min 60 Hz.
3. Un cordon de secteur de 6 pieds est fourni pour chaque étage de 120 V avec une fiche (NEMA n° 5-15P).
4. Un circuit séparé de 15 ampères pour chaque unité de 120 V est recommandé.



Notes d'installation	
Dégagements des parois Combustibles et non-combustibles	Côtés 1 po (25 mm) Dos 3 po (76mm)
Dégagements de l'entrée (po (mm))	44-1/2 (1130) Non-emballe 32-1/2 (826)
Emballé	44-1/2 (1130)

CETTE PAGE EST LAISSÉE BLANCHE INTENTIONNELLEMENT

# TABLE DES MATIÈRES

3	INFORMATIONS IMPORTANTES	3
7	DIMENSIONS ET SPÉCIFICATIONS	7
8	INTRODUCTION	8
8	Plaque signalétique	8
8	INSTALLATION	8
8	Dégagements	8
8	Emplacement	8
8	Installation des fours équipés de roulettes	8
8	Installation des modèles à étage	8
9	Alimentation en gaz	9
9	Raccordements pour le gaz	9
10	Raccordements électriques	10
10	Panne de courant	10
10	Ventilation et alimentation en air	10
10	Installation d'un conduit direct	10
11	TESTS ET RÉGLAGES	11
11	Réglages	11
11	Allumage	11
11	Pour conserver l'énergie	11
12	INSTRUCTIONS D'UTILISATION	12
12	Sunfire 200 Commande à semi-conducteurs avec minuterie électromécanique	12
12	En mode éteint	12
12	Démarrage	12
12	Sélection de la vitesse du ventilateur (selon l'équipement)	12
12	Ventilateur à une seule vitesse	12
12	Éclairage (selon l'équipement)	12
12	Refroidissement	12
12	Température	12
12	Minuterie	12
14	RECOMMANDATIONS DE PERFORMANCE	14
15	GUIDE DE CUISSON	15
16	PROBLÈMES ET SOLUTIONS	16
16	NETTOYAGE ET ENTRETIEN	16
16	Période de rodage	16
16	Nettoyage extérieur	16
17	Nettoyage intérieur	17
17	Entretien de la zone du ventilateur	17
17	Soins au moteur	17

CETTE PAGE EST LAISSÉE BLANCHE INTENTIONNELLEMENT.

Les utilisateurs sont avertis que l'entretien et les réparations doivent être exécutés par des services d'entretien agréés par Garland à l'aide de pièces de rechange Garland. Garland n'aura aucune obligation relativement à tout produit qui a été mal installé, adapté, utilisé ou qui n'a pas été entrete nu conformément aux codes nationaux ou locaux, ou aux instructions d'installation fournies avec le produit, ou relativement à tout produit dont le numéro de série est abîmé, oblitéré ou supprimé, ou qui a été modifié ou réparé à l'aide de pièces non autorisées ou par des services d'entretien non agréés. Pour une liste des services d'entretien agréés, veuillez consulter le site web de Garland au <http://www.garland-group.com>. Les informations contenues dans les présentes, (y compris les spécifications de conception et de pièces), peuvent être remplacées et sont sujettes à changement sans préavis.

VEUILLEZ LIRE TOUTES LES SECTIONS DE CE MANUEL ET LES CONSERVER POUR RÉFÉRENCE FUTURE.

CE PRODUIT A ÉTÉ CERTIFIÉ COMME ÉQUIPEMENT COMMERCIAL DE CUISINE ET DOIT ÊTRE INSTALLÉ PAR UN PERSONNEL QUALIFIÉ, COMME SPÉCIFIÉ. DANS L'ÉTAT DU MASSACHUSETTS, CE PRODUIT DOIT ÊTRE INSTALLÉ PAR UN PLOMBIER OU UN MONTEUR D'INSTALLATIONS AU GAZ AGRÉÉ. NUMÉRO D'AGRÈMENT : G-1-07-05-28

Pour votre sécurité :

Affichez dans un endroit bien en vue, les instructions à suivre dans le cas où l'utilisateur sentirait le gaz. Ces informations doivent être demandées auprès de votre fournisseur local de gaz.

<p><b>AVERTISSEMENT :</b></p> <p>UNE MAUVAISE INSTALLATION, ADAPTATION, ALTÉRATION, RÉPARATION OU UN MAUVAIS ENTRETIEN PEUVENT ENTRAÎNER DES DOMMAGES MATÉRIELS, DES BLESSURES OU LA MORT. LIRE ATTENTIVEMENT LES INSTRUCTIONS CONCERNANT L'INSTALLATION, L'UTILISATION ET L'ENTRETIEN AVANT D'INSTALLER OU DE RÉPARER CE MATÉRIEL</p>
<p><b>POUR VOTRE SÉCURITÉ :</b></p> <p>NE PAS STOCKER OU UTILISER D'ESSENCE OU D'AUTRES VAPEURS OU LIQUIDES INFLAMMABLES DANS LE VOISINAGE DE CET APPAREIL OU DE TOUT AUTRE APPAREIL ÉLECTRIQUE</p>

**Avis écrit concernant les droits**

2012 TOUTS DROITS RÉSERVÉS. Ce manuel, le texte et les images qu'il contient ne peuvent être modifiés en aucune façon, par quelque moyen que ce soit, sans l'autorisation écrite de Garland Commercial Ranges Ltd.

## Dégagez la zone d'utilisation de l'appareil de tout produit combustible.

**AVERTISSEMENT :**

Ce produit contient des produits chimiques connus dans l'état de Californie pour provoquer le cancer et des malformations congénitales ou autres atteintes à la reproduction. L'installation et l'entretien de ce produit pourraient vous exposer à des particules de fibres de laine de verre et de céramique en suspension dans l'air. L'inhalation de particules de fibres de laine de verre et de céramique en suspension dans l'air est connue dans l'état de Californie, pour provoquer le cancer. L'utilisation de ce produit pourrait vous exposer au monoxyde de carbone s'il n'est pas réglé correctement. L'inhalation de monoxyde de carbone est connue dans l'état de Californie pour provoquer des malformations congénitales ou autres atteintes à la reproduction.



# Sunfire Four À Convection À Gaz

## Manuel d'installation et d'utilisation

Ce manuel est mis à jour au fur et à mesure que de nouvelles informations sont disponibles et que de nouveaux modèles sont commercialisés. Pour obtenir la dernière mise à jour du manuel, visitez notre site Web.

