

Sunfire Series

Gas Convection Ovens

Parts List

Models

SDG-1

SDG-2

Models listed are Out of Production.

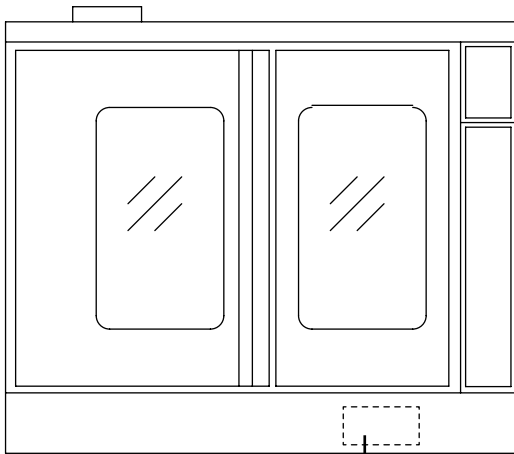
UP TO Serial # 12052300xxxxx

Date 31-May-2012

Rating Plate Location

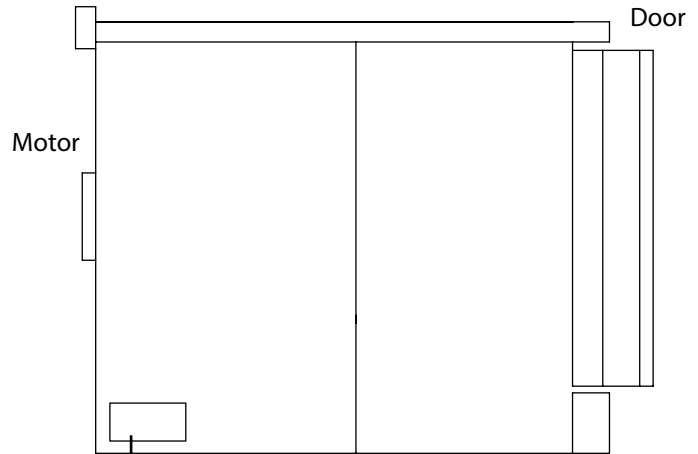
The Rating Plate (Product Identification Plate) contains important information on the unit's configuration.

Units Built **UPTO 31-MAR-2011**



Rating Plate
(On the Inside of Lower Front Cover)

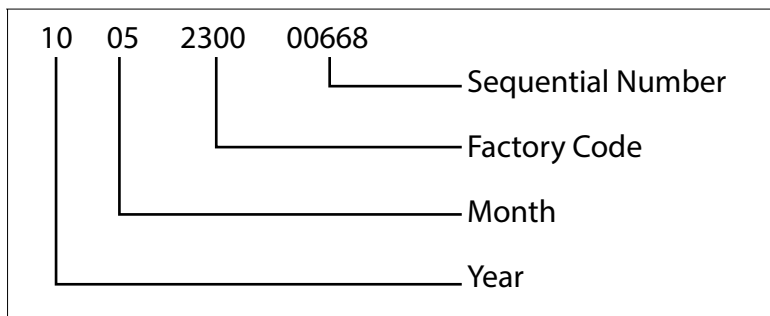
Units Built **FROM 01-APR-2011**



Rating Plate
(On the Outside of Left Body Side Panel)

Serial# (Year/Month Information)

The Serial Number is **13 Digits** long and is stamped on the Rating Plate.



Sunfire Gas Convection Ovens

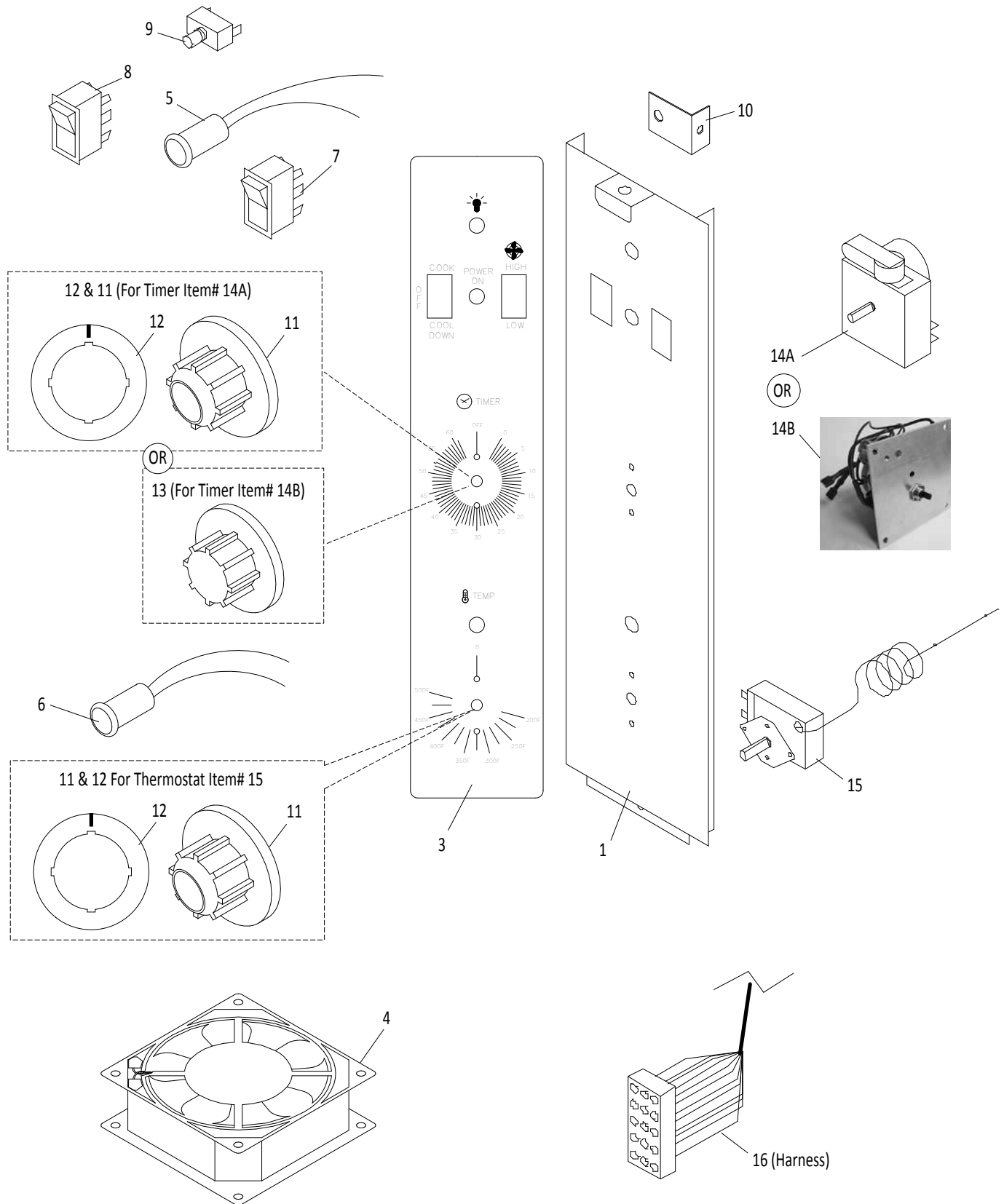
models **SDG-1, SDG-2**

UP TO

(serial#) **12052300xxxxx** *(date)* **31-May-12**

Table of Contents

<i>Rating Plate Location / Serial# Interpretation</i>	2
<i>Manual Control Panel Components.....</i>	4
<i>Electronic Control Panel Components (IM300 Series)</i>	6
<i>Burner and Gas Line Components.....</i>	8
<i>Door Components & Assemblies</i>	10
<i>Main Exterior Components.....</i>	16
<i>List of Wiring Diagrams, Caster and Ventilatio Kits</i>	18
<i>Related Bulletins</i>	18
<i>Revision History.....</i>	19



SUNFIRE PARTS IDENTIFICATION
Gas Convection Ovens *models* SDG-1, SDG-2

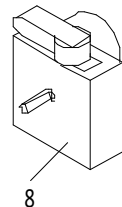
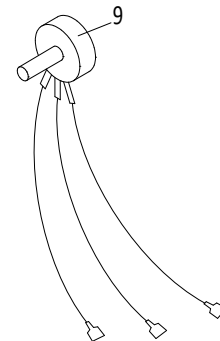
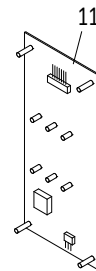
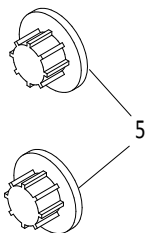
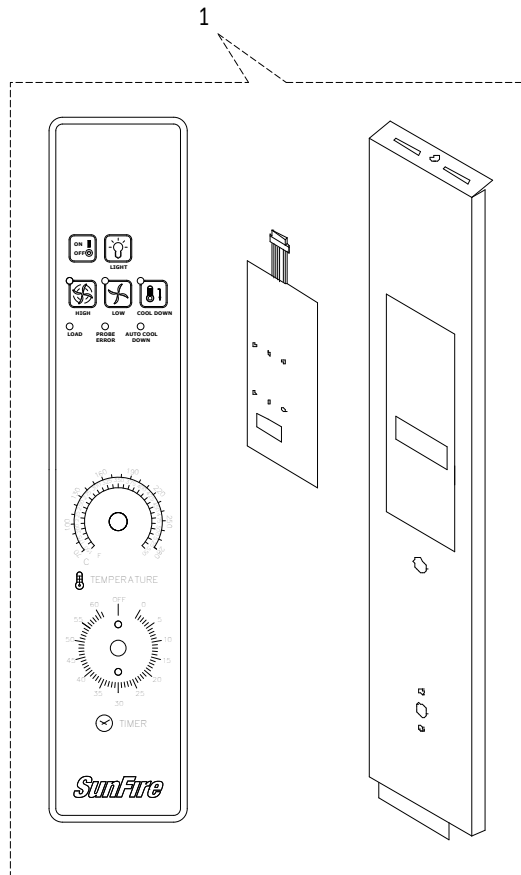
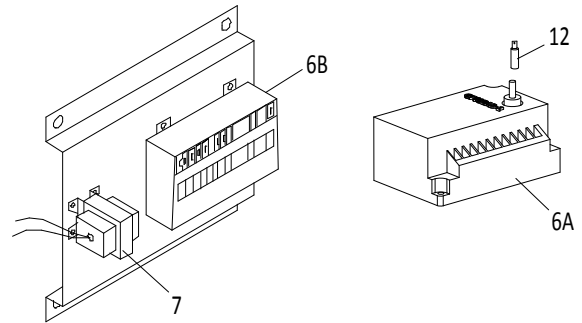
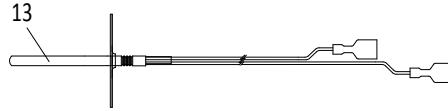
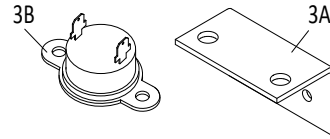
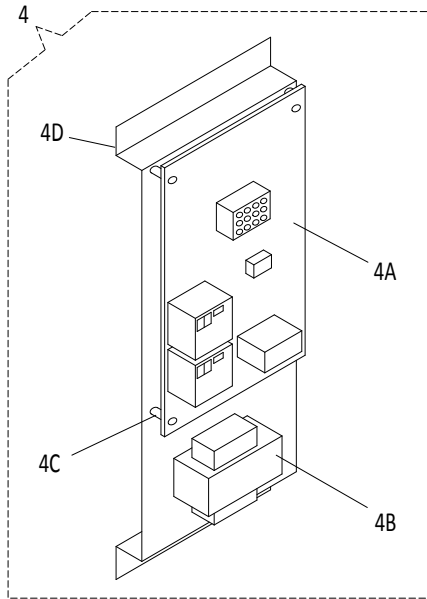
MANUAL CONTROL PANEL COMPONENTS

ITEM	PART #	DESCRIPTION	QTY	CRITICAL
1	1719805	Control Panel - S/S, Manual Note: Control Panel with P/N 1719801 is No Longer Available.	1	
3	1657913	Overlay - Manual Control, 2SP, Sunfire	1	
4	1671100	Polar Fan - 115V, 120mm	1	C
5	1006489	Pilot Light - Green, 120V	1	
6	1006496	Amber Pilot Light (115V) Note: Used UP TO December, 1987.	1	
	1270000	Pilot Light - Amber (28V) Note: Used FROM 6-Nov-95.	1	
7	1955402	Rocker Switch - ON/ON	1	C
8	1955401	Rocker Switch - ON/OFF/ON	1	C
9	1181000	Momentary Push Switch	1	C
10	1749201	Panel Restraining Bracket	1	
11	G02716-1	Dial - Small Shaft, Universal Note: Used for the Thermostat (item 15) and the Mallory Timer (item 14A). There are two types of timers. Please check the type of timer used in the unit before ordering.	MAX. 2	C
12	1314121	Dial Insert (for item 11)	MAX. 2	
13	1765802	Fluted Knob (includes 2 set screws) Note: Used FROM 1-Jan-07. Required for Timer P/N 1956001 (item 14B). There are two types of timers. Please check the type of timer used in the unit before ordering.	1	
14A	1285700	Mallory Timer - 1hr, 115V, 50-60Hz Note: Used UP TO 31-Dec-06. Used with the Universal Dial (item 11).	1	C
14B	1956001	Timer with Alarm - 1hr, 115V Note: Used FROM 1-Jan-07. Used with the Fluted Knob (item 13).	1	C
15	G02902-01	Thermostat	1	C
16	4515632	Main Harness SDG-1, 120V, Gas	1	

* NOT ILLUSTRATED

RECOMMENDED STOCK PARTS

IM300 Series Control:
 Used **FROM** March-1999 **UP TO** March-2003



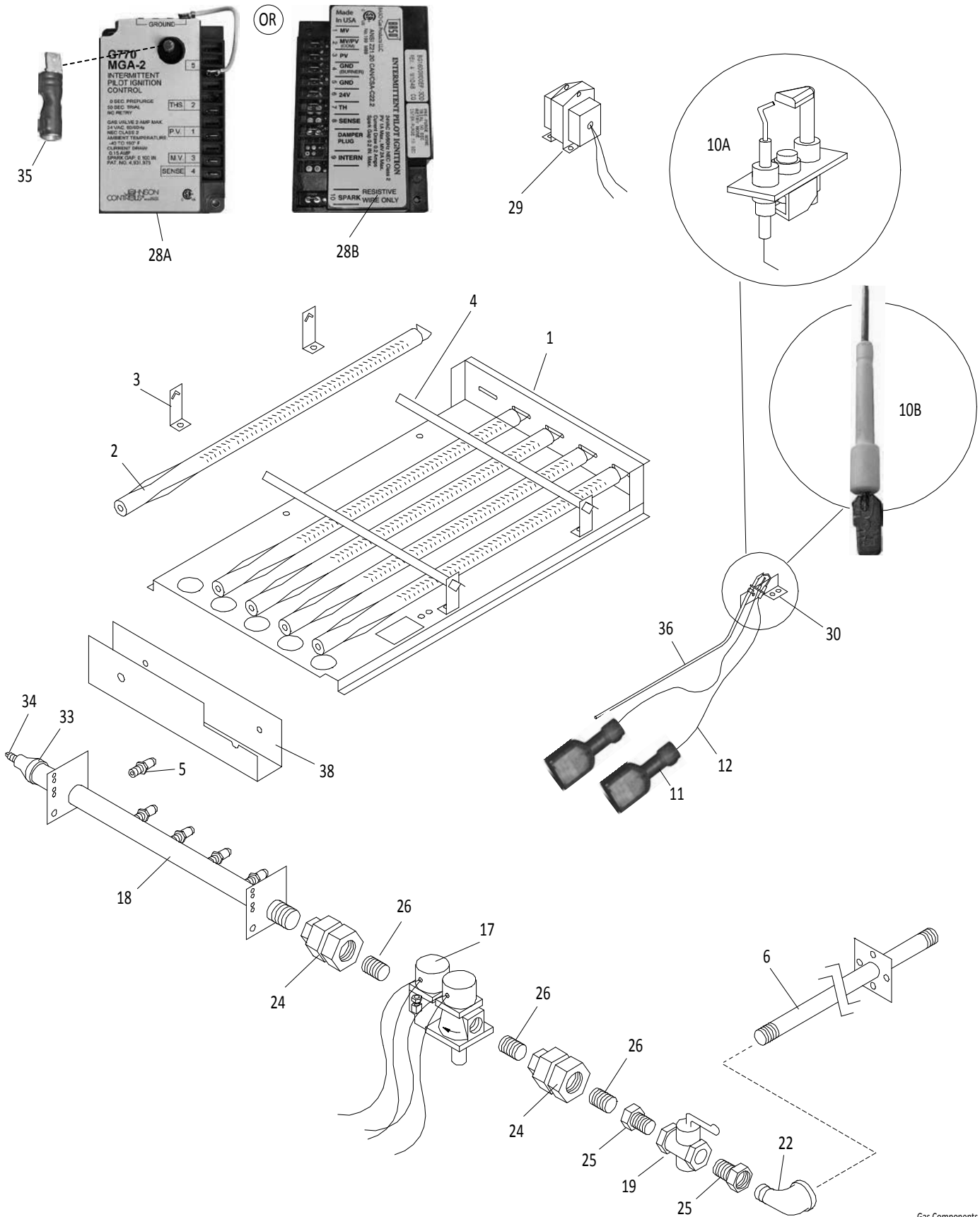
SUNFIRE PARTS IDENTIFICATION
Gas Convection Ovens *models* SDG-1, SDG-2

ELECTRONIC CONTROL PANEL COMPONENTS
(IM300 Series - Used FROM March-1999 UP TO March-2003)

ITEM	PART#	DESCRIPTION	QTY	CRITICAL
1	CK1946693	Control Panel Assembly Note: Assembly includes an overlay (1908517), a control panel SDG IM300 (1946693), and a Fast Control keypad (1911701).	1	C
2	4515632	Main Harness SDG-1	1	
3A	1910901	Hi-Limit Bracket	1	
3B	1955101	Thermal Disc Cooling Switch	1	C
4	1917099	Relay Board Assembly - 120V	1	C
4A	1916901	Relay Board	1	C
4B	1917199	Transformer 120V to 24V	1	C
4C	1767901	Teflon Spacers	4	
4D	1916801	Relay Board Assembly Bracket	1	
5	1765802	Fluted Knob with Two Set Screws	2	
6A	2152700	Spark Ignition Module Note: Item is No Longer Available. Use Kit 4529434 (item 6B).	1	C
6B	4529434	Ignition Module Service Kit Note: Kit includes an ignition module (part# 4528856) and instructions.	1	C
7	1269899	Transformer, class 2, 120V-24V	1	C
8	1285700	Mallory Timer - 1Hr, 115V 50/60Hz	1	C
9	1911801	Potentiometer	1	C
11	1905701	Digital Control	1	C
12	1666300	1/4 Space to RAJH Type Adapter	1	
13	1842901	Probe Note: Used UP TO NOV-2000.	1	C
	1906002	Probe Note: Used FROM NOV-2000.	1	C
14*	1807838	Wiring Diagram - 115V, IM300, SDG-1		
15*	1804723	Harness HTR/IGN SDG-1		
16*	1804724	Door Harness SDG-1		
17*	1804713	Hi-Limit Harness		

* NOT ILLUSTRATED

RECOMMENDED STOCK PARTS



SUNFIRE PARTS IDENTIFICATION
Gas Convection Ovens *models* SDG-1, SDG-2

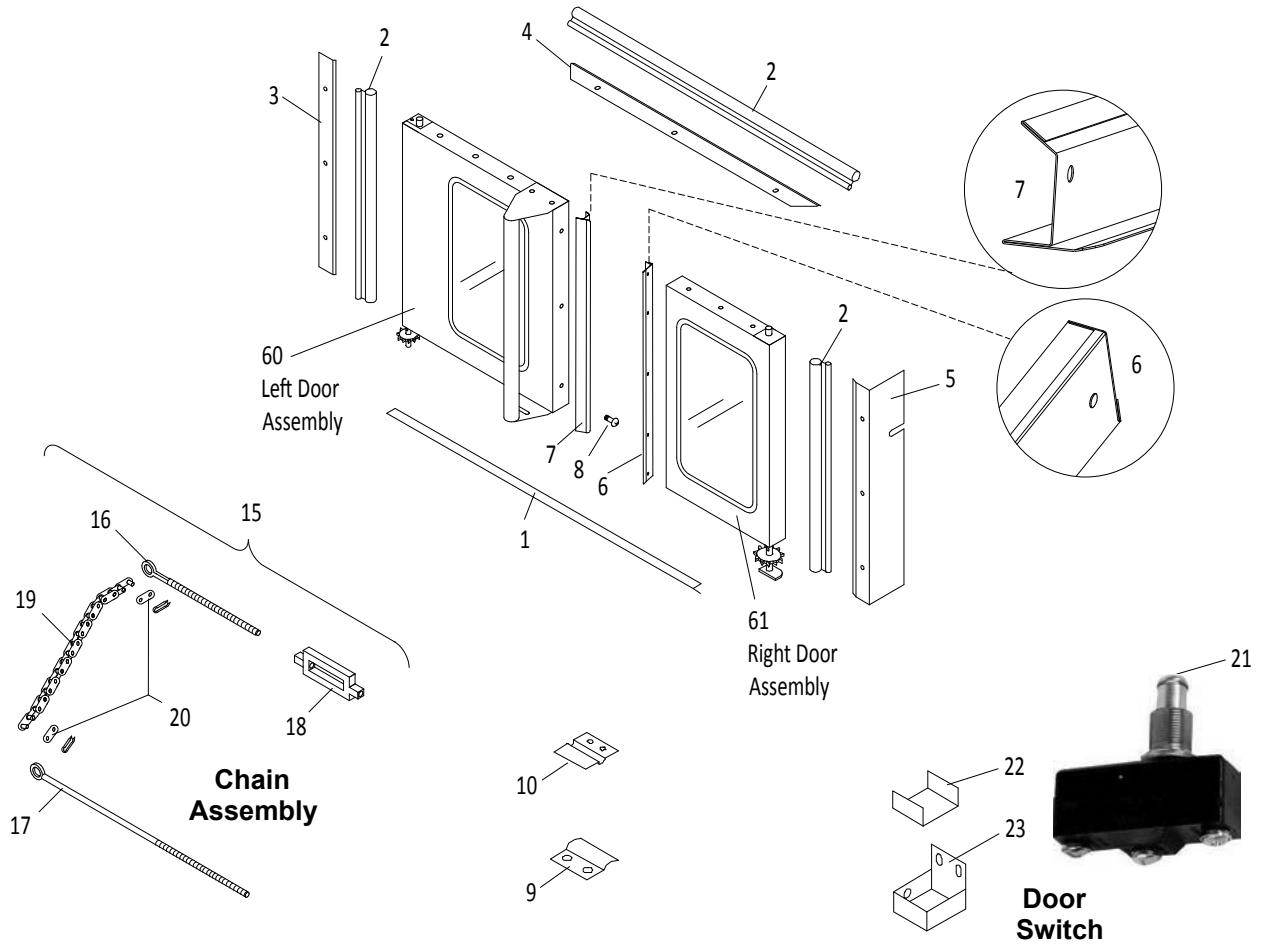
BURNER AND GAS LINE COMPONENTS

ITEM	PART#	DESCRIPTION	QTY	CRITICAL
1	1467200	Burner Pan	1	
2	1467400	Burner	5	
3	1467100	Cross-over Bracket	4	
4	1265504	Cross-over Angle (alt p/n: G03065-1-9)	2	
5	1265548	Orifice Fitting - Natural Gas, 48F	5	
	1265556	Orifice Fitting - Propane Gas, 56F	5	
6	1913599	Tail Pipe Assembly, 37-1/2" Note: Tail Pipe 1302197 is No Longer Available.	1	
10A	1758901	Pilot - Electronic, Natural Gas	1	C
	1758902	Pilot - Electronic, Propane	1	C
10B	1466100	Flame Sensor	1	C
11	1030024	Female Terminal	4	
12	4517368	Cable - Flame Sensor	1	
17	1754901	Dual Valve - Natural Gas	1	C
	1754902	Dual Valve - Propane	1	C
18	1265585	Manifold Assembly	1	
19	1265900	Shutoff Valve - Manual, 3/4" NPT	1	
22	05259	Street Elbow - 90 deg., Black	1	
24	21302	Union 1/2" NPT	1	
25	02565	Bushing - Hex, 3/4 x 1/2, Black	2	
26	14323	Nipple - .50 NPT, Close, SCH 40, Black	3	
28A	2152700	Spark Ignition Module Note: Item is No Longer Available. Use Kit 4529434 (item 28B).	1	C
28B	4529434	Ignition Module Service Kit Note: Kit includes an ignition module (part# 4528856) and instructions.	1	C
29	1269899	Transformer - Class 2, 120V-24V	1	C
30	1759101	Pilot Bracket	1	
33	1004800	1/2 x 1/8 Bell Reducing Coupling	1	
34	1007300	1/8 Steel Pipe Plug (as required)	1	
35	1666300	Rajh Adapter	1	
36	1028713	Tubing - Aluminum, 1/4" x 13"	1	
38	1265300	Heat Deflector (Over the Manifold)	1	
Burner Package Assemblies				
	CK4538	Natural Gas Burner Kit Nat ICO		
	CK4539	Propane Burner Package Assembly		

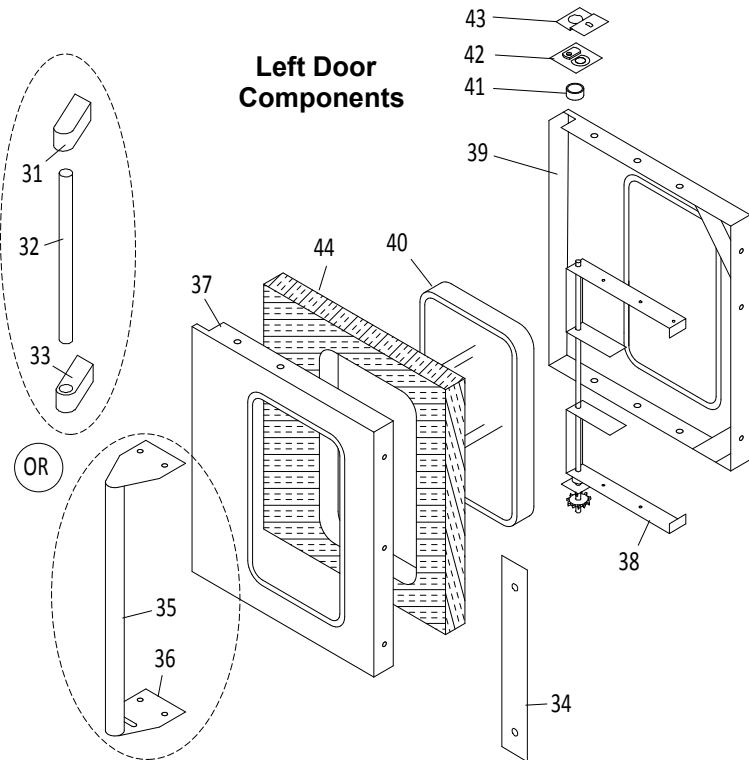
* NOT ILLUSTRATED

RECOMMENDED STOCK PARTS

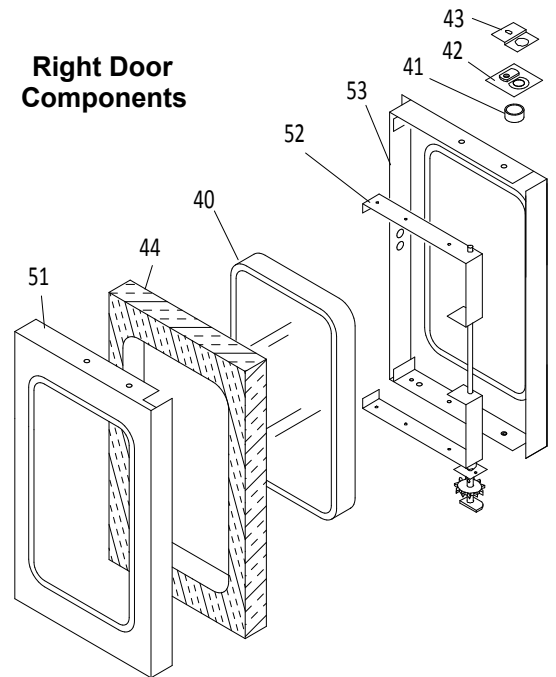
DOOR COMPONENTS & ASSEMBLIES



Left Door Components



Right Door Components



Door

SUNFIRE PARTS IDENTIFICATION
Gas Convection Ovens *models* SDG-1, SDG-2

DOOR COMPONENTS & ASSEMBLIES

ITEM	PART#	DESCRIPTION	QTY	CRITICAL
1	1534500	Seal - Door, Bottom	1	
2	G03269R	Seal - Door, Top / Left / Right (sold by the foot)	TOP - 3' L/R - 2' EACH	
3	1304201	Side Door Bracket - S/S, Left	1	
4	1304202	Top Door Bracket - S/S	1	
5	1719001	Right Door Seal	1	
6	4515192	Center Door Seal - Right Note: Used FROM 1-Jan-2003.	1	
7	4515191	Center Door Seal - Left Note: Used FROM 1-Jan-2003.	1	
8	8003123	#10-24 x 5/8" Machine Screw, Phillips, Stl (for Center Door Seals)	6	
9	1021904	Door Catch (Door) Note: Used UP TO 22-May-2003.	1	C
10	1021902	Door Catch (Frame) Note: Used UP TO 22-May-2003.	1	C
Door Chain Assembly & Components				
15	4520166	Door Chain Assembly Note: Includes Items 16 - 20	2	C
16	1014201	Connecting Door Rod - Short Note: Item listed for reference only. Not Sold Separately.	2	C
17	1014200	Connecting Door Rod - Long Note: Item listed for reference only. Not Sold Separately.	2	C
18	1015000	Turnbuckle 1/4-20 with 4" Take Up	2	C
19	1021100	Roller Chain #40	2	
20	1021299	Connecting Link #40	4	
Door Micro Switch & Related Components				
21	1019600	Door Micro Switch	1	C
22	1533400	Door Micro Switch - Cover	1	
23	1533800	Door Micro Switch - Bracket	1	
Left and Right Doors Components				
31	1562602	(Old Style) Door Handle End - Top, Grey	1	
32	1562603	(Old Style) Door Handle End - Bottom, Grey	1	
33	1664800	(Old Style) Door Handle - Grey	1	
34	1663201	Handle Bracket Plate (for Old Style Handle)	1	
35	4518768	Door Handle Tube with Insert, Painted	1	
36	1924206	Plate for Door Handle	2	
37	1011605	Door Panel - Left Note: Used UP TO Mar-2003.	1	
	4515200	Door Panel - Left Note: Used From Mar-2003	1	

* NOT ILLUSTRATED

RECOMMENDED STOCK PARTS

SUNFIRE PARTS IDENTIFICATION
Gas Convection Ovens models SDG-1, SDG-2

DOOR COMPONENTS & ASSEMBLIES

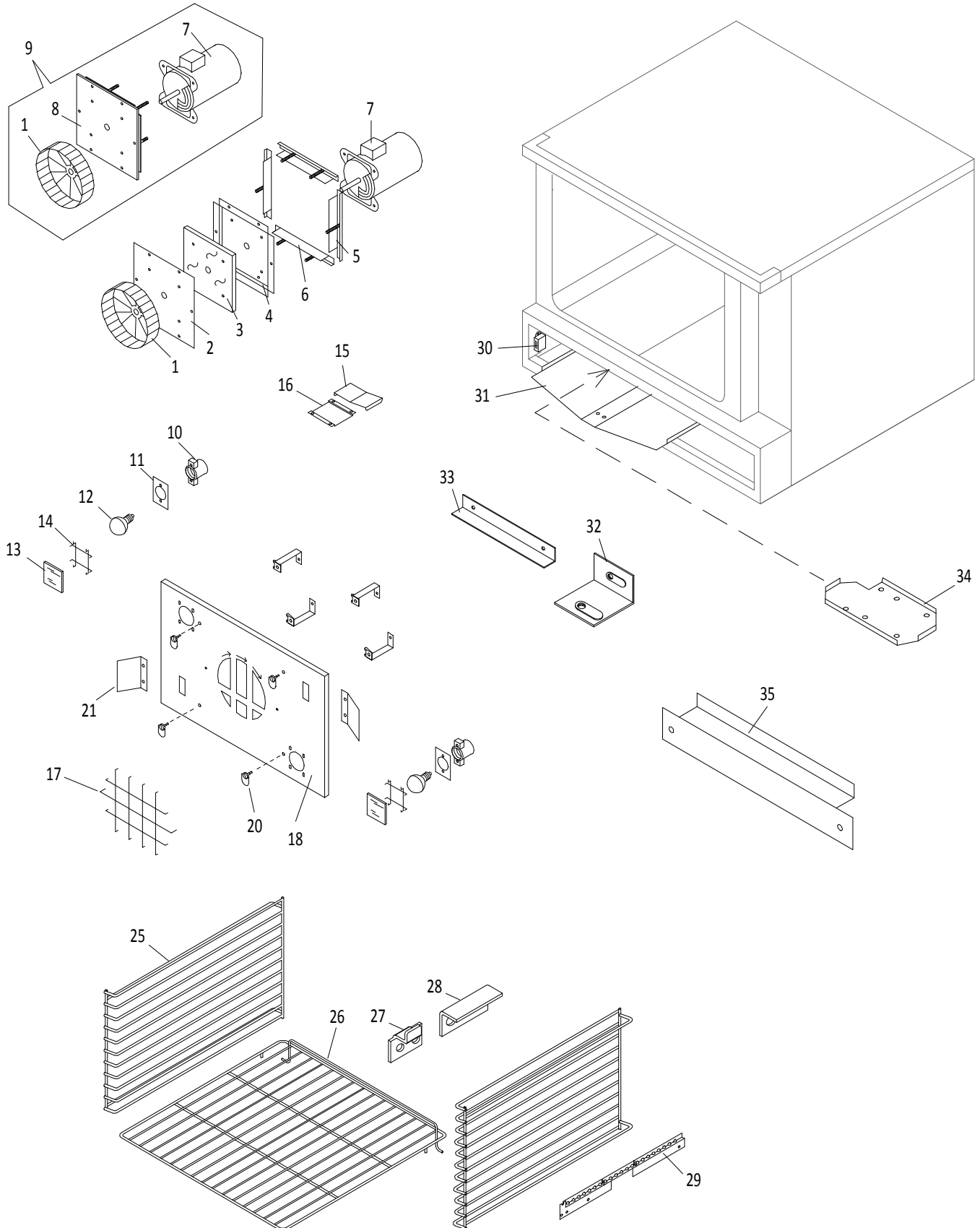
ITEM	PART#	DESCRIPTION	QTY	CRITICAL
38	1011895	Door Frame Assembly - Left Note: Used UP TO 26-Mar-2003	1	
	CK4515197	Door Frame Assembly - Left Note: Used From 27-Mar-2003	1	
39	1011799	Liner - Left Door Note: Used UP TO Mar-2003	1	
	4515203	Liner - Left Door Note: Used From Mar-2003	1	
40	1010999	Oven Door Window - 3/16" Glass	2	
41	1923201	Spacer - Door Hinge	2	
42	CK1010589	Hinge Bracket Assembly with Bearing	1	
43	1302800	Upper Door Bearing Retainer	2	
44	0010000FG	Fiberglass Insulation	2	
51	4515206	Door Panel - Right (Window)	1	
	1011402	Door Panel - Right (Solid)	1	
52	CK4515196	Door Frame Assembly - Right (Window)	1	
	1011897	Door Frame Assembly - Right (Solid) - No Longer Available		
53	4515209	Liner - Right Door (Window)	1	
	1011582	Liner - Right Door (Solid)	1	
Left Door - Complete Assemblies				
60	CK1029279	Left Door Assembly (Window) Note: Used UP TO 26-Mar-2003.	1	
	CK1029277	Left Door Assembly (Solid) Note: Used UP TO 26-Mar-2003.	1	
	CK4515199	Left Door Assembly (Window) Note: Used FROM 27-Mar-2003.	1	
Right Door - Complete Assemblies				
61	CK1029276	Right Door Assembly (Window) Note: Used UP TO 26-Mar-2003.	1	
	CK1029278	Right Door Assembly (Solid) Note: Used UP TO 26-Mar-2003.	1	
	CK4515198	Right Door Assembly (Window) Note: Used FROM 27-Mar-2003.	1	

* NOT ILLUSTRATED

RECOMMENDED STOCK PARTS

NOTES

OVEN COMPONENTS



SUNFIRE PARTS IDENTIFICATION
Gas Convection Ovens *models* SDG-1, SDG-2

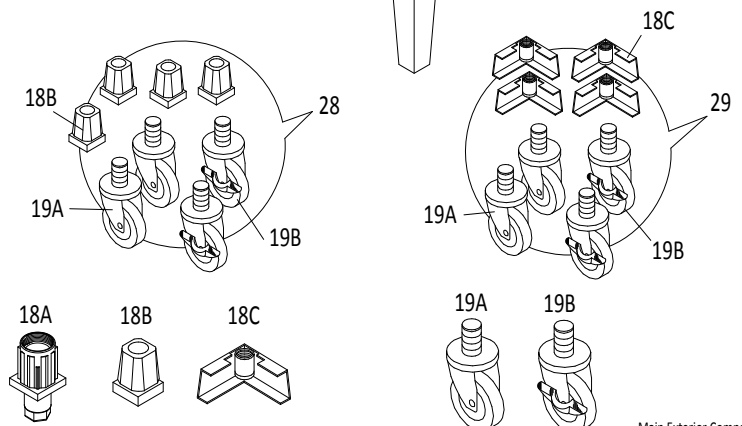
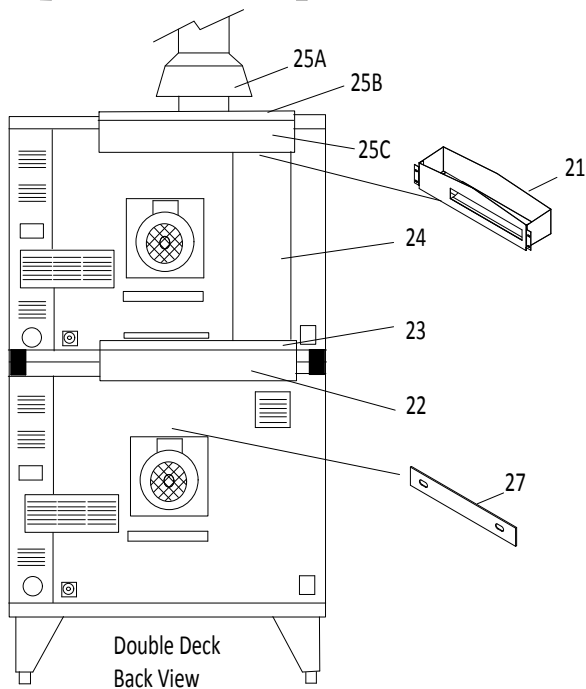
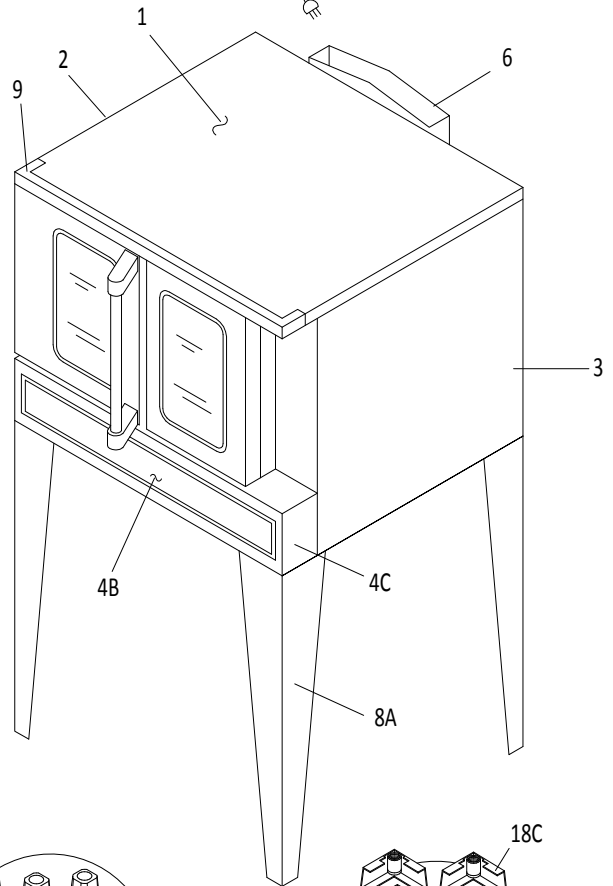
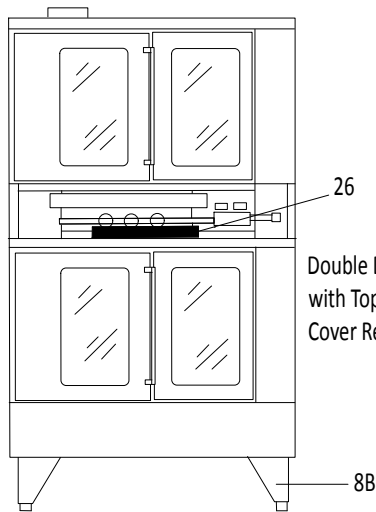
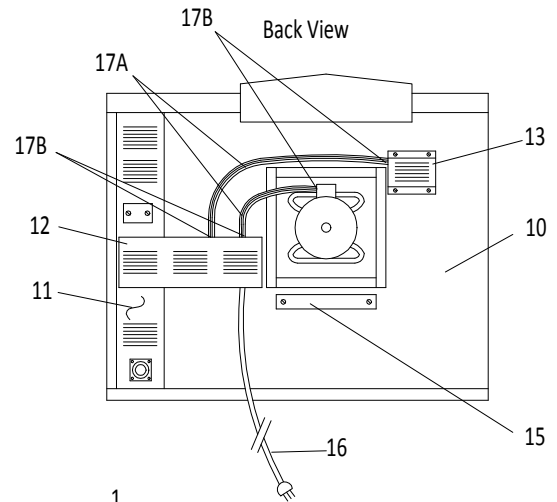
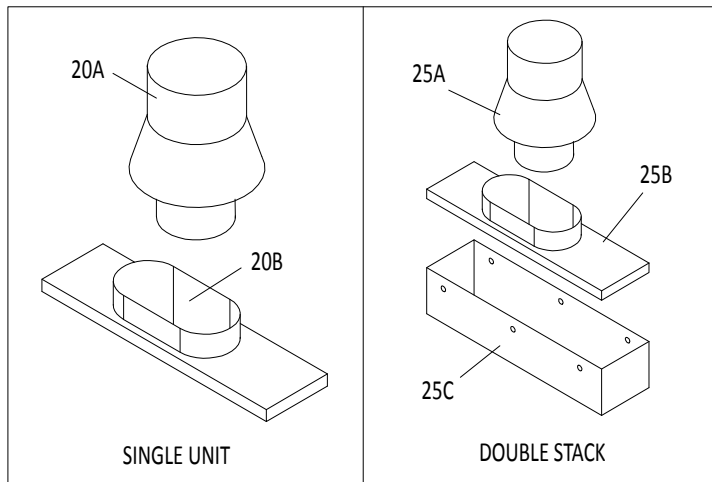
OVEN COMPONENTS

ITEM	PART#	DESCRIPTION	QTY	CRITICAL
1	G02952-01P	Blower Wheel Assembly - Nickle Plated	1	
2	1011902	Motor Mount Plate	1	
3	1915921	Insulation, Motor Pocket	1	
4	1012000	Motor Mount Pocket	1	
5	CK1012498	Motor Mount Brace Assembly - Side	2	
6	CK1012499	Motor Mount Brace Assembly - Top, Bottom	2	
7	1686711	Motor - 3/4 HP 115V 2 Speed	1	C
8	CK1012079	Motor Mount Assembly Service Kit	1	C
9	CK1003095	Motor Assembly Kit - 3/4 HP 115V 2 Speed Note: See Bulletin B-110-2001. Kit includes items 1, 7, 8, and fasteners.	1	C
10	1025800	Lamp Socket - Porcelain	2	
11	1025900	Light Socket Gasket	2	
12	1026051	Teflon Coated Light Bulb	2	
13	9004800	Light Cover - Glass	2	
14	1534400	Glass Retainer	2	
15	1300900	Vent Cover	1	
16	1300901	Vent Slide	1	
17	G02904-01P	Blower Inlet Cover	1	
18	1540999	Air Baffle	1	
19	1533701	Air Baffle Spacer	4	
20	8005000	1/4 Turn Pin	4	
	8005100	1/4 Turn Fastener Receptacle	4	
21	1541000	Air vane	2	
25	1315701	Rack Guide Assembly, Deep	2	
26	1012700	Oven Rack 28x28	5	
27	1317600	Rack Guide Bracket	4	
28	1317601	Rack Guide Holddown Bracket	2	
29	CK1015797	Capillary Tube Guard	1	
30	1020101	Magnetic Catch	2	
31	G02858-2-8	Fire Plate Deep (alt p/n: 1013401)	1	
32	1297199	Fire Plate Front Support Welded Assembly	2	
33	1265700	Fire Plate Support Angle	2	
34	1301600	Base Heat Shield (between item 25 and the Top Combustion Chamber)	1	
35	1754701	Center Air Shield	1	

* NOT ILLUSTRATED

RECOMMENDED STOCK PARTS

MAIN EXTERIOR COMPONENTS



Main Exterior Components

SUNFIRE PARTS IDENTIFICATION
Gas Convection Ovens *models SDG-1, SDG-2*

MAIN EXTERIOR COMPONENTS

ITEM	PART#	DESCRIPTION	QTY	CRITICAL
1	1300600	Top, SS	1	
2	1300503	Left Body Side Panel, SS	1	
3	1300509	Right Body Side Panel, SS (Deep)	1	
4B	CK4515638	Combustion Chamber Cover	1	
4C	CK1721099	Combustion Chamber Assembly	1	
6	1014099	Flue Collector Box Assembly	1	
8A	CK1753298	Leg Assembly, S/S, 28"	4	
8B	1753398	Leg Assembly (Double Deck)	4	
9	1301100	Top Front Veneer	1	
	1302601	Side Top Veneer	2	
10	1014710	Main Back	1	
11	1015508	Rear Control Panel Section	1	
12	1014813	Junction Box Bottom, Deep	1	
13	1014809	Light Box Cover	1	
15	1032503	Element Hole Patch GG	1	
16	1029501	8' Long Power Supply Cord	1	
17A	1029430	3/8" x 30" Flex Conduit	2	
17B	1028501	3/8 BX Connector, Straight	4	
18A	1236100	1-1/2" Square Foot Insert, Chrome Plated	4	
18B	1775102	Caster Insert (Single Deck)	4	
18C	1755998	Double Deck Caster Pad SS W/A	4	
19A	1027500	4" Swivel Caster without Brake, 3/4" NPT Stem	2	
19B	1027501	4" Swivel Caster with Brake, 3/4" NPT Stem	2	
19C*	1755999	Leg Base	4	
20A	1190100	6" Vertical Draft Diverter for Single Unit	1	
20B	1190203	Flue Cap - Single Unit	1	
21	1015299	Flue Box Assembly Front	1	
22	1015205	Rear Flue Box - Bottom Deck	1	
23	1015206	Flue Box Top - Bottom Deck	1	
24	1015287	Flue Riser Welded Assembly	1	
25A	1190101	8" Vertical Draft Diverter for Double Stacked Units	1	
25B	1586798	Flue Hood Top - Double Deck	1	
25C	1586799	Flue Hood Box Body - Double Deck	1	
26	1302500	Fire Plate/ Support Bracket	1	
27	1303200	Rear Securing Plate	2	
28	CK1129	Caster Kit - Single Deck Note: Kit includes items 19A (x2), 19B (x2), and 18B (x4).	1	
29	CK1200	Caster Kit - Double Deck Note: Kit includes items 19A (x2), 19B (x2), and 18D (x4)	1	

* NOT ILLUSTRATED

RECOMMENDED STOCK PARTS

SUNFIRE PARTS IDENTIFICATION
Gas Convection Ovens *models* SDG-1, SDG-2

LIST OF WIRING DIAGRAMS, CASTER AND VENTILATIO KITS

WIRING DIAGRAMS - GAS	
PART#	DESCRIPTION
1266738	Wiring Diagram - SDG, 120V, 60Hz, Gas
CASTER KITS	
PART#	DESCRIPTION
CK1129	Single Deck Caster Kit
CK1200	Double Deck Caster Kit
LEG KITS	
PART#	DESCRIPTION
1755098	S/S Legs Kit - Single Deck
1755096	S/S Legs with Casters Kit - Single Deck
1755798	S/S Legs Kit - Double Deck
1755796	S/S Legs with Casters Kit - Double Deck
VENTILATION KITS	
PART#	DESCRIPTION
CK1131	Direct Connect Vent - Single Deck
CK1132	Direct Connect Vent - Double Deck
1951229	SS Canopy Diverter (SDG-1, SDG-2)

SUNFIRE PARTS IDENTIFICATION
Gas Convection Ovens *models* SDG-1, SDG-2

RELATED BULLETINS

BULLETIN #	SUBJECT	DATE
B-110-2001	Motor Assembly Kits - Full Size Convection Ovens	SEP 28/2001

SUNFIRE PARTS LIST - REVISION HISTORY (SDG)

REV	PAGE#**	ITEM#**	NOTES	DATE
3	5	3	Part# was 1657913.	OCT 31/02
	14		Description was thermostat.	
	11	26	Quantity changed, was 1.	
	15	20	New part number added	
4	8		New drawing	NOV 12/02
5	8,9	37	Part# deleted	APR 29/03
	12, 13	26, 27	Added new part numbers	
6	8		New Drawing	SEP 26/03
	9, 11		Added footnote	
	16, 17		Digital photos from p.9 - items 10, 11, 12, 35	
7	11	21	Part# correction - was 1012000	
8	13	5	Part 1686711 replaced 1686701	NOV 4/03
9	13	28	Added part# for wiring diagram	NOV 5/03
10	7	6	Deleted part 1815001 Honeywell Ignition Module Added 2152700.	JAN 7/04
	9	28	Deleted - 1516301 Spark Ignition Module Natural Gas	
	16		Photo description changed	
11	5	6	Added date of use and new part# 1270000 Added amber light photo at the end	JAN 16/04
12	10		New drawing - correction under left door itme #s	JUN 9/04
13	9	28	Added more info	DEC 8/04
14	5	6	Description added	OCT 12/05
	14		New drawing	
	15	20 25A, 25B, 25C	Kit no long available, was under item# 20 CK1131 Direct Vent Kit - Single & CK1132 Direct Vent Kit - Double Part vent number added for double stack	
15	11	14 31	Added new part#	APR 20/07
	10		Modified drawing	
			Added rating plate, serial# info. Revised / added illustrations.	
16	6-7	1	Control Panel 1719801 is NLA. New Panel is 1719805 (S/S, no emboss, same dimensions).	APR 04/12
		2	Control Panel Overlay p/n is 1657913, was 1657713.	
		7	Switch 1955402 replaces 1019209	
		8	Switch 1955401 replaces 1019207	
		13, 14B, 16	Added fluted knob 1765802, timer 1956001, and harness 4515632	
	8-9	2	Main Harness, revised p/n to 4515632, was 1804722	
		3B	Thermal disc cooling switch 1955101 replaces Hi Limit 1781302	
		4B	Transformer 1917199 replaces 1917101	
		6B, 8, 12, 13	Added ignition module service kit 4529435, timer 1956001, adapter 1666300, and probes 1842901/1906002	
	10-11		Removed Upper Control Panel Cover 1918501. ???????	
		6, 28B	Added new pipe asm 1913599. Added ignition service kit 4529434	
		12	Flame sensor cable 4517368, was 1269703	
		25	P/N 02565 replaces 1038403	
		26	P/N 14323 replaces 1004640	
		29	Transformer 1269899 replaces 1269800	
	12-15		Removed: ignition module 1516301, coupling 1004821, nipple 1004662 New and old components are shown and listed. Used UP-TO and FROM dates are noted if info is available.	
		2	Parts use G03269R. Was 1581600/1581601.	
	16-17	20	Added p/n 1021299	
		2	Part 1011902 replaces 1011906	
		3	Part 1915921 replaces 1012100	
		5	Added related bulletin info.	
		1	Parts use G02952-01P. Was 1025302	
		14	Parts use G02904-01P. Was 1014500	
		23	Capillary Tube Guard, use kit CK1015797. Was 1015799	
		25A	Parts use G02858-2-8. Was 1013401.	
	18-19		Removed W/D 1266733. List W/D on a different page and new P/N is 1266738.	
		4A, 4B, 4C	Painted exterior option is No Longer Available. Removed items 1300601, 1300502, 1300508. Added new combustion chamber parts CK1721001, CK4515638, CK1721099	
			Removed: logo part 229147-2, legs 1753299, legs 1753399, caster pad 1303597, connector 1028500, rear control panel patch 1046500.	
18B		Caster Insert 1775102 replaces 1303596.		
28, 29		Added caster kits.		
17		New Sunfire logo.	APR 30/12	
18		SDG model is No Longer Available. Added serial# and date on front and third pages.	MAY 22/12	
19	16-17	4A, 4B, 4C	Removed item 4A as invalid P/N. Use 4B. 4C is a separate part.	OCT 22/14

** Page#/Item# reference the specific page/item numbers in the corresponding Revision version only.



1-844-724-CARE • www.mtwkitchencare.com