



## **Summit Gas Convection Oven**

*models* **SGM-100, SGM-200**

*for units built* **FROM: (serial#) 0709100242026**

**TO: (serial#) 12072300xxxxx**

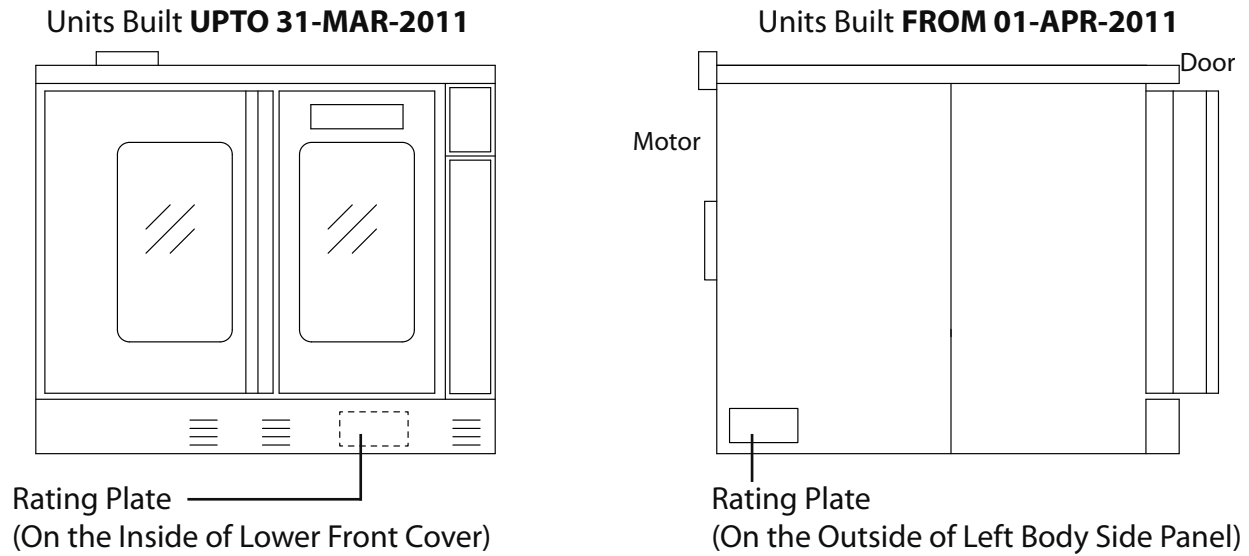
# **PARTS LIST**

Phone (US & Canada): 1 800 427 6668

Fax (US & Canada): 1 800 361 7745

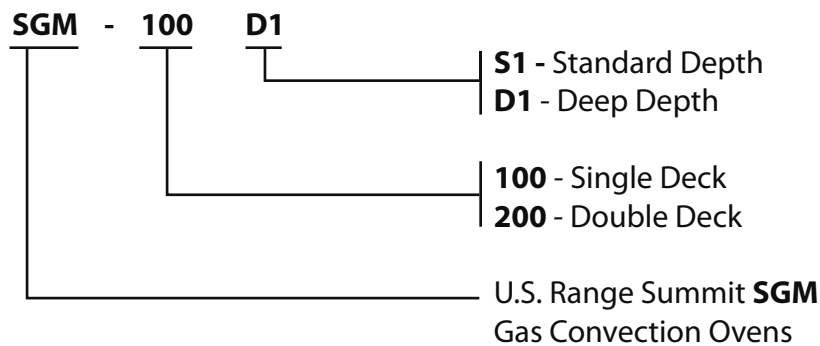
*[www.Garland-Group.com](http://www.Garland-Group.com)*

# Rating Plate Location



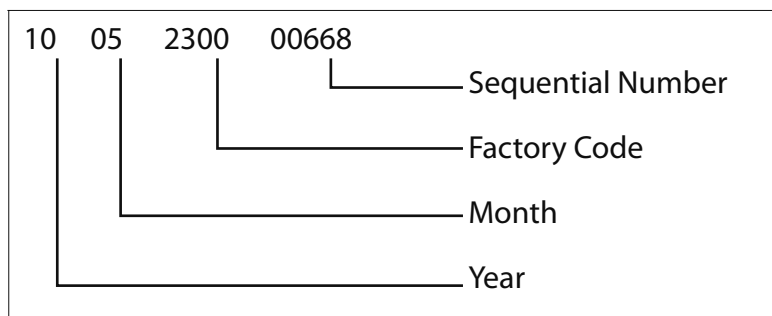
## Model Number Explained

- SGM-100S1
- SGM-100D1
- SGM-200S1
- SGM-200D1



## Serial# (Year/Month Information)

The Serial Number is **13 Digits** long and is stamped on the Rating Plate.





## Summit Gas Convection Oven

*models* **SGM-100, SGM-200**

*for units built FROM: (serial#) 0709100242026*

*TO: (serial#) 12072300xxxxx*

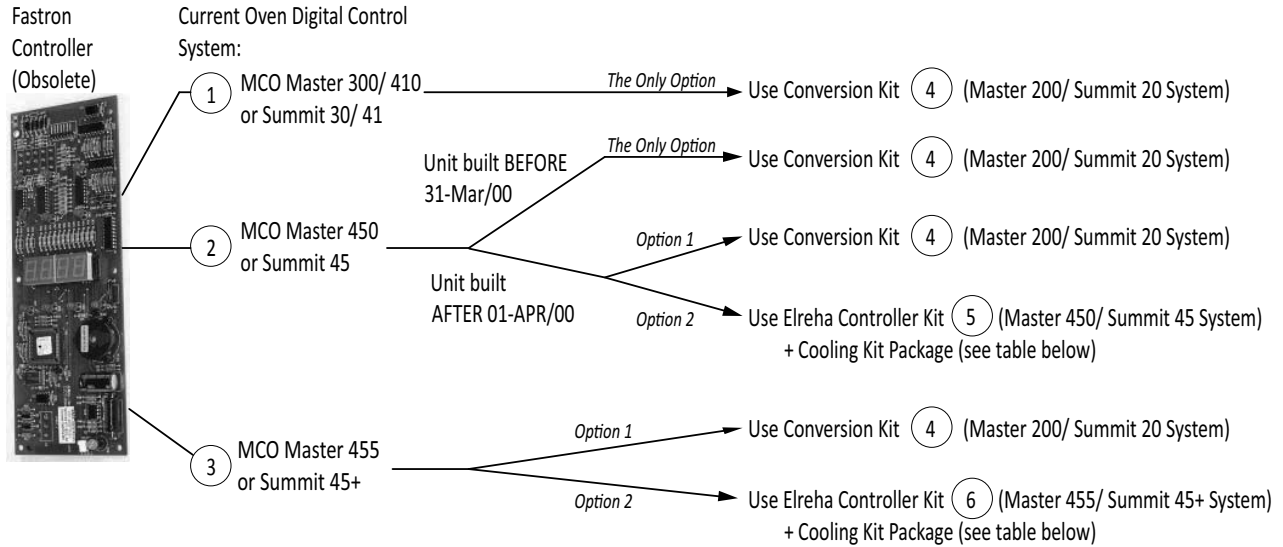
### Table of Contents

Rating Plate Location / Model & Serial# Information .....	2
Digital Controller Kits - Replacement Kits & Cooling Kits .....	4
FASTRON Digital Control Panel & Components .....	6
ELREHA Digital Control & Components .....	10
Burner Package.....	14
Door Components & Assemblies.....	16
Oven Components.....	20
Main Exterior Components.....	22
List of Wiring Diagrams & Available Kits.....	24
Bulletins .....	25
Revision History .....	25

This parts list is updated regularly. Please find the most current revision on our website @ [www.Garland-Group.com](http://www.Garland-Group.com)

**CONTROLLER REPLACEMENT KIT OPTIONS**

(for Convection Ovens with Fastron Control System)



**COOLING KIT PACKAGES**

\*\* Not Required for Conversion Kit 4

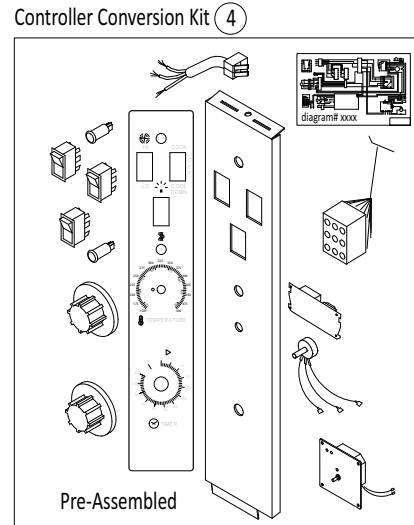
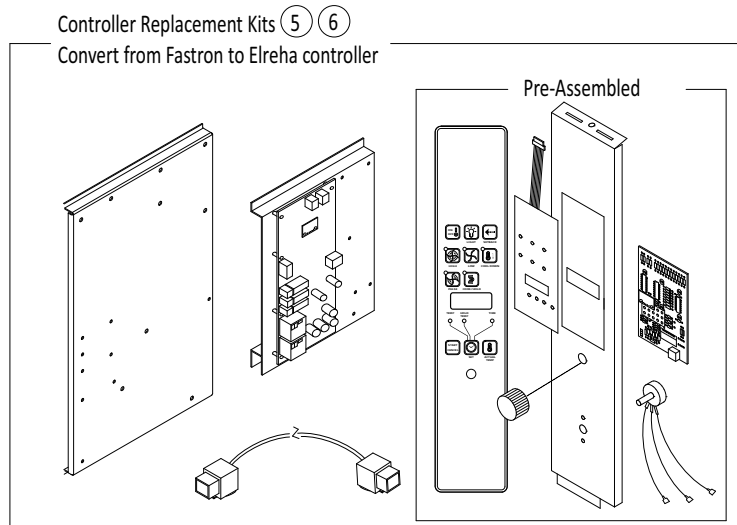
\*\* for convection ovens built before Jan, 2014 with Elreha conversion kits/control system)



Elreha Controller

Ovens with Elreha Controller	All Ovens Built Prior to October, 2007	All Ovens Built between Oct, 2007 - Jan, 2014
Standard Depth Oven (oven rack 22" deep)	7 115320 + 9 115322 (Supplementary Kit)	7 115320
Deep Depth Oven (oven rack 26" deep)	8 115321 + 9 115322 (Supplementary Kit)	8 115321

**KIT COMPONENTS**



**U.S. RANGE PARTS IDENTIFICATION**  
**Summit Series Gas Convection Oven**  
*models SGM-100/200*

**FASTRON CONTROLLER REPLACEMENT KITS &  
ELREHA COOLING KITS**

ITEM	PART#	DESCRIPTION	QTY	CRITICAL
<b>FASTRON CONTROLLER REPLACEMENT KITS</b>				
1	1905702	<b>Summit 41</b> (410) Digital Controller <b>Note:</b> Use Kit 4530458 (Item #4) Ref: Bulletin# GAR-02-14-AC.	NLA <sup>+</sup>	C
2	1905703	<b>Summit 45</b> (450) Digital Controller with Cook-N-Hold <b>Note:</b> Use Kit 4530458 (Item #4) or 4529707 (Item #5). Ref: Bulletin# GAR-02-14-AC.	NLA <sup>+</sup>	C
3	1905704	<b>Summit 45+</b> (455) Digital Controller with Cook-N-Hold and Core Probe <b>Note:</b> Use Kit 4529708 (item #6). Ref: Bulletin# GAR-02-14-AC.	NLA <sup>+</sup>	C
4	4530458	Controller Replacement/Conversion Kit (Gas) - from digital to manual control <b>Note:</b> This Kit is the <b>ONLY OPTION</b> available for any unit built <b>before 31-March/2000</b> .	1	C
5	4529707	Controller Replacement Kit - USRange <b>45</b> (Gas/Electric), Elreha <b>Note:</b> Use this Kit for any unit manufactured <b>after 01-April/2000</b> . Kit includes a panel assembly with Elreha control, a relay board assembly, a cable, a bracket and instruction# 4529741. Ref: Bulletin# GAR-02-14-AC.	1	C
6	4529708	Controller Replacement Kit - USRange <b>45+</b> (Gas/Electric), Elreha <b>Note:</b> Kit includes a panel assembly with Elreha control, a relay board assembly, a cable, a bracket and instruction# 4529741. Ref: Bulletin# GAR-02-14-AC.	1	C
<b>COOLING KITS</b>				
<b>Not required for ovens with manual controls. These kits are for any oven built before Jan, 2014 with Elreha conversion kit (items 5, 6) / Elreha control system. Ref: Bulletin# GAR-02-14-AC.</b>				
7	115320	Cooling Kit, Standard Depth Oven, with Elreha Control <b>Note:</b> <ul style="list-style-type: none"> <li>• Kit includes a duct assembly, a hole plug, a cover plate, and fasteners.</li> <li>• Also require Kit 115322 (item 9) for any oven built before October, 2007.</li> </ul>	1	
8	115321	Cooling Kit, Deep Depth Oven, with Elreha Control <b>Note:</b> <ul style="list-style-type: none"> <li>• Kit includes a duct assembly, a hole plug, a cover plate, and fasteners.</li> <li>• Also require Kit 115322 (item 9) for any oven built before October, 2007.</li> </ul>	1	
9	115322	Supplementary Cooling Kit <b>Note:</b> <ul style="list-style-type: none"> <li>• Only required for ovens built before October, 2007; use this kit with either 115320 (item 7) for standard depth or 115321 (item 8) for deep depth oven.</li> <li>• Kit includes a high limit assembly, a circuit board support, insulation, a finger guard, and fasteners.</li> </ul>	1	

\* NOT ILLUSTRATED

**RECOMMENDED STOCK PARTS**

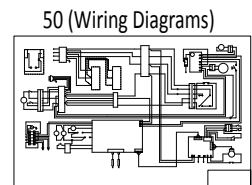
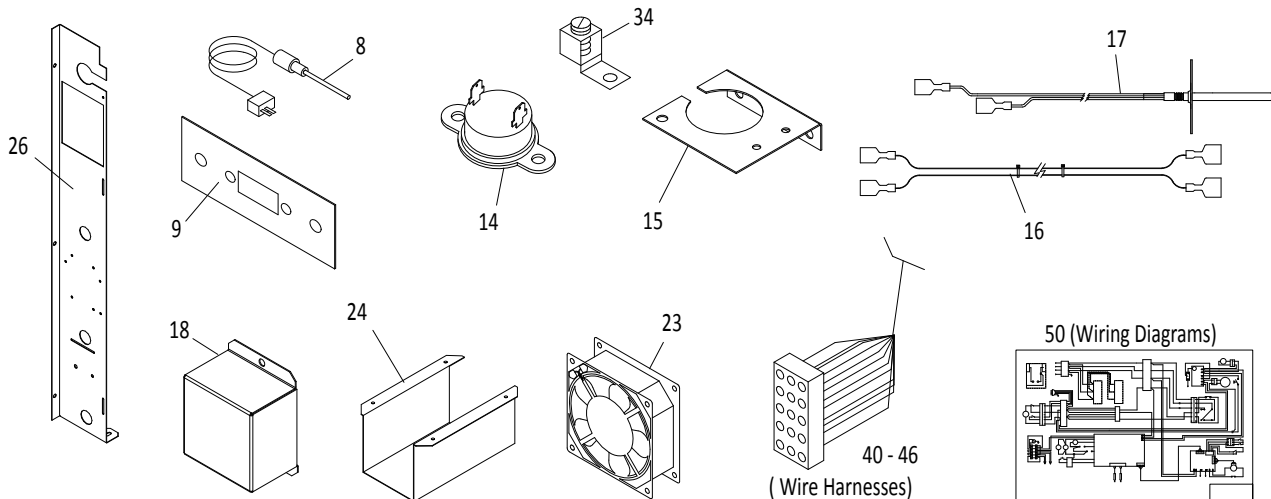
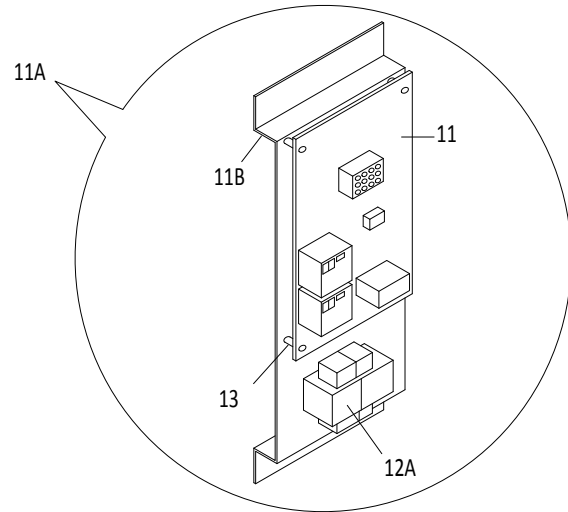
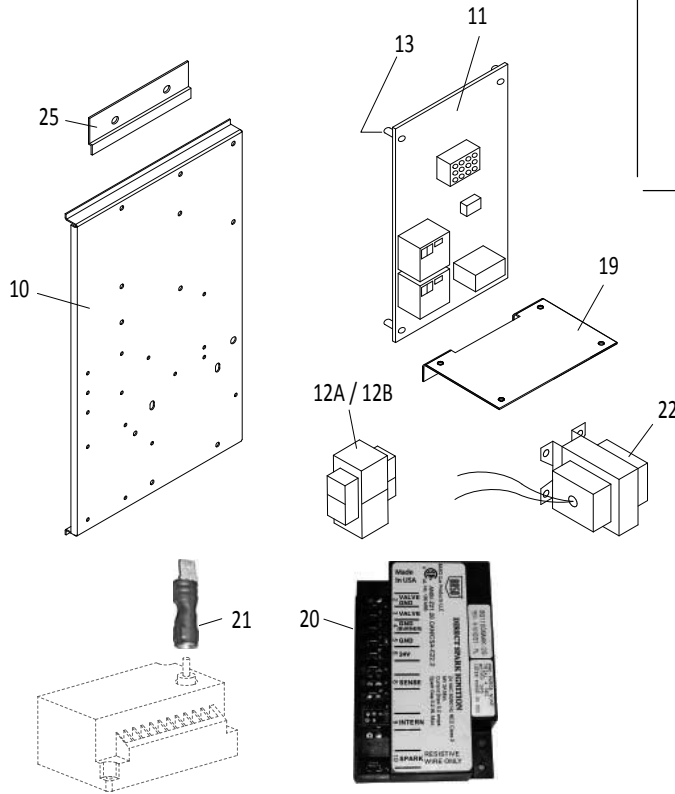
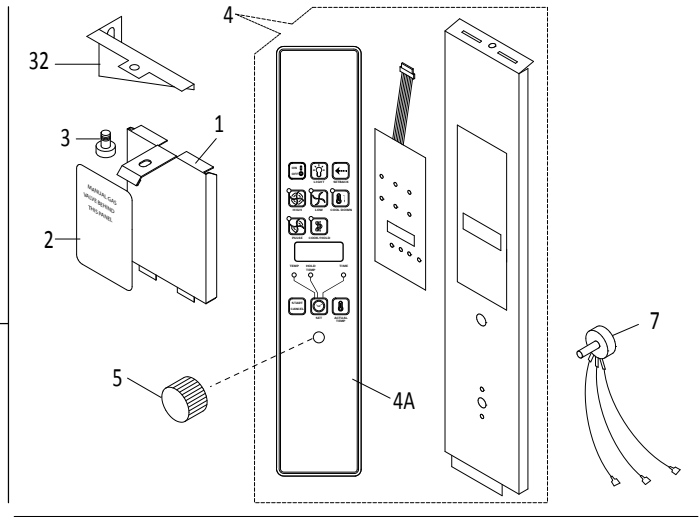
<sup>+</sup> NLA = No Longer Available

(FASTRON) DIGITAL CONTROL PANEL & COMPONENTS

Fastron Controller (Obsolete)  
For Fastron controller  
replacement kits, see p. 4.



Elreha Controller  
See p. 10.



Fastron Digital Control Components

**U.S. RANGE PARTS IDENTIFICATION**  
**Summit Series Gas Convection Oven**  
*models SGM-100/200*

**(FASTRON) DIGITAL CONTROL PANEL & COMPONENTS**

ITEM	PART#	DESCRIPTION	QTY	CRITICAL
1	1802599	Cover - Upper Control Panel OLD MODEL, No Longer Available.	1	
	1918501	Cover - Upper Control Panel, SS	1	
2	1835905	Overlay Top Control Panel Gas, black	1	
	115268	Overlay Top Control Panel Gas, silver/gray	1	
3	GF297	#10-24 x 1/2" Slotted Thumb Screw / Knurled Screw	1	
4	1952888	Control Panel Assembly - <b>Summit 45</b> Keypad, with Light Note: Assembly Includes a S/S Panel, a Key-Pad Control and Overlay (item 4A).	1	
	CK1952887	Control Panel Assembly - <b>Summit 45+</b> Keypad, with Light Note: Assembly Includes a S/S Panel, a Key-Pad Control and Overlay (item 4A).	1	
4A	1908509	Overlay - <b>Summit 45</b> with Light	1	
	1908511	Overlay - <b>Summit 45+</b> with Light	1	
5	1720502	Fluted Knob (Fast Control Knob)	1	
7	1911601	Potentiometer - Encoder	1	C
8	1906004	Core Probe (Meat Probe) - for <b>IM45+</b> Control Only	1	
9	1946701	Core Probe Bracket - for <b>IM45+</b> Control Only	1	
10	1933406	Bracket - Ignition Control for units with Fastron Control.	1	
11	1916901	Relay Board PCB Assy	1	C
11A	S113850	Relay Board Assembly Kit - 120V <b>Note:</b> Kit includes PCB Asm (1916901/item 11), transformer (1917199/item 12A), bracket (1916801/item 11B), nylon spacers and fasteners.	1	
	S113851	Relay Board Assembly Kit - 208-240V <b>Note:</b> Kit includes PCB Asm (1916901/item 11), transformer (1917198/item 12B), bracket (1916801/item 11B), nylon spacers and fasteners.		
11B	1916801	Bracket - Relay Board Assembly	1	
12A	1917199	Transformer 120V to 24VAC	1	C
12B	1917198	Transformer 208/240V to 24VAC	1	C
13	1767901	Nylon PCB Spacer	4	
14	1955101	Switch - Thermal Disc, Cooling Fan	1	C
15	4519862	Bracket - Thermal Disc Switch	1	
16	1906003	Cable Assembly - Probe Extension ( <b>USE ONLY WITH 1906002</b> ) <b>Note:</b> Used from Nov-2000.	1	C
17	1906002	Probe - RTD, Flange Mount ( <b>USE ONLY WITH 1906003</b> ) <b>Note:</b> Used from Nov-2000.	1	C
18	1916301	Cover - Probe Connector	1	
19	4522605	Bracket - DSI Ignition Module	1	
20	4521585	DSI Ignition Module	1	C
21	1666300	1/4 Spade To Rajh Type Adaptor	1	
22	1269899	Transformer - Class 2, 120V to 24V (with Insulated Slip on Terminal), for 115V-unit	1	C
	1636000	Transformer - 24VAC, for 208/240V-unit	1	C
23	1918201	Cooling Fan 120MM, 115V <b>Note:</b> Used UP To Sep-2009.	1	C
	1671100	Polar Fan 115V <b>Note:</b> For Fan Installation, refer to Service Bulletin B-97-2009-S.	1	C
	1918202	Cooling Fan 208V / 240V <b>Note:</b> Used UP To Sep-2009.	1	C
	1671101	Cooling Fan 208 / 240 V <b>Note:</b> For Fan Installation, refer to Service Bulletin B-97-2009-S.	1	C

\* NOT ILLUSTRATED

**RECOMMENDED STOCK PARTS**

**U.S. RANGE PARTS IDENTIFICATION**  
**Summit Series Gas Convection Oven**  
*models SGM-100/200*

**(FASTRON) DIGITAL CONTROL PANEL & COMPONENTS**

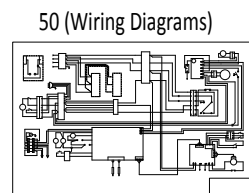
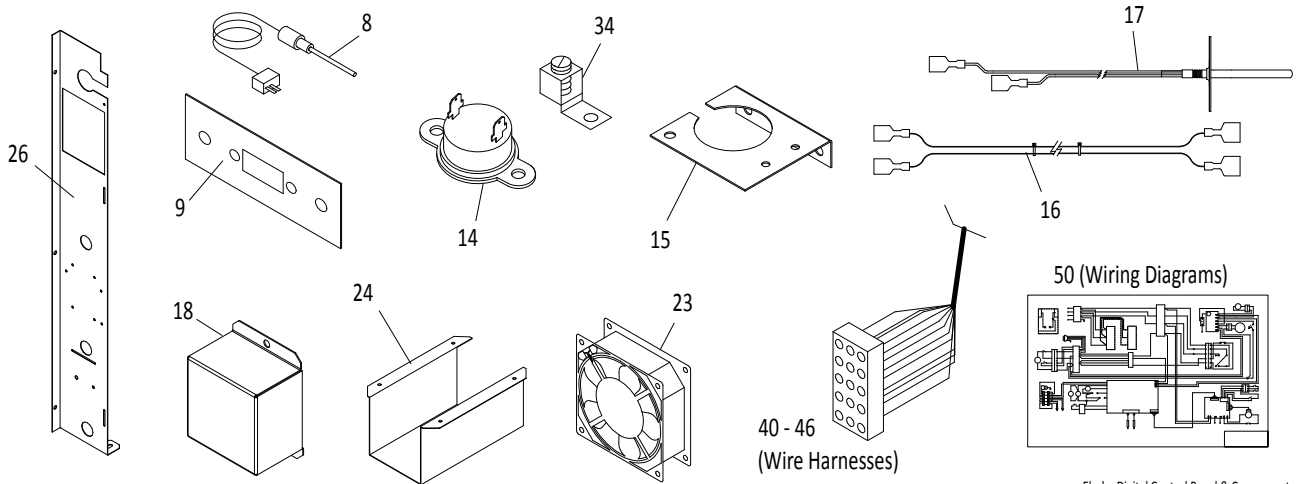
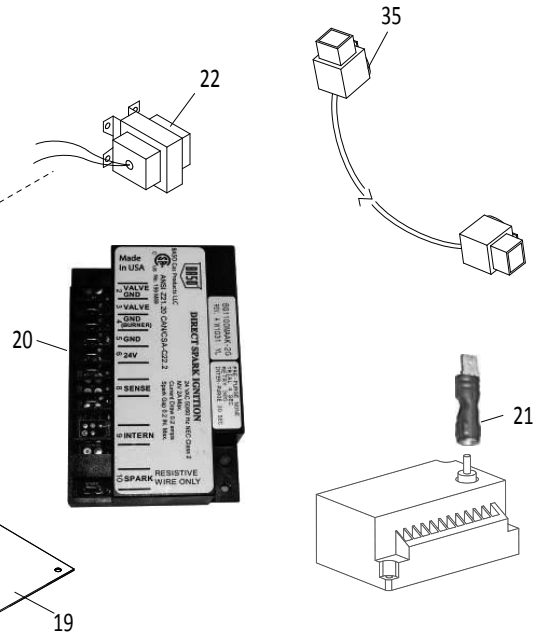
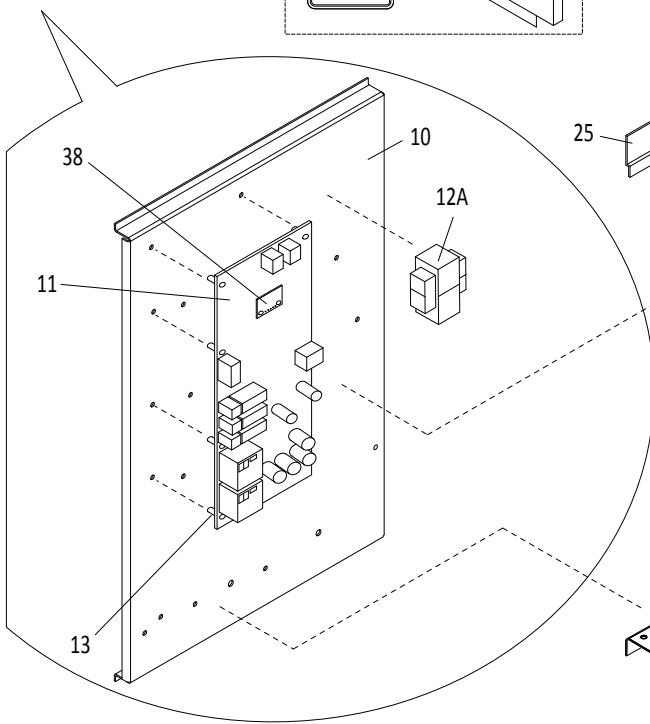
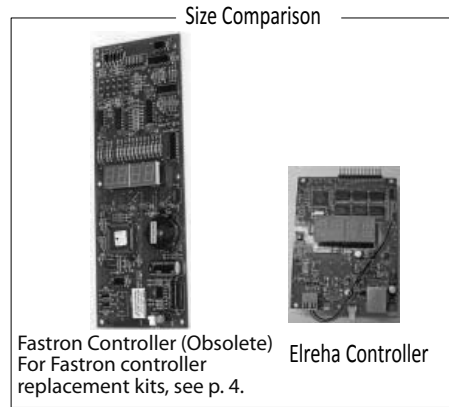
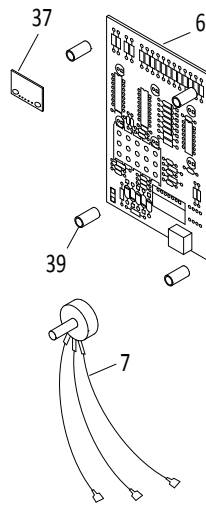
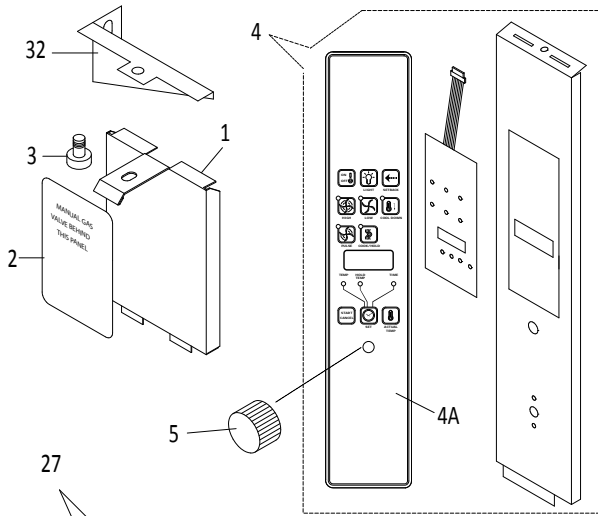
ITEM	PART#	DESCRIPTION	QTY	CRITICAL
24	1918001	Air Exhaust Duct - Standard Depth	1	
	1918002	Air Exhaust Duct - Deep Depth	1	
25	1911301	Relay Bracket Slide	2	
26	1926001	Panel - Right Side, Mid	1	
32	1918902	Bracket - Upper Control Panel Mounting	1	
34	1028402	Ground Lug (208/240V 1920102 module)	1	
39*	1804725	Main Wire Harness (in older units)	1	
40*	1949599	Wire Harness - 115V 60Hz Gas	1	
	1949598	Wire Harness - 208/240V 60Hz Gas	1	
41*	1949578	Wire Harness - Relay Board	1	
43*	1905901	Harness - Control to Relay	1	
44*	1905902	Wire Harness - Core Probe, for <b>IM45+</b> Control Only	1	
45*	1949579	Wire Harness - Lights	1	
46*	1936095	Wire Harness - Ignition Module (IPI/DSI)	1	
50*	1949501	Wiring Diagram 115V 60Hz Gas Fast Control	1	
	1949502	Wiring Diagram 208/240V Gas Fast Control	1	
<b>Note:</b> Diagram part#s listed For Reference Only. Please contact Technical Service for assistance.				

\* NOT ILLUSTRATED

**RECOMMENDED STOCK PARTS**



Blank Page



Elreha Digital Control Panel & Components

## U.S. RANGE PARTS IDENTIFICATION

### Summit Series Gas Convection Oven

*models SGM-100/200*

#### (ELREHA) DIGITAL CONTROL PANEL & COMPONENTS

ITEM	PART #	DESCRIPTION	QTY	CRITICAL
1	1918501	Cover - Upper Control Panel, SS	1	
2	1835905	Overlay Top Control Panel Gas, black	1	
	115268	Overlay Top Control Panel Gas, silver/gray	1	
3	GF297	#10-24 x 1/2" Slotted Thumb Screw / Knurled Screw	1	
4	4530504	<b>Summit 45</b> Control Panel Assembly (Elreha) <b>Note:</b> Assembly includes a S/S Control Panel, a Summit 45 Overlay (item 4A), and a Key Pad Control(Membrane Switch). S/S Panel and Key Pad Not Sold Separately.	1	
	4530505	<b>Summit 45+</b> Control Panel Assembly Kit (Elreha) <b>Note:</b> Assembly includes a S/S Control Panel, a Summit 45+ Overlay (item 4A), and a Key Pad Control(Membrane Switch). S/S Panel and Key Pad Not Sold Separately.	1	
4A	4529266	Overlay - <b>Summit 45</b> , with Light, Elreha	1	
	4529267	Overlay - <b>Summit 45+</b> , with Light, Elreha	1	
5	1720502	Fluted Knob (Fast Control Knob)	1	
6	4527483	User Interface Board / UI Board (Elreha)	1	
7	1911601	Potentiometer - Encoder	1	C
8	1906004	Core Probe (Meat Probe) - for <b>Summit 45+</b> Control Only	1	
9	1946701	Core Probe Bracket - for <b>Summit 45+</b> Control Only	1	
10	4528498	Bracket - Ignition Control/SRB, Elreha	1	
11	4527484	Relay Board / SRB - Digital Control, Elreha	1	C
12A	1917199	Transformer 120V to 24VAC	1	C
12B*	1917198	Transformer 208/240V to 24VAC	1	C
13	1767901	Nylon Spacers	8	
14	1955101	Switch - Thermal Disc, Cooling Fan	1	C
15	4519862	Bracket - Thermal Disc Switch	1	
16	1906003	Cable Assembly - Probe Extension ( <b>USE ONLY WITH 1906002</b> )	1	C
17	1906002	Probe - RTD, Flange Mount ( <b>USE ONLY WITH 1906003</b> )	1	C
18	1916301	Cover - Probe Connector	1	
19	4522605	Bracket - DSI Ignition Module	1	
20	4521585	DSI Ignition Module	1	C
21	1666300	1/4 Spade To Rajh Type Adaptor	1	
22	1269899	Transformer - Class 2,120V to 24V (with Insulated Slip on Terminal), for 115V-unit	1	C
	1636000	Transformer - 24VAC, for 208/240V-unit	1	C
23	1671100	Polar Fan 115V <b>Note:</b> For Fan Installation, refer to Service Bulletin B-97-2009-S.	1	C
	1671101	Cooling Fan 208 / 240 V <b>Note:</b> For Fan Installation, refer to Service Bulletin B-97-2009-S.	1	C
24	1918001	Air Exhaust Duct - Standard Depth	1	
	1918002	Air Exhaust Duct - Deep Depth	1	
25	1911301	Relay Bracket Slide	2	
26	1926001	Panel - Right Side, Mid	1	
27	S113848	Relay Board Assembly - Gas, Elreha <b>Note:</b> Assembly includes a mounting panel, relay board, personality module, transformer (1917199), and fasteners.	1	
32	1918902	Bracket - Upper Control Panel Mounting	1	
34	1028402	Ground Lug (208/240V 1920102 module)	1	
35	4529003	Cable - UI/SRB 0.5M Elreha	1	

\* NOT ILLUSTRATED

**RECOMMENDED STOCK PARTS**

**U.S. RANGE PARTS IDENTIFICATION**  
**Summit Series Gas Convection Oven**  
*models SGM-100/200*

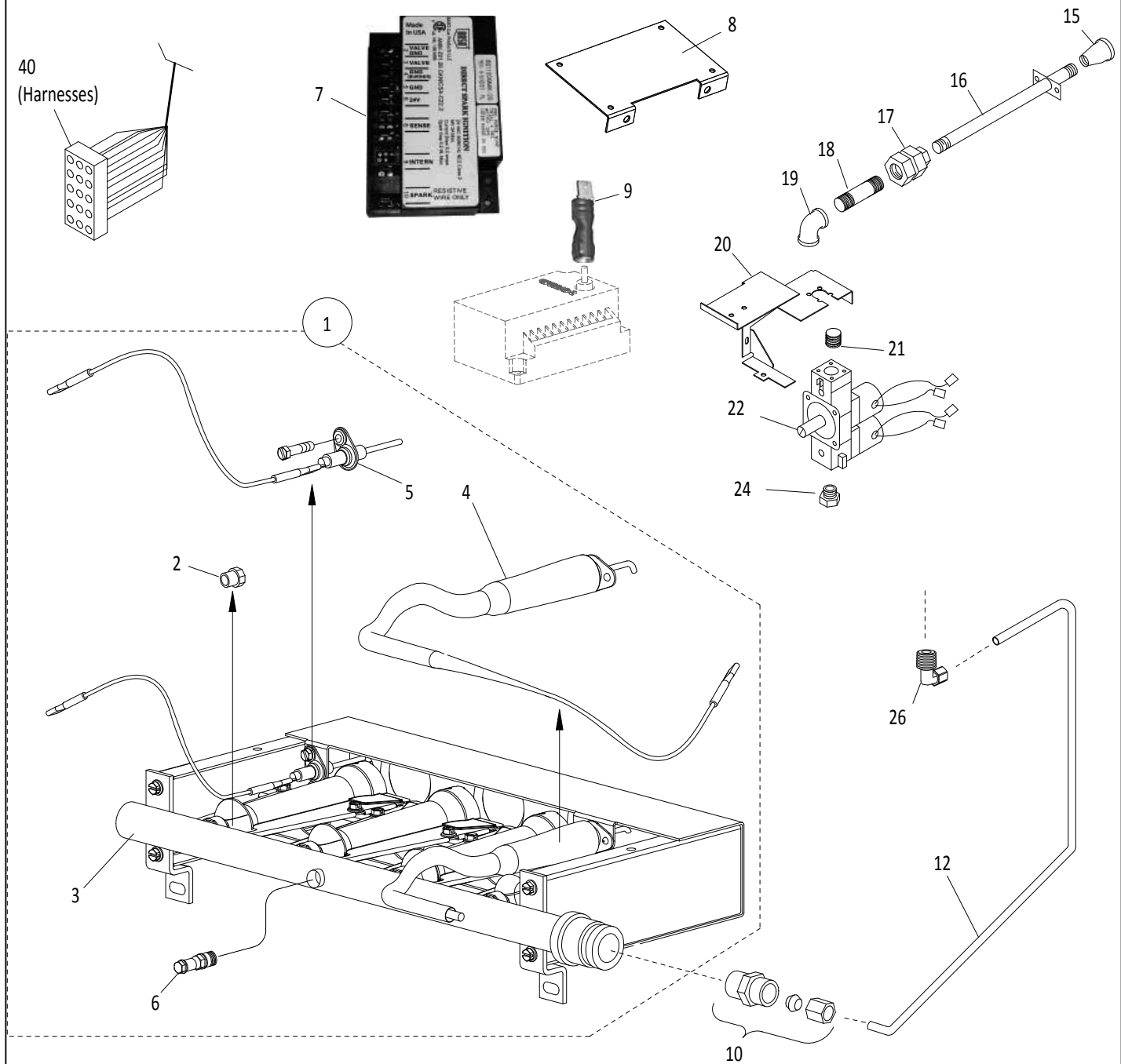
**(ELREHA) DIGITAL CONTROL PANEL & COMPONENTS**

ITEM	PART #	DESCRIPTION	QTY	CRITICAL
37	4529740	Personality Module on UI, Elreha	1	
38	4529761	Personality Module on Relay Board/SRB, Elreha	1	
39	1955703	Standoff Nylon, 1/4" dia.	4	
40*	1949599	Wire Harness - 115V 60Hz Gas	1	
	1949598	Wire Harness - 208/240V 60Hz Gas	1	
41*	1949578	Wire Harness - Relay Board	1	
44*	1905902	Wire Harness - Core Probe, for <b>Summit 45+</b> Control Only	1	
45*	1949579	Wire Harness - Lights	1	
46*	1936095	Wire Harness - Ignition Module (IPI/DSI)	1	
50*	1949501	Wiring Diagram 115V 60Hz Gas Fast Control	1	
	1949502	Wiring Diagram 208/240V Gas Fast Control	1	
<b>Note:</b> Diagram part#s listed For Reference Only. Please contact Technical Service for assistance.				

\* NOT ILLUSTRATED

**RECOMMENDED STOCK PARTS**

Blank Page



Burner Package

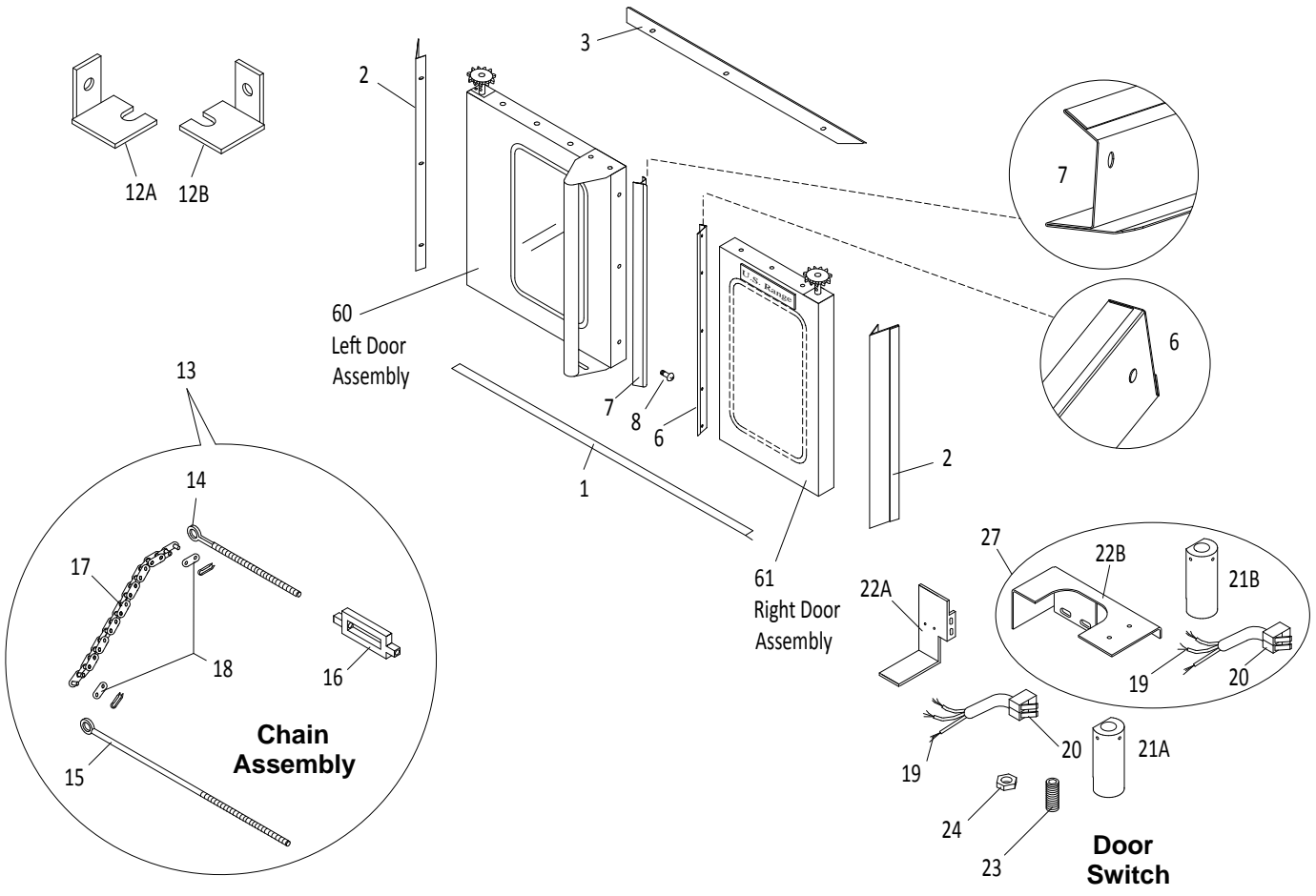
**U.S. RANGE PARTS IDENTIFICATION**  
**Summit Series Gas Convection Oven**  
*models SGM-100/200*

**BURNER PACKAGE**

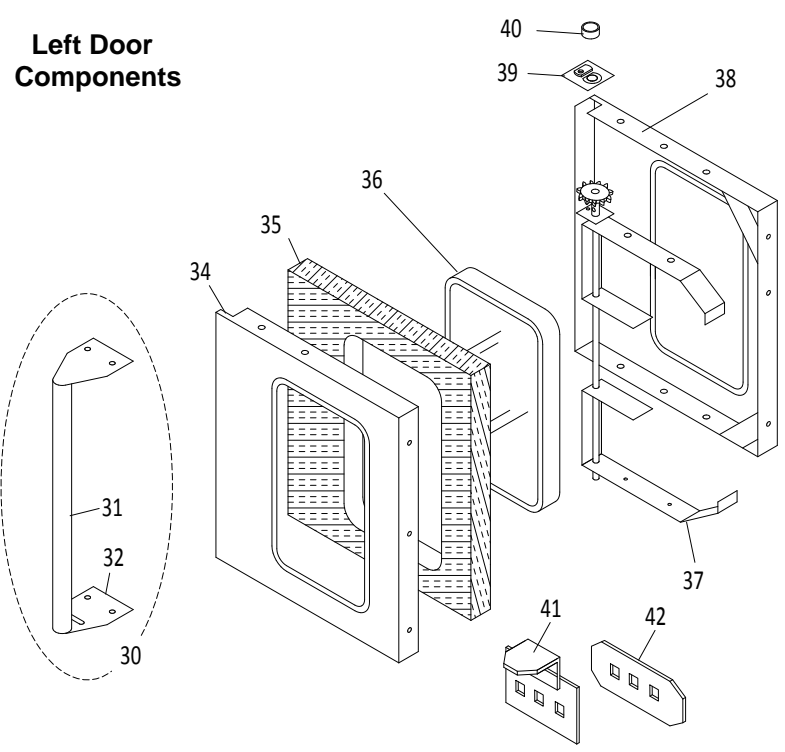
<b>ITEM</b>	<b>PART #</b>	<b>DESCRIPTION</b>	<b>QUANTITY</b>	<b>CRITICAL</b>
1	4521462	Burner Pack - DSI MCO 60K Natural	1	
	CK4521468	Burner Pack Converted - DSI MCO 80K Natural	1	
	CK4521464	Burner Pack Converted - DSI MCO 60K Propane	1	
2	4521466-04	Orifice, DSI MCO 80K Natural #47 <b>Note:</b> Use with Burner Pack CK4521468.	4	
	4521466-01	Orifice, DSI MCO 60K Propane #56 <b>Note:</b> Use with Burner Pack CK4521464.	4	
3	1916101	Manifold Pipe	1	
4	4523414	Ignitor - DSI Burner Pack	1	C
5	4523415	Flame Sensor – DSI Burner Pack	1	C
6	02251-1	Pressure Test Spigot	1	
7	4521585	DSI Ignition Module	1	C
8	4522605	Bracket - DSI Ignition Module	1	
9	1666300	1/4 Spade To Rajh Type Adaptor	1	
10	1095499	Straight Connector Assembly - 3/8 NPT x 7/16 CC (Includes Nut & Ferrule)	1	
12	1934308	Tubing - Gas Valve to Manifold	1	
15	1004849	Bell Reducer - 3/4 to 1/2 NPT	1	
16	1916199	Tailpipe - Standard	1	
	1916198	Tailpipe - Deep	1	
17	21302	Union - 1/2" NPT, Black (old P/N 1026903)	1	
18	14332	Nipple - 1/2" NPT x 3", Black (old P/N 1004644)	1	
19	05249	1/2" NPT x 90 Degree Elbow (old P/N 1026703)	1	
20	CK1918999	Bracket, Gas Valve Mount	1	
21C	14323	Close Nipple - 1/2" NPT x 1" Long (old P/N 1004640)	1	
22	1935701	Gas Valve - Natural Gas, Dual w/ Shut 4"	1	C
	1935702	Gas Valve - Propane Gas, Dual w/ Shut 10"	1	C
24	02558	Hex Bushing 1/2 x 3/8 NPT Black (old P/N 1038401)	1	
26	1027499	90 deg. Male Connector Assembly 7/16 CC x 3/8 NPT (includes a 7/16 CC Nut and a 7/16 CC Ferrule)	1	
40*	1936095	Wire Harness - Ignition Module (IPI/DSI)	1	

\* NOT ILLUSTRATED

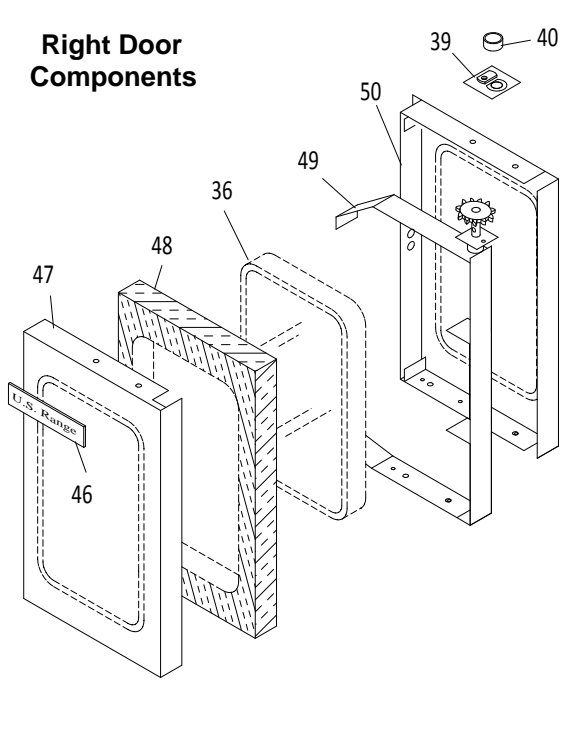
**RECOMMENDED STOCK PARTS**



**Left Door Components**



**Right Door Components**





**U.S. RANGE PARTS IDENTIFICATION**  
**Summit Series Gas Convection Oven**  
*models SGM-100/200*

**DOOR COMPONENTS & ASSEMBLIES**

ITEM	PART #	DESCRIPTION	QUANTITY	CRITICAL
1	1924712	<b>Seal - Door, Bottom</b>	1	
2	1924601	<b>Seal - Door, Left &amp; Right</b>	2	
3	1924711	<b>Seal - Door Top</b>	1	
6	1924411	<b>Center - Right Door Seal</b>	1	
7	1924412	<b>Center - Left Door Seal</b>	1	
8	8003123	<b>Mscr - TH - Phil 10-24 x 5/8" Stl ZP (for Center Seals)</b>	6	
12A	1925013	Bracket - Door Stop L/H	1	
12B	4519740	Bracket - Door Stop R/H	1	
DOOR CHAIN COMPONENTS (ITEMS 13 - 18)				
13	4520166	<b>Door Chain Assembly</b> <b>Note: Includes Items 14-18.</b>	2	C
14	1014201	Connecting Door Rod - Short <b>Note: Item listed for reference only. Not Sold Separately.</b>	2	
15	1014200	Connecting Door Rod - Long <b>Note: Item listed for reference only. Not Sold Separately.</b>	2	
16	1015000	Turnbuckle 1/4-20 with 4" Take Up	2	
17	1021100	Roller Chain #40	2	
18	1021299	Connecting Link #40	4	
DOOR SWITCH COMPONENTS AND KITS (ITEMS 19 - 27)				
19	1949575	Wire Harness - Door Micro Switch, Mechanical Control (SGM Converted).	1	
	1804727	Wire Harness - Door Micro Switch, Digital Control.	1	
19A	1949573	Door Switch Wire Harness for <b>Gold Corral</b>	1	
20	1855603	<b>High Temp Micro Switch</b> <b>Note: For units with Digital Controls.</b>	2	C
	4519715	<b>Door Micro Switch - High Temp, High Current (SGM Converted)</b>	2	C
21A	1925101	Cam - Door Switch (cannot replace 115338)	1	
21B	115338	Cam Assembly - Door Switch (Installed on any unit built after Jan-2014, serial# 1401 2300 01225. Can be used to replace item# 21A(1925101).	1	
22A	1925001	Bracket Door Switch Right	1	
22B	114179	Bracket Door Switch (Installed on any unit built after Jan-2014, serial# 1401 2300 01225)	1	
23	8003802	Set Screw 10x 24x 3/8"	2	
24	8001203	Nut Hex Stl 8-32	2	
25*	8001502	Nut w/Washer 6-32 KPS	2	
26*	8003208	MSCR-PH-6 32x32 ST ZP	2	
27	115346	Kit, Door Switch, Mechanical Control (SGM Converted to Manual Control) <ul style="list-style-type: none"> <li>• For any unit built before Jan-2014 / serial# 1401 2300 01225.</li> <li>• Kit includes items 19 (P/N 1949575), 20 (P/N 4519715), 21B, 22B.</li> <li>• Ref: Bulletin# GAR-04-14-AC.</li> </ul>	1	
	115347	Kit, Door Switch, Digital Control <ul style="list-style-type: none"> <li>• For any unit built before Jan-2014 / serial# 1401 2300 01225.</li> <li>• Kit includes items 19 (P/N 1804727), 20 (P/N 1855603), 21B, 22B.</li> <li>• Ref: Bulletin# GAR-04-14-AC.</li> </ul>	1	

\* NOT ILLUSTRATED

**RECOMMENDED STOCK PARTS**

**U.S. RANGE PARTS IDENTIFICATION**  
**Summit Series Gas Convection Oven**  
*models SGM-100/200*

**DOOR COMPONENTS & ASSEMBLIES**

ITEM	PART #	DESCRIPTION	QUANTITY	CRITICAL
<b>LEFT &amp; RIGHT DOOR COMPONENTS (Window / Solid)</b>				
30	CK1924396	Door Handle Assembly- Black <b>Note:</b> Assembly includes items 31, 32, 33.	1	
31	1924195	Tube Door	1	
32	1924206	Plate - Door Handle	2	
33*	8003605	1/4-20 x 1" Carriage Bolt, Black	2	
34	1924001	Panel - Left Door (Solid)		
	1924002	Panel - Left Door (Window)	1	
	1924007	Panel - Left Door (Solid - Prison)	1	
	1924011	Panel - Left Door (Window - Prison)	1	
35	1915914	Insulation - Left Door (Window)	2	
	1915915	Insulation - Left Door (Solid)	1	
36	<b>1010999</b>	<b>Oven Door Window - 3/16" Glass (Window Option)</b>		
37	4520373	Weld Assembly Frame Left Door Extended Bearing Plate	1	
38	CK1923997	Panel - Left Door Liner (Window) <b>Note:</b> For both Standard and Prison Models.	1	
	1923996	Panel - Left Door Liner (Solid) <b>Note:</b> For both Standard and Prison Models.	1	
39	4520301	Plate - Door Bushing Extended	2	
40	1923201	Spacer - Door Hinge	2	
41	1925099	Door Hasp Bracket Weldment Assembly (Prison, Left Door)	1	
42	1925009	Plate - Door Hasp Back (Prison, Left Door)	1	
43*	8003603	3/8-16 x 3/4 Carriage Bolt (Prison, Left Door)	3	
	8001210	3/8-16 Hex Nut Stl Zinc (Prison, Left Door)	3	
	8000308	3/8 x 3/4 Flat Washer Stl Zinc (Prison, Left Door)	3	
	8000207	3/8 x 11/64 x 3/32 Split Lock Washer, Stl Zinc (Prison, Left Door)	3	
46	3077102	7-5/8" U.S. Range Nameplate (for non-Prison Door)	1	
47	1924003	Panel - Right Door (Solid)	1	
	1924008	Panel - Right Door (Solid - Prison)	1	
	1924004	Panel - Right Door (Window)	1	
48	1915916	Insulation Right Door (Window)	1	
	1915917	Insulation - Right Door (Solid)	1	
49	4520374	Weld Assembly Frame Right Door Extended Bearing Plate	1	
50	1923998	Panel - Right Door Liner (Solid) <b>Note:</b> For both Standard and Prison Models.	1	
	1923999	Panel - Right Door Liner (Window)	1	

\* NOT ILLUSTRATED

**RECOMMENDED STOCK PARTS**

**U.S. RANGE PARTS IDENTIFICATION**  
**Summit Gas Convection Ovens**  
*models* **SGM-100/200, SUMG-100/200**

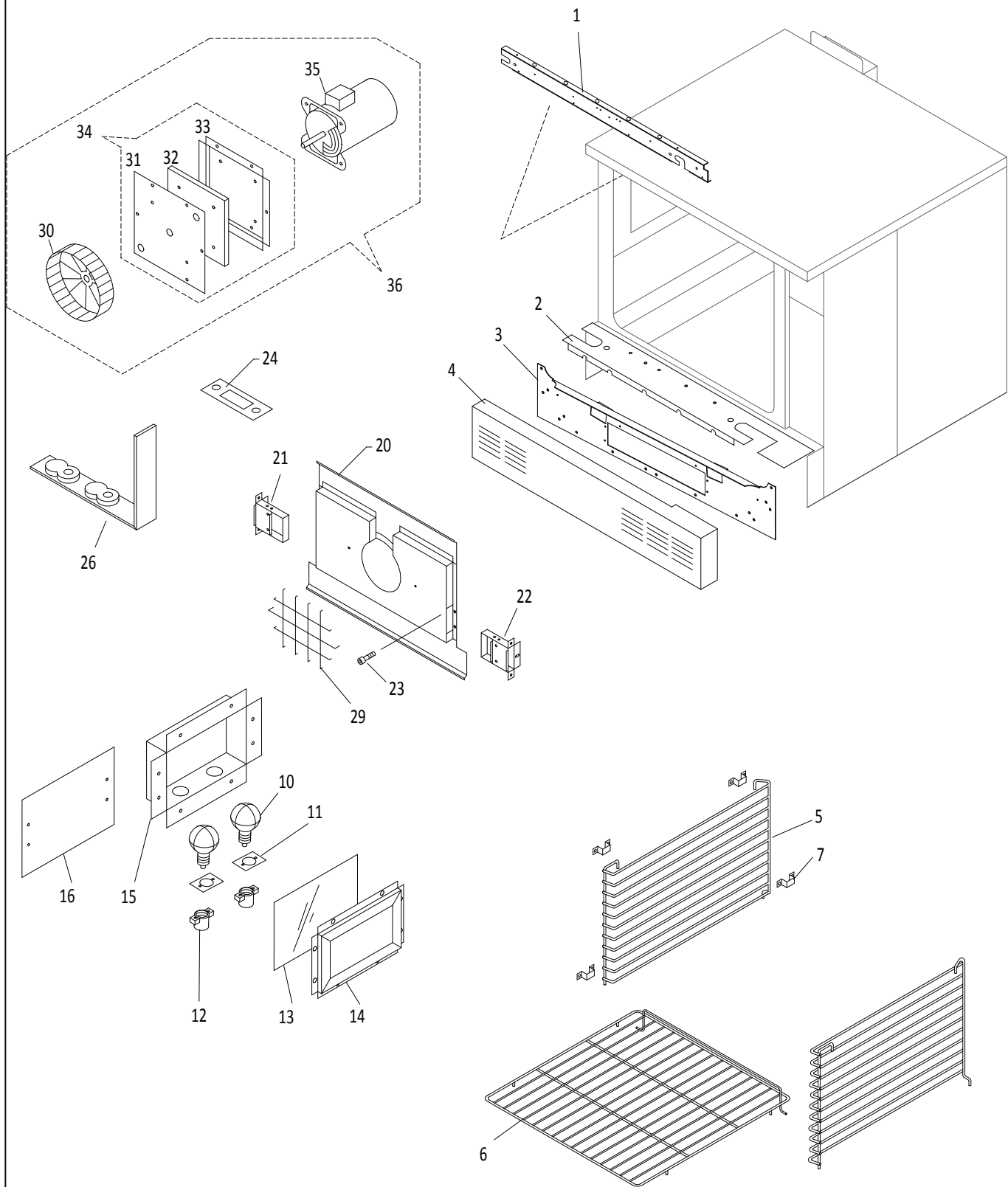
**COMPLETE DOOR ASSEMBLIES**

<b>ITEM</b>	<b>PART #</b>	<b>DESCRIPTION</b>
<b>LEFT DOOR - COMPLETE ASSEMBLIES</b> (includes Left Door Components and the Left Door Center Seal)		
60	4520318	USR Complete Door Kit - Left (WINDOW)
	4520320	USR Complete Door Kit - Left (SOLID)
<b>RIGHT DOOR - COMPLETE ASSEMBLIES</b> (includes Right Door Components and the Right Door Center Seal)		
61	4520319	USR Complete Door Kit - Right (WINDOW)
	4520321	USR Complete Door Kit - Right (SOLID)

\* NOT ILLUSTRATED

***RECOMMENDED STOCK PARTS***

**OVEN COMPONENTS**



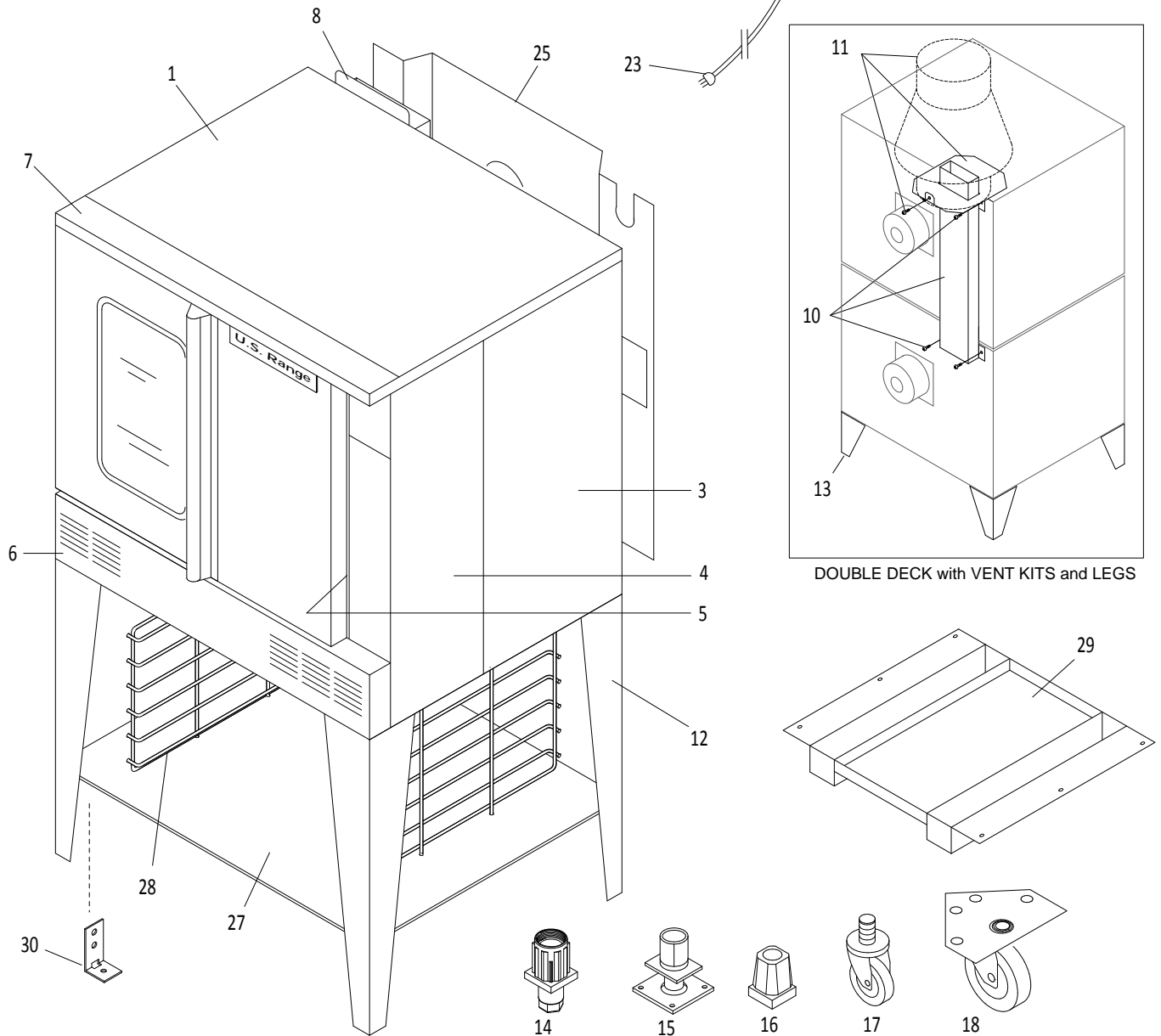
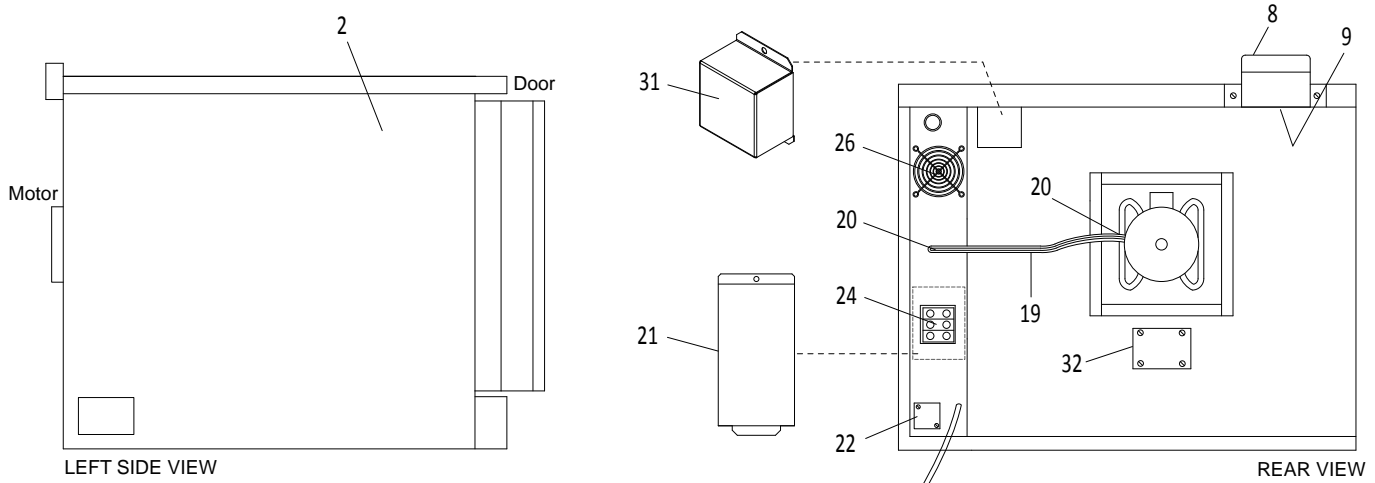
**U.S. RANGE PARTS IDENTIFICATION**  
**Summit Series Gas Convection Oven**  
*models SGM-100/200*

**OVEN COMPONENTS**

<b>ITEM</b>	<b>PART #</b>	<b>DESCRIPTION</b>	<b>QTY</b>	<b>CRITICAL</b>
1	1925201	Channel - Upper Hinge	1	
2	1925202	Channel - Lower Hinge	1	
3	1915401	Cover - Burner Box Front	1	
4	4519724	Cover - Lower Front Trim	1	
5	1922001	Oven Rack Guide - 10 Positions, Standard	2	
	1922002	Oven Rack Guide - 10 Positions, Deep	2	
6	1922211	Oven Rack - Standard	5	
	1922212	Oven Rack - Deep	5	
7	1765212	Oven Rack Clip	8	
10	<b>1623900</b>	<b>Light Bulb - 40W</b>	2	
11	1025900	Light Socket Gasket	2	
12	1025800	Lamp Socket - Porcelain	2	
13	1676901	Glass, High Temp	1	
14	1921801	Cover, Light Box	1	
15	1921902	Light Box	1	
16	1928299	Plate, Light Box Patch - Porcelain (no oven lights option)	1	
20	1802999	Fan Cover	1	
21	CK1782599	Fan Cover Duct, Left	1	
22	CK1782598	Fan Cover Duct, Right	1	
23	8004005	1/4-20 x 3/8" Allen Head Screws	4	
24	1784302	Oven Vent Cap - 60K BTU	1	
	1784303	Oven Vent Cap - 80K BTU	1	
26	1785998	Fan Duct Restrictor - 60K BTU	1	
	1785996	Fan Duct Restrictor - 80K BTU	1	
29	G02904-01P	Blower Inlet Cover	1	
30	G02952-01P	Blower Wheel Assembly Plated	1	
31	1916401	Plate, Motor Pocket Front	1	
32	1915921	Insulation - Motor Pocket	1	
33	1916402	Motor Pocket Back	1	
34	CK1916499	Motor Pocket Assembly	1	
35	1686711	Motor 3/4 HP, 115V, 2 Speed	1	
	1686712	Motor 3/4 HP, 208/240V, 2 Speed	1	
36	<b>CK1003090</b>	<b>Motor Assembly - 2 Speed - 115V</b>	1	C
	<b>CK1003091</b>	<b>Motor Assembly - 2 Speed - 208/240 V</b>	1	C
37	1783901	Fire Plate - Standard depth	1	
	1783902	Fire Plate - Deep depth	1	
38*	113361	Convection Oven Insulation Kit - Standard	1	
	113364	Convection Oven Insulation Kit - Deep Size	1	

\* NOT ILLUSTRATED

**RECOMMENDED STOCK PARTS**



**U.S. RANGE PARTS IDENTIFICATION**  
**Summit Series Gas Convection Oven**  
*models SGM-100/200*

**MAIN EXTERIOR COMPONENTS**

ITEM	PART #	DESCRIPTION	QTY	CRITICAL
1	1917602	Cover - Main Top, SS	1	
2	1920201	Cover - Body Side, Left, SS	1	
3	1918701	Cover - Body Side, Right, SS	1	
4	1925901	Cover - Control Panel, Right, SS	1	
	1925999	Cover - Control Panel, Right (Prison Package)	1	
5	1925801	Cover - Control Panel, Left, SS	1	
6	4519724	Cover - Lower Front Trim, SS	1	
6A*	8003107	#10-24 x 3/4" Machine Screw-Th-Phl (for Lower Front Trim Cover)		
7	1925301	Cover - Upper Front Trim, SS	1	
7A*	8002107	#10 x 1/2" Machine Screw-Th-Phl-B Stl 2P (for Upper Front Trim Cover)		
8	1919999	Vent Assembly - Outer (Standard or Deep)	1	
9	1919399	Vent Assembly - Standard	1	
	1919398	Vent Assembly - Deep	1	
10	CK1920099	Flue Assembly for Double Deck <b>Note:</b> Kit includes sheet metal flue channels (part# 1920001, 1920002) and fasteners (8002106).	1	
11	1951217	Direct Vent Kit (for single or double deck) <b>Note:</b> Kit includes Flue Adapter Plate (1953001), Direct Vent Bell (1190100), and fasteners (8002108).	1	
12	1927199	Leg - Single Deck, SS, for Casters, approx. 19-3/4"	4	
	1927197	Leg - Single Deck, SS, for Foot Inserts, 24"	4	
13	1927195	Leg - Double Deck, SS	4	
14	1236100	1-1/2" Square Foot Insert - Chrome Plated	4	
15	1949701	Flanged Foot Insert ( <b>Optional Feature</b> )	4	
16	1775102	Caster Insert (Single Deck Only)	4	
17	1926501	Caster - 4" Swivel without Brake, 3/4NPT	4	
	1926502	Caster - 4" Swivel with Brake, 3/4NPT	4	
18	1926531	Heavy Duty Caster - 5" Swivel without Brake, for Double Deck	4	
	1926532	Heavy Duty Caster - 5" Swivel with Brake, for Double Deck	4	
	4524736	Kit - Casters 3" Swivel without Brake (low profile) <b>Note:</b> Kit Includes Two Casters	1	
	4524737	Kit - Casters 3" Swivel with Brake (low profile) <b>Note:</b> Kit Includes Two Casters	1	
19	1029426	3/8 BX Cable 26" Long	1	
20	1028501	BX Connector - Straight	2	
21	1927898	Cover - External Terminal Block (208/240V Units)	1	
22	1928206	Plate - Line Cord Patch	1	
23	<b>1029501</b>	<b>8' Long Power Cord (115V Gas Unit)</b>	1	
24	1193900	Terminal Block - 3 Pole-Hi Voltage	1	
25	1921001	Cover - Main Back, Std SS	1	
	1921003	Cover - Main Back, Deep SS	1	
	1921089	Cover W/A - Standard Depth (Prison Package)	1	
	1921088	Cover W/A - Deep Depth Gas (Prison Package)	1	
26	1919001	Cooling Fan Guard - 120mm	1	
27	1926902	Panel - Open Base, SS	1	
28	1926702	Rack Guide - Lower, Open Base	2	
29	1926802	Support - Rack Guide, Upper	1	
30	1927001	Clip - Lower Rack Guide Support	4	
31	1916301	Probe Connector Cover	1	
32	1928204	Plate - Element Patch	1	

\* NOT ILLUSTRATED

**RECOMMENDED STOCK PARTS**

**U.S. RANGE PARTS IDENTIFICATION**  
**Summit Gas Convection Ovens**  
*models SGM-100/200*

**LIST OF WIRING DIAGRAMS & AVAILABLE KITS**

**WIRING DIAGRAMS**

*(For Reference Only - Contact Technical Service Department for assistance)*

<b>PART #</b>	<b>DESCRIPTION</b>
1949501	<b>SGM</b> 115V 60Hz Gas Digital Control
1949502	<b>SGM</b> 208/240V Gas Digital Control
4522595	Conversion - Fastron Digital Control Converted to Manual Control

**GAS CONVERSION KITS**

*(Contact Parts Department for assistance)*

<b>PART #</b>	<b>DESCRIPTION</b>
4526640-2	Gas Conversion Kit for 60,000 BTU/HR Natural Gas Final Configuration (Ref: 113412)
4526640-3	Gas Conversion Kit for 80,000 BTU/HR Natural Gas Final Configuration (Ref: 113413)
4526640-1	Gas Conversion Kit for 60,000 BTU/HR Propane Gas Final Configuration (Ref: 113414)

**SINGLE & DOUBLE DECK KITS (OPEN BASE, LEGS & CASTERS)**

*(For Reference Only - Contact Sales Department for assistance)*

<b>PART #</b>	<b>DESCRIPTION</b>
1951213	Single Deck S/S Open Base & Feet Kit
1951214	Single Deck S/S Open Base & Casters
1951204	Single Deck S/S Legs & Feet Inserts
1951205	Single Deck S/S Legs and Casters
1951209	Double Deck - Kit MCO - Heavy Duty Casters
1951210	Double Deck - Kit MCO - LO-Profile Casters
1951223	Double Deck Gas W/Inserts S/S Legs
1951226	Double Deck Gas W/Casters
1951228	Double Deck Gas W/Lo Profile Casters

**VENTILATION KITS**

*(For Reference Only - Contact Sales Department for assistance)*

<b>PART #</b>	<b>DESCRIPTION</b>
1951217	Direct Connect Venting Kit



## U.S. RANGE PARTS IDENTIFICATION

### BULLETINS

(for all full size convection ovens)

BULLETIN #	SUBJECT	DATE
B-97-2009-S	New Axial Cooling Fan Install Instructions	SEP 17/09
GAR-03-12-AIC	Master 200 Series Controller P/N 1955501	FEB 8/12
BI-06-2012-P	Parts Department Notification: Controllers - Important Information. See new bulletin GAR-02-14-AC	FEB 22/12
GAR-11-12-AC	Convection Ovens, New Elreha Controller Critical & Recommended Stock Parts	SEP 21/12
GAR-06-13-AIC	Error Messages and Description, Elreha Digital Controls	SEP 6/13
GAR-08-13-AIC	Convection Oven Keypad Test Points Chart (Elreha Digital Control)	OCT 16/13
GAR-02-14-AC	Convection Oven Digital Controller Conversion Kits Availability Chart	JAN 28/14
GAR-04-14-AC	Convection Oven Door Switch Replacement Kits	FEB 14/14

### REVISION HISTORY (SGM)

REV#	PAGE	ITEM#	NOTES	DATE
6	11	2, 4A	Added new overlay 115268. Overlays 4529267, 4529266 are still available..	FEB 27/14
	7	2, 4A	Added new overlay 115268. Overlays 1908509, 1908511 are still available..	
	25		Added bulletins	
	24		Removed Canopy Diverter Kit 1951229 from Available kits as NLA.	
	16	27	New door switch kits; New bracket for door switch; new CAM assebmly for door switch. PCC# 130223.	
	4		Created new section: Fastron Controller Replacement Kit Option Chart. Modified previous illustrations. No change to Fastron kits from 2012. New Cooling Kits for Elreha, PCC 130205.	

 ***U.S. Range***<sup>®</sup>

 ***Manitowoc***