

Induction RTCSmp Dual Hobs

Countertop and Built-In Line Models

Parts List

**Built-In Line Dual Hobs Model
SH/DU/IN**



**Countertop Line Dual Hobs Model
SH/DU/BA**



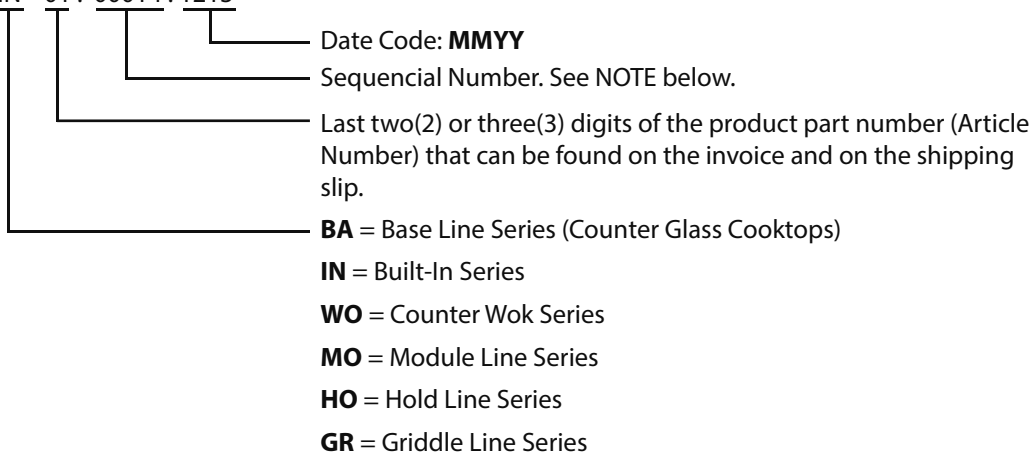
Rating Plate Location



Serial Number (S/N) Explained

The serial number of your unit is listed on the rating plate.

Example: IN 01 . 00014 . 1213



NOTE: non-RTCS / RTCS / RTCSmp models

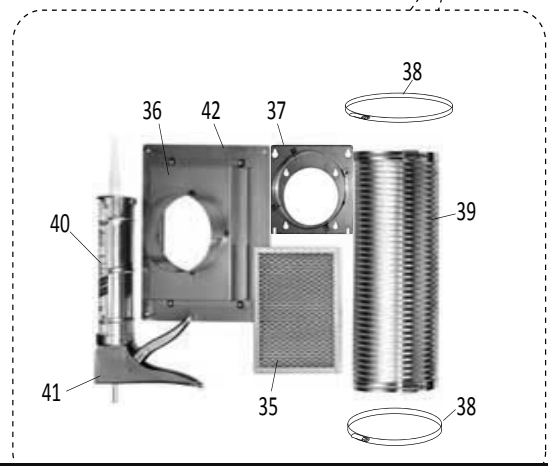
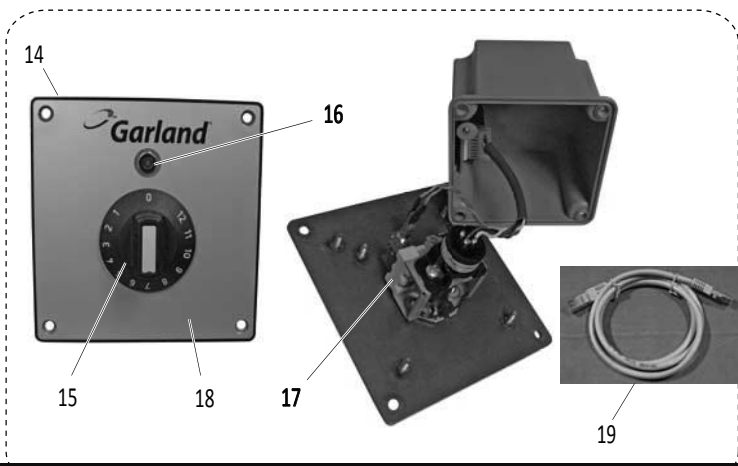
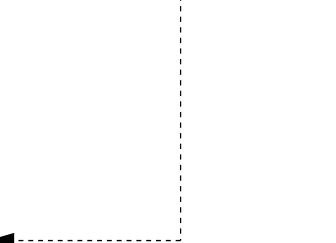
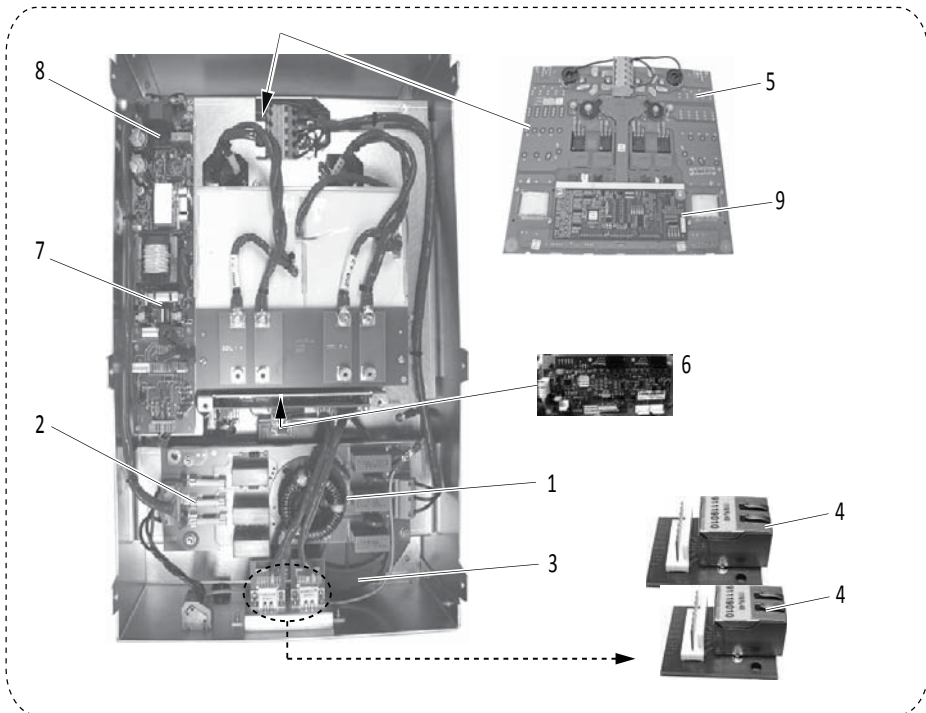
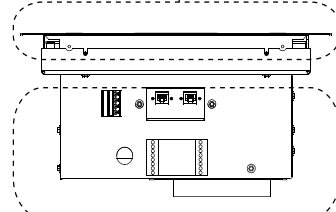
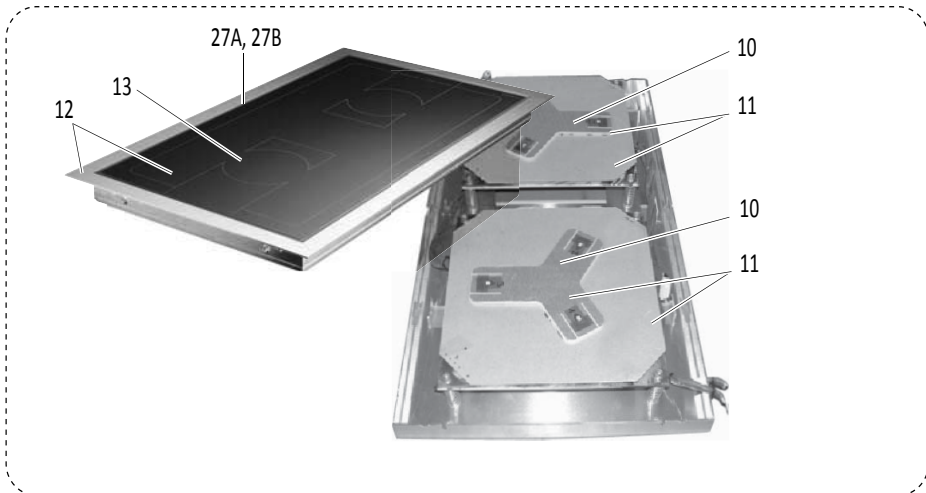
- A non-RTCS/RTCSmp unit has a 4-Digit Sequence Number.
- A RTCS or RTCSmp unit has a 5-Digit Sequence Number.
- A RTCSmp unit is indicated as such on the Rating Plate.

Nomenclature and Models

Series	Style	Function	Built-in	Power (Watt)	Models
SH = Slim Hob	DU = Dual Hobs	BA = Base Line		7000 (2x 3500) 10000 (2x 5000)	SH/DU/BA 7000 (2x 3500) SH/DU/BA 10000 (2x 5000)
			IN = Built-In Line	7000 (2x 3500) 10000 (2x 5000)	SH/DU/IN 7000 (2x 3500) SH/DU/IN 10000 (2x 5000)

Table of Contents

Rating Plate Location, Serial Number and Nomenclature Information	2
Built-In Dual Hobs — SH DU IN 7000 (2x 3500), 7kW, 208/400/440V, 50/60Hz, 3Phase	4
Built-In Dual Hobs — SH DU IN 10000 (2x5000), 10kW, 208/400/440V, 50/60Hz, 3Phase	6
Countertop Dual Hobs — SH DU BA 7000(2x 3500), 7kW, 208/400/440V, 50/60Hz, 3Phase	8
Countertop Dual Hobs — SH DU BA 10000(2x5000), 10kW, 208/400/440V, 50/60Hz, 3Phase	10
Countertop Dual Hobs — (Built Before 2013) SH DU BA 10000(2x5000), 10kW, 208V, 50/60Hz, 3Phase	12
Countertop Dual Hobs — SH DU BA 7000(2x3500), 7kW, 220V, 50/60Hz, 3Phase	14
Repair Accessories	16
Revision History	17



GARLAND PARTS IDENTIFICATION
RTCSmp Induction Built-In Line, Dual Hobs, 7kW (2x 3.5kW)

models

SH DU IN 7000 (2x 3500)/ Article No. 99580101/ 7.0kW(2x 3.5kW) 208V 22A 60Hz 3Phase

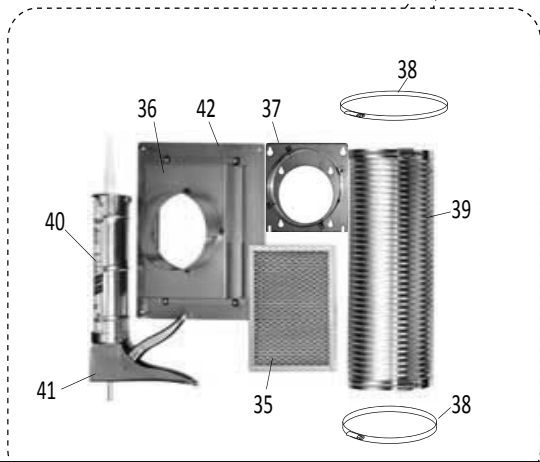
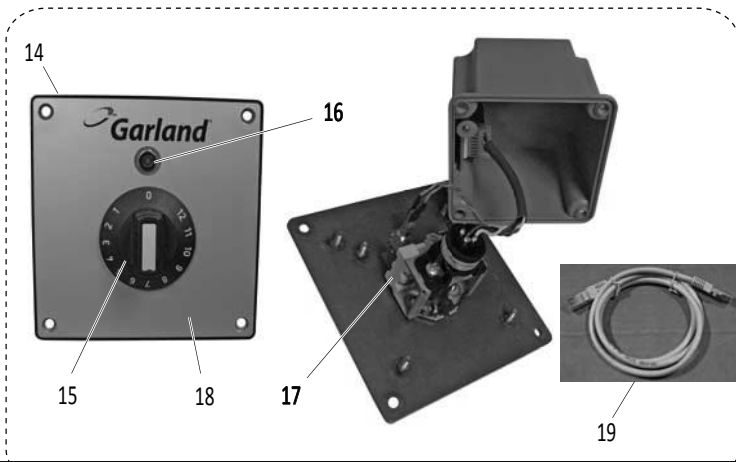
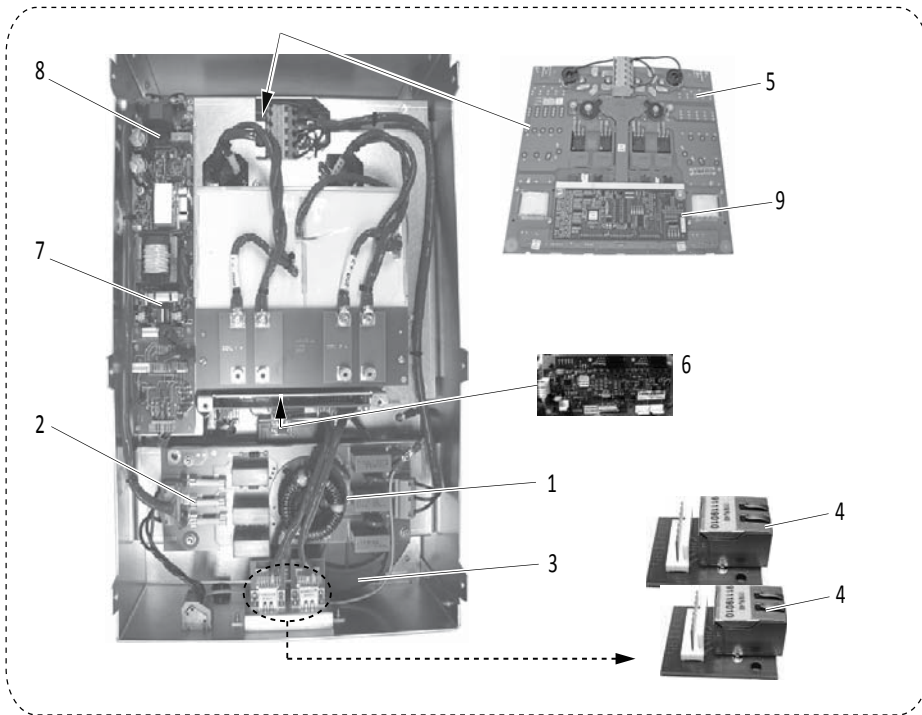
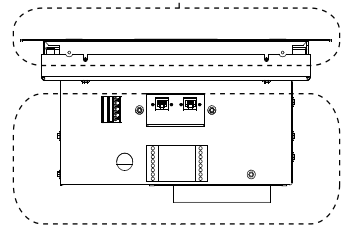
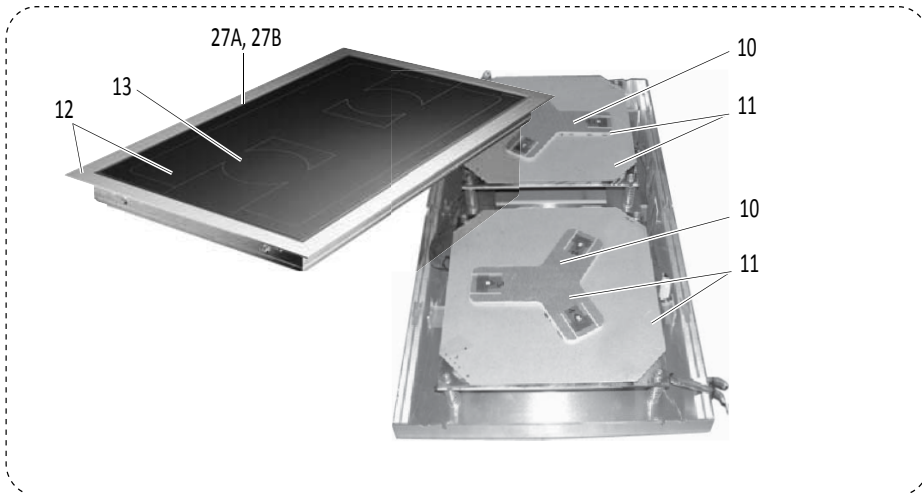
SH DU IN 7000 (2x 3500)/ Article No. 99580103/ 7.0kW(2x 3.5kW) 400V 11A 50Hz 3Phase

SH DU IN 7000 (2x 3500)/ Article No. 99580104/ 7.0kW(2x 3.5kW) 440V 10A 50Hz 3Phase

ITEM	PART #	DESCRIPTION	QUANTITY			CRITICAL
			208V	400V	440V	
1	91168030	Mains Line Filter Board/Print	1			
	91167010	Mains Line Filter Board/Print		1	1	
2	34150259	Fuse T25A 250V 6.3 x 32	6	3	3	C
3	94090007	Fan 24VDC 22W	1	1	1	C
4	91119010	RJ-45 Print/Board 119	2	2	2	C
5	98012661	Power Board, 208V	1			C
	98012611	Power Board, 400V		1		C
	98012681	Power Board, 440V			1	C
6	91133120	(Board/Print I133) RTCSmp Dual Hobs with IR Board	1	1	1	
7	91120032	Board (Print) I120, AC/DC, 208V	1			
	91120022	Board (Print) I120, AC/DC, 400-440V		1	1	
8	91109012	Board (Print) I109c, Supply & CAN-BUS Interface	1	1	1	
9	91131100	CPU Board (Print), 208V	1			
	91131010	CPU Board (Print), 400V		1		
	91131130	CPU Board (Print), 440V			1	
10	94040130	Sensor Unit, Round Coil, 3 x PT 1k	2	2	2	C
11	93005030	Induction Coil #5.03, with 3 x PT Sensors	2			
	93017053	Induction Coil #17.05, with 3 x PT Sensors		2	2	
12	98300022	Built-in Frame Complete Assembly SH/DU/IN (with Glass)	1	1	1	
13	77325801	Ceran Glass 320x 580x 4mm	1	1	1	
14	94030028	Operation Unit RJ-45, without Cable (incl. items#15,16,17)	2	2	2	C
15	39400001	Plastic Knob, 0-12	2	2	2	
16	35624009	Indicator Lamp, 24V, LED, Green	2	2	2	
17	94010001	Power Switch 2 Pol with Potentiometer	2	2	2	C
18	66000067	Overlay, Garland, Square (Option)	1	1	1	
19	38602063	Cable, RJ45, 1-meter	1	1	1	
27A	70000003	Silicone Strip 565x 6x 4mm (for Glass Installation)	2	2	2	
27B	70000002	Silicone Strip 305x 6x 4mm (for Glass Installation)	2	2	2	
34	95000020	Kit, Fresh Air Intake Kit for Built-In, Dual Model	1	1	1	
35	71000003	Air Intake Filter 200x 150x 12mm	1	1	1	
36	72183091	Grease Filter Holder/Frame	1	1	1	
37	72263011	Air Conductor Holder, Dual	1	1	1	
38	76000002	Clamp	2	2	2	
39	76000001	Air Conductor Aluminum	1	1	1	
40	70000015	Silicone Glue PACTAN 7076 (for Glass Installation)	1	1	1	
41	76000003	Caulking Gun (for Glass Installation)	1	1	1	
42	72204090	Grease Filter Holder/Frame, Front Plate	1	1	1	

* NOT ILLUSTRATED

RECOMMENDED STOCK PARTS



GARLAND PARTS IDENTIFICATION
RTCSmp Induction Built-In Line, Dual Hobs, 10kW (2x 5.0kW)

models

SH DU IN 10000(2x5000)/ Article No. 99580105/ 10kW(2x 5.0kW) 208V 30A 60Hz 3Phase

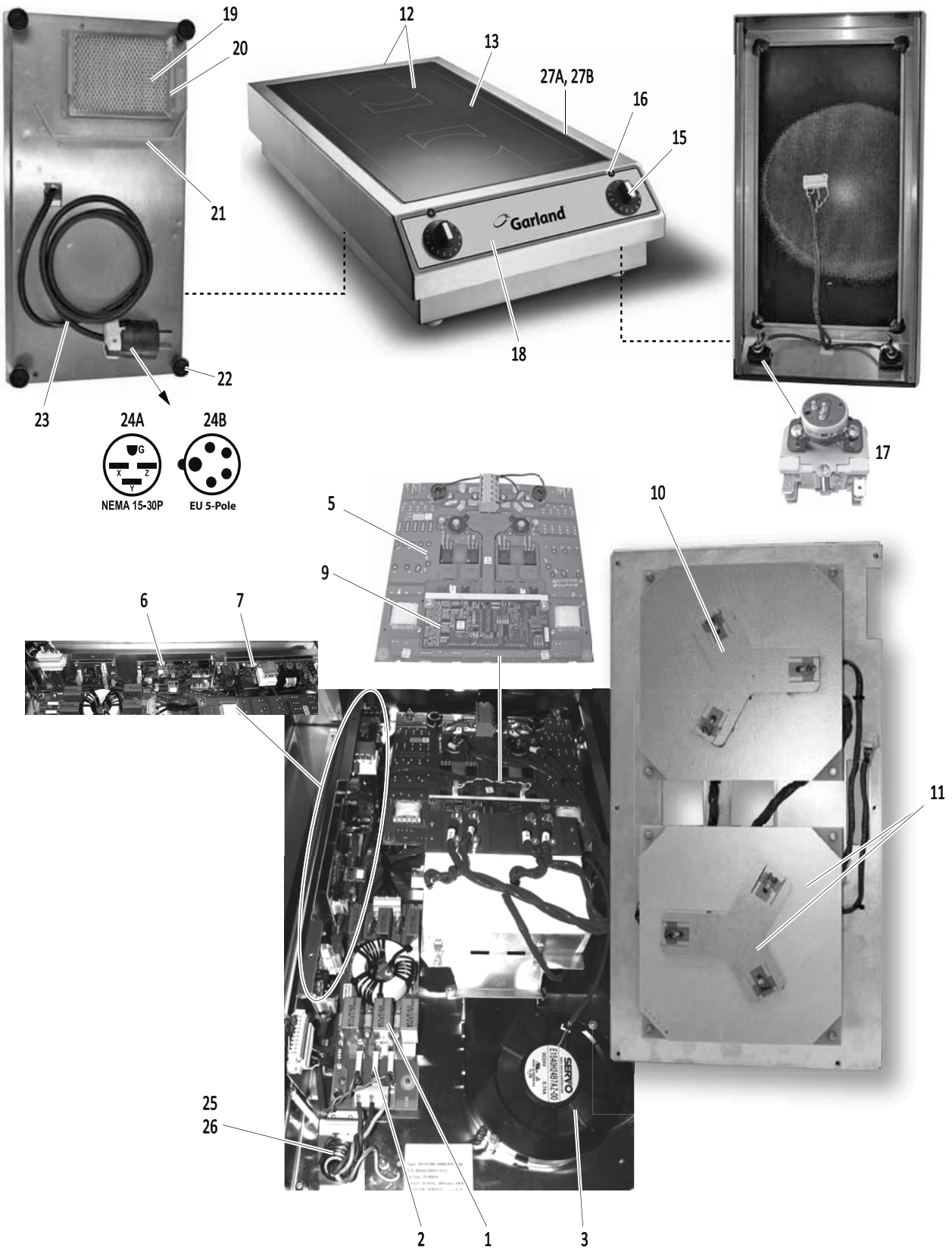
SH DU IN 10000(2x5000)/ Article No. 99580107/ 10kW(2x 5.0kW) 400V 16A 50Hz 3Phase

SH DU IN 10000(2x5000)/ Article No. 99580108/ 10kW(2x 5.0kW) 440V 15A 50Hz 3Phase

ITEM	PART #	DESCRIPTION	QUANTITY			CRITICAL
			208V	400V	440V	
1	91168030	Mains Line Filter Board/Print	1			
	91167010	Mains Line Filter Board/Print		1	1	
2	34150259	Fuse T25A 250V 6.3 x 32	6	3	3	C
3	94090007	Axial Fan 24VDC 22W	1	1	1	C
4	91119010	RJ-45 Print/Board 119	2	2	2	C
5	98012661	Power Board, 208V	1			C
	98012611	Power Board, 400V		1		C
	98012681	Power Board, 440V			1	C
6	91133120	(Board/Print I133) RTCSmp Dual Hobs with IR Board	1	1	1	
7	91120032	Board (Print) I120, AC/DC, 208V	1			
	91120022	Board (Print) I120, AC/DC, 400-440V		1	1	
8	91109012	Board (Print) I109c, Supply & CAN-BUS Interface	1	1	1	
9	91131140	CPU Board (Print), 208V	1			
	91131010	CPU Board (Print), 400V		1		
	91131170	CPU Board (Print), 440V			1	
10	94040130	Sensor Unit, Round Coil, 3 x PT 1k	2	2	2	C
11	93005030	Induction Coil #5.03, with 3 x PT Sensors	2			
	93017053	Induction Coil #17.05, with 3 x PT Sensors		2	2	
12	98300022	Built-in Frame Complete Assembly SH/DU/IN, with Glass	1	1	1	
13	77325801	Ceran Glass 320x 580x 4mm	1	1	1	
14	94030028	Operation Unit RJ-45, without Cable (incl. items#15,16,17)	2	2	2	C
15	39400001	Plastic Knob, 0-12	2	2	2	
16	35624009	Indicator Lamp, 24V, LED, Green	2	2	2	
17	94010001	Power Switch 2 Pol with Potentiometer	2	2	2	C
18	66000067	Overlay, Garland, Square (Option)	1	1	1	
19	38602063	Cable, RJ45, 1-meter	1	1	1	
27A	70000003	Silicone Strip 565x 6x 4mm (for Glass Installation)	2	2	2	
27B	70000002	Silicone Strip 305x 6x 4mm (for Glass Installation)	2	2	2	
34	95000020	Kit, Fresh Air Intake Kit for Built-In, Dual Model	1	1	1	
35	71000003	Air Intake Filter 200x 150x 12mm	1	1	1	
36	72183091	Grease Filter Holder/Frame	1	1	1	
37	72263011	Air Conductor Holder, Dual	1	1	1	
38	76000002	Hose Clamp	2	2	2	
39	76000001	Air Conductor Aluminum	1	1	1	
40	70000015	Silicone Glue PACTAN 7076 (for Glass Installation)	1	1	1	
41	76000003	Caulking Gun (for Glass Installation)	1	1	1	
42	72204090	Grease Filter Holder/Frame, Front Plate	1	1	1	

* NOT ILLUSTRATED

RECOMMENDED STOCK PARTS



GARLAND PARTS IDENTIFICATION
RTCSmp Induction Countertop Line, Dual Hobs, 7kW (2x 3.5kW)

models

SH DU BA 7000 (2x3500)/ Article No. 99560201/ 7.0kW(2x 3.5kW) 208V 22A 60Hz 3Phase

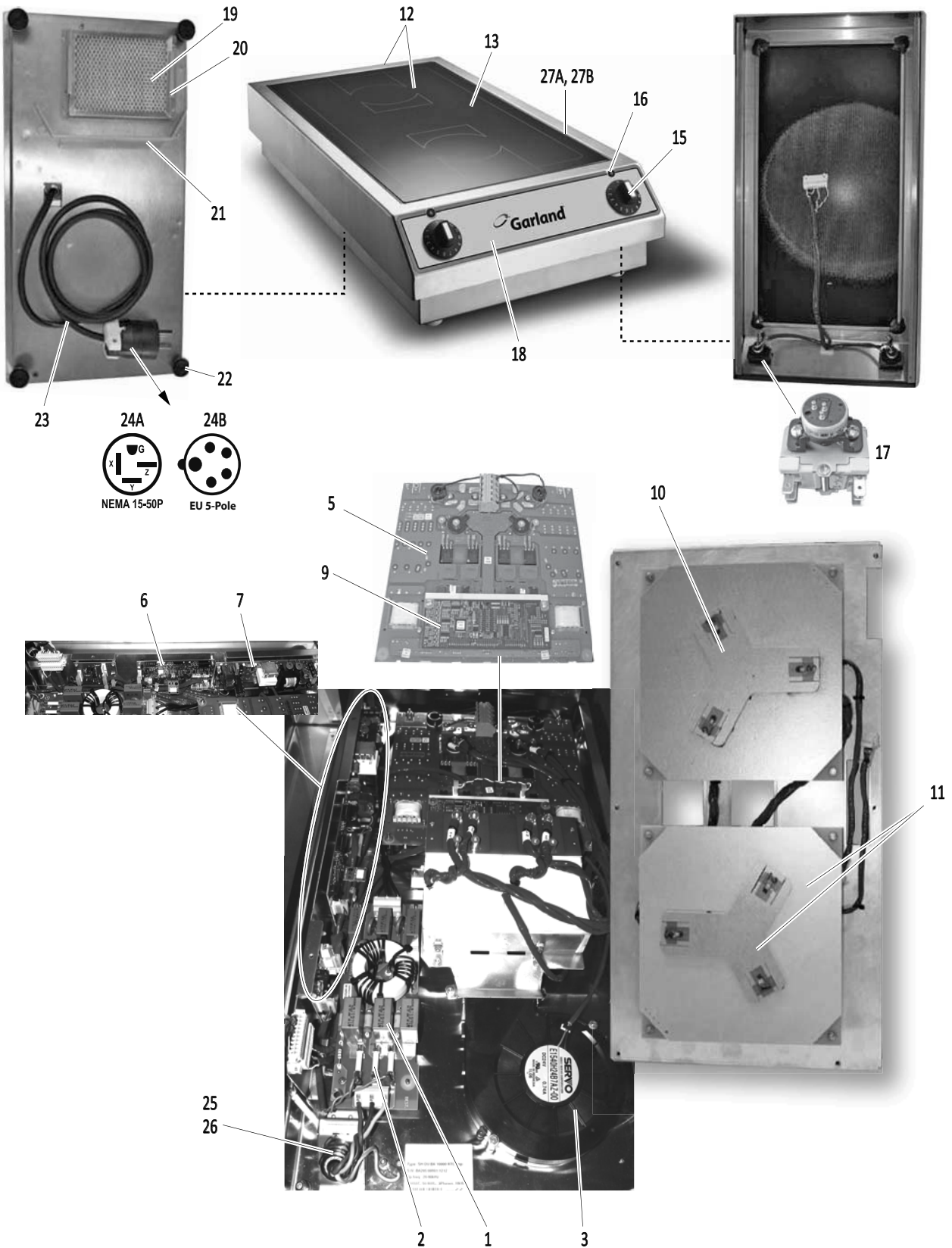
SH DU BA 7000 (2x3500)/ Article No. 99560203/ 7.0kW(2x 3.5kW) 400V 11A 50Hz 3Phase

SH DU BA 7000 (2x3500)/ Article No. 99560204/ 7.0kW(2x 3.5kW) 440V 10A 50Hz 3Phase

ITEM	PART #	DESCRIPTION	QUANTITY			CRITICAL
			208V	400V	440V	
1	91168030	Mains Line Filter Board/Print	1			
	91167010	Mains Line Filter Board/Print		1	1	
2	34150259	Fuse T25A 250V 6.3 x 32	6	3	3	C
3	94090009	Radial Fan 24VDC 22W	1	1	1	C
5	98012661	Power Board, 208V	1			C
	98012611	Power Board, 400V		1		C
	98012681	Power Board, 440V			1	C
6	91133120	Board/Print I133 RTCSmp Dual Hobs with IR	1	1	1	
7	91120032	Board/Print I120, AC/DC, 208V	1			
	91120022	Board/Print I120, AC/DC, 400-440V		1	1	
9	91131100	CPU Board/Print I131, 208V	1			
	91131010	CPU Board/Print I131, 400V		1		
	91131130	CPU Board/Print I131, 440V			1	
10	94040130	Sensor Unit, Round Coil, 3 x PT 1k	2	2	2	C
11	93005030	Induction Coil #5.03, with 3 x PT Sensors	2			
	93017053	Induction Coil #17.05, with 3 x PT Sensors		2	2	
12	98300102	Housing/Case, Upper, with Glass, SH/DU/BA	1	1	1	
13	77325801	Ceran Glass 320x 580x 4mm	1	1	1	
15	39400001	Plastic Knob, 0-12	2	2	2	
16	35624009	Indicator Lamp, 24V, LED, Green	2	2	2	
17	94010001	Power Switch 2 Pol with Potentiometer	2	2	2	C
18	66000003	Overlay, Garland, Dual	1	1	1	
19	71000003	Air Intake Filter 200x 150x 12mm	1	1	1	
20	72261030	Frame/Holder for Air Intake Filter	1	1	1	
21	72300520	Air Deflector SH/DU/BA	1	1	1	
22	95000120	Foot, Complete Assembly	4	4	4	
23	38324001	Mains Cable UL 4x AWG 10	1			
	38625050	Mains Cable VDE 4x 2.5mm2		1	1	
24A	32750401	Mains Plug USA NEMA 15-30P	1			
24B	32750503	Mains Plug EU 5-Pole 400V 16A		1		
25	39500012	Cable Connector Nut (Cable Gland PG 29)	1			
	39500011	Cable Connector Nut (Cable Gland PG 21)		1	1	
26	39500005	Screw Nut PG 29	1			
	39500004	Screw Nut PG 21		1	1	
27A	70000003	Silicone Strip 565x 6x 4mm (for Glass Installation)	2	2	2	
27B	70000002	Silicone Strip 305x 6x 4mm (for Glass Installation)	2	2	2	

* NOT ILLUSTRATED

RECOMMENDED STOCK PARTS



GARLAND PARTS IDENTIFICATION

RTCSmp Induction Countertop Line, Dual Hobs, 10kW (2x 5.0kW)

models

SH DU BA 10000 (2x5000)/ ArticleNo. 99560205/ 10kW(2x5.0kW) 208V 30A 60Hz 3Phase

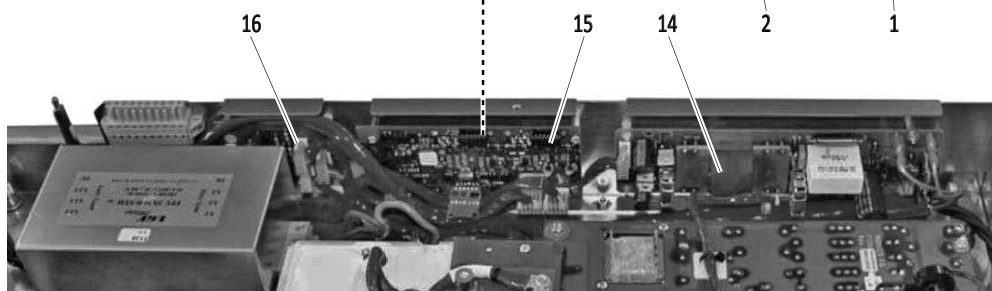
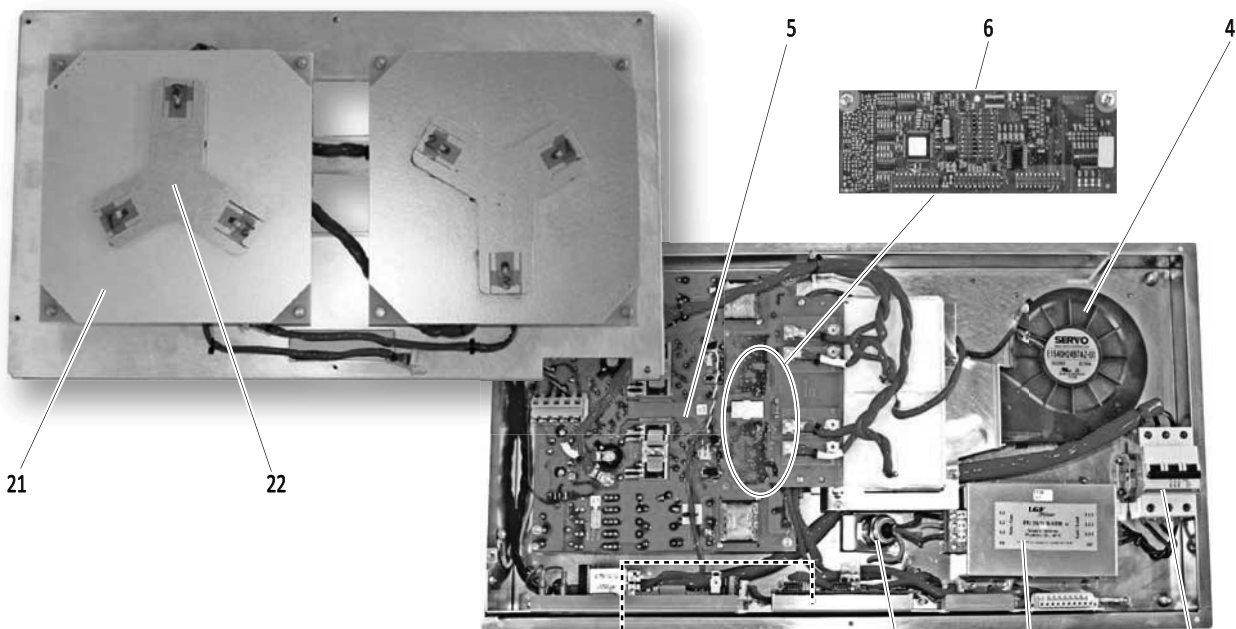
SH DU BA 10000 (2x5000)/ ArticleNo. 99560207/ 10kW(2x5.0kW) 400V 16A 50Hz 3Phase

SH DU BA 10000 (2x5000)/ ArticleNo. 99560208/ 10kW(2x5.0kW) 440V 15A 50Hz 3Phase

ITEM	PART #	DESCRIPTION	QUANTITY			CRITICAL
			208V	400V	440V	
1	91168030	Mains Line Filter Board/Print	1			
	91167010	Mains Line Filter Board/Print		1	1	
2	34150259	Fuse T25A 250V 6.3 x 32	6	3	3	C
3	94090009	Radial Fan 24VDC 22W	1	1	1	C
5	98012661	Power Board, 208V	1			C
	98012611	Power Board, 400V		1		C
	98012681	Power Board, 440V			1	C
6	91133120	Board/Print I133 RTCSmp Dual Hobs with IR	1	1	1	
7	91120032	Board/Print I120, AC/DC, 208V	1			
	91120022	Board/Print I120, AC/DC, 400-440V		1	1	
9	91131140	CPU Board/Print I131, 208V, w/ firmware and parameters	1			
	91131010	CPU Board/Print I131, 400V, w/ firmware and parameters		1		
	91131170	CPU Board/Print I131, 440V, w/ firmware and parameters			1	
10	94040130	Sensor Unit, Round Coil, 3 x PT 1k	2	2	2	C
11	93005030	Induction Coil #5.03, with 3 x PT Sensors	2			
	93017053	Induction Coil #17.05, with 3 x PT Sensors		2	2	
12	98300102	Housing/Case, Upper, with Glass, SH/DU/BA	1	1	1	
13	77325801	Ceran Glass 320x 580x 4mm	1	1	1	
15	39400001	Plastic Knob, 0-12	2	2	2	
16	35624009	Indicator Lamp, 24V, LED, Green	2	2	2	
17	94010001	Power Switch 2 Pol with Potentiometer	2	2	2	C
18	66000003	Overlay, Garland, Dual Countertop	1	1	1	
19	71000003	Air Intake Filter 200x 150x 12mm	1	1	1	
20	72261030	Frame/Holder for Air Intake Filter	1	1	1	
21	72300520	Air Deflector SH/DU/BA	1	1	1	
22	95000120	Foot, Complete Assembly	4	4	4	
23	38340001	Mains Cable UL 4x AWG 8	1			
	38625050	Mains Cable VDE 4x 2.5mm2		1	1	
24A	32750402	Mains Plug USA NEMA 15-50P	1			
24B	32750503	Mains Plug EU 5-Pole 400V 16A		1		
25	39500012	Cable Connector Nut (Cable Gland PG 29)	1			
	39500011	Cable Connector Nut (Cable Gland PG 21)		1	1	
26	39500005	Screw Nut PG 29	1			
	39500004	Screw Nut PG 21		1	1	
27A	70000003	Silicone Strip 565x 6x 4mm (for Glass Installation)	2	2	2	
27B	70000002	Silicone Strip 305x 6x 4mm (for Glass Installation)	2	2	2	

* NOT ILLUSTRATED

RECOMMENDED STOCK PARTS



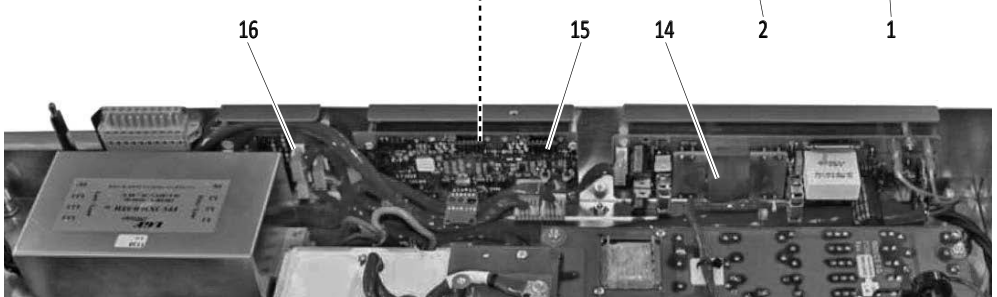
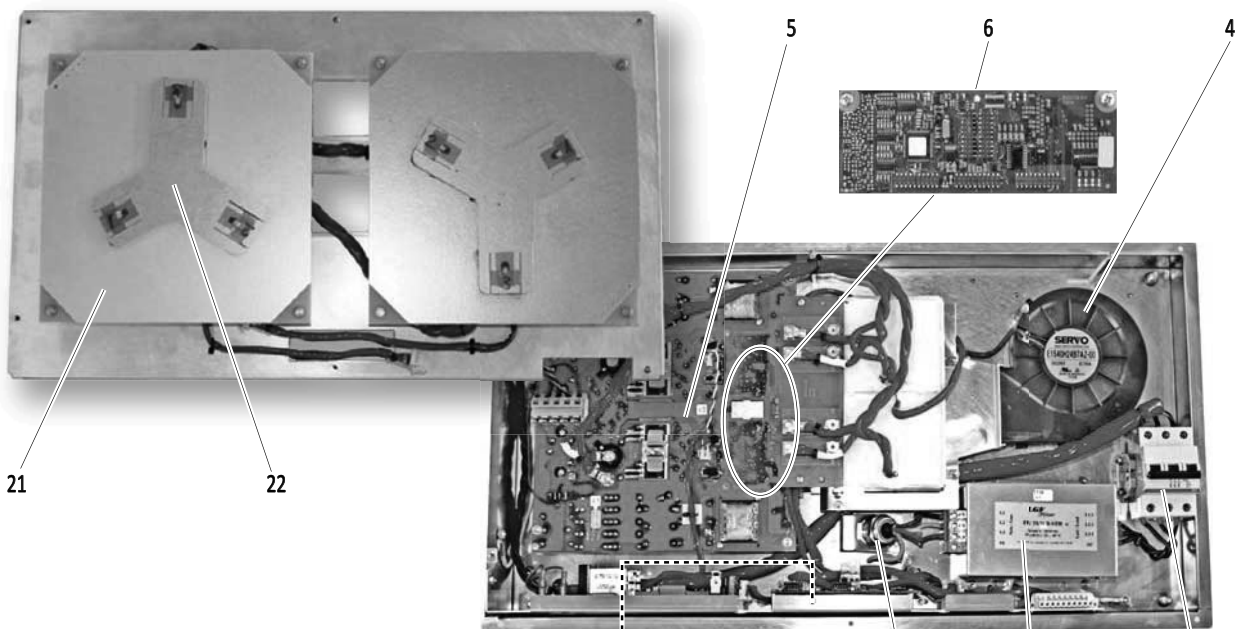
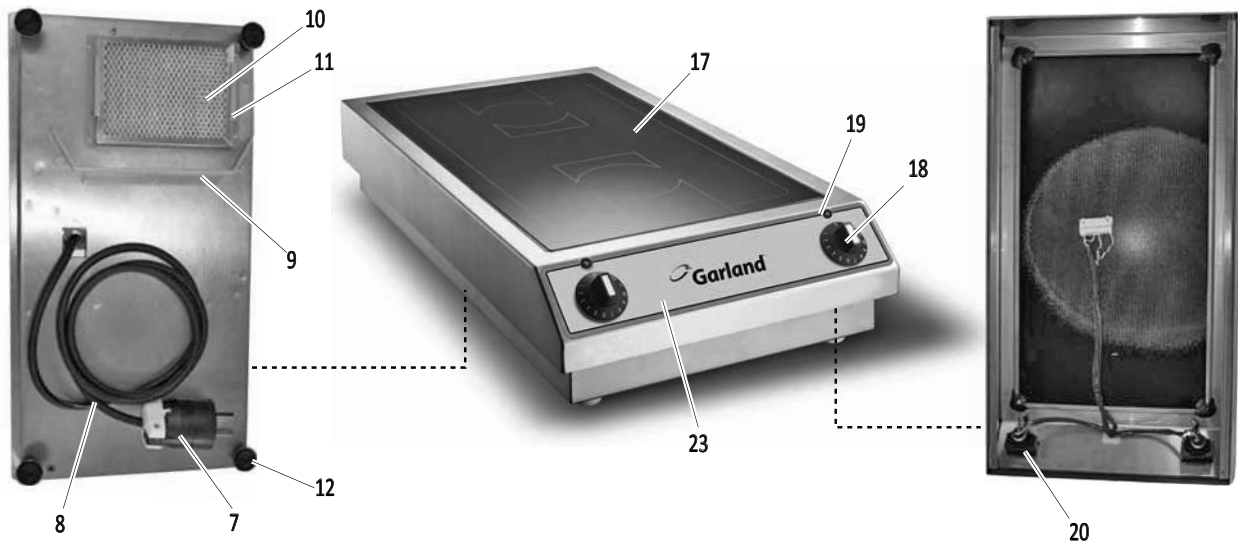
GARLAND PARTS IDENTIFICATION
RTCSmp Induction Countertop Line, Dual Hobs, 10kW (2x 5.0kW)
model
SH DU BA 10000 (2x5000)/ ArticleNo. 99980046/
10kW(2x5.0kW) 208V 50/60 3Phase

FOR UNITS BUILT BEFORE 2013

ITEM	PART #	DESCRIPTION	QTY	CRITICAL
			208V	
1	39333002	Mains Filter 3x30A	1	
2	39500011	Cable Connector Nut (Cable Gland PG21)	1	
3	34260320	Automatic Circuit Breaker	1	
4	39202404	Radial Fan	1	C
5	98012660	Power Board	1	C
6	91131140	CPU Print/Board	1	
7	38640041	Power Cable UL 4 AWG 12 (4mm)	1	
8	32750401	Power Cord Plug USA NEMA 15-30P	1	
9	72142470	Air Deflector	1	
10	71000003	Grease Filter 200x150x12mm	1	
11	72261030	Frame for Grease Filter	1	
12	95000120	Foot Complete Assembly, Adjustable	4	
14	91120030	AC/DC Board (Print I120b)	1	
15	91133120	RTCSmp Dual Cooker Board	1	
16	91109010	(Print I109a) Supply & CAN-BUS Interface Board	1	
17	98300102	Upper S/S Case with Ceran Glass	1	
18	39400001	Plastic Knob 0-12	2	
19	35624009	LED Indicator Light - Green, 24V	2	
20	94010001	Control Switch 2 Pole with Potentiometer	2	C
21	93005030	Coil 5.03 with three PT Sensors	2	
22	94040101	Sensor Unit with three PT Sensors	2	C
23	66000003	Garland Overlay/Label - Dual	1	

* NOT ILLUSTRATED

RECOMMENDED STOCK PARTS



GARLAND PARTS IDENTIFICATION
RTCSmp Induction Countertop Line, Dual Hobs, 7kW (2x 3.5kW)
220V model
SH DU BA 7000 (2x3500)/ ArticleNo. 99980073/
7kW(2x3.5kW) 220V 50/60Hz 3Phase

ITEM	PART #	DESCRIPTION	QTY	CRITICAL
			220V	
1	39333002	Mains Filter 3x30A	1	
2	39500011	Cable Connector Nut (Cable Gland PG21)	1	
3	34260320	Automatic Circuit Breaker	1	
4	39202404	Radial Fan	1	C
5	98012660	Power Board	1	C
6	91131110	CPU Print/Board (I131)	1	
7	38640041	Power Cable UL 4 AWG 12 (4mm)	1	
8	32750401	Power Cord Plug USA NEMA 15-30P	1	
9	72142470	Air Deflector	1	
10	71000003	Grease Filter 200x150x12mm	1	
11	72261030	Frame for Grease Filter	1	
12	95000120	Foot Complete Assembly, Adjustable	4	
14	91120030	AC/DC Board (Print I120b)	1	
15	91133120	RTCSmp Dual Cooker Board	1	
16	91109010	(Print I109a) Supply & CAN-BUS Interface Board	1	
17	98300102	Upper S/S Case with Ceran Glass	1	
18	39400001	Plastic Knob 0-12	2	
19	35624009	LED Indicator Light - Green, 24V	2	
20	94010001	Control Switch 2 Pole with Potentiometer	2	C
21	93005030	Coil 5.03 with three PT Sensors	2	
22	94040101	Sensor Unit with three PT Sensors	2	C
23	66000003	Garland Overlay/Label - Dual	1	

* NOT ILLUSTRATED

RECOMMENDED STOCK PARTS

Repair Accessories

Photo	Part Number	Description
	98990001	IR Adapter Usage: To receive infrared signals from an induction cooker and communicate via a HyperTerminal, or equivalent, on a laptop or other mobile peripherals. Might require additional adaptors (not provided).
	39800001	USB- RS232 Adapter Usage: To connect an IR Adapter (98990001) to a computer/device that does not have any RS232 connector.
	70000020	Heat Sink Compound P12. Usage: To mount IGBT or Print/Board onto a Heatsink.
	94900096	Short Circuit (Service) Plug (RTCS only, Not for RTCSmp) Usage: To initialize CU sensors.
(PHOTO UNAVAILABLE)	70000022	High Temperature Tape 16mm Usage, for example: To retain PTC(RTC) sensors; to be used as a temporary adhesive; to be used as a high temperature insulator for coil repair.
	70000015	Silicone Glue PACTAN 7076 (for Installation)
	79000024	Wire Punch Down Tool
	Calibration or Test Plates: Use these plates to calibrate and verify pan detection settings.	
	79000120	Calibration Plate, Ø 120mm, with Handle
	79000100	Calibration Plate, Ø 100mm, with Handle
	79000090	Calibration Plate, Ø 90mm, with Handle
	79000070	Calibration Plate, Ø 70mm, with Handle

REVISION HISTORY (RTCSmp DUAL HOBS SH DU IN, SH DU BA)

REV	PAGE / MODEL	ITEM#	NOTES	DATE	BY
0	99980073		New Release	7 OCT/11	HH
1			Added "GI" prefix to model designation.	4 JAN/12	HH
	99980073	6	Added part - CPU Print 91131110		HH
	99980073	5,20	New P/N 98012660 replaced 98012630. New P/N 94010001 replaced 94010000/		HH
2	99980046		Added new model 9998846	10 FEB/12	HH
3	99980073	12	Foot Asm 95000120 replaced 71000006, 61421201	25 JUL/12	HH
4	99580101, 99580103 99580104, 99580105 99580107, 99580108 99560201, 99560203 99560204, 99560205 99560207, 99560208		New models	30 MAY/14	HH
	99980073, 99980046		GI prefix no longer used for Model Numbers. Old models. Exact UP TO Dates/Serial#s have not been confirmed.		
			Added repair accessories list. Added rating plate location, searial and model number information.		
5			New KitchenCare front and back covers, footer.	26 NOV/14	HH
	ALL SH/DU/IN	19, 34	Added items to parts table.		
	16		Added more accessories		



1-844-724-CARE • www.mtwkitchencare.com