

Summit Series

Full Size Electric Convection Ovens

Parts List

Models

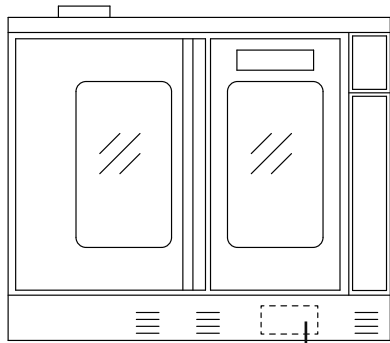
SUME-100

SUME-200



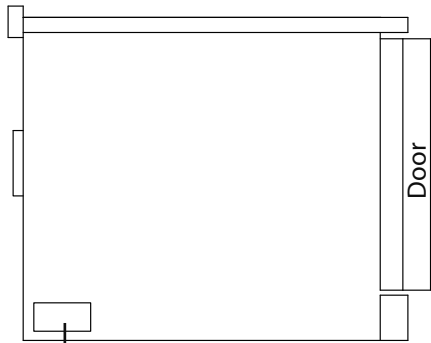
Rating Plate Location

Units Built **UPTO 31-MAR-2011**



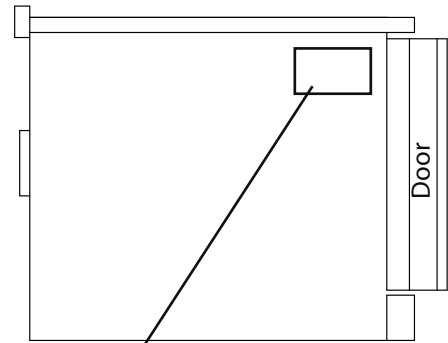
Rating Plate
(On the Inside of Lower Front Cover)

Units Built **FROM 01-APR-2011**
UP TO 02-FEB-2015



Rating Plate
(Left Body Side Panel)

Units Built **FROM 02-FEB-2015**



Rating Plate
(Left Body Side Panel)

Model Number Explained

SUME-100

SUME-100D

SUME-200

SUME-200D

SUME - 100

D

D - Deep Depth (Obsolete Option)

100 - Single Deck

200 - Double Deck

U.S. Range Summit **SUME**
Electric Convection Oven

Serial# (Year/Month Information)

The Serial Number is **13 Digits** long and is stamped on the Rating Plate.

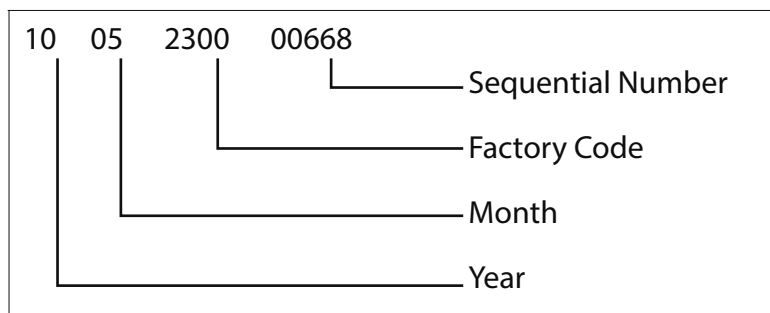
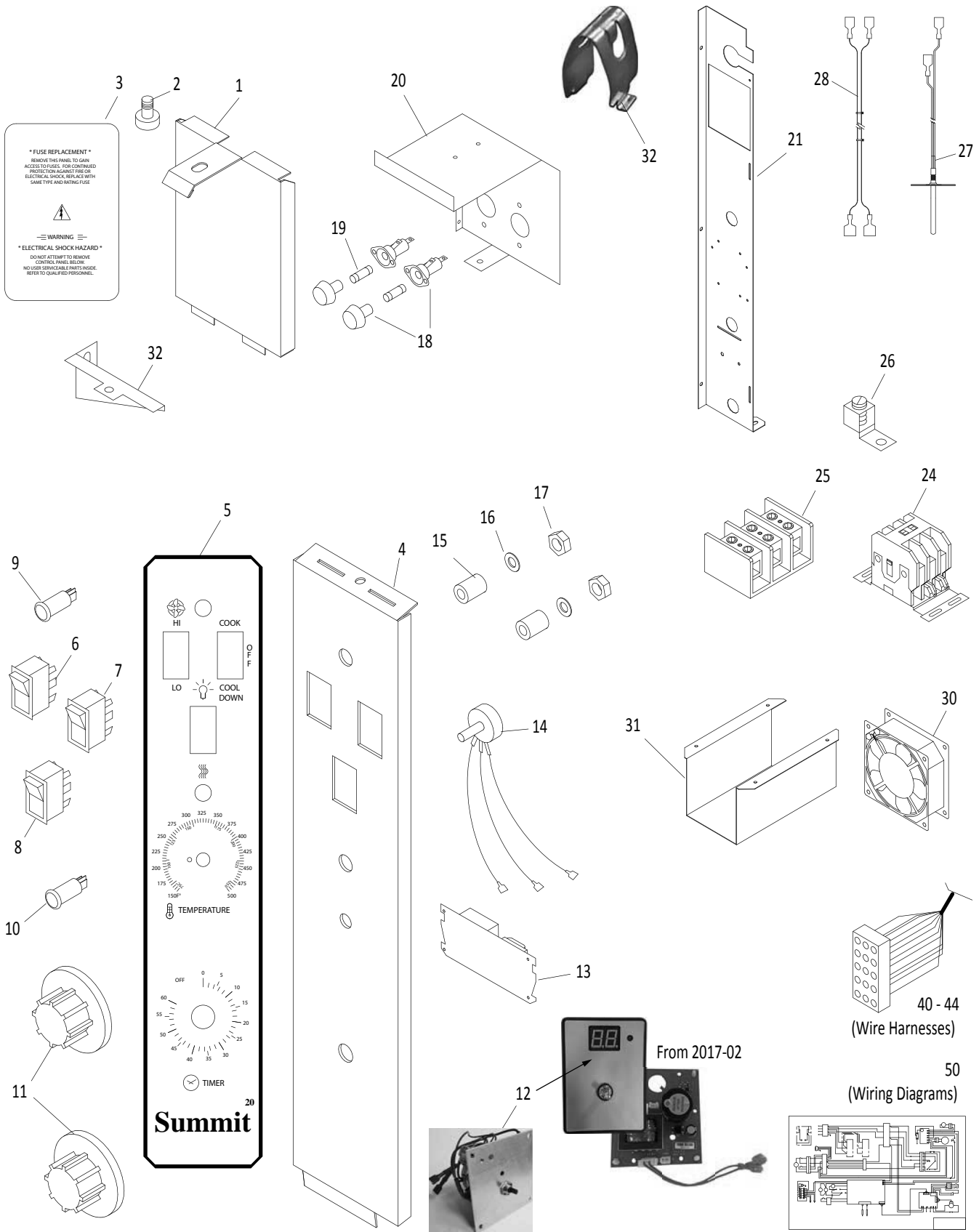


Table of Contents

Rating Plate Location / Model & Serial# Information	2
Summit 20 Manual Control Panel & Components	4
Door Components & Assemblies (for units manufactured UP TO 14-April-2005).....	6
Door Components & Assemblies (for units manufactured FROM 14-April-2005).....	10
Oven Components.....	14
Main Exterior Components.....	16
Wiring Diagrams.....	18
Service Kits	18
Single & Double Deck Kits	18
Ventilation Kits	18
Bulletins	19
Revision History	19

SUMMIT 20 MANUAL CONTROL PANEL & COMPONENTS



U.S. RANGE Summit Series Electric Convection Ovens *models* SUME-100/200

SUMMIT 20 MANUAL CONTROL PANEL & COMPONENTS

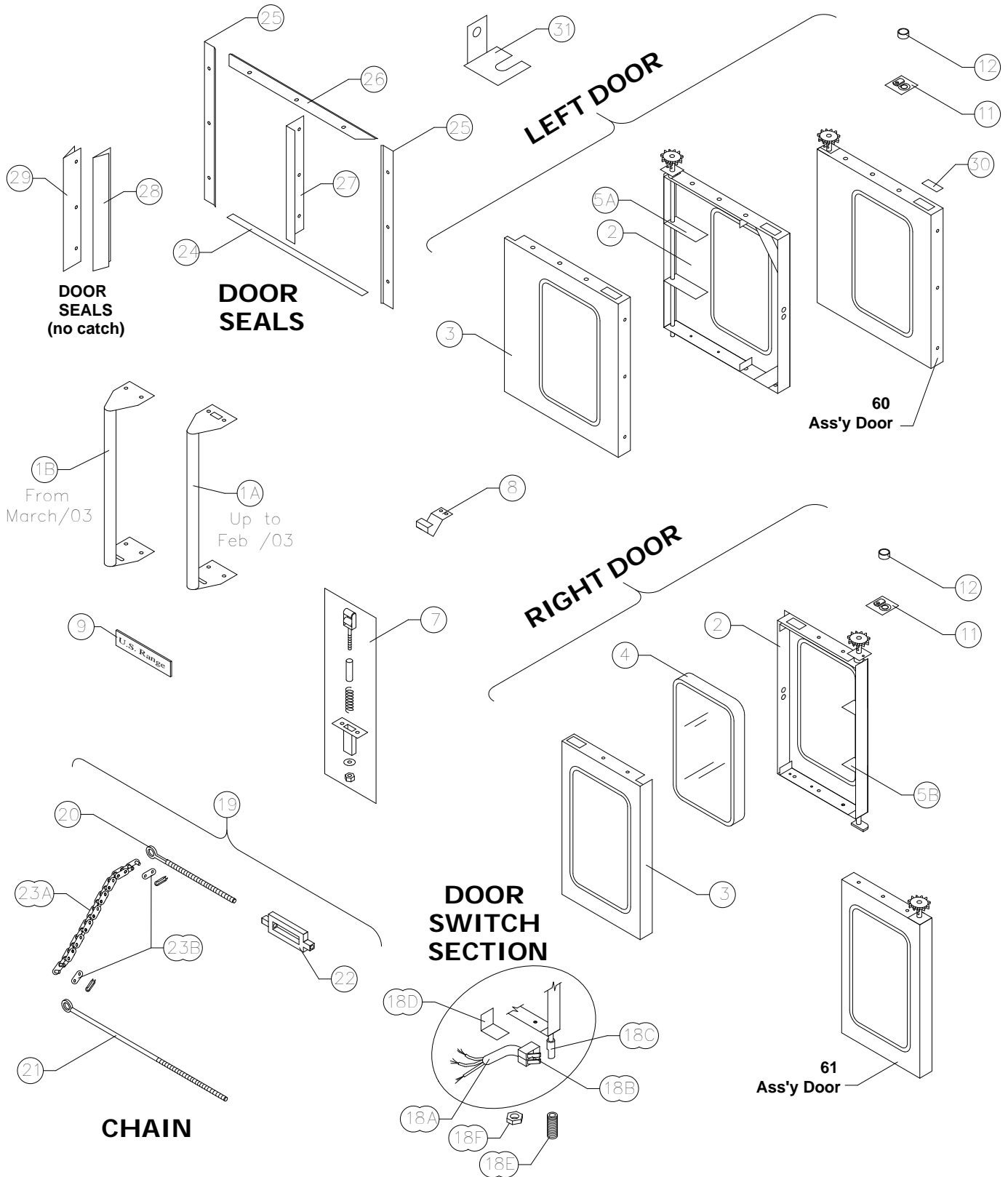
ITEM	PART #	DESCRIPTION	QTY	DATE		CRITICAL
				FROM	UP TO	
1	1918501	Cover - Upper Control Panel, SS	1			
2	GF297	#10-24 x 1/2" Slotted Thumb Screw / Knurled Screw	1			
3	115269	Overlay - Top Control Pane, Electric	1			
4	1946690	Control Panel Mechanical	1			
5	1908527	Overlay - Manual Control, Summit 20 Series, black	1			
	115263	Overlay - Manual Control, Summit 20 Series, silver/gray	1			
6	1955402	Rocker Switch - 2 Positions, Hi/Low	1			C
7	1955401	Rocker Switch - 3 Positions, Cook/Off/CoolDown	1			C
8	1955403	Momentary Rocker Switch	1			
9	G01296-3	Pilot Lamp, 250V, Neon, Round	1		14-MAR/03	
	1936102	Indicator Lamp, 250V, Green	1	14-MAR/03		
10	1006498	Amber Pilot Light	1		14-MAR/03	
	1936104	Indicator Lamp - Amber 28V	1	14-MAR/03		
11	1765802	Fluted Knob with two Set Screws	2			
12	CK11000301072	TIMER; COMPLETE; 230V Conversion; DIGITAL; 90 MIN (for 208V, 240V, 460V ovens, gas/electric). Was 1956002.	1	2017-02		C
13	300867	Power Control Board(Thermostat, Solid State) 150-500 degF	1			C
14	1955601	Potentiometer	1			C
15	1955701	Nylon Standoff - 1/4 x 1/2 x 1	2			
16	1955801	Teflon Washer - 7/16 OD	2			
17	8001502	Nut with Lockwasher - 6-32 KEP, Zinc	2			
	1130102	Fuse Holder	2			
18	1130100	Fuse Holder (460V ONLY)	2			
	1130103	Fuse - 20A 208/240V	2			C
19	1130109	Fuse - 15A 600V Class CC	2			C
20	1918989	Bracket - Fuse Mount	1			
21	1926001	Panel - Right Side, Mid	1			
24	1637002	Main Contactor - 240V Coil Note: Use FROM serial# 0106CJ0401 or units with 13-digits serial#. Was 9005400.	1	JUNE/2012		C
25	1193900	Terminal Block - 3 Pole, High Voltage	1			C
26	1028402	Ground Lug	1			
27	9006800	Sensor Probe	1		25-NOV/02	C
	1906001	Sensor Probe	1	25-NOV/02		C
	1906002	Probe - RTD, Flange Mount (USE WITH 1906003)	1			C
28	1906003	Cable Assembly - Probe Extension (USE WITH 1906002)	1			C
29*	1033700	460V Transformer 2KVA 50/60Hz (460V ONLY)	1			
30	1918202	Polar Fan 230V	1		12-DEC/03	
	1671101	Cooling Fan 120mm 230V Note: For Fan Installation, see Bulletin B-97-2009-S.	1	12-DEC/03		C
31	1918001	Air Exhaust Duct - Standard Depth	1			
	1918002	Air Exhaust Duct - Deep Depth (Obsolete Option for SUME)	1		JUNE/2012	
32	GF138	Bulb Shield	2			
40*	1949576	Wire Harness - Mechanical Control Panel (was 1949577)	1	14-MAR/03		
41*	1949585	Wire Harness - Electric Elements	1			
42*	1949584	Wire Harness - 460V Transformer	1			
43*	1949579	Wire Harness - Lights	1			
44*	1949589	Wire Harness - Electrics	1			
50*	1949515	Wiring Diagram - 460V 60 Hz	1			
	1949514	Wiring Diagram - 208/240V Electric Mechanical	1			
Note: Diagram part#s listed For Reference Only. Please contact KitchenCare for assistance.						

* NOT ILLUSTRATED

RECOMMENDED STOCK PARTS

DOOR COMPONENTS & ASSEMBLIES

(for any unit manufactured UP TO 14-April-2005)



U.S. RANGE Summit Series Electric Convection Ovens
models SUME-100, SUME-200

DOOR COMPONENTS & ASSEMBLIES
(for units manufactured UP TO 14-APRIL-2005)

ITEM	PART #	DESCRIPTION	QTY	FROM DATE	UP TO DATE	CRITICAL
1A	CK1924395	Door Handle - Black	1		FEB-03	
1B	CK1924396	Door Handle - Black	1	MAR-03		
2	CK1923997	Panel - Left Door Liner Window	1			
	CK1923996	Panel - Left Door Liner Solid	1			
	CK1923998	Panel - Right Door Liner Solid	1			
	CK1923999	Panel - Right Door Liner Window	1			
3	1924001	Panel - Left Door Solid	1			
	1924002	Panel - Left Door Window	1			
	1924003	Panel - Right Door Solid	1			
	1924004	Panel - Right Door Window	1			
4	1010999	Oven Door Window (3/16" Glass)	1			
5A	CK1923899	Frame W/A - Left Door	1		14-APR-05	
5B	CK1923898	Frame W/A - Right Door	1		14-APR-05	
7	CK1757998	Latch Bench Ass'y	1	AUG-95	JAN-03	
8	1925005	Bracket - Door Latch	1			
9	4529726	7-5/8" U.S. Range Nameplate (was 3077102)	1			
11	CK1923499	Plate - Door Bushing	2		14-APR-05	
12	1923201	Spacer - Door Hinge	2			
18A	1949575	Wire Harness - Mechanical Door Switches (IM200)	1			
18B	4519715	Micro Switch Hi Temp - Hi Current (IM200)	2			C
18C	1925101	Cam - Door Switch	1			
18D	1925001	Bracket Door Switch Right	1			
18E	8003802	Set Screw 10x24x3/8"	2			
18F	8001203	Nut Hex Stl 8-32	2			
18G*	8001502	Nut w/Washer 6-32 ksp	2			
18H*	8003208	MSCR-PH-6 32x32 ST ZP	2			
19	4520166	Door Chain Assembly Note: Includes items 20, 21, 22, 23A, 23B.	1			
20	1014201	Connecting Door Rod - Short (Not sold separately)	2			
21	1014200	Connecting Door Rod - Long (Not sold separately)	2			
22	1015000	Turnbuckle 1/4-20 w/4" Take Up (Not sold separately)	2			
23A	1021100	Roller Chain #40	2			
23B	1021299	Connecting Link #40	4			

* NOT ILLUSTRATED

RECOMMENDED STOCK PARTS

U.S. RANGE Summit Series Electric Convection Ovens
models SUME-100, SUME-200

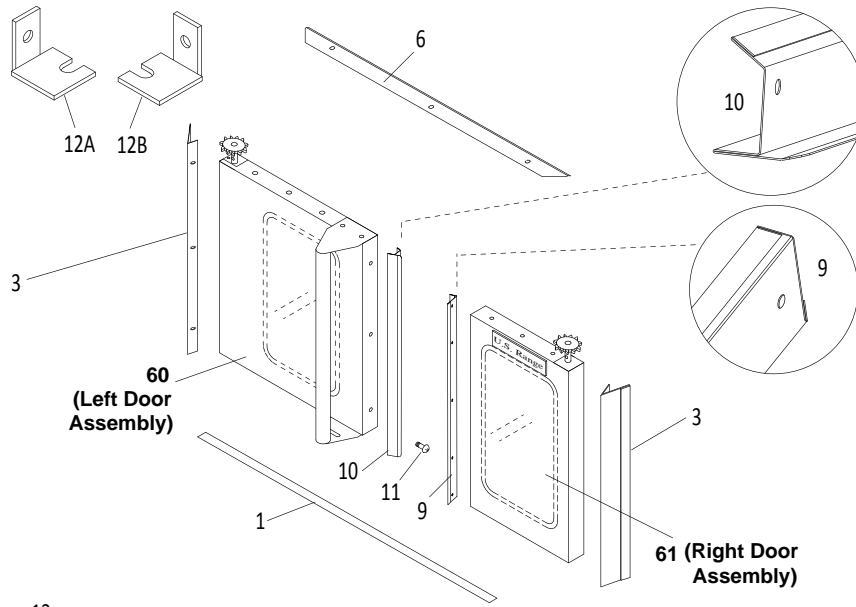
DOOR COMPONENTS & ASSEMBLIES
(for units manufactured UP TO 14-APRIL-2005)

ITEM	PART #	DESCRIPTION	QTY	FROM DATE	UP TO DATE	CRITICAL
24	1924712	Seal - Door, Bottom	1			
25	1924601	Seal - Door, Left & Right	2			
26	1924711	Seal - Door Top	1			
27	1924402	Seal - Door, Center (old style) Note: Use 1924411 (item 28).	1			
28	1924411	Center Right Seal From serial # 0301CJ0082	1	JAN-03		
29	1924412	Center Left Seal From serial # 0301CJ0082	1	JAN-03		
30	1928209	Plate Door Handle From serial # 0301CJ0082 Note: Item will not be available once stock is out.	1	JAN-03		
31	1925013	Bracket - Door Stop L/H	1	APR-00		
	4519740	Bracket - Door Stop R/H	1	APR-05		
32*	8003603	Carriage Bolt 3/8-16 X 3/4				
34*	1019800	Self Threading Pal Nut (No Longer Available)	NLA			
35*	8001210	Nut Hex 3/8-16 Stl 2P	3			
36*	8000308	Washer - Flat 3/8x3/4 Stl 2P	3			
37*	1915914	Insulation - Left Door, W/Window Ref: CLVQAD	1			
	1915915	Insulation - Left Door, Solid	1			
38*	1915916	Insulation Right Door, W/Window Ref: CLVQAD	1			
	1915917	Insulation - Right Door, Solid Ref: CLVQAD	1			
60		LEFT DOOR - COMPLETE ASSEMBLY NO LONGER AVAILABLE				
61		RIGHT DOOR - COMPLETE ASSEMBLY NO LONGER AVAILABLE				

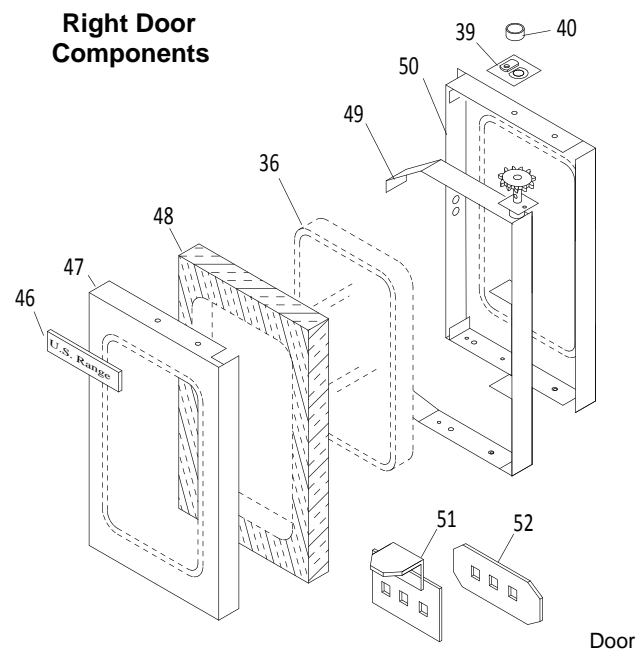
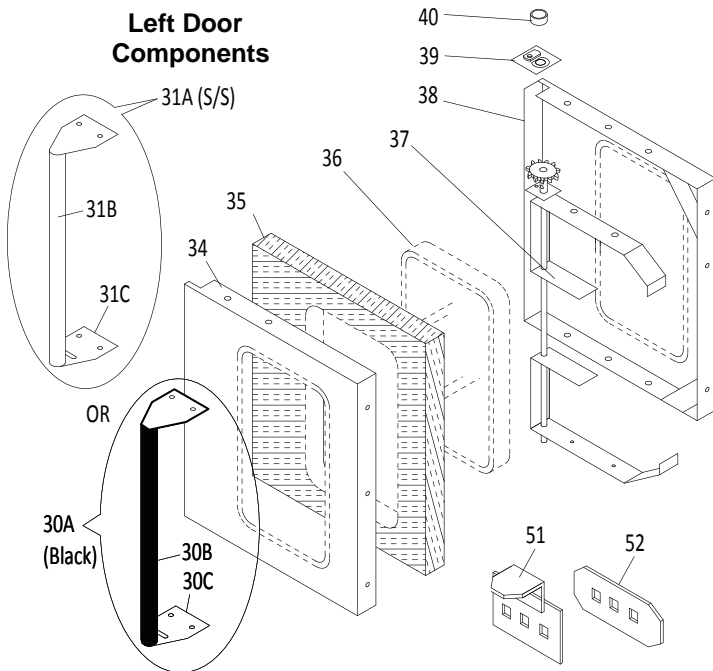
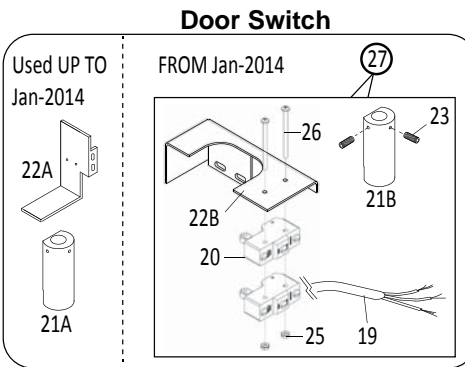
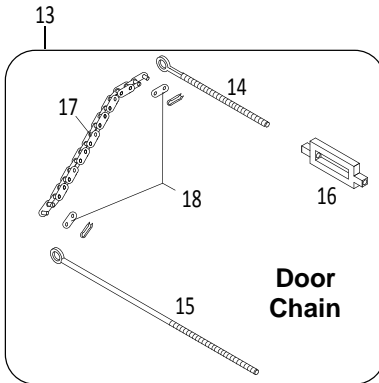
* NOT ILLUSTRATED

RECOMMENDED STOCK PARTS

BLANK PAGE



(for any unit manufactured FROM 14-April-2005)



Door

U.S. RANGE Summit Series Electric Convection Ovens
models SUME-100, SUME-200

DOOR COMPONENTS & ASSEMBLIES
(for any unit manufactured FROM 14-APRIL-2005)

ITEM	PART #	DESCRIPTION	QTY	CRITICAL
1	1924712	Seal - Door, Bottom	1	
3	1924601	Seal - Door, Left & Right	2	
6	1924711	Seal - Door Top	1	
9	1924411	Center - Right Door Seal	1	
10	1924412	Center - Left Door Seal	1	
10A*	113858	Center - Left Door Seal (Not Shown, Prison Package Only, Window or Solid Door)	1	
11	8003123	Mscr - TH - Phil 10-24 x 5/8" Stl ZP	6	
12A	1925013	Bracket - Door Stop L/H	1	
12B	4519740	Bracket - Door Stop R/H	1	
DOOR CHAIN COMPONENTS				
13	4520166	Door Chain Assembly Note: Includes Items 14-18.	2	C
14	1014201	Connecting Door Rod - Short Note: Item listed for reference only. Not Sold Separately.	2	
15	1014200	Connecting Door Rod - Long Note: Item listed for reference only. Not Sold Separately.	2	
16	1015000	Turnbuckle 1/4-20 with 4" Take Up. Not Sold Separately.	2	
17	1021100	Roller Chain #40	2	
18	1021299	Connecting Link #40	4	
DOOR SWITCH COMPONENTS				
19	1949575	Wire Harness - Door Micro Switch, Mechanical Control.	1	
20	4519715	Door Micro Switch - High Temp, High Current, for Mechanical Control	2	C
21A	1925101	Cam - Door Switch. (Used FROM Apr/2000 UP TO Jan/2014) Obsolete. Use item 27.	1	
21B	115338	Cam Assembly - Door Switch (Installed on any unit built after Jan-2014, serial# 1401 2300 01225. Can be used to replace item# 21A(1925101)).	1	
22A	1925001	Bracket Door Switch Right. (Used FROM Apr/2000 UP TO Jan/2014) Obsolete. Use item 27.	1	
22B	114179	Bracket Door Switch (Installed on any unit built after Jan-2014, serial# 1401 2300 01225)	1	
23	8003802	10-24 x 3/8", Set Screw	2	
25	8001502	6-32 KEP Nut w/ Washer, Zinc Plated	2	
26	8003208	6-32 x 2" Machine Screw, PH, Steel, Zinc Plated	2	
27	115346	Kit, Door Switch, Mechanical Control • For any unit built BEFORE Jan-2014, serial# 1401 2300 01225. • Kit includes items 19, 20, 21B, 22B. Ref: Bulletin# GAR-04-14-AC.	1	
28*	1028800	1" dia. Snap Bushing	4	

* NOT ILLUSTRATED

RECOMMENDED STOCK PARTS

U.S. RANGE Summit Series Electric Convection Ovens
models SUME-100, SUME-200

DOOR COMPONENTS & ASSEMBLIES
(for any unit manufactured FROM 14-APRIL-2005)

ITEM	PART #	DESCRIPTION	QTY	CRITICAL
LEFT & RIGHT DOOR COMPONENTS (Window / Solid)				
Maximum Security Prison Package Hardware/Fasteners for Left/Right Door: Items 51-53				
30A	CK1924396	Door Handle Assembly - Black Note: <ul style="list-style-type: none"> • On any unit built prior to June/2012, Black Handle, standard feature. • Standard on Prison Package. • COMPLETE Handle Assembly is interchangeable with the S/S version (item 31A). Includes items 30B, 30C, 30D.	1	
30B	1924195	Handle Tube, Door	1	
30C	1924206	Plate - Door Handle	2	
30D*	8003605	1/4-20 x 1" Carriage Bolt, Black	2	
31A	CK113797	Door Handle Assembly - S/S Note: <ul style="list-style-type: none"> • S/S handle, standard feature on any unit built FROM June/2012. • Black handle (item 30) is standard on prison package. • COMPLETE Handle Assembly is interchangeable with the black version (item 30A). • Includes items 31B, 31C, 31D. 	1	
31B	113798	Handle Tube (Handle Tube and Connectors)	1	
31C	113800	Plate - Door Handle	2	
31D*	111273	1/4-20 x 3/4" Carriage Bolt, Round Head, Square Neck	2	
34	1924001	Panel - Left Door (Solid)	1	
	1924002	Panel - Left Door (Window)	1	
	1924007	Panel - Left Door (Solid - Prison Package)	1	
	1924011	Panel - Left Door (Window Option - Prison Package)	1	
35	113862	Insulation - Left Door (Window)	2	
	113863	Insulation - Left Door (Solid)	1	
36	1010999	Oven Door Window - 3/16" Glass (Window Option)	1	
37	4520373	Weld Assembly Frame Left Door Extended Bearing Plate (Used FROM 14-Apr/05)	1	
38	CK1923997	Panel - Left Door Liner (Window)	1	
	1923902	Panel - Left Door Liner (Window - Prison)	1	
	CK1923996	Panel - Left Door Liner (Solid)	1	
39	4520301	Plate - Door Bushing Extended (Used FROM 14-Apr/05)	2	
40	1923201	Spacer - Door Hinge	2	
46	4529726	Logo, U.S. Range	1	
	1924003	Panel - Right Door (Solid)	1	
	1924008	Panel - Right Door (Solid - Prison)	1	
47	1924004	Panel - Right Door (Window)	1	
	113864	Insulation Right Door (Window)	1	
48	113865	Insulation - Right Door (Solid)	1	
	49	CK4520374	Weld Assembly Frame Right Door Extended Bearing Plate (Used FROM 14-Apr/05)	1
50	1923998	Panel - Right Door Liner (Solid) Note: For both Standard and Prison Models.	1	
	1923999	Panel - Right Door Liner (Window)	1	
51	1925099	Door Hasp Bracket Weldment Assembly (Prison, Left / Right Door)	1	
52	1925009	Plate - Door Hasp Back (Prison, Left / Right Door)	1	
53*	8003603	3/8-16 x 3/4 Carriage Bolt (Prison, Left / Right Door)	3	
	8001210	3/8-16 Hex Nut Stl Zinc (Prison, Left / Right Door)	3	
	8000308	3/8 x 3/4 Flat Washer Stl Zinc (Prison, Left / Right Door)	3	
	8000207	3/8 x 11/64 x 3/32 Split Lock Washer, Stl Zinc (Prison, Left / Right Door)	3	

* NOT ILLUSTRATED

U.S. RANGE Summit Series Electric Convection Ovens
models SUME-100, SUME-200

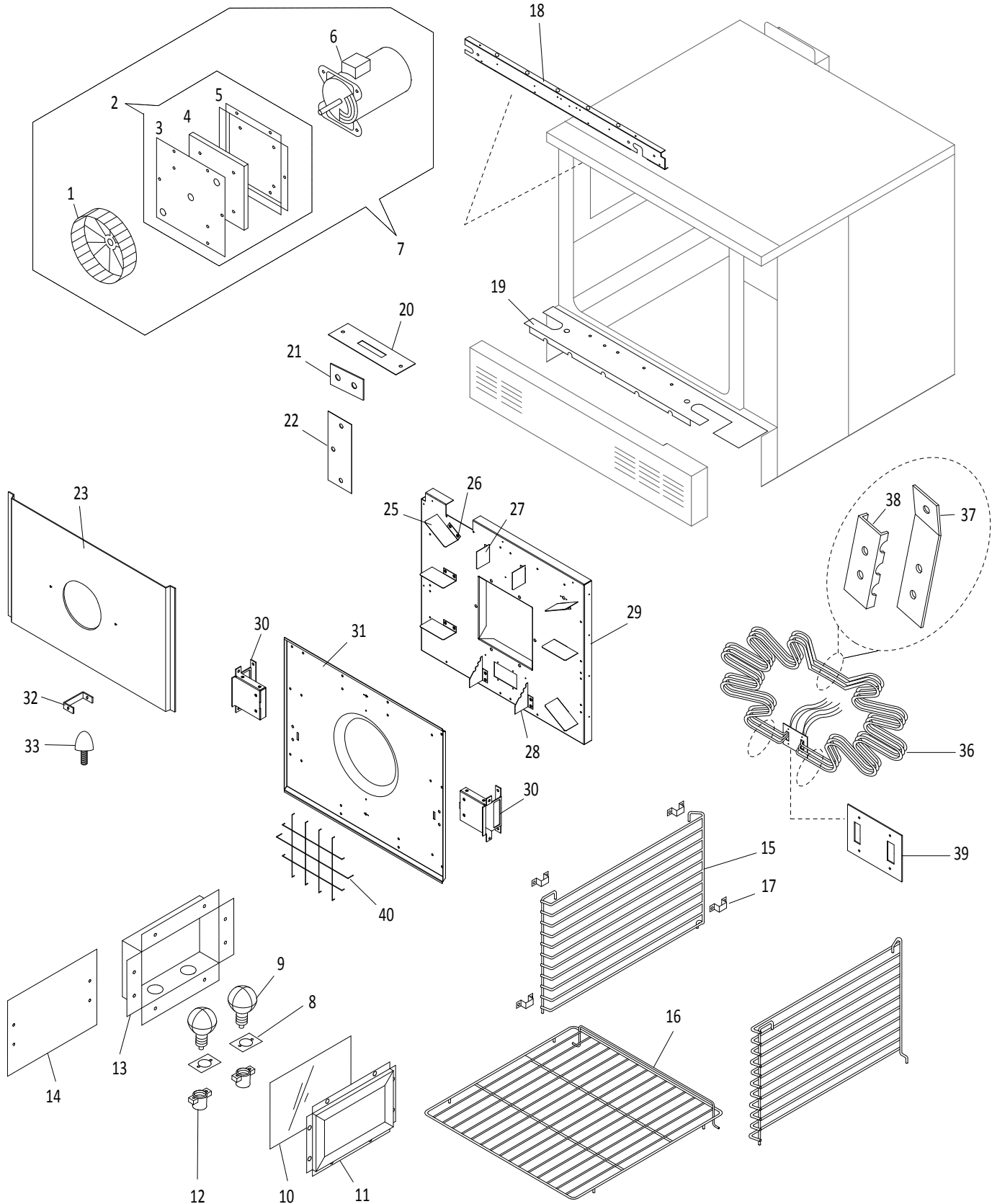
COMPLETE DOOR ASSEMBLIES

ITEM	PART #	DESCRIPTION
LEFT DOOR - COMPLETE ASSEMBLIES (includes Left Door Components and Left Door Center Seal)		
60	STANDARD DOOR with BLACK HANDLE (for any unit built from 14-APRIL-2005 to JUNE-2012)	
	4520318	USR Complete Door Kit - Left (WINDOW), BLACK Handle
	4520320	USR Complete Door Kit - Left (SOLID), BLACK Handle
	STANDARD DOOR with S/S HANDLE (for any unit built from JUNE-2012)	
	CK113890	USR Complete Door Kit - Left (WINDOW), STAINLESS STEEL Handle
	CK113889	USR Complete Door Kit - Left (SOLID), STAINLESS STEEL Handle
	PRISON DOORS (BLACK HANDLE ONLY)	
	4520317	USR Complete Door Kit - Left (PRISON - WINDOW)
	4520315	USR Complete Door Kit - Left (PRISON - SOLID)
RIGHT DOOR - COMPLETE ASSEMBLIES (includes Right Door Components and Right Door Center Seal) For any unit built FROM 14-APRIL-2005		
61	STANDARD DOOR	
	4520321	USR Door Assembly, Right (Solid, with Nameplate)
	4520319	USR Door Assembly, Right (Window, with Nameplate)
	PRISON DOOR	
	4520316	USR Complete Door Kit - Right (PRISON - SOLID, No Nameplate)

* NOT ILLUSTRATED

RECOMMENDED STOCK PARTS

OVEN COMPONENTS



U.S. RANGE Summit Series Electric Convection Ovens
models **SUME-100, SUME-200**

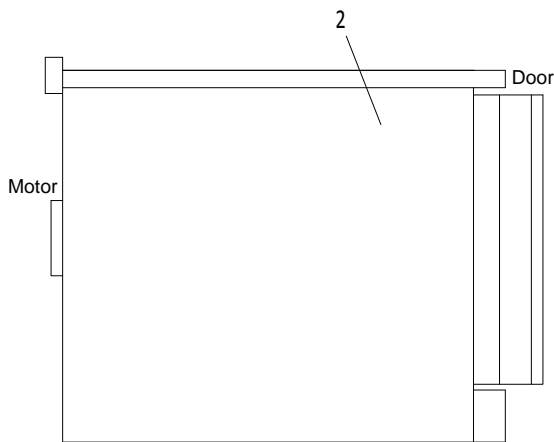
OVEN COMPONENTS

ITEM	PART #	DESCRIPTION	QTY	USED FROM	USED UP TO	CRITICAL
1	G02952-01P	Blower Wheel Assembly Plated	1			
2	CK1916499	Motor Pocket Assembly	1			
3	1916401	Plate, Motor Pocket Front	1			
4	1915921	Insulation - Motor Pocket	1			
5	1916402	Motor Pocket Back	1			
6	1686712	Motor 3/4 HP, 208/240V, 2 Speed	1			
	1686711	Motor 3/4 HP, 115V, 2 Speed	1			
7	CK1003091	Motor Assembly - 2 Speed - 208/240 V	1			C
8	1025900	Light Socket Gasket	2			
9	1623900	Light Bulb - 40W	2			
10	1676901	Glass, High Temp	1			
11	1921801	Cover, Light Box	1			
12	1025800	Lamp Socket - Porcelain	2			
13	1921902	Light Box	1			
14	1928299	Plate, Light Box Patch - Porcelain (no oven light option)	1			
15 ⁺⁺	1922001	Oven Rack Guide - 10 Positions, Standard	2			
	1922002	Oven Rack Guide - 10 Positions, Deep	2		JUN/2012	
16 ⁺⁺	1922211	Oven Rack - Standard (was 1922201)	5	7-OCT/02		
	1922212	Oven Rack - Deep	5		JUN/2012	
17	1765212	Oven Rack Clip	8			
18	1925201	Channel - Upper Hinge	1			
19	1925202	Channel - Lower Hinge	1			
20	4527190	Oven Vent Cap - Electric	1			
21	1843301	Probe Patch (for SS Interior Option)	1			
22	1809301	Inlet Patch	2			
23	1901602	Baffle (MCO)	1	NLA	NLA	
25	4527186	Air Diverter - 4.75"	6			
26	8002106	#10 x 1/2", SMSCP, TH PHIL-A, STL 2P	20			
27	4527187	Air Diverter - 3"	2			
28	4527188	Air Diverter - Bottom	2			
29	4527185	Cavity Back Panel (Porcelain)	1			
	4527276	Cavity Back Panel (SS)	1			
30	CK4527194	Fan Cover Mounting Assembly	2			
31	4527191	Fan Cover Back	1			
32	1925006	Baffle Mounting Bracket	2	NLA	NLA	
33	8005000	1/4 Turn Pin	2			
34*	8005100	1/4 Turn Fastener Receptable	4			
36	4518354	Complete Element Assembly - 10 kW 208V	1			C
	4518356	Complete Element Assembly - 10 kW 240V	1			C
	4518357	Complete Element Assembly - 10 kW 460V	1			C
Note: A Complete Element Assembly includes heating elements, mounting brackets (item 37A, 38B), and wire leads.						
37	1547201	Element Support, S/S (was 1547200)	3		6-SEP/00	
38A	1925007	Bracket - Element Mounting	3	6-SEP/00		
38B	1547600	Element Clamp	3	6-SEP/00		
39	1928205	Plate - Element Opening	1			
40	G02904-01P	Blower Inlet Cover	1			
42* ++	113361	Convection Oven Insulation Kit - Standard	1			
	113364	Convection Oven Insulation Kit - Deep Size	1		JUN/2012	
43*	115074	Drip Pan, Standard Depth Oven	1			

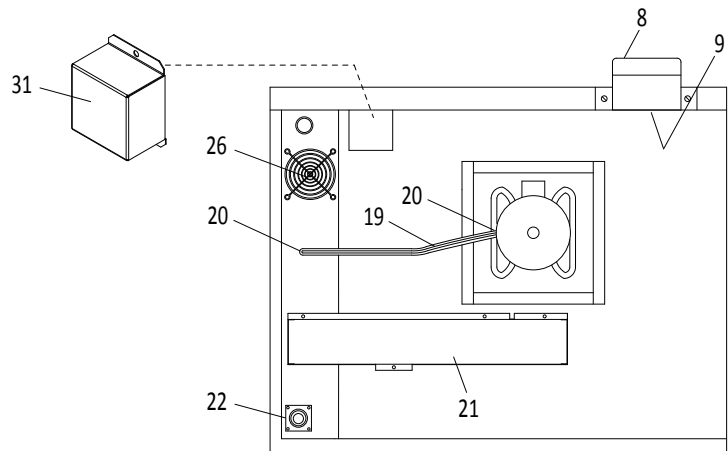
* NOT ILLUSTRATED

RECOMMENDED STOCK PARTS

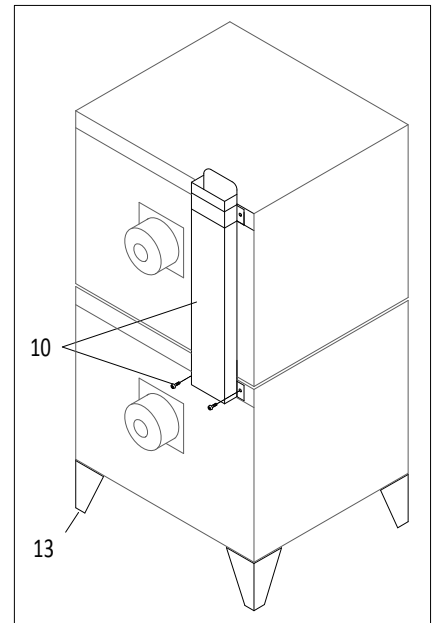
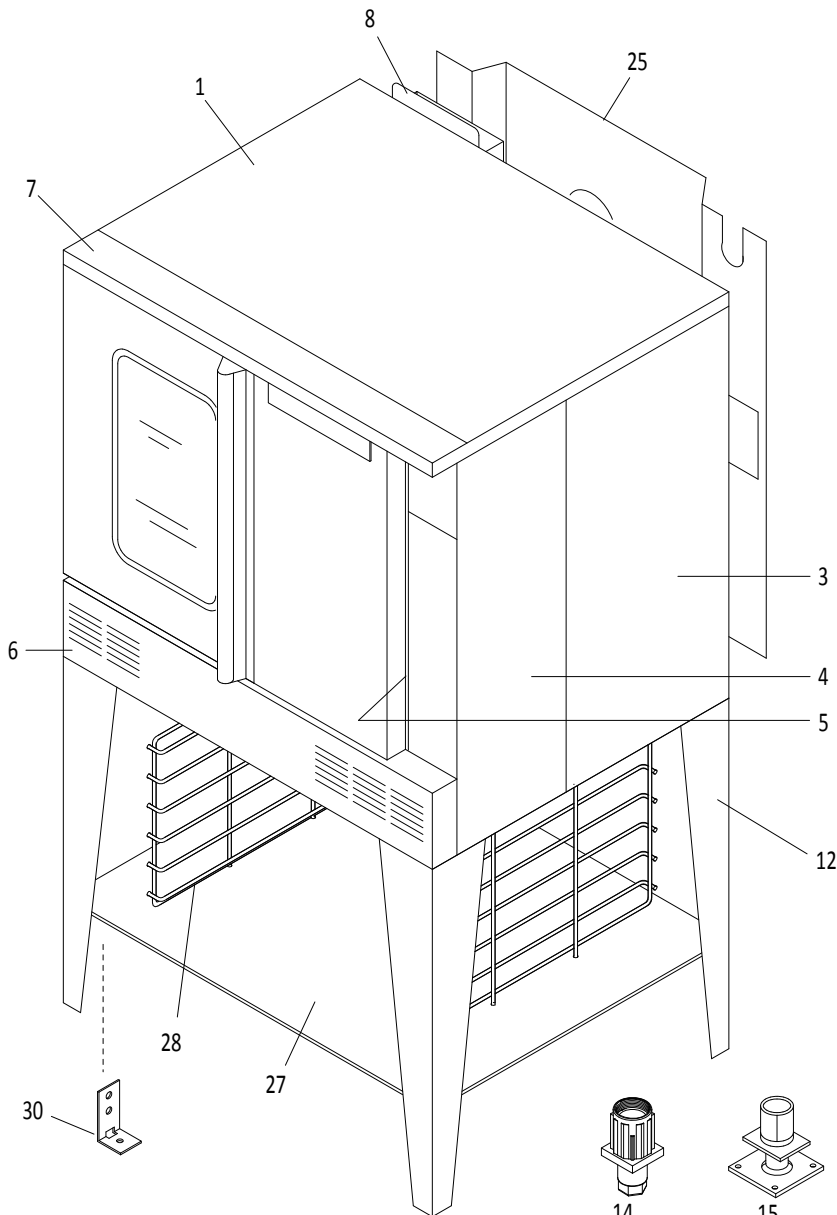
++ Deep Depth Option for SUME - Obsolete, June/2012



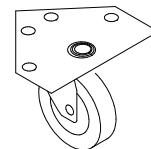
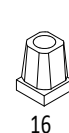
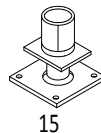
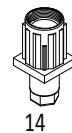
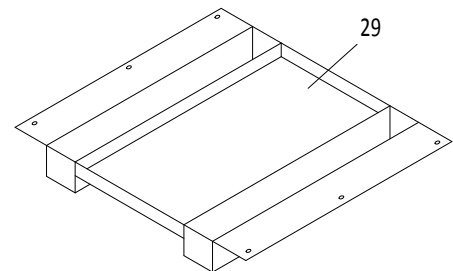
LEFT SIDE VIEW



REAR VIEW



DOUBLE DECK with FLUE ASSEMBLY and LEGS



U.S. RANGE Summit Series Electric Convection Ovens
models **SUME-100, SUME-200**

MAIN EXTERIOR COMPONENTS

ITEM	PART #	DESCRIPTION	QTY	CRITICAL
1	1917602	Cover - Main Top, SS Note: Use 1917602 to replace 1917601 (Cover, Top, GG, Painted, w/ Trim)	1	
2	1920201	Cover - Body Side, Left, SS	1	
3	1918701	Cover - Body Side, Right, SS	1	
4	1925901	Cover - Control Panel, Right, SS	1	
	1925999	Cover - Control Panel, Right, Prison Pack	1	
5	1925801	Cover - Control Panel, Left, SS	1	
	1925899	Cover - Lockable Control Panel, Prison Pack	1	
6	CK4519724	Cover - Lower Front Trim, SS	1	
6A*	8003107	#10-24 x 3/4" Machine Screw-Th-Phl (for Lower Front Trim Cover)		
7	1925301	Cover - Upper Front Trim, SS	1	
7A*	8002107	#10 x 1/2" Machine Screw-Th-Phl-B Stl 2P (for Upper Front Trim Cover)		
8++	1919999	Vent Assembly - Outer (Standard or Deep)	1	
9++	1919399	Vent Assembly - Standard	1	
	1919398	Vent Assembly - Deep (Used UP TO June/2012)	1	
10	CK1920099	Flue Assembly for Double Deck Note: Kit includes sheet metal flue channels (part# 1920001, 1920002) and fasteners (8002106).	1	
12	1927199	Leg - Single Deck, SS, for Casters, approx. 19-3/4"	4	
	CK1927197	Leg - Single Deck, SS, for Foot Inserts, 24" Note: Use CK1927197 to replace 1927196 (Painted Legs).	4	
13	1927195	Leg - Double Deck, SS	4	
14	1236100	1-1/2" Square Foot Insert - Chrome Plated	4	
15	1949701	Flanged Foot Insert (Optional Feature)	4	
16	1775102	Caster Insert (Single Deck Only)	4	
17	1926501	Caster - 4" Swivel without Brake, 3/4 NPT	4	
	1926502	Caster - 4" Swivel with Brake, 3/4 NPT	4	
18	1926531	Heavy Duty Caster - 5" Swivel without Brake, for Double Deck	4	
	1926532	Heavy Duty Caster - 5" Swivel with Brake, for Double Deck	4	
	4524736	Kit - Casters 3" Swivel without Brake (low profile) Note: Kit Includes Two Casters	1	
	4524737	Kit - Casters 3" Swivel with Brake (low profile) Note: Kit Includes Two Casters	1	
19	1029426	3/8 BX Cable 26" Long	1	
20	1028501	BX Connector - Straight	2	
21	1927899	Cover - Element Wire Raceway	1	
22	G1053-3-8	Knockout Plate with Holes (Alt. 4523287)	1	
25++	CK1950302	Back Cover - SS, Standard Note: Includes a SS Cover Main Back Panel (1921001), a warning label, and bushing.	1	
	1921003	Cover - Main Back, Deep SS (Used UP TO June/2012)	1	
	1921089	Cover W/A - Standard Depth (Prison Package)	1	
26	1919001	Cooling Fan Guard - 120mm	1	
27	1926902	Panel - Open Base, SS	1	
28	1926702	Rack Guide - Lower, Open Base	2	
29	1926802	Support - Rack Guide, Upper	1	
30	1927001	Clip - Lower Rack Guide Support	4	
31	1916301	Probe Connector Cover	1	

* NOT ILLUSTRATED

RECOMMENDED STOCK PARTS

++ Deep Depth Option for SUME - Obsolete, June/2012

U.S. RANGE Summit Series Electric Convection Ovens
models SUME-100, SUME-200

WIRING DIAGRAMS

(For Reference Only - Contact Tech Service for assistance)

PART #	DESCRIPTION
1949515	SUME 460V 60Hz Electric Mechanical Control
1949514	SUME 208/240V Electric Mechanical Control

SERVICE KITS

PART #	DESCRIPTION
4602253	KIT, DOOR SHIMS FULL SIZE CONV OVENS
CK115350	KIT, HEAT SHIELD FULL SIZE CONV OVENS

SINGLE & DOUBLE DECK KITS (OPEN BASE, LEGS & CASTERS)

(For Reference Only - Contact Garland Sales Department for assistance)

PART #	DESCRIPTION
1951213	Single Deck S/S Open Base & Feet Kit - Full Size MCO / SGM / SUMG
1951214	Single Deck S/S Open Base & Casters - Full Size MCO / SGM / SUMG
1951204	Single Deck S/S Legs & Feet Inserts - Full Size MCO / SGM / SUMG
1951205	Single Deck S/S Legs and Casters - Full Size MCO / SGM / SUMG
1951209	Kit MCO - Heavy Duty Casters - Full Size MCO / SGM / SUMG
1951210	Kit MCO - LO-Profile Casters - Full Size MCO / SGM / SUMG
1951223	Double Deck Gas W/Inserts S/S Legs - Full Size MCO / SGM / SUMG
1951226	Double Deck Gas W/Casters - Full Size MCO / SGM / SUMG
1951228	Double Deck Gas W/Lo Profile Casters - Full Size MCO / SGM / SUMG

VENTILATION KITS

(For Reference Only - Contact Garland Sales Department for assistance)

PART #	DESCRIPTION
1951217	Direct Connect Venting Kit

U.S. RANGE Summit Series Convection Ovens

BULLETINS

(for all full size convection ovens)

CATEGORY	BULLETIN#	SUBJECT	DATE
Parts, Technical	GAR-03-12-AIC	Master 200 Series Controller (Od P/N 1955501; New P/N 300867)	2012-02-08
Parts, Technical	GAR-11-12-AC	New Elreha Controller Critical & Recommended Stock Parts	2012-09-21
Parts, Technical	GAR-06-13-AIC	Error Messages and Description, Elreha Digital Controls	2013-09-06
Parts, Technical	GAR-04-14-AC	Door Switch Replacement Kits	2014-02-14
Parts, Technical	GAR-02-14-AC	Digital Controller Conversion Kits Availability Chart	2014-01-28
Parts, Technical	GAR_SB_0006	New Electrical Phase Conversion Kit (P/N 4533009)	2015-10-07
Parts, Technical	GAR_SB_0040	Garland Part 300867 PCB Temperature Controller	2016-11-04
Parts, Technical	GAR_SB_0044	Updates! New Garland Part 300867 PCB Temperature Controller (Identifying new vs old parts)	2016-12-06
Parts, Technical	GAR_SB_0043	Door Shim Service Kit P/N 4602253	2016-11-21
Parts, Technical	GAR_SB_0049	New Timer Kits for Convection Ovens with Master 200 / Manual Controllers, Kits CK11000301070 and CK11000301072	2017-02-14
Technical	B-97-2009-S	New Axial Cooling Fan Install Instructions	2009-09-17
Technical	GAR-08-13-AIC	Keypad Test Points Chart (Elreha Digital Control)	2013-10-16
Warranty	GAR_SB_0047	Returning Warranty Required Parts (supersedes GAR-20-13-A)	2016-12-21

REVISION HISTORY (SUME)

REV#	PAGE#	ITME	NOTES	DATE
8			New rating plate location - all models Feb 2015 New maximum security package available for all models Feb 2015 New drip pan. Some part numbers are revised, added prefix CK. Removed CK1003092 Motor Assembly - 1/2HP, 1 Speed - 115/230	FEB 04/15
		60,61	L/R Door Assemblies for older models are no longer available.	
9	5	4	1946690 supersedes CK1946690 ECO-000857A	MAY 11/17
	18		Added Service Kit table New door shim kit ECO-000928A New heat shield kit ECO-000830	
	12	49	CK4520374 supersedes 4520374 ECO-000745	
	15	30	Added CK to 4527194 ECO-001394	
	5	12	New timer kits for conv ovens with manual control. ECO-001007A. Bulletin GAR_SB_0049.	
	19		Updated bulletin list.	



1-844-724-CARE • www.mtwkitchencare.com