

Summit Series Gas Convection Ovens

Installation, Operation and Maintenance Manual

This manual is updated as new information and models are released. Visit our website for the latest manual.



SUMG-100

models

SUMG-100
SUMG-200
SUMG-GS-10ESS
SUMG-GS-20ESS
SGM-100S1
SGM-100D1
SGM-200S1
SGM-200D1



SAFETY NOTICES

WARNING:

This product contains chemicals known to the state of California to cause cancer and/or birth defects or other reproductive harm. Installation and servicing of this product could expose you to airborne particles of glass wool/ceramic fibers. Inhalation of airborne particles of glass wool/ceramic fibers is known to the state of California to cause cancer. Operation of this product could expose you to carbon monoxide if not adjusted properly. Inhalation of carbon monoxide is known to the state of California to cause birth defects or other reproductive harm.

Keep appliance area free and clear of combustibles.

**FOR YOUR SAFETY:
DO NOT STORE OR USE GASOLINE
OR OTHER FLAMMABLE VAPORS OR
LIQUIDS IN THE VICINITY OF
THIS OR ANY OTHER
APPLIANCE**

**WARNING:
IMPROPER INSTALLATION, ADJUSTMENT,
ALTERATION, SERVICE OR MAINTENANCE
CAN CAUSE PROPERTY DAMAGE, INJURY,
OR DEATH. READ THE INSTALLATION,
OPERATING AND MAINTENANCE
INSTRUCTIONS THOROUGHLY
BEFORE INSTALLING OR
SERVICING THIS EQUIPMENT**

PLEASE READ ALL SECTIONS OF THIS MANUAL AND RETAIN FOR FUTURE REFERENCE.

THIS PRODUCT HAS BEEN CERTIFIED AS COMMERCIAL COOKING EQUIPMENT AND MUST BE INSTALLED BY PROFESSIONAL PERSONNEL AS SPECIFIED.

IN THE COMMONWEALTH OF MASSACHUSETTS THIS PRODUCT MUST BE INSTALLED BY A LICENSED PLUMBER OR GAS FITTER. APPROVAL NUMBER: G-1-07-05-28

For Your Safety:

Post in a prominent location, instructions to be followed in the event the user smells gas. This information shall be obtained by consulting your local gas supplier.

Users are cautioned that maintenance and repairs must be performed by a Garland authorized service agent using genuine Garland replacement parts. Garland will have no obligation with respect to any product that has been improperly installed, adjusted, operated or not maintained in accordance with national and local codes or installation instructions provided with the product, or any product that has its serial number defaced, obliterated or removed, or which has been modified or repaired using unauthorized parts or by unauthorized service agents.

For a list of authorized service agents, please refer to the Garland web site at <http://www.garland-group.com>.

The information contained herein, (including design and parts specifications), may be superseded and is subject to change without notice.

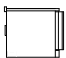
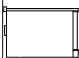




TABLE OF CONTENTS

SAFETY NOTICES.....	2	OPERATING INSTRUCTIONS.....	12
GENERAL INFORMATION	5	Summit 20 Solid State Control with Electromechanical Timer (Model SUMG).....	12
Model Numbers	5	In Off Mode	12
Warranty	5	Start Up.....	12
Serial Plate Location.....	5	Fan Speed	12
Accessories	5	Lights.....	12
DIMENSIONS AND SPECIFICATIONS, MODEL SUMG	6	Cool Down.....	12
DIMENSIONS AND SPECIFICATIONS, MODEL SGM.....	7	Temperature	12
INSTALLATION	8	Timer	13
Entry Clearance	8	*Summit 45 Electronic Control With Cook-N- Hold And Summit 45+ Electronic Control With Cook-N-Hold & Core Probe. (SGM Models manufactured prior to June 2012).....	13
Installation Clearance	8	In Off Mode	13
Location.....	8	On Start Up	13
Installation Of Ovens Equipped With Casters	8	Controller Keys	13
Installation of Double Deck Models	8	Fahrenheit/Celsius.....	14
Gas Supply	9	Operating the Controls	14
Gas Connections.....	9	Cook-N-Hold Operation	15
Electrical Connections.....	10	Core Probe Operation	15
Power Failure	10	Setting Setback Feature	15
Ventilation and Air Supply.....	10	PERFORMANCE RECOMMENDATIONS ..	16
Installation of Direct Flue.....	10	COOKING GUIDE	17
TESTING AND ADJUSTMENTS	11	COOK AND HOLD	18
Adjustments.....	11	PROBLEM/SOLUTIONS	19
Lighting	11	CLEANING AND MAINTENANCE.....	19
To Conserve Energy.....	11	Break-In Period	19
		Exterior Cleaning	19
		Interior Cleaning	20
		Fan Area Maintenance	20
		Motor Care	20

THIS PAGE INTENTIONALLY LEFT BLANK

GENERAL INFORMATION

Model Numbers

Model	Standard Depth	Deep Depth	Single Deck	Double Deck	Summit ²⁰ Control	Digital Control	Energy Star
							
SUMG-100	✓		✓		✓		
SUMG-200	✓			✓	✓		
SUMG-GS-10ESS	✓		✓		✓		✓
SUMG-GS-20ESS	✓			✓	✓		✓
SGM-100S1*	✓		✓			✓	
SGM-100D1*		✓	✓			✓	
SGM-200S1*	✓			✓		✓	
SGM-200D1*		✓		✓		✓	

* Models discontinued (June, 2012)

Warranty

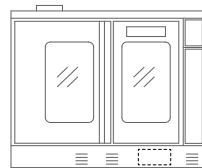
Visit www.Garland-Group.com to view or download a copy of your warranty.

Serial Plate Location

When corresponding with the factory or your local authorized factory service center regarding service problems or replacement parts, be sure to refer to the particular unit by the correct model number (including the prefix and suffix letters and numbers) and the warranty serial number.

Ovens Built prior to 31-MAR-2011

- The serial plate is affixed to the inside of the lower front cover.



Ovens Built between 01-APR-2011 and 02-FEB-2015

- The serial plate is affixed to the lower left corner of the left body panel.



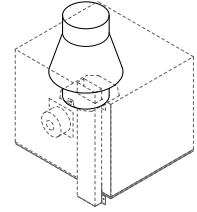
Ovens Built after 02-FEB-2015

- The serial plate is affixed to the upper right corner of the left body panel.

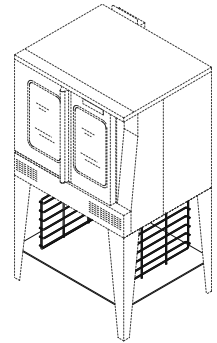


Accessories

- Direct Connect Vent



- Stainless steel open base with rack guides and shelf (in lieu of 25-inch legs) for extra rack/pan storage, single deck oven only



- Swivel Casters (set of 4) with front brakes



- Extra oven rack



- Gas flex hose and quick disconnect (3/4-inch NPT x 5-inch) with restraining device
- Removable stainless steel drip pan

DIMENSIONS AND SPECIFICATIONS, MODEL SUMG

Model	Int. Dimensions: inch (mm)			Ext. Dimensions: inch (mm)			Ship Wt	Ship Dim.
	W	H	D	W	H	D(w/motor)	Lbs/kg	Cubic Ft.
SUMG-100	29 (736)	24 (610)	24 (610)	38 (965)	57-1/2 (1461)	41-1/4 (1048)	515 / 230	64
SUMG-200	29 (736)	24 (610)	24 (610)	38 (965)	70-1/2 (1791)**	41-1/4 (1048)	1030 / 465	128
SUMG-GS-10ESS	29 (736)	24 (610)	24 (610)	38 (965)	57-1/2 (1461)	41-1/4 (1048)	515 / 230	64
SUMG-GS-20ESS	29 (736)	24 (610)	24 (610)	38 (965)	70-1/2 (1791)**	41-1/4 (1048)	1030 / 465	128

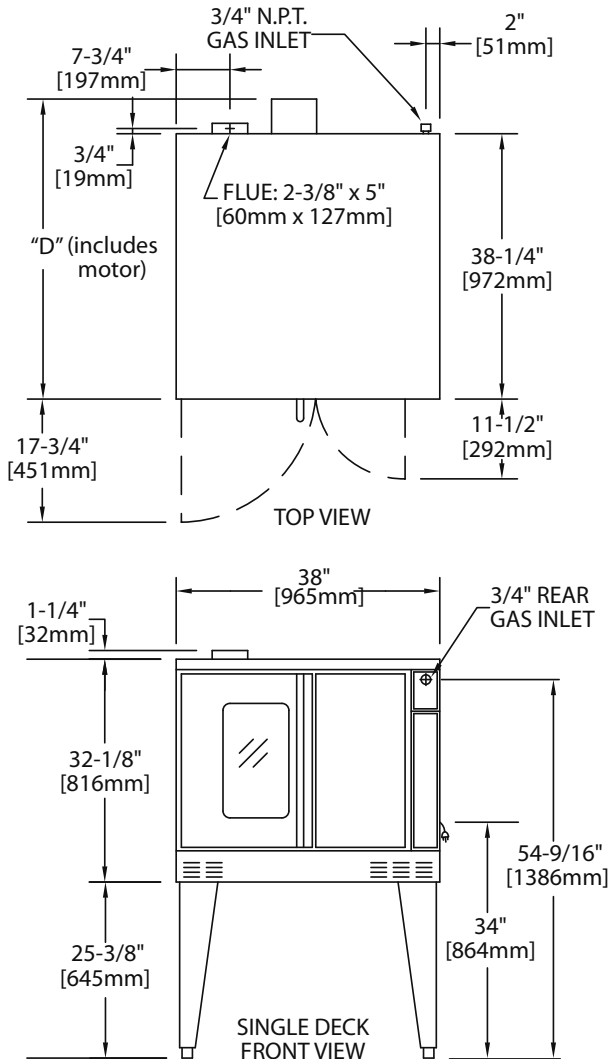
** Height with legs or with standard casters. Height with low profile casters (double deck) is 68-1/2" (1740mm).

Models	Input Ratings			Operating Pressure*		Electrical Specifications		
		BTU/hr	kW Equiv.	Gas Inlet	Natural	Propane	120V/1Ph.	240V/1Ph.
SUMG-100	Natural & Propane	53 000	15.53	(1) @ 3/4" NPT	4" WC (10 mbar)	10" WC (25 mbar)	(1) @9.8A	(1) @ 5.2A
SUMG-200		106 000	31.06	(1) @1" NPT			(2) @9.8A	(2) @ 5.2A
SUMG-GS-10ESS	Natural Gas	53 000	15.53	(1) @ 3/4" NPT	4" WC (10 mbar)	n/a	(1) @9.8A	(1) @ 5.2A
SUMG-GS-20ESS		106 000	31.06	(1) @1" NPT			(2) @9.8A	(2) @ 5.2A

*Maximum Pressure 13.8" WC @ 70°F (21°C).

Many local codes exist and it is the responsibility of the owner and installer to comply with those codes.

These appliances are intended for commercial use by professionally trained personnel.



Notes:

1. Standard electrical specifications include motor requirements.
2. (120V units) 115V 3/4 HP, 2-speed motor; 1140 and 1725 rpm 60Hz
3. (240V units) 200-240V, 3/4 HP, 2-speed motor; 1140 and 1725 rpm, 60Hz.
4. A 6 ft. line cord is provided for each 120V deck with a (NEMA #5-15P) plug.
5. U.S. Range recommends a separate 15 AMP circuit for each 120V unit.

DIMENSIONS AND SPECIFICATIONS, MODEL SGM

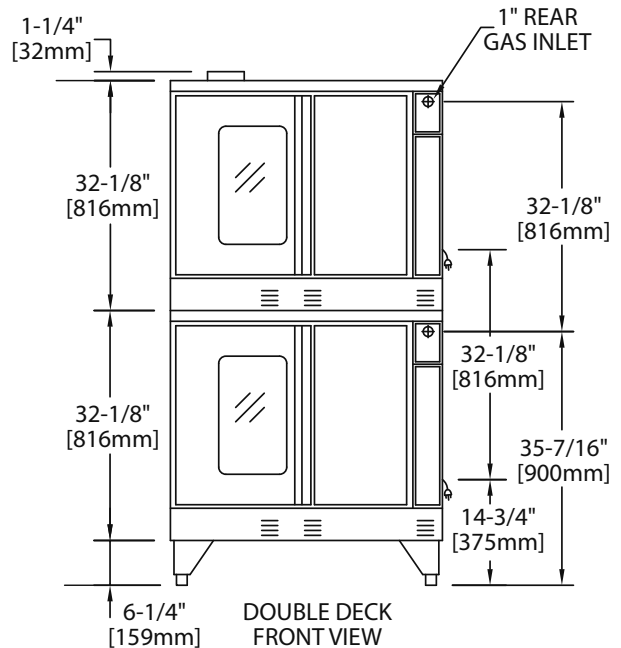
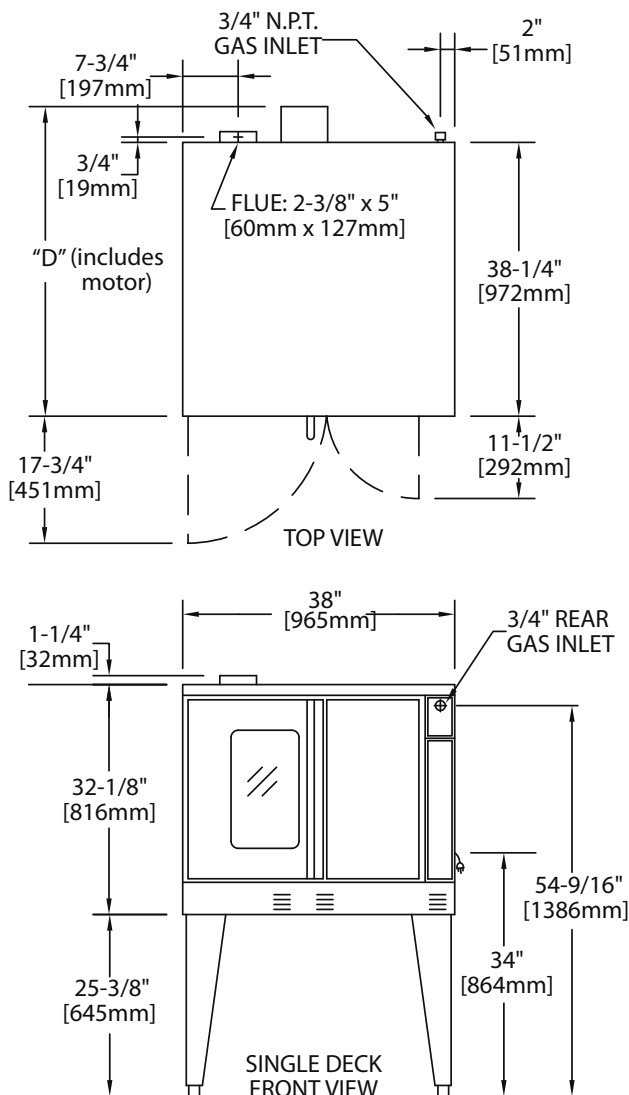
(Models Discontinued, Manufactured Up To June 2012)

Model	Int. Dimensions :In (mm)			Ext. Dimensions: In (mm)			Ship Wt Lbs/kg	Ship Dim. Cubic Ft.
	W	H	D	W	H	D		
SGM-100S1	29 (736)	24 (610)	24 (610)	38 (965)	57-1/2 (1461)	39-1/4(997)	510/232	42
SGM-100D1	29 (736)	24 (610)	28 (711)	38 (965)	57-1/2 (1461)	43-1/4(1099)	510/232	42
SGM-200S1	29(736)	24(610)	24(610)	38(965)	70-1/2 (1791)	39-1/4(997)	1024/464	84
SGM-200D1	29(736)	24(610)	28 (711)	38(965)	70-1/2 (1791)	43-1/4(1099)	1024/464	84

Models	Input Ratings, Natural & Propane			Operating Pressure *		Electrical Specifications	
	BTU/hr	kW Equiv.	Gas Inlet	Natural	Propane	120V/1Ph.	240V/1Ph.
Single Deck	60,000	17.6	(1)@ 3/4" NPT	4.5" WC	10" WC	(1)@9.8A	(1)@ 5.2A
Double Deck	120,000	35.2	(1)@1" NPT	(11 mbar)	(25 mbar)	(2)@9.8A	(2)@ 5.2A

*Maximum Pressure 13.8" WC @ 70°F (21°C).

Many local codes exist and it is the responsibility of the owner and installer to comply with those codes. These appliances are intended for commercial use by professionally trained personnel.



Notes:

1. Standard electrical specifications include motor requirements.
2. (120V units) 115V 3/4 HP, 2-speed motor; 1140 and 1725 rpm 60Hz
3. (240V units) 200-240V, 3/4 HP, 2-speed motor; 1140 and 1725 rpm, 60Hz
4. A 6 ft. line cord is provided for each 120V deck with a (NEMA #5-15P) plug.
5. U.S. Range recommends a separate 15 AMP circuit for each 120V unit.

INSTALLATION

Entry Clearance

- Crated: 47" (1194mm)
- Uncrated: 32-1/2" (826mm)

Installation Clearance

NOTE: Always provide adequate clearance for maintenance and operation.

- Installation adjacent to combustible and non-combustible wall, minimum clearance:

	Left Side	Control Side	Rear
Single-Deck	1" (26 mm)	1" (26 mm)	3" (77 mm)
Double-Deck	1" (26 mm)	2" (51 mm)	3" (77 mm)

- Installation near high heat producing equipment, minimum clearance:

	Left Side	Control Side	Rear
Single-Deck	1" (26 mm)	6" (153 mm)	3" (77 mm)
Double-Deck	1" (26 mm)	6" (153 mm)	3" (77 mm)

Notice

Avoid installing ovens near equipment, such as char-broilers or fryers, which generate high heat and high grease laden air.

- Clearance for Service (recommendation):

	Control Side, minimum
Single-Deck	12" (305 mm)
Double-Deck	12" (305 mm)

NOTE: Install units with casters in very tight locations for ease of service.

Location

Each gas appliance shall be located with respect to building construction and other equipment so as to permit access to the appliance. Such access and clearance may be necessary for servicing and cleaning.

IMPORTANT: All gas burners and pilots need sufficient air to operate and large objects should not be placed in front of this oven, which would obstruct the airflow through the front. Objects should not be placed on main top rear of oven while in use. This could obstruct the venting system of the unit's flue products.

Installation Of Ovens Equipped With Casters

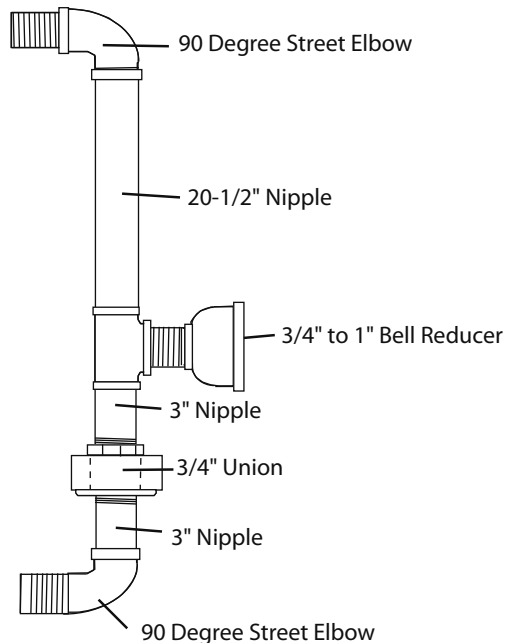
- A. For an appliance equipped with casters, the installation shall be made with a connector that complies with the Standard for Connectors for Movable Gas Appliances, ANSI Z21.69 / CSA 6.16, and a quick-disconnect device that complies with the Standard for Quick-Disconnect Devices for Use With Gas Fuel, ANSI Z21.41 / CSA 6.9, and adequate means must be provided to limit the movement of the appliance without depending on the connector and the quick-disconnect device or its associated piping to limit the appliance movement and the location(s) where the restraining means may be attached to the appliance shall be specified.
- B. The front casters of the unit are equipped with brakes to limit the movement of the oven without depending on the connector and any quick-disconnect device or its associated piping to limit the appliance movement.
- C. The restraint can be attached to the unit near the gas inlet. If the restraint is disconnected, be sure to reconnect the restraint after the oven has been returned to its originally installed position.

Installation of Double Deck Models

- A. Position insert in bottom leg opening and tap insert up into leg until it seats at collar. Attach six inch (6", 152mm) legs to lower oven section. Raise unit or lay on its left side. Place the front legs on the oven so as to line up with four (4) attaching bolt holes. Secure leg to oven frame using (4) 3/8-16 x 3/4 bolts and washers provided. Repeat at rear of unit.
- B. Remove lower front cover of top deck (located under oven doors). Raise top deck into place and line up body sides and back of the unit. Fasten the rear of the units together, with the stacking bracket, using (6) 1/4-20 machine screws, lock washers and nuts, (provided).
- C. Install the interconnecting flue parts, carefully following the instructions contained in the stacking kit. Pay particular attention to the type of ovens you are stacking and be sure to follow the corresponding instructions.

INSTALLATION Continued

- D. Assemble the stacking pipes provided in the stacking kit as shown in diagram. This allows both ovens to be supplied by a single gas line. The minimum recommended size of the a single supply line for two stacked ovens is 1 inch (25mm). Use a pipe thread compound that is intended for use on propane gas piping and be sure to check for leaks before finalizing the installation.



- E. Check leveling of unit four (4) ways (using a common carpenter's level on the rack inside the oven).
- F. Plug the cord set of each unit into a 115-Volt power supply outlet.
- G. Maintain clearance from combustibles.

CAUTION: Disconnect Both Unites from Electrical Supply Before Servicing.

Gas Supply

The importance of the proper installation of commercial Gas cooking Equipment cannot be over stressed. Proper performance of the equipment is dependent, in great part, on the compliance of the installation with the manufacturer's specifications. Installation must conform to local codes or, in the absence of local codes, with the National Fuel code, ANSI Z223.1, Natural Gas Installation code, CAN/CGA-B149.1 or the Propane Installation Code, CAN/CGA-B149.2, as applicable.

Before assembly and connection, check gas supply.

- A. The type of gas for which the unit is equipped is stamped on the data plate located on the lower rear of the left side panel. Connect a unit stamped "NAT" only to natural gas; connect a unit stamped "PRO" only to propane gas.
- B. If it is a new installation, have gas authorities check meter size and piping to assure that the unit is supplied with sufficient amount of gas pressure required to operate the unit.
- C. If it is additional or replacement equipment, have gas authorities check pressure to make certain that existing meter and piping will supply fuel at the unit with not more than 1/2" water column pressure drop.

NOTE: When checking pressure be sure that all other equipment on the same gas line is on. An internal pressure regulator is supplied with U.S. Range Convection Ovens. Regulator is preset to deliver gas at pressure shown on the rating plate.

The appliance and its individual shut-off valve must be disconnected from the gas supply piping system during any pressure testing of that system at test pressures in excess of 1/2 PSI (3.45kPa.).

The appliance must be isolated from the gas supply piping system by closing its individual manual shut-off valve during any pressure testing of the gas supply piping system at test pressures equal to or less than 1/2 PSI (3.45 kPa).

NOTE: Adequate clearance must be provided for servicing and proper operation.

Gas Connections

The 1" NPT inlet at the rear must be considered in piping the gas supply for double stack units or 3/4" NPT for individual (or single deck) connections. Undersized gas supply line(s) may restrict the gas supply and affect performance. If other gas appliances are supplied by the same supply line, the supply line must be sized to carry the combined volume without causing more than 1/2" pressure drop at the manifold of each appliance on the line at full rate.

Recommended supply pressures are 7" WC, (NAT), and 11" WC, (PRO); $\pm 5\%$. (Must not exceed 13.8" WC[NAT], and 15" WC[PRO]).

INSTALLATION Continued

Electrical Connections

Electrical Grounding Instructions:

A 15 AMP service must be provided for each oven. For 115 VAC usage, a cord and plug (NEMA #5-15P) is provided but connection to the electrical service must be electrically grounded in accordance with local codes, or in the absence of local codes, with the National electrical code, ANSI/NFPA 70, or the Canadian electrical Code, CSA C22.2, as applicable.

This appliance is equipped with a three-prong (grounding) plug for your protection against shock hazard and should be plugged directly into properly grounded three-prong receptacle. **DO NOT CUT OR REMOVE THE GROUNDING PRONG FROM THIS PLUG.**

A wire diagram is affixed to the rear of the unit.

Power Failure

In the event of a power failure, no attempt should be made to operate this oven.

Ventilation and Air Supply

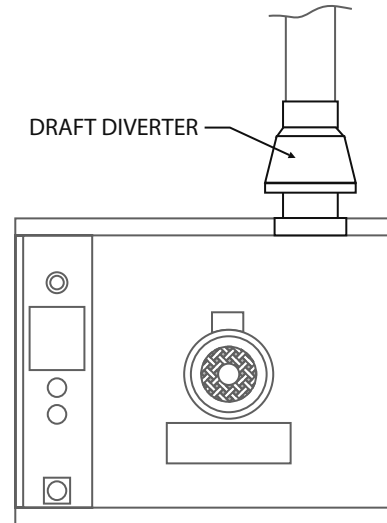
Proper ventilation is highly important for good operation. There are only two choices for properly venting an oven: **1) canopy hood style or 2) direct venting.** The ideal method of venting a GAS Convection Oven is through the use of a properly designed canopy, which should extend 6" (152 mm), beyond all sides of the appliance and 6'6" (1981 mm) from the floor.

A strong exhaust fan will create a vacuum in the room. For an exhaust system vent to work properly, exhaust and make-up air must be balanced properly. For proper air balance contact your local H.V.A.C. contractor.

All gas burners and pilots need sufficient air to operate and large objects should not be placed in front of this oven, which would obstruct the airflow through the front.

Installation of Direct Flue

When the installation of a canopy type exhaust hood is impossible the oven may be direct vented. Before direct venting check your local codes on ventilation, in the absence of local codes, refer to the National Fuel Code NFPA 54, ANSI Z223.1 (latest revision).



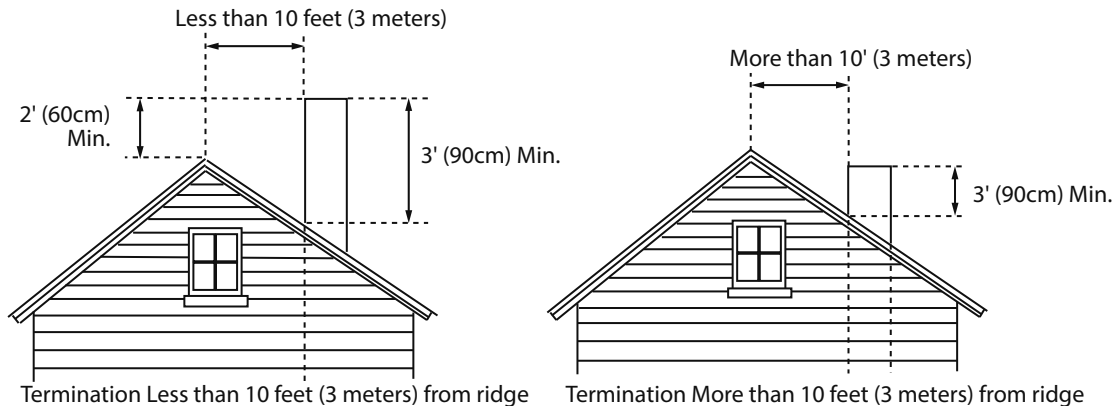
If the unit is to be connected to a direct flue, it is necessary that draft diverter be installed to insure proper ventilation.

Direct venting, should be positioned on the main top and fastened with sheet metal screws provided.

DO NOT UNDER SIZE VENT PIPE! This can cause resistance to flow and impede good venting. We suggest that if a horizontal run must be used it should rise not less than 1/4" (6.25mm) for each linear foot of run, and after a total of 180° of bends you should increase the size of stove pipe by two (2") inches. The flue should rise 2' (60cm) to 3' (91 cm) above the roof line or 2' (60mm) to 3' (91cm) above any portion of a building within a horizontal distance of 10 (3 meters) feet.

The following diagram is only one example from the National Fuel Gas code Book NFPA 54, ANSI Z223.1,7,5,3:

INSTALLATION Continued



TESTING AND ADJUSTMENTS

Adjustments

NOTE: Each oven has been factory tested and adjusted prior to shipment. It may be necessary to further adjust the oven as part of a proper installation. Such adjustments are the responsibility of the installer. Adjustments are not considered defects in material and workmanship, and they are not covered under the original equipment warranty.

Lighting

1. Turn on main gas valve. Remove the lower front cover and the service panel above the control panel. Drop the control panel and leak test all fittings and connections upstream from the service valve located on the redundant combination gas valve. Should any gas leaks be detected, turn OFF main gas valve, correct the problem and retest.
2. Open shutoff valve located on the redundant combination gas valve. Activate control panel and set to desired temperature. The burners are ignited by direct spark. Check all fittings again and correct any leaks and recheck.

Replace all service panels and covers before operation.

NOTE: All electronic ignition systems are supplied with a redundant gas valve. Therefore, the unit is not supplied with an external pressure regulator.

NOTE: During installation there will be air in the gas line. This air will have to bleed off before ignition can be established. The electronic ignition system has a ninety second lock-out as a safety device on all units. Therefore, several attempts may be required before pilot ignition is established, wait five minutes after each attempt.

FOR YOUR SAFETY: KEEP YOUR APPLIANCE ARE FREE FROM COMBUSTIBLES.

To Conserve Energy

Do not waste energy by leaving controls at high temperature settings during idle periods. Lower settings will keep oven warm and ready for next use period. Summit 40 Series controls have an auto setback feature that is user programmable to help with these applications.

OPERATING INSTRUCTIONS

Summit 20 Solid State Control with Electromechanical Timer (Model SUMG)

In Off Mode

When the oven is off, there are no lights or indicators.

Start Up

Press the Cook/Off/Cool Down rocker switch to the "Cook" position. The green lamp will light indicating the oven is powered in cook mode.

The oven will begin to heat to the temperature set on the thermostat dial. The amber lamp will light indicating the heat is active. As the heat cycles on and off to maintain the set temperature this light will go on and off accordingly.

The door must be closed for the oven to operate in cook mode. Opening the door will cause the heat to stop and the motor and fan will shut off. *This is a safety feature.*

Fan Speed

The fan speed can be either high (1725 RPM) or low (1150 RPM). The fan speed is controlled by the left rocker switch marked high and low.

Lights

The oven lights are activated by pressing the light switch on the control panel. This is a momentary switch and the lights will only stay lit as long as this button held in the on position. Lights will work whenever there is electrical power connected to the oven.

Cool Down

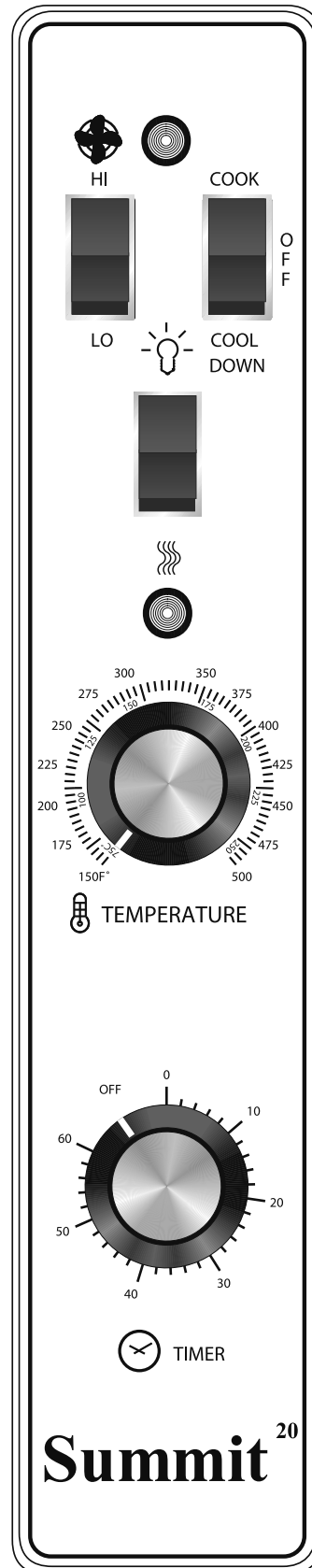
Pressing the Cook/Off/Cool down rocker switch to the Cool down position activates the fan and motor to cool the oven cavity. The door must be open slightly for the fan and motor to start. The heat is not active in this mode.

Optimal cool down will be achieved with the door open slightly. Opening the door too far will shut the fan and motor off. *This is a patented safety feature.*

Pressing the button to the OFF position cancels the cool down and turns the oven off.

Temperature

The temperature range is from 150° to 500°F (66°C to 250°C) is controlled by rotating the temperature dial and aligning the indicator to the desired temperature.



OPERATING INSTRUCTIONS Continued

Timer

The timer is set by rotating the dial clockwise aligning the indicator to the desired time cycle. The timer will count down from 2 minutes to 60 minutes. At the end of the timing cycle the buzzer will sound. The buzzer is turned off by rotating the dial counter-clockwise to the off position as shown on the control panel.

NOTE: Timer does not control heating.

***Summit 45 Electronic Control With Cook-N-Hold And Summit 45+ Electronic Control With Cook-N-Hold & Core Probe. (SGM Models manufactured prior to June 2012)**

In Off Mode

When the controller is off, the display will show "OFF". Pressing the ON/OFF key will activate the controller into Start Up Mode.

On Start Up

In Start Up mode, the controller will heat to the last set temperature, time and fan speed. The factory defaults are 350°F (177°C), 30 minutes and low fan speed. The display will indicate "LO" when the oven is below the set temperature. When the oven cavity reaches the set temperature and is ready for operation the display will indicate "LOAD".

NOTE: If the oven temperature goes above the requested temperature the display will indicate "HI". If the oven temperature goes above 575°(302°C) the display will indicate "HELP" and an audible signal will sound. *This is a safety feature.*

If the door is opened during a Cooking mode, the fan and heat will stop, and the display will indicate "DOOR" until the door is closed. *This is a patented safety feature.*

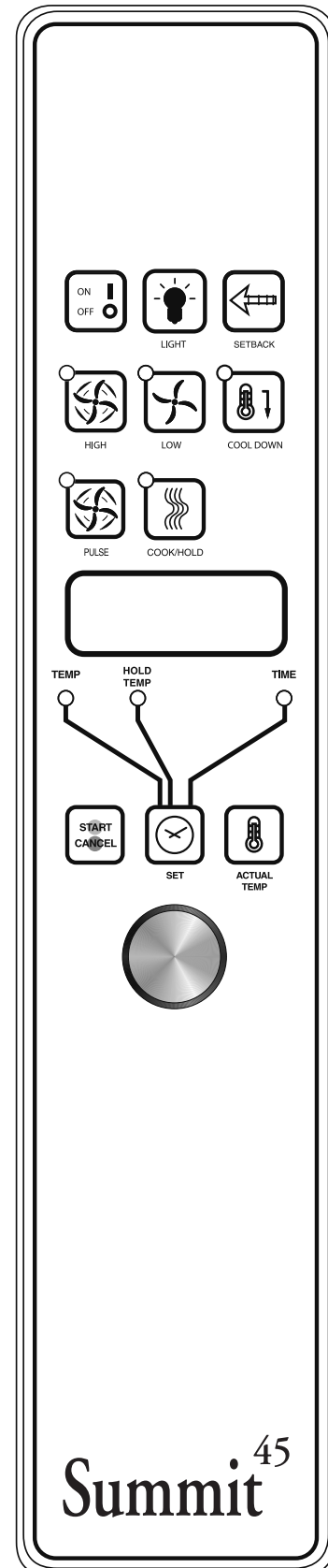
Pressing the ACTUAL TEMP key will display the actual oven temperature in 5° increments.

Controller Keys

Pressing the ON/OFF key will activate the oven.

Pressing the LIGHT key will turn the lights on for 30 seconds. The lights will work if the controller is in the off mode. When the door is opened, the light will come on and stay on for 30 seconds.

Pressing the FAN HIGH key will activate the lower fan speed



OPERATING INSTRUCTIONS Continued

and light its LED.

Pressing the **FAN LOW** will activate the higher fan speed and light its LED.

Pressing the **FAN PULSE** key the fan will be active the lower fan speed and light its LED. The fan will be activated for 30 seconds then off for 30 seconds, and continues this cycle.

Pressing the **SETBACK** key will cool the oven cavity to a preprogrammed temperature. (See: Setting "Setback" feature). The oven will automatically go into Setback mode after the pre-programmed non usage time. The display will indicate "SETB". This is an energy-saving feature.

Pressing the **COOL DOWN** key will deactivate the heat, turn the fan on high and light its LED. This display will indicate "OPEN DOOR" if the door is closed, prompting the user to open the door slightly. With the door open slightly the display will indicate "COOL". The Cool down will operate when the door is closed or opened slightly. **Optimal cool-down will be achieved with the door open slightly.** When the door opens wider, the Cool Down mode will deactivate and the display will indicate "DOOR". *This is a patented safety feature.* Pressing the **COOL DOWN** key again will turn the LED off and stop this mode. Pressing the **ON/OFF** key will also cancel Cool down. Cool Down is not active during a cook.

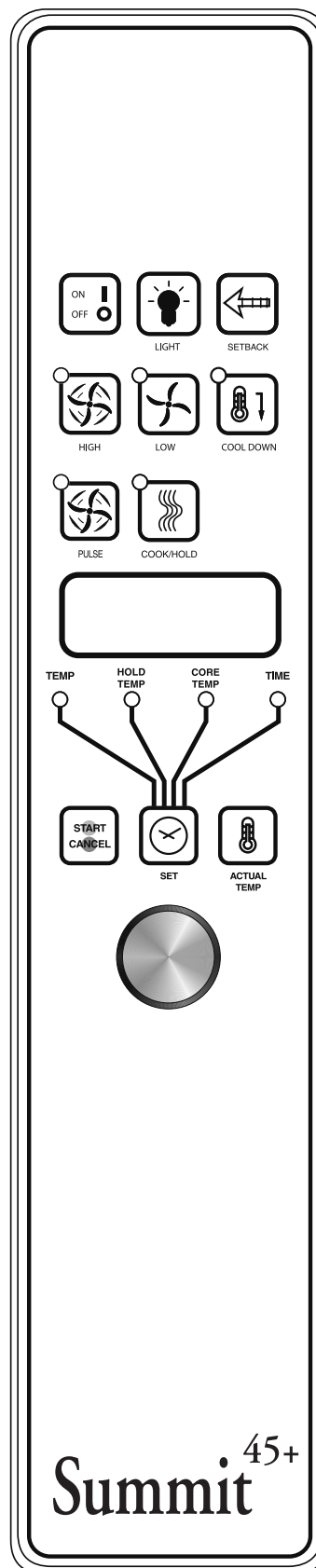
When the **ON/OFF** switch is pressed to turn the oven off and the oven is above 200°F (93°C), the oven will go into an **AUTO COOL DOWN** mode. In Auto cool Down, the oven will run the fan on high until the oven cavity drops below 150°F (66°C). During this time the display will indicate "AUTO". When the oven temperature drops below 150°F (66°C) the oven turns off. This feature protects the oven motor from premature failure. **Optimal cool-down will be achieved with door open slightly.**

Fahrenheit/Celsius

Factory default is Fahrenheit (F). To change to Celsius (C), press and hold in the "Phantom Key" located to the right of "Cook/Hold" key. "F" appears in the display. Continue to hold until "C" is displayed and then release the "Phantom key".

Operating the Controls

Setting the cook temperature and time are done in the same manner. Pressing the **SET** key will light the **TEMP** LED. The operator then sets the temperature by rotating the dial on the controller until the desired temperature is shown on the display. Pressing the **SET** key a second time lights the **TIME** LED and allows the operator to select the desired cook time



OPERATING INSTRUCTIONS Continued

as shown on the display. Pressing the Set key a third time ends the programming.

Pressing the **START/CANCEL** key will start the timing cycle. The display will count down from the set time in minutes and seconds (solid colon) or hours and minutes (blinking colon) then minutes and seconds. When the cycle is completed, pressing this key will also cancel the “**DONE**” prompt. To cancel a timing cycle in progress, press and hold the **START/CANCEL**.

Cook-N-Hold Operation

Pressing the **COOK/HOLD** (45 and 45+ Controllers Only) key activates the Cook-N-Hold mode and lights is LED. To verify the proper hold temperature has been selected, press the **SET** key twice. The display will show the hold temperature. At the end of the cook cycle, an audible alarm will sound, the display will flash “**DONE**” and change to count “**UP**” the time the oven is on hold. The oven will switch to the programmed hold temperature.

Setting the cook temperature, hold temperature and time are done in the same manner. Pressing the **SET** key will light the **TEMP** LED. The operator then sets the temperature by rotating the dial on the controller until the desired temperature is shown on the display. Pressing the **SET** key a second time will light the **HOLD** LED and allows the operator to select the desired hold temperature as shown on the display. Pressing the **SET** key a third time lights the **TIME** LED and allows the operator to select the desired cook time as shown on the display. Pressing the **SET** key a fourth time ends the programming.

Pressing the **START/CANCEL** key will start the timing cycle. When the cycle is completed, pressing the key will also cancel the “**DONE**” prompt. To cancel a timing cycle

in progress press and hold the **START/CANCEL** key for 3 seconds.

Core Probe Operation

The Core Probe option (45+ Controller Only) is only active when the core probe is plugged into its connector. To set the core temperature, first plug the core probe into its connector. The display will indicate “100” and the **CORE TEMP** LED will be on.

The operator then sets the temperature by rotating the dial on the controller until the desired temperature is shown on the display. Pressing the **SET** key stores the core temperature and starts the cooking process.

To set the oven temperature, press the **SET** key again. The **TEMP** LED will light and the oven temperature can be set by rotating the dial on the controller until the desired temperature is displayed. Pressing the Set key again will light the **HOLD** LED allowing the operator to set the hold temperature in the same manner.

NOTE: If the hold temperature is not set, the default hold temperature is 150°F (66°C) or the last programmed temperature. (Hold temperature range is 140°F (60°C) to 210°F (99°C).

When the core temperature is reached the display will sound and flash “**DONE**” for 3 seconds. Automatically, the display will switch to count “**UP**” the time the oven is on hold. To end this cycle, the core probe must be removed from the connector.

Setting Setback Feature

To set or change the setback settings, press and hold the **SETBACK** key for two seconds. The **TEMP** LED will light and a temperature will be displayed. Set the temperature using the dial, then press the **SET** key. The **TEMP** LED will go out and the **TIME** LED will light (“Time” is factory set at 0). Set the time using the dial, then press the **SET** key. Press the **SET** key one more time to exit programming.

Note: To disable the setback function, set the temperature to 250° F (121°C) and the time to zero.

PERFORMANCE RECOMMENDATIONS

1. Preheat oven thoroughly (approx. 20 minutes) before use.
2. As a general rule, temperature should be reduced 25° to 50° from that used in a standard/conventional oven. Cooking time may also be shorter, so we suggest closely checking the first batch of each product prepared.
3. Use the chart of suggested times and temperatures as a guide. These will vary depending upon such factors as size of load, temperature, and mixture of product (particularly moisture) and density of product.
4. Keep a record of the times, temperature, and load sizes you establish for various products. Once you have determined these, they will be similar for succeeding loads.
5. When practical, start cooking the lowest temperature product first and gradually work up to higher temperatures.
6. If you find that your previous temperature setting is more than 10° higher than needed for succeeding loads, press **COOL DOWN** to reach the desired temperature before setting a new cooking temperature.
7. When loading oven, work as quickly as possible to prevent loss of heat.
8. Oven will continue to heat even though the timer goes off. Product should be removed from the oven as soon as possible to avoid over cooking.
9. Center pans on racks and load each shelf evenly to allow for proper air circulation within the cavity.
10. When baking, weigh or measure the product in each pan to assure even cooking.
11. When cooking five pans, use rack positions 1, 4, 6, 8, and 10 and, starting from the top.
12. Do not overload the oven. Five pans are suggested for most items, i.e., cakes, cookies, rolls, etc. However, the maximum (10 pans) may be used for fish sticks, chicken nuggets and hamburgers. Cooking times will have to be adjusted.
13. Muffin pans should be placed in the oven back to front or with the short side of the pans facing the front. This results in the most evenly baked product.
14. When re-thermalizing frozen casseroles, preheat the oven 100° over the suggested temperature. Return to cooking temperature when the oven is loaded. This will help compensate for the introduction of a large frozen mass into the cavity.
15. Use pan extenders or two inch deep 18" x 26" pans for batter type products which weigh more than eight pounds, i.e., Pineapple Upside down Cake.
16. Never place anything directly on the bottom of the oven cavity. This obstructs the airflow and will cause uneven results.

NOTE: Moisture will escape around the doors when baking products with heavy moisture content, such as chicken, potatoes, etc. This is normal.

COOKING GUIDE

The following suggested times and temperatures are provided as a starting guide. Elevation, atmospheric conditions, recipe, cooking pans, and oven loading may affect your actual results.

PRODUCT	TEMPERATURE (°F)	TIME
Cakes		
White Sheet Cakes – 5 lbs	300°	20 min
White Sheet Cakes – 6 lbs	300°	22 min
Yellow Sheet Cake – 5 lbs	325°	15 min
Chocolate Layer Cake – 21 oz	300°	22 min
Angel Food Cake	375°	22 min
Brownies	350°	15 min
Breads		
Soda Biscuits	400°	6 min
Yeast Rolls	325°	24 min
Sweet Bread	325°	24 min
Corn Bread	350°	22 min
Gingerbread	300°	24 min
Apple Turnovers	350°	25 min
Cream Puffs	300°	25 min
Sugar Cookies	325°	12 min
Chocolate Chip cookies	375°	8 min
Apple Pie (Fresh)	375°	25 min
Blueberry Pie (Fresh)	350°	30 min
Blueberry Pie (Frozen)	300°	50 min
Pumpkin Pie (Frozen)	300°	50 min
Frozen Pizza	300°	6 min
Macaroni & Cheese	350°	15 min
Fish Sticks	350°	16 min
Stuffed Peppers	350°	45 min
Baked Potatoes	350°	60 min
Meats		
Chick Parts	350°	45 min
Hamburger Patties -10/lb frozen	350°	8 min
Hamburger Patties - 10/lb fresh	350°	5 min
Hamburger Patties - 4/lb frozen	350°	12 min
Hamburger Patties – 4/lb fresh	350°	8 min
Meatloaf – 4lb	325°	45 min
Bacon	350°	10 min
Roast Beef 20lb	325°	3 hr 15 min
Prime Rib 10lb	300°	1 hr 45 min
Stuffed Port chops	350°	45 min
Lamb chops	375°	40 min
Boneless Veal Roast	300°	3 Hr

COOK AND HOLD

Please refer to the operating instructions to program the 450 and 455 control units for Cook and Hold feature. The times and temperatures listed below are to be used as a starting guide. Your actual results may vary greatly depending on your elevation, atmospheric conditions and other items being cooked at the same time.

Weight in lbs	Time in Hours					
	Temperature: 200°F		Temperature: 250°F		Temperature: 300°F	
	Rare	Medium	Rare	Medium	Rare	Medium
8	2.5	3.5	1.5	2	1.25	1.5
9	2.75	3.75	1.75	2.25	1.25	1.75
10	3	4.25	2	2.5	1.5	1.75
11	3.25	4.5	2	2.75	1.5	1.75
12	3.5	5	2.25	3	1.5	2
13	3.75	5	2.5	3.25	1.5	2.25
14	4	5.75	2.5	3.5	1.75	2.5
15	4.25	6	2.75	3.5	2	2.5
16	4.5	6.25	2.75	3.75	2	2.75
17	4.75	6.5	3	4	2.25	2.75
18	4.75	6.75	3.25	4.25	2.25	3
19	5	7.25	3.25	4.25	2.25	3
20	5.25	7.5	3.5	4.5	2.5	3.25
21	5.5	7.75	3.5	4.75	2.75	3.5
22	5.75	7.75	3.5	4.75	2.75	3.5
23	6	8.25	3.75	5	2.75	3.75
24	6	8.75	3.75	5	2.75	3.75
25	6.25	9	4.25	5.5	3	4
26	6.5	9.25	4.25	5.5	3.25	4.25
27	6.75	9.5	4.25	5.75	3.25	4.25
28	7	9.75	4.5	6	3.25	4.25
29	7.25	10	4.75	6.25	3.5	4.5
30	7.25	10.25	4.75	6.25	3.5	4.5

PROBLEM/SOLUTIONS

Problem	Solution
Cakes are dark on the sides and not done in the center	Lower oven temperature
Cakes edges are too brown	Reduce number of pans or lower oven temperature
Cakes have light outer color	Raise temperature
Cake settles slightly in the center	Bake longer or raise oven temperature slightly. Do not open doors too often or for long periods
Cake ripples	Overloading pans or batter is too thin
Cakes are too coarse	Lower oven Temperature
Pies have uneven color	Reduce number of pies per rack or eliminate use of bake pans
Cupcakes crack on top	Lower oven temperature
Meats are browned and not done in center	Lower temperature and roast longer.
Meats are well done and browned	Reduce time. Limit amount of moisture
Meats develop hard crust	Reduce temperature or place pan of water in oven.
Rolls have uneven color	Reduce number or size of pans.

CLEANING AND MAINTENANCE

Note: Disconnect line cord from power supply before cleaning or servicing.

Break-In Period

When oven is new, operate it for one hour at 375°F (191°C) before you begin your normal cooking operation. After cooling, wipe the interior, including the racks, with a clean damp cloth.

Exterior Cleaning

Establish a regular schedule. Any spills should be wiped off immediately.

1. The oven should always be allowed to cool sufficiently before any cleaning is attempted.
2. Wipe exposed, cleanable surface when cool with a mild detergent and hot water. Stubborn residue spots may be removed with a lightweight non-metallic scouring pad. Dry thoroughly with a clean cloth.
3. Stubborn stains may be removed by using a non-metallic abrasive pad, rubbing in the direction of the metal's grain. If necessary, for particularly heavy deposits, you may mix a thin paste of water and scouring powder, and apply it with a sponge. Be careful to apply light pressure and remember to rub only in the direction of the grain in the metal.
4. The control panel surface is easily cleaned with hot water, soap and a soft cloth. Do not use hard abrasives, solvent type materials or metallic scouring pads since these will scratch or cloud the surface.
5. Never spray the perforated areas or control panel with steam or water, as this will allow moisture into the control cavity, which could damage electrical components.

CLEANING AND MAINTENANCE Continued

Interior Cleaning

Establish a regular cleaning schedule or wipe off, on the same day when spill overs occur.

1. Cool down oven.
2. Remove oven racks.
3. Lift rack guides on either side of oven off of holders. Racks and guides may be run through dishwasher while oven cavity is being cleaned.
4. Clean with soap and water using a non-metallic scouring pad, if necessary. If dirt and grease have accumulated, a mild ammonia solution or commercial oven cleaner such as Easy-Off or Dow may be used.
5. To reinstall, reverse procedure. Place the bottom of the rack guide against the cavity wall. Keeping the top pulled away from the wall lift up. Push the top of the guide against the wall and push down locking it into place.

Fan Area Maintenance

If aluminum foil is routinely used to wrap food or cooking vessels during oven operation, the following preventive maintenance must be performed:

1. Turn power switch to "Off" position
2. Remove oven racks and rack guides.
3. Remove air baffle and clean any stains or deposits.
4. Check blower wheel and air baffle for particles of aluminum foil or food deposits. Clean fins of blower wheel. (Caution: edges of blower wheel fins may be sharp).
5. Reinstall the air baffle, rack guides and oven racks.

This simple practice, if performed on a regular basis will keep your U.S. Range oven operating at peak performance.

Motor Care

The motor on your convection oven is maintenance free since it is constructed with self-lubricating sealed ball bearings. It is designed to provide durable service when treated with ordinary care. We have a few suggestions to follow on the care of your motor. When the motor is operating, it cools itself internally by air entering at the rear of the motor case, provided proper clearance has been allowed.

Since the blower wheel is in the oven cavity it is at the same temperature as the oven. If the motor is stopped while the oven is hot, the heat from the blower wheel is conducted down the shaft and into the armature of the motor. This action could shorten the life of the motor.

We recommend, at the end of the bake or roasting period, when the oven will be idle for any period of time, or before shutting down completely, that the doors be left open slightly. On the Summit 45 series controller press the **COOL DOWN** key on the control panel. The fan will continue to run until the oven cools down to 150°F (66°C).

At the end of the day, on the Summit 45 series controller press the **ON/OFF** key to activate the Auto cool Down Feature. The fan will run on high until the oven cavity drops below 150°F (66°C) the oven turns off. This feature protects the oven motor from pre-mature failure. On the Summit 20 series controllers, push the rocker switch to **COOL** position. Once cool, set the rocker switch to **OFF**.

NOTE: Optimal cool-down will be achieved with the door open slightly.



US RANGE
1177 KAMATO ROAD, MISSISSAUGA, ONTARIO, CANADA. L4W 1X4

888-442-7526
WWW.GARLAND-GROUP.COM

Every new piece of Manitowoc Foodservice equipment comes with KitchenCare™ and you choose the level of service that meets your operational needs from one restaurant to multiple locations.

StarCare – Warranty & lifetime service, certified OEM parts, global parts inventory, performance audited

ExtraCare — CareCode, 24/7 Support, online/mobile product information

LifeCare – Install & equipment orientation, planned maintenance, KitchenConnect™, MenuConnect

Talk with KitchenCare™ • 1-844-724-CARE • www.mtwkitchencare.com



To learn how Manitowoc Foodservice and its leading brands can equip you, visit our global web site at www.manitowocfoodservice.com, then discover the regional or local resources available to you.





US RANGE
1177 KAMATO ROAD, MISSISSAUGA, ONTARIO, CANADA L4W 1XA
888-442-7526
WWW.GARLAND-GROUP.COM

Every new piece of Manitowoc Foodservice equipment comes with KitchenCare™ and you choose the level of service that meets your operational needs from one restaurant to multiple locations.

- StarCare** – Warranty & lifetime service, certified OEM parts, global parts inventory, performance audited
- ExtraCare** — CareCode, 24/7 Support, online/mobile product information
- LifeCare** – Install & equipment orientation, planned maintenance, KitchenConnect™, MenuConnect
- Talk with KitchenCare™** • 1-844-724-CARE • www.mtwkitchencares.com



To learn how Manitowoc Foodservice and its leading brands can equip you, visit our global web site at www.manitowocfoodservice.com, then discover the regional or local resources available to you.



Nettoyage intérieur

Établissez un horaire de nettoyage régulier ou procédez au nettoyage, la journée même où le déversement est survenu.

1. Laissez refroidir le four.

2. Retirez les grilles du four.

3. Soulevez les supports des grilles, situés de chaque côté du four, de leur renfort. Les grilles ainsi que les guides peuvent être passés au lave-vaisselle en même temps que la cavité du four est nettoyée.

4. Nettoyez avec de l'eau et du savon ainsi qu'un tampon à récureur non métallique, si nécessaire. Si de la saleté ou de la graisse s'accumule, une solution d'ammoniaque douce ou un nettoyant pour four comme du Easy-Off ou Dow peut être utilisé.

5. Pour réinstaller, faites la procédure inverse. Placez le fond du guide de la grille contre la cavité du mur. Gardez le dessus loin du mur soulever. Poussez le dessus du guide contre le mur et poussez vers le bas pour le verrouiller en place.

Entretien du ventilateur

Si du papier d'aluminium est constamment utilisé pour envelopper les aliments ou comme récipient de cuisson, l'entretien préventif suivant doit être fait :

1. Mettre l'interrupteur à la position « FERMER »

2. Enlevez les grilles du four ainsi que les guides.

3. Enlevez la chicane d'air et nettoyez toute tache ou dépôt.

4. Vérifiez la roue du ventilateur ainsi que la chicane d'air pour des dépôts de particules d'aliments ou de papier d'aluminium. Nettoyez les ailettes de la roue du ventilateur. (Avertissement : les bords de la roue du ventilateur peuvent être coupantes).

5. Réinstallez la chicane d'air, les guides de grilles ainsi que les grilles du four.

Cette pratique simple, si effectuée sur une base régulière, gardera votre four U.S. Range selon un fonctionnement optimal.

Entretien du moteur

Le moteur de votre four à convection est sans entretien puisqu'il est fabriqué à l'aide de roulements à billes scellés lubrifiés. Il est conçu pour fonctionner longtemps lorsque celui-ci est entretenu de façon normale. Nous avons quelques suggestions à suivre concernant l'entretien de votre moteur. Lorsque le moteur fonctionne, il se refroidit lui-même par l'air entrant par la partie arrière du boîtier du moteur, si un dégagement approprié est maintenu.

Puisque la roue du ventilateur est dans la cavité du four, celle-ci est à la même température que le four. Si le moteur est arrêté pendant que le four est chaud, la chaleur provenant de la roue du ventilateur descend sur l'arbre d'entraînement, dans l'armature du moteur. Ceci peut raccourcir la durée de vie du moteur.

Nous recommandons, à la fin de la cuisson ou de la période de rôtissage, lorsque le four sera inactif pour un temps, ou avant de l'arrêter complètement, que la porte soit entre ouverte légèrement. Sur les contrôleurs de la série Summit 45, appuyez sur la touche **REFROIDISSEMENT** située sur le panneau de contrôle. Le ventilateur continuera de fonctionner jusqu'au moment où la température du four est atteinte 150°F (66°C).

À la fin de la journée, sur les contrôleurs de la série Summit 45, appuyez sur la touche **ALLUMER/ETEINDRE** pour activer la fonction de refroidissement automatique. Le ventilateur du four s'activera à haute vitesse jusqu'à ce que la température de la cavité de celui-ci tombe en deçà de 150°F (66°C) et le four s'arrête. Cette fonction protège le moteur du four des défaillances prématurées. Sur les contrôleurs de la série Summit 20, appuyez sur l'interrupteur basculant à la position **REFROIDISSEMENT**. Une fois refroidi, réglez l'interrupteur basculant à la position **FERMER**.

REMARQUE : Un refroidissement idéal sera obtenu si la porte est légèrement ouverte.

Problème	Solution
Les gâteaux sont foncés sur les côtés mais pas assez cuits au centre	Réduire la température
Les côtés des gâteaux sont trop bruns	Réduire le nombre de moules ainsi que la température
Les gâteaux sont trop pâles	Élever la température
Le gâteau s'effondre légèrement au centre	Cuire plus longtemps ou élever la température légèrement. N'ouvrez pas la porte trop fréquemment ou pour de longues périodes
Ondulations dans le gâteau	Surcharge des moules ou la pâte est trop mince
Les gâteaux sont trop gros	Réduire la température du four
Les tartes sont de couleur inégale	Réduire le nombre de tartes par grille ou éliminer l'utilisation de moules de cuisson
Les petits gâteaux craquent sur le dessus	Réduire la température
Les viandes sont brunes mais ne sont pas cuites à l'intérieur	Réduire la température et rôti plus longtemps.
Les viandes sont bien cuites et brunes	Réduire le temps de cuisson Limiter la quantité d'humidité
Le dessus des viandes devient dur	Réduire la température ou placer un moule avec de l'eau dans le four.
Les pains à mollets sont de couleur inégale	Réduire le nombre ou la taille des moules.

ENTRETIEN ET NETTOYAGE

Remarque : Déconnectez le cordon d'alimentation de la prise électrique avant d'effectuer l'entretien ou le nettoyage de l'appareil.

Période de rodage

Lorsque le four est neuf, faites fonctionner celui-ci pour une heure à 375°F (191°C) avant de commencer votre fonctionnement de cuisson normal. Après que celui-ci est refroidi, nettoyez l'intérieur, incluant les grilles, à l'aide d'un chiffon propre et humide.

Nettoyage extérieur

Etablissez un horaire régulier. Tout déversement doit être nettoyé immédiatement.

1. Laissez le four refroidir suffisamment avant que toute procédure de nettoyage puisse être entreprise.
2. Séchez les surfaces exposées et nettoyées, lorsque le four est refroidi, avec un détergent doux et de l'eau chaude. Les résidus tenaces peuvent être enlevés à l'aide d'un tampon (doux) à récureur non métallique. Séchez complètement à l'aide du chiffon propre.
3. Les tâches tenaces peuvent être enlevées en utilisant un tampon abrasif non métallique, en frottant dans le sens du grain du métal. Si nécessaire, pour les dépôts de grosses tailles, vous pouvez mélanger de l'eau ainsi que de la poudre récurrente, faire une pâte mince, et l'appliquer à l'aide d'une éponge. Veillez à appliquer une légère pression et n'oubliez pas de frotter seulement dans le sens du grain du métal.
4. La surface du panneau de contrôle est facile à nettoyer à l'aide de savon, d'eau chaude et d'un chiffon. Ne pas utiliser d'abrasifs, matériaux de types solvants ou de tampons à récureur en métal puisque ceux-ci peuvent égratigner ou endommager la surface.
5. Ne jamais vaporiser ou asperger la zone perforée ou le panneau de contrôle avec la vapeur ou de l'eau, puisque ceci permet à l'humidité de pénétrer dans la cavité du contrôleur ce qui peut endommager les composants électriques.

Veillez vous référer aux directives d'utilisation pour programmer les appareils à contrôle 450 et 455, fonction de cuisson et maintien. Les temps et températures indiqués ci-dessous doivent être utilisés comme guide de départ. Les résultats peuvent varier grandement selon l'élévation, les conditions atmosphériques et si plusieurs articles différents sont cuits en même temps.

Temps en heures						
Poids en livres	Température : 200°F		Température : 250°F		Température : 300°F	
	Saignant	À point	Saignant	À point	Saignant	À point
8	2.5	3.5	1.5	2	1.25	1.5
9	2.75	3.75	1.75	2.25	1.25	1.75
10	3	4.25	2	2.5	1.5	1.75
11	3.25	4.5	2	2.75	1.5	1.75
12	3.5	5	2.25	3	1.5	2
13	3.75	5	2.5	3.25	1.5	2.25
14	4	5.75	2.5	3.5	1.75	2.5
15	4.25	6	2.75	3.5	2	2.5
16	4.5	6.25	2.75	3.75	2	2.75
17	4.75	6.5	3	4	2.25	2.75
18	4.75	6.75	3.25	4.25	2.25	3
19	5	7.25	3.25	4.25	2.25	3
20	5.25	7.5	3.5	4.5	2.5	3.25
21	5.5	7.75	3.5	4.75	2.75	3.5
22	5.75	7.75	3.5	4.75	2.75	3.5
23	6	8.25	3.75	5	2.75	3.75
24	6	8.75	3.75	5	2.75	3.75
25	6.25	9	4.25	5.5	3	4
26	6.5	9.25	4.25	5.5	3.25	4.25
27	6.75	9.5	4.25	5.75	3.25	4.25
28	7	9.75	4.5	6	3.25	4.25
29	7.25	10	4.75	6.25	3.5	4.5
30	7.25	10.25	4.75	6.25	3.5	4.5

PRODUITS	TEMPÉRATURE (°F)	TEMPS
Gâteaux		
Gâteau blanc en tranche – 5 lb	300°	20 min
Gâteau blanc en tranche – 6 lb	300°	22 min
Gâteau doré – 5 lb	325°	15 min
Gâteau étage au chocolat	300°	22 min
Gâteau des anges	375°	22 min
Carre au chocolat	350°	15 min
Pains		
Biscuits soda	400°	6 min
Petits pains à la levure	325°	24 min
Pains sucrés	325°	24 min
Pains de maïs	350°	22 min
Pain d'épice	300°	24 min
Chaussons aux pommes	350°	25 min
Choux à la crème	300°	25 min
Biscuits au sucre	325°	12 min
Biscuits aux brisures de chocolat	375°	8 min
Tarte aux pommes (fraîche)	375°	25 min
Tarte aux bleuets (fraîche)	350°	30 min
Tarte aux bleuets (congelé)	300°	50 min
Tarte à la citrouille (congelé)	300°	50 min
Pizza congelée	300°	6 min
Macaroni & au fromage	350°	15 min
Bâtonnets de poisson	350°	16 min
Poivrons farcis	350°	45 min
Patates au four	350°	60 min
Vianades		
Poulet	350°	45 min
Galettes de viande pour hamburger congelé - 10/lb	350°	8 min
Galettes de viande pour hamburger fraîches - 10/lb	350°	5 min
Galettes de viande pour hamburger congelé - 4/lb	350°	12 min
Galettes de viande pour hamburger fraîches - 4/lb	350°	8 min
Pain de viande	325°	45 min
Bacon	350°	10 min
Rôti de boeuf	325°	3 h 15
Côte de boeuf 10 lb	300°	1 h 45
Côtelettes porc farcies	350°	45 min
Côtelettes d'agneau	375°	40 min
Rôti de veau sans os	300°	3 h

Les temps suivants et températures suivantes sont suggérés et fournis comme guides de départ. L'élévation, les conditions atmosphériques, les recettes, les moules de cuisson ainsi que les charges peuvent affecter les résultats.

RECOMMANDATIONS DE PERFORMANCES

1. Centrez les moules sur les grilles et chargez chaque étage uniformément afin de permettre une circulation adéquate à l'intérieur de la cavité du four.
10. Lors de la cuisson, pesez et mesurez le produit versé dans chaque moule pour assurer une cuisson égale.
11. Lors de la cuisson de cinq moules, utilisez les positions de grilles 1, 4, 6 et 8 à commencer par le haut.
12. Ne pas surcharger le four. Il est suggéré d'utiliser cinq moules pour la plupart des articles exemple : gâteaux, biscuits, pains mollets etc. Cependant, un maximum de (10 moules) peut être utilisé pour les bâtonnets de poissons, croquettes de poulet et hamburgers. Les temps de cuisson devront être ajustés.
13. Les moules à muffins doivent être placés de l'arrière vers l'avant ou le côté restreint du moule vers l'avant du four. Ceci permet une cuisson égale du produit.
14. Lors de la cuisson des casseroles congelées, préchauffez le four à 100°selon la température suggérée. Retournez à la température de cuisson lorsque le four est chargé. Ceci aidera à compenser à l'introduction d'une grande masse de produits congelés dans la cavité.
15. Utilisez des allongeurs de moules ou des moules de 2 pouces (5,08 cm) de profondeur x 26 pouces (66,04 cm) pour les produits à base de pâte dont le poids est supérieur à 8 livres exemple : un renversé aux ananas.
16. Ne jamais placer quoi que ce soit directement dans le fond de la cavité du four. Ceci entrave la circulation de l'air et entraînera une cuisson inégale.

REMARQUE : L'humidité s'échappera du pourtour de la porte lors de la cuisson de produits à haute teneur en humidité, comme le poulet, les patates etc. Ceci est normal.

1. Préchauffez le four complètement (approximativement 20 minutes) avant l'utilisation.
2. En règle générale, la température doit être réduite de 25° à 50° comparativement à la température d'un four conventionnel/standard. Le temps de cuisson peut aussi être plus court, nous vous suggérons de vérifier constamment le premier lot préparé.
3. Comme guide, utilisez le tableau des temps et des températures suggérées. Ceux-ci varieront en fonction des facteurs comme la taille de la charge, la température ainsi que mélange de produit (particulièrement l'humidité) ainsi que selon la densité du produit.
4. Garder un registre des temps, des températures ainsi que des tailles des charges établies pour chaque produit. Une fois que ces paramètres auront été déterminés, ils seront similaires pour les charges subséquentes.
5. Si possible, commencez par cuire le produit demandant la température la plus basse et progressez graduellement vers la cuisson des produits demandant des températures plus élevées.
6. Si vous remarquez que le réglage de la température précédente est supérieur à 10° à celle nécessaire pour les charges subséquentes, appuyez sur **REFROIDISSEMENT** pour atteindre la température désirée avant de procéder au réglage d'une nouvelle température de cuisson.
7. Lors du chargement du four, travaillez aussi vite que possible pour empêcher une perte de chaleur dans le four.
8. Le four continuera de chauffer même si le temps est écoulé. Dès que possible, le four doit être retiré du four pour éviter que le produit ne soit trop cuit.

En appuyant sur la touche **DÉMARAGE/ARRÊT** ceci démarrera le cycle de la minuterie. À l'écran, un comptage régressif s'affichera, à partir du temps réglé en minutes et en secondes (colonne solide) ou en heures et minutes (colonne clignotante) puis en secondes. Lorsque le cycle est terminé, appuyer cette touche annulera le message « **TERMINER** ». Pour arrêter le cycle de temps en progression, appuyez et maintenant la touche **DÉMARAGE/ARRÊT**.

Fonctionnement de la fonction Cook-N-Hold

En appuyant sur la touche **CUISSON/MAINTENIR** (Contrôleurs 45 et 45+ seulement), ceci active le mode Cook-N-Hold et le voyant s'allume. Pour vérifier que la température de maintien sélectionnée est appropriée, appuyez sur la touche **RÉGLAGE** deux fois. L'écran affichera la température de maintien. À la fin du cycle de cuisson, une alarme sonore se fera entendre, le message « **TERMINER** » s'affichera et clignotera et la minuterie changera pour un comptage « **PROGRESSIF** » du temps pour lequel le four sera maintenu. Le four changera à la température de maintien programmée.

Le réglage de la température, de la température de maintien et du temps se font de la même manière. En appuyant sur la touche **RÉGLAGE**, ceci allumera le **VOYANT TEMP**. Par la suite, l'utilisateur règle la température en faisant une rotation du cadran, situé sur le contrôleur, jusqu'à ce que la température désirée s'affiche à l'écran. En appuyant sur la touche **RÉGLAGE** une seconde fois, ceci allumera le **VOYANT MAINTIEN** et permet à l'utilisateur de faire la sélection de la température de maintien désirée, comme démontré à l'écran. En appuyant sur la touche **RÉGLAGE** une troisième fois, ceci activera le **VOYANT TEMPS** et permet à l'utilisateur de faire la sélection du temps de cuisson désiré, comme démontré à l'écran. En appuyant sur la touche **RÉGLAGE** une quatrième fois, ceci termine la programmation.

En appuyant sur la touche **DÉMARAGE/ARRÊT** ceci démarrera le cycle de la minuterie. Lorsque le cycle est terminé, appuyer cette touche annulera le message « **TERMINER** ». Pour arrêter le cycle de temps en progression, appuyez et maintenant la touche **DÉMARAGE/ARRÊT** pour trois secondes.

Fonctionnement de la sonde centrale

L'option de la sonde centrale (contrôleur 45+ seulement) est activée seulement si celle-ci est branchée au connecteur. Pour régler la température centrale, procédez au branchement, préalable, de la sonde centrale au connecteur. L'affichage indiquera « 100 » et le **VOYANT TEMPÉRATURE CENTRALE** s'allumera.

Par la suite, l'utilisateur règle la température en faisant une rotation du cadran, situé sur le contrôleur, jusqu'à ce que la température désirée s'affiche à l'écran. En appuyant sur la touche **RÉGLAGE**, ceci emmagasine la température centrale et démarre le processus de cuisson.

Pour régler la température du four, appuyez sur la touche **RÉGLAGE** à nouveau. Le **VOYANT TEMPÉRATURE** s'allumera et la température du four peut être réglée en effectuant

une rotation du cadran, situé sur le contrôleur, jusqu'à la température désirée. Appuyer sur la touche de réglage à nouveau allumera le **VOYANT MAINTIEN** ce qui permet à l'utilisateur de régler la température de maintien de la même façon.

REMARQUE : Si la température de maintien n'est pas réglée, la température de maintien par défaut est de 150°F (66°C) ou la dernière température programmée. (La température de maintien varie entre 140°F (60°C) à 210°F (99°C).

Lorsque la température centrale est atteinte, le message « **TERMINER** » s'affichera et clignotera et une alerte sonore se fera entendre pour 3 secondes. Automatiquement, l'affichage changera pour un comptage « **PROGRESSIF** » du temps pour lequel le four est maintenu. Pour arrêter ce cycle, la sonde centrale doit être débranchée du connecteur.

Réglage de la fonction de retour

Pour régler ou changer les réglages de la fonction de retour, appuyez et maintenant la touche **RETOUR** pour deux secondes. Le **VOYANT TEMPÉRATURE** s'allumera et la température sera affichée. Réglez la température en utilisant le cadran puis, appuyez sur la touche **RÉGLAGE**. Le **VOYANT TEMPÉRATURE** se fermera et le **VOYANT TEMPS** s'allumera (le « temps » est réglé à 0 en usine). Réglez la température en utilisant le cadran puis, appuyez sur la touche **RÉGLAGE**. Appuyez sur la touche **RÉGLAGE** une autre fois pour quitter la programmation.

Remarque : Pour désactiver la fonction de retour, réglez la température à 250°F (121°C) et le temps à zéro.

En appuyant sur la touche **VENTILATEUR IMPULSION** ceci activera le ventilateur à basse vitesse et le voyant sera allumé. Le ventilateur sera activé pour une période de 30 secondes puis s'arrêtera pour une période de 30 secondes et continuera ce cycle.

En appuyant sur la touche **RETOUR** ceci permettra de refroidir la cavité du four à une température préprogrammée. (Voir : Réglage de la fonction de retour). Le four retournera automatiquement en mode retour après le temps préprogrammé non utilisé. Le message « **RETOUR** » s'affichera. Il s'agit d'un dispositif d'économie d'énergie.

En appuyant sur la touche **REFROIDISSEMENT** ceci désactivera la fonction de chaleur, activera le ventilateur à haute vitesse et allumera le voyant. Un message « **PORTE OUVERTE** » s'affichera à l'écran si la porte est fermée, demandant à l'utilisateur d'ouvrir la porte légèrement. Avec la porte légèrement ouverte, le message « **FROID** » s'affichera à l'écran. La fonction de refroidissement fonctionnera lorsque la porte sera fermée ou ouverte légèrement. Un refroidissement idéal sera obtenu si la porte est légèrement ouverte. Lorsque la porte est complètement ouverte, le mode de refroidissement sera désactivé et le message « **PORTE** » s'affichera à l'écran. Il s'agit d'un dispositif de sécurité breveté. En appuyant de nouveau sur la touche **REFROIDISSEMENT**, ceci désactivera le voyant et arrêtera ce mode. En appuyant sur la touche **ALLUMER/ETEINDRE**, ceci arrêtera la fonction de refroidissement. La fonction de refroidissement n'est pas activée lors de la cuisson.

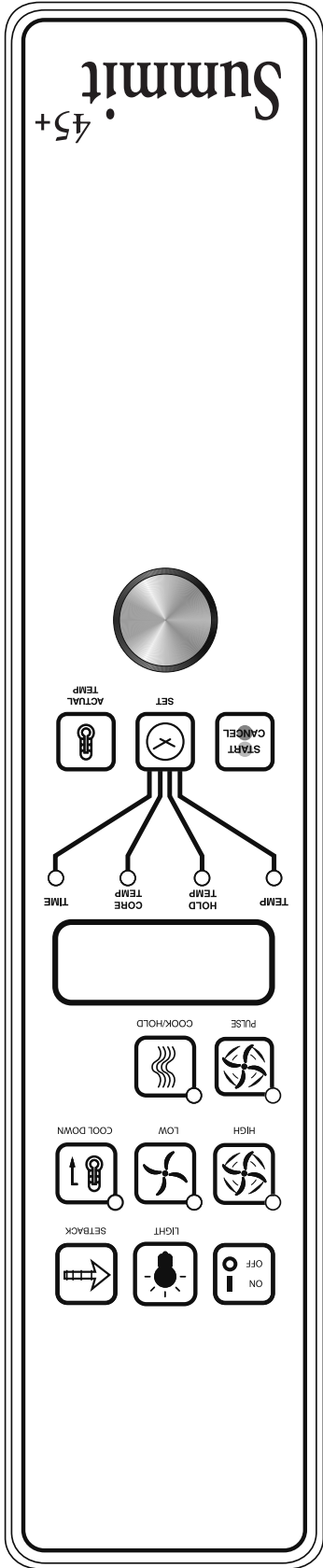
Lorsque l'interrupteur **ALLUMER/ETEINDRE** est enfoncé, ceci arrêtera le four et si le four est à plus de 200°F (93°C), le four entrera en mode **REFROIDISSEMENT AUTOMATIQUE**. En mode refroidissement automatique, le ventilateur du four s'activera jusqu'à ce que la température de la cavité de celui-ci tombe en deça de 150°F (66°C). Pendant ce temps, le message « **AUTO** » s'affichera à l'écran. Lorsque la température sera en deça de 50°F (10°C), le four s'arrêtera. Cette fonction protège le moteur du four des défaillances prématurées. Un refroidissement idéal sera obtenu si la porte est légèrement ouverte.

Fahrenheit/Celsius

La lecture de la température par défaut est en Fahrenheit (F). Pour changer la lecture de la température en Celsius (C), appuyez et maintenez la « clé fantôme » située à droite de la touche « Cuisson/En attente ». La lettre « F » s'affiche à l'écran. Continuez de maintenir jusqu'à ce que la lettre « C » s'affiche puis relâchez la « clé fantôme ».

Fonctionnement des contrôles

Le réglage de la température et du temps de cuisson se fait de la même manière. En appuyant sur la touche **RÉGLAGE**, ceci allumera le **VOYANT TEMP**. Par la suite, l'utilisateur règle la température en faisant une rotation du cadran, situé sur le contrôleur, jusqu'à ce que la température désirée s'affiche à l'écran. En appuyant sur la touche **RÉGLAGE** à nouveau, ceci activera le **VOYANT TEMPS** et permet à l'utilisateur de faire la sélection du temps de cuisson désiré, comme démontré à l'écran. En appuyant sur la touche de réglage une troisième fois, ceci termine la programmation.



Minuterie

La minuterie est réglée en effectuant une rotation du cadran dans le sens horaire, en alignant l'indicateur selon le temps désiré. Le cadran de la minuterie varie entre 2 minutes et 60 minutes. À la fin du cycle un bruiteur sonore se fera entendre. L'alarme peut être arrêtée en effectuant une rotation du cadran dans le sens antihoraire à la position arrêt comme présentée sur le panneau de contrôle.

REMARQUE : La minuterie ne contrôle pas la fonction de chaleur.

Contrôle électronique muni de la fonction Cook-N-Hold Summit 45 et contrôle électronique muni d'une sonde centrale Cook-N-Hold & Summit 45+ (Modèles SGM fabriqués avant juin 2012)

En mode arrêt

Lorsque le contrôleur est arrêté, le message « arrêt » s'affichera. En appuyant sur la touche ALLUMER/ETEINDRE ceci activera le contrôleur en mode démarrage.

Au démarrage

En mode de démarrage, le contrôleur réchauffera selon les derniers réglages de la température, du temps ainsi que de la vitesse du ventilateur utilisés. Les réglages par défaut régls en usine sont de 350°F (177°C) pour la température, 30 minutes pour la minuterie et le ventilateur à basse vitesse. L'affichage indiquera « Bas » lorsque la température du four est inférieure à la température réglée. Lorsque la cavité du four atteint la température réglée et que celui-ci est prêt à l'utilisation, le message « CHARGE » s'affichera. REMARQUE : Si la température du four excède la température demandée, le message « HAUT » s'affichera. Si la température du four excède 575°(302°C) le message « ALDE » s'affichera et un signal sonore se fera entendre. Il s'agit d'un dispositif de sécurité.

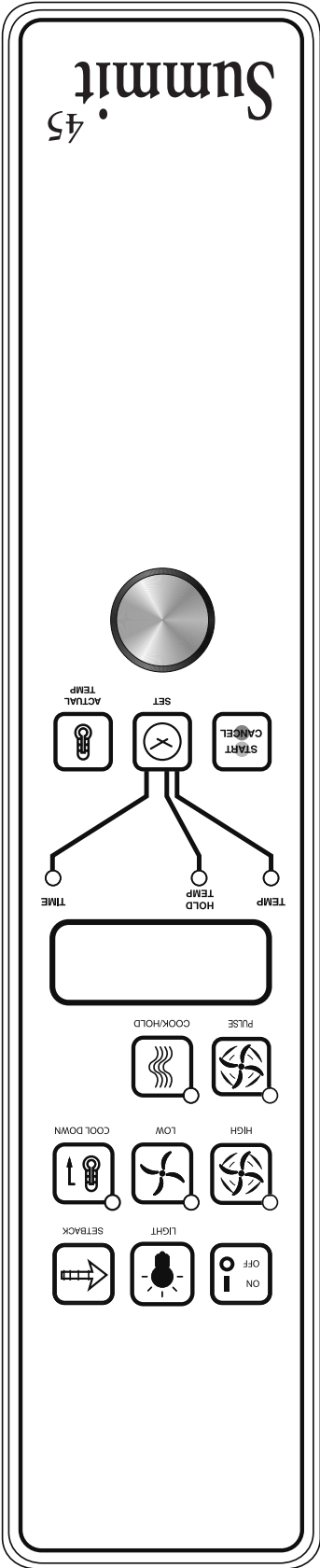
Si la porte est ouverte lors du mode de cuisson, le ventilateur ainsi que la fonction de chaleur s'arrêteront et le message « PORTE » s'affichera jusqu'à ce que celle-ci soit fermée. Il s'agit d'un dispositif de sécurité breveté.

Touches du contrôleur

En appuyant sur la touche **TEMP. ACTUELLE** ceci affichera la température actuelle du four avec un incrément de 5°. En appuyant sur la touche **ALLUMER/ETEINDRE** ceci activera le four.

En appuyant sur la touche **VOYANT** ceci allumera les voyants pour une période de 30 secondes. Les voyants fonctionneront si le contrôleur est en mode arrêt. Lorsque la porte est ouverte, le voyant s'allumera et restera allumé pour 30 secondes.

En appuyant sur la touche **VENTILATEUR HAUT** ceci activera le ventilateur à basse vitesse et le voyant sera allumé. En appuyant sur la touche **VENTILATEUR BAS** ceci activera le ventilateur à haute vitesse et le voyant sera allumé.



Panneau de contrôle rigide avec minuterie électromécanique Summit 20 (MODÈLE SUMG)

En mode arrêt

Lorsque le four est éteint, il n'y a aucun voyant ou aucun indicateur d'allumés.

Démarrage

Appuyez sur l'interrupteur basculant cuisson/arrêt/refroidissement à la position « cuisson ». Le voyant vert s'allumera vous indiquant que le four est en fonction en mode cuisson.

La température du four augmentera pour atteindre la température réglée sur le cadran du thermostat. Le voyant jaune s'allumera vous indiquant que la fonction de chaleur est activée. Puisque le cycle de chaleur s'activera et se désactivera, pour maintenir le réglage de la température, ce voyant s'allumera et s'éteindra en conséquence.

La porte doit être fermée pour que le four puisse fonctionner en mode cuisson. L'ouverture de la porte arrêtera la fonction de chaleur et le moteur ainsi que le ventilateur s'arrêteront. // *s'agit d'un dispositif de sécurité.*

Vitesse du ventilateur

La vitesse du ventilateur peut être réglée à élevée (1 725 T/M) ou basse (1 150 T/M). La vitesse du ventilateur est contrôlée par l'interrupteur basculant situé à gauche identifié par haut et bas.

Voyants

Les voyants du four sont activées en appuyant sur l'interrupteur de lampe situé sur le panneau de contrôle. Il s'agit d'un interrupteur à rappel et ces voyants resteront allumés aussi longtemps que celui-ci sera maintenu en position ouvert. Les voyants fonctionneront lorsque le four est branché à l'alimentation électrique.

Refroidissement

En appuyant sur l'interrupteur basculant cuisson/arrêt/refroidissement à la position refroidissement, ceci met en marche le ventilateur ainsi que le moteur pour permettre le refroidissement de la cavité du four. La porte doit être légèrement ouverte pour que le ventilateur ainsi que le moteur démarrent. À ce mode, la fonction de chaleur n'est pas activée.

Un refroidissement idéal sera obtenu si la porte est légèrement ouverte. Une trop grande ouverture de la porte arrêtera le ventilateur ainsi que le moteur. // *s'agit d'un dispositif de sécurité breveté.*

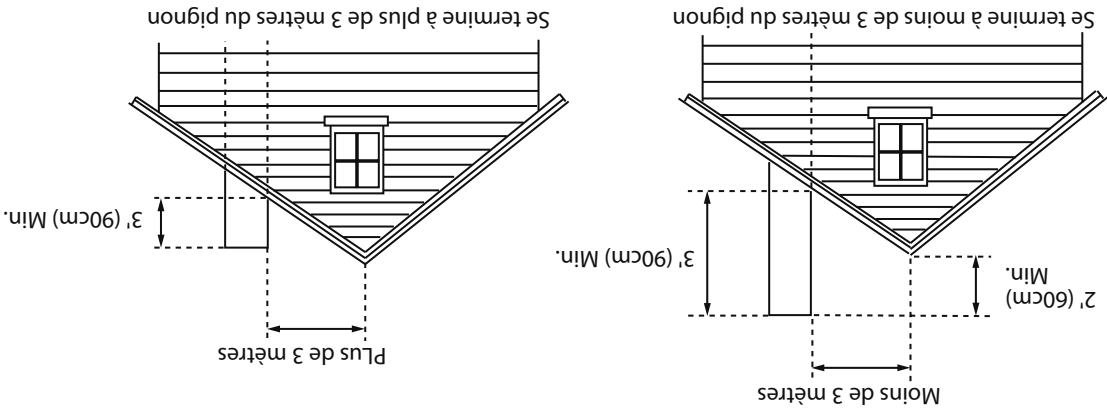
En appuyant sur le bouton à la position arrêt interrompra le processus de refroidissement et arrêtera le four complètement.

Température

La température varie entre 150° et 500°F (66°C à 250°C) et est contrôlée en effectuant une rotation du cadran de la température ainsi qu'en alignant l'indicateur à la position désirée.



ESSAI ET AJUSTEMENTS



Ajustement

REMARQUES : Chaque four a été testé en usine et ajusté avant la livraison. Il peut être nécessaire d'ajuster davantage le four dans le cadre d'une installation adéquate. Les ajustements supplémentaires sont de la responsabilité de l'installateur. Les ajustements ne sont pas considérés comme des défauts matériels ou de fabrication, et elles ne sont pas couvertes par la garantie de l'équipement d'origine.

Allumage

1. Ouvrez la vanne de gaz principale. Enlever le couvercle inférieur ainsi que le panneau de service situé au-dessus du panneau de contrôle. Laissez pendre le panneau de contrôle et vérifiez tous les raccords et connexions, pour la présence de fuite, en amont de la vanne de service située sur la combinaison de la soupape de gaz. Si une fuite de gaz est détectée, FERMEZ la vanne de gaz principale, corrigez le problème et procédez à un nouveau test.

2. Ouvrez la vanne d'isolation située sur la combinaison de la soupape de gaz. Activez le panneau de contrôle et réglez à la température désirée. Les brûleurs sont allumés par une étincelle directe. Vérifiez tous les raccords, corrigez toute fuite et procédez à un nouveau test.

Pour conserver l'énergie

Remplacez tous panneaux de services et couvercles avant de faire fonctionner l'appareil.

REMARQUE : Tous les systèmes d'allumage électronique sont alimentés par la vanne de gaz. Par conséquent, l'appareil n'est pas fourni avec un régulateur de pression externe.

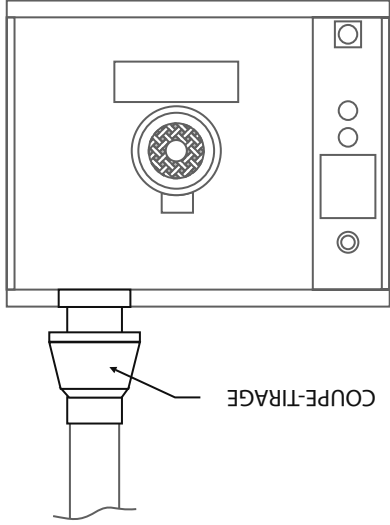
REMARQUE : Lors de l'installation, il y aura présence d'air dans la conduite de gaz. Cet air devra être retiré avant l'allumage. Le système d'allumage électronique est muni d'un verrouillage de quatre-vingt-dix (90) secondes, ceci est un dispositif de sécurité, sur chaque appareil. Par conséquent, plusieurs tentatives peuvent être requises avant que le pilote allumage s'allume, attendez cinq minutes entre chaque tentative.

POUR VOTRE SÉCURITÉ : GARDER VOTRE APPAREIL LOIN DE COMBUSTIBLES.

Ne pas gaspiller l'énergie en gardant les contrôles à des réglages de températures élevées lorsque l'appareil n'est pas utilisé. Diminuer les réglages gardera le four à une température plus basse et prêt pour la prochaine période d'utilisation. Les contrôles de la série Summit 40 sont munis d'une fonction de retour automatique pour être programmée par l'utilisateur pour faciliter l'emploi des applications.

Installation du conduit direct

Lorsqu'une installation de type hotte est impossible, le four doit être muni d'un évent direct. Avant de procéder à l'installation d'un évent direct, vérifiez vos codes locaux de ventilation, en absence de ce type de codes, référez-vous à National Fuel Code NFPA 54, ANSI Z223.1 (édition en vigueur).



Si l'appareil doit être branché sur un conduit direct, il est nécessaire que la hotte de tirage soit installée pour assurer une ventilation adéquate.

L'évent direct, doit être positionné sur le dessus principal et attaché à l'aide des vis à tôle fournies.

NE PAS RÉDUIRE LA TAILLE DU CONDUIT DE VENTILATION!

Ceci peut entraîner une résistance dans le débit et entraver la ventilation. Nous suggérons que, si une course horizontale doit être utilisée elle devrait augmenter au moins 1/4 pouce (0,63 cm, 6,25 mm) pour chaque pied linéaire de course, et après l'installation d'un coude de 180°, vous devez augmenter la taille du tuyau de four par deux (2) pouces (5,08 cm). La combustion devrait s'élever à 2 pouces (60 cm) à 3 pouces (91 cm) au-dessus de la ligne du toit ou 2 pouces (50,8 mm) à 3 pouces (76,2 mm) au-dessus de la ligne du toit ou 2 pouces (50,8 mm) à 3 pouces (76,2 mm) de toute partie d'un bâtiment à une distance horizontale de 10 pieds (3 m).

Le schéma suivant est seulement un exemple provenant du National Fuel Gas code Book NFPA 54, ANSI Z223.1, 7.5.3 :

La pression d'alimentation recommandée est 7 pouces WC (NAT), et 11 pouces WC (PRO); ± 5%. (Ne doit pas excéder 13,8 pouces WC [NAT], et 15 pouces WC [PRO]).

Raccordements électriques.

Directives de mise à la terre :

Une entrée de 15 ampères doit être fournie pour chaque four. Pour une utilisation 115 VAC, un câble ainsi que d'une fiche (NEMA numéro 5-15) est fourni mais le branchement à l'entrée électrique doit être mise à la terre en conformité avec les normes et les codes locaux, ou en absence de ce type de normes et de codes, en conformité avec National Electrical Code, ANSI/NFPA 70 ou le Code canadien de l'électricité, CSA C22, si applicable.

Cet appareil est muni d'une fiche à trois broches pour votre protection contre les décharges et devrait être branché directement dans une prise à trois broches correctement mise à la terre. NE PAS COUPER OU ENLEVER LA BROCHE DE MISE À LA TERRE DE CETTE FICHE.

Un schéma de câblage est apposé à l'arrière de l'appareil.

Panne électrique

Dans l'éventualité d'une panne électrique, aucune tentative d'utilisation, de ce four, ne doit être faite.

Ventilation et alimentation en air

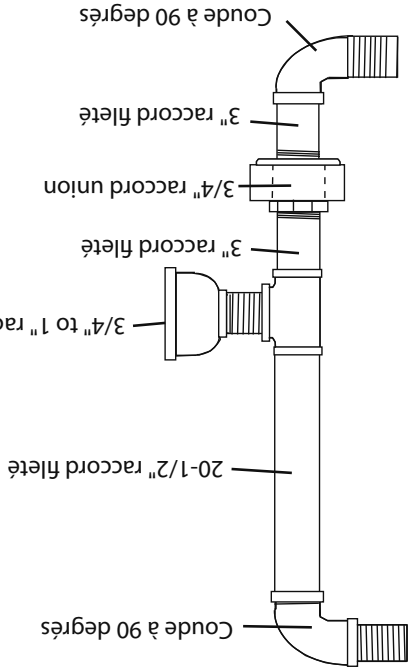
Une ventilation adéquate est importante pour le bon fonctionnement de l'appareil. Il y a seulement deux choix pour une ventilation adéquate d'un four :

1) **style hotte ou 2) évent direct.** La façon idéale de ventiler un four à convection au gaz est par l'usage d'une hotte spécialement conçue à cet effet, qui devrait s'étendre 6 pouces (15,24 cm, 152 mm), au-delà de tous les côtés de l'appareil et 6 pieds 6 pouces (2,11 m, 1981 mm) du plancher.

Un ventilateur aspirant créera un effet de suction dans la pièce. Pour qu'un système de ventilation aspirant fonctionne adéquatement, le ventilateur aspirant ainsi que l'air d'appoint doivent être correctement équilibrés. Pour un air d'appoint équilibré, consulter votre entrepreneur en système de chauffage, de ventilation et de conditionnement d'air.

Tous les brûleurs et pilotés ont besoin d'une entrée d'air suffisante pour fonctionner et les gros objets ne devraient pas être placés à l'avant de ce four, ce qui pourrait obstruer la circulation d'air à l'avant de l'appareil.

D. Montez les raccords de superposition fournis avec l'ensemble de superposition comme démontré sur le schéma. Ceci permet aux deux fours d'être alimentés par une seule conduite de gaz. La grosseur minimale recommandée pour une alimentation de gaz unique, pour deux fours superposés, est de 1 pouce (2,54 cm, 25 mm). Utilisez un composé de filetage conçu pour une utilisation sur des conduites de gaz propane et assurez-vous de vérifier la présence de fuites avant de terminer l'installation.



- E. Vérifiez le niveau de l'appareil aux quatre (4) côtés (en utilisant un niveau à bulle, sur la grille à l'intérieur du four).
 - F. Branchez le câble pour chaque appareil dans une prise électrique de 115 Volts.
 - G. Maintenez le dégagement aux matières combustibles.
- AVERTISSEMENT : Déconnectez l'alimentation électrique des deux appareils avant de faire l'entretien de celui-ci.

Alimentation en gaz

L'importance d'une installation adéquate d'un équipement au gaz pour l'industrie culinaire ne saurait être trop soulignée. Les performances adéquates de l'équipement dépendent, en majeure partie, de la conformité des installations ainsi que des spécifications du fabricant. L'installation doit être conforme aux codes locaux ou, en l'absence de codes, au National Fuel code, ANSI Z223.1, Code d'installation du gaz naturel, CAN/CGA-B149,1 ou au Code d'installation du propane, CAN/CGA-B149.2, si applicable.

Avant de faire l'assemblage et le branchement, vérifiez l'alimentation de gaz.

- A. Le type de gaz pour lequel l'appareil est équipé est appposé sur la plaque signalétique située sur la partie inférieure du panneau de gauche. Branchez un appareil « NAT » sur une alimentation de gaz naturel seulement, branchez un appareil « PRO » sur une alimentation de gaz propane seulement.

- B. Pour une nouvelle installation, faites vérifier la taille du compteur ainsi que la tuyauterie par un fournisseur de gaz autorisé, pour vous assurer que l'appareil est alimenté à l'aide d'une pression de gaz suffisante, nécessaire à son fonctionnement.

- C. Pour une installation supplémentaire ou le remplacement de l'équipement, faites vérifier la pression par un fournisseur de gaz autorisé pour vous assurer que le compteur ainsi que la tuyauterie alimentera l'appareil, en carburant, avec au plus 1/2 pouce de chute de pression de la colonne d'eau.

REMARQUE : Lors de la vérification de la pression, assurez-vous que tous les autres équipements reliés à la conduite de gaz sont ouverts. Un régulateur de pression interne est fourni avec les fours à convection U.S Range. Le régulateur est réglé pour fournir le gaz selon la pression inscrite sur la plaque signalétique.

Lors des tests de pression, si la pression du système en à être testé est supérieure à 1/2 PSI (3,45kPa), l'appareil ainsi que ses vannes d'isolement doivent être déconnectés du conduit d'alimentation en gaz.

L'appareil doit être débranché (isolé) du système d'alimentation en gaz par la fermeture de ses vannes d'isolement manuelle lors de tout test de la pression de système de conduit d'alimentation au gaz si le test de pression est égal ou inférieur à 1/2 PSI (3,54 kPa).

REMARQUE : Un dégagement approprié doit être maintenu pour l'entretien ainsi qu'une utilisation adéquate.

Connexions de gaz

L'entrée 1 pouce (2,54 cm) PTN à l'arrière doit être considérée lors du raccordement à l'alimentation en gaz, pour les appareils à double four, ou 3/4 pouce (1,90 cm) pour les connexions individuelles (four simple). Réduire la taille des conduits d'alimentation en gaz peut limiter l'alimentation et affecter les performances. Si d'autres appareils sont alimentés par le même conduit d'alimentation, ce conduit doit être d'une taille pour transporter le volume combiné dans engendrer de chute de pression supérieure à 1/2 pouce (1,27 cm) à la rampe à gaz de chaque appareil, au conduit, au taux maximal.

INSTALLATION

- Déballage : 47 po (1 194 mm)
- Déballage : 32 ½ po (826 mm)

Conditions d'espace requises

NOTE : Toujours garder un espace suffisant pour l'entretien et l'utilisation.

- Espace de dégagement minimum d'installation près d'un mur de combustibles et noncombustibles:

Arrière	Côté commande	Côtés		Une Section	Deux Sections
		1 po (26 mm)	1 po (26 mm)		
Arrière	Côté commande	Côtés		Une Section	Deux Sections
		1 po (26 mm)	2 po (51 mm)		

- Espace de dégagement minimum d'installation à d'équipements produisant de chaleur élevée:

Arrière	Côté commande	Côtés		Une Section	Deux Sections
		1 po (26 mm)	6 po (153 mm)		
Arrière	Côté commande	Côtés		Une Section	Deux Sections
		1 po (26 mm)	6 po (153 mm)		

Avis
Éviter d'installer en plus d'autres équipements (comme les rôtissoires et friteuses) produisant de la chaleur et de l'air chargé avec la graisse.

- Pour le service, espace de dégagement (recommandation)

Côté commande	12 po (305 mm)	12 po (305 mm)
Une Section	12 po (305 mm)	12 po (305 mm)
Deux Sections	12 po (305 mm)	12 po (305 mm)

NOTE : Installer l'appareil sur roues pour faciliter le service de réparation dans les endroits étroits.

Emplacement

Chaque appareil au gaz doit être à placer dans un endroit en conformité selon la construction du bâtiment ainsi que tout autre équipement afin de permettre l'accès à l'appareil. Ces accès et dégagements peuvent être nécessaires pour l'entretien ainsi que le nettoyage.

IMPORTANT : Tous les brûleurs et pilotes ont besoin d'une entrée d'air suffisante pour fonctionner et les gros objets ne devraient pas être placés à l'avant de ce four, ce qui pourrait obstruer la circulation d'air à l'avant de l'appareil. Aucun

Installation des modèles à four double

- A. Positionnez la pièce dans l'ouverture de la patte inférieure et donnez de petits coups sur celle-ci pour qu'elle s'insère dans la patte jusqu'au collet. Attachez des pattes de six pouces (6 po, 15,24 cm, 152 mm) dans la section inférieure du four. Levez l'appareil ou couchez-le sur le côté gauche. Placez les pattes avant du four de façon à ce qu'elles s'alignent aux quatre (4) trous des boulons de fixation. Sécurisez la patte au cadre du four en utilisant quatre (4) boulons 3/8-16 x 3/4 (0,95 cm - 40,64 x 1,90 cm) ainsi que les rondelles fournies. Répétez cette étape à l'arrière de l'appareil.
- B. Enlevez le couvercle inférieur avant du double four (situé sous les portes du four). Levez le four supérieur à son emplacement et alignez les côtés ainsi que l'arrière de l'appareil. Fixez l'arrière de l'appareil, à l'aide du support de suspension, en utilisant six (6) vis mécaniques de 1/4-20 (0,63 cm - 50,80 cm), les rondelles d'arrêts ainsi que les écrous (fourris).
- C. Installez les pièces d'interconnexions du conduit, en suivant attentivement les directives contenues dans l'ensemble de suspension. Portez une attention particulière aux types de fours que vous superposez et assurez-vous de suivre les directives correspondantes.

Installation des fours sur roues

Objet ne doit être placé sur la surface supérieure ou à l'arrière du four lorsque celui-ci est utilisé. Ceci pourrait obstruer le système de ventilation ainsi que les conduits de l'appareil.

- A. Pour un appareil sur roues, l'installation doit être faite à l'aide d'un connecteur conforme à la norme pour connecteurs d'appareils mobiles, ANSI Z21/CSA 6.16, et un appareil à démontage rapide conforme à la norme pour les appareils à démontage rapide à utilisation avec carburant (gaz) ANSI Z21.41/CSA 6.9 ainsi que les moyens adéquats pour limiter le mouvement de l'appareil sans déranger le connecteur ainsi que l'appareil à démontage rapide ou ses raccords, pour limiter le mouvement de l'appareil ainsi que l'endroit où les dispositifs de retenues peuvent être attachés à l'appareil doivent être spécifiés.
- B. Les roues avant de l'appareil sont munies de freins pour limiter le mouvement du four sans déranger le câblage du connecteur ainsi que tout les appareils à démontage rapide, ou leurs raccords, pour limiter le mouvement de l'appareil.
- C. Le dispositif de retenue peut être fixé à l'appareil, près de l'entrée de gaz. Si le dispositif de retenue est déconnecté, veuillez vous assurer de reconnecter celui-ci après avoir replacé le four à son emplacement, installation, d'origine.

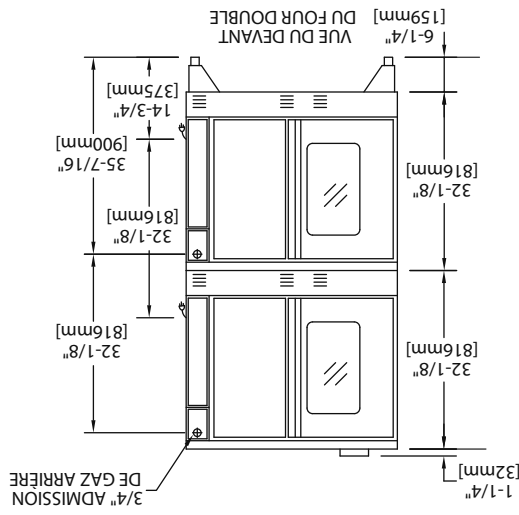
DIMENSIONS ET CARACTÉRISTIQUES, MODÈLE SGM

(Modèles fabriqués avant juin 2012)

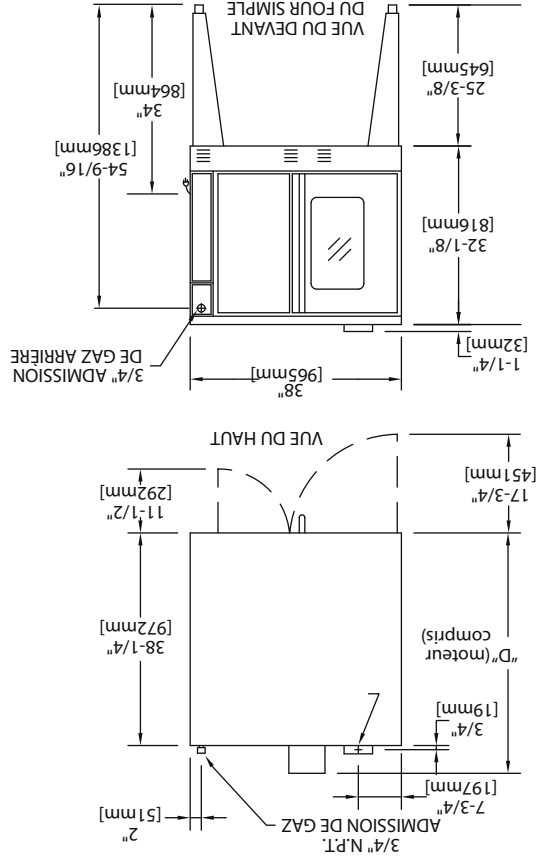
Modèle	Intérieur Dimensions : en (mm)						Exterieur Dimensions : En (mm)	Poids à la livraison	Dimension à la livraison
	W	H	D	W	H	D			
SGM-100S1	29 (736)	24 (610)	24 (610)	38 (965)	57-1/2 (1461)	39-1/4(997)	510/232	42	
SGM-100D1	29 (736)	24 (610)	28 (711)	38 (965)	57-1/2 (1461)	43-1/4(1099)	510/232	42	
SGM-200S1	29 (736)	24 (610)	24 (610)	38 (965)	70-1/2 (1791)	39-1/4(997)	1024/464	84	
SGM-200D1	29 (736)	24 (610)	28 (711)	38 (965)	70-1/2 (1791)	43-1/4(1099)	1024/464	84	

Modèles	BTU/hr	Équival. kW	Entrée de gaz	Pression de fonctionnement *		Caractéristiques électriques
				Indices à l'entrée, gaz naturel & gaz propane	Pression de fonctionnement	
Four simple	60,000	17.6	(1) @ 3/4 pouce (1,90 cm) PTN	10 pouces WC (25,40 cm) WC	(1) @ 9,8A	(1) @ 5,2A
				4,5 pouces (11 millibars)	(1) @ 9,8A	(2) @ 5,2A
Double four	120,000	35.2	(1) @ 1 pouce PTN	(25 millibars)	(2) @ 9,8A	(2) @ 5,2A

Pression maximale 13,8 pouces (20,32 cm) WC @ 70°F (21°C).
 Il existe de nombreux codes locaux et il est de la responsabilité du propriétaire que ces appareils soient conformes à ces codes.
 Ces appareils sont conçus pour une utilisation commerciale par un personnel ayant reçu une formation.



- Notes :
1. Caractéristiques électriques standard incluant les exigences du moteur.
 2. Appareils 120 V 115 V 3/4 HP, moteur à 2 vitesses; 140 et 1725 T/M 60 Hz
 3. Appareils 240 V 200-240 V 3/4 HP, moteur à 2 vitesses; 140 et 1725 T/M 60 Hz
 4. Un cordon d'alimentation de 6 pieds est fourni pour chaque prise 120 V avec fiche (NEMA numéro 5-15P).
 5. US Range recommande un circuit séparé de 15 ampères pour chaque appareil de 120 V.



DIMENSIONS ET CARACTÉRISTIQUES, MODÈLE SUMG

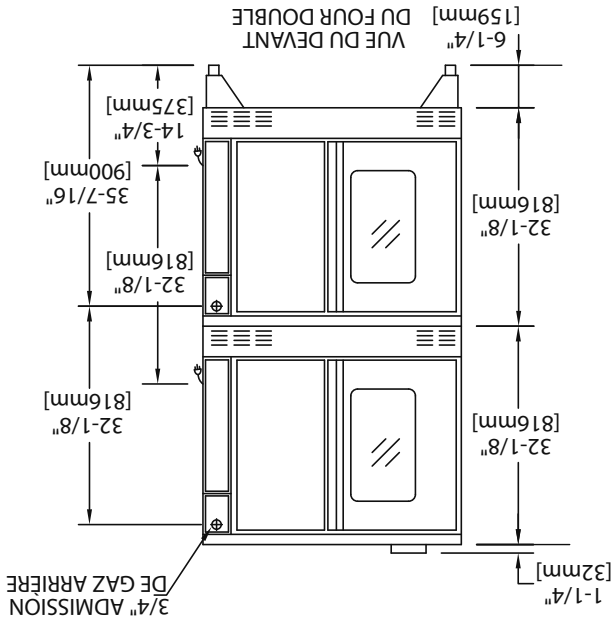
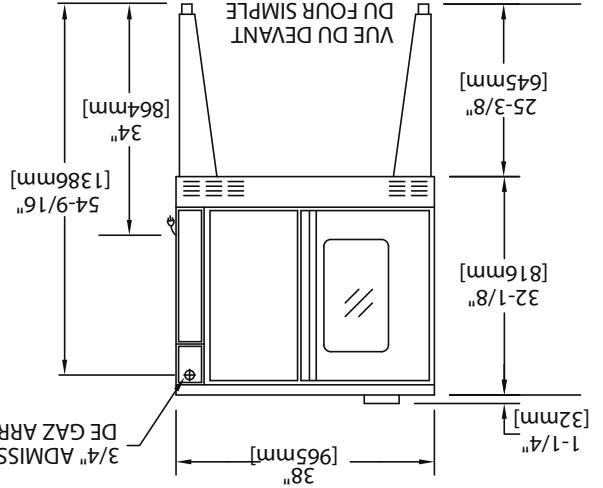
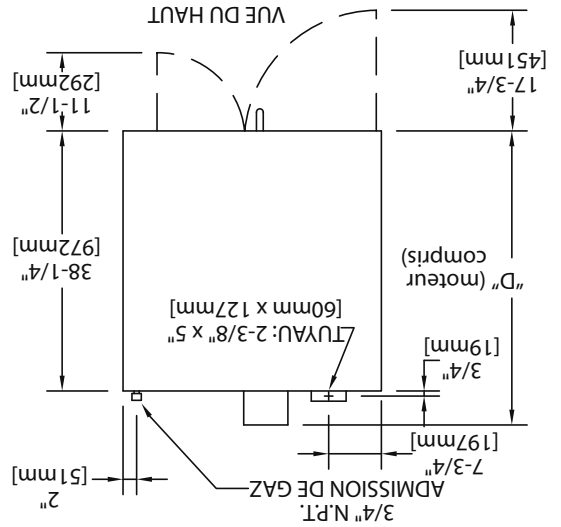
Modèle	Intérieur Dimensions: po (mm)				Extérieur Dimensions: po (mm)			Poids d'expédition	Volume d'expédition
	L	H	P	L	H	"D" (w/moteur)	livre/kilogram		
SUMG-100	29 (736)	24 (610)	24 (610)	38 (965)	57-1/2 (1461)	41-1/4 (1048)	515 / 230	64	
SUMG-200	29 (736)	24 (610)	24 (610)	38 (965)	70-1/2 (1791)**	41-1/4 (1048)	1030 / 465	128	
SUMG-GS-10-ESS	29 (736)	24 (610)	24 (610)	38 (965)	57-1/2 (1461)	41-1/4 (1048)	515 / 230	64	
SUMG-GS-20-ESS	29 (736)	24 (610)	24 (610)	38 (965)	70-1/2 (1791)**	41-1/4 (1048)	1030 / 465	128	

** Hauteur avec les jambes ou à roulettes standard. Hauteur avec roulettes à profil bas (double pont) est 68-1/2" (1740mm).

Modèles	Débit calorifique			Pression d'utilisation *	Caractéristiques électriques	
	BTU/h	KW	Admission de gaz		Naturel	Propane
SUMG-100	53 000	15,53	(1) à 3/4 po NPT	4 po WC	(1) à 9,8 A	
SUMG-200	106 000	31,06	(1) à 1 po NPT	10 po WC	(2) à 9,8 A	
SUMG-GS-10-ESS	53 000	15,53	(1) à 3/4 po NPT	4 po WC	(1) à 9,8 A	
SUMG-GS-20-ESS	106 000	31,06	(1) à 1 po NPT	10 po WC	(2) à 9,8 A	

*Pression maximale 13,8 po WC à 70 °F (21 °C).

De nombreux codes locaux existent et il est de la responsabilité du propriétaire et de l'installateur de se conformer à ces codes. Ces appareils sont destinés à un usage commercial par un personnel qualifié.



- Notes:
1. Caractéristiques électriques standard incluant les exigences du moteur.
 2. Appareils 120 V 115 V 3/4 HP, moteur à 2 vitesses; 140 et 1725 T/M 60 Hz.
 3. Appareils 240 V 200-240 V 3/4 HP, moteur à 2 vitesses; 140 et 1725 T/M 60 Hz.
 4. Un cordon d'alimentation de 6 pieds est fourni pour chaque prise 120 V avec fiche (NEMA numéro 5-15P).
 5. US Range recommande un circuit séparé de 15 ampères pour chaque appareil de 120 V.

Références des modèles

Modèles	prof. standard	grande prof.	une section	deux sections	commande Summit ²⁰	commande électronique Energy Star
SUMG-100						
SUMG-200						
SUMG-GS-10ESS						
SUMG-GS-20ESS						
SGM-100S1*						
SGM-100D1*						
SGM-200S1*						
SGM-200D1*						

* modèles, discontinués (Juin 2012)

Garantie

Visitez www.Garland-Group.com pour voir ou télécharger une copie de votre garantie.

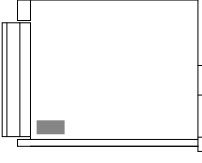
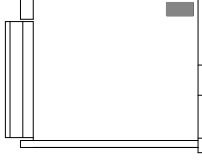
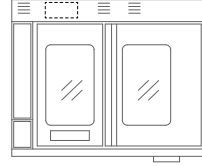
Plaque signalétique

Lors des communications avec le fabricant ou votre centre de services local autorisé par le fabricant concernant des problèmes relatifs au service ou pour les pièces de remplacement, assurez-vous d'avoir les informations concernant le numéro du modèle de l'appareil (incluant les lettres et numéros du préfixe et du suffixe) ainsi que le numéro de série correspondant à la garantie.

Fours construits avant 31-Mars-2011
La plaque signalétique est fixée à l'intérieur de la couverture inférieure.

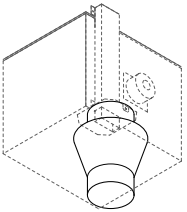
Fours construits entre 01-Avril-2011 and 02-Février-2015
La plaque signalétique se trouve sur le coin inférieur arrière du panneau latéral gauche.

Fours construits après 02-Février-2015
La plaque signalétique se trouve sur le coin supérieur avant du panneau latéral gauche.

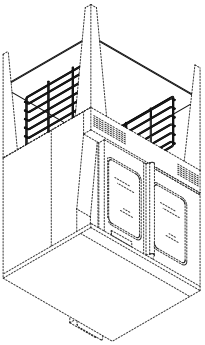


Accessoires

connecteur de ventilation directe



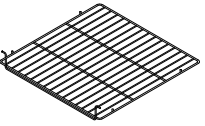
base ouverte (en acier inoxydable) avec étagère et des guides pour les grilles du four (Modèles À Une Section)



roulettes, ensemble de quatre



la grille du four, supplémentaire



tuyau flexible pour le gaz et déconnexion rapide (3/4 po NPT x 5 po), avec dispositif de retenue léche-frite, amovible

CETTE PAGE EST LAISSÉE BLANCHE INTENTIONNELLEMENT.

TABLE DES MATIÈRES

2	INFORMATION IMPORTANTE	2
5	GÉNÉRALITÉS	5
5	Références des modèles	5
5	Garantie	5
5	Plaque signalétique	5
5	Accessoires	5
6	DIMENSIONS ET CARACTÉRISTIQUES, MODÈLE SUMG	6
7	DIMENSIONS ET CARACTÉRISTIQUES, MODÈLE SGM	7
8	INSTALLATION	8
8	Dégagement d'entrée	8
8	Conditions d'espace requises	8
8	Emplacement	8
8	Installation des fours sur roues	8
8	Installation des modèles à four double	8
9	Alimentation en gaz	9
9	Connexions de gaz	9
10	Raccordements électriques	10
10	Panne électrique	10
10	Ventilation et alimentation en air	10
10	Installation du conduit direct	10
11	ESSAI ET AJUSTEMENTS	11
11	Ajustement	11
11	Allumage	11
11	Pour conserver l'énergie	11
17	GUIDE DE CUISSON	17
18	CUISSON ET MAINTIEN	18
19	PROBLÈMES/SOLUTIONS	19
19	ENTRETIEN ET NETTOYAGE	19
19	Période de rodage	19
19	Nettoyage extérieur	19
20	Nettoyage intérieur	20
20	Entretien du ventilateur	20
20	Entretien du moteur	20
12	DIRECTIVES D'UTILISATION	12
12	Panneau de contrôle rigide avec minuterie électromécanique Summit 20 (MODÈLE SUMG)	12
12	En mode arrêt	12
12	Démarrage	12
12	Vitesse du ventilateur	12
12	Voyants	12
12	Refroidissement	12
12	Température	12
13	Minuterie	13
13	Contrôle électronique muni de la fonction Cook-N-Hold Summit 45 et contrôle électronique muni d'une sonde centrale Cook-N-Hold & Summit 45+ (Modèles SGM fabriqués avant juin 2012)	13
13	En mode arrêt	13
13	Au démarrage	13
13	Touches du contrôleur	13
14	Fahrenheit/Celsius	14
14	Fonctionnement des contrôles	14
15	Fonctionnement de la fonction Cook-N-Hold	15
15	Fonctionnement de la sonde centrale	15
15	Réglage de la fonction de retour	15
16	RECOMMANDATIONS DE PERFORMANCES	16

Garder l'appareil dans un endroit exempt de combustibles.

AVERTISSEMENT : Ce produit contient des éléments chimiques reconnus par l'État de la Californie comme étant cancérigène et/ou pour causer des déficiences cogénitales ainsi que plusieurs autres problèmes de reproduction. L'installation ainsi que l'entretien de ce produit peuvent vous exposer à des particules aériennes de laine de verre/fibres de céramique. L'inhalation de particules aériennes de laine de verre/fibres de céramique est reconnue par l'État de la Californie comme étant cancérigène. L'utilisation de ce produit peut vous exposer au monoxyde de carbone si celui-ci n'est pas ajusté correctement. L'État de la Californie a reconnu que l'inhalation de dioxyde de carbone peut causer des déficiences cogénitales ainsi que plusieurs autres problèmes de reproduction.

<p>POUR VOTRE SÉCURITÉ : NE PAS ENTREPOSER OU UTILISER D'ESSENCE OU TOUT AUTRE VAPEURS INFLAMMABLES OU LIQUIDES À PROXIMITÉ DE CET APPAREIL OU DE TOUT AUTRE APPAREIL</p>	<p>AVERTISSEMENT : UNE INSTALLATION, UN AJUSTEMENT, UNE ALTÉRATION, UN SERVICE OU UN ENTRETIEN INADÉQUAT PEUT ENGENDRER DES DOMMAGES À L'APPAREIL, DES BLESSURES OU MÊME ENTRAINER LA MORT. VEUILLEZ LIRE LES DIRECTIVES D'INSTALLATION, D'UTILISATION ET D'ENTRETIEN SÉRIEUSEMENT AVANT DE PROCÉDER À L'INSTALLATION OU À L'ENTRETIEN DE CET ÉQUIPEMENT</p>
------------------------------------------------------------------------------------------------------------------------------------------------------------------------------------------------------	-------------------------------------------------------------------------------------------------------------------------------------------------------------------------------------------------------------------------------------------------------------------------------------------------------------------------------------------------------------------------------------------------------------

Les utilisateurs sont avertis que l'entretien ainsi que les réparations doivent être faits par un fournisseur de services autorisés utilisant des pièces de rechange d'origines de Garland. Garland n'aura aucune obligation à l'égard de tout produit ayant été inadéquatement installé, ajusté ou utilisé ou inadéquatement entretenu conformément aux codes nationaux et locaux ou selon les directives d'installations fournies avec le produit, ou tout produit dont le numéro de série est abîmé, effacé ou enlevé, ou ayant été modifié ou réparé en utilisant des pièces non d'origine ou faites par un fournisseur de service non autorisé. Pour une liste des fournisseurs de services autorisés, référez-vous au site internet de Garland à l'adresse suivante <http://www.garland-groupe.com>. L'information contenue dans le présent document (incluant le design ainsi que les spécifications de pièces) peut être remplacée et peut faire l'objet de changement, et ce, sans préavis.

VEUILLEZ LIRE TOUTES LES SECTIONS DE
CE MANUEL ET LE CONSERVER POUR UNE
UTILISATION FUTURE.
CE PRODUIT FUT HOMOLOGUÉ COMME UN
ÉQUIPEMENT POUR LES INDUSTRIES
CULINAIRES ET DOIT ÊTRE INSTALLÉ PAR UN
PROFESSIONNEL COMME INDiqué.
DANS LE COMMONWEALTH DU
MASSACHUSETTS, CE PRODUIT DOIT ÊTRE
INSTALLÉ PAR UN PLOMBIER AUTORISÉ OU UN
MONTEUR D'INSTALLATION AU GAZ. NUMÉRO
D'APPROBATION : G-1-07-05-28
Pour votre sécurité :
Cette information peut être obtenue en
consultant votre fournisseur de gaz local.

Manuel d'installation et d'utilisation

Ce manuel est mis à jour au fur et à mesure que de nouvelles informations sont disponibles et que de nouveaux modèles sont commercialisés. Pour obtenir la dernière mise à jour du manuel, visitez notre site Web.



SUMG-100

modèles

- SUMG-100
- SUMG-200
- SUMG-GS-10ESS
- SUMG-GS-20ESS
- SGM-100S1
- SGM-100D1
- SGM-200S1
- SGM-200D1

