

Induction RTCS 8.0kW Models

Countertop/ Built-In Line/ Module-Line Single Wok

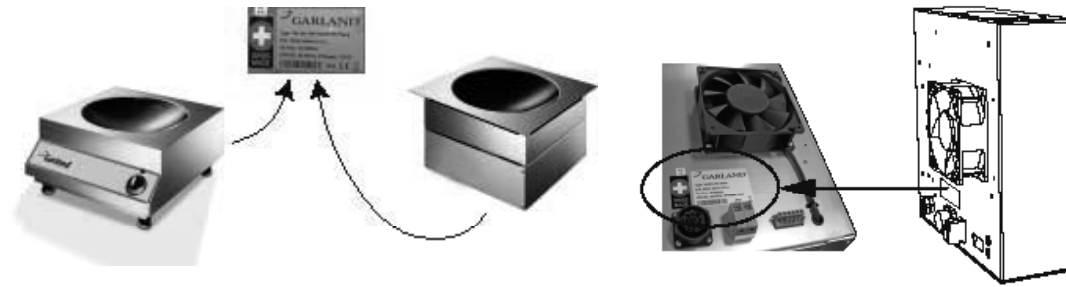
Parts List

models

SH/WO 8000 **counter wok**
SH/WO/IN 8000 **built-in wok**
MO/WO 8000 **module-line wok**



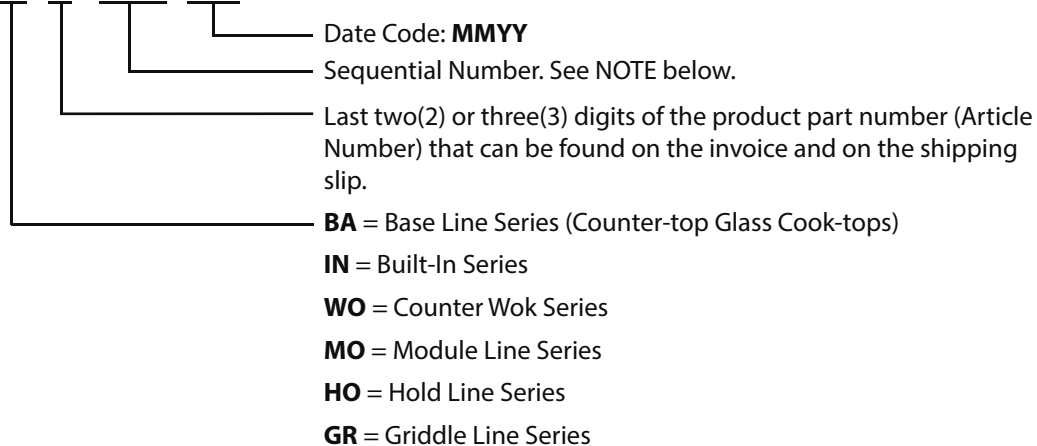
Rating Plate Location



Serial Number (S/N) Explained

The serial number of your unit is listed on the rating plate.

Example: IN 01 . 00014 . 1213



NOTE: non-RTCS / RTCS / RTCSmp models

- A non-RTCS/RTCSmp unit has a 4-Digit Sequence Number.
- A RTCS or RTCSmp unit has a 5-Digit Sequence Number.
- A RTCSmp unit is indicated as such on the Rating Plate.

Nomenclature and Models

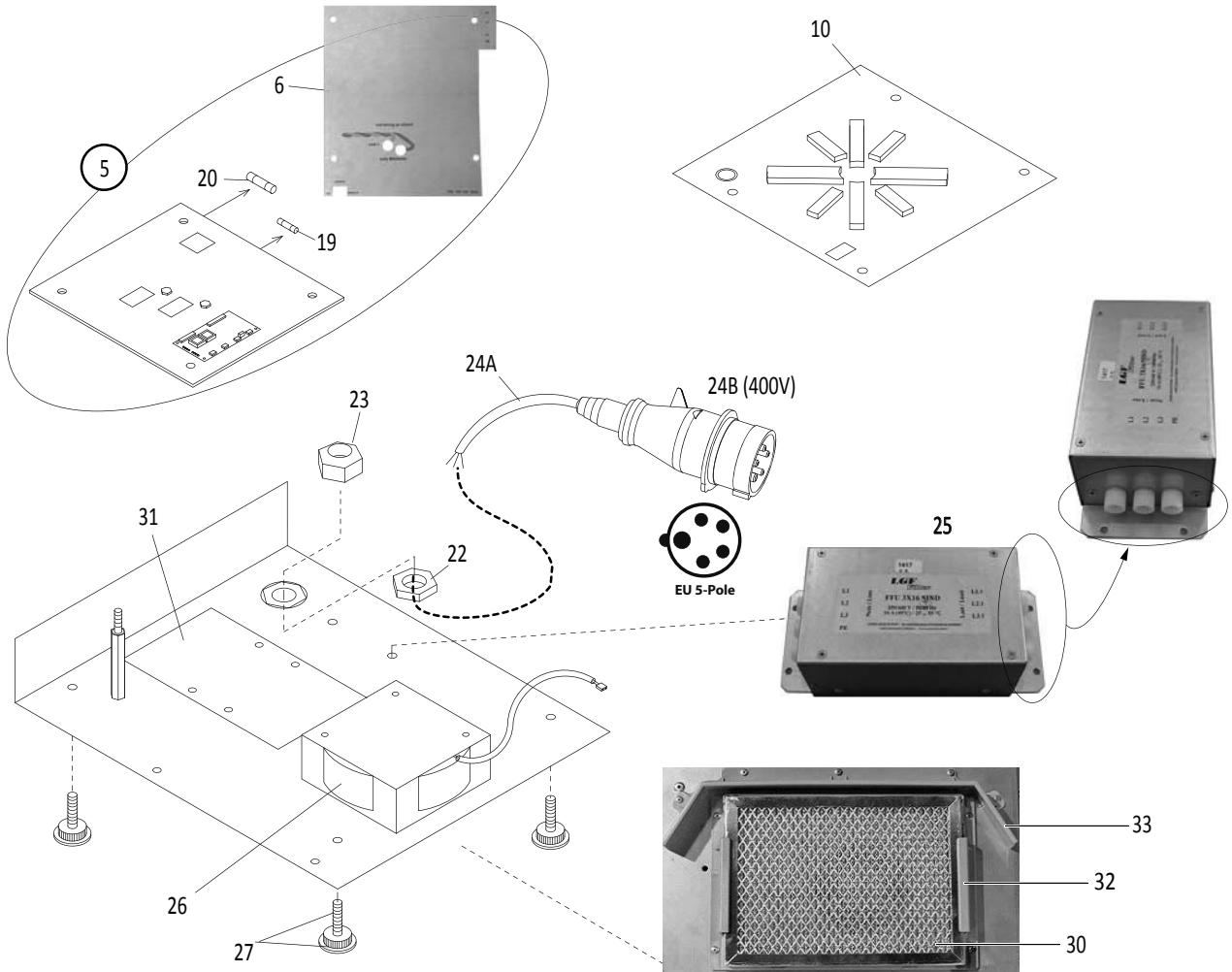
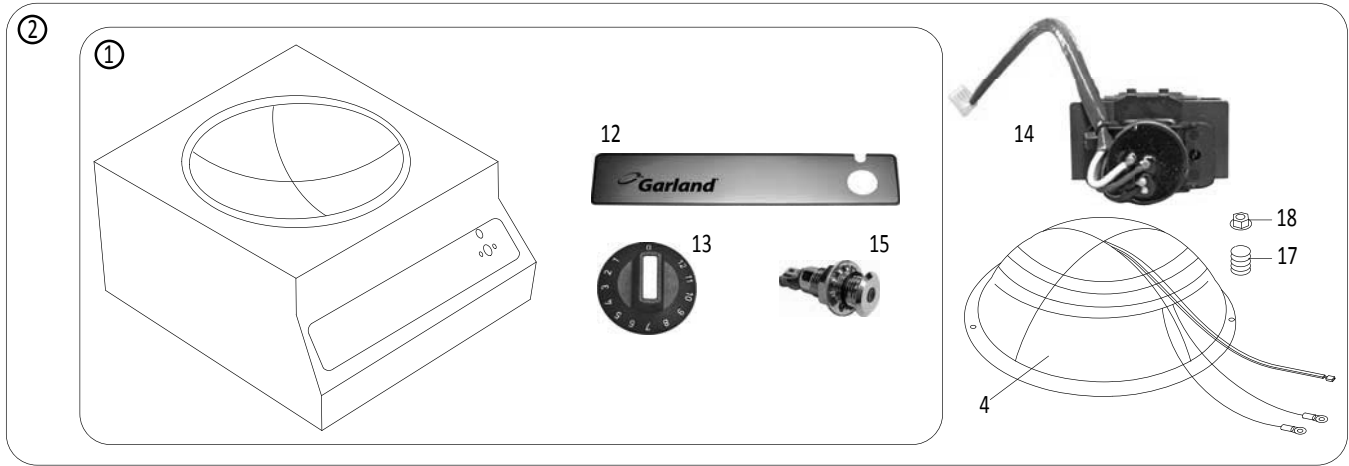
Series	Function	Built-in	Power (Watt)	Models*
SH = Slim Hob	WO = Wok Line		3500 5000 8000	SH/WO 3500 SH/WO 5000 SH/WO 8000
SH = Slim Hob		IN = Built-In Line	3500 5000 8000	SH/WO/IN 3500 SH/WO/IN 5000 SH/WO/IN 8000
MO = Module-Line	WO = Wok Line		3500 5000 8000	MO/WO 3500 (with Generator model IN/MO/WO 3500) MO/WO 5000 (with Generator model IN/MO/WO 5000) MO/WO 8000 (with Generator model IN/MO/WO 8000)

* Please refer to other parts manuals for RTCS 3.5/5.0kW models.

Table of Contents

Rating Plate Location	2
Serial Number (S/N) Explained	2
Nomenclature and Models	2
Counter Wok SH/WO 8000	4
Built-In Wok SH/WO/IN 8000	6
Module-Line Wok MO/WO 8000	8
Repair Accessories	10
Revision History	11
Cooking Accessories	11

Counter Wok SH/WO 8000



Counter Wok SH/WO 8000

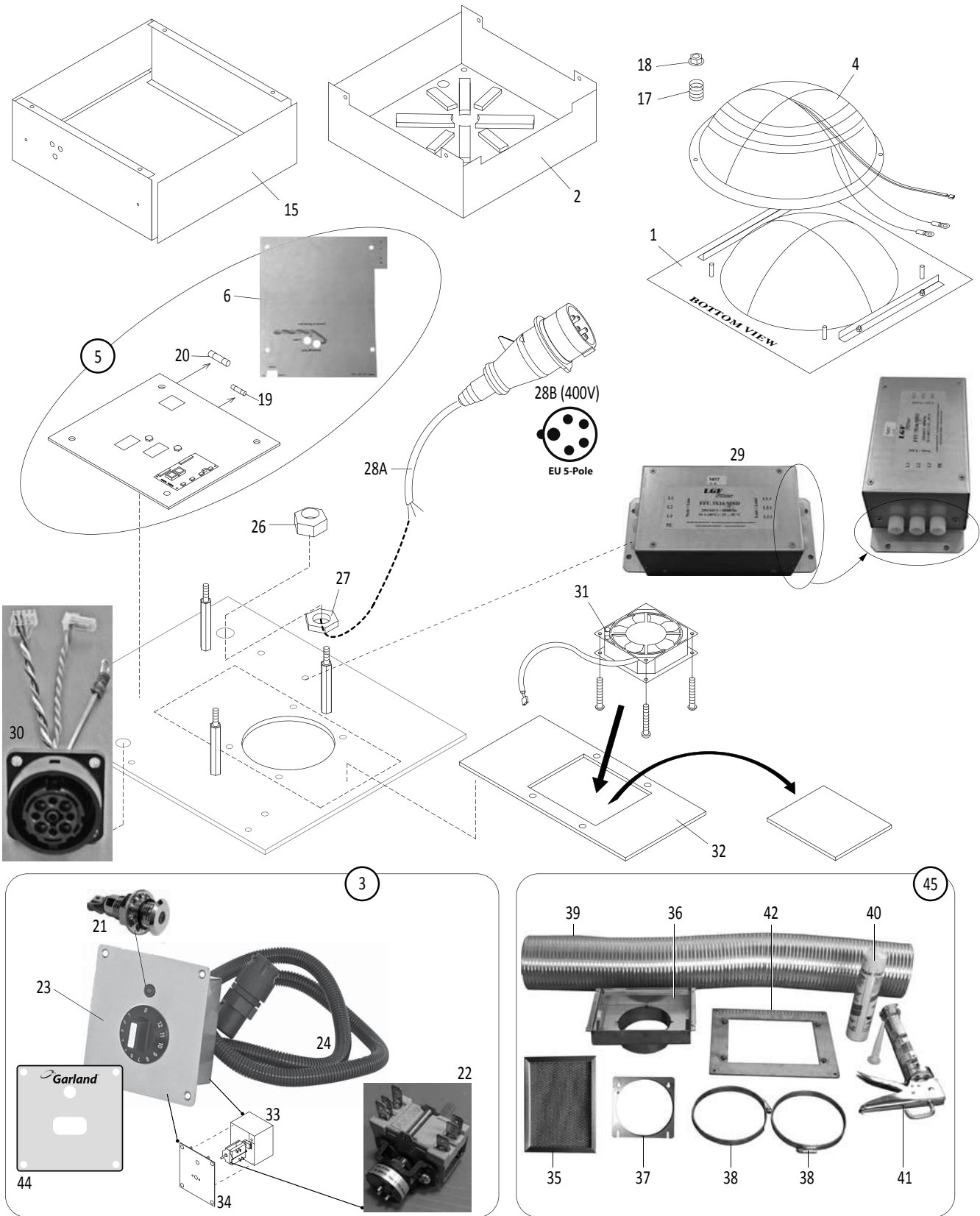
model

400V: SH/WO8000 8.0kW 12A 50Hz 3Phase Article Number 99570008

Item	Description	Part Number	Qty	R/C*
1	Upper Case SH/WO Assembly. Includes Ceran Wok Bowl 77302001 and Overlay. Wok Bowl not sold separately.	98300108	1	
2	Top Case Complete Assembly (Includes items 1, 4, 13 - 18)	98300038	1	
4	Induction Wok Coil #204.04 With Sensor, Coil Carrier	93204041	1	R
5	Power Module Complete, WOK 8kW. Incl. items 19-20. Pre-Programmed with voltage specific parameters.	98021778	1	R/C
6	Protective Sheet (no longer required)			
10	Coil Carrier Sheet with Ferrit	98100101	1	
12	Overlay, Plain	66000002	1	
13	Plastic Knob (0-12)	39400001	1	R
14	Potentiometer with Cable, 4-Pol, SH	94010011	1	R/C
15	Front Indicator Lamp 24V LED Green - Chrome Housing	35624009	1	R
17	Compression Spring 1x 10x 17.5	73000004	4	
18	Nut	60678301	4	
19	Fuse T1.0A	34110019	1	R/C
20	Fuse T20A	34120209	3	R/C
22	Screw Nut PG 16	39500003	1	
23	Screwed Cable Gland PG 16	39500009	1	
24A	Power Cable ONLY, No Plug, VDE 4x 1.5mm ²	38615050	1	R
24B	Power Cord Plug EU 5-Pole, 400V/16A	32750503	1	R
25	Mains Line Filter 3-Phase 16A	39331602	1	
26	Radial Fan 24V DC	94090011	1	R/C
27	Foot Complete Assembly, Adjustable	95000120	4	R
30	Air Intake Filter (Grease Filter) 200x 150x 12mm	71000003	1	R
31	Heat - Sink Pad, 215x 98x 5mm	72291120	1	
32	Holder for Air Filter	72261030	1	R
33	Air Deflector	72142470	1	R

* R=Recommended Stock Part / C = Critical Part

Built-In Wok SH/WO/IN 8000



99580025

Built-In Wok SH/WO/IN 8000

model

400V: SH/WO/IN8000 8.0kW 12A 50Hz 3Phase Article Number 99580025

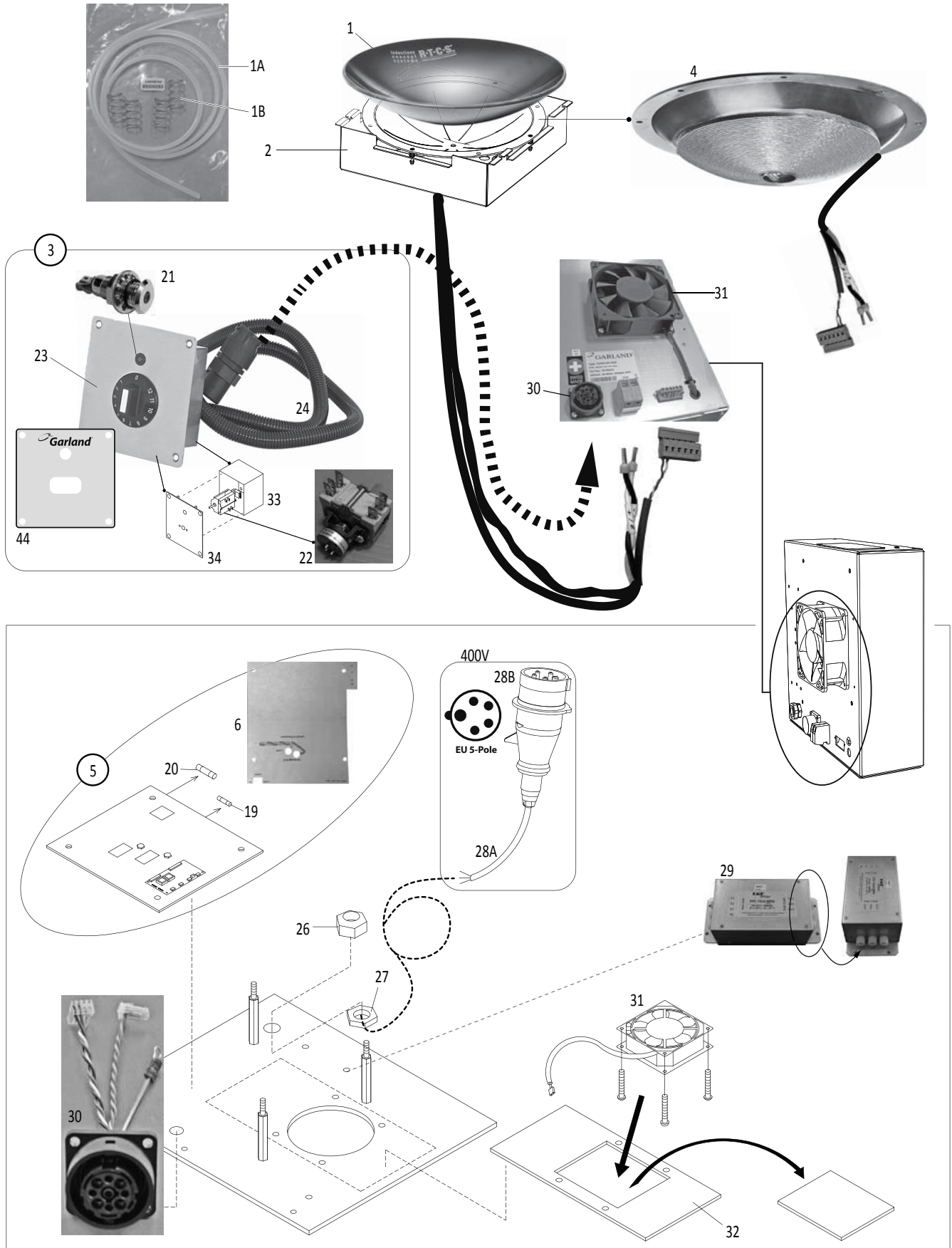
Note:

440V, SH/WO/IN 8000, 3Phase, 8kW, Article No. 99580026, for power module (item 5), use part 98021787.

Item	Description	Part Number	Qty	R/C*
1	Ceran Wok Top Assembly (Includes Wok Bowl)	98300112	1	
2	Trough with Ferrit for Install Wok Line	95141221	1	
3	Main Control Assembly (NO Knob Gards), 1-meter Cable	94030004	1	
4	Induction Wok Coil #204.04 With Sensor and Coil Carrier	93204041	1	R
5	Power Module Complete, WOK 8kW. Incl. items 19-20. Pre-Programmed with voltage specific parameters.	98021778	1	R C
6	Protective Sheet (no longer required)		1	
15	Front Sheet SH/IN	72146350	1	
17	Compression Spring 1x 10x 17.5	73000004	4	
18	Nut	60678301	4	
19	Fuse T1.0A	34110019	1	R C
20	Fuse T20A	34120209	3	R C
21	Front Indicator Lamp 24V LED Green - Chrome Housing	35624009	1	R
22	Potentiometer CW with Switch 2-Pol	94010001	1	R C
23	Plastic Knob (0-12)	39400001	1	R
24	Harness Main Control, 1-meter Cable	94030014	1	
26	Screwed Cable Gland PG 16	39500009	1	
27	Screw Nut PG 16	39500003	1	
28A	Power Cable Only, No Plug, VDE 4x 1.5mm2	38615050	1	R
28B	Power Cord Plug EU 5-Pole, 400V/16A	32750503	1	R
29	Mains Line Filter 3 Phase 16A	39331602	1	
30	Female Plug with Cables	94900077	1	
31	Axial Fan (SH/IN)	94090002	1	R C
32	Heat - Sink Pad, 215x 98x 5m NOTICE: Remove and discard the center piece of the Heat Sink Pad for fan ventilation in RTCS Install-Line models.	72291120	1	
33	Connector Box Switch - S/S	72282180	1	
	Connector Box Switch - Plastic	72261070	1	
34	Front Panel (without Protective Guards)	72244100	1	
35	Air Intake Filter (Grease Filter)	71000003	1	R
36	Holder for Air Filter	72183091	1	
37	Air Duct Holder (Single cookzone unit)	72263020	1	
38	Clamp	76000002	2	
39	Air Duct Aluminum	76000001	1	
40	Silicone Glue PACTAN 7076 (for glass installation)	70000015	1	
41	Caulking Gun (for glass installation)	76000003	1	
42	Front plate for Grease Filter	72204090	1	
44	Overlay - Install-Line (NO Protective Guards)	66000067	1	
45	Kit, Air Intake Kit for Built-In Line Single Hob Model NOTICE: Must install Air Intake Kit for any Built-In Line unit.	95000021	1	

* R=Recommended Stock Part / C = Critical Part

Module-Line Wok MO/WO 8000



MO/WO

Induction RTCS Module-Line Wok, 8.0kW

model 400V: MO/WO 8000, 8.0kW 50/60Hz 3Phase (Generator IN/MO/WO8000, Article No. 99610029)

Note:

208V, MO/WO 8000 (IN/MO/WO8000), 8kW, Article No. 99610055: For power module (item 5), use part 98021775.

Item	Description	Part Number	400V	R C*
1	Ceran Wok Bowl 306mm/12" diameter, 6mm thick	77302001	1	R C
1A	Silicone gasket 960x 5x 2 mm, for wok bowl installation	70000004	1	R C
1B	Pressure Springs, 1x 10x 17.5mm, for installing wok bowl (item 1) and coil carrier (item 4)	73000004	4	
2	Shield Plate with Ferrite for Install/Module Wok Line	95000050	1	
3	Control Assembly (NO Knob Gards), Cable Length 2.5-meter/98.43-inch	94030005	1	
4	Induction Wok Coil Carrier with Sensor and Coil 8.0kW Coil Diameter 270mm Cable length (coil and sensor cables): 2500mm	98120410	1	R C
5	Power Module Complete, WOK 8kW. Incl. items 19-20. Pre-Programmed with voltage specific parameters.	98021778	1	R C
6	Protective Sheet (no longer required)			
19	Fuse T1.0A	34110019	1	R C
20	Fuse T20A	34120209	3	R C
21	Indicator Lamp 24V LED Green - Chrome	35624009	1	R
22	Control Switch with Potentiometer, 2-Pol, no Cable	94010001	1	R C
23	Plastic Knob (0-12)	39400001	1	R
24	Harness Main Control 2.5-meter/98.43-inch	94030015	1	
26	Screwed Cable Gland PG 16	39500009	1	
27	Screw Nut PG 16	39500003	1	
28A	Power Cable Only, No Plug, VDE 4x 1.5mm ²	38615050	1	R C
28B	Mains Plug EU 5-Pole, 400V/16A	32750503	1	R C
29	Mains Line Filter 3Phase 16A	39331602	1	
30	Female Plug with Cable	94900077	1	
31	Axial Fan (SH/IN Models)	94090002	1	R C
32	Heat Sink Pad 215x 98x 5mm NOTICE: Discard the center piece of the Heat Sink Pad for fan ventilation.	72291120	1	
33	Connector Box Switch - Plastic	72261070	1	
34	Front Panel (without Protective Guards)	72244100	1	
44	Garland Overlay - Install-Line (NO Protective Guards)	66000067	1	

* R=Recommended Stock Part / C=Critical Part

Repair Accessories

Photo	Description	Part Number
	<p>IR Adapter Usage: To receive infrared signals from an induction cooker and communicate via a HyperTerminal, or equivalent, on a laptop or other mobile peripherals. Might require additional adapters (not provided).</p>	98990001
	<p>USB- RS232 Adapter Usage: To connect an IR Adapter (98990001) to a computer/device that does not have any RS232 connector.</p>	39800001
	<p>Heat Sink Compound P12. Usage: To mount IGBT or Print/Board onto a Heatsink.</p>	70000020
	<p>Short Circuit (Service) Plug (RTCS only, Not for RTCSmp) Usage: To initialize CU sensors.</p>	94900096
	<p>High Temperature Tape 16mm Usage, for example: To retain PTC(RTC) sensors; to be used as a temporary adhesive; to be used as a high temperature insulator for coil repair.</p>	70000022
	<p>Silicone Glue PACTAN 7076 (for Installation)</p>	70000015
	<p>Wire Punch Down Tool</p>	79000024
	<p>Calibration or Test Plates: Use these plates to calibrate and verify pan detection settings.</p>	
	<p>Calibration Plate, Ø 120mm, with Handle</p>	79000120
	<p>Calibration Plate, Ø 100mm, with Handle</p>	79000100
	<p>Calibration Plate, Ø 90mm, with Handle</p>	79000090
<p>Calibration Plate, Ø 70mm, with Handle</p>	79000070	




Cooking Accessories

Notice

Use Wok Pans with Correct Contour

Garland recommends that the wok pans used be the correct contour to the Ceran glass bowl. To reduce premature failures such as overheating, wok pans should not touch the glass but only sit onto the upper flange.

To guarantee the correct contour, Garland offers a selection of wok induction pans. Please consult your dealer for details.

Photo	Description	Part Number
	Large Iron Wok with Stainless Steel Round Handle diameter 14.1-inch / 360mm height 5.5-inch / 140mm capacity 2.47-gallon / 9.5-litre	72205015
	Round-Base Wok, Multi-Layer diameter 14.1-inch / 360mm height 3.9-inch / 100mm capacity 1.35-gallon / 5.2-litre	72205016
	Round-Base Wok, Multi-Layer diameter 14.1-inch / 360mm height 5.5-inch / 140mm capacity 2.47-gallon / 9.5-litre	72205020

Revision History

Date	Page# / Item #	Notes	By
AUG 12/14		New models 2014: 99570008, 99580025. file: G_EC_PL_INDUCTION-RTCS_8000WATTS	HH
NOV 20/14	6-7 / 30	Added photo. P/N was 32960901, female plug only. 94900077 is female plug with cable. Note that part description for 94900077 on MFG Pro is incorrect.	HH
	7 / 45	Added air intake kit part number	
	4 / 25 6 / 29	Added photo for line filter 39331602	
MAR 9/15	2	added rating plate location for module line added new nomenclature for module line	HH
	4	New illustration - #6	
	5, 25	corrected descriptions	
	6-7 / 33,34 6 / 6	corrected illustration new illustration	
	8-9 / ALL	new product line, new model	
	9	new section	
7 / 24	new description corrected part number (was 32950902, Amphenol plug only, not cable part number)		
JUL 7/17	P. 5,7,9 #5	new power board	HH
JUL 13/17	P.7, P.9	added notes for power module part# for other voltage version	HH



WELBILT[®]
KITCHENCARE[®]



GARLAND[®]

1-844-724-CARE • 1-844-724-2273

www.mtwkitchencare.com

www.garland-group.com