



***MCO GS/GD-10 MODELS
FROM S/N 0004CJ0001 TO
0709100242025***

PARTS LIST

Toll Free Phone, (US & Canada): (800) 427-6668

Toll Free Fax, (US & Canada): (800) 361-7745

<http://www.garland-group.com>

Explanation of Serial Number Identification

Sample : 9601CJ0001

96 = Year built
(first two characters)

93 = 1993
 94 = 1994
 95 = 1995
 96 = 1996
 97 = 1997
 98 = 1998
 99 = 1999
 00 = 2000
 01 = 2001

01 = Month built
(second two characters)

01 = January
 02 = February
 03 = March
 04 = April
 05 = May
 06 = June
 07 = July
 08 = August
 09 = September
 10 = October
 11 = November
 12 = December

CJ = manufacturers item class for
Convection Oven (ALPHA characters)

0001 = sequential number of units built that
month.
(running number from 0001 to 9999)

Explanation of Model Number

From Models up to Serial Number 0003CJ9999

Sample: M C O- G S - 10 M
 1 2 3 4 5 6 7

Position: 1 - M - Master
 2 - C - Convection
 3 - O - Oven
 4 - G - Gas, E - Electric Unit
 5 - S - Standard Depth,
 (D - Deep)
 6 - 10 - Single Deck ,
 (20 - Stacked)
 7 - M - Mechanical Controls
 (E - Electronic Controls)

From Serial Number 0004CJ0001

Sample: M C O- G S - 10 - A
 1 2 3 4 5 6 7

Position: 1 - M - Master
 2 - C - Convection
 3 - O - Oven
 4 - G - Gas , E - Electric Unit
 5 - S - Standard Depth,
 (D - Deep)
 6 - 10 - Single Deck,
 (20 - Stacked)
 7 - A - Dependent Doors,
 300 Series 'mechanical'
 controls



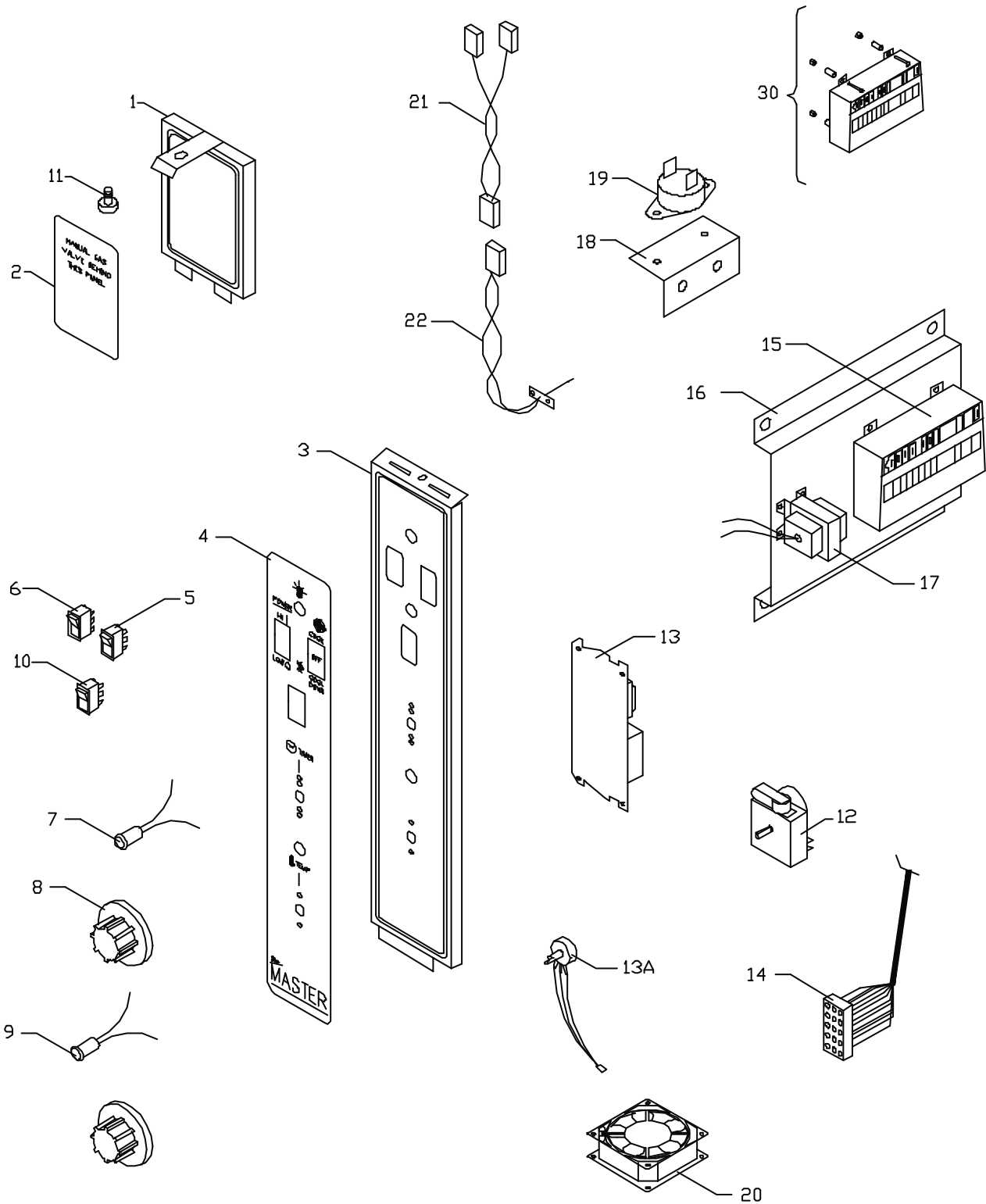
MCO GS/GD-10 MODELS

FROM S/N 0004CJ0001 TO

0709100242025

Contents:

IM200 Mechanical Control Panel - Introduced May 2001 Solid State Controller With Electro Mechanical Timer.....	Page 4
IM300 Solid State Control Panel with Manual Timer - Introduced March 1999	Page 6
IM410, IM450, IM455 Digital Control Panels - Introduced March 1999 IM470, IM475, Chain Control Panels - Introduced April 2000.....	Page 8
Burner Package MCO-GS/GD 40K BTU Option Discontinued September 1999.....	Page 12
Dependent Door Assemblies Door Assemblies (For Units Manufactured Up to April 14/05).....	Page 14
Dependent Door Assemblies Door Assemblies (For Units Manufactured From April 14/05)	Page 18
Complete Door Assemblies	Page 21
Oven Components	Page 22
Exterior Components	Page 24
Parts Digital Photos.....	Page 26
Revision History	Page 27



IM200 Manual Control Panel

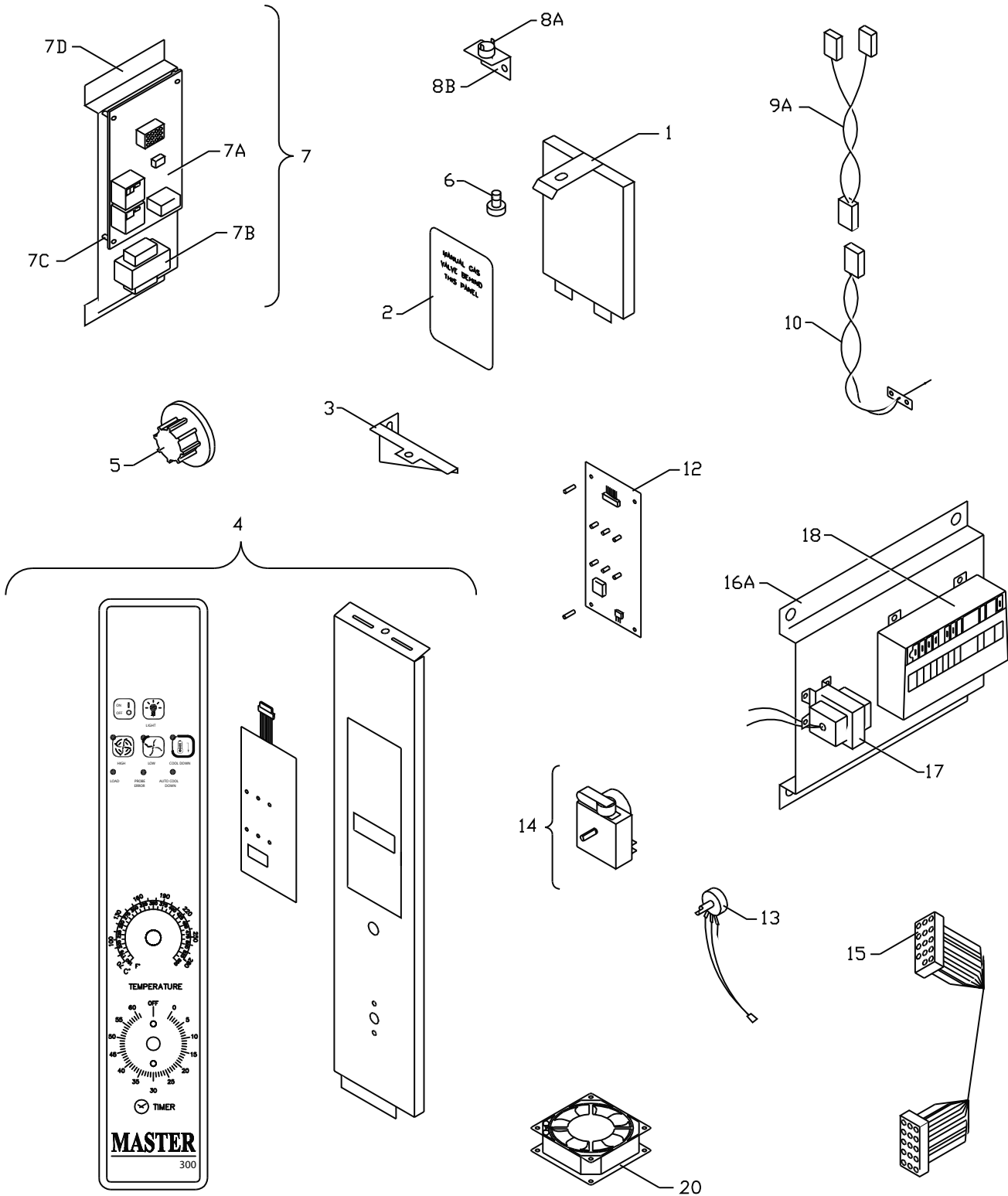
GARLAND PARTS IDENTIFICATION
IM200 Mechanical Control Panel - Introduced May 2001

ITEM	PART #	DESCRIPTION	MODEL		
			MCO-GS/GD-10		
			QTY	FROM DATE	TO DATE
1	1918501	Cover - Upper Control Panel, SS	1		
2	1679605	Overlay Top Control Panel Gas	1		
3	1946690	Control Panel Mechanical	1		
4	1908526	Overlay - Model 200 Manual Control	1		
5	1955401	Rocker Power Switch 3 Pos 2 Speed On/Off/On	1		
6	1955402	Rocker Power Switch 2 Pos Hi/Low	1		
7	1006489	Green Pilot Light 120V	1		28-Feb-03
	1936101	Indicator Lamp Green 120V	1	01-Mar-03	
	1006493	Green Pilot Light 240V (G01296-3)	1		28-Feb-03
	1936102	Indicator Lamp Green 250V	1	01-Mar-03	
8	1765802	Fluted Knob W/2 Set Screws	2		
9	1270000	Pilot Light Amber 28V	1		28-Feb-03
	1936103	Indicator Lamp Amber 28V	1	01-Mar-03	
	1006498	Pilot Light Amber 240V (G012969-2)	1		28-Feb-03
	1936104	Indicator Lamp Amber 250V	1	01-Mar-03	
10	1955403	Momentary Rocker Switch	1		
11	GF297	Slotted Thumb Screw 10-24 1/2"	1		
12	1956001	Mechanical 1 Hr Timer 115V 50/60H	1		
	1956002	Mechanical 1 Hr Timer 240V 50/60H	1		
13	1955501	PCB Solid State Controller 150-500	1		
13A	1955601	Potentiometer	1		
13B*	1955701	Standoff	2		
13C*	1955801	Nylon Washer	2		
13D*	8001502	Nut W/L' Washer 6-32 Kep	2		
14	1949599	Wire Harness -W/H-115V 60Hz Gas	1		
	1949598	Wire Harness - 208/240V 60Hz Gas	1		
14A*	1949577	Wire Harness - Mechanical Control Panel	1		
14B*	1949579	Wire Harness - Lights	1		
15	1815001	Honeywell Ignition Module Not Available By Itself - Use CK02-008	1		26-Mar-03
	CK02-008	Johnson Ignition Module Kit Assembly Instruction At End	1	26-Mar-03	
16	1925008	Bracket - Ignition Module	1		
17	1269800	Transformer - 24V/120V (Use G03339-1)	1		
	1636000	Transformer - 24V/240V			
18	1910901	Hi Limit or Thermal Disc Bracket	1		
19	1955101	Temp Switch - Thermal Disc, Cooling	1		
20	1671100	Polar Fan 115V	1		
	1671101	Cooling Fan 208 / 240 V	1		
	Note: For Fan Installation Refer to Service Bulletin B-97-2009-S				
21	1842902	Probe - RTD, Flange Mount	1		Nov-00
	1906003	Cable Assembly - Probe Extension	1	Nov-00	
22	1842901	Flange Mount Oven Probe (Rear Mount)	1		Nov-00
	1906002	Probe RTD, Flange Mount	1	Nov-00	
26*	1918001	Air Duct - Standard	1		
27*	1918002	Air Duct - Deep	1		
28*	4519264	Cover, Air Duct - Standard	1		
29*	4519265	Cover, Air Duct - Deep	1		
Kit Available					
30*	CK02-008	Kit-Ignition Module Standoffs Included: Module (15) Bolts, Screws, Standoffs	1		
31*	4518191	Kit, MCO 200 To 450 - Gas 115V	1		

* NOT ILLUSTRATED

RECOMMENDED STOCK PARTS

INTRODUCED MARCH 1999



IM300 CONTROL PANEL MANUAL TIMER

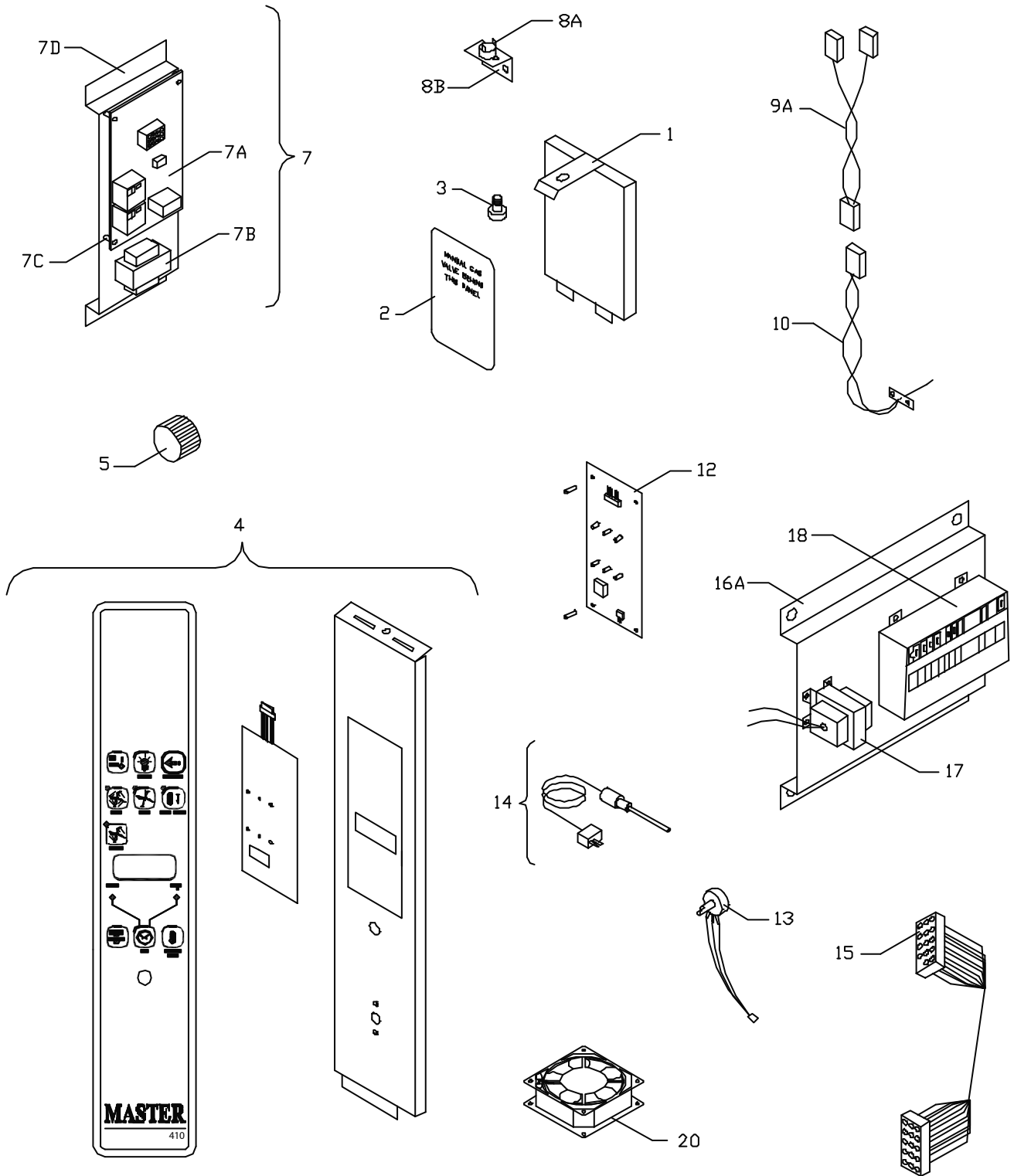
GARLAND PARTS IDENTIFICATION

IM300 Solid State Control Panel With Manual Timer - Introduced March 1999

ITEM	PART #	DESCRIPTION	MODEL		
			MCO-GS/GD-10		
			QTY	FROM DATE	TO DATE
1	1918501	Cover_Upper Control Panel, SS	1	Apr-00	
2	1679605	Overlay Top Control Panel Gas	1		
3	1928998	Top Control Panel Mounting Bracket Prison Pack	1	Apr-00	
4	1952893	Panel Assembly - 300L Keyboard MCO (w/Light)	1		
	1952894	Panel Assembly - 300N Keyboard MCO (wo/Light)	1		
5	1765802	Fluted Knob W/2 Set Screws	2		
6	GF297	Slotted Thumb Screw 10-24 1/2"	1		
7	1917099	Relay Board Assembly 120V	1		
	1917098	Relay Board Assembly 208-240V	1		
7A	1916901	Relay Board	1		
7B	1917101	Transformer 120V	1		
	1917102	Transformer 208-240V	1		
7C	1767901	Teflon Spacers	4		
7D	1916801	Relay Board Assembly Bracket	1		
8A	1781302	Hi Limit	1		Jul-01
	1955101	Temp Switch - Thermal Disc, Cooling		Jul-01	
8B	1910901	Hi Limit Or Thermal Disc Bracket	1		Jul-01
9A	1842902	Probe Interconnect Harness	1		Nov-00
	1906003	Probe Interconnect Harness (Use Only w/1906002)	1	Nov-00	
9B*	1916301	Cover - Probe Connector	1	Apr-00	
10	1842901	Flange Oven Probe (Rear Mount)	1		Nov-00
	1906002	Flange Mount Oven Probe (Use only w/1906003)	1	Nov-00	
12	1905701	Digital Control	1		
13	1911801	Potentiometer	1		
14	1285700	Mallory Timer 1 hr 115 V 50/60H	1		
	1285701	Mallory Timer 1 hr 240V 50/60H	1		
15	1804725	Main Wire Harness			Jun-01
	1949599	Wire Harness - W/H -115 V 60Hz Gas	1	Jun-01	
	1949598	Wire Harness - 208/240V 60Hz Gas	1	Jun-01	
15A*	1804726	Harness - Redun. V / Ignition Module			Jun-01
	1949595	Wire Harness - Pilot Ignition	1	Jun-01	
15B*	1905901	Harness - Control / Relay Board			
15C*	1949578	Wire Harness Fast Relay Board		Jun-01	
16A	1925008	Bracket - Ignition Module	1		
16B*	1911301	Relay Bracket Slide	3	Apr-00	
17	1269800	Transformer -24V 120V (Use G03559-1)	1		
	1636000	Transformer - 24V/240V	1		
18	1815001	Honeywell Ignition Module Not Available by Itself - Use CK02-008	1		26-Mar-03
	CK02-008	Johnson Ignition Module Kit Assembly Instruction At The End	1	26-Mar-03	
20	1671100	Polar Fan 115V	1		
	1671101	Cooling Fan 208 / 240 V	1		
	Note: For Fan Installation Refer to Service Bulletin B-97-2009-S				
Kit Available					
30*	CK02-008	Kit-Ignition Module Standoffs Included: Module (15) Bolts, Screws, Standoffs	1		

* NOT ILLUSTRATED

RECOMMENDED STOCK PARTS



IM410-450 Digital Control Panel.dwg

GARLAND PARTS IDENTIFICATION

IM410, IM450 Digital Control Panels - Introduced March 1999

IM470, IM475, Chain Control Panels - Introduced April 2000

ITEM	PART #	DESCRIPTION	MODEL		
			MCO-GS/GD-10		
			QTY	FROM DATE	TO DATE
1	1918501	Cover_Upper Control Panel, SS	1	Apr-00	
2	1679605	Overlay Top Control Panel Gas	1		
3	GF297	Slotted Thumb Screw 10-24 1/2"	1		
4	1952899	Replacement Panel - 410	1		
	1952898	Replacement Panel - 450	1		
	1952897	Replacement Panel - 455	1		
	1952896	Replacement Panel - 470	1		
	1952895	Replacment Panel - 475	1		
5	1720502	Fluted Knob	1		
7	1917099	Relay Board Assembly 120 V	1		
	1717098	Relay Board Assembly 208-240V	1		
7A	1916901	Relay Board	1		
7B	1917101	Transformer 120 V	1		
	1917102	Transformer 208-240V	1		
7C	1767901	Teflon Spacers	4		
7D	1916801	Relay Board Assembly Bracket	1		
8A	1781302	Hi Limit	1		Jul-01
	1955101	Temp. Switch - Thermal Disc, Cooling		Jul-01	
8B	1910901	Hi Limit Or Thermal Disc Bracket	1		Jul-01
9A	1842902	Probe Interconnect Harness	1		Nov-00
	1906003	Probe Interconnect Harness (Use Only w/1906002)	1	Nov-00	
9B*	1916301	Cover - Probe Connector	1	Apr-00	
10	1842901	Flange Mount Oven Probe (Rear Mount)	1	Feb-97	Nov-00
	1906002	Flange Mount Oven Probe (Use Only w/1906003)	1	Nov-00	
12	1905702	410 Digital Control Panel	1		
	1905703	450 Digital Control Panel W/Cook-N-Hold	1		
	1905704	455 Digital Control Panel W/Core Probe	1		
	1905709	470 Chain Control Panel	1		
	1905708	475 Charin Control Panel	1		
13	1911601	Potionmeter - Encoder	1		
14	1906004	Core Probe	1		
14A*	1905902	Wire Harness Core Probe	1		
14B*	1946701	Core Probe Bracket	1	Apr-00	
15	1804725	Main Wire Harness	1		Jun-01
	1949599	Wire Harness - W/H -115 V 60Hz Gas	1	Jun-01	
	1949598	Wire Harness - 208/240V 60Hz Gas	1	Jun-01	
	1949596	Main Wire Harness For Arby's	1		
15A*	1804726	Harness - Redun. V / Igniton Module	1		Jun-01
	1949595	Wire Harness - Pilot Ignition	1	Jun-01	
15B*	1905901	Harness Control/Relay Board	1		
16A	1925008	Bracket - Ignition Module	1		
16C*	1911301	Relay Bracket Slide	3	Apr-00	
17	1269800	Transformer -24V 120V (Use G03559-1)	1		
	1636000	Transformer - 24V/240V	1		
18	1815001	Honeywell Ignition Module Not Available by Itself - Use CK02-008	1		26-Mar-03
	CK02-008	Johnson Ignition Module Kit Assembly Instruction At The End	1	26-Mar-03	
20	1671100	Polar Fan 115V	1		
	1671101	Cooling Fan 208 / 240 V	1		
	Note: For Fan Installation Refer to Service Bulletin B-97-2009-S				

* NOT ILLUSTRATED

RECOMMENDED STOCK PARTS

GARLAND PARTS IDENTIFICATION

IM410, IM450 Digital Control Panels - Introduced March 1999

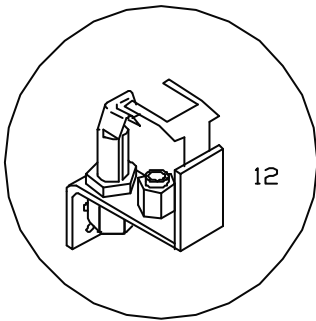
IM470, IM475, Chain Control Panels - Introduced April 2000

ITEM	PART #	DESCRIPTION	MODEL		
			MCO-GS/GD-10		
			QTY	FROM DATE	TO DATE
Kit Available					
30*	CK02-008	<i>Kit - Ignition Module Standoffs Included: Module (15), Bolts, Screws, Standoffs</i>	1		
31*	4522593	<i>450/410 To 200 Conv Kit - MCO Gas</i>	1		

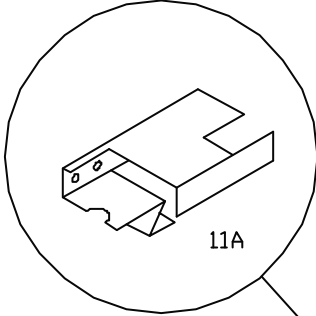
* NOT ILLUSTRATED

RECOMMENDED STOCK PARTS

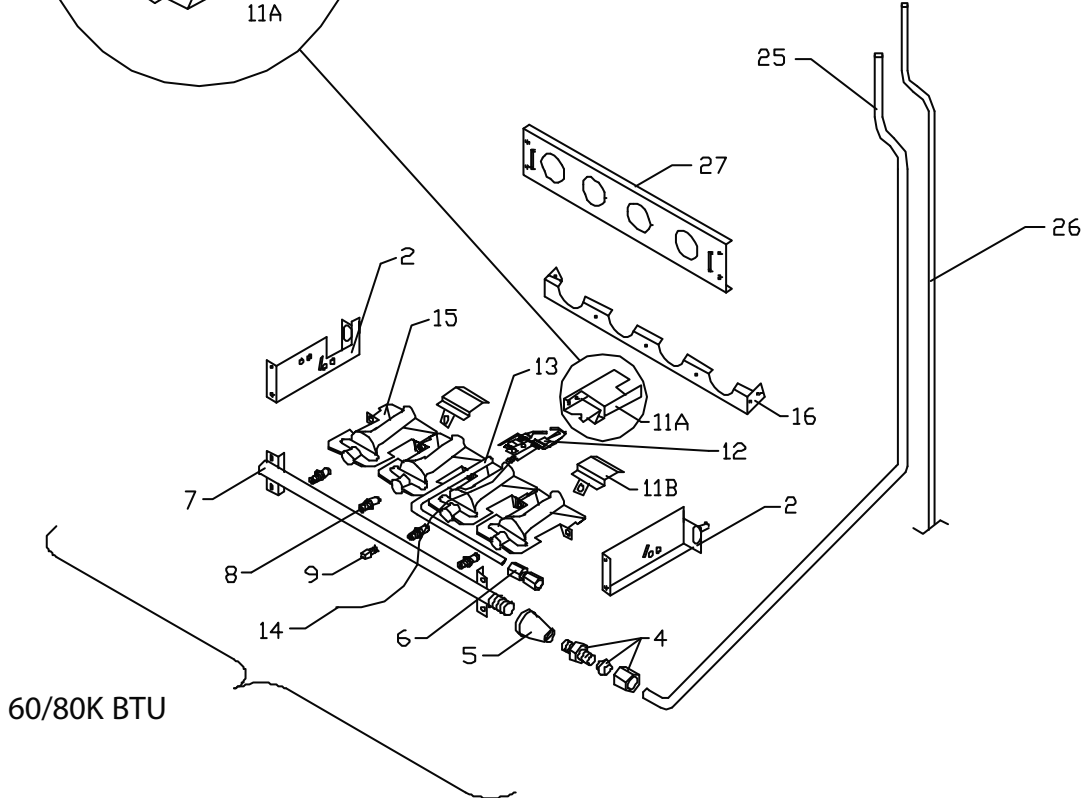
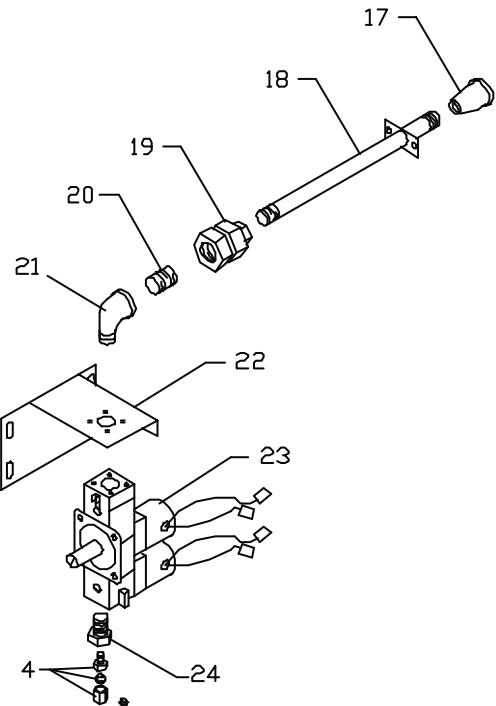
NOTES



When replacing pilot on units manufactured before April 2000, a new pilot bracket is required (Item 11A)



Pilot Bracket From April 2000



60/80K BTU

Burner Package

GARLAND PARTS IDENTIFICATION

Burner Package MCO-GS/GD

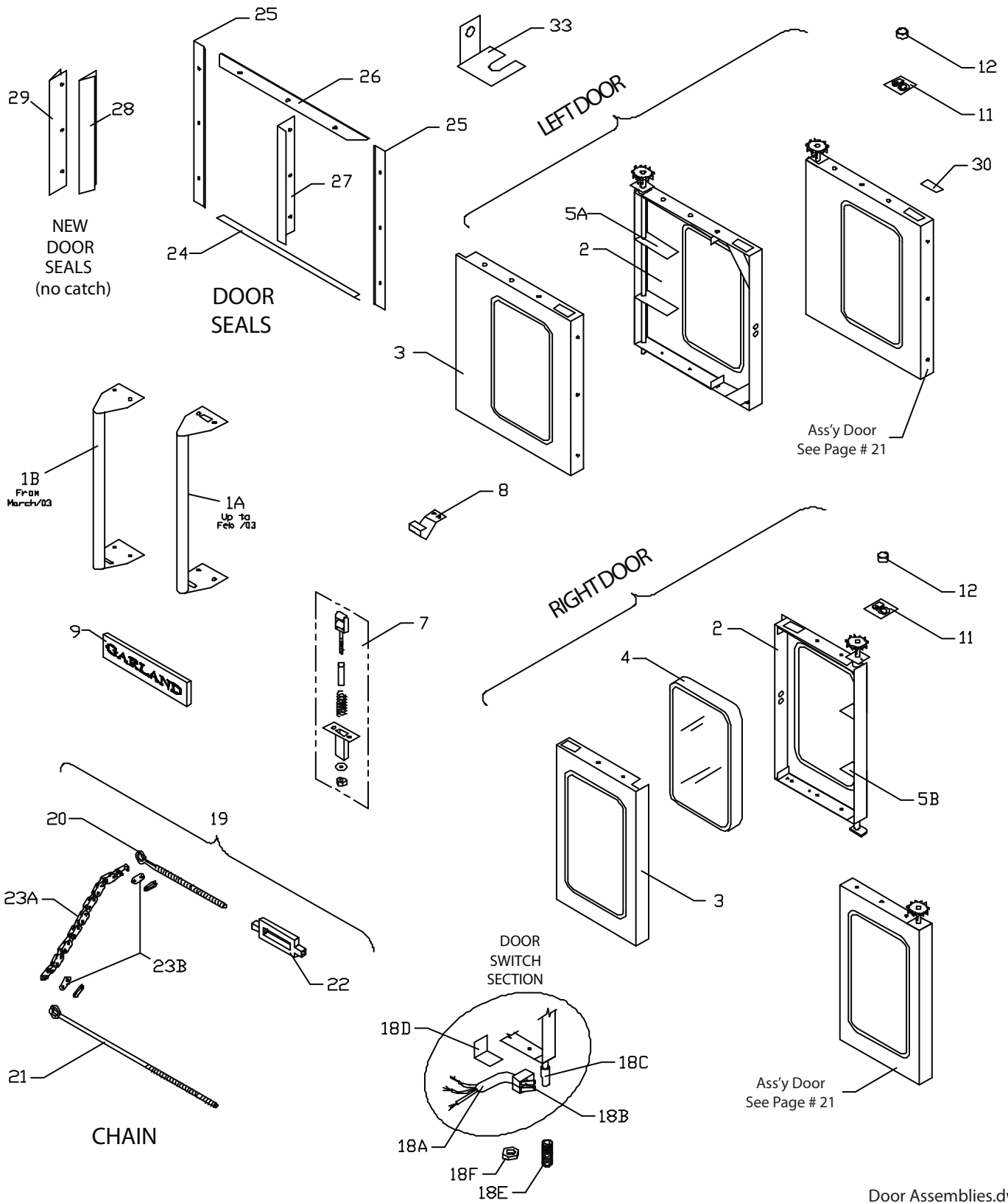
ITEM	PART #	DESCRIPTION	MODEL		
			MCO-GS/GD-10		
			QTY	FROM DATE	TO DATE
2	1916001	Burner Mounting Bracket	2		
4	1095499	Straight Connector 3/8 x 7/16 cc	2		
5	1004845	Reducer Coupling - 1/2 x 3/8	1		
6	1811101	Coupling 1/4CC x 1/4 CC	1		
7	1916101	Manifold Pipe	1		
8	1804350	#50 - Natural Orifice 60K BTU	4	Feb-97	
	1804356	#56 - Propane Orifice - 60KBTU	4	Feb-97	
	1804348	Natural Orifice 80K BTU (.078")	4	Feb-97	
9	1007300	1/8 Steel Pipe Plug	1		
11A^	1926601	Pilot Mounting Bracket	1	Apr-00	
11B	1847602	Carry Over Bracket	3		
12^	1935802	Honeywell Pilot Natural - Use 1935802 Units manufactured before April 2000, the bracket must be replaced (11A)	1		
	1935801	Honeywell Pilot Propane - Use 1935801 Units manufactured before April 2000, the bracket must be replaced (11A)	1		
13	1949201	Tubing - Pilot	1		
14	1815002	Hi Tension Ignition Wire	1		
15	1803501	Inshot Burner	4		
16	1926201	Support -Burner Rest	1	Apr-00	
17	1004849	Bell Reducer - 3/4 to 1/2 NPT	1		
18	1916199	Tail Pipe - Standard	1	Apr-00	
	1916198	Tail Pipe - Deep	1	Apr-00	
19	1026903	Union - 1/2" NPT	1		
20	1004640	Close Nipple - 1/2" NPT x 1" Long	1		
21	1026733	90 Degree Street Elbow, 1/2" NPT	1		
22	1918999	Gas Valve Bracket	1	Apr-00	
23A	1806501	Redundant Valve W/Off 40K or 60K Natural	1		Mar-03
	1806503	Redundant Valve W/Off 80K Natural	1		Mar-03
	1935701	Valve Gas, Natural Dual W/Shunt 4"		Mar-03	
23B	1806502	Redundant Valve W/Off 40K 60K LP	1		Mar-03
	1935702	Valve Gas, Propane Dual W/Shut 10"		Mar-03	
24	1038401	Hex Seal Bushing 1/2 x 3/8 NPT	1		
25	1949203	Tubing - Valve to Manifold	1	Apr-00	26-Mar-03
	1934308	Tubing - Valve To Manifold	1	26-Mar-03	
26	1949202	Tubing - Valve to Pilot	1	Apr-00	
27	4520002	Adapter Plate Inshot Burner From Serial # 0504100210469	1	Apr11/05	
Conversion Kits					
	CK00-017	Kit- Convert Full CO to 60K Natural			
	CK00-018	Kit- Convert Full CO To 60K Propane			
	CK00-019	Kit - Convert Full CO to 80K Natural			

* NOT ILLUSTRATED

^ DIGITAL PHOTO @ THE END

RECOMMENDED STOCK PARTS

For Units Manufactured Up To April 14/05



GARLAND PARTS IDENTIFICATION

Door Assemblies

ITEM	PART #	DESCRIPTION	MODEL		
			MCO-GS/GD-10		
			QTY	FROM DATE	TO DATE
1	1924395	Door Handle Black	1		Feb-03
	1924396	Door Handle Black	1	Mar-03	
2	1923996	Panel - Left Door Liner Solid	1		
	1923997	Panel - Left Door Liner Window	1		
	1923998	Panel - Right Door Liner Solid	1		
	1923999	Panel - Right Door Liner Window	1		
3	1924001	Panel - Left Door Solid	1		
	1924002	Panel - Left Door Window	1		
	1924003	Panel - Right Door Solid	1		
	1924004	Panel Right Door Window	1		
	1924007	Panel - Left Door Solid (Prison)	1		
	1924008	Panel - Right Door Solid (Prison)	1		
	1924011	Panel - Left Door Window (Prison)	1		
4	1010999	Oven Door Window (3/16" Glass)	1		
5A	1923899	Frame W/A - Left Door	1		
5B	1923898	Frame W/A - Right Door	1		
6*	1925099	Bracket W/A - Door Hasp (Prison)	1		
7	CK1757998	Latch Bench Assembly	1	Aug-95	
8	1925005	Bracket - Door Latch	1	Apr-00	
9	1902917	10" Garland Nameplate	1		Sep-01
	3077100	7-5/8" Garland Nameplate	1	Oct-01	
10*	1925009	Plate - For Hasp Back (Prison)			
11	1923499	Plate - Door Bushing	2	Apr-00	
12	1923201	Spacer - Door Hinge	2	Apr-00	
18A	1949575	Wire Harness - Mechanical Door Switches IM 200 Only	1		
	1804727	Harness - Door Micro Switch IM 300 & IM 400 Only	1		
	1949574	Door Switch Wire Harness for Arby's	1		
18B	1855603	High Temp Micro Switch	2	Jun-99	
	4519715	Hi Temp Micro-Switch IM 200 Only	2		
18C	1925101	Cam- Door Switch	1	Apr-00	
18D	1925001	Bracket Door Switch Right	1	Apr-00	
18E	8003802	Set Screw 10x24x3/8"	2		
18F	8001203	Nut Hex Stl 8-32	2		
18G*	8001502	Nut w/Washer 6-32 ksp	2		
18H*	8003208	MSCR-PH-6 32x32 ST 2P	2		
19	4520166	Door Chain Assembly Includes Items 20, 21, 22, 23A, and 23B	1		
20**	1014201	Connecting Door Rod - Short (Not Sold Separately)	2		
21**	1014200	Connecting Door Rod - Long (Not Sold Separately)	2		
22	1015000	Turnbuckle 1/4-20 w/4" Take Up	2		
23A	1021100	Roller Chain #40	2		
23B	1021299	Connecting Link # 40	4		
24	1924712	Seal - Door, Bottom	1	Apr-00	
25	1924601	Seal - Door, Left & Right	2	Apr-00	
26	1924711	Seal - Door Top	1	Apr-00	
27	1924402	Seal - Door Center	1	Apr-00	Jan-03
28	1924411	Center Right Seal From Serial # 0301CJ0082	1	Jan-03	

* NOT ILLUSTRATED

** REFERENCED PART NUMBER ONLY

RECOMMENDED STOCK PARTS

GARLAND PARTS IDENTIFICATION

Door Assemblies

ITEM	PART #	DESCRIPTION	MODEL		
			MCO-GS/GD-10		
			QTY	FROM DATE	TO DATE
29	1924412	Center Left Seal From Serial # 0301CJ0082	1	Jan-03	
30	1928209	Plate Door Handle From Serial # 0301CJ0082	1	Jan-03	
31*	9003603	Carriage Bolt 3/38-16 x 3/4			
32*	1019800	Self Threading Pal Nuts			
33	1925013	Bracket - Door Stop L/H	1	Apr-00	
	4519740	Bracket - Door Stop R/H	1	Apr-05	
34*	1915914	Insulation - Left Door, W/Window	1		
	1915915	Insulation - Left, Solid	1		
35*	1915916	Insulation Right Door, W/Window	1		
	1915917	Insulation - Right Door, Solid	1		

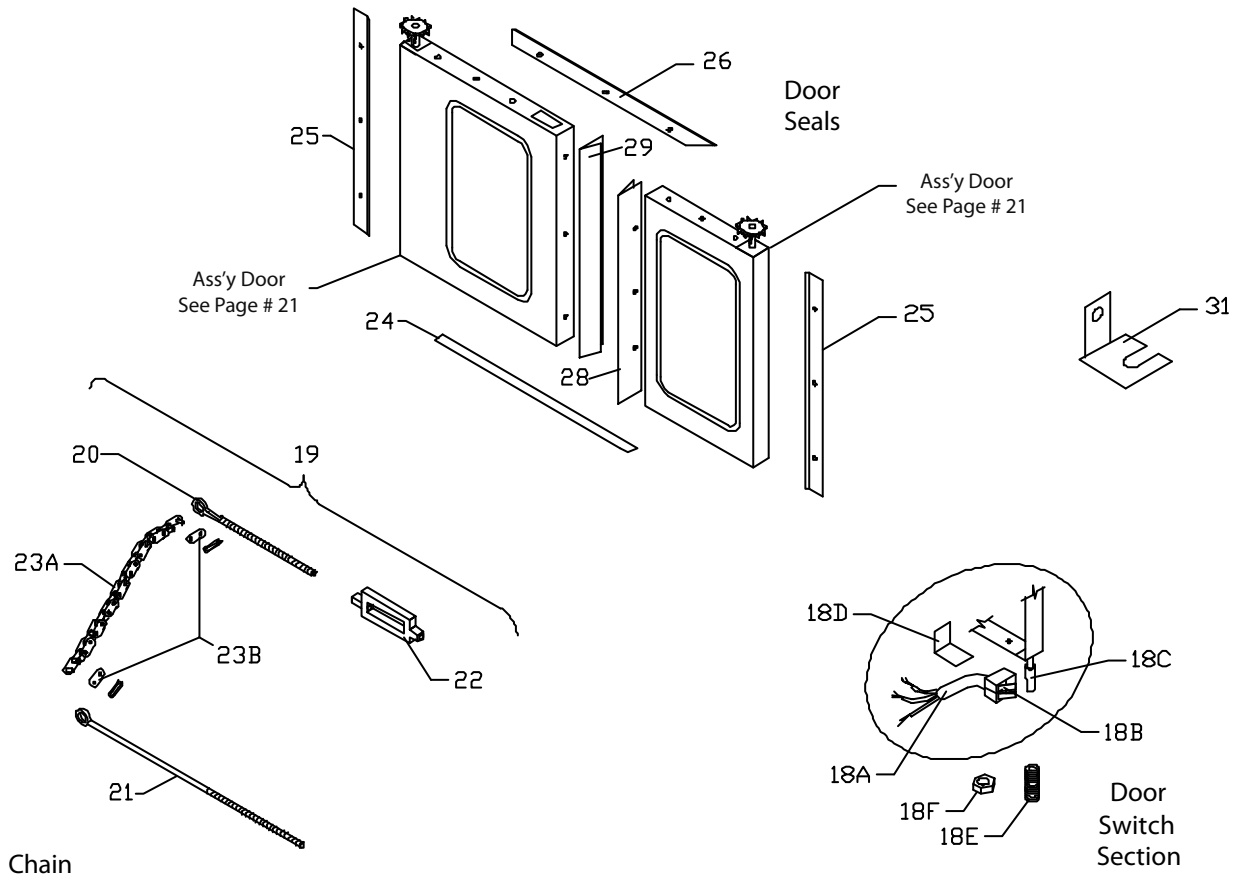
* NOT ILLUSTRATED

** REFERENCED PART NUMBER ONLY

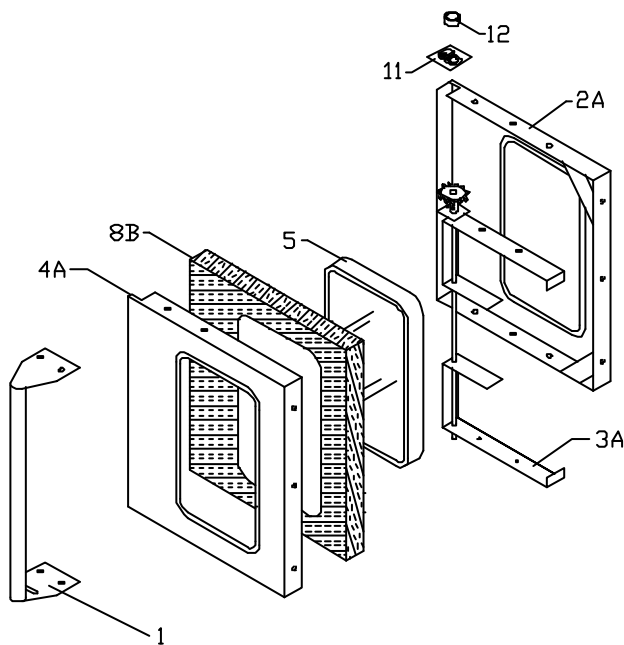
RECOMMENDED STOCK PARTS

NOTES

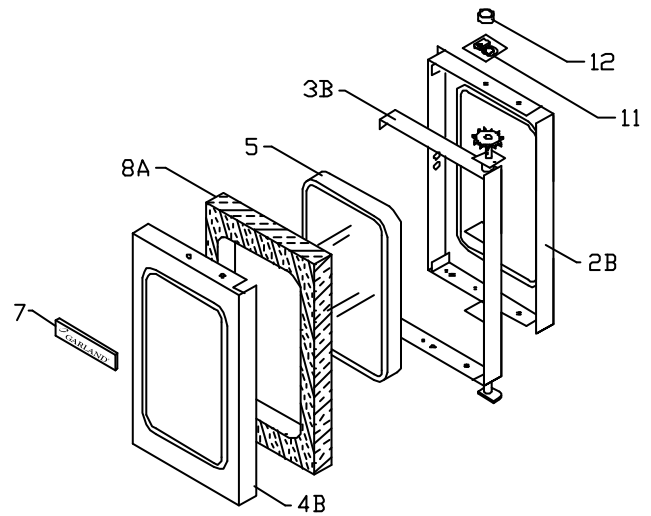
For Units Manufactured After April 14/05



Left Door



Right Door



Door Assemblies Gas 2005

GARLAND PARTS IDENTIFICATION

Door Assemblies - Units manufactured after April 14, 2005

ITEM	PART #	DESCRIPTION	MCO-ES/ED-10		
			QTY	FROM DATE	TO DATE
1	1924396	Door Handle - Black	1	3-Mar	
2A	1923997	Panel - Left Door Liner Window Used in Prison Door Assembly Also	1		
	1923996	Panel - Left Door Liner Solid Used in Prison Door Assembly Also	1		
2B	1923998	Panel - Right Door Liner Solid Used in Prison Door Assembly Also	1		
	1923999	Panel - Right Door Liner Window	1		
3A	4520373	Weld Assembly Frame Left Door Extended Bearing Plate	1		
3B	4520374	Weld Assembly Frame Right Door Extended Bearing Plate	1		
4A	1924001	Panel - Left Door Solid	1		
	1924002	Panel - Left Door Window	1		
	1924007	Panel - Left Door Solid (Prison)	1		
	1924011	Panel - Left Door Window (Prison)	1		
4B	1924003	Panel - Right Door Solid	1		
	1924008	Panel - Right Door Solid (Prison)	1		
	1924004	Panel - Right Door Window	1		
5	1010999	Oven Door Window (3/16" Glass)	1 per door		
6*	1925099	Bracket W/A - Door Hasp (Prison)			
7	3077100	7-5/8" GARLAND Nameplate Mounted on the R/H Door			
8A	1915916	Insulation Right Door, W/Window	1		
	1915917	Insulation Right Door, Solid	1		
8B	1915914	Insulation Left Door, W/Window	1		
	1915915	Insulation Left Door, Solid	1		
10*	1925009	Plate - Door Hasp Back (Prison)			
11	4520301	B/A Plate - Door Bushing Extended	2	14-Apr-05	
12	1923201	Spacer - Door Hinge	2		
18A	1804727	Harness - Door Micro Switch	1		
	1949575	Wire Harness - Mechanical Door Switches IM 200 Only	1		
	1949574	Door Switch Wire Harness for Arby's Electric Arbys Only	1		
18B	1855603	High Temp Micro Switch	2	Jun-99	
	4519715	Micro Switch Hi Temp - Hi Current 200 Series Control Only	2		
18C	1925101	Cam - Door Switch	1	Apr-00	
18D	1925001	Bracket Door Switch Right	1	Apr-00	
18E	8003802	Set Screw 10x24x3/8"	2		
18F	8001203	Nut Hex Stl 8-32	2		
18G*	8001502	Nut w/Washer 6-32 ksp	2		
18H*	8003208	MSCR-PH-6 32x32 ST 2P	2		
19	4520166	Door Chain Assembly Include items 20, 21, 22, 23A, 23B	1		
20**	1014201	Connecting Door Rod - Short (Not sold separately)	2		
21**	1014200	Connecting Door Rod - Long (Not sold separately)	2		
22	1015000	Turnbuckle 1/4-20 w/4" Take Up	2		
23A	1021100	Roller Chain #40	2		
23B	1021299	Connecting Link #40	4		
24	1924712	Seal - Door, Bottom	1	Apr-00	
25	1924601	Seal - Door, Left & Right	2	Apr-00	
26	1924711	Seal - Door Top		Apr-00	
28	1924411	Center - Right Door Seal	1		
29	1924412	Center - Left Door Seal	1		

* NOT ILLUSTRATED

** REFERENCE PART NUMBER ONLY

RECOMMENDED STOCK PARTS

GARLAND PARTS IDENTIFICATION

Door Assemblies - Units manufactured after April 14, 2005

ITEM	PART #	DESCRIPTION	MCO-ES/ED-10		
			QTY	FROM DATE	TO DATE
31	1925013	Bracket - Door Stop L/H	1	Apr-05	
	4519740	Bracket - Door Stop R/H			
32*	8003603	Carriage Bolt 3/8-16 X 3/4	3		
33*	1019800	Self Threading Pal Nut			
34*	8001210	Nut Hex 3/8-16 Stl 2P	3		
35*	8000308	Washer - Flat 3/8x3/4 Stl 2P	3		

* NOT ILLUSTRATED

** REFERENCE PART NUMBER ONLY

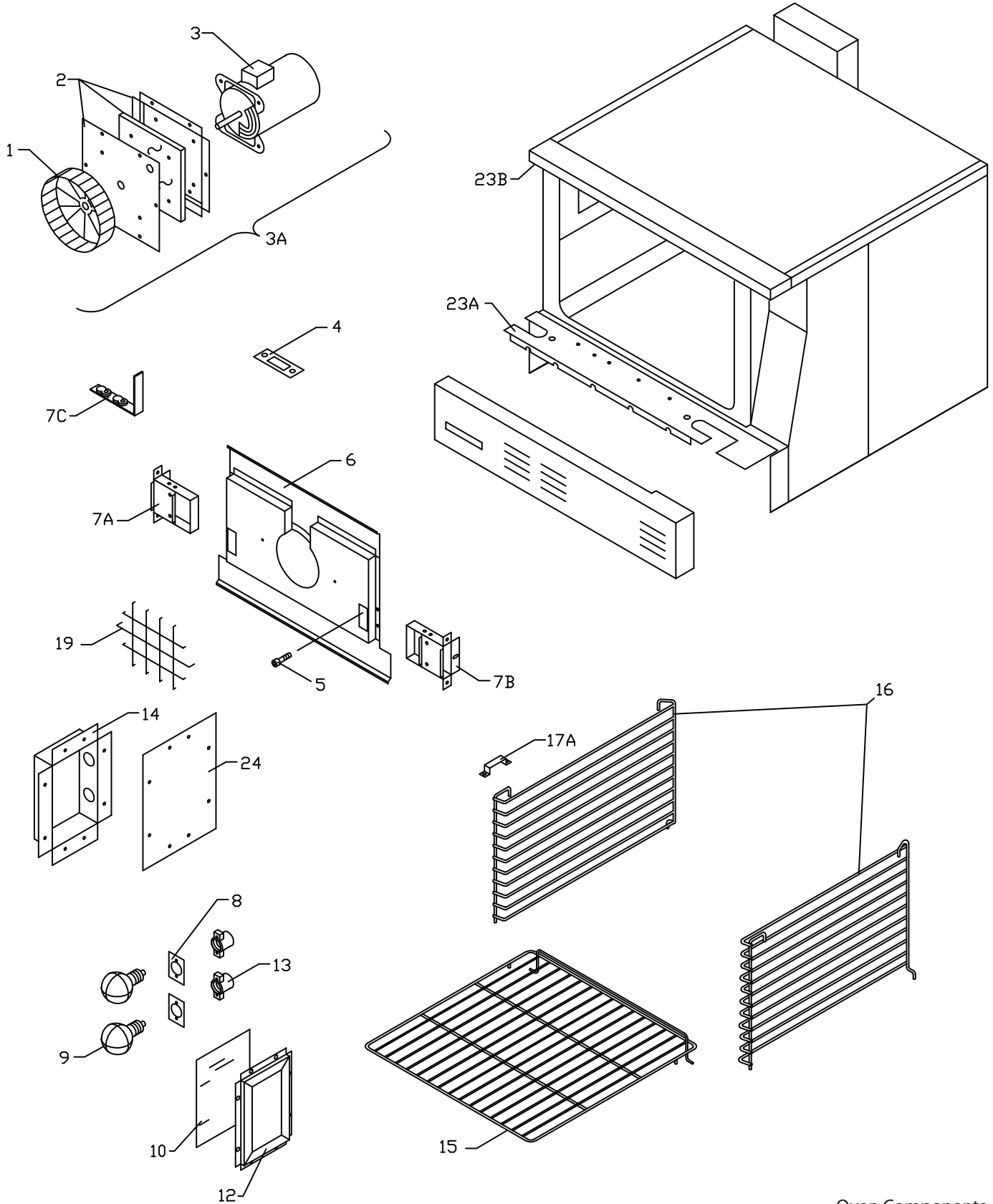
RECOMMENDED STOCK PARTS

GARLAND PARTS IDENTIFICATION

Complete Door Assemblies

Date	Model	Standard Left Glass	Standard Left Solid	Standard Right Glass	Standard Right Solid
Prior March '99	MCO-GS-10 Dependent Doors	CK1803789-A	CK1803788-A	CK1803785-A	CK1803784-A
Prior March '99	MCO-GS-10 Independent Doors	CK1803789-A	CK1803788-A	CK1803787-A	CK1803786-A
March '99 To April '00	MCO-GS-10 Dependent Doors	CK1803789-A	CK1803788-A	CK1803785-B	CK1803784-B
March '99 To April '00	MCO-GS-10 Independent Doors	CK1803789-A	CK1803788-A	CK1803787-B	CK1803786-B
April '00 To Dec 31 '02	MCO-GS-10 Dependent Doors	CK02-001	CK02-003	CK02-002	CK02-004
Jan '03 To April 14, 2004	MCO-GS-10 Dependent Doors	1924869	1924868	1924969	1924968
From Jan 1, 2003 To April 14, 2005	MCO-ES-10 Dependent Doors S/S (Olive Garden)		1924878		1924978
From April 14, 2005 To Present	MCO-ES-10 Dependent Doors (Ext. Bearing Plate) (Also Used for Olive Garden Modles)	4520311	4520313	4520312	4520314

Date	Model	Prison Left Glass	Prison Left Solid	Prison Right Glass	Prison Right Solid
April '00 To Dec 31 '02	MCO-GS-10 Dependent Doors	CK02-007	CK02-005	NA	CK02-006
Jan '03 To April 14, 2005	MCO-GS-10 Dependent Doors	1924867	1924866	NA	1924966
From April 14, 2005 To Present	MCO-ES-10 Dependent Doors (Ext. Bearing Plate)	4520317	4520315	NA	4520316



Oven Components

GARLAND PARTS IDENTIFICATION

Oven Components

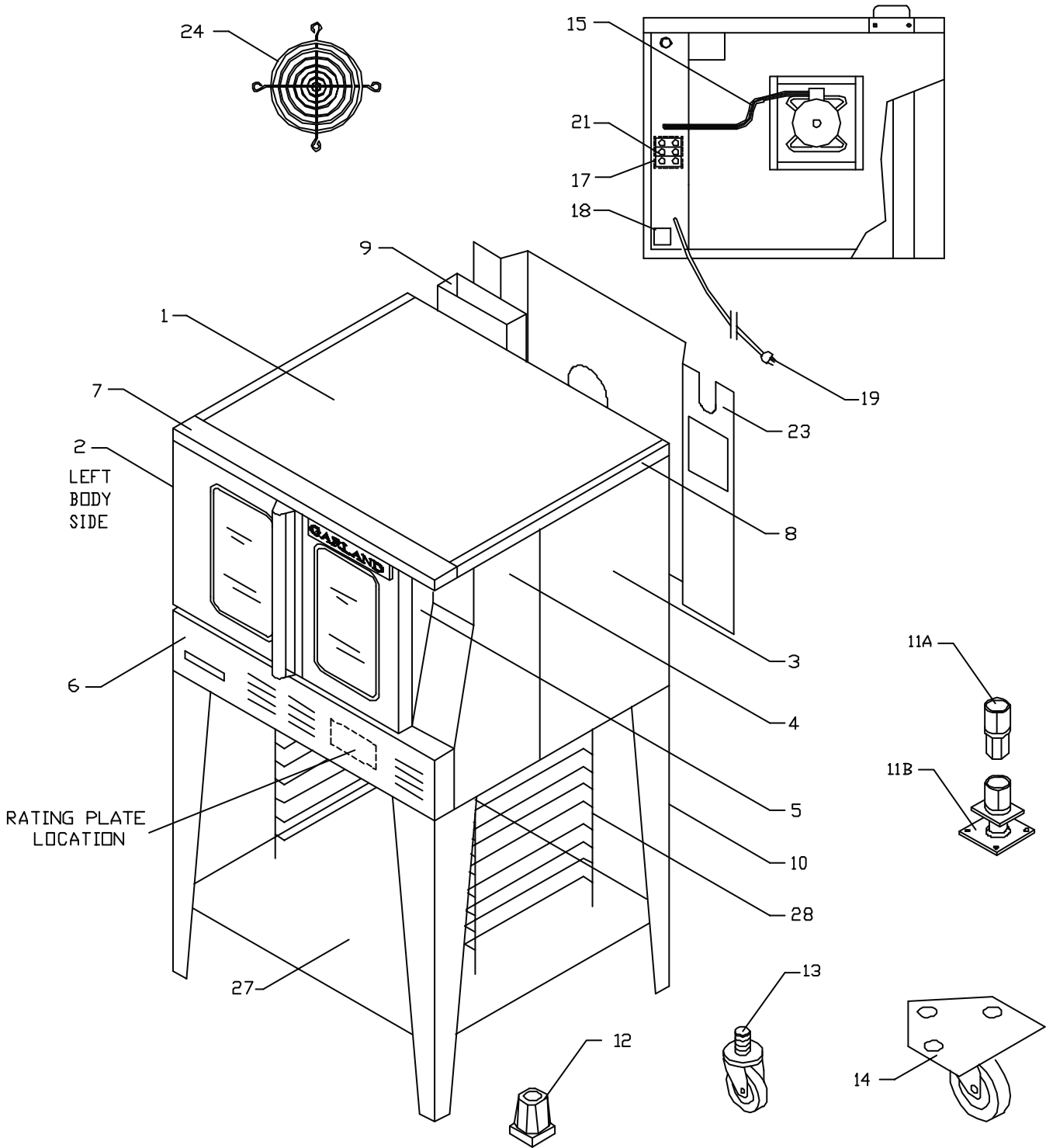
Models: MCO-GS/GD-10

ITEM	PART #	DESCRIPTION	MODEL		
			MCO-GS/GD-10		
			QTY	FROM DATE	TO DATE
1	G02952-01P	Blower Wheel Assembly Plated	1		
2	1916499	Motor Pocket Assembly	1		
3	1686711	Motor 3/4 HP, 115C, 2 Speed	1		
	1686712	Motor 3/4 HP, 208/240 V, 2 Speed	1		
3A	CK1003090	Motor Assembly - 2 Speed - 115V	1		
	CK1003091	Motor Assembly - 2 Speed- 208/240V	1		
4	1784302	Oven Vent Cap - 60K BTU	1		
	1784303	Oven Vent Cap - 80K BTU	1		
5	8005005	Allen Head Screws - 1/4-20 x 3/8	4		
6	1802999	Fan Cover	1		
7A	1782599	Fan Cover Duct, Left	1		
7B	1782598	Fan Cover Duct, Right	1		
7C	1785997	Fan Duct Restrictor - 80K BTU	2		
	1785998	Fan Duck Restrictor - 60K BTU	2		
7D*	1928204	Element Patch	1	Apr-00	
8	1025900	Light Socket Gasket	2		
9	1623900	Light Bulb 40W	2		
10	1676901	Glass - Hi Temp	1		
12	1921801	Cover - Light Box	1	Apr-00	
13	1025800	Lamp Socket Porcelain	2		
14	1921902	Light Box	1	Apr-00	
15	1922001	Oven Rack - Standard	5	Apr-00	
	1922202	Oven Rack - Deep	5	Apr-00	
16	1922001	Oven Rack Guide - 10 Pos, Standard	2	Apr-00	
	1922002	Oven Rack Guide - 10 Pos, Deep	2	Apr-00	
	1922101	Oven Rack Guide - 13 Pos, Standard	2	Apr-00	
	1922002	Oven Rack Guide - 13 Pos, Deep	2	Apr-00	
17A	1765212	Rack Clip	8	Apr-00	
19	1014500	Blower Inlet Cover	1		
23A	1925202	Channel - Lower Hinge	1	14-Apr-05	
23B	1925201	Channel - Upper Hinge		14-Apr-05	
24	1928299	Plate - Light Box Patch - Porcelain	1	Apr-00	
	1928201	Plate - Light Box Patch - SS	1	Apr-00	

* NOT ILLUSTRATED

RECOMMENDED STOCK PARTS

REAR VIEW



Exterior Components.dwg

GARLAND PARTS IDENTIFICATION

Exterior Components

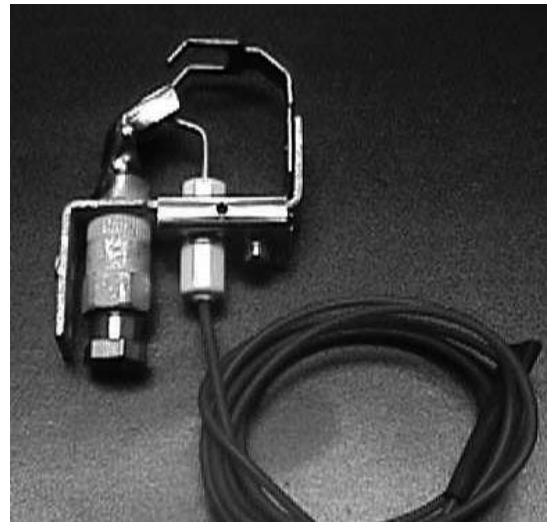
ITEM	PART #	DESCRIPTION	MODEL		
			MCO-GS/GD-10		
			QTY	FROM DATE	TO DATE
1	1917601	Cover - Main Top w/Trim Holes	1	Apr-00	
	1917602	Cover - Main Top, SS	1	Apr-00	
	1917603	Cover - Main Top, Black w/o Trim Holes	1	Apr-00	
2	1920201	Cover - Body Side Left SS	1	Apr-00	
	1920202	Cover - Body Side Left, Black	1	Apr-00	
3	1918701	Cover Body Side Right, SS	1	Apr-00	
	1918702	Cover Body Side Right Black	1	Apr-00	
4	1918801	Cover - Control Panel Right SS	1	Apr-00	
	1918802	Cover - Control Panel Right Black	1	Apr-00	
	1925999	Cover - Control Panel Right Prison Pack	1	Apr-00	
5	1925501	Cover - Control Panel, Left SS	1	Apr-00	
	1925599	Cover - Lockable Control Panel, Prison Pack	1	Apr-00	
6	4519724	Cover - Lower Front Trim SS	1	Apr-00	
7	1925301	Cover - Upper Front Trim, SS	1	Apr-00	
8	1920701	Cover - Main Top Trim	1	Apr-00	
9	1919999	Vent Asm - Outer	1	Apr-00	
10	1927199	Leg W/A - Sing Deck, Caster SS	4	Apr-00	
	1927198	Leg W/A - Sing Deck, Caster GG	4	Apr-00	
	1927197	Leg W/A - Sing Deck, Foot SS	4	Apr-00	
	1927196	Leg W/A - Sing Deck, Foot GG	4	Apr-00	
	1927195	Leg W/A - Double Stack, Foot SS	4	Apr-00	
	1927194	Leg W/A - Double Stack, Foot GG	4	Apr-00	
11A	1236100	1-1/2" Square Foot Insert	4		
11B	1949701	Flanged Foot Insert	4		
12	1775102	Caster Insert (Single Deck Only)	4		
13	1926501	Caster - Single Deck	4	Apr-00	
	1926502	Caster - Single Deck w/Brake	4	Apr-00	
14	1926531	Heavy Duty Caster - Double Deck	4	Apr-00	
	1926532	Heavy Duty Caster - Double Deck w/Brake	4	Apr-00	
	1926521	Lo Profile Caster - Double Deck	4	Apr-00	
	1926522	Lo Profile Caster - Double Deck w/Brake	4	Apr-00	
15	1029426	3/8 BX Cable 26" Long	1		
17	1927898	Cover - External Terminal Block (208/240V Units)	1	Apr-00	
18	1928206	Wire Patch	1	Apr-00	
19	1029501	8' Long Power Cord (115C Gas Units)	1		
21	1193900	Terminal Block - 3 Pole- Hi Voltage	1		
23	1921001	Cover - Main Back, Std SS	1	Apr-00	
	1921002	Cover - Main Back, Std Black	1	Apr-00	
	1921003	Cover - Main Back, Deep SS	1	Apr-00	
	1921004	Cover - Main Back, Deep Black	1	Apr-00	
	1921098	Cover - Main Back, Std Depth (Prison Pack)	1	Apr-00	11-Feb-02
	1921089	Cover W/A -Back, Std Depth (Prison Pack)		11-Feb-02	
	1921097	Cover - Main Back, Deep Gas (Prison Pack)	1	Apr-00	11-Feb-02
	1921088	Cover W/A - Deep Depth Gas (Prison Pack)		11-Feb-02	
24	1919001	Cooling Fan Guard (OBS)	1	Oct-99	Feb-01
25*	1782001	Instruction Label	1	May-96	
27	1926901	Panel - Open Base, GG	1		
	1926902	Panel - Open Base, SS	1		
28	1926702	Rack Guide - Lower, Open Base	2		
29*	1926801	Support - Rack Guide, Upper	1		

* NOT ILLUSTRATED

RECOMMENDED STOCK PARTS



1935801 PILOT PROPANE



1935802 PILOT NATURAL



1926601 PILOT MOUNTING BRACKET
FROM DATE: APRIL 2000

GARLAND PARTS IDENTIFICATION

Revision History

REV. #	PAGE #	ITEM #	NOTE	DATE	
10	11	12	P/N 1814901 has been replaced by 1935802	Oct 24/03	
			P/N 1814902 has been replaced by 1935801		
11	5,7,9	15,18	P/N CK02-008 Added - New Johnson Ignition Module	Oct 30/03	
	12		Drawing updated - Item 1		
	14	1	P/N 1924396 Added		
	24		Ignition Module Assembly Instruction Added		
12	12		New Drawing	Nov 13/03	
	14	28,29,30	New Part Numbers For The New Door System - No Catch		
13	11	25	New Part # Added - 1934308	Dec 11/03	
14	12		Part # 33 Added	Jan 6/04	
	13	33	Replaced Item #23C by Item #33		
15	10		New Drawing	Jan 15/04	
	11	12	Note Added Under Pilot Description		
	25		Digital Photos Added		
16	10	23A,B	Suffixes A, B Added to Item 23 to Conform with parts list	Jun 15/04	
	17		New Page		
			Entire Book Reformatted		
17	18		New Drawing	Feb 01/05	
18			Entire Book Reformatted	Nov 1/05	
	4,5	11,18,19 26, 27,28, 29	Part Numbers Added		
	6,7	6			
	8,9	3			
	15.16	18B			Part # Changed (4519715) – Was 1955001
		18E,F,G,H			New Part Number Added
		19			Part # Changed – Was CK1138
		20,21			Reference # Footnote Added
		34			New Part Number Added
	18,19, 20				3 New Pages Added
	21				Complete Door Assembly Kit Chart Updated
22,23	23B		New Part Number		
25	6		Part Number Changed – Was 1925401		
19	12,13	27	New Part Number Added	Dec 19/05	
20			Front title changed - was FROM SERIAL # 0004CJ0001 TO Present	Sep 21/09	
	5, 10	31	New Part Number Added		
	5,7,9	20	Part number replaced - was 1918201 (Cooling Fan - 110MM, 115V) & 1918202 (Cooling Fan 208 / 240 V) 1918202 (Fan 208/240V) Changed to the 1671101 (Fan 208/240V) from S/N 0908100200514, date: August 20, 2009. 1918201 (Fan 115V) Changed to the 1671100 (Fan 115V) from S/N 0709100200064, date: July 24, 2009.		

Bulletin Related To This Part List Book		
Bulletin Number	Subject	Date
B-76-2003	Pilot Replacement	Oct 23/05
B-97-2009-S	New Axial Cooling Fan	

 **Garland**[®]