

Operations & Service Manual **GGF SERIES** **GGF-400, GGF-720**



**Models: GGF-400
GGF-720**



Giles Enterprises, Inc.

An ISO-9001 Registered Company

2750 Gunter Park Drive West Montgomery, AL 36109 USA

Phone: 334.272.1457 Fax: 334.239.4117 Internet: www.gfse.com

(Toll Free): 800.554.4537 (USA & Canada Only)

Form No. 65474 (Rel. Jan.2009, Rev. Sep.2016, Rev. E)

POST IN A PROMINENT LOCATION, Instructions to be followed in the event the user smells gas. This information shall be obtained by consulting the local gas supplier.

FOR YOUR SAFETY

Do not store or use gasoline or other flammable vapors or liquids in the vicinity of this or any other appliance.

⚠ WARNING

- **Improper installation, adjustment, alteration, service, or maintenance can cause property damage, injury, or death.**
- **Read the installation , operating, and maintenance instructions thoroughly before installing or servicing this equipment.**

LIMITED WARRANTY

- Subject to the terms and conditions of this Limited Warranty as herein stated, all Giles Enterprises, Inc., Foodservice Equipment and parts purchased new from an authorized Giles Enterprises, Inc., representative are warranted as to defects in material or workmanship for a period of 24 months from the date of installation, provided, however, that with regard to labor costs in connection with this warranty, see below. All installations must be made by a qualified installing agency in accordance with all applicable codes and/or regulations in the jurisdiction in which installed. Limited warranty coverage is extended to the original owner only and is void if the unit is resold.

- During the Limited Warranty period, Giles Enterprises, Inc. will replace or recondition, at its factory, any part or parts of this unit which Giles Enterprises, Inc. inspectors judge defective, provided the unit has been subjected to normal usage, properly installed, operated and serviced. This Limited Warranty does not cover cosmetic damage, and damage due to acts of God, accident, misuse, alteration, negligence, abuse of the Giles Foodservice Equipment or the use of unorthodox repair methods. All parts replaced under this Limited Warranty carry only the unexpired term of this Limited Warranty. Limited Warranty service may be furnished only by an authorized Giles Enterprises, Inc., representative.

- If Limited Warranty service is requested, Giles Enterprises, Inc., will send factory-authorized service representatives to repair, recondition, replace or inspect units of its manufacture with such labor being rendered without cost to owner for twenty-four (24) months from the date of installation. Otherwise, service, including labor and transportation charges or other expenses, in connection with the removal or installation of any part or parts supplied under this Limited Warranty, are specified on the original sales contract between the purchaser and the authorized Giles Enterprises, Inc., representative.

- Giles Enterprises, Inc. reserves the right to change or improve its equipment and parts in any way without obligation to alter such equipment or parts previously manufactured.

- Giles Enterprises, Inc. makes no further warranties, express or implied including implied warranties of merchantability or fitness for a particular purpose, and has no other obligation or liability not specifically stated herein.

- Repair or replacement as provided under this limited warranty is the exclusive remedy. Giles Enterprises, Inc., shall not be liable for any incidental or consequential damages for breach of any express or implied warranty on this product, except to the extent prohibited by applicable law. Any implied warranty of merchantability or fitness for a particular purpose on this product is limited in duration to the duration of this limited warranty.

- Used Giles Enterprises, Inc., Foodservice Equipment or parts or Giles Enterprises, Inc., Foodservice Equipment or parts not purchased from an authorized Giles Enterprises, Inc., representative, carry no warranties, express or implied.

Safety	v
Safety Overview	v
Specific Safety Precautions	vi
1. Introduction	1
1-1. Construction	1
1-2. Standard Features	1
1-3. Optional Features	1
1-4. Specifications	2
1-4.1. Overall Dimensions for GGF-400, GGF-720	2
1-4.2. Regulatory Listings	3
1-4.3. Basket Sizes	3
1-4.4. Cooking Capacity	3
2. Installation	5
2-01. Unpacking	6
2-02. Clearances, Gas Supply, and Electrical Locations	7
2-03. Location	8
2-04. Ventilation	8
2-05. Electrical Requirements	8
2-05.01. Utility Specifications	8
2-06. Electrical Connections	9
2-07. Power Test	10
2-08. Gas Line Connection	10
2-08.01. Typical Gas Line Configuration	11
2-09. Gas Orifice Configuration and Replacement	12
2-10. Gas Pressure Setting and Adjustment	13
2-11. Blower Vacuum Switch Setting and Adjustment	14
2-12. Filter Pump Test	15
2-13. Restraint Device	16
2-14. Perform Boil Out	16
2-15. Clean Fry Basket and Filter Pan	16
3. Overview	17
3-1. Control Panel	18
3-2. Lower Cabinet Area	20
3-3. Filter Pan Assembly	22
3-4. Basket and Elevator Assembly	24
3-5. Accessories (Included)	26
3-6. Accessories (Not Included)	28
4. Unit Preparation	31
4-1. Settings before testing unit	31
4-2. Power test	32
4-3. Operational Check of Burner System	32
4-4. Filter Pump Test	33

4-5.	Perform Boil Out Procedure	33
4-6.	Clean Filter Pan.	33
5.	Fryer Operation	35
5-1.	Cooking Controller	36
5-1.1.	Button and Function	37
5-1.2.	Programming a Cooking Temperature and Time	38
5-1.3.	Enter a cooking cycle	40
5-1.4.	Exit the current cooking cycle	40
5-1.5.	Enter Cool Cycle	41
5-1.6.	Exit Cool Cycle	41
5-1.7.	Lower and raise cooking basket	41
5-1.8.	Enter Boil out cycle.	42
5-1.9.	Exit Boil out cycle	42
5-2.	Cooking Procedure	43
5-3.	Filtering Liquid Shortening	47
5-4.	Removal of Liquid Shortening	49
5-5.	Normal Shut-Down	52
5-6.	Emergency Shut-Down.	52
6.	Cleaning	53
6-1.	Boil-Out Procedure (Cleaning the Fry Pot)	53
6-2.	Cleaning the Filter Pan and Renewing Filter Media	56
7.	Troubleshooting	59
7-1.	Temperature Control System	59
7-2.	Oil Filtration System	62
7-3.	Basket Elevator System	62
8.	Parts List	63
8-1.	Parts Ordering and Service Information	63
8-2.	Control Panel & Front Header.	64
8-3.	Front Lower Cabinet	66
8-4.	Rear Lower Cabinet	68
8-5.	Basket Cover and Basket	70
8-6.	Filter Pan.	72
8-7.	Plumbing	74

Safety

Safety Overview

The instructions contained in this manual have been prepared to aid you in learning the proper procedures for installing and servicing your new unit.

Throughout this manual, safety precautions are identified through the use of the safety alert symbol and three signal words: **DANGER**, **WARNING** and **CAUTION**. All safety alert information precedes the step(s) to which they apply. Suggested, recommended or other noteworthy information is identified through the use of **NOTES**. Additionally, certain words are used to indicate a specific meaning or to add emphasis.

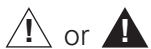
The following words are used as indicated throughout the manual:

Shall: understood to be mandatory.

Should: understood to be advisory.

May: understood to be permissive.

Will: indicates a future event/condition to occur.



or



Used in conjunction with signal words (**DANGER**, **WARNING** or **CAUTION**) to alert you of potential personal injury hazards, immediately preceding precautionary measures that pertain to subsequent step(s). Obey all safety messages that follow this symbol to avoid possible injury or death. Failure to adhere to safety precautions identified by the safety alert symbol may also void the warranty.

DANGER

- Indicates an imminently hazardous situation which, if not avoided, will result in death or serious personal injury.

WARNING

- Indicates a potentially hazardous situation which, if not avoided, could result in death or serious personal injury.

CAUTION

- Indicates a potentially hazardous situation which, if not avoided, may result in minor to moderate personal injury. Also used to alert against unsafe practices.

CAUTION

- When used without the safety alert symbol, **CAUTION** indicates a potentially hazardous situation which, if not avoided, may result in equipment or property damage, and void the warranty.

NOTE:

- Identifies suggested, recommended, or other noteworthy information.

Specific Safety Precautions

For your safety, please observe the following precautions when operating or servicing your Giles, Model GGF Gas Fryer. Read the following important safety information to avoid personal injury and/or damage to the equipment.

DANGER

- Place unit's power switch in the OFF position and turn supply power at the facility's circuit breaker panel before cleaning or performing maintenance.
- **DO NOT** wash down the GGF Fryer's interior or exterior with water from a spray hose.
- Failure to comply with these **DANGER** notices will result in death, serious personal injury or equipment and property damage.

WARNING

- Consult a certified electrician to ensure that:
 - all electrical specifications and codes are met.
 - circuit breakers and wiring are of sufficient rating and gauge.
- The GGF Fryer must be properly grounded and all electrical specifications must be met during installation.
- Improper installation, adjustment, alteration, service or maintenance could result in death or serious injury, equipment/property damage, and void the warranty.
- **DO NOT** use or store gasoline, other flammable liquids or materials that generate flammable vapors in the vicinity of this or any other appliance!
- Failure to comply with **WARNING** notices could result in death or serious injury, and equipment/property damage and void the warranty.

CAUTION

- The GGF Fryer, must remain in the upright (vertical) position.
- Exercise care when removing the unit from shipping packaging.
- **DO NOT** operate the GGF Fryer, unless you fully understand the components and their intended function (see Section 3).
- The GGF Fryer, and its parts become very HOT during operations! Temperatures inside the unit's cabinet may exceed 150°F (65.5°C). Exercise caution when operating, loading/unloading food items, cleaning or servicing. Wearing of thermal oven mitts is recommended.
- Failure to comply with **CAUTION** notices may result in minor to moderate personal injury, equipment/property damage, and void the warranty.

CAUTION

- **Fryers must be adequately and properly grounded. Improper grounding may result in electrical shock. Always refer to local electrical code to ensure proper grounding of this or any other electrical equipment. Always consult with a certified electrician or other qualified service technician to ensure breakers and wiring are of sufficient rating and gauge for the equipment being operated.**
- Giles Fryers are available from the factory wired for various voltages, phase and Hz. Check the rating plate inside the front door of the fryer to determine correct supply power required.
- Ensure the fry kettle is positioned in a secure, safe location with casters in the locked position.
- Consult an electrician to ensure all electrical specifications have been met and the unit is properly grounded. The wiring diagram included with this manual should aid electrician in the installation of the fryer.
- Due to the high temperature of shortening during cooking operations, it is extremely important that the user exercise caution when operating this equipment to avoid personal injury.
- Before attempting to operate the unit, refer to Section 3 to familiarize yourself with the various control functions. Once you have read and fully understand Section 3, please follow the steps below precisely in order to prevent equipment damage or malfunction.
- Be careful not to puncture the filter paper when using brushes to unclog the Drain Valve.
- Allow the unit to cool down a minimum of 15 minutes before cleaning or servicing.

CAUTION

- The electronic components of the Control Panel are impact-sensitive. Exercise care around the Control Panel to maintain proper operation.
- **DO NOT** install the unit next to combustible walls and materials. Failure to maintain safe distances may result in fire.
- During cleaning of the GGF Fryer:
 - **DO NOT** steam clean or use water sprayed from a hose.
 - **DO NOT** use products containing chlorine.
 - **DO NOT** use abrasive products, steel wool or scouring pads.
 - **DO NOT** use oven cleaner.
- Failure to comply may violate local health codes.
- **DO NOT** modify, alter or add attachments to this equipment!

NOTE:

- If upon receipt, palletized unit shows any signs of damage, immediately inspect the GGF Fryer and its associated components, and notify the freight carrier of any and all damages.
- To aid the electrician, an electrical wiring diagram is contained in this manual. Refer to the wiring diagram during installation or servicing. A diagram is also attached to the Back Panel of the Fryer.
- Comply with all appropriate state and/or local health regulations regarding cleaning and sanitation of this equipment.

1. Introduction

THANK YOU for purchasing a new Giles Model GGF-400 or GGF-720 Gas Fryer, manufactured by Giles Enterprises, Inc., Montgomery, Alabama (USA), hereafter referred to as "Giles". Every unit is thoroughly inspected and tested prior to shipment. Proper care and maintenance will ensure years of trouble-free service.

To help protect your investment in this state-of-the-art cooking equipment, we recommend you take a few moments to familiarize yourself with the installation, cleaning and maintenance procedures contained in this manual. Adherence to these recommended procedures minimizes the potential for costly "Down-Time" and equipment repairs. Please retain this manual for future reference.

1-1. Construction

The GGF-400 & GGF-720 Fryer is constructed of durable stainless steel.

1-2. Standard Features

Programmable Controller - Controls cooking oil temperature and cook time, and features 8 separate programmable menu keys. Monitors fryer status and displays warning messages, such as "Low Oil" or "Drain Open", if needed. Pre-programmed Boil-Out program & Cool Mode function.

Dual Burner system - Unique dual burner system on Model GGF-720 delivers maximum BTU's when needed, while saving gas during light load cooking and idle periods.

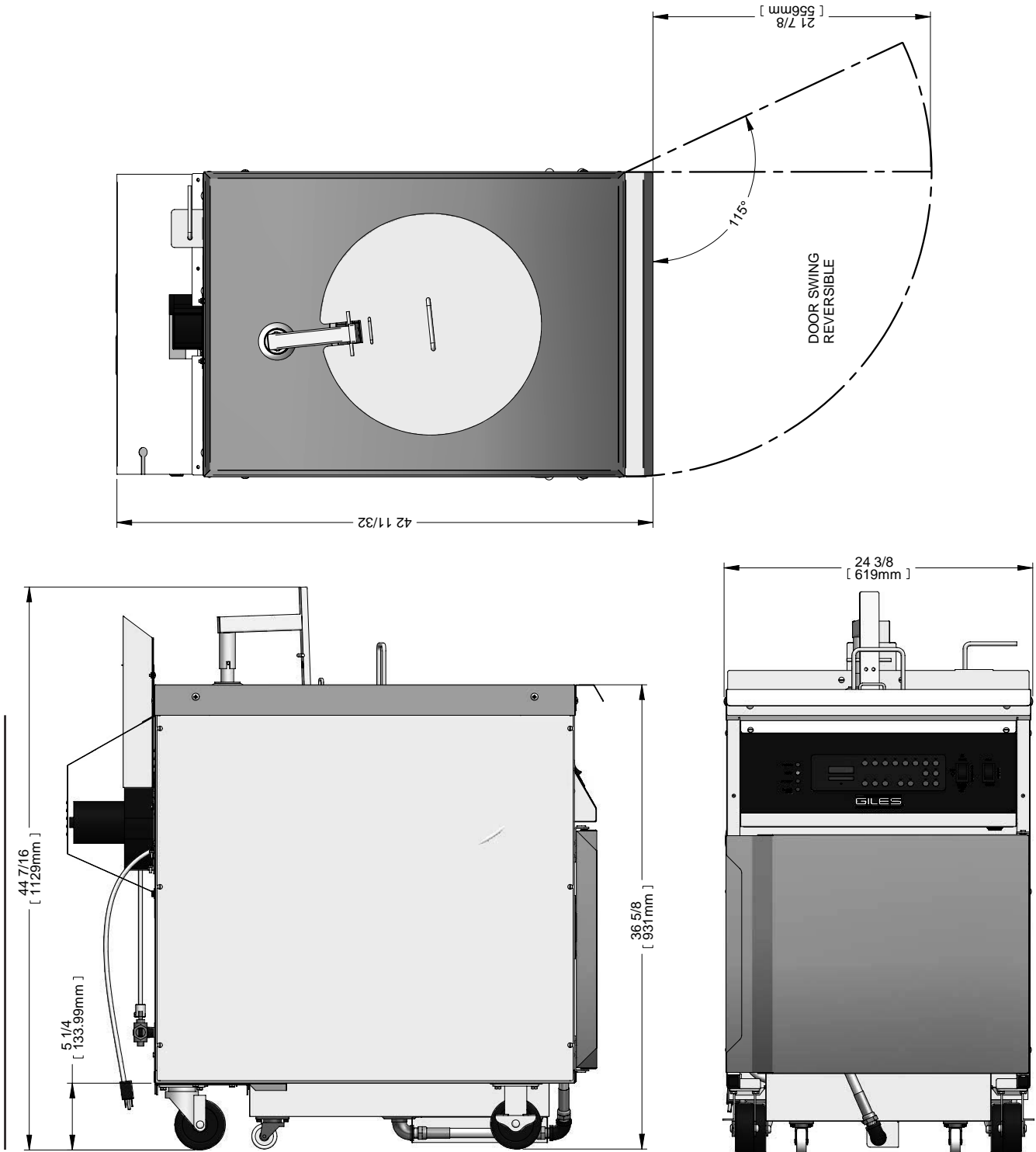
Automatic Basket Lift - Automatically lowers product when menu program is started and lifts basket from hot oil at the conclusion of the cook cycle.

Oil Filtration System - Completely self-contained; helps to extend the life of cooking oil. Designed to perform a filter cycle within approximately five (5) minutes.

1-3. Optional Features

1-4. Specifications

1-4.1. Overall Cabinet Dimensions for GGF-400, GGF-560, GGF-720



1-4.2. Regulatory Listings



1-4.3. Basket Sizes

Model	Basket Size (useable inside dim.)				Volume	
	Diameter		Height		cu. inch	cu. meter
	in	mm	in	mm		
GGF-400	12.37	314.19	10.25	260.35	1231.83	0.0201
GGF-720	14.50	368.30	13.03	331.35	2151.65	0.0353

1-4.4. Cooking Capacity

Model	Liquid Shortening Capacity **				Chicken Capacity		
	lb	kg	gallon	liter	lb	kg	Piece Count*
GGF-400	45	21	5.8	21.9	14	6.3	40
GGF-720	75	34	9.7	36.7	24	10.8	72

** Never exceed max. fill line on fryer.

* Avg. 2-3/4 lb. 8-way cut chicken

CAUTION

- Exceeding product (chicken) capacity or over-filling vat with shortening may cause personal injury and/or equipment or property damage.



2. Installation

This section provides a summary of the procedures necessary for proper installation of your new Giles Model GGF Gas Fryer. To prevent personal injury or equipment damage, please ensure the following steps are taken and the following check sheet is initialed and dated.

CAUTION

- Various installation steps **MUST** be performed only by a Licensed Electrician or Qualified Gas Technician.

NOTE:

- When installed, appliance must be electrically grounded in accordance with the local codes, or in the absence of local codes, with the **National Electrical Code, ANSI/NFPA 70**, or **Canadian Electrical code, CSA C22.2**, as applicable.

INSTALLATION CHECK SHEET

Check	Date	Initial	Section	Description
X	8/18/05	CSY	0.0	Completely read Manual (EXAMPLE)
			2-01.	Inspect crate for damage
			2-01.	Uncrate
			2-02.	Proper clearances
			2-04.	Proper ventilation
			2-05.	Proper circuit breaker installed (Licensed Electrician Only)
			2-06.	Proper electrical connections (Licensed Electrician Only)
			2-07.	Unit has power (Licensed Electrician Only)
			2-08.	Gas line connected (Qualified Gas Technician Only)
			2-09.	Correct gas orifice installed (Qualified Gas Technician Only)
			2-10.	Correct gas pressure setting (Qualified Gas Technician Only)
			2-11.	Correct blower vacuum switch setting (Qualified Gas Technician Only)
			2-12.	Filter Pump operating
			2-13.	Restraint device installed
			2-14.	Performed Boil-Out procedure
			2-15.	Cleaned Filter Pan

2-01. Unpacking

The Fryer should arrive palletized on a wooden skid, secured with high-tensile plastic strapping and wrapped by machine applied stretch wrap.

CAUTION

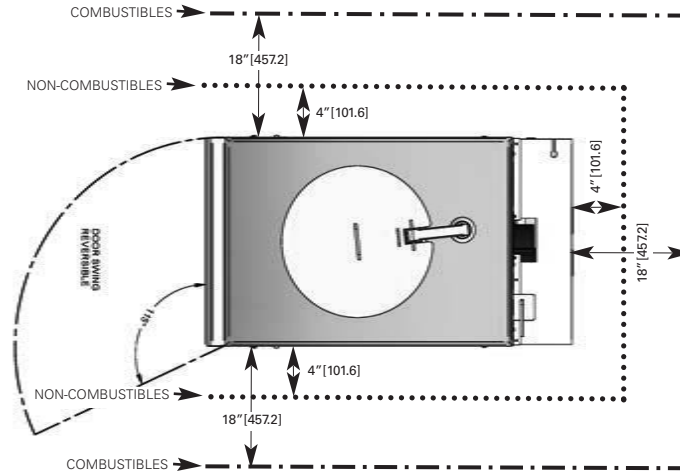
- The Fryer must remain in an upright (vertical) position.
- Exercise care when lifting or moving the unit.
- Exercise care when removing the wooden crate and shipping materials from around the unit.
- Failure to comply with these **CAUTION** notices may result in minor to moderate injury, equipment or property damage, and void the warranty.

NOTE:

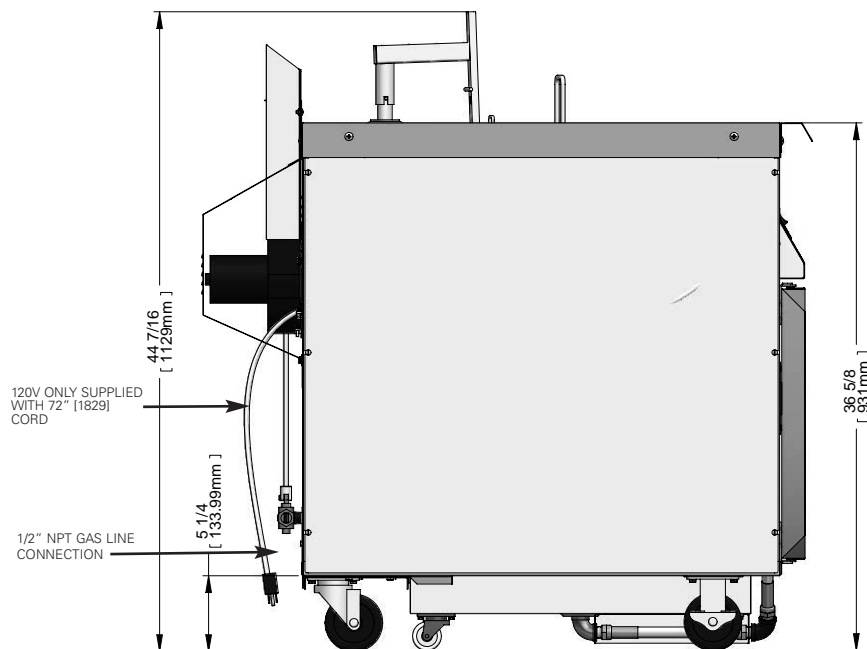
- If when received, the palletized unit exhibits any signs of damaged, immediately inspect the Fryer and associated items, and notify the freight carrier of damages.

1. Carefully cut and remove the plastic shipping wrap and strapping.
2. Remove and properly dispose of shipping materials.
3. Carefully remove the Fryer from the shipping pallet. The GGF Fryer is very heavy, weighing approximately 280 lbs (127 kg) uncrated. Extreme care should be taken when lifting or moving the unit to prevent personal injury and/or equipment damage.

2-02. Clearances, Gas Supply and Electrical Locations



PLUG CONFIGURATION
NEMA 3-15P
170V ONLY



INCHES [mm]

2-03. Location

CAUTION

- **DO NOT MODIFY, ALTER OR ADD ATTACHMENTS TO THIS EQUIPMENT**

1. Keep the appliance and surrounding area free and clear of combustible materials. See illustration 2-02; Clearance, Gas Supply and Electrical Locations.
2. Make sure this unit is secured in position and will not move. See 2-13; Restraining Device.

2-04. Ventilation

NOTE:

- Guidelines for proper ventilation system requirements may differ by locale. Always consult with local authorities to ensure compliance.

This appliance is to be installed, used and maintained in accordance with the **Standard for Ventilation Control & Fire Protection of Commercial Cooking Operations, NFPA 96-1994.**

Consult a professional, certified, HVAC company for assistance in designing a ventilation hood system for this unit.

2-05. Electrical Requirements

⚠ CAUTION

- **Fryers must be adequately and properly grounded. Improper grounding may result in electrical shock. Always refer to your local electrical code to ensure proper grounding of this or any other electrical equipment. Always consult with an electrician or other qualified service person to ensure breakers and wiring are of sufficient rating and gauge for the equipment being operated.**
- Giles Gas Fryers are available from the factory in the voltage and phase listed below. Check the rating plate on the inside of the fryer’s front door to determine the correct power supply.

Table 2-05.01. Utility Specifications

Model	Voltage	Hz	Phase	AMPS	Breaker Required	Gas Specifications
GGF-400	120	60	1	7.0	15	This equipment requires a 1/2" gas line w/in-line regulator (not supplied). Input line gas pressure must be regulated at: 5" - 9" w.c. Natural 13" - 16" w.c. LP
GGF-400	208-230	60	1	4.0	10	
GGF-720	120	60	1	7.0	15	
GGF-720	208-230	60	1	4.0	10	

2-06. Electrical Connections

All Fryers

1. Connect Fryer power plug to an appropriate receptacle which is protected by a properly sized circuit breaker, See Table 2-05.01.



NOTE:

- When installed, appliance must be electrically grounded in accordance with the local code, or in the absence of local code, with the **National Electrical Code, ANSI/NFPA 70**, or **Canadian Electrical code, CSA C22.2**, as applicable.

2-07. Power test

The following test will ensure the unit has power.

1. Verify that the main circuit breaker supplying power to the unit is ON.
 2. Ensure the Selector Switch is in the center OFF **1** position.
 3. Place the Power Switch in the ON **2** position. The green POWER light **3** should turn on and the Controller display should illuminate; after a few seconds the display should read **"Hold"**.
- If one, or both, of these conditions is not present, refer to the Trouble-shooting Procedures in Section 6-01.
4. Place the Power Switch in the OFF **4** position.
 5. Proceed to 2-08; Gas Line Connection.



2-08. Gas Line Connection

CAUTION

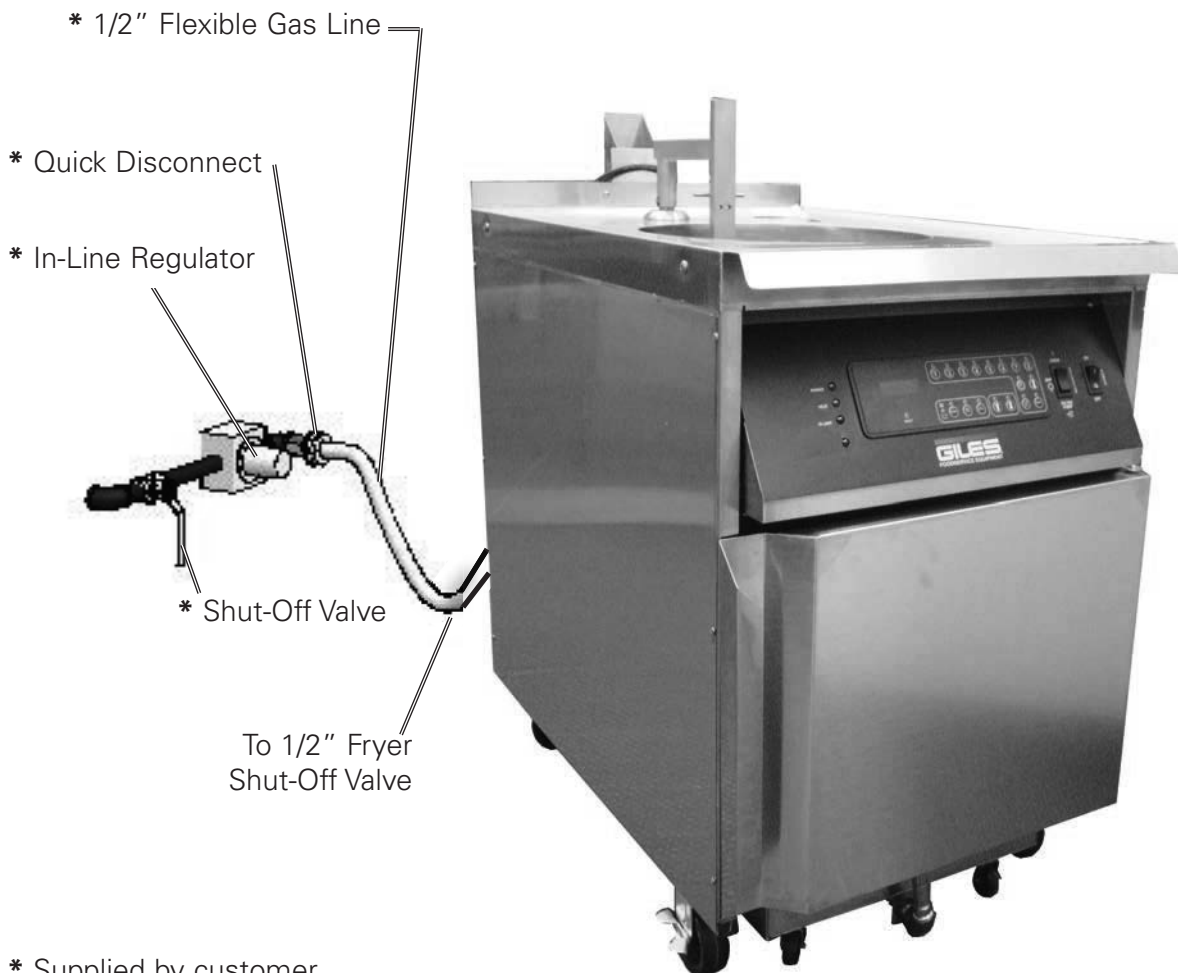
- The flue gases of this appliance must be vented to the outside in accordance with National Fuel Gas Code, ANSI Z223.1-1988 and terminate in a UL listed outside vent terminal; for Canadian installations reference CANI-B149.1 or .2, "Installation Codes for Gas Burning Appliances and Equipment". The quick disconnect device must comply with the Standard for Quick-Disconnect Devices for Use with Gas Fuel, ANSI Z21.41-1989, (in Canada CANI 6.9 M79).
- Ensure the Gas Connector and Line complies with Standard for Movable Gas Appliance, ANSI, 69-1987 and Addenda Z21.69-1989 (in Canada CANI-6-10-88).
- This unit **MUST** be installed with an In-line Regulator (Supplied by Customer).
- This unit **MUST** only be installed by a Qualified Gas Technician.
- Ensure both the Facility Shut-Off Valve and the Fryer's Shut-Off Valve are in the OFF position.

1. After the facility Shut-Off Valve and Quick Disconnect have been installed, connect a 1/2" flexible gas line to the 1/2" Fryer shut-off valve located in the rear of the unit. See 2-08.01; Typical Gas Line Configuration. **Note:** The flexible gas line should be long enough to allow the Fryer to be moved away from wall for servicing and cleaning.

2-08.01 Typical Gas Line Configuration

NOTE:

- **Installation must comply with local code, or in the absence of local code, with the National Fuel Gas Code, ANSI Z223.1/NFPA 54 or, in Canada, Natural Gas and Propane Installation Code, CSA B149.1 including:**
 - 1 The appliance must be disconnected from the incoming gas supply line, at the shut-off valve, during any testing of the piping at test pressures in excess of 1/2 psi (3.5kPa)
 - 2 The appliance must be isolated from the incoming gas supply line, by closing the fryer's manual shutoff valve, during any testing of the piping at test pressures equal to or less than 1/2 psi (3.5kPa)



* Supplied by customer.

2-09. Gas Orifice Configuration and Replacement

NOTE:

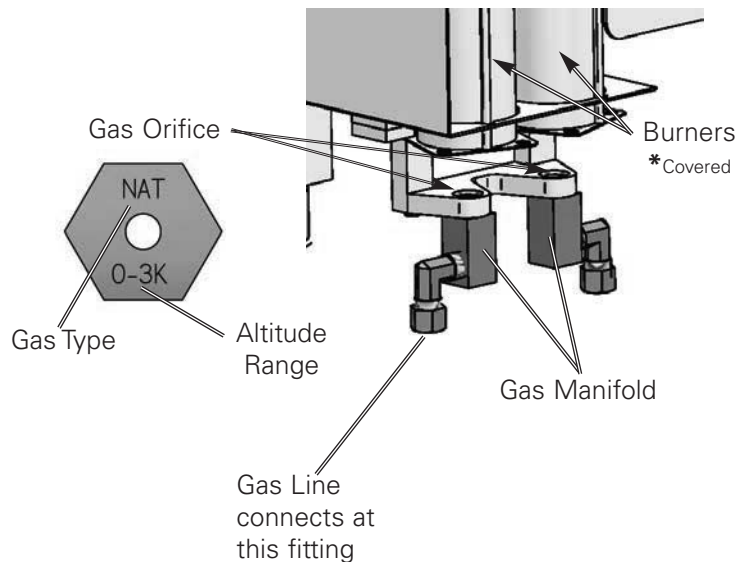
- This unit is shipped with factory installed gas Orifice(s) suited for 0 > 3,000 feet above MSL (Natural Gas) or 0 > 4,000 feet above MSL (LP Gas).

Gas flow varies at different elevations. Verify the elevation of the installation location. If the elevation is greater than noted above, the gas orifice(s) must be changed. To confirm that proper orifices are installed or to exchange orifice(s), follow the steps below.

CAUTION

- If changing Gas Types always consult factory for proper Conversion Kit.

1. Ensure power to the unit is disconnected.
2. Confirm that gas valves are in the **OFF** position.
3. Remove the Fan Guard & Back Panel.
4. It should be possible to examine the stampings on orifice(s) without removing parts. Check information stamped into Orifice.
5. If the Orifice(s) are incorrect for the installation altitude, disconnect Gas Line(s) at the Manifold fitting(s).
6. Remove Manifold(s) from Bracket. Remove & replace Orifice(s) with the correct part. See charts below.
7. Re-install Gas Manifold(s) with orifice(s), reconnect gas line(s), and replace Panel & Guard. Proceed to 2-10; Gas Pressure Setting and Adjustment..



NATURAL GAS				PROPANE			
ALTITUDE IN FEET	INPUT RATING	DRILL SIZE #	ORF P/N	ALTITUDE IN FEET	INPUT RATING	DRILL SIZE #	ORF P/N
0- 999	45000	30(.1285)	46719	0- 999	45000	48(.076)	46723
1000-1999	45000	30(.1285)	46719	1000-1999	45000	48(.076)	46723
2000-2999	43200	30(.1285)	46719	2000-2999	43200	48(.076)	46723
3000-3999	41500	31(.120)	46720	3000-3999	41500	48(.076)	46723
4000-4999	39800	31(.120)	46720	4000-4999	39800	49(.073)	46724
5000-5999	38200	31(.120)	46720	5000-5999	38200	49(.073)	46724
6000-6999	36700	31(.120)	46720	6000-6999	36700	49(.073)	46724
7000-7999	35200	32(.116)	46721	7000-7999	35200	50(.070)	46726
8000-8999	33800	32(.116)	46721	8000-8999	33800	50(.070)	46726

Orifice chart for GGF-400 fryers.

NATURAL GAS				PROPANE			
ALTITUDE IN FEET	*INPUT RATING	DRILL SIZE #	ORF P/N	ALTITUDE IN FEET	*INPUT RATING	DRILL SIZE #	ORF P/N
0- 999	85000	30(.1285)	46719	0- 999	85000	48(.076)	46723
1000-1999	85000	30(.1285)	46719	1000-1999	85000	48(.076)	46723
2000-2999	81600	30(.1285)	46719	2000-2999	81600	48(.076)	46723
3000-3999	78300	31(.120)	46720	3000-3999	78300	48(.076)	46723
4000-4999	75200	31(.120)	46720	4000-4999	75200	49(.073)	46724
5000-5999	72200	31(.120)	46720	5000-5999	72200	49(.073)	46724
6000-6999	69300	31(.120)	46720	6000-6999	69300	49(.073)	46724
7000-7999	66500	32(.116)	46721	7000-7999	66500	50(.070)	46726
8000-8999	63900	32(.116)	46721	8000-8999	63900	50(.070)	46726

Orifice chart for GGF-720 fryers.

2-10. Gas Pressure Setting and Adjustment

Use the following procedure to set the Fryer manifold pressure to correct setting. This ensures that the BTU input of burner(s) is at the proper level.

1. Fill the Fry Pot with water to the **FULL** line.

⚠ CAUTION

- **NEVER check or adjust the gas pressure without the Fry Pot filled with water.**

2. Remove the Gas Valve Access Panel (lower left corner, back of Fryer).
3. Remove the Pressure Tap Plug from the Gas Valve.
4. Remove the Pressure Adjustment Cover Plug on the Gas Valve.
5. Connect a digital manometer to the Gas Valve Pressure Tap.
6. Place the Gas Shut-Off Valve in the **OPEN** position.
7. Place the Power Switch in the **ON** position and the Selector Switch in the **COOK** position.
8. The burner(s) should ignite and the unit will begin heating.
9. With burner(s) **ON**, use a screwdriver to adjust the Gas Valve Pressure as follows:

GAS TYPE	GGF400 (in w.c.)	GGF720 (in w.c.)
NATURAL	3.5	4.0
LP	10.5	11.0

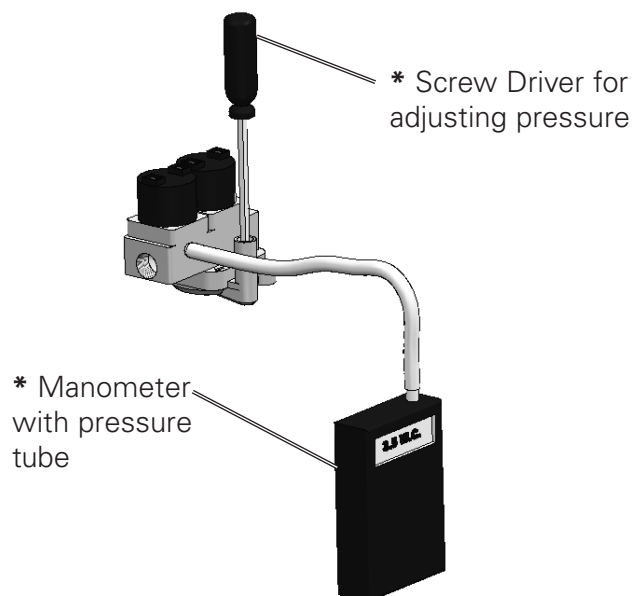
10. Place the Power Switch in the **OFF** position and the Selector Switch in the **OFF** position.
11. Remove the manometer and replace the Pressure Tap Plug.
12. Replace the adjustment screw cover plug.
13. Replace the Gas Valve Access Panel.
14. Proceed to 2-11; Blower Vacuum Switch Setting, or drain water from the fry pot into a suitable container.

* Not supplied with unit



Pressure Tap Plug

Pressure Adjustment Cover Plug



* Screw Driver for adjusting pressure

* Manometer with pressure tube

2-11. Blower Vacuum Switch Setting and Adjustment

The Blower Vacuum Switch ensures that the unit has proper draft air-flow before allowing the gas valve to open for ignition. Use the following steps to ensure that the Blower Vacuum Switch is adjusted to the proper setting.

1. Fill the Fry Pot with water to the **FULL** line.

CAUTION

- **NEVER check or adjust the Blower Vacuum Switch without having fry pot filled with water, or oil.**

2. Place the Power Switch in the **ON** position, the Power Light will illuminate.
3. Place the Selector Switch in the **COOK** position; Heat Light will illuminate and burner(s) will light.

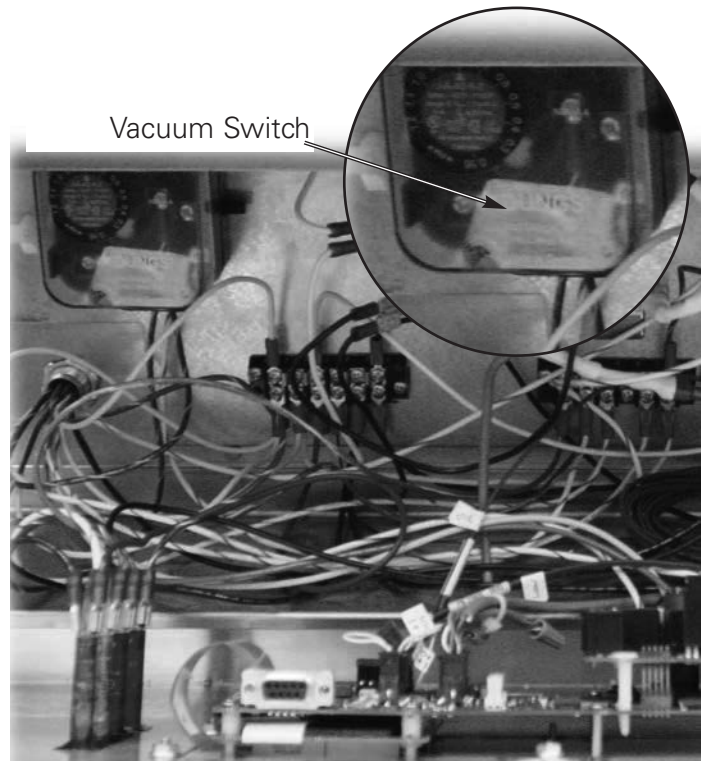
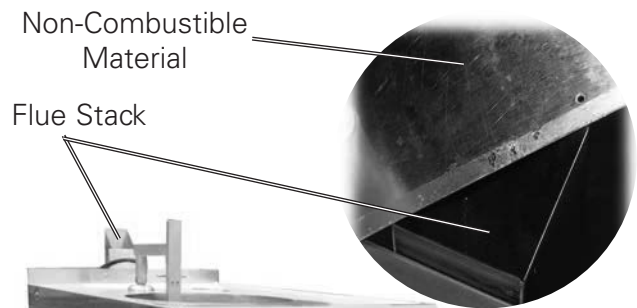
CAUTION

- **During the next step use great caution and wear oven mitts. The air exhausted from the flue stack is EXTREMELY HOT!!**

4. Using a non-combustible material, such as a piece of metal, cover about half of the flue stack opening, diagonally from corner to corner.
5. The Heat Light should turn off & the burner(s) should shutdown. When the opening is unblocked, the burner(s) should re-light. Proceed to step 10.

If the burner(s) fails to shutdown, the Blower Vacuum Switch must be adjusted as follows.

6. Turn off power & close the gas valve.
7. Remove front Control Panel screw and lower the Panel.
8. Locate pressure switch on left side of the control box.
9. Slowly rotate the pressure switch adjustment dial - clockwise increases sensitivity, counter-clockwise decreases. Repeat steps 2 - 5. Continue adjustments until the burner(s) shutdown when approx. half the flue stack opening is blocked.
10. Drain water from the Fry Pot into a suitable container (**NOT** Filter Pan). Proceed to Section 2-12.



2-12. Filter Pump Test

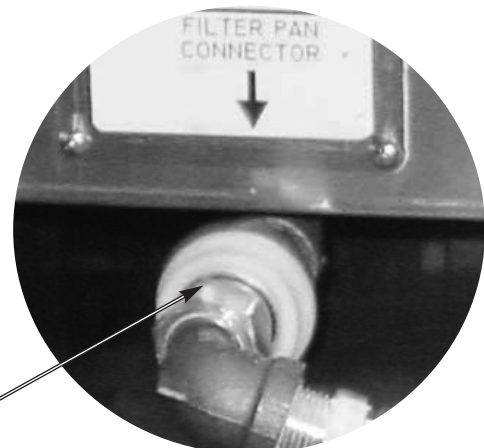
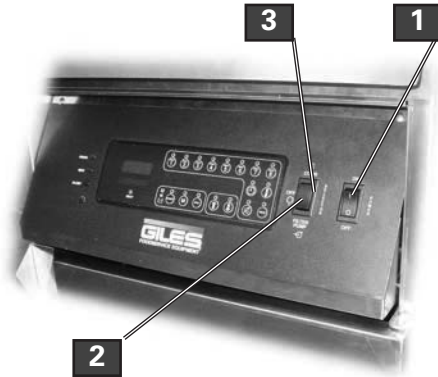
The following test will ensure the Filter Pump is operating correctly.

CAUTION

- Before proceeding with this test, ensure the unit has adequately cooled. Contact with **HOT** parts is possible if not thoroughly cooled.

1. Open the Cabinet Door and, if required, disconnect the Filter Pan quick-disconnect from the unit and remove the Filter Pan.
2. Place the Power Switch in the **ON** **1** position.
3. Place the palm of your hand over the Filter Pan quick-disconnect opening.
4. Briefly place the Selector Switch to the **PUMP** **2** position, briefly run pump, and then return switch to the **OFF** **3** position. If suction is felt against the palm, the pump is operating correctly. Proceed to Section 2-13; Restraint Device.

If no suction is felt, refer to the Troubleshooting procedures in Section 6-02.

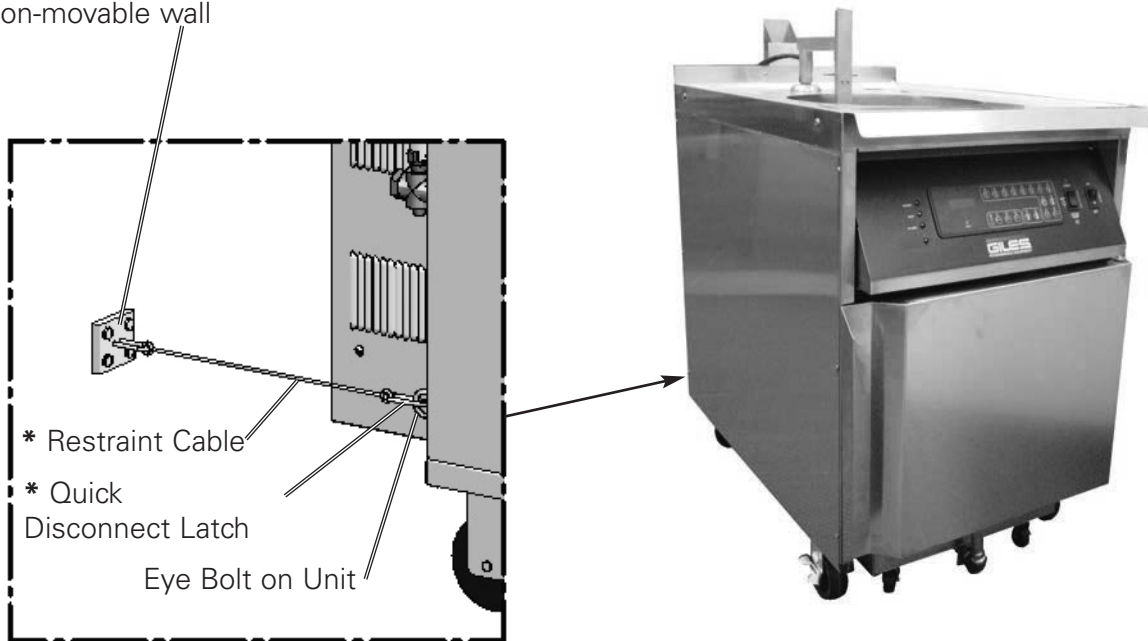


With Filter Pan removed, place hand over quick-disconnect opening.

2-13. Restraint Device

This unit requires use of a Restraint Device of some type (not included with the unit) to prevent Fryer from being unintentionally moved and to prevent strain on electrical and gas line connections. The Restraint Cable length must be shorter than both electrical cord, or conduit, and the flexible gas line. A restraint anchor must be fastened to a non-movable wall. Use a quick disconnect latch on one end of the Restraint Cable so the cable can be removed during servicing. After installation of the Restraint Device proceed to 2-1; Perform Boil-Out Procedure.

* Restraint Anchor attached to non-movable wall



* Supplied by customer.

2-14. Perform Boil-Out Procedure

Perform a Boil-out Procedure to remove any dust, dirt or debris that may have accumulated in the pot during shipping. Follow Section 5-01; Boil-Out Procedure. After performing the Boil Out Procedure proceed to Section 2-15; Clean Fry Basket and Filter Pan.

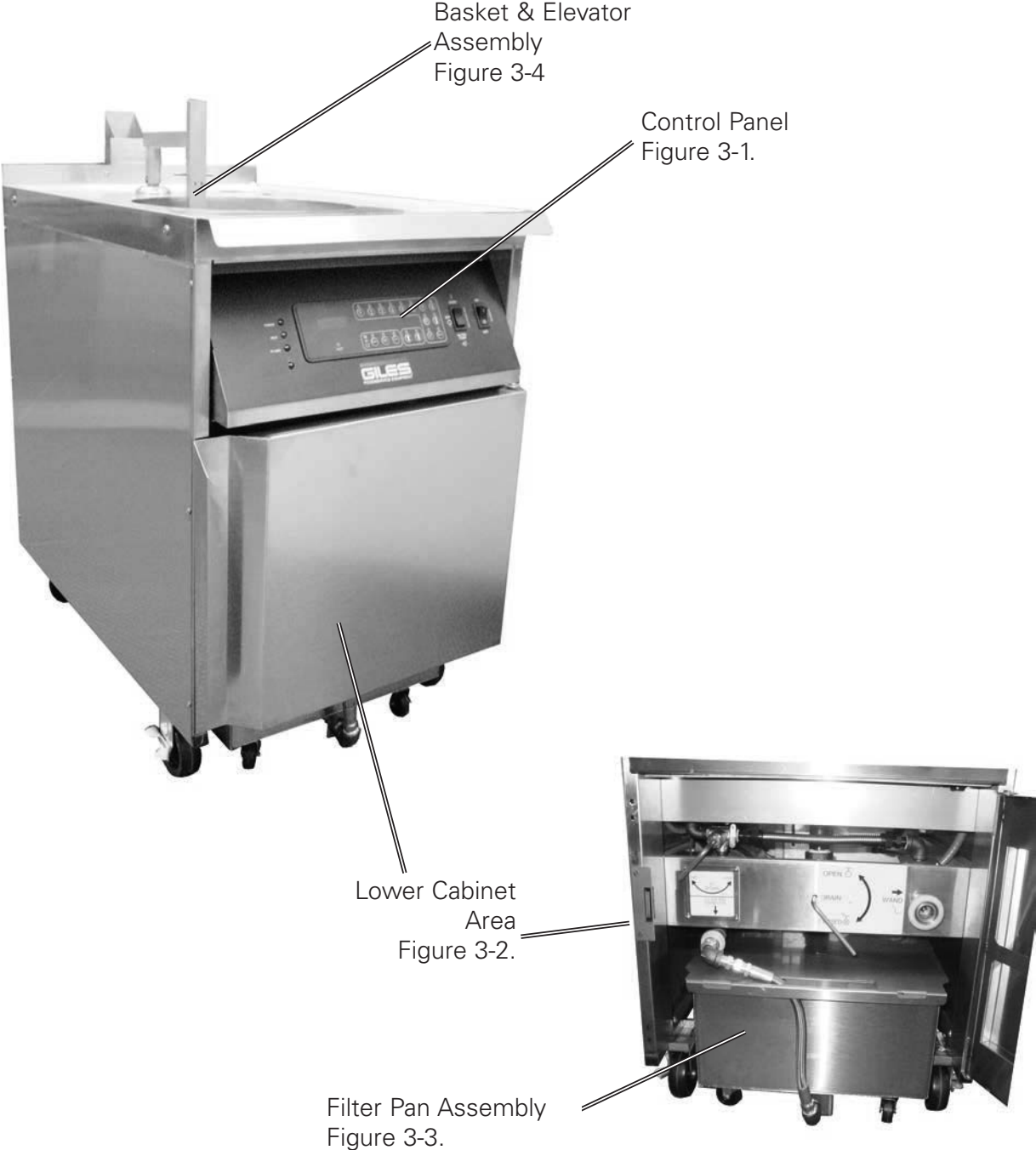
2-15. Clean Fry Basket and Filter Pan

Thoroughly clean the Fry Basket and the Filter Pan to remove any dust, dirt, oils or debris that may have accumulated during shipping or manufacturing. Follow Section 5-02; Cleaning the Filter Pan and replacing Filter Paper after Boil-Out.

Fryer installation is now complete. Please proceed to the Overview Section.

3. Overview

The following section provides a brief overview of the components, functions and accessories associated with the Giles Model GGF-400 & GGF-720 Gas Fryer. Please review this section carefully before proceeding any further.



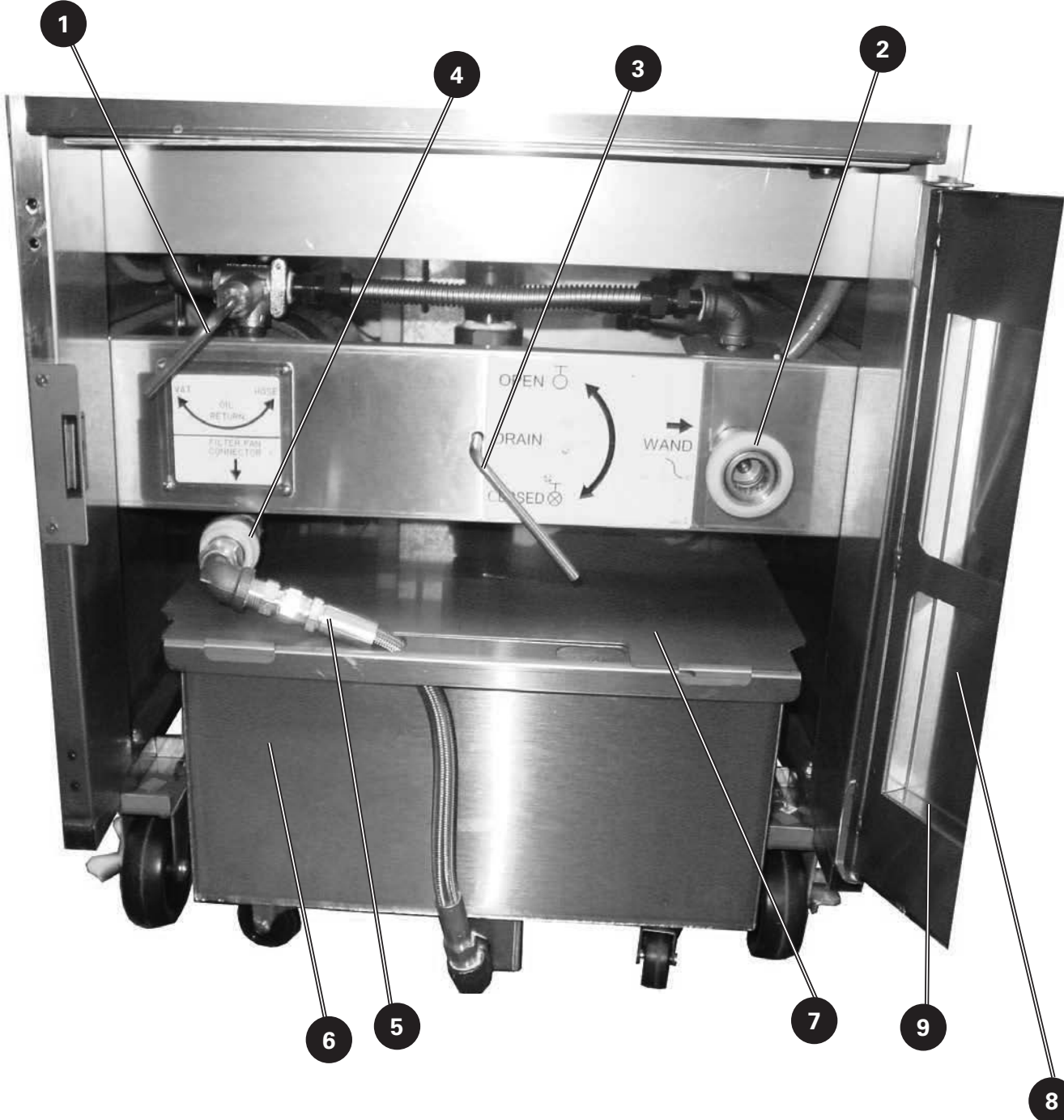
3-1. Control Panel



3-1. Control Panel

Item	Description	Function
1	Power Switch	The Power Switch is a 2-position Switch. Move the switch upward to the ON position for operation.
2	Selector Switch	The Selector Switch is a 3-position switch which is used to select either COOK , OFF or FILTER mode of operation. The fryer's heating system will only operate in the COOK position. The switch should be placed in the FILTER position only to operate the pump for filtering or removal of old shortening for disposal.
3	Controller	The electronic Controller is used to set cooking temperatures and times. It controls the cooking cycle & displays alarm conditions.
4	High-Limit Indicator	The Red High-Limit Indicator Light illuminates to signal an overheat condition and that the solid-state safety circuit has disabled the fryer's burner(s). Should this light come on during operation, refer to the Troubleshooting Section 7 of this manual. NEVER ATTEMPT TO COOK IN A FRYER WHEN THE HIGH-LIMIT LIGHT IS ON!
5	Heat Indicator Light	The Orange Heat Indicator Light will be on when the fryer's heating system is operating (burner ignited). The light will be ON & OFF intermittently during cooking as setpoint temperature is being maintained by the Controller.
6	Power Indicator Light	The Green Power Light is on whenever the fryer's Master Power Switch is in the ON position.
7	Flame Fail Indicator	The Red FLAME FAIL Indicator Light turns on when the burner control module detects there is no flame at the burner.

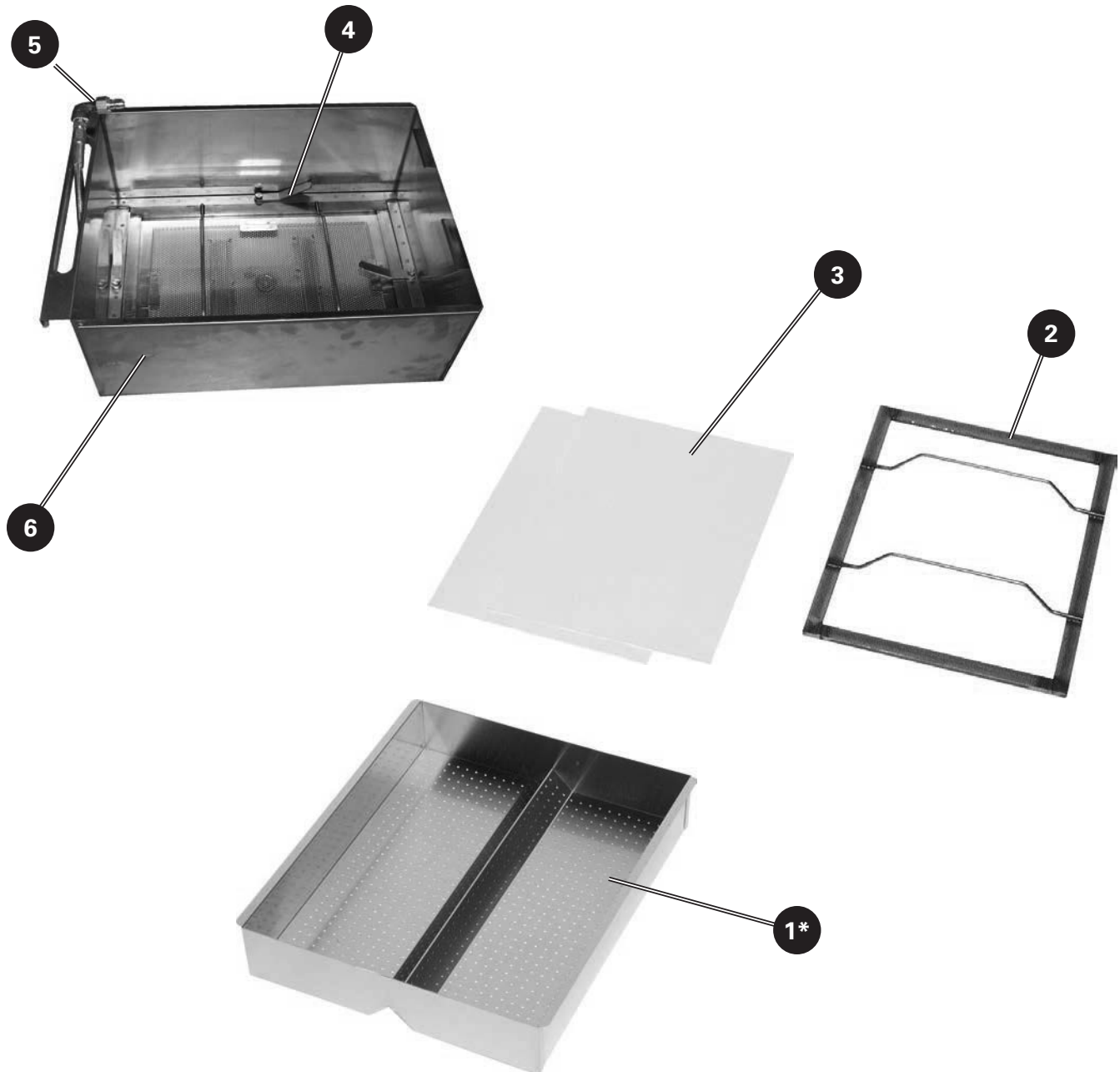
3-2. Lower Cabinet Area



3-2. Lower Cabinet Area

Item	Description	Function
1	Diverter Valve Handle	Used to direct cooking oil flow when the pump is in operation, either to the cook vat or to the oil discharge hose.
2	Quick Disconnect for Oil Discharge Hose	Used to connect the Oil Discharge Hose to the Fryer for removal of used cooking oil.
3	Drain Valve Handle	Used for opening the cook vat drain. Always ensure the valve is closed prior to adding cooking oil or boil out solution. The Fryer will not heat if this drain valve is not completely closed.
4	Quick Disconnect for Filter Pan Hose	Used to connect the Filter Pan hose to the Fryer oil filtration system.
5	Filter Pan Quick Disconnect Hose	See Section 3-3.
6	Filter Pan	See Section 3-3.
7	Filter Pan Cover	Protects cooking oil from foreign material contamination while it is temporarily being contained in the Filter Pan.
8	Operation Manual Holder	Door pocket serves as a convenient place to store the Operation Manual.
9	Cabinet Door	Access for all lower cabinet functions. Cabinet Door is field reversible, if needed or desired.

3-3. Filter Pan Assembly



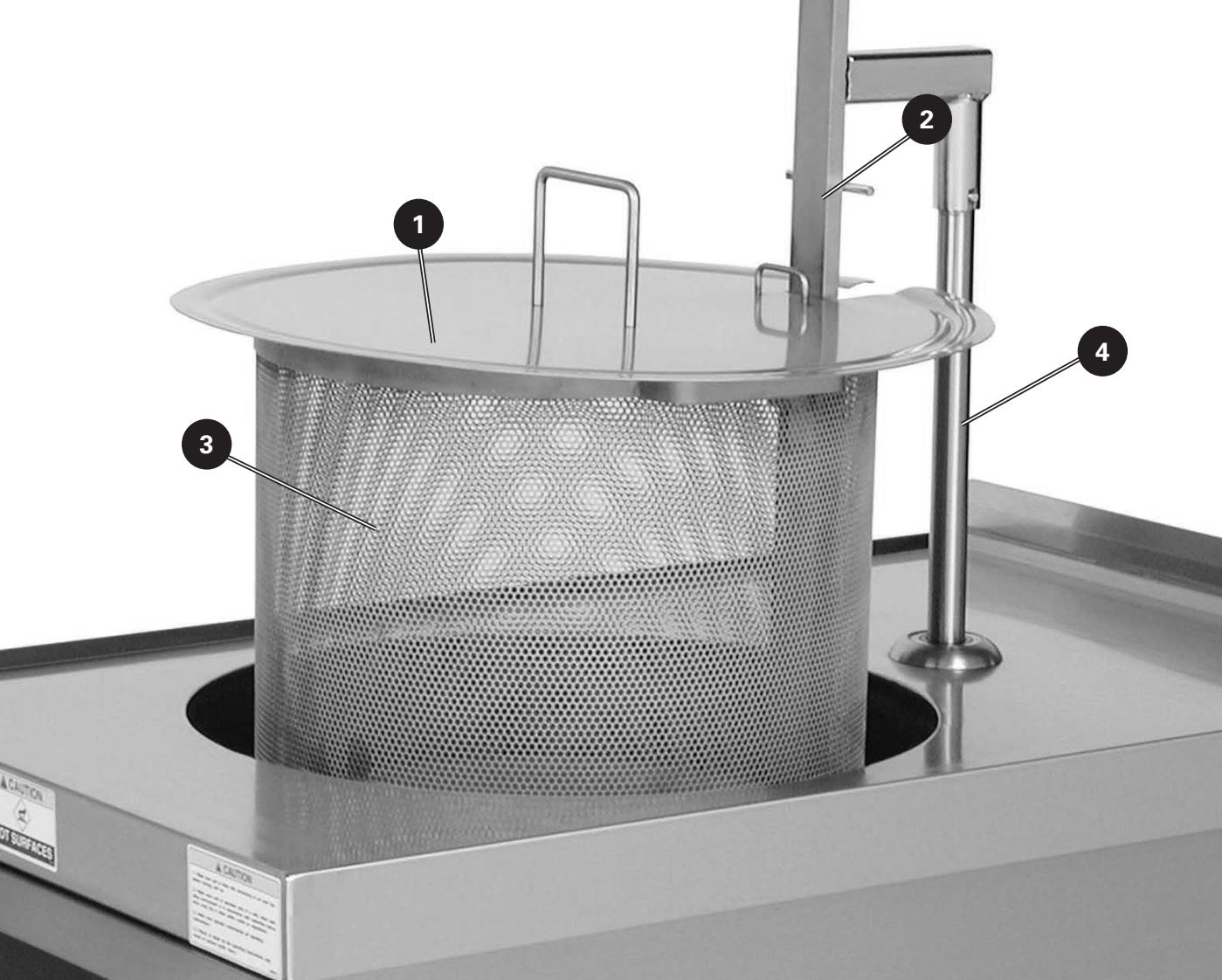
* Not standard item ... Sold separately

3-3. Filter Pan Assembly

Item	Description	Function
1*	Crumb Screen	Designed to capture larger particles of cooking sediment and residue from the cooking oil as it drains into the Filter Pan.
2	Hold Down Frame	Used to tightly hold down the filter paper. Improper placement will likely affect filter pump performance.
3	Filter Paper	Used to filter finer particles of sediment and residue from the cooking oil during the filtering cycle.
4	Hold Down Levers (4)	Used to hold the Hold-Down Frame firmly against the Filter Paper. Improper placement will likely affect filter pump performance.
5	Filter Pan Quick-Disconnect Hose	Connects the Filter Pan to the Fryer's oil filtration system. The hose must be disconnected for Filter Pan removal.
6	Filter Pan	Contains and filters cooking oil during the filter cycle. The Filter Pan is removable to allow cleaning and changing the filter media. Pan features a permanently attached perforated media support screen, which will prevent introduction of large particulate into the filter system should paper be accidentally torn. THIS IS NOT A FILTER!

* Not standard item ... Sold separately


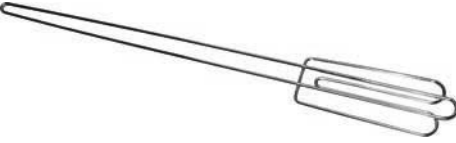


3-4. Basket and Elevator Assembly



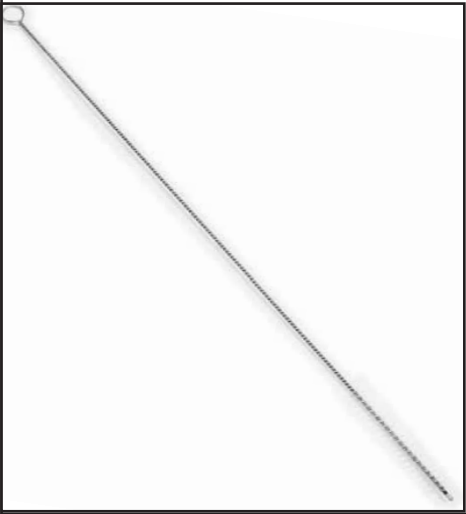


3-4. Basket and Elevator Assembly

Item	Description	Function
1	Basket Cover	Covers cook vat during the cooking cycle. When in place prevents hot cooking oil from splashing out of the vat.
2	Basket Carrier	Holds Fry Basket as it is lifted or lower by the Auto-Basket Lift.
3	Basket	Holds product for cooking.
4	Auto-Basket Lift	Lowers and lifts Fry Basket into and out of the cooking vat.




3-5. Accessories (Included)

Part	Description/ Part Number	Function
	<p>Kettle Drain Brush P/N 71025</p>	<p>Use to clean the Fry Pot & pot Drain.</p>
	<p>Stir Paddle P/N 77775</p>	<p>Use to stir cooking oil and products being cooked.</p>
	<p>Pot Brush P/N 71100</p>	<p>Use to clean Fry Pot.</p>
	<p>Crumb Shovel P/N 30059</p>	<p>Use to remove filter sediment from Filter Pan.</p>


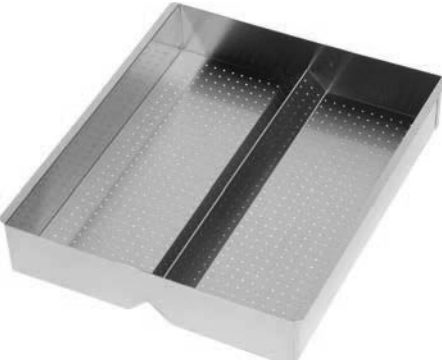
3-5. Accessories (Included)

Part	Description/Part Number	Function
	<p>Small Teflon Brush, P/N 73235</p>	<p>Use to clean space between heat exchanger and pot wall.</p>
	<p>Discharge Hose Assembly P/N 33667</p>	<p>Use for removing liquid shortening from unit.</p> <p>NOTE: DO NOT USE TO WASH DOWN THE COOK VAT!</p>
	<p>L-Shaped Teflon Brush P/N 73233</p> <p>NOTE: No longer provided; needed only for older model GGF-720's (pre-Nov 2009). Replaced by P/N 73253 above.</p>	<p>Use to clean space between heat exchanger and pot wall.</p>

3-6. Accessories (Not Included)

Part	Description/ Part Number	Function
	<p>Filter Paper P/N 60810</p>	<p>Use to filter the cooking oil.</p>
	<p>Filter Powder P/N 72004</p>	<p>Use as an aid in filtering cooking oil.</p>
	<p>Fryer Boil-Out P/N 72003</p>	<p>Fry pot cleaning agent, add to water during boil-out procedure.</p>

3-6. Accessories (Not Included)

Part	Description/ Part Number	Function
 A stainless steel oil disposal container with a pump handle, a hose, and a spout. The front panel has a label with the 'GILES' logo and technical specifications.	Giles Oil Caddy P/N 79187	A portable oil disposal container with a capacity of 80-lbs of liquid shortening. Note: For use with filtered, warm oil only. No crumbs or debris.
 A rectangular stainless steel tray with a perforated metal screen in the center, used for filtering crumbs.	Filter Pan Crumb Screen P/N 39246	Helps prevent larger crumb particles or cooking debris from getting into or clogging the filter system.



Notes:

4. Unit Preparation

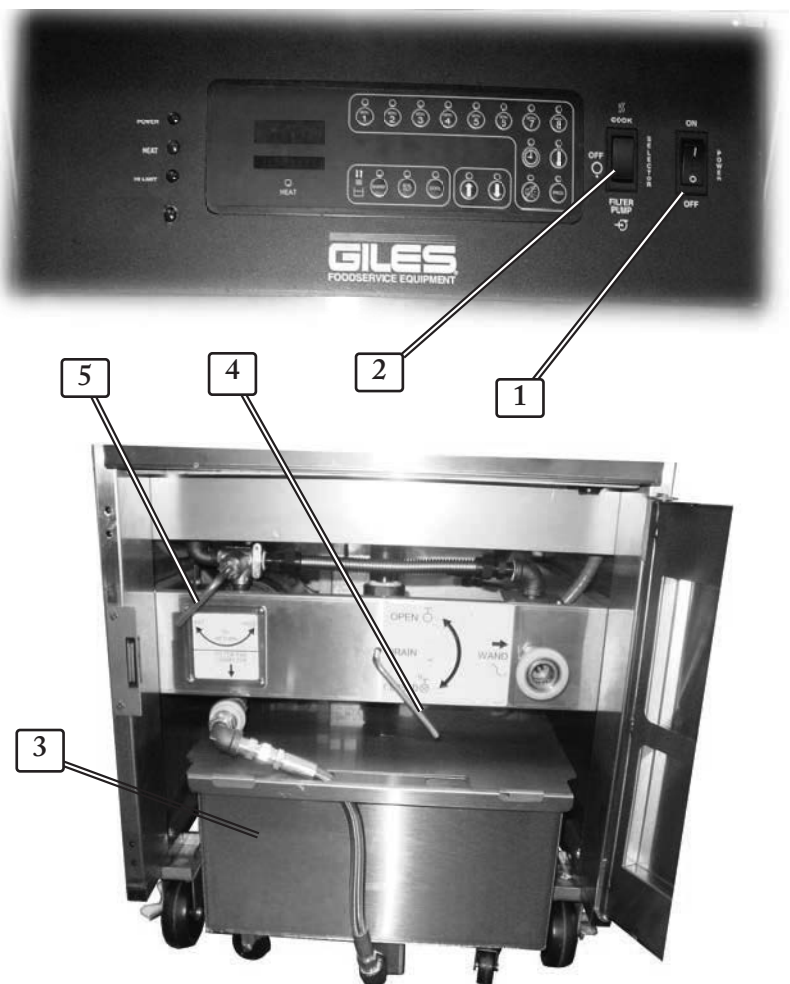
Giles Enterprises, Inc. takes pride in the quality of its workmanship. Every effort has been made to ensure that you have received a unit that is in perfect condition. Each unit passes rigorous quality control inspections and tests prior to shipment. To further ensure optimum performance, we recommend that a brief operational check-out be completed before putting the Fryer into service.

Before attempting to operate the unit, refer to Section 3 and become familiar with the various control functions. Once you have read and fully understand Section 3, please proceed with the following steps; follow them precisely in order to prevent equipment damage or malfunction.

4-1. Settings Before Testing Unit

Set-up the unit as described below before proceeding to subsequent steps.

1. Power Switch **1** is in the **OFF** position.
2. Selector Switch **2** is in the center, **OFF** position
3. Open the Cabinet Door and remove the Filter Pan **3**.
4. Place the Drain Valve Handle **4** is in the **CLOSED** position (down).
5. Place the Oil Diverter Valve **5** is in the **VAT** position (left).
6. Remove Basket Cover, Basket Carrier, and Basket from the Fryer.



4-2. Power Test

The following test verifies that the Fryer is powered.

1. Be sure that set-up described in **Section 4-1.** is complete.
2. Ensure the circuit breaker in the electrical panel powering the Fryer is **ON.**
3. Place the Power Switch **1** in the **ON** position. The green **POWER** light **2** will come on. Proceed to **Section 4-3.**



If the **POWER** light does not come on, refer to the **Section 8, Troubleshooting.**

4-3. Operational Check of Burner System

This step confirms that the Fryer Heat Exchanger is functioning properly.

⚠ WARNING

DO NOT touch the Heat Exchanger during this test. It becomes very hot and contact may result in severe burn injury.

⚠ CAUTION

This test requires that the Burner System be turned ON. DO NOT allow burners to remain ON for more than 10 seconds for this test. Failure to observe this precaution may result in damage to the Heat Exchanger and Burner System.

1. The Heat Exchanger must be cool and dry to begin. Wipe it down with a soaked wet sponge; enough so that it remains wet.
2. With the Pot Cover removed, place **Selector Switch** in the **COOK** position. Listen for the burners to ignite, allow 10 seconds max, then return switch to the **OFF** position.
3. The heat exchanger should dry within about 15 seconds after burner shutdown, indicating proper heating.
4. If burners do not light, or appear not to be heating, refer to **Section 8, Troubleshooting.**
5. If the Burner System seems to be functioning properly, clean the fry pot as described in the **Section 6-1, Boil-out Procedure** before filling with frying shortening.

4-4. Filter Pump Test

The following test will verify that the Filter Pump is operating correctly.

1. Be sure set-up that in **Section 4-1** is complete.
2. Press the Power Switch **1** to the **ON** position.
3. Open Cabinet Door.
4. With the filter pan disconnected, place the palm of the hand over the Quick Disconnect **2** opening for the Filter Pan Hose.
5. Briefly place the Selector Switch **3** in the **PUMP** position, then move it back to the centered **OFF** position. If suction is felt on the palm, the pump is operating correctly. Proceed to Section 4-5.

If no suction is felt, refer to the **Section 8, Troubleshooting**.



4-5. Perform Boil Out Procedure

Perform a Boil-out Procedure to remove dirt, or debris, that may have accumulated during shipping, and any residue from manufacturing process. See **Section 6-1, Boil Out Procedure**. After completion proceed to Section 4-6.

4-6. Clean Filter Pan and Accessories

Thoroughly clean the Filter Pan to remove dirt, or debris, that may have accumulated during shipping, and any residue from the manufacturing process. Follow **Section 6-2, Cleaning Filter Pan & Replacing Filter Paper After Boil Out**.

Wash the Fry Basket, Basket Lift Carrier, Pot Cover and Stir Paddle in warmer soapy water, rinse, and dry thoroughly.

Fryer preparation is now complete. Please proceed to the Operation Section.



Notes:

5. Fryer Operation

The following section describes operating procedures for the Giles Model GGF-400 & GGF-720 Gas Fryer.

DANGER

- Turn off the Fryer power switch and the main supply power at the main circuit breaker panel before cleaning or performing maintenance.
- **DO NOT** wash down the Fryer interior or exterior with water from a spray hose, or any other pressure-type washing equipment.
- Failure to comply with these **DANGER** notices will result in death or serious injury, equipment/property damage and void the warranty.

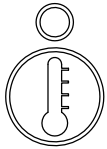
CAUTION

- Be sure the Fryer is positioned in a stable, safe location with the casters in the locked position.
- Consult an electrician to be certain that all electrical specifications have been met and the unit is properly grounded. A wiring diagram has been provided with the unit to aid an electrician with installation.
- Due to the high temperature of cooking oil in the Fryer during cooking, it is extremely important that the user exercise due caution in operating this equipment to avoid personal injury. For certain procedures, it is recommended that thermal protective gear, such as mitts or gloves, be worn to prevent burn injuries.

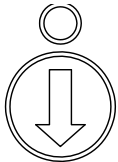
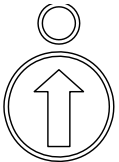
5-01. Cooking Controller



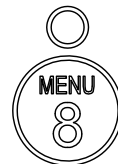
5-01.1. Buttons and Functions



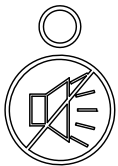
TEMP Key - Use to set and display cooking temperature. Hold for 5 seconds to display current temperature.



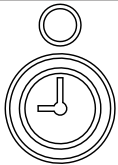
Use to increase or decrease cooking time and temperature, and to raise/lower basket. Also used to scroll through menu options.



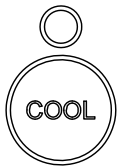
Use to store, preset cooking temperatures and times for various menu items.



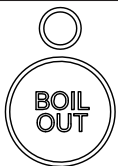
Silences alarm signal.



CLOCK Key - Press to begin setting a cook time.



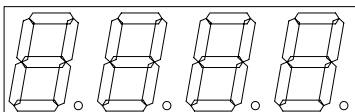
Press and hold for 5 seconds to activate or deactivate "Cool Mode".



Press and hold for 5 seconds to activate "Boil Out" cleaning cycle..



Press to make basket elevator keys active.



7-Segment Display - displays cooking time and temperature, as well as other pertinent Fryer status information.



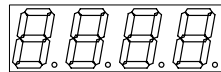
Scrolling Display - displays various status and alarm information.

5-01.2. Programming Cooking Temperature and Time

To begin, press and hold **Program Key** for 5 seconds



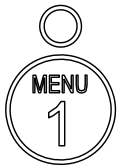
Upper Display will show
PROG



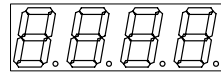
ABCD1234

Lower Display will show
Choose Menu

Press the Menu Key you want to program.



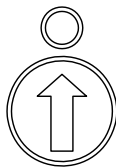
Upper Display shows
FOOD



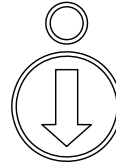
ABCD1234

Bottom Display will show
available Product
Selections

Use **Up** and **Down
Arrow Keys** to scroll
through available Menu
Item Selections (Table
below).



OR



Select from the following available Menu Labels:

BONE OUT WING	SPEC 1	FISH	CHEESE STIX	BREAST/THIGH
BONE IN WING	PICKLES	LIVERS	PIES	LEGS/WINGS
MENU * (BUTTON #)	CORNDOGS	CHICKEN	TATERS	TENDERS
SPEC 2	CATFISH	MUSHROOMS	FILLET	

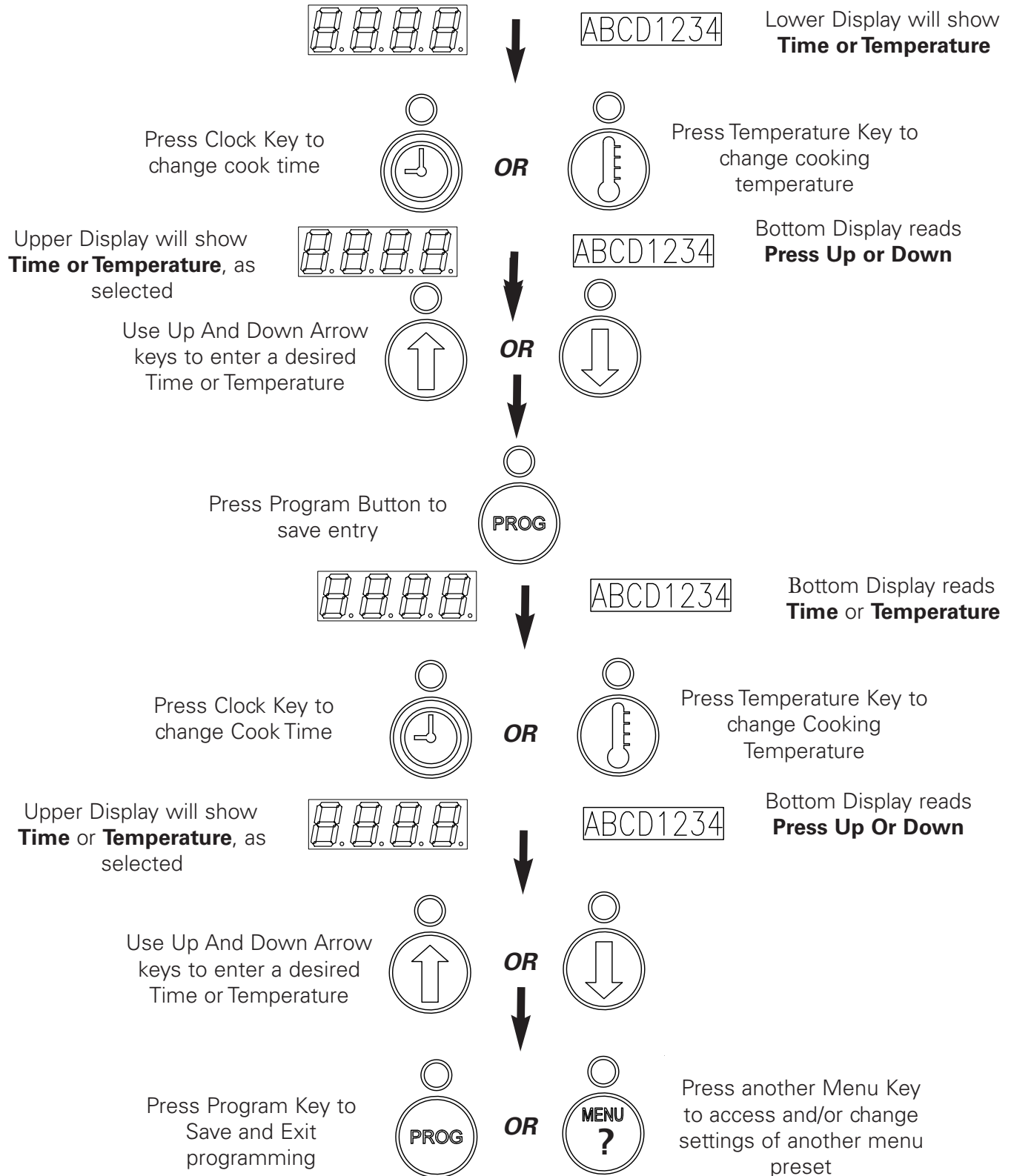


Press **Program Button** to
Save selection



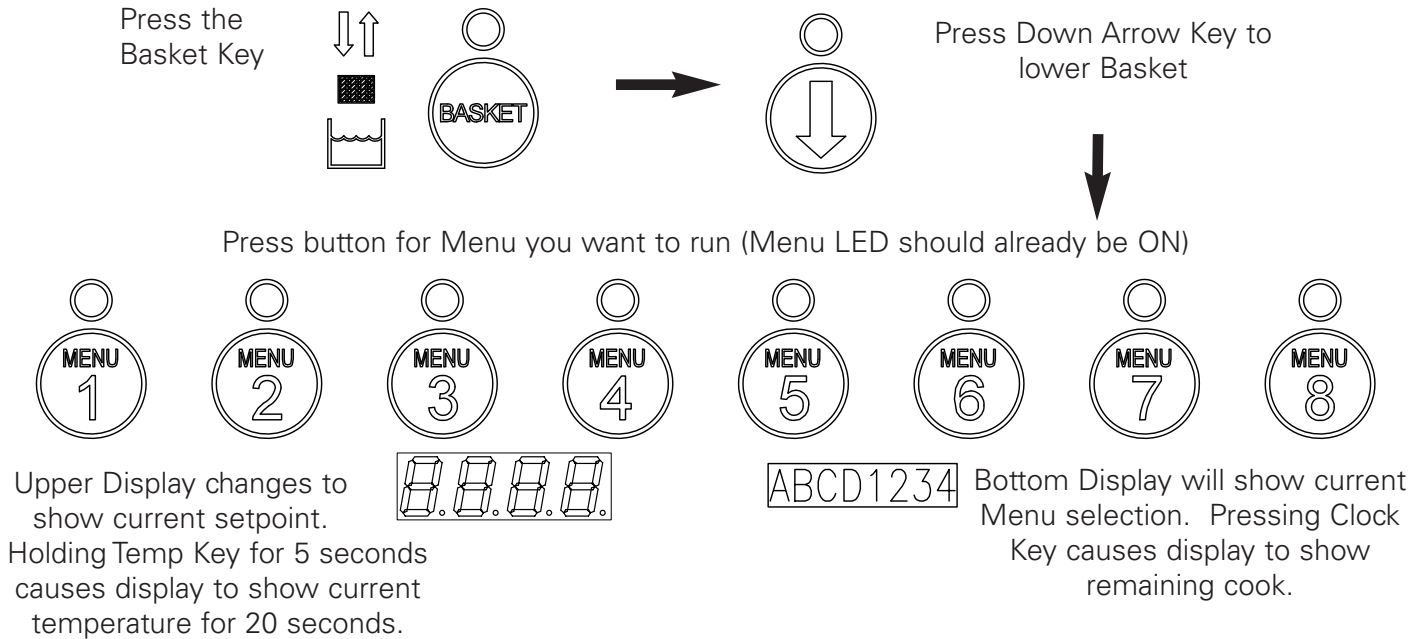
**PROGRAMMING CONTINUED
ON NEXT PAGE**

CONTINUE PROGRAMMING FROM PREVIOUS PAGE



5-01.3. Entering Cook Cycle

Press button for the Preset Menu you want to run (Menu LED will illuminate and the temperature will regulate to the preset temperature). When the Controller shows **Ready**, put product into the basket.

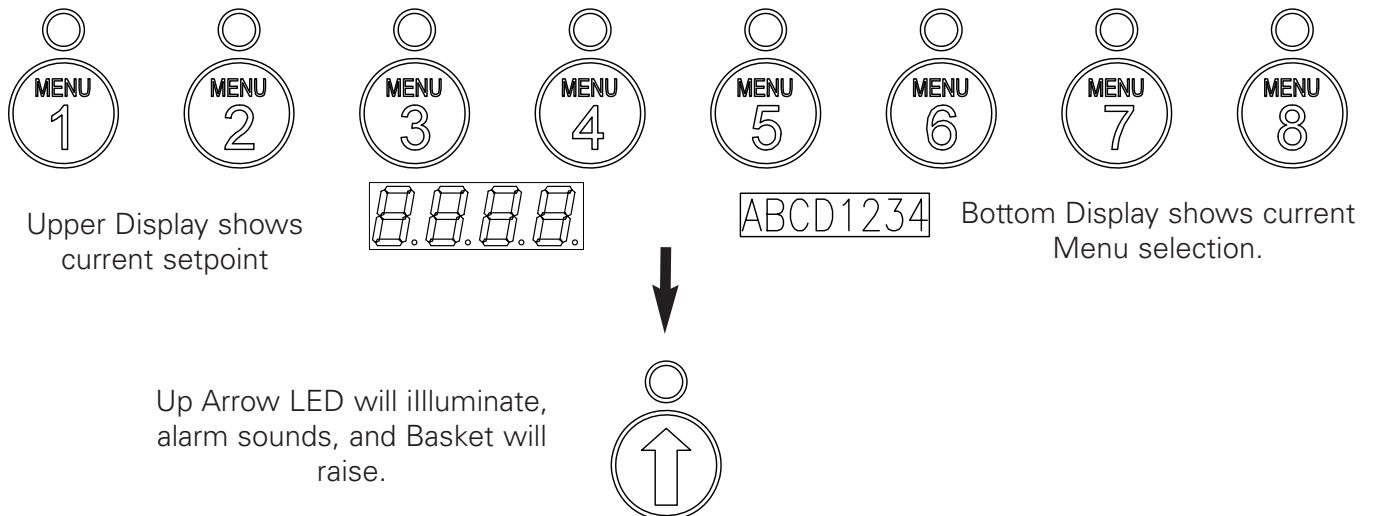


5-01.4. Exit Cook Cycle

Allow active timer to complete the timed cook cycle

OR

Press button of the Menu preset that is running (Menu LED is ON)



If Controller Goes Into Alarm State, Alarm Will sound, Basket Will Raise, and Message Will Display.

5-01.5 Entering COOL Mode

To Begin Cool Mode (Display must be showing **Ready**. .Press Cool Key for 5 seconds



Temperature setpoint will change To 275°F. No Menu can be activated when in **COOL** mode.

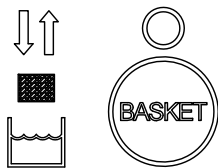
5-01.6 Exit COOL Mode

To Exit COOL Mode , Press Cool Key again.

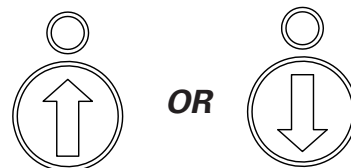


Temperature setpoint will change to the previous valve and Fryer enters **Preheat** to begin heating oil to the previous temperature

5-01.7. Manually Lowering and Raising the Cooking Basket



Press the Basket Key



Use Up And Down Arrow Keys to raise or lower the Basket

Once an Arrow Key has been pressed to raise or lower the Basket Lift, the direction cannot be change again for 20 seconds.

5-01.8 Entering Boil Out Cycle

To begin a Boil-Out Cycle the Display must show **Ready**. Press Boil-Out Key for 5 seconds



Temperature setpoint will change to 200°F. Basket will be raised.
No Menus can be activated when In **Boil-Out** state.

5-01.9 Exit Boil Out Cycle

To exit the Boil-Out cycle, let the 30 minute timer expire and/or cycle power to Fryer **OFF & ON**



If the timer expires, Bottom Display will show **Boil Complete - Cycle Power**



Temperature setpoint will be changed to Preheat and begin heating oil to setpoint temperature

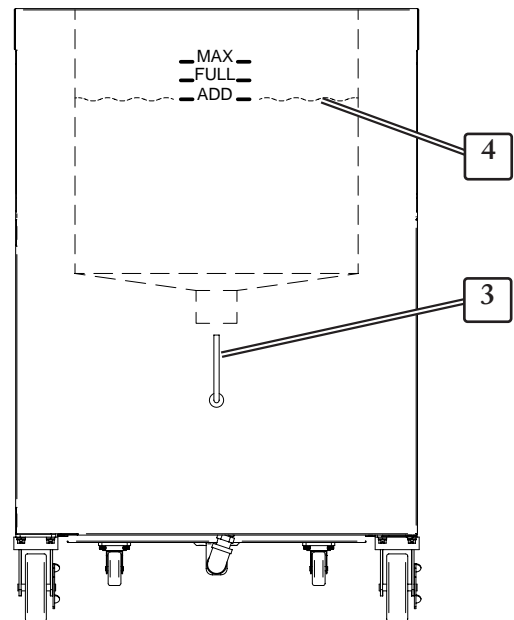
5-2. Cooking Procedure

This section describes the cooking process as if beginning with cold shortening. This process may vary during repetitious cooking cycles, or depending on the user's specific procedures.

1. Raise and remove the Cooking Basket. See **Section 5-1.7**.
2. Ensure the Power Switch **1** is in the **OFF** position.
3. Ensure the Selector Switch **2** is in the centered **OFF** position.



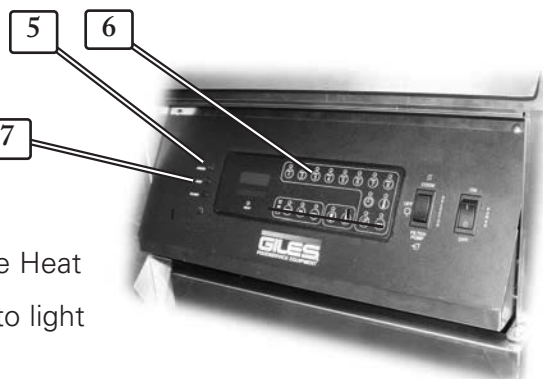
4. Be sure that the Drain Valve **3** is in the fully **CLOSED** vertical position.
5. Fill the Fry Pot with liquid frying shortening only to the **ADD** **4** level. This allows space for cold shortening to expand when heated.



CAUTION

Overfilling Fry Pot may result in spillage, potentially causing personal injury and/or equipment damage.

6. Place Power Switch in the **ON** position. The green Power Light **5** will illuminate.
7. Press a Menu Button **6** to select the preset for the product to be cooked.
8. Place the Selector Switch in the **COOK** position. The Heat Light **7** will illuminate, and the ignitor will activate to light the burners.



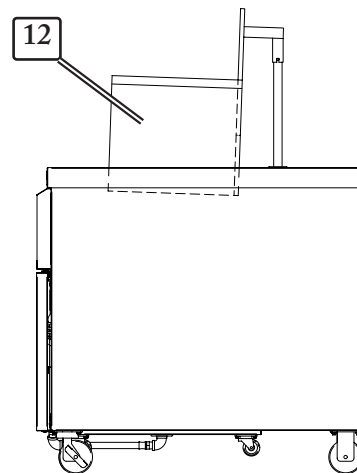
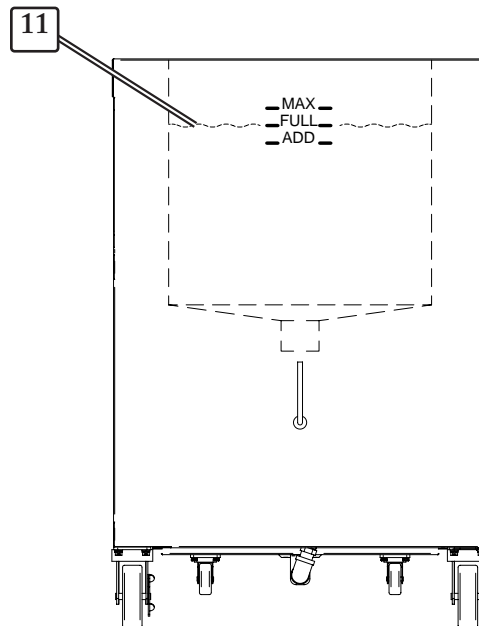
5-2. Cooking Procedure (Continued)

9. Use the provided Stir Paddle and occasionally stir shortening vigorously while Fryer is preheating. This will eliminate formation of cold spots, allowing for more even cooking of the product.

10. When shortening is preheated to the set-point temperature, the Heat Light **10** will turn **OFF**. Check shortening level, it should now be close to the **FULL** level **11**. Add shortening if needed.

11. Vigorously stir shortening until the Heat Light **10** turns **ON** again ... continue stirring until it turns **OFF** a second time. At this point, shortening should be thoroughly pre-heated to set-point temperature of the selected Menu Button. The Fryer should be ready to cook.

12. Place the Cooking Basket **12** onto the Basket Carrier .



5-2. Cooking Procedure (Continued)

12. Uncooked product may be placed in the Cooking Basket **12** either before or after the basket has been lowered into the shortening.

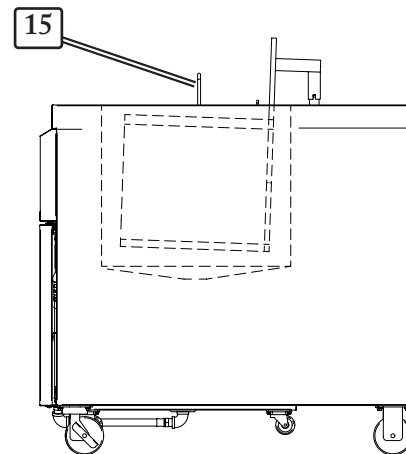
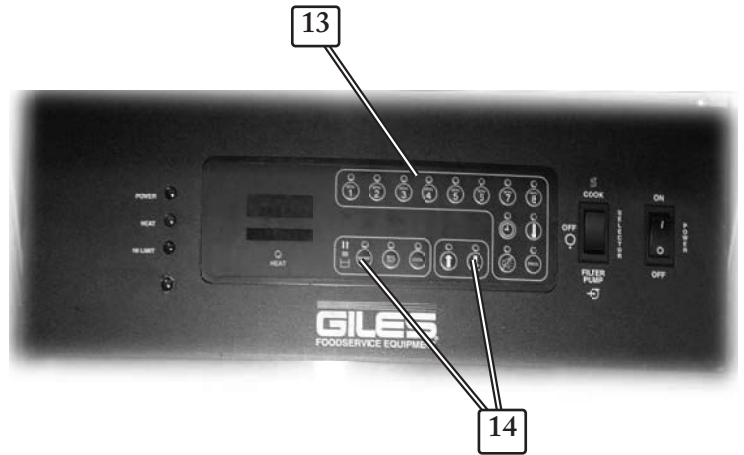
CAUTION

Use extreme caution when placing product into HOT cooking oil. The HOT shortening and/or splash back from the pot can cause severe burns.

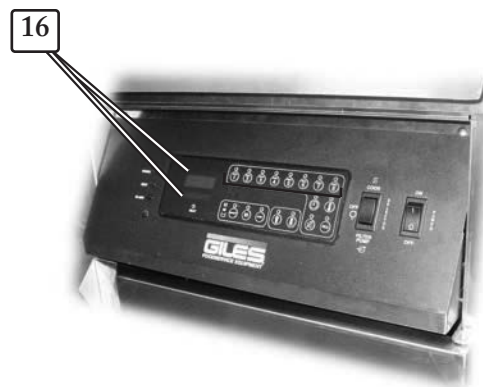
Press **Basket** key and then **Down Arrow** key **14** to lower Cook Basket

Press the desired Menu Key **13** again to begin the programmed cooking time for the Menu Button selected.

Place the Pot Cover **15** on top of the cook pot.

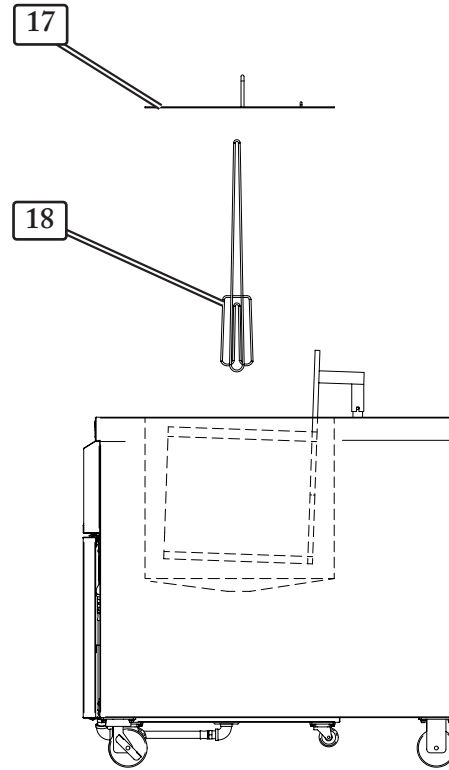


13. Controller displays **16** remaining cook time and product selection.

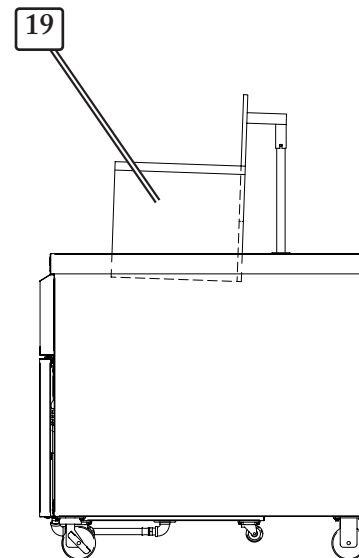


5-2. Cooking Procedure (Continued)

- 14. When a certain percentage of the selected cooking time has elapsed, a **Stir** product alarm will sound. Press the **Alarm Silence** key to silence. Wear thermal oven mitts and remove the Basket Cover **17**. Agitate and stir the cooking product with the provided Stirring Utensil **18**.
- 15. Replace the Basket Cover.



- 16. At the end of the cooking time, the Cook Basket **19** containing the cooked product will automatically be lifted from the hot shortening.
- 17. Allow product to adequately drain. Wearing thermal oven mitts, remove the Basket Cover and remove the Cook Basket from the Basket Lift Carrier.
- 18. Dump cooked product into an appropriate container.
- 19. Choose one of the following:
 - a.) To continue cooking, return to **Step-6** of this procedure.
 - b.) To place the Fryer into COOL Mode, see **Section 5-01.5, Entering Cool Mode**.
 - c.) To shutdown the Fryer, see **Section 5-5, Normal Shut-Down**.



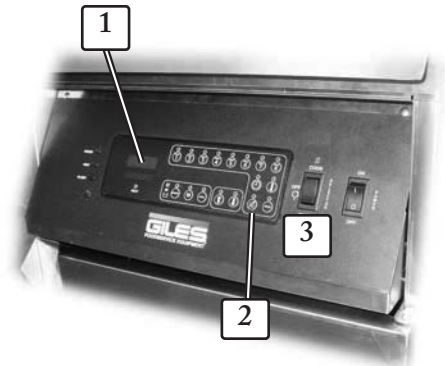
5-3. Filtering Liquid Shortening

This section explains use of the built-in filtering system. The system circulates used shortening through a filter media, back to the Fry Pot. By following this process shortening life can be increased by up to 50%. For a reminder, the Cooking Controller is preset to alert the user to filter oil after every fourth load cooked.

⚠ WARNING

Never try to remove cold shortening using this process. The filter pump can clog and damage the unit. Shortening must be at a minimum of 200°F (93°C) before attempting to pump.

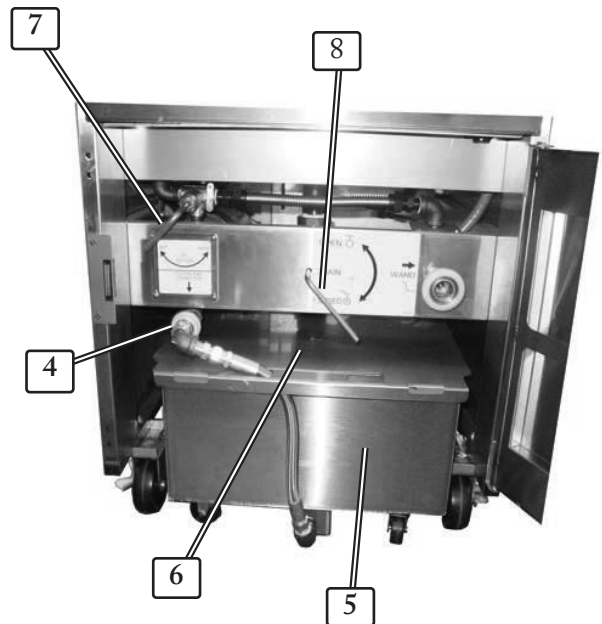
1. After cooking the fourth load, Controller **1** will display **FILT** and an alarm will sound, indicating that the shortening needs filtering.
2. Press the Alarm Reset Button **2** to silence the alarm.
3. Place the Selector Switch **3** in the **OFF** position.
4. Open the Cabinet Door. Wearing thermal mitts, disconnect the Filter Pan Hose **4** from the quick-disconnect fitting and remove the Filter Pan **5** from underneath the Fryer.
5. Lift Cover and be sure that filter media is properly installed in the Filter Pan. Only (1) sheet of filter paper is required.
6. Add one packet (4.8 oz) of Filter Powder into the Filter Pan, distributing evenly over filter surface ... **Available from Giles; Part No. 72004.**



⚠ DANGER

During this step, liquid shortening will be drained from the Pot. Failure to ensure that the Selector Switch is in the OFF position prior to draining may result in fire, when the Heat Exchanger becomes exposed. ALWAYS ENSURE THAT THE SELECTOR SWITCH IS IN THE OFF POSITION BEFORE DRAINING LIQUID SHORTENING.

7. Reposition the Filter Pan Cover **6**, then roll Filter Pan underneath the Fryer, and reconnect the Filter Pan Hose **4** at the quick-disconnect.
8. Be sure the Selector Switch **3** is in the **OFF** position and that the Oil Diverter Valve Handle **7** is in the **VAT** position (left-hand position). Slowly turn the Drain Valve Handle **8** to the **OPEN** position (up). Shortening will drain into the Filter Pan.

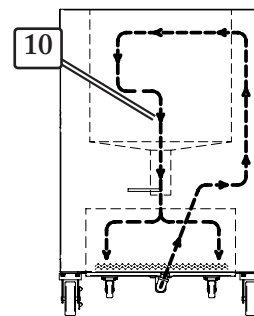


5-3. Filtering Liquid Shortening (Continued)

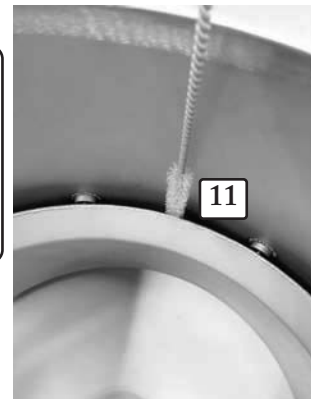
NOTE: If the Fry Pot does not readily drain, or drains very slowly, use the supplied Kettle Drain Brush to break up crumbs and clean them from in the drain. **Be careful not to push brush far enough to puncture the filter media in the filter pan; this could allow the pump to ingest debris and be damaged.**



- 9. When the Fry Pot has completely drained, place the Selector Switch [9] in the **FILTER** position.
- 10. Pump will start; shortening will be suctioned through the filter paper and recirculated back to the Fry Pot [10]. For proper filtering, leave the Drain Valve open, allowing oil to continually circulate for at least 5 minutes. **During this time, use the provided brushes to clean crumbs and cooking residue from the Pot and Heat Exchanger, allowing it to be flushed into the Filter Pan and filtered from the oil. Use large Pot Brush to clean large open surfaces ... use small, round, stiff-bristle Brush to clean out gap around Heat Exchanger [11].**

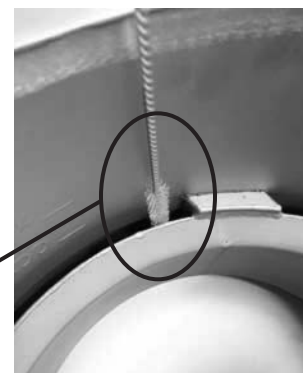


WARNING
Failure to properly clean Heat Exchanger, as described below, can result in excessive carbon build-up between the Pot wall and Heat Exchanger. This can lead to premature failure of the pot and combustion chamber, and will void the pot warranty.



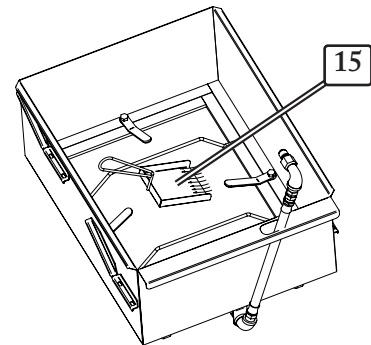
EXTREMELY IMPORTANT!!

- Each time that the Fryer's oil is filtered, it is important that the front and back of the Heat Exchanger be cleaned thoroughly. Use the white Pot Brush to clean the front surface and top edge.
- Use the small round, stiff-bristle, heat-resistant Brush (#73235) to clean the gap between the Pot wall and the outside surface of the Heat Exchanger.
- Move the Brush up and down, and side to side, around the entire Pot, inserting Brush all the way down until the tip touches the pot bottom ... ensure that the whole depth to the ring is cleaned.
- **The area adjacent to the Heat Exchanger entrance requires special cleaning attention.** If crumbs and cooking debris are allowed to accumulate in this area, hard carbon deposits will form over time. If not removed, this will cause the oil to become blackened and can result in poor quality food product.



5-3. Filtering Liquid Shortening (Continued)

11. After allowing shortening to circulate for a minimum of 5 minutes, turn the Drain Valve Handle **12** to the **CLOSE** position (down), and allow the Fry Pot to refill.
12. After the Fry Pot has refilled, place the Selector Switch **13** in the **OFF** position (centered).
13. Be sure that oil level in the Fry Pot has remained between the FULL and ADD levels ... add if needed.
14. **Wearing Thermal Mitts**, disconnect Filter Pan hose at quick-disconnect **14** and then remove the Filter Pan.
15. Use the provided Crumb Scoop **15** to remove sediment from the filter media surface and discard.
16. Reinstall Filter Pan.
17. To continue cooking, See **Section 5-2, Cooking Procedure**.
To discontinue cooking, See **Section 5-5, Normal Shut Down**.



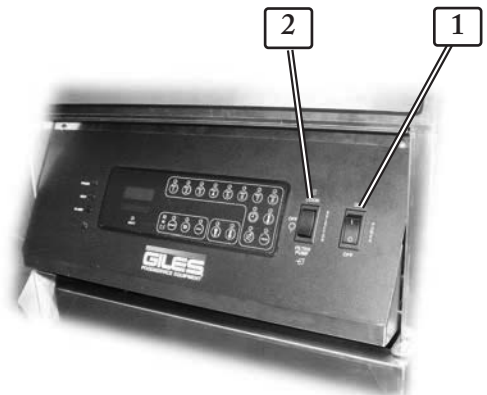
5-4. Removal of Liquid Shortening

This section describes the procedure for removing used shortening from the Fryer, in preparation for the Boil-out procedure, or for disposal. The Giles Oil Caddy (not included) is referenced in this section for disposing of used shortening.

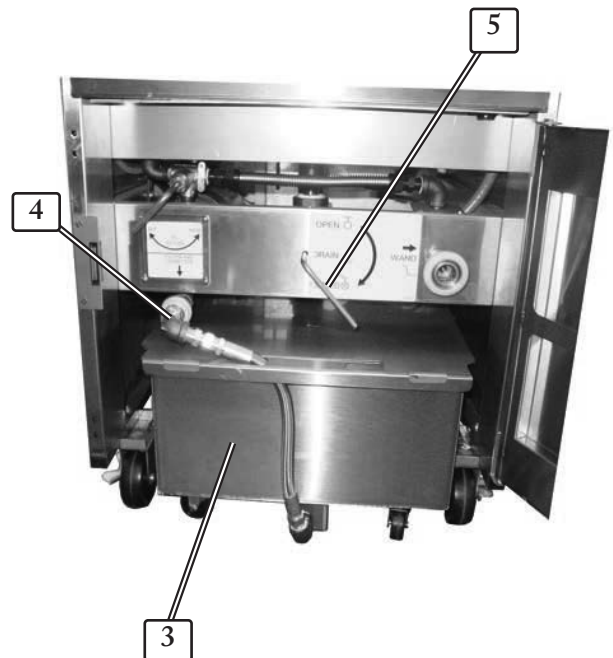
⚠ WARNING

Never attempt to remove cold, congealed shortening using this procedure. The filter pump can clog and damage the unit. Shortening must be at a minimum of 200°F (93°C) before performing this procedure.

1. If shortening is cold, heat to 200°F (93°C).
2. Be sure the Power Switch **1** is in the **ON** position.
3. Be sure the Selector Switch **2** is in the **OFF** position.

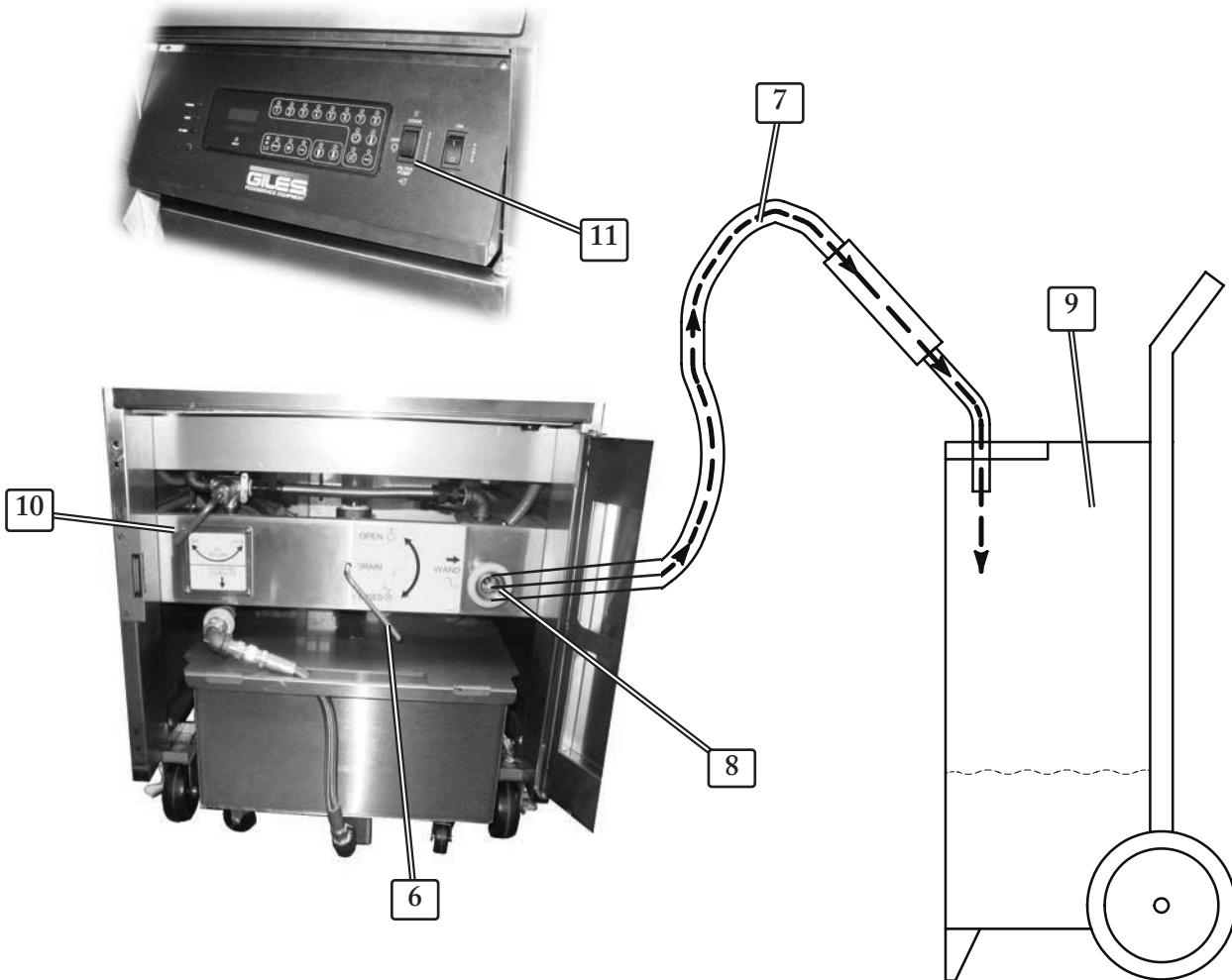


4. Ensure that the Filter Pan **3** is in place and the Filter Pan **4** hose is connected at the quick-disconnect.
5. Slowly turn the Drain Valve Handle **5** to the **OPEN** position (up), and allow the Fry Pot to completely drain.



NOTE: If the Fry Pot does not readily drain, or drains very slowly, use the supplied Kettle Drain Brush to break up crumbs and clean them from in the drain. **Be careful not to push brush far enough to puncture the filter media in the filter pan; this could allow the pump to ingest debris and be damaged.**

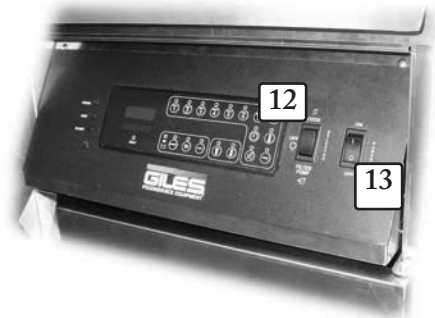
5-4. Removal of Liquid Shortening (Continued)



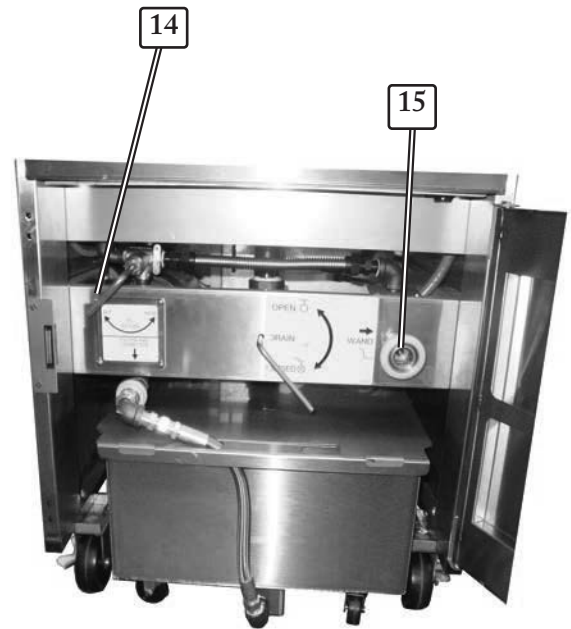
6. After the Fry Pot has completely drained, turn the Drain Valve Handle **6** to the **CLOSE** position (down).
7. Connect the Oil Discharge Hose **7** to the quick-disconnect coupling **8**.
8. Place the discharge end into a suitable hot oil disposal container **9** (Giles Oil Caddy is shown).
9. Place the Oil Diverter Valve **10** in the **HOSE** position (right).
10. **Be sure to wear Thermal Protective Mitts if holding the Discharge Hose; it will become very hot.** Press the Selector Switch **11** to the **FILTER PUMP** position. The used shortening is pumped into the disposal container. **IT IS ADVISABLE TO ATTEND THIS PROCESS, AS THE HOSE COULD VIBRATE FROM CONTAINER, RESULTING IN HOT OIL SPILLAGE.**

5-4. Removal of Liquid Shortening (Continued)

- 11. After all of the used shortening has been pumped from the Filter Pan, place the Selector Switch **12** in the **OFF** position.
- 12. Place Power Switch **13** in the **OFF** position.



- 13. Turn the Oil Diverter Valve handle **14** to the **VAT** position (left-hand).
- 14. **Wearing Thermal Protective Mitts**, remove the Discharge Hose **15** from the quick-disconnect coupling and drain any oil remaining in the hose into the Oil Disposal Container.
- 15. Thoroughly clean the Filter Pan and the Filter Pan Cover. Refresh the filter media
- 16. To perform a Boil Out Procedure, see **Section 6-1, Boil-Out Procedure**.

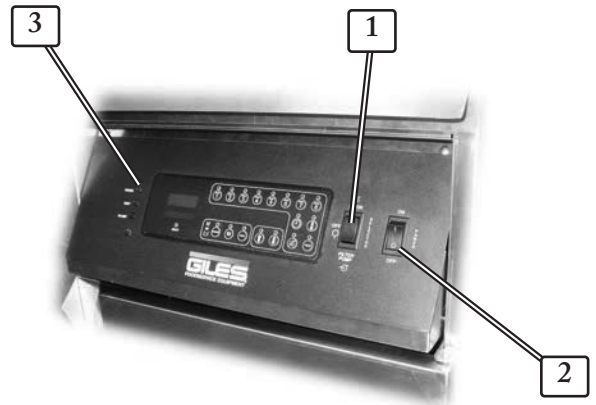


To shut down the unit, see **Section 5-5, Normal Shut-Down**.

5-5. Normal Shut-Down

Follow the steps below to shutdown the Fryer.

1. Place the Selector Switch **1** in the center **OFF** position.
2. Place the Power Switch **2** in the **OFF** position, Power Light **3** turns off.
3. If required, turn off the fryer circuit breaker at the main breaker panel to disconnect supply power to the Fryer.
4. Turn off gas supply valve.



5-6. Emergency Shut-Down

In case of emergency, remove power to the unit by turning off the facility circuit breaker and shut off gas supply to unit..



6. Cleaning

The following section describes cleaning procedures for the GGF-400 & GGF-720. General cleaning should be performed daily.

⚠ DANGER

- **DO NOT** wash down the Fryer interior, or exterior, with water from a spray hose.
- Failure to comply with these **DANGER** notices will result in death or serious injury, equipment/property damage, and void the warranty.

6-1. Boil-Out Procedure (Cleaning Fry Pot)

This section describes the **Boil-Out** process for cleaning the Fry Pot. This must be performed before cooking on a new Fryer, and should be performed before shortening is to be replaced with fresh.

To maintain proper fryer operation, the **Boil-Out** process should routinely be performed, at a minimum, every 7 to 14 days.

⚠ DANGER

DO NOT, under any circumstances, leave the fryer unattended during the Boil-Out process, as the potential for the pot to overflow does exist. It may become necessary to adjust the temperature setting to avoid an overflow. Overflow can result in serious equipment damage.

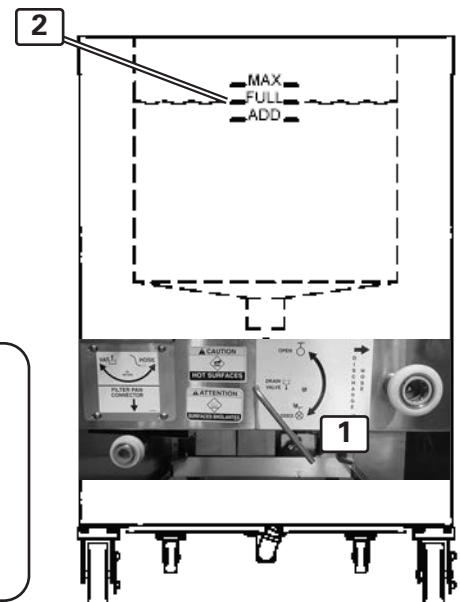
⚠ CAUTION

Never run Boil-Out solution, water, or any other cleaner through the pump and filter system. Doing so will result in equipment damage, and may void the factory warranty.

1. Remove used shortening from the Fryer. See **Section 5-4; Removal of Liquid Shortening.**
2. Be sure that the Drain Valve **1** is in the **CLOSED** (down) position and the Power Switch **3** is in the **OFF** position.
3. Fill the fry pot with clean water to the **FULL** level **2**.
4. Use a reputable Boil-Out/Fryer Cleaner product, and follow the product directions for usage. Add to water as directed. **Giles Boil-Out (#72003)** is recommended.

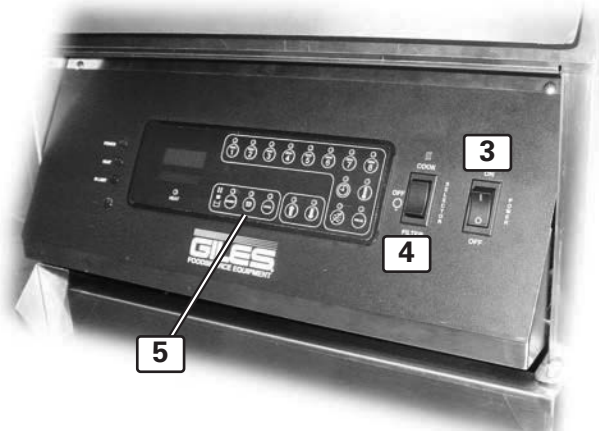
⚠ CAUTION

If using a product other than Giles Boil-Out follow usage instructions exactly. Some commercially available cleaners are caustic, and require special precautions. If used improperly, these chemicals may cause damage to the fryer and/or pose a potential risk of personal injury to the user.



6-1. Boil Out Procedure (Continued)

5. Place the Power Switch **3** in the **ON** position.
6. Place Selector Switch in the **HEAT** **4** position.
7. Press & hold the **BOIL-OUT** key **5** until the unit enters Boil-Out mode. The temperature setting will change to 200°F (93°C) and water begins heating. The Boil-Out preset has a running time of 30.0 minutes, after temperature is reached.
8. At the completion of the Boil-Out Cycle time place Selector Switch in the center **OFF** position, and Power Switch in the **OFF** position.
9. Disconnect Quick Disconnect Hose and remove the Filter Pan with Filter Pan Cover.



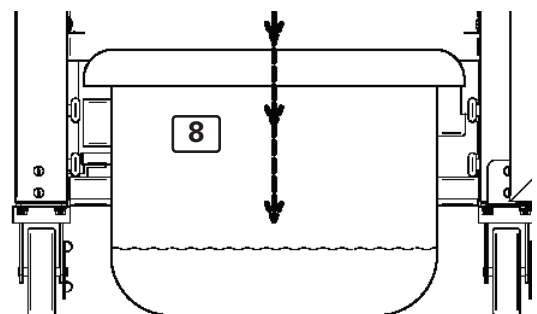
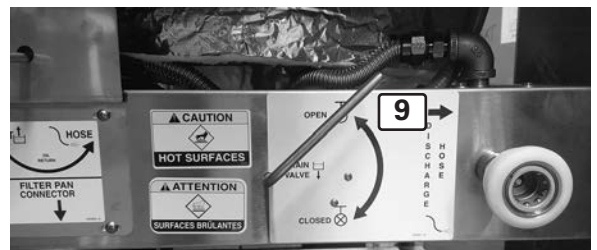
WARNING

DO NOT drain Boil-Out solution into the Filter Pan! Solution is corrosive and **WILL DAMAGE Filter Pan components and the Filter Pump.** Failure to comply may result in minor or moderate personal injury, equipment or property damage, and may void the factory warranty.

CAUTION

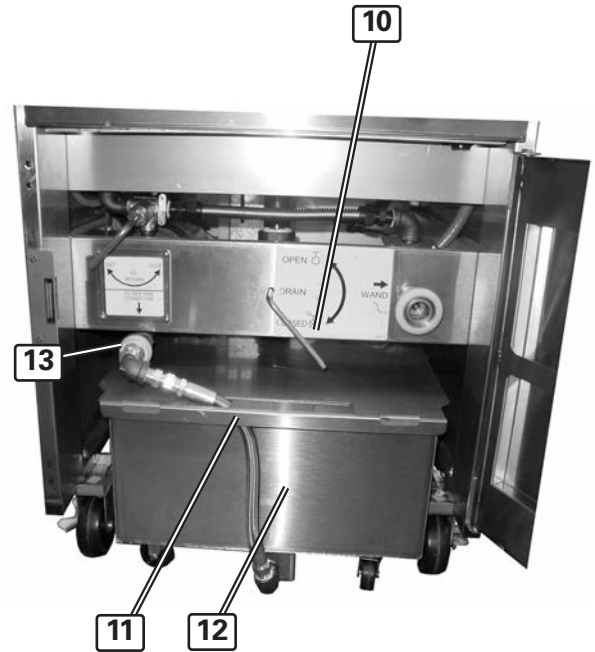
The catch container should be heat rated for up to **300°F (148°C).** Common plastic containers are typically not desirable, they may melt or break. A leak-proof metal container is preferable, but any container made of suitable high-temperature material may be used. Failure to comply with this caution may result in serious injury.

10. Position a suitable **heat resistant container** **8** (not provided) beneath the Fryer drain to catch the boil-out solution after cleaning.
11. Slowly turn the Drain Valve Handle **9** to the **OPEN** (up) position.
12. Drain boil-out solution into container, empty as needed. Rinse and flush the Pot thoroughly with clean tap water.
13. Dry the Pot completely with a sanitized dry towel.



6-1. Boil Out Procedure (Continued)

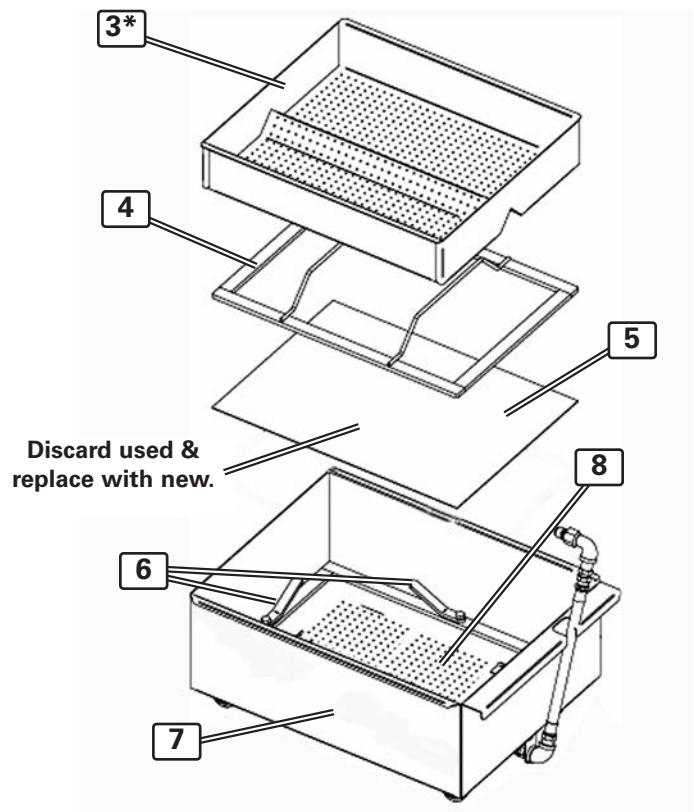
14. Slowly turn the Drain Valve Handle **10** to the **CLOSED** (down) position.
15. Clean Filter Pan and refresh the filter media; see **Section 6-2; Cleaning the Filter Pan & Renew Filter Media**.
16. Place Cover **11** onto the Filter Pan and position Filter Pan **12** under Fryer.
17. Connect the Filter Pan Hose **13** to the Fryer quick-disconnect fitting. Be sure hose is secure in fitting.
18. To begin cooking on the unit, see **Section 5-2**.



6-2. Cleaning the Filter Pan & Renewing Filter Media

This section describes the process for cleaning the Filter Pan and replacing filter media. This cleaning process should be done at least daily, and each time a Boil-Out procedure (**Section 6-1**) is performed. **Use thermal protective mitts, Filter Pan components may be HOT.**

1. Follow the Normal Shut-Down procedure, **see Section 5-5.**
2. Remove the Filter Pan **1** along with the Filter Pan Cover **2** from underneath the Fryer.
3. Remove and wash the Filter Pan Cover and dry thoroughly.
4. If equipped, remove the Crumb Screen **3***, clean and dry thoroughly.
5. Using the metal Crumb Scoop provided with the Fryer, remove accumulated filter residue from around the edge of the Hold-Down Frame **4** and from surface of the filter media **5**.
6. Turn the four Levers **6** to disengage the Hold-Down Frame from the bottom of Filter Pan.
7. Remove the Hold-Down Frame, clean and dry thoroughly.
8. Grasp one end of the used Filter Media **5**, carefully roll up sheet, and discard. Take care not to allow filter residue to fall through the perforated Support Screen **8** affixed to the Pan bottom (**not removeable**).
9. After disassembly, thoroughly clean Filter Pan **7**. Be sure to flush any debris from underneath Support Screen, and drain all water from the Filter Pan hose.
10. Reassemble the Filter Pan inserting (1) new sheet of Filter Paper media. See **NOTE** on next page.



* Accessory, purchased separately

6-2. Cleaning the Filter Pan & Renewing Filter Media (Continued)

11. Reinstall Filter Pan Cover onto Pan and place Filter Pan assembly underneath Fryer. Connect filter hose at quick-disconnect fitting.

NOTE:

Giles offers a stainless steel, micro-mesh Filter Screen (**P/N 41041**) as a direct substitute for paper filter media. The Screen is cleanable and reuseable; designed to reduce cost of operation and eliminate the waste associated with Filter Paper. Use of the Screen along with a good filter aid, such as Giles Filter Powder (**P/N 72004**), will yield the same result as using paper filter media.

Notes:

7. Troubleshooting

This section describes troubleshooting procedures for the Giles, Model GGF Gas Fryer. Refer to the wiring diagram included with this manual, as needed, for more detailed analysis (a diagram is also attached to the unit's Back Panel).

7-01. Temperature Control System		
Problem	Probable Cause	Repair Procedure
FRYER WILL NOT TURN ON: No power light	A. Not connected to power source.	A. Connect to power source.
	B. Faulty fuse or circuit breaker.	B. Check fuse or breaker.
	C. Fuse holder cracked.	C. Replace fuse holder.
	D. Faulty Power Switch.	D. Replace Power Switch.
	E. Improper supply voltage.	E. Connect to proper voltage source.
FRYER WILL NOT HEAT: Power light on. Heat light not on. (No alarm sounding)	A. Selector Switch not in cook position.	A. Place Selector Switch in cook position.
	B. Thermostat set lower than actual temp. of oil.	B. Set temperature controller to desired temperature.
	C. Drain Valve open.	C. Close Drain Valve.
	D. Cooking Controller faulty.	D. Replace Cooking Controller.
	E. Selector Switch faulty	E. Replace Selector Switch
	F. Variable probe shorted.	F. Replace Probe.
	G. Loose wire.	G. Repair loose wire.
	H. Vacuum Switch out of adjustment.	H. Adjust Vacuum Switch.
	I. Blower faulty.	I. Replace Blower.

7-01. Temperature Control System (Continued)		
Problem	Probable Cause	Repair Procedure
FRYER WILL NOT HEAT: Power light on. Heat light not on. Alarm Sounding.	A. Fryer main gas line valve is CLOSED.	A. OPEN the main gas line valve.
	B. Fryer gas cock valve is CLOSED.	B. Turn Gas Cock handle to ON position.
	C. Faulty Flame Sensor.	C. Replace Flame Sensor.
	D. Flame Sensor alignment is incorrect.	D. Adjust Flame Sensor.
	E. Gas pressure incorrect.	E. Correct Gas Pressure.
	F. Orifice size incorrect.	F. Use correct orifice.
	G. Dirty Flame Sensor.	G. Clean Flame Sensor.
	H. Faulty Gas Valve.	H. Replace Gas Valve.
	I. Faulty Ignitor.	I. Replace Ignitor.
	J. Faulty Spark Module.	J. Replace Faulty Spark Module.
	K. Loose Wire.	K. Reattach Wire.
	L. Faulty Gas Valve Transformer.	L. Replace Gas Valve Transformer.
	M. Dirty Gas Burner.	M. Clean Gas Burner.
	N. Loose Ignitor Wire.	N. Reattach Ignitor Wire.
FRYER WILL NOT HEAT: Power light on. High Limit light On.	A. Power surge.	A. Turn Power Switch off for 5 seconds.
	B. Plug not completely in.	B. Reconnect to power source.
	C. Oil level too low.	C. Fill Fry Pot to correct oil level.
	D. Bad High Limit Board.	D. Replace High Limit Board.
	E. High Limit Probe shorted.	E. Replace High Limit Probe.
	F. Line spikes or noise in line.	F. Filter Line or remove noise source.

7-01. Temperature Control System (Continued)		
Problem	Probable Cause	Repair Procedure
FRYER HEATS SLOW: (slow recovery) Heat light stays on.	A. Incorrect Cooking procedures.	A. Consult Operations Manual for proper Cooking procedure.
	B. Burner system problem.	B. Check burner system.
	C. Incorrect gas pressure	C. See Section 2-10, Gas Pressure Setting & Adjustment
FRYER HEATS SLOW: (short cycling) Heat light off and on CONTINUOUSLY.	A. Low supply Voltage.	A. Supply proper Voltage.
	B. Variable probe touching heat exchanger.	B. Reposition variable probe.
	C. Cooking Controller faulty.	C. Replace Cooking Controller.
	D. Vacuum Switch out of adjustment.	D. Set Vacuum Switch correctly.
OIL TEMPERATURE ERRATIC:	A. Variable Probe bad.	A. Replace Variable Probe.
	B. Burner system problem.	B. Check burner system.
	C. Cooking Controller faulty.	C. Replace Cooking Controller.
	D. Loose Wire.	D. Repair loose Wire.
OIL SMOKING:	A. Old Oil.	A. Change Oil.
	B. Over Temperature.	B. Check temperature setting.
	C. Low Oil level.	C. Keep Oil at FULL Level.
	D. Filter Powder in Oil	D. Change Oil.

7-02. Oil Filtration System		
Problem	Probable Cause	Repair Procedure
OIL NOT RETURNING TO FRY POT:	A. Selector Switch not in "Filter/Pump" position.	A. Place Selector Switch in "Filter/Pump" position.
	B. Air Leak (hose, fittings, filter paper).	B. Repair Air Leak.
	C. Pump Motor Bad.	C. Replace Pump Motor.
	D. Oil Pump Sticking.	D. Free Stuck Pump.
	E. Diverter Valve not in TO FRYER position.	E. Place Diverter Valve in TO FRYER position.
	F. Boil Out being run through Pump.	F. Disassemble and Re-Oil Pump.
	G. Old Oil allowed to sit in Pump.	G. Run Clean Oil through Pump.
	H. Oil in Filter Pan cold or below 200°F (93°C).	H. Remove Filter Pan and remove cold oil from Filter Pan.
	I. Filter Pan incorrectly assembled.	I. Assembly Filter Pan correctly.

7-03. Basket Elevator System		
Problem	Probable Cause	Repair Procedure
BASKET WILL NOT GO UP OR DOWN:	A. Power not on.	A. Press Power Switch to ON position.
	B. Elevator Switch faulty.	B. Replace Elevator Switch.
	C. Cooking cycles running.	C. Cancel cooking cycle.
	D. Elevator micro-switch out of adjustment.	D. Adjust micro-switch.



8. Parts List

This section lists various replacement parts that are available for the Model GGF-400 and GGF-720 Gas Fryer.

8-1. Parts Ordering and Service Information

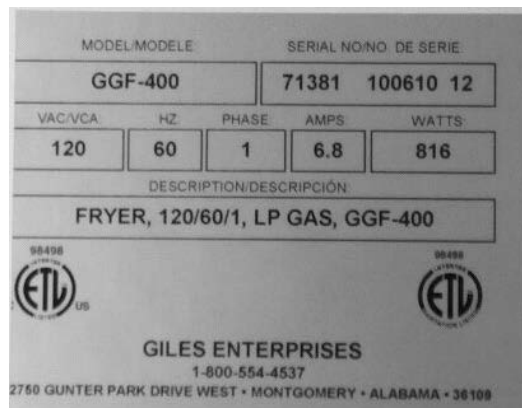
If you need parts or repairs, please contact an authorized Giles Service Representative or equipment Dealer. For assistance in locating a service agent or dealer in your area, please contact Giles Enterprises, Inc. at one of the following phone numbers, during normal business hours (8:00AM to 5:00PM Central Time) and follow the recorded prompts to reach appropriate assistance. When calling after-hours, leave a voice message and a representative will return your call within approximately 30 minutes.

UNITED STATES & CANADA: **800.554.4537**

ALL OTHER COUNTRIES: **334.272.1457**

WEBSITE: www.gfse.com **E-mail:** services@gfse.com

Giles team is to provide the highest quality service and assistance possible. You can help us accomplish this by obtaining the following information and having it readily available when calling. The information is recorded on the Serial/Data Label attached to the fryer rear panel or on the inside of the front cabinet door.



The area below may be helpful in recording information for use as a quick reference.

Model Number: _____

Serial Number: _____

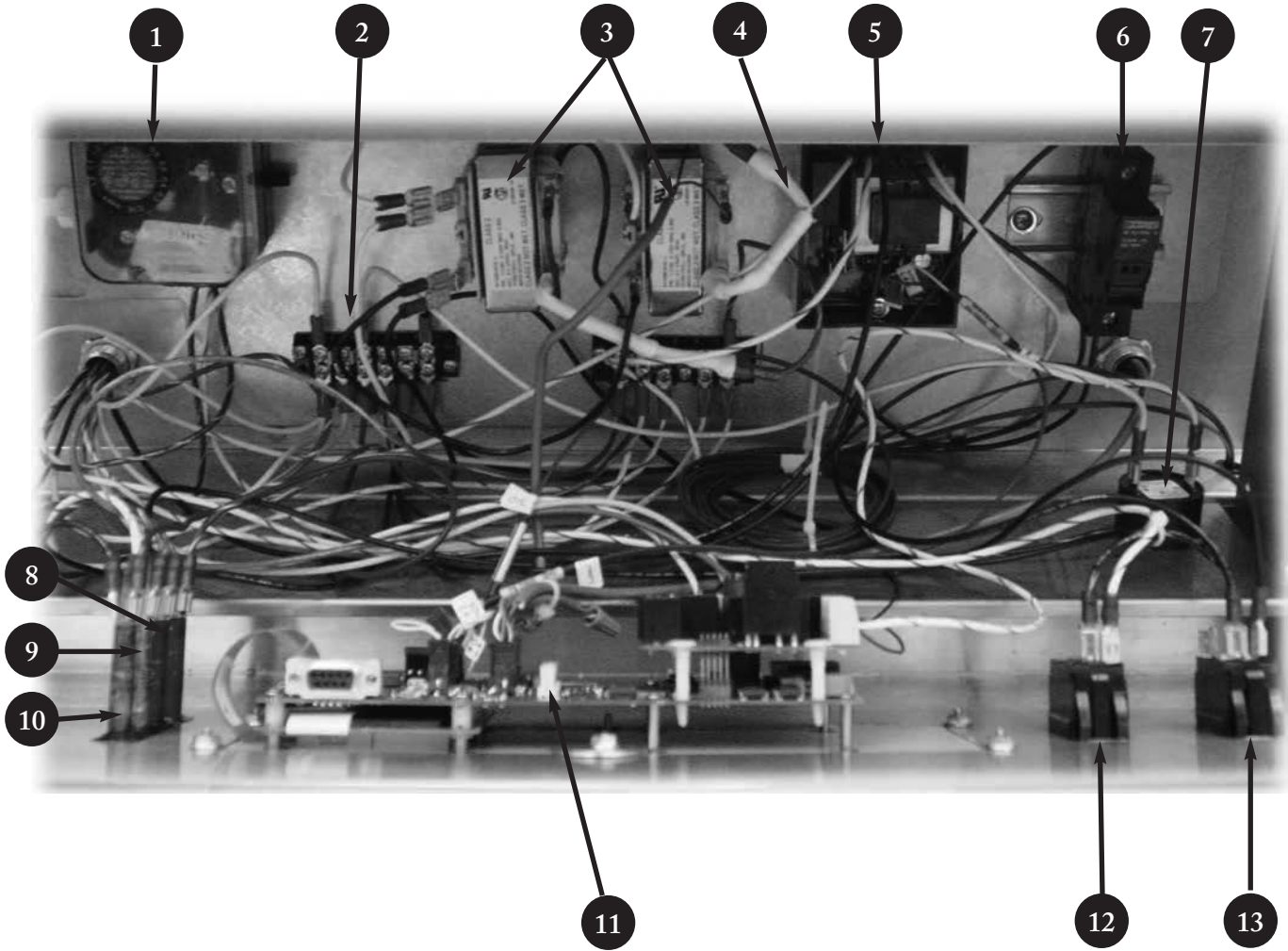
Phase: _____

Voltage: _____

Nature of Problem: _____



8-2. Control Panel & Front Header



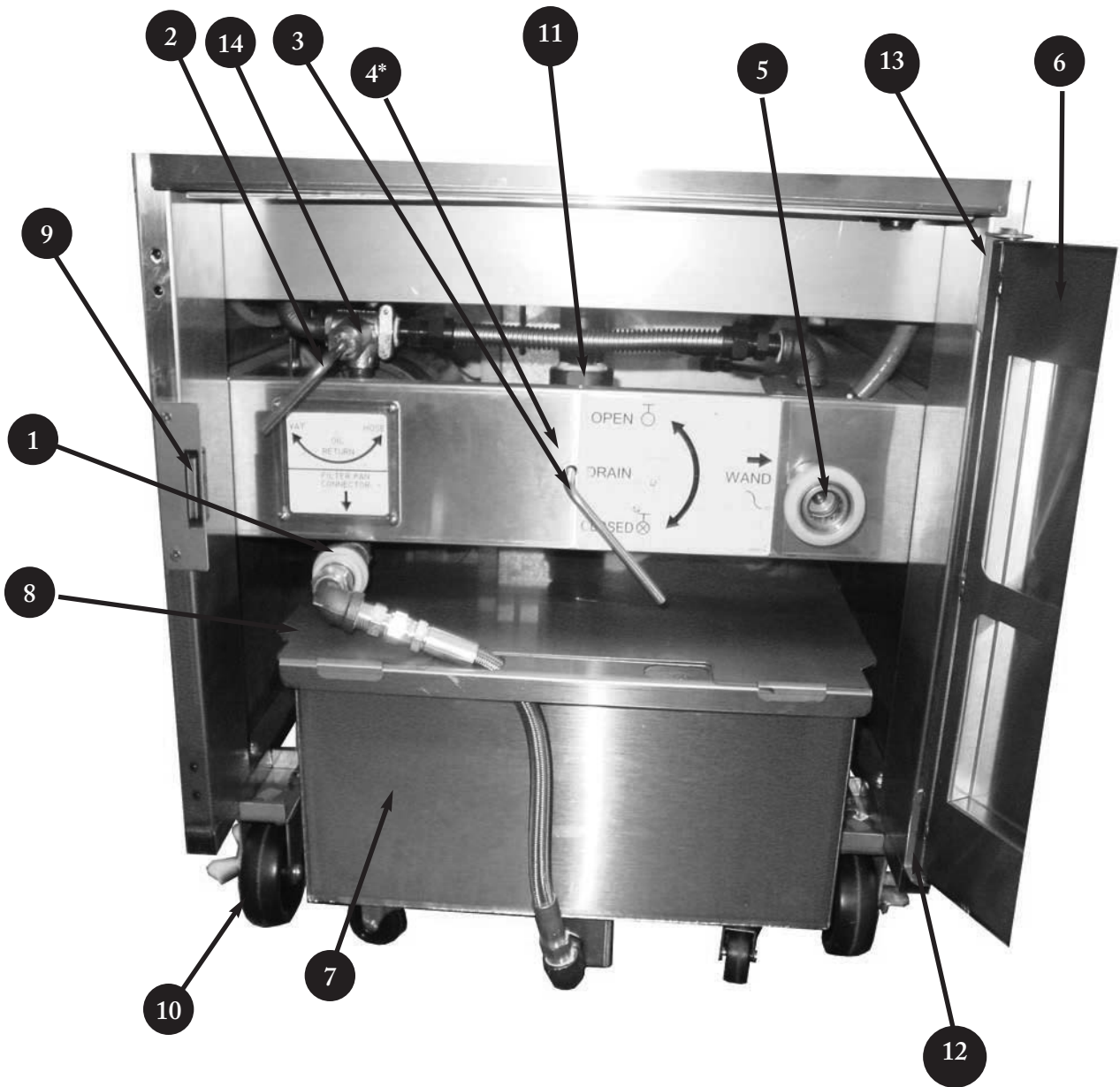


8-2. Control Panel & Front Header

Item	Part Number	QTY.	Description
1	20390	1	SWITCH, VACUUM
2	23751	2	TERMINAL BLOCK
3	24276	2	TRANSFORMER, 120VAC X 24VAC
3	24275	2	TRANSFORMER, 208/240VAC X 24VAC
4	38365	2	INLINE FUSE, 1A, HEAT SHRINKED
5	23749	1	THERMOSTAT, HI-LIMIT, WATLOW, 425DEG, 120VAC
5	23754	1	THERMOSTAT, HI-LIMIT, WATLOW, 425DEG, 208/240VAC
6	20411	1	FUSE HOLDER, DIN RAIL MOUNT
7	23782	1	SONALERT, 120VAC
7	23751	1	SONALERT, 230VAC
8	20428	2	LIGHT, INDICATOR, RED, 28V
9	20429	1	LIGHT, INDICATOR, ORANGE, 28V
10	20403	1	LIGHT, INDICATOR, GREEN, 120V
10	20398	1	LIGHT, INDICATOR, GREEN, 250V
11	20346	1	CONTROLLER, N7, WATLOW
12	21189	1	SWITCH, ROCKER, ON-OFF-ON, 250V, 20A, S.P.
13	21190	1	SWITCH, ROCKER, ON-OFF, 250V, 20A, D.P.



8-3. Front Lower Cabinet



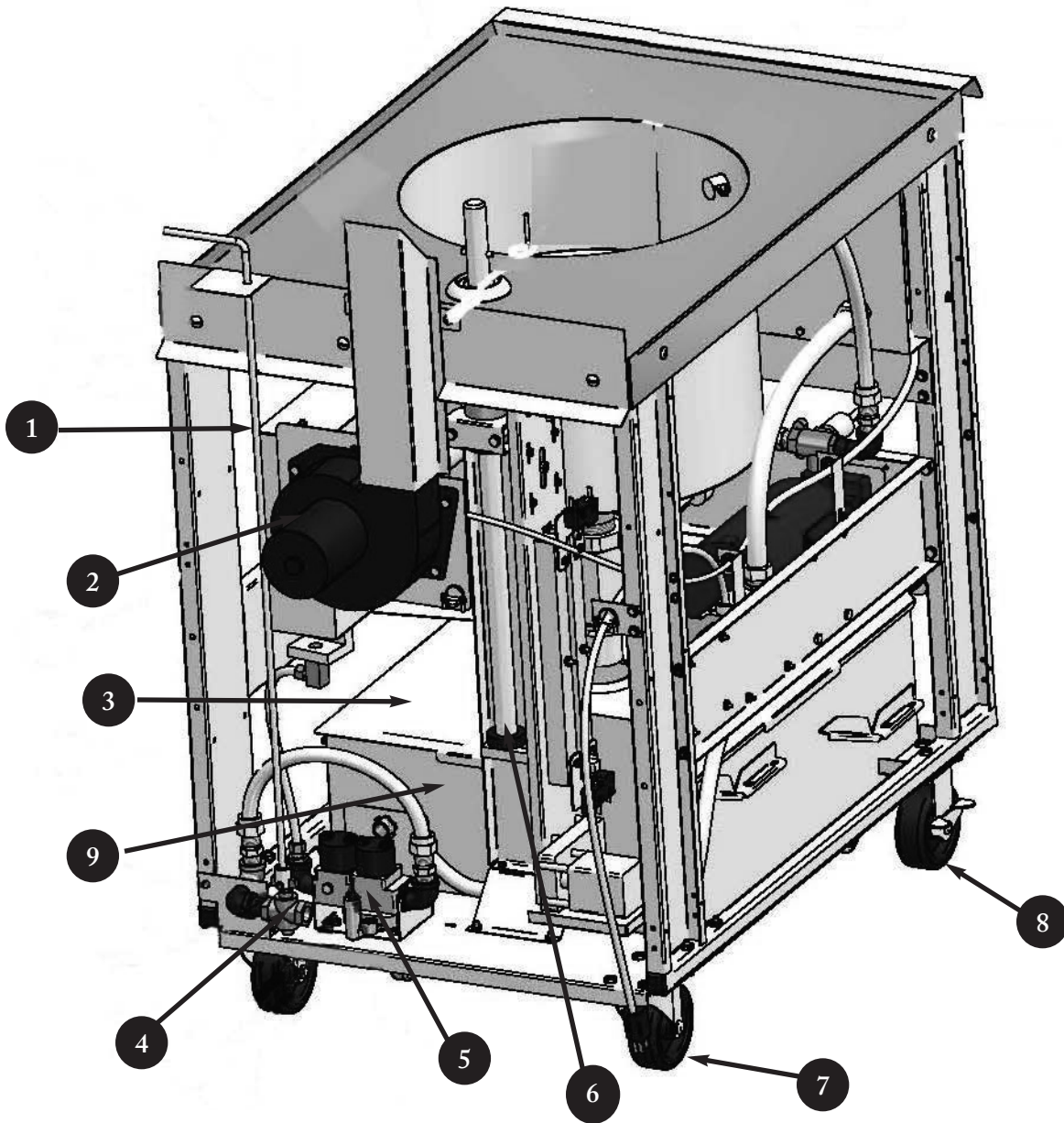
* Not shown

8-3. Front Lower Cabinet

Item	Part Number	Qty	Description
1	41900	1	COUPLING, QUICK DISCONNECT,FEMALE,FILTER PAN
2	90891	1	VALVE HANDLE, WELD ASSY, DIVERTER VALVE
3	91017	1	VALVE HANDLE, DRAIN, WELD ASSY, GGF
4*	21157	1	SWITCH, LIMIT, 15A, 250V DRAIN SWITCH
5	41699	1	COUPLING, QUICK DISCONNECT, FEMALE
6	38845	1	DOOR, WELD ASSY, GGF-400/560/720
7	38834	1	FILTER PAN, ASSY, GGF-400/560/720
8	90872	1	FILTER PAN COVER, WELDMENT, GEF
9	40851	1	CATCH, MAGNET, DOOR, SNAP IN, 2.3IN
10	40806	1	CASTER, 5.000, RIGID, W/BRAKE, GEF
11	45876	1	DRAIN VALVE, 1-1/2"NPT, GGF
12	90988	1	DOOR HINGE, BOTTOM, GGF-400/560/720
13	90989	1	DOOR HINGE, TOP, GGF-400/560/720
14	45755	1	VALVE, 3 WAY

* Not shown

8-4. Rear Lower Cabinet



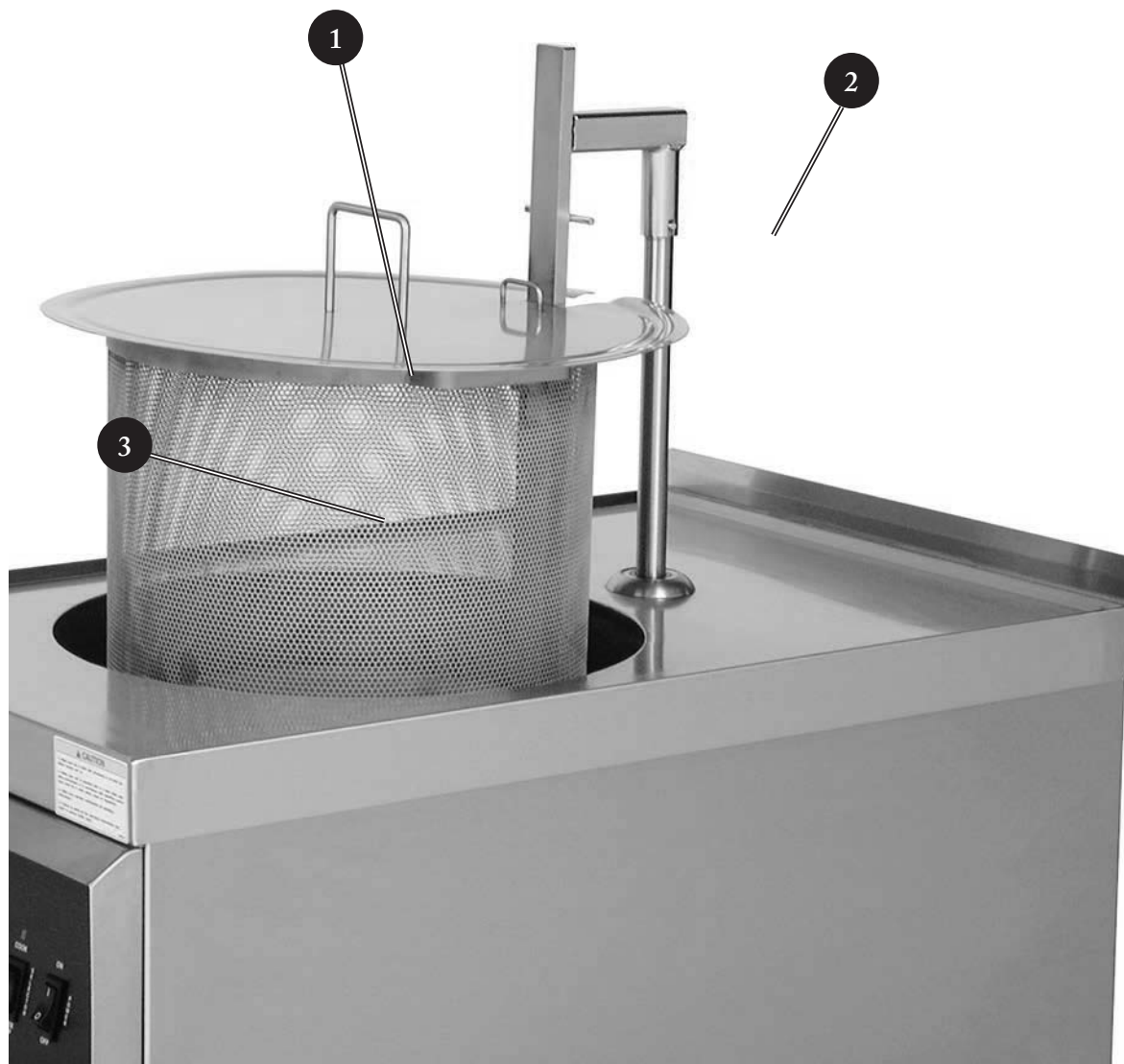


8-4. Rear Lower Cabinet

Item	Part Number	Qty.	Description
1	90893	1	HANDLE, GAS SHUT OFF VALVE
2	21801	1	BLOWER, DRAFT, 115V
2	21800	1	BLOWER, DRAFT, 208-240V
3	90872	1	COVER, FILTER PAN
4	34955	1	GAS COCK, SHUTOFF VALVE
5	91344	1	GAS CONTROL VALVE ASSEMBLY
6	91186	1	ELEVATOR ASSEMBLY, 120V
6	38827	1	ELEVATOR ASSEMBLY, 208/240V
7	40806	2	CASTER, 5.0, RIGID W/BRAKE
8	40807	2	CASTER, 5.0, SWIVEL W/O BRAKE
9	38834	1	FILTER PAN ASSEMBLY



8-5. Basket Cover and Basket



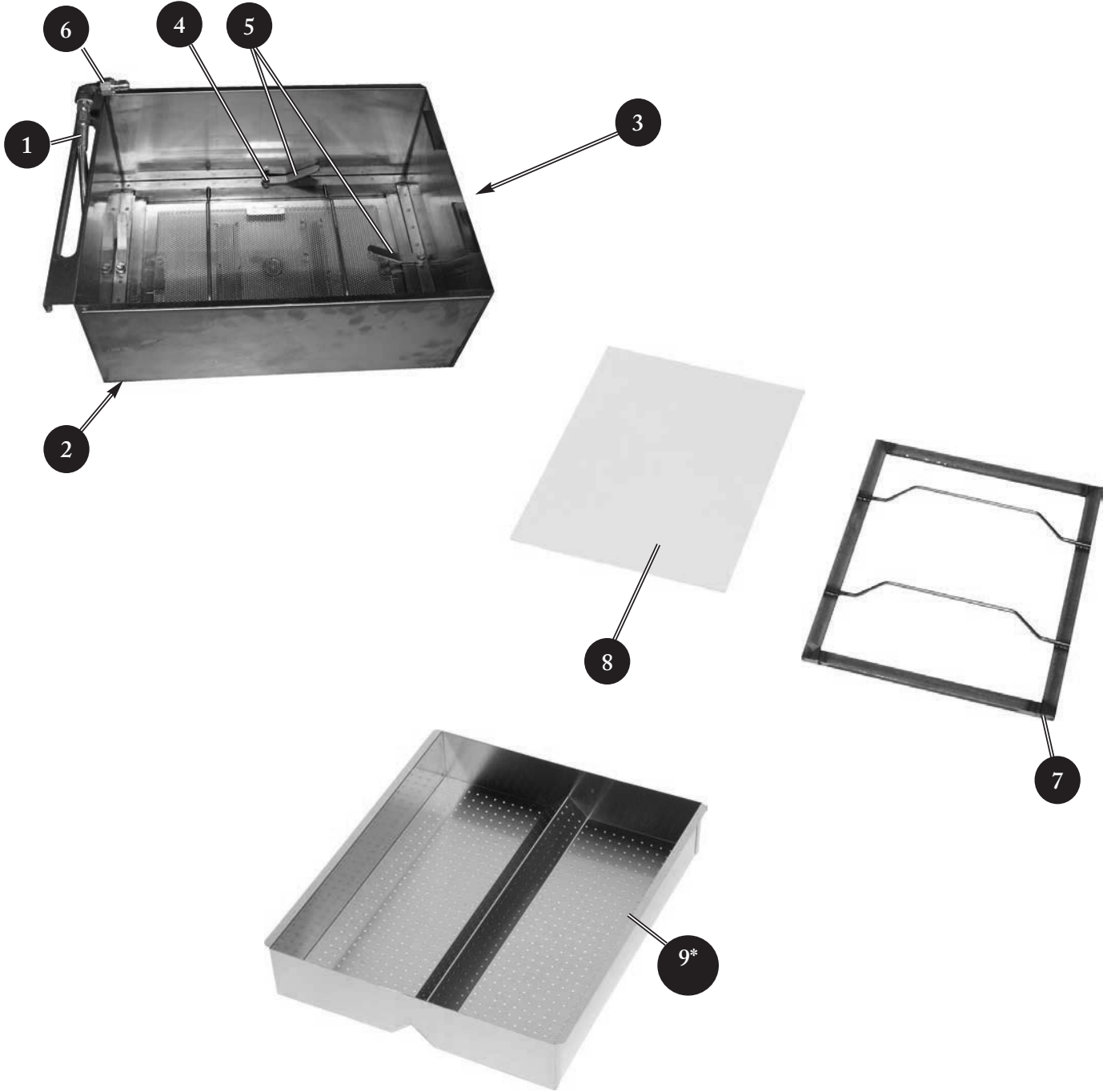


8-5. Basket Cover and Basket

Item	Part Number	Qty.	Description
1	33883	1	BASKET COVER, ASSY, GGF-720
1	33884	1	BASKET COVER, ASSY, GGF-400
2	38930	1	BASKET CARRIER, ASSY, GGF-720
2	39165	1	BASKET CARRIER, ASSY, GGF-400
3	91811	1	BASKET, GGF-720
3	33718	1	BASKET, GGF-400



8-6. Filter Pan



* Accessory, Purchased Separately



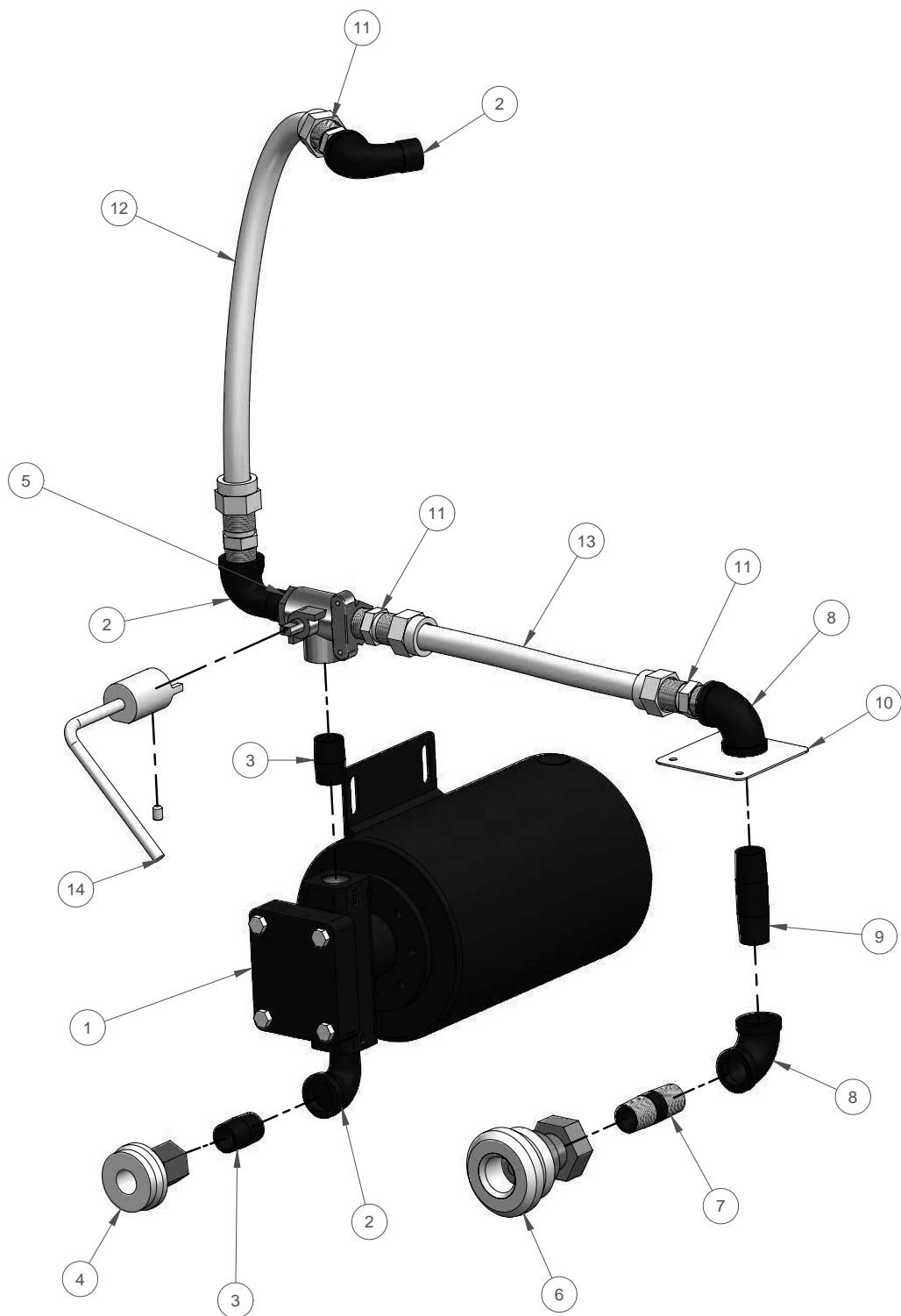
8-6. Filter Pan

Item	Part Number	Qty.	Description
1	40955	1	HOSE, 1/2NPT X 15.75
2	40649	1	CASTER, SWIVEL, 2-9/16, FILTER PAN
3	38834	1	FILTER PAN, ASSY, GGF GAS FRYER
4	30040-4	4	STUD, FILTER PAN HOLD DOWN FRAME
5	38841	4	HANDLE, SUPPORT FRAME, FILTER PAN, GGF
6	44150	1	FITTING, BRASS,MALE,1/2NPT,QUICK DISCONNECT
7	38830	1	HOLD DOWN FRAME, WELD ASSY
8	60810	1	PAPER, FILTER, 21.375 X 15.500, GGF
9*	39246	1	CRUMB SCREEN, FILTER PAN, GGF
10	40956	1	HOSE, 1/2NPT X 11.500

* Accessory, Purchased Separately



8-7. Plumbing





8-7. Plumbing

Item	Part Number	Qty.	Description
1	70912	1	PUMP AND MOTOR ASSY, VIKING
1	70910	1	PUMP ONLY
1	70911	1	MOTOR ONLY
2	42250	3	STREET ELL, BLACK, 1/2"
3	43850	2	NIPPLE, 1/2" CLOSE
4	41900	1	QUICK DISCONNECT, 1/2"
5	45755	1	3-WAY VALVE
6	41699	1	COUPLING, FEMALE QUICK DISCONNECT
7	43900	1	NIPPLE, 1/2" X 2"
8	42200	2	ELBOW, 1/2", BLACK
9	46753	1	NIPPLE, 1/2" X 2.5"
10	90870	1	BRACE, PIPE SUPPORT
11	40889	4	ADAPTER, 1/2" COMPRESSION X 1/2" PIPE THREAD -
12	40909	1	PIPE, CORRUGATED, 5/8" X 18"
13	40908	1	PIPE, CORRUGATED, 5/8" X 8.5"
14	90891	1	VALVE HANDLE ASSY, DIVERTER VALVE
15	10098	1	SET SCREW, 1/4-20, CUP PT.



Notes:





Giles Enterprises, Inc.

P.O. Box 210247 • 2750 Gunter Park Drive West • Montgomery, Al 36121-0247 USA
(334) 272-1457 • Service Hotline 1-800-554-4537 (USA & Canada Only) • FAX (334) 272-3561 • www.gilesent.com

Original Copyright (11/00) Form No. 60199 (07/23/02)(Rev A)