

Operations & Service Manual

PO-VH & OVH-10



Model: OVH-10

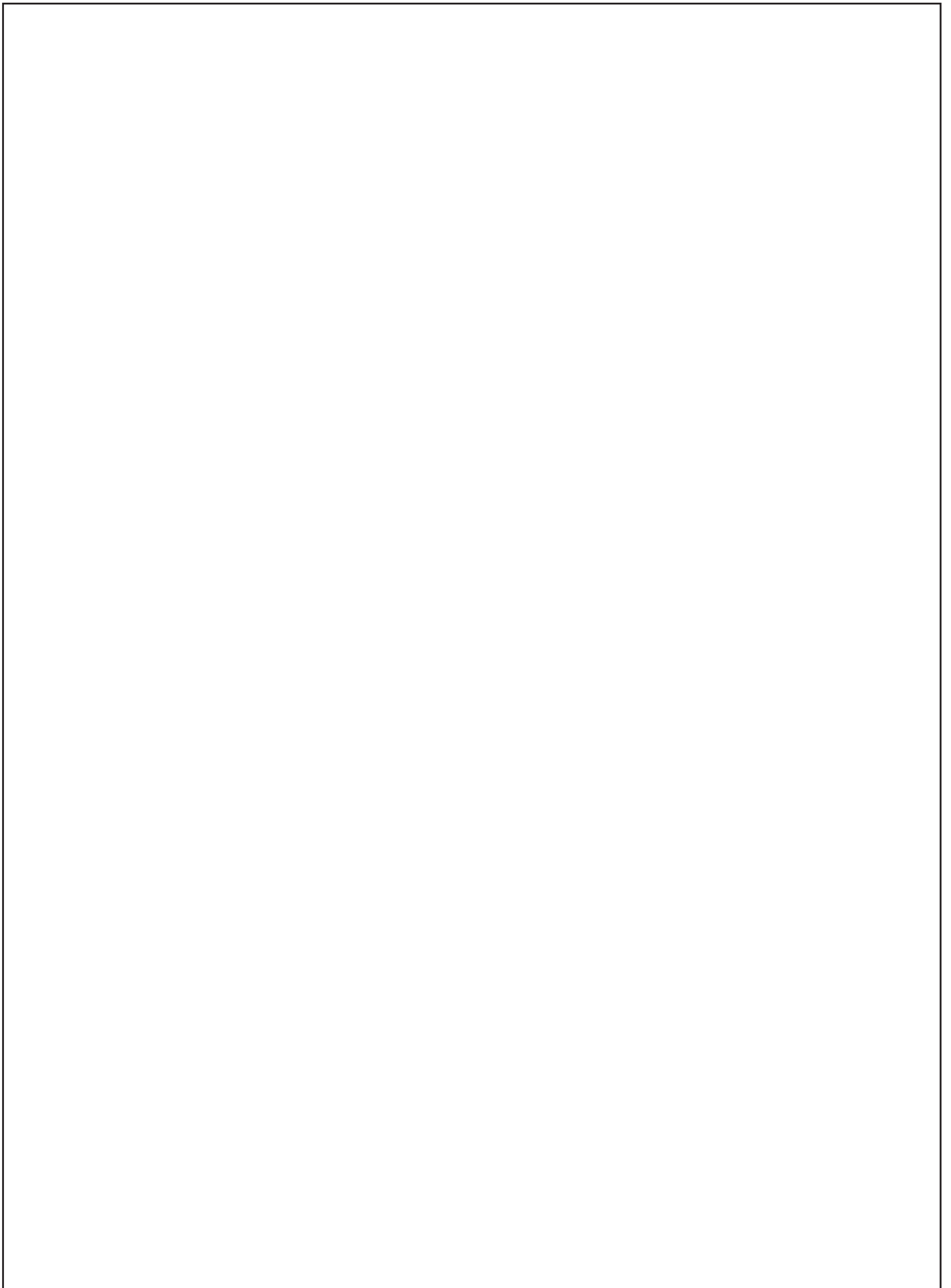


Model: PO-VH



Giles Enterprises, Inc.
 ISO 9001 Registered Company • Committed to Quality
 2750 Gunter Park Drive West • Montgomery, AL 36109 USA
 Phone: 334.272.1457 • Fax: 334.239-4117 • www.gfse.com
 Service Hotline (Toll Free): 800.554.4537 (USA & Canada Only)
 Form No. 60203 (Rel. Date: 02/2001) (Rev: 02/2016, Rev. F)





LIMITED WARRANTY

- Subject to the terms and conditions of this Limited Warranty as herein stated, all Giles Enterprises, Inc., Foodservice Equipment and parts purchased new from an authorized Giles Enterprises, Inc., representative are warranted as to defects in material or workmanship for a period of 24 months from the date of installation, provided, however, that with regard to labor costs in connection with this warranty, see below. All installations must be made by a qualified installing agency in accordance with all applicable codes and/or regulations in the jurisdiction in which installed. Limited warranty coverage is extended to the original owner only and is void if the unit is resold.
- During the Limited Warranty period, Giles Enterprises, Inc. will replace or recondition, at its factory, any part or parts of this unit which Giles Enterprises, Inc. inspectors judge defective, provided the unit has been subjected to normal usage, properly installed, operated and serviced. This Limited Warranty does not cover cosmetic damage, and damage due to acts of God, accident, misuse, alteration, negligence, abuse of the Giles Foodservice Equipment or the use of unorthodox repair methods. All parts replaced under this Limited Warranty carry only the unexpired term of this Limited Warranty. Limited Warranty service may be furnished only by an authorized Giles Enterprises, Inc., representative.
- **Failure to use Giles OEM parts and OEM replacement filters may void the factory warranty.**
- If Limited Warranty service is requested, Giles Enterprises, Inc., will send factory-authorized service representatives to repair, recondition, replace or inspect units of its manufacture with such labor being rendered without cost to owner for 24 months from the date of installation. Otherwise, service, including labor and transportation charges or other expenses, in connection with the removal or installation of any part or parts supplied under this Limited Warranty, are specified on the original sales contract between the purchaser and the authorized Giles Enterprises, Inc., representative.
- Giles Enterprises, Inc. reserves the right to change or improve its equipment and parts in any way without obligation to alter such equipment or parts previously manufactured.
- Giles Enterprises, Inc. makes no further warranties, express or implied including implied warranties of merchantability or fitness for a particular purpose, and has no other obligation or liability not specifically stated herein.
- Repair or replacement as provided under this limited warranty is the exclusive remedy. Giles Enterprises, Inc., shall not be liable for any incidental or consequential damages for breach of any express or implied warranty on this product, except to the extent prohibited by applicable law. Any implied warranty of merchantability or fitness for a particular purpose on this product is limited in duration to the duration of this limited warranty.
- Used Giles Enterprises, Inc., Foodservice Equipment or parts or Giles Enterprises, Inc., Foodservice Equipment or parts not purchased from an authorized Giles Enterprises, Inc., representative, carry no warranties, express or implied.

Safety v

Safety Overview	v
Specific Safety Precautions	vi

1. Introduction	1
1.1. Construction	1
1.2. Standard Features	1
1.3. Optional Features	1
1.4. Specifications	2
1.4.1. Overall Dimensions for PO-VH (UCA)	2
1.4.2. Overall Dimensions for OVH-10 (UCM)	3
1.4.3. Regulatory Listings	4
1.4.4. Hood Weights	4
1.4.5. Appliance Restrictions fo PO-VH Hood	4
1.4.6. Appliance Restrictions for OVH-10 Hood	4
2. Installation	5
2.1. Location	5
2.2. Unpacking	6
2.3. Hood Electrical Requirements	7
2.4. Electrical Connections	8
2.4.1. Routing Power Wires	8
2.4.2. Electrical Connections for Installation over a 208/240V Appliance	9
2.4.3. Electrical Connections for Installation over a 480V Appliance	9
2.5. Bumper guard Installation (PO-VH only)	10
2.6. Fire Suppression System	11
2.6.1. General Installation - Hood with Fire Suppression Option	11
3. Overview	13
3.1. Control Panel: PO-VH	14
3.1.1. Control Panel: OVH-10 with E.A.C. Cleaning Timer	16
3.2. Filter Chamber and Exhaust	18
3.3. Accessories (Included)	20
4. Operation & Filter Maintenance	23
4.1. Hood Operation	23
4.2. Filters, Filter Maintenance and Filter Alarms	23
4.2.1. Ventless Hood Filter Table	23
4.2.2. Accessing the Filter Chamber	24
4.2.3. Hood Filter Management	26
4.2.3.1. Baffle Filter Removal & Installation	26
4.2.3.2. E.A.C. Filter Cell Removal & Installation	27
4.2.3.3. Charcoal Filter Removal & Installation	28

4.2.4. Hood Filter Alarms 29

4.2.4.1. Charcoal or Baffle Filter Missing 29

4.2.4.2. Charcoal or Baffle Filter Clogged 29

4.2.4.3. E.A.C. Filter Status & Alarm 30

4.2.5. Filter Cleaning & Maintenance 31

4.2.5.1. Baffle Filter Cleaning 31

4.2.5.2. E.A.C. Filter Cell Cleaning 31

4.2.5.3. E.A.C. Filter Cleaning Timer (OVH-10 Only) 32

4.2.5.4. Charcoal Filter Maintenance 33

5. Hood Cleaning and Maintenance 34

5.1. Hood Cleaning 34

6. Troubleshooting 35

6-1. Troubleshooting Procedures 35

7. Parts List 37

7.1. Parts Ordering and Service Information 37

7.2. Control Panel: PO-VH 38

7.3. Control Panel: OVH-10 40

7.4. Fan Compartment: PO-VH 42

7.5. Fan Compartment: OVH-10 44

7.6. Filter Compartment: PO-VH 46

7.7. Filter Compartment: OVH-10 48

Safety

Safety Overview

The instructions presented in this manual have been prepared to aid you in learning proper procedures for installing, operating and servicing the unit.

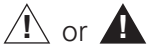
Throughout this manual, safety precautions are identified by use of safety alert symbols and three key words: **DANGER**, **WARNING** and **CAUTION**. Safety alert information will precede the step, or series of steps, to which it applies. Suggested, recommended, or other noteworthy information is identified through the use of **NOTES**. Additionally, the following words are used to convey specific meaning or to add emphasis:

Shall: understood to be mandatory.

Should: understood to be advisory.

May: understood to be permissive.

Will: indicates potential for occurrence of a future event or condition.



Safety Alert Symbols

Used in conjunction with key words (**DANGER**, **WARNING**, or **CAUTION**) that immediately precede precautionary measures to alert you of potential personal injury hazards that may arise. Obey all safety information following these symbols to avoid possible injury, or even death. Failure to adhere to safety precautions identified by the safety alert symbols may also void the factory warranty.

DANGER

Indicates an imminently hazardous situation which, if not avoided, will result in serious injury or possible death. Use of this is limited to the most extreme situations.

WARNING

Indicates a potentially hazardous situation which, if not avoided, could result in serious injury or possible death.

CAUTION

Indicates a potentially hazardous situation which, if not avoided, may result in moderate to minor injuries. Also used to alert operator to unsafe practices.

CAUTION

When used without the safety alert symbol, **CAUTION** indicates a potentially hazardous situation which, if not avoided, may result in equipment or property damage, and could void the factory warranty.

NOTE:

Identifies suggested, recommended, or other noteworthy information.

Specific Safety Precautions

For safety, please observe the following precautions when operating or servicing Model PO-VH or OVH-10 Ventless Recirculating Hoods. Reading and understanding the following important safety information will help avoid personal injury and/or damage to equipment or property.

DANGER

- Always disconnect the source of main hood power before removing any electrical Access Panel or Cover.
- Failure to have the Power switch in the **OFF** position during servicing or when replacing filters, could result in equipment damage, electrical shock and/or serious personal injury.
- Failure to comply with these **DANGER** notices will result in serious injury or possible death, equipment or property damage, and could void the warranty.

WARNING

- **DO NOT** use or store flammable liquids, or materials which may produce flammable vapors, in the vicinity of this or any other appliance!
- Consult a qualified electrician to ensure all electrical specifications have been met and the unit is properly grounded in accordance with applicable codes.
- Before installing or servicing this equipment, read the contents of this manual thoroughly. Secure the hood mounting instructions, read and fully understand prior to beginning installation.
- Improper installation, adjustment, alteration, service or maintenance could result in serious injury or possible death, equipment or property damage, and could void the warranty.
- Failure to comply with these **WARNING** notices could result in serious injury or possible death, and equipment or property damage.

CAUTION

- Maintain a minimum clearance of 12" (304.8mm) between the hood exhaust outlet and ceiling, or any overhead obstruction. **Giles recommends an 18" (457.2mm) clearance for best performance.** Some Hood models are equipped with an Exhaust Air Diverter attached to the exhaust outlet. In that case there is **no** minimum requirement with respect to ceiling clearance.
- Exercise care when lifting, handling and removing the unit from the shipping skid. Refer to **Section 1.4.4, Hood Weights**
- **DO NOT** operate the unit unless you fully understand its components and their intended function.
- Handle the Electronic Air Cleaner (EAC) cell carefully. **DO NOT** bend the collection plates (fins) or break any of the ionizer wires. Doing so will significantly reduce the performance of the EAC and will eventually cause power to the appliance beneath the Hood to be shutdown.
- Failure to comply with these **CAUTION** notices may result in moderate to minor injury, equipment or property damage, and could void the warranty.

CAUTION

- The Control Panel components are impact-sensitive. Exercise care to avoid damage and maintain proper operation.
- **DO NOT** attempt to dry the E.A.C. Cell after cleaning by installing it and running the hood or by running the appliance below the hood to generate heat for drying. This could potentially damage the EAC Power Supply causing improper operation and voiding the warranty. **NEVER PLACE A WET E.A.C. CELL INTO THE HOOD.**
- When cleaning the Hood.
 - **DO NOT** steam clean or use any type pressure washer.
 - **DO NOT** use products containing chlorine or other caustic chemicals.
 - **DO NOT** use abrasive products, steel wool or scouring pads.
- Failure to comply with these **CAUTION** notices may result in equipment or property damage and could void the warranty.

NOTE:

- If after unpacking the unit and its accessories, damage is observed, immediately and thoroughly inspect the Hood and its accessories. Notify the freight company of any damages. Generally, negotiating freight damage claims shall be the responsibility of the Customer.
- To aid with electrical installation, a wiring diagram has been included with the unit.
- Comply with all appropriate state and/or local health regulations regarding cleaning and sanitation of any foodservice equipment.
- To clean difficult surface areas, having excessive build-up of grease residue, Giles recommends using a mild, bio-degradable, non-toxic degreaser such as **Simple Green** or **Clear Magic**.
- Ensure that the unit is electrically grounded and installed in accordance with local codes, or in the absence of local code, in accordance with the prevailing **National Electrical Code ANSI/NFPA 70**.

1. Introduction

Thank you purchasing a new Giles Ventless Recirculating Hood System (PO-VH or OVH-10) manufactured by Giles Enterprises, Inc., Montgomery, Alabama, USA. Proper care and maintenance of this unit will ensure years of trouble-free service.

To help protect your investment in this equipment, we recommend taking a few moments to familiarize yourself with the installation, operational, cleaning and maintenance procedures described in this manual. Please secure and retain the installation instructions; thoroughly understand them before beginning installation. Adherence to these recommended procedures minimizes the potential for costly "downtime" and equipment repairs. Please retain this manual for future reference.

1.1 Construction

Giles' Ventless Hood Systems are constructed of stainless and aluminized sheet steel.

1.2 Standard Features

Control Panel

- Indicator lights show the status of various Hood systems: Electronic Air Cleaner (EAC), appliance power, filter missing warning, and clogged filter warning.

3-Stage Filter System

- Baffle Filter: Collects and removes large grease particulate from the air stream.
- Electronic Air Cleaner (EAC): Captures & collects smoke and fine grease particulate from the air stream. A HEPA Filter option is also available at time of purchase.
- Charcoal Filter: Helps to eliminate cooking aromas from the recirculated air.

Multiple Mounting Options

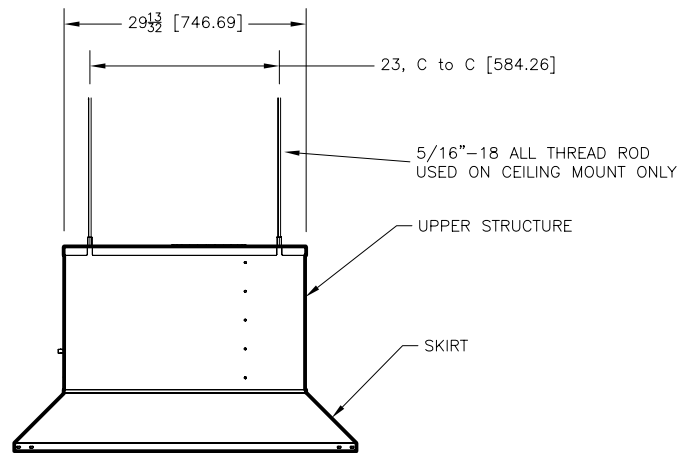
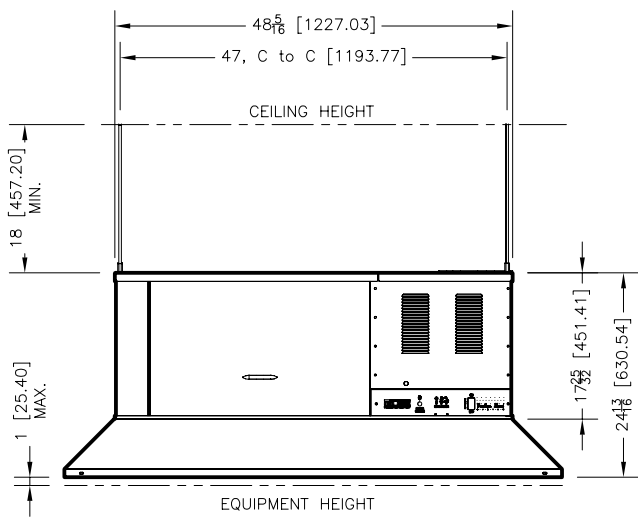
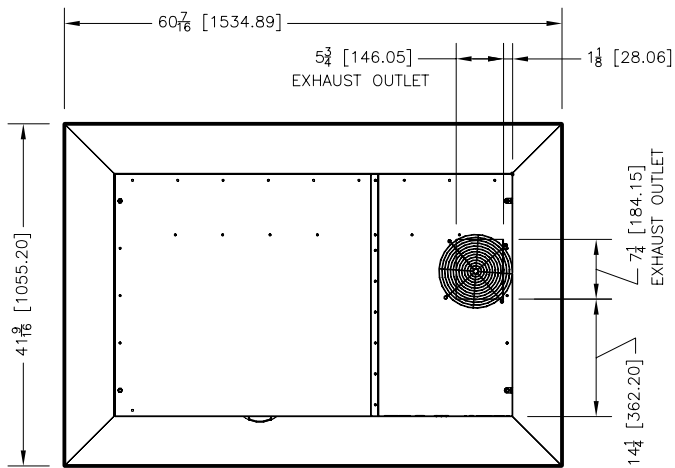
- For a universal application, the Hood may be suspended from the ceiling, allowing accommodation of practically any listed and approved appliance.
- PO-VH & OVH-10 Hoods are designed to accommodate customized skirts, allowing for direct-mounting onto a wide variety of popular oven styles.

1.3 Optional Features

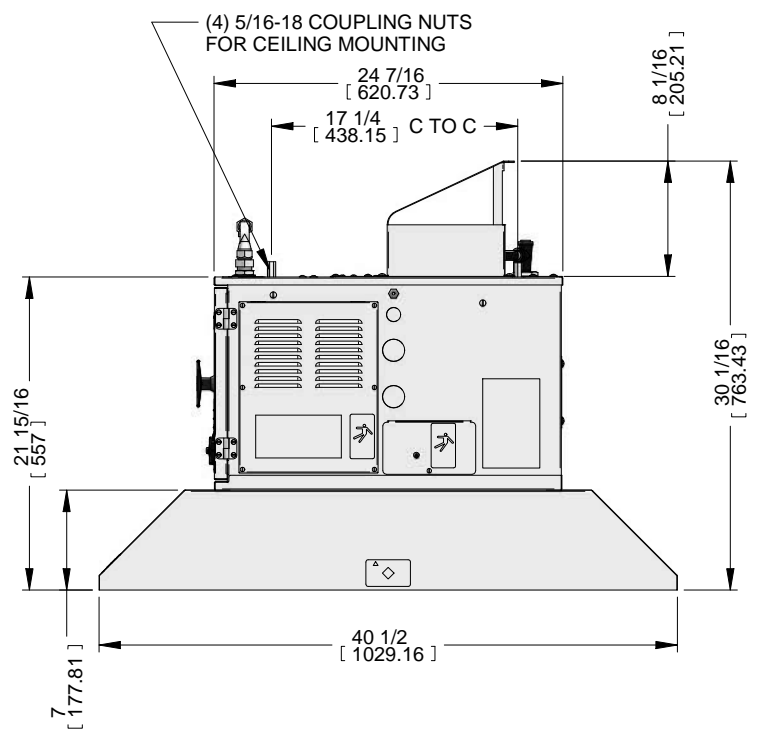
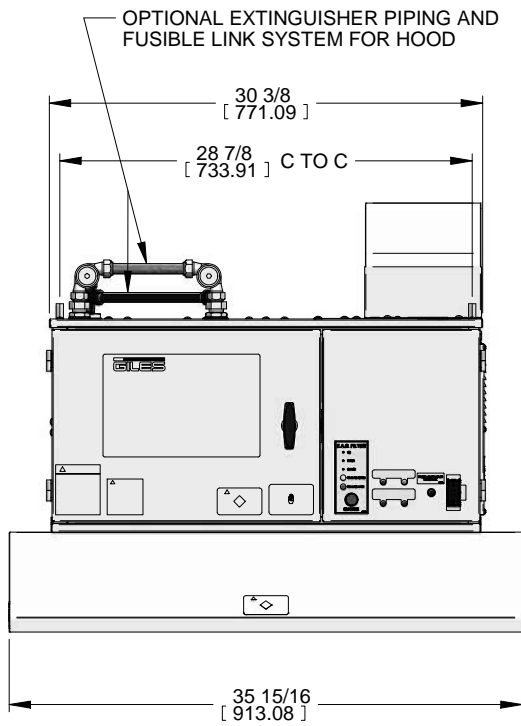
- **Interlocking Start System (ILS):** "Push to Start" feature prevents the Hood and the served Appliance from restarting when power is restored after a power interruption until it is attended by an operator. This feature may be required by local building codes. Please check with your local code officials to see if this system is required.
- **Fire Suppression Plumbing:** The Hood can be factory pre-plumbed for connection to an approved fire extinguishing system. Includes piping, discharge nozzles, fusible link brackets, and fusible link cable conduit. **Purchase, installation and commissioning of the actual fire extinguishing system is the Customer's responsibility and is not included with the purchase of this optional feature.**
- **Power Plug & Receptacle:** The Hood can be equipped with a power cord for ease of installation. An interlocked receptacle is provided internal to the Hood for connecting the served appliance, making the unit completely "plug & play".

1.4 Specifications

1.4.1 Overall Dimensions ... PO-VH (UCM model)



1.4.2 Overall Dimensions ... OVH-10 (UCM model)



1.4.3 Regulatory Listings



1.4.4 Hood Weights*

Hood	Crated Weight	Uncrated Weight
PO-VH	337 lbs [152.8 kg]	221 lbs [100.2 kg]
OVH-10	221 lbs [100.2 kg]	130 lbs [58.9 kg]

* Weights shown are typical; actual weight may vary depending upon the Skirt design and selected options.

1.4.5 Appliance Restrictions for POVH Hood

Unit Type	Max. Total Input, kW	Max. Clearance
Electric Oven (POVH ONLY - ovens may be double stacked in certain applications)	50	30" [762 mm] to cooking surface
Electric Rotisserie	6	6" [153 mm] to door top

1.4.6 Appliance Restrictions for OVH-10 Hood

Unit Type	Max. Total Input,	Max. Clearance
Electric Oven	11.5	30" [762mm] to cooking surface
Electric Rotisserie	6	6" [153] to door top

⚠ WARNING

PO-VH & OVH-10 Recirculating Ventless Hoods are not approved for use with gas heated appliances.

2. Installation

This section summarizes the procedures necessary to install your new PO-VH or OVH-10. Before installing this equipment, please thoroughly read the contents of this manual and any accompanying installation instructions. Following these procedures and instructions will help to ensure a safe and proper installation.

2.1 Location

CAUTION

- DO NOT ALTER, ADD ATTACHMENTS OR OTHERWISE MODIFY THIS EQUIPMENT.

NOTE:

- For some installations, consultation with a HVAC contractor may be required to confirm that proper room air exchange is occurring, and that the heat load capability of current air conditioning systems is sufficient.
- Exhaust ventilation is recommended for areas in which recirculating hoods are being operated. Giles recommends at least 50 CFM airflow per linear foot of hood space. This amount could vary based on local codes and site-specific installation requirements.
- The sound level produced by the hood when operating is approximately 65 dB's.

1. When using the ceiling mount method of installation, ensure that the overhead structure is sufficient to support the weight load of the Hood.
2. Once final installation and positioning of the unit is complete, there must be no obstruction of the Hood's exhaust air outlet. A minimum clearance of **12" (304.8mm)** must be maintained between the ceiling, or overhead obstructions, and the exhaust outlet on top of the unit. ***Giles recommends an 18" (457.2mm) clearance for best hood performance.***

Some Hood models feature an Air Diverter on the exhaust outlet. In that case there is **no** minimum requirement with respect to ceiling clearance, as exhaust is diverted to the sides and rear.

2.2 Unpacking

The unit is shipped on a wooden skid, secured by high-tensile plastic strapping, and wrapped in machine-applied stretch wrap. In some cases a corrugated sleeve or wooden framework may also be used to protect the unit. Unpack the unit as follows:

1. Position the unit in an area that provides adequate space for unpacking.
2. Remove the plastic stretch wrap, strapping and other packaging materials as necessary.
3. Carefully remove any wooden supports and/or framework that might be attached to the skid.
4. Locate and secure the envelope containing Warranty Card, Operation Manual, Mounting Instructions and any other hardware provided for installation. In some cases, additional mounting components may be wrapped separately and packed with the Hood (usually inside the Soak Tank) ... secure any such items and be certain they are retained for later use.
5. Secure the stainless steel Soak Tank and set aside. Check inside the Tank, as additional components are often packed inside. **There will be no Soak Tank included with the unit if it is a HEPA Filter model Hood.**

CAUTION

- Exercise care when lifting and handling the unit, please refer to **Section 1.4.4, Hood Weights**.
- Exercise care when removing and disposing of packaging materials.
- Failure to comply with these **CAUTION** notices may result in moderate to minor injury, equipment or property damage, and could void the warranty.

NOTE:

- If there is evidence of damage to the unit, or any of the accompanying items, immediately and thoroughly inspect the unit and all components. Notify the freight company of all damages. Generally, it is the responsibility of the Customer to file and negotiate freight damage claims with freight companies.

2.3 Hood Electrical Specifications

⚠ WARNING

- Consult a qualified electrician to ensure that all electrical specifications have been met and that the unit is properly wired and grounded.
- Improper installation, adjustment, alteration, service or maintenance could result in serious injury or possible death, equipment or property damage, and could void the warranty.

Electrical Specifications (Hood Only)						
Unit	Voltage	Hz	Phase	Watts	Amps	Breaker
OVH-10	208	60	1	433	2.1	10
OVH-10	240	60	1	433	1.8	10
PO-VH	208	60	1	920	4.4	10
PO-VH	240	60	1	920	3.8	10
PO-VH	220	50	1	920	4	10

NOTE:

- PO-VH & OVH-10 Hoods are designed to operate with either 208V or 240V supply power; the table above shows amp draw for each voltage.
- Breaker sizes shown apply to Hood power only. Power to the served appliance is typically interlocked through the hood’s circuitry such that the hood and appliance are powered through the same breaker. In such cases, breaker size shall be determined by the combined electrical load of the hood and appliance.

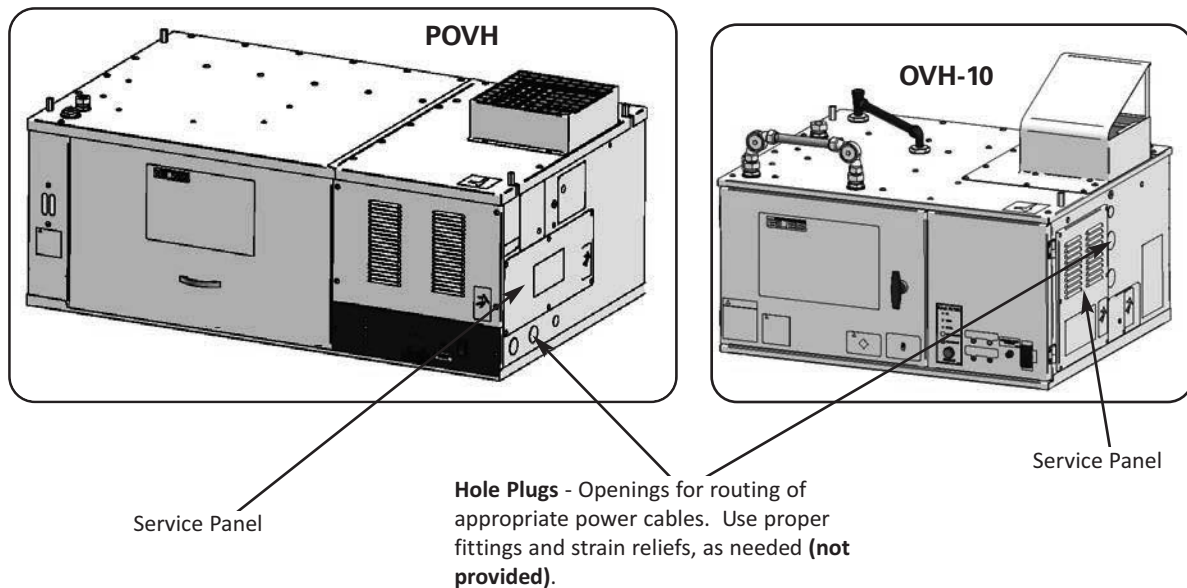
2.4 Electrical Connections

1. Confirm that appropriate circuit breakers are installed in the Main Breaker Panel. Refer to table in **Section 2.3**.
2. Connect appropriately size wiring to the Main Breaker. As applicable, allow enough wire length so the unit may be moved for cleaning and servicing.
3. Remove the Hood's Service Panel. Refer to **Figure 2.4.1**.
4. Route the power wires to the unit in accordance with all local building codes, as applicable.
5. If the Hood is to be installed above a 208/240V appliance connect appropriate incoming power wires to the proper terminal blocks. Use appropriate strain relief connectors or conduit fittings (**not provided**) for routing wiring through knock-out holes. Refer to **Section 2.4.2** and the Label affixed to service panel.

If the Unit is to be installed above a 480V appliance, refer to **Section, 2.4.3** and the Label affixed to the service panel.

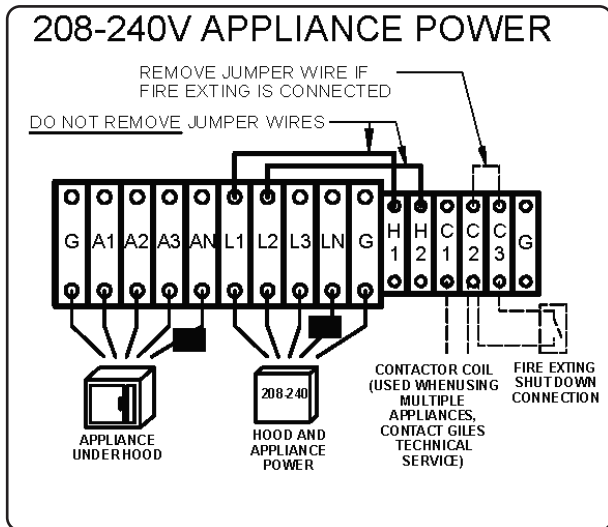
6. Reinstall Service Panel.
8. Turn **ON** main breaker.
9. Place the Hood Power Switch to the **ON** position. Hood with **ILS** option: Place Power Switch in **ON** position, then press and hold Start Button for approximately 5 seconds to energize the Hood.

2.4.1 Routing Power Wires



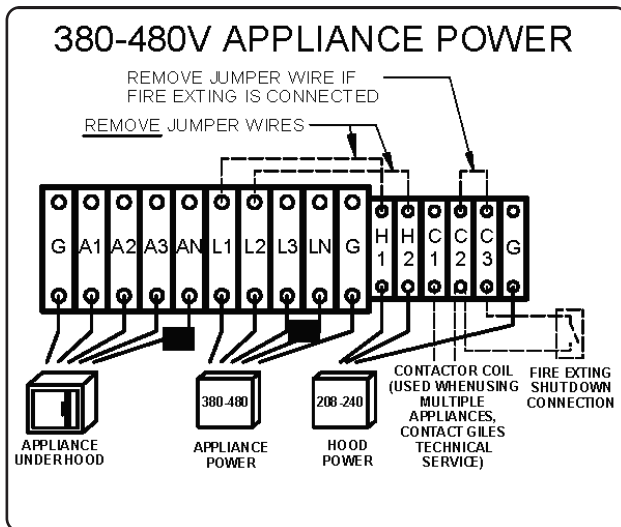
NOTE: Skirt not shown

2.4.2 Electrical Connections for Installation over a 208/240V Appliance



- Connect incoming main power wires from breaker panel to terminal blocks **L1, L2, L3, G**.
- Connect appliance power wires to terminal blocks **A1, A2, A3, G** (outgoing power).
- Should there be any question as to proper connection procedures call Giles' Technical Service at [800.554.4537](tel:800.554.4537).
- If hood is equipped with Fire Suppression System option connect as directed.
- All materials and labor needed for electrical installation are to be provided by the user.

2.4.3 Electrical Connections for Installation over a 480V Appliance



- Connect incoming main power wires (480V) from breaker panel to terminal blocks **L1, L2, L3, G**.
- Connect wires from appliance power cord to terminal blocks **A1, A2, A3, G** (outgoing power).
- Connect incoming low voltage (208-240V) power wires to terminal blocks **H1, H2, G**
- **Remove jumper wires from between L1-L2 and H1-H2.**
- Should there be any question as to proper connection procedures call Giles' Technical Service at [800.554.4537](tel:800.554.4537).
- If hood is equipped with Fire Suppression System option connect as directed.
- All materials and labor needed for electrical installation are to be provided by the user.

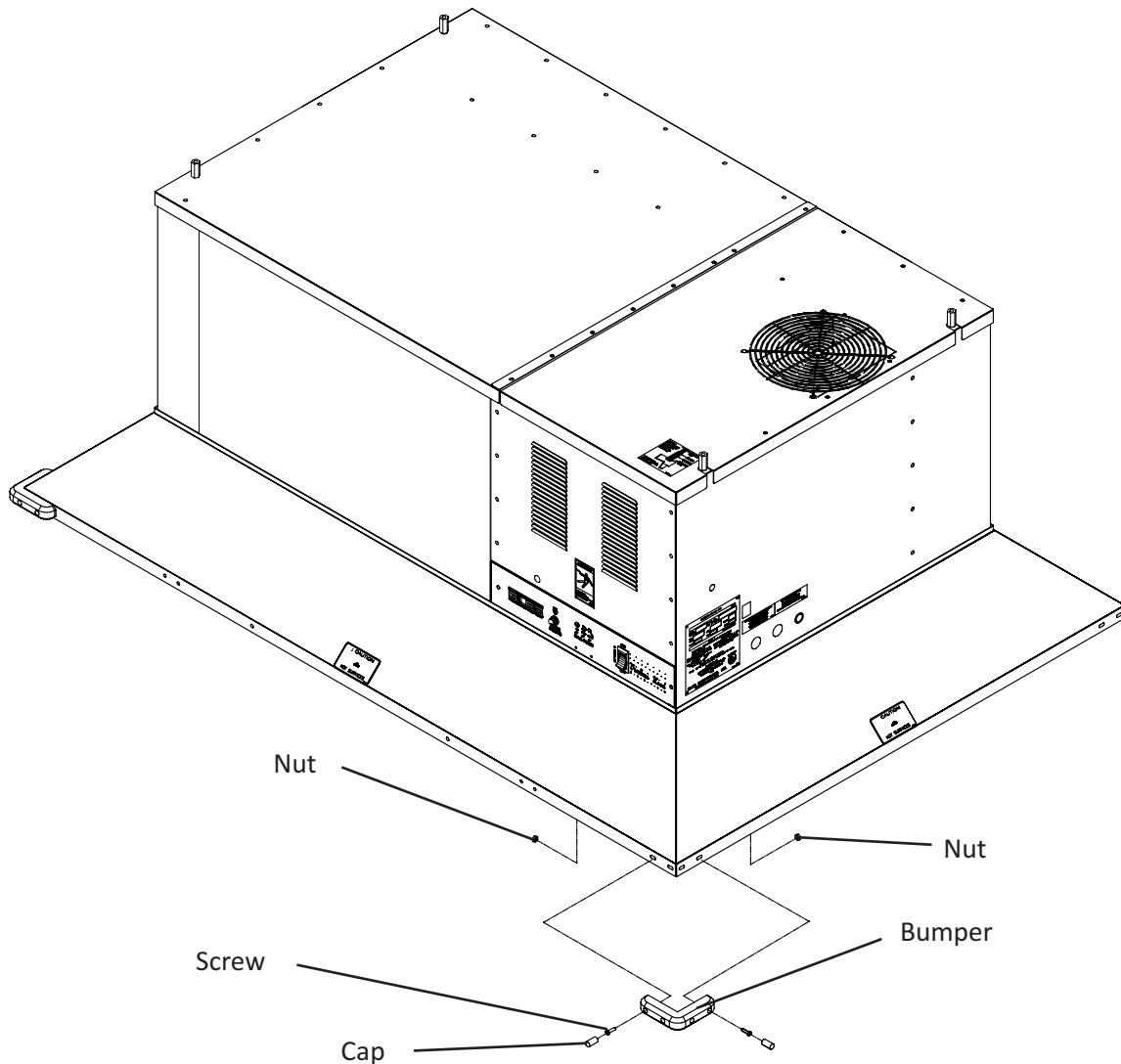
NOTE: The Neutral Line terminal blocks (LN & AN) are not required for domestic installations. Adhere to all local codes when installing this equipment. A certified electrician may be required for installation of this equipment.

2.5 Bumper Guard Installation (PO-VH Certain Models Only)

Some PO-VH Models are shipped with a Corner Bumper Guard Kit (2 Guards). These can help prevent personal injury to persons who may inadvertently come in contact with the overhanging front corners of the hood skirt. After Hood has been installed, attach the rubber Bumpers to the exposed front corners of the skirt as described.

1. Align bumper with holes.
2. Insert (2) 8-32 x 3/4 screws and secure with 8-32 nut on inside of skirt lip.
3. Insert (2) plastic hole plugs over screw heads.

NOTE: Not all PO-VH Models are supplied with a Bumper Guard Kit.

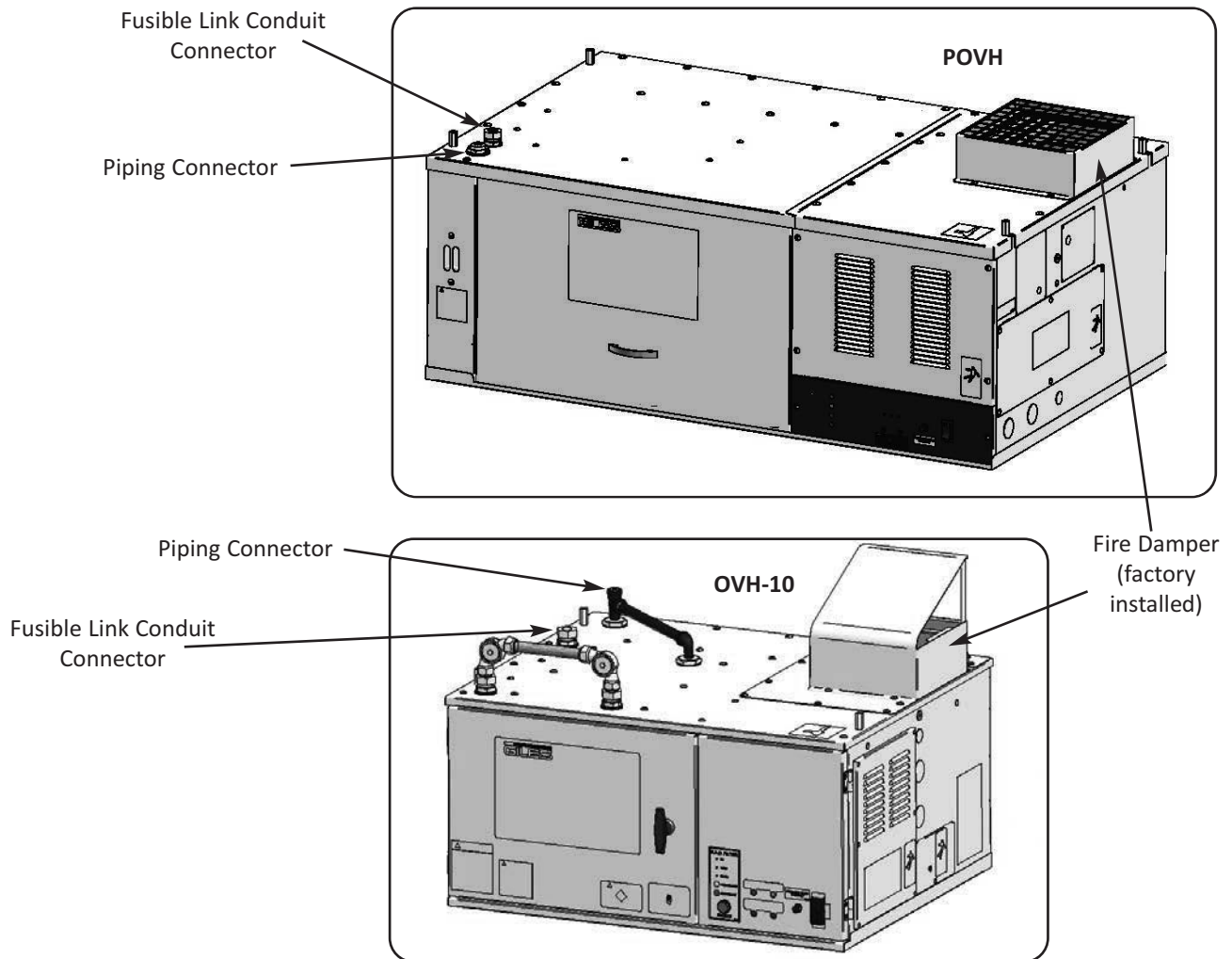


2.6 Fire Suppression System

Some local jurisdictions require Fire Suppression Systems be installed in all hoods, regardless of their use. Giles' PO-VH and OVH-10 model hoods can be ordered with factory installed piping, discharge nozzles, exhaust damper and fusible link conduit, stubbed out and ready for connection of an approved fire extinguishing system.

Final installation, commissioning and testing of the fire suppression system must be performed by a certified Ansul distributor, or other fire protection equipment specialist.

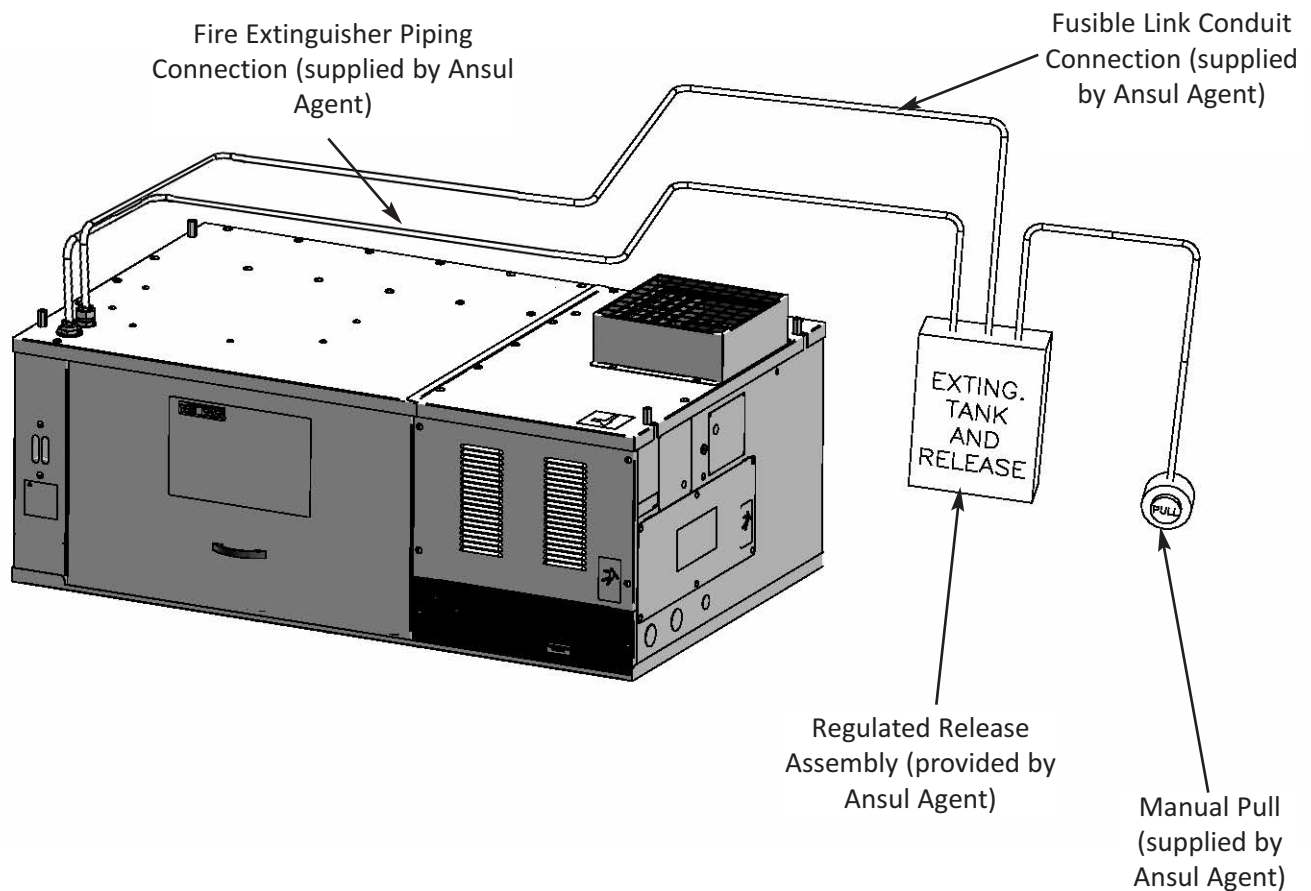
2.6.1 General Installation - Hood with Fire Suppression Option



Purchase, installation, set-up and testing of external fire extinguishing system components is the responsibility of the User and is not included with Hood purchase. Work must be performed by a an authorized Ansul agent or other certified fire protection company or service provider. Completed system must be approved by appropriate local authority before use.

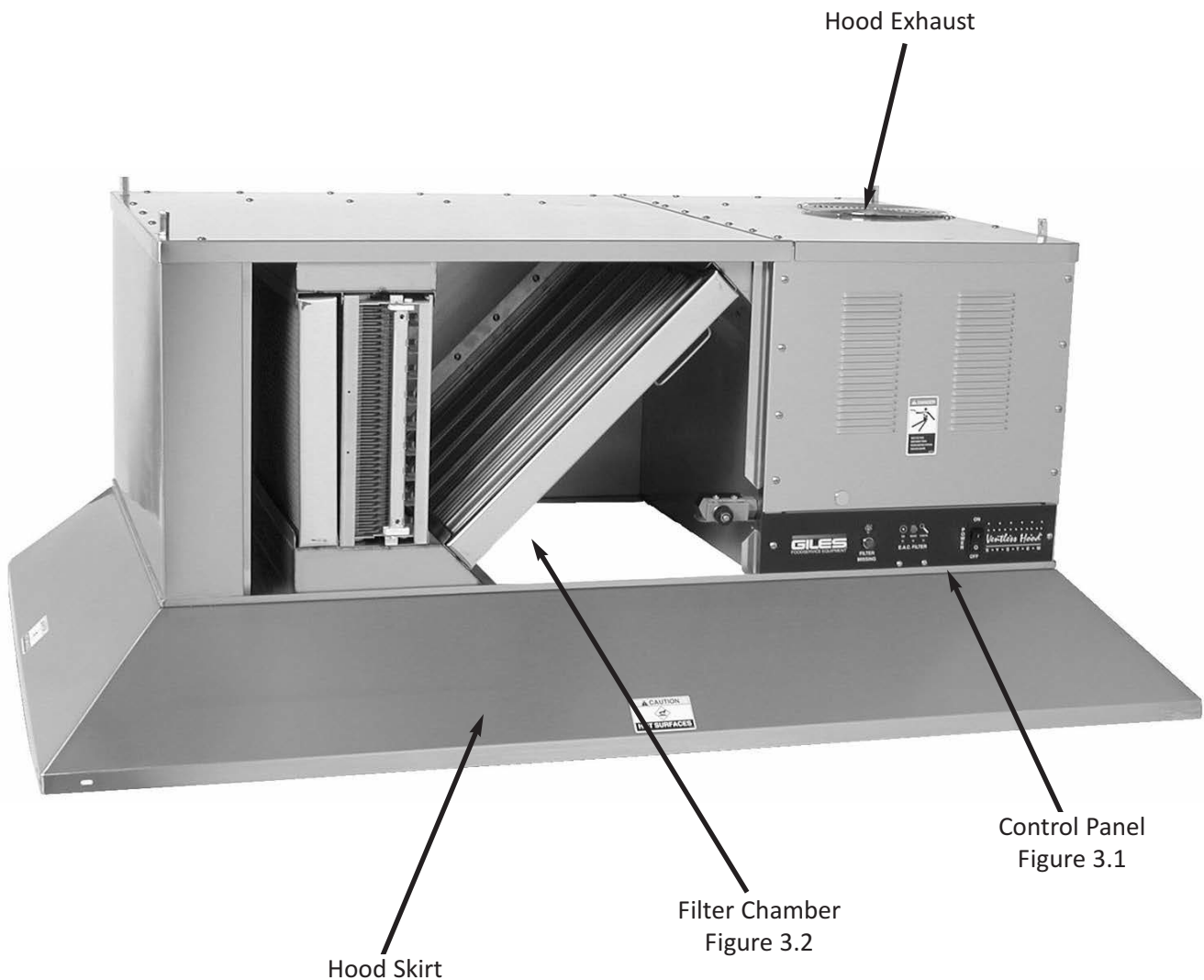
2.6.2 Fire Suppression Final System Installation

1. An Ansul distributor, or other certified fire protection specialist, shall install a regulated extinguisher release mechanism and tank, and tie-in necessary connecting piping, fusible link conduit and cabling to the Hood.
2. The fire protection specialist will specify and install appropriately rated fuses in the Hood brackets and connect the fusible link system to the release mechanism with stainless steel wire cable.
3. An emergency egress Manual Release Station must be installed in accordance with local code.
4. Provision for tie-in to the building's fire alarm system is available on these hoods, refer to **Sections 2.4.2 & 2.4.3**.
5. After installation and set-up, the system will be tested and charged with suppressant chemical and gas discharge cartridge.
6. The extinguishing system is to be maintained as outlined in the **Standard of Wet Chemical Extinguishing Systems, NFPA 17A**.



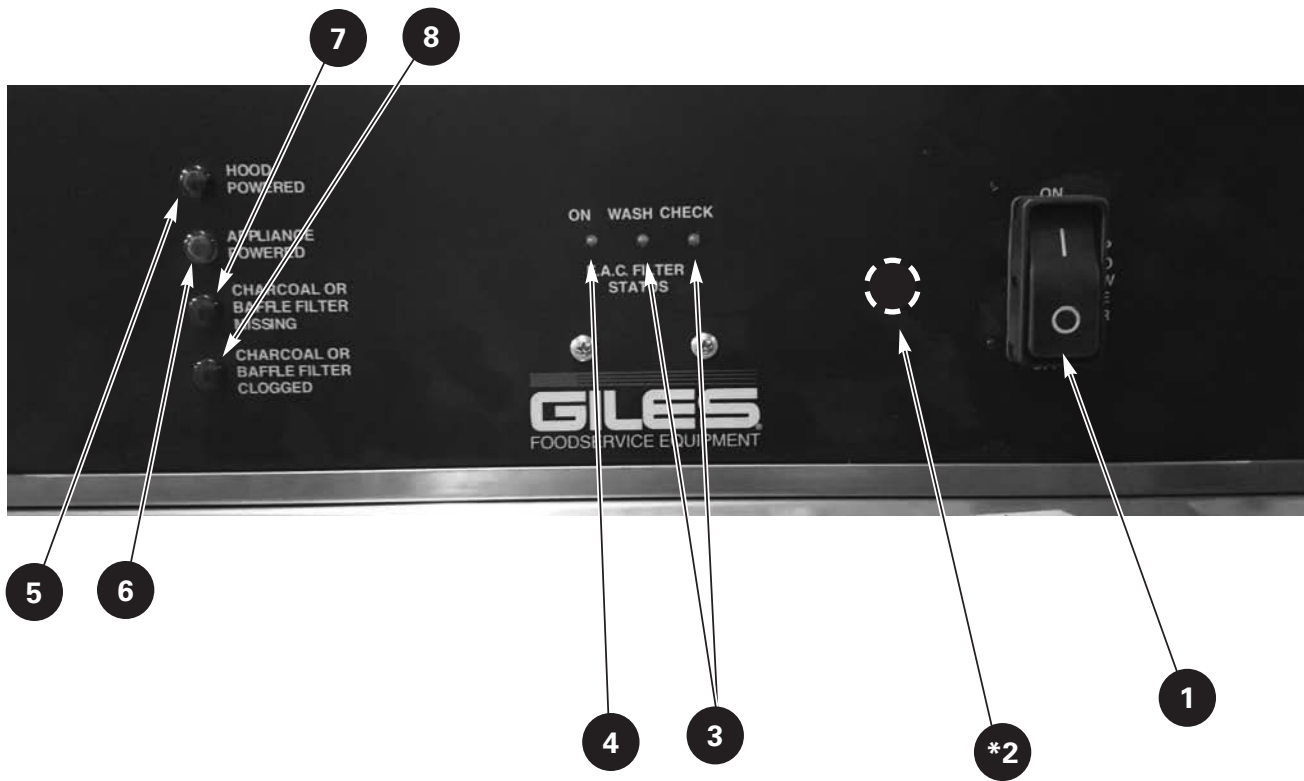
3. Overview

The following section provides a brief overview of the components, functions, and accessories of the PO-VH and the OVH-10 Ventless Hood. It will be very helpful to thoroughly review this section before proceeding.



POVH Hood shown

3.1 Control Panel: PO-VH

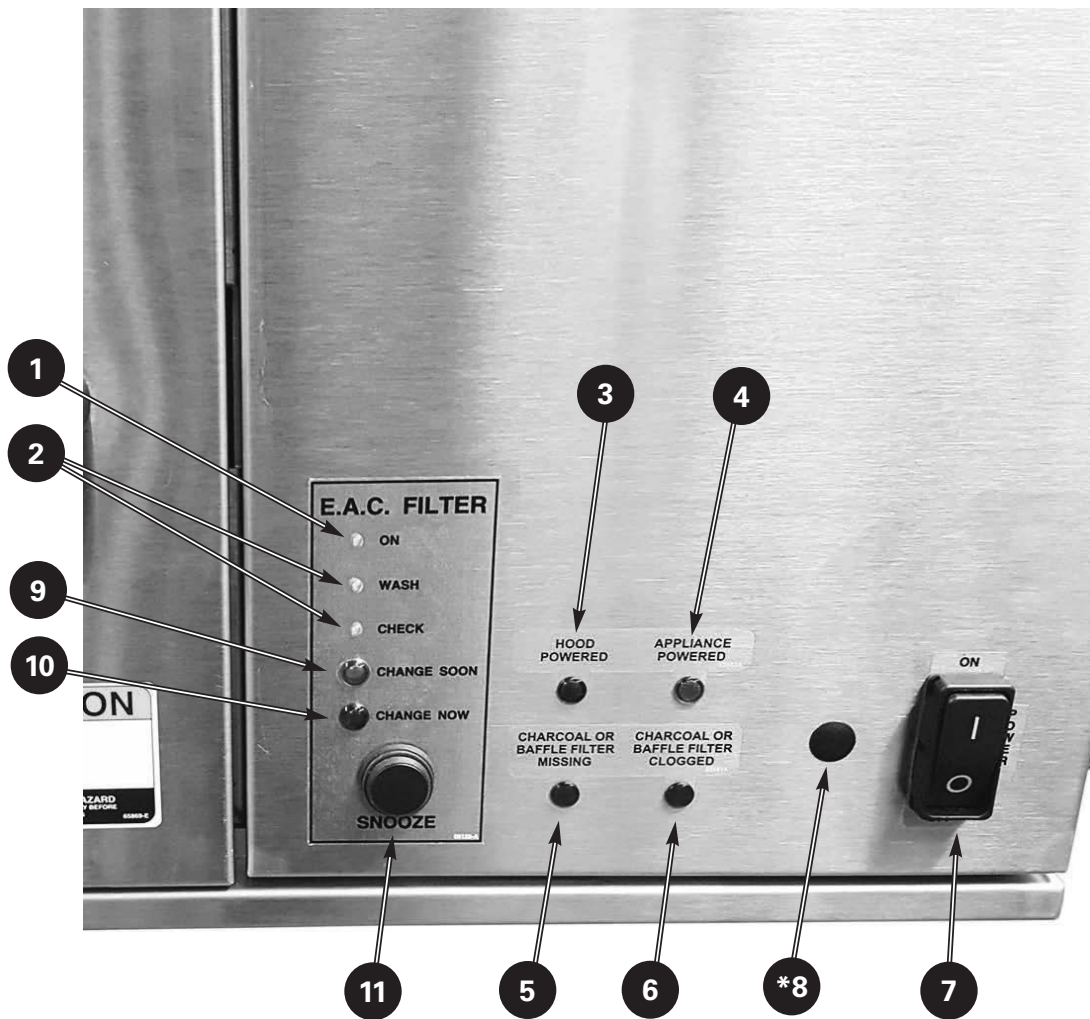


* Interlocked Start (ILS) Only - Not Shown

3.1 Control Panel: PO-VH		
Item	Description	Function
1	Power Switch	The Power Switch is a two-position Switch. Place switch in the upward ON position for operation.
*2	“PUSH TO START” Button	If equipped, after Power Switch is placed in the ON position, press and hold button for 5 seconds to start the Hood. (Only on units with ILS option - Interlocked Start).
3	EAC L.E.D. WASH & CHECK Indicator	When these Indicators are illuminated, the EAC Cell has stopped functioning. It is either excessively dirty, not making good contact, damaged, shorted out, or the EAC power supply is faulty. IMPORTANT! Do not rely upon these indicators as the signal for routine cleaning; EAC Cell must be cleaned daily to maintain peak performance and to extend the useful life of charcoal filters.
4	EAC L.E.D. ON Indicator	Illuminates to indicate that the Electronic Air Cleaner (EAC) is powered. The EAC is operating normally when this is the only LED indicator illuminated.
5	Power Light	Green POWER light illuminates when Power Switch is placed in the ON position.
6	Appliance Powered Light	Amber APPLIANCE POWERED light illuminates when the hood is operating normally, and the served appliance is powered and ready to use.
7	Filter Missing Light	Red FILTER MISSING light illuminates when either the Baffle Grease Filter or the Charcoal Filter is missing or improperly installed
8	Filter Clogged Light	Red FILTER CLOGGED light illuminates when either the Baffle Grease Filter or the Charcoal Filter becomes clogged and is not allowing sufficient air flow through the Hood.

* Interlocked Start (ILS) Only - Not Shown

3.1.1 Control Panel: OVH-10, with EAC Cleaning Timer

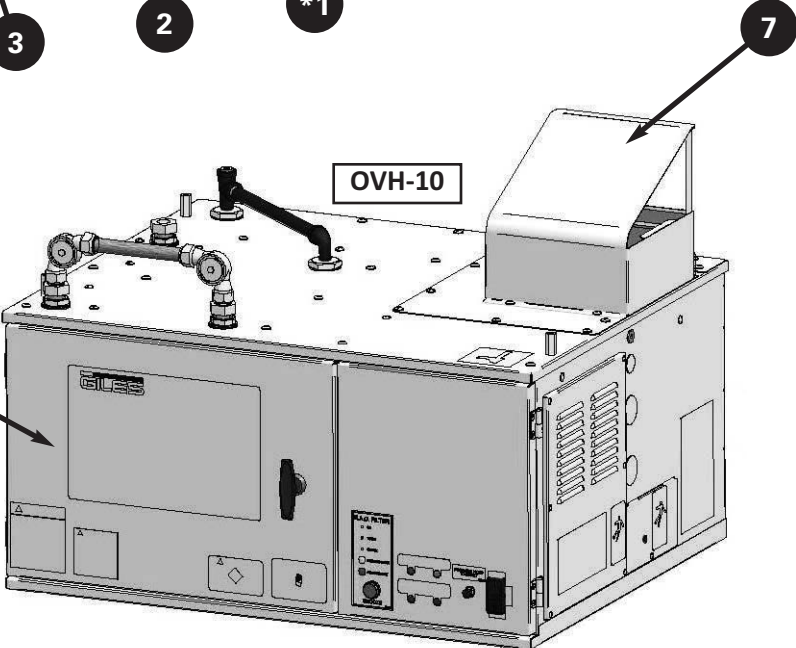
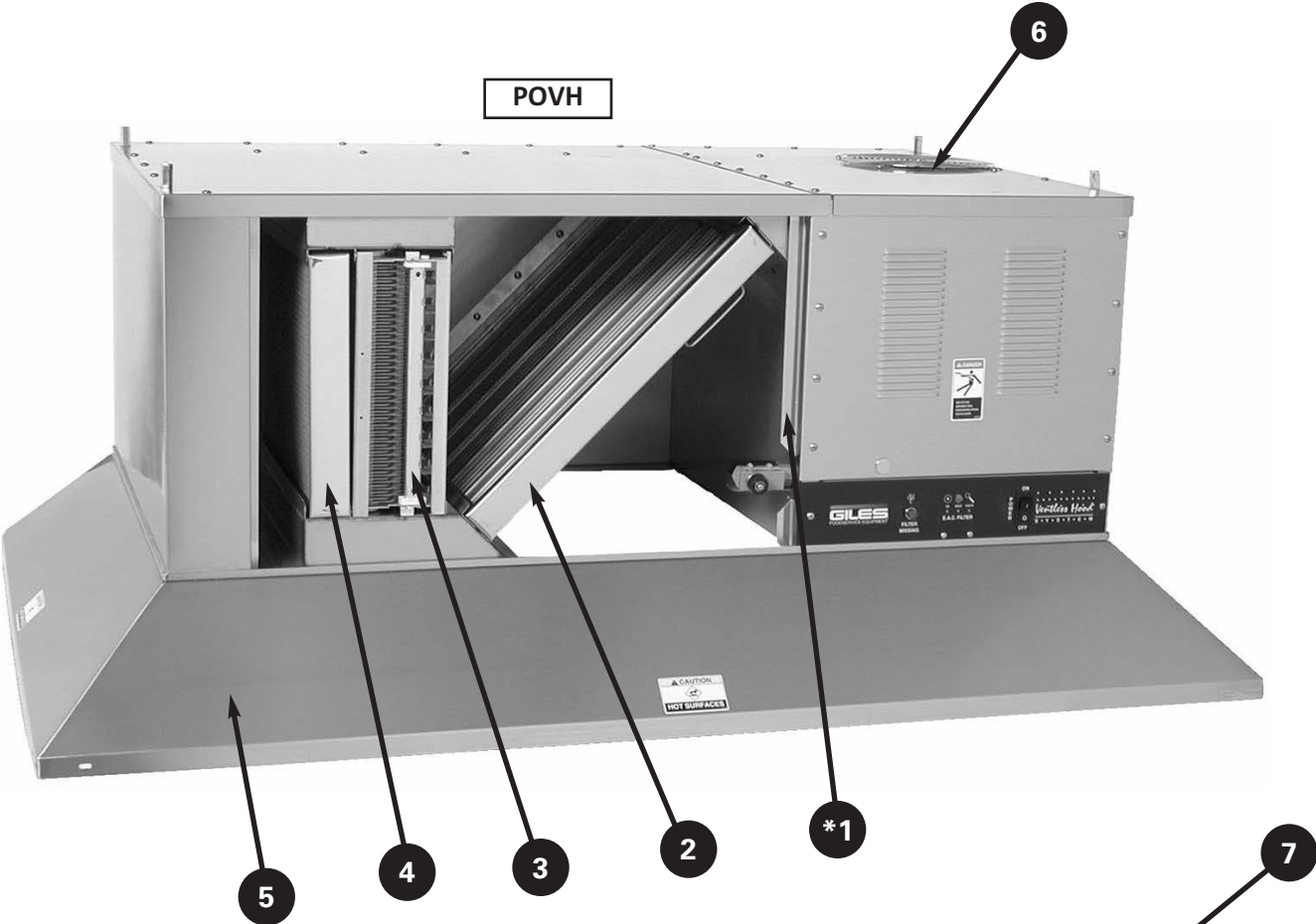


* Interlocked Start (ILS) Only - plugged when not used

3.1.1 Control Panel: OVH-10, with EAC Cleaning Timer

Item	Description	Function
1	EAC L.E.D. ON Indicator	Illuminates to indicate that the Electronic Air Cleaner (EAC) is powered. The EAC is operating normally when this is the only indicator illuminated.
2	EAC L.E.D. WASH & CHECK Indicator	When these Indicators are illuminated, the EAC Cell has stopped functioning. It is either excessively dirty, not making contact, damaged, shorted out, or the power supply has failed. IMPORTANT! Do not rely upon these indicators as a signal for routine cleaning; EAC Cell must be cleaned daily to maintain peak performance and to extend the useful life of charcoal filters.
3	HOOD POWERED	Green light illuminates to indicate the Hood is powered and running.
4	APPLIANCE POWERED	Amber light illuminates to indicate power is being supplied to the appliance underneath the hood and it can be operated.
5	CHARCOAL OR BAFFLE FILTER MISSING	Red light illuminates to indicate that the Baffle Filter or Charcoal Filter, or both, is missing or not properly installed.
6	CHARCOAL OR BAFFLE FILTER CLOGGED	Red light illuminates to indicate that airflow through the Hood has fallen below the acceptable minimum to provide capture of vapors, typically indicating a clogged filter.
7	Power Switch	Turns Hood power ON and OFF .
*8	“Push to Start” Button	Installed only on units with the Interlocking Start (ILS) Option. After placing Power Switch in the ON position, push and hold the PUSH TO START Button for 5 seconds to start the Hood blower. This must be done to restart the Hood after any power interruption. This feature is required by some jurisdictions. Please contact local code officials to see if this is required in your locale.
9	CHANGE SOON	Light illuminates when the EAC Filter Cleaning Timer has entered WARNING mode. Within the next 24 hours, the EAC cell must be either cleaned or exchanged with a previously cleaned cell.
10	CHANGE NOW	Light illuminates when the EAC Filter Cleaning Timer has entered TIMEOUT mode. The EAC cell must immediately be cleaned, or exchanged with a clean cell. An audible alarm sounds and both Hood and appliance power are disabled until the appropriate activities are performed. Setting the Power Switch to OFF silences the alarm, but Hood will not restart when switch is returned to ON .
11	SNOOZE	Pressing this button cancels TIMEOUT mode for a period of 2 hours, allowing the Hood and appliance to temporarily continue operation. Two (2) snooze cycles can be used; afterward TIMEOUT mode is re-activated until EAC cell is serviced.

3.2 Filter Chamber and Exhaust



OVH-10 Filter Access Door ... Filter arrangement similar to POVH shown above.

* Not Shown



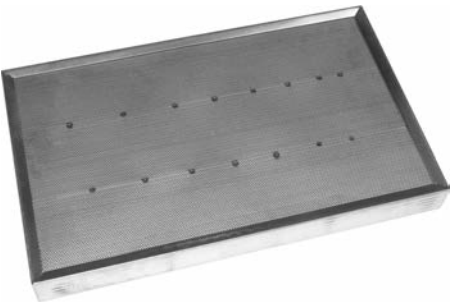
3.2 Filter Chamber and Exhaust		
Item	Description	Function
1	Filter Access Cover	The POVH Cover must be in place and secure, or the OVH-10 Door must be fully closed and latched before the Hood will operate. NOTE: No power is supplied to the appliance underneath, unless the Hood is operating.
2	Baffle Filter	The Baffle Filter is the first stage for air cleaning and grease-laden vapor removal. It is easily removed for daily cleaning. NEVER by-pass interlock switches attempting to operate Hood without Filter in place as it will create a potential for electrical shock. The Baffle Filter should be cleaned daily for best performance.
3	EAC Filter	The EAC Filter electrostatically removes grease vapor and smoke generated by the cooking appliance. DO NOT operate hood without the EAC Filter in place. The EAC cell must be cleaned daily for optimum performance.
4	Charcoal Filter	The Charcoal Filter helps to remove aromas generated during cooking. <u>This Filter should be replaced approximately once per month.</u> NEVER attempt to clean and reuse the Charcoal Filter. NEVER by-pass interlock switches attempting to operate hood without Filter in place.
5	Hood Skirt	Helps the Hood capture grease-laden vapor and smoke produced by the cooking appliance. Skirt designs vary depending on the served appliance. Some skirts provide for direct mounting to appliances.
6	Exhaust Outlet	Located on top of the unit. Allow the recommended clearance of 18" (12" minimum) between the Exhaust Outlet and the ceiling, or large overhead obstructions.
7	Air Diverter (OVH-10)	Directs exhaust air to the sides and rear, allowing installation of Hood with less ceiling clearance. NOTE: Featured on OVH-10 models only.

IMPORTANT: Failure to use Giles OEM parts and OEM replacement filters may void the factory warranty.

* Not Shown





3.3 Accessories (Included)

Part	Description/Part Number	Function
	<p>Baffle Filter P/N 42300 (PO-VH) P/N 45096 (OVH-10)</p>	<p>Captures and removes the larger grease particles from the air stream.</p>
	<p>EAC Filter Cell P/N 20520 (PO-VH) P/N 22360 (OVH-10)</p>	<p>Captures and removes the finer grease particles and smoke from the air stream.</p>
	<p>Charcoal Filter P/N 30248 (PO-VH) P/N 31963 (OVH-10)</p>	<p>Helps eliminate cooking aromas from the exhausted air stream.</p>

IMPORTANT: Failure to use Giles OEM parts and OEM replacement filters may void the factory warranty.



3.3 Accessories (Included)

Part	Description/Part Number	Function
	<p>EAC Soak Tank P/N 39327</p>	<p>Used for daily cleaning of the EAC Filter Cell.</p>
	<p>Corner Bumper Kit (2) Bumpers (PO-VH Only) P/N 40250</p>	<p>Protect operators from Hood Skirt exposed corners</p>



Notes:

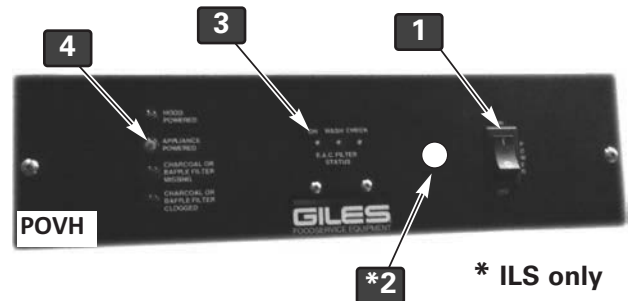
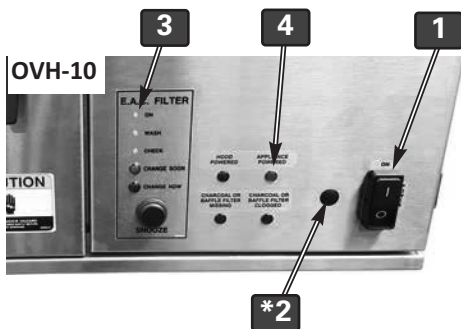
4. Operation & Filter Maintenance

This section explains Ventless Hood operation, required filter maintenance and cleaning, and alarm conditions.

4.1 Hood Operation

Before attempting to operate the Hood, be certain that all Filters are in place and properly installed.

- Place the Power Switch **1** to the **ON** position, (if ILS, press and hold the “Push to Start” ***2** switch, for 5 seconds after turning Power Switch **ON**). The Hood Power light will illuminate and the fan will start. The EAC **ON** light **3** will illuminate and, after a momentary pause, the Appliance Powered Light **4** will turn on, indicating that the appliance under the Hood is ready to use.



4.2 Filters, Filter Maintenance and Filter Alarms

This section describes each Filter in the Ventless Hood.

4.2.1 Ventless Hood Filter Table

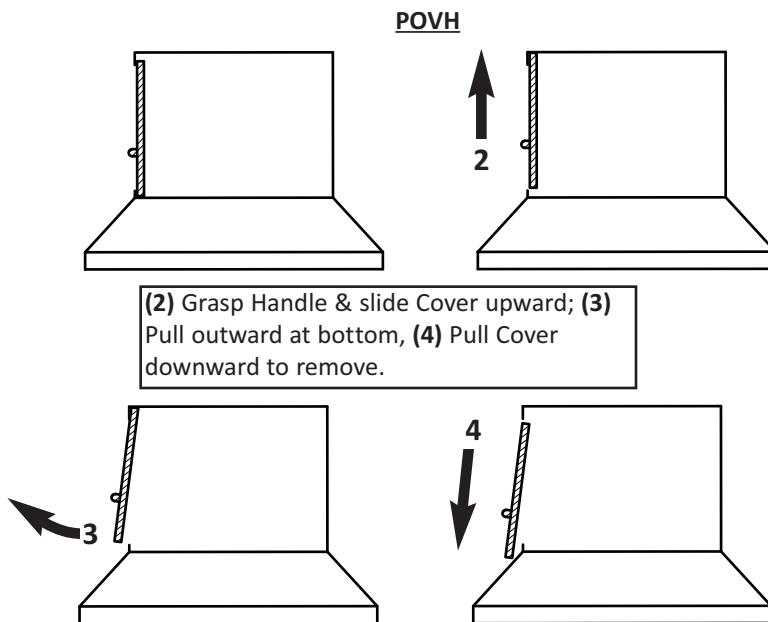
Filter	When to Clean/Replace	How to Remove	How to Clean	How to Install
Baffle Filter	Clean daily	Section 4.2.3.1	Section 4.2.5.1	Section 4.2.3.1
EAC Filter	Clean daily	Section 4.2.3.2	Section 4.2.5.2	Section 4.2.3.2
Charcoal Filter	Replace every 30 days, P/N 30248 (PO-VH) P/N 31963 (OVH-10)	Section 4.2.3.3	NEVER attempt to clean. Replace ONLY Section 4.2.5.3	Section 4.2.3.3

4.2.2 Accessing the Filter Chamber



1 Although removing Cover or opening Door will cause Hood to shutdown, always place Power Switch in OFF position before opening the Filter Chamber.

Opening the Filter Chamber



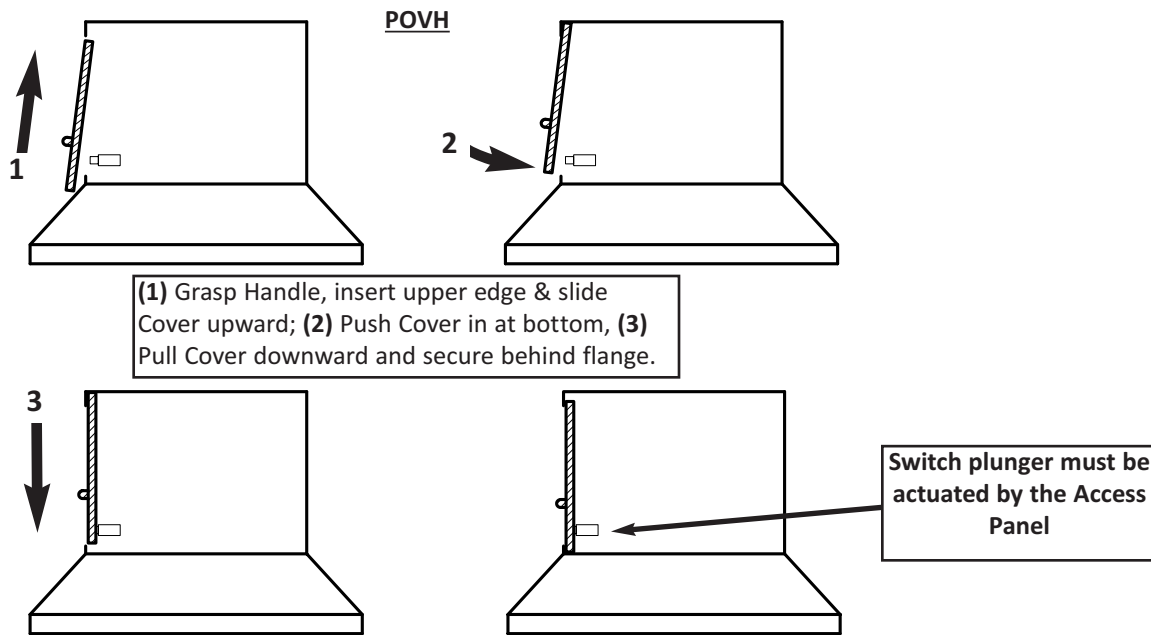
Rotate T-Handle counterclockwise to disengage latch & open Filter Door.



GILES FOODSERVICE EQUIPMENT		AIR FILTRATION MAINTENANCE		TO ORDER REPLACEMENT FILTERS PHONE: 800-8-CHEF-1000 FAX: 800-8-CHEF-1000 304-275-7467	
FILTER	PART NO.	MODEL	MAINTENANCE	SCHEDULE	
COARSE BAFFLE FILTER	4000 4100	FSH-2 2-1/2" FSH-3 2-1/2" x 2-1/2" x 1-1/2" WOOD-UP-VH, GEF-VH, POF-VH	WASH, RINSE & AIR DRY OR SEE MANUAL FOR DETAILED MAINTENANCE	DAILY	
FINE FILTER	4100	FSH-2 2-1/2" x 2-1/2" x 1-1/2" WOOD-UP-VH, GEF-VH, POF-VH	WASH, RINSE & AIR DRY OR SEE MANUAL FOR DETAILED MAINTENANCE	DAILY	
ELECTRONIC AIR CLEANER	4200 4300	FSH-3A, FSH-3A-1 (RIGHT SIDE) FSH-3A, FSH-3A-2 (LEFT SIDE) FSH-3A, FSH-3A-3 (LEFT SIDE) FSH-3A, FSH-3A-4 (RIGHT SIDE) FSH-3A, FSH-3A-5 (RIGHT SIDE) FSH-3A, FSH-3A-6 (RIGHT SIDE) FSH-3A, FSH-3A-7 (RIGHT SIDE) FSH-3A, FSH-3A-8 (RIGHT SIDE) FSH-3A, FSH-3A-9 (RIGHT SIDE) FSH-3A, FSH-3A-10 (RIGHT SIDE) FSH-3A, FSH-3A-11 (RIGHT SIDE) FSH-3A, FSH-3A-12 (RIGHT SIDE) FSH-3A, FSH-3A-13 (RIGHT SIDE) FSH-3A, FSH-3A-14 (RIGHT SIDE) FSH-3A, FSH-3A-15 (RIGHT SIDE) FSH-3A, FSH-3A-16 (RIGHT SIDE) FSH-3A, FSH-3A-17 (RIGHT SIDE) FSH-3A, FSH-3A-18 (RIGHT SIDE) FSH-3A, FSH-3A-19 (RIGHT SIDE) FSH-3A, FSH-3A-20 (RIGHT SIDE) FSH-3A, FSH-3A-21 (RIGHT SIDE) FSH-3A, FSH-3A-22 (RIGHT SIDE) FSH-3A, FSH-3A-23 (RIGHT SIDE) FSH-3A, FSH-3A-24 (RIGHT SIDE) FSH-3A, FSH-3A-25 (RIGHT SIDE) FSH-3A, FSH-3A-26 (RIGHT SIDE) FSH-3A, FSH-3A-27 (RIGHT SIDE) FSH-3A, FSH-3A-28 (RIGHT SIDE) FSH-3A, FSH-3A-29 (RIGHT SIDE) FSH-3A, FSH-3A-30 (RIGHT SIDE) FSH-3A, FSH-3A-31 (RIGHT SIDE) FSH-3A, FSH-3A-32 (RIGHT SIDE) FSH-3A, FSH-3A-33 (RIGHT SIDE) FSH-3A, FSH-3A-34 (RIGHT SIDE) FSH-3A, FSH-3A-35 (RIGHT SIDE) FSH-3A, FSH-3A-36 (RIGHT SIDE) FSH-3A, FSH-3A-37 (RIGHT SIDE) FSH-3A, FSH-3A-38 (RIGHT SIDE) FSH-3A, FSH-3A-39 (RIGHT SIDE) FSH-3A, FSH-3A-40 (RIGHT SIDE) FSH-3A, FSH-3A-41 (RIGHT SIDE) FSH-3A, FSH-3A-42 (RIGHT SIDE) FSH-3A, FSH-3A-43 (RIGHT SIDE) FSH-3A, FSH-3A-44 (RIGHT SIDE) FSH-3A, FSH-3A-45 (RIGHT SIDE) FSH-3A, FSH-3A-46 (RIGHT SIDE) FSH-3A, FSH-3A-47 (RIGHT SIDE) FSH-3A, FSH-3A-48 (RIGHT SIDE) FSH-3A, FSH-3A-49 (RIGHT SIDE) FSH-3A, FSH-3A-50 (RIGHT SIDE) FSH-3A, FSH-3A-51 (RIGHT SIDE) FSH-3A, FSH-3A-52 (RIGHT SIDE) FSH-3A, FSH-3A-53 (RIGHT SIDE) FSH-3A, FSH-3A-54 (RIGHT SIDE) FSH-3A, FSH-3A-55 (RIGHT SIDE) FSH-3A, FSH-3A-56 (RIGHT SIDE) FSH-3A, FSH-3A-57 (RIGHT SIDE) FSH-3A, FSH-3A-58 (RIGHT SIDE) FSH-3A, FSH-3A-59 (RIGHT SIDE) FSH-3A, FSH-3A-60 (RIGHT SIDE) FSH-3A, FSH-3A-61 (RIGHT SIDE) FSH-3A, FSH-3A-62 (RIGHT SIDE) FSH-3A, FSH-3A-63 (RIGHT SIDE) FSH-3A, FSH-3A-64 (RIGHT SIDE) FSH-3A, FSH-3A-65 (RIGHT SIDE) FSH-3A, FSH-3A-66 (RIGHT SIDE) FSH-3A, FSH-3A-67 (RIGHT SIDE) FSH-3A, FSH-3A-68 (RIGHT SIDE) FSH-3A, FSH-3A-69 (RIGHT SIDE) FSH-3A, FSH-3A-70 (RIGHT SIDE) FSH-3A, FSH-3A-71 (RIGHT SIDE) FSH-3A, FSH-3A-72 (RIGHT SIDE) FSH-3A, FSH-3A-73 (RIGHT SIDE) FSH-3A, FSH-3A-74 (RIGHT SIDE) FSH-3A, FSH-3A-75 (RIGHT SIDE) FSH-3A, FSH-3A-76 (RIGHT SIDE) FSH-3A, FSH-3A-77 (RIGHT SIDE) FSH-3A, FSH-3A-78 (RIGHT SIDE) FSH-3A, FSH-3A-79 (RIGHT SIDE) FSH-3A, FSH-3A-80 (RIGHT SIDE) FSH-3A, FSH-3A-81 (RIGHT SIDE) FSH-3A, FSH-3A-82 (RIGHT SIDE) FSH-3A, FSH-3A-83 (RIGHT SIDE) FSH-3A, FSH-3A-84 (RIGHT SIDE) FSH-3A, FSH-3A-85 (RIGHT SIDE) FSH-3A, FSH-3A-86 (RIGHT SIDE) FSH-3A, FSH-3A-87 (RIGHT SIDE) FSH-3A, FSH-3A-88 (RIGHT SIDE) FSH-3A, FSH-3A-89 (RIGHT SIDE) FSH-3A, FSH-3A-90 (RIGHT SIDE) FSH-3A, FSH-3A-91 (RIGHT SIDE) FSH-3A, FSH-3A-92 (RIGHT SIDE) FSH-3A, FSH-3A-93 (RIGHT SIDE) FSH-3A, FSH-3A-94 (RIGHT SIDE) FSH-3A, FSH-3A-95 (RIGHT SIDE) FSH-3A, FSH-3A-96 (RIGHT SIDE) FSH-3A, FSH-3A-97 (RIGHT SIDE) FSH-3A, FSH-3A-98 (RIGHT SIDE) FSH-3A, FSH-3A-99 (RIGHT SIDE) FSH-3A, FSH-3A-100 (RIGHT SIDE)	REPLACE ONLY	WEEKLY (SEE 41)	
CHARACTAL FILTERS	4400 4500 4600	WOD-20-1/2" x 2-1/2" x 1-1/2" WOD-20-1/2" x 2-1/2" x 1-1/2" WOD-20-1/2" x 2-1/2" x 1-1/2"	REPLACE ONLY	MONTHLY (SEE 42)	

4.2.2 Accessing the Filter Chamber, continued

Closing the Filter Chamber



Close Door, rotate T-Handle clockwise to engage latch. Continue rotating Handle until it stops in the vertical position..



IMPORTANT: Hood will NOT operate unless the Cover or Door interlock switch is engaged when closed.

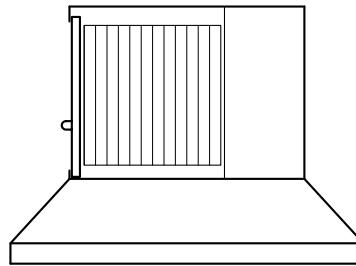
4.2.3. Hood Filter Management

4.2.3.1 Baffle Filter Removal & Installation

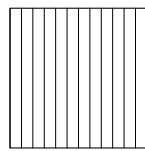
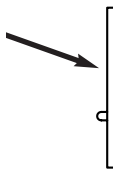


1 Place Power Switch in **OFF** position

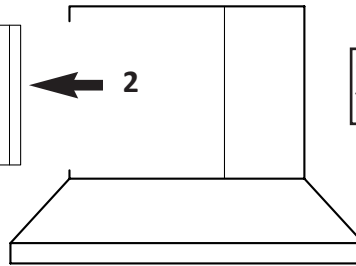
A. Removing Filter:



Removeable Cover (POVH)
or Access Door (OVH-10)



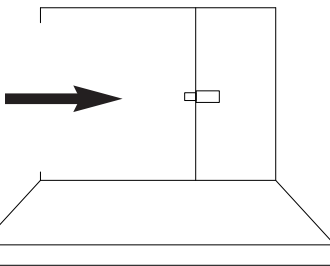
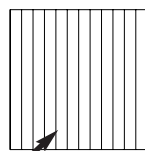
2



(2) Grasp Filter & pull straight out of the Filter Chamber.

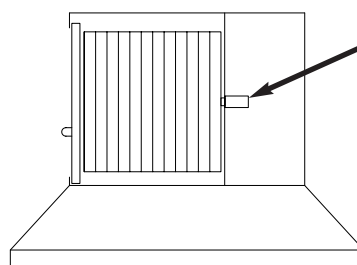
B. Installing Filter:

Removeable Cover (POVH)
or Access Door (OVH-10)



Align Filter in guide channels & slide straight into the Filter Chamber.

Filter Baffles must be in a vertical position.



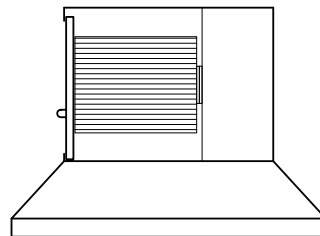
Switch plunger must be actuated by the Baffle Filter when installed.

4.2.3.2 EAC Filter Cell Removal & Installation

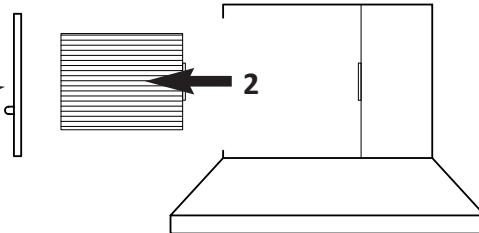


1 Place Power Switch in **OFF** position

A. Removing Filter Cell:



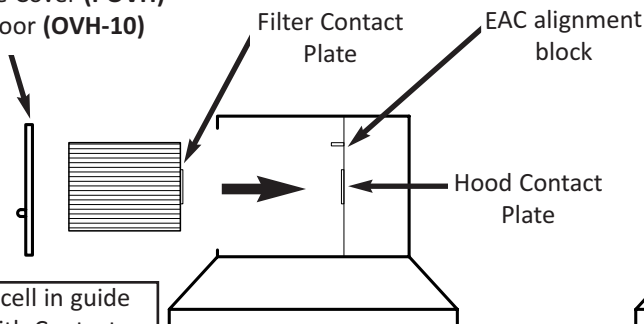
Removeable Cover (POVH)
or Access Door (OVH-10)



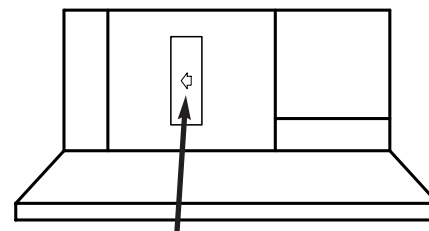
(2) Grasp Cell frame & pull straight out of the Filter Chamber. **Take care not to damage fins or the thin ionizer wires.**

B. Installing Filter Cell:

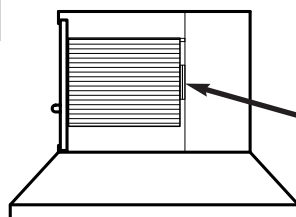
Removeable Cover (POVH)
or Access Door (OVH-10)



Align Filter cell in guide channels with Contact Plate to the back and slide straight into the Filter Chamber.



Airflow indicator arrow must point left.



Contact Plates of the Filter Cell and Hood must make good contact.

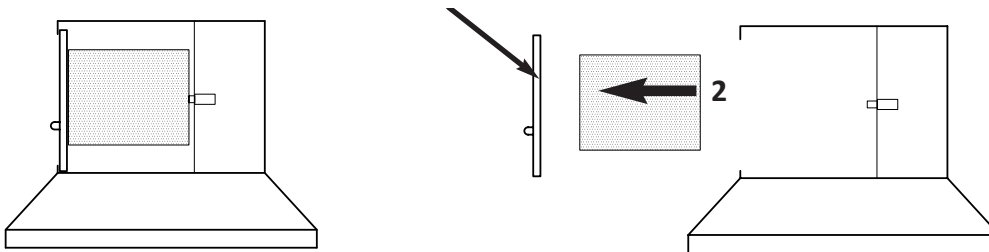
4.2.3.3 Charcoal Filter Removal & Installation



1 Place Power Switch in **OFF** position

A. Removing Filter:

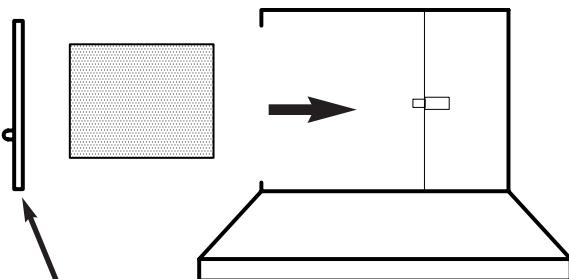
Removeable Cover (POVH)
or Access Door (OVH-10)



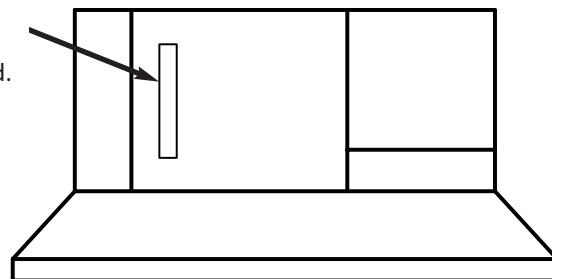
(2) Grasp Filter & pull straight out of the Filter Chamber.

B. Installing Filter:

Align Filter in guide channels & slide straight into the Filter Chamber.

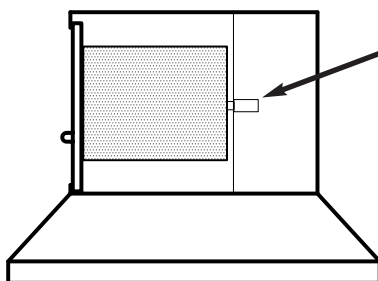


Position blue foam side of Filter toward the left side of Hood.



Removeable Cover (POVH)
or Access Door (OVH-10)

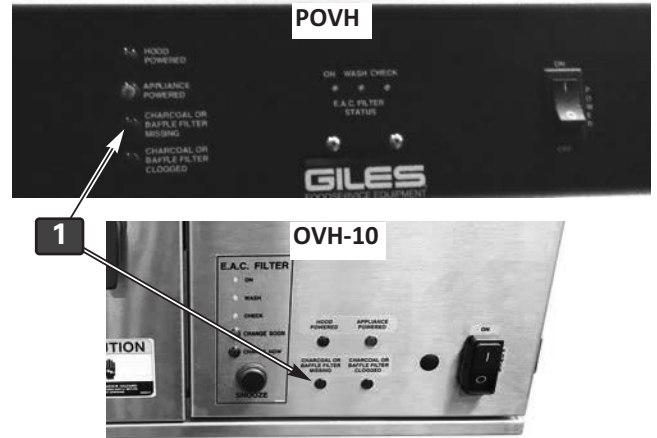
Switch plunger must be actuated by the Charcoal Filter when installed.



4.2.4. Hood Filter Alarms

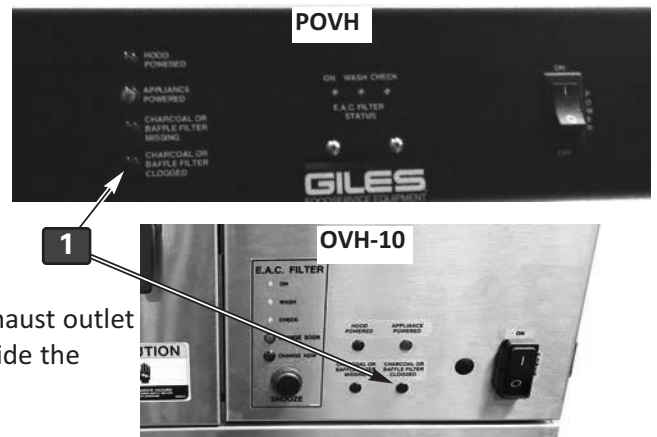
4.2.4.1 Charcoal or Baffle Filter Missing

- If the **Baffle Filter** or **Charcoal Filter** is missing, or not properly positioned, the **CHARCOAL OR BAFFLE FILTER MISSING** light **1** will illuminate.
- Power to the appliance under the Hood is shutdown and the **APPLIANCE POWERED** light turns **OFF**.
- Hood fan continues to run.
- See **Sections 4.2.3.1, Baffle Filter Removal & Installation** and **4.2.3.3, Charcoal Filter Removal & Installation**
- Ensure that the filter proofing switches on the rear wall of the filter compartment are being engaged when the Filters are in place.



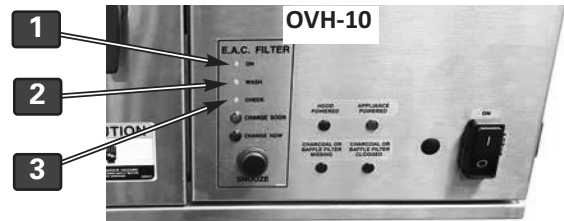
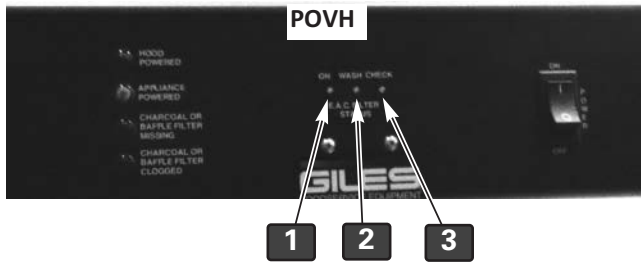
4.2.4.2 Charcoal or Baffle Filter Clogged

- If the **Baffle Filter** or **Charcoal Filter** become clogged to the extent that airflow through the Hood falls below the minimum required to provide effective capture of grease-laden vapors, the **CHARCOAL OR BAFFLE FILTER CLOGGED** light **1** will illuminate.
- A constant tone alarm will sound.
- Power to the appliance under the Hood is shutdown and the **APPLIANCE POWERED** light turns **OFF**.
- Hood fan continues to run.
- Clean the Baffle Filter or replace Charcoal Filter.
- See **Sections 4.2.3.1, Baffle Filter Cleaning** and **4.2.3.3, Charcoal Filter Replacement**
- Also, ensure that no obstructions are blocking the Hood exhaust outlet and that there is no foreign material obstructing airflow inside the Hood.



4.2.4.3 EAC Filter Status & Alarm

Three LED indicator lights on the Control Panel display the status of the E.A.C. Filter system.



- 1 ON** Indicates that the EAC Filter Cell is installed and powered. This will be the only indicator illuminated when the E.A.C. Filter system is operating normally.
- 2 WASH** These two lights illuminate to indicate problems with the E.A.C. Filter system (**NOTE: These LED's will always be ON at the same time**). Some possible issues include, but are not limited to:
 - Filter Cell is not installed, or mis-aligned.
 - Excessively dirty collection plates in the E.A.C. Cell.
 - Poor contact between the Filter Cell and Hood Contact Pads.
 - Too many broken or missing ionizer wires.
 - Damaged Filter Cell (broken insulators, broken frame, etc.).
 - Faulty E.A.C. Power Supply or wiring.
- 3 CHECK**

DO NOT depend on the **WASH/CHECK** lights as the signal for cleaning the collection cell. Typically, the collection cell must be cleaned **DAILY** to ensure optimum air cleaning performance. See **Section 4.2.5.2, EAC Filter Cell Cleaning**.

When the **WASH/CHECK** lights turn **ON**, the E.A.C. system has entered an alarm state and has stopped functioning. After approximately two (2) minutes, an intermittent beeping alarm tone will begin to sound and shortly thereafter, power to the appliance under the Hood will be shutdown and the **APPLIANCE POWERED** light will turn **OFF**.

The following steps may be tried in an attempt to clear the alarm state:

1. Turn **OFF** Hood Power Switch.
2. Remove the E.A.C. Cell and clean as described in **Section 4.2.5.2**.
3. Inspect the Filter Cell for broken or missing ionizer wires, bent fins, or other damage. Ionizer wires are replaceable (**POVH: P/N 21153 ... OVH-10: P/N 21180**); bent fins may be straightened by hand. An excessively damaged Cell (broken insulators, broken frame, etc.) will need to be replaced.
4. Inspect the E.A.C. Filter Contact Pad inside hood. Clean any grease accumulation away with a mild degreaser solution (Simple Green) and dry thoroughly.
5. Replace Filter Cell (**see Section 4.2.3.2**) and restart Hood. If the condition persist, contact a qualified service technician for evaluation and repair.

4.2.5. Filter Cleaning and Maintenance

4.2.5.1 Baffle Filter Cleaning

Generally, the Baffle Filter should be cleaned daily. Place the Filter in a sink and clean with a mild, non-caustic, bio-degradable degreaser (Simple Green is recommended). Dry thoroughly before reinstalling in Hood; **NEVER place a wet filter into Hood.**

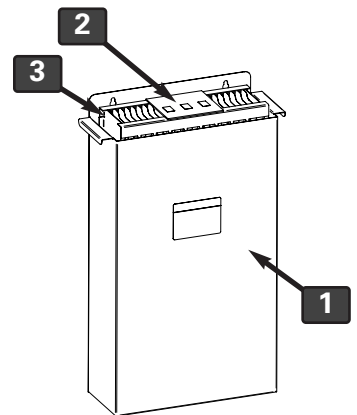
The Baffle Filter can also be washed in the dishwasher.

4.2.5.2 EAC Filter Cell Cleaning

CAUTION

Do not bend the collection fins or break the ionizer wires on the E.A.C. Cell. Doing so will prevent the EAC from working properly and potentially void the warranty.

1. Add 1/2 gal of a mild, non-caustic, bio-degradable degreaser concentrate (**Giles recommends Simple Green or Clear Magic**) to the included Soak Tank **1**. Fill the tank with clean water to the fill line (marked with "X's" on the Tank Back) and stir thoroughly to mix.
2. Grasp the Contact Pad **2** and slowly lower the Cell **3** into the degreasing solution. Ensure that the Cell is entirely immersed; add water if needed.
3. Allow the E.A.C. Cell to soak for 20 to 30 minutes. Grasp the Contact Pad **2** and jog the Cell up and down in the solution several times to help dislodge and remove grease residue.
4. Carefully remove the Cell from the tank and place into sink. Thoroughly rinse with clean hot water spray.
5. Stand the Cell on end with Contact Pad facing up and allow to air dry thoroughly, preferably overnight.
6. Inspect the Cell for broken or missing ionizer wires, bent fins, or other damage. Ionizer wires are replaceable (**POVH: P/N 21153 ... OVH-10: P/N 21180**) and bent fins may be straightened by hand.



CAUTION

- Do not dry the E.A.C. Cell either by running the hood to air dry it or by running the appliance to heat dry it. Doing so can potentially damage the E.A.C. Power Supply, causing improper operation and void the warranty.
- The E.A.C. Cell is NOT dishwasher safe ... DO NOT wash in a dishwasher.

4.2.5.3 E.A.C. Filter Cleaning Timer (Model OVH-10 Only)

The Model OVH-10 Ventless Hood is equipped with an E.A.C. Filter Cleaning Timer. This feature has been incorporated into the Hood to help Users adhere to a proper Filter Cell cleaning routine. Timely cleaning is necessary to ensure the Hood's continued effective air filtration performance. The Timer prompts the User when it is time to clean the collection cell, or exchange it with a previously cleaned cell. If the time period elapses and the cell is not cleaned, or exchanged, the Hood and the served appliance will shutdown and cannot be restarted until the required activities are performed.

A **SNOOZE** feature is provided to temporarily delay the shutdown for a short time, in the event that it has occurred during a peak sales demand period, or while cooking is in progress.

When the necessary Filter maintenance is performed, the timer resets and a new countdown cycle begins. The Hood and appliance will be ready for normal operation.

Timer Indicator Lights and the Snooze Button are located on the Hood Control Panel.

1 **CHANGE SOON**

The amber indicator illuminates when the Timer enters **WARNING** mode. During the next **24 hours**, the Timer will reset without interruption if cleaning, or exchange, is completed.

2 **CHANGE NOW**

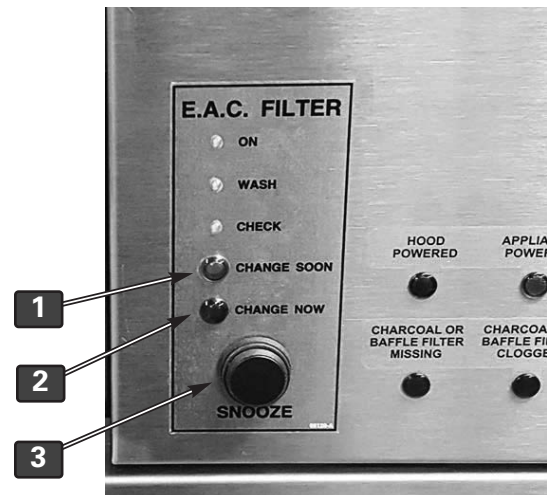
The red indicator illuminates when the Timer enters **TIMEOUT** mode ... allowed time has expired. An audible alarm sounds, and the Hood and Fryer will shutdown. Both will remain disabled until E.A.C. Cell cleaning or exchange is completed. The **HOOD POWERED** and **APPLIANCE POWERED** lights will turn **OFF**.

Placing the Hood Power Switch in the **OFF** position silences the alarm, but returning switch to **ON** does not restart Hood until the Cell is cleaned or exchanged.

3 **SNOOZE Button**

In the event that **TIMEOUT** occurs during a period of high customer demand or while cooking is in progress, a snooze feature is provided. Pressing the **SNOOZE** Button temporarily resets the Timer back to **WARNING** mode for a period of **2** hours, allowing continued operation.

Only two (2) snooze periods can be used. During the second snooze period, the **CHANGE SOON** light will flash, indicating the Timer is in final snooze. After a second snooze period has expired the Hood cannot be restarted until the E.A.C. Cell is cleaned, or exchanged.



4.2.5.4 Charcoal Filter Maintenance

⚠ WARNING

NEVER attempt to clean and reuse the Charcoal Filter. Doing so could cause damage to the unit.

The Charcoal Filter **CANNOT** be cleaned and reused. This Filter is a consumable item which must be replaced periodically. **See Section 4.2.3.3.**

Typical replacement cycle is every 30 days depending on usage. Use Giles replacement **Part No. 30248 (PO-VH) or 31963 (OVH-10)**. Record replacement date on the new filter.

IMPORTANT: Failure to use Giles OEM parts and OEM replacement filters may void the factory warranty.

Notes:

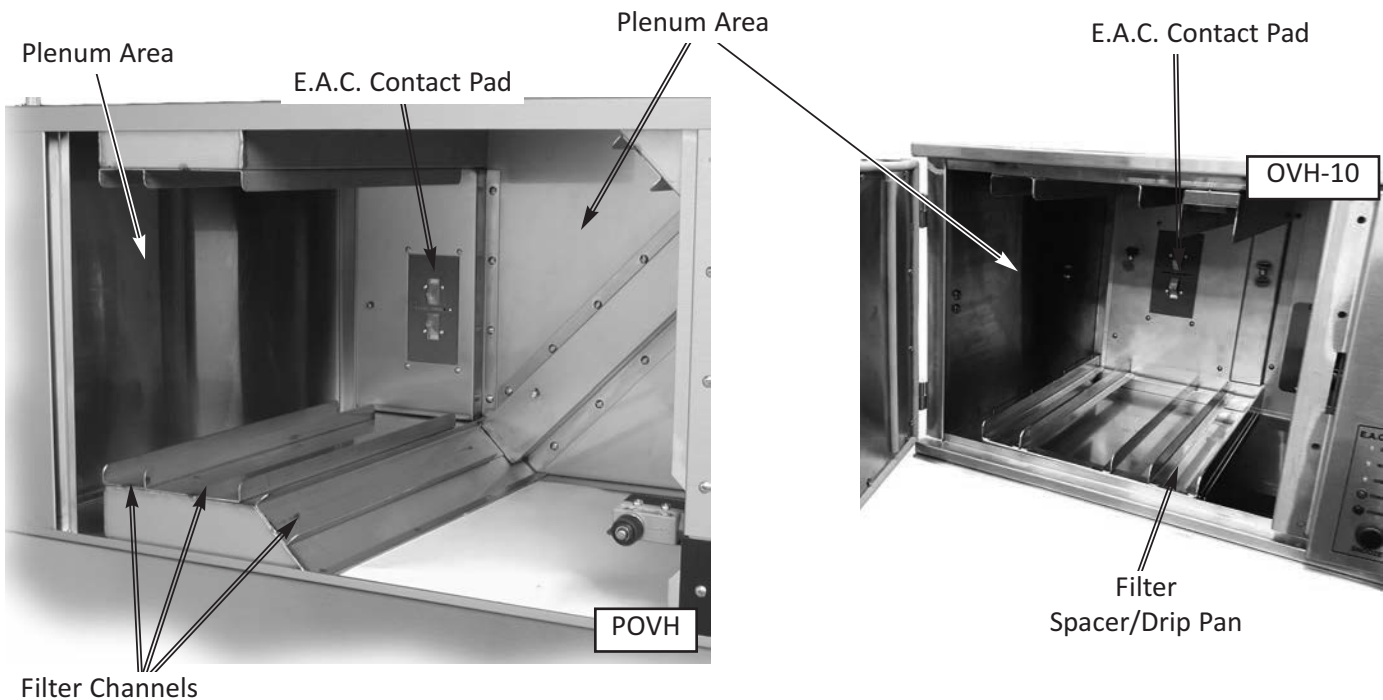
Model: PO-VH & OVH-10 Hood Cleaning & Maintenance

5. Hood Cleaning and Maintenance

5.1. Hood Cleaning

INTERIOR: Disconnect supply power to the unit.

- Remove the Filter Cover (POVH) or open Filter Door (OVH-10).
- Remove all Filters from the hood. Using a mild, non-caustic, bio-degradable, degreaser solution (Giles recommends Simple Green or Clear Magic) and a soft cloth or sponge, clean all surfaces within the Hood Plenum, including the Filter Channels and E.A.C. Contact Pad.



EXTERIOR: Disconnect supply power to the unit. Use a good quality stainless steel cleaner/polish to clean all external surfaces, including the underside of the Hood skirt.

FILTER SPACER/DRIP PAN (OVH-10 ONLY):

- Remove and clean at least weekly. Lift the Spacer out of the Hood and wash in sink using a mild, non-caustic, bio-degradable, degreaser, or warm soapy water. Dry thoroughly before replacing in Hood.
- The Spacer may be washed in the dishwasher.

Filters: Clean and replace Filters as described in **Section 4.2.5, Filter Cleaning and Maintenance.**

6. Troubleshooting

This section describes troubleshooting procedures for the PO-VH and OVH-10. These procedures are generally presented as an aid for qualified Service Technicians; very few of these repairs should be attempted by the User.

DANGER

- Electrical troubleshooting procedures should be performed **ONLY** by qualified Service Technicians. Death or serious injury will result from contact with energized electrical components.
- Failure to comply with **DANGER** notices will result in death or serious injury, equipment or property damage, and void the warranty.

6.1 Troubleshooting Procedures

Problem	Probable Cause	Repair Procedure
Hood will not turn on	a. (ILS ONLY) "PUSH TO START" button not held for 5 seconds.	Press & hold down "PUSH TO START" button after Power Switch is ON .
	b. Power Switch is faulty.	Replace Power Switch.
	c. Hood connected to improper supply voltage.	Connect to proper supply voltage.
	d. Filter Cover or Door not closed.	Close Filter Cover/Door, ensure interlock switch is engaging.
	e. Supply power is OFF .	Verify main supply power, check breakers in building panel.
	f. Blown fuse.	Check the fuses.
	g. EAC Timer is in TIMEOUT mode.	Clean or exchange EAC Cell.
CHARCOAL OR BAFFLE FILTER MISSING Light on • Initial Start-up Only	a. Baffle Filter not installed or misaligned.	Properly install Baffle Filter.
	b. Charcoal Filter not installed or misaligned.	Properly install Charcoal Filter.
CHECK/WASH Light on	a. EAC Cell damaged, shorted out	Replace or repair EAC Cell.
	b. EAC Cell collection plates dirty	Clean the EAC Cell.
	c. EAC high voltage Power Supply is faulty.	Replace high voltage Power Supply board.
	d. High voltage wiring faulty.	Inspect wiring, repair any shorted or damage wire.
	e. Contact Pad faulty	Replace Contact Pad.

6.1 Troubleshooting Procedures (Continued)

Problem	Probable Cause	Repair Procedure
Appliance will not operate • Hood power is ON • CHARCOAL OR BAFFLE FILTER MISSING light is ON	a. Baffle and/or Charcoal Filter missing	Install Baffle and/or Charcoal Filter.
	b. Baffle and/or Charcoal Filter not installed properly	Reinstall Baffle and/or Charcoal Filter, ensure that proofing switches engage.
Appliance will not operate • Hood power ON • CHARCOAL OR BAFFLE FILTER CLOGGED light is ON • A continuous tone alarm is sounding	a. Charcoal Filter is clogged	Replace the Charcoal Filter
	b. Baffle Filter is clogged	Clean the Baffle Filter
	c. Vacuum Switch is out of adjustment (at start-up)	Adjust Vacuum Switch; must be done with new Charcoal Filter installed.
	d. Kinked or clogged vacuum line	Inspect vacuum lines, remove kinks or any clogging matter.
	e. Fan running slow	Check voltage & vacuum at fan pickup (should be 2.2 -2.4" wc).
	f. Fan blades have excessive build-up	Clean fan blades.
Appliance will not operate • Hood power ON • All 3 EAC LED's are ON • A beeping tone alarm is sounding	a. EAC Cell damage; shorted out	Repair or replace EAC Cell.
	b. EAC Cell collection plates dirty	Clean EAC Cell.
	c. EAC Power Supply is faulty	Replace the EAC Power Supply board.
	d. EAC high voltage wires faulty	Inspect wiring, repair damage.
	e. Dirty or faulty Contact Pad	Clean or replace Contact Pad.
	f. EAC Shutdown Module faulty	Replace EAC Shutdown Module
	g. Too many EAC Cell ionizer wires broken or missing	Replace ionizer wires
(OVH-10 ONLY) Appliance will not operate • Hood power OFF • Red CHANGE NOW light ON • A continuous tone alarm is sounding	a. EAC Cleaning Timer has entered TIMEOUT mode	Press SNOOZE button to restart for 2 hours, or remove and clean the EAC Cell to reset Timer. Turn Power Switch OFF to silence alarm.

7. Parts List

Various parts that are available for field replacement on the POVH and OVH-10.

7.1 Parts Ordering and Service Information

If you require assistance or need repairs, please contact a Giles Manufacturer's Representative in your area for assistance in locating a near-by service agent. For further assistance, please contact the Giles Technical Services Group as described below.

IMPORTANT!

Failure to use Giles OEM parts and OEM replacement filters may void the factory warranty.

UNITED STATES, CANADA or MEXICO

Call **800.554.4537** during normal business hours, 8:00AM-5:00PM, Central Time Zone and follow the recorded instructions. For after-hours assistance follow the same procedure, a representative is always available.

IN ALL OTHER COUNTRIES

Please call **334-272-1457** during normal business hours, 8:00AM-5:00PM, Central Time Zone and follow the recorded instructions. For after-hours assistance follow the same procedure, a representative is always available.

INTERNET

Visit our website at: www.gfse.com or email services@gfse.com.

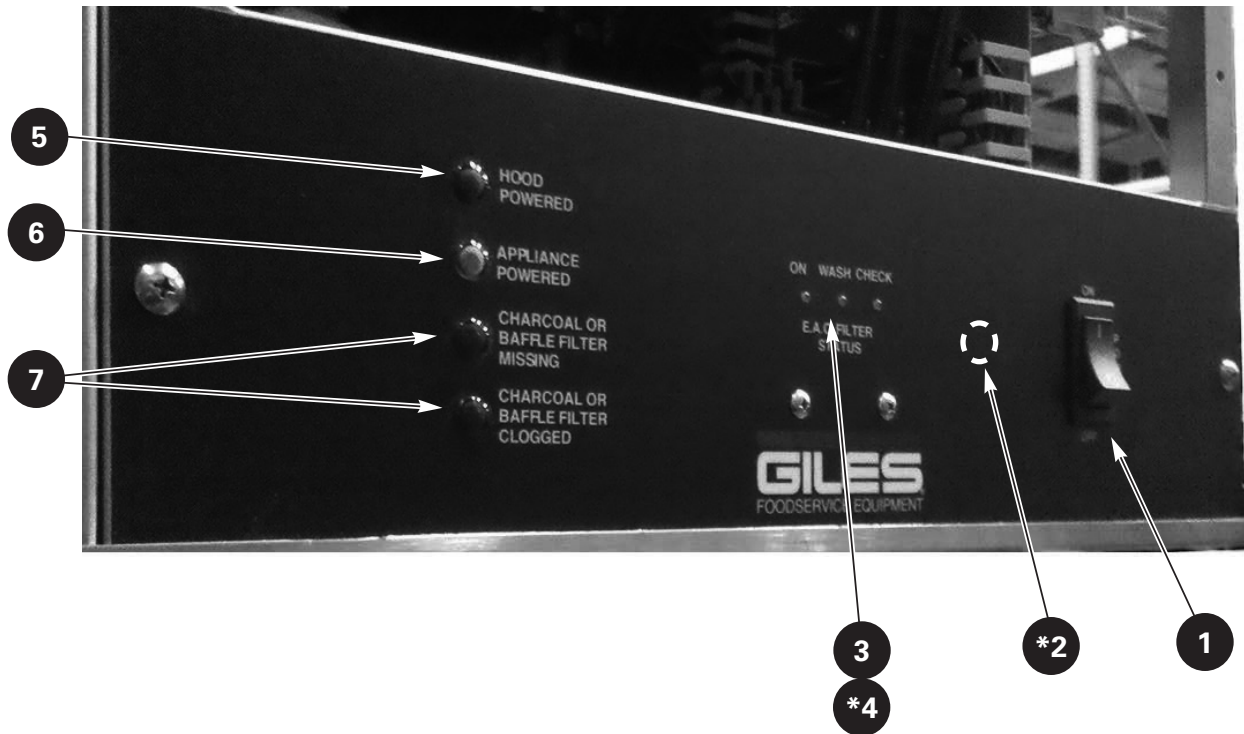
The goal of the Giles team is to provide the highest quality service and assistance possible. To help us accomplish this, please have the following information available when calling for assistance. Equipment information is located on the Data/Serial Label attached to the side of the unit.



The area below may be helpful in recording information for use as a quick reference.

Model: _____
Serial Number: _____
Voltage: _____
Phase: _____

7.2 Control Panel: PO-VH



* Not shown

Parts List

Model: PO-VH & OVH-10

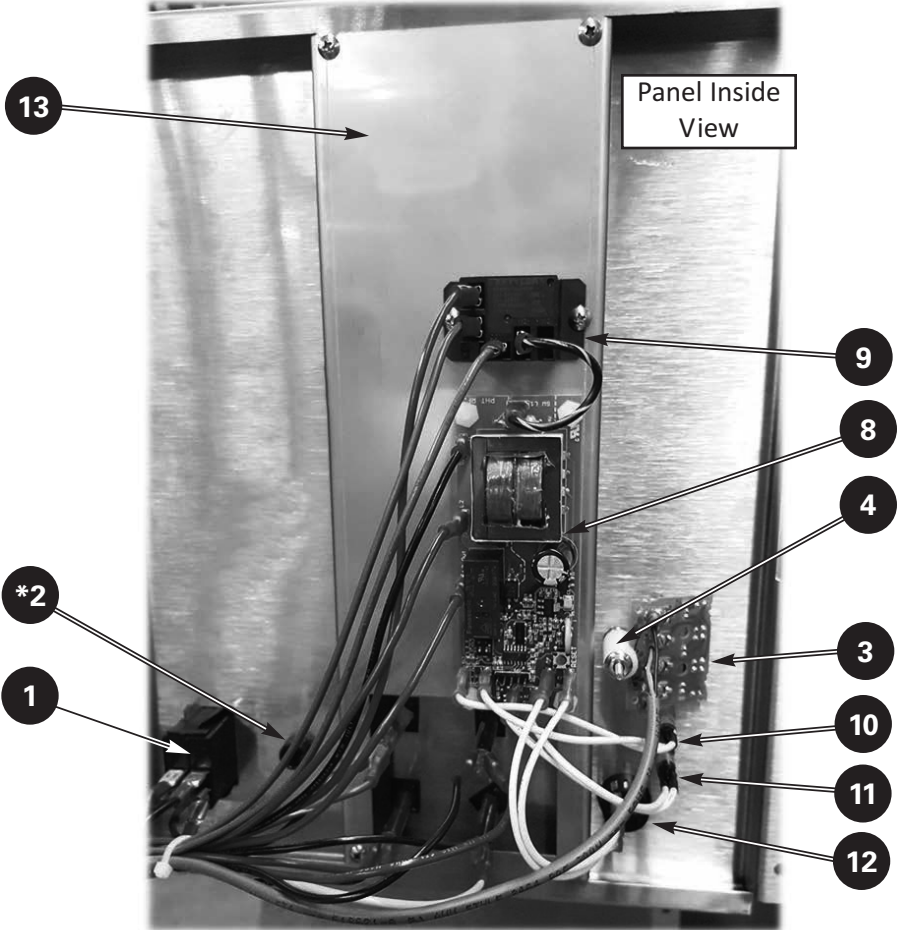
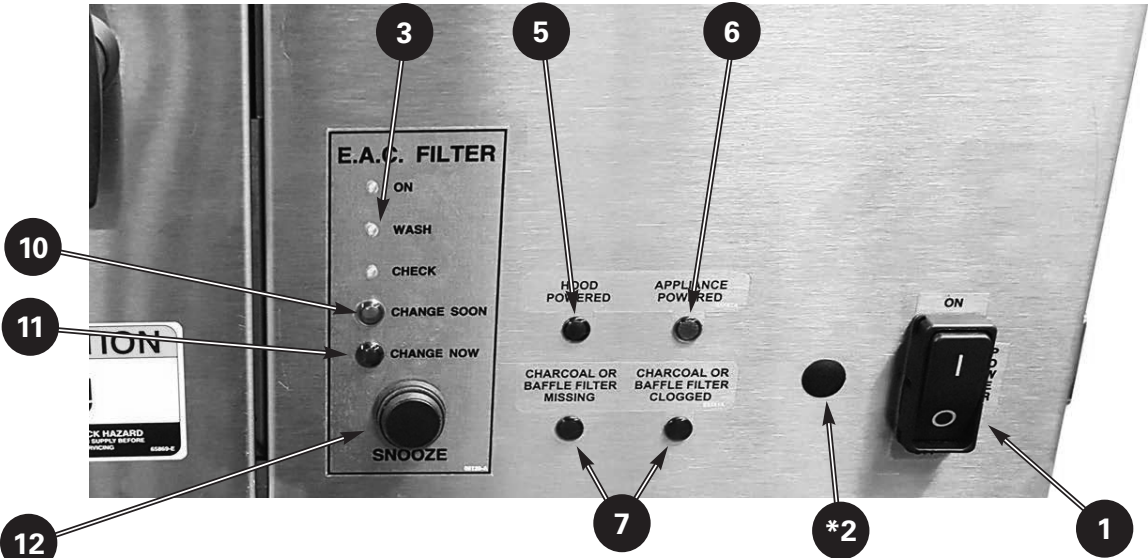


7.2 Parts List for Control Panel: PO-VH

ITEM	PART NO.	QTY	DESCRIPTION
1	21190	1	SWITCH, ROCKER, D.P.S.T. 250V, 10A
*2	23173	1	SWITCH, PUSH-BUTTON, MOMENTARY (ILS ONLY)
3	24209	1	L.E.D. CLUSTER, AIR FILTER, E.A.C.
*4	30833	1	BRACKET, E.A.C. LED (behind Panel)
5	20398	1	INDICATOR LIGHT, GREEN, 250V, 0.5W
6	20399	1	INDICATOR LIGHT, AMBER, 250V, 0.5W
7	20402	2	INDICATOR LIGHT, RED, 250V, 0.5W

* Not shown

7.3 Control Panel: OVH-10

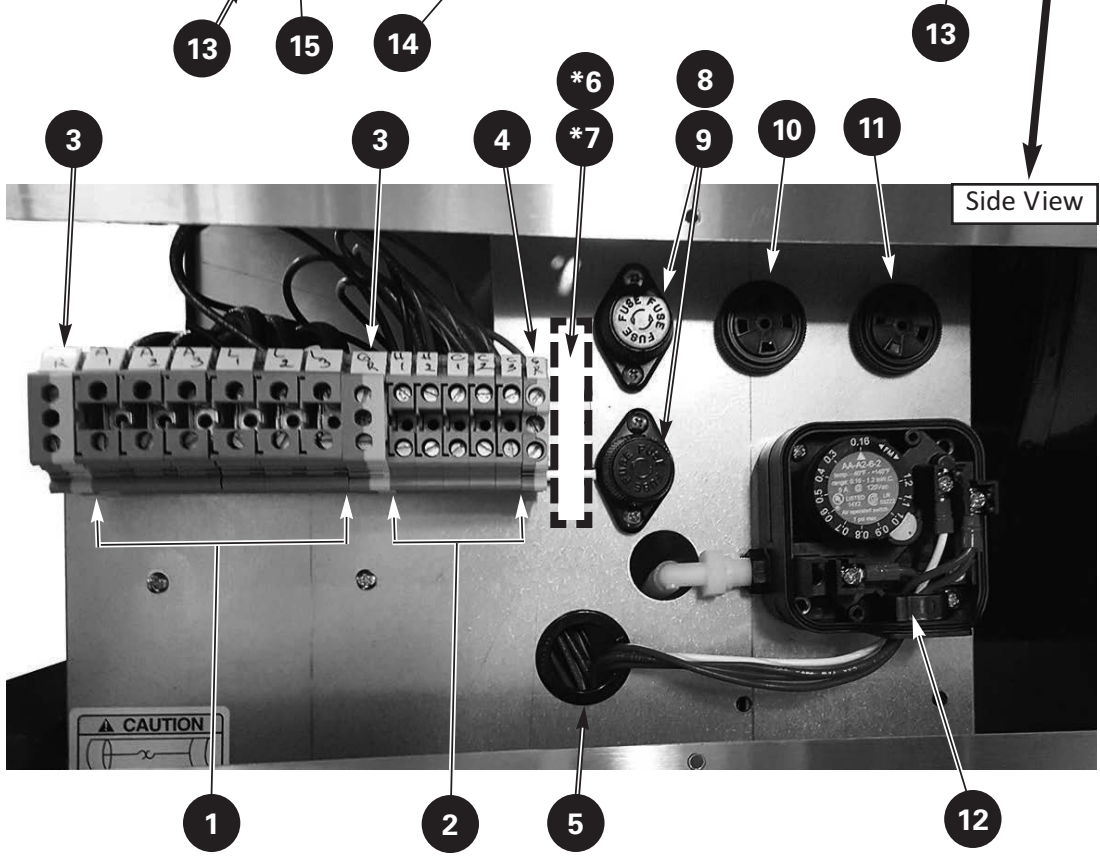
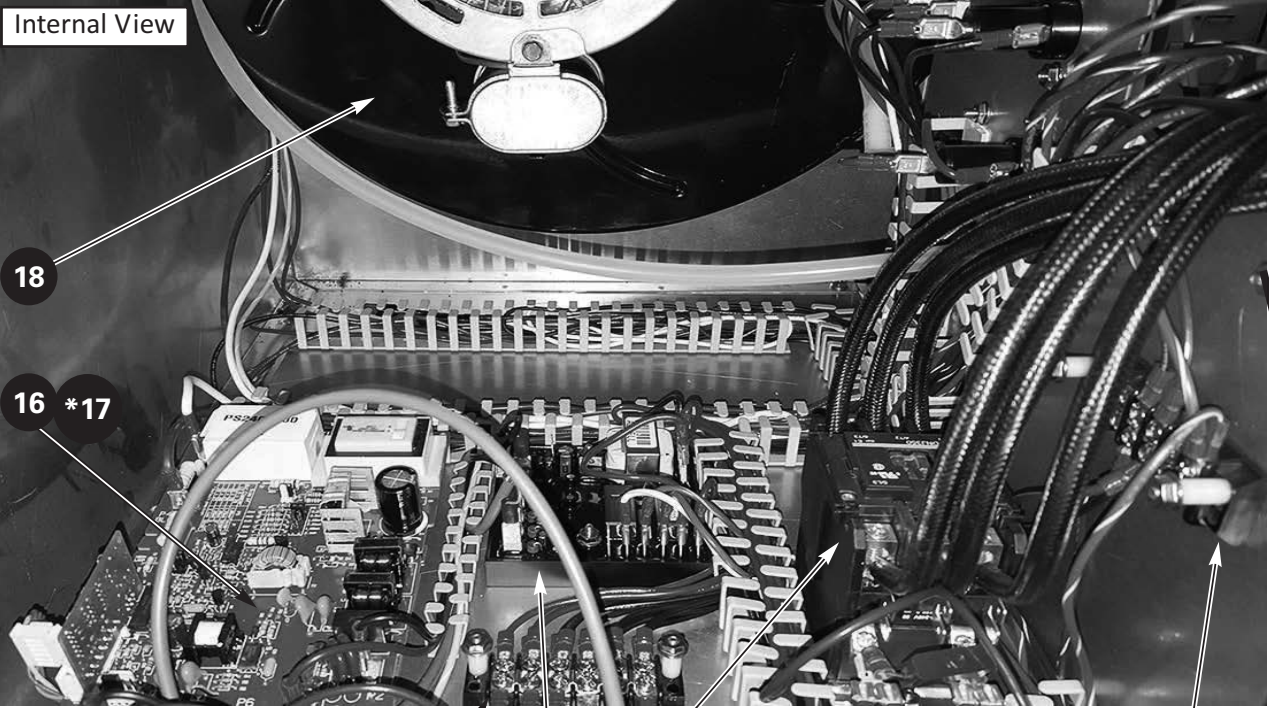




7.3 Parts List for Control Panel: OVH-10

ITEM	PART NO.	QTY	DESCRIPTION
1	21190	1	SWITCH, ROCKER, D.P.S.T. 250V, 10A
*2	23173	1	SWITCH, PUSH-BUTTON, MOMENTARY (ILS ONLY)
3	24209	1	L.E.D. CLUSTER, E.A.C. FILTER
4	93995	1	L.E.D. MOUNTING BRACKET
5	20398	1	INDICATOR LIGHT, GREEN, 250V, 0.5W
6	20399	1	INDICATOR LIGHT, AMBER, 250V, 0.5W
7	20402	2	INDICATOR LIGHT, RED, 250V, 0.5W
8	20572-R	1	E.A.C. CLEANING TIMER BOARD, REPLACEMENT
9	21203	1	RELAY, SPST-NO, 240V
10	20694	1	PILOT LIGHT, YELLOW, E.A.C. CLEANING TIMER
11	20693	1	PILOT LIGHT, RED, E.A.C. CLEANING TIMER
12	20692	1	SWITCH, MOMENTARY PUSH-BUTTON, E.A.C. CLEARING TIMER
13	95912	1	BRACKET, E.A.C. CLEANING TIMER

7.4 Fan Compartment: PO-VH



* Not Shown

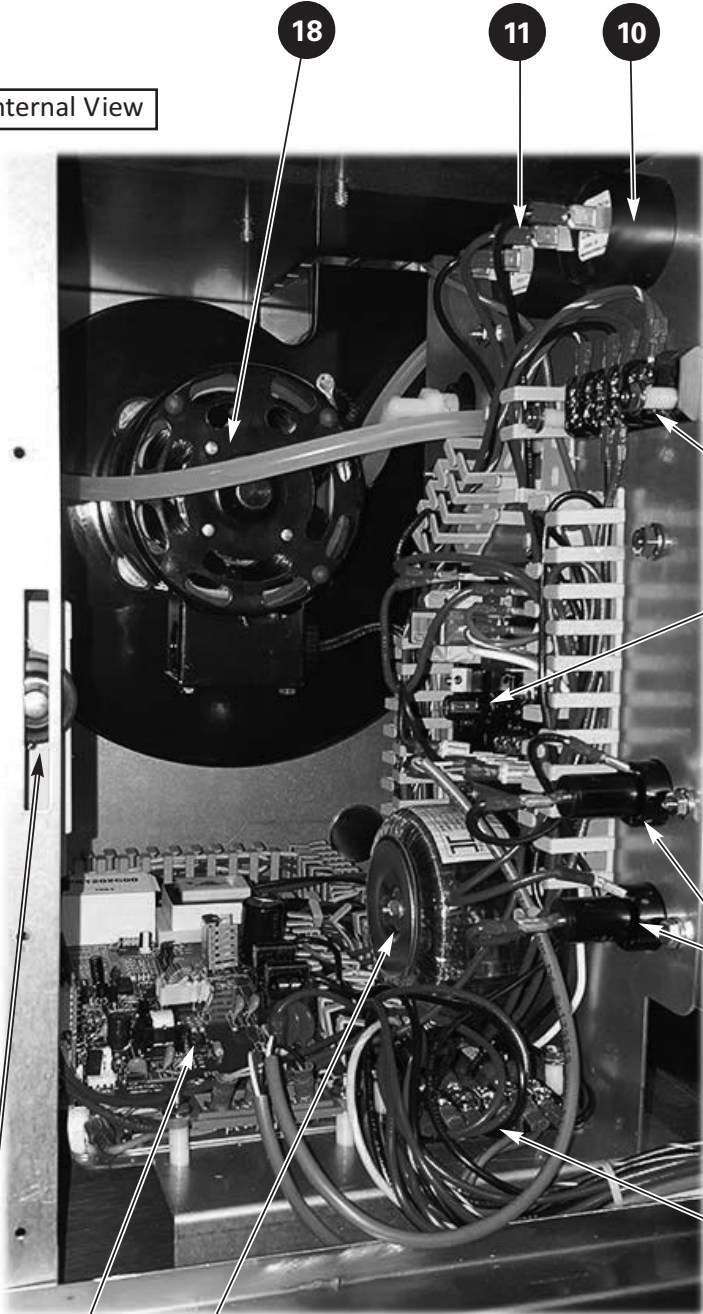
7.4 Parts List for Fan Compartment: PO-VH

ITEM	PART NO.	QTY	DESCRIPTION
1	20303	6	TERMINAL BLOCK, 4-12 GA WIRE
2	20319	5	TERMINAL BLOCK, 50 AMP, AWG 8-24
3	20304	2	TERMINAL BLOCK, GROUND, 4-12 GA WIRE
4	20320	1	TERMINAL BLOCK, GROUND, AWG 8-24
5	40550	1	BUSHING, HEYCO, 1-1/4
*6	20312	1	RELAY BASE, PLUG-IN, DIN MOUNT (ILS ONLY)
*7	20318	1	RELAY, 240 VAC, 10A, ELECTRO-MECH (ILS ONLY)
8	21950	2	FUSE HOLDER
9	21900	2	FUSE, 15-AMP, SC-15
10	22950	1	SONALERT, INTERMITTENT TONE, 250V
11	23782	1	SONALERT, CONTINUOUS TONE, 250V
12	20390	1	VACUUM SWITCH, DUNGS, 0.16 to 1.20" WC
13	23751	2	TERMINAL BLOCK, MA106
14	32208	1	CONTACTOR & QUENCHARC ASSY, 208/240VAC, 3PH, 50A
15	23776	1	SHUTDOWN MODULE, E.A.C. FILTER
16	21296	1	E.A.C. POWER SUPPLY ASSY, with DRIVER BOARD & JUMPERS, 120V
*17	21337	1	TRANSFORMER, 230VAC-to-115VAC @.86A, TRIAD
18	33589	1	BLOWER ASSEMBLY

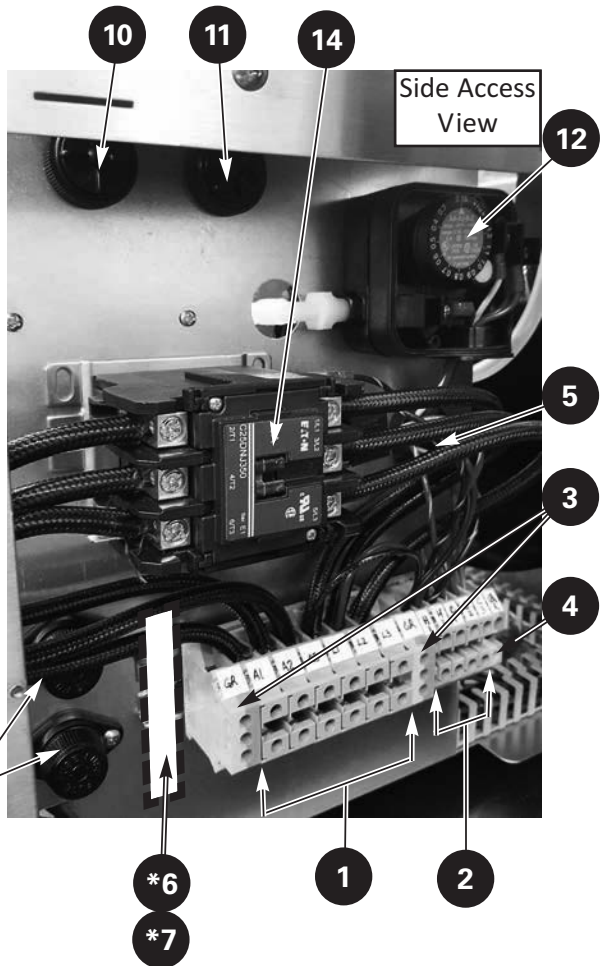
* Not Shown

7.5 Fan Compartment: OVH-10

Internal View



Side Access View



19 16 17

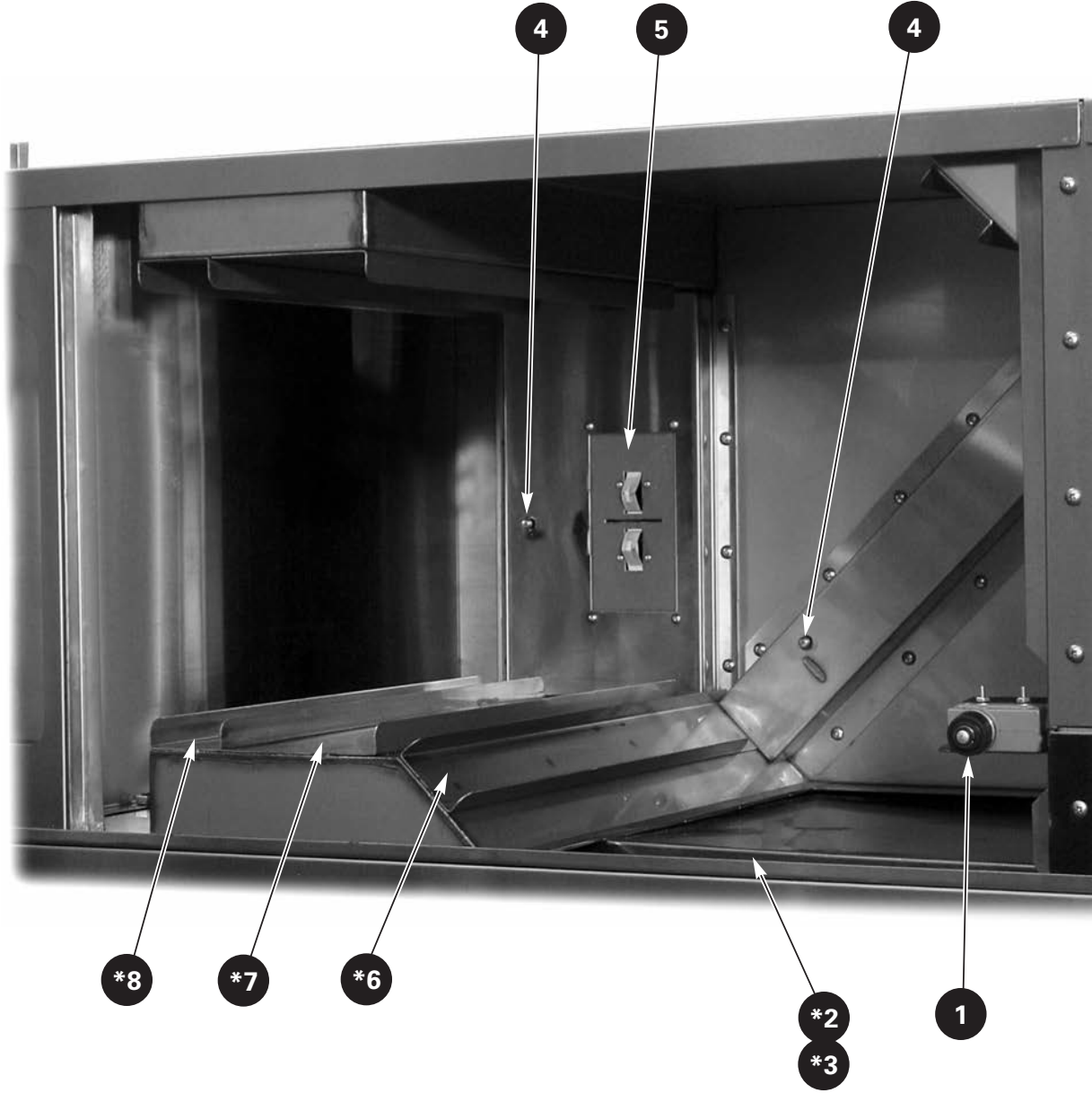
Parts List

Model: PO-VH & OVH-10

7.5 Parts List for Fan Compartment: OVH-10

ITEM	PART NO.	QTY	DESCRIPTION
1	20303	6	TERMINAL BLOCK, 4-12 GA WIRE
2	20319	5	TERMINAL BLOCK, 50 AMP, AWG 8-24
3	20304	2	TERMINAL BLOCK, GROUND, 4-12 GA WIRE
4	20320	1	TERMINAL BLOCK, GROUND, AWG 8-24
5	40550	1	BUSHING, HEYCO, 1-1/4
*6	20312	1	RELAY BASE, PLUG-IN, DIN MOUNT (ILS ONLY)
*7	20318	1	RELAY, 240 VAC, 10A, ELECTRO-MECH (ILS ONLY)
8	21950	2	FUSE HOLDER
9	21900	2	FUSE, 15-AMP, SC-15
10	22950	1	SONALERT, INTERMITTENT TONE, 250V
11	23782	1	SONALERT, CONTINUOUS TONE, 250V
12	20390	1	VACUUM SWITCH, DUNGS, 0.16 to 1.20" WC
13	23751	2	TERMINAL BLOCK, MA106
14	32208	1	CONTACTOR & QUENCHARC ASSY, 208/240VAC, 3PH, 50A
15	23776	1	SHUTDOWN MODULE, E.A.C. FILTER
16	21296	1	E.A.C. POWER SUPPLY ASSY, with DRIVER BOARD & JUMPERS, 120V
17	21337	1	TRANSFORMER, 230VAC-to-115VAC @.86A, TRIAD
18	35881	1	FAN ASSEMBLY, OVH-10, 208-240/60/1
19	21157	1	LIMIT SWITCH, 15A, 250V (DOOR INTERLOCK)

7.6 Filter Compartment: PO-VH



* Not shown

Parts List

Model: PO-VH & OVH-10



7.6 Parts List for Filter Compartment: PO-VH

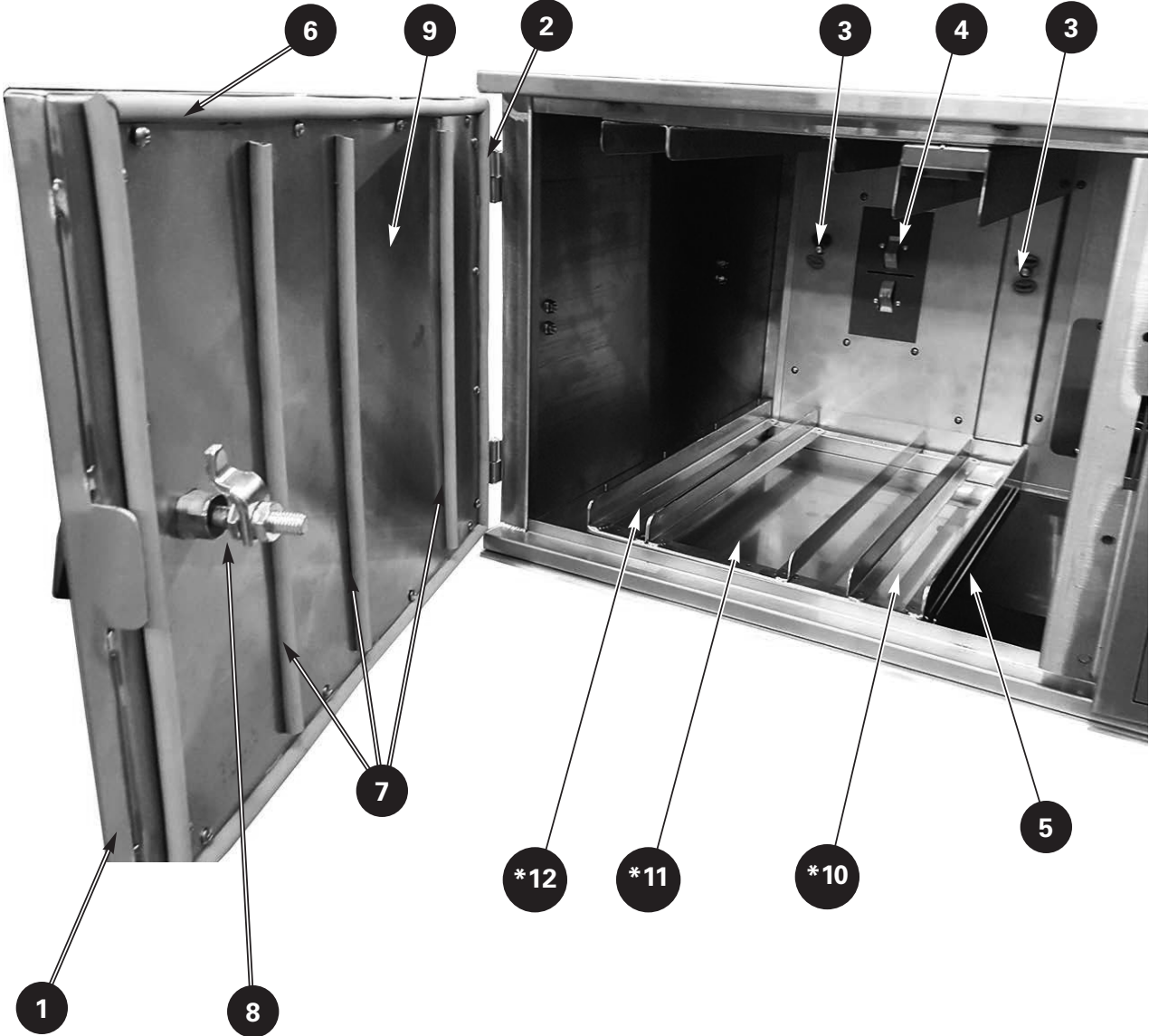
ITEM	PART NO.	QTY	DESCRIPTION
1	21157	1	LIMIT SWITCH, 15A, 250V
*2	91651	1	FILTER ACCESS PANEL
*3	42825	1	HANDLE, ACCESS PANEL (NOT INCLUDED WITH ACCESS PANEL)
4	24237	2	PLUNGER SWITCH, 250V, 15A
5	21125	1	CONTACT BOARD, E.A.C. FILTER
*6	42300	1	BAFFLE FILTER, 20" X 20" X 2" (NOT SHOWN)
*7	20520	1	E.A.C. FILTER CELL, 20" (NOT SHOWN)
*8	30248	1	CHARCOAL FILTER ASSEMBLY, 20" X 12-3/8" (NOT SHOWN)

IMPORTANT!

Failure to use Giles OEM parts and OEM replacement filters may void the factory warranty.

* Not shown

7.7 Filter Compartment: OVH-10



* Not shown



7.7 Parts List for Filter Compartment: OVH-10

ITEM	PART NO.	QTY	DESCRIPTION
1	95117	1	DOOR ASSEMBLY, COMPLETE
2	41308	2	HINGE, 1-1/2, SLIP APART, LEFT-HAND
3	24237	2	PLUNGER SWITCH, 250V, 15A
4	21125	1	CONTACT BOARD, E.A.C. FILTER
5	95104	1	BOTTOM FILTER SPACER/DRIP PAN
6	41276	1	DOOR GASKET
7	41117	3	GASKET, P-SHAPED, 3/8 x 3/4 (SPECIFY LENGTH)
8	41257	1	COMPRESSION LATCH
9	95557	1	DOOR GASKET PLATE
*10	45096	1	FILTER, BAFFLE, 12" X 16", S/S (NOT SHOWN)
*11	22360	1	E.A.C. FILTER CELL, 16" (NOT SHOWN)
*12	31963	1	CHARCOAL FILTER, ASSEMBLY, 16" X 12-3/8" (NOT SHOWN)

IMPORTANT!

Failure to use Giles OEM parts and OEM replacement filters may void the factory warranty.

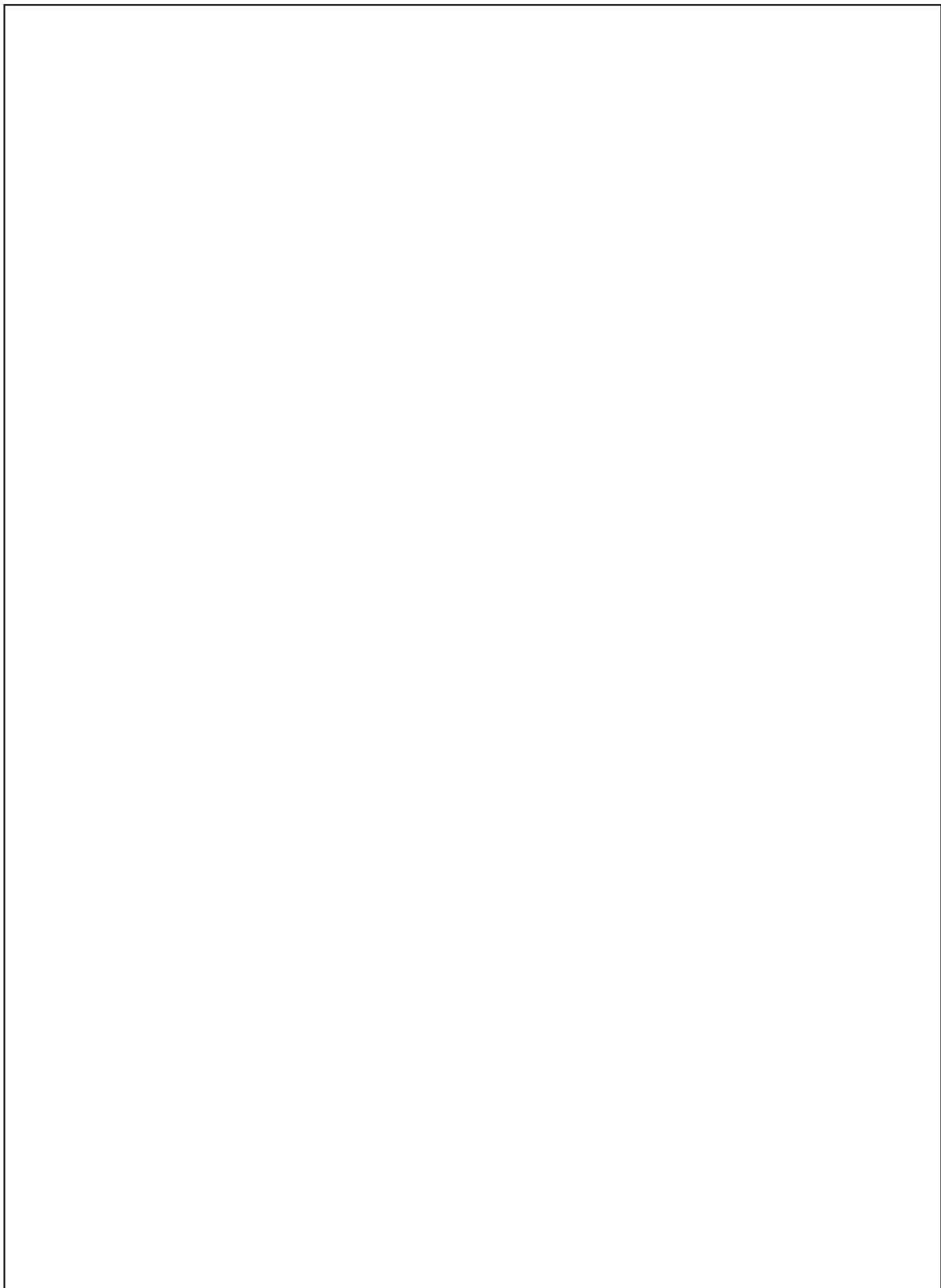
NOTE:

Complete Door Assembly includes Door, Latch, Hinges and all Gaskets installed.

* Not shown



Notes:





Giles Enterprises, Inc.

2750 Gunter Park Drive West Montgomery, Al 36109 USA
Phone (334) 272-1458 Services 1-800-554-4537 (USA & Canada Only) • FAX (334) 239-4117 www.gfse.com

Form No. 60203 (Rel. Date: 02/2001)(Rev. Date: 02/2016; Rev. F)