



A Family Company Manufacturing
In The USA Since 1969

SELF-CONTAINED BACK BAR COOLERS

***COOLER SERIAL NUMBER INFORMATION**

This manual is specific to self-contained coolers listed below beginning with serial number 134169912 and purchased in 2017 and after.

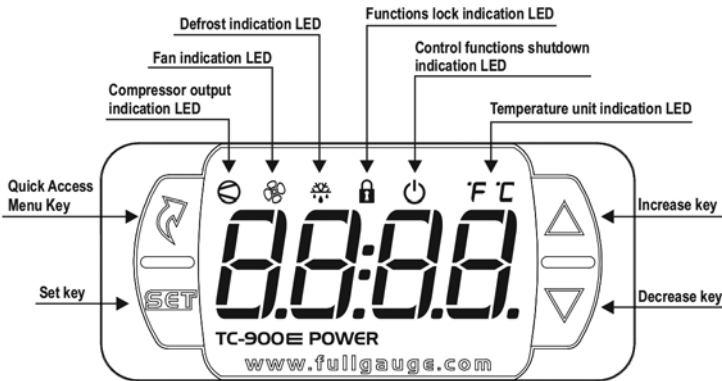
- **Back Bar - BB36, BB60, BB84, BB108**
- **Narrow Door - ND32, ND52, ND72, ND92**
- **Low Profile - LP36, LP60, LP84**
- **Pass Thru - PT36, PT60, PT84**
- **Keg Coolers - KC36, KC60, KC72, KC84**
- **Low Profile Narrow Door - LN32, LN52, LN72, LN92**
- **Narrow Door Pass Thru - NP32, NP52, NP72**
- **Low Profile Pass Thru - LPT36, LPT60, LPT84**
- **Low Profile Narrow Door Pass Thru - LNP32, LNP52, LNP72**



INDEX

COOLER SERIAL NUMBER INFORMATION	COVER
DIGITAL CONTROLLER OPERATION	2
INSTALLATION	
Introduction.....	3
Utility Requirements and Connections.....	3
Uncrating and Start-Up Instructions.....	3
Operation.....	3
Cleaning Instructions	3 - 4
Sealing Vertical Door Cooler to Floor Instructions.....	4
Cooler Installation Checklist	5
Beer Tower Installation.....	5
SPECIFICATIONS	
Wiring Diagrams.....	6
REPLACEMENT PARTS	
Compressor and Condenser Related Parts.....	7
Evaporator and Related Parts	8
LED Channel Assemblies	9 - 10
Shelving, Racks and Related Parts	11 - 12
Doors and Related Parts	13 - 17
Electrical Components	17
Refrigeration Compartment Covers.....	18
220 Volt Electrical Parts	18
SERVICE AND PARTS	
Terms and Conditions	19
Warranty.....	20

DIGITAL CONTROLLER OPERATION



The operating temperature range is preset at the factory according to the table below and can be adjusted up or down within the limits shown.

Setting the desired temperature-

To access the setpoints setup menu, press Set for 2 seconds. The message *SP* will appear on the display followed by the normal setpoint set value. Use the Increase key or Decrease key to modify the value and confirm by pressing Set. Immediately, the message *SP-E* appears indicating the setting of the economic setpoint. Again, use the Increase key or Decrease key to modify the value and confirm by pressing Set. Finally, the ---- indication signals the set up completion. The setpoints can also be adjusted individually in the quick access menu.

	Factory Settings		Range of Adjustment	
	Set Point	Operating Range†	Minimum Set Point	Maximum Set Point
Standard Cooler Setting	34° F	34° F to 39° F	33° F	65° F
Two Zone Cooler Settings*				
B = Beer	34° F	34° F to 39° F	33° F	65° F
W = White Wine	50° F	50° F to 55° F	33° F	65° F
R = Red Wine	60° F	60° F to 65° F	33° F	65° F

† Adjusting the factory set point will also adjust the operating range by the same amount
 * To determine a Two Zone Cooler refrigeration configuration, refer to the 5th and 6th characters in the model number found on the cooler data tag. These characters will always be one of the following: BW (Beer/White Wine), BR (Beer/Red Wine), or WR (White Wine/Red Wine). Example: MODEL: BB60**BRL**-XS(LR).

The refrigerator is programmed to automatically defrost four times daily for approximately twenty minutes. During defrost, the fan inside the cooler will remain on and the refrigeration system will turn off. The defrost process can be activated/deactivated manually in the quick access menu through the *dEFr* or pressing the Increase key for 4 seconds. Activation or deactivation will be indicated by the messages *dEFr On* or *dEFr OFF* respectively.

The thermostat controller has an “OFF” function. The shutdown of the control functions allows the controller to operate only as a temperature indicator, keeping the control outputs and alarms off. The use of this feature is enabled or disabled by the shutdown function of the control functions. When enabled, the control functions and alarms are switched off *Ctrl OFF* or on *Ctrl On* in the quick access menu through the *Ctrl* option. When the control functions are off, the message *OFF* is displayed alternating with the temperature and other messages. Also is possible turn on/turn off the control functions by pressing the Quick Access Menu key for 5 seconds.

Models BB, ND, LP, PT Self Contained Coolers thermostat controller

The thermostat control probe wire may become disconnected when the compressor compartment cover and/or grill are removed. This will result in thermostat *Err 1* or *Err 3* code. Service calls to reconnect the probe wiring are not covered by factory warranty.

SIGNALS	
Err 1	Ambient sensor disconnected or out of range.
Err 3	Sensor 3 disconnected or out of range.
EEO	Operation with economic setpoint.
AETH	High ambient temperature alarm (sensor1).
AELo	Low ambient temperature alarm (sensor1).
AC1	High temperature in condenser alarm (level 1). If this signal occurs, condenser may need cleaning.
AC2	High temperature in condenser alarm (level 2). If this signal occurs, condenser may need cleaning.
ALrC	Compressor reached the maximum time on without reaching the SP.
OFF	Control routines off.
 	It indicates that the temperature for end of defrost has not been reached.
EICAL	Please contact Full Gauge Controls.
PPPP	Reconfigure the values of the functions.

INSTALLATION

INTRODUCTION

This manual describes the operational features of the self-contained coolers listed on the front of this manual. Please review this information before attempting installation and operation.

Long term, trouble-free service will follow if good housekeeping and maintenance procedures are followed. Thank you for selecting Glastender, Inc. products.

UTILITY REQUIREMENTS AND CONNECTIONS

- **Electrical:** 120 Volt AC, 1 Phase, 60 Hz. A separate 15 Amp circuit is recommended. A 6-foot grounded cord and plug is included with self-contained models.
- **Plumbing:** Automatic condensate evaporator is included. No drain connection required.

UNCRATING AND START-UP INSTRUCTIONS

All models are shipped in one carton. These steps should be followed:

1. If legs or casters are included, bolt them to the base with the bolts provided.
2. Unwrap power cord from base if included.
3. Position unit and level and/or seal as required (see page 4 and 5).
4. All units intended for draft beer must be plumbed to an external drain. On self-contained models with draft beer and a factory installed finished top, the beer tower drain pan is plumbed through the cabinet and stubs out in the 3" space below the compressor compartment. Connection to an external drain must be made from that point.
5. Place shelves in desired location.
6. Plug into 115 volt AC outlet.
7. Load with bottles or cans and allow time for products to cool.
8. Your Glastender equipment is now ready for use.

OPERATION

The operating temperature range is 34°F (1°C) to 40°F (5°C).

Self-contained models include an automatic defrost system. The refrigerator will defrost four times daily for approximately 20 minutes. During the defrost, the fan inside the cooler will remain on and the refrigeration system will turn off.

CLEANING INSTRUCTIONS

Cleaning is essential to sustaining the integrity of your equipment and preventing corrosion.

ESTIMATED CLEANING TIME: 5 to 10 minutes per unit daily, 45 minutes quarterly

FREQUENCY: Daily cleaning of exterior & door gaskets. Monthly cleaning of condenser filter. Quarterly cleaning of interior, including shelves.

(Cleaning Instructions continued on page 4)

INSTALLATION

(Cleaning Instructions continued from page 3)

PROCEDURE:

1. A non-chlorine based cleaner or mild detergent and warm water applied with a soft cloth or sponge to all contact surfaces.
2. Immediately rinse off cleaning agent(s), using clean warm water, clean soft cloth or sponge.
3. Dry with a soft clean cloth, removing standing water as soon as possible.
4. Condenser filter - remove small louvered covers only. Do NOT remove compressor cover panel as thermostat control probe wire will become disconnected and cause operation failure not covered by factory warranty (see page 2).

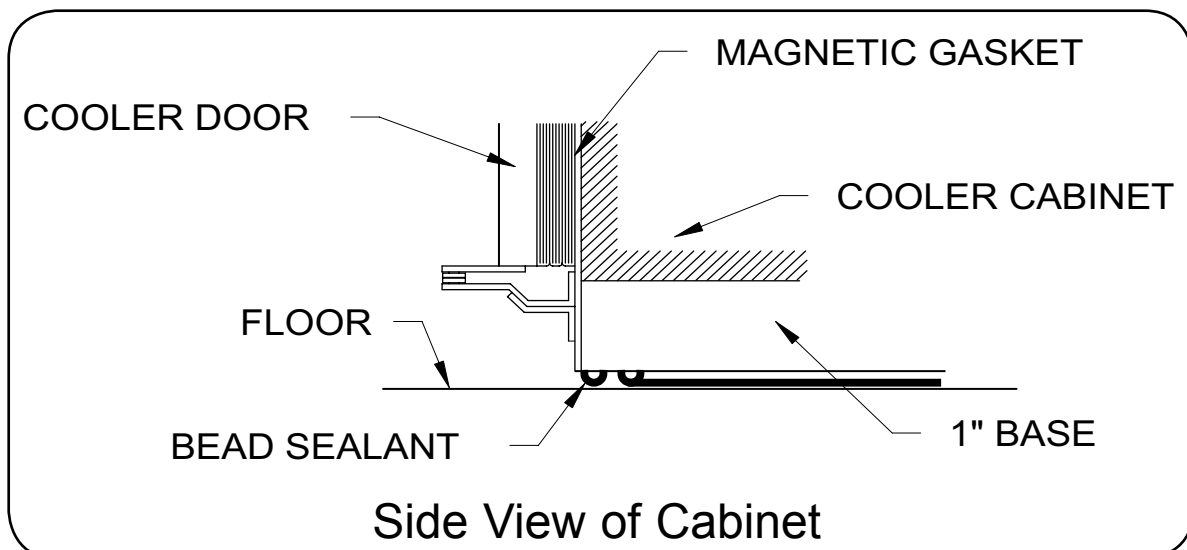
NOTES:

1. Never use hydrochloric acid, wire brushes, steel wool, scrapers, or chlorine based cleaners on stainless steel surfaces, since they will break down the passivity layer and allow corrosion to occur.
2. On stainless steel surfaces, you may use a soft bristle brush or Scotch-Brite® pad for more stubborn stains. Always scrub with the direction of the grain. Follow with a thorough cleaning as described above.
3. Deposits from food preparation must be properly removed. Even hard water deposits will rust stainless steel, if not removed.
4. Repeated cleaning may dry up black-vinyl-clad steel (exterior) surfaces of the cooler. Armor All® or similar product can bring back the shine. Apply the product to a cloth and then rub into the surface, rather than spraying it directly onto the black-vinyl-clad surface.
5. The cooler door gaskets are most often overlooked when cleaning. Failure to clean them regularly will lead to premature failure, since alcohol and moisture build-up breaks down the gasket material.



SEALING VERTICAL DOOR COOLER TO FLOOR

To comply with NSF & health codes, the cooler base must be sealed to the floor using NSF listed sealant. Place a bead of sealant along outer edges of the base and remove excess with disposable towel. The floor sealing procedure does not apply to models that include legs or casters.

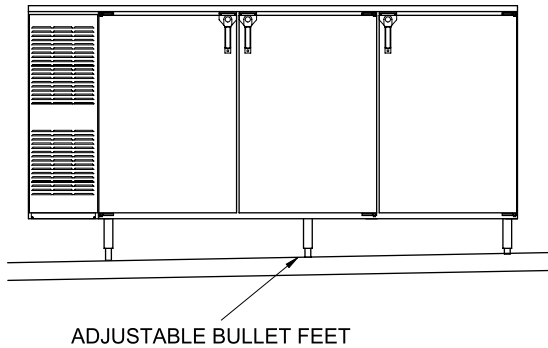


INSTALLATION

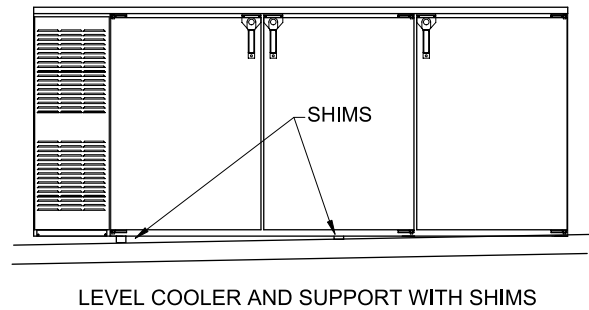
ATTENTION INSTALLER: WARNING!!

Failure to level this cooler WILL VOID THE FACTORY WARRANTY. Doors will not close properly causing damage to hinges, handles, and/or gaskets which will adversely affect the refrigeration systems.

COOLER WITH 6" LEGS



COOLER WITHOUT LEGS



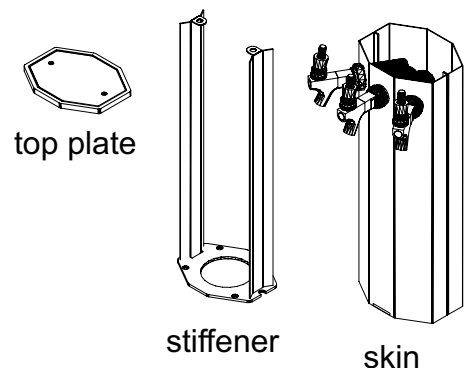
COOLER INSTALLATION CHECKLIST

- Is the unit evenly and solidly supported, either upon legs, or flat on the base; check for high spots?
- If the unit was designed for legs, are they attached?
- Is the unit level at the base, from end to end?
- Do the doors open and close freely, without touching any other part of the unit in travel?
- Are there open holes to the outside of the cabinet which are not plugged or insulated?
- Are there obstructions of any kind to air flow into or out of the condensing unit?
- Is product tubing or are other lines installed in such a manner to not allow shelf access?

SPECIAL INSTRUCTIONS FOR BEER TOWER INSTALLATION

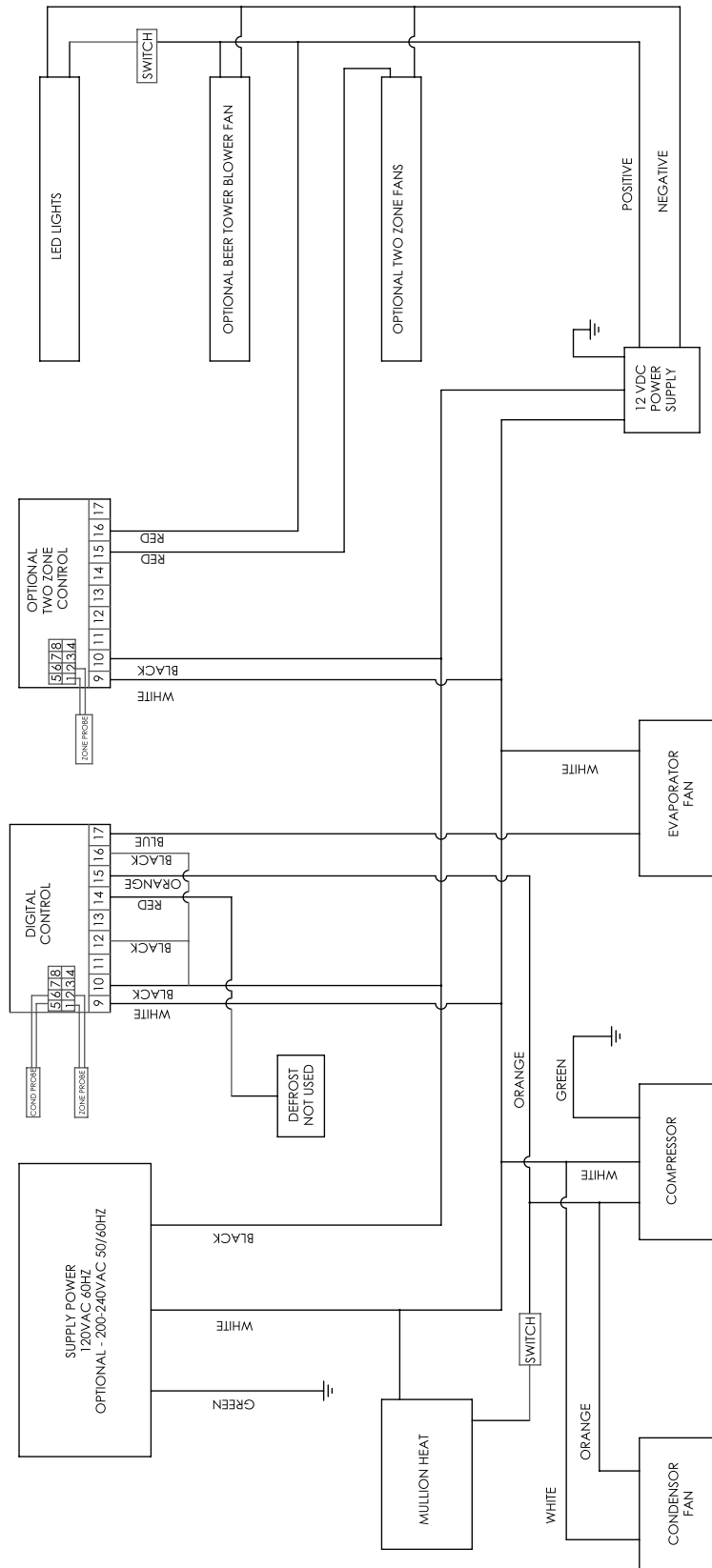
Before you begin:

1. Disassemble the tower into three parts, stiffener, skin, and top plate, by unscrewing the top two screws.
2. Mount the column stiffener with the provided four 1/4"-20x1-1/2" bolts.
3. Install insulation provided into the bottom of the column stiffener.
4. Place the column skin over the stiffener. Run the beer lines through the hole at the same time.
5. Install insulation provided into the top of the tower assembly.
6. Mount the column top plate to the column stiffener with the two #10-32x1/2" phillips flat head s/s machine screws provided.
7. Apply a bead of silicone sealant around the perimeter of the column. Use your finger to smooth out the bead.
8. Wash tapping device and faucet with detergent and water. Flush beer tapping device and faucet lines.



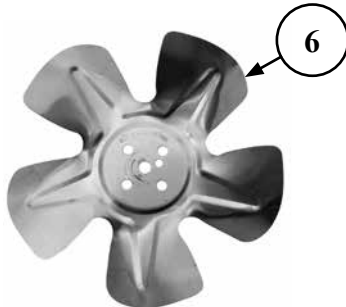
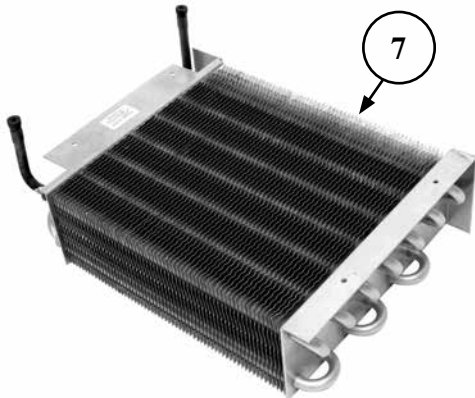
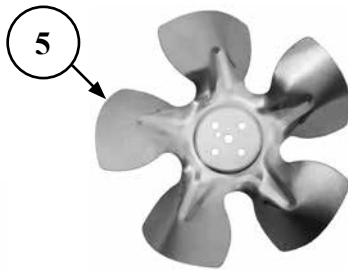
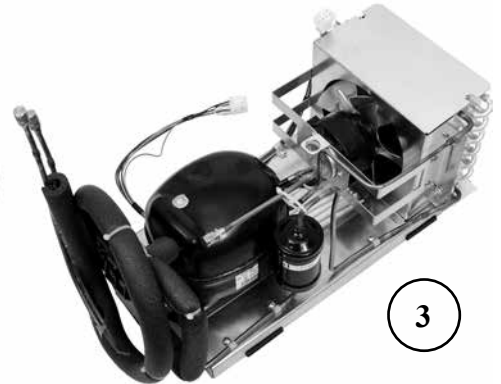
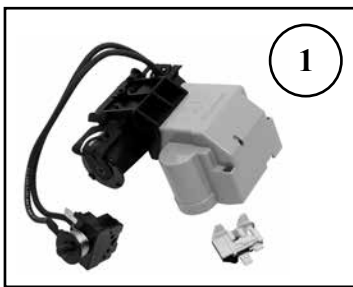
WIRING DIAGRAM

06010156



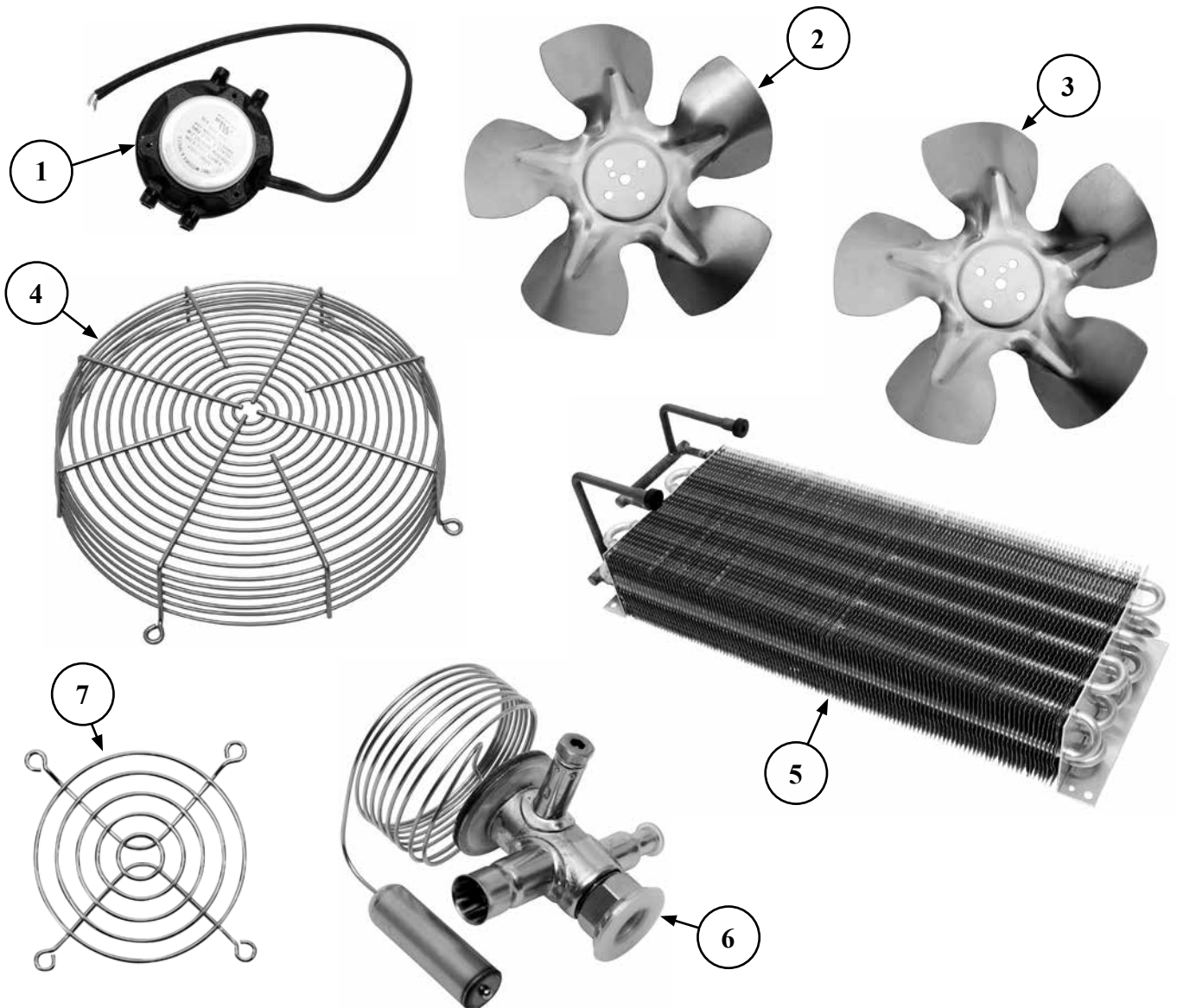
COMPRESSOR AND CONDENSER RELATED PARTS

<u>PART NO.</u>	<u>DESCRIPTION</u>	<u>PRICE</u>
06008990	Single door compressor EM45HHR1	\$390.00
06010021	Multiple door compressor FFU80HAX	385.00
1. 06010201	Electrical kit, 120V Embraco compressor, includes relay, cover, OLP, start cap	65.00
2. 06011060	Condensor assembly kit, endwall, single door	725.00
3. 06011062	Condensor assembly kit, endwall, multiple door	770.00
4. 06001449	Condenser fan motor	100.00
5. 06010027	Single door condenser fan blade, 6" diameter	10.00
6. 07000155	Multiple door condenser fan blade, 7" diameter	12.00
7. 11000080	Condenser coil	225.00
8. 06010023	Filter dryer, receiver combo	40.00
9. 06011056	Digital thermostat w/probe, preset to standard temp, range 34-40 degrees F	120.00
9. 06011057	Digital thermostat w/probe, preset to red wine temp, range 60-65 degrees F	120.00
9. 06011058	Digital thermostat w/probe, preset to white wine temp, range 50-55 degrees F	120.00
06006990	Condenser fan bracket	14.00
06005359	Drain pan assembly w/ wicking material	42.00
06001345	Drain tubing	1.45 per foot



EVAPORATORS AND RELATED PARTS

<u>PART NO.</u>	<u>DESCRIPTION</u>	<u>PRICE</u>
1. 06010030	Evaporator fan motor	\$190.00
2. 06010027	Single door evaporator fan blade, 6" diameter	10.00
3. 06010029	Multiple door evaporator fan blade, 7.25" diameter	10.00
4. 06010041	Evaporator fan guard	25.00
5. 06004231	Evaporator coil	200.00
06010046	Single door metering device (TXV)	110.00
6. 06006096	Multiple door metering device (TXV)	135.00
06006109	Power supply, LED light strip	60.00
06001412	Switch	5.00
06006107	LED light replacement (1 only)	12.50
06005372	Evaporator drain pan	48.00
06006995	Fan bracket	14.00
7. 06010047	Finger guard	5.00



LED CHANNEL ASSEMBLIES

<u>PART NO.</u>	<u>DESCRIPTION</u>	<u>PRICE</u>
06010634	LED channel assembly, 24" remote / 36" self-contained, standard white	\$50.00
06010635	LED channel assembly, 24" remote / 36" self-contained, amber	50.00
06010636	LED channel assembly, 24" remote / 36" self-contained, blue	50.00
06010637	LED channel assembly, 24" remote / 36" self-contained, warm	50.00
06010638	LED channel assembly, 48" remote / 60" self-contained, standard white	75.00
06010639	LED channel assembly, 48" remote / 60" self-contained, amber	75.00
06010640	LED channel assembly, 48" remote / 60" self-contained, blue	75.00
06010641	LED channel assembly, 48" remote / 60" self-contained, warm	75.00
06010642	LED channel assembly, BB60TZ, standard white	75.00
06010643	LED channel assembly, BB60TZ, amber	75.00
06010644	LED channel assembly, BB60TZ, blue	75.00
06010645	LED channel assembly, BB60TZ, warm	75.00
06010646	LED channel assembly, 72" remote / 84" self-contained, standard white	100.00
06010647	LED channel assembly, 72" remote / 84" self-contained, amber	100.00
06010648	LED channel assembly, 72" remote / 84" self-contained, blue	100.00
06010649	LED channel assembly, 72" remote / 84" self-contained, warm	100.00
06010650	LED channel assembly, BB84TZ, standard white	100.00
06010651	LED channel assembly, BB84TZ, amber	100.00
06010652	LED channel assembly, BB84TZ, blue	100.00
06010653	LED channel assembly, BB84TZ, warm	100.00
06010654	LED channel assembly, 96" remote / 108" self-contained, standard white	125.00
06010655	LED channel assembly, 96" remote / 108" self-contained, amber	125.00
06010656	LED channel assembly, 96" remote / 108" self-contained, blue	125.00
06010657	LED channel assembly, 96" remote / 108" self-contained, warm	125.00
06010658	LED channel assembly, BB108TZ, standard white	125.00
06010659	LED channel assembly, BB108TZ, amber	125.00
06010660	LED channel assembly, BB108TZ, blue	125.00
06010661	LED channel assembly, BB108TZ, warm	125.00
06010662	LED channel assembly, ND32, standard white	50.00
06010663	LED channel assembly, ND32, amber	50.00
06010664	LED channel assembly, ND32, blue	50.00
06010665	LED channel assembly, ND32, warm	50.00

LED CHANNEL ASSEMBLIES

<u>PART NO.</u>	<u>DESCRIPTION</u>	<u>PRICE</u>
06010666	LED channel assembly, 40" remote / 52" self-contained, standard white	\$75.00
06010667	LED channel assembly, 40" remote / 52" self-contained, amber	75.00
06010668	LED channel assembly, 40" remote / 52" self-contained, blue	75.00
06010669	LED channel assembly, 40" remote / 52" self-contained, warm	75.00
06010670	LED channel assembly, ND52TZ, standard white	75.00
06010671	LED channel assembly, ND52TZ, amber	75.00
06010672	LED channel assembly, ND52TZ, blue	75.00
06010673	LED channel assembly, ND52TZ, warm	75.00
06010674	LED channel assembly, 60" remote / 72" self-contained, standard white	100.00
06010675	LED channel assembly, 60" remote / 72" self-contained, amber	100.00
06010676	LED channel assembly, 60" remote / 72" self-contained, blue	100.00
06010677	LED channel assembly, 60" remote / 72" self-contained, warm	100.00
06010678	LED channel assembly, ND72TZ, standard white	100.00
06010679	LED channel assembly, ND72TZ, amber	100.00
06010680	LED channel assembly, ND72TZ, blue	100.00
06010681	LED channel assembly, ND72TZ, warm	100.00
06010682	LED channel assembly, 80" remote / 92" self-contained, standard white	125.00
06010683	LED channel assembly, 80" remote / 92" self-contained, amber	125.00
06010684	LED channel assembly, 80" remote / 92" self-contained, blue	125.00
06010685	LED channel assembly, 80" remote / 92" self-contained, warm	125.00
06010686	LED channel assembly, ND92TZ, standard white	125.00
06010687	LED channel assembly, ND92TZ, amber	125.00
06010688	LED channel assembly, ND92TZ, blue	125.00
06010689	LED channel assembly, ND92TZ, warm	125.00

SHELVING, RACKS AND RELATED PARTS

<u>PART NO.</u>	<u>DESCRIPTION</u>	<u>PRICE</u>
06011100	Shelf kit, 20" (set of 3 shelves and 8 clips), BB, left door, includes 06010065 (3), 06001636 (2017 and after)	195.00
06011101	Shelf kit, 22" (set of 3 shelves and 8 clips), BB, left door, includes 06010067 (3), 06001636 (2017 and after)	195.00
06011102	Shelf kit, 24" (set of 3 shelves and 8 clips), BB, middle door, includes 06010066 (3), 06001636 (2017 and after)	195.00
06011103	Shelf kit, 22" (set of 3 shelves and 8 clips), BB, right door, includes 06010068 (3), 06001636 (2017 and after)	195.00
06011104	Shelf kit, 20" (set of 2 shelves and 4 clips), LP36, includes 06010065 (2), 06007724 (2017 and after)	130.00
06011105	Shelf kit, 22" (set of 2 shelves and 4 clips), LP, left door, includes 06010067 (2), 06007724 (2017 and after)	130.00
06011106	Shelf kit, 24" (set of 2 shelves and 4 clips), LP, middle door, includes 06010066 (2), 06007724 (2017 and after)	130.00
06011107	Shelf kit, 22" (set of 2 shelves and 4 clips), LP, right door, includes 06010068 (2), 06007724 (2017 and after)	130.00
06011108	Shelf kit, 16" (set of 2 shelves and 4 clips), LPND32, includes 06010055 (2), 06007724 (2017 and after)	130.00
06011109	Shelf kit, 18" (set of 2 shelves and 4 clips), LPND, left door, includes 06010057 (2), 06007724 (2017 and after)	130.00
06011110	Shelf kit, 20" (set of 2 shelves and 4 clips), LPND, middle door, includes 06010056 (2), 06007724 (2017 and after)	130.00
06011111	Shelf kit, 18" (set of 2 shelves and 4 clips), LPND, right door, includes 06010058 (2), 06007724 (2017 and after)	130.00
06011112	Shelf kit, 16" (set of 2 shelves and 4 clips), LPNDPT32, includes 06010059 (2), 06007724 (2017 and after)	130.00
06011113	Shelf kit, 18" (set of 2 shelves and 4 clips), LPNDPT, end door, includes 06010060 (2), 06007724 (2017 and after)	130.00
06011114	Shelf kit, 20" (set of 2 shelves and 4 clips), LPNDPT, middle door, includes 06010061 (2), 06007724 (2017 and after)	130.00
06011115	Shelf kit, 20" (set of 2 shelves and 4 clips), LPPT24, LPPT36, includes 06010062 (2), 06007724 (2017 and after)	130.00
06011116	Shelf kit, 22", LPPT (set of 2 shelves and 4 clips), end door, includes 06010063 (2), 06007724 (2017 and after)	130.00
06011117	Shelf kit, 24", LPPT (set of 2 shelves and 4 clips), middle door, includes 06010064 (2), 06007724 (2017 and after)	130.00

SHELVING, RACKS AND RELATED PARTS

<u>PART NO.</u>	<u>DESCRIPTION</u>	<u>PRICE</u>
06011118	Shelf kit, 16" (set of 3 shelves and 8 clips), ND32, ND53TZ, NDTZ, warm door, includes 06010055 (3), 06001636 (2017 and after)	195.00
06011119	Shelf kit, 18" (set of 3 shelves and 8 clips), ND, left door, includes 06010057 (3), 06001636 (2017 and after)	195.00
06011120	Shelf kit, 20" (set of 3 shelves and 8 clips), ND, middle door, includes 06010056 (3), 06001636 (2017 and after)	195.00
06011121	Shelf kit, 18" (set of 3 shelves and 8 clips), ND, right door, includes 06010058 (3), 06001636 (2017 and after)	195.00
06011122	Shelf kit, 16" (set of 3 shelves and 8 clips), NDPT32, includes 06010059 (3), 06001636 (2017 and after)	195.00
06011123	Shelf kit, 18" (set of 3 shelves and 8 clips), NDPT, end door, includes 06010060 (3), 06001636 (2017 and after)	195.00
06011124	Shelf kit, 20" (set of 3 shelves and 8 clips), NDPT, middle door, includes 06010061 (3), 06001636 (2017 and after)	195.00
06011125	Shelf kit, 20" (set of 3 shelves and 8 clips), PT36, includes 06010062 (3), 06001636 (2017 and after)	195.00
06011126	Shelf kit, 22" (set of 3 shelves and 8 clips), PT, end door, includes 06010063 (3), 06001636 (2017 and after)	195.00
06011127	Shelf kit, 24" (set of 3 shelves and 8 clips), PT, middle door, includes 06010064 (3), 06001636 (2017 and after)	195.00
06010158	Shelf divider, BB models	25.00
06010159	Shelf divider, PT models	25.00
06001557	Pilaster, aluminum, 24"	5.00
06001574	Thumbscrew, stainless steel, for pilaster	2.00
06001565	Clip, for pilaster, stainless steel	2.00
00000018	Nut, acorn, 8/32" natural nylon	1.00
06001579	ABS Scuff Channel with mounting screws	30.00
06001580	ABS Scuff Channel (ND models) with mounting screws	35.00
06006264	Wine rack shelf for BB, stainless steel with slots for 7 bottles	126.00
06006265	Wine rack shelf for ND, stainless steel with slots for 5 bottles	126.00
06009974	Keg rack, 16"	126.00
06006236	Keg rack, 18"	126.00
06006234	Keg rack, 20"	126.00
06009975	Keg rack, 22"	126.00
06006235	Keg rack, 24"	126.00

DOORS AND RELATED PARTS

<u>PART NO.</u>	<u>DESCRIPTION</u>	<u>PRICE</u>
06001462	Door handle, stainless	\$60.00
06001653	Door handle, brass	110.00
06001536	Door lock, stainless	36.00
06004009	Key, #806, for stainless cooler door lock (06001536)	4.00
06001535	Door lock, brass	43.00
06004010	Key, #606, for brass cooler door lock (06001535)	4.00
06010394	Integrated lock components - stainless or moly	40.00
06010395	Integrated lock components - galvanized	40.00
06001677	Plug for door handle, stainless	1.00
00000200	Screws for top of handle, stainless (set of 2), 10/32 x 1" PFH Machine Screw	1.00
00000016	Screws for top of handle, brass (set of 2), 10/32 x 5/8" PFH Machine Screw	1.00
00000046	Screw for bottom of handle, stainless, and screws for old style brackets	.50
00000043	Screw for bottom of handle, black	.50
06006207	Hinge set and brackets, 180° swing, left (complete with screws)	35.00
06006208	Hinge set and brackets, 180° swing, right (complete with screws)	35.00
07000356	Lock bracket	5.00
06006596	Hinge set and brackets for wood doors, 180° swing, left (complete with screws)	45.00
06006597	Hinge set and brackets for wood doors, 180° swing, right (complete with screws)	45.00
06006269	Lock bracket for raised wood panel doors	10.00
06004390	Gasket, door, standard cooler, gray, 22-1/2" x 32" OD	45.00
06006178	Gasket, door, Narrow Door Energy Star, gray, 18-1/2" x 32" OD	45.00
00000067	Screw for door hinges (4 required)	.50 each
00000041	Bolts for brackets (6 required)	.50 each
06001485	Plastic washer for hinge	1.00
06001569	Bushing for hinge (gray)	1.00
06008325	Trim rail kit, laminated door, standard, left hinge (2017 and after)	35.00
06008326	Trim rail kit, laminated door, standard, right hinge (2017 and after)	35.00
06008327	Trim rail kit, laminated door, standard, left hinge, for integrated lock (2017 and after)	35.00
06008328	Trim rail kit, laminated door, standard, right hinge, for integrated lock (2017 and after)	35.00
06008329	Trim rail kit, laminated door, LP, left hinge (2017 and after)	35.00
06008330	Trim rail kit, laminated door, LP, right hinge (2017 and after)	35.00
06008331	Trim rail kit, laminated door, LP, left hinge, for integrated lock (2017 and after)	35.00
06008332	Trim rail kit, laminated door, LP, right hinge, for integrated lock (2017 and after)	35.00
06008333	Trim rail kit, laminated door, LPND, left hinge (2017 and after)	35.00
06008334	Trim rail kit, laminated door, LPND, right hinge (2017 and after)	35.00
06008335	Trim rail kit, laminated door, LPND, left hinge, for integrated lock (2017 and after)	35.00
06008336	Trim rail kit, laminated door, LPND, right hinge, for integrated lock (2017 and after)	35.00
06008337	Trim rail kit, laminated door, ND, left hinge (2017 and after)	35.00
06008338	Trim rail kit, laminated door, ND, right hinge (2017 and after)	35.00
06008339	Trim rail kit, laminated door, ND, left hinge, for integrated lock (2017 and after)	35.00
06008340	Trim rail kit, laminated door, ND, right hinge, for integrated lock (2017 and after)	35.00
06010383	Trim rail kit, compressor compartment, standard (July 2016 and after)	39.00
06010384	Trim rail kit, compressor compartment, LP (2017 and after)	39.00

DOORS AND RELATED PARTS

BB DOORS

<u>PART NO.</u>	<u>DESCRIPTION</u>	<u>PRICE</u>
06006250	Door, black, BB, e/s	\$308.00
06006253	Door, stainless, BB, e/s	358.00
06008341	Door, laminated, BB, left hinge (2017 and after)	428.00
06008342	Door, laminated, BB, right hinge (2017 and after)	428.00
06008343	Door, unlaminated, BB, left hinge (2017 and after)	308.00
06008344	Door, unlaminated, BB, right hinge (2017 and after)	308.00
06010420	Door, glass, black, BB (2017 and after)	598.00
06010421	Door, glass, stainless, BB (2017 and after)	648.00
06008345	Door, glass, laminated, BB, left hinge (2017 and after)	718.00
06008346	Door, glass, laminated, BB, right hinge (2017 and after)	718.00
06010285	Door, black, BB, integrated lock, left (2017 and after)	345.00
06010286	Door, black, BB, integrated lock, right (2017 and after)	345.00
06010287	Door, stainless, BB, integrated lock, left (2017 and after)	395.00
06010288	Door, stainless, BB, integrated lock, right (2017 and after)	395.00
06010289	Door, laminated, BB, integrated lock, left (2017 and after)	465.00
06010290	Door, laminated, BB, integrated lock, right (2017 and after)	465.00
06010291	Door, unlaminated, BB, integrated lock, left (2017 and after)	345.00
06010292	Door, unlaminated, BB, integrated lock, right (2017 and after)	345.00
06010423	Door, glass, black, BB, integrated lock, left (2017 and after)	635.00
06010424	Door, glass, black, BB, integrated lock, right (2017 and after)	635.00
06010425	Door, glass, stainless, BB, integrated lock, left (2017 and after)	685.00
06010426	Door, glass, stainless, BB, integrated lock, right (2017 and after)	685.00
06010427	Door, glass, laminated, BB, integrated lock, left (2017 and after)	755.00
06010428	Door, glass, laminated, BB, integrated lock, right (2017 and after)	755.00

DOORS AND RELATED PARTS

LP DOORS

<u>PART NO.</u>	<u>DESCRIPTION</u>	<u>PRICE</u>
06007595	Door, black, LP, e/s	\$308.00
06007593	Door, stainless, LP, e/s	358.00
06008349	Door, laminated, LP, left hinge (2017 and after)	428.00
06008350	Door, laminated, LP, right hinge (2017 and after)	428.00
06008351	Door, unlaminated, LP, left hinge (2017 and after)	308.00
06008352	Door, unlaminated, LP, right hinge (2017 and after)	308.00
06010438	Door, glass, black, LP (2017 and after)	598.00
06010439	Door, glass, stainless, LP (2017 and after)	648.00
06008353	Door, glass, laminated, LP, left hinge (2017 and after)	718.00
06008354	Door, glass, laminated, LP, right hinge (2017 and after)	718.00
06010293	Door, black, LP, integrated lock, left (2017 and after)	345.00
06010294	Door, black, LP, integrated lock, right (2017 and after)	345.00
06010295	Door, stainless, LP, integrated lock, left (2017 and after)	395.00
06010296	Door, stainless, LP, integrated lock, right (2017 and after)	395.00
06010297	Door, laminated, LP, integrated lock, left (2017 and after)	465.00
06010298	Door, laminated, LP, integrated lock, right (2017 and after)	465.00
06010299	Door, unlaminated, LP, integrated lock, left (2017 and after)	345.00
06010300	Door, unlaminated, LP, integrated lock, right (2017 and after)	345.00
06010441	Door, glass, black, LP, integrated lock, left (2017 and after)	635.00
06010442	Door, glass, black, LP, integrated lock, right (2017 and after)	635.00
06010443	Door, glass, stainless, LP, integrated lock, left (2017 and after)	685.00
06010444	Door, glass, stainless, LP, integrated lock, right (2017 and after)	685.00
06010445	Door, glass, laminated, LP, integrated lock, left (2017 and after)	755.00
06010446	Door, glass, laminated, LP, integrated lock, right (2017 and after)	755.00

DOORS AND RELATED PARTS

ND DOORS

<u>PART NO.</u>	<u>DESCRIPTION</u>	<u>PRICE</u>
06006260	Door, black, ND, e/s	\$308.00
06006263	Door, stainless, ND, e/s	358.00
06008364	Door, laminated, ND, left hinge (2017 and after)	428.00
06008365	Door, laminated, ND, right hinge (2017 and after)	428.00
06008366	Door, unlaminated, ND, left hinge (2017 and after)	308.00
06008367	Door, unlaminated, ND, right hinge (2017 and after)	308.00
06010474	Door, glass, black, ND (2017 and after)	598.00
06010475	Door, glass, stainless, ND (2017 and after)	648.00
06008368	Door, glass, laminated, ND, left hinge (2017 and after)	718.00
06008369	Door, glass, laminated, ND, right hinge (2017 and after)	718.00
06010309	Door, black, ND, integrated lock, left (2017 and after)	345.00
06010310	Door, black, ND, integrated lock, right (2017 and after)	345.00
06010311	Door, stainless, ND, integrated lock, left (2017 and after)	395.00
06010312	Door, stainless, ND, integrated lock, right (2017 and after)	395.00
06010313	Door, laminated, ND, integrated lock, left (2017 and after)	465.00
06010314	Door, laminated, ND, integrated lock, right (2017 and after)	465.00
06010315	Door, unlaminated, ND, integrated lock, left (2017 and after)	345.00
06010316	Door, unlaminated, ND, integrated lock, right (2017 and after)	345.00
06010477	Door, glass, black, ND, integrated lock, left (2017 and after)	635.00
06010478	Door, glass, black, ND, integrated lock, right (2017 and after)	635.00
06010479	Door, glass, stainless, ND, integrated lock, left (2017 and after)	685.00
06010480	Door, glass, stainless, ND, integrated lock, right (2017 and after)	685.00
06010481	Door, glass, laminated, ND, integrated lock, left (2017 and after)	755.00
06010482	Door, glass, laminated, ND, integrated lock, right (2017 and after)	755.00

DOORS AND RELATED PARTS

LN DOORS

<u>PART NO.</u>	<u>DESCRIPTION</u>	<u>PRICE</u>
06006308	Door, black, LN	\$308.00
06006309	Door, stainless, LN	358.00
06008357	Door, laminated, LN, left hinge	428.00
06008358	Door, laminated, LN, right hinge	428.00
06008359	Door, unlaminated, LN, left hinge	308.00
06008360	Door, unlaminated, LN, right hinge	308.00
06010456	Door, glass, black, LN	598.00
06010457	Door, glass, stainless, LN	648.00
06008361	Door, glass, laminated, LN, left hinge	718.00
06008362	Door, glass, laminated, LN, right hinge	718.00
06010301	Door, black, LN, integrated lock, left	345.00
06010302	Door, black, LN, integrated lock, right	345.00
06010303	Door, stainless, LN, integrated lock, left	395.00
06010304	Door, stainless, LN, integrated lock, right	395.00
06010305	Door, laminated, LN, integrated lock, left	465.00
06010306	Door, laminated, LN, integrated lock, right	465.00
06010307	Door, unlaminated, LN, integrated lock, left	345.00
06010308	Door, unlaminated, LN, integrated lock, right	345.00
06010459	Door, glass, black, LN, integrated lock, left	635.00
06010460	Door, glass, black, LN, integrated lock, right	635.00
06010461	Door, glass, stainless, LN, integrated lock, left	685.00
06010462	Door, glass, stainless, LN, integrated lock, right	685.00
06010463	Door, glass, laminated, LN, integrated lock, left	755.00
06010464	Door, glass, laminated, LN, integrated lock, right	755.00

ELECTRICAL COMPONENTS

<u>PART NO.</u>	<u>DESCRIPTION</u>	<u>PRICE</u>
06006121	Replacement powercord assembly, includes (06001572 06009527)	\$40.00

REFRIGERATION COMPARTMENT COVERS

<u>PART NO.</u>	<u>DESCRIPTION</u>	<u>PRICE</u>
06007628	Grill, black vinyl clad, for BB & ND w/digital control (control not included), 12", replacement kit	\$120.00
06007629	Grill, stainless, for BB & ND w/digital control (control not included) 12", replacement kit	140.00
06007630	Grill, unlaminated, for BB & ND w/digital control (control not included), 12", replacement kit	140.00
06001360	Grill insert, refrigeration compartment cover, polypropylene, black	25.00
06001361	Grill insert, refrigeration compartment cover, polypropylene, gray	25.00
06001546	Filter, refrigeration compartment grill insert	7.00
06001848	Laminated compressor compartment trim rail kit, for BB and ND models	39.00
06010353	Grill assembly, LP, front, black	125.00
06010354	Grill assembly, LP, front, stainless	150.00
06010355	Grill assembly, LP, front, stainless, louvered	175.00
06010356	Grill assembly, LP, front, laminated	200.00
06010357	Grill assembly, LP, front, unlaminated	125.00
06010358	Grill assembly, LP, front, WD hardware	125.00
06010359	Grill assembly, LPT, back, moly	125.00
06010360	Grill assembly, LPT, back, stainless	150.00
06010361	Grill assembly, LPT, back, stainless, louvered	175.00
06010362	Grill assembly, LPT, back, laminated	200.00
06010363	Grill assembly, LPT, back, unlaminated	125.00
06010364	Grill assembly, LPT, back, WD hardware	125.00
06007643	Grill, black, two zone	135.00
06007644	Grill, stainless, two zone	150.00
06007645	Grill, laminated, two zone	200.00
06007646	Grill, unlaminated, two zone	135.00
06001555	Rubber bumper	2.15

220 VOLT ELECTRICAL PARTS

<u>PART NO.</u>	<u>DESCRIPTION</u>	<u>PRICE</u>
06009150	Compressor, single door 220V	\$400.00
06010022	Compressor, multiple door 220V	400.00
06011061	Condensor assembly kit 220V, endwall, single door	790.00
06011063	Condensor assembly kit 220V, endwall, multiple door	790.00
06010193	Electrical kit for FFU80HAX, 220V (includes relay, cover, OLP and start cap)	25.00
06010050	Motor, evaporator fan, 220 volt, 6 watt	200.00
06001451	Motor, condensor fan, 220V 9 watt	125.00
06011056	Digital thermostat w/probe, preset to standard temp, range 34-40 degrees F	120.00
06011057	Digital thermostat w/probe, preset to red wine temp, range 60-65 degrees F	120.00
06011058	Digital thermostat w/probe, preset to white wine temp, range 50-55 degrees F	120.00

WARRANTY STATEMENT

APPLICABLE TO ALL PRODUCTS SOLD WITHIN THE UNITED STATES AND CANADA

Glastender, Inc. warrants all products to be free of defects in material and workmanship. One-year labor and parts warranty applies to all glasswashers, self-contained refrigeration models, and BDS model bottle disintegration units. In established areas, a start up is included with GT-24 and GT-30 model glasswashers. Warranty is effective for one year from the date of installation or up to 18 months from date of factory shipment, whichever occurs sooner. Glastender, Inc. will replace any part or assembly found defective under normal use and service.

For warranty labor claims beyond 15 months from the date of factory shipment, proof of date of installation or occupancy must be provided. Authorization for labor must be obtained from Glastender within the warranty period and prior to the service being performed.

Labor warranty applies to the United States and Canada only.

Remote refrigeration models and beer line chillers include a one-year parts warranty only. There is no labor warranty on these products.

Field replacement parts not covered under the original warranty include a 90-day part warranty from the date of installation.

FOUR YEAR ADDITIONAL COMPRESSOR WARRANTY: Glastender will warrant to the original user the compressor for all self-contained refrigeration models for an additional four years following the regular one-year warranty period. This plan applies to the compressor only.

A completed warranty claim form **MUST** accompany all returned defective parts or assemblies. Upon request, a defective part or assembly must be returned to Glastender, Inc., Saginaw, Michigan, with all transportation and delivery charges prepaid. Warranty repairs or replacements will be shipped FOB factory in Saginaw, Michigan. Reimbursement for applicable freight charges covers ground service only.

Glastender provides in-warranty repairs during a service company's regular working days and hours. There is no provision for payment of a premium rate during "overtime" hours. When warranty service is requested during other than normal working hours, the end user will be charged the premium portion of the overtime rate.

The warranty covers substantiated travel expenses for up to 2 hours / 100 miles round trip up to a maximum of \$150. Any additional costs due to installations that require extra work, time, or travel to gain access for service are the sole responsibility of the equipment purchaser. Any exceptions to these travel and access limitations must be pre-approved by a factory representative.

The warranty does not cover door gaskets, chemical tubing, pump squeeze tubing, and/or any equipment subjected to accidents, freight damage, alterations from the original design, improper power and/or plumbing hookups, improper chemical use, general misuse, or lack of routine required maintenance as determined by Glastender, Inc. Installation, normal control adjustments, general maintenance, correcting an installation error, or service calls that reveal the unit is functioning normally will not be reimbursed under warranty.

Condenser coils on self-contained refrigeration products must be cleaned regularly. Failure to provide adequate air flow to a refrigeration unit will void the warranty.

Glastender shall not be liable for loss of use, revenue, or profit, or for any other indirect, incidental, special, or consequential damage including, but not limited to, product spoilage or loss.

This warranty is conditioned upon Glastender receiving notice of any defect subject to this warranty within sixty (60) days of its discovery by the end user or dealer. All products are warranted only for the initial place of installation. Removal of a product automatically terminates this warranty.

SECOND YEAR EXTENDED PARTS & LABOR WARRANTY:

Glastender's one-year parts and labor warranty on self-contained refrigeration units, excluding beer line chillers, can be extended to two years with the purchase of a two year parts and labor warranty. Specify part number EWR2 (\$150 net price) when ordering.

EXPORT WARRANTY - One year parts only.

EXCLUSION OF WARRANTIES

EXCEPT AS PROVIDED ABOVE, GLASTENDER MAKES NO WARRANTIES, EXPRESS OR IMPLIED, INCLUDING, BUT NOT LIMITED TO, ANY IMPLIED WARRANTY OF MERCHANTABILITY, FITNESS FOR A PARTICULAR PURPOSE OR NON-INFRINGEMENT.

LIMITATION OF REMEDIES AND DAMAGES

If Buyer makes a valid and timely claim as outlined above, Glastender's liability and Buyer's remedies under this agreement will be limited solely to labor charges authorized and/or replacement or credit, at Glastender's option, with respect to Products returned at Buyer's expense within thirty (30) days after warranty repair. GLASTENDER'S LIABILITY WILL IN NO EVENT BE GREATER IN AMOUNT THAN THE PURCHASE PRICE OF THE RETURNED PRODUCTS. GLASTENDER WILL NOT BE LIABLE UNDER ANY CIRCUMSTANCE FOR CONSEQUENTIAL OR INCIDENTAL DAMAGES, INCLUDING, BUT NOT LIMITED TO, LABOR COSTS EXCEPT AS COVERED UNDER OUR WARRANTY, LOST PROFITS OR THE LOSS OF PERISHABLE PRODUCTS RESULTING FROM THE USE OF OR INABILITY TO USE OUR PRODUCTS OR FROM OUR PRODUCTS' INCORPORATION INTO OR BECOMING A COMPONENT OF ANY OTHER PRODUCT. NEITHER PARTY WILL HAVE ANY NEGLIGENCE OR OTHER TORT LIABILITY TO THE OTHER, OR TO ANY THIRD PARTY, ARISING FROM ANY BREACH OF THIS AGREEMENT.

GOVERNING LAW - JURISDICTION

The terms and conditions of an order are to be governed and construed according to the laws of the State of Michigan, without regard to conflict of laws principles. Buyer hereby consents to the jurisdiction and venue of the courts located in Saginaw County, Michigan.

No representative, distributor, dealer, or any other person is authorized to modify this warranty. This warranty replaces all other written or verbal warranties.

NOTE: Glastender, Inc.'s policy of constant quality improvement means that prices, specifications, and policies are subject to change without notice. Questions regarding this warranty should be directed to Glastender's Warranty Administrator.

04-19-17

IMPORTANT!!

Attention Service Companies

Please review the important warranty information on this page. If you believe a service call should be covered by the factory, please call the factory for authorization between 8AM and 5PM EST, Monday through Friday.

TERMS AND CONDITIONS

PRICES:

All prices are LIST. Applicable taxes will be added.

QUOTATIONS:

Unless otherwise stated, quotations are effective for 30 days only.

ACCEPTANCE:

All orders are subject to acceptance by Glastender, Inc.'s headquarters in Saginaw, Michigan. Possession of the Product Directory and Price List is not an offer to sell.

SHIPMENTS:

F.O.B. factory in Saginaw, Michigan. Freight terms are Third Party or Collect if shipped directly to you. Prepay and Add to Invoice freight terms are available upon request. The approximate shipping weights of all products are listed with the prices. Partial shipments will be made unless otherwise specified by the customer. Surface freight classifications are:

- GT-24/GT-30/GW24 Glasswashers - Class 175
- GT-18 Glasswashers - Class 250
- All Underbar Equipment - Class 175
- Bar Die Orders – Class 250
- Portable Bars - Class 175
- Remote refrigerators (i.e., no compressor) or dry storage back bar equipment - Class 175
- Self-contained refrigeration equipment - Class 150
- Ice Display Units (IDU and GDU) - Class 85
- Lighted Liquor Displays - Class 85
- Beer line chillers and beer towers (beverage dispensing equipment) - Class 92.5
- Bottle Disintegration System - Class 150
- Ice Cream Freezers - Class 77.5

All small items are evaluated to see the most cost effective means for shipment. Many small items ship via UPS or FedEx; however, when dimensional weight is excessive, LTL carriers are the most cost effective choice. Spare parts orders received before 1:00 PM EST can usually be shipped the same day.

The order department is happy to assist with routing or shipping questions.

PAYMENT TERMS:

Cash should be included with all orders unless credit terms have been arranged. To establish credit, banking and trade references are required. A convenient credit application is available upon request. Payment via credit card is not our normal means of receiving payment. Visa and MasterCard will be accepted, but must be charged at the time of shipment. In addition, a payment via credit card for orders totaling more than \$500 will incur a 3% convenience fee on the total transaction amount.

DELIVERY:

The majority of equipment is manufactured to order and typically ships within three to six weeks after complete order information is received by the factory. In-stock equipment typically ships within two to three days of the factory receiving complete order information.

RETURNS:

Items specified as "Manufactured to Order" are NOT returnable.

A Return Authorization number must be issued by the factory in advance for any items that are returnable. The number MUST be noted on the outside of the returned package. Returns must be received within 90 days of the issue date. Shipping charges must be prepaid. A minimum 20% restocking charge will be applied to all authorized returns if received in new, unused condition in the original packaging.

The above conditions apply to spare part returns, except spare part returns must be received within 30 days of original shipment for electronic or electrical parts or within 90 days for all other parts.

LOSS OR DAMAGE:

For customer routed shipments, Glastender, Inc. is not responsible for any loss, damage, or delay of merchandise during shipment. Such transit claims must be filed with the carrier. Merchandise must be examined on arrival. If shortages occur, Glastender, Inc. must be notified in writing within five (5) days of delivery to honor any shortage claim. Glastender will assume responsibility for freight claims on Prepay and Add shipments but the customer must inspect freight and note any damage upon receipt. Failure to do so may result in losses at the customer's expense.

CUSTOM ORDERS:

Custom orders must be paid in advance and are not subject to cancellation.

LAMINATES:

Some products include common, readily available plastic laminates of the customer's selection. There may be an additional charge if uncommon varieties are ordered.

12/14/17