

# Parts Catalog



*precisely.*



**Model 4600**

## SLICING MACHINES

MODELS:

4600 Rev. B, S/N 461000 & UP

4975 Rev. B, S/N 498001 & UP

03-05-07

IMPORTANT!

TO EXPEDITE SHIPMENT OF PARTS, ALWAYS SPECIFY MODEL, REV,  
PART NUMBER, AND SERIAL NUMBER OF SLICER.

### **GLOBE FOOD EQUIPMENT COMPANY**

P.O. Box 3209

Dayton, Ohio 45401

#### **Parts Department**

Toll Free 1-800-745-6238 · Fax (937) 290-0585

E-Mail: [globeinfo@globeslicers.com](mailto:globeinfo@globeslicers.com)

Website: [www.globeslicers.com](http://www.globeslicers.com)

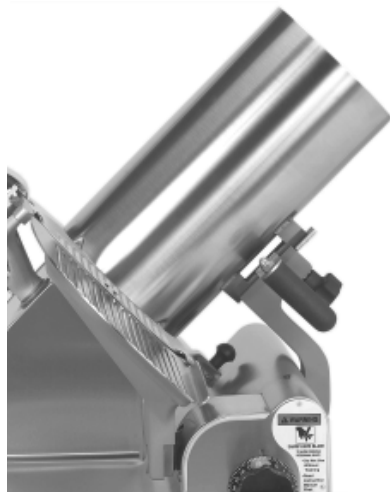
Not for resale

## TABLE OF CONTENTS

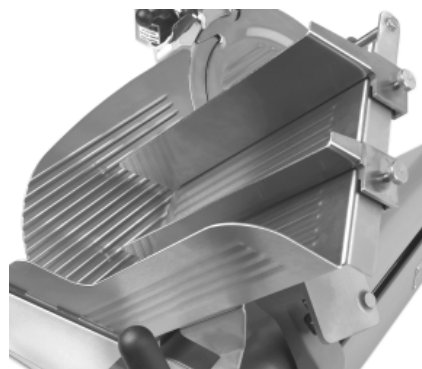
|  |     |
|--|-----|
| ACCESSORIES                                  | 1   |
| SLICER BASE                                  | 2   |
| BASE SHROUD AND COMPONENTS                   | 3   |
| TABLE  | 4   |
| KNIFE RIM GUARD                              | 5   |
| KNIFE COVER                                  | 6   |
| GEAR HOUSING AND KNIFE                       | 7   |
| KNIFE SHARPENER                              | 8-9 |
| KNIFE MOTOR BEARING ASSEMBLY                 | 10  |
| TABLE ADJUSTMENT COMPONENTS                  | 11  |
| TABLE SLIDE SYSTEM                           | 12  |
| KNIFE MOTOR COMPONENTS                       | 13  |
| STAINLESS STEEL CHUTE AND SUPPORT            | 14  |
| END WEIGHTS                                  | 15  |
| MANUAL ELECTRICAL SYSTEM (REV B)             | 16  |
| AUTOMATIC SLIDE SYSTEM                       | 17  |
| AUTOMATIC DRIVE SYSTEM                       | 18  |
| AUTOMATIC BASE APRON AND LIFT LEVER ASSEMBLY | 19  |
| AUTOMATIC ELECTRICAL SYSTEM (REV A)          | 20  |
| VEGETABLE HOPPER ACCESSORY                   | 21  |
| FRONT MOUNTED END WEIGHT CHUTE ASSEMBLY      | 22  |
| CHUTE FENCE ACCESSORIES                      | 23  |
| SCHEMATIC 4600                               | 24  |
| SCHEMATIC 4975                               | 25  |

# ACCESSORIES

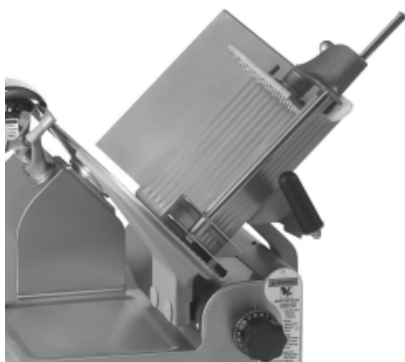
VEGETABLE HOPPER 699-BAS



ADJUSTABLE STAINLESS STEEL FENCES  
TALL 1326      SHORT 1047



FRONT MOUNTED END WEIGHT 102-AS-21



PORTION SCALE PS10



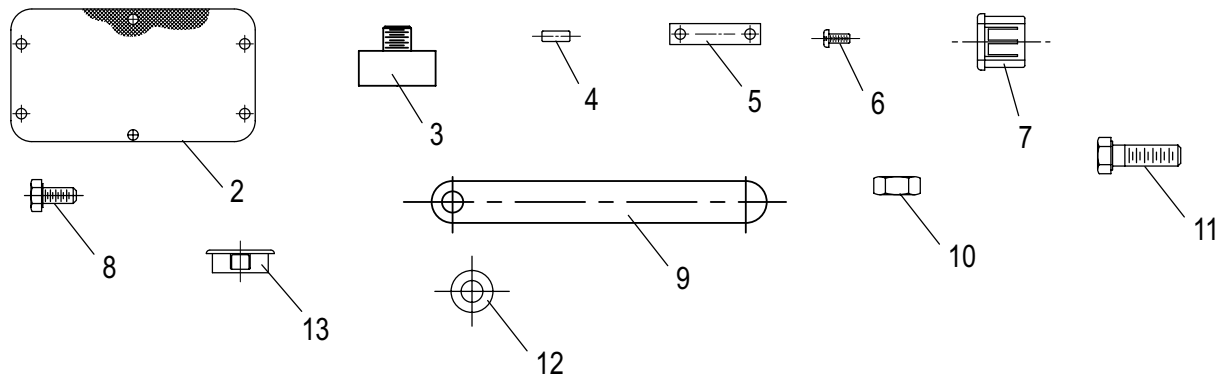
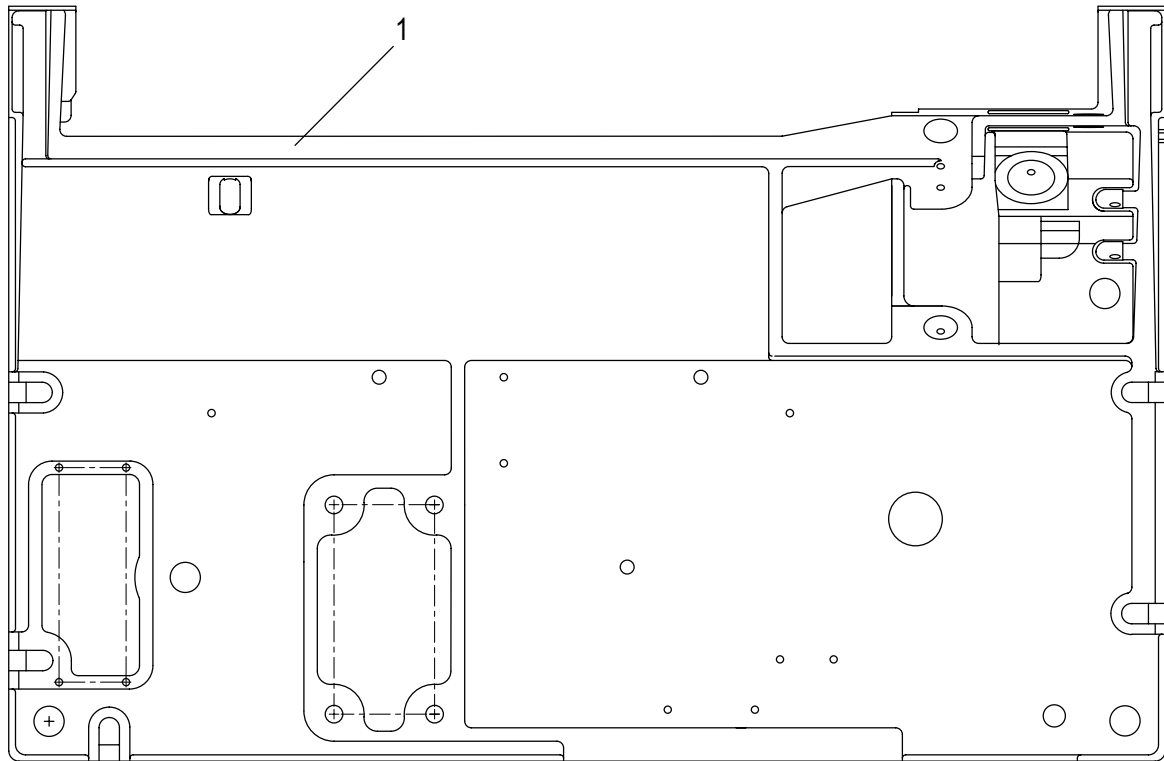
EXTENSION LEGS 873



ACCESSORIES: MODEL 4975A ONLY

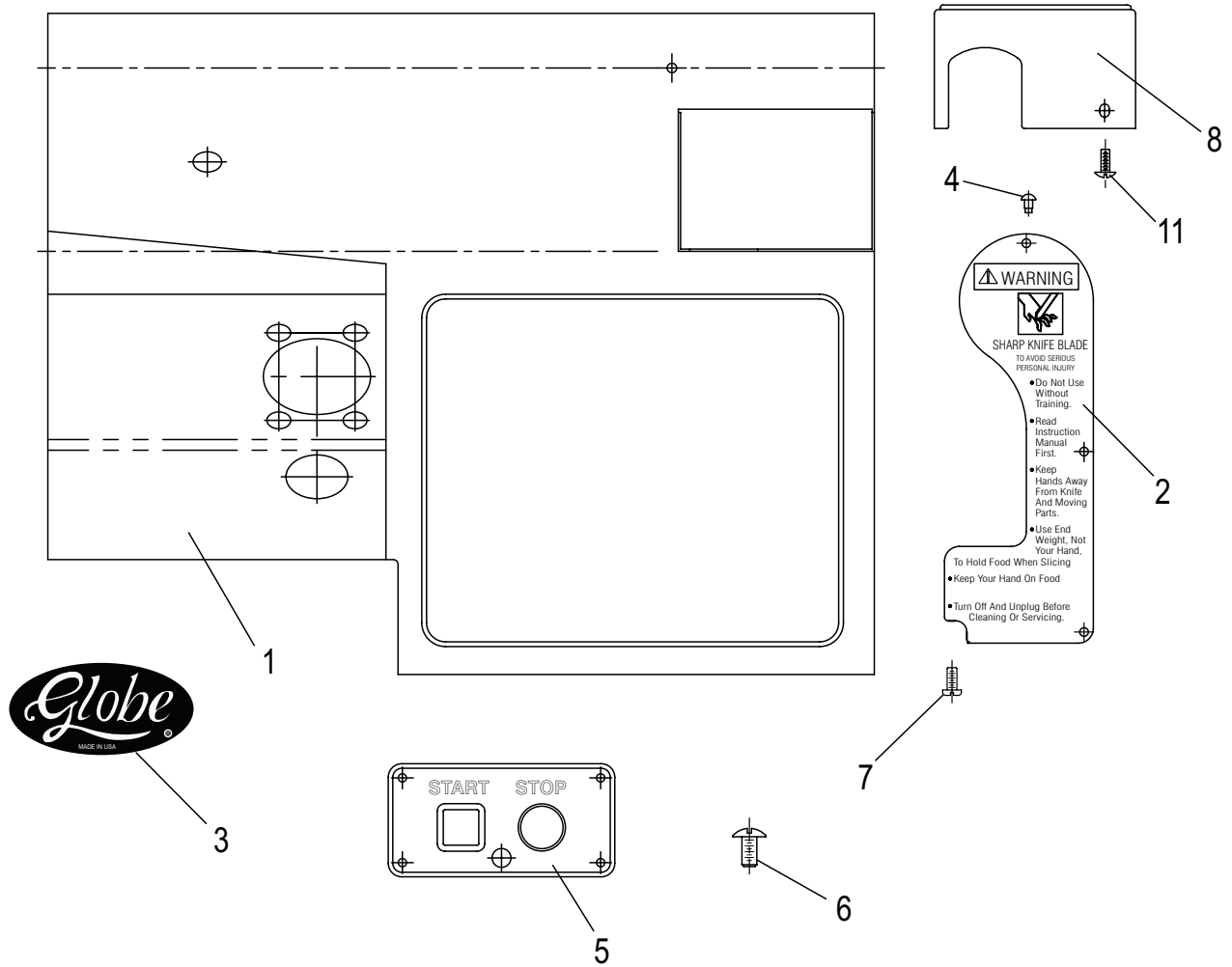
| ITEM | PART DESCRIPTION          | PART NUMBER | QTY |
|------|---------------------------|-------------|-----|
| 1    | FOOT RETAINING KIT        | 530001      | 1   |
| 2    | CLEANING BRUSH, SS STONES | 980020      | 1   |
| 3    | CLEANING BRUSH            | 980041      | 1   |

# SLICER BASE



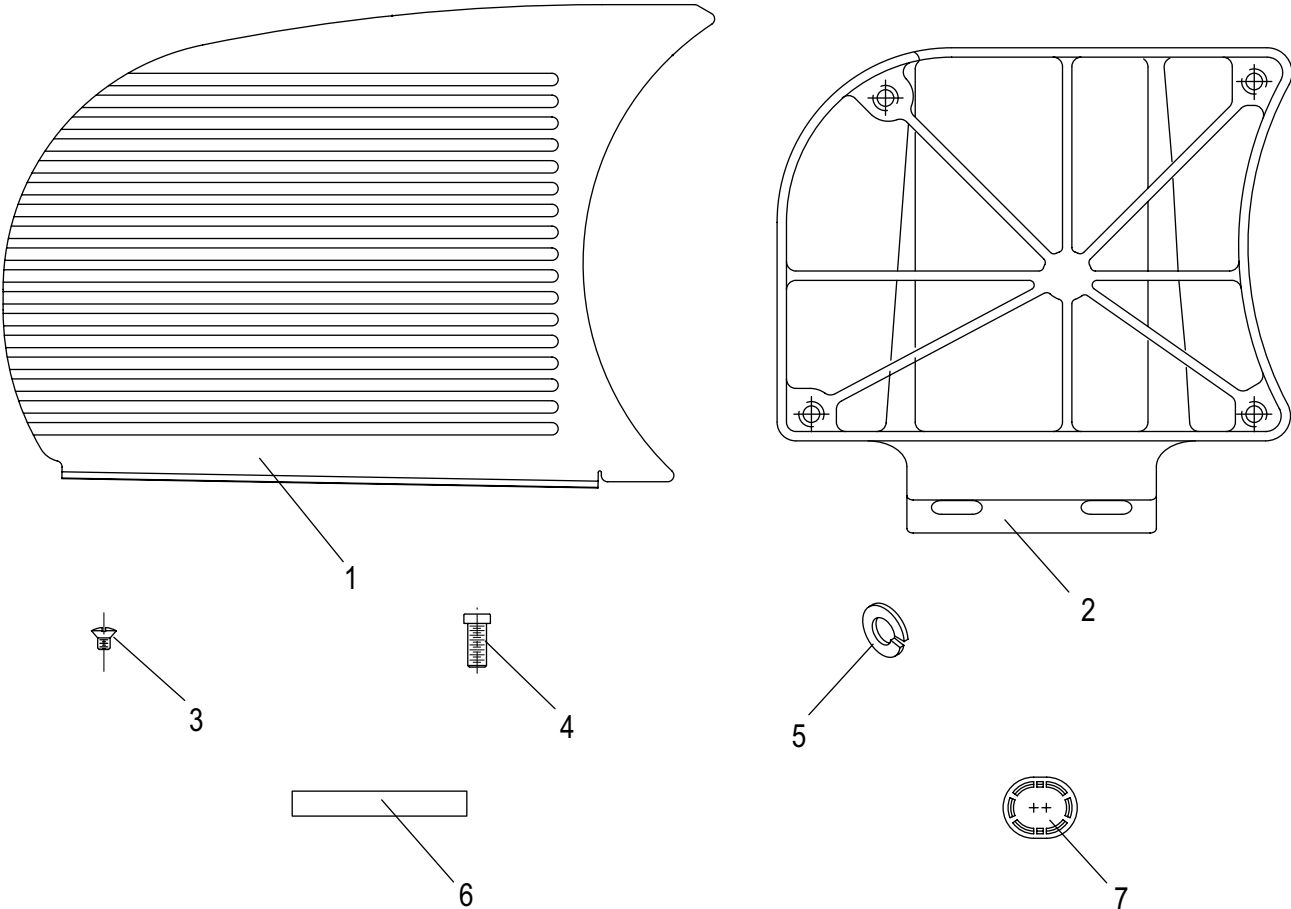
| ITEM | PART DESCRIPTION       | PART NUMBER | QUANTITY |      |
|------|------------------------|-------------|----------|------|
|      |                        |             | MANUAL   | AUTO |
| 1    | BASE, MANUAL           | 1385        | 1        | -    |
|      | BASE, AUTOMATIC        | 1386        | -        | 1    |
| 2    | MOTOR SCREEN           | 1148        | 1        | 1    |
| 3    | BASE PAD RUBBER FOOT   | 817         | 4        | 4    |
| 4    | DOWEL PIN              | 1091        | 2        | 2    |
| 5    | MOTOR SCREEN BRACE     | 1255        | 2        | 2    |
| 6    | MOTOR BRACE SCREW      | 1227        | 4        | 4    |
| 7    | SPLIT BUSHING          | 550002      | 4        | 4    |
| 8    | SCREW, TABLE SLIDE ROD | 975-1       | 1        | 1    |
| 9    | CLEANING BRACE         | 873-CB      | 1        | -    |
| 10   | NUT                    | 873-CB-1    | 1        | -    |
| 11   | HEX BOLT               | 477         | 1        | -    |
| 12   | FLAT WASHER            | 763-4A      | 2        | -    |
| 13   | HOLE PLUG              | 1208        | 1        | 1    |

# BASE SHROUD AND COMPONENTS



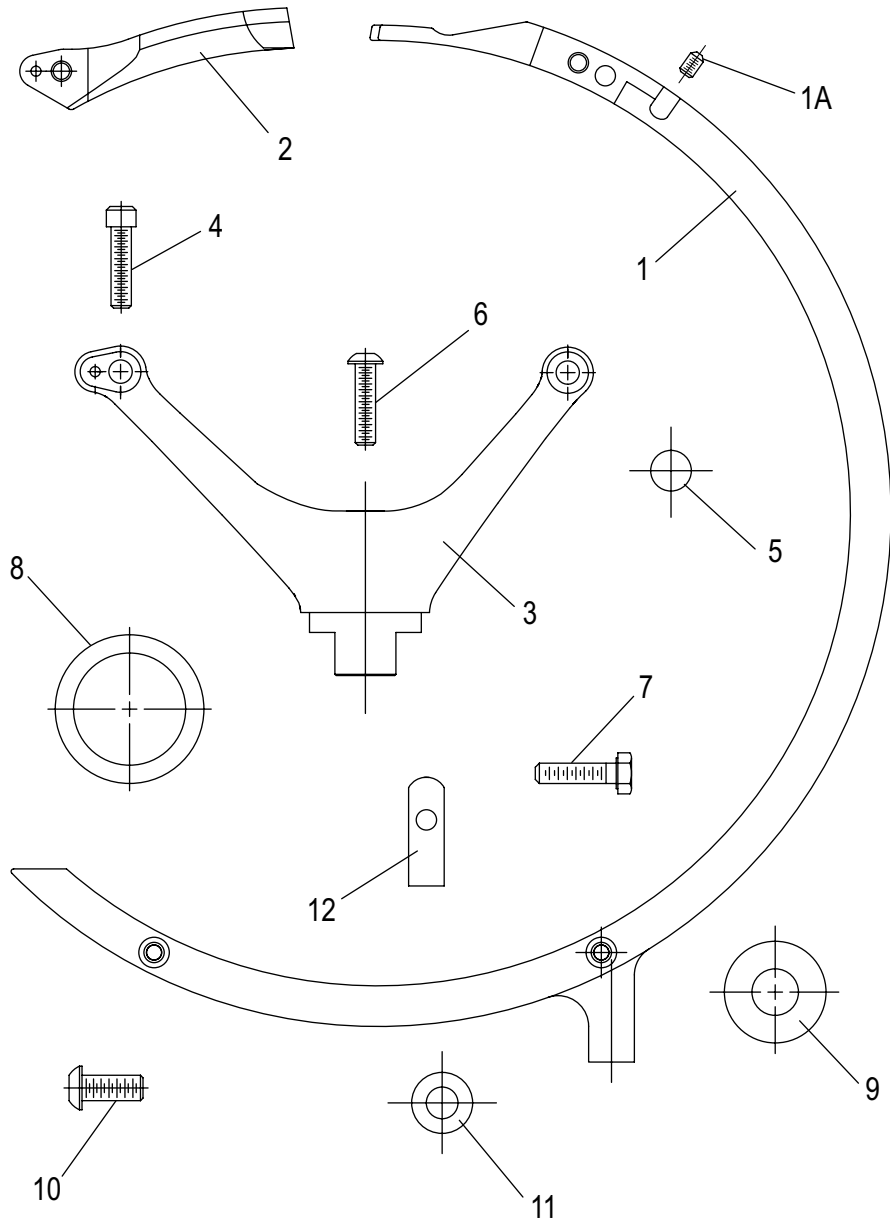
| ITEM | PART DESCRIPTION        | PART NUMBER | QUANTITY |      |
|------|-------------------------|-------------|----------|------|
|      |                         |             | MANUAL   | AUTO |
| 1    | BASE SHROUD, MANUAL     | 1338        | 1        | -    |
|      | BASE SHROUD, AUTOMATIC  | 1337        | -        | 1    |
| 2    | WARNING DECAL - ENGLISH | 967-1       | 1        | 1    |
|      | WARNING DECAL - SPANISH | 967-1S      | 1        | 1    |
|      | WARNING DECAL - FRENCH  | 967-1F      | 1        | 1    |
| 3    | GLOBE LOGO DECAL        | 871-2       | 1        | 1    |
| 4    | DRIVE SCREW             | 851-6P      | 7        | 3    |
| 5    | SWITCH COVER            | 1157        | 1        | -    |
| 6    | SCREW                   | 762-6       | 2        | 2    |
| 7    | SCREW                   | 1227        | 1        | 1    |
| 8    | TABLE MECHANISM COVER   | 1075        | 1        | 1    |
| 11   | SCREW                   | 900-1       | 1        | 1    |

# SLICER TABLE



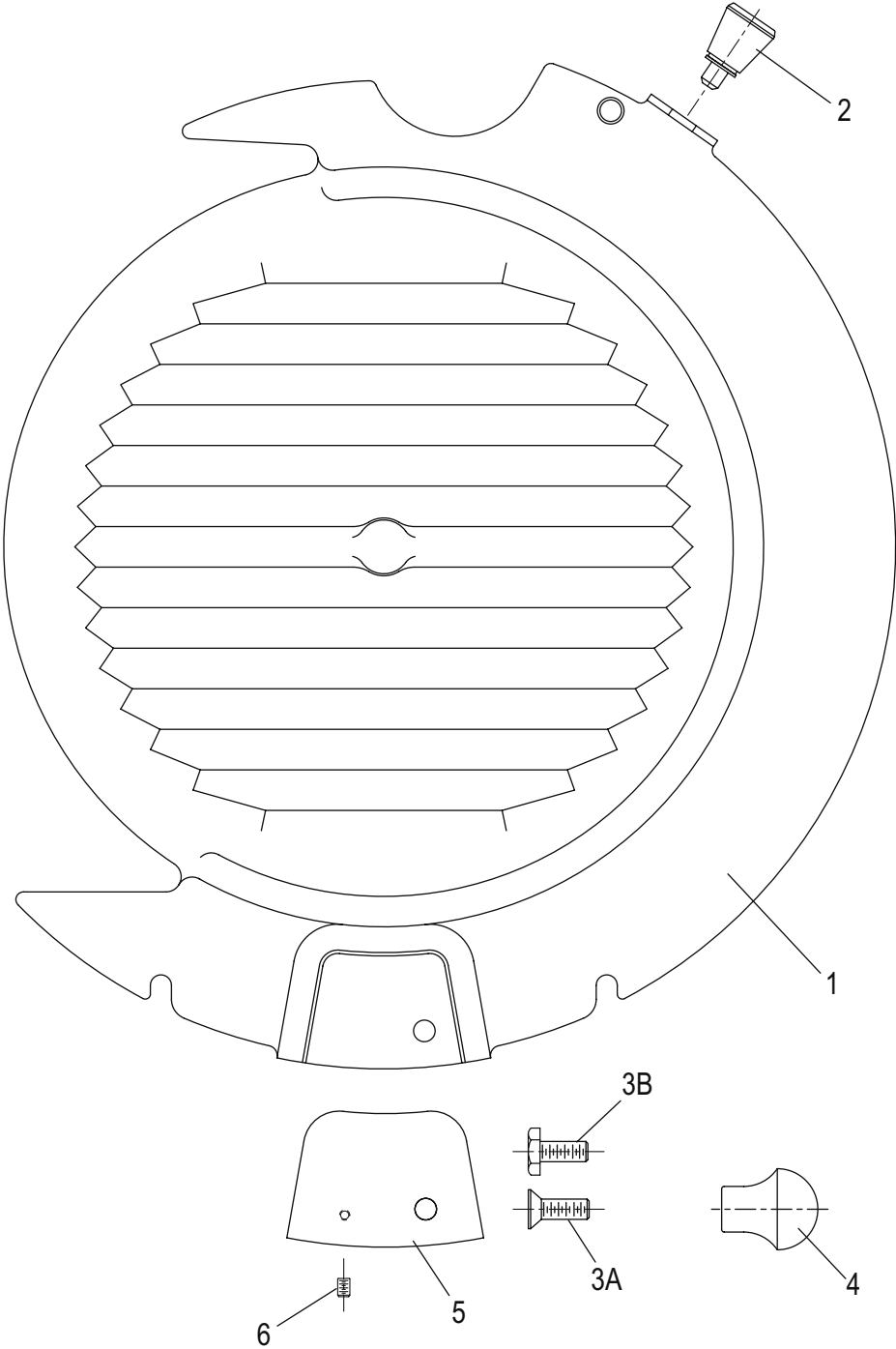
| ITEM | PART DESCRIPTION       | PART NUMBER | QTY.        |
|------|------------------------|-------------|-------------|
|      | TABLE ASSEMBLY         | 1277        | 1           |
| 1    | TABLE, STAINLESS STEEL | 1168        | 1           |
| 2    | TABLE SUPPORT          | 1057        | 1           |
| 3    | TABLE FASTENER         | 976-1       | 4           |
| 4    | SCREW                  | 1058        | 2           |
| 5    | LOCK WASHER            | 870020      | 2           |
| 6    | SHIM                   | 337-A       | AS REQUIRED |
| 7    | HOLE PLUG, OVAL        | 520000      | 2           |

# KNIFE RIM GUARD



| ITEM | PART DESCRIPTION         | PART NUMBER | QTY |
|------|--------------------------|-------------|-----|
| 1    | KNIFE RIM GUARD ASSEMBLY | 1132        | 1   |
| 1A   | SET SCREW                | 1245        | 1   |
| 2    | UPPER KNIFE RIM GUARD    | 1283        | 1   |
| 3    | KNIFE RIM GUARD BRACKET  | 230000      | 1   |
| 4    | SCREW                    | 1238        | 2   |
| 5    | HOLE PLUG                | 1211        | 2   |
| 6    | SCREW                    | 1217        | 1   |
| 7    | BOLT                     | 810050      | 1   |
| 8    | TRIM RING                | 1031        | 1   |
| 9    | TRIM RING                | 1032        | 1   |
| 10   | SCREW                    | 1239        | 1   |
| 11   | WASHER                   | 763-4A      | 1   |
| 12   | COVER                    | 320010      | 1   |

# KNIFE COVER

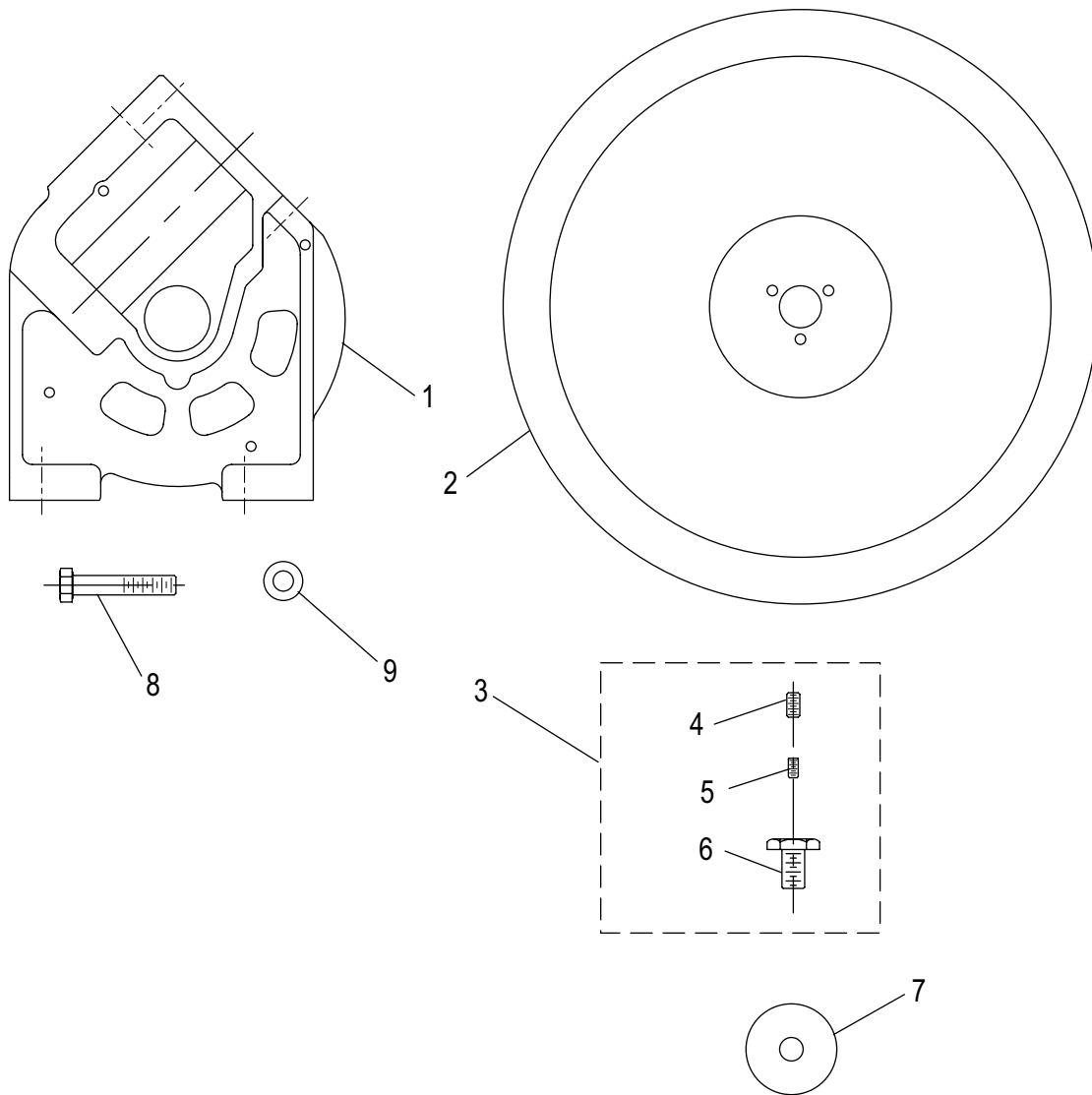


| ITEM | PART DESCRIPTION                        | PART NUMBER | QTY |
|------|---|-------------|-----|
|      | KNIFE COVER ASSEMBLY (4975A USE 310150) | 1139        | 1   |
| 1    | KNIFE COVER                             | 320031      | 1   |
| 2    | COVER KNOB, SPRING PLUNGER              | 1056        | 1   |
| 3A   | SCREW, FLAT HEAD 4975V                  | 1089        | 1   |
| 3B   | SCREW, HEX HEAD 4975A                   | 810310      |     |
| 4    | KNOB                                    | 1138        | 1   |
| * 5  | MAGNET BOX ASSEMBLY                     | 1282        | 1   |
| * 6  | NYLON SCREW                             | 1197        | 1   |

\* USED ONLY ON 1139 KNIFE COVER ASSEMBLY

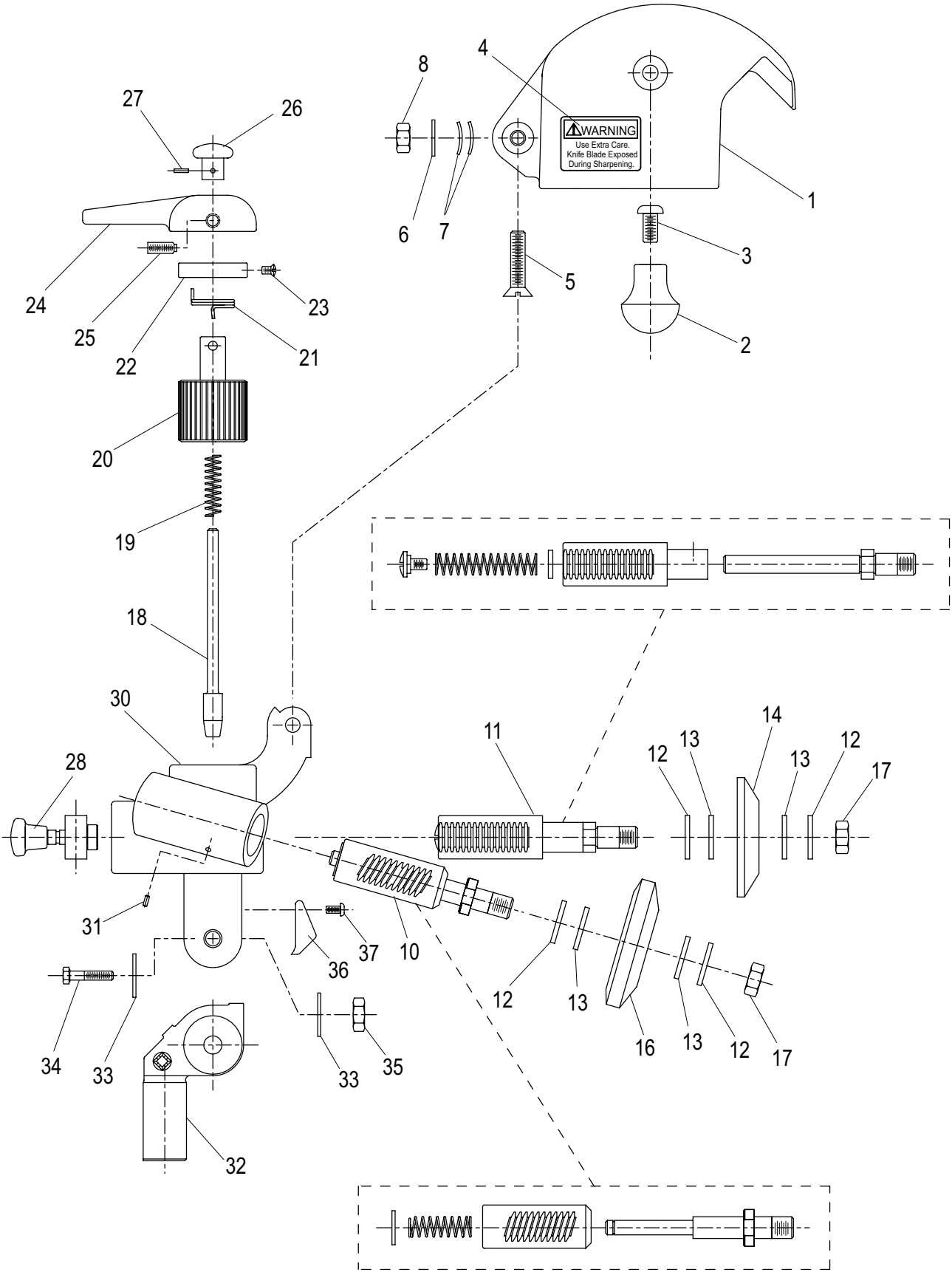


# GEAR HOUSING AND KNIFE



| ITEM | PART DESCRIPTION              | PART NUMBER | QTY |
|------|-------------------------------|-------------|-----|
| 1    | GEAR HOUSING                  | 1007        | 1   |
| 2    | CARBON KNIFE                  | 1021        | 1   |
|      | STAINLESS STEEL KNIFE         | 1022        | 1   |
| 3    | KNIFE BOLT ASSEMBLY           | 1195        | 1   |
| 4    | PLUG                          | 1193        | 1   |
| 5    | SET SCREW                     | 1194        | 1   |
| 6    | BOLT                          | 1093        | 1   |
| 7    | FLAT WASHER                   | 1092        | 1   |
| 8    | HEX BOLT                      | 369-1       | 1   |
| 9    | FLAT WASHER                   | 763-4A      | 1   |
| 10   | SILICON LUBRICANT (NOT SHOWN) | 521-D       | 1   |

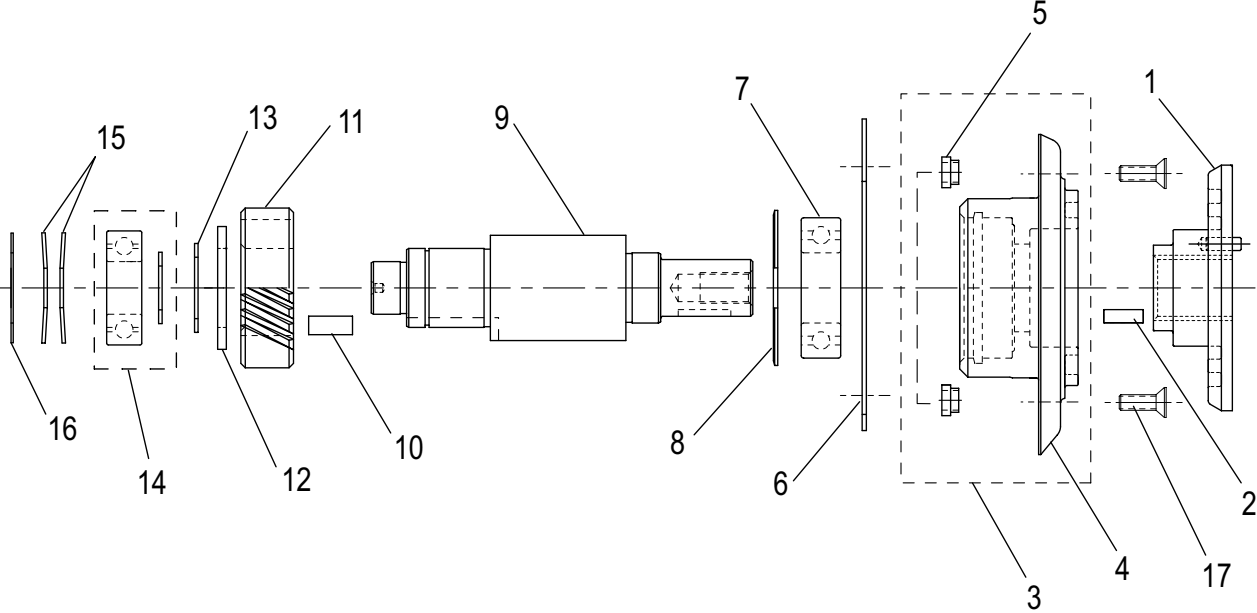
# KNIFE SHARPENER ASSEMBLY



# SHARPENER ASSEMBLY PARTS LIST

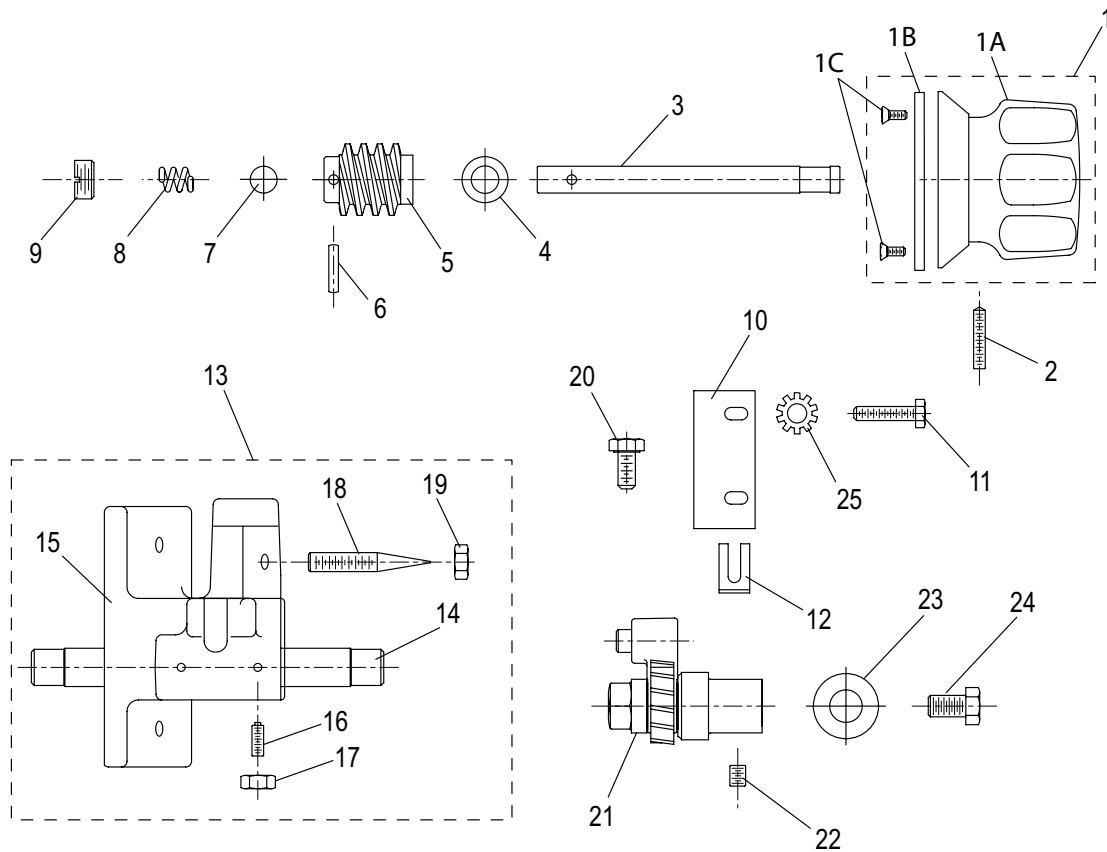
| ITEM | PART DESCRIPTION                             | PART NUMBER | QTY |
|------|--|-------------|-----|
|      | SHARPENER ASSY WITH COVER (4975A USE 070046) | 070040      | 1   |
| 1    | SHARPENER COVER                              | 1041        | 1   |
| 2    | SHARPENER COVER KNOB (4975A USE 510002)      | 1138        | 1   |
| 3    | SHARPENER COVER COVER KNOB SCREW             | 1258        | 1   |
| 4    | COVER WARNING DECAL - ENGLISH                | 967-2       | 1   |
|      | COVER WARNING DECAL - SPANISH                | 967-2S      | 1   |
| 5    | COVER HINGE SCREW                            | 825-1       | 1   |
| 6    | COVER HINGE SCREW WASHER                     | 825-2       | 1   |
| 7    | COVER TENSION WASHER                         | 761-6       | 2   |
| 8    | COVER HINGE NUT                              | 825-3       | 1   |
| 9    | SHARPENER ASSY W/O COVER (4975A USE 070045)  | 070041      | 1   |
| 10   | GRINDING SHAFT ASSEMBLY                      | 463-AS      | 1   |
| 11   | TRUING SHAFT ASSEMBLY                        | 467-AS      | 1   |
| 12   | WASHER                                       | 229         | 5   |
| 13   | WASHER, FIBER                                | 229-1       | 4   |
| 14   | TRUING STONE (4975A USE 240030)              | 213         | 1   |
| 16   | GRINDING STONE (4975A USE 240031)            | 214-A       | 2   |
| 17   | NUT, GROUND                                  | 810140      | 1   |
| 18   | LOCK ROD ASSEMBLY                            | 456-AS      | 1   |
| 19   | LOCK SPRING                                  | 458         | 1   |
| 20   | GEAR   | 455         | 1   |
| 21   | GEAR RETURN SPRING                           | 460         | 1   |
| 22   | GEAR SPACER RING                             | 459         | 1   |
| 23   | SET SCREW                                    | 470-1       | 2   |
| 24   | HANDLE                                       | 495         | 1   |
| 25   | SET SCREW                                    | 495-1       | 1   |
| 26   | LOCK KNOB                                    | 461         | 1   |
| 27   | LOCK KNOB PIN                                | 287-2       | 1   |
| 28   | TRUING STONE STOP ASSEMBLY                   | 471-AS      | 1   |
| 29   | SHARPENER SUBASSEMBLY                        | -           | 1   |
| 30   | HOUSING                                      | 450-H       | 1   |
| 31   | SLEEVE PIN                                   | 300         | 1   |
| 32   | BRACKET                                      | 240020      | 1   |
| 33   | WASHER                                       | 286-1       | 2   |
| 34   | HINGE BOLT                                   | 475         | 1   |
| 35   | NUT  | 286         | 1   |
| 36   | HOLE COVER                                   | 520060      | 1   |
| 37   | SCREW  | 810280      | 1   |

# KNIFE MOTOR BEARING ASSEMBLY



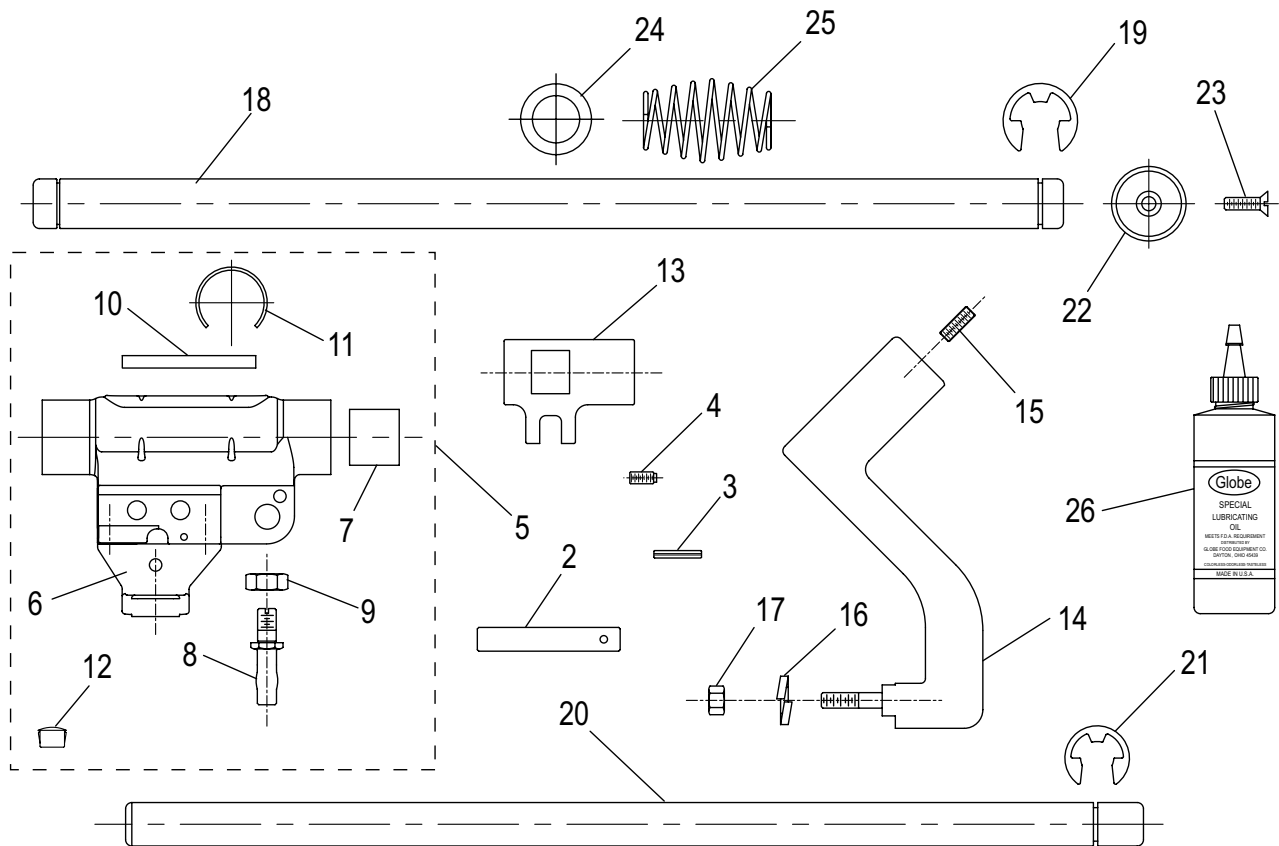
| ITEM | PART DESCRIPTION                | PART NUMBER | QTY |
|------|---------------------------------|-------------|-----|
|      | BEARING ASSEMBLY                | 1094        | 1   |
| 1    | KNIFE LOCATING HUB ASSEMBLY     | 1090        | 1   |
| 2    | KEY                             | 1106        | 1   |
| 3    | UPPER BEARING RETAINER ASSEMBLY | 1037-AS     | 1   |
| 4    | UPPER BEARING RETAINER          | 1037        | 1   |
| 5    | STANDOFF                        | 1237        | 4   |
| 6    | RETAINER, SHROUD GASKET         | 1241        | 1   |
| 7    | BEARING                         | 972-5P      | 1   |
| 8    | RETAINING RING                  | 1088        | 1   |
| 9    | KNIFE SHAFT                     | 1085        | 1   |
| 10   | KEY                             | 1086        | 1   |
| 11   | GEAR                            | 1084        | 1   |
| 12   | SPACER                          | 1083        | 1   |
| 13   | RETAINING RING                  | 1087        | 1   |
| 14   | BEARING AND SPACER              | 972-8P      | 1   |
| 15   | BOWED WASHER                    | 1215        | 2   |
| 16   | THRUST WASHER                   | 1221        | 1   |
| 17   | SCREW, FLAT HEAD                | 1089        | 4   |

# TABLE ADJUSTMENT COMPONENTS



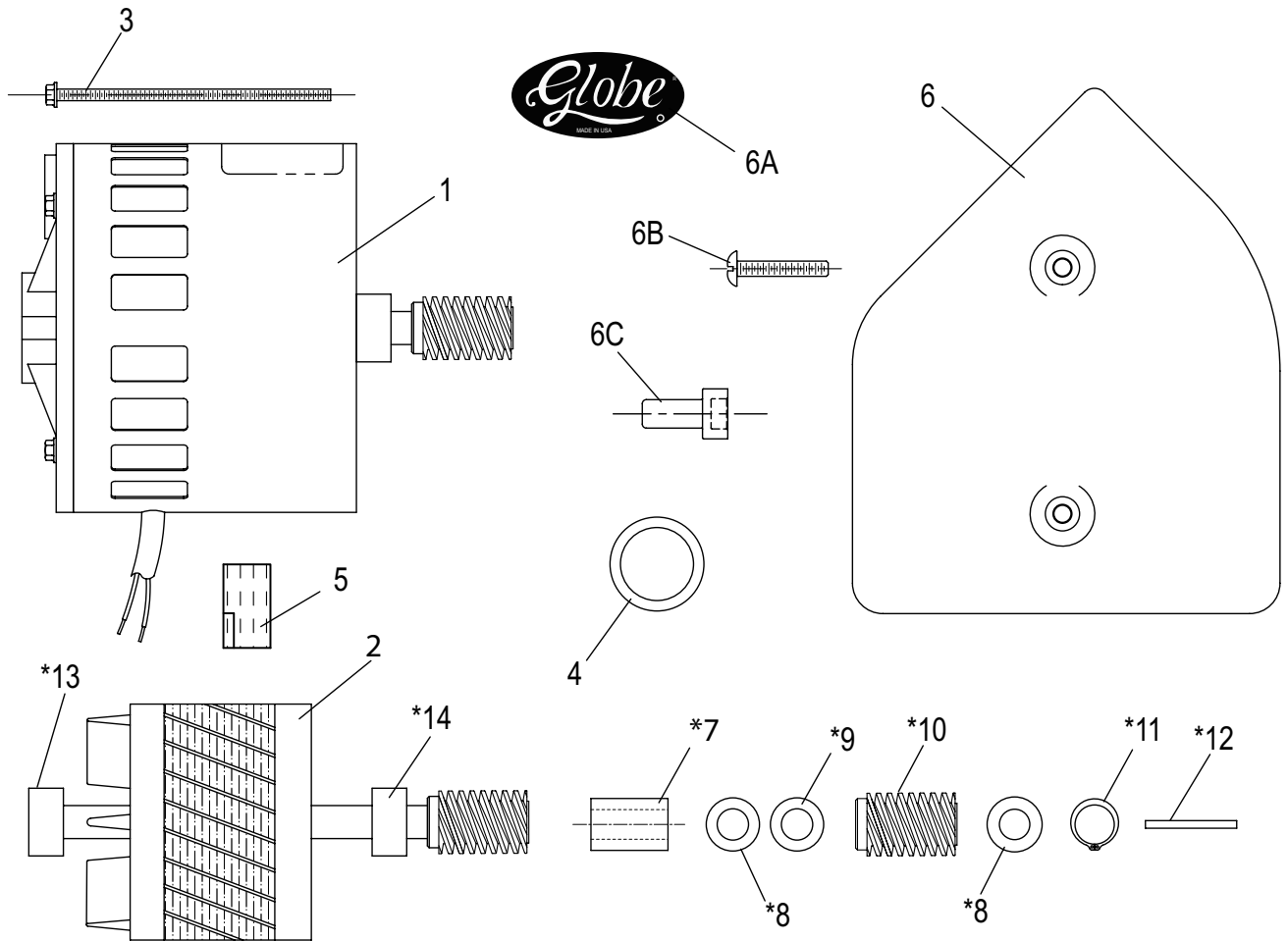
| ITEM | DESCRIPTION                          | PART NUMBER           | QTY     |
|------|--------------------------------------|-----------------------|---------|
| 1    | TABLE ADJUSTMENT KNOB ASSEMBLY       | 407-AS                | 1       |
| 1A   | TABLE ADJUSTMENT KNOB                | -                     | 1       |
| 1B   | TABLE ADJUSTMENT KNOB INSERT         | -                     | 1       |
| 1C   | SCREW, FLAT HEAD                     | -                     | 3       |
| 2    | SET SCREW                            | 356-1                 | 2       |
| 3    | KNOB SHAFT                           | 864                   | 1       |
| 4    | WASHER, WORM GEAR                    | 359                   | 1       |
| 5    | WORM GEAR                            | 1147                  | 1       |
| 6    | PIN, WORM GEAR                       | 360                   | 1       |
| 7    | BALL                                 | 362                   | 1       |
| 8    | SPRING, TENSION                      | 1200                  | 1       |
| 9    | THRUST SCREW                         | 361-1                 | 1       |
| 10   | SLIDE GUIDE                          | 1259                  | 1       |
| 11   | SCREW                                | 1307                  | 2       |
| 12   | SLIDE GUIDE SHIM (VARIOUS THICKNESS) | 349-A.001 - 349-A.052 | AS REQD |
| 13   | TABLE SLIDE ASSEMBLY                 | 200040                | 1       |
| 14   | TABLE SLIDE SHAFT                    | 1027                  | 1       |
| 15   | TABLE SLIDE                          | 1033                  | 1       |
| 16   | SET SCREW                            | 168-1                 | 2       |
| 17   | NUT                                  | 760-5                 | 2       |
| 18   | STOP SCREW                           | 1310                  | 1       |
| 19   | STOP SCREW NUT                       | 478-1                 | 1       |
| 20   | SCREW                                | 975-1                 | 1       |
| 21   | TABLE ADJUSTING GEAR ASSEMBLY        | 453-AS                | 1       |
| 22   | SET SCREW                            | 700-3                 | 2       |
| 23   | FLAT WASHER                          | 881-4                 | 1       |
| 24   | HEX SCREW                            | 335                   | 1       |
| 25   | LOCK WASHER                          | 870000                | 2       |

# TABLE SLIDE SYSTEM COMPONENTS



| ITEM | PART DESCRIPTION              | PART NUMBER | QUANTITY REQD |      |
|------|-------------------------------|-------------|---------------|------|
|      |                               |             | MANUAL        | AUTO |
| 1    | UPPER SLIDE ASSY - AUTOMATIC  | 1278-A      | -             | 1    |
| 2    | CHAIN SLIDE SHAFT             | 1079        | -             | 1    |
| 3    | ROLL PIN                      | 1235        | -             | 1    |
| 4    | SET SCREW                     | 1270        | -             | 2    |
| 5    | UPPER SLIDE ASSEMBLY - MANUAL | 1278        | 1             | -    |
| 6    | UPPER SLIDE ASSY              | -           | 1             | 1    |
| 7    | SLIDE BUSHING                 | 436-7       | 2             | 2    |
| 8    | STUD, SLIDE ROD BUSHING       | 241-B       | 1             | 1    |
| 9    | NUT                           | 228         | 1             | 1    |
| 10   | FELT, OIL                     | 436-3       | 1             | 1    |
| 11   | SPRING CLIP                   | 436-4       | 2             | 2    |
| 12   | PLUG                          | 850-3       | 1             | 1    |
| 13   | LOWER SLIDE BUSHING           | 1342        | 1             | 1    |
| 14   | CHUTE RECEIVER ASSY           | 250100      | 1             | 1    |
| 15   | SCREW                         | 167-1       | 1             | 1    |
| 16   | LOCKWASHER                    | 245-A       | 2             | 2    |
| 17   | NUT                           | 478-2       | 2             | 2    |
| 18   | UPPER SLIDE ROD               | 420050      | 1             | 1    |
| 19   | UPPER RETAINING CLIP          | 857-1       | 1             | 1    |
| 20   | LOWER SLIDE ROD               | 420060      | 1             | 1    |
| 21   | LOWER RETAINING CLIP          | 858-1       | 1             | 1    |
| 22   | SLIDE BAR WASHER              | 859         | 2             | 2    |
| 23   | SCREW                         | 859-1       | 2             | 2    |
| 24   | SLIDE BUMPER                  | 436-1       | 1             | -    |
| 25   | SPRING, UPPER SLIDE ROD       | 919-4       | 1             | 2    |
| 26   | LUBRICATING OIL               | 519         | 1             | 1    |

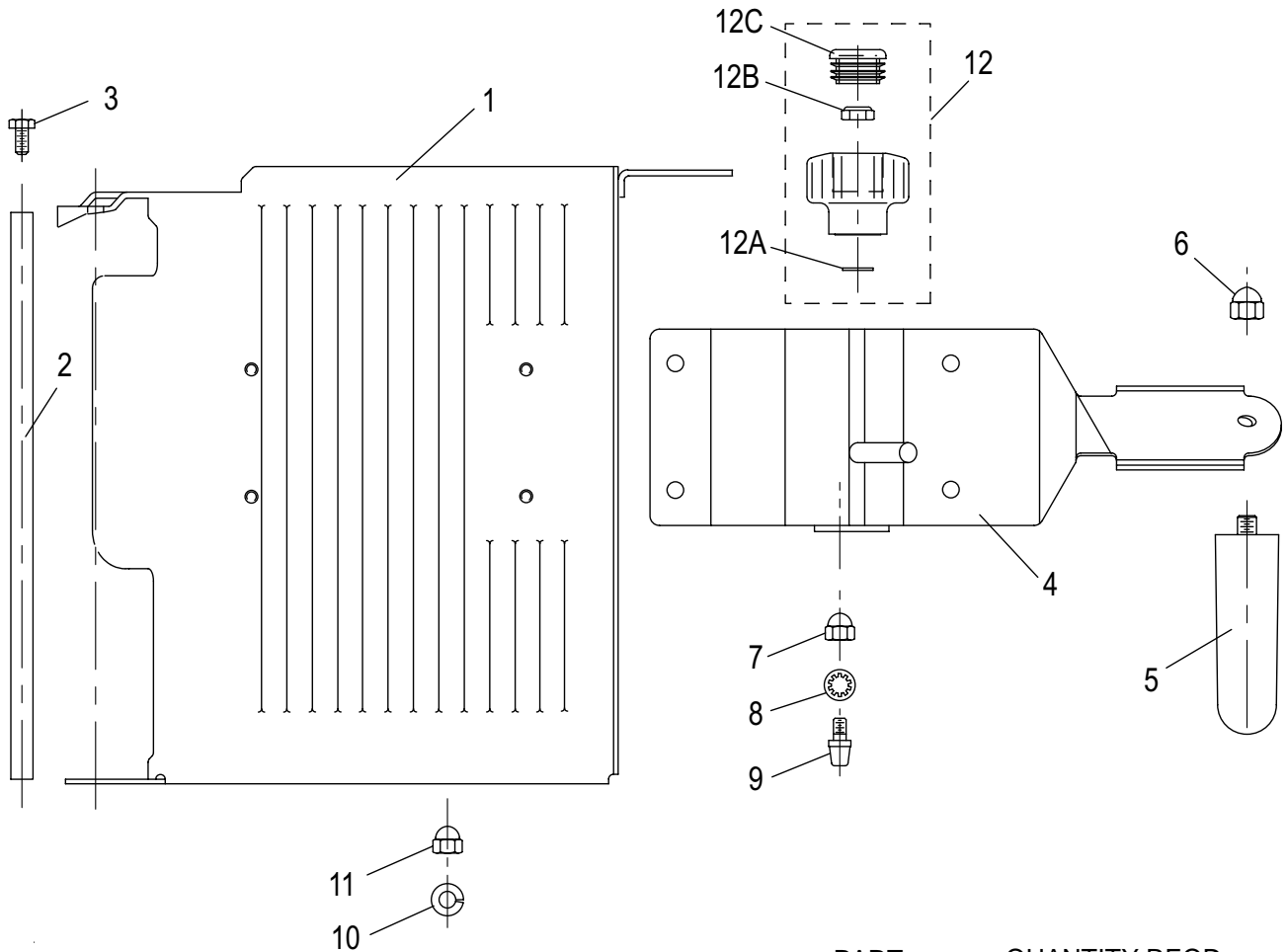
# KNIFE MOTOR COMPONENTS



| ITEM | DESCRIPTION                                    | PART NUMBER | QTY |
|------|--|-------------|-----|
| 1    | MOTOR ASSEMBLY 115VAC/60HZ/1PH                 | 1049        | 1   |
|      | MOTOR ASSEMBLY 115VAC/60HZ/1PH W/RESET         | 1322        | 1   |
|      | MOTOR ASSEMBLY 230VAC/50HZ/1PH W/RESET         | 1323        | 1   |
| 2    | MOTOR ROTOR & END BELL 115VAC/60HZ/1PH         | 420003      | 1   |
|      | MOTOR ROTOR & END BELL 115VAC/60HZ/1PH W/RESET | 420004      | 1   |
| 3    | MOTOR SCREW                                    | 1205        | 4   |
| 4    | BOWED WASHER                                   | 1317        | 1   |
| 5    | WIRE CONNECTOR                                 | 982-1MH     | 1   |
| 6    | MOTOR COVER                                    | 1142        | 1   |
|      | MOTOR COVER W/RESET HOLE                       | 1311        | 1   |
| 6A   | LABEL, GLOBE LOGO                              | 871-2       | 1   |
| 6B   | SCREW  | 1253        | 2   |
| 6C   | MOTOR RESET BUTTON                             | 1214        | 1   |
| *7   | SPACER   | 1363        | 1   |
| *8   | FLAT WASHER                                    | 870070      | 2   |
| *9   | BOWED WASHER                                   | 810         | 1   |
| *10  | WORM GEAR                                      | 1059        | 1   |
| *11  | SNAP RING                                      | 880051      | 1   |
| *12  | KEY, SQUARE                                    | 1372        | 1   |
| *13  | BEARING  | -           | 1   |
| *14  | BEARING, DRIVE END                             | -           | 1   |
| 15   | THRUST WASHER (NOT SHOWN)                      | 1221        | 1   |

\* PARTS INCLUDED WITH ITEMS 1 & 2.

# STAINLESS STEEL CHUTE AND SUPPORT

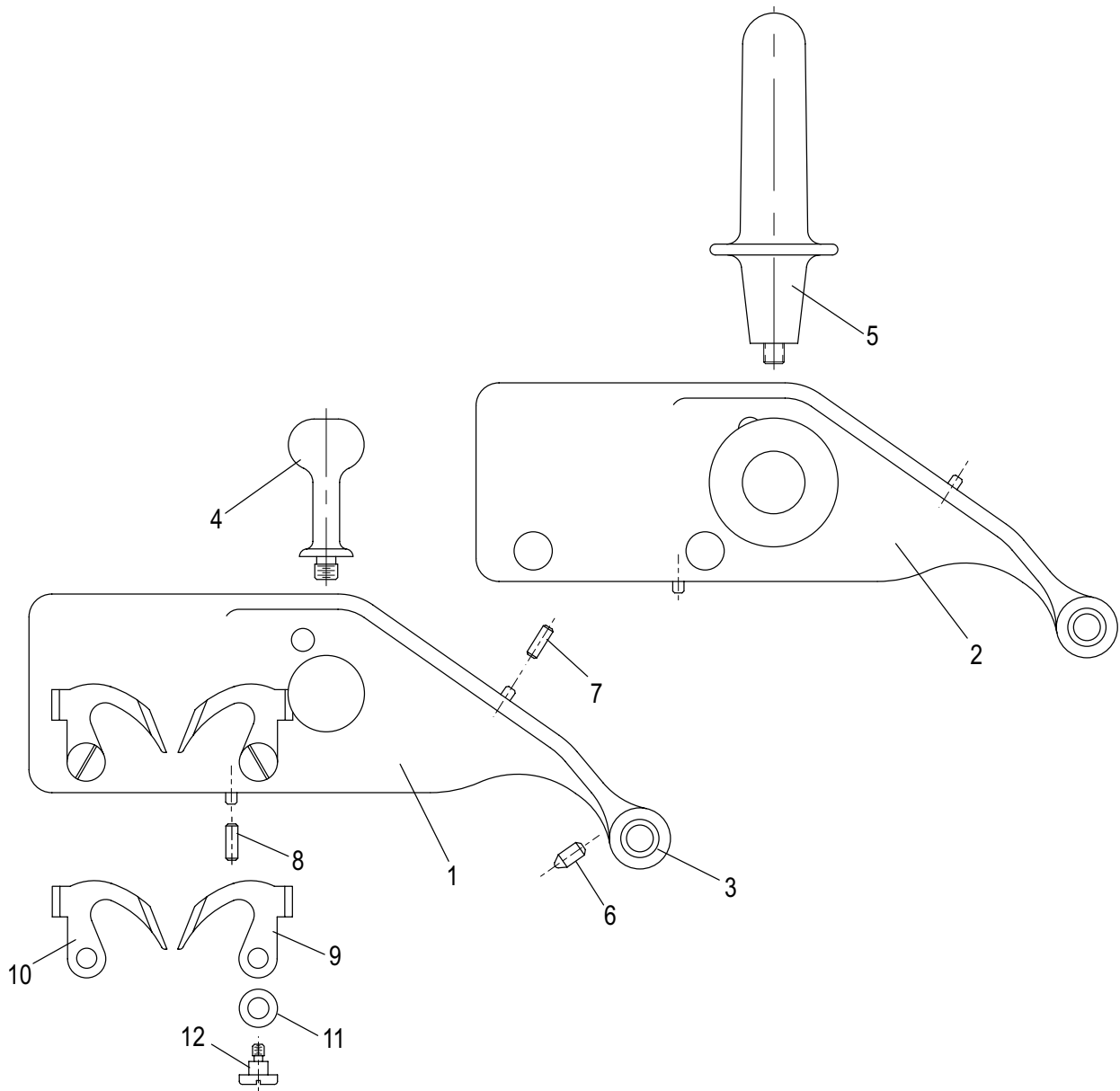


| ITEM | PART DESCRIPTION                     | PART NUMBER | QUANTITY REQD |     |       |
|------|--------------------------------------|-------------|---------------|-----|-------|
|      |                                      |             | AUTO          | MAN | 4975A |
| *    | 14.5" SS CHUTE ASSEMBLY WITH PRONGS  | 102-AS-17   | -             | -   | 1     |
|      | 12" SS CHUTE ASSEMBLY WITH PRONGS    | 102-AS-19   | 1             | -   | -     |
|      | 12" SS CHUTE ASSEMBLY WITHOUT PRONGS | 102-AS-20   | -             | 1   | -     |
| 1    | 12" CHUTE                            | 962-S       | 1             | -   | -     |
|      | 14.5" CHUTE                          | 962-M       | -             | -   | 1     |
| 2    | END WEIGHT ROD - 11-3/16" LONG       | 962-18S     | 1             | -   | -     |
|      | END WEIGHT ROD - 13-11/16" LONG      | 962-18M     | -             | -   | 1     |
| 3    | SCREW                                | 962-17      | -             | 2   | -     |
| 4    | CHUTE SUPPORT                        | 330050      | -             | 1   | -     |
| 5    | CHUTE HANDLE                         | 482-B       | -             | 1   | -     |
| 6    | ACORN NUT                            | 699-32      | -             | 2   | -     |
| 7    | ACORN NUT                            | 962-7       | -             | 1   | -     |
| 8    | LOCK WASHER, INTERNAL TOOTH          | 962-19      | -             | 1   | -     |
| 9    | LOCK BACK STUD                       | 962-5       | -             | 1   | -     |
| 10   | LOCK WASHER                          | 962-16      | -             | 6   | -     |
| 11   | ACORN NUT                            | 962-6       | -             | 4   | -     |
| 12   | CHUTE SUPPORT KNOB                   | 510011      | -             | 1   | -     |
| 12A  | LOCK WASHER                          | -           | -             | 1   | -     |
| 12B  | NYLOCK NUT                           | -           | -             | 1   | -     |
| 12C  | CAP                                  | -           | -             | 1   | -     |

\* CHUTE ASSEMBLY INCLUDES END WEIGHT.



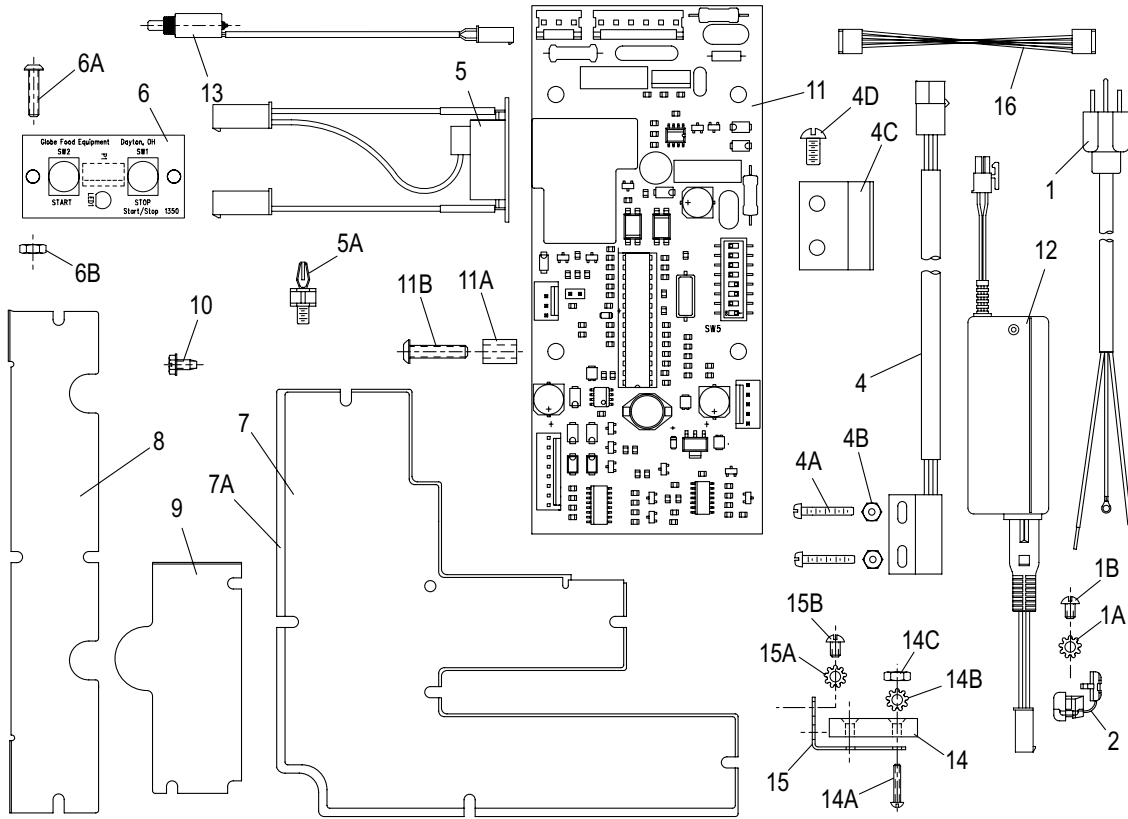
# END WEIGHTS



| ITEM | PART DESCRIPTION                     | PART NUMBER | QUANTITY REQD |        |
|------|--------------------------------------|-------------|---------------|--------|
|      |                                      |             | AUTO          | MANUAL |
|      | END WEIGHT ASSEMBLY, SS - W/O PRONGS | 741-SS-AS   | -             | 1      |
|      | END WEIGHT ASSEMBLY, SS - W PRONGS   | 741-SS-APC  | 1             | -      |
| 1    | *AUTOMATIC END WEIGHT, SS            | 1233        | 1             | -      |
| 2    | *MANUAL END WEIGHT, SS               | 1234        | -             | 1      |
| 3    | END WEIGHT BUSHING                   | 741-6       | 2             | 2      |
| 4    | END WEIGHT HANDLE, SS                | 741-SS3     | 1             | -      |
| 5    | END WEIGHT HANDLE, PLASTIC           | 510012      | -             | 1      |
| 6    | END WEIGHT REST BUMPER               | 741-4A      | 1             | 1      |
| 7    | END WEIGHT SPACER BUMPER             | 741-5A      | 1             | 1      |
| 8    | END WEIGHT CHUTE BUMPER              | 741-5B      | 1             | 1      |
| 9    | END WEIGHT PRONG, RIGHT              | 741-PC2     | 1             | -      |
| 10   | END WEIGHT PRONG, LEFT               | 741-PC3     | 1             | -      |
| 11   | SPRING WASHER, PRONG                 | 741-PC5     | 8             | -      |
| 12   | SHOULDER SCREW, PRONG                | 741-SS4     | 2             | -      |

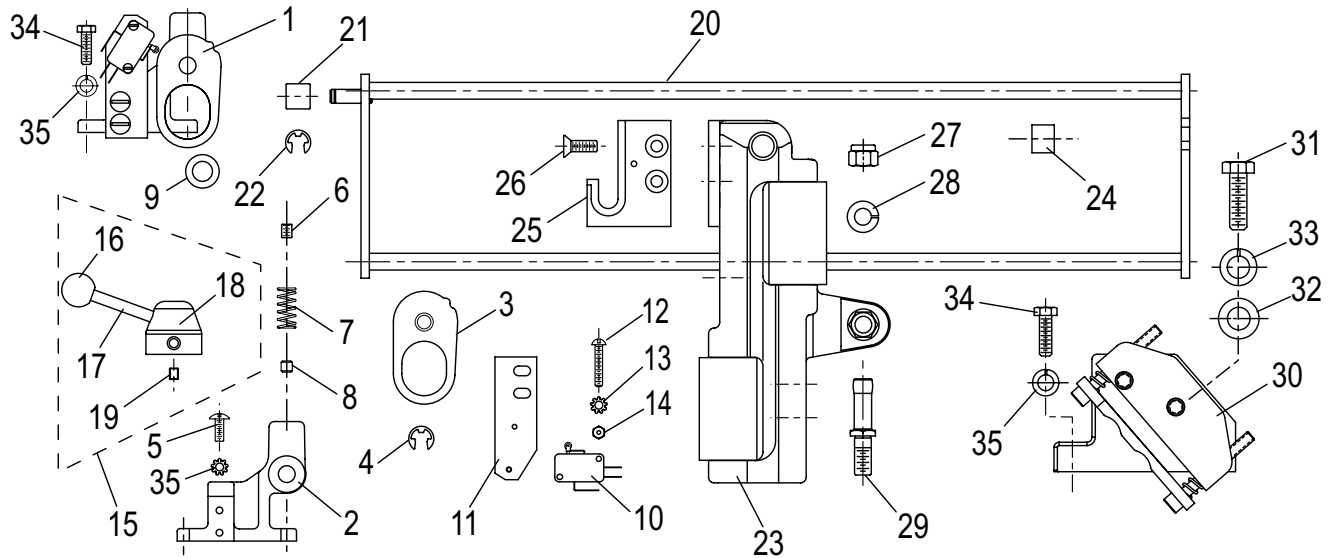
\* END WEIGHT INCLUDES ITEM 3 (BUSHINGS)

# MANUAL SLICER ELECTRICAL SYSTEM (REV B)



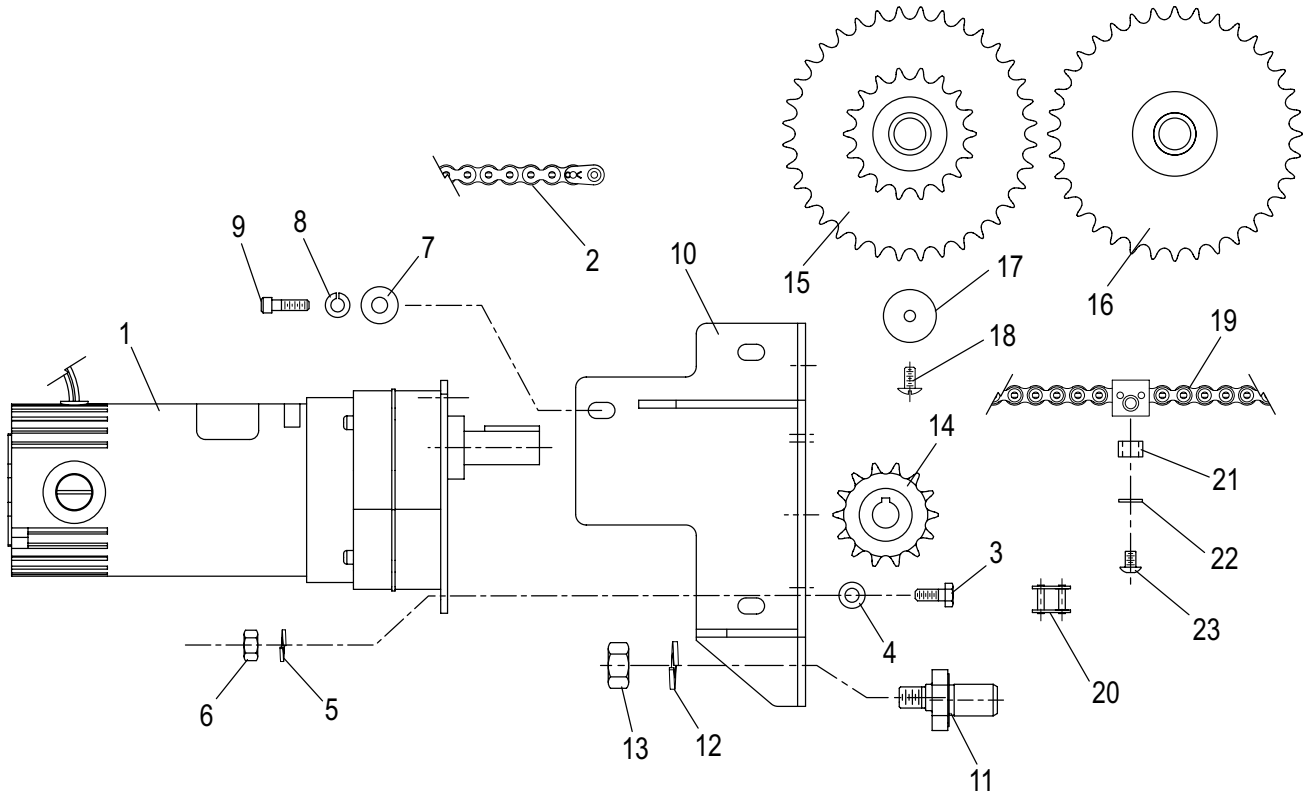
| ITEM | PART DESCRIPTION                             | PART NUMBER | QTY |
|------|--|-------------|-----|
| 1    | POWER CORD                                   | 132-3       | 1   |
| 1A   | LOCK WASHER                                  | 854-7       | 2   |
| 1B   | SCREW  | 854-6       | 2   |
| 2    | STRAIN RELIEF, POWER CORD                    | 877         | 1   |
| 3    | WIRING HARNESS, 110VAC (NOT SHOWN)           | 130121      | 1   |
| 4    | PROXIMITY SWITCH (HOME, TIMER & KNIFE GUARD) | 130020      | 3   |
| 4A   | SCREW  | 995-31      | 4   |
| 4B   | NUT  | 854-3       | 4   |
| 4C   | BRACKET, SWITCH MOUNTING - KNIFE GUARD       | 1133        | 1   |
| 4D   | SCREW  | 1223        | 2   |
| 5    | MOTOR START SWITCH ASSY, SOLID STATE, 110VAC | 130050      | 1   |
| 5A   | STAND-OFF, MOTOR START SWITCH                | 1250        | 2   |
| 6    | CIRCUIT BOARD, START/STOP                    | 1350        | 1   |
| 6A   | SCREW  | 1218        | 2   |
| 6B   | NUT  | 756-5       | 2   |
| 7    | COVER, WIREWAY                               | 320020      | 1   |
| 7A   | GASKET, WIREWAY COVER                        | 1192        | 1   |
| 8    | COVER, WIREWAY # 2                           | 1136        | 1   |
| 9    | COVER, WIREWAY # 3                           | 1137        | 1   |
| 10   | SCREW, WIREWAY COVER                         | 889         | 14  |
| 11   | CIRCUIT BOARD, LOGIC                         | 120033      | 1   |
| 11A  | STAND-OFF                                    | 1216        | 4   |
| 11B  | SCREW  | 1218        | 4   |
| 12   | POWER SUPPLY, 24V                            | 130060      | 1   |
| 13   | SOLENOID ASSY, TABLE LOCK-OUT                | 130090      | 1   |
| 14   | MAGNET, INTERLOCK                            | 985-1       | 1   |
| 14A  | SCREW  | 854-2       | 2   |
| 14B  | LOCK WASHER                                  | 854-7       | 2   |
| 14C  | NUT  | 854-3       | 2   |
| 15   | BRACKET, MAGNET MOUNTING                     | 1341        | 1   |
| 15A  | LOCK WASHER                                  | 854-7       | 2   |
| 15B  | SCREW  | 854-6       | 2   |
| 16   | JUMPER CABLE                                 | 1377        | 1   |

# AUTOMATIC SLIDE SYSTEM



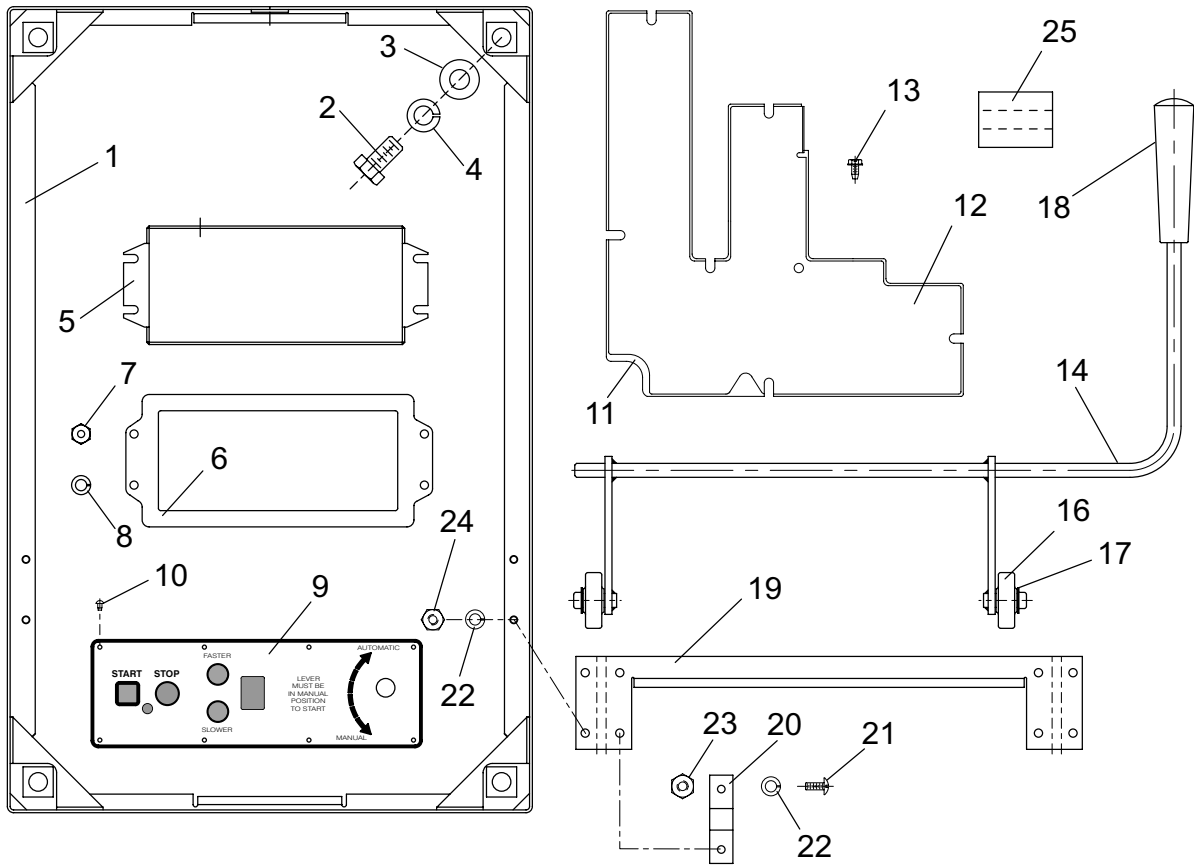
| ITEM | PART DESCRIPTION           | PART NUMBER | QTY |
|------|----------------------------|-------------|-----|
| 1    | AUTO/MANUAL LEVER ASSEMBLY | 1360        | 1   |
| 2    | BRACKET, AUTO ENGAGE       | 1055        | 1   |
| 3    | CAM ASSEMBLY               | 1145        | 1   |
| 4    | C-CLIP                     | 940-10      | 1   |
| 5    | SCREW                      | 900-1       | 2   |
| 6    | SET SCREW                  | 1291        | 1   |
| 7    | SPRING                     | 1300        | 1   |
| 8    | PLUG                       | 1299        | 1   |
| 9    | FIBER WASHER               | 359         | 2   |
| 10   | MICROSWITCH                | 1263        | 1   |
| 11   | BRACKET, MICROSWITCH       | 1053        | 1   |
| 12   | SCREW                      | 854-2       | 2   |
| 13   | LOCK WASHER                | 854-7       | 2   |
| 14   | NUT                        | 854-3       | 2   |
| 15   | AUTO-ENGAGE LEVER ASSEMBLY | 1029        | 1   |
| 16   | KNOB                       | 1202        | 1   |
| 17   | SHAFT                      | 1028        | 1   |
| 18   | LEVER HUB                  | 1026        | 1   |
| 19   | SET SCREW                  | 810002      | 1   |
| 20   | ROCKER ASSEMBLY            | 1104        | 1   |
| 21   | CAM ROLLER                 | 1102        | 1   |
| 22   | C-CLIP                     | 940-10      | 1   |
| 23   | CHAIN SLIDE ASSEMBLY       | 1308        | 1   |
| 24   | BEARING                    | 1166        | 2   |
| 25   | ACTUATOR                   | 1119        | 1   |
| 26   | SCREW                      | 1089        | 2   |
| 27   | LOCK NUT                   | 1297        | 1   |
| 28   | LOCK WASHER                | 962-13      | 1   |
| 29   | ECCENTRIC STUD             | 1080        | 1   |
| 30   | ENGAGEMENT SPRING ASSEMBLY | 1361        | 1   |
| 31   | SCREW                      | 1295        | 2   |
| 32   | FLAT WASHER                | 1288        | 2   |
| 33   | LOCK WASHER                | 245-A       | 2   |
| 34   | SCREW                      | 1238        | 4   |
| 35   | LOCK WASHER                | 1226        | 4   |

# AUTOMATIC SLICER TABLE DRIVE SYSTEM



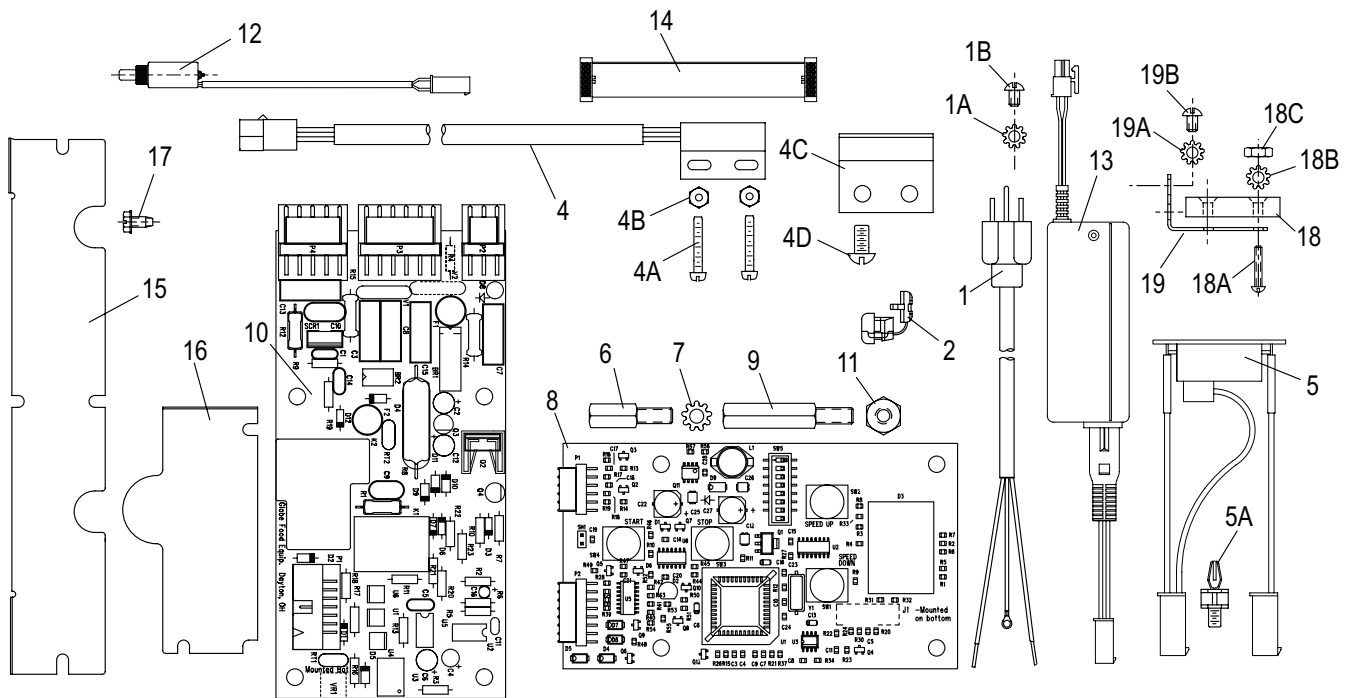
| ITEM | PART DESCRIPTION           | PART NUMBER | QTY |
|------|----------------------------|-------------|-----|
| 1    | DC GEAR MOTOR              | 982-1BS     | 1   |
| 2    | DRIVE CHAIN                | 1019        | 1   |
| 3    | SCREW                      | 627-C       | 4   |
| 4    | FLAT WASHER                | 825-2       | 4   |
| 5    | LOCK WASHER                | 962-16      | 4   |
| 6    | NUT                        | 825-3       | 4   |
| 7    | FLAT WASHER                | 1288        | 3   |
| 8    | LOCK WASHER                | 245-A       | 3   |
| 9    | CAP SCREW                  | 1298        | 3   |
| 10   | MOTOR MOUNT BRACKET        | 1082        | 1   |
| 11   | SPROCKET STUD              | 1118        | 2   |
| 12   | LOCK WASHER                | 815         | 2   |
| 13   | NUT                        | 646         | 2   |
| 14   | MOTOR SPROCKET             | 1030        | 1   |
| 15   | 18 & 36 TOOTH SPROCKET     | 1285        | 1   |
| 16   | 36 TOOTH SPROCKET          | 1286        | 1   |
| 17   | SPROCKET WASHER            | 608         | 2   |
| 18   | SCREW                      | 762-6       | 2   |
| 19   | AUTO DRIVE CHAIN ASSEMBLY  | 1020        | 1   |
| 20   | MASTER LINK                | 1336        | 1   |
| 21   | CAM FOLLOWER               | 1097        | 1   |
| 22   | CAM SCREW                  | 1107        | 1   |
| 23   | FLAT WASHER, CAM           | 870084      | 1   |
| 24   | WIRE CONNECTOR (NOT SHOWN) | 982-1MH     | 1   |

# AUTOMATIC BASE APRON & LIFT LEVER ASSMEBLY



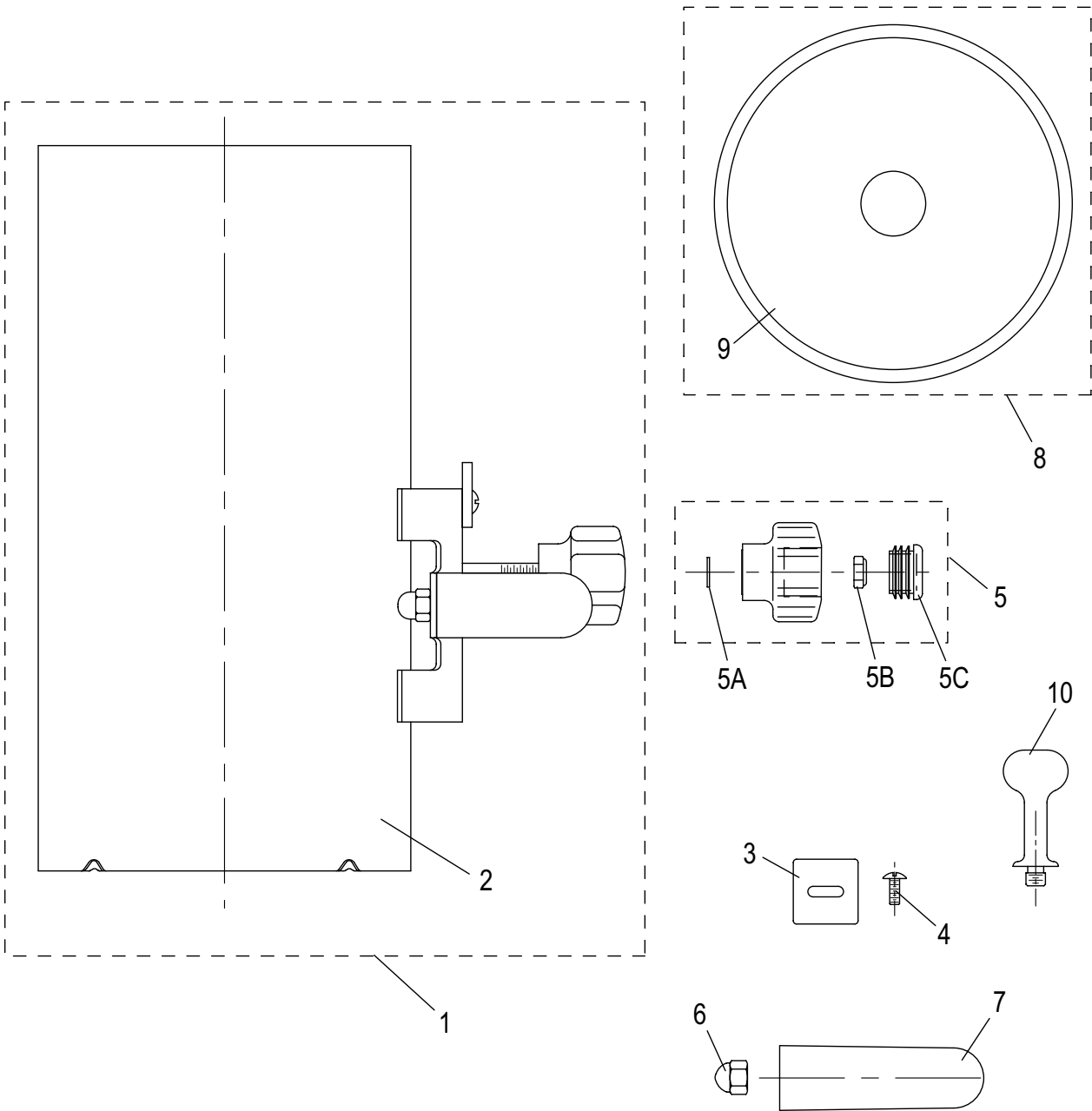
| ITEM | PART DESCRIPTION                      | PART NUMBER | QTY |
|------|---------------------------------------|-------------|-----|
| 1    | BASE APRON                            | 1046        | 1   |
| 2    | BOLT                                  | 813         | 4   |
| 3    | FLAT WASHER                           | 881-4       | 4   |
| 4    | LOCK WASHER                           | 815         | 4   |
| 5    | COVER, ELECTRICAL BOX                 | 1228        | 1   |
| 6    | GASKET                                | 1274        | 1   |
| 7    | NUT                                   | 1276        | 4   |
| 8    | LOCK WASHER                           | 1252        | 4   |
| 9    | OVERLAY, TOUCH PAD (4975A USE 910032) | 1159        | 1   |
| 10   | DRIVE SCREW                           | 851-6P      | 8   |
| 11   | GASKET                                | 1192        | 1   |
| 12   | COVER, WIRE WAY                       | 320041      | 1   |
| 13   | SCREW                                 | 889         | 7   |
| 14   | LIFT LEVER ASSEMBLY                   | 1161        | 1   |
| 15   | LIFT LEVER                            | 1154        | 1   |
| 16   | WHEEL                                 | 951-7       | 2   |
| 17   | CLIP                                  | 1156        | 2   |
| 18   | HANDLE                                | 951-8       | 1   |
| 19   | SUPPORT, LIFT LEVER                   | 1155        | 1   |
| 20   | PIVOT ROD CLIP                        | 951-2       | 2   |
| 21   | SCREW                                 | 900-1       | 4   |
| 22   | LOCK WASHER                           | 1252        | 8   |
| 23   | NUT                                   | 1276        | 4   |
| 24   | NUT                                   | 760-5       | 4   |
| 25   | CLIP, BOTTOM COVER                    | 550010      | 1   |
| 26   | COVER, BOTTOM (NOT SHOWN)             | 340000      | 1   |
| 27   | LABEL, WIRING DIAGRAM (NOT SHOWN)     | 910041      | 1   |

# AUTOMATIC SLICER ELECTRICAL SYSTEM



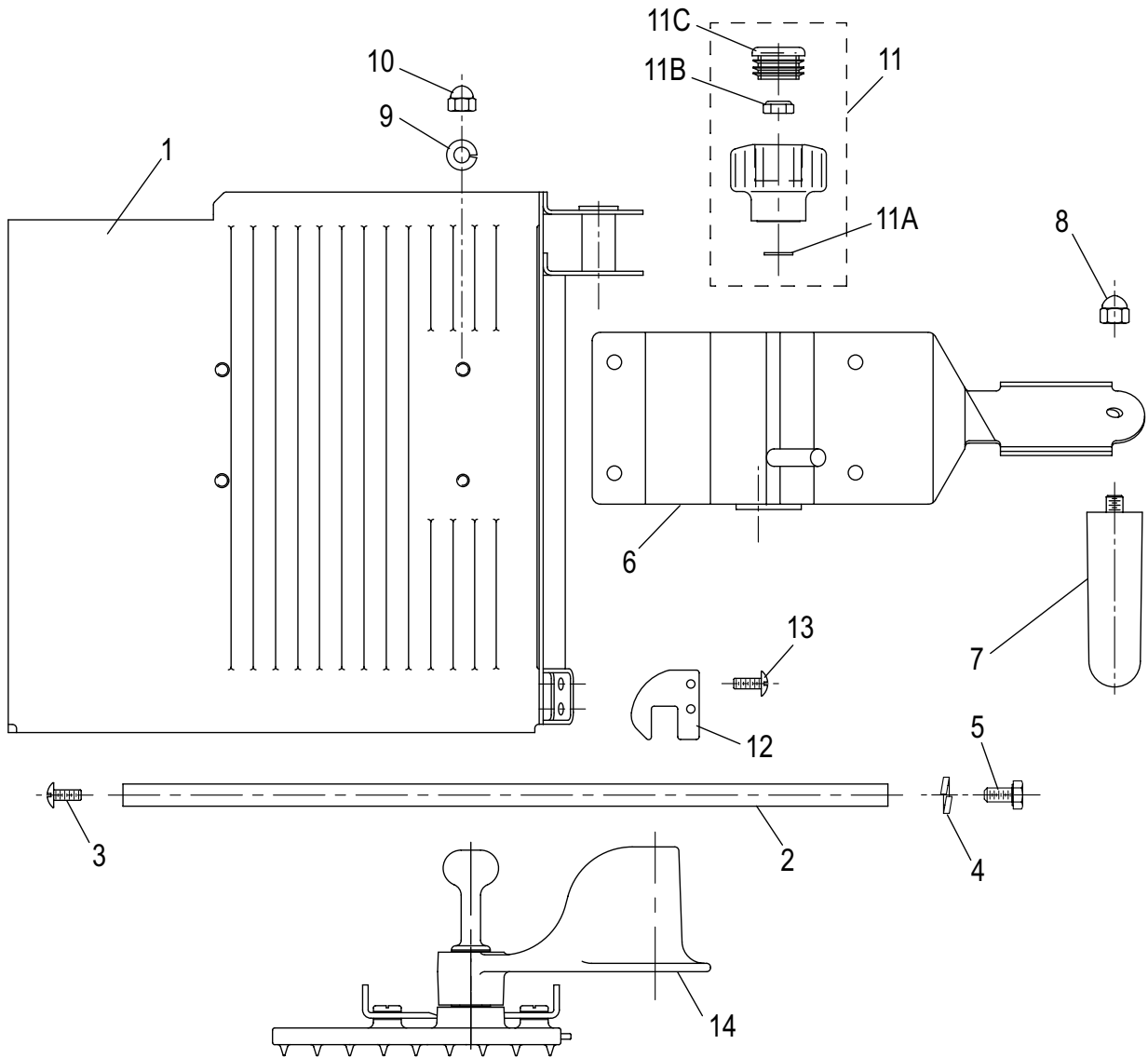
| ITEM | PART DESCRIPTION                             | PART NUMBER | QTY |
|------|--|-------------|-----|
| 1    | POWER CORD                                   | 132-3       | 1   |
| 1A   | LOCK WASHER                                  | 854-7       | 2   |
| 1B   | SCREW  | 854-6       | 2   |
| 2    | STRAIN RELIEF, POWER CORD                    | 877         | 1   |
| 3    | WIRING HARNESS, 110VAC (NOT SHOWN)           | 130200      | 1   |
| 4    | PROXIMITY SWITCH (HOME, TIMER & KNIFE GUARD) | 130020      | 3   |
| 4A   | SCREW  | 995-31      | 4   |
| 4B   | NUT  | 854-3       | 4   |
| 4C   | BRACKET, SWITCH MOUNTING - KNIFE GUARD       | 1133        | 1   |
| 4D   | SCREW  | 1223        | 2   |
| 5    | MOTOR START SWITCH ASSY, SOLID STATE, 110VAC | 130050      | 1   |
| 5A   | STAND-OFF, MOTOR START SWITCH                | 1250        | 2   |
| 6    | STANDOFF                                     | 1294        | 4   |
| 7    | LOCK WASHER                                  | 854-7       | 4   |
| 8    | CIRCUIT BOARD, START/STOP (4975A USE 120030) | 120032      | 1   |
| 9    | STANDOFF                                     | 1293        | 4   |
| 10   | CIRCUIT BOARD, POWER CONTROL                 | 1344        | 1   |
| 11   | NUT  | 1219        | 4   |
| 12   | SOLENOID ASSY, TABLE LOCK-OUT                | 130090      | 1   |
| 13   | POWER SUPPLY, 24V                            | 130060      | 1   |
| 14   | RIBBON CABLE                                 | 1367        | 1   |
| 15   | COVER, WIREWAY # 2                           | 1136        | 1   |
| 16   | COVER, WIREWAY # 3                           | 1137        | 1   |
| 17   | SCREW, WIREWAY COVER                         | 889         | 7   |
| 18   | MAGNET, INTERLOCK                            | 985-1       | 1   |
| 18A  | SCREW  | 854-2       | 2   |
| 18B  | LOCK WASHER                                  | 854-7       | 2   |
| 18C  | NUT  | 854-3       | 2   |
| 19   | BRACKET, MAGNET MOUNTING                     | 1341        | 1   |
| 19A  | LOCK WASHER                                  | 854-7       | 2   |
| 19B  | SCREW  | 854-6       | 2   |

# VEGETABLE HOPPER ACCESSORY



| ITEM | PART DESCRIPTION                  | PART NUMBER | QTY |
|------|-----------------------------------|-------------|-----|
| 1    | VEGETABLE HOPPER ASSEMBLY         | 699-BAS     | 1   |
| 2    | HOPPER BODY WITH SUPPORT AND STUD | 030041      | 1   |
| 3    | HOPPER STOP                       | 699-33      | 1   |
| 4    | HOPPER STOP SCREW                 | 900-1       | 1   |
| 5    | HOPPER NUT                        | 510011      | 1   |
| 5A   | FLAT WASHER                       | -           | 1   |
| 5B   | NYLOCK NUT                        | -           | 1   |
| 5C   | CAP                               | -           | 1   |
| 6    | ACORN NUT                         | 699-32      | 1   |
| 7    | HOPPER HANDLE                     | 482-B       | 1   |
| 8    | HOPPER END WEIGHT ASSEMBLY        | 699-16      | 1   |
| 9    | HOPPER END WEIGHT                 | 699-17      | 1   |
| 10   | HOPPER END WEIGHT HANDLE          | 699-18      | 1   |

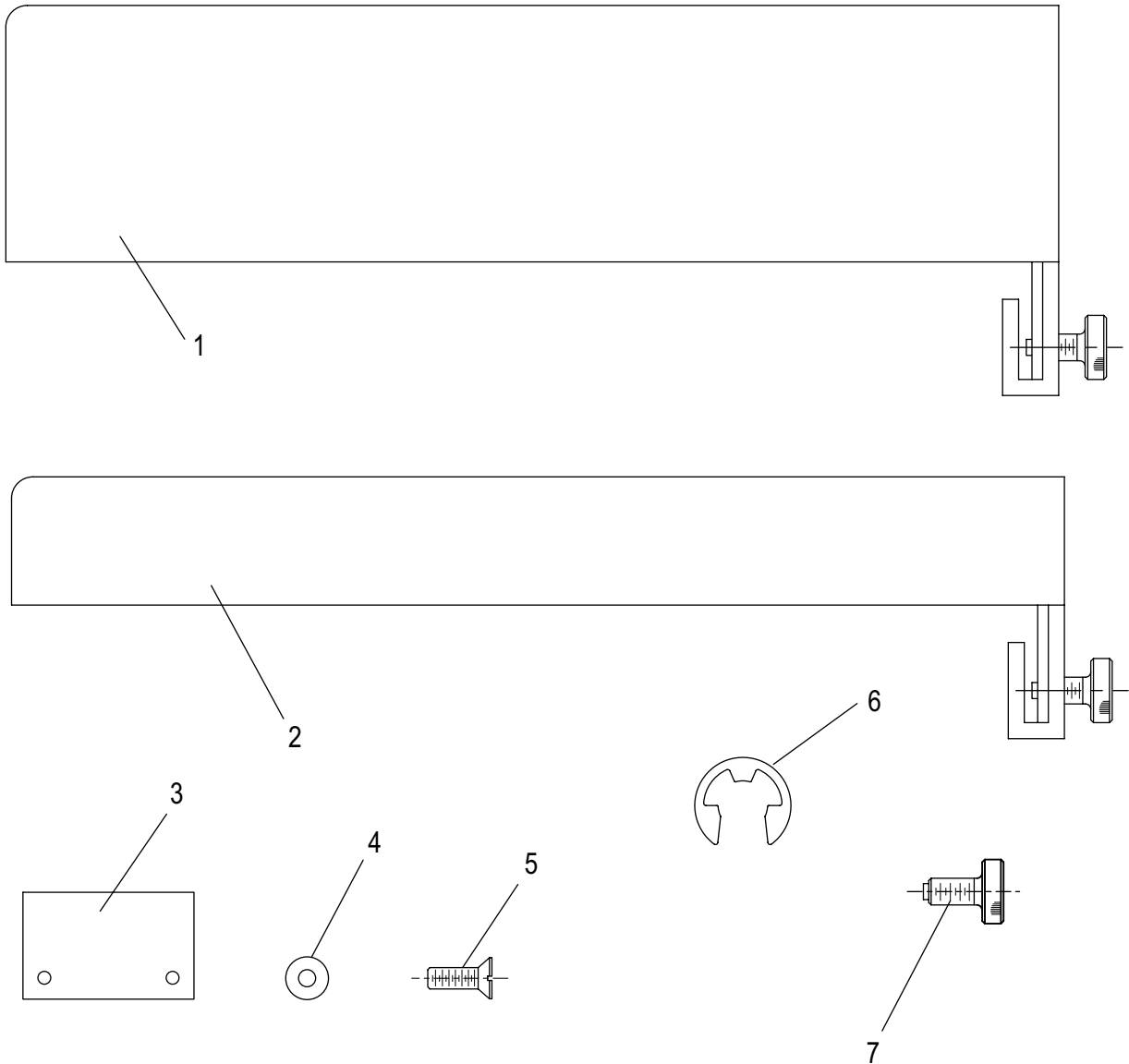
# FRONT MOUNTED END WEIGHT CHUTE ASSEMBLY



| ITEM | PART DESCRIPTION                      | PART NUMBER | QTY |
|------|---------------------------------------|-------------|-----|
|      | CHUTE ASSY W/FRONT MOUNTED END WEIGHT | 102-AS-21   | 1   |
| 1    | FRONT MOUNTED END WEIGHT CHUTE        | 981         | 1   |
| 2    | END WEIGHT ROD                        | 981-1       | 1   |
| 3    | SCREW                                 | 981-2       | 1   |
| 4    | LOCK WASHER                           | 962-13      | 1   |
| 5    | SCREW                                 | 981-9       | 1   |
| 6    | CHUTE SUPPORT                         | 330050      | 1   |
| 7    | CHUTE HANDLE                          | 482-B       | 1   |
| 8    | ACORN NUT                             | 699-32      | 1   |
| 9    | LOCK WASHER                           | 962-16      | 4   |
| 10   | ACORN NUT                             | 962-6       | 4   |
| 11   | CHUTE SUPPORT NUT                     | 510011      | 1   |
| 11A  | FLAT WASHER                           | -           | 1   |
| 11B  | NYLOCK NUT                            | -           | 1   |
| 11C  | CAP                                   | -           | 1   |
| 12   | ENDWEIGHT REST                        | 981-4       | 1   |
| 13   | SCREW                                 | 900-1       | 2   |
| 14   | END WEIGHT ASSY, FRONT MOUNTED        | 981-3       | 1   |

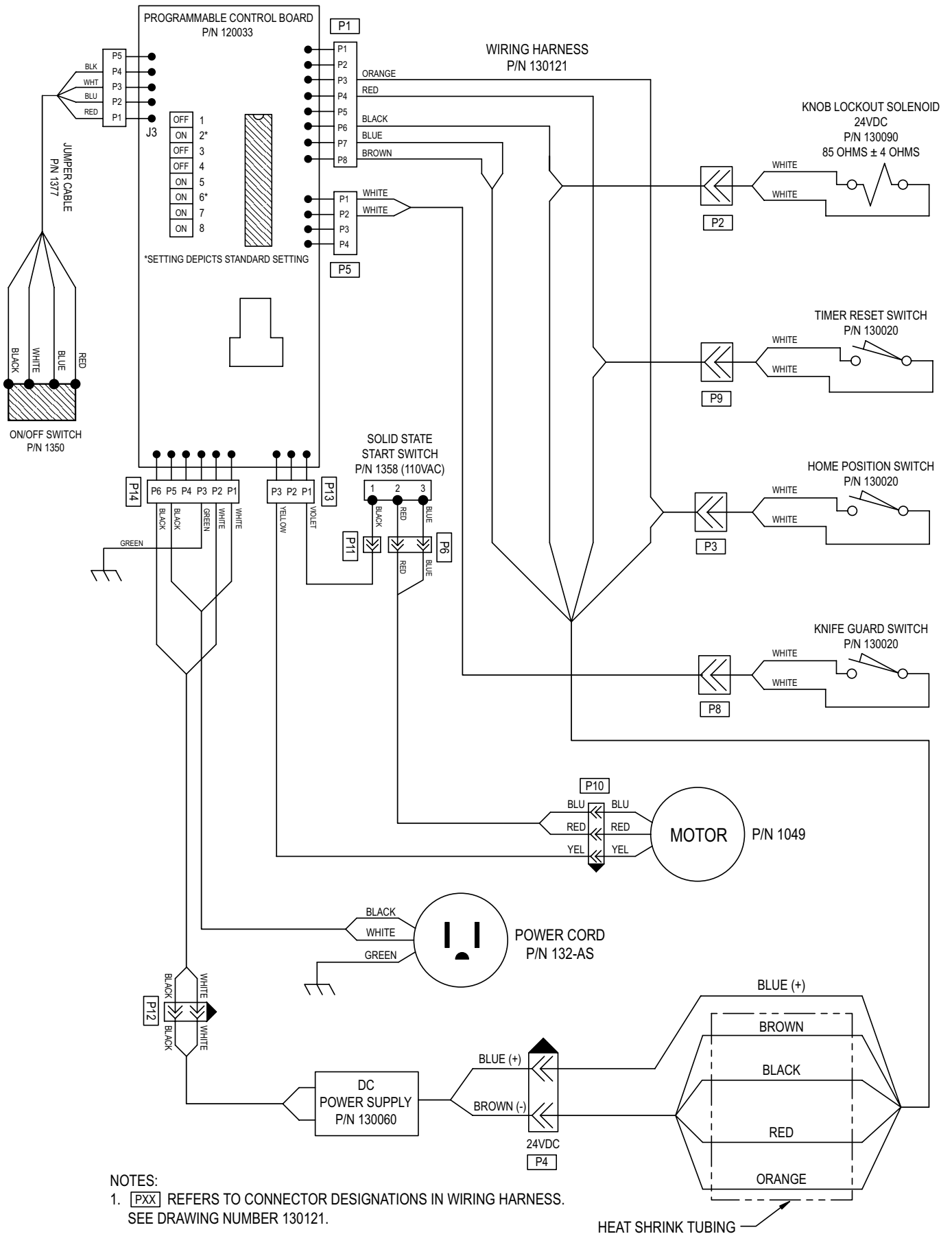


# CHUTE FENCE ACCESSORIES



| ITEM | DESCRIPTION                  | PART NUMBER | QTY |
|------|------------------------------|-------------|-----|
|      | FENCE ASSEMBLY, 12" X 3"     | 1326        | 1   |
|      | FENCE ASSEMBLY, 12" X 1-3/8" | 1047        | 1   |
| 1    | FENCE, 12" X 3"              | 1048        | 1   |
| 2    | FENCE, 12" X 1-3/8"          | 1051        | 1   |
| 3    | FENCE CLAMP                  | 940-5       | 1   |
| 4    | CLAMP SPACER                 | 940-7       | 2   |
| 5    | CLAMP MOUNTING SCREW         | 699-25      | 2   |
| 6    | RETAINING RING               | 940-10      | 1   |
| 7    | CLAMP THUMB SCREW            | 1052        | 1   |

# MANUAL SLICER SCHEMATIC - MODEL 4600



- NOTES:  
1. [PXX] REFERS TO CONNECTOR DESIGNATIONS IN WIRING HARNESS.  
SEE DRAWING NUMBER 130121.

# AUTOMATIC SLICER SCHEMATIC - MODELS 4975 & 4975A

