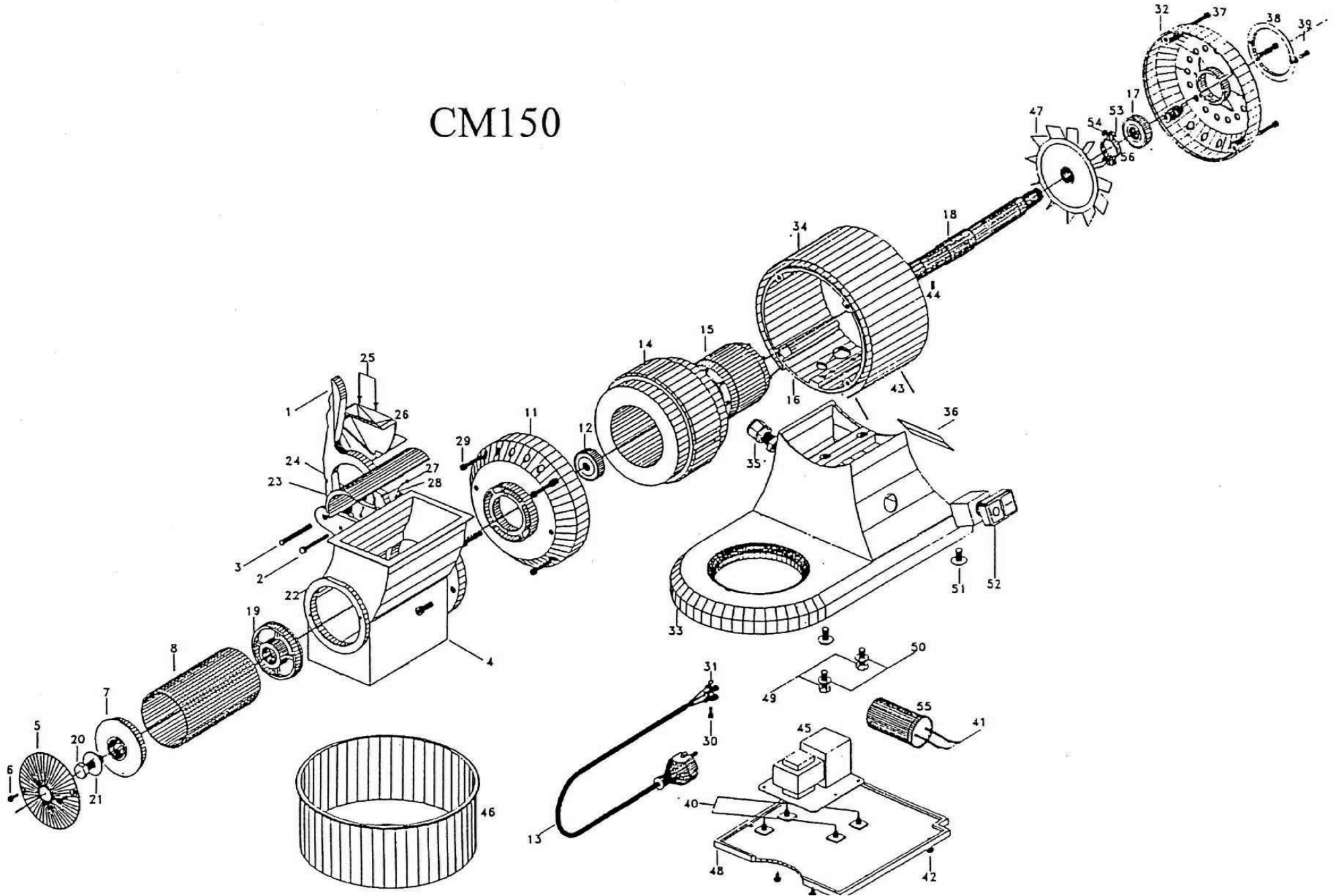


CM150



CM150 Parts List

1	C0145	Feeder Pusher Handle	31	C0281	Wire Connector
2	C0322	Screw	32	C0100	Motor end Bell - rear
3	C0293	pin	33	C0158	Base, Pedestal
4	C0147	Housing	34	C0117	Motor Cover
5	C0148	Housing End Cap	35	C0287	Strain Relief
6	C0001	Screw	36	C0275	Serial Plate
7	C0149	Drum End	37	C0121	Screw (S/A C0288)
8	C0152	Drum	38	C0002	Cover
11	C0154	Motor End Bell	39	C0001	Screw
12	C0161	Motor Bearing - Front	40	C0280	Stand-off
13	132-3	Power Cord - 3 Prong	41	C0068	Wire Connector
14	C0102	Stator	42	C0289	Screw
15	C0104	Rotor	43	C0284	Rivet
16	C0340	Motor Case	44	C0018	Key
17	C0113	Motor Bearing (Rear)	45	C0160	24V power Supply, NVR
18	C0341	Motor Shaft	46	C0157	Bowl, Stainless Steel
19	C0149	Drum End - Notched	47	C0174	Motor fan
20	C0336	Screw	48	C0137	Lower Base Cover
21	C0337	Washer	49	C0015	Screw
22	C0227	Cap Screw	50	C0014	Washer
23	C0294	Screw	51	C0138	Base Pad
24	C0292	Actuator cam	52	C0136	Start-Stop Switch
25	C0284	Rivet	52A		Switch Cover
26	C0334	Switch Cover	53	C0278	Nut
27	C0339	Limit Switch	54	C0285	Screw
28	C0333	Screw	55	C0192	Capacitor
29	C0288	Screw	56	C0279	Fan Clamp
30	C0290	Screw			

