

Parts Catalog



CM22

Meat Chopper

Model: CM22

08/05/19 Rev. C

IMPORTANT!

TO EXPEDITE SHIPMENT OF PARTS, ALWAYS SPECIFY MODEL, REV,
PART NUMBER, AND SERIAL NUMBER OF UNIT.

GLOBE FOOD EQUIPMENT COMPANY

2215 East River Road
Dayton, Ohio 45439

Parts Department

Toll Free 1-800-745-6238 · Fax (937) 290-0585

E-Mail: info@globefoodequip.com

Website: www.globefoodequip.com

Not for resale

Table of Contents

Description

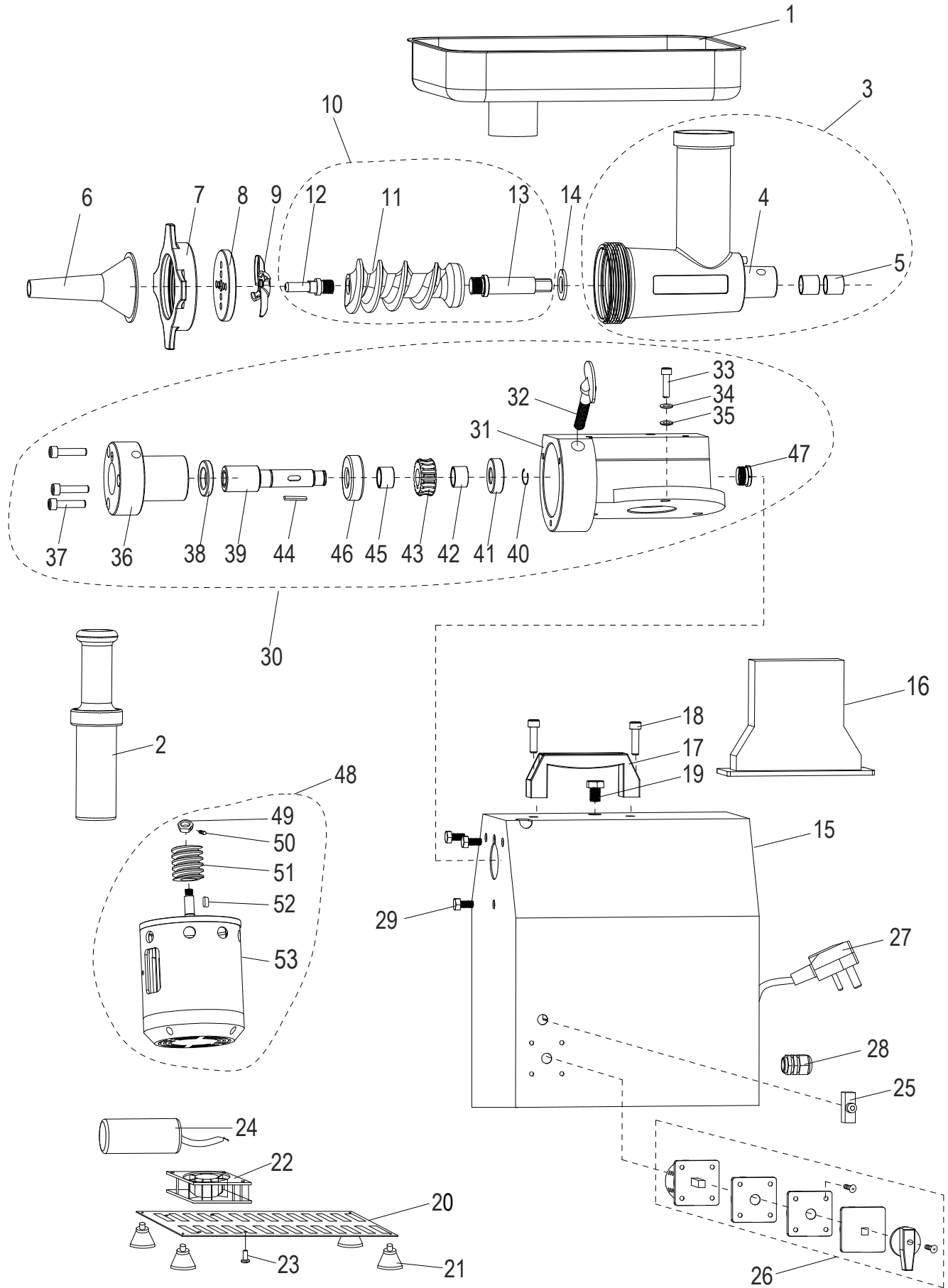
Page

CM22 Meat Chopper Components

4

CM22 Wiring Diagram

7





CM22 Meat Chopper Components

Item	Part Number	Description	Qty	Serial Number
1	L00487	Food Tray	1	
2	L00447	Food Pusher	1	
3	L01242	Chopper Housing Assy. (Incl. items 4-5)	1	
4		Chopper Housing	1	
5		Bushing, Chopper Housing	2	
6	L00478	Stuffing Tube	1	
7	L00479	Plate Retainer	1	
8	L00480	Chopper Plate	1	
9	L00481	Chopper Knife	1	
10	L01240	Propeller Screw Shaft Assy. (Incl. items 11-13)	1	
11	L00483	Screw, Propeller	1	
12	L00482	Knife Lock	1	
13	L00443	Shaft, Propeller Drive	1	
14	L00444	Washer, Nylon	1	
15	L00504	Housing, Drive	1	
16	L00505	Handle Cover	1	
17	L00465	Handle	1	
18	H00661	Screw M8 1.25x25 mm Zinc-Plated Skt Hd Cap	2	
19	L00466	Oil Plug	1	
20	L00513	Bottom Enclosure	1	
21	L00473	Foot, Rubber	4	
22	L00475	Fan, Cooling	1	
23	H00660	Screw M5x0.8x8mm Phillips Truss Hd 18-8 (SS)	4	
24	L00474	Capacitor	1	->22180205
24	L02009	Capacitor	1	22180206 ->
25	L00510	Button, Reset	1	
26	L00470	Switch, Forward/Reverse	1	
27	L00467	Power Cord	1	
28	L00468	Strain Relief	1	
29	H00655	Screw M8x1.25x10mm Hex Hd 18-8 (SS)	3	
30	L00666	Gear Box Assembly (Incl. items 31-47)	1	
31	L00451	Gear Box	1	
32	L00450	Thumb Screw	1	
33	H00656	Screw M8x1.25x30mm Socket Hd Cap BO	3	
34	H00657	Washer M8 DIN 7980 Lock Split	3	
35	H00191	Flat Washer M8, 8.4 IDx16 ODx1.4-1.8mm thick DIN 125 - Zn	3	
36	L00449	Attachment Hub	1	
37	H00656	Screw M8x1.25x30mm Socket Hd Cap BO	3	
38	L00454	Seal, Oil, Attachment Hub	1	
39	L00455	Shaft, Drive Gear	1	
40	H00662	Retaining Ring, Attachment Hub Worm	1	
41	L00501	Bearing, Drive Gear, Rear	1	
42	L00459	Spacer, Drive Gear	1	
43	L00499	Drive Gear, Brass (SN range order items 30 & 51)	1	2214000 - 2214129
44	L00502	Key, Drive Gear	1	
45	L00459	Spacer, Drive Gear	1	
46	L00497	Bearing, Attachment Hub, Front	1	
47	L00462	Nylon Plug	1	
48	L00665	Motor Assembly (Incl. items 49-53)	1	->22180205
49	L00658	Nut, Motor	1	
50	H00659	Screw, Set	1	
51	L00493	Gear, Motor Drive	1	
52	L00476	Key, Motor	1	



CM22 Meat Chopper Components

Item	Part Number	Description	Qty	Serial Number
53		Motor	1	->22180205
54	L02008	Motor Assembly	1	22180206 ->
55	L00658	Nut, Motor	1	
56	H00659	Screw, Set	1	
57	L00493	Gear, Motor Drive	1	
58	L00476	Key, Motor	1	
59		Motor	1	22180206 ->



CM22 Wiring Diagram

Component	Wire Color	From	To
Reset	Blue	3	Load
		7	Line
Fan	Red	8	Fan
		10	Fan
Motor	Blue	6	Motor/Capacitor
	Black	9	Motor
	Red	11	Motor
	Black	12	Capacitor
Power	Black	4	Load
	White	2	Neutral
Switch	Blue	1	5

