

Parts Catalog



Model CPPGS1

ELECTRIC PANINI & SANDWICH GRILLS

**MODELS:
CPPGS1, CPPGM1, CPPGM2,
CPSGS1 & CPSGM1**

01-26-2011
IMPORTANT!

TO EXPEDITE SHIPMENT OF PARTS, ALWAYS SPECIFY MODEL, REV,
PART NUMBER, AND SERIAL NUMBER OF SLICER.

GLOBE FOOD EQUIPMENT COMPANY

2215 East River Road
Dayton, Ohio 45439

Parts Department

Toll Free 1-800-745-6238 · Fax (937) 290-0585

E-Mail: globeinfo@globeslicers.com

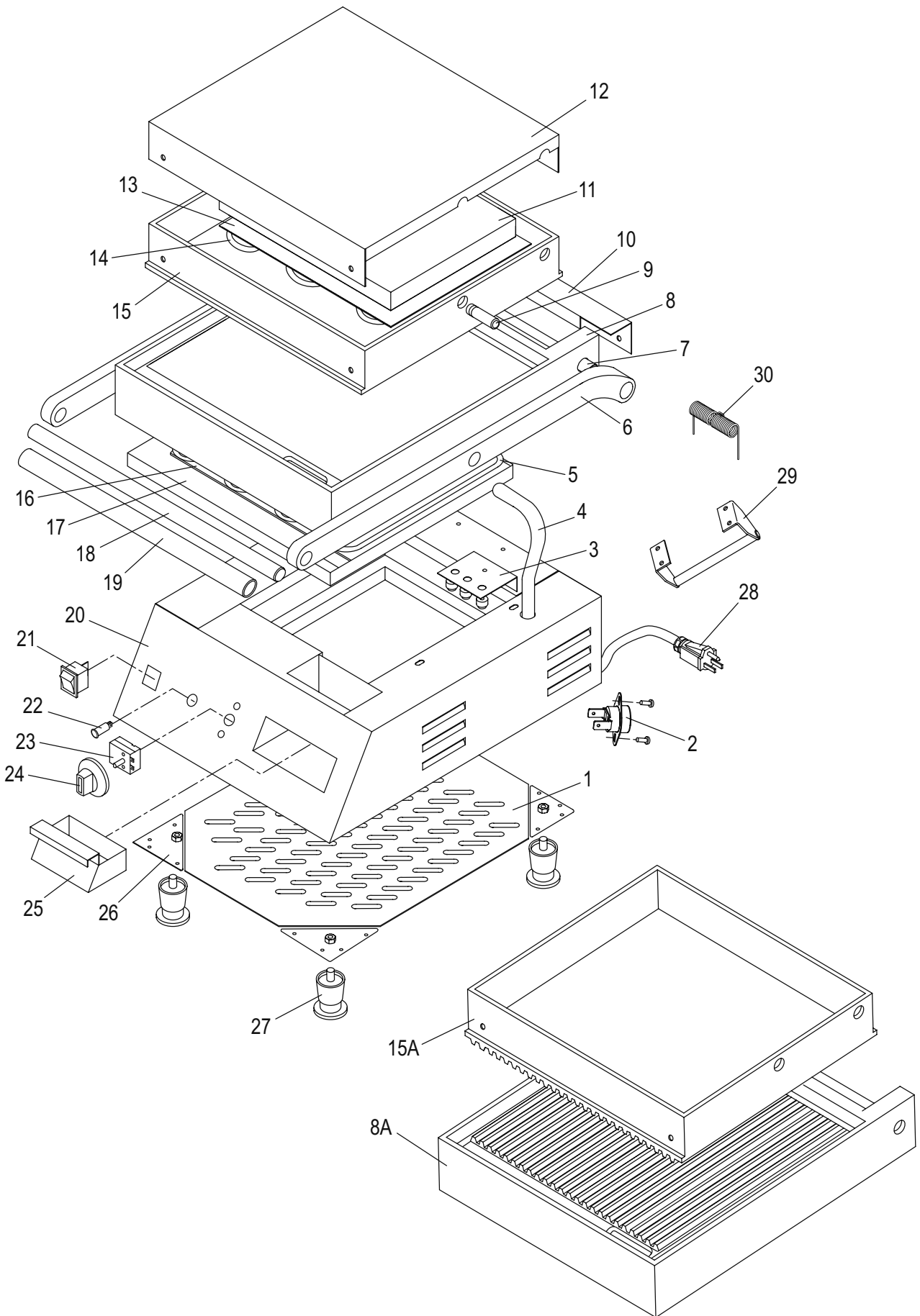
Website: www.globeslicers.com

Not for resale

TABLE OF CONTENTS

	<u>PAGE</u>
<u>SMALL GRILLS:</u>	
CPPGS1/CPSGS1 (120V)	1 - 2
<hr/>	
<u>MEDIUM GRILLS:</u>	
CPPGM1/CPSGM1 (120V)	3 - 4
CPPGM2 (220V)	
<hr/>	
<u>WIRING DIAGRAM</u>	5

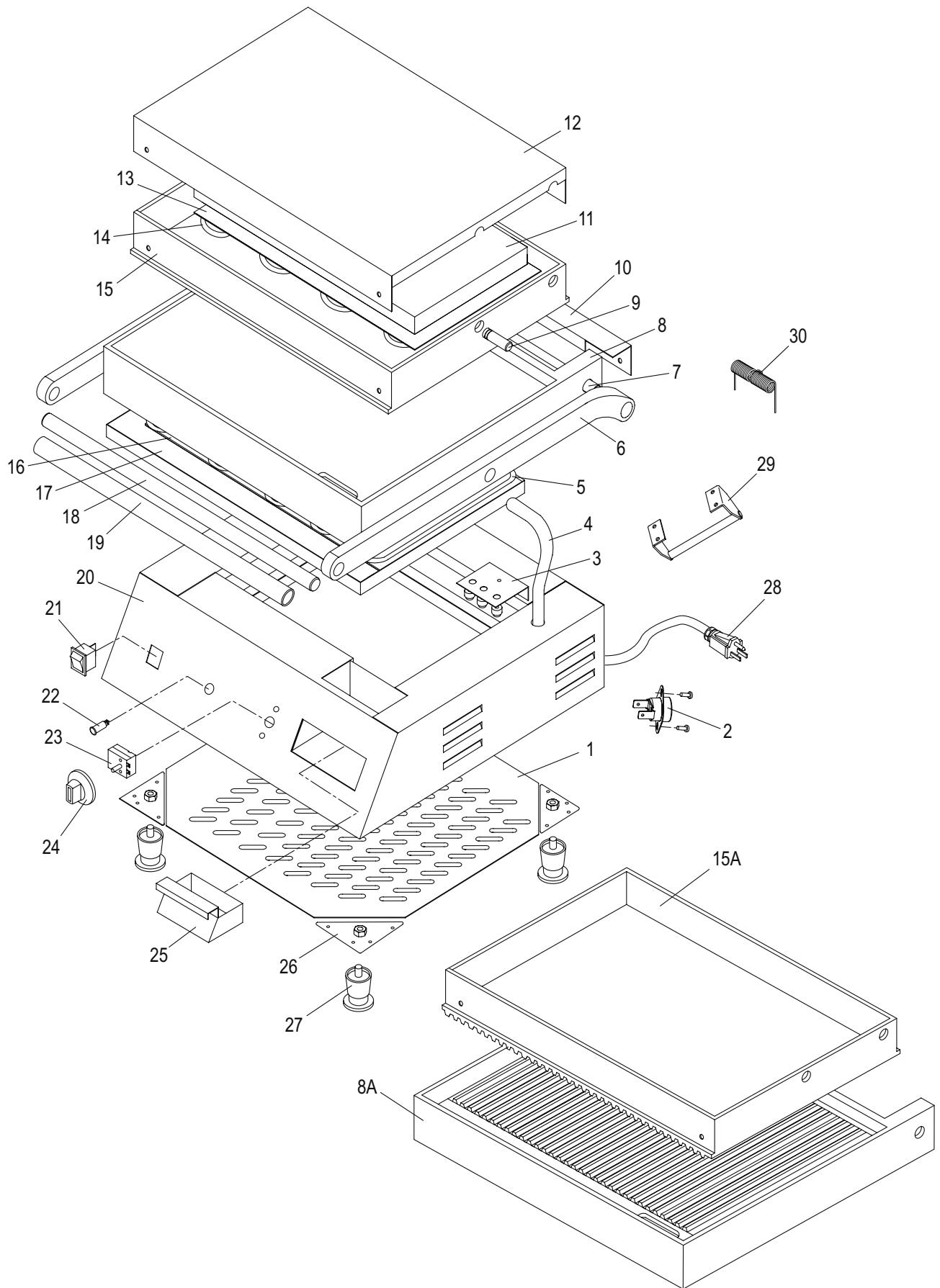
CPPGS1 & CPSGS1 (120V) SMALL GRILL COMPONENTS



CPPGS1 & CPSGS1 PARTS LIST

Item	Description	Part No.	Qty
1	Base Plate	U01071040084	1
2	Thermal Cut-Out (120V)	U03051220001	1
3	Wiring Connector	U01051025025	1
4	Wiring Cover	U01021005045	1
5	Lower Element (120V)	U03061225091	1
6	Left/Right Handle	U01021005008	1/1
7	Back Shaft	-	1
8	Lower Cast Iron - Sandwich Grill	-	1
8A	Lower Cast Iron - Panini Grill	-	
9	Shaft Kit, Left/Right Includes: Clip, Washer & Screw	U01141065007	1 Ea Side
10	Back Baffle	-	1
11	Upper Insulating Plate	-	1
12	Top Cover	-	1
13	Upper Mica Plate	U01991090031	1
14	Upper Element (120V)	U03061225090	1
15	Upper Cast Iron - Sandwich Grill	-	1
15A	Upper Cast Iron - Panini Grill	-	
16	Lower Mica Plate	U01991090032	1
17	Lower Insulating Plate	-	1
18	Front Shaft	U01091050060	1
19	Front Shaft Assembly	U02101155092	1
20	Body Assembly	-	1
21	Power Switch	U03041215027	1
22	Indicator Light (120V)	U03091240005	1
23	Thermostat	U03051220007	1
24	Dial	U02101155013	1
25	Drip Tray	U01051025022	1
26	Triangle Plate	-	4
27	Foot	U01021005002	4
28	Cord & Plug (120V)	U03021205012	1
29	Handle	U01091050019	2
30	Spring	U01091050021	2

CPPGM1/CPSGM1 (120V), CPPGM2 (220V) GRILL COMPONENTS



CPPGM1/CPSGM1 (120V), CPPGM2 (220V) PARTS LIST

Item	Description	Part No.	Qty
1	Base Plate	U01071040009	1
2	Thermal Cut-Out (120V)	U03051220001	1
	Thermal Cut-Out (220V)	U03051220002	
3	Wiring Connector	U01051025025	1
4	Wiring Cover	U01021005045	1
5	Lower Element (120V)	U03061225057	1
	Lower Element (220V)	U03061225059	
6	Left/Right Handle	U01021005008	2
7	Back Shaft	-	1
8	Lower Cast Iron - Sandwich (Flat)	-	1
8A	Lower Cast Iron - Panini (Ribbed)	-	
9	Shaft Kit, Left/Right Includes: Clip, Washer & Screw	U01141065007	1 Ea Side
10	Back Baffle	U01051025021	1
11	Upper Insulating Plate	-	1
12	Top Cover	-	1
13	Upper Mica Plate	-	1
14	Upper Element (120V)	U03061225056	1
	Upper Element (220V)	U03061225058	
15	Upper Cast Iron - Sandwich (Flat)	-	1
15A	Upper Cast Iron - Panini (Ribbed)	-	
16	Lower Mica Plate	U01991090006	1
17	Lower Insulating Plate	-	1
18	Front Shaft	U01141065009	1
19	Front Shaft Assembly	U02101155056	1
20	Body Assembly	-	1
21	Power Switch	U03041215027	1
22	Indicator Light (120V)	U03091240005	1
	Indicator Light (220V)	U03091240006	
23	Thermostat	U03051220007	1
24	Dial	U02101155013	1
25	Drip Tray	U01051025022	1
26	Triangle Plate	-	4
27	Foot	U01021005002	4
28	Cord & Plug (120V)	U03021205012	1
	Cord & Plug (220V)	U03021205011	
29	Handle	U01091050019	2
30	Spring	U01091050117	2

WIRING DIAGRAM, ALL MODELS

