

Parts Catalog



E220

Slicing Machine

Model: E220

03/22/2019 Rev A

IMPORTANT!

TO EXPEDITE SHIPMENT OF PARTS, ALWAYS SPECIFY MODEL, REV,
PART NUMBER, AND SERIAL NUMBER OF UNIT.

GLOBE FOOD EQUIPMENT COMPANY

2215 East River Road
Dayton, Ohio 45439

Parts Department

Toll Free 1-800-745-6238 · Fax (937) 290-0585

E-Mail: info@globefoodequip.com

Website: www.globefoodequip.com

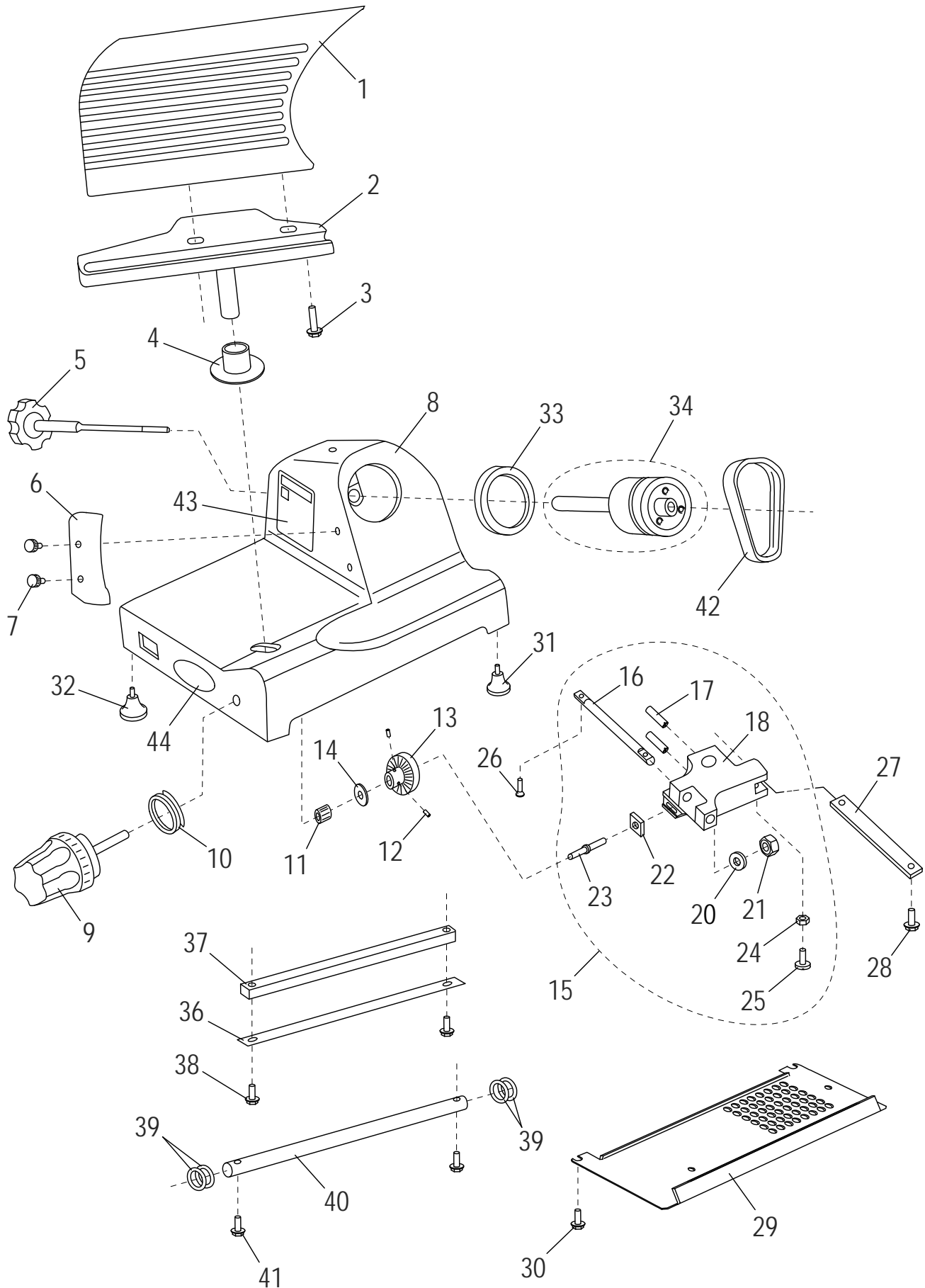
Not for resale

Table of Contents

Description	Page
E220 Slicer Base Components	4
E220 Chute Components	6
E220 Knife & Sharpener Components	8
E220 Electrical Components	10
E220 Wiring Diagram	12



E220 Slicer Base Components



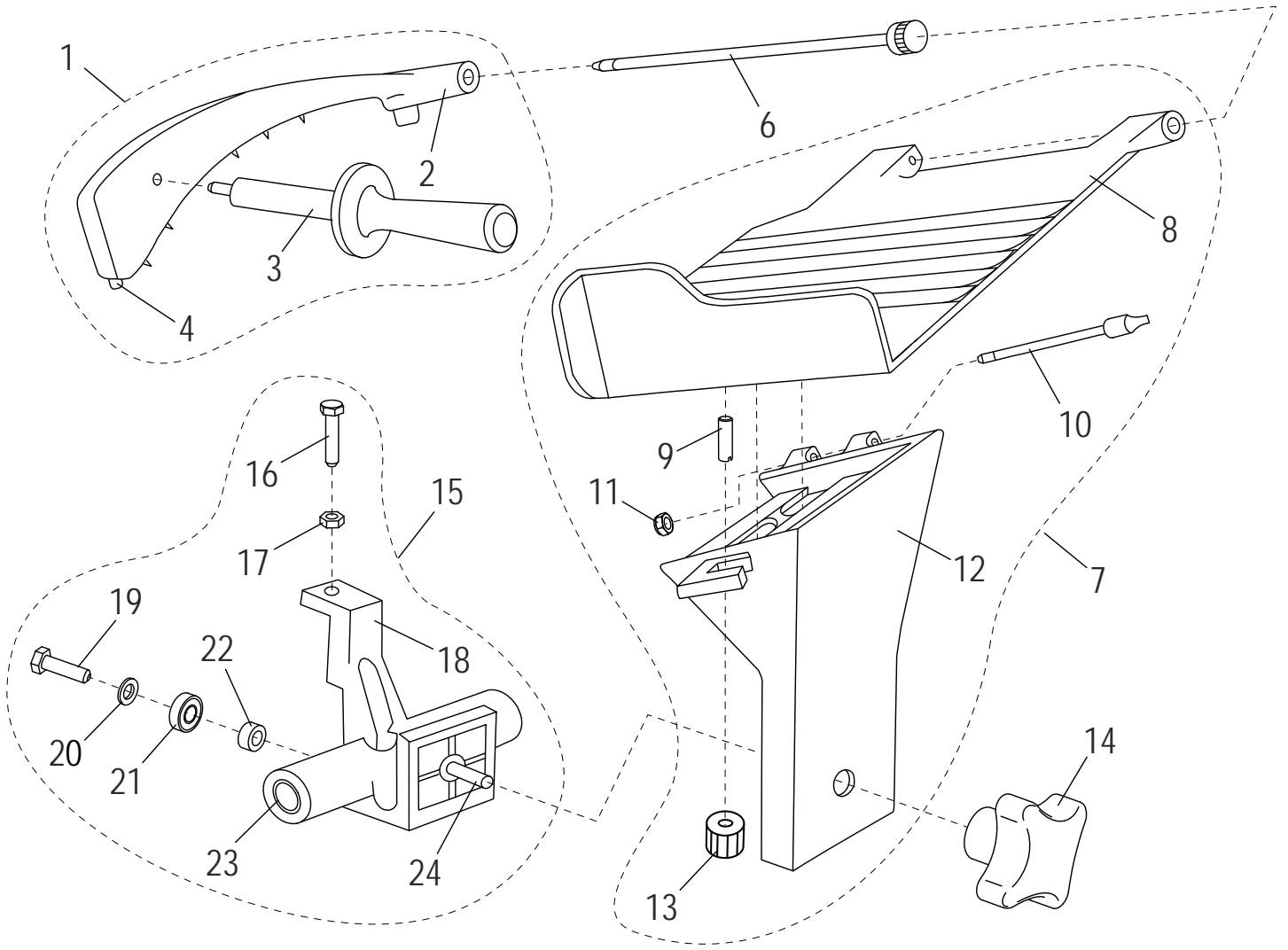


E220 Slicer Base Components

Item	Part Number	Description	Qty	Serial Number
1	G00069	Slicer Table	1	
2	G00074	Table Support Bracket	1	
3	H00043	Hex Head Screw M6x25 - Zn	0	
4	G00076	Base Hole Cover	1	
5	G00077	Cover Release Knob	1	
6	G00078	Deflector	1	
7	22-A	Deflector Screw	2	
8		Aluminium Base	1	
9	G00079	Index Knob	1	
10	G00081	V Seal, Index Knob	1	
11	G00082	Index Knob Sleeve	1	
12	H00047	Set Screw, M5x5 Flat Pt, Hex Socket - BO	2	
13	27	Indexing Cam	1	
14	H00066	Wavy Washer	1	
15	ET33	Table Adjustment Assembly	1	
16		Table Adjustment Shaft	1	
17	H00048	Set Screw, M8x8 Cup Pt, Hex Socket - BO	2	
18		Table Slide	1	
19		Bearing, Table Slide (Not Shown)	2	
20	H00014	Flat M6 Washer - Zn	1	
21	H00020	Hex Nut, M6	1	
22	H00044	Square Nut M6 - Zn	1	
23		Indexing Cam Conic Shaft	1	
24	H00028	Hex Nut M5 - Zn	1	
25	H00049	Screw, Slotted Cyl Hd M5x16 - Brass	1	
26	H00050	Cap Screw, M5 x 16 Flat Head - Zn	2	
27		Plate, Table Adjustment	1	
28	H00051	Cap Screw, Hex Washer Head M5 x 10 - Zn	2	
29	G00084	Bottom Cover	1	
30	H00051	Cap Screw, Hex Washer Head M5 x 10 - Zn	4	
31	D40	Rubber Foot, New Style	4	
32	G00085	Rubber Foot, Large	2	
33	ET52C	V Seal, Drive Hub (Optional)	1	
34	G00088	Drive Hub Assembly	1	
35	H00053	Retaining Ring, Internal (Not Shown)	1	
36	G00090	Wear Strip, Slide Bar	1	
37	G00091	Slide Bar	1	
38	H00054	Cap Screw, Hex Washer Head M5 x 18 - Zn	2	
39	H00057	O Ring \varnothing 4x14	4	
40	G00093	Slide Rod	1	
41	H00054	Cap Screw, Hex Washer Head M5 x 18 - Zn	2	
42	55	Drive Belt	1	
43	81	Warning Label	1	
44	83-A	Logo Label, Chefmate	1	



E220 Chute Components



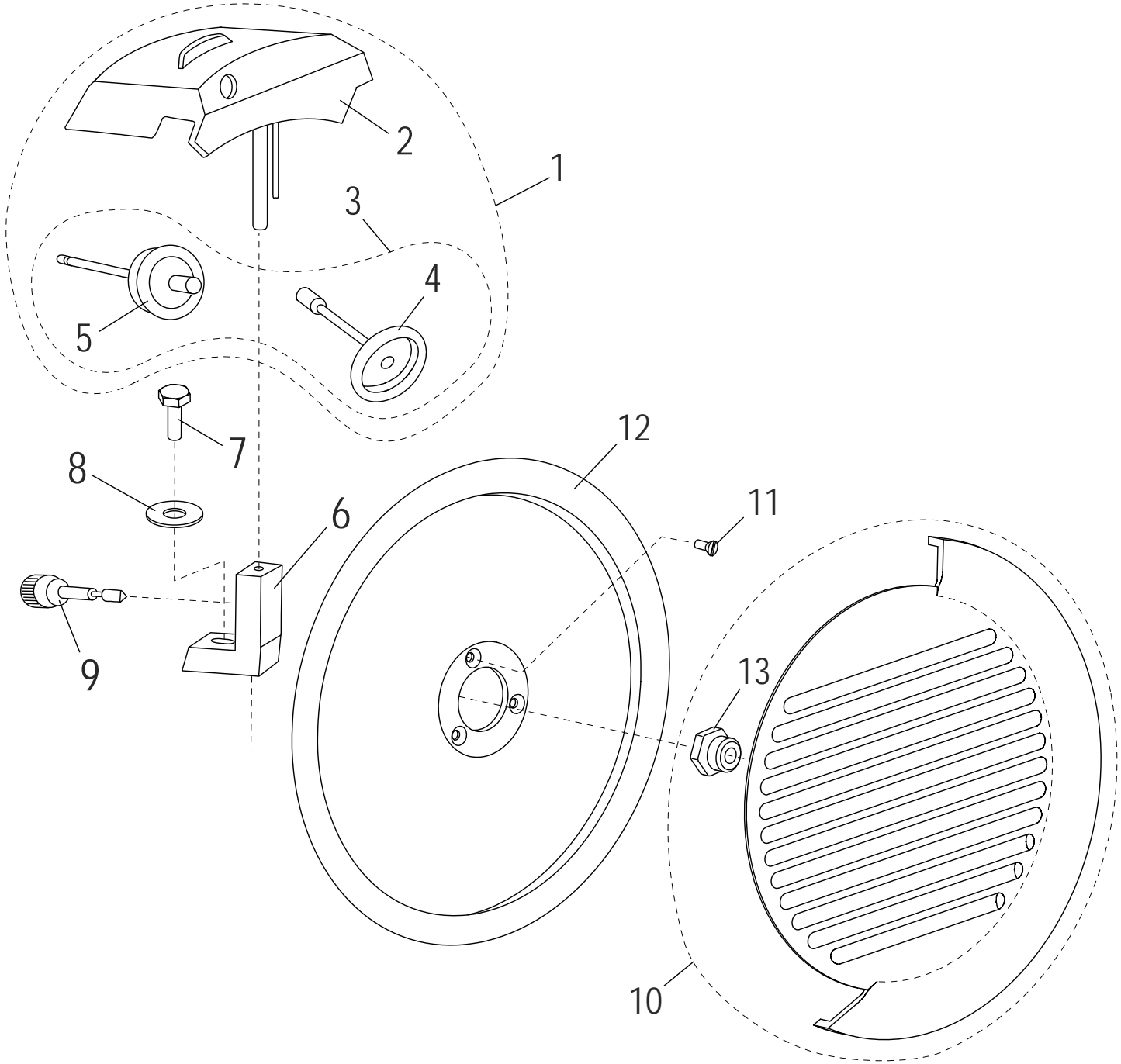


E220 Chute Components

Item	Part Number	Description	Qty	Serial Number
1	G00122	End Weight Assembly	1	
2		End Weight	1	
3	G00124	End Weight Handle	1	
4	G00125	White Plastic Bumber	1	
5		Bearing, End Weight (Not shown)	2	
6	G00128	End Weight Rod	1	
7	G00135	Chute Support Assembly	1	
8	G00131	Food Chute	1	
9	H00060	Set Screw, M6x16 Flat Pt Slotted - Zn	1	
10	G00138	Chute Unlock Shaft	1	
11	H00064	Hex Nut, Nylon Insert M5	1	
12	G00140	Chute Support	1	
13	G00141	Chute Unlock Knob	1	
14	72	Knob, Chute Support	1	
15	G00144	Chute Slide Assembly	1	
16	H00145	Screw, Hex Head M6 x 20 - Nylon	1	
17	H00020	Hex Nut, M6	1	
18		Chute Slide	1	
19	H00043	Hex Head Screw M6x25 - Zn	1	
20	H00014	Flat M6 Washer - Zn	1	
21	47-B	Bearing, Small	1	
22		Spacer	1	
23		Chute Slide Bearing (Not Shown)	2	
24	46-A	Chute Stud	1	



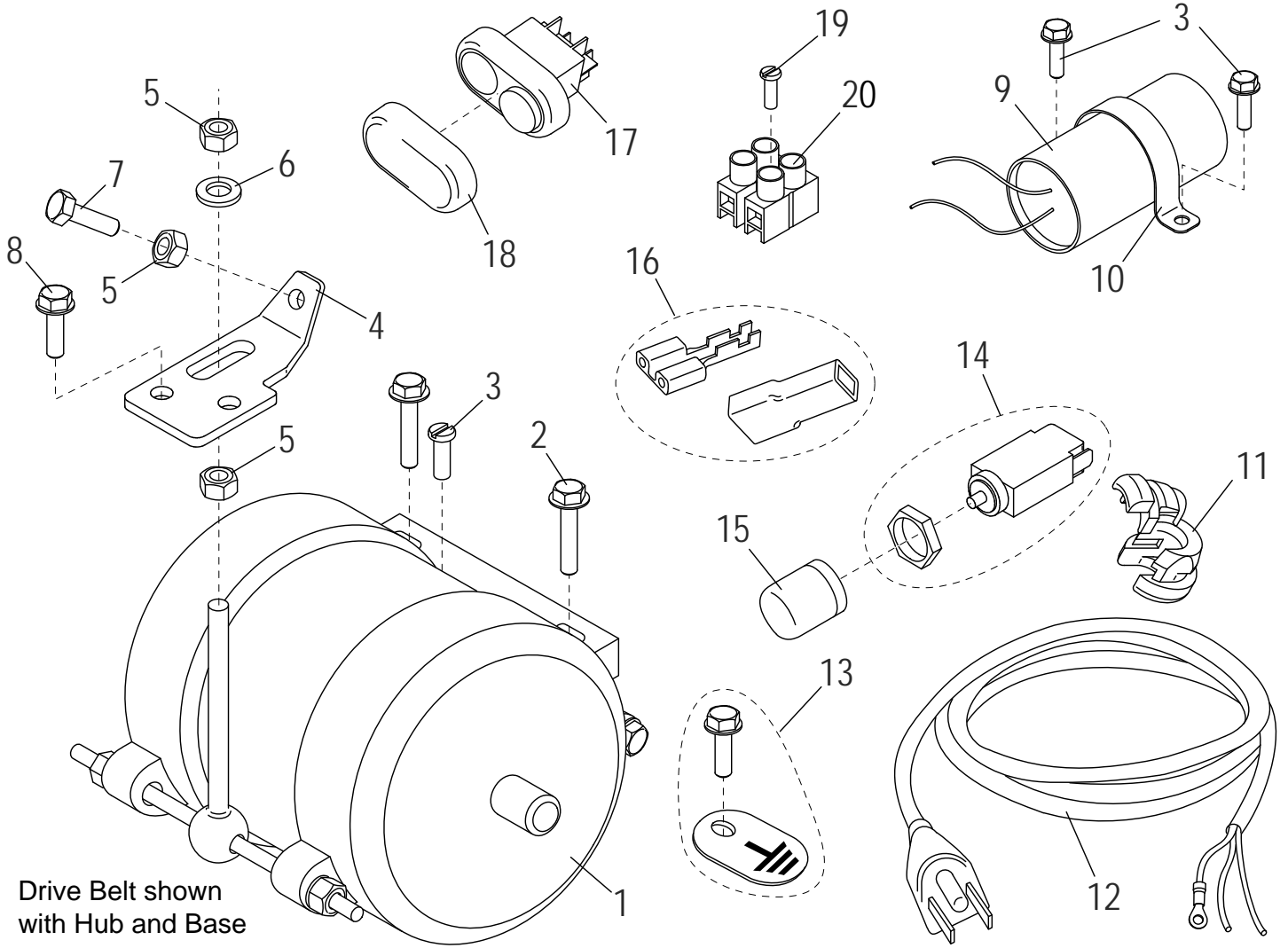
E220 Knife & Sharpener Components





E220 Knife & Sharpener Components

Item	Part Number	Description	Qty	Serial Number
1	G00098	Knife Sharpener Assembly, Complete	1	
2	G00094	Sharpener Cover	1	
3	G00102	Sharpening/Truing Stone & Shaft Set	1	
4	G00105	Sharpening Stone (Coarse)	1	
5	G00108	Deburring Stone (Fine)	1	
6	G00112	Sharpener support	1	
7	H00116	Hex Head Screw M6-1.0x20 - Zn	1	
8	H00120	Flat Washer M6x18mm	1	
9	10-B	Sharpener Adjustment Screw	1	
10	G00113	Knife Cover	1	
11	56-A	Screw, Knife Mounting	3	
12	56	Slicer Knife	1	
13	59-A	Knife Cover Insert	1	





E220 Electrical Components

Item	Part Number	Description	Qty	Serial Number
1	G00151	Motor	1	
2	H00055	Cap Screw, Hex Washer Head M5 x 23 - Zn	2	
3	H00061	Hex Head Screw M5x10, Zinc	1	
4		Belt Tightener Plate	1	
5	H00020	Hex Nut, M6	3	
6	H00014	Flat M6 Washer - Zn	1	
7	H00043	Hex Head Screw M6x25 - Zn	1	
8	H00051	Cap Screw, Hex Washer Head M5 x 10 - Zn	3	
9	ET31	Capacitor "Ducati UL"	1	
10		Capacitor Holder	1	
11	877	Strain Relief, Power Cord	1	
12	132-3	Power Cord	1	
13	G00152	Ground Screw/Marking Tab Set	1	
14	89	Reset Button with Cover	1	
15	G00154	Reset Button Cover	1	
16	G00167	Female Terminal & Insulator	6	
17	ET28-1	Power Switch	1	
18	G00153	Cover, Power Switch	1	
19	H00065	Terminal Block Mounting Screw, M2.9 x 13	1	
20	G00155	Terminal Block, 2 Position	1	



E220 Wiring Diagram

