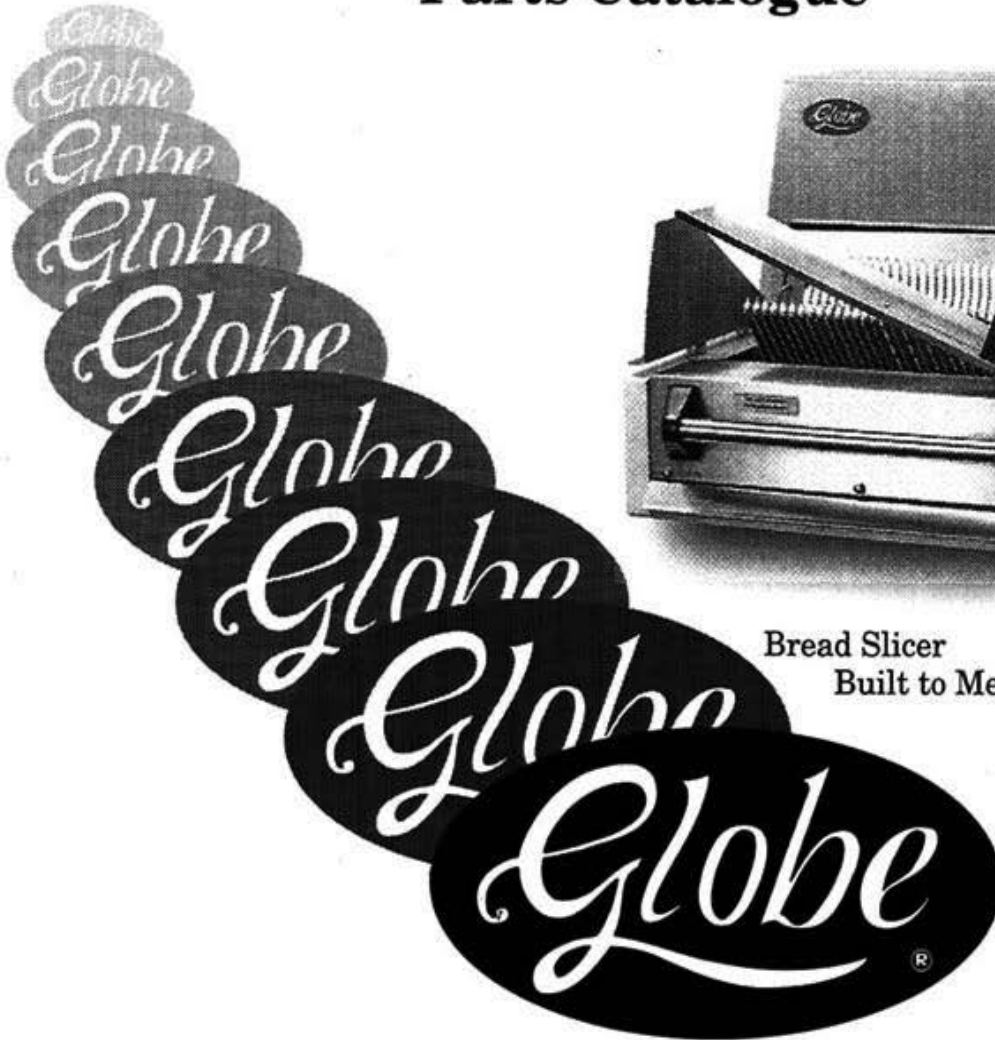


Parts Catalogue



Bread Slicer
Built to Metric Standards

SLICING MACHINES

MODELS: GBS201 7/16" & 1/2"

IMPORTANT!

TO EXPEDITE SHIPMENT OF PARTS, ALWAYS SPECIFY MODEL AND PART NUMBER, AND WHEN AVAILABLE, SERIAL NUMBER OF SLICER.

GLOBE FOOD EQUIPMENT COMPANY

2268 N. Moraine Dr.
Dayton, Ohio 45439

Parts Department
Toll Free 1-800-745-6238
Fax (937) 290-0585

E-Mail: globeinfo@globeslicers.com
Visit our web page at: www.globeslicers.com

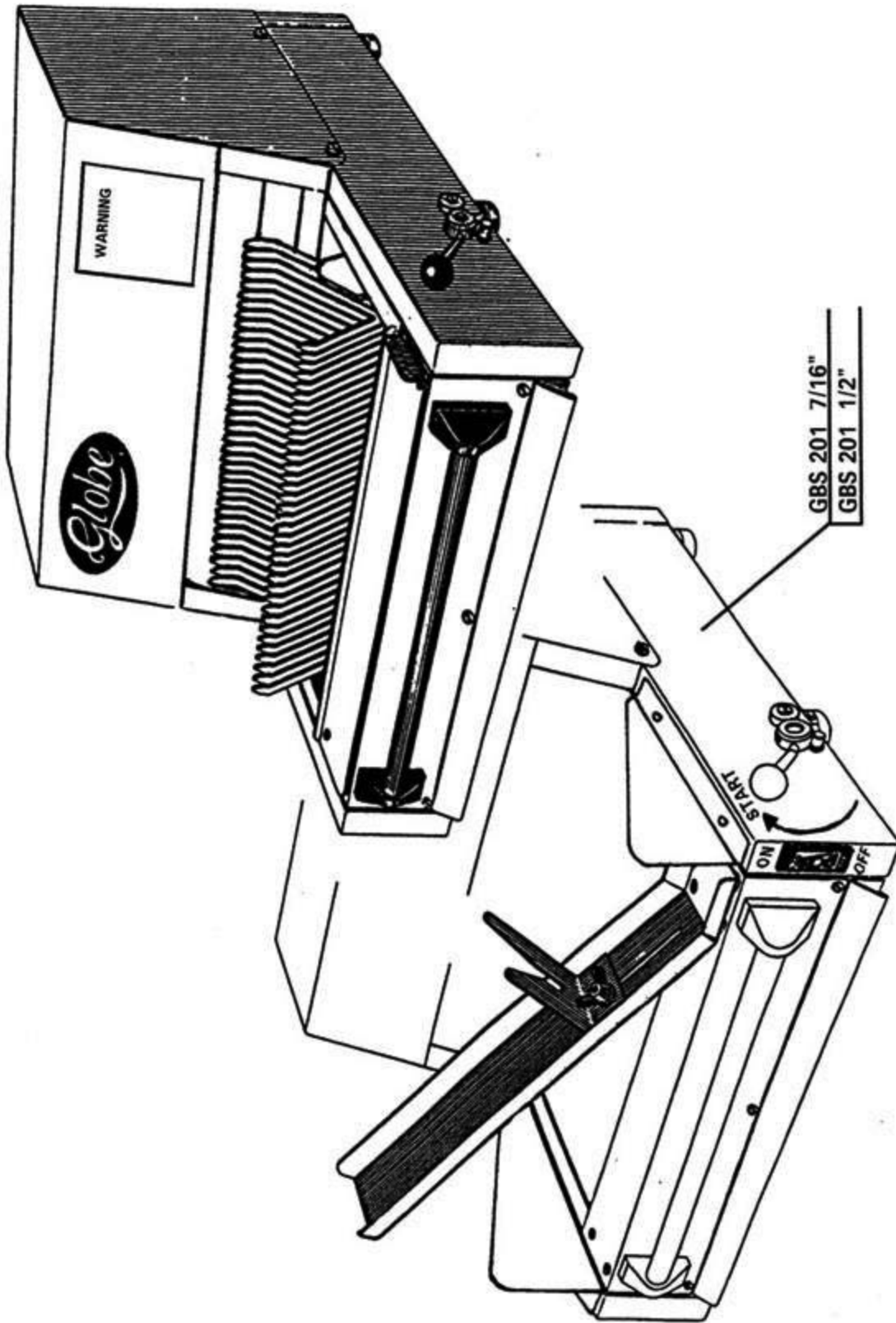
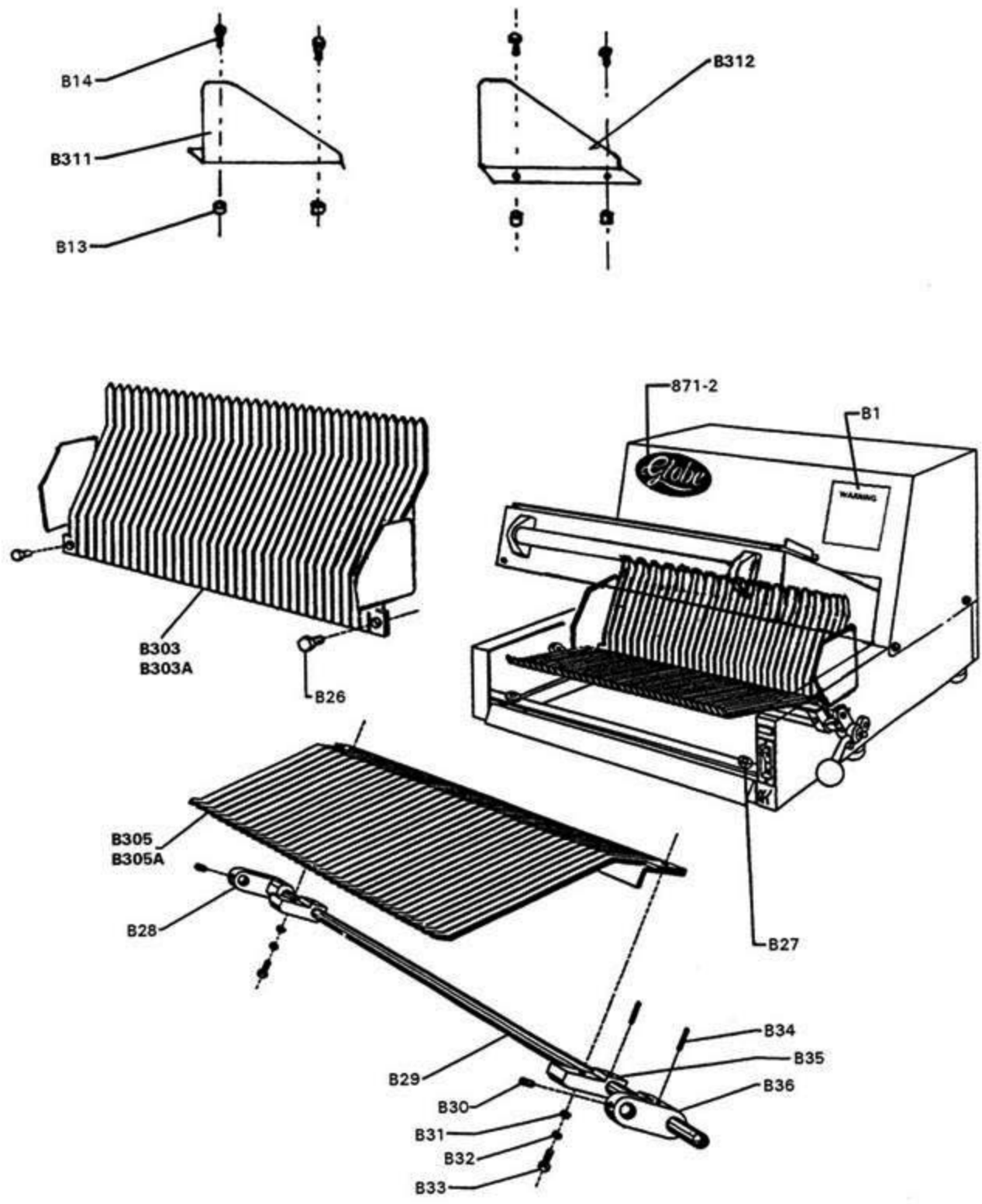


FIGURE 1



"A" SUFFIX = 1/2" SLICE

FIGURE 2

Bread Slicer - GBS 201 7/16" - 1/2"

FIGURE 2

Part No.	Description	Qty.
871-2	Globe Logo	1
B1	Warning Decal	1
B303	Support Comb 7/16"	1
B303A	Support Comb 1/2" Slicer	1
B305	Lower Feed Comb 7/16"	1
B305A	Lower Feed Comb 1/2" Slicer	1
B311	Frame Guard-Left	1
B312	Frame Guard-Right	1
B13	Guard Washer	4
B14	Screw	4
B26	Special Screw	2
B27	Stop	2
B28	Left Link	1
B29	Shaft	1
B30	Set Screw	2
B31	Washer	2
B32	Spring Lock Washer	2
B33	Screw	2
B34	Straight Pin	4
B35	Arm	2
B36	Right Link	1

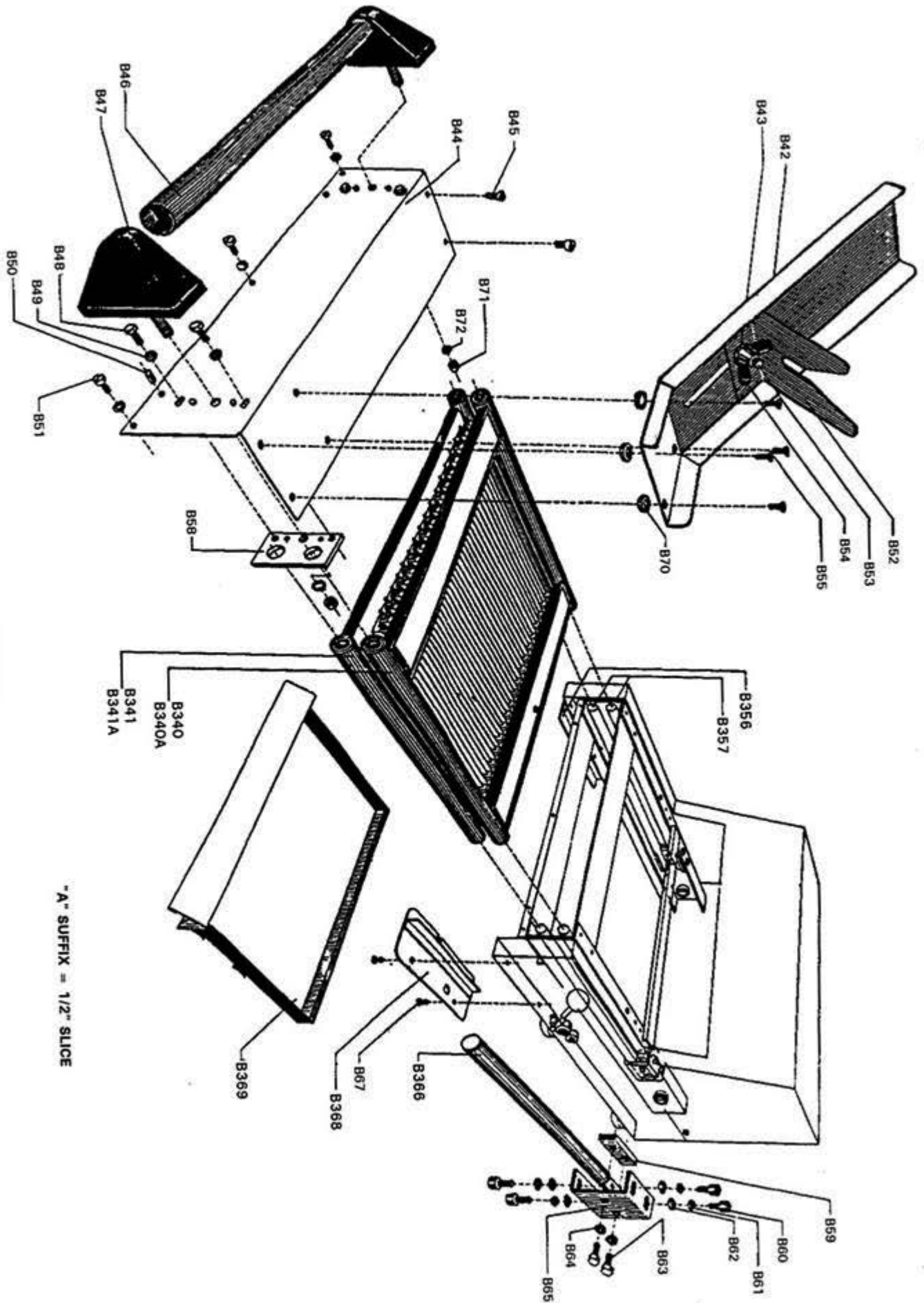


FIGURE 3

"A" SUFFIX = 1/2" SLICE

Bread Slicer - GBS 201 7/16" - 1/2"

FIGURE 3

Part No.	Description	Qty.
B340	Upper Knife Frame 7/16"	1
B340A	Upper Knife Frame 1/2" Slicer	1
B341	Lower Knife Frame 7/16"	1
B341A	Lower Knife Frame 1/2" Slicer	1
B42	Bagging Spade	1
B43	Washer	1
B44	Front Guard	1
B45	Screw	2
B46	Lift Handle	1
B47	Bracket	2
B48	Screw	4
B49	Washer	4
B50	Notched Pin	2
B51	Screw	3
B52	Base	1
B53	Special Screw	1
B54	Wing Nut	1
B55	Screw	4
B356	Lift Strip	1
B357	Guide, Assembly	2
B58	Plate	2
B59	Plate	2
B60	Screw	8
B61	Spring Lock Washer	8
B62	Washer-Round	8
B63	Screw	4
B64	Washer-Round	4
B65	Bracket	2
B366	Shaft	4
B67	Screw	4
B368	Right Strip	1
B369	Crumb Drawer	1
B70	Washer	4
B71	Nut	4
B72	Spring Lock Washer	4

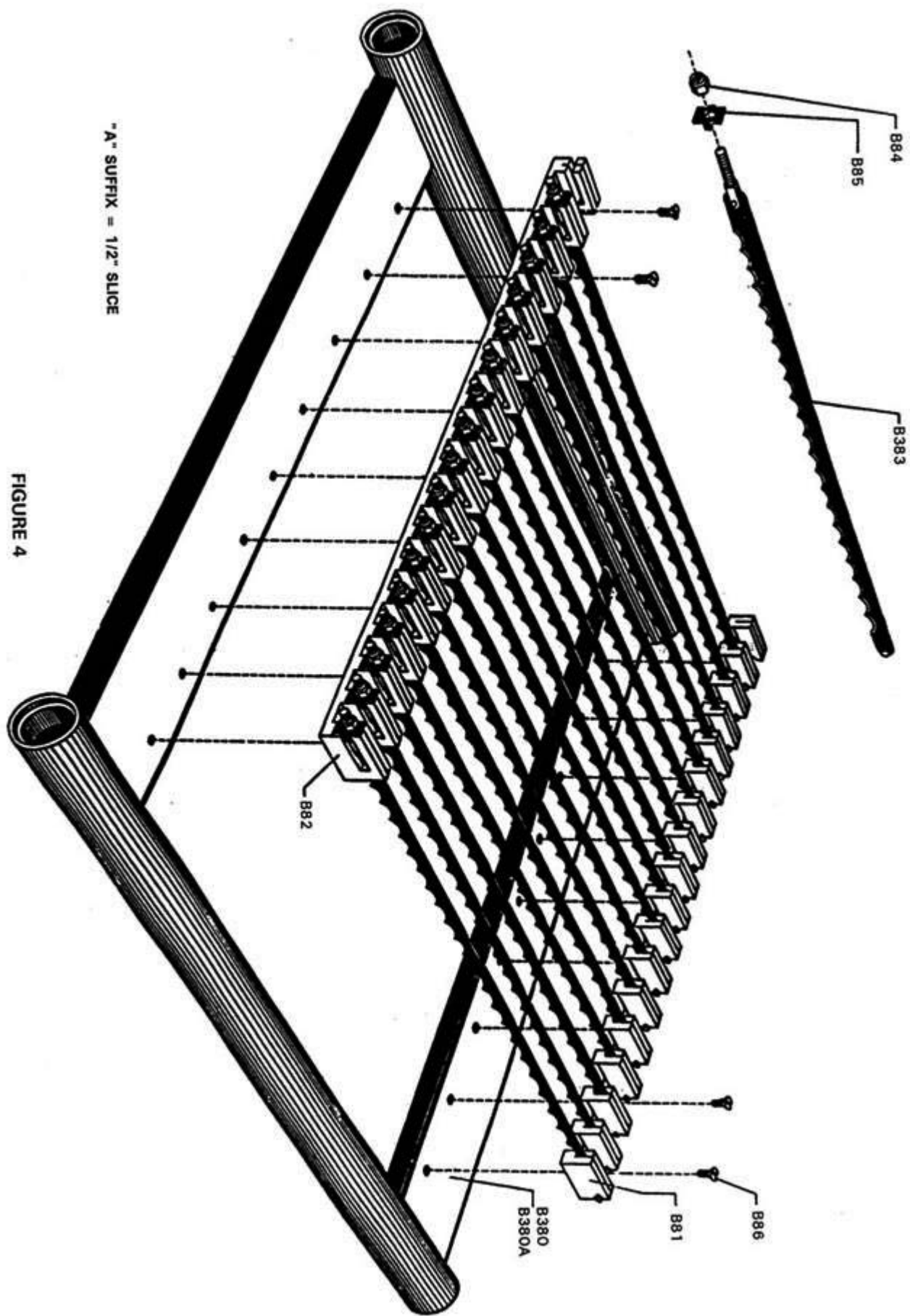


FIGURE 4

"A" SUFFIX = 1/2" SLICE

Bread Slicer - GBS 201 7/16" - 1/2"

FIGURE 4

Part No.	Description	Qty.
B380	Frame 7/16"	2
B380A	Frame 1/2" Slicer	2
B81	Rear Bracket 7/16"	2
B81	Rear Bracket 1/2" Slicer	2
B82	Front Bracket 7/16"	2
B82	Front Bracket 1/2" Slicer	2
B383	Blade 7/16"	36
B383	Blade 1/2" Slicer	30
B84	Self-Locking Nut 7/16"	36
B84	Self-Locking Nut 1/2" Slicer	30
B85	Washer 7/16"	36
B85	Washer 1/2" Slicer	30
B86	Screw 7/16"	36
B86	Screw 1/2" Slicer	32

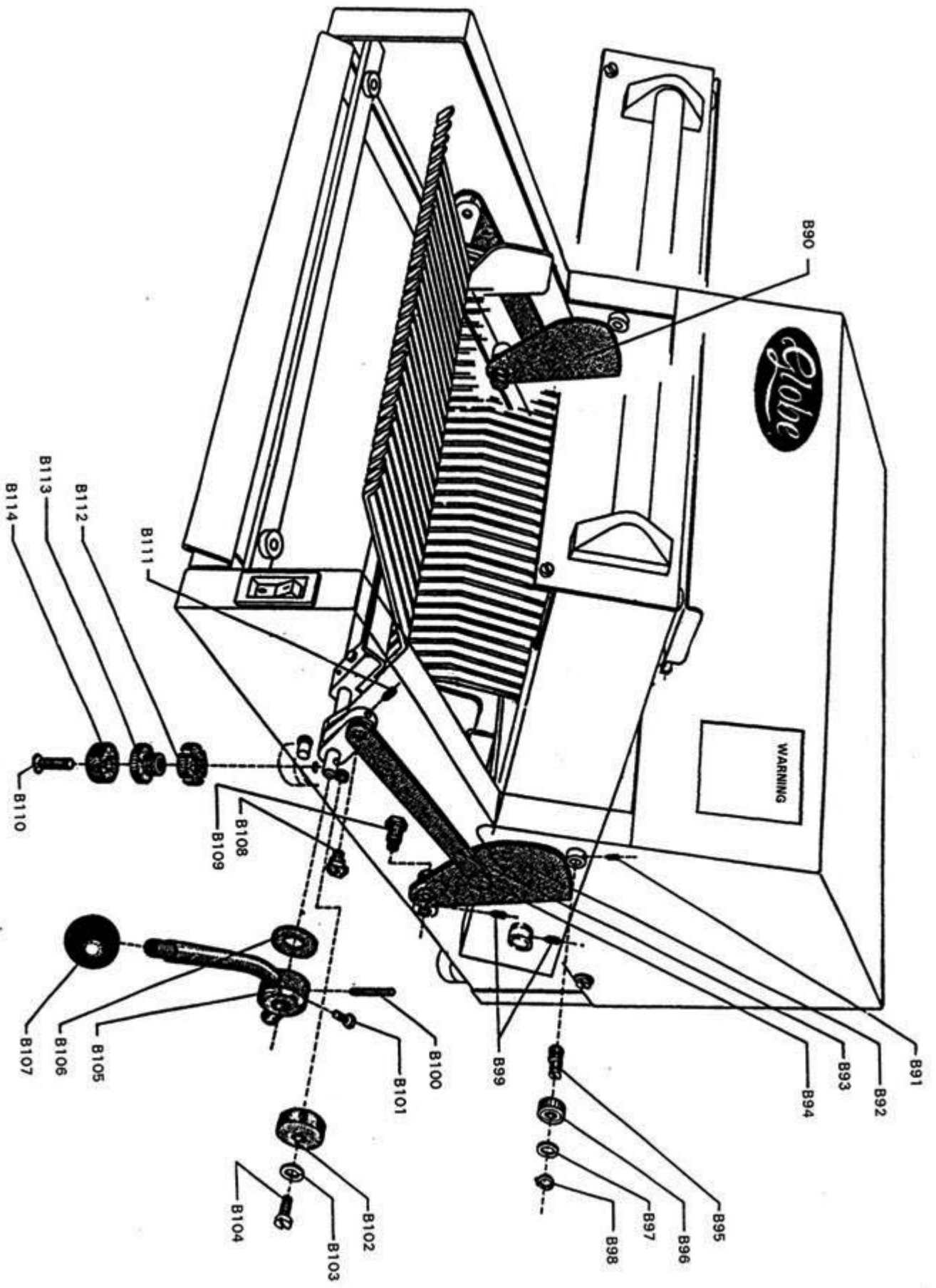


FIGURE 5

Bread Slicer - GBS 201 7/16" - 1/2"

FIGURE 5

Part No.	Description	Qty.
B90	Left Cam, Assembly	1
B91	Set Screw	2
B92	Right Cam, Assembly	1
B93	Arm	2
B94	Cam Rivet	2
B95	Eccentric	2
B96	Roller	2
B97	Special Washer	2
B98	Spring Retaining Ring	2
B99	Set Screw	4
B100	Pin	1
B101	Screw	1
B102	Eccentric	1
B103	Washer	1
B104	Screw	1
B105	Start Lever	1
B106	Round Special Washer	1
B107	Spherical Knob	1
B108	Screw for Link	2
B109	Axle	2
B110	Screw	4
B111	Set Screw	2
B112	Check Nut	1
B113	Adjusting Screw	1
B114	Foot	4

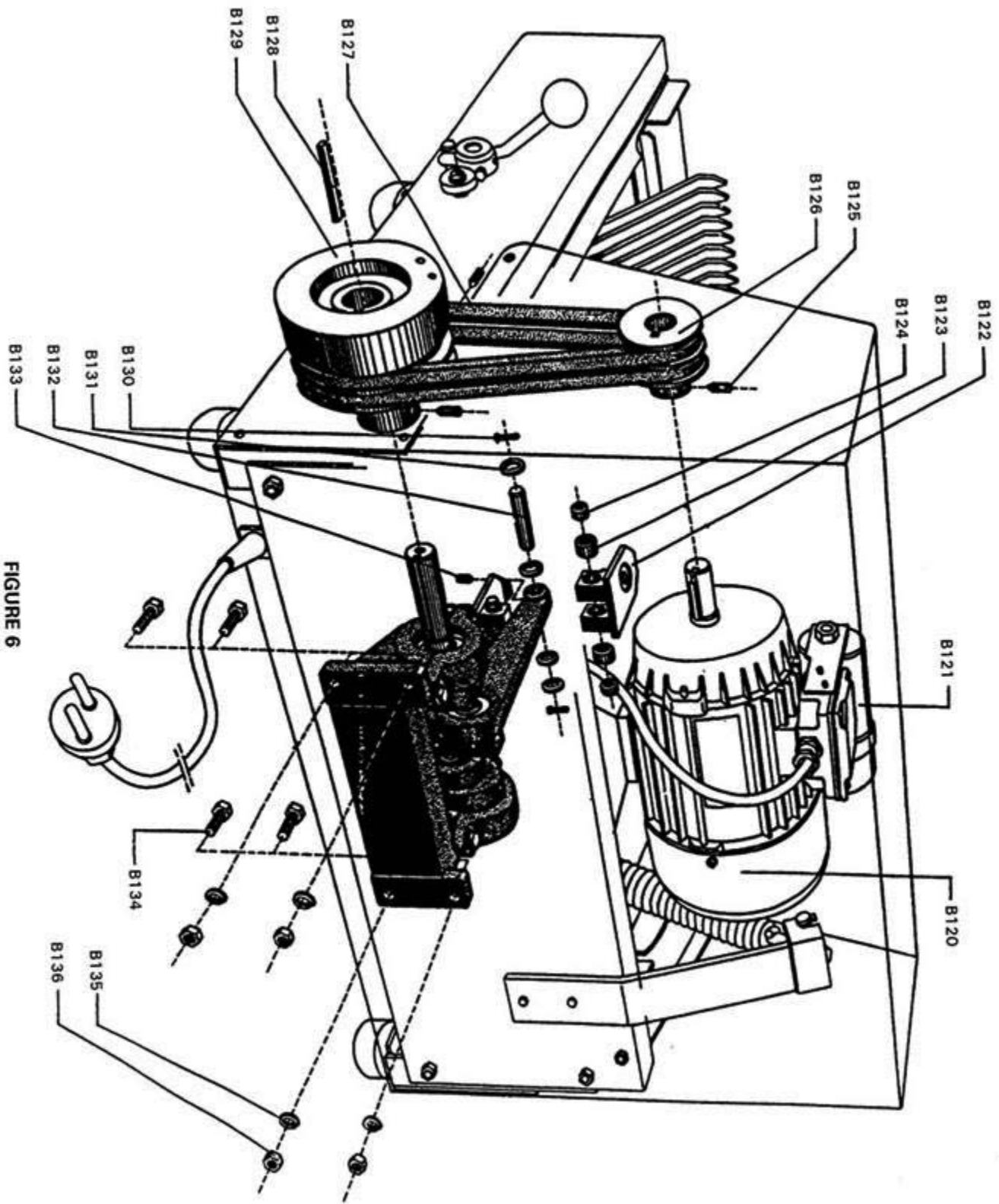


FIGURE 6

Bread Slicer - GBS 201 7/16" - 1/2"

FIGURE 6

Part No.	Description	Qty.
B120	1/3" H.P. Motor 110VAC	1
B121	Motor Capacior	1
B122	Body	2
B123	Link Sleeve	4
B124	Self-Lubricating Bronze Sleeve	4
B125	Set Screw	2
B126	Dual Row Motor Pulley	1
B127	V-Belt	2
B128	Parallel Key	1
B129	Pulley	1
B130	Split Pin	4
B131	Washer	4
B132	Pin	2
B133	Set Screw	2
B134	Screw	2
B135	Spring Lock Washer	4
B136	Nut	4

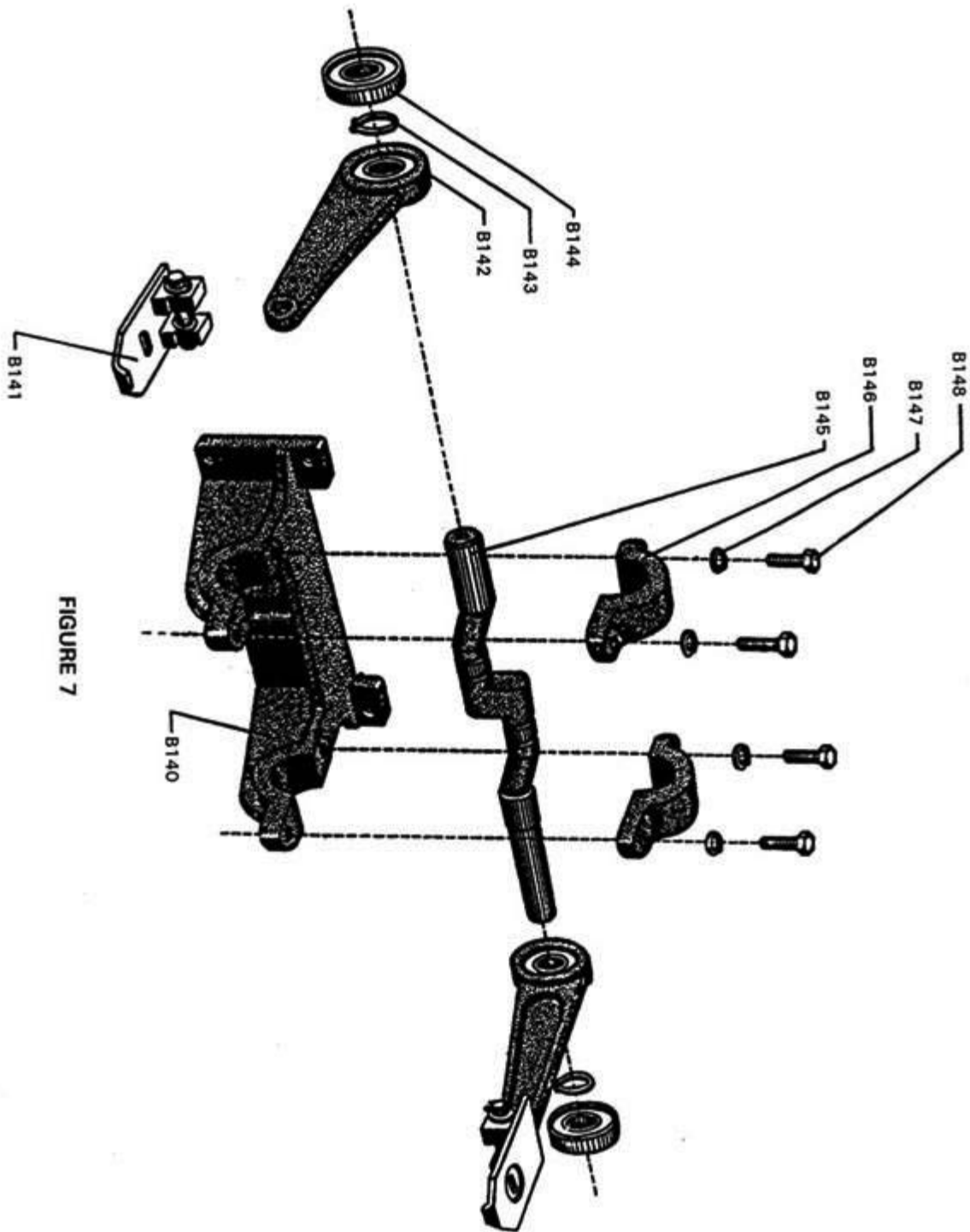


FIGURE 7

Bread Slicer - GBS 201 7/16" - 1/2"

FIGURE 7

Part No.	Description	Qty.
B140	Body	1
B141	Link, Assembly	1
B142	Connecting Rod, Asembly	2
B143	Spring Retaining Ring	4
B144	Bearing 6203-2Z	4
B145	Crankshaft	2
B146	Piece	1
B147	Spring Lock Washer	2
B148	Screw	1

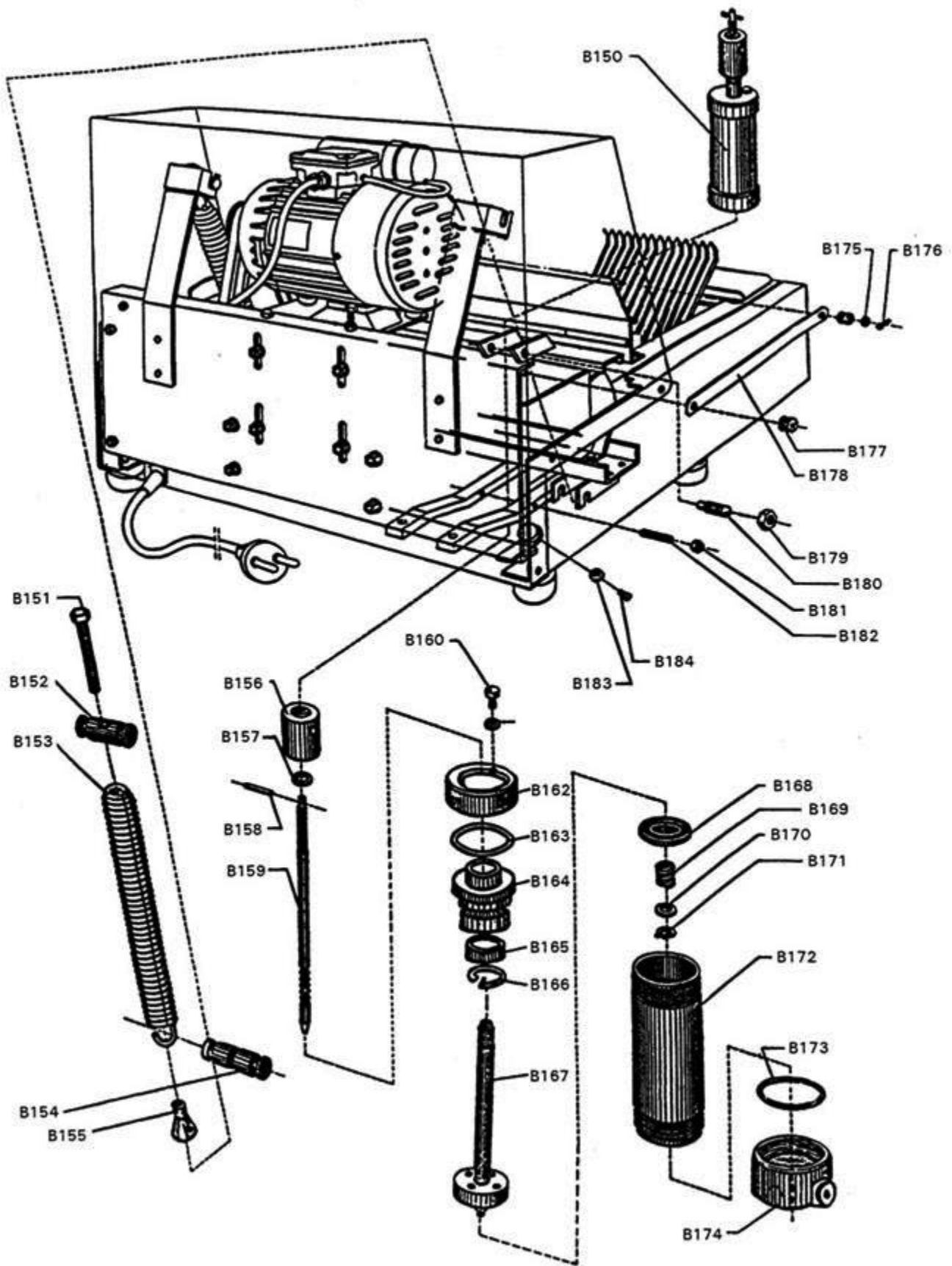


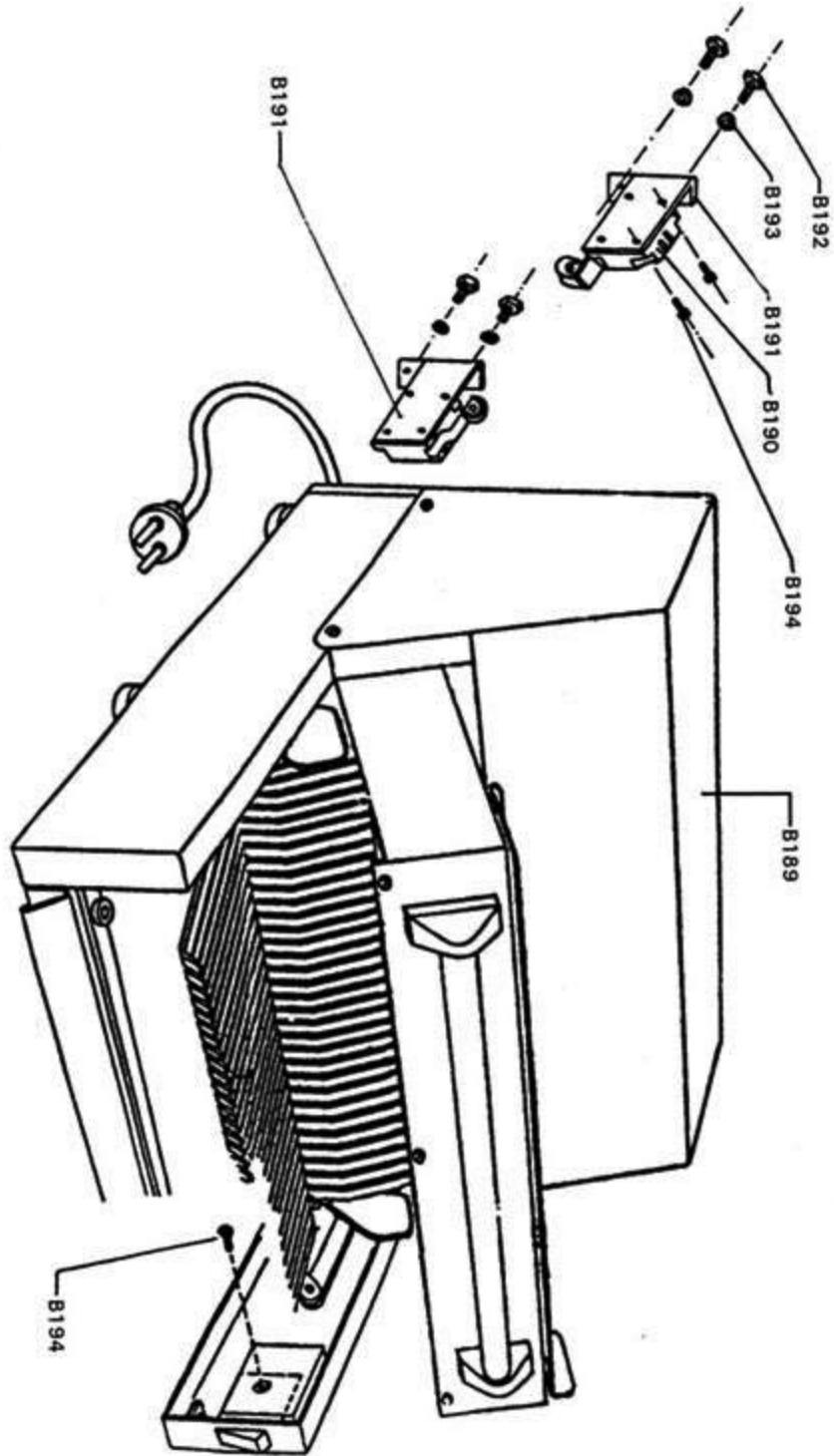
FIGURE 8

Bread Slicer - GBS 201 7/16" - 1/2"

FIGURE 8

Part No.	Description	Qty.
B150	Damper Assy	1
B151	Screw	1
B152	Upper Bracket	2
B153	Spring	2
B154	Lower Bracket	2
B155	Sleeve	2
B156	Cube	1
B157	Seal	1
B158	Spring Type Pin	1
B159	Needle	1
B160	Screw	1
B161	Ringshaped Cooper Washer 4, 5x10, 6x1	1
B162	Press Cover	1
B163	O-Ring	1
B164	Upper Cover, Assembly	1
B165	U-Ring Seal	1
B166	Spring Retaining Ring	1
B167	Piston, Assembly	1
B168	Valve	1
B169	Valve Spring	1
B170	Washer	1
B171	Spring Retaining Ring	1
B172	Cylinder	1
B173	O-Ring	1
B174	Lower Cover, Assembly	1
B175	Washer	2
B176	Split Pin	2
B177	Shock Absorber	4
B178	Arm	2
B179	Nut	2
B180	Special Screw	2
B181	Nut	2
B182	Adjusting Screw	2
B183	Washer	2
B184	Self-Tapping Screw	2

FIGURE 9



Bread Slicer - GBS 201 7/16" - 1/2"

FIGURE 9

Part No.	Description	Qty.
B189	Stainless Steel Cover	1
B190	Microswitch	2
B191	Universal Bracket	2
B192	Screw	4
B193	Washer	4
B194	Screw	4

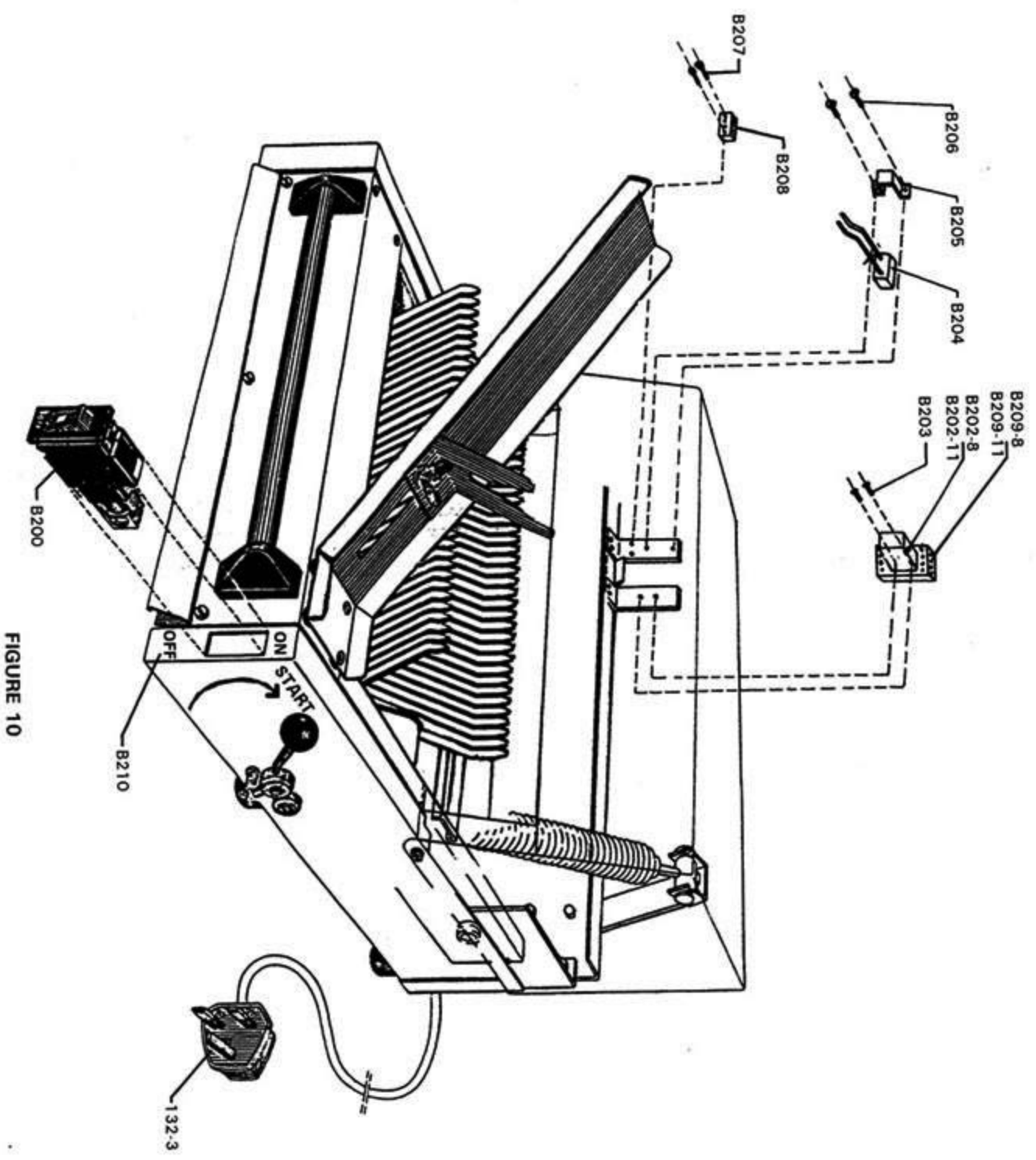


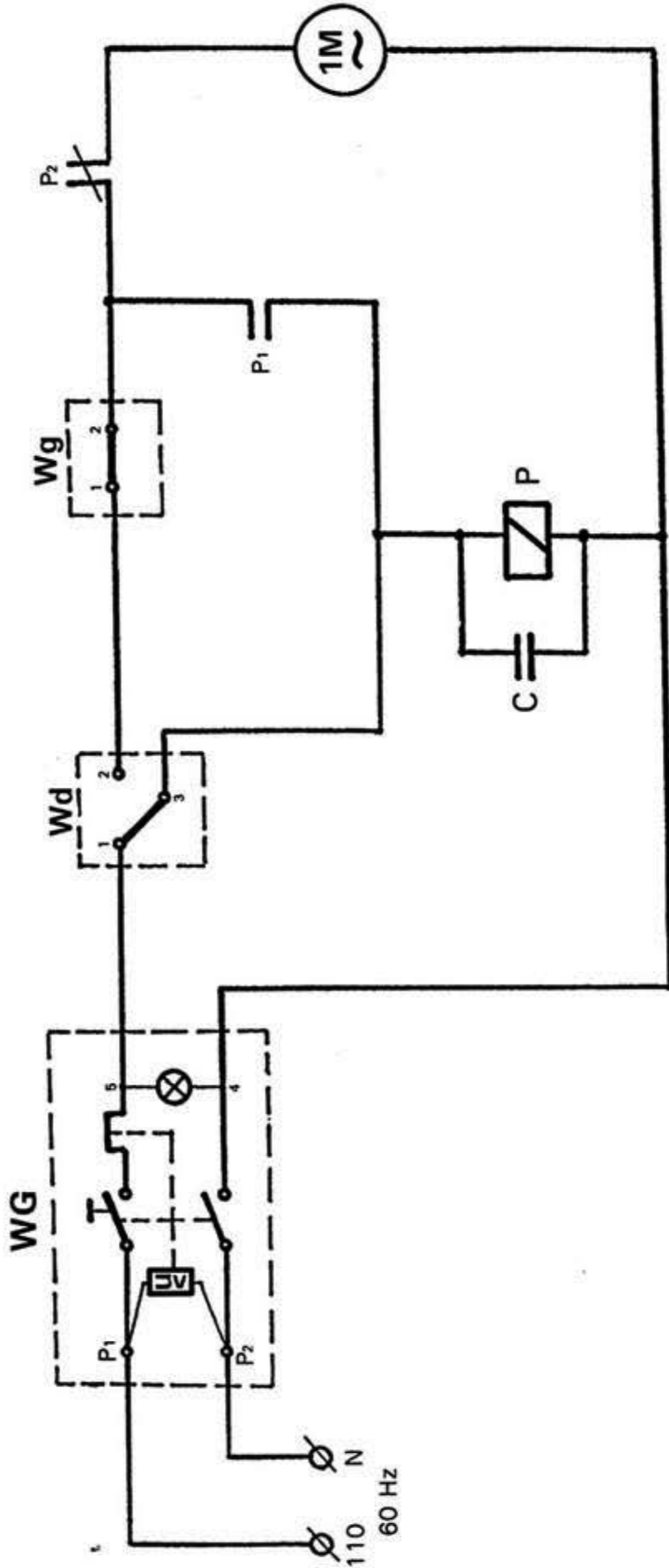
FIGURE 10

Bread Slicer - GBS 201 7/16" - 1/2"

FIGURE 10

Part No.	Description	Qty.
B200	Power On/Off Switch 110VAC	1
132-3	Cord and Plug	1
B202-8	Relay 110VAC, 8 PIN	1
B202-11	Relay 110VAC, 11 PIN	1
B203	Screw	2
B204	Capacitor 2,2 uF	1
B205	Capacitor Clamp	1
B206	Screw	2
B207	Screw	2
B208	6 Pole Terminal Strip	1
B209-8	Relay Base, 8 PIN	1
B209-11	Relay Base, 11 PIN	1
B210	On/Off-Start Decal	1

ELECTRIC SCHEMA FOR CONTROL SYSTEM OF GBS 201 7/16" AND 1/2" BREAD SLICER



P - Electric Relay: Type 10 A, 250 VAC, Coil: 120 V, 60 Hz

C - Capacitor for Relay: Type 2, 2uF, 250 V

1M - Electric Motor: 0.25 kW, 1725 RPM, 115 V, 60 Hz

WG - "No Volt" main switch. Type: 110 VAC

Wd - Upper Micro-Switch: Stops the machine on the lower position of blades frame.

Wg - Lower Micro-Switch: Stops the machine on the upper position of blades frame.