

Parts Catalog



GC512

Slicing Machine

Model: GC512

03/26/2019N Rev B, Serial Number 541250, 542986-545574 & Up

IMPORTANT!

TO EXPEDITE SHIPMENT OF PARTS, ALWAYS SPECIFY MODEL, REV,
PART NUMBER, AND SERIAL NUMBER OF UNIT.

GLOBE FOOD EQUIPMENT COMPANY

2215 East River Road
Dayton, Ohio 45439

Parts Department

Toll Free 1-800-745-6238 · Fax (937) 290-0585

E-Mail: info@globefoodequip.com

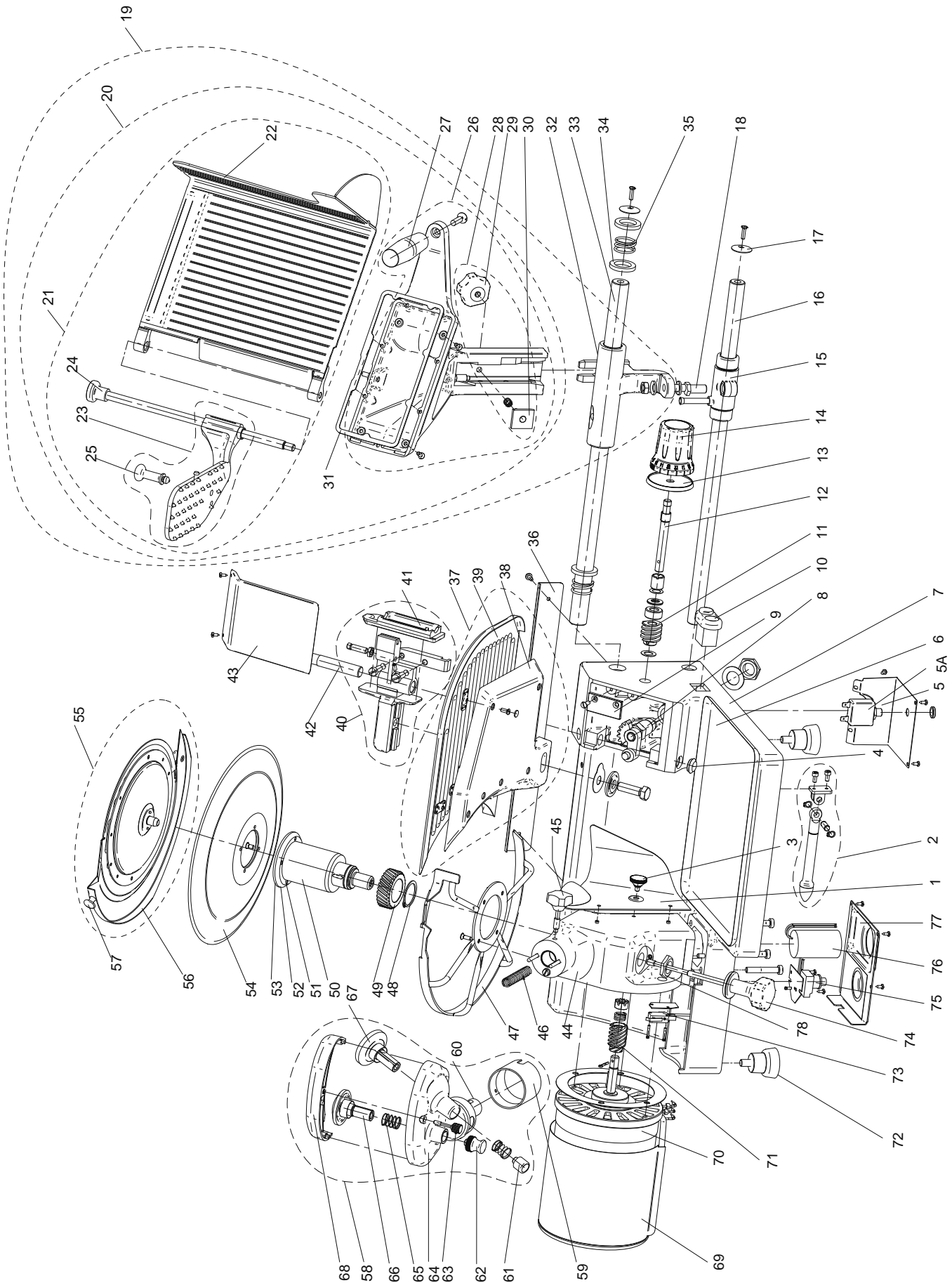
Website: www.globefoodequip.com

Not for resale

Table of Contents

Description	Page
GC512 Slicer Components	4
GC512 Wiring Diagram	8

GC512 Slicer Components





GC512 Slicer Components

Item	Part Number	Description	Qty	Serial Number
1	A035	Slice Deflector, SS	1	
2	A00735	Tilt Mechanism	1	541250 ->
3	A01087	Thumb Screw, Deflector	1	
4	A00736	Shaft Cover, Table Slide	1	
5	A00737	Plate, Front Cover (Not Shown)	1	541250 - 545574
5	A01997	Plate, Front Cover	1	545575 ->
5A	A01994	Circuit Breaker	1	545575 ->
6	A001	Receiving Tray	1	
7		Slicer Base	1	
8	A130	Gear Assembly, Table Adjust	1	
9	A122A	Slide, Table	1	
10	A00739	Switch (with water resistant cap)	1	
11	A116	Worm Gear	1	
12	A114	Knob Shaft	1	
13	A00741	Knob Gasket, Table Adjustment	1	541250 ->
14	A00742	Knob, Table Adjustment	1	541250 ->
15	A170	Slide Bushing, Lower	1	
16	A104A	Slide Bar, Lower	1	
17	A106	Washer, Slide Bar	4	
18	A162	Stud, Lower Bushing	1	
19	A01875	Bushing and Chute Assembly Kit (Incls. items 20-30)	1	
20	A01091	Chute Assembly, Complete (Incls. item 21-30)	1	
21	A420A	Chute Assembly (Incls. items 22-25)	1	
22		Chute	1	
23	A450	End Weight Assembly	1	
24	A00753	Rod, End Weight	1	
25	A451	Handle, End Weight	1	
26	A01090	Support, Chute (Incls. items 27-30)	1	542986, 543195 ->
27	A413	Handle, Chute	1	
28	A222	Knob Assembly, Chute Support (Incls. items 29-30)	1	
29		Support Knob	1	
30		Plate & Stud Assembly	1	
31	A00751	Gasket, Chute Support	1	
32	A01088	Upper Slide Bushing	1	
33	A103A	Slide Bar, Upper	1	
34	A00744	Buffer	3	
35	A166	Bumper Spring	2	
36	A006	Cover Plate, Slide	1	
37	A020	Table Assembly, Complete (Incls. items 38-39)	1	
38	A021	Support, Table	1	
39	A025	Table, SS	1	
40	A00756	Table Slide Assembly (Incls. item 41)	1	541250 ->
41	A00757	Gasket, Table Slide	1	541250 ->
42	A00758	Shaft, Table Slide	1	
43	A00759	Cover, Table Adjust	1	541250 ->
44	A2210	Gear Housing	1	
45	A220	Knob, Sharpener	1	
46	A208	Spring, Sharpener	1	
47	A225	Rim Guard, Knife	1	
48	AN68	Retaining Clip, Bearing Assembly	1	
49	A293	Gear, Nylon	1	
50	A290	Bearing Assembly	1	
51	A299	Shim, Bearing Assembly	1	



GC512 Slicer Components

Item	Part Number	Description	Qty	Serial Number
52	A295	Oil Ring, Bearing Assembly	1	
53	AN47	Key, Bearing Assembly	1	
54	A281	Knife, SS	1	
55	A245	Knife Cover Assembly (Incls. items 56-57)	1	
56		Cover, Knife	1	
57		Knob, Knife Cover	2	
58	A2300	Sharpening Assembly (Incls. items 59-68)	1	
59	A306	Dust Cover, Sharpener	1	
60	A2304	Base, Sharpener	1	
61	A303	Knob, Honing Stone	1	
62	A301	Knob, Grinding Stone	1	
63	A312	Screw, Sharpener Cover	1	
64	A311	Housing, Sharpener	1	
65	A302	Spring	1	
66	A330	Honing Stone Assembly	1	
67	A320	Grinding Stone Assembly	1	
68	A315	Cover, Sharpener	1	
69	A270A	Cover, Motor	1	
70	A260	Knife Motor, 1/3 HP - 60HZ - 1 PH	1	
71	A264	Gear, Motor	1	
72	A040A	Foot, Rubber	4	
73	A215	Micro Switch	1	
74	A230	Knob, Knife Cover Stud	1	
75	APR-5	Relay	1	
76	AKER	Capacitor, Start	1	
77	A011	Cover Plate, Rear	1	
78	A02011	Nut	1	
79	A207	Pusher (Not Shown)	1	
80	A214	Sleeve, Pusher (Not Shown)	1	
81	132-3	Power Cord (Not Shown)	1	
82	A405	Finger Guard (Not Shown)	1	



INTENTIONALLY LEFT BLANK PAGE



GC512 Wiring Diagram

