

# Parts Catalog



**GPC16**

## Pasta Cooker

**Model: GPC16**

03/22/2019 Rev. B

IMPORTANT!

TO EXPEDITE SHIPMENT OF PARTS, ALWAYS SPECIFY MODEL, REV,  
PART NUMBER, AND SERIAL NUMBER OF UNIT.

## **GLOBE FOOD EQUIPMENT COMPANY**

2215 East River Road  
Dayton, Ohio 45439

### **Parts Department**

Toll Free 1-800-745-6238 · Fax (937) 290-0585

E-Mail: [info@globefoodequip.com](mailto:info@globefoodequip.com)

Website: [www.globefoodequip.com](http://www.globefoodequip.com)

Not for resale



# Table of Contents

**Description**

**Page**

GPC16 Control Box Components

4

GPC16 Base Components

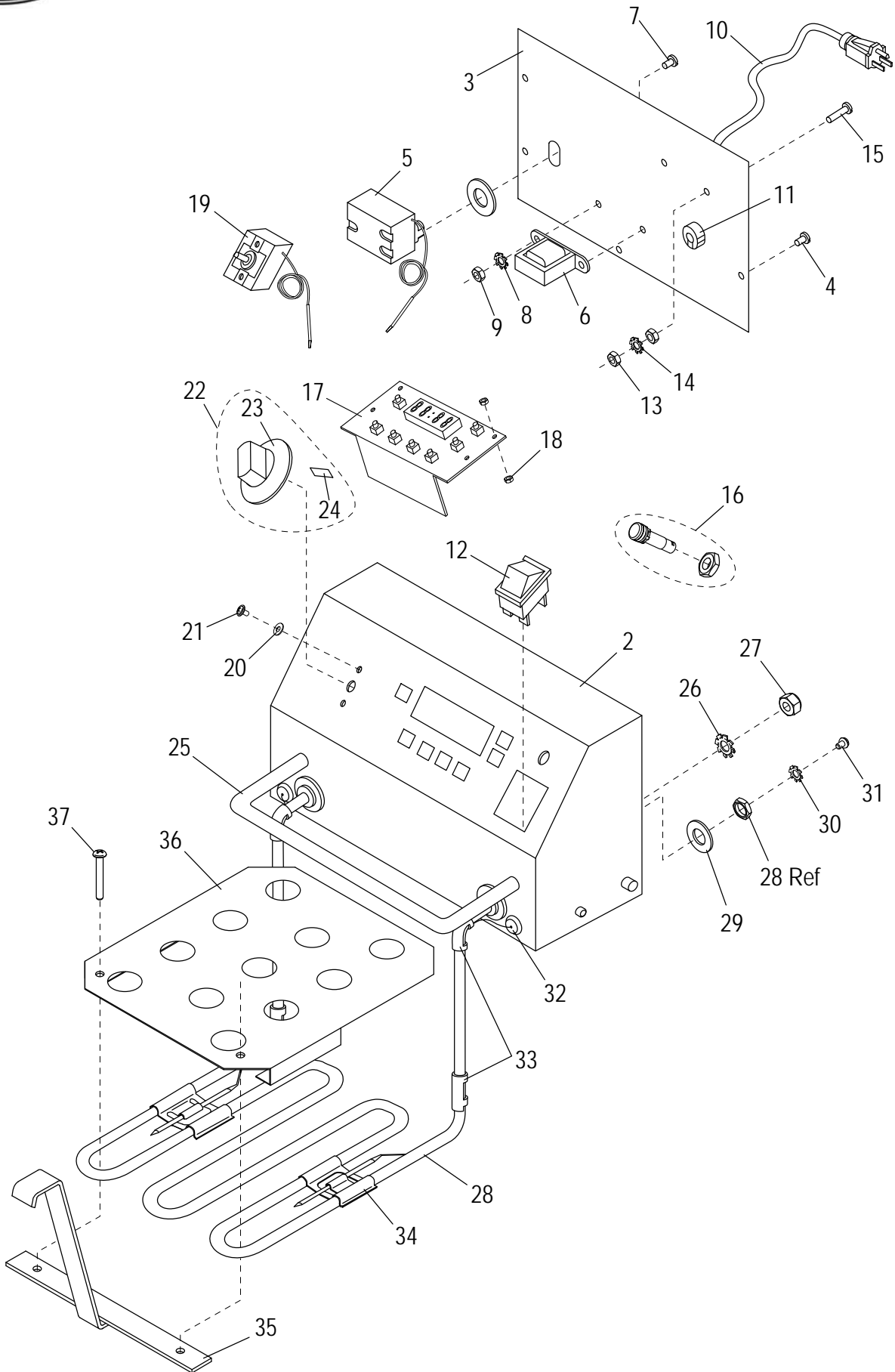
6

GPC16 Wiring Diagram

8



# GPC16 Control Box Components



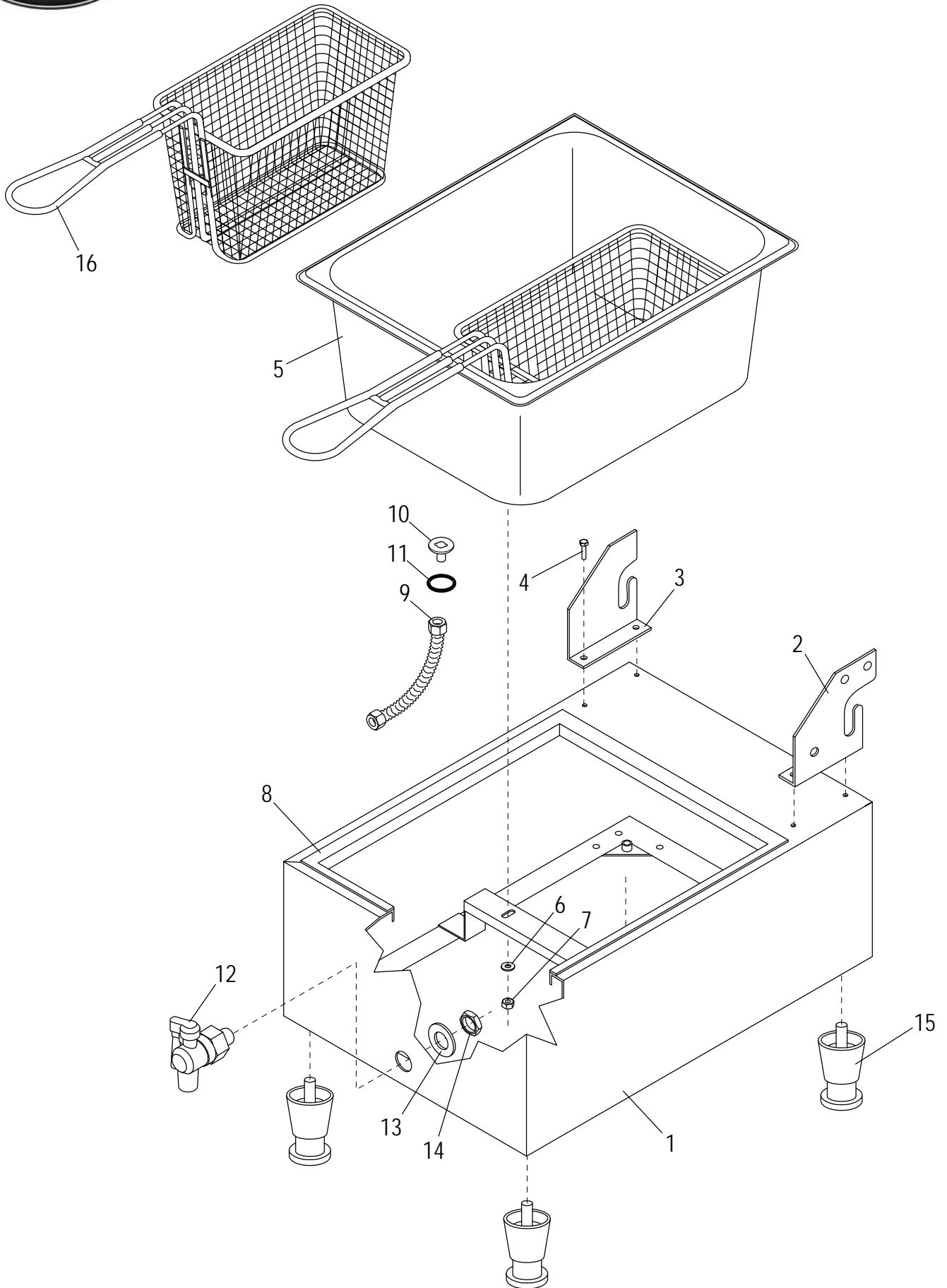


## GPC16 Control Box Components

| Item | Part Number  | Description  | Qty | Serial Number |
|------|--------------|--|-----|---------------|
| 1    | U00576       | Control Box Assembly                                   | 1   |               |
| 2    |              | Control Box  | 1   |               |
| 3    |              | Back Cover   | 1   |               |
| 4    | H00571       | Screw M4-.7 x 8mm Phillips Pan Hd Cover                | 5   |               |
| 5    | U00577       | Thermal Cut Out  | 1   |               |
| 6    | U00578       | Transformer  | 1   |               |
| 7    | H00571       | Screw M4-.7 x 8mm Phillips Pan Hd Cover                | 2   |               |
| 8    | H00033       | Washer M4 Ext. Tooth Element Connection                | 2   |               |
| 9    | H00034       | Hex Nut, M4 - Zn                                       | 2   |               |
| 10   | U03021205013 | Power Cord and Plug                                    | 1   |               |
| 11   | U00579       | Strain Relief  | 1   |               |
| 12   | U03041215027 | Power Switch   | 1   |               |
| 13   | H00034       | Hex Nut, M4 - Zn                                       | 2   |               |
| 14   | H00033       | Washer M4 Ext. Tooth Element Connection                | 1   |               |
| 15   | H00031       | Phillips Pan Head Screw, M4 x 16mm - Zn                | 1   |               |
| 16   | U00581       | Power Indicator Lamp                                   | 1   |               |
| 17   | U01781       | Timer Assembly   | 1   |               |
| 18   | H00572       | Nut M2.5-.45 Nylon Timer Mounting                      | 8   |               |
| 19   | U00580       | Thermostat   | 1   |               |
| 20   | H00573       | Washer M5 Flat Nylon Thermostat                        | 2   |               |
| 21   | H00029       | Phillips Pan Washer Head Screw, M4 x 6mm - Zn          | 2   |               |
| 22   | U01033       | Knob Assembly (Incl. Items 23 & 24)                    | 1   |               |
| 23   |              | Thermostat Knob  | 1   |               |
| 24   |              | Spring Plate   | 1   |               |
| 25   |              | Control Box Handle                                     | 1   |               |
| 26   | H00033       | Washer M4 Ext. Tooth Element Connection                | 2   |               |
| 27   | H00548       | Hex Lock Nut M6 Nylon Insert                           | 2   |               |
| 28   | U00582       | Heating Element with Nuts                              | 1   |               |
| 29   | U00591       | Heating Element Washer                                 | 2   |               |
| 30   | H00033       | Washer M4 Ext. Tooth Element Connection                | 2   |               |
| 31   | H00029       | Phillips Pan Washer Head Screw, M4 x 6mm - Zn          | 2   |               |
| 32   | U02121165001 | Stuffing Nut   | 2   |               |
| 33   | U01051025128 | Tube Bend Clamp  | 2   |               |
| 34   | U1051025117  | Heating Element/Sensor Clip                            | 2   |               |
| 35   | U00584       | Element Handle Assembly                                | 1   |               |
| 36   | U00585       | Heating Element Cover                                  | 1   |               |
| 37   | H00574       | Screw M4-.7 x 16mm Phillips Pan Hd (SST) Element Cover | 2   |               |



# GPC16 Base Components





## GPC16 Base Components

---

| Item | Part Number  | Description                    | Qty | Serial Number |
|------|--------------|--------------------------------|-----|---------------|
| 1    |              | Pasta Cooker Base              | 1   |               |
| 2    |              | Electrical Box Mtg Bracket, RH | 1   |               |
| 3    |              | Electrical Box Mtg Bracket, LH | 1   |               |
| 4    | H00575       | Screw M4-.7 x 10mm Hex Hd      | 4   |               |
| 5    | U00586       | Pan                            | 1   |               |
| 6    | H00014       | Flat M6 Washer - Zn            | 2   |               |
| 7    | H00020       | Hex Nut, M6                    | 2   |               |
| 8    | U00587       | Pan Gasket                     | 1   |               |
| 9    |              | Corrugated Tube with Nuts      | 1   |               |
| 10   |              | Pan Flange                     | 1   |               |
| 11   |              | Pan Drain Seal                 | 1   |               |
| 12   | U00588       | Drain Spigot                   | 1   |               |
| 13   | U00599       | Spigot Washer                  | 1   |               |
| 14   | U00600       | Spigot Nut                     | 1   |               |
| 15   | U01021005002 | Foot                           | 4   |               |
| 16   | MINIBASKET   | Basket                         | 4   |               |
| 16   | PASTABASKET  |                                | 2   |               |



# GPC16 Wiring Diagram

