

Parts Catalog



GPG1410

PANINI GRILL

MODEL: GPG1410

CANADIAN MODEL: GPG1410-C

1-16-15

IMPORTANT!

TO EXPEDITE SHIPMENT OF PARTS, ALWAYS SPECIFY MODEL, REV,
PART NUMBER, AND SERIAL NUMBER OF SLICER.

GLOBE FOOD EQUIPMENT COMPANY

2215 East River Road
Dayton, Ohio 45439

Parts Department

Toll Free 1-800-745-6238 • Fax (937) 290-0585

E-Mail: info@globefoodequip.com

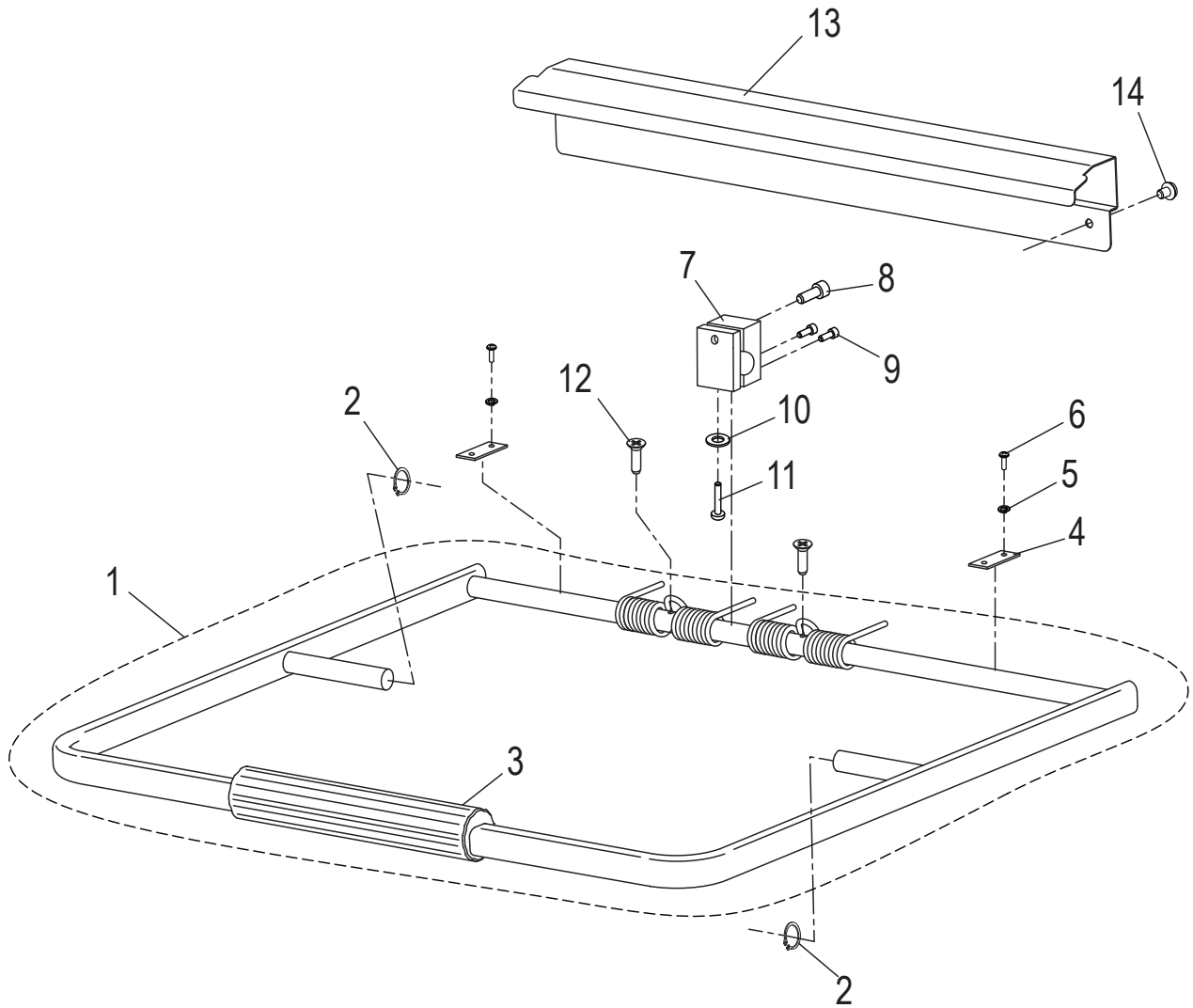
Website: www.globefoodequip.com

Not for resale

TABLE OF CONTENTS

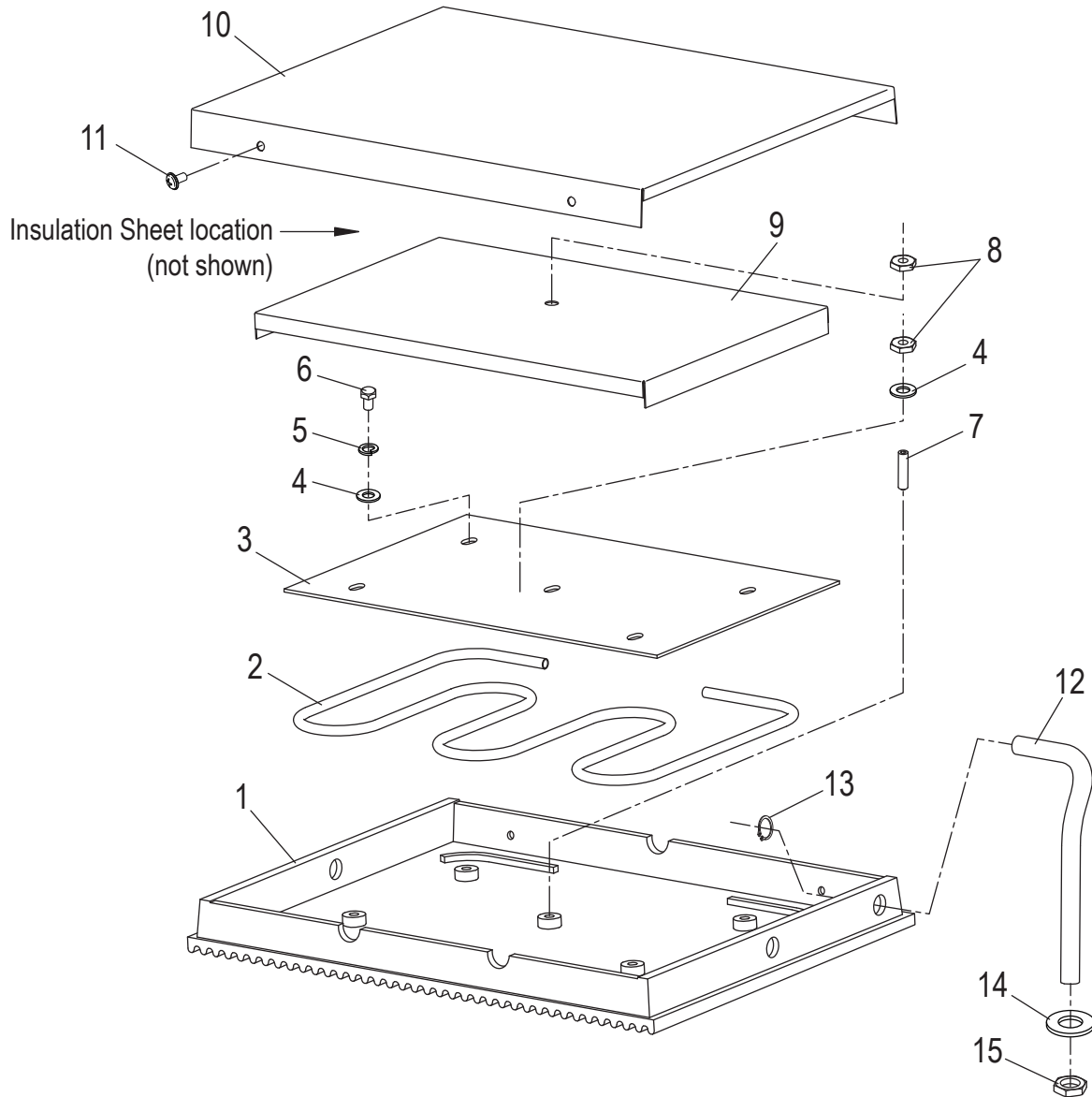
	Page
<u>Grill Handle Components</u>	<u>1</u>
<u>Upper Grill Components</u>	<u>2</u>
<u>Lower Grill Components</u>	<u>3 - 4</u>
<u>Electrical Components</u>	<u>5</u>
<u>Wiring Diagram</u>	<u>6</u>

GPG1410/GPG1410-C GRILL HANDLE COMPONENTS



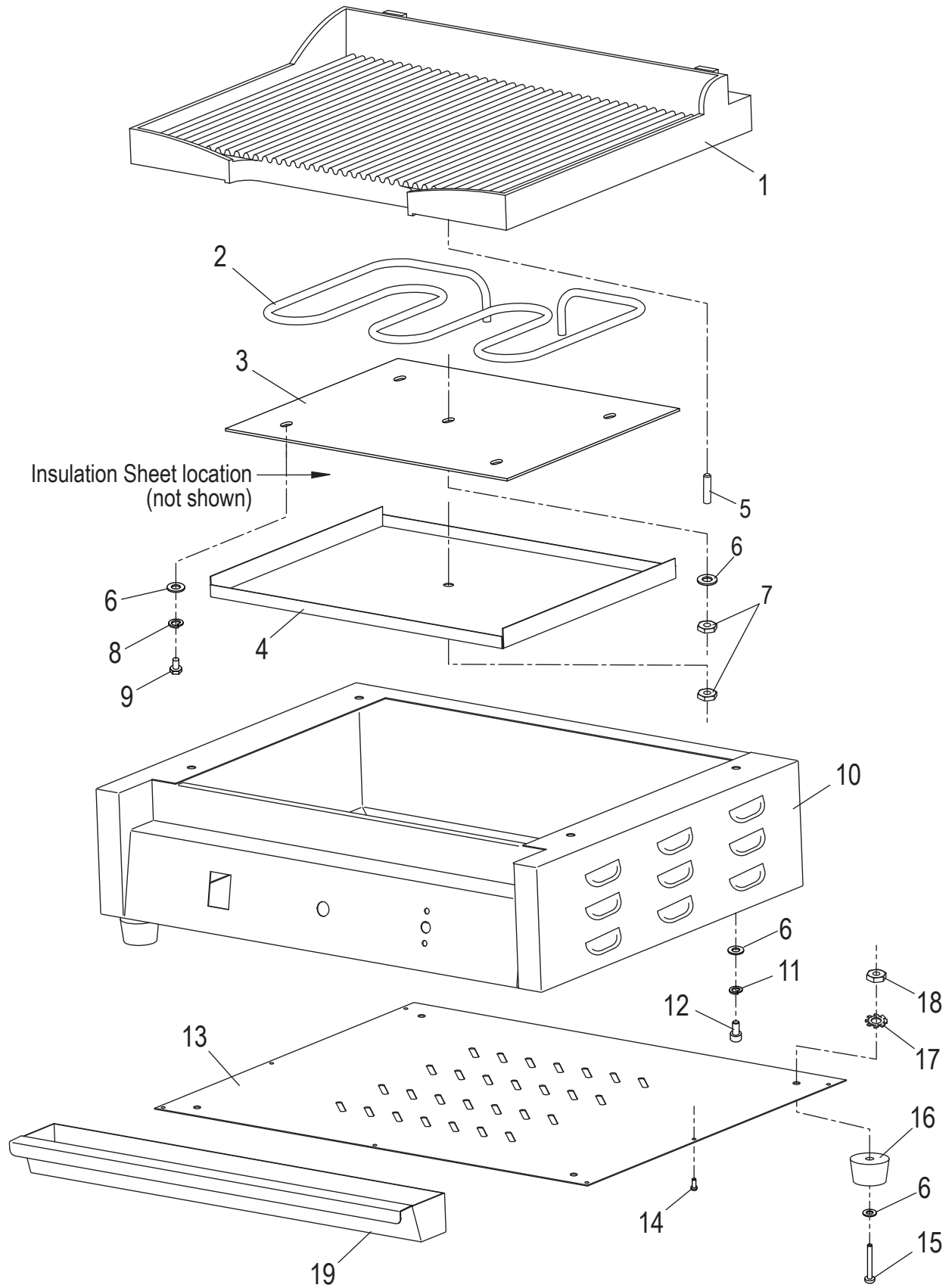
Item	Description	Part Number	Qty
1	Handle with Tension Springs	U00003	1
2	Retaining Ring, DIN 471 - M12	H00017	2
3	Handle Grip	U00035	1
4	Handle Retaining Plate	U00036	2
5	Split Lock Washer, DIN 7980 M5 - BO	H00011	4
6	Screw, Handle Retaining Plate	U00037	4
7	Adjustable Tension Bracket	U01021005138	1
8	Socket Head Cap Screw M6 x 26mm - BO	H00012	1
9	Socket Head Cap Screw M4 x 16mm - BO	H00013	2
10	Flat Washer, M6 - Zn	H00014	1
11	Phillips Pan Head Screw, M6 x 20mm - Zn	H00015	1
12	Phillips Flat Head Screw, M5 x 15mm - Zn	H00016	2
13	Tensioning Cover (Back Panel)	U00006	1
14	Phillips Pan Washer Head Screw, M4 x 4mm - Zn	H00024	2

GPG1410/GPG1410-C UPPER GRILL COMPONENTS



Item	Description	Part Number	Qty
1	Cast Plate, Top - Grooved (GPG)	U00004	1
2	Heating Element, Top	U00002	1
3	Element Mounting Plate (Upper) (Mica)	-	1
4	Flat Washer, M6 - Zn	H00014	5
5	Split Lock Washer, M6 - BO	H00022	4
6	Hex Head Screw, M6 x 10mm - BO	H00021	4
7	Set Screw, Hex Drive, M6 x 26mm - Cup Pt BO	H00019	1
8	Hex Nut, M6	H00020	2
9	Insulation Plate (Upper)	-	1
10	Top Cover	U00001	1
11	Phillips Pan Washer Head Screw, M5 x 6mm - Zn	H00018	4
12	Wireway Tube	U01021005046	1
13	Retaining Ring, DIN 471 - M12	H00017	1
14	Flat Washer, M12 - Zn	H00023	1
15	Jam Nut	U00038	1

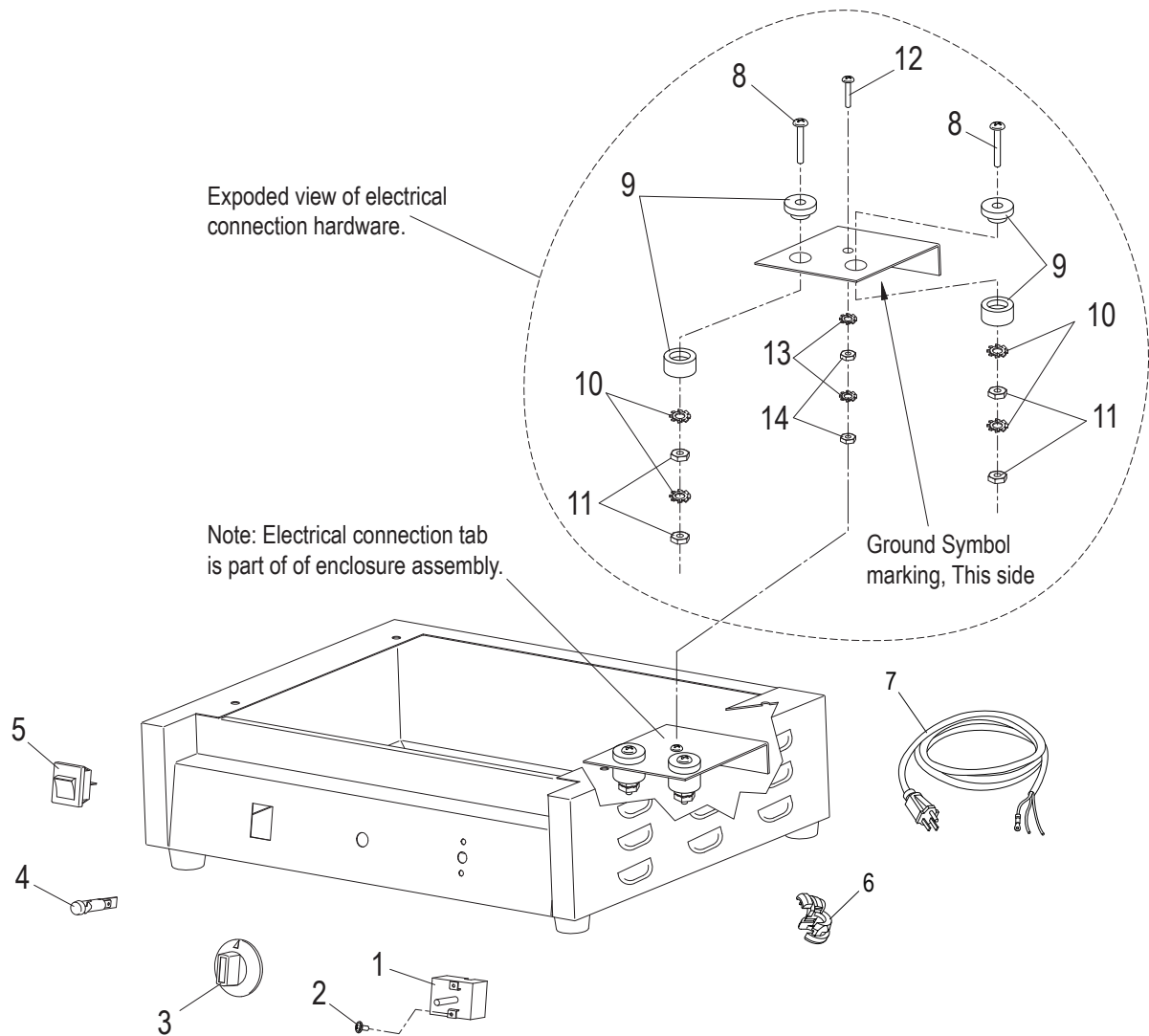
GPG1410/GPG1410-C LOWER GRILL COMPONENTS



GPG1410/GPG1410-C BOTTOM GRILL PARTS LIST

Item	Description	Part Number	Qty
1	Cast Plate, Bottom - Grooved (GPG)	U00007	1
2	Heating Element, Bottom	U00009	1
3	Element Mounting Plate (Lower) (Mica)	-	1
4	Insulation Plate (Lower)	-	1
5	Set Screw, Hex Drive, M6 x 26mm - Cup Pt BO	H00019	1
6	Flat Washer, M6 - Zn	H00014	13
7	Hex Nut, M6	H00020	2
8	Split Lock Washer, M6 - BO	H00022	4
9	Hex Head Screw, M6 x 10mm - BO	H00021	4
10	Grill Enclosure Assembly	-	1
11	Split Lock Washer, M6 DIN 7980- BO	H00042	4
12	Cap Screw, Socket Head, M6 x 8mm - BO	H00025	4
13	Bottom Cover, Enclosure	U00010	1
14	Cover Mounting Screw	U00039	8
15	Phillips Pan Head Screw, M5 x 20mm - Zn	H00026	4
16	Foot	U02121165004	4
17	External Serrated Lock Washer, M5 - Zn	H00027	4
18	Hex Nut, M5 - Zn	H00028	4
19	Drip Pan	U00041	1

GPG1410/GPG1410-C GRILL ELECTRICAL COMPONENTS



Item	Description	Part Number	Qty
1	Thermostat	U03051220022	1
2	Phillips Pan Washer Head Screw, M4 x 6mm - Zn	H00029	2
3	Temperature Adjustment Knob	U02101155019	1
4	Indicator Light, 120V	U03091240005	1
5	Power Switch	U03041215031	1
6	Strain Relief	100002	1
7	Cord and Plug, 120V	U03021205012	1
	Cord and Plug (Model GPG1410-C)	U03021205010	
8	Phillips Pan Head Screw, M5 x 30mm - Zn	H00030	2
9	Insulator (2 piece)	U00040	2
10	External Serrated Lock Washer, M5 - Zn	H00027	4
11	Hex Nut, M5 - Zn	H00028	4
12	Phillips Pan Head Screw, M4 x 16mm - Zn	H00031	1
13	External Serrated Lock Washer, M4 - Zn	H00033	6
14	Hex Nut, M4 - Zn	H00034	2
15	Phillips Pan Head Screw, M4 x 6mm - Zn (Electrical Connections, Not Shown)	H00032	4

GPG1410/GPG1410-C GRILL WIRING DIAGRAM

