

Parts Catalog



SPC60

Mixer

Model: SPC60

03/17/2017 Rev-
IMPORTANT!

TO EXPEDITE SHIPMENT OF PARTS, ALWAYS SPECIFY MODEL, REV,
PART NUMBER, AND SERIAL NUMBER OF UNIT.

GLOBE FOOD EQUIPMENT COMPANY

2215 East River Road
Dayton, Ohio 45439

Parts Department

Toll Free 1-800-745-6238 · Fax (937) 290-0585

E-Mail: info@globefoodequip.com

Website: www.globefoodequip.com

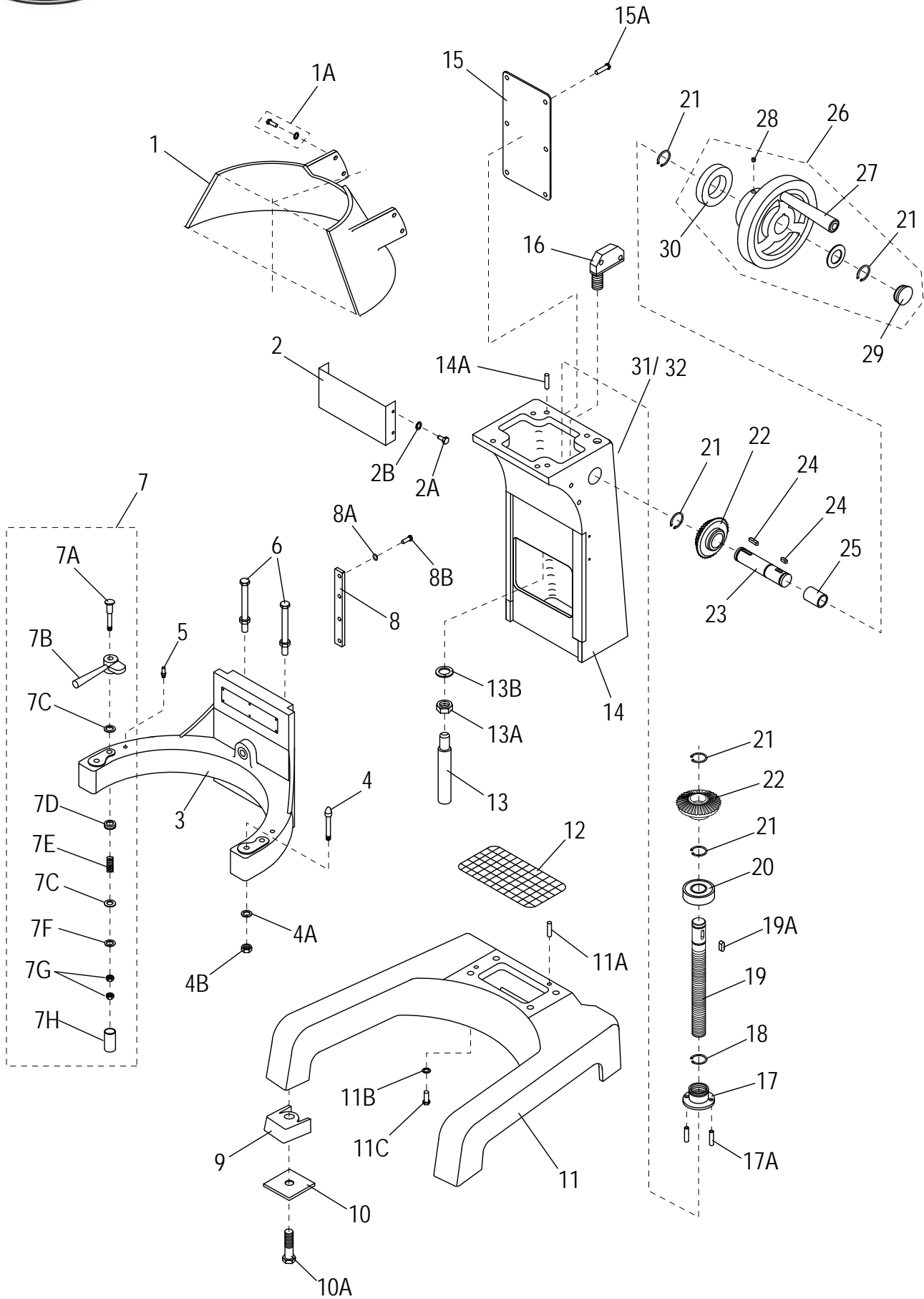
Not for resale

Table of Contents

Description	Page
SPC60 Base Components	4
SPC60 Head Components	8
SPC60 Hub Assembly Components	10
SPC60 Motor Components	12
SPC60 Planetary Components	14
SPC60 Gearbox Components	16
SPC60 Motor Brake Components	20
SPC60 Manual and Digital Components	22
SPC60 Wiring Diagram, 220V Single Phase	24
SPC60 Wiring Diagram, 208V Three Phase	25
SPC60 Wiring Diagram, 208V Three Phase	26



SPC60 Base Components





SPC60 Base Components

Item	Part Number	Description	Qty	Serial Number
1	X60036	Guard, Rear	1	
1A	X30101	Hex Screw M8x20mm & Flat Washer	4	
2	X60102	Mixer Column Cover	1	
2A	X20185	Screw M6x8mm Hex Hd	3	
2B		Washer M6 Flat	3	
3	X60034	Bowl Cradle	1	
4	X60109	Dowel Screw M12 & Hardware	2	
5	X60164	Bowl Clamp Stop Pin	2	
6	X40106	Screw M10x54mm Hex Hd/Nut (Touch Shaft)	2	
7	X01086	Clamp Assembly (Set/2)	1	
7A	X60108	Clamp Screw	2	
7B	X30033-2	Bowl Clamp (Set/2, New Style)	1	
7C		Washer M12 Flat	4	
7D		Hardware Cap Retainer	2	
7E		Spring	2	
7F		Washer M12 Split Lock	2	
7G		Nut M12 Hex	4	
7H		Hardware Cap	2	
8	X60035	Cradle Slide Guides	2	
8A		Washer M8 Flat	8	
8B	X60107	Screw M8x24mm Hex Hd	8	
9	X40162-163	Front/Rear Rubber Feet (Set)	1	
10		Shipping Washer	4	
10A		Shipping Bolt 3/8x45mm	4	
11	X60038-DG	Mixer Base	1	
11A		Dowel Pin Ø8x16mm Column Locator	2	
11B		Washer M12 Flat	4	
11C		Screw M12x40mm Hex Hd	4	
12	X60037	Base Screen	1	
13	X60218	Touch Shaft M16 Bowl Stop	1	
13A	X60219	Nut M16 Hex - Bowl Stop Pin	1	
13B	X60221	Washer M16 Split Lock	1	
14	X60042	Mixer Column	1	
14A		Dowel Pin, Hd Locator	2	
15	X40055	Plate, Rear Cover	1	
15A	X40056	Screw M6x8mm Hex Hd	6	
16	X30051-1	Microswitch, Bowl Lift	1	
17	X30104	Screw Sleeve	1	
17A	X30105	Roll Pin Ø4x30mm	2	
18	X25145	Retaining STW-35 Ring	1	
19	X40041	Bowl Lift Screw	1	
19A	X20123	Shaft Key 5x5x15mm	1	
20	X30043	Ball Bearing	1	
21	X30044	Retaining STW-25 Ring	5	
22	X30045	Oblique Gear (30T)	2	
23	X40047	Shaft, Hand Wheel	1	
24	X40073	Shaft Key 5x5x20mm	2	
25	X40050	Oilless Bearing	1	
26	X40053	Hand Wheel Crank With Handle, Plastic	1	
26	X40053M	Hand Wheel Crank With Handle, Metal	1	
27	X30053-1	Hand Wheel Crank Handle	1	
28		Set Screw M10x8mm Cup Pt.	1	
29		Hand Wheel Cap	1	



SPC60 Base Components

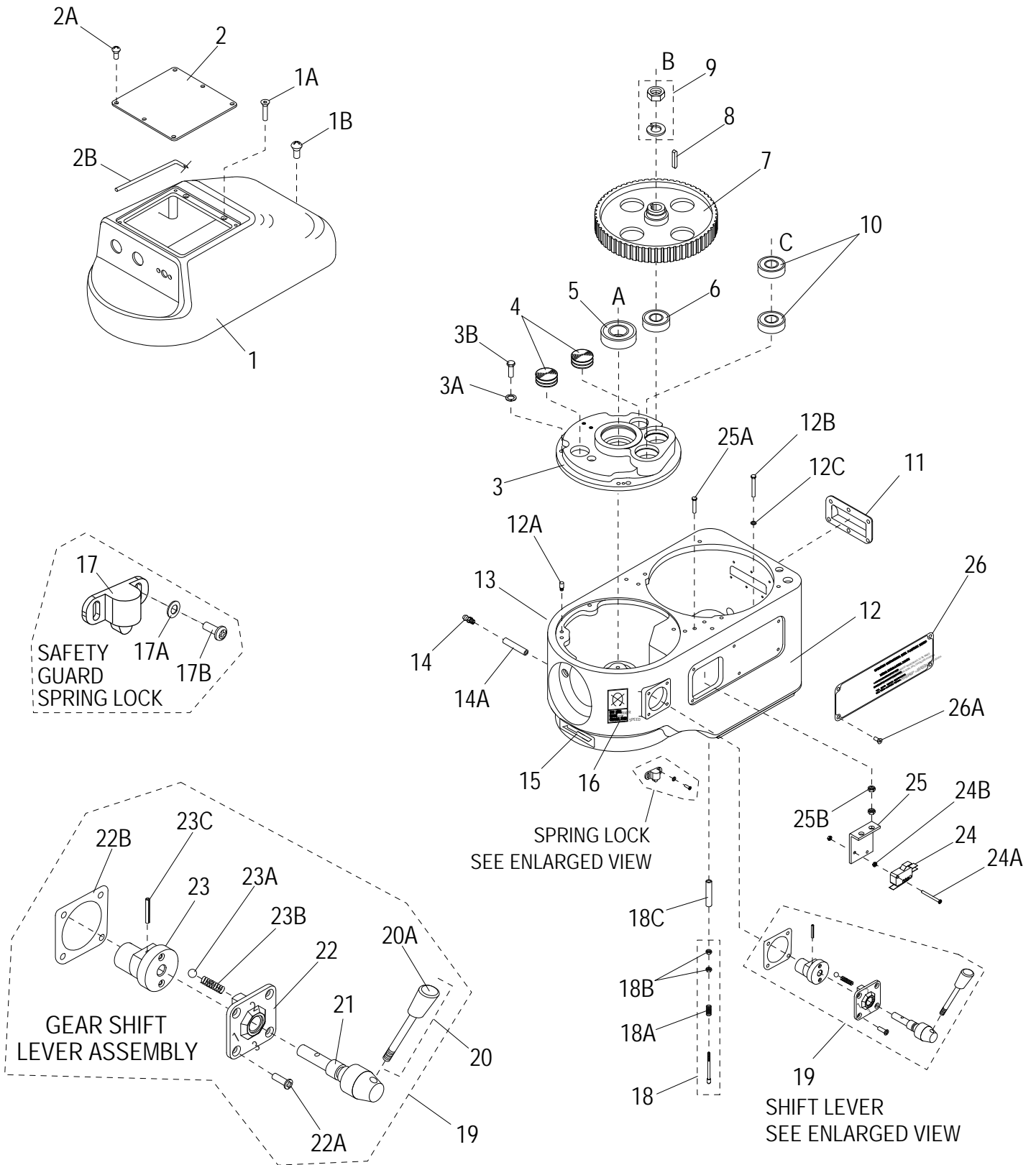
Item	Part Number	Description	Qty	Serial Number
30		Spacer (50m mod X 25.3mm Id X 10.2mm)	1	
31	X91014	Label, Hazardous Voltage	(Not Shown)	1
32	X91011	Label, Caution - 3 Phase	(3 Phase Units, Not Shown)	1



INTENTIONALLY LEFT BLANK PAGE



SPC60 Head Components



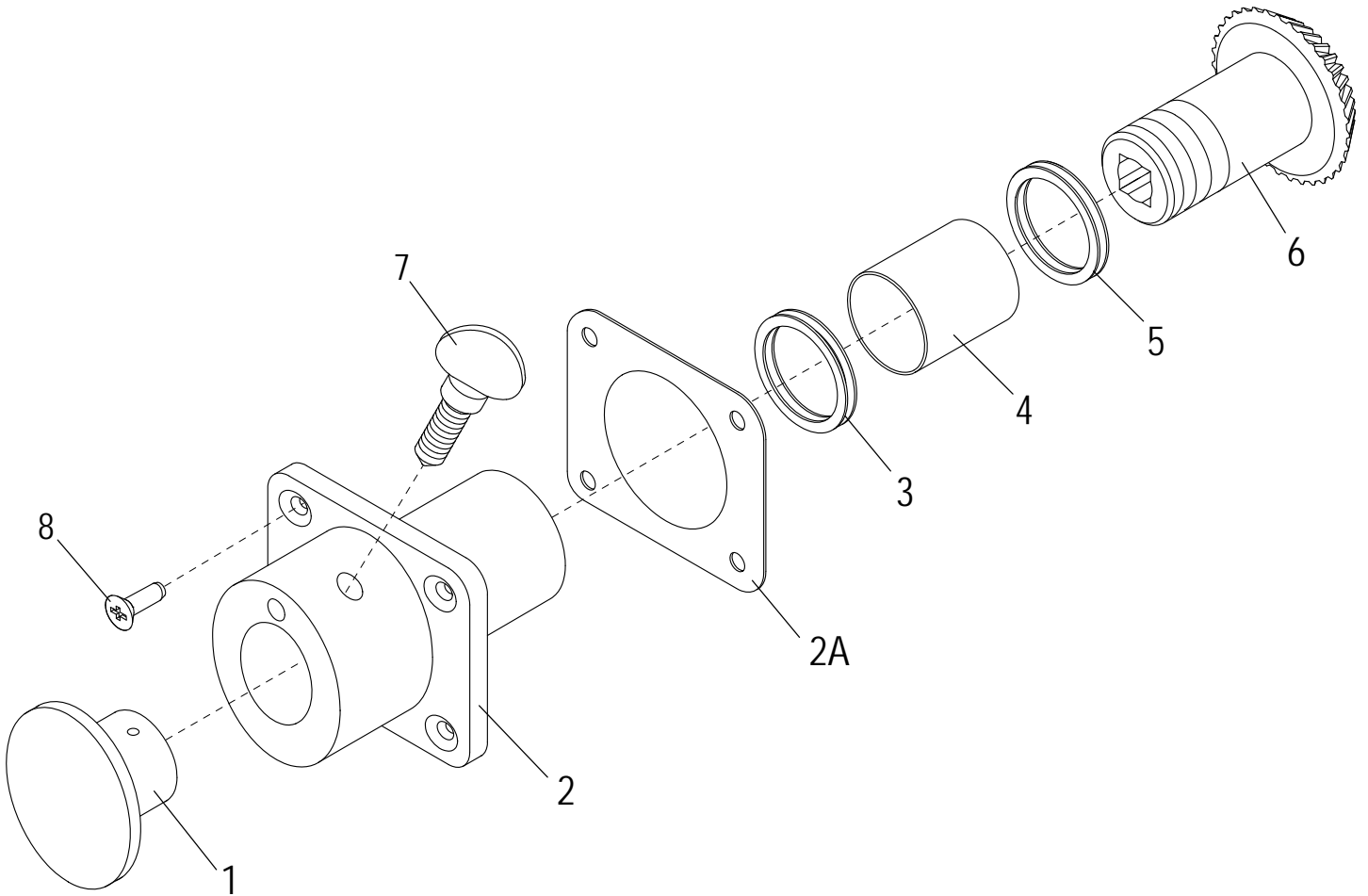


SPC60 Head Components

Item	Part Number	Description	Qty	Serial Number
1	X40004-1	Transmission Cover, Motor Brake Version	1	
1	X40004-1-DG	Cover, Transmission - SPC Model	1	
1A	X30207	Screw M8x108mm Flat Hd	2	
1B	X30220	Screw M6x90mm Flat Hd	1	
2	X40002	Cover, Switch Box	1	
2A	X30001	Screw M6x10mm Truss Hd	6	
2B	X40003	Gasket, Switch Box	1	
3	X60077	Cover, Gear Housing	1	
3A	X30198	Washer M8 Split Lock	4	
3B	X30197	Screw M8x24mm Hex Hd	4	
4	X10073	Oil Plug	2	
5	X30125	Ball Bearing	1	
6	X10102	Ball Bearing	1	
7	X60080	Wheel, Main Cog (97T)	1	
8	X60081	Shaft Key 5x5x28mm RF	1	
9	X40082	Nut M16 Jam & Washers	1	
10	X60078	Ball Bearing (Qty May Vary)	2	
11	X30076	Plate, Ventilation	1	
12	X60087	Transmission Case, Fixed Bowl Guard.	1	->7610884 or 7650835
12	X60087-1	Transmission Case, Removable Bowl Guard	1	7610883 or 7650834 ->
12A		Dowel Pin, Cover Locating	2	
13	X91009	Label, Lubricate	1	
14	X10900	Grease Fitting	1	
14A	X10217	Grease Tube	1	
15	X91012	Label, Arrow	1	
16	X91010	Label, Stop To Chg Gears	1	
17	X10134	Safety Guard Spring Lock	1	
17A	X10134A	Washer M3 Split Lock	2	
17B	X10134B	Screw M3x8mm Round Hd	2	
18	X40096	Touch Shaft Assy, Brass	1	
18	X30096N	Touch Shaft, Nylon	1	
18A	X30095	Spring	1	
18B	X30186	Nut M5 Hex	2	
18C	X40187	Tube	1	
19	X40057-60	Gear Shift Lever Assembly	1	
20		Gear Shift Lever With Knob	1	
20A	X30057-1	Knob, Gear Shift	1	
21		Shaft	1	
22		Cover	1	
22A	X30179	Screw M8x20mm Flat Hd	4	
22B	X30059-1	Gasket	1	
23		Shaft Bias	1	
23A		Ball Bearing	2	
23B		Spring	2	
23C		Roll Pin Ø5x28mm	1	
24	X10057-1	Microswitch, Interlock	1	
24A	854-2	Screw #4-40x5/8" Round Hd	2	
24B	854-3	Hex #4-40 Nut	4	
25	X30062	Bracket, Microswitch	1	
25A		Screw M6x20mm Hex Hd	2	
25B		Nut M6 Hex	4	
26	X30066	Plate, Warning	1	
26A	X30065	Screw M5x10mm Pan Hd	4	



SPC60 Hub Assembly Components



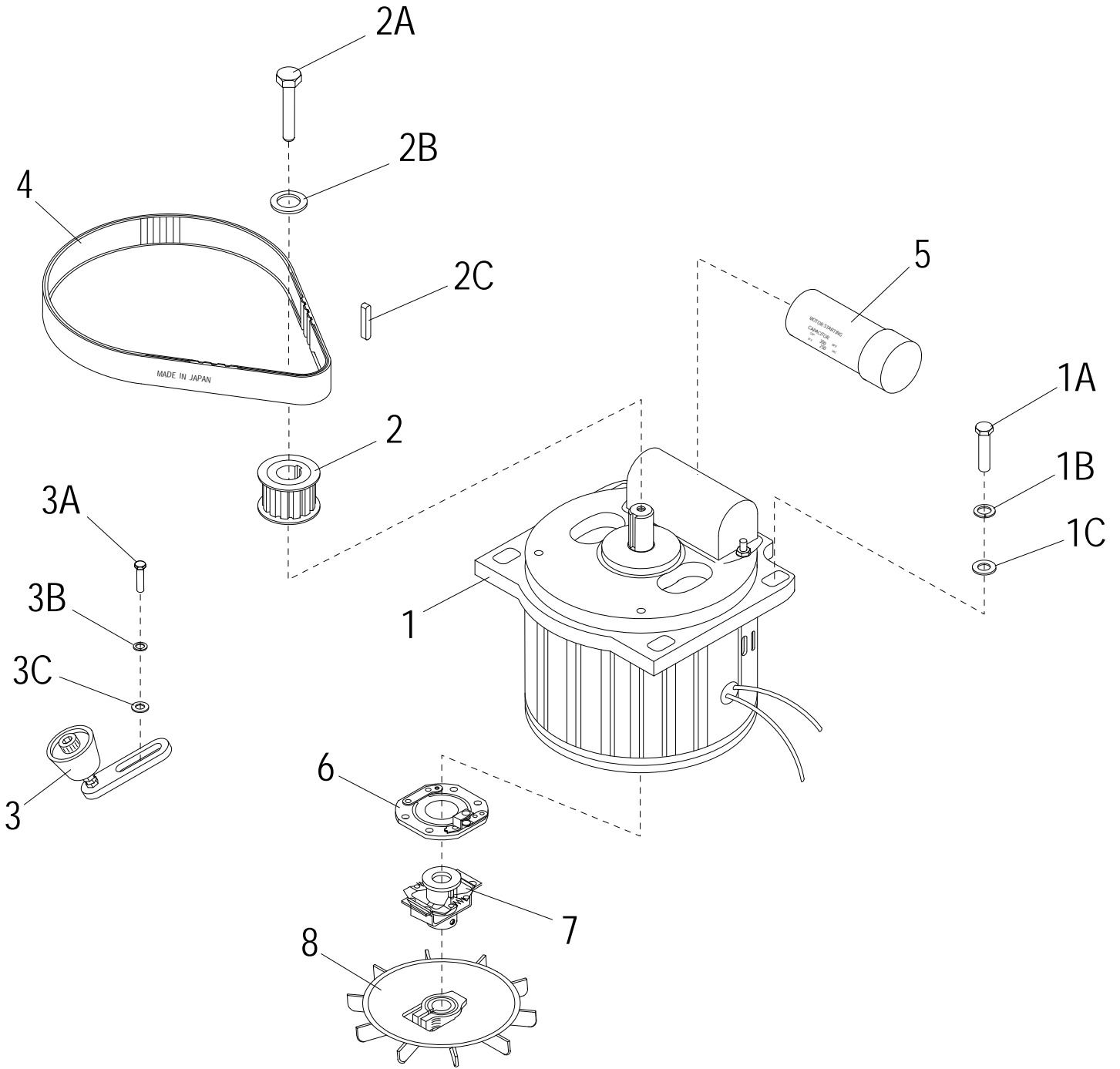


SPC60 Hub Assembly Components

Item	Part Number	Description	Qty	Serial Number
1	X10007	Attachment Hole Plug	1	
2	X40017-DG	Attachment Hub	1	
2A		Gasket	1	
3	X10089	Oil 45x35x8mm Seal	1	
4	X10075	Bearing	1	
5	X30018-1	Thrust Washer Ø45xØ35mm	2	
6	X40014	Level Drive Gear (35T)	1	
7	X10005	Thumb Screw 1/2-13x3/4"	1	
8	X80B52	Screw M6X25mm Socket Hd	4	



SPC60 Motor Components





SPC60 Motor Components

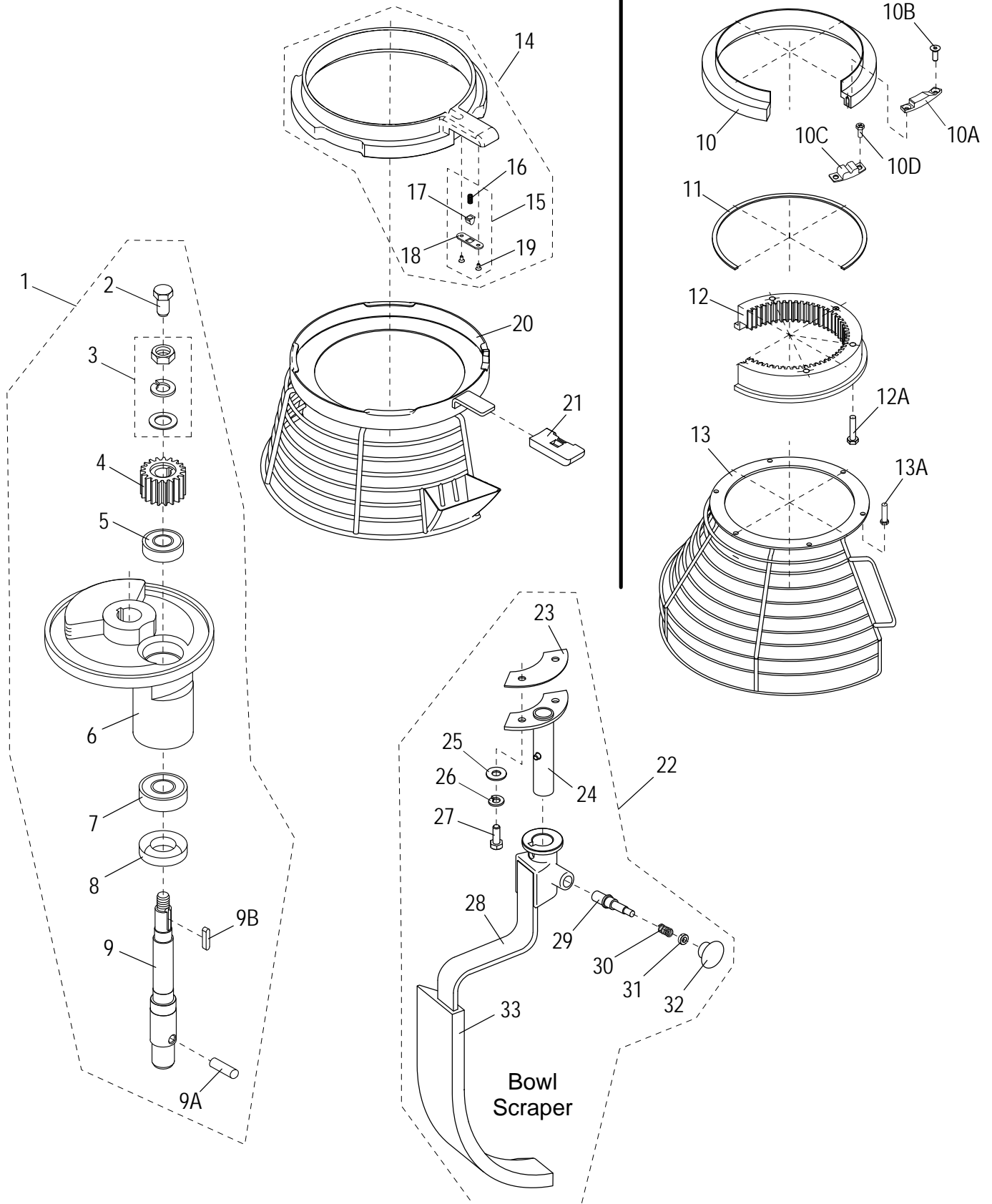
Item	Part Number	Description	Qty	Serial Number
1	X60068-1C	Motor, Sp60p 3Hp 208/60/3 - Motor Brake	3 Phase	1
1	X60068-2C	Motor, Sp660p 3Hp 220/60/1 - Motor Brake	1 Phase	1
1A	X40069	Screw M8x30mm Hex Head		4
1B	X08102	Washer M8 Split Lock		4
1C	X08076	Washer M8 Flat		4
2	X30071	Wheel, Motor Cog (18T) 60HZ		1
2	X00734	Wheel, Motor Cog (20T) 50HZ		1
2A	X40075	Screw M8x20mm Hex Head		1
2B	X30074	Washer M8 Flat		2
2C	X30073	Shaft Key 5x5x25		1
3	X30158	Belt Tensioner		1
3A	X30197	Screw M8x24mm Hex Hd		2
3B	X08102	Washer M8 Split Lock		2
3C	X08076	Washer M8 Flat		2
4	X40072-1	Cogged Belt (S8M-880)		1
4	X40072-2	Cogged Belt (S8M-896)		1
5	X30070-1A	Capacitor, Start 600MF		1
5	X60070-2	Capacitor, Run 70Mf		1
6	X40067	Switch, Platinum		1
7	X40064	Clutch		1
8	X40061	Cooling Fan		1



SPC60 Planetary Components

Removable Bowl Guard
after S/N 7610883
or S/N 7650834

Fixed Bowl Guard
before S/N 7610884
or S/N 7650835



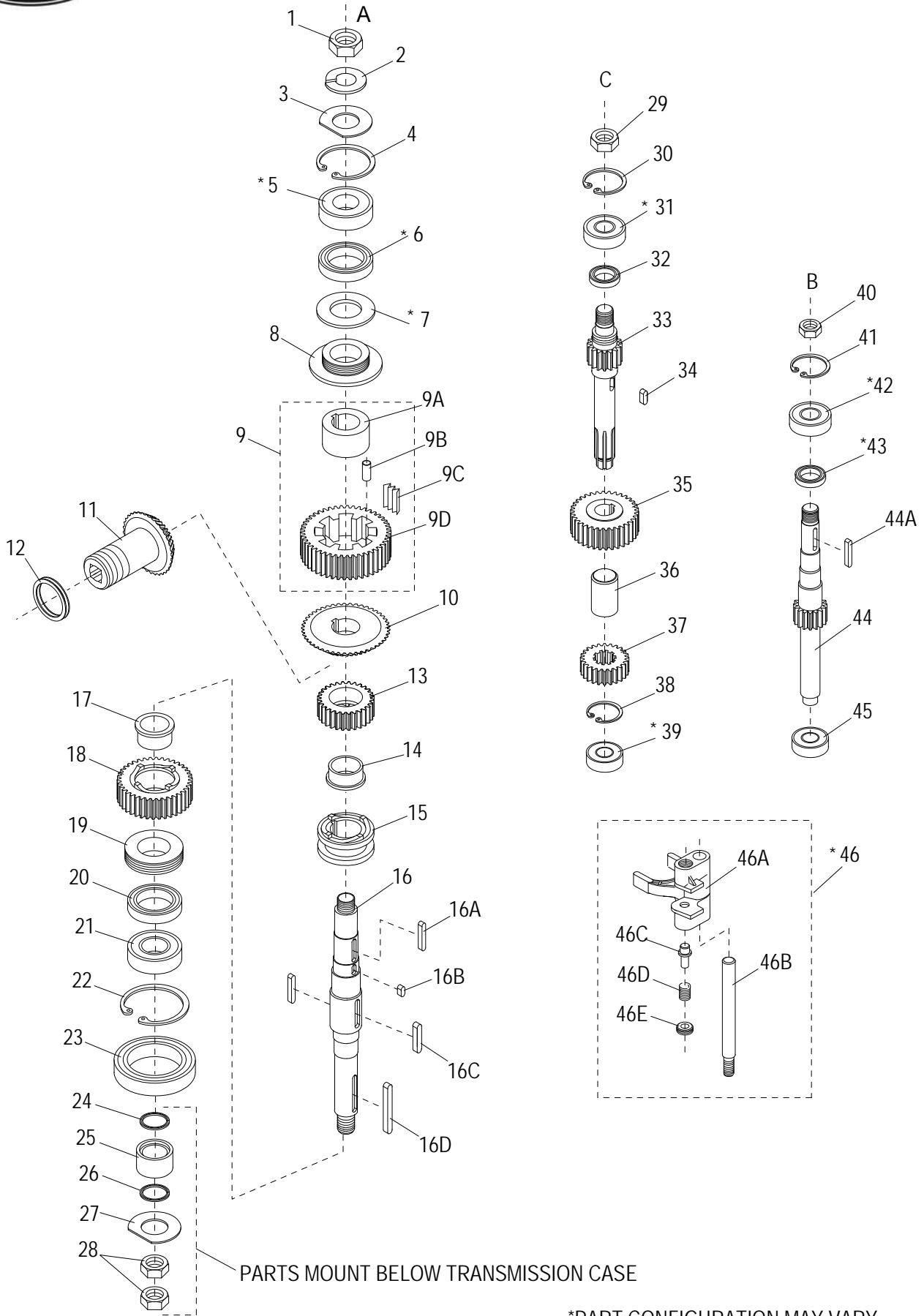


SPC60 Planetary Components

Item	Part Number	Description	Qty	Serial Number
1	X60019-28	Planetary Complete Assembly	1	
2	X60019	Screw, Hex Hd (Old Style Shaft)	1	
3	X30020	Nut M14 Stop & Washers	1	
4	X60021	Pinion, Beater (21T)	1	
5	X60022	Ball Bearing (Set Of Two)	1	
6	X60023	Planetary Shaft Holder	1	
6	X60023-DG	Planetary Shaft Holder	0	7611145 or 7651161 ->
7	X60024	Ball Bearing	1	
8	X60025	Oil Seal	1	
9	X60027	Planetary Shaft, External Thread (New Style)	1	
9		Planetary Shaft, Internal Thread (Old Style)	1	
9A	X60028	Dowel Pin	1	
9B	X40026	Shaft Key 6x6x22mm	1	
10	X60090P	Slide Sheath	1	->7610884 or 7650835
10A	X10041	Touch Mass	2	
10B	X10042	Screw M4x10mm Flat Hd - SS	2	->7610884 or 7650835
10C		Safety Guard Spring Lock	1	->7610884 or 7650835
10D		Screw M4x9mm Hex Hd - SS	2	->7610884 or 7650835
11	X40091	Gasket	1	->7610884 or 7650835
12	X60092	Ring Gear (67T)	1	->7610884 or 7650835
12A	X30099	Screw M8x28mm Socket Hd	6	->7610884 or 7650835
13	X60093-94	Front Interlocking Guard Assy	1	->7610884 or 7650835
13A	X10083	Screw M5x8mm Hex Hd - Locking Patch	6	
14	X600S2	Plastic Slide Sheath, Removable Safety Guard	1	->7610884 or 7650835
15	X200S3	Spring Plunger Hardware Kit	1	7610883 or 7650834 ->
16		Spring	1	7610883 or 7650834 ->
17		Plunger	1	7610883 or 7650834 ->
18		Plate, Plunger Retention	1	7610883 or 7650834 ->
19		Screw M3x8mm Flat Hd	2	
20	X600S1	Bowl Guard Assembly, Stainless Steel	1	7610883 or 7650834 ->
21	X30504	Handle, Plastic - Removable Safety Guard	1	7610883 or 7650834 ->
22	XXSCRP-60	Bowl Scraper Assembly	1	
23		Shaft Spacer	1	
24		Scraper Mounting Hub	1	
25		Washer M10 Flat	3	
26		Washer M10 Split Lock	3	
27		Screw M10x18mm Hex Hd - SS	3	
28		Scraper Arm	1	
29	X80522	Pin	1	
30	X80523	Spring	1	
31	X80524	Spacer	1	
32	X80525	Knob	1	
33	X80526	Bowl Scraper	1	



SPC60 Gearbox Components





SPC60 Gearbox Components

Item	Part Number	Description	Qty	Serial Number
1	X40111	Nut M24 Jam	1	
2	X40111A	Washer M24 Split Lock	1	
3	X60111B	Washer M24 D	1	
4	X30126	C-Ring Retaining Ring STW-72	1	
5	X30125	Ball Bearing	1	7610183 or 7650103 ->
6	X60212	Oil Seal	1	7610183 or 7650103 ->
7		Shim	0	7610183 or 7650103 ->
8	X60113	Lead-In Oil Pad	1	
9	X60114-117	Slow Speed Gear Assembly	1	
9A		Bushing	1	
9B		Dowel Ø8x16mm Pin	1	
9C		Slice Spring	1	
9D		Gear, Slow Speed (52T)	1	
10	X60118	Gear, Bevel (52T)	1	
11	X40014	Level Drive Gear (35T)	1	
12	X30018-1	Thrust Washer Ø45xØ35mm	1	
13	X60120	Gear, Clutch (36T) Old Style (Standard)	1	
13	*X60209	Gear, Clutch (34T) New Style (Slow Speed)	1	
14	X60119	Bushing, Clutch	1	
15	X60133	Sleeve, Clutch	1	
16	X60130	Drive Shaft	1	
16A	X60121	Shaft Key 8x10x30mm	1	
16B	X60217	Shaft Key 8x8x12mm	1	
16C	X30132	Shaft Key 8x10x34mm	2	
16D	X30131	Shaft Key 10x10x57mm	1	
17	X60119	Bushing, Clutch	1	
18	X60122	Gear, Clutch (45T)	1	
19	X60124	Washer, Stepped	1	
20	X60213	Oil Seal	1	
21	X60125	Ball Bearing	1	
22	X60126	Retaining Ring STW-80	1	
23	X60128	Oil Seal	1	
24	X60216	O-Ring (Upper) 36x43x3.5mm	1	
25	X60127	Guard, Oil Bushing	1	
26	X60208	O-Ring (Lower) 38x50x6mm	1	
27	X60129A	Washer, Flat	1	
28	X40111	Nut M24 Jam	1	
29	X40082	Nut M16 Jam & Washers	1	
30	X25106	Retaining Ring STW-52	1	
31	X10102	Ball Bearing	1	7610183 or 7650103 ->
32	X60214	Oil Seal	1	7610183 or 7650103 ->
33	USE X60150-2 & X40143-2	Transmission Shaft (13T) Old Style, Keyed	1	
33	X60150-2	Transmission Shaft (13T) New Style, Splined	1	
34	X60149	Shaft Key 8x8x22mm	1	
35	X40148	Gear (29T) Old Style	1	
35	X40223	Gear (31T) New Style	1	7610183 or 7650103 ->
36	X40144	Bushing, Spacer	1	
37	X60143-1	Gear (20T) Old Style, Keyed	1	
37	X40143-2	Gear (20T) New Style, Splined	1	
38	X40141	Retaining Ring STW-24	1	
39	X60140	Ball Bearing (Qty May Vary)	1	7610183 or 7650103 ->
40	X40082	Nut M16 Jam & Washers	1	
41	X30146	Retaining Ring STW-42	1	



SPC60 Gearbox Components

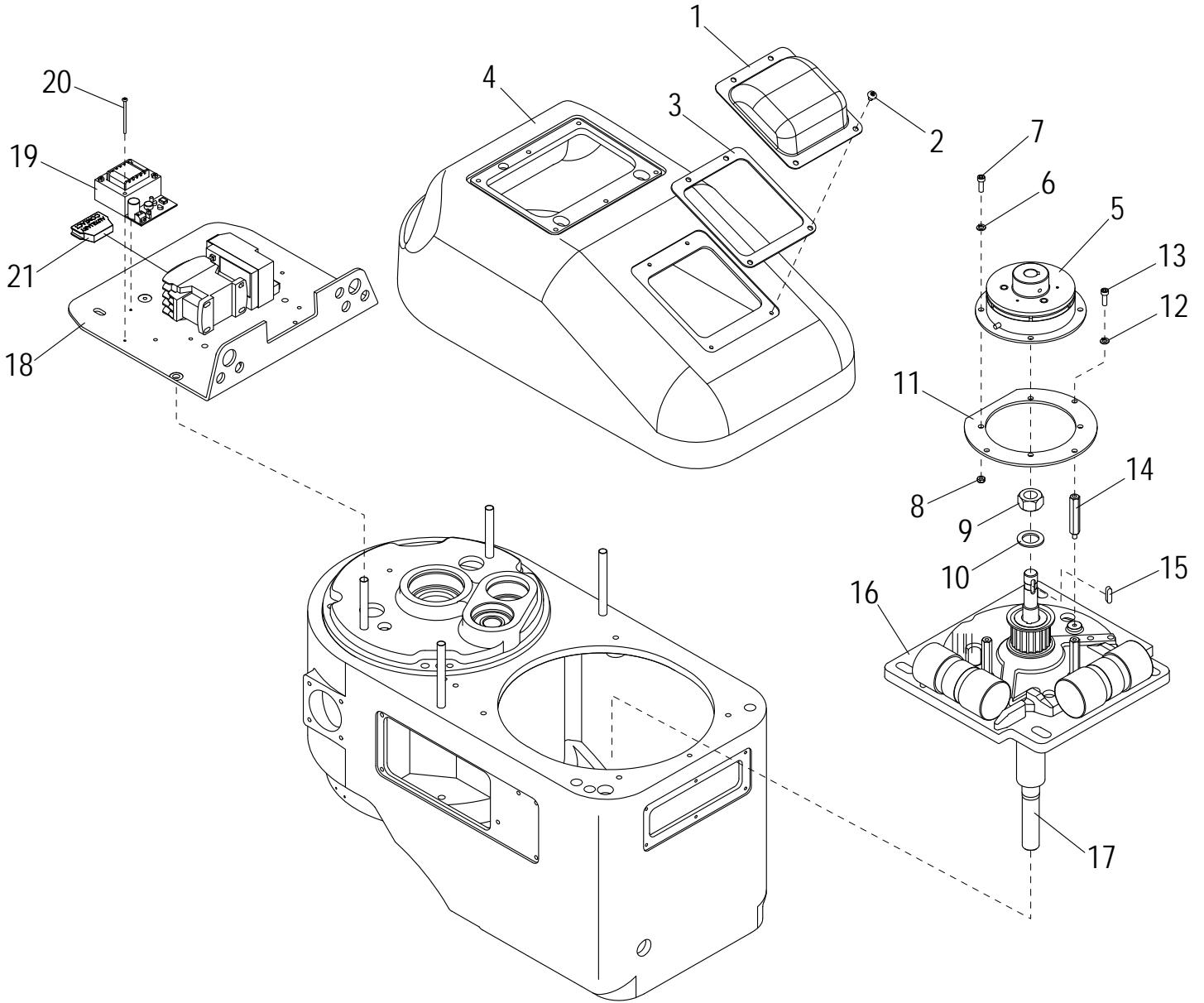
Item	Part Number	Description	Qty	Serial Number
42	X60078	Ball Bearing (Qty May Vary)	2	7610183 or 7650103 ->
43	X60214	Oil Seal	1	7610183 or 7650103 ->
44	X60145	Shaft, Master (15T) Old Style (Standard)	1	
44	X60210	Shaft, Master (13T) New Style (Slow Speed)	1	7610183 or 7650103 ->
44A	X60081	Shaft Key 5x5x28mm RF	1	
45	X30140	Ball Bearing	1	
46	X60134-139	Yoke Shifter Assembly	1	
46A		Yoke Shifter	1	
46B		Guide, Rod Shifter	1	
46C		Plunger, Yoke Shifter	2	
46D		Spring, Yoke Shifter	2	
46E		Spring, Retainer	2	



INTENTIONALLY LEFT BLANK PAGE



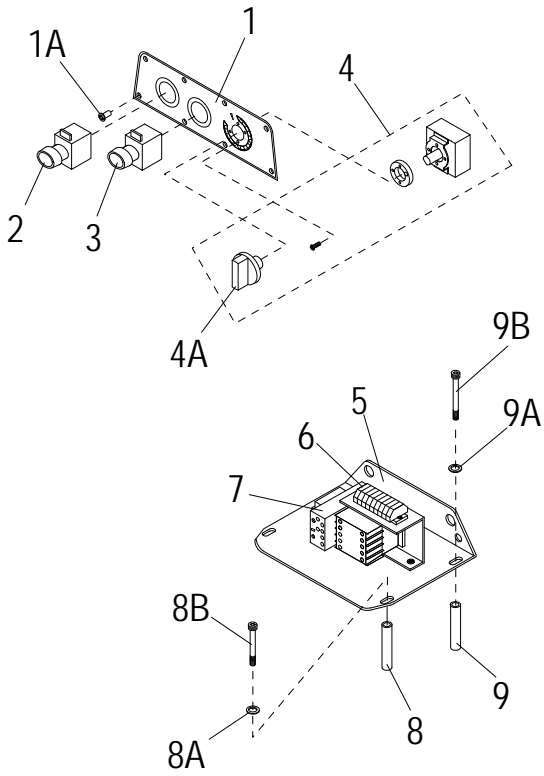
SPC60 Motor Brake Components



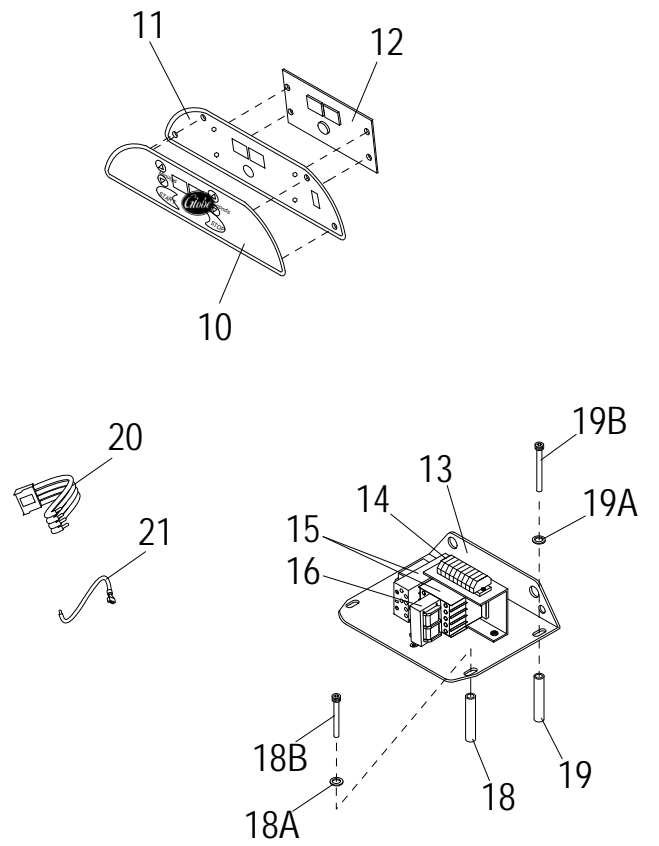


SPC60 Motor Brake Components

Item	Part Number	Description	Qty	Serial Number
1	X25500	Cover, Motor Brake Components	1	
2		Screw M5x10mm Button Hd	4	
3	X25500-1	Gasket	1	
4	X40004-1	Transmission Cover, Motor Brake Version	1	
5	X40501	Motor Brake, Magnetic	1	
6		Washer M5 Split Lock	4	
7		Screw M5x12mm Socket Hd	4	
8		Nut M5 Hex	4	
9		Nut M18 Hex	1	
10		Washer M18 Flat	1	
11	X40500	Brake Housing	1	
13		Screw M5x10mm Socket Hd	3	
14	X30502	Hex Standoff	3	
15		Shaft Key 5x5x17mm	1	
16		Top Cover, Motor (Incl. w/Motor Assembly)	1	
17		Motor Shaft (Incl. w/Motor Assembly)	1	
18		Plate, Electronic Component Mounting	1	
19	X20512-1	Electronic Board, 220V	1	
20		Screw M3x34mm Round Hd	2	
21	X25503	Auxiliary Contact Block	1	



Manual Timer



Digital Timer

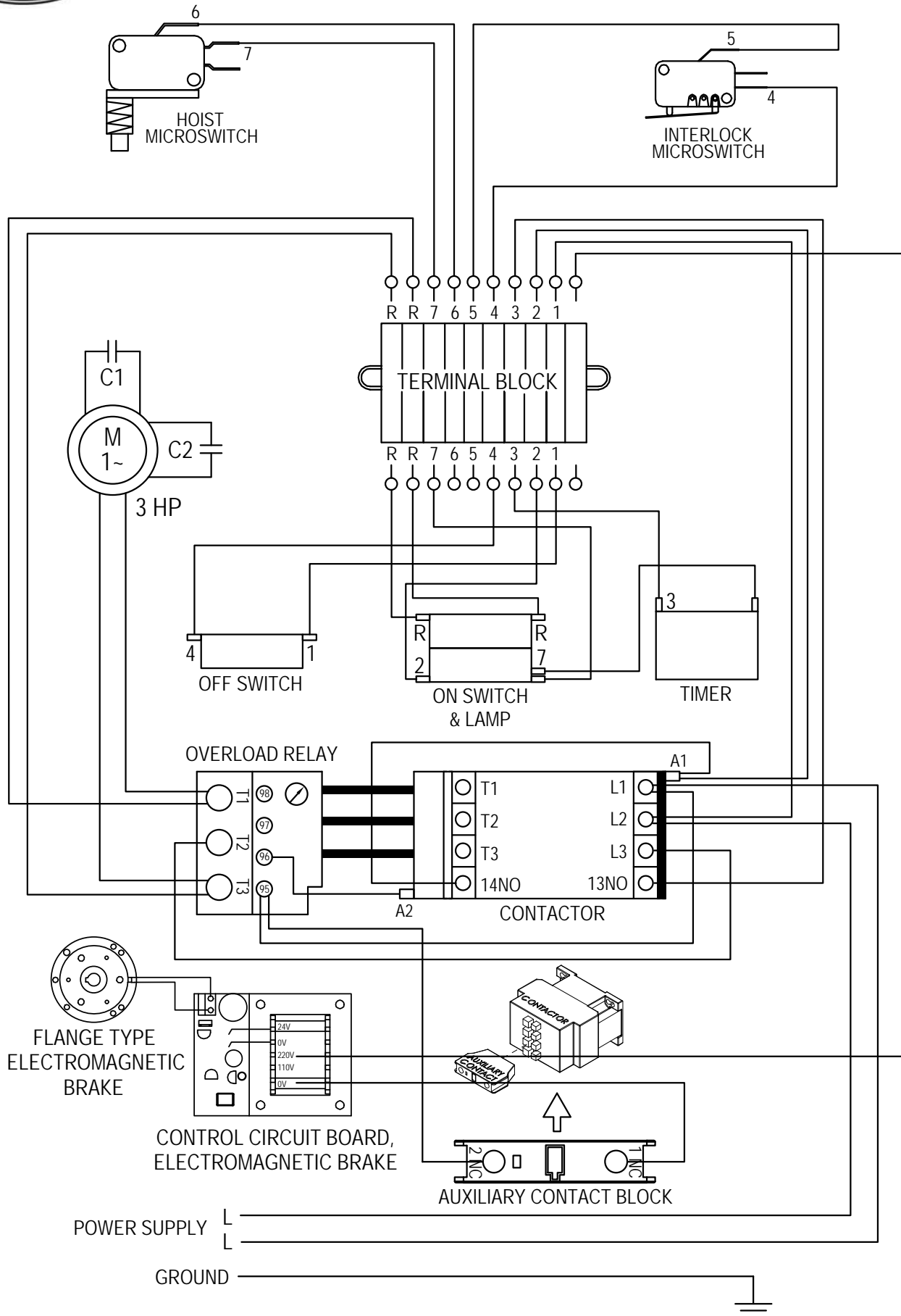


SPC60 Manual and Digital Components

Item	Part Number	Description	Qty	Serial Number
1	X40005	Control Panel	1	
1A	X30204	Screw M4x10mm Truss Hd	8	
1B	X40009	Gasket, Control Panel (Not Shown)	1	
2	X10050	Emergency Stop Button	1	
3	X30007	Start Button	1	
3A	X30007-1	Boot, Start/Stop Switch Button (Not Shown)	2	
3B	X30007-1B	Light Bulb, Start Button (Not Shown)	1	
4	X10137	Timer Assembly With Knob	1	
4A	X10137-1	Timer Knob	1	
5	X60013	Plate, Electronics Mounting	1	
6	X40012	Connecting Block Set	1	
6	X40012-2G	Connecting Block, 2C Gry	7	
6	X40012-4R	Connecting Block, 4C Org	1	
6	X40012-EC	Connecting Block End Cap	1	
7	X60154-1	Overload Relay/Contactor Kit, SP60 2HP, 3PH	1	
7	X60154-2	Overload Relay/Contactor Kit, SP60 2HP, 1PH	1	
8	X40153	Tube, Support - Front (67mm)	2	
8A		Washer M8 Flat	2	
8B	X30086	Cap Screw, Socket Hd	2	
9	X40085	Tube, Support - Rear (89mm)	2	
9A		Washer M8 Flat	2	
9B	X30010	Screw M8x88mm Hex Hd	2	
10	X00567	Switch, Membrane	1	
11	X00564	Control Panel Assembly	1	
12	X00568	Control Board	1	
13	X30013	Plate, Electronics Mounting	1	
14		Connecting Block Set	1	
14	X10029-2G	Connecting Block, Gray (2C)	7	
14	X10029-4R	Connecting Block, Orange (4R)	1	
14	X30012-EC	Connecting Block End Cap	1	
15	X60154-1	Overload Relay/Contactor Kit, SP60 2HP, 3PH	1	
15	X60154-2	Overload Relay/Contactor Kit, SP60 2HP, 1PH	1	
16	X00569	Control Transformer Assembly	1	
17	X00570	Control Transformer Fuse (Not Shown)	1	
18	X40153	Tube, Support - Front (67mm)	2	
18A		Washer M8 Flat	2	
18B	X30086	Cap Screw, Socket Hd	2	
19	X40085	Tube, Support - Rear (89mm)	2	
19A		Washer M8 Flat	2	
19B	X30010	Screw M8x88mm Hex Hd	2	
20	X00675	4 Wire Harness With Connector	1	
21	X00676	Single Wire With Quick Connect	2	

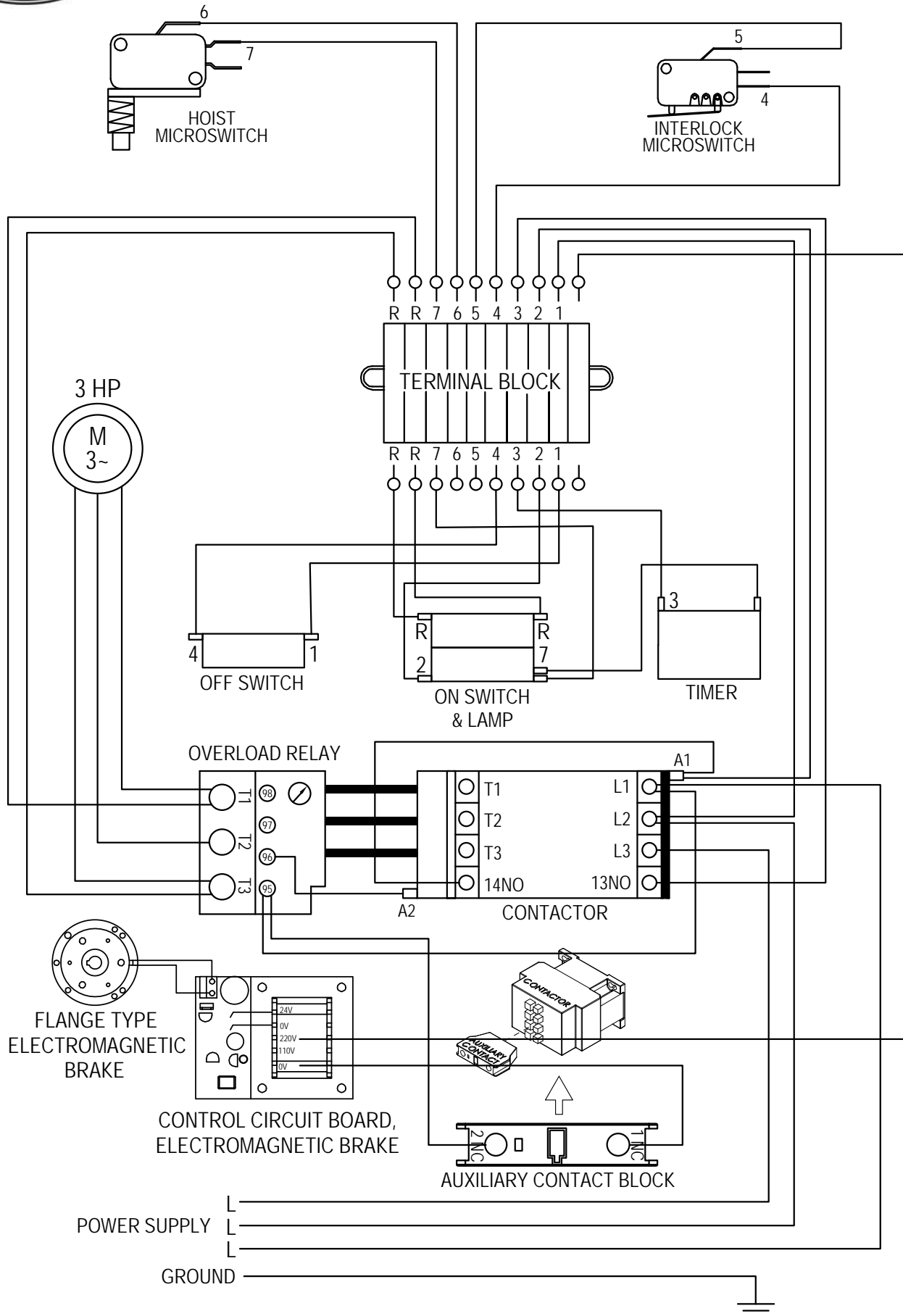


SPC60 Wiring Diagram, 220V Single Phase





SPC60 Wiring Diagram, 208V Three Phase





SPC60 Wiring Diagram, 208V Three Phase

