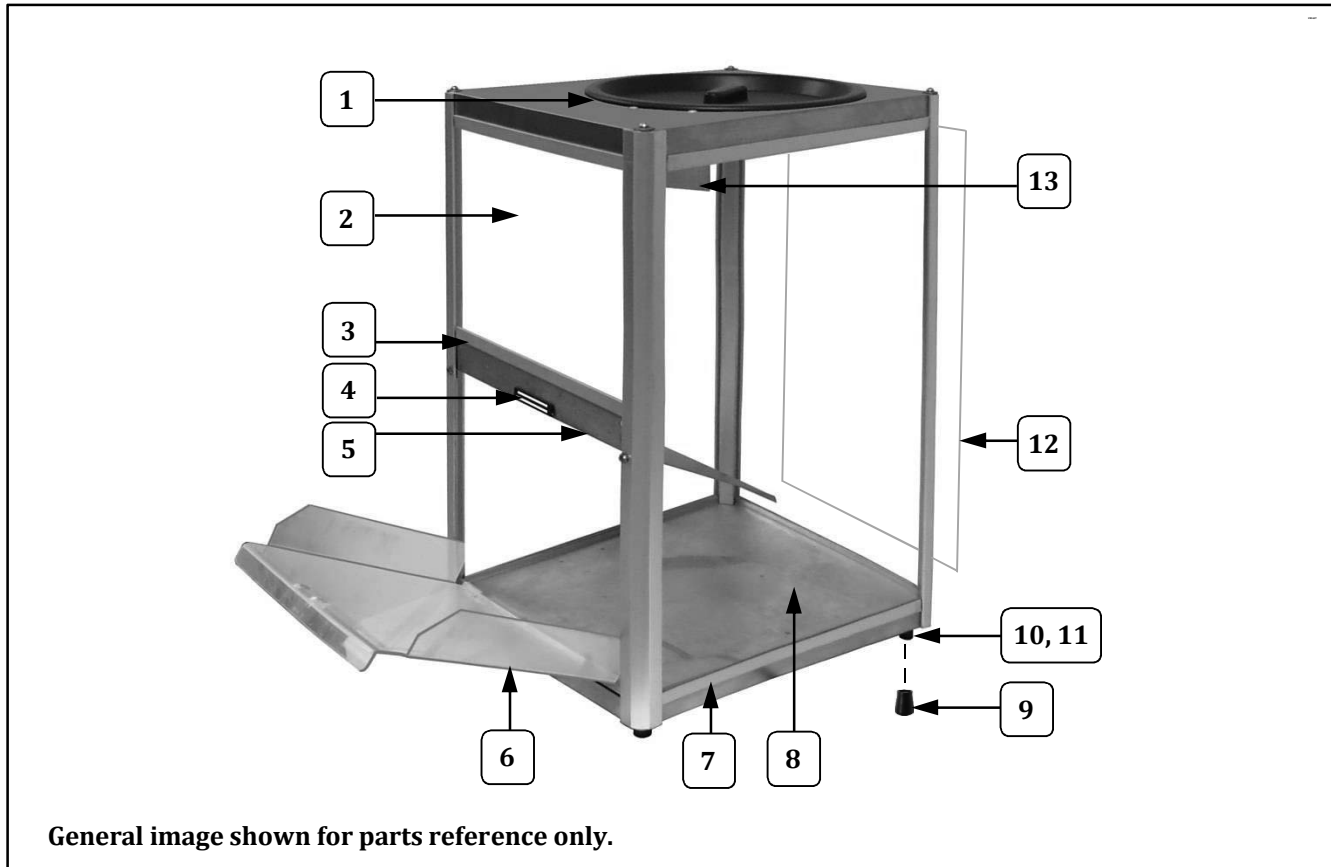




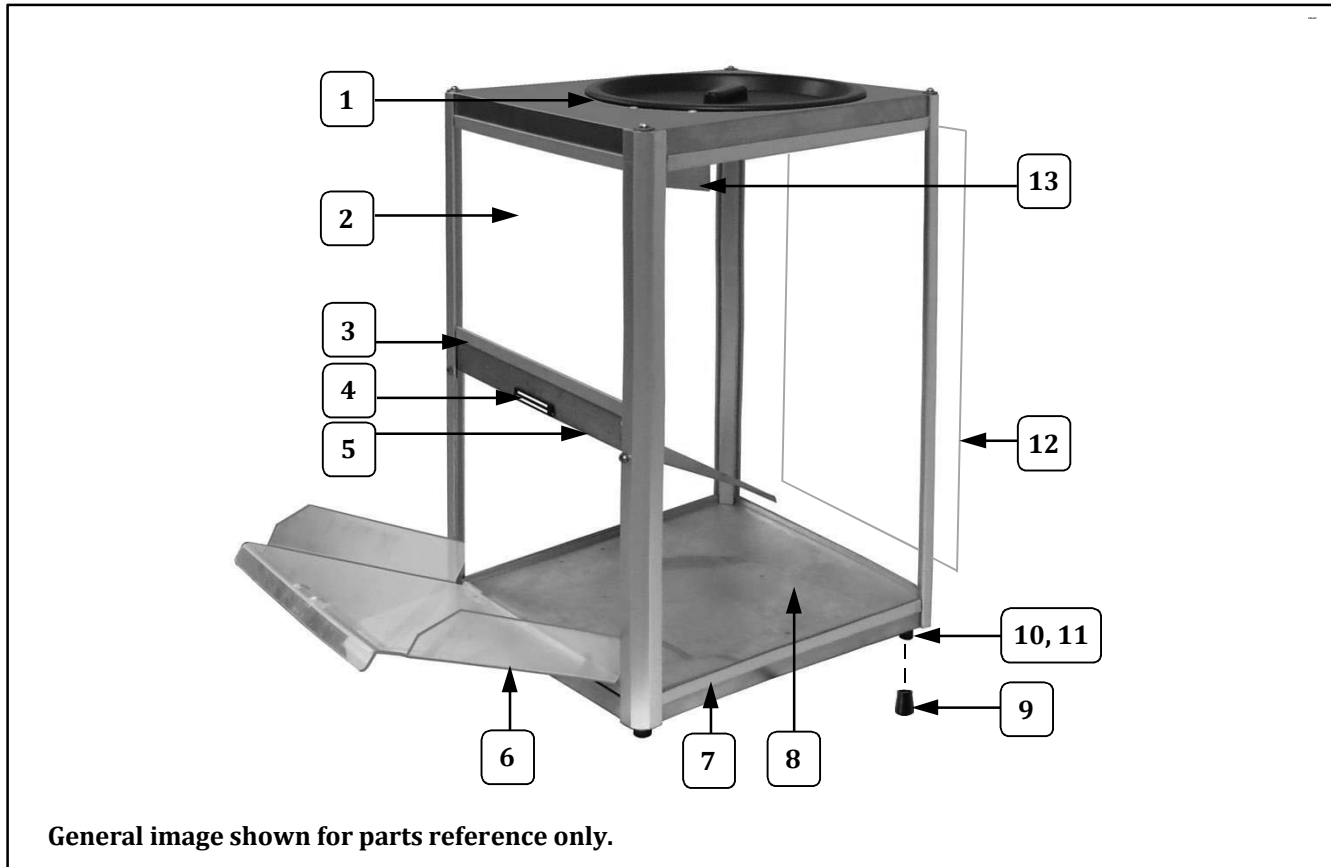
## Cabinet View



Item	Part Description	Part Number	
		2186ST	2188ST
1	LID	100288	100288
2	10 15/16" X 8 17/64" PLEXIGLAS PANEL	40016	40016
3	RETAINING EXTRUSION (10 9/32)	40021	40021
4	MAGNETIC CATCH	47561	47561
5	BAFFLE	40010	40010
6	DROP PANEL	40200	40107
7	RETAINING EXTRUSION (13 9/32)	40039	40039
8	19 13/16" X 13 15/16" PLEXIGLAS PANEL	40013	40013
9	CRUTCH TIP BLACK 70 DURO	49123	49123
10	GLIDE	47328	47328
11	SCREW, 10-24 X 3/4 HXHD	41314	41314
12	19 13/16" X 10 15/16" PLEXIGLAS PANEL	40014	40014
13	BULB PROTECTION L ANGLE	40050	40050



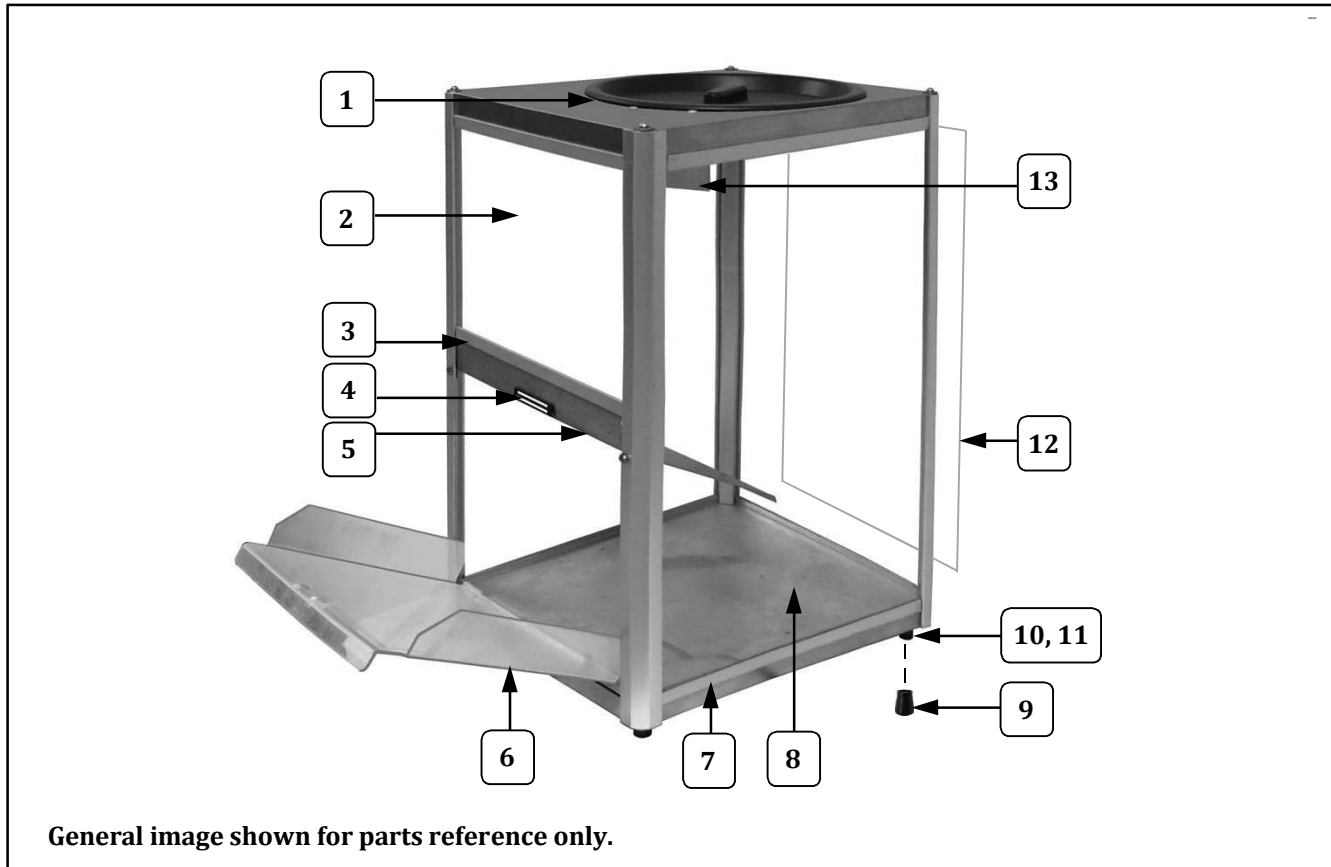
## Cabinet View



Item	Part Description	Part Number	
		2186ST	2188ST
1	LID	100288	100288
2	10 15/16" X 8 17/64" PLEXIGLAS PANEL	40016	40016
3	RETAINING EXTRUSION (10 9/32)	40021	40021
4	MAGNETIC CATCH	47561	47561
5	BAFFLE	40010	40010
6	DROP PANEL	40200	40107
7	RETAINING EXTRUSION (13 9/32)	40039	40039
8	19 13/16" X 13 15/16" PLEXIGLAS PANEL	40013	40013
9	CRUTCH TIP BLACK 70 DURO	49123	49123
10	GLIDE	47328	47328
11	SCREW, 10-24 X 3/4 HXHD	41314	41314
12	19 13/16" X 10 15/16" PLEXIGLAS PANEL	40014	40014
13	BULB PROTECTION L ANGLE	40050	40050



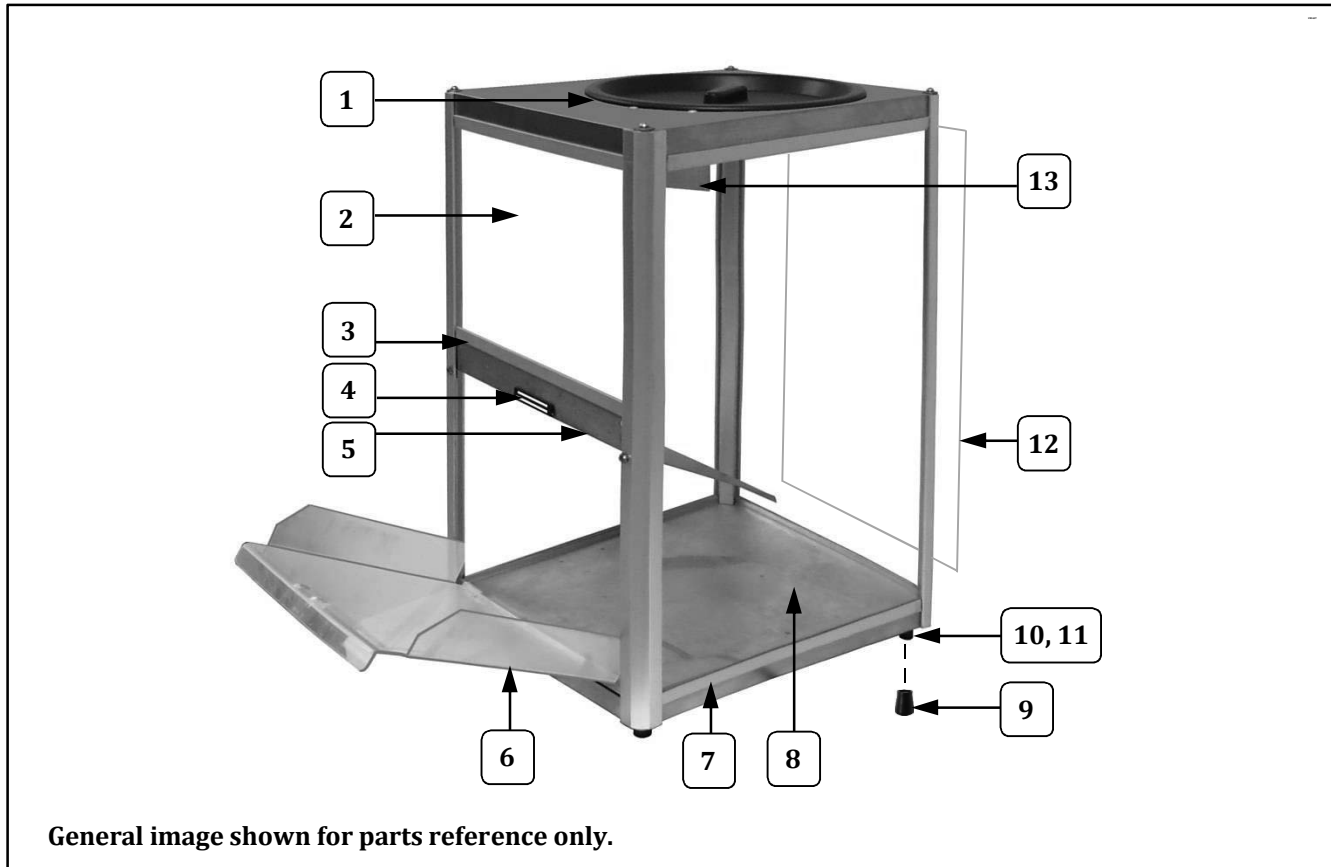
## Cabinet View



Item	Part Description	Part Number	
		2186ST	2188ST
1	LID	100288	100288
2	10 15/16" X 8 17/64" PLEXIGLAS PANEL	40016	40016
3	RETAINING EXTRUSION (10 9/32)	40021	40021
4	MAGNETIC CATCH	47561	47561
5	BAFFLE	40010	40010
6	DROP PANEL	40200	40107
7	RETAINING EXTRUSION (13 9/32)	40039	40039
8	19 13/16" X 13 15/16" PLEXIGLAS PANEL	40013	40013
9	CRUTCH TIP BLACK 70 DURO	49123	49123
10	GLIDE	47328	47328
11	SCREW, 10-24 X 3/4 HXHD	41314	41314
12	19 13/16" X 10 15/16" PLEXIGLAS PANEL	40014	40014
13	BULB PROTECTION L ANGLE	40050	40050



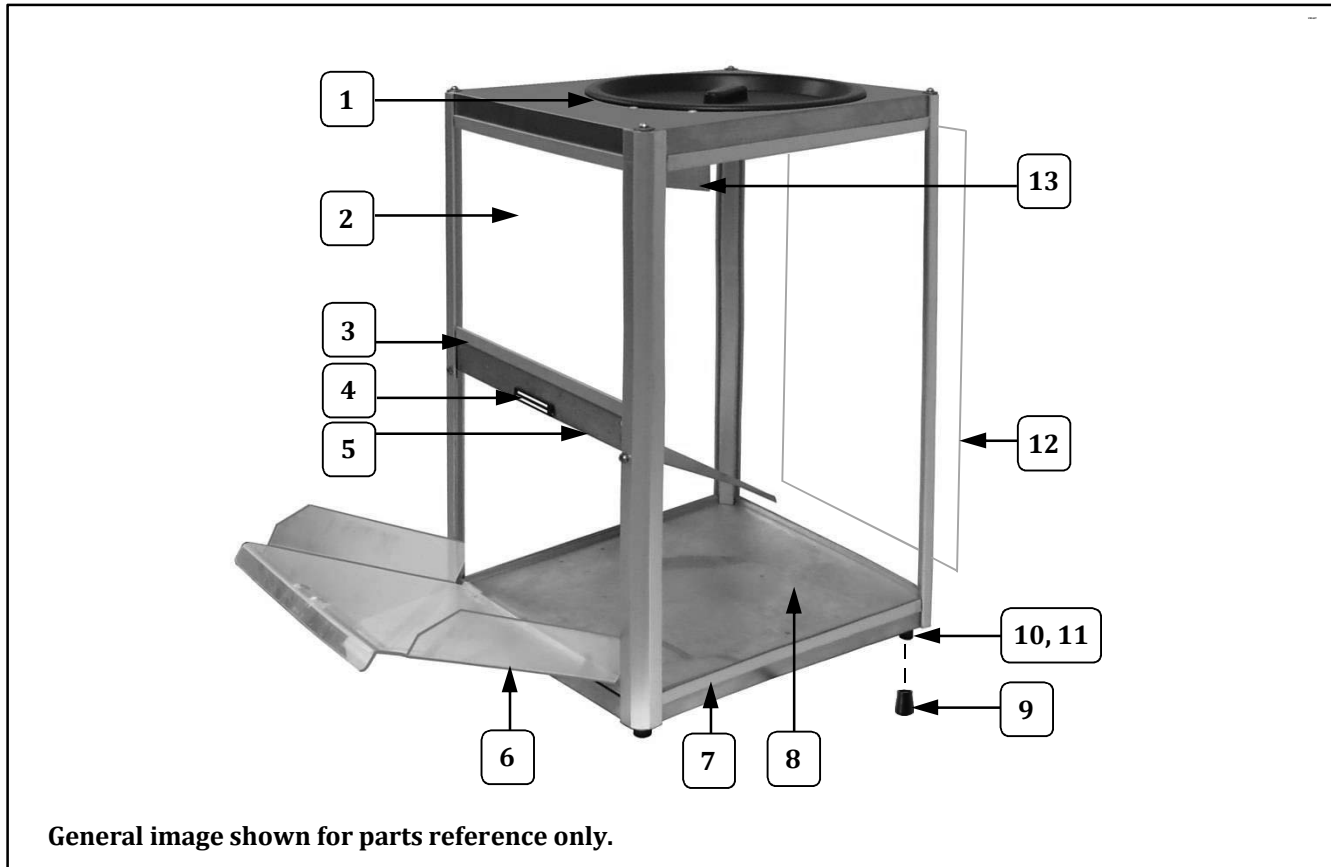
## Cabinet View



Item	Part Description	Part Number	
		2186ST	2188ST
1	LID	100288	100288
2	10 15/16" X 8 17/64" PLEXIGLAS PANEL	40016	40016
3	RETAINING EXTRUSION (10 9/32)	40021	40021
4	MAGNETIC CATCH	47561	47561
5	BAFFLE	40010	40010
6	DROP PANEL	40200	40107
7	RETAINING EXTRUSION (13 9/32)	40039	40039
8	19 13/16" X 13 15/16" PLEXIGLAS PANEL	40013	40013
9	CRUTCH TIP BLACK 70 DURO	49123	49123
10	GLIDE	47328	47328
11	SCREW, 10-24 X 3/4 HXHD	41314	41314
12	19 13/16" X 10 15/16" PLEXIGLAS PANEL	40014	40014
13	BULB PROTECTION L ANGLE	40050	40050



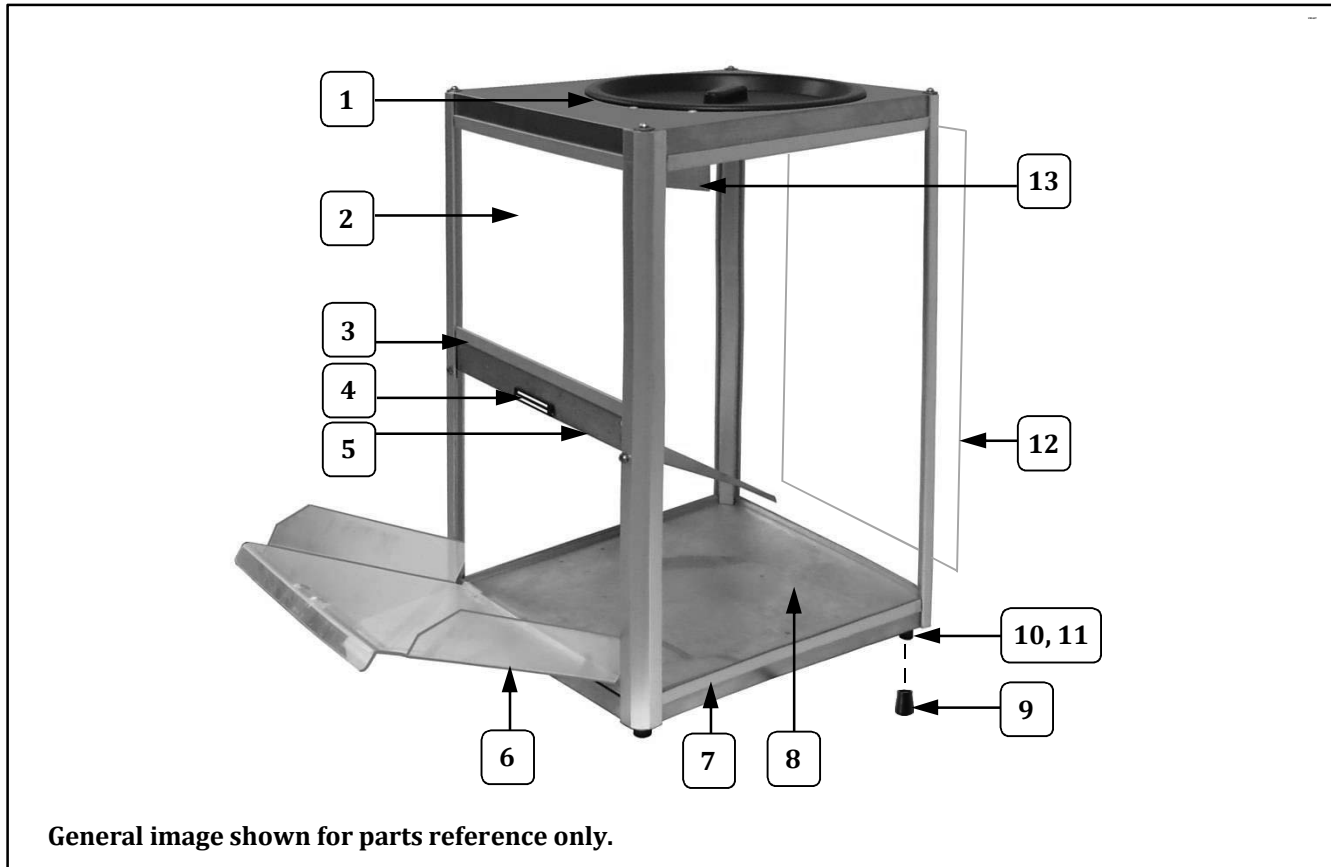
## Cabinet View



Item	Part Description	Part Number	
		2186ST	2188ST
1	LID	100288	100288
2	10 15/16" X 8 17/64" PLEXIGLAS PANEL	40016	40016
3	RETAINING EXTRUSION (10 9/32)	40021	40021
4	MAGNETIC CATCH	47561	47561
5	BAFFLE	40010	40010
6	DROP PANEL	40200	40107
7	RETAINING EXTRUSION (13 9/32)	40039	40039
8	19 13/16" X 13 15/16" PLEXIGLAS PANEL	40013	40013
9	CRUTCH TIP BLACK 70 DURO	49123	49123
10	GLIDE	47328	47328
11	SCREW, 10-24 X 3/4 HXHD	41314	41314
12	19 13/16" X 10 15/16" PLEXIGLAS PANEL	40014	40014
13	BULB PROTECTION L ANGLE	40050	40050



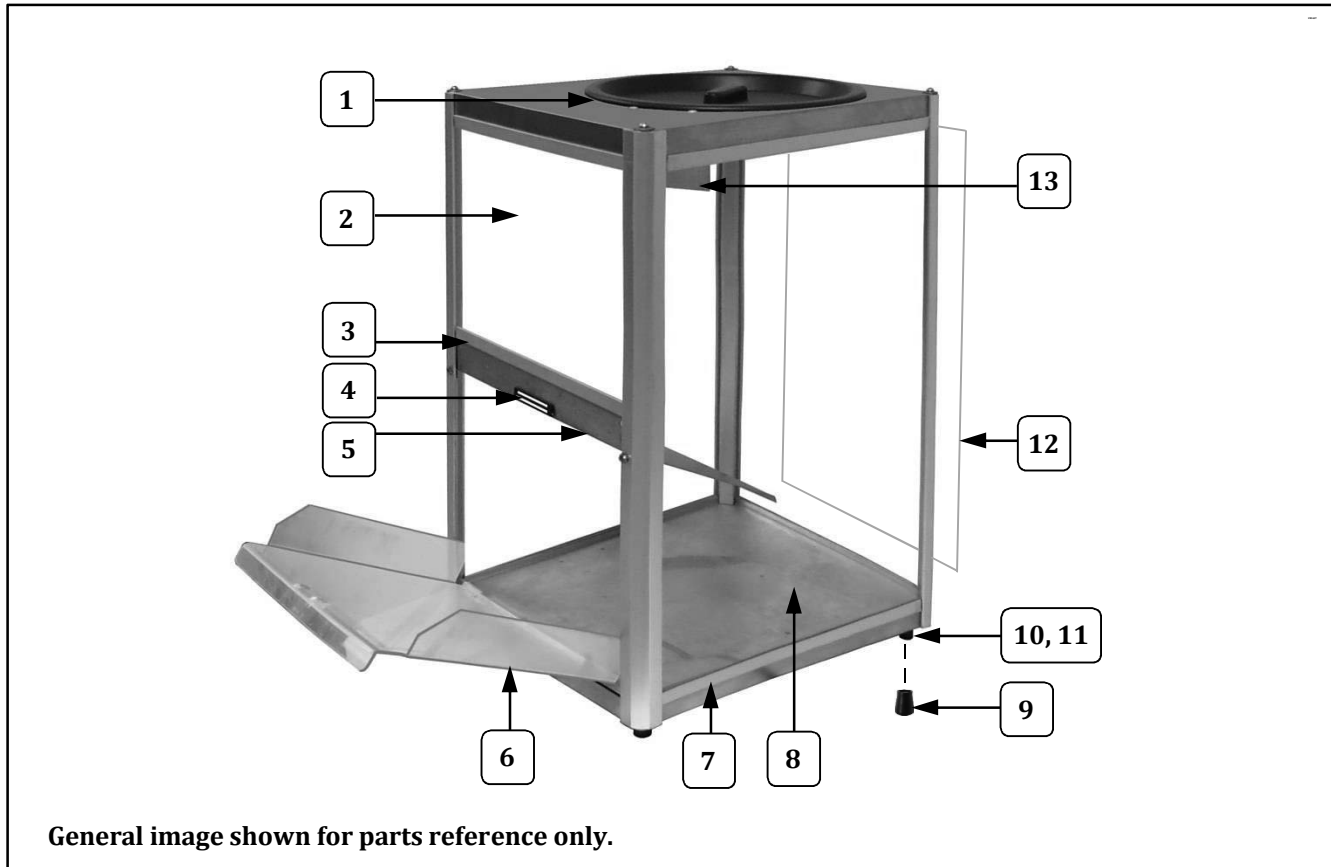
## Cabinet View



Item	Part Description	Part Number	
		2186ST	2188ST
1	LID	100288	100288
2	10 15/16" X 8 17/64" PLEXIGLAS PANEL	40016	40016
3	RETAINING EXTRUSION (10 9/32)	40021	40021
4	MAGNETIC CATCH	47561	47561
5	BAFFLE	40010	40010
6	DROP PANEL	40200	40107
7	RETAINING EXTRUSION (13 9/32)	40039	40039
8	19 13/16" X 13 15/16" PLEXIGLAS PANEL	40013	40013
9	CRUTCH TIP BLACK 70 DURO	49123	49123
10	GLIDE	47328	47328
11	SCREW, 10-24 X 3/4 HXHD	41314	41314
12	19 13/16" X 10 15/16" PLEXIGLAS PANEL	40014	40014
13	BULB PROTECTION L ANGLE	40050	40050



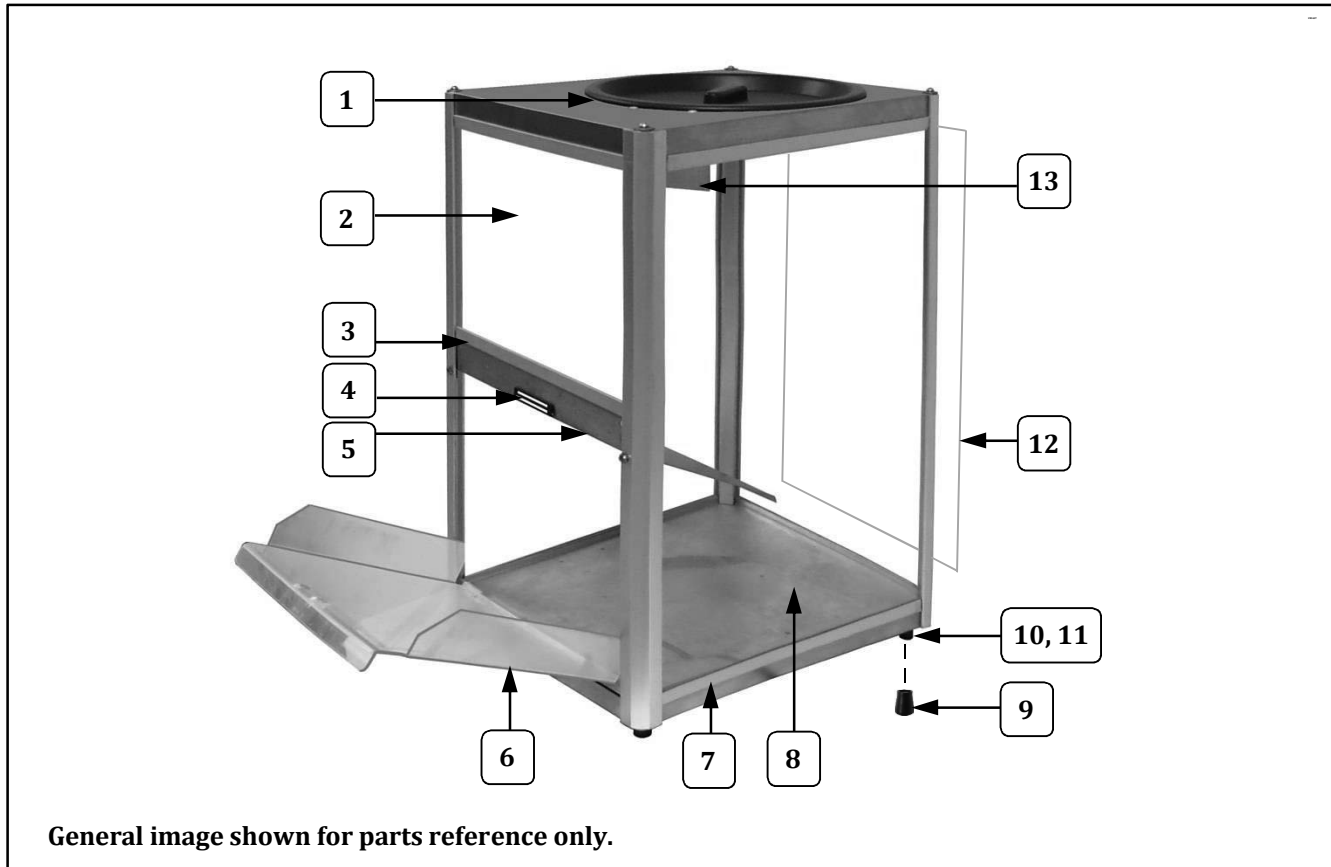
## Cabinet View



Item	Part Description	Part Number	
		2186ST	2188ST
1	LID	100288	100288
2	10 15/16" X 8 17/64" PLEXIGLAS PANEL	40016	40016
3	RETAINING EXTRUSION (10 9/32)	40021	40021
4	MAGNETIC CATCH	47561	47561
5	BAFFLE	40010	40010
6	DROP PANEL	40200	40107
7	RETAINING EXTRUSION (13 9/32)	40039	40039
8	19 13/16" X 13 15/16" PLEXIGLAS PANEL	40013	40013
9	CRUTCH TIP BLACK 70 DURO	49123	49123
10	GLIDE	47328	47328
11	SCREW, 10-24 X 3/4 HXHD	41314	41314
12	19 13/16" X 10 15/16" PLEXIGLAS PANEL	40014	40014
13	BULB PROTECTION L ANGLE	40050	40050



## Cabinet View

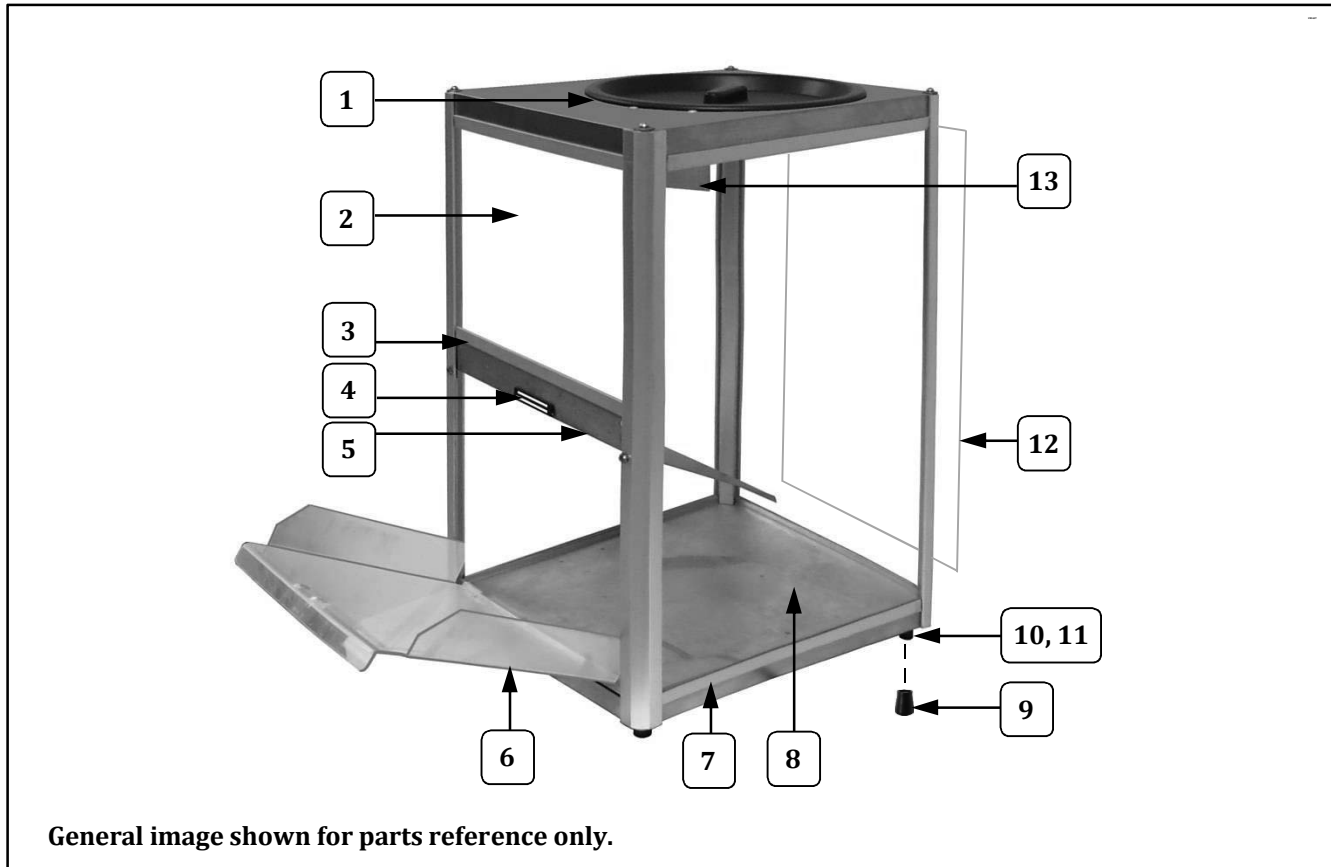


Item	Part Description	Part Number	
		2186ST	2188ST
1	LID	100288	100288
2	10 15/16" X 8 17/64" PLEXIGLAS PANEL	40016	40016
3	RETAINING EXTRUSION (10 9/32)	40021	40021
4	MAGNETIC CATCH	47561	47561
5	BAFFLE	40010	40010
6	DROP PANEL	40200	40107
7	RETAINING EXTRUSION (13 9/32)	40039	40039
8	19 13/16" X 13 15/16" PLEXIGLAS PANEL	40013	40013
9	CRUTCH TIP BLACK 70 DURO	49123	49123
10	GLIDE	47328	47328
11	SCREW, 10-24 X 3/4 HXHD	41314	41314
12	19 13/16" X 10 15/16" PLEXIGLAS PANEL	40014	40014
13	BULB PROTECTION L ANGLE	40050	40050





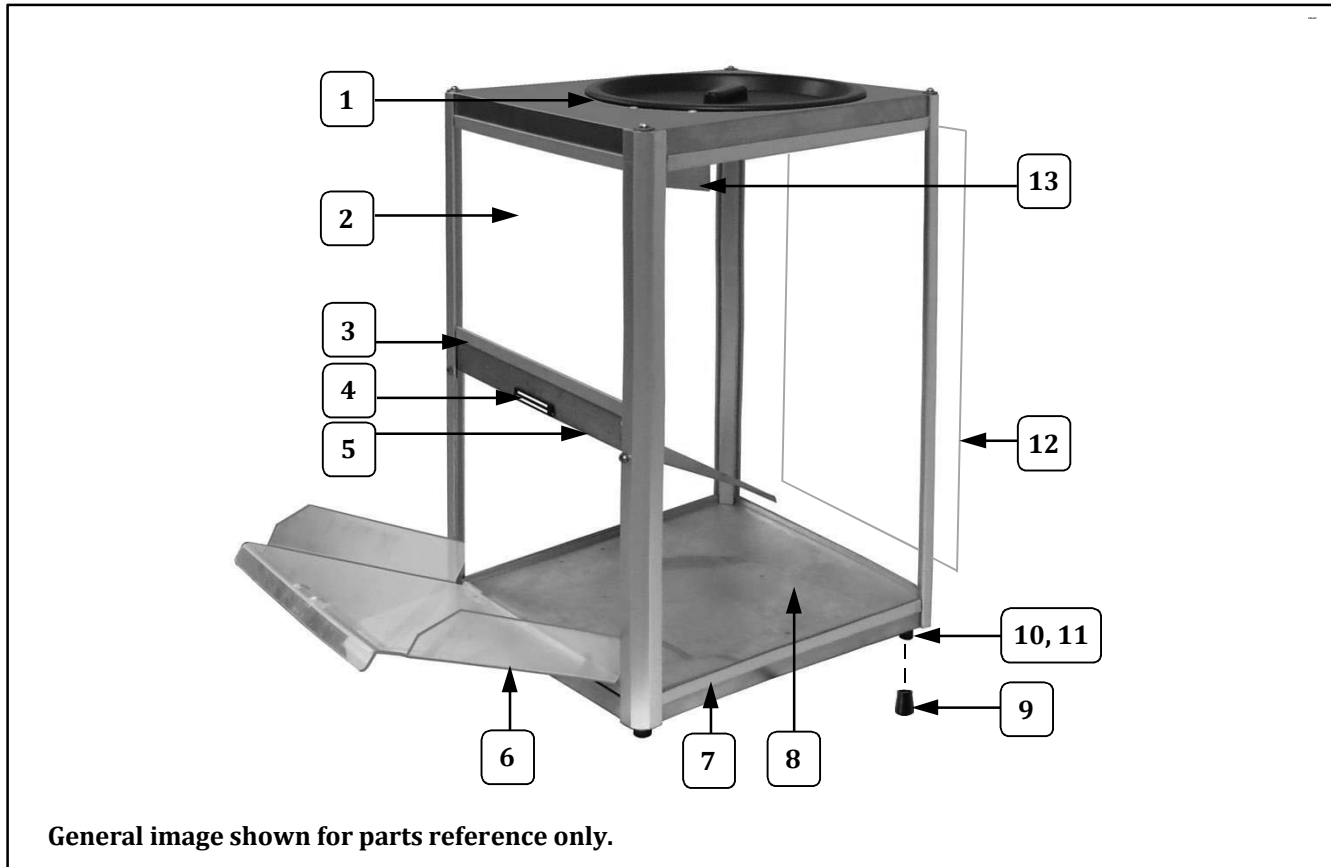
## Cabinet View



Item	Part Description	Part Number	
		2186ST	2188ST
1	LID	100288	100288
2	10 15/16" X 8 17/64" PLEXIGLAS PANEL	40016	40016
3	RETAINING EXTRUSION (10 9/32)	40021	40021
4	MAGNETIC CATCH	47561	47561
5	BAFFLE	40010	40010
6	DROP PANEL	40200	40107
7	RETAINING EXTRUSION (13 9/32)	40039	40039
8	19 13/16" X 13 15/16" PLEXIGLAS PANEL	40013	40013
9	CRUTCH TIP BLACK 70 DURO	49123	49123
10	GLIDE	47328	47328
11	SCREW, 10-24 X 3/4 HXHD	41314	41314
12	19 13/16" X 10 15/16" PLEXIGLAS PANEL	40014	40014
13	BULB PROTECTION L ANGLE	40050	40050



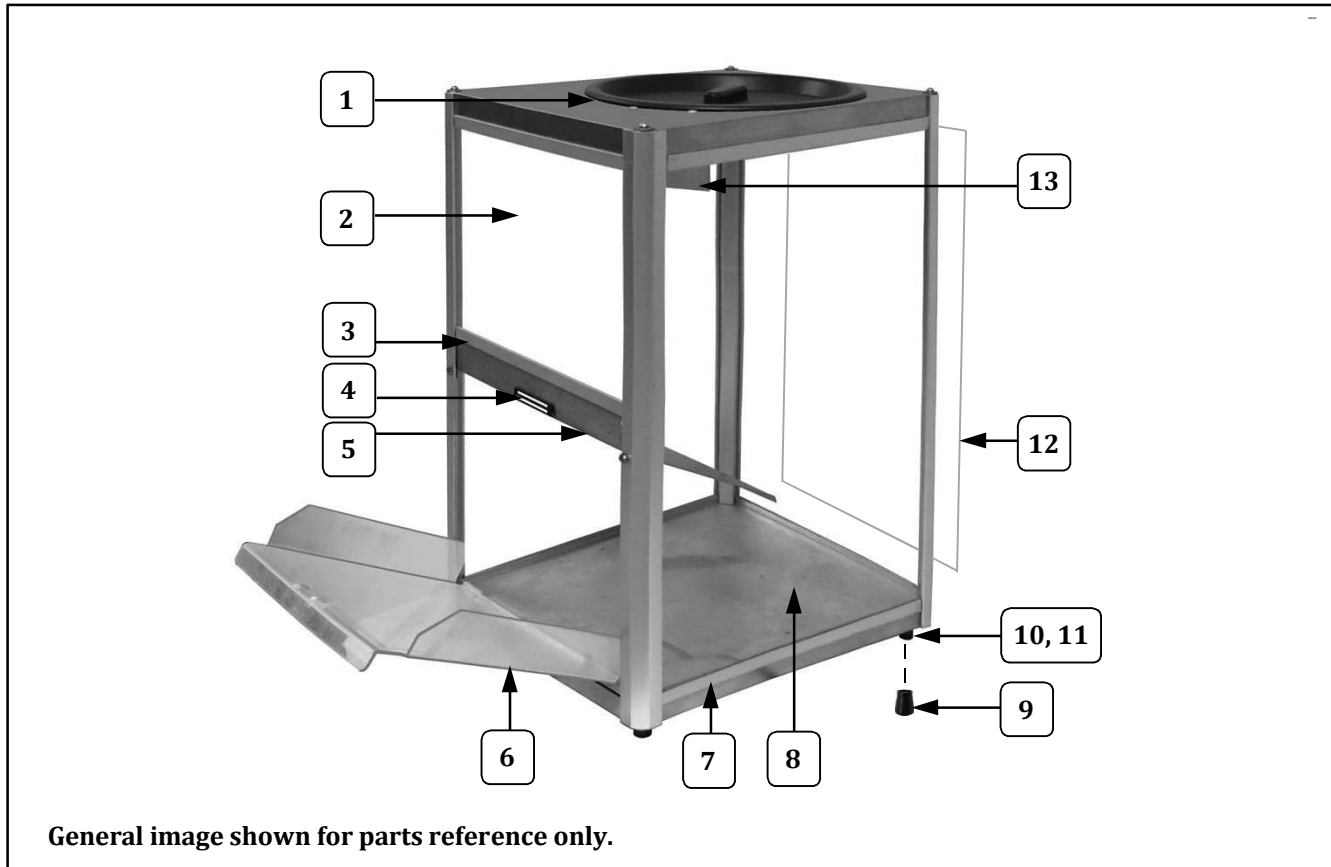
## Cabinet View



Item	Part Description	Part Number	
		2186ST	2188ST
1	LID	100288	100288
2	10 15/16" X 8 17/64" PLEXIGLAS PANEL	40016	40016
3	RETAINING EXTRUSION (10 9/32)	40021	40021
4	MAGNETIC CATCH	47561	47561
5	BAFFLE	40010	40010
6	DROP PANEL	40200	40107
7	RETAINING EXTRUSION (13 9/32)	40039	40039
8	19 13/16" X 13 15/16" PLEXIGLAS PANEL	40013	40013
9	CRUTCH TIP BLACK 70 DURO	49123	49123
10	GLIDE	47328	47328
11	SCREW, 10-24 X 3/4 HXHD	41314	41314
12	19 13/16" X 10 15/16" PLEXIGLAS PANEL	40014	40014
13	BULB PROTECTION L ANGLE	40050	40050



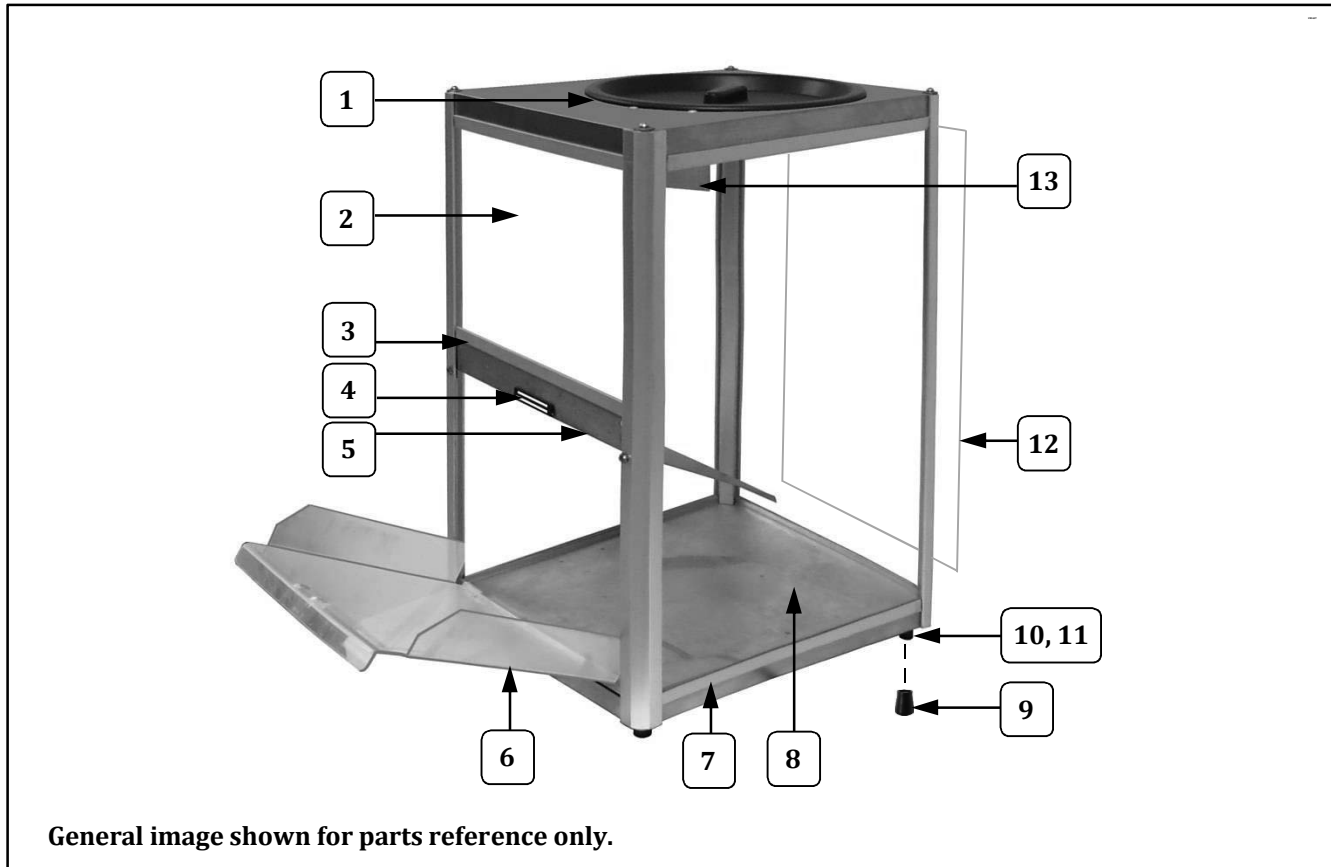
## Cabinet View



Item	Part Description	Part Number	
		2186ST	2188ST
1	LID	100288	100288
2	10 15/16" X 8 17/64" PLEXIGLAS PANEL	40016	40016
3	RETAINING EXTRUSION (10 9/32)	40021	40021
4	MAGNETIC CATCH	47561	47561
5	BAFFLE	40010	40010
6	DROP PANEL	40200	40107
7	RETAINING EXTRUSION (13 9/32)	40039	40039
8	19 13/16" X 13 15/16" PLEXIGLAS PANEL	40013	40013
9	CRUTCH TIP BLACK 70 DURO	49123	49123
10	GLIDE	47328	47328
11	SCREW, 10-24 X 3/4 HXHD	41314	41314
12	19 13/16" X 10 15/16" PLEXIGLAS PANEL	40014	40014
13	BULB PROTECTION L ANGLE	40050	40050



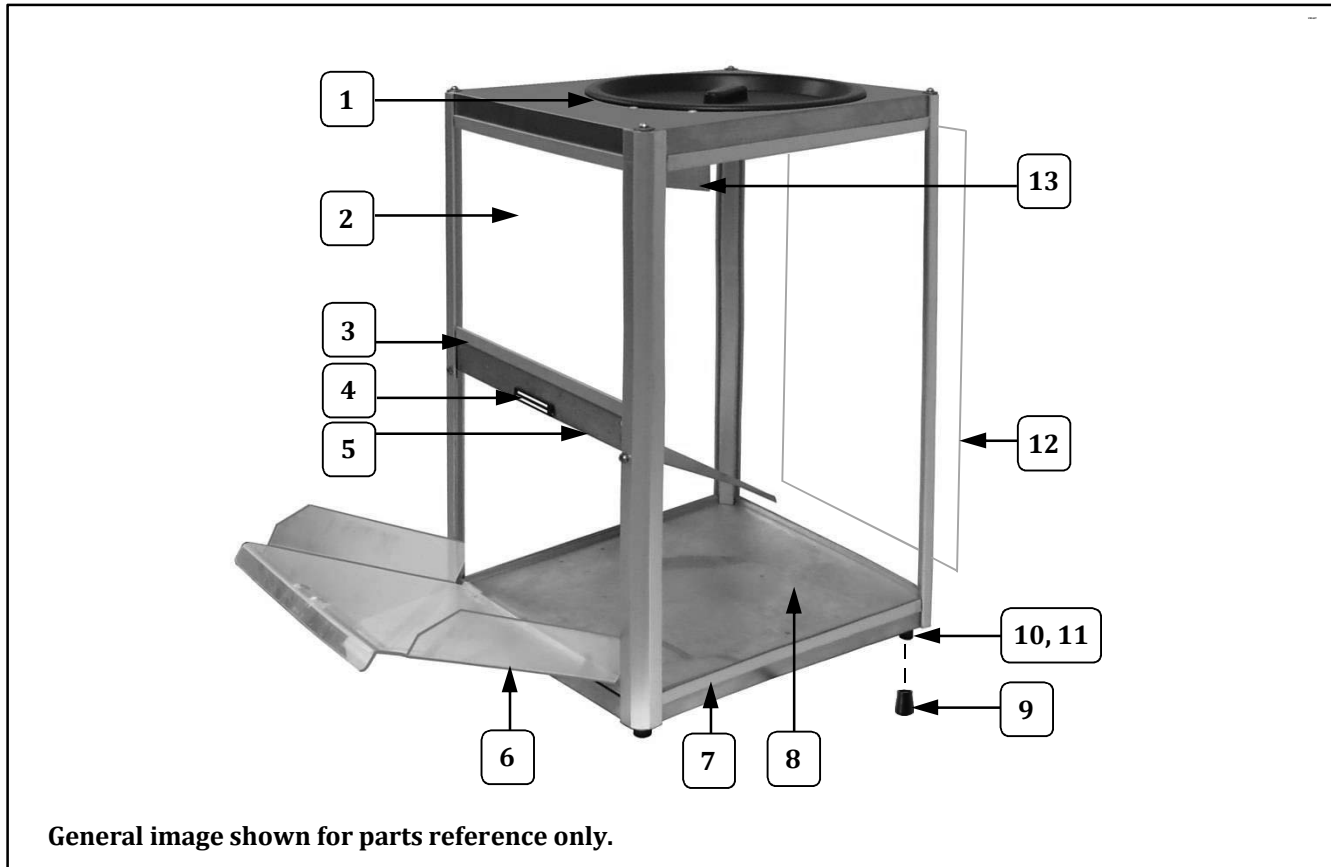
## Cabinet View



Item	Part Description	Part Number	
		2186ST	2188ST
1	LID	100288	100288
2	10 15/16" X 8 17/64" PLEXIGLAS PANEL	40016	40016
3	RETAINING EXTRUSION (10 9/32)	40021	40021
4	MAGNETIC CATCH	47561	47561
5	BAFFLE	40010	40010
6	DROP PANEL	40200	40107
7	RETAINING EXTRUSION (13 9/32)	40039	40039
8	19 13/16" X 13 15/16" PLEXIGLAS PANEL	40013	40013
9	CRUTCH TIP BLACK 70 DURO	49123	49123
10	GLIDE	47328	47328
11	SCREW, 10-24 X 3/4 HXHD	41314	41314
12	19 13/16" X 10 15/16" PLEXIGLAS PANEL	40014	40014
13	BULB PROTECTION L ANGLE	40050	40050



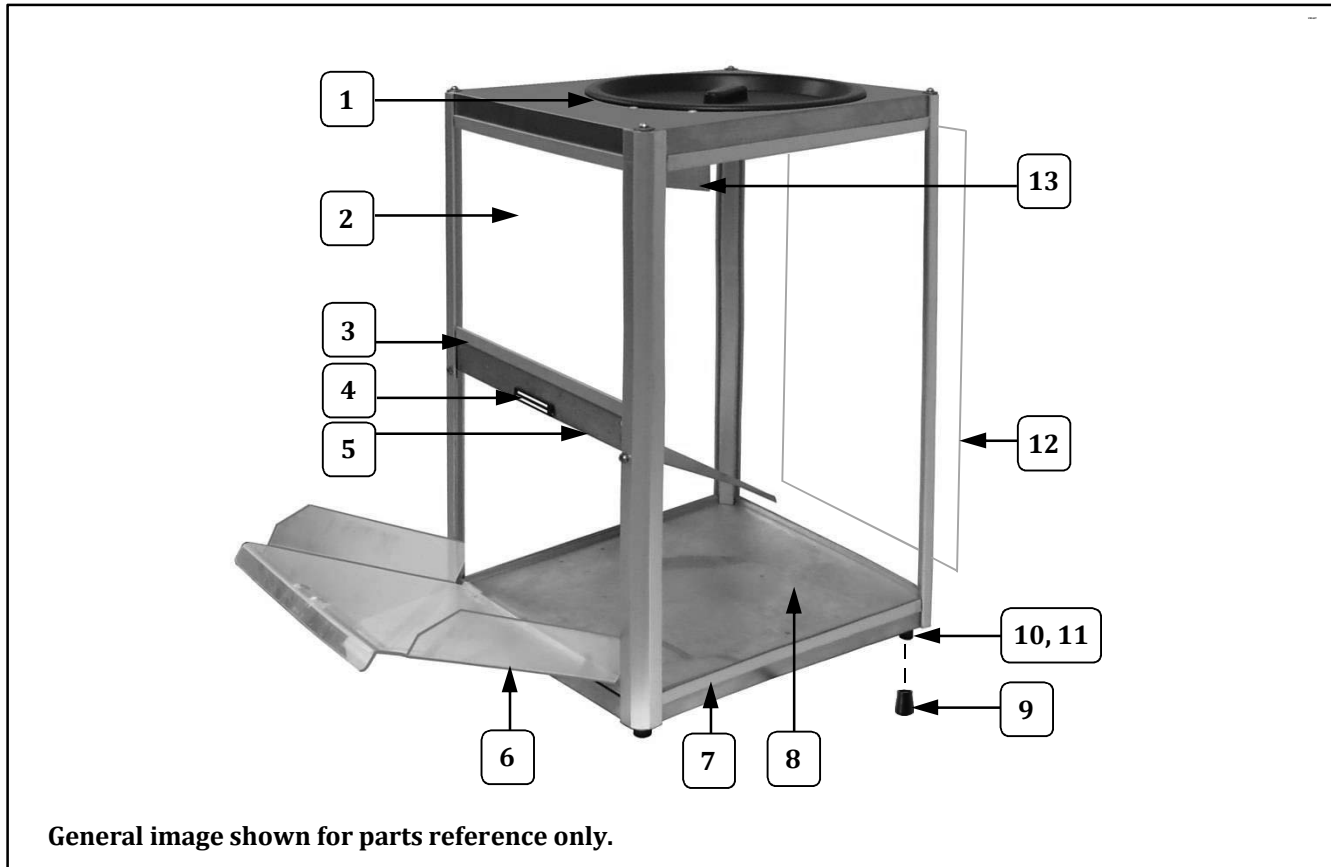
## Cabinet View



Item	Part Description	Part Number	
		2186ST	2188ST
1	LID	100288	100288
2	10 15/16" X 8 17/64" PLEXIGLAS PANEL	40016	40016
3	RETAINING EXTRUSION (10 9/32)	40021	40021
4	MAGNETIC CATCH	47561	47561
5	BAFFLE	40010	40010
6	DROP PANEL	40200	40107
7	RETAINING EXTRUSION (13 9/32)	40039	40039
8	19 13/16" X 13 15/16" PLEXIGLAS PANEL	40013	40013
9	CRUTCH TIP BLACK 70 DURO	49123	49123
10	GLIDE	47328	47328
11	SCREW, 10-24 X 3/4 HXHD	41314	41314
12	19 13/16" X 10 15/16" PLEXIGLAS PANEL	40014	40014
13	BULB PROTECTION L ANGLE	40050	40050



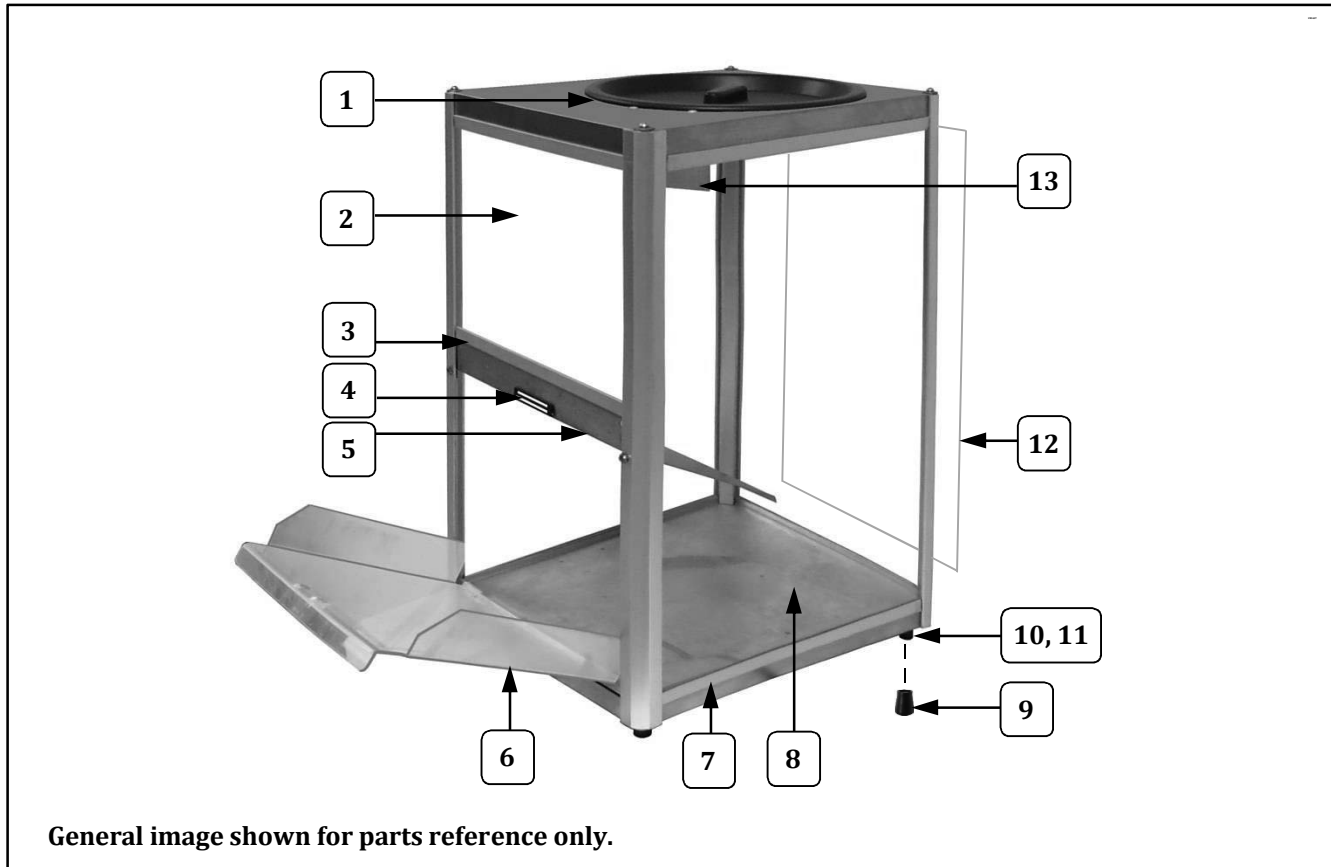
## Cabinet View



Item	Part Description	Part Number	
		2186ST	2188ST
1	LID	100288	100288
2	10 15/16" X 8 17/64" PLEXIGLAS PANEL	40016	40016
3	RETAINING EXTRUSION (10 9/32)	40021	40021
4	MAGNETIC CATCH	47561	47561
5	BAFFLE	40010	40010
6	DROP PANEL	40200	40107
7	RETAINING EXTRUSION (13 9/32)	40039	40039
8	19 13/16" X 13 15/16" PLEXIGLAS PANEL	40013	40013
9	CRUTCH TIP BLACK 70 DURO	49123	49123
10	GLIDE	47328	47328
11	SCREW, 10-24 X 3/4 HXHD	41314	41314
12	19 13/16" X 10 15/16" PLEXIGLAS PANEL	40014	40014
13	BULB PROTECTION L ANGLE	40050	40050



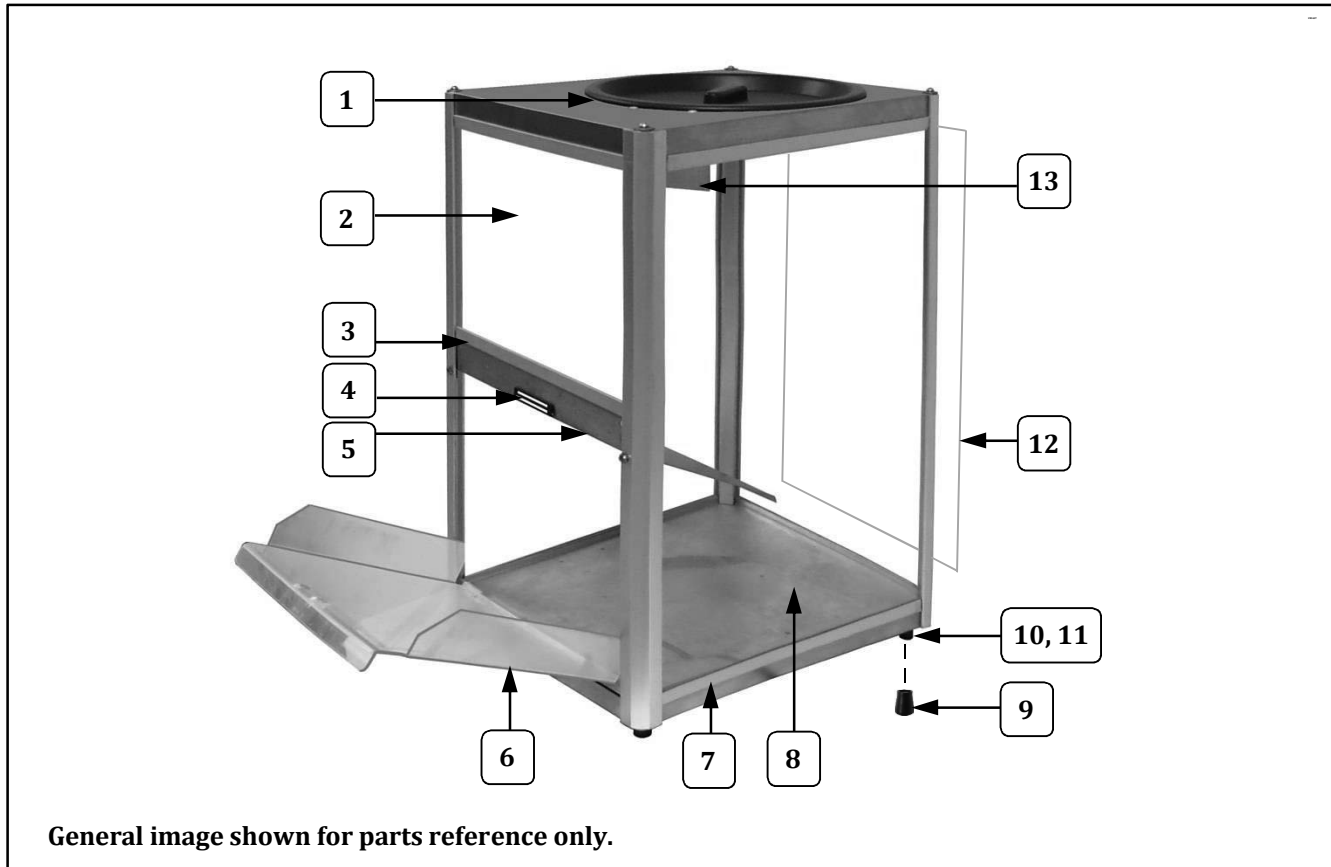
## Cabinet View



Item	Part Description	Part Number	
		2186ST	2188ST
1	LID	100288	100288
2	10 15/16" X 8 17/64" PLEXIGLAS PANEL	40016	40016
3	RETAINING EXTRUSION (10 9/32)	40021	40021
4	MAGNETIC CATCH	47561	47561
5	BAFFLE	40010	40010
6	DROP PANEL	40200	40107
7	RETAINING EXTRUSION (13 9/32)	40039	40039
8	19 13/16" X 13 15/16" PLEXIGLAS PANEL	40013	40013
9	CRUTCH TIP BLACK 70 DURO	49123	49123
10	GLIDE	47328	47328
11	SCREW, 10-24 X 3/4 HXHD	41314	41314
12	19 13/16" X 10 15/16" PLEXIGLAS PANEL	40014	40014
13	BULB PROTECTION L ANGLE	40050	40050



## Cabinet View

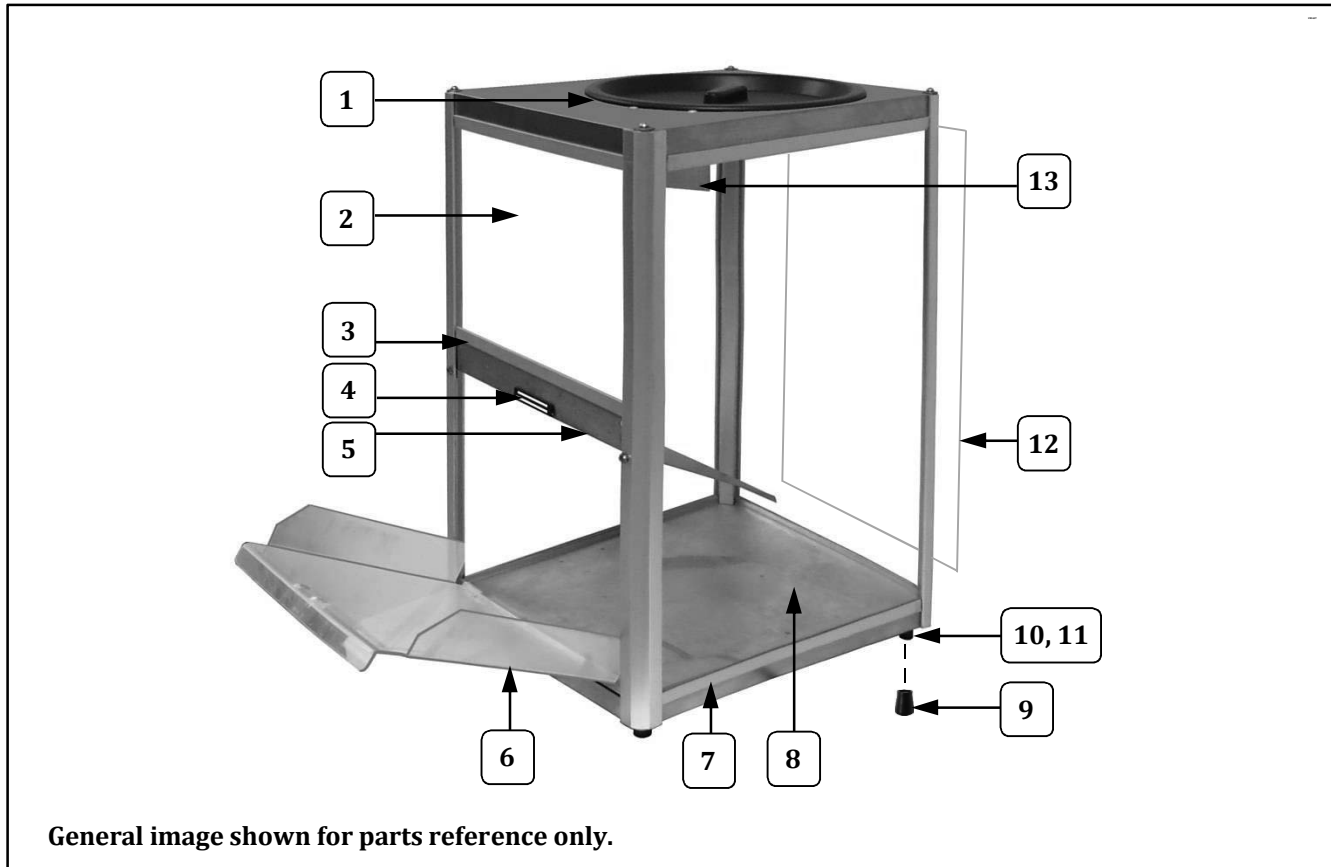


Item	Part Description	Part Number	
		2186ST	2188ST
1	LID	100288	100288
2	10 15/16" X 8 17/64" PLEXIGLAS PANEL	40016	40016
3	RETAINING EXTRUSION (10 9/32)	40021	40021
4	MAGNETIC CATCH	47561	47561
5	BAFFLE	40010	40010
6	DROP PANEL	40200	40107
7	RETAINING EXTRUSION (13 9/32)	40039	40039
8	19 13/16" X 13 15/16" PLEXIGLAS PANEL	40013	40013
9	CRUTCH TIP BLACK 70 DURO	49123	49123
10	GLIDE	47328	47328
11	SCREW, 10-24 X 3/4 HXHD	41314	41314
12	19 13/16" X 10 15/16" PLEXIGLAS PANEL	40014	40014
13	BULB PROTECTION L ANGLE	40050	40050





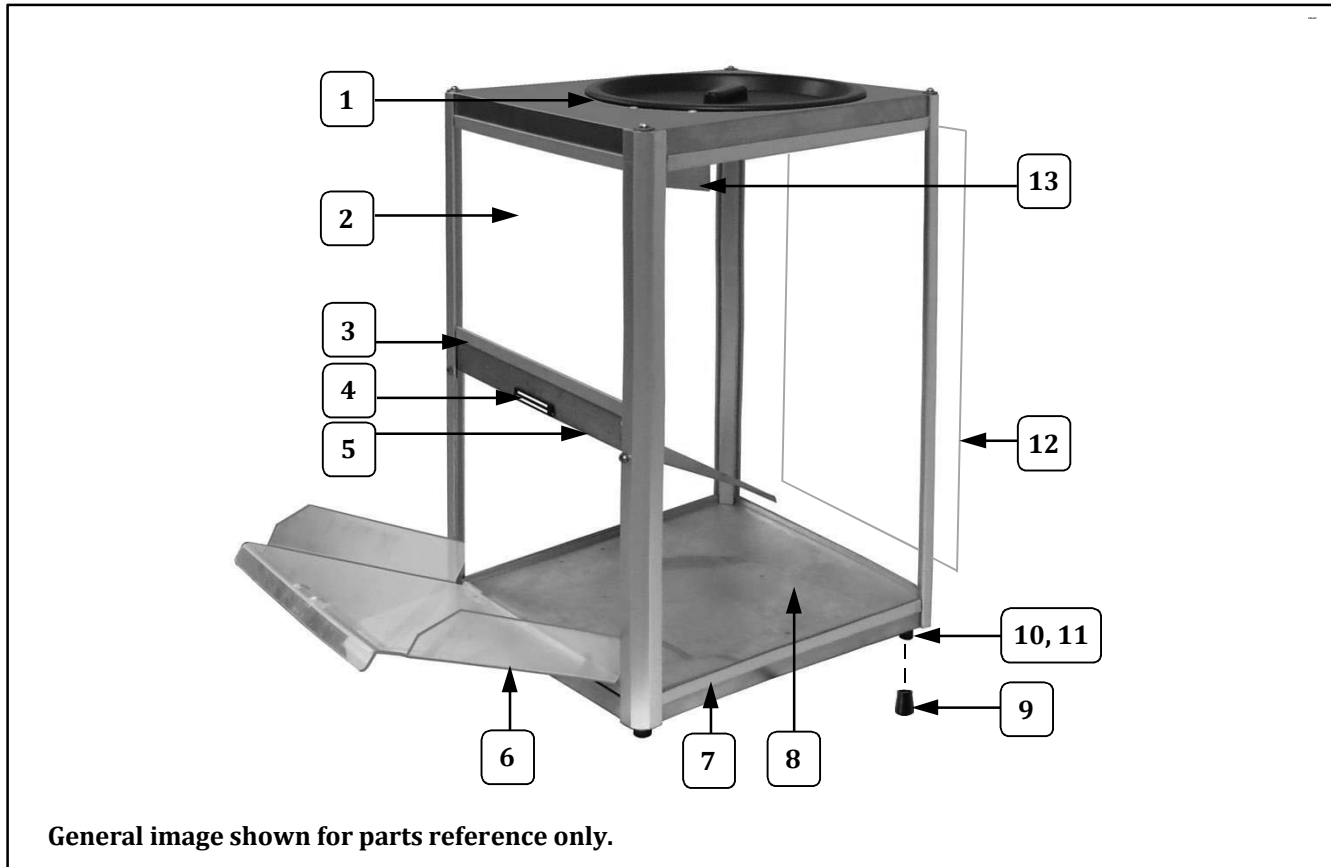
## Cabinet View



Item	Part Description	Part Number	
		2186ST	2188ST
1	LID	100288	100288
2	10 15/16" X 8 17/64" PLEXIGLAS PANEL	40016	40016
3	RETAINING EXTRUSION (10 9/32)	40021	40021
4	MAGNETIC CATCH	47561	47561
5	BAFFLE	40010	40010
6	DROP PANEL	40200	40107
7	RETAINING EXTRUSION (13 9/32)	40039	40039
8	19 13/16" X 13 15/16" PLEXIGLAS PANEL	40013	40013
9	CRUTCH TIP BLACK 70 DURO	49123	49123
10	GLIDE	47328	47328
11	SCREW, 10-24 X 3/4 HXHD	41314	41314
12	19 13/16" X 10 15/16" PLEXIGLAS PANEL	40014	40014
13	BULB PROTECTION L ANGLE	40050	40050



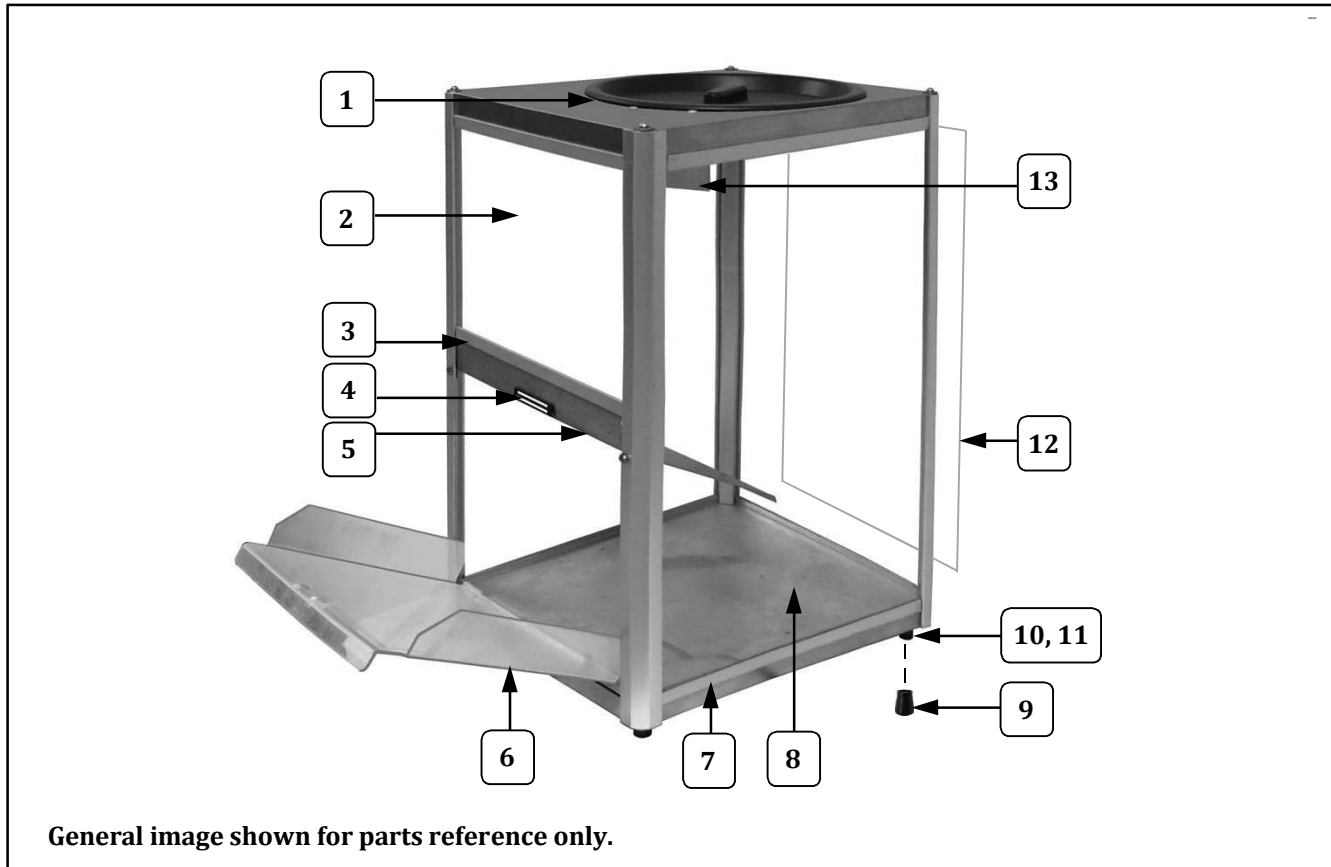
## Cabinet View



Item	Part Description	Part Number	
		2186ST	2188ST
1	LID	100288	100288
2	10 15/16" X 8 17/64" PLEXIGLAS PANEL	40016	40016
3	RETAINING EXTRUSION (10 9/32)	40021	40021
4	MAGNETIC CATCH	47561	47561
5	BAFFLE	40010	40010
6	DROP PANEL	40200	40107
7	RETAINING EXTRUSION (13 9/32)	40039	40039
8	19 13/16" X 13 15/16" PLEXIGLAS PANEL	40013	40013
9	CRUTCH TIP BLACK 70 DURO	49123	49123
10	GLIDE	47328	47328
11	SCREW, 10-24 X 3/4 HXHD	41314	41314
12	19 13/16" X 10 15/16" PLEXIGLAS PANEL	40014	40014
13	BULB PROTECTION L ANGLE	40050	40050



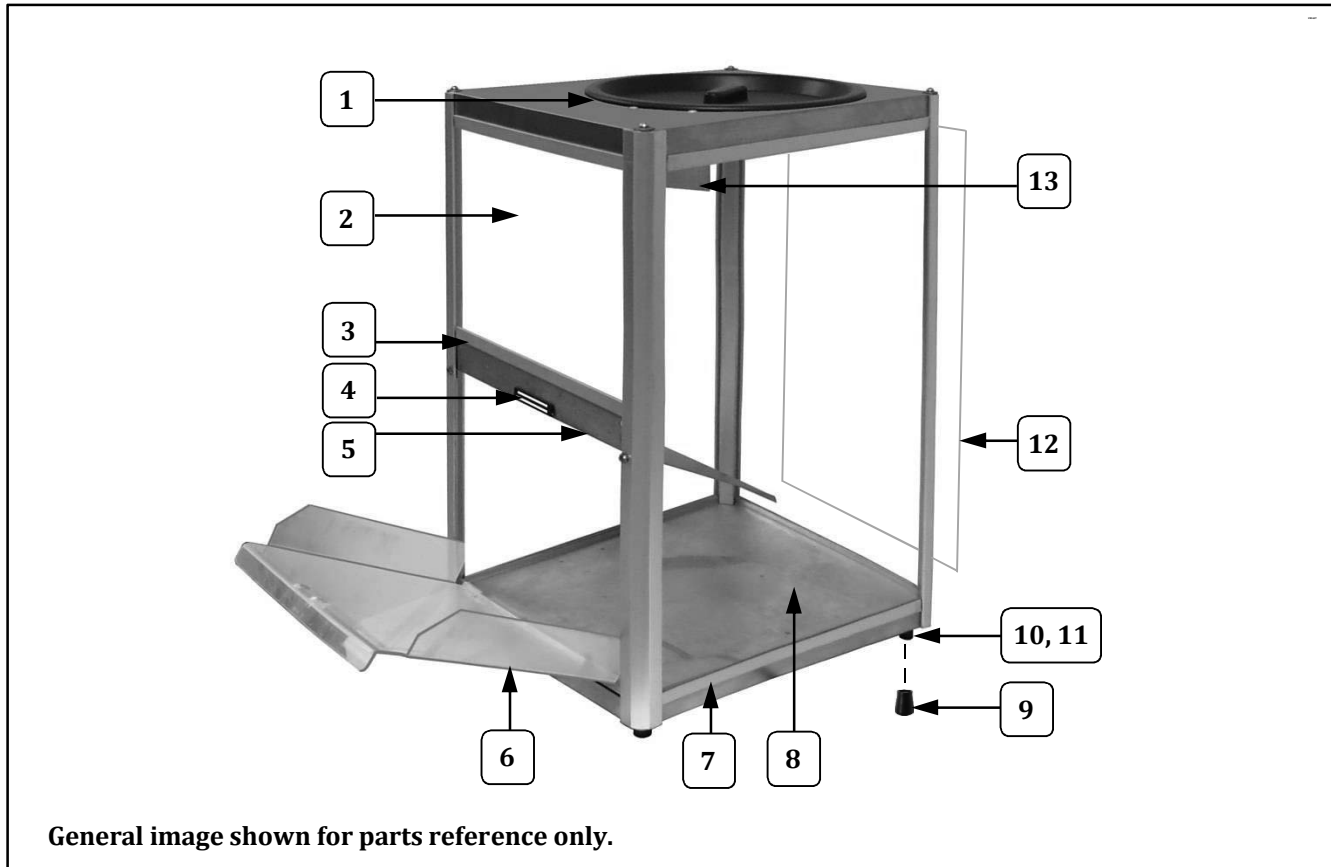
## Cabinet View



Item	Part Description	Part Number	
		2186ST	2188ST
1	LID	100288	100288
2	10 15/16" X 8 17/64" PLEXIGLAS PANEL	40016	40016
3	RETAINING EXTRUSION (10 9/32)	40021	40021
4	MAGNETIC CATCH	47561	47561
5	BAFFLE	40010	40010
6	DROP PANEL	40200	40107
7	RETAINING EXTRUSION (13 9/32)	40039	40039
8	19 13/16" X 13 15/16" PLEXIGLAS PANEL	40013	40013
9	CRUTCH TIP BLACK 70 DURO	49123	49123
10	GLIDE	47328	47328
11	SCREW, 10-24 X 3/4 HXHD	41314	41314
12	19 13/16" X 10 15/16" PLEXIGLAS PANEL	40014	40014
13	BULB PROTECTION L ANGLE	40050	40050



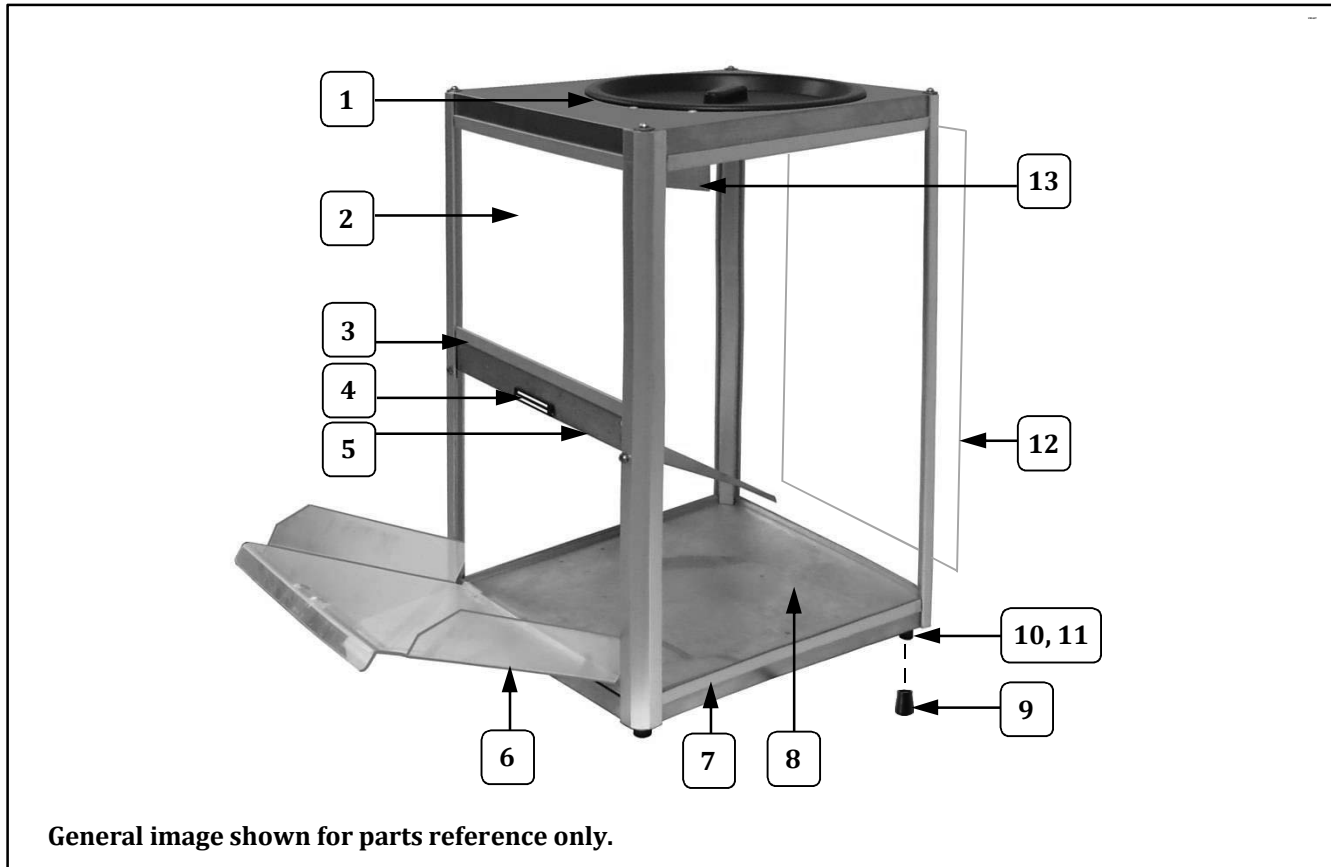
## Cabinet View



Item	Part Description	Part Number	
		2186ST	2188ST
1	LID	100288	100288
2	10 15/16" X 8 17/64" PLEXIGLAS PANEL	40016	40016
3	RETAINING EXTRUSION (10 9/32)	40021	40021
4	MAGNETIC CATCH	47561	47561
5	BAFFLE	40010	40010
6	DROP PANEL	40200	40107
7	RETAINING EXTRUSION (13 9/32)	40039	40039
8	19 13/16" X 13 15/16" PLEXIGLAS PANEL	40013	40013
9	CRUTCH TIP BLACK 70 DURO	49123	49123
10	GLIDE	47328	47328
11	SCREW, 10-24 X 3/4 HXHD	41314	41314
12	19 13/16" X 10 15/16" PLEXIGLAS PANEL	40014	40014
13	BULB PROTECTION L ANGLE	40050	40050



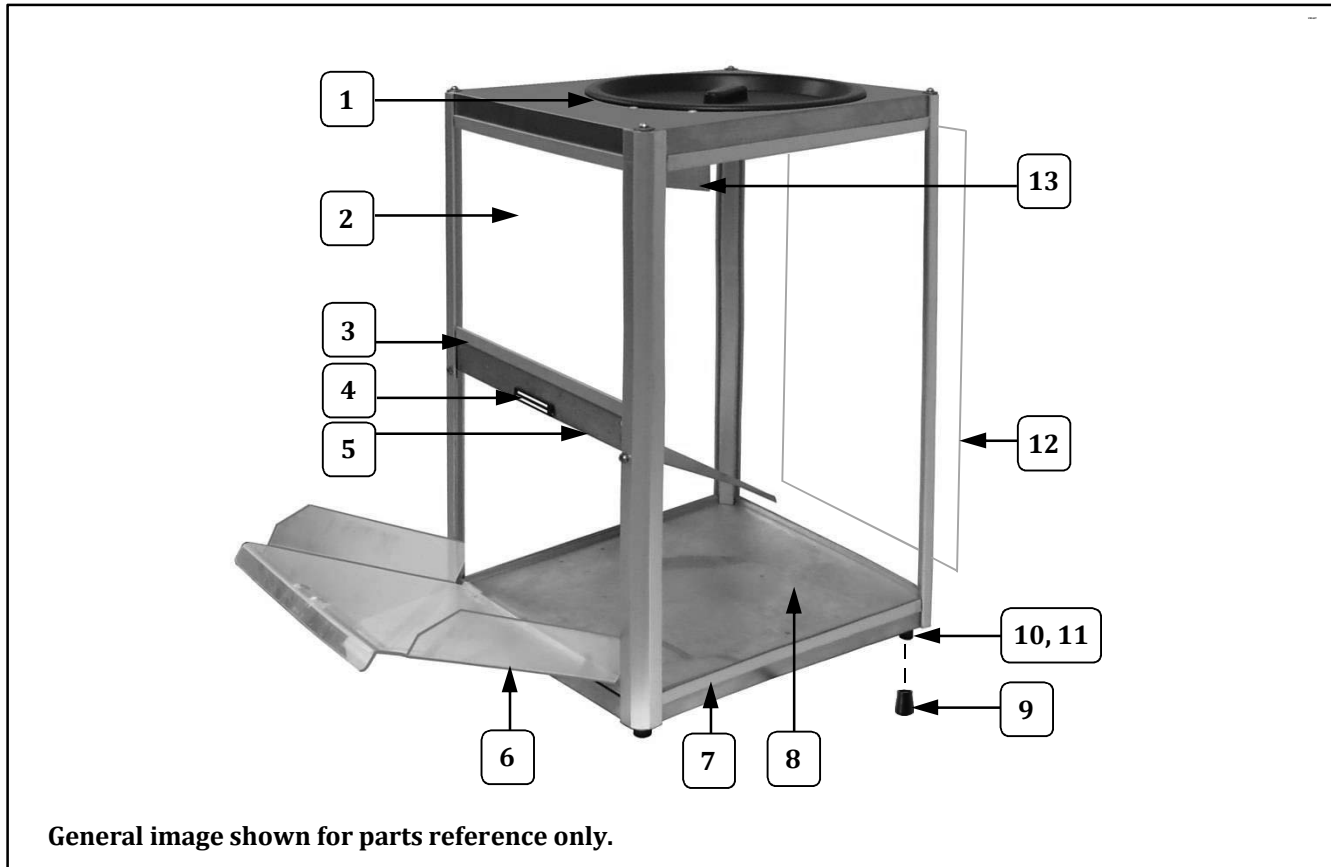
## Cabinet View



Item	Part Description	Part Number	
		2186ST	2188ST
1	LID	100288	100288
2	10 15/16" X 8 17/64" PLEXIGLAS PANEL	40016	40016
3	RETAINING EXTRUSION (10 9/32)	40021	40021
4	MAGNETIC CATCH	47561	47561
5	BAFFLE	40010	40010
6	DROP PANEL	40200	40107
7	RETAINING EXTRUSION (13 9/32)	40039	40039
8	19 13/16" X 13 15/16" PLEXIGLAS PANEL	40013	40013
9	CRUTCH TIP BLACK 70 DURO	49123	49123
10	GLIDE	47328	47328
11	SCREW, 10-24 X 3/4 HXHD	41314	41314
12	19 13/16" X 10 15/16" PLEXIGLAS PANEL	40014	40014
13	BULB PROTECTION L ANGLE	40050	40050



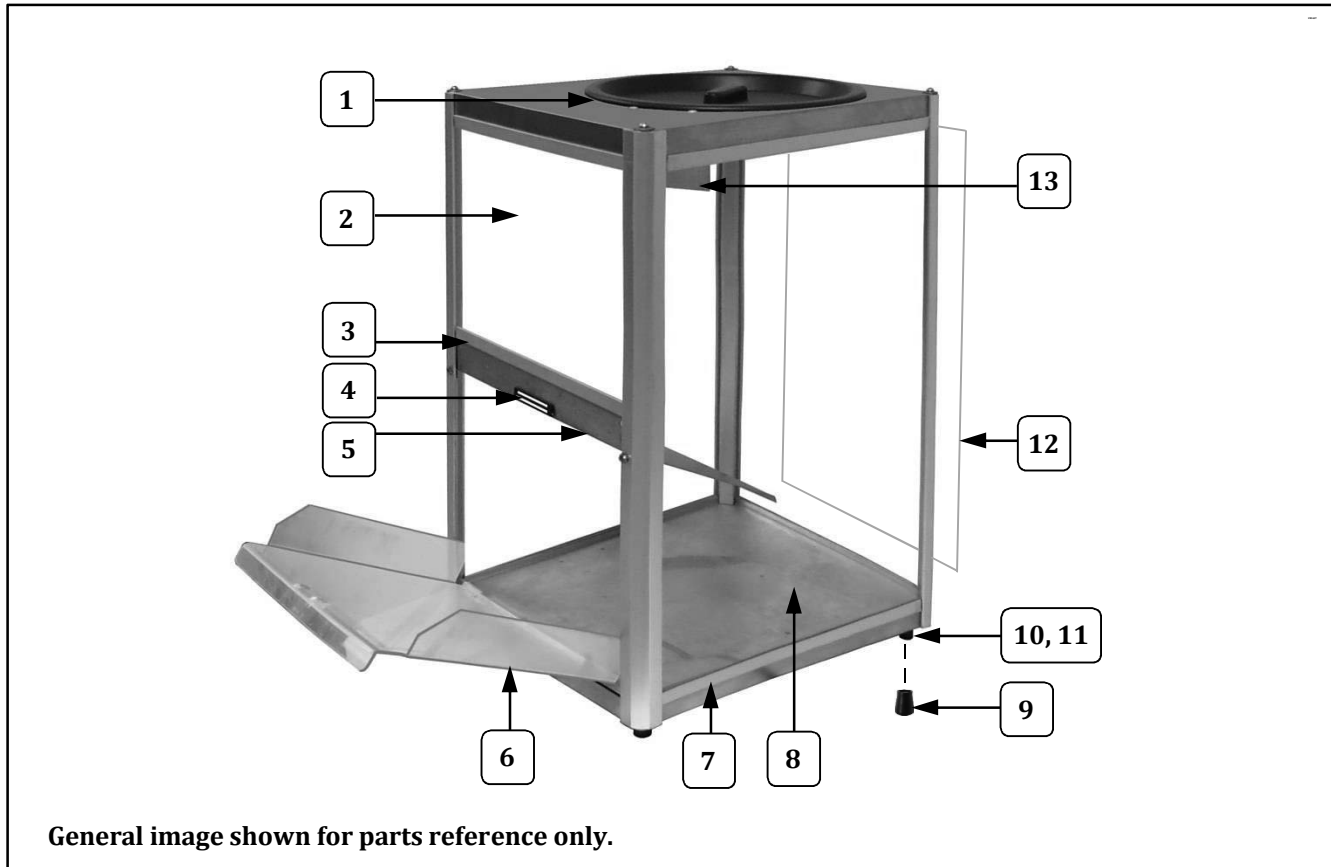
## Cabinet View



Item	Part Description	Part Number	
		2186ST	2188ST
1	LID	100288	100288
2	10 15/16" X 8 17/64" PLEXIGLAS PANEL	40016	40016
3	RETAINING EXTRUSION (10 9/32)	40021	40021
4	MAGNETIC CATCH	47561	47561
5	BAFFLE	40010	40010
6	DROP PANEL	40200	40107
7	RETAINING EXTRUSION (13 9/32)	40039	40039
8	19 13/16" X 13 15/16" PLEXIGLAS PANEL	40013	40013
9	CRUTCH TIP BLACK 70 DURO	49123	49123
10	GLIDE	47328	47328
11	SCREW, 10-24 X 3/4 HXHD	41314	41314
12	19 13/16" X 10 15/16" PLEXIGLAS PANEL	40014	40014
13	BULB PROTECTION L ANGLE	40050	40050



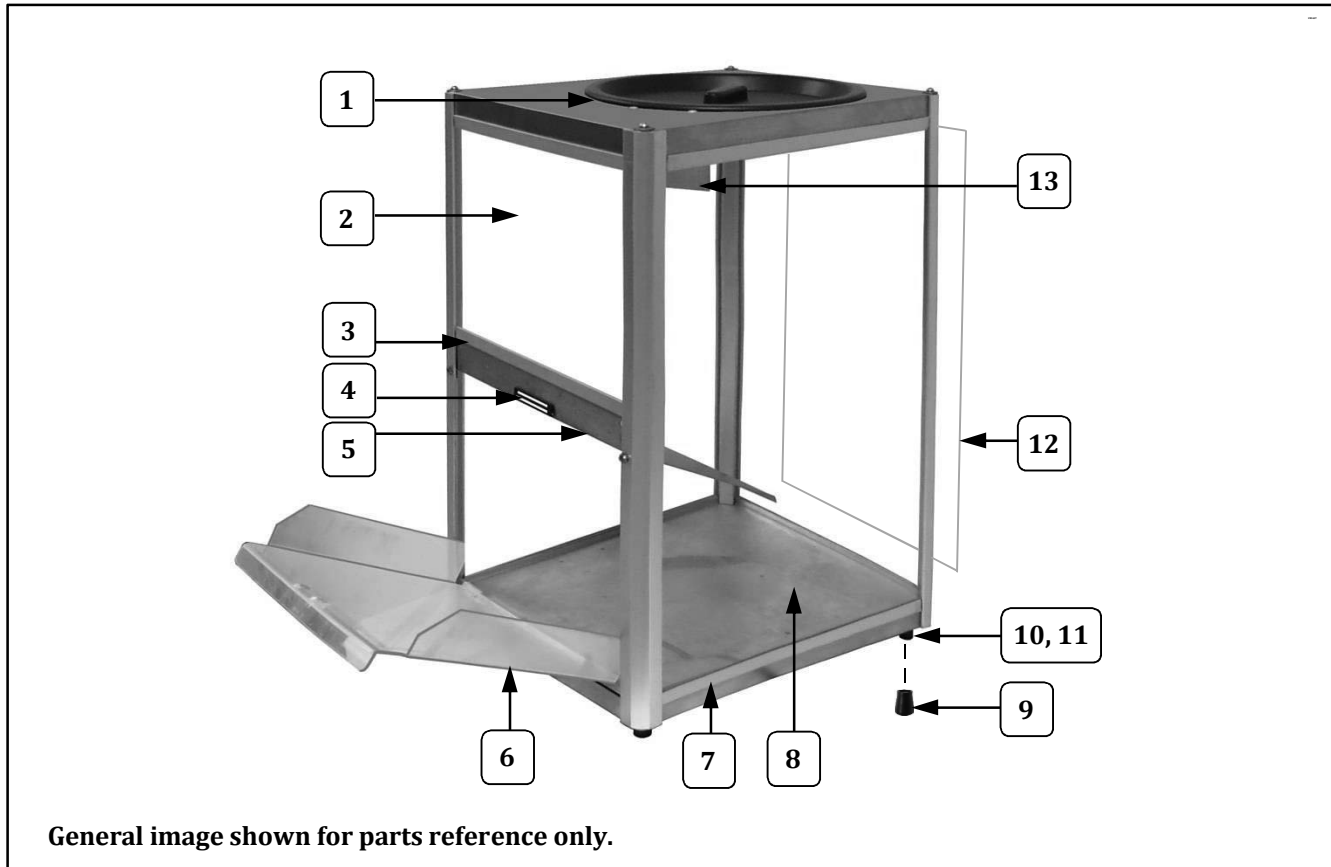
## Cabinet View



Item	Part Description	Part Number	
		2186ST	2188ST
1	LID	100288	100288
2	10 15/16" X 8 17/64" PLEXIGLAS PANEL	40016	40016
3	RETAINING EXTRUSION (10 9/32)	40021	40021
4	MAGNETIC CATCH	47561	47561
5	BAFFLE	40010	40010
6	DROP PANEL	40200	40107
7	RETAINING EXTRUSION (13 9/32)	40039	40039
8	19 13/16" X 13 15/16" PLEXIGLAS PANEL	40013	40013
9	CRUTCH TIP BLACK 70 DURO	49123	49123
10	GLIDE	47328	47328
11	SCREW, 10-24 X 3/4 HXHD	41314	41314
12	19 13/16" X 10 15/16" PLEXIGLAS PANEL	40014	40014
13	BULB PROTECTION L ANGLE	40050	40050



## Cabinet View

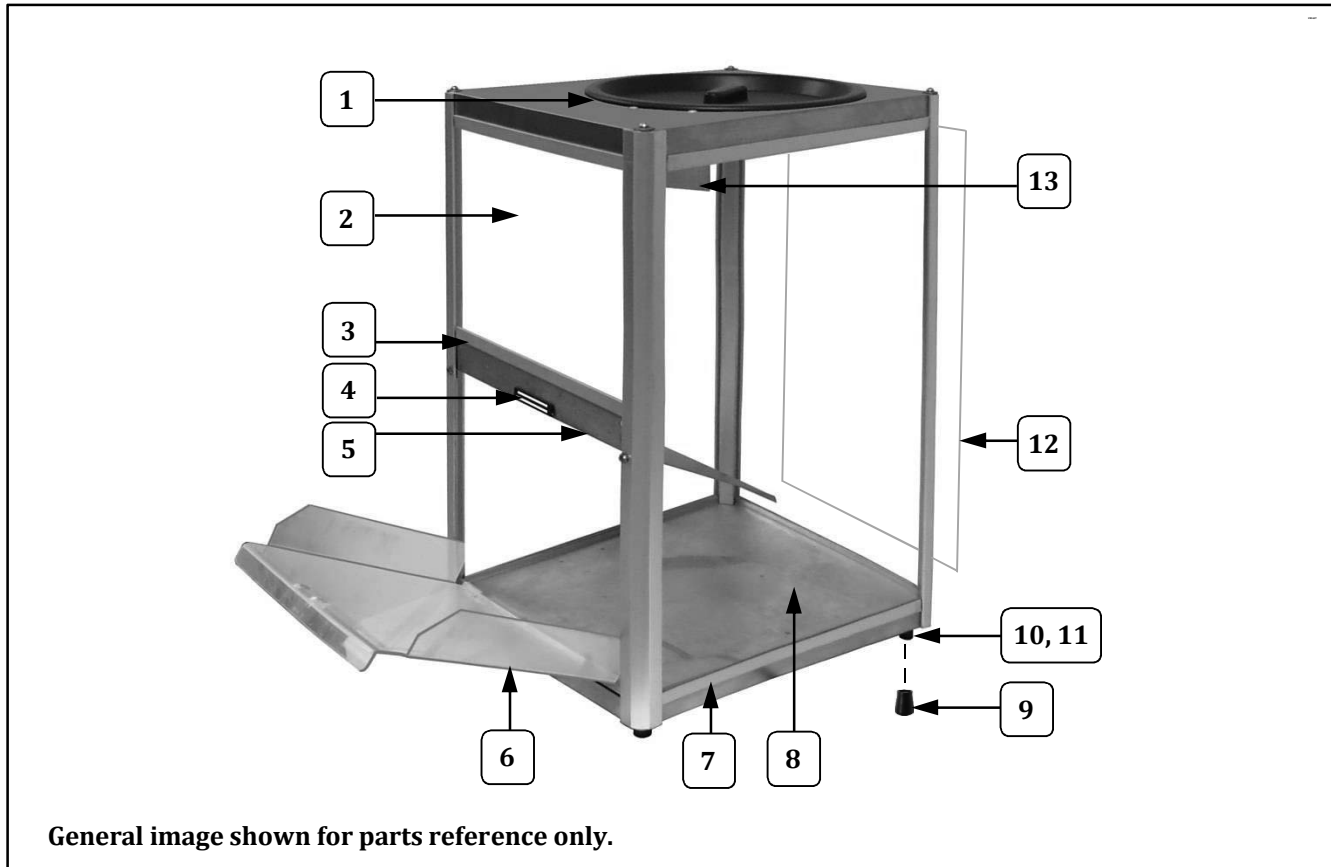


Item	Part Description	Part Number	
		2186ST	2188ST
1	LID	100288	100288
2	10 15/16" X 8 17/64" PLEXIGLAS PANEL	40016	40016
3	RETAINING EXTRUSION (10 9/32)	40021	40021
4	MAGNETIC CATCH	47561	47561
5	BAFFLE	40010	40010
6	DROP PANEL	40200	40107
7	RETAINING EXTRUSION (13 9/32)	40039	40039
8	19 13/16" X 13 15/16" PLEXIGLAS PANEL	40013	40013
9	CRUTCH TIP BLACK 70 DURO	49123	49123
10	GLIDE	47328	47328
11	SCREW, 10-24 X 3/4 HXHD	41314	41314
12	19 13/16" X 10 15/16" PLEXIGLAS PANEL	40014	40014
13	BULB PROTECTION L ANGLE	40050	40050





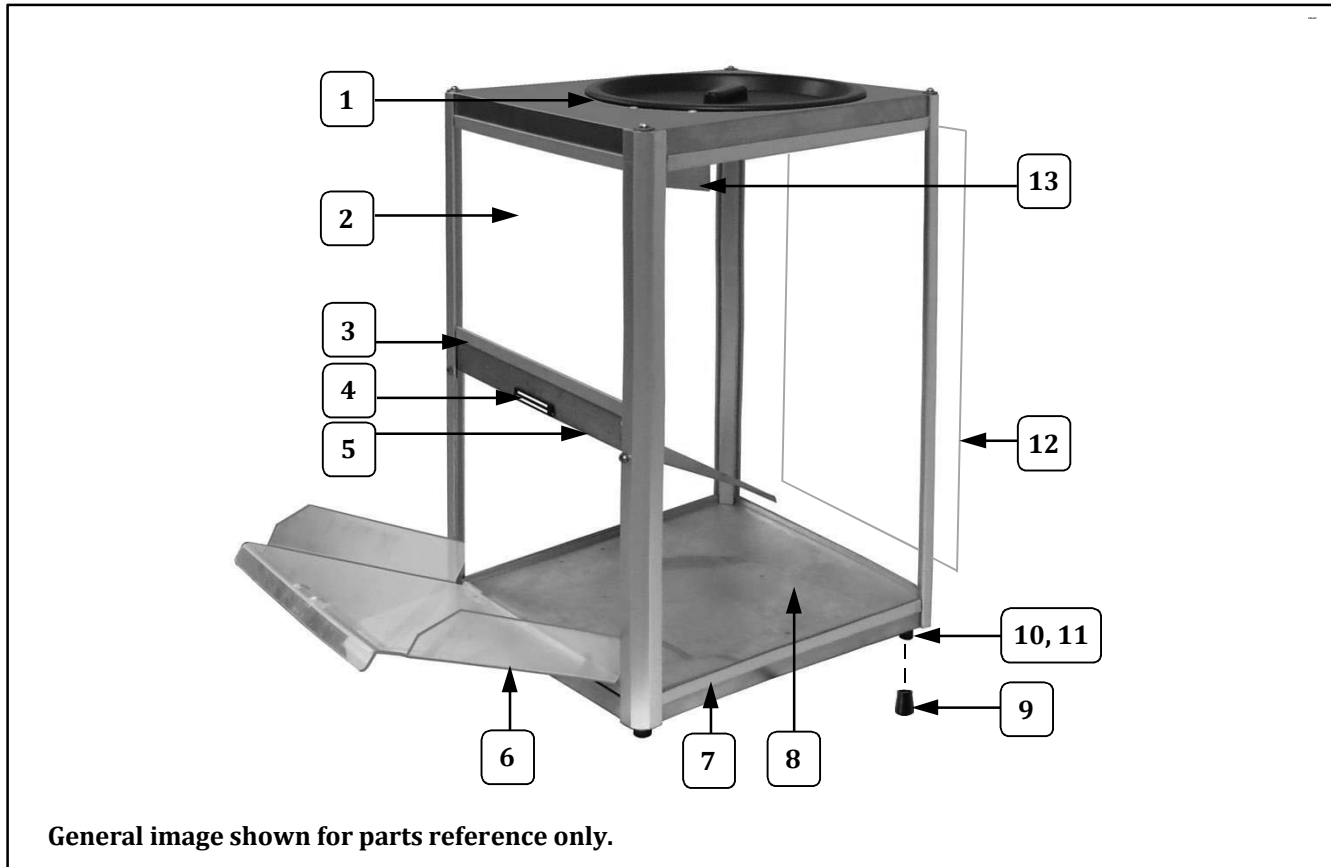
## Cabinet View



Item	Part Description	Part Number	
		2186ST	2188ST
1	LID	100288	100288
2	10 15/16" X 8 17/64" PLEXIGLAS PANEL	40016	40016
3	RETAINING EXTRUSION (10 9/32)	40021	40021
4	MAGNETIC CATCH	47561	47561
5	BAFFLE	40010	40010
6	DROP PANEL	40200	40107
7	RETAINING EXTRUSION (13 9/32)	40039	40039
8	19 13/16" X 13 15/16" PLEXIGLAS PANEL	40013	40013
9	CRUTCH TIP BLACK 70 DURO	49123	49123
10	GLIDE	47328	47328
11	SCREW, 10-24 X 3/4 HXHD	41314	41314
12	19 13/16" X 10 15/16" PLEXIGLAS PANEL	40014	40014
13	BULB PROTECTION L ANGLE	40050	40050



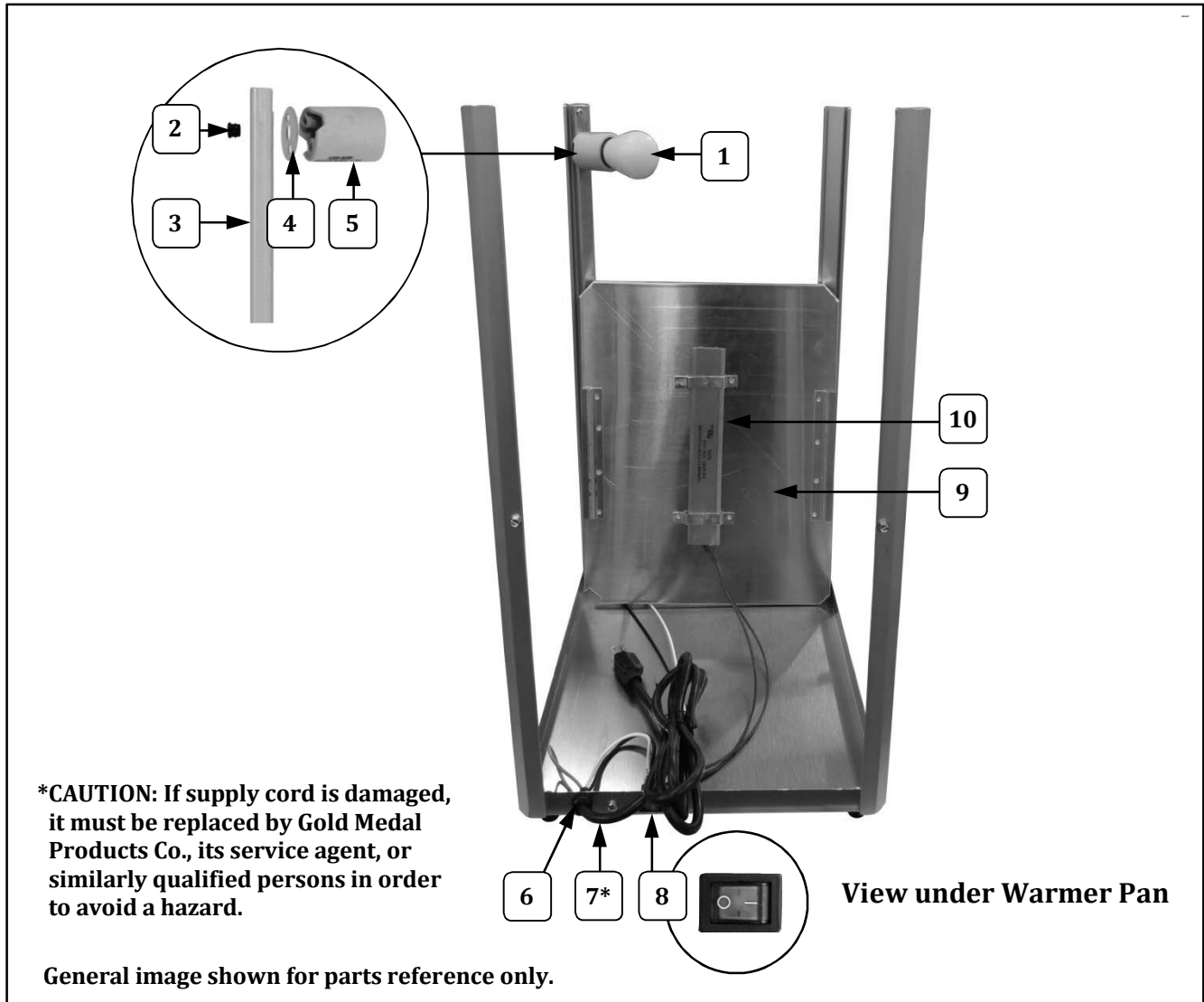
## Cabinet View



Item	Part Description	Part Number	
		2186ST	2188ST
1	LID	100288	100288
2	10 15/16" X 8 17/64" PLEXIGLAS PANEL	40016	40016
3	RETAINING EXTRUSION (10 9/32)	40021	40021
4	MAGNETIC CATCH	47561	47561
5	BAFFLE	40010	40010
6	DROP PANEL	40200	40107
7	RETAINING EXTRUSION (13 9/32)	40039	40039
8	19 13/16" X 13 15/16" PLEXIGLAS PANEL	40013	40013
9	CRUTCH TIP BLACK 70 DURO	49123	49123
10	GLIDE	47328	47328
11	SCREW, 10-24 X 3/4 HXHD	41314	41314
12	19 13/16" X 10 15/16" PLEXIGLAS PANEL	40014	40014
13	BULB PROTECTION L ANGLE	40050	40050



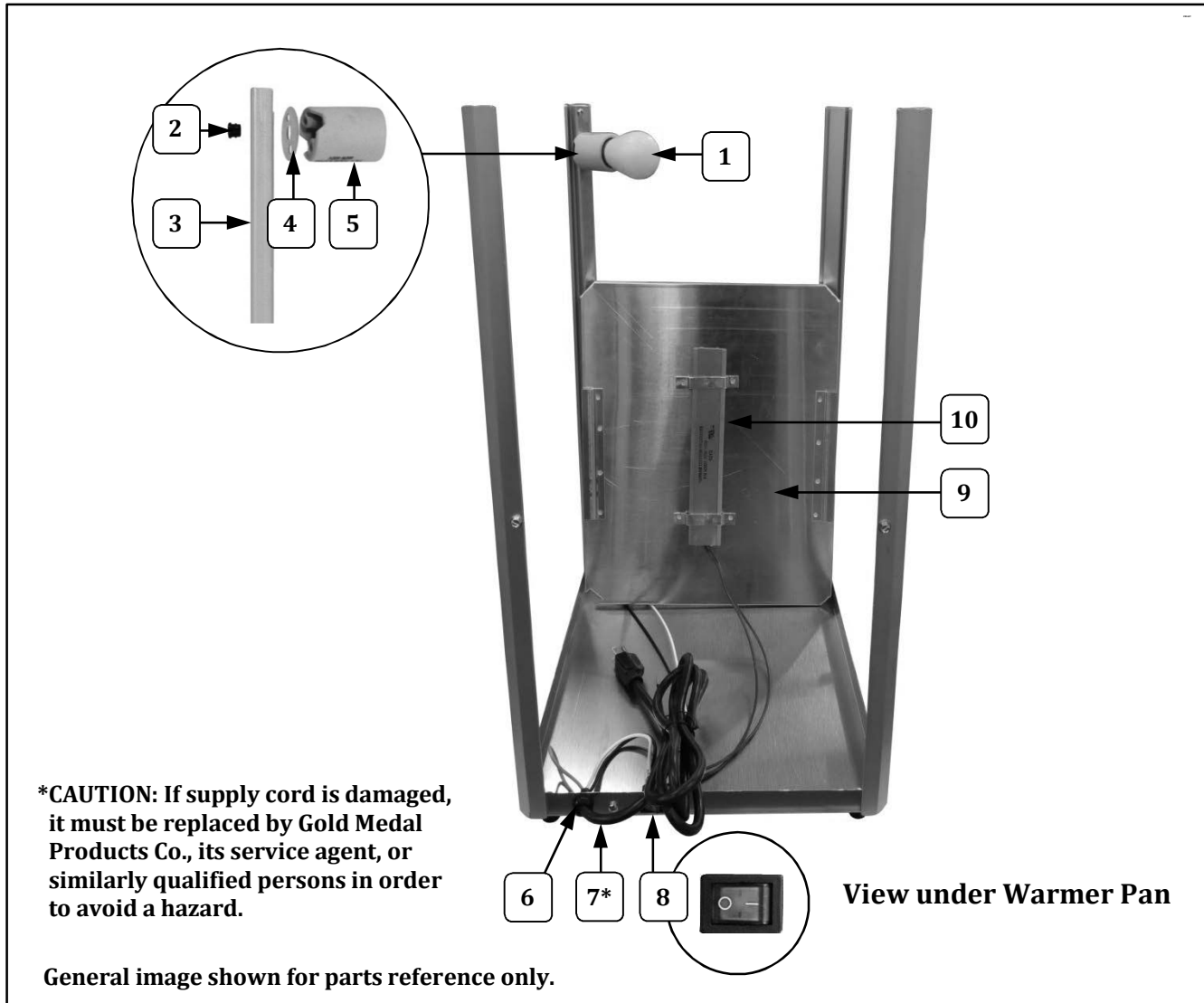
## Cabinet - Light and Warmer View



Item	Part Description	Part Number	
		2186ST	2188ST
1	YELLOW LIGHT BULB (shatterproof bulb)	11035	11035
2	.312" SNAP BUSHING	75328	75328
3	LIGHT SUPPORT CHANEL	40011	40011
4	LAMP HOLDER GASKET	40381	40381
5	LAMP HOLDER	40141	40141
6	#SR-6P3-4 STRAIN RELIEF	76026	76026
7	LEAD-IN CORD 15 AMP PLUG	22038	22038
8	DPST ROCKER SWITCH	42532	42532
9	WARMER PAN ASSEMBLY	40109	40109
10	120 VOLT 50 WATT HEAT ELEMENT	40031	
	115 VOLT 75 WATT HEAT ELEMENT		44026



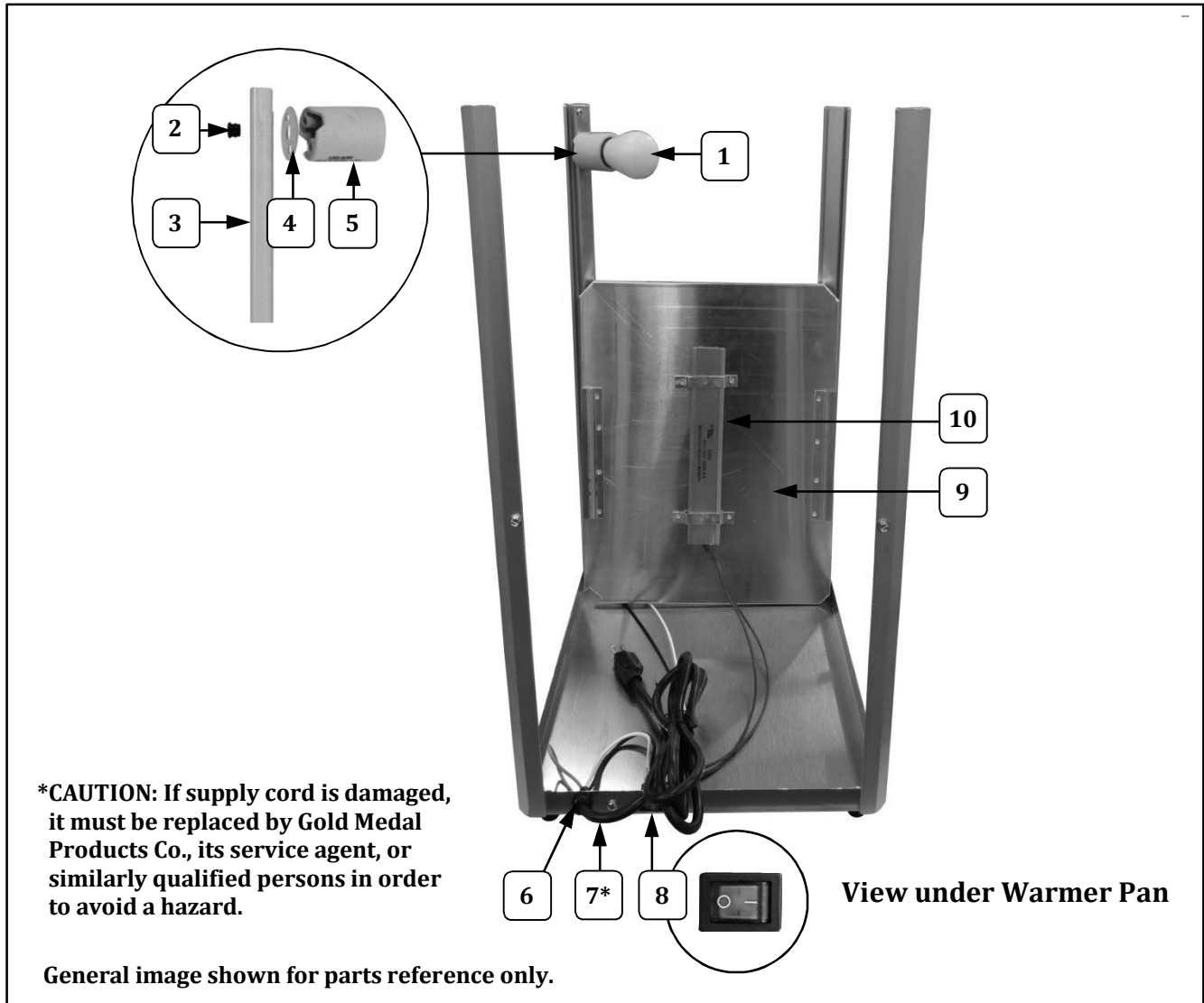
## Cabinet - Light and Warmer View



Item	Part Description	Part Number	
		2186ST	2188ST
1	YELLOW LIGHT BULB (shatterproof bulb)	11035	11035
2	.312" SNAP BUSHING	75328	75328
3	LIGHT SUPPORT CHANEL	40011	40011
4	LAMP HOLDER GASKET	40381	40381
5	LAMP HOLDER	40141	40141
6	#SR-6P3-4 STRAIN RELIEF	76026	76026
7	LEAD-IN CORD 15 AMP PLUG	22038	22038
8	DPST ROCKER SWITCH	42532	42532
9	WARMER PAN ASSEMBLY	40109	40109
10	120 VOLT 50 WATT HEAT ELEMENT	40031	
	115 VOLT 75 WATT HEAT ELEMENT		44026



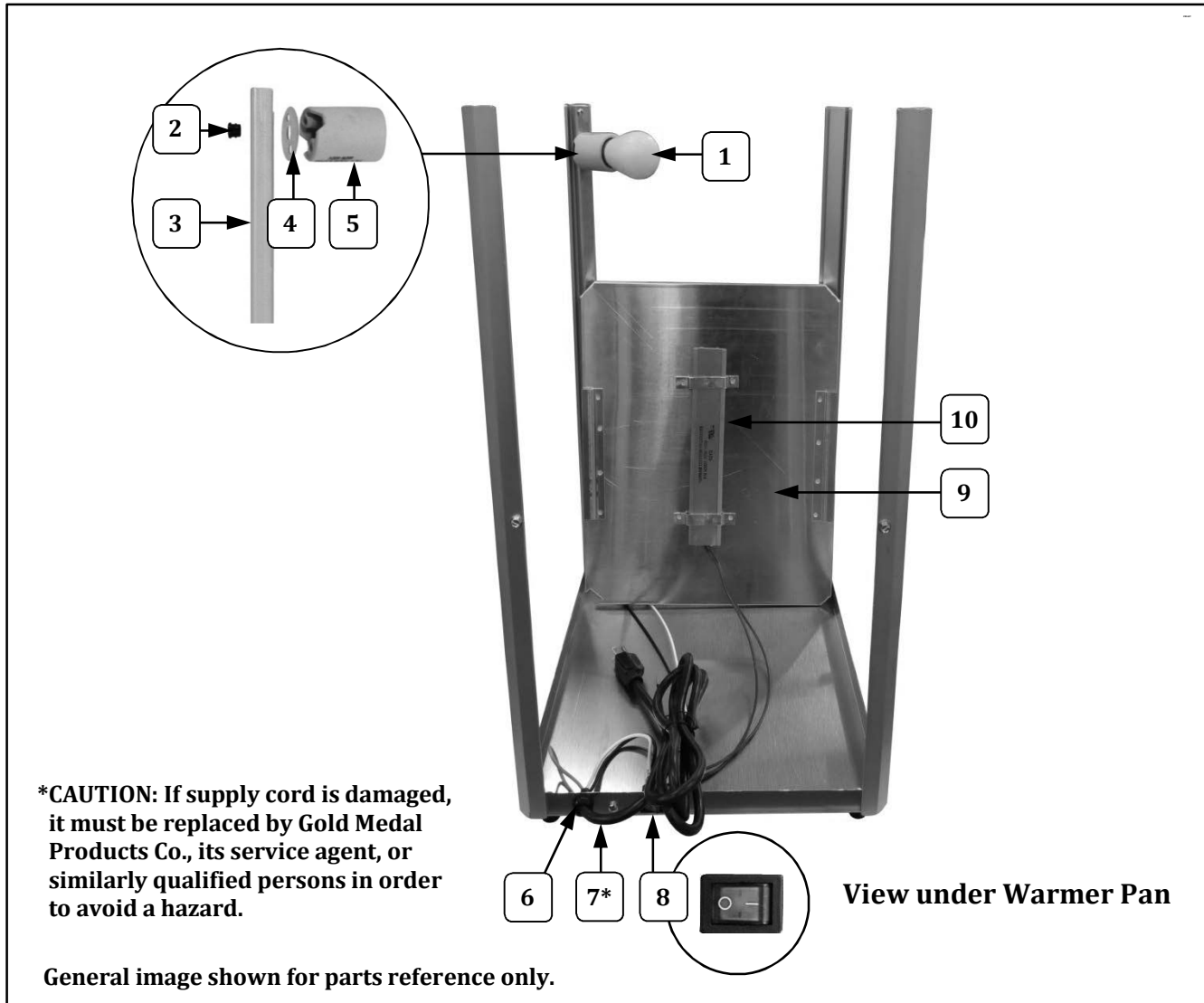
## Cabinet - Light and Warmer View



Item	Part Description	Part Number	
		2186ST	2188ST
1	YELLOW LIGHT BULB (shatterproof bulb)	11035	11035
2	.312" SNAP BUSHING	75328	75328
3	LIGHT SUPPORT CHANEL	40011	40011
4	LAMP HOLDER GASKET	40381	40381
5	LAMP HOLDER	40141	40141
6	#SR-6P3-4 STRAIN RELIEF	76026	76026
7	LEAD-IN CORD 15 AMP PLUG	22038	22038
8	DPST ROCKER SWITCH	42532	42532
9	WARMER PAN ASSEMBLY	40109	40109
10	120 VOLT 50 WATT HEAT ELEMENT	40031	
	115 VOLT 75 WATT HEAT ELEMENT		44026



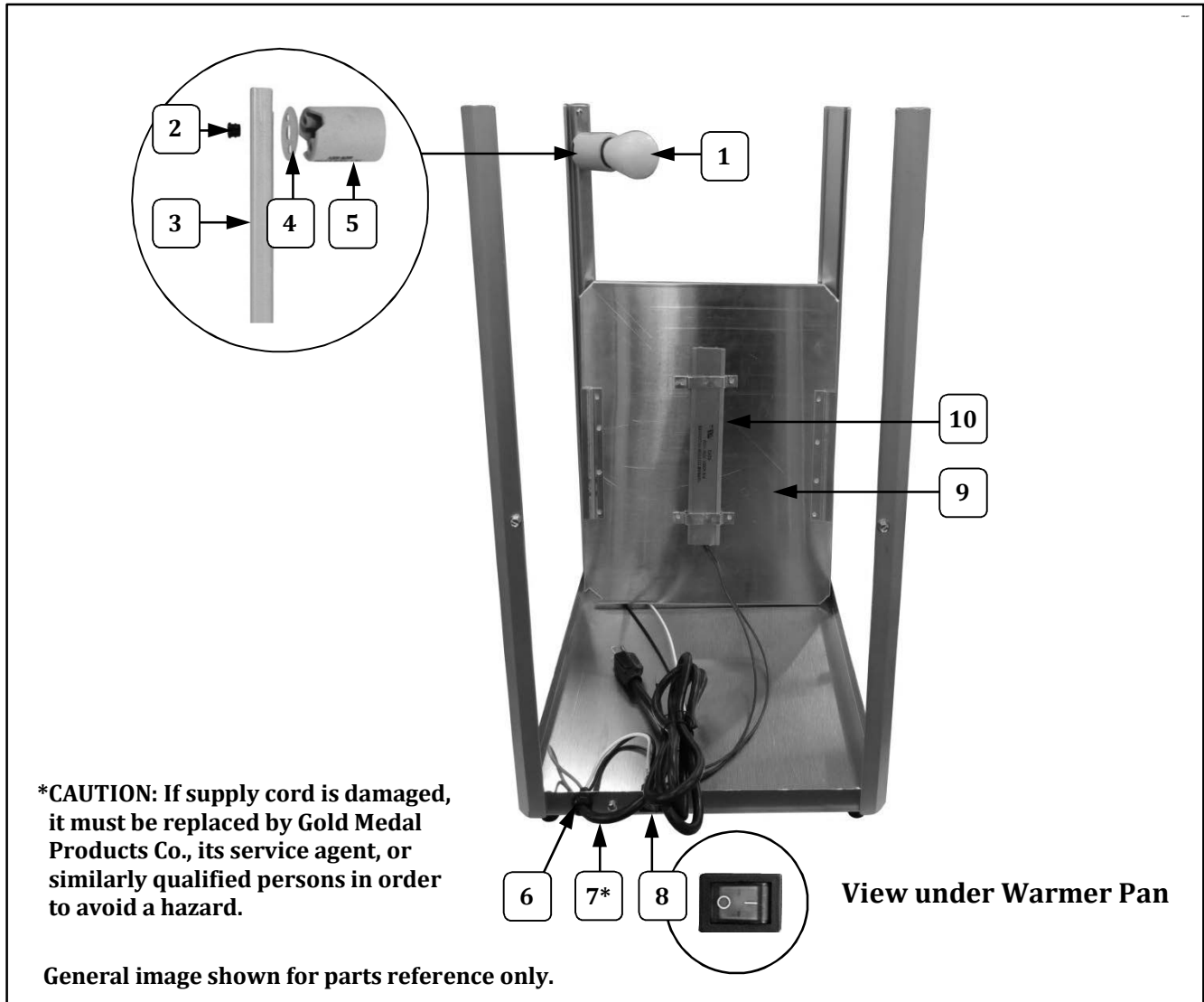
## Cabinet - Light and Warmer View



Item	Part Description	Part Number	
		2186ST	2188ST
1	YELLOW LIGHT BULB (shatterproof bulb)	11035	11035
2	.312" SNAP BUSHING	75328	75328
3	LIGHT SUPPORT CHANEL	40011	40011
4	LAMP HOLDER GASKET	40381	40381
5	LAMP HOLDER	40141	40141
6	#SR-6P3-4 STRAIN RELIEF	76026	76026
7	LEAD-IN CORD 15 AMP PLUG	22038	22038
8	DPST ROCKER SWITCH	42532	42532
9	WARMER PAN ASSEMBLY	40109	40109
10	120 VOLT 50 WATT HEAT ELEMENT	40031	
	115 VOLT 75 WATT HEAT ELEMENT		44026



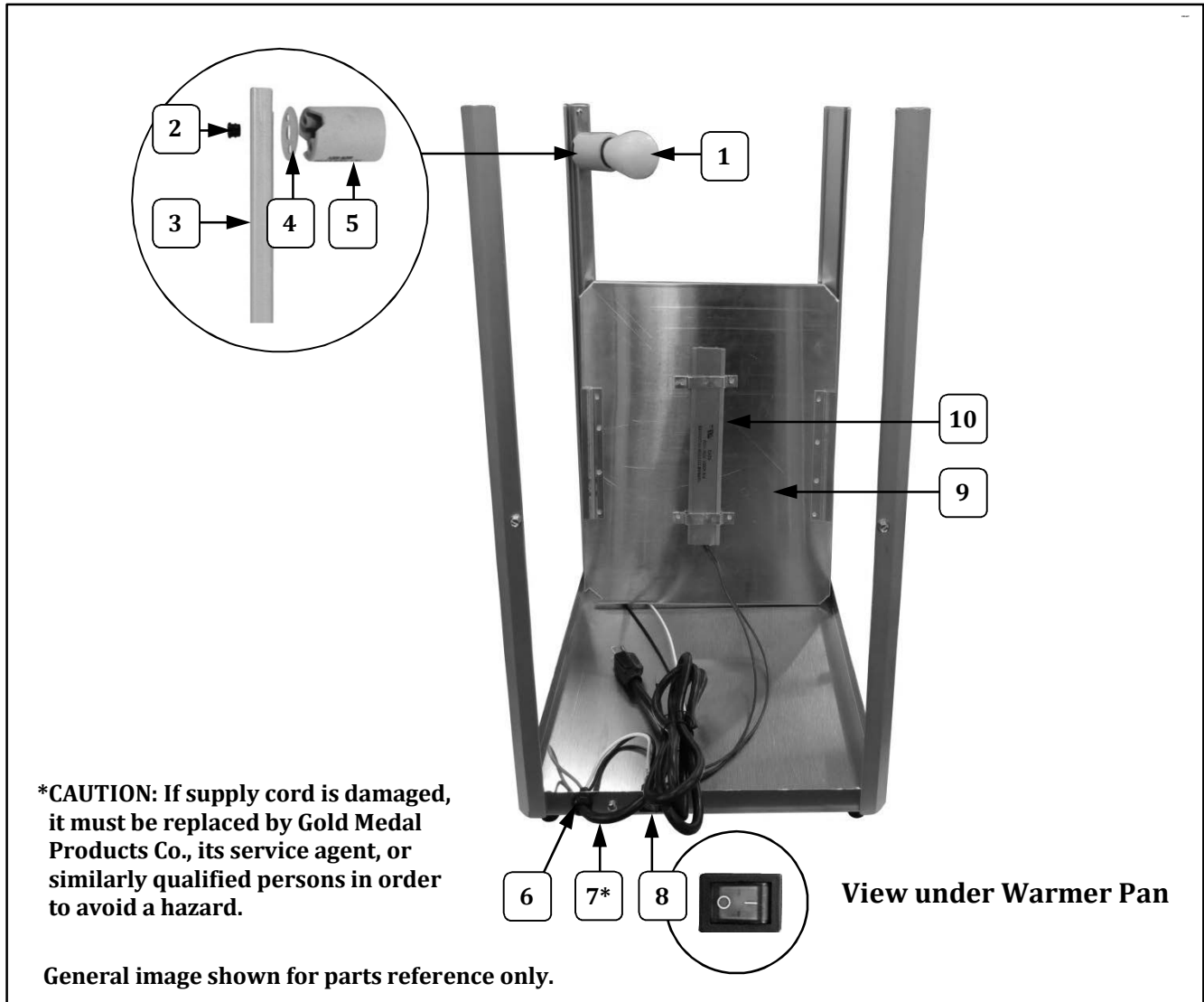
## Cabinet - Light and Warmer View



Item	Part Description	Part Number	
		2186ST	2188ST
1	YELLOW LIGHT BULB (shatterproof bulb)	11035	11035
2	.312" SNAP BUSHING	75328	75328
3	LIGHT SUPPORT CHANEL	40011	40011
4	LAMP HOLDER GASKET	40381	40381
5	LAMP HOLDER	40141	40141
6	#SR-6P3-4 STRAIN RELIEF	76026	76026
7	LEAD-IN CORD 15 AMP PLUG	22038	22038
8	DPST ROCKER SWITCH	42532	42532
9	WARMER PAN ASSEMBLY	40109	40109
10	120 VOLT 50 WATT HEAT ELEMENT	40031	
	115 VOLT 75 WATT HEAT ELEMENT		44026



## Cabinet - Light and Warmer View

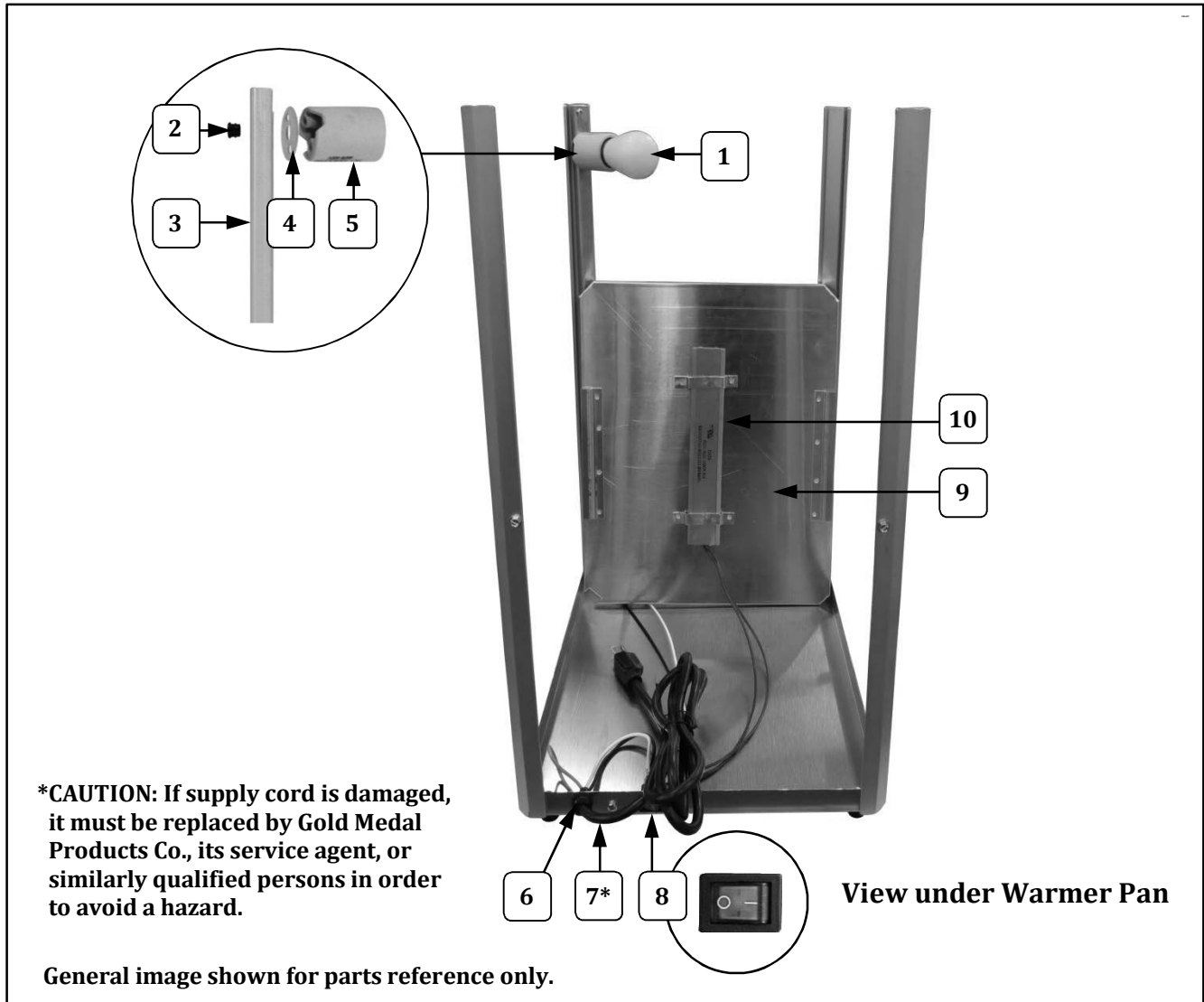


Item	Part Description	Part Number	
		2186ST	2188ST
1	YELLOW LIGHT BULB (shatterproof bulb)	11035	11035
2	.312" SNAP BUSHING	75328	75328
3	LIGHT SUPPORT CHANEL	40011	40011
4	LAMP HOLDER GASKET	40381	40381
5	LAMP HOLDER	40141	40141
6	#SR-6P3-4 STRAIN RELIEF	76026	76026
7	LEAD-IN CORD 15 AMP PLUG	22038	22038
8	DPST ROCKER SWITCH	42532	42532
9	WARMER PAN ASSEMBLY	40109	40109
10	120 VOLT 50 WATT HEAT ELEMENT	40031	
	115 VOLT 75 WATT HEAT ELEMENT		44026





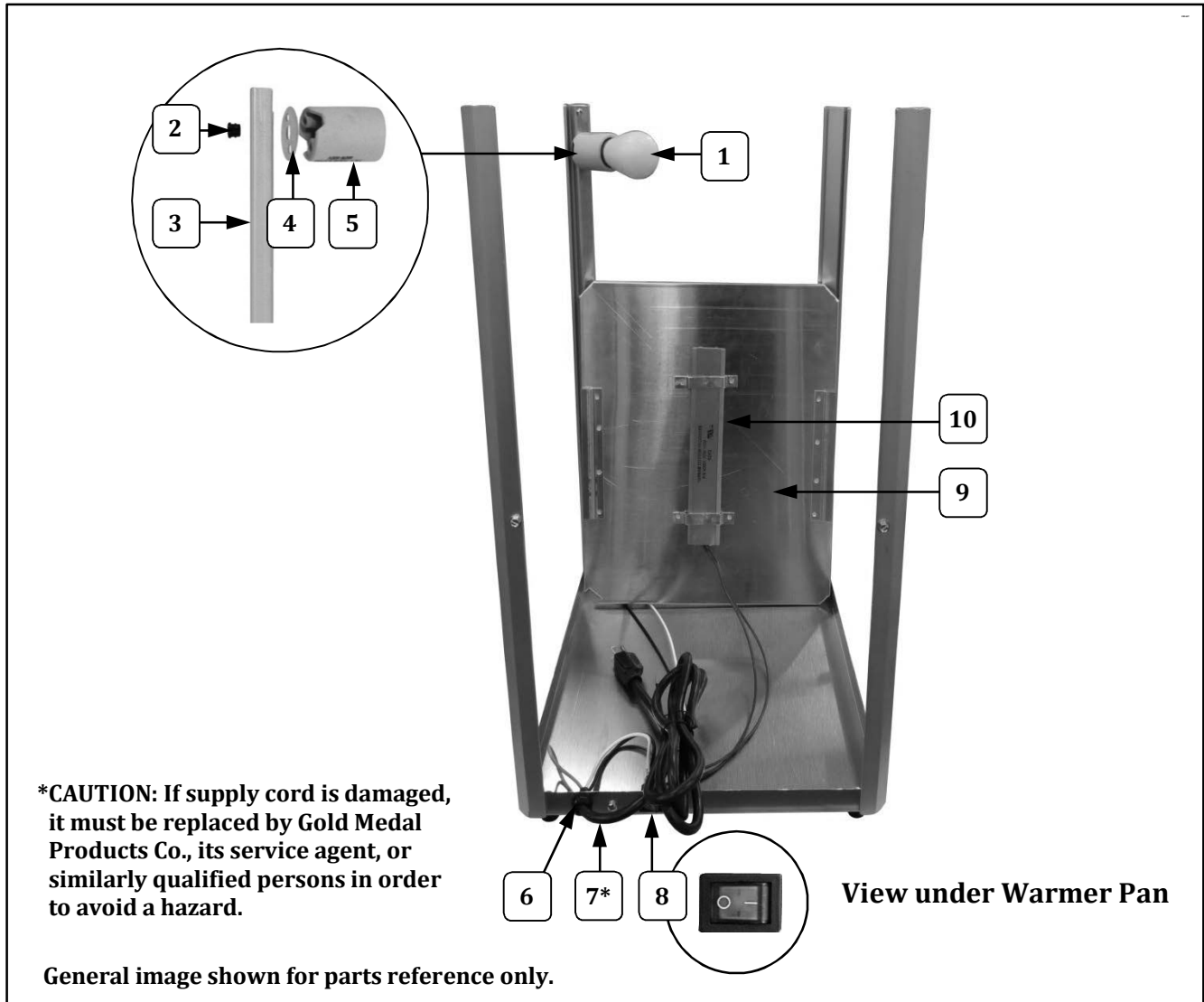
## Cabinet - Light and Warmer View



Item	Part Description	Part Number	
		2186ST	2188ST
1	YELLOW LIGHT BULB (shatterproof bulb)	11035	11035
2	.312" SNAP BUSHING	75328	75328
3	LIGHT SUPPORT CHANEL	40011	40011
4	LAMP HOLDER GASKET	40381	40381
5	LAMP HOLDER	40141	40141
6	#SR-6P3-4 STRAIN RELIEF	76026	76026
7	LEAD-IN CORD 15 AMP PLUG	22038	22038
8	DPST ROCKER SWITCH	42532	42532
9	WARMER PAN ASSEMBLY	40109	40109
10	120 VOLT 50 WATT HEAT ELEMENT	40031	
	115 VOLT 75 WATT HEAT ELEMENT		44026



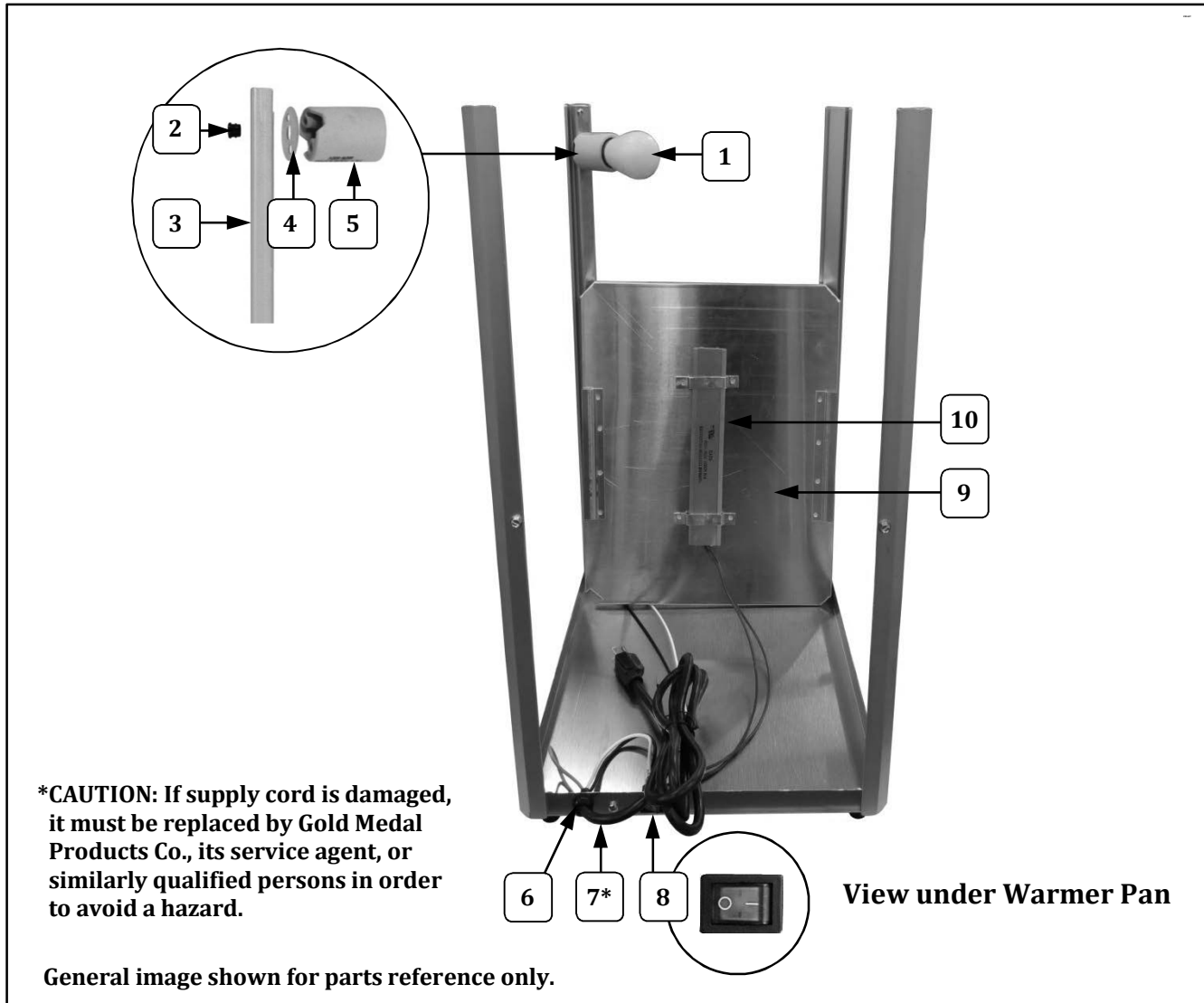
## Cabinet - Light and Warmer View



Item	Part Description	Part Number	
		2186ST	2188ST
1	YELLOW LIGHT BULB (shatterproof bulb)	11035	11035
2	.312" SNAP BUSHING	75328	75328
3	LIGHT SUPPORT CHANEL	40011	40011
4	LAMP HOLDER GASKET	40381	40381
5	LAMP HOLDER	40141	40141
6	#SR-6P3-4 STRAIN RELIEF	76026	76026
7	LEAD-IN CORD 15 AMP PLUG	22038	22038
8	DPST ROCKER SWITCH	42532	42532
9	WARMER PAN ASSEMBLY	40109	40109
10	120 VOLT 50 WATT HEAT ELEMENT	40031	
	115 VOLT 75 WATT HEAT ELEMENT		44026



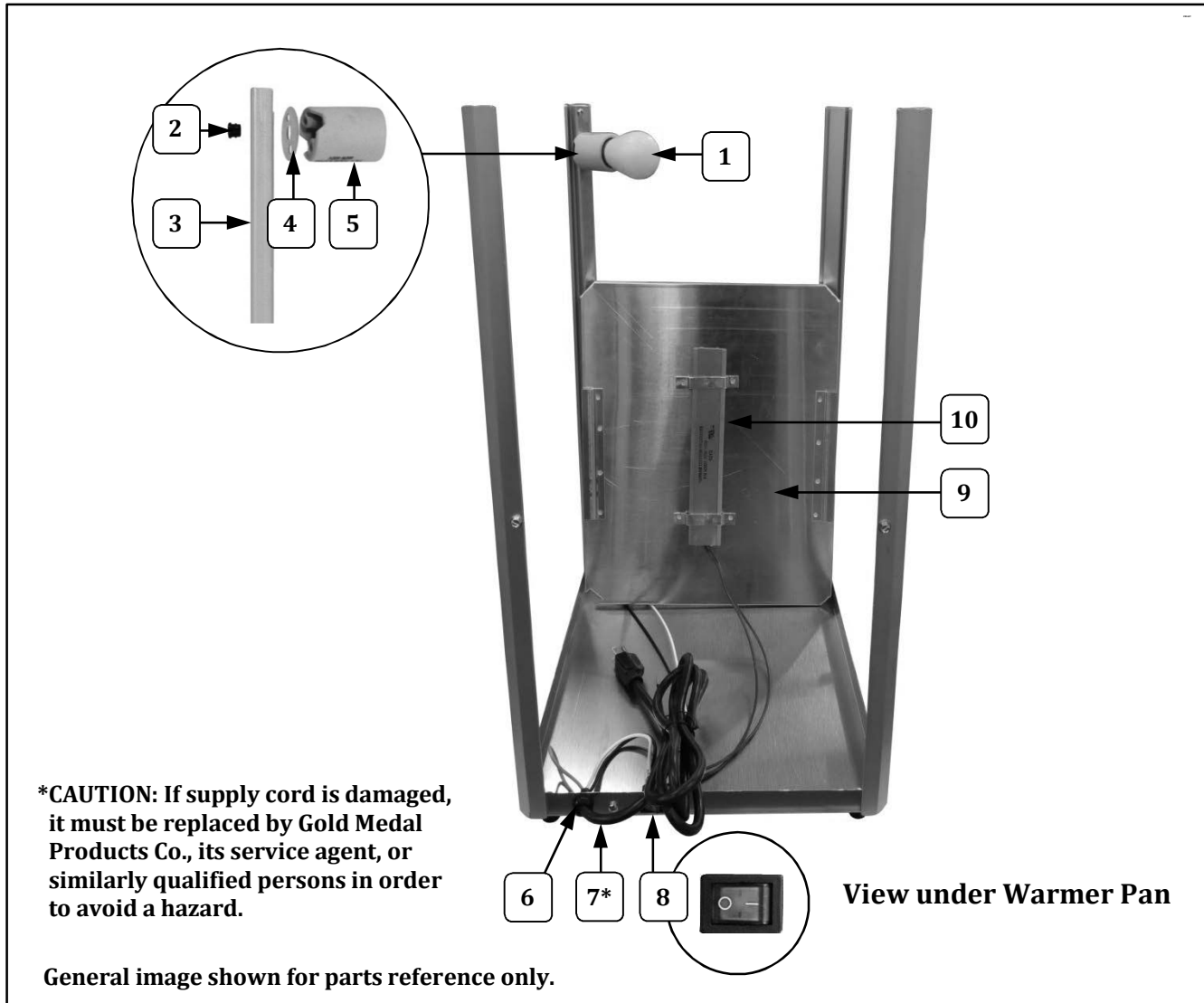
## Cabinet - Light and Warmer View



Item	Part Description	Part Number	
		2186ST	2188ST
1	YELLOW LIGHT BULB (shatterproof bulb)	11035	11035
2	.312" SNAP BUSHING	75328	75328
3	LIGHT SUPPORT CHANEL	40011	40011
4	LAMP HOLDER GASKET	40381	40381
5	LAMP HOLDER	40141	40141
6	#SR-6P3-4 STRAIN RELIEF	76026	76026
7	LEAD-IN CORD 15 AMP PLUG	22038	22038
8	DPST ROCKER SWITCH	42532	42532
9	WARMER PAN ASSEMBLY	40109	40109
10	120 VOLT 50 WATT HEAT ELEMENT	40031	
	115 VOLT 75 WATT HEAT ELEMENT		44026



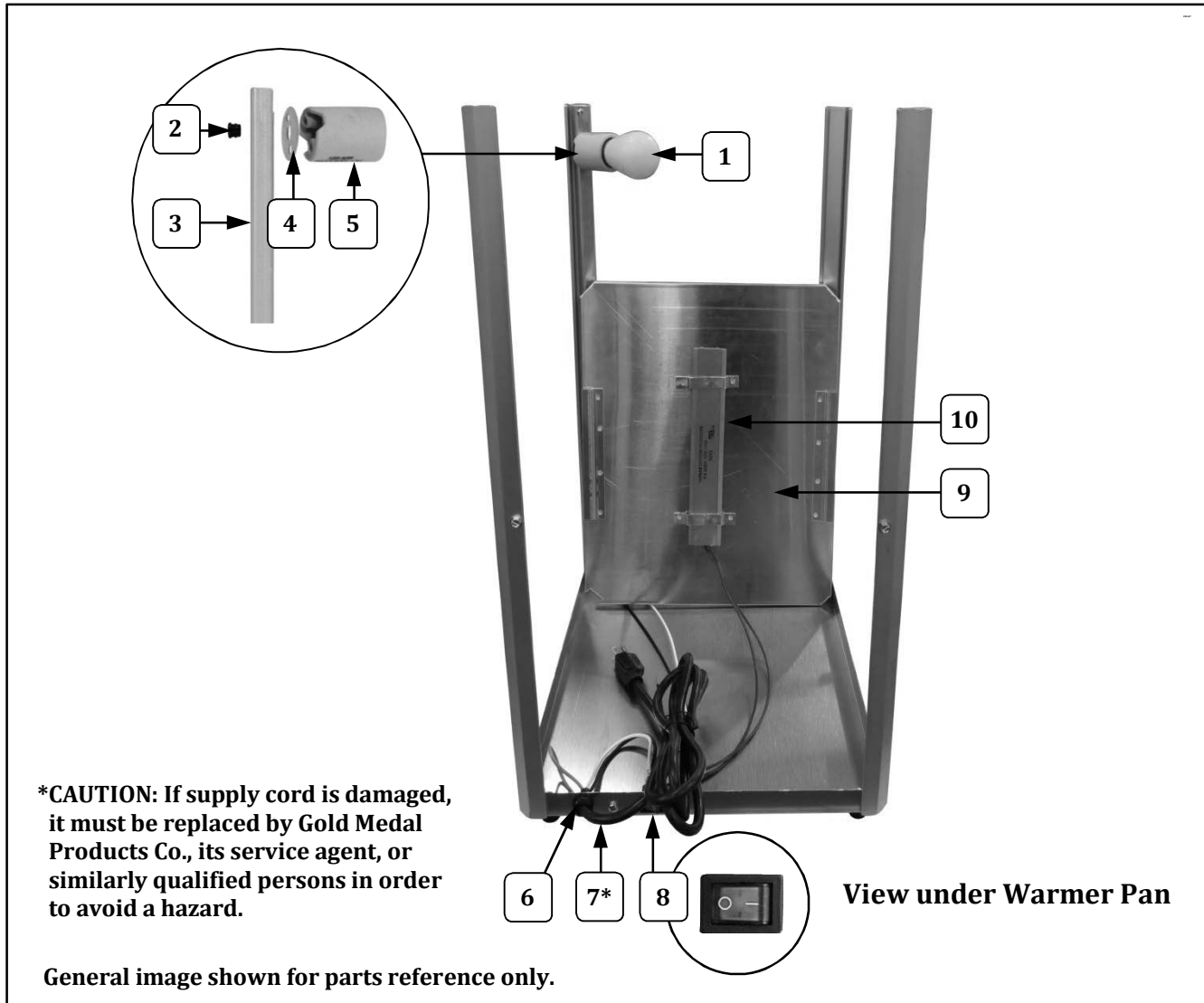
## Cabinet - Light and Warmer View



Item	Part Description	Part Number	
		2186ST	2188ST
1	YELLOW LIGHT BULB (shatterproof bulb)	11035	11035
2	.312" SNAP BUSHING	75328	75328
3	LIGHT SUPPORT CHANEL	40011	40011
4	LAMP HOLDER GASKET	40381	40381
5	LAMP HOLDER	40141	40141
6	#SR-6P3-4 STRAIN RELIEF	76026	76026
7	LEAD-IN CORD 15 AMP PLUG	22038	22038
8	DPST ROCKER SWITCH	42532	42532
9	WARMER PAN ASSEMBLY	40109	40109
10	120 VOLT 50 WATT HEAT ELEMENT	40031	
	115 VOLT 75 WATT HEAT ELEMENT		44026



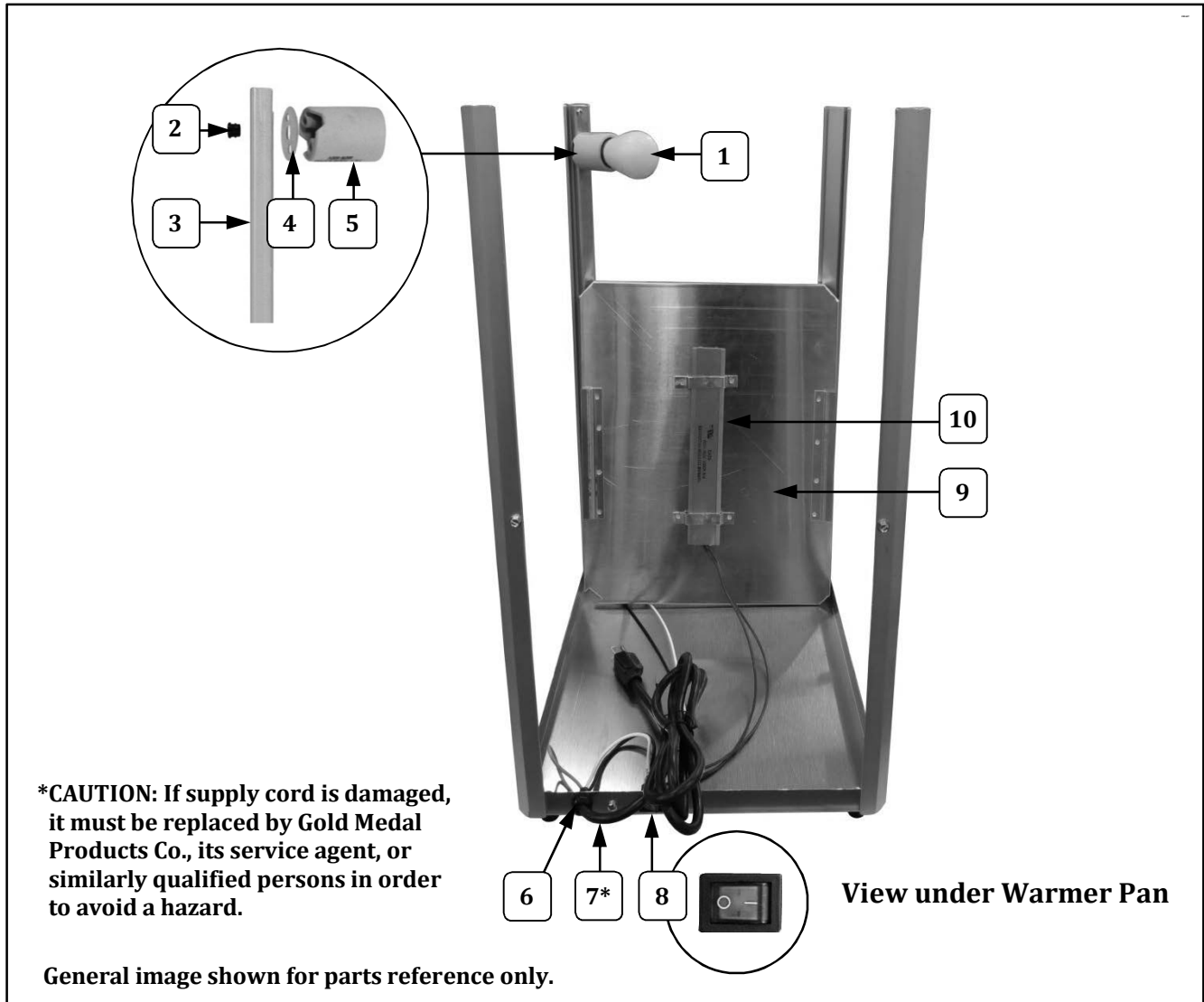
## Cabinet - Light and Warmer View



Item	Part Description	Part Number	
		2186ST	2188ST
1	YELLOW LIGHT BULB (shatterproof bulb)	11035	11035
2	.312" SNAP BUSHING	75328	75328
3	LIGHT SUPPORT CHANEL	40011	40011
4	LAMP HOLDER GASKET	40381	40381
5	LAMP HOLDER	40141	40141
6	#SR-6P3-4 STRAIN RELIEF	76026	76026
7	LEAD-IN CORD 15 AMP PLUG	22038	22038
8	DPST ROCKER SWITCH	42532	42532
9	WARMER PAN ASSEMBLY	40109	40109
10	120 VOLT 50 WATT HEAT ELEMENT	40031	
	115 VOLT 75 WATT HEAT ELEMENT		44026



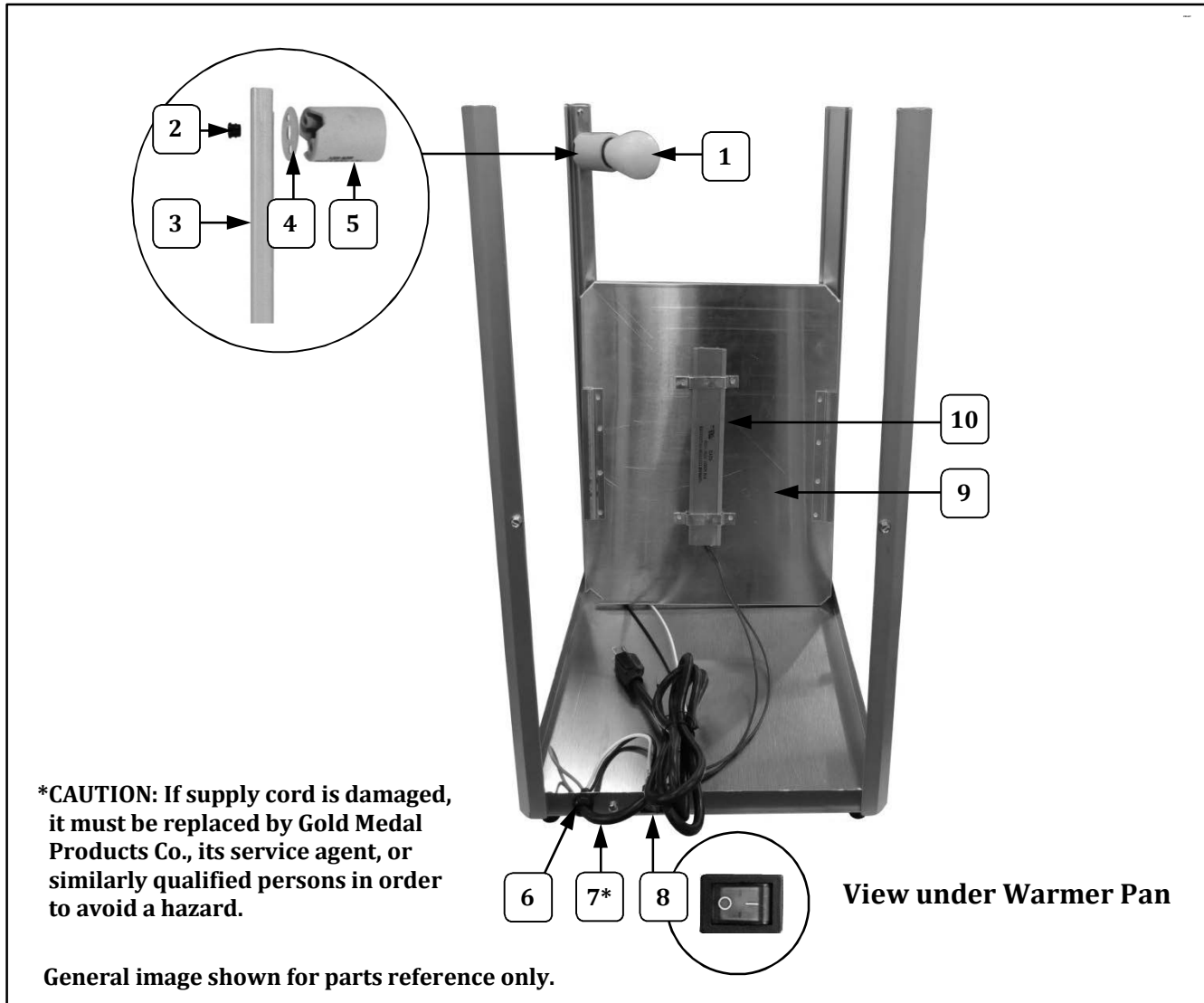
## Cabinet - Light and Warmer View



Item	Part Description	Part Number	
		2186ST	2188ST
1	YELLOW LIGHT BULB (shatterproof bulb)	11035	11035
2	.312" SNAP BUSHING	75328	75328
3	LIGHT SUPPORT CHANEL	40011	40011
4	LAMP HOLDER GASKET	40381	40381
5	LAMP HOLDER	40141	40141
6	#SR-6P3-4 STRAIN RELIEF	76026	76026
7	LEAD-IN CORD 15 AMP PLUG	22038	22038
8	DPST ROCKER SWITCH	42532	42532
9	WARMER PAN ASSEMBLY	40109	40109
10	120 VOLT 50 WATT HEAT ELEMENT	40031	
	115 VOLT 75 WATT HEAT ELEMENT		44026



## Cabinet - Light and Warmer View



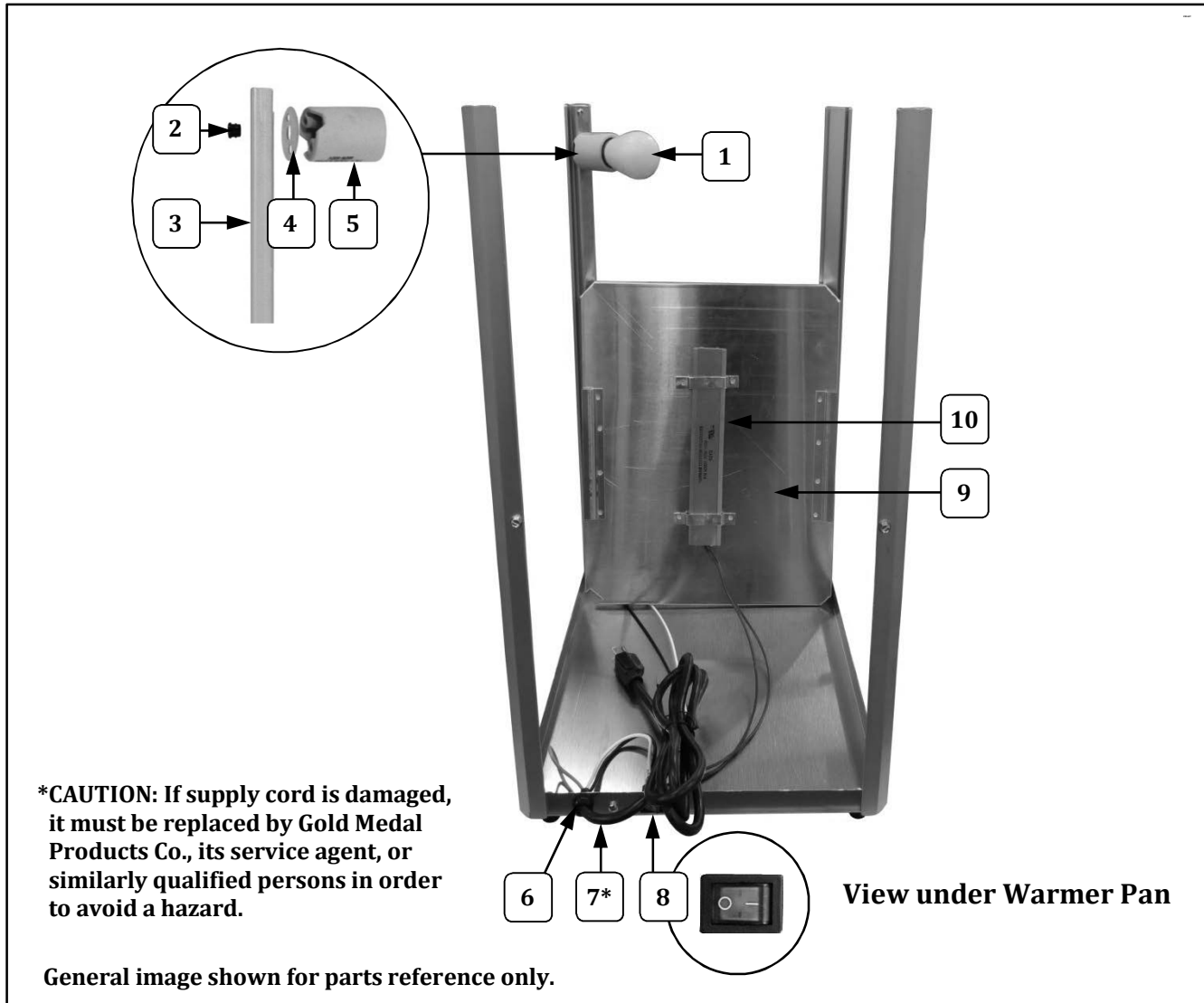
**\*CAUTION:** If supply cord is damaged, it must be replaced by Gold Medal Products Co., its service agent, or similarly qualified persons in order to avoid a hazard.

General image shown for parts reference only.

Item	Part Description	Part Number	
		2186ST	2188ST
1	YELLOW LIGHT BULB (shatterproof bulb)	11035	11035
2	.312" SNAP BUSHING	75328	75328
3	LIGHT SUPPORT CHANEL	40011	40011
4	LAMP HOLDER GASKET	40381	40381
5	LAMP HOLDER	40141	40141
6	#SR-6P3-4 STRAIN RELIEF	76026	76026
7	LEAD-IN CORD 15 AMP PLUG	22038	22038
8	DPST ROCKER SWITCH	42532	42532
9	WARMER PAN ASSEMBLY	40109	40109
10	120 VOLT 50 WATT HEAT ELEMENT	40031	
	115 VOLT 75 WATT HEAT ELEMENT		44026



## Cabinet - Light and Warmer View

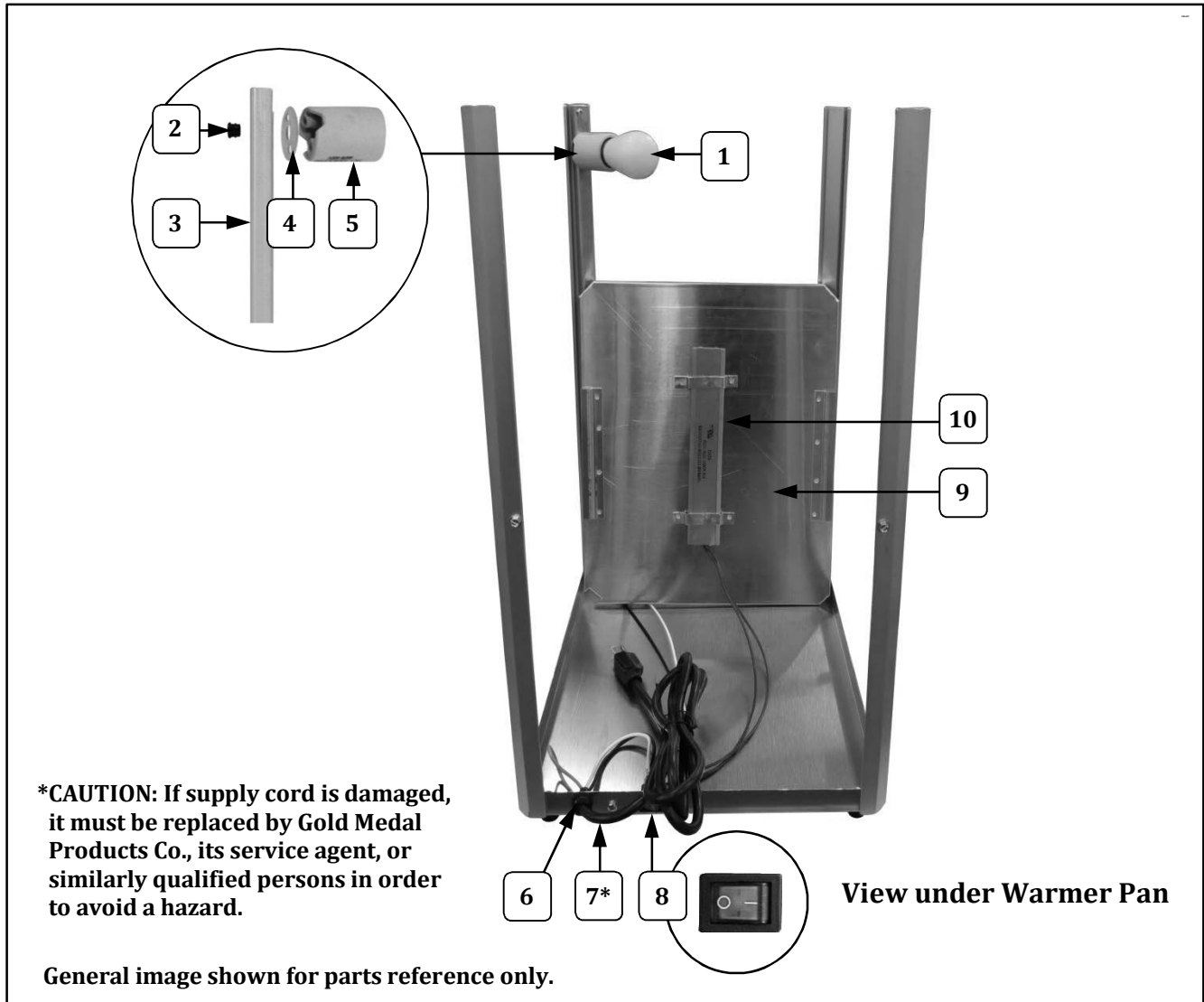


Item	Part Description	Part Number	
		2186ST	2188ST
1	YELLOW LIGHT BULB (shatterproof bulb)	11035	11035
2	.312" SNAP BUSHING	75328	75328
3	LIGHT SUPPORT CHANEL	40011	40011
4	LAMP HOLDER GASKET	40381	40381
5	LAMP HOLDER	40141	40141
6	#SR-6P3-4 STRAIN RELIEF	76026	76026
7	LEAD-IN CORD 15 AMP PLUG	22038	22038
8	DPST ROCKER SWITCH	42532	42532
9	WARMER PAN ASSEMBLY	40109	40109
10	120 VOLT 50 WATT HEAT ELEMENT	40031	
	115 VOLT 75 WATT HEAT ELEMENT		44026





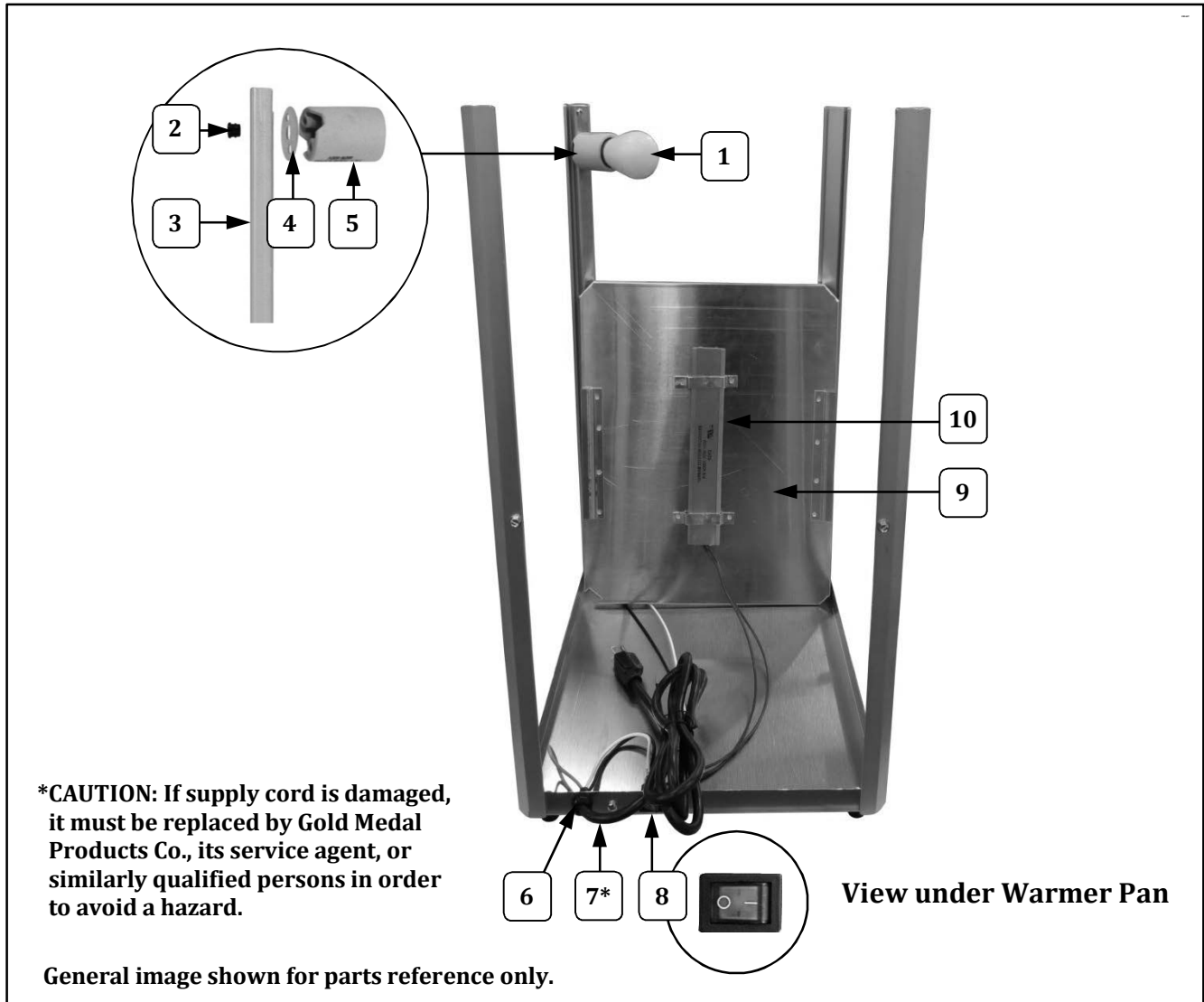
## Cabinet - Light and Warmer View



Item	Part Description	Part Number	
		2186ST	2188ST
1	YELLOW LIGHT BULB (shatterproof bulb)	11035	11035
2	.312" SNAP BUSHING	75328	75328
3	LIGHT SUPPORT CHANEL	40011	40011
4	LAMP HOLDER GASKET	40381	40381
5	LAMP HOLDER	40141	40141
6	#SR-6P3-4 STRAIN RELIEF	76026	76026
7	LEAD-IN CORD 15 AMP PLUG	22038	22038
8	DPST ROCKER SWITCH	42532	42532
9	WARMER PAN ASSEMBLY	40109	40109
10	120 VOLT 50 WATT HEAT ELEMENT	40031	
	115 VOLT 75 WATT HEAT ELEMENT		44026



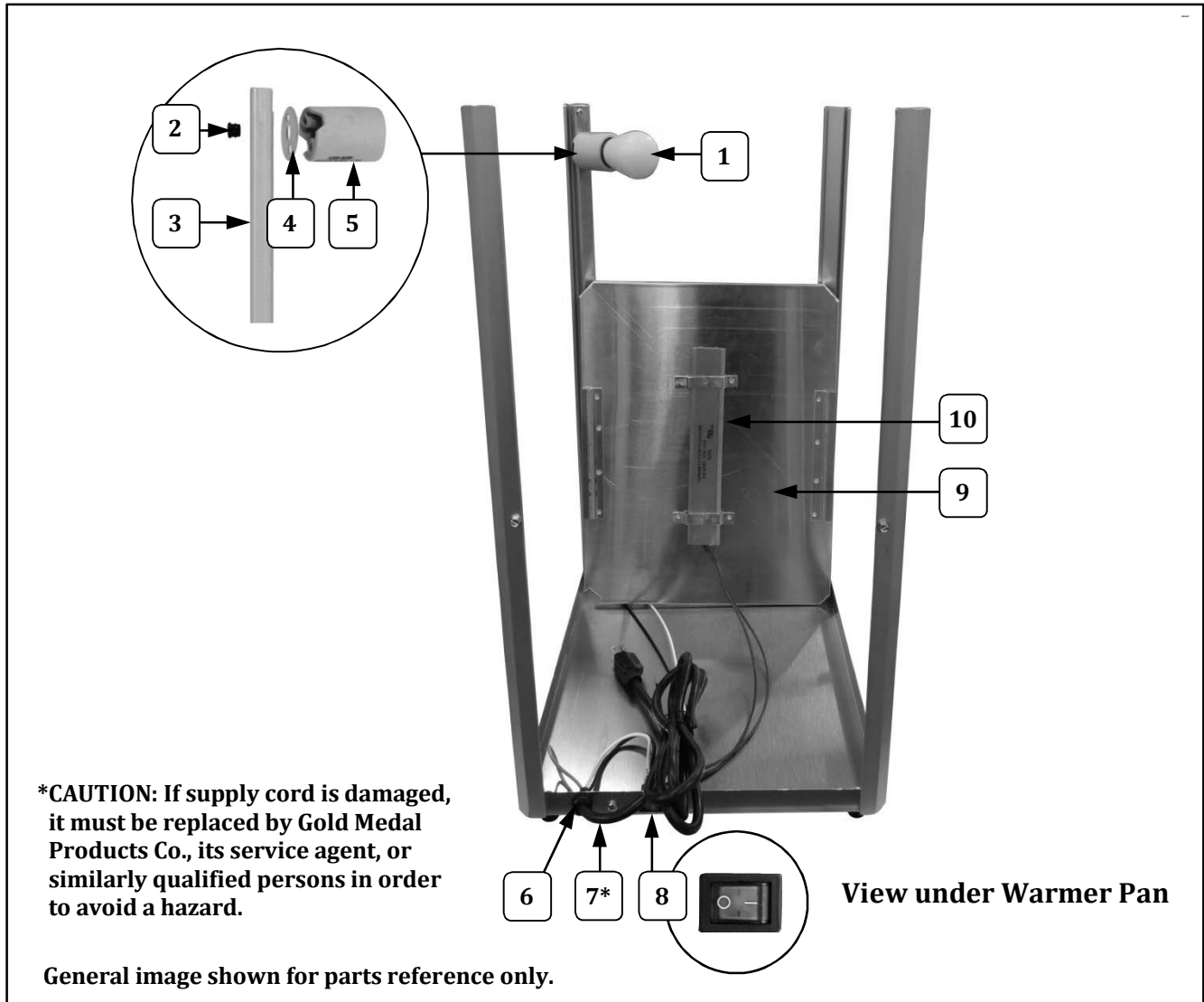
## Cabinet - Light and Warmer View



Item	Part Description	Part Number	
		2186ST	2188ST
1	YELLOW LIGHT BULB (shatterproof bulb)	11035	11035
2	.312" SNAP BUSHING	75328	75328
3	LIGHT SUPPORT CHANEL	40011	40011
4	LAMP HOLDER GASKET	40381	40381
5	LAMP HOLDER	40141	40141
6	#SR-6P3-4 STRAIN RELIEF	76026	76026
7	LEAD-IN CORD 15 AMP PLUG	22038	22038
8	DPST ROCKER SWITCH	42532	42532
9	WARMER PAN ASSEMBLY	40109	40109
10	120 VOLT 50 WATT HEAT ELEMENT	40031	
	115 VOLT 75 WATT HEAT ELEMENT		44026



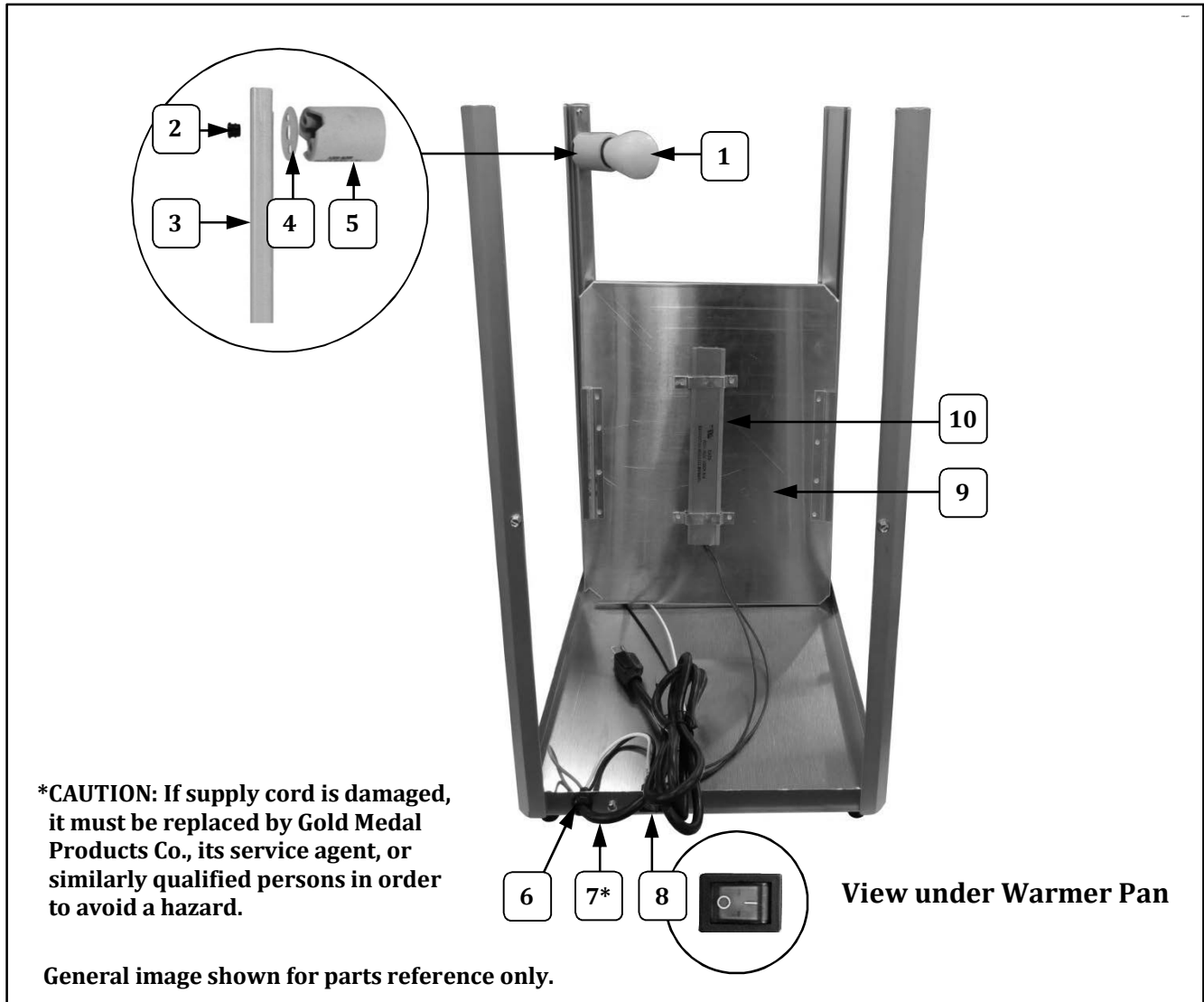
## Cabinet - Light and Warmer View



Item	Part Description	Part Number	
		2186ST	2188ST
1	YELLOW LIGHT BULB (shatterproof bulb)	11035	11035
2	.312" SNAP BUSHING	75328	75328
3	LIGHT SUPPORT CHANEL	40011	40011
4	LAMP HOLDER GASKET	40381	40381
5	LAMP HOLDER	40141	40141
6	#SR-6P3-4 STRAIN RELIEF	76026	76026
7	LEAD-IN CORD 15 AMP PLUG	22038	22038
8	DPST ROCKER SWITCH	42532	42532
9	WARMER PAN ASSEMBLY	40109	40109
10	120 VOLT 50 WATT HEAT ELEMENT	40031	
	115 VOLT 75 WATT HEAT ELEMENT		44026



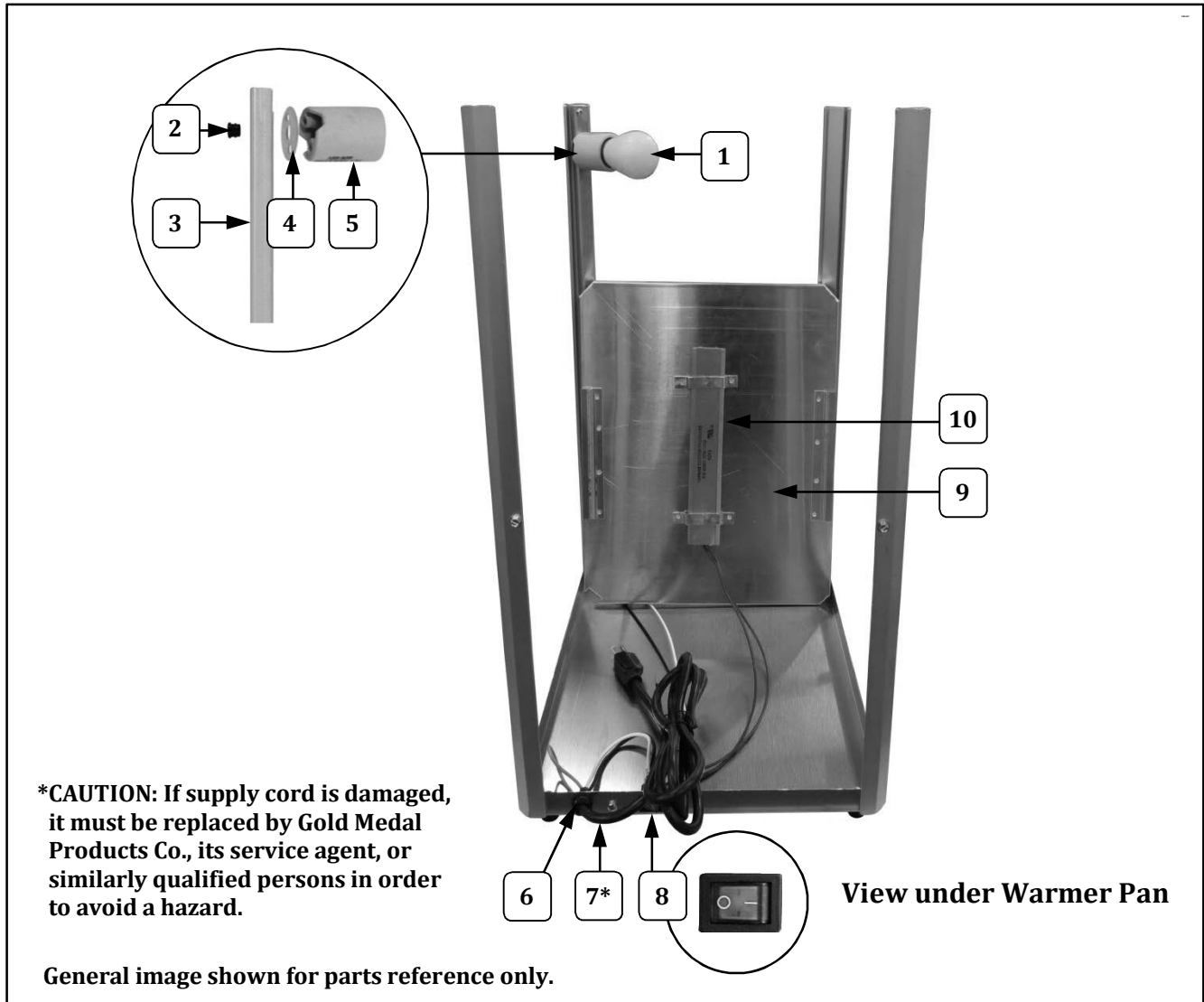
## Cabinet - Light and Warmer View



Item	Part Description	Part Number	
		2186ST	2188ST
1	YELLOW LIGHT BULB (shatterproof bulb)	11035	11035
2	.312" SNAP BUSHING	75328	75328
3	LIGHT SUPPORT CHANEL	40011	40011
4	LAMP HOLDER GASKET	40381	40381
5	LAMP HOLDER	40141	40141
6	#SR-6P3-4 STRAIN RELIEF	76026	76026
7	LEAD-IN CORD 15 AMP PLUG	22038	22038
8	DPST ROCKER SWITCH	42532	42532
9	WARMER PAN ASSEMBLY	40109	40109
10	120 VOLT 50 WATT HEAT ELEMENT	40031	
	115 VOLT 75 WATT HEAT ELEMENT		44026



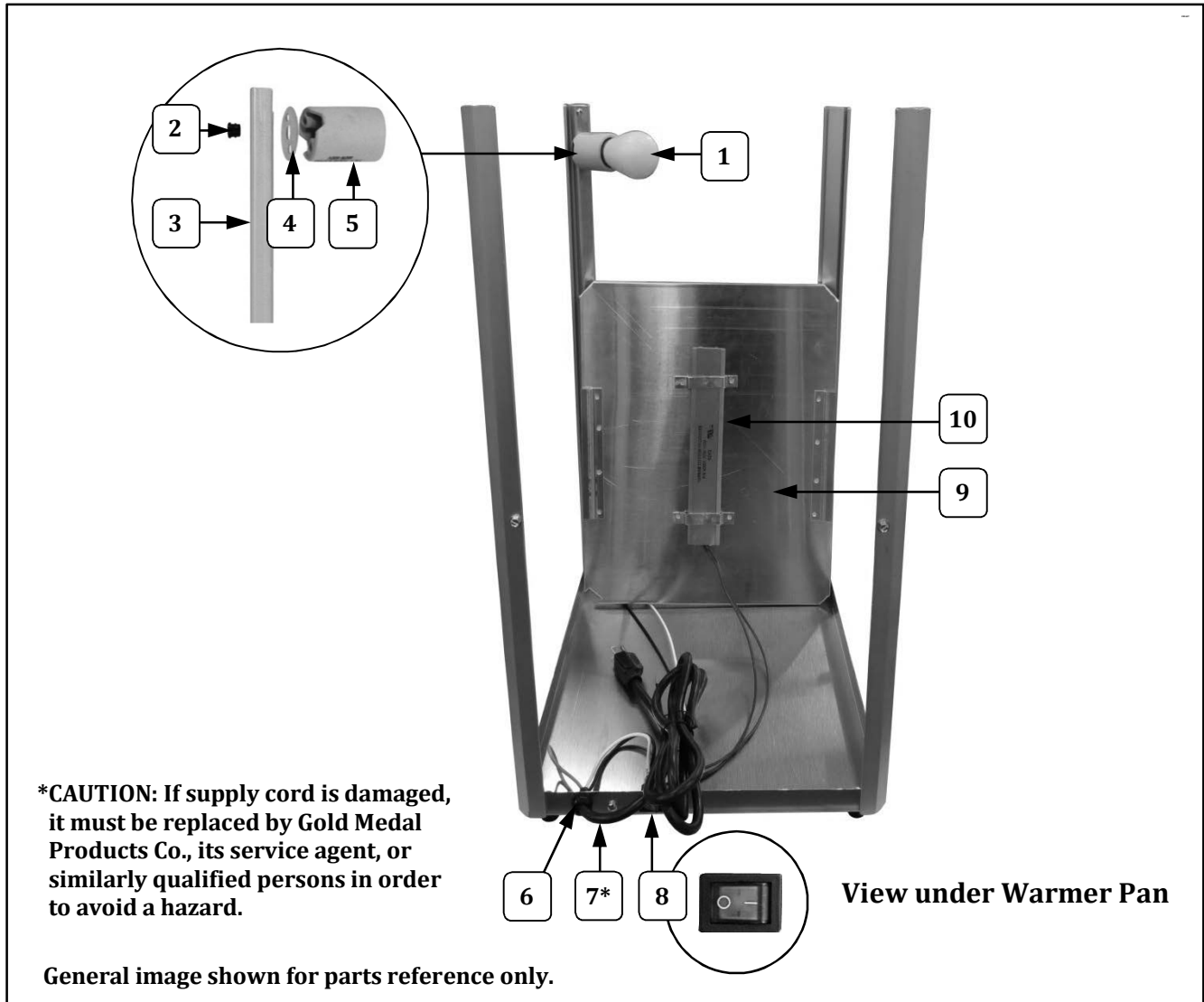
## Cabinet - Light and Warmer View



Item	Part Description	Part Number	
		2186ST	2188ST
1	YELLOW LIGHT BULB (shatterproof bulb)	11035	11035
2	.312" SNAP BUSHING	75328	75328
3	LIGHT SUPPORT CHANEL	40011	40011
4	LAMP HOLDER GASKET	40381	40381
5	LAMP HOLDER	40141	40141
6	#SR-6P3-4 STRAIN RELIEF	76026	76026
7	LEAD-IN CORD 15 AMP PLUG	22038	22038
8	DPST ROCKER SWITCH	42532	42532
9	WARMER PAN ASSEMBLY	40109	40109
10	120 VOLT 50 WATT HEAT ELEMENT	40031	
	115 VOLT 75 WATT HEAT ELEMENT		44026



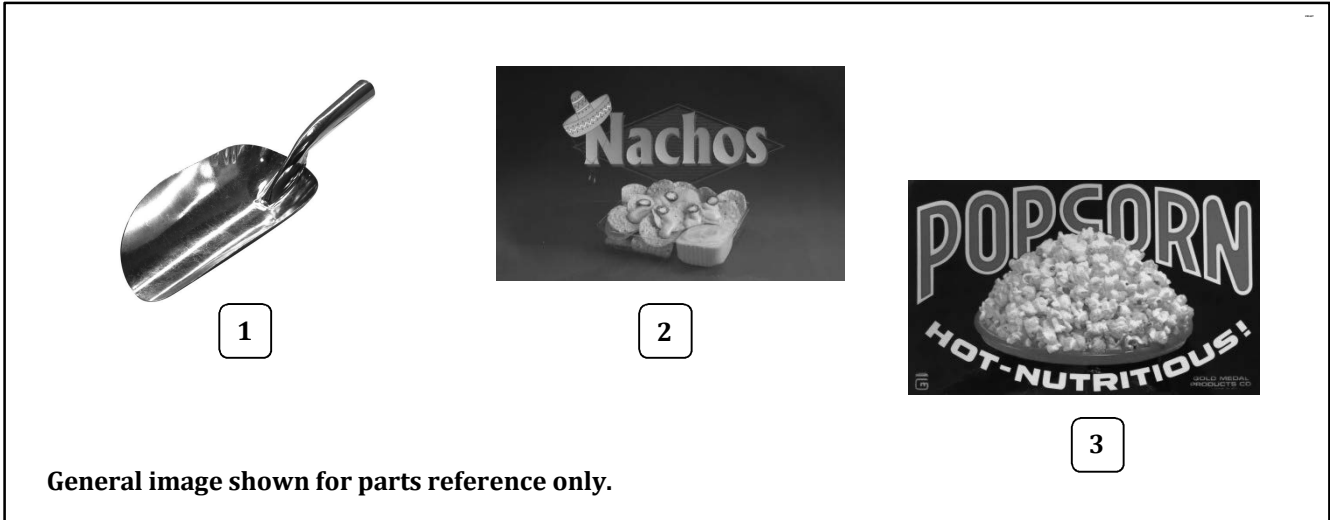
## Cabinet - Light and Warmer View



Item	Part Description	Part Number	
		2186ST	2188ST
1	YELLOW LIGHT BULB (shatterproof bulb)	11035	11035
2	.312" SNAP BUSHING	75328	75328
3	LIGHT SUPPORT CHANEL	40011	40011
4	LAMP HOLDER GASKET	40381	40381
5	LAMP HOLDER	40141	40141
6	#SR-6P3-4 STRAIN RELIEF	76026	76026
7	LEAD-IN CORD 15 AMP PLUG	22038	22038
8	DPST ROCKER SWITCH	42532	42532
9	WARMER PAN ASSEMBLY	40109	40109
10	120 VOLT 50 WATT HEAT ELEMENT	40031	
	115 VOLT 75 WATT HEAT ELEMENT		44026



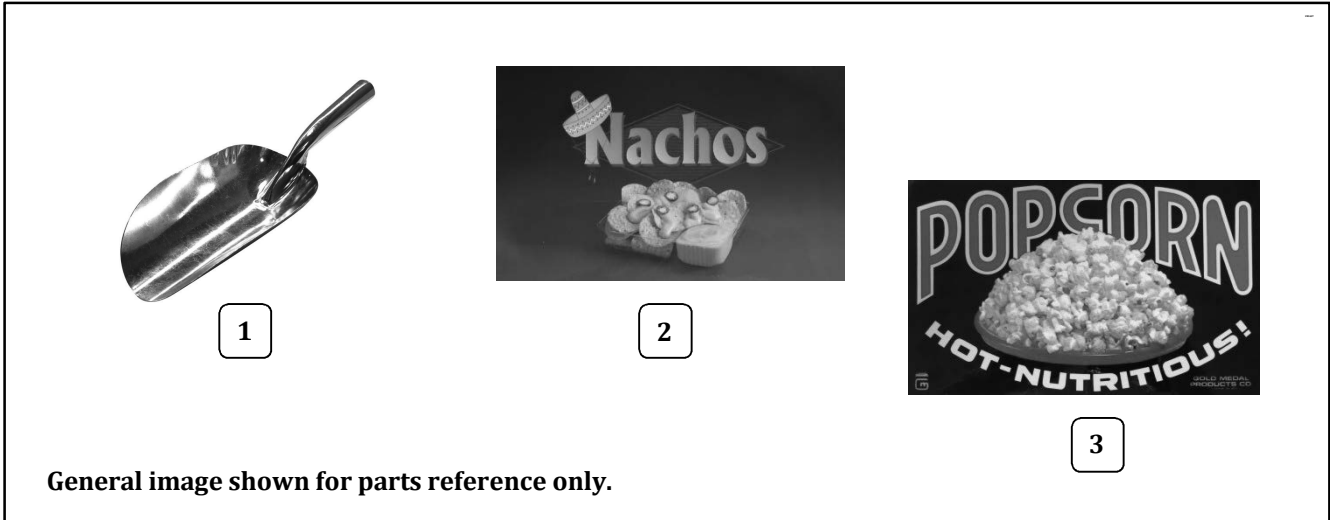
## Cabinet View



Item	Part Description	Part Number	
		2186ST	2188ST
1	STAMPED ALUMINUM SCOOP	2071	2071
2	DECAL (NACHOS)	40044	
3	POPCORN BOWL DECAL		40053



## Cabinet View



Item	Part Description	Part Number	
		2186ST	2188ST
1	STAMPED ALUMINUM SCOOP	2071	2071
2	DECAL (NACHOS)	40044	
3	POPCORN BOWL DECAL		40053