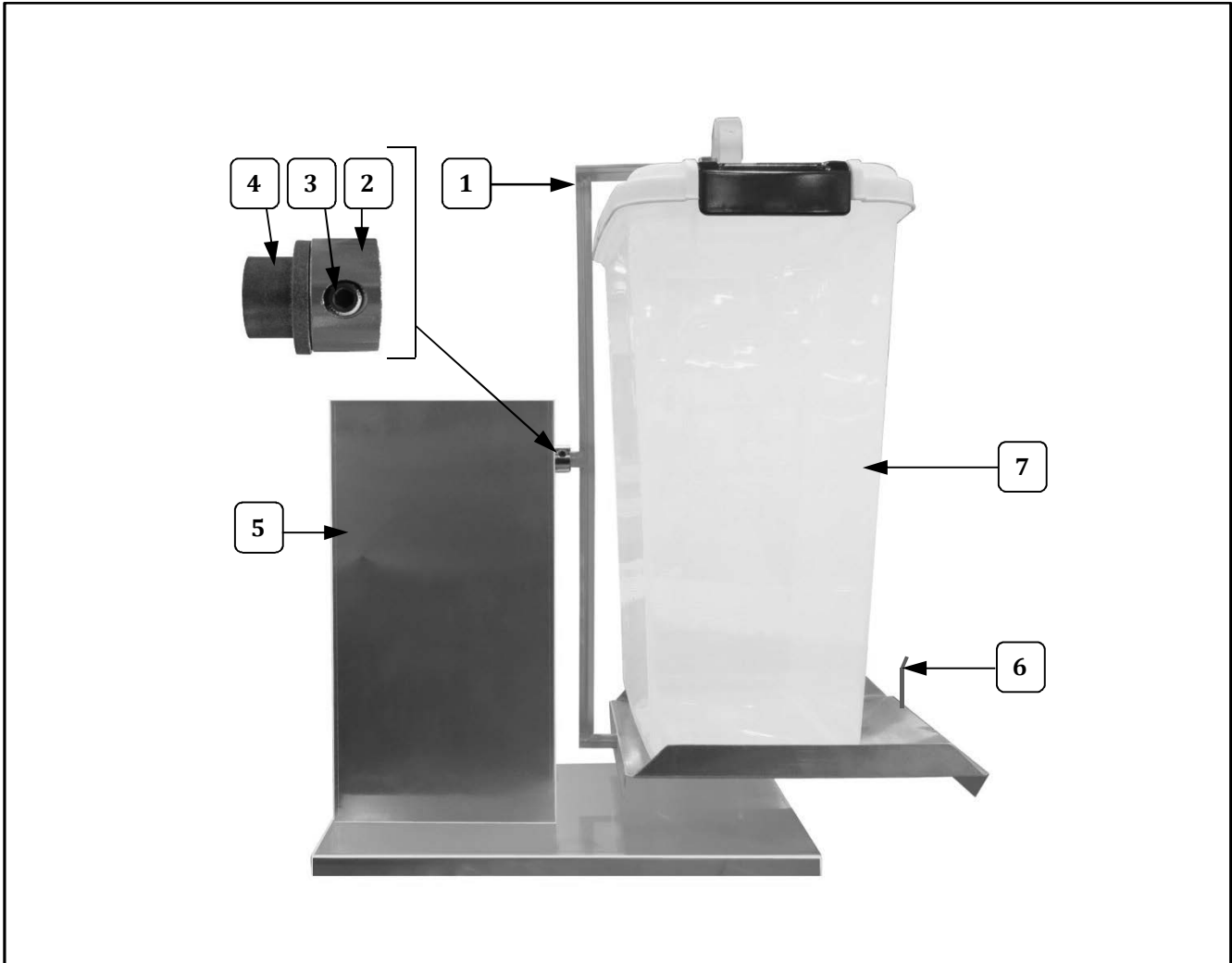




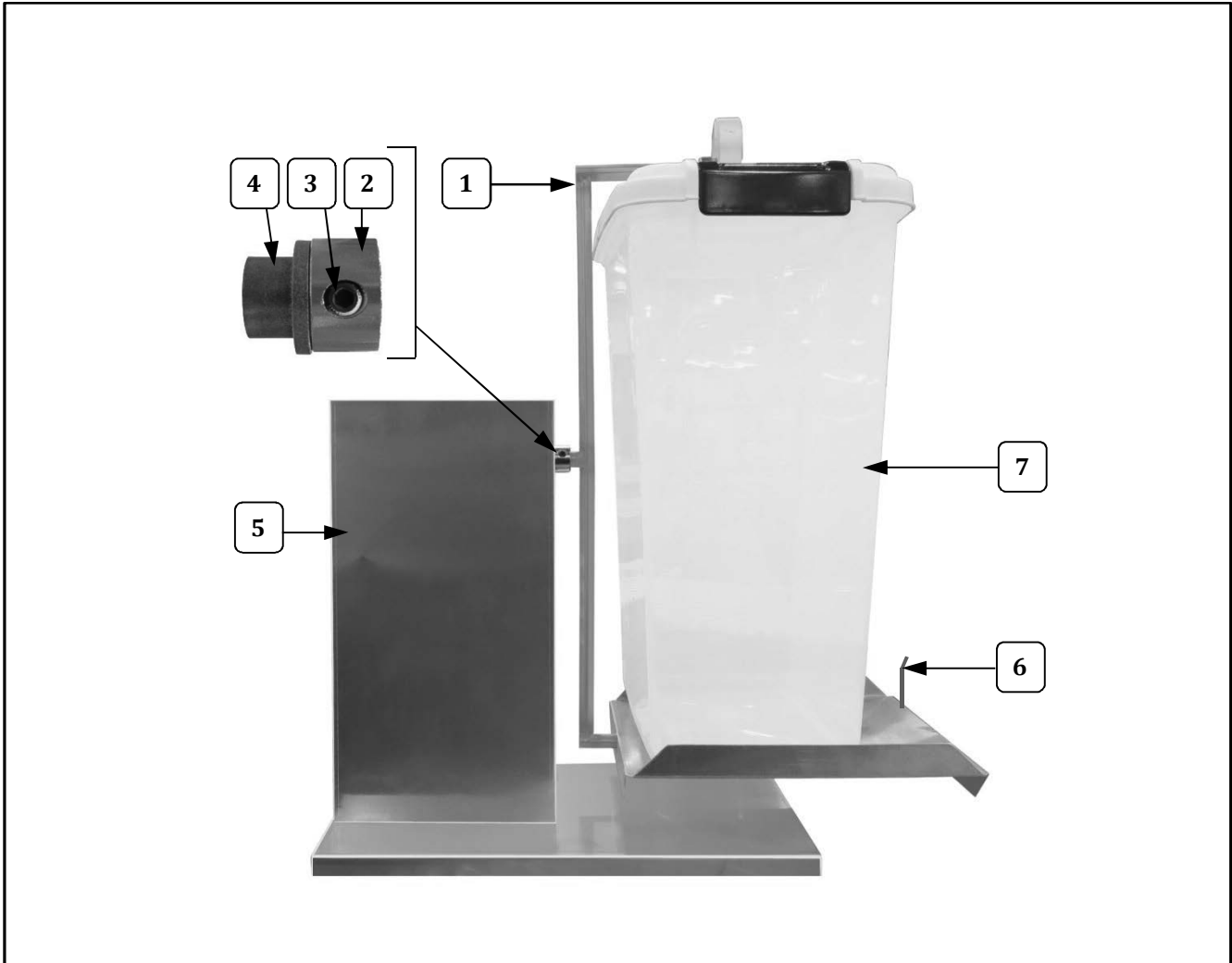
Unit Exterior



Item	Part Description	Part No.
1	CRADLE ASSEMBLY	14810
2	REAMED SET COLLAR	74102
3	1/4-20 x 3/16 SET SCREW	47751
4	CROSSBAR BUSHING	41134
5	FLAV-R-TATOR COVER	14803
6	RETAINING CLIP	14828
7	POPCORN SHAKER BOX WITH LID	2165



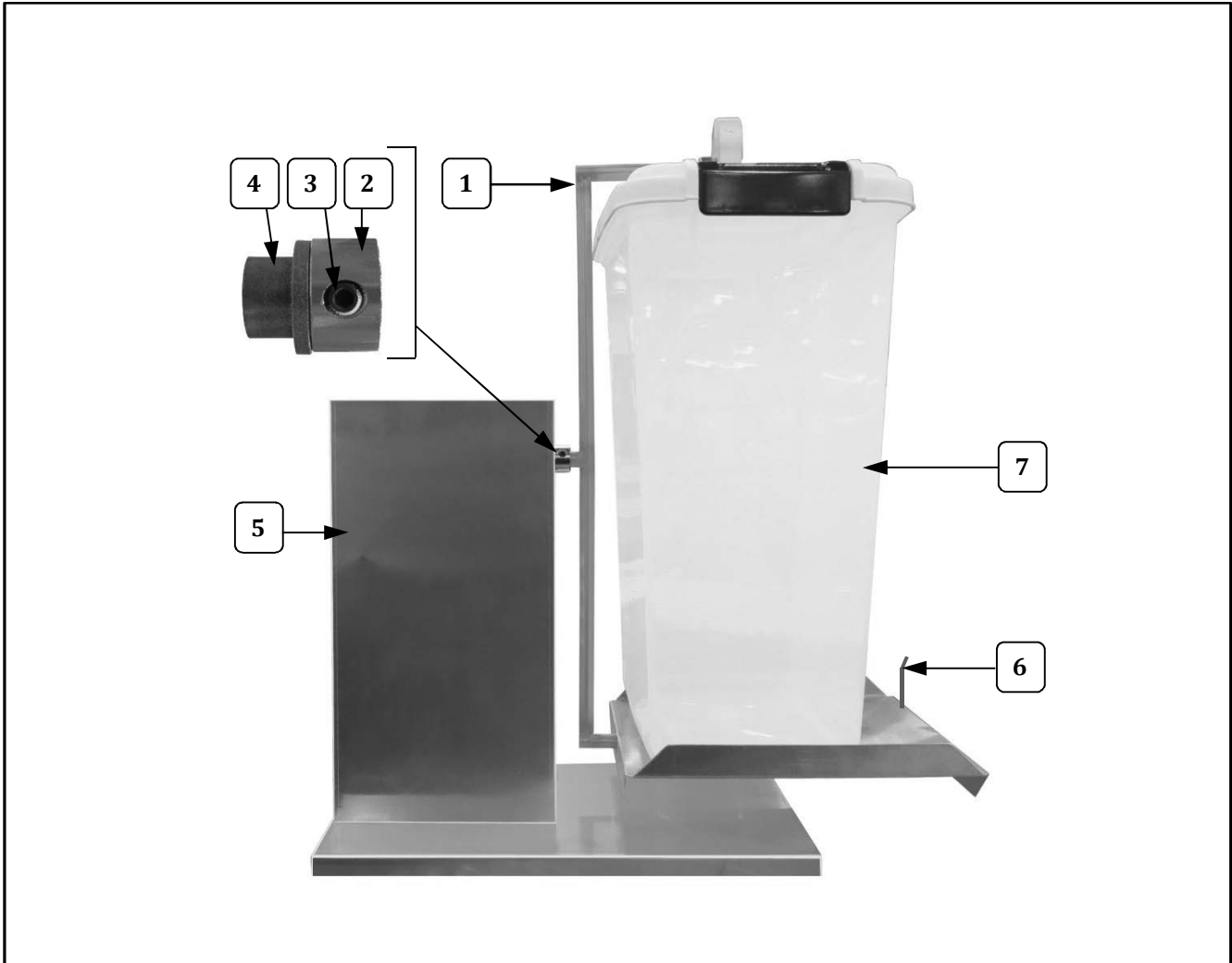
Unit Exterior



Item	Part Description	Part No.
1	CRADLE ASSEMBLY	14810
2	REAMED SET COLLAR	74102
3	1/4-20 x 3/16 SET SCREW	47751
4	CROSSBAR BUSHING	41134
5	FLAV-R-TATOR COVER	14803
6	RETAINING CLIP	14828
7	POPCORN SHAKER BOX WITH LID	2165



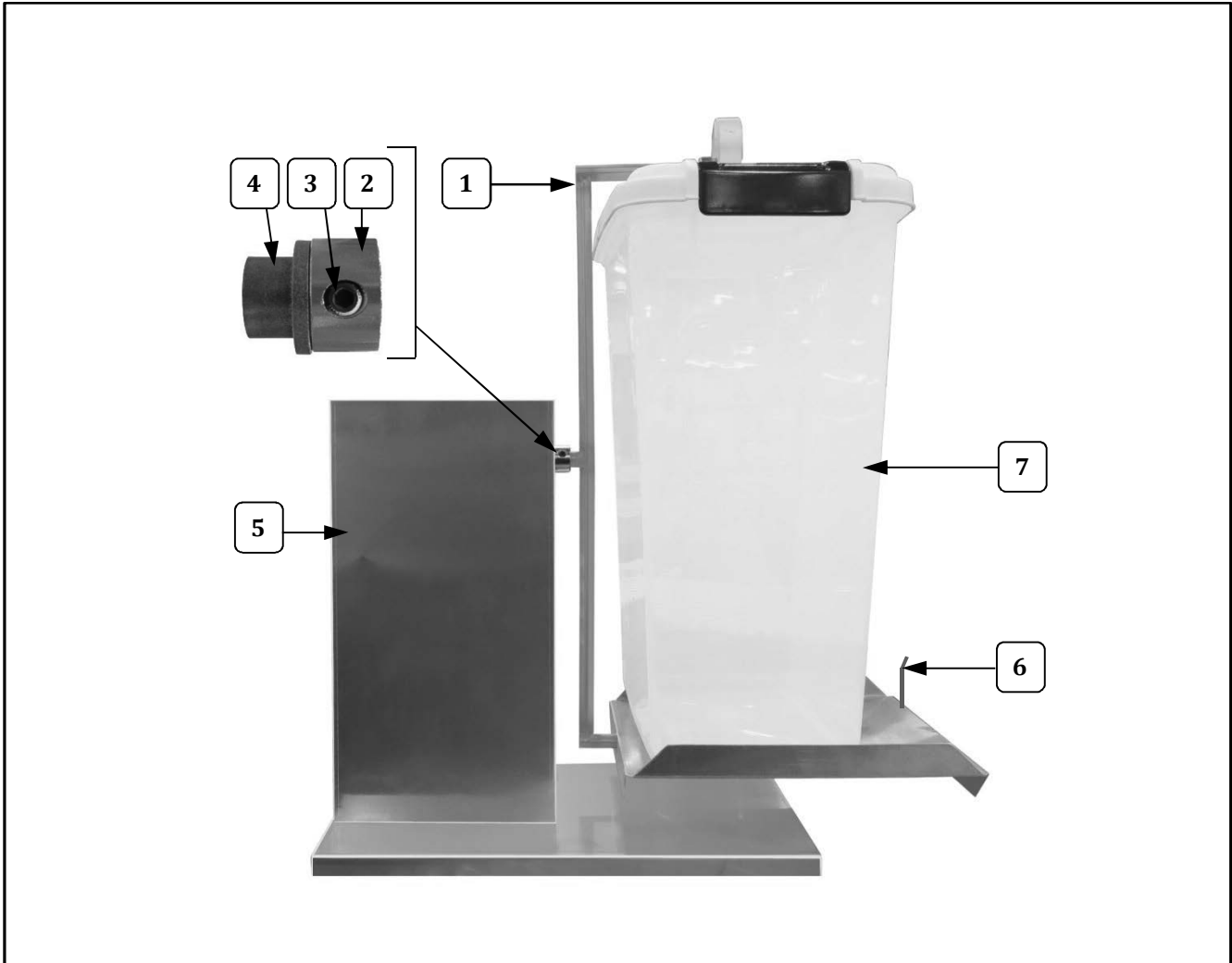
Unit Exterior



Item	Part Description	Part No.
1	CRADLE ASSEMBLY	14810
2	REAMED SET COLLAR	74102
3	1/4-20 x 3/16 SET SCREW	47751
4	CROSSBAR BUSHING	41134
5	FLAV-R-TATOR COVER	14803
6	RETAINING CLIP	14828
7	POPCORN SHAKER BOX WITH LID	2165



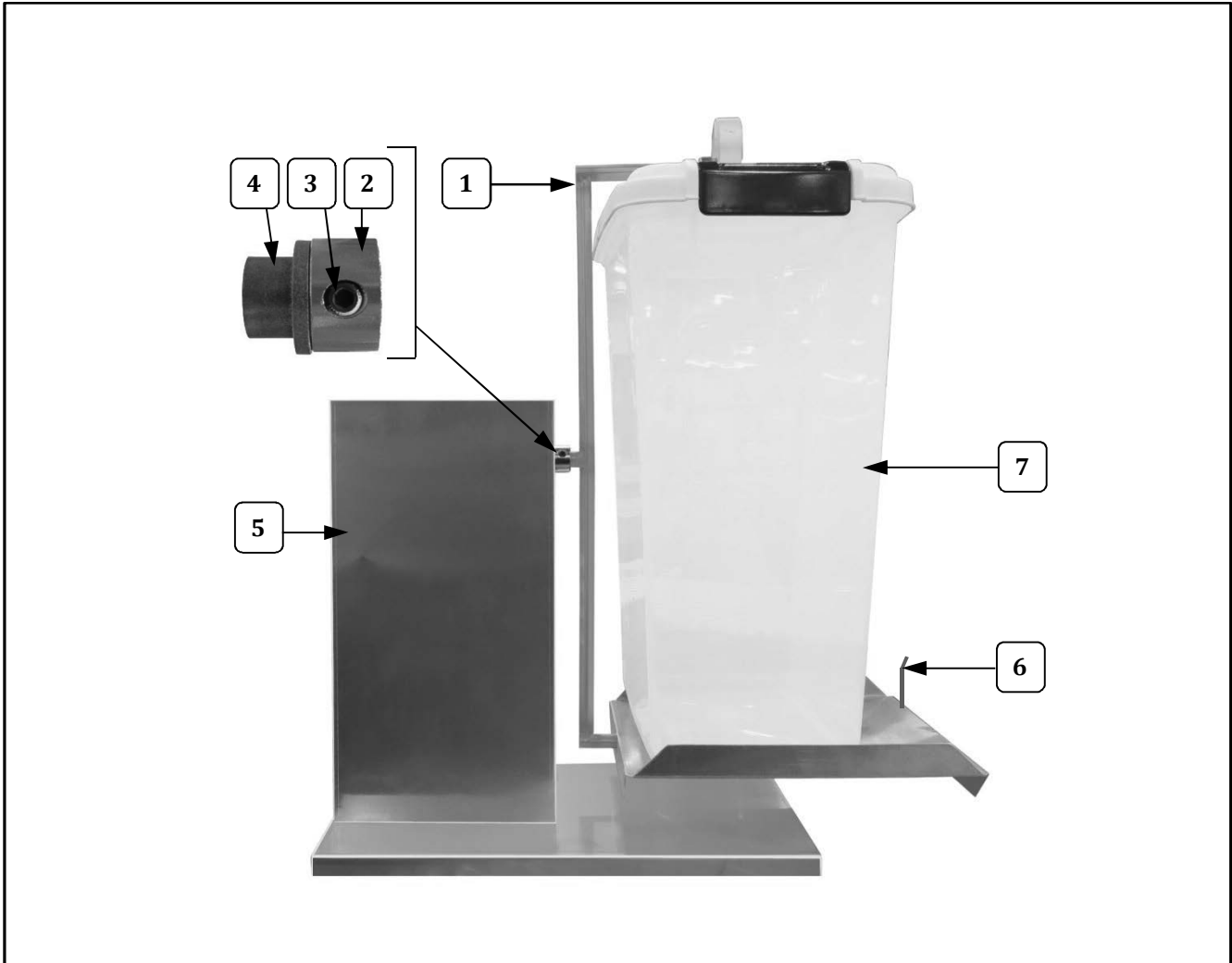
Unit Exterior



Item	Part Description	Part No.
1	CRADLE ASSEMBLY	14810
2	REAMED SET COLLAR	74102
3	1/4-20 x 3/16 SET SCREW	47751
4	CROSSBAR BUSHING	41134
5	FLAV-R-TATOR COVER	14803
6	RETAINING CLIP	14828
7	POPCORN SHAKER BOX WITH LID	2165



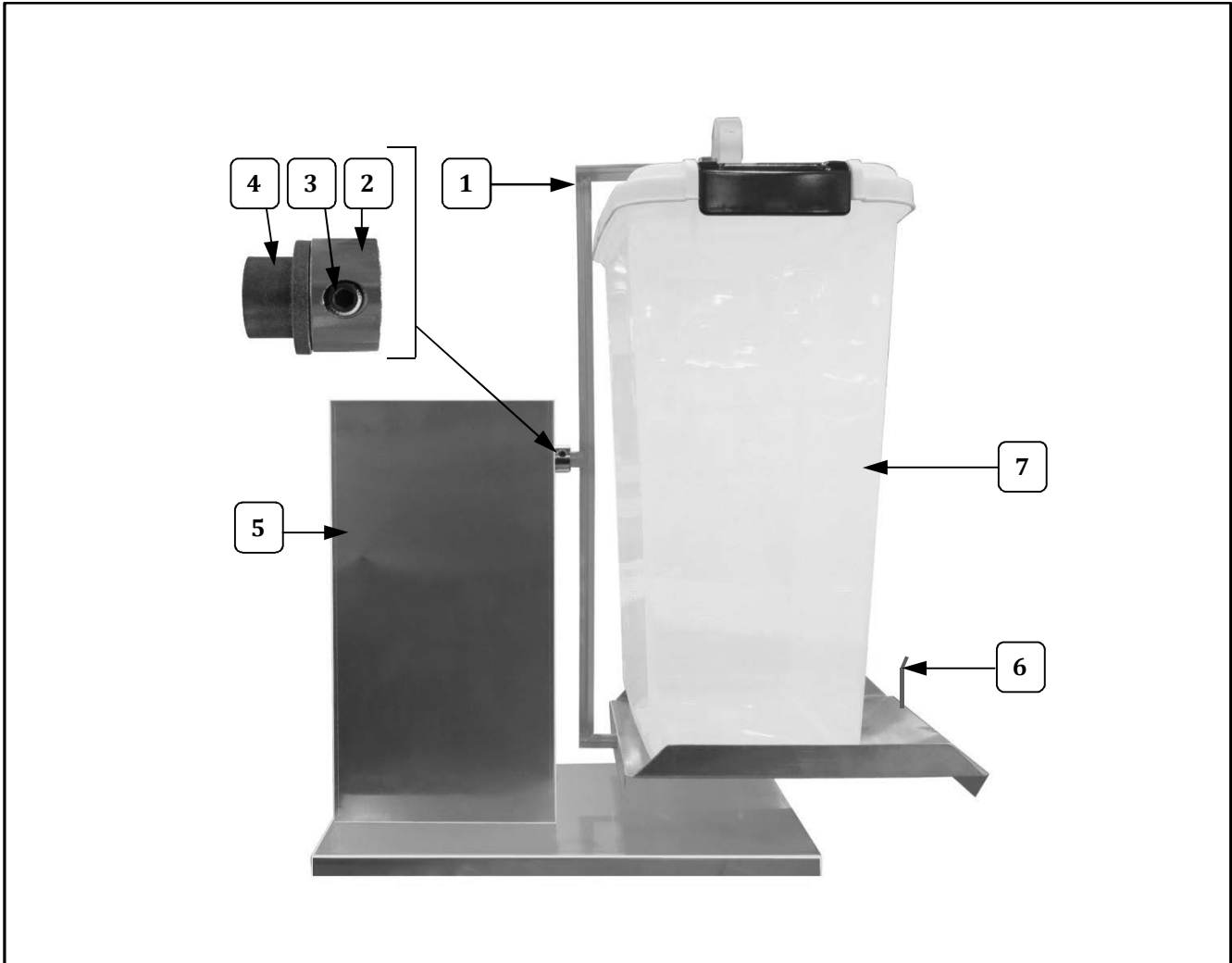
Unit Exterior



Item	Part Description	Part No.
1	CRADLE ASSEMBLY	14810
2	REAMED SET COLLAR	74102
3	1/4-20 x 3/16 SET SCREW	47751
4	CROSSBAR BUSHING	41134
5	FLAV-R-TATOR COVER	14803
6	RETAINING CLIP	14828
7	POPCORN SHAKER BOX WITH LID	2165



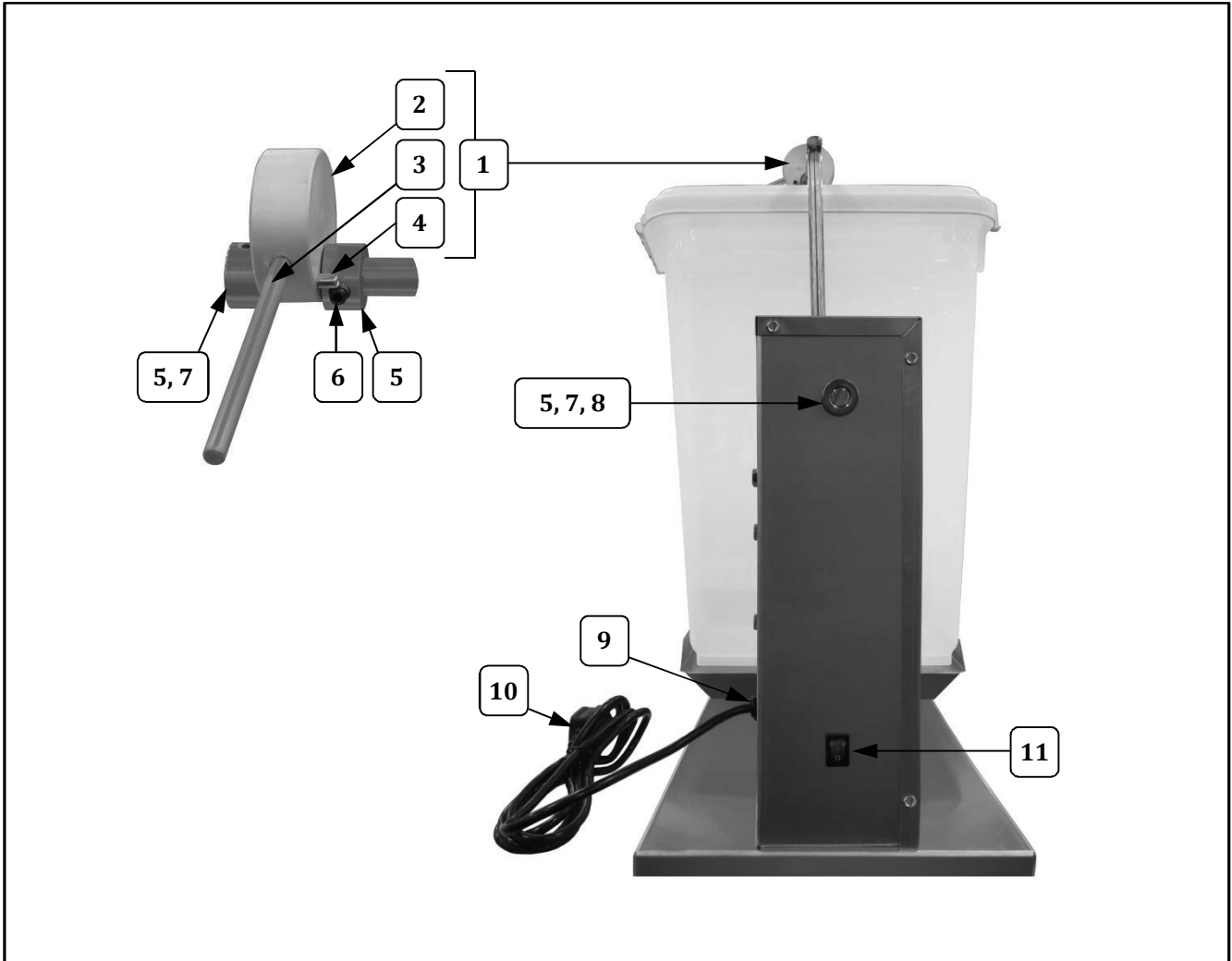
Unit Exterior



Item	Part Description	Part No.
1	CRADLE ASSEMBLY	14810
2	REAMED SET COLLAR	74102
3	1/4-20 x 3/16 SET SCREW	47751
4	CROSSBAR BUSHING	41134
5	FLAV-R-TATOR COVER	14803
6	RETAINING CLIP	14828
7	POPCORN SHAKER BOX WITH LID	2165



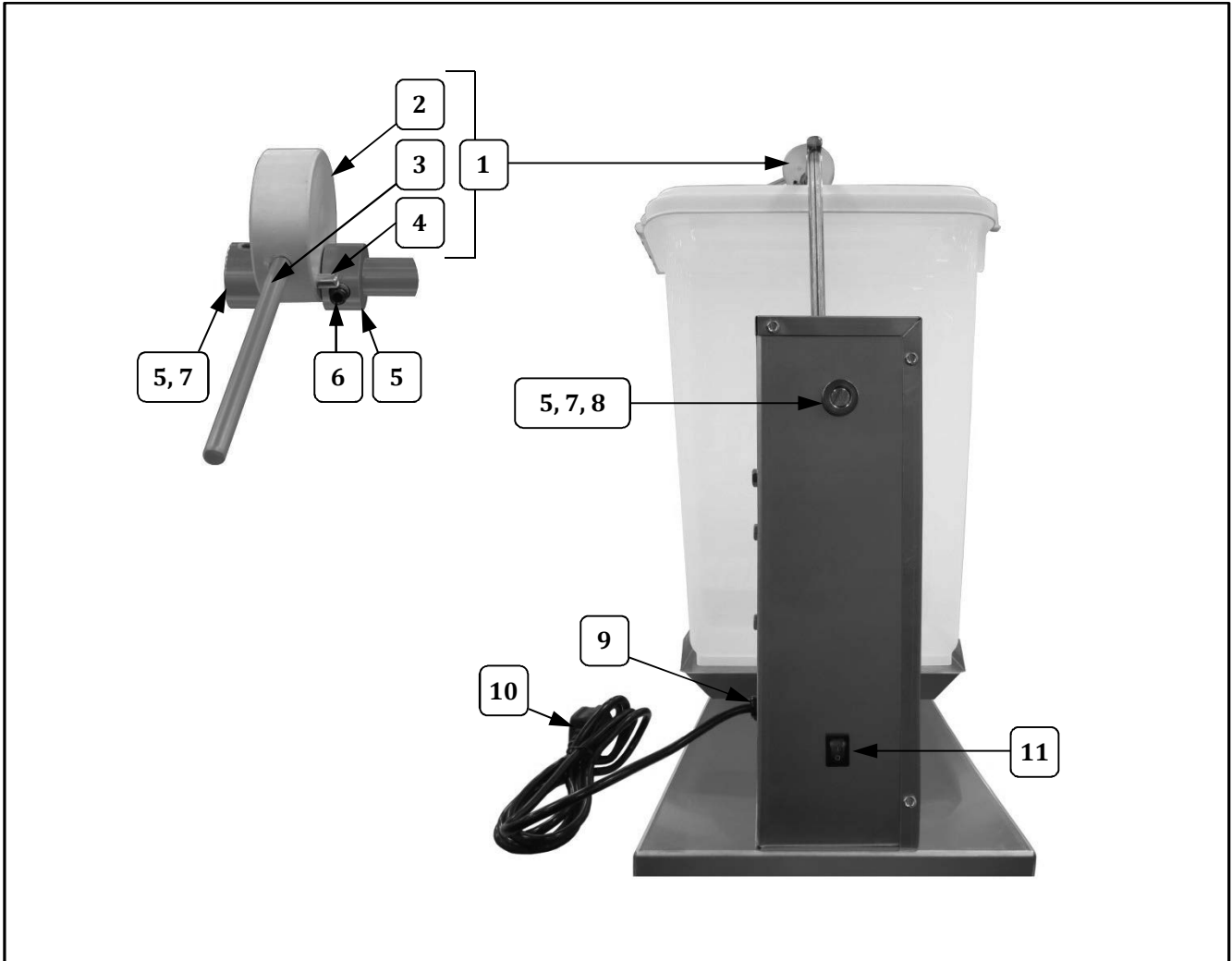
Unit Exterior



Item	Part Description	Part No.
1	CAM ASSEMBLY (includes Items 2-4 below)	14814
2	CAM	14815
3	CAM HANDLE	14816
4	3/16 X 1/4 SPRING PIN	14827
5	REAMED SET COLLAR	74102
6	1/4-20 x 1/2 SET SCREW	42115
7	1/4-20 x 3/16 SET SCREW	47751
8	CROSSBAR BUSHING	41134
9	#SR-6P-4 STRAIN RELIEF	44073
10	LEAD-IN CORD 15 AMP PLUG	22038
11	DPST ROCKER SWITCH	42532



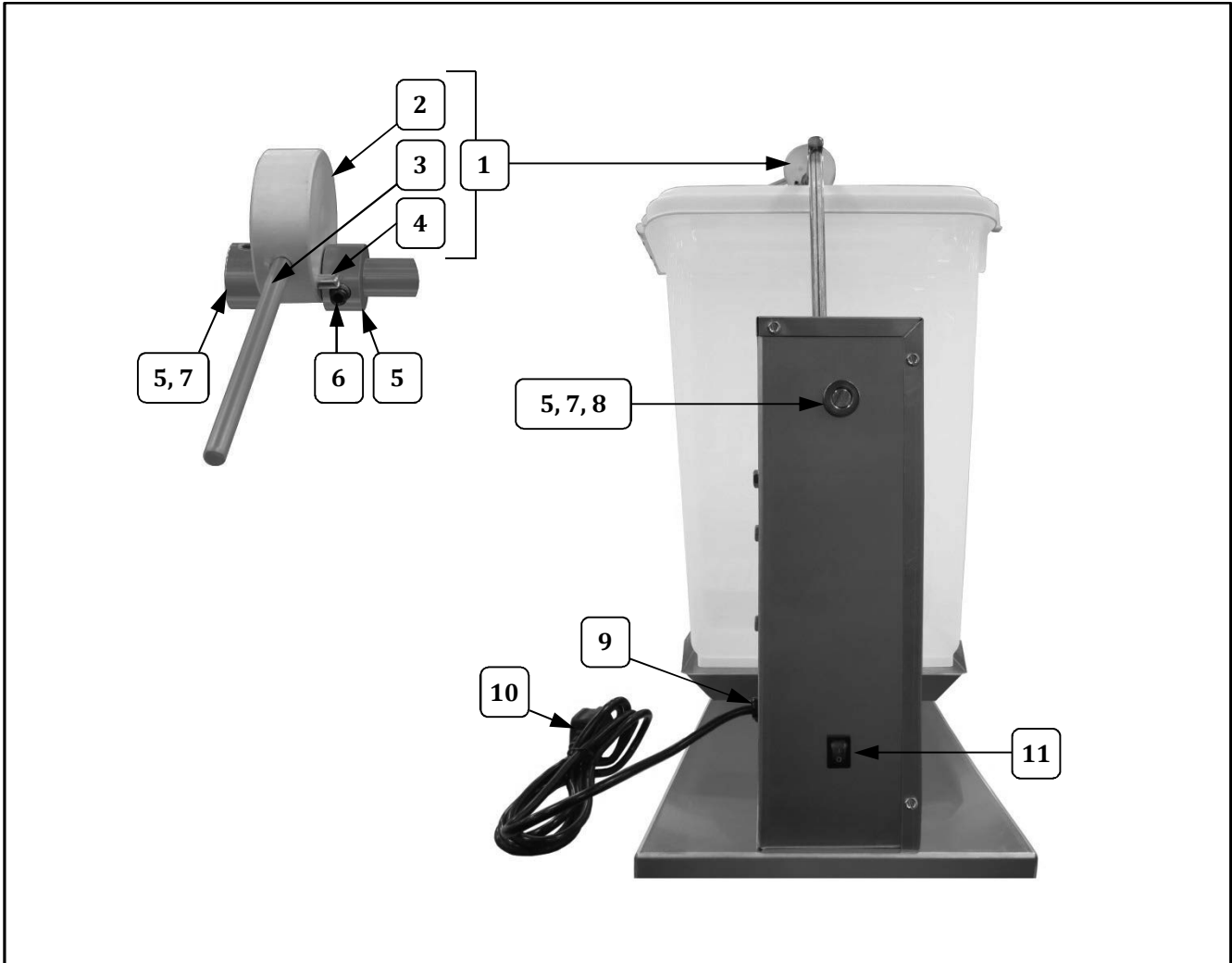
Unit Exterior



Item	Part Description	Part No.
1	CAM ASSEMBLY (includes Items 2-4 below)	14814
2	CAM	14815
3	CAM HANDLE	14816
4	3/16 X 1/4 SPRING PIN	14827
5	REAMED SET COLLAR	74102
6	1/4-20 x 1/2 SET SCREW	42115
7	1/4-20 x 3/16 SET SCREW	47751
8	CROSSBAR BUSHING	41134
9	#SR-6P-4 STRAIN RELIEF	44073
10	LEAD-IN CORD 15 AMP PLUG	22038
11	DPST ROCKER SWITCH	42532



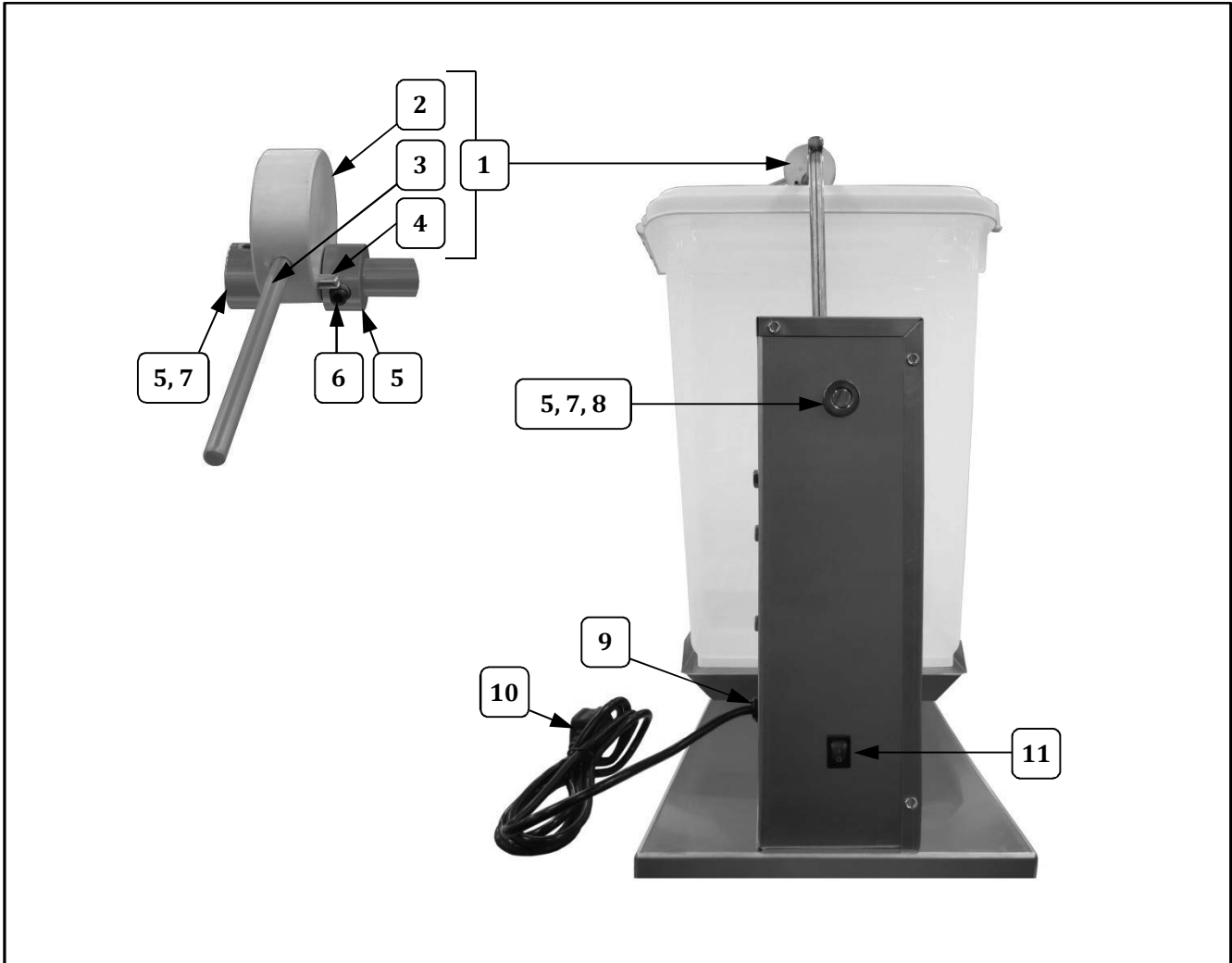
Unit Exterior



Item	Part Description	Part No.
1	CAM ASSEMBLY (includes Items 2-4 below)	14814
2	CAM	14815
3	CAM HANDLE	14816
4	3/16 X 1/4 SPRING PIN	14827
5	REAMED SET COLLAR	74102
6	1/4-20 x 1/2 SET SCREW	42115
7	1/4-20 x 3/16 SET SCREW	47751
8	CROSSBAR BUSHING	41134
9	#SR-6P-4 STRAIN RELIEF	44073
10	LEAD-IN CORD 15 AMP PLUG	22038
11	DPST ROCKER SWITCH	42532



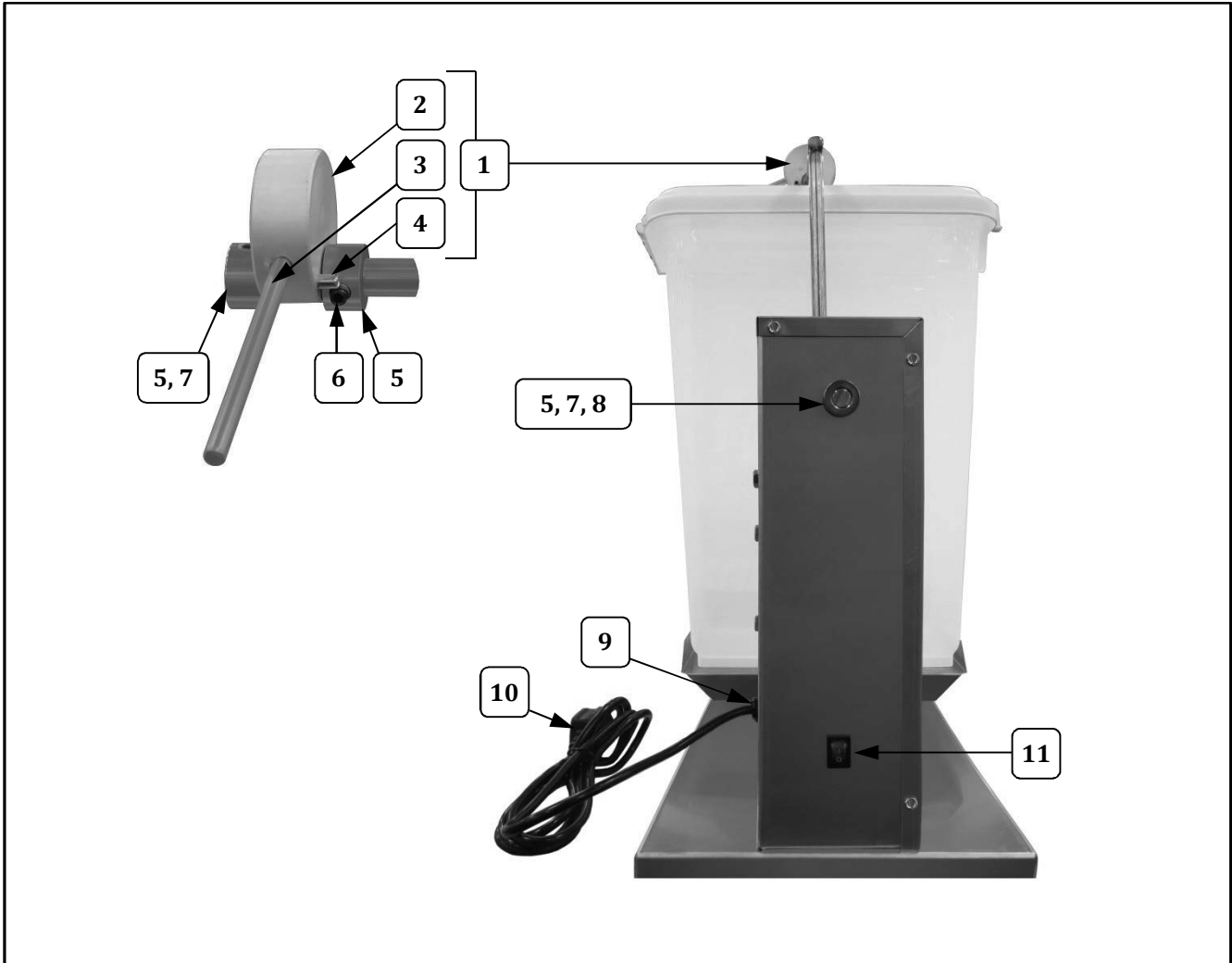
Unit Exterior



Item	Part Description	Part No.
1	CAM ASSEMBLY (includes Items 2-4 below)	14814
2	CAM	14815
3	CAM HANDLE	14816
4	3/16 X 1/4 SPRING PIN	14827
5	REAMED SET COLLAR	74102
6	1/4-20 x 1/2 SET SCREW	42115
7	1/4-20 x 3/16 SET SCREW	47751
8	CROSSBAR BUSHING	41134
9	#SR-6P-4 STRAIN RELIEF	44073
10	LEAD-IN CORD 15 AMP PLUG	22038
11	DPST ROCKER SWITCH	42532



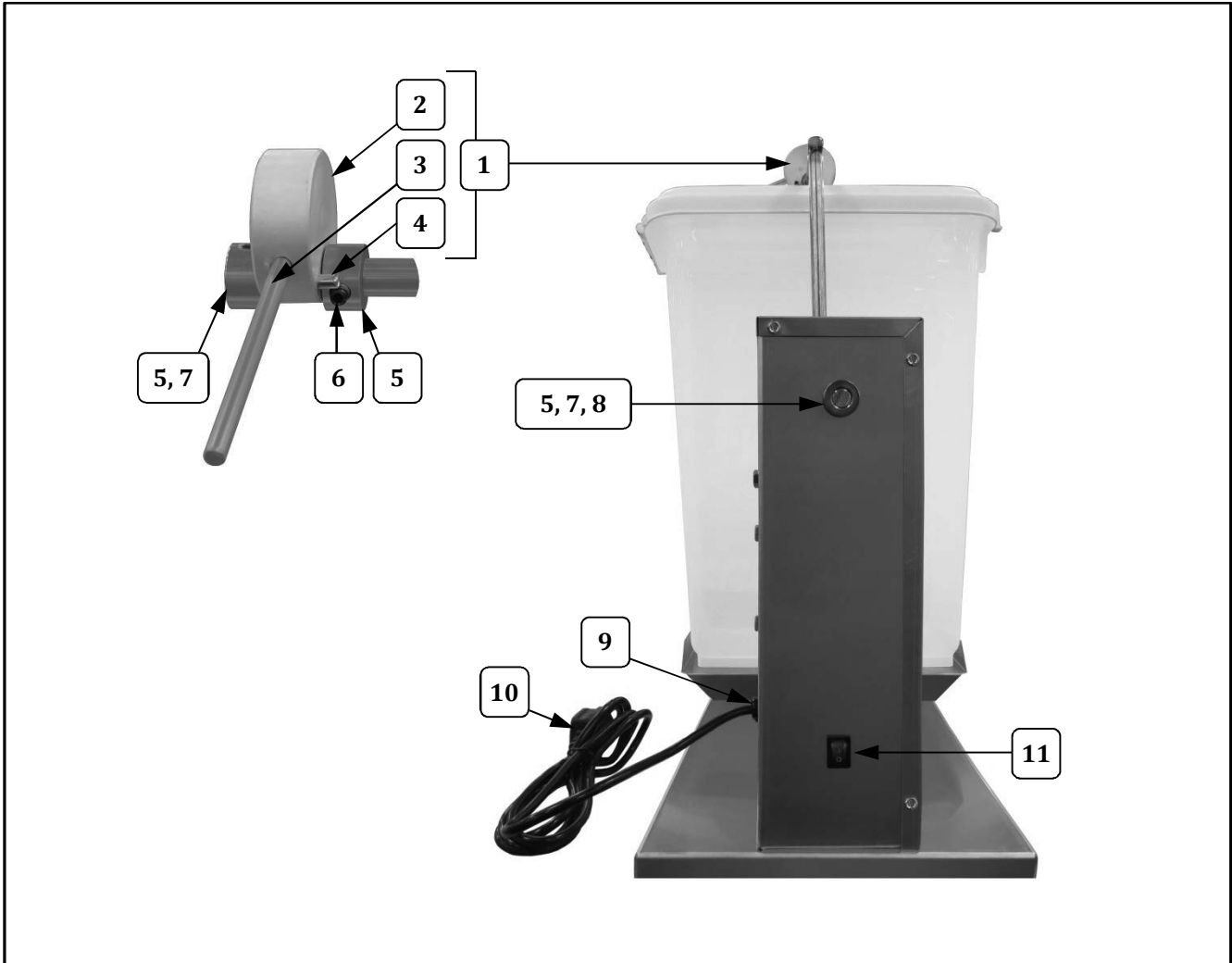
Unit Exterior



Item	Part Description	Part No.
1	CAM ASSEMBLY (includes Items 2-4 below)	14814
2	CAM	14815
3	CAM HANDLE	14816
4	3/16 X 1/4 SPRING PIN	14827
5	REAMED SET COLLAR	74102
6	1/4-20 x 1/2 SET SCREW	42115
7	1/4-20 x 3/16 SET SCREW	47751
8	CROSSBAR BUSHING	41134
9	#SR-6P-4 STRAIN RELIEF	44073
10	LEAD-IN CORD 15 AMP PLUG	22038
11	DPST ROCKER SWITCH	42532



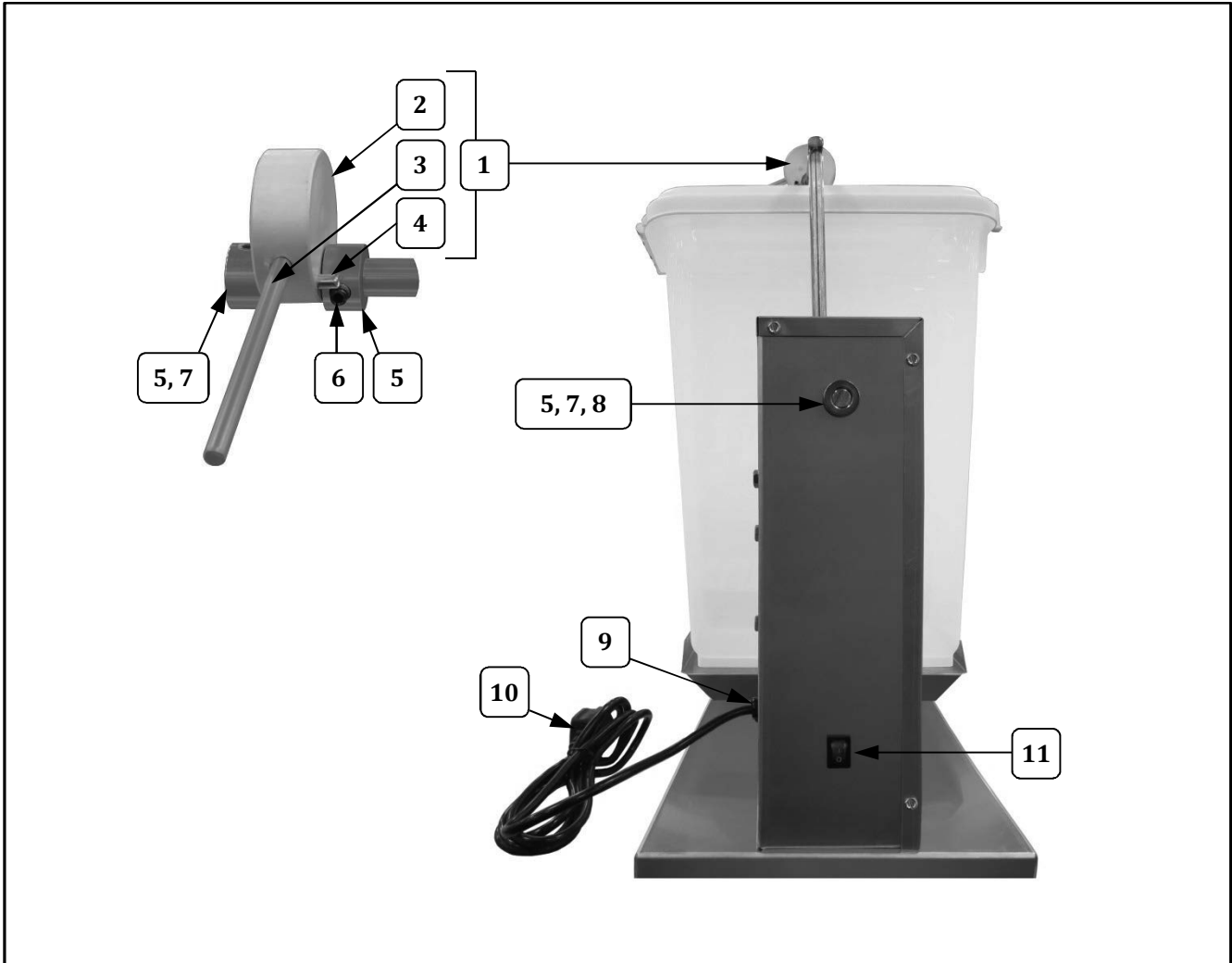
Unit Exterior



Item	Part Description	Part No.
1	CAM ASSEMBLY (includes Items 2-4 below)	14814
2	CAM	14815
3	CAM HANDLE	14816
4	3/16 X 1/4 SPRING PIN	14827
5	REAMED SET COLLAR	74102
6	1/4-20 x 1/2 SET SCREW	42115
7	1/4-20 x 3/16 SET SCREW	47751
8	CROSSBAR BUSHING	41134
9	#SR-6P-4 STRAIN RELIEF	44073
10	LEAD-IN CORD 15 AMP PLUG	22038
11	DPST ROCKER SWITCH	42532



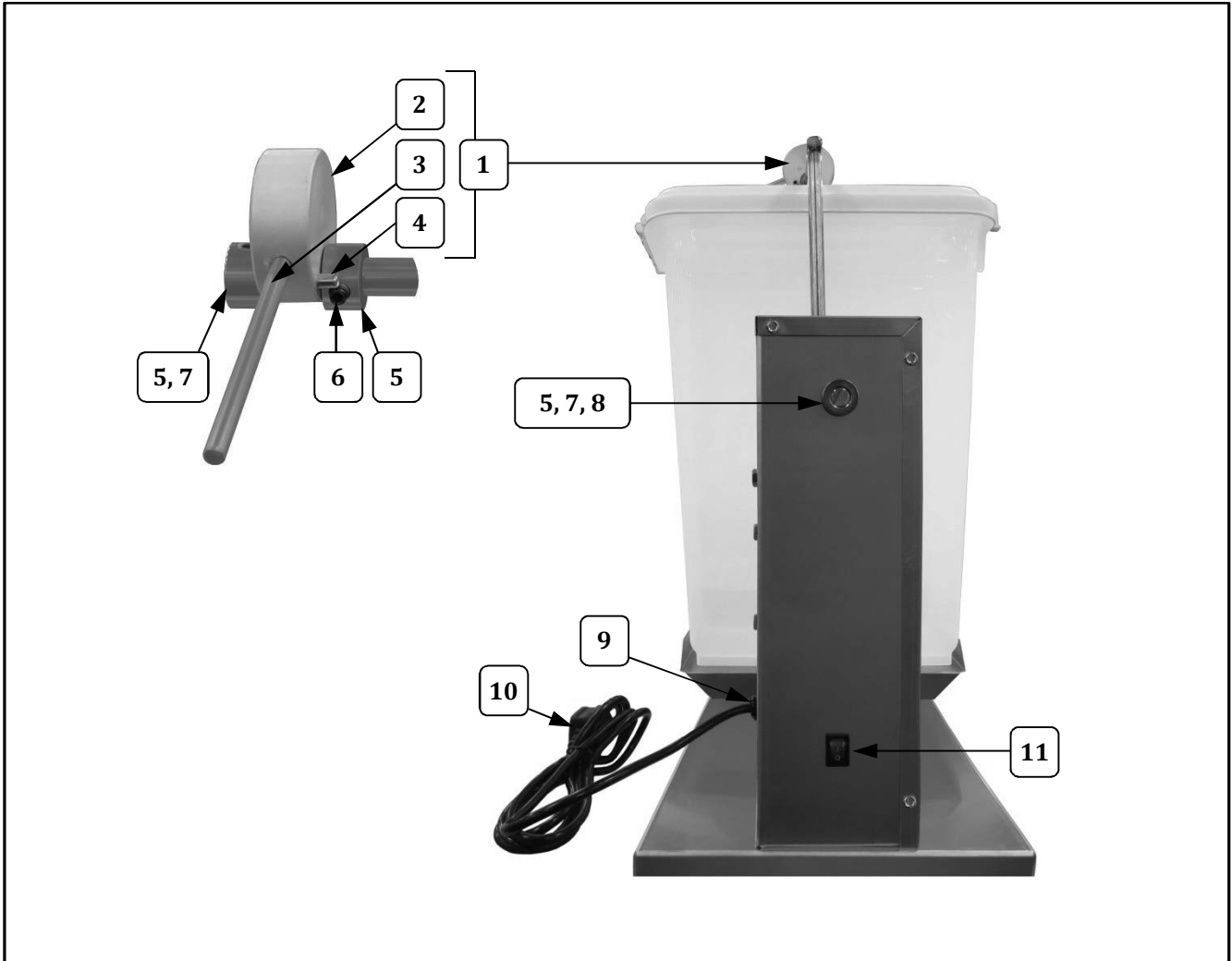
Unit Exterior



Item	Part Description	Part No.
1	CAM ASSEMBLY (includes Items 2-4 below)	14814
2	CAM	14815
3	CAM HANDLE	14816
4	3/16 X 1/4 SPRING PIN	14827
5	REAMED SET COLLAR	74102
6	1/4-20 x 1/2 SET SCREW	42115
7	1/4-20 x 3/16 SET SCREW	47751
8	CROSSBAR BUSHING	41134
9	#SR-6P-4 STRAIN RELIEF	44073
10	LEAD-IN CORD 15 AMP PLUG	22038
11	DPST ROCKER SWITCH	42532



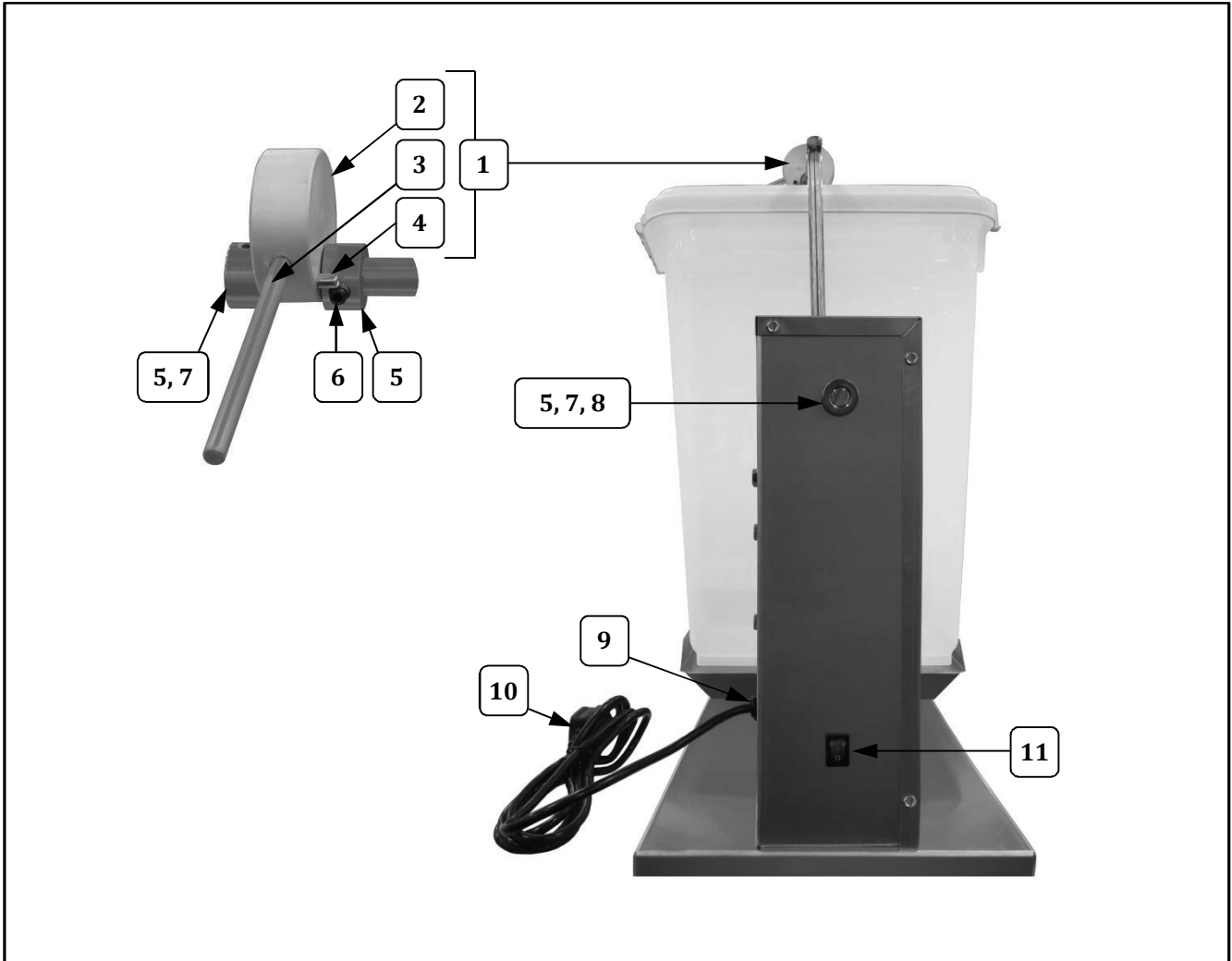
Unit Exterior



Item	Part Description	Part No.
1	CAM ASSEMBLY (includes Items 2-4 below)	14814
2	CAM	14815
3	CAM HANDLE	14816
4	3/16 X 1/4 SPRING PIN	14827
5	REAMED SET COLLAR	74102
6	1/4-20 x 1/2 SET SCREW	42115
7	1/4-20 x 3/16 SET SCREW	47751
8	CROSSBAR BUSHING	41134
9	#SR-6P-4 STRAIN RELIEF	44073
10	LEAD-IN CORD 15 AMP PLUG	22038
11	DPST ROCKER SWITCH	42532



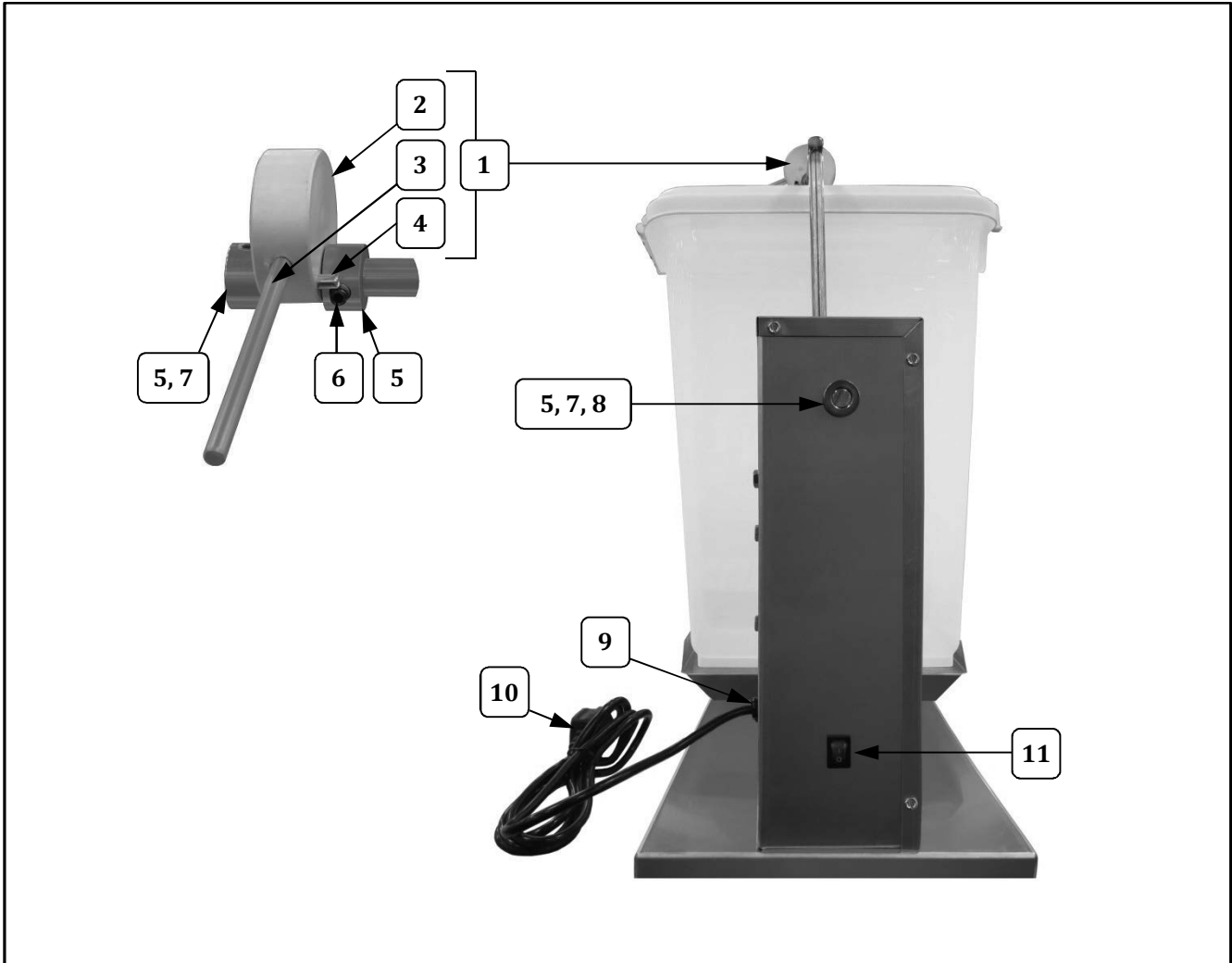
Unit Exterior



Item	Part Description	Part No.
1	CAM ASSEMBLY (includes Items 2-4 below)	14814
2	CAM	14815
3	CAM HANDLE	14816
4	3/16 X 1/4 SPRING PIN	14827
5	REAMED SET COLLAR	74102
6	1/4-20 x 1/2 SET SCREW	42115
7	1/4-20 x 3/16 SET SCREW	47751
8	CROSSBAR BUSHING	41134
9	#SR-6P-4 STRAIN RELIEF	44073
10	LEAD-IN CORD 15 AMP PLUG	22038
11	DPST ROCKER SWITCH	42532



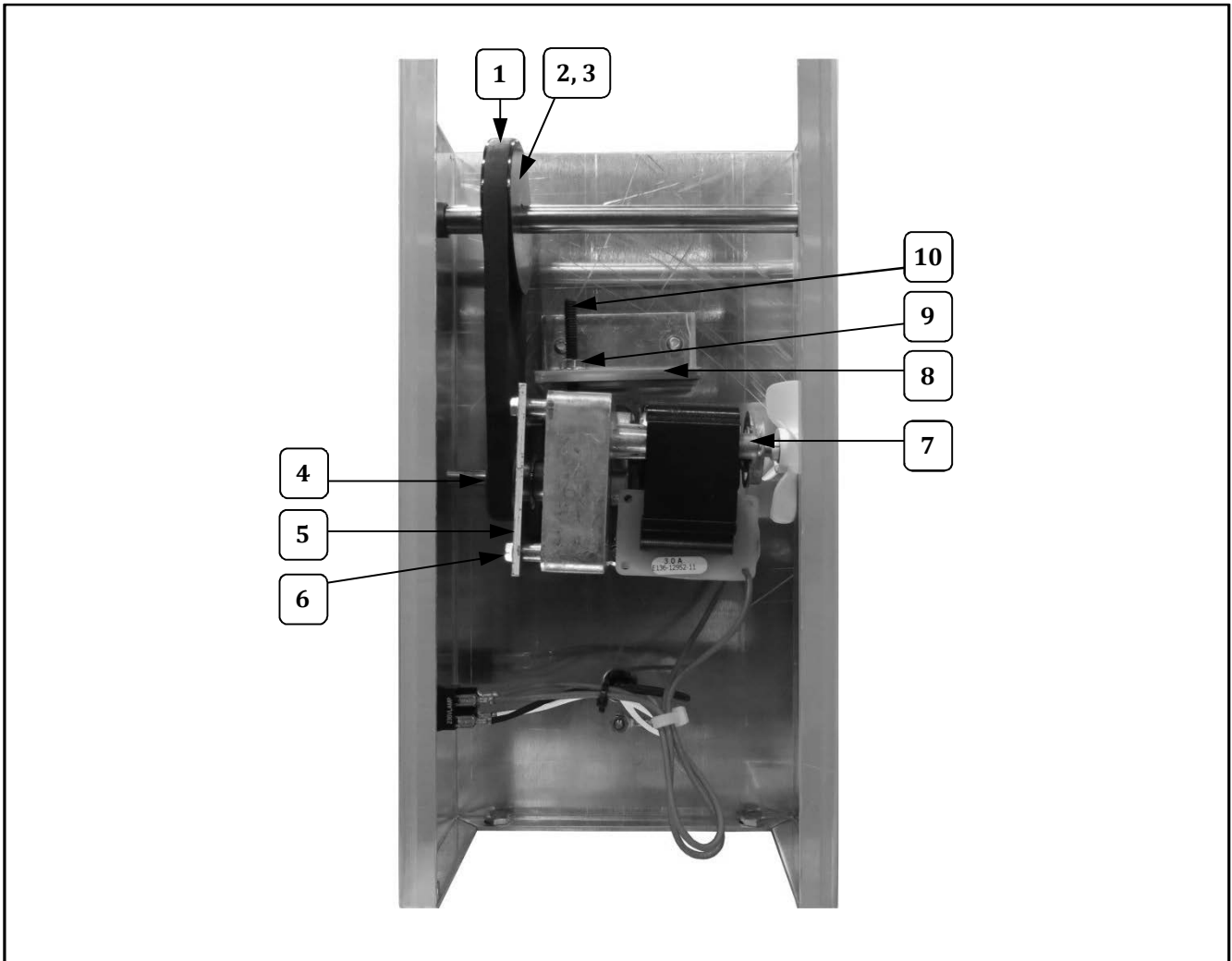
Unit Exterior



Item	Part Description	Part No.
1	CAM ASSEMBLY (includes Items 2-4 below)	14814
2	CAM	14815
3	CAM HANDLE	14816
4	3/16 X 1/4 SPRING PIN	14827
5	REAMED SET COLLAR	74102
6	1/4-20 x 1/2 SET SCREW	42115
7	1/4-20 x 3/16 SET SCREW	47751
8	CROSSBAR BUSHING	41134
9	#SR-6P-4 STRAIN RELIEF	44073
10	LEAD-IN CORD 15 AMP PLUG	22038
11	DPST ROCKER SWITCH	42532



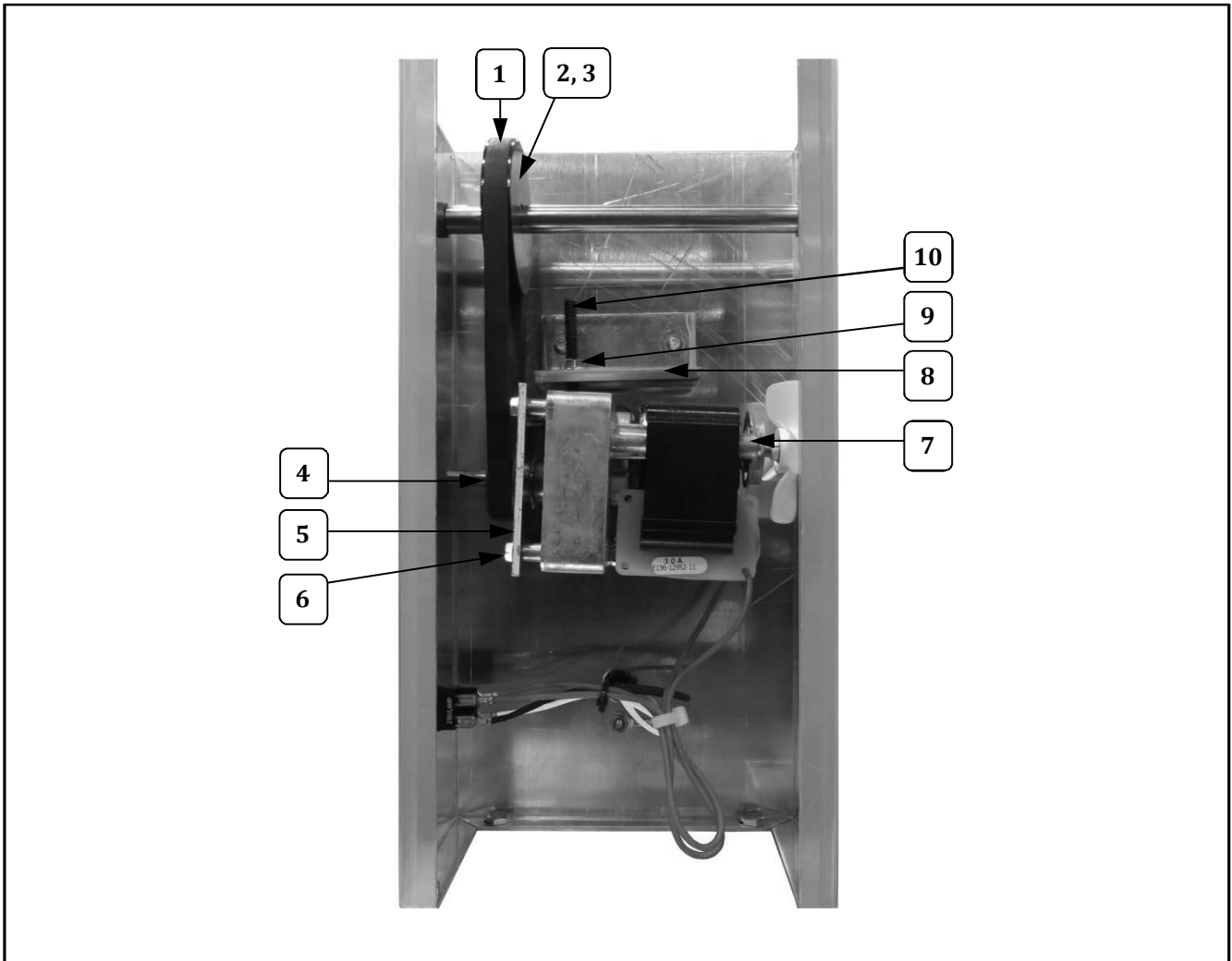
Controls Interior



Item	Part Description	Part No.
1	V-BELT	14807
2	DRIVEN PULLEY	14806
3	1/4-20 x 1/2 SET SCREW	42115
4	DRIVE PULLEY ASSEMBLY	14805
5	MOTOR MOUNT BRACKET	14826
6	10-24 X 1 HEX MACH SCREW	49322
7	DRIVE MOTOR	47038
8	BELT TENSION BRACKET	14829
9	1/4-20 SERRATED LOCK NUT	46311
10	SET SCREW 1/4 X 20 X 2 (Belt Tension Jack Screw)	42311



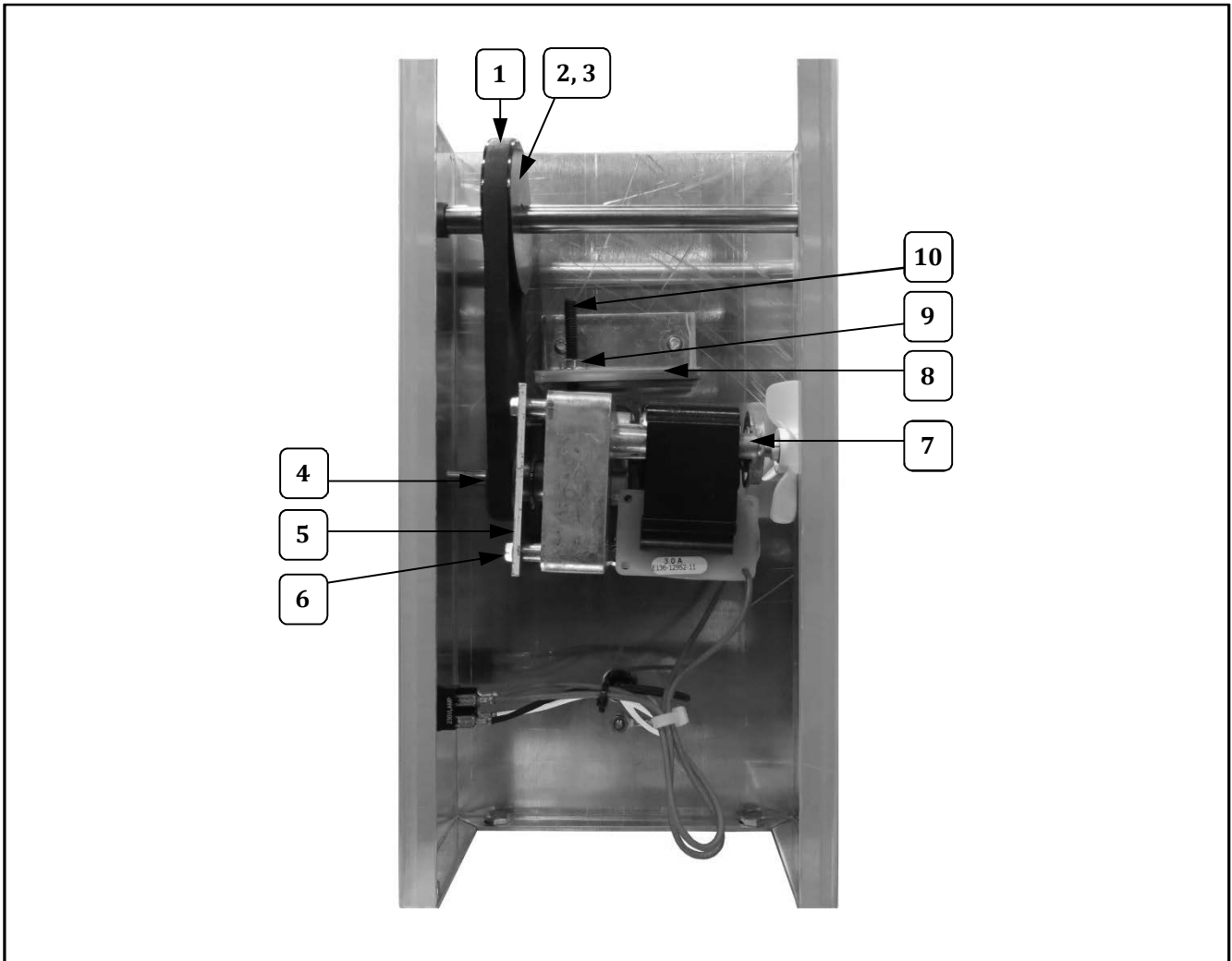
Controls Interior



Item	Part Description	Part No.
1	V-BELT	14807
2	DRIVEN PULLEY	14806
3	1/4-20 x 1/2 SET SCREW	42115
4	DRIVE PULLEY ASSEMBLY	14805
5	MOTOR MOUNT BRACKET	14826
6	10-24 X 1 HEX MACH SCREW	49322
7	DRIVE MOTOR	47038
8	BELT TENSION BRACKET	14829
9	1/4-20 SERRATED LOCK NUT	46311
10	SET SCREW 1/4 X 20 X 2 (Belt Tension Jack Screw)	42311



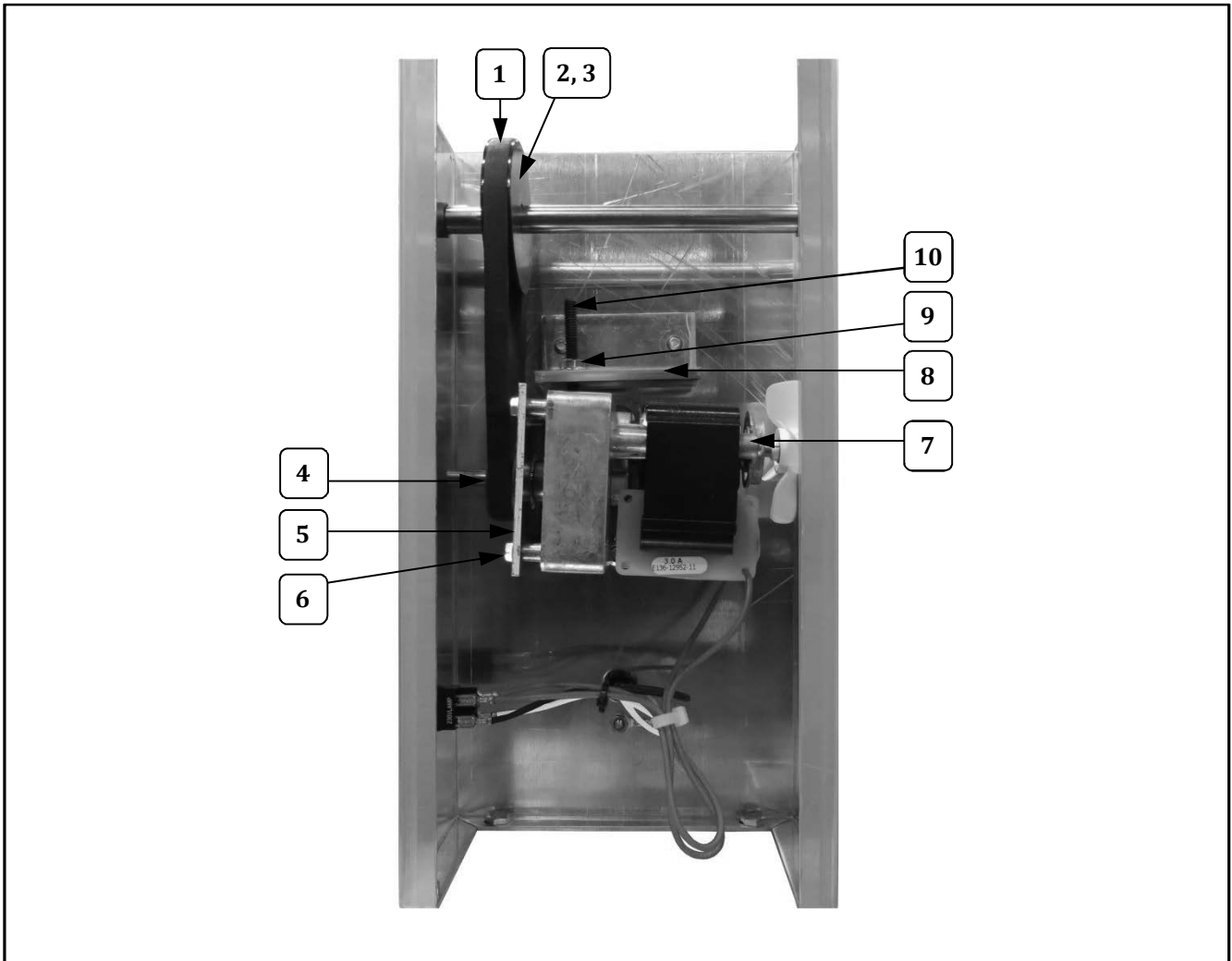
Controls Interior



Item	Part Description	Part No.
1	V-BELT	14807
2	DRIVEN PULLEY	14806
3	1/4-20 x 1/2 SET SCREW	42115
4	DRIVE PULLEY ASSEMBLY	14805
5	MOTOR MOUNT BRACKET	14826
6	10-24 X 1 HEX MACH SCREW	49322
7	DRIVE MOTOR	47038
8	BELT TENSION BRACKET	14829
9	1/4-20 SERRATED LOCK NUT	46311
10	SET SCREW 1/4 X 20 X 2 (Belt Tension Jack Screw)	42311



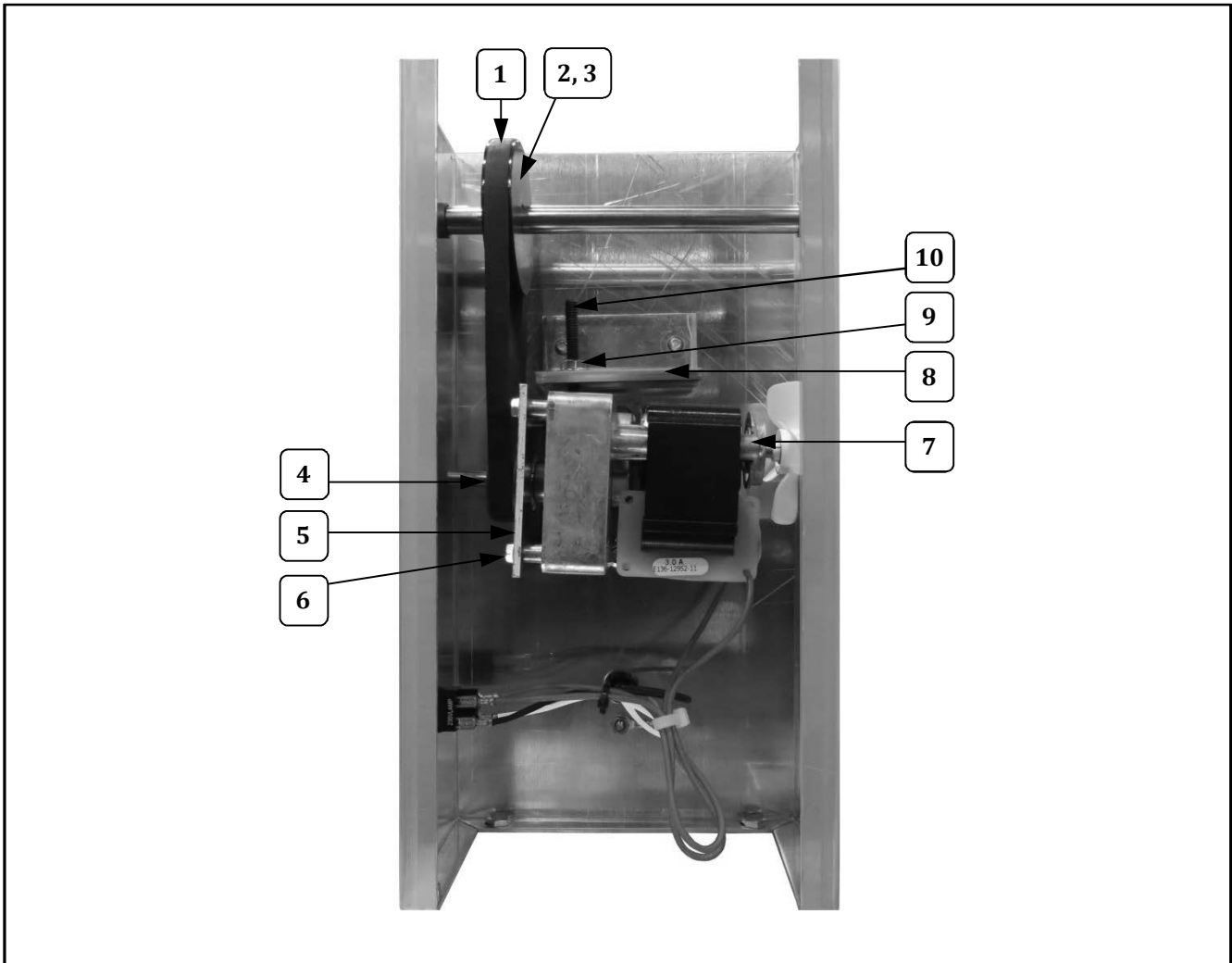
Controls Interior



Item	Part Description	Part No.
1	V-BELT	14807
2	DRIVEN PULLEY	14806
3	1/4-20 x 1/2 SET SCREW	42115
4	DRIVE PULLEY ASSEMBLY	14805
5	MOTOR MOUNT BRACKET	14826
6	10-24 X 1 HEX MACH SCREW	49322
7	DRIVE MOTOR	47038
8	BELT TENSION BRACKET	14829
9	1/4-20 SERRATED LOCK NUT	46311
10	SET SCREW 1/4 X 20 X 2 (Belt Tension Jack Screw)	42311



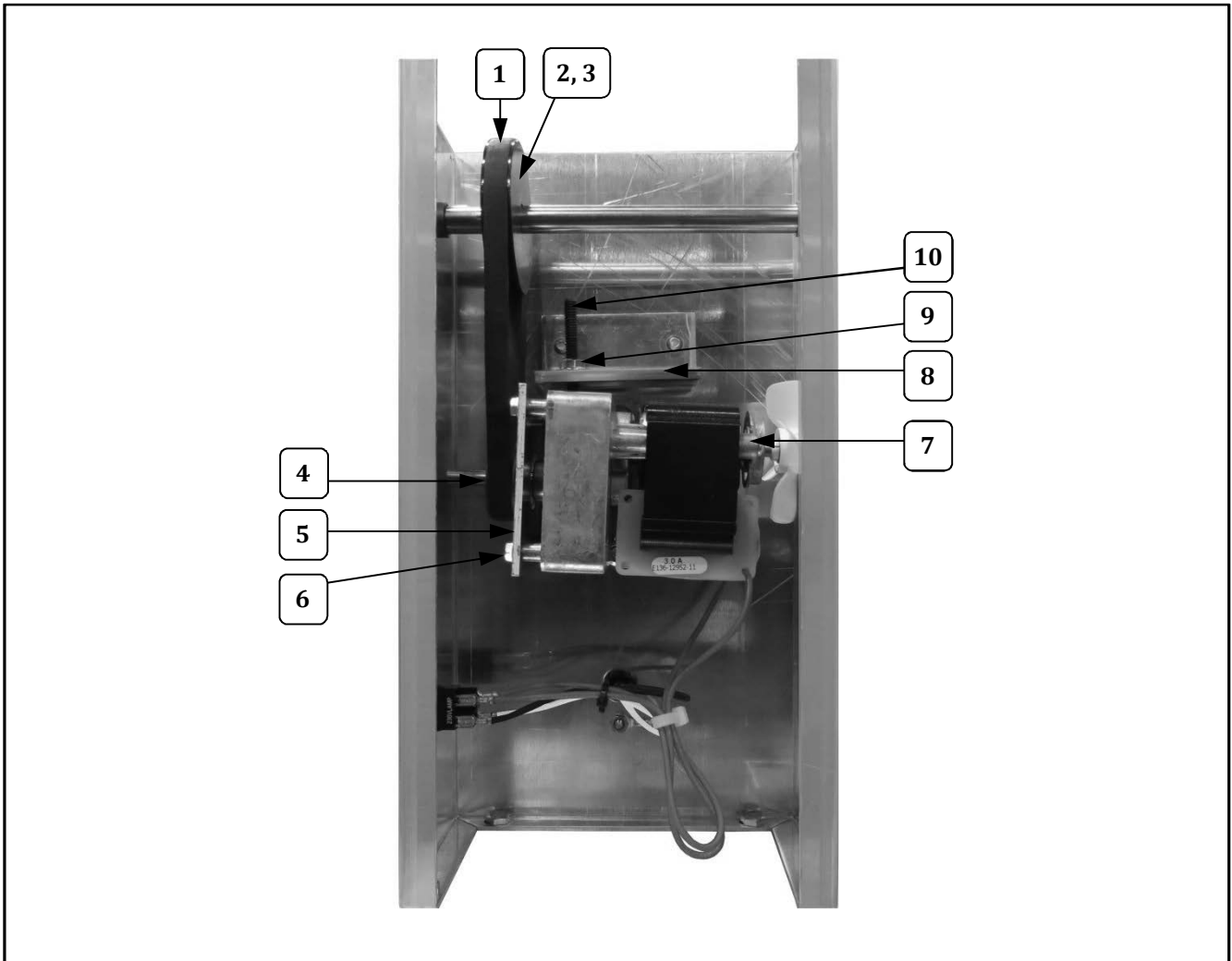
Controls Interior



Item	Part Description	Part No.
1	V-BELT	14807
2	DRIVEN PULLEY	14806
3	1/4-20 x 1/2 SET SCREW	42115
4	DRIVE PULLEY ASSEMBLY	14805
5	MOTOR MOUNT BRACKET	14826
6	10-24 X 1 HEX MACH SCREW	49322
7	DRIVE MOTOR	47038
8	BELT TENSION BRACKET	14829
9	1/4-20 SERRATED LOCK NUT	46311
10	SET SCREW 1/4 X 20 X 2 (Belt Tension Jack Screw)	42311



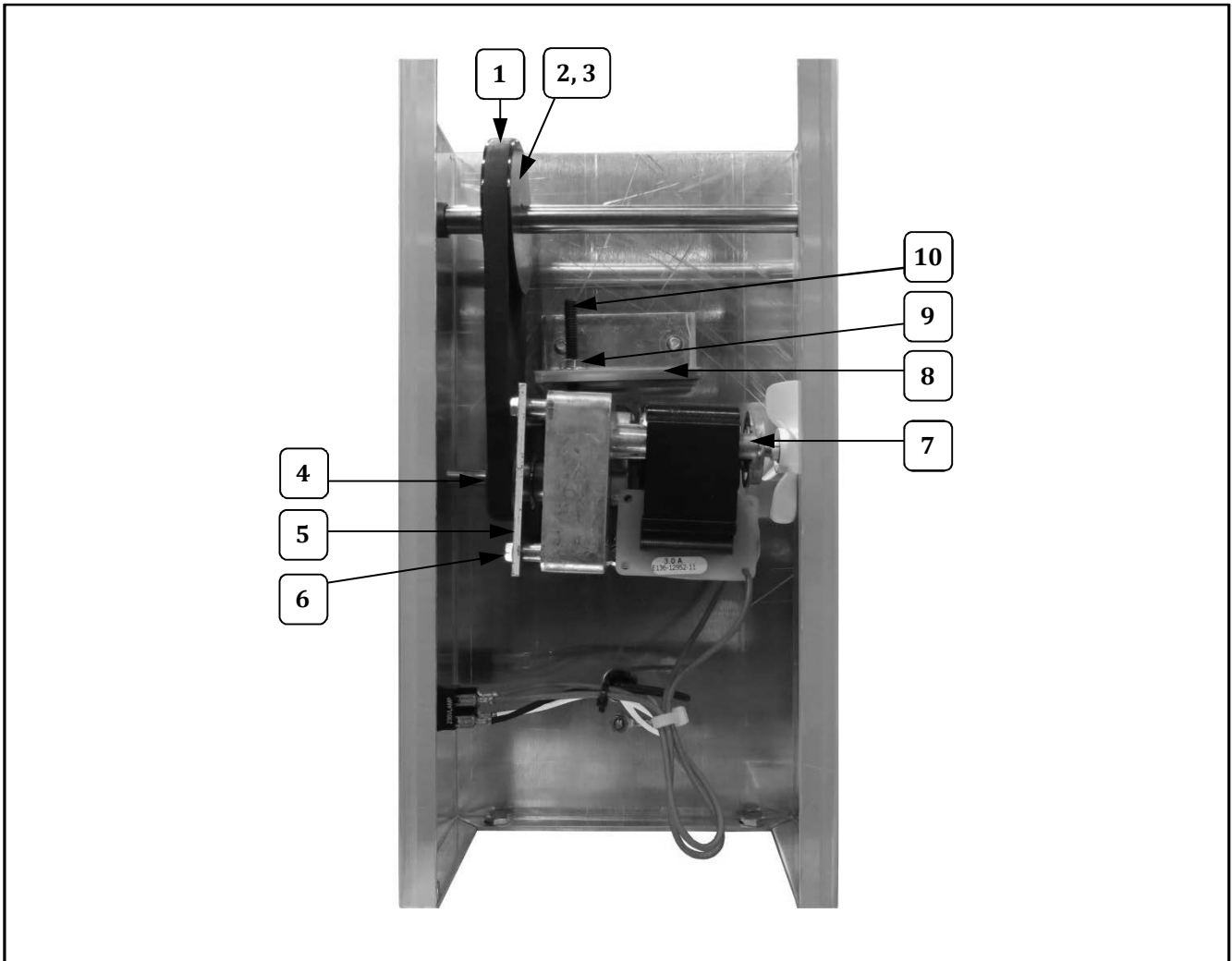
Controls Interior



Item	Part Description	Part No.
1	V-BELT	14807
2	DRIVEN PULLEY	14806
3	1/4-20 x 1/2 SET SCREW	42115
4	DRIVE PULLEY ASSEMBLY	14805
5	MOTOR MOUNT BRACKET	14826
6	10-24 X 1 HEX MACH SCREW	49322
7	DRIVE MOTOR	47038
8	BELT TENSION BRACKET	14829
9	1/4-20 SERRATED LOCK NUT	46311
10	SET SCREW 1/4 X 20 X 2 (Belt Tension Jack Screw)	42311



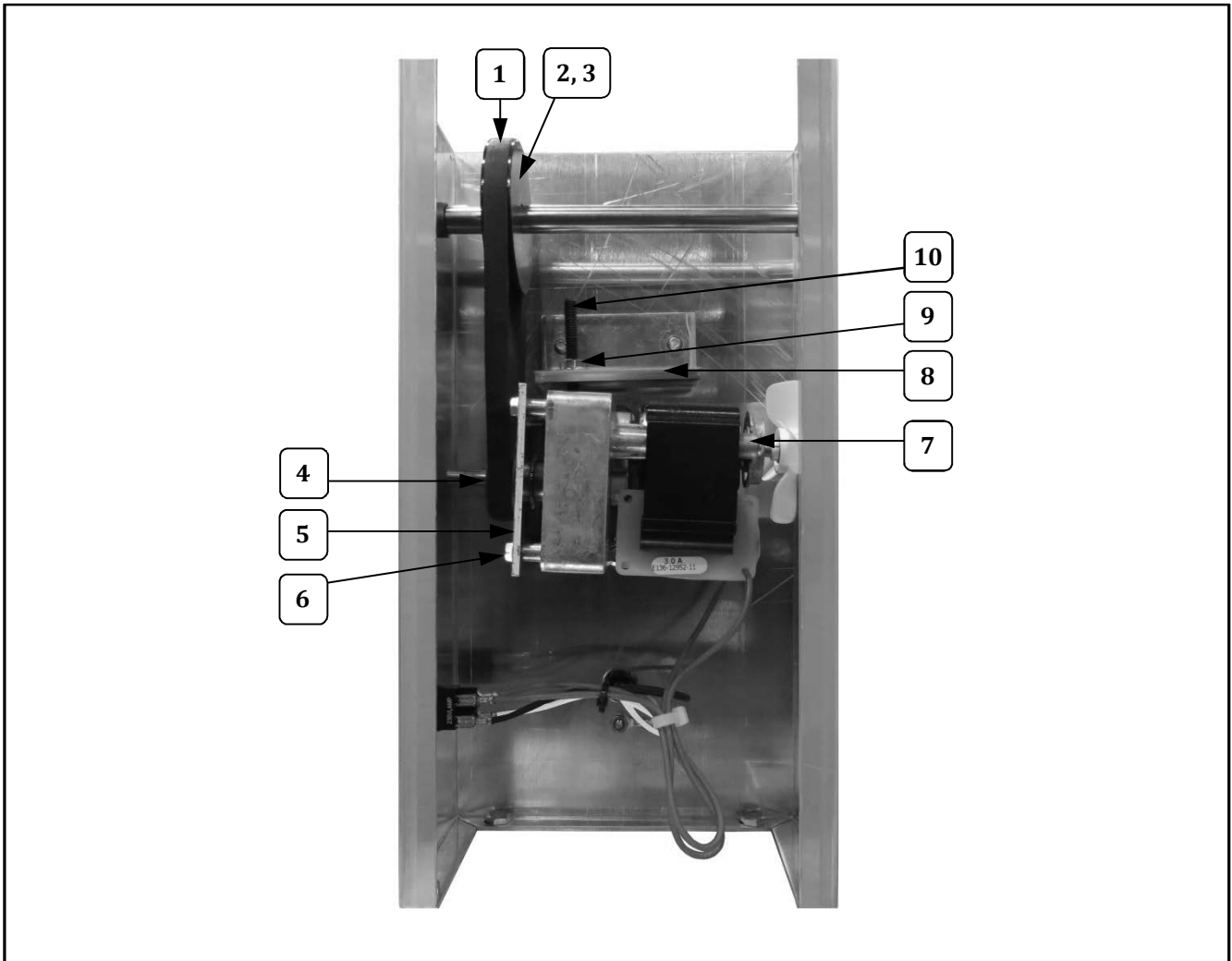
Controls Interior



Item	Part Description	Part No.
1	V-BELT	14807
2	DRIVEN PULLEY	14806
3	1/4-20 x 1/2 SET SCREW	42115
4	DRIVE PULLEY ASSEMBLY	14805
5	MOTOR MOUNT BRACKET	14826
6	10-24 X 1 HEX MACH SCREW	49322
7	DRIVE MOTOR	47038
8	BELT TENSION BRACKET	14829
9	1/4-20 SERRATED LOCK NUT	46311
10	SET SCREW 1/4 X 20 X 2 (Belt Tension Jack Screw)	42311



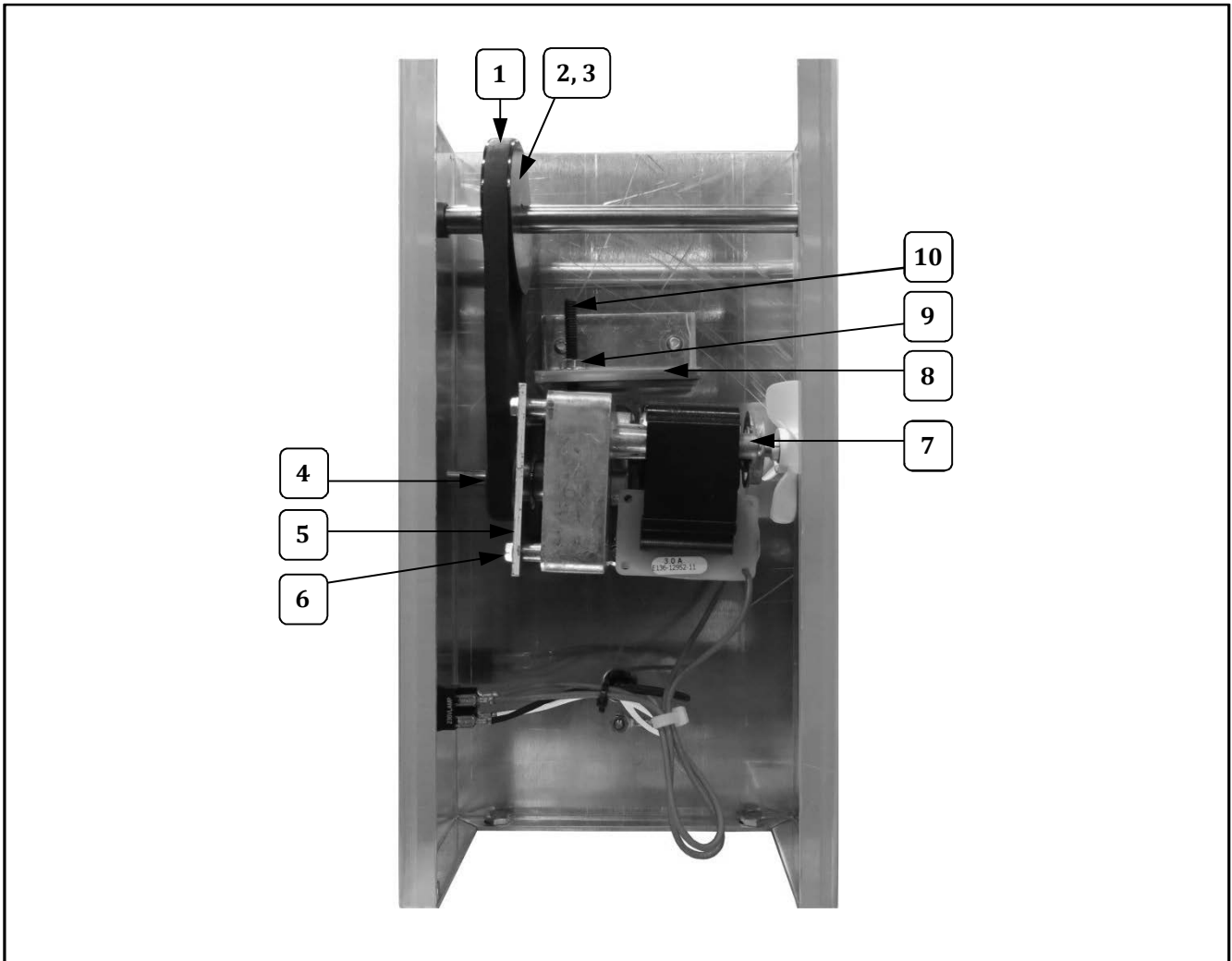
Controls Interior



Item	Part Description	Part No.
1	V-BELT	14807
2	DRIVEN PULLEY	14806
3	1/4-20 x 1/2 SET SCREW	42115
4	DRIVE PULLEY ASSEMBLY	14805
5	MOTOR MOUNT BRACKET	14826
6	10-24 X 1 HEX MACH SCREW	49322
7	DRIVE MOTOR	47038
8	BELT TENSION BRACKET	14829
9	1/4-20 SERRATED LOCK NUT	46311
10	SET SCREW 1/4 X 20 X 2 (Belt Tension Jack Screw)	42311



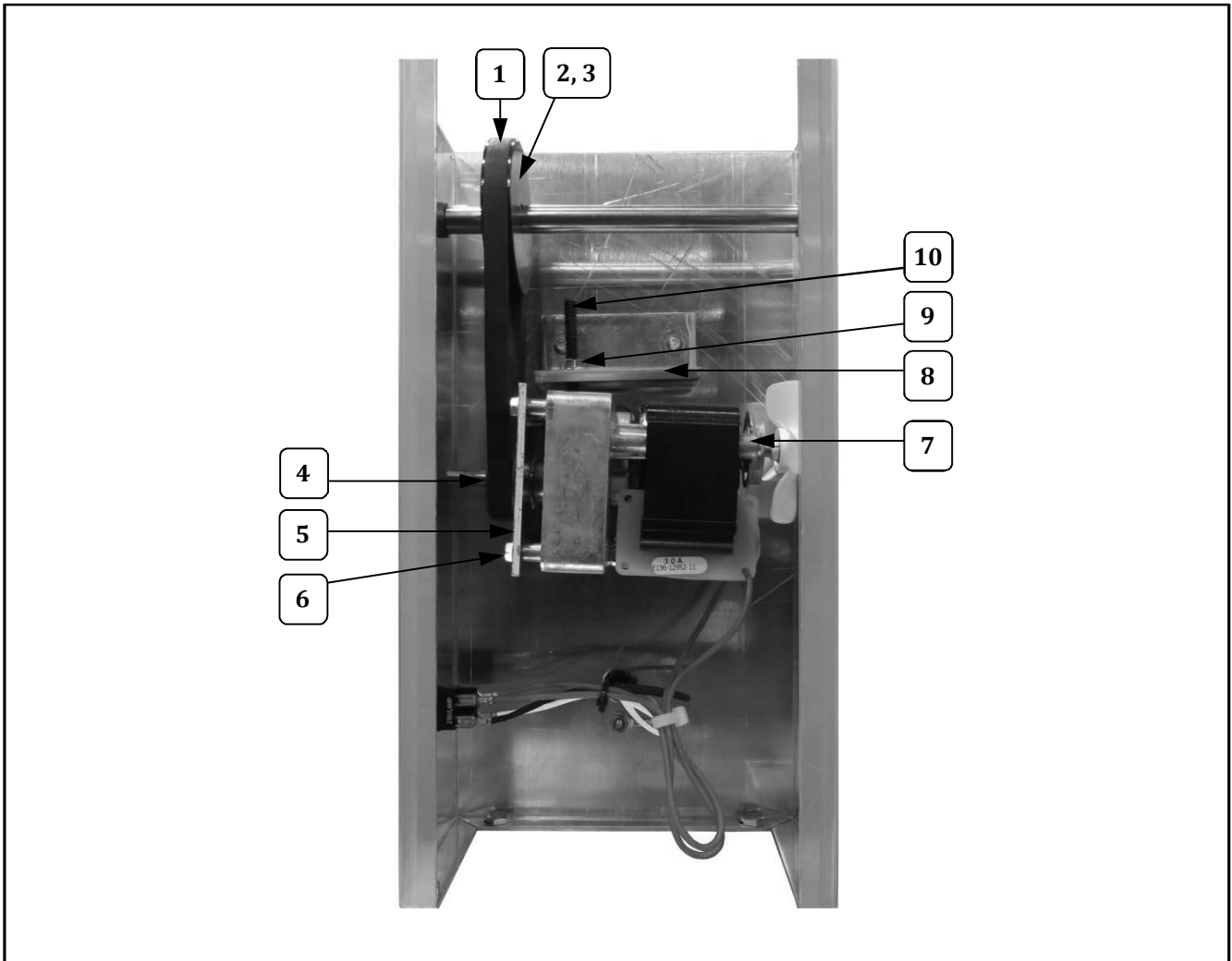
Controls Interior



Item	Part Description	Part No.
1	V-BELT	14807
2	DRIVEN PULLEY	14806
3	1/4-20 x 1/2 SET SCREW	42115
4	DRIVE PULLEY ASSEMBLY	14805
5	MOTOR MOUNT BRACKET	14826
6	10-24 X 1 HEX MACH SCREW	49322
7	DRIVE MOTOR	47038
8	BELT TENSION BRACKET	14829
9	1/4-20 SERRATED LOCK NUT	46311
10	SET SCREW 1/4 X 20 X 2 (Belt Tension Jack Screw)	42311



Controls Interior



Item	Part Description	Part No.
1	V-BELT	14807
2	DRIVEN PULLEY	14806
3	1/4-20 x 1/2 SET SCREW	42115
4	DRIVE PULLEY ASSEMBLY	14805
5	MOTOR MOUNT BRACKET	14826
6	10-24 X 1 HEX MACH SCREW	49322
7	DRIVE MOTOR	47038
8	BELT TENSION BRACKET	14829
9	1/4-20 SERRATED LOCK NUT	46311
10	SET SCREW 1/4 X 20 X 2 (Belt Tension Jack Screw)	42311