



# INSTALLATION INSTRUCTIONS

## Inspection of Shipment

After unpacking, check thoroughly for any damage which may have occurred in transit. Claims should be filed immediately with the transportation company. The warranty does not cover damage that occurs in transit, or damage caused by abuse, or consequential damage due to the operation of this machine, since it is beyond our control (reference warranty in back of manual).

## Manual

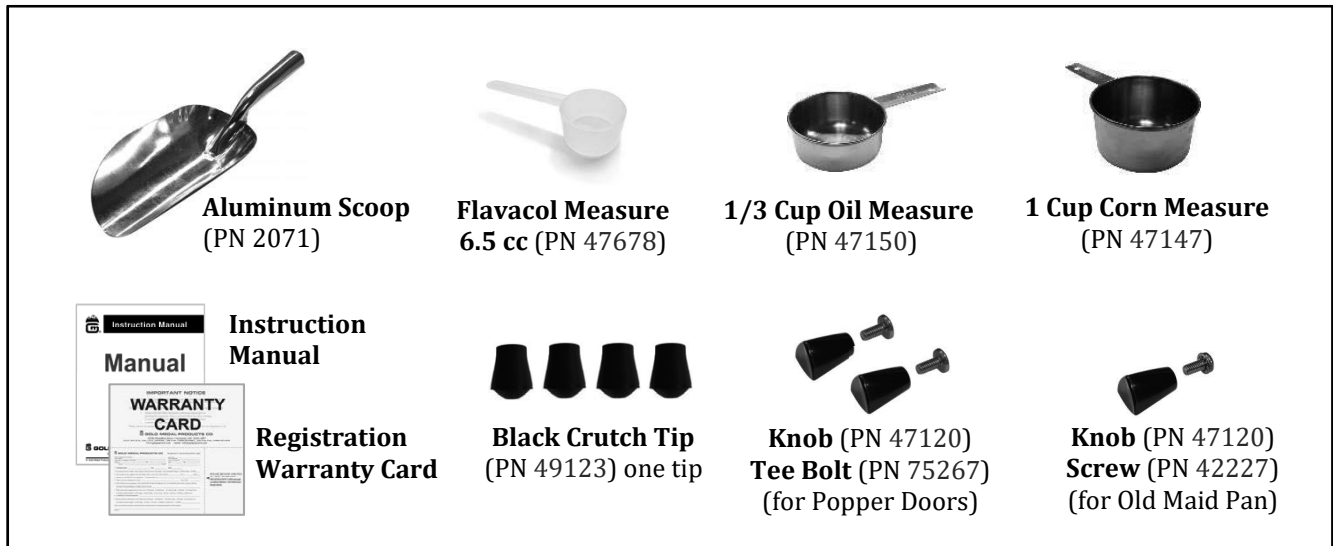
Read and understand the operator’s manual and all other safety instructions before using this equipment. To order copies of the operator’s manual go to [gmpopcorn.com](http://gmpopcorn.com) or write to Gold Medal Products Co., 10700 Medallion Drive, Cincinnati, OH 45241 USA 1-(800)-543-0862.

## Model Description

**2388:** Econo 8 oz. Popper.

**2388-00-002:** Econo 8 oz. Popper unit equipped with a PowerOff™ Control feature.

## Items Included with this Unit





# INSTALLATION INSTRUCTIONS

## Inspection of Shipment

After unpacking, check thoroughly for any damage which may have occurred in transit. Claims should be filed immediately with the transportation company. The warranty does not cover damage that occurs in transit, or damage caused by abuse, or consequential damage due to the operation of this machine, since it is beyond our control (reference warranty in back of manual).

## Manual

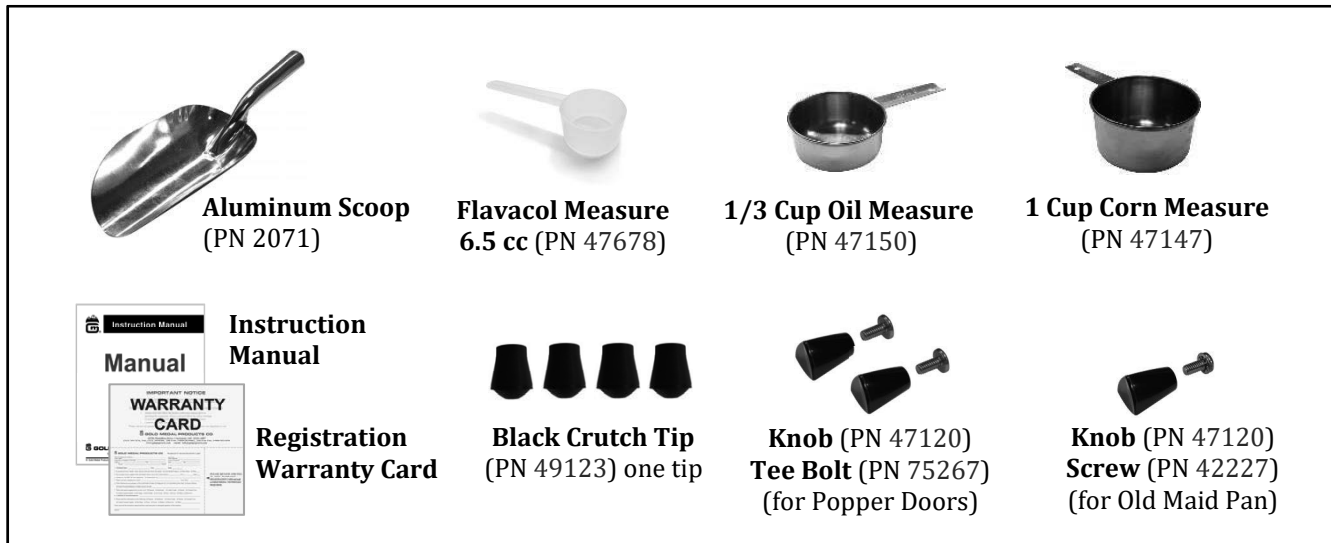
Read and understand the operator's manual and all other safety instructions before using this equipment. To order copies of the operator's manual go to [gmpopcorn.com](http://gmpopcorn.com) or write to Gold Medal Products Co., 10700 Medallion Drive, Cincinnati, OH 45241 USA 1-(800)-543-0862.

## Model Description

**2388:** Econo 8 oz. Popper.

**2388-00-002:** Econo 8 oz. Popper unit equipped with a PowerOff™ Control feature.

## Items Included with this Unit





# INSTALLATION INSTRUCTIONS

## Inspection of Shipment

After unpacking, check thoroughly for any damage which may have occurred in transit. Claims should be filed immediately with the transportation company. The warranty does not cover damage that occurs in transit, or damage caused by abuse, or consequential damage due to the operation of this machine, since it is beyond our control (reference warranty in back of manual).

## Manual

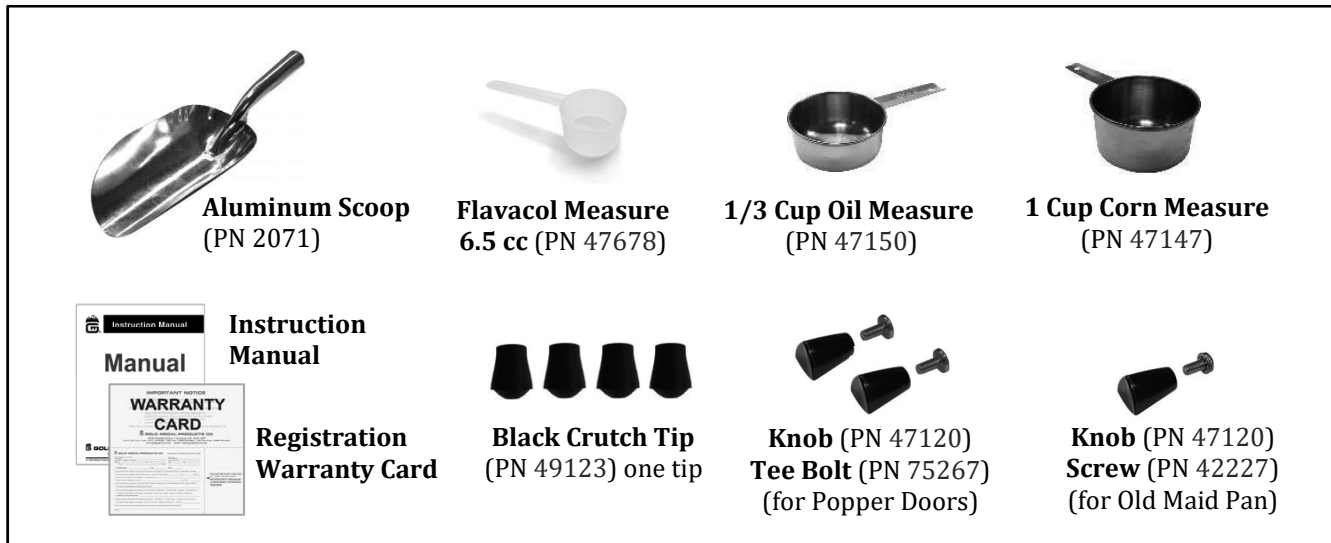
Read and understand the operator's manual and all other safety instructions before using this equipment. To order copies of the operator's manual go to [gmpopcorn.com](http://gmpopcorn.com) or write to Gold Medal Products Co., 10700 Medallion Drive, Cincinnati, OH 45241 USA 1-(800)-543-0862.

## Model Description

**2388:** Econo 8 oz. Popper.

**2388-00-002:** Econo 8 oz. Popper unit equipped with a PowerOff™ Control feature.

## Items Included with this Unit





# INSTALLATION INSTRUCTIONS

## Inspection of Shipment

After unpacking, check thoroughly for any damage which may have occurred in transit. Claims should be filed immediately with the transportation company. The warranty does not cover damage that occurs in transit, or damage caused by abuse, or consequential damage due to the operation of this machine, since it is beyond our control (reference warranty in back of manual).

## Manual

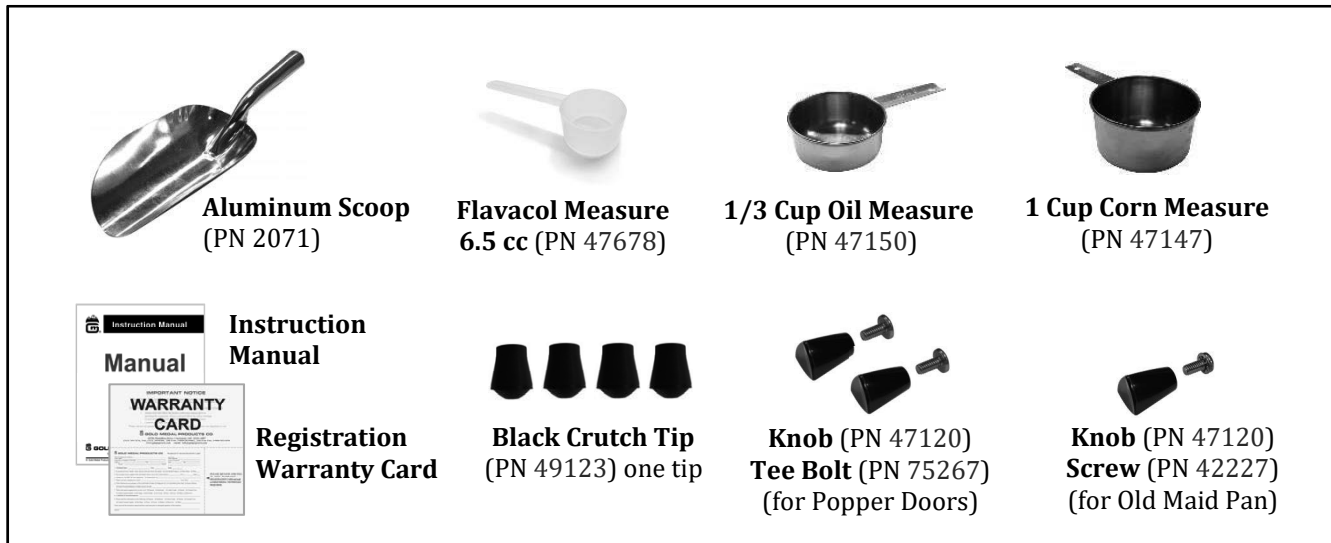
Read and understand the operator's manual and all other safety instructions before using this equipment. To order copies of the operator's manual go to [gmpopcorn.com](http://gmpopcorn.com) or write to Gold Medal Products Co., 10700 Medallion Drive, Cincinnati, OH 45241 USA 1-(800)-543-0862.

## Model Description

**2388:** Econo 8 oz. Popper.

**2388-00-002:** Econo 8 oz. Popper unit equipped with a PowerOff™ Control feature.

## Items Included with this Unit





# INSTALLATION INSTRUCTIONS

## Inspection of Shipment

After unpacking, check thoroughly for any damage which may have occurred in transit. Claims should be filed immediately with the transportation company. The warranty does not cover damage that occurs in transit, or damage caused by abuse, or consequential damage due to the operation of this machine, since it is beyond our control (reference warranty in back of manual).

## Manual

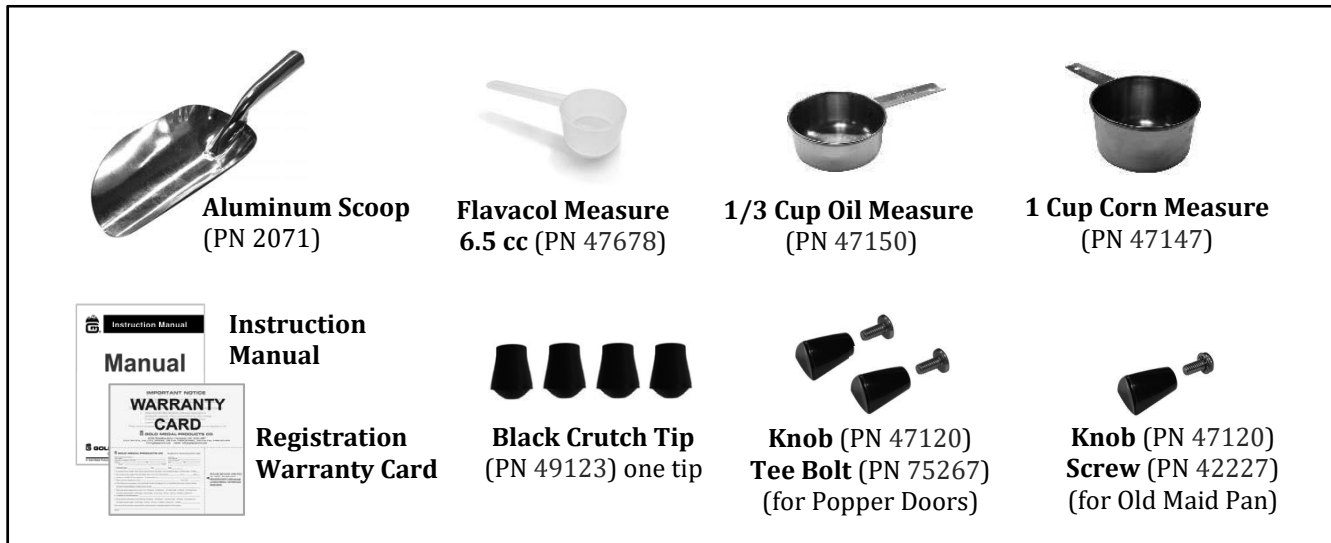
Read and understand the operator's manual and all other safety instructions before using this equipment. To order copies of the operator's manual go to [gmpopcorn.com](http://gmpopcorn.com) or write to Gold Medal Products Co., 10700 Medallion Drive, Cincinnati, OH 45241 USA 1-(800)-543-0862.

## Model Description

**2388:** Econo 8 oz. Popper.

**2388-00-002:** Econo 8 oz. Popper unit equipped with a PowerOff™ Control feature.

## Items Included with this Unit





# INSTALLATION INSTRUCTIONS

## Inspection of Shipment

After unpacking, check thoroughly for any damage which may have occurred in transit. Claims should be filed immediately with the transportation company. The warranty does not cover damage that occurs in transit, or damage caused by abuse, or consequential damage due to the operation of this machine, since it is beyond our control (reference warranty in back of manual).

## Manual

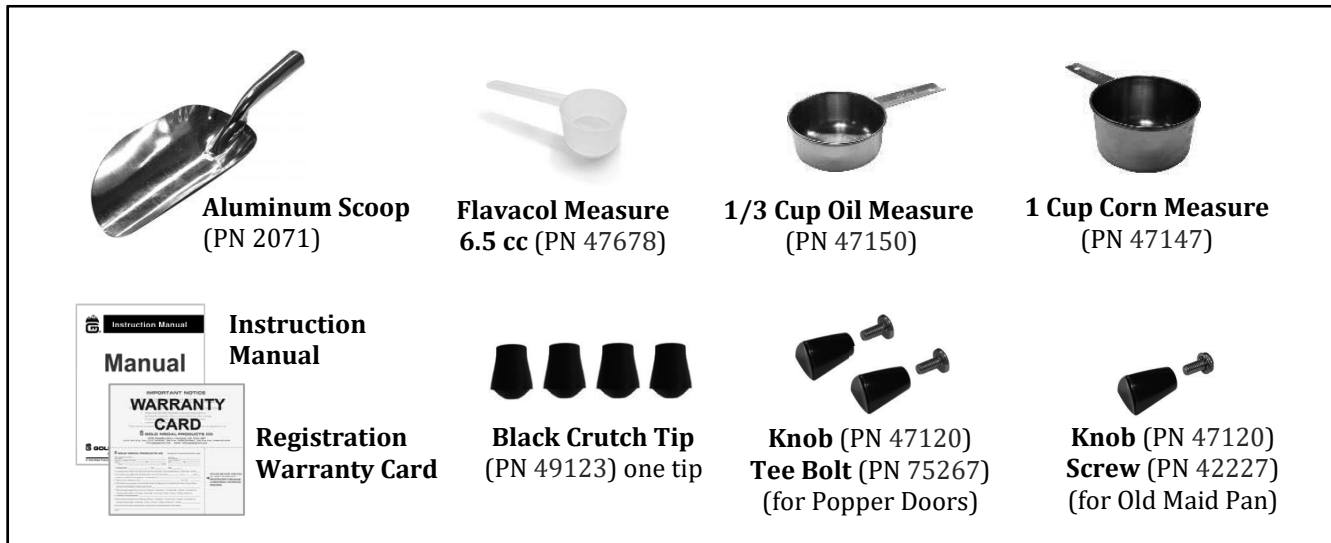
Read and understand the operator's manual and all other safety instructions before using this equipment. To order copies of the operator's manual go to [gmpopcorn.com](http://gmpopcorn.com) or write to Gold Medal Products Co., 10700 Medallion Drive, Cincinnati, OH 45241 USA 1-(800)-543-0862.

## Model Description

**2388:** Econo 8 oz. Popper.

**2388-00-002:** Econo 8 oz. Popper unit equipped with a PowerOff™ Control feature.

## Items Included with this Unit





# INSTALLATION INSTRUCTIONS

## Inspection of Shipment

After unpacking, check thoroughly for any damage which may have occurred in transit. Claims should be filed immediately with the transportation company. The warranty does not cover damage that occurs in transit, or damage caused by abuse, or consequential damage due to the operation of this machine, since it is beyond our control (reference warranty in back of manual).

## Manual

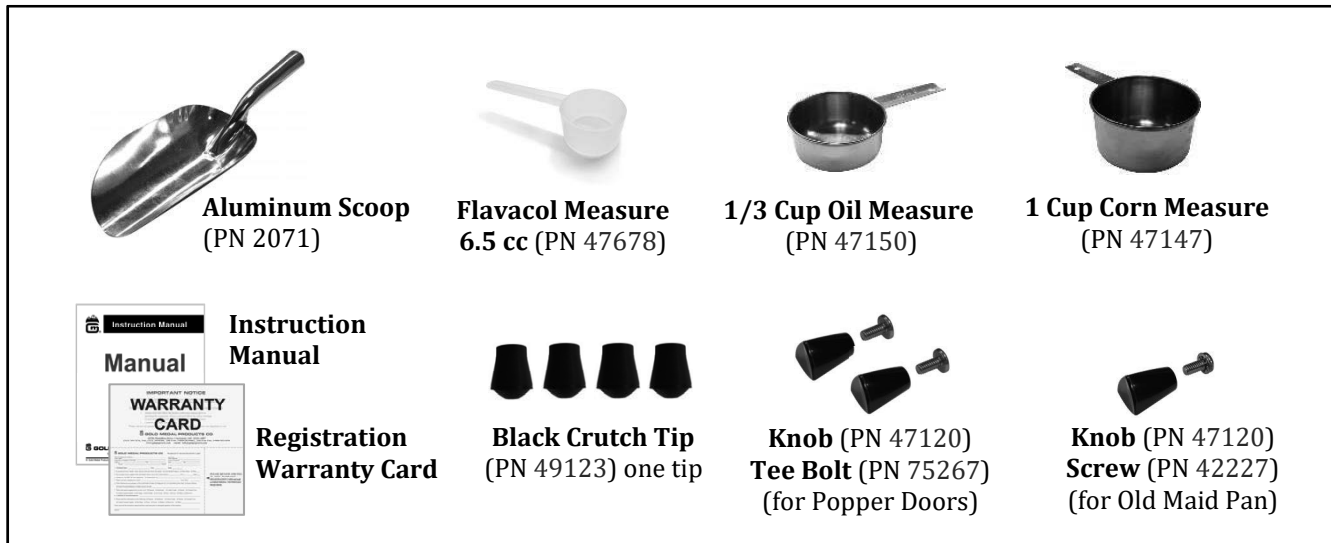
Read and understand the operator's manual and all other safety instructions before using this equipment. To order copies of the operator's manual go to [gmpopcorn.com](http://gmpopcorn.com) or write to Gold Medal Products Co., 10700 Medallion Drive, Cincinnati, OH 45241 USA 1-(800)-543-0862.

## Model Description

**2388:** Econo 8 oz. Popper.

**2388-00-002:** Econo 8 oz. Popper unit equipped with a PowerOff™ Control feature.

## Items Included with this Unit





# INSTALLATION INSTRUCTIONS

## Inspection of Shipment

After unpacking, check thoroughly for any damage which may have occurred in transit. Claims should be filed immediately with the transportation company. The warranty does not cover damage that occurs in transit, or damage caused by abuse, or consequential damage due to the operation of this machine, since it is beyond our control (reference warranty in back of manual).

## Manual

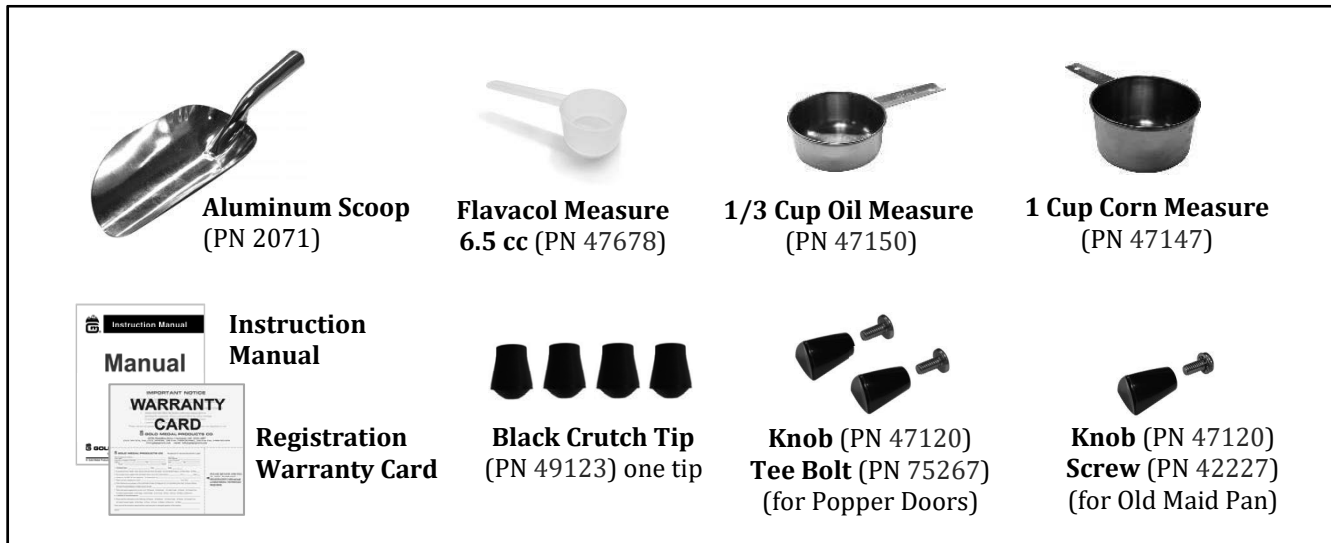
Read and understand the operator's manual and all other safety instructions before using this equipment. To order copies of the operator's manual go to [gmpopcorn.com](http://gmpopcorn.com) or write to Gold Medal Products Co., 10700 Medallion Drive, Cincinnati, OH 45241 USA 1-(800)-543-0862.

## Model Description

**2388:** Econo 8 oz. Popper.

**2388-00-002:** Econo 8 oz. Popper unit equipped with a PowerOff™ Control feature.

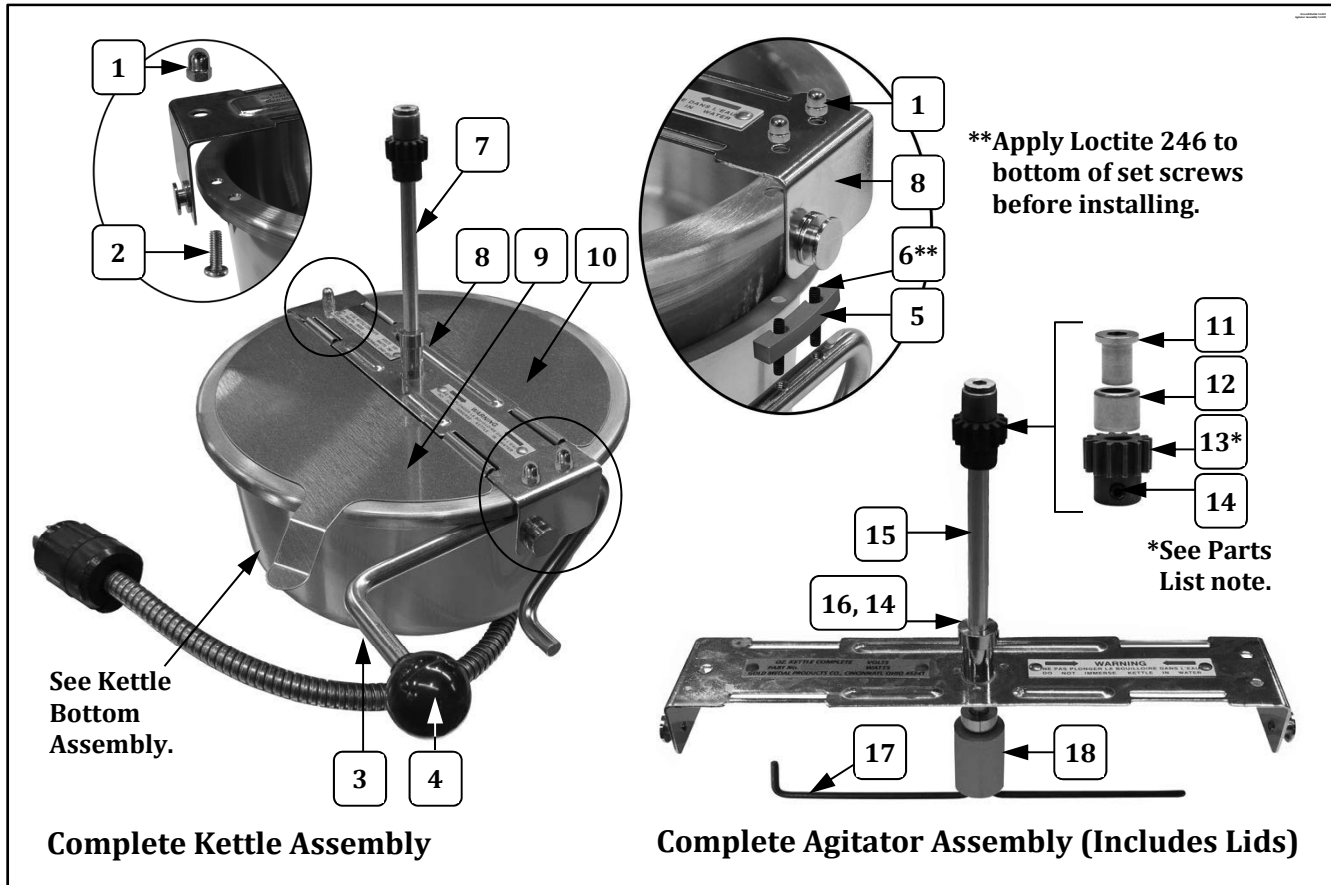
## Items Included with this Unit







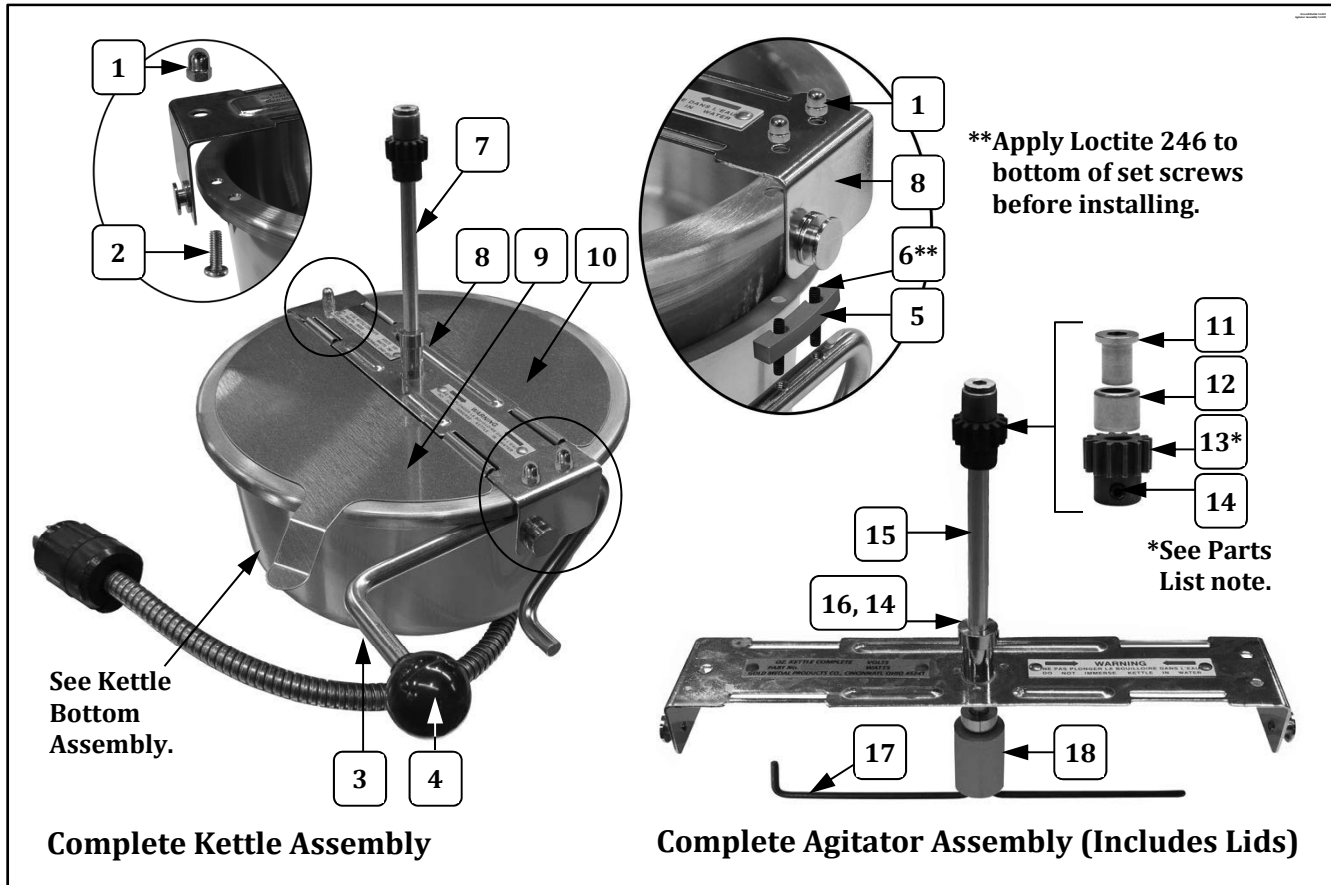
## 8 oz. Kettle Assembly (49472N) – Agitator Assembly View



Item	Part Description	Part Number
		49472N
1	ACORN NUT	47702
2	8-32 X 1/2 PHIL PAN M/S	47141
3	DUMP HANDLE RH	49314
4	DUMP HANDLE KNOB	47110
5	SPACER (For Dump Handle)	49362
6	8-32 X 1" SET SCREW	77933
7	LID & AGITATOR ASSY (Complete Assembly)	49906N
8	KETTLE CROSSBAR ASSEMBLY	49907N
9	FRONT LID W/FORMED LIFTER	49017
10	REAR KETTLE LID	49016
11	AGITATOR BEARING HUB	43434
12	NEEDLE BEARING	47106
13*	SPUR GEAR KIT (Includes 2 gears with set screws. Always replace Agitator Spur Gear and Kettle Drive Motor Gear as a set.)	47059K
14	SET SCREW #10-32 X 3/16	41742
15	6 OZ. AGITATOR SHAFT	69710
16	SET COLLAR 5/16 ID 5/8 OD	46649
17	6 OZ. STIR ROD	69714
18	AGITATOR WEIGHT	69715



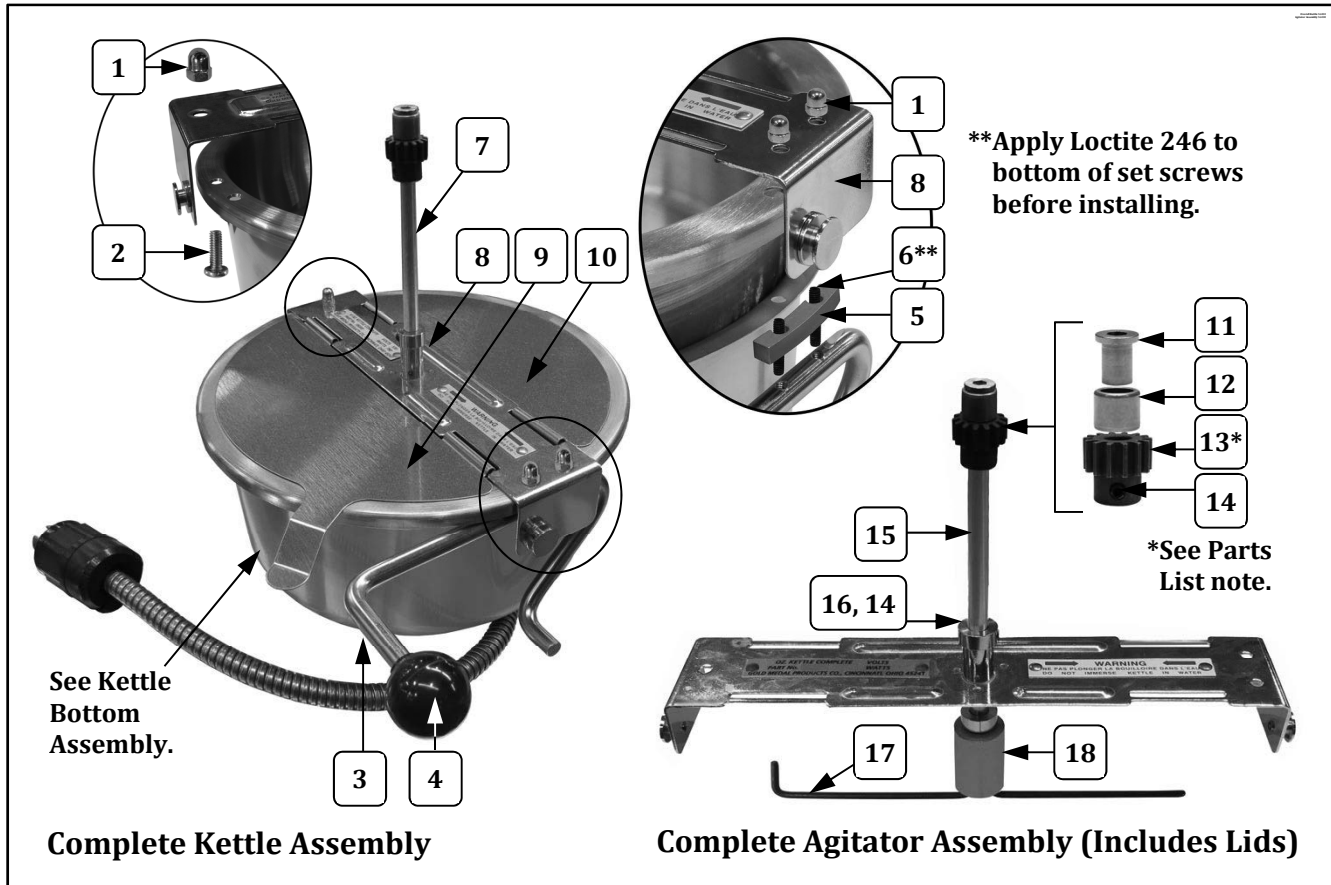
## 8 oz. Kettle Assembly (49472N) – Agitator Assembly View



Item	Part Description	Part Number
		49472N
1	ACORN NUT	47702
2	8-32 X 1/2 PHIL PAN M/S	47141
3	DUMP HANDLE RH	49314
4	DUMP HANDLE KNOB	47110
5	SPACER (For Dump Handle)	49362
6	8-32 X 1" SET SCREW	77933
7	LID & AGITATOR ASSY (Complete Assembly)	49906N
8	KETTLE CROSSBAR ASSEMBLY	49907N
9	FRONT LID W/FORMED LIFTER	49017
10	REAR KETTLE LID	49016
11	AGITATOR BEARING HUB	43434
12	NEEDLE BEARING	47106
13*	SPUR GEAR KIT (Includes 2 gears with set screws. Always replace Agitator Spur Gear and Kettle Drive Motor Gear as a set.)	47059K
14	SET SCREW #10-32 X 3/16	41742
15	6 OZ. AGITATOR SHAFT	69710
16	SET COLLAR 5/16 ID 5/8 OD	46649
17	6 OZ. STIR ROD	69714
18	AGITATOR WEIGHT	69715



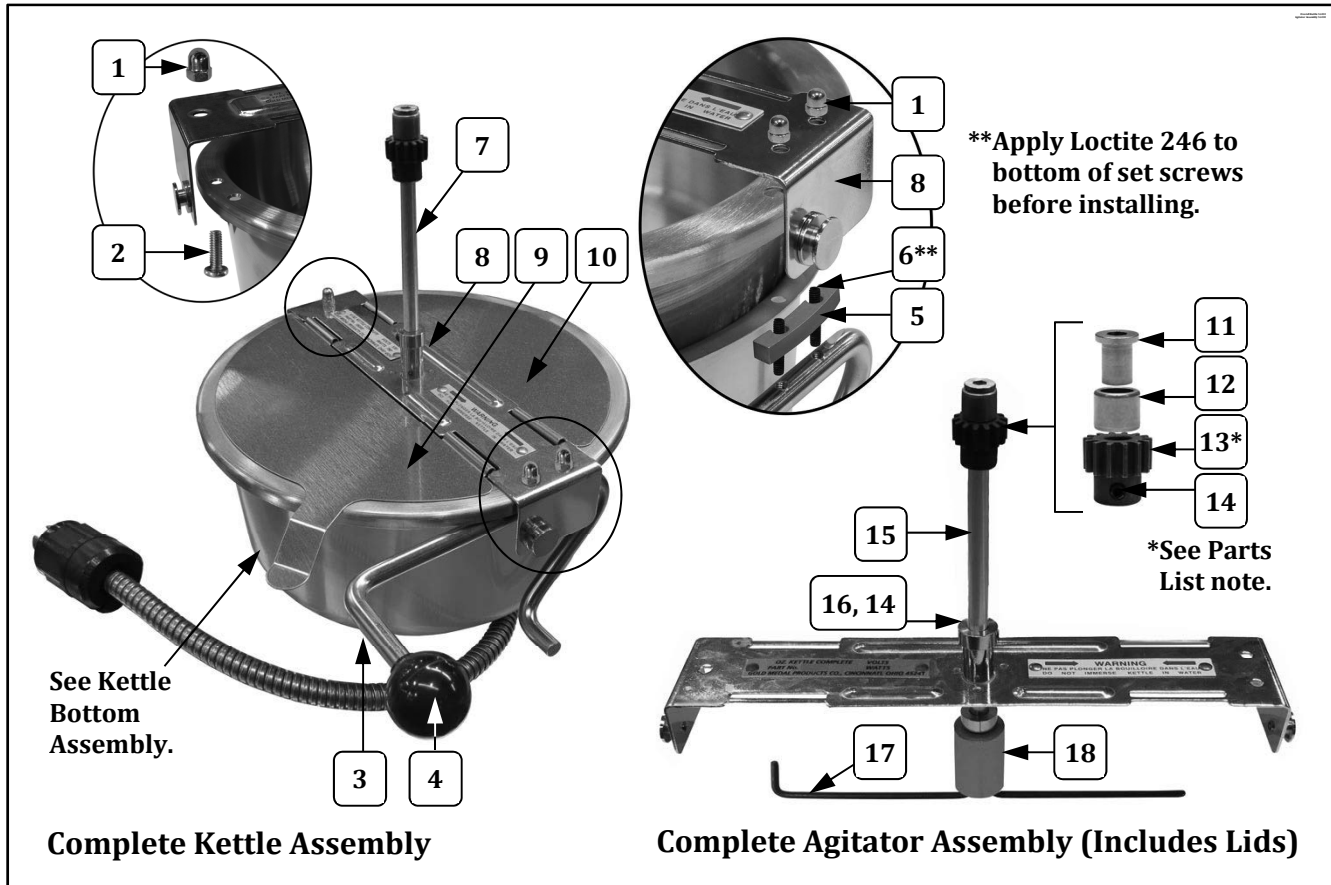
## 8 oz. Kettle Assembly (49472N) – Agitator Assembly View



Item	Part Description	Part Number
		49472N
1	ACORN NUT	47702
2	8-32 X 1/2 PHIL PAN M/S	47141
3	DUMP HANDLE RH	49314
4	DUMP HANDLE KNOB	47110
5	SPACER (For Dump Handle)	49362
6	8-32 X 1" SET SCREW	77933
7	LID & AGITATOR ASSY (Complete Assembly)	49906N
8	KETTLE CROSSBAR ASSEMBLY	49907N
9	FRONT LID W/FORMED LIFTER	49017
10	REAR KETTLE LID	49016
11	AGITATOR BEARING HUB	43434
12	NEEDLE BEARING	47106
13*	SPUR GEAR KIT (Includes 2 gears with set screws. Always replace Agitator Spur Gear and Kettle Drive Motor Gear as a set.)	47059K
14	SET SCREW #10-32 X 3/16	41742
15	6 OZ. AGITATOR SHAFT	69710
16	SET COLLAR 5/16 ID 5/8 OD	46649
17	6 OZ. STIR ROD	69714
18	AGITATOR WEIGHT	69715



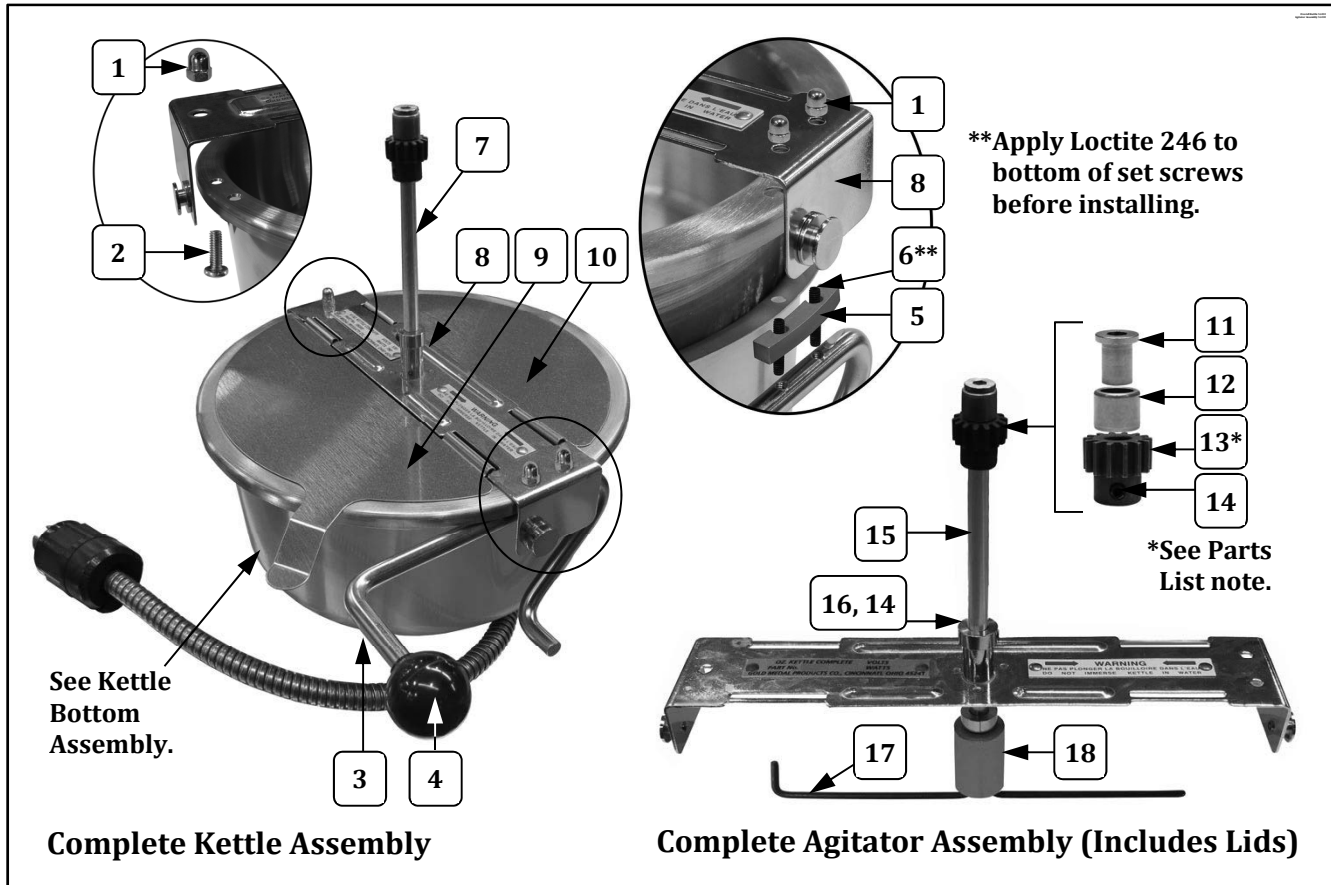
## 8 oz. Kettle Assembly (49472N) – Agitator Assembly View



Item	Part Description	Part Number
		49472N
1	ACORN NUT	47702
2	8-32 X 1/2 PHIL PAN M/S	47141
3	DUMP HANDLE RH	49314
4	DUMP HANDLE KNOB	47110
5	SPACER (For Dump Handle)	49362
6	8-32 X 1" SET SCREW	77933
7	LID & AGITATOR ASSY (Complete Assembly)	49906N
8	KETTLE CROSSBAR ASSEMBLY	49907N
9	FRONT LID W/FORMED LIFTER	49017
10	REAR KETTLE LID	49016
11	AGITATOR BEARING HUB	43434
12	NEEDLE BEARING	47106
13*	SPUR GEAR KIT (Includes 2 gears with set screws. Always replace Agitator Spur Gear and Kettle Drive Motor Gear as a set.)	47059K
14	SET SCREW #10-32 X 3/16	41742
15	6 OZ. AGITATOR SHAFT	69710
16	SET COLLAR 5/16 ID 5/8 OD	46649
17	6 OZ. STIR ROD	69714
18	AGITATOR WEIGHT	69715



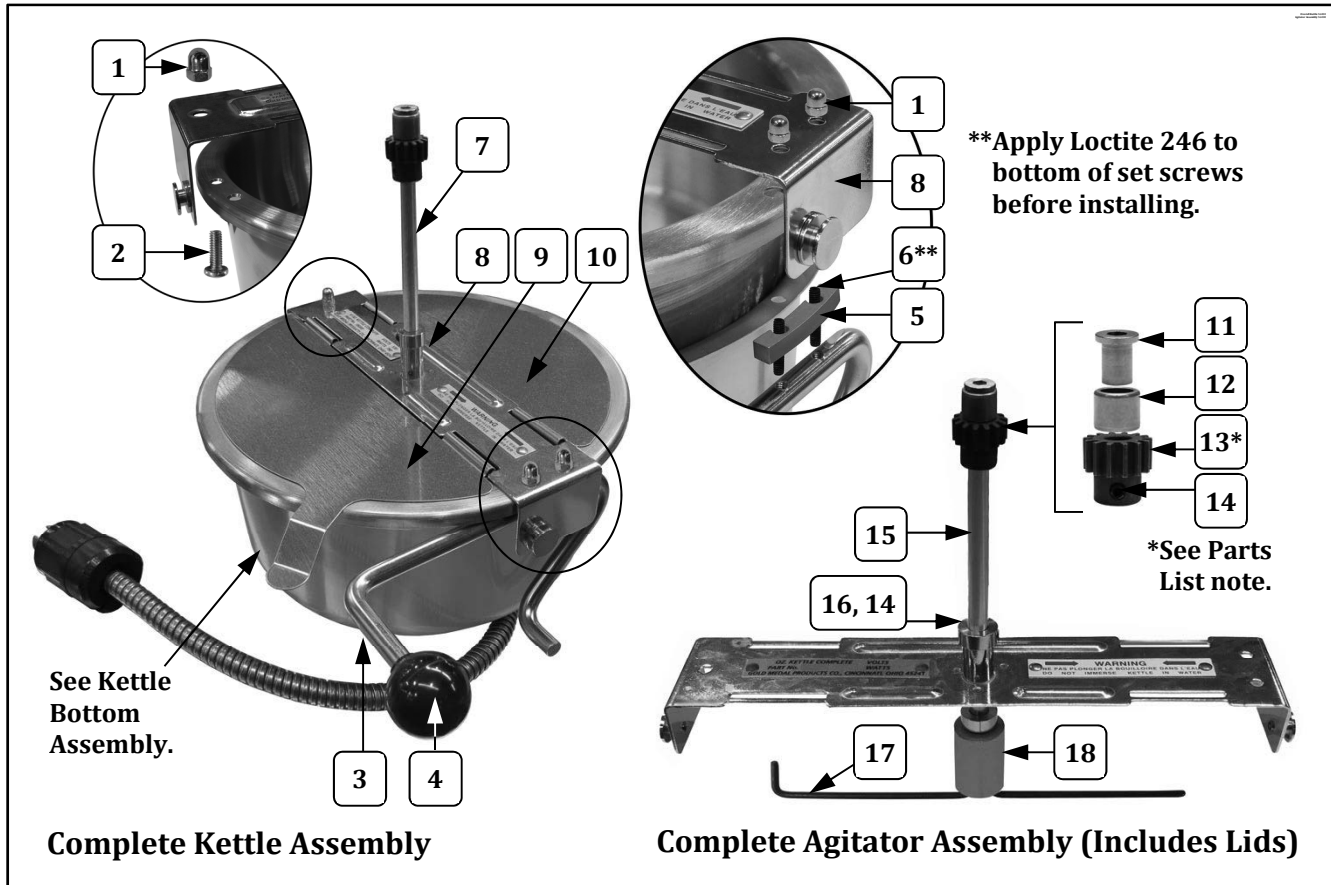
## 8 oz. Kettle Assembly (49472N) – Agitator Assembly View



Item	Part Description	Part Number
		49472N
1	ACORN NUT	47702
2	8-32 X 1/2 PHIL PAN M/S	47141
3	DUMP HANDLE RH	49314
4	DUMP HANDLE KNOB	47110
5	SPACER (For Dump Handle)	49362
6	8-32 X 1" SET SCREW	77933
7	LID & AGITATOR ASSY (Complete Assembly)	49906N
8	KETTLE CROSSBAR ASSEMBLY	49907N
9	FRONT LID W/FORMED LIFTER	49017
10	REAR KETTLE LID	49016
11	AGITATOR BEARING HUB	43434
12	NEEDLE BEARING	47106
13*	SPUR GEAR KIT (Includes 2 gears with set screws. Always replace Agitator Spur Gear and Kettle Drive Motor Gear as a set.)	47059K
14	SET SCREW #10-32 X 3/16	41742
15	6 OZ. AGITATOR SHAFT	69710
16	SET COLLAR 5/16 ID 5/8 OD	46649
17	6 OZ. STIR ROD	69714
18	AGITATOR WEIGHT	69715



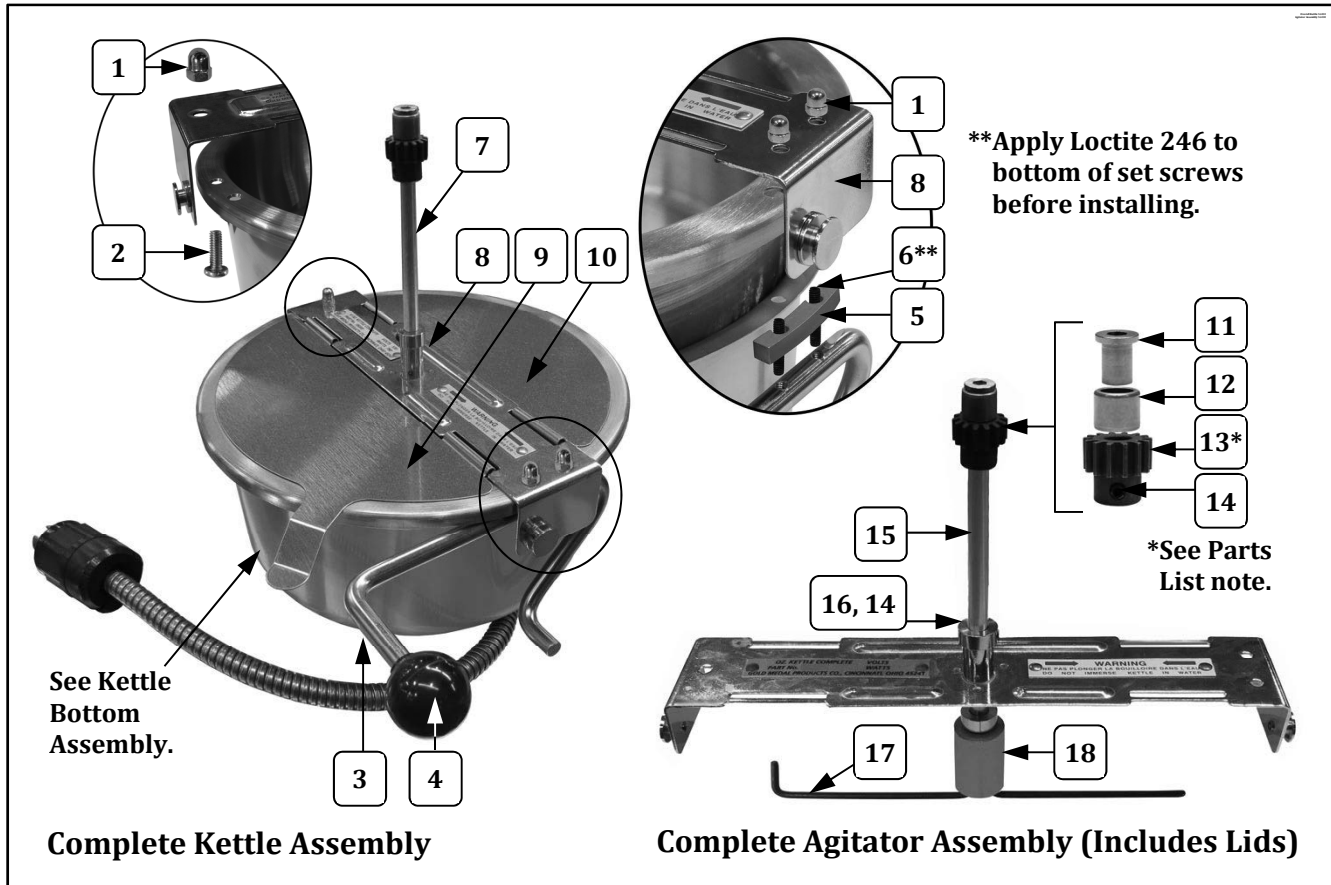
## 8 oz. Kettle Assembly (49472N) – Agitator Assembly View



Item	Part Description	Part Number
		49472N
1	ACORN NUT	47702
2	8-32 X 1/2 PHIL PAN M/S	47141
3	DUMP HANDLE RH	49314
4	DUMP HANDLE KNOB	47110
5	SPACER (For Dump Handle)	49362
6	8-32 X 1" SET SCREW	77933
7	LID & AGITATOR ASSY (Complete Assembly)	49906N
8	KETTLE CROSSBAR ASSEMBLY	49907N
9	FRONT LID W/FORMED LIFTER	49017
10	REAR KETTLE LID	49016
11	AGITATOR BEARING HUB	43434
12	NEEDLE BEARING	47106
13*	SPUR GEAR KIT (Includes 2 gears with set screws. Always replace Agitator Spur Gear and Kettle Drive Motor Gear as a set.)	47059K
14	SET SCREW #10-32 X 3/16	41742
15	6 OZ. AGITATOR SHAFT	69710
16	SET COLLAR 5/16 ID 5/8 OD	46649
17	6 OZ. STIR ROD	69714
18	AGITATOR WEIGHT	69715



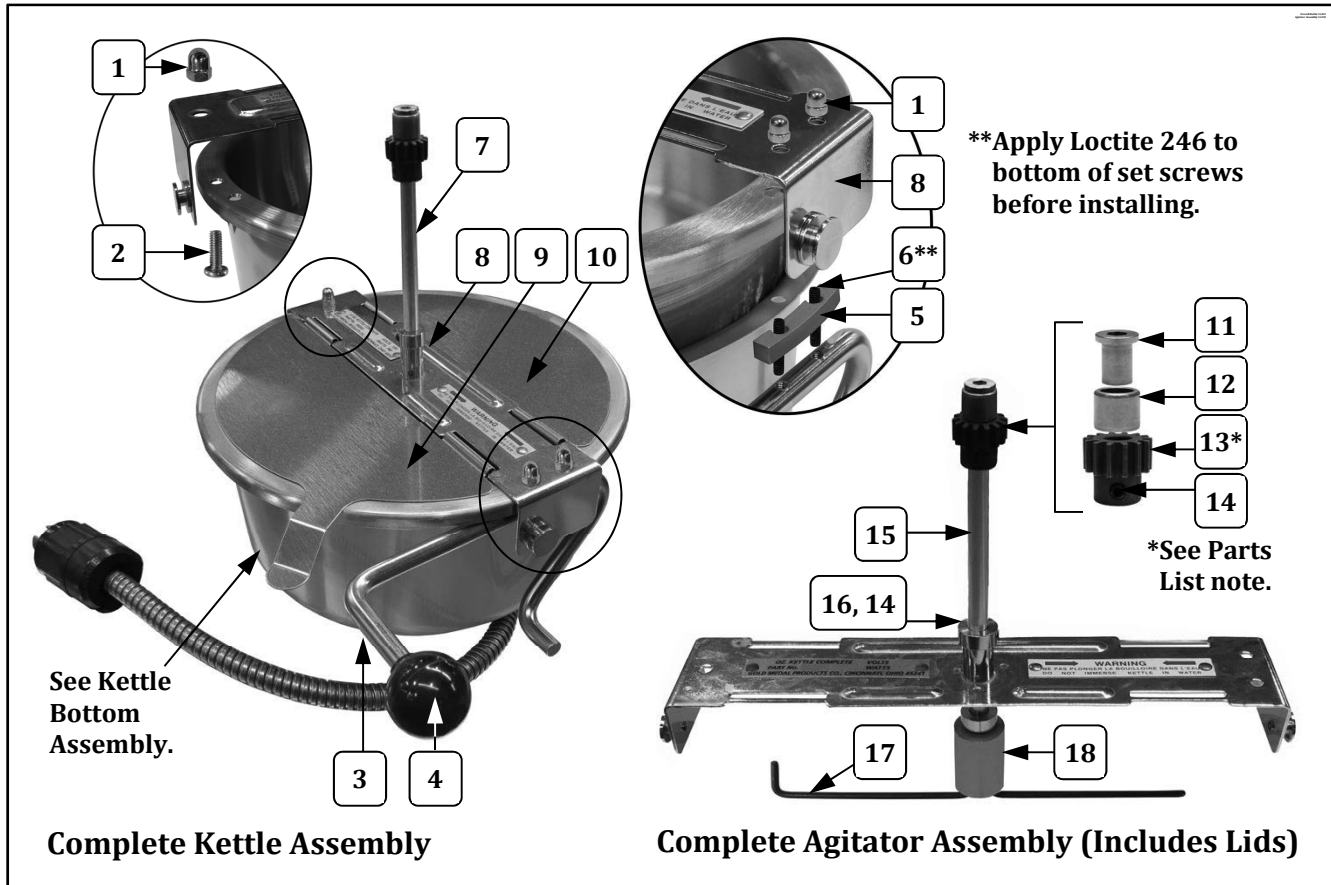
## 8 oz. Kettle Assembly (49472N) – Agitator Assembly View



Item	Part Description	Part Number
		49472N
1	ACORN NUT	47702
2	8-32 X 1/2 PHIL PAN M/S	47141
3	DUMP HANDLE RH	49314
4	DUMP HANDLE KNOB	47110
5	SPACER (For Dump Handle)	49362
6	8-32 X 1" SET SCREW	77933
7	LID & AGITATOR ASSY (Complete Assembly)	49906N
8	KETTLE CROSSBAR ASSEMBLY	49907N
9	FRONT LID W/FORMED LIFTER	49017
10	REAR KETTLE LID	49016
11	AGITATOR BEARING HUB	43434
12	NEEDLE BEARING	47106
13*	SPUR GEAR KIT (Includes 2 gears with set screws. Always replace Agitator Spur Gear and Kettle Drive Motor Gear as a set.)	47059K
14	SET SCREW #10-32 X 3/16	41742
15	6 OZ. AGITATOR SHAFT	69710
16	SET COLLAR 5/16 ID 5/8 OD	46649
17	6 OZ. STIR ROD	69714
18	AGITATOR WEIGHT	69715



## 8 oz. Kettle Assembly (49472N) – Agitator Assembly View

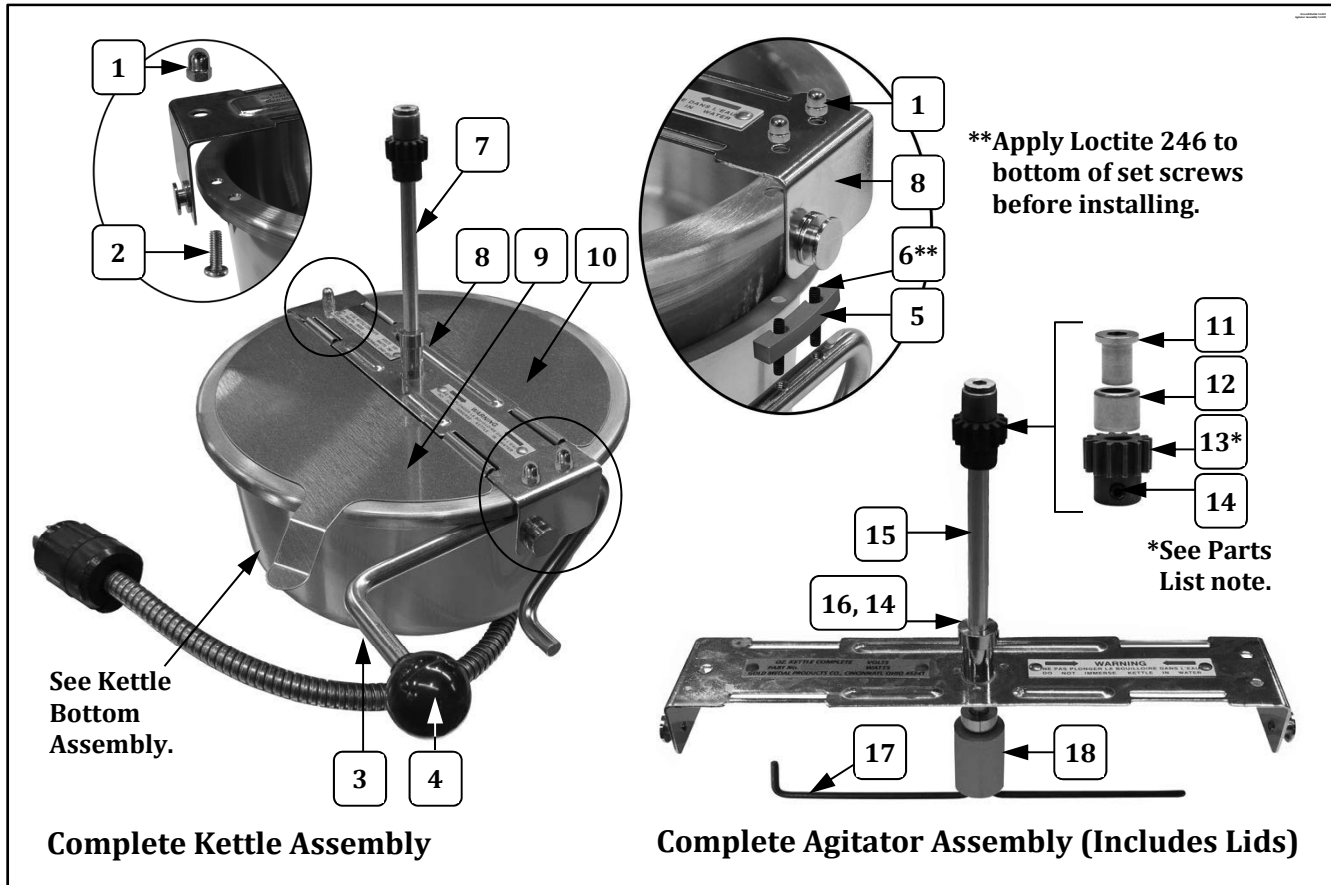


Item	Part Description	Part Number
		49472N
1	ACORN NUT	47702
2	8-32 X 1/2 PHIL PAN M/S	47141
3	DUMP HANDLE RH	49314
4	DUMP HANDLE KNOB	47110
5	SPACER (For Dump Handle)	49362
6	8-32 X 1" SET SCREW	77933
7	LID & AGITATOR ASSY (Complete Assembly)	49906N
8	KETTLE CROSSBAR ASSEMBLY	49907N
9	FRONT LID W/FORMED LIFTER	49017
10	REAR KETTLE LID	49016
11	AGITATOR BEARING HUB	43434
12	NEEDLE BEARING	47106
13*	SPUR GEAR KIT (Includes 2 gears with set screws. Always replace Agitator Spur Gear and Kettle Drive Motor Gear as a set.)	47059K
14	SET SCREW #10-32 X 3/16	41742
15	6 OZ. AGITATOR SHAFT	69710
16	SET COLLAR 5/16 ID 5/8 OD	46649
17	6 OZ. STIR ROD	69714
18	AGITATOR WEIGHT	69715





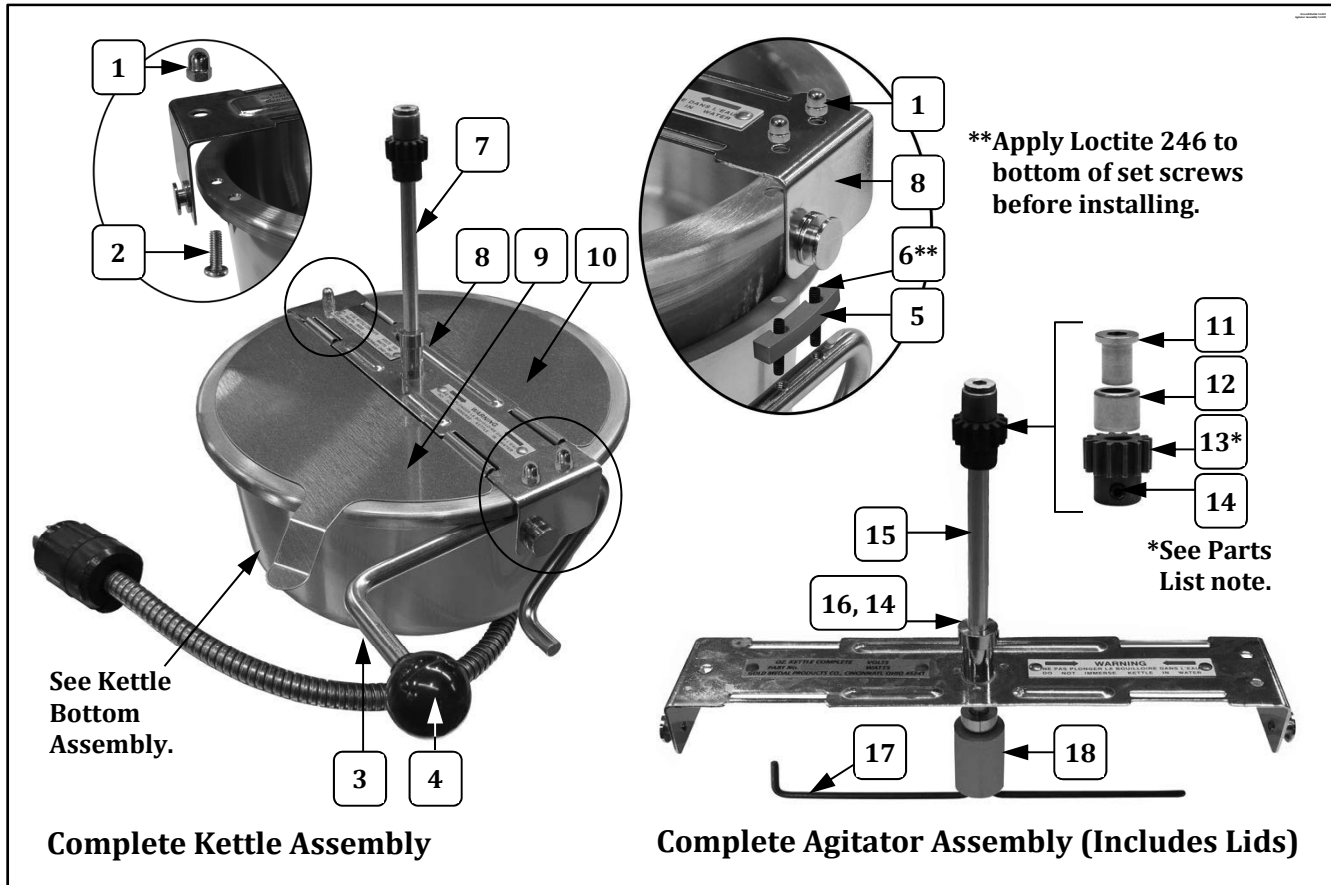
## 8 oz. Kettle Assembly (49472N) – Agitator Assembly View



Item	Part Description	Part Number
		49472N
1	ACORN NUT	47702
2	8-32 X 1/2 PHIL PAN M/S	47141
3	DUMP HANDLE RH	49314
4	DUMP HANDLE KNOB	47110
5	SPACER (For Dump Handle)	49362
6	8-32 X 1" SET SCREW	77933
7	LID & AGITATOR ASSY (Complete Assembly)	49906N
8	KETTLE CROSSBAR ASSEMBLY	49907N
9	FRONT LID W/FORMED LIFTER	49017
10	REAR KETTLE LID	49016
11	AGITATOR BEARING HUB	43434
12	NEEDLE BEARING	47106
13*	SPUR GEAR KIT (Includes 2 gears with set screws. Always replace Agitator Spur Gear and Kettle Drive Motor Gear as a set.)	47059K
14	SET SCREW #10-32 X 3/16	41742
15	6 OZ. AGITATOR SHAFT	69710
16	SET COLLAR 5/16 ID 5/8 OD	46649
17	6 OZ. STIR ROD	69714
18	AGITATOR WEIGHT	69715



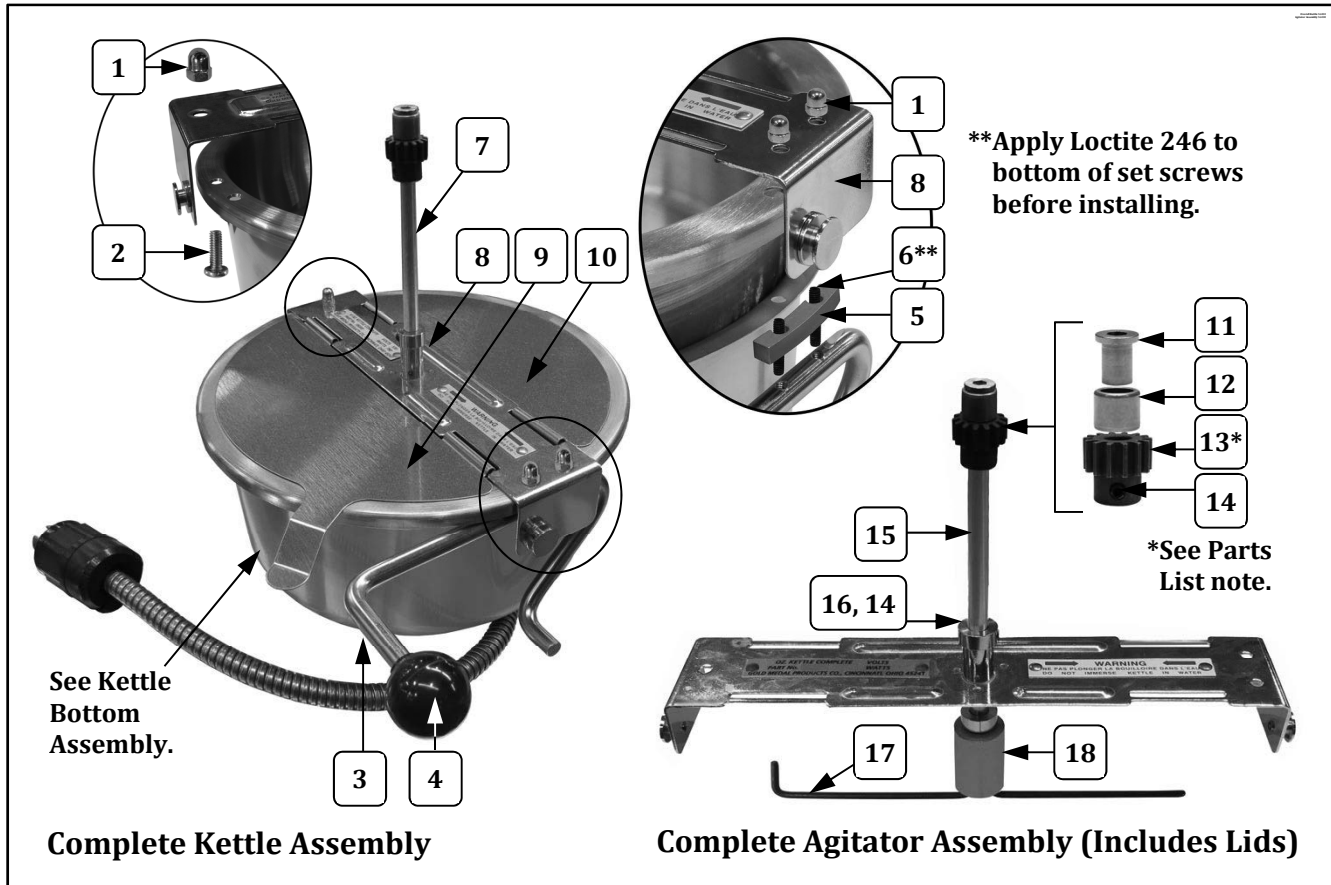
## 8 oz. Kettle Assembly (49472N) – Agitator Assembly View



Item	Part Description	Part Number
		49472N
1	ACORN NUT	47702
2	8-32 X 1/2 PHIL PAN M/S	47141
3	DUMP HANDLE RH	49314
4	DUMP HANDLE KNOB	47110
5	SPACER (For Dump Handle)	49362
6	8-32 X 1" SET SCREW	77933
7	LID & AGITATOR ASSY (Complete Assembly)	49906N
8	KETTLE CROSSBAR ASSEMBLY	49907N
9	FRONT LID W/FORMED LIFTER	49017
10	REAR KETTLE LID	49016
11	AGITATOR BEARING HUB	43434
12	NEEDLE BEARING	47106
13*	SPUR GEAR KIT (Includes 2 gears with set screws. Always replace Agitator Spur Gear and Kettle Drive Motor Gear as a set.)	47059K
14	SET SCREW #10-32 X 3/16	41742
15	6 OZ. AGITATOR SHAFT	69710
16	SET COLLAR 5/16 ID 5/8 OD	46649
17	6 OZ. STIR ROD	69714
18	AGITATOR WEIGHT	69715



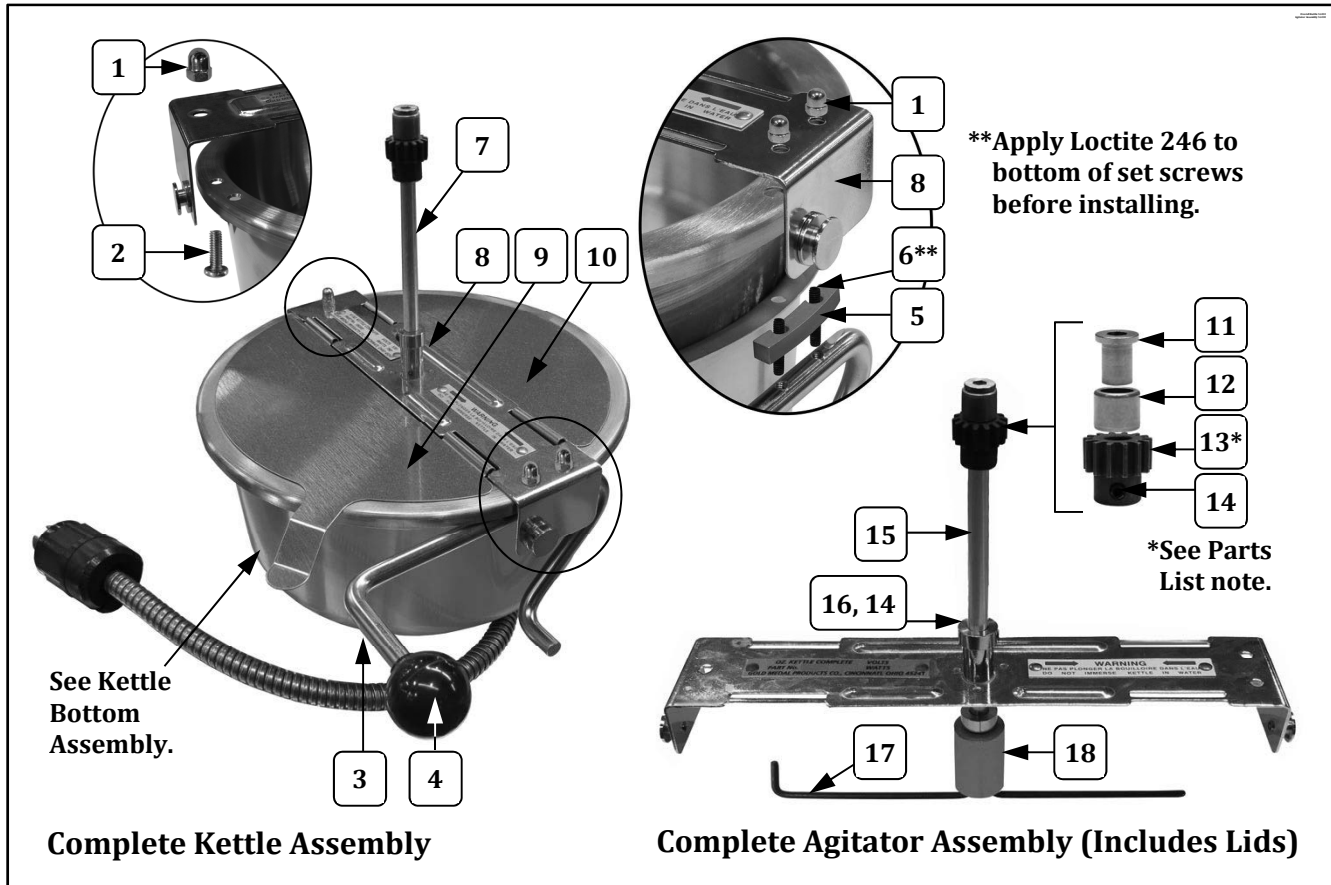
## 8 oz. Kettle Assembly (49472N) – Agitator Assembly View



Item	Part Description	Part Number
		49472N
1	ACORN NUT	47702
2	8-32 X 1/2 PHIL PAN M/S	47141
3	DUMP HANDLE RH	49314
4	DUMP HANDLE KNOB	47110
5	SPACER (For Dump Handle)	49362
6	8-32 X 1" SET SCREW	77933
7	LID & AGITATOR ASSY (Complete Assembly)	49906N
8	KETTLE CROSSBAR ASSEMBLY	49907N
9	FRONT LID W/FORMED LIFTER	49017
10	REAR KETTLE LID	49016
11	AGITATOR BEARING HUB	43434
12	NEEDLE BEARING	47106
13*	SPUR GEAR KIT (Includes 2 gears with set screws. Always replace Agitator Spur Gear and Kettle Drive Motor Gear as a set.)	47059K
14	SET SCREW #10-32 X 3/16	41742
15	6 OZ. AGITATOR SHAFT	69710
16	SET COLLAR 5/16 ID 5/8 OD	46649
17	6 OZ. STIR ROD	69714
18	AGITATOR WEIGHT	69715



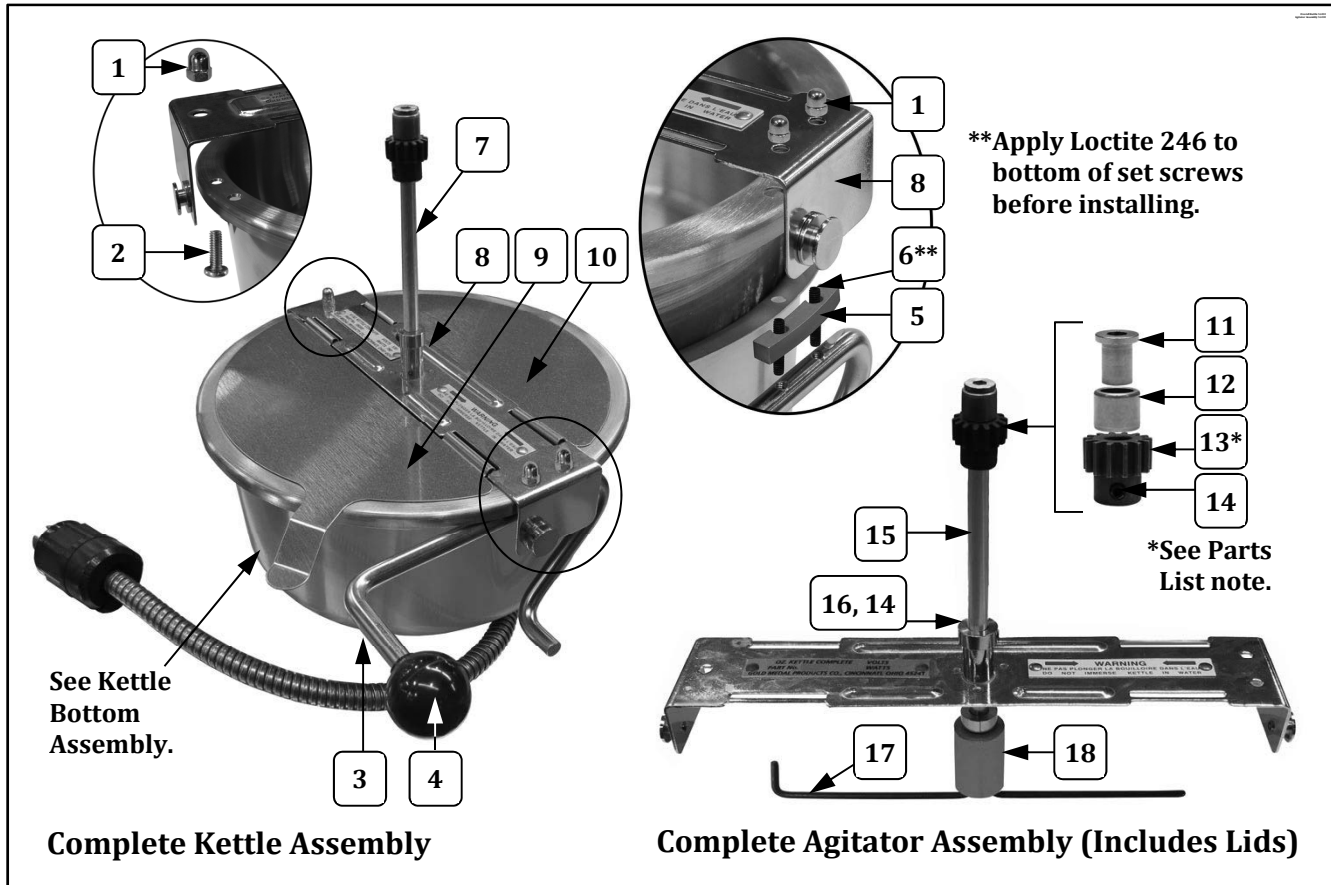
## 8 oz. Kettle Assembly (49472N) – Agitator Assembly View



Item	Part Description	Part Number
		49472N
1	ACORN NUT	47702
2	8-32 X 1/2 PHIL PAN M/S	47141
3	DUMP HANDLE RH	49314
4	DUMP HANDLE KNOB	47110
5	SPACER (For Dump Handle)	49362
6	8-32 X 1" SET SCREW	77933
7	LID & AGITATOR ASSY (Complete Assembly)	49906N
8	KETTLE CROSSBAR ASSEMBLY	49907N
9	FRONT LID W/FORMED LIFTER	49017
10	REAR KETTLE LID	49016
11	AGITATOR BEARING HUB	43434
12	NEEDLE BEARING	47106
13*	SPUR GEAR KIT (Includes 2 gears with set screws. Always replace Agitator Spur Gear and Kettle Drive Motor Gear as a set.)	47059K
14	SET SCREW #10-32 X 3/16	41742
15	6 OZ. AGITATOR SHAFT	69710
16	SET COLLAR 5/16 ID 5/8 OD	46649
17	6 OZ. STIR ROD	69714
18	AGITATOR WEIGHT	69715



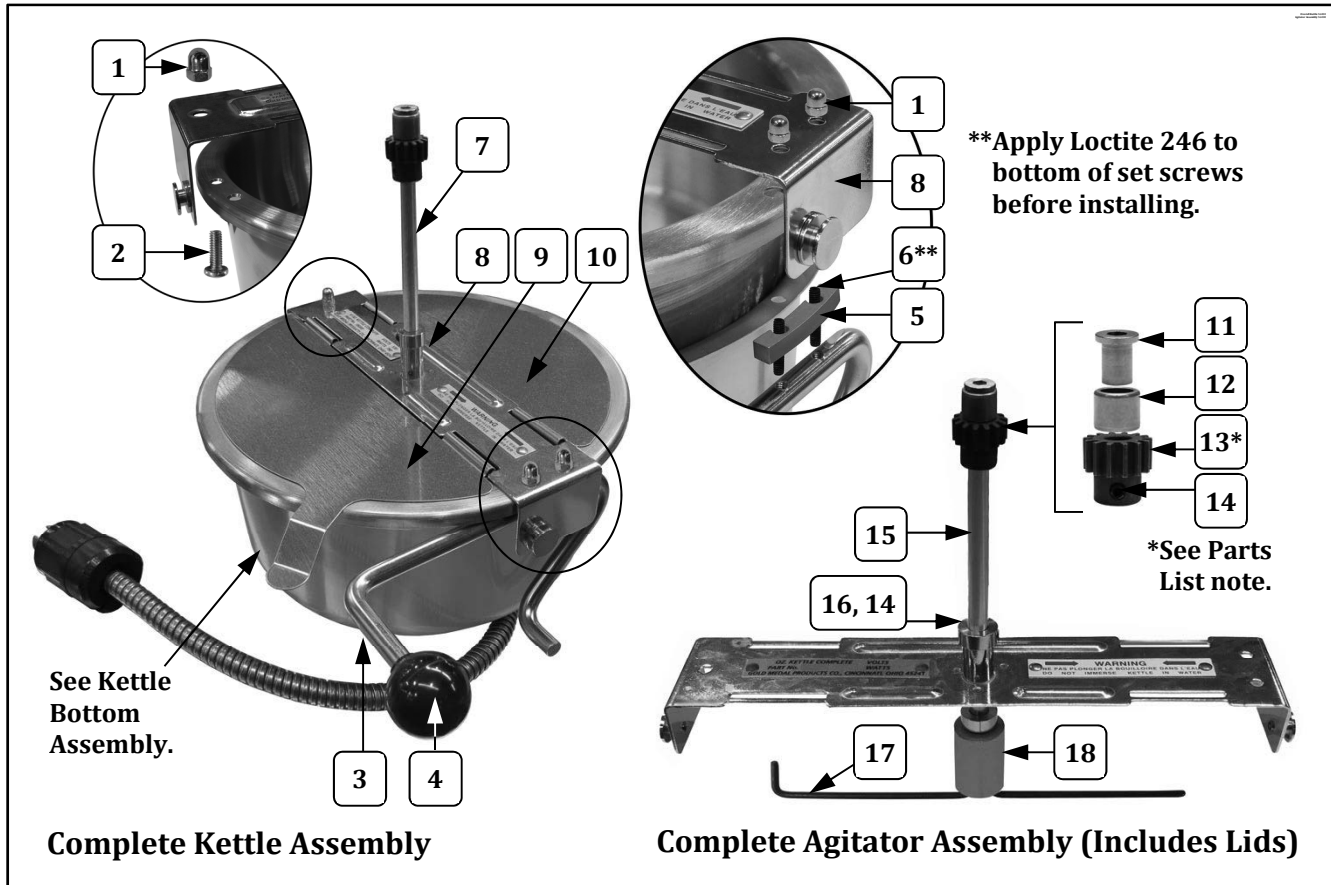
## 8 oz. Kettle Assembly (49472N) – Agitator Assembly View



Item	Part Description	Part Number
		49472N
1	ACORN NUT	47702
2	8-32 X 1/2 PHIL PAN M/S	47141
3	DUMP HANDLE RH	49314
4	DUMP HANDLE KNOB	47110
5	SPACER (For Dump Handle)	49362
6	8-32 X 1" SET SCREW	77933
7	LID & AGITATOR ASSY (Complete Assembly)	49906N
8	KETTLE CROSSBAR ASSEMBLY	49907N
9	FRONT LID W/FORMED LIFTER	49017
10	REAR KETTLE LID	49016
11	AGITATOR BEARING HUB	43434
12	NEEDLE BEARING	47106
13*	SPUR GEAR KIT (Includes 2 gears with set screws. Always replace Agitator Spur Gear and Kettle Drive Motor Gear as a set.)	47059K
14	SET SCREW #10-32 X 3/16	41742
15	6 OZ. AGITATOR SHAFT	69710
16	SET COLLAR 5/16 ID 5/8 OD	46649
17	6 OZ. STIR ROD	69714
18	AGITATOR WEIGHT	69715



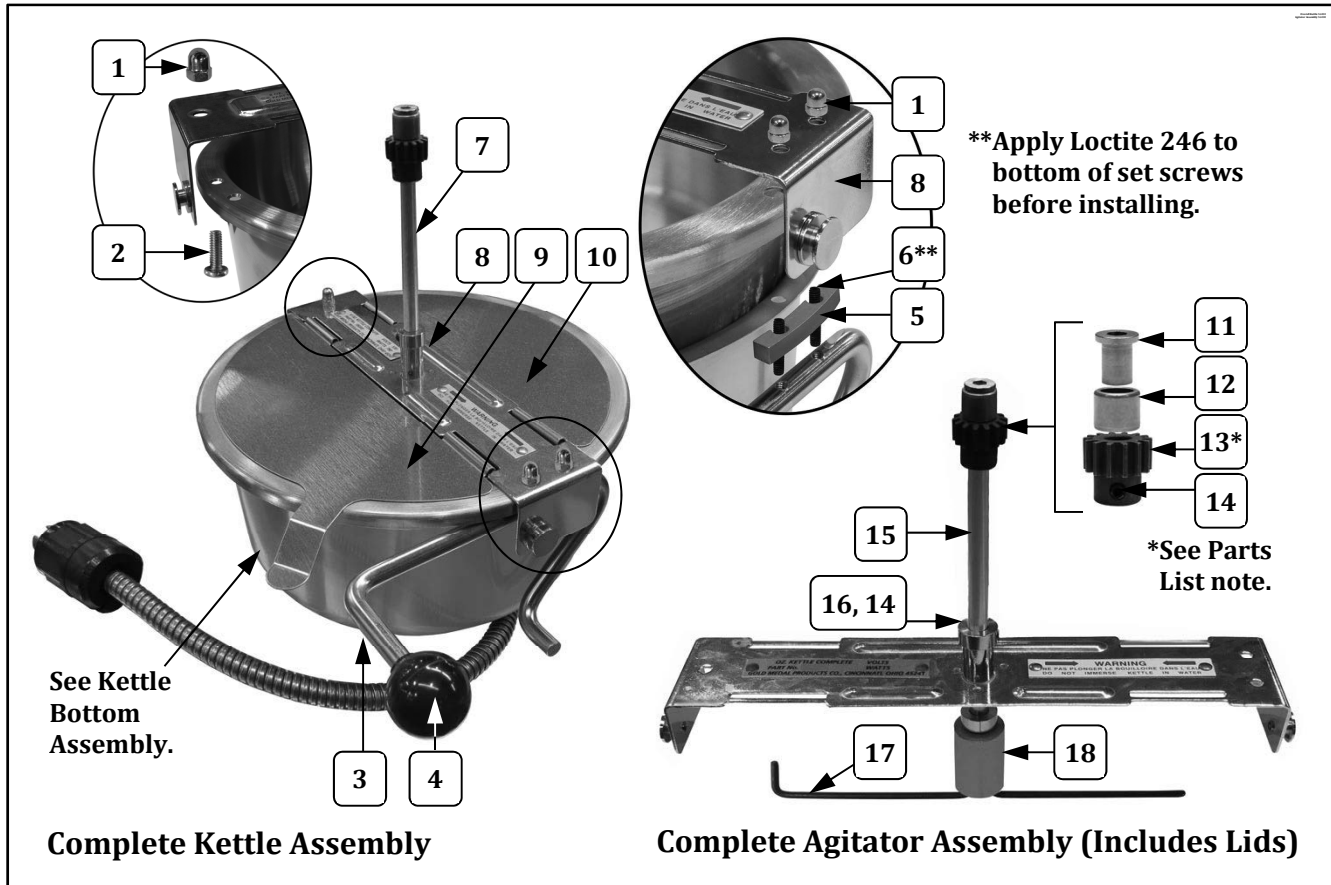
## 8 oz. Kettle Assembly (49472N) – Agitator Assembly View



Item	Part Description	Part Number
		49472N
1	ACORN NUT	47702
2	8-32 X 1/2 PHIL PAN M/S	47141
3	DUMP HANDLE RH	49314
4	DUMP HANDLE KNOB	47110
5	SPACER (For Dump Handle)	49362
6	8-32 X 1" SET SCREW	77933
7	LID & AGITATOR ASSY (Complete Assembly)	49906N
8	KETTLE CROSSBAR ASSEMBLY	49907N
9	FRONT LID W/FORMED LIFTER	49017
10	REAR KETTLE LID	49016
11	AGITATOR BEARING HUB	43434
12	NEEDLE BEARING	47106
13*	SPUR GEAR KIT (Includes 2 gears with set screws. Always replace Agitator Spur Gear and Kettle Drive Motor Gear as a set.)	47059K
14	SET SCREW #10-32 X 3/16	41742
15	6 OZ. AGITATOR SHAFT	69710
16	SET COLLAR 5/16 ID 5/8 OD	46649
17	6 OZ. STIR ROD	69714
18	AGITATOR WEIGHT	69715



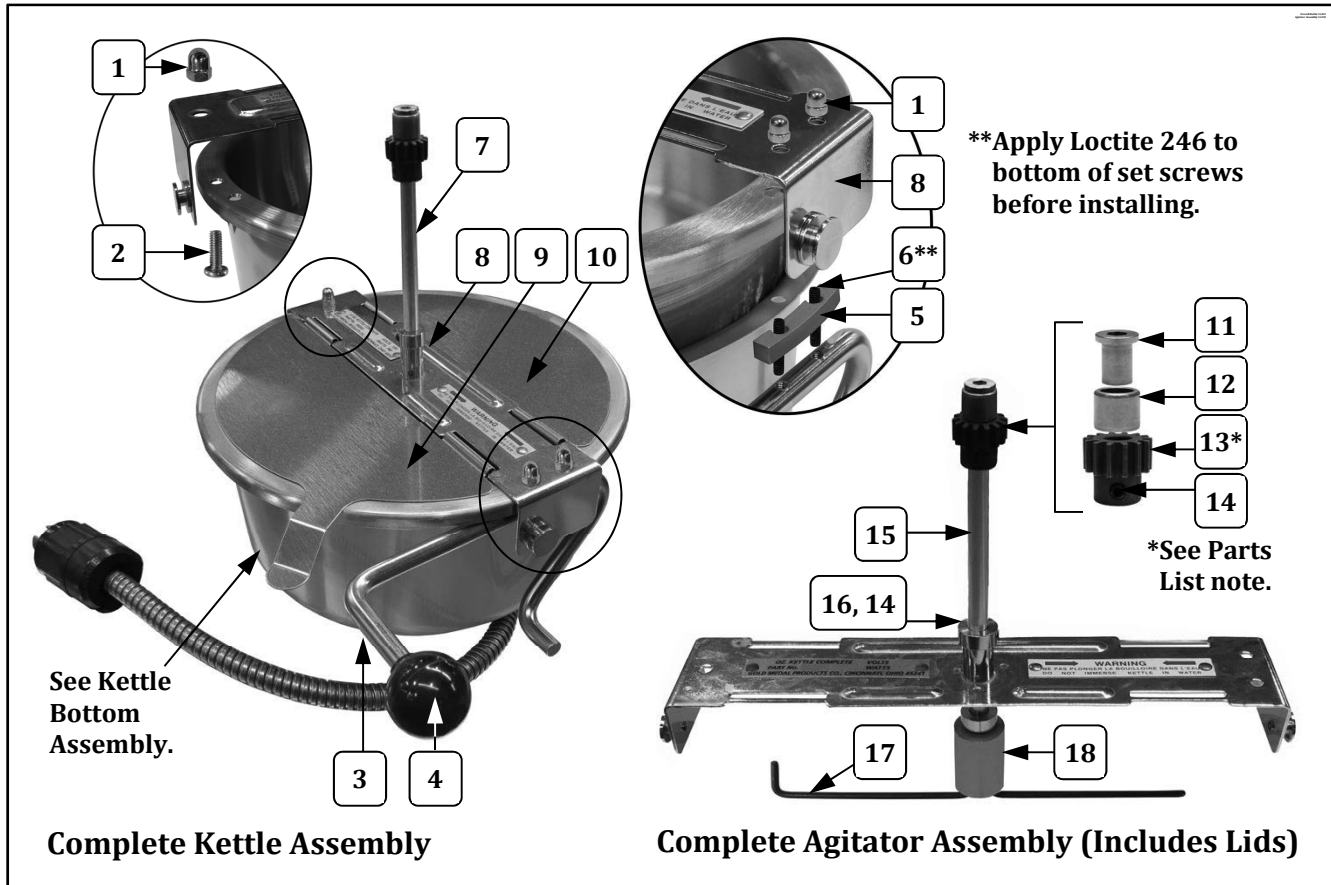
## 8 oz. Kettle Assembly (49472N) – Agitator Assembly View



Item	Part Description	Part Number
		49472N
1	ACORN NUT	47702
2	8-32 X 1/2 PHIL PAN M/S	47141
3	DUMP HANDLE RH	49314
4	DUMP HANDLE KNOB	47110
5	SPACER (For Dump Handle)	49362
6	8-32 X 1" SET SCREW	77933
7	LID & AGITATOR ASSY (Complete Assembly)	49906N
8	KETTLE CROSSBAR ASSEMBLY	49907N
9	FRONT LID W/FORMED LIFTER	49017
10	REAR KETTLE LID	49016
11	AGITATOR BEARING HUB	43434
12	NEEDLE BEARING	47106
13*	SPUR GEAR KIT (Includes 2 gears with set screws. Always replace Agitator Spur Gear and Kettle Drive Motor Gear as a set.)	47059K
14	SET SCREW #10-32 X 3/16	41742
15	6 OZ. AGITATOR SHAFT	69710
16	SET COLLAR 5/16 ID 5/8 OD	46649
17	6 OZ. STIR ROD	69714
18	AGITATOR WEIGHT	69715



## 8 oz. Kettle Assembly (49472N) – Agitator Assembly View

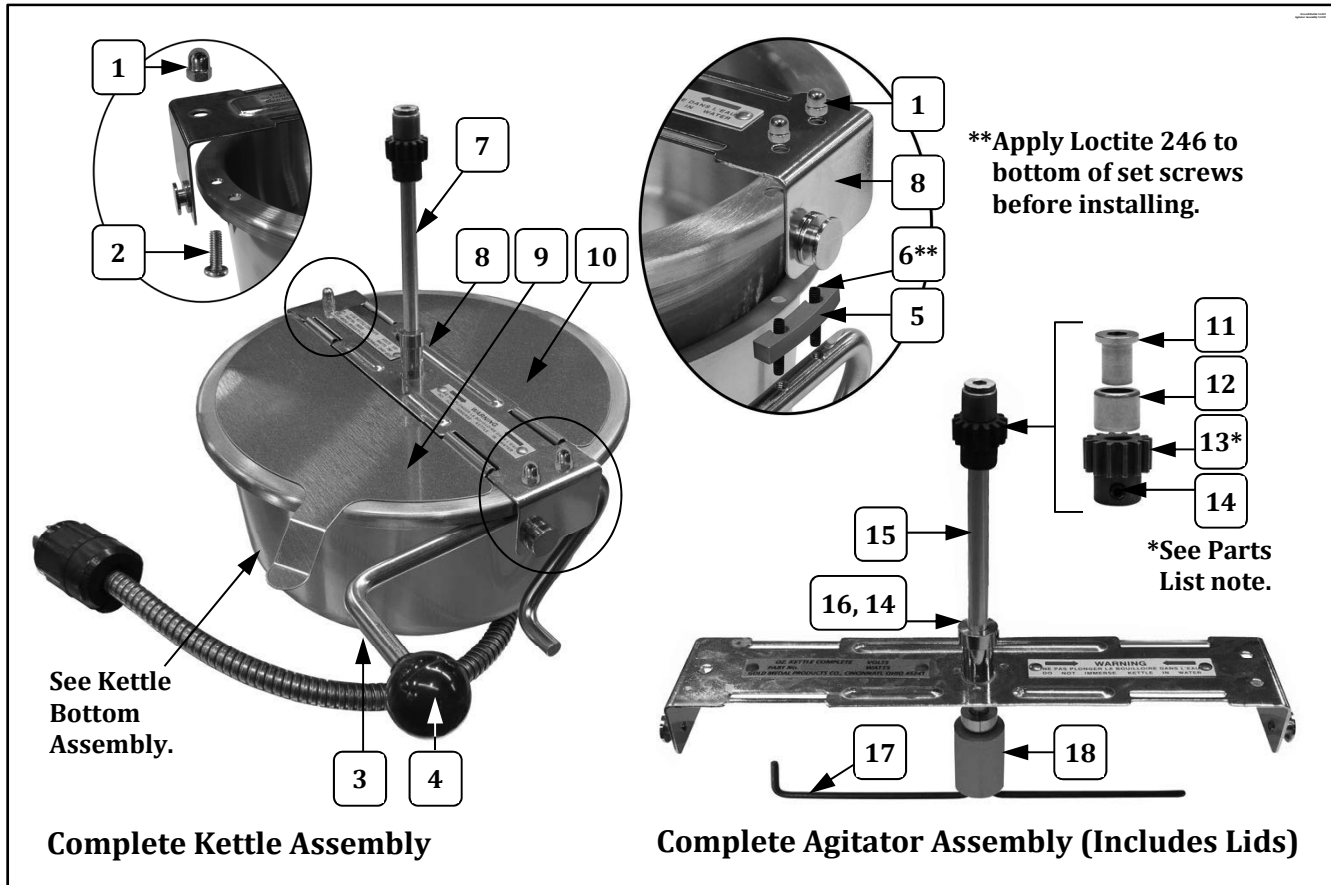


Item	Part Description	Part Number
		49472N
1	ACORN NUT	47702
2	8-32 X 1/2 PHIL PAN M/S	47141
3	DUMP HANDLE RH	49314
4	DUMP HANDLE KNOB	47110
5	SPACER (For Dump Handle)	49362
6	8-32 X 1" SET SCREW	77933
7	LID & AGITATOR ASSY (Complete Assembly)	49906N
8	KETTLE CROSSBAR ASSEMBLY	49907N
9	FRONT LID W/FORMED LIFTER	49017
10	REAR KETTLE LID	49016
11	AGITATOR BEARING HUB	43434
12	NEEDLE BEARING	47106
13*	SPUR GEAR KIT (Includes 2 gears with set screws. Always replace Agitator Spur Gear and Kettle Drive Motor Gear as a set.)	47059K
14	SET SCREW #10-32 X 3/16	41742
15	6 OZ. AGITATOR SHAFT	69710
16	SET COLLAR 5/16 ID 5/8 OD	46649
17	6 OZ. STIR ROD	69714
18	AGITATOR WEIGHT	69715





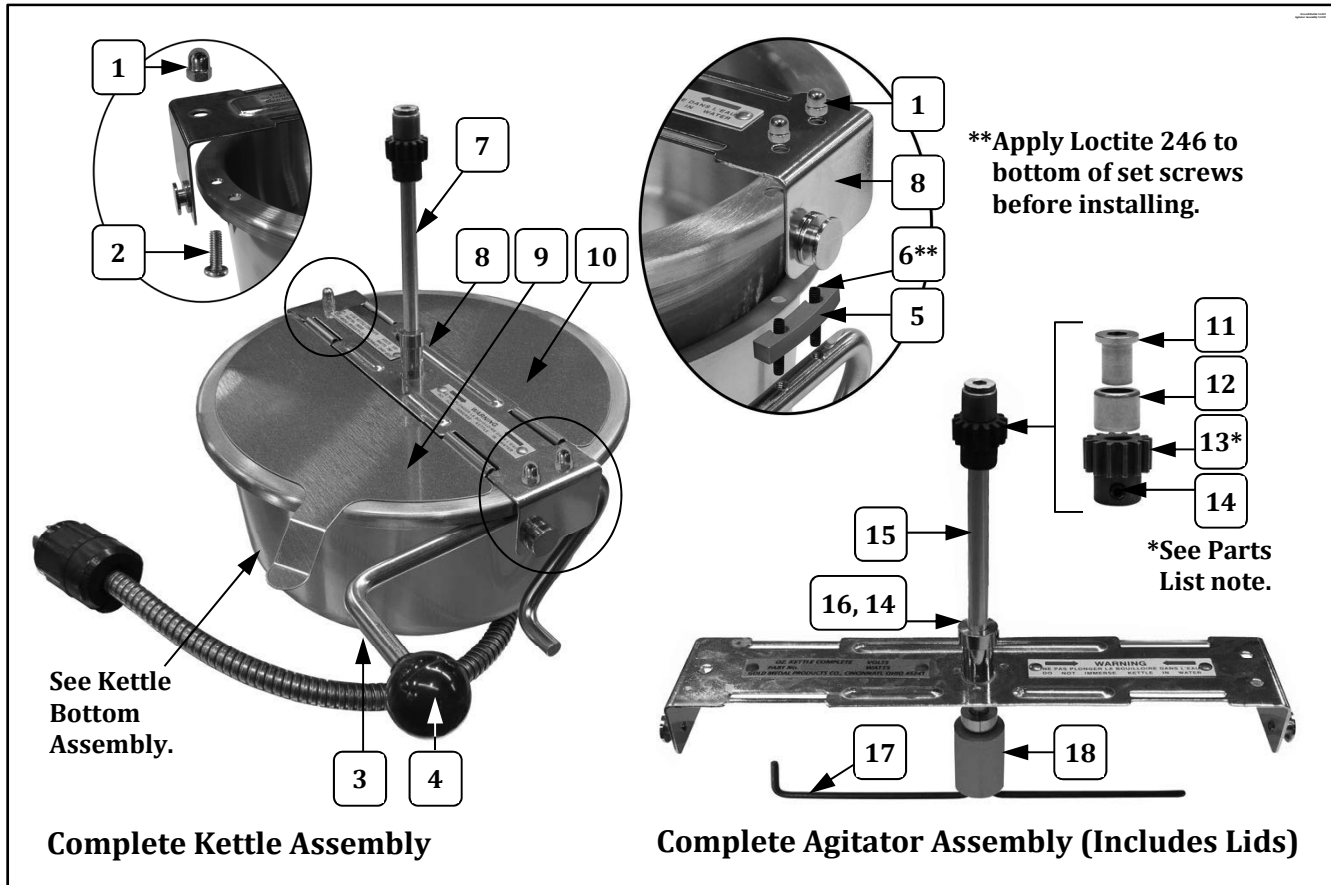
## 8 oz. Kettle Assembly (49472N) – Agitator Assembly View



Item	Part Description	Part Number
		49472N
1	ACORN NUT	47702
2	8-32 X 1/2 PHIL PAN M/S	47141
3	DUMP HANDLE RH	49314
4	DUMP HANDLE KNOB	47110
5	SPACER (For Dump Handle)	49362
6	8-32 X 1" SET SCREW	77933
7	LID & AGITATOR ASSY (Complete Assembly)	49906N
8	KETTLE CROSSBAR ASSEMBLY	49907N
9	FRONT LID W/FORMED LIFTER	49017
10	REAR KETTLE LID	49016
11	AGITATOR BEARING HUB	43434
12	NEEDLE BEARING	47106
13*	SPUR GEAR KIT (Includes 2 gears with set screws. Always replace Agitator Spur Gear and Kettle Drive Motor Gear as a set.)	47059K
14	SET SCREW #10-32 X 3/16	41742
15	6 OZ. AGITATOR SHAFT	69710
16	SET COLLAR 5/16 ID 5/8 OD	46649
17	6 OZ. STIR ROD	69714
18	AGITATOR WEIGHT	69715



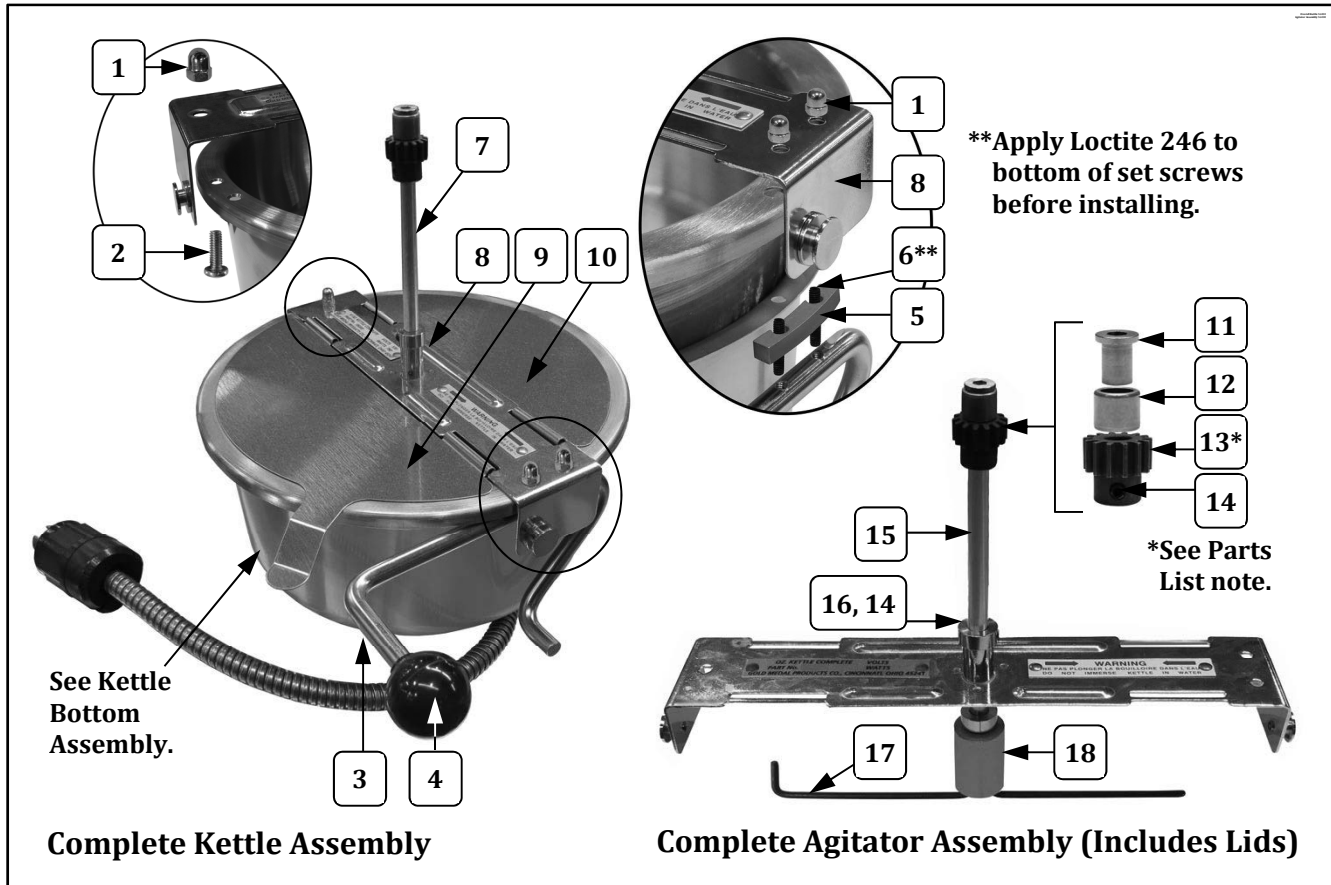
## 8 oz. Kettle Assembly (49472N) – Agitator Assembly View



Item	Part Description	Part Number
		49472N
1	ACORN NUT	47702
2	8-32 X 1/2 PHIL PAN M/S	47141
3	DUMP HANDLE RH	49314
4	DUMP HANDLE KNOB	47110
5	SPACER (For Dump Handle)	49362
6	8-32 X 1" SET SCREW	77933
7	LID & AGITATOR ASSY (Complete Assembly)	49906N
8	KETTLE CROSSBAR ASSEMBLY	49907N
9	FRONT LID W/FORMED LIFTER	49017
10	REAR KETTLE LID	49016
11	AGITATOR BEARING HUB	43434
12	NEEDLE BEARING	47106
13*	SPUR GEAR KIT (Includes 2 gears with set screws. Always replace Agitator Spur Gear and Kettle Drive Motor Gear as a set.)	47059K
14	SET SCREW #10-32 X 3/16	41742
15	6 OZ. AGITATOR SHAFT	69710
16	SET COLLAR 5/16 ID 5/8 OD	46649
17	6 OZ. STIR ROD	69714
18	AGITATOR WEIGHT	69715



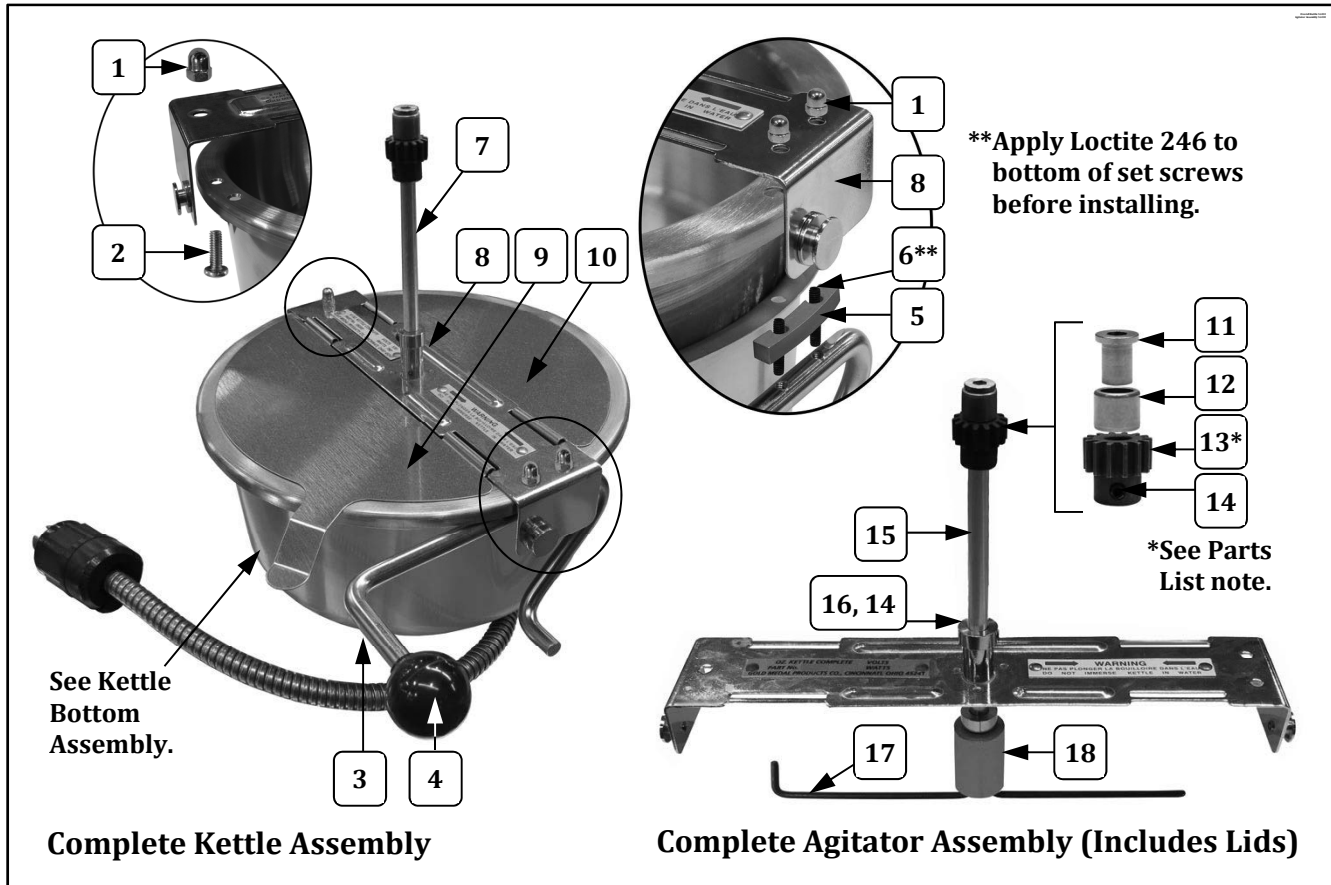
## 8 oz. Kettle Assembly (49472N) – Agitator Assembly View



Item	Part Description	Part Number
		49472N
1	ACORN NUT	47702
2	8-32 X 1/2 PHIL PAN M/S	47141
3	DUMP HANDLE RH	49314
4	DUMP HANDLE KNOB	47110
5	SPACER (For Dump Handle)	49362
6	8-32 X 1" SET SCREW	77933
7	LID & AGITATOR ASSY (Complete Assembly)	49906N
8	KETTLE CROSSBAR ASSEMBLY	49907N
9	FRONT LID W/FORMED LIFTER	49017
10	REAR KETTLE LID	49016
11	AGITATOR BEARING HUB	43434
12	NEEDLE BEARING	47106
13*	SPUR GEAR KIT (Includes 2 gears with set screws. Always replace Agitator Spur Gear and Kettle Drive Motor Gear as a set.)	47059K
14	SET SCREW #10-32 X 3/16	41742
15	6 OZ. AGITATOR SHAFT	69710
16	SET COLLAR 5/16 ID 5/8 OD	46649
17	6 OZ. STIR ROD	69714
18	AGITATOR WEIGHT	69715



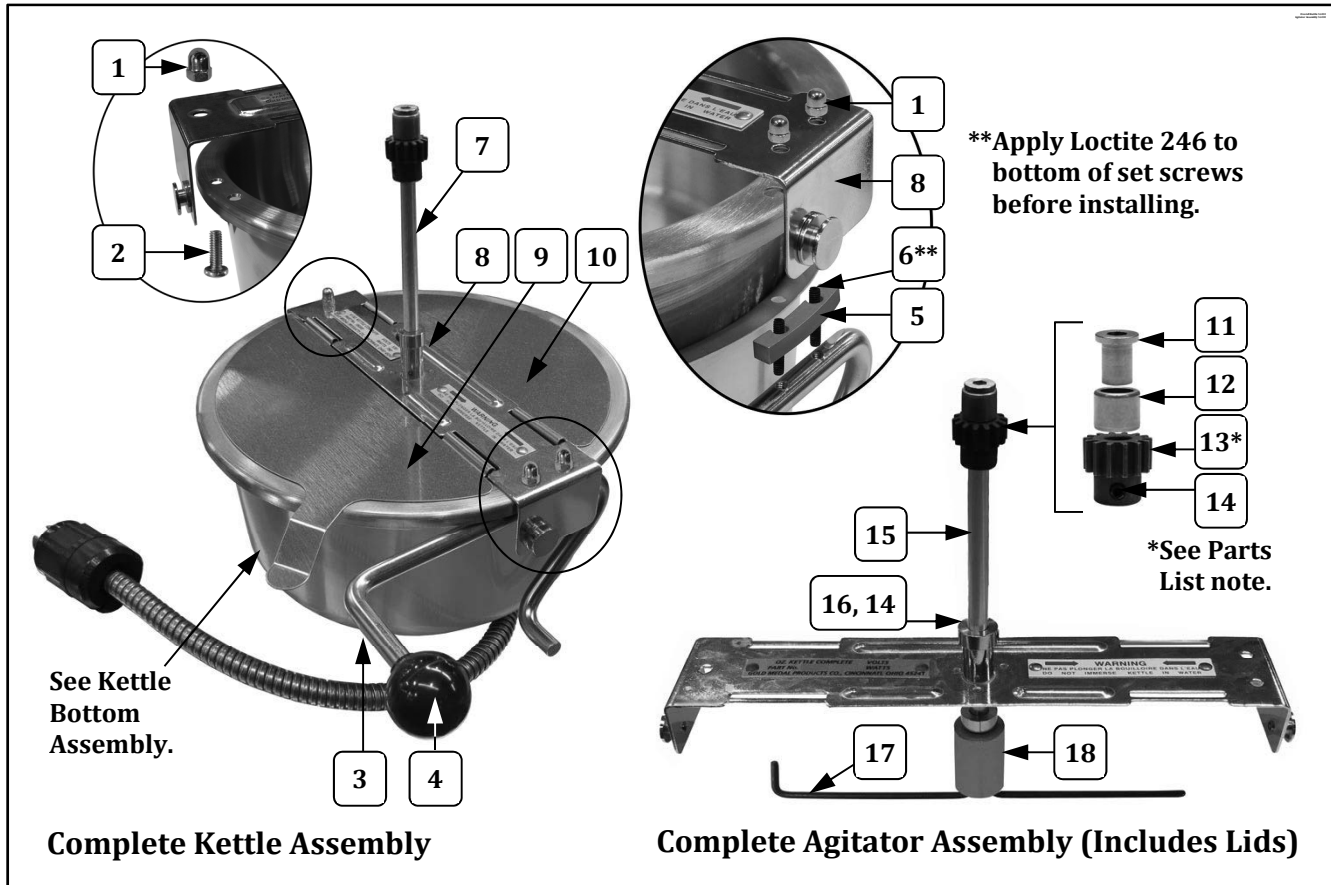
## 8 oz. Kettle Assembly (49472N) – Agitator Assembly View



Item	Part Description	Part Number
		49472N
1	ACORN NUT	47702
2	8-32 X 1/2 PHIL PAN M/S	47141
3	DUMP HANDLE RH	49314
4	DUMP HANDLE KNOB	47110
5	SPACER (For Dump Handle)	49362
6	8-32 X 1" SET SCREW	77933
7	LID & AGITATOR ASSY (Complete Assembly)	49906N
8	KETTLE CROSSBAR ASSEMBLY	49907N
9	FRONT LID W/FORMED LIFTER	49017
10	REAR KETTLE LID	49016
11	AGITATOR BEARING HUB	43434
12	NEEDLE BEARING	47106
13*	SPUR GEAR KIT (Includes 2 gears with set screws. Always replace Agitator Spur Gear and Kettle Drive Motor Gear as a set.)	47059K
14	SET SCREW #10-32 X 3/16	41742
15	6 OZ. AGITATOR SHAFT	69710
16	SET COLLAR 5/16 ID 5/8 OD	46649
17	6 OZ. STIR ROD	69714
18	AGITATOR WEIGHT	69715



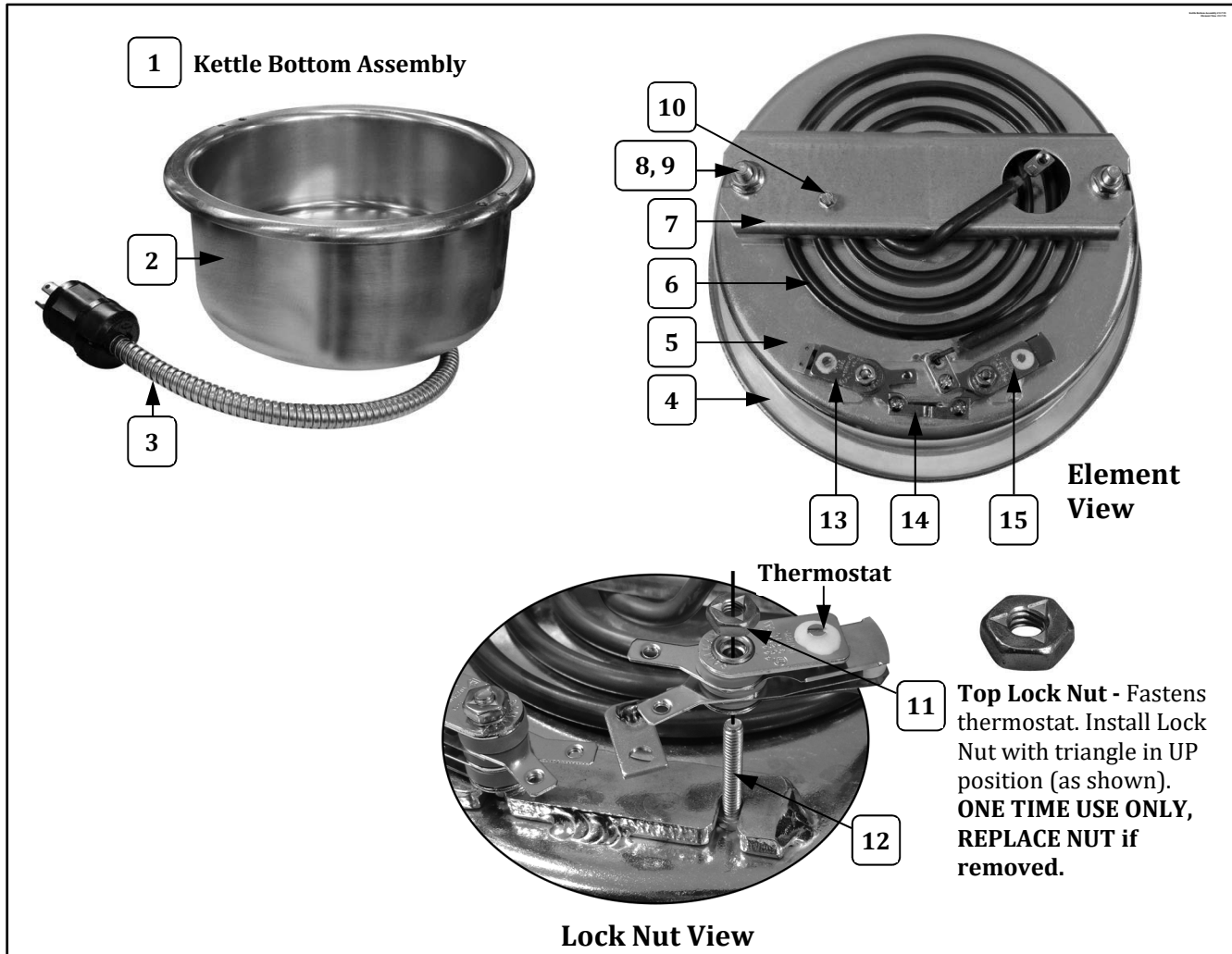
## 8 oz. Kettle Assembly (49472N) – Agitator Assembly View



Item	Part Description	Part Number
		49472N
1	ACORN NUT	47702
2	8-32 X 1/2 PHIL PAN M/S	47141
3	DUMP HANDLE RH	49314
4	DUMP HANDLE KNOB	47110
5	SPACER (For Dump Handle)	49362
6	8-32 X 1" SET SCREW	77933
7	LID & AGITATOR ASSY (Complete Assembly)	49906N
8	KETTLE CROSSBAR ASSEMBLY	49907N
9	FRONT LID W/FORMED LIFTER	49017
10	REAR KETTLE LID	49016
11	AGITATOR BEARING HUB	43434
12	NEEDLE BEARING	47106
13*	SPUR GEAR KIT (Includes 2 gears with set screws. Always replace Agitator Spur Gear and Kettle Drive Motor Gear as a set.)	47059K
14	SET SCREW #10-32 X 3/16	41742
15	6 OZ. AGITATOR SHAFT	69710
16	SET COLLAR 5/16 ID 5/8 OD	46649
17	6 OZ. STIR ROD	69714
18	AGITATOR WEIGHT	69715



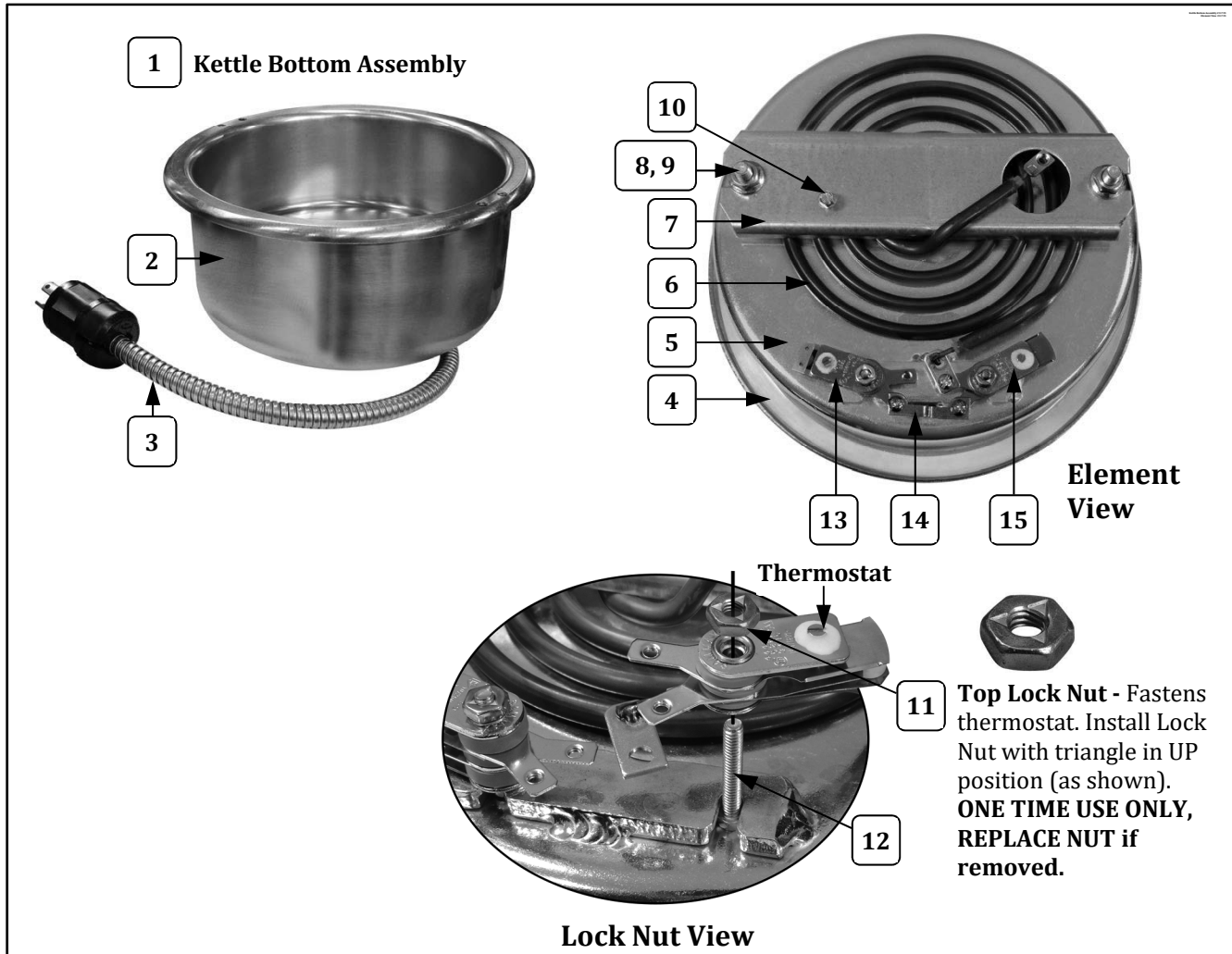
## 8 oz. Kettle Assembly (49472N) – Kettle Bottom Assembly



Item	Part Description	Part Number
		49472N
1	8 OZ. KETTLE BOTTOM ASSEMBLY (Complete Assembly - includes parts listed below)	49489N
2	KETTLE SHELL	49431
3	KETTLE LEAD ASSEMBLY	49328
4	6 OZ. KETTLE GASKET	49368
5	6 OZ. CLAD KETTLE	49596
6	HEAT ELEMENT 120V, 1125W	49529
7	ELEMENT CLAMP	49532
8	5/16-18 SERRATED LOCK NUT	49317
9	5/16-18 X 3/4 SQUARE HEAD BOLT	49446
10	8-32 X 1/4 SLT. HWH M/S (fastens ground)	49060
11	8-32 TOP LOCK NUT (always replace if removed)	67943
12	8-32 x 1 SS HEX SC (holds Thermostat)	49076
13	450°F THERMOSTAT (includes two 6-32 Screws)	76089
14	THERMOSTAT SHUNT BAR	47193
15	525°F THERMOSTAT (includes two 6-32 Screws)	76702



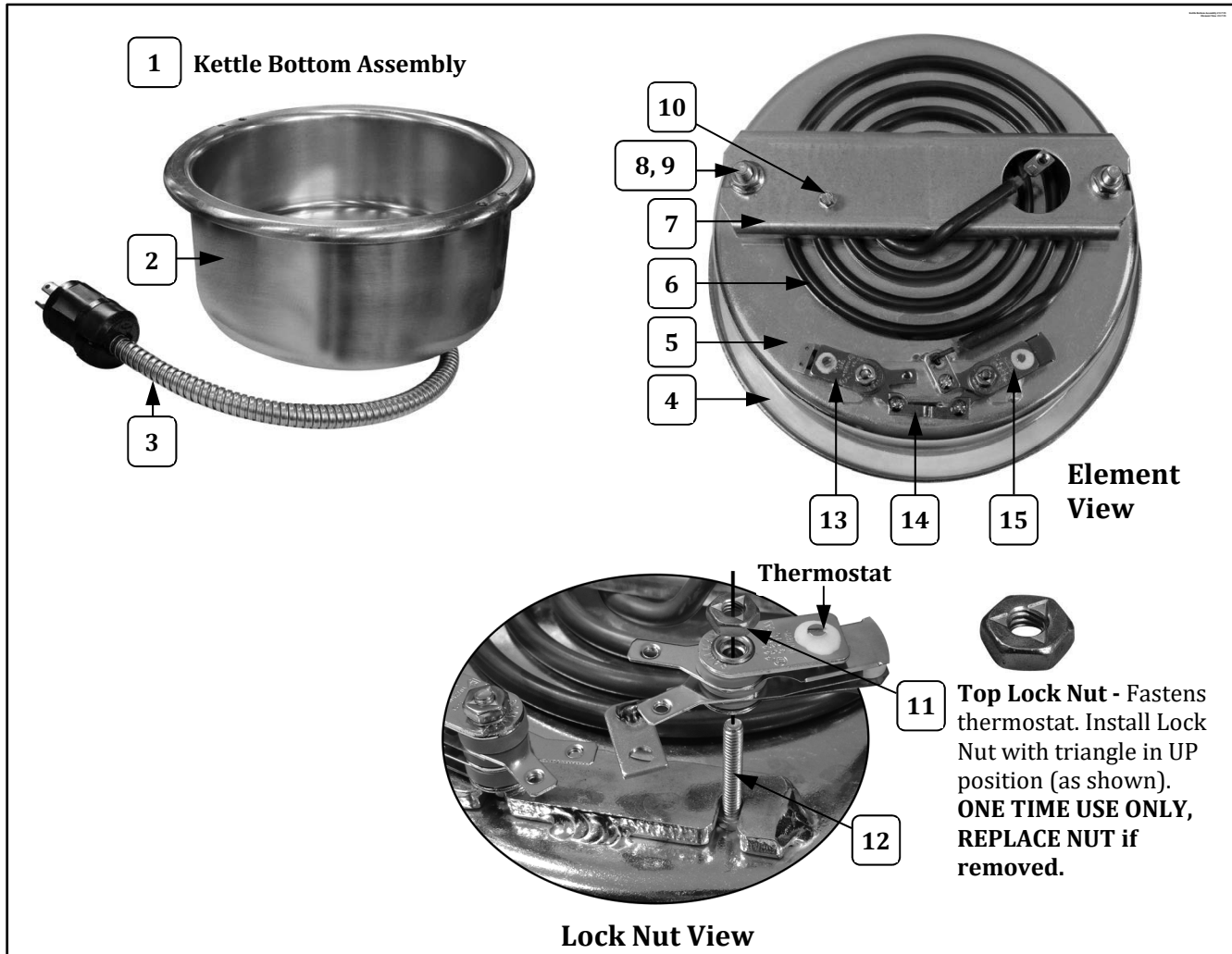
## 8 oz. Kettle Assembly (49472N) – Kettle Bottom Assembly



Item	Part Description	Part Number
		49472N
1	8 OZ. KETTLE BOTTOM ASSEMBLY (Complete Assembly - includes parts listed below)	49489N
2	KETTLE SHELL	49431
3	KETTLE LEAD ASSEMBLY	49328
4	6 OZ. KETTLE GASKET	49368
5	6 OZ. CLAD KETTLE	49596
6	HEAT ELEMENT 120V, 1125W	49529
7	ELEMENT CLAMP	49532
8	5/16-18 SERRATED LOCK NUT	49317
9	5/16-18 X 3/4 SQUARE HEAD BOLT	49446
10	8-32 X 1/4 SLT. HWH M/S (fastens ground)	49060
11	8-32 TOP LOCK NUT (always replace if removed)	67943
12	8-32 x 1 SS HEX SC (holds Thermostat)	49076
13	450°F THERMOSTAT (includes two 6-32 Screws)	76089
14	THERMOSTAT SHUNT BAR	47193
15	525°F THERMOSTAT (includes two 6-32 Screws)	76702



## 8 oz. Kettle Assembly (49472N) – Kettle Bottom Assembly

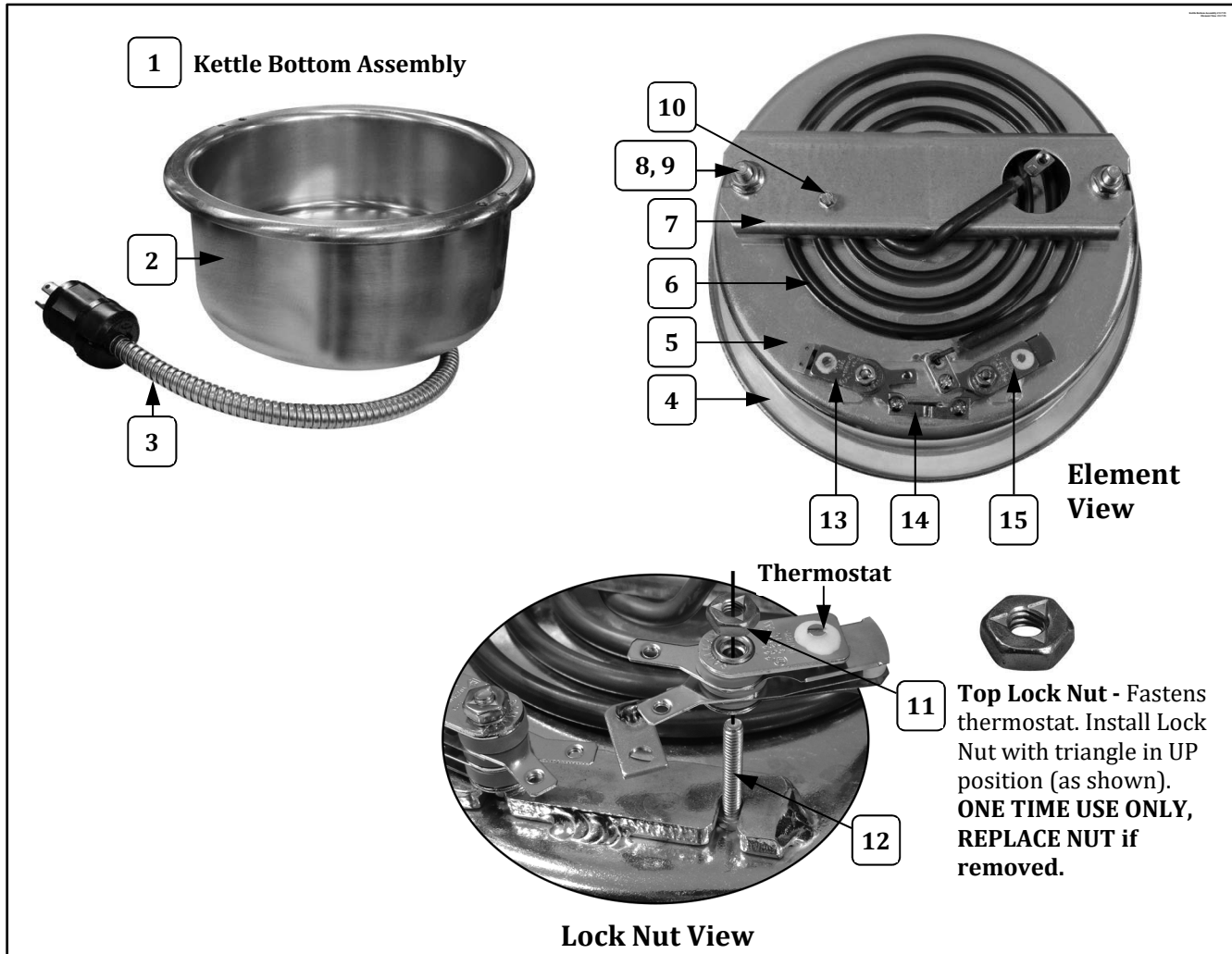


Item	Part Description	Part Number
		49472N
1	8 OZ. KETTLE BOTTOM ASSEMBLY (Complete Assembly - includes parts listed below)	49489N
2	KETTLE SHELL	49431
3	KETTLE LEAD ASSEMBLY	49328
4	6 OZ. KETTLE GASKET	49368
5	6 OZ. CLAD KETTLE	49596
6	HEAT ELEMENT 120V, 1125W	49529
7	ELEMENT CLAMP	49532
8	5/16-18 SERRATED LOCK NUT	49317
9	5/16-18 X 3/4 SQUARE HEAD BOLT	49446
10	8-32 X 1/4 SLT. HWH M/S (fastens ground)	49060
11	8-32 TOP LOCK NUT (always replace if removed)	67943
12	8-32 x 1 SS HEX SC (holds Thermostat)	49076
13	450°F THERMOSTAT (includes two 6-32 Screws)	76089
14	THERMOSTAT SHUNT BAR	47193
15	525°F THERMOSTAT (includes two 6-32 Screws)	76702





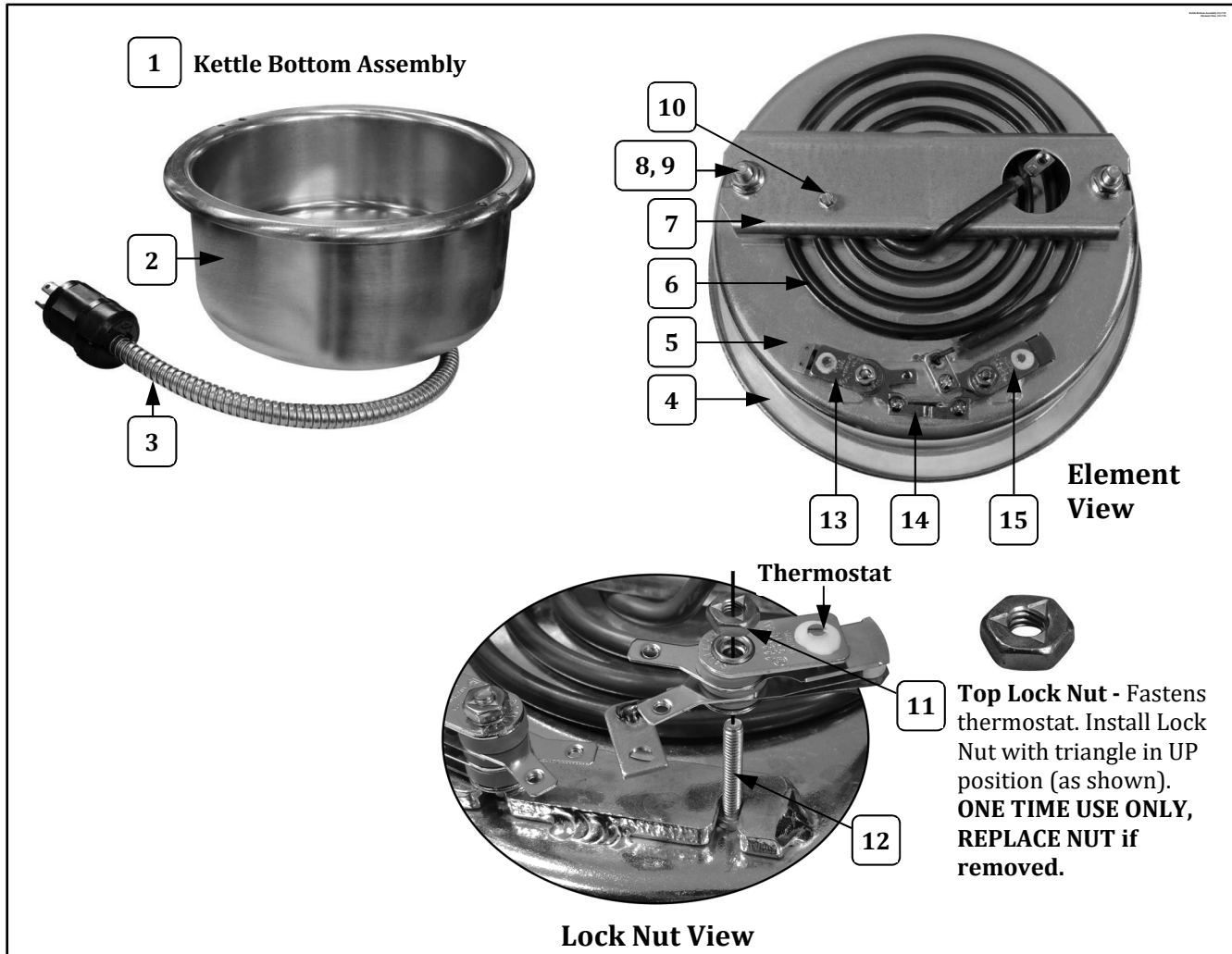
## 8 oz. Kettle Assembly (49472N) – Kettle Bottom Assembly



Item	Part Description	Part Number
		49472N
1	8 OZ. KETTLE BOTTOM ASSEMBLY (Complete Assembly - includes parts listed below)	49489N
2	KETTLE SHELL	49431
3	KETTLE LEAD ASSEMBLY	49328
4	6 OZ. KETTLE GASKET	49368
5	6 OZ. CLAD KETTLE	49596
6	HEAT ELEMENT 120V, 1125W	49529
7	ELEMENT CLAMP	49532
8	5/16-18 SERRATED LOCK NUT	49317
9	5/16-18 X 3/4 SQUARE HEAD BOLT	49446
10	8-32 X 1/4 SLT. HWH M/S (fastens ground)	49060
11	8-32 TOP LOCK NUT (always replace if removed)	67943
12	8-32 x 1 SS HEX SC (holds Thermostat)	49076
13	450°F THERMOSTAT (includes two 6-32 Screws)	76089
14	THERMOSTAT SHUNT BAR	47193
15	525°F THERMOSTAT (includes two 6-32 Screws)	76702



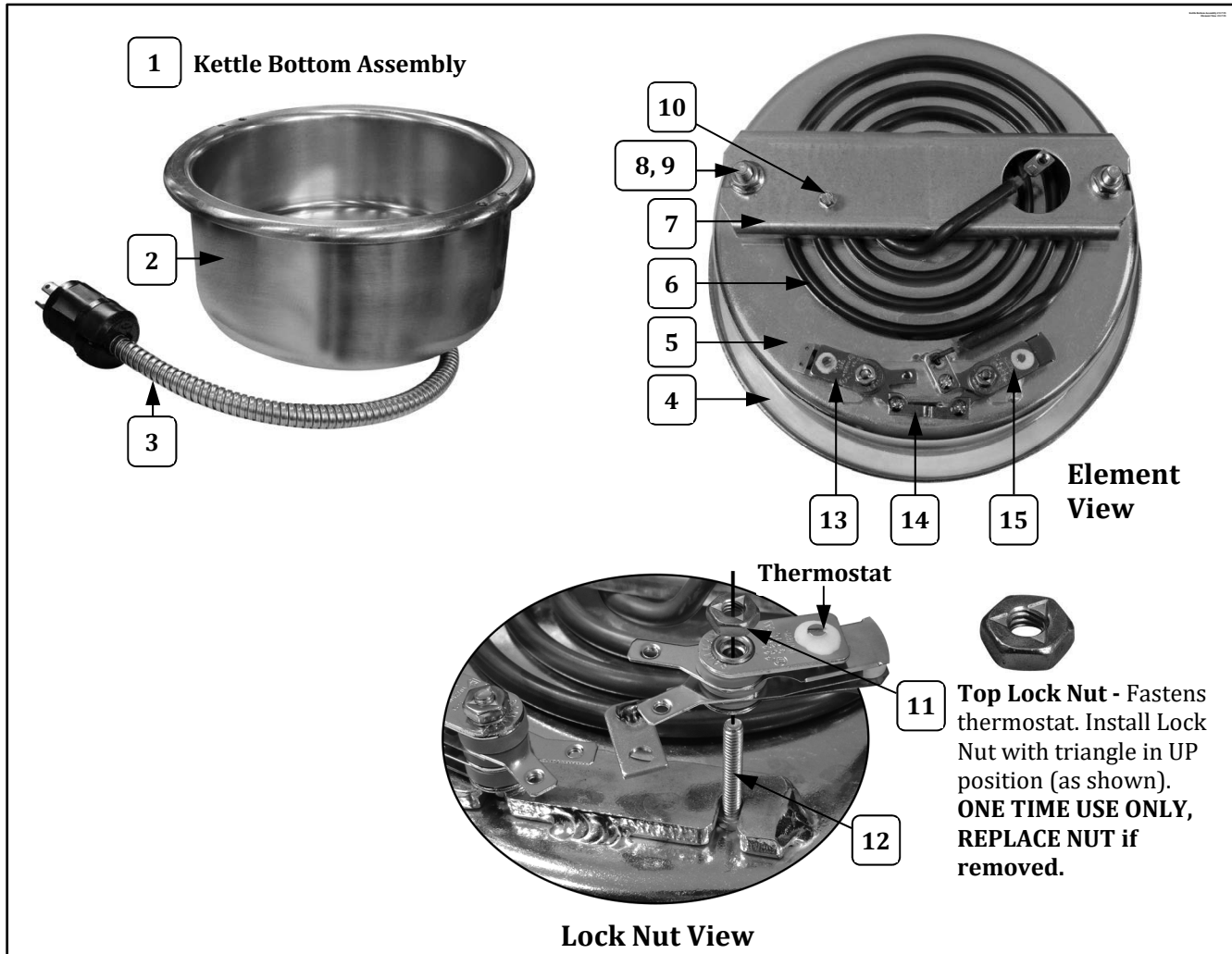
## 8 oz. Kettle Assembly (49472N) – Kettle Bottom Assembly



Item	Part Description	Part Number
		49472N
1	8 OZ. KETTLE BOTTOM ASSEMBLY (Complete Assembly - includes parts listed below)	49489N
2	KETTLE SHELL	49431
3	KETTLE LEAD ASSEMBLY	49328
4	6 OZ. KETTLE GASKET	49368
5	6 OZ. CLAD KETTLE	49596
6	HEAT ELEMENT 120V, 1125W	49529
7	ELEMENT CLAMP	49532
8	5/16-18 SERRATED LOCK NUT	49317
9	5/16-18 X 3/4 SQUARE HEAD BOLT	49446
10	8-32 X 1/4 SLT. HWH M/S (fastens ground)	49060
11	8-32 TOP LOCK NUT (always replace if removed)	67943
12	8-32 x 1 SS HEX SC (holds Thermostat)	49076
13	450°F THERMOSTAT (includes two 6-32 screws)	76089
14	THERMOSTAT SHUNT BAR	47193
15	525°F THERMOSTAT (includes two 6-32 screws)	76702



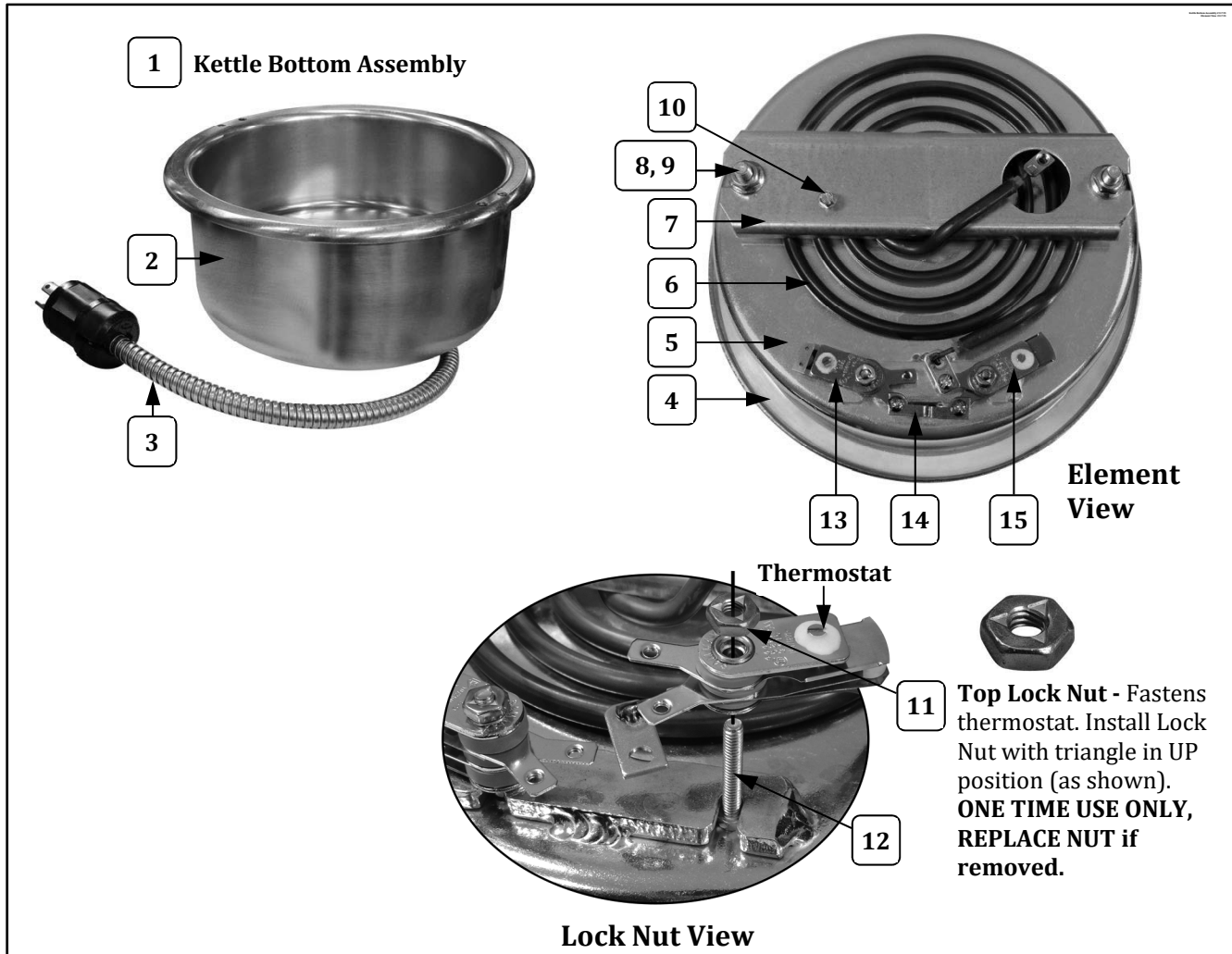
## 8 oz. Kettle Assembly (49472N) – Kettle Bottom Assembly



Item	Part Description	Part Number
		49472N
1	8 OZ. KETTLE BOTTOM ASSEMBLY (Complete Assembly - includes parts listed below)	49489N
2	KETTLE SHELL	49431
3	KETTLE LEAD ASSEMBLY	49328
4	6 OZ. KETTLE GASKET	49368
5	6 OZ. CLAD KETTLE	49596
6	HEAT ELEMENT 120V, 1125W	49529
7	ELEMENT CLAMP	49532
8	5/16-18 SERRATED LOCK NUT	49317
9	5/16-18 X 3/4 SQUARE HEAD BOLT	49446
10	8-32 X 1/4 SLT. HWH M/S (fastens ground)	49060
11	8-32 TOP LOCK NUT (always replace if removed)	67943
12	8-32 x 1 SS HEX SC (holds Thermostat)	49076
13	450°F THERMOSTAT (includes two 6-32 screws)	76089
14	THERMOSTAT SHUNT BAR	47193
15	525°F THERMOSTAT (includes two 6-32 screws)	76702



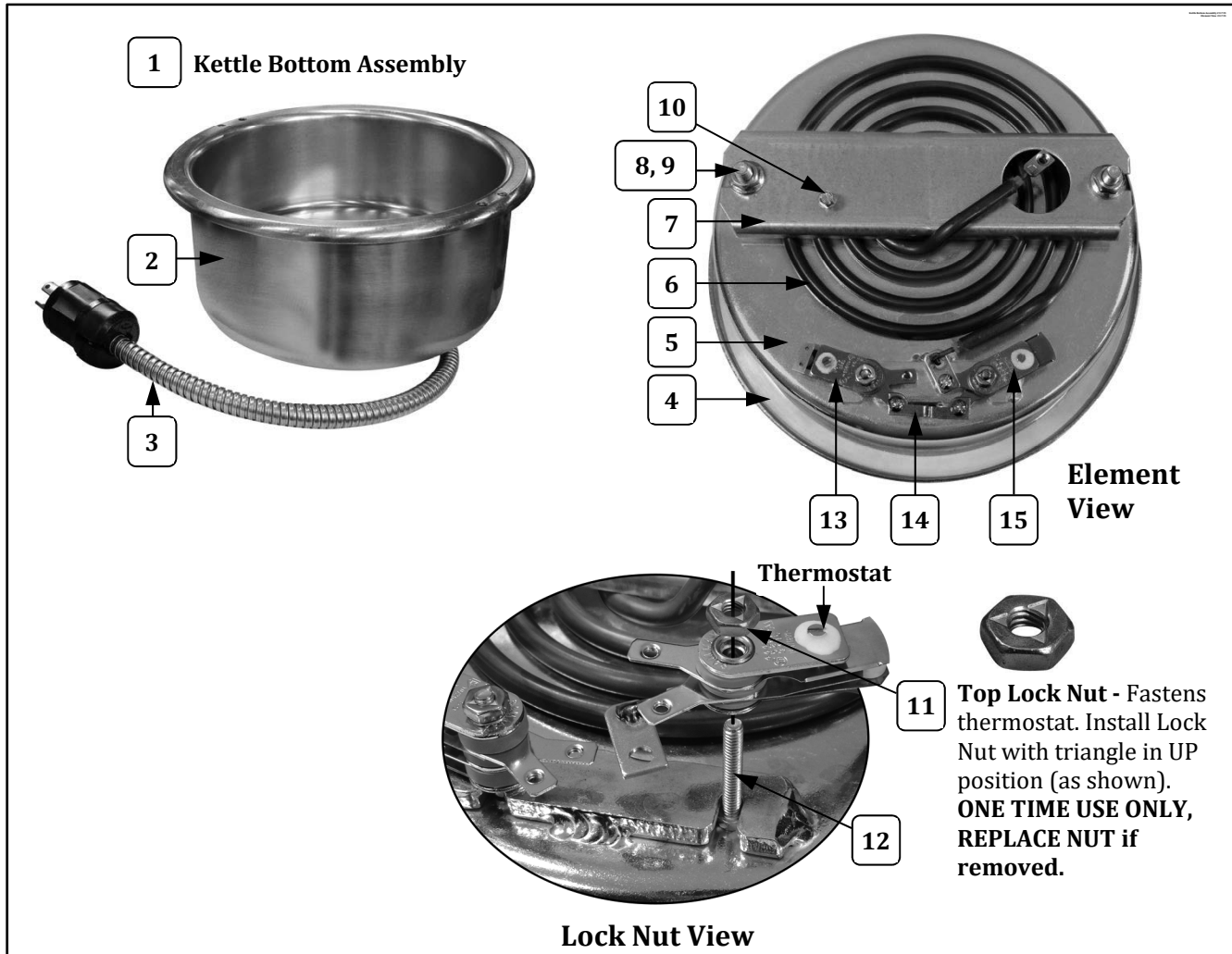
## 8 oz. Kettle Assembly (49472N) – Kettle Bottom Assembly



Item	Part Description	Part Number
		49472N
1	8 OZ. KETTLE BOTTOM ASSEMBLY (Complete Assembly - includes parts listed below)	49489N
2	KETTLE SHELL	49431
3	KETTLE LEAD ASSEMBLY	49328
4	6 OZ. KETTLE GASKET	49368
5	6 OZ. CLAD KETTLE	49596
6	HEAT ELEMENT 120V, 1125W	49529
7	ELEMENT CLAMP	49532
8	5/16-18 SERRATED LOCK NUT	49317
9	5/16-18 X 3/4 SQUARE HEAD BOLT	49446
10	8-32 X 1/4 SLT. HWH M/S (fastens ground)	49060
11	8-32 TOP LOCK NUT (always replace if removed)	67943
12	8-32 x 1 SS HEX SC (holds Thermostat)	49076
13	450°F THERMOSTAT (includes two 6-32 Screws)	76089
14	THERMOSTAT SHUNT BAR	47193
15	525°F THERMOSTAT (includes two 6-32 Screws)	76702



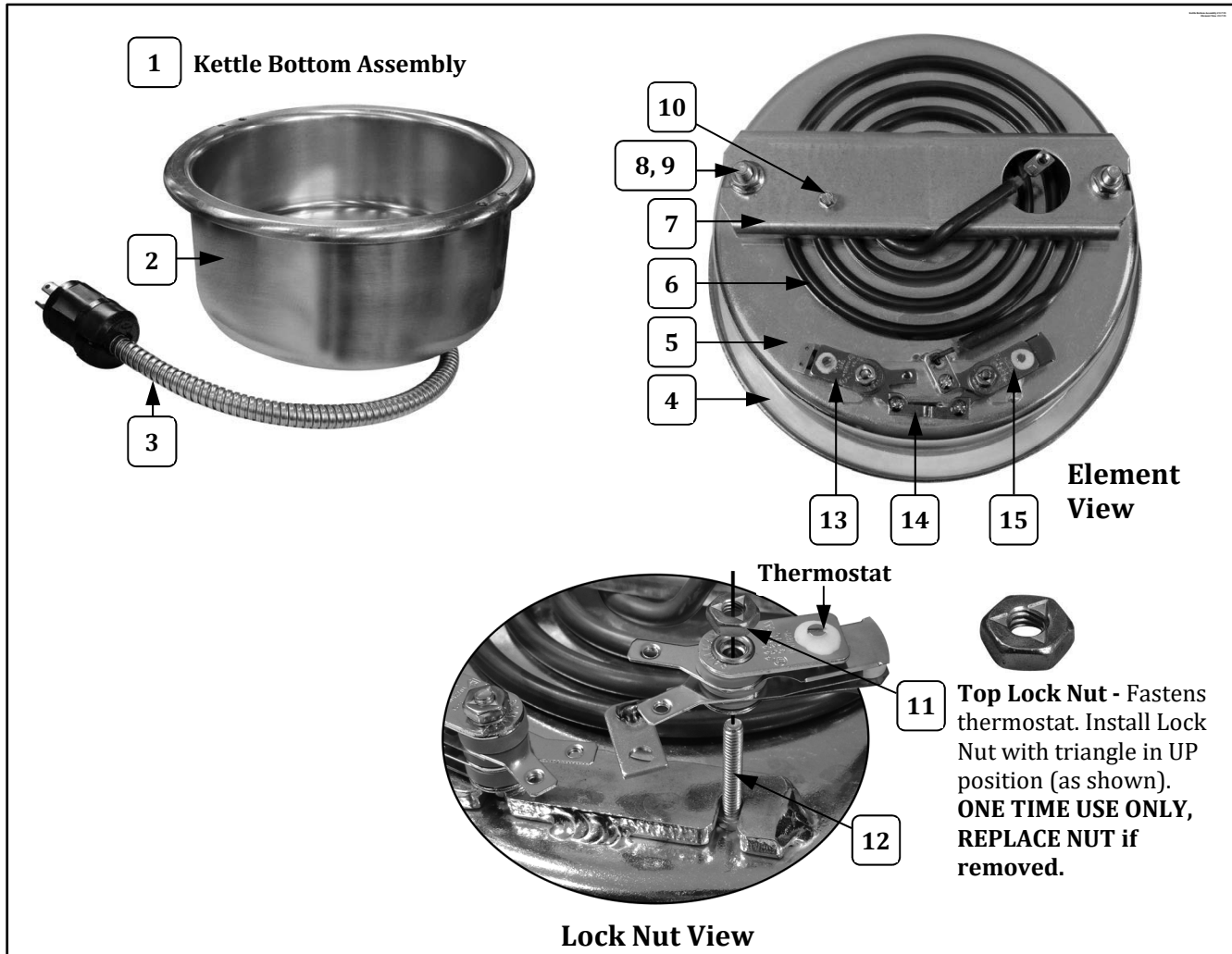
## 8 oz. Kettle Assembly (49472N) – Kettle Bottom Assembly



Item	Part Description	Part Number
		49472N
1	8 OZ. KETTLE BOTTOM ASSEMBLY (Complete Assembly - includes parts listed below)	49489N
2	KETTLE SHELL	49431
3	KETTLE LEAD ASSEMBLY	49328
4	6 OZ. KETTLE GASKET	49368
5	6 OZ. CLAD KETTLE	49596
6	HEAT ELEMENT 120V, 1125W	49529
7	ELEMENT CLAMP	49532
8	5/16-18 SERRATED LOCK NUT	49317
9	5/16-18 X 3/4 SQUARE HEAD BOLT	49446
10	8-32 X 1/4 SLT. HWH M/S (fastens ground)	49060
11	8-32 TOP LOCK NUT (always replace if removed)	67943
12	8-32 x 1 SS HEX SC (holds Thermostat)	49076
13	450°F THERMOSTAT (includes two 6-32 Screws)	76089
14	THERMOSTAT SHUNT BAR	47193
15	525°F THERMOSTAT (includes two 6-32 Screws)	76702



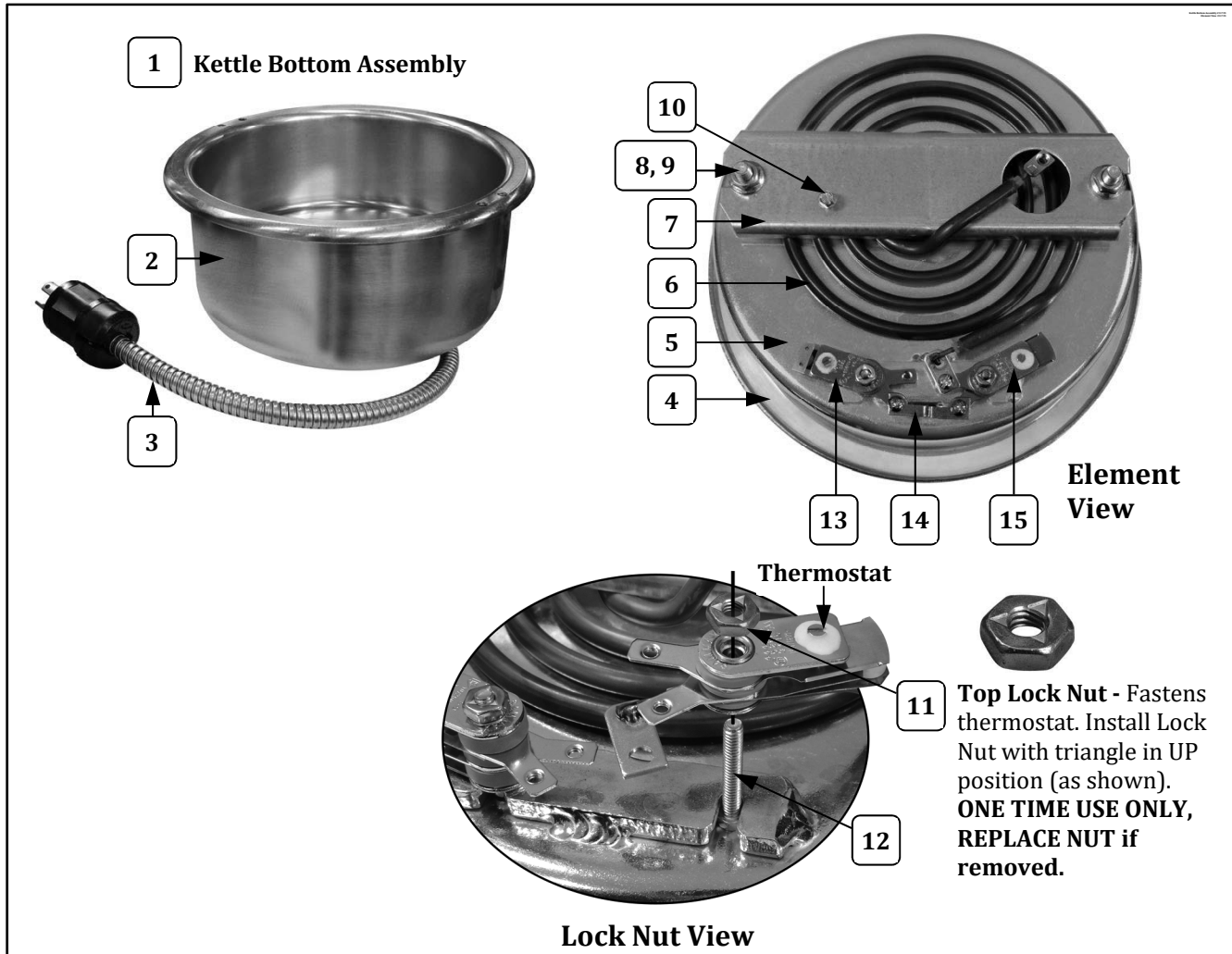
## 8 oz. Kettle Assembly (49472N) – Kettle Bottom Assembly



Item	Part Description	Part Number
		49472N
1	8 OZ. KETTLE BOTTOM ASSEMBLY (Complete Assembly - includes parts listed below)	49489N
2	KETTLE SHELL	49431
3	KETTLE LEAD ASSEMBLY	49328
4	6 OZ. KETTLE GASKET	49368
5	6 OZ. CLAD KETTLE	49596
6	HEAT ELEMENT 120V, 1125W	49529
7	ELEMENT CLAMP	49532
8	5/16-18 SERRATED LOCK NUT	49317
9	5/16-18 X 3/4 SQUARE HEAD BOLT	49446
10	8-32 X 1/4 SLT. HWH M/S (fastens ground)	49060
11	8-32 TOP LOCK NUT (always replace if removed)	67943
12	8-32 x 1 SS HEX SC (holds Thermostat)	49076
13	450°F THERMOSTAT (includes two 6-32 Screws)	76089
14	THERMOSTAT SHUNT BAR	47193
15	525°F THERMOSTAT (includes two 6-32 Screws)	76702



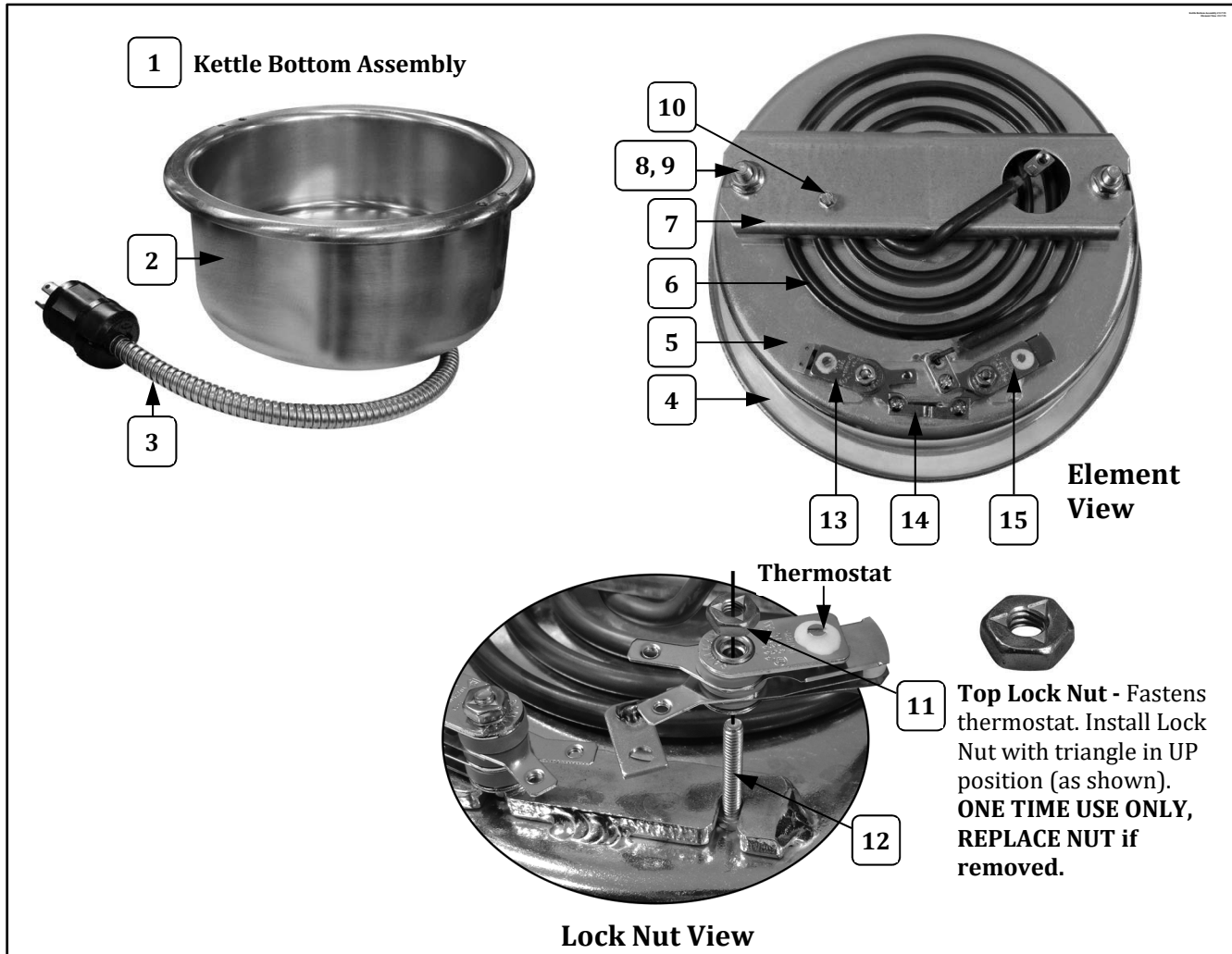
## 8 oz. Kettle Assembly (49472N) – Kettle Bottom Assembly



Item	Part Description	Part Number
		49472N
1	8 OZ. KETTLE BOTTOM ASSEMBLY (Complete Assembly - includes parts listed below)	49489N
2	KETTLE SHELL	49431
3	KETTLE LEAD ASSEMBLY	49328
4	6 OZ. KETTLE GASKET	49368
5	6 OZ. CLAD KETTLE	49596
6	HEAT ELEMENT 120V, 1125W	49529
7	ELEMENT CLAMP	49532
8	5/16-18 SERRATED LOCK NUT	49317
9	5/16-18 X 3/4 SQUARE HEAD BOLT	49446
10	8-32 X 1/4 SLT. HWH M/S (fastens ground)	49060
11	8-32 TOP LOCK NUT (always replace if removed)	67943
12	8-32 x 1 SS HEX SC (holds Thermostat)	49076
13	450°F THERMOSTAT (includes two 6-32 Screws)	76089
14	THERMOSTAT SHUNT BAR	47193
15	525°F THERMOSTAT (includes two 6-32 Screws)	76702



## 8 oz. Kettle Assembly (49472N) – Kettle Bottom Assembly

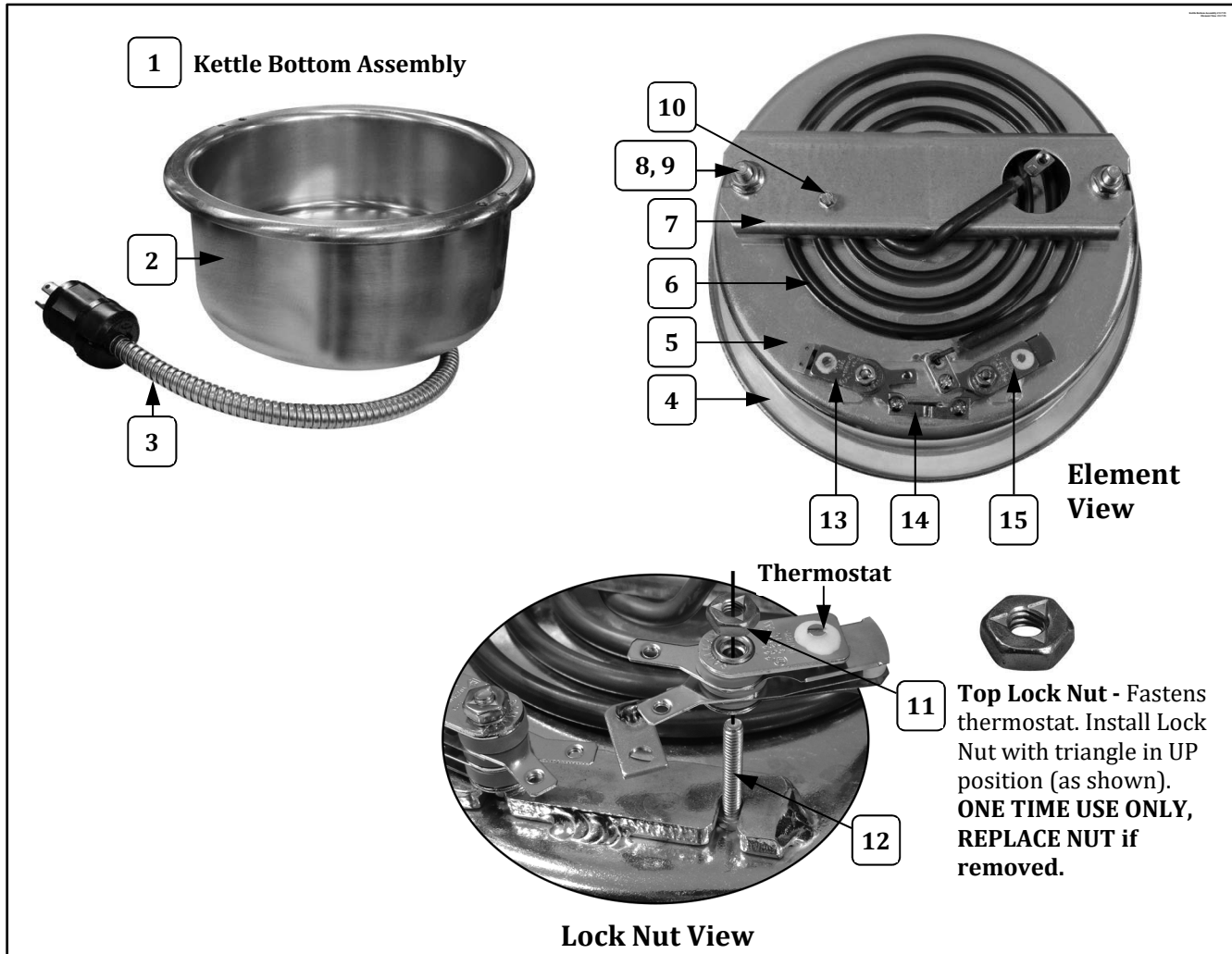


Item	Part Description	Part Number
		49472N
1	8 OZ. KETTLE BOTTOM ASSEMBLY (Complete Assembly - includes parts listed below)	49489N
2	KETTLE SHELL	49431
3	KETTLE LEAD ASSEMBLY	49328
4	6 OZ. KETTLE GASKET	49368
5	6 OZ. CLAD KETTLE	49596
6	HEAT ELEMENT 120V, 1125W	49529
7	ELEMENT CLAMP	49532
8	5/16-18 SERRATED LOCK NUT	49317
9	5/16-18 X 3/4 SQUARE HEAD BOLT	49446
10	8-32 X 1/4 SLT. HWH M/S (fastens ground)	49060
11	8-32 TOP LOCK NUT (always replace if removed)	67943
12	8-32 x 1 SS HEX SC (holds Thermostat)	49076
13	450°F THERMOSTAT (includes two 6-32 Screws)	76089
14	THERMOSTAT SHUNT BAR	47193
15	525°F THERMOSTAT (includes two 6-32 Screws)	76702





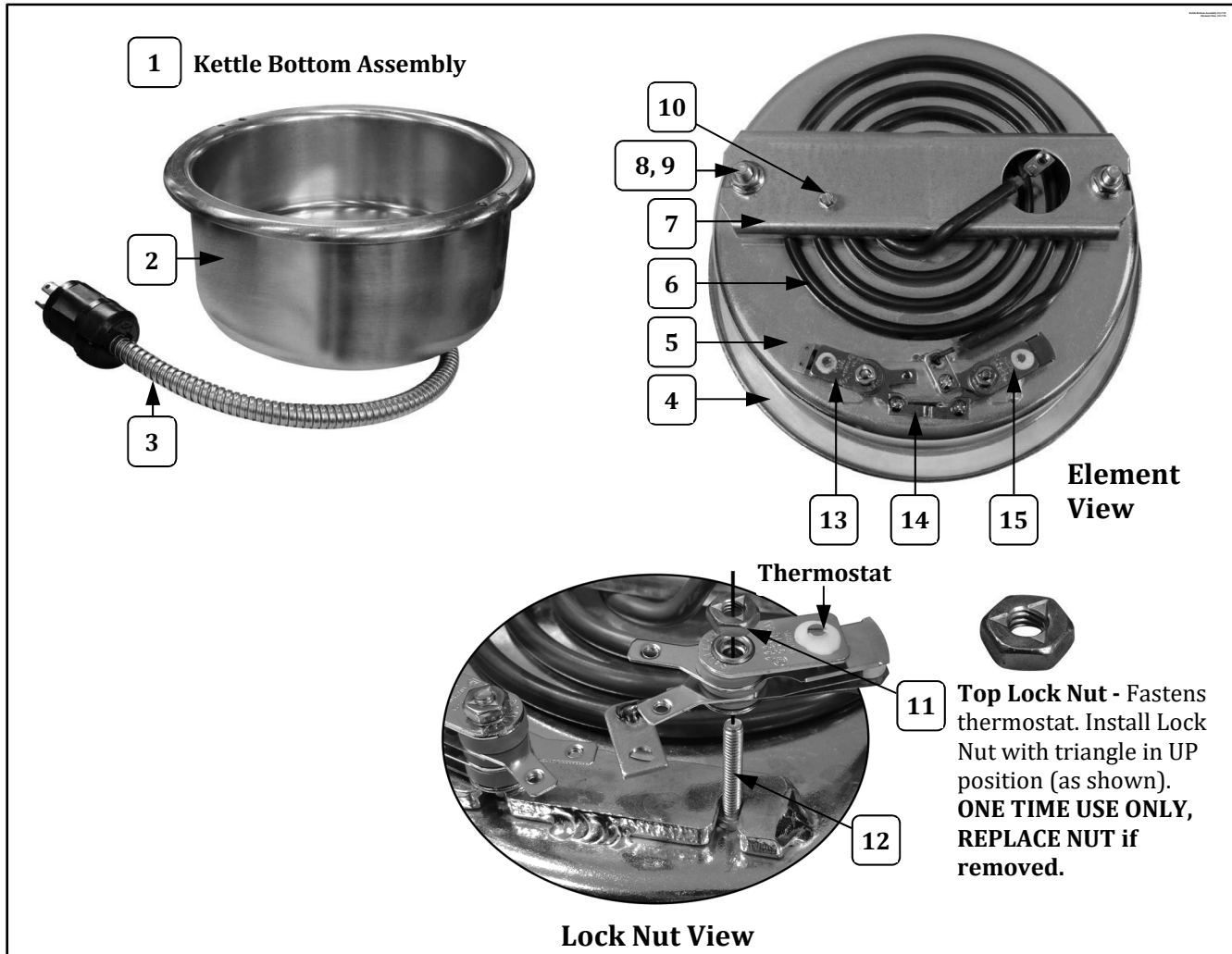
## 8 oz. Kettle Assembly (49472N) – Kettle Bottom Assembly



Item	Part Description	Part Number
		49472N
1	8 OZ. KETTLE BOTTOM ASSEMBLY (Complete Assembly - includes parts listed below)	49489N
2	KETTLE SHELL	49431
3	KETTLE LEAD ASSEMBLY	49328
4	6 OZ. KETTLE GASKET	49368
5	6 OZ. CLAD KETTLE	49596
6	HEAT ELEMENT 120V, 1125W	49529
7	ELEMENT CLAMP	49532
8	5/16-18 SERRATED LOCK NUT	49317
9	5/16-18 X 3/4 SQUARE HEAD BOLT	49446
10	8-32 X 1/4 SLT. HWH M/S (fastens ground)	49060
11	8-32 TOP LOCK NUT (always replace if removed)	67943
12	8-32 x 1 SS HEX SC (holds Thermostat)	49076
13	450°F THERMOSTAT (includes two 6-32 Screws)	76089
14	THERMOSTAT SHUNT BAR	47193
15	525°F THERMOSTAT (includes two 6-32 Screws)	76702



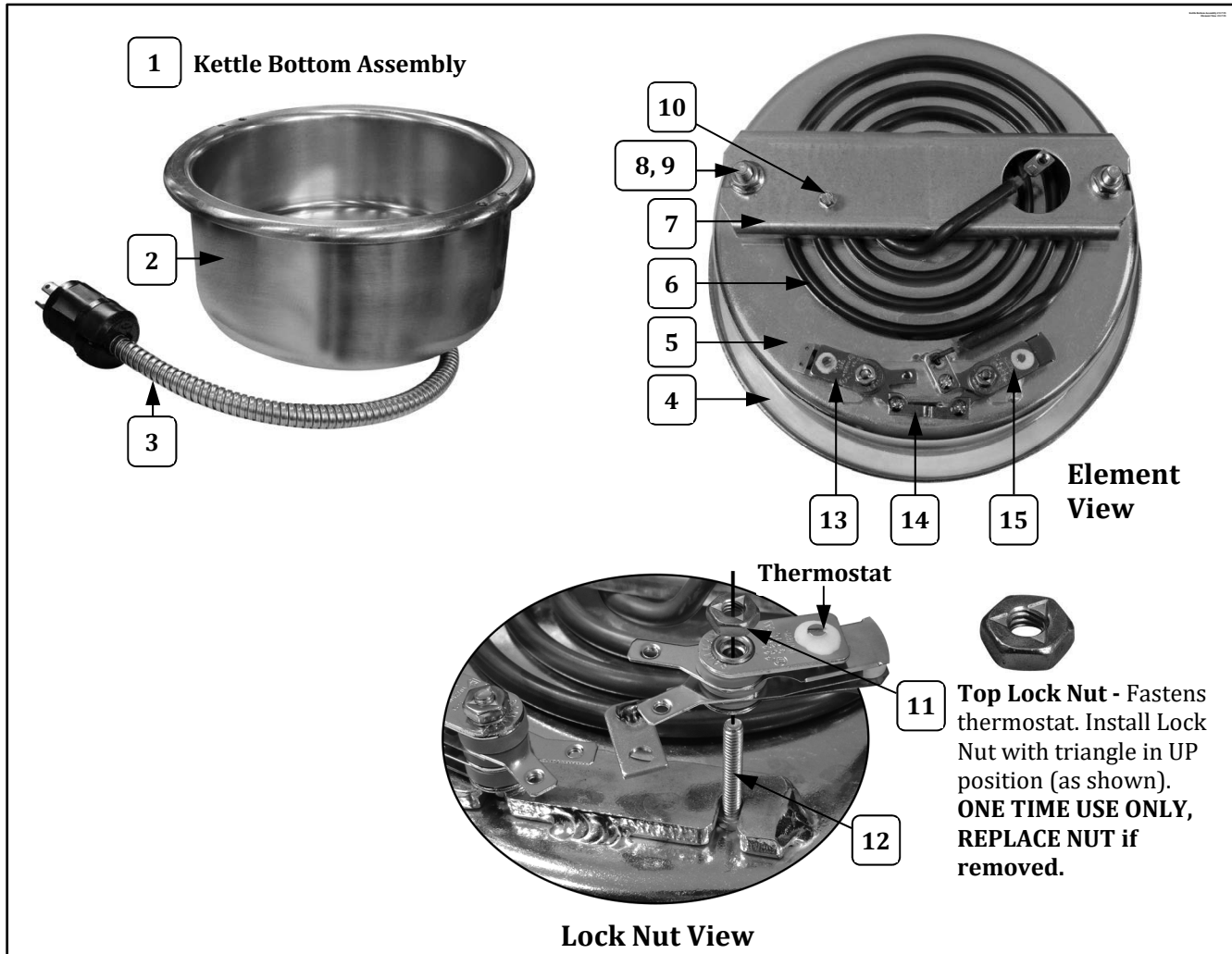
## 8 oz. Kettle Assembly (49472N) – Kettle Bottom Assembly



Item	Part Description	Part Number
		49472N
1	8 OZ. KETTLE BOTTOM ASSEMBLY (Complete Assembly - includes parts listed below)	49489N
2	KETTLE SHELL	49431
3	KETTLE LEAD ASSEMBLY	49328
4	6 OZ. KETTLE GASKET	49368
5	6 OZ. CLAD KETTLE	49596
6	HEAT ELEMENT 120V, 1125W	49529
7	ELEMENT CLAMP	49532
8	5/16-18 SERRATED LOCK NUT	49317
9	5/16-18 X 3/4 SQUARE HEAD BOLT	49446
10	8-32 X 1/4 SLT. HWH M/S (fastens ground)	49060
11	8-32 TOP LOCK NUT (always replace if removed)	67943
12	8-32 x 1 SS HEX SC (holds Thermostat)	49076
13	450°F THERMOSTAT (includes two 6-32 Screws)	76089
14	THERMOSTAT SHUNT BAR	47193
15	525°F THERMOSTAT (includes two 6-32 Screws)	76702



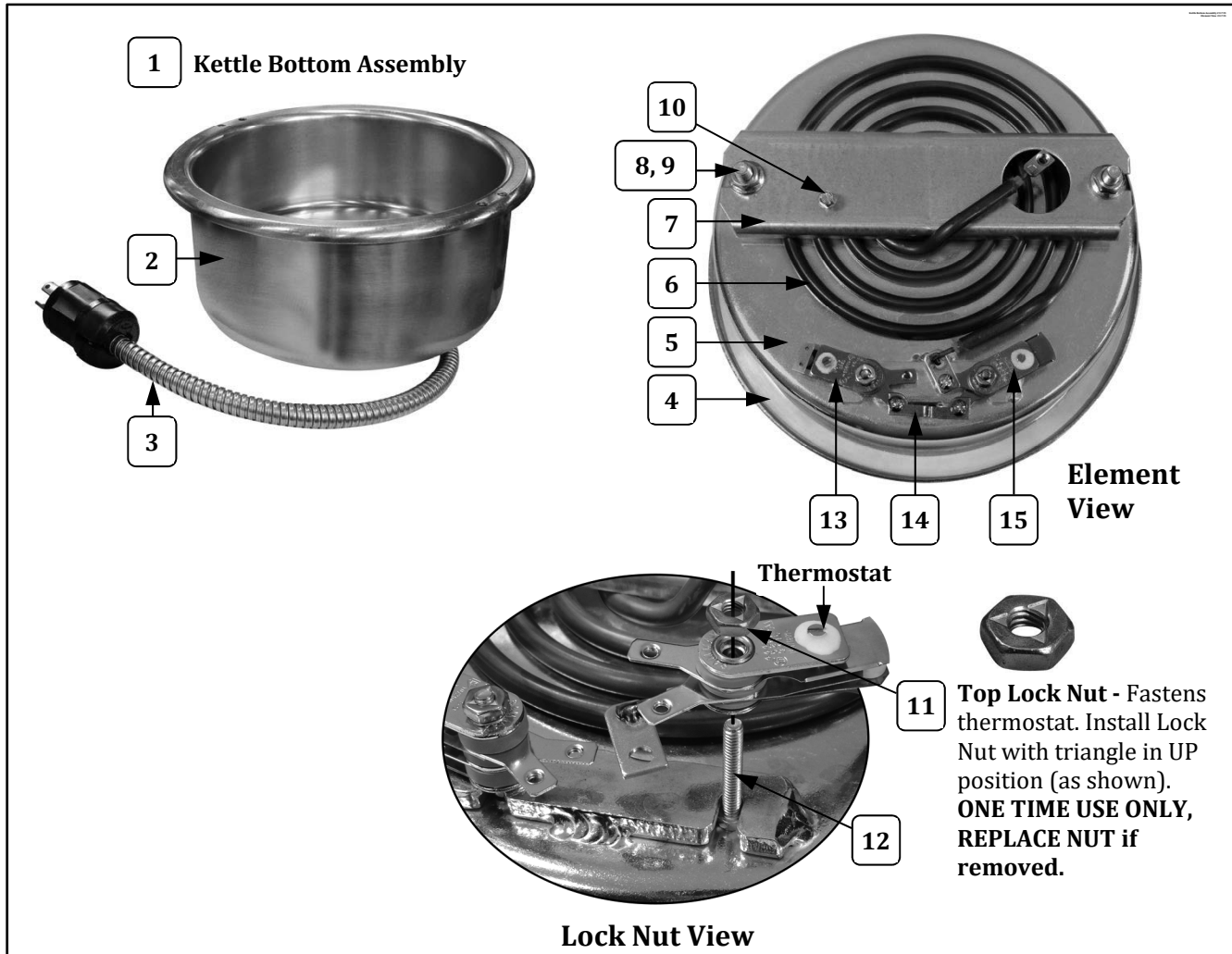
## 8 oz. Kettle Assembly (49472N) – Kettle Bottom Assembly



Item	Part Description	Part Number
		49472N
1	8 OZ. KETTLE BOTTOM ASSEMBLY (Complete Assembly - includes parts listed below)	49489N
2	KETTLE SHELL	49431
3	KETTLE LEAD ASSEMBLY	49328
4	6 OZ. KETTLE GASKET	49368
5	6 OZ. CLAD KETTLE	49596
6	HEAT ELEMENT 120V, 1125W	49529
7	ELEMENT CLAMP	49532
8	5/16-18 SERRATED LOCK NUT	49317
9	5/16-18 X 3/4 SQUARE HEAD BOLT	49446
10	8-32 X 1/4 SLT. HWH M/S (fastens ground)	49060
11	8-32 TOP LOCK NUT (always replace if removed)	67943
12	8-32 x 1 SS HEX SC (holds Thermostat)	49076
13	450°F THERMOSTAT (includes two 6-32 Screws)	76089
14	THERMOSTAT SHUNT BAR	47193
15	525°F THERMOSTAT (includes two 6-32 Screws)	76702



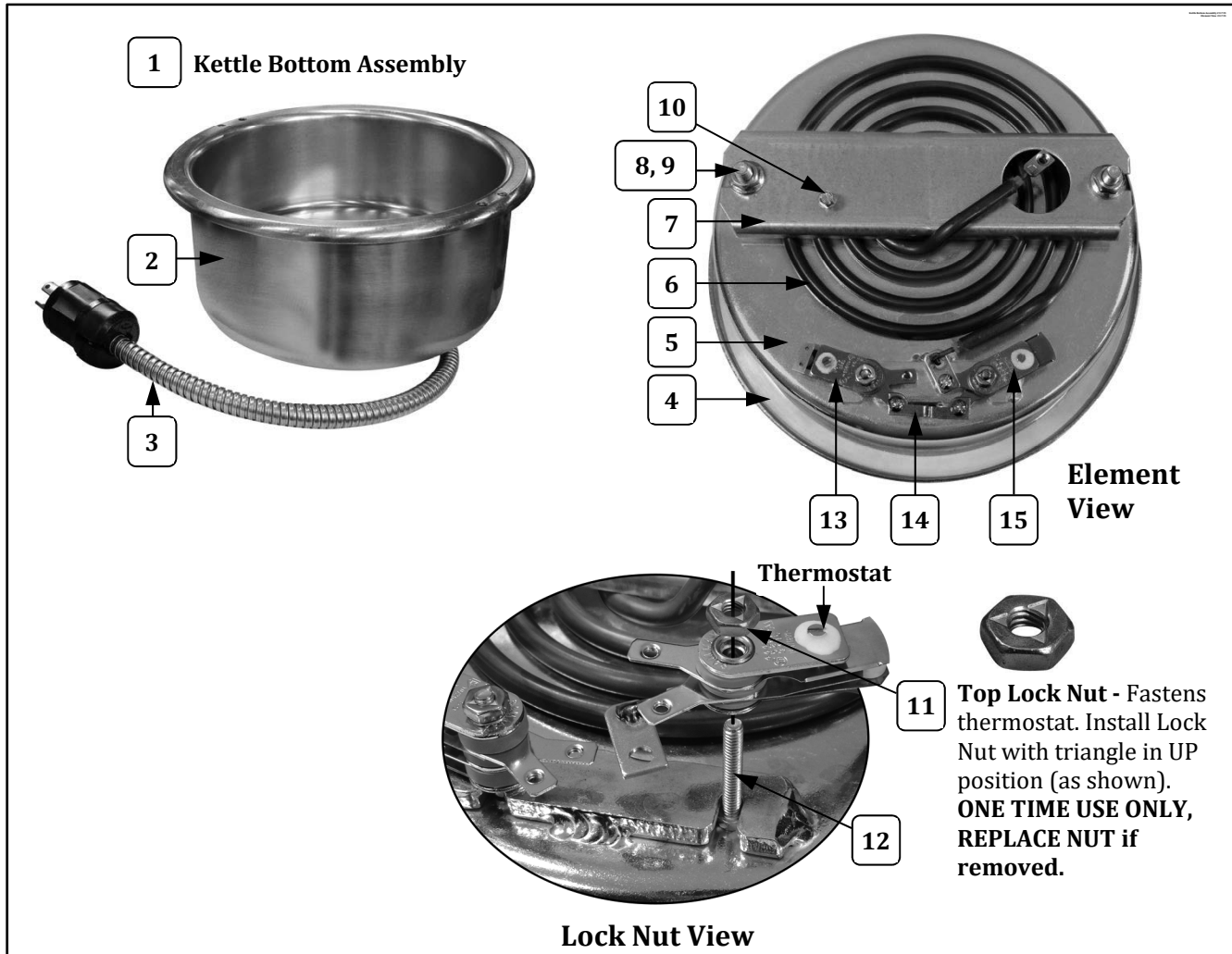
## 8 oz. Kettle Assembly (49472N) – Kettle Bottom Assembly



Item	Part Description	Part Number
		49472N
1	8 OZ. KETTLE BOTTOM ASSEMBLY (Complete Assembly - includes parts listed below)	49489N
2	KETTLE SHELL	49431
3	KETTLE LEAD ASSEMBLY	49328
4	6 OZ. KETTLE GASKET	49368
5	6 OZ. CLAD KETTLE	49596
6	HEAT ELEMENT 120V, 1125W	49529
7	ELEMENT CLAMP	49532
8	5/16-18 SERRATED LOCK NUT	49317
9	5/16-18 X 3/4 SQUARE HEAD BOLT	49446
10	8-32 X 1/4 SLT. HWH M/S (fastens ground)	49060
11	8-32 TOP LOCK NUT (always replace if removed)	67943
12	8-32 x 1 SS HEX SC (holds Thermostat)	49076
13	450°F THERMOSTAT (includes two 6-32 Screws)	76089
14	THERMOSTAT SHUNT BAR	47193
15	525°F THERMOSTAT (includes two 6-32 Screws)	76702



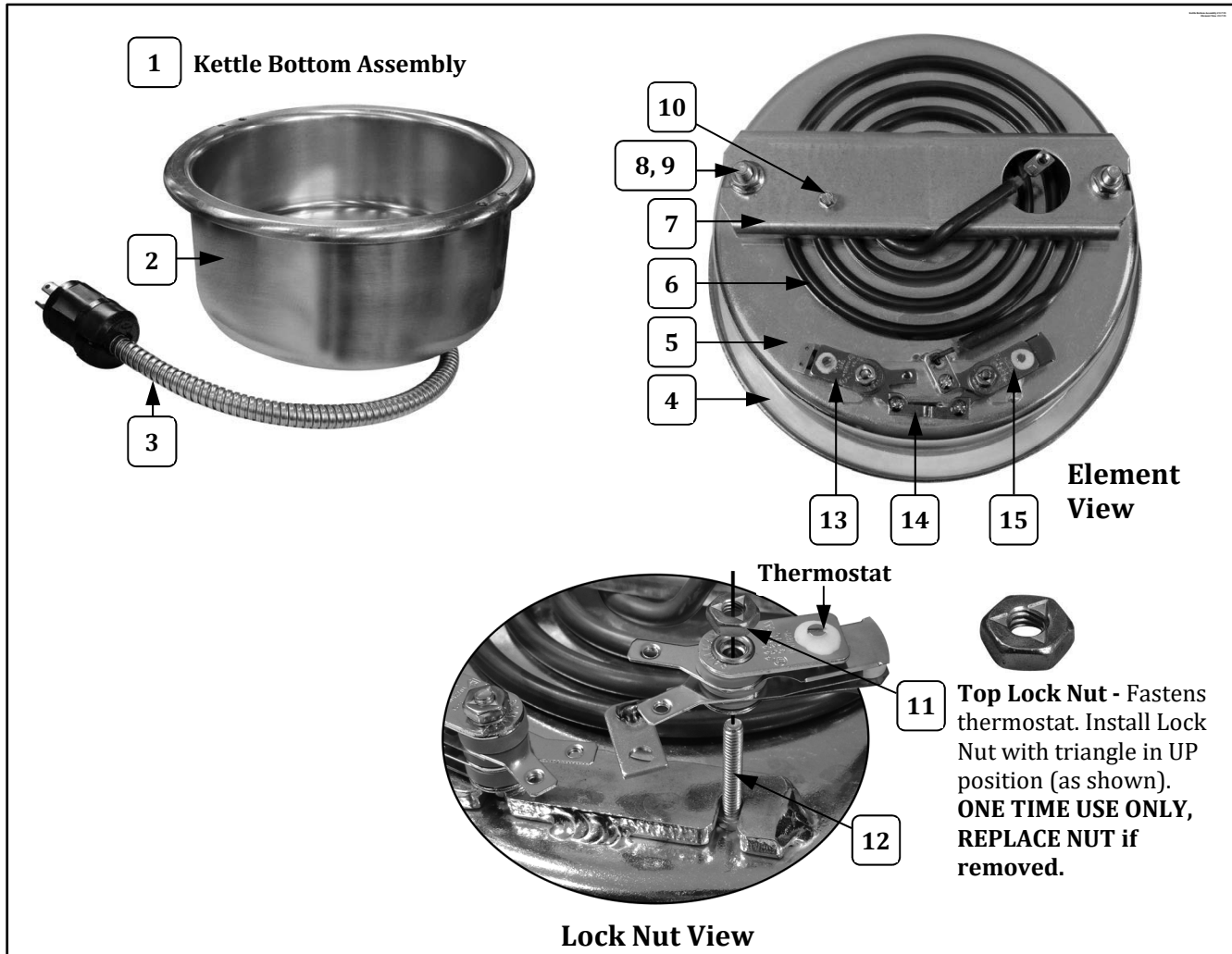
## 8 oz. Kettle Assembly (49472N) – Kettle Bottom Assembly



Item	Part Description	Part Number
		49472N
1	8 OZ. KETTLE BOTTOM ASSEMBLY (Complete Assembly - includes parts listed below)	49489N
2	KETTLE SHELL	49431
3	KETTLE LEAD ASSEMBLY	49328
4	6 OZ. KETTLE GASKET	49368
5	6 OZ. CLAD KETTLE	49596
6	HEAT ELEMENT 120V, 1125W	49529
7	ELEMENT CLAMP	49532
8	5/16-18 SERRATED LOCK NUT	49317
9	5/16-18 X 3/4 SQUARE HEAD BOLT	49446
10	8-32 X 1/4 SLT. HWH M/S (fastens ground)	49060
11	8-32 TOP LOCK NUT (always replace if removed)	67943
12	8-32 x 1 SS HEX SC (holds Thermostat)	49076
13	450°F THERMOSTAT (includes two 6-32 Screws)	76089
14	THERMOSTAT SHUNT BAR	47193
15	525°F THERMOSTAT (includes two 6-32 Screws)	76702



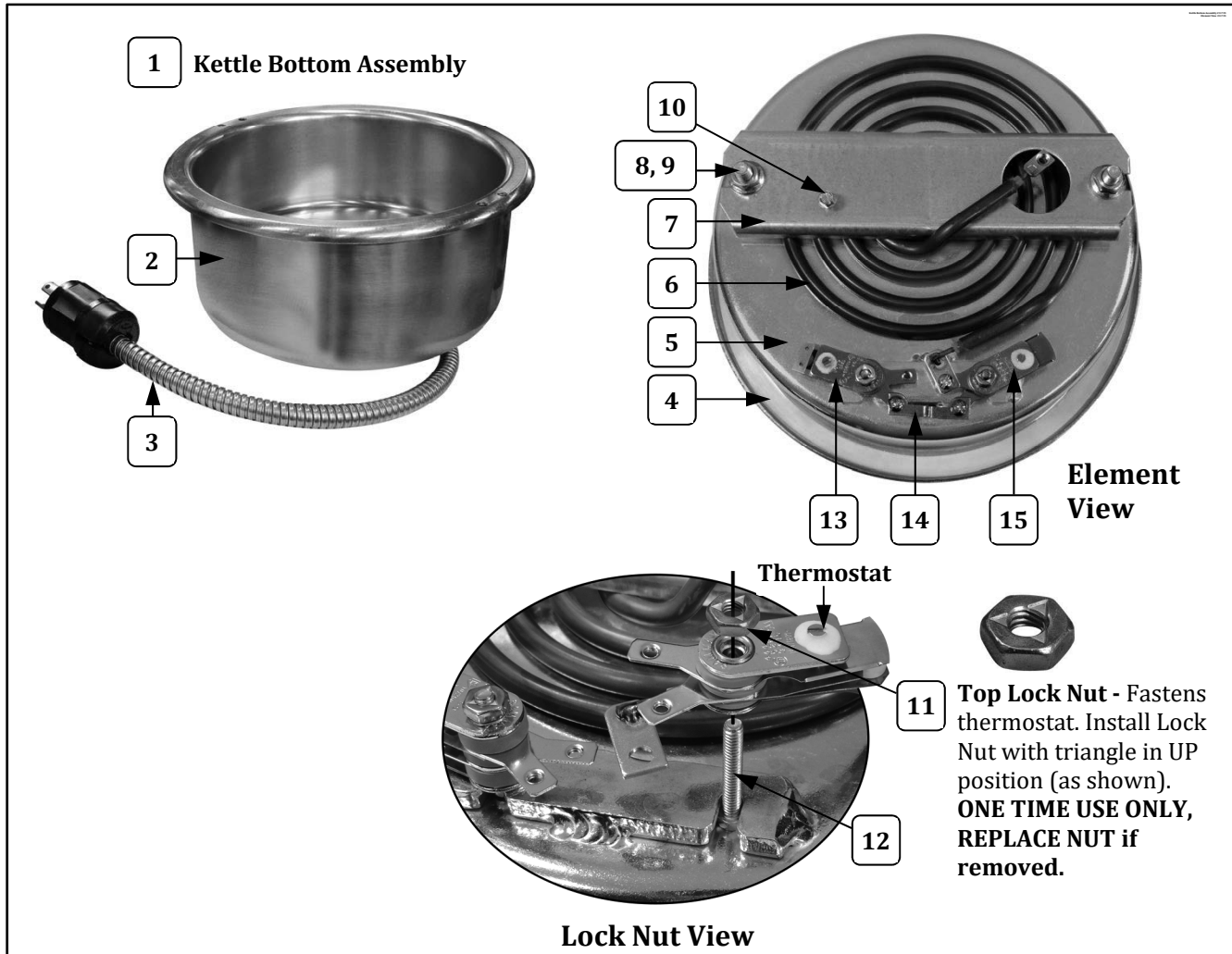
## 8 oz. Kettle Assembly (49472N) – Kettle Bottom Assembly



Item	Part Description	Part Number
		49472N
1	8 OZ. KETTLE BOTTOM ASSEMBLY (Complete Assembly - includes parts listed below)	49489N
2	KETTLE SHELL	49431
3	KETTLE LEAD ASSEMBLY	49328
4	6 OZ. KETTLE GASKET	49368
5	6 OZ. CLAD KETTLE	49596
6	HEAT ELEMENT 120V, 1125W	49529
7	ELEMENT CLAMP	49532
8	5/16-18 SERRATED LOCK NUT	49317
9	5/16-18 X 3/4 SQUARE HEAD BOLT	49446
10	8-32 X 1/4 SLT. HWH M/S (fastens ground)	49060
11	8-32 TOP LOCK NUT (always replace if removed)	67943
12	8-32 x 1 SS HEX SC (holds Thermostat)	49076
13	450°F THERMOSTAT (includes two 6-32 Screws)	76089
14	THERMOSTAT SHUNT BAR	47193
15	525°F THERMOSTAT (includes two 6-32 Screws)	76702



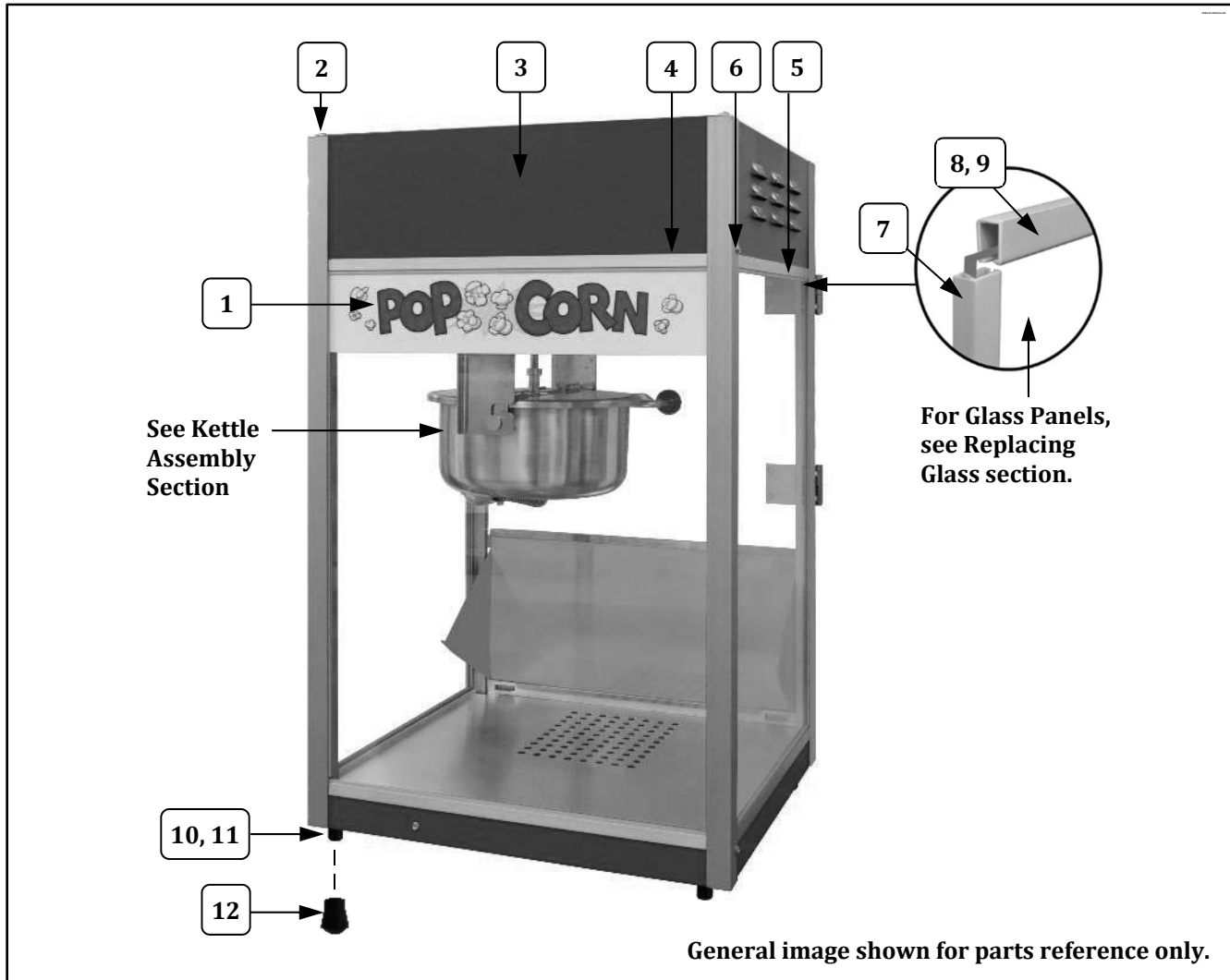
## 8 oz. Kettle Assembly (49472N) – Kettle Bottom Assembly



Item	Part Description	Part Number
		49472N
1	8 OZ. KETTLE BOTTOM ASSEMBLY (Complete Assembly - includes parts listed below)	49489N
2	KETTLE SHELL	49431
3	KETTLE LEAD ASSEMBLY	49328
4	6 OZ. KETTLE GASKET	49368
5	6 OZ. CLAD KETTLE	49596
6	HEAT ELEMENT 120V, 1125W	49529
7	ELEMENT CLAMP	49532
8	5/16-18 SERRATED LOCK NUT	49317
9	5/16-18 X 3/4 SQUARE HEAD BOLT	49446
10	8-32 X 1/4 SLT. HWH M/S (fastens ground)	49060
11	8-32 TOP LOCK NUT (always replace if removed)	67943
12	8-32 x 1 SS HEX SC (holds Thermostat)	49076
13	450°F THERMOSTAT (includes two 6-32 Screws)	76089
14	THERMOSTAT SHUNT BAR	47193
15	525°F THERMOSTAT (includes two 6-32 Screws)	76702



## Cabinet Exterior – Front View

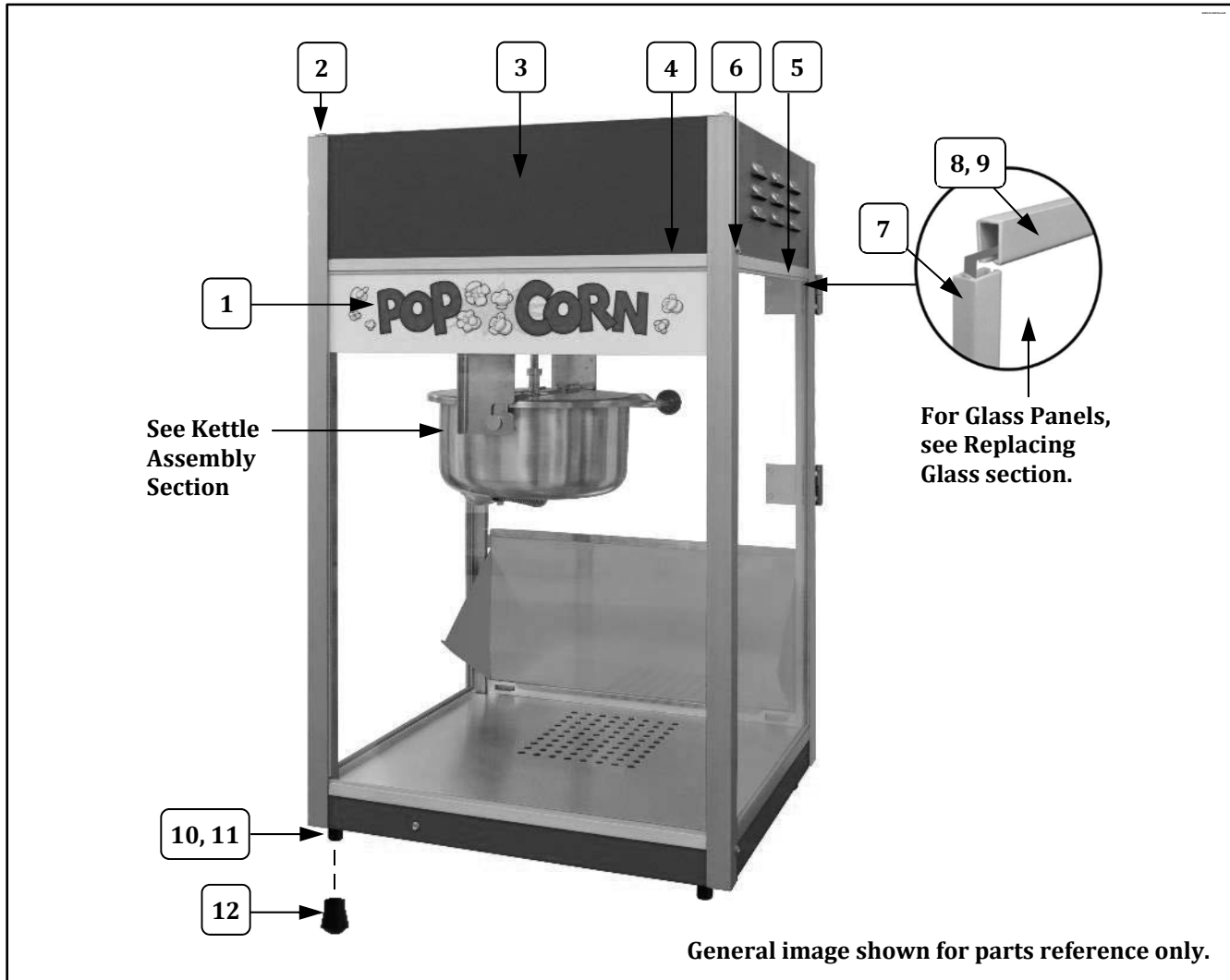


Item	Part Description	Part Number
		All Models
1	FRONT GLASS DECAL	49158
2	8-32" X 5/8" TYPE 23 HX HD	49052
3	TOP PAN	49452
4	GLASS EXTRUSION (Front Glass)	74164
5	GLASS EXTRUSION (Side glass)	49508
6	8-32 x 5/16 SLOTTED HEX	49594
7	21 5/8" GLASS CHANNEL (used on sides of glass panels)	49509
8	15" GLASS CHANNEL (used on top and bottom of side glass panels)	49510
9	17" GLASS CHANNEL (used on top and bottom of front glass panel)	49511
10	GLIDE FOOT (2 required)	47328
11	10-24 X 3/4 HEX HD	41314
12	BLACK CRUTCH TIP	49123





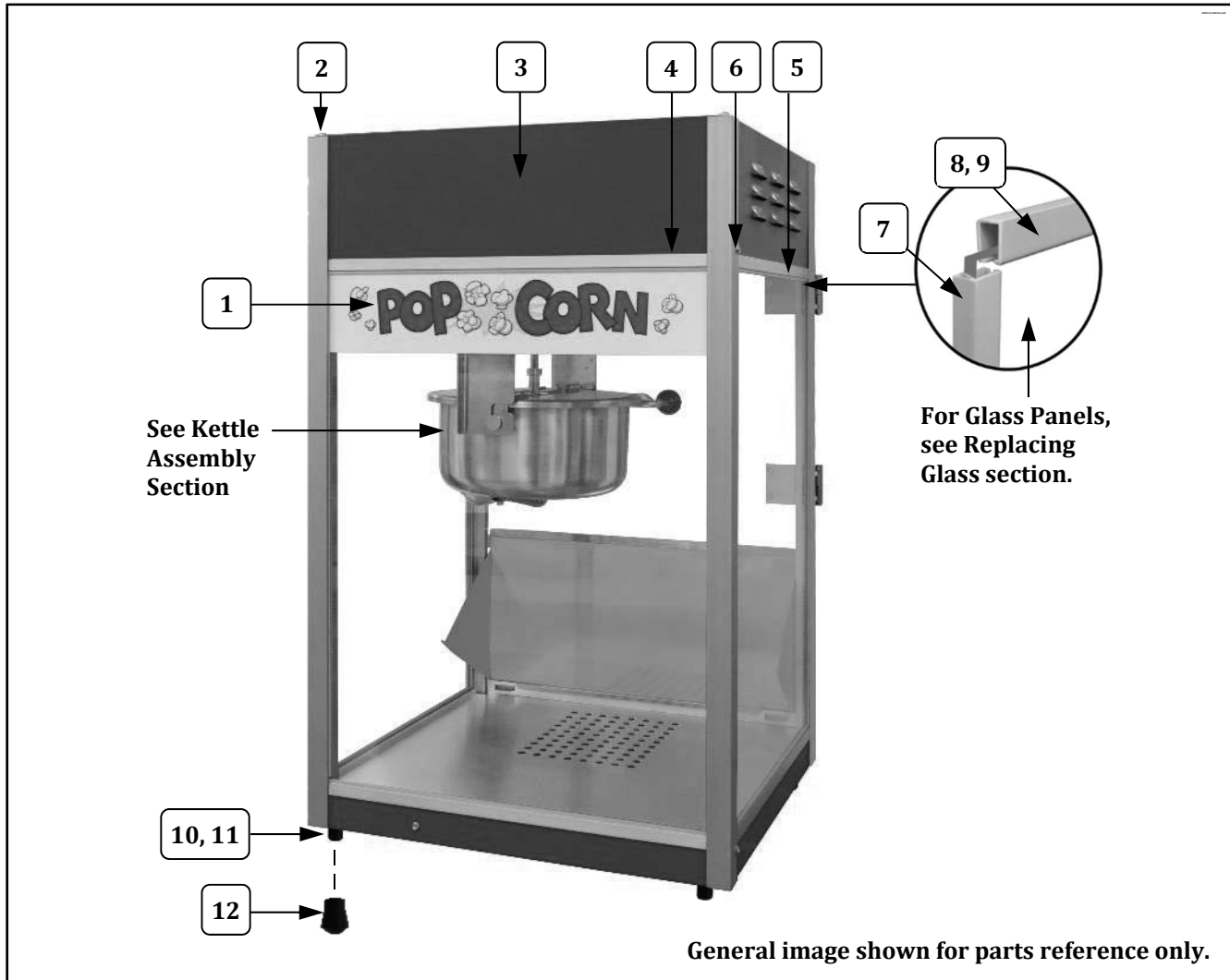
## Cabinet Exterior – Front View



Item	Part Description	Part Number
		All Models
1	FRONT GLASS DECAL	49158
2	8-32" X 5/8" TYPE 23 HX HD	49052
3	TOP PAN	49452
4	GLASS EXTRUSION (Front Glass)	74164
5	GLASS EXTRUSION (Side glass)	49508
6	8-32 x 5/16 SLOTTED HEX	49594
7	21 5/8" GLASS CHANNEL (used on sides of glass panels)	49509
8	15" GLASS CHANNEL (used on top and bottom of side glass panels)	49510
9	17" GLASS CHANNEL (used on top and bottom of front glass panel)	49511
10	GLIDE FOOT (2 required)	47328
11	10-24 X 3/4 HEX HD	41314
12	BLACK CRUTCH TIP	49123



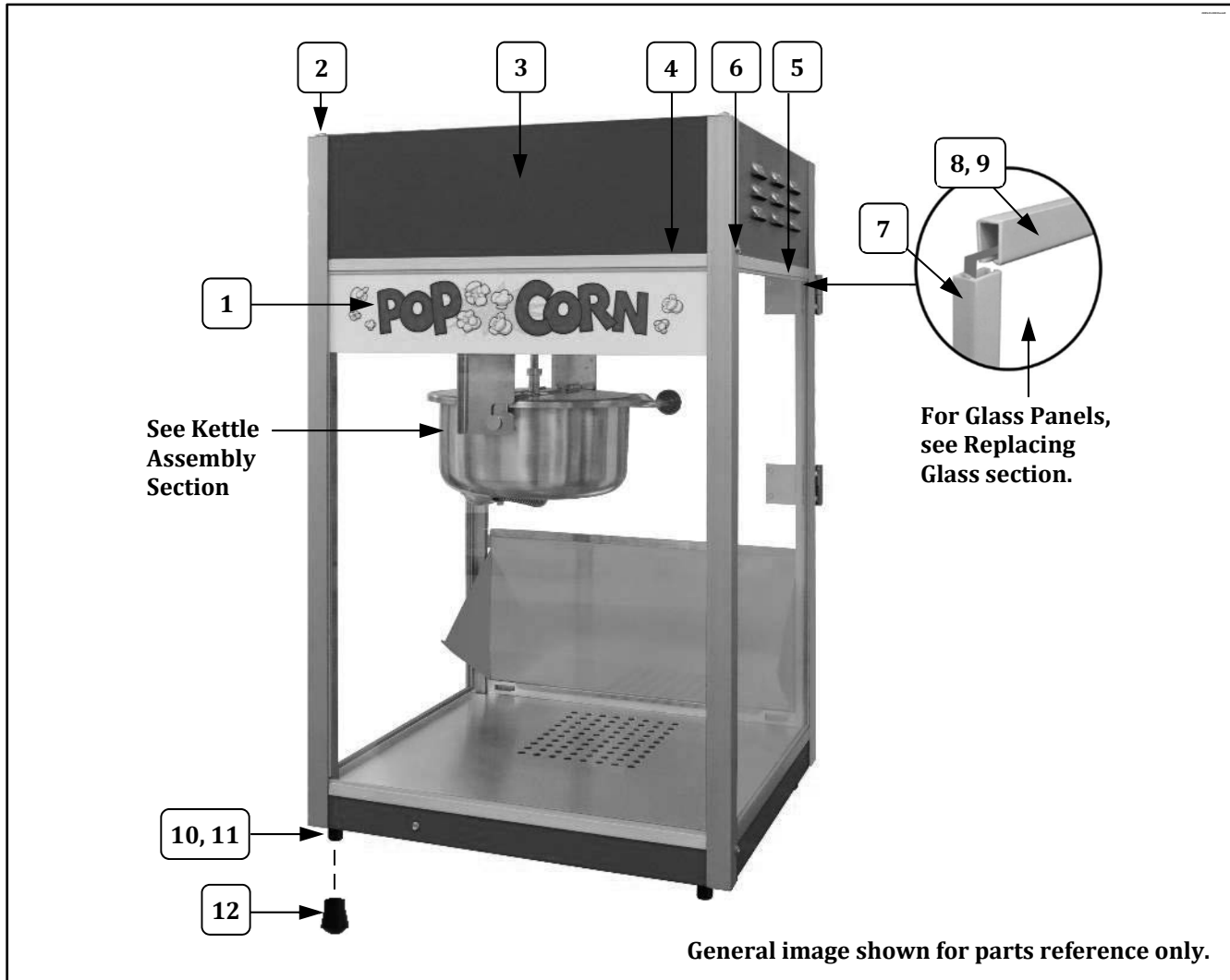
## Cabinet Exterior – Front View



Item	Part Description	Part Number
		All Models
1	FRONT GLASS DECAL	49158
2	8-32" X 5/8" TYPE 23 HX HD	49052
3	TOP PAN	49452
4	GLASS EXTRUSION (Front Glass)	74164
5	GLASS EXTRUSION (Side glass)	49508
6	8-32 x 5/16 SLOTTED HEX	49594
7	21 5/8" GLASS CHANNEL (used on sides of glass panels)	49509
8	15" GLASS CHANNEL (used on top and bottom of side glass panels)	49510
9	17" GLASS CHANNEL (used on top and bottom of front glass panel)	49511
10	GLIDE FOOT (2 required)	47328
11	10-24 X 3/4 HEX HD	41314
12	BLACK CRUTCH TIP	49123



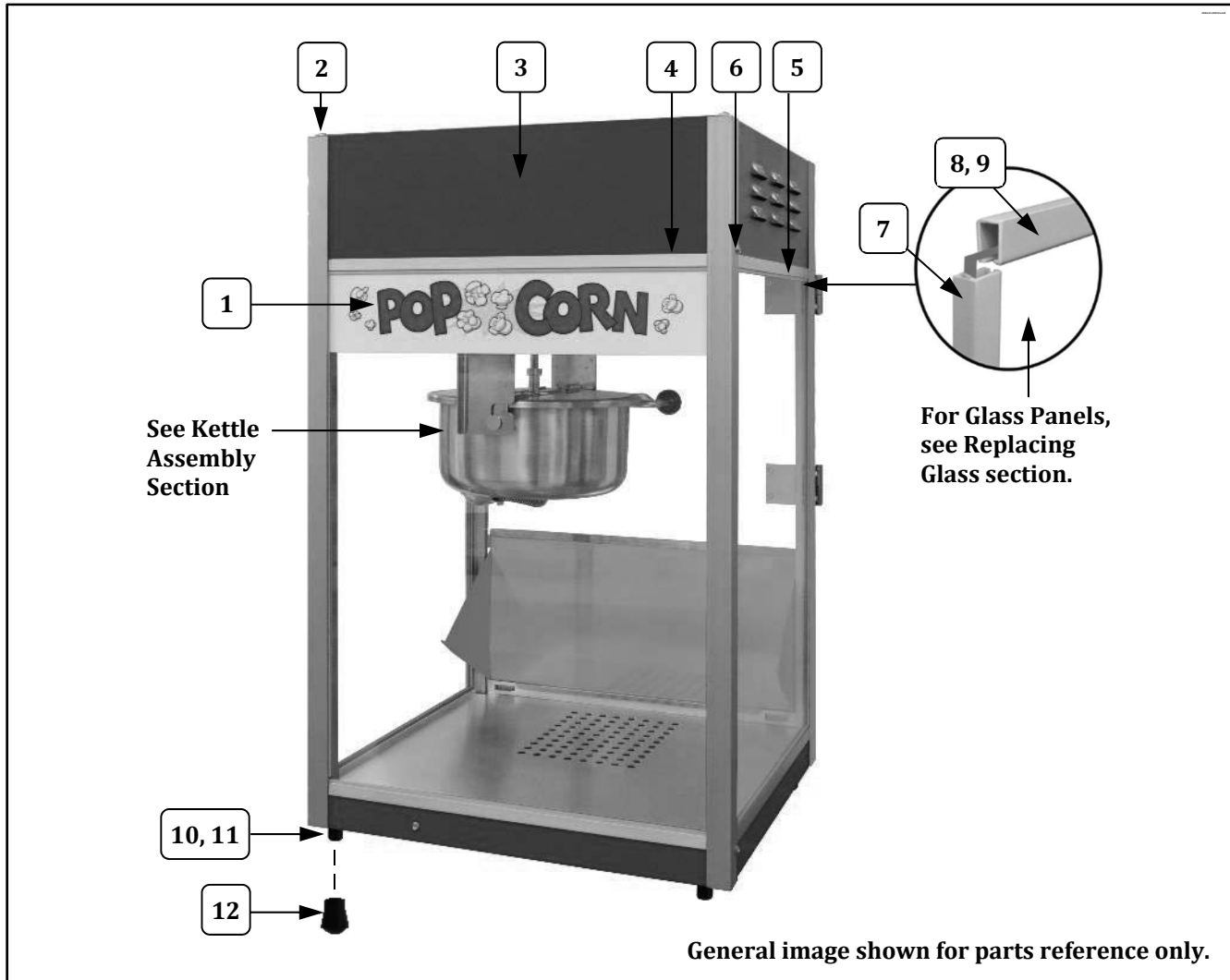
## Cabinet Exterior – Front View



Item	Part Description	Part Number
		All Models
1	FRONT GLASS DECAL	49158
2	8-32" X 5/8" TYPE 23 HX HD	49052
3	TOP PAN	49452
4	GLASS EXTRUSION (Front Glass)	74164
5	GLASS EXTRUSION (Side glass)	49508
6	8-32 x 5/16 SLOTTED HEX	49594
7	21 5/8" GLASS CHANNEL (used on sides of glass panels)	49509
8	15" GLASS CHANNEL (used on top and bottom of side glass panels)	49510
9	17" GLASS CHANNEL (used on top and bottom of front glass panel)	49511
10	GLIDE FOOT (2 required)	47328
11	10-24 X 3/4 HEX HD	41314
12	BLACK CRUTCH TIP	49123



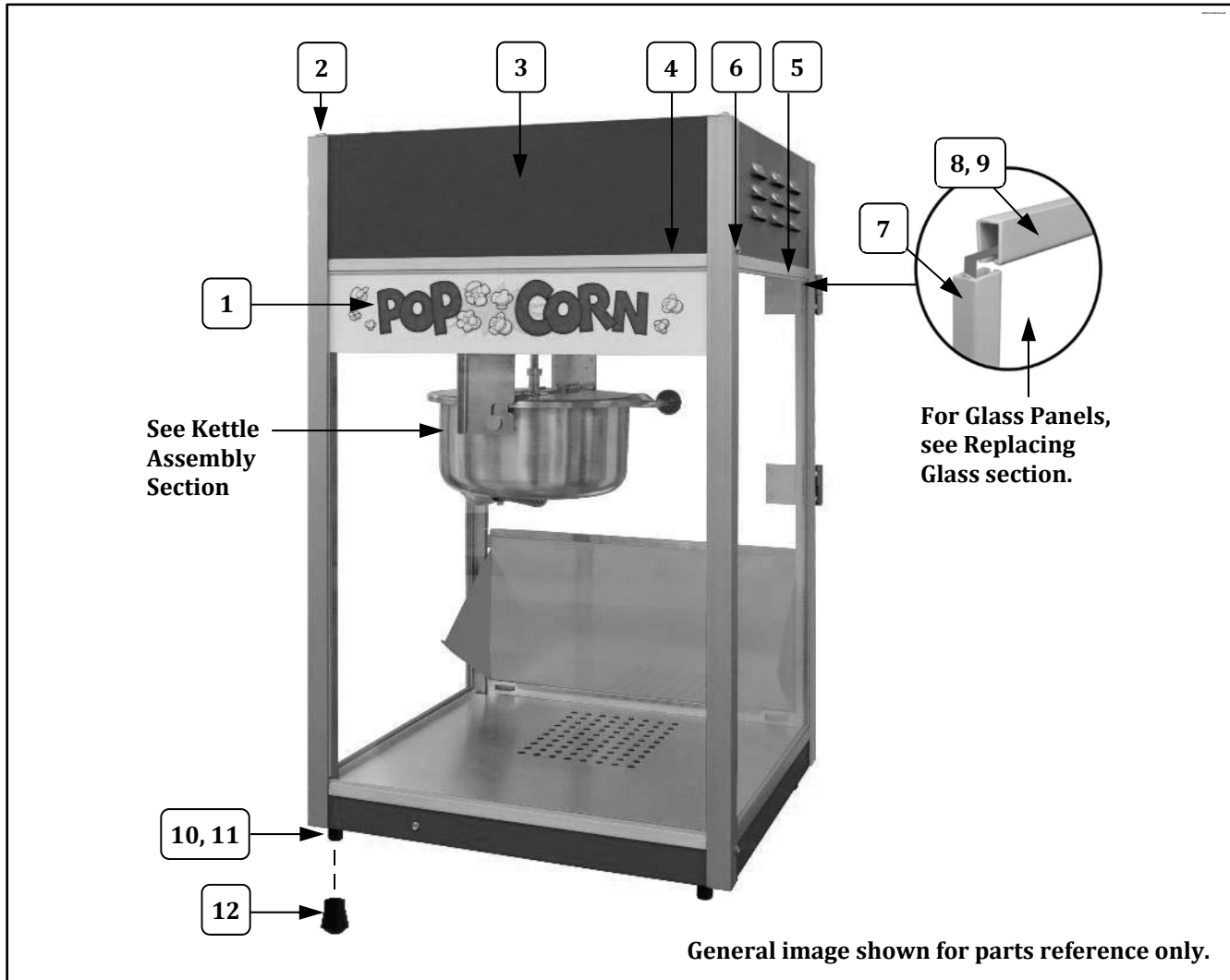
## Cabinet Exterior – Front View



Item	Part Description	Part Number
		All Models
1	FRONT GLASS DECAL	49158
2	8-32" X 5/8" TYPE 23 HX HD	49052
3	TOP PAN	49452
4	GLASS EXTRUSION (Front Glass)	74164
5	GLASS EXTRUSION (Side glass)	49508
6	8-32 x 5/16 SLOTTED HEX	49594
7	21 5/8" GLASS CHANNEL (used on sides of glass panels)	49509
8	15" GLASS CHANNEL (used on top and bottom of side glass panels)	49510
9	17" GLASS CHANNEL (used on top and bottom of front glass panel)	49511
10	GLIDE FOOT (2 required)	47328
11	10-24 X 3/4 HEX HD	41314
12	BLACK CRUTCH TIP	49123



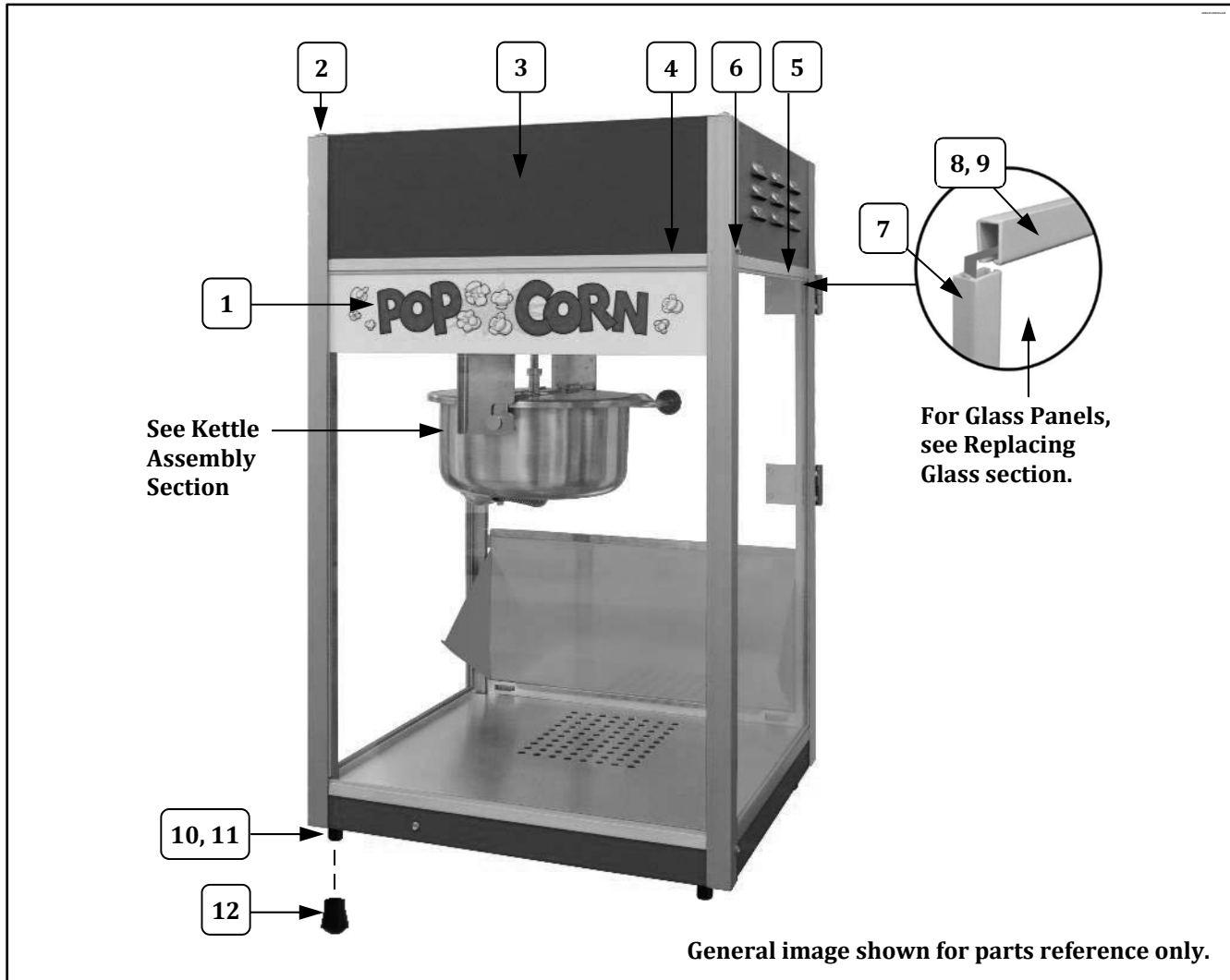
## Cabinet Exterior – Front View



Item	Part Description	Part Number
		All Models
1	FRONT GLASS DECAL	49158
2	8-32" X 5/8" TYPE 23 HX HD	49052
3	TOP PAN	49452
4	GLASS EXTRUSION (Front Glass)	74164
5	GLASS EXTRUSION (Side glass)	49508
6	8-32 x 5/16 SLOTTED HEX	49594
7	21 5/8" GLASS CHANNEL (used on sides of glass panels)	49509
8	15" GLASS CHANNEL (used on top and bottom of side glass panels)	49510
9	17" GLASS CHANNEL (used on top and bottom of front glass panel)	49511
10	GLIDE FOOT (2 required)	47328
11	10-24 X 3/4 HEX HD	41314
12	BLACK CRUTCH TIP	49123



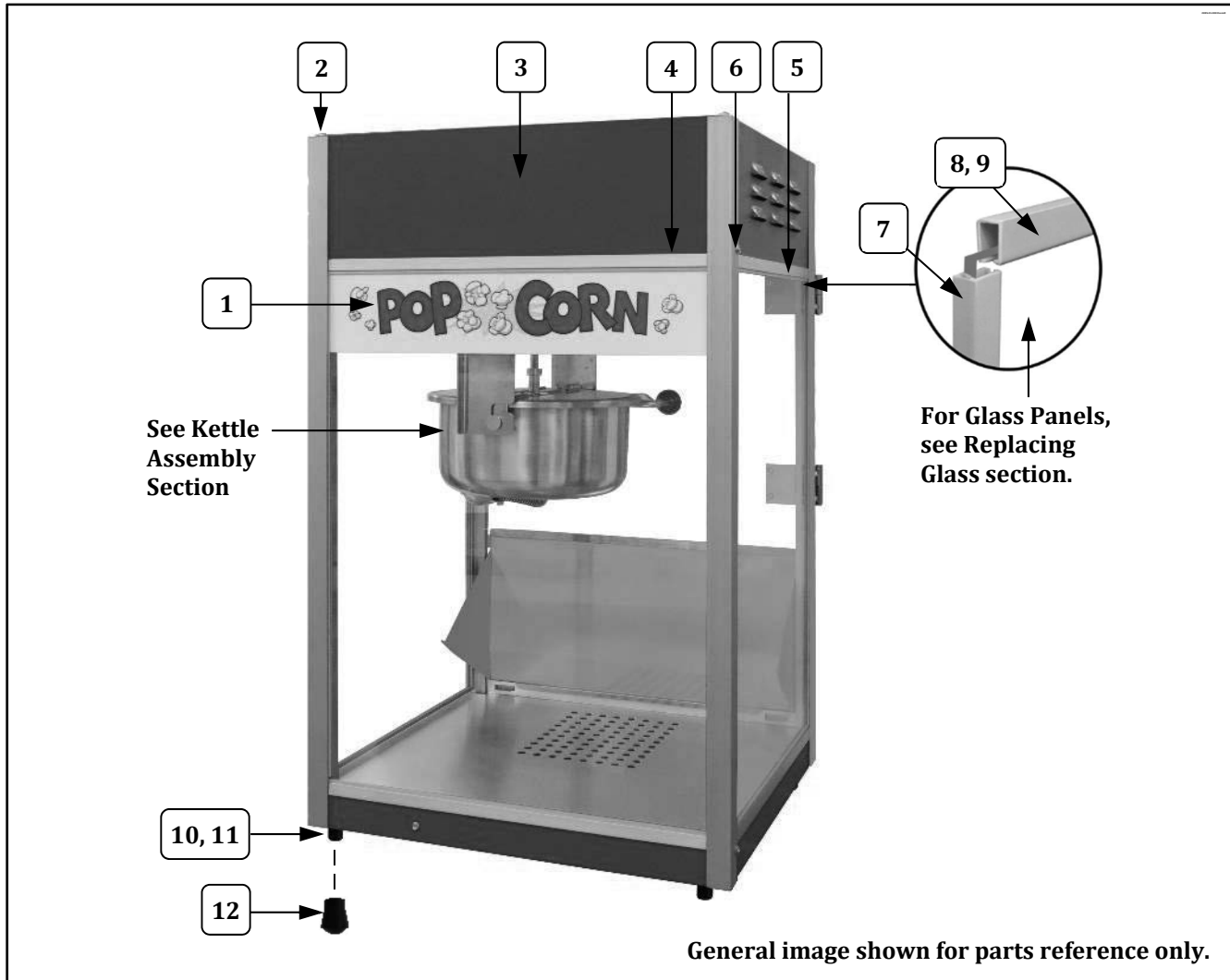
## Cabinet Exterior – Front View



Item	Part Description	Part Number
		All Models
1	FRONT GLASS DECAL	49158
2	8-32" X 5/8" TYPE 23 HX HD	49052
3	TOP PAN	49452
4	GLASS EXTRUSION (Front Glass)	74164
5	GLASS EXTRUSION (Side glass)	49508
6	8-32 x 5/16 SLOTTED HEX	49594
7	21 5/8" GLASS CHANNEL (used on sides of glass panels)	49509
8	15" GLASS CHANNEL (used on top and bottom of side glass panels)	49510
9	17" GLASS CHANNEL (used on top and bottom of front glass panel)	49511
10	GLIDE FOOT (2 required)	47328
11	10-24 X 3/4 HEX HD	41314
12	BLACK CRUTCH TIP	49123



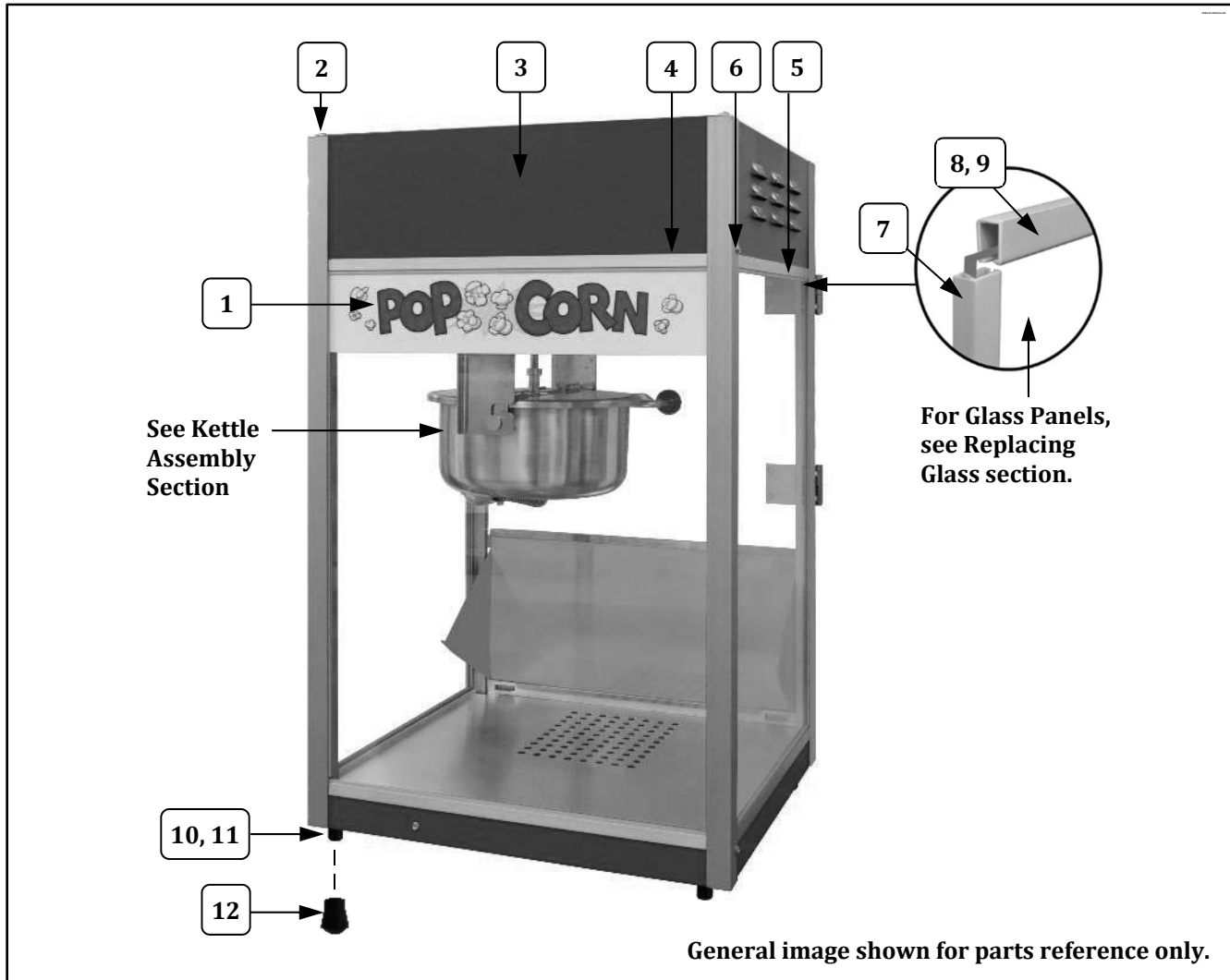
## Cabinet Exterior – Front View



Item	Part Description	Part Number
		All Models
1	FRONT GLASS DECAL	49158
2	8-32" X 5/8" TYPE 23 HX HD	49052
3	TOP PAN	49452
4	GLASS EXTRUSION (Front Glass)	74164
5	GLASS EXTRUSION (Side glass)	49508
6	8-32 x 5/16 SLOTTED HEX	49594
7	21 5/8" GLASS CHANNEL (used on sides of glass panels)	49509
8	15" GLASS CHANNEL (used on top and bottom of side glass panels)	49510
9	17" GLASS CHANNEL (used on top and bottom of front glass panel)	49511
10	GLIDE FOOT (2 required)	47328
11	10-24 X 3/4 HEX HD	41314
12	BLACK CRUTCH TIP	49123



## Cabinet Exterior – Front View

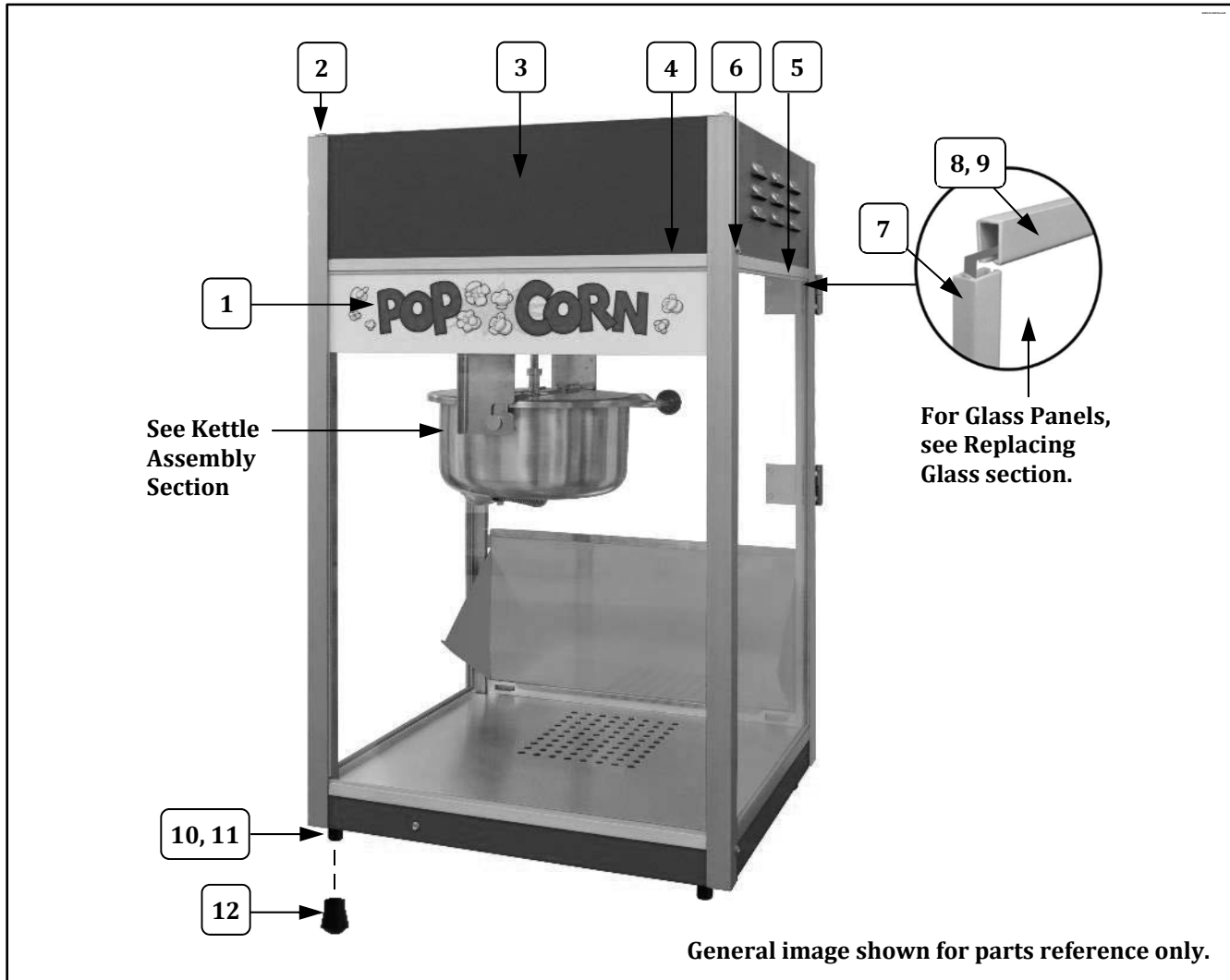


Item	Part Description	Part Number
		All Models
1	FRONT GLASS DECAL	49158
2	8-32" X 5/8" TYPE 23 HX HD	49052
3	TOP PAN	49452
4	GLASS EXTRUSION (Front Glass)	74164
5	GLASS EXTRUSION (Side glass)	49508
6	8-32 x 5/16 SLOTTED HEX	49594
7	21 5/8" GLASS CHANNEL (used on sides of glass panels)	49509
8	15" GLASS CHANNEL (used on top and bottom of side glass panels)	49510
9	17" GLASS CHANNEL (used on top and bottom of front glass panel)	49511
10	GLIDE FOOT (2 required)	47328
11	10-24 X 3/4 HEX HD	41314
12	BLACK CRUTCH TIP	49123





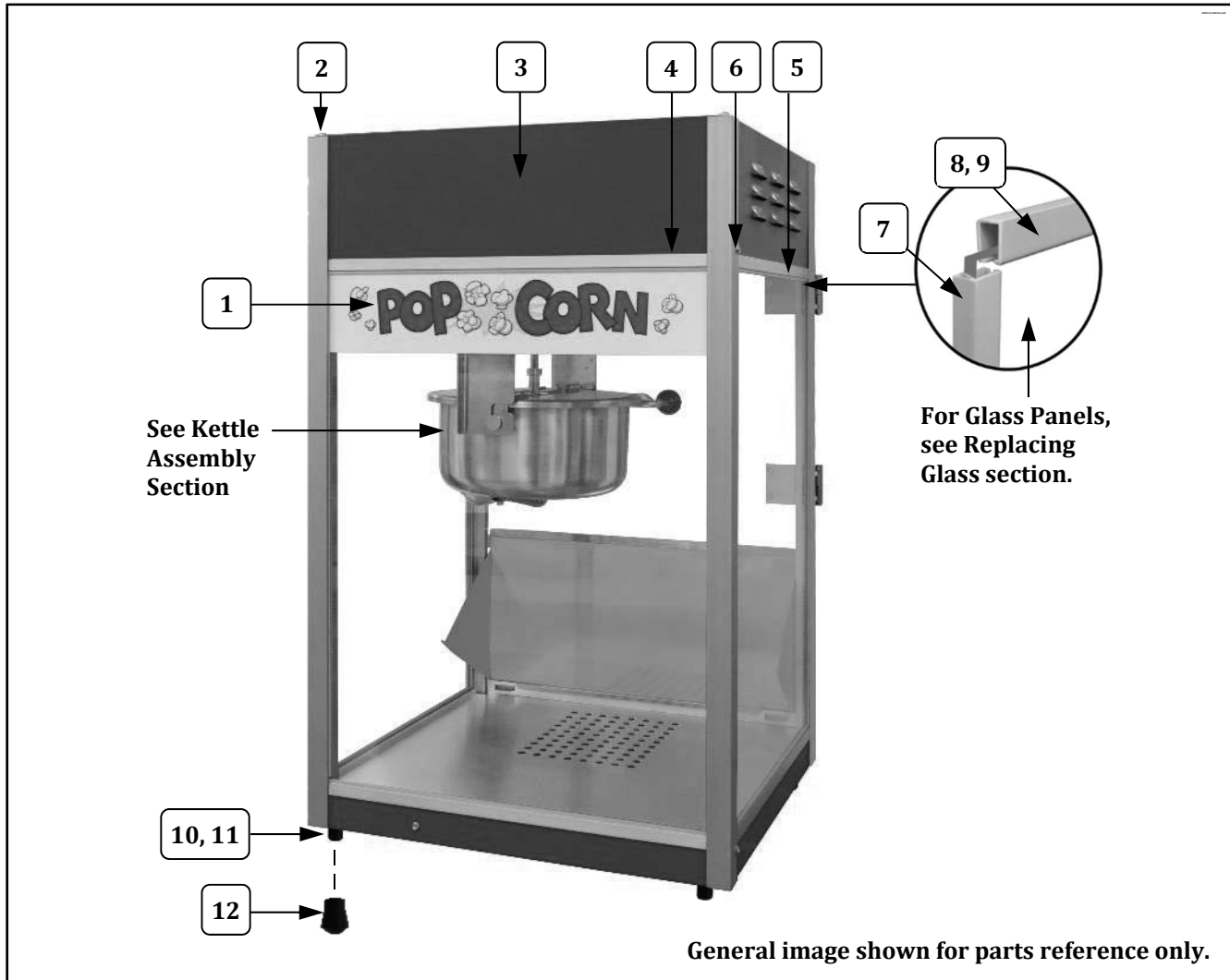
## Cabinet Exterior – Front View



Item	Part Description	Part Number
		All Models
1	FRONT GLASS DECAL	49158
2	8-32" X 5/8" TYPE 23 HX HD	49052
3	TOP PAN	49452
4	GLASS EXTRUSION (Front Glass)	74164
5	GLASS EXTRUSION (Side glass)	49508
6	8-32 x 5/16 SLOTTED HEX	49594
7	21 5/8" GLASS CHANNEL (used on sides of glass panels)	49509
8	15" GLASS CHANNEL (used on top and bottom of side glass panels)	49510
9	17" GLASS CHANNEL (used on top and bottom of front glass panel)	49511
10	GLIDE FOOT (2 required)	47328
11	10-24 X 3/4 HEX HD	41314
12	BLACK CRUTCH TIP	49123



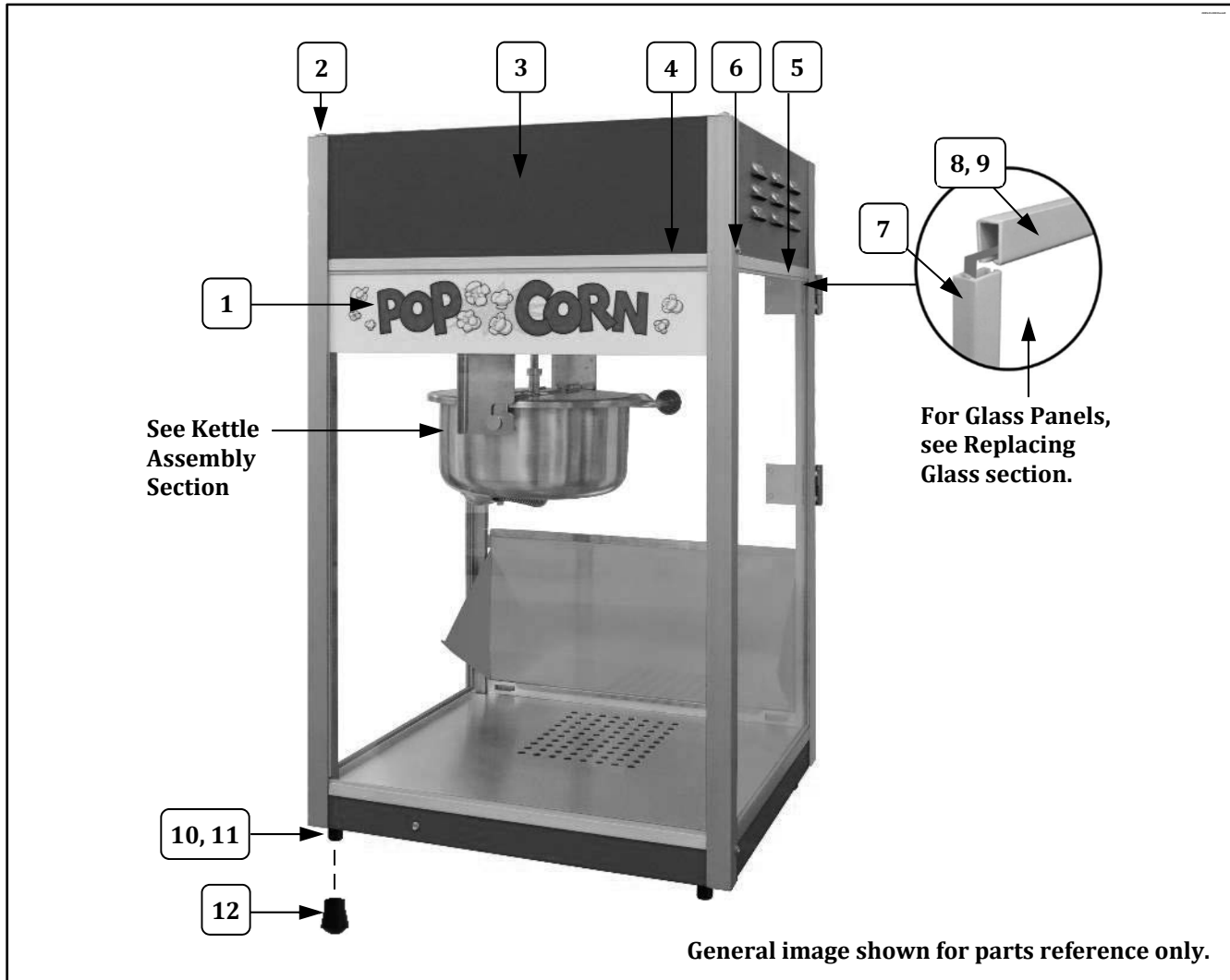
## Cabinet Exterior – Front View



Item	Part Description	Part Number
		All Models
1	FRONT GLASS DECAL	49158
2	8-32" X 5/8" TYPE 23 HX HD	49052
3	TOP PAN	49452
4	GLASS EXTRUSION (Front Glass)	74164
5	GLASS EXTRUSION (Side glass)	49508
6	8-32 x 5/16 SLOTTED HEX	49594
7	21 5/8" GLASS CHANNEL (used on sides of glass panels)	49509
8	15" GLASS CHANNEL (used on top and bottom of side glass panels)	49510
9	17" GLASS CHANNEL (used on top and bottom of front glass panel)	49511
10	GLIDE FOOT (2 required)	47328
11	10-24 X 3/4 HEX HD	41314
12	BLACK CRUTCH TIP	49123



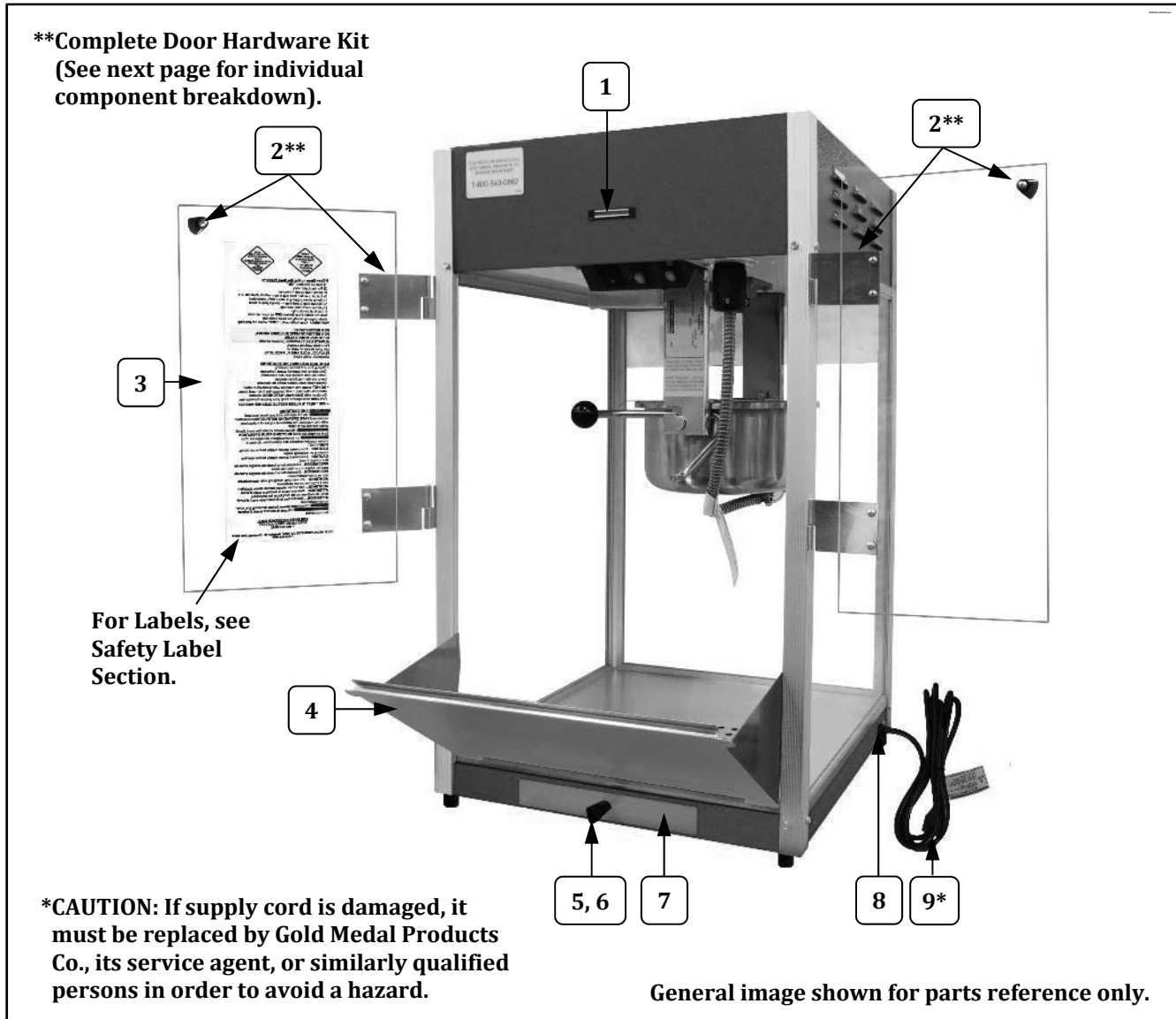
## Cabinet Exterior – Front View



Item	Part Description	Part Number
		All Models
1	FRONT GLASS DECAL	49158
2	8-32" X 5/8" TYPE 23 HX HD	49052
3	TOP PAN	49452
4	GLASS EXTRUSION (Front Glass)	74164
5	GLASS EXTRUSION (Side glass)	49508
6	8-32 x 5/16 SLOTTED HEX	49594
7	21 5/8" GLASS CHANNEL (used on sides of glass panels)	49509
8	15" GLASS CHANNEL (used on top and bottom of side glass panels)	49510
9	17" GLASS CHANNEL (used on top and bottom of front glass panel)	49511
10	GLIDE FOOT (2 required)	47328
11	10-24 X 3/4 HEX HD	41314
12	BLACK CRUTCH TIP	49123



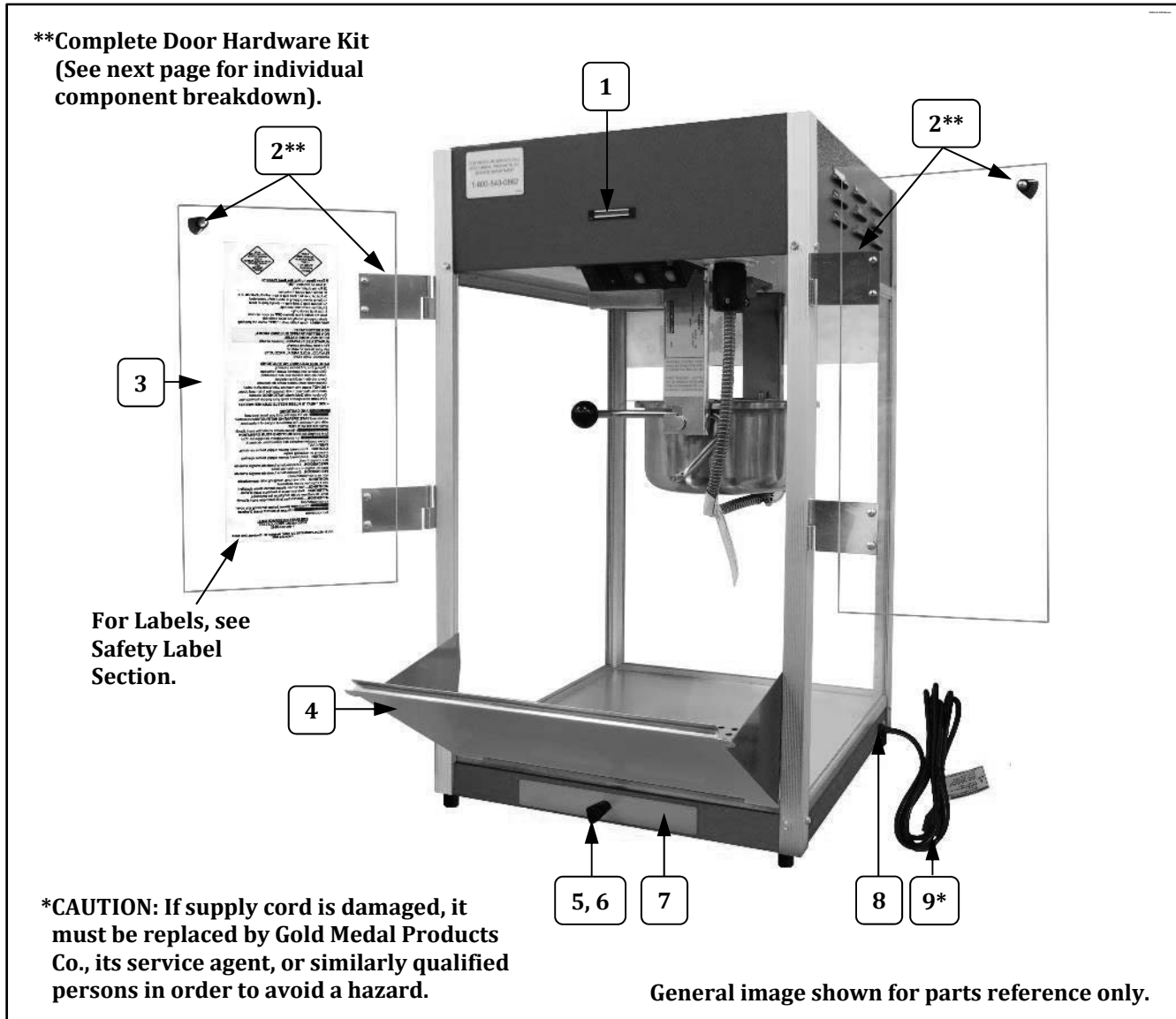
## Cabinet Exterior – Rear View



Item	Part Description	Part Number
		All Models
1	MAGNETIC CATCH	47561
2**	COMPLETE DOOR HARDWARE KIT	61380
3	PLEXIGLASS DOOR	49395
4	DROP PANEL	49145
5	KNOB LID LIFT	47120
6	8-32" X 3/8" PH PAN W/SEMS	42227
7	OLD MAID PAN	49100
8	#SR-6P3-4 STRAIN RELIEF	76026
9*	POWER SUPPLY CORD 15 AMP	22038



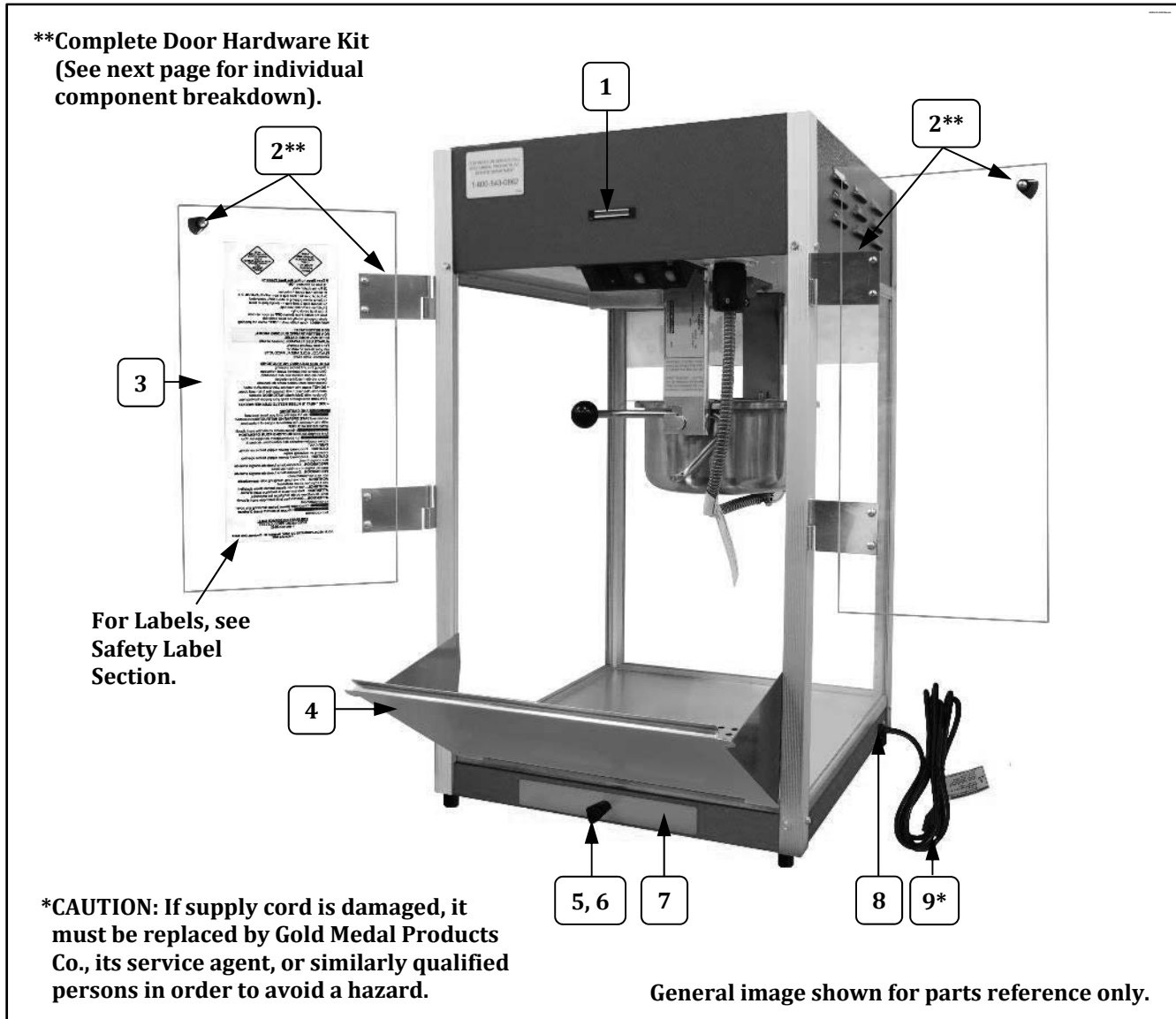
## Cabinet Exterior – Rear View



Item	Part Description	Part Number
		All Models
1	MAGNETIC CATCH	47561
2**	COMPLETE DOOR HARDWARE KIT	61380
3	PLEXIGLASS DOOR	49395
4	DROP PANEL	49145
5	KNOB LID LIFT	47120
6	8-32" X 3/8" PH PAN W/SEMS	42227
7	OLD MAID PAN	49100
8	#SR-6P3-4 STRAIN RELIEF	76026
9*	POWER SUPPLY CORD 15 AMP	22038



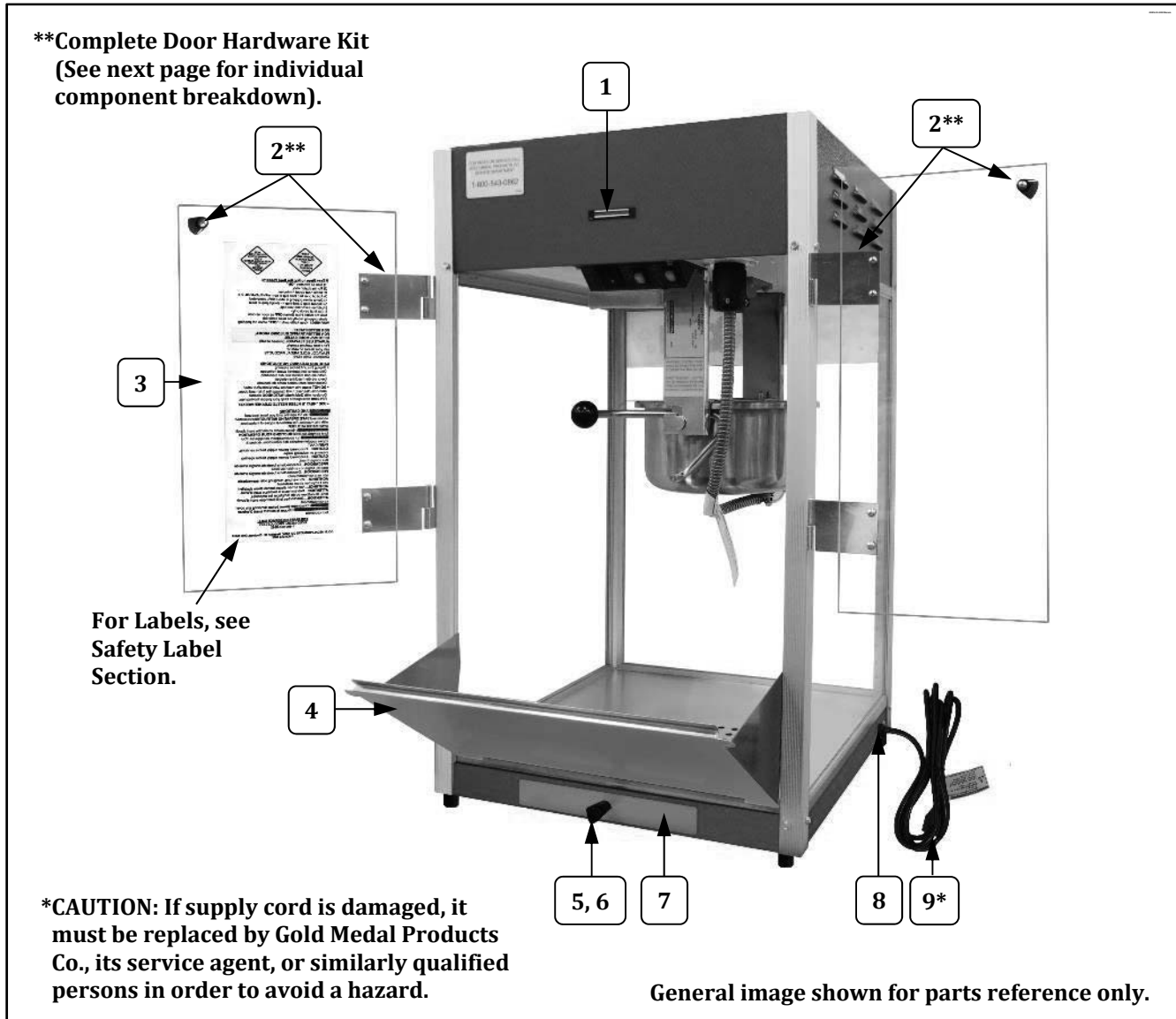
## Cabinet Exterior – Rear View



Item	Part Description	Part Number
		All Models
1	MAGNETIC CATCH	47561
2**	COMPLETE DOOR HARDWARE KIT	61380
3	PLEXIGLASS DOOR	49395
4	DROP PANEL	49145
5	KNOB LID LIFT	47120
6	8-32" X 3/8" PH PAN W/SEMS	42227
7	OLD MAID PAN	49100
8	#SR-6P3-4 STRAIN RELIEF	76026
9*	POWER SUPPLY CORD 15 AMP	22038



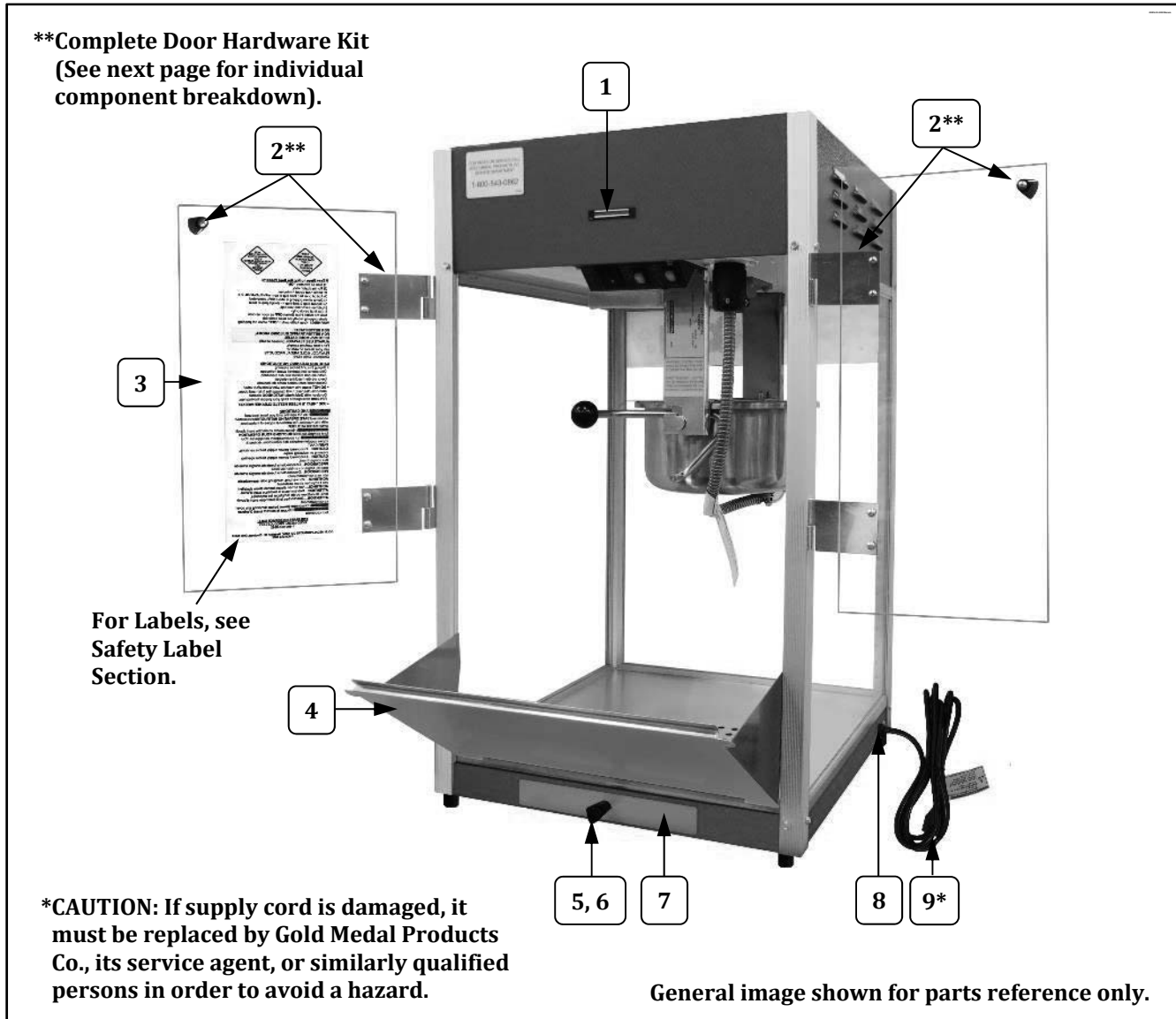
## Cabinet Exterior – Rear View



Item	Part Description	Part Number
		All Models
1	MAGNETIC CATCH	47561
2**	COMPLETE DOOR HARDWARE KIT	61380
3	PLEXIGLASS DOOR	49395
4	DROP PANEL	49145
5	KNOB LID LIFT	47120
6	8-32" X 3/8" PH PAN W/SEMS	42227
7	OLD MAID PAN	49100
8	#SR-6P3-4 STRAIN RELIEF	76026
9*	POWER SUPPLY CORD 15 AMP	22038



## Cabinet Exterior – Rear View

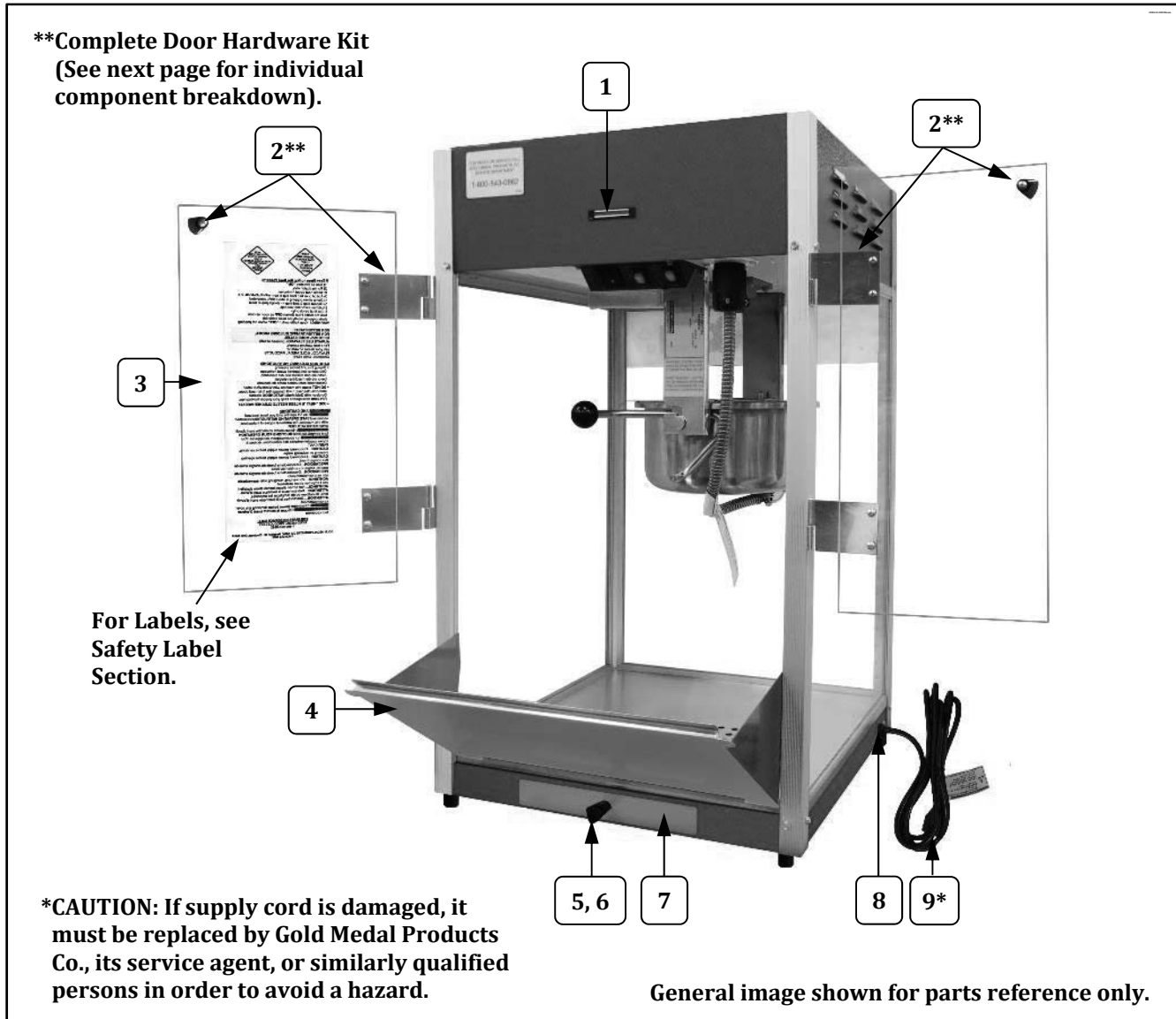


Item	Part Description	Part Number
		All Models
1	MAGNETIC CATCH	47561
2**	COMPLETE DOOR HARDWARE KIT	61380
3	PLEXIGLASS DOOR	49395
4	DROP PANEL	49145
5	KNOB LID LIFT	47120
6	8-32" X 3/8" PH PAN W/SEMS	42227
7	OLD MAID PAN	49100
8	#SR-6P3-4 STRAIN RELIEF	76026
9*	POWER SUPPLY CORD 15 AMP	22038





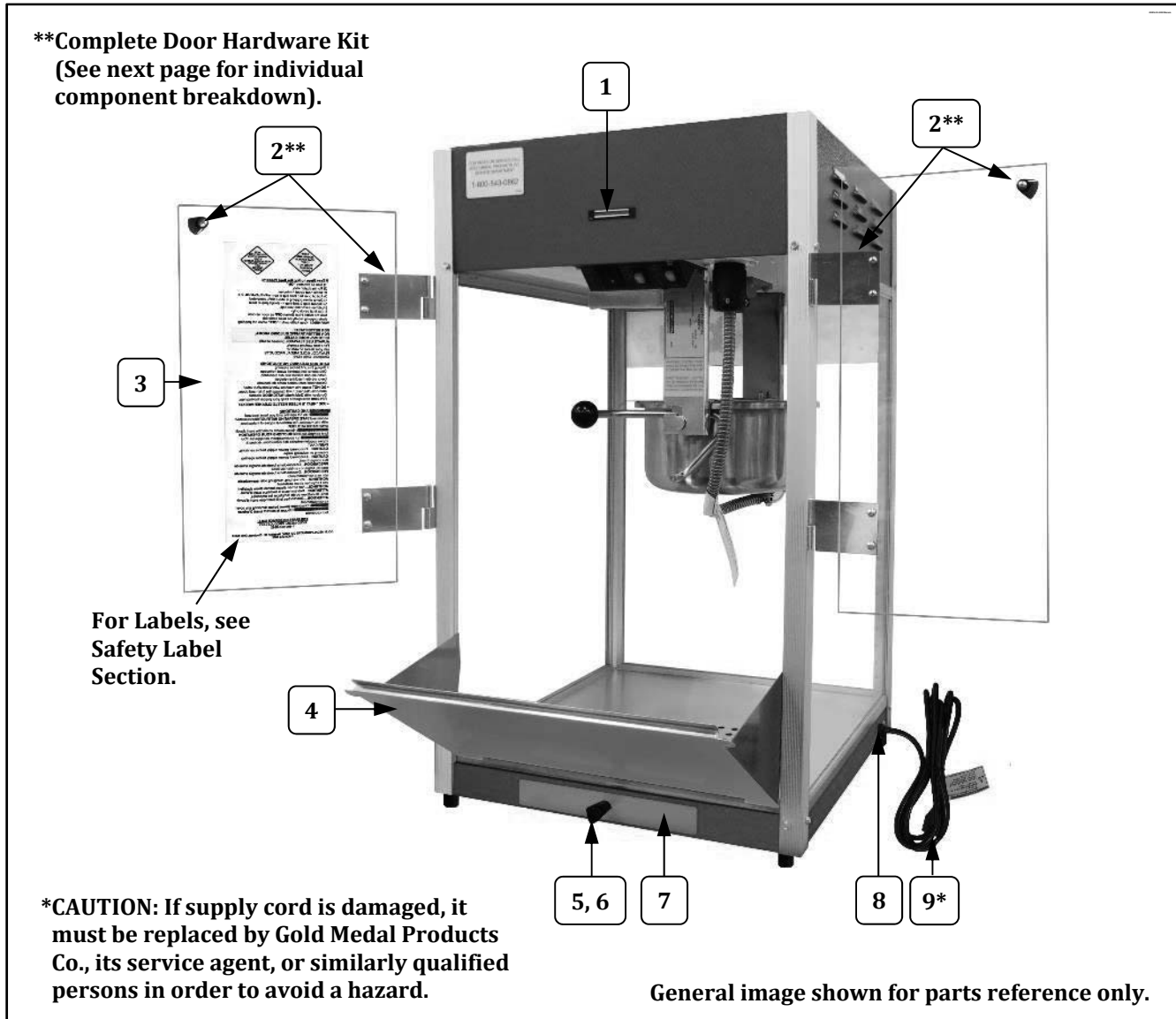
## Cabinet Exterior – Rear View



Item	Part Description	Part Number
		All Models
1	MAGNETIC CATCH	47561
2**	COMPLETE DOOR HARDWARE KIT	61380
3	PLEXIGLASS DOOR	49395
4	DROP PANEL	49145
5	KNOB LID LIFT	47120
6	8-32" X 3/8" PH PAN W/SEMS	42227
7	OLD MAID PAN	49100
8	#SR-6P3-4 STRAIN RELIEF	76026
9*	POWER SUPPLY CORD 15 AMP	22038



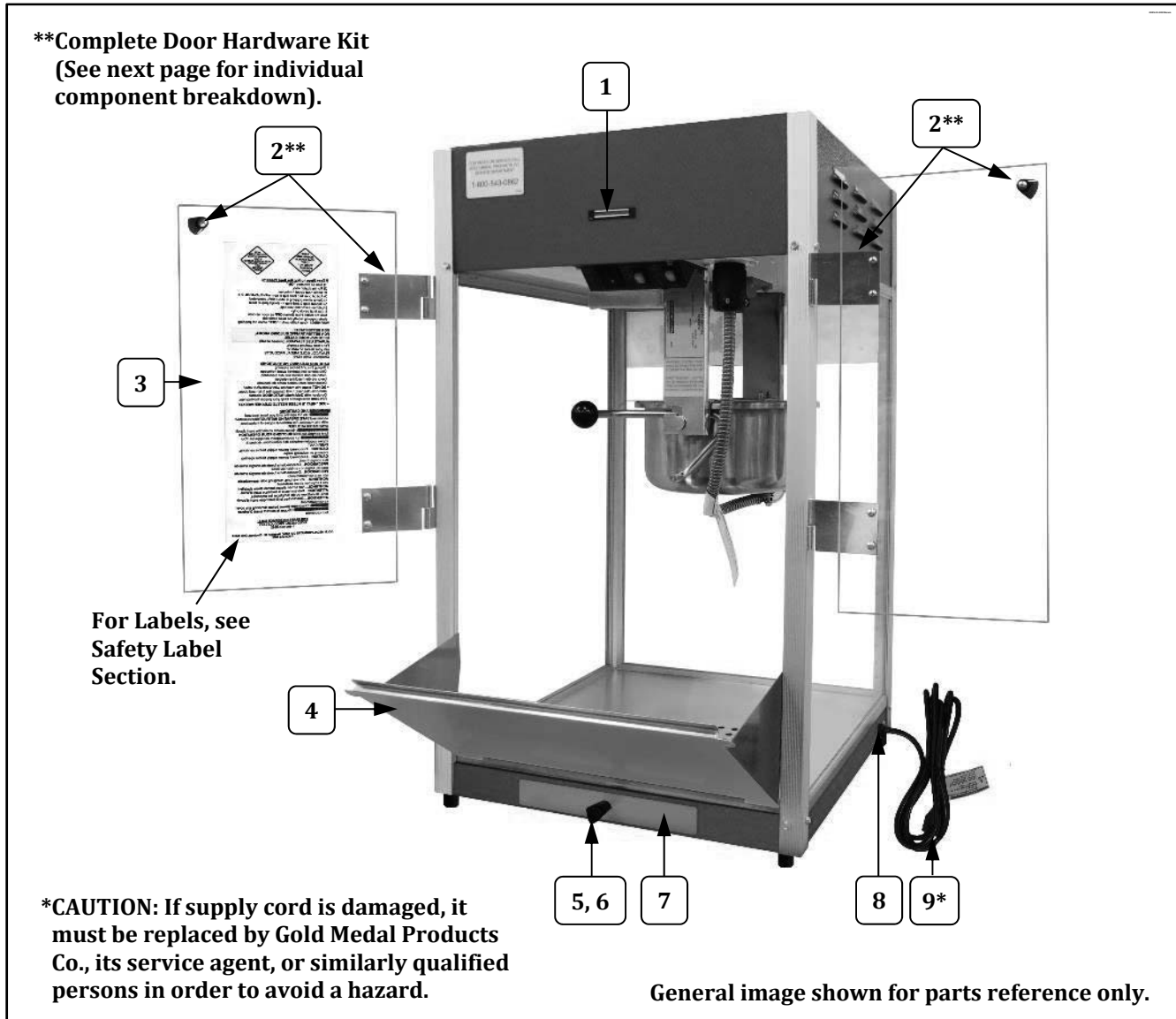
## Cabinet Exterior – Rear View



Item	Part Description	Part Number
		All Models
1	MAGNETIC CATCH	47561
2**	COMPLETE DOOR HARDWARE KIT	61380
3	PLEXIGLASS DOOR	49395
4	DROP PANEL	49145
5	KNOB LID LIFT	47120
6	8-32" X 3/8" PH PAN W/SEMS	42227
7	OLD MAID PAN	49100
8	#SR-6P3-4 STRAIN RELIEF	76026
9*	POWER SUPPLY CORD 15 AMP	22038



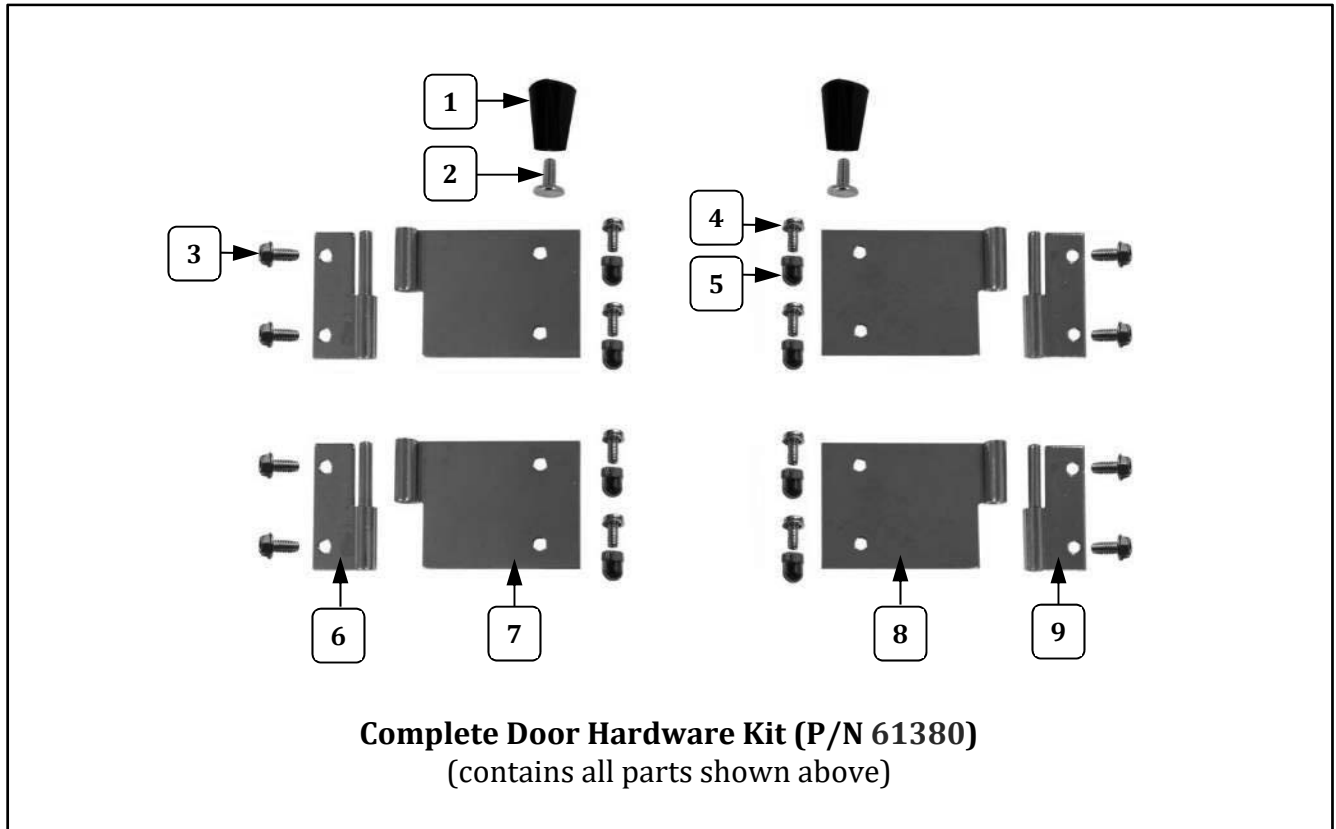
## Cabinet Exterior – Rear View



Item	Part Description	Part Number
		All Models
1	MAGNETIC CATCH	47561
2**	COMPLETE DOOR HARDWARE KIT	61380
3	PLEXIGLASS DOOR	49395
4	DROP PANEL	49145
5	KNOB LID LIFT	47120
6	8-32" X 3/8" PH PAN W/SEMS	42227
7	OLD MAID PAN	49100
8	#SR-6P3-4 STRAIN RELIEF	76026
9*	POWER SUPPLY CORD 15 AMP	22038



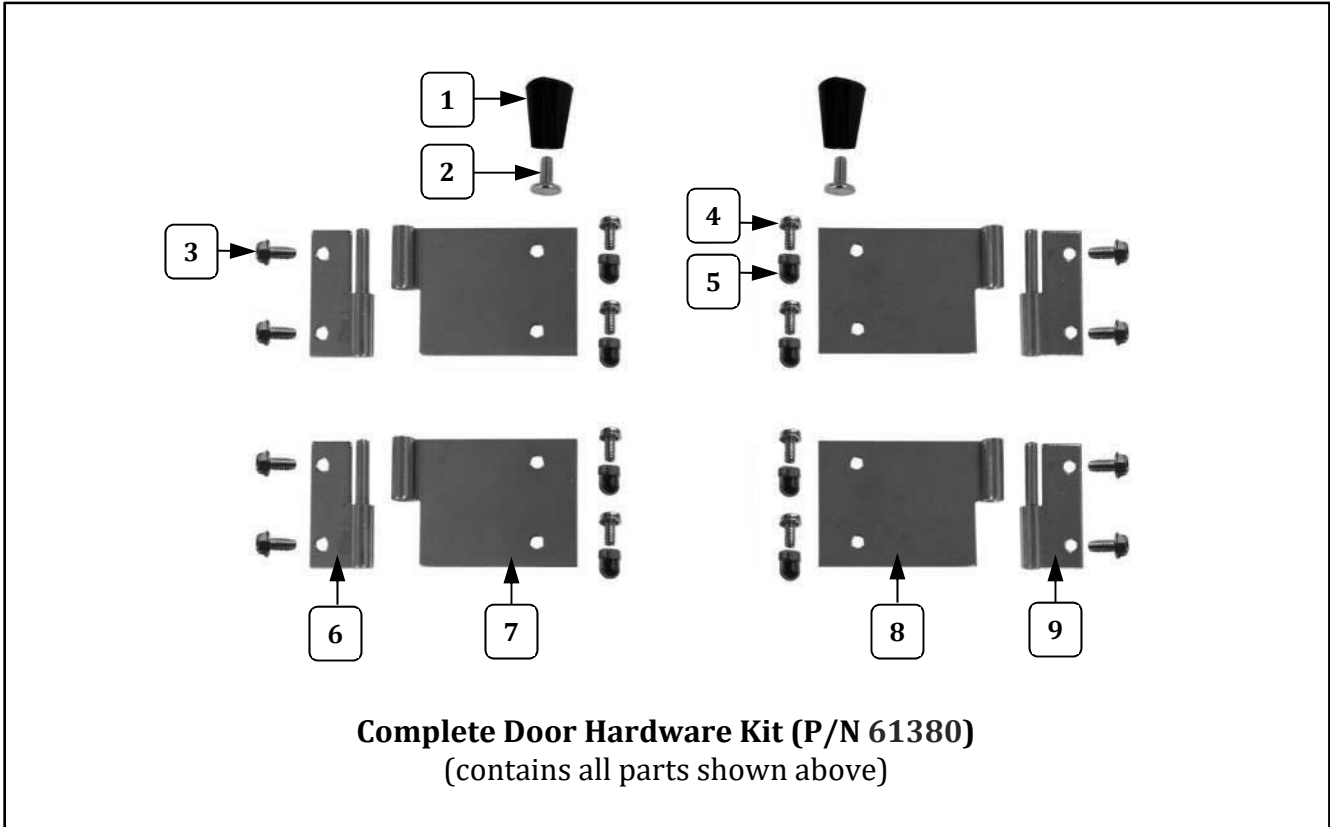
## Door Hardware Kit 61380 – Individual Component Breakdown



Item	Part Description	Part Number
		61380
1	KNOB LID LIFT	47120
2	TEE BOLT	75267
3	8-32 X 5/16 SLOTTED HEX	49594
4	8-32 X 3/8 PH PAN W/SEMS	42227
5	ACORN NUT #8-32	47702
6	MALE HINGE SHORT LEFT	41349
7	FEMALE HINGE LEFT HAND	61359
8	FEMALE HINGE RIGHT HAND	61373
9	MALE HINGE SHORT RIGHT	41350



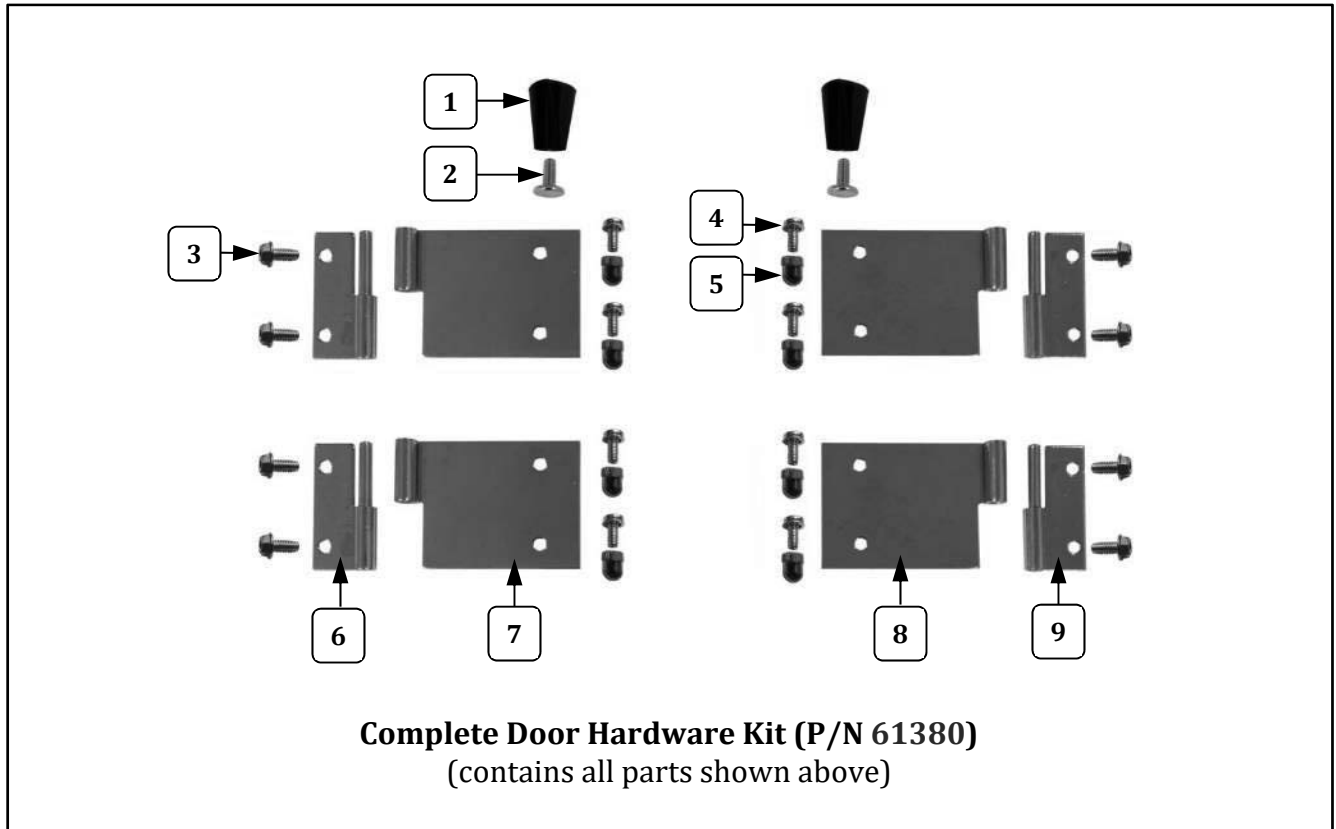
## Door Hardware Kit 61380 – Individual Component Breakdown



Item	Part Description	Part Number
		61380
1	KNOB LID LIFT	47120
2	TEE BOLT	75267
3	8-32 X 5/16 SLOTTED HEX	49594
4	8-32 X 3/8 PH PAN W/SEMS	42227
5	ACORN NUT #8-32	47702
6	MALE HINGE SHORT LEFT	41349
7	FEMALE HINGE LEFT HAND	61359
8	FEMALE HINGE RIGHT HAND	61373
9	MALE HINGE SHORT RIGHT	41350



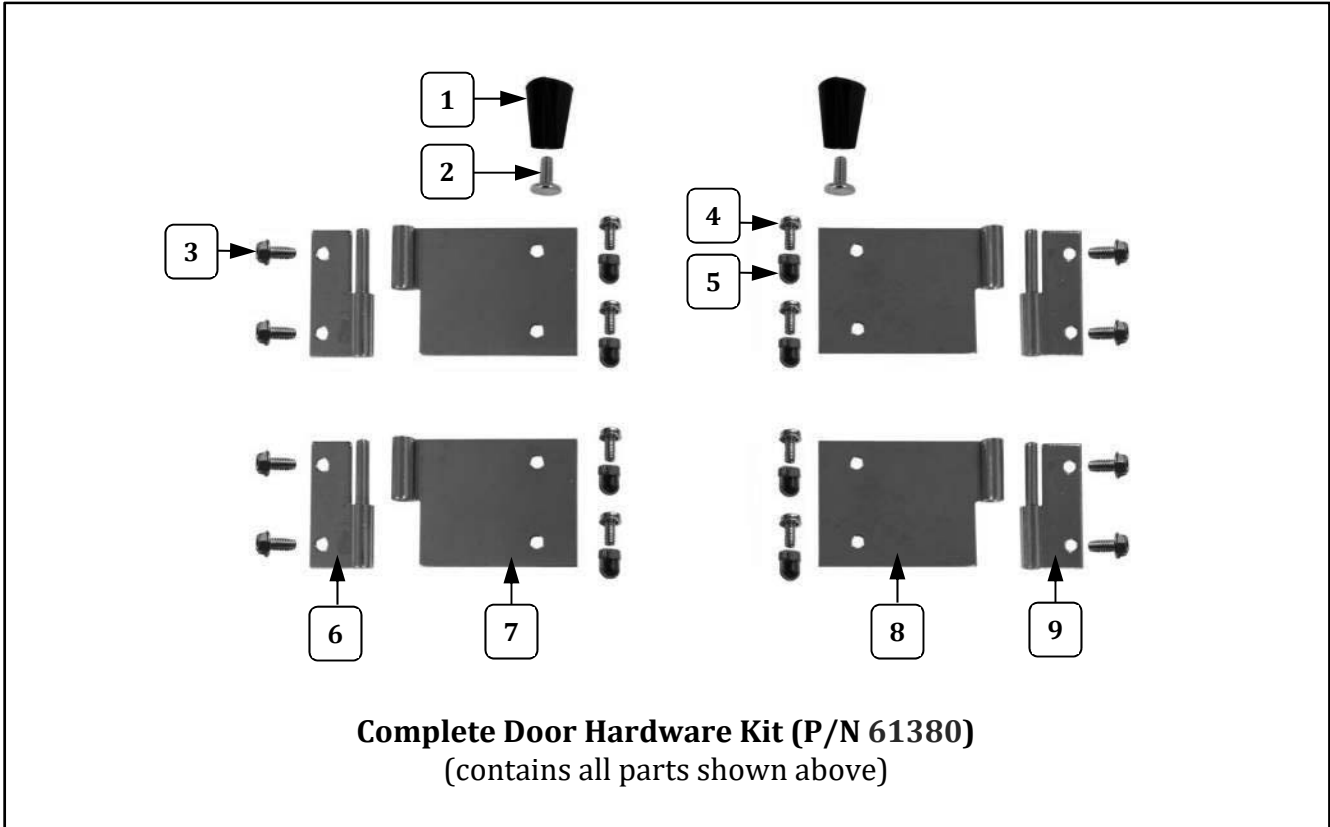
## Door Hardware Kit 61380 – Individual Component Breakdown



Item	Part Description	Part Number
		61380
1	KNOB LID LIFT	47120
2	TEE BOLT	75267
3	8-32 X 5/16 SLOTTED HEX	49594
4	8-32 X 3/8 PH PAN W/SEMS	42227
5	ACORN NUT #8-32	47702
6	MALE HINGE SHORT LEFT	41349
7	FEMALE HINGE LEFT HAND	61359
8	FEMALE HINGE RIGHT HAND	61373
9	MALE HINGE SHORT RIGHT	41350



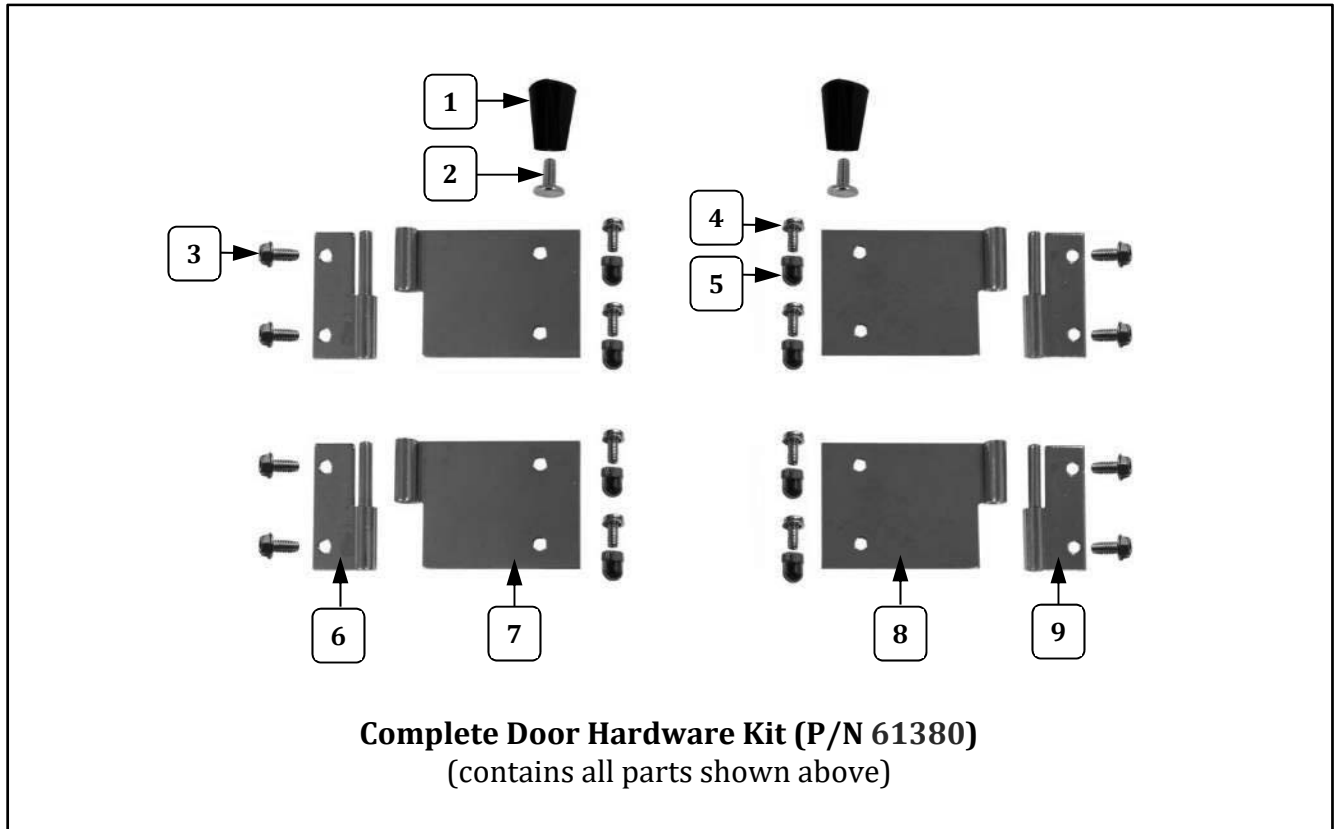
## Door Hardware Kit 61380 – Individual Component Breakdown



Item	Part Description	Part Number
		61380
1	KNOB LID LIFT	47120
2	TEE BOLT	75267
3	8-32 X 5/16 SLOTTED HEX	49594
4	8-32 X 3/8 PH PAN W/SEMS	42227
5	ACORN NUT #8-32	47702
6	MALE HINGE SHORT LEFT	41349
7	FEMALE HINGE LEFT HAND	61359
8	FEMALE HINGE RIGHT HAND	61373
9	MALE HINGE SHORT RIGHT	41350



## Door Hardware Kit 61380 – Individual Component Breakdown

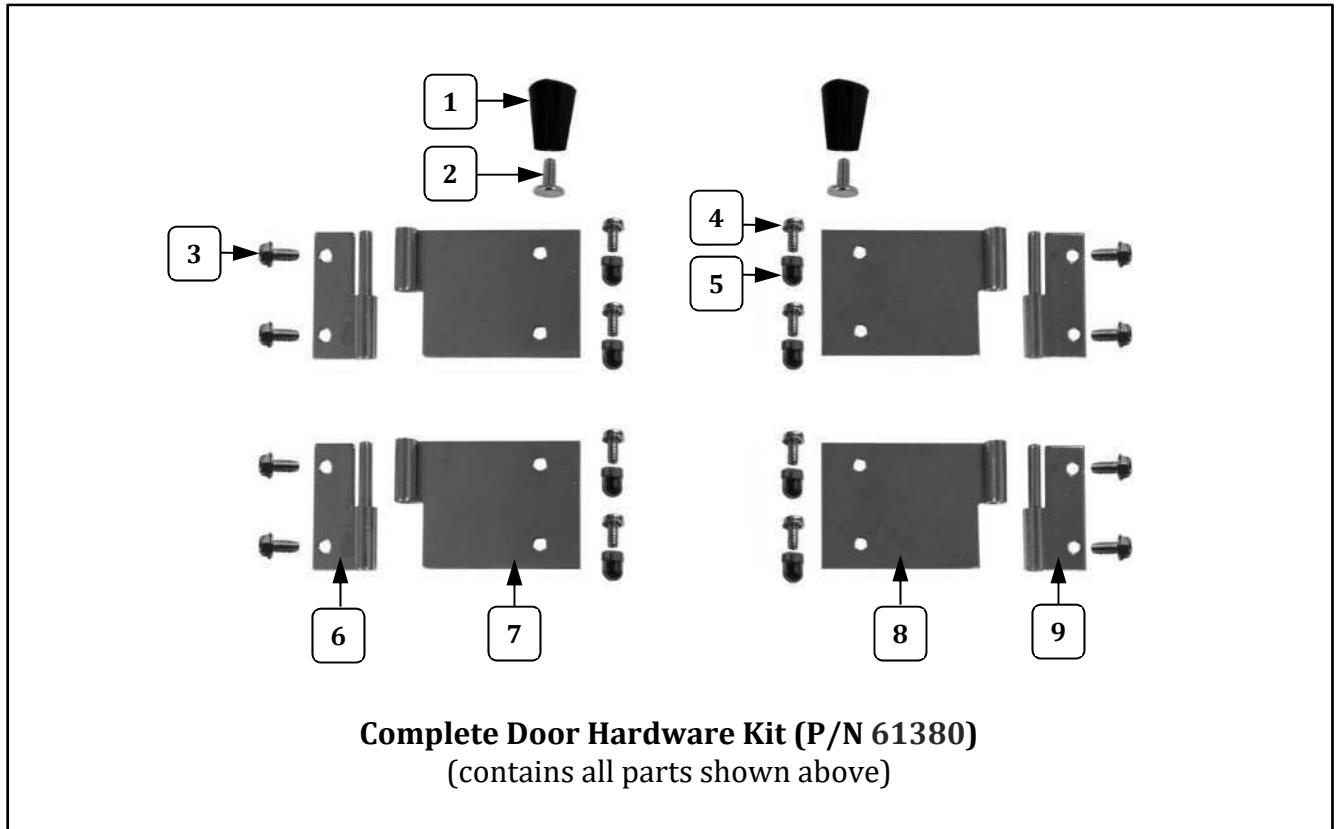


Item	Part Description	Part Number
		61380
1	KNOB LID LIFT	47120
2	TEE BOLT	75267
3	8-32 X 5/16 SLOTTED HEX	49594
4	8-32 X 3/8 PH PAN W/SEMS	42227
5	ACORN NUT #8-32	47702
6	MALE HINGE SHORT LEFT	41349
7	FEMALE HINGE LEFT HAND	61359
8	FEMALE HINGE RIGHT HAND	61373
9	MALE HINGE SHORT RIGHT	41350





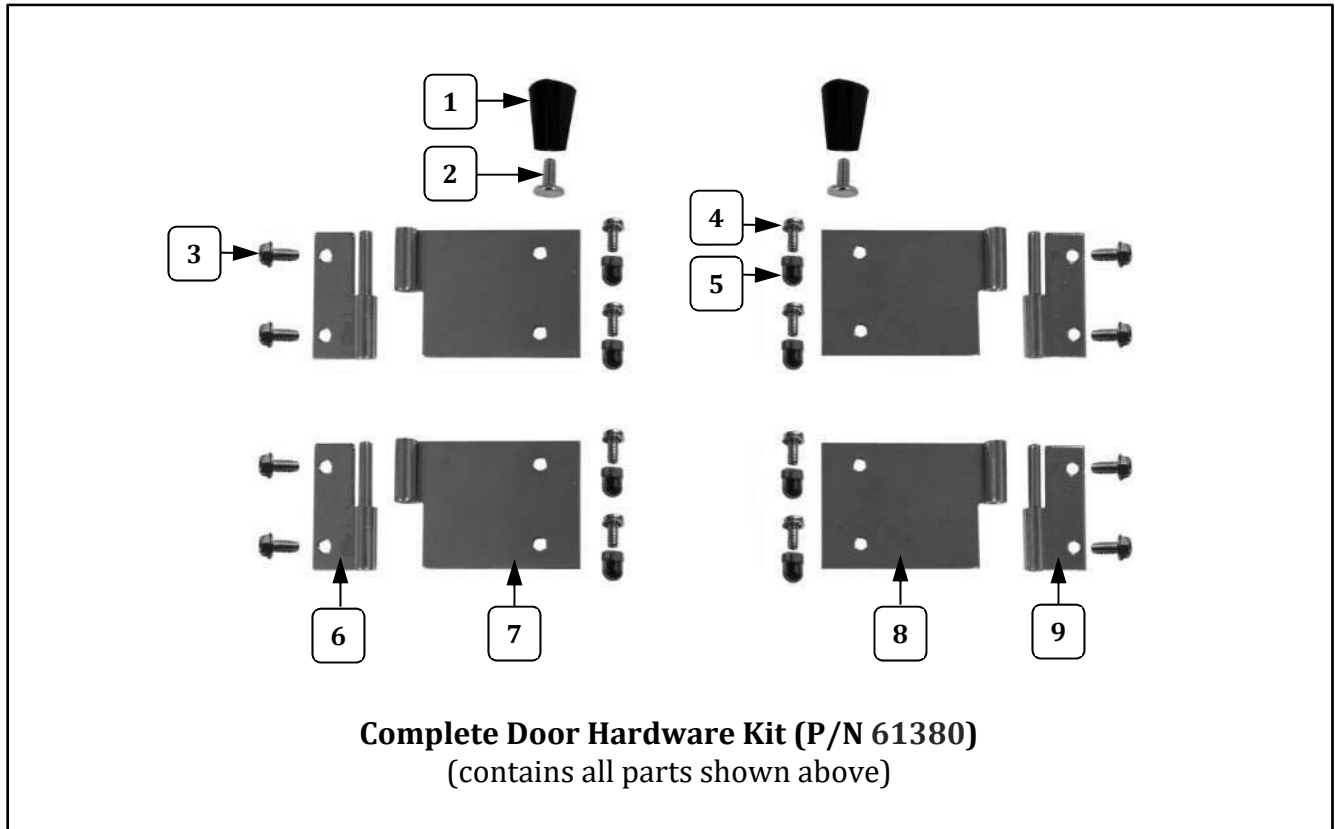
## Door Hardware Kit 61380 – Individual Component Breakdown



Item	Part Description	Part Number
		61380
1	KNOB LID LIFT	47120
2	TEE BOLT	75267
3	8-32 X 5/16 SLOTTED HEX	49594
4	8-32 X 3/8 PH PAN W/SEMS	42227
5	ACORN NUT #8-32	47702
6	MALE HINGE SHORT LEFT	41349
7	FEMALE HINGE LEFT HAND	61359
8	FEMALE HINGE RIGHT HAND	61373
9	MALE HINGE SHORT RIGHT	41350



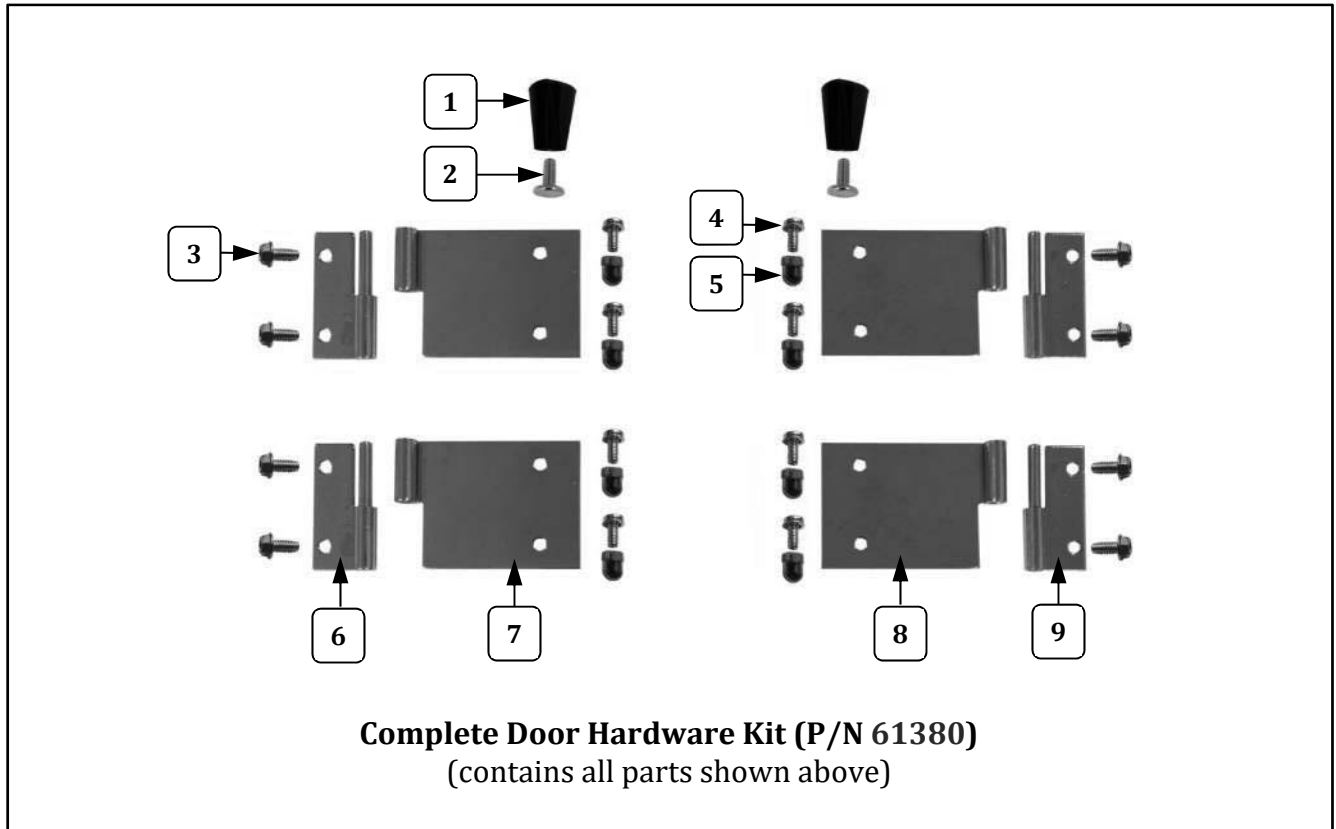
## Door Hardware Kit 61380 – Individual Component Breakdown



Item	Part Description	Part Number
		61380
1	KNOB LID LIFT	47120
2	TEE BOLT	75267
3	8-32 X 5/16 SLOTTED HEX	49594
4	8-32 X 3/8 PH PAN W/SEMS	42227
5	ACORN NUT #8-32	47702
6	MALE HINGE SHORT LEFT	41349
7	FEMALE HINGE LEFT HAND	61359
8	FEMALE HINGE RIGHT HAND	61373
9	MALE HINGE SHORT RIGHT	41350

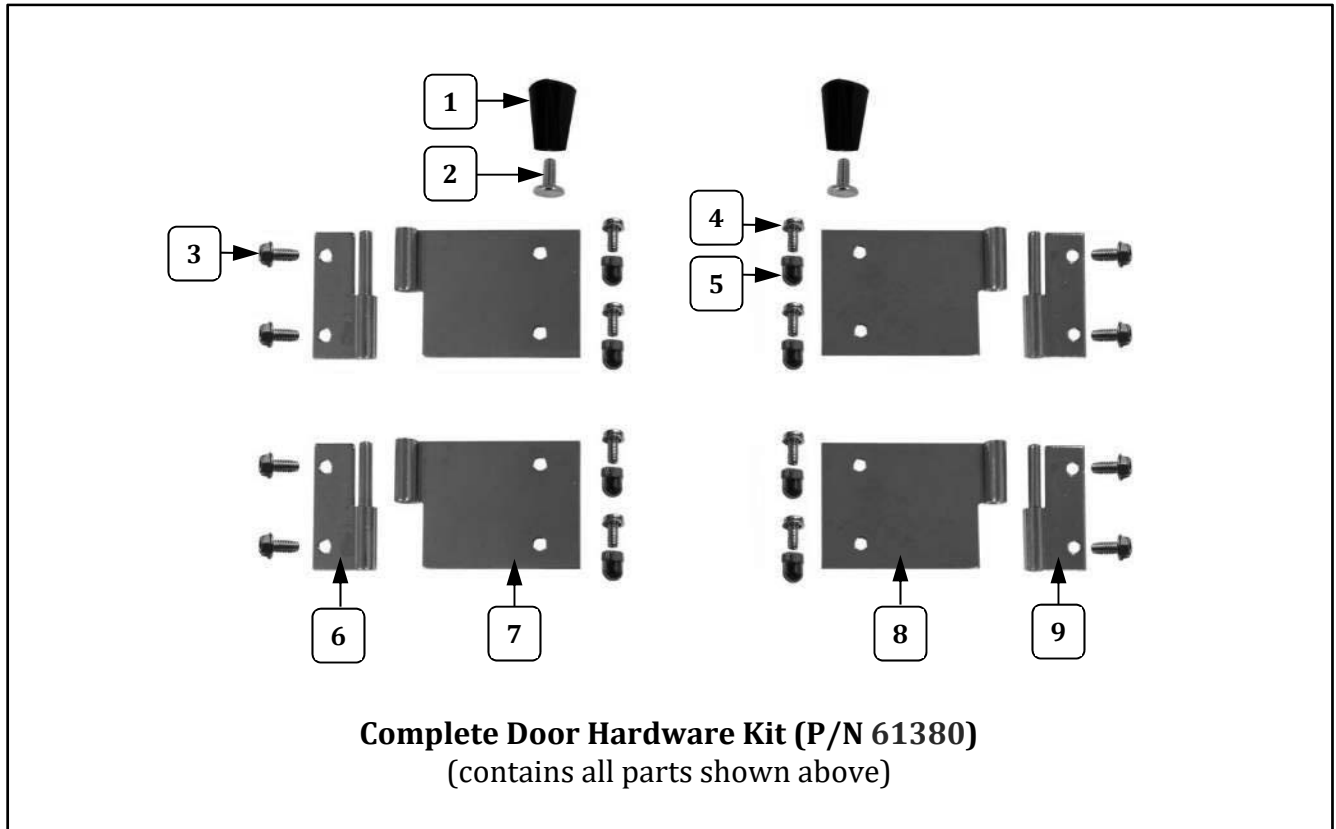


## Door Hardware Kit 61380 – Individual Component Breakdown



Item	Part Description	Part Number
		61380
1	KNOB LID LIFT	47120
2	TEE BOLT	75267
3	8-32 X 5/16 SLOTTED HEX	49594
4	8-32 X 3/8 PH PAN W/SEMS	42227
5	ACORN NUT #8-32	47702
6	MALE HINGE SHORT LEFT	41349
7	FEMALE HINGE LEFT HAND	61359
8	FEMALE HINGE RIGHT HAND	61373
9	MALE HINGE SHORT RIGHT	41350

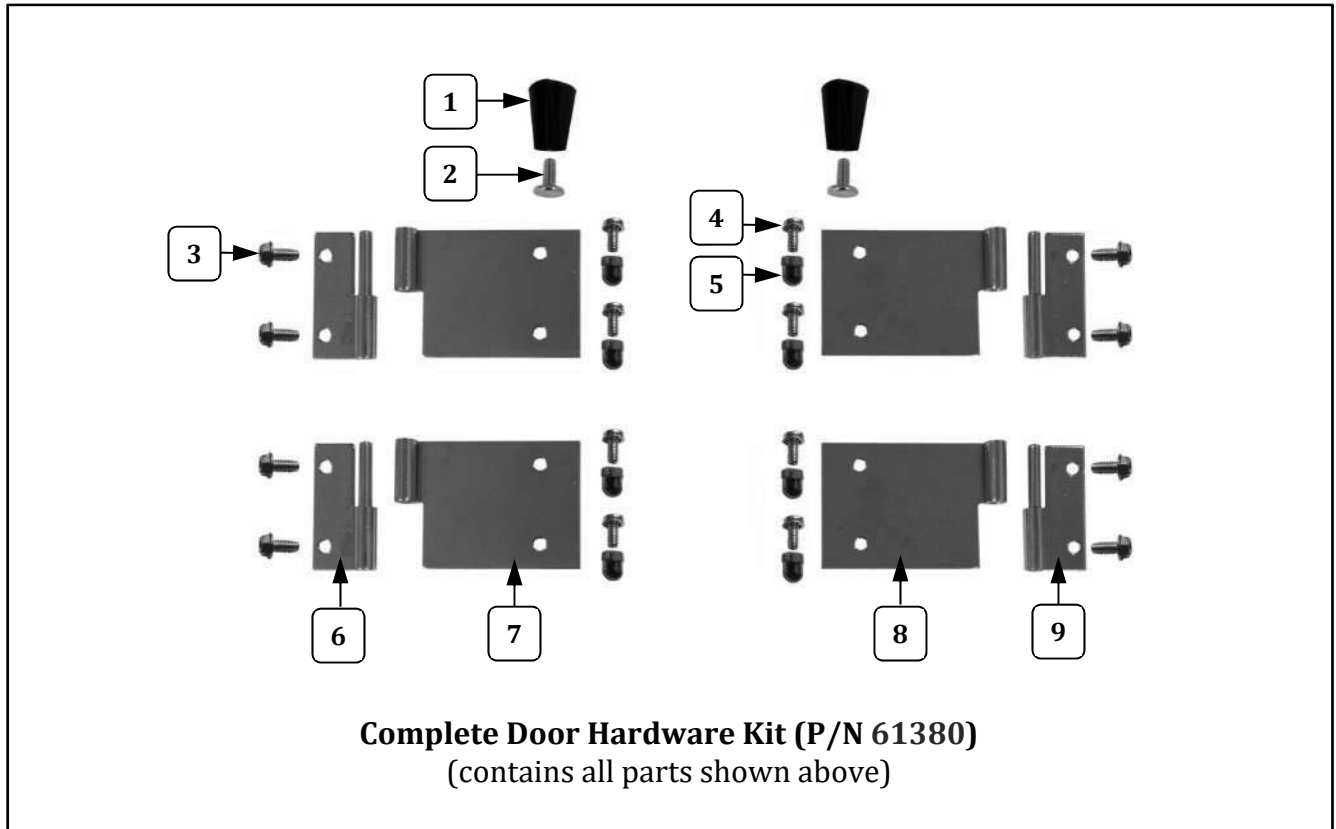
## Door Hardware Kit 61380 – Individual Component Breakdown



Item	Part Description	Part Number
		61380
1	KNOB LID LIFT	47120
2	TEE BOLT	75267
3	8-32 X 5/16 SLOTTED HEX	49594
4	8-32 X 3/8 PH PAN W/SEMS	42227
5	ACORN NUT #8-32	47702
6	MALE HINGE SHORT LEFT	41349
7	FEMALE HINGE LEFT HAND	61359
8	FEMALE HINGE RIGHT HAND	61373
9	MALE HINGE SHORT RIGHT	41350



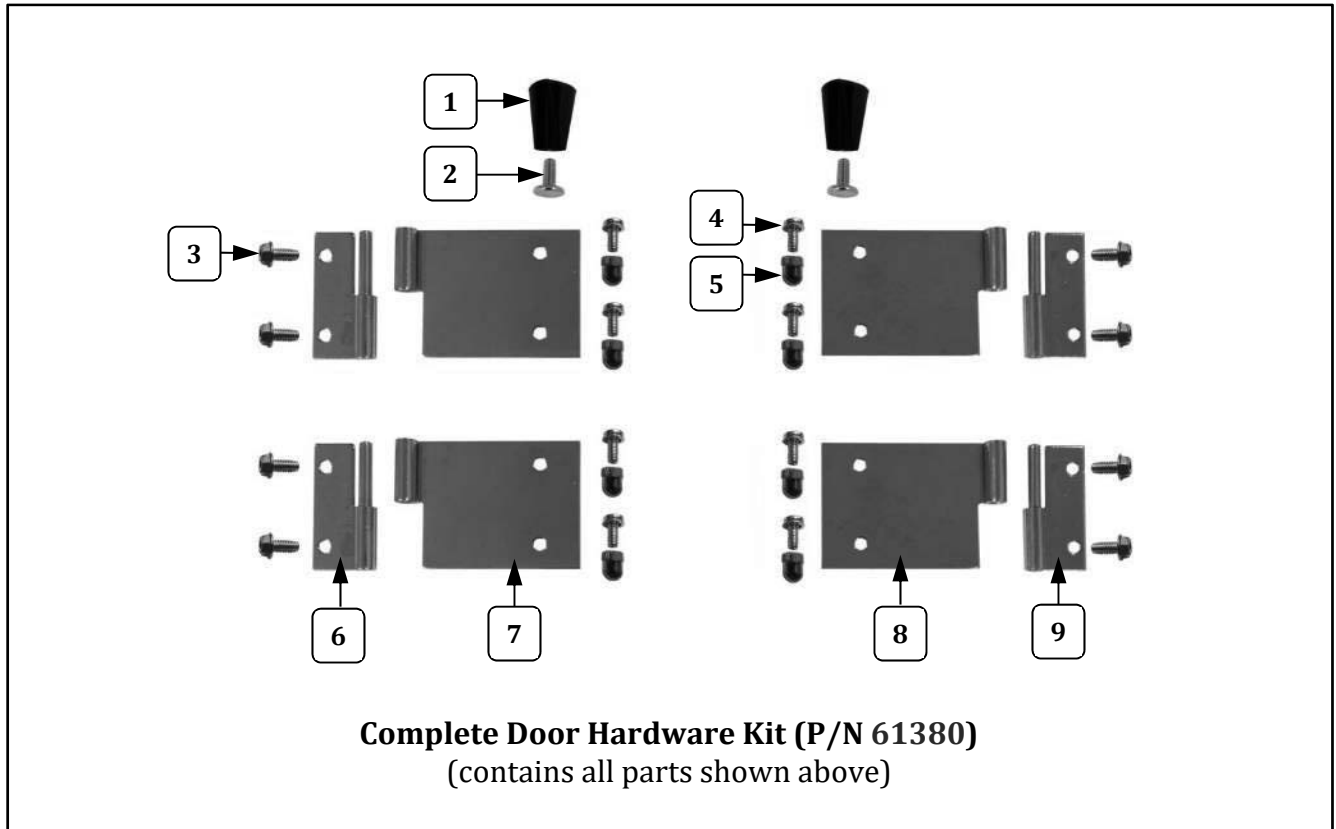
## Door Hardware Kit 61380 – Individual Component Breakdown



Item	Part Description	Part Number
		61380
1	KNOB LID LIFT	47120
2	TEE BOLT	75267
3	8-32 X 5/16 SLOTTED HEX	49594
4	8-32 X 3/8 PH PAN W/SEMS	42227
5	ACORN NUT #8-32	47702
6	MALE HINGE SHORT LEFT	41349
7	FEMALE HINGE LEFT HAND	61359
8	FEMALE HINGE RIGHT HAND	61373
9	MALE HINGE SHORT RIGHT	41350



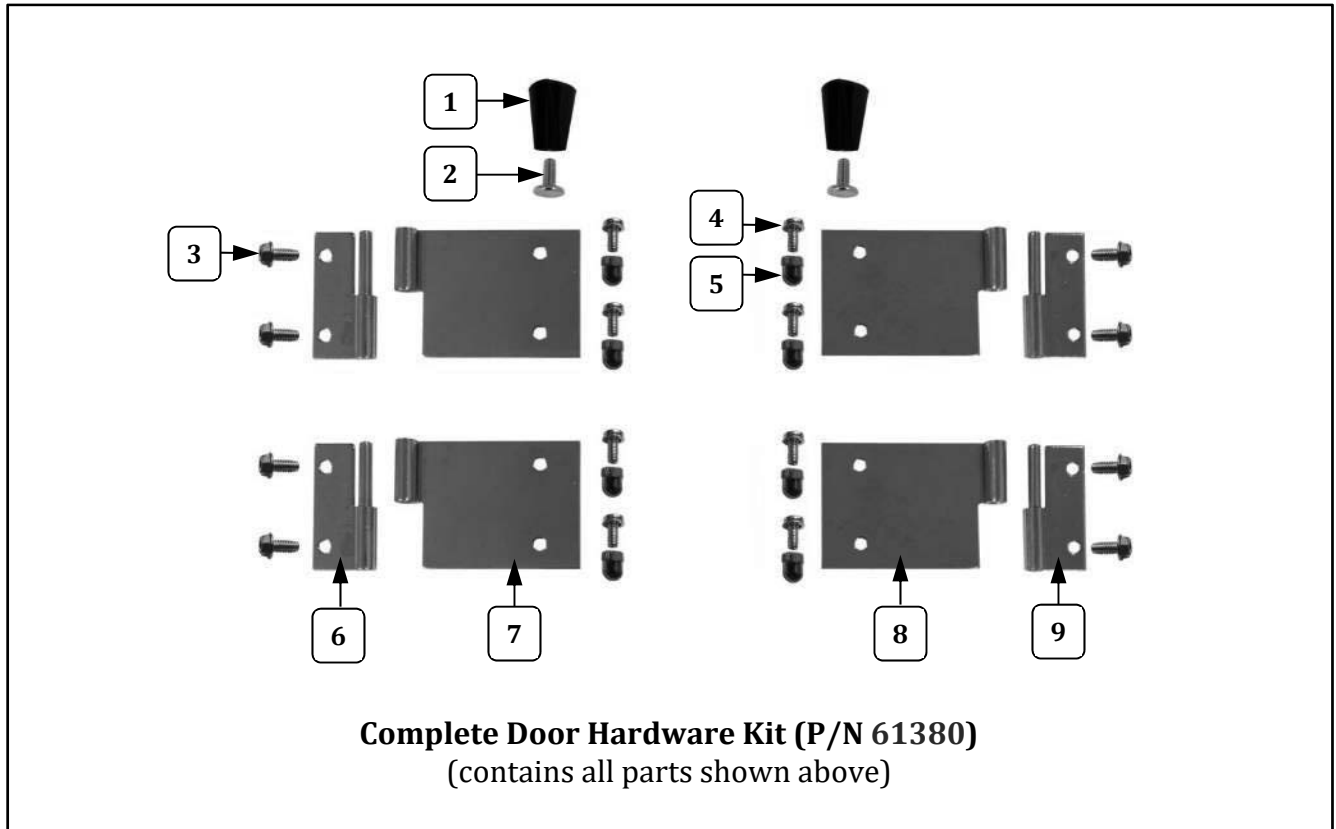
## Door Hardware Kit 61380 – Individual Component Breakdown



Item	Part Description	Part Number
		61380
1	KNOB LID LIFT	47120
2	TEE BOLT	75267
3	8-32 X 5/16 SLOTTED HEX	49594
4	8-32 X 3/8 PH PAN W/SEMS	42227
5	ACORN NUT #8-32	47702
6	MALE HINGE SHORT LEFT	41349
7	FEMALE HINGE LEFT HAND	61359
8	FEMALE HINGE RIGHT HAND	61373
9	MALE HINGE SHORT RIGHT	41350



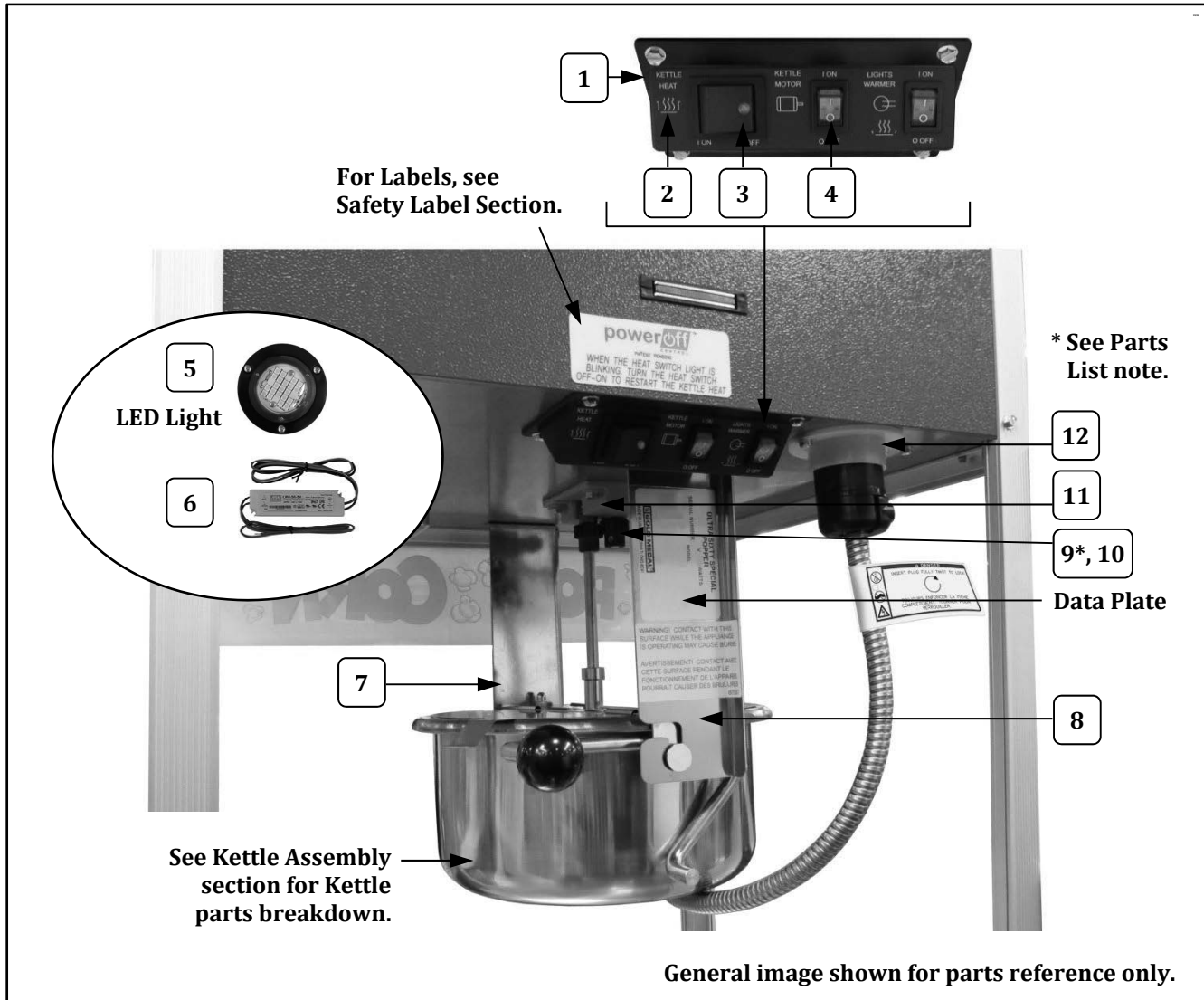
## Door Hardware Kit 61380 – Individual Component Breakdown



Item	Part Description	Part Number
		61380
1	KNOB LID LIFT	47120
2	TEE BOLT	75267
3	8-32 X 5/16 SLOTTED HEX	49594
4	8-32 X 3/8 PH PAN W/SEMS	42227
5	ACORN NUT #8-32	47702
6	MALE HINGE SHORT LEFT	41349
7	FEMALE HINGE LEFT HAND	61359
8	FEMALE HINGE RIGHT HAND	61373
9	MALE HINGE SHORT RIGHT	41350



## Cabinet Interior – Hanger Assembly

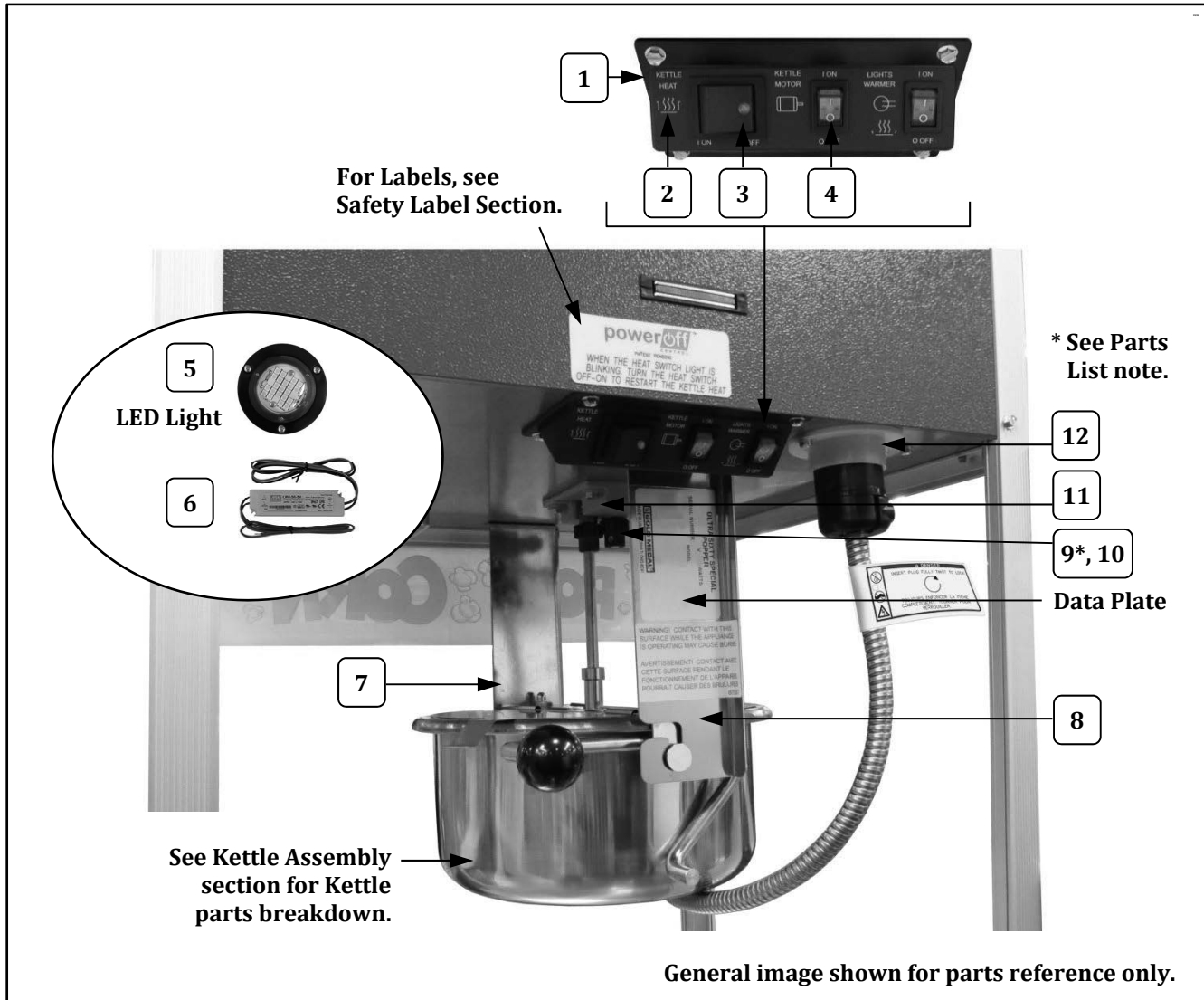


Item	Part Description	Part Number
		All Models
1	SMALL SWITCH BOX	48501
2	SWITCH BOX LABEL	48502
3	GREEN LIGHTED ROCKER SWITCH	42798
4	DPST ROCKER SWITCH	42532
5	LED REPLACEMENT NO PLATE	100544
6	POWER SUPPLY 24VDC 20W	55394
7	REAR HANGER ARM	49009
8	FRONT HANGER ARM	49010
9	SPUR GEAR KIT (Includes 2 gears with set screws. Always replace Agitator Spur Gear and Kettle Drive Motor Gear as a set.)	47059K
10	10-32" X 3/16" SET SCREW	41742
11	GEAR BLOCK ASSEMBLY	67194
12	15 AMP TWIST LOCK KETTLE RECPT	49330





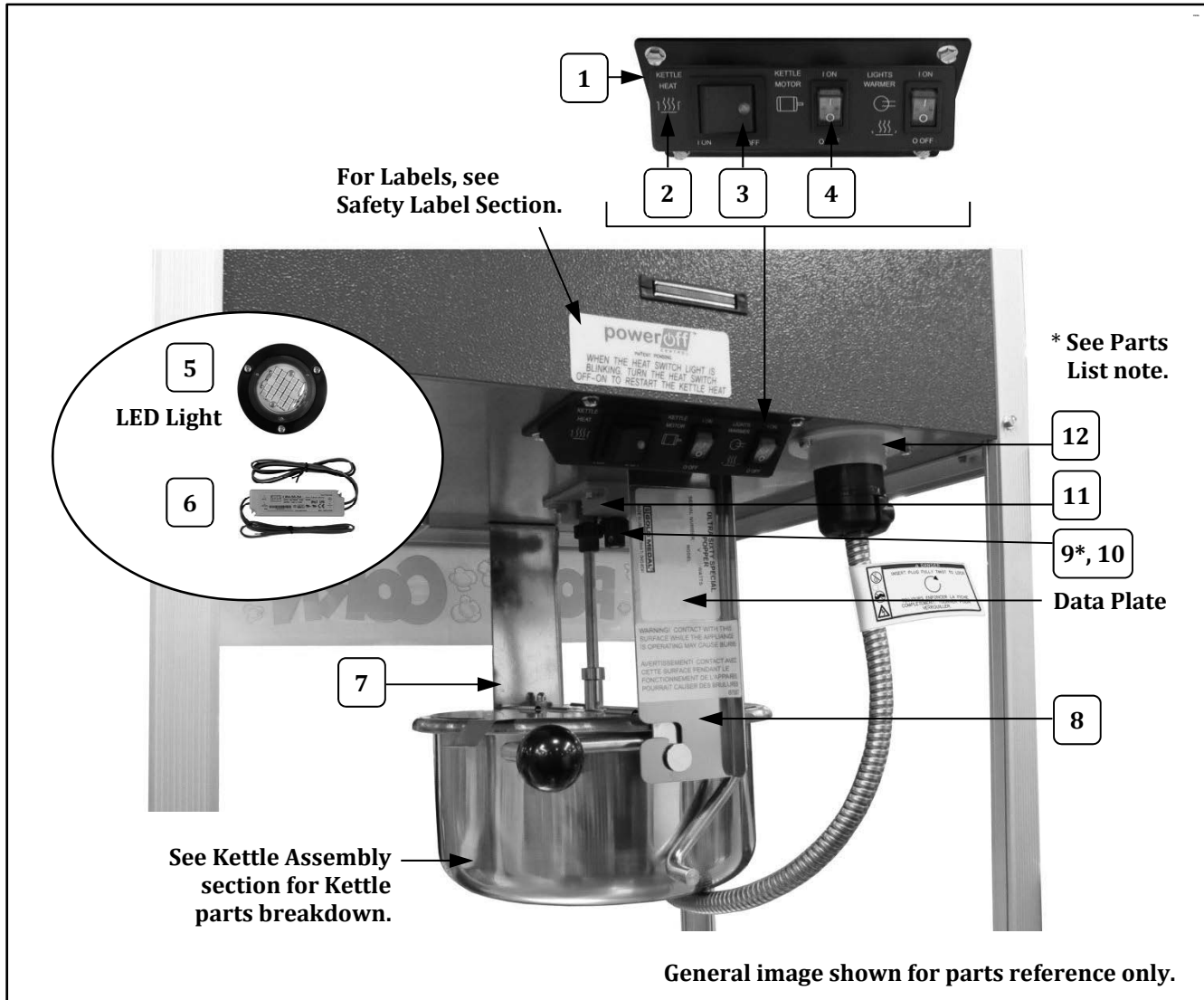
## Cabinet Interior – Hanger Assembly



Item	Part Description	Part Number
		All Models
1	SMALL SWITCH BOX	48501
2	SWITCH BOX LABEL	48502
3	GREEN LIGHTED ROCKER SWITCH	42798
4	DPST ROCKER SWITCH	42532
5	LED REPLACEMENT NO PLATE	100544
6	POWER SUPPLY 24VDC 20W	55394
7	REAR HANGER ARM	49009
8	FRONT HANGER ARM	49010
9	SPUR GEAR KIT (Includes 2 gears with set screws. Always replace Agitator Spur Gear and Kettle Drive Motor Gear as a set.)	47059K
10	10-32" X 3/16" SET SCREW	41742
11	GEAR BLOCK ASSEMBLY	67194
12	15 AMP TWIST LOCK KETTLE RECPT	49330



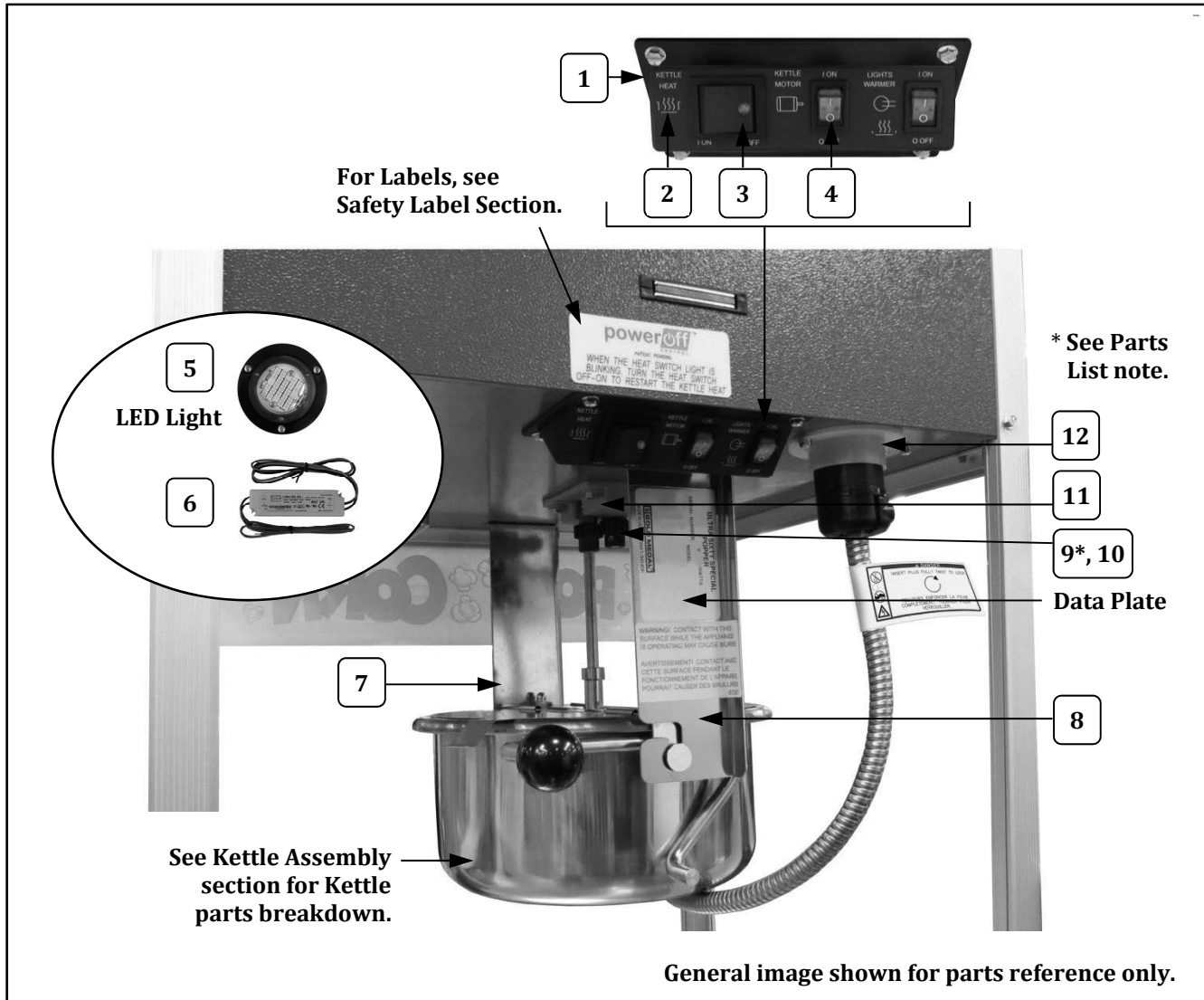
## Cabinet Interior – Hanger Assembly



Item	Part Description	Part Number
		All Models
1	SMALL SWITCH BOX	48501
2	SWITCH BOX LABEL	48502
3	GREEN LIGHTED ROCKER SWITCH	42798
4	DPST ROCKER SWITCH	42532
5	LED REPLACEMENT NO PLATE	100544
6	POWER SUPPLY 24VDC 20W	55394
7	REAR HANGER ARM	49009
8	FRONT HANGER ARM	49010
9	SPUR GEAR KIT (Includes 2 gears with set screws. Always replace Agitator Spur Gear and Kettle Drive Motor Gear as a set.)	47059K
10	10-32" X 3/16" SET SCREW	41742
11	GEAR BLOCK ASSEMBLY	67194
12	15 AMP TWIST LOCK KETTLE RECPT	49330



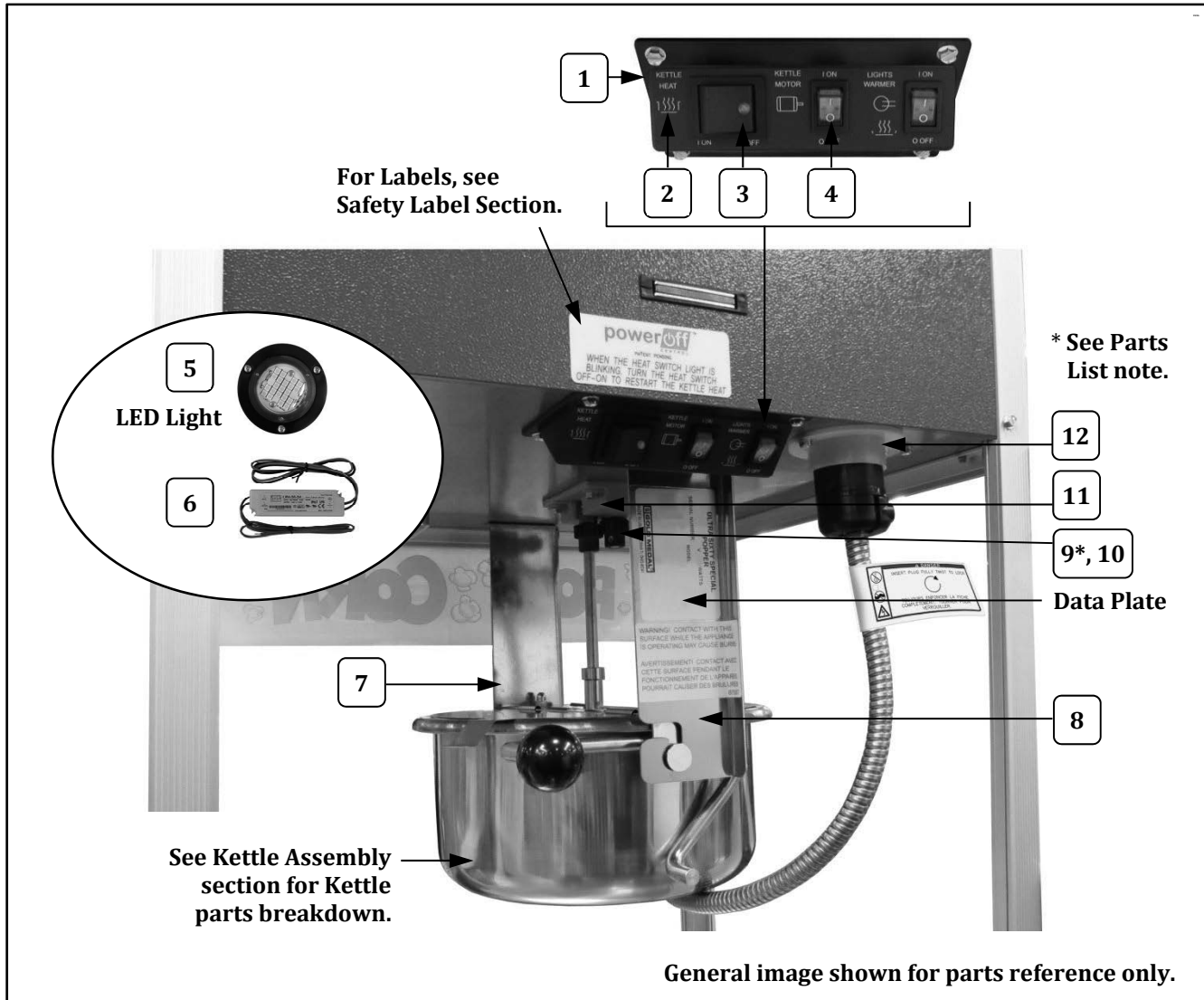
## Cabinet Interior – Hanger Assembly



Item	Part Description	Part Number
		All Models
1	SMALL SWITCH BOX	48501
2	SWITCH BOX LABEL	48502
3	GREEN LIGHTED ROCKER SWITCH	42798
4	DPST ROCKER SWITCH	42532
5	LED REPLACEMENT NO PLATE	100544
6	POWER SUPPLY 24VDC 20W	55394
7	REAR HANGER ARM	49009
8	FRONT HANGER ARM	49010
9	SPUR GEAR KIT (Includes 2 gears with set screws. Always replace Agitator Spur Gear and Kettle Drive Motor Gear as a set.)	47059K
10	10-32" X 3/16" SET SCREW	41742
11	GEAR BLOCK ASSEMBLY	67194
12	15 AMP TWIST LOCK KETTLE RECPT	49330



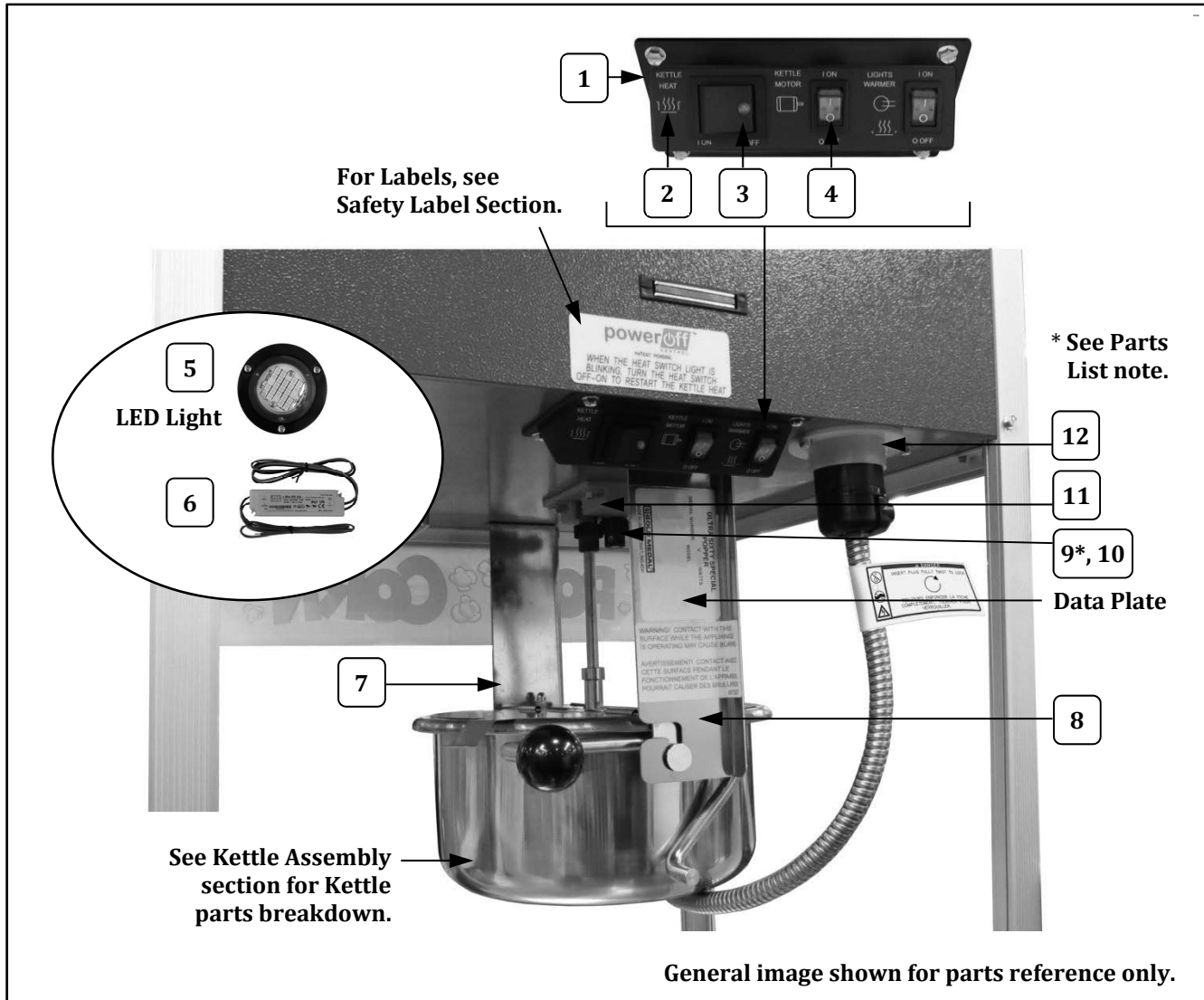
## Cabinet Interior – Hanger Assembly



Item	Part Description	Part Number
		All Models
1	SMALL SWITCH BOX	48501
2	SWITCH BOX LABEL	48502
3	GREEN LIGHTED ROCKER SWITCH	42798
4	DPST ROCKER SWITCH	42532
5	LED REPLACEMENT NO PLATE	100544
6	POWER SUPPLY 24VDC 20W	55394
7	REAR HANGER ARM	49009
8	FRONT HANGER ARM	49010
9	SPUR GEAR KIT (Includes 2 gears with set screws. Always replace Agitator Spur Gear and Kettle Drive Motor Gear as a set.)	47059K
10	10-32" X 3/16" SET SCREW	41742
11	GEAR BLOCK ASSEMBLY	67194
12	15 AMP TWIST LOCK KETTLE RECPT	49330



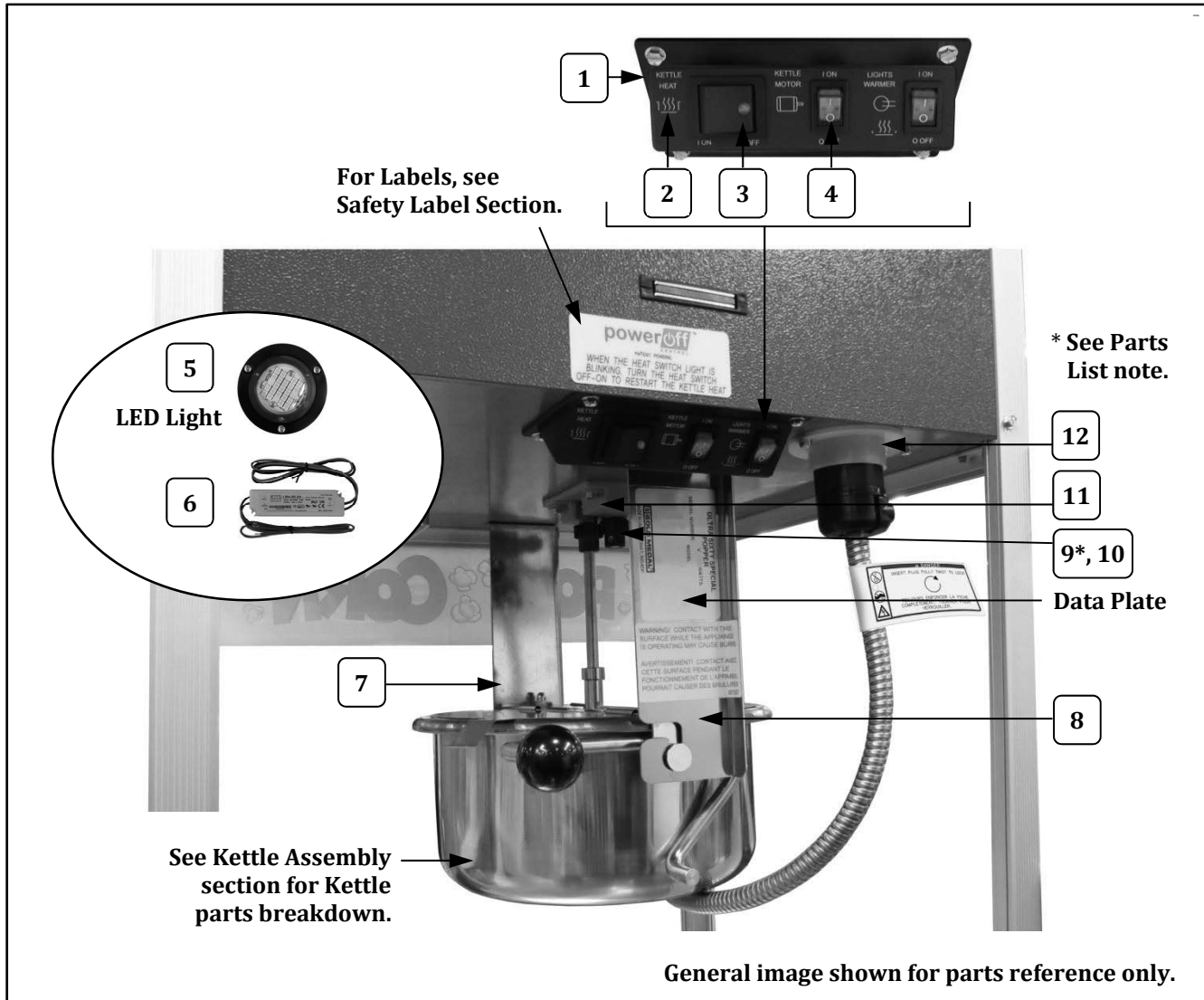
## Cabinet Interior – Hanger Assembly



Item	Part Description	Part Number
		All Models
1	SMALL SWITCH BOX	48501
2	SWITCH BOX LABEL	48502
3	GREEN LIGHTED ROCKER SWITCH	42798
4	DPST ROCKER SWITCH	42532
5	LED REPLACEMENT NO PLATE	100544
6	POWER SUPPLY 24VDC 20W	55394
7	REAR HANGER ARM	49009
8	FRONT HANGER ARM	49010
9	SPUR GEAR KIT (Includes 2 gears with set screws. Always replace Agitator Spur Gear and Kettle Drive Motor Gear as a set.)	47059K
10	10-32" X 3/16" SET SCREW	41742
11	GEAR BLOCK ASSEMBLY	67194
12	15 AMP TWIST LOCK KETTLE RECPT	49330



## Cabinet Interior – Hanger Assembly

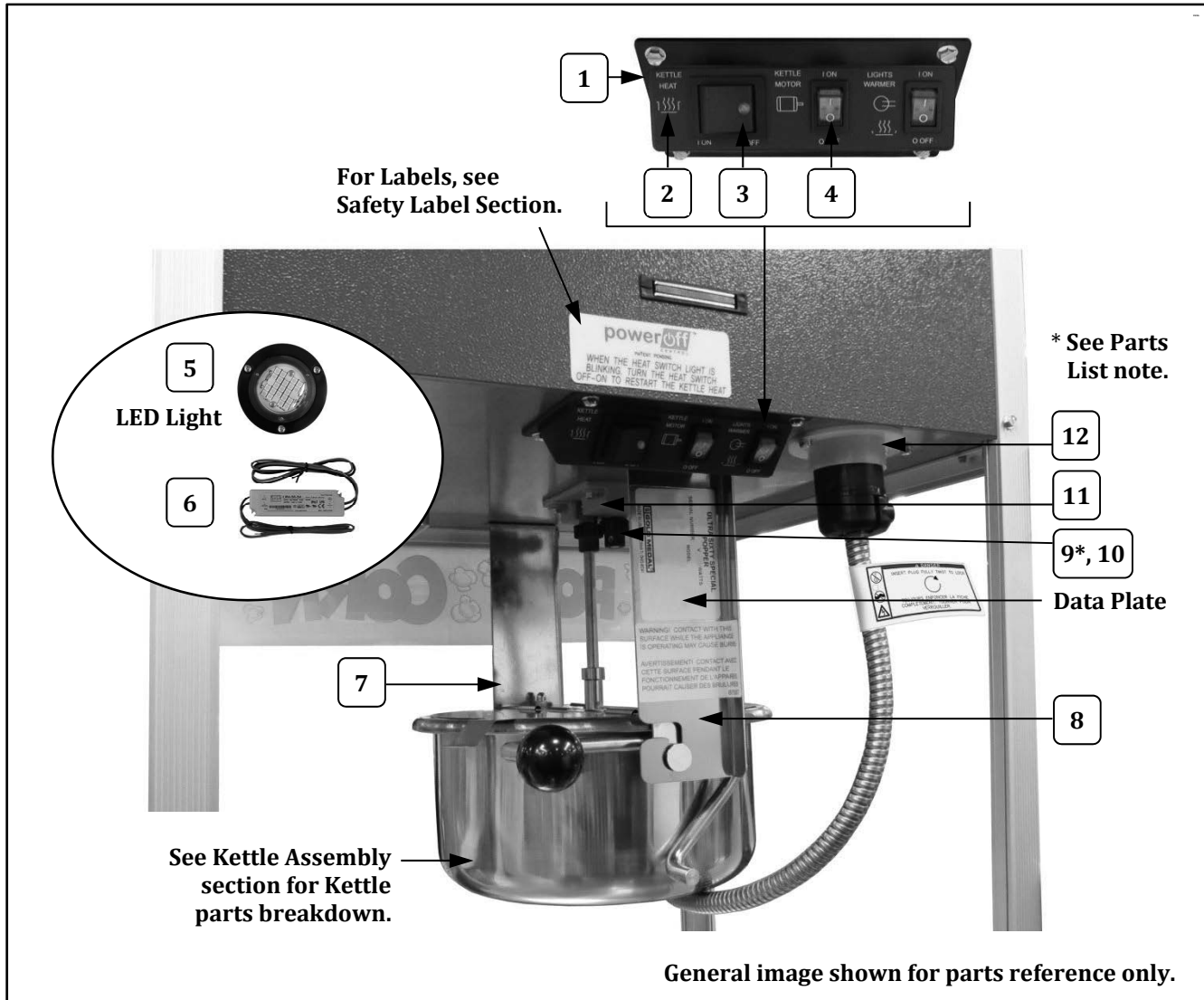


General image shown for parts reference only.

Item	Part Description	Part Number
		All Models
1	SMALL SWITCH BOX	48501
2	SWITCH BOX LABEL	48502
3	GREEN LIGHTED ROCKER SWITCH	42798
4	DPST ROCKER SWITCH	42532
5	LED REPLACEMENT NO PLATE	100544
6	POWER SUPPLY 24VDC 20W	55394
7	REAR HANGER ARM	49009
8	FRONT HANGER ARM	49010
9	SPUR GEAR KIT (Includes 2 gears with set screws. Always replace Agitator Spur Gear and Kettle Drive Motor Gear as a set.)	47059K
10	10-32" X 3/16" SET SCREW	41742
11	GEAR BLOCK ASSEMBLY	67194
12	15 AMP TWIST LOCK KETTLE RECPT	49330



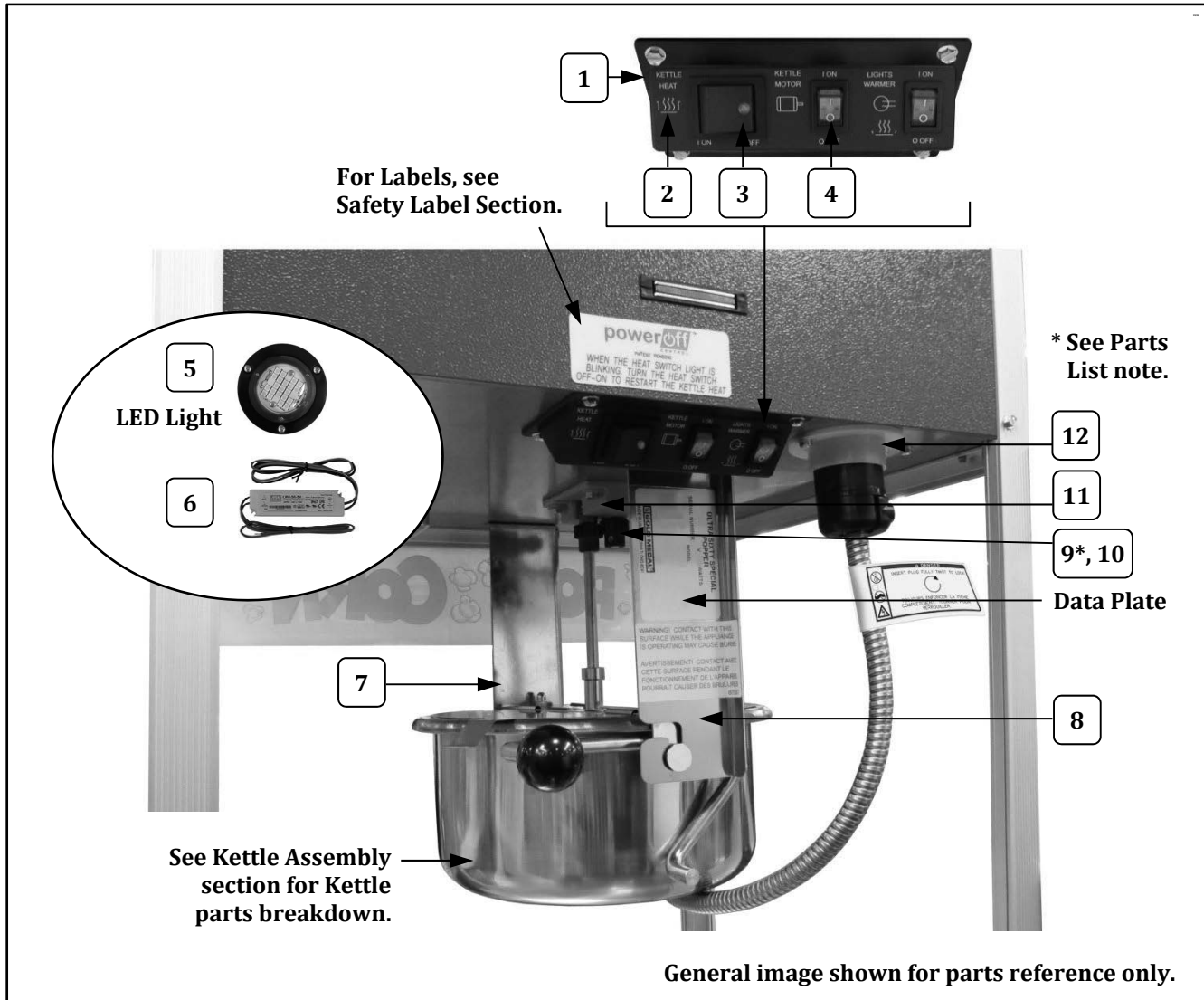
## Cabinet Interior – Hanger Assembly



Item	Part Description	Part Number
		All Models
1	SMALL SWITCH BOX	48501
2	SWITCH BOX LABEL	48502
3	GREEN LIGHTED ROCKER SWITCH	42798
4	DPST ROCKER SWITCH	42532
5	LED REPLACEMENT NO PLATE	100544
6	POWER SUPPLY 24VDC 20W	55394
7	REAR HANGER ARM	49009
8	FRONT HANGER ARM	49010
9	SPUR GEAR KIT (Includes 2 gears with set screws. Always replace Agitator Spur Gear and Kettle Drive Motor Gear as a set.)	47059K
10	10-32" X 3/16" SET SCREW	41742
11	GEAR BLOCK ASSEMBLY	67194
12	15 AMP TWIST LOCK KETTLE RECPT	49330



## Cabinet Interior – Hanger Assembly

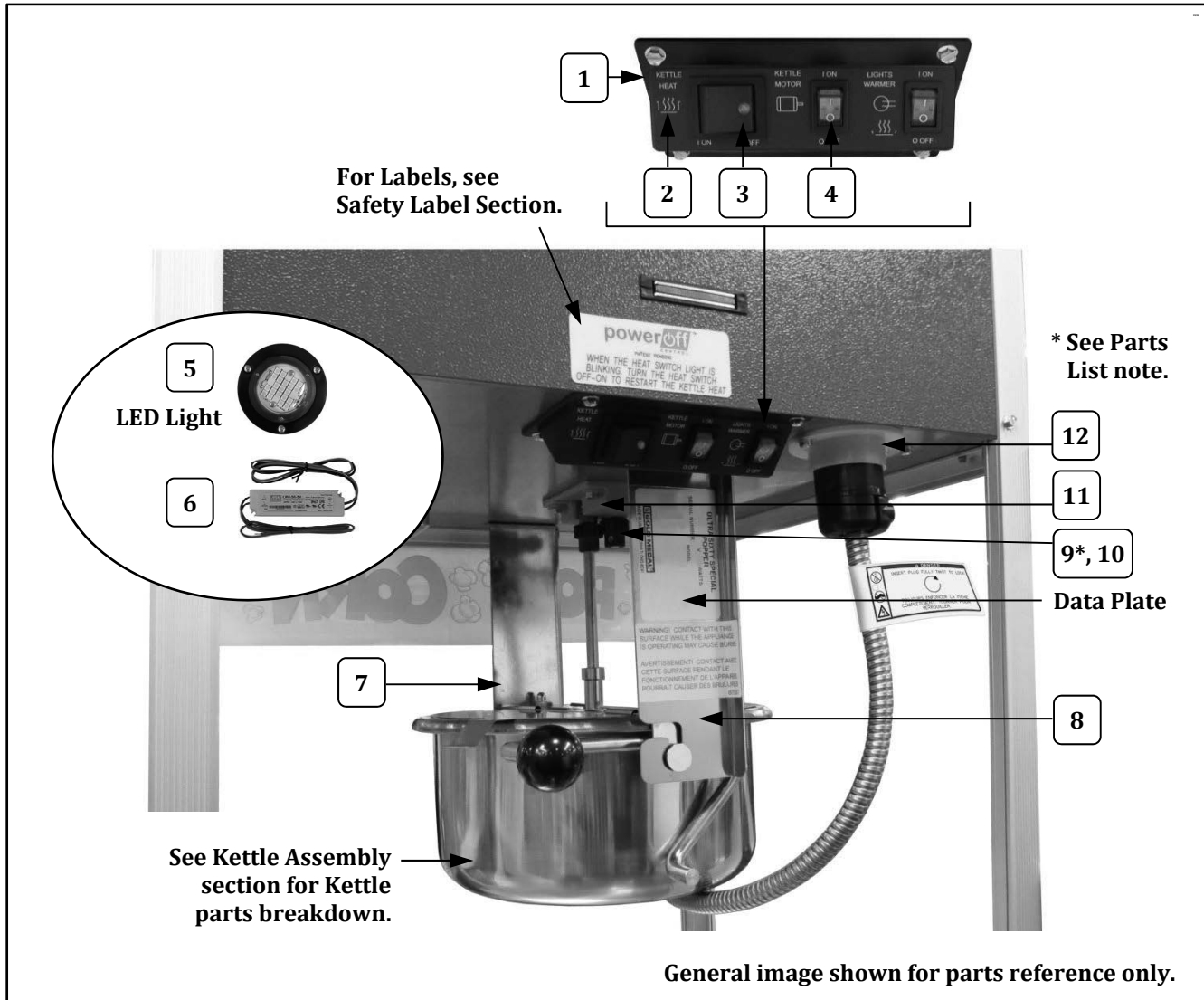


Item	Part Description	Part Number
		All Models
1	SMALL SWITCH BOX	48501
2	SWITCH BOX LABEL	48502
3	GREEN LIGHTED ROCKER SWITCH	42798
4	DPST ROCKER SWITCH	42532
5	LED REPLACEMENT NO PLATE	100544
6	POWER SUPPLY 24VDC 20W	55394
7	REAR HANGER ARM	49009
8	FRONT HANGER ARM	49010
9	SPUR GEAR KIT (Includes 2 gears with set screws. Always replace Agitator Spur Gear and Kettle Drive Motor Gear as a set.)	47059K
10	10-32" X 3/16" SET SCREW	41742
11	GEAR BLOCK ASSEMBLY	67194
12	15 AMP TWIST LOCK KETTLE RECPT	49330





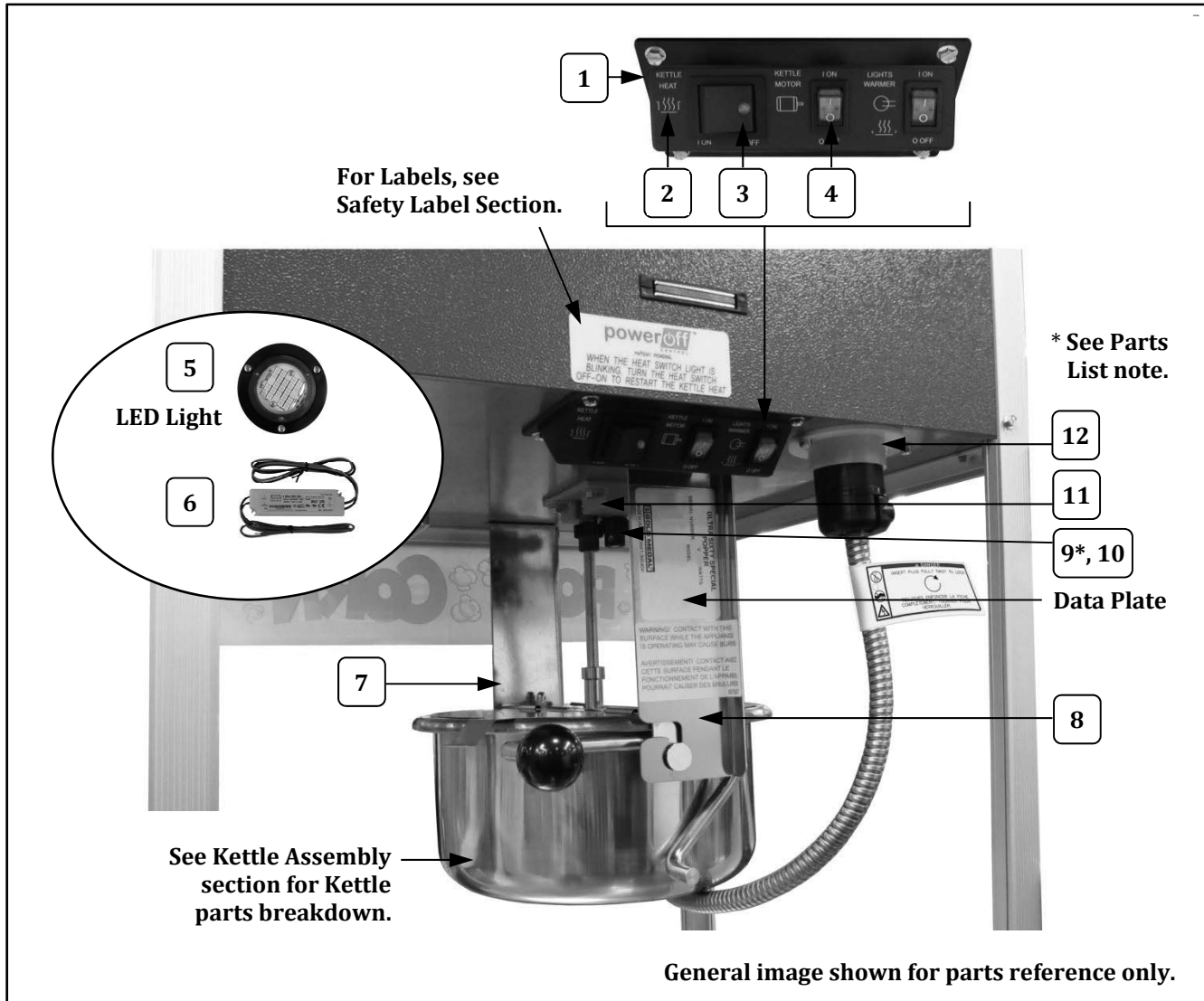
## Cabinet Interior – Hanger Assembly



Item	Part Description	Part Number
		All Models
1	SMALL SWITCH BOX	48501
2	SWITCH BOX LABEL	48502
3	GREEN LIGHTED ROCKER SWITCH	42798
4	DPST ROCKER SWITCH	42532
5	LED REPLACEMENT NO PLATE	100544
6	POWER SUPPLY 24VDC 20W	55394
7	REAR HANGER ARM	49009
8	FRONT HANGER ARM	49010
9	SPUR GEAR KIT (Includes 2 gears with set screws. Always replace Agitator Spur Gear and Kettle Drive Motor Gear as a set.)	47059K
10	10-32" X 3/16" SET SCREW	41742
11	GEAR BLOCK ASSEMBLY	67194
12	15 AMP TWIST LOCK KETTLE RECPT	49330



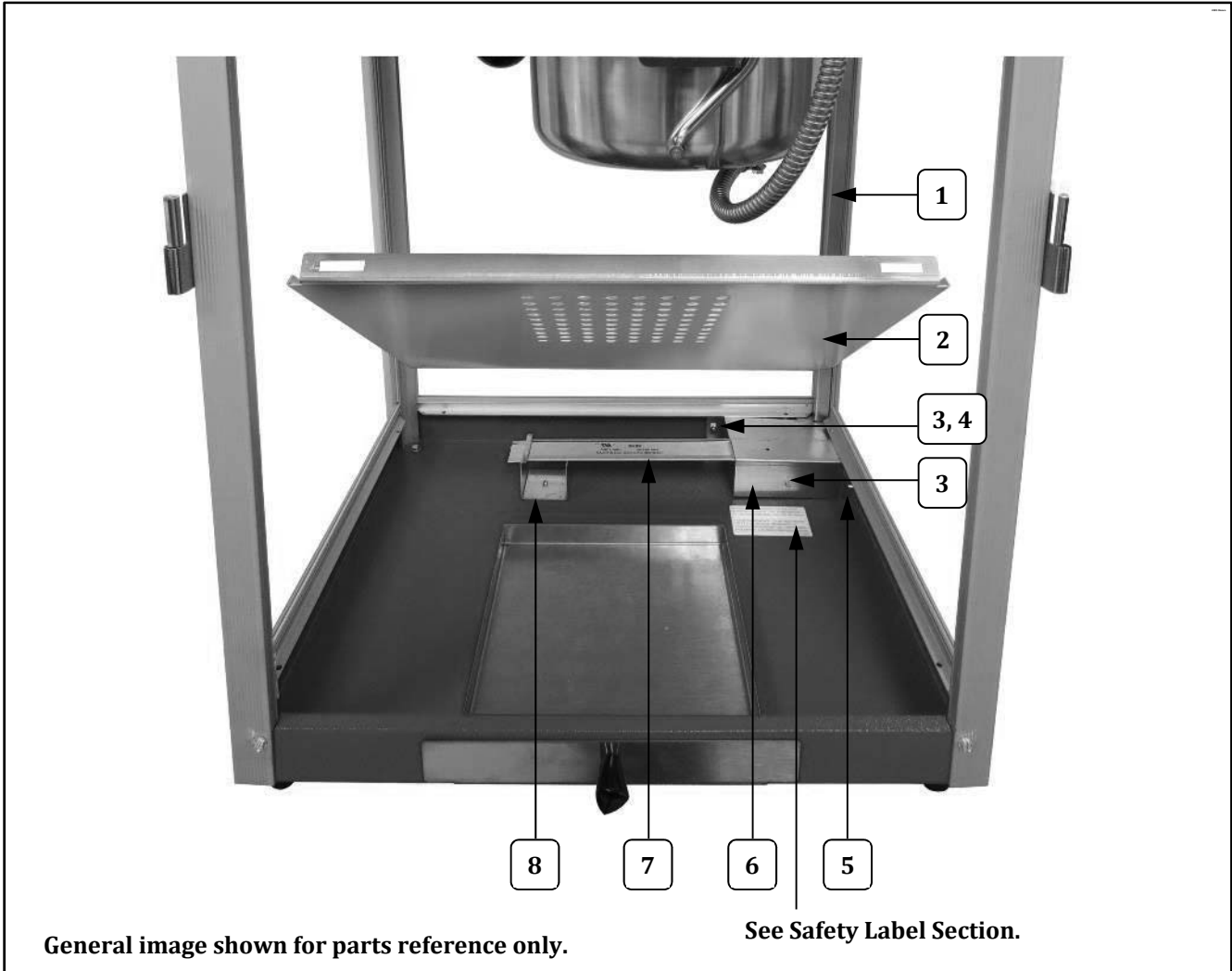
## Cabinet Interior – Hanger Assembly



Item	Part Description	Part Number
		All Models
1	SMALL SWITCH BOX	48501
2	SWITCH BOX LABEL	48502
3	GREEN LIGHTED ROCKER SWITCH	42798
4	DPST ROCKER SWITCH	42532
5	LED REPLACEMENT NO PLATE	100544
6	POWER SUPPLY 24VDC 20W	55394
7	REAR HANGER ARM	49009
8	FRONT HANGER ARM	49010
9	SPUR GEAR KIT (Includes 2 gears with set screws. Always replace Agitator Spur Gear and Kettle Drive Motor Gear as a set.)	47059K
10	10-32" X 3/16" SET SCREW	41742
11	GEAR BLOCK ASSEMBLY	67194
12	15 AMP TWIST LOCK KETTLE RECPT	49330



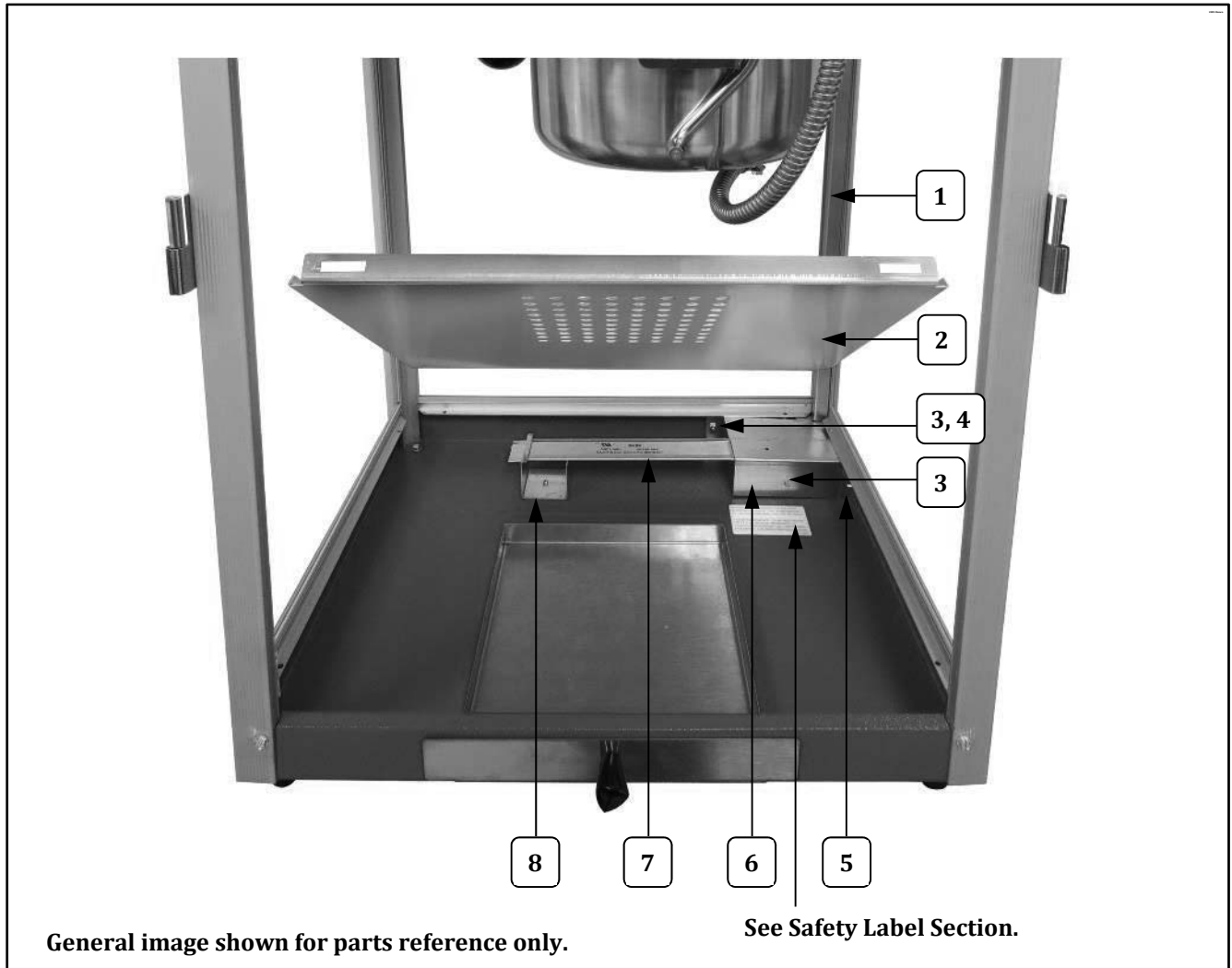
### Cabinet Interior – Corn Pan/Element View



Item	Part Description	Part Number
		All Models
1	WIRE DUCT (runs the entire length of the corner post)	49091
2	BOTTOM CORN PAN	49506
3	8-32 X 3/8 SLT. HWH M/S	42044
4	8-32 HEX M/S NUT	74149
5	CORNER COVER	49105
6	CORNER COVER - COVER	49104
7	STRIP HEAT ELEMENT 50W	49440
8	STRIP HEATER BRACKET	49425



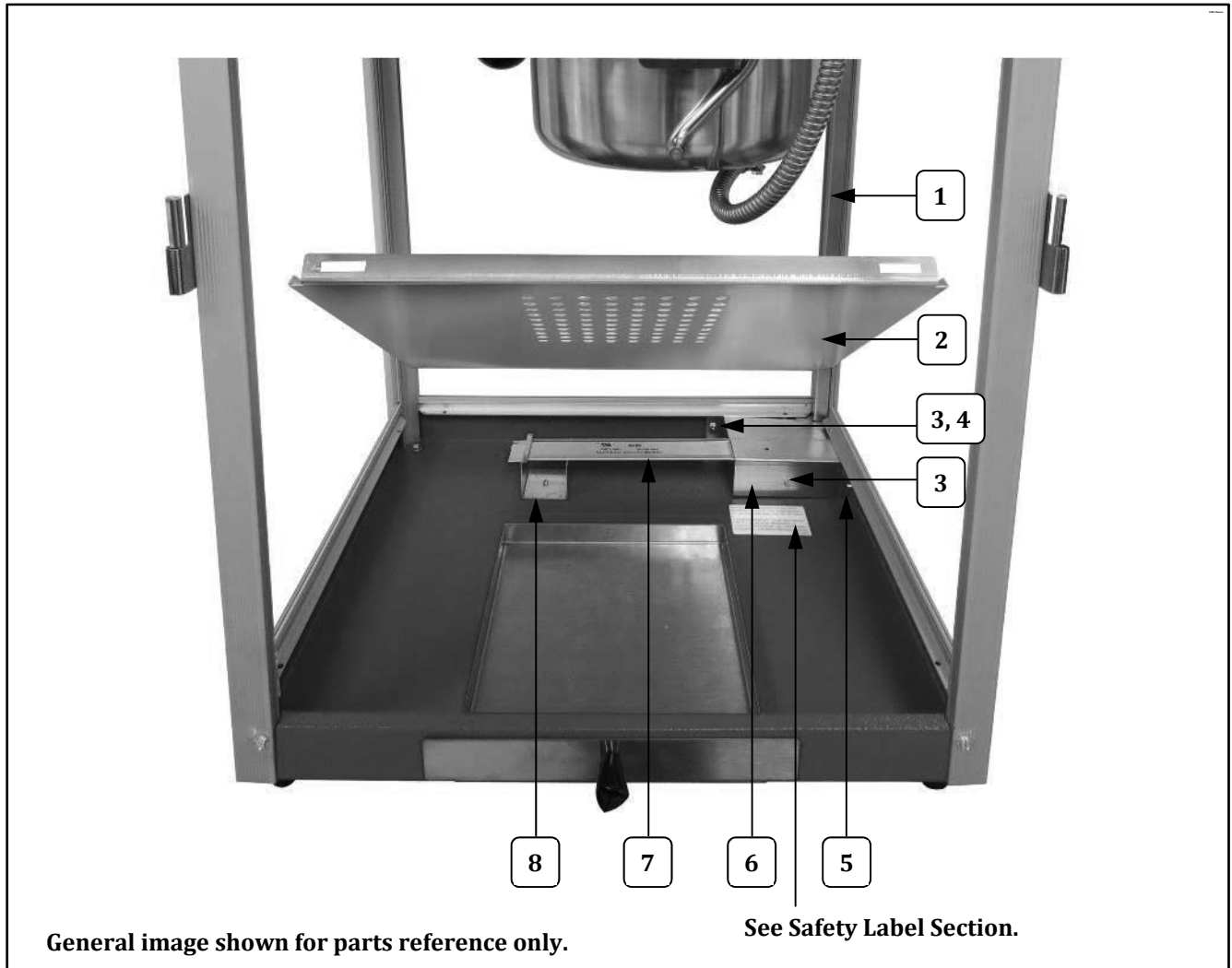
### Cabinet Interior – Corn Pan/Element View



Item	Part Description	Part Number
		All Models
1	WIRE DUCT (runs the entire length of the corner post)	49091
2	BOTTOM CORN PAN	49506
3	8-32 X 3/8 SLT. HWH M/S	42044
4	8-32 HEX M/S NUT	74149
5	CORNER COVER	49105
6	CORNER COVER - COVER	49104
7	STRIP HEAT ELEMENT 50W	49440
8	STRIP HEATER BRACKET	49425



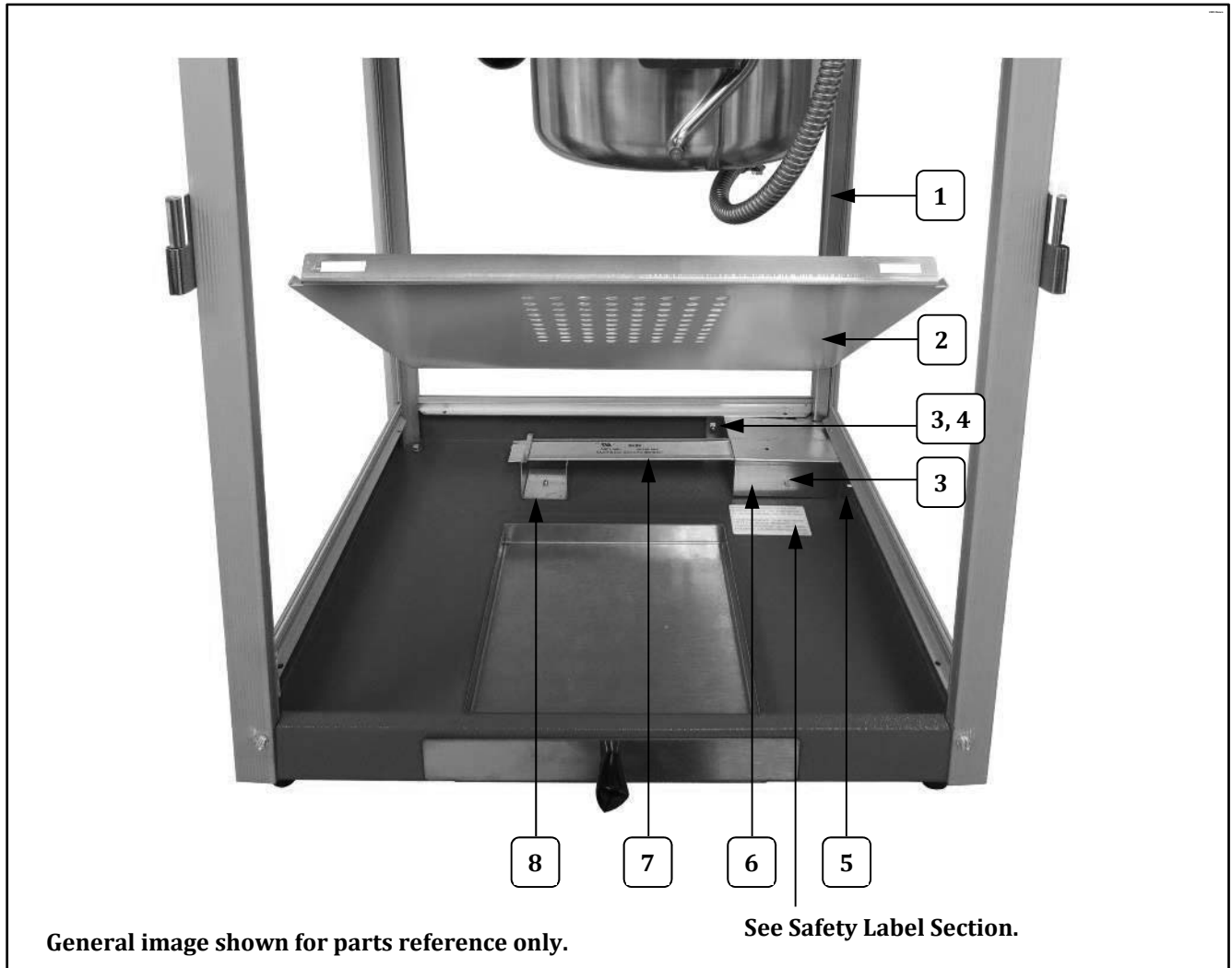
## Cabinet Interior – Corn Pan/Element View



Item	Part Description	Part Number
		All Models
1	WIRE DUCT (runs the entire length of the corner post)	49091
2	BOTTOM CORN PAN	49506
3	8-32 X 3/8 SLT. HWH M/S	42044
4	8-32 HEX M/S NUT	74149
5	CORNER COVER	49105
6	CORNER COVER - COVER	49104
7	STRIP HEAT ELEMENT 50W	49440
8	STRIP HEATER BRACKET	49425



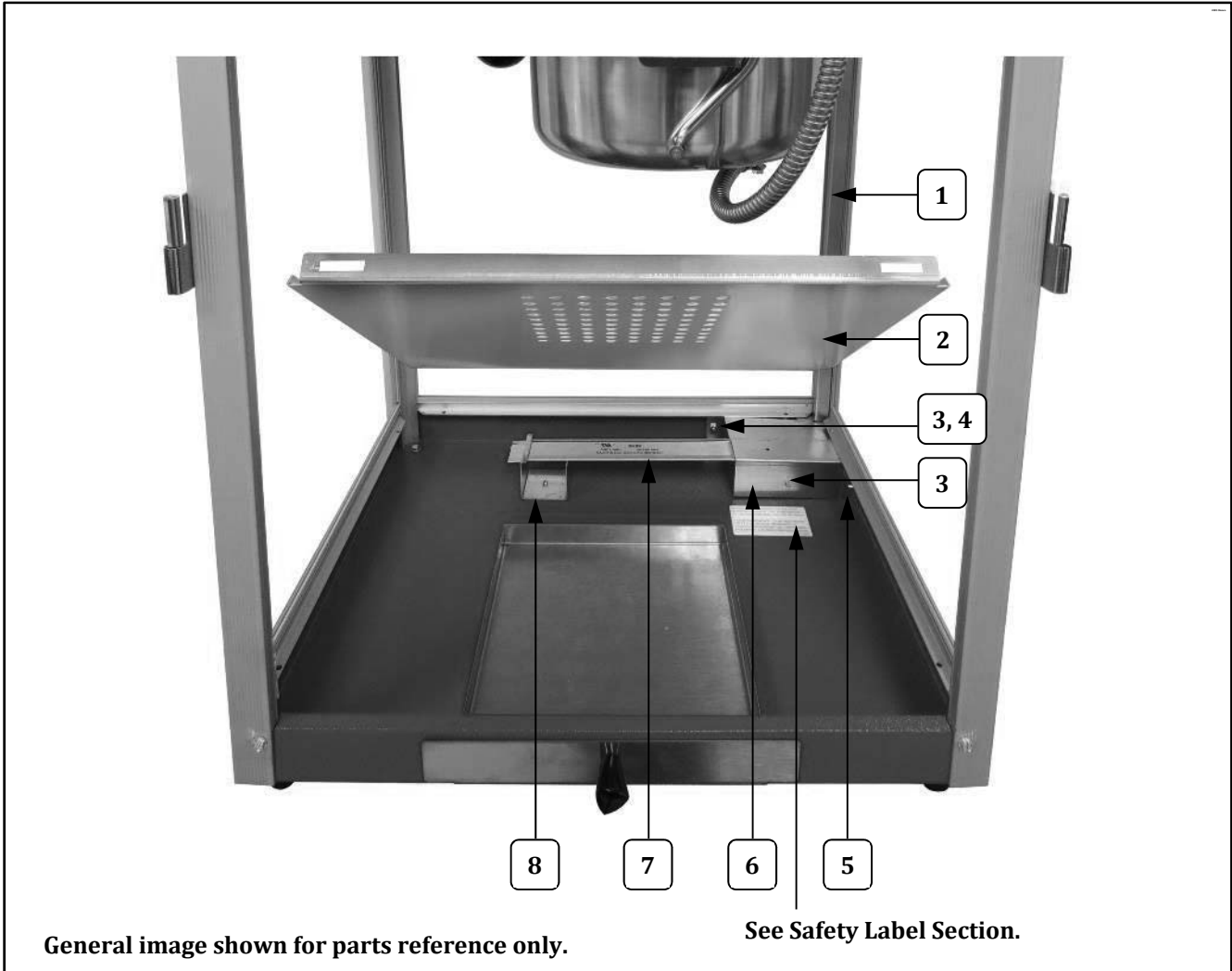
## Cabinet Interior – Corn Pan/Element View



Item	Part Description	Part Number
		All Models
1	WIRE DUCT (runs the entire length of the corner post)	49091
2	BOTTOM CORN PAN	49506
3	8-32 X 3/8 SLT. HWH M/S	42044
4	8-32 HEX M/S NUT	74149
5	CORNER COVER	49105
6	CORNER COVER - COVER	49104
7	STRIP HEAT ELEMENT 50W	49440
8	STRIP HEATER BRACKET	49425



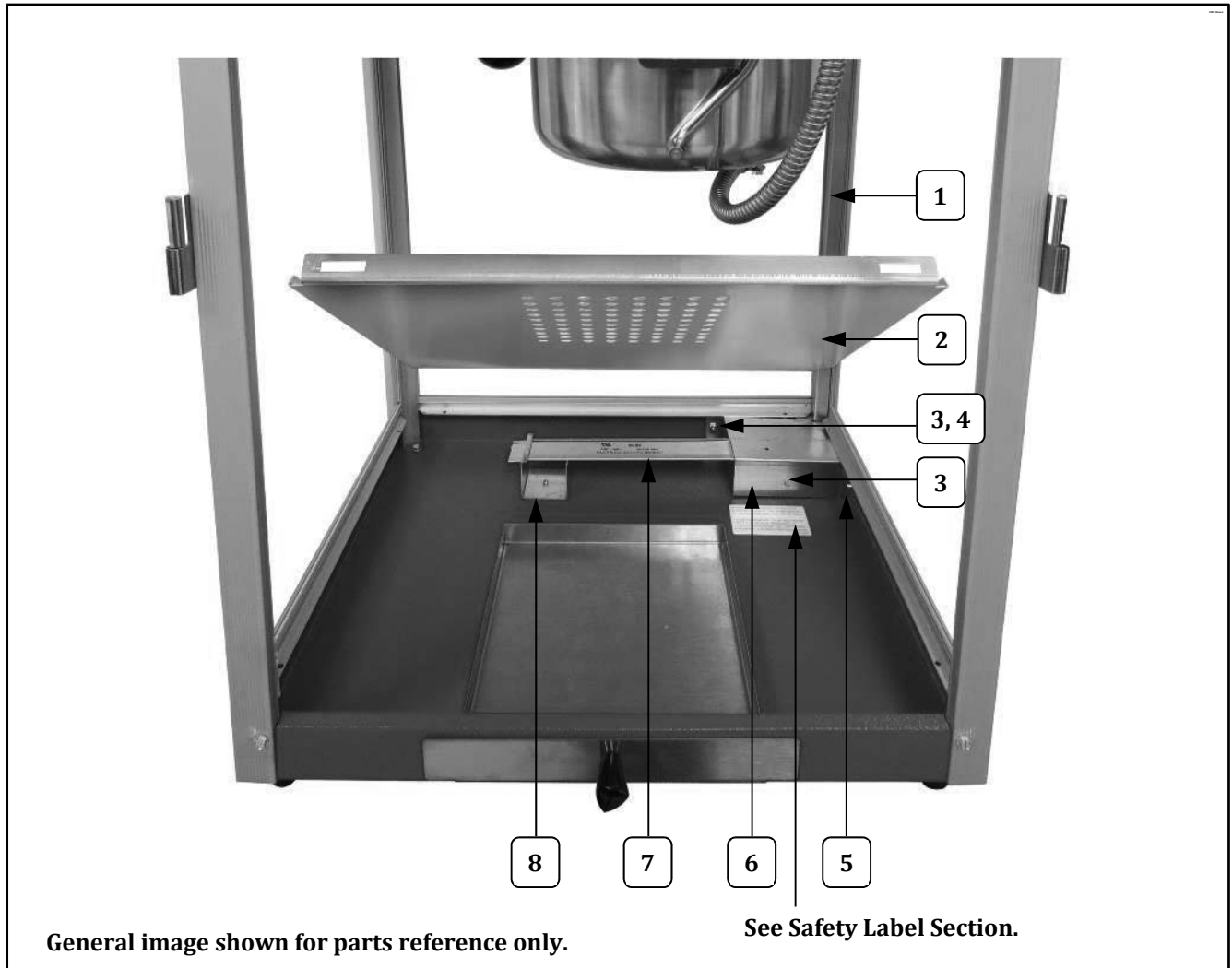
## Cabinet Interior – Corn Pan/Element View



Item	Part Description	Part Number
		All Models
1	WIRE DUCT (runs the entire length of the corner post)	49091
2	BOTTOM CORN PAN	49506
3	8-32 X 3/8 SLT. HWH M/S	42044
4	8-32 HEX M/S NUT	74149
5	CORNER COVER	49105
6	CORNER COVER - COVER	49104
7	STRIP HEAT ELEMENT 50W	49440
8	STRIP HEATER BRACKET	49425



## Cabinet Interior – Corn Pan/Element View

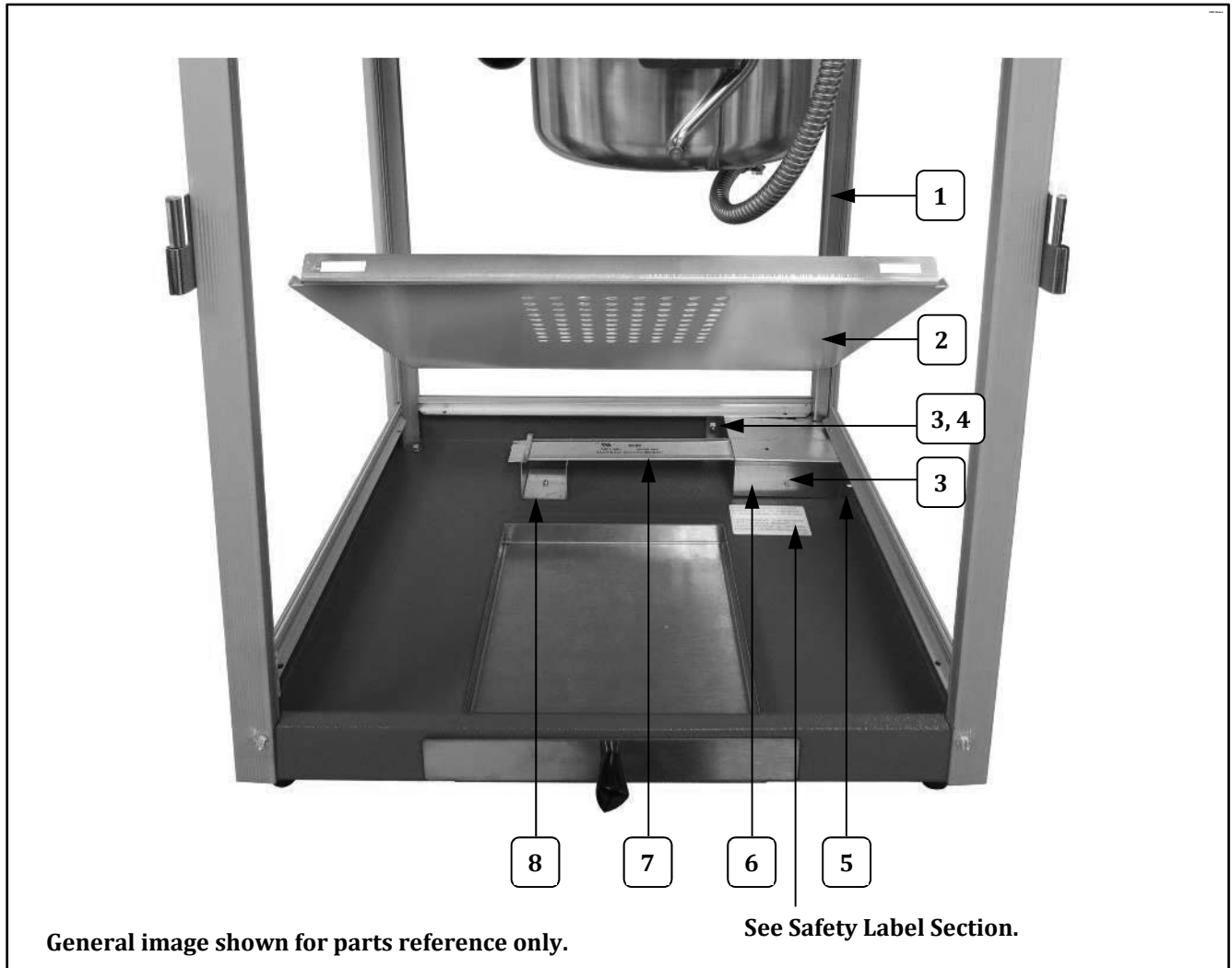


Item	Part Description	Part Number
		All Models
1	WIRE DUCT (runs the entire length of the corner post)	49091
2	BOTTOM CORN PAN	49506
3	8-32 X 3/8 SLT. HWH M/S	42044
4	8-32 HEX M/S NUT	74149
5	CORNER COVER	49105
6	CORNER COVER - COVER	49104
7	STRIP HEAT ELEMENT 50W	49440
8	STRIP HEATER BRACKET	49425





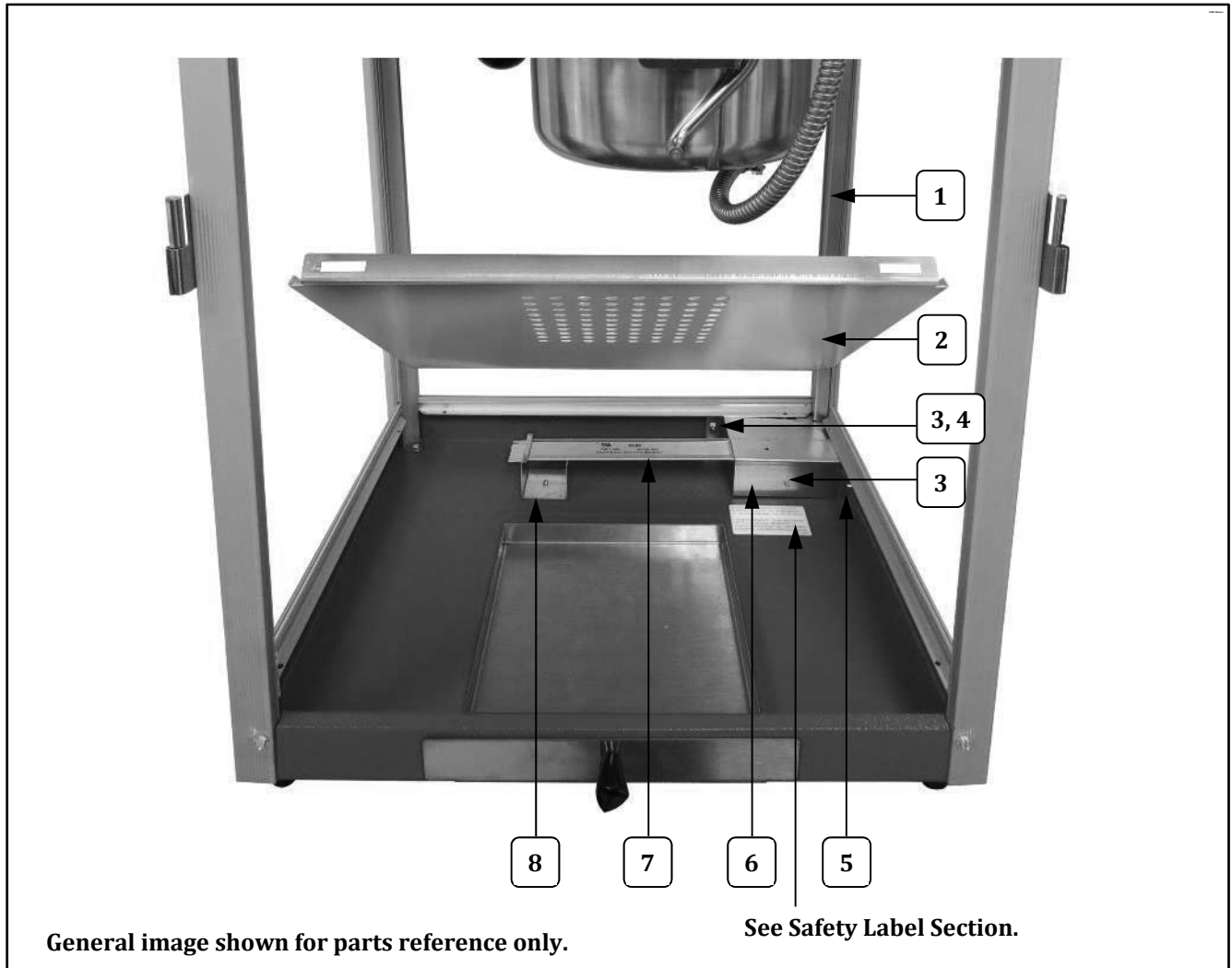
## Cabinet Interior – Corn Pan/Element View



Item	Part Description	Part Number
		All Models
1	WIRE DUCT (runs the entire length of the corner post)	49091
2	BOTTOM CORN PAN	49506
3	8-32 X 3/8 SLT. HWH M/S	42044
4	8-32 HEX M/S NUT	74149
5	CORNER COVER	49105
6	CORNER COVER - COVER	49104
7	STRIP HEAT ELEMENT 50W	49440
8	STRIP HEATER BRACKET	49425



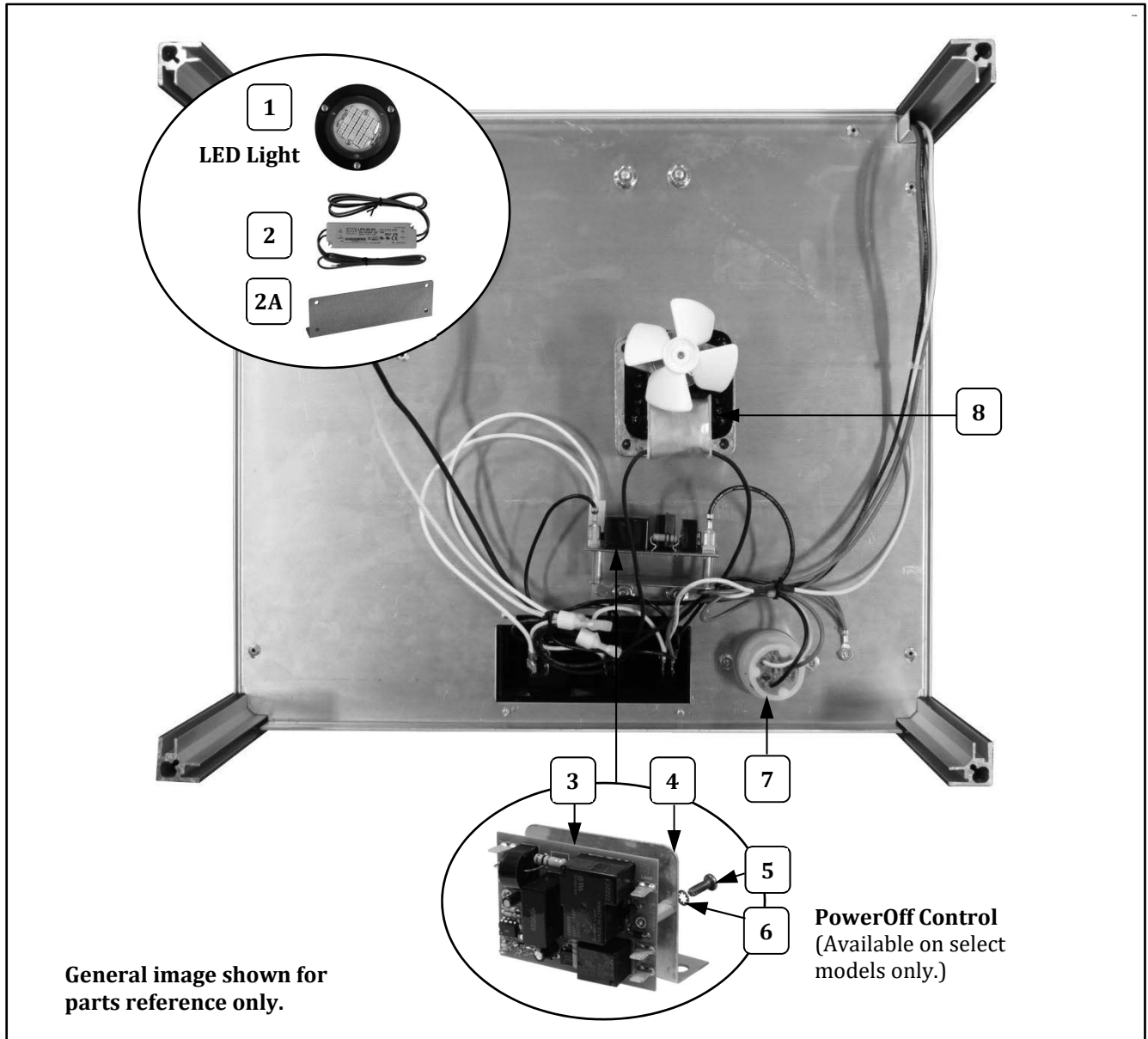
## Cabinet Interior – Corn Pan/Element View



Item	Part Description	Part Number
		All Models
1	WIRE DUCT (runs the entire length of the corner post)	49091
2	BOTTOM CORN PAN	49506
3	8-32 X 3/8 SLT. HWH M/S	42044
4	8-32 HEX M/S NUT	74149
5	CORNER COVER	49105
6	CORNER COVER - COVER	49104
7	STRIP HEAT ELEMENT 50W	49440
8	STRIP HEATER BRACKET	49425



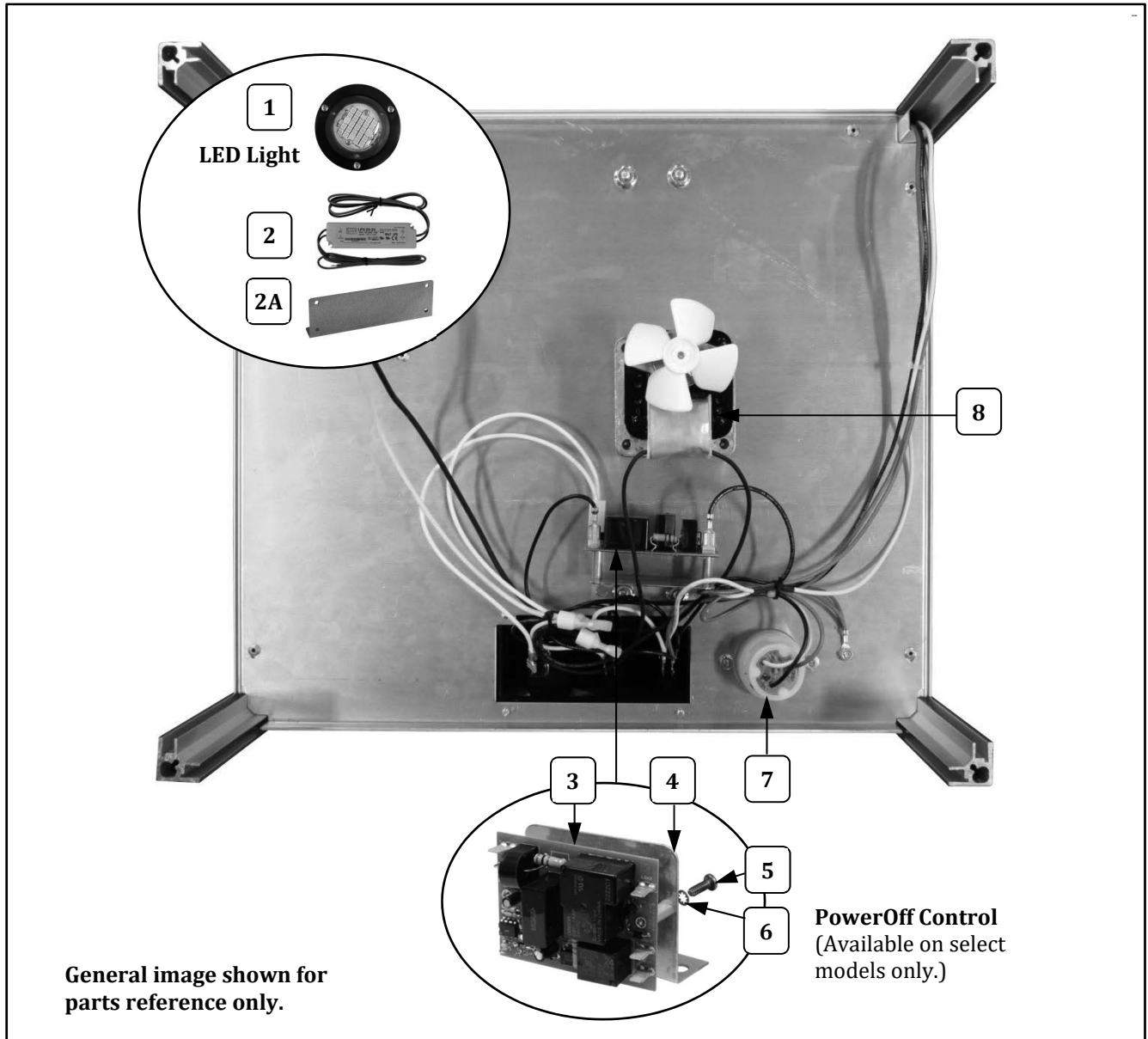
## Dome Interior – Electrical Components



Item	Part Description	Part Number	
		2388	2388-00-002
1	LED REPLACEMENT NO PLATE	100544	100544
2	POWER SUPPLY 24VDC 20W	55394	55394
2A	20W POWER SUPPLY BRACKET	55414	55414
3	AUTO KETTLE POWEROFF CNTRL PCB		55402
4	BRACKET, KETTLE POWEROFF CNTRL		55427
5	6-32 X 3/8 PHIL PAN M/S		39000
6	#6 INTERNAL TOOTH L/W 410SS		39001
7	15 AMP TWIST LOCK KETTLE RECPT	49330	49330
8	120 VOLT KETTLE DRIVE MOTOR	47038	47038



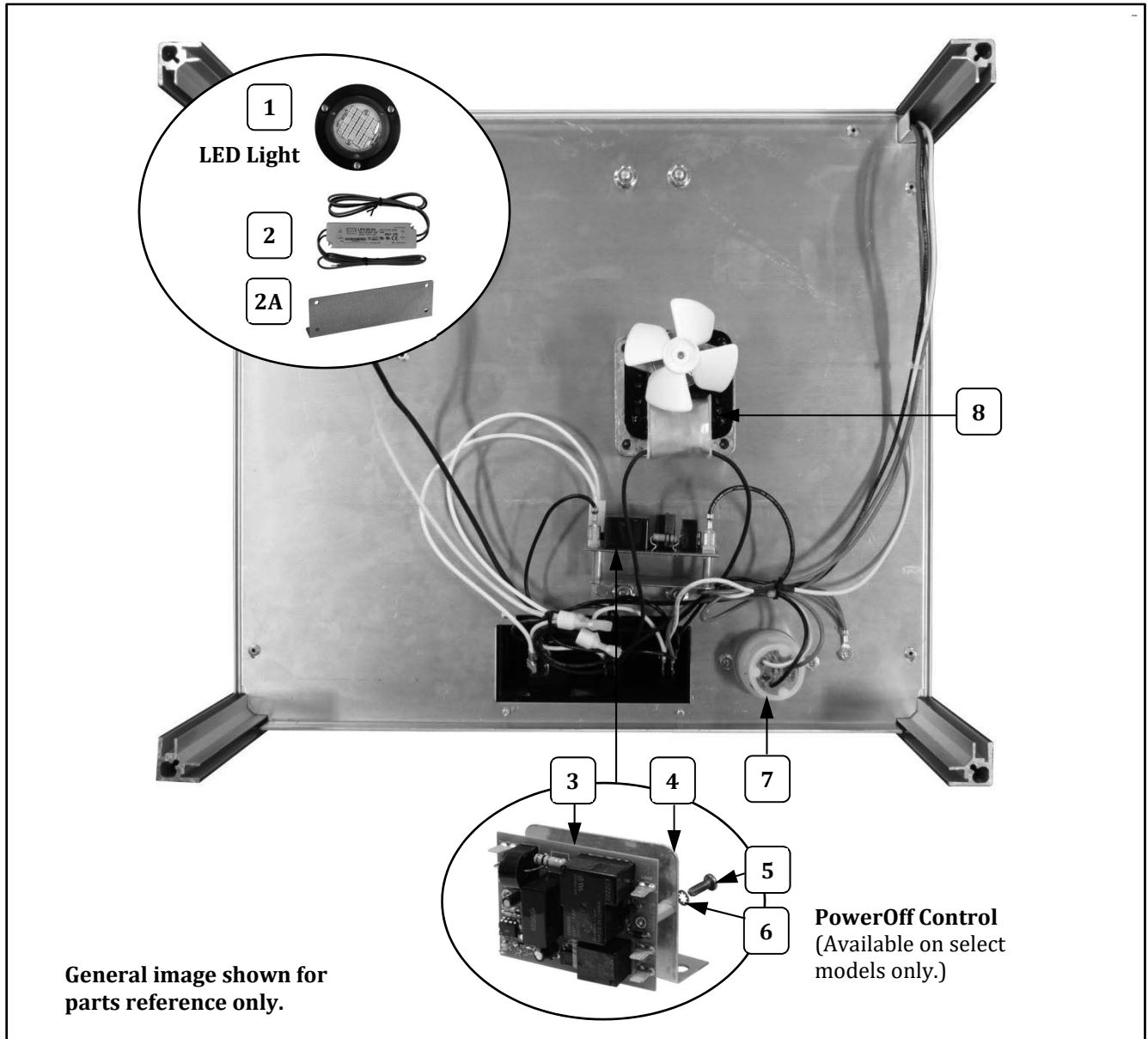
## Dome Interior – Electrical Components



Item	Part Description	Part Number	
		2388	2388-00-002
1	LED REPLACEMENT NO PLATE	100544	100544
2	POWER SUPPLY 24VDC 20W	55394	55394
2A	20W POWER SUPPLY BRACKET	55414	55414
3	AUTO KETTLE POWEROFF CNTRL PCB		55402
4	BRACKET, KETTLE POWEROFF CNTRL		55427
5	6-32 X 3/8 PHIL PAN M/S		39000
6	#6 INTERNAL TOOTH L/W 410SS		39001
7	15 AMP TWIST LOCK KETTLE RECPT	49330	49330
8	120 VOLT KETTLE DRIVE MOTOR	47038	47038



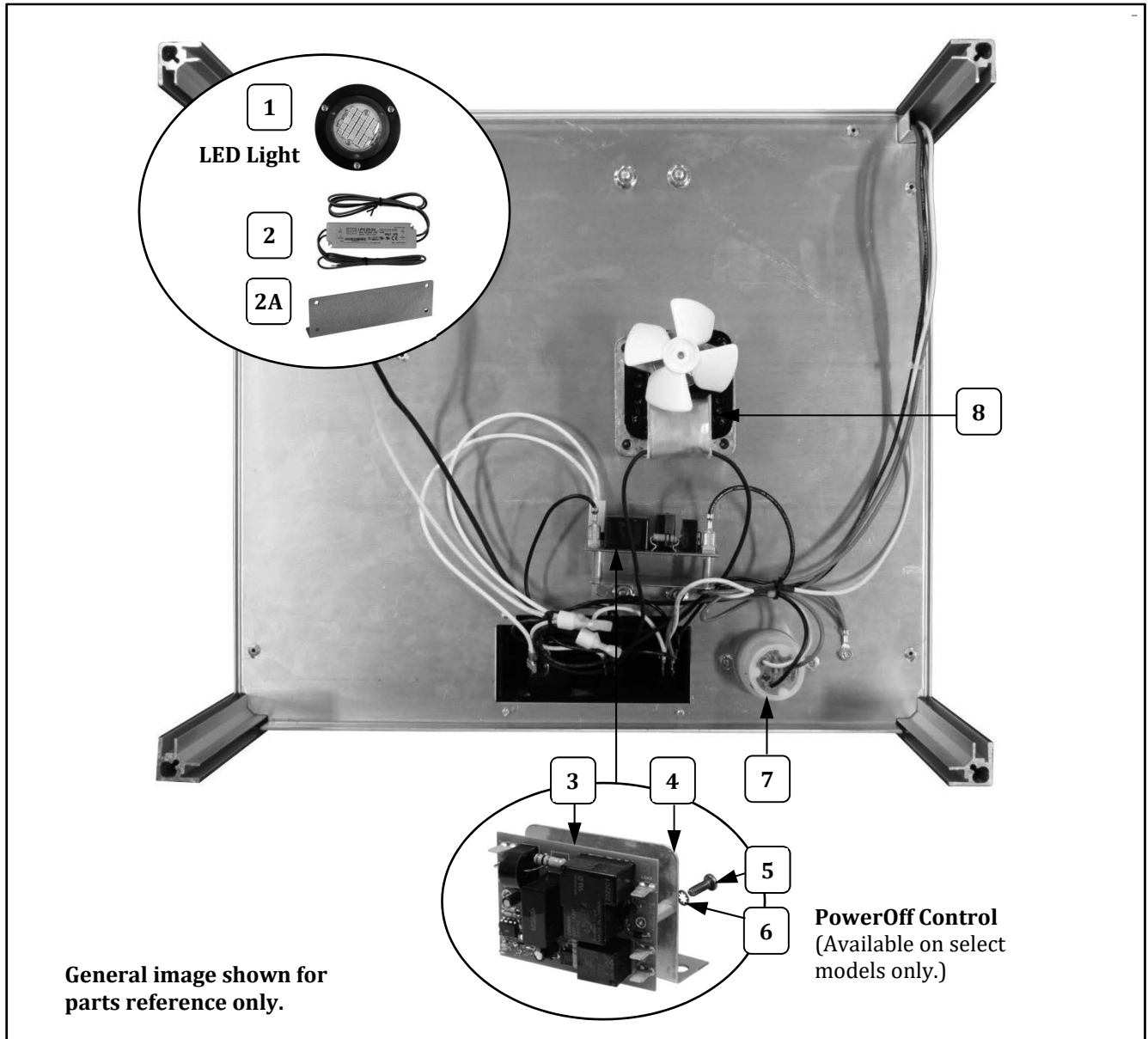
## Dome Interior – Electrical Components



Item	Part Description	Part Number	
		2388	2388-00-002
1	LED REPLACEMENT NO PLATE	100544	100544
2	POWER SUPPLY 24VDC 20W	55394	55394
2A	20W POWER SUPPLY BRACKET	55414	55414
3	AUTO KETTLE POWEROFF CNTRL PCB		55402
4	BRACKET, KETTLE POWEROFF CNTRL		55427
5	6-32 X 3/8 PHIL PAN M/S		39000
6	#6 INTERNAL TOOTH L/W 410SS		39001
7	15 AMP TWIST LOCK KETTLE RECPT	49330	49330
8	120 VOLT KETTLE DRIVE MOTOR	47038	47038



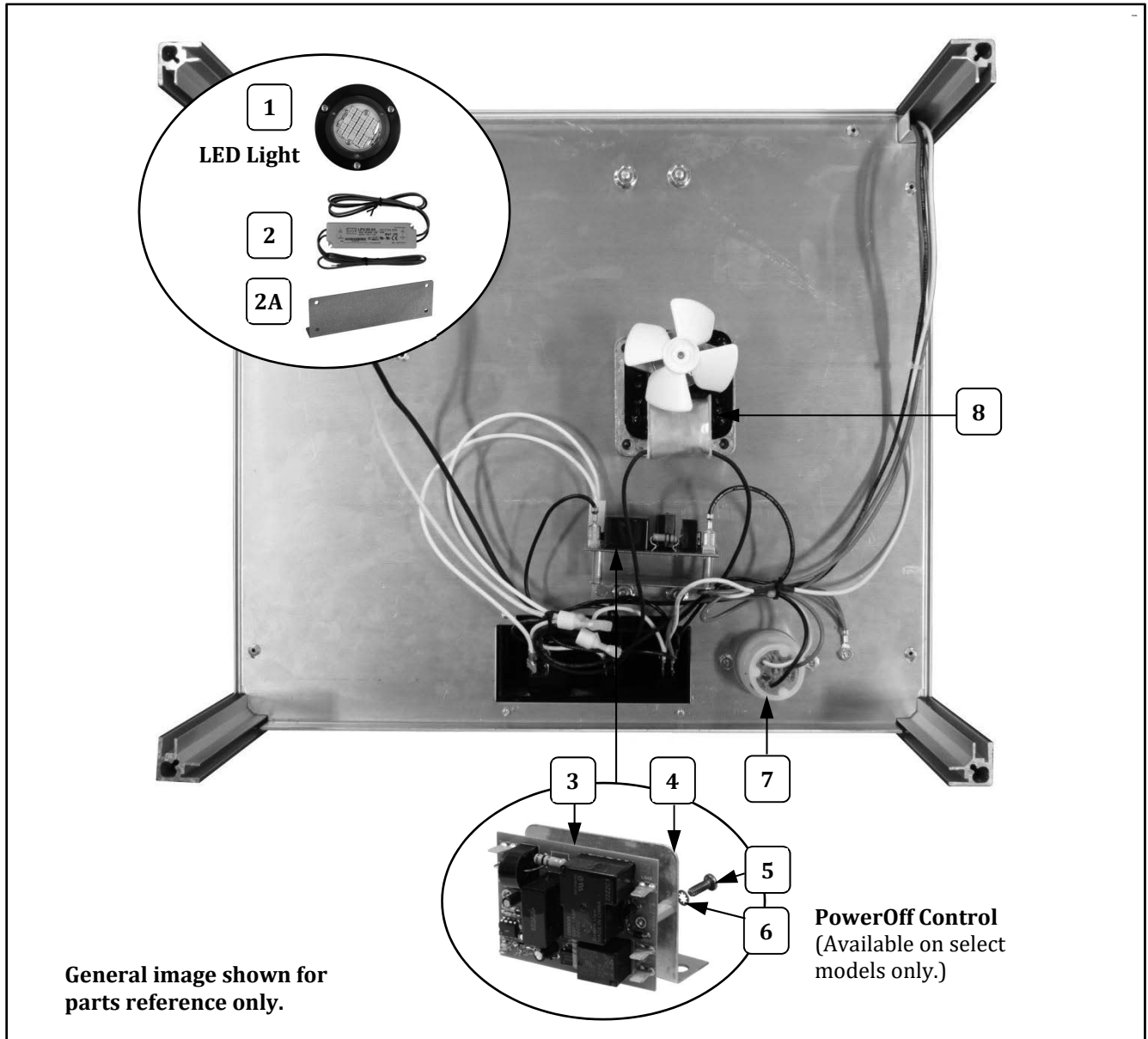
## Dome Interior – Electrical Components



Item	Part Description	Part Number	
		2388	2388-00-002
1	LED REPLACEMENT NO PLATE	100544	100544
2	POWER SUPPLY 24VDC 20W	55394	55394
2A	20W POWER SUPPLY BRACKET	55414	55414
3	AUTO KETTLE POWEROFF CNTRL PCB		55402
4	BRACKET, KETTLE POWEROFF CNTRL		55427
5	6-32 X 3/8 PHIL PAN M/S		39000
6	#6 INTERNAL TOOTH L/W 410SS		39001
7	15 AMP TWIST LOCK KETTLE RECPT	49330	49330
8	120 VOLT KETTLE DRIVE MOTOR	47038	47038



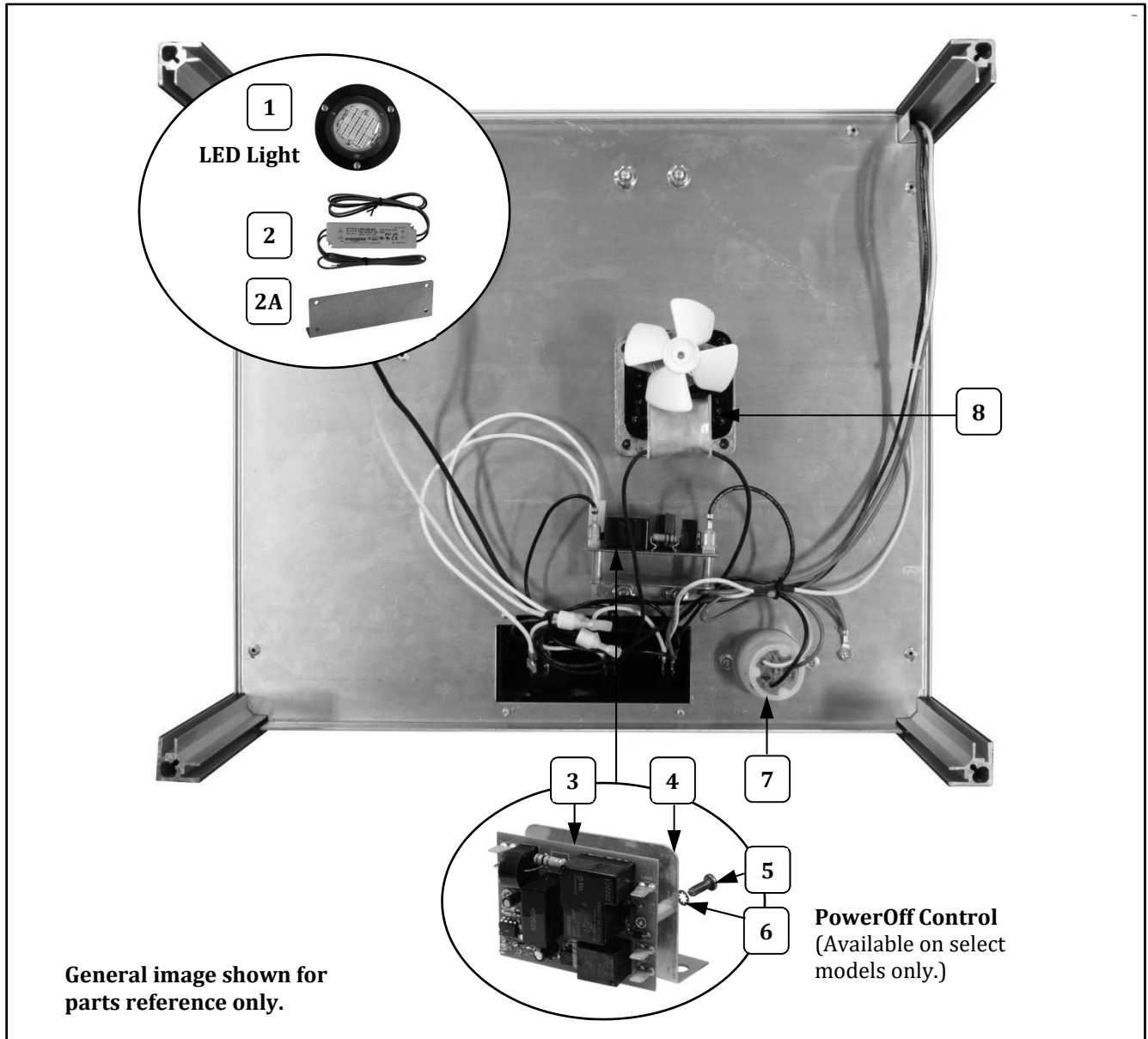
## Dome Interior – Electrical Components



Item	Part Description	Part Number	
		2388	2388-00-002
1	LED REPLACEMENT NO PLATE	100544	100544
2	POWER SUPPLY 24VDC 20W	55394	55394
2A	20W POWER SUPPLY BRACKET	55414	55414
3	AUTO KETTLE POWEROFF CNTRL PCB		55402
4	BRACKET, KETTLE POWEROFF CNTRL		55427
5	6-32 X 3/8 PHIL PAN M/S		39000
6	#6 INTERNAL TOOTH L/W 410SS		39001
7	15 AMP TWIST LOCK KETTLE RECPT	49330	49330
8	120 VOLT KETTLE DRIVE MOTOR	47038	47038



## Dome Interior – Electrical Components

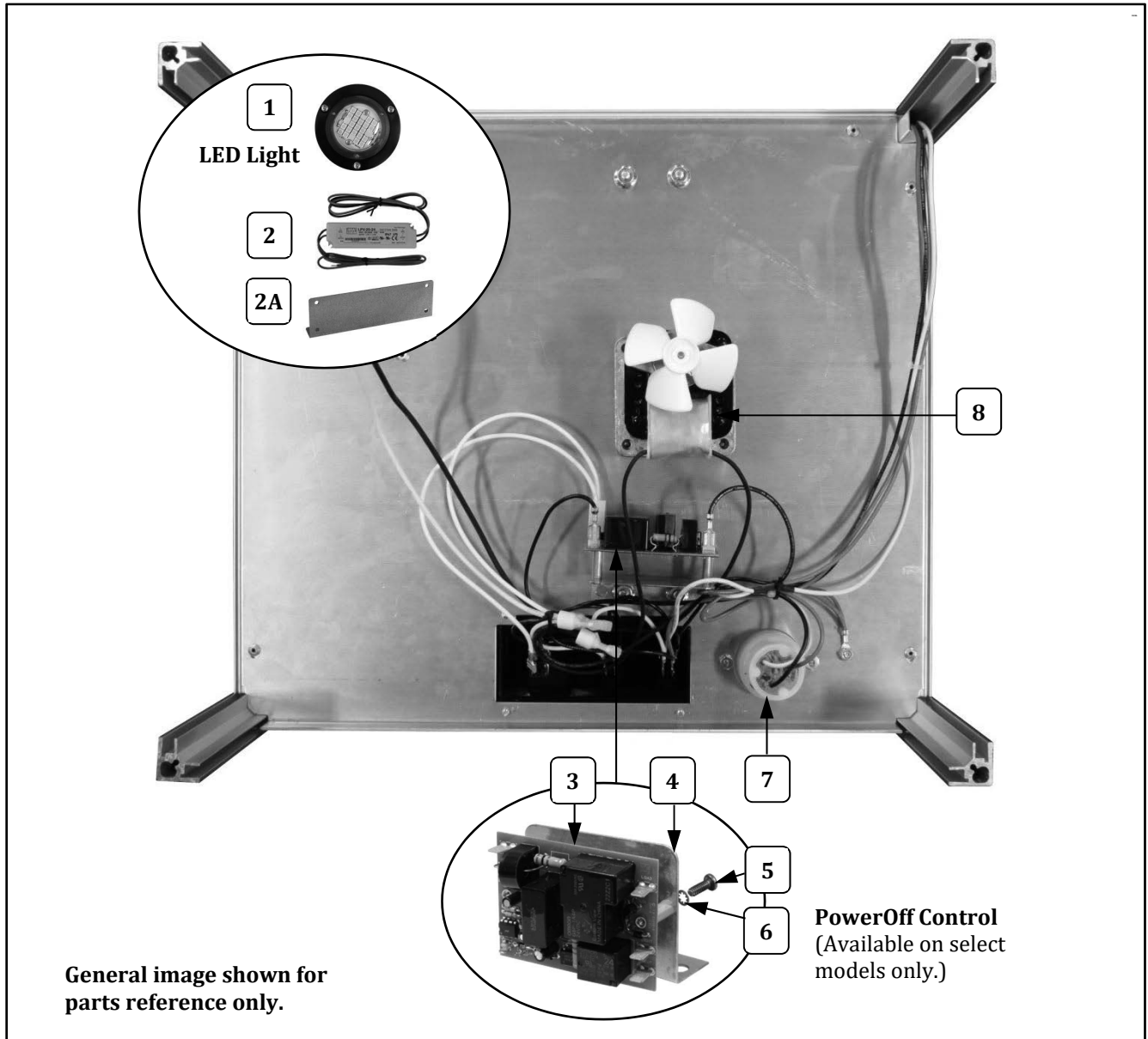


Item	Part Description	Part Number	
		2388	2388-00-002
1	LED REPLACEMENT NO PLATE	100544	100544
2	POWER SUPPLY 24VDC 20W	55394	55394
2A	20W POWER SUPPLY BRACKET	55414	55414
3	AUTO KETTLE POWEROFF CNTRL PCB		55402
4	BRACKET, KETTLE POWEROFF CNTRL		55427
5	6-32 X 3/8 PHIL PAN M/S		39000
6	#6 INTERNAL TOOTH L/W 410SS		39001
7	15 AMP TWIST LOCK KETTLE RECPT	49330	49330
8	120 VOLT KETTLE DRIVE MOTOR	47038	47038





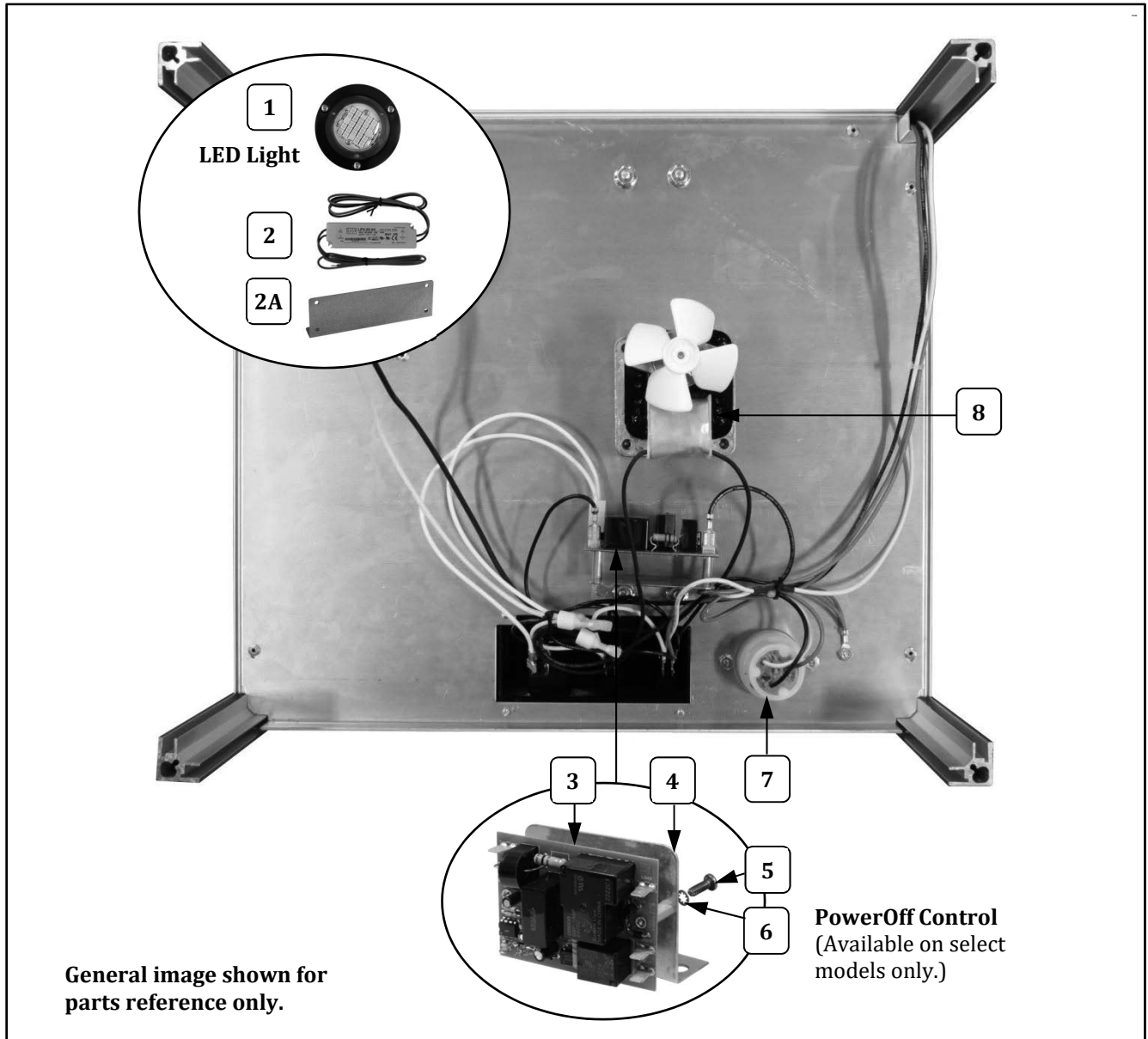
## Dome Interior – Electrical Components



Item	Part Description	Part Number	
		2388	2388-00-002
1	LED REPLACEMENT NO PLATE	100544	100544
2	POWER SUPPLY 24VDC 20W	55394	55394
2A	20W POWER SUPPLY BRACKET	55414	55414
3	AUTO KETTLE POWEROFF CNTRL PCB		55402
4	BRACKET, KETTLE POWEROFF CNTRL		55427
5	6-32 X 3/8 PHIL PAN M/S		39000
6	#6 INTERNAL TOOTH L/W 410SS		39001
7	15 AMP TWIST LOCK KETTLE RECPT	49330	49330
8	120 VOLT KETTLE DRIVE MOTOR	47038	47038



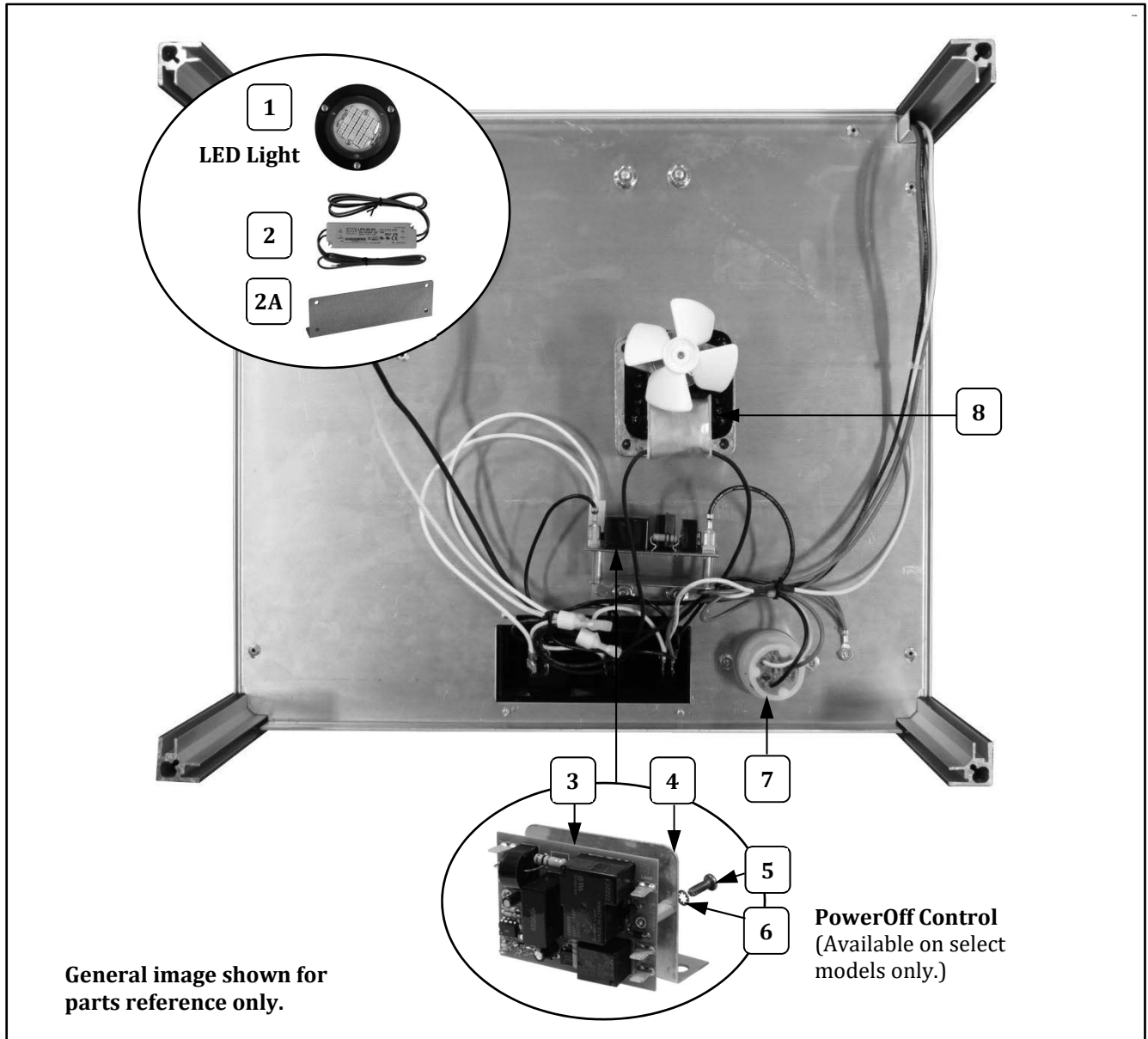
## Dome Interior – Electrical Components



Item	Part Description	Part Number	
		2388	2388-00-002
1	LED REPLACEMENT NO PLATE	100544	100544
2	POWER SUPPLY 24VDC 20W	55394	55394
2A	20W POWER SUPPLY BRACKET	55414	55414
3	AUTO KETTLE POWEROFF CNTRL PCB		55402
4	BRACKET, KETTLE POWEROFF CNTRL		55427
5	6-32 X 3/8 PHIL PAN M/S		39000
6	#6 INTERNAL TOOTH L/W 410SS		39001
7	15 AMP TWIST LOCK KETTLE RECPT	49330	49330
8	120 VOLT KETTLE DRIVE MOTOR	47038	47038



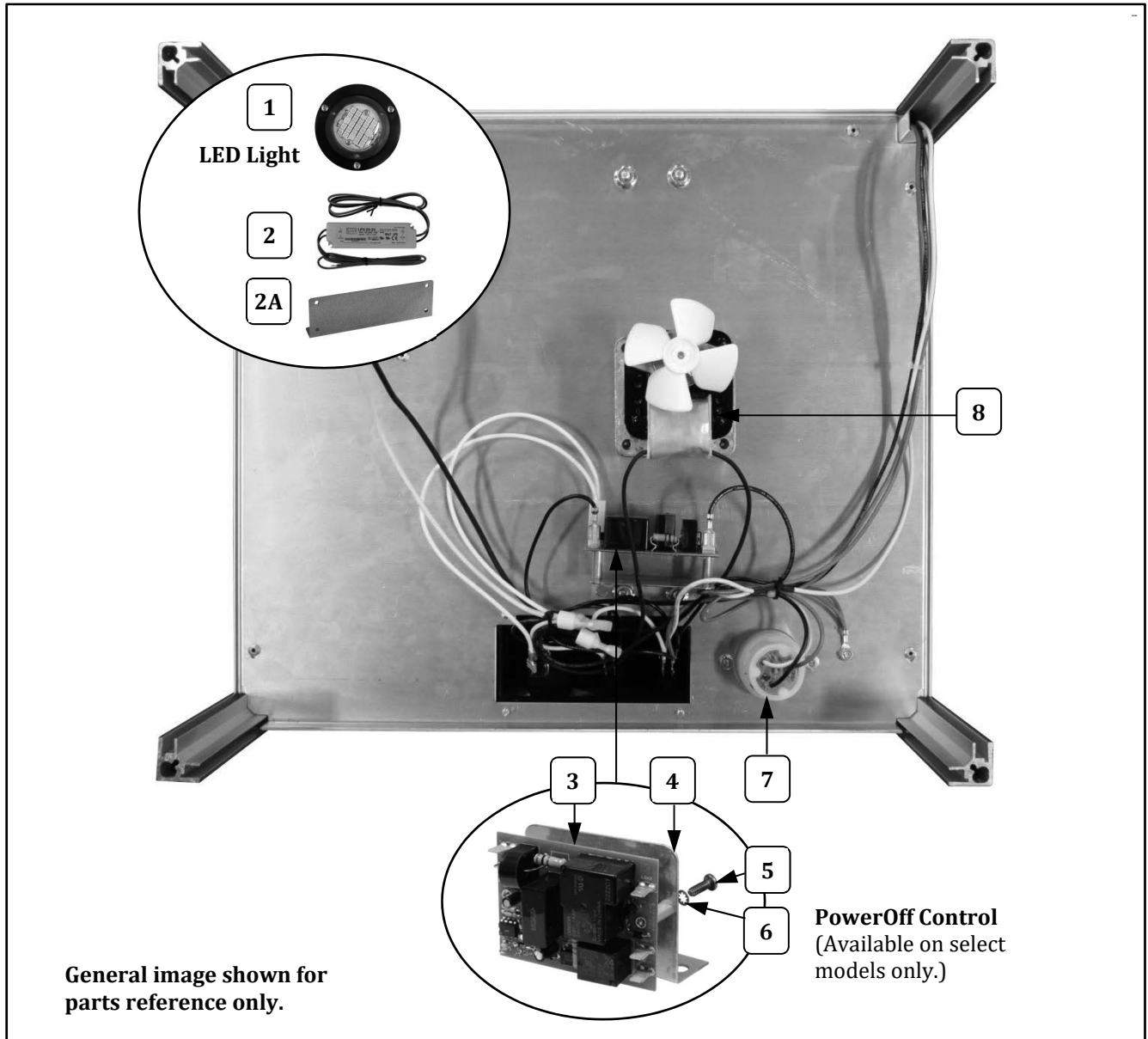
## Dome Interior – Electrical Components



Item	Part Description	Part Number	
		2388	2388-00-002
1	LED REPLACEMENT NO PLATE	100544	100544
2	POWER SUPPLY 24VDC 20W	55394	55394
2A	20W POWER SUPPLY BRACKET	55414	55414
3	AUTO KETTLE POWEROFF CNTRL PCB		55402
4	BRACKET, KETTLE POWEROFF CNTRL		55427
5	6-32 X 3/8 PHIL PAN M/S		39000
6	#6 INTERNAL TOOTH L/W 410SS		39001
7	15 AMP TWIST LOCK KETTLE RECPT	49330	49330
8	120 VOLT KETTLE DRIVE MOTOR	47038	47038



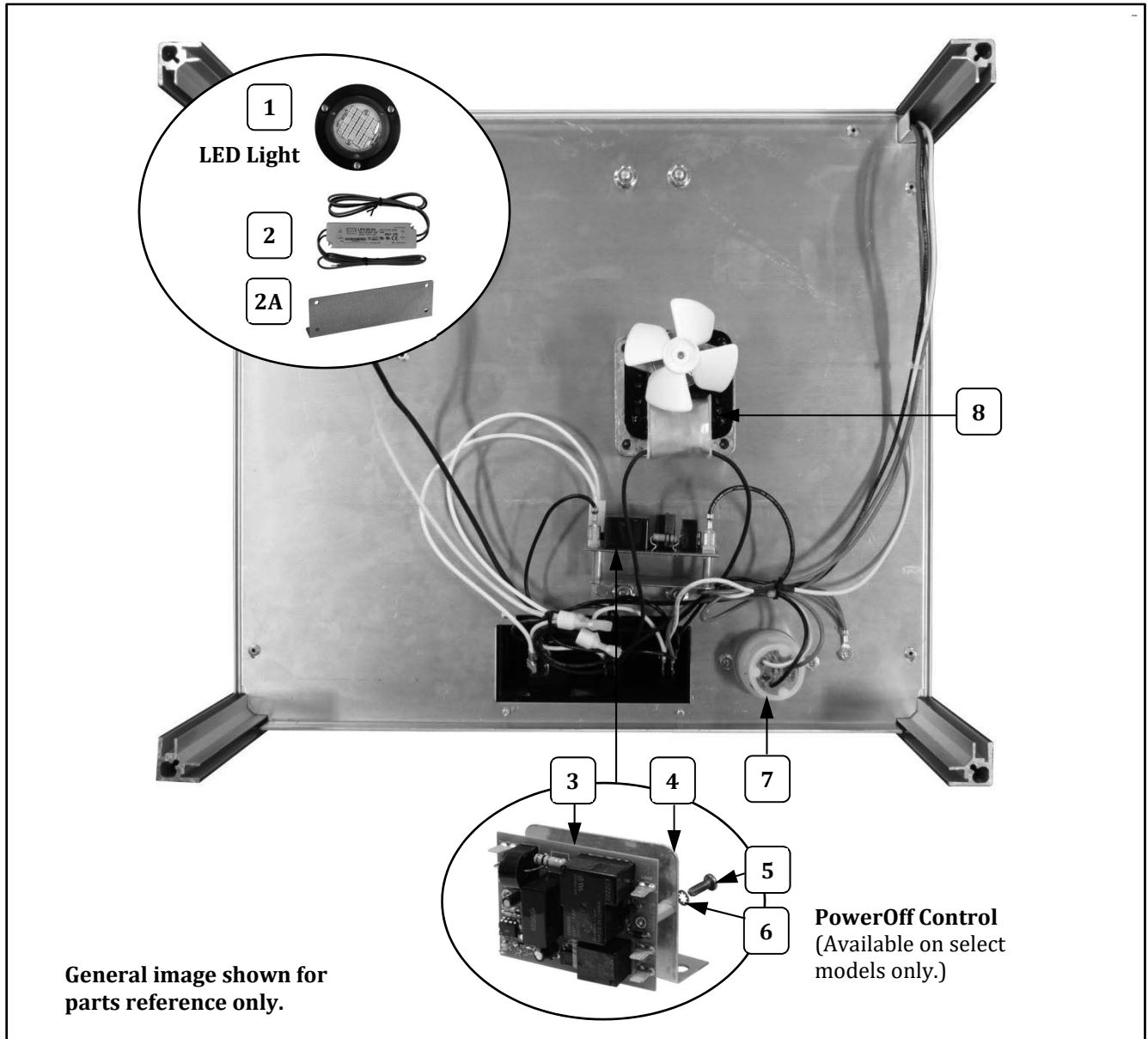
## Dome Interior – Electrical Components



Item	Part Description	Part Number	
		2388	2388-00-002
1	LED REPLACEMENT NO PLATE	100544	100544
2	POWER SUPPLY 24VDC 20W	55394	55394
2A	20W POWER SUPPLY BRACKET	55414	55414
3	AUTO KETTLE POWEROFF CNTRL PCB		55402
4	BRACKET, KETTLE POWEROFF CNTRL		55427
5	6-32 X 3/8 PHIL PAN M/S		39000
6	#6 INTERNAL TOOTH L/W 410SS		39001
7	15 AMP TWIST LOCK KETTLE RECPT	49330	49330
8	120 VOLT KETTLE DRIVE MOTOR	47038	47038



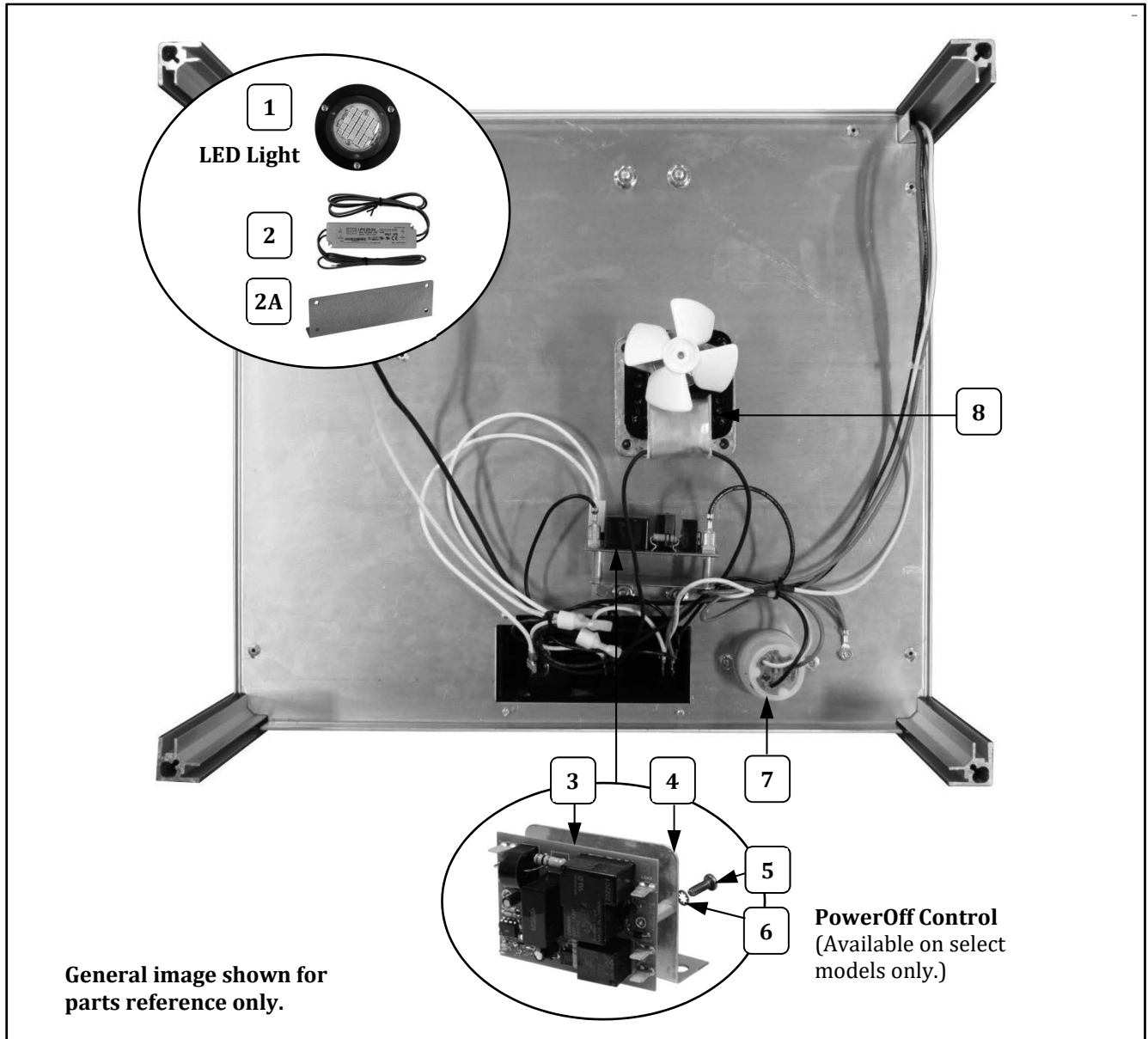
## Dome Interior – Electrical Components



Item	Part Description	Part Number	
		2388	2388-00-002
1	LED REPLACEMENT NO PLATE	100544	100544
2	POWER SUPPLY 24VDC 20W	55394	55394
2A	20W POWER SUPPLY BRACKET	55414	55414
3	AUTO KETTLE POWEROFF CNTRL PCB		55402
4	BRACKET, KETTLE POWEROFF CNTRL		55427
5	6-32 X 3/8 PHIL PAN M/S		39000
6	#6 INTERNAL TOOTH L/W 410SS		39001
7	15 AMP TWIST LOCK KETTLE RECPT	49330	49330
8	120 VOLT KETTLE DRIVE MOTOR	47038	47038



## Dome Interior – Electrical Components



Item	Part Description	Part Number	
		2388	2388-00-002
1	LED REPLACEMENT NO PLATE	100544	100544
2	POWER SUPPLY 24VDC 20W	55394	55394
2A	20W POWER SUPPLY BRACKET	55414	55414
3	AUTO KETTLE POWEROFF CNTRL PCB		55402
4	BRACKET, KETTLE POWEROFF CNTRL		55427
5	6-32 X 3/8 PHIL PAN M/S		39000
6	#6 INTERNAL TOOTH L/W 410SS		39001
7	15 AMP TWIST LOCK KETTLE RECPT	49330	49330
8	120 VOLT KETTLE DRIVE MOTOR	47038	47038



## Safety Labels

**1** Unit Labels

**2** UNPLUG THIS UNIT BEFORE CLEANING  
DÉBRANCHER CET APPAREIL AVANT NETTOYAGE  
ZIEHN SIE DEN STECKER AUS DER STECKDOSE.  
BEVOR SIE DIE MASCHINE REINIGEN.  
DESCONECTE ESTA UNIDAD ANTES DE LIMPIARLA.

**3** 42375

**4** WARNING! CONTACT WITH THIS SURFACE WHILE THE APPLIANCE IS OPERATING MAY CAUSE BURNS  
AVERTISSEMENT! CONTACT AVEC CETTE SURFACE PENDANT LE FONCTIONNEMENT DE L'APPAREIL POURRAIT CAUSER DES BRULURES.  
87087

**5** **powerOff**  
PATENT PENDING  
WHEN THE HEAT SWITCH LIGHT IS BLINKING, TURN THE HEAT SWITCH OFF-ON TO RESTART THE KETTLE HEAT

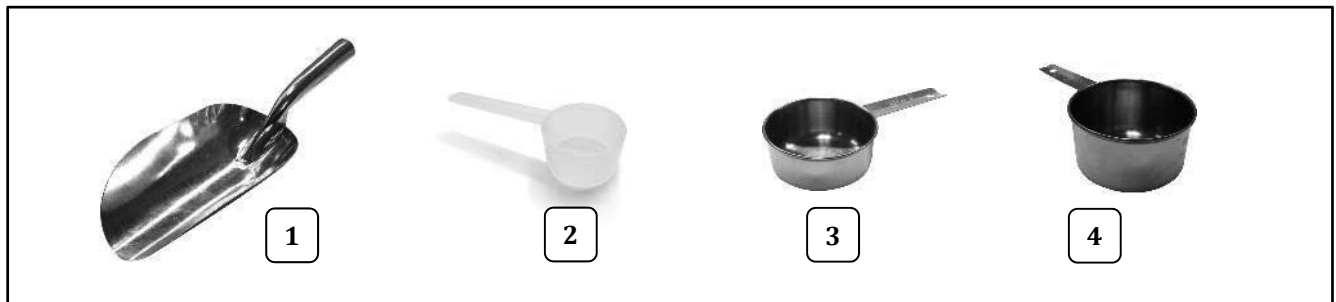
On units with PowerOff Control feature only.

**6** Kettle Lead-In Label

**7** Power Cord Label

Item	Part Description	Part Number	
		2388	2388-00-002
1	UNIVERSAL POPPER DECAL	41019	41019
2	LABEL UNPLUG TO CLEAN	76097	76097
3	MAIN GROUND LABEL	42375	42375
4	WARNING, SURFACE CONTACT	87087	87087
5	LABEL POWEROFF CNTRL		55436
6	CONDUIT WARNING LABEL	82840	82840
7	WARNING LABEL CORD	68720	68720

## Accessories



Item	Part Description	Part Number
1	STAMPED ALUMINUM SCOOP	2071
3	6.5 CC MEASURE	47678
4	OIL MEASURE (1/3 CUP)	47150
2	MEASURE ONE CUP	47147



## Safety Labels

**1** Unit Labels

**2** UNPLUG THIS UNIT BEFORE CLEANING  
DÉBRANCHER CET APPAREIL AVANT NETTOYAGE  
ZIEHN SIE DEN STECKER AUS DER STECKDOSE.  
BEVOR SIE DIE MASCHINE REINIGEN.  
DESCONECTE ESTA UNIDAD ANTES DE LIMPIARLA.

**3** 42375

**4** WARNING! CONTACT WITH THIS SURFACE WHILE THE APPLIANCE IS OPERATING MAY CAUSE BURNS  
AVERTISSEMENT! CONTACT AVEC CETTE SURFACE PENDANT LE FONCTIONNEMENT DE L'APPAREIL POURRAIT CAUSER DES BRULURES.  
87087

**5** **powerOff**  
PATENT PENDING  
WHEN THE HEAT SWITCH LIGHT IS BLINKING, TURN THE HEAT SWITCH OFF-ON TO RESTART THE KETTLE HEAT

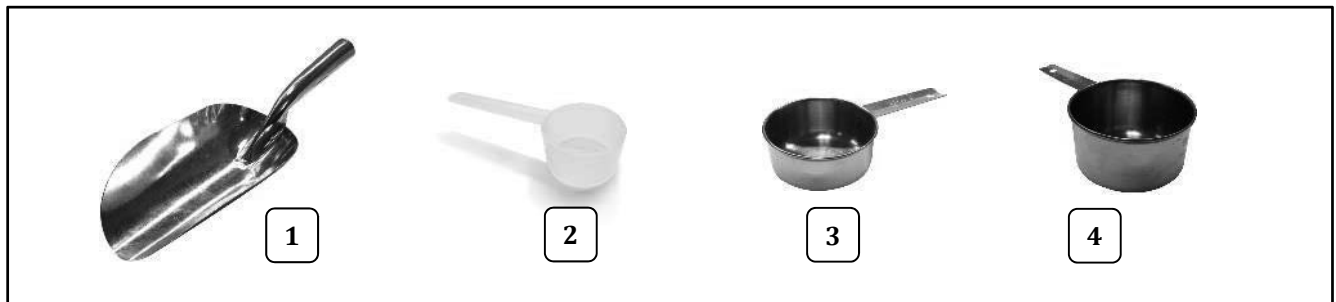
On units with PowerOff Control feature only.

**6** Kettle Lead-In Label

**7** Power Cord Label

Item	Part Description	Part Number	
		2388	2388-00-002
1	UNIVERSAL POPPER DECAL	41019	41019
2	LABEL UNPLUG TO CLEAN	76097	76097
3	MAIN GROUND LABEL	42375	42375
4	WARNING, SURFACE CONTACT	87087	87087
5	LABEL POWEROFF CNTRL		55436
6	CONDUIT WARNING LABEL	82840	82840
7	WARNING LABEL CORD	68720	68720

## Accessories



Item	Part Description	Part Number
1	STAMPED ALUMINUM SCOOP	2071
3	6.5 CC MEASURE	47678
4	OIL MEASURE (1/3 CUP)	47150
2	MEASURE ONE CUP	47147





## Safety Labels

**1** Unit Labels

**2** UNPLUG THIS UNIT BEFORE CLEANING  
DÉBRANCHER CET APPAREIL AVANT NETTOYAGE  
ZIEHN SIE DEN STECKER AUS DER STECKDOSE.  
BEVOR SIE DIE MASCHINE REINIGEN.  
DESCONECTE ESTA UNIDAD ANTES DE LIMPIARLA.

**3** 42375

**4** WARNING! CONTACT WITH THIS SURFACE WHILE THE APPLIANCE IS OPERATING MAY CAUSE BURNS  
AVERTISSEMENT! CONTACT AVEC CETTE SURFACE PENDANT LE FONCTIONNEMENT DE L'APPAREIL POURRAIT CAUSER DES BRULURES.  
87087

**5** **powerOff**  
PATENT PENDING  
WHEN THE HEAT SWITCH LIGHT IS BLINKING, TURN THE HEAT SWITCH OFF-ON TO RESTART THE KETTLE HEAT

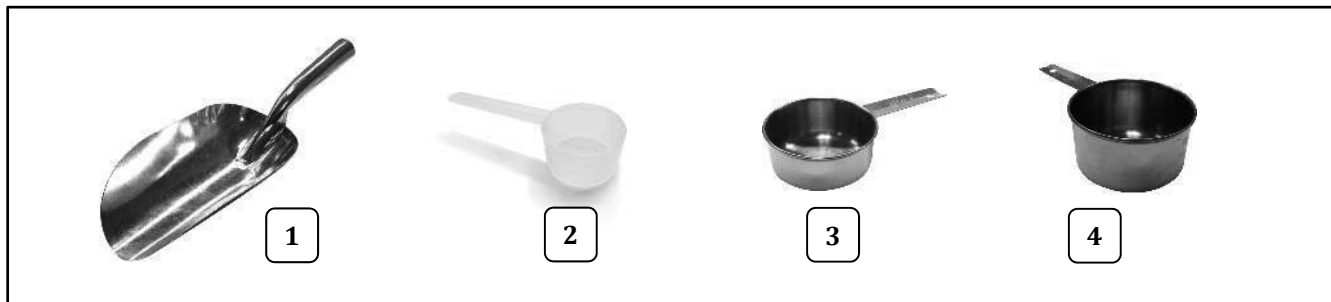
On units with PowerOff Control feature only.

**6** Kettle Lead-In Label

**7** Power Cord Label

Item	Part Description	Part Number	
		2388	2388-00-002
1	UNIVERSAL POPPER DECAL	41019	41019
2	LABEL UNPLUG TO CLEAN	76097	76097
3	MAIN GROUND LABEL	42375	42375
4	WARNING, SURFACE CONTACT	87087	87087
5	LABEL POWEROFF CNTRL		55436
6	CONDUIT WARNING LABEL	82840	82840
7	WARNING LABEL CORD	68720	68720

## Accessories



Item	Part Description	Part Number
1	STAMPED ALUMINUM SCOOP	2071
3	6.5 CC MEASURE	47678
4	OIL MEASURE (1/3 CUP)	47150
2	MEASURE ONE CUP	47147



## Safety Labels

**1** Unit Labels

**2** UNPLUG THIS UNIT BEFORE CLEANING  
DÉBRANCHER CET APPAREIL AVANT NETTOYAGE  
ZIEHN SIE DEN STECKER AUS DER STECKDOSE.  
BEVOR SIE DIE MASCHINE REINIGEN.  
DESCONECTE ESTA UNIDAD ANTES DE LIMPIARLA.

**3** 42375

**4** WARNING! CONTACT WITH THIS SURFACE WHILE THE APPLIANCE IS OPERATING MAY CAUSE BURNS  
AVERTISSEMENT! CONTACT AVEC CETTE SURFACE PENDANT LE FONCTIONNEMENT DE L'APPAREIL POURRAIT CAUSER DES BRULURES.  
87087

**5** **powerOff**  
PATENT PENDING  
WHEN THE HEAT SWITCH LIGHT IS BLINKING, TURN THE HEAT SWITCH OFF-ON TO RESTART THE KETTLE HEAT

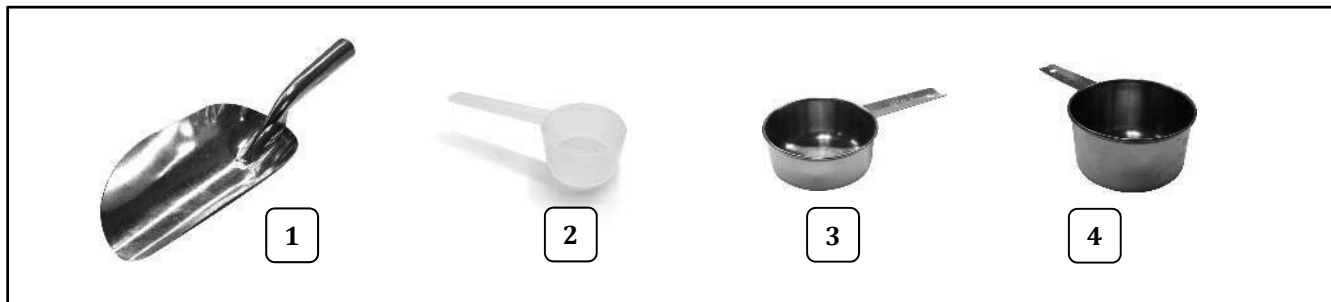
On units with PowerOff Control feature only.

**6** Kettle Lead-In Label

**7** Power Cord Label

Item	Part Description	Part Number	
		2388	2388-00-002
1	UNIVERSAL POPPER DECAL	41019	41019
2	LABEL UNPLUG TO CLEAN	76097	76097
3	MAIN GROUND LABEL	42375	42375
4	WARNING, SURFACE CONTACT	87087	87087
5	LABEL POWEROFF CNTRL		55436
6	CONDUIT WARNING LABEL	82840	82840
7	WARNING LABEL CORD	68720	68720

## Accessories



Item	Part Description	Part Number
1	STAMPED ALUMINUM SCOOP	2071
3	6.5 CC MEASURE	47678
4	OIL MEASURE (1/3 CUP)	47150
2	MEASURE ONE CUP	47147



## Safety Labels

**1** Unit Labels

**2** UNPLUG THIS UNIT BEFORE CLEANING  
DÉBRANCHER CET APPAREIL AVANT NETTOYAGE  
ZIEHN SIE DEN STECKER AUS DER STECKDOSE.  
BEVOR SIE DIE MASCHINE REINIGEN.  
DESCONECTE ESTA UNIDAD ANTES DE LIMPIARLA.

**3** 42375

**4** WARNING! CONTACT WITH THIS SURFACE WHILE THE APPLIANCE IS OPERATING MAY CAUSE BURNS  
AVERTISSEMENT! CONTACT AVEC CETTE SURFACE PENDANT LE FONCTIONNEMENT DE L'APPAREIL POURRAIT CAUSER DES BRULURES.  
87087

**5** **powerOff**  
PATENT PENDING  
WHEN THE HEAT SWITCH LIGHT IS BLINKING, TURN THE HEAT SWITCH OFF-ON TO RESTART THE KETTLE HEAT

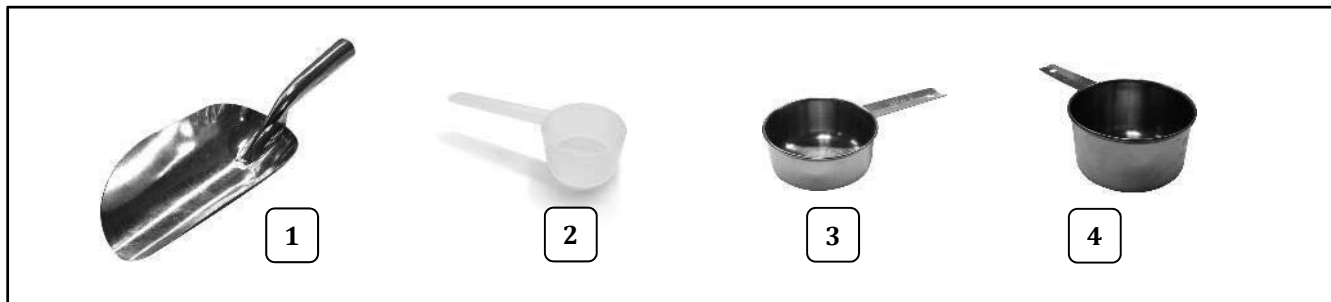
On units with PowerOff Control feature only.

**6** Kettle Lead-In Label

**7** Power Cord Label

Item	Part Description	Part Number	
		2388	2388-00-002
1	UNIVERSAL POPPER DECAL	41019	41019
2	LABEL UNPLUG TO CLEAN	76097	76097
3	MAIN GROUND LABEL	42375	42375
4	WARNING, SURFACE CONTACT	87087	87087
5	LABEL POWEROFF CNTRL		55436
6	CONDUIT WARNING LABEL	82840	82840
7	WARNING LABEL CORD	68720	68720

## Accessories



Item	Part Description	Part Number
1	STAMPED ALUMINUM SCOOP	2071
3	6.5 CC MEASURE	47678
4	OIL MEASURE (1/3 CUP)	47150
2	MEASURE ONE CUP	47147



## Safety Labels

**1** Unit Labels

**2** UNPLUG THIS UNIT BEFORE CLEANING  
DÉBRANCHER CET APPAREIL AVANT NETTOYAGE  
ZIEHN SIE DEN STECKER AUS DER STECKDOSE.  
BEVOR SIE DIE MASCHINE REINIGEN.  
DESCONECTE ESTA UNIDAD ANTES DE LIMPIARLA.

**3** 42375

**4** WARNING! CONTACT WITH THIS SURFACE WHILE THE APPLIANCE IS OPERATING MAY CAUSE BURNS  
AVERTISSEMENT! CONTACT AVEC CETTE SURFACE PENDANT LE FONCTIONNEMENT DE L'APPAREIL POURRAIT CAUSER DES BRULURES.  
87087

**5** **powerOff**  
PATENT PENDING  
WHEN THE HEAT SWITCH LIGHT IS BLINKING, TURN THE HEAT SWITCH OFF-ON TO RESTART THE KETTLE HEAT

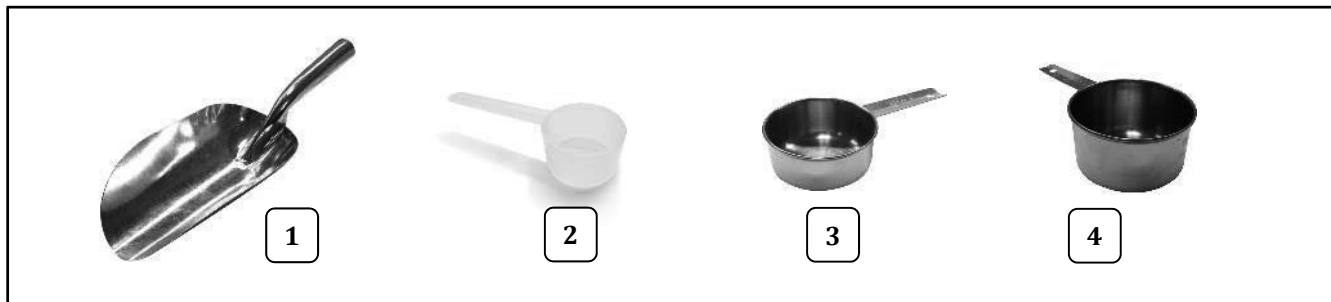
On units with PowerOff Control feature only.

**6** Kettle Lead-In Label

**7** Power Cord Label

Item	Part Description	Part Number	
		2388	2388-00-002
1	UNIVERSAL POPPER DECAL	41019	41019
2	LABEL UNPLUG TO CLEAN	76097	76097
3	MAIN GROUND LABEL	42375	42375
4	WARNING, SURFACE CONTACT	87087	87087
5	LABEL POWEROFF CNTRL		55436
6	CONDUIT WARNING LABEL	82840	82840
7	WARNING LABEL CORD	68720	68720

## Accessories



Item	Part Description	Part Number
1	STAMPED ALUMINUM SCOOP	2071
3	6.5 CC MEASURE	47678
4	OIL MEASURE (1/3 CUP)	47150
2	MEASURE ONE CUP	47147



## Safety Labels

**1** Unit Labels

**2** UNPLUG THIS UNIT BEFORE CLEANING  
DÉBRANCHER CET APPAREIL AVANT NETTOYAGE  
ZIEHN SIE DEN STECKER AUS DER STECKDOSE.  
BEVOR SIE DIE MASCHINE REINIGEN.  
DESCONECTE ESTA UNIDAD ANTES DE LIMPIARLA.

**3** 42375

**4** WARNING! CONTACT WITH THIS SURFACE WHILE THE APPLIANCE IS OPERATING MAY CAUSE BURNS  
AVERTISSEMENT! CONTACT AVEC CETTE SURFACE PENDANT LE FONCTIONNEMENT DE L'APPAREIL POURRAIT CAUSER DES BRULURES.  
87087

**5** **powerOff**  
PATENT PENDING  
WHEN THE HEAT SWITCH LIGHT IS BLINKING, TURN THE HEAT SWITCH OFF-ON TO RESTART THE KETTLE HEAT

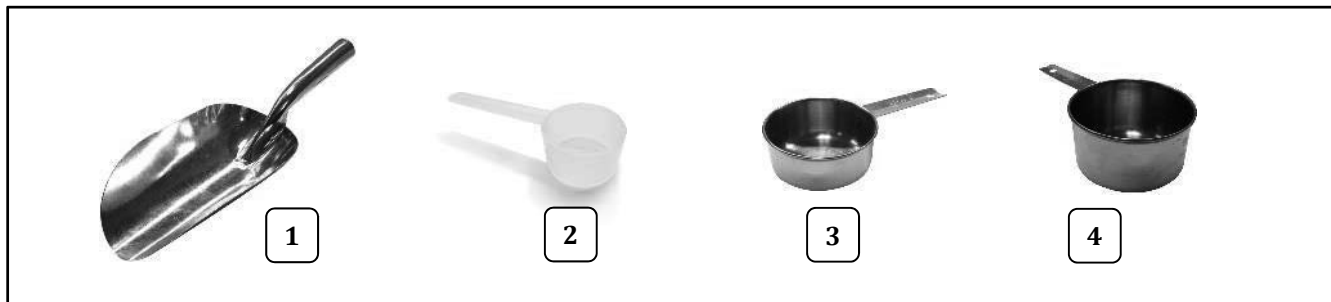
On units with PowerOff Control feature only.

**6** Kettle Lead-In Label

**7** Power Cord Label

Item	Part Description	Part Number	
		2388	2388-00-002
1	UNIVERSAL POPPER DECAL	41019	41019
2	LABEL UNPLUG TO CLEAN	76097	76097
3	MAIN GROUND LABEL	42375	42375
4	WARNING, SURFACE CONTACT	87087	87087
5	LABEL POWEROFF CNTRL		55436
6	CONDUIT WARNING LABEL	82840	82840
7	WARNING LABEL CORD	68720	68720

## Accessories



Item	Part Description	Part Number
1	STAMPED ALUMINUM SCOOP	2071
3	6.5 CC MEASURE	47678
4	OIL MEASURE (1/3 CUP)	47150
2	MEASURE ONE CUP	47147



## Safety Labels

**1** Unit Labels

**2** UNPLUG THIS UNIT BEFORE CLEANING  
DÉBRANCHER CET APPAREIL AVANT NETTOYAGE  
ZIEHN SIE DEN STECKER AUS DER STECKDOSE.  
BEVOR SIE DIE MASCHINE REINIGEN.  
DESCONECTE ESTA UNIDAD ANTES DE LIMPIARLA.

**3** 42375

**4** WARNING! CONTACT WITH THIS SURFACE WHILE THE APPLIANCE IS OPERATING MAY CAUSE BURNS  
AVERTISSEMENT! CONTACT AVEC CETTE SURFACE PENDANT LE FONCTIONNEMENT DE L'APPAREIL POURRAIT CAUSER DES BRULURES.  
87087

**5** **powerOff**  
PATENT PENDING  
WHEN THE HEAT SWITCH LIGHT IS BLINKING, TURN THE HEAT SWITCH OFF-ON TO RESTART THE KETTLE HEAT

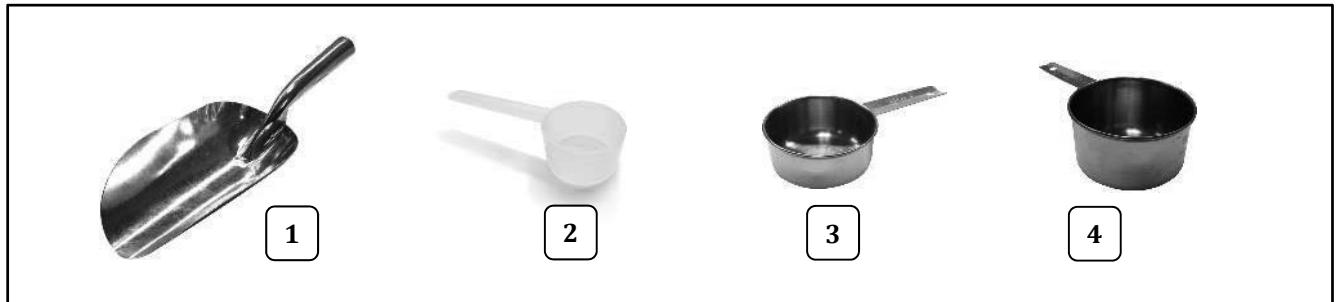
On units with PowerOff Control feature only.

**6** Kettle Lead-In Label

**7** Power Cord Label

Item	Part Description	Part Number	
		2388	2388-00-002
1	UNIVERSAL POPPER DECAL	41019	41019
2	LABEL UNPLUG TO CLEAN	76097	76097
3	MAIN GROUND LABEL	42375	42375
4	WARNING, SURFACE CONTACT	87087	87087
5	LABEL POWEROFF CNTRL		55436
6	CONDUIT WARNING LABEL	82840	82840
7	WARNING LABEL CORD	68720	68720

## Accessories



Item	Part Description	Part Number
1	STAMPED ALUMINUM SCOOP	2071
3	6.5 CC MEASURE	47678
4	OIL MEASURE (1/3 CUP)	47150
2	MEASURE ONE CUP	47147



## Safety Labels

**1** Unit Labels

**2** UNPLUG THIS UNIT BEFORE CLEANING  
DÉBRANCHER CET APPAREIL AVANT NETTOYAGE  
ZIEHN SIE DEN STECKER AUS DER STECKDOSE.  
BEVOR SIE DIE MASCHINE REINIGEN.  
DESCONECTE ESTA UNIDAD ANTES DE LIMPIARLA.

**3** 42375

**4** WARNING! CONTACT WITH THIS SURFACE WHILE THE APPLIANCE IS OPERATING MAY CAUSE BURNS  
AVERTISSEMENT! CONTACT AVEC CETTE SURFACE PENDANT LE FONCTIONNEMENT DE L'APPAREIL POURRAIT CAUSER DES BRULURES.  
87087

**5** **powerOff**  
PATENT PENDING  
WHEN THE HEAT SWITCH LIGHT IS BLINKING, TURN THE HEAT SWITCH OFF-ON TO RESTART THE KETTLE HEAT

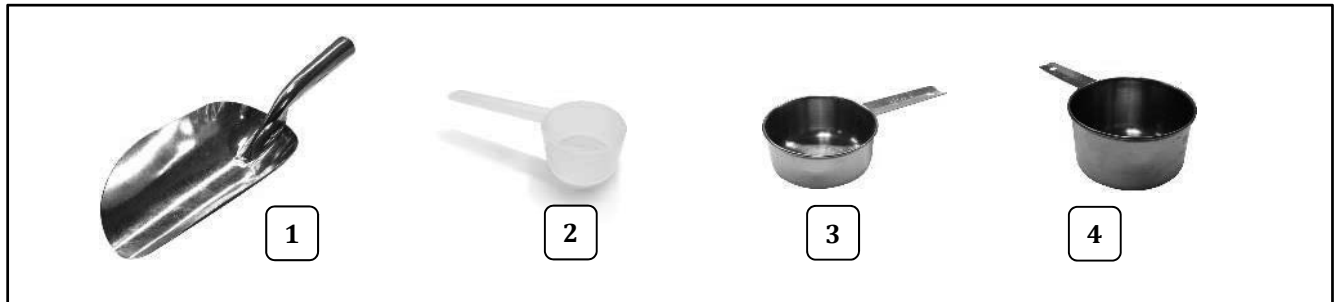
On units with PowerOff Control feature only.

**6** Kettle Lead-In Label

**7** Power Cord Label

Item	Part Description	Part Number	
		2388	2388-00-002
1	UNIVERSAL POPPER DECAL	41019	41019
2	LABEL UNPLUG TO CLEAN	76097	76097
3	MAIN GROUND LABEL	42375	42375
4	WARNING, SURFACE CONTACT	87087	87087
5	LABEL POWEROFF CNTRL		55436
6	CONDUIT WARNING LABEL	82840	82840
7	WARNING LABEL CORD	68720	68720

## Accessories



Item	Part Description	Part Number
1	STAMPED ALUMINUM SCOOP	2071
3	6.5 CC MEASURE	47678
4	OIL MEASURE (1/3 CUP)	47150
2	MEASURE ONE CUP	47147



## Safety Labels

**1** Unit Labels

**2** UNPLUG THIS UNIT BEFORE CLEANING  
DÉBRANCHER CET APPAREIL AVANT NETTOYAGE  
ZIEHN SIE DEN STECKER AUS DER STECKDOSE.  
BEVOR SIE DIE MASCHINE REINIGEN.  
DESCONECTE ESTA UNIDAD ANTES DE LIMPIARLA.

**3** 42375

**4** WARNING! CONTACT WITH THIS SURFACE WHILE THE APPLIANCE IS OPERATING MAY CAUSE BURNS  
AVERTISSEMENT! CONTACT AVEC CETTE SURFACE PENDANT LE FONCTIONNEMENT DE L'APPAREIL POURRAIT CAUSER DES BRULURES.  
87087

**5** **powerOff**  
PATENT PENDING  
WHEN THE HEAT SWITCH LIGHT IS BLINKING, TURN THE HEAT SWITCH OFF-ON TO RESTART THE KETTLE HEAT

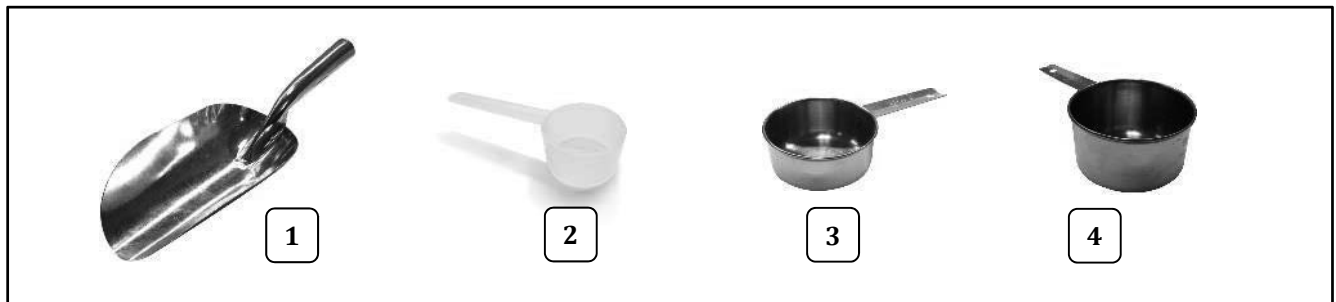
On units with PowerOff Control feature only.

**6** Kettle Lead-In Label

**7** Power Cord Label

Item	Part Description	Part Number	
		2388	2388-00-002
1	UNIVERSAL POPPER DECAL	41019	41019
2	LABEL UNPLUG TO CLEAN	76097	76097
3	MAIN GROUND LABEL	42375	42375
4	WARNING, SURFACE CONTACT	87087	87087
5	LABEL POWEROFF CNTRL		55436
6	CONDUIT WARNING LABEL	82840	82840
7	WARNING LABEL CORD	68720	68720

## Accessories



Item	Part Description	Part Number
1	STAMPED ALUMINUM SCOOP	2071
3	6.5 CC MEASURE	47678
4	OIL MEASURE (1/3 CUP)	47150
2	MEASURE ONE CUP	47147





## Safety Labels

**1** Unit Labels

**2** UNPLUG THIS UNIT BEFORE CLEANING  
DÉBRANCHER CET APPAREIL AVANT NETTOYAGE  
ZIEHN SIE DEN STECKER AUS DER STECKDOSE.  
BEVOR SIE DIE MASCHINE REINIGEN.  
DESCONECTE ESTA UNIDAD ANTES DE LIMPIARLA.

**3** 42375

**4** WARNING! CONTACT WITH THIS SURFACE WHILE THE APPLIANCE IS OPERATING MAY CAUSE BURNS  
AVERTISSEMENT! CONTACT AVEC CETTE SURFACE PENDANT LE FONCTIONNEMENT DE L'APPAREIL POURRAIT CAUSER DES BRULURES.  
87087

**5** **powerOff**  
PATENT PENDING  
WHEN THE HEAT SWITCH LIGHT IS BLINKING, TURN THE HEAT SWITCH OFF-ON TO RESTART THE KETTLE HEAT

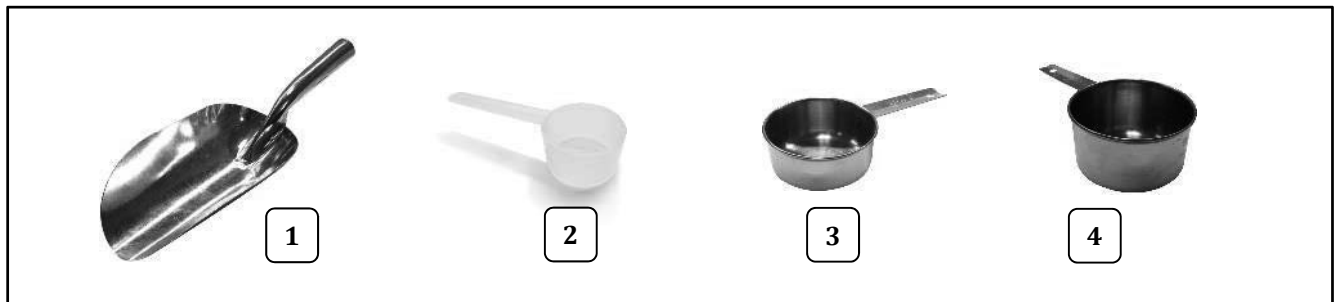
On units with PowerOff Control feature only.

**6** Kettle Lead-In Label

**7** Power Cord Label

Item	Part Description	Part Number	
		2388	2388-00-002
1	UNIVERSAL POPPER DECAL	41019	41019
2	LABEL UNPLUG TO CLEAN	76097	76097
3	MAIN GROUND LABEL	42375	42375
4	WARNING, SURFACE CONTACT	87087	87087
5	LABEL POWEROFF CNTRL		55436
6	CONDUIT WARNING LABEL	82840	82840
7	WARNING LABEL CORD	68720	68720

## Accessories



Item	Part Description	Part Number
1	STAMPED ALUMINUM SCOOP	2071
3	6.5 CC MEASURE	47678
4	OIL MEASURE (1/3 CUP)	47150
2	MEASURE ONE CUP	47147



## Safety Labels

**1** Unit Labels

**2** UNPLUG THIS UNIT BEFORE CLEANING  
DÉBRANCHER CET APPAREIL AVANT NETTOYAGE  
ZIEHN SIE DEN STECKER AUS DER STECKDOSE.  
BEVOR SIE DIE MASCHINE REINIGEN.  
DESCONECTE ESTA UNIDAD ANTES DE LIMPIARLA.

**3** 42375

**4** WARNING! CONTACT WITH THIS SURFACE WHILE THE APPLIANCE IS OPERATING MAY CAUSE BURNS  
AVERTISSEMENT! CONTACT AVEC CETTE SURFACE PENDANT LE FONCTIONNEMENT DE L'APPAREIL POURRAIT CAUSER DES BRULURES.  
87087

**5** **powerOff**  
PATENT PENDING  
WHEN THE HEAT SWITCH LIGHT IS BLINKING, TURN THE HEAT SWITCH OFF-ON TO RESTART THE KETTLE HEAT

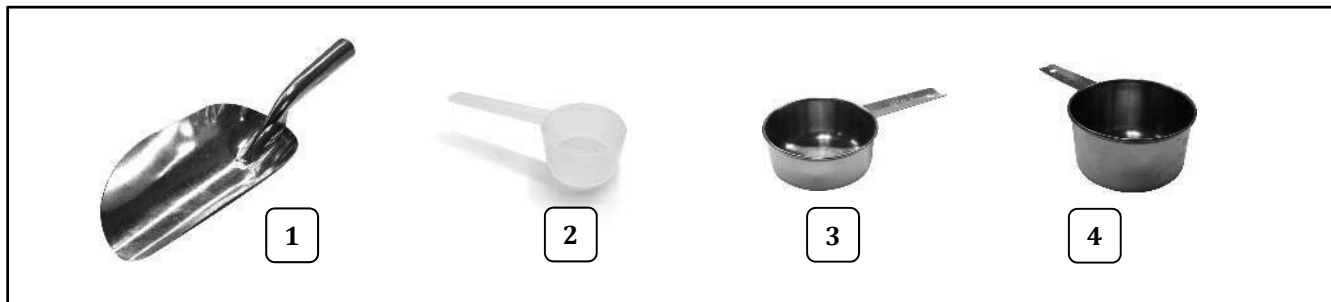
On units with PowerOff Control feature only.

**6** Kettle Lead-In Label

**7** Power Cord Label

Item	Part Description	Part Number	
		2388	2388-00-002
1	UNIVERSAL POPPER DECAL	41019	41019
2	LABEL UNPLUG TO CLEAN	76097	76097
3	MAIN GROUND LABEL	42375	42375
4	WARNING, SURFACE CONTACT	87087	87087
5	LABEL POWEROFF CNTRL		55436
6	CONDUIT WARNING LABEL	82840	82840
7	WARNING LABEL CORD	68720	68720

## Accessories



Item	Part Description	Part Number
1	STAMPED ALUMINUM SCOOP	2071
3	6.5 CC MEASURE	47678
4	OIL MEASURE (1/3 CUP)	47150
2	MEASURE ONE CUP	47147



## Safety Labels

**1** Unit Labels

**2** UNPLUG THIS UNIT BEFORE CLEANING  
DÉBRANCHER CET APPAREIL AVANT NETTOYAGE  
ZIEHN SIE DEN STECKER AUS DER STECKDOSE.  
BEVOR SIE DIE MASCHINE REINIGEN.  
DESCONECTE ESTA UNIDAD ANTES DE LIMPIARLA.

**3** 42375

**4** WARNING! CONTACT WITH THIS SURFACE WHILE THE APPLIANCE IS OPERATING MAY CAUSE BURNS  
AVERTISSEMENT! CONTACT AVEC CETTE SURFACE PENDANT LE FONCTIONNEMENT DE L'APPAREIL POURRAIT CAUSER DES BRULURES.  
87087

**5** **powerOff**  
PATENT PENDING  
WHEN THE HEAT SWITCH LIGHT IS BLINKING, TURN THE HEAT SWITCH OFF-ON TO RESTART THE KETTLE HEAT

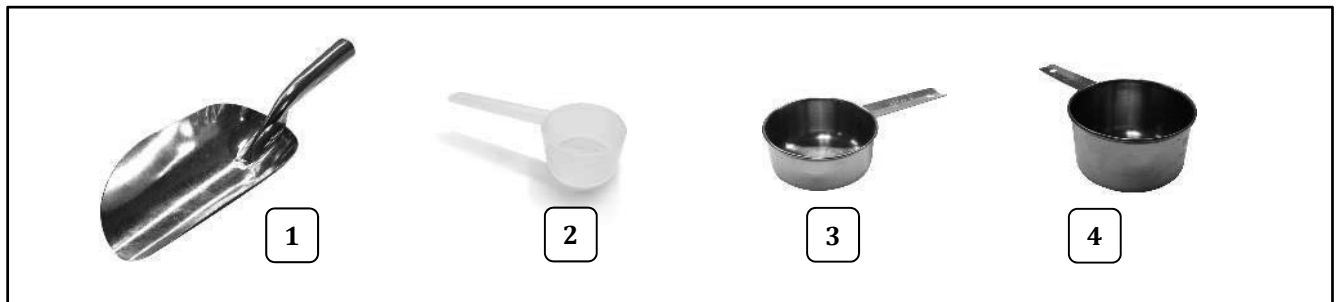
On units with PowerOff Control feature only.

**6** Kettle Lead-In Label

**7** Power Cord Label

Item	Part Description	Part Number	
		2388	2388-00-002
1	UNIVERSAL POPPER DECAL	41019	41019
2	LABEL UNPLUG TO CLEAN	76097	76097
3	MAIN GROUND LABEL	42375	42375
4	WARNING, SURFACE CONTACT	87087	87087
5	LABEL POWEROFF CNTRL		55436
6	CONDUIT WARNING LABEL	82840	82840
7	WARNING LABEL CORD	68720	68720

## Accessories



Item	Part Description	Part Number
1	STAMPED ALUMINUM SCOOP	2071
3	6.5 CC MEASURE	47678
4	OIL MEASURE (1/3 CUP)	47150
2	MEASURE ONE CUP	47147



## Safety Labels

**1** Unit Labels

**2** UNPLUG THIS UNIT BEFORE CLEANING  
DÉBRANCHER CET APPAREIL AVANT NETTOYAGE  
ZIEHN SIE DEN STECKER AUS DER STECKDOSE.  
BEVOR SIE DIE MASCHINE REINIGEN.  
DESCONECTE ESTA UNIDAD ANTES DE LIMPIARLA.

**3** 42375

**4** WARNING! CONTACT WITH THIS SURFACE WHILE THE APPLIANCE IS OPERATING MAY CAUSE BURNS  
AVERTISSEMENT! CONTACT AVEC CETTE SURFACE PENDANT LE FONCTIONNEMENT DE L'APPAREIL POURRAIT CAUSER DES BRULURES.  
87087

**5** **powerOff**  
PATENT PENDING  
WHEN THE HEAT SWITCH LIGHT IS BLINKING, TURN THE HEAT SWITCH OFF-ON TO RESTART THE KETTLE HEAT

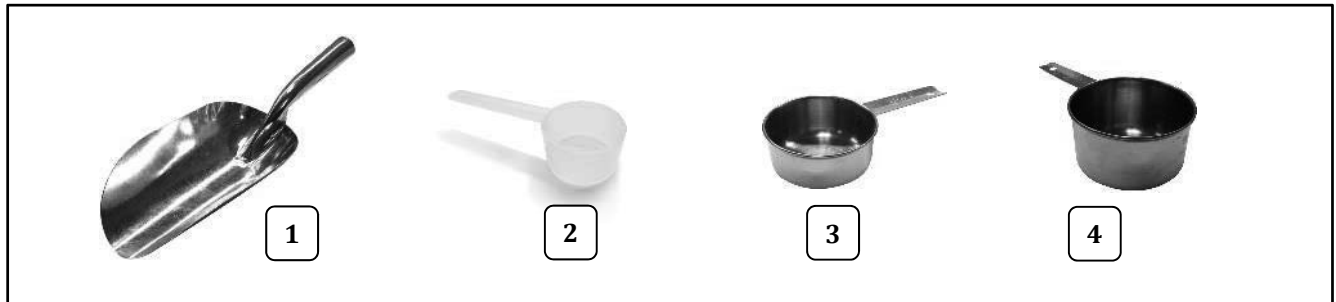
On units with PowerOff Control feature only.

**6** Kettle Lead-In Label

**7** Power Cord Label

Item	Part Description	Part Number	
		2388	2388-00-002
1	UNIVERSAL POPPER DECAL	41019	41019
2	LABEL UNPLUG TO CLEAN	76097	76097
3	MAIN GROUND LABEL	42375	42375
4	WARNING, SURFACE CONTACT	87087	87087
5	LABEL POWEROFF CNTRL		55436
6	CONDUIT WARNING LABEL	82840	82840
7	WARNING LABEL CORD	68720	68720

## Accessories



Item	Part Description	Part Number
1	STAMPED ALUMINUM SCOOP	2071
3	6.5 CC MEASURE	47678
4	OIL MEASURE (1/3 CUP)	47150
2	MEASURE ONE CUP	47147



## Safety Labels

**1** Unit Labels

**2** UNPLUG THIS UNIT BEFORE CLEANING  
DÉBRANCHER CET APPAREIL AVANT NETTOYAGE  
ZIEHN SIE DEN STECKER AUS DER STECKDOSE.  
BEVOR SIE DIE MASCHINE REINIGEN.  
DESCONECTE ESTA UNIDAD ANTES DE LIMPIARLA.

**3** 42375

**4** WARNING! CONTACT WITH THIS SURFACE WHILE THE APPLIANCE IS OPERATING MAY CAUSE BURNS  
AVERTISSEMENT! CONTACT AVEC CETTE SURFACE PENDANT LE FONCTIONNEMENT DE L'APPAREIL POURRAIT CAUSER DES BRULURES.  
87087

**5** **powerOff**  
PATENT PENDING  
WHEN THE HEAT SWITCH LIGHT IS BLINKING, TURN THE HEAT SWITCH OFF-ON TO RESTART THE KETTLE HEAT

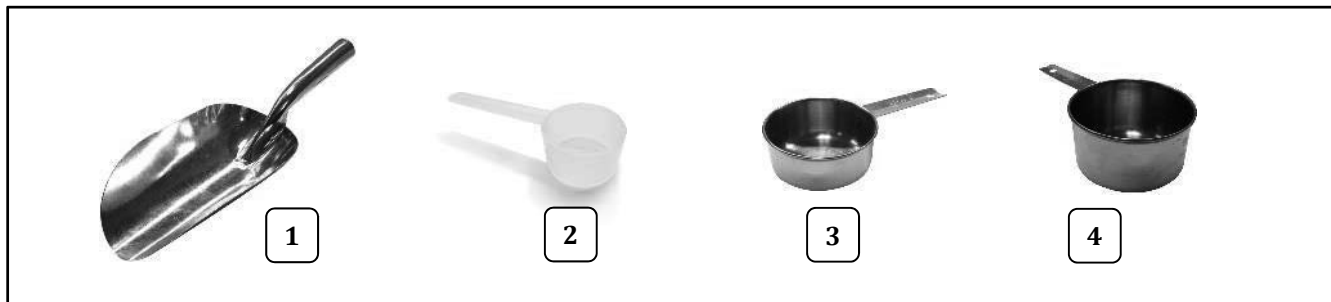
On units with PowerOff Control feature only.

**6** Kettle Lead-In Label

**7** Power Cord Label

Item	Part Description	Part Number	
		2388	2388-00-002
1	UNIVERSAL POPPER DECAL	41019	41019
2	LABEL UNPLUG TO CLEAN	76097	76097
3	MAIN GROUND LABEL	42375	42375
4	WARNING, SURFACE CONTACT	87087	87087
5	LABEL POWEROFF CNTRL		55436
6	CONDUIT WARNING LABEL	82840	82840
7	WARNING LABEL CORD	68720	68720

## Accessories



Item	Part Description	Part Number
1	STAMPED ALUMINUM SCOOP	2071
3	6.5 CC MEASURE	47678
4	OIL MEASURE (1/3 CUP)	47150
2	MEASURE ONE CUP	47147



## Safety Labels

**1** Unit Labels

**2** UNPLUG THIS UNIT BEFORE CLEANING  
DÉBRANCHER CET APPAREIL AVANT NETTOYAGE  
ZIEHN SIE DEN STECKER AUS DER STECKDOSE.  
BEVOR SIE DIE MASCHINE REINIGEN.  
DESCONECTE ESTA UNIDAD ANTES DE LIMPIARLA.

**3** 42375

**4** WARNING! CONTACT WITH THIS SURFACE WHILE THE APPLIANCE IS OPERATING MAY CAUSE BURNS  
AVERTISSEMENT! CONTACT AVEC CETTE SURFACE PENDANT LE FONCTIONNEMENT DE L'APPAREIL POURRAIT CAUSER DES BRULURES.  
87087

**5** **powerOff**  
PATENT PENDING  
WHEN THE HEAT SWITCH LIGHT IS BLINKING, TURN THE HEAT SWITCH OFF-ON TO RESTART THE KETTLE HEAT

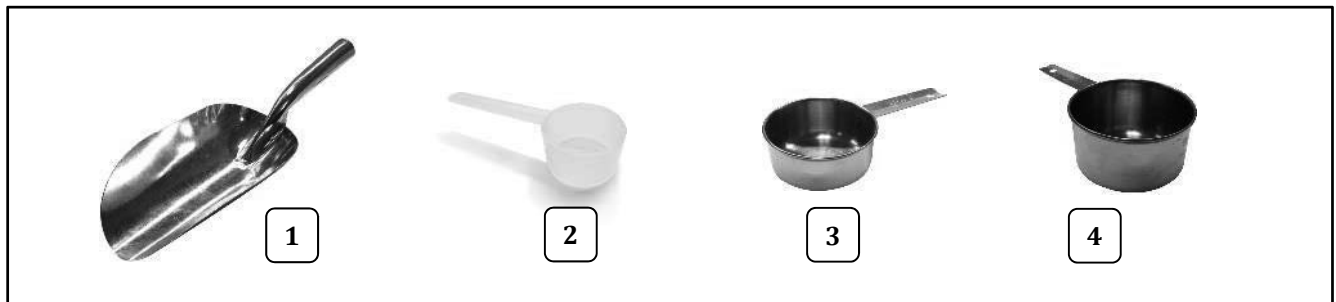
On units with PowerOff Control feature only.

**6** Kettle Lead-In Label

**7** Power Cord Label

Item	Part Description	Part Number	
		2388	2388-00-002
1	UNIVERSAL POPPER DECAL	41019	41019
2	LABEL UNPLUG TO CLEAN	76097	76097
3	MAIN GROUND LABEL	42375	42375
4	WARNING, SURFACE CONTACT	87087	87087
5	LABEL POWEROFF CNTRL		55436
6	CONDUIT WARNING LABEL	82840	82840
7	WARNING LABEL CORD	68720	68720

## Accessories



Item	Part Description	Part Number
1	STAMPED ALUMINUM SCOOP	2071
3	6.5 CC MEASURE	47678
4	OIL MEASURE (1/3 CUP)	47150
2	MEASURE ONE CUP	47147