




MAINTENANCE INSTRUCTIONS

	⚠ CAUTION
	THE FOLLOWING SECTIONS OF THIS MANUAL ARE INTENDED ONLY FOR QUALIFIED SERVICE PERSONNEL WHO ARE FAMILIAR WITH ELECTRICAL EQUIPMENT. THESE ARE NOT INTENDED FOR THE OPERATOR.


	⚠ WARNING
	Adequate eye protection must be used when servicing this equipment to prevent the possibility of injury.


	⚠ DANGER
	Do NOT immerse the kettle, warmer, or any other part of this equipment in water. Unplug your machine before servicing.


ACCESSORIES

Description	Part Number
Shipping Carton	49833
Corn Measure Cup	49049
A-Scoop	47145
Flavacol Cup	47678

MAINTENANCE INSTRUCTIONS

	⚠ CAUTION
	THE FOLLOWING SECTIONS OF THIS MANUAL ARE INTENDED ONLY FOR QUALIFIED SERVICE PERSONNEL WHO ARE FAMILIAR WITH ELECTRICAL EQUIPMENT. THESE ARE NOT INTENDED FOR THE OPERATOR.


	⚠ WARNING
	Adequate eye protection must be used when servicing this equipment to prevent the possibility of injury.


	⚠ DANGER
	Do NOT immerse the kettle, warmer, or any other part of this equipment in water. Unplug your machine before servicing.


ACCESSORIES

Description	Part Number
Shipping Carton	49833
Corn Measure Cup	49049
A-Scoop	47145
Flavacol Cup	47678

MAINTENANCE INSTRUCTIONS

	⚠ CAUTION
	THE FOLLOWING SECTIONS OF THIS MANUAL ARE INTENDED ONLY FOR QUALIFIED SERVICE PERSONNEL WHO ARE FAMILIAR WITH ELECTRICAL EQUIPMENT. THESE ARE NOT INTENDED FOR THE OPERATOR.

	⚠ WARNING
	Adequate eye protection must be used when servicing this equipment to prevent the possibility of injury.

	⚠ DANGER
	Do NOT immerse the kettle, warmer, or any other part of this equipment in water. Unplug your machine before servicing.

ACCESSORIES

Description	Part Number
Shipping Carton	49833
Corn Measure Cup	49049
A-Scoop	47145
Flavacol Cup	47678

PARTS LIST - CABINET ASSEMBLY

Item No.	Part No.	Description	Quantity
1	12077	½" O.D. x ¼" T Magnet	1
2	22038	Lead-in-Cord, 15 Amp	1
3	40324	Switch, SPST Rocker Type	3
4	40557	20 Watt Foil Heater	1
5	41349	Male Hinge, Short Left	1
6	41350	Male Hinge, Short Right	1
7	41351	Female Hinge, Long Right	1
8	41352	Female Hinge, Long Left	1
9	42947	50 Watt Flood Light, Coated	1
10	47120	Knob, Lid Lift	3
11	47155	Rubber Feet	4
12	47236	Bushing Snap	2
13	49100	Old Main Pan	1
14	49791	Dome	1
15	49810	Bottom Cover	1
16	49816	Door, Front	2
17	49009	Hanger Arm Rear	1
	49010	Hanger Arm Front	1
18	49789	Upper Plate Stiffener	1
19	49826	Front Glass	1
20	49827	Side Glass	2
21	49790	Motor Plate	1
22	47038	Drive Motor	1
23	49837	Lamp Holder	1
24	49844	Rigid Channel, 21-5/16"	6
25	49846	Rigid Channel, 10-7/32"	4
26	49847	¼-20 x ½" Oval Head M/S	1
27	49851	Magnet Retainer	1
28	49856	Drop Panel Assembly	1
29	74172	Rigid Channel, 16 ¼"	2
30	76026	Strain Relief	1
31	87576	Magnetic Catch	2
32	49833	Shipping Carton	1
33	49848	Expansion Nut	8

PARTS LIST - CABINET ASSEMBLY

Item No.	Part No.	Description	Quantity
1	12077	½" O.D. x ¼" T Magnet	1
2	22038	Lead-in-Cord, 15 Amp	1
3	40324	Switch, SPST Rocker Type	3
4	40557	20 Watt Foil Heater	1
5	41349	Male Hinge, Short Left	1
6	41350	Male Hinge, Short Right	1
7	41351	Female Hinge, Long Right	1
8	41352	Female Hinge, Long Left	1
9	42947	50 Watt Flood Light, Coated	1
10	47120	Knob, Lid Lift	3
11	47155	Rubber Feet	4
12	47236	Bushing Snap	2
13	49100	Old Main Pan	1
14	49791	Dome	1
15	49810	Bottom Cover	1
16	49816	Door, Front	2
17	49009	Hanger Arm Rear	1
	49010	Hanger Arm Front	1
18	49789	Upper Plate Stiffener	1
19	49826	Front Glass	1
20	49827	Side Glass	2
21	49790	Motor Plate	1
22	47038	Drive Motor	1
23	49837	Lamp Holder	1
24	49844	Rigid Channel, 21-5/16"	6
25	49846	Rigid Channel, 10-7/32"	4
26	49847	¼-20 x ½" Oval Head M/S	1
27	49851	Magnet Retainer	1
28	49856	Drop Panel Assembly	1
29	74172	Rigid Channel, 16 ¼"	2
30	76026	Strain Relief	1
31	87576	Magnetic Catch	2
32	49833	Shipping Carton	1
33	49848	Expansion Nut	8

PARTS LIST - CABINET ASSEMBLY

Item No.	Part No.	Description	Quantity
1	12077	½" O.D. x ¼" T Magnet	1
2	22038	Lead-in-Cord, 15 Amp	1
3	40324	Switch, SPST Rocker Type	3
4	40557	20 Watt Foil Heater	1
5	41349	Male Hinge, Short Left	1
6	41350	Male Hinge, Short Right	1
7	41351	Female Hinge, Long Right	1
8	41352	Female Hinge, Long Left	1
9	42947	50 Watt Flood Light, Coated	1
10	47120	Knob, Lid Lift	3
11	47155	Rubber Feet	4
12	47236	Bushing Snap	2
13	49100	Old Main Pan	1
14	49791	Dome	1
15	49810	Bottom Cover	1
16	49816	Door, Front	2
17	49009	Hanger Arm Rear	1
	49010	Hanger Arm Front	1
18	49789	Upper Plate Stiffener	1
19	49826	Front Glass	1
20	49827	Side Glass	2
21	49790	Motor Plate	1
22	47038	Drive Motor	1
23	49837	Lamp Holder	1
24	49844	Rigid Channel, 21-5/16"	6
25	49846	Rigid Channel, 10-7/32"	4
26	49847	¼-20 x ½" Oval Head M/S	1
27	49851	Magnet Retainer	1
28	49856	Drop Panel Assembly	1
29	74172	Rigid Channel, 16 ¼"	2
30	76026	Strain Relief	1
31	87576	Magnetic Catch	2
32	49833	Shipping Carton	1
33	49848	Expansion Nut	8

PARTS LIST - CABINET ASSEMBLY

Item No.	Part No.	Description	Quantity
1	12077	½" O.D. x ¼" T Magnet	1
2	22038	Lead-in-Cord, 15 Amp	1
3	40324	Switch, SPST Rocker Type	3
4	40557	20 Watt Foil Heater	1
5	41349	Male Hinge, Short Left	1
6	41350	Male Hinge, Short Right	1
7	41351	Female Hinge, Long Right	1
8	41352	Female Hinge, Long Left	1
9	42947	50 Watt Flood Light, Coated	1
10	47120	Knob, Lid Lift	3
11	47155	Rubber Feet	4
12	47236	Bushing Snap	2
13	49100	Old Main Pan	1
14	49791	Dome	1
15	49810	Bottom Cover	1
16	49816	Door, Front	2
17	49009	Hanger Arm Rear	1
	49010	Hanger Arm Front	1
18	49789	Upper Plate Stiffener	1
19	49826	Front Glass	1
20	49827	Side Glass	2
21	49790	Motor Plate	1
22	47038	Drive Motor	1
23	49837	Lamp Holder	1
24	49844	Rigid Channel, 21-5/16"	6
25	49846	Rigid Channel, 10-7/32"	4
26	49847	¼-20 x ½" Oval Head M/S	1
27	49851	Magnet Retainer	1
28	49856	Drop Panel Assembly	1
29	74172	Rigid Channel, 16 ¼"	2
30	76026	Strain Relief	1
31	87576	Magnetic Catch	2
32	49833	Shipping Carton	1
33	49848	Expansion Nut	8

PARTS LIST - CABINET ASSEMBLY

Item No.	Part No.	Description	Quantity
1	12077	½" O.D. x ¼" T Magnet	1
2	22038	Lead-in-Cord, 15 Amp	1
3	40324	Switch, SPST Rocker Type	3
4	40557	20 Watt Foil Heater	1
5	41349	Male Hinge, Short Left	1
6	41350	Male Hinge, Short Right	1
7	41351	Female Hinge, Long Right	1
8	41352	Female Hinge, Long Left	1
9	42947	50 Watt Flood Light, Coated	1
10	47120	Knob, Lid Lift	3
11	47155	Rubber Feet	4
12	47236	Bushing Snap	2
13	49100	Old Main Pan	1
14	49791	Dome	1
15	49810	Bottom Cover	1
16	49816	Door, Front	2
17	49009	Hanger Arm Rear	1
	49010	Hanger Arm Front	1
18	49789	Upper Plate Stiffener	1
19	49826	Front Glass	1
20	49827	Side Glass	2
21	49790	Motor Plate	1
22	47038	Drive Motor	1
23	49837	Lamp Holder	1
24	49844	Rigid Channel, 21-5/16"	6
25	49846	Rigid Channel, 10-7/32"	4
26	49847	¼-20 x ½" Oval Head M/S	1
27	49851	Magnet Retainer	1
28	49856	Drop Panel Assembly	1
29	74172	Rigid Channel, 16 ¼"	2
30	76026	Strain Relief	1
31	87576	Magnetic Catch	2
32	49833	Shipping Carton	1
33	49848	Expansion Nut	8

PARTS LIST - CABINET ASSEMBLY

Item No.	Part No.	Description	Quantity
1	12077	½" O.D. x ¼" T Magnet	1
2	22038	Lead-in-Cord, 15 Amp	1
3	40324	Switch, SPST Rocker Type	3
4	40557	20 Watt Foil Heater	1
5	41349	Male Hinge, Short Left	1
6	41350	Male Hinge, Short Right	1
7	41351	Female Hinge, Long Right	1
8	41352	Female Hinge, Long Left	1
9	42947	50 Watt Flood Light, Coated	1
10	47120	Knob, Lid Lift	3
11	47155	Rubber Feet	4
12	47236	Bushing Snap	2
13	49100	Old Main Pan	1
14	49791	Dome	1
15	49810	Bottom Cover	1
16	49816	Door, Front	2
17	49009	Hanger Arm Rear	1
	49010	Hanger Arm Front	1
18	49789	Upper Plate Stiffener	1
19	49826	Front Glass	1
20	49827	Side Glass	2
21	49790	Motor Plate	1
22	47038	Drive Motor	1
23	49837	Lamp Holder	1
24	49844	Rigid Channel, 21-5/16"	6
25	49846	Rigid Channel, 10-7/32"	4
26	49847	¼-20 x ½" Oval Head M/S	1
27	49851	Magnet Retainer	1
28	49856	Drop Panel Assembly	1
29	74172	Rigid Channel, 16 ¼"	2
30	76026	Strain Relief	1
31	87576	Magnetic Catch	2
32	49833	Shipping Carton	1
33	49848	Expansion Nut	8

PARTS LIST - CABINET ASSEMBLY

Item No.	Part No.	Description	Quantity
1	12077	½" O.D. x ¼" T Magnet	1
2	22038	Lead-in-Cord, 15 Amp	1
3	40324	Switch, SPST Rocker Type	3
4	40557	20 Watt Foil Heater	1
5	41349	Male Hinge, Short Left	1
6	41350	Male Hinge, Short Right	1
7	41351	Female Hinge, Long Right	1
8	41352	Female Hinge, Long Left	1
9	42947	50 Watt Flood Light, Coated	1
10	47120	Knob, Lid Lift	3
11	47155	Rubber Feet	4
12	47236	Bushing Snap	2
13	49100	Old Main Pan	1
14	49791	Dome	1
15	49810	Bottom Cover	1
16	49816	Door, Front	2
17	49009	Hanger Arm Rear	1
	49010	Hanger Arm Front	1
18	49789	Upper Plate Stiffener	1
19	49826	Front Glass	1
20	49827	Side Glass	2
21	49790	Motor Plate	1
22	47038	Drive Motor	1
23	49837	Lamp Holder	1
24	49844	Rigid Channel, 21-5/16"	6
25	49846	Rigid Channel, 10-7/32"	4
26	49847	¼-20 x ½" Oval Head M/S	1
27	49851	Magnet Retainer	1
28	49856	Drop Panel Assembly	1
29	74172	Rigid Channel, 16 ¼"	2
30	76026	Strain Relief	1
31	87576	Magnetic Catch	2
32	49833	Shipping Carton	1
33	49848	Expansion Nut	8

PARTS LIST - CABINET ASSEMBLY

Item No.	Part No.	Description	Quantity
1	12077	½" O.D. x ¼" T Magnet	1
2	22038	Lead-in-Cord, 15 Amp	1
3	40324	Switch, SPST Rocker Type	3
4	40557	20 Watt Foil Heater	1
5	41349	Male Hinge, Short Left	1
6	41350	Male Hinge, Short Right	1
7	41351	Female Hinge, Long Right	1
8	41352	Female Hinge, Long Left	1
9	42947	50 Watt Flood Light, Coated	1
10	47120	Knob, Lid Lift	3
11	47155	Rubber Feet	4
12	47236	Bushing Snap	2
13	49100	Old Main Pan	1
14	49791	Dome	1
15	49810	Bottom Cover	1
16	49816	Door, Front	2
17	49009	Hanger Arm Rear	1
	49010	Hanger Arm Front	1
18	49789	Upper Plate Stiffener	1
19	49826	Front Glass	1
20	49827	Side Glass	2
21	49790	Motor Plate	1
22	47038	Drive Motor	1
23	49837	Lamp Holder	1
24	49844	Rigid Channel, 21-5/16"	6
25	49846	Rigid Channel, 10-7/32"	4
26	49847	¼-20 x ½" Oval Head M/S	1
27	49851	Magnet Retainer	1
28	49856	Drop Panel Assembly	1
29	74172	Rigid Channel, 16 ¼"	2
30	76026	Strain Relief	1
31	87576	Magnetic Catch	2
32	49833	Shipping Carton	1
33	49848	Expansion Nut	8

PARTS LIST - CABINET ASSEMBLY

Item No.	Part No.	Description	Quantity
1	12077	½" O.D. x ¼" T Magnet	1
2	22038	Lead-in-Cord, 15 Amp	1
3	40324	Switch, SPST Rocker Type	3
4	40557	20 Watt Foil Heater	1
5	41349	Male Hinge, Short Left	1
6	41350	Male Hinge, Short Right	1
7	41351	Female Hinge, Long Right	1
8	41352	Female Hinge, Long Left	1
9	42947	50 Watt Flood Light, Coated	1
10	47120	Knob, Lid Lift	3
11	47155	Rubber Feet	4
12	47236	Bushing Snap	2
13	49100	Old Main Pan	1
14	49791	Dome	1
15	49810	Bottom Cover	1
16	49816	Door, Front	2
17	49009	Hanger Arm Rear	1
	49010	Hanger Arm Front	1
18	49789	Upper Plate Stiffener	1
19	49826	Front Glass	1
20	49827	Side Glass	2
21	49790	Motor Plate	1
22	47038	Drive Motor	1
23	49837	Lamp Holder	1
24	49844	Rigid Channel, 21-5/16"	6
25	49846	Rigid Channel, 10-7/32"	4
26	49847	¼-20 x ½" Oval Head M/S	1
27	49851	Magnet Retainer	1
28	49856	Drop Panel Assembly	1
29	74172	Rigid Channel, 16 ¼"	2
30	76026	Strain Relief	1
31	87576	Magnetic Catch	2
32	49833	Shipping Carton	1
33	49848	Expansion Nut	8

PARTS LIST - CABINET ASSEMBLY

Item No.	Part No.	Description	Quantity
1	12077	½" O.D. x ¼" T Magnet	1
2	22038	Lead-in-Cord, 15 Amp	1
3	40324	Switch, SPST Rocker Type	3
4	40557	20 Watt Foil Heater	1
5	41349	Male Hinge, Short Left	1
6	41350	Male Hinge, Short Right	1
7	41351	Female Hinge, Long Right	1
8	41352	Female Hinge, Long Left	1
9	42947	50 Watt Flood Light, Coated	1
10	47120	Knob, Lid Lift	3
11	47155	Rubber Feet	4
12	47236	Bushing Snap	2
13	49100	Old Main Pan	1
14	49791	Dome	1
15	49810	Bottom Cover	1
16	49816	Door, Front	2
17	49009	Hanger Arm Rear	1
	49010	Hanger Arm Front	1
18	49789	Upper Plate Stiffener	1
19	49826	Front Glass	1
20	49827	Side Glass	2
21	49790	Motor Plate	1
22	47038	Drive Motor	1
23	49837	Lamp Holder	1
24	49844	Rigid Channel, 21-5/16"	6
25	49846	Rigid Channel, 10-7/32"	4
26	49847	¼-20 x ½" Oval Head M/S	1
27	49851	Magnet Retainer	1
28	49856	Drop Panel Assembly	1
29	74172	Rigid Channel, 16 ¼"	2
30	76026	Strain Relief	1
31	87576	Magnetic Catch	2
32	49833	Shipping Carton	1
33	49848	Expansion Nut	8

PARTS LIST - CABINET ASSEMBLY

Item No.	Part No.	Description	Quantity
1	12077	½" O.D. x ¼" T Magnet	1
2	22038	Lead-in-Cord, 15 Amp	1
3	40324	Switch, SPST Rocker Type	3
4	40557	20 Watt Foil Heater	1
5	41349	Male Hinge, Short Left	1
6	41350	Male Hinge, Short Right	1
7	41351	Female Hinge, Long Right	1
8	41352	Female Hinge, Long Left	1
9	42947	50 Watt Flood Light, Coated	1
10	47120	Knob, Lid Lift	3
11	47155	Rubber Feet	4
12	47236	Bushing Snap	2
13	49100	Old Main Pan	1
14	49791	Dome	1
15	49810	Bottom Cover	1
16	49816	Door, Front	2
17	49009	Hanger Arm Rear	1
	49010	Hanger Arm Front	1
18	49789	Upper Plate Stiffener	1
19	49826	Front Glass	1
20	49827	Side Glass	2
21	49790	Motor Plate	1
22	47038	Drive Motor	1
23	49837	Lamp Holder	1
24	49844	Rigid Channel, 21-5/16"	6
25	49846	Rigid Channel, 10-7/32"	4
26	49847	¼-20 x ½" Oval Head M/S	1
27	49851	Magnet Retainer	1
28	49856	Drop Panel Assembly	1
29	74172	Rigid Channel, 16 ¼"	2
30	76026	Strain Relief	1
31	87576	Magnetic Catch	2
32	49833	Shipping Carton	1
33	49848	Expansion Nut	8

PARTS LIST - CABINET ASSEMBLY

Item No.	Part No.	Description	Quantity
1	12077	½" O.D. x ¼" T Magnet	1
2	22038	Lead-in-Cord, 15 Amp	1
3	40324	Switch, SPST Rocker Type	3
4	40557	20 Watt Foil Heater	1
5	41349	Male Hinge, Short Left	1
6	41350	Male Hinge, Short Right	1
7	41351	Female Hinge, Long Right	1
8	41352	Female Hinge, Long Left	1
9	42947	50 Watt Flood Light, Coated	1
10	47120	Knob, Lid Lift	3
11	47155	Rubber Feet	4
12	47236	Bushing Snap	2
13	49100	Old Main Pan	1
14	49791	Dome	1
15	49810	Bottom Cover	1
16	49816	Door, Front	2
17	49009	Hanger Arm Rear	1
	49010	Hanger Arm Front	1
18	49789	Upper Plate Stiffener	1
19	49826	Front Glass	1
20	49827	Side Glass	2
21	49790	Motor Plate	1
22	47038	Drive Motor	1
23	49837	Lamp Holder	1
24	49844	Rigid Channel, 21-5/16"	6
25	49846	Rigid Channel, 10-7/32"	4
26	49847	¼-20 x ½" Oval Head M/S	1
27	49851	Magnet Retainer	1
28	49856	Drop Panel Assembly	1
29	74172	Rigid Channel, 16 ¼"	2
30	76026	Strain Relief	1
31	87576	Magnetic Catch	2
32	49833	Shipping Carton	1
33	49848	Expansion Nut	8

PARTS LIST - CABINET ASSEMBLY

Item No.	Part No.	Description	Quantity
1	12077	½" O.D. x ¼" T Magnet	1
2	22038	Lead-in-Cord, 15 Amp	1
3	40324	Switch, SPST Rocker Type	3
4	40557	20 Watt Foil Heater	1
5	41349	Male Hinge, Short Left	1
6	41350	Male Hinge, Short Right	1
7	41351	Female Hinge, Long Right	1
8	41352	Female Hinge, Long Left	1
9	42947	50 Watt Flood Light, Coated	1
10	47120	Knob, Lid Lift	3
11	47155	Rubber Feet	4
12	47236	Bushing Snap	2
13	49100	Old Main Pan	1
14	49791	Dome	1
15	49810	Bottom Cover	1
16	49816	Door, Front	2
17	49009	Hanger Arm Rear	1
	49010	Hanger Arm Front	1
18	49789	Upper Plate Stiffener	1
19	49826	Front Glass	1
20	49827	Side Glass	2
21	49790	Motor Plate	1
22	47038	Drive Motor	1
23	49837	Lamp Holder	1
24	49844	Rigid Channel, 21-5/16"	6
25	49846	Rigid Channel, 10-7/32"	4
26	49847	¼-20 x ½" Oval Head M/S	1
27	49851	Magnet Retainer	1
28	49856	Drop Panel Assembly	1
29	74172	Rigid Channel, 16 ¼"	2
30	76026	Strain Relief	1
31	87576	Magnetic Catch	2
32	49833	Shipping Carton	1
33	49848	Expansion Nut	8

PARTS LIST - CABINET ASSEMBLY

Item No.	Part No.	Description	Quantity
1	12077	½" O.D. x ¼" T Magnet	1
2	22038	Lead-in-Cord, 15 Amp	1
3	40324	Switch, SPST Rocker Type	3
4	40557	20 Watt Foil Heater	1
5	41349	Male Hinge, Short Left	1
6	41350	Male Hinge, Short Right	1
7	41351	Female Hinge, Long Right	1
8	41352	Female Hinge, Long Left	1
9	42947	50 Watt Flood Light, Coated	1
10	47120	Knob, Lid Lift	3
11	47155	Rubber Feet	4
12	47236	Bushing Snap	2
13	49100	Old Main Pan	1
14	49791	Dome	1
15	49810	Bottom Cover	1
16	49816	Door, Front	2
17	49009	Hanger Arm Rear	1
	49010	Hanger Arm Front	1
18	49789	Upper Plate Stiffener	1
19	49826	Front Glass	1
20	49827	Side Glass	2
21	49790	Motor Plate	1
22	47038	Drive Motor	1
23	49837	Lamp Holder	1
24	49844	Rigid Channel, 21-5/16"	6
25	49846	Rigid Channel, 10-7/32"	4
26	49847	¼-20 x ½" Oval Head M/S	1
27	49851	Magnet Retainer	1
28	49856	Drop Panel Assembly	1
29	74172	Rigid Channel, 16 ¼"	2
30	76026	Strain Relief	1
31	87576	Magnetic Catch	2
32	49833	Shipping Carton	1
33	49848	Expansion Nut	8

PARTS LIST - CABINET ASSEMBLY

Item No.	Part No.	Description	Quantity
1	12077	½" O.D. x ¼" T Magnet	1
2	22038	Lead-in-Cord, 15 Amp	1
3	40324	Switch, SPST Rocker Type	3
4	40557	20 Watt Foil Heater	1
5	41349	Male Hinge, Short Left	1
6	41350	Male Hinge, Short Right	1
7	41351	Female Hinge, Long Right	1
8	41352	Female Hinge, Long Left	1
9	42947	50 Watt Flood Light, Coated	1
10	47120	Knob, Lid Lift	3
11	47155	Rubber Feet	4
12	47236	Bushing Snap	2
13	49100	Old Main Pan	1
14	49791	Dome	1
15	49810	Bottom Cover	1
16	49816	Door, Front	2
17	49009	Hanger Arm Rear	1
	49010	Hanger Arm Front	1
18	49789	Upper Plate Stiffener	1
19	49826	Front Glass	1
20	49827	Side Glass	2
21	49790	Motor Plate	1
22	47038	Drive Motor	1
23	49837	Lamp Holder	1
24	49844	Rigid Channel, 21-5/16"	6
25	49846	Rigid Channel, 10-7/32"	4
26	49847	¼-20 x ½" Oval Head M/S	1
27	49851	Magnet Retainer	1
28	49856	Drop Panel Assembly	1
29	74172	Rigid Channel, 16 ¼"	2
30	76026	Strain Relief	1
31	87576	Magnetic Catch	2
32	49833	Shipping Carton	1
33	49848	Expansion Nut	8

PARTS LIST - CABINET ASSEMBLY

Item No.	Part No.	Description	Quantity
1	12077	½" O.D. x ¼" T Magnet	1
2	22038	Lead-in-Cord, 15 Amp	1
3	40324	Switch, SPST Rocker Type	3
4	40557	20 Watt Foil Heater	1
5	41349	Male Hinge, Short Left	1
6	41350	Male Hinge, Short Right	1
7	41351	Female Hinge, Long Right	1
8	41352	Female Hinge, Long Left	1
9	42947	50 Watt Flood Light, Coated	1
10	47120	Knob, Lid Lift	3
11	47155	Rubber Feet	4
12	47236	Bushing Snap	2
13	49100	Old Main Pan	1
14	49791	Dome	1
15	49810	Bottom Cover	1
16	49816	Door, Front	2
17	49009	Hanger Arm Rear	1
	49010	Hanger Arm Front	1
18	49789	Upper Plate Stiffener	1
19	49826	Front Glass	1
20	49827	Side Glass	2
21	49790	Motor Plate	1
22	47038	Drive Motor	1
23	49837	Lamp Holder	1
24	49844	Rigid Channel, 21-5/16"	6
25	49846	Rigid Channel, 10-7/32"	4
26	49847	¼-20 x ½" Oval Head M/S	1
27	49851	Magnet Retainer	1
28	49856	Drop Panel Assembly	1
29	74172	Rigid Channel, 16 ¼"	2
30	76026	Strain Relief	1
31	87576	Magnetic Catch	2
32	49833	Shipping Carton	1
33	49848	Expansion Nut	8

PARTS LIST - CABINET ASSEMBLY

Item No.	Part No.	Description	Quantity
1	12077	½" O.D. x ¼" T Magnet	1
2	22038	Lead-in-Cord, 15 Amp	1
3	40324	Switch, SPST Rocker Type	3
4	40557	20 Watt Foil Heater	1
5	41349	Male Hinge, Short Left	1
6	41350	Male Hinge, Short Right	1
7	41351	Female Hinge, Long Right	1
8	41352	Female Hinge, Long Left	1
9	42947	50 Watt Flood Light, Coated	1
10	47120	Knob, Lid Lift	3
11	47155	Rubber Feet	4
12	47236	Bushing Snap	2
13	49100	Old Main Pan	1
14	49791	Dome	1
15	49810	Bottom Cover	1
16	49816	Door, Front	2
17	49009	Hanger Arm Rear	1
	49010	Hanger Arm Front	1
18	49789	Upper Plate Stiffener	1
19	49826	Front Glass	1
20	49827	Side Glass	2
21	49790	Motor Plate	1
22	47038	Drive Motor	1
23	49837	Lamp Holder	1
24	49844	Rigid Channel, 21-5/16"	6
25	49846	Rigid Channel, 10-7/32"	4
26	49847	¼-20 x ½" Oval Head M/S	1
27	49851	Magnet Retainer	1
28	49856	Drop Panel Assembly	1
29	74172	Rigid Channel, 16 ¼"	2
30	76026	Strain Relief	1
31	87576	Magnetic Catch	2
32	49833	Shipping Carton	1
33	49848	Expansion Nut	8

PARTS LIST - CABINET ASSEMBLY

Item No.	Part No.	Description	Quantity
1	12077	½" O.D. x ¼" T Magnet	1
2	22038	Lead-in-Cord, 15 Amp	1
3	40324	Switch, SPST Rocker Type	3
4	40557	20 Watt Foil Heater	1
5	41349	Male Hinge, Short Left	1
6	41350	Male Hinge, Short Right	1
7	41351	Female Hinge, Long Right	1
8	41352	Female Hinge, Long Left	1
9	42947	50 Watt Flood Light, Coated	1
10	47120	Knob, Lid Lift	3
11	47155	Rubber Feet	4
12	47236	Bushing Snap	2
13	49100	Old Main Pan	1
14	49791	Dome	1
15	49810	Bottom Cover	1
16	49816	Door, Front	2
17	49009	Hanger Arm Rear	1
	49010	Hanger Arm Front	1
18	49789	Upper Plate Stiffener	1
19	49826	Front Glass	1
20	49827	Side Glass	2
21	49790	Motor Plate	1
22	47038	Drive Motor	1
23	49837	Lamp Holder	1
24	49844	Rigid Channel, 21-5/16"	6
25	49846	Rigid Channel, 10-7/32"	4
26	49847	¼-20 x ½" Oval Head M/S	1
27	49851	Magnet Retainer	1
28	49856	Drop Panel Assembly	1
29	74172	Rigid Channel, 16 ¼"	2
30	76026	Strain Relief	1
31	87576	Magnetic Catch	2
32	49833	Shipping Carton	1
33	49848	Expansion Nut	8

PARTS LIST - CABINET ASSEMBLY

Item No.	Part No.	Description	Quantity
1	12077	½" O.D. x ¼" T Magnet	1
2	22038	Lead-in-Cord, 15 Amp	1
3	40324	Switch, SPST Rocker Type	3
4	40557	20 Watt Foil Heater	1
5	41349	Male Hinge, Short Left	1
6	41350	Male Hinge, Short Right	1
7	41351	Female Hinge, Long Right	1
8	41352	Female Hinge, Long Left	1
9	42947	50 Watt Flood Light, Coated	1
10	47120	Knob, Lid Lift	3
11	47155	Rubber Feet	4
12	47236	Bushing Snap	2
13	49100	Old Main Pan	1
14	49791	Dome	1
15	49810	Bottom Cover	1
16	49816	Door, Front	2
17	49009	Hanger Arm Rear	1
	49010	Hanger Arm Front	1
18	49789	Upper Plate Stiffener	1
19	49826	Front Glass	1
20	49827	Side Glass	2
21	49790	Motor Plate	1
22	47038	Drive Motor	1
23	49837	Lamp Holder	1
24	49844	Rigid Channel, 21-5/16"	6
25	49846	Rigid Channel, 10-7/32"	4
26	49847	¼-20 x ½" Oval Head M/S	1
27	49851	Magnet Retainer	1
28	49856	Drop Panel Assembly	1
29	74172	Rigid Channel, 16 ¼"	2
30	76026	Strain Relief	1
31	87576	Magnetic Catch	2
32	49833	Shipping Carton	1
33	49848	Expansion Nut	8

PARTS LIST - CABINET ASSEMBLY

Item No.	Part No.	Description	Quantity
1	12077	½" O.D. x ¼" T Magnet	1
2	22038	Lead-in-Cord, 15 Amp	1
3	40324	Switch, SPST Rocker Type	3
4	40557	20 Watt Foil Heater	1
5	41349	Male Hinge, Short Left	1
6	41350	Male Hinge, Short Right	1
7	41351	Female Hinge, Long Right	1
8	41352	Female Hinge, Long Left	1
9	42947	50 Watt Flood Light, Coated	1
10	47120	Knob, Lid Lift	3
11	47155	Rubber Feet	4
12	47236	Bushing Snap	2
13	49100	Old Main Pan	1
14	49791	Dome	1
15	49810	Bottom Cover	1
16	49816	Door, Front	2
17	49009	Hanger Arm Rear	1
	49010	Hanger Arm Front	1
18	49789	Upper Plate Stiffener	1
19	49826	Front Glass	1
20	49827	Side Glass	2
21	49790	Motor Plate	1
22	47038	Drive Motor	1
23	49837	Lamp Holder	1
24	49844	Rigid Channel, 21-5/16"	6
25	49846	Rigid Channel, 10-7/32"	4
26	49847	¼-20 x ½" Oval Head M/S	1
27	49851	Magnet Retainer	1
28	49856	Drop Panel Assembly	1
29	74172	Rigid Channel, 16 ¼"	2
30	76026	Strain Relief	1
31	87576	Magnetic Catch	2
32	49833	Shipping Carton	1
33	49848	Expansion Nut	8

PARTS LIST - CABINET ASSEMBLY

Item No.	Part No.	Description	Quantity
1	12077	1/2" O.D. x 1/4" T Magnet	1
2	22038	Lead-in-Cord, 15 Amp	1
3	40324	Switch, SPST Rocker Type	3
4	40557	20 Watt Foil Heater	1
5	41349	Male Hinge, Short Left	1
6	41350	Male Hinge, Short Right	1
7	41351	Female Hinge, Long Right	1
8	41352	Female Hinge, Long Left	1
9	42947	50 Watt Flood Light, Coated	1
10	47120	Knob, Lid Lift	3
11	47155	Rubber Feet	4
12	47236	Bushing Snap	2
13	49100	Old Main Pan	1
14	49791	Dome	1
15	49810	Bottom Cover	1
16	49816	Door, Front	2
17	49009	Hanger Arm Rear	1
	49010	Hanger Arm Front	1
18	49789	Upper Plate Stiffener	1
19	49826	Front Glass	1
20	49827	Side Glass	2
21	49790	Motor Plate	1
22	47038	Drive Motor	1
23	49837	Lamp Holder	1
24	49844	Rigid Channel, 21-5/16"	6
25	49846	Rigid Channel, 10-7/32"	4
26	49847	1/4-20 x 1/2" Oval Head M/S	1
27	49851	Magnet Retainer	1
28	49856	Drop Panel Assembly	1
29	74172	Rigid Channel, 16 1/4"	2
30	76026	Strain Relief	1
31	87576	Magnetic Catch	2
32	49833	Shipping Carton	1
33	49848	Expansion Nut	8

PARTS LIST - CABINET ASSEMBLY

Item No.	Part No.	Description	Quantity
1	12077	½" O.D. x ¼" T Magnet	1
2	22038	Lead-in-Cord, 15 Amp	1
3	40324	Switch, SPST Rocker Type	3
4	40557	20 Watt Foil Heater	1
5	41349	Male Hinge, Short Left	1
6	41350	Male Hinge, Short Right	1
7	41351	Female Hinge, Long Right	1
8	41352	Female Hinge, Long Left	1
9	42947	50 Watt Flood Light, Coated	1
10	47120	Knob, Lid Lift	3
11	47155	Rubber Feet	4
12	47236	Bushing Snap	2
13	49100	Old Main Pan	1
14	49791	Dome	1
15	49810	Bottom Cover	1
16	49816	Door, Front	2
17	49009	Hanger Arm Rear	1
	49010	Hanger Arm Front	1
18	49789	Upper Plate Stiffener	1
19	49826	Front Glass	1
20	49827	Side Glass	2
21	49790	Motor Plate	1
22	47038	Drive Motor	1
23	49837	Lamp Holder	1
24	49844	Rigid Channel, 21-5/16"	6
25	49846	Rigid Channel, 10-7/32"	4
26	49847	¼-20 x ½" Oval Head M/S	1
27	49851	Magnet Retainer	1
28	49856	Drop Panel Assembly	1
29	74172	Rigid Channel, 16 ¼"	2
30	76026	Strain Relief	1
31	87576	Magnetic Catch	2
32	49833	Shipping Carton	1
33	49848	Expansion Nut	8

PARTS LIST - CABINET ASSEMBLY

Item No.	Part No.	Description	Quantity
1	12077	½" O.D. x ¼" T Magnet	1
2	22038	Lead-in-Cord, 15 Amp	1
3	40324	Switch, SPST Rocker Type	3
4	40557	20 Watt Foil Heater	1
5	41349	Male Hinge, Short Left	1
6	41350	Male Hinge, Short Right	1
7	41351	Female Hinge, Long Right	1
8	41352	Female Hinge, Long Left	1
9	42947	50 Watt Flood Light, Coated	1
10	47120	Knob, Lid Lift	3
11	47155	Rubber Feet	4
12	47236	Bushing Snap	2
13	49100	Old Main Pan	1
14	49791	Dome	1
15	49810	Bottom Cover	1
16	49816	Door, Front	2
17	49009	Hanger Arm Rear	1
	49010	Hanger Arm Front	1
18	49789	Upper Plate Stiffener	1
19	49826	Front Glass	1
20	49827	Side Glass	2
21	49790	Motor Plate	1
22	47038	Drive Motor	1
23	49837	Lamp Holder	1
24	49844	Rigid Channel, 21-5/16"	6
25	49846	Rigid Channel, 10-7/32"	4
26	49847	¼-20 x ½" Oval Head M/S	1
27	49851	Magnet Retainer	1
28	49856	Drop Panel Assembly	1
29	74172	Rigid Channel, 16 ¼"	2
30	76026	Strain Relief	1
31	87576	Magnetic Catch	2
32	49833	Shipping Carton	1
33	49848	Expansion Nut	8

PARTS LIST - CABINET ASSEMBLY

Item No.	Part No.	Description	Quantity
1	12077	½" O.D. x ¼" T Magnet	1
2	22038	Lead-in-Cord, 15 Amp	1
3	40324	Switch, SPST Rocker Type	3
4	40557	20 Watt Foil Heater	1
5	41349	Male Hinge, Short Left	1
6	41350	Male Hinge, Short Right	1
7	41351	Female Hinge, Long Right	1
8	41352	Female Hinge, Long Left	1
9	42947	50 Watt Flood Light, Coated	1
10	47120	Knob, Lid Lift	3
11	47155	Rubber Feet	4
12	47236	Bushing Snap	2
13	49100	Old Main Pan	1
14	49791	Dome	1
15	49810	Bottom Cover	1
16	49816	Door, Front	2
17	49009	Hanger Arm Rear	1
	49010	Hanger Arm Front	1
18	49789	Upper Plate Stiffener	1
19	49826	Front Glass	1
20	49827	Side Glass	2
21	49790	Motor Plate	1
22	47038	Drive Motor	1
23	49837	Lamp Holder	1
24	49844	Rigid Channel, 21-5/16"	6
25	49846	Rigid Channel, 10-7/32"	4
26	49847	¼-20 x ½" Oval Head M/S	1
27	49851	Magnet Retainer	1
28	49856	Drop Panel Assembly	1
29	74172	Rigid Channel, 16 ¼"	2
30	76026	Strain Relief	1
31	87576	Magnetic Catch	2
32	49833	Shipping Carton	1
33	49848	Expansion Nut	8

PARTS LIST - CABINET ASSEMBLY

Item No.	Part No.	Description	Quantity
1	12077	½" O.D. x ¼" T Magnet	1
2	22038	Lead-in-Cord, 15 Amp	1
3	40324	Switch, SPST Rocker Type	3
4	40557	20 Watt Foil Heater	1
5	41349	Male Hinge, Short Left	1
6	41350	Male Hinge, Short Right	1
7	41351	Female Hinge, Long Right	1
8	41352	Female Hinge, Long Left	1
9	42947	50 Watt Flood Light, Coated	1
10	47120	Knob, Lid Lift	3
11	47155	Rubber Feet	4
12	47236	Bushing Snap	2
13	49100	Old Main Pan	1
14	49791	Dome	1
15	49810	Bottom Cover	1
16	49816	Door, Front	2
17	49009	Hanger Arm Rear	1
	49010	Hanger Arm Front	1
18	49789	Upper Plate Stiffener	1
19	49826	Front Glass	1
20	49827	Side Glass	2
21	49790	Motor Plate	1
22	47038	Drive Motor	1
23	49837	Lamp Holder	1
24	49844	Rigid Channel, 21-5/16"	6
25	49846	Rigid Channel, 10-7/32"	4
26	49847	¼-20 x ½" Oval Head M/S	1
27	49851	Magnet Retainer	1
28	49856	Drop Panel Assembly	1
29	74172	Rigid Channel, 16 ¼"	2
30	76026	Strain Relief	1
31	87576	Magnetic Catch	2
32	49833	Shipping Carton	1
33	49848	Expansion Nut	8

PARTS LIST - CABINET ASSEMBLY

Item No.	Part No.	Description	Quantity
1	12077	½" O.D. x ¼" T Magnet	1
2	22038	Lead-in-Cord, 15 Amp	1
3	40324	Switch, SPST Rocker Type	3
4	40557	20 Watt Foil Heater	1
5	41349	Male Hinge, Short Left	1
6	41350	Male Hinge, Short Right	1
7	41351	Female Hinge, Long Right	1
8	41352	Female Hinge, Long Left	1
9	42947	50 Watt Flood Light, Coated	1
10	47120	Knob, Lid Lift	3
11	47155	Rubber Feet	4
12	47236	Bushing Snap	2
13	49100	Old Main Pan	1
14	49791	Dome	1
15	49810	Bottom Cover	1
16	49816	Door, Front	2
17	49009	Hanger Arm Rear	1
	49010	Hanger Arm Front	1
18	49789	Upper Plate Stiffener	1
19	49826	Front Glass	1
20	49827	Side Glass	2
21	49790	Motor Plate	1
22	47038	Drive Motor	1
23	49837	Lamp Holder	1
24	49844	Rigid Channel, 21-5/16"	6
25	49846	Rigid Channel, 10-7/32"	4
26	49847	¼-20 x ½" Oval Head M/S	1
27	49851	Magnet Retainer	1
28	49856	Drop Panel Assembly	1
29	74172	Rigid Channel, 16 ¼"	2
30	76026	Strain Relief	1
31	87576	Magnetic Catch	2
32	49833	Shipping Carton	1
33	49848	Expansion Nut	8

PARTS LIST - CABINET ASSEMBLY

Item No.	Part No.	Description	Quantity
1	12077	½" O.D. x ¼" T Magnet	1
2	22038	Lead-in-Cord, 15 Amp	1
3	40324	Switch, SPST Rocker Type	3
4	40557	20 Watt Foil Heater	1
5	41349	Male Hinge, Short Left	1
6	41350	Male Hinge, Short Right	1
7	41351	Female Hinge, Long Right	1
8	41352	Female Hinge, Long Left	1
9	42947	50 Watt Flood Light, Coated	1
10	47120	Knob, Lid Lift	3
11	47155	Rubber Feet	4
12	47236	Bushing Snap	2
13	49100	Old Main Pan	1
14	49791	Dome	1
15	49810	Bottom Cover	1
16	49816	Door, Front	2
17	49009	Hanger Arm Rear	1
	49010	Hanger Arm Front	1
18	49789	Upper Plate Stiffener	1
19	49826	Front Glass	1
20	49827	Side Glass	2
21	49790	Motor Plate	1
22	47038	Drive Motor	1
23	49837	Lamp Holder	1
24	49844	Rigid Channel, 21-5/16"	6
25	49846	Rigid Channel, 10-7/32"	4
26	49847	¼-20 x ½" Oval Head M/S	1
27	49851	Magnet Retainer	1
28	49856	Drop Panel Assembly	1
29	74172	Rigid Channel, 16 ¼"	2
30	76026	Strain Relief	1
31	87576	Magnetic Catch	2
32	49833	Shipping Carton	1
33	49848	Expansion Nut	8

PARTS LIST - CABINET ASSEMBLY

Item No.	Part No.	Description	Quantity
1	12077	½" O.D. x ¼" T Magnet	1
2	22038	Lead-in-Cord, 15 Amp	1
3	40324	Switch, SPST Rocker Type	3
4	40557	20 Watt Foil Heater	1
5	41349	Male Hinge, Short Left	1
6	41350	Male Hinge, Short Right	1
7	41351	Female Hinge, Long Right	1
8	41352	Female Hinge, Long Left	1
9	42947	50 Watt Flood Light, Coated	1
10	47120	Knob, Lid Lift	3
11	47155	Rubber Feet	4
12	47236	Bushing Snap	2
13	49100	Old Main Pan	1
14	49791	Dome	1
15	49810	Bottom Cover	1
16	49816	Door, Front	2
17	49009	Hanger Arm Rear	1
	49010	Hanger Arm Front	1
18	49789	Upper Plate Stiffener	1
19	49826	Front Glass	1
20	49827	Side Glass	2
21	49790	Motor Plate	1
22	47038	Drive Motor	1
23	49837	Lamp Holder	1
24	49844	Rigid Channel, 21-5/16"	6
25	49846	Rigid Channel, 10-7/32"	4
26	49847	¼-20 x ½" Oval Head M/S	1
27	49851	Magnet Retainer	1
28	49856	Drop Panel Assembly	1
29	74172	Rigid Channel, 16 ¼"	2
30	76026	Strain Relief	1
31	87576	Magnetic Catch	2
32	49833	Shipping Carton	1
33	49848	Expansion Nut	8

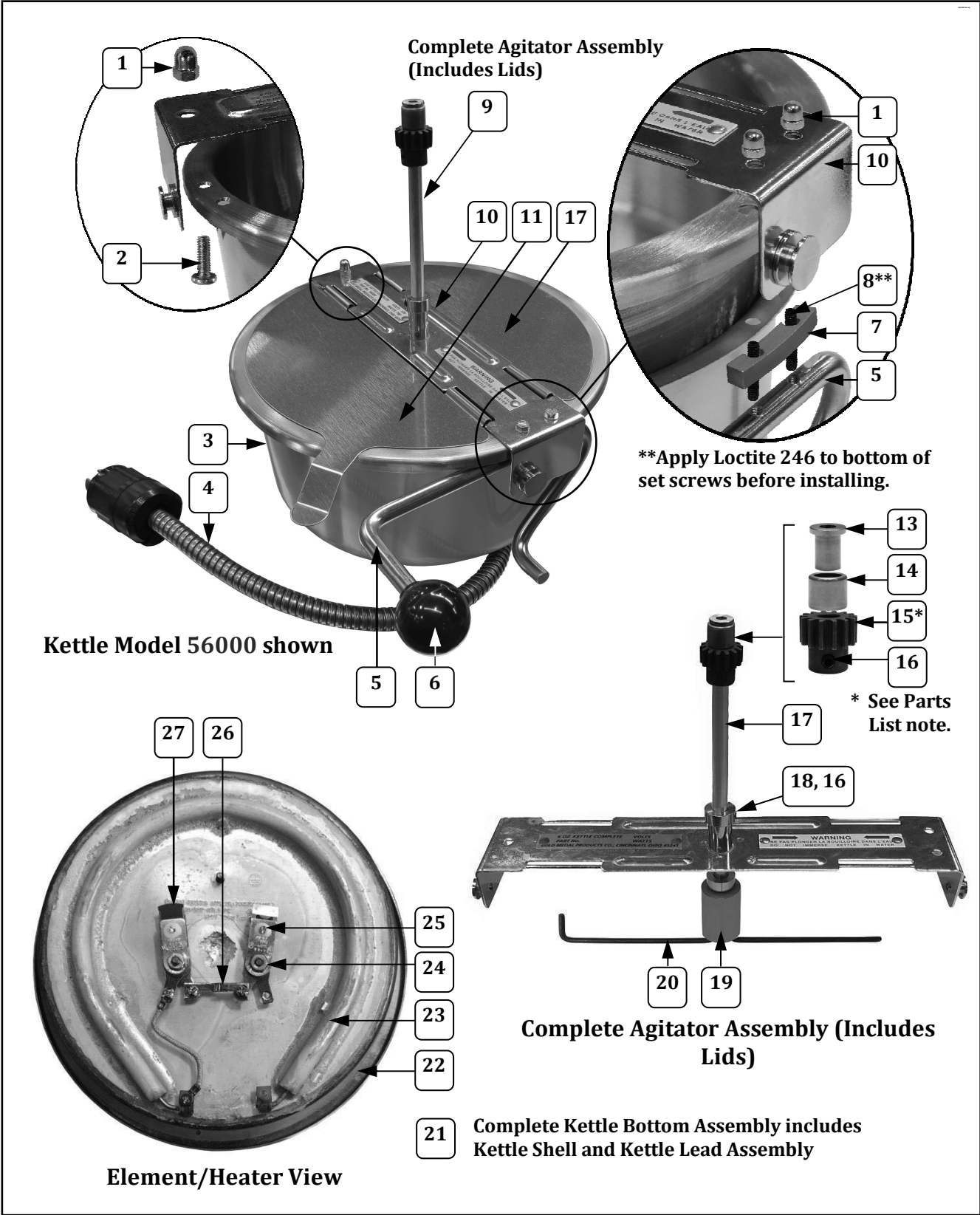
PARTS LIST - CABINET ASSEMBLY

Item No.	Part No.	Description	Quantity
1	12077	½" O.D. x ¼" T Magnet	1
2	22038	Lead-in-Cord, 15 Amp	1
3	40324	Switch, SPST Rocker Type	3
4	40557	20 Watt Foil Heater	1
5	41349	Male Hinge, Short Left	1
6	41350	Male Hinge, Short Right	1
7	41351	Female Hinge, Long Right	1
8	41352	Female Hinge, Long Left	1
9	42947	50 Watt Flood Light, Coated	1
10	47120	Knob, Lid Lift	3
11	47155	Rubber Feet	4
12	47236	Bushing Snap	2
13	49100	Old Main Pan	1
14	49791	Dome	1
15	49810	Bottom Cover	1
16	49816	Door, Front	2
17	49009	Hanger Arm Rear	1
	49010	Hanger Arm Front	1
18	49789	Upper Plate Stiffener	1
19	49826	Front Glass	1
20	49827	Side Glass	2
21	49790	Motor Plate	1
22	47038	Drive Motor	1
23	49837	Lamp Holder	1
24	49844	Rigid Channel, 21-5/16"	6
25	49846	Rigid Channel, 10-7/32"	4
26	49847	¼-20 x ½" Oval Head M/S	1
27	49851	Magnet Retainer	1
28	49856	Drop Panel Assembly	1
29	74172	Rigid Channel, 16 ¼"	2
30	76026	Strain Relief	1
31	87576	Magnetic Catch	2
32	49833	Shipping Carton	1
33	49848	Expansion Nut	8

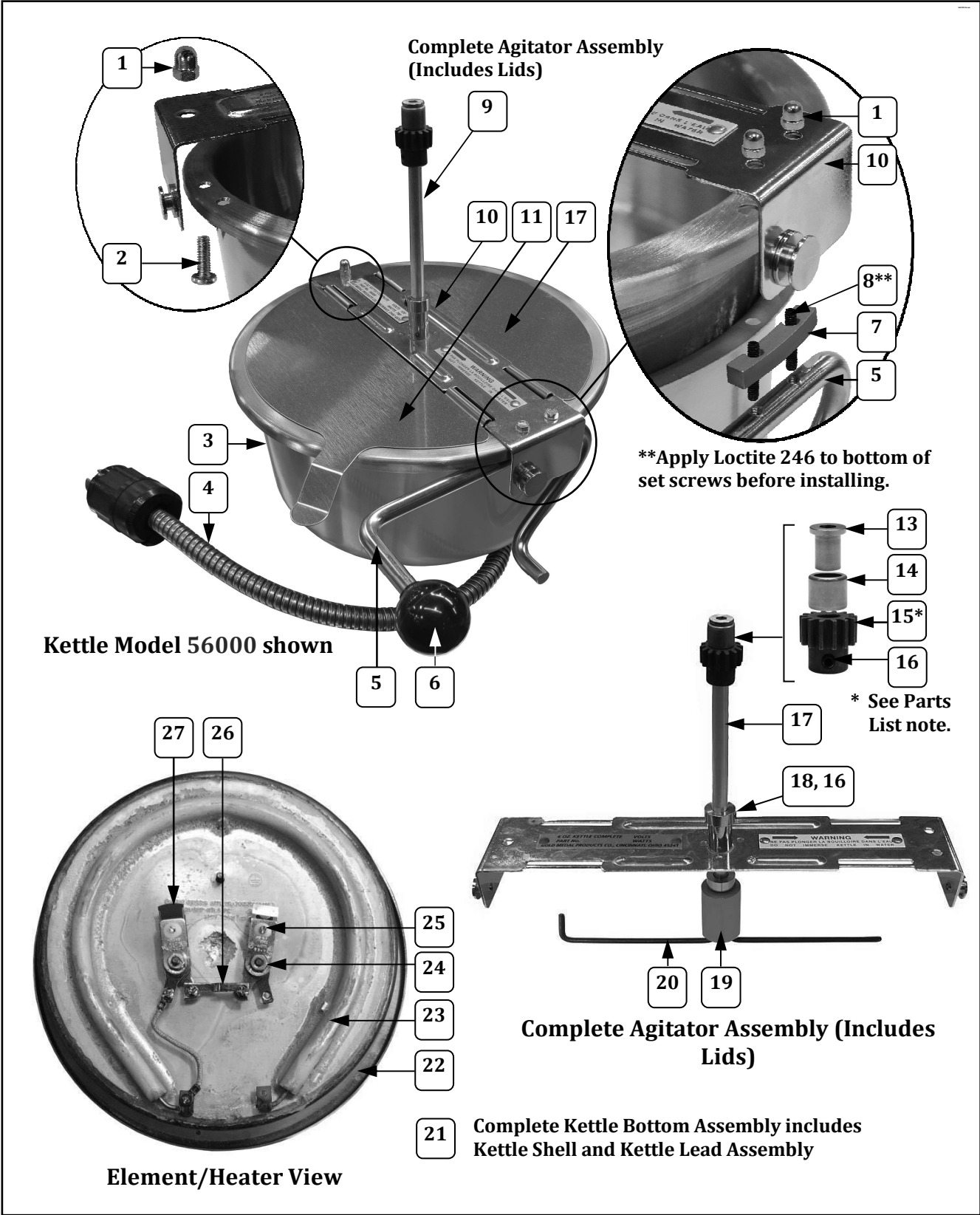
PARTS LIST - CABINET ASSEMBLY

Item No.	Part No.	Description	Quantity
1	12077	½" O.D. x ¼" T Magnet	1
2	22038	Lead-in-Cord, 15 Amp	1
3	40324	Switch, SPST Rocker Type	3
4	40557	20 Watt Foil Heater	1
5	41349	Male Hinge, Short Left	1
6	41350	Male Hinge, Short Right	1
7	41351	Female Hinge, Long Right	1
8	41352	Female Hinge, Long Left	1
9	42947	50 Watt Flood Light, Coated	1
10	47120	Knob, Lid Lift	3
11	47155	Rubber Feet	4
12	47236	Bushing Snap	2
13	49100	Old Main Pan	1
14	49791	Dome	1
15	49810	Bottom Cover	1
16	49816	Door, Front	2
17	49009	Hanger Arm Rear	1
	49010	Hanger Arm Front	1
18	49789	Upper Plate Stiffener	1
19	49826	Front Glass	1
20	49827	Side Glass	2
21	49790	Motor Plate	1
22	47038	Drive Motor	1
23	49837	Lamp Holder	1
24	49844	Rigid Channel, 21-5/16"	6
25	49846	Rigid Channel, 10-7/32"	4
26	49847	¼-20 x ½" Oval Head M/S	1
27	49851	Magnet Retainer	1
28	49856	Drop Panel Assembly	1
29	74172	Rigid Channel, 16 ¼"	2
30	76026	Strain Relief	1
31	87576	Magnetic Catch	2
32	49833	Shipping Carton	1
33	49848	Expansion Nut	8

Kettle Assembly Parts Breakdown – 56000



Kettle Assembly Parts Breakdown – 56000



Kettle Assembly Parts List – 56000

Item	Part Description	Part No.
		56000
1	8-32 TALL ACORN NUT	47702
2	8-32 X 1/2 PHIL PAN M/S	47141
3	KETTLE SHELL	49431
4	KETTLE LEAD ASSY	49328
5	DUMP HANDLE RH	49314
6	DUMP HANDLE KNOB	47110
7	SPACER (for Dump Handle)	49362
8	8-32 X 1" SET SCREW	77933
9	LID & AGITATOR ASSY (Complete Assembly)	59103
10	KETTLE CROSSBAR ASSEMBLY	59102
11	FRONT LID W/FORMED LIFTER	49017
12	REAR KETTLE LID	49016
13	AGITATOR BEARING HUB	43434
14	NEEDLE BEARING	47106
15*	SPUR GEAR KIT (Includes 2 gears with set screws. Always replace Agitator Spur Gear and Kettle Drive Motor Gear as a set.)	47059K
16	SET SCREW #10-32 X 3/16	41742
17	AGITATOR SHAFT	69710
18	SET COLLAR 5/16 ID 5/8 OD	46649
19	AGITATOR WEIGHT	69715
20	STIR ROD	69714
Kettle Bottom Assembly – Element/Heater View		
21	KETTLE BOTTOM ASSEMBLY (Complete Assembly - includes Kettle Shell, Kettle Lead Assembly and parts listed below)	56000W
22	KETTLE GASKET	49368
23	KETTLE/HEATER	56006
24	8-32 TOP LOCK NUT (where used, always replace lock nut if removed)	67943
25	450°F THERMOSTAT (includes two 6-32 X 3/16 Screws)	76089
26	THERMOSTAT SHUNT BAR	47193
27	525°F THERMOSTAT (includes two 6-32 X 3/16 Screws)	76702

Kettle Assembly Parts List – 56000

Item	Part Description	Part No.
		56000
1	8-32 TALL ACORN NUT	47702
2	8-32 X 1/2 PHIL PAN M/S	47141
3	KETTLE SHELL	49431
4	KETTLE LEAD ASSY	49328
5	DUMP HANDLE RH	49314
6	DUMP HANDLE KNOB	47110
7	SPACER (for Dump Handle)	49362
8	8-32 X 1" SET SCREW	77933
9	LID & AGITATOR ASSY (Complete Assembly)	59103
10	KETTLE CROSSBAR ASSEMBLY	59102
11	FRONT LID W/FORMED LIFTER	49017
12	REAR KETTLE LID	49016
13	AGITATOR BEARING HUB	43434
14	NEEDLE BEARING	47106
15*	SPUR GEAR KIT (Includes 2 gears with set screws. Always replace Agitator Spur Gear and Kettle Drive Motor Gear as a set.)	47059K
16	SET SCREW #10-32 X 3/16	41742
17	AGITATOR SHAFT	69710
18	SET COLLAR 5/16 ID 5/8 OD	46649
19	AGITATOR WEIGHT	69715
20	STIR ROD	69714
Kettle Bottom Assembly – Element/Heater View		
21	KETTLE BOTTOM ASSEMBLY (Complete Assembly - includes Kettle Shell, Kettle Lead Assembly and parts listed below)	56000W
22	KETTLE GASKET	49368
23	KETTLE/HEATER	56006
24	8-32 TOP LOCK NUT (where used, always replace lock nut if removed)	67943
25	450°F THERMOSTAT (includes two 6-32 X 3/16 Screws)	76089
26	THERMOSTAT SHUNT BAR	47193
27	525°F THERMOSTAT (includes two 6-32 X 3/16 Screws)	76702

Kettle Assembly Parts List – 56000

Item	Part Description	Part No.
		56000
1	8-32 TALL ACORN NUT	47702
2	8-32 X 1/2 PHIL PAN M/S	47141
3	KETTLE SHELL	49431
4	KETTLE LEAD ASSY	49328
5	DUMP HANDLE RH	49314
6	DUMP HANDLE KNOB	47110
7	SPACER (for Dump Handle)	49362
8	8-32 X 1" SET SCREW	77933
9	LID & AGITATOR ASSY (Complete Assembly)	59103
10	KETTLE CROSSBAR ASSEMBLY	59102
11	FRONT LID W/FORMED LIFTER	49017
12	REAR KETTLE LID	49016
13	AGITATOR BEARING HUB	43434
14	NEEDLE BEARING	47106
15*	SPUR GEAR KIT (Includes 2 gears with set screws. Always replace Agitator Spur Gear and Kettle Drive Motor Gear as a set.)	47059K
16	SET SCREW #10-32 X 3/16	41742
17	AGITATOR SHAFT	69710
18	SET COLLAR 5/16 ID 5/8 OD	46649
19	AGITATOR WEIGHT	69715
20	STIR ROD	69714
Kettle Bottom Assembly – Element/Heater View		
21	KETTLE BOTTOM ASSEMBLY (Complete Assembly - includes Kettle Shell, Kettle Lead Assembly and parts listed below)	56000W
22	KETTLE GASKET	49368
23	KETTLE/HEATER	56006
24	8-32 TOP LOCK NUT (where used, always replace lock nut if removed)	67943
25	450°F THERMOSTAT (includes two 6-32 X 3/16 Screws)	76089
26	THERMOSTAT SHUNT BAR	47193
27	525°F THERMOSTAT (includes two 6-32 X 3/16 Screws)	76702

Kettle Assembly Parts List – 56000

Item	Part Description	Part No.
		56000
1	8-32 TALL ACORN NUT	47702
2	8-32 X 1/2 PHIL PAN M/S	47141
3	KETTLE SHELL	49431
4	KETTLE LEAD ASSY	49328
5	DUMP HANDLE RH	49314
6	DUMP HANDLE KNOB	47110
7	SPACER (for Dump Handle)	49362
8	8-32 X 1" SET SCREW	77933
9	LID & AGITATOR ASSY (Complete Assembly)	59103
10	KETTLE CROSSBAR ASSEMBLY	59102
11	FRONT LID W/FORMED LIFTER	49017
12	REAR KETTLE LID	49016
13	AGITATOR BEARING HUB	43434
14	NEEDLE BEARING	47106
15*	SPUR GEAR KIT (Includes 2 gears with set screws. Always replace Agitator Spur Gear and Kettle Drive Motor Gear as a set.)	47059K
16	SET SCREW #10-32 X 3/16	41742
17	AGITATOR SHAFT	69710
18	SET COLLAR 5/16 ID 5/8 OD	46649
19	AGITATOR WEIGHT	69715
20	STIR ROD	69714
Kettle Bottom Assembly – Element/Heater View		
21	KETTLE BOTTOM ASSEMBLY (Complete Assembly - includes Kettle Shell, Kettle Lead Assembly and parts listed below)	56000W
22	KETTLE GASKET	49368
23	KETTLE/HEATER	56006
24	8-32 TOP LOCK NUT (where used, always replace lock nut if removed)	67943
25	450°F THERMOSTAT (includes two 6-32 X 3/16 Screws)	76089
26	THERMOSTAT SHUNT BAR	47193
27	525°F THERMOSTAT (includes two 6-32 X 3/16 Screws)	76702

Kettle Assembly Parts List – 56000

Item	Part Description	Part No.
		56000
1	8-32 TALL ACORN NUT	47702
2	8-32 X 1/2 PHIL PAN M/S	47141
3	KETTLE SHELL	49431
4	KETTLE LEAD ASSY	49328
5	DUMP HANDLE RH	49314
6	DUMP HANDLE KNOB	47110
7	SPACER (for Dump Handle)	49362
8	8-32 X 1" SET SCREW	77933
9	LID & AGITATOR ASSY (Complete Assembly)	59103
10	KETTLE CROSSBAR ASSEMBLY	59102
11	FRONT LID W/FORMED LIFTER	49017
12	REAR KETTLE LID	49016
13	AGITATOR BEARING HUB	43434
14	NEEDLE BEARING	47106
15*	SPUR GEAR KIT (Includes 2 gears with set screws. Always replace Agitator Spur Gear and Kettle Drive Motor Gear as a set.)	47059K
16	SET SCREW #10-32 X 3/16	41742
17	AGITATOR SHAFT	69710
18	SET COLLAR 5/16 ID 5/8 OD	46649
19	AGITATOR WEIGHT	69715
20	STIR ROD	69714
Kettle Bottom Assembly - Element/Heater View		
21	KETTLE BOTTOM ASSEMBLY (Complete Assembly - includes Kettle Shell, Kettle Lead Assembly and parts listed below)	56000W
22	KETTLE GASKET	49368
23	KETTLE/HEATER	56006
24	8-32 TOP LOCK NUT (where used, always replace lock nut if removed)	67943
25	450°F THERMOSTAT (includes two 6-32 X 3/16 Screws)	76089
26	THERMOSTAT SHUNT BAR	47193
27	525°F THERMOSTAT (includes two 6-32 X 3/16 Screws)	76702

Kettle Assembly Parts List – 56000

Item	Part Description	Part No.
		56000
1	8-32 TALL ACORN NUT	47702
2	8-32 X 1/2 PHIL PAN M/S	47141
3	KETTLE SHELL	49431
4	KETTLE LEAD ASSY	49328
5	DUMP HANDLE RH	49314
6	DUMP HANDLE KNOB	47110
7	SPACER (for Dump Handle)	49362
8	8-32 X 1" SET SCREW	77933
9	LID & AGITATOR ASSY (Complete Assembly)	59103
10	KETTLE CROSSBAR ASSEMBLY	59102
11	FRONT LID W/FORMED LIFTER	49017
12	REAR KETTLE LID	49016
13	AGITATOR BEARING HUB	43434
14	NEEDLE BEARING	47106
15*	SPUR GEAR KIT (Includes 2 gears with set screws. Always replace Agitator Spur Gear and Kettle Drive Motor Gear as a set.)	47059K
16	SET SCREW #10-32 X 3/16	41742
17	AGITATOR SHAFT	69710
18	SET COLLAR 5/16 ID 5/8 OD	46649
19	AGITATOR WEIGHT	69715
20	STIR ROD	69714
Kettle Bottom Assembly – Element/Heater View		
21	KETTLE BOTTOM ASSEMBLY (Complete Assembly - includes Kettle Shell, Kettle Lead Assembly and parts listed below)	56000W
22	KETTLE GASKET	49368
23	KETTLE/HEATER	56006
24	8-32 TOP LOCK NUT (where used, always replace lock nut if removed)	67943
25	450°F THERMOSTAT (includes two 6-32 X 3/16 Screws)	76089
26	THERMOSTAT SHUNT BAR	47193
27	525°F THERMOSTAT (includes two 6-32 X 3/16 Screws)	76702

Kettle Assembly Parts List – 56000

Item	Part Description	Part No.
		56000
1	8-32 TALL ACORN NUT	47702
2	8-32 X 1/2 PHIL PAN M/S	47141
3	KETTLE SHELL	49431
4	KETTLE LEAD ASSY	49328
5	DUMP HANDLE RH	49314
6	DUMP HANDLE KNOB	47110
7	SPACER (for Dump Handle)	49362
8	8-32 X 1" SET SCREW	77933
9	LID & AGITATOR ASSY (Complete Assembly)	59103
10	KETTLE CROSSBAR ASSEMBLY	59102
11	FRONT LID W/FORMED LIFTER	49017
12	REAR KETTLE LID	49016
13	AGITATOR BEARING HUB	43434
14	NEEDLE BEARING	47106
15*	SPUR GEAR KIT (Includes 2 gears with set screws. Always replace Agitator Spur Gear and Kettle Drive Motor Gear as a set.)	47059K
16	SET SCREW #10-32 X 3/16	41742
17	AGITATOR SHAFT	69710
18	SET COLLAR 5/16 ID 5/8 OD	46649
19	AGITATOR WEIGHT	69715
20	STIR ROD	69714
Kettle Bottom Assembly – Element/Heater View		
21	KETTLE BOTTOM ASSEMBLY (Complete Assembly - includes Kettle Shell, Kettle Lead Assembly and parts listed below)	56000W
22	KETTLE GASKET	49368
23	KETTLE/HEATER	56006
24	8-32 TOP LOCK NUT (where used, always replace lock nut if removed)	67943
25	450°F THERMOSTAT (includes two 6-32 X 3/16 Screws)	76089
26	THERMOSTAT SHUNT BAR	47193
27	525°F THERMOSTAT (includes two 6-32 X 3/16 Screws)	76702

Kettle Assembly Parts List – 56000

Item	Part Description	Part No.
		56000
1	8-32 TALL ACORN NUT	47702
2	8-32 X 1/2 PHIL PAN M/S	47141
3	KETTLE SHELL	49431
4	KETTLE LEAD ASSY	49328
5	DUMP HANDLE RH	49314
6	DUMP HANDLE KNOB	47110
7	SPACER (for Dump Handle)	49362
8	8-32 X 1" SET SCREW	77933
9	LID & AGITATOR ASSY (Complete Assembly)	59103
10	KETTLE CROSSBAR ASSEMBLY	59102
11	FRONT LID W/FORMED LIFTER	49017
12	REAR KETTLE LID	49016
13	AGITATOR BEARING HUB	43434
14	NEEDLE BEARING	47106
15*	SPUR GEAR KIT (Includes 2 gears with set screws. Always replace Agitator Spur Gear and Kettle Drive Motor Gear as a set.)	47059K
16	SET SCREW #10-32 X 3/16	41742
17	AGITATOR SHAFT	69710
18	SET COLLAR 5/16 ID 5/8 OD	46649
19	AGITATOR WEIGHT	69715
20	STIR ROD	69714
Kettle Bottom Assembly – Element/Heater View		
21	KETTLE BOTTOM ASSEMBLY (Complete Assembly - includes Kettle Shell, Kettle Lead Assembly and parts listed below)	56000W
22	KETTLE GASKET	49368
23	KETTLE/HEATER	56006
24	8-32 TOP LOCK NUT (where used, always replace lock nut if removed)	67943
25	450°F THERMOSTAT (includes two 6-32 X 3/16 Screws)	76089
26	THERMOSTAT SHUNT BAR	47193
27	525°F THERMOSTAT (includes two 6-32 X 3/16 Screws)	76702

Kettle Assembly Parts List – 56000

Item	Part Description	Part No.
		56000
1	8-32 TALL ACORN NUT	47702
2	8-32 X 1/2 PHIL PAN M/S	47141
3	KETTLE SHELL	49431
4	KETTLE LEAD ASSY	49328
5	DUMP HANDLE RH	49314
6	DUMP HANDLE KNOB	47110
7	SPACER (for Dump Handle)	49362
8	8-32 X 1" SET SCREW	77933
9	LID & AGITATOR ASSY (Complete Assembly)	59103
10	KETTLE CROSSBAR ASSEMBLY	59102
11	FRONT LID W/FORMED LIFTER	49017
12	REAR KETTLE LID	49016
13	AGITATOR BEARING HUB	43434
14	NEEDLE BEARING	47106
15*	SPUR GEAR KIT (Includes 2 gears with set screws. Always replace Agitator Spur Gear and Kettle Drive Motor Gear as a set.)	47059K
16	SET SCREW #10-32 X 3/16	41742
17	AGITATOR SHAFT	69710
18	SET COLLAR 5/16 ID 5/8 OD	46649
19	AGITATOR WEIGHT	69715
20	STIR ROD	69714
Kettle Bottom Assembly – Element/Heater View		
21	KETTLE BOTTOM ASSEMBLY (Complete Assembly - includes Kettle Shell, Kettle Lead Assembly and parts listed below)	56000W
22	KETTLE GASKET	49368
23	KETTLE/HEATER	56006
24	8-32 TOP LOCK NUT (where used, always replace lock nut if removed)	67943
25	450°F THERMOSTAT (includes two 6-32 X 3/16 Screws)	76089
26	THERMOSTAT SHUNT BAR	47193
27	525°F THERMOSTAT (includes two 6-32 X 3/16 Screws)	76702

Kettle Assembly Parts List – 56000

Item	Part Description	Part No.
		56000
1	8-32 TALL ACORN NUT	47702
2	8-32 X 1/2 PHIL PAN M/S	47141
3	KETTLE SHELL	49431
4	KETTLE LEAD ASSY	49328
5	DUMP HANDLE RH	49314
6	DUMP HANDLE KNOB	47110
7	SPACER (for Dump Handle)	49362
8	8-32 X 1" SET SCREW	77933
9	LID & AGITATOR ASSY (Complete Assembly)	59103
10	KETTLE CROSSBAR ASSEMBLY	59102
11	FRONT LID W/FORMED LIFTER	49017
12	REAR KETTLE LID	49016
13	AGITATOR BEARING HUB	43434
14	NEEDLE BEARING	47106
15*	SPUR GEAR KIT (Includes 2 gears with set screws. Always replace Agitator Spur Gear and Kettle Drive Motor Gear as a set.)	47059K
16	SET SCREW #10-32 X 3/16	41742
17	AGITATOR SHAFT	69710
18	SET COLLAR 5/16 ID 5/8 OD	46649
19	AGITATOR WEIGHT	69715
20	STIR ROD	69714
Kettle Bottom Assembly – Element/Heater View		
21	KETTLE BOTTOM ASSEMBLY (Complete Assembly - includes Kettle Shell, Kettle Lead Assembly and parts listed below)	56000W
22	KETTLE GASKET	49368
23	KETTLE/HEATER	56006
24	8-32 TOP LOCK NUT (where used, always replace lock nut if removed)	67943
25	450°F THERMOSTAT (includes two 6-32 X 3/16 Screws)	76089
26	THERMOSTAT SHUNT BAR	47193
27	525°F THERMOSTAT (includes two 6-32 X 3/16 Screws)	76702

Kettle Assembly Parts List – 56000

Item	Part Description	Part No.
		56000
1	8-32 TALL ACORN NUT	47702
2	8-32 X 1/2 PHIL PAN M/S	47141
3	KETTLE SHELL	49431
4	KETTLE LEAD ASSY	49328
5	DUMP HANDLE RH	49314
6	DUMP HANDLE KNOB	47110
7	SPACER (for Dump Handle)	49362
8	8-32 X 1" SET SCREW	77933
9	LID & AGITATOR ASSY (Complete Assembly)	59103
10	KETTLE CROSSBAR ASSEMBLY	59102
11	FRONT LID W/FORMED LIFTER	49017
12	REAR KETTLE LID	49016
13	AGITATOR BEARING HUB	43434
14	NEEDLE BEARING	47106
15*	SPUR GEAR KIT (Includes 2 gears with set screws. Always replace Agitator Spur Gear and Kettle Drive Motor Gear as a set.)	47059K
16	SET SCREW #10-32 X 3/16	41742
17	AGITATOR SHAFT	69710
18	SET COLLAR 5/16 ID 5/8 OD	46649
19	AGITATOR WEIGHT	69715
20	STIR ROD	69714
Kettle Bottom Assembly – Element/Heater View		
21	KETTLE BOTTOM ASSEMBLY (Complete Assembly - includes Kettle Shell, Kettle Lead Assembly and parts listed below)	56000W
22	KETTLE GASKET	49368
23	KETTLE/HEATER	56006
24	8-32 TOP LOCK NUT (where used, always replace lock nut if removed)	67943
25	450°F THERMOSTAT (includes two 6-32 X 3/16 Screws)	76089
26	THERMOSTAT SHUNT BAR	47193
27	525°F THERMOSTAT (includes two 6-32 X 3/16 Screws)	76702

Kettle Assembly Parts List – 56000

Item	Part Description	Part No.
		56000
1	8-32 TALL ACORN NUT	47702
2	8-32 X 1/2 PHIL PAN M/S	47141
3	KETTLE SHELL	49431
4	KETTLE LEAD ASSY	49328
5	DUMP HANDLE RH	49314
6	DUMP HANDLE KNOB	47110
7	SPACER (for Dump Handle)	49362
8	8-32 X 1" SET SCREW	77933
9	LID & AGITATOR ASSY (Complete Assembly)	59103
10	KETTLE CROSSBAR ASSEMBLY	59102
11	FRONT LID W/FORMED LIFTER	49017
12	REAR KETTLE LID	49016
13	AGITATOR BEARING HUB	43434
14	NEEDLE BEARING	47106
15*	SPUR GEAR KIT (Includes 2 gears with set screws. Always replace Agitator Spur Gear and Kettle Drive Motor Gear as a set.)	47059K
16	SET SCREW #10-32 X 3/16	41742
17	AGITATOR SHAFT	69710
18	SET COLLAR 5/16 ID 5/8 OD	46649
19	AGITATOR WEIGHT	69715
20	STIR ROD	69714
Kettle Bottom Assembly - Element/Heater View		
21	KETTLE BOTTOM ASSEMBLY (Complete Assembly - includes Kettle Shell, Kettle Lead Assembly and parts listed below)	56000W
22	KETTLE GASKET	49368
23	KETTLE/HEATER	56006
24	8-32 TOP LOCK NUT (where used, always replace lock nut if removed)	67943
25	450°F THERMOSTAT (includes two 6-32 X 3/16 Screws)	76089
26	THERMOSTAT SHUNT BAR	47193
27	525°F THERMOSTAT (includes two 6-32 X 3/16 Screws)	76702

Kettle Assembly Parts List – 56000

Item	Part Description	Part No.
		56000
1	8-32 TALL ACORN NUT	47702
2	8-32 X 1/2 PHIL PAN M/S	47141
3	KETTLE SHELL	49431
4	KETTLE LEAD ASSY	49328
5	DUMP HANDLE RH	49314
6	DUMP HANDLE KNOB	47110
7	SPACER (for Dump Handle)	49362
8	8-32 X 1" SET SCREW	77933
9	LID & AGITATOR ASSY (Complete Assembly)	59103
10	KETTLE CROSSBAR ASSEMBLY	59102
11	FRONT LID W/FORMED LIFTER	49017
12	REAR KETTLE LID	49016
13	AGITATOR BEARING HUB	43434
14	NEEDLE BEARING	47106
15*	SPUR GEAR KIT (Includes 2 gears with set screws. Always replace Agitator Spur Gear and Kettle Drive Motor Gear as a set.)	47059K
16	SET SCREW #10-32 X 3/16	41742
17	AGITATOR SHAFT	69710
18	SET COLLAR 5/16 ID 5/8 OD	46649
19	AGITATOR WEIGHT	69715
20	STIR ROD	69714
Kettle Bottom Assembly – Element/Heater View		
21	KETTLE BOTTOM ASSEMBLY (Complete Assembly - includes Kettle Shell, Kettle Lead Assembly and parts listed below)	56000W
22	KETTLE GASKET	49368
23	KETTLE/HEATER	56006
24	8-32 TOP LOCK NUT (where used, always replace lock nut if removed)	67943
25	450°F THERMOSTAT (includes two 6-32 X 3/16 Screws)	76089
26	THERMOSTAT SHUNT BAR	47193
27	525°F THERMOSTAT (includes two 6-32 X 3/16 Screws)	76702

Kettle Assembly Parts List – 56000

Item	Part Description	Part No.
		56000
1	8-32 TALL ACORN NUT	47702
2	8-32 X 1/2 PHIL PAN M/S	47141
3	KETTLE SHELL	49431
4	KETTLE LEAD ASSY	49328
5	DUMP HANDLE RH	49314
6	DUMP HANDLE KNOB	47110
7	SPACER (for Dump Handle)	49362
8	8-32 X 1" SET SCREW	77933
9	LID & AGITATOR ASSY (Complete Assembly)	59103
10	KETTLE CROSSBAR ASSEMBLY	59102
11	FRONT LID W/FORMED LIFTER	49017
12	REAR KETTLE LID	49016
13	AGITATOR BEARING HUB	43434
14	NEEDLE BEARING	47106
15*	SPUR GEAR KIT (Includes 2 gears with set screws. Always replace Agitator Spur Gear and Kettle Drive Motor Gear as a set.)	47059K
16	SET SCREW #10-32 X 3/16	41742
17	AGITATOR SHAFT	69710
18	SET COLLAR 5/16 ID 5/8 OD	46649
19	AGITATOR WEIGHT	69715
20	STIR ROD	69714
Kettle Bottom Assembly – Element/Heater View		
21	KETTLE BOTTOM ASSEMBLY (Complete Assembly - includes Kettle Shell, Kettle Lead Assembly and parts listed below)	56000W
22	KETTLE GASKET	49368
23	KETTLE/HEATER	56006
24	8-32 TOP LOCK NUT (where used, always replace lock nut if removed)	67943
25	450°F THERMOSTAT (includes two 6-32 X 3/16 Screws)	76089
26	THERMOSTAT SHUNT BAR	47193
27	525°F THERMOSTAT (includes two 6-32 X 3/16 Screws)	76702

Kettle Assembly Parts List – 56000

Item	Part Description	Part No.
		56000
1	8-32 TALL ACORN NUT	47702
2	8-32 X 1/2 PHIL PAN M/S	47141
3	KETTLE SHELL	49431
4	KETTLE LEAD ASSY	49328
5	DUMP HANDLE RH	49314
6	DUMP HANDLE KNOB	47110
7	SPACER (for Dump Handle)	49362
8	8-32 X 1" SET SCREW	77933
9	LID & AGITATOR ASSY (Complete Assembly)	59103
10	KETTLE CROSSBAR ASSEMBLY	59102
11	FRONT LID W/FORMED LIFTER	49017
12	REAR KETTLE LID	49016
13	AGITATOR BEARING HUB	43434
14	NEEDLE BEARING	47106
15*	SPUR GEAR KIT (Includes 2 gears with set screws. Always replace Agitator Spur Gear and Kettle Drive Motor Gear as a set.)	47059K
16	SET SCREW #10-32 X 3/16	41742
17	AGITATOR SHAFT	69710
18	SET COLLAR 5/16 ID 5/8 OD	46649
19	AGITATOR WEIGHT	69715
20	STIR ROD	69714
Kettle Bottom Assembly – Element/Heater View		
21	KETTLE BOTTOM ASSEMBLY (Complete Assembly - includes Kettle Shell, Kettle Lead Assembly and parts listed below)	56000W
22	KETTLE GASKET	49368
23	KETTLE/HEATER	56006
24	8-32 TOP LOCK NUT (where used, always replace lock nut if removed)	67943
25	450°F THERMOSTAT (includes two 6-32 X 3/16 Screws)	76089
26	THERMOSTAT SHUNT BAR	47193
27	525°F THERMOSTAT (includes two 6-32 X 3/16 Screws)	76702

Kettle Assembly Parts List – 56000

Item	Part Description	Part No.
		56000
1	8-32 TALL ACORN NUT	47702
2	8-32 X 1/2 PHIL PAN M/S	47141
3	KETTLE SHELL	49431
4	KETTLE LEAD ASSY	49328
5	DUMP HANDLE RH	49314
6	DUMP HANDLE KNOB	47110
7	SPACER (for Dump Handle)	49362
8	8-32 X 1" SET SCREW	77933
9	LID & AGITATOR ASSY (Complete Assembly)	59103
10	KETTLE CROSSBAR ASSEMBLY	59102
11	FRONT LID W/FORMED LIFTER	49017
12	REAR KETTLE LID	49016
13	AGITATOR BEARING HUB	43434
14	NEEDLE BEARING	47106
15*	SPUR GEAR KIT (Includes 2 gears with set screws. Always replace Agitator Spur Gear and Kettle Drive Motor Gear as a set.)	47059K
16	SET SCREW #10-32 X 3/16	41742
17	AGITATOR SHAFT	69710
18	SET COLLAR 5/16 ID 5/8 OD	46649
19	AGITATOR WEIGHT	69715
20	STIR ROD	69714
Kettle Bottom Assembly – Element/Heater View		
21	KETTLE BOTTOM ASSEMBLY (Complete Assembly - includes Kettle Shell, Kettle Lead Assembly and parts listed below)	56000W
22	KETTLE GASKET	49368
23	KETTLE/HEATER	56006
24	8-32 TOP LOCK NUT (where used, always replace lock nut if removed)	67943
25	450°F THERMOSTAT (includes two 6-32 X 3/16 Screws)	76089
26	THERMOSTAT SHUNT BAR	47193
27	525°F THERMOSTAT (includes two 6-32 X 3/16 Screws)	76702

Kettle Assembly Parts List – 56000

Item	Part Description	Part No.
		56000
1	8-32 TALL ACORN NUT	47702
2	8-32 X 1/2 PHIL PAN M/S	47141
3	KETTLE SHELL	49431
4	KETTLE LEAD ASSY	49328
5	DUMP HANDLE RH	49314
6	DUMP HANDLE KNOB	47110
7	SPACER (for Dump Handle)	49362
8	8-32 X 1" SET SCREW	77933
9	LID & AGITATOR ASSY (Complete Assembly)	59103
10	KETTLE CROSSBAR ASSEMBLY	59102
11	FRONT LID W/FORMED LIFTER	49017
12	REAR KETTLE LID	49016
13	AGITATOR BEARING HUB	43434
14	NEEDLE BEARING	47106
15*	SPUR GEAR KIT (Includes 2 gears with set screws. Always replace Agitator Spur Gear and Kettle Drive Motor Gear as a set.)	47059K
16	SET SCREW #10-32 X 3/16	41742
17	AGITATOR SHAFT	69710
18	SET COLLAR 5/16 ID 5/8 OD	46649
19	AGITATOR WEIGHT	69715
20	STIR ROD	69714
Kettle Bottom Assembly - Element/Heater View		
21	KETTLE BOTTOM ASSEMBLY (Complete Assembly - includes Kettle Shell, Kettle Lead Assembly and parts listed below)	56000W
22	KETTLE GASKET	49368
23	KETTLE/HEATER	56006
24	8-32 TOP LOCK NUT (where used, always replace lock nut if removed)	67943
25	450°F THERMOSTAT (includes two 6-32 X 3/16 Screws)	76089
26	THERMOSTAT SHUNT BAR	47193
27	525°F THERMOSTAT (includes two 6-32 X 3/16 Screws)	76702

Kettle Assembly Parts List – 56000

Item	Part Description	Part No.
		56000
1	8-32 TALL ACORN NUT	47702
2	8-32 X 1/2 PHIL PAN M/S	47141
3	KETTLE SHELL	49431
4	KETTLE LEAD ASSY	49328
5	DUMP HANDLE RH	49314
6	DUMP HANDLE KNOB	47110
7	SPACER (for Dump Handle)	49362
8	8-32 X 1" SET SCREW	77933
9	LID & AGITATOR ASSY (Complete Assembly)	59103
10	KETTLE CROSSBAR ASSEMBLY	59102
11	FRONT LID W/FORMED LIFTER	49017
12	REAR KETTLE LID	49016
13	AGITATOR BEARING HUB	43434
14	NEEDLE BEARING	47106
15*	SPUR GEAR KIT (Includes 2 gears with set screws. Always replace Agitator Spur Gear and Kettle Drive Motor Gear as a set.)	47059K
16	SET SCREW #10-32 X 3/16	41742
17	AGITATOR SHAFT	69710
18	SET COLLAR 5/16 ID 5/8 OD	46649
19	AGITATOR WEIGHT	69715
20	STIR ROD	69714
Kettle Bottom Assembly – Element/Heater View		
21	KETTLE BOTTOM ASSEMBLY (Complete Assembly - includes Kettle Shell, Kettle Lead Assembly and parts listed below)	56000W
22	KETTLE GASKET	49368
23	KETTLE/HEATER	56006
24	8-32 TOP LOCK NUT (where used, always replace lock nut if removed)	67943
25	450°F THERMOSTAT (includes two 6-32 X 3/16 Screws)	76089
26	THERMOSTAT SHUNT BAR	47193
27	525°F THERMOSTAT (includes two 6-32 X 3/16 Screws)	76702

Kettle Assembly Parts List – 56000

Item	Part Description	Part No.
		56000
1	8-32 TALL ACORN NUT	47702
2	8-32 X 1/2 PHIL PAN M/S	47141
3	KETTLE SHELL	49431
4	KETTLE LEAD ASSY	49328
5	DUMP HANDLE RH	49314
6	DUMP HANDLE KNOB	47110
7	SPACER (for Dump Handle)	49362
8	8-32 X 1" SET SCREW	77933
9	LID & AGITATOR ASSY (Complete Assembly)	59103
10	KETTLE CROSSBAR ASSEMBLY	59102
11	FRONT LID W/FORMED LIFTER	49017
12	REAR KETTLE LID	49016
13	AGITATOR BEARING HUB	43434
14	NEEDLE BEARING	47106
15*	SPUR GEAR KIT (Includes 2 gears with set screws. Always replace Agitator Spur Gear and Kettle Drive Motor Gear as a set.)	47059K
16	SET SCREW #10-32 X 3/16	41742
17	AGITATOR SHAFT	69710
18	SET COLLAR 5/16 ID 5/8 OD	46649
19	AGITATOR WEIGHT	69715
20	STIR ROD	69714
Kettle Bottom Assembly – Element/Heater View		
21	KETTLE BOTTOM ASSEMBLY (Complete Assembly - includes Kettle Shell, Kettle Lead Assembly and parts listed below)	56000W
22	KETTLE GASKET	49368
23	KETTLE/HEATER	56006
24	8-32 TOP LOCK NUT (where used, always replace lock nut if removed)	67943
25	450°F THERMOSTAT (includes two 6-32 X 3/16 Screws)	76089
26	THERMOSTAT SHUNT BAR	47193
27	525°F THERMOSTAT (includes two 6-32 X 3/16 Screws)	76702

Kettle Assembly Parts List – 56000

Item	Part Description	Part No.
		56000
1	8-32 TALL ACORN NUT	47702
2	8-32 X 1/2 PHIL PAN M/S	47141
3	KETTLE SHELL	49431
4	KETTLE LEAD ASSY	49328
5	DUMP HANDLE RH	49314
6	DUMP HANDLE KNOB	47110
7	SPACER (for Dump Handle)	49362
8	8-32 X 1" SET SCREW	77933
9	LID & AGITATOR ASSY (Complete Assembly)	59103
10	KETTLE CROSSBAR ASSEMBLY	59102
11	FRONT LID W/FORMED LIFTER	49017
12	REAR KETTLE LID	49016
13	AGITATOR BEARING HUB	43434
14	NEEDLE BEARING	47106
15*	SPUR GEAR KIT (Includes 2 gears with set screws. Always replace Agitator Spur Gear and Kettle Drive Motor Gear as a set.)	47059K
16	SET SCREW #10-32 X 3/16	41742
17	AGITATOR SHAFT	69710
18	SET COLLAR 5/16 ID 5/8 OD	46649
19	AGITATOR WEIGHT	69715
20	STIR ROD	69714
Kettle Bottom Assembly – Element/Heater View		
21	KETTLE BOTTOM ASSEMBLY (Complete Assembly - includes Kettle Shell, Kettle Lead Assembly and parts listed below)	56000W
22	KETTLE GASKET	49368
23	KETTLE/HEATER	56006
24	8-32 TOP LOCK NUT (where used, always replace lock nut if removed)	67943
25	450°F THERMOSTAT (includes two 6-32 X 3/16 Screws)	76089
26	THERMOSTAT SHUNT BAR	47193
27	525°F THERMOSTAT (includes two 6-32 X 3/16 Screws)	76702

Kettle Assembly Parts List – 56000

Item	Part Description	Part No.
		56000
1	8-32 TALL ACORN NUT	47702
2	8-32 X 1/2 PHIL PAN M/S	47141
3	KETTLE SHELL	49431
4	KETTLE LEAD ASSY	49328
5	DUMP HANDLE RH	49314
6	DUMP HANDLE KNOB	47110
7	SPACER (for Dump Handle)	49362
8	8-32 X 1" SET SCREW	77933
9	LID & AGITATOR ASSY (Complete Assembly)	59103
10	KETTLE CROSSBAR ASSEMBLY	59102
11	FRONT LID W/FORMED LIFTER	49017
12	REAR KETTLE LID	49016
13	AGITATOR BEARING HUB	43434
14	NEEDLE BEARING	47106
15*	SPUR GEAR KIT (Includes 2 gears with set screws. Always replace Agitator Spur Gear and Kettle Drive Motor Gear as a set.)	47059K
16	SET SCREW #10-32 X 3/16	41742
17	AGITATOR SHAFT	69710
18	SET COLLAR 5/16 ID 5/8 OD	46649
19	AGITATOR WEIGHT	69715
20	STIR ROD	69714
Kettle Bottom Assembly - Element/Heater View		
21	KETTLE BOTTOM ASSEMBLY (Complete Assembly - includes Kettle Shell, Kettle Lead Assembly and parts listed below)	56000W
22	KETTLE GASKET	49368
23	KETTLE/HEATER	56006
24	8-32 TOP LOCK NUT (where used, always replace lock nut if removed)	67943
25	450°F THERMOSTAT (includes two 6-32 X 3/16 Screws)	76089
26	THERMOSTAT SHUNT BAR	47193
27	525°F THERMOSTAT (includes two 6-32 X 3/16 Screws)	76702

Kettle Assembly Parts List – 56000

Item	Part Description	Part No.
		56000
1	8-32 TALL ACORN NUT	47702
2	8-32 X 1/2 PHIL PAN M/S	47141
3	KETTLE SHELL	49431
4	KETTLE LEAD ASSY	49328
5	DUMP HANDLE RH	49314
6	DUMP HANDLE KNOB	47110
7	SPACER (for Dump Handle)	49362
8	8-32 X 1" SET SCREW	77933
9	LID & AGITATOR ASSY (Complete Assembly)	59103
10	KETTLE CROSSBAR ASSEMBLY	59102
11	FRONT LID W/FORMED LIFTER	49017
12	REAR KETTLE LID	49016
13	AGITATOR BEARING HUB	43434
14	NEEDLE BEARING	47106
15*	SPUR GEAR KIT (Includes 2 gears with set screws. Always replace Agitator Spur Gear and Kettle Drive Motor Gear as a set.)	47059K
16	SET SCREW #10-32 X 3/16	41742
17	AGITATOR SHAFT	69710
18	SET COLLAR 5/16 ID 5/8 OD	46649
19	AGITATOR WEIGHT	69715
20	STIR ROD	69714
Kettle Bottom Assembly – Element/Heater View		
21	KETTLE BOTTOM ASSEMBLY (Complete Assembly - includes Kettle Shell, Kettle Lead Assembly and parts listed below)	56000W
22	KETTLE GASKET	49368
23	KETTLE/HEATER	56006
24	8-32 TOP LOCK NUT (where used, always replace lock nut if removed)	67943
25	450°F THERMOSTAT (includes two 6-32 X 3/16 Screws)	76089
26	THERMOSTAT SHUNT BAR	47193
27	525°F THERMOSTAT (includes two 6-32 X 3/16 Screws)	76702

Kettle Assembly Parts List – 56000

Item	Part Description	Part No.
		56000
1	8-32 TALL ACORN NUT	47702
2	8-32 X 1/2 PHIL PAN M/S	47141
3	KETTLE SHELL	49431
4	KETTLE LEAD ASSY	49328
5	DUMP HANDLE RH	49314
6	DUMP HANDLE KNOB	47110
7	SPACER (for Dump Handle)	49362
8	8-32 X 1" SET SCREW	77933
9	LID & AGITATOR ASSY (Complete Assembly)	59103
10	KETTLE CROSSBAR ASSEMBLY	59102
11	FRONT LID W/FORMED LIFTER	49017
12	REAR KETTLE LID	49016
13	AGITATOR BEARING HUB	43434
14	NEEDLE BEARING	47106
15*	SPUR GEAR KIT (Includes 2 gears with set screws. Always replace Agitator Spur Gear and Kettle Drive Motor Gear as a set.)	47059K
16	SET SCREW #10-32 X 3/16	41742
17	AGITATOR SHAFT	69710
18	SET COLLAR 5/16 ID 5/8 OD	46649
19	AGITATOR WEIGHT	69715
20	STIR ROD	69714
Kettle Bottom Assembly – Element/Heater View		
21	KETTLE BOTTOM ASSEMBLY (Complete Assembly - includes Kettle Shell, Kettle Lead Assembly and parts listed below)	56000W
22	KETTLE GASKET	49368
23	KETTLE/HEATER	56006
24	8-32 TOP LOCK NUT (where used, always replace lock nut if removed)	67943
25	450°F THERMOSTAT (includes two 6-32 X 3/16 Screws)	76089
26	THERMOSTAT SHUNT BAR	47193
27	525°F THERMOSTAT (includes two 6-32 X 3/16 Screws)	76702

Kettle Assembly Parts List – 56000

Item	Part Description	Part No.
		56000
1	8-32 TALL ACORN NUT	47702
2	8-32 X 1/2 PHIL PAN M/S	47141
3	KETTLE SHELL	49431
4	KETTLE LEAD ASSY	49328
5	DUMP HANDLE RH	49314
6	DUMP HANDLE KNOB	47110
7	SPACER (for Dump Handle)	49362
8	8-32 X 1" SET SCREW	77933
9	LID & AGITATOR ASSY (Complete Assembly)	59103
10	KETTLE CROSSBAR ASSEMBLY	59102
11	FRONT LID W/FORMED LIFTER	49017
12	REAR KETTLE LID	49016
13	AGITATOR BEARING HUB	43434
14	NEEDLE BEARING	47106
15*	SPUR GEAR KIT (Includes 2 gears with set screws. Always replace Agitator Spur Gear and Kettle Drive Motor Gear as a set.)	47059K
16	SET SCREW #10-32 X 3/16	41742
17	AGITATOR SHAFT	69710
18	SET COLLAR 5/16 ID 5/8 OD	46649
19	AGITATOR WEIGHT	69715
20	STIR ROD	69714
Kettle Bottom Assembly – Element/Heater View		
21	KETTLE BOTTOM ASSEMBLY (Complete Assembly - includes Kettle Shell, Kettle Lead Assembly and parts listed below)	56000W
22	KETTLE GASKET	49368
23	KETTLE/HEATER	56006
24	8-32 TOP LOCK NUT (where used, always replace lock nut if removed)	67943
25	450°F THERMOSTAT (includes two 6-32 X 3/16 Screws)	76089
26	THERMOSTAT SHUNT BAR	47193
27	525°F THERMOSTAT (includes two 6-32 X 3/16 Screws)	76702

Kettle Assembly Parts List – 56000

Item	Part Description	Part No.
		56000
1	8-32 TALL ACORN NUT	47702
2	8-32 X 1/2 PHIL PAN M/S	47141
3	KETTLE SHELL	49431
4	KETTLE LEAD ASSY	49328
5	DUMP HANDLE RH	49314
6	DUMP HANDLE KNOB	47110
7	SPACER (for Dump Handle)	49362
8	8-32 X 1" SET SCREW	77933
9	LID & AGITATOR ASSY (Complete Assembly)	59103
10	KETTLE CROSSBAR ASSEMBLY	59102
11	FRONT LID W/FORMED LIFTER	49017
12	REAR KETTLE LID	49016
13	AGITATOR BEARING HUB	43434
14	NEEDLE BEARING	47106
15*	SPUR GEAR KIT (Includes 2 gears with set screws. Always replace Agitator Spur Gear and Kettle Drive Motor Gear as a set.)	47059K
16	SET SCREW #10-32 X 3/16	41742
17	AGITATOR SHAFT	69710
18	SET COLLAR 5/16 ID 5/8 OD	46649
19	AGITATOR WEIGHT	69715
20	STIR ROD	69714
Kettle Bottom Assembly – Element/Heater View		
21	KETTLE BOTTOM ASSEMBLY (Complete Assembly - includes Kettle Shell, Kettle Lead Assembly and parts listed below)	56000W
22	KETTLE GASKET	49368
23	KETTLE/HEATER	56006
24	8-32 TOP LOCK NUT (where used, always replace lock nut if removed)	67943
25	450°F THERMOSTAT (includes two 6-32 X 3/16 Screws)	76089
26	THERMOSTAT SHUNT BAR	47193
27	525°F THERMOSTAT (includes two 6-32 X 3/16 Screws)	76702

Kettle Assembly Parts List – 56000

Item	Part Description	Part No.
		56000
1	8-32 TALL ACORN NUT	47702
2	8-32 X 1/2 PHIL PAN M/S	47141
3	KETTLE SHELL	49431
4	KETTLE LEAD ASSY	49328
5	DUMP HANDLE RH	49314
6	DUMP HANDLE KNOB	47110
7	SPACER (for Dump Handle)	49362
8	8-32 X 1" SET SCREW	77933
9	LID & AGITATOR ASSY (Complete Assembly)	59103
10	KETTLE CROSSBAR ASSEMBLY	59102
11	FRONT LID W/FORMED LIFTER	49017
12	REAR KETTLE LID	49016
13	AGITATOR BEARING HUB	43434
14	NEEDLE BEARING	47106
15*	SPUR GEAR KIT (Includes 2 gears with set screws. Always replace Agitator Spur Gear and Kettle Drive Motor Gear as a set.)	47059K
16	SET SCREW #10-32 X 3/16	41742
17	AGITATOR SHAFT	69710
18	SET COLLAR 5/16 ID 5/8 OD	46649
19	AGITATOR WEIGHT	69715
20	STIR ROD	69714
Kettle Bottom Assembly – Element/Heater View		
21	KETTLE BOTTOM ASSEMBLY (Complete Assembly - includes Kettle Shell, Kettle Lead Assembly and parts listed below)	56000W
22	KETTLE GASKET	49368
23	KETTLE/HEATER	56006
24	8-32 TOP LOCK NUT (where used, always replace lock nut if removed)	67943
25	450°F THERMOSTAT (includes two 6-32 X 3/16 Screws)	76089
26	THERMOSTAT SHUNT BAR	47193
27	525°F THERMOSTAT (includes two 6-32 X 3/16 Screws)	76702

Kettle Assembly Parts List – 56000

Item	Part Description	Part No.
		56000
1	8-32 TALL ACORN NUT	47702
2	8-32 X 1/2 PHIL PAN M/S	47141
3	KETTLE SHELL	49431
4	KETTLE LEAD ASSY	49328
5	DUMP HANDLE RH	49314
6	DUMP HANDLE KNOB	47110
7	SPACER (for Dump Handle)	49362
8	8-32 X 1" SET SCREW	77933
9	LID & AGITATOR ASSY (Complete Assembly)	59103
10	KETTLE CROSSBAR ASSEMBLY	59102
11	FRONT LID W/FORMED LIFTER	49017
12	REAR KETTLE LID	49016
13	AGITATOR BEARING HUB	43434
14	NEEDLE BEARING	47106
15*	SPUR GEAR KIT (Includes 2 gears with set screws. Always replace Agitator Spur Gear and Kettle Drive Motor Gear as a set.)	47059K
16	SET SCREW #10-32 X 3/16	41742
17	AGITATOR SHAFT	69710
18	SET COLLAR 5/16 ID 5/8 OD	46649
19	AGITATOR WEIGHT	69715
20	STIR ROD	69714
Kettle Bottom Assembly – Element/Heater View		
21	KETTLE BOTTOM ASSEMBLY (Complete Assembly - includes Kettle Shell, Kettle Lead Assembly and parts listed below)	56000W
22	KETTLE GASKET	49368
23	KETTLE/HEATER	56006
24	8-32 TOP LOCK NUT (where used, always replace lock nut if removed)	67943
25	450°F THERMOSTAT (includes two 6-32 X 3/16 Screws)	76089
26	THERMOSTAT SHUNT BAR	47193
27	525°F THERMOSTAT (includes two 6-32 X 3/16 Screws)	76702

Kettle Assembly Parts List – 56000

Item	Part Description	Part No.
		56000
1	8-32 TALL ACORN NUT	47702
2	8-32 X 1/2 PHIL PAN M/S	47141
3	KETTLE SHELL	49431
4	KETTLE LEAD ASSY	49328
5	DUMP HANDLE RH	49314
6	DUMP HANDLE KNOB	47110
7	SPACER (for Dump Handle)	49362
8	8-32 X 1" SET SCREW	77933
9	LID & AGITATOR ASSY (Complete Assembly)	59103
10	KETTLE CROSSBAR ASSEMBLY	59102
11	FRONT LID W/FORMED LIFTER	49017
12	REAR KETTLE LID	49016
13	AGITATOR BEARING HUB	43434
14	NEEDLE BEARING	47106
15*	SPUR GEAR KIT (Includes 2 gears with set screws. Always replace Agitator Spur Gear and Kettle Drive Motor Gear as a set.)	47059K
16	SET SCREW #10-32 X 3/16	41742
17	AGITATOR SHAFT	69710
18	SET COLLAR 5/16 ID 5/8 OD	46649
19	AGITATOR WEIGHT	69715
20	STIR ROD	69714
Kettle Bottom Assembly – Element/Heater View		
21	KETTLE BOTTOM ASSEMBLY (Complete Assembly - includes Kettle Shell, Kettle Lead Assembly and parts listed below)	56000W
22	KETTLE GASKET	49368
23	KETTLE/HEATER	56006
24	8-32 TOP LOCK NUT (where used, always replace lock nut if removed)	67943
25	450°F THERMOSTAT (includes two 6-32 X 3/16 Screws)	76089
26	THERMOSTAT SHUNT BAR	47193
27	525°F THERMOSTAT (includes two 6-32 X 3/16 Screws)	76702

Kettle Assembly Parts List – 56000

Item	Part Description	Part No.
		56000
1	8-32 TALL ACORN NUT	47702
2	8-32 X 1/2 PHIL PAN M/S	47141
3	KETTLE SHELL	49431
4	KETTLE LEAD ASSY	49328
5	DUMP HANDLE RH	49314
6	DUMP HANDLE KNOB	47110
7	SPACER (for Dump Handle)	49362
8	8-32 X 1" SET SCREW	77933
9	LID & AGITATOR ASSY (Complete Assembly)	59103
10	KETTLE CROSSBAR ASSEMBLY	59102
11	FRONT LID W/FORMED LIFTER	49017
12	REAR KETTLE LID	49016
13	AGITATOR BEARING HUB	43434
14	NEEDLE BEARING	47106
15*	SPUR GEAR KIT (Includes 2 gears with set screws. Always replace Agitator Spur Gear and Kettle Drive Motor Gear as a set.)	47059K
16	SET SCREW #10-32 X 3/16	41742
17	AGITATOR SHAFT	69710
18	SET COLLAR 5/16 ID 5/8 OD	46649
19	AGITATOR WEIGHT	69715
20	STIR ROD	69714
Kettle Bottom Assembly – Element/Heater View		
21	KETTLE BOTTOM ASSEMBLY (Complete Assembly - includes Kettle Shell, Kettle Lead Assembly and parts listed below)	56000W
22	KETTLE GASKET	49368
23	KETTLE/HEATER	56006
24	8-32 TOP LOCK NUT (where used, always replace lock nut if removed)	67943
25	450°F THERMOSTAT (includes two 6-32 X 3/16 Screws)	76089
26	THERMOSTAT SHUNT BAR	47193
27	525°F THERMOSTAT (includes two 6-32 X 3/16 Screws)	76702