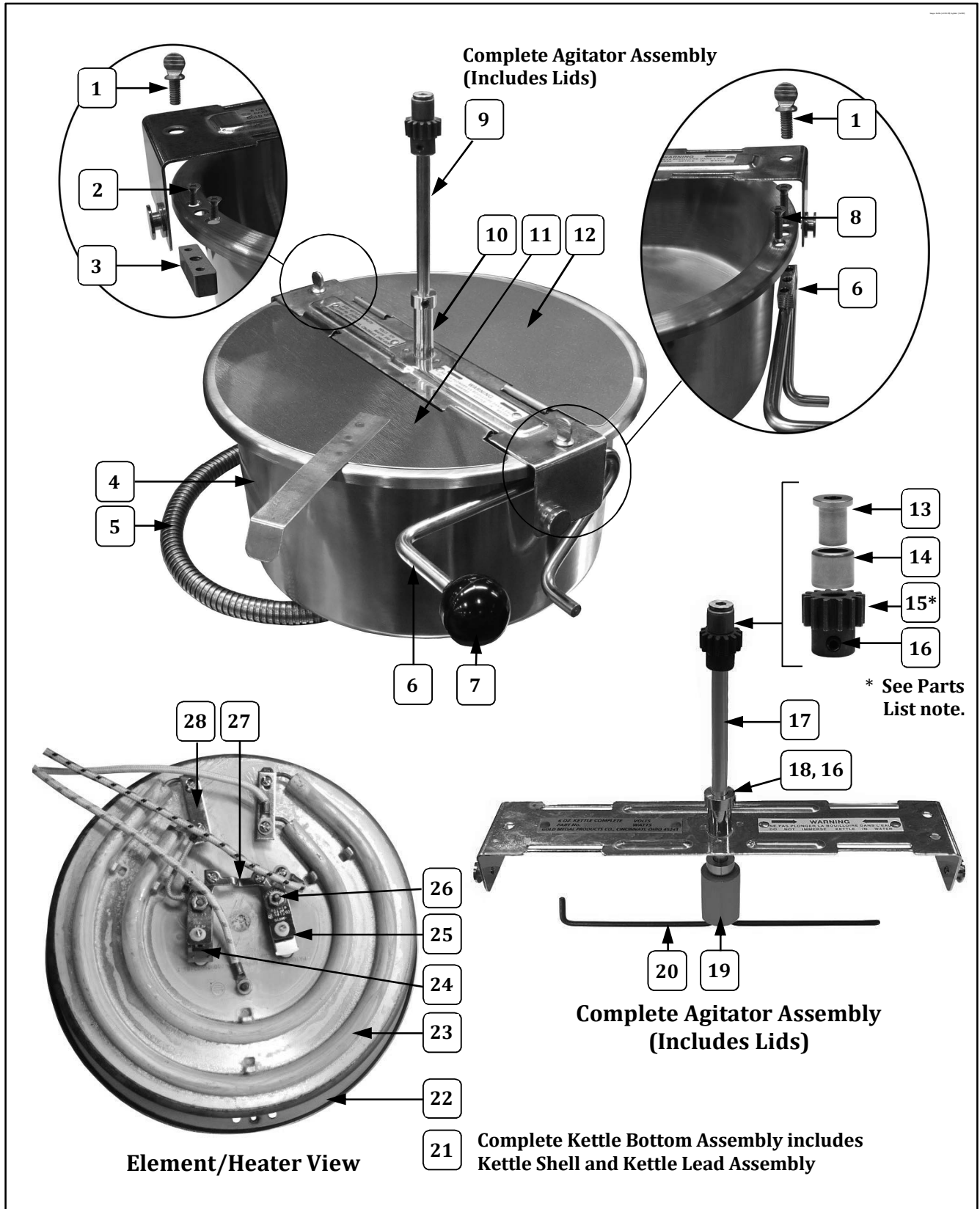


# 12/14 oz. Kettle Assembly – 58014 - Parts Breakdown





## 12/14 oz. Kettle Assembly – 58014 - Parts List

Item	Part Description	Part No.
		58014
1	1/4-20 X 1/2 THUMB SCREW	61059
2	8-32X1/2 FL HD PH MS	20066
3	SHELL & KETTLE BLOCK	61013
4	KETTLE SHELL	61017
5	KETTLE LEAD ASSY	61226
6	DUMP HANDLE-BLOCK WELD	88769
7	DUMP HANDLE KNOB	47110
8	8-32X1 FL HD PH MS	20068
9	LID & AGITATOR ASSY (Complete Assembly)	58016
10	KETTLE CROSSBAR ASSEMBLY	58015
11	FORMED LID	47261
12	REAR KETTLE LID	47119
13	AGITATOR BEARING HUB	43434
14	NEEDLE BEARING	47106
15	SPUR GEAR KIT (Includes 2 gears with set screws. Always replace Agitator Spur Gear and Kettle Drive Motor Gear as a set.)	47059K
16	SET SCREW #10-32 X 3/16	41742
17	12/14 OZ. AGITATOR SHAFT	69712
18	SET COLLAR 5/16 ID 5/8 OD	46649
19	AGITATOR WEIGHT	69715
20	POP MAXX STIR ROD	69806
<b>Kettle Bottom Assembly – Element View</b>		
21	12/14 OZ. KETTLE BOTTOM ASSEMBLY (includes Kettle Shell, Kettle Lead Assembly and items listed below.)	58012
22	8 OZ. KETTLE GASKET	61012
23	KETTLE INTEGRAL HTR 12/14	58011
24	482°F THERMOSTAT (two 6-32 X 3/16 screws included)	76708
25	550°F THERMOSTAT (two 6-32 X 3/16 screws included)	77108
26	8-32 TOP LOCK NUT (used to hold Thermostats and ground - replace lock nut if removed)	67943
27	THERMOSTAT SHUNT BAR	47193
28	SHUNT BAR	77879



## 12/14 oz. Kettle Assembly – 58014 - Parts List

Item	Part Description	Part No.
		58014
1	1/4-20 X 1/2 THUMB SCREW	61059
2	8-32X1/2 FL HD PH MS	20066
3	SHELL & KETTLE BLOCK	61013
4	KETTLE SHELL	61017
5	KETTLE LEAD ASSY	61226
6	DUMP HANDLE-BLOCK WELD	88769
7	DUMP HANDLE KNOB	47110
8	8-32X1 FL HD PH MS	20068
9	LID & AGITATOR ASSY (Complete Assembly)	58016
10	KETTLE CROSSBAR ASSEMBLY	58015
11	FORMED LID	47261
12	REAR KETTLE LID	47119
13	AGITATOR BEARING HUB	43434
14	NEEDLE BEARING	47106
15	SPUR GEAR KIT (Includes 2 gears with set screws. Always replace Agitator Spur Gear and Kettle Drive Motor Gear as a set.)	47059K
16	SET SCREW #10-32 X 3/16	41742
17	12/14 OZ. AGITATOR SHAFT	69712
18	SET COLLAR 5/16 ID 5/8 OD	46649
19	AGITATOR WEIGHT	69715
20	POP MAXX STIR ROD	69806
<b>Kettle Bottom Assembly – Element View</b>		
21	12/14 OZ. KETTLE BOTTOM ASSEMBLY (includes Kettle Shell, Kettle Lead Assembly and items listed below.)	58012
22	8 OZ. KETTLE GASKET	61012
23	KETTLE INTEGRAL HTR 12/14	58011
24	482°F THERMOSTAT (two 6-32 X 3/16 screws included)	76708
25	550°F THERMOSTAT (two 6-32 X 3/16 screws included)	77108
26	8-32 TOP LOCK NUT (used to hold Thermostats and ground – replace lock nut if removed)	67943
27	THERMOSTAT SHUNT BAR	47193
28	SHUNT BAR	77879



## 12/14 oz. Kettle Assembly – 58014 - Parts List

Item	Part Description	Part No.
		58014
1	1/4-20 X 1/2 THUMB SCREW	61059
2	8-32X1/2 FL HD PH MS	20066
3	SHELL & KETTLE BLOCK	61013
4	KETTLE SHELL	61017
5	KETTLE LEAD ASSY	61226
6	DUMP HANDLE-BLOCK WELD	88769
7	DUMP HANDLE KNOB	47110
8	8-32X1 FL HD PH MS	20068
9	LID & AGITATOR ASSY (Complete Assembly)	58016
10	KETTLE CROSSBAR ASSEMBLY	58015
11	FORMED LID	47261
12	REAR KETTLE LID	47119
13	AGITATOR BEARING HUB	43434
14	NEEDLE BEARING	47106
15	SPUR GEAR KIT (Includes 2 gears with set screws. Always replace Agitator Spur Gear and Kettle Drive Motor Gear as a set.)	47059K
16	SET SCREW #10-32 X 3/16	41742
17	12/14 OZ. AGITATOR SHAFT	69712
18	SET COLLAR 5/16 ID 5/8 OD	46649
19	AGITATOR WEIGHT	69715
20	POP MAXX STIR ROD	69806
<b>Kettle Bottom Assembly – Element View</b>		
21	12/14 OZ. KETTLE BOTTOM ASSEMBLY (includes Kettle Shell, Kettle Lead Assembly and items listed below.)	58012
22	8 OZ. KETTLE GASKET	61012
23	KETTLE INTEGRAL HTR 12/14	58011
24	482°F THERMOSTAT (two 6-32 X 3/16 screws included)	76708
25	550°F THERMOSTAT (two 6-32 X 3/16 screws included)	77108
26	8-32 TOP LOCK NUT (used to hold Thermostats and ground - replace lock nut if removed)	67943
27	THERMOSTAT SHUNT BAR	47193
28	SHUNT BAR	77879



## 12/14 oz. Kettle Assembly – 58014 - Parts List

Item	Part Description	Part No.
		58014
1	1/4-20 X 1/2 THUMB SCREW	61059
2	8-32X1/2 FL HD PH MS	20066
3	SHELL & KETTLE BLOCK	61013
4	KETTLE SHELL	61017
5	KETTLE LEAD ASSY	61226
6	DUMP HANDLE-BLOCK WELD	88769
7	DUMP HANDLE KNOB	47110
8	8-32X1 FL HD PH MS	20068
9	LID & AGITATOR ASSY (Complete Assembly)	58016
10	KETTLE CROSSBAR ASSEMBLY	58015
11	FORMED LID	47261
12	REAR KETTLE LID	47119
13	AGITATOR BEARING HUB	43434
14	NEEDLE BEARING	47106
15	SPUR GEAR KIT (Includes 2 gears with set screws. Always replace Agitator Spur Gear and Kettle Drive Motor Gear as a set.)	47059K
16	SET SCREW #10-32 X 3/16	41742
17	12/14 OZ. AGITATOR SHAFT	69712
18	SET COLLAR 5/16 ID 5/8 OD	46649
19	AGITATOR WEIGHT	69715
20	POP MAXX STIR ROD	69806
<b>Kettle Bottom Assembly – Element View</b>		
21	12/14 OZ. KETTLE BOTTOM ASSEMBLY (includes Kettle Shell, Kettle Lead Assembly and items listed below.)	58012
22	8 OZ. KETTLE GASKET	61012
23	KETTLE INTEGRAL HTR 12/14	58011
24	482°F THERMOSTAT (two 6-32 X 3/16 screws included)	76708
25	550°F THERMOSTAT (two 6-32 X 3/16 screws included)	77108
26	8-32 TOP LOCK NUT (used to hold Thermostats and ground – replace lock nut if removed)	67943
27	THERMOSTAT SHUNT BAR	47193
28	SHUNT BAR	77879



## 12/14 oz. Kettle Assembly – 58014 - Parts List

Item	Part Description	Part No.
		58014
1	1/4-20 X 1/2 THUMB SCREW	61059
2	8-32X1/2 FL HD PH MS	20066
3	SHELL & KETTLE BLOCK	61013
4	KETTLE SHELL	61017
5	KETTLE LEAD ASSY	61226
6	DUMP HANDLE-BLOCK WELD	88769
7	DUMP HANDLE KNOB	47110
8	8-32X1 FL HD PH MS	20068
9	LID & AGITATOR ASSY (Complete Assembly)	58016
10	KETTLE CROSSBAR ASSEMBLY	58015
11	FORMED LID	47261
12	REAR KETTLE LID	47119
13	AGITATOR BEARING HUB	43434
14	NEEDLE BEARING	47106
15	SPUR GEAR KIT (Includes 2 gears with set screws. Always replace Agitator Spur Gear and Kettle Drive Motor Gear as a set.)	47059K
16	SET SCREW #10-32 X 3/16	41742
17	12/14 OZ. AGITATOR SHAFT	69712
18	SET COLLAR 5/16 ID 5/8 OD	46649
19	AGITATOR WEIGHT	69715
20	POP MAXX STIR ROD	69806
<b>Kettle Bottom Assembly – Element View</b>		
21	12/14 OZ. KETTLE BOTTOM ASSEMBLY (includes Kettle Shell, Kettle Lead Assembly and items listed below.)	58012
22	8 OZ. KETTLE GASKET	61012
23	KETTLE INTEGRAL HTR 12/14	58011
24	482°F THERMOSTAT (two 6-32 X 3/16 screws included)	76708
25	550°F THERMOSTAT (two 6-32 X 3/16 screws included)	77108
26	8-32 TOP LOCK NUT (used to hold Thermostats and ground – replace lock nut if removed)	67943
27	THERMOSTAT SHUNT BAR	47193
28	SHUNT BAR	77879



## 12/14 oz. Kettle Assembly – 58014 - Parts List

Item	Part Description	Part No.
		58014
1	1/4-20 X 1/2 THUMB SCREW	61059
2	8-32X1/2 FL HD PH MS	20066
3	SHELL & KETTLE BLOCK	61013
4	KETTLE SHELL	61017
5	KETTLE LEAD ASSY	61226
6	DUMP HANDLE-BLOCK WELD	88769
7	DUMP HANDLE KNOB	47110
8	8-32X1 FL HD PH MS	20068
9	LID & AGITATOR ASSY (Complete Assembly)	58016
10	KETTLE CROSSBAR ASSEMBLY	58015
11	FORMED LID	47261
12	REAR KETTLE LID	47119
13	AGITATOR BEARING HUB	43434
14	NEEDLE BEARING	47106
15	SPUR GEAR KIT (Includes 2 gears with set screws. Always replace Agitator Spur Gear and Kettle Drive Motor Gear as a set.)	47059K
16	SET SCREW #10-32 X 3/16	41742
17	12/14 OZ. AGITATOR SHAFT	69712
18	SET COLLAR 5/16 ID 5/8 OD	46649
19	AGITATOR WEIGHT	69715
20	POP MAXX STIR ROD	69806
<b>Kettle Bottom Assembly – Element View</b>		
21	12/14 OZ. KETTLE BOTTOM ASSEMBLY (includes Kettle Shell, Kettle Lead Assembly and items listed below.)	58012
22	8 OZ. KETTLE GASKET	61012
23	KETTLE INTEGRAL HTR 12/14	58011
24	482°F THERMOSTAT (two 6-32 X 3/16 screws included)	76708
25	550°F THERMOSTAT (two 6-32 X 3/16 screws included)	77108
26	8-32 TOP LOCK NUT (used to hold Thermostats and ground – replace lock nut if removed)	67943
27	THERMOSTAT SHUNT BAR	47193
28	SHUNT BAR	77879



## 12/14 oz. Kettle Assembly – 58014 - Parts List

Item	Part Description	Part No.
		58014
1	1/4-20 X 1/2 THUMB SCREW	61059
2	8-32X1/2 FL HD PH MS	20066
3	SHELL & KETTLE BLOCK	61013
4	KETTLE SHELL	61017
5	KETTLE LEAD ASSY	61226
6	DUMP HANDLE-BLOCK WELD	88769
7	DUMP HANDLE KNOB	47110
8	8-32X1 FL HD PH MS	20068
9	LID & AGITATOR ASSY (Complete Assembly)	58016
10	KETTLE CROSSBAR ASSEMBLY	58015
11	FORMED LID	47261
12	REAR KETTLE LID	47119
13	AGITATOR BEARING HUB	43434
14	NEEDLE BEARING	47106
15	SPUR GEAR KIT (Includes 2 gears with set screws. Always replace Agitator Spur Gear and Kettle Drive Motor Gear as a set.)	47059K
16	SET SCREW #10-32 X 3/16	41742
17	12/14 OZ. AGITATOR SHAFT	69712
18	SET COLLAR 5/16 ID 5/8 OD	46649
19	AGITATOR WEIGHT	69715
20	POP MAXX STIR ROD	69806
<b>Kettle Bottom Assembly – Element View</b>		
21	12/14 OZ. KETTLE BOTTOM ASSEMBLY (includes Kettle Shell, Kettle Lead Assembly and items listed below.)	58012
22	8 OZ. KETTLE GASKET	61012
23	KETTLE INTEGRAL HTR 12/14	58011
24	482°F THERMOSTAT (two 6-32 X 3/16 screws included)	76708
25	550°F THERMOSTAT (two 6-32 X 3/16 screws included)	77108
26	8-32 TOP LOCK NUT (used to hold Thermostats and ground – replace lock nut if removed)	67943
27	THERMOSTAT SHUNT BAR	47193
28	SHUNT BAR	77879



## 12/14 oz. Kettle Assembly – 58014 - Parts List

Item	Part Description	Part No.
		58014
1	1/4-20 X 1/2 THUMB SCREW	61059
2	8-32X1/2 FL HD PH MS	20066
3	SHELL & KETTLE BLOCK	61013
4	KETTLE SHELL	61017
5	KETTLE LEAD ASSY	61226
6	DUMP HANDLE-BLOCK WELD	88769
7	DUMP HANDLE KNOB	47110
8	8-32X1 FL HD PH MS	20068
9	LID & AGITATOR ASSY (Complete Assembly)	58016
10	KETTLE CROSSBAR ASSEMBLY	58015
11	FORMED LID	47261
12	REAR KETTLE LID	47119
13	AGITATOR BEARING HUB	43434
14	NEEDLE BEARING	47106
15	SPUR GEAR KIT (Includes 2 gears with set screws. Always replace Agitator Spur Gear and Kettle Drive Motor Gear as a set.)	47059K
16	SET SCREW #10-32 X 3/16	41742
17	12/14 OZ. AGITATOR SHAFT	69712
18	SET COLLAR 5/16 ID 5/8 OD	46649
19	AGITATOR WEIGHT	69715
20	POP MAXX STIR ROD	69806
<b>Kettle Bottom Assembly – Element View</b>		
21	12/14 OZ. KETTLE BOTTOM ASSEMBLY (includes Kettle Shell, Kettle Lead Assembly and items listed below.)	58012
22	8 OZ. KETTLE GASKET	61012
23	KETTLE INTEGRAL HTR 12/14	58011
24	482°F THERMOSTAT (two 6-32 X 3/16 screws included)	76708
25	550°F THERMOSTAT (two 6-32 X 3/16 screws included)	77108
26	8-32 TOP LOCK NUT (used to hold Thermostats and ground – replace lock nut if removed)	67943
27	THERMOSTAT SHUNT BAR	47193
28	SHUNT BAR	77879



## 12/14 oz. Kettle Assembly – 58014 - Parts List

Item	Part Description	Part No.
		58014
1	1/4-20 X 1/2 THUMB SCREW	61059
2	8-32X1/2 FL HD PH MS	20066
3	SHELL & KETTLE BLOCK	61013
4	KETTLE SHELL	61017
5	KETTLE LEAD ASSY	61226
6	DUMP HANDLE-BLOCK WELD	88769
7	DUMP HANDLE KNOB	47110
8	8-32X1 FL HD PH MS	20068
9	LID & AGITATOR ASSY (Complete Assembly)	58016
10	KETTLE CROSSBAR ASSEMBLY	58015
11	FORMED LID	47261
12	REAR KETTLE LID	47119
13	AGITATOR BEARING HUB	43434
14	NEEDLE BEARING	47106
15	SPUR GEAR KIT (Includes 2 gears with set screws. Always replace Agitator Spur Gear and Kettle Drive Motor Gear as a set.)	47059K
16	SET SCREW #10-32 X 3/16	41742
17	12/14 OZ. AGITATOR SHAFT	69712
18	SET COLLAR 5/16 ID 5/8 OD	46649
19	AGITATOR WEIGHT	69715
20	POP MAXX STIR ROD	69806
<b>Kettle Bottom Assembly – Element View</b>		
21	12/14 OZ. KETTLE BOTTOM ASSEMBLY (includes Kettle Shell, Kettle Lead Assembly and items listed below.)	58012
22	8 OZ. KETTLE GASKET	61012
23	KETTLE INTEGRAL HTR 12/14	58011
24	482°F THERMOSTAT (two 6-32 X 3/16 screws included)	76708
25	550°F THERMOSTAT (two 6-32 X 3/16 screws included)	77108
26	8-32 TOP LOCK NUT (used to hold Thermostats and ground – replace lock nut if removed)	67943
27	THERMOSTAT SHUNT BAR	47193
28	SHUNT BAR	77879



## 12/14 oz. Kettle Assembly – 58014 - Parts List

Item	Part Description	Part No.
		58014
1	1/4-20 X 1/2 THUMB SCREW	61059
2	8-32X1/2 FL HD PH MS	20066
3	SHELL & KETTLE BLOCK	61013
4	KETTLE SHELL	61017
5	KETTLE LEAD ASSY	61226
6	DUMP HANDLE-BLOCK WELD	88769
7	DUMP HANDLE KNOB	47110
8	8-32X1 FL HD PH MS	20068
9	LID & AGITATOR ASSY (Complete Assembly)	58016
10	KETTLE CROSSBAR ASSEMBLY	58015
11	FORMED LID	47261
12	REAR KETTLE LID	47119
13	AGITATOR BEARING HUB	43434
14	NEEDLE BEARING	47106
15	SPUR GEAR KIT (Includes 2 gears with set screws. Always replace Agitator Spur Gear and Kettle Drive Motor Gear as a set.)	47059K
16	SET SCREW #10-32 X 3/16	41742
17	12/14 OZ. AGITATOR SHAFT	69712
18	SET COLLAR 5/16 ID 5/8 OD	46649
19	AGITATOR WEIGHT	69715
20	POP MAXX STIR ROD	69806
<b>Kettle Bottom Assembly – Element View</b>		
21	12/14 OZ. KETTLE BOTTOM ASSEMBLY (includes Kettle Shell, Kettle Lead Assembly and items listed below.)	58012
22	8 OZ. KETTLE GASKET	61012
23	KETTLE INTEGRAL HTR 12/14	58011
24	482°F THERMOSTAT (two 6-32 X 3/16 screws included)	76708
25	550°F THERMOSTAT (two 6-32 X 3/16 screws included)	77108
26	8-32 TOP LOCK NUT (used to hold Thermostats and ground – replace lock nut if removed)	67943
27	THERMOSTAT SHUNT BAR	47193
28	SHUNT BAR	77879



## 12/14 oz. Kettle Assembly – 58014 - Parts List

Item	Part Description	Part No.
		58014
1	1/4-20 X 1/2 THUMB SCREW	61059
2	8-32X1/2 FL HD PH MS	20066
3	SHELL & KETTLE BLOCK	61013
4	KETTLE SHELL	61017
5	KETTLE LEAD ASSY	61226
6	DUMP HANDLE-BLOCK WELD	88769
7	DUMP HANDLE KNOB	47110
8	8-32X1 FL HD PH MS	20068
9	LID & AGITATOR ASSY (Complete Assembly)	58016
10	KETTLE CROSSBAR ASSEMBLY	58015
11	FORMED LID	47261
12	REAR KETTLE LID	47119
13	AGITATOR BEARING HUB	43434
14	NEEDLE BEARING	47106
15	SPUR GEAR KIT (Includes 2 gears with set screws. Always replace Agitator Spur Gear and Kettle Drive Motor Gear as a set.)	47059K
16	SET SCREW #10-32 X 3/16	41742
17	12/14 OZ. AGITATOR SHAFT	69712
18	SET COLLAR 5/16 ID 5/8 OD	46649
19	AGITATOR WEIGHT	69715
20	POP MAXX STIR ROD	69806
<b>Kettle Bottom Assembly – Element View</b>		
21	12/14 OZ. KETTLE BOTTOM ASSEMBLY (includes Kettle Shell, Kettle Lead Assembly and items listed below.)	58012
22	8 OZ. KETTLE GASKET	61012
23	KETTLE INTEGRAL HTR 12/14	58011
24	482°F THERMOSTAT (two 6-32 X 3/16 screws included)	76708
25	550°F THERMOSTAT (two 6-32 X 3/16 screws included)	77108
26	8-32 TOP LOCK NUT (used to hold Thermostats and ground – replace lock nut if removed)	67943
27	THERMOSTAT SHUNT BAR	47193
28	SHUNT BAR	77879



## 12/14 oz. Kettle Assembly – 58014 - Parts List

Item	Part Description	Part No.
		58014
1	1/4-20 X 1/2 THUMB SCREW	61059
2	8-32X1/2 FL HD PH MS	20066
3	SHELL & KETTLE BLOCK	61013
4	KETTLE SHELL	61017
5	KETTLE LEAD ASSY	61226
6	DUMP HANDLE-BLOCK WELD	88769
7	DUMP HANDLE KNOB	47110
8	8-32X1 FL HD PH MS	20068
9	LID & AGITATOR ASSY (Complete Assembly)	58016
10	KETTLE CROSSBAR ASSEMBLY	58015
11	FORMED LID	47261
12	REAR KETTLE LID	47119
13	AGITATOR BEARING HUB	43434
14	NEEDLE BEARING	47106
15	SPUR GEAR KIT (Includes 2 gears with set screws. Always replace Agitator Spur Gear and Kettle Drive Motor Gear as a set.)	47059K
16	SET SCREW #10-32 X 3/16	41742
17	12/14 OZ. AGITATOR SHAFT	69712
18	SET COLLAR 5/16 ID 5/8 OD	46649
19	AGITATOR WEIGHT	69715
20	POP MAXX STIR ROD	69806
<b>Kettle Bottom Assembly – Element View</b>		
21	12/14 OZ. KETTLE BOTTOM ASSEMBLY (includes Kettle Shell, Kettle Lead Assembly and items listed below.)	58012
22	8 OZ. KETTLE GASKET	61012
23	KETTLE INTEGRAL HTR 12/14	58011
24	482°F THERMOSTAT (two 6-32 X 3/16 screws included)	76708
25	550°F THERMOSTAT (two 6-32 X 3/16 screws included)	77108
26	8-32 TOP LOCK NUT (used to hold Thermostats and ground - replace lock nut if removed)	67943
27	THERMOSTAT SHUNT BAR	47193
28	SHUNT BAR	77879



## 12/14 oz. Kettle Assembly – 58014 - Parts List

Item	Part Description	Part No.
		58014
1	1/4-20 X 1/2 THUMB SCREW	61059
2	8-32X1/2 FL HD PH MS	20066
3	SHELL & KETTLE BLOCK	61013
4	KETTLE SHELL	61017
5	KETTLE LEAD ASSY	61226
6	DUMP HANDLE-BLOCK WELD	88769
7	DUMP HANDLE KNOB	47110
8	8-32X1 FL HD PH MS	20068
9	LID & AGITATOR ASSY (Complete Assembly)	58016
10	KETTLE CROSSBAR ASSEMBLY	58015
11	FORMED LID	47261
12	REAR KETTLE LID	47119
13	AGITATOR BEARING HUB	43434
14	NEEDLE BEARING	47106
15	SPUR GEAR KIT (Includes 2 gears with set screws. Always replace Agitator Spur Gear and Kettle Drive Motor Gear as a set.)	47059K
16	SET SCREW #10-32 X 3/16	41742
17	12/14 OZ. AGITATOR SHAFT	69712
18	SET COLLAR 5/16 ID 5/8 OD	46649
19	AGITATOR WEIGHT	69715
20	POP MAXX STIR ROD	69806
<b>Kettle Bottom Assembly – Element View</b>		
21	12/14 OZ. KETTLE BOTTOM ASSEMBLY (includes Kettle Shell, Kettle Lead Assembly and items listed below.)	58012
22	8 OZ. KETTLE GASKET	61012
23	KETTLE INTEGRAL HTR 12/14	58011
24	482°F THERMOSTAT (two 6-32 X 3/16 screws included)	76708
25	550°F THERMOSTAT (two 6-32 X 3/16 screws included)	77108
26	8-32 TOP LOCK NUT (used to hold Thermostats and ground – replace lock nut if removed)	67943
27	THERMOSTAT SHUNT BAR	47193
28	SHUNT BAR	77879



## 12/14 oz. Kettle Assembly – 58014 - Parts List

Item	Part Description	Part No.
		58014
1	1/4-20 X 1/2 THUMB SCREW	61059
2	8-32X1/2 FL HD PH MS	20066
3	SHELL & KETTLE BLOCK	61013
4	KETTLE SHELL	61017
5	KETTLE LEAD ASSY	61226
6	DUMP HANDLE-BLOCK WELD	88769
7	DUMP HANDLE KNOB	47110
8	8-32X1 FL HD PH MS	20068
9	LID & AGITATOR ASSY (Complete Assembly)	58016
10	KETTLE CROSSBAR ASSEMBLY	58015
11	FORMED LID	47261
12	REAR KETTLE LID	47119
13	AGITATOR BEARING HUB	43434
14	NEEDLE BEARING	47106
15	SPUR GEAR KIT (Includes 2 gears with set screws. Always replace Agitator Spur Gear and Kettle Drive Motor Gear as a set.)	47059K
16	SET SCREW #10-32 X 3/16	41742
17	12/14 OZ. AGITATOR SHAFT	69712
18	SET COLLAR 5/16 ID 5/8 OD	46649
19	AGITATOR WEIGHT	69715
20	POP MAXX STIR ROD	69806
<b>Kettle Bottom Assembly – Element View</b>		
21	12/14 OZ. KETTLE BOTTOM ASSEMBLY (includes Kettle Shell, Kettle Lead Assembly and items listed below.)	58012
22	8 OZ. KETTLE GASKET	61012
23	KETTLE INTEGRAL HTR 12/14	58011
24	482°F THERMOSTAT (two 6-32 X 3/16 screws included)	76708
25	550°F THERMOSTAT (two 6-32 X 3/16 screws included)	77108
26	8-32 TOP LOCK NUT (used to hold Thermostats and ground – replace lock nut if removed)	67943
27	THERMOSTAT SHUNT BAR	47193
28	SHUNT BAR	77879



## 12/14 oz. Kettle Assembly – 58014 - Parts List

Item	Part Description	Part No.
		58014
1	1/4-20 X 1/2 THUMB SCREW	61059
2	8-32X1/2 FL HD PH MS	20066
3	SHELL & KETTLE BLOCK	61013
4	KETTLE SHELL	61017
5	KETTLE LEAD ASSY	61226
6	DUMP HANDLE-BLOCK WELD	88769
7	DUMP HANDLE KNOB	47110
8	8-32X1 FL HD PH MS	20068
9	LID & AGITATOR ASSY (Complete Assembly)	58016
10	KETTLE CROSSBAR ASSEMBLY	58015
11	FORMED LID	47261
12	REAR KETTLE LID	47119
13	AGITATOR BEARING HUB	43434
14	NEEDLE BEARING	47106
15	SPUR GEAR KIT (Includes 2 gears with set screws. Always replace Agitator Spur Gear and Kettle Drive Motor Gear as a set.)	47059K
16	SET SCREW #10-32 X 3/16	41742
17	12/14 OZ. AGITATOR SHAFT	69712
18	SET COLLAR 5/16 ID 5/8 OD	46649
19	AGITATOR WEIGHT	69715
20	POP MAXX STIR ROD	69806
<b>Kettle Bottom Assembly – Element View</b>		
21	12/14 OZ. KETTLE BOTTOM ASSEMBLY (includes Kettle Shell, Kettle Lead Assembly and items listed below.)	58012
22	8 OZ. KETTLE GASKET	61012
23	KETTLE INTEGRAL HTR 12/14	58011
24	482°F THERMOSTAT (two 6-32 X 3/16 screws included)	76708
25	550°F THERMOSTAT (two 6-32 X 3/16 screws included)	77108
26	8-32 TOP LOCK NUT (used to hold Thermostats and ground – replace lock nut if removed)	67943
27	THERMOSTAT SHUNT BAR	47193
28	SHUNT BAR	77879



## 12/14 oz. Kettle Assembly – 58014 - Parts List

Item	Part Description	Part No.
		58014
1	1/4-20 X 1/2 THUMB SCREW	61059
2	8-32X1/2 FL HD PH MS	20066
3	SHELL & KETTLE BLOCK	61013
4	KETTLE SHELL	61017
5	KETTLE LEAD ASSY	61226
6	DUMP HANDLE-BLOCK WELD	88769
7	DUMP HANDLE KNOB	47110
8	8-32X1 FL HD PH MS	20068
9	LID & AGITATOR ASSY (Complete Assembly)	58016
10	KETTLE CROSSBAR ASSEMBLY	58015
11	FORMED LID	47261
12	REAR KETTLE LID	47119
13	AGITATOR BEARING HUB	43434
14	NEEDLE BEARING	47106
15	SPUR GEAR KIT (Includes 2 gears with set screws. Always replace Agitator Spur Gear and Kettle Drive Motor Gear as a set.)	47059K
16	SET SCREW #10-32 X 3/16	41742
17	12/14 OZ. AGITATOR SHAFT	69712
18	SET COLLAR 5/16 ID 5/8 OD	46649
19	AGITATOR WEIGHT	69715
20	POP MAXX STIR ROD	69806
<b>Kettle Bottom Assembly – Element View</b>		
21	12/14 OZ. KETTLE BOTTOM ASSEMBLY (includes Kettle Shell, Kettle Lead Assembly and items listed below.)	58012
22	8 OZ. KETTLE GASKET	61012
23	KETTLE INTEGRAL HTR 12/14	58011
24	482°F THERMOSTAT (two 6-32 X 3/16 screws included)	76708
25	550°F THERMOSTAT (two 6-32 X 3/16 screws included)	77108
26	8-32 TOP LOCK NUT (used to hold Thermostats and ground - replace lock nut if removed)	67943
27	THERMOSTAT SHUNT BAR	47193
28	SHUNT BAR	77879



## 12/14 oz. Kettle Assembly – 58014 - Parts List

Item	Part Description	Part No.
		58014
1	1/4-20 X 1/2 THUMB SCREW	61059
2	8-32X1/2 FL HD PH MS	20066
3	SHELL & KETTLE BLOCK	61013
4	KETTLE SHELL	61017
5	KETTLE LEAD ASSY	61226
6	DUMP HANDLE-BLOCK WELD	88769
7	DUMP HANDLE KNOB	47110
8	8-32X1 FL HD PH MS	20068
9	LID & AGITATOR ASSY (Complete Assembly)	58016
10	KETTLE CROSSBAR ASSEMBLY	58015
11	FORMED LID	47261
12	REAR KETTLE LID	47119
13	AGITATOR BEARING HUB	43434
14	NEEDLE BEARING	47106
15	SPUR GEAR KIT (Includes 2 gears with set screws. Always replace Agitator Spur Gear and Kettle Drive Motor Gear as a set.)	47059K
16	SET SCREW #10-32 X 3/16	41742
17	12/14 OZ. AGITATOR SHAFT	69712
18	SET COLLAR 5/16 ID 5/8 OD	46649
19	AGITATOR WEIGHT	69715
20	POP MAXX STIR ROD	69806
<b>Kettle Bottom Assembly – Element View</b>		
21	12/14 OZ. KETTLE BOTTOM ASSEMBLY (includes Kettle Shell, Kettle Lead Assembly and items listed below.)	58012
22	8 OZ. KETTLE GASKET	61012
23	KETTLE INTEGRAL HTR 12/14	58011
24	482°F THERMOSTAT (two 6-32 X 3/16 screws included)	76708
25	550°F THERMOSTAT (two 6-32 X 3/16 screws included)	77108
26	8-32 TOP LOCK NUT (used to hold Thermostats and ground – replace lock nut if removed)	67943
27	THERMOSTAT SHUNT BAR	47193
28	SHUNT BAR	77879



## 12/14 oz. Kettle Assembly – 58014 - Parts List

Item	Part Description	Part No.
		58014
1	1/4-20 X 1/2 THUMB SCREW	61059
2	8-32X1/2 FL HD PH MS	20066
3	SHELL & KETTLE BLOCK	61013
4	KETTLE SHELL	61017
5	KETTLE LEAD ASSY	61226
6	DUMP HANDLE-BLOCK WELD	88769
7	DUMP HANDLE KNOB	47110
8	8-32X1 FL HD PH MS	20068
9	LID & AGITATOR ASSY (Complete Assembly)	58016
10	KETTLE CROSSBAR ASSEMBLY	58015
11	FORMED LID	47261
12	REAR KETTLE LID	47119
13	AGITATOR BEARING HUB	43434
14	NEEDLE BEARING	47106
15	SPUR GEAR KIT (Includes 2 gears with set screws. Always replace Agitator Spur Gear and Kettle Drive Motor Gear as a set.)	47059K
16	SET SCREW #10-32 X 3/16	41742
17	12/14 OZ. AGITATOR SHAFT	69712
18	SET COLLAR 5/16 ID 5/8 OD	46649
19	AGITATOR WEIGHT	69715
20	POP MAXX STIR ROD	69806
<b>Kettle Bottom Assembly – Element View</b>		
21	12/14 OZ. KETTLE BOTTOM ASSEMBLY (includes Kettle Shell, Kettle Lead Assembly and items listed below.)	58012
22	8 OZ. KETTLE GASKET	61012
23	KETTLE INTEGRAL HTR 12/14	58011
24	482°F THERMOSTAT (two 6-32 X 3/16 screws included)	76708
25	550°F THERMOSTAT (two 6-32 X 3/16 screws included)	77108
26	8-32 TOP LOCK NUT (used to hold Thermostats and ground – replace lock nut if removed)	67943
27	THERMOSTAT SHUNT BAR	47193
28	SHUNT BAR	77879



## 12/14 oz. Kettle Assembly – 58014 - Parts List

Item	Part Description	Part No.
		58014
1	1/4-20 X 1/2 THUMB SCREW	61059
2	8-32X1/2 FL HD PH MS	20066
3	SHELL & KETTLE BLOCK	61013
4	KETTLE SHELL	61017
5	KETTLE LEAD ASSY	61226
6	DUMP HANDLE-BLOCK WELD	88769
7	DUMP HANDLE KNOB	47110
8	8-32X1 FL HD PH MS	20068
9	LID & AGITATOR ASSY (Complete Assembly)	58016
10	KETTLE CROSSBAR ASSEMBLY	58015
11	FORMED LID	47261
12	REAR KETTLE LID	47119
13	AGITATOR BEARING HUB	43434
14	NEEDLE BEARING	47106
15	SPUR GEAR KIT (Includes 2 gears with set screws. Always replace Agitator Spur Gear and Kettle Drive Motor Gear as a set.)	47059K
16	SET SCREW #10-32 X 3/16	41742
17	12/14 OZ. AGITATOR SHAFT	69712
18	SET COLLAR 5/16 ID 5/8 OD	46649
19	AGITATOR WEIGHT	69715
20	POP MAXX STIR ROD	69806
<b>Kettle Bottom Assembly – Element View</b>		
21	12/14 OZ. KETTLE BOTTOM ASSEMBLY (includes Kettle Shell, Kettle Lead Assembly and items listed below.)	58012
22	8 OZ. KETTLE GASKET	61012
23	KETTLE INTEGRAL HTR 12/14	58011
24	482°F THERMOSTAT (two 6-32 X 3/16 screws included)	76708
25	550°F THERMOSTAT (two 6-32 X 3/16 screws included)	77108
26	8-32 TOP LOCK NUT (used to hold Thermostats and ground – replace lock nut if removed)	67943
27	THERMOSTAT SHUNT BAR	47193
28	SHUNT BAR	77879



## 12/14 oz. Kettle Assembly – 58014 - Parts List

Item	Part Description	Part No.
		58014
1	1/4-20 X 1/2 THUMB SCREW	61059
2	8-32X1/2 FL HD PH MS	20066
3	SHELL & KETTLE BLOCK	61013
4	KETTLE SHELL	61017
5	KETTLE LEAD ASSY	61226
6	DUMP HANDLE-BLOCK WELD	88769
7	DUMP HANDLE KNOB	47110
8	8-32X1 FL HD PH MS	20068
9	LID & AGITATOR ASSY (Complete Assembly)	58016
10	KETTLE CROSSBAR ASSEMBLY	58015
11	FORMED LID	47261
12	REAR KETTLE LID	47119
13	AGITATOR BEARING HUB	43434
14	NEEDLE BEARING	47106
15	SPUR GEAR KIT (Includes 2 gears with set screws. Always replace Agitator Spur Gear and Kettle Drive Motor Gear as a set.)	47059K
16	SET SCREW #10-32 X 3/16	41742
17	12/14 OZ. AGITATOR SHAFT	69712
18	SET COLLAR 5/16 ID 5/8 OD	46649
19	AGITATOR WEIGHT	69715
20	POP MAXX STIR ROD	69806
<b>Kettle Bottom Assembly – Element View</b>		
21	12/14 OZ. KETTLE BOTTOM ASSEMBLY (includes Kettle Shell, Kettle Lead Assembly and items listed below.)	58012
22	8 OZ. KETTLE GASKET	61012
23	KETTLE INTEGRAL HTR 12/14	58011
24	482°F THERMOSTAT (two 6-32 X 3/16 screws included)	76708
25	550°F THERMOSTAT (two 6-32 X 3/16 screws included)	77108
26	8-32 TOP LOCK NUT (used to hold Thermostats and ground – replace lock nut if removed)	67943
27	THERMOSTAT SHUNT BAR	47193
28	SHUNT BAR	77879



## 12/14 oz. Kettle Assembly – 58014 - Parts List

Item	Part Description	Part No.
		58014
1	1/4-20 X 1/2 THUMB SCREW	61059
2	8-32X1/2 FL HD PH MS	20066
3	SHELL & KETTLE BLOCK	61013
4	KETTLE SHELL	61017
5	KETTLE LEAD ASSY	61226
6	DUMP HANDLE-BLOCK WELD	88769
7	DUMP HANDLE KNOB	47110
8	8-32X1 FL HD PH MS	20068
9	LID & AGITATOR ASSY (Complete Assembly)	58016
10	KETTLE CROSSBAR ASSEMBLY	58015
11	FORMED LID	47261
12	REAR KETTLE LID	47119
13	AGITATOR BEARING HUB	43434
14	NEEDLE BEARING	47106
15	SPUR GEAR KIT (Includes 2 gears with set screws. Always replace Agitator Spur Gear and Kettle Drive Motor Gear as a set.)	47059K
16	SET SCREW #10-32 X 3/16	41742
17	12/14 OZ. AGITATOR SHAFT	69712
18	SET COLLAR 5/16 ID 5/8 OD	46649
19	AGITATOR WEIGHT	69715
20	POP MAXX STIR ROD	69806
<b>Kettle Bottom Assembly – Element View</b>		
21	12/14 OZ. KETTLE BOTTOM ASSEMBLY (includes Kettle Shell, Kettle Lead Assembly and items listed below.)	58012
22	8 OZ. KETTLE GASKET	61012
23	KETTLE INTEGRAL HTR 12/14	58011
24	482°F THERMOSTAT (two 6-32 X 3/16 screws included)	76708
25	550°F THERMOSTAT (two 6-32 X 3/16 screws included)	77108
26	8-32 TOP LOCK NUT (used to hold Thermostats and ground - replace lock nut if removed)	67943
27	THERMOSTAT SHUNT BAR	47193
28	SHUNT BAR	77879



## 12/14 oz. Kettle Assembly – 58014 - Parts List

Item	Part Description	Part No.
		58014
1	1/4-20 X 1/2 THUMB SCREW	61059
2	8-32X1/2 FL HD PH MS	20066
3	SHELL & KETTLE BLOCK	61013
4	KETTLE SHELL	61017
5	KETTLE LEAD ASSY	61226
6	DUMP HANDLE-BLOCK WELD	88769
7	DUMP HANDLE KNOB	47110
8	8-32X1 FL HD PH MS	20068
9	LID & AGITATOR ASSY (Complete Assembly)	58016
10	KETTLE CROSSBAR ASSEMBLY	58015
11	FORMED LID	47261
12	REAR KETTLE LID	47119
13	AGITATOR BEARING HUB	43434
14	NEEDLE BEARING	47106
15	SPUR GEAR KIT (Includes 2 gears with set screws. Always replace Agitator Spur Gear and Kettle Drive Motor Gear as a set.)	47059K
16	SET SCREW #10-32 X 3/16	41742
17	12/14 OZ. AGITATOR SHAFT	69712
18	SET COLLAR 5/16 ID 5/8 OD	46649
19	AGITATOR WEIGHT	69715
20	POP MAXX STIR ROD	69806
<b>Kettle Bottom Assembly – Element View</b>		
21	12/14 OZ. KETTLE BOTTOM ASSEMBLY (includes Kettle Shell, Kettle Lead Assembly and items listed below.)	58012
22	8 OZ. KETTLE GASKET	61012
23	KETTLE INTEGRAL HTR 12/14	58011
24	482°F THERMOSTAT (two 6-32 X 3/16 screws included)	76708
25	550°F THERMOSTAT (two 6-32 X 3/16 screws included)	77108
26	8-32 TOP LOCK NUT (used to hold Thermostats and ground – replace lock nut if removed)	67943
27	THERMOSTAT SHUNT BAR	47193
28	SHUNT BAR	77879



## 12/14 oz. Kettle Assembly – 58014 - Parts List

Item	Part Description	Part No.
		58014
1	1/4-20 X 1/2 THUMB SCREW	61059
2	8-32X1/2 FL HD PH MS	20066
3	SHELL & KETTLE BLOCK	61013
4	KETTLE SHELL	61017
5	KETTLE LEAD ASSY	61226
6	DUMP HANDLE-BLOCK WELD	88769
7	DUMP HANDLE KNOB	47110
8	8-32X1 FL HD PH MS	20068
9	LID & AGITATOR ASSY (Complete Assembly)	58016
10	KETTLE CROSSBAR ASSEMBLY	58015
11	FORMED LID	47261
12	REAR KETTLE LID	47119
13	AGITATOR BEARING HUB	43434
14	NEEDLE BEARING	47106
15	SPUR GEAR KIT (Includes 2 gears with set screws. Always replace Agitator Spur Gear and Kettle Drive Motor Gear as a set.)	47059K
16	SET SCREW #10-32 X 3/16	41742
17	12/14 OZ. AGITATOR SHAFT	69712
18	SET COLLAR 5/16 ID 5/8 OD	46649
19	AGITATOR WEIGHT	69715
20	POP MAXX STIR ROD	69806
<b>Kettle Bottom Assembly – Element View</b>		
21	12/14 OZ. KETTLE BOTTOM ASSEMBLY (includes Kettle Shell, Kettle Lead Assembly and items listed below.)	58012
22	8 OZ. KETTLE GASKET	61012
23	KETTLE INTEGRAL HTR 12/14	58011
24	482°F THERMOSTAT (two 6-32 X 3/16 screws included)	76708
25	550°F THERMOSTAT (two 6-32 X 3/16 screws included)	77108
26	8-32 TOP LOCK NUT (used to hold Thermostats and ground – replace lock nut if removed)	67943
27	THERMOSTAT SHUNT BAR	47193
28	SHUNT BAR	77879



## 12/14 oz. Kettle Assembly – 58014 - Parts List

Item	Part Description	Part No.
		58014
1	1/4-20 X 1/2 THUMB SCREW	61059
2	8-32X1/2 FL HD PH MS	20066
3	SHELL & KETTLE BLOCK	61013
4	KETTLE SHELL	61017
5	KETTLE LEAD ASSY	61226
6	DUMP HANDLE-BLOCK WELD	88769
7	DUMP HANDLE KNOB	47110
8	8-32X1 FL HD PH MS	20068
9	LID & AGITATOR ASSY (Complete Assembly)	58016
10	KETTLE CROSSBAR ASSEMBLY	58015
11	FORMED LID	47261
12	REAR KETTLE LID	47119
13	AGITATOR BEARING HUB	43434
14	NEEDLE BEARING	47106
15	SPUR GEAR KIT (Includes 2 gears with set screws. Always replace Agitator Spur Gear and Kettle Drive Motor Gear as a set.)	47059K
16	SET SCREW #10-32 X 3/16	41742
17	12/14 OZ. AGITATOR SHAFT	69712
18	SET COLLAR 5/16 ID 5/8 OD	46649
19	AGITATOR WEIGHT	69715
20	POP MAXX STIR ROD	69806
<b>Kettle Bottom Assembly – Element View</b>		
21	12/14 OZ. KETTLE BOTTOM ASSEMBLY (includes Kettle Shell, Kettle Lead Assembly and items listed below.)	58012
22	8 OZ. KETTLE GASKET	61012
23	KETTLE INTEGRAL HTR 12/14	58011
24	482°F THERMOSTAT (two 6-32 X 3/16 screws included)	76708
25	550°F THERMOSTAT (two 6-32 X 3/16 screws included)	77108
26	8-32 TOP LOCK NUT (used to hold Thermostats and ground – replace lock nut if removed)	67943
27	THERMOSTAT SHUNT BAR	47193
28	SHUNT BAR	77879



## 12/14 oz. Kettle Assembly – 58014 - Parts List

Item	Part Description	Part No.
		58014
1	1/4-20 X 1/2 THUMB SCREW	61059
2	8-32X1/2 FL HD PH MS	20066
3	SHELL & KETTLE BLOCK	61013
4	KETTLE SHELL	61017
5	KETTLE LEAD ASSY	61226
6	DUMP HANDLE-BLOCK WELD	88769
7	DUMP HANDLE KNOB	47110
8	8-32X1 FL HD PH MS	20068
9	LID & AGITATOR ASSY (Complete Assembly)	58016
10	KETTLE CROSSBAR ASSEMBLY	58015
11	FORMED LID	47261
12	REAR KETTLE LID	47119
13	AGITATOR BEARING HUB	43434
14	NEEDLE BEARING	47106
15	SPUR GEAR KIT (Includes 2 gears with set screws. Always replace Agitator Spur Gear and Kettle Drive Motor Gear as a set.)	47059K
16	SET SCREW #10-32 X 3/16	41742
17	12/14 OZ. AGITATOR SHAFT	69712
18	SET COLLAR 5/16 ID 5/8 OD	46649
19	AGITATOR WEIGHT	69715
20	POP MAXX STIR ROD	69806
<b>Kettle Bottom Assembly – Element View</b>		
21	12/14 OZ. KETTLE BOTTOM ASSEMBLY (includes Kettle Shell, Kettle Lead Assembly and items listed below.)	58012
22	8 OZ. KETTLE GASKET	61012
23	KETTLE INTEGRAL HTR 12/14	58011
24	482°F THERMOSTAT (two 6-32 X 3/16 screws included)	76708
25	550°F THERMOSTAT (two 6-32 X 3/16 screws included)	77108
26	8-32 TOP LOCK NUT (used to hold Thermostats and ground – replace lock nut if removed)	67943
27	THERMOSTAT SHUNT BAR	47193
28	SHUNT BAR	77879



## 12/14 oz. Kettle Assembly – 58014 - Parts List

Item	Part Description	Part No.
		58014
1	1/4-20 X 1/2 THUMB SCREW	61059
2	8-32X1/2 FL HD PH MS	20066
3	SHELL & KETTLE BLOCK	61013
4	KETTLE SHELL	61017
5	KETTLE LEAD ASSY	61226
6	DUMP HANDLE-BLOCK WELD	88769
7	DUMP HANDLE KNOB	47110
8	8-32X1 FL HD PH MS	20068
9	LID & AGITATOR ASSY (Complete Assembly)	58016
10	KETTLE CROSSBAR ASSEMBLY	58015
11	FORMED LID	47261
12	REAR KETTLE LID	47119
13	AGITATOR BEARING HUB	43434
14	NEEDLE BEARING	47106
15	SPUR GEAR KIT (Includes 2 gears with set screws. Always replace Agitator Spur Gear and Kettle Drive Motor Gear as a set.)	47059K
16	SET SCREW #10-32 X 3/16	41742
17	12/14 OZ. AGITATOR SHAFT	69712
18	SET COLLAR 5/16 ID 5/8 OD	46649
19	AGITATOR WEIGHT	69715
20	POP MAXX STIR ROD	69806
<b>Kettle Bottom Assembly – Element View</b>		
21	12/14 OZ. KETTLE BOTTOM ASSEMBLY (includes Kettle Shell, Kettle Lead Assembly and items listed below.)	58012
22	8 OZ. KETTLE GASKET	61012
23	KETTLE INTEGRAL HTR 12/14	58011
24	482°F THERMOSTAT (two 6-32 X 3/16 screws included)	76708
25	550°F THERMOSTAT (two 6-32 X 3/16 screws included)	77108
26	8-32 TOP LOCK NUT (used to hold Thermostats and ground – replace lock nut if removed)	67943
27	THERMOSTAT SHUNT BAR	47193
28	SHUNT BAR	77879



## 12/14 oz. Kettle Assembly – 58014 - Parts List

Item	Part Description	Part No.
		58014
1	1/4-20 X 1/2 THUMB SCREW	61059
2	8-32X1/2 FL HD PH MS	20066
3	SHELL & KETTLE BLOCK	61013
4	KETTLE SHELL	61017
5	KETTLE LEAD ASSY	61226
6	DUMP HANDLE-BLOCK WELD	88769
7	DUMP HANDLE KNOB	47110
8	8-32X1 FL HD PH MS	20068
9	LID & AGITATOR ASSY (Complete Assembly)	58016
10	KETTLE CROSSBAR ASSEMBLY	58015
11	FORMED LID	47261
12	REAR KETTLE LID	47119
13	AGITATOR BEARING HUB	43434
14	NEEDLE BEARING	47106
15	SPUR GEAR KIT (Includes 2 gears with set screws. Always replace Agitator Spur Gear and Kettle Drive Motor Gear as a set.)	47059K
16	SET SCREW #10-32 X 3/16	41742
17	12/14 OZ. AGITATOR SHAFT	69712
18	SET COLLAR 5/16 ID 5/8 OD	46649
19	AGITATOR WEIGHT	69715
20	POP MAXX STIR ROD	69806
<b>Kettle Bottom Assembly – Element View</b>		
21	12/14 OZ. KETTLE BOTTOM ASSEMBLY (includes Kettle Shell, Kettle Lead Assembly and items listed below.)	58012
22	8 OZ. KETTLE GASKET	61012
23	KETTLE INTEGRAL HTR 12/14	58011
24	482°F THERMOSTAT (two 6-32 X 3/16 screws included)	76708
25	550°F THERMOSTAT (two 6-32 X 3/16 screws included)	77108
26	8-32 TOP LOCK NUT (used to hold Thermostats and ground – replace lock nut if removed)	67943
27	THERMOSTAT SHUNT BAR	47193
28	SHUNT BAR	77879



## 12/14 oz. Kettle Assembly – 58014 - Parts List

Item	Part Description	Part No.
		58014
1	1/4-20 X 1/2 THUMB SCREW	61059
2	8-32X1/2 FL HD PH MS	20066
3	SHELL & KETTLE BLOCK	61013
4	KETTLE SHELL	61017
5	KETTLE LEAD ASSY	61226
6	DUMP HANDLE-BLOCK WELD	88769
7	DUMP HANDLE KNOB	47110
8	8-32X1 FL HD PH MS	20068
9	LID & AGITATOR ASSY (Complete Assembly)	58016
10	KETTLE CROSSBAR ASSEMBLY	58015
11	FORMED LID	47261
12	REAR KETTLE LID	47119
13	AGITATOR BEARING HUB	43434
14	NEEDLE BEARING	47106
15	SPUR GEAR KIT (Includes 2 gears with set screws. Always replace Agitator Spur Gear and Kettle Drive Motor Gear as a set.)	47059K
16	SET SCREW #10-32 X 3/16	41742
17	12/14 OZ. AGITATOR SHAFT	69712
18	SET COLLAR 5/16 ID 5/8 OD	46649
19	AGITATOR WEIGHT	69715
20	POP MAXX STIR ROD	69806
<b>Kettle Bottom Assembly – Element View</b>		
21	12/14 OZ. KETTLE BOTTOM ASSEMBLY (includes Kettle Shell, Kettle Lead Assembly and items listed below.)	58012
22	8 OZ. KETTLE GASKET	61012
23	KETTLE INTEGRAL HTR 12/14	58011
24	482°F THERMOSTAT (two 6-32 X 3/16 screws included)	76708
25	550°F THERMOSTAT (two 6-32 X 3/16 screws included)	77108
26	8-32 TOP LOCK NUT (used to hold Thermostats and ground – replace lock nut if removed)	67943
27	THERMOSTAT SHUNT BAR	47193
28	SHUNT BAR	77879



## 12/14 oz. Kettle Assembly – 58014 - Parts List

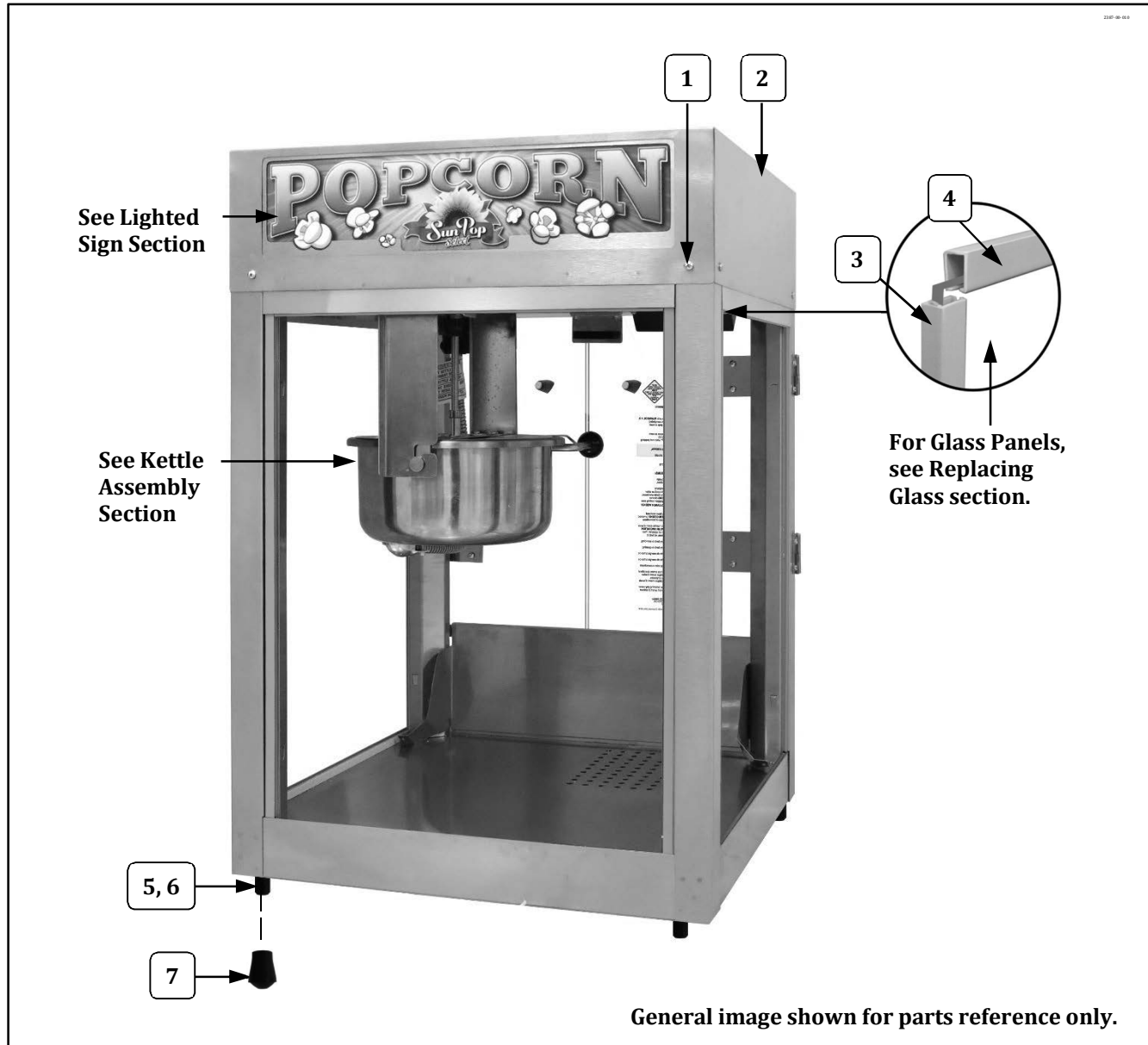
Item	Part Description	Part No.
		58014
1	1/4-20 X 1/2 THUMB SCREW	61059
2	8-32X1/2 FL HD PH MS	20066
3	SHELL & KETTLE BLOCK	61013
4	KETTLE SHELL	61017
5	KETTLE LEAD ASSY	61226
6	DUMP HANDLE-BLOCK WELD	88769
7	DUMP HANDLE KNOB	47110
8	8-32X1 FL HD PH MS	20068
9	LID & AGITATOR ASSY (Complete Assembly)	58016
10	KETTLE CROSSBAR ASSEMBLY	58015
11	FORMED LID	47261
12	REAR KETTLE LID	47119
13	AGITATOR BEARING HUB	43434
14	NEEDLE BEARING	47106
15	SPUR GEAR KIT (Includes 2 gears with set screws. Always replace Agitator Spur Gear and Kettle Drive Motor Gear as a set.)	47059K
16	SET SCREW #10-32 X 3/16	41742
17	12/14 OZ. AGITATOR SHAFT	69712
18	SET COLLAR 5/16 ID 5/8 OD	46649
19	AGITATOR WEIGHT	69715
20	POP MAXX STIR ROD	69806
<b>Kettle Bottom Assembly – Element View</b>		
21	12/14 OZ. KETTLE BOTTOM ASSEMBLY (includes Kettle Shell, Kettle Lead Assembly and items listed below.)	58012
22	8 OZ. KETTLE GASKET	61012
23	KETTLE INTEGRAL HTR 12/14	58011
24	482°F THERMOSTAT (two 6-32 X 3/16 screws included)	76708
25	550°F THERMOSTAT (two 6-32 X 3/16 screws included)	77108
26	8-32 TOP LOCK NUT (used to hold Thermostats and ground – replace lock nut if removed)	67943
27	THERMOSTAT SHUNT BAR	47193
28	SHUNT BAR	77879



## 12/14 oz. Kettle Assembly – 58014 - Parts List

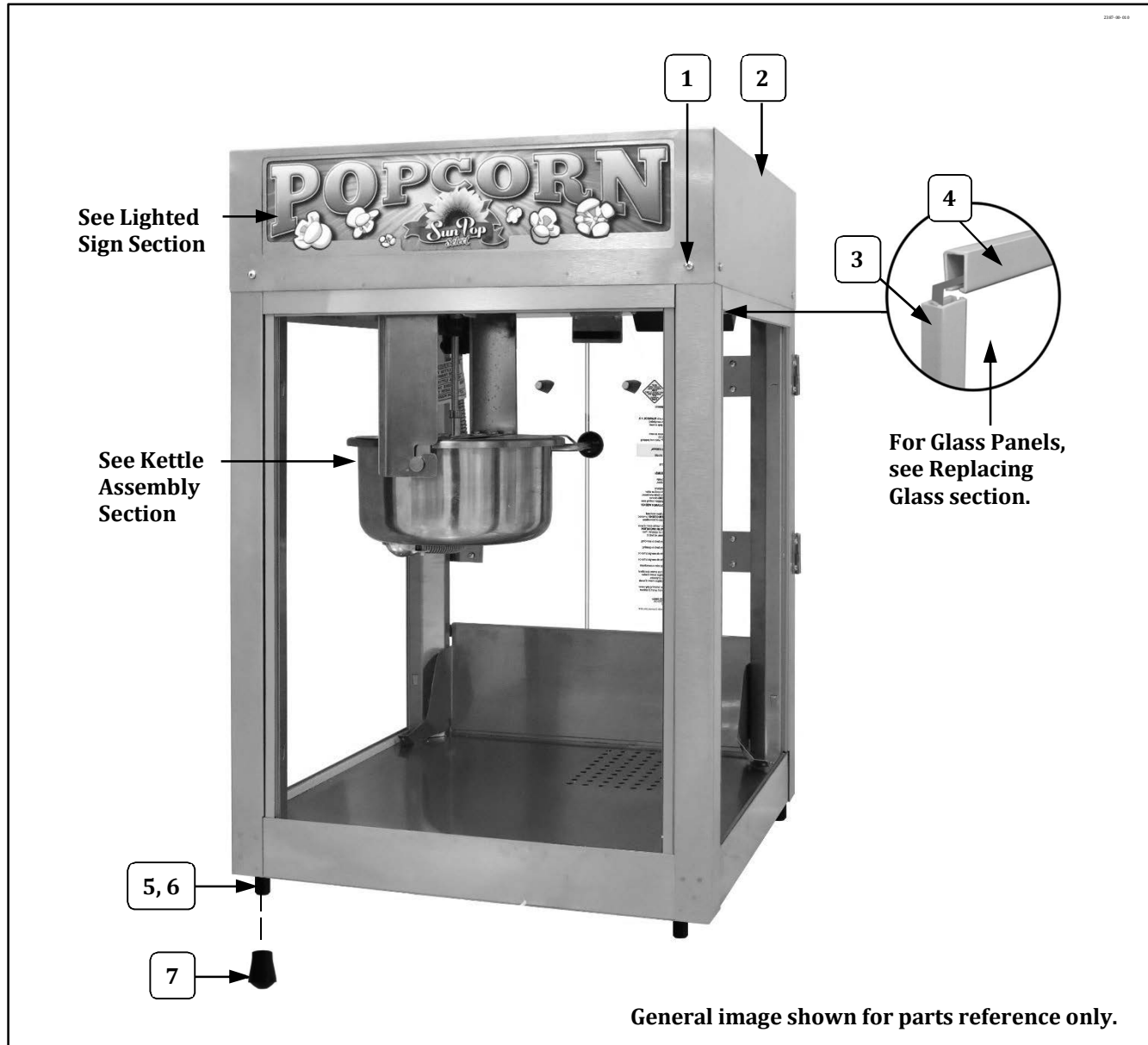
Item	Part Description	Part No.
		58014
1	1/4-20 X 1/2 THUMB SCREW	61059
2	8-32X1/2 FL HD PH MS	20066
3	SHELL & KETTLE BLOCK	61013
4	KETTLE SHELL	61017
5	KETTLE LEAD ASSY	61226
6	DUMP HANDLE-BLOCK WELD	88769
7	DUMP HANDLE KNOB	47110
8	8-32X1 FL HD PH MS	20068
9	LID & AGITATOR ASSY (Complete Assembly)	58016
10	KETTLE CROSSBAR ASSEMBLY	58015
11	FORMED LID	47261
12	REAR KETTLE LID	47119
13	AGITATOR BEARING HUB	43434
14	NEEDLE BEARING	47106
15	SPUR GEAR KIT (Includes 2 gears with set screws. Always replace Agitator Spur Gear and Kettle Drive Motor Gear as a set.)	47059K
16	SET SCREW #10-32 X 3/16	41742
17	12/14 OZ. AGITATOR SHAFT	69712
18	SET COLLAR 5/16 ID 5/8 OD	46649
19	AGITATOR WEIGHT	69715
20	POP MAXX STIR ROD	69806
<b>Kettle Bottom Assembly – Element View</b>		
21	12/14 OZ. KETTLE BOTTOM ASSEMBLY (includes Kettle Shell, Kettle Lead Assembly and items listed below.)	58012
22	8 OZ. KETTLE GASKET	61012
23	KETTLE INTEGRAL HTR 12/14	58011
24	482°F THERMOSTAT (two 6-32 X 3/16 screws included)	76708
25	550°F THERMOSTAT (two 6-32 X 3/16 screws included)	77108
26	8-32 TOP LOCK NUT (used to hold Thermostats and ground – replace lock nut if removed)	67943
27	THERMOSTAT SHUNT BAR	47193
28	SHUNT BAR	77879

## Cabinet Exterior – Front View



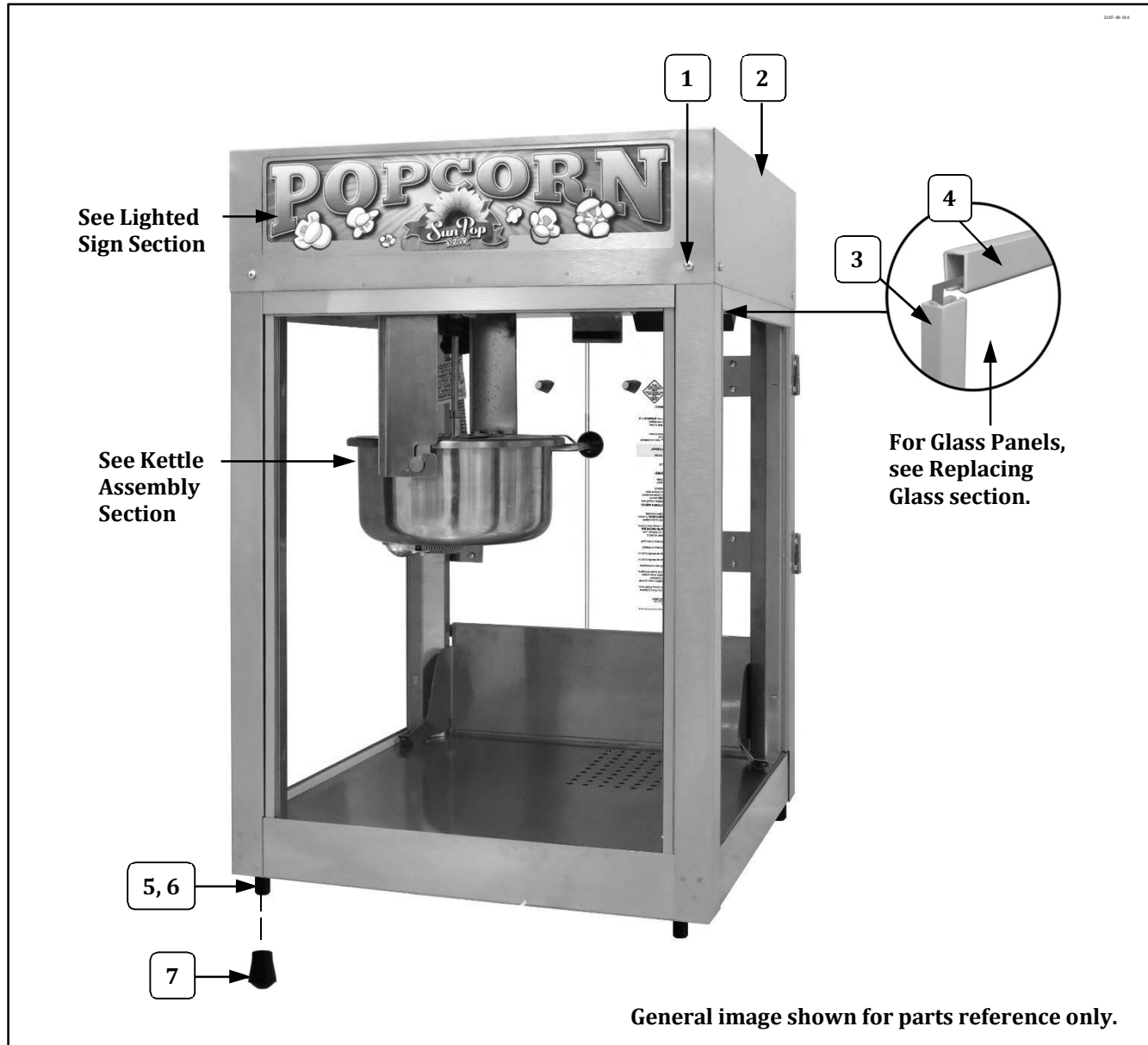
Item	Part Description	Part No.
1	8-32 X 3/8 SLT. HWH M/S	42044
2	DOME WELDMENT	111417
3	21 5/16" GLASS CHANNNEL (used on the side edges of the glass panels)	49844
4	16 1/4" GLASS CHANNEL (used on the top and bottom edges of the glass panels)	74172
5	GLIDE	47328
6	10-24 X 3/4" HEX HEAD	41314
7	CRUTCH TIP BLACK 70 DURO	49123

## Cabinet Exterior – Front View



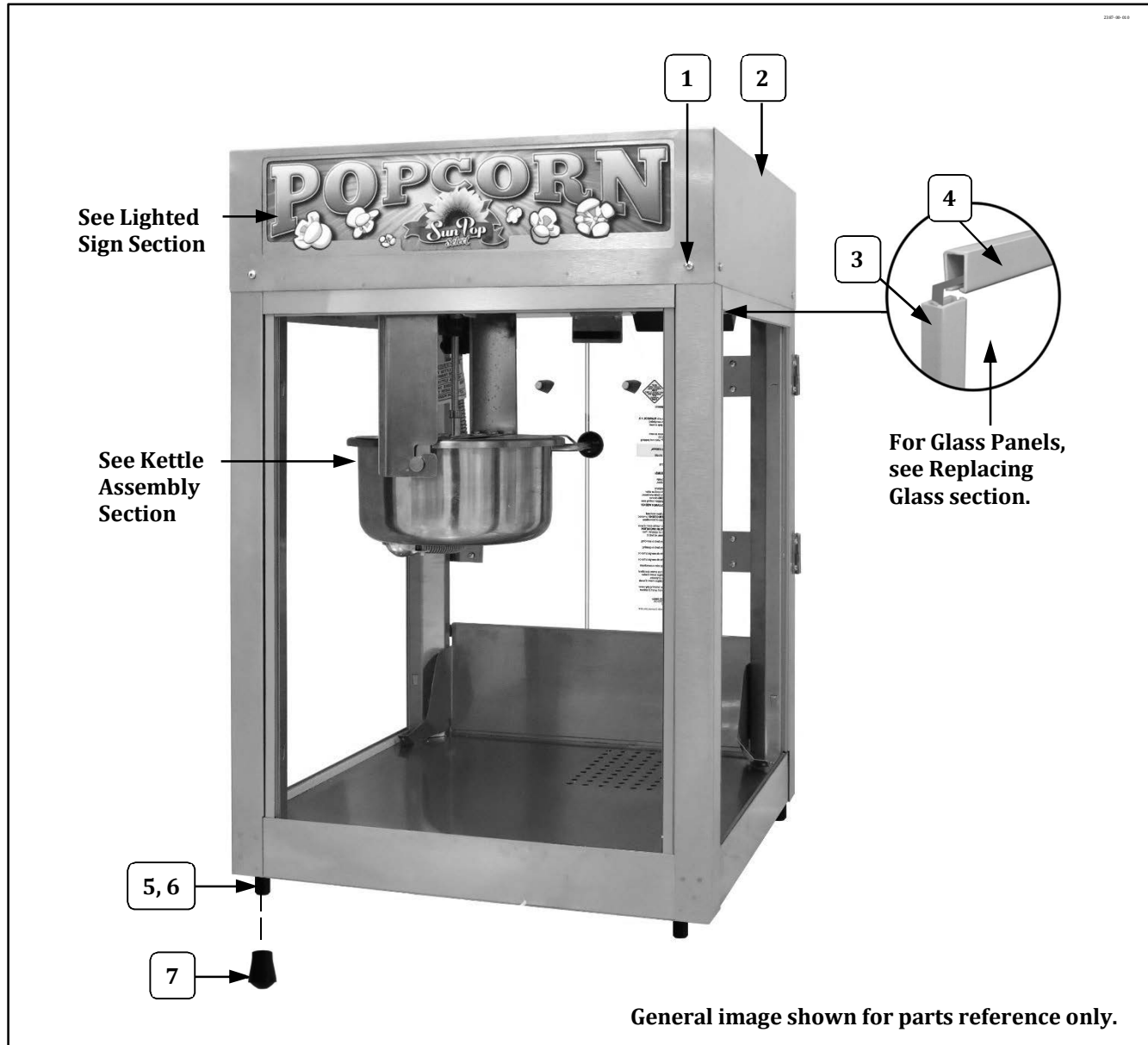
Item	Part Description	Part No.
1	8-32 X 3/8 SLT. HWH M/S	42044
2	DOME WELDMENT	111417
3	21 5/16" GLASS CHANNNEL (used on the side edges of the glass panels)	49844
4	16 1/4" GLASS CHANNEL (used on the top and bottom edges of the glass panels)	74172
5	GLIDE	47328
6	10-24 X 3/4" HEX HEAD	41314
7	CRUTCH TIP BLACK 70 DURO	49123

## Cabinet Exterior – Front View



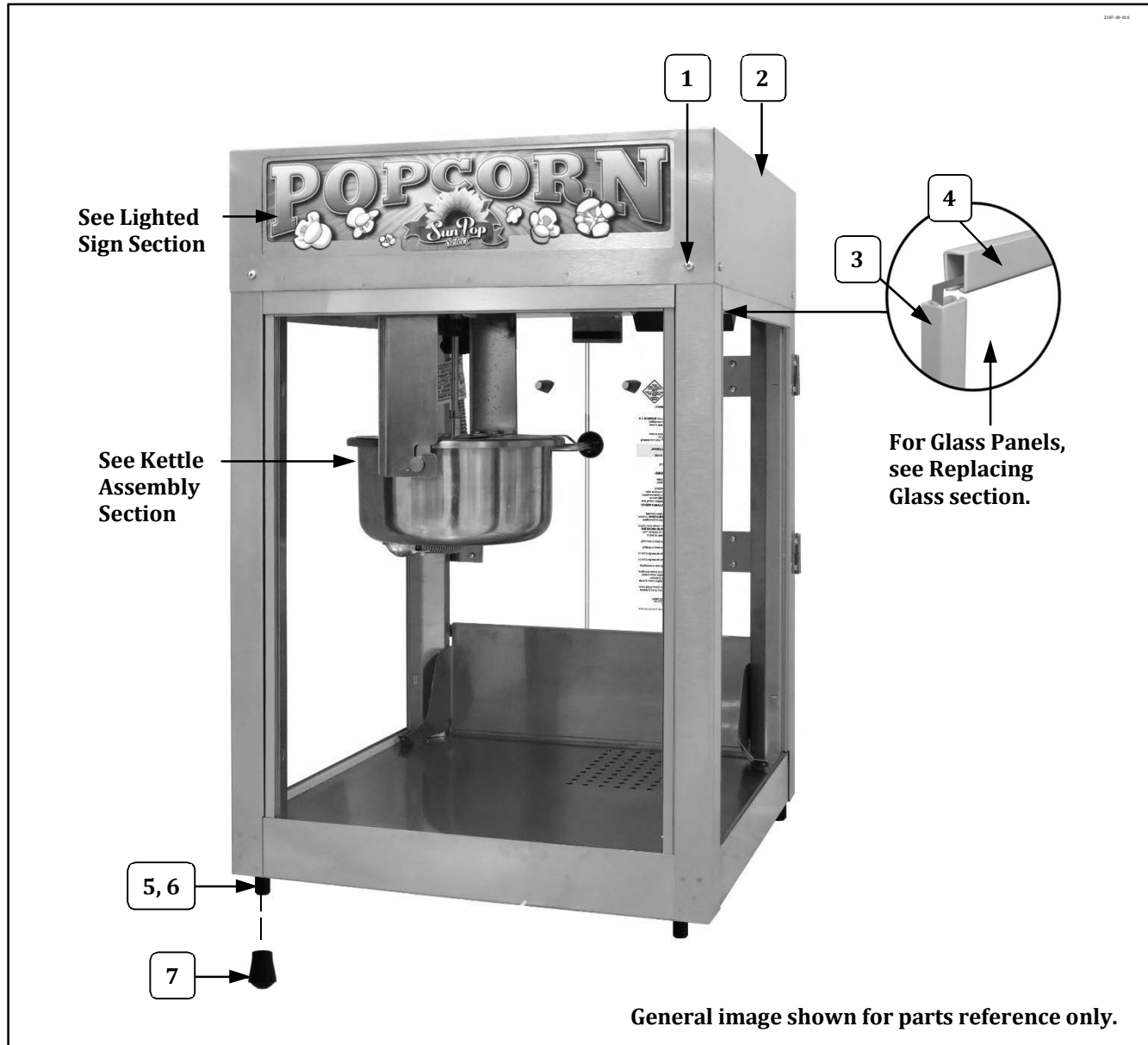
Item	Part Description	Part No.
1	8-32 X 3/8 SLT. HWH M/S	42044
2	DOME WELDMENT	111417
3	21 5/16" GLASS CHANNNEL (used on the side edges of the glass panels)	49844
4	16 1/4" GLASS CHANNEL (used on the top and bottom edges of the glass panels)	74172
5	GLIDE	47328
6	10-24 X 3/4" HEX HEAD	41314
7	CRUTCH TIP BLACK 70 DURO	49123

## Cabinet Exterior – Front View



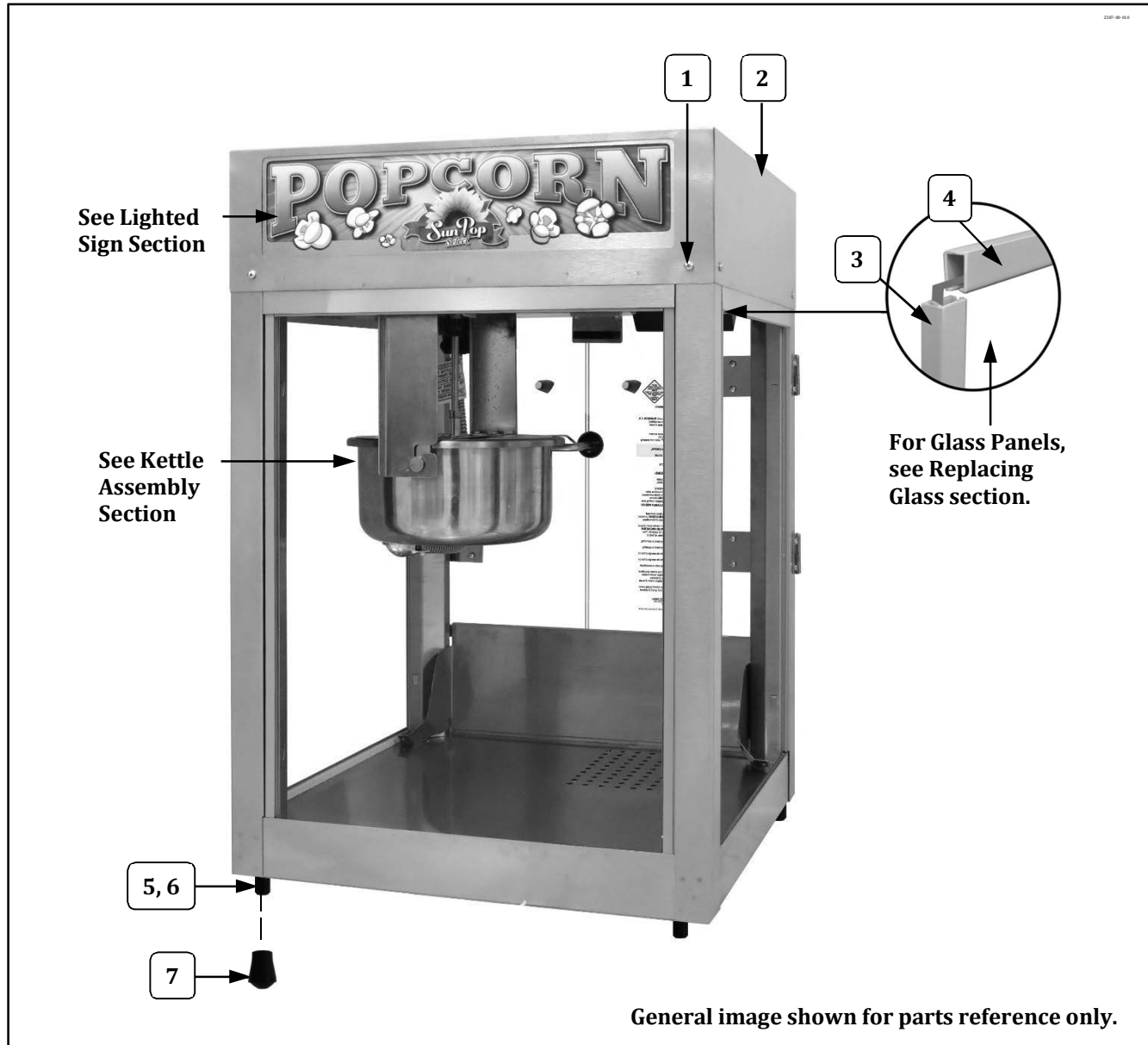
Item	Part Description	Part No.
1	8-32 X 3/8 SLT. HWH M/S	42044
2	DOME WELDMENT	111417
3	21 5/16" GLASS CHANNNEL (used on the side edges of the glass panels)	49844
4	16 1/4" GLASS CHANNEL (used on the top and bottom edges of the glass panels)	74172
5	GLIDE	47328
6	10-24 X 3/4" HEX HEAD	41314
7	CRUTCH TIP BLACK 70 DURO	49123

## Cabinet Exterior – Front View



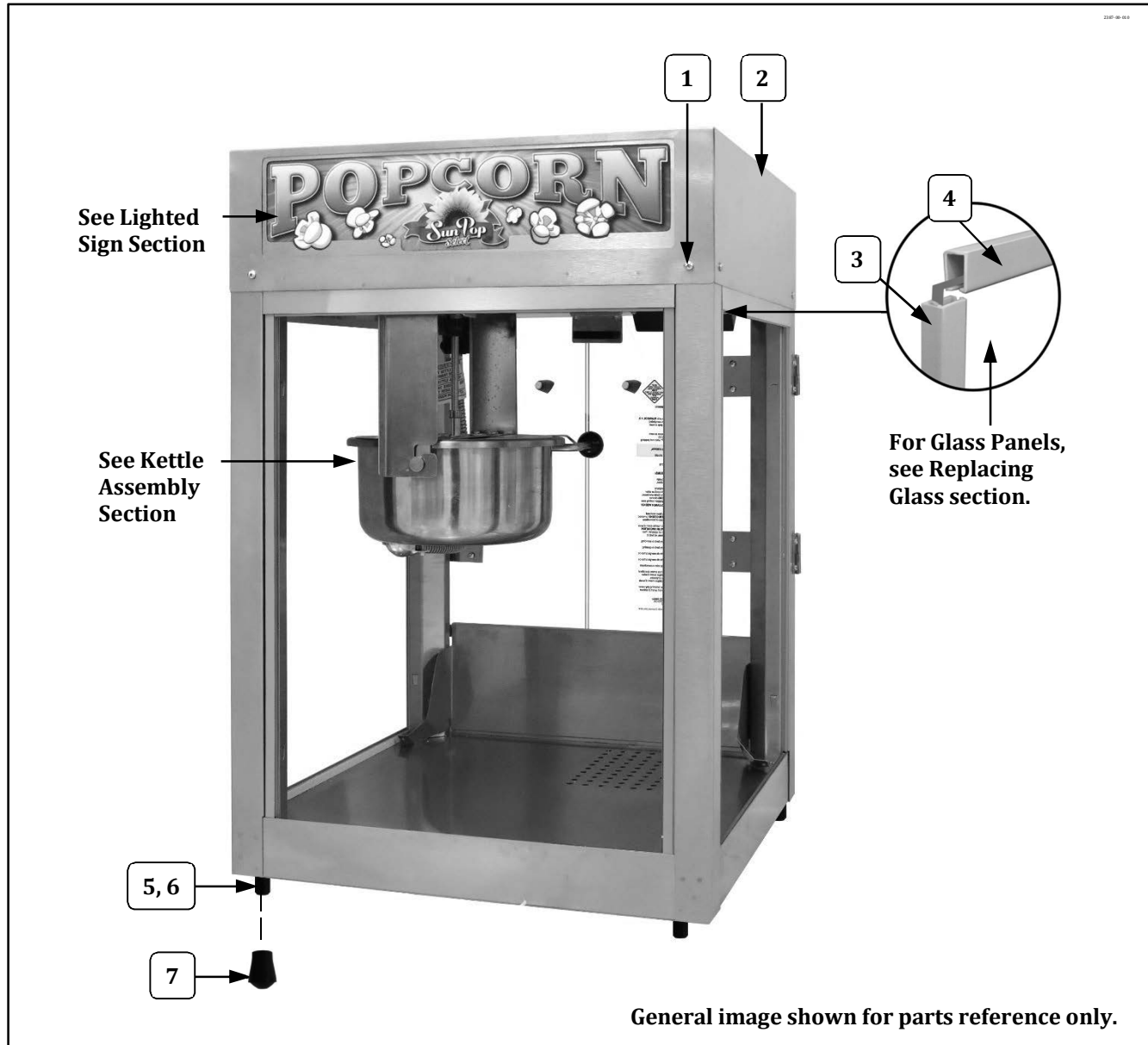
Item	Part Description	Part No.
1	8-32 X 3/8 SLT. HWH M/S	42044
2	DOME WELDMENT	111417
3	21 5/16" GLASS CHANNNEL (used on the side edges of the glass panels)	49844
4	16 1/4" GLASS CHANNEL (used on the top and bottom edges of the glass panels)	74172
5	GLIDE	47328
6	10-24 X 3/4" HEX HEAD	41314
7	CRUTCH TIP BLACK 70 DURO	49123

## Cabinet Exterior – Front View



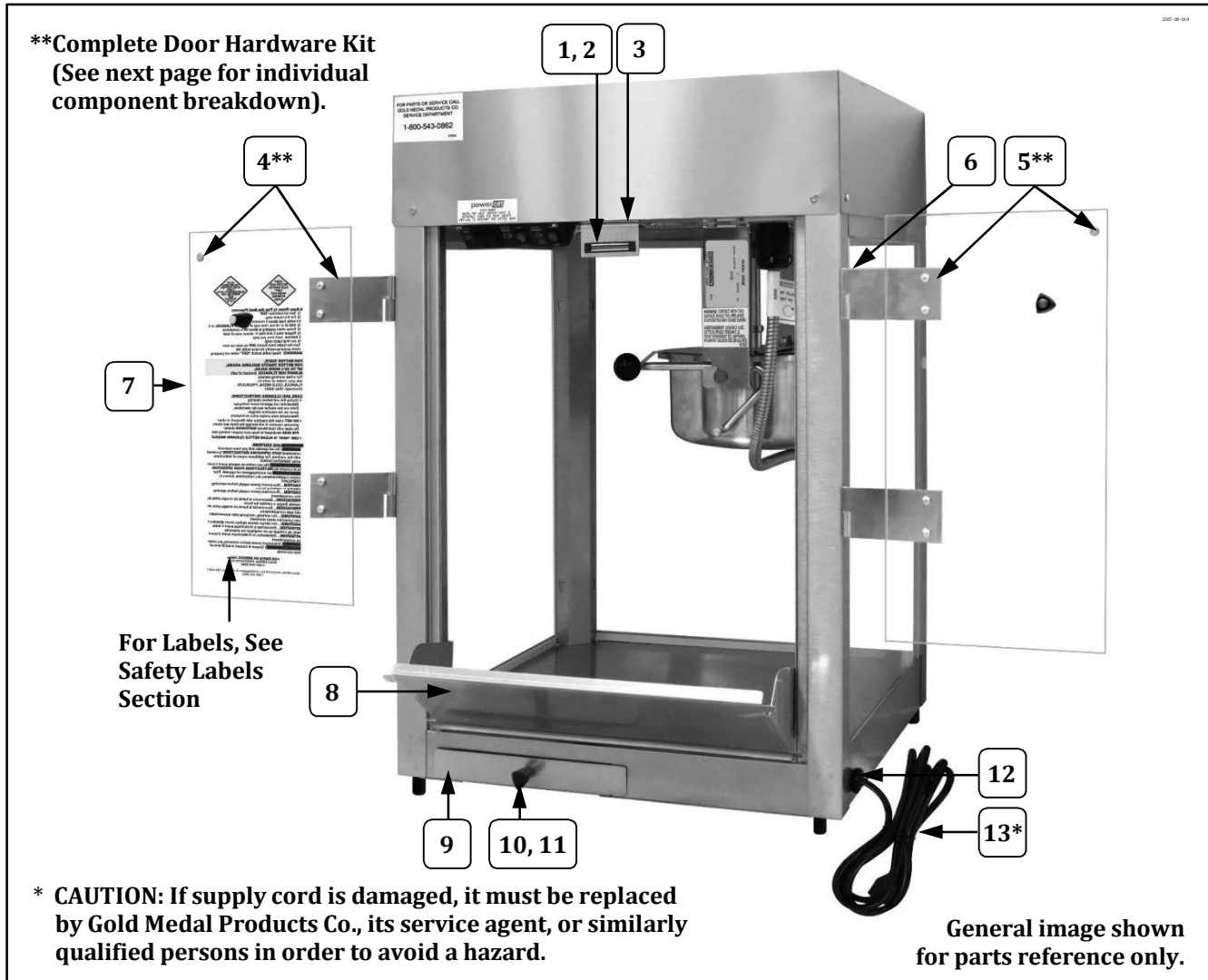
Item	Part Description	Part No.
1	8-32 X 3/8 SLT. HWH M/S	42044
2	DOME WELDMENT	111417
3	21 5/16" GLASS CHANNNEL (used on the side edges of the glass panels)	49844
4	16 1/4" GLASS CHANNEL (used on the top and bottom edges of the glass panels)	74172
5	GLIDE	47328
6	10-24 X 3/4" HEX HEAD	41314
7	CRUTCH TIP BLACK 70 DURO	49123

## Cabinet Exterior – Front View



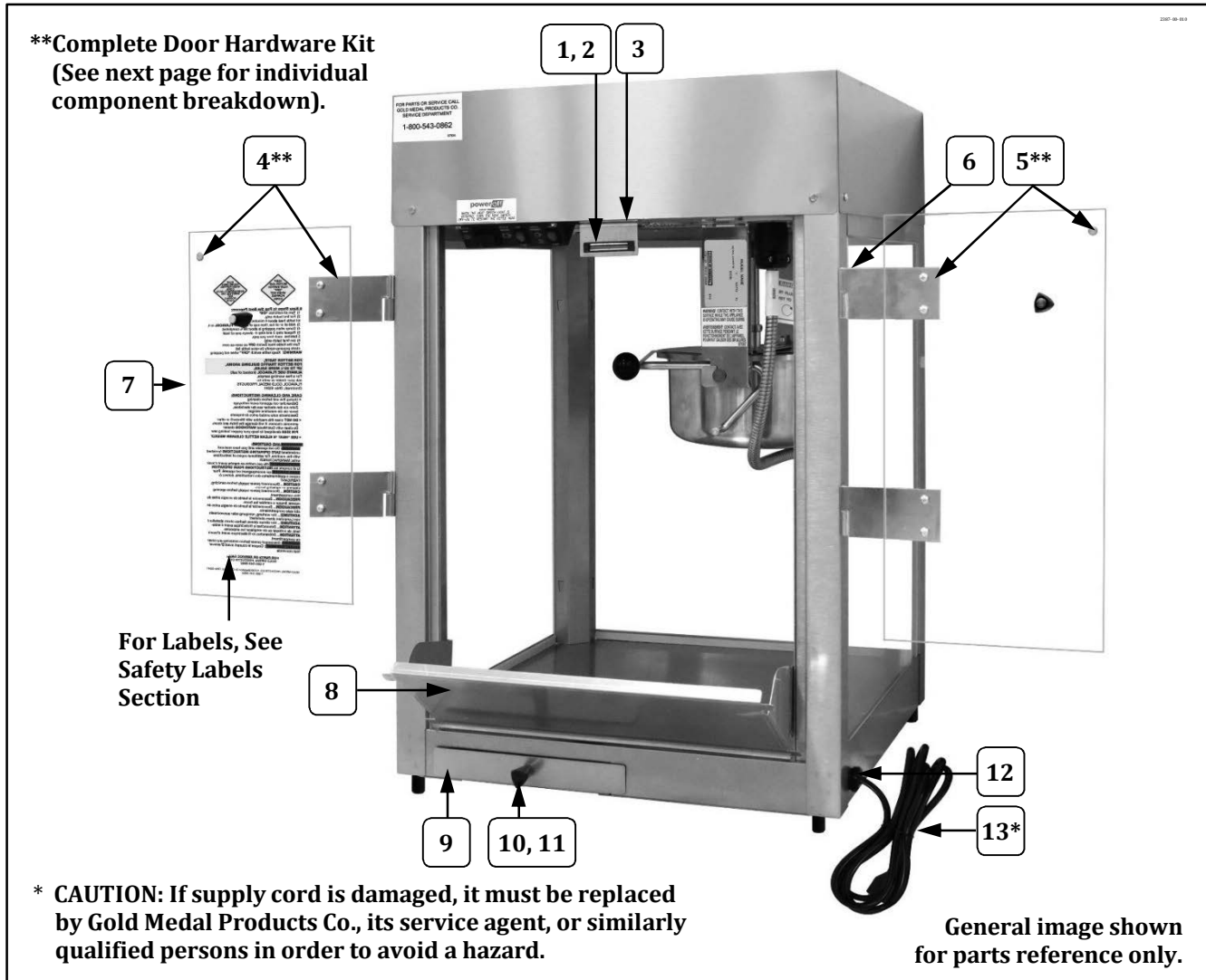
Item	Part Description	Part No.
1	8-32 X 3/8 SLT. HWH M/S	42044
2	DOME WELDMENT	111417
3	21 5/16" GLASS CHANNNEL (used on the side edges of the glass panels)	49844
4	16 1/4" GLASS CHANNEL (used on the top and bottom edges of the glass panels)	74172
5	GLIDE	47328
6	10-24 X 3/4" HEX HEAD	41314
7	CRUTCH TIP BLACK 70 DURO	49123

## Cabinet Exterior – Rear View



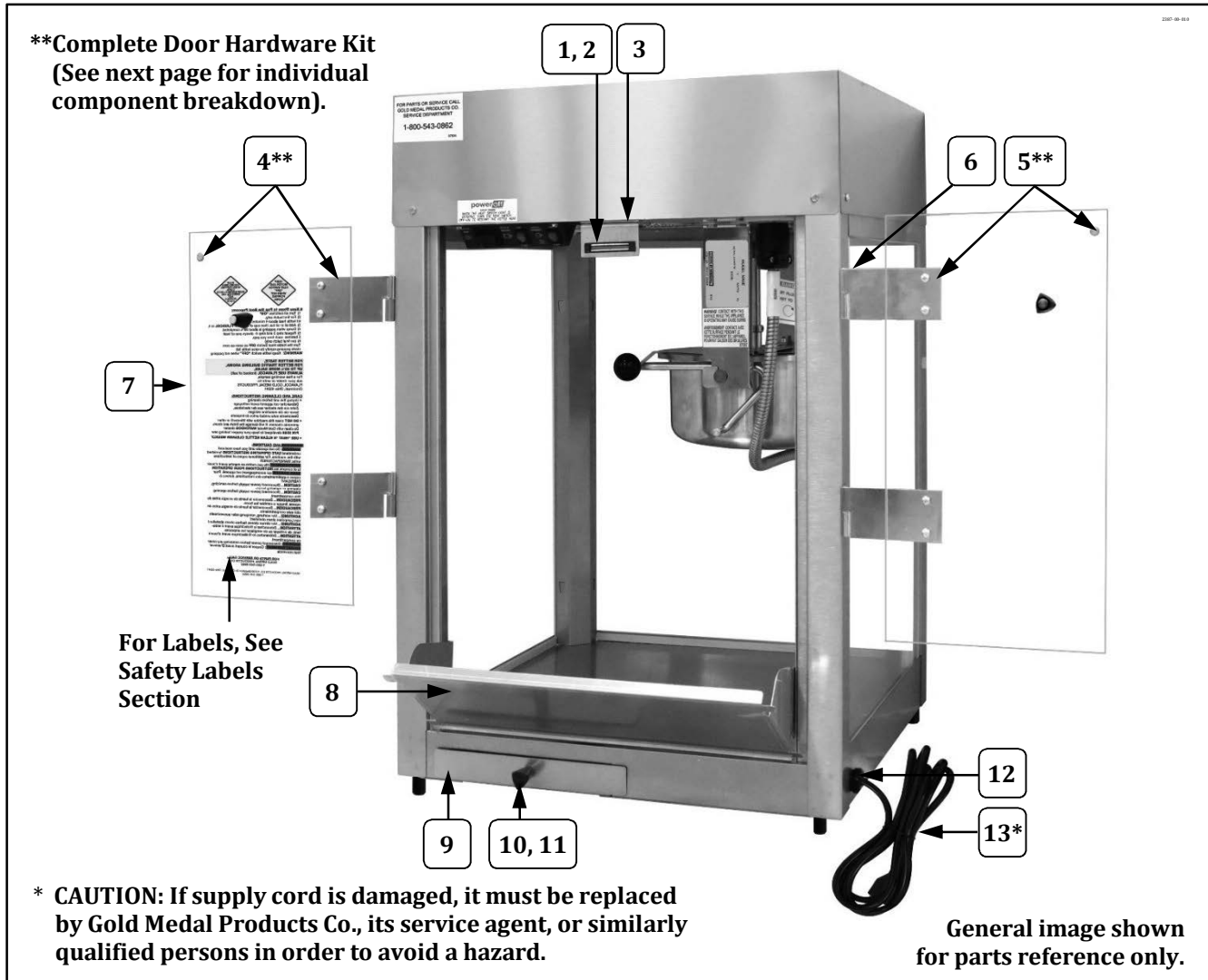
Item	Part Description	Part No.
1	MAGNETIC CATCH	47561
2	MAGNETIC CATCH BRACKET	41340
3	MAGNETIC BRACKET SHIM	38527
4**	COMPLETE LH DOOR HARDWARE KIT	47054
5**	COMPLETE RH DOOR HARDWARE KIT	47055
6	8-32 X 1/2 PHIL PAN M/S (fastens male hinges to the corner posts)	47141
7	DOOR	77774
8	DROP PANEL	77730
9	OLD MAID PAN	49100
10	LID LIFT KNOB	47120
11	8-32" X 3/8" PH PAN W/SEMS	42227
13	STRAIN RELIEF SR-7W-2	67060
12*	LEAD IN CORD 15 AMP PLUG	87085

## Cabinet Exterior – Rear View



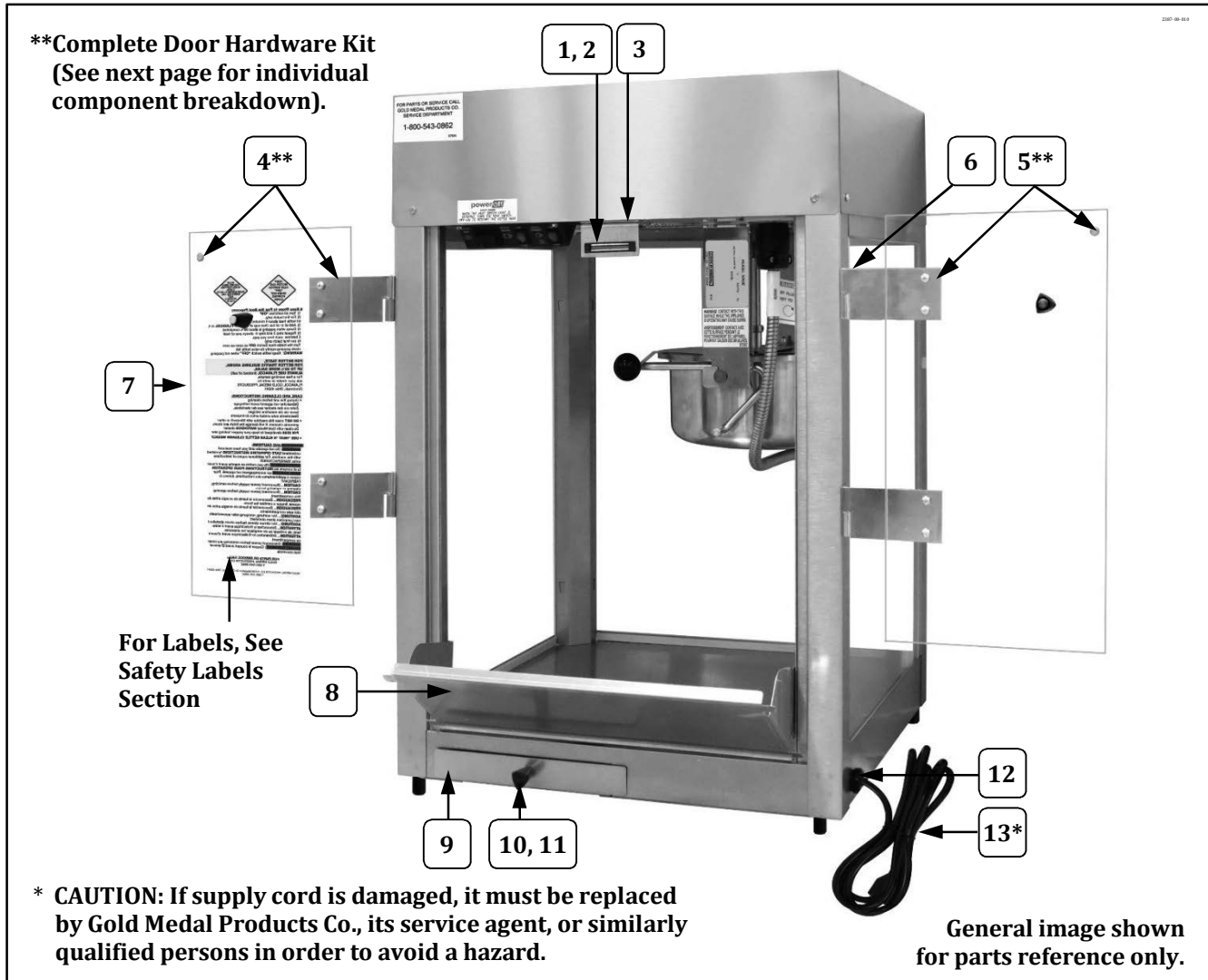
Item	Part Description	Part No.
1	MAGNETIC CATCH	47561
2	MAGNETIC CATCH BRACKET	41340
3	MAGNETIC BRACKET SHIM	38527
4**	COMPLETE LH DOOR HARDWARE KIT	47054
5**	COMPLETE RH DOOR HARDWARE KIT	47055
6	8-32 X 1/2 PHIL PAN M/S (fastens male hinges to the corner posts)	47141
7	DOOR	77774
8	DROP PANEL	77730
9	OLD MAID PAN	49100
10	LID LIFT KNOB	47120
11	8-32" X 3/8" PH PAN W/SEMS	42227
13	STRAIN RELIEF SR-7W-2	67060
12*	LEAD IN CORD 15 AMP PLUG	87085

## Cabinet Exterior – Rear View



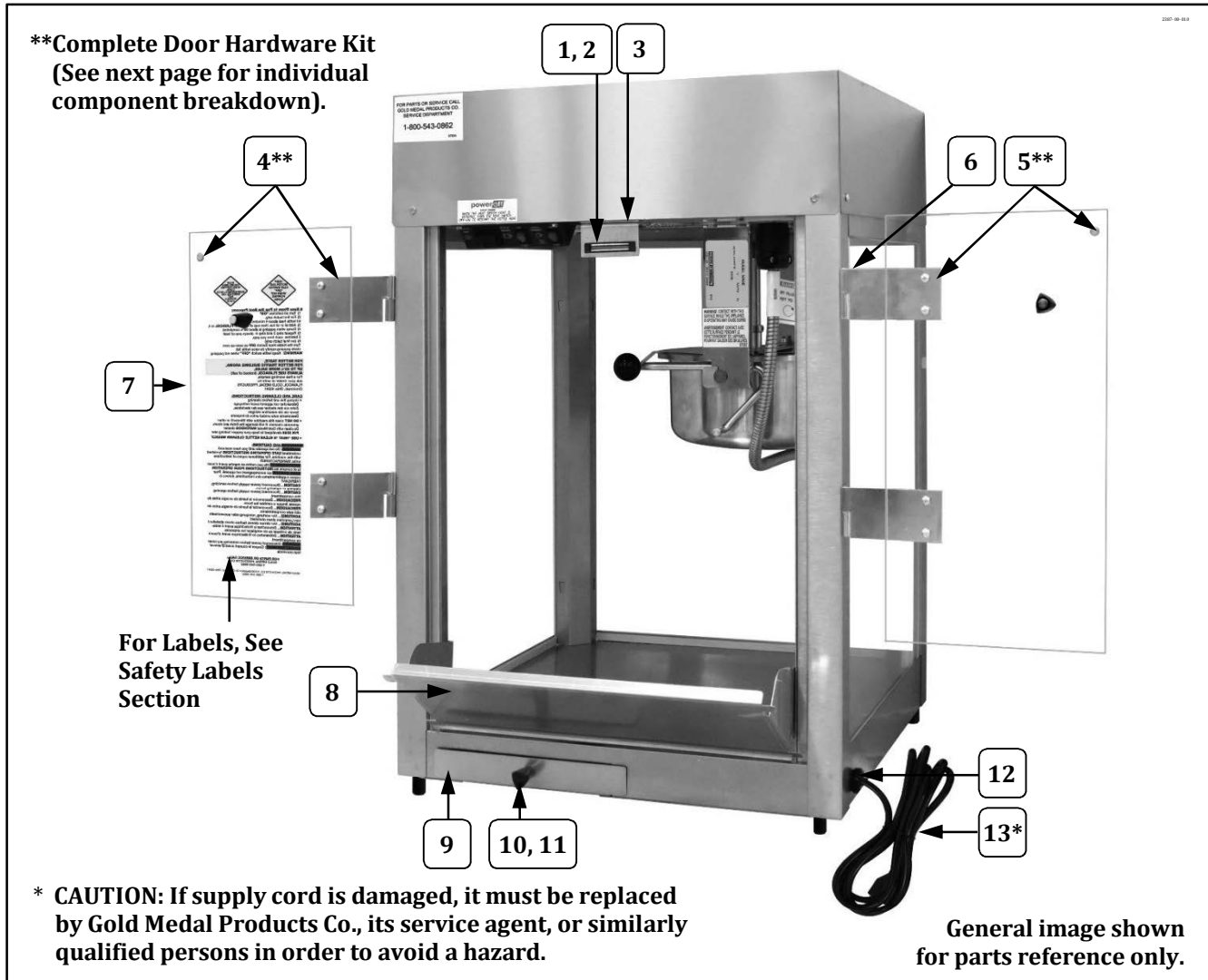
Item	Part Description	Part No.
1	MAGNETIC CATCH	47561
2	MAGNETIC CATCH BRACKET	41340
3	MAGNETIC BRACKET SHIM	38527
4**	COMPLETE LH DOOR HARDWARE KIT	47054
5**	COMPLETE RH DOOR HARDWARE KIT	47055
6	8-32 X 1/2 PHIL PAN M/S (fastens male hinges to the corner posts)	47141
7	DOOR	77774
8	DROP PANEL	77730
9	OLD MAID PAN	49100
10	LID LIFT KNOB	47120
11	8-32" X 3/8" PH PAN W/SEMS	42227
13	STRAIN RELIEF SR-7W-2	67060
12*	LEAD IN CORD 15 AMP PLUG	87085

## Cabinet Exterior – Rear View



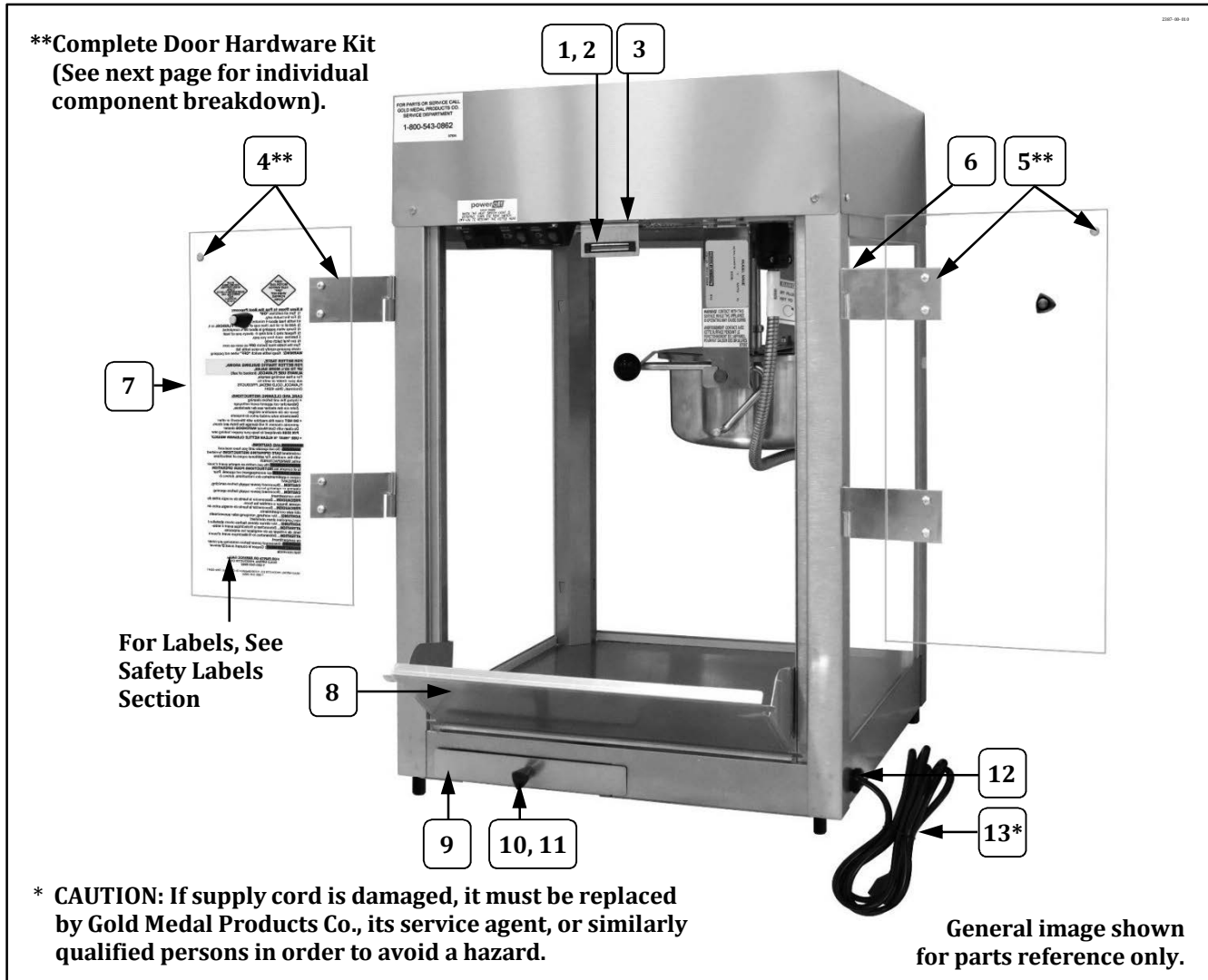
Item	Part Description	Part No.
1	MAGNETIC CATCH	47561
2	MAGNETIC CATCH BRACKET	41340
3	MAGNETIC BRACKET SHIM	38527
4**	COMPLETE LH DOOR HARDWARE KIT	47054
5**	COMPLETE RH DOOR HARDWARE KIT	47055
6	8-32 X 1/2 PHIL PAN M/S (fastens male hinges to the corner posts)	47141
7	DOOR	77774
8	DROP PANEL	77730
9	OLD MAID PAN	49100
10	LID LIFT KNOB	47120
11	8-32" X 3/8" PH PAN W/SEMS	42227
13	STRAIN RELIEF SR-7W-2	67060
12*	LEAD IN CORD 15 AMP PLUG	87085

## Cabinet Exterior – Rear View



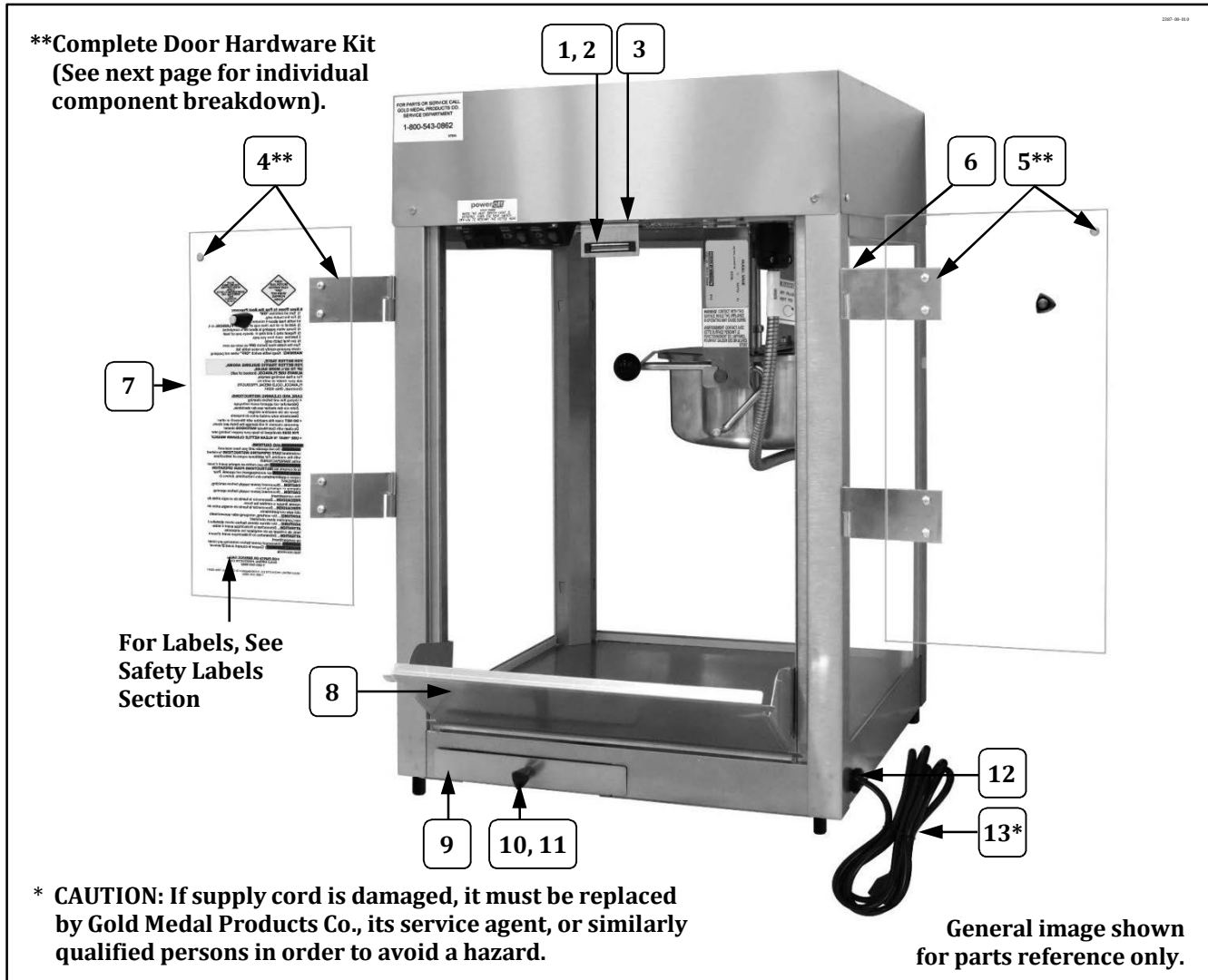
Item	Part Description	Part No.
1	MAGNETIC CATCH	47561
2	MAGNETIC CATCH BRACKET	41340
3	MAGNETIC BRACKET SHIM	38527
4**	COMPLETE LH DOOR HARDWARE KIT	47054
5**	COMPLETE RH DOOR HARDWARE KIT	47055
6	8-32 X 1/2 PHIL PAN M/S (fastens male hinges to the corner posts)	47141
7	DOOR	77774
8	DROP PANEL	77730
9	OLD MAID PAN	49100
10	LID LIFT KNOB	47120
11	8-32" X 3/8" PH PAN W/SEMS	42227
13	STRAIN RELIEF SR-7W-2	67060
12*	LEAD IN CORD 15 AMP PLUG	87085

## Cabinet Exterior – Rear View



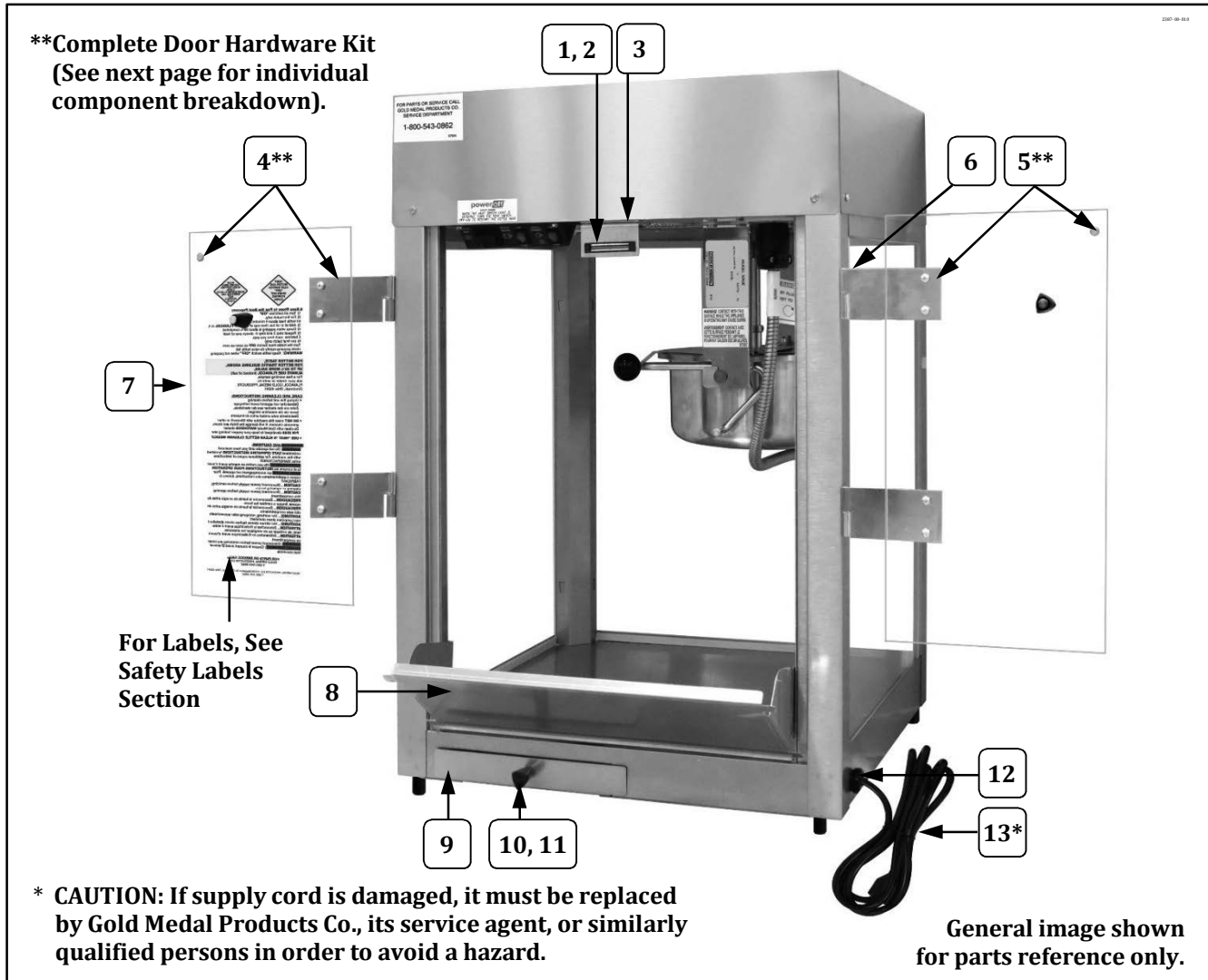
Item	Part Description	Part No.
1	MAGNETIC CATCH	47561
2	MAGNETIC CATCH BRACKET	41340
3	MAGNETIC BRACKET SHIM	38527
4**	COMPLETE LH DOOR HARDWARE KIT	47054
5**	COMPLETE RH DOOR HARDWARE KIT	47055
6	8-32 X 1/2 PHIL PAN M/S (fastens male hinges to the corner posts)	47141
7	DOOR	77774
8	DROP PANEL	77730
9	OLD MAID PAN	49100
10	LID LIFT KNOB	47120
11	8-32" X 3/8" PH PAN W/SEMS	42227
13	STRAIN RELIEF SR-7W-2	67060
12*	LEAD IN CORD 15 AMP PLUG	87085

## Cabinet Exterior – Rear View



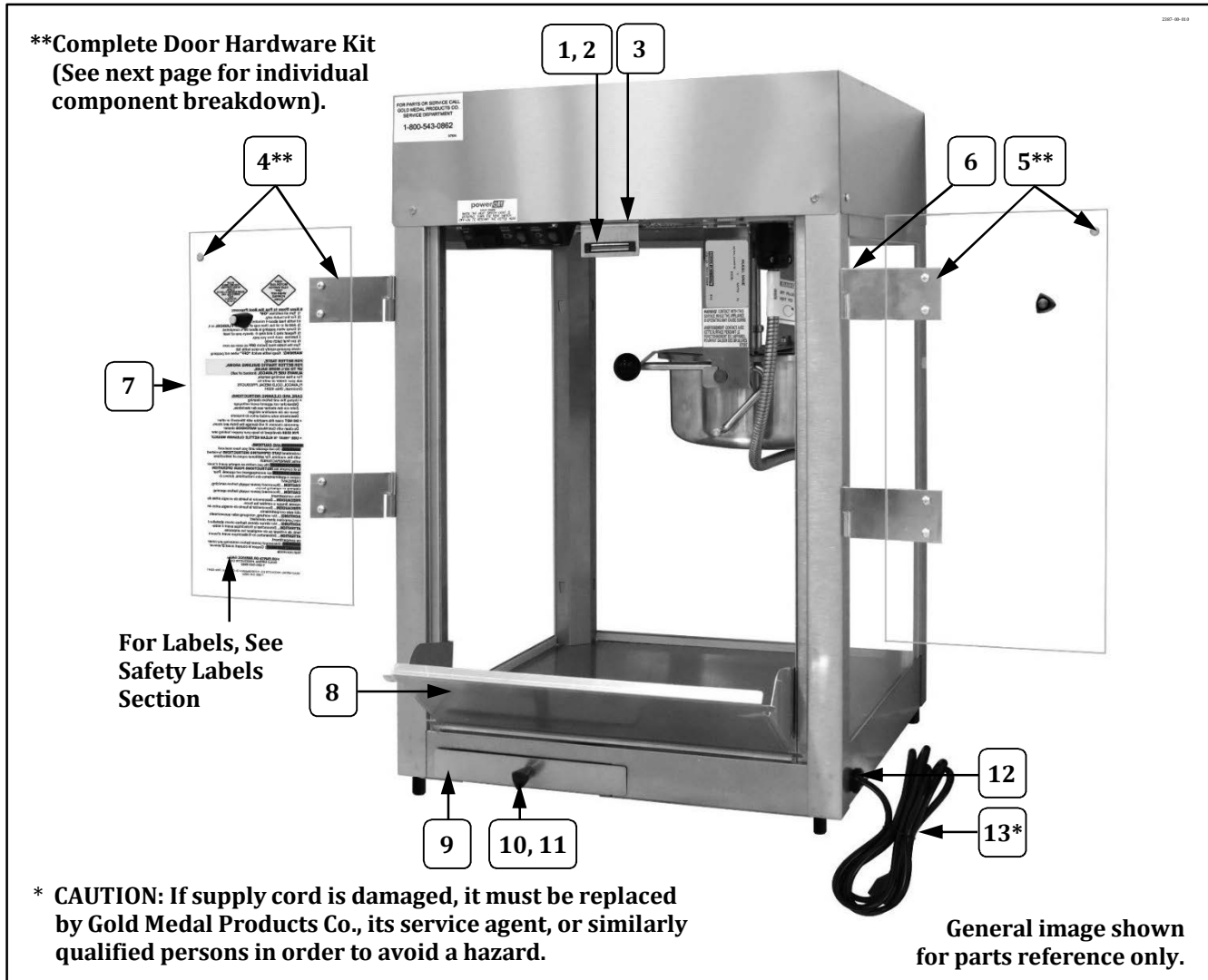
Item	Part Description	Part No.
1	MAGNETIC CATCH	47561
2	MAGNETIC CATCH BRACKET	41340
3	MAGNETIC BRACKET SHIM	38527
4**	COMPLETE LH DOOR HARDWARE KIT	47054
5**	COMPLETE RH DOOR HARDWARE KIT	47055
6	8-32 X 1/2 PHIL PAN M/S (fastens male hinges to the corner posts)	47141
7	DOOR	77774
8	DROP PANEL	77730
9	OLD MAID PAN	49100
10	LID LIFT KNOB	47120
11	8-32" X 3/8" PH PAN W/SEMS	42227
13	STRAIN RELIEF SR-7W-2	67060
12*	LEAD IN CORD 15 AMP PLUG	87085

## Cabinet Exterior – Rear View



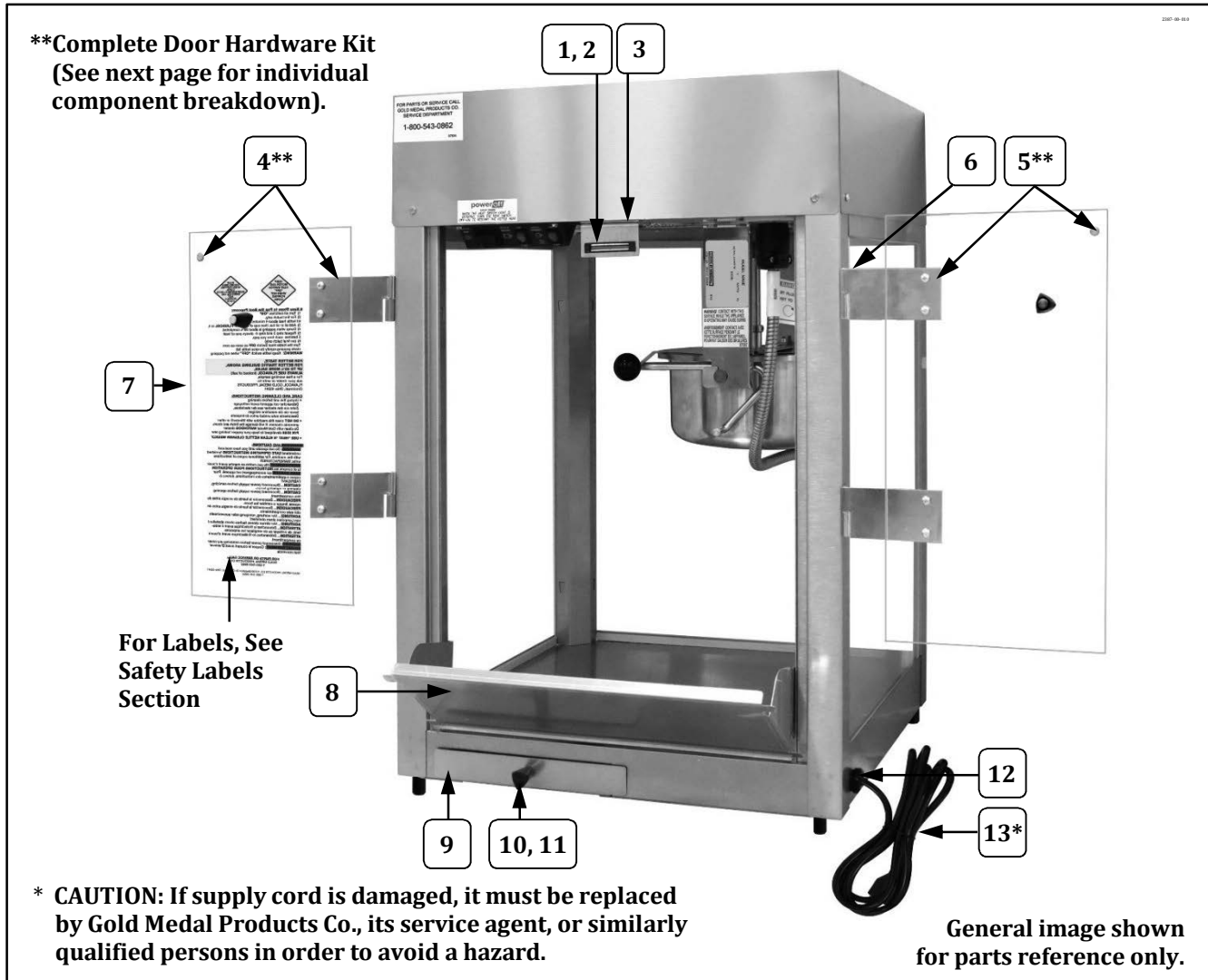
Item	Part Description	Part No.
1	MAGNETIC CATCH	47561
2	MAGNETIC CATCH BRACKET	41340
3	MAGNETIC BRACKET SHIM	38527
4**	COMPLETE LH DOOR HARDWARE KIT	47054
5**	COMPLETE RH DOOR HARDWARE KIT	47055
6	8-32 X 1/2 PHIL PAN M/S (fastens male hinges to the corner posts)	47141
7	DOOR	77774
8	DROP PANEL	77730
9	OLD MAID PAN	49100
10	LID LIFT KNOB	47120
11	8-32" X 3/8" PH PAN W/SEMS	42227
13	STRAIN RELIEF SR-7W-2	67060
12*	LEAD IN CORD 15 AMP PLUG	87085

## Cabinet Exterior – Rear View



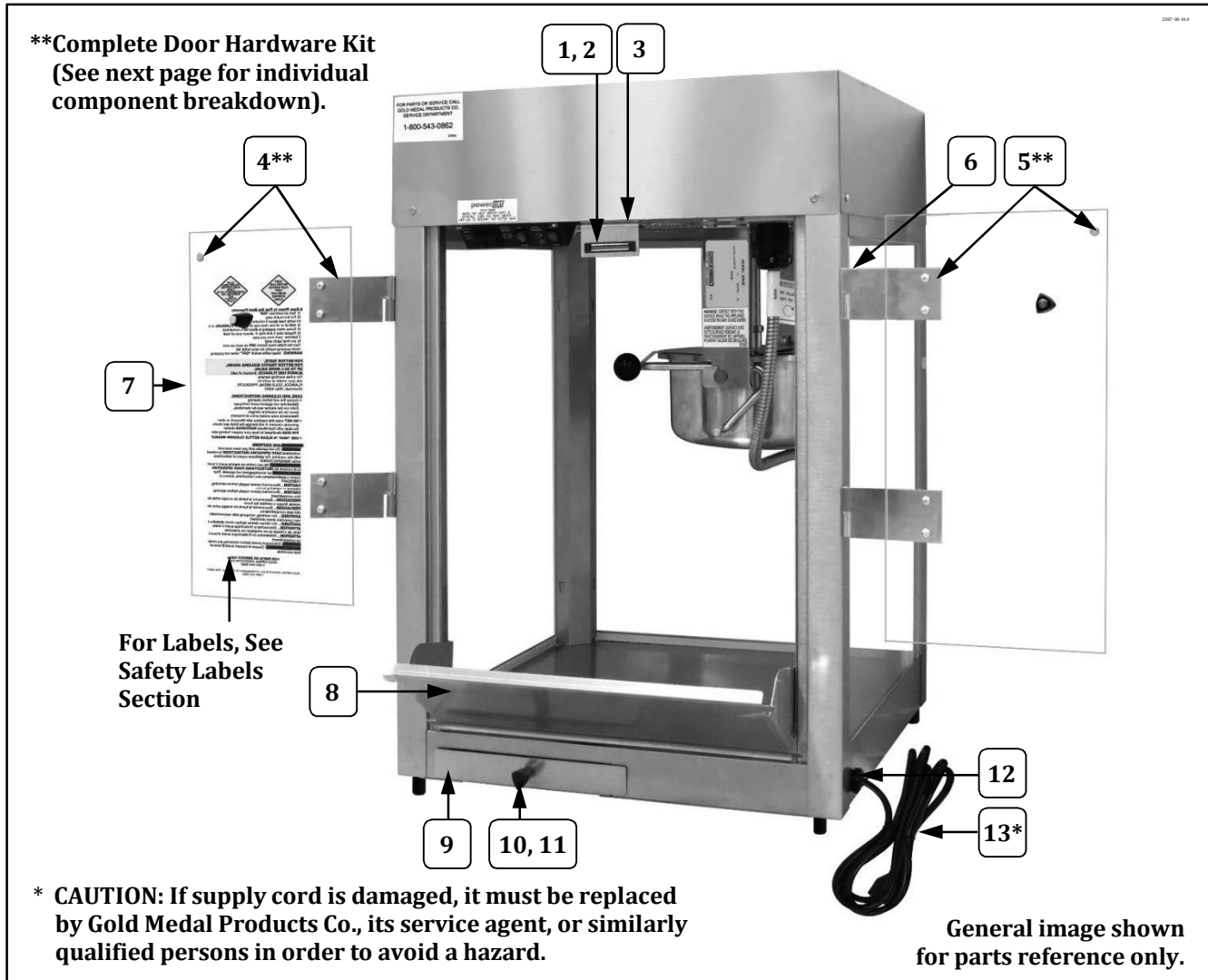
Item	Part Description	Part No.
1	MAGNETIC CATCH	47561
2	MAGNETIC CATCH BRACKET	41340
3	MAGNETIC BRACKET SHIM	38527
4**	COMPLETE LH DOOR HARDWARE KIT	47054
5**	COMPLETE RH DOOR HARDWARE KIT	47055
6	8-32 X 1/2 PHIL PAN M/S (fastens male hinges to the corner posts)	47141
7	DOOR	77774
8	DROP PANEL	77730
9	OLD MAID PAN	49100
10	LID LIFT KNOB	47120
11	8-32" X 3/8" PH PAN W/SEMS	42227
13	STRAIN RELIEF SR-7W-2	67060
12*	LEAD IN CORD 15 AMP PLUG	87085

## Cabinet Exterior – Rear View



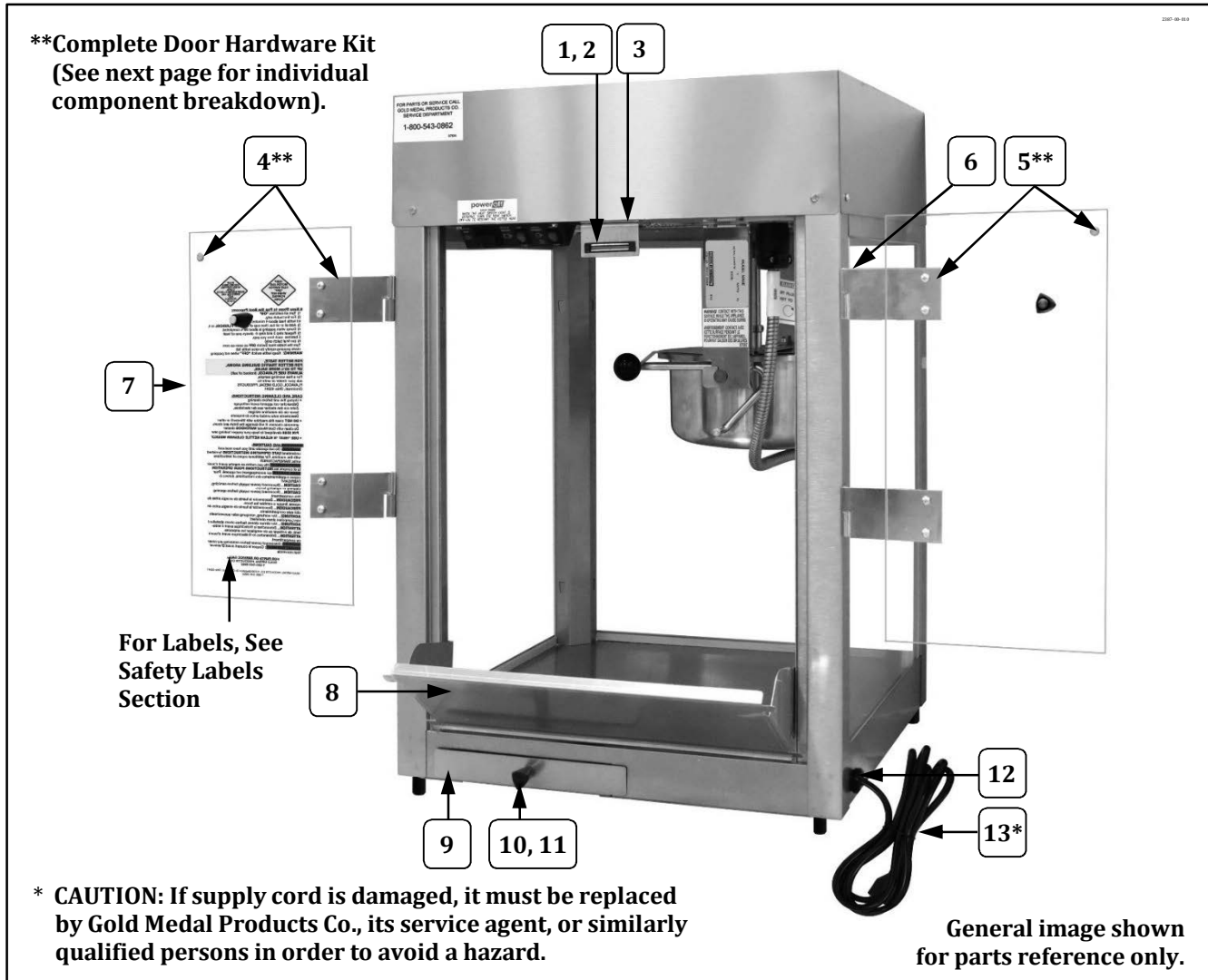
Item	Part Description	Part No.
1	MAGNETIC CATCH	47561
2	MAGNETIC CATCH BRACKET	41340
3	MAGNETIC BRACKET SHIM	38527
4**	COMPLETE LH DOOR HARDWARE KIT	47054
5**	COMPLETE RH DOOR HARDWARE KIT	47055
6	8-32 X 1/2 PHIL PAN M/S (fastens male hinges to the corner posts)	47141
7	DOOR	77774
8	DROP PANEL	77730
9	OLD MAID PAN	49100
10	LID LIFT KNOB	47120
11	8-32" X 3/8" PH PAN W/SEMS	42227
13	STRAIN RELIEF SR-7W-2	67060
12*	LEAD IN CORD 15 AMP PLUG	87085

## Cabinet Exterior – Rear View



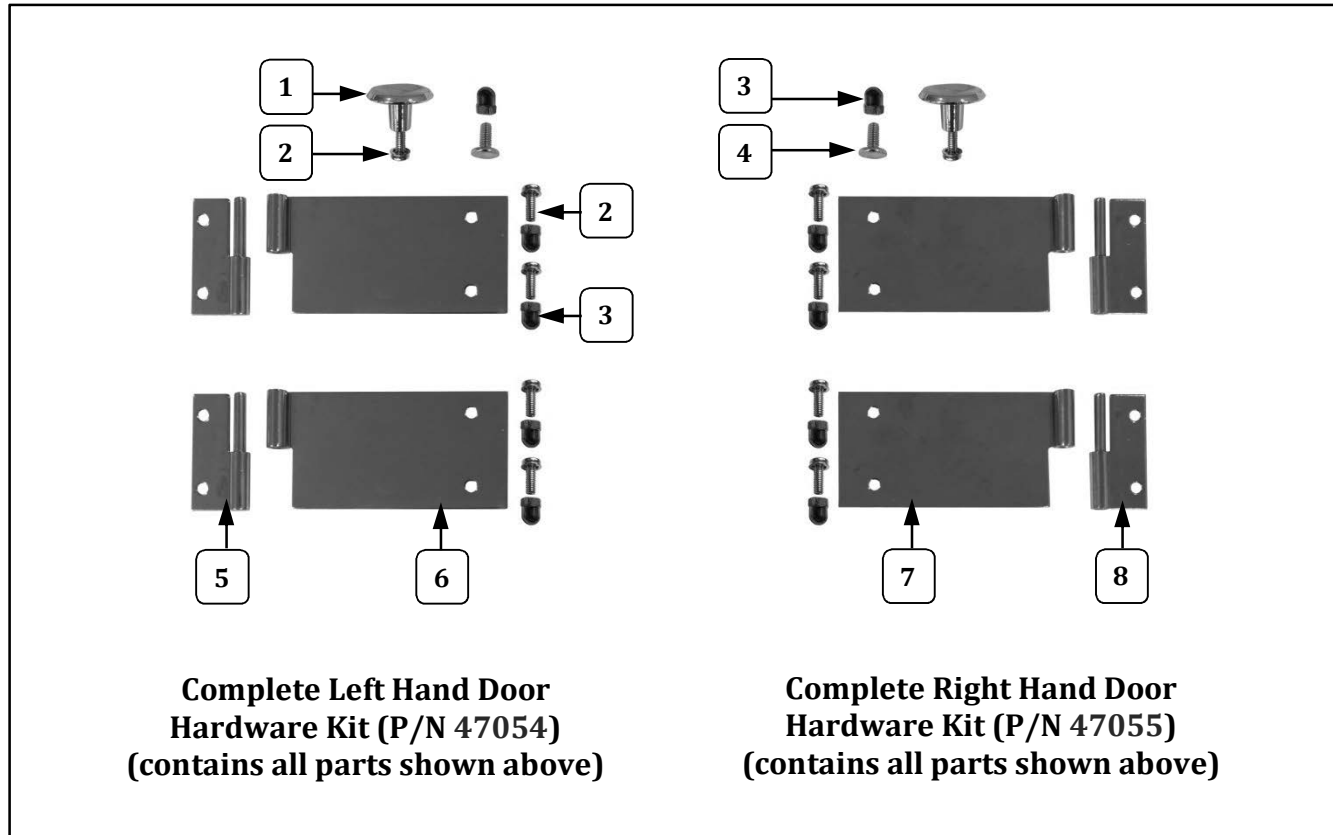
Item	Part Description	Part No.
1	MAGNETIC CATCH	47561
2	MAGNETIC CATCH BRACKET	41340
3	MAGNETIC BRACKET SHIM	38527
4**	COMPLETE LH DOOR HARDWARE KIT	47054
5**	COMPLETE RH DOOR HARDWARE KIT	47055
6	8-32 X 1/2 PHIL PAN M/S (fastens male hinges to the corner posts)	47141
7	DOOR	77774
8	DROP PANEL	77730
9	OLD MAID PAN	49100
10	LID LIFT KNOB	47120
11	8-32" X 3/8" PH PAN W/SEMS	42227
13	STRAIN RELIEF SR-7W-2	67060
12*	LEAD IN CORD 15 AMP PLUG	87085

## Cabinet Exterior – Rear View



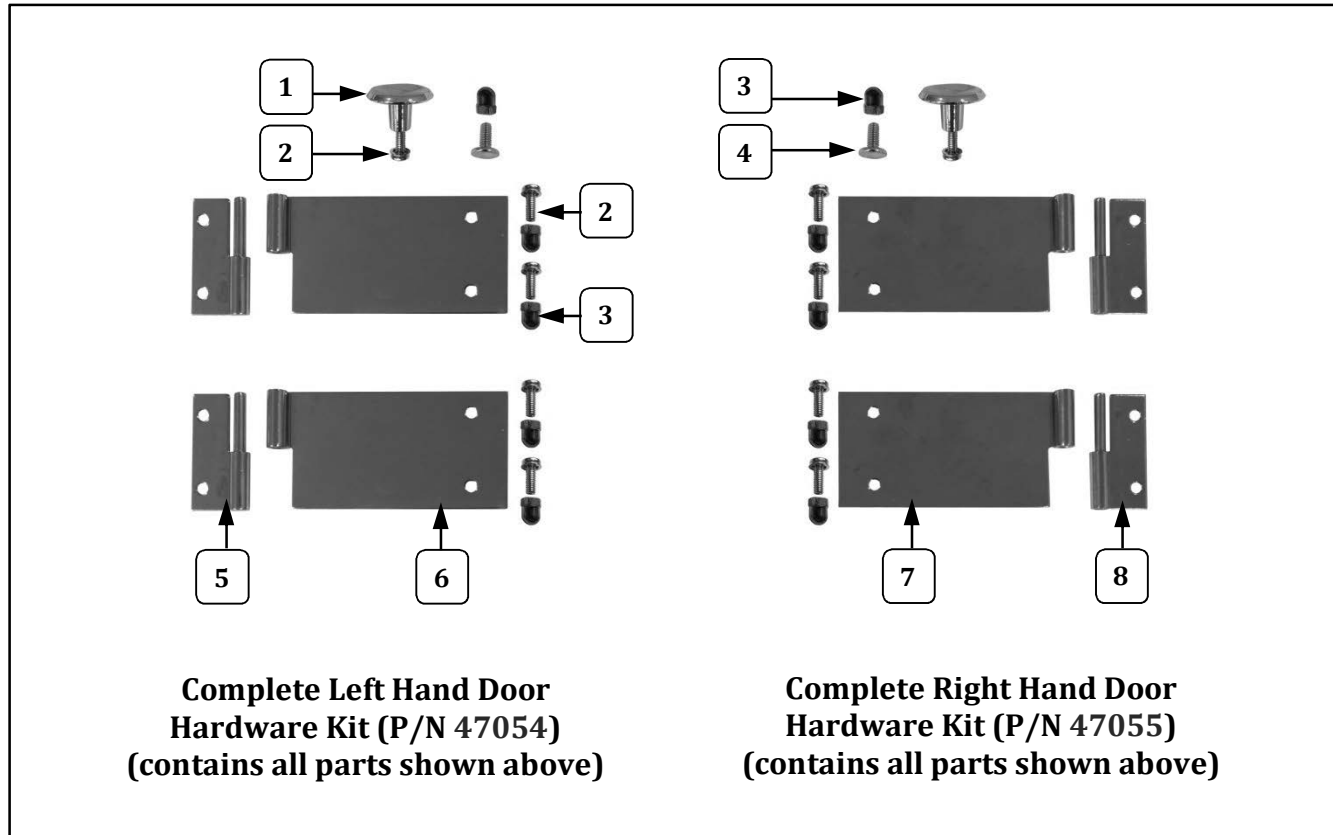
Item	Part Description	Part No.
1	MAGNETIC CATCH	47561
2	MAGNETIC CATCH BRACKET	41340
3	MAGNETIC BRACKET SHIM	38527
4**	COMPLETE LH DOOR HARDWARE KIT	47054
5**	COMPLETE RH DOOR HARDWARE KIT	47055
6	8-32 X 1/2 PHIL PAN M/S (fastens male hinges to the corner posts)	47141
7	DOOR	77774
8	DROP PANEL	77730
9	OLD MAID PAN	49100
10	LID LIFT KNOB	47120
11	8-32" X 3/8" PH PAN W/SEMS	42227
13	STRAIN RELIEF SR-7W-2	67060
12*	LEAD IN CORD 15 AMP PLUG	87085

## Door Hardware Kits – Individual Component Breakdown



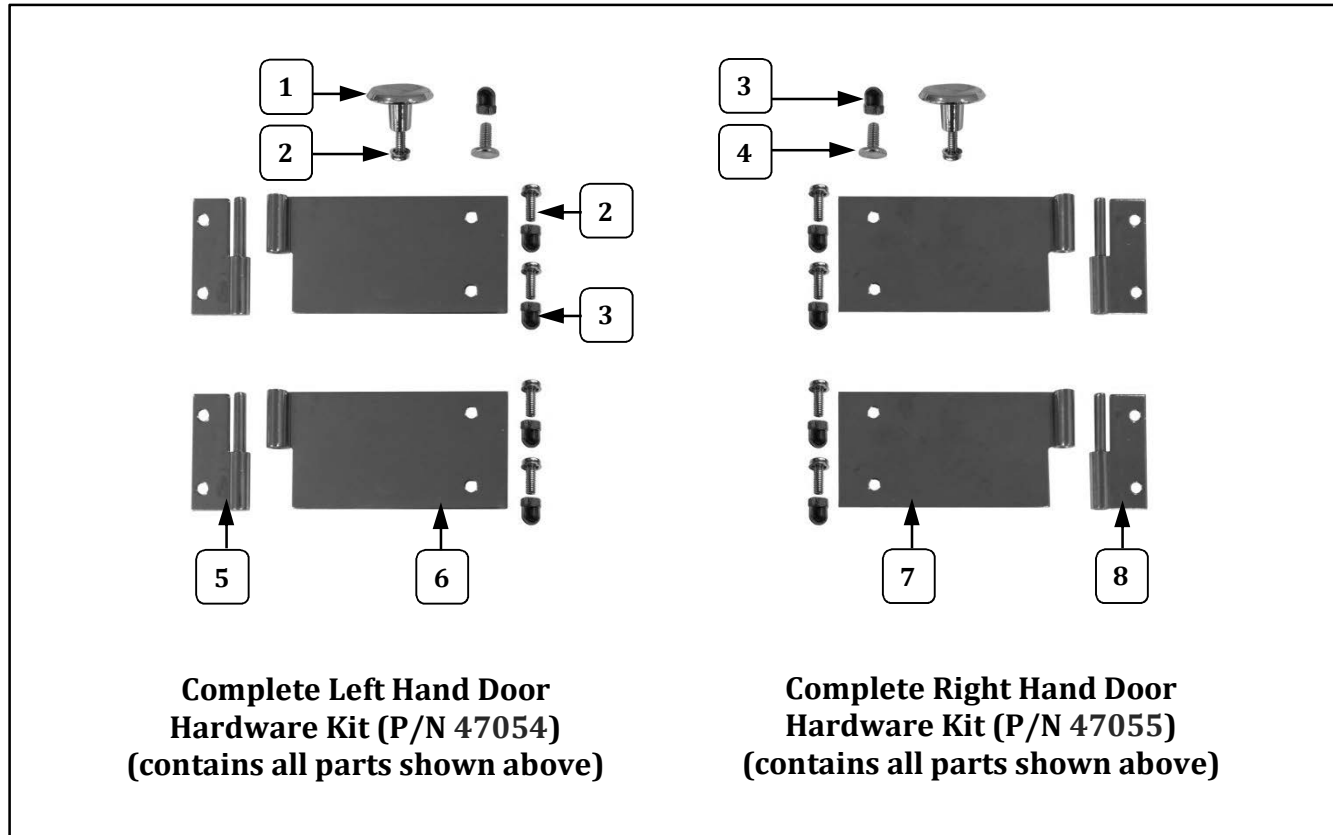
Item	Part Description	Part Number	
		47054	47055
1	DOOR KNOB	41013	41013
2	8-32 X 1/2 SCREWS PH PAN W/SEMS	47124	47124
3	ACORN NUT #8-32	47702	47702
4	TEE BOLT	75267	75267
5	MALE HINGE SHORT LEFT	41349	
6	FEMALE HINGE LONG LEFT	41352	
7	FEMALE HINGE LONG RIGHT		41351
8	MALE HINGE SHORT RIGHT		41350

## Door Hardware Kits – Individual Component Breakdown



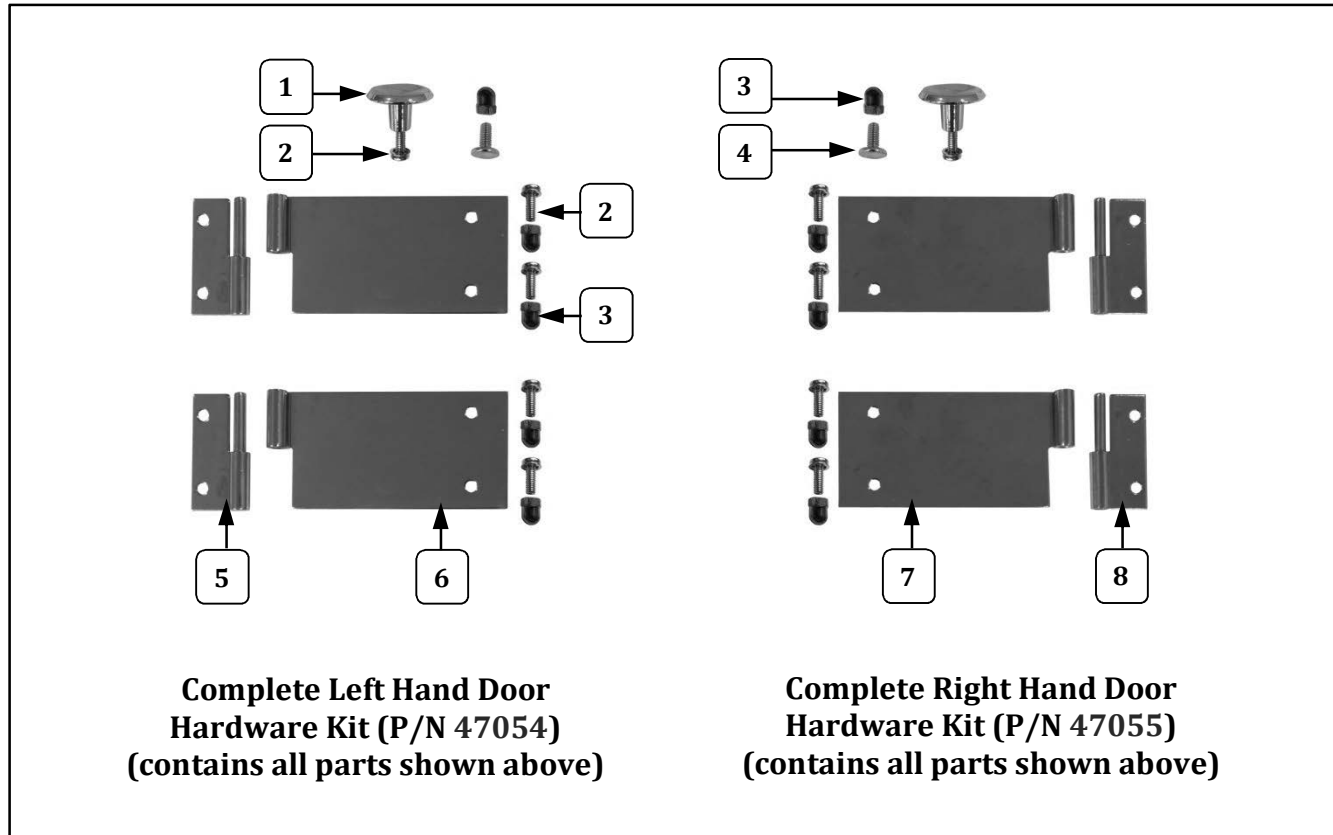
Item	Part Description	Part Number	
		47054	47055
1	DOOR KNOB	41013	41013
2	8-32 X 1/2 SCREWS PH PAN W/SEMS	47124	47124
3	ACORN NUT #8-32	47702	47702
4	TEE BOLT	75267	75267
5	MALE HINGE SHORT LEFT	41349	
6	FEMALE HINGE LONG LEFT	41352	
7	FEMALE HINGE LONG RIGHT		41351
8	MALE HINGE SHORT RIGHT		41350

## Door Hardware Kits – Individual Component Breakdown



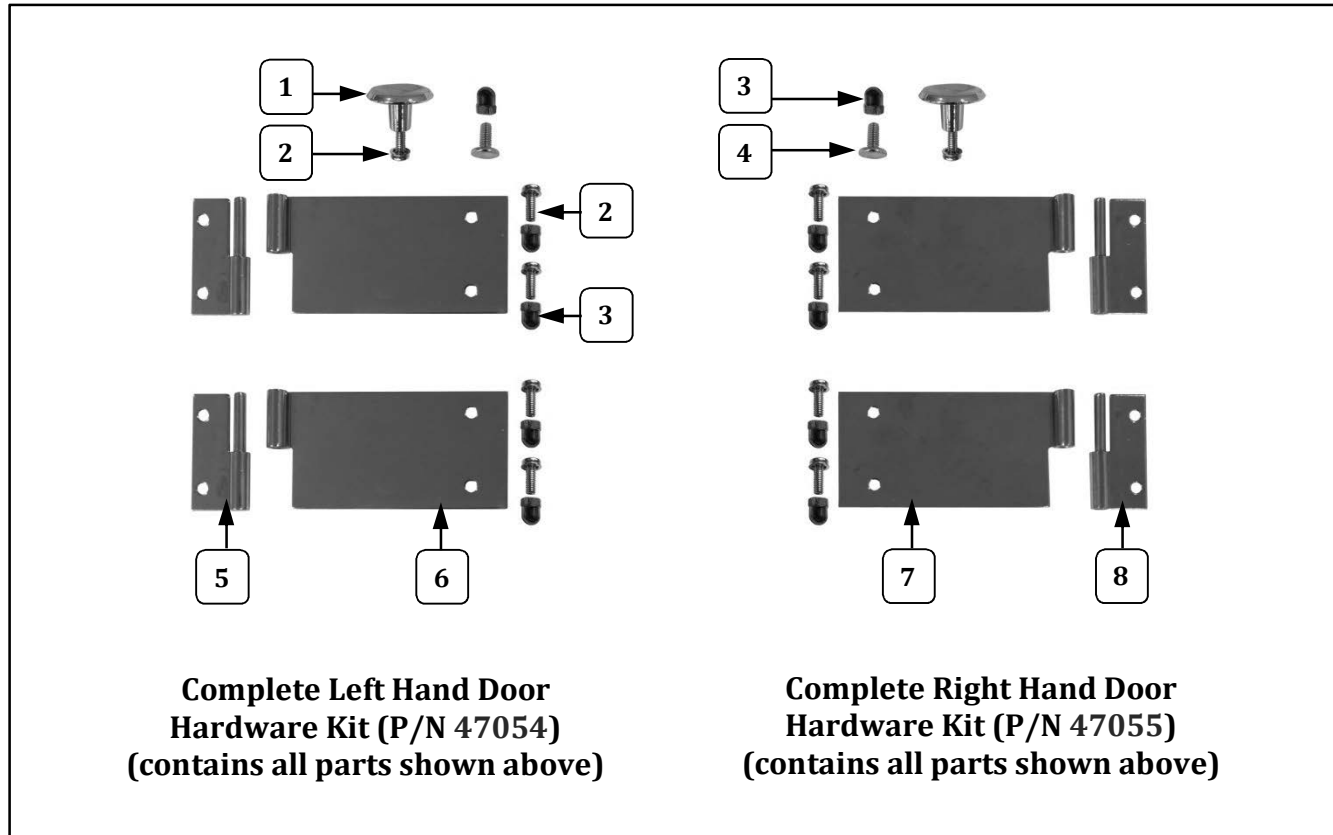
Item	Part Description	Part Number	
		47054	47055
1	DOOR KNOB	41013	41013
2	8-32 X 1/2 SCREWS PH PAN W/SEMS	47124	47124
3	ACORN NUT #8-32	47702	47702
4	TEE BOLT	75267	75267
5	MALE HINGE SHORT LEFT	41349	
6	FEMALE HINGE LONG LEFT	41352	
7	FEMALE HINGE LONG RIGHT		41351
8	MALE HINGE SHORT RIGHT		41350

## Door Hardware Kits – Individual Component Breakdown



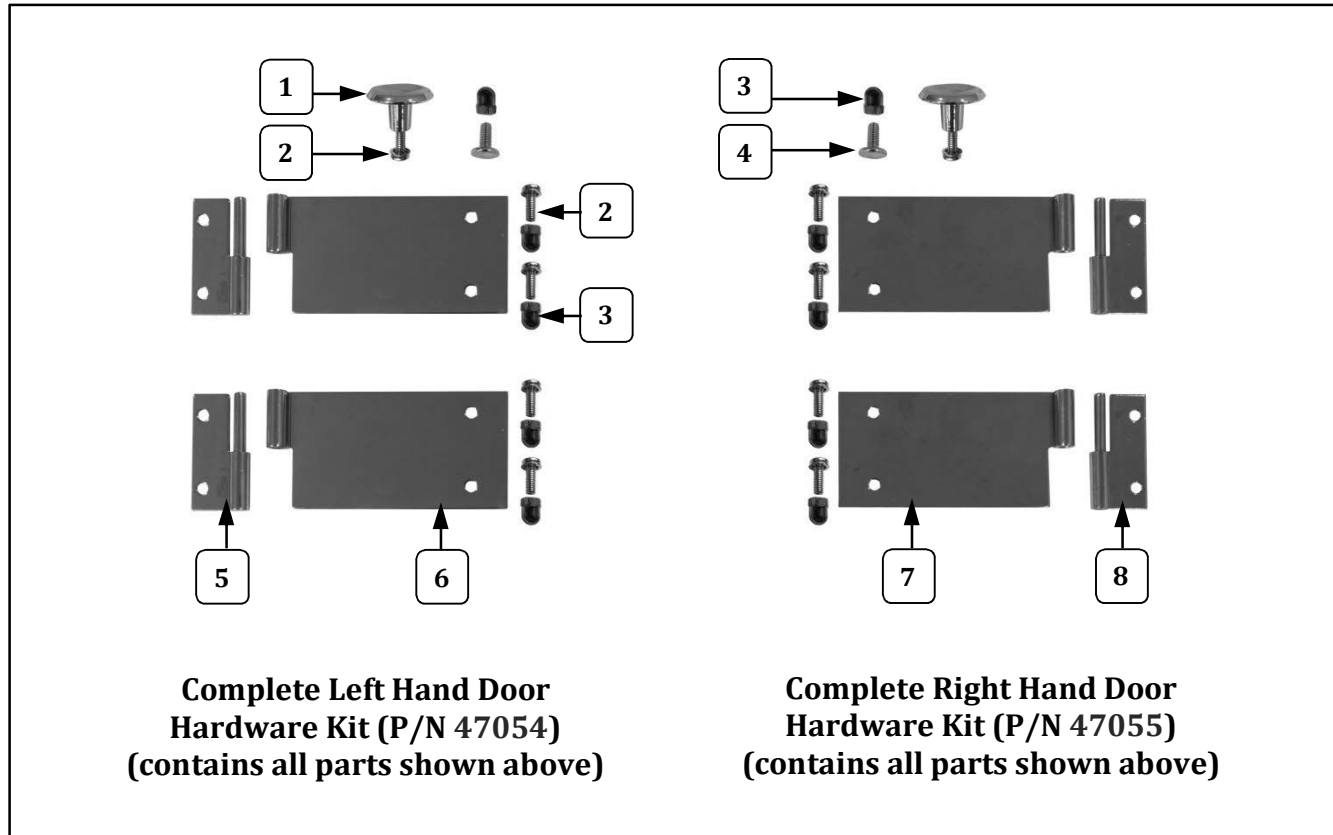
Item	Part Description	Part Number	
		47054	47055
1	DOOR KNOB	41013	41013
2	8-32 X 1/2 SCREWS PH PAN W/SEMS	47124	47124
3	ACORN NUT #8-32	47702	47702
4	TEE BOLT	75267	75267
5	MALE HINGE SHORT LEFT	41349	
6	FEMALE HINGE LONG LEFT	41352	
7	FEMALE HINGE LONG RIGHT		41351
8	MALE HINGE SHORT RIGHT		41350

## Door Hardware Kits – Individual Component Breakdown



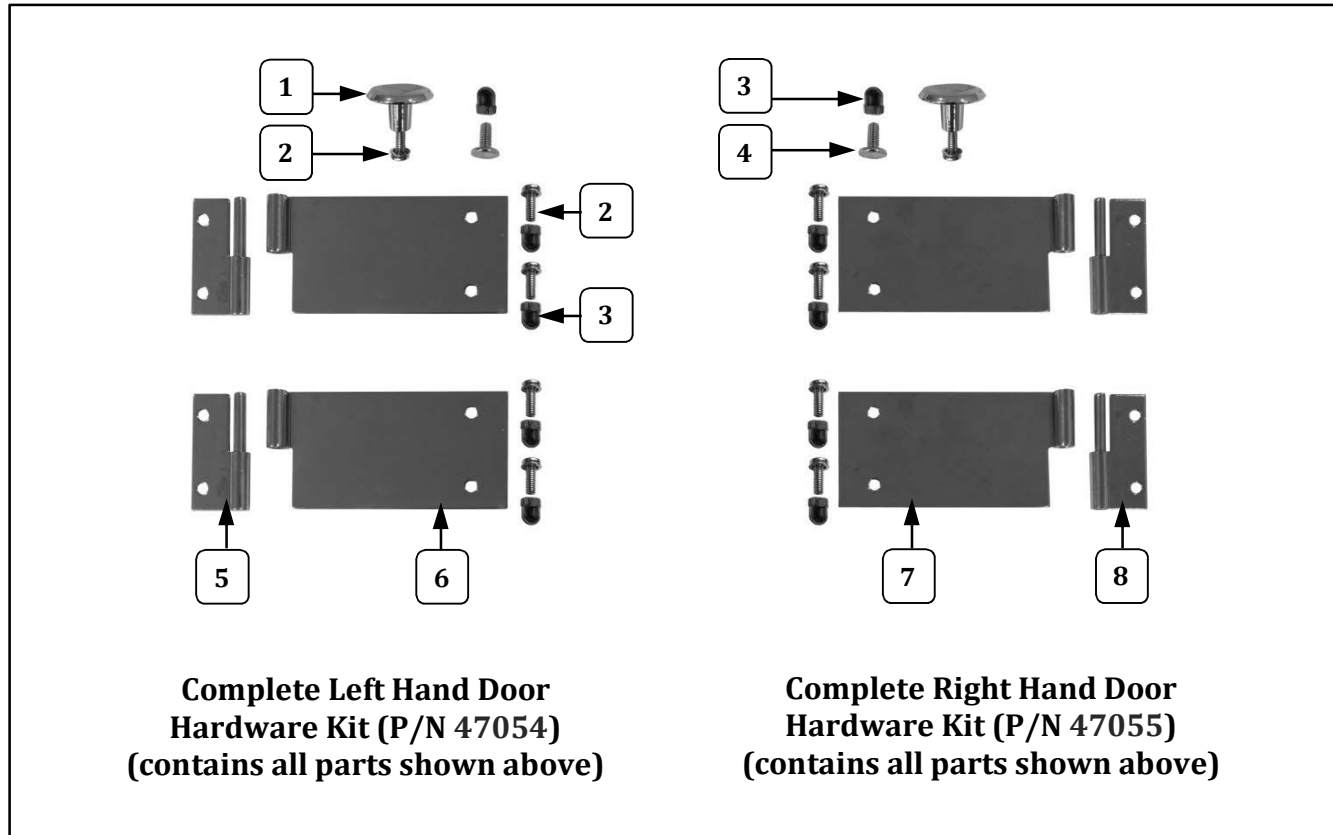
Item	Part Description	Part Number	
		47054	47055
1	DOOR KNOB	41013	41013
2	8-32 X 1/2 SCREWS PH PAN W/SEMS	47124	47124
3	ACORN NUT #8-32	47702	47702
4	TEE BOLT	75267	75267
5	MALE HINGE SHORT LEFT	41349	
6	FEMALE HINGE LONG LEFT	41352	
7	FEMALE HINGE LONG RIGHT		41351
8	MALE HINGE SHORT RIGHT		41350

## Door Hardware Kits – Individual Component Breakdown



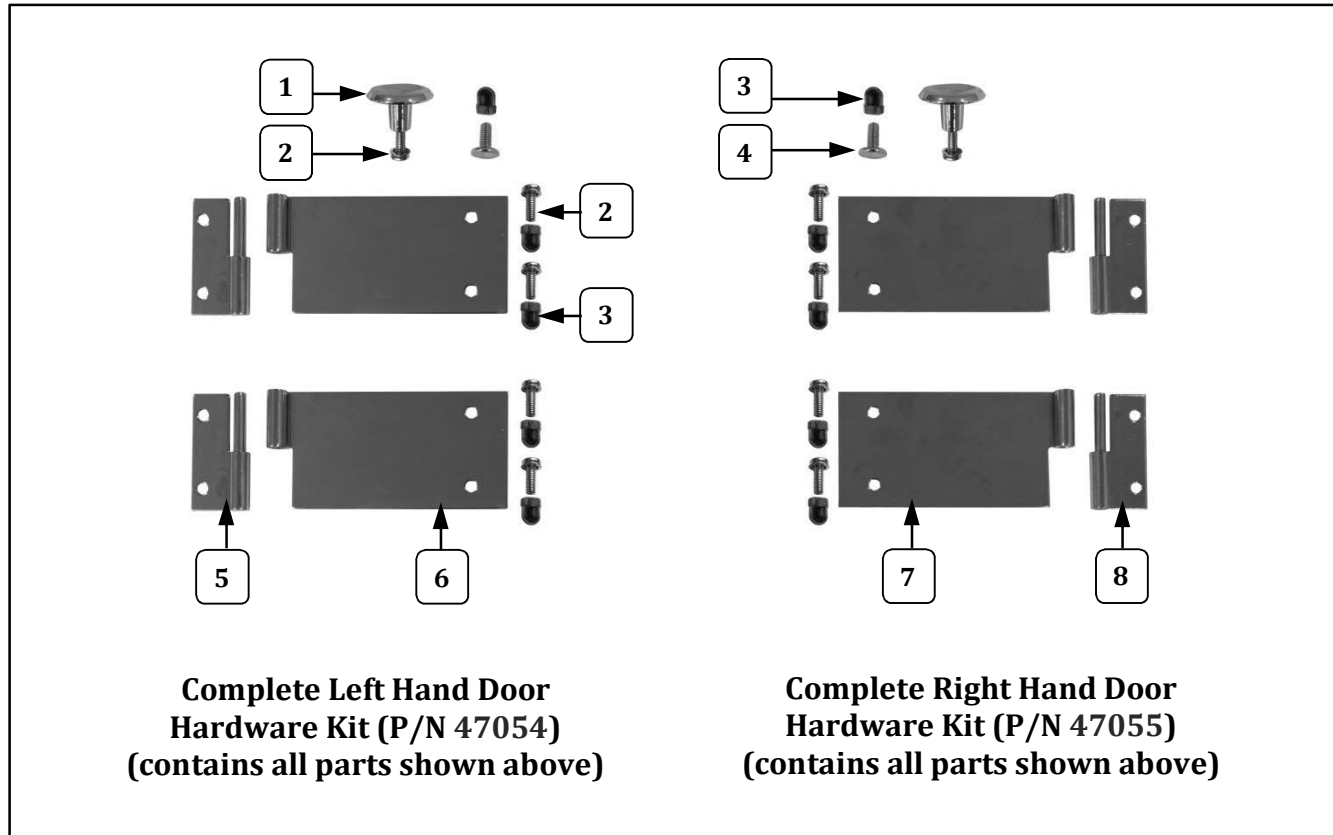
Item	Part Description	Part Number	
		47054	47055
1	DOOR KNOB	41013	41013
2	8-32 X 1/2 SCREWS PH PAN W/SEMS	47124	47124
3	ACORN NUT #8-32	47702	47702
4	TEE BOLT	75267	75267
5	MALE HINGE SHORT LEFT	41349	
6	FEMALE HINGE LONG LEFT	41352	
7	FEMALE HINGE LONG RIGHT		41351
8	MALE HINGE SHORT RIGHT		41350

## Door Hardware Kits – Individual Component Breakdown



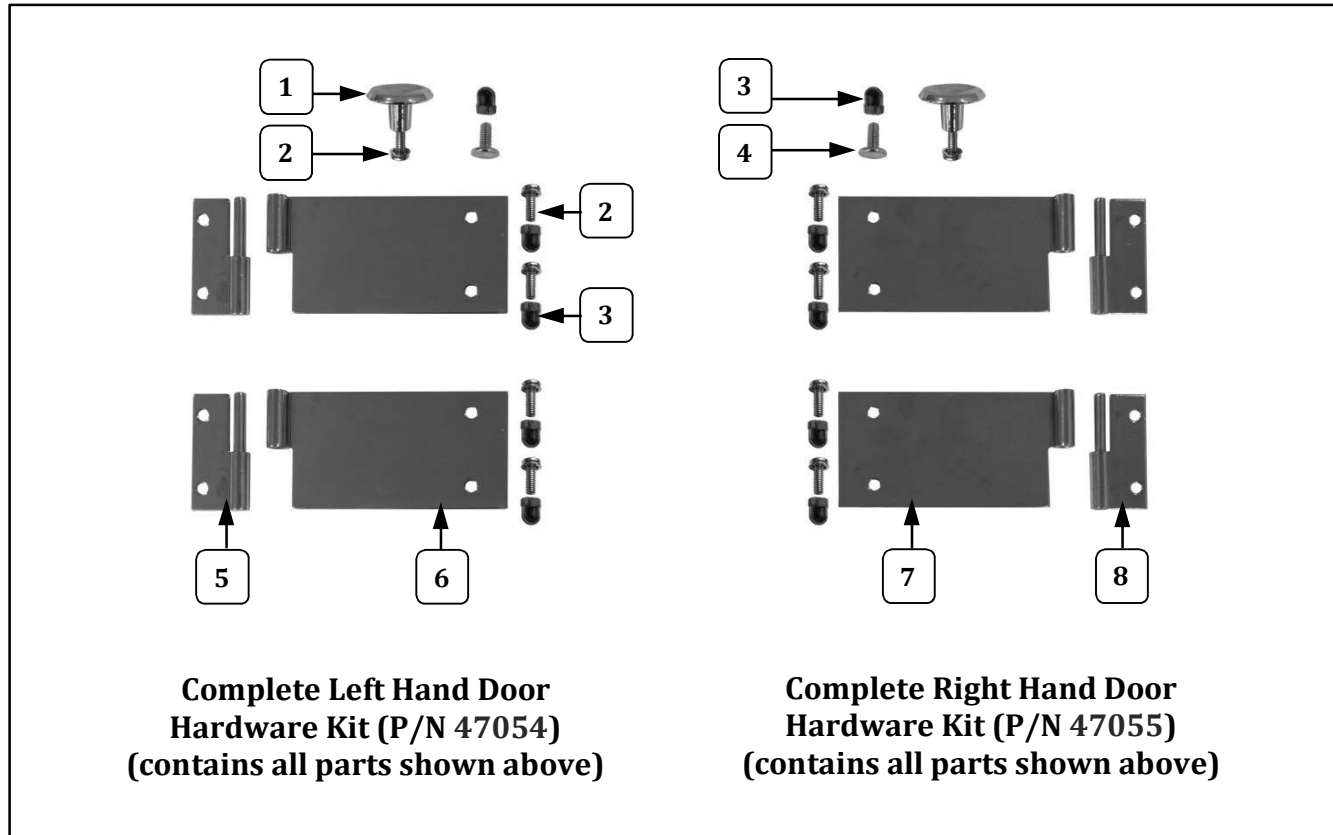
Item	Part Description	Part Number	
		47054	47055
1	DOOR KNOB	41013	41013
2	8-32 X 1/2 SCREWS PH PAN W/SEMS	47124	47124
3	ACORN NUT #8-32	47702	47702
4	TEE BOLT	75267	75267
5	MALE HINGE SHORT LEFT	41349	
6	FEMALE HINGE LONG LEFT	41352	
7	FEMALE HINGE LONG RIGHT		41351
8	MALE HINGE SHORT RIGHT		41350

## Door Hardware Kits – Individual Component Breakdown



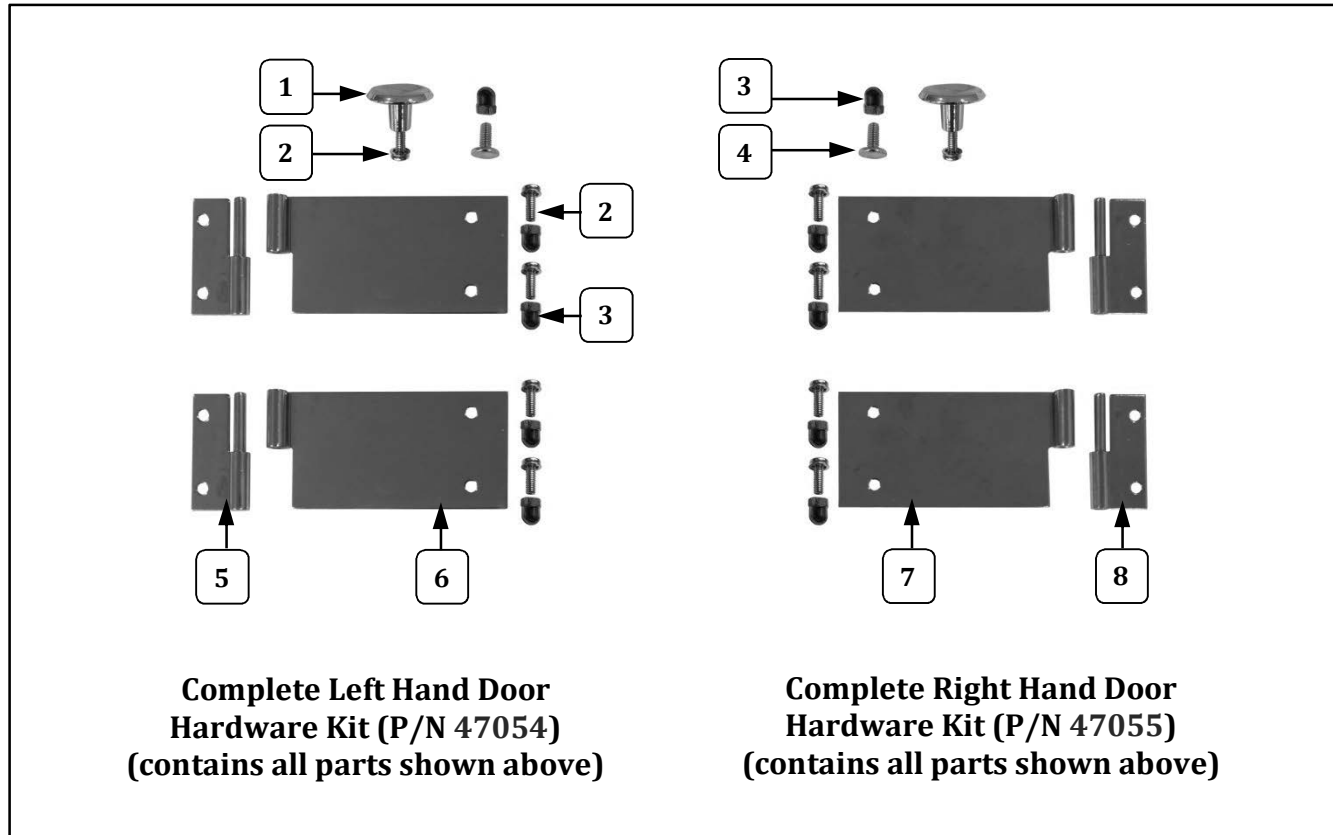
Item	Part Description	Part Number	
		47054	47055
1	DOOR KNOB	41013	41013
2	8-32 X 1/2 SCREWS PH PAN W/SEMS	47124	47124
3	ACORN NUT #8-32	47702	47702
4	TEE BOLT	75267	75267
5	MALE HINGE SHORT LEFT	41349	
6	FEMALE HINGE LONG LEFT	41352	
7	FEMALE HINGE LONG RIGHT		41351
8	MALE HINGE SHORT RIGHT		41350

## Door Hardware Kits – Individual Component Breakdown



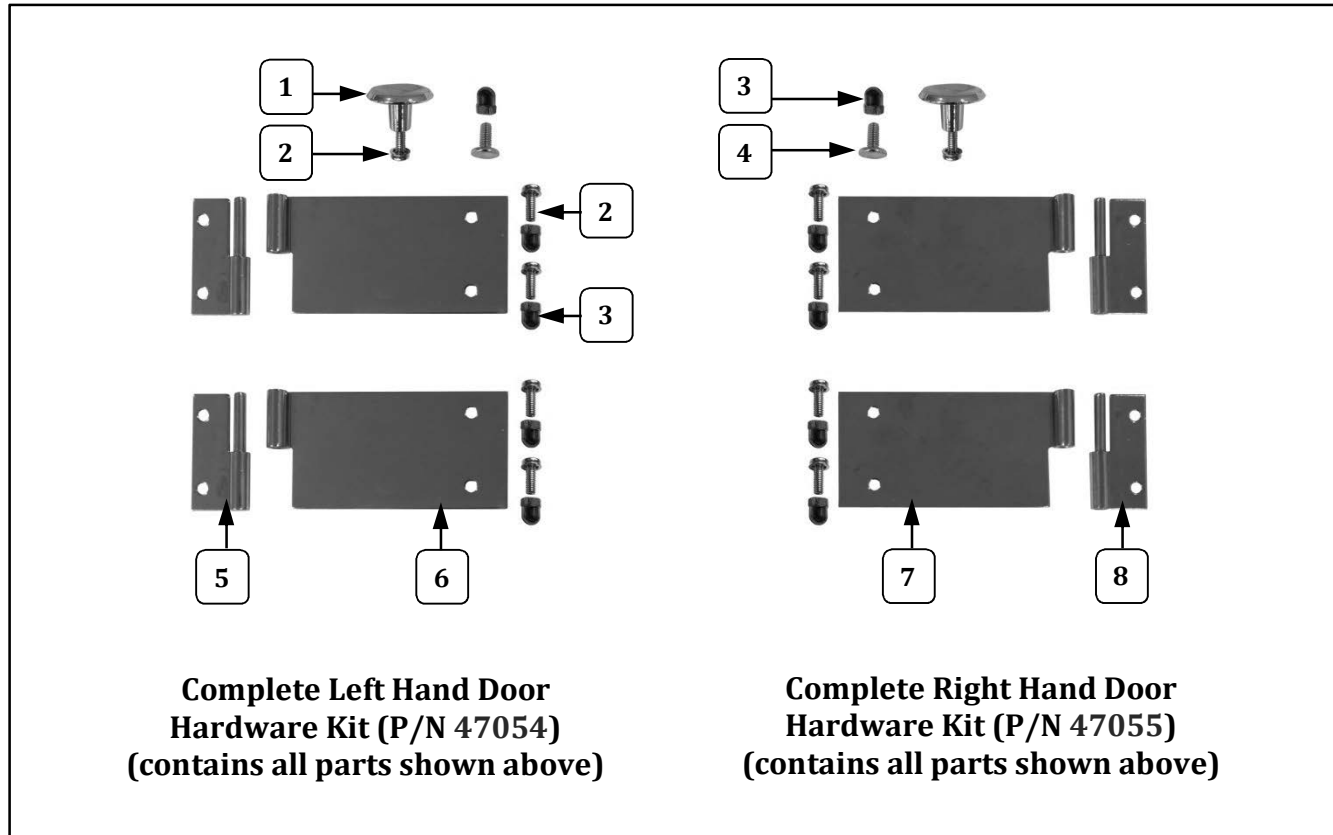
Item	Part Description	Part Number	
		47054	47055
1	DOOR KNOB	41013	41013
2	8-32 X 1/2 SCREWS PH PAN W/SEMS	47124	47124
3	ACORN NUT #8-32	47702	47702
4	TEE BOLT	75267	75267
5	MALE HINGE SHORT LEFT	41349	
6	FEMALE HINGE LONG LEFT	41352	
7	FEMALE HINGE LONG RIGHT		41351
8	MALE HINGE SHORT RIGHT		41350

## Door Hardware Kits – Individual Component Breakdown



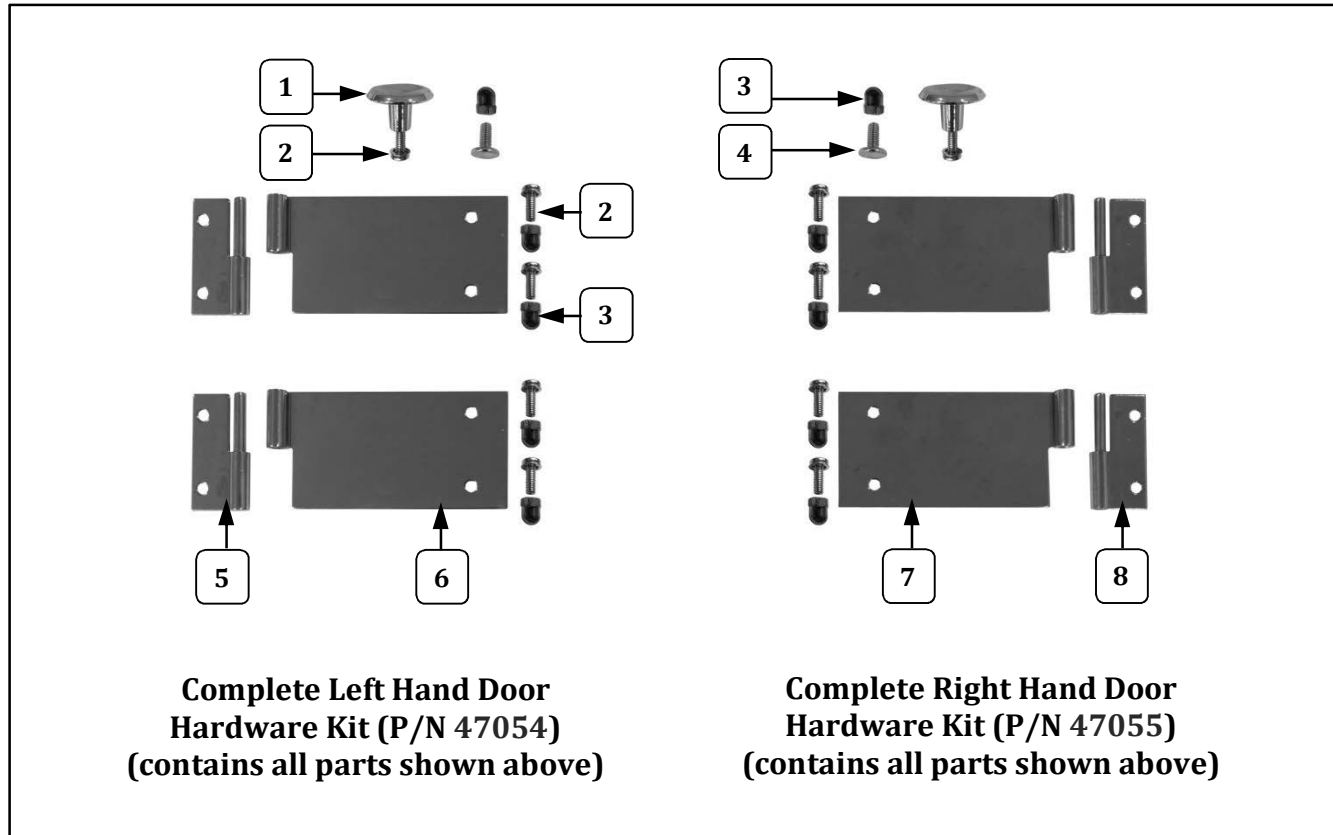
Item	Part Description	Part Number	
		47054	47055
1	DOOR KNOB	41013	41013
2	8-32 X 1/2 SCREWS PH PAN W/SEMS	47124	47124
3	ACORN NUT #8-32	47702	47702
4	TEE BOLT	75267	75267
5	MALE HINGE SHORT LEFT	41349	
6	FEMALE HINGE LONG LEFT	41352	
7	FEMALE HINGE LONG RIGHT		41351
8	MALE HINGE SHORT RIGHT		41350

## Door Hardware Kits – Individual Component Breakdown



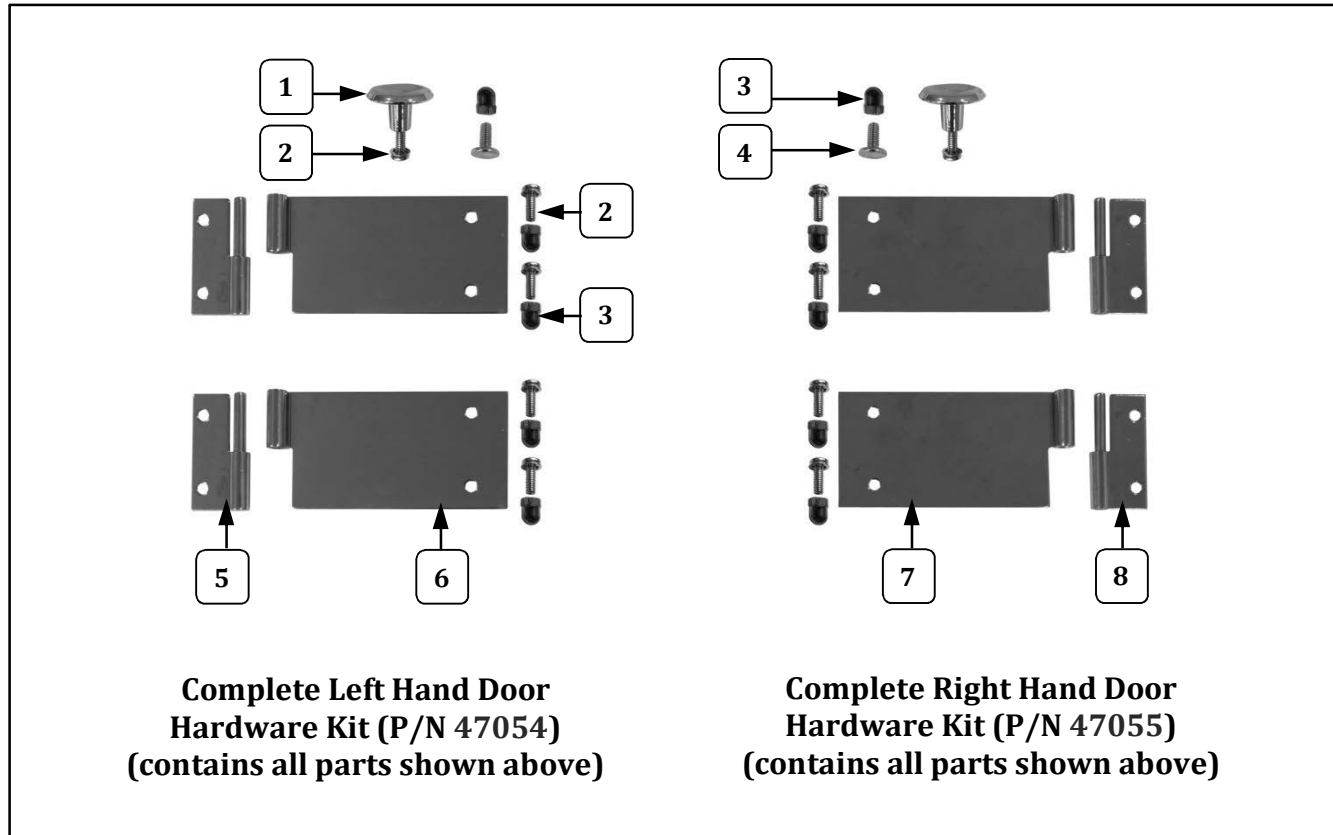
Item	Part Description	Part Number	
		47054	47055
1	DOOR KNOB	41013	41013
2	8-32 X 1/2 SCREWS PH PAN W/SEMS	47124	47124
3	ACORN NUT #8-32	47702	47702
4	TEE BOLT	75267	75267
5	MALE HINGE SHORT LEFT	41349	
6	FEMALE HINGE LONG LEFT	41352	
7	FEMALE HINGE LONG RIGHT		41351
8	MALE HINGE SHORT RIGHT		41350

## Door Hardware Kits – Individual Component Breakdown



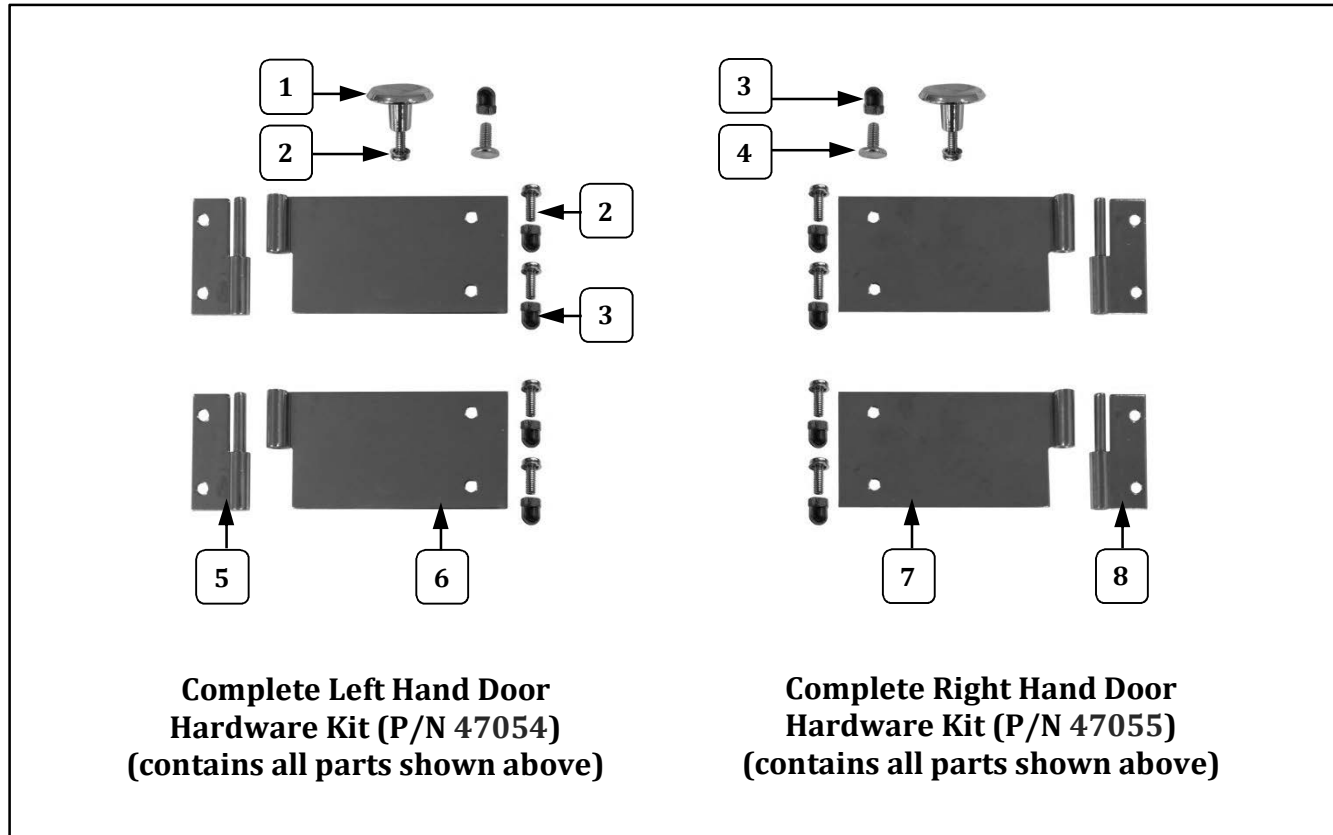
Item	Part Description	Part Number	
		47054	47055
1	DOOR KNOB	41013	41013
2	8-32 X 1/2 SCREWS PH PAN W/SEMS	47124	47124
3	ACORN NUT #8-32	47702	47702
4	TEE BOLT	75267	75267
5	MALE HINGE SHORT LEFT	41349	
6	FEMALE HINGE LONG LEFT	41352	
7	FEMALE HINGE LONG RIGHT		41351
8	MALE HINGE SHORT RIGHT		41350

## Door Hardware Kits – Individual Component Breakdown



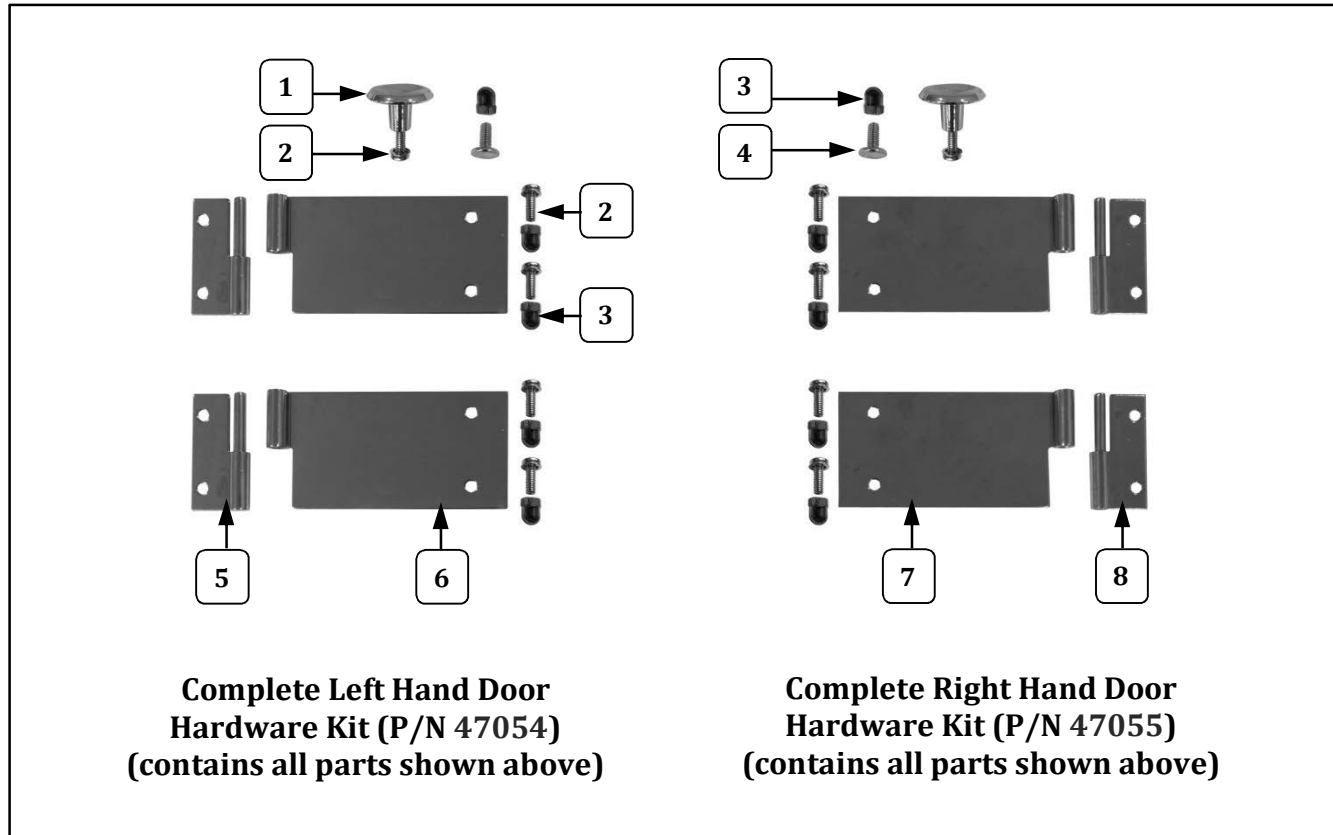
Item	Part Description	Part Number	
		47054	47055
1	DOOR KNOB	41013	41013
2	8-32 X 1/2 SCREWS PH PAN W/SEMS	47124	47124
3	ACORN NUT #8-32	47702	47702
4	TEE BOLT	75267	75267
5	MALE HINGE SHORT LEFT	41349	
6	FEMALE HINGE LONG LEFT	41352	
7	FEMALE HINGE LONG RIGHT		41351
8	MALE HINGE SHORT RIGHT		41350

## Door Hardware Kits – Individual Component Breakdown



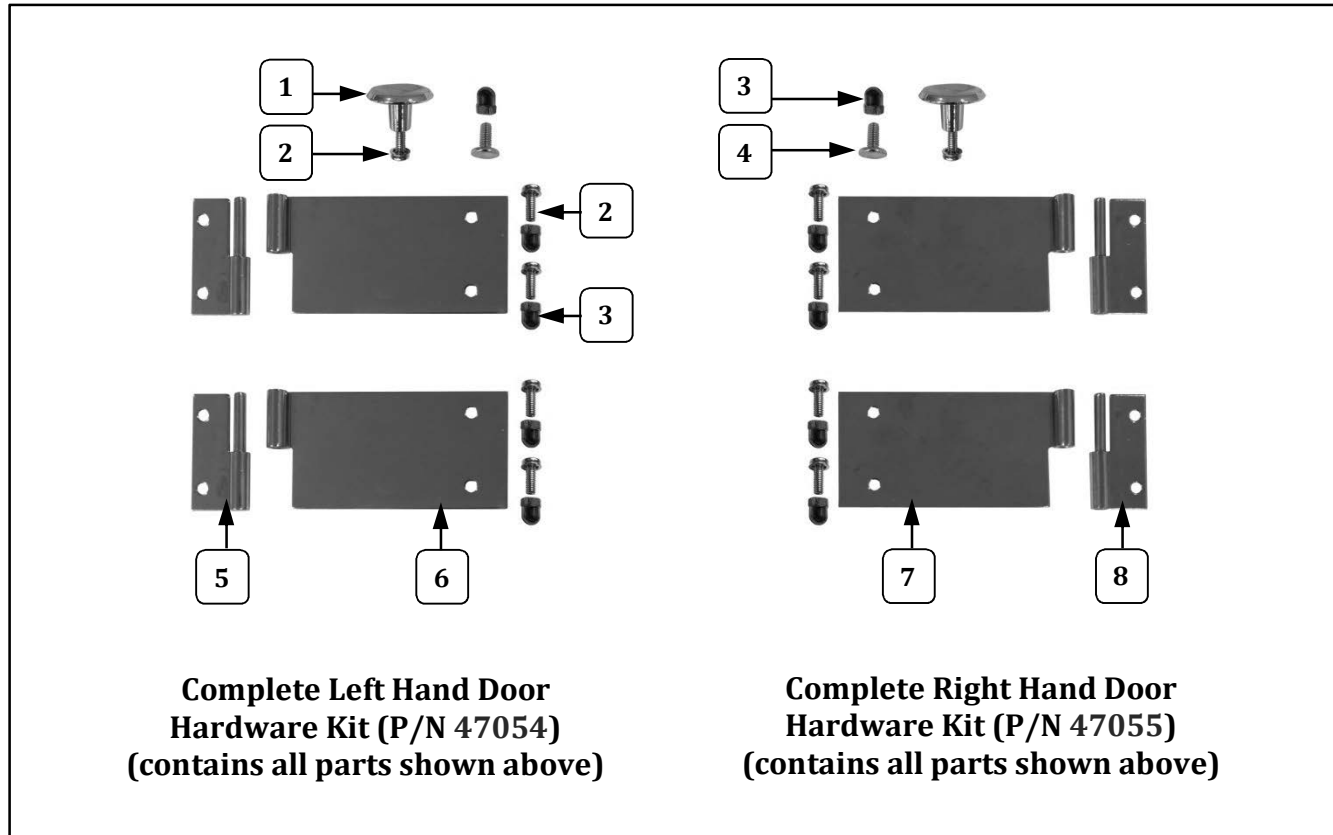
Item	Part Description	Part Number	
		47054	47055
1	DOOR KNOB	41013	41013
2	8-32 X 1/2 SCREWS PH PAN W/SEMS	47124	47124
3	ACORN NUT #8-32	47702	47702
4	TEE BOLT	75267	75267
5	MALE HINGE SHORT LEFT	41349	
6	FEMALE HINGE LONG LEFT	41352	
7	FEMALE HINGE LONG RIGHT		41351
8	MALE HINGE SHORT RIGHT		41350

## Door Hardware Kits – Individual Component Breakdown



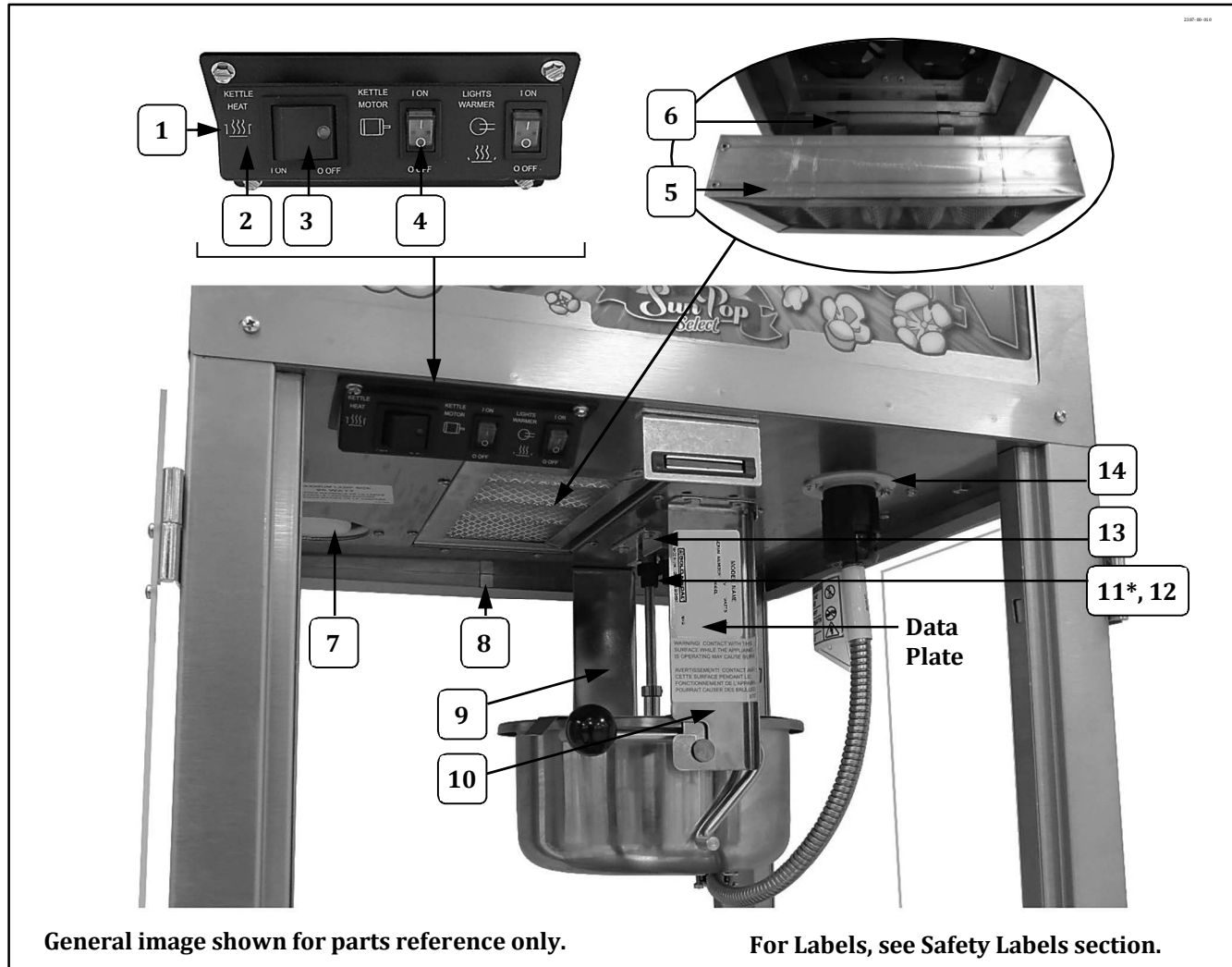
Item	Part Description	Part Number	
		47054	47055
1	DOOR KNOB	41013	41013
2	8-32 X 1/2 SCREWS PH PAN W/SEMS	47124	47124
3	ACORN NUT #8-32	47702	47702
4	TEE BOLT	75267	75267
5	MALE HINGE SHORT LEFT	41349	
6	FEMALE HINGE LONG LEFT	41352	
7	FEMALE HINGE LONG RIGHT		41351
8	MALE HINGE SHORT RIGHT		41350

## Door Hardware Kits – Individual Component Breakdown



Item	Part Description	Part Number	
		47054	47055
1	DOOR KNOB	41013	41013
2	8-32 X 1/2 SCREWS PH PAN W/SEMS	47124	47124
3	ACORN NUT #8-32	47702	47702
4	TEE BOLT	75267	75267
5	MALE HINGE SHORT LEFT	41349	
6	FEMALE HINGE LONG LEFT	41352	
7	FEMALE HINGE LONG RIGHT		41351
8	MALE HINGE SHORT RIGHT		41350

## Cabinet Interior – Controls View

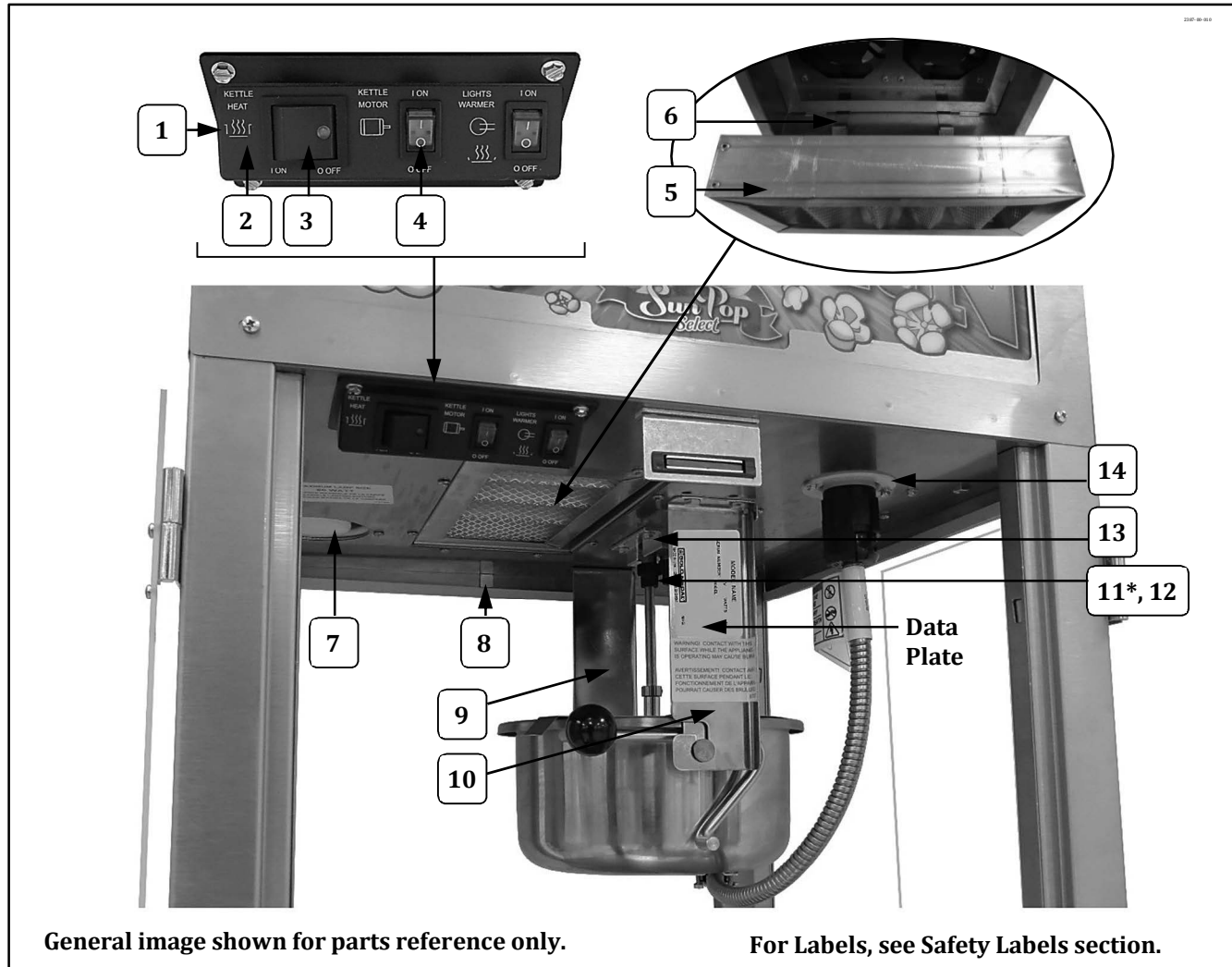


General image shown for parts reference only.

For Labels, see Safety Labels section.

Item	Part Description	Part No.
1	SMALL SWITCH BOX	48501
2	SMALL SWITCH LABEL	48502
3	GREEN LIGHTED ROCKER SWITCH	42798
4	DPST ROCKER SWITCH	42532
5	5 X 10 X 2 FILTER	69850
6	FILTER SPRING CLIP	62666
7	LED R20 LAMP 120V	111493
8	.5x.5x.1 MAGNET GLASS LOCK	51113
9	REAR HANGER ARM	61050
10	FRONT HANGER ARM	61049
11*	SPUR GEAR KIT (includes 2 gears with set screws. Always replace Agitator Spur Gear <u>and</u> Kettle Drive Motor Gear as a set.)	47059K
12	SET SCREW #10-32 X 3/16	41742
13	GEAR BLOCK	67194
14	L5-15R 15A RECEPTACLE	49330

## Cabinet Interior – Controls View

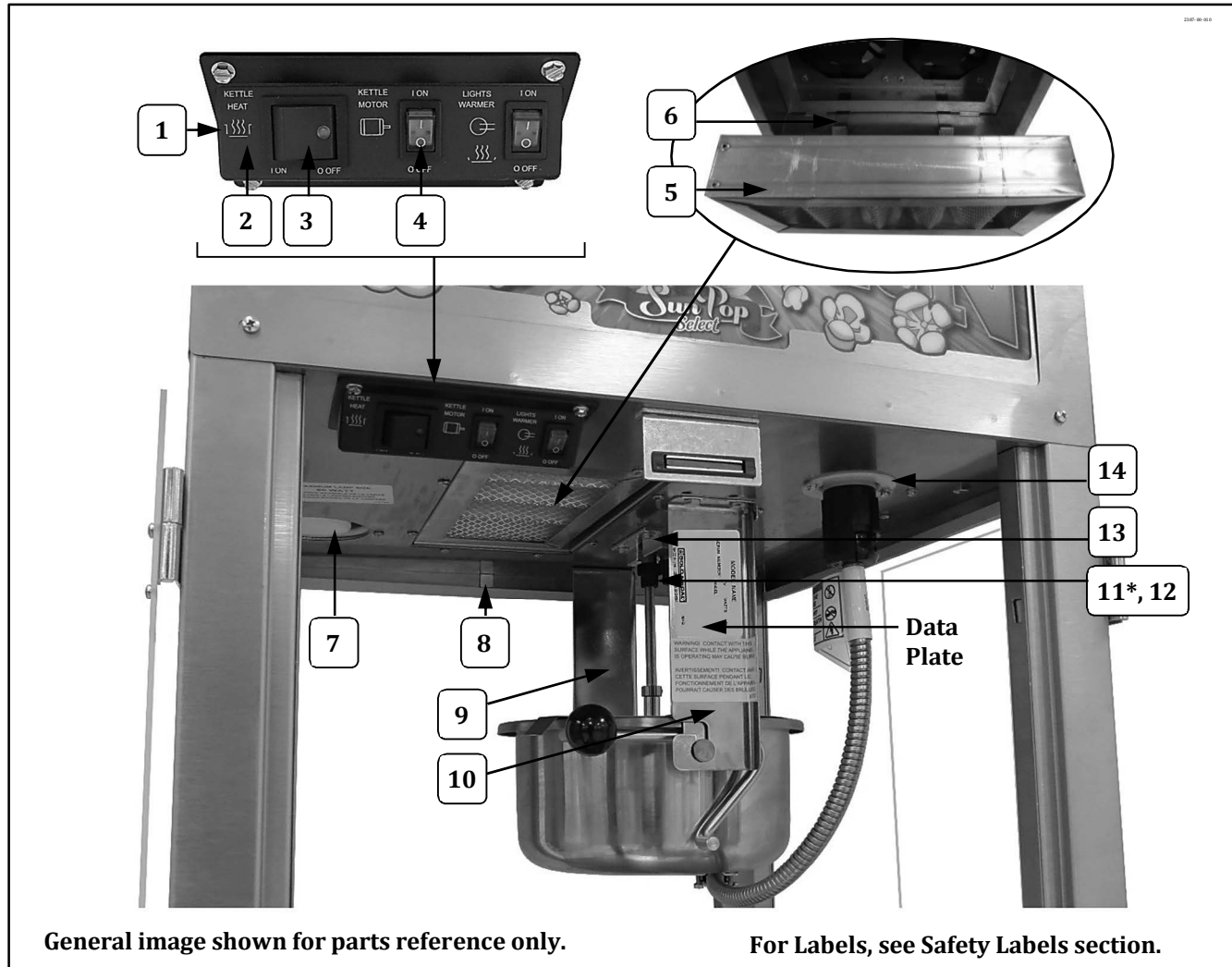


General image shown for parts reference only.

For Labels, see Safety Labels section.

Item	Part Description	Part No.
1	SMALL SWITCH BOX	48501
2	SMALL SWITCH LABEL	48502
3	GREEN LIGHTED ROCKER SWITCH	42798
4	DPST ROCKER SWITCH	42532
5	5 X 10 X 2 FILTER	69850
6	FILTER SPRING CLIP	62666
7	LED R20 LAMP 120V	111493
8	.5x.5x.1 MAGNET GLASS LOCK	51113
9	REAR HANGER ARM	61050
10	FRONT HANGER ARM	61049
11*	SPUR GEAR KIT (includes 2 gears with set screws. Always replace Agitator Spur Gear <u>and</u> Kettle Drive Motor Gear as a set.)	47059K
12	SET SCREW #10-32 X 3/16	41742
13	GEAR BLOCK	67194
14	L5-15R 15A RECEPTACLE	49330

## Cabinet Interior – Controls View

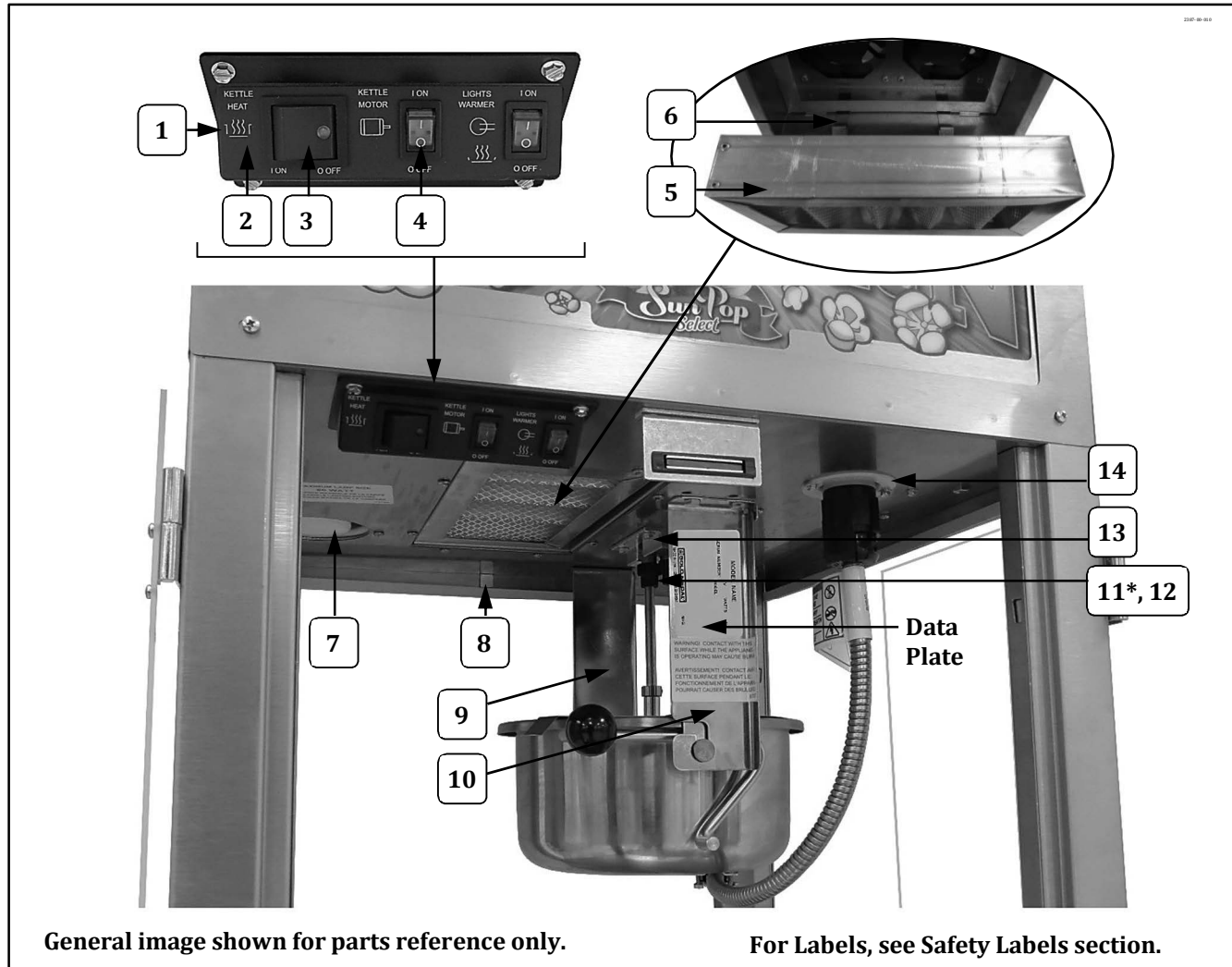


General image shown for parts reference only.

For Labels, see Safety Labels section.

Item	Part Description	Part No.
1	SMALL SWITCH BOX	48501
2	SMALL SWITCH LABEL	48502
3	GREEN LIGHTED ROCKER SWITCH	42798
4	DPST ROCKER SWITCH	42532
5	5 X 10 X 2 FILTER	69850
6	FILTER SPRING CLIP	62666
7	LED R20 LAMP 120V	111493
8	.5x.5x.1 MAGNET GLASS LOCK	51113
9	REAR HANGER ARM	61050
10	FRONT HANGER ARM	61049
11*	SPUR GEAR KIT (includes 2 gears with set screws. Always replace Agitator Spur Gear <u>and</u> Kettle Drive Motor Gear as a set.)	47059K
12	SET SCREW #10-32 X 3/16	41742
13	GEAR BLOCK	67194
14	L5-15R 15A RECEPTACLE	49330

## Cabinet Interior – Controls View

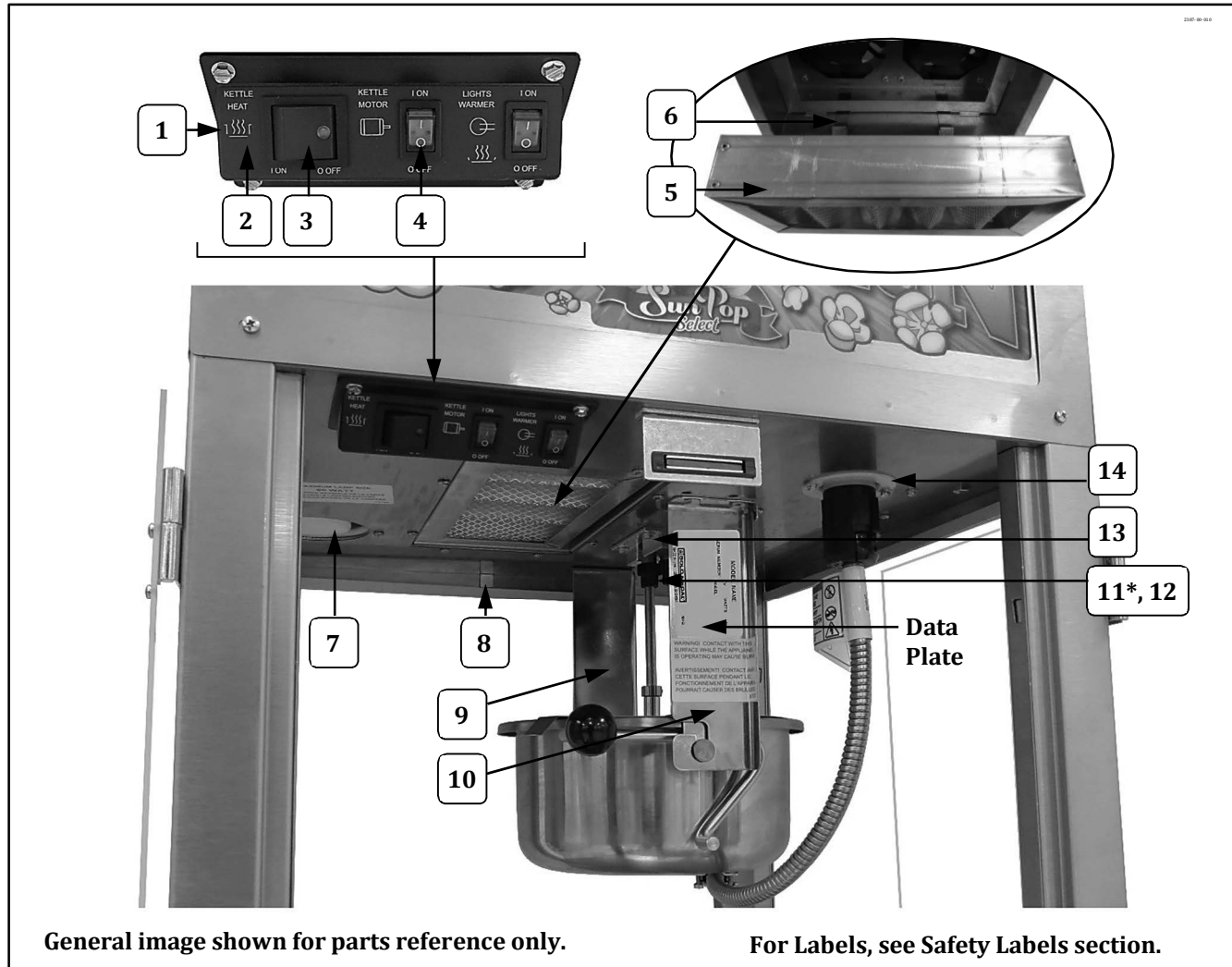


General image shown for parts reference only.

For Labels, see Safety Labels section.

Item	Part Description	Part No.
1	SMALL SWITCH BOX	48501
2	SMALL SWITCH LABEL	48502
3	GREEN LIGHTED ROCKER SWITCH	42798
4	DPST ROCKER SWITCH	42532
5	5 X 10 X 2 FILTER	69850
6	FILTER SPRING CLIP	62666
7	LED R20 LAMP 120V	111493
8	.5x.5x.1 MAGNET GLASS LOCK	51113
9	REAR HANGER ARM	61050
10	FRONT HANGER ARM	61049
11*	SPUR GEAR KIT (includes 2 gears with set screws. Always replace Agitator Spur Gear <u>and</u> Kettle Drive Motor Gear as a set.)	47059K
12	SET SCREW #10-32 X 3/16	41742
13	GEAR BLOCK	67194
14	L5-15R 15A RECEPTACLE	49330

## Cabinet Interior – Controls View

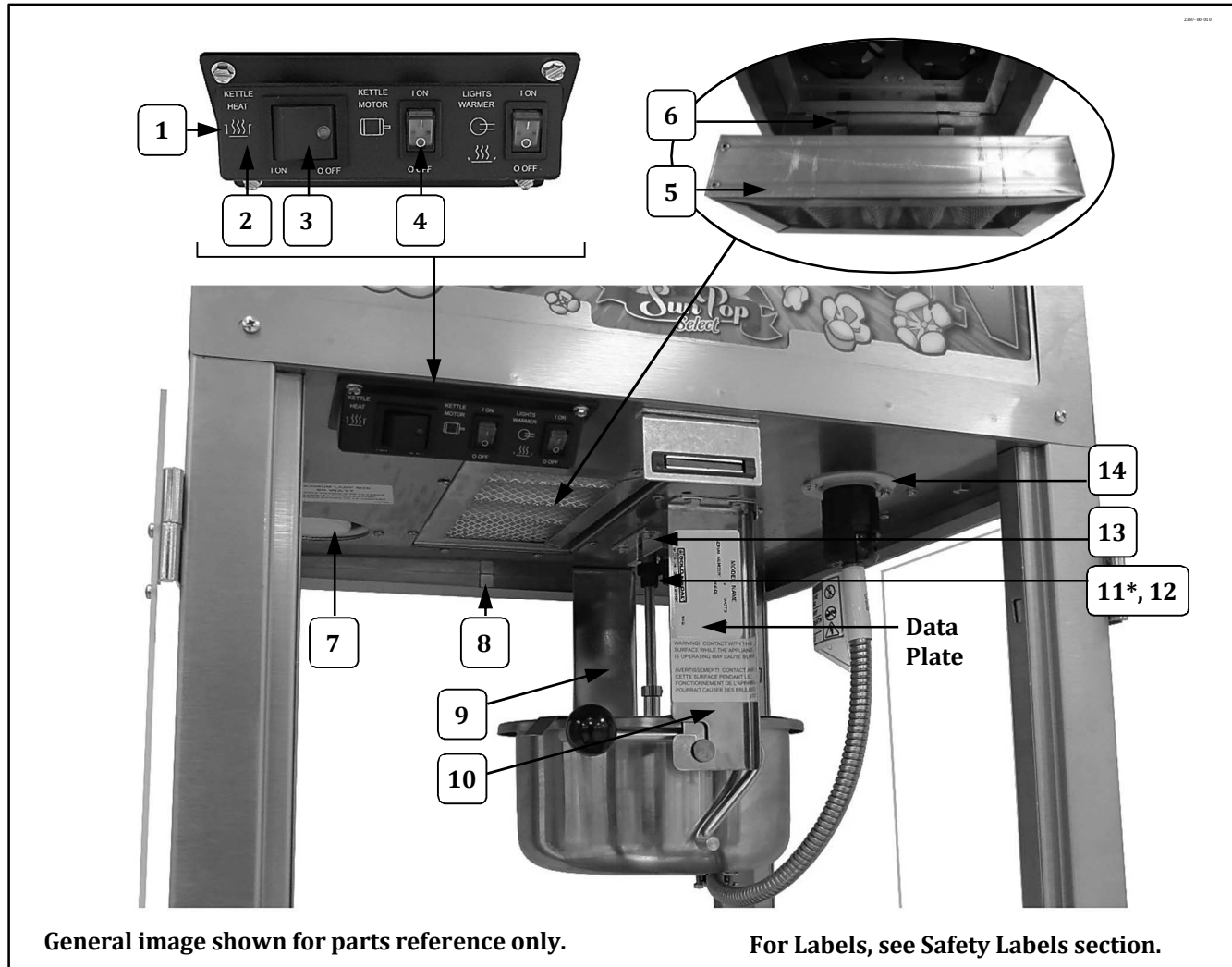


General image shown for parts reference only.

For Labels, see Safety Labels section.

Item	Part Description	Part No.
1	SMALL SWITCH BOX	48501
2	SMALL SWITCH LABEL	48502
3	GREEN LIGHTED ROCKER SWITCH	42798
4	DPST ROCKER SWITCH	42532
5	5 X 10 X 2 FILTER	69850
6	FILTER SPRING CLIP	62666
7	LED R20 LAMP 120V	111493
8	.5x.5x.1 MAGNET GLASS LOCK	51113
9	REAR HANGER ARM	61050
10	FRONT HANGER ARM	61049
11*	SPUR GEAR KIT (includes 2 gears with set screws. Always replace Agitator Spur Gear <u>and</u> Kettle Drive Motor Gear as a set.)	47059K
12	SET SCREW #10-32 X 3/16	41742
13	GEAR BLOCK	67194
14	L5-15R 15A RECEPTACLE	49330

## Cabinet Interior – Controls View

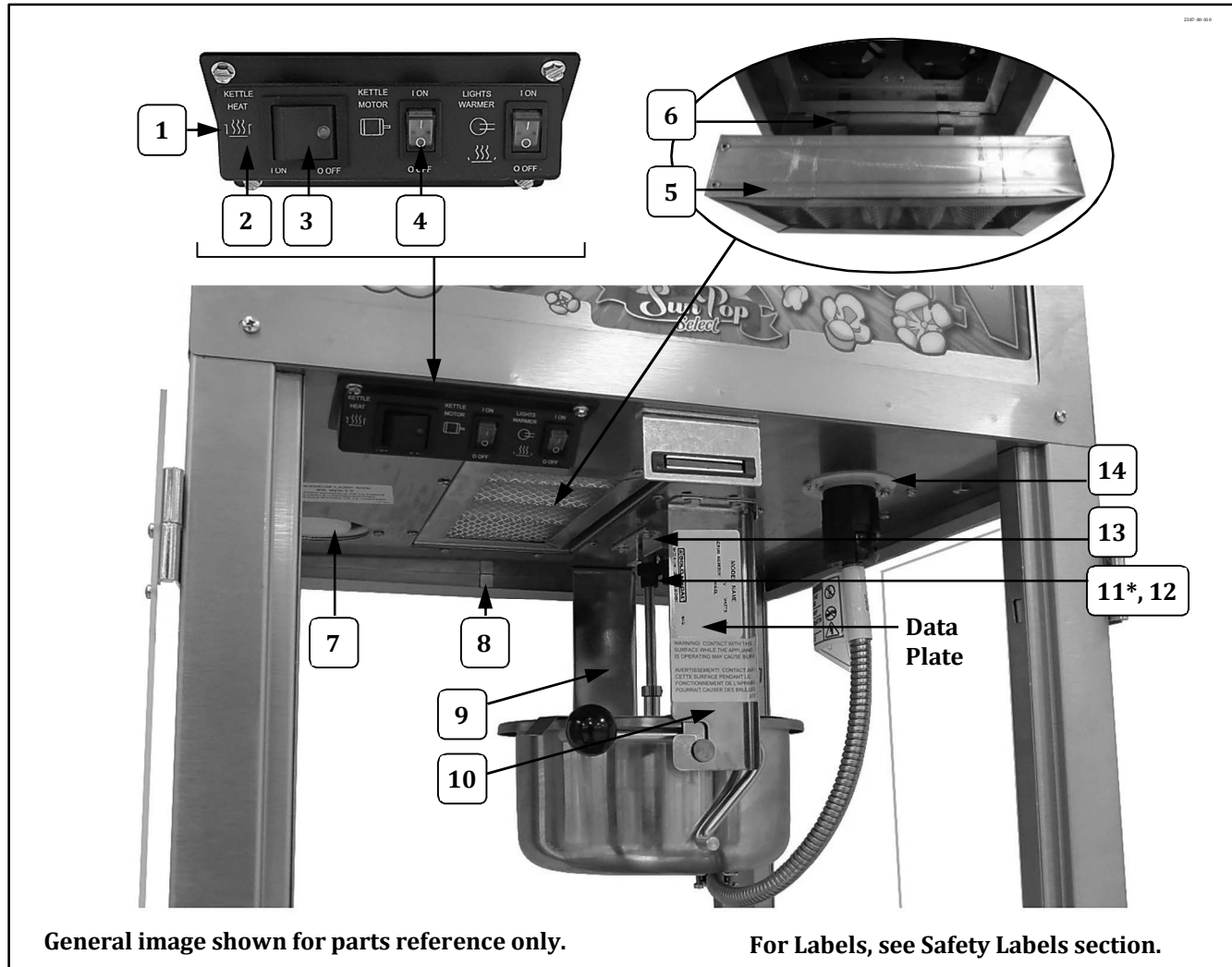


General image shown for parts reference only.

For Labels, see Safety Labels section.

Item	Part Description	Part No.
1	SMALL SWITCH BOX	48501
2	SMALL SWITCH LABEL	48502
3	GREEN LIGHTED ROCKER SWITCH	42798
4	DPST ROCKER SWITCH	42532
5	5 X 10 X 2 FILTER	69850
6	FILTER SPRING CLIP	62666
7	LED R20 LAMP 120V	111493
8	.5x.5x.1 MAGNET GLASS LOCK	51113
9	REAR HANGER ARM	61050
10	FRONT HANGER ARM	61049
11*	SPUR GEAR KIT (includes 2 gears with set screws. Always replace Agitator Spur Gear <u>and</u> Kettle Drive Motor Gear as a set.)	47059K
12	SET SCREW #10-32 X 3/16	41742
13	GEAR BLOCK	67194
14	L5-15R 15A RECEPTACLE	49330

## Cabinet Interior – Controls View

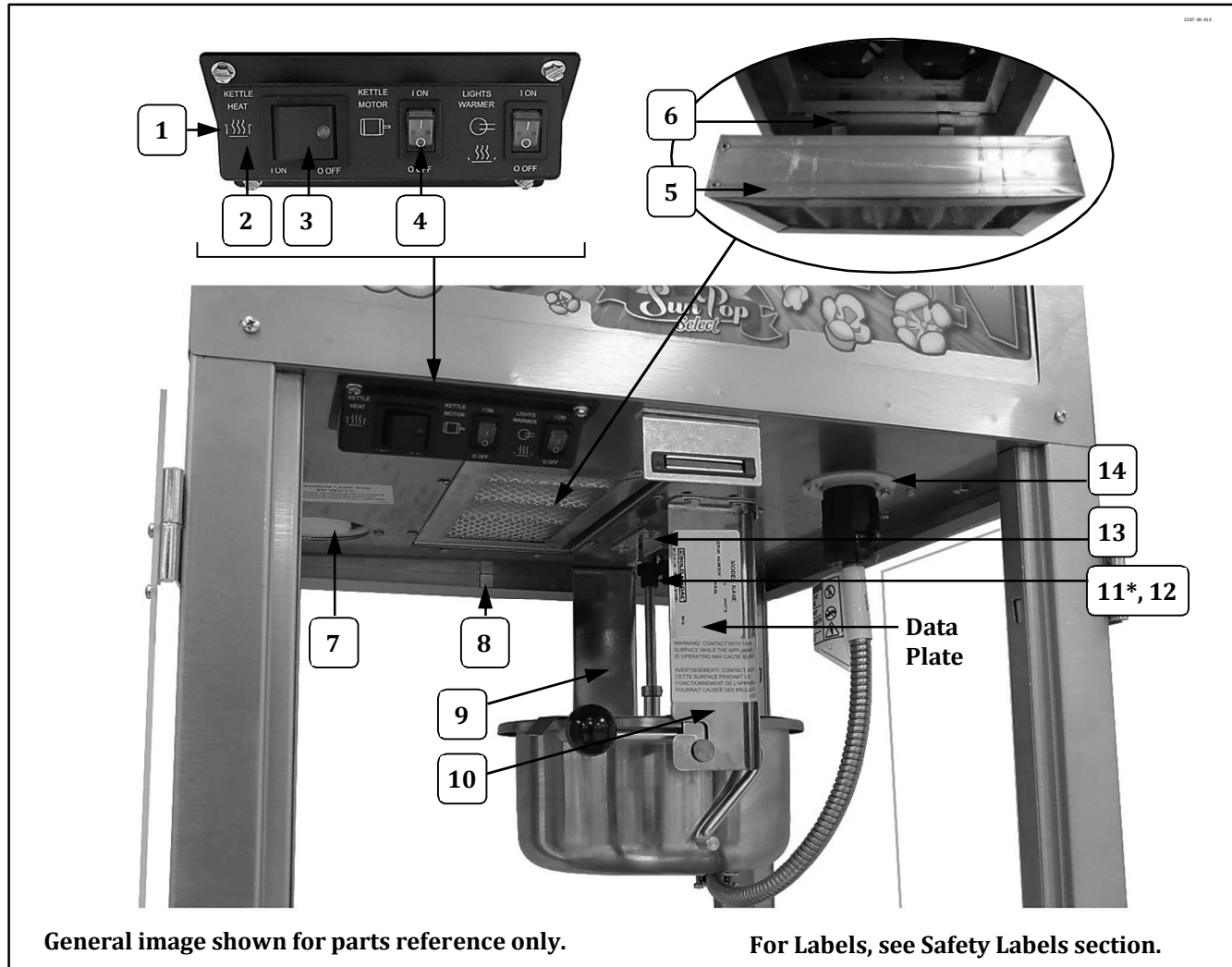


General image shown for parts reference only.

For Labels, see Safety Labels section.

Item	Part Description	Part No.
1	SMALL SWITCH BOX	48501
2	SMALL SWITCH LABEL	48502
3	GREEN LIGHTED ROCKER SWITCH	42798
4	DPST ROCKER SWITCH	42532
5	5 X 10 X 2 FILTER	69850
6	FILTER SPRING CLIP	62666
7	LED R20 LAMP 120V	111493
8	.5x.5x.1 MAGNET GLASS LOCK	51113
9	REAR HANGER ARM	61050
10	FRONT HANGER ARM	61049
11*	SPUR GEAR KIT (includes 2 gears with set screws. Always replace Agitator Spur Gear <u>and</u> Kettle Drive Motor Gear as a set.)	47059K
12	SET SCREW #10-32 X 3/16	41742
13	GEAR BLOCK	67194
14	L5-15R 15A RECEPTACLE	49330

## Cabinet Interior – Controls View

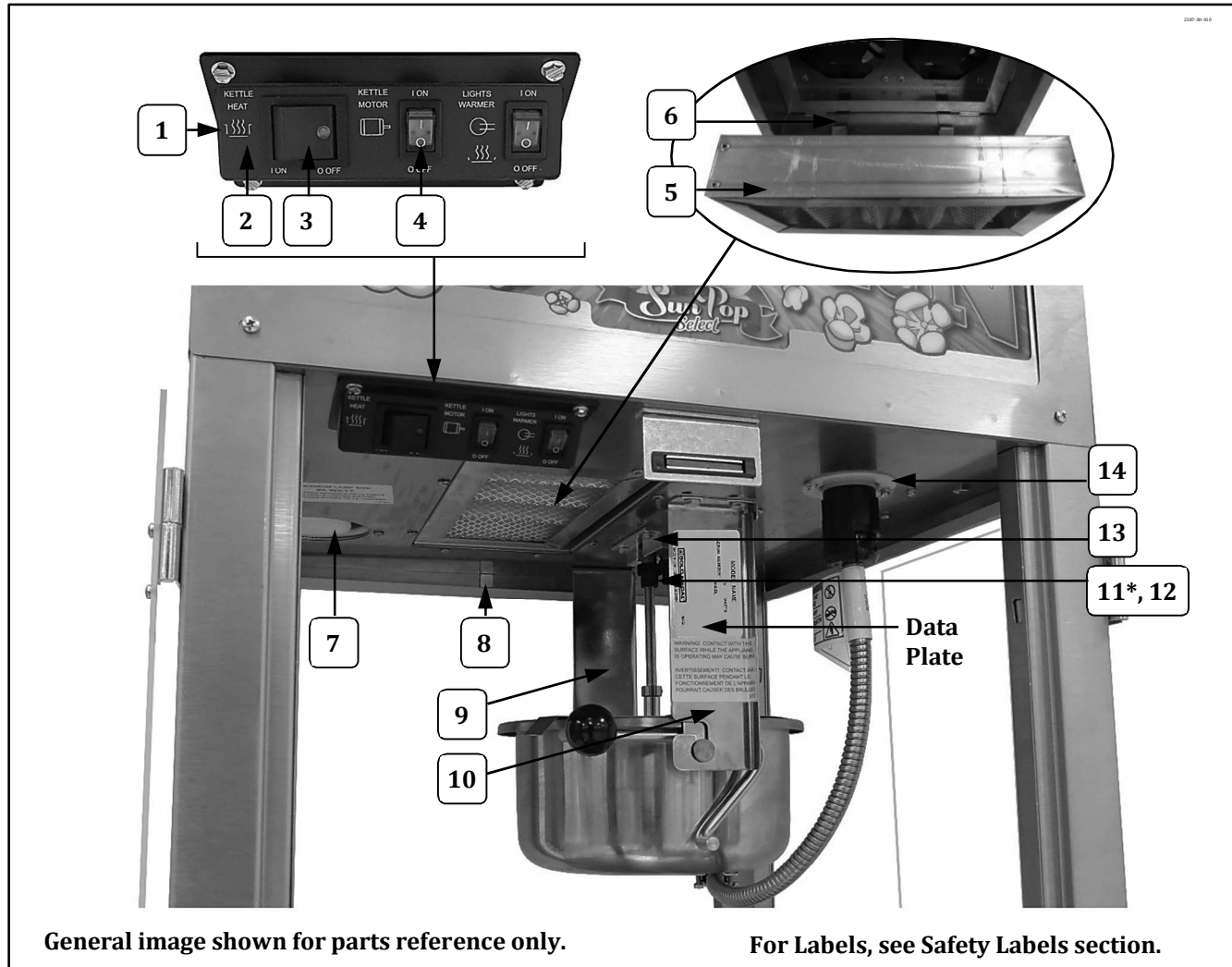


General image shown for parts reference only.

For Labels, see Safety Labels section.

Item	Part Description	Part No.
1	SMALL SWITCH BOX	48501
2	SMALL SWITCH LABEL	48502
3	GREEN LIGHTED ROCKER SWITCH	42798
4	DPST ROCKER SWITCH	42532
5	5 X 10 X 2 FILTER	69850
6	FILTER SPRING CLIP	62666
7	LED R20 LAMP 120V	111493
8	.5x.5x.1 MAGNET GLASS LOCK	51113
9	REAR HANGER ARM	61050
10	FRONT HANGER ARM	61049
11*	SPUR GEAR KIT (includes 2 gears with set screws. Always replace Agitator Spur Gear <u>and</u> Kettle Drive Motor Gear as a set.)	47059K
12	SET SCREW #10-32 X 3/16	41742
13	GEAR BLOCK	67194
14	L5-15R 15A RECEPTACLE	49330

## Cabinet Interior – Controls View

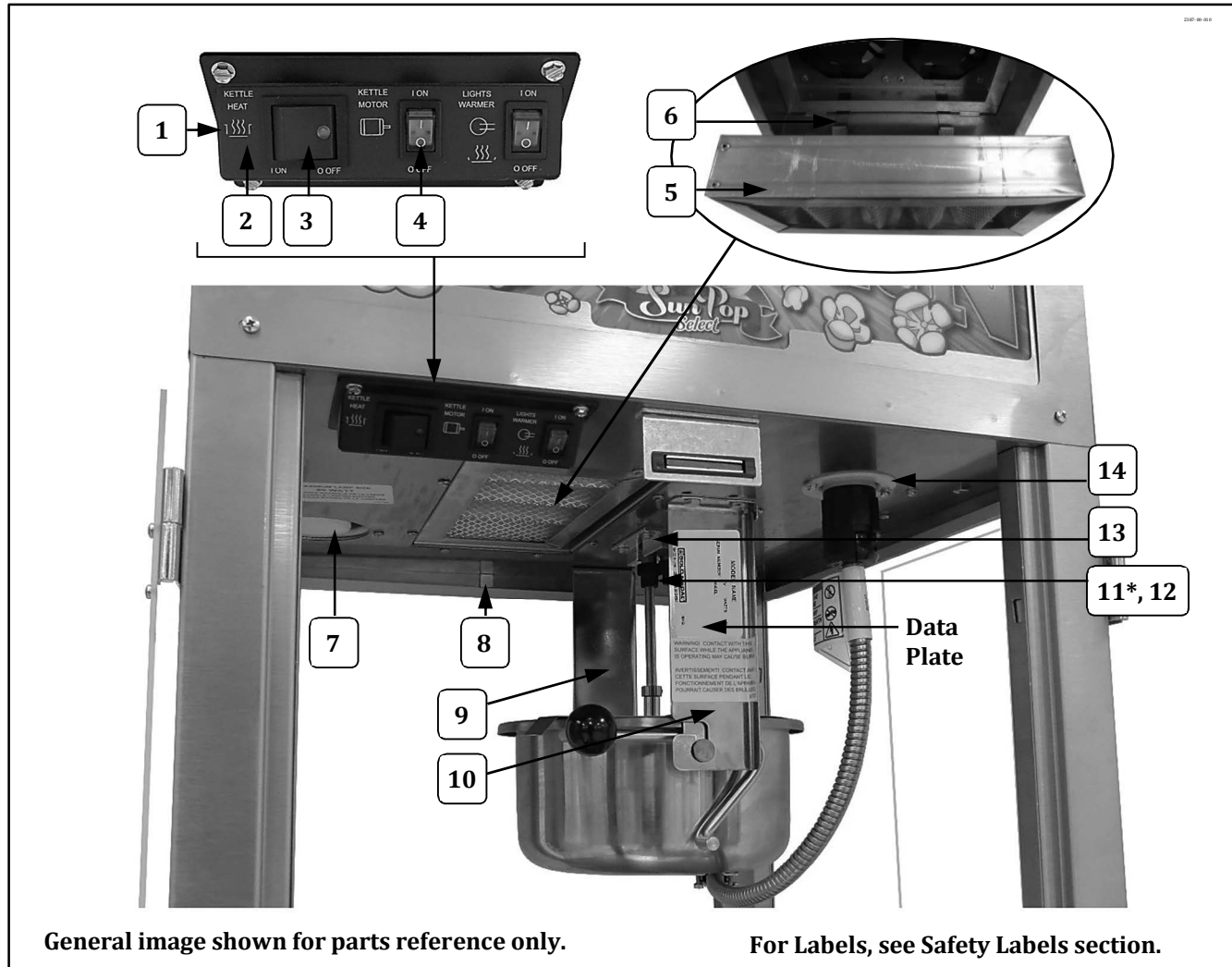


General image shown for parts reference only.

For Labels, see Safety Labels section.

Item	Part Description	Part No.
1	SMALL SWITCH BOX	48501
2	SMALL SWITCH LABEL	48502
3	GREEN LIGHTED ROCKER SWITCH	42798
4	DPST ROCKER SWITCH	42532
5	5 X 10 X 2 FILTER	69850
6	FILTER SPRING CLIP	62666
7	LED R20 LAMP 120V	111493
8	.5x.5x.1 MAGNET GLASS LOCK	51113
9	REAR HANGER ARM	61050
10	FRONT HANGER ARM	61049
11*	SPUR GEAR KIT (includes 2 gears with set screws. Always replace Agitator Spur Gear <u>and</u> Kettle Drive Motor Gear as a set.)	47059K
12	SET SCREW #10-32 X 3/16	41742
13	GEAR BLOCK	67194
14	L5-15R 15A RECEPTACLE	49330

## Cabinet Interior – Controls View

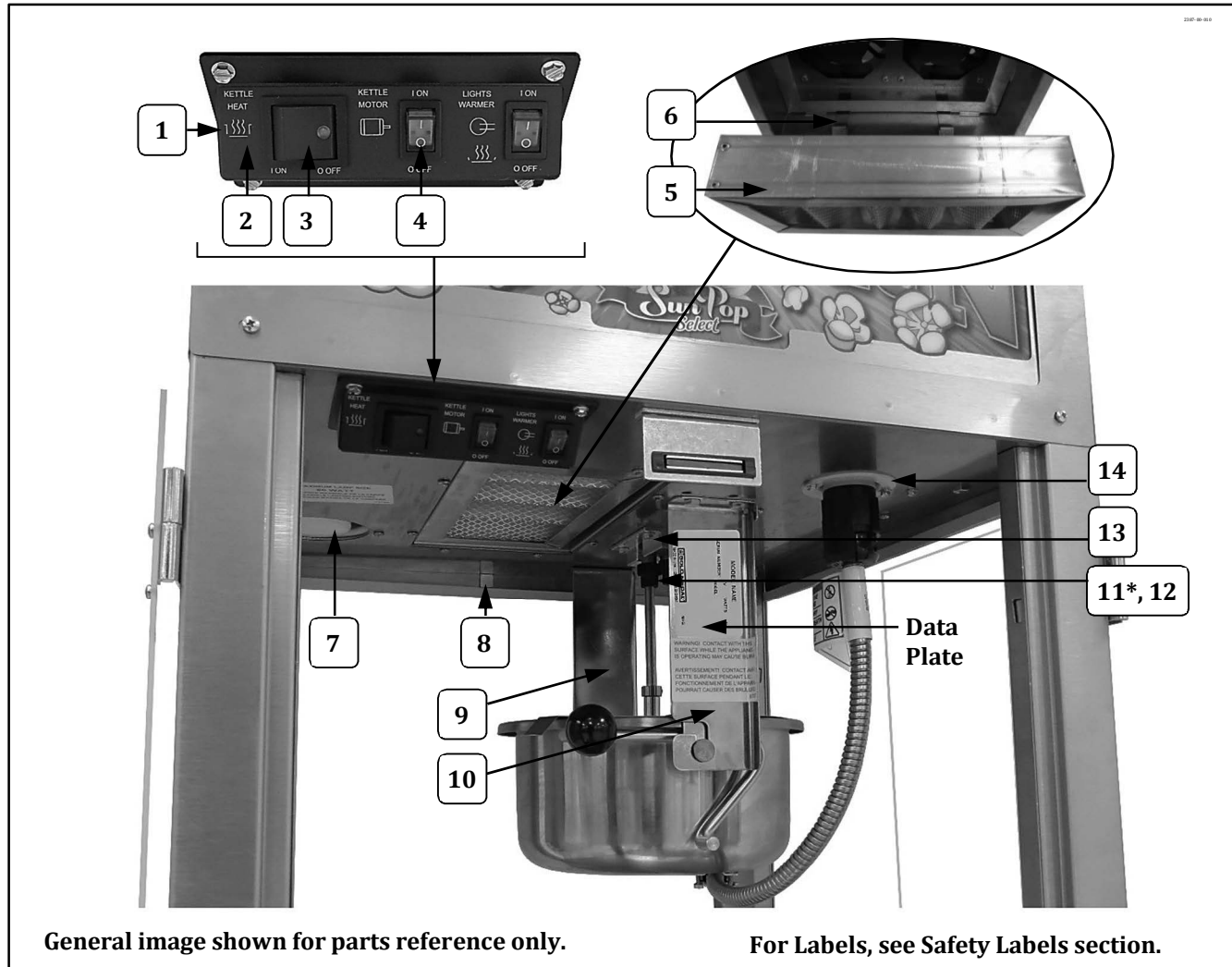


General image shown for parts reference only.

For Labels, see Safety Labels section.

Item	Part Description	Part No.
1	SMALL SWITCH BOX	48501
2	SMALL SWITCH LABEL	48502
3	GREEN LIGHTED ROCKER SWITCH	42798
4	DPST ROCKER SWITCH	42532
5	5 X 10 X 2 FILTER	69850
6	FILTER SPRING CLIP	62666
7	LED R20 LAMP 120V	111493
8	.5x.5x.1 MAGNET GLASS LOCK	51113
9	REAR HANGER ARM	61050
10	FRONT HANGER ARM	61049
11*	SPUR GEAR KIT (includes 2 gears with set screws. Always replace Agitator Spur Gear <u>and</u> Kettle Drive Motor Gear as a set.)	47059K
12	SET SCREW #10-32 X 3/16	41742
13	GEAR BLOCK	67194
14	L5-15R 15A RECEPTACLE	49330

## Cabinet Interior – Controls View

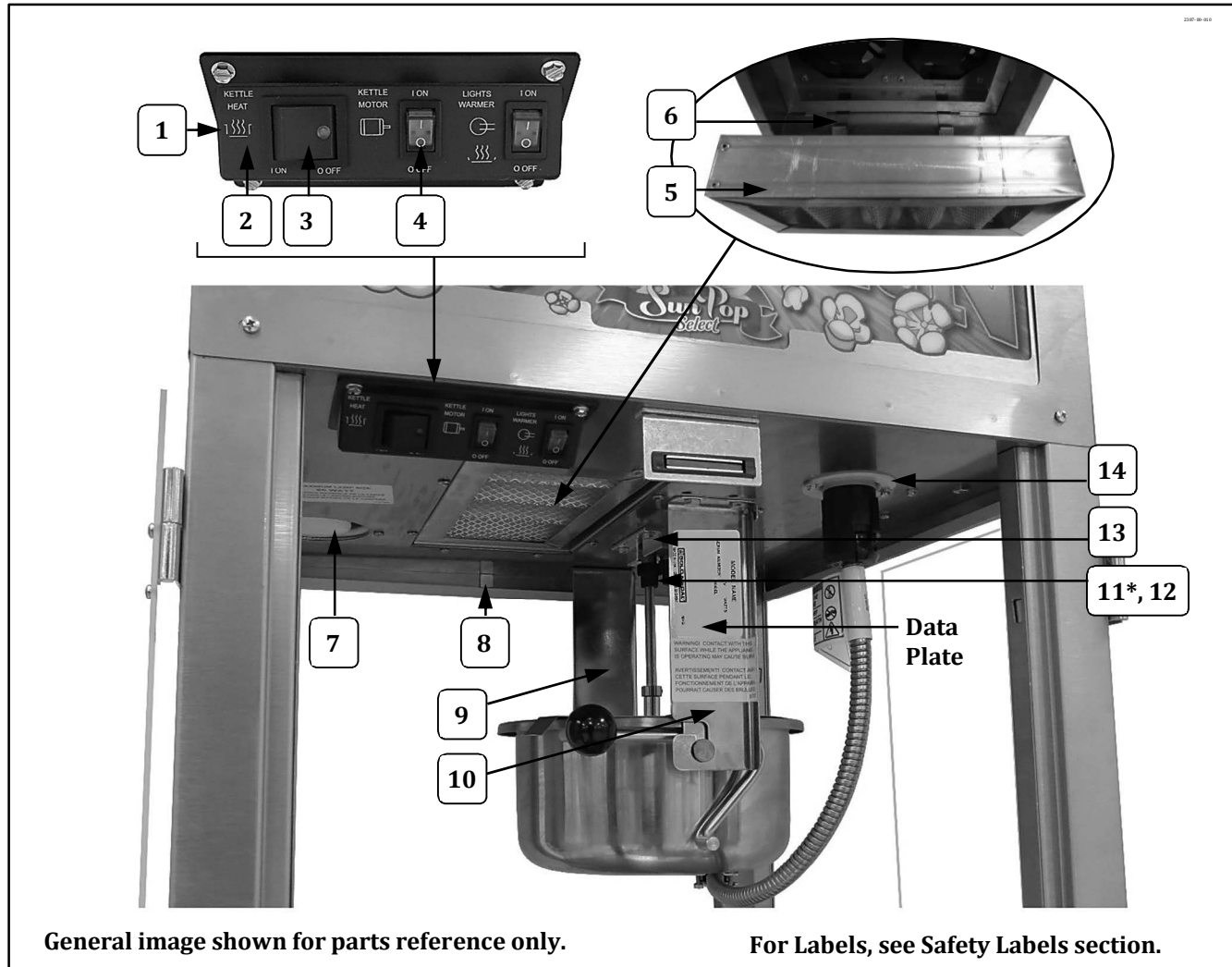


General image shown for parts reference only.

For Labels, see Safety Labels section.

Item	Part Description	Part No.
1	SMALL SWITCH BOX	48501
2	SMALL SWITCH LABEL	48502
3	GREEN LIGHTED ROCKER SWITCH	42798
4	DPST ROCKER SWITCH	42532
5	5 X 10 X 2 FILTER	69850
6	FILTER SPRING CLIP	62666
7	LED R20 LAMP 120V	111493
8	.5x.5x.1 MAGNET GLASS LOCK	51113
9	REAR HANGER ARM	61050
10	FRONT HANGER ARM	61049
11*	SPUR GEAR KIT (includes 2 gears with set screws. Always replace Agitator Spur Gear <u>and</u> Kettle Drive Motor Gear as a set.)	47059K
12	SET SCREW #10-32 X 3/16	41742
13	GEAR BLOCK	67194
14	L5-15R 15A RECEPTACLE	49330

## Cabinet Interior – Controls View

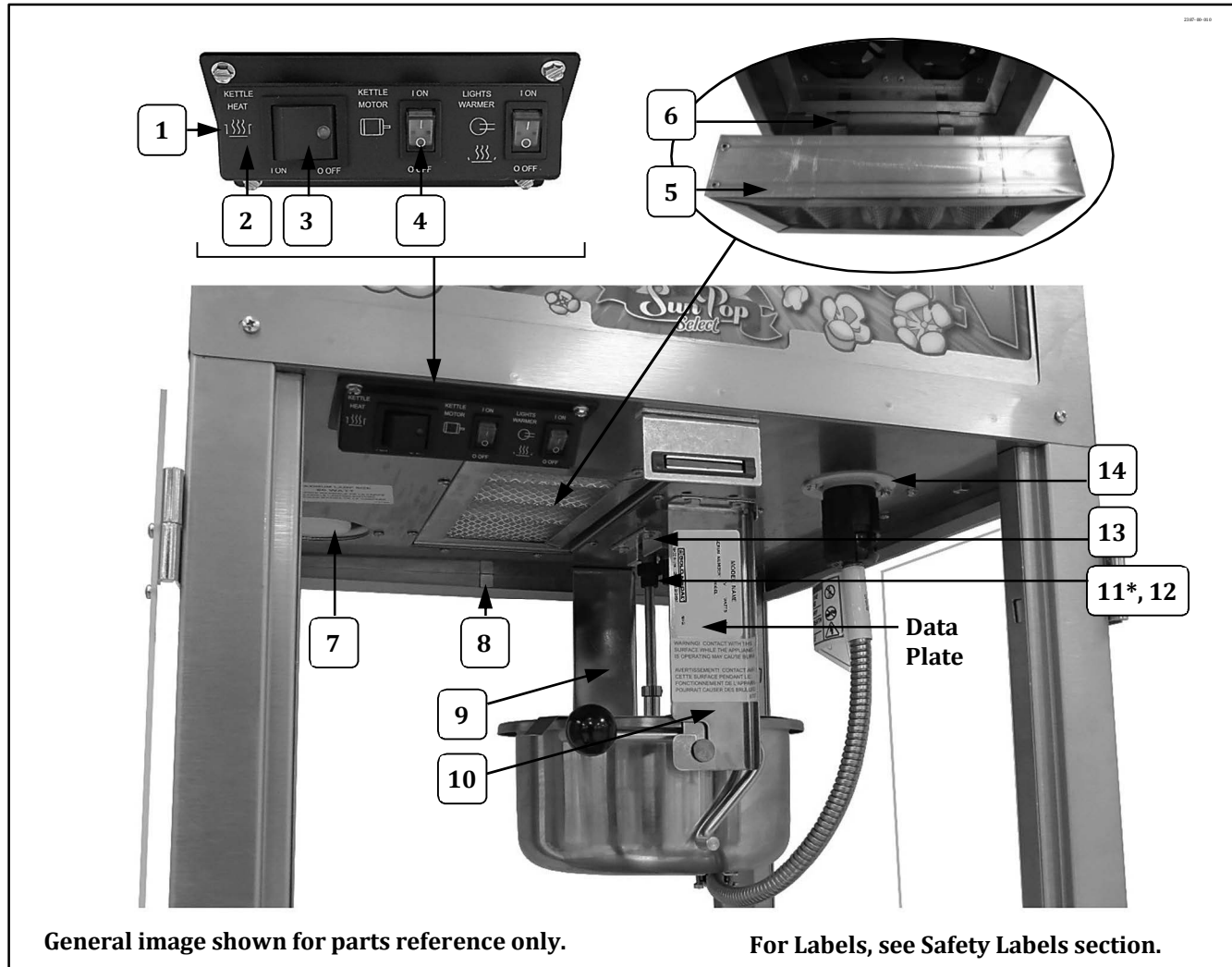


General image shown for parts reference only.

For Labels, see Safety Labels section.

Item	Part Description	Part No.
1	SMALL SWITCH BOX	48501
2	SMALL SWITCH LABEL	48502
3	GREEN LIGHTED ROCKER SWITCH	42798
4	DPST ROCKER SWITCH	42532
5	5 X 10 X 2 FILTER	69850
6	FILTER SPRING CLIP	62666
7	LED R20 LAMP 120V	111493
8	.5x.5x.1 MAGNET GLASS LOCK	51113
9	REAR HANGER ARM	61050
10	FRONT HANGER ARM	61049
11*	SPUR GEAR KIT (includes 2 gears with set screws. Always replace Agitator Spur Gear <u>and</u> Kettle Drive Motor Gear as a set.)	47059K
12	SET SCREW #10-32 X 3/16	41742
13	GEAR BLOCK	67194
14	L5-15R 15A RECEPTACLE	49330

## Cabinet Interior – Controls View

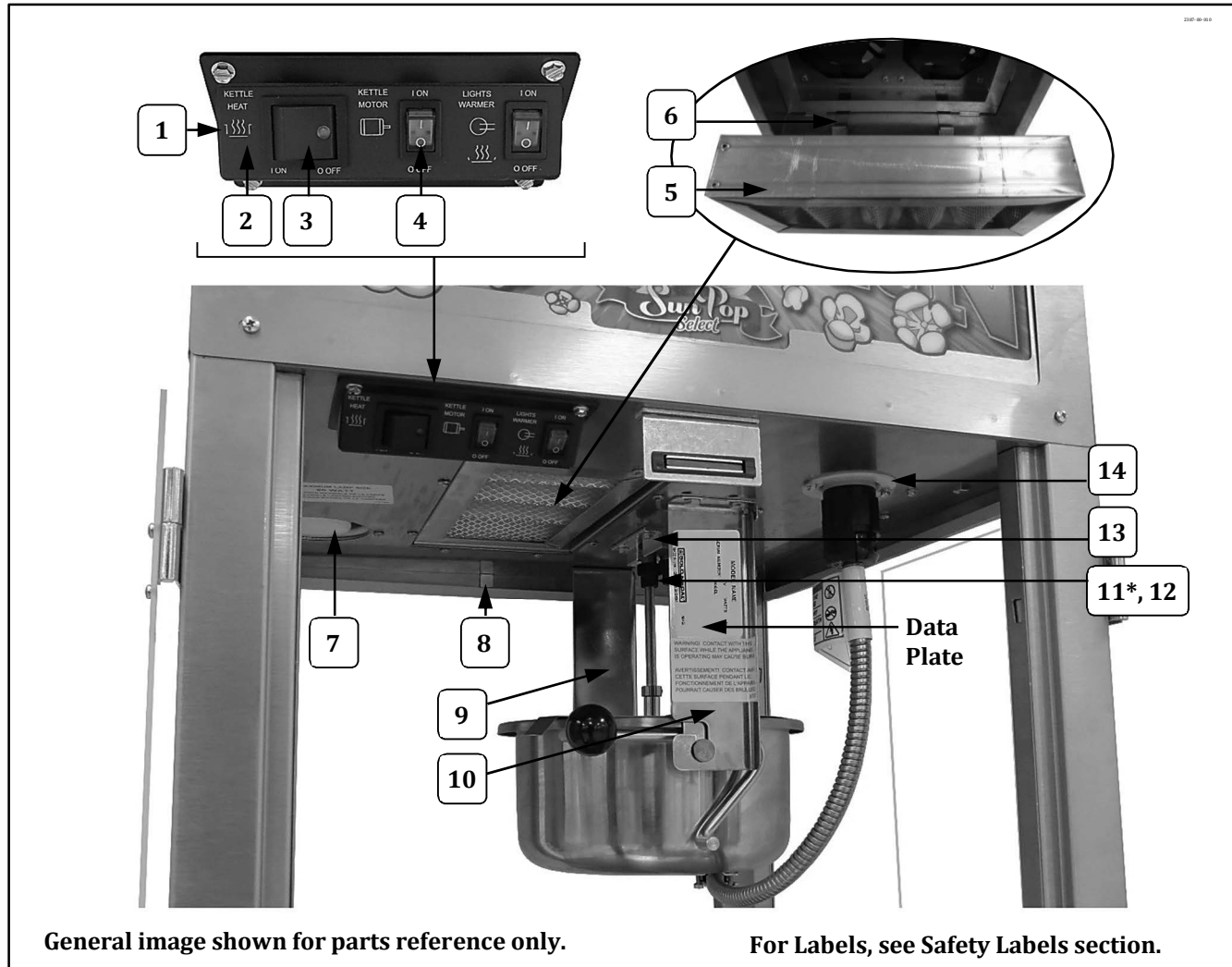


General image shown for parts reference only.

For Labels, see Safety Labels section.

Item	Part Description	Part No.
1	SMALL SWITCH BOX	48501
2	SMALL SWITCH LABEL	48502
3	GREEN LIGHTED ROCKER SWITCH	42798
4	DPST ROCKER SWITCH	42532
5	5 X 10 X 2 FILTER	69850
6	FILTER SPRING CLIP	62666
7	LED R20 LAMP 120V	111493
8	.5x.5x.1 MAGNET GLASS LOCK	51113
9	REAR HANGER ARM	61050
10	FRONT HANGER ARM	61049
11*	SPUR GEAR KIT (includes 2 gears with set screws. Always replace Agitator Spur Gear <u>and</u> Kettle Drive Motor Gear as a set.)	47059K
12	SET SCREW #10-32 X 3/16	41742
13	GEAR BLOCK	67194
14	L5-15R 15A RECEPTACLE	49330

## Cabinet Interior – Controls View

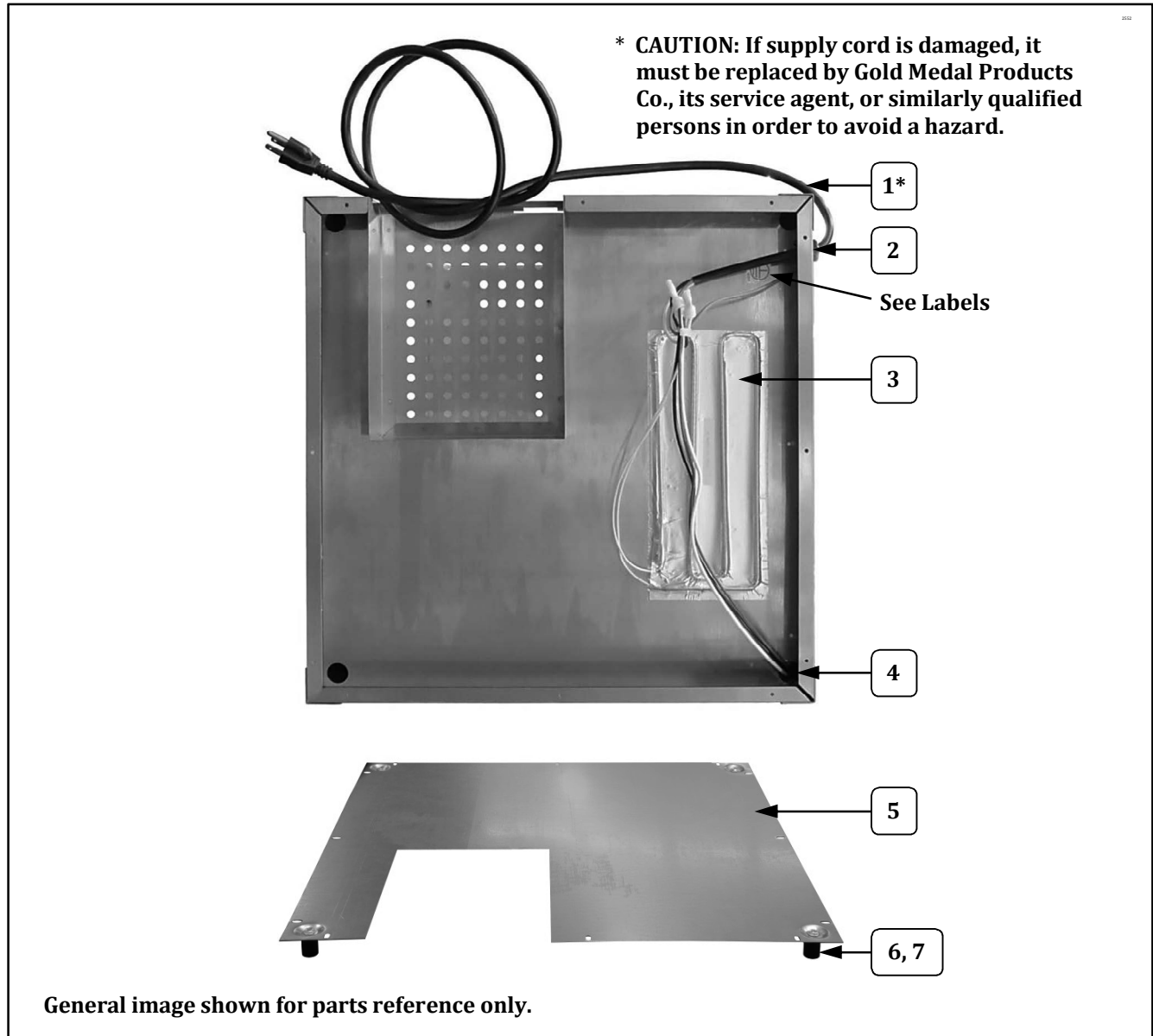


General image shown for parts reference only.

For Labels, see Safety Labels section.

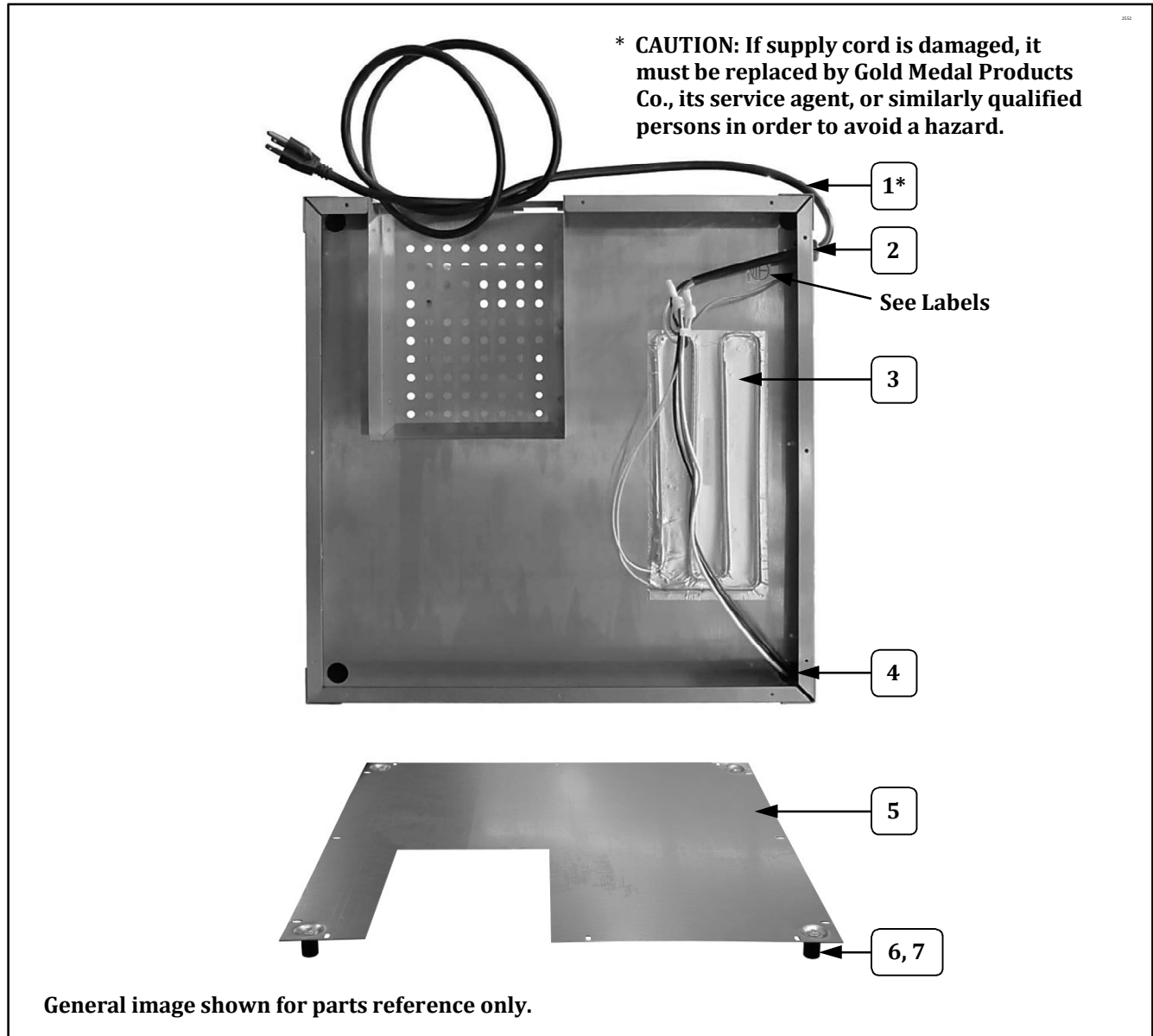
Item	Part Description	Part No.
1	SMALL SWITCH BOX	48501
2	SMALL SWITCH LABEL	48502
3	GREEN LIGHTED ROCKER SWITCH	42798
4	DPST ROCKER SWITCH	42532
5	5 X 10 X 2 FILTER	69850
6	FILTER SPRING CLIP	62666
7	LED R20 LAMP 120V	111493
8	.5x.5x.1 MAGNET GLASS LOCK	51113
9	REAR HANGER ARM	61050
10	FRONT HANGER ARM	61049
11*	SPUR GEAR KIT (includes 2 gears with set screws. Always replace Agitator Spur Gear <u>and</u> Kettle Drive Motor Gear as a set.)	47059K
12	SET SCREW #10-32 X 3/16	41742
13	GEAR BLOCK	67194
14	L5-15R 15A RECEPTACLE	49330

## Cabinet Bottom – Corn Pan Element View



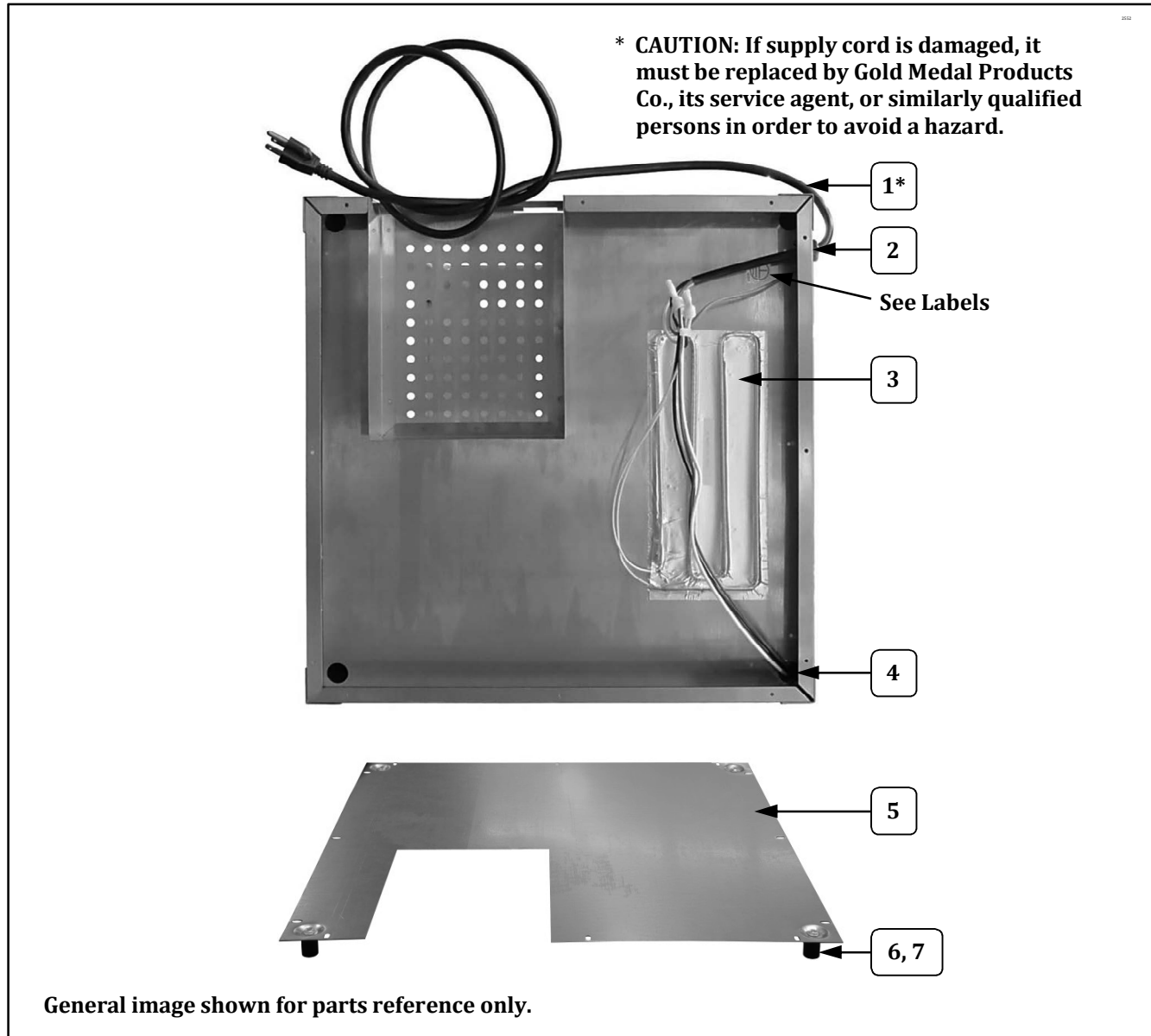
Item	Part Description	Part No.
1	LEAD IN CORD 15 AMP PLUG	87085
2	STRAIN RELIEF	67060
3	120 VOLT FOIL HEATER	40557
4	.875 SNAP BUSHING	45396
5	BOTTOM COVER	49838
6	GLIDE	47328
7	10-24 X 3/4 HEX HD	41314

## Cabinet Bottom – Corn Pan Element View



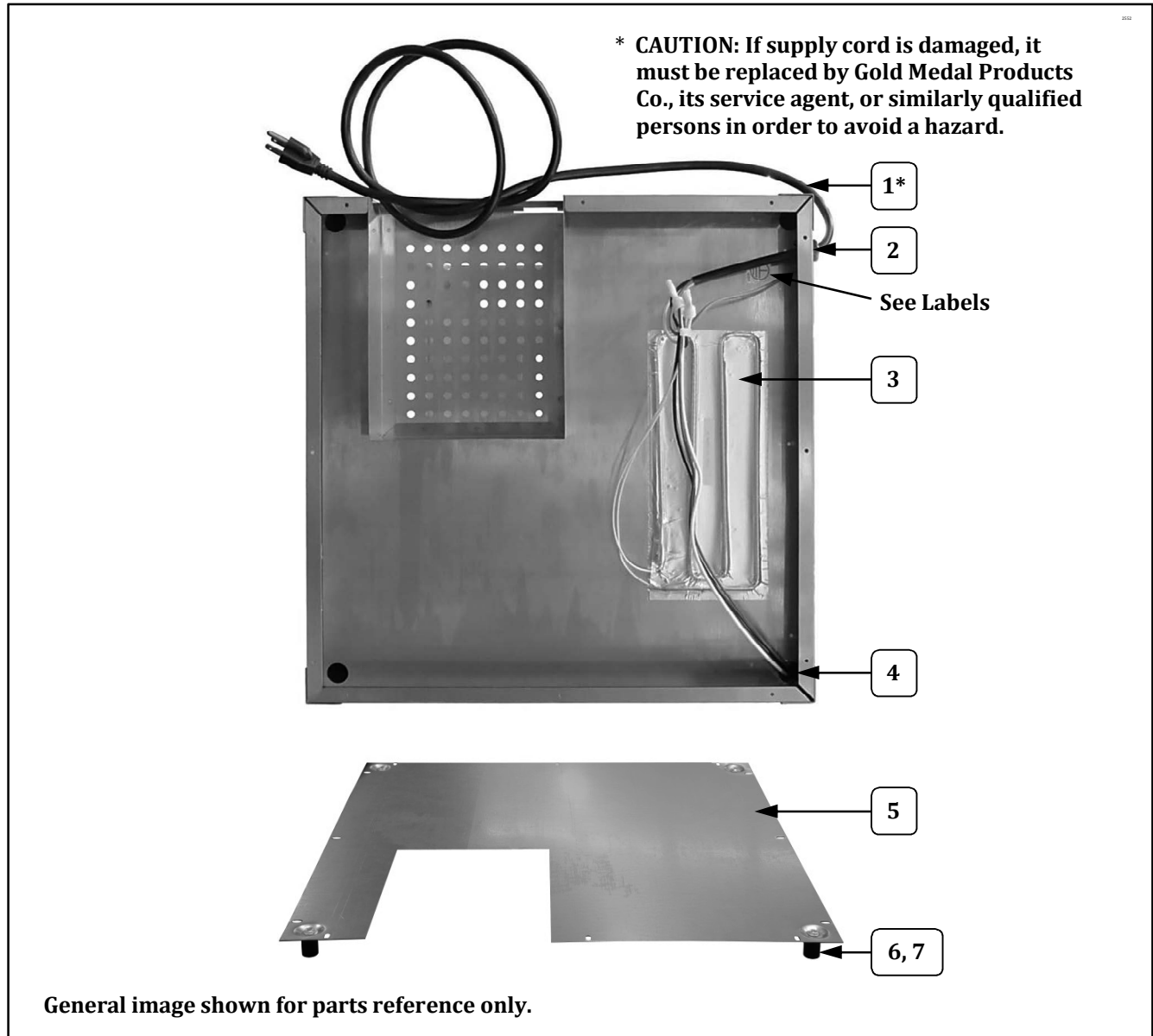
Item	Part Description	Part No.
1	LEAD IN CORD 15 AMP PLUG	87085
2	STRAIN RELIEF	67060
3	120 VOLT FOIL HEATER	40557
4	.875 SNAP BUSHING	45396
5	BOTTOM COVER	49838
6	GLIDE	47328
7	10-24 X 3/4 HEX HD	41314

## Cabinet Bottom – Corn Pan Element View



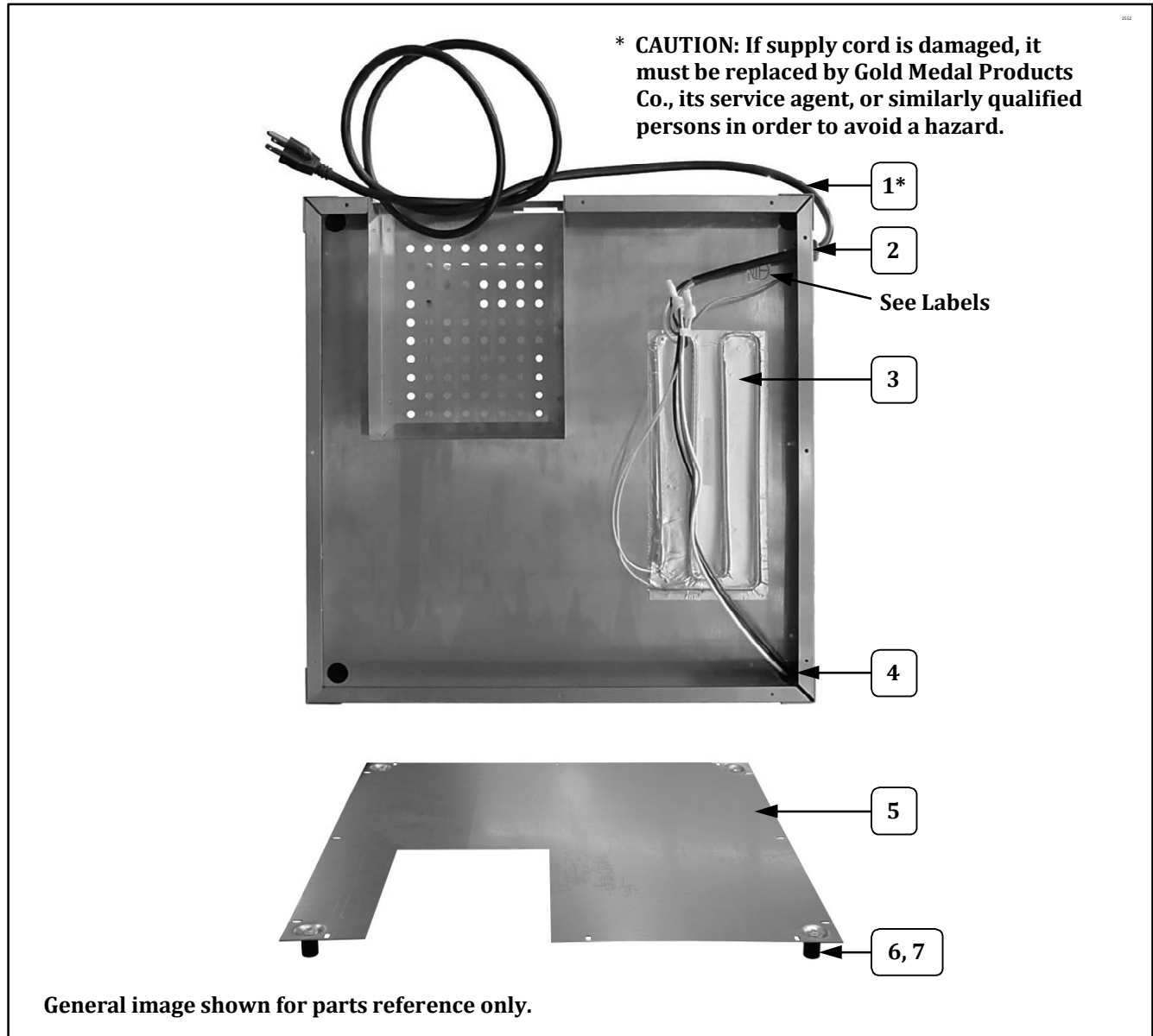
Item	Part Description	Part No.
1	LEAD IN CORD 15 AMP PLUG	87085
2	STRAIN RELIEF	67060
3	120 VOLT FOIL HEATER	40557
4	.875 SNAP BUSHING	45396
5	BOTTOM COVER	49838
6	GLIDE	47328
7	10-24 X 3/4 HEX HD	41314

## Cabinet Bottom – Corn Pan Element View



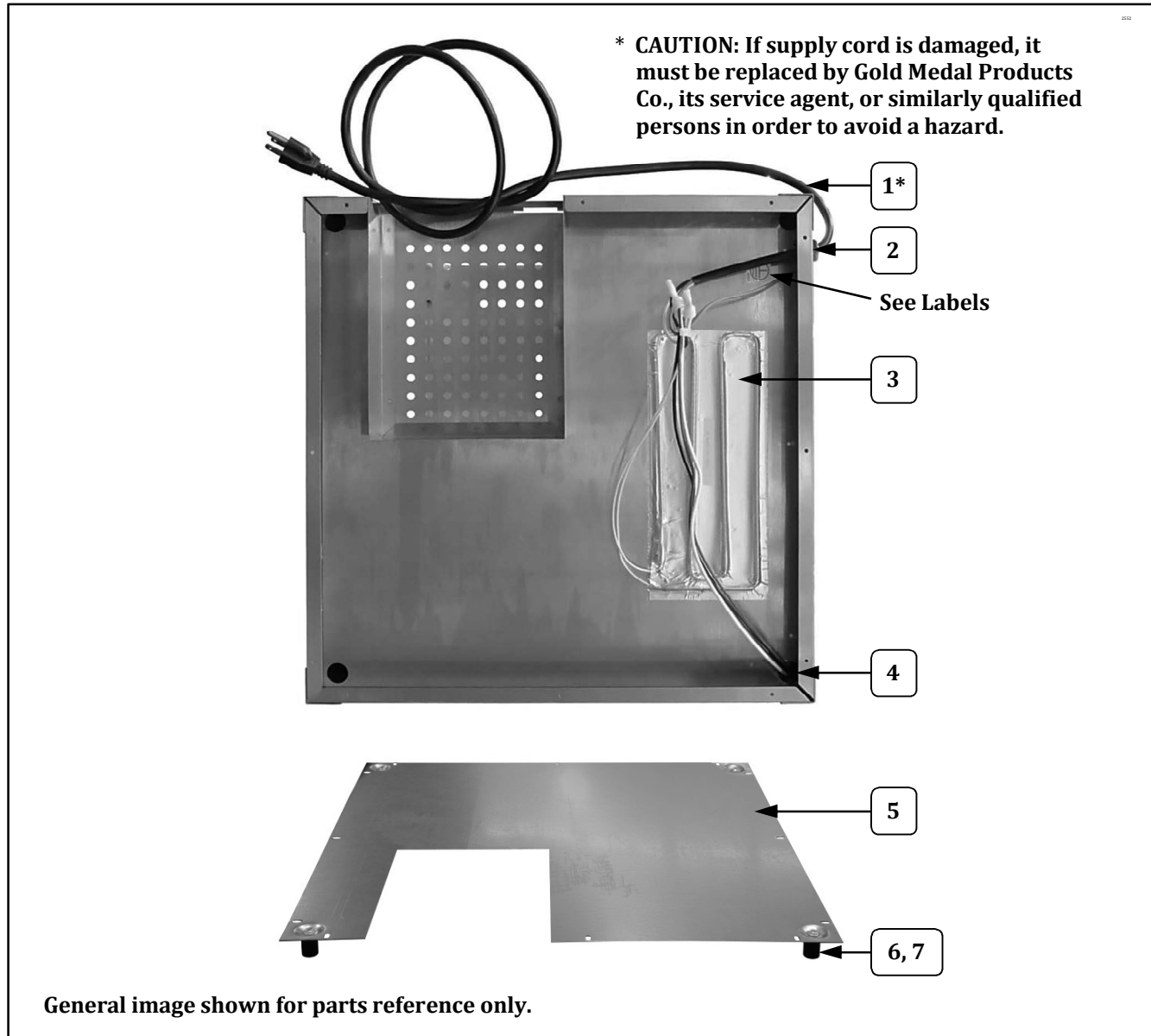
Item	Part Description	Part No.
1	LEAD IN CORD 15 AMP PLUG	87085
2	STRAIN RELIEF	67060
3	120 VOLT FOIL HEATER	40557
4	.875 SNAP BUSHING	45396
5	BOTTOM COVER	49838
6	GLIDE	47328
7	10-24 X 3/4 HEX HD	41314

## Cabinet Bottom – Corn Pan Element View



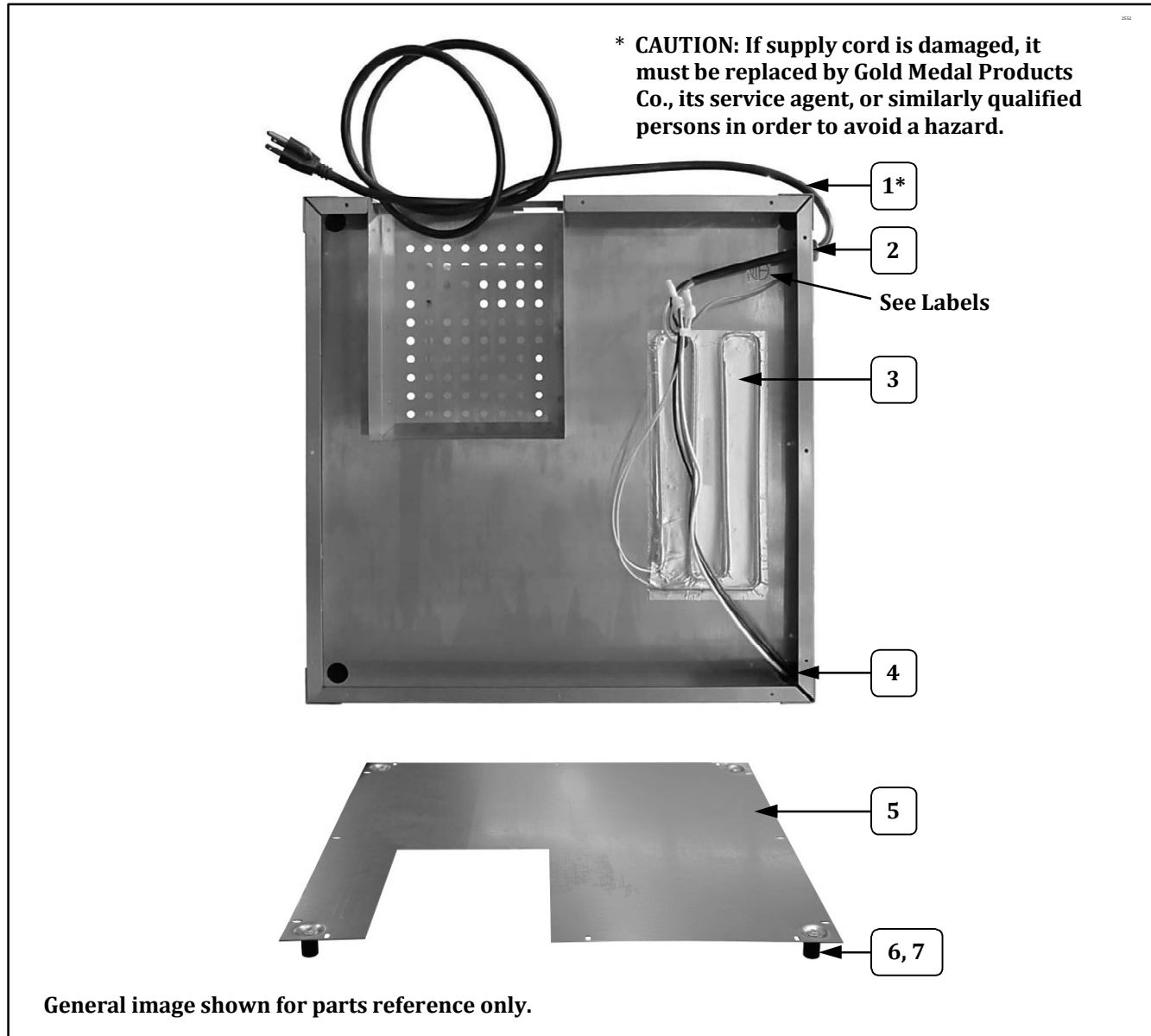
Item	Part Description	Part No.
1	LEAD IN CORD 15 AMP PLUG	87085
2	STRAIN RELIEF	67060
3	120 VOLT FOIL HEATER	40557
4	.875 SNAP BUSHING	45396
5	BOTTOM COVER	49838
6	GLIDE	47328
7	10-24 X 3/4 HEX HD	41314

## Cabinet Bottom – Corn Pan Element View



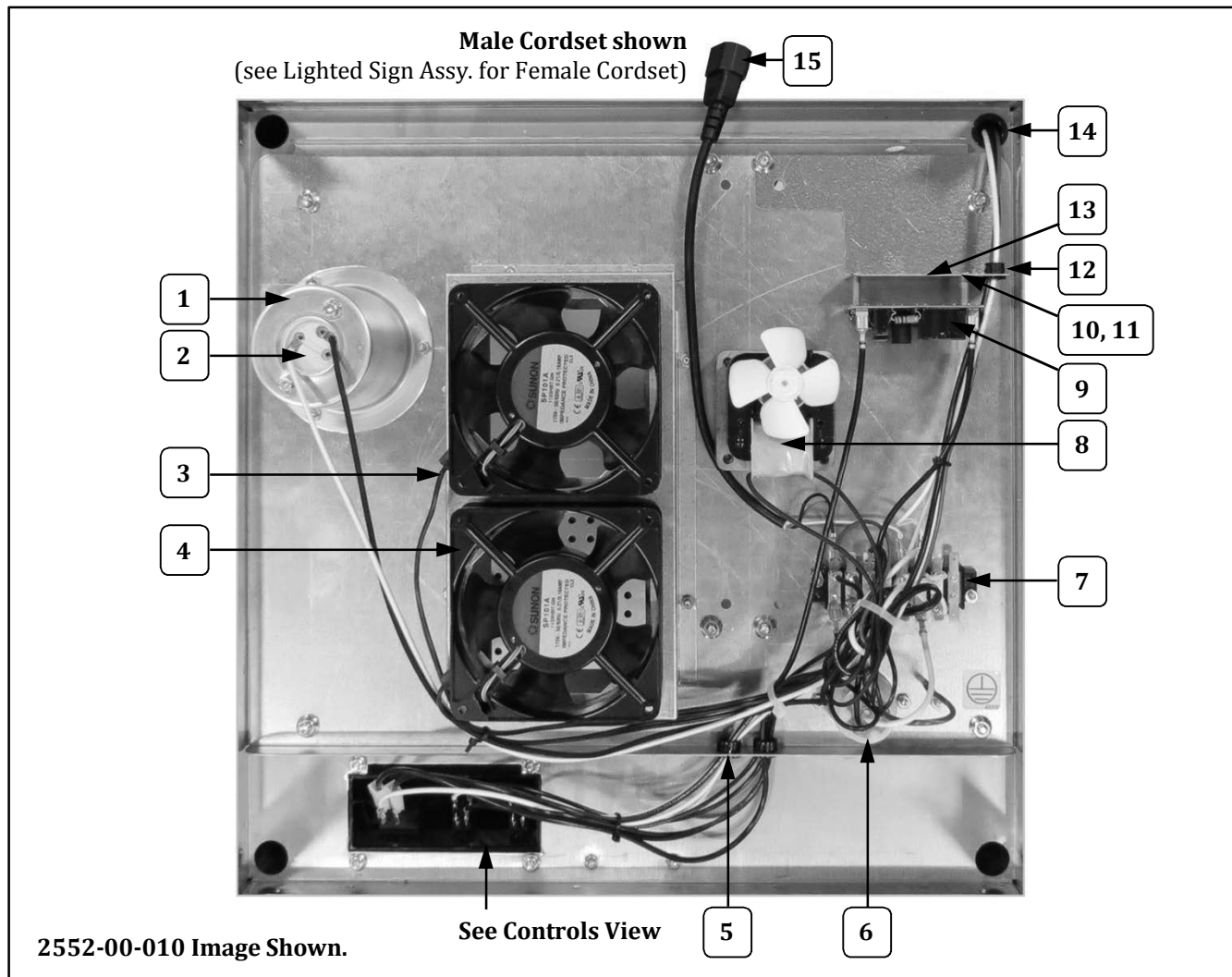
Item	Part Description	Part No.
1	LEAD IN CORD 15 AMP PLUG	87085
2	STRAIN RELIEF	67060
3	120 VOLT FOIL HEATER	40557
4	.875 SNAP BUSHING	45396
5	BOTTOM COVER	49838
6	GLIDE	47328
7	10-24 X 3/4 HEX HD	41314

## Cabinet Bottom – Corn Pan Element View



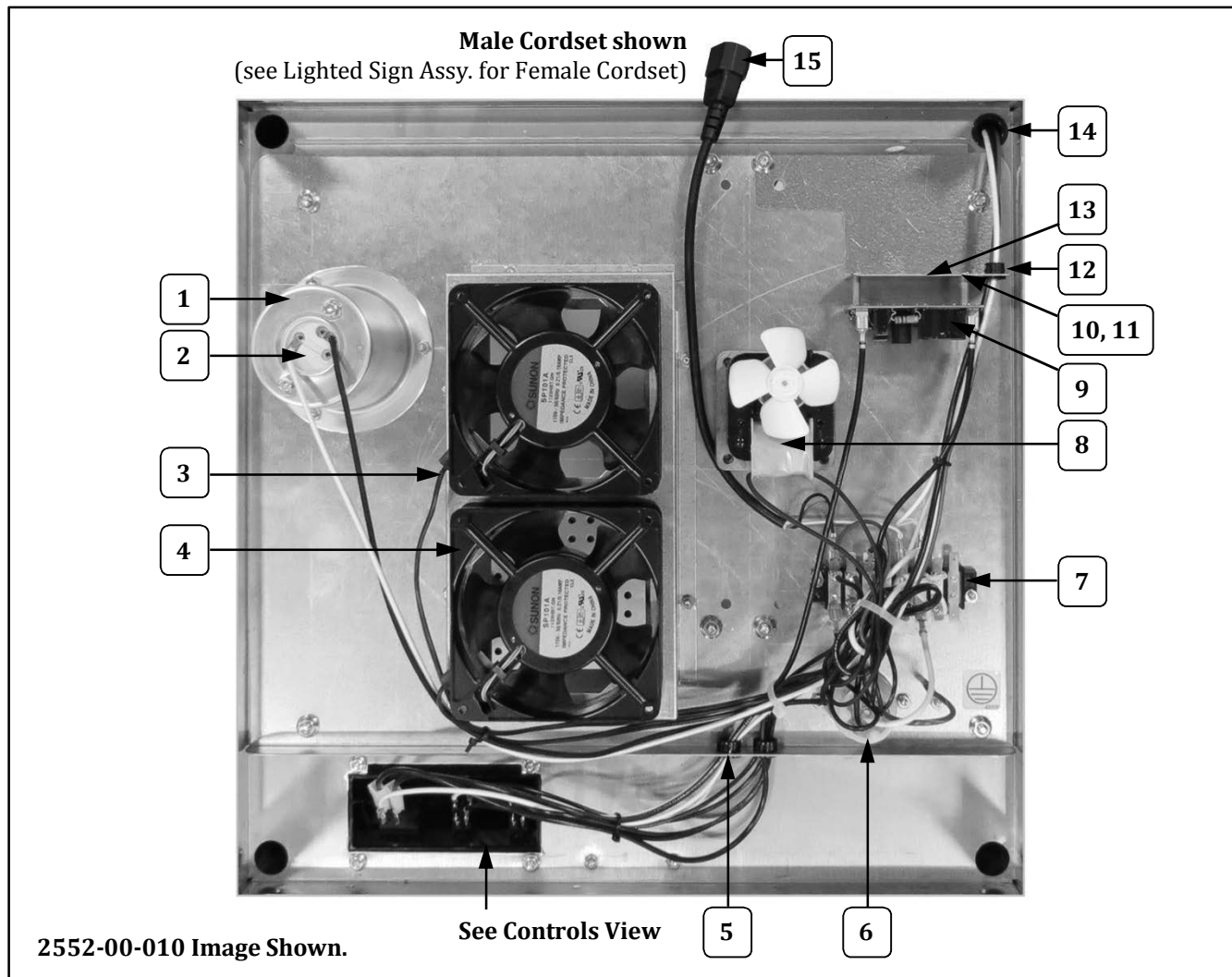
Item	Part Description	Part No.
1	LEAD IN CORD 15 AMP PLUG	87085
2	STRAIN RELIEF	67060
3	120 VOLT FOIL HEATER	40557
4	.875 SNAP BUSHING	45396
5	BOTTOM COVER	49838
6	GLIDE	47328
7	10-24 X 3/4 HEX HD	41314

## Motor Plate Assembly



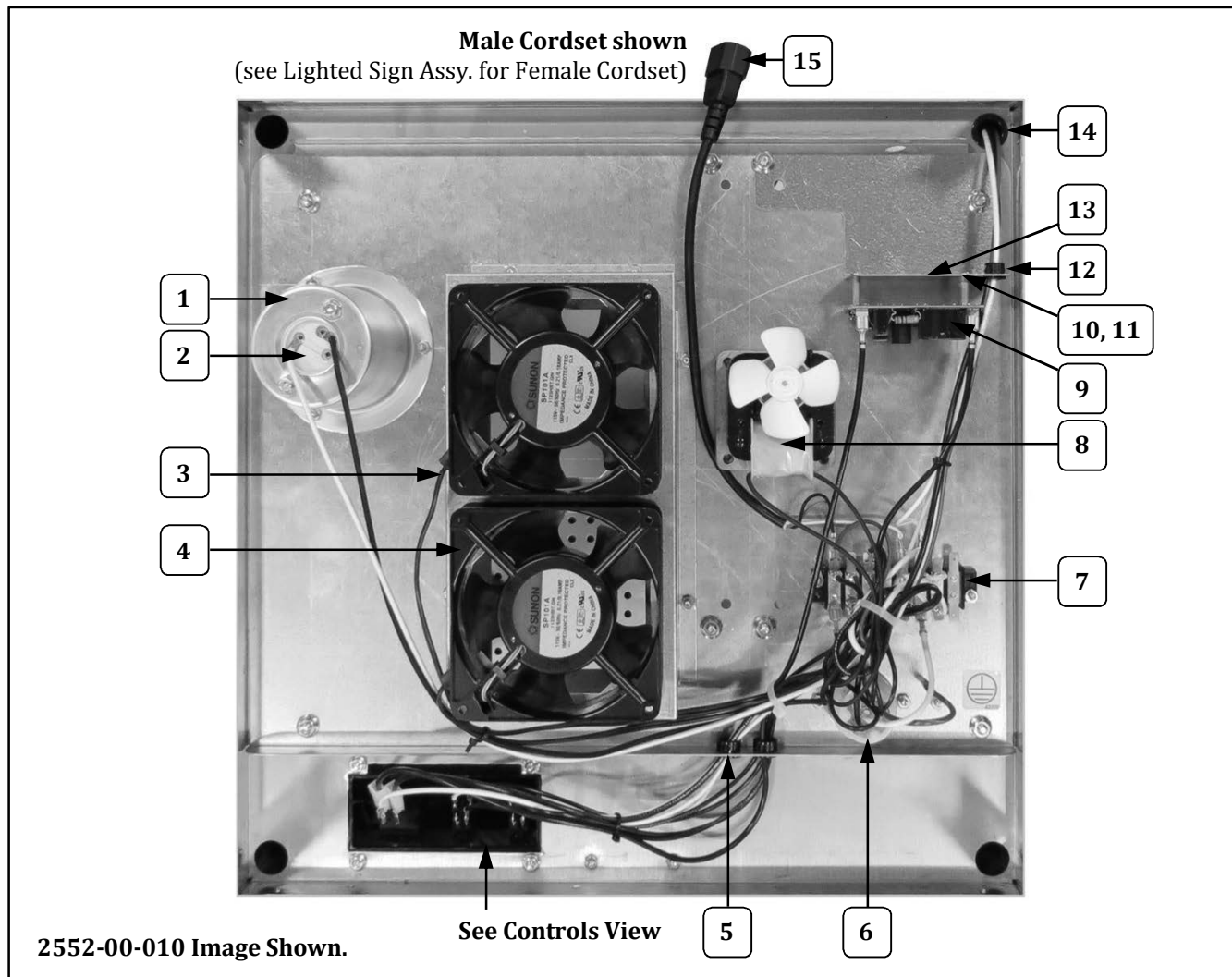
Item	Part Description	Part No.
1	LIGHT SHIELD CONICAL	40589
2	LAMP HOLDER	47047
3	BLOWER PLUG AND CORD	47199
4	EXHAUST BLOWER	48018
5	BUSHING, SNAP .625 IN	47282
6	KETTLE RECEPTACLE	49330
7	TERMINAL BLOCK	47208
8	120 VOLT KETTLE DRIVE MOTOR	47038
9	SHUT OFF CONTROL PCB	55402
10	6-32 X 3/8 PHIL PAN M/S	39000
11	#6 INTERNAL TOOTH L/W 410SS	39001
12	BUSHING, SNAP .500 IN	47236
13	SHUT OFF BRACKET	111435
14	BUSHING, SNAP .875 IN	45396
15	MALE CORDSET	61020

## Motor Plate Assembly



Item	Part Description	Part No.
1	LIGHT SHIELD CONICAL	40589
2	LAMP HOLDER	47047
3	BLOWER PLUG AND CORD	47199
4	EXHAUST BLOWER	48018
5	BUSHING, SNAP .625 IN	47282
6	KETTLE RECEPTACLE	49330
7	TERMINAL BLOCK	47208
8	120 VOLT KETTLE DRIVE MOTOR	47038
9	SHUT OFF CONTROL PCB	55402
10	6-32 X 3/8 PHIL PAN M/S	39000
11	#6 INTERNAL TOOTH L/W 410SS	39001
12	BUSHING, SNAP .500 IN	47236
13	SHUT OFF BRACKET	111435
14	BUSHING, SNAP .875 IN	45396
15	MALE CORDSET	61020

## Motor Plate Assembly



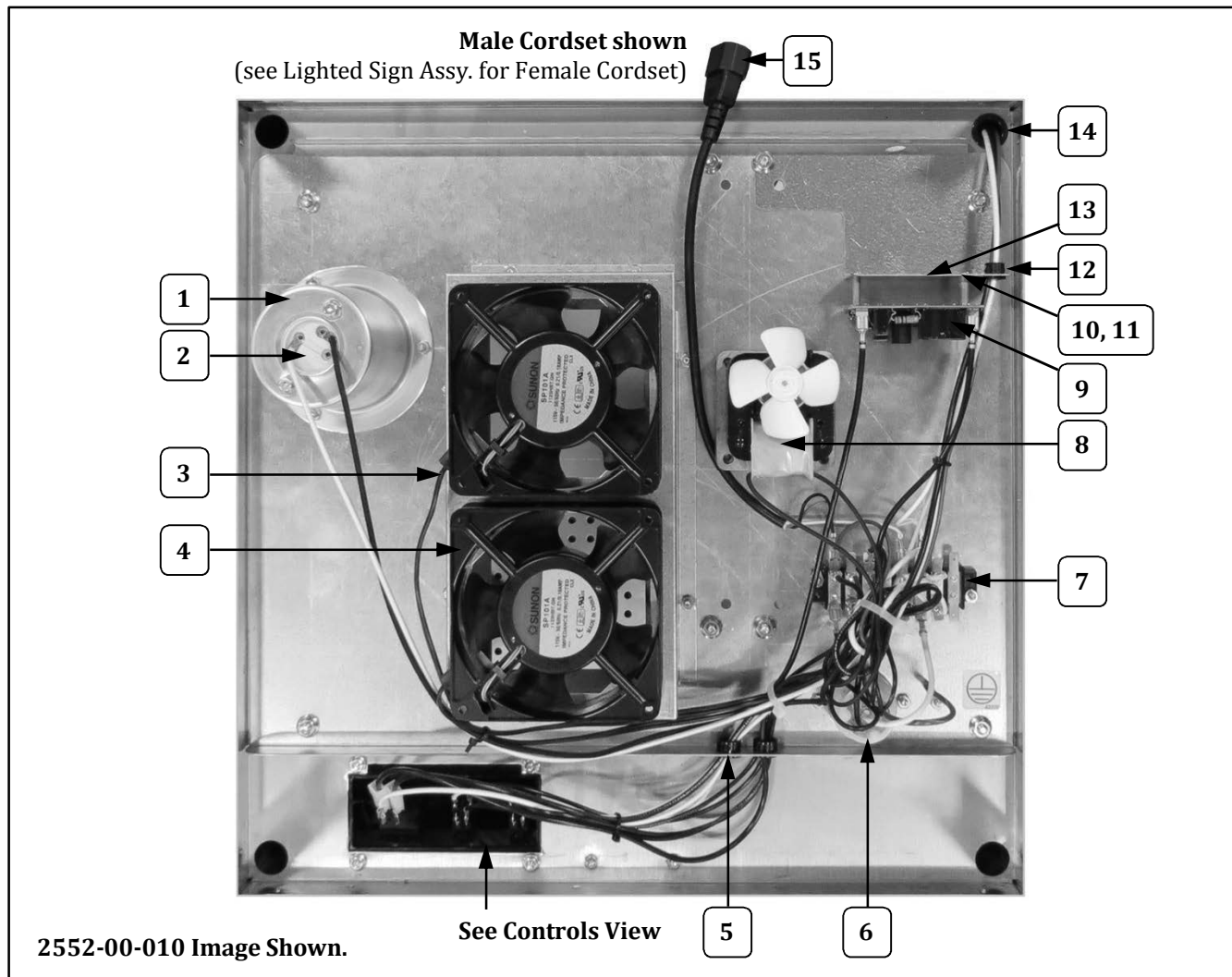
Item	Part Description	Part No.
1	LIGHT SHIELD CONICAL	40589
2	LAMP HOLDER	47047
3	BLOWER PLUG AND CORD	47199
4	EXHAUST BLOWER	48018
5	BUSHING, SNAP .625 IN	47282
6	KETTLE RECEPTACLE	49330
7	TERMINAL BLOCK	47208
8	120 VOLT KETTLE DRIVE MOTOR	47038
9	SHUT OFF CONTROL PCB	55402
10	6-32 X 3/8 PHIL PAN M/S	39000
11	#6 INTERNAL TOOTH L/W 410SS	39001
12	BUSHING, SNAP .500 IN	47236
13	SHUT OFF BRACKET	111435
14	BUSHING, SNAP .875 IN	45396
15	MALE CORDSET	61020

## Motor Plate Assembly



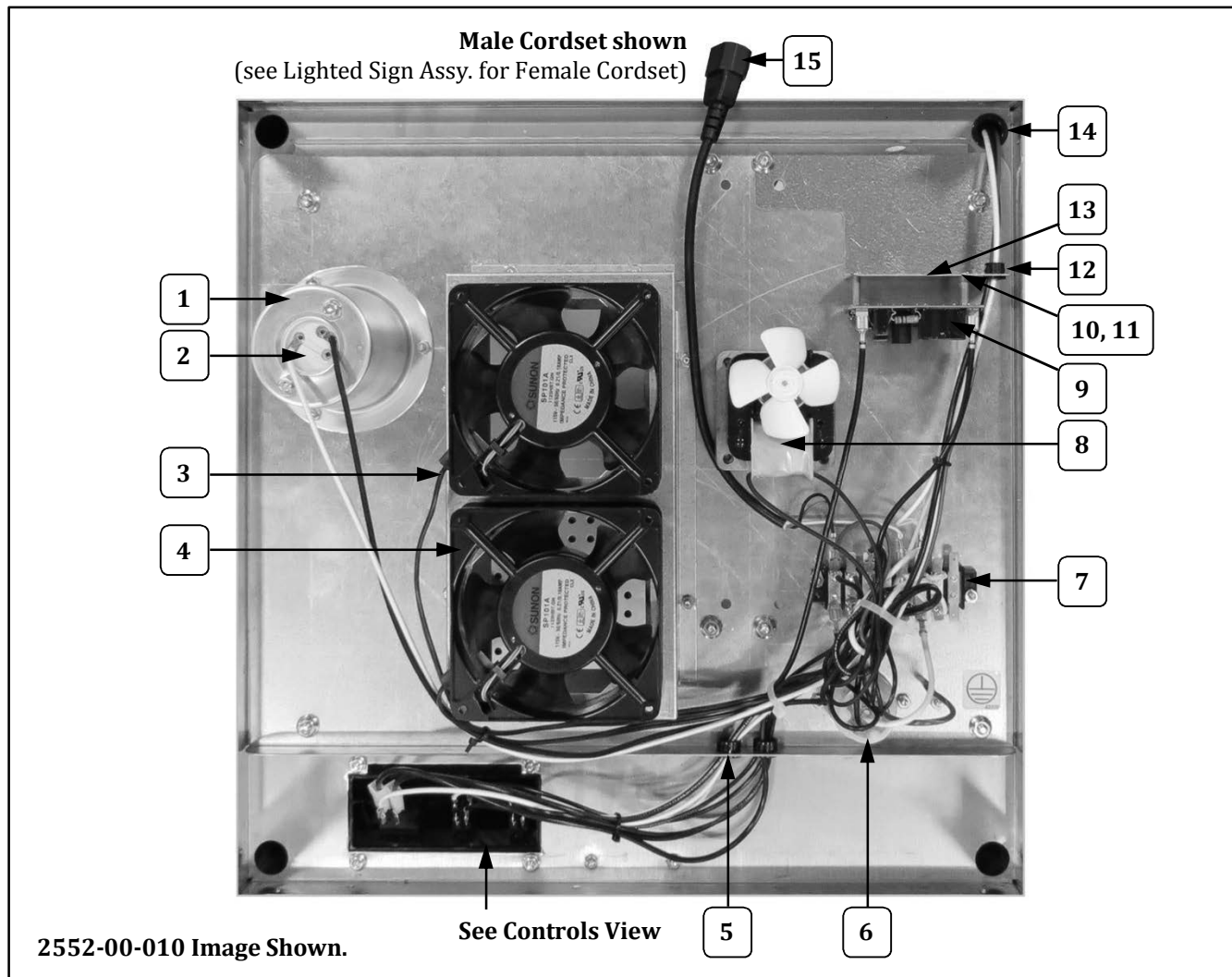
Item	Part Description	Part No.
1	LIGHT SHIELD CONICAL	40589
2	LAMP HOLDER	47047
3	BLOWER PLUG AND CORD	47199
4	EXHAUST BLOWER	48018
5	BUSHING, SNAP .625 IN	47282
6	KETTLE RECEPTACLE	49330
7	TERMINAL BLOCK	47208
8	120 VOLT KETTLE DRIVE MOTOR	47038
9	SHUT OFF CONTROL PCB	55402
10	6-32 X 3/8 PHIL PAN M/S	39000
11	#6 INTERNAL TOOTH L/W 410SS	39001
12	BUSHING, SNAP .500 IN	47236
13	SHUT OFF BRACKET	111435
14	BUSHING, SNAP .875 IN	45396
15	MALE CORDSET	61020

## Motor Plate Assembly



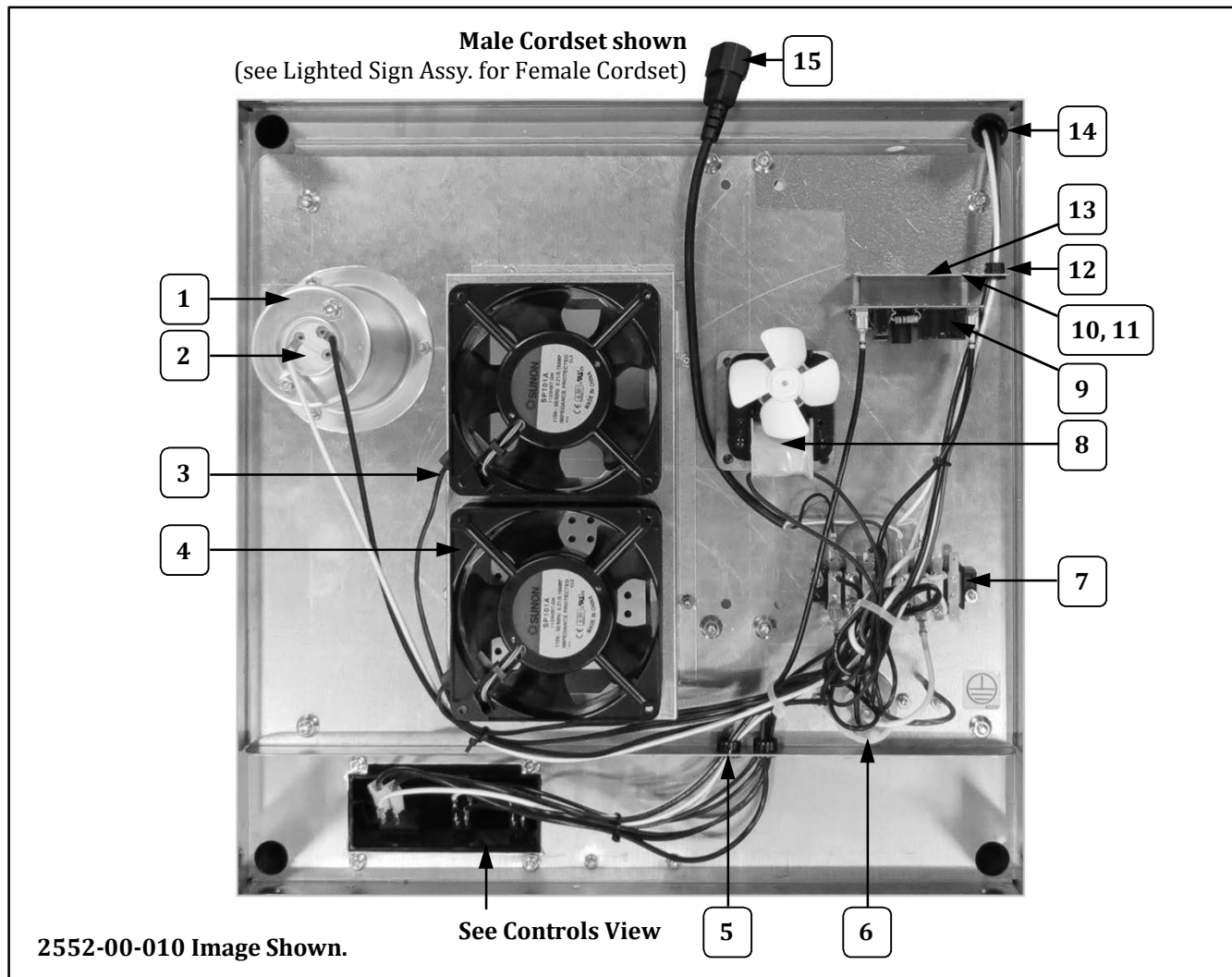
Item	Part Description	Part No.
1	LIGHT SHIELD CONICAL	40589
2	LAMP HOLDER	47047
3	BLOWER PLUG AND CORD	47199
4	EXHAUST BLOWER	48018
5	BUSHING, SNAP .625 IN	47282
6	KETTLE RECEPTACLE	49330
7	TERMINAL BLOCK	47208
8	120 VOLT KETTLE DRIVE MOTOR	47038
9	SHUT OFF CONTROL PCB	55402
10	6-32 X 3/8 PHIL PAN M/S	39000
11	#6 INTERNAL TOOTH L/W 410SS	39001
12	BUSHING, SNAP .500 IN	47236
13	SHUT OFF BRACKET	111435
14	BUSHING, SNAP .875 IN	45396
15	MALE CORDSET	61020

## Motor Plate Assembly



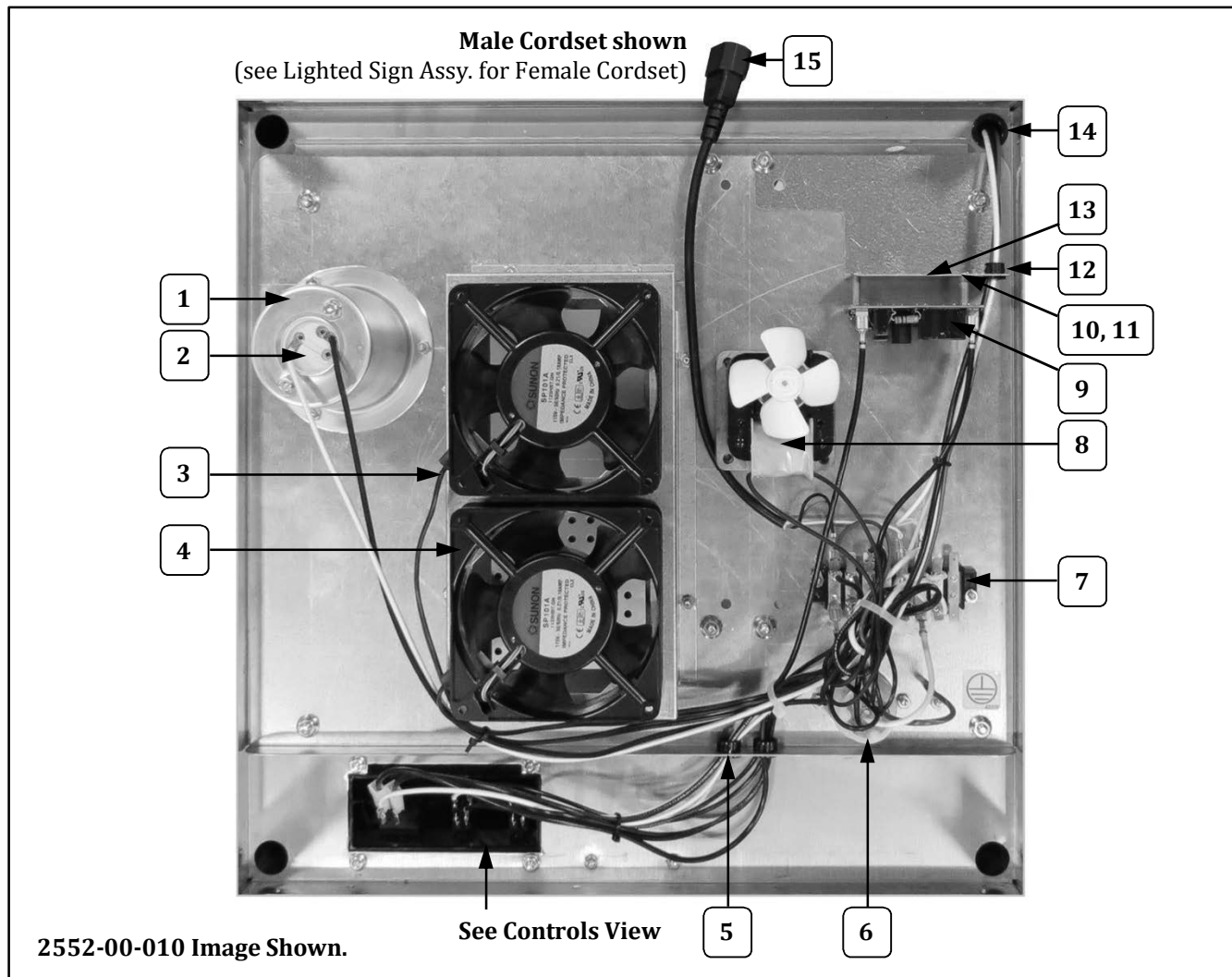
Item	Part Description	Part No.
1	LIGHT SHIELD CONICAL	40589
2	LAMP HOLDER	47047
3	BLOWER PLUG AND CORD	47199
4	EXHAUST BLOWER	48018
5	BUSHING, SNAP .625 IN	47282
6	KETTLE RECEPTACLE	49330
7	TERMINAL BLOCK	47208
8	120 VOLT KETTLE DRIVE MOTOR	47038
9	SHUT OFF CONTROL PCB	55402
10	6-32 X 3/8 PHIL PAN M/S	39000
11	#6 INTERNAL TOOTH L/W 410SS	39001
12	BUSHING, SNAP .500 IN	47236
13	SHUT OFF BRACKET	111435
14	BUSHING, SNAP .875 IN	45396
15	MALE CORDSET	61020

## Motor Plate Assembly



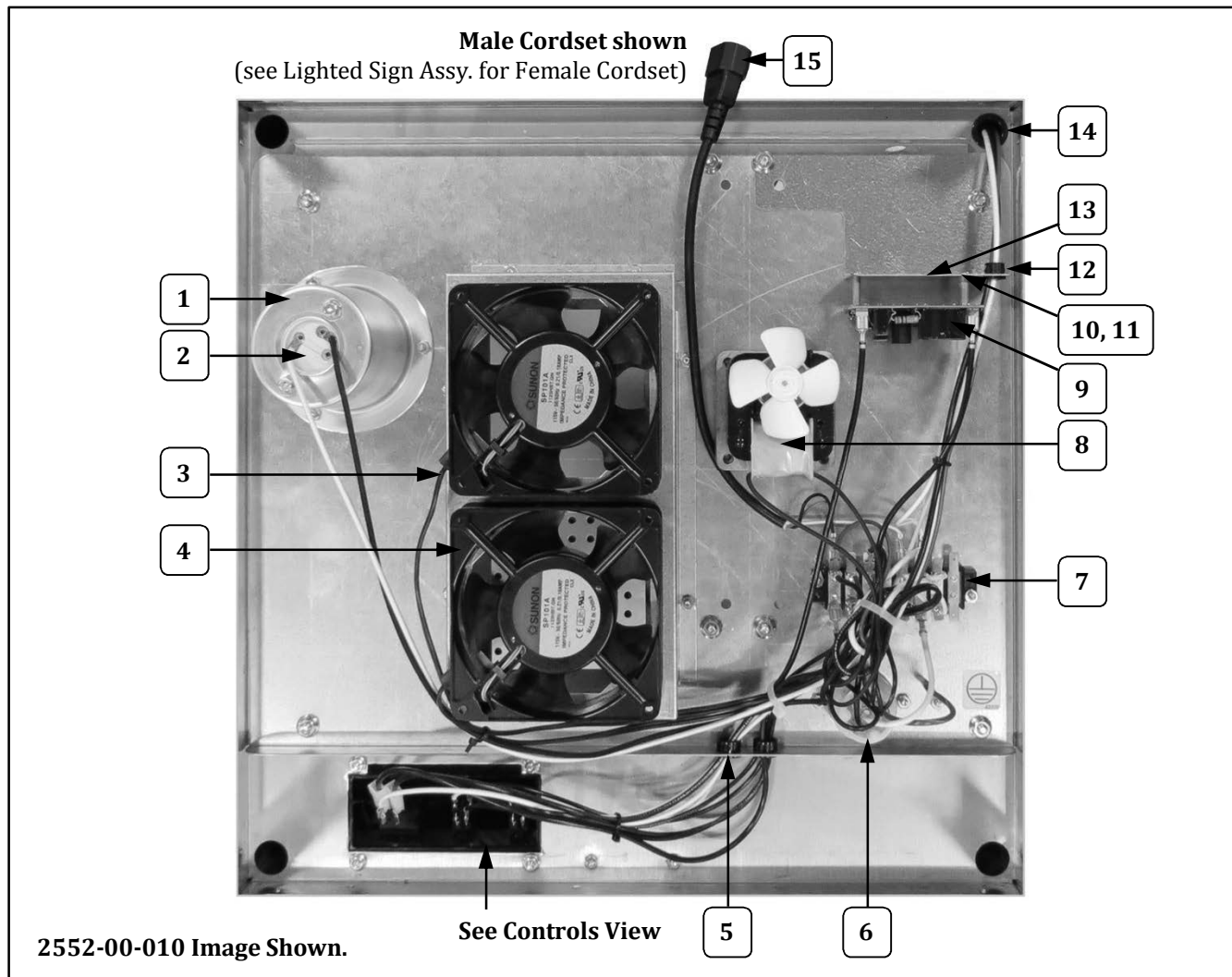
Item	Part Description	Part No.
1	LIGHT SHIELD CONICAL	40589
2	LAMP HOLDER	47047
3	BLOWER PLUG AND CORD	47199
4	EXHAUST BLOWER	48018
5	BUSHING, SNAP .625 IN	47282
6	KETTLE RECEPTACLE	49330
7	TERMINAL BLOCK	47208
8	120 VOLT KETTLE DRIVE MOTOR	47038
9	SHUT OFF CONTROL PCB	55402
10	6-32 X 3/8 PHIL PAN M/S	39000
11	#6 INTERNAL TOOTH L/W 410SS	39001
12	BUSHING, SNAP .500 IN	47236
13	SHUT OFF BRACKET	111435
14	BUSHING, SNAP .875 IN	45396
15	MALE CORDSET	61020

## Motor Plate Assembly



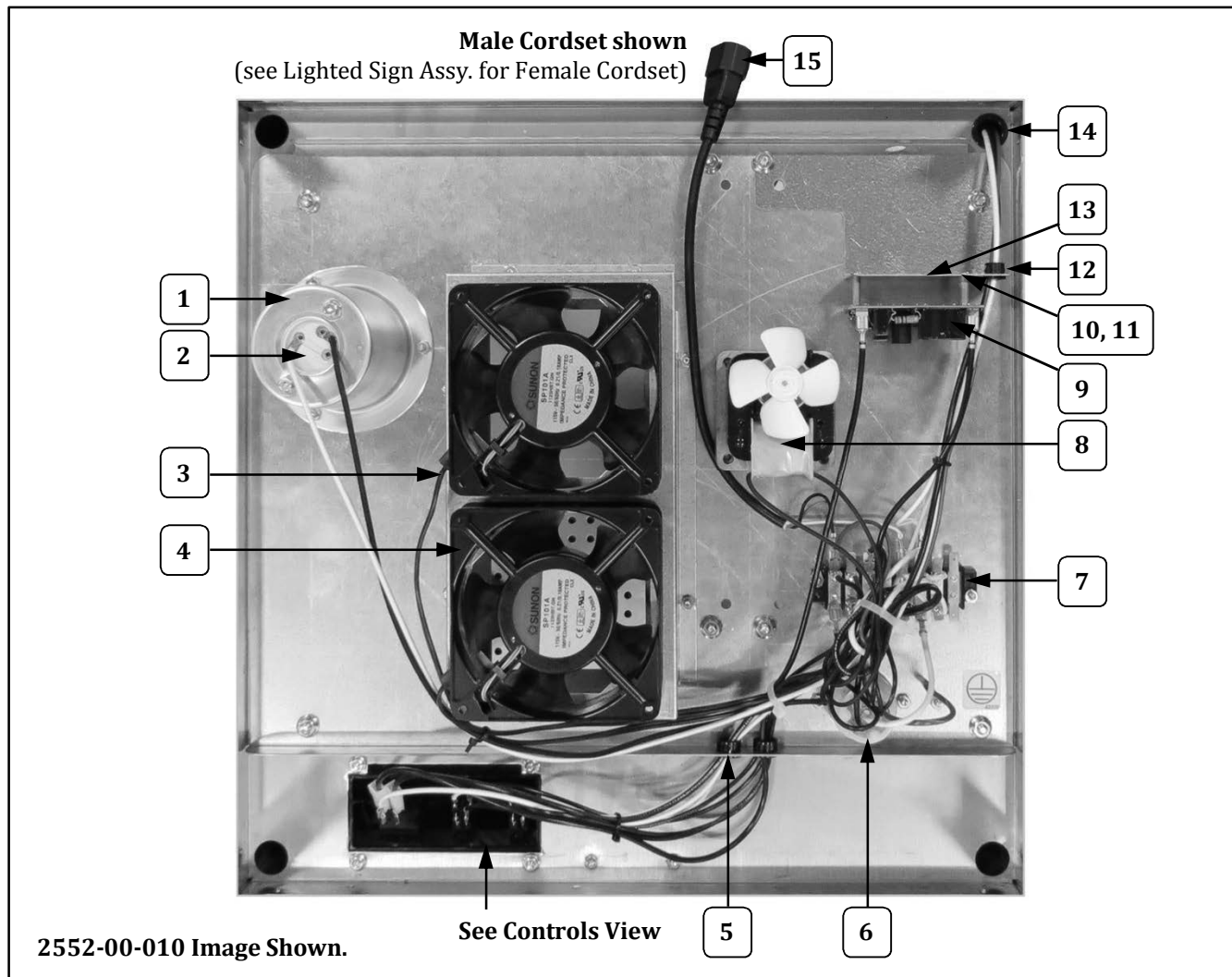
Item	Part Description	Part No.
1	LIGHT SHIELD CONICAL	40589
2	LAMP HOLDER	47047
3	BLOWER PLUG AND CORD	47199
4	EXHAUST BLOWER	48018
5	BUSHING, SNAP .625 IN	47282
6	KETTLE RECEPTACLE	49330
7	TERMINAL BLOCK	47208
8	120 VOLT KETTLE DRIVE MOTOR	47038
9	SHUT OFF CONTROL PCB	55402
10	6-32 X 3/8 PHIL PAN M/S	39000
11	#6 INTERNAL TOOTH L/W 410SS	39001
12	BUSHING, SNAP .500 IN	47236
13	SHUT OFF BRACKET	111435
14	BUSHING, SNAP .875 IN	45396
15	MALE CORDSET	61020

## Motor Plate Assembly



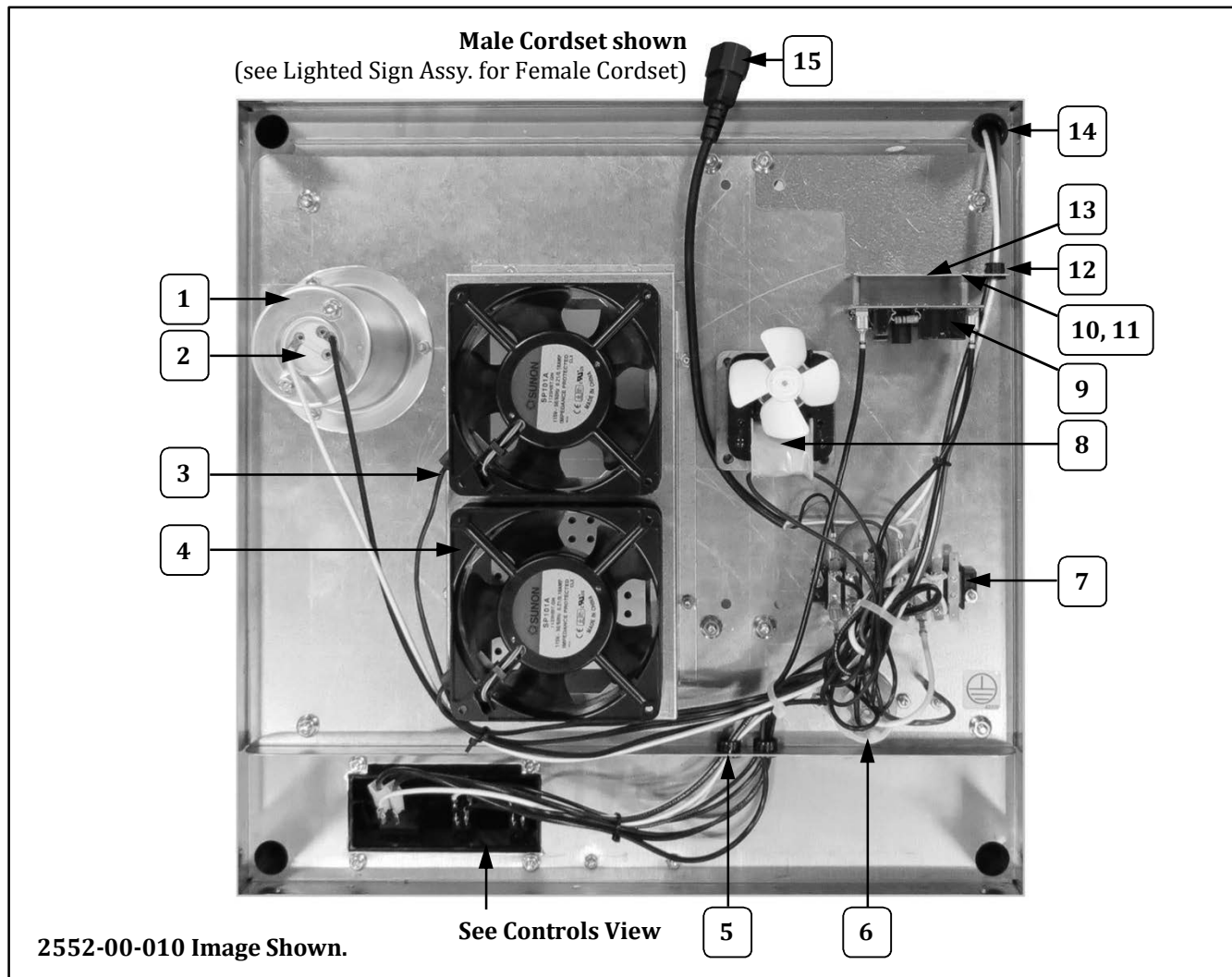
Item	Part Description	Part No.
1	LIGHT SHIELD CONICAL	40589
2	LAMP HOLDER	47047
3	BLOWER PLUG AND CORD	47199
4	EXHAUST BLOWER	48018
5	BUSHING, SNAP .625 IN	47282
6	KETTLE RECEPTACLE	49330
7	TERMINAL BLOCK	47208
8	120 VOLT KETTLE DRIVE MOTOR	47038
9	SHUT OFF CONTROL PCB	55402
10	6-32 X 3/8 PHIL PAN M/S	39000
11	#6 INTERNAL TOOTH L/W 410SS	39001
12	BUSHING, SNAP .500 IN	47236
13	SHUT OFF BRACKET	111435
14	BUSHING, SNAP .875 IN	45396
15	MALE CORDSET	61020

## Motor Plate Assembly



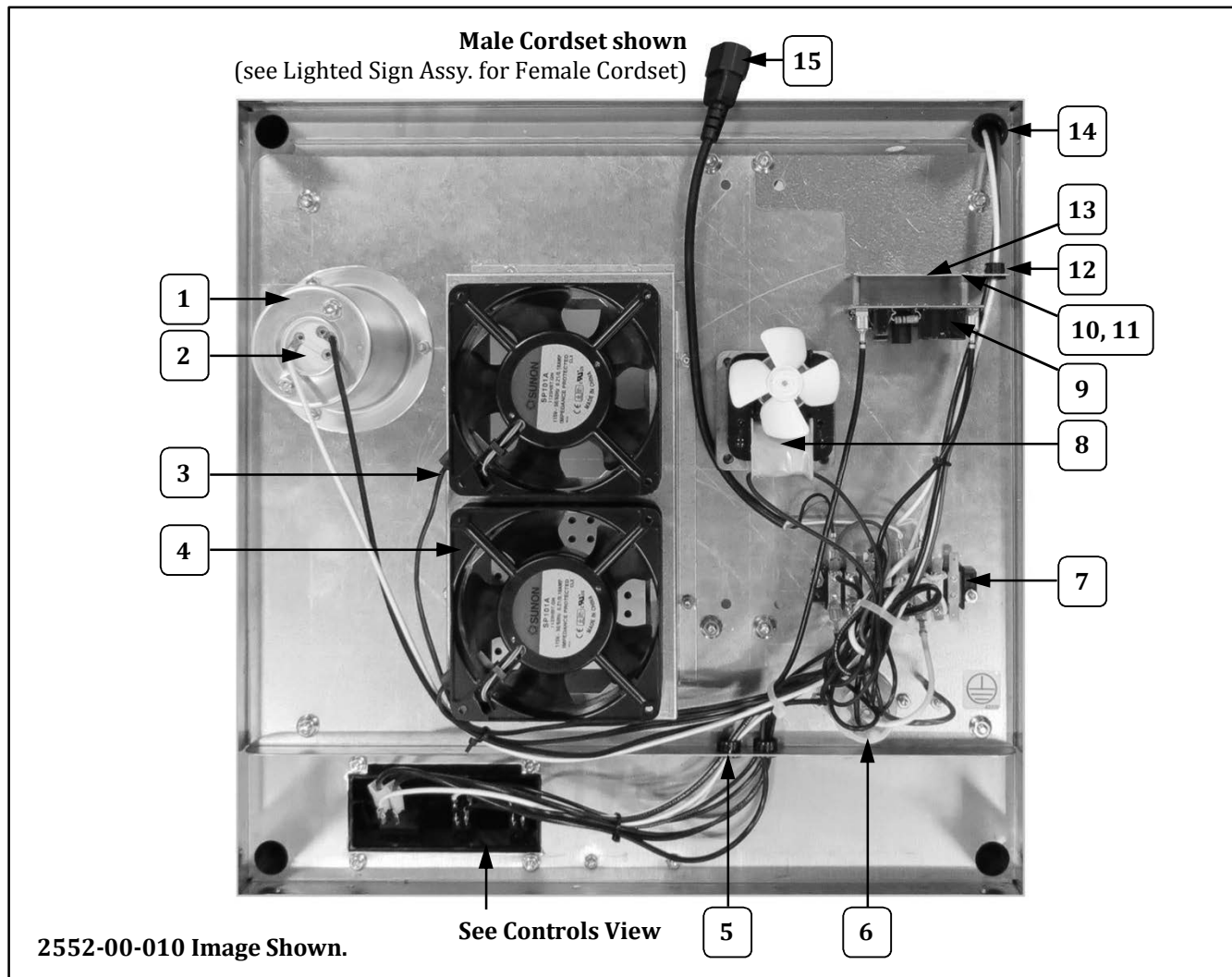
Item	Part Description	Part No.
1	LIGHT SHIELD CONICAL	40589
2	LAMP HOLDER	47047
3	BLOWER PLUG AND CORD	47199
4	EXHAUST BLOWER	48018
5	BUSHING, SNAP .625 IN	47282
6	KETTLE RECEPTACLE	49330
7	TERMINAL BLOCK	47208
8	120 VOLT KETTLE DRIVE MOTOR	47038
9	SHUT OFF CONTROL PCB	55402
10	6-32 X 3/8 PHIL PAN M/S	39000
11	#6 INTERNAL TOOTH L/W 410SS	39001
12	BUSHING, SNAP .500 IN	47236
13	SHUT OFF BRACKET	111435
14	BUSHING, SNAP .875 IN	45396
15	MALE CORDSET	61020

## Motor Plate Assembly



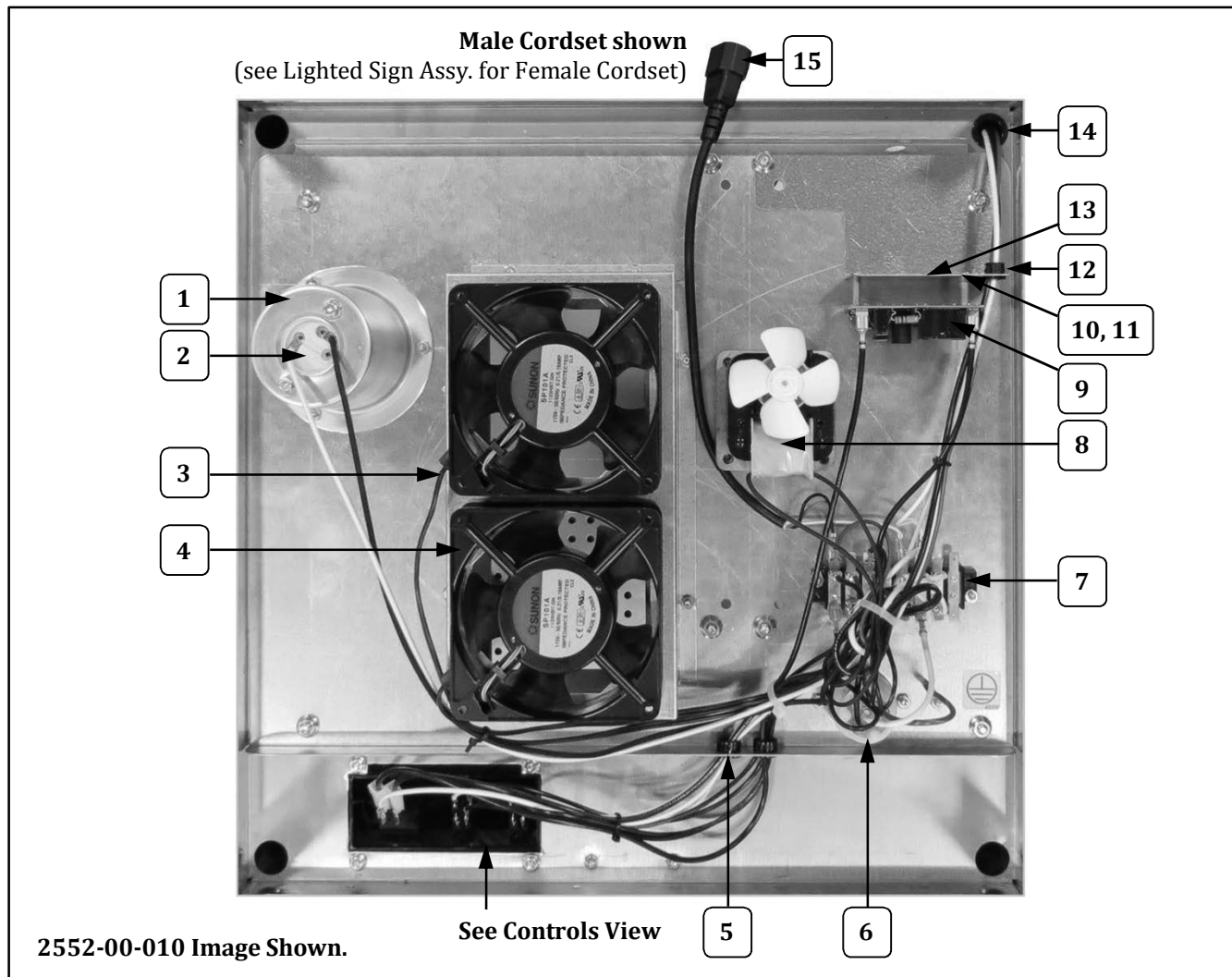
Item	Part Description	Part No.
1	LIGHT SHIELD CONICAL	40589
2	LAMP HOLDER	47047
3	BLOWER PLUG AND CORD	47199
4	EXHAUST BLOWER	48018
5	BUSHING, SNAP .625 IN	47282
6	KETTLE RECEPTACLE	49330
7	TERMINAL BLOCK	47208
8	120 VOLT KETTLE DRIVE MOTOR	47038
9	SHUT OFF CONTROL PCB	55402
10	6-32 X 3/8 PHIL PAN M/S	39000
11	#6 INTERNAL TOOTH L/W 410SS	39001
12	BUSHING, SNAP .500 IN	47236
13	SHUT OFF BRACKET	111435
14	BUSHING, SNAP .875 IN	45396
15	MALE CORDSET	61020

## Motor Plate Assembly



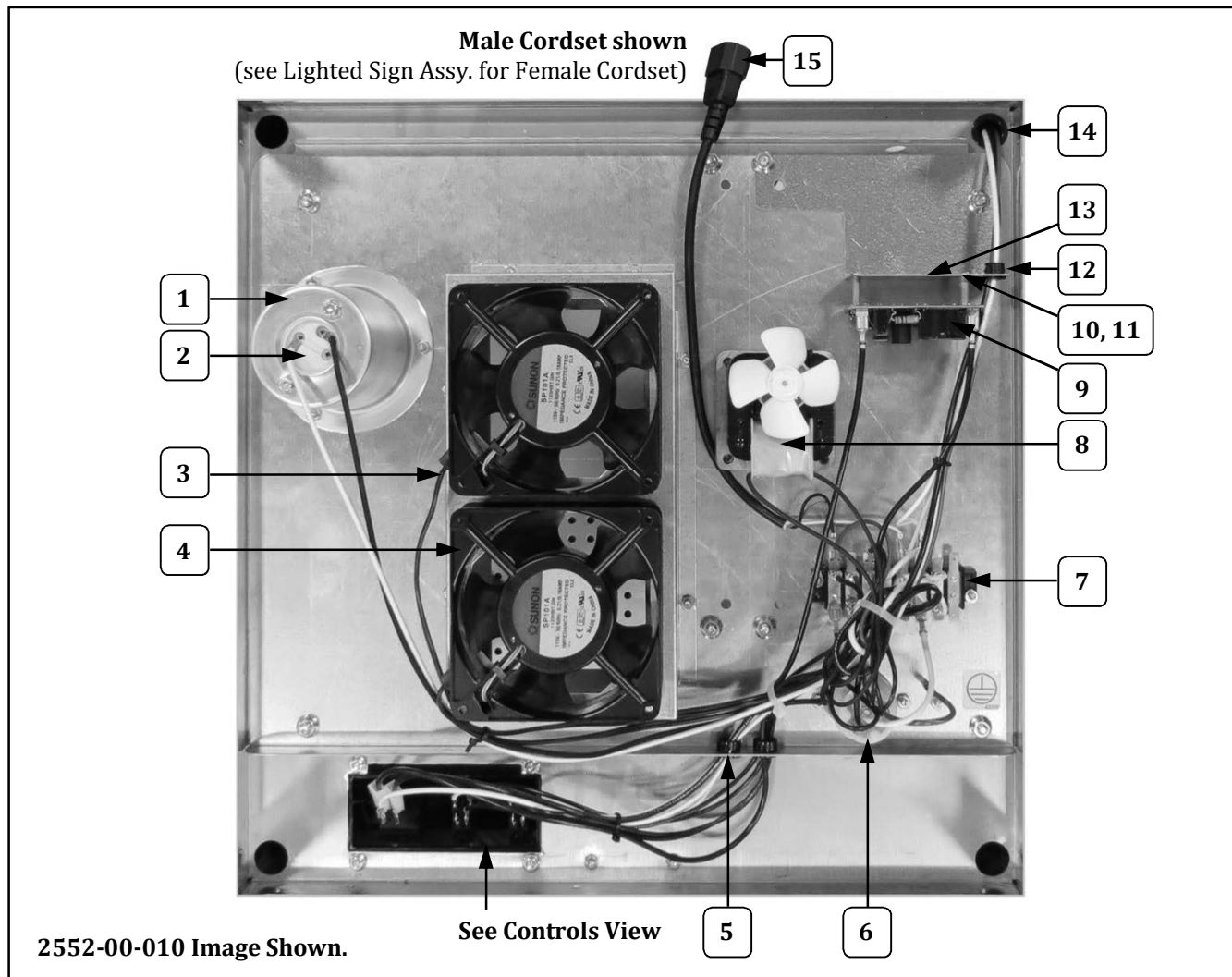
Item	Part Description	Part No.
1	LIGHT SHIELD CONICAL	40589
2	LAMP HOLDER	47047
3	BLOWER PLUG AND CORD	47199
4	EXHAUST BLOWER	48018
5	BUSHING, SNAP .625 IN	47282
6	KETTLE RECEPTACLE	49330
7	TERMINAL BLOCK	47208
8	120 VOLT KETTLE DRIVE MOTOR	47038
9	SHUT OFF CONTROL PCB	55402
10	6-32 X 3/8 PHIL PAN M/S	39000
11	#6 INTERNAL TOOTH L/W 410SS	39001
12	BUSHING, SNAP .500 IN	47236
13	SHUT OFF BRACKET	111435
14	BUSHING, SNAP .875 IN	45396
15	MALE CORDSET	61020

## Motor Plate Assembly



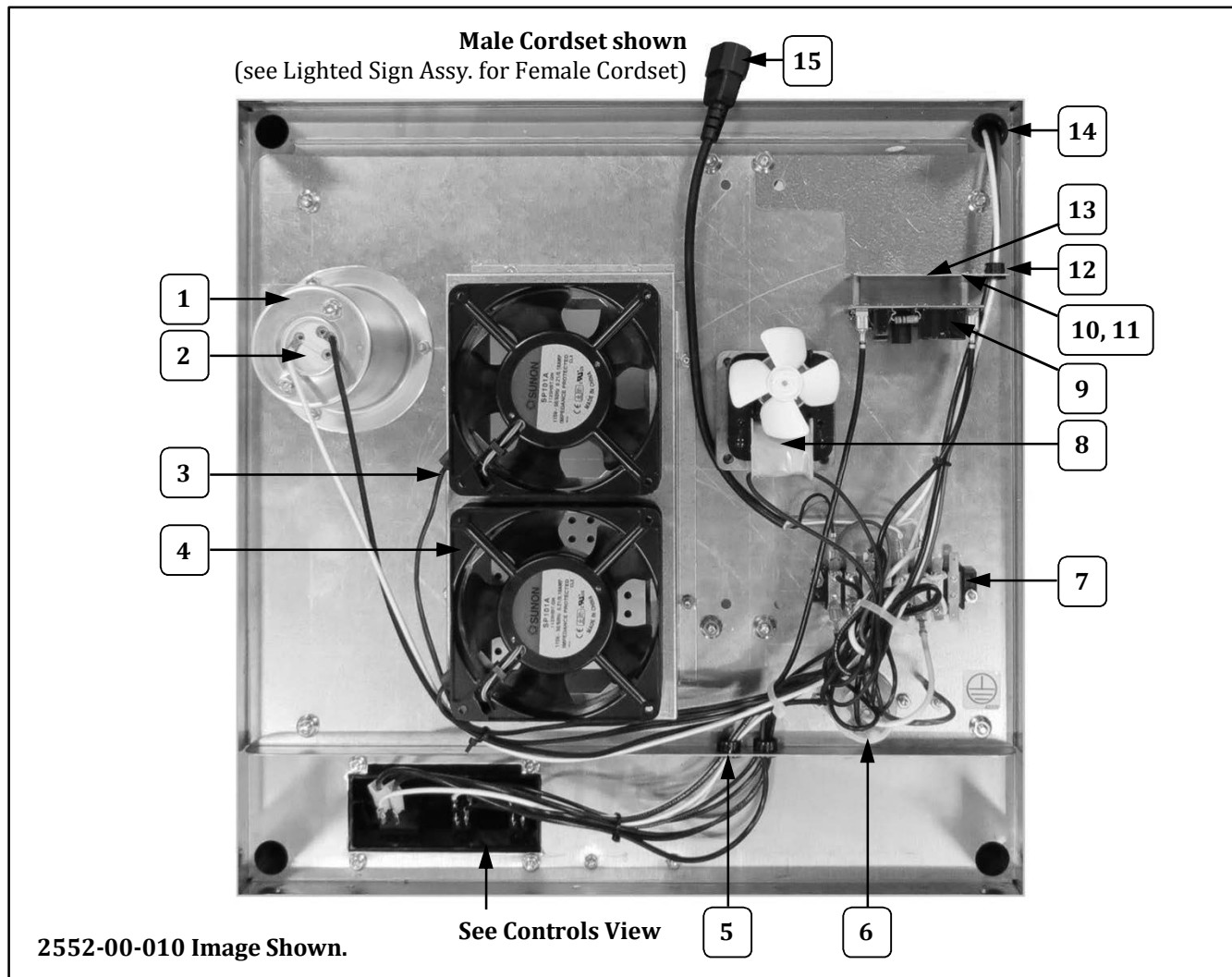
Item	Part Description	Part No.
1	LIGHT SHIELD CONICAL	40589
2	LAMP HOLDER	47047
3	BLOWER PLUG AND CORD	47199
4	EXHAUST BLOWER	48018
5	BUSHING, SNAP .625 IN	47282
6	KETTLE RECEPTACLE	49330
7	TERMINAL BLOCK	47208
8	120 VOLT KETTLE DRIVE MOTOR	47038
9	SHUT OFF CONTROL PCB	55402
10	6-32 X 3/8 PHIL PAN M/S	39000
11	#6 INTERNAL TOOTH L/W 410SS	39001
12	BUSHING, SNAP .500 IN	47236
13	SHUT OFF BRACKET	111435
14	BUSHING, SNAP .875 IN	45396
15	MALE CORDSET	61020

## Motor Plate Assembly



Item	Part Description	Part No.
1	LIGHT SHIELD CONICAL	40589
2	LAMP HOLDER	47047
3	BLOWER PLUG AND CORD	47199
4	EXHAUST BLOWER	48018
5	BUSHING, SNAP .625 IN	47282
6	KETTLE RECEPTACLE	49330
7	TERMINAL BLOCK	47208
8	120 VOLT KETTLE DRIVE MOTOR	47038
9	SHUT OFF CONTROL PCB	55402
10	6-32 X 3/8 PHIL PAN M/S	39000
11	#6 INTERNAL TOOTH L/W 410SS	39001
12	BUSHING, SNAP .500 IN	47236
13	SHUT OFF BRACKET	111435
14	BUSHING, SNAP .875 IN	45396
15	MALE CORDSET	61020

## Motor Plate Assembly



Item	Part Description	Part No.
1	LIGHT SHIELD CONICAL	40589
2	LAMP HOLDER	47047
3	BLOWER PLUG AND CORD	47199
4	EXHAUST BLOWER	48018
5	BUSHING, SNAP .625 IN	47282
6	KETTLE RECEPTACLE	49330
7	TERMINAL BLOCK	47208
8	120 VOLT KETTLE DRIVE MOTOR	47038
9	SHUT OFF CONTROL PCB	55402
10	6-32 X 3/8 PHIL PAN M/S	39000
11	#6 INTERNAL TOOTH L/W 410SS	39001
12	BUSHING, SNAP .500 IN	47236
13	SHUT OFF BRACKET	111435
14	BUSHING, SNAP .875 IN	45396
15	MALE CORDSET	61020

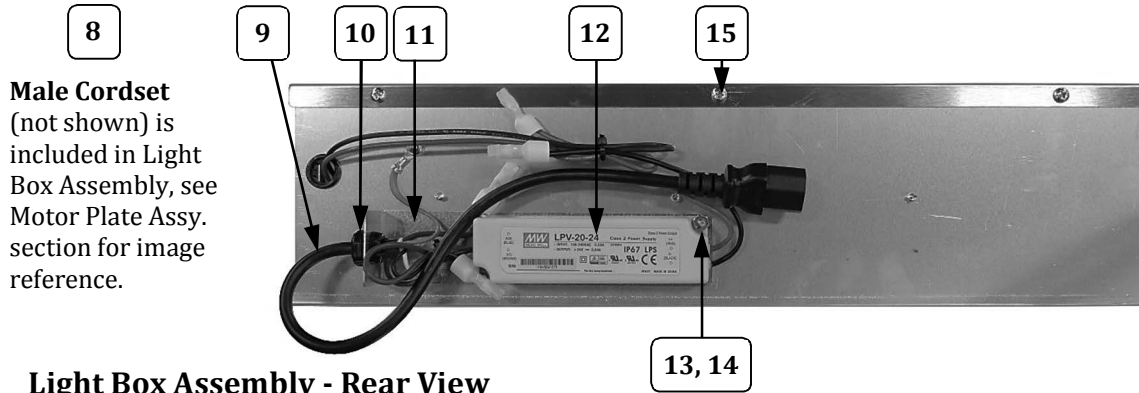
## Lighted Sign Assembly



**Sun Pop Select Light Box Assembly (111422) - Front View**



**Sunny Pop Light Box Assembly (111503) - Front View**



**Male Cordset**  
(not shown) is included in Light Box Assembly, see Motor Plate Assy. section for image reference.

**Light Box Assembly - Rear View**

Item	Part Description	Part Number	
		111422	111503
1	SUN POP SIGN	111420	
2	SUNNY POP SIGN		111483
3	LIGHT BOX FACE	111453	111453
4	LIGHT REFLECTOR	111451	111451
5	6-32 X 5/8 PAN PHILLIPS	77069	77069
6	LED STRIP COOL WHITE	55379	55379
7	BUSHING, SNAP .625 IN	47282	47282
8	MALE CORDSET	61020	61020
9	FEMALE CORDSET	61021	61021
10	STRAIN RELIEF SR-6P3-4	76026	76026
11	CORD BRACKET	111454	111454
12	POWER SUPPLY	55394	55394
13	6-32 X 1/2 PHIL PAN (Mounts Power Supply)	42237	42237
14	6-32 NUT (Mounts Power Supply)	47517	47517
15	8-32 PAN HD (Mounts the LED and Light Face)	74141	74141

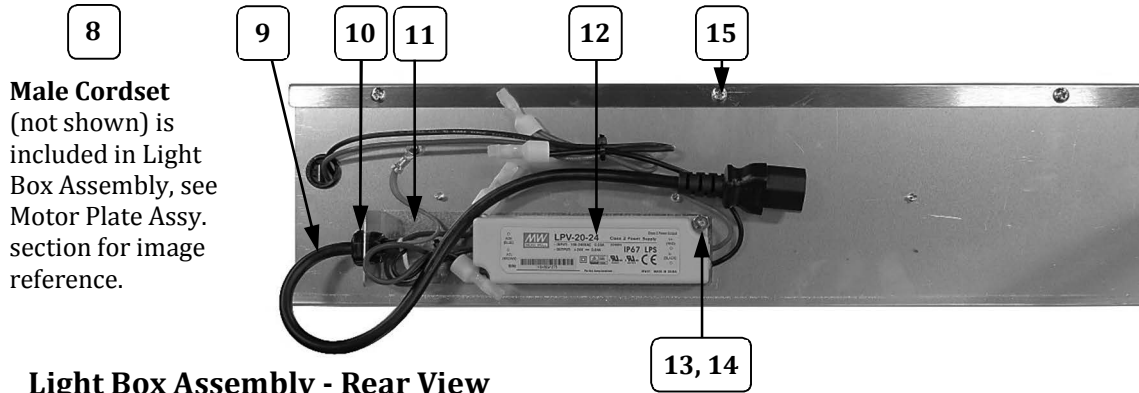
## Lighted Sign Assembly



**Sun Pop Select Light Box Assembly (111422) - Front View**



**Sunny Pop Light Box Assembly (111503) - Front View**



**Male Cordset**  
(not shown) is included in Light Box Assembly, see Motor Plate Assy. section for image reference.

**Light Box Assembly - Rear View**

Item	Part Description	Part Number	
		111422	111503
1	SUN POP SIGN	111420	
2	SUNNY POP SIGN		111483
3	LIGHT BOX FACE	111453	111453
4	LIGHT REFLECTOR	111451	111451
5	6-32 X 5/8 PAN PHILLIPS	77069	77069
6	LED STRIP COOL WHITE	55379	55379
7	BUSHING, SNAP .625 IN	47282	47282
8	MALE CORDSET	61020	61020
9	FEMALE CORDSET	61021	61021
10	STRAIN RELIEF SR-6P3-4	76026	76026
11	CORD BRACKET	111454	111454
12	POWER SUPPLY	55394	55394
13	6-32 X 1/2 PHIL PAN (Mounts Power Supply)	42237	42237
14	6-32 NUT (Mounts Power Supply)	47517	47517
15	8-32 PAN HD (Mounts the LED and Light Face)	74141	74141

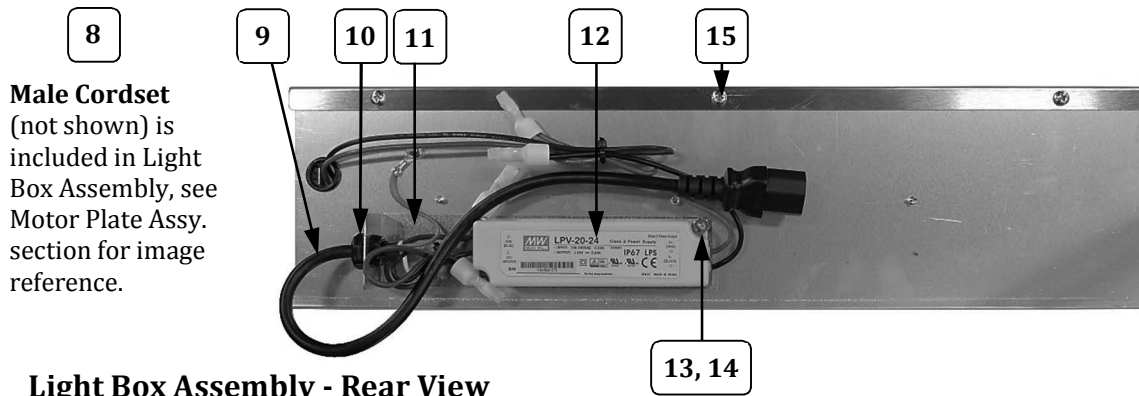
## Lighted Sign Assembly



**Sun Pop Select Light Box Assembly (111422) - Front View**



**Sunny Pop Light Box Assembly (111503) - Front View**



**Male Cordset**  
(not shown) is included in Light Box Assembly, see Motor Plate Assy. section for image reference.

**Light Box Assembly - Rear View**

Item	Part Description	Part Number	
		111422	111503
1	SUN POP SIGN	111420	
2	SUNNY POP SIGN		111483
3	LIGHT BOX FACE	111453	111453
4	LIGHT REFLECTOR	111451	111451
5	6-32 X 5/8 PAN PHILLIPS	77069	77069
6	LED STRIP COOL WHITE	55379	55379
7	BUSHING, SNAP .625 IN	47282	47282
8	MALE CORDSET	61020	61020
9	FEMALE CORDSET	61021	61021
10	STRAIN RELIEF SR-6P3-4	76026	76026
11	CORD BRACKET	111454	111454
12	POWER SUPPLY	55394	55394
13	6-32 X 1/2 PHIL PAN (Mounts Power Supply)	42237	42237
14	6-32 NUT (Mounts Power Supply)	47517	47517
15	8-32 PAN HD (Mounts the LED and Light Face)	74141	74141

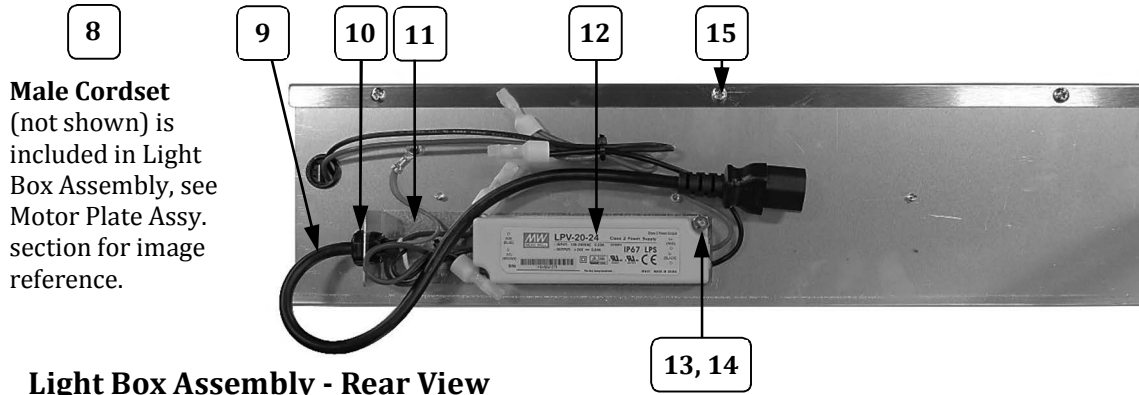
## Lighted Sign Assembly



**Sun Pop Select Light Box Assembly (111422) - Front View**



**Sunny Pop Light Box Assembly (111503) - Front View**



**Male Cordset**  
(not shown) is included in Light Box Assembly, see Motor Plate Assy. section for image reference.

**Light Box Assembly - Rear View**

Item	Part Description	Part Number	
		111422	111503
1	SUN POP SIGN	111420	
2	SUNNY POP SIGN		111483
3	LIGHT BOX FACE	111453	111453
4	LIGHT REFLECTOR	111451	111451
5	6-32 X 5/8 PAN PHILLIPS	77069	77069
6	LED STRIP COOL WHITE	55379	55379
7	BUSHING, SNAP .625 IN	47282	47282
8	MALE CORDSET	61020	61020
9	FEMALE CORDSET	61021	61021
10	STRAIN RELIEF SR-6P3-4	76026	76026
11	CORD BRACKET	111454	111454
12	POWER SUPPLY	55394	55394
13	6-32 X 1/2 PHIL PAN (Mounts Power Supply)	42237	42237
14	6-32 NUT (Mounts Power Supply)	47517	47517
15	8-32 PAN HD (Mounts the LED and Light Face)	74141	74141

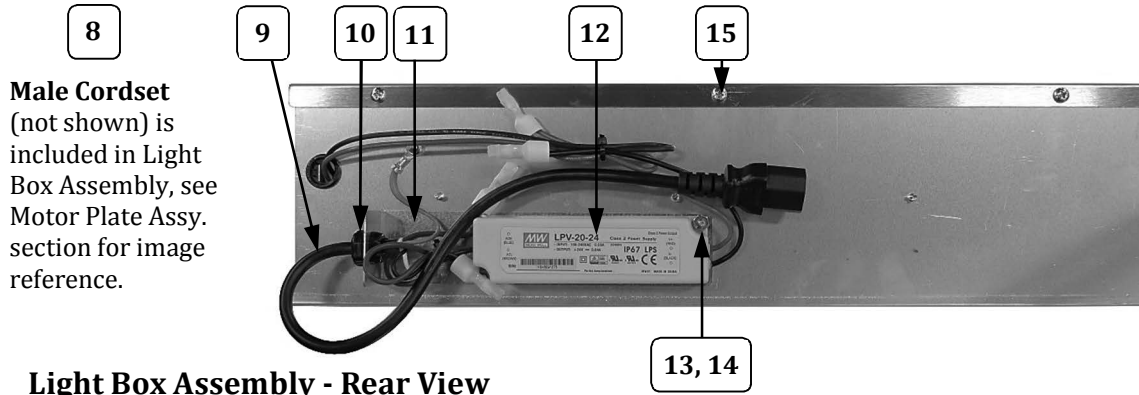
## Lighted Sign Assembly



**Sun Pop Select Light Box Assembly (111422) - Front View**



**Sunny Pop Light Box Assembly (111503) - Front View**



**Male Cordset**  
(not shown) is included in Light Box Assembly, see Motor Plate Assy. section for image reference.

**Light Box Assembly - Rear View**

Item	Part Description	Part Number	
		111422	111503
1	SUN POP SIGN	111420	
2	SUNNY POP SIGN		111483
3	LIGHT BOX FACE	111453	111453
4	LIGHT REFLECTOR	111451	111451
5	6-32 X 5/8 PAN PHILLIPS	77069	77069
6	LED STRIP COOL WHITE	55379	55379
7	BUSHING, SNAP .625 IN	47282	47282
8	MALE CORDSET	61020	61020
9	FEMALE CORDSET	61021	61021
10	STRAIN RELIEF SR-6P3-4	76026	76026
11	CORD BRACKET	111454	111454
12	POWER SUPPLY	55394	55394
13	6-32 X 1/2 PHIL PAN (Mounts Power Supply)	42237	42237
14	6-32 NUT (Mounts Power Supply)	47517	47517
15	8-32 PAN HD (Mounts the LED and Light Face)	74141	74141

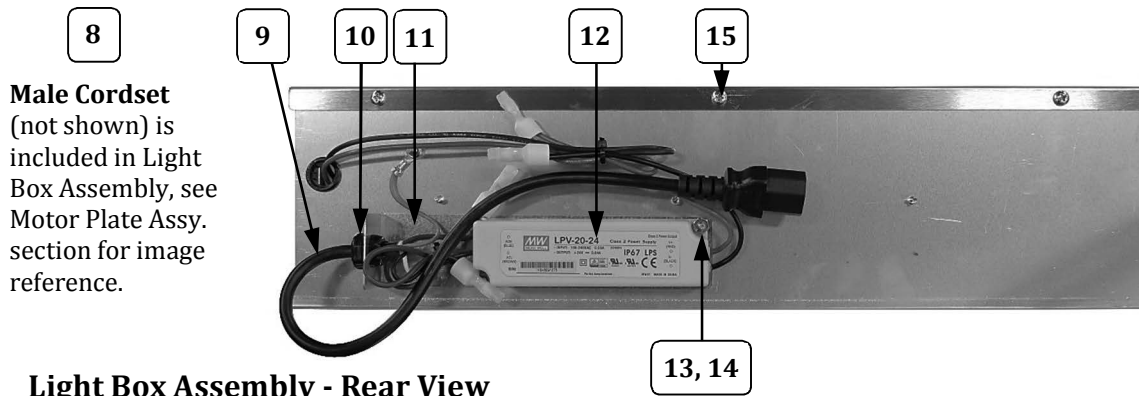
## Lighted Sign Assembly



**Sun Pop Select Light Box Assembly (111422) - Front View**



**Sunny Pop Light Box Assembly (111503) - Front View**



**Male Cordset**  
(not shown) is included in Light Box Assembly, see Motor Plate Assy. section for image reference.

**Light Box Assembly - Rear View**

Item	Part Description	Part Number	
		111422	111503
1	SUN POP SIGN	111420	
2	SUNNY POP SIGN		111483
3	LIGHT BOX FACE	111453	111453
4	LIGHT REFLECTOR	111451	111451
5	6-32 X 5/8 PAN PHILLIPS	77069	77069
6	LED STRIP COOL WHITE	55379	55379
7	BUSHING, SNAP .625 IN	47282	47282
8	MALE CORDSET	61020	61020
9	FEMALE CORDSET	61021	61021
10	STRAIN RELIEF SR-6P3-4	76026	76026
11	CORD BRACKET	111454	111454
12	POWER SUPPLY	55394	55394
13	6-32 X 1/2 PHIL PAN (Mounts Power Supply)	42237	42237
14	6-32 NUT (Mounts Power Supply)	47517	47517
15	8-32 PAN HD (Mounts the LED and Light Face)	74141	74141

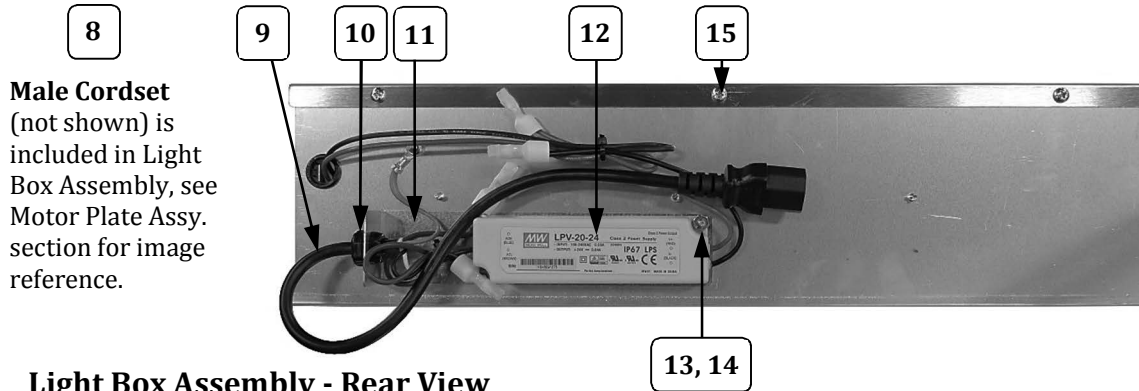
## Lighted Sign Assembly



**Sun Pop Select Light Box Assembly (111422) - Front View**



**Sunny Pop Light Box Assembly (111503) - Front View**



**Male Cordset**  
(not shown) is included in Light Box Assembly, see Motor Plate Assy. section for image reference.

**Light Box Assembly - Rear View**

Item	Part Description	Part Number	
		111422	111503
1	SUN POP SIGN	111420	
2	SUNNY POP SIGN		111483
3	LIGHT BOX FACE	111453	111453
4	LIGHT REFLECTOR	111451	111451
5	6-32 X 5/8 PAN PHILLIPS	77069	77069
6	LED STRIP COOL WHITE	55379	55379
7	BUSHING, SNAP .625 IN	47282	47282
8	MALE CORDSET	61020	61020
9	FEMALE CORDSET	61021	61021
10	STRAIN RELIEF SR-6P3-4	76026	76026
11	CORD BRACKET	111454	111454
12	POWER SUPPLY	55394	55394
13	6-32 X 1/2 PHIL PAN (Mounts Power Supply)	42237	42237
14	6-32 NUT (Mounts Power Supply)	47517	47517
15	8-32 PAN HD (Mounts the LED and Light Face)	74141	74141

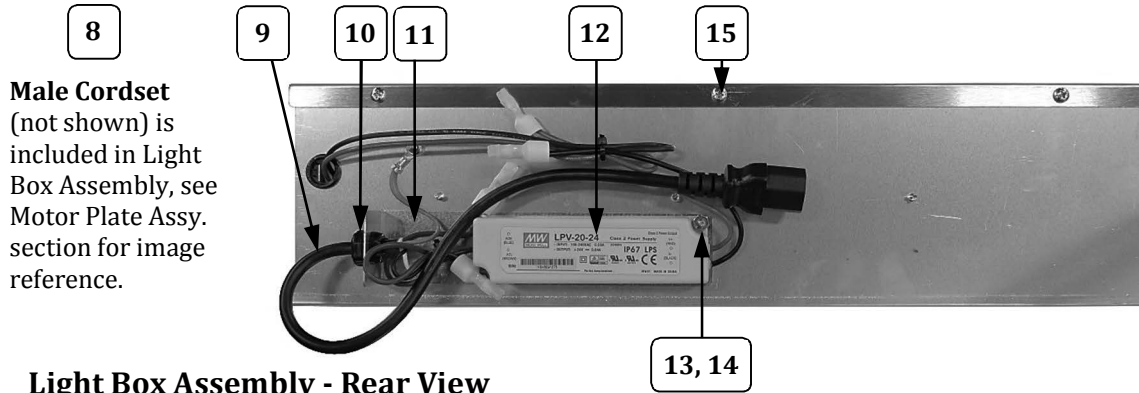
## Lighted Sign Assembly



**Sun Pop Select Light Box Assembly (111422) - Front View**



**Sunny Pop Light Box Assembly (111503) - Front View**



**Male Cordset**  
(not shown) is included in Light Box Assembly, see Motor Plate Assy. section for image reference.

**Light Box Assembly - Rear View**

Item	Part Description	Part Number	
		111422	111503
1	SUN POP SIGN	111420	
2	SUNNY POP SIGN		111483
3	LIGHT BOX FACE	111453	111453
4	LIGHT REFLECTOR	111451	111451
5	6-32 X 5/8 PAN PHILLIPS	77069	77069
6	LED STRIP COOL WHITE	55379	55379
7	BUSHING, SNAP .625 IN	47282	47282
8	MALE CORDSET	61020	61020
9	FEMALE CORDSET	61021	61021
10	STRAIN RELIEF SR-6P3-4	76026	76026
11	CORD BRACKET	111454	111454
12	POWER SUPPLY	55394	55394
13	6-32 X 1/2 PHIL PAN (Mounts Power Supply)	42237	42237
14	6-32 NUT (Mounts Power Supply)	47517	47517
15	8-32 PAN HD (Mounts the LED and Light Face)	74141	74141

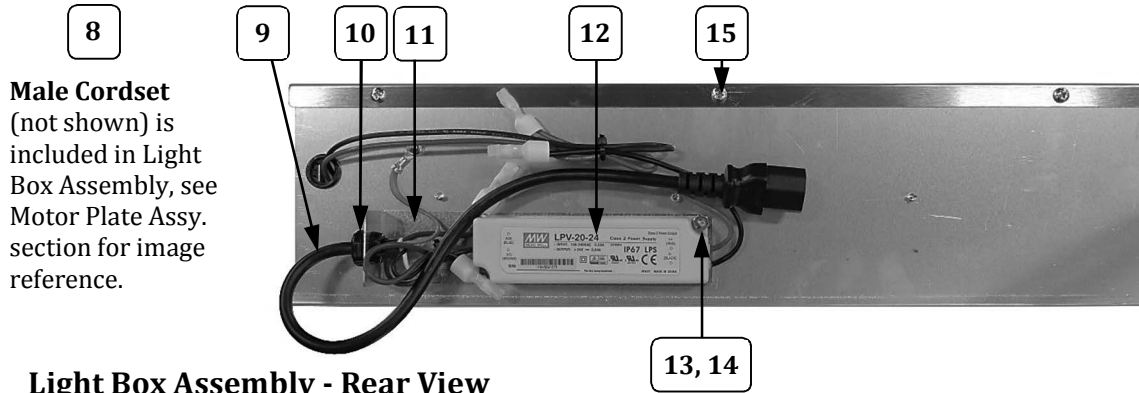
## Lighted Sign Assembly



**Sun Pop Select Light Box Assembly (111422) - Front View**



**Sunny Pop Light Box Assembly (111503) - Front View**



**Male Cordset**  
(not shown) is included in Light Box Assembly, see Motor Plate Assy. section for image reference.

**Light Box Assembly - Rear View**

Item	Part Description	Part Number	
		111422	111503
1	SUN POP SIGN	111420	
2	SUNNY POP SIGN		111483
3	LIGHT BOX FACE	111453	111453
4	LIGHT REFLECTOR	111451	111451
5	6-32 X 5/8 PAN PHILLIPS	77069	77069
6	LED STRIP COOL WHITE	55379	55379
7	BUSHING, SNAP .625 IN	47282	47282
8	MALE CORDSET	61020	61020
9	FEMALE CORDSET	61021	61021
10	STRAIN RELIEF SR-6P3-4	76026	76026
11	CORD BRACKET	111454	111454
12	POWER SUPPLY	55394	55394
13	6-32 X 1/2 PHIL PAN (Mounts Power Supply)	42237	42237
14	6-32 NUT (Mounts Power Supply)	47517	47517
15	8-32 PAN HD (Mounts the LED and Light Face)	74141	74141

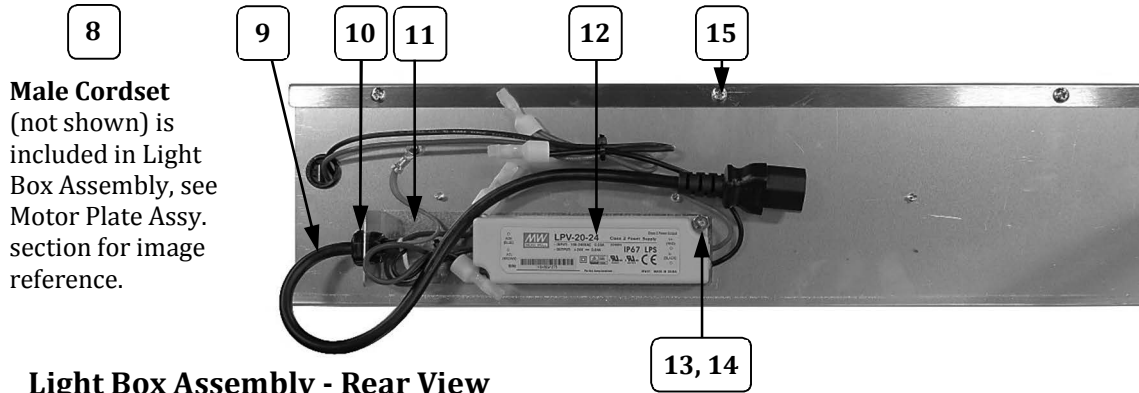
## Lighted Sign Assembly



**Sun Pop Select Light Box Assembly (111422) - Front View**



**Sunny Pop Light Box Assembly (111503) - Front View**



**Male Cordset**  
(not shown) is included in Light Box Assembly, see Motor Plate Assy. section for image reference.

**Light Box Assembly - Rear View**

Item	Part Description	Part Number	
		111422	111503
1	SUN POP SIGN	111420	
2	SUNNY POP SIGN		111483
3	LIGHT BOX FACE	111453	111453
4	LIGHT REFLECTOR	111451	111451
5	6-32 X 5/8 PAN PHILLIPS	77069	77069
6	LED STRIP COOL WHITE	55379	55379
7	BUSHING, SNAP .625 IN	47282	47282
8	MALE CORDSET	61020	61020
9	FEMALE CORDSET	61021	61021
10	STRAIN RELIEF SR-6P3-4	76026	76026
11	CORD BRACKET	111454	111454
12	POWER SUPPLY	55394	55394
13	6-32 X 1/2 PHIL PAN (Mounts Power Supply)	42237	42237
14	6-32 NUT (Mounts Power Supply)	47517	47517
15	8-32 PAN HD (Mounts the LED and Light Face)	74141	74141

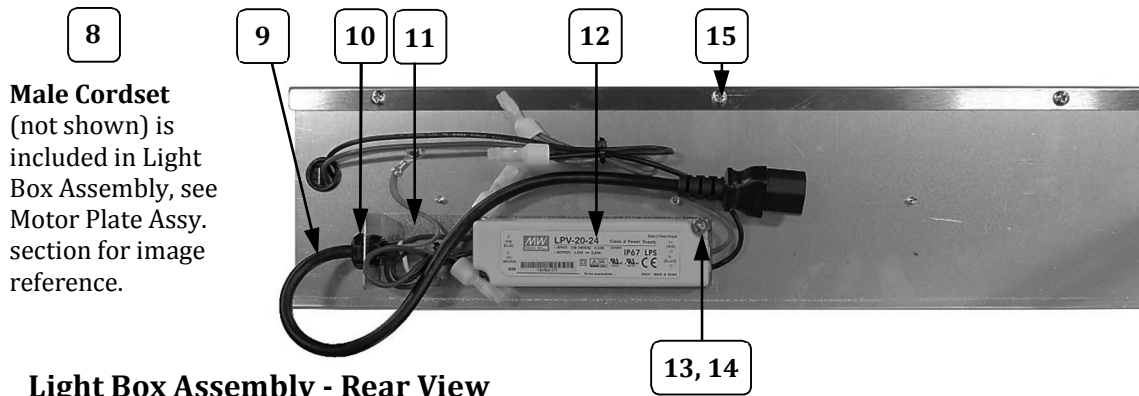
## Lighted Sign Assembly



**Sun Pop Select Light Box Assembly (111422) - Front View**



**Sunny Pop Light Box Assembly (111503) - Front View**



**Male Cordset**  
(not shown) is included in Light Box Assembly, see Motor Plate Assy. section for image reference.

**Light Box Assembly - Rear View**

Item	Part Description	Part Number	
		111422	111503
1	SUN POP SIGN	111420	
2	SUNNY POP SIGN		111483
3	LIGHT BOX FACE	111453	111453
4	LIGHT REFLECTOR	111451	111451
5	6-32 X 5/8 PAN PHILLIPS	77069	77069
6	LED STRIP COOL WHITE	55379	55379
7	BUSHING, SNAP .625 IN	47282	47282
8	MALE CORDSET	61020	61020
9	FEMALE CORDSET	61021	61021
10	STRAIN RELIEF SR-6P3-4	76026	76026
11	CORD BRACKET	111454	111454
12	POWER SUPPLY	55394	55394
13	6-32 X 1/2 PHIL PAN (Mounts Power Supply)	42237	42237
14	6-32 NUT (Mounts Power Supply)	47517	47517
15	8-32 PAN HD (Mounts the LED and Light Face)	74141	74141

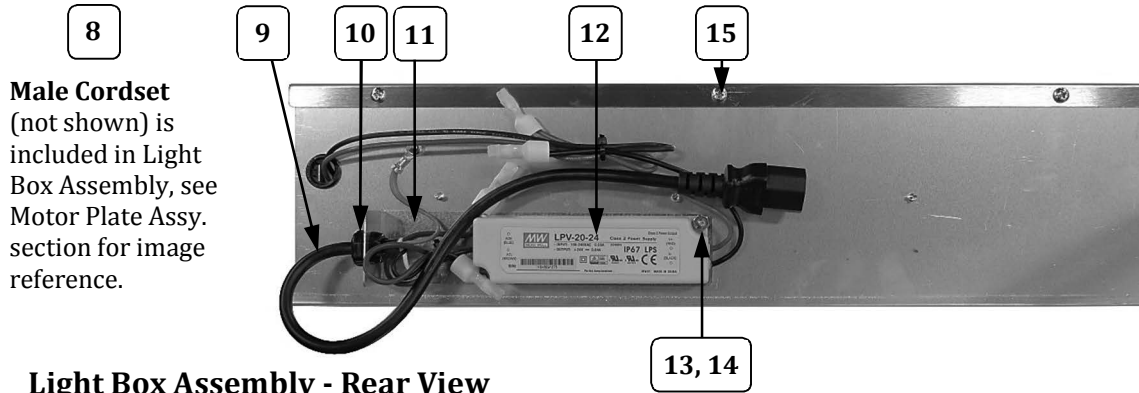
## Lighted Sign Assembly



**Sun Pop Select Light Box Assembly (111422) - Front View**



**Sunny Pop Light Box Assembly (111503) - Front View**



**Male Cordset**  
(not shown) is included in Light Box Assembly, see Motor Plate Assy. section for image reference.

**Light Box Assembly - Rear View**

Item	Part Description	Part Number	
		111422	111503
1	SUN POP SIGN	111420	
2	SUNNY POP SIGN		111483
3	LIGHT BOX FACE	111453	111453
4	LIGHT REFLECTOR	111451	111451
5	6-32 X 5/8 PAN PHILLIPS	77069	77069
6	LED STRIP COOL WHITE	55379	55379
7	BUSHING, SNAP .625 IN	47282	47282
8	MALE CORDSET	61020	61020
9	FEMALE CORDSET	61021	61021
10	STRAIN RELIEF SR-6P3-4	76026	76026
11	CORD BRACKET	111454	111454
12	POWER SUPPLY	55394	55394
13	6-32 X 1/2 PHIL PAN (Mounts Power Supply)	42237	42237
14	6-32 NUT (Mounts Power Supply)	47517	47517
15	8-32 PAN HD (Mounts the LED and Light Face)	74141	74141

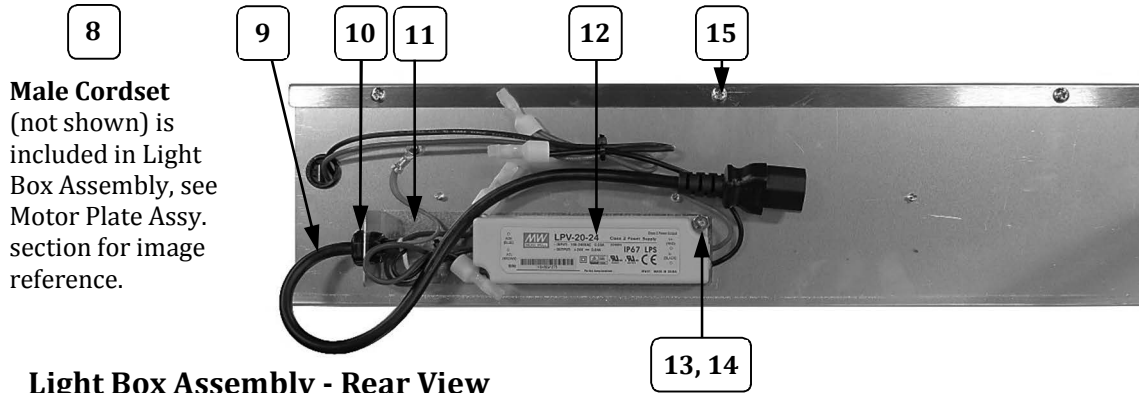
## Lighted Sign Assembly



**Sun Pop Select Light Box Assembly (111422) - Front View**



**Sunny Pop Light Box Assembly (111503) - Front View**



**Male Cordset**  
(not shown) is included in Light Box Assembly, see Motor Plate Assy. section for image reference.

**Light Box Assembly - Rear View**

Item	Part Description	Part Number	
		111422	111503
1	SUN POP SIGN	111420	
2	SUNNY POP SIGN		111483
3	LIGHT BOX FACE	111453	111453
4	LIGHT REFLECTOR	111451	111451
5	6-32 X 5/8 PAN PHILLIPS	77069	77069
6	LED STRIP COOL WHITE	55379	55379
7	BUSHING, SNAP .625 IN	47282	47282
8	MALE CORDSET	61020	61020
9	FEMALE CORDSET	61021	61021
10	STRAIN RELIEF SR-6P3-4	76026	76026
11	CORD BRACKET	111454	111454
12	POWER SUPPLY	55394	55394
13	6-32 X 1/2 PHIL PAN (Mounts Power Supply)	42237	42237
14	6-32 NUT (Mounts Power Supply)	47517	47517
15	8-32 PAN HD (Mounts the LED and Light Face)	74141	74141

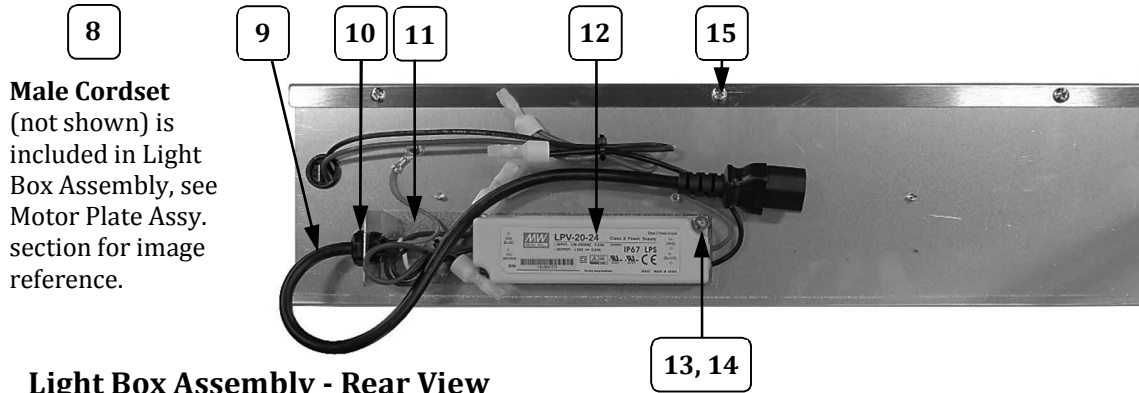
## Lighted Sign Assembly



**Sun Pop Select Light Box Assembly (111422) - Front View**



**Sunny Pop Light Box Assembly (111503) - Front View**



**Male Cordset**  
(not shown) is included in Light Box Assembly, see Motor Plate Assy. section for image reference.

**Light Box Assembly - Rear View**

Item	Part Description	Part Number	
		111422	111503
1	SUN POP SIGN	111420	
2	SUNNY POP SIGN		111483
3	LIGHT BOX FACE	111453	111453
4	LIGHT REFLECTOR	111451	111451
5	6-32 X 5/8 PAN PHILLIPS	77069	77069
6	LED STRIP COOL WHITE	55379	55379
7	BUSHING, SNAP .625 IN	47282	47282
8	MALE CORDSET	61020	61020
9	FEMALE CORDSET	61021	61021
10	STRAIN RELIEF SR-6P3-4	76026	76026
11	CORD BRACKET	111454	111454
12	POWER SUPPLY	55394	55394
13	6-32 X 1/2 PHIL PAN (Mounts Power Supply)	42237	42237
14	6-32 NUT (Mounts Power Supply)	47517	47517
15	8-32 PAN HD (Mounts the LED and Light Face)	74141	74141

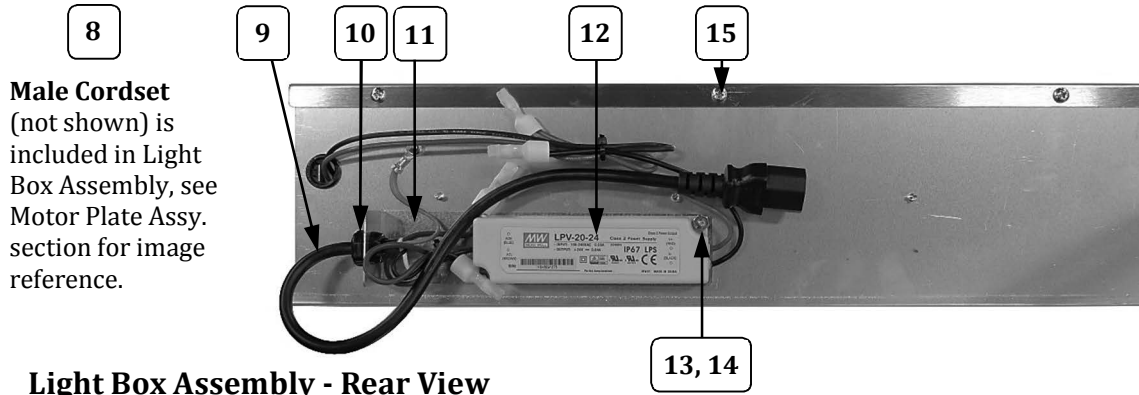
## Lighted Sign Assembly



**Sun Pop Select Light Box Assembly (111422) - Front View**



**Sunny Pop Light Box Assembly (111503) - Front View**



**Male Cordset**  
(not shown) is included in Light Box Assembly, see Motor Plate Assy. section for image reference.

**Light Box Assembly - Rear View**

Item	Part Description	Part Number	
		111422	111503
1	SUN POP SIGN	111420	
2	SUNNY POP SIGN		111483
3	LIGHT BOX FACE	111453	111453
4	LIGHT REFLECTOR	111451	111451
5	6-32 X 5/8 PAN PHILLIPS	77069	77069
6	LED STRIP COOL WHITE	55379	55379
7	BUSHING, SNAP .625 IN	47282	47282
8	MALE CORDSET	61020	61020
9	FEMALE CORDSET	61021	61021
10	STRAIN RELIEF SR-6P3-4	76026	76026
11	CORD BRACKET	111454	111454
12	POWER SUPPLY	55394	55394
13	6-32 X 1/2 PHIL PAN (Mounts Power Supply)	42237	42237
14	6-32 NUT (Mounts Power Supply)	47517	47517
15	8-32 PAN HD (Mounts the LED and Light Face)	74141	74141

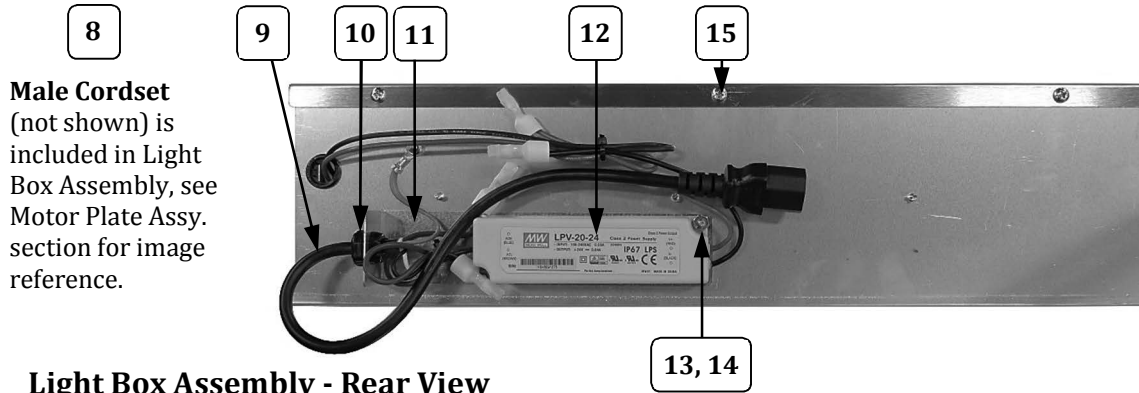
## Lighted Sign Assembly



**Sun Pop Select Light Box Assembly (111422) - Front View**



**Sunny Pop Light Box Assembly (111503) - Front View**



**Male Cordset**  
(not shown) is included in Light Box Assembly, see Motor Plate Assy. section for image reference.

**Light Box Assembly - Rear View**

Item	Part Description	Part Number	
		111422	111503
1	SUN POP SIGN	111420	
2	SUNNY POP SIGN		111483
3	LIGHT BOX FACE	111453	111453
4	LIGHT REFLECTOR	111451	111451
5	6-32 X 5/8 PAN PHILLIPS	77069	77069
6	LED STRIP COOL WHITE	55379	55379
7	BUSHING, SNAP .625 IN	47282	47282
8	MALE CORDSET	61020	61020
9	FEMALE CORDSET	61021	61021
10	STRAIN RELIEF SR-6P3-4	76026	76026
11	CORD BRACKET	111454	111454
12	POWER SUPPLY	55394	55394
13	6-32 X 1/2 PHIL PAN (Mounts Power Supply)	42237	42237
14	6-32 NUT (Mounts Power Supply)	47517	47517
15	8-32 PAN HD (Mounts the LED and Light Face)	74141	74141

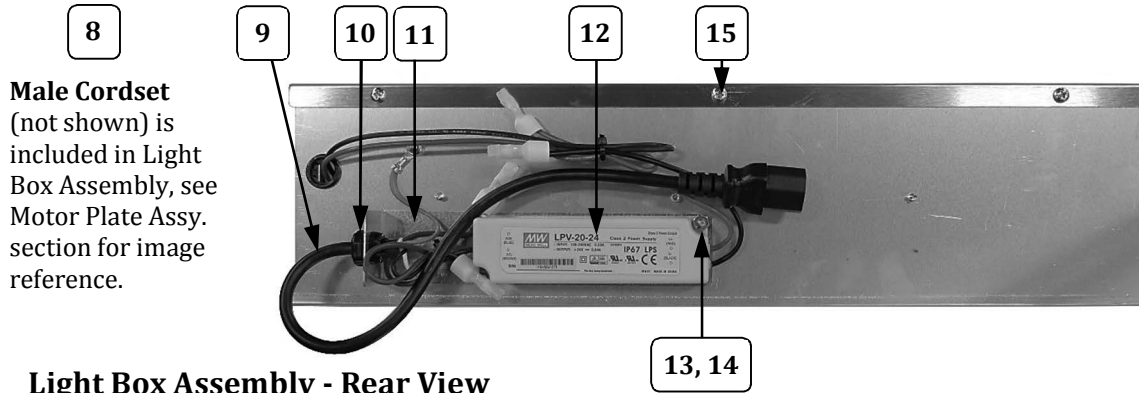
## Lighted Sign Assembly



**Sun Pop Select Light Box Assembly (111422) - Front View**



**Sunny Pop Light Box Assembly (111503) - Front View**



**Male Cordset**  
(not shown) is included in Light Box Assembly, see Motor Plate Assy. section for image reference.

**Light Box Assembly - Rear View**

Item	Part Description	Part Number	
		111422	111503
1	SUN POP SIGN	111420	
2	SUNNY POP SIGN		111483
3	LIGHT BOX FACE	111453	111453
4	LIGHT REFLECTOR	111451	111451
5	6-32 X 5/8 PAN PHILLIPS	77069	77069
6	LED STRIP COOL WHITE	55379	55379
7	BUSHING, SNAP .625 IN	47282	47282
8	MALE CORDSET	61020	61020
9	FEMALE CORDSET	61021	61021
10	STRAIN RELIEF SR-6P3-4	76026	76026
11	CORD BRACKET	111454	111454
12	POWER SUPPLY	55394	55394
13	6-32 X 1/2 PHIL PAN (Mounts Power Supply)	42237	42237
14	6-32 NUT (Mounts Power Supply)	47517	47517
15	8-32 PAN HD (Mounts the LED and Light Face)	74141	74141

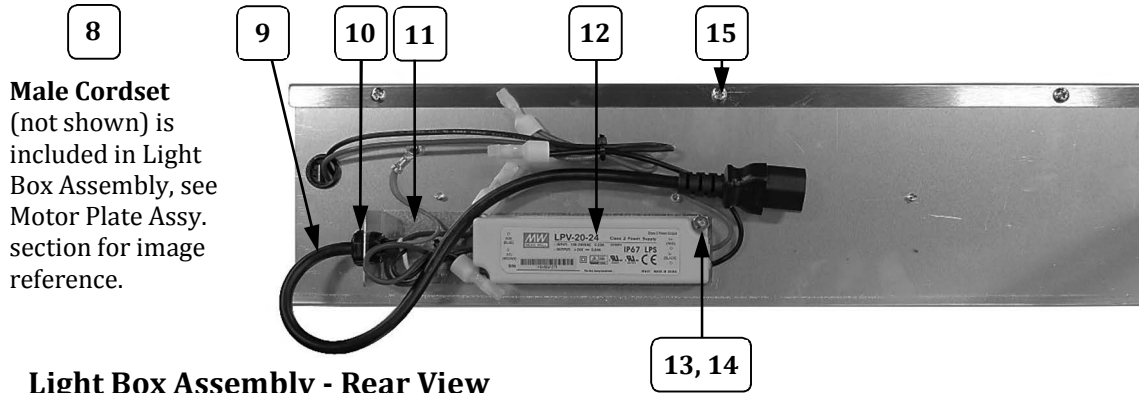
## Lighted Sign Assembly



**Sun Pop Select Light Box Assembly (111422) - Front View**



**Sunny Pop Light Box Assembly (111503) - Front View**



**Male Cordset**  
(not shown) is included in Light Box Assembly, see Motor Plate Assy. section for image reference.

**Light Box Assembly - Rear View**

Item	Part Description	Part Number	
		111422	111503
1	SUN POP SIGN	111420	
2	SUNNY POP SIGN		111483
3	LIGHT BOX FACE	111453	111453
4	LIGHT REFLECTOR	111451	111451
5	6-32 X 5/8 PAN PHILLIPS	77069	77069
6	LED STRIP COOL WHITE	55379	55379
7	BUSHING, SNAP .625 IN	47282	47282
8	MALE CORDSET	61020	61020
9	FEMALE CORDSET	61021	61021
10	STRAIN RELIEF SR-6P3-4	76026	76026
11	CORD BRACKET	111454	111454
12	POWER SUPPLY	55394	55394
13	6-32 X 1/2 PHIL PAN (Mounts Power Supply)	42237	42237
14	6-32 NUT (Mounts Power Supply)	47517	47517
15	8-32 PAN HD (Mounts the LED and Light Face)	74141	74141

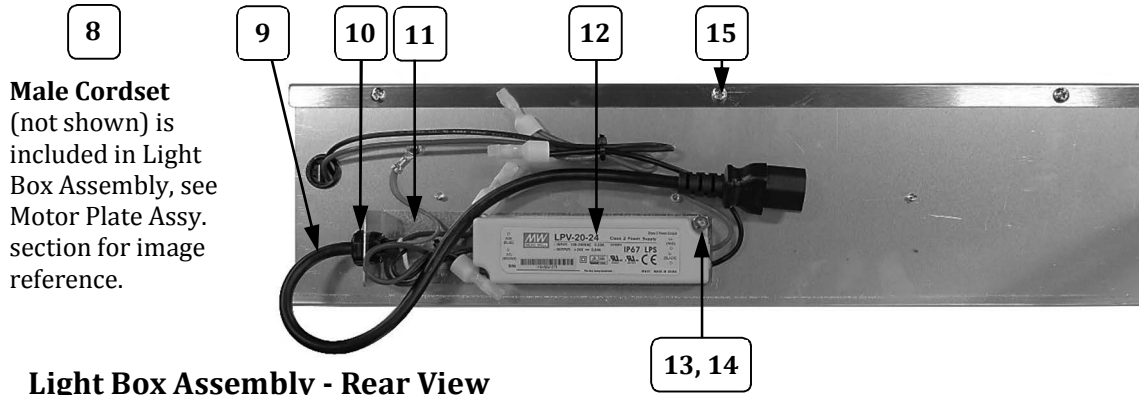
## Lighted Sign Assembly



**Sun Pop Select Light Box Assembly (111422) - Front View**



**Sunny Pop Light Box Assembly (111503) - Front View**



**Male Cordset**  
(not shown) is included in Light Box Assembly, see Motor Plate Assy. section for image reference.

**Light Box Assembly - Rear View**

Item	Part Description	Part Number	
		111422	111503
1	SUN POP SIGN	111420	
2	SUNNY POP SIGN		111483
3	LIGHT BOX FACE	111453	111453
4	LIGHT REFLECTOR	111451	111451
5	6-32 X 5/8 PAN PHILLIPS	77069	77069
6	LED STRIP COOL WHITE	55379	55379
7	BUSHING, SNAP .625 IN	47282	47282
8	MALE CORDSET	61020	61020
9	FEMALE CORDSET	61021	61021
10	STRAIN RELIEF SR-6P3-4	76026	76026
11	CORD BRACKET	111454	111454
12	POWER SUPPLY	55394	55394
13	6-32 X 1/2 PHIL PAN (Mounts Power Supply)	42237	42237
14	6-32 NUT (Mounts Power Supply)	47517	47517
15	8-32 PAN HD (Mounts the LED and Light Face)	74141	74141

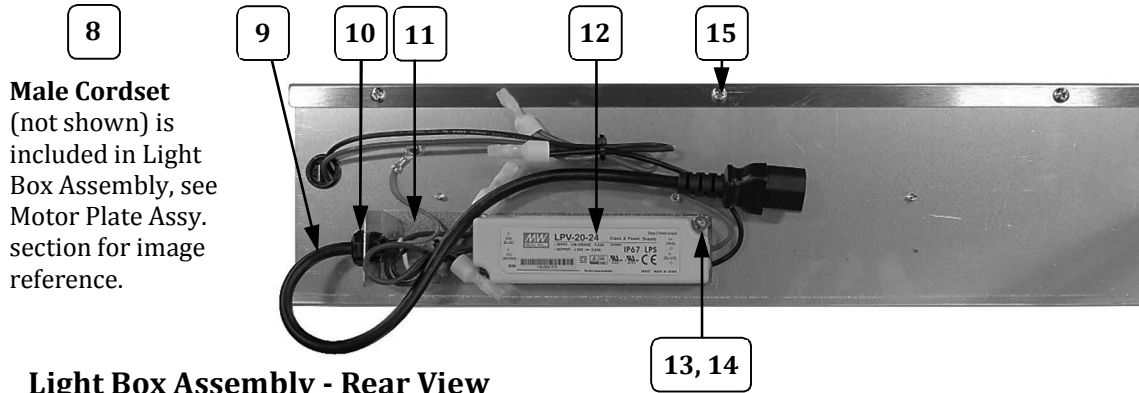
## Lighted Sign Assembly



**Sun Pop Select Light Box Assembly (111422) - Front View**



**Sunny Pop Light Box Assembly (111503) - Front View**



**Male Cordset**  
(not shown) is included in Light Box Assembly, see Motor Plate Assy. section for image reference.

**Light Box Assembly - Rear View**

Item	Part Description	Part Number	
		111422	111503
1	SUN POP SIGN	111420	
2	SUNNY POP SIGN		111483
3	LIGHT BOX FACE	111453	111453
4	LIGHT REFLECTOR	111451	111451
5	6-32 X 5/8 PAN PHILLIPS	77069	77069
6	LED STRIP COOL WHITE	55379	55379
7	BUSHING, SNAP .625 IN	47282	47282
8	MALE CORDSET	61020	61020
9	FEMALE CORDSET	61021	61021
10	STRAIN RELIEF SR-6P3-4	76026	76026
11	CORD BRACKET	111454	111454
12	POWER SUPPLY	55394	55394
13	6-32 X 1/2 PHIL PAN (Mounts Power Supply)	42237	42237
14	6-32 NUT (Mounts Power Supply)	47517	47517
15	8-32 PAN HD (Mounts the LED and Light Face)	74141	74141

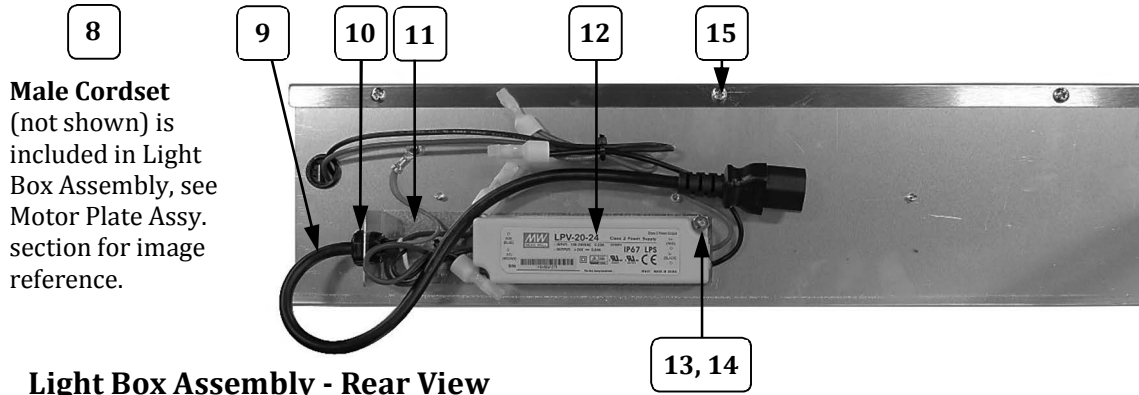
## Lighted Sign Assembly



**Sun Pop Select Light Box Assembly (111422) - Front View**



**Sunny Pop Light Box Assembly (111503) - Front View**



**Male Cordset**  
(not shown) is included in Light Box Assembly, see Motor Plate Assy. section for image reference.

**Light Box Assembly - Rear View**

Item	Part Description	Part Number	
		111422	111503
1	SUN POP SIGN	111420	
2	SUNNY POP SIGN		111483
3	LIGHT BOX FACE	111453	111453
4	LIGHT REFLECTOR	111451	111451
5	6-32 X 5/8 PAN PHILLIPS	77069	77069
6	LED STRIP COOL WHITE	55379	55379
7	BUSHING, SNAP .625 IN	47282	47282
8	MALE CORDSET	61020	61020
9	FEMALE CORDSET	61021	61021
10	STRAIN RELIEF SR-6P3-4	76026	76026
11	CORD BRACKET	111454	111454
12	POWER SUPPLY	55394	55394
13	6-32 X 1/2 PHIL PAN (Mounts Power Supply)	42237	42237
14	6-32 NUT (Mounts Power Supply)	47517	47517
15	8-32 PAN HD (Mounts the LED and Light Face)	74141	74141

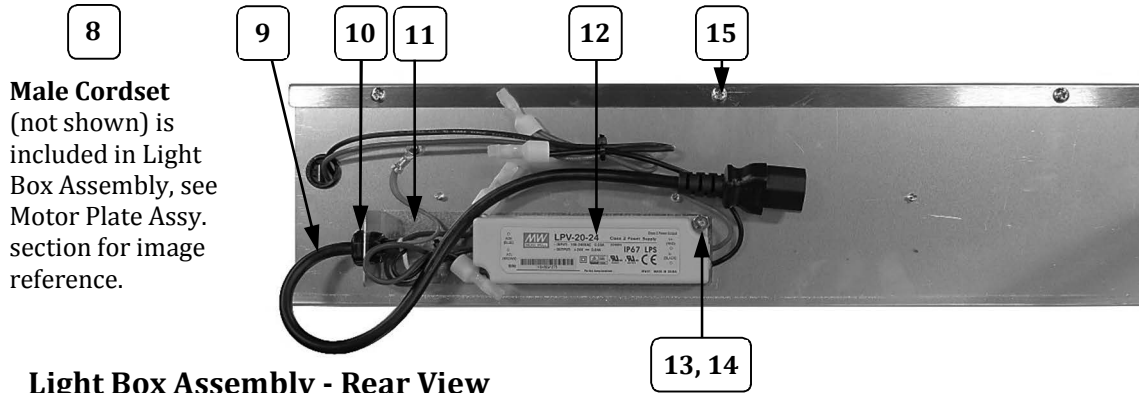
## Lighted Sign Assembly



**Sun Pop Select Light Box Assembly (111422) - Front View**



**Sunny Pop Light Box Assembly (111503) - Front View**



**Male Cordset**  
(not shown) is included in Light Box Assembly, see Motor Plate Assy. section for image reference.

**Light Box Assembly - Rear View**

Item	Part Description	Part Number	
		111422	111503
1	SUN POP SIGN	111420	
2	SUNNY POP SIGN		111483
3	LIGHT BOX FACE	111453	111453
4	LIGHT REFLECTOR	111451	111451
5	6-32 X 5/8 PAN PHILLIPS	77069	77069
6	LED STRIP COOL WHITE	55379	55379
7	BUSHING, SNAP .625 IN	47282	47282
8	MALE CORDSET	61020	61020
9	FEMALE CORDSET	61021	61021
10	STRAIN RELIEF SR-6P3-4	76026	76026
11	CORD BRACKET	111454	111454
12	POWER SUPPLY	55394	55394
13	6-32 X 1/2 PHIL PAN (Mounts Power Supply)	42237	42237
14	6-32 NUT (Mounts Power Supply)	47517	47517
15	8-32 PAN HD (Mounts the LED and Light Face)	74141	74141

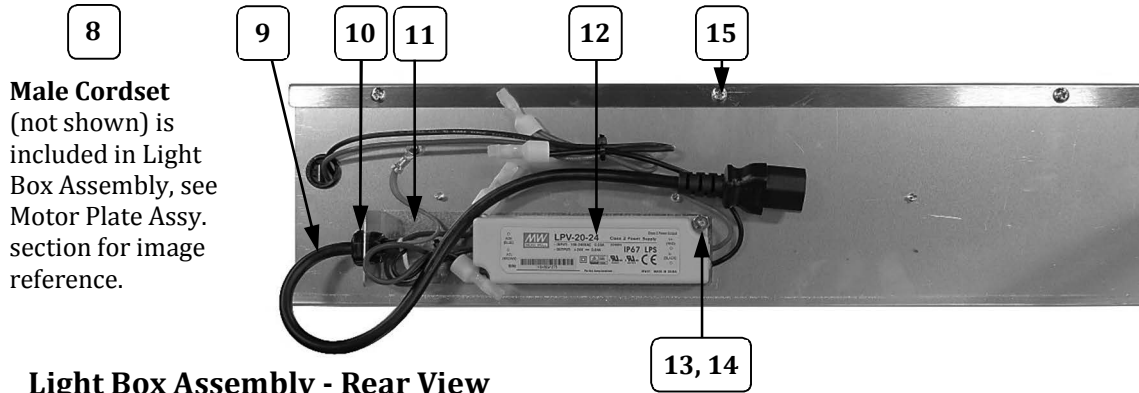
## Lighted Sign Assembly



**Sun Pop Select Light Box Assembly (111422) - Front View**



**Sunny Pop Light Box Assembly (111503) - Front View**



**Male Cordset**  
(not shown) is included in Light Box Assembly, see Motor Plate Assy. section for image reference.

**Light Box Assembly - Rear View**

Item	Part Description	Part Number	
		111422	111503
1	SUN POP SIGN	111420	
2	SUNNY POP SIGN		111483
3	LIGHT BOX FACE	111453	111453
4	LIGHT REFLECTOR	111451	111451
5	6-32 X 5/8 PAN PHILLIPS	77069	77069
6	LED STRIP COOL WHITE	55379	55379
7	BUSHING, SNAP .625 IN	47282	47282
8	MALE CORDSET	61020	61020
9	FEMALE CORDSET	61021	61021
10	STRAIN RELIEF SR-6P3-4	76026	76026
11	CORD BRACKET	111454	111454
12	POWER SUPPLY	55394	55394
13	6-32 X 1/2 PHIL PAN (Mounts Power Supply)	42237	42237
14	6-32 NUT (Mounts Power Supply)	47517	47517
15	8-32 PAN HD (Mounts the LED and Light Face)	74141	74141

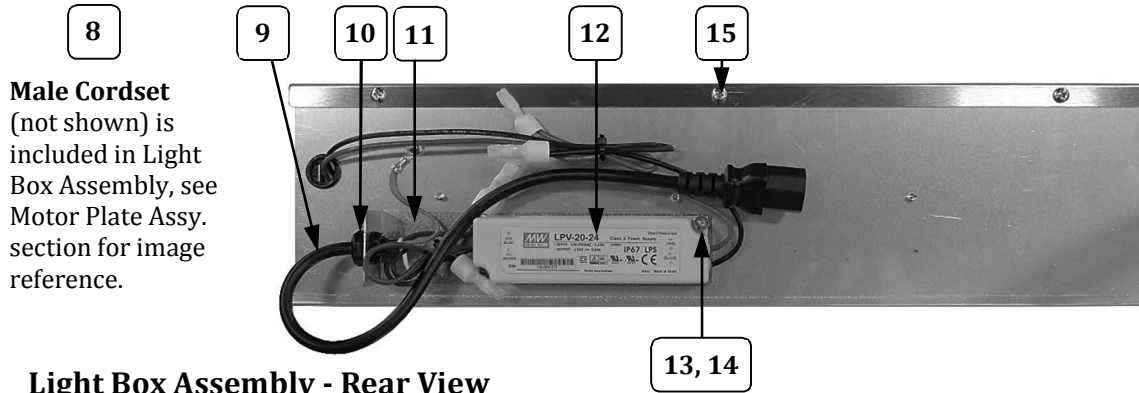
## Lighted Sign Assembly



**Sun Pop Select Light Box Assembly (111422) - Front View**



**Sunny Pop Light Box Assembly (111503) - Front View**



**Male Cordset**  
(not shown) is included in Light Box Assembly, see Motor Plate Assy. section for image reference.

**Light Box Assembly - Rear View**

Item	Part Description	Part Number	
		111422	111503
1	SUN POP SIGN	111420	
2	SUNNY POP SIGN		111483
3	LIGHT BOX FACE	111453	111453
4	LIGHT REFLECTOR	111451	111451
5	6-32 X 5/8 PAN PHILLIPS	77069	77069
6	LED STRIP COOL WHITE	55379	55379
7	BUSHING, SNAP .625 IN	47282	47282
8	MALE CORDSET	61020	61020
9	FEMALE CORDSET	61021	61021
10	STRAIN RELIEF SR-6P3-4	76026	76026
11	CORD BRACKET	111454	111454
12	POWER SUPPLY	55394	55394
13	6-32 X 1/2 PHIL PAN (Mounts Power Supply)	42237	42237
14	6-32 NUT (Mounts Power Supply)	47517	47517
15	8-32 PAN HD (Mounts the LED and Light Face)	74141	74141

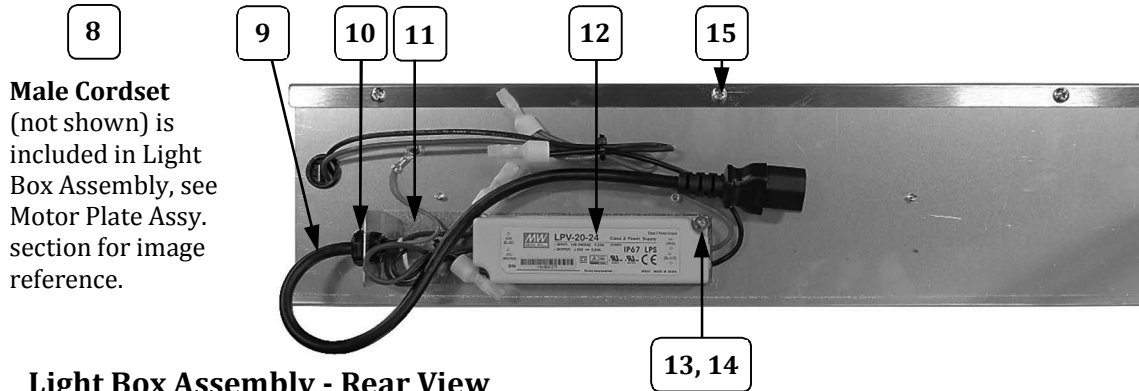
## Lighted Sign Assembly



**Sun Pop Select Light Box Assembly (111422) - Front View**



**Sunny Pop Light Box Assembly (111503) - Front View**



**Male Cordset**  
(not shown) is included in Light Box Assembly, see Motor Plate Assy. section for image reference.

**Light Box Assembly - Rear View**

Item	Part Description	Part Number	
		111422	111503
1	SUN POP SIGN	111420	
2	SUNNY POP SIGN		111483
3	LIGHT BOX FACE	111453	111453
4	LIGHT REFLECTOR	111451	111451
5	6-32 X 5/8 PAN PHILLIPS	77069	77069
6	LED STRIP COOL WHITE	55379	55379
7	BUSHING, SNAP .625 IN	47282	47282
8	MALE CORDSET	61020	61020
9	FEMALE CORDSET	61021	61021
10	STRAIN RELIEF SR-6P3-4	76026	76026
11	CORD BRACKET	111454	111454
12	POWER SUPPLY	55394	55394
13	6-32 X 1/2 PHIL PAN (Mounts Power Supply)	42237	42237
14	6-32 NUT (Mounts Power Supply)	47517	47517
15	8-32 PAN HD (Mounts the LED and Light Face)	74141	74141

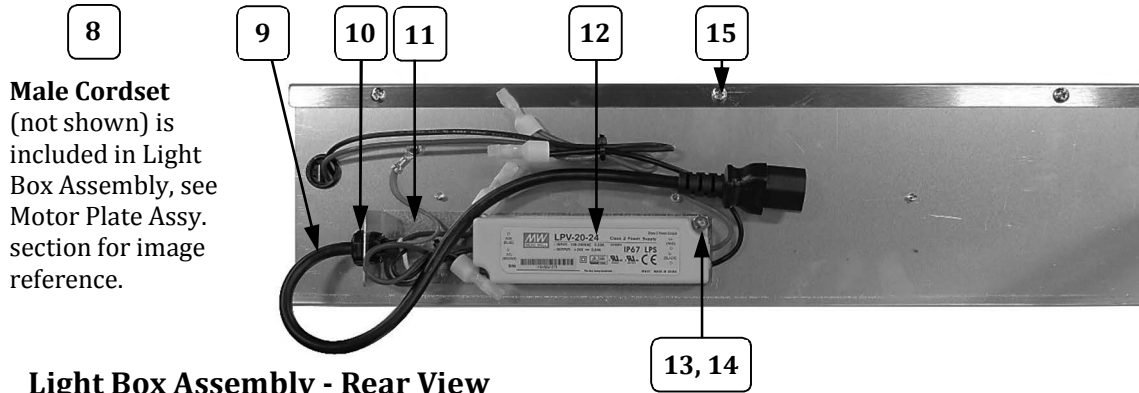
## Lighted Sign Assembly



**Sun Pop Select Light Box Assembly (111422) - Front View**



**Sunny Pop Light Box Assembly (111503) - Front View**



**Male Cordset**  
(not shown) is included in Light Box Assembly, see Motor Plate Assy. section for image reference.

**Light Box Assembly - Rear View**

Item	Part Description	Part Number	
		111422	111503
1	SUN POP SIGN	111420	
2	SUNNY POP SIGN		111483
3	LIGHT BOX FACE	111453	111453
4	LIGHT REFLECTOR	111451	111451
5	6-32 X 5/8 PAN PHILLIPS	77069	77069
6	LED STRIP COOL WHITE	55379	55379
7	BUSHING, SNAP .625 IN	47282	47282
8	MALE CORDSET	61020	61020
9	FEMALE CORDSET	61021	61021
10	STRAIN RELIEF SR-6P3-4	76026	76026
11	CORD BRACKET	111454	111454
12	POWER SUPPLY	55394	55394
13	6-32 X 1/2 PHIL PAN (Mounts Power Supply)	42237	42237
14	6-32 NUT (Mounts Power Supply)	47517	47517
15	8-32 PAN HD (Mounts the LED and Light Face)	74141	74141

## Safety Labels

**1** → **BULB REPLACEMENT MUST BE WITH CORRECT WATTAGE BULB W/ TUFF-SKIN COATING 42948**

**2** →

**3** →

**4** → **WARNING! CONTACT WITH THIS SURFACE WHILE THE APPLIANCE IS OPERATING MAY CAUSE BURNS**  
**AVERTISSEMENT! CONTACT AVEC CETTE SURFACE PENDANT LE FONCTIONNEMENT DE L'APPAREIL POURRAIT CAUSER DES BRULURES 87087**

**5** →

**Unit Labels**

**6** →

**Kettle Lead In Label**

**7** →

**8** →

**Power Cord Labels**

Item	Part Description	Part No.
1	COATED BULB LABEL	42948
2	UNIVERSAL POPPER DECAL	41019
3	MAIN GROUND LABEL	42375
4	SURFACE CONTACT WARNING	87087
5	POWER OFF LABEL	55436
6	CONDUIT WARNING LABEL	82840
7	CORD WARNING LABEL	68720
8	POWER CORD TAG	76135

# Safety Labels

**1** → **BULB REPLACEMENT MUST BE WITH CORRECT WATTAGE BULB W/ TUFF-SKIN COATING 42948**

**2** → **UNIVERSAL POPPER DECAL**

**3** → **MAIN GROUND LABEL 42375**

**4** → **WARNING! CONTACT WITH THIS SURFACE WHILE THE APPLIANCE IS OPERATING MAY CAUSE BURNS**

**5** → **poweroff PATENT PENDING WHEN THE HEAT SWITCH LIGHT IS BLINKING, TURN THE HEAT SWITCH OFF-ON TO RESTART THE KETTLE HEAT**

**6** → **CONDUIT WARNING LABEL**

**7** → **CORD WARNING LABEL**

**8** → **POWER CORD TAG**

## Unit Labels

## Kettle Lead In Label

## Power Cord Labels

Item	Part Description	Part No.
1	COATED BULB LABEL	42948
2	UNIVERSAL POPPER DECAL	41019
3	MAIN GROUND LABEL	42375
4	SURFACE CONTACT WARNING	87087
5	POWER OFF LABEL	55436
6	CONDUIT WARNING LABEL	82840
7	CORD WARNING LABEL	68720
8	POWER CORD TAG	76135

Page 26

gmpopcorn.com

## Safety Labels

**1** → **BULB REPLACEMENT MUST BE WITH CORRECT WATTAGE BULB W/ TUFF-SKIN COATING 42948**

**2** →

**3** →

**4** → **WARNING! CONTACT WITH THIS SURFACE WHILE THE APPLIANCE IS OPERATING MAY CAUSE BURNS**  
**AVERTISSEMENT! CONTACT AVEC CETTE SURFACE PENDANT LE FONCTIONNEMENT DE L'APPAREIL POURRAIT CAUSER DES BRULURES 87087**

**5** →

**Unit Labels**

**6** →

**Kettle Lead In Label**

**7** →

**8** →

Item	Part Description	Part No.
1	COATED BULB LABEL	42948
2	UNIVERSAL POPPER DECAL	41019
3	MAIN GROUND LABEL	42375
4	SURFACE CONTACT WARNING	87087
5	POWER OFF LABEL	55436
6	CONDUIT WARNING LABEL	82840
7	CORD WARNING LABEL	68720
8	POWER CORD TAG	76135

Page 26

gmpopcorn.com

# Safety Labels

**1** → **BULB REPLACEMENT MUST BE WITH CORRECT WATTAGE BULB W/ TUFF-SKIN COATING 42948**

**2** →

**3** →

**4** → **WARNING! CONTACT WITH THIS SURFACE WHILE THE APPLIANCE IS OPERATING MAY CAUSE BURNS**  
**AVERTISSEMENT! CONTACT AVEC CETTE SURFACE PENDANT LE FONCTIONNEMENT DE L'APPAREIL POURRAIT CAUSER DES BRULURES 87087**

**5** →

**Unit Labels**

**6** →

**Kettle Lead In Label**

**7** →

**8** →

**Power Cord Labels**

Item	Part Description	Part No.
1	COATED BULB LABEL	42948
2	UNIVERSAL POPPER DECAL	41019
3	MAIN GROUND LABEL	42375
4	SURFACE CONTACT WARNING	87087
5	POWER OFF LABEL	55436
6	CONDUIT WARNING LABEL	82840
7	CORD WARNING LABEL	68720
8	POWER CORD TAG	76135

## Safety Labels

**1** → **BULB REPLACEMENT MUST BE WITH CORRECT WATTAGE BULB W/ TUFF-SKIN COATING 42948**

**2** →

**3** →

**4** → **WARNING! CONTACT WITH THIS SURFACE WHILE THE APPLIANCE IS OPERATING MAY CAUSE BURNS**  
**AVERTISSEMENT! CONTACT AVEC CETTE SURFACE PENDANT LE FONCTIONNEMENT DE L'APPAREIL POURRAIT CAUSER DES BRULURES 87087**

**5** →

**Unit Labels**

**6** →

**Kettle Lead In Label**

**7** →

**8** →

**Power Cord Labels**

Item	Part Description	Part No.
1	COATED BULB LABEL	42948
2	UNIVERSAL POPPER DECAL	41019
3	MAIN GROUND LABEL	42375
4	SURFACE CONTACT WARNING	87087
5	POWER OFF LABEL	55436
6	CONDUIT WARNING LABEL	82840
7	CORD WARNING LABEL	68720
8	POWER CORD TAG	76135

## Safety Labels

**1** → **BULB REPLACEMENT MUST BE WITH CORRECT WATTAGE BULB W/ TUFF-SKIN COATING 42948**

**2** →

**3** →

**4** → **WARNING! CONTACT WITH THIS SURFACE WHILE THE APPLIANCE IS OPERATING MAY CAUSE BURNS**  
**AVERTISSEMENT! CONTACT AVEC CETTE SURFACE PENDANT LE FONCTIONNEMENT DE L'APPAREIL POURRAIT CAUSER DES BRULURES 87087**

**5** →

**Unit Labels**

**6** →

**Kettle Lead In Label**

**7** →

**8** →

Item	Part Description	Part No.
1	COATED BULB LABEL	42948
2	UNIVERSAL POPPER DECAL	41019
3	MAIN GROUND LABEL	42375
4	SURFACE CONTACT WARNING	87087
5	POWER OFF LABEL	55436
6	CONDUIT WARNING LABEL	82840
7	CORD WARNING LABEL	68720
8	POWER CORD TAG	76135

Page 26

gmpopcorn.com

## Safety Labels

**1** → **BULB REPLACEMENT MUST BE WITH CORRECT WATTAGE BULB W/ TUFF-SKIN COATING 42948**

**2** →

**3** →

**4** → **WARNING! CONTACT WITH THIS SURFACE WHILE THE APPLIANCE IS OPERATING MAY CAUSE BURNS**  
**AVERTISSEMENT! CONTACT AVEC CETTE SURFACE PENDANT LE FONCTIONNEMENT DE L'APPAREIL POURRAIT CAUSER DES BRULURES 87087**

**5** →

**Unit Labels**

**6** →

**Kettle Lead In Label**

**7** →

**8** →

**Power Cord Labels**

Item	Part Description	Part No.
1	COATED BULB LABEL	42948
2	UNIVERSAL POPPER DECAL	41019
3	MAIN GROUND LABEL	42375
4	SURFACE CONTACT WARNING	87087
5	POWER OFF LABEL	55436
6	CONDUIT WARNING LABEL	82840
7	CORD WARNING LABEL	68720
8	POWER CORD TAG	76135

## Safety Labels

**1** → **BULB REPLACEMENT MUST BE WITH CORRECT WATTAGE BULB W/ TUFF-SKIN COATING 42948**

**2** → **UNIVERSAL POPPER DECAL**

**3** → **MAIN GROUND LABEL 42375**

**4** → **WARNING! CONTACT WITH THIS SURFACE WHILE THE APPLIANCE IS OPERATING MAY CAUSE BURNS**

**5** → **poweroff PATENT PENDING WHEN THE HEAT SWITCH LIGHT IS BLINKING, TURN THE HEAT SWITCH OFF-ON TO RESTART THE KETTLE HEAT**

**6** → **CONDUIT WARNING LABEL**

**7** → **CORD WARNING LABEL**

**8** → **POWER CORD TAG**

## Unit Labels

## Kettle Lead In Label

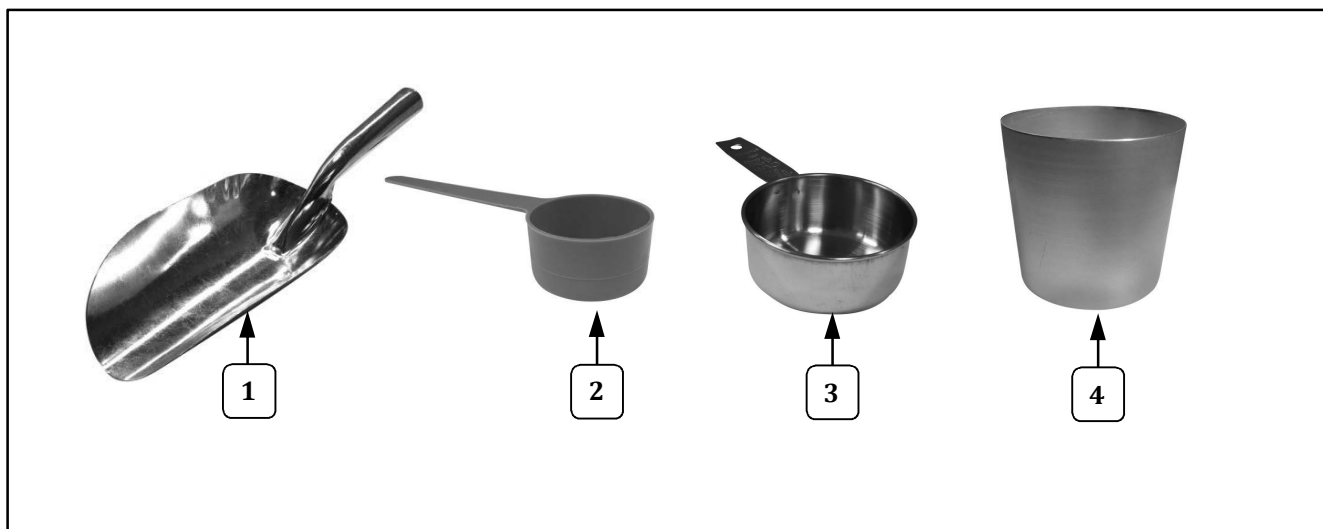
## Power Cord Labels

Item	Part Description	Part No.
1	COATED BULB LABEL	42948
2	UNIVERSAL POPPER DECAL	41019
3	MAIN GROUND LABEL	42375
4	SURFACE CONTACT WARNING	87087
5	POWER OFF LABEL	55436
6	CONDUIT WARNING LABEL	82840
7	CORD WARNING LABEL	68720
8	POWER CORD TAG	76135

Page 26

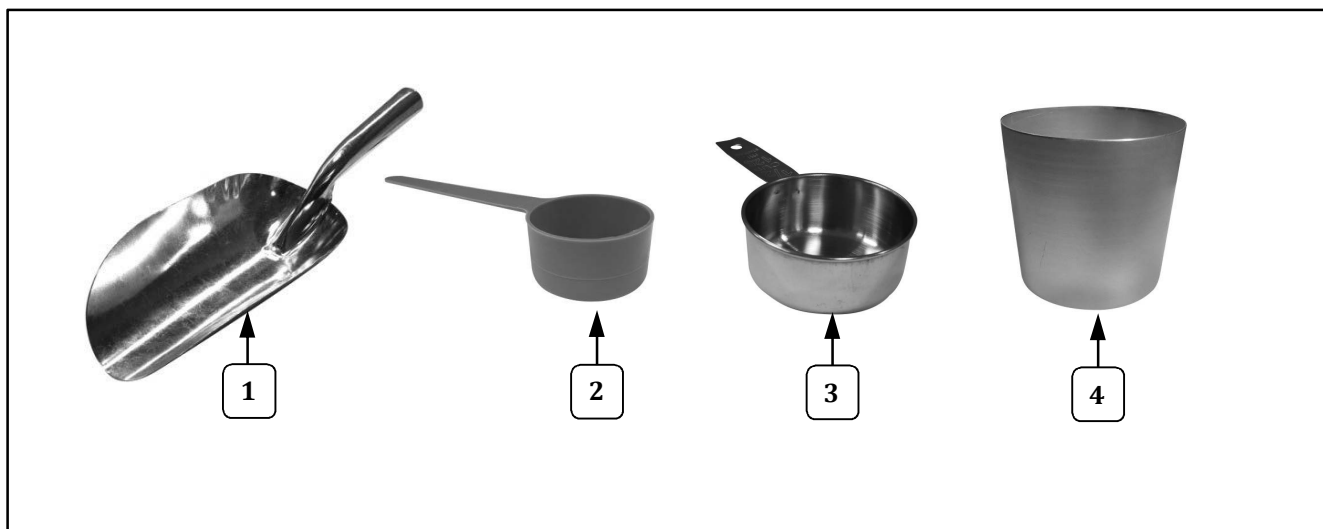
gmpopcorn.com

## Accessories



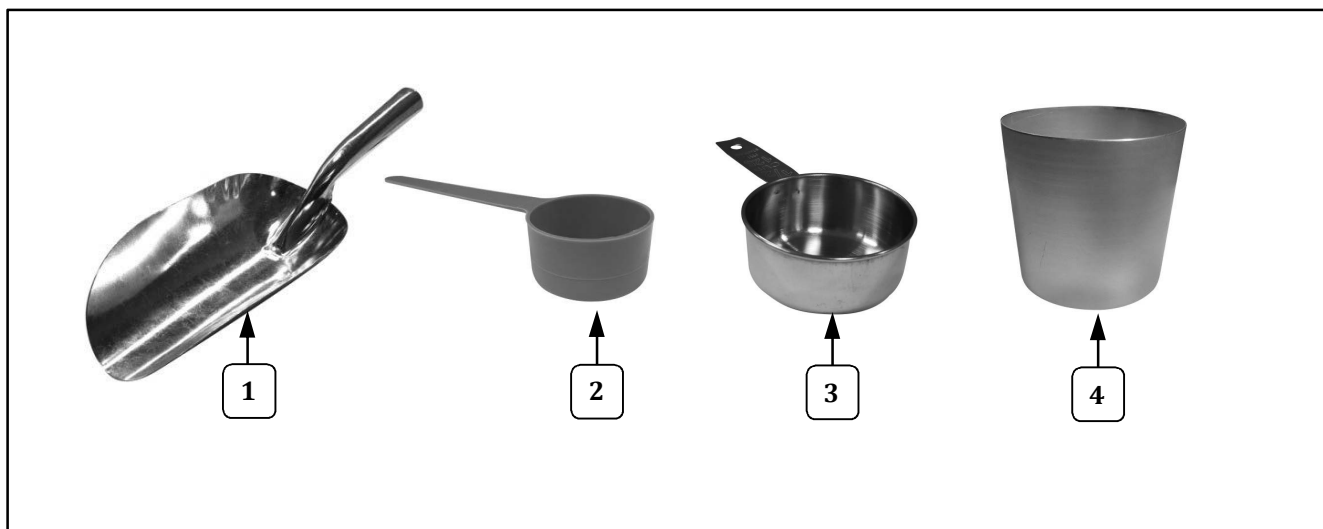
Item	Part Description	Part No.
1	STAMPED ALUMINUM SCOOP	2071
2	14.7 CC MEASURE	47679
3	1/2 CUP MEASURE	47149
4	12 OZ CORN MEASURE	47148

## Accessories



Item	Part Description	Part No.
1	STAMPED ALUMINUM SCOOP	2071
2	14.7 CC MEASURE	47679
3	1/2 CUP MEASURE	47149
4	12 OZ CORN MEASURE	47148

## Accessories



Item	Part Description	Part No.
1	STAMPED ALUMINUM SCOOP	2071
2	14.7 CC MEASURE	47679
3	1/2 CUP MEASURE	47149
4	12 OZ CORN MEASURE	47148