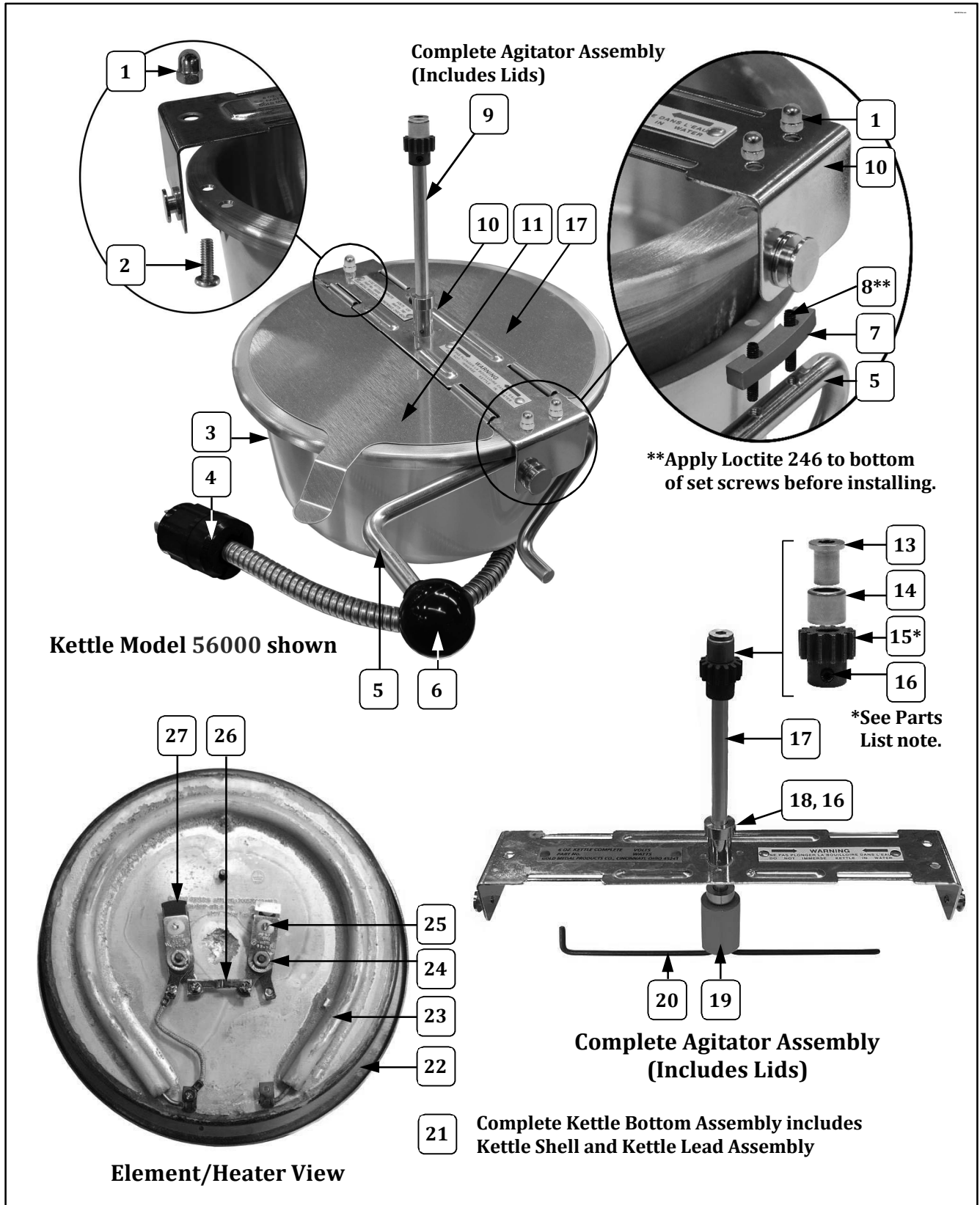
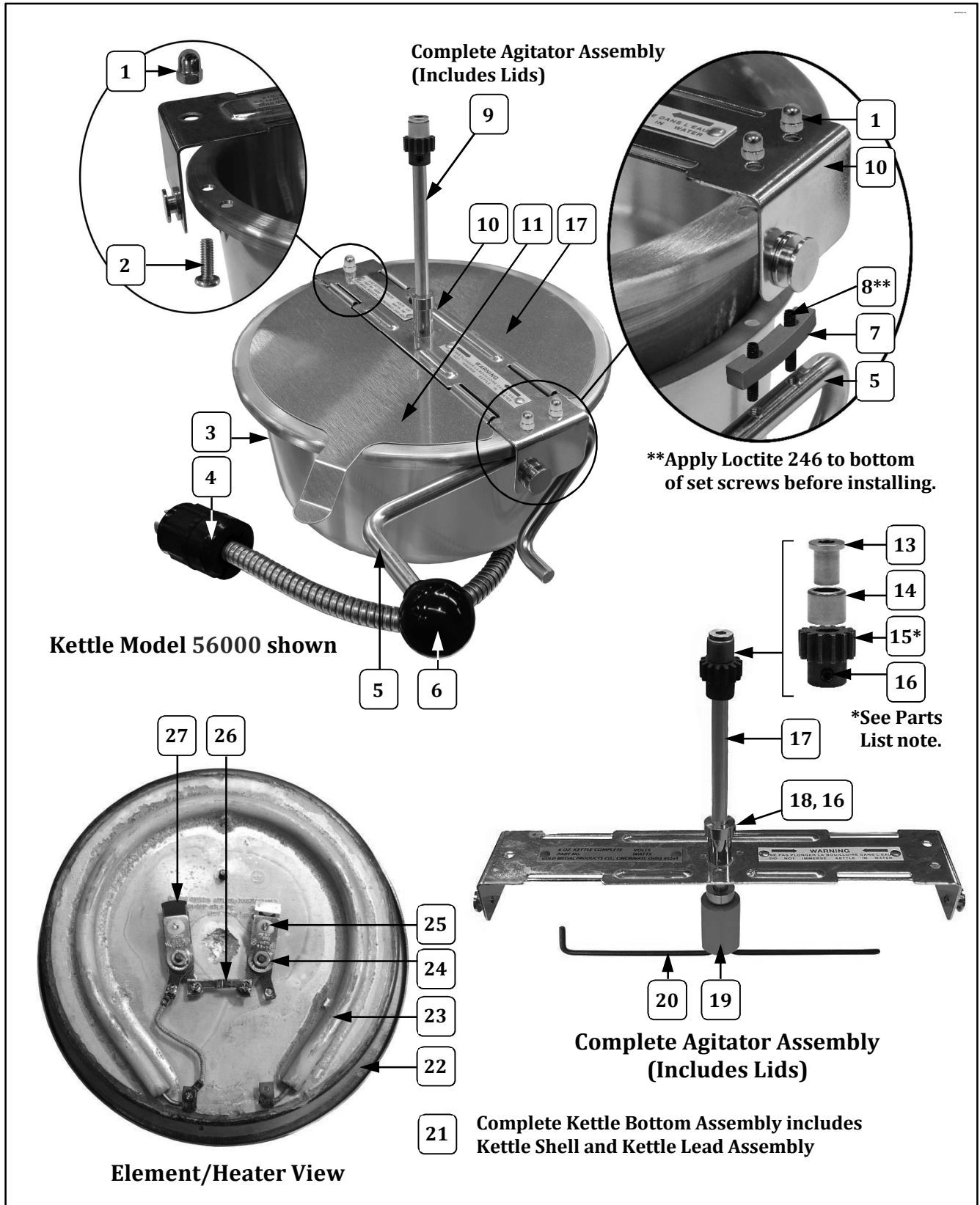


# Kettle Assembly – 56000



# Kettle Assembly – 56000





## Kettle Assembly – 56000 – Parts List

Item	Part Description	Part Number
		56000
1	8-32 TALL ACORN NUT	47702
2	8-32 X 1/2 PHIL PAN M/S	47141
3	KETTLE SHELL	49431
4	KETTLE LEAD ASSY	49328
5	DUMP HANDLE RH	49314
6	DUMP HANDLE KNOB	47110
7	SPACER (for Dump Handle)	49362
8	8-32 X 1" SET SCREW	77933
9	LID & AGITATOR ASSY (Complete Assembly)	59103
10	KETTLE CROSSBAR ASSEMBLY	59102
11	FRONT LID W/FORMED LIFTER	49017
12	REAR KETTLE LID	49016
13	AGITATOR BEARING HUB	43434
14	NEEDLE BEARING	47106
15*	SPUR GEAR KIT (Includes 2 gears with set screws. Always replace Agitator Spur Gear and Kettle Drive Motor Gear as a set.)	47059K
16	SET SCREW #10-32 X 3/16	41742
17	AGITATOR SHAFT	69710
18	SET COLLAR 5/16 ID 5/8 OD	46649
19	AGITATOR WEIGHT	69715
20	STIR ROD	69714
<b>Kettle Bottom Assembly – Element/Heater View</b>		
21	KETTLE BOTTOM ASSEMBLY (Complete Assembly - includes Kettle Shell, Kettle Lead Assembly and parts listed below)	56000W
22	KETTLE GASKET	49368
23	KETTLE/HEATER	56006
24	8-32 TOP LOCK NUT (where used, always replace lock nut if removed)	67943
25	450°F THERMOSTAT (includes two 6-32 X 3/16 Screws)	76089
26	THERMOSTAT SHUNT BAR	47193



## Kettle Assembly – 56000 – Parts List

Item	Part Description	Part Number
		56000
1	8-32 TALL ACORN NUT	47702
2	8-32 X 1/2 PHIL PAN M/S	47141
3	KETTLE SHELL	49431
4	KETTLE LEAD ASSY	49328
5	DUMP HANDLE RH	49314
6	DUMP HANDLE KNOB	47110
7	SPACER (for Dump Handle)	49362
8	8-32 X 1" SET SCREW	77933
9	LID & AGITATOR ASSY (Complete Assembly)	59103
10	KETTLE CROSSBAR ASSEMBLY	59102
11	FRONT LID W/FORMED LIFTER	49017
12	REAR KETTLE LID	49016
13	AGITATOR BEARING HUB	43434
14	NEEDLE BEARING	47106
15*	SPUR GEAR KIT (Includes 2 gears with set screws. Always replace Agitator Spur Gear and Kettle Drive Motor Gear as a set.)	47059K
16	SET SCREW #10-32 X 3/16	41742
17	AGITATOR SHAFT	69710
18	SET COLLAR 5/16 ID 5/8 OD	46649
19	AGITATOR WEIGHT	69715
20	STIR ROD	69714
<b>Kettle Bottom Assembly – Element/Heater View</b>		
21	KETTLE BOTTOM ASSEMBLY (Complete Assembly - includes Kettle Shell, Kettle Lead Assembly and parts listed below)	56000W
22	KETTLE GASKET	49368
23	KETTLE/HEATER	56006
24	8-32 TOP LOCK NUT (where used, always replace lock nut if removed)	67943
25	450°F THERMOSTAT (includes two 6-32 X 3/16 Screws)	76089
26	THERMOSTAT SHUNT BAR	47193



## Kettle Assembly – 56000 – Parts List

Item	Part Description	Part Number
		56000
1	8-32 TALL ACORN NUT	47702
2	8-32 X 1/2 PHIL PAN M/S	47141
3	KETTLE SHELL	49431
4	KETTLE LEAD ASSY	49328
5	DUMP HANDLE RH	49314
6	DUMP HANDLE KNOB	47110
7	SPACER (for Dump Handle)	49362
8	8-32 X 1" SET SCREW	77933
9	LID & AGITATOR ASSY (Complete Assembly)	59103
10	KETTLE CROSSBAR ASSEMBLY	59102
11	FRONT LID W/FORMED LIFTER	49017
12	REAR KETTLE LID	49016
13	AGITATOR BEARING HUB	43434
14	NEEDLE BEARING	47106
15*	SPUR GEAR KIT (Includes 2 gears with set screws. Always replace Agitator Spur Gear and Kettle Drive Motor Gear as a set.)	47059K
16	SET SCREW #10-32 X 3/16	41742
17	AGITATOR SHAFT	69710
18	SET COLLAR 5/16 ID 5/8 OD	46649
19	AGITATOR WEIGHT	69715
20	STIR ROD	69714
<b>Kettle Bottom Assembly – Element/Heater View</b>		
21	KETTLE BOTTOM ASSEMBLY (Complete Assembly - includes Kettle Shell, Kettle Lead Assembly and parts listed below)	56000W
22	KETTLE GASKET	49368
23	KETTLE/HEATER	56006
24	8-32 TOP LOCK NUT (where used, always replace lock nut if removed)	67943
25	450°F THERMOSTAT (includes two 6-32 X 3/16 Screws)	76089
26	THERMOSTAT SHUNT BAR	47193



## Kettle Assembly – 56000 – Parts List

Item	Part Description	Part Number
		56000
1	8-32 TALL ACORN NUT	47702
2	8-32 X 1/2 PHIL PAN M/S	47141
3	KETTLE SHELL	49431
4	KETTLE LEAD ASSY	49328
5	DUMP HANDLE RH	49314
6	DUMP HANDLE KNOB	47110
7	SPACER (for Dump Handle)	49362
8	8-32 X 1" SET SCREW	77933
9	LID & AGITATOR ASSY (Complete Assembly)	59103
10	KETTLE CROSSBAR ASSEMBLY	59102
11	FRONT LID W/FORMED LIFTER	49017
12	REAR KETTLE LID	49016
13	AGITATOR BEARING HUB	43434
14	NEEDLE BEARING	47106
15*	SPUR GEAR KIT (Includes 2 gears with set screws. Always replace Agitator Spur Gear and Kettle Drive Motor Gear as a set.)	47059K
16	SET SCREW #10-32 X 3/16	41742
17	AGITATOR SHAFT	69710
18	SET COLLAR 5/16 ID 5/8 OD	46649
19	AGITATOR WEIGHT	69715
20	STIR ROD	69714
<b>Kettle Bottom Assembly – Element/Heater View</b>		
21	KETTLE BOTTOM ASSEMBLY (Complete Assembly - includes Kettle Shell, Kettle Lead Assembly and parts listed below)	56000W
22	KETTLE GASKET	49368
23	KETTLE/HEATER	56006
24	8-32 TOP LOCK NUT (where used, always replace lock nut if removed)	67943
25	450°F THERMOSTAT (includes two 6-32 X 3/16 Screws)	76089
26	THERMOSTAT SHUNT BAR	47193



## Kettle Assembly – 56000 – Parts List

Item	Part Description	Part Number
		56000
1	8-32 TALL ACORN NUT	47702
2	8-32 X 1/2 PHIL PAN M/S	47141
3	KETTLE SHELL	49431
4	KETTLE LEAD ASSY	49328
5	DUMP HANDLE RH	49314
6	DUMP HANDLE KNOB	47110
7	SPACER (for Dump Handle)	49362
8	8-32 X 1" SET SCREW	77933
9	LID & AGITATOR ASSY (Complete Assembly)	59103
10	KETTLE CROSSBAR ASSEMBLY	59102
11	FRONT LID W/FORMED LIFTER	49017
12	REAR KETTLE LID	49016
13	AGITATOR BEARING HUB	43434
14	NEEDLE BEARING	47106
15*	SPUR GEAR KIT (Includes 2 gears with set screws. Always replace Agitator Spur Gear and Kettle Drive Motor Gear as a set.)	47059K
16	SET SCREW #10-32 X 3/16	41742
17	AGITATOR SHAFT	69710
18	SET COLLAR 5/16 ID 5/8 OD	46649
19	AGITATOR WEIGHT	69715
20	STIR ROD	69714
<b>Kettle Bottom Assembly – Element/Heater View</b>		
21	KETTLE BOTTOM ASSEMBLY (Complete Assembly - includes Kettle Shell, Kettle Lead Assembly and parts listed below)	56000W
22	KETTLE GASKET	49368
23	KETTLE/HEATER	56006
24	8-32 TOP LOCK NUT (where used, always replace lock nut if removed)	67943
25	450°F THERMOSTAT (includes two 6-32 X 3/16 Screws)	76089
26	THERMOSTAT SHUNT BAR	47193



## Kettle Assembly – 56000 – Parts List

Item	Part Description	Part Number
		56000
1	8-32 TALL ACORN NUT	47702
2	8-32 X 1/2 PHIL PAN M/S	47141
3	KETTLE SHELL	49431
4	KETTLE LEAD ASSY	49328
5	DUMP HANDLE RH	49314
6	DUMP HANDLE KNOB	47110
7	SPACER (for Dump Handle)	49362
8	8-32 X 1" SET SCREW	77933
9	LID & AGITATOR ASSY (Complete Assembly)	59103
10	KETTLE CROSSBAR ASSEMBLY	59102
11	FRONT LID W/FORMED LIFTER	49017
12	REAR KETTLE LID	49016
13	AGITATOR BEARING HUB	43434
14	NEEDLE BEARING	47106
15*	SPUR GEAR KIT (Includes 2 gears with set screws. Always replace Agitator Spur Gear and Kettle Drive Motor Gear as a set.)	47059K
16	SET SCREW #10-32 X 3/16	41742
17	AGITATOR SHAFT	69710
18	SET COLLAR 5/16 ID 5/8 OD	46649
19	AGITATOR WEIGHT	69715
20	STIR ROD	69714
<b>Kettle Bottom Assembly – Element/Heater View</b>		
21	KETTLE BOTTOM ASSEMBLY (Complete Assembly - includes Kettle Shell, Kettle Lead Assembly and parts listed below)	56000W
22	KETTLE GASKET	49368
23	KETTLE/HEATER	56006
24	8-32 TOP LOCK NUT (where used, always replace lock nut if removed)	67943
25	450°F THERMOSTAT (includes two 6-32 X 3/16 Screws)	76089
26	THERMOSTAT SHUNT BAR	47193





## Kettle Assembly – 56000 – Parts List

Item	Part Description	Part Number
		56000
1	8-32 TALL ACORN NUT	47702
2	8-32 X 1/2 PHIL PAN M/S	47141
3	KETTLE SHELL	49431
4	KETTLE LEAD ASSY	49328
5	DUMP HANDLE RH	49314
6	DUMP HANDLE KNOB	47110
7	SPACER (for Dump Handle)	49362
8	8-32 X 1" SET SCREW	77933
9	LID & AGITATOR ASSY (Complete Assembly)	59103
10	KETTLE CROSSBAR ASSEMBLY	59102
11	FRONT LID W/FORMED LIFTER	49017
12	REAR KETTLE LID	49016
13	AGITATOR BEARING HUB	43434
14	NEEDLE BEARING	47106
15*	SPUR GEAR KIT (Includes 2 gears with set screws. Always replace Agitator Spur Gear and Kettle Drive Motor Gear as a set.)	47059K
16	SET SCREW #10-32 X 3/16	41742
17	AGITATOR SHAFT	69710
18	SET COLLAR 5/16 ID 5/8 OD	46649
19	AGITATOR WEIGHT	69715
20	STIR ROD	69714
<b>Kettle Bottom Assembly – Element/Heater View</b>		
21	KETTLE BOTTOM ASSEMBLY (Complete Assembly - includes Kettle Shell, Kettle Lead Assembly and parts listed below)	56000W
22	KETTLE GASKET	49368
23	KETTLE/HEATER	56006
24	8-32 TOP LOCK NUT (where used, always replace lock nut if removed)	67943
25	450°F THERMOSTAT (includes two 6-32 X 3/16 Screws)	76089
26	THERMOSTAT SHUNT BAR	47193



## Kettle Assembly – 56000 – Parts List

Item	Part Description	Part Number
		56000
1	8-32 TALL ACORN NUT	47702
2	8-32 X 1/2 PHIL PAN M/S	47141
3	KETTLE SHELL	49431
4	KETTLE LEAD ASSY	49328
5	DUMP HANDLE RH	49314
6	DUMP HANDLE KNOB	47110
7	SPACER (for Dump Handle)	49362
8	8-32 X 1" SET SCREW	77933
9	LID & AGITATOR ASSY (Complete Assembly)	59103
10	KETTLE CROSSBAR ASSEMBLY	59102
11	FRONT LID W/FORMED LIFTER	49017
12	REAR KETTLE LID	49016
13	AGITATOR BEARING HUB	43434
14	NEEDLE BEARING	47106
15*	SPUR GEAR KIT (Includes 2 gears with set screws. Always replace Agitator Spur Gear and Kettle Drive Motor Gear as a set.)	47059K
16	SET SCREW #10-32 X 3/16	41742
17	AGITATOR SHAFT	69710
18	SET COLLAR 5/16 ID 5/8 OD	46649
19	AGITATOR WEIGHT	69715
20	STIR ROD	69714
<b>Kettle Bottom Assembly – Element/Heater View</b>		
21	KETTLE BOTTOM ASSEMBLY (Complete Assembly - includes Kettle Shell, Kettle Lead Assembly and parts listed below)	56000W
22	KETTLE GASKET	49368
23	KETTLE/HEATER	56006
24	8-32 TOP LOCK NUT (where used, always replace lock nut if removed)	67943
25	450°F THERMOSTAT (includes two 6-32 X 3/16 Screws)	76089
26	THERMOSTAT SHUNT BAR	47193



## Kettle Assembly – 56000 – Parts List

Item	Part Description	Part Number
		56000
1	8-32 TALL ACORN NUT	47702
2	8-32 X 1/2 PHIL PAN M/S	47141
3	KETTLE SHELL	49431
4	KETTLE LEAD ASSY	49328
5	DUMP HANDLE RH	49314
6	DUMP HANDLE KNOB	47110
7	SPACER (for Dump Handle)	49362
8	8-32 X 1" SET SCREW	77933
9	LID & AGITATOR ASSY (Complete Assembly)	59103
10	KETTLE CROSSBAR ASSEMBLY	59102
11	FRONT LID W/FORMED LIFTER	49017
12	REAR KETTLE LID	49016
13	AGITATOR BEARING HUB	43434
14	NEEDLE BEARING	47106
15*	SPUR GEAR KIT (Includes 2 gears with set screws. Always replace Agitator Spur Gear and Kettle Drive Motor Gear as a set.)	47059K
16	SET SCREW #10-32 X 3/16	41742
17	AGITATOR SHAFT	69710
18	SET COLLAR 5/16 ID 5/8 OD	46649
19	AGITATOR WEIGHT	69715
20	STIR ROD	69714
<b>Kettle Bottom Assembly – Element/Heater View</b>		
21	KETTLE BOTTOM ASSEMBLY (Complete Assembly - includes Kettle Shell, Kettle Lead Assembly and parts listed below)	56000W
22	KETTLE GASKET	49368
23	KETTLE/HEATER	56006
24	8-32 TOP LOCK NUT (where used, always replace lock nut if removed)	67943
25	450°F THERMOSTAT (includes two 6-32 X 3/16 Screws)	76089
26	THERMOSTAT SHUNT BAR	47193



## Kettle Assembly – 56000 – Parts List

Item	Part Description	Part Number
		56000
1	8-32 TALL ACORN NUT	47702
2	8-32 X 1/2 PHIL PAN M/S	47141
3	KETTLE SHELL	49431
4	KETTLE LEAD ASSY	49328
5	DUMP HANDLE RH	49314
6	DUMP HANDLE KNOB	47110
7	SPACER (for Dump Handle)	49362
8	8-32 X 1" SET SCREW	77933
9	LID & AGITATOR ASSY (Complete Assembly)	59103
10	KETTLE CROSSBAR ASSEMBLY	59102
11	FRONT LID W/FORMED LIFTER	49017
12	REAR KETTLE LID	49016
13	AGITATOR BEARING HUB	43434
14	NEEDLE BEARING	47106
15*	SPUR GEAR KIT (Includes 2 gears with set screws. Always replace Agitator Spur Gear and Kettle Drive Motor Gear as a set.)	47059K
16	SET SCREW #10-32 X 3/16	41742
17	AGITATOR SHAFT	69710
18	SET COLLAR 5/16 ID 5/8 OD	46649
19	AGITATOR WEIGHT	69715
20	STIR ROD	69714
<b>Kettle Bottom Assembly – Element/Heater View</b>		
21	KETTLE BOTTOM ASSEMBLY (Complete Assembly - includes Kettle Shell, Kettle Lead Assembly and parts listed below)	56000W
22	KETTLE GASKET	49368
23	KETTLE/HEATER	56006
24	8-32 TOP LOCK NUT (where used, always replace lock nut if removed)	67943
25	450°F THERMOSTAT (includes two 6-32 X 3/16 Screws)	76089
26	THERMOSTAT SHUNT BAR	47193



## Kettle Assembly – 56000 – Parts List

Item	Part Description	Part Number
		56000
1	8-32 TALL ACORN NUT	47702
2	8-32 X 1/2 PHIL PAN M/S	47141
3	KETTLE SHELL	49431
4	KETTLE LEAD ASSY	49328
5	DUMP HANDLE RH	49314
6	DUMP HANDLE KNOB	47110
7	SPACER (for Dump Handle)	49362
8	8-32 X 1" SET SCREW	77933
9	LID & AGITATOR ASSY (Complete Assembly)	59103
10	KETTLE CROSSBAR ASSEMBLY	59102
11	FRONT LID W/FORMED LIFTER	49017
12	REAR KETTLE LID	49016
13	AGITATOR BEARING HUB	43434
14	NEEDLE BEARING	47106
15*	SPUR GEAR KIT (Includes 2 gears with set screws. Always replace Agitator Spur Gear and Kettle Drive Motor Gear as a set.)	47059K
16	SET SCREW #10-32 X 3/16	41742
17	AGITATOR SHAFT	69710
18	SET COLLAR 5/16 ID 5/8 OD	46649
19	AGITATOR WEIGHT	69715
20	STIR ROD	69714
<b>Kettle Bottom Assembly – Element/Heater View</b>		
21	KETTLE BOTTOM ASSEMBLY (Complete Assembly - includes Kettle Shell, Kettle Lead Assembly and parts listed below)	56000W
22	KETTLE GASKET	49368
23	KETTLE/HEATER	56006
24	8-32 TOP LOCK NUT (where used, always replace lock nut if removed)	67943
25	450°F THERMOSTAT (includes two 6-32 X 3/16 Screws)	76089
26	THERMOSTAT SHUNT BAR	47193



## Kettle Assembly – 56000 – Parts List

Item	Part Description	Part Number
		56000
1	8-32 TALL ACORN NUT	47702
2	8-32 X 1/2 PHIL PAN M/S	47141
3	KETTLE SHELL	49431
4	KETTLE LEAD ASSY	49328
5	DUMP HANDLE RH	49314
6	DUMP HANDLE KNOB	47110
7	SPACER (for Dump Handle)	49362
8	8-32 X 1" SET SCREW	77933
9	LID & AGITATOR ASSY (Complete Assembly)	59103
10	KETTLE CROSSBAR ASSEMBLY	59102
11	FRONT LID W/FORMED LIFTER	49017
12	REAR KETTLE LID	49016
13	AGITATOR BEARING HUB	43434
14	NEEDLE BEARING	47106
15*	SPUR GEAR KIT (Includes 2 gears with set screws. Always replace Agitator Spur Gear and Kettle Drive Motor Gear as a set.)	47059K
16	SET SCREW #10-32 X 3/16	41742
17	AGITATOR SHAFT	69710
18	SET COLLAR 5/16 ID 5/8 OD	46649
19	AGITATOR WEIGHT	69715
20	STIR ROD	69714
<b>Kettle Bottom Assembly – Element/Heater View</b>		
21	KETTLE BOTTOM ASSEMBLY (Complete Assembly - includes Kettle Shell, Kettle Lead Assembly and parts listed below)	56000W
22	KETTLE GASKET	49368
23	KETTLE/HEATER	56006
24	8-32 TOP LOCK NUT (where used, always replace lock nut if removed)	67943
25	450°F THERMOSTAT (includes two 6-32 X 3/16 Screws)	76089
26	THERMOSTAT SHUNT BAR	47193



## Kettle Assembly – 56000 – Parts List

Item	Part Description	Part Number
		56000
1	8-32 TALL ACORN NUT	47702
2	8-32 X 1/2 PHIL PAN M/S	47141
3	KETTLE SHELL	49431
4	KETTLE LEAD ASSY	49328
5	DUMP HANDLE RH	49314
6	DUMP HANDLE KNOB	47110
7	SPACER (for Dump Handle)	49362
8	8-32 X 1" SET SCREW	77933
9	LID & AGITATOR ASSY (Complete Assembly)	59103
10	KETTLE CROSSBAR ASSEMBLY	59102
11	FRONT LID W/FORMED LIFTER	49017
12	REAR KETTLE LID	49016
13	AGITATOR BEARING HUB	43434
14	NEEDLE BEARING	47106
15*	SPUR GEAR KIT (Includes 2 gears with set screws. Always replace Agitator Spur Gear and Kettle Drive Motor Gear as a set.)	47059K
16	SET SCREW #10-32 X 3/16	41742
17	AGITATOR SHAFT	69710
18	SET COLLAR 5/16 ID 5/8 OD	46649
19	AGITATOR WEIGHT	69715
20	STIR ROD	69714
<b>Kettle Bottom Assembly – Element/Heater View</b>		
21	KETTLE BOTTOM ASSEMBLY (Complete Assembly - includes Kettle Shell, Kettle Lead Assembly and parts listed below)	56000W
22	KETTLE GASKET	49368
23	KETTLE/HEATER	56006
24	8-32 TOP LOCK NUT (where used, always replace lock nut if removed)	67943
25	450°F THERMOSTAT (includes two 6-32 X 3/16 Screws)	76089
26	THERMOSTAT SHUNT BAR	47193



## Kettle Assembly – 56000 – Parts List

Item	Part Description	Part Number
		56000
1	8-32 TALL ACORN NUT	47702
2	8-32 X 1/2 PHIL PAN M/S	47141
3	KETTLE SHELL	49431
4	KETTLE LEAD ASSY	49328
5	DUMP HANDLE RH	49314
6	DUMP HANDLE KNOB	47110
7	SPACER (for Dump Handle)	49362
8	8-32 X 1" SET SCREW	77933
9	LID & AGITATOR ASSY (Complete Assembly)	59103
10	KETTLE CROSSBAR ASSEMBLY	59102
11	FRONT LID W/FORMED LIFTER	49017
12	REAR KETTLE LID	49016
13	AGITATOR BEARING HUB	43434
14	NEEDLE BEARING	47106
15*	SPUR GEAR KIT (Includes 2 gears with set screws. Always replace Agitator Spur Gear and Kettle Drive Motor Gear as a set.)	47059K
16	SET SCREW #10-32 X 3/16	41742
17	AGITATOR SHAFT	69710
18	SET COLLAR 5/16 ID 5/8 OD	46649
19	AGITATOR WEIGHT	69715
20	STIR ROD	69714
<b>Kettle Bottom Assembly – Element/Heater View</b>		
21	KETTLE BOTTOM ASSEMBLY (Complete Assembly - includes Kettle Shell, Kettle Lead Assembly and parts listed below)	56000W
22	KETTLE GASKET	49368
23	KETTLE/HEATER	56006
24	8-32 TOP LOCK NUT (where used, always replace lock nut if removed)	67943
25	450°F THERMOSTAT (includes two 6-32 X 3/16 Screws)	76089
26	THERMOSTAT SHUNT BAR	47193





## Kettle Assembly – 56000 – Parts List

Item	Part Description	Part Number
		56000
1	8-32 TALL ACORN NUT	47702
2	8-32 X 1/2 PHIL PAN M/S	47141
3	KETTLE SHELL	49431
4	KETTLE LEAD ASSY	49328
5	DUMP HANDLE RH	49314
6	DUMP HANDLE KNOB	47110
7	SPACER (for Dump Handle)	49362
8	8-32 X 1" SET SCREW	77933
9	LID & AGITATOR ASSY (Complete Assembly)	59103
10	KETTLE CROSSBAR ASSEMBLY	59102
11	FRONT LID W/FORMED LIFTER	49017
12	REAR KETTLE LID	49016
13	AGITATOR BEARING HUB	43434
14	NEEDLE BEARING	47106
15*	SPUR GEAR KIT (Includes 2 gears with set screws. Always replace Agitator Spur Gear and Kettle Drive Motor Gear as a set.)	47059K
16	SET SCREW #10-32 X 3/16	41742
17	AGITATOR SHAFT	69710
18	SET COLLAR 5/16 ID 5/8 OD	46649
19	AGITATOR WEIGHT	69715
20	STIR ROD	69714
<b>Kettle Bottom Assembly – Element/Heater View</b>		
21	KETTLE BOTTOM ASSEMBLY (Complete Assembly - includes Kettle Shell, Kettle Lead Assembly and parts listed below)	56000W
22	KETTLE GASKET	49368
23	KETTLE/HEATER	56006
24	8-32 TOP LOCK NUT (where used, always replace lock nut if removed)	67943
25	450°F THERMOSTAT (includes two 6-32 X 3/16 Screws)	76089
26	THERMOSTAT SHUNT BAR	47193



## Kettle Assembly – 56000 – Parts List

Item	Part Description	Part Number
		56000
1	8-32 TALL ACORN NUT	47702
2	8-32 X 1/2 PHIL PAN M/S	47141
3	KETTLE SHELL	49431
4	KETTLE LEAD ASSY	49328
5	DUMP HANDLE RH	49314
6	DUMP HANDLE KNOB	47110
7	SPACER (for Dump Handle)	49362
8	8-32 X 1" SET SCREW	77933
9	LID & AGITATOR ASSY (Complete Assembly)	59103
10	KETTLE CROSSBAR ASSEMBLY	59102
11	FRONT LID W/FORMED LIFTER	49017
12	REAR KETTLE LID	49016
13	AGITATOR BEARING HUB	43434
14	NEEDLE BEARING	47106
15*	SPUR GEAR KIT (Includes 2 gears with set screws. Always replace Agitator Spur Gear and Kettle Drive Motor Gear as a set.)	47059K
16	SET SCREW #10-32 X 3/16	41742
17	AGITATOR SHAFT	69710
18	SET COLLAR 5/16 ID 5/8 OD	46649
19	AGITATOR WEIGHT	69715
20	STIR ROD	69714
<b>Kettle Bottom Assembly – Element/Heater View</b>		
21	KETTLE BOTTOM ASSEMBLY (Complete Assembly - includes Kettle Shell, Kettle Lead Assembly and parts listed below)	56000W
22	KETTLE GASKET	49368
23	KETTLE/HEATER	56006
24	8-32 TOP LOCK NUT (where used, always replace lock nut if removed)	67943
25	450°F THERMOSTAT (includes two 6-32 X 3/16 Screws)	76089
26	THERMOSTAT SHUNT BAR	47193



## Kettle Assembly – 56000 – Parts List

Item	Part Description	Part Number
		56000
1	8-32 TALL ACORN NUT	47702
2	8-32 X 1/2 PHIL PAN M/S	47141
3	KETTLE SHELL	49431
4	KETTLE LEAD ASSY	49328
5	DUMP HANDLE RH	49314
6	DUMP HANDLE KNOB	47110
7	SPACER (for Dump Handle)	49362
8	8-32 X 1" SET SCREW	77933
9	LID & AGITATOR ASSY (Complete Assembly)	59103
10	KETTLE CROSSBAR ASSEMBLY	59102
11	FRONT LID W/FORMED LIFTER	49017
12	REAR KETTLE LID	49016
13	AGITATOR BEARING HUB	43434
14	NEEDLE BEARING	47106
15*	SPUR GEAR KIT (Includes 2 gears with set screws. Always replace Agitator Spur Gear and Kettle Drive Motor Gear as a set.)	47059K
16	SET SCREW #10-32 X 3/16	41742
17	AGITATOR SHAFT	69710
18	SET COLLAR 5/16 ID 5/8 OD	46649
19	AGITATOR WEIGHT	69715
20	STIR ROD	69714
<b>Kettle Bottom Assembly – Element/Heater View</b>		
21	KETTLE BOTTOM ASSEMBLY (Complete Assembly - includes Kettle Shell, Kettle Lead Assembly and parts listed below)	56000W
22	KETTLE GASKET	49368
23	KETTLE/HEATER	56006
24	8-32 TOP LOCK NUT (where used, always replace lock nut if removed)	67943
25	450°F THERMOSTAT (includes two 6-32 X 3/16 Screws)	76089
26	THERMOSTAT SHUNT BAR	47193



## Kettle Assembly – 56000 – Parts List

Item	Part Description	Part Number
		56000
1	8-32 TALL ACORN NUT	47702
2	8-32 X 1/2 PHIL PAN M/S	47141
3	KETTLE SHELL	49431
4	KETTLE LEAD ASSY	49328
5	DUMP HANDLE RH	49314
6	DUMP HANDLE KNOB	47110
7	SPACER (for Dump Handle)	49362
8	8-32 X 1" SET SCREW	77933
9	LID & AGITATOR ASSY (Complete Assembly)	59103
10	KETTLE CROSSBAR ASSEMBLY	59102
11	FRONT LID W/FORMED LIFTER	49017
12	REAR KETTLE LID	49016
13	AGITATOR BEARING HUB	43434
14	NEEDLE BEARING	47106
15*	SPUR GEAR KIT (Includes 2 gears with set screws. Always replace Agitator Spur Gear and Kettle Drive Motor Gear as a set.)	47059K
16	SET SCREW #10-32 X 3/16	41742
17	AGITATOR SHAFT	69710
18	SET COLLAR 5/16 ID 5/8 OD	46649
19	AGITATOR WEIGHT	69715
20	STIR ROD	69714
<b>Kettle Bottom Assembly – Element/Heater View</b>		
21	KETTLE BOTTOM ASSEMBLY (Complete Assembly - includes Kettle Shell, Kettle Lead Assembly and parts listed below)	56000W
22	KETTLE GASKET	49368
23	KETTLE/HEATER	56006
24	8-32 TOP LOCK NUT (where used, always replace lock nut if removed)	67943
25	450°F THERMOSTAT (includes two 6-32 X 3/16 Screws)	76089
26	THERMOSTAT SHUNT BAR	47193



## Kettle Assembly – 56000 – Parts List

Item	Part Description	Part Number
		56000
1	8-32 TALL ACORN NUT	47702
2	8-32 X 1/2 PHIL PAN M/S	47141
3	KETTLE SHELL	49431
4	KETTLE LEAD ASSY	49328
5	DUMP HANDLE RH	49314
6	DUMP HANDLE KNOB	47110
7	SPACER (for Dump Handle)	49362
8	8-32 X 1" SET SCREW	77933
9	LID & AGITATOR ASSY (Complete Assembly)	59103
10	KETTLE CROSSBAR ASSEMBLY	59102
11	FRONT LID W/FORMED LIFTER	49017
12	REAR KETTLE LID	49016
13	AGITATOR BEARING HUB	43434
14	NEEDLE BEARING	47106
15*	SPUR GEAR KIT (Includes 2 gears with set screws. Always replace Agitator Spur Gear and Kettle Drive Motor Gear as a set.)	47059K
16	SET SCREW #10-32 X 3/16	41742
17	AGITATOR SHAFT	69710
18	SET COLLAR 5/16 ID 5/8 OD	46649
19	AGITATOR WEIGHT	69715
20	STIR ROD	69714
<b>Kettle Bottom Assembly – Element/Heater View</b>		
21	KETTLE BOTTOM ASSEMBLY (Complete Assembly - includes Kettle Shell, Kettle Lead Assembly and parts listed below)	56000W
22	KETTLE GASKET	49368
23	KETTLE/HEATER	56006
24	8-32 TOP LOCK NUT (where used, always replace lock nut if removed)	67943
25	450°F THERMOSTAT (includes two 6-32 X 3/16 Screws)	76089
26	THERMOSTAT SHUNT BAR	47193



## Kettle Assembly – 56000 – Parts List

Item	Part Description	Part Number
		56000
1	8-32 TALL ACORN NUT	47702
2	8-32 X 1/2 PHIL PAN M/S	47141
3	KETTLE SHELL	49431
4	KETTLE LEAD ASSY	49328
5	DUMP HANDLE RH	49314
6	DUMP HANDLE KNOB	47110
7	SPACER (for Dump Handle)	49362
8	8-32 X 1" SET SCREW	77933
9	LID & AGITATOR ASSY (Complete Assembly)	59103
10	KETTLE CROSSBAR ASSEMBLY	59102
11	FRONT LID W/FORMED LIFTER	49017
12	REAR KETTLE LID	49016
13	AGITATOR BEARING HUB	43434
14	NEEDLE BEARING	47106
15*	SPUR GEAR KIT (Includes 2 gears with set screws. Always replace Agitator Spur Gear and Kettle Drive Motor Gear as a set.)	47059K
16	SET SCREW #10-32 X 3/16	41742
17	AGITATOR SHAFT	69710
18	SET COLLAR 5/16 ID 5/8 OD	46649
19	AGITATOR WEIGHT	69715
20	STIR ROD	69714
<b>Kettle Bottom Assembly – Element/Heater View</b>		
21	KETTLE BOTTOM ASSEMBLY (Complete Assembly - includes Kettle Shell, Kettle Lead Assembly and parts listed below)	56000W
22	KETTLE GASKET	49368
23	KETTLE/HEATER	56006
24	8-32 TOP LOCK NUT (where used, always replace lock nut if removed)	67943
25	450°F THERMOSTAT (includes two 6-32 X 3/16 Screws)	76089
26	THERMOSTAT SHUNT BAR	47193



## Kettle Assembly – 56000 – Parts List

Item	Part Description	Part Number
		56000
1	8-32 TALL ACORN NUT	47702
2	8-32 X 1/2 PHIL PAN M/S	47141
3	KETTLE SHELL	49431
4	KETTLE LEAD ASSY	49328
5	DUMP HANDLE RH	49314
6	DUMP HANDLE KNOB	47110
7	SPACER (for Dump Handle)	49362
8	8-32 X 1" SET SCREW	77933
9	LID & AGITATOR ASSY (Complete Assembly)	59103
10	KETTLE CROSSBAR ASSEMBLY	59102
11	FRONT LID W/FORMED LIFTER	49017
12	REAR KETTLE LID	49016
13	AGITATOR BEARING HUB	43434
14	NEEDLE BEARING	47106
15*	SPUR GEAR KIT (Includes 2 gears with set screws. Always replace Agitator Spur Gear and Kettle Drive Motor Gear as a set.)	47059K
16	SET SCREW #10-32 X 3/16	41742
17	AGITATOR SHAFT	69710
18	SET COLLAR 5/16 ID 5/8 OD	46649
19	AGITATOR WEIGHT	69715
20	STIR ROD	69714
<b>Kettle Bottom Assembly – Element/Heater View</b>		
21	KETTLE BOTTOM ASSEMBLY (Complete Assembly - includes Kettle Shell, Kettle Lead Assembly and parts listed below)	56000W
22	KETTLE GASKET	49368
23	KETTLE/HEATER	56006
24	8-32 TOP LOCK NUT (where used, always replace lock nut if removed)	67943
25	450°F THERMOSTAT (includes two 6-32 X 3/16 Screws)	76089
26	THERMOSTAT SHUNT BAR	47193



## Kettle Assembly – 56000 – Parts List

Item	Part Description	Part Number
		56000
1	8-32 TALL ACORN NUT	47702
2	8-32 X 1/2 PHIL PAN M/S	47141
3	KETTLE SHELL	49431
4	KETTLE LEAD ASSY	49328
5	DUMP HANDLE RH	49314
6	DUMP HANDLE KNOB	47110
7	SPACER (for Dump Handle)	49362
8	8-32 X 1" SET SCREW	77933
9	LID & AGITATOR ASSY (Complete Assembly)	59103
10	KETTLE CROSSBAR ASSEMBLY	59102
11	FRONT LID W/FORMED LIFTER	49017
12	REAR KETTLE LID	49016
13	AGITATOR BEARING HUB	43434
14	NEEDLE BEARING	47106
15*	SPUR GEAR KIT (Includes 2 gears with set screws. Always replace Agitator Spur Gear and Kettle Drive Motor Gear as a set.)	47059K
16	SET SCREW #10-32 X 3/16	41742
17	AGITATOR SHAFT	69710
18	SET COLLAR 5/16 ID 5/8 OD	46649
19	AGITATOR WEIGHT	69715
20	STIR ROD	69714
<b>Kettle Bottom Assembly – Element/Heater View</b>		
21	KETTLE BOTTOM ASSEMBLY (Complete Assembly - includes Kettle Shell, Kettle Lead Assembly and parts listed below)	56000W
22	KETTLE GASKET	49368
23	KETTLE/HEATER	56006
24	8-32 TOP LOCK NUT (where used, always replace lock nut if removed)	67943
25	450°F THERMOSTAT (includes two 6-32 X 3/16 Screws)	76089
26	THERMOSTAT SHUNT BAR	47193





## Kettle Assembly – 56000 – Parts List

Item	Part Description	Part Number
		56000
1	8-32 TALL ACORN NUT	47702
2	8-32 X 1/2 PHIL PAN M/S	47141
3	KETTLE SHELL	49431
4	KETTLE LEAD ASSY	49328
5	DUMP HANDLE RH	49314
6	DUMP HANDLE KNOB	47110
7	SPACER (for Dump Handle)	49362
8	8-32 X 1" SET SCREW	77933
9	LID & AGITATOR ASSY (Complete Assembly)	59103
10	KETTLE CROSSBAR ASSEMBLY	59102
11	FRONT LID W/FORMED LIFTER	49017
12	REAR KETTLE LID	49016
13	AGITATOR BEARING HUB	43434
14	NEEDLE BEARING	47106
15*	SPUR GEAR KIT (Includes 2 gears with set screws. Always replace Agitator Spur Gear and Kettle Drive Motor Gear as a set.)	47059K
16	SET SCREW #10-32 X 3/16	41742
17	AGITATOR SHAFT	69710
18	SET COLLAR 5/16 ID 5/8 OD	46649
19	AGITATOR WEIGHT	69715
20	STIR ROD	69714
<b>Kettle Bottom Assembly – Element/Heater View</b>		
21	KETTLE BOTTOM ASSEMBLY (Complete Assembly - includes Kettle Shell, Kettle Lead Assembly and parts listed below)	56000W
22	KETTLE GASKET	49368
23	KETTLE/HEATER	56006
24	8-32 TOP LOCK NUT (where used, always replace lock nut if removed)	67943
25	450°F THERMOSTAT (includes two 6-32 X 3/16 Screws)	76089
26	THERMOSTAT SHUNT BAR	47193



## Kettle Assembly – 56000 – Parts List

Item	Part Description	Part Number
		56000
1	8-32 TALL ACORN NUT	47702
2	8-32 X 1/2 PHIL PAN M/S	47141
3	KETTLE SHELL	49431
4	KETTLE LEAD ASSY	49328
5	DUMP HANDLE RH	49314
6	DUMP HANDLE KNOB	47110
7	SPACER (for Dump Handle)	49362
8	8-32 X 1" SET SCREW	77933
9	LID & AGITATOR ASSY (Complete Assembly)	59103
10	KETTLE CROSSBAR ASSEMBLY	59102
11	FRONT LID W/FORMED LIFTER	49017
12	REAR KETTLE LID	49016
13	AGITATOR BEARING HUB	43434
14	NEEDLE BEARING	47106
15*	SPUR GEAR KIT (Includes 2 gears with set screws. Always replace Agitator Spur Gear and Kettle Drive Motor Gear as a set.)	47059K
16	SET SCREW #10-32 X 3/16	41742
17	AGITATOR SHAFT	69710
18	SET COLLAR 5/16 ID 5/8 OD	46649
19	AGITATOR WEIGHT	69715
20	STIR ROD	69714
<b>Kettle Bottom Assembly – Element/Heater View</b>		
21	KETTLE BOTTOM ASSEMBLY (Complete Assembly - includes Kettle Shell, Kettle Lead Assembly and parts listed below)	56000W
22	KETTLE GASKET	49368
23	KETTLE/HEATER	56006
24	8-32 TOP LOCK NUT (where used, always replace lock nut if removed)	67943
25	450°F THERMOSTAT (includes two 6-32 X 3/16 Screws)	76089
26	THERMOSTAT SHUNT BAR	47193



## Kettle Assembly – 56000 – Parts List

Item	Part Description	Part Number
		56000
1	8-32 TALL ACORN NUT	47702
2	8-32 X 1/2 PHIL PAN M/S	47141
3	KETTLE SHELL	49431
4	KETTLE LEAD ASSY	49328
5	DUMP HANDLE RH	49314
6	DUMP HANDLE KNOB	47110
7	SPACER (for Dump Handle)	49362
8	8-32 X 1" SET SCREW	77933
9	LID & AGITATOR ASSY (Complete Assembly)	59103
10	KETTLE CROSSBAR ASSEMBLY	59102
11	FRONT LID W/FORMED LIFTER	49017
12	REAR KETTLE LID	49016
13	AGITATOR BEARING HUB	43434
14	NEEDLE BEARING	47106
15*	SPUR GEAR KIT (Includes 2 gears with set screws. Always replace Agitator Spur Gear and Kettle Drive Motor Gear as a set.)	47059K
16	SET SCREW #10-32 X 3/16	41742
17	AGITATOR SHAFT	69710
18	SET COLLAR 5/16 ID 5/8 OD	46649
19	AGITATOR WEIGHT	69715
20	STIR ROD	69714
<b>Kettle Bottom Assembly – Element/Heater View</b>		
21	KETTLE BOTTOM ASSEMBLY (Complete Assembly - includes Kettle Shell, Kettle Lead Assembly and parts listed below)	56000W
22	KETTLE GASKET	49368
23	KETTLE/HEATER	56006
24	8-32 TOP LOCK NUT (where used, always replace lock nut if removed)	67943
25	450°F THERMOSTAT (includes two 6-32 X 3/16 Screws)	76089
26	THERMOSTAT SHUNT BAR	47193



## Kettle Assembly – 56000 – Parts List

Item	Part Description	Part Number
		56000
1	8-32 TALL ACORN NUT	47702
2	8-32 X 1/2 PHIL PAN M/S	47141
3	KETTLE SHELL	49431
4	KETTLE LEAD ASSY	49328
5	DUMP HANDLE RH	49314
6	DUMP HANDLE KNOB	47110
7	SPACER (for Dump Handle)	49362
8	8-32 X 1" SET SCREW	77933
9	LID & AGITATOR ASSY (Complete Assembly)	59103
10	KETTLE CROSSBAR ASSEMBLY	59102
11	FRONT LID W/FORMED LIFTER	49017
12	REAR KETTLE LID	49016
13	AGITATOR BEARING HUB	43434
14	NEEDLE BEARING	47106
15*	SPUR GEAR KIT (Includes 2 gears with set screws. Always replace Agitator Spur Gear and Kettle Drive Motor Gear as a set.)	47059K
16	SET SCREW #10-32 X 3/16	41742
17	AGITATOR SHAFT	69710
18	SET COLLAR 5/16 ID 5/8 OD	46649
19	AGITATOR WEIGHT	69715
20	STIR ROD	69714
<b>Kettle Bottom Assembly – Element/Heater View</b>		
21	KETTLE BOTTOM ASSEMBLY (Complete Assembly - includes Kettle Shell, Kettle Lead Assembly and parts listed below)	56000W
22	KETTLE GASKET	49368
23	KETTLE/HEATER	56006
24	8-32 TOP LOCK NUT (where used, always replace lock nut if removed)	67943
25	450°F THERMOSTAT (includes two 6-32 X 3/16 Screws)	76089
26	THERMOSTAT SHUNT BAR	47193



## Kettle Assembly – 56000 – Parts List

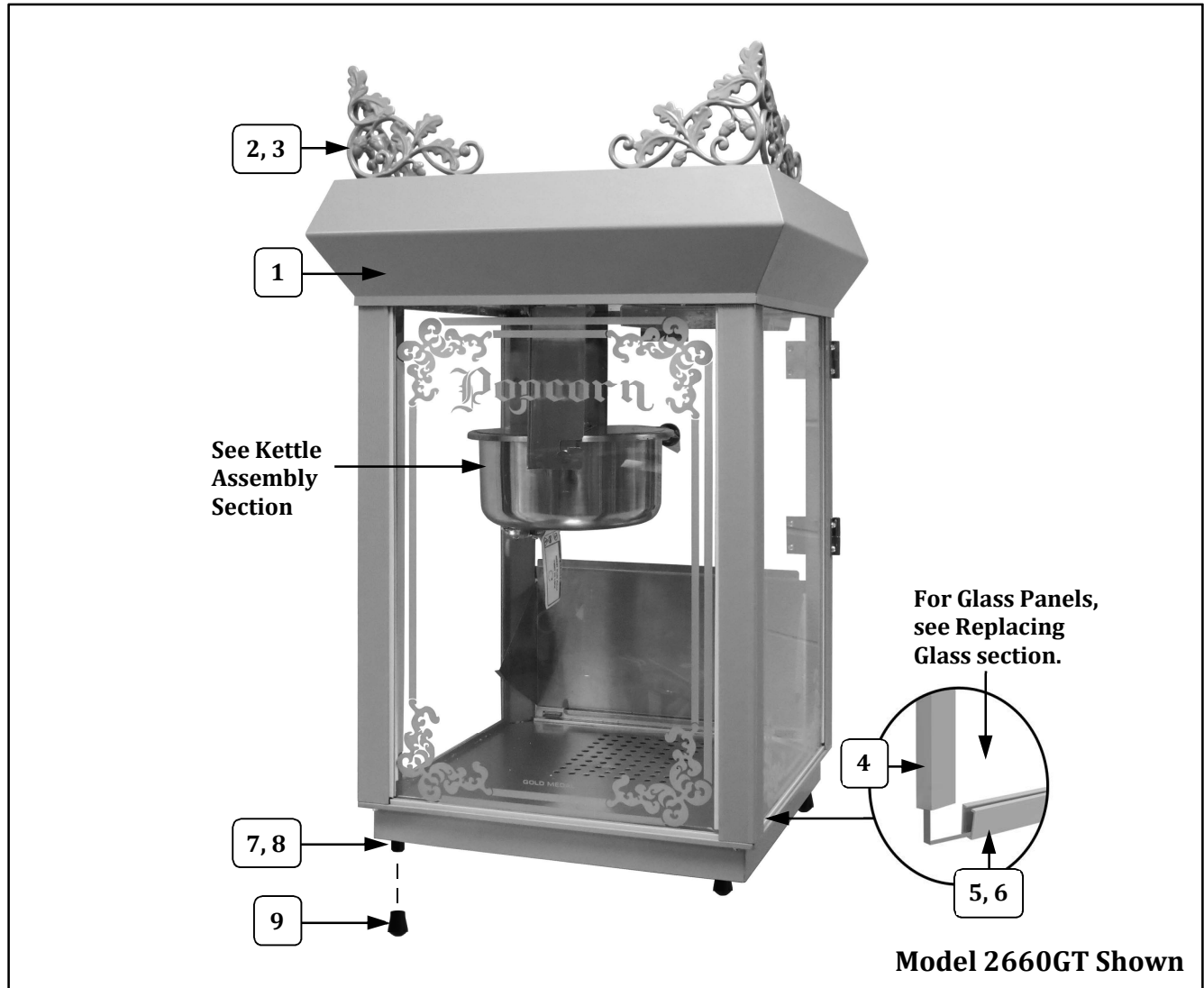
Item	Part Description	Part Number
		56000
1	8-32 TALL ACORN NUT	47702
2	8-32 X 1/2 PHIL PAN M/S	47141
3	KETTLE SHELL	49431
4	KETTLE LEAD ASSY	49328
5	DUMP HANDLE RH	49314
6	DUMP HANDLE KNOB	47110
7	SPACER (for Dump Handle)	49362
8	8-32 X 1" SET SCREW	77933
9	LID & AGITATOR ASSY (Complete Assembly)	59103
10	KETTLE CROSSBAR ASSEMBLY	59102
11	FRONT LID W/FORMED LIFTER	49017
12	REAR KETTLE LID	49016
13	AGITATOR BEARING HUB	43434
14	NEEDLE BEARING	47106
15*	SPUR GEAR KIT (Includes 2 gears with set screws. Always replace Agitator Spur Gear and Kettle Drive Motor Gear as a set.)	47059K
16	SET SCREW #10-32 X 3/16	41742
17	AGITATOR SHAFT	69710
18	SET COLLAR 5/16 ID 5/8 OD	46649
19	AGITATOR WEIGHT	69715
20	STIR ROD	69714
<b>Kettle Bottom Assembly – Element/Heater View</b>		
21	KETTLE BOTTOM ASSEMBLY (Complete Assembly - includes Kettle Shell, Kettle Lead Assembly and parts listed below)	56000W
22	KETTLE GASKET	49368
23	KETTLE/HEATER	56006
24	8-32 TOP LOCK NUT (where used, always replace lock nut if removed)	67943
25	450°F THERMOSTAT (includes two 6-32 X 3/16 Screws)	76089
26	THERMOSTAT SHUNT BAR	47193



## Kettle Assembly – 56000 – Parts List

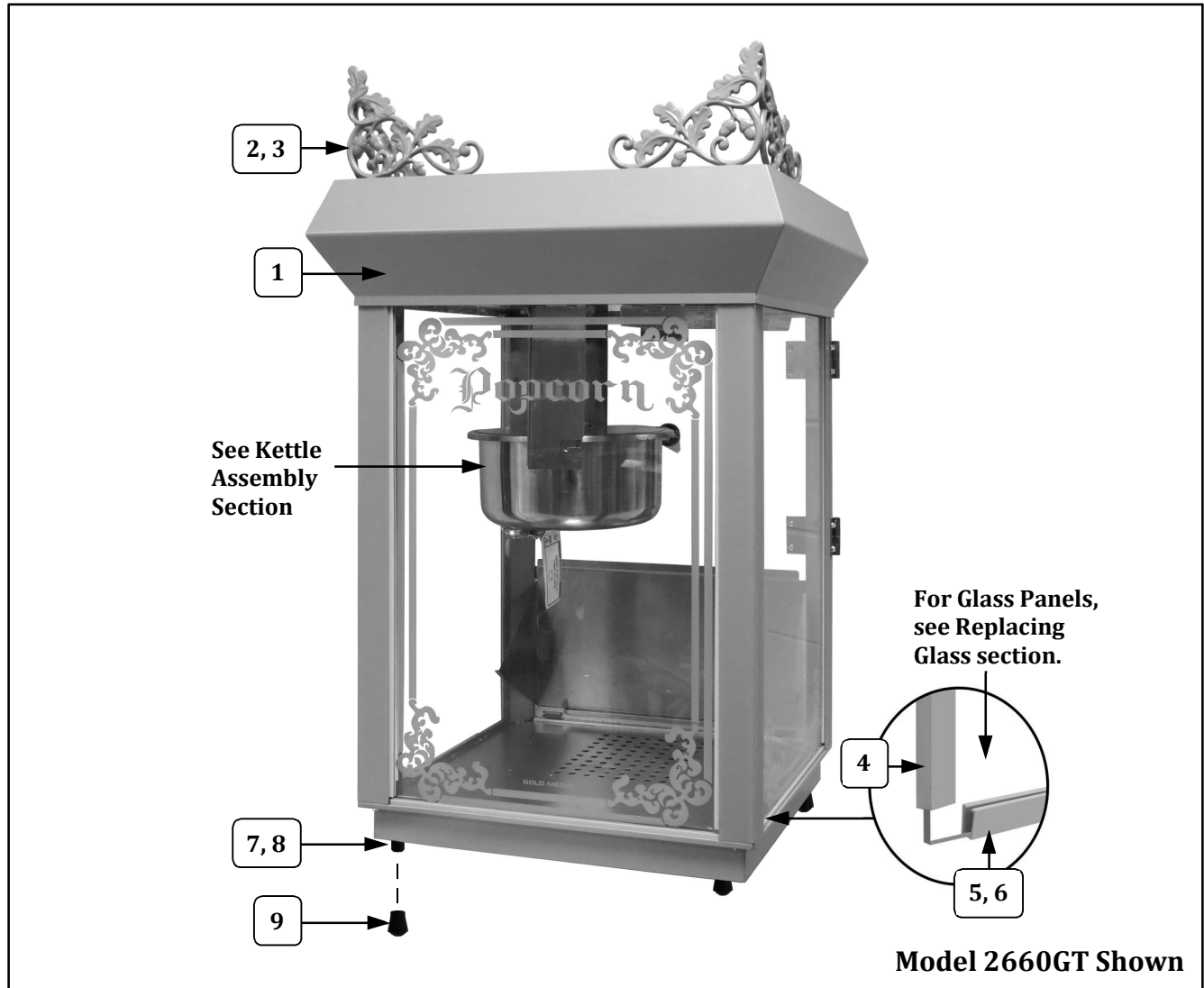
Item	Part Description	Part Number
		56000
1	8-32 TALL ACORN NUT	47702
2	8-32 X 1/2 PHIL PAN M/S	47141
3	KETTLE SHELL	49431
4	KETTLE LEAD ASSY	49328
5	DUMP HANDLE RH	49314
6	DUMP HANDLE KNOB	47110
7	SPACER (for Dump Handle)	49362
8	8-32 X 1" SET SCREW	77933
9	LID & AGITATOR ASSY (Complete Assembly)	59103
10	KETTLE CROSSBAR ASSEMBLY	59102
11	FRONT LID W/FORMED LIFTER	49017
12	REAR KETTLE LID	49016
13	AGITATOR BEARING HUB	43434
14	NEEDLE BEARING	47106
15*	SPUR GEAR KIT (Includes 2 gears with set screws. Always replace Agitator Spur Gear and Kettle Drive Motor Gear as a set.)	47059K
16	SET SCREW #10-32 X 3/16	41742
17	AGITATOR SHAFT	69710
18	SET COLLAR 5/16 ID 5/8 OD	46649
19	AGITATOR WEIGHT	69715
20	STIR ROD	69714
<b>Kettle Bottom Assembly – Element/Heater View</b>		
21	KETTLE BOTTOM ASSEMBLY (Complete Assembly - includes Kettle Shell, Kettle Lead Assembly and parts listed below)	56000W
22	KETTLE GASKET	49368
23	KETTLE/HEATER	56006
24	8-32 TOP LOCK NUT (where used, always replace lock nut if removed)	67943
25	450°F THERMOSTAT (includes two 6-32 X 3/16 Screws)	76089
26	THERMOSTAT SHUNT BAR	47193

## Cabinet Exterior – Front View



Item	Parts Description	Part Number		
		2660GT	2660GTSV	2660GV
1	UPPER FRAME ASSEMBLY	49375	49680	49944
2	INSPECTION COVER (includes cover and corner ornaments, Part Nos. 47402R, 47402L)	49572	49685	49942
3	SCREW #8 HEX WASHER HEAD (fastens inspection cover to upper frame assembly)	47771	47771	47771
4	22 1/8" GLASS CHANNEL (used on side edges of front and side glass panels)	49212	49212	49212
5	13 1/8" GLASS CHANNEL (used on bottom edge of side glass panels)	49213	49213	49213
6	15 1/8" GLASS CHANNEL (used on bottom edge of front glass panel)	49214	49214	49214
7	10-24 X 3/4 HEX HEAD	41314	41314	41314
8	GLIDE	47328	47328	47328
9	BLACK CRUTCH TIP	49123	49123	49123

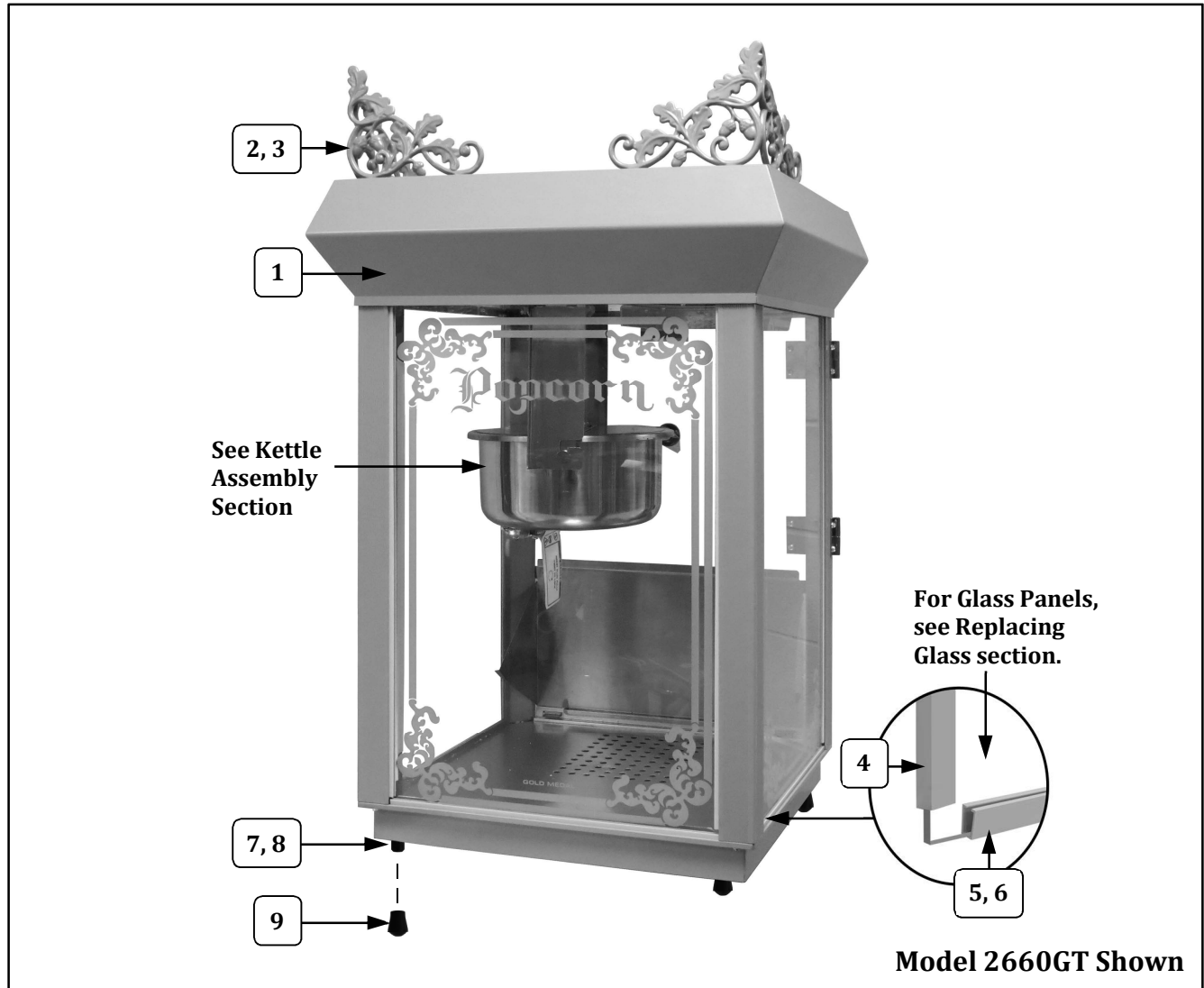
## Cabinet Exterior – Front View



Item	Parts Description	Part Number		
		2660GT	2660GTSV	2660GV
1	UPPER FRAME ASSEMBLY	49375	49680	49944
2	INSPECTION COVER (includes cover and corner ornaments, Part Nos. 47402R, 47402L)	49572	49685	49942
3	SCREW #8 HEX WASHER HEAD (fastens inspection cover to upper frame assembly)	47771	47771	47771
4	22 1/8" GLASS CHANNEL (used on side edges of front and side glass panels)	49212	49212	49212
5	13 1/8" GLASS CHANNEL (used on bottom edge of side glass panels)	49213	49213	49213
6	15 1/8" GLASS CHANNEL (used on bottom edge of front glass panel)	49214	49214	49214
7	10-24 X 3/4 HEX HEAD	41314	41314	41314
8	GLIDE	47328	47328	47328
9	BLACK CRUTCH TIP	49123	49123	49123

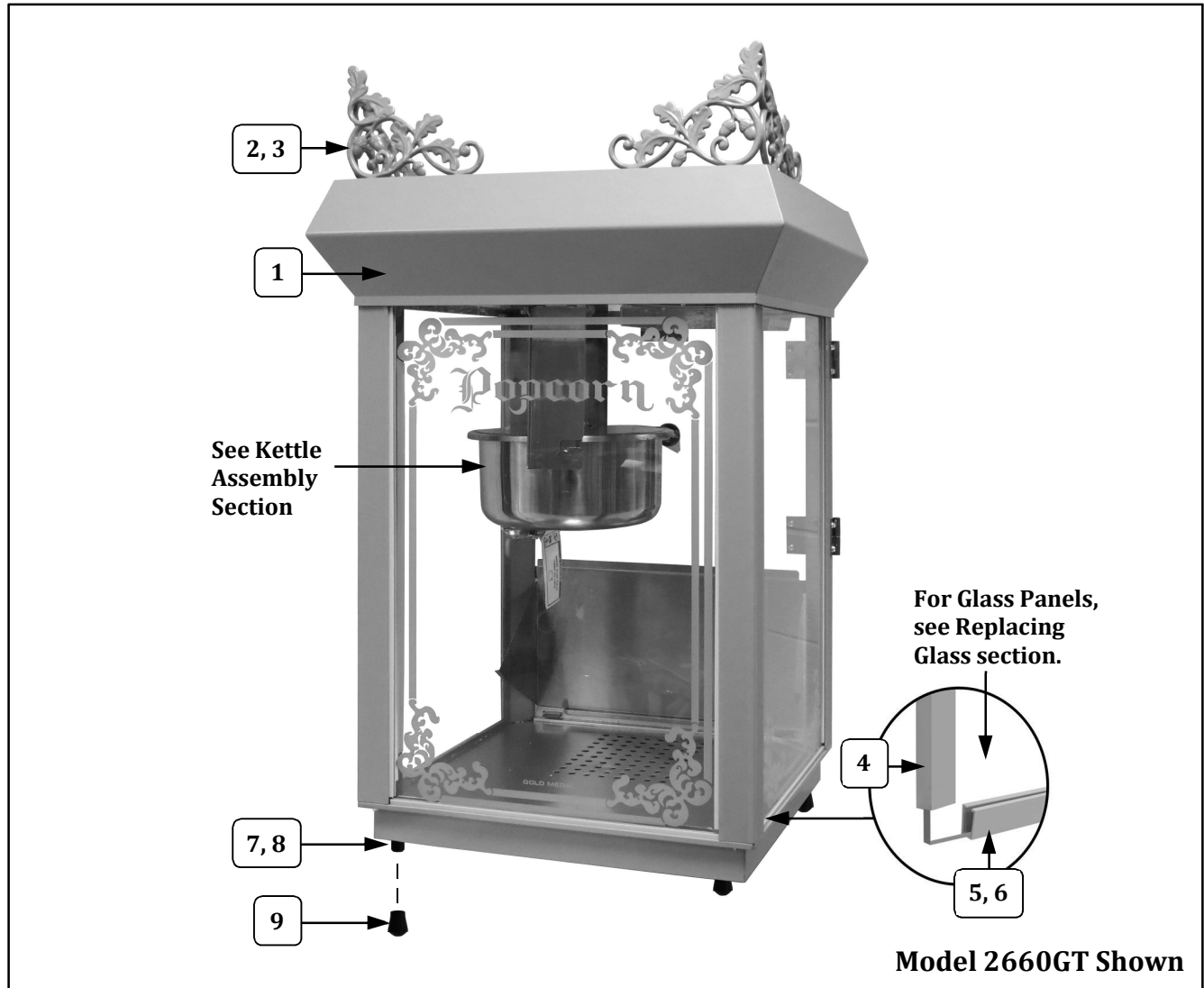


## Cabinet Exterior – Front View



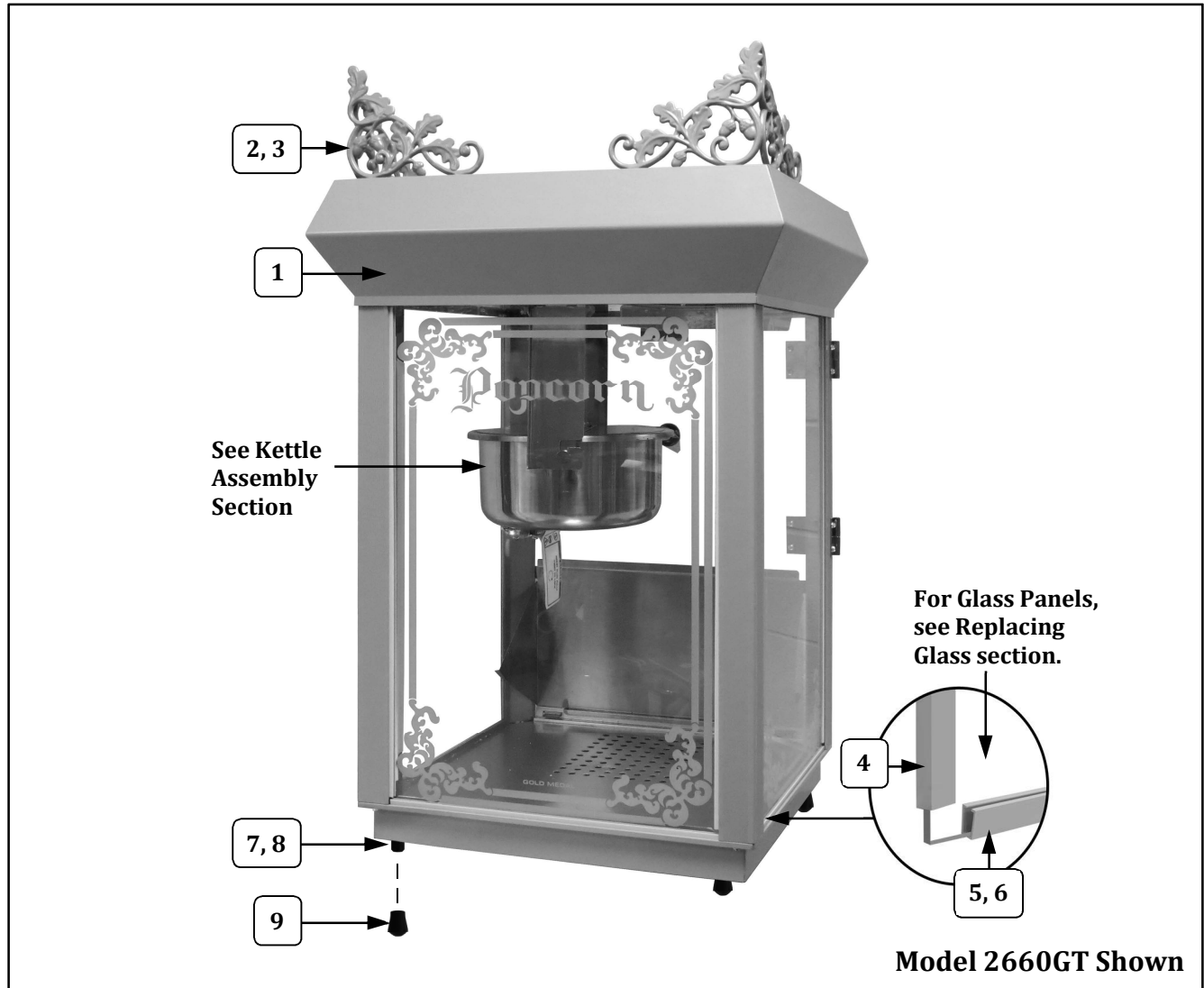
Item	Parts Description	Part Number		
		2660GT	2660GTSV	2660GV
1	UPPER FRAME ASSEMBLY	49375	49680	49944
2	INSPECTION COVER (includes cover and corner ornaments, Part Nos. 47402R, 47402L)	49572	49685	49942
3	SCREW #8 HEX WASHER HEAD (fastens inspection cover to upper frame assembly)	47771	47771	47771
4	22 1/8" GLASS CHANNEL (used on side edges of front and side glass panels)	49212	49212	49212
5	13 1/8" GLASS CHANNEL (used on bottom edge of side glass panels)	49213	49213	49213
6	15 1/8" GLASS CHANNEL (used on bottom edge of front glass panel)	49214	49214	49214
7	10-24 X 3/4 HEX HEAD	41314	41314	41314
8	GLIDE	47328	47328	47328
9	BLACK CRUTCH TIP	49123	49123	49123

## Cabinet Exterior – Front View



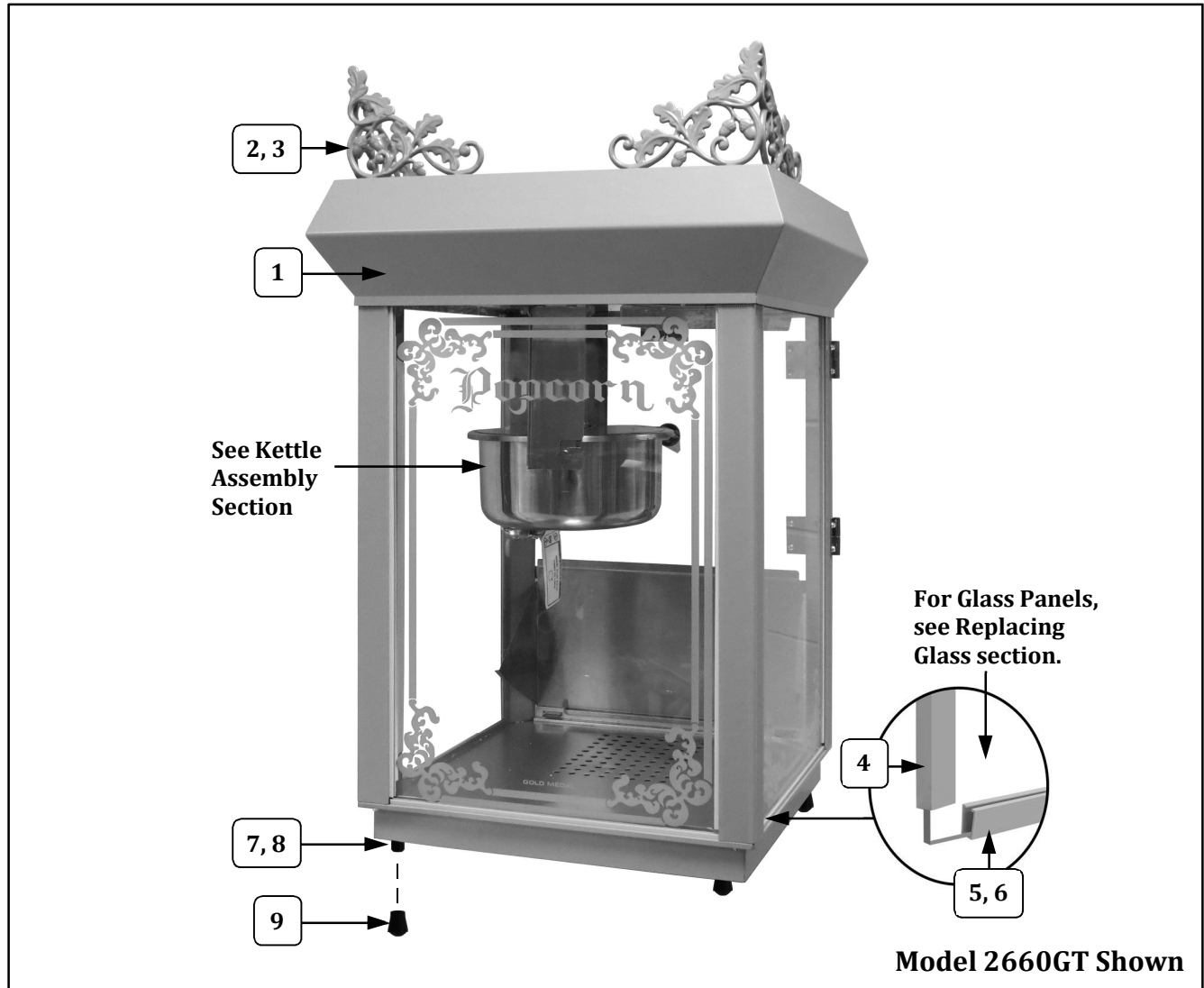
Item	Parts Description	Part Number		
		2660GT	2660GTSV	2660GV
1	UPPER FRAME ASSEMBLY	49375	49680	49944
2	INSPECTION COVER (includes cover and corner ornaments, Part Nos. 47402R, 47402L)	49572	49685	49942
3	SCREW #8 HEX WASHER HEAD (fastens inspection cover to upper frame assembly)	47771	47771	47771
4	22 1/8" GLASS CHANNEL (used on side edges of front and side glass panels)	49212	49212	49212
5	13 1/8" GLASS CHANNEL (used on bottom edge of side glass panels)	49213	49213	49213
6	15 1/8" GLASS CHANNEL (used on bottom edge of front glass panel)	49214	49214	49214
7	10-24 X 3/4 HEX HEAD	41314	41314	41314
8	GLIDE	47328	47328	47328
9	BLACK CRUTCH TIP	49123	49123	49123

## Cabinet Exterior – Front View



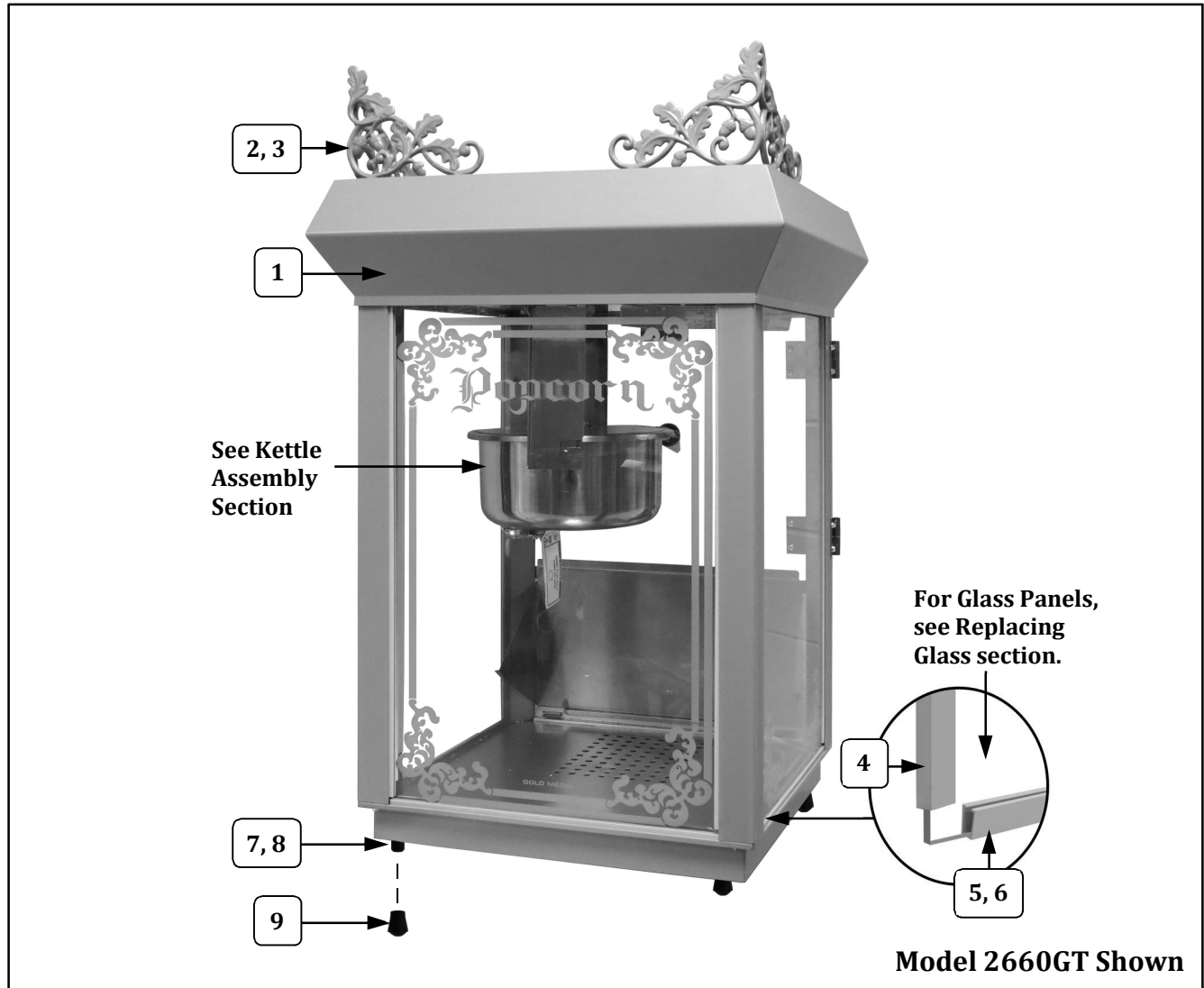
Item	Parts Description	Part Number		
		2660GT	2660GTSV	2660GV
1	UPPER FRAME ASSEMBLY	49375	49680	49944
2	INSPECTION COVER (includes cover and corner ornaments, Part Nos. 47402R, 47402L)	49572	49685	49942
3	SCREW #8 HEX WASHER HEAD (fastens inspection cover to upper frame assembly)	47771	47771	47771
4	22 1/8" GLASS CHANNEL (used on side edges of front and side glass panels)	49212	49212	49212
5	13 1/8" GLASS CHANNEL (used on bottom edge of side glass panels)	49213	49213	49213
6	15 1/8" GLASS CHANNEL (used on bottom edge of front glass panel)	49214	49214	49214
7	10-24 X 3/4 HEX HEAD	41314	41314	41314
8	GLIDE	47328	47328	47328
9	BLACK CRUTCH TIP	49123	49123	49123

## Cabinet Exterior – Front View



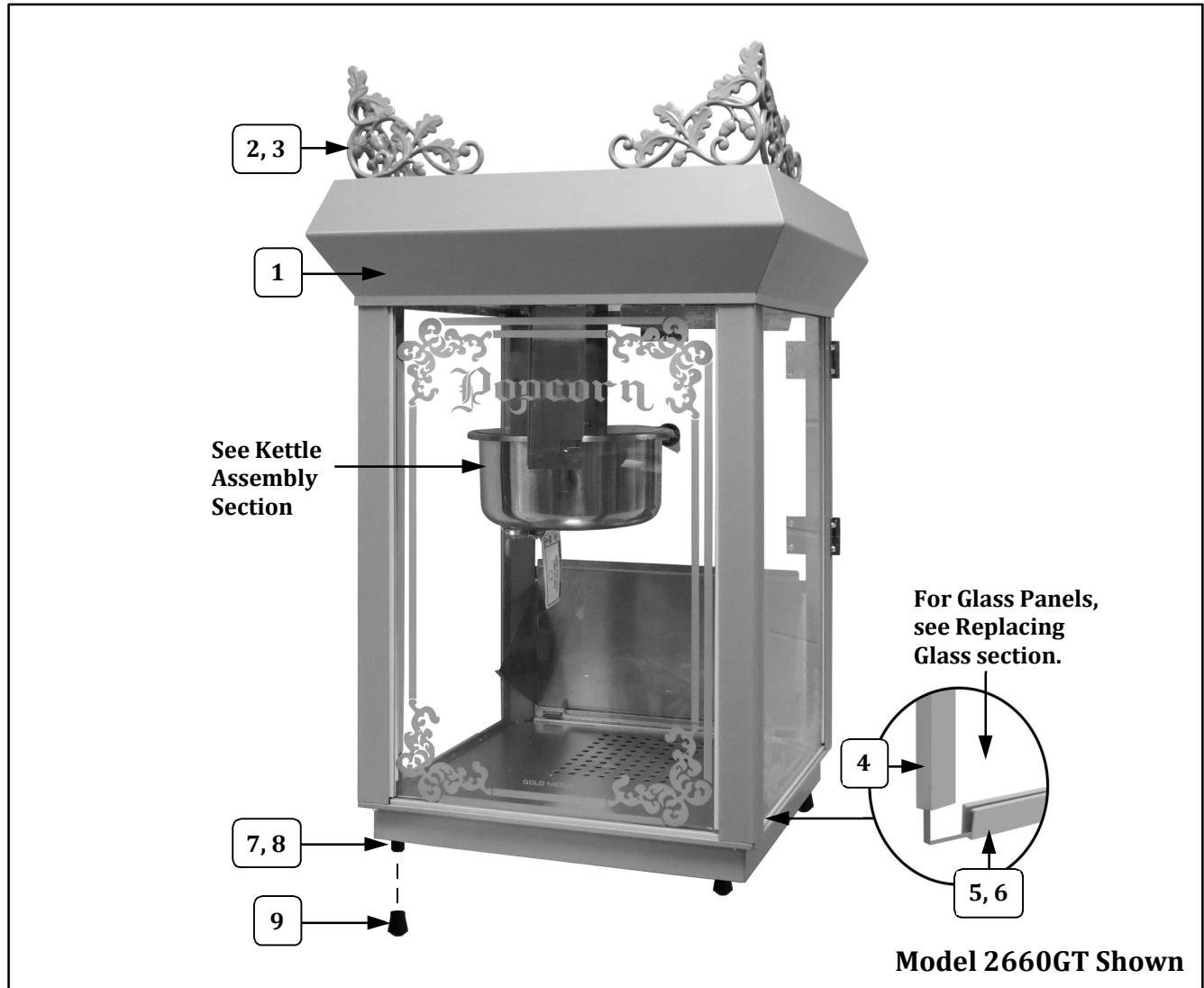
Item	Parts Description	Part Number		
		2660GT	2660GTSV	2660GV
1	UPPER FRAME ASSEMBLY	49375	49680	49944
2	INSPECTION COVER (includes cover and corner ornaments, Part Nos. 47402R, 47402L)	49572	49685	49942
3	SCREW #8 HEX WASHER HEAD (fastens inspection cover to upper frame assembly)	47771	47771	47771
4	22 1/8" GLASS CHANNEL (used on side edges of front and side glass panels)	49212	49212	49212
5	13 1/8" GLASS CHANNEL (used on bottom edge of side glass panels)	49213	49213	49213
6	15 1/8" GLASS CHANNEL (used on bottom edge of front glass panel)	49214	49214	49214
7	10-24 X 3/4 HEX HEAD	41314	41314	41314
8	GLIDE	47328	47328	47328
9	BLACK CRUTCH TIP	49123	49123	49123

## Cabinet Exterior – Front View



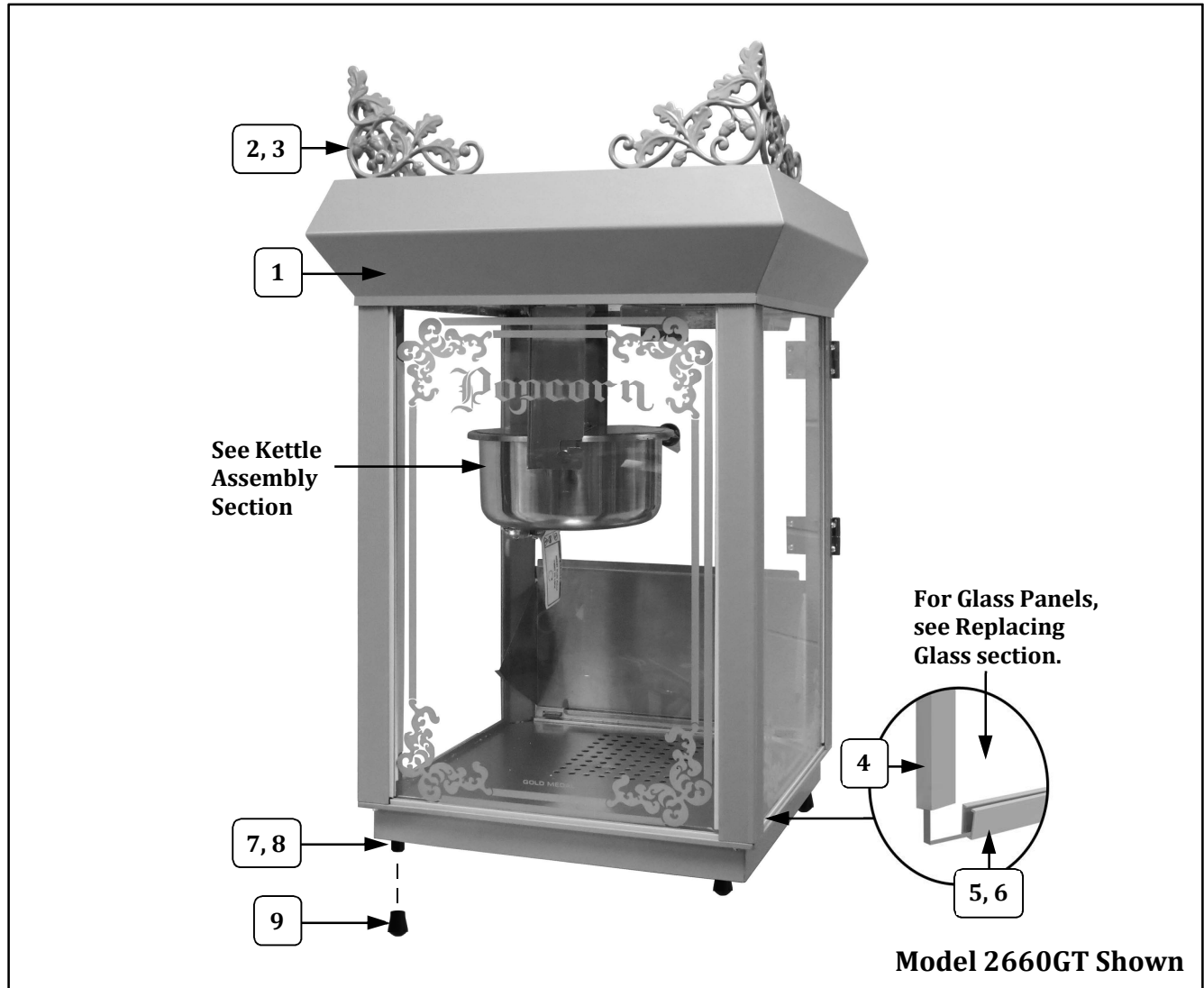
Item	Parts Description	Part Number		
		2660GT	2660GTSV	2660GV
1	UPPER FRAME ASSEMBLY	49375	49680	49944
2	INSPECTION COVER (includes cover and corner ornaments, Part Nos. 47402R, 47402L)	49572	49685	49942
3	SCREW #8 HEX WASHER HEAD (fastens inspection cover to upper frame assembly)	47771	47771	47771
4	22 1/8" GLASS CHANNEL (used on side edges of front and side glass panels)	49212	49212	49212
5	13 1/8" GLASS CHANNEL (used on bottom edge of side glass panels)	49213	49213	49213
6	15 1/8" GLASS CHANNEL (used on bottom edge of front glass panel)	49214	49214	49214
7	10-24 X 3/4 HEX HEAD	41314	41314	41314
8	GLIDE	47328	47328	47328
9	BLACK CRUTCH TIP	49123	49123	49123

## Cabinet Exterior – Front View



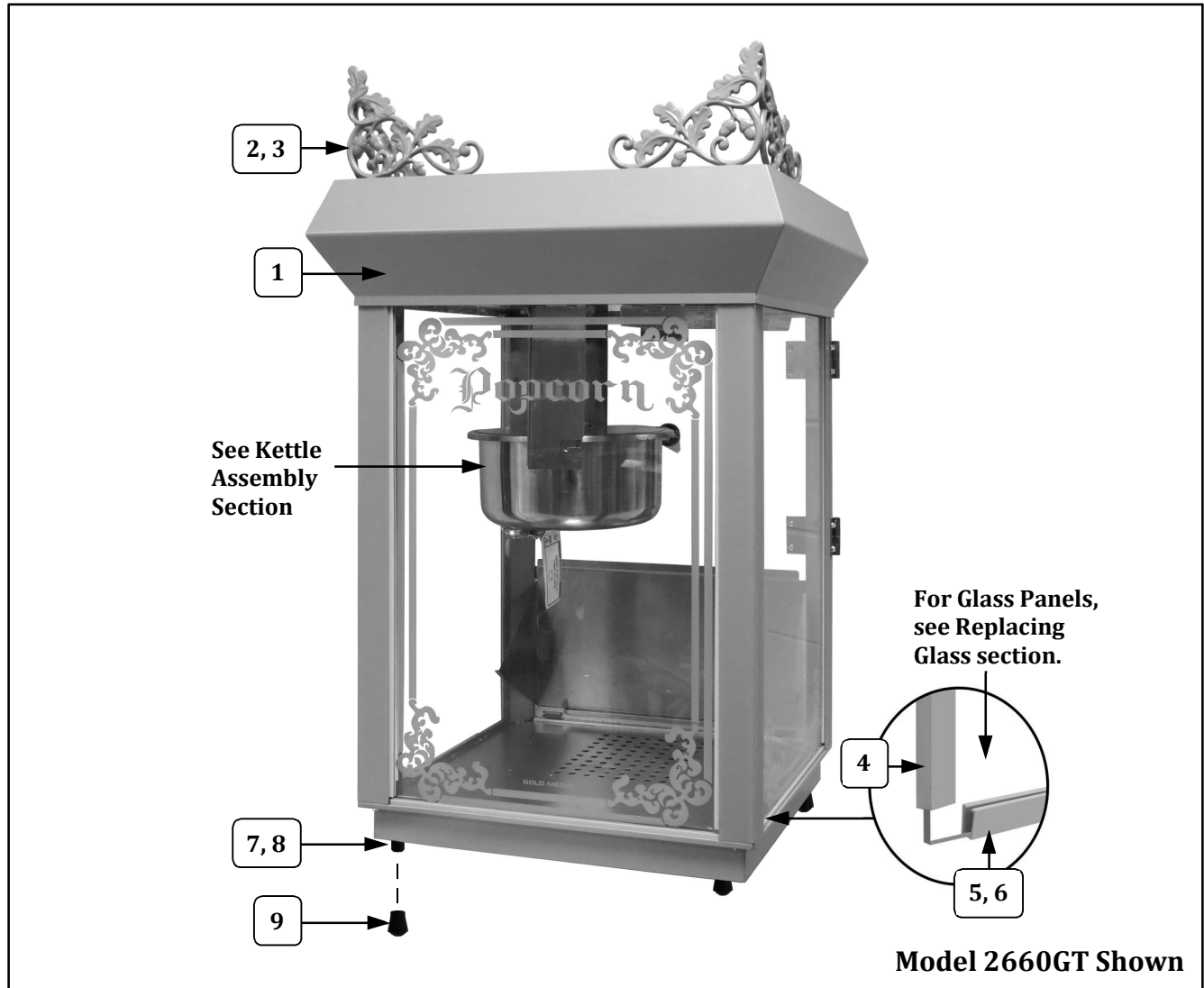
Item	Parts Description	Part Number		
		2660GT	2660GTSV	2660GV
1	UPPER FRAME ASSEMBLY	49375	49680	49944
2	INSPECTION COVER (includes cover and corner ornaments, Part Nos. 47402R, 47402L)	49572	49685	49942
3	SCREW #8 HEX WASHER HEAD (fastens inspection cover to upper frame assembly)	47771	47771	47771
4	22 1/8" GLASS CHANNEL (used on side edges of front and side glass panels)	49212	49212	49212
5	13 1/8" GLASS CHANNEL (used on bottom edge of side glass panels)	49213	49213	49213
6	15 1/8" GLASS CHANNEL (used on bottom edge of front glass panel)	49214	49214	49214
7	10-24 X 3/4 HEX HEAD	41314	41314	41314
8	GLIDE	47328	47328	47328
9	BLACK CRUTCH TIP	49123	49123	49123

## Cabinet Exterior – Front View



Item	Parts Description	Part Number		
		2660GT	2660GTSV	2660GV
1	UPPER FRAME ASSEMBLY	49375	49680	49944
2	INSPECTION COVER (includes cover and corner ornaments, Part Nos. 47402R, 47402L)	49572	49685	49942
3	SCREW #8 HEX WASHER HEAD (fastens inspection cover to upper frame assembly)	47771	47771	47771
4	22 1/8" GLASS CHANNEL (used on side edges of front and side glass panels)	49212	49212	49212
5	13 1/8" GLASS CHANNEL (used on bottom edge of side glass panels)	49213	49213	49213
6	15 1/8" GLASS CHANNEL (used on bottom edge of front glass panel)	49214	49214	49214
7	10-24 X 3/4 HEX HEAD	41314	41314	41314
8	GLIDE	47328	47328	47328
9	BLACK CRUTCH TIP	49123	49123	49123

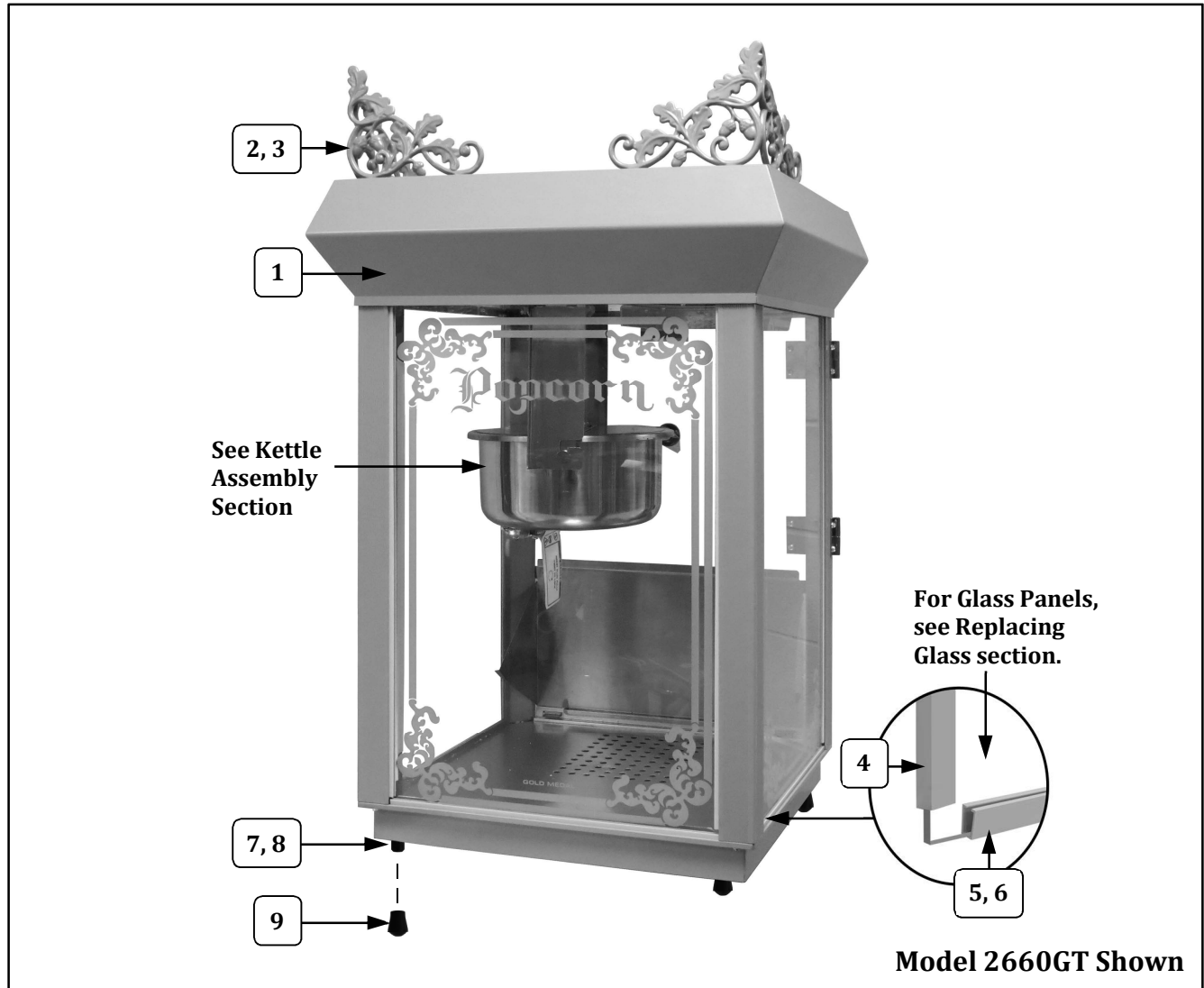
## Cabinet Exterior – Front View



Item	Parts Description	Part Number		
		2660GT	2660GTSV	2660GV
1	UPPER FRAME ASSEMBLY	49375	49680	49944
2	INSPECTION COVER (includes cover and corner ornaments, Part Nos. 47402R, 47402L)	49572	49685	49942
3	SCREW #8 HEX WASHER HEAD (fastens inspection cover to upper frame assembly)	47771	47771	47771
4	22 1/8" GLASS CHANNEL (used on side edges of front and side glass panels)	49212	49212	49212
5	13 1/8" GLASS CHANNEL (used on bottom edge of side glass panels)	49213	49213	49213
6	15 1/8" GLASS CHANNEL (used on bottom edge of front glass panel)	49214	49214	49214
7	10-24 X 3/4 HEX HEAD	41314	41314	41314
8	GLIDE	47328	47328	47328
9	BLACK CRUTCH TIP	49123	49123	49123

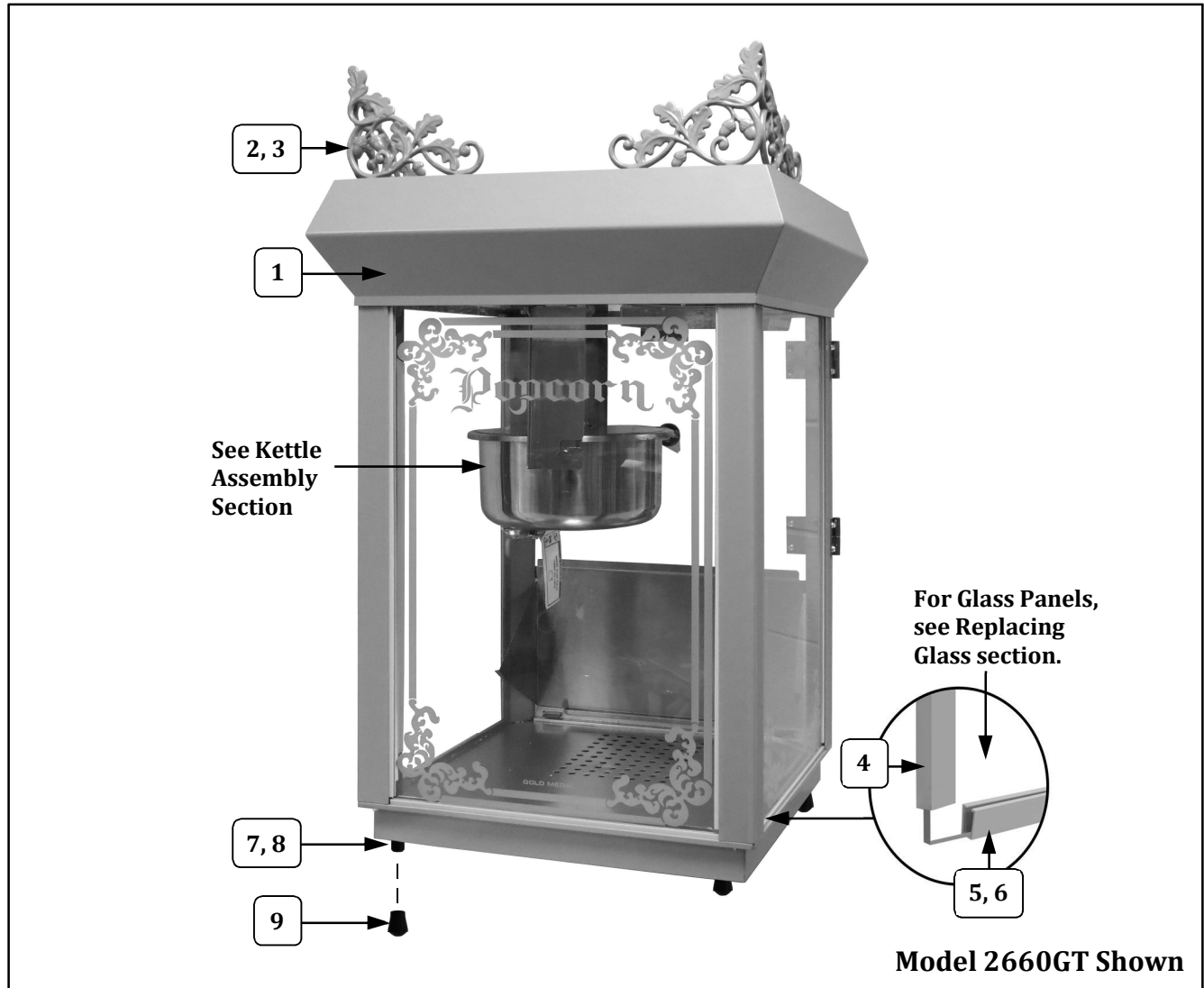


## Cabinet Exterior – Front View



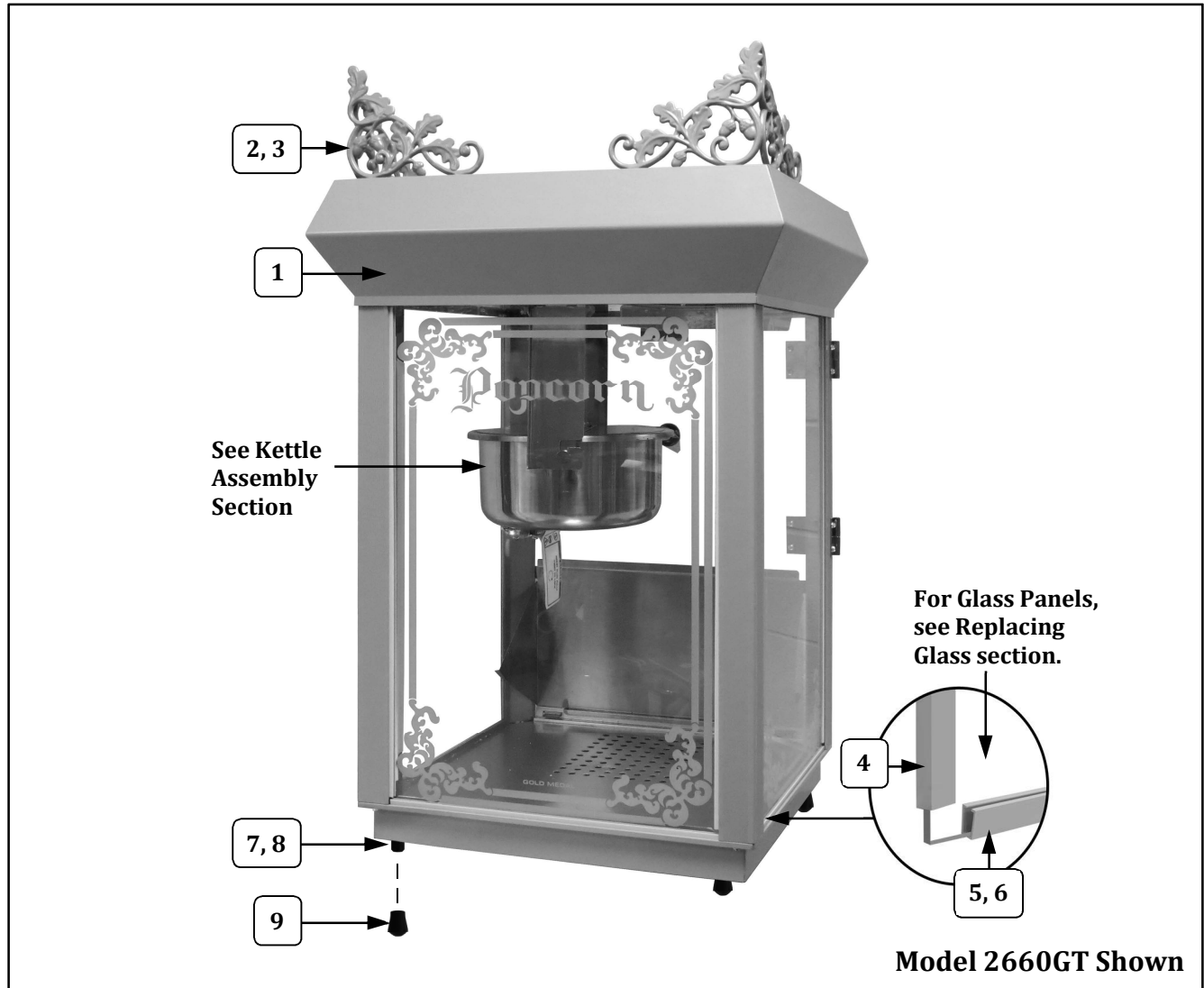
Item	Parts Description	Part Number		
		2660GT	2660GTSV	2660GV
1	UPPER FRAME ASSEMBLY	49375	49680	49944
2	INSPECTION COVER (includes cover and corner ornaments, Part Nos. 47402R, 47402L)	49572	49685	49942
3	SCREW #8 HEX WASHER HEAD (fastens inspection cover to upper frame assembly)	47771	47771	47771
4	22 1/8" GLASS CHANNEL (used on side edges of front and side glass panels)	49212	49212	49212
5	13 1/8" GLASS CHANNEL (used on bottom edge of side glass panels)	49213	49213	49213
6	15 1/8" GLASS CHANNEL (used on bottom edge of front glass panel)	49214	49214	49214
7	10-24 X 3/4 HEX HEAD	41314	41314	41314
8	GLIDE	47328	47328	47328
9	BLACK CRUTCH TIP	49123	49123	49123

## Cabinet Exterior – Front View



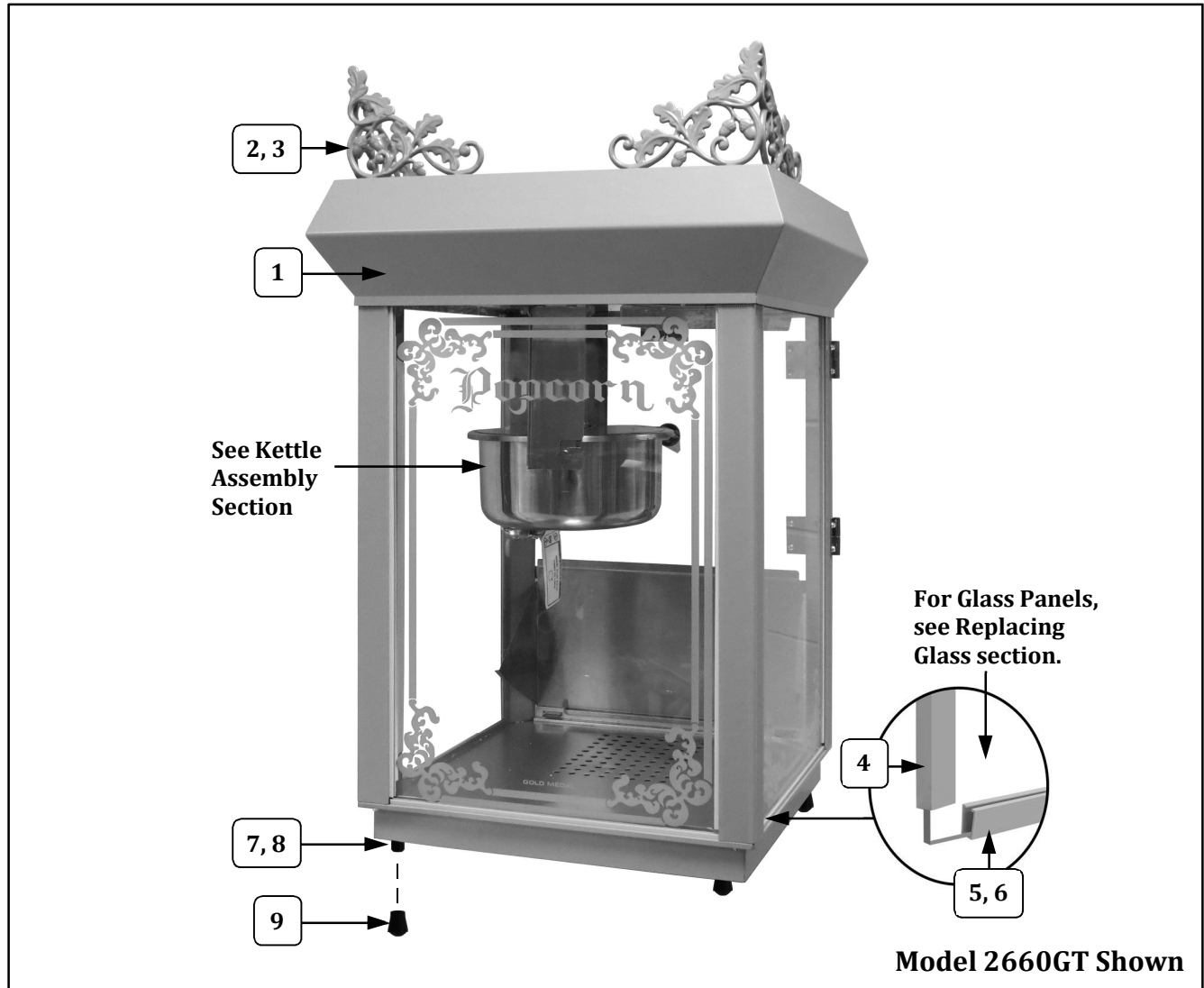
Item	Parts Description	Part Number		
		2660GT	2660GTSV	2660GV
1	UPPER FRAME ASSEMBLY	49375	49680	49944
2	INSPECTION COVER (includes cover and corner ornaments, Part Nos. 47402R, 47402L)	49572	49685	49942
3	SCREW #8 HEX WASHER HEAD (fastens inspection cover to upper frame assembly)	47771	47771	47771
4	22 1/8" GLASS CHANNEL (used on side edges of front and side glass panels)	49212	49212	49212
5	13 1/8" GLASS CHANNEL (used on bottom edge of side glass panels)	49213	49213	49213
6	15 1/8" GLASS CHANNEL (used on bottom edge of front glass panel)	49214	49214	49214
7	10-24 X 3/4 HEX HEAD	41314	41314	41314
8	GLIDE	47328	47328	47328
9	BLACK CRUTCH TIP	49123	49123	49123

## Cabinet Exterior – Front View



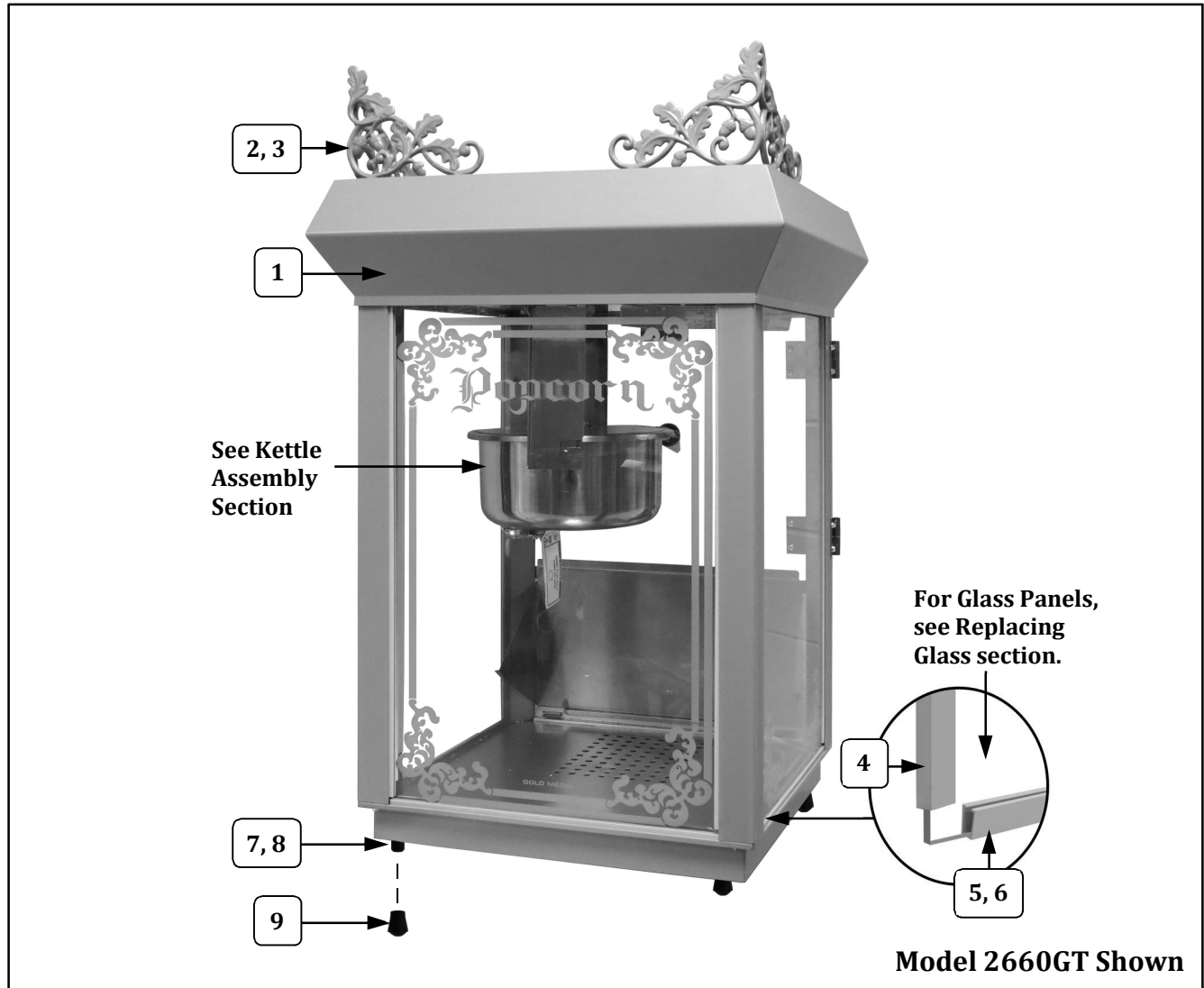
Item	Parts Description	Part Number		
		2660GT	2660GTSV	2660GV
1	UPPER FRAME ASSEMBLY	49375	49680	49944
2	INSPECTION COVER (includes cover and corner ornaments, Part Nos. 47402R, 47402L)	49572	49685	49942
3	SCREW #8 HEX WASHER HEAD (fastens inspection cover to upper frame assembly)	47771	47771	47771
4	22 1/8" GLASS CHANNEL (used on side edges of front and side glass panels)	49212	49212	49212
5	13 1/8" GLASS CHANNEL (used on bottom edge of side glass panels)	49213	49213	49213
6	15 1/8" GLASS CHANNEL (used on bottom edge of front glass panel)	49214	49214	49214
7	10-24 X 3/4 HEX HEAD	41314	41314	41314
8	GLIDE	47328	47328	47328
9	BLACK CRUTCH TIP	49123	49123	49123

## Cabinet Exterior – Front View



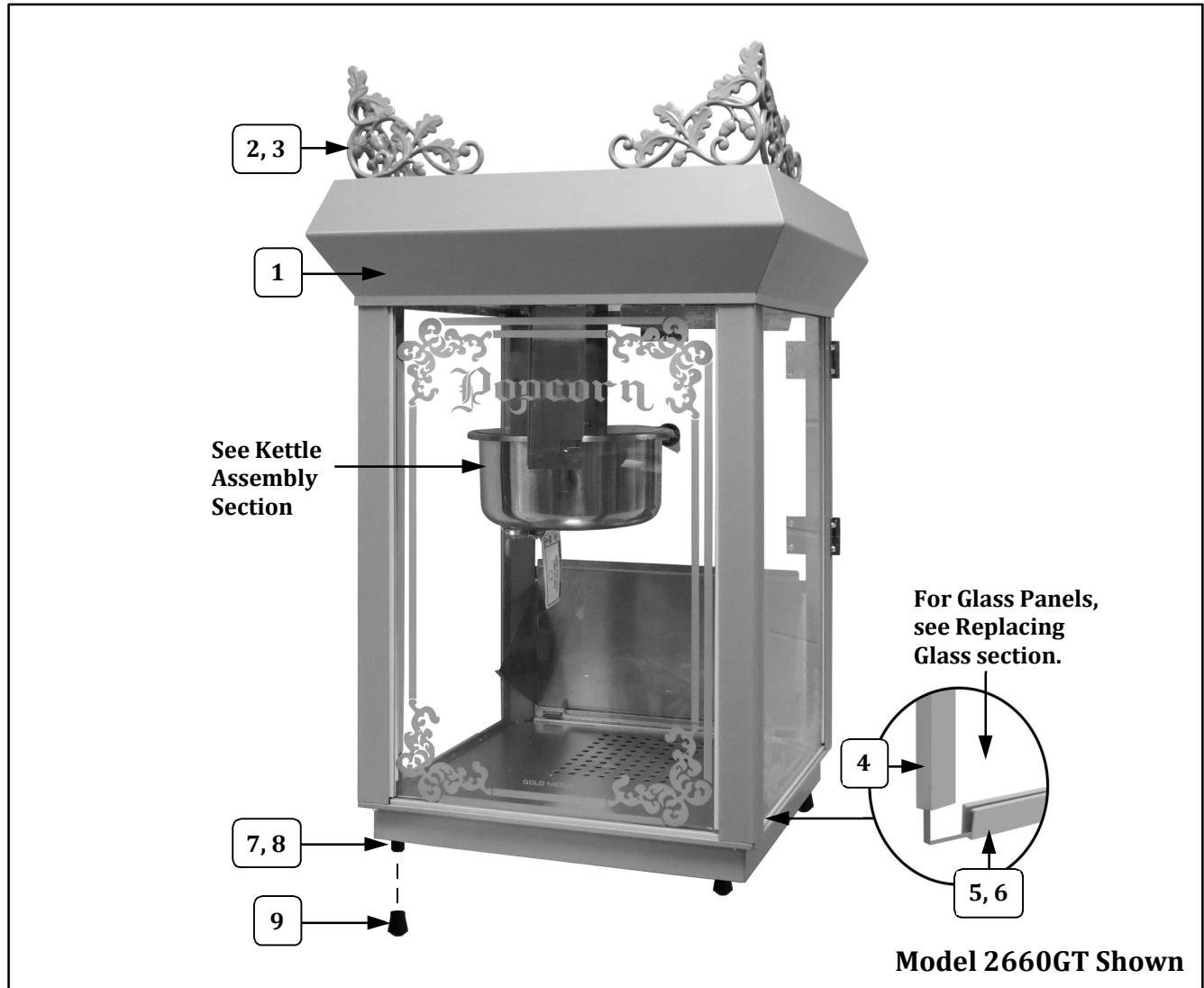
Item	Parts Description	Part Number		
		2660GT	2660GTSV	2660GV
1	UPPER FRAME ASSEMBLY	49375	49680	49944
2	INSPECTION COVER (includes cover and corner ornaments, Part Nos. 47402R, 47402L)	49572	49685	49942
3	SCREW #8 HEX WASHER HEAD (fastens inspection cover to upper frame assembly)	47771	47771	47771
4	22 1/8" GLASS CHANNEL (used on side edges of front and side glass panels)	49212	49212	49212
5	13 1/8" GLASS CHANNEL (used on bottom edge of side glass panels)	49213	49213	49213
6	15 1/8" GLASS CHANNEL (used on bottom edge of front glass panel)	49214	49214	49214
7	10-24 X 3/4 HEX HEAD	41314	41314	41314
8	GLIDE	47328	47328	47328
9	BLACK CRUTCH TIP	49123	49123	49123

## Cabinet Exterior – Front View



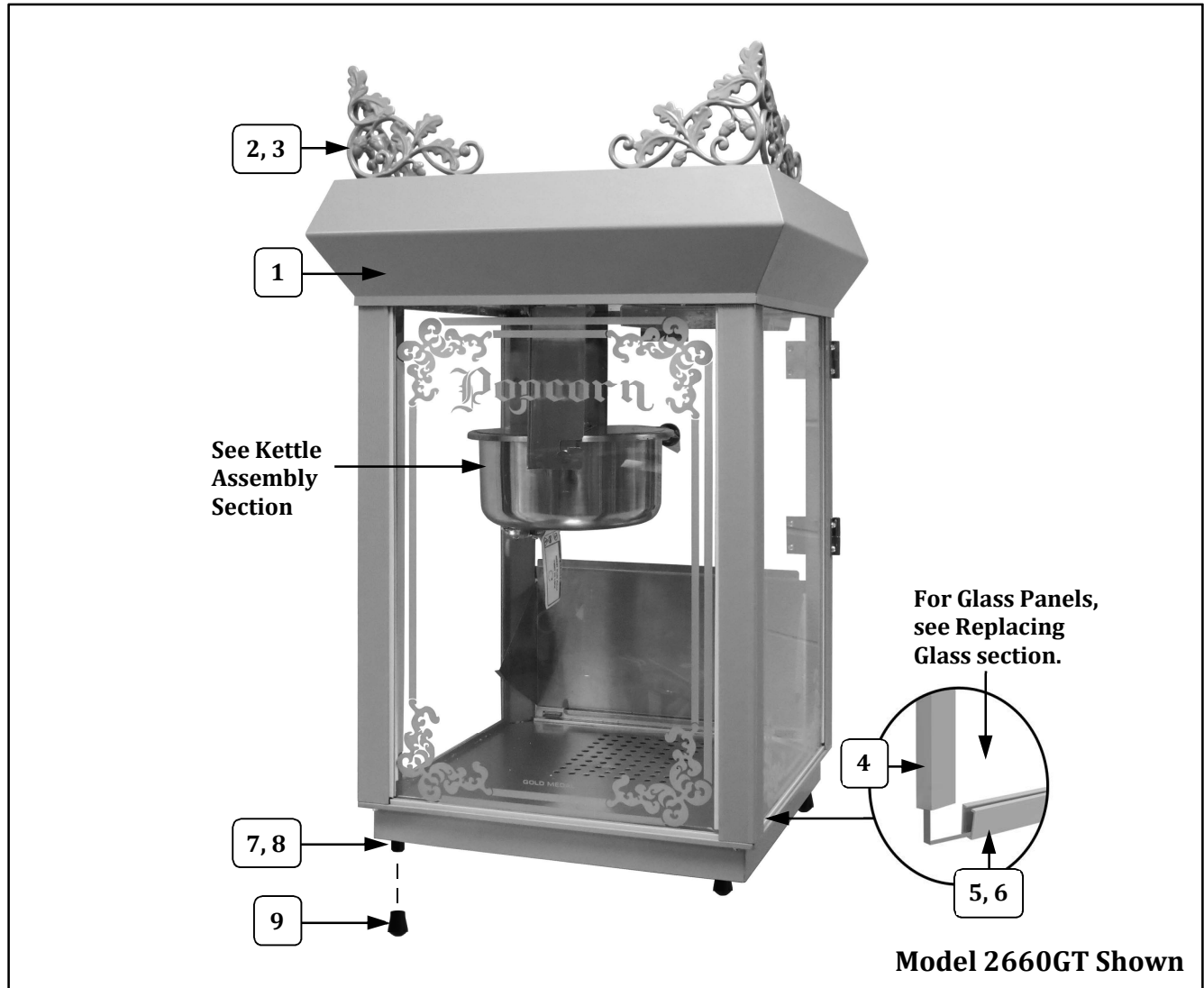
Item	Parts Description	Part Number		
		2660GT	2660GTSV	2660GV
1	UPPER FRAME ASSEMBLY	49375	49680	49944
2	INSPECTION COVER (includes cover and corner ornaments, Part Nos. 47402R, 47402L)	49572	49685	49942
3	SCREW #8 HEX WASHER HEAD (fastens inspection cover to upper frame assembly)	47771	47771	47771
4	22 1/8" GLASS CHANNEL (used on side edges of front and side glass panels)	49212	49212	49212
5	13 1/8" GLASS CHANNEL (used on bottom edge of side glass panels)	49213	49213	49213
6	15 1/8" GLASS CHANNEL (used on bottom edge of front glass panel)	49214	49214	49214
7	10-24 X 3/4 HEX HEAD	41314	41314	41314
8	GLIDE	47328	47328	47328
9	BLACK CRUTCH TIP	49123	49123	49123

## Cabinet Exterior – Front View



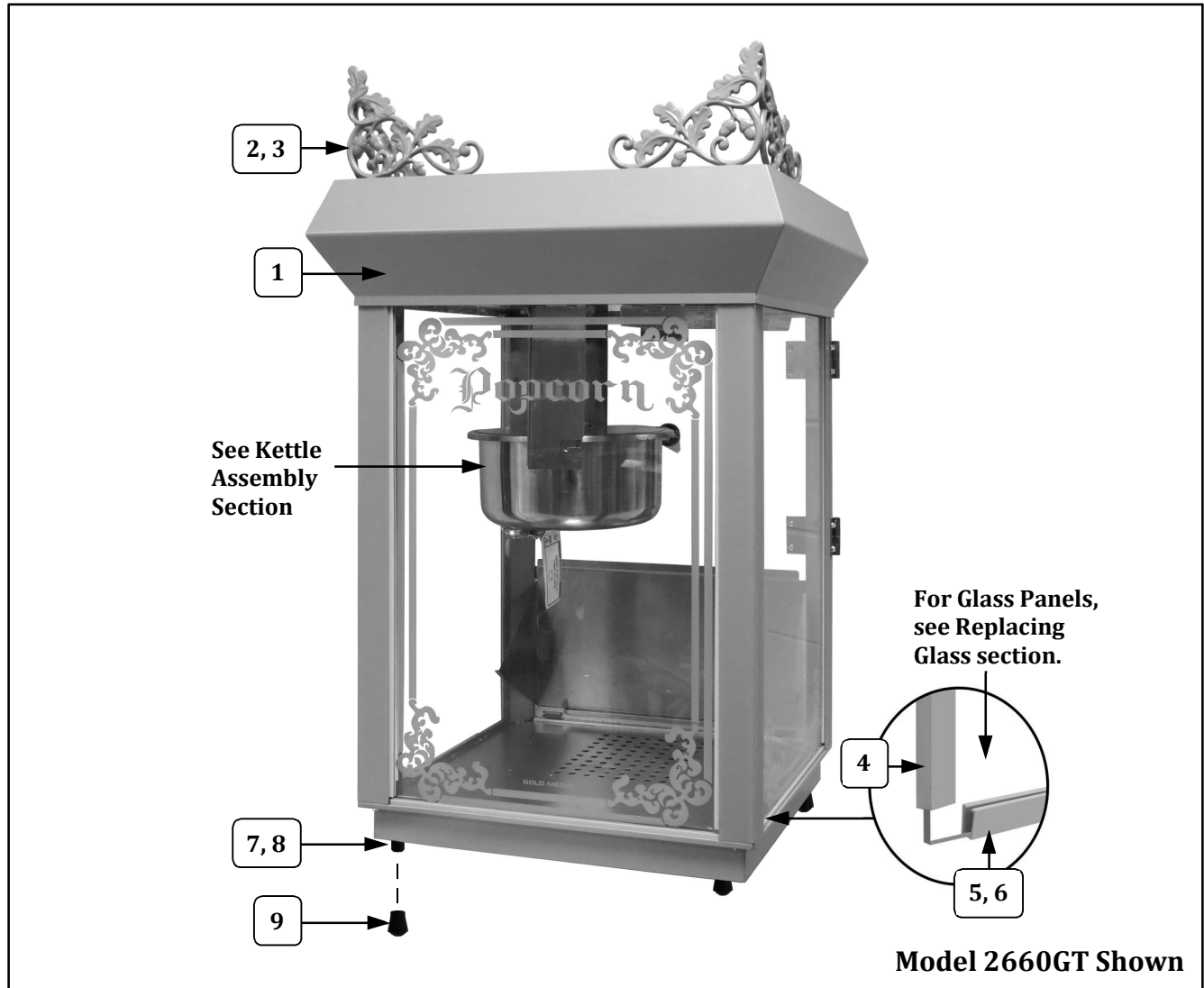
Item	Parts Description	Part Number		
		2660GT	2660GTSV	2660GV
1	UPPER FRAME ASSEMBLY	49375	49680	49944
2	INSPECTION COVER (includes cover and corner ornaments, Part Nos. 47402R, 47402L)	49572	49685	49942
3	SCREW #8 HEX WASHER HEAD (fastens inspection cover to upper frame assembly)	47771	47771	47771
4	22 1/8" GLASS CHANNEL (used on side edges of front and side glass panels)	49212	49212	49212
5	13 1/8" GLASS CHANNEL (used on bottom edge of side glass panels)	49213	49213	49213
6	15 1/8" GLASS CHANNEL (used on bottom edge of front glass panel)	49214	49214	49214
7	10-24 X 3/4 HEX HEAD	41314	41314	41314
8	GLIDE	47328	47328	47328
9	BLACK CRUTCH TIP	49123	49123	49123

## Cabinet Exterior – Front View



Item	Parts Description	Part Number		
		2660GT	2660GTSV	2660GV
1	UPPER FRAME ASSEMBLY	49375	49680	49944
2	INSPECTION COVER (includes cover and corner ornaments, Part Nos. 47402R, 47402L)	49572	49685	49942
3	SCREW #8 HEX WASHER HEAD (fastens inspection cover to upper frame assembly)	47771	47771	47771
4	22 1/8" GLASS CHANNEL (used on side edges of front and side glass panels)	49212	49212	49212
5	13 1/8" GLASS CHANNEL (used on bottom edge of side glass panels)	49213	49213	49213
6	15 1/8" GLASS CHANNEL (used on bottom edge of front glass panel)	49214	49214	49214
7	10-24 X 3/4 HEX HEAD	41314	41314	41314
8	GLIDE	47328	47328	47328
9	BLACK CRUTCH TIP	49123	49123	49123

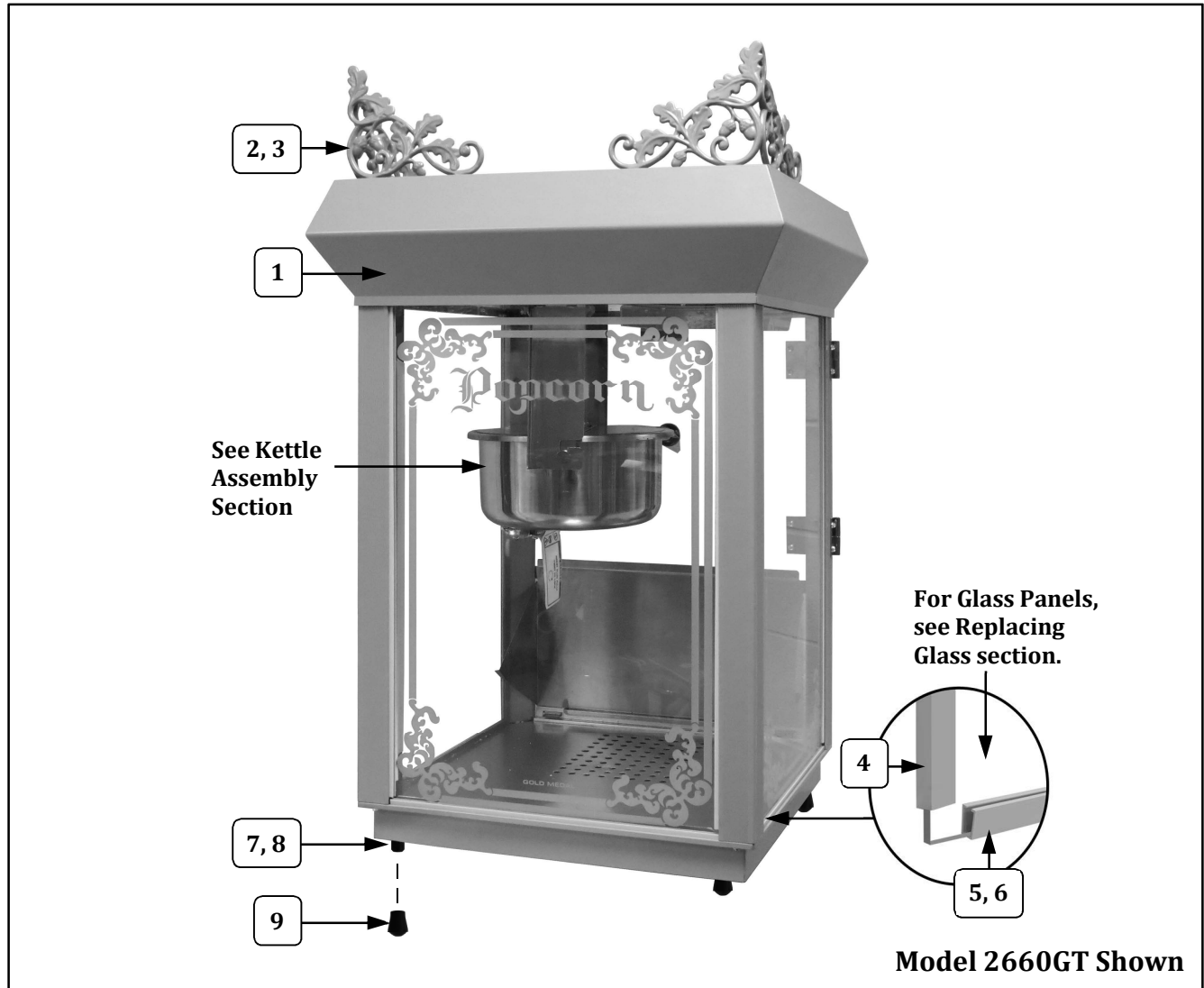
## Cabinet Exterior – Front View



Item	Parts Description	Part Number		
		2660GT	2660GTSV	2660GV
1	UPPER FRAME ASSEMBLY	49375	49680	49944
2	INSPECTION COVER (includes cover and corner ornaments, Part Nos. 47402R, 47402L)	49572	49685	49942
3	SCREW #8 HEX WASHER HEAD (fastens inspection cover to upper frame assembly)	47771	47771	47771
4	22 1/8" GLASS CHANNEL (used on side edges of front and side glass panels)	49212	49212	49212
5	13 1/8" GLASS CHANNEL (used on bottom edge of side glass panels)	49213	49213	49213
6	15 1/8" GLASS CHANNEL (used on bottom edge of front glass panel)	49214	49214	49214
7	10-24 X 3/4 HEX HEAD	41314	41314	41314
8	GLIDE	47328	47328	47328
9	BLACK CRUTCH TIP	49123	49123	49123

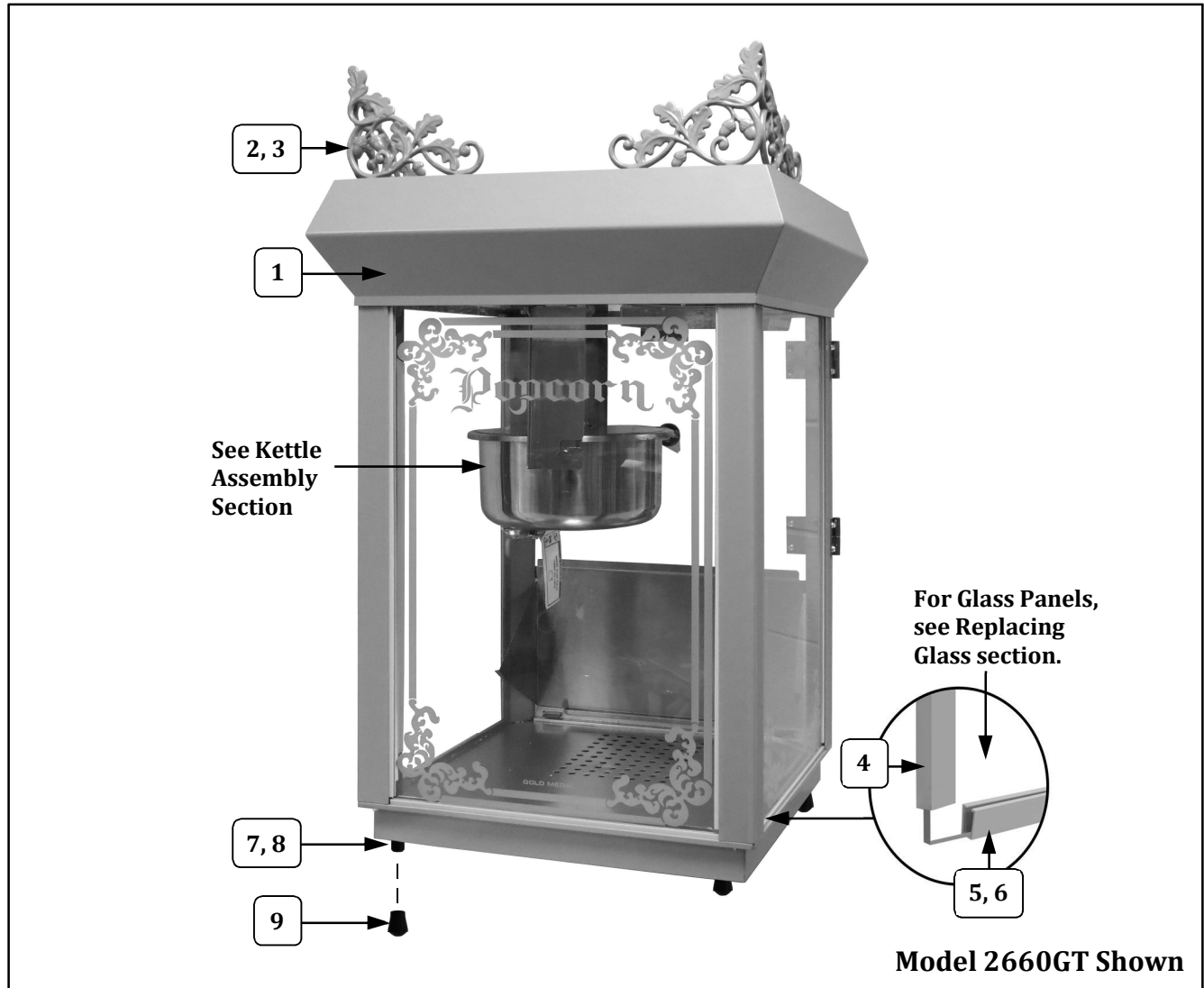


## Cabinet Exterior – Front View



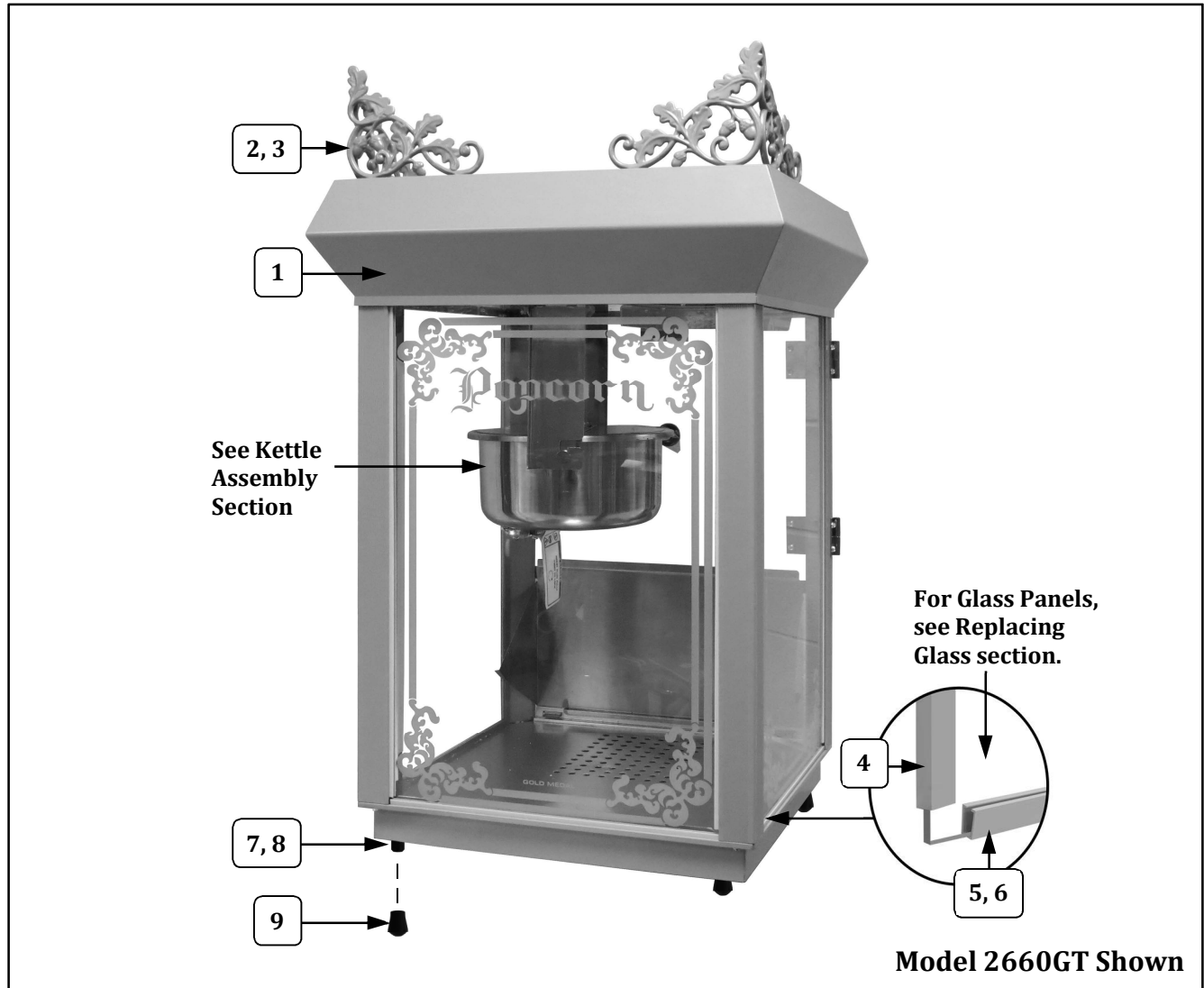
Item	Parts Description	Part Number		
		2660GT	2660GTSV	2660GV
1	UPPER FRAME ASSEMBLY	49375	49680	49944
2	INSPECTION COVER (includes cover and corner ornaments, Part Nos. 47402R, 47402L)	49572	49685	49942
3	SCREW #8 HEX WASHER HEAD (fastens inspection cover to upper frame assembly)	47771	47771	47771
4	22 1/8" GLASS CHANNEL (used on side edges of front and side glass panels)	49212	49212	49212
5	13 1/8" GLASS CHANNEL (used on bottom edge of side glass panels)	49213	49213	49213
6	15 1/8" GLASS CHANNEL (used on bottom edge of front glass panel)	49214	49214	49214
7	10-24 X 3/4 HEX HEAD	41314	41314	41314
8	GLIDE	47328	47328	47328
9	BLACK CRUTCH TIP	49123	49123	49123

## Cabinet Exterior – Front View



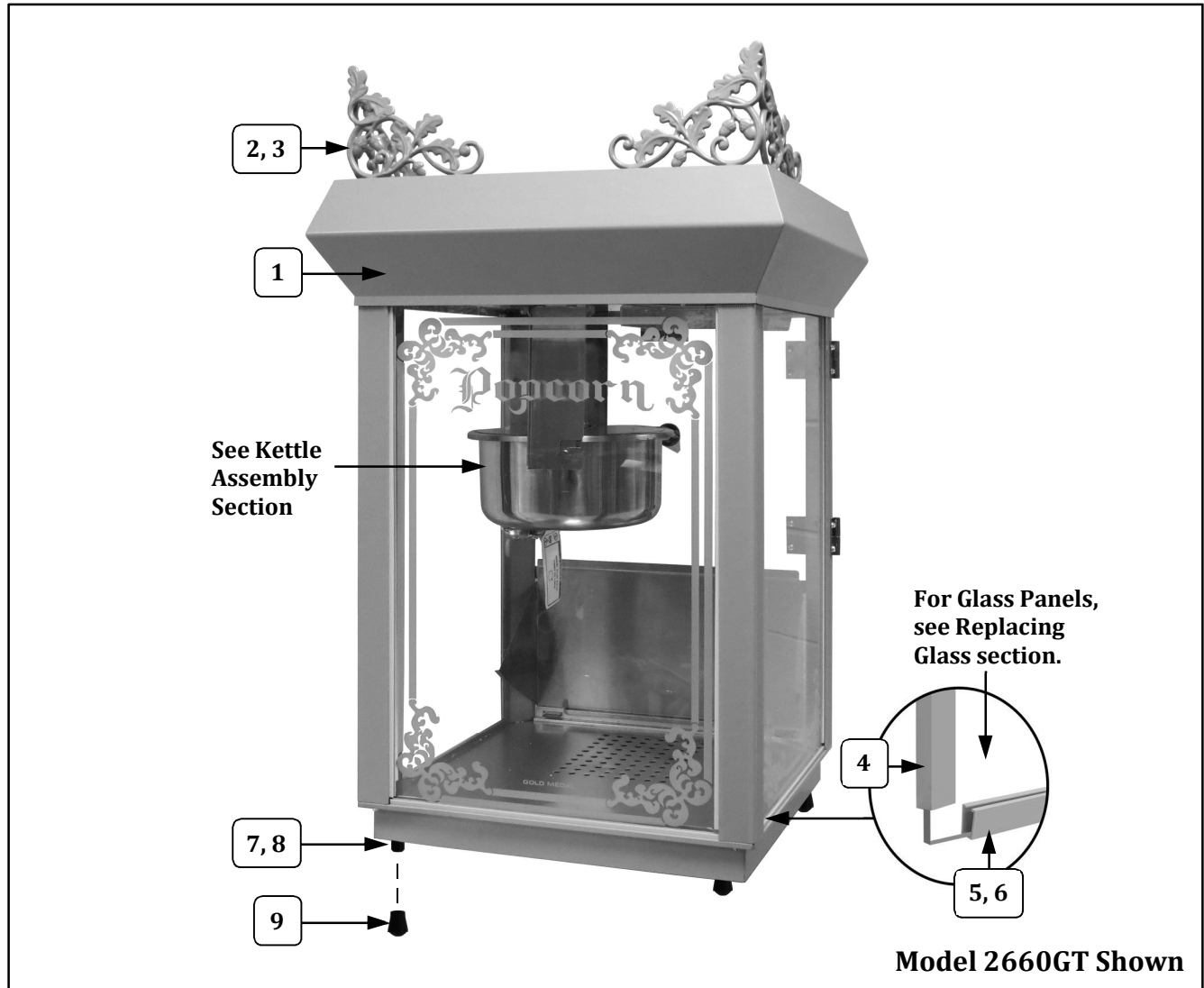
Item	Parts Description	Part Number		
		2660GT	2660GTSV	2660GV
1	UPPER FRAME ASSEMBLY	49375	49680	49944
2	INSPECTION COVER (includes cover and corner ornaments, Part Nos. 47402R, 47402L)	49572	49685	49942
3	SCREW #8 HEX WASHER HEAD (fastens inspection cover to upper frame assembly)	47771	47771	47771
4	22 1/8" GLASS CHANNEL (used on side edges of front and side glass panels)	49212	49212	49212
5	13 1/8" GLASS CHANNEL (used on bottom edge of side glass panels)	49213	49213	49213
6	15 1/8" GLASS CHANNEL (used on bottom edge of front glass panel)	49214	49214	49214
7	10-24 X 3/4 HEX HEAD	41314	41314	41314
8	GLIDE	47328	47328	47328
9	BLACK CRUTCH TIP	49123	49123	49123

## Cabinet Exterior – Front View



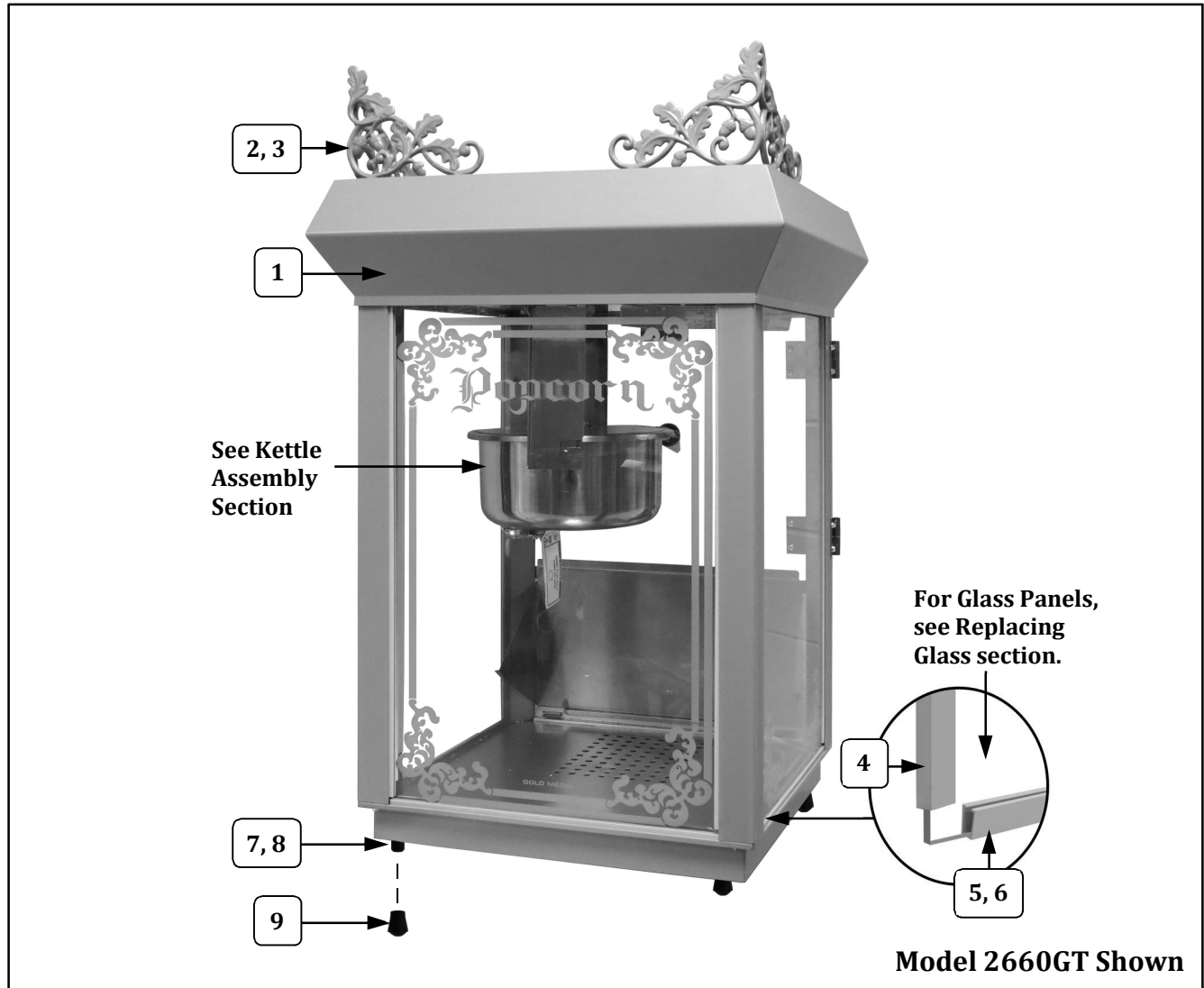
Item	Parts Description	Part Number		
		2660GT	2660GTSV	2660GV
1	UPPER FRAME ASSEMBLY	49375	49680	49944
2	INSPECTION COVER (includes cover and corner ornaments, Part Nos. 47402R, 47402L)	49572	49685	49942
3	SCREW #8 HEX WASHER HEAD (fastens inspection cover to upper frame assembly)	47771	47771	47771
4	22 1/8" GLASS CHANNEL (used on side edges of front and side glass panels)	49212	49212	49212
5	13 1/8" GLASS CHANNEL (used on bottom edge of side glass panels)	49213	49213	49213
6	15 1/8" GLASS CHANNEL (used on bottom edge of front glass panel)	49214	49214	49214
7	10-24 X 3/4 HEX HEAD	41314	41314	41314
8	GLIDE	47328	47328	47328
9	BLACK CRUTCH TIP	49123	49123	49123

## Cabinet Exterior – Front View



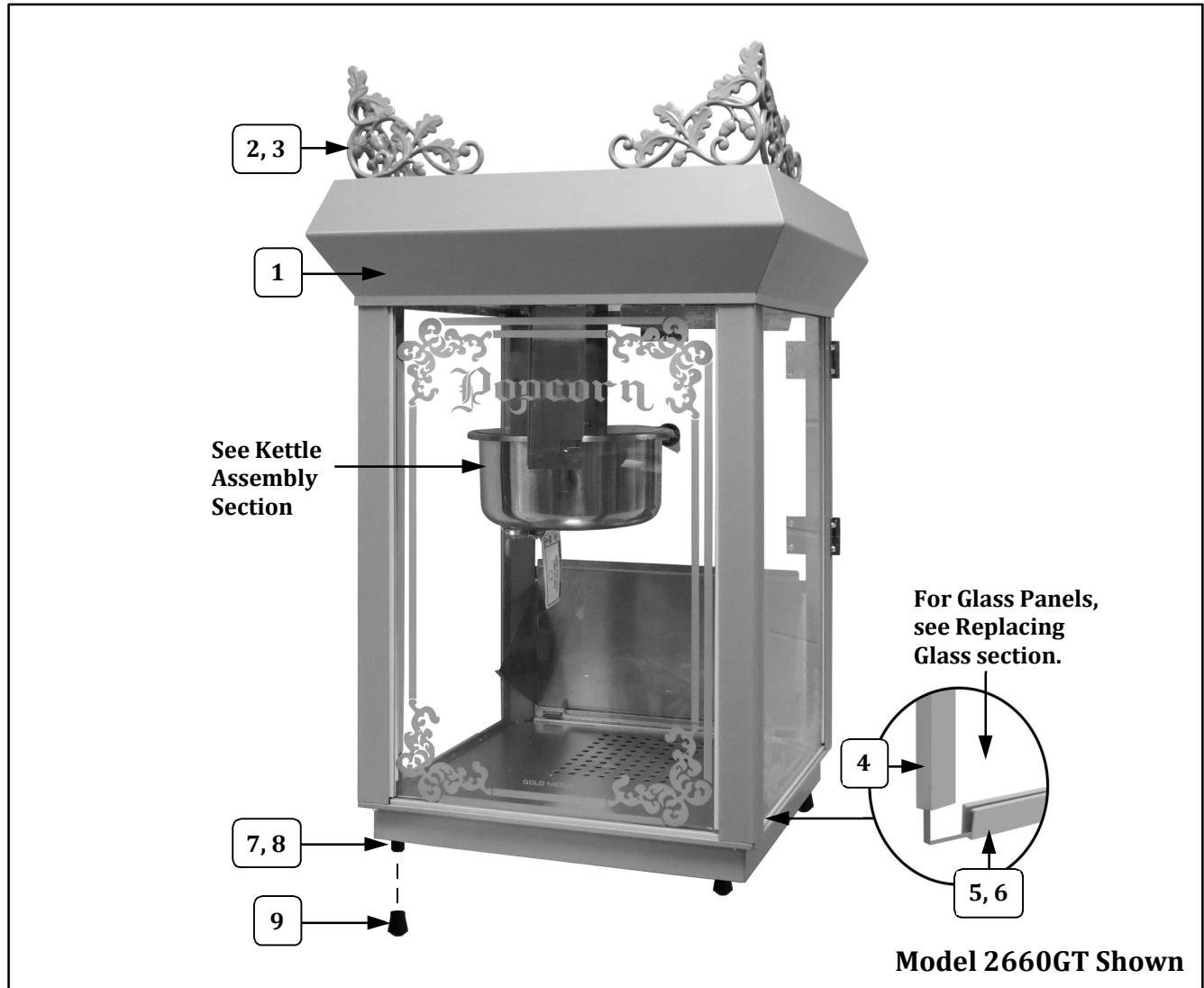
Item	Parts Description	Part Number		
		2660GT	2660GTSV	2660GV
1	UPPER FRAME ASSEMBLY	49375	49680	49944
2	INSPECTION COVER (includes cover and corner ornaments, Part Nos. 47402R, 47402L)	49572	49685	49942
3	SCREW #8 HEX WASHER HEAD (fastens inspection cover to upper frame assembly)	47771	47771	47771
4	22 1/8" GLASS CHANNEL (used on side edges of front and side glass panels)	49212	49212	49212
5	13 1/8" GLASS CHANNEL (used on bottom edge of side glass panels)	49213	49213	49213
6	15 1/8" GLASS CHANNEL (used on bottom edge of front glass panel)	49214	49214	49214
7	10-24 X 3/4 HEX HEAD	41314	41314	41314
8	GLIDE	47328	47328	47328
9	BLACK CRUTCH TIP	49123	49123	49123

## Cabinet Exterior – Front View



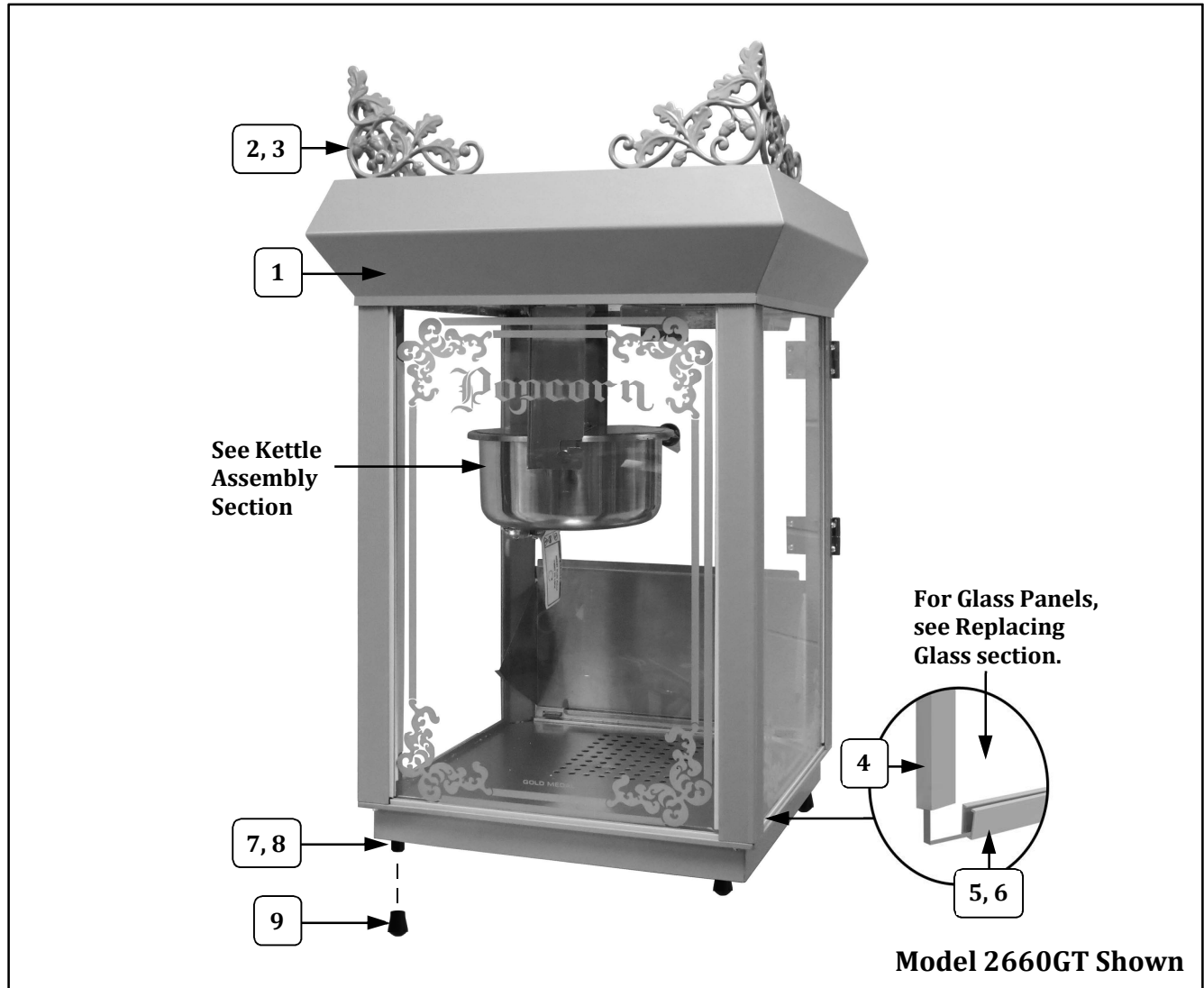
Item	Parts Description	Part Number		
		2660GT	2660GTSV	2660GV
1	UPPER FRAME ASSEMBLY	49375	49680	49944
2	INSPECTION COVER (includes cover and corner ornaments, Part Nos. 47402R, 47402L)	49572	49685	49942
3	SCREW #8 HEX WASHER HEAD (fastens inspection cover to upper frame assembly)	47771	47771	47771
4	22 1/8" GLASS CHANNEL (used on side edges of front and side glass panels)	49212	49212	49212
5	13 1/8" GLASS CHANNEL (used on bottom edge of side glass panels)	49213	49213	49213
6	15 1/8" GLASS CHANNEL (used on bottom edge of front glass panel)	49214	49214	49214
7	10-24 X 3/4 HEX HEAD	41314	41314	41314
8	GLIDE	47328	47328	47328
9	BLACK CRUTCH TIP	49123	49123	49123

## Cabinet Exterior – Front View



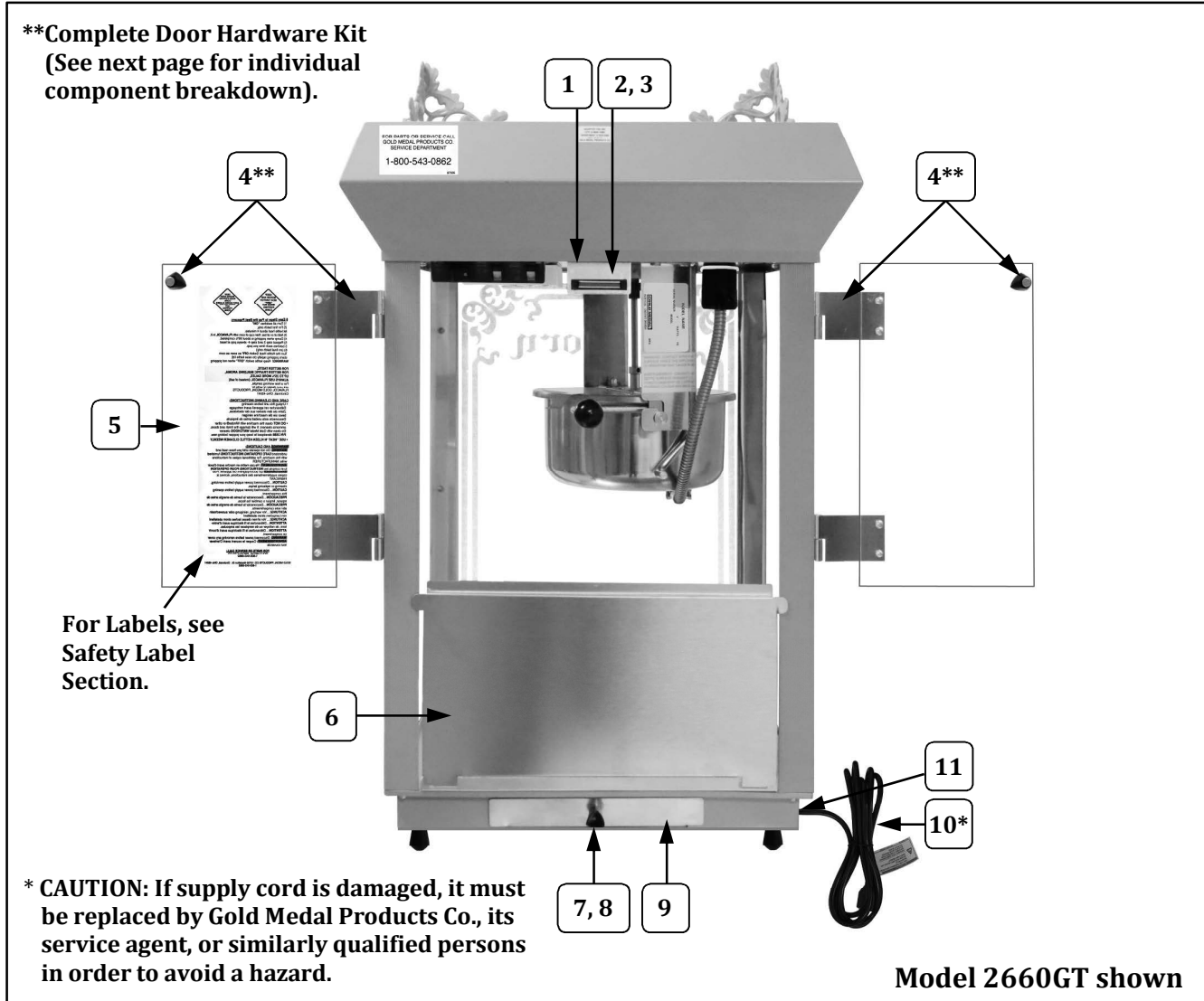
Item	Parts Description	Part Number		
		2660GT	2660GTSV	2660GV
1	UPPER FRAME ASSEMBLY	49375	49680	49944
2	INSPECTION COVER (includes cover and corner ornaments, Part Nos. 47402R, 47402L)	49572	49685	49942
3	SCREW #8 HEX WASHER HEAD (fastens inspection cover to upper frame assembly)	47771	47771	47771
4	22 1/8" GLASS CHANNEL (used on side edges of front and side glass panels)	49212	49212	49212
5	13 1/8" GLASS CHANNEL (used on bottom edge of side glass panels)	49213	49213	49213
6	15 1/8" GLASS CHANNEL (used on bottom edge of front glass panel)	49214	49214	49214
7	10-24 X 3/4 HEX HEAD	41314	41314	41314
8	GLIDE	47328	47328	47328
9	BLACK CRUTCH TIP	49123	49123	49123

## Cabinet Exterior – Front View



Item	Parts Description	Part Number		
		2660GT	2660GTSV	2660GV
1	UPPER FRAME ASSEMBLY	49375	49680	49944
2	INSPECTION COVER (includes cover and corner ornaments, Part Nos. 47402R, 47402L)	49572	49685	49942
3	SCREW #8 HEX WASHER HEAD (fastens inspection cover to upper frame assembly)	47771	47771	47771
4	22 1/8" GLASS CHANNEL (used on side edges of front and side glass panels)	49212	49212	49212
5	13 1/8" GLASS CHANNEL (used on bottom edge of side glass panels)	49213	49213	49213
6	15 1/8" GLASS CHANNEL (used on bottom edge of front glass panel)	49214	49214	49214
7	10-24 X 3/4 HEX HEAD	41314	41314	41314
8	GLIDE	47328	47328	47328
9	BLACK CRUTCH TIP	49123	49123	49123

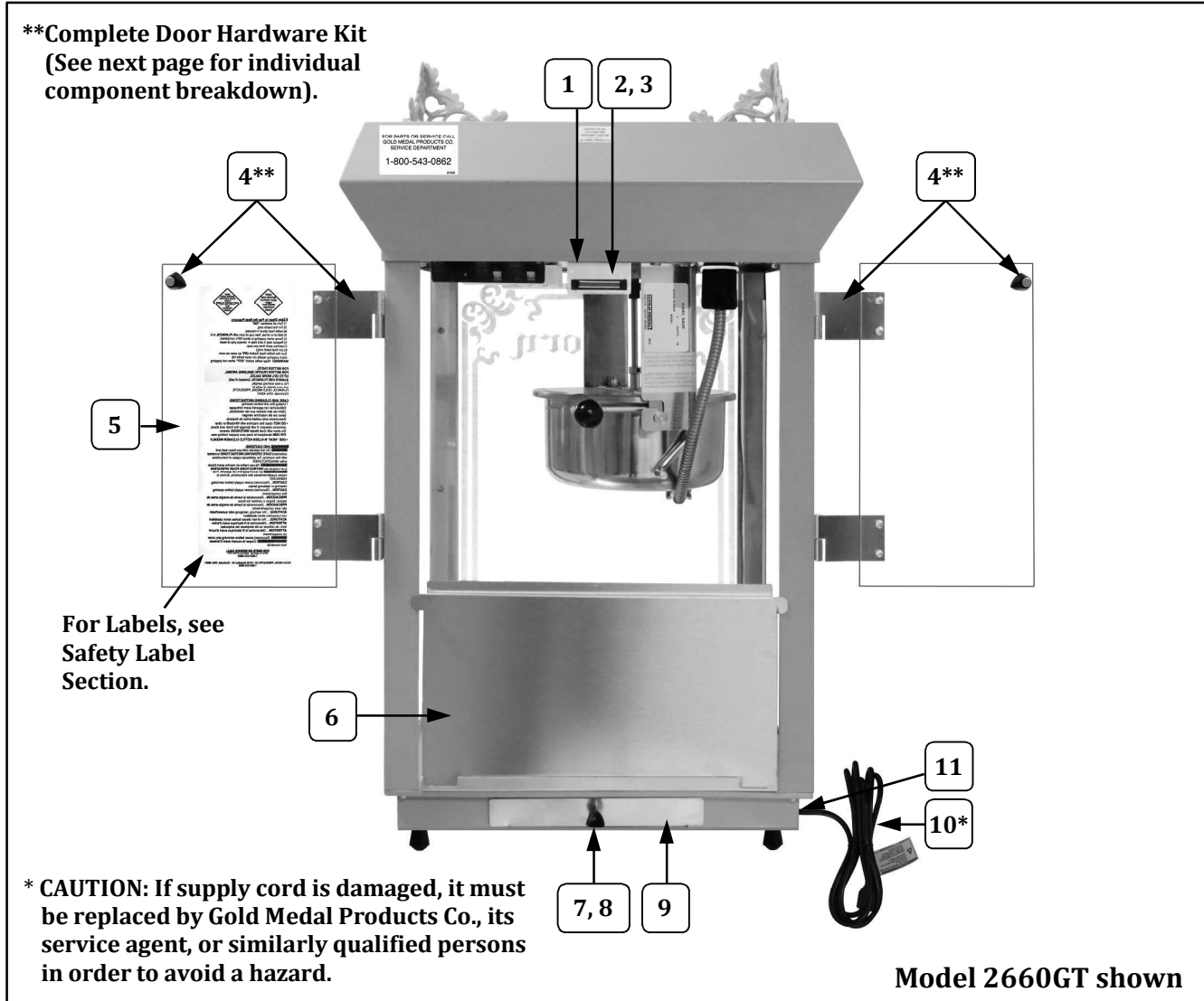
## Cabinet Exterior – Rear View



Item	Part Description	Part Number
		All Models
1	MAGNETIC CATCH	47561
2	MAGNETIC CATCH BRACKET	77089
3	MAGNETIC BRACKET SHIM	38527
4**	COMPLETE DOOR HARDWARE KIT	61380
5	PLEXIGLASS DOOR	49396
6	DROP PANEL	49210
7	KNOB LID LIFT	47120
8	8-32" X 3/8" PH PAN W/SEMS	42227
9	OLD MAID PAN	49100
10*	LEAD-IN CORD 15 AMP PLUG	22038
11	#SR-6P3-4 STRAIN RELIEF	76026

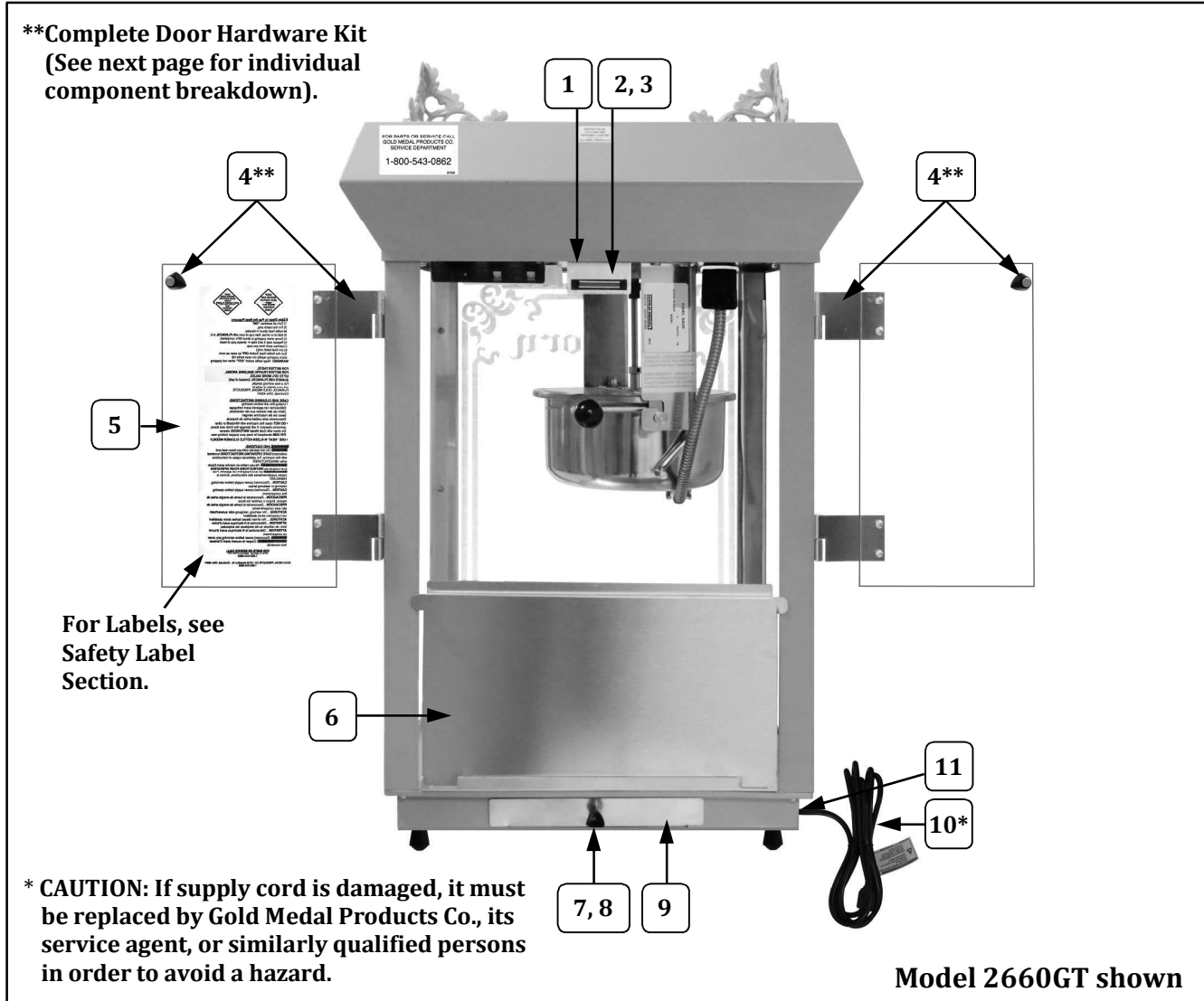


## Cabinet Exterior – Rear View



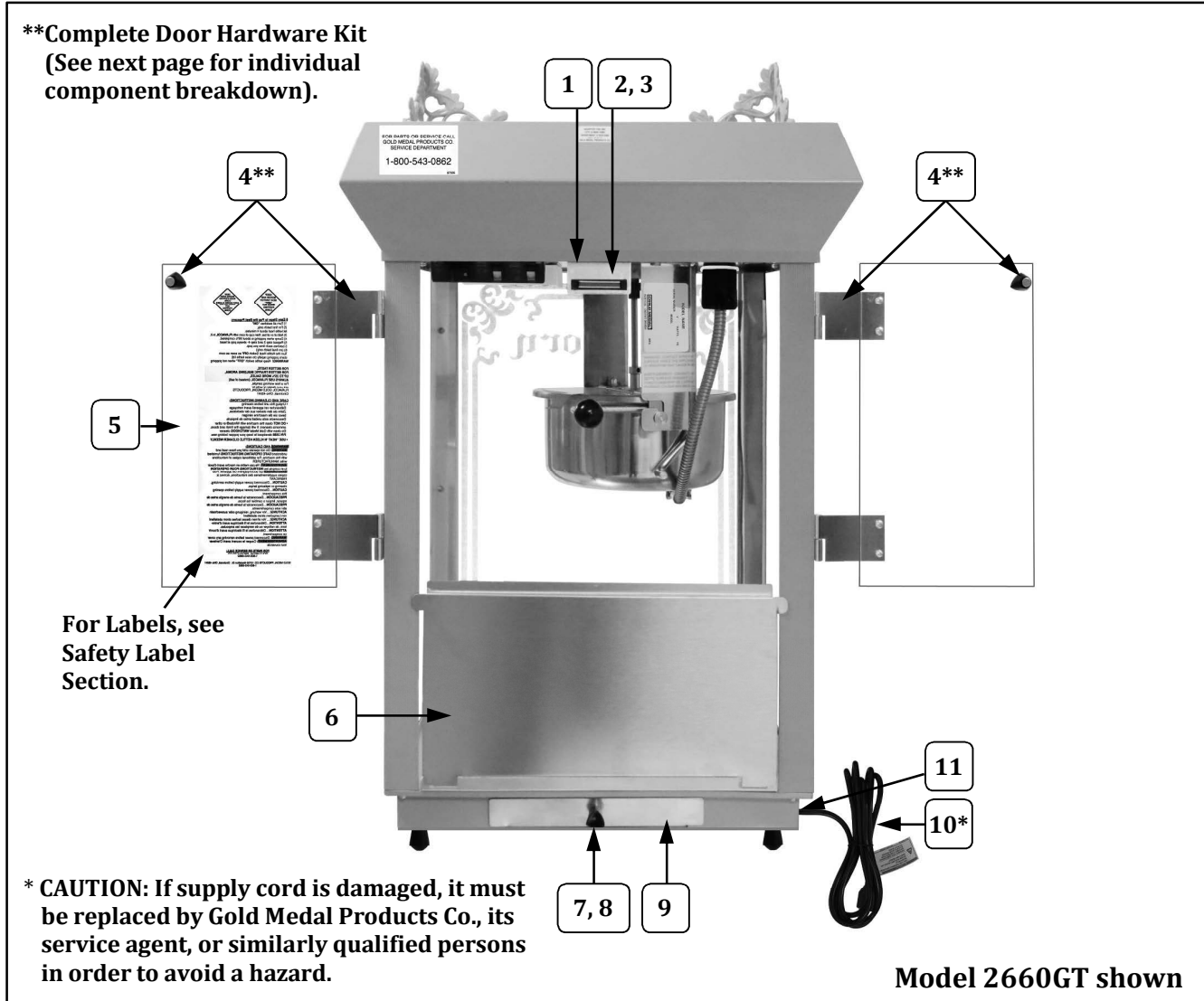
Item	Part Description	Part Number
		All Models
1	MAGNETIC CATCH	47561
2	MAGNETIC CATCH BRACKET	77089
3	MAGNETIC BRACKET SHIM	38527
4**	COMPLETE DOOR HARDWARE KIT	61380
5	PLEXIGLASS DOOR	49396
6	DROP PANEL	49210
7	KNOB LID LIFT	47120
8	8-32" X 3/8" PH PAN W/SEMS	42227
9	OLD MAID PAN	49100
10*	LEAD-IN CORD 15 AMP PLUG	22038
11	#SR-6P3-4 STRAIN RELIEF	76026

## Cabinet Exterior – Rear View



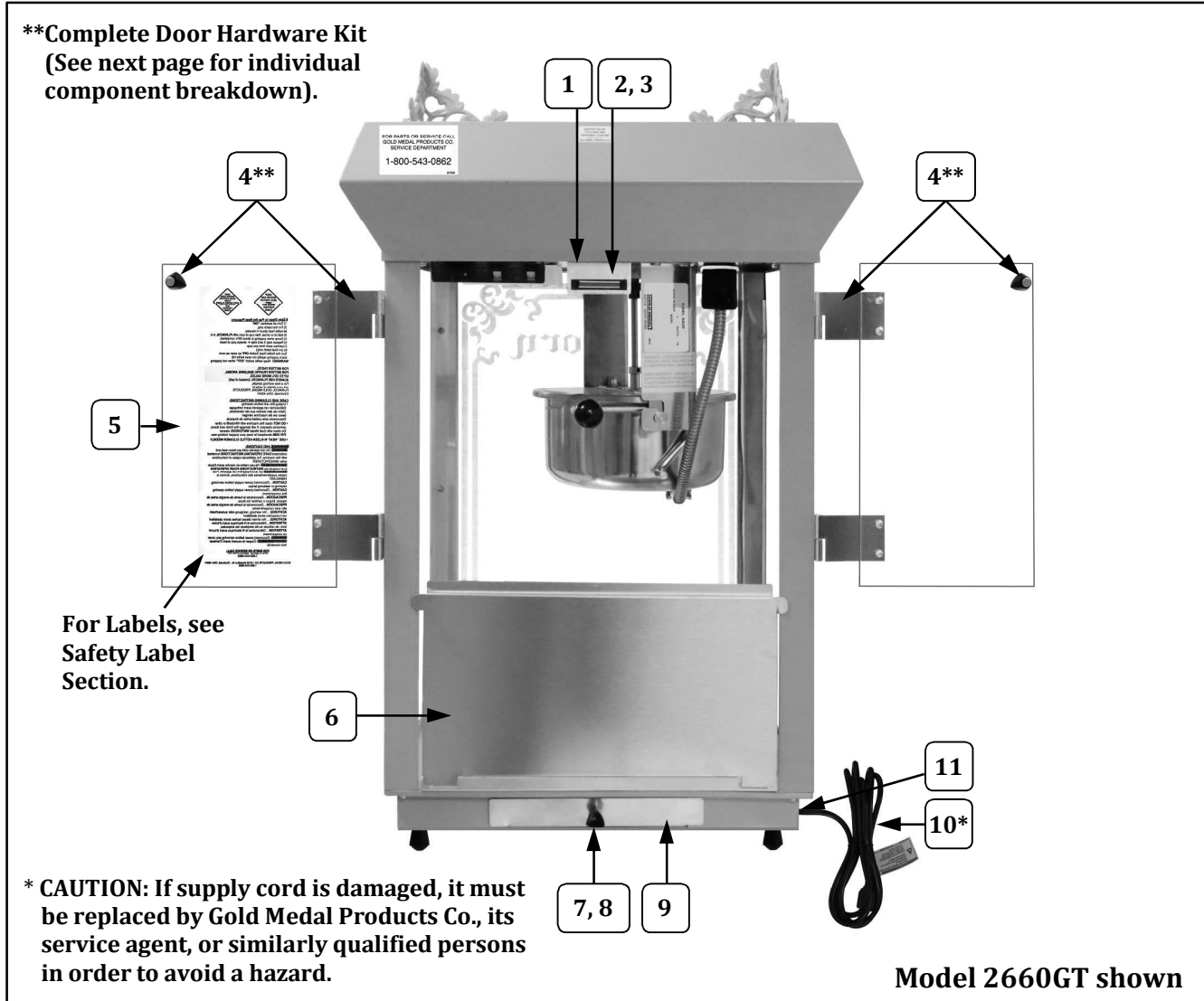
Item	Part Description	Part Number
		All Models
1	MAGNETIC CATCH	47561
2	MAGNETIC CATCH BRACKET	77089
3	MAGNETIC BRACKET SHIM	38527
4**	COMPLETE DOOR HARDWARE KIT	61380
5	PLEXIGLASS DOOR	49396
6	DROP PANEL	49210
7	KNOB LID LIFT	47120
8	8-32" X 3/8" PH PAN W/SEMS	42227
9	OLD MAID PAN	49100
10*	LEAD-IN CORD 15 AMP PLUG	22038
11	#SR-6P3-4 STRAIN RELIEF	76026

## Cabinet Exterior – Rear View



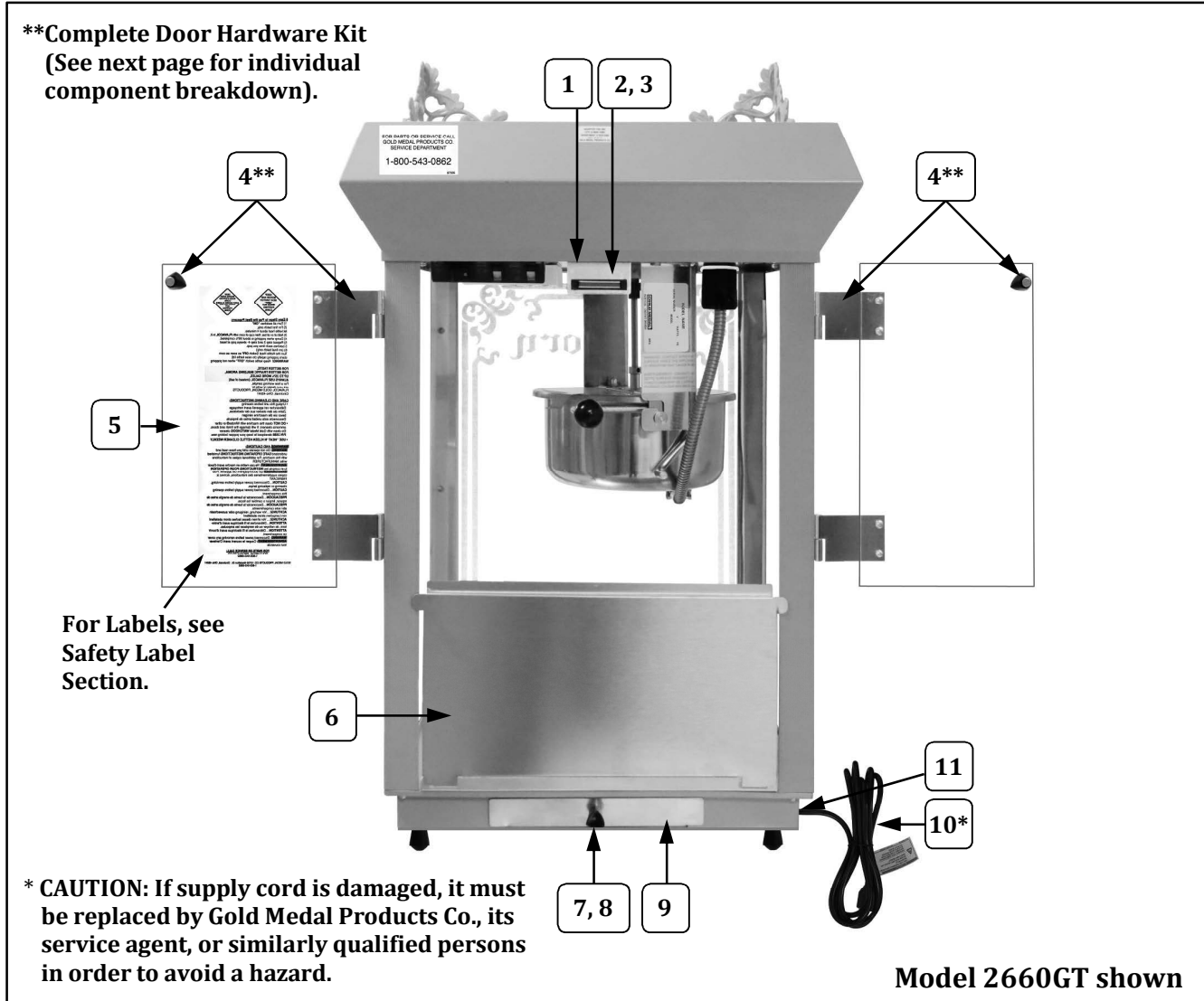
Item	Part Description	Part Number
		All Models
1	MAGNETIC CATCH	47561
2	MAGNETIC CATCH BRACKET	77089
3	MAGNETIC BRACKET SHIM	38527
4**	COMPLETE DOOR HARDWARE KIT	61380
5	PLEXIGLASS DOOR	49396
6	DROP PANEL	49210
7	KNOB LID LIFT	47120
8	8-32" X 3/8" PH PAN W/SEMS	42227
9	OLD MAID PAN	49100
10*	LEAD-IN CORD 15 AMP PLUG	22038
11	#SR-6P3-4 STRAIN RELIEF	76026

## Cabinet Exterior – Rear View



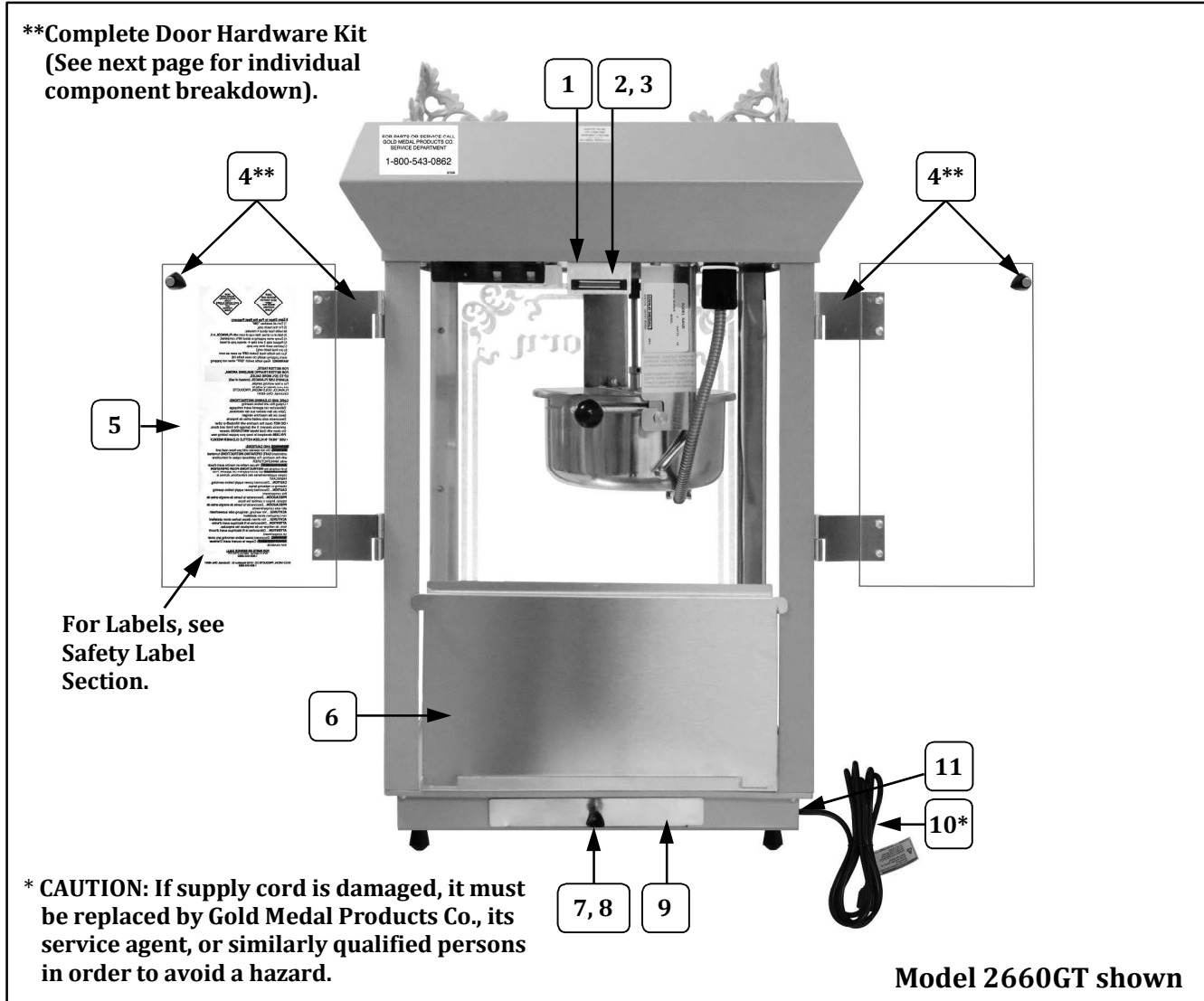
Item	Part Description	Part Number
		All Models
1	MAGNETIC CATCH	47561
2	MAGNETIC CATCH BRACKET	77089
3	MAGNETIC BRACKET SHIM	38527
4**	COMPLETE DOOR HARDWARE KIT	61380
5	PLEXIGLASS DOOR	49396
6	DROP PANEL	49210
7	KNOB LID LIFT	47120
8	8-32" X 3/8" PH PAN W/SEMS	42227
9	OLD MAID PAN	49100
10*	LEAD-IN CORD 15 AMP PLUG	22038
11	#SR-6P3-4 STRAIN RELIEF	76026

## Cabinet Exterior – Rear View



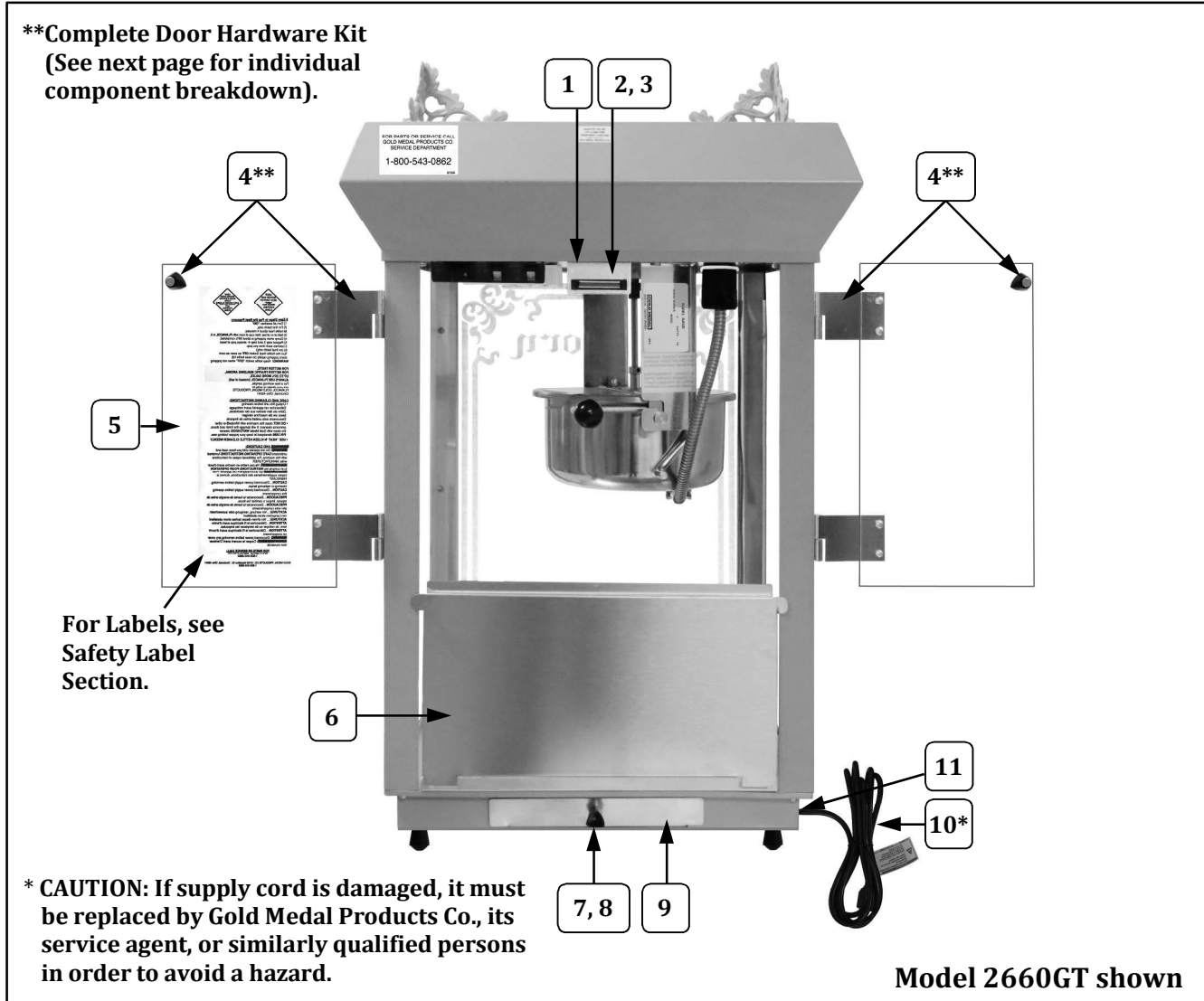
Item	Part Description	Part Number
		All Models
1	MAGNETIC CATCH	47561
2	MAGNETIC CATCH BRACKET	77089
3	MAGNETIC BRACKET SHIM	38527
4**	COMPLETE DOOR HARDWARE KIT	61380
5	PLEXIGLASS DOOR	49396
6	DROP PANEL	49210
7	KNOB LID LIFT	47120
8	8-32" X 3/8" PH PAN W/SEMS	42227
9	OLD MAID PAN	49100
10*	LEAD-IN CORD 15 AMP PLUG	22038
11	#SR-6P3-4 STRAIN RELIEF	76026

## Cabinet Exterior – Rear View



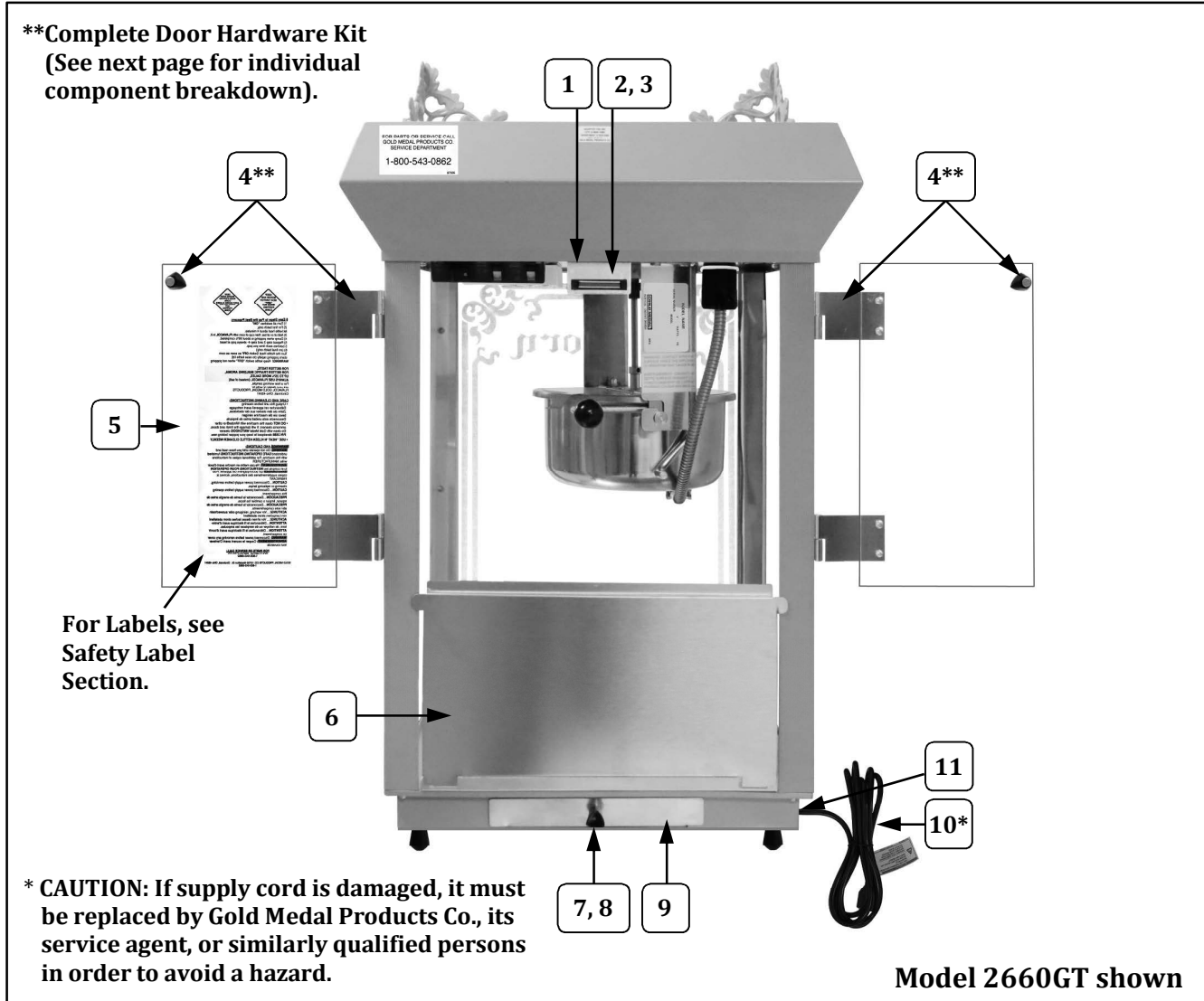
Item	Part Description	Part Number
		All Models
1	MAGNETIC CATCH	47561
2	MAGNETIC CATCH BRACKET	77089
3	MAGNETIC BRACKET SHIM	38527
4**	COMPLETE DOOR HARDWARE KIT	61380
5	PLEXIGLASS DOOR	49396
6	DROP PANEL	49210
7	KNOB LID LIFT	47120
8	8-32" X 3/8" PH PAN W/SEMS	42227
9	OLD MAID PAN	49100
10*	LEAD-IN CORD 15 AMP PLUG	22038
11	#SR-6P3-4 STRAIN RELIEF	76026

## Cabinet Exterior – Rear View



Item	Part Description	Part Number
		All Models
1	MAGNETIC CATCH	47561
2	MAGNETIC CATCH BRACKET	77089
3	MAGNETIC BRACKET SHIM	38527
4**	COMPLETE DOOR HARDWARE KIT	61380
5	PLEXIGLASS DOOR	49396
6	DROP PANEL	49210
7	KNOB LID LIFT	47120
8	8-32" X 3/8" PH PAN W/SEMS	42227
9	OLD MAID PAN	49100
10*	LEAD-IN CORD 15 AMP PLUG	22038
11	#SR-6P3-4 STRAIN RELIEF	76026

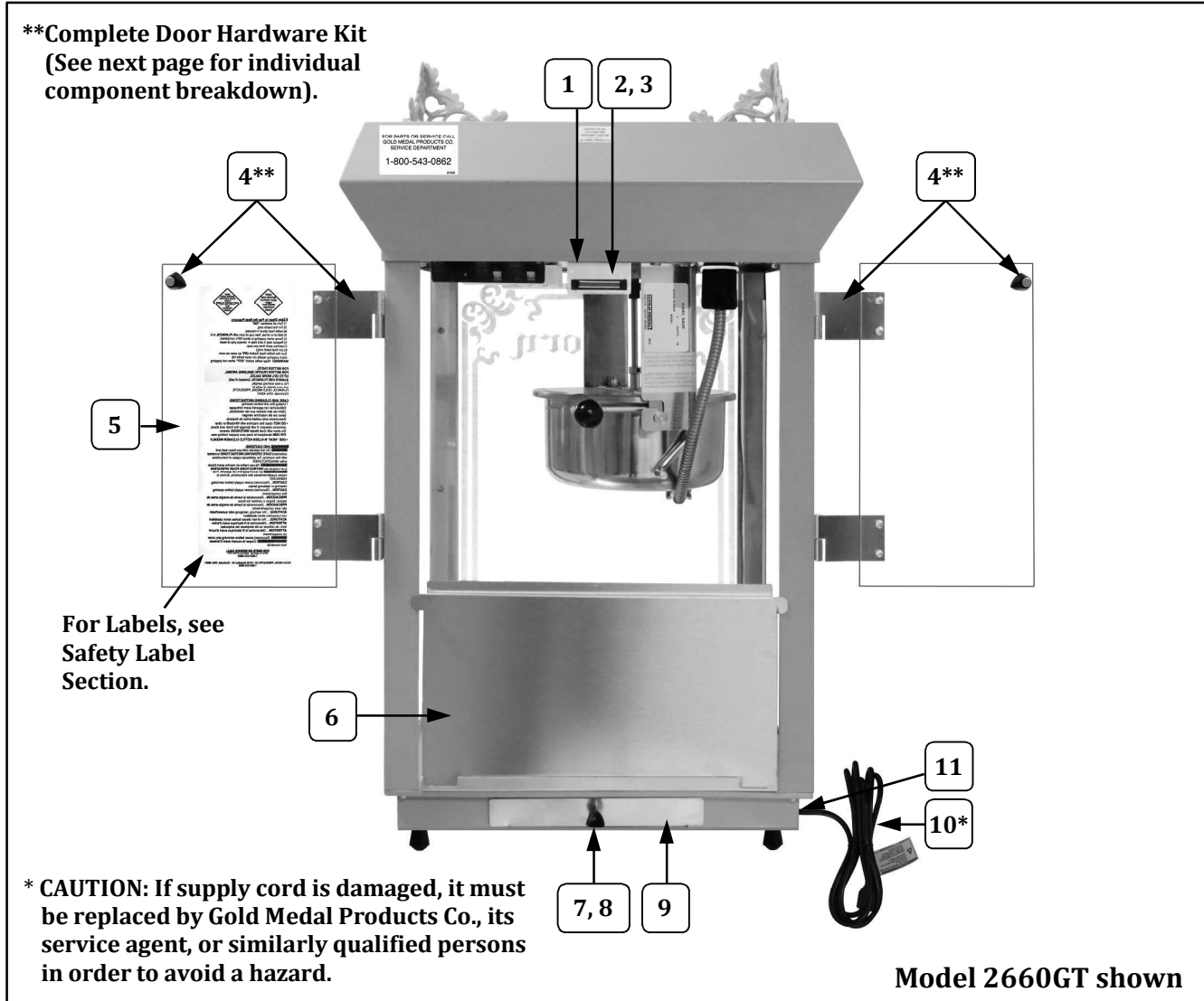
## Cabinet Exterior – Rear View



Item	Part Description	Part Number
		All Models
1	MAGNETIC CATCH	47561
2	MAGNETIC CATCH BRACKET	77089
3	MAGNETIC BRACKET SHIM	38527
4**	COMPLETE DOOR HARDWARE KIT	61380
5	PLEXIGLASS DOOR	49396
6	DROP PANEL	49210
7	KNOB LID LIFT	47120
8	8-32" X 3/8" PH PAN W/SEMS	42227
9	OLD MAID PAN	49100
10*	LEAD-IN CORD 15 AMP PLUG	22038
11	#SR-6P3-4 STRAIN RELIEF	76026

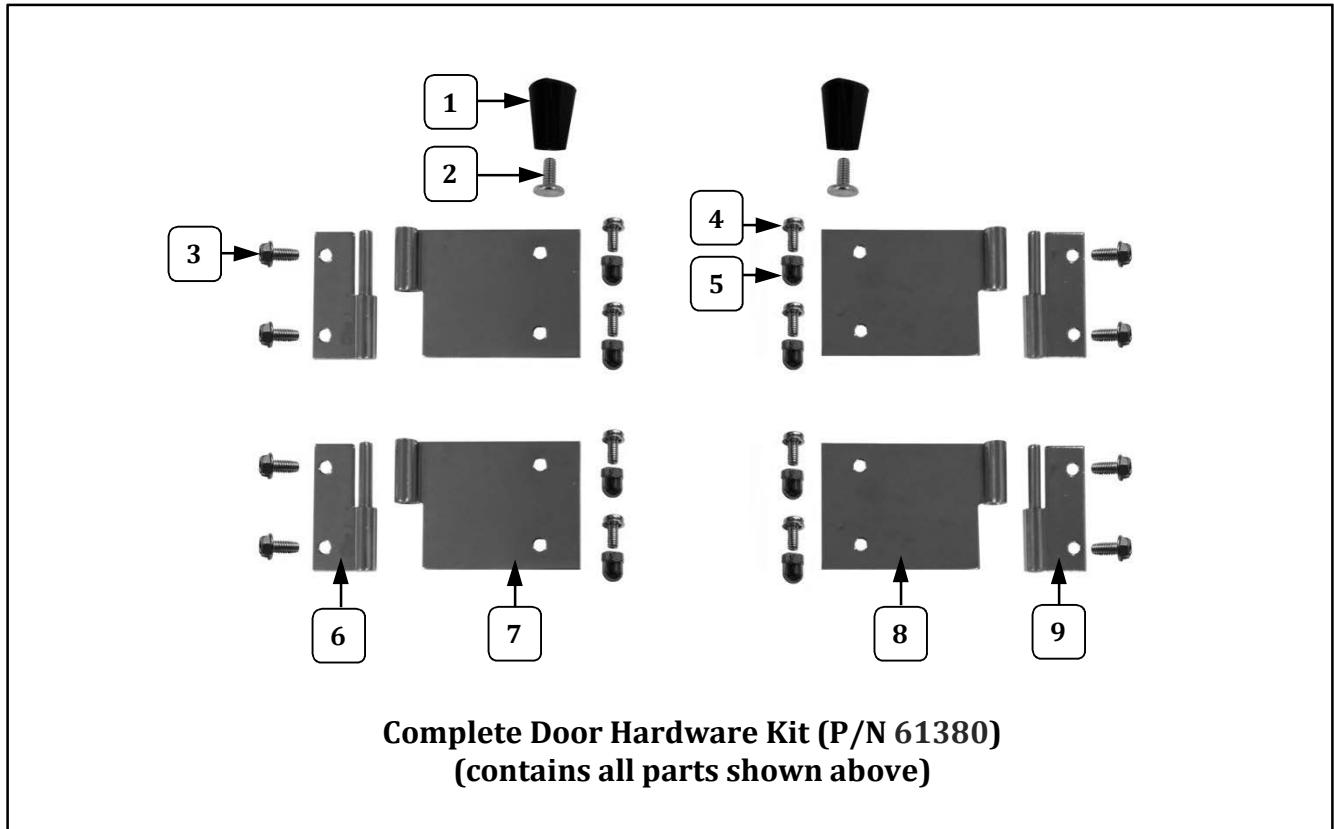


## Cabinet Exterior – Rear View



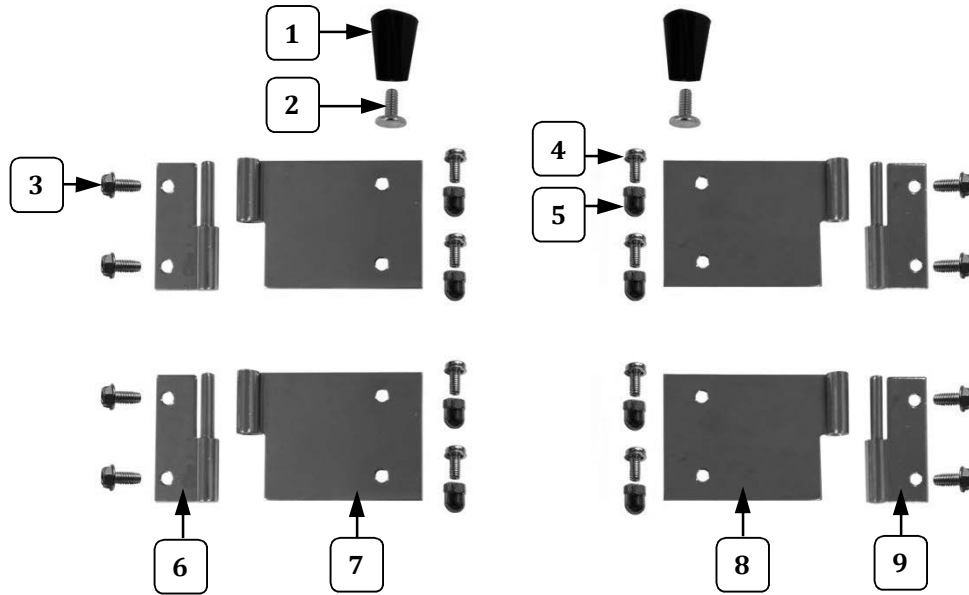
Item	Part Description	Part Number
		All Models
1	MAGNETIC CATCH	47561
2	MAGNETIC CATCH BRACKET	77089
3	MAGNETIC BRACKET SHIM	38527
4**	COMPLETE DOOR HARDWARE KIT	61380
5	PLEXIGLASS DOOR	49396
6	DROP PANEL	49210
7	KNOB LID LIFT	47120
8	8-32" X 3/8" PH PAN W/SEMS	42227
9	OLD MAID PAN	49100
10*	LEAD-IN CORD 15 AMP PLUG	22038
11	#SR-6P3-4 STRAIN RELIEF	76026

## Door Hardware Kit 61380 – Individual Component Breakdown



Item	Part Description	Part Number
		61380
1	KNOB LID LIFT	47120
2	TEE BOLT	75267
3	8-32 X 5/16 SLOTTED HEX	49594
4	8-32 X 3/8 PH PAN W/SEMS	42227
5	ACORN NUT #8-32	47702
6	MALE HINGE SHORT LEFT	41349
7	FEMALE HINGE LEFT HAND	61359
8	FEMALE HINGE RIGHT HAND	61373
9	MALE HINGE SHORT RIGHT	41350

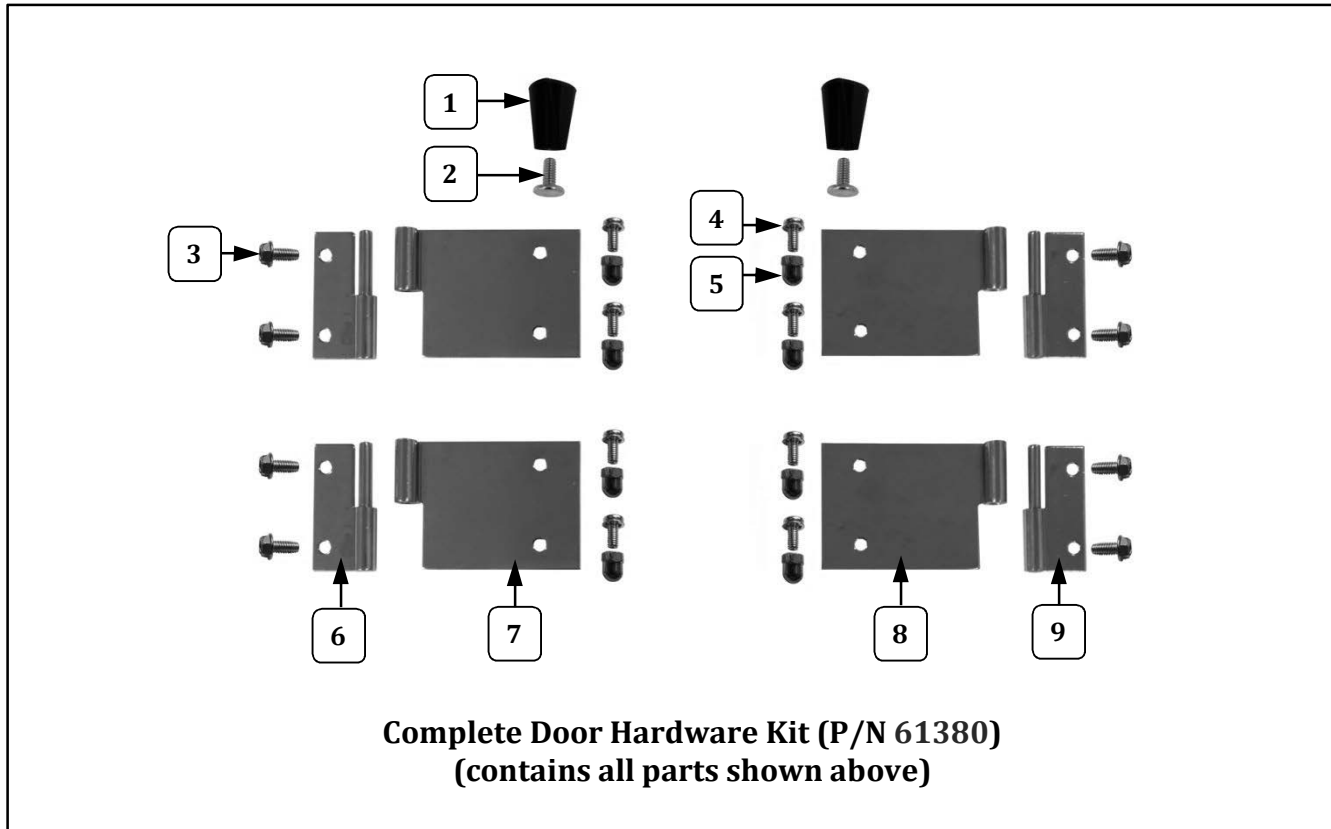
## Door Hardware Kit 61380 – Individual Component Breakdown



**Complete Door Hardware Kit (P/N 61380)**  
(contains all parts shown above)

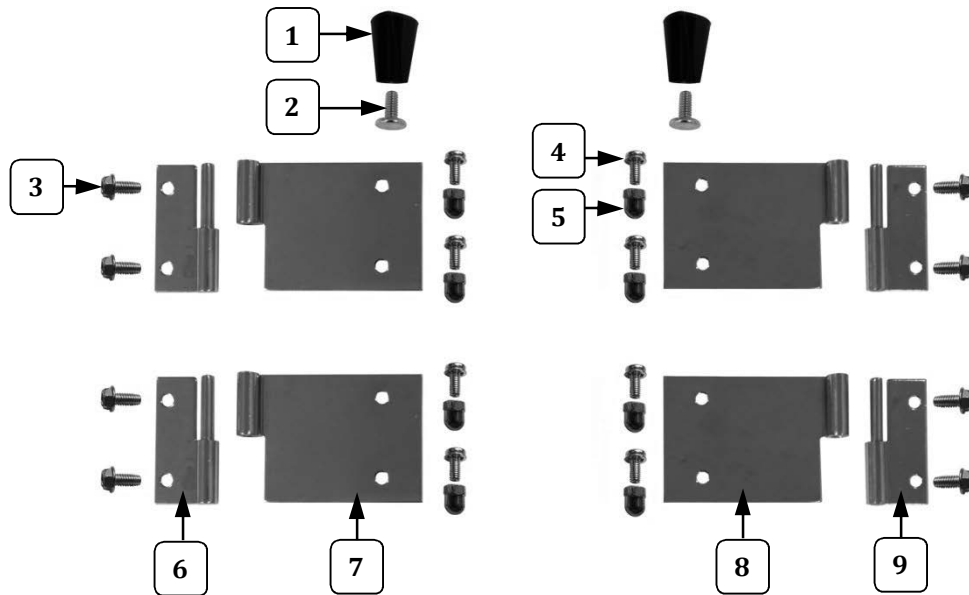
Item	Part Description	Part Number
		61380
1	KNOB LID LIFT	47120
2	TEE BOLT	75267
3	8-32 X 5/16 SLOTTED HEX	49594
4	8-32 X 3/8 PH PAN W/SEMS	42227
5	ACORN NUT #8-32	47702
6	MALE HINGE SHORT LEFT	41349
7	FEMALE HINGE LEFT HAND	61359
8	FEMALE HINGE RIGHT HAND	61373
9	MALE HINGE SHORT RIGHT	41350

## Door Hardware Kit 61380 – Individual Component Breakdown



Item	Part Description	Part Number
		61380
1	KNOB LID LIFT	47120
2	TEE BOLT	75267
3	8-32 X 5/16 SLOTTED HEX	49594
4	8-32 X 3/8 PH PAN W/SEMS	42227
5	ACORN NUT #8-32	47702
6	MALE HINGE SHORT LEFT	41349
7	FEMALE HINGE LEFT HAND	61359
8	FEMALE HINGE RIGHT HAND	61373
9	MALE HINGE SHORT RIGHT	41350

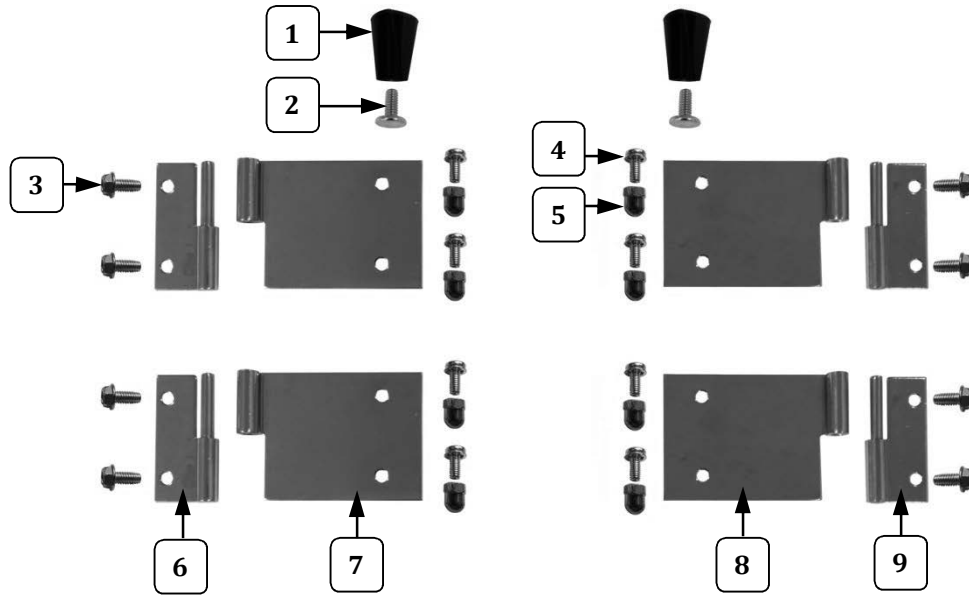
## Door Hardware Kit 61380 – Individual Component Breakdown



**Complete Door Hardware Kit (P/N 61380)**  
(contains all parts shown above)

Item	Part Description	Part Number
		61380
1	KNOB LID LIFT	47120
2	TEE BOLT	75267
3	8-32 X 5/16 SLOTTED HEX	49594
4	8-32 X 3/8 PH PAN W/SEMS	42227
5	ACORN NUT #8-32	47702
6	MALE HINGE SHORT LEFT	41349
7	FEMALE HINGE LEFT HAND	61359
8	FEMALE HINGE RIGHT HAND	61373
9	MALE HINGE SHORT RIGHT	41350

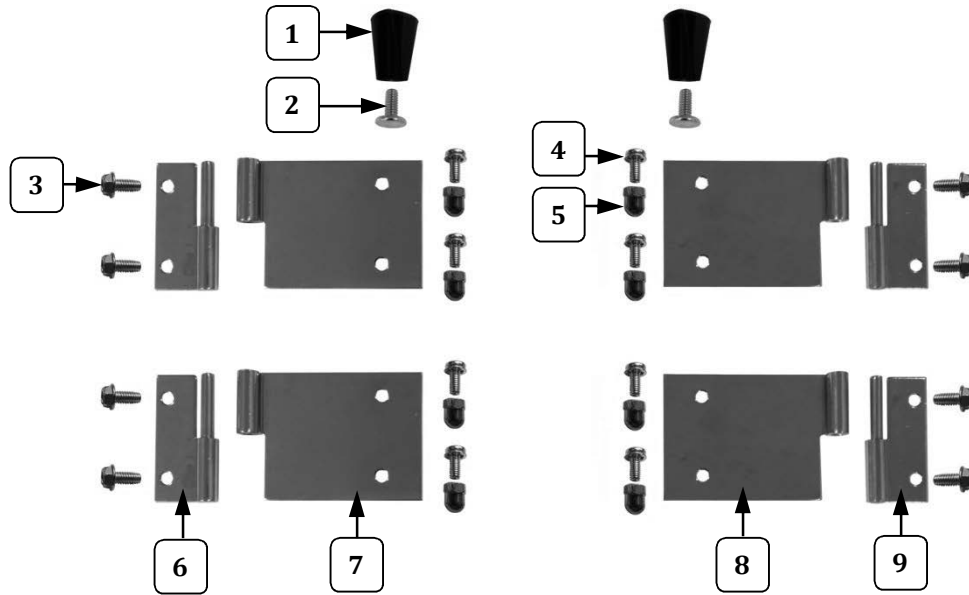
## Door Hardware Kit 61380 – Individual Component Breakdown



**Complete Door Hardware Kit (P/N 61380)**  
(contains all parts shown above)

Item	Part Description	Part Number
		61380
1	KNOB LID LIFT	47120
2	TEE BOLT	75267
3	8-32 X 5/16 SLOTTED HEX	49594
4	8-32 X 3/8 PH PAN W/SEMS	42227
5	ACORN NUT #8-32	47702
6	MALE HINGE SHORT LEFT	41349
7	FEMALE HINGE LEFT HAND	61359
8	FEMALE HINGE RIGHT HAND	61373
9	MALE HINGE SHORT RIGHT	41350

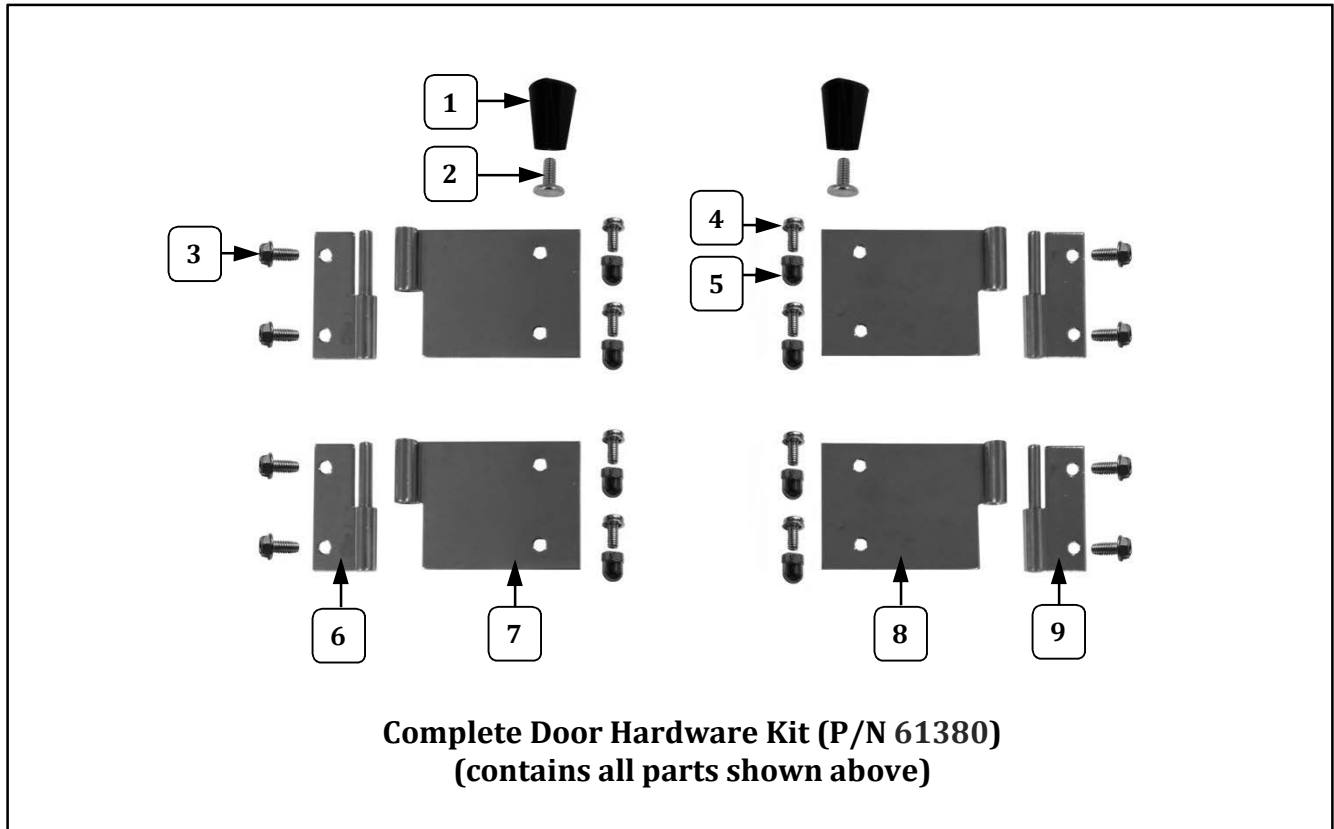
## Door Hardware Kit 61380 – Individual Component Breakdown



**Complete Door Hardware Kit (P/N 61380)**  
(contains all parts shown above)

Item	Part Description	Part Number
		61380
1	KNOB LID LIFT	47120
2	TEE BOLT	75267
3	8-32 X 5/16 SLOTTED HEX	49594
4	8-32 X 3/8 PH PAN W/SEMS	42227
5	ACORN NUT #8-32	47702
6	MALE HINGE SHORT LEFT	41349
7	FEMALE HINGE LEFT HAND	61359
8	FEMALE HINGE RIGHT HAND	61373
9	MALE HINGE SHORT RIGHT	41350

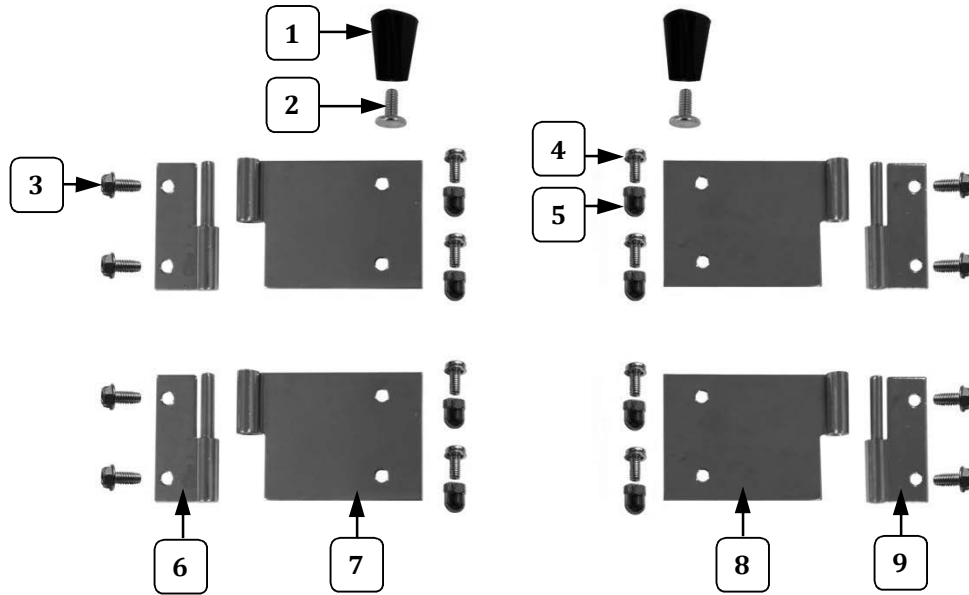
## Door Hardware Kit 61380 – Individual Component Breakdown



Item	Part Description	Part Number
		61380
1	KNOB LID LIFT	47120
2	TEE BOLT	75267
3	8-32 X 5/16 SLOTTED HEX	49594
4	8-32 X 3/8 PH PAN W/SEMS	42227
5	ACORN NUT #8-32	47702
6	MALE HINGE SHORT LEFT	41349
7	FEMALE HINGE LEFT HAND	61359
8	FEMALE HINGE RIGHT HAND	61373
9	MALE HINGE SHORT RIGHT	41350



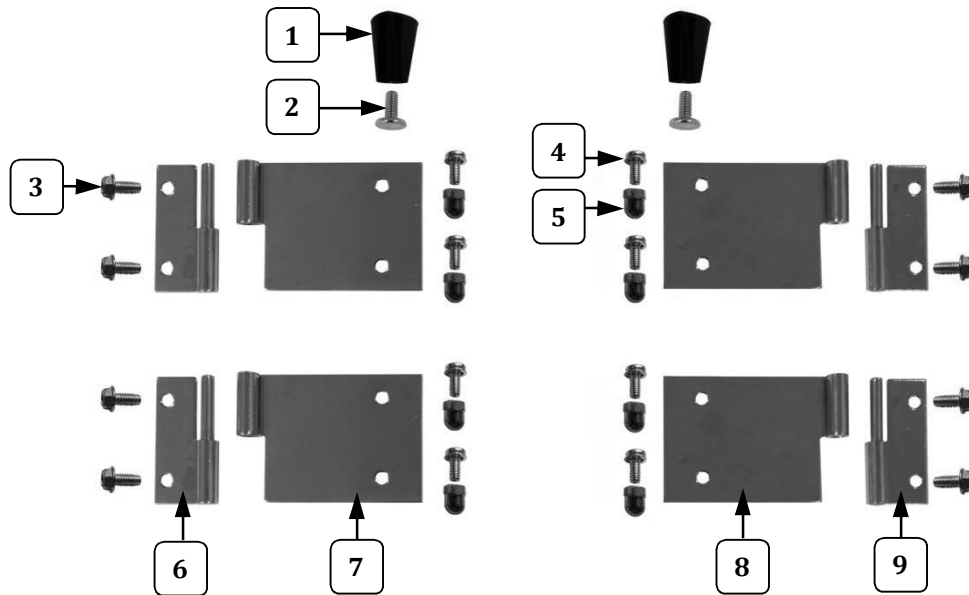
## Door Hardware Kit 61380 – Individual Component Breakdown



**Complete Door Hardware Kit (P/N 61380)**  
(contains all parts shown above)

Item	Part Description	Part Number
		61380
1	KNOB LID LIFT	47120
2	TEE BOLT	75267
3	8-32 X 5/16 SLOTTED HEX	49594
4	8-32 X 3/8 PH PAN W/SEMS	42227
5	ACORN NUT #8-32	47702
6	MALE HINGE SHORT LEFT	41349
7	FEMALE HINGE LEFT HAND	61359
8	FEMALE HINGE RIGHT HAND	61373
9	MALE HINGE SHORT RIGHT	41350

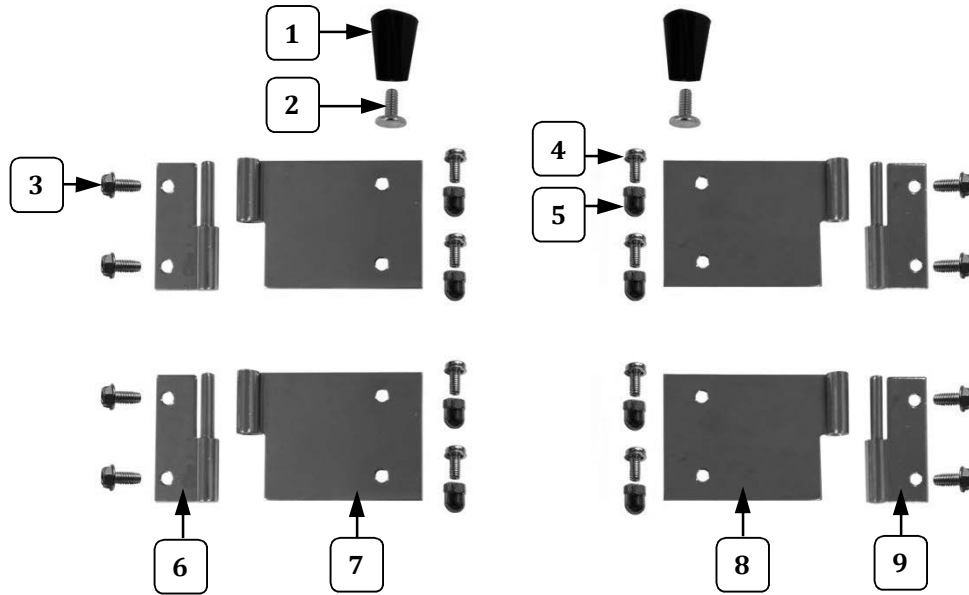
## Door Hardware Kit 61380 – Individual Component Breakdown



**Complete Door Hardware Kit (P/N 61380)**  
(contains all parts shown above)

Item	Part Description	Part Number
		61380
1	KNOB LID LIFT	47120
2	TEE BOLT	75267
3	8-32 X 5/16 SLOTTED HEX	49594
4	8-32 X 3/8 PH PAN W/SEMS	42227
5	ACORN NUT #8-32	47702
6	MALE HINGE SHORT LEFT	41349
7	FEMALE HINGE LEFT HAND	61359
8	FEMALE HINGE RIGHT HAND	61373
9	MALE HINGE SHORT RIGHT	41350

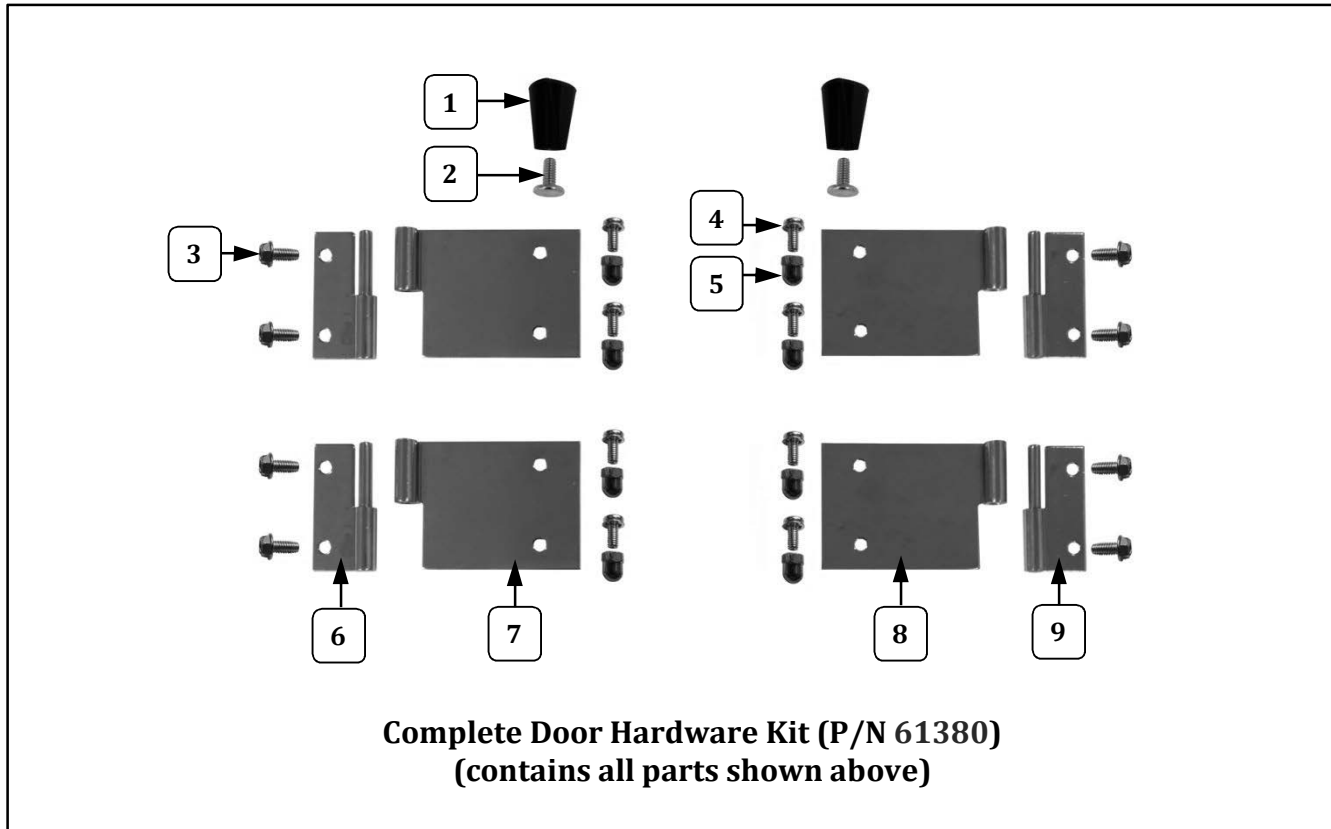
## Door Hardware Kit 61380 – Individual Component Breakdown



**Complete Door Hardware Kit (P/N 61380)**  
(contains all parts shown above)

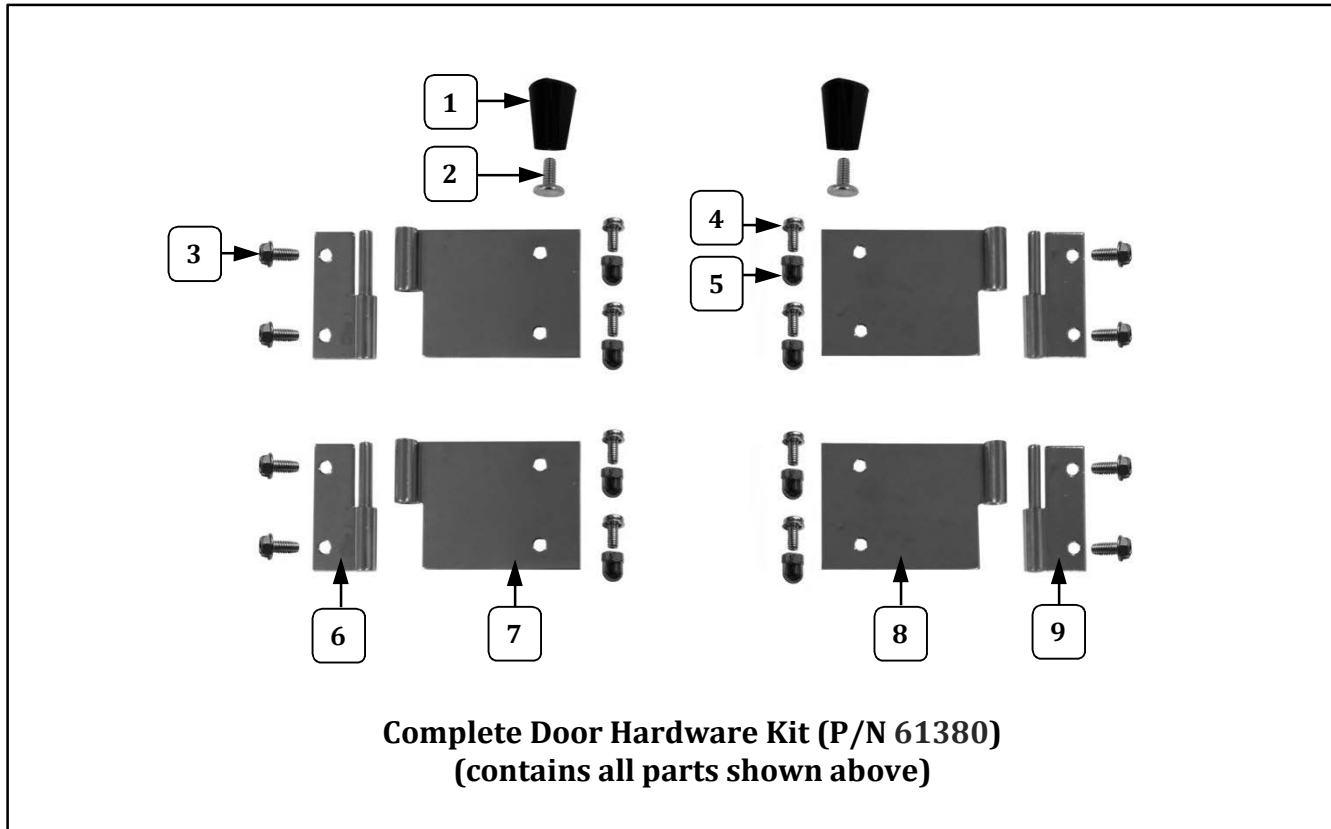
Item	Part Description	Part Number
		61380
1	KNOB LID LIFT	47120
2	TEE BOLT	75267
3	8-32 X 5/16 SLOTTED HEX	49594
4	8-32 X 3/8 PH PAN W/SEMS	42227
5	ACORN NUT #8-32	47702
6	MALE HINGE SHORT LEFT	41349
7	FEMALE HINGE LEFT HAND	61359
8	FEMALE HINGE RIGHT HAND	61373
9	MALE HINGE SHORT RIGHT	41350

## Door Hardware Kit 61380 – Individual Component Breakdown



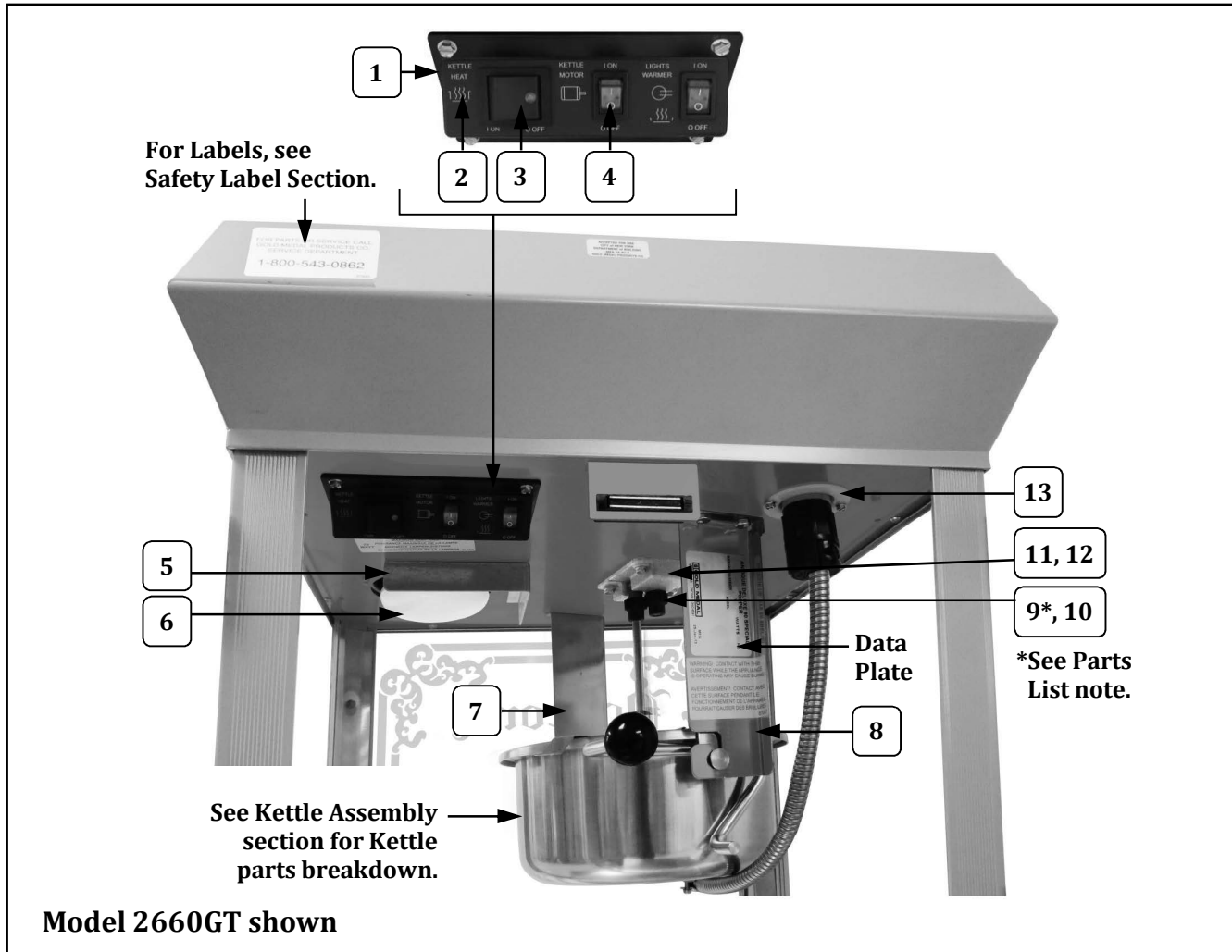
Item	Part Description	Part Number
		61380
1	KNOB LID LIFT	47120
2	TEE BOLT	75267
3	8-32 X 5/16 SLOTTED HEX	49594
4	8-32 X 3/8 PH PAN W/SEMS	42227
5	ACORN NUT #8-32	47702
6	MALE HINGE SHORT LEFT	41349
7	FEMALE HINGE LEFT HAND	61359
8	FEMALE HINGE RIGHT HAND	61373
9	MALE HINGE SHORT RIGHT	41350

## Door Hardware Kit 61380 – Individual Component Breakdown



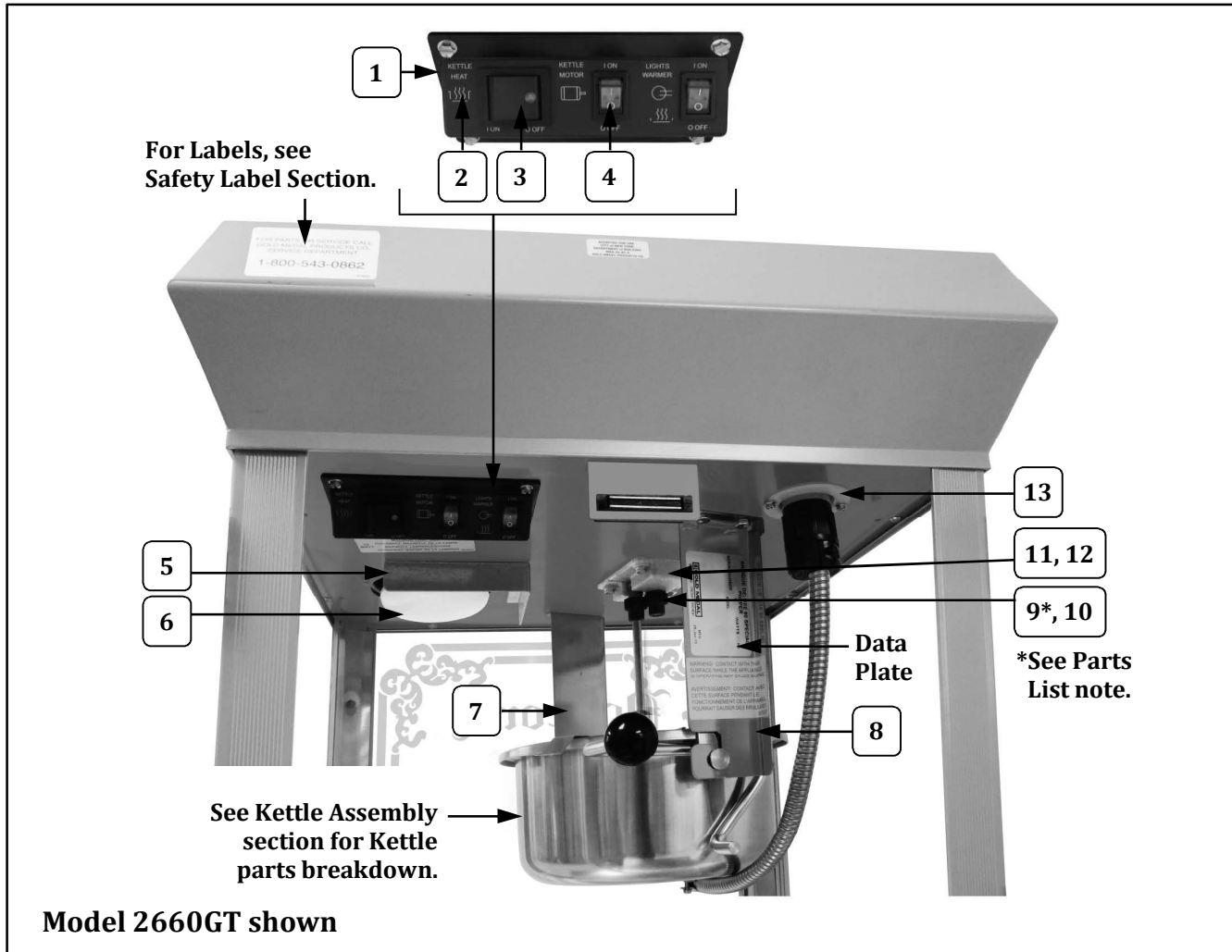
Item	Part Description	Part Number
		61380
1	KNOB LID LIFT	47120
2	TEE BOLT	75267
3	8-32 X 5/16 SLOTTED HEX	49594
4	8-32 X 3/8 PH PAN W/SEMS	42227
5	ACORN NUT #8-32	47702
6	MALE HINGE SHORT LEFT	41349
7	FEMALE HINGE LEFT HAND	61359
8	FEMALE HINGE RIGHT HAND	61373
9	MALE HINGE SHORT RIGHT	41350

## Cabinet Interior – Hanger Assembly



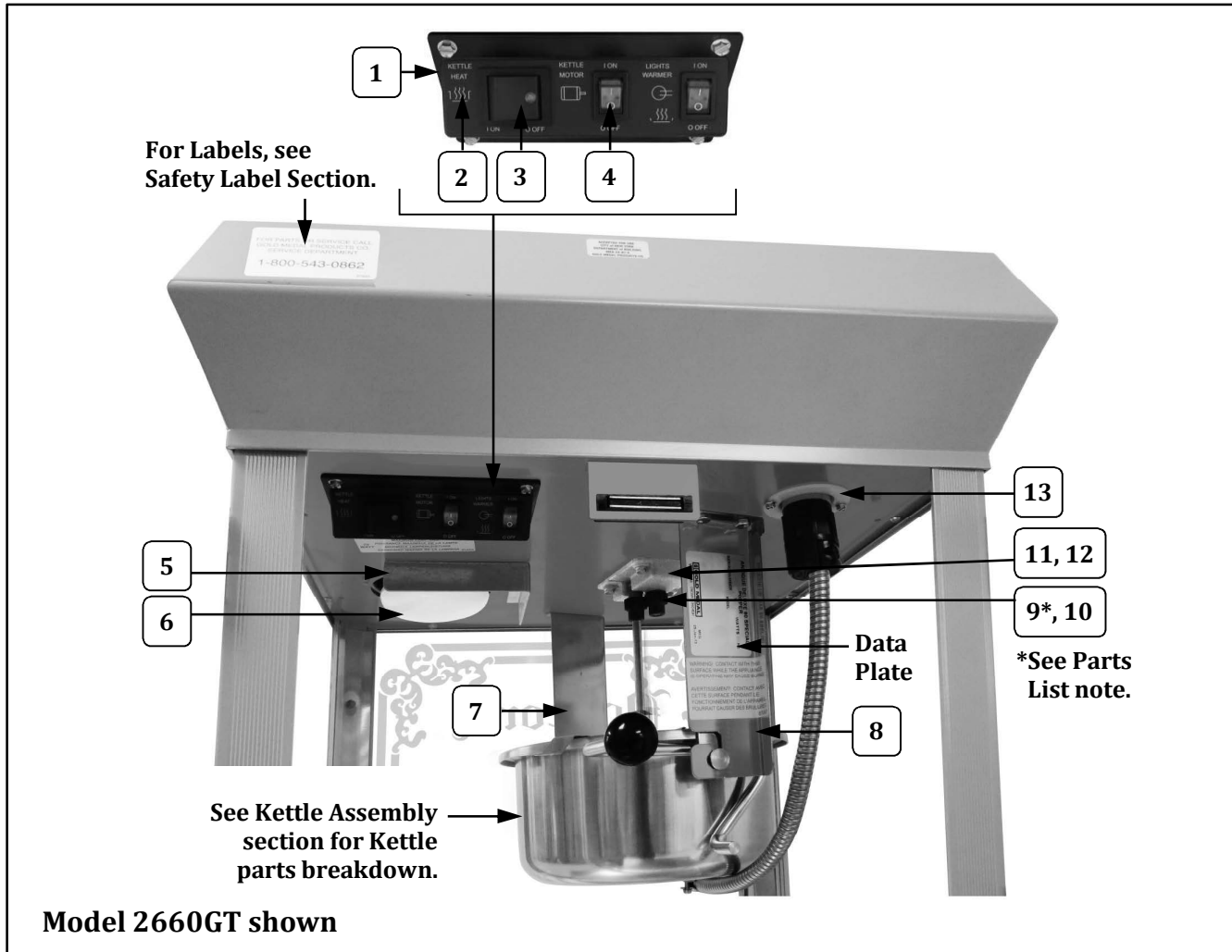
Item	Part Description	Part Number
		All Models
1	SWITCH BOX	48501
2	SWITCH BOX LABEL	48502
3	GREEN LIGHTED ROCKER SWITCH	42798
4	DPST ROCKER SWITCH	42532
5	LIGHT SHIELD ANGLE	47799
6	65 WATT REFLECTOR FLOOD	41671
7	REAR HANGER ARM	49009
8	FRONT HANGER ARM	49010
9*	SPUR GEAR KIT (Includes 2 gears with set screws. Always replace Agitator Spur Gear and Kettle Drive Motor Gear as a set.)	47059K
10	10-32" X 3/16" SET SCREW	41742
11	GEAR BLOCK ASSEMBLY	67194
12	10-24 X 1 HEX MACH SCREW (fastens the gear block assembly to the kettle drive motor.)	49322
13	15 AMP TWIST LOCK KETTLE RECPT	49330

## Cabinet Interior – Hanger Assembly



Item	Part Description	Part Number
		All Models
1	SWITCH BOX	48501
2	SWITCH BOX LABEL	48502
3	GREEN LIGHTED ROCKER SWITCH	42798
4	DPST ROCKER SWITCH	42532
5	LIGHT SHIELD ANGLE	47799
6	65 WATT REFLECTOR FLOOD	41671
7	REAR HANGER ARM	49009
8	FRONT HANGER ARM	49010
9*	SPUR GEAR KIT (Includes 2 gears with set screws. Always replace Agitator Spur Gear and Kettle Drive Motor Gear as a set.)	47059K
10	10-32" X 3/16" SET SCREW	41742
11	GEAR BLOCK ASSEMBLY	67194
12	10-24 X 1 HEX MACH SCREW (fastens the gear block assembly to the kettle drive motor.)	49322
13	15 AMP TWIST LOCK KETTLE RECPT	49330

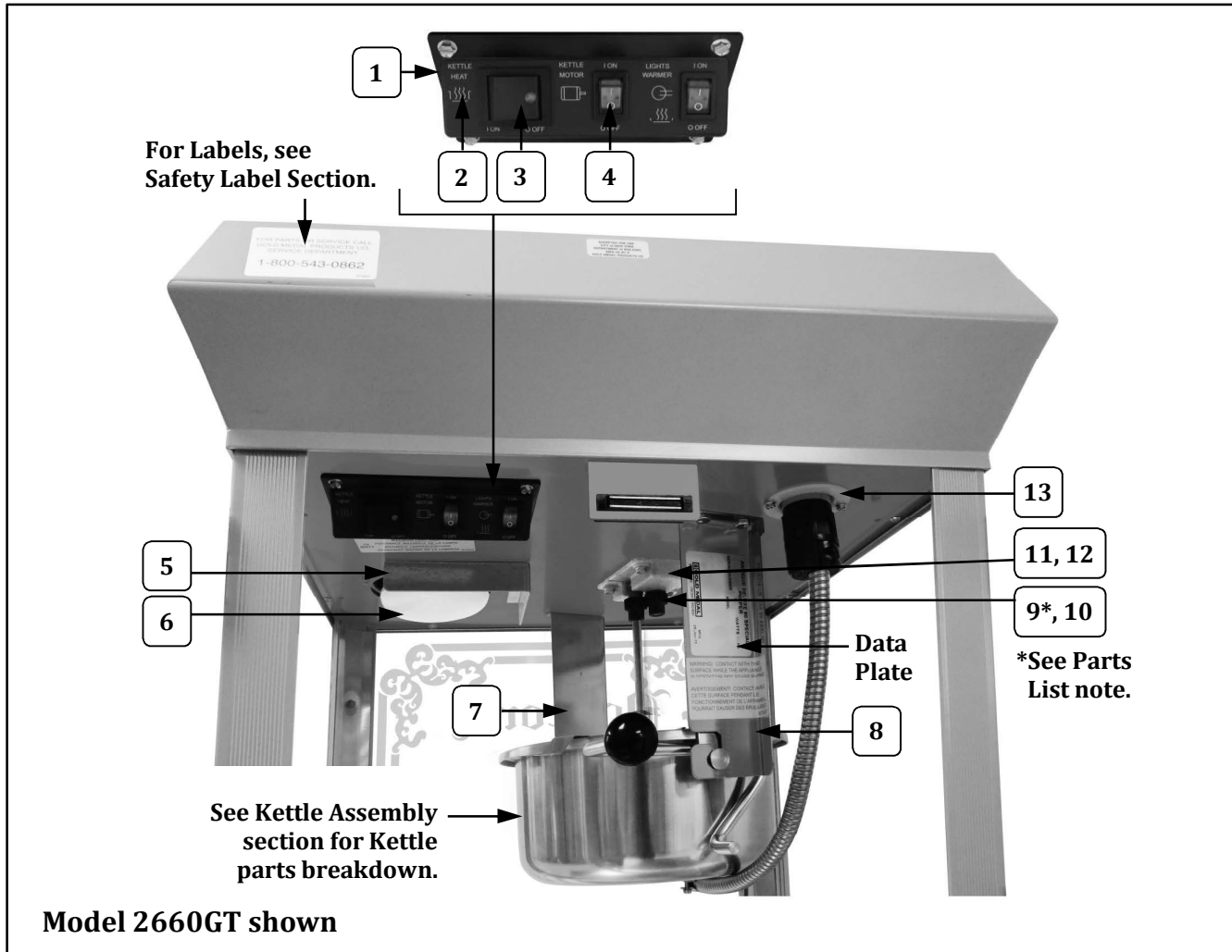
## Cabinet Interior – Hanger Assembly



Item	Part Description	Part Number
		All Models
1	SWITCH BOX	48501
2	SWITCH BOX LABEL	48502
3	GREEN LIGHTED ROCKER SWITCH	42798
4	DPST ROCKER SWITCH	42532
5	LIGHT SHIELD ANGLE	47799
6	65 WATT REFLECTOR FLOOD	41671
7	REAR HANGER ARM	49009
8	FRONT HANGER ARM	49010
9*	SPUR GEAR KIT (Includes 2 gears with set screws. Always replace Agitator Spur Gear and Kettle Drive Motor Gear as a set.)	47059K
10	10-32" X 3/16" SET SCREW	41742
11	GEAR BLOCK ASSEMBLY	67194
12	10-24 X 1 HEX MACH SCREW (fastens the gear block assembly to the kettle drive motor.)	49322
13	15 AMP TWIST LOCK KETTLE RECPT	49330

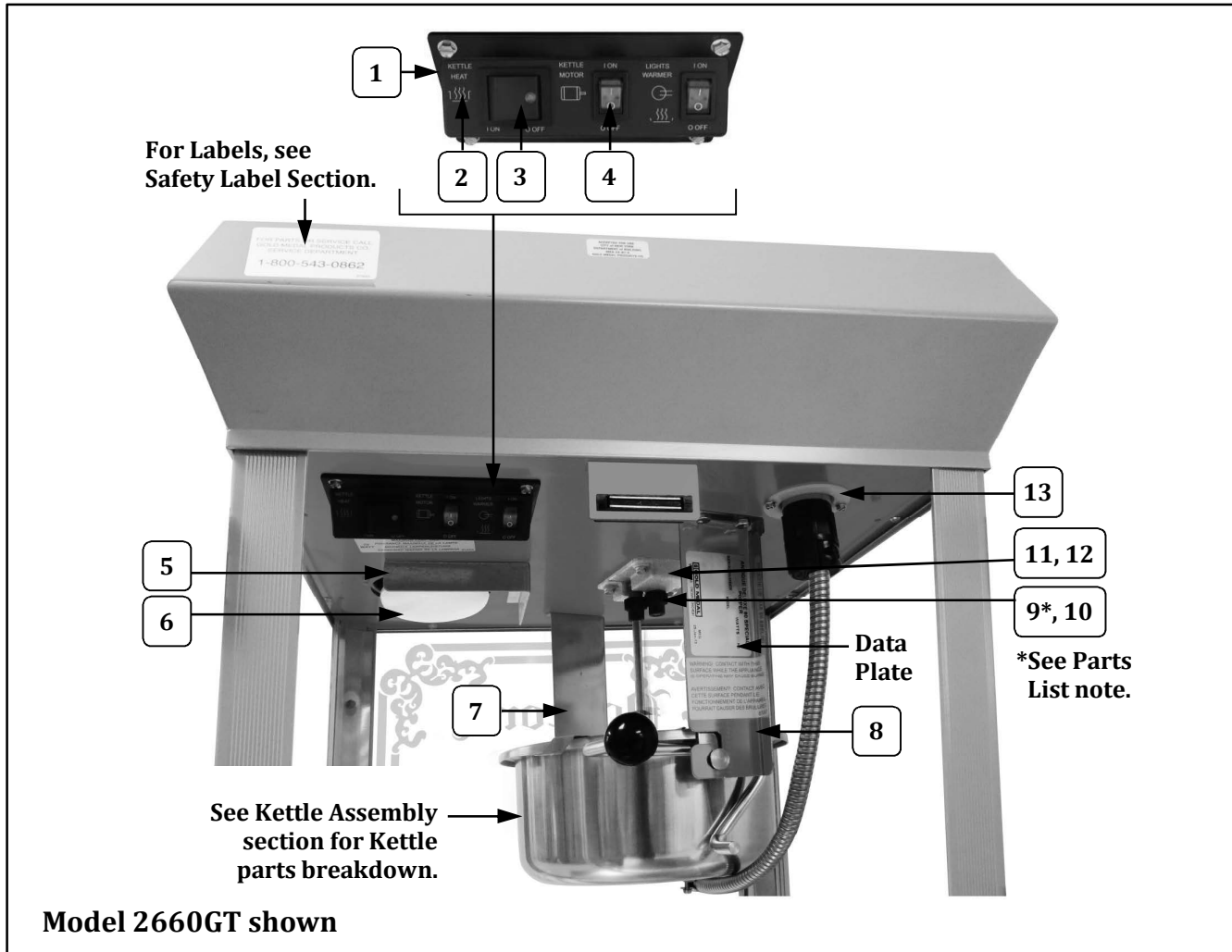


## Cabinet Interior – Hanger Assembly



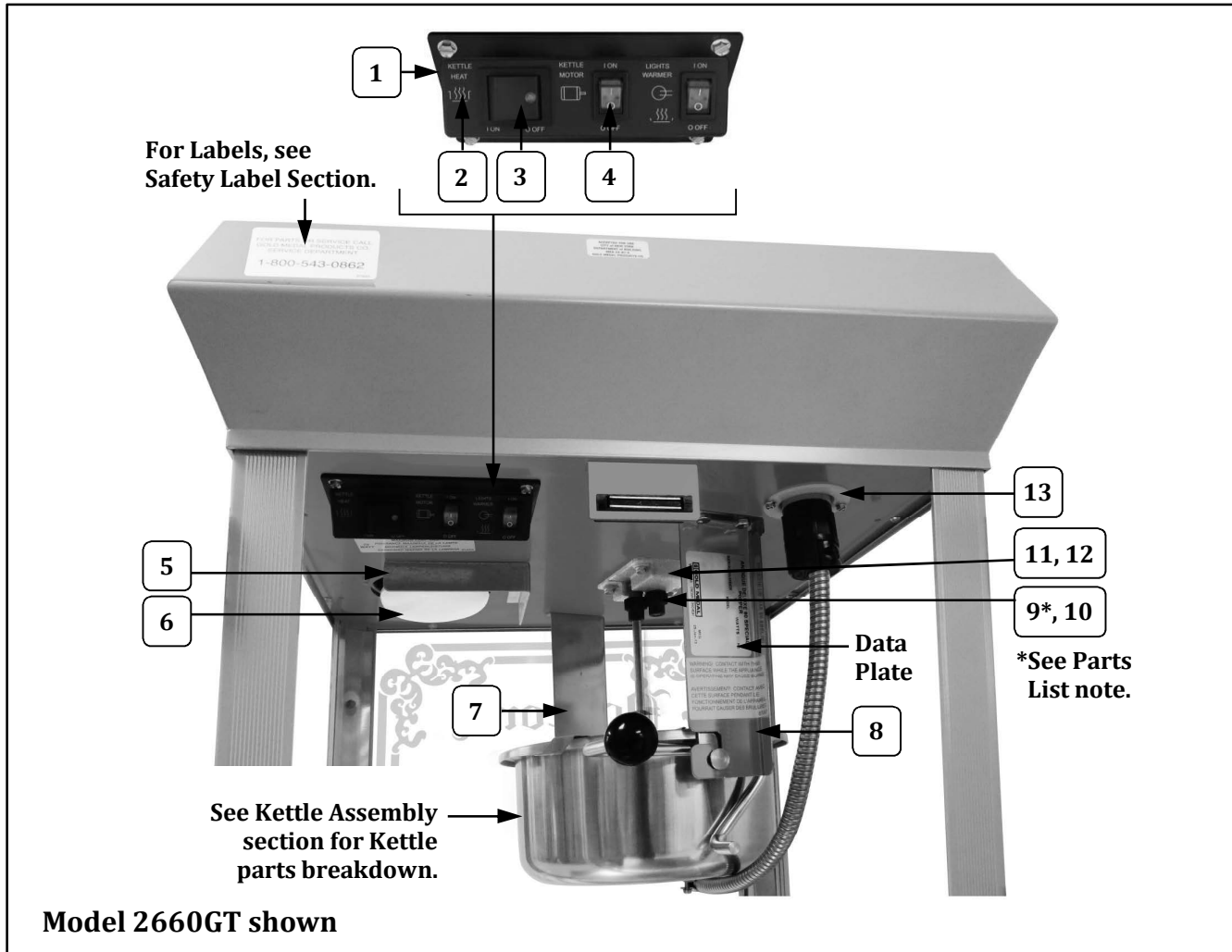
Item	Part Description	Part Number
		All Models
1	SWITCH BOX	48501
2	SWITCH BOX LABEL	48502
3	GREEN LIGHTED ROCKER SWITCH	42798
4	DPST ROCKER SWITCH	42532
5	LIGHT SHIELD ANGLE	47799
6	65 WATT REFLECTOR FLOOD	41671
7	REAR HANGER ARM	49009
8	FRONT HANGER ARM	49010
9*	SPUR GEAR KIT (Includes 2 gears with set screws. Always replace Agitator Spur Gear and Kettle Drive Motor Gear as a set.)	47059K
10	10-32" X 3/16" SET SCREW	41742
11	GEAR BLOCK ASSEMBLY	67194
12	10-24 X 1 HEX MACH SCREW (fastens the gear block assembly to the kettle drive motor.)	49322
13	15 AMP TWIST LOCK KETTLE RECPT	49330

## Cabinet Interior – Hanger Assembly



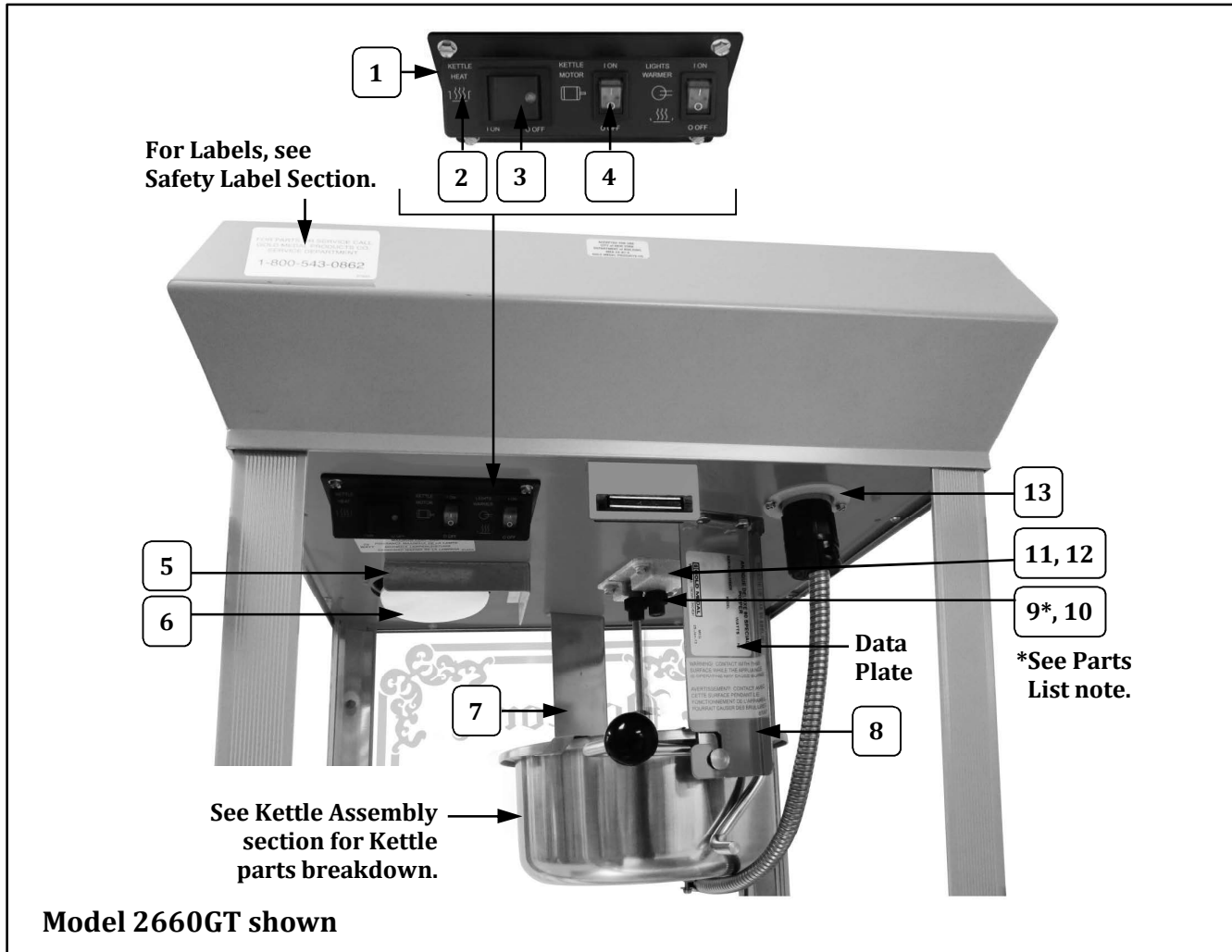
Item	Part Description	Part Number
		All Models
1	SWITCH BOX	48501
2	SWITCH BOX LABEL	48502
3	GREEN LIGHTED ROCKER SWITCH	42798
4	DPST ROCKER SWITCH	42532
5	LIGHT SHIELD ANGLE	47799
6	65 WATT REFLECTOR FLOOD	41671
7	REAR HANGER ARM	49009
8	FRONT HANGER ARM	49010
9*	SPUR GEAR KIT (Includes 2 gears with set screws. Always replace Agitator Spur Gear and Kettle Drive Motor Gear as a set.)	47059K
10	10-32" X 3/16" SET SCREW	41742
11	GEAR BLOCK ASSEMBLY	67194
12	10-24 X 1 HEX MACH SCREW (fastens the gear block assembly to the kettle drive motor.)	49322
13	15 AMP TWIST LOCK KETTLE RECPT	49330

## Cabinet Interior – Hanger Assembly



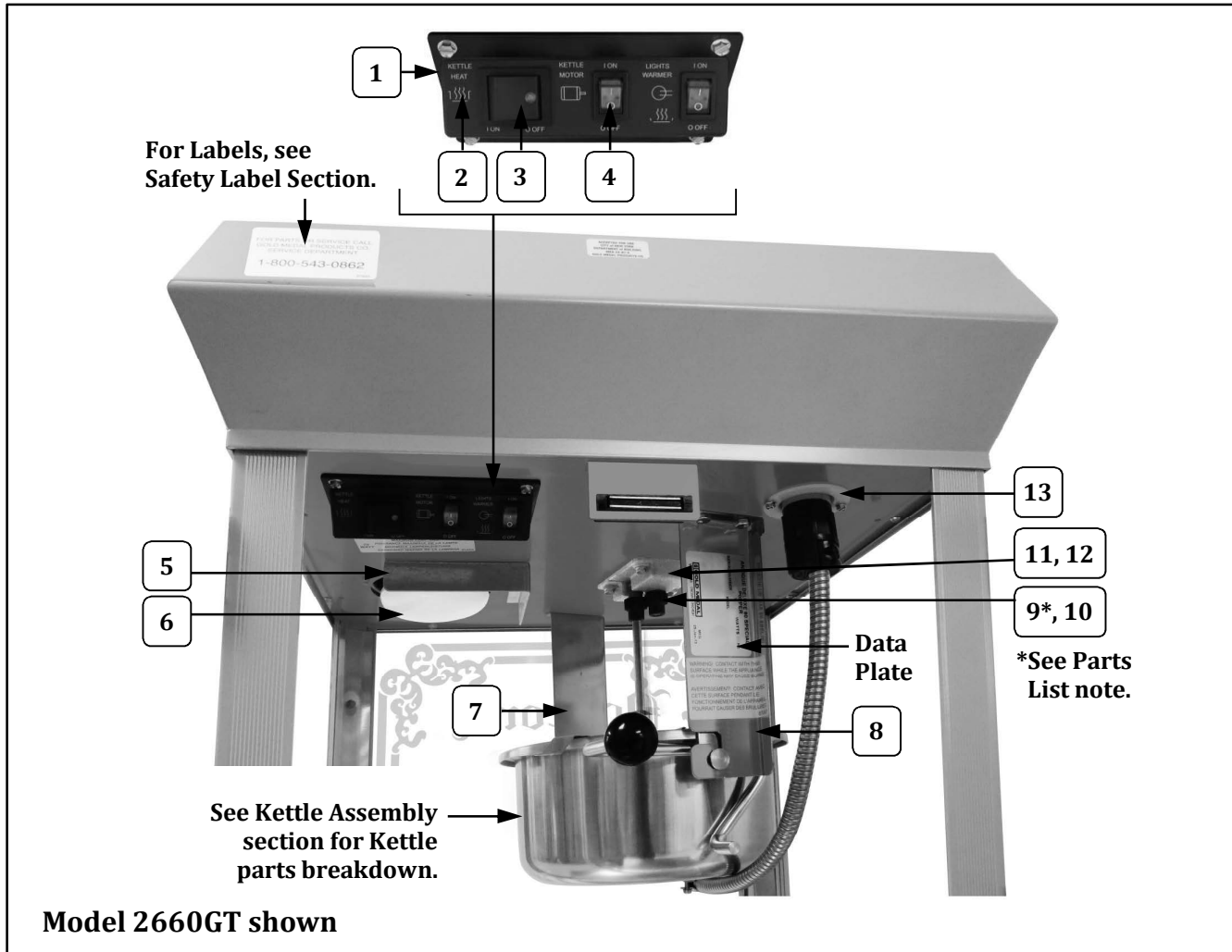
Item	Part Description	Part Number
		All Models
1	SWITCH BOX	48501
2	SWITCH BOX LABEL	48502
3	GREEN LIGHTED ROCKER SWITCH	42798
4	DPST ROCKER SWITCH	42532
5	LIGHT SHIELD ANGLE	47799
6	65 WATT REFLECTOR FLOOD	41671
7	REAR HANGER ARM	49009
8	FRONT HANGER ARM	49010
9*	SPUR GEAR KIT (Includes 2 gears with set screws. Always replace Agitator Spur Gear and Kettle Drive Motor Gear as a set.)	47059K
10	10-32" X 3/16" SET SCREW	41742
11	GEAR BLOCK ASSEMBLY	67194
12	10-24 X 1 HEX MACH SCREW (fastens the gear block assembly to the kettle drive motor.)	49322
13	15 AMP TWIST LOCK KETTLE RECPT	49330

## Cabinet Interior – Hanger Assembly



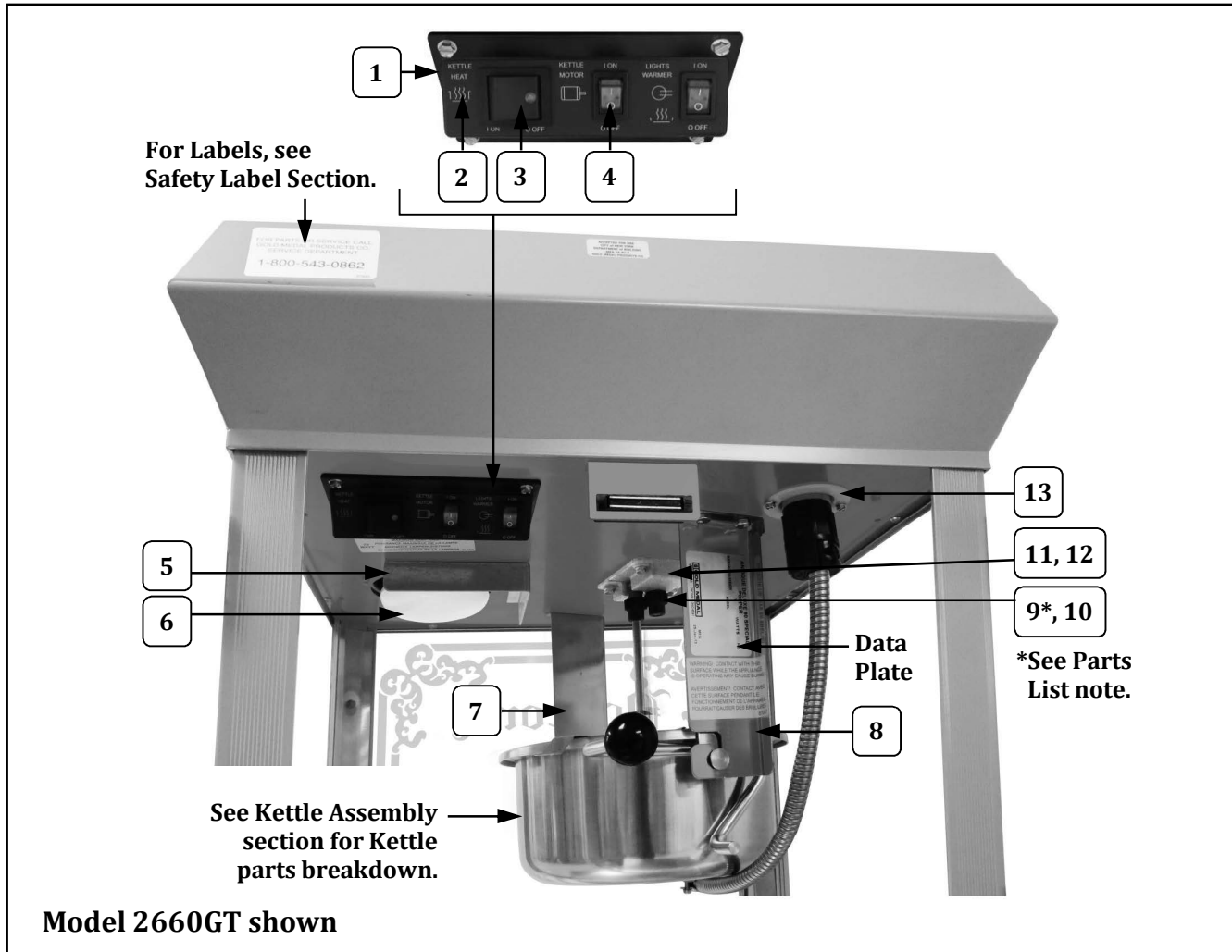
Item	Part Description	Part Number
		All Models
1	SWITCH BOX	48501
2	SWITCH BOX LABEL	48502
3	GREEN LIGHTED ROCKER SWITCH	42798
4	DPST ROCKER SWITCH	42532
5	LIGHT SHIELD ANGLE	47799
6	65 WATT REFLECTOR FLOOD	41671
7	REAR HANGER ARM	49009
8	FRONT HANGER ARM	49010
9*	SPUR GEAR KIT (Includes 2 gears with set screws. Always replace Agitator Spur Gear and Kettle Drive Motor Gear as a set.)	47059K
10	10-32" X 3/16" SET SCREW	41742
11	GEAR BLOCK ASSEMBLY	67194
12	10-24 X 1 HEX MACH SCREW (fastens the gear block assembly to the kettle drive motor.)	49322
13	15 AMP TWIST LOCK KETTLE RECPT	49330

## Cabinet Interior – Hanger Assembly



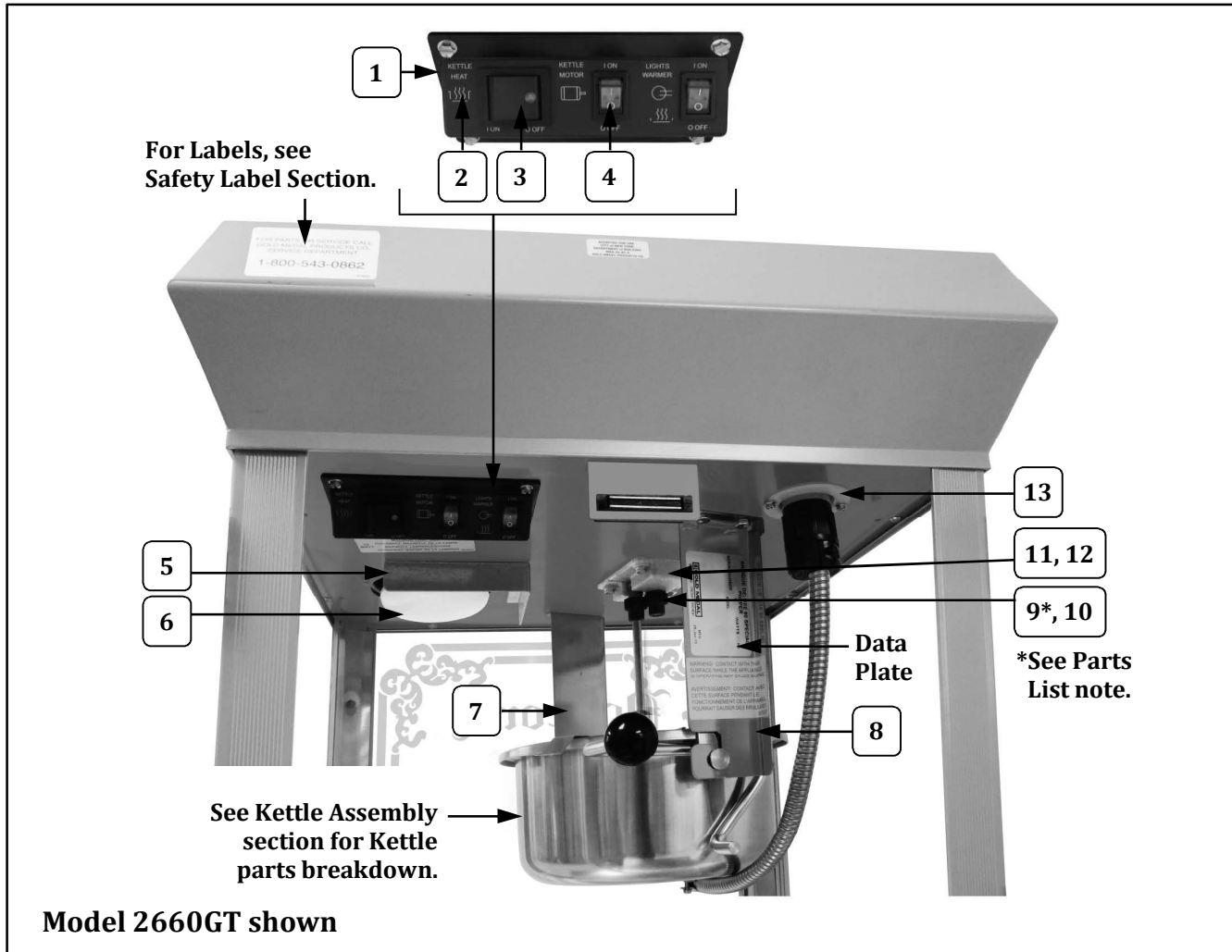
Item	Part Description	Part Number
		All Models
1	SWITCH BOX	48501
2	SWITCH BOX LABEL	48502
3	GREEN LIGHTED ROCKER SWITCH	42798
4	DPST ROCKER SWITCH	42532
5	LIGHT SHIELD ANGLE	47799
6	65 WATT REFLECTOR FLOOD	41671
7	REAR HANGER ARM	49009
8	FRONT HANGER ARM	49010
9*	SPUR GEAR KIT (Includes 2 gears with set screws. Always replace Agitator Spur Gear and Kettle Drive Motor Gear as a set.)	47059K
10	10-32" X 3/16" SET SCREW	41742
11	GEAR BLOCK ASSEMBLY	67194
12	10-24 X 1 HEX MACH SCREW (fastens the gear block assembly to the kettle drive motor.)	49322
13	15 AMP TWIST LOCK KETTLE RECPT	49330

## Cabinet Interior – Hanger Assembly



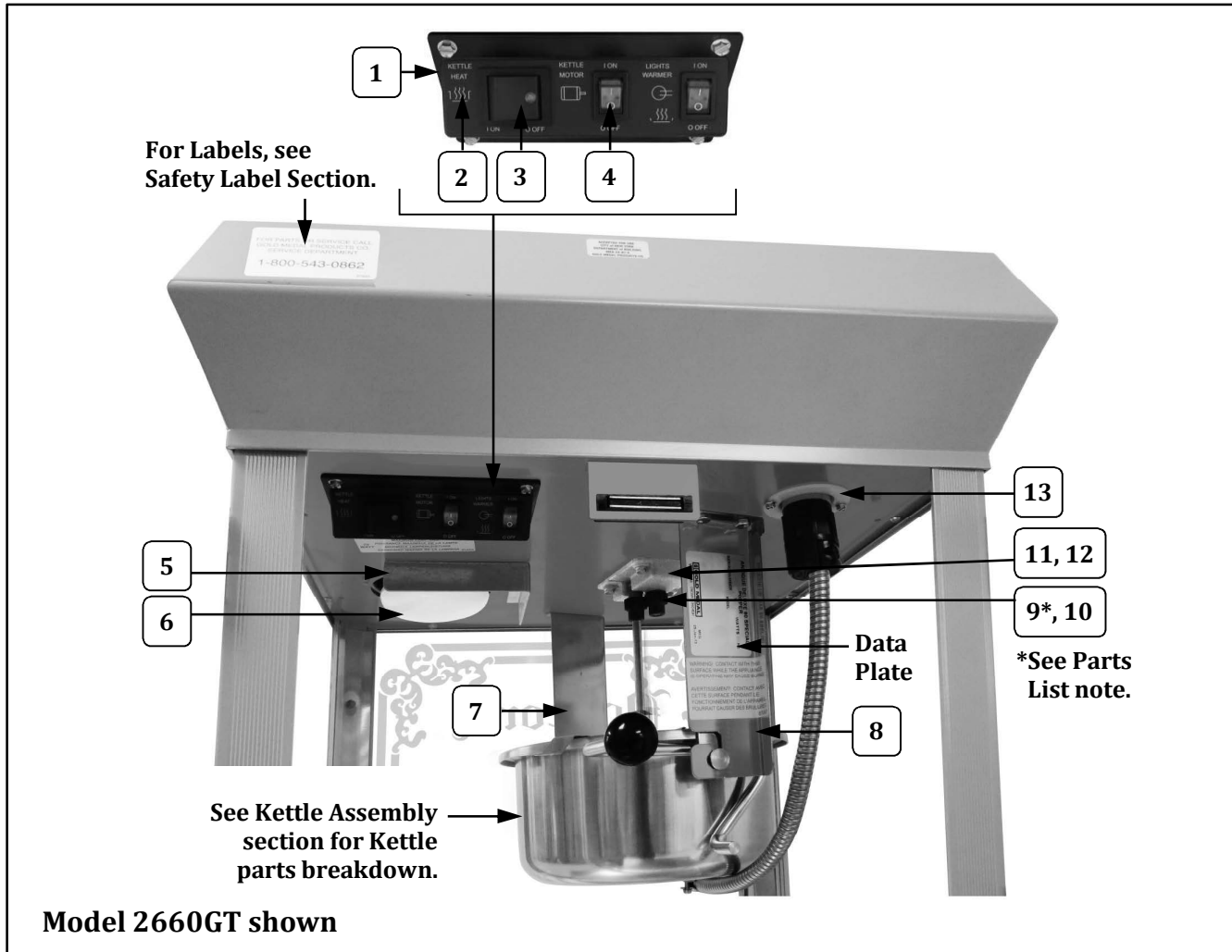
Item	Part Description	Part Number
		All Models
1	SWITCH BOX	48501
2	SWITCH BOX LABEL	48502
3	GREEN LIGHTED ROCKER SWITCH	42798
4	DPST ROCKER SWITCH	42532
5	LIGHT SHIELD ANGLE	47799
6	65 WATT REFLECTOR FLOOD	41671
7	REAR HANGER ARM	49009
8	FRONT HANGER ARM	49010
9*	SPUR GEAR KIT (Includes 2 gears with set screws. Always replace Agitator Spur Gear and Kettle Drive Motor Gear as a set.)	47059K
10	10-32" X 3/16" SET SCREW	41742
11	GEAR BLOCK ASSEMBLY	67194
12	10-24 X 1 HEX MACH SCREW (fastens the gear block assembly to the kettle drive motor.)	49322
13	15 AMP TWIST LOCK KETTLE RECPT	49330

## Cabinet Interior – Hanger Assembly



Item	Part Description	Part Number
		All Models
1	SWITCH BOX	48501
2	SWITCH BOX LABEL	48502
3	GREEN LIGHTED ROCKER SWITCH	42798
4	DPST ROCKER SWITCH	42532
5	LIGHT SHIELD ANGLE	47799
6	65 WATT REFLECTOR FLOOD	41671
7	REAR HANGER ARM	49009
8	FRONT HANGER ARM	49010
9*	SPUR GEAR KIT (Includes 2 gears with set screws. Always replace Agitator Spur Gear and Kettle Drive Motor Gear as a set.)	47059K
10	10-32" X 3/16" SET SCREW	41742
11	GEAR BLOCK ASSEMBLY	67194
12	10-24 X 1 HEX MACH SCREW (fastens the gear block assembly to the kettle drive motor.)	49322
13	15 AMP TWIST LOCK KETTLE RECPT	49330

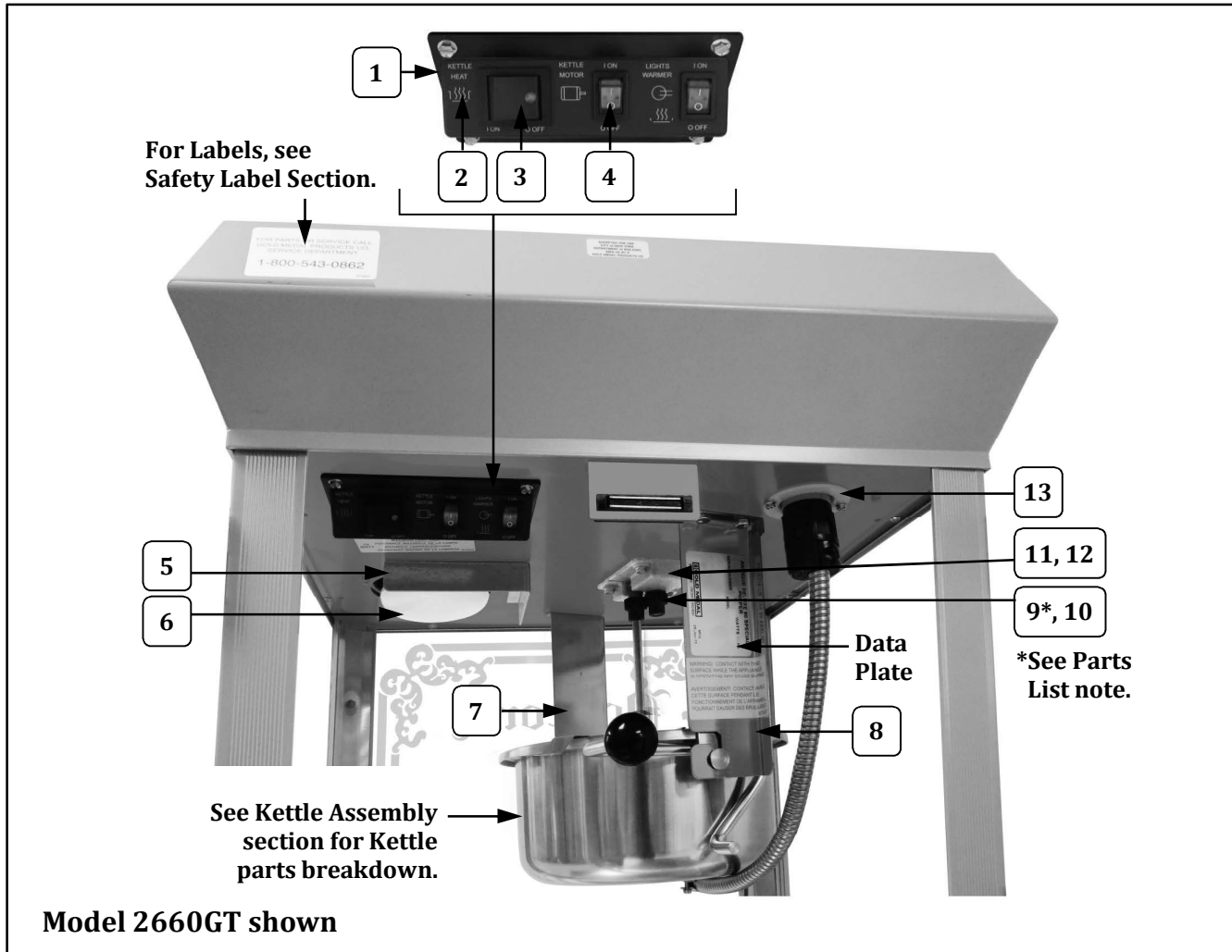
## Cabinet Interior – Hanger Assembly



Item	Part Description	Part Number
		All Models
1	SWITCH BOX	48501
2	SWITCH BOX LABEL	48502
3	GREEN LIGHTED ROCKER SWITCH	42798
4	DPST ROCKER SWITCH	42532
5	LIGHT SHIELD ANGLE	47799
6	65 WATT REFLECTOR FLOOD	41671
7	REAR HANGER ARM	49009
8	FRONT HANGER ARM	49010
9*	SPUR GEAR KIT (Includes 2 gears with set screws. Always replace Agitator Spur Gear and Kettle Drive Motor Gear as a set.)	47059K
10	10-32" X 3/16" SET SCREW	41742
11	GEAR BLOCK ASSEMBLY	67194
12	10-24 X 1 HEX MACH SCREW (fastens the gear block assembly to the kettle drive motor.)	49322
13	15 AMP TWIST LOCK KETTLE RECPT	49330

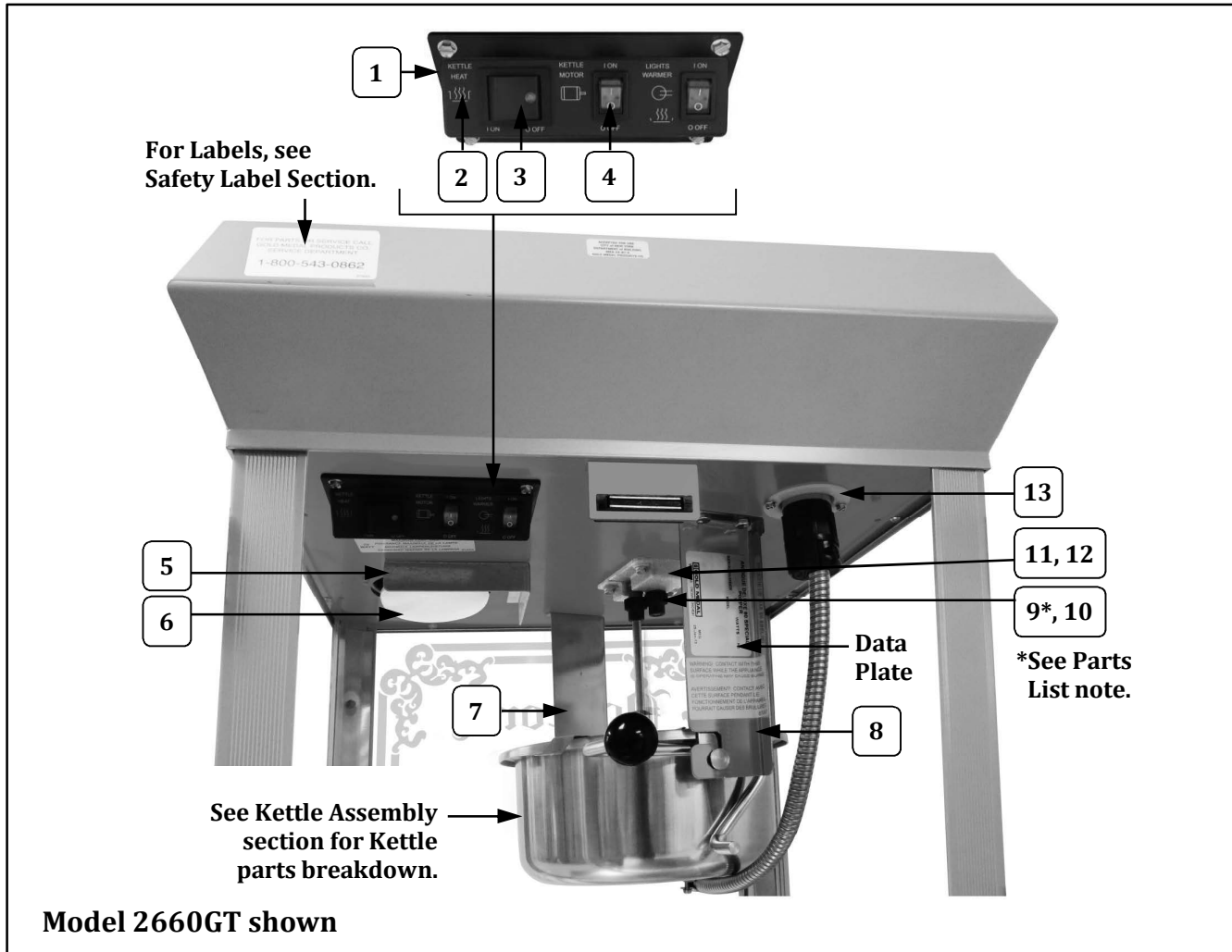


## Cabinet Interior – Hanger Assembly



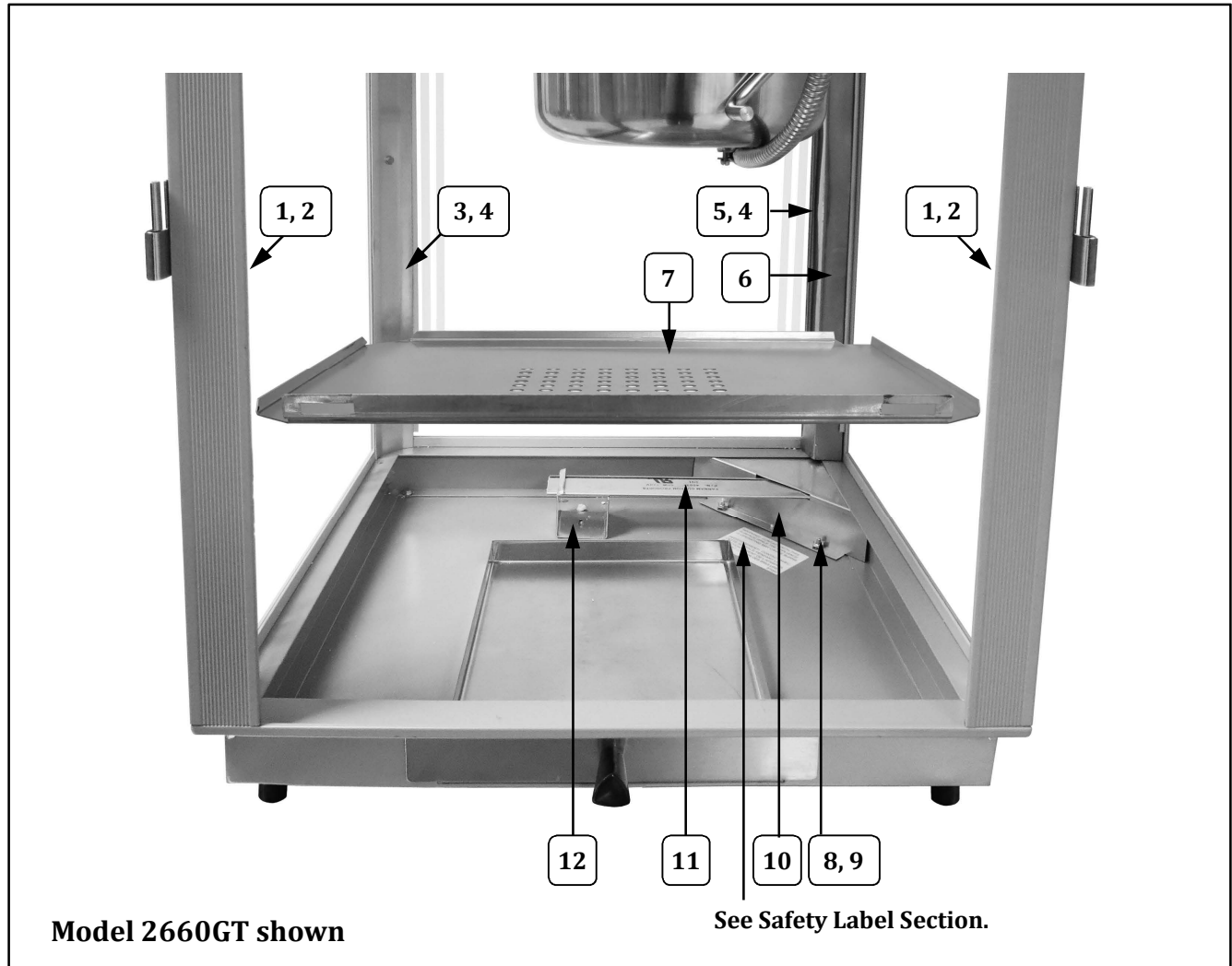
Item	Part Description	Part Number
		All Models
1	SWITCH BOX	48501
2	SWITCH BOX LABEL	48502
3	GREEN LIGHTED ROCKER SWITCH	42798
4	DPST ROCKER SWITCH	42532
5	LIGHT SHIELD ANGLE	47799
6	65 WATT REFLECTOR FLOOD	41671
7	REAR HANGER ARM	49009
8	FRONT HANGER ARM	49010
9*	SPUR GEAR KIT (Includes 2 gears with set screws. Always replace Agitator Spur Gear and Kettle Drive Motor Gear as a set.)	47059K
10	10-32" X 3/16" SET SCREW	41742
11	GEAR BLOCK ASSEMBLY	67194
12	10-24 X 1 HEX MACH SCREW (fastens the gear block assembly to the kettle drive motor.)	49322
13	15 AMP TWIST LOCK KETTLE RECPT	49330

## Cabinet Interior – Hanger Assembly



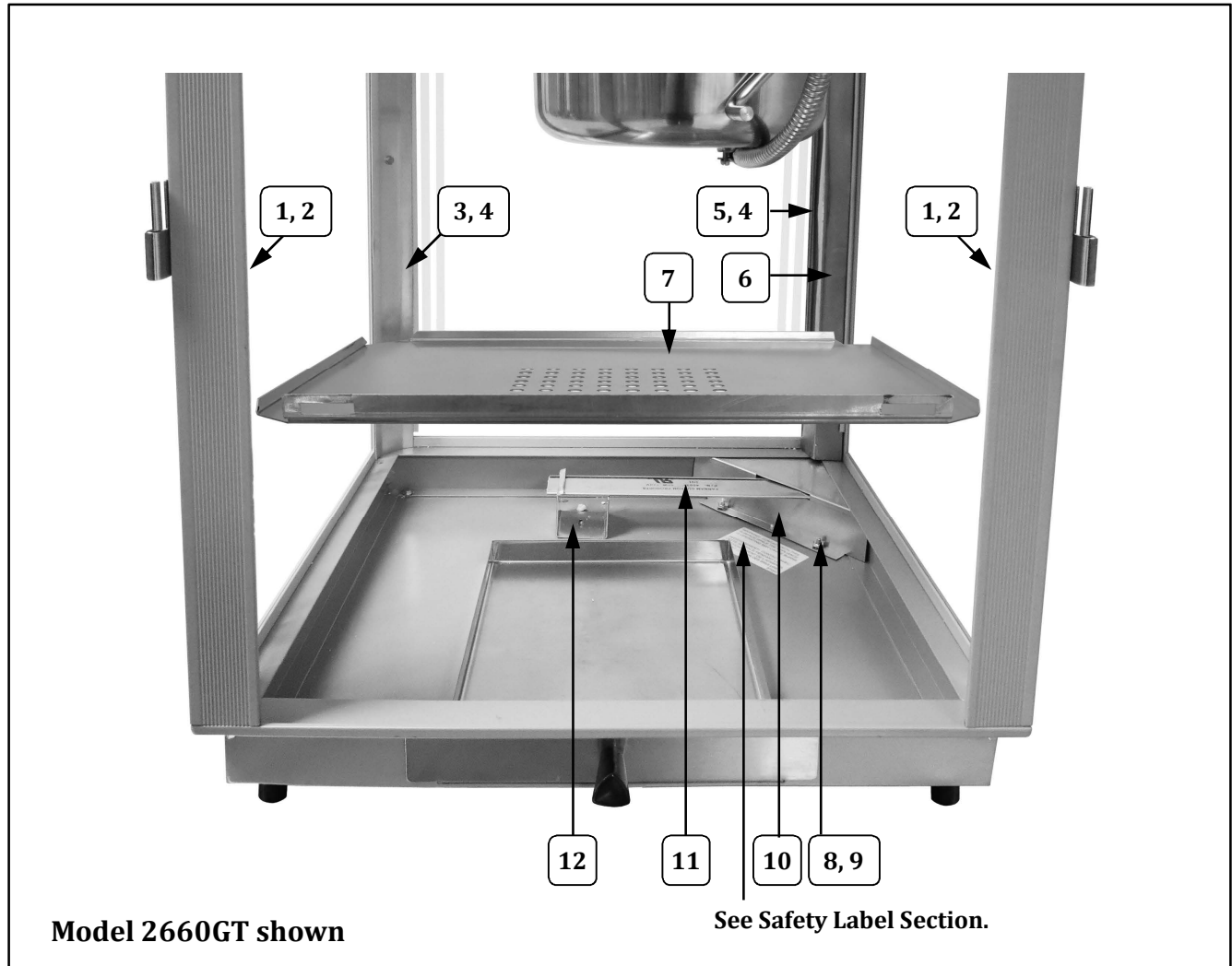
Item	Part Description	Part Number
		All Models
1	SWITCH BOX	48501
2	SWITCH BOX LABEL	48502
3	GREEN LIGHTED ROCKER SWITCH	42798
4	DPST ROCKER SWITCH	42532
5	LIGHT SHIELD ANGLE	47799
6	65 WATT REFLECTOR FLOOD	41671
7	REAR HANGER ARM	49009
8	FRONT HANGER ARM	49010
9*	SPUR GEAR KIT (Includes 2 gears with set screws. Always replace Agitator Spur Gear and Kettle Drive Motor Gear as a set.)	47059K
10	10-32" X 3/16" SET SCREW	41742
11	GEAR BLOCK ASSEMBLY	67194
12	10-24 X 1 HEX MACH SCREW (fastens the gear block assembly to the kettle drive motor.)	49322
13	15 AMP TWIST LOCK KETTLE RECPT	49330

## Cabinet Interior – Bottom View



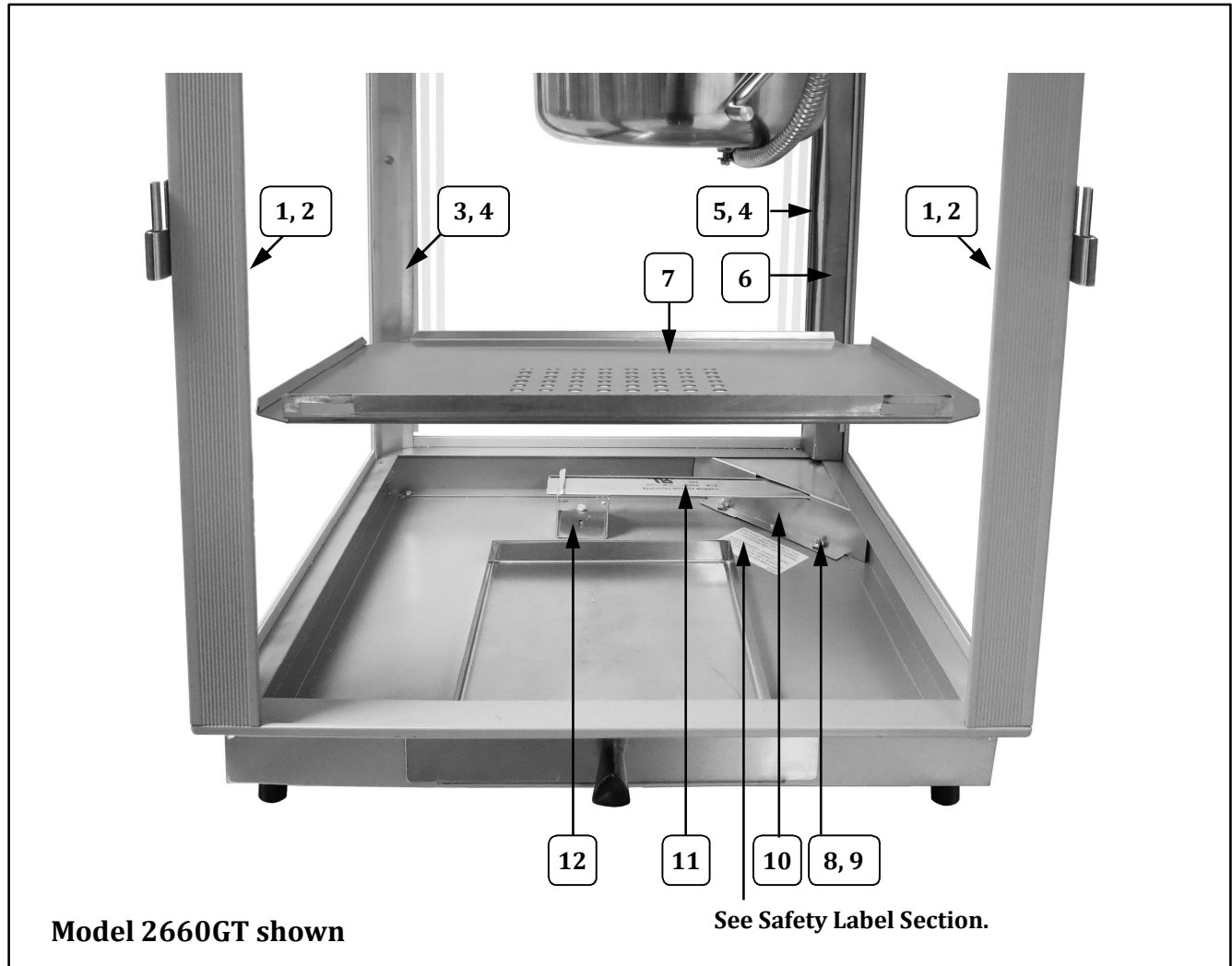
Item	Part Description	Part Number
		All Models
1	GLASS RETAIN STRIP, REAR	49215
2	8-32 X 1 UNSL NON-IND HWH (holds retainer)	39008
3	GLASS RETAIN STRIP, FRONT	49216
4	8-32 X 1 UNSL NON-IND HWH (holds retainer)	12008
5	GLASS STRIP (beneath the glass strip cover)	49318
6	GLASS STRIP COVER (covers wiring)	49319
7	CORN PAN	49211
8	HEX NUT #8-32 STAINLESS	89129
9	8-32 x 3/8 SLOTTED HEX	67899
10	WIRING GUARD	49201
11	120 VOLT 50 WATT HEAT ELEMENT	40031
12	STRIP HEATER BRACKET	49425

## Cabinet Interior – Bottom View



Item	Part Description	Part Number
		All Models
1	GLASS RETAIN STRIP, REAR	49215
2	8-32 X 1 UNSL NON-IND HWH (holds retainer)	39008
3	GLASS RETAIN STRIP, FRONT	49216
4	8-32 X 1 UNSL NON-IND HWH (holds retainer)	12008
5	GLASS STRIP (beneath the glass strip cover)	49318
6	GLASS STRIP COVER (covers wiring)	49319
7	CORN PAN	49211
8	HEX NUT #8-32 STAINLESS	89129
9	8-32 x 3/8 SLOTTED HEX	67899
10	WIRING GUARD	49201
11	120 VOLT 50 WATT HEAT ELEMENT	40031
12	STRIP HEATER BRACKET	49425

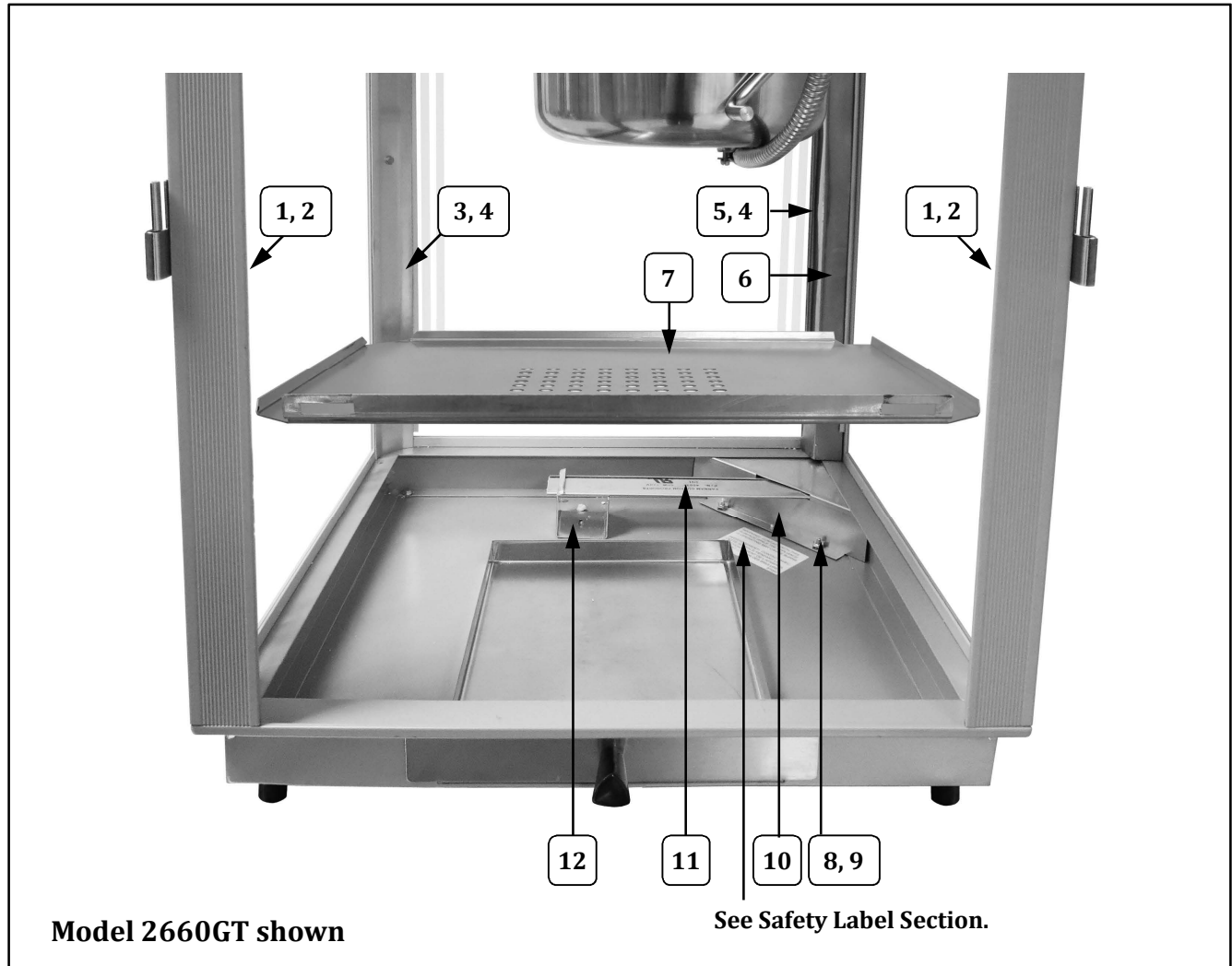
## Cabinet Interior – Bottom View



Item	Part Description	Part Number
		All Models
1	GLASS RETAIN STRIP, REAR	49215
2	8-32 X 1 UNSL NON-IND HWH (holds retainer)	39008
3	GLASS RETAIN STRIP, FRONT	49216
4	8-32 X 1 UNSL NON-IND HWH (holds retainer)	12008
5	GLASS STRIP (beneath the glass strip cover)	49318
6	GLASS STRIP COVER (covers wiring)	49319
7	CORN PAN	49211
8	HEX NUT #8-32 STAINLESS	89129
9	8-32 x 3/8 SLOTTED HEX	67899
10	WIRING GUARD	49201
11	120 VOLT 50 WATT HEAT ELEMENT	40031
12	STRIP HEATER BRACKET	49425

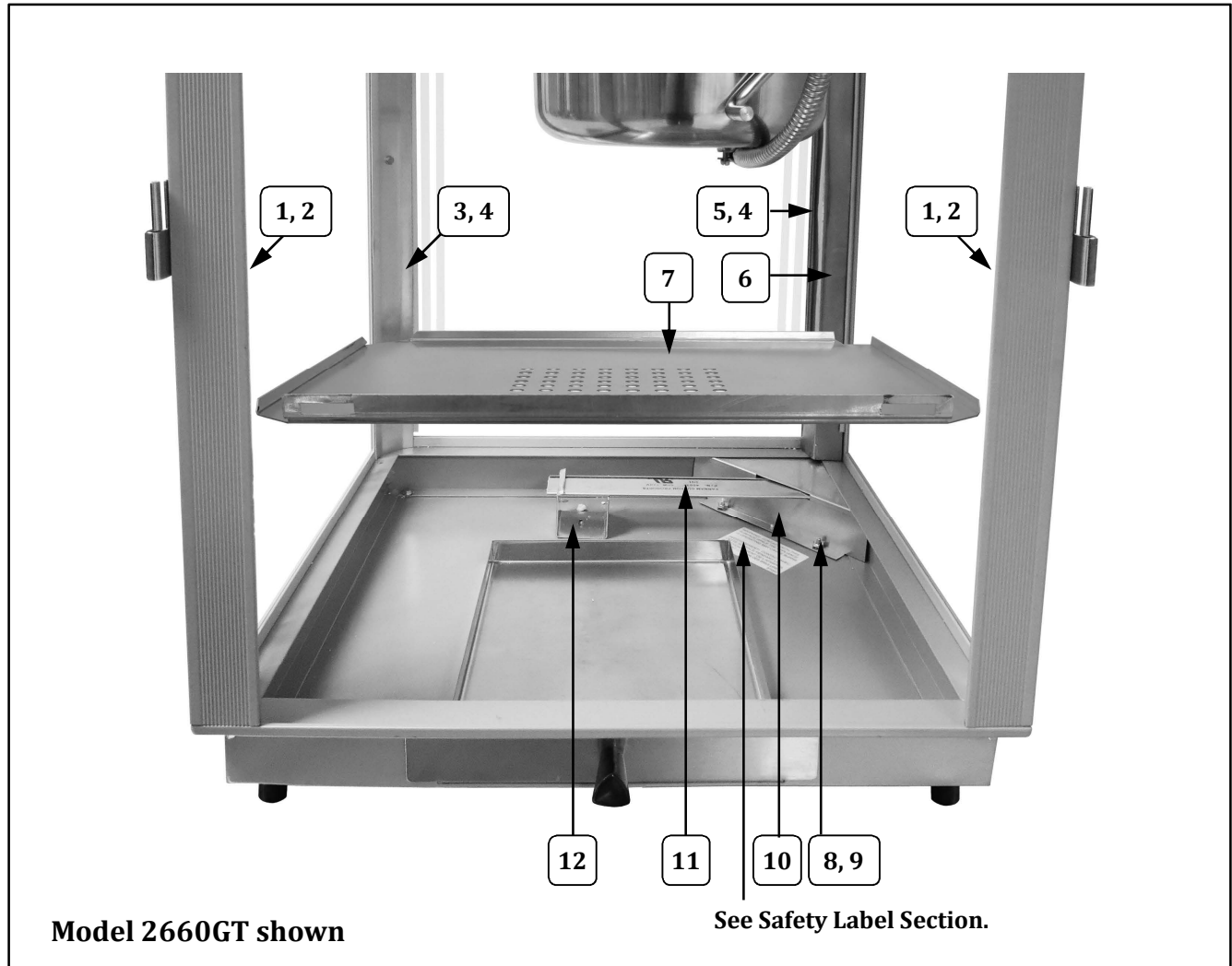


## Cabinet Interior – Bottom View



Item	Part Description	Part Number
		All Models
1	GLASS RETAIN STRIP, REAR	49215
2	8-32 X 1 UNSL NON-IND HWH (holds retainer)	39008
3	GLASS RETAIN STRIP, FRONT	49216
4	8-32 X 1 UNSL NON-IND HWH (holds retainer)	12008
5	GLASS STRIP (beneath the glass strip cover)	49318
6	GLASS STRIP COVER (covers wiring)	49319
7	CORN PAN	49211
8	HEX NUT #8-32 STAINLESS	89129
9	8-32 x 3/8 SLOTTED HEX	67899
10	WIRING GUARD	49201
11	120 VOLT 50 WATT HEAT ELEMENT	40031
12	STRIP HEATER BRACKET	49425

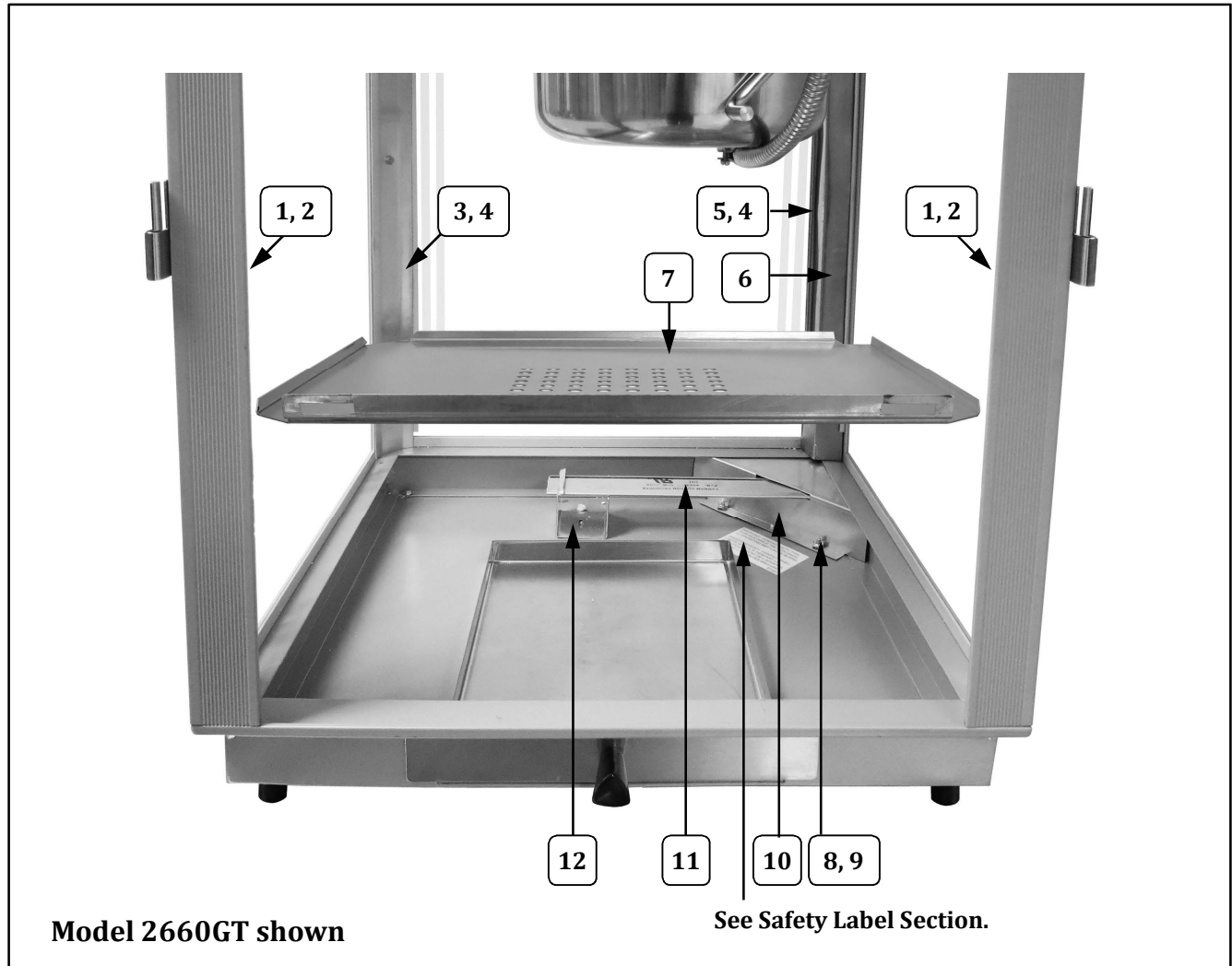
## Cabinet Interior – Bottom View



Item	Part Description	Part Number
		All Models
1	GLASS RETAIN STRIP, REAR	49215
2	8-32 X 1 UNSL NON-IND HWH (holds retainer)	39008
3	GLASS RETAIN STRIP, FRONT	49216
4	8-32 X 1 UNSL NON-IND HWH (holds retainer)	12008
5	GLASS STRIP (beneath the glass strip cover)	49318
6	GLASS STRIP COVER (covers wiring)	49319
7	CORN PAN	49211
8	HEX NUT #8-32 STAINLESS	89129
9	8-32 x 3/8 SLOTTED HEX	67899
10	WIRING GUARD	49201
11	120 VOLT 50 WATT HEAT ELEMENT	40031
12	STRIP HEATER BRACKET	49425



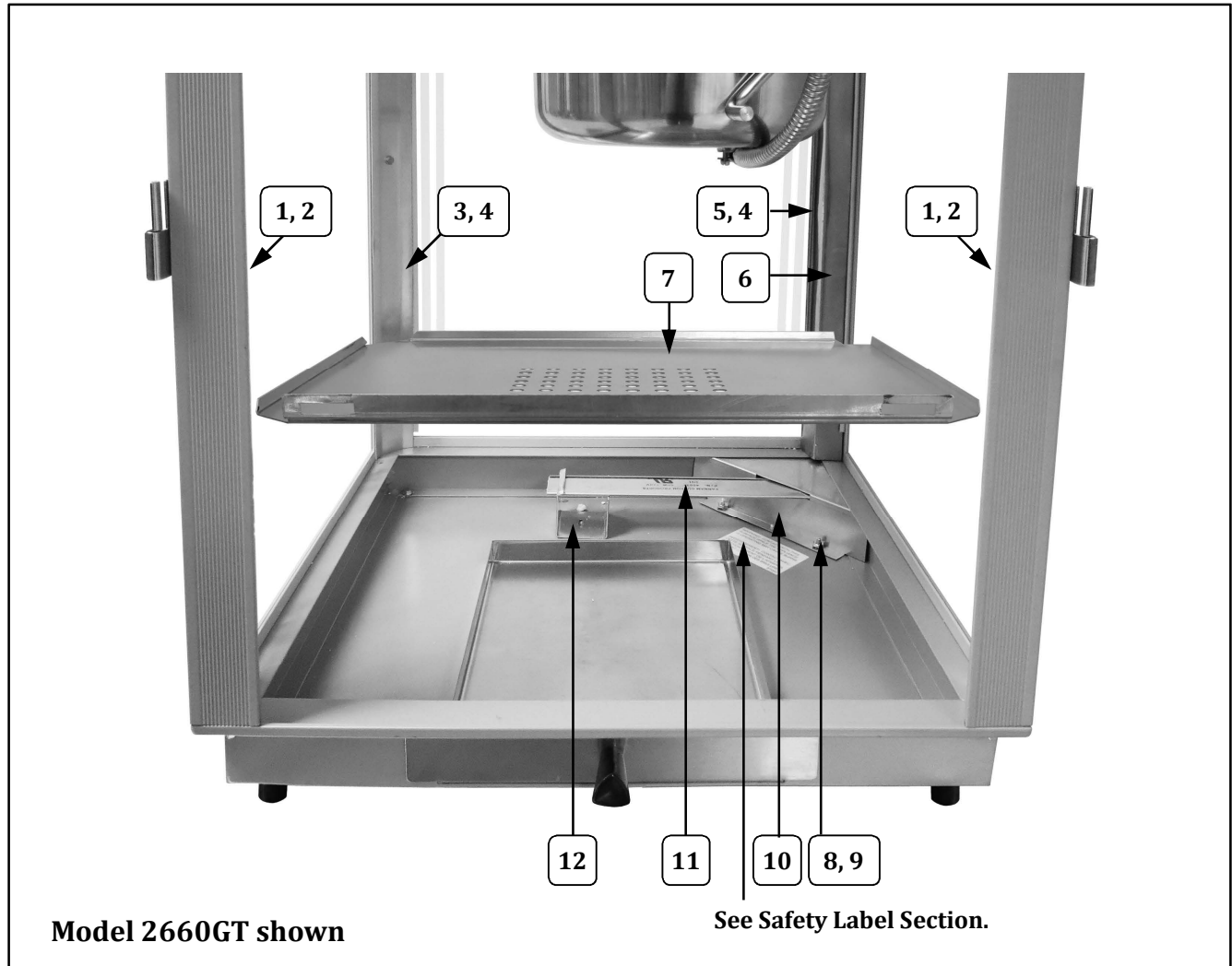
## Cabinet Interior – Bottom View



Item	Part Description	Part Number
		All Models
1	GLASS RETAIN STRIP, REAR	49215
2	8-32 X 1 UNSL NON-IND HWH (holds retainer)	39008
3	GLASS RETAIN STRIP, FRONT	49216
4	8-32 X 1 UNSL NON-IND HWH (holds retainer)	12008
5	GLASS STRIP (beneath the glass strip cover)	49318
6	GLASS STRIP COVER (covers wiring)	49319
7	CORN PAN	49211
8	HEX NUT #8-32 STAINLESS	89129
9	8-32 x 3/8 SLOTTED HEX	67899
10	WIRING GUARD	49201
11	120 VOLT 50 WATT HEAT ELEMENT	40031
12	STRIP HEATER BRACKET	49425



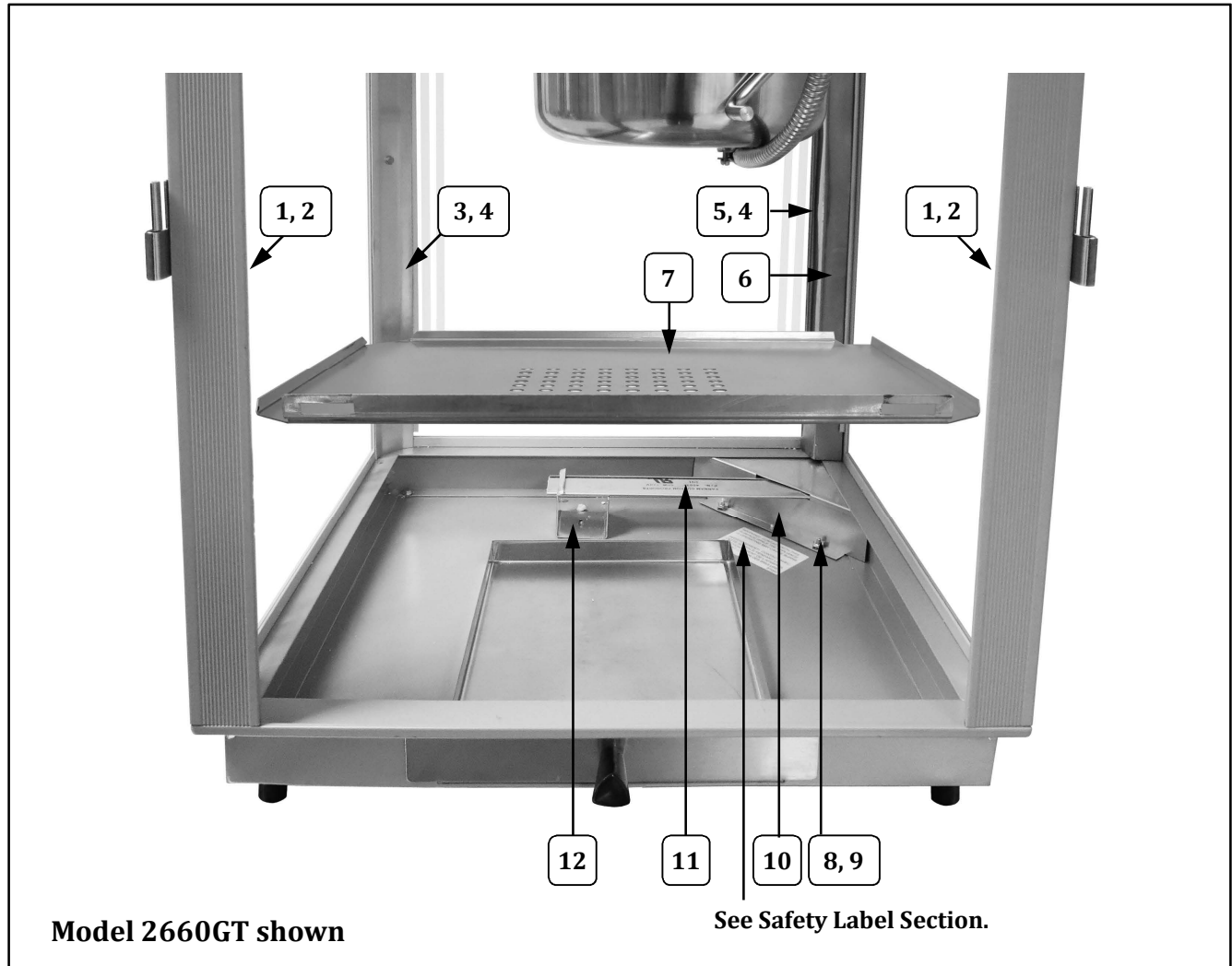
## Cabinet Interior – Bottom View



Item	Part Description	Part Number
		All Models
1	GLASS RETAIN STRIP, REAR	49215
2	8-32 X 1 UNSL NON-IND HWH (holds retainer)	39008
3	GLASS RETAIN STRIP, FRONT	49216
4	8-32 X 1 UNSL NON-IND HWH (holds retainer)	12008
5	GLASS STRIP (beneath the glass strip cover)	49318
6	GLASS STRIP COVER (covers wiring)	49319
7	CORN PAN	49211
8	HEX NUT #8-32 STAINLESS	89129
9	8-32 x 3/8 SLOTTED HEX	67899
10	WIRING GUARD	49201
11	120 VOLT 50 WATT HEAT ELEMENT	40031
12	STRIP HEATER BRACKET	49425

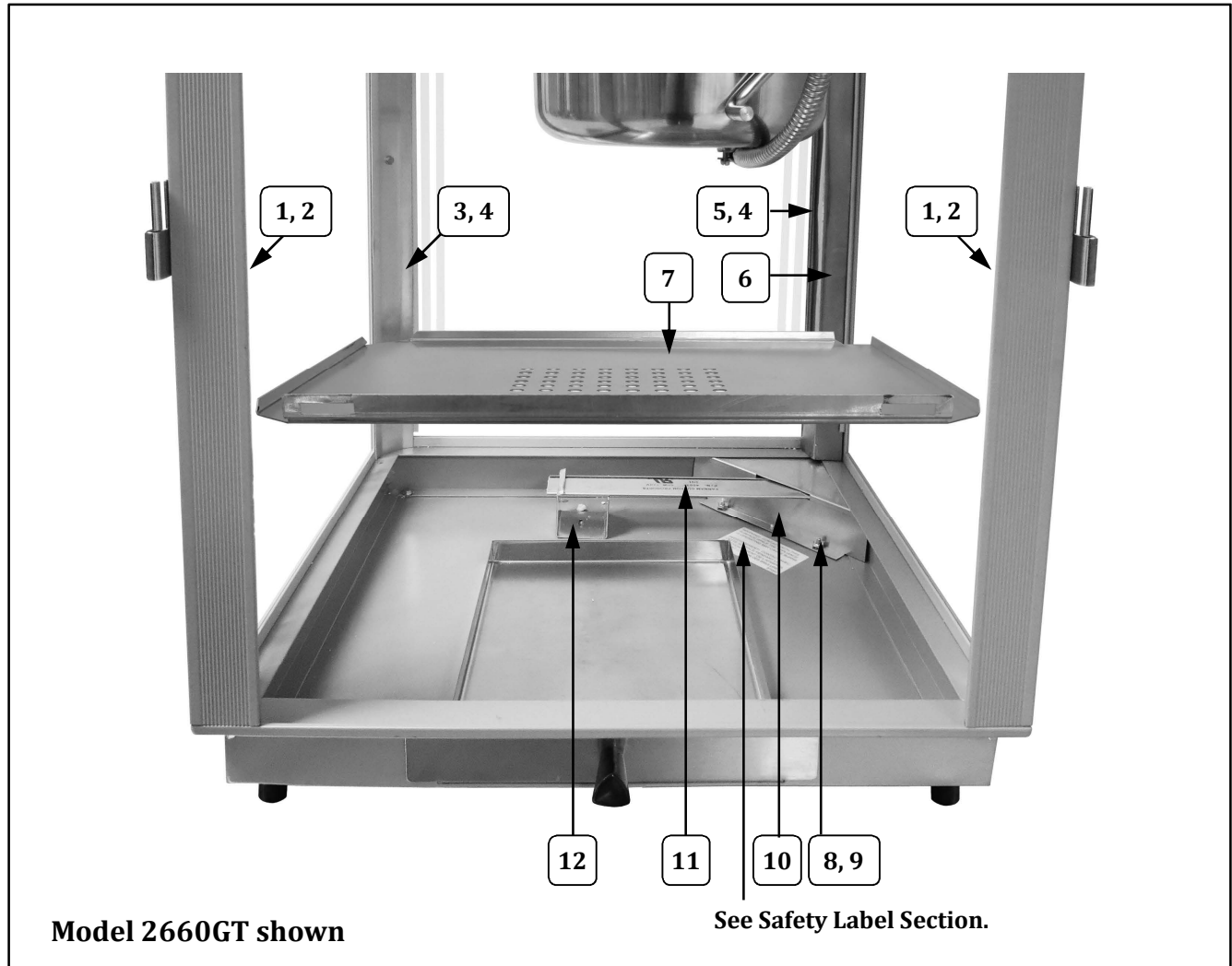


## Cabinet Interior – Bottom View



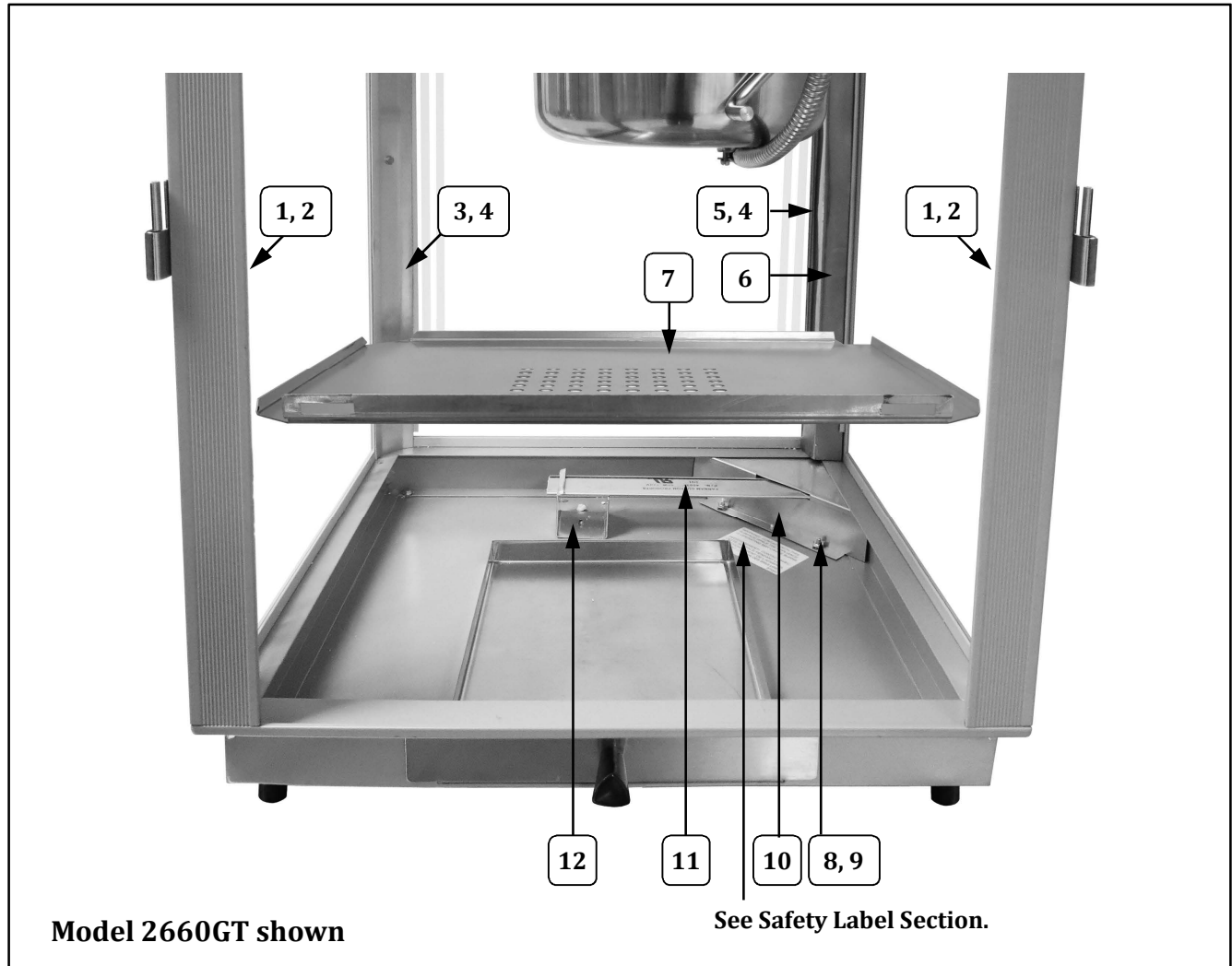
Item	Part Description	Part Number
		All Models
1	GLASS RETAIN STRIP, REAR	49215
2	8-32 X 1 UNSL NON-IND HWH (holds retainer)	39008
3	GLASS RETAIN STRIP, FRONT	49216
4	8-32 X 1 UNSL NON-IND HWH (holds retainer)	12008
5	GLASS STRIP (beneath the glass strip cover)	49318
6	GLASS STRIP COVER (covers wiring)	49319
7	CORN PAN	49211
8	HEX NUT #8-32 STAINLESS	89129
9	8-32 x 3/8 SLOTTED HEX	67899
10	WIRING GUARD	49201
11	120 VOLT 50 WATT HEAT ELEMENT	40031
12	STRIP HEATER BRACKET	49425

## Cabinet Interior – Bottom View



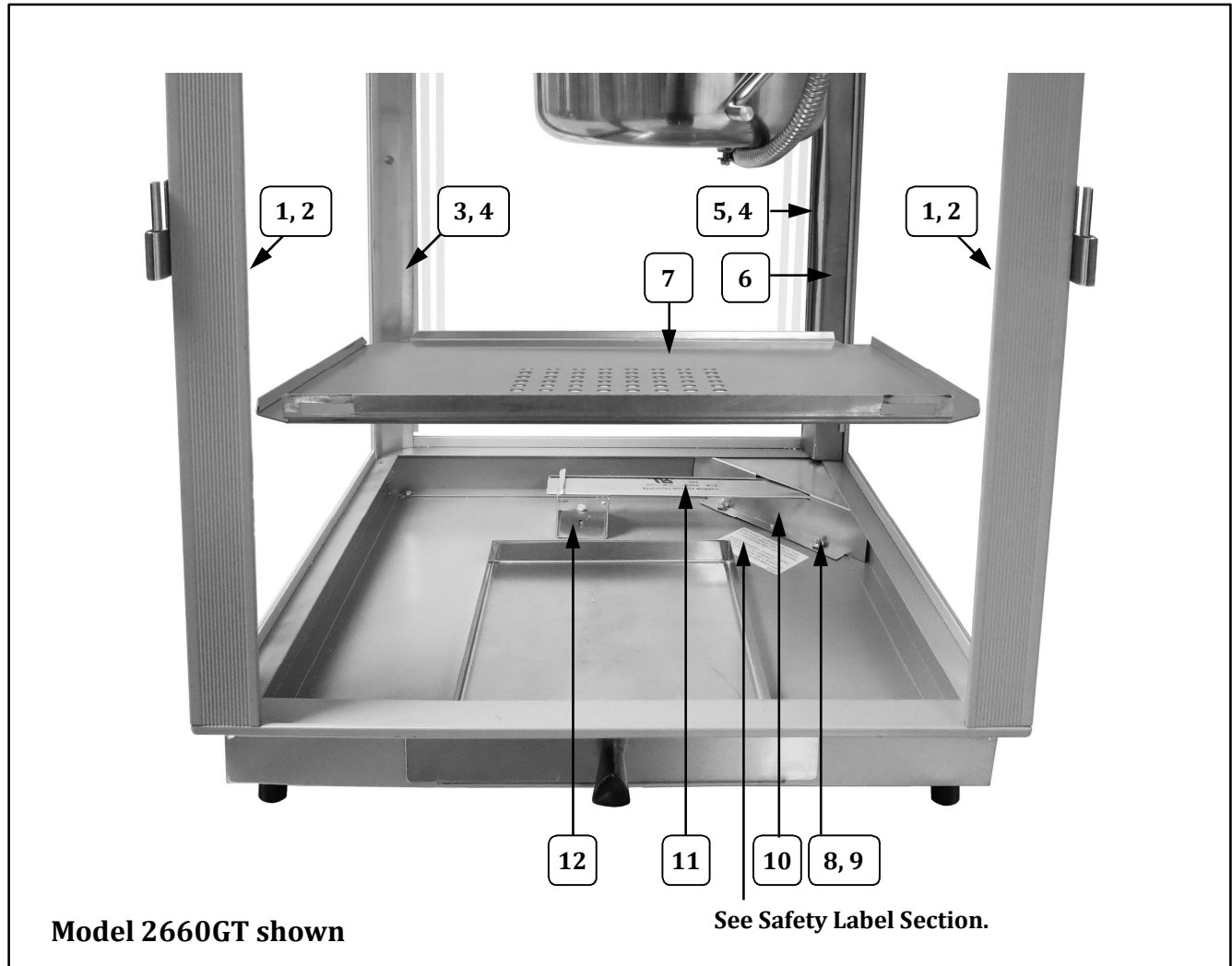
Item	Part Description	Part Number
		All Models
1	GLASS RETAIN STRIP, REAR	49215
2	8-32 X 1 UNSL NON-IND HWH (holds retainer)	39008
3	GLASS RETAIN STRIP, FRONT	49216
4	8-32 X 1 UNSL NON-IND HWH (holds retainer)	12008
5	GLASS STRIP (beneath the glass strip cover)	49318
6	GLASS STRIP COVER (covers wiring)	49319
7	CORN PAN	49211
8	HEX NUT #8-32 STAINLESS	89129
9	8-32 x 3/8 SLOTTED HEX	67899
10	WIRING GUARD	49201
11	120 VOLT 50 WATT HEAT ELEMENT	40031
12	STRIP HEATER BRACKET	49425

## Cabinet Interior – Bottom View



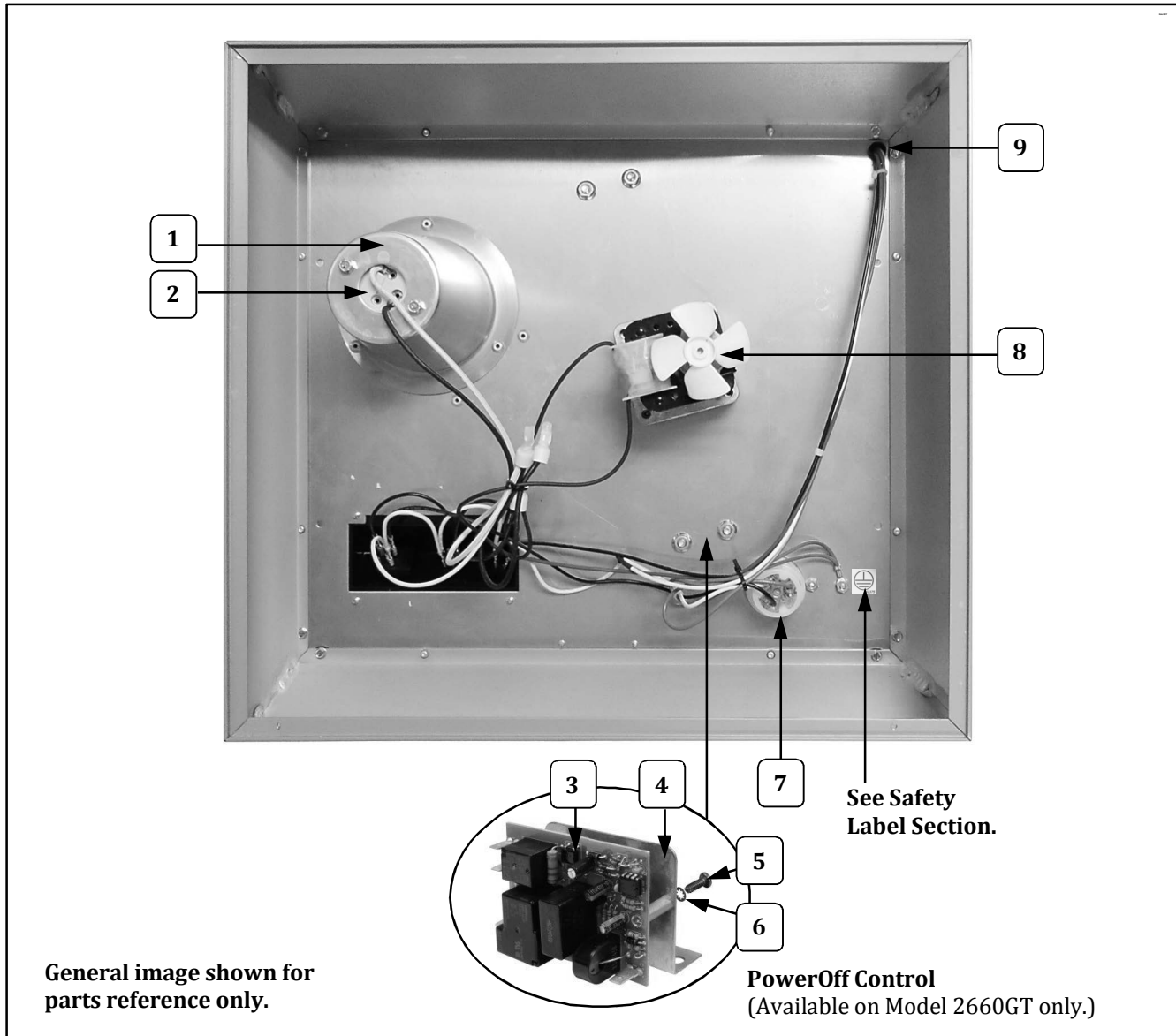
Item	Part Description	Part Number
		All Models
1	GLASS RETAIN STRIP, REAR	49215
2	8-32 X 1 UNSL NON-IND HWH (holds retainer)	39008
3	GLASS RETAIN STRIP, FRONT	49216
4	8-32 X 1 UNSL NON-IND HWH (holds retainer)	12008
5	GLASS STRIP (beneath the glass strip cover)	49318
6	GLASS STRIP COVER (covers wiring)	49319
7	CORN PAN	49211
8	HEX NUT #8-32 STAINLESS	89129
9	8-32 x 3/8 SLOTTED HEX	67899
10	WIRING GUARD	49201
11	120 VOLT 50 WATT HEAT ELEMENT	40031
12	STRIP HEATER BRACKET	49425

## Cabinet Interior – Bottom View



Item	Part Description	Part Number
		All Models
1	GLASS RETAIN STRIP, REAR	49215
2	8-32 X 1 UNSL NON-IND HWH (holds retainer)	39008
3	GLASS RETAIN STRIP, FRONT	49216
4	8-32 X 1 UNSL NON-IND HWH (holds retainer)	12008
5	GLASS STRIP (beneath the glass strip cover)	49318
6	GLASS STRIP COVER (covers wiring)	49319
7	CORN PAN	49211
8	HEX NUT #8-32 STAINLESS	89129
9	8-32 x 3/8 SLOTTED HEX	67899
10	WIRING GUARD	49201
11	120 VOLT 50 WATT HEAT ELEMENT	40031
12	STRIP HEATER BRACKET	49425

## Dome Interior – Electrical Components



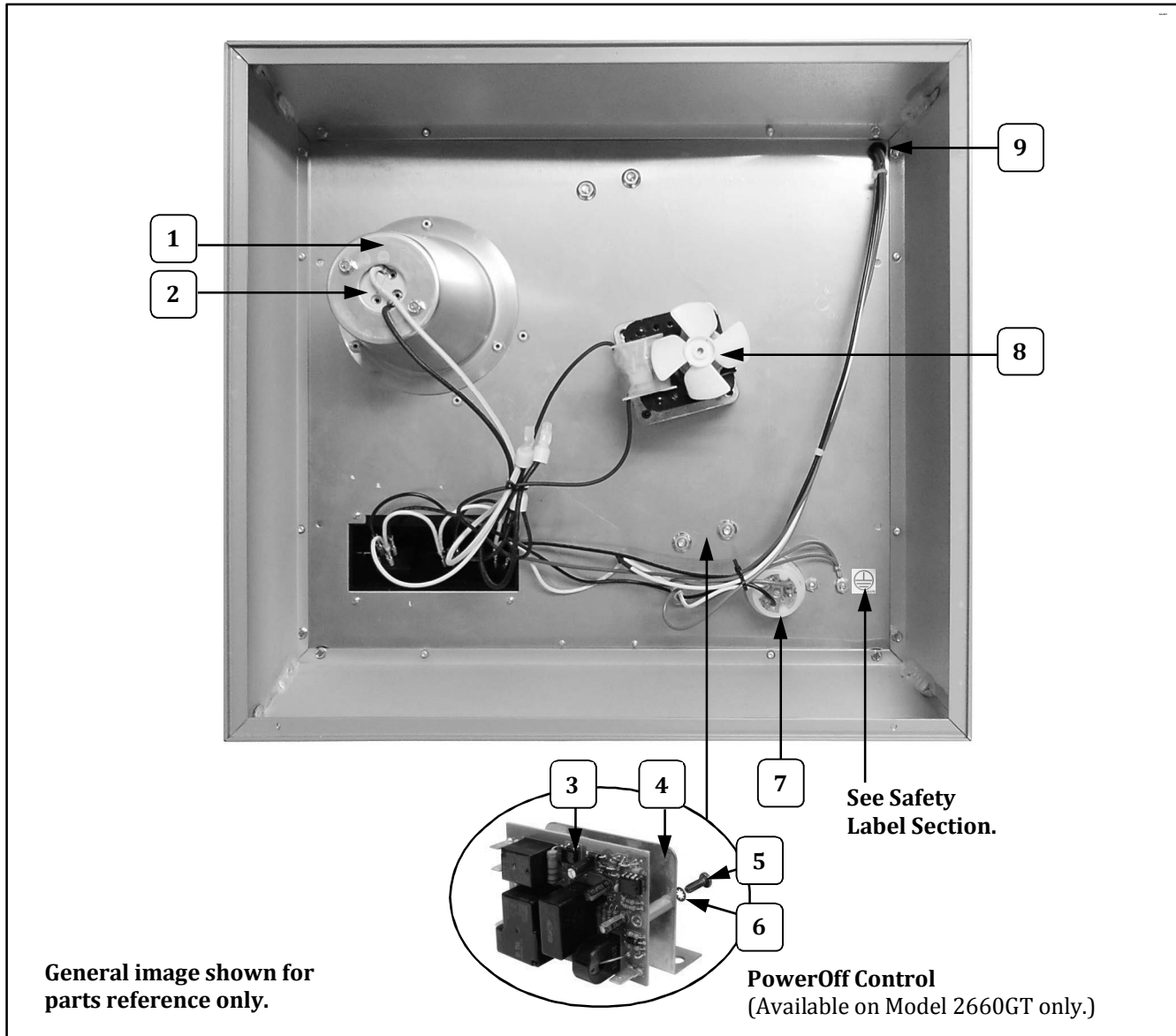
General image shown for parts reference only.

**PowerOff Control**  
(Available on Model 2660GT only.)

See Safety Label Section.

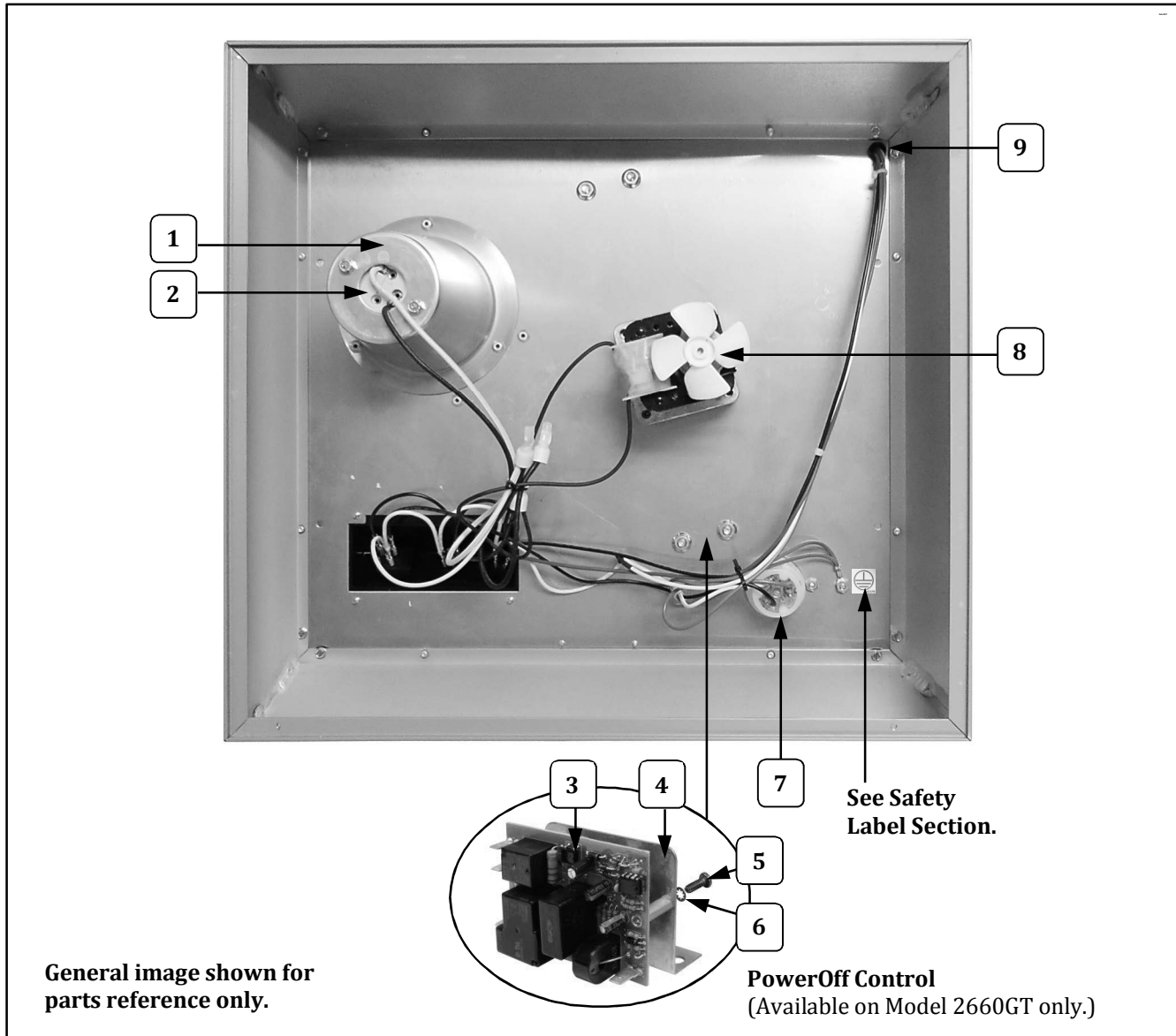
Item	Parts Description	Part Number		
		2660GT	2660GTSV	2660GV
1	LIGHT SHIELD CONICAL	49480	49480	49480
2	LAMP HOLDER	47047	47047	47047
3	AUTO KETTLE POWEROFF CNTRL PCB	55402		
4	BRACKET, KETTLE POWEROFF CNTRL	55427		
5	6-32 X 3/8 PHIL PAN M/S	39000		
6	#6 INTERNAL TOOTH L/W 410SS	39001		
7	15 AMP TWIST LOCK KETTLE RECPT	49330	49330	49330
8	120 VOLT KETTLE DRIVE MOTOR	47038	47038	47038
9	.500 IN BUSHING, SNAP	47236	47236	47236

## Dome Interior – Electrical Components



Item	Parts Description	Part Number		
		2660GT	2660GTSV	2660GV
1	LIGHT SHIELD CONICAL	49480	49480	49480
2	LAMP HOLDER	47047	47047	47047
3	AUTO KETTLE POWEROFF CNTRL PCB	55402		
4	BRACKET, KETTLE POWEROFF CNTRL	55427		
5	6-32 X 3/8 PHIL PAN M/S	39000		
6	#6 INTERNAL TOOTH L/W 410SS	39001		
7	15 AMP TWIST LOCK KETTLE RECPT	49330	49330	49330
8	120 VOLT KETTLE DRIVE MOTOR	47038	47038	47038
9	.500 IN BUSHING, SNAP	47236	47236	47236

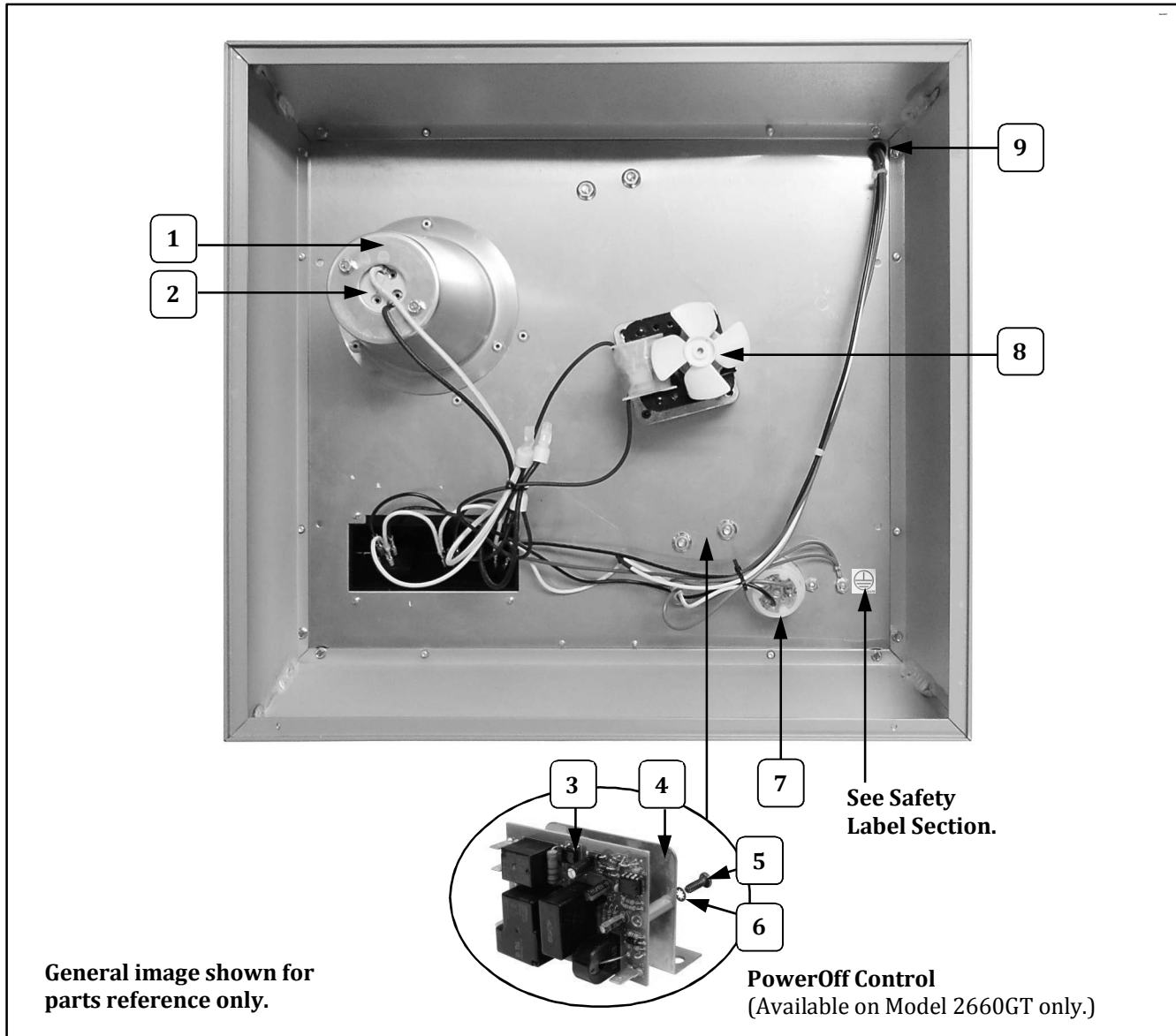
## Dome Interior – Electrical Components



Item	Parts Description	Part Number		
		2660GT	2660GTSV	2660GV
1	LIGHT SHIELD CONICAL	49480	49480	49480
2	LAMP HOLDER	47047	47047	47047
3	AUTO KETTLE POWEROFF CNTRL PCB	55402		
4	BRACKET, KETTLE POWEROFF CNTRL	55427		
5	6-32 X 3/8 PHIL PAN M/S	39000		
6	#6 INTERNAL TOOTH L/W 410SS	39001		
7	15 AMP TWIST LOCK KETTLE RECPT	49330	49330	49330
8	120 VOLT KETTLE DRIVE MOTOR	47038	47038	47038
9	.500 IN BUSHING, SNAP	47236	47236	47236

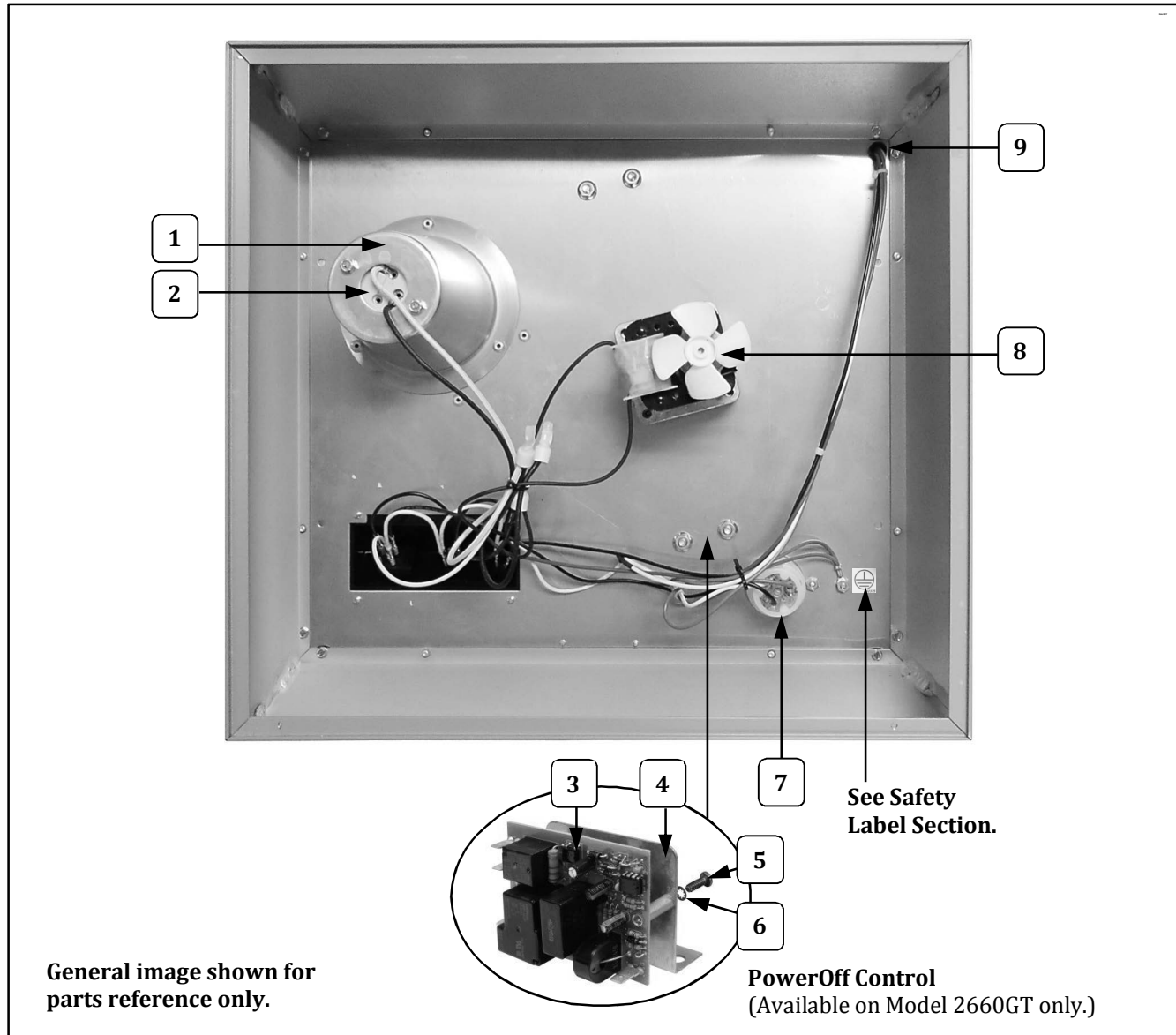


## Dome Interior – Electrical Components



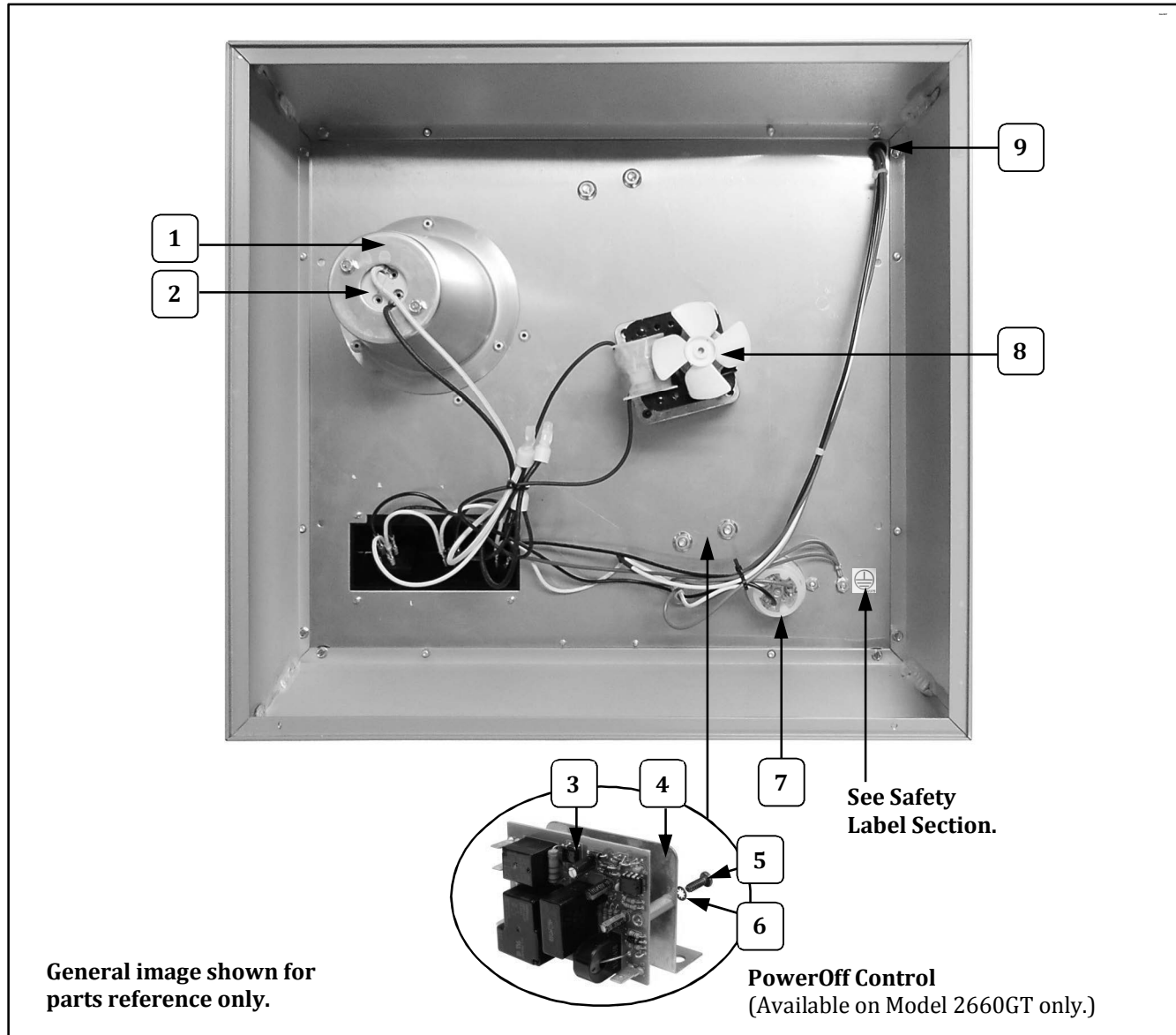
Item	Parts Description	Part Number		
		2660GT	2660GTSV	2660GV
1	LIGHT SHIELD CONICAL	49480	49480	49480
2	LAMP HOLDER	47047	47047	47047
3	AUTO KETTLE POWEROFF CNTRL PCB	55402		
4	BRACKET, KETTLE POWEROFF CNTRL	55427		
5	6-32 X 3/8 PHIL PAN M/S	39000		
6	#6 INTERNAL TOOTH L/W 410SS	39001		
7	15 AMP TWIST LOCK KETTLE RECPT	49330	49330	49330
8	120 VOLT KETTLE DRIVE MOTOR	47038	47038	47038
9	.500 IN BUSHING, SNAP	47236	47236	47236

## Dome Interior – Electrical Components



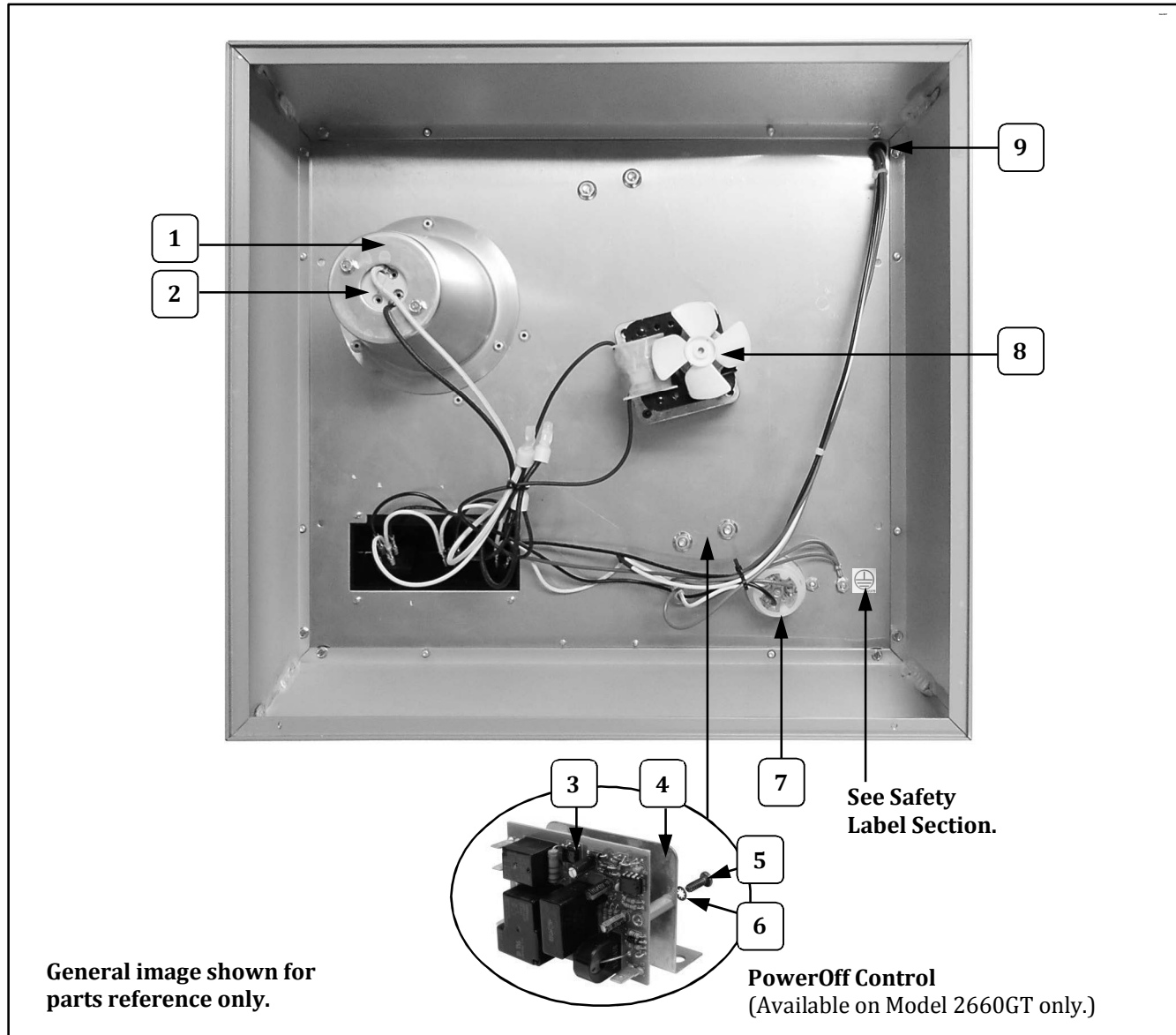
Item	Parts Description	Part Number		
		2660GT	2660GTSV	2660GV
1	LIGHT SHIELD CONICAL	49480	49480	49480
2	LAMP HOLDER	47047	47047	47047
3	AUTO KETTLE POWEROFF CNTRL PCB	55402		
4	BRACKET, KETTLE POWEROFF CNTRL	55427		
5	6-32 X 3/8 PHIL PAN M/S	39000		
6	#6 INTERNAL TOOTH L/W 410SS	39001		
7	15 AMP TWIST LOCK KETTLE RECPT	49330	49330	49330
8	120 VOLT KETTLE DRIVE MOTOR	47038	47038	47038
9	.500 IN BUSHING, SNAP	47236	47236	47236

## Dome Interior – Electrical Components



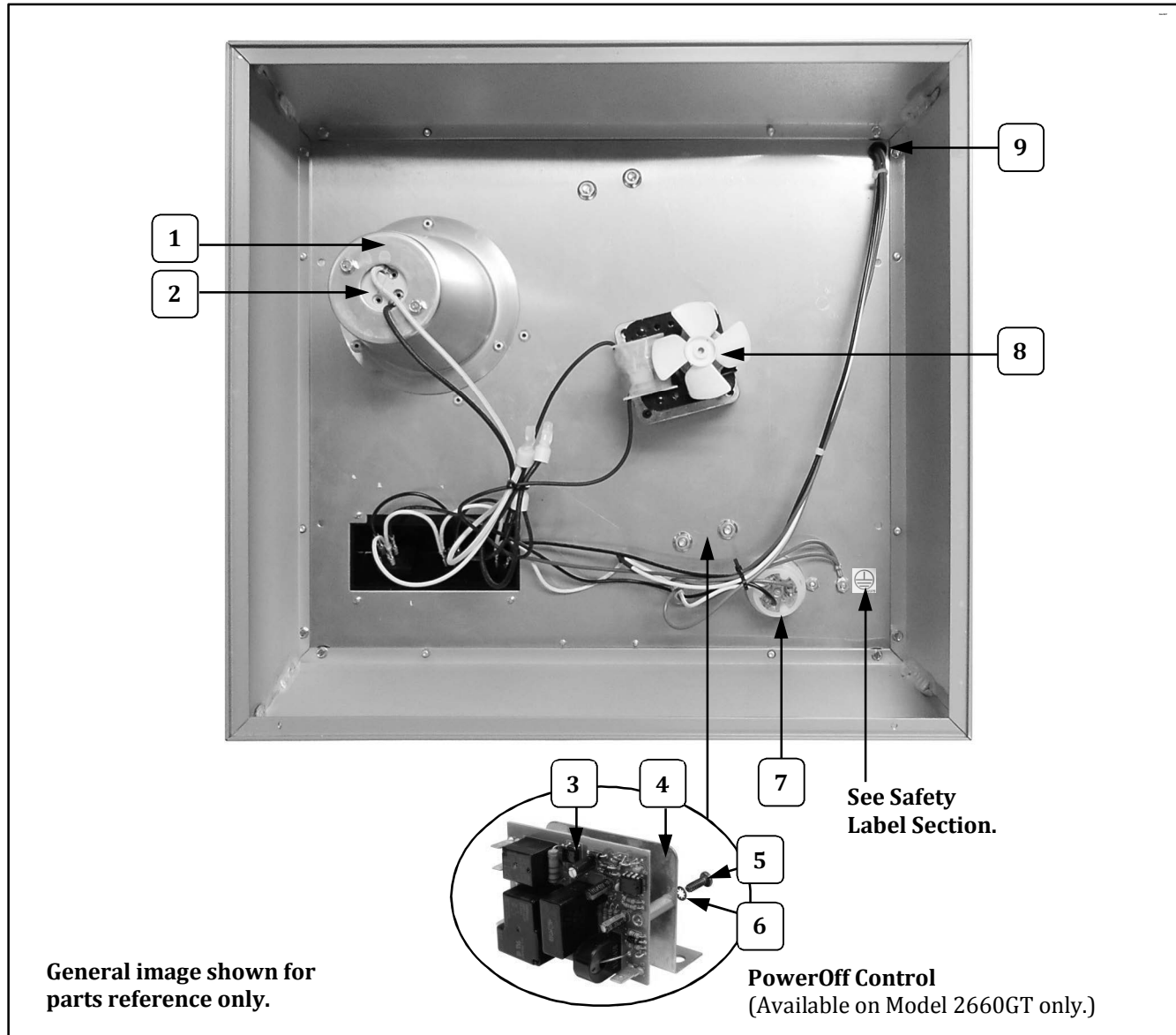
Item	Parts Description	Part Number		
		2660GT	2660GTSV	2660GV
1	LIGHT SHIELD CONICAL	49480	49480	49480
2	LAMP HOLDER	47047	47047	47047
3	AUTO KETTLE POWEROFF CNTRL PCB	55402		
4	BRACKET, KETTLE POWEROFF CNTRL	55427		
5	6-32 X 3/8 PHIL PAN M/S	39000		
6	#6 INTERNAL TOOTH L/W 410SS	39001		
7	15 AMP TWIST LOCK KETTLE RECPT	49330	49330	49330
8	120 VOLT KETTLE DRIVE MOTOR	47038	47038	47038
9	.500 IN BUSHING, SNAP	47236	47236	47236

## Dome Interior – Electrical Components



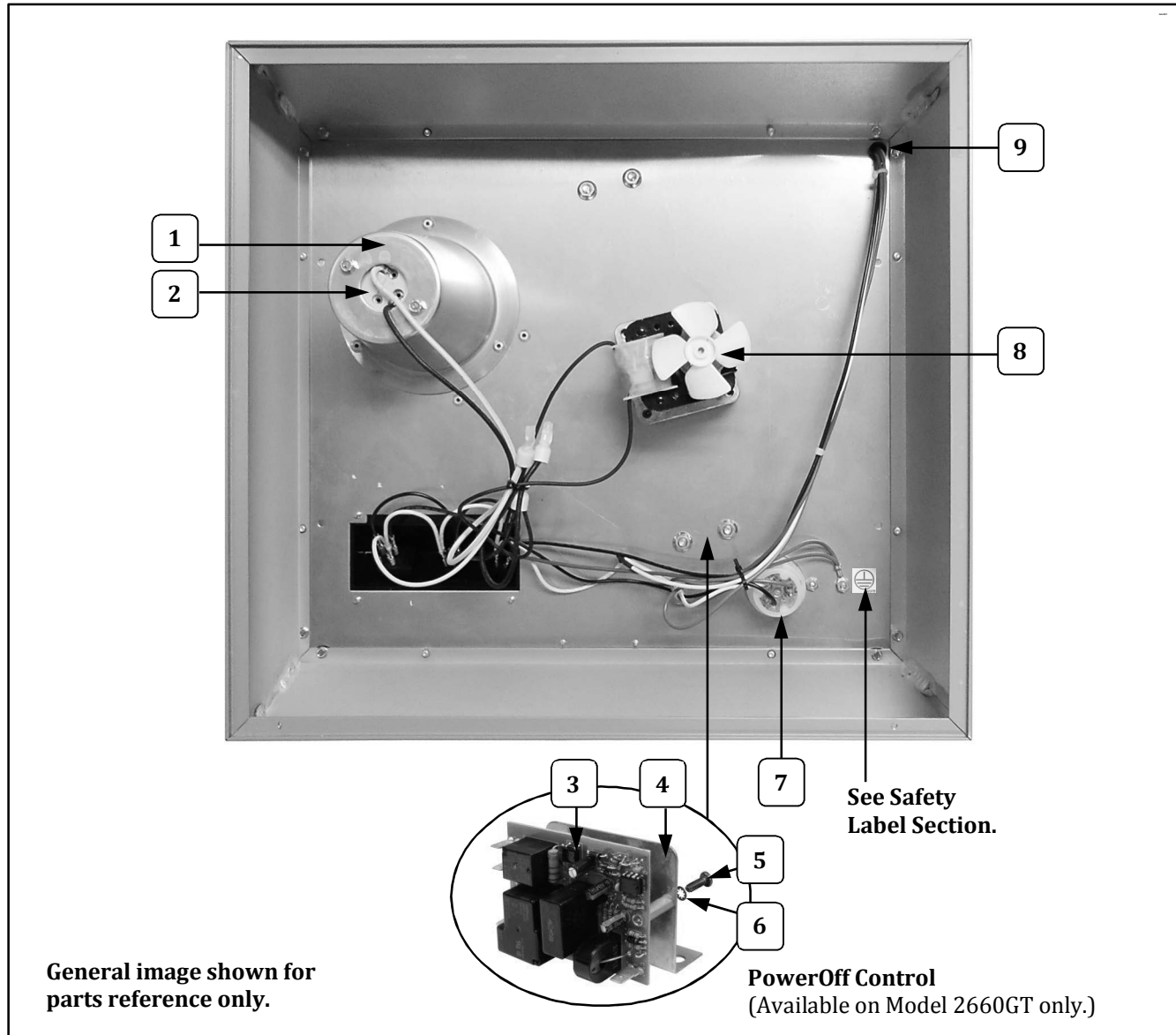
Item	Parts Description	Part Number		
		2660GT	2660GTSV	2660GV
1	LIGHT SHIELD CONICAL	49480	49480	49480
2	LAMP HOLDER	47047	47047	47047
3	AUTO KETTLE POWEROFF CNTRL PCB	55402		
4	BRACKET, KETTLE POWEROFF CNTRL	55427		
5	6-32 X 3/8 PHIL PAN M/S	39000		
6	#6 INTERNAL TOOTH L/W 410SS	39001		
7	15 AMP TWIST LOCK KETTLE RECPT	49330	49330	49330
8	120 VOLT KETTLE DRIVE MOTOR	47038	47038	47038
9	.500 IN BUSHING, SNAP	47236	47236	47236

## Dome Interior – Electrical Components



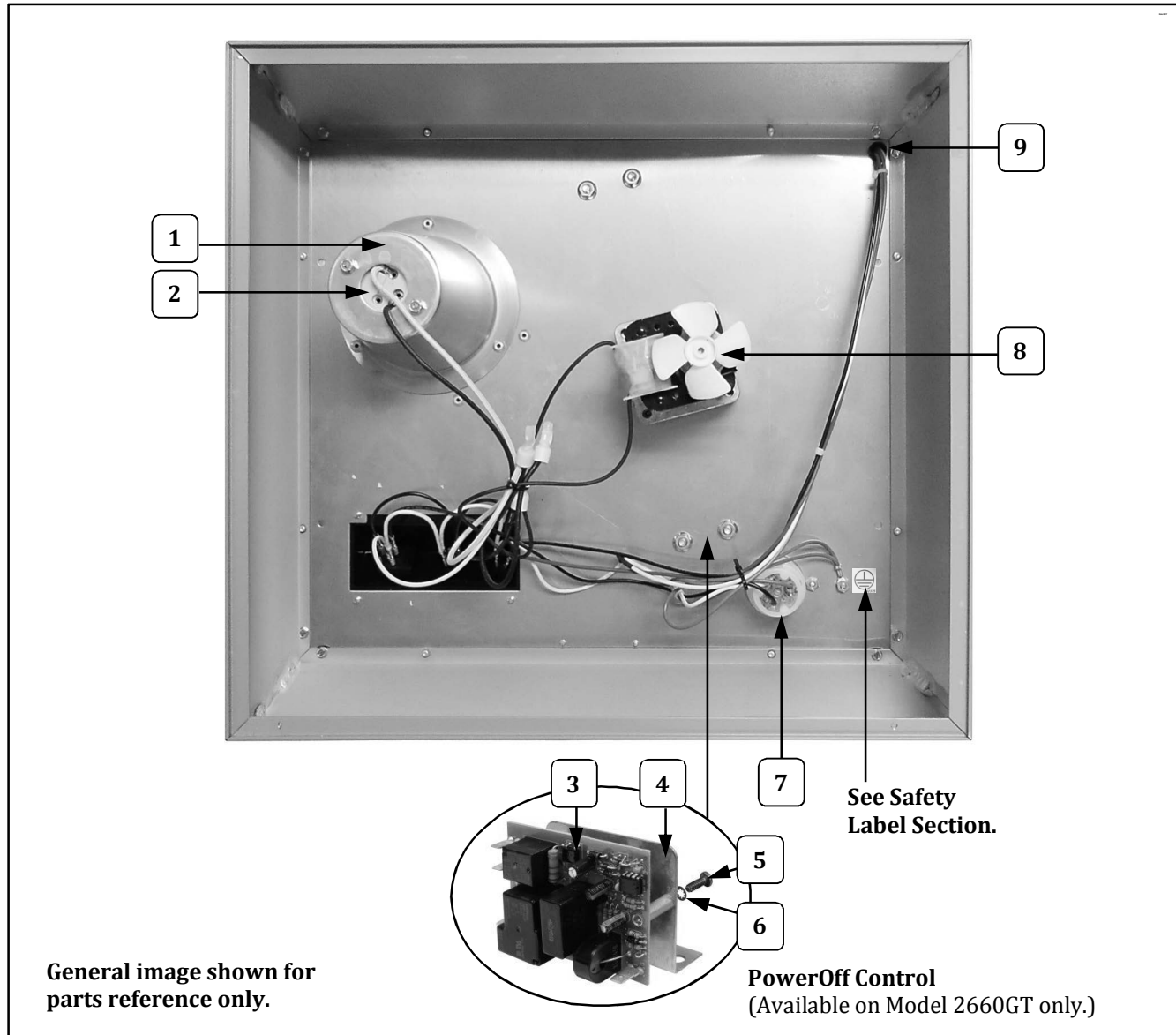
Item	Parts Description	Part Number		
		2660GT	2660GTSV	2660GV
1	LIGHT SHIELD CONICAL	49480	49480	49480
2	LAMP HOLDER	47047	47047	47047
3	AUTO KETTLE POWEROFF CNTRL PCB	55402		
4	BRACKET, KETTLE POWEROFF CNTRL	55427		
5	6-32 X 3/8 PHIL PAN M/S	39000		
6	#6 INTERNAL TOOTH L/W 410SS	39001		
7	15 AMP TWIST LOCK KETTLE RECPT	49330	49330	49330
8	120 VOLT KETTLE DRIVE MOTOR	47038	47038	47038
9	.500 IN BUSHING, SNAP	47236	47236	47236

## Dome Interior – Electrical Components



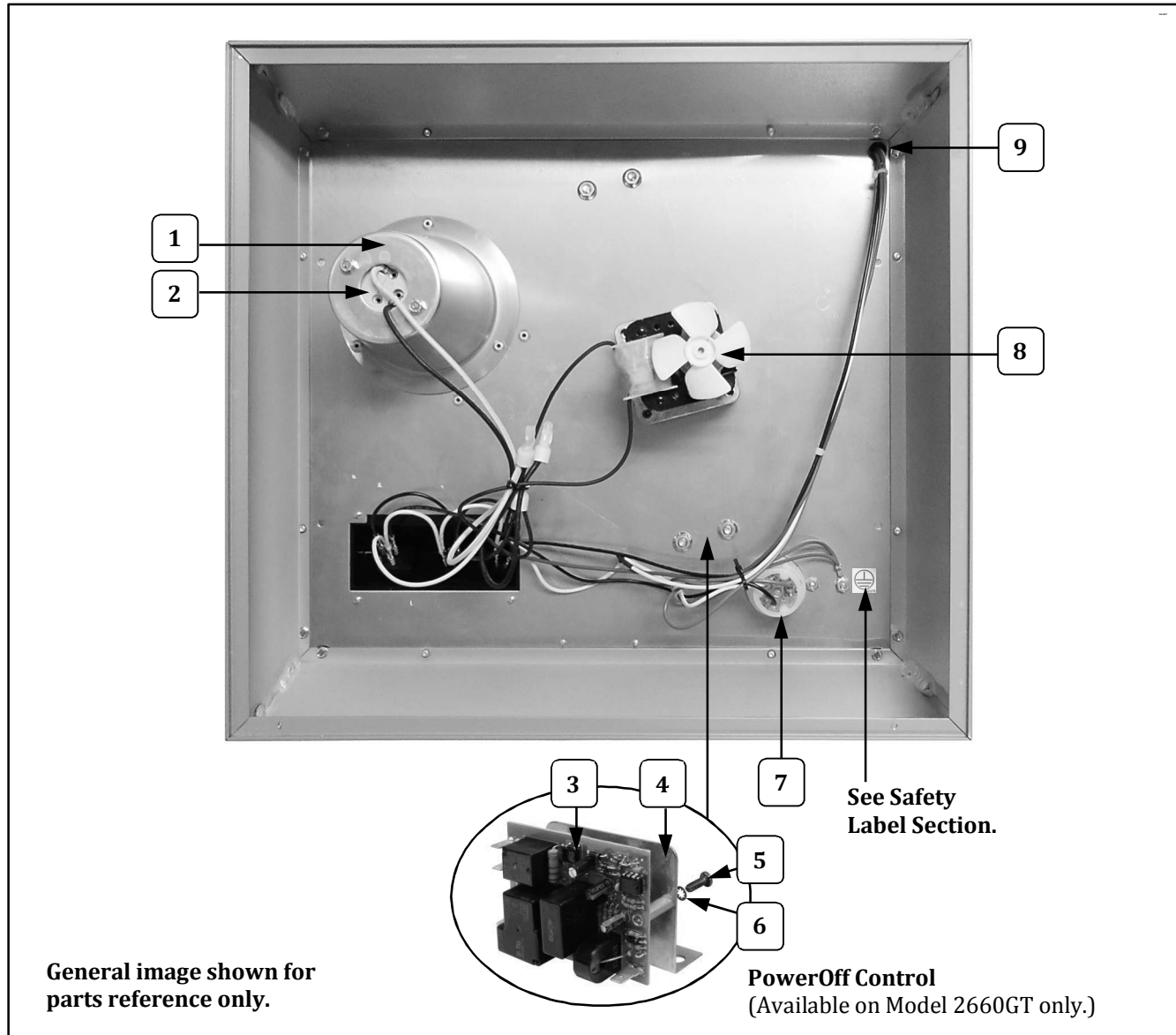
Item	Parts Description	Part Number		
		2660GT	2660GTSV	2660GV
1	LIGHT SHIELD CONICAL	49480	49480	49480
2	LAMP HOLDER	47047	47047	47047
3	AUTO KETTLE POWEROFF CNTRL PCB	55402		
4	BRACKET, KETTLE POWEROFF CNTRL	55427		
5	6-32 X 3/8 PHIL PAN M/S	39000		
6	#6 INTERNAL TOOTH L/W 410SS	39001		
7	15 AMP TWIST LOCK KETTLE RECPT	49330	49330	49330
8	120 VOLT KETTLE DRIVE MOTOR	47038	47038	47038
9	.500 IN BUSHING, SNAP	47236	47236	47236

## Dome Interior – Electrical Components



Item	Parts Description	Part Number		
		2660GT	2660GTSV	2660GV
1	LIGHT SHIELD CONICAL	49480	49480	49480
2	LAMP HOLDER	47047	47047	47047
3	AUTO KETTLE POWEROFF CNTRL PCB	55402		
4	BRACKET, KETTLE POWEROFF CNTRL	55427		
5	6-32 X 3/8 PHIL PAN M/S	39000		
6	#6 INTERNAL TOOTH L/W 410SS	39001		
7	15 AMP TWIST LOCK KETTLE RECPT	49330	49330	49330
8	120 VOLT KETTLE DRIVE MOTOR	47038	47038	47038
9	.500 IN BUSHING, SNAP	47236	47236	47236

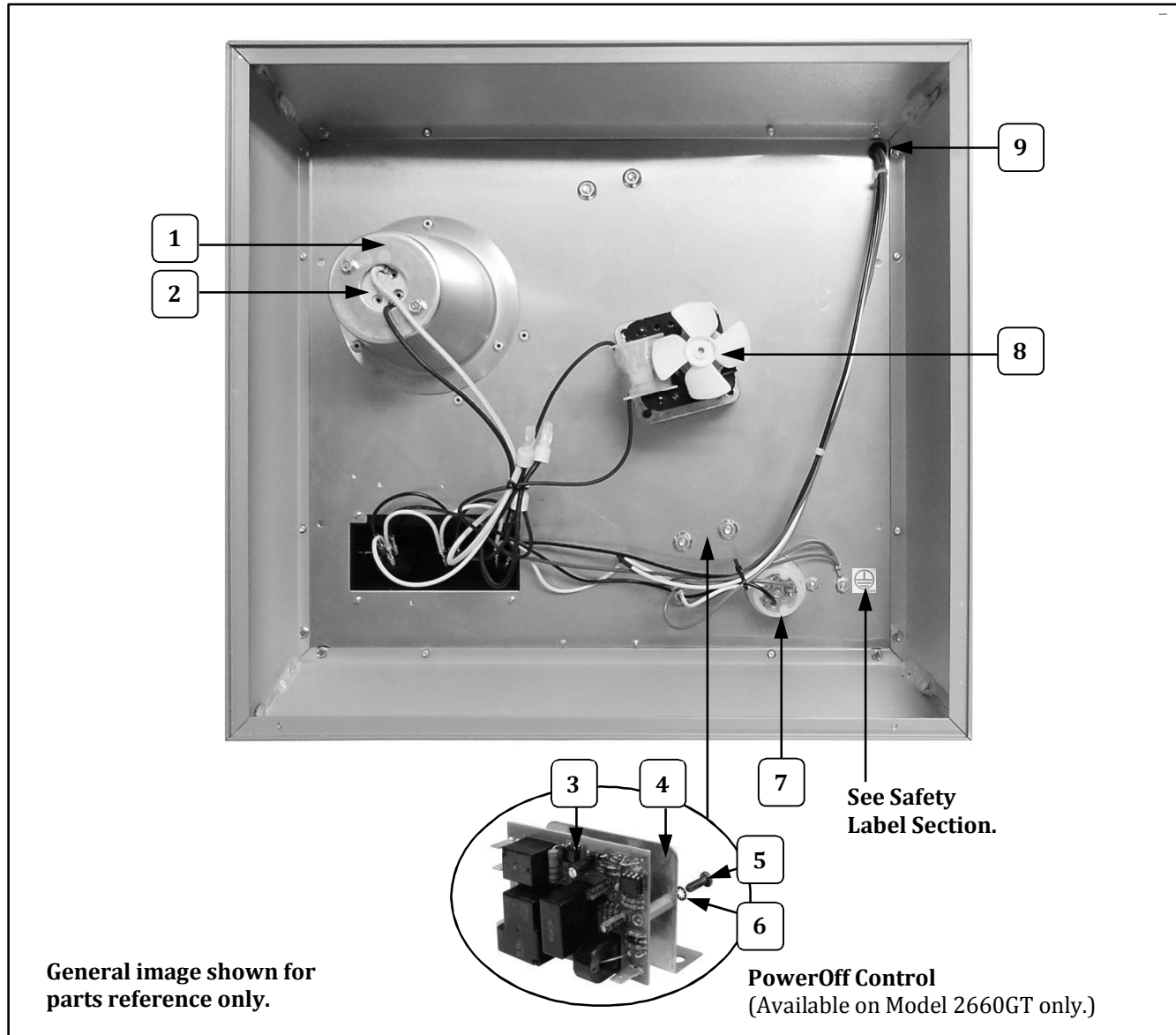
## Dome Interior – Electrical Components



Item	Parts Description	Part Number		
		2660GT	2660GTSV	2660GV
1	LIGHT SHIELD CONICAL	49480	49480	49480
2	LAMP HOLDER	47047	47047	47047
3	AUTO KETTLE POWEROFF CNTRL PCB	55402		
4	BRACKET, KETTLE POWEROFF CNTRL	55427		
5	6-32 X 3/8 PHIL PAN M/S	39000		
6	#6 INTERNAL TOOTH L/W 410SS	39001		
7	15 AMP TWIST LOCK KETTLE RECPT	49330	49330	49330
8	120 VOLT KETTLE DRIVE MOTOR	47038	47038	47038
9	.500 IN BUSHING, SNAP	47236	47236	47236

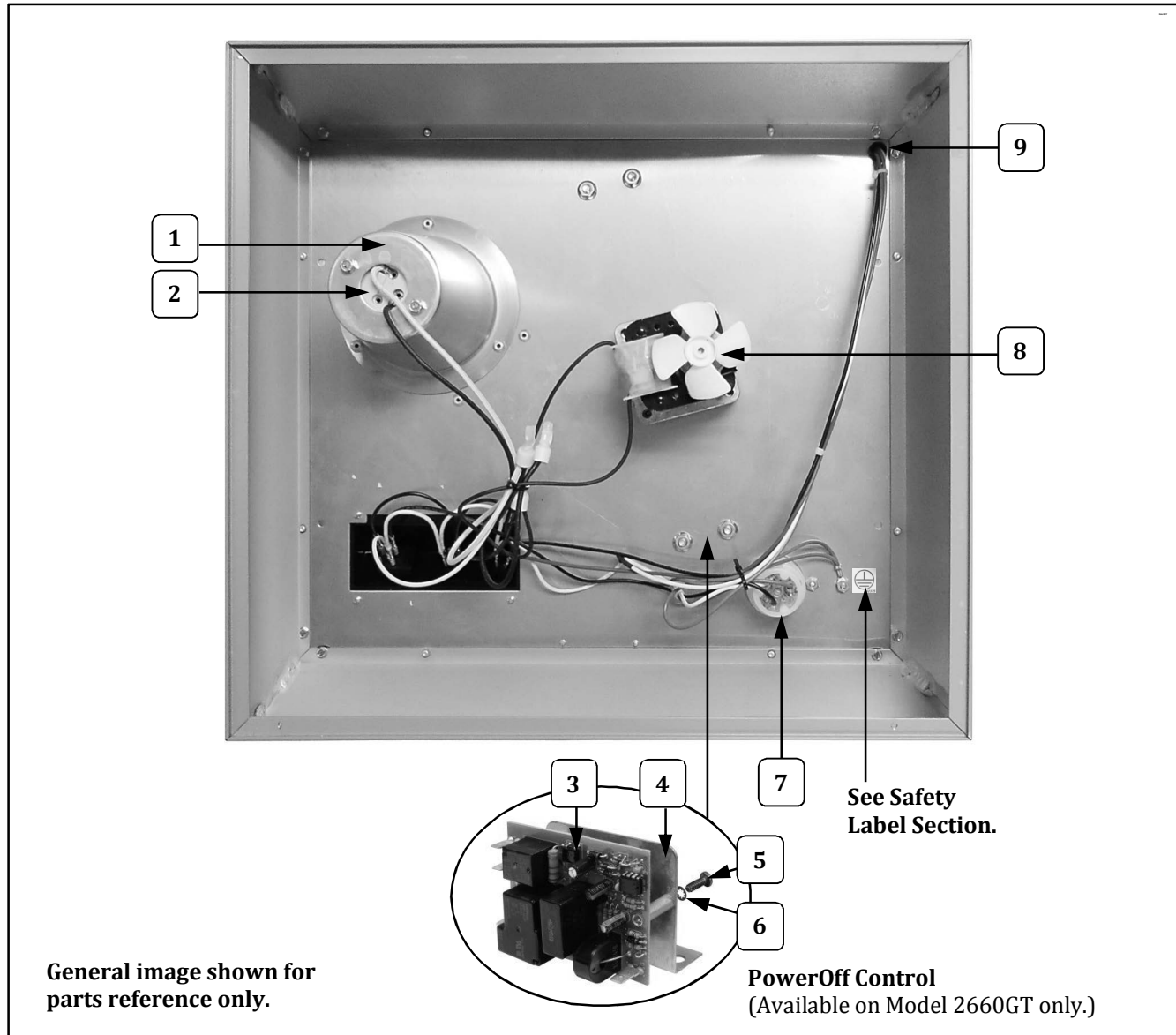


## Dome Interior – Electrical Components



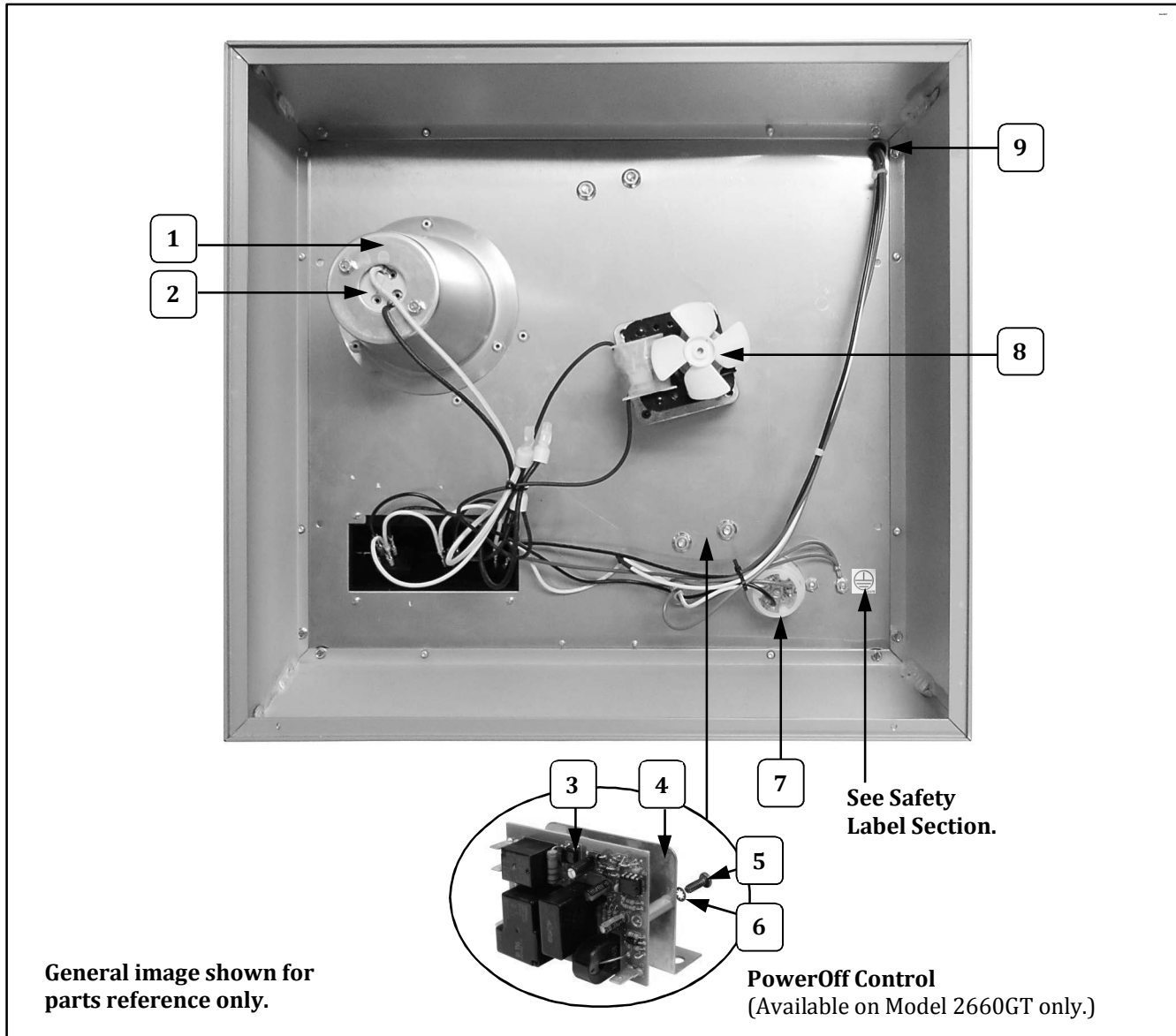
Item	Parts Description	Part Number		
		2660GT	2660GTSV	2660GV
1	LIGHT SHIELD CONICAL	49480	49480	49480
2	LAMP HOLDER	47047	47047	47047
3	AUTO KETTLE POWEROFF CNTRL PCB	55402		
4	BRACKET, KETTLE POWEROFF CNTRL	55427		
5	6-32 X 3/8 PHIL PAN M/S	39000		
6	#6 INTERNAL TOOTH L/W 410SS	39001		
7	15 AMP TWIST LOCK KETTLE RECPT	49330	49330	49330
8	120 VOLT KETTLE DRIVE MOTOR	47038	47038	47038
9	.500 IN BUSHING, SNAP	47236	47236	47236

## Dome Interior – Electrical Components



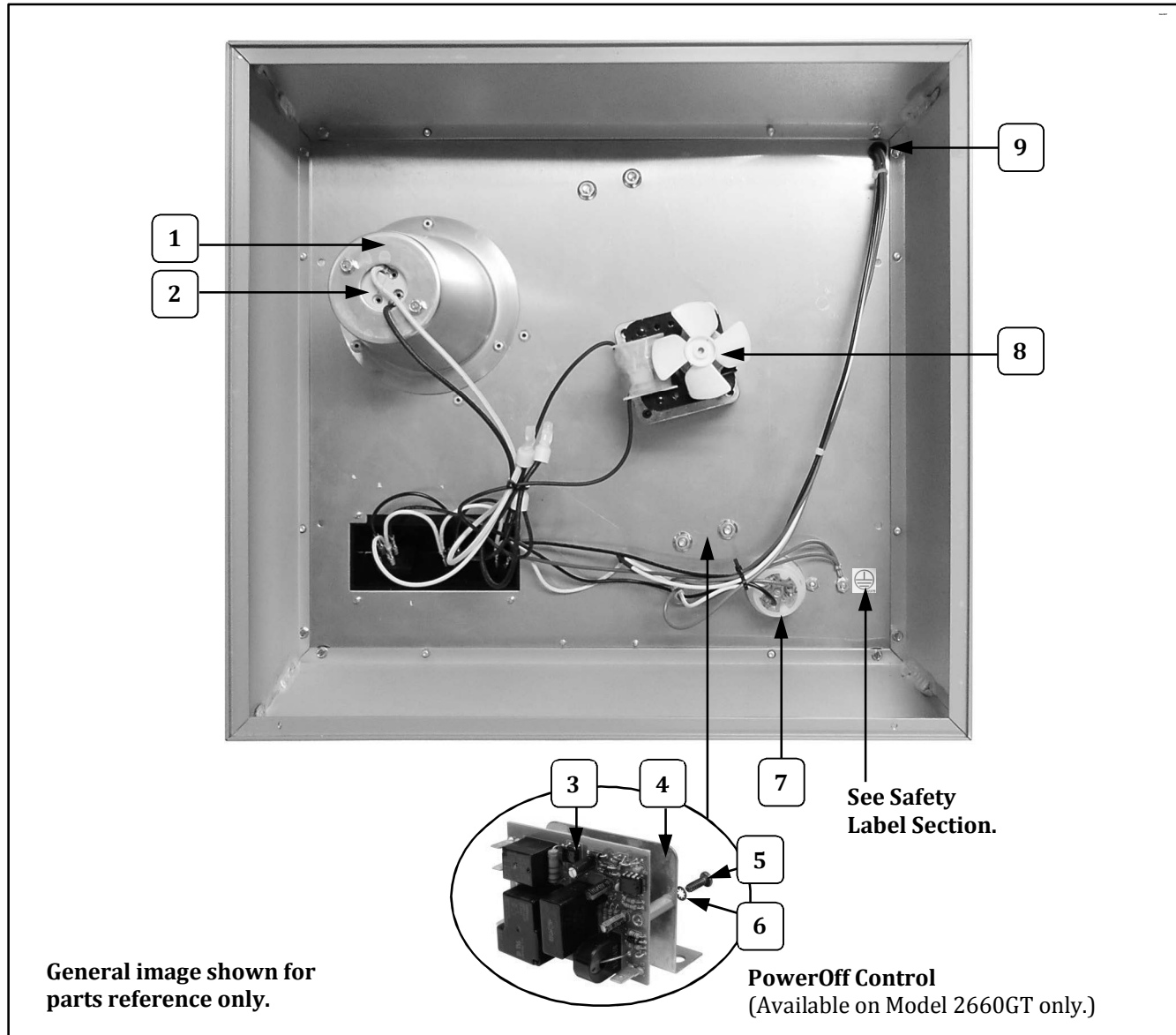
Item	Parts Description	Part Number		
		2660GT	2660GTSV	2660GV
1	LIGHT SHIELD CONICAL	49480	49480	49480
2	LAMP HOLDER	47047	47047	47047
3	AUTO KETTLE POWEROFF CNTRL PCB	55402		
4	BRACKET, KETTLE POWEROFF CNTRL	55427		
5	6-32 X 3/8 PHIL PAN M/S	39000		
6	#6 INTERNAL TOOTH L/W 410SS	39001		
7	15 AMP TWIST LOCK KETTLE RECPT	49330	49330	49330
8	120 VOLT KETTLE DRIVE MOTOR	47038	47038	47038
9	.500 IN BUSHING, SNAP	47236	47236	47236

## Dome Interior – Electrical Components



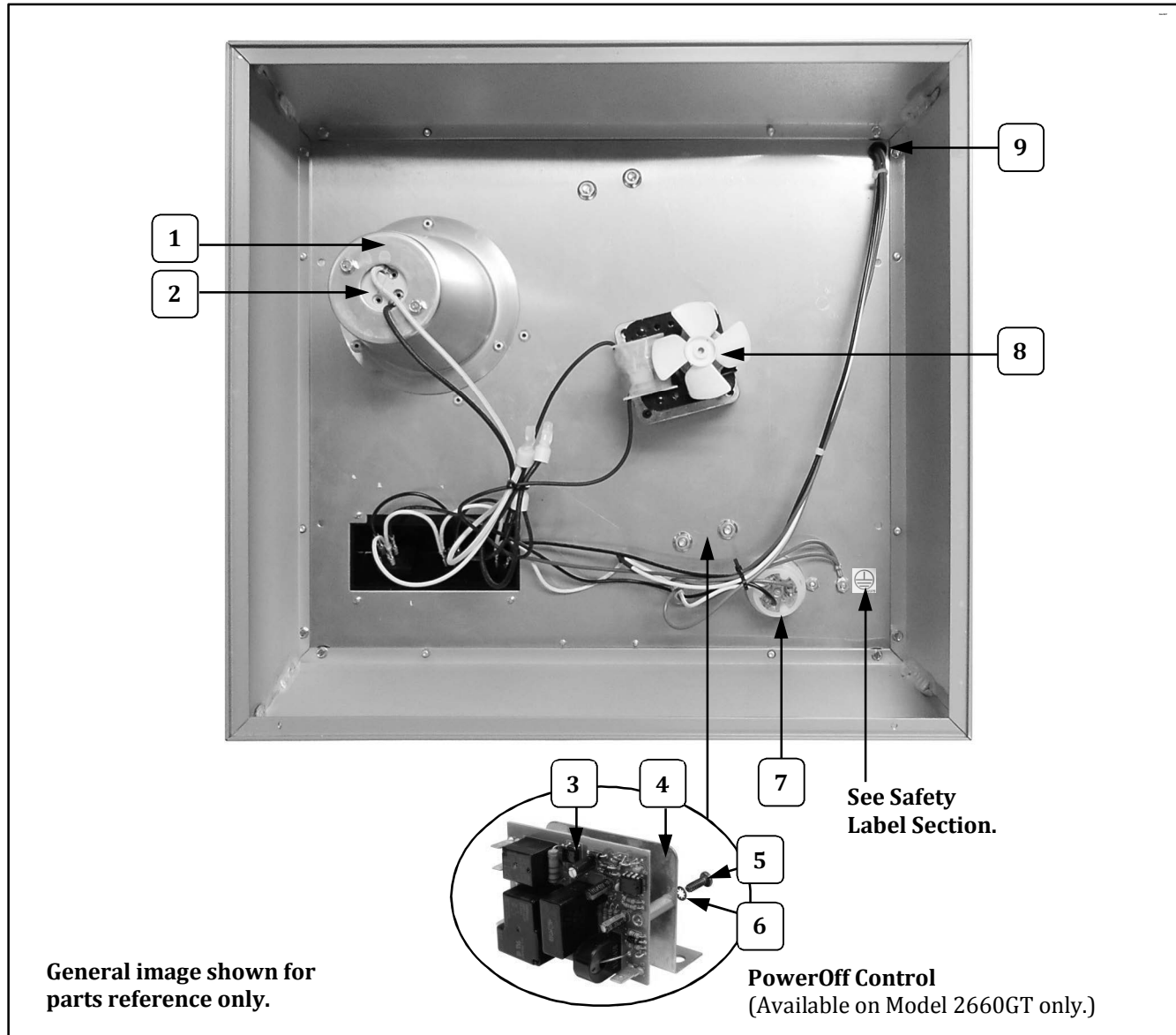
Item	Parts Description	Part Number		
		2660GT	2660GTSV	2660GV
1	LIGHT SHIELD CONICAL	49480	49480	49480
2	LAMP HOLDER	47047	47047	47047
3	AUTO KETTLE POWEROFF CNTRL PCB	55402		
4	BRACKET, KETTLE POWEROFF CNTRL	55427		
5	6-32 X 3/8 PHIL PAN M/S	39000		
6	#6 INTERNAL TOOTH L/W 410SS	39001		
7	15 AMP TWIST LOCK KETTLE RECPT	49330	49330	49330
8	120 VOLT KETTLE DRIVE MOTOR	47038	47038	47038
9	.500 IN BUSHING, SNAP	47236	47236	47236

## Dome Interior – Electrical Components



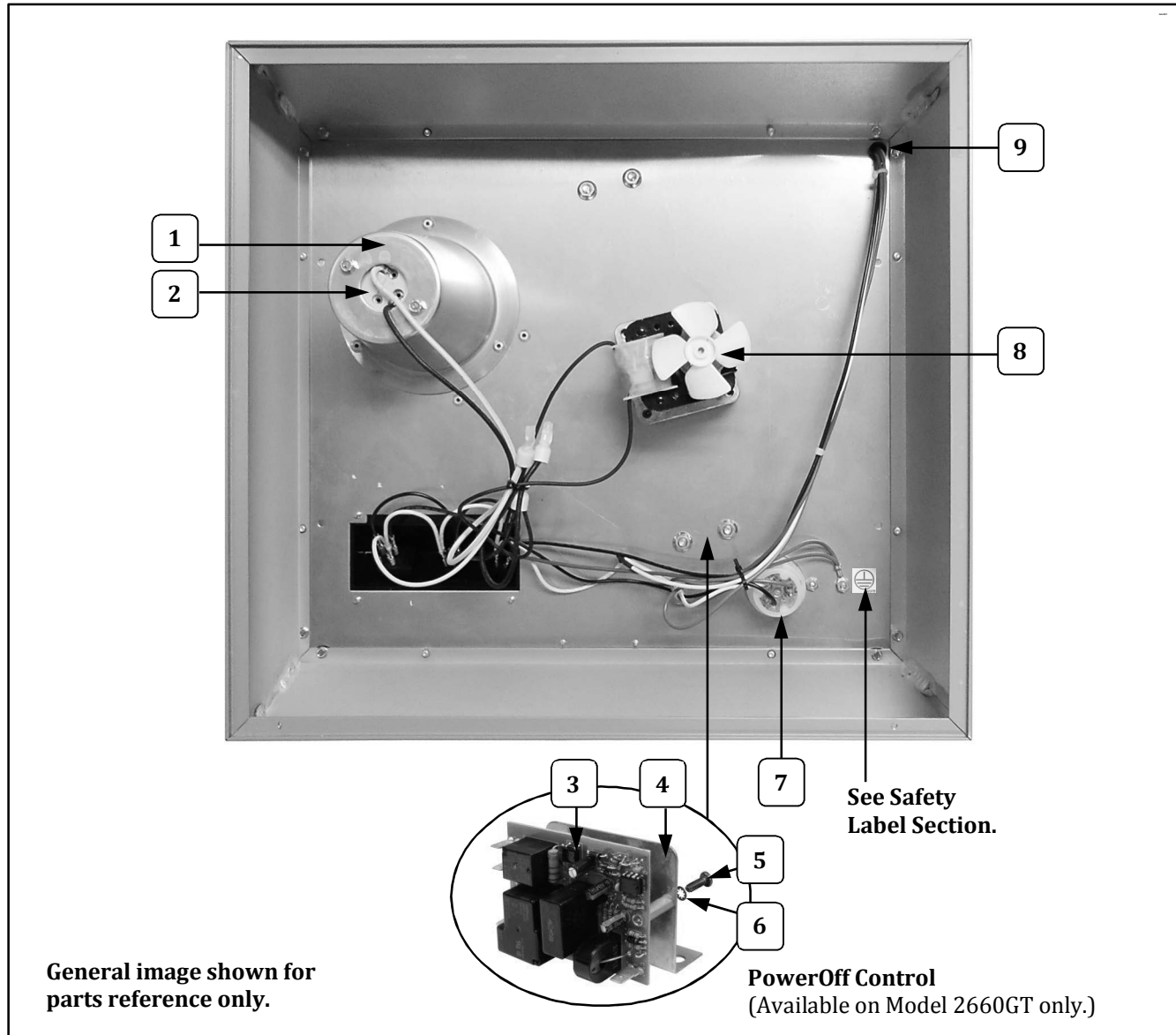
Item	Parts Description	Part Number		
		2660GT	2660GTSV	2660GV
1	LIGHT SHIELD CONICAL	49480	49480	49480
2	LAMP HOLDER	47047	47047	47047
3	AUTO KETTLE POWEROFF CNTRL PCB	55402		
4	BRACKET, KETTLE POWEROFF CNTRL	55427		
5	6-32 X 3/8 PHIL PAN M/S	39000		
6	#6 INTERNAL TOOTH L/W 410SS	39001		
7	15 AMP TWIST LOCK KETTLE RECPT	49330	49330	49330
8	120 VOLT KETTLE DRIVE MOTOR	47038	47038	47038
9	.500 IN BUSHING, SNAP	47236	47236	47236

## Dome Interior – Electrical Components



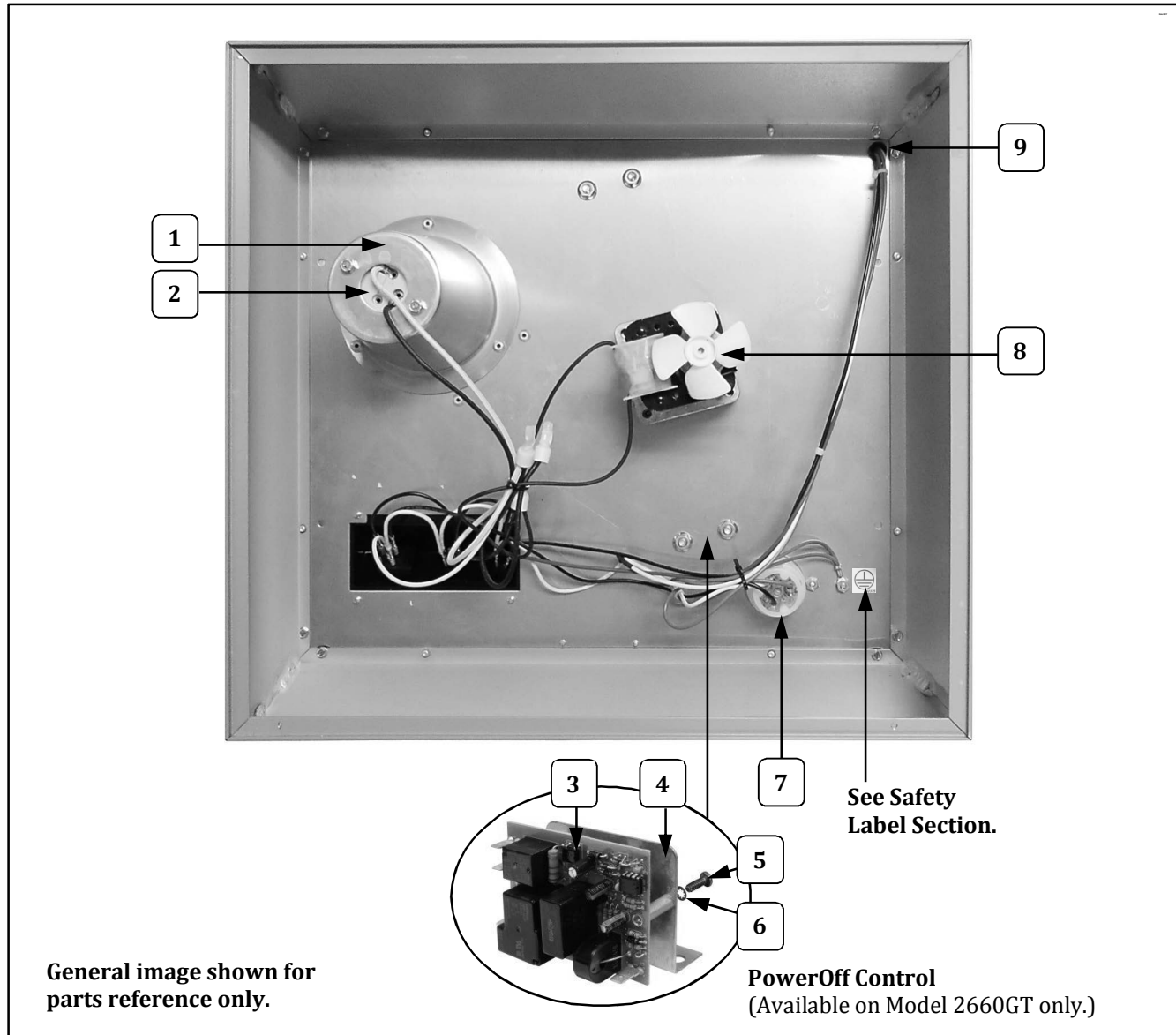
Item	Parts Description	Part Number		
		2660GT	2660GTSV	2660GV
1	LIGHT SHIELD CONICAL	49480	49480	49480
2	LAMP HOLDER	47047	47047	47047
3	AUTO KETTLE POWEROFF CNTRL PCB	55402		
4	BRACKET, KETTLE POWEROFF CNTRL	55427		
5	6-32 X 3/8 PHIL PAN M/S	39000		
6	#6 INTERNAL TOOTH L/W 410SS	39001		
7	15 AMP TWIST LOCK KETTLE RECPT	49330	49330	49330
8	120 VOLT KETTLE DRIVE MOTOR	47038	47038	47038
9	.500 IN BUSHING, SNAP	47236	47236	47236

## Dome Interior – Electrical Components



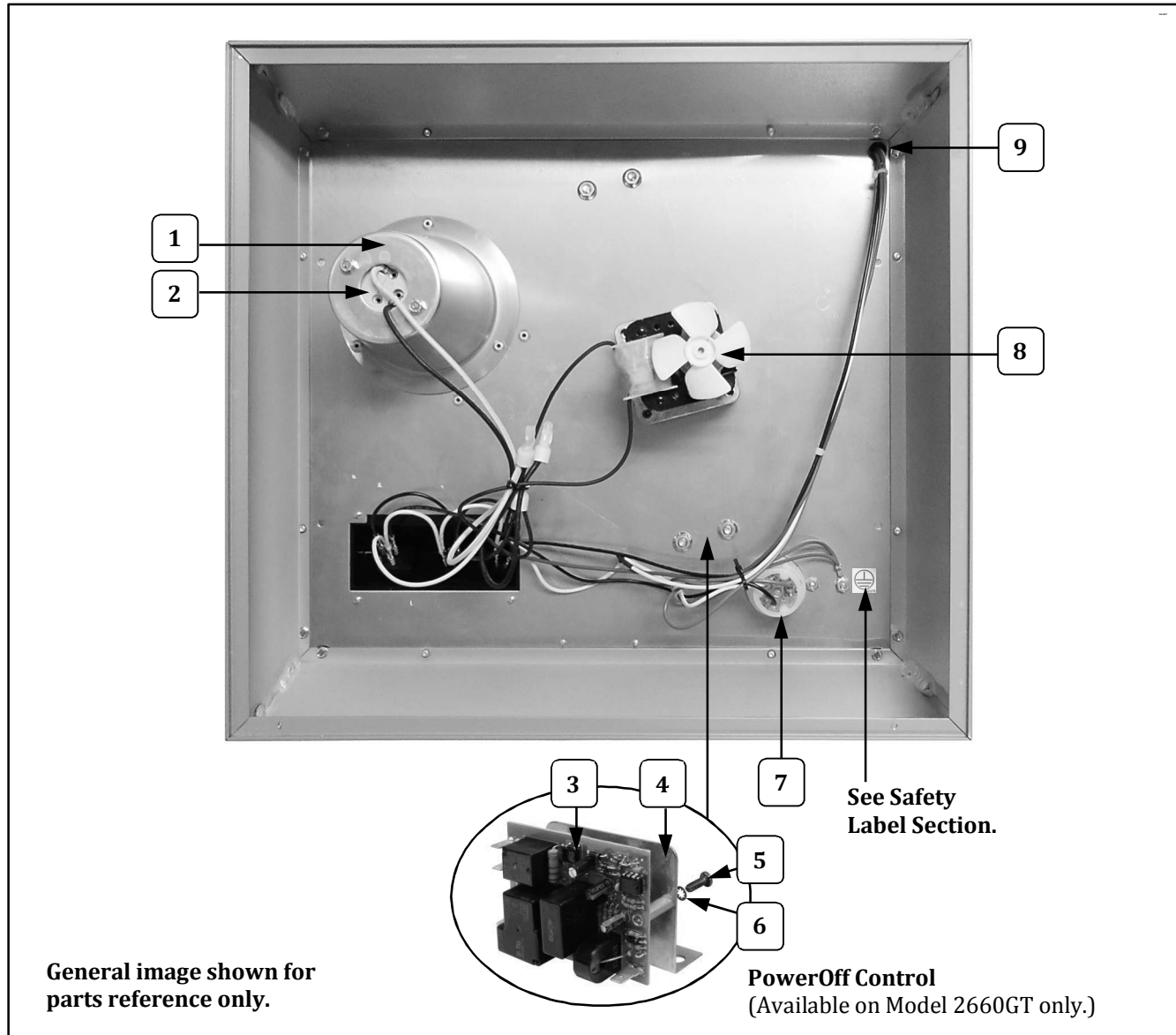
Item	Parts Description	Part Number		
		2660GT	2660GTSV	2660GV
1	LIGHT SHIELD CONICAL	49480	49480	49480
2	LAMP HOLDER	47047	47047	47047
3	AUTO KETTLE POWEROFF CNTRL PCB	55402		
4	BRACKET, KETTLE POWEROFF CNTRL	55427		
5	6-32 X 3/8 PHIL PAN M/S	39000		
6	#6 INTERNAL TOOTH L/W 410SS	39001		
7	15 AMP TWIST LOCK KETTLE RECPT	49330	49330	49330
8	120 VOLT KETTLE DRIVE MOTOR	47038	47038	47038
9	.500 IN BUSHING, SNAP	47236	47236	47236

## Dome Interior – Electrical Components



Item	Parts Description	Part Number		
		2660GT	2660GTSV	2660GV
1	LIGHT SHIELD CONICAL	49480	49480	49480
2	LAMP HOLDER	47047	47047	47047
3	AUTO KETTLE POWEROFF CNTRL PCB	55402		
4	BRACKET, KETTLE POWEROFF CNTRL	55427		
5	6-32 X 3/8 PHIL PAN M/S	39000		
6	#6 INTERNAL TOOTH L/W 410SS	39001		
7	15 AMP TWIST LOCK KETTLE RECPT	49330	49330	49330
8	120 VOLT KETTLE DRIVE MOTOR	47038	47038	47038
9	.500 IN BUSHING, SNAP	47236	47236	47236

## Dome Interior – Electrical Components



Item	Parts Description	Part Number		
		2660GT	2660GTSV	2660GV
1	LIGHT SHIELD CONICAL	49480	49480	49480
2	LAMP HOLDER	47047	47047	47047
3	AUTO KETTLE POWEROFF CNTRL PCB	55402		
4	BRACKET, KETTLE POWEROFF CNTRL	55427		
5	6-32 X 3/8 PHIL PAN M/S	39000		
6	#6 INTERNAL TOOTH L/W 410SS	39001		
7	15 AMP TWIST LOCK KETTLE RECPT	49330	49330	49330
8	120 VOLT KETTLE DRIVE MOTOR	47038	47038	47038
9	.500 IN BUSHING, SNAP	47236	47236	47236





# Safety Labels

**1** → **MAXIMUM LAMP SIZE**  
75 WATT  
PUISSANCE MAXIMALE DE LA LAMPE  
MAXIMALE LAMPENLEISTUNG  
CAPACIDAD MAXIMA DE LA LAMPARA 41452

**2** → **UNPLUG THIS UNIT BEFORE CLEANING**  
DEBRANCHER CET APPAREIL AVANT NETTOYAGE  
ZIEHN SIE DEN STECKER AUS DER STECKDOSE,  
BEVOR SIE DIE MASCHINE REINIGEN  
DESCONECTE ESTA UNIDAD ANTES DE LIMPIARLA 76097

**3** → **FOR PARTS OR SERVICE CALL**  
GOLD MEDAL PRODUCTS CO.  
SERVICE DEPARTMENT  
1-800-543-0862 87935

**4** → **UNIVERSAL POPPER DECAL**

**5** → **MAIN GROUND LABEL**  
42375

**6** → **WARNING! CONTACT WITH THIS SURFACE WHILE THE APPLIANCE IS OPERATING MAY CAUSE BURNS**  
AVERTISSEMENT! CONTACT AVEC CETTE SURFACE PENDANT LE FONCTIONNEMENT DE L'APPAREIL POURRAIT CAUSER DES BRULURES 87087

**7** → **poweroff CONTROL**  
PATENT PENDING  
WHEN THE HEAT SWITCH LIGHT IS BLINKING, TURN THE HEAT SWITCH OFF-ON TO RESTART THE KETTLE HEAT

**8** → **CONDUIT WARNING LABEL**  
82840

**9** → **WARNING LABEL CORD**  
68720

**10** → **POWER CORD TAG**  
76135

Item	Part Description	Part Number	
		2660GTSV, 2660GV	2660GT
1	WARNING, MAX LAMP 75W	41452	41452
2	LABEL UNPLUG TO CLEAN	76097	76097
3	SERVICE LABEL	87935	87935
4	UNIVERSAL POPPER DECAL	41019	41019
5	MAIN GROUND LABEL	42375	42375
6	WARNING, SURFACE CONTACT	87087	87087
7	LABEL POWEROFF CNTRL	N/A	55436
8	CONDUIT WARNING LABEL	82840	82840
9	WARNING LABEL CORD	68720	68720
10	POWER CORD TAG	76135	76135



# Safety Labels

**1** → **MAXIMUM LAMP SIZE**  
75 WATT  
PUISSANCE MAXIMALE DE LA LAMPE  
MAXIMALE LAMPENLEISTUNG  
CAPACIDAD MAXIMA DE LA LAMPARA 41452

**2** → **UNPLUG THIS UNIT BEFORE CLEANING**  
DEBRANCHER CET APPAREIL AVANT NETTOYAGE  
ZIEHN SIE DEN STECKER AUS DER STECKDOSE,  
BEVOR SIE DIE MASCHINE REINIGEN  
DESCONECTE ESTA UNIDAD ANTES DE LIMPIARLA 76097

**3** → **FOR PARTS OR SERVICE CALL**  
GOLD MEDAL PRODUCTS CO.  
SERVICE DEPARTMENT  
1-800-543-0862 87935

**4** → **UNIVERSAL POPPER DECAL**

**5** → **MAIN GROUND LABEL**  
42375

**6** → **WARNING! CONTACT WITH THIS SURFACE WHILE THE APPLIANCE IS OPERATING MAY CAUSE BURNS**  
AVERTISSEMENT! CONTACT AVEC CETTE SURFACE PENDANT LE FONCTIONNEMENT DE L'APPAREIL POURRAIT CAUSER DES BRULURES 87087

**7** → **poweroff CONTROL**  
PATENT PENDING  
WHEN THE HEAT SWITCH LIGHT IS BLINKING, TURN THE HEAT SWITCH OFF-ON TO RESTART THE KETTLE HEAT

**Unit Labels**

**8** → **CONDUIT WARNING LABEL**  
82840

**9** → **WARNING LABEL CORD**  
68720

**Kettle Lead In Label**

**9** → **WARNING LABEL CORD**  
68720

**10** → **POWER CORD TAG**  
76135

**Power Cord Labels**

Item	Part Description	Part Number	
		2660GTSV, 2660GV	2660GT
1	WARNING, MAX LAMP 75W	41452	41452
2	LABEL UNPLUG TO CLEAN	76097	76097
3	SERVICE LABEL	87935	87935
4	UNIVERSAL POPPER DECAL	41019	41019
5	MAIN GROUND LABEL	42375	42375
6	WARNING, SURFACE CONTACT	87087	87087
7	LABEL POWEROFF CNTRL	N/A	55436
8	CONDUIT WARNING LABEL	82840	82840
9	WARNING LABEL CORD	68720	68720
10	POWER CORD TAG	76135	76135



# Safety Labels

**1** → **MAXIMUM LAMP SIZE**  
75 WATT  
PUISSANCE MAXIMALE DE LA LAMPE  
MAXIMALE LAMPENLEISTUNG  
CAPACIDAD MAXIMA DE LA LAMPARA 41452

**2** → **UNPLUG THIS UNIT BEFORE CLEANING**  
DEBRANCHER CET APPAREIL AVANT NETTOYAGE  
ZIEHN SIE DEN STECKER AUS DER STECKDOSE,  
BEVOR SIE DIE MASCHINE REINIGEN  
DESCONECTE ESTA UNIDAD ANTES DE LIMPIARLA 76097

**3** → **FOR PARTS OR SERVICE CALL**  
GOLD MEDAL PRODUCTS CO.  
SERVICE DEPARTMENT  
1-800-543-0862 87935

**4** → **UNIVERSAL POPPER DECAL**

**5** → **MAIN GROUND LABEL**  
42375

**6** → **WARNING! CONTACT WITH THIS SURFACE WHILE THE APPLIANCE IS OPERATING MAY CAUSE BURNS**  
AVERTISSEMENT! CONTACT AVEC CETTE SURFACE PENDANT LE FONCTIONNEMENT DE L'APPAREIL POURRAIT CAUSER DES BRULURES 87087

**7** → **poweroff CONTROL**  
PATENT PENDING  
WHEN THE HEAT SWITCH LIGHT IS BLINKING, TURN THE HEAT SWITCH OFF-ON TO RESTART THE KETTLE HEAT

**Unit Labels**

**8** → **CONDUIT WARNING LABEL**  
82840

**9** → **WARNING LABEL CORD**  
68720

**Kettle Lead In Label**

**9** → **WARNING LABEL CORD**  
68720

**10** → **POWER CORD TAG**  
76135

**Power Cord Labels**

Item	Part Description	Part Number	
		2660GTSV, 2660GV	2660GT
1	WARNING, MAX LAMP 75W	41452	41452
2	LABEL UNPLUG TO CLEAN	76097	76097
3	SERVICE LABEL	87935	87935
4	UNIVERSAL POPPER DECAL	41019	41019
5	MAIN GROUND LABEL	42375	42375
6	WARNING, SURFACE CONTACT	87087	87087
7	LABEL POWEROFF CNTRL	N/A	55436
8	CONDUIT WARNING LABEL	82840	82840
9	WARNING LABEL CORD	68720	68720
10	POWER CORD TAG	76135	76135



# Safety Labels

**1** → **MAXIMUM LAMP SIZE**  
75 WATT  
PUISSANCE MAXIMALE DE LA LAMPE  
MAXIMALE LAMPENLEISTUNG  
CAPACIDAD MAXIMA DE LA LAMPARA 41452

**2** → **UNPLUG THIS UNIT BEFORE CLEANING**  
DEBRANCHER CET APPAREIL AVANT NETTOYAGE  
ZIEHN SIE DEN STECKER AUS DER STECKDOSE,  
BEVOR SIE DIE MASCHINE REINIGEN  
DESCONECTE ESTA UNIDAD ANTES DE LIMPIARLA 76097

**3** → **FOR PARTS OR SERVICE CALL**  
GOLD MEDAL PRODUCTS CO.  
SERVICE DEPARTMENT  
1-800-543-0862 87935

**4** → **UNIVERSAL POPPER DECAL**

**5** → **MAIN GROUND LABEL**  
42375

**6** → **WARNING! CONTACT WITH THIS SURFACE WHILE THE APPLIANCE IS OPERATING MAY CAUSE BURNS**  
AVERTISSEMENT! CONTACT AVEC CETTE SURFACE PENDANT LE FONCTIONNEMENT DE L'APPAREIL POURRAIT CAUSER DES BRULURES 87087

**7** → **poweroff CONTROL**  
PATENT PENDING  
WHEN THE HEAT SWITCH LIGHT IS BLINKING, TURN THE HEAT SWITCH OFF-ON TO RESTART THE KETTLE HEAT

**Unit Labels**

**8** → **CONDUIT WARNING LABEL**  
82840

**9** → **WARNING LABEL CORD**  
68720

**Kettle Lead In Label**

**9** → **WARNING LABEL CORD**  
68720

**10** → **POWER CORD TAG**  
76135

**Power Cord Labels**

Item	Part Description	Part Number	
		2660GTSV, 2660GV	2660GT
1	WARNING, MAX LAMP 75W	41452	41452
2	LABEL UNPLUG TO CLEAN	76097	76097
3	SERVICE LABEL	87935	87935
4	UNIVERSAL POPPER DECAL	41019	41019
5	MAIN GROUND LABEL	42375	42375
6	WARNING, SURFACE CONTACT	87087	87087
7	LABEL POWEROFF CNTRL	N/A	55436
8	CONDUIT WARNING LABEL	82840	82840
9	WARNING LABEL CORD	68720	68720
10	POWER CORD TAG	76135	76135



# Safety Labels

**1** → **MAXIMUM LAMP SIZE**  
75 WATT  
PUISSANCE MAXIMALE DE LA LAMPE  
MAXIMALE LAMPENLEISTUNG  
CAPACIDAD MAXIMA DE LA LAMPARA 41452

**2** → **UNPLUG THIS UNIT BEFORE CLEANING**  
DEBRANCHER CET APPAREIL AVANT NETTOYAGE  
ZIEHN SIE DEN STECKER AUS DER STECKDOSE,  
BEVOR SIE DIE MASCHINE REINIGEN  
DESCONECTE ESTA UNIDAD ANTES DE LIMPIARLA 76097

**3** → **FOR PARTS OR SERVICE CALL**  
GOLD MEDAL PRODUCTS CO.  
SERVICE DEPARTMENT  
1-800-543-0862 87935

**4** → **UNIVERSAL POPPER DECAL**

**5** → **MAIN GROUND LABEL**  
42375

**6** → **WARNING! CONTACT WITH THIS SURFACE WHILE THE APPLIANCE IS OPERATING MAY CAUSE BURNS**  
AVERTISSEMENT! CONTACT AVEC CETTE SURFACE PENDANT LE FONCTIONNEMENT DE L'APPAREIL POURRAIT CAUSER DES BRULURES 87087

**7** → **poweroff CONTROL**  
PATENT PENDING  
WHEN THE HEAT SWITCH LIGHT IS BLINKING, TURN THE HEAT SWITCH OFF-ON TO RESTART THE KETTLE HEAT

**Unit Labels**

**8** → **CONDUIT WARNING LABEL**  
82840

**9** → **WARNING LABEL CORD**  
68720

**Kettle Lead In Label**

**9** → **WARNING LABEL CORD**  
68720

**10** → **POWER CORD TAG**  
76135

**Power Cord Labels**

Item	Part Description	Part Number	
		2660GTSV, 2660GV	2660GT
1	WARNING, MAX LAMP 75W	41452	41452
2	LABEL UNPLUG TO CLEAN	76097	76097
3	SERVICE LABEL	87935	87935
4	UNIVERSAL POPPER DECAL	41019	41019
5	MAIN GROUND LABEL	42375	42375
6	WARNING, SURFACE CONTACT	87087	87087
7	LABEL POWEROFF CNTRL	N/A	55436
8	CONDUIT WARNING LABEL	82840	82840
9	WARNING LABEL CORD	68720	68720
10	POWER CORD TAG	76135	76135



# Safety Labels

**1** → **MAXIMUM LAMP SIZE**  
75 WATT  
PUISSANCE MAXIMALE DE LA LAMPE  
MAXIMALE LAMPENLEISTUNG  
CAPACIDAD MAXIMA DE LA LAMPARA 41452

**2** → **UNPLUG THIS UNIT BEFORE CLEANING**  
DEBRANCHER CET APPAREIL AVANT NETTOYAGE  
ZIEHN SIE DEN STECKER AUS DER STECKDOSE,  
BEVOR SIE DIE MASCHINE REINIGEN  
DESCONECTE ESTA UNIDAD ANTES DE LIMPIARLA 76097

**3** → **FOR PARTS OR SERVICE CALL**  
GOLD MEDAL PRODUCTS CO.  
SERVICE DEPARTMENT  
1-800-543-0862 87935

**4** → **UNIVERSAL POPPER DECAL**

**5** → **MAIN GROUND LABEL**  
42375

**6** → **WARNING! CONTACT WITH THIS SURFACE WHILE THE APPLIANCE IS OPERATING MAY CAUSE BURNS**  
AVERTISSEMENT! CONTACT AVEC CETTE SURFACE PENDANT LE FONCTIONNEMENT DE L'APPAREIL POURRAIT CAUSER DES BRULURES 87087

**7** → **poweroff CONTROL**  
PATENT PENDING  
WHEN THE HEAT SWITCH LIGHT IS BLINKING, TURN THE HEAT SWITCH OFF-ON TO RESTART THE KETTLE HEAT

**Unit Labels**

**8** → **CONDUIT WARNING LABEL**  
82840

**9** → **WARNING LABEL CORD**  
68720

**Kettle Lead In Label**

**9** → **WARNING LABEL CORD**  
68720

**10** → **POWER CORD TAG**  
76135

**Power Cord Labels**

Item	Part Description	Part Number	
		2660GTSV, 2660GV	2660GT
1	WARNING, MAX LAMP 75W	41452	41452
2	LABEL UNPLUG TO CLEAN	76097	76097
3	SERVICE LABEL	87935	87935
4	UNIVERSAL POPPER DECAL	41019	41019
5	MAIN GROUND LABEL	42375	42375
6	WARNING, SURFACE CONTACT	87087	87087
7	LABEL POWEROFF CNTRL	N/A	55436
8	CONDUIT WARNING LABEL	82840	82840
9	WARNING LABEL CORD	68720	68720
10	POWER CORD TAG	76135	76135



# Safety Labels

**1** → **MAXIMUM LAMP SIZE**  
75 WATT  
PUISSANCE MAXIMALE DE LA LAMPE  
MAXIMALE LAMPENLEISTUNG  
CAPACIDAD MAXIMA DE LA LAMPARA 41452

**2** → **UNPLUG THIS UNIT BEFORE CLEANING**  
DEBRANCHER CET APPAREIL AVANT NETTOYAGE  
ZIEHN SIE DEN STECKER AUS DER STECKDOSE,  
BEVOR SIE DIE MASCHINE REINIGEN  
DESCONECTE ESTA UNIDAD ANTES DE LIMPIARLA 76097

**3** → **FOR PARTS OR SERVICE CALL**  
GOLD MEDAL PRODUCTS CO.  
SERVICE DEPARTMENT  
1-800-543-0862 87935

**4** → **UNIVERSAL POPPER DECAL**

**5** → **MAIN GROUND LABEL**  
42375

**6** → **WARNING! CONTACT WITH THIS SURFACE WHILE THE APPLIANCE IS OPERATING MAY CAUSE BURNS**  
AVERTISSEMENT! CONTACT AVEC CETTE SURFACE PENDANT LE FONCTIONNEMENT DE L'APPAREIL POURRAIT CAUSER DES BRULURES 87087

**7** → **poweroff CONTROL**  
PATENT PENDING  
WHEN THE HEAT SWITCH LIGHT IS BLINKING, TURN THE HEAT SWITCH OFF-ON TO RESTART THE KETTLE HEAT

**Unit Labels**

**8** → **CONDUIT WARNING LABEL**  
82840

**9** → **WARNING LABEL CORD**  
68720

**Kettle Lead In Label**

**9** → **WARNING LABEL CORD**  
68720

**10** → **POWER CORD TAG**  
76135

**Power Cord Labels**

Item	Part Description	Part Number	
		2660GTSV, 2660GV	2660GT
1	WARNING, MAX LAMP 75W	41452	41452
2	LABEL UNPLUG TO CLEAN	76097	76097
3	SERVICE LABEL	87935	87935
4	UNIVERSAL POPPER DECAL	41019	41019
5	MAIN GROUND LABEL	42375	42375
6	WARNING, SURFACE CONTACT	87087	87087
7	LABEL POWEROFF CNTRL	N/A	55436
8	CONDUIT WARNING LABEL	82840	82840
9	WARNING LABEL CORD	68720	68720
10	POWER CORD TAG	76135	76135



# Safety Labels

**1** → **MAXIMUM LAMP SIZE**  
75 WATT  
PUISSANCE MAXIMALE DE LA LAMPE  
MAXIMALE LAMPENLEISTUNG  
CAPACIDAD MAXIMA DE LA LAMPARA 41452

**2** → **UNPLUG THIS UNIT BEFORE CLEANING**  
DEBRANCHER CET APPAREIL AVANT NETTOYAGE  
ZIEHN SIE DEN STECKER AUS DER STECKDOSE,  
BEVOR SIE DIE MASCHINE REINIGEN  
DESCONECTE ESTA UNIDAD ANTES DE LIMPIARLA 76097

**3** → **FOR PARTS OR SERVICE CALL**  
GOLD MEDAL PRODUCTS CO.  
SERVICE DEPARTMENT  
1-800-543-0862 87935

**4** → **UNIVERSAL POPPER DECAL**

**5** → **MAIN GROUND LABEL**  
42375

**6** → **WARNING! CONTACT WITH THIS SURFACE WHILE THE APPLIANCE IS OPERATING MAY CAUSE BURNS**  
AVERTISSEMENT! CONTACT AVEC CETTE SURFACE PENDANT LE FONCTIONNEMENT DE L'APPAREIL POURRAIT CAUSER DES BRULURES 87087

**7** → **poweroff CONTROL**  
PATENT PENDING  
WHEN THE HEAT SWITCH LIGHT IS BLINKING, TURN THE HEAT SWITCH OFF-ON TO RESTART THE KETTLE HEAT

**Unit Labels**

**8** → **CONDUIT WARNING LABEL**  
82840

**9** → **WARNING LABEL CORD**  
68720

**Kettle Lead In Label**

**9** → **WARNING LABEL CORD**  
68720

**10** → **POWER CORD TAG**  
76135

**Power Cord Labels**

Item	Part Description	Part Number	
		2660GTSV, 2660GV	2660GT
1	WARNING, MAX LAMP 75W	41452	41452
2	LABEL UNPLUG TO CLEAN	76097	76097
3	SERVICE LABEL	87935	87935
4	UNIVERSAL POPPER DECAL	41019	41019
5	MAIN GROUND LABEL	42375	42375
6	WARNING, SURFACE CONTACT	87087	87087
7	LABEL POWEROFF CNTRL	N/A	55436
8	CONDUIT WARNING LABEL	82840	82840
9	WARNING LABEL CORD	68720	68720
10	POWER CORD TAG	76135	76135





# Safety Labels

**1** → **MAXIMUM LAMP SIZE**  
75 WATT  
PUISSANCE MAXIMALE DE LA LAMPE  
MAXIMALE LAMPENLEISTUNG  
CAPACIDAD MAXIMA DE LA LAMPARA 41452

**2** → **UNPLUG THIS UNIT BEFORE CLEANING**  
DEBRANCHER CET APPAREIL AVANT NETTOYAGE  
ZIEHN SIE DEN STECKER AUS DER STECKDOSE,  
BEVOR SIE DIE MASCHINE REINIGEN  
DESCONECTE ESTA UNIDAD ANTES DE LIMPIARLA 76097

**3** → **FOR PARTS OR SERVICE CALL GOLD MEDAL PRODUCTS CO. SERVICE DEPARTMENT**  
1-800-543-0862 87935

**4** → **UNIVERSAL POPPER DECAL**

**5** → **MAIN GROUND LABEL**  
42375

**6** → **WARNING! CONTACT WITH THIS SURFACE WHILE THE APPLIANCE IS OPERATING MAY CAUSE BURNS**  
AVERTISSEMENT! CONTACT AVEC CETTE SURFACE PENDANT LE FONCTIONNEMENT DE L'APPAREIL POURRAIT CAUSER DES BRULURES 87087

**7** → **poweroff CONTROL**  
PATENT PENDING  
WHEN THE HEAT SWITCH LIGHT IS BLINKING, TURN THE HEAT SWITCH OFF-ON TO RESTART THE KETTLE HEAT

**Unit Labels**

**8** → **CONDUIT WARNING LABEL**  
82840

**9** → **WARNING LABEL CORD**  
68720

**Kettle Lead In Label**

**9** → **WARNING LABEL CORD**  
68720

**10** → **POWER CORD TAG**  
76135

**Power Cord Labels**

Item	Part Description	Part Number	
		2660GTSV, 2660GV	2660GT
1	WARNING, MAX LAMP 75W	41452	41452
2	LABEL UNPLUG TO CLEAN	76097	76097
3	SERVICE LABEL	87935	87935
4	UNIVERSAL POPPER DECAL	41019	41019
5	MAIN GROUND LABEL	42375	42375
6	WARNING, SURFACE CONTACT	87087	87087
7	LABEL POWEROFF CNTRL	N/A	55436
8	CONDUIT WARNING LABEL	82840	82840
9	WARNING LABEL CORD	68720	68720
10	POWER CORD TAG	76135	76135

# Safety Labels

**1** → **MAXIMUM LAMP SIZE**  
75 WATT  
PUISSANCE MAXIMALE DE LA LAMPE  
MAXIMALE LAMPENLEISTUNG  
CAPACIDAD MAXIMA DE LA LAMPARA 41452

**2** → **UNPLUG THIS UNIT BEFORE CLEANING**  
DEBRANCHER CET APPAREIL AVANT NETTOYAGE  
ZIEHN SIE DEN STECKER AUS DER STECKDOSE,  
BEVOR SIE DIE MASCHINE REINIGEN  
DESCONECTE ESTA UNIDAD ANTES DE LIMPIARLA 76097

**3** → **FOR PARTS OR SERVICE CALL**  
GOLD MEDAL PRODUCTS CO.  
SERVICE DEPARTMENT  
1-800-543-0862 87935

**4** → **UNIVERSAL POPPER DECAL**

**5** → **MAIN GROUND LABEL**  
42375

**6** → **WARNING! CONTACT WITH THIS SURFACE WHILE THE APPLIANCE IS OPERATING MAY CAUSE BURNS**  
AVERTISSEMENT! CONTACT AVEC CETTE SURFACE PENDANT LE FONCTIONNEMENT DE L'APPAREIL POURRAIT CAUSER DES BRULURES 87087

**7** → **poweroff CONTROL**  
PATENT PENDING  
WHEN THE HEAT SWITCH LIGHT IS BLINKING, TURN THE HEAT SWITCH OFF-ON TO RESTART THE KETTLE HEAT

**Unit Labels**

**8** → **CONDUIT WARNING LABEL**  
82840

**9** → **WARNING LABEL CORD**  
68720

**Kettle Lead In Label**

**9** → **WARNING LABEL CORD**  
68720

**10** → **POWER CORD TAG**  
76135

**Power Cord Labels**

Item	Part Description	Part Number	
		2660GTSV, 2660GV	2660GT
1	WARNING, MAX LAMP 75W	41452	41452
2	LABEL UNPLUG TO CLEAN	76097	76097
3	SERVICE LABEL	87935	87935
4	UNIVERSAL POPPER DECAL	41019	41019
5	MAIN GROUND LABEL	42375	42375
6	WARNING, SURFACE CONTACT	87087	87087
7	LABEL POWEROFF CNTRL	N/A	55436
8	CONDUIT WARNING LABEL	82840	82840
9	WARNING LABEL CORD	68720	68720
10	POWER CORD TAG	76135	76135



# Safety Labels

**1** → **MAXIMUM LAMP SIZE**  
75 WATT  
PUISSANCE MAXIMALE DE LA LAMPE  
MAXIMALE LAMPENLEISTUNG  
CAPACIDAD MAXIMA DE LA LAMPARA 41452

**2** → **UNPLUG THIS UNIT BEFORE CLEANING**  
DEBRANCHER CET APPAREIL AVANT NETTOYAGE  
ZIEHN SIE DEN STECKER AUS DER STECKDOSE,  
BEVOR SIE DIE MASCHINE REINIGEN  
DESCONECTE ESTA UNIDAD ANTES DE LIMPIARLA 76097

**3** → **FOR PARTS OR SERVICE CALL**  
GOLD MEDAL PRODUCTS CO.  
SERVICE DEPARTMENT  
1-800-543-0862 87935

**4** → **UNIVERSAL POPPER DECAL**

**5** → **MAIN GROUND LABEL**  
42375

**6** → **WARNING! CONTACT WITH THIS SURFACE WHILE THE APPLIANCE IS OPERATING MAY CAUSE BURNS**  
AVERTISSEMENT! CONTACT AVEC CETTE SURFACE PENDANT LE FONCTIONNEMENT DE L'APPAREIL POURRAIT CAUSER DES BRULURES 87087

**7** → **poweroff CONTROL**  
PATENT PENDING  
WHEN THE HEAT SWITCH LIGHT IS BLINKING, TURN THE HEAT SWITCH OFF-ON TO RESTART THE KETTLE HEAT

**Unit Labels**

**8** → **CONDUIT WARNING LABEL**  
82840

**9** → **WARNING LABEL CORD**  
68720

**Kettle Lead In Label**

**9** → **WARNING LABEL CORD**  
68720

**10** → **POWER CORD TAG**  
76135

**Power Cord Labels**

Item	Part Description	Part Number	
		2660GTSV, 2660GV	2660GT
1	WARNING, MAX LAMP 75W	41452	41452
2	LABEL UNPLUG TO CLEAN	76097	76097
3	SERVICE LABEL	87935	87935
4	UNIVERSAL POPPER DECAL	41019	41019
5	MAIN GROUND LABEL	42375	42375
6	WARNING, SURFACE CONTACT	87087	87087
7	LABEL POWEROFF CNTRL	N/A	55436
8	CONDUIT WARNING LABEL	82840	82840
9	WARNING LABEL CORD	68720	68720
10	POWER CORD TAG	76135	76135



# Safety Labels

**1** → **MAXIMUM LAMP SIZE**  
75 WATT  
PUISSANCE MAXIMALE DE LA LAMPE  
MAXIMALE LAMPENLEISTUNG  
CAPACIDAD MAXIMA DE LA LAMPARA 41452

**2** → **UNPLUG THIS UNIT BEFORE CLEANING**  
DEBRANCHER CET APPAREIL AVANT NETTOYAGE  
ZIEHN SIE DEN STECKER AUS DER STECKDOSE,  
BEVOR SIE DIE MASCHINE REINIGEN  
DESCONECTE ESTA UNIDAD ANTES DE LIMPIARLA 76097

**3** → **FOR PARTS OR SERVICE CALL**  
GOLD MEDAL PRODUCTS CO.  
SERVICE DEPARTMENT  
1-800-543-0862 87935

**4** → **UNIVERSAL POPPER DECAL**

**5** → **MAIN GROUND LABEL**  
42375

**6** → **WARNING! CONTACT WITH THIS SURFACE WHILE THE APPLIANCE IS OPERATING MAY CAUSE BURNS**  
AVERTISSEMENT! CONTACT AVEC CETTE SURFACE PENDANT LE FONCTIONNEMENT DE L'APPAREIL POURRAIT CAUSER DES BRULURES 87087

**7** → **poweroff CONTROL**  
PATENT PENDING  
WHEN THE HEAT SWITCH LIGHT IS BLINKING, TURN THE HEAT SWITCH OFF-ON TO RESTART THE KETTLE HEAT

**Unit Labels**

**8** → **CONDUIT WARNING LABEL**  
82840

**9** → **WARNING LABEL CORD**  
68720

**Kettle Lead In Label**

**9** → **WARNING LABEL CORD**  
68720

**10** → **POWER CORD TAG**  
76135

**Power Cord Labels**

Item	Part Description	Part Number	
		2660GTSV, 2660GV	2660GT
1	WARNING, MAX LAMP 75W	41452	41452
2	LABEL UNPLUG TO CLEAN	76097	76097
3	SERVICE LABEL	87935	87935
4	UNIVERSAL POPPER DECAL	41019	41019
5	MAIN GROUND LABEL	42375	42375
6	WARNING, SURFACE CONTACT	87087	87087
7	LABEL POWEROFF CNTRL	N/A	55436
8	CONDUIT WARNING LABEL	82840	82840
9	WARNING LABEL CORD	68720	68720
10	POWER CORD TAG	76135	76135



# Safety Labels

**1** → **MAXIMUM LAMP SIZE**  
75 WATT  
PUISSANCE MAXIMALE DE LA LAMPE  
MAXIMALE LAMPENLEISTUNG  
CAPACIDAD MAXIMA DE LA LAMPARA 41452

**2** → **UNPLUG THIS UNIT BEFORE CLEANING**  
DEBRANCHER CET APPAREIL AVANT NETTOYAGE  
ZIEHN SIE DEN STECKER AUS DER STECKDOSE,  
BEVOR SIE DIE MASCHINE REINIGEN  
DESCONECTE ESTA UNIDAD ANTES DE LIMPIARLA 76097

**3** → **FOR PARTS OR SERVICE CALL**  
GOLD MEDAL PRODUCTS CO.  
SERVICE DEPARTMENT  
1-800-543-0862 87935

**4** → **UNIVERSAL POPPER DECAL**

**5** → **MAIN GROUND LABEL**  
42375

**6** → **WARNING! CONTACT WITH THIS SURFACE WHILE THE APPLIANCE IS OPERATING MAY CAUSE BURNS**  
AVERTISSEMENT! CONTACT AVEC CETTE SURFACE PENDANT LE FONCTIONNEMENT DE L'APPAREIL POURRAIT CAUSER DES BRULURES 87087

**7** → **poweroff CONTROL**  
PATENT PENDING  
WHEN THE HEAT SWITCH LIGHT IS BLINKING, TURN THE HEAT SWITCH OFF-ON TO RESTART THE KETTLE HEAT

**Unit Labels**

**8** → **CONDUIT WARNING LABEL**  
82840

**9** → **WARNING LABEL CORD**  
68720

**Kettle Lead In Label**

**9** → **WARNING LABEL CORD**  
68720

**10** → **POWER CORD TAG**  
76135

**Power Cord Labels**

Item	Part Description	Part Number	
		2660GTSV, 2660GV	2660GT
1	WARNING, MAX LAMP 75W	41452	41452
2	LABEL UNPLUG TO CLEAN	76097	76097
3	SERVICE LABEL	87935	87935
4	UNIVERSAL POPPER DECAL	41019	41019
5	MAIN GROUND LABEL	42375	42375
6	WARNING, SURFACE CONTACT	87087	87087
7	LABEL POWEROFF CNTRL	N/A	55436
8	CONDUIT WARNING LABEL	82840	82840
9	WARNING LABEL CORD	68720	68720
10	POWER CORD TAG	76135	76135



# Safety Labels

**1** → **MAXIMUM LAMP SIZE**  
75 WATT  
PUISSANCE MAXIMALE DE LA LAMPE  
MAXIMALE LAMPENLEISTUNG  
CAPACIDAD MAXIMA DE LA LAMPARA 41452

**2** → **UNPLUG THIS UNIT BEFORE CLEANING**  
DEBRANCHER CET APPAREIL AVANT NETTOYAGE  
ZIEHN SIE DEN STECKER AUS DER STECKDOSE,  
BEVOR SIE DIE MASCHINE REINIGEN  
DESCONECTE ESTA UNIDAD ANTES DE LIMPIARLA 76097

**3** → **FOR PARTS OR SERVICE CALL**  
GOLD MEDAL PRODUCTS CO.  
SERVICE DEPARTMENT  
1-800-543-0862 87935

**4** → **UNIVERSAL POPPER DECAL**

**5** → **MAIN GROUND LABEL**  
42375

**6** → **WARNING! CONTACT WITH THIS SURFACE WHILE THE APPLIANCE IS OPERATING MAY CAUSE BURNS**  
AVERTISSEMENT! CONTACT AVEC CETTE SURFACE PENDANT LE FONCTIONNEMENT DE L'APPAREIL POURRAIT CAUSER DES BRULURES 87087

**7** → **poweroff CONTROL**  
PATENT PENDING  
WHEN THE HEAT SWITCH LIGHT IS BLINKING, TURN THE HEAT SWITCH OFF-ON TO RESTART THE KETTLE HEAT

**Unit Labels**

**8** → **CONDUIT WARNING LABEL**  
82840

**9** → **WARNING LABEL CORD**  
68720

**Kettle Lead In Label**

**9** → **WARNING LABEL CORD**  
68720

**10** → **POWER CORD TAG**  
76135

**Power Cord Labels**

Item	Part Description	Part Number	
		2660GTSV, 2660GV	2660GT
1	WARNING, MAX LAMP 75W	41452	41452
2	LABEL UNPLUG TO CLEAN	76097	76097
3	SERVICE LABEL	87935	87935
4	UNIVERSAL POPPER DECAL	41019	41019
5	MAIN GROUND LABEL	42375	42375
6	WARNING, SURFACE CONTACT	87087	87087
7	LABEL POWEROFF CNTRL	N/A	55436
8	CONDUIT WARNING LABEL	82840	82840
9	WARNING LABEL CORD	68720	68720
10	POWER CORD TAG	76135	76135



# Safety Labels

**1** → **MAXIMUM LAMP SIZE**  
75 WATT  
PUISSANCE MAXIMALE DE LA LAMPE  
MAXIMALE LAMPENLEISTUNG  
CAPACIDAD MAXIMA DE LA LAMPARA 41452

**2** → **UNPLUG THIS UNIT BEFORE CLEANING**  
DEBRANCHER CET APPAREIL AVANT NETTOYAGE  
ZIEHN SIE DEN STECKER AUS DER STECKDOSE,  
BEVOR SIE DIE MASCHINE REINIGEN  
DESCONECTE ESTA UNIDAD ANTES DE LIMPIARLA 76097

**3** → **FOR PARTS OR SERVICE CALL**  
GOLD MEDAL PRODUCTS CO.  
SERVICE DEPARTMENT  
1-800-543-0862 87935

**4** → **UNIVERSAL POPPER DECAL**

**5** → **MAIN GROUND LABEL**  
42375

**6** → **WARNING! CONTACT WITH THIS SURFACE WHILE THE APPLIANCE IS OPERATING MAY CAUSE BURNS**  
AVERTISSEMENT! CONTACT AVEC CETTE SURFACE PENDANT LE FONCTIONNEMENT DE L'APPAREIL POURRAIT CAUSER DES BRULURES 87087

**7** → **poweroff CONTROL**  
PATENT PENDING  
WHEN THE HEAT SWITCH LIGHT IS BLINKING, TURN THE HEAT SWITCH OFF-ON TO RESTART THE KETTLE HEAT

**Unit Labels**

**8** → **CONDUIT WARNING LABEL**  
82840

**9** → **WARNING LABEL CORD**  
68720

**Kettle Lead In Label**

**9** → **WARNING LABEL CORD**  
68720

**10** → **POWER CORD TAG**  
76135

**Power Cord Labels**

Item	Part Description	Part Number	
		2660GTSV, 2660GV	2660GT
1	WARNING, MAX LAMP 75W	41452	41452
2	LABEL UNPLUG TO CLEAN	76097	76097
3	SERVICE LABEL	87935	87935
4	UNIVERSAL POPPER DECAL	41019	41019
5	MAIN GROUND LABEL	42375	42375
6	WARNING, SURFACE CONTACT	87087	87087
7	LABEL POWEROFF CNTRL	N/A	55436
8	CONDUIT WARNING LABEL	82840	82840
9	WARNING LABEL CORD	68720	68720
10	POWER CORD TAG	76135	76135



# Safety Labels

**1** → **MAXIMUM LAMP SIZE**  
75 WATT  
PUISSANCE MAXIMALE DE LA LAMPE  
MAXIMALE LAMPENLEISTUNG  
CAPACIDAD MAXIMA DE LA LAMPARA 41452

**2** → **UNPLUG THIS UNIT BEFORE CLEANING**  
DEBRANCHER CET APPAREIL AVANT NETTOYAGE  
ZIEHN SIE DEN STECKER AUS DER STECKDOSE,  
BEVOR SIE DIE MASCHINE REINIGEN  
DESCONECTE ESTA UNIDAD ANTES DE LIMPIARLA 76097

**3** → **FOR PARTS OR SERVICE CALL**  
GOLD MEDAL PRODUCTS CO.  
SERVICE DEPARTMENT  
1-800-543-0862 87935

**4** → **UNIVERSAL POPPER DECAL**

**5** → **MAIN GROUND LABEL**  
42375

**6** → **WARNING! CONTACT WITH THIS SURFACE WHILE THE APPLIANCE IS OPERATING MAY CAUSE BURNS**  
AVERTISSEMENT! CONTACT AVEC CETTE SURFACE PENDANT LE FONCTIONNEMENT DE L'APPAREIL POURRAIT CAUSER DES BRULURES 87087

**7** → **poweroff CONTROL**  
PATENT PENDING  
WHEN THE HEAT SWITCH LIGHT IS BLINKING, TURN THE HEAT SWITCH OFF-ON TO RESTART THE KETTLE HEAT

**Unit Labels**

**8** → **CONDUIT WARNING LABEL**  
82840

**9** → **WARNING LABEL CORD**  
68720

**Kettle Lead In Label**

**9** → **WARNING LABEL CORD**  
68720

**10** → **POWER CORD TAG**  
76135

**Power Cord Labels**

Item	Part Description	Part Number	
		2660GTSV, 2660GV	2660GT
1	WARNING, MAX LAMP 75W	41452	41452
2	LABEL UNPLUG TO CLEAN	76097	76097
3	SERVICE LABEL	87935	87935
4	UNIVERSAL POPPER DECAL	41019	41019
5	MAIN GROUND LABEL	42375	42375
6	WARNING, SURFACE CONTACT	87087	87087
7	LABEL POWEROFF CNTRL	N/A	55436
8	CONDUIT WARNING LABEL	82840	82840
9	WARNING LABEL CORD	68720	68720
10	POWER CORD TAG	76135	76135





# Safety Labels

**1** → **MAXIMUM LAMP SIZE**  
75 WATT  
PUISSANCE MAXIMALE DE LA LAMPE  
MAXIMALE LAMPENLEISTUNG  
CAPACIDAD MAXIMA DE LA LAMPARA 41452

**2** → **UNPLUG THIS UNIT BEFORE CLEANING**  
DEBRANCHER CET APPAREIL AVANT NETTOYAGE  
ZIEHN SIE DEN STECKER AUS DER STECKDOSE,  
BEVOR SIE DIE MASCHINE REINIGEN  
DESCONECTE ESTA UNIDAD ANTES DE LIMPIARLA 76097

**3** → **FOR PARTS OR SERVICE CALL**  
GOLD MEDAL PRODUCTS CO.  
SERVICE DEPARTMENT  
1-800-543-0862 87935

**4** → **UNIVERSAL POPPER DECAL**

**5** → **MAIN GROUND LABEL**  
42375

**6** → **WARNING! CONTACT WITH THIS SURFACE WHILE THE APPLIANCE IS OPERATING MAY CAUSE BURNS**  
AVERTISSEMENT! CONTACT AVEC CETTE SURFACE PENDANT LE FONCTIONNEMENT DE L'APPAREIL POURRAIT CAUSER DES BRULURES 87087

**7** → **poweroff CONTROL**  
PATENT PENDING  
WHEN THE HEAT SWITCH LIGHT IS BLINKING, TURN THE HEAT SWITCH OFF-ON TO RESTART THE KETTLE HEAT

**Unit Labels**

**8** → **CONDUIT WARNING LABEL**  
82840

**9** → **WARNING LABEL CORD**  
68720

**Kettle Lead In Label**

**9** → **WARNING LABEL CORD**  
68720

**10** → **POWER CORD TAG**  
76135

**Power Cord Labels**

Item	Part Description	Part Number	
		2660GTSV, 2660GV	2660GT
1	WARNING, MAX LAMP 75W	41452	41452
2	LABEL UNPLUG TO CLEAN	76097	76097
3	SERVICE LABEL	87935	87935
4	UNIVERSAL POPPER DECAL	41019	41019
5	MAIN GROUND LABEL	42375	42375
6	WARNING, SURFACE CONTACT	87087	87087
7	LABEL POWEROFF CNTRL	N/A	55436
8	CONDUIT WARNING LABEL	82840	82840
9	WARNING LABEL CORD	68720	68720
10	POWER CORD TAG	76135	76135

# Safety Labels

**1** → **MAXIMUM LAMP SIZE**  
75 WATT  
PUISSANCE MAXIMALE DE LA LAMPE  
MAXIMALE LAMPENLEISTUNG  
CAPACIDAD MAXIMA DE LA LAMPARA 41452

**2** → **UNPLUG THIS UNIT BEFORE CLEANING**  
DEBRANCHER CET APPAREIL AVANT NETTOYAGE  
ZIEHN SIE DEN STECKER AUS DER STECKDOSE,  
BEVOR SIE DIE MASCHINE REINIGEN  
DESCONECTE ESTA UNIDAD ANTES DE LIMPIARLA 76097

**3** → **FOR PARTS OR SERVICE CALL**  
GOLD MEDAL PRODUCTS CO.  
SERVICE DEPARTMENT  
1-800-543-0862 87935

**4** → **UNIVERSAL POPPER DECAL**

**5** → **MAIN GROUND LABEL**  
42375

**6** → **WARNING! CONTACT WITH THIS SURFACE WHILE THE APPLIANCE IS OPERATING MAY CAUSE BURNS**  
AVERTISSEMENT! CONTACT AVEC CETTE SURFACE PENDANT LE FONCTIONNEMENT DE L'APPAREIL POURRAIT CAUSER DES BRULURES 87087

**7** → **poweroff CONTROL**  
PATENT PENDING  
WHEN THE HEAT SWITCH LIGHT IS BLINKING, TURN THE HEAT SWITCH OFF-ON TO RESTART THE KETTLE HEAT

**Unit Labels**

**8** → **CONDUIT WARNING LABEL**  
82840

**9** → **WARNING LABEL CORD**  
68720

**Kettle Lead In Label**

**9** → **WARNING LABEL CORD**  
68720

**10** → **POWER CORD TAG**  
76135

**Power Cord Labels**

Item	Part Description	Part Number	
		2660GTSV, 2660GV	2660GT
1	WARNING, MAX LAMP 75W	41452	41452
2	LABEL UNPLUG TO CLEAN	76097	76097
3	SERVICE LABEL	87935	87935
4	UNIVERSAL POPPER DECAL	41019	41019
5	MAIN GROUND LABEL	42375	42375
6	WARNING, SURFACE CONTACT	87087	87087
7	LABEL POWEROFF CNTRL	N/A	55436
8	CONDUIT WARNING LABEL	82840	82840
9	WARNING LABEL CORD	68720	68720
10	POWER CORD TAG	76135	76135

# Safety Labels

**1** → **MAXIMUM LAMP SIZE**  
75 WATT  
PUISSANCE MAXIMALE DE LA LAMPE  
MAXIMALE LAMPENLEISTUNG  
CAPACIDAD MAXIMA DE LA LAMPARA 41452

**2** → **UNPLUG THIS UNIT BEFORE CLEANING**  
DEBRANCHER CET APPAREIL AVANT NETTOYAGE  
ZIEHN SIE DEN STECKER AUS DER STECKDOSE,  
BEVOR SIE DIE MASCHINE REINIGEN  
DESCONECTE ESTA UNIDAD ANTES DE LIMPIARLA 76097

**3** → **FOR PARTS OR SERVICE CALL**  
GOLD MEDAL PRODUCTS CO.  
SERVICE DEPARTMENT  
1-800-543-0862 87935

**4** → **UNIVERSAL POPPER DECAL**

**5** → **MAIN GROUND LABEL**  
42375

**6** → **WARNING! CONTACT WITH THIS SURFACE WHILE THE APPLIANCE IS OPERATING MAY CAUSE BURNS**  
AVERTISSEMENT! CONTACT AVEC CETTE SURFACE PENDANT LE FONCTIONNEMENT DE L'APPAREIL POURRAIT CAUSER DES BRULURES 87087

**7** → **poweroff CONTROL**  
PATENT PENDING  
WHEN THE HEAT SWITCH LIGHT IS BLINKING, TURN THE HEAT SWITCH OFF-ON TO RESTART THE KETTLE HEAT

**Unit Labels**

**8** → **CONDUIT WARNING LABEL**  
82840

**9** → **WARNING LABEL CORD**  
68720

**Kettle Lead In Label**

**9** → **WARNING LABEL CORD**  
68720

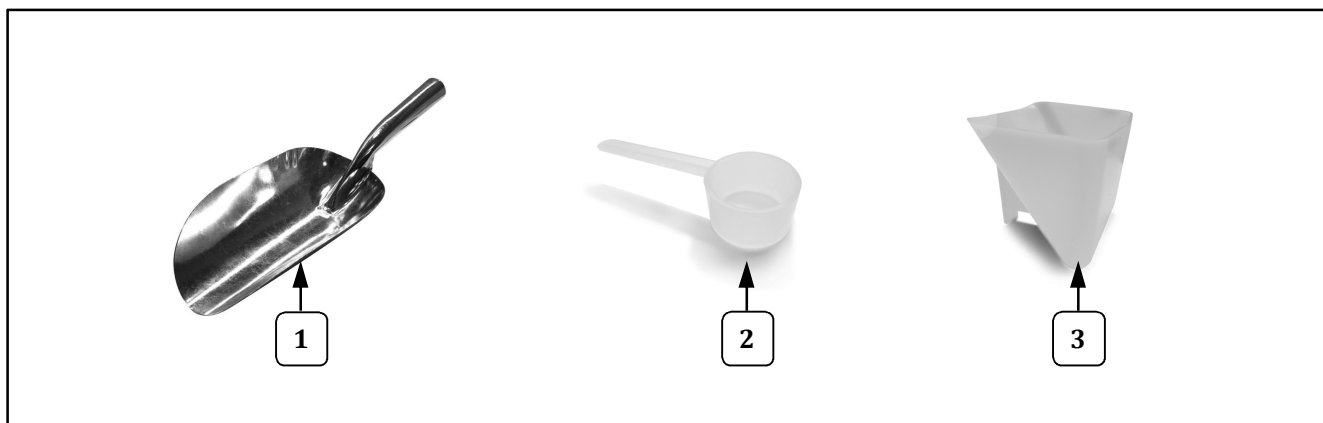
**10** → **POWER CORD TAG**  
76135

**Power Cord Labels**

Item	Part Description	Part Number	
		2660GTSV, 2660GV	2660GT
1	WARNING, MAX LAMP 75W	41452	41452
2	LABEL UNPLUG TO CLEAN	76097	76097
3	SERVICE LABEL	87935	87935
4	UNIVERSAL POPPER DECAL	41019	41019
5	MAIN GROUND LABEL	42375	42375
6	WARNING, SURFACE CONTACT	87087	87087
7	LABEL POWEROFF CNTRL	N/A	55436
8	CONDUIT WARNING LABEL	82840	82840
9	WARNING LABEL CORD	68720	68720
10	POWER CORD TAG	76135	76135



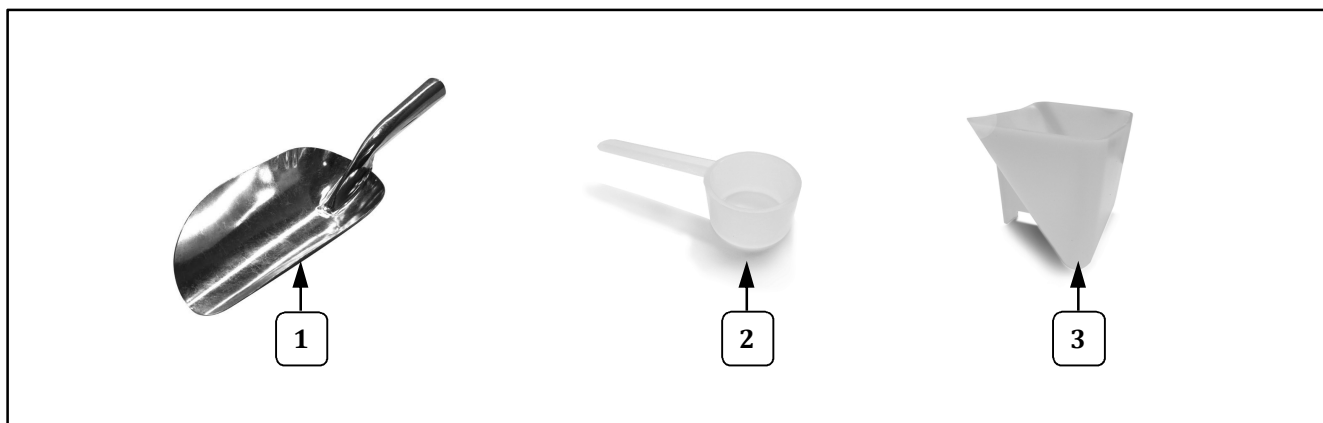
## Accessories



Item	Part Description	Part Number
		All Models
1	STAMPED ALUMINUM SCOOP	2071
2	6.5 CC MEASURE	47678
3	6 OZ MEASURE	49049



## Accessories



Item	Part Description	Part Number
		All Models
1	STAMPED ALUMINUM SCOOP	2071
2	6.5 CC MEASURE	47678
3	6 OZ MEASURE	49049