

# INSTALLATION INSTRUCTIONS

## Inspection of Shipment

After unpacking, check thoroughly for any damage which may have occurred in transit. Claims should be filed immediately with the transportation company. The warranty does not cover damage that occurs in transit, or damage caused by abuse, or consequential damage due to the operation of this machine, since it is beyond our control.

## Manual

Read and understand the operator's manual and all other safety instructions before using this equipment. To order copies of the operator's manual go to [gmpopcorn.com](http://gmpopcorn.com) or write to Gold Medal Products Co., 10700 Medallion Drive, Cincinnati, OH 45241 USA 1-(800)-543-0862.

## Model Description

This unit is designed for Portion Pack Cheese Containers, not acceptable for open volatile food products.

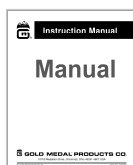
**5581-00-100:** Portion Cup Cheese Warmer with LED Lighted Sign and cabinet; doors on front of unit.

**5581-01-100:** Export Portion Cup Cheese Warmer with LED Lighted Sign and cabinet; doors on front of unit.

**5581-00-101:** Portion Cup Cheese Warmer with LED Lighted Sign and cabinet; doors on front and back of unit.

This appliance is intended to be used in household and similar applications such as staff kitchen areas in shops, offices and other working environments; farm houses; by clients in hotels, motels, bed and breakfast or other residential type environments.

## Items Included with this Unit



**Instruction  
Manual**



**Registration  
Warranty Card**



**Black Crutch Tips**  
(PN 49123) 4 required



**(1) Door Knob and (1) Tee Bolt  
provided for each door**  
Knob (PN 47120)  
Tee Bolt (PN 75267)

# INSTALLATION INSTRUCTIONS

## Inspection of Shipment

After unpacking, check thoroughly for any damage which may have occurred in transit. Claims should be filed immediately with the transportation company. The warranty does not cover damage that occurs in transit, or damage caused by abuse, or consequential damage due to the operation of this machine, since it is beyond our control.

## Manual

Read and understand the operator's manual and all other safety instructions before using this equipment. To order copies of the operator's manual go to [gmpopcorn.com](http://gmpopcorn.com) or write to Gold Medal Products Co., 10700 Medallion Drive, Cincinnati, OH 45241 USA 1-(800)-543-0862.

## Model Description

This unit is designed for Portion Pack Cheese Containers, not acceptable for open volatile food products.

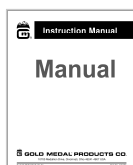
**5581-00-100:** Portion Cup Cheese Warmer with LED Lighted Sign and cabinet; doors on front of unit.

**5581-01-100:** Export Portion Cup Cheese Warmer with LED Lighted Sign and cabinet; doors on front of unit.

**5581-00-101:** Portion Cup Cheese Warmer with LED Lighted Sign and cabinet; doors on front and back of unit.

This appliance is intended to be used in household and similar applications such as staff kitchen areas in shops, offices and other working environments; farm houses; by clients in hotels, motels, bed and breakfast or other residential type environments.

## Items Included with this Unit



**Instruction  
Manual**



**Registration  
Warranty Card**



**Black Crutch Tips**  
(PN 49123) 4 required



**(1) Door Knob and (1) Tee Bolt  
provided for each door**  
Knob (PN 47120)  
Tee Bolt (PN 75267)

# INSTALLATION INSTRUCTIONS

## Inspection of Shipment

After unpacking, check thoroughly for any damage which may have occurred in transit. Claims should be filed immediately with the transportation company. The warranty does not cover damage that occurs in transit, or damage caused by abuse, or consequential damage due to the operation of this machine, since it is beyond our control.

## Manual

Read and understand the operator's manual and all other safety instructions before using this equipment. To order copies of the operator's manual go to [gmpopcorn.com](http://gmpopcorn.com) or write to Gold Medal Products Co., 10700 Medallion Drive, Cincinnati, OH 45241 USA 1-(800)-543-0862.

## Model Description

This unit is designed for Portion Pack Cheese Containers, not acceptable for open volatile food products.

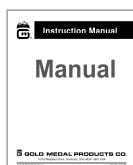
**5581-00-100:** Portion Cup Cheese Warmer with LED Lighted Sign and cabinet; doors on front of unit.

**5581-01-100:** Export Portion Cup Cheese Warmer with LED Lighted Sign and cabinet; doors on front of unit.

**5581-00-101:** Portion Cup Cheese Warmer with LED Lighted Sign and cabinet; doors on front and back of unit.

This appliance is intended to be used in household and similar applications such as staff kitchen areas in shops, offices and other working environments; farm houses; by clients in hotels, motels, bed and breakfast or other residential type environments.

## Items Included with this Unit



**Instruction  
Manual**



**Registration  
Warranty Card**



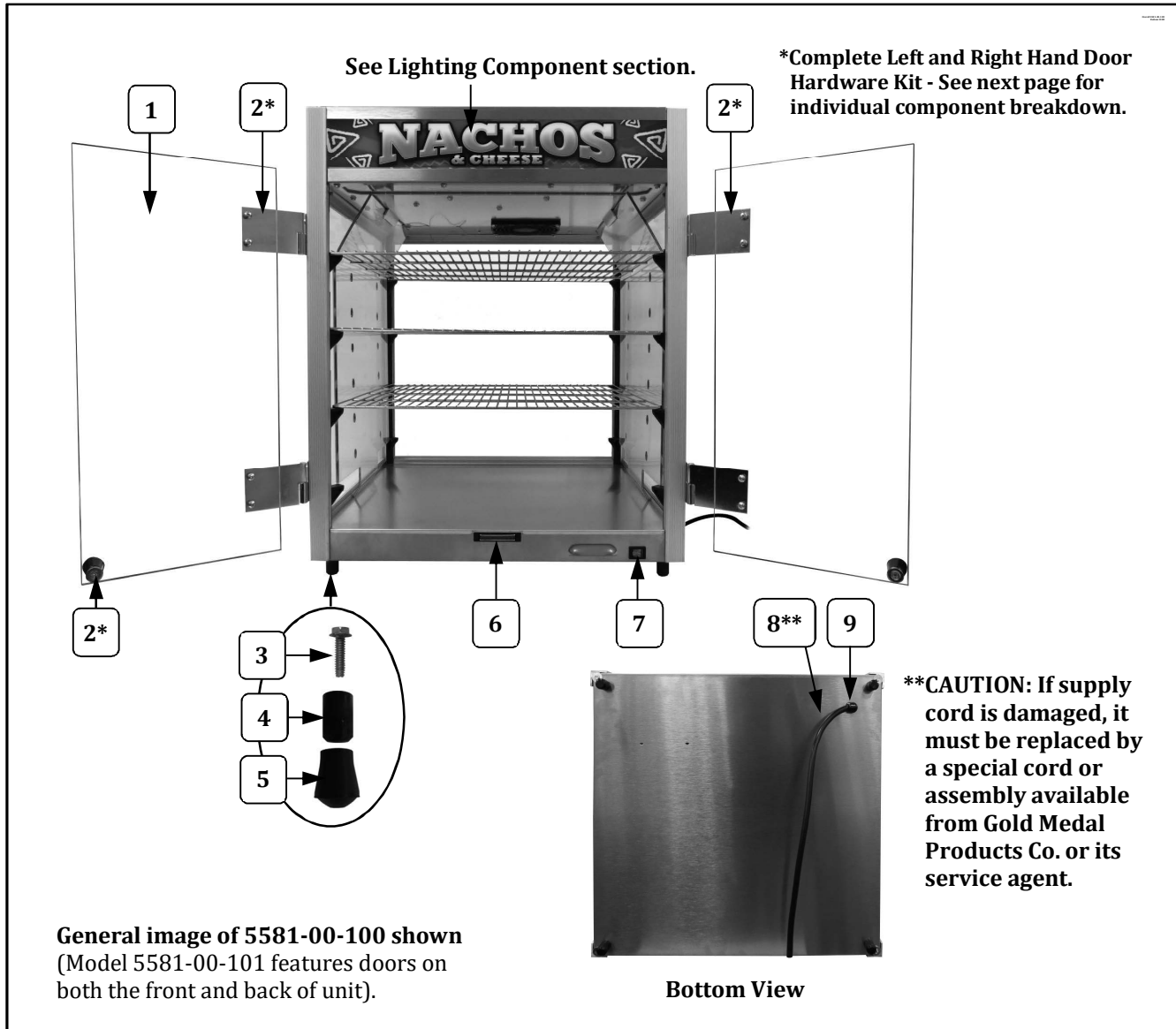
**Black Crutch Tips**  
(PN 49123) 4 required



**(1) Door Knob and (1) Tee Bolt  
provided for each door**  
Knob (PN 47120)  
Tee Bolt (PN 75267)



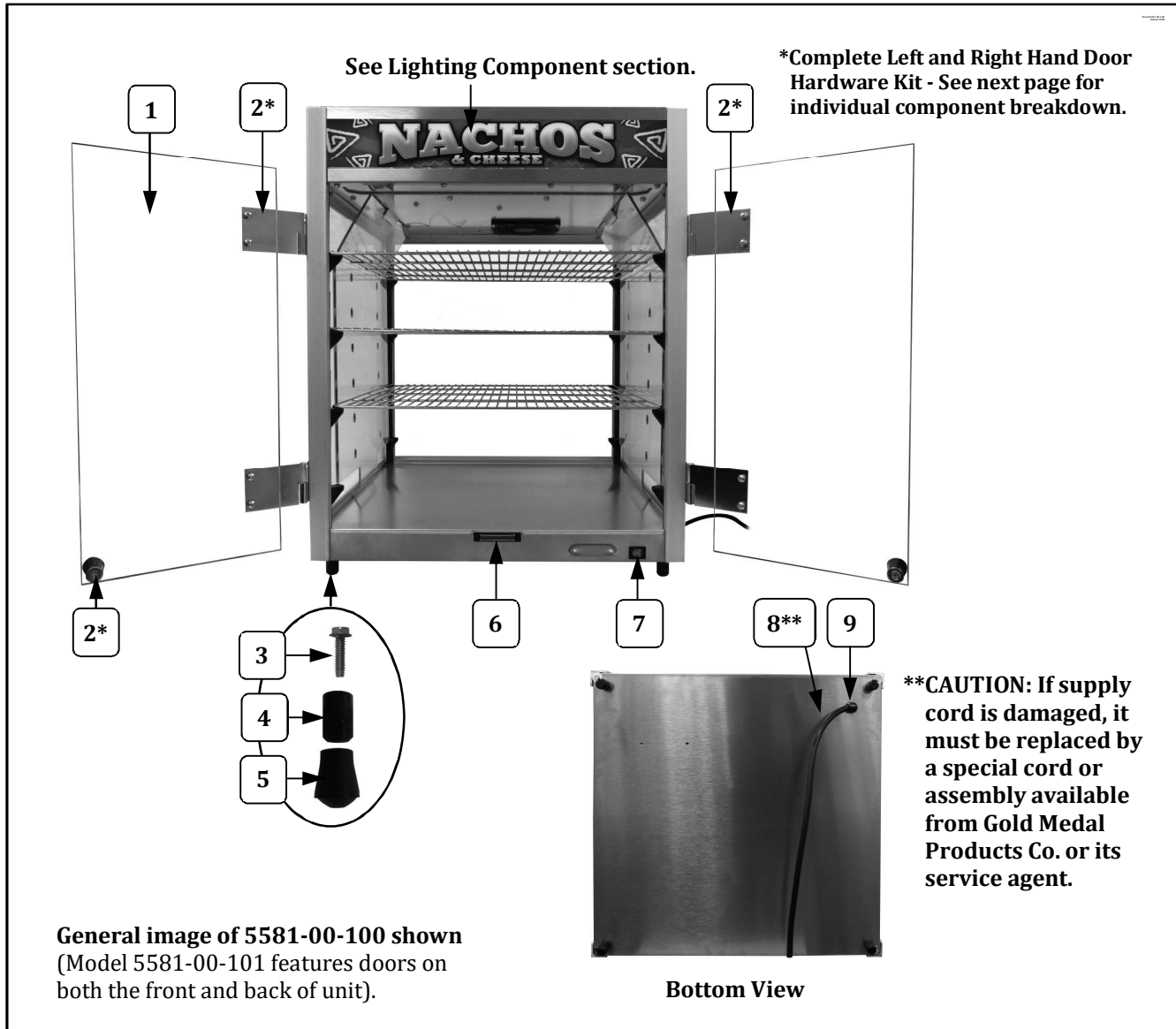
## Cabinet Exterior – Front and Bottom View



Item	Part Description	Part Number		
		5581-00-100	5581-01-100	5581-00-101
1	DOOR (1 door panel)	74166	74166	74166
2*	COMPLETE DOOR HARDWARE KIT	61380	61380	61380
3	10-24 X 3/4 HEX HEAD SCREW	41314	41314	41314
4	GLIDE	47328	47328	47328
5	CRUTCH TIP	49123	49123	49123
6	MAGNETIC CATCH	47561	47561	47561
7	DPST ROCKER SWITCH	42532	42532	42532
8**	LEAD-IN CORD 15 AMP PLUG	22038		22038
	EXPORT POWER SUPPLY CORD		42369	
9	SR-10-2 STRAIN RELIEF	87163	87163	87163



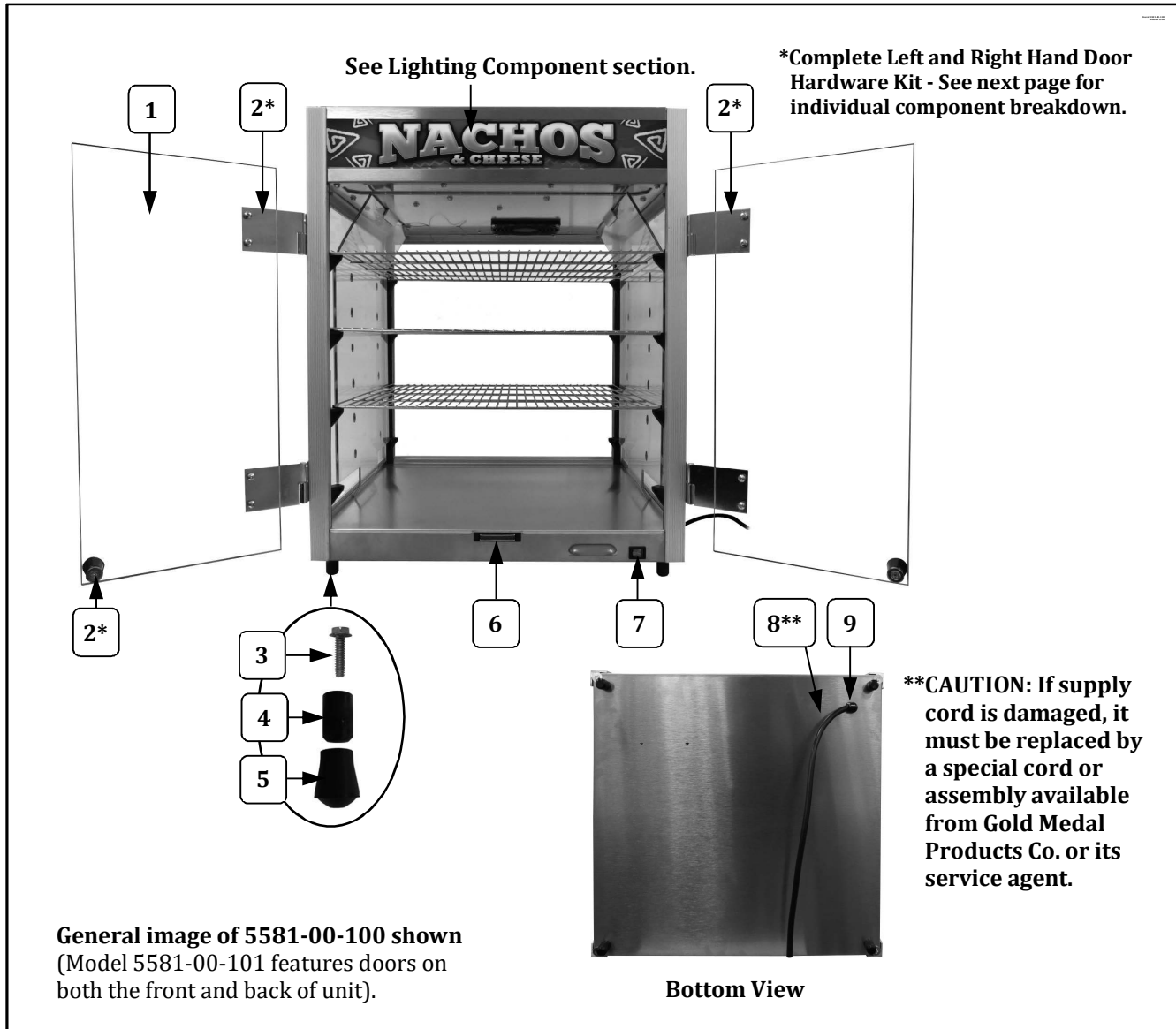
## Cabinet Exterior – Front and Bottom View



Item	Part Description	Part Number		
		5581-00-100	5581-01-100	5581-00-101
1	DOOR (1 door panel)	74166	74166	74166
2*	COMPLETE DOOR HARDWARE KIT	61380	61380	61380
3	10-24 X 3/4 HEX HEAD SCREW	41314	41314	41314
4	GLIDE	47328	47328	47328
5	CRUTCH TIP	49123	49123	49123
6	MAGNETIC CATCH	47561	47561	47561
7	DPST ROCKER SWITCH	42532	42532	42532
8**	LEAD-IN CORD 15 AMP PLUG	22038		22038
	EXPORT POWER SUPPLY CORD		42369	
9	SR-10-2 STRAIN RELIEF	87163	87163	87163



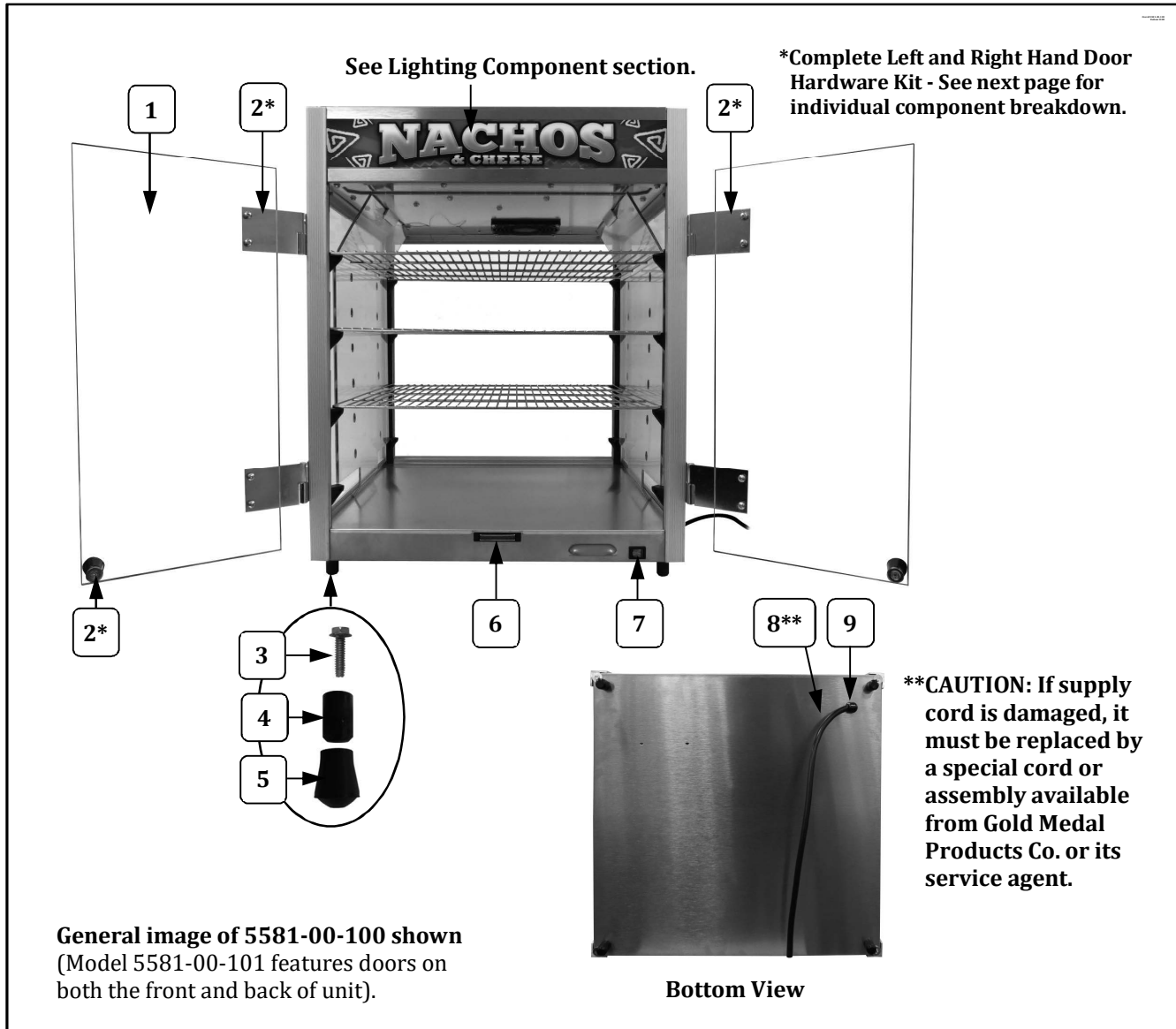
## Cabinet Exterior – Front and Bottom View



Item	Part Description	Part Number		
		5581-00-100	5581-01-100	5581-00-101
1	DOOR (1 door panel)	74166	74166	74166
2*	COMPLETE DOOR HARDWARE KIT	61380	61380	61380
3	10-24 X 3/4 HEX HEAD SCREW	41314	41314	41314
4	GLIDE	47328	47328	47328
5	CRUTCH TIP	49123	49123	49123
6	MAGNETIC CATCH	47561	47561	47561
7	DPST ROCKER SWITCH	42532	42532	42532
8**	LEAD-IN CORD 15 AMP PLUG	22038		22038
	EXPORT POWER SUPPLY CORD		42369	
9	SR-10-2 STRAIN RELIEF	87163	87163	87163



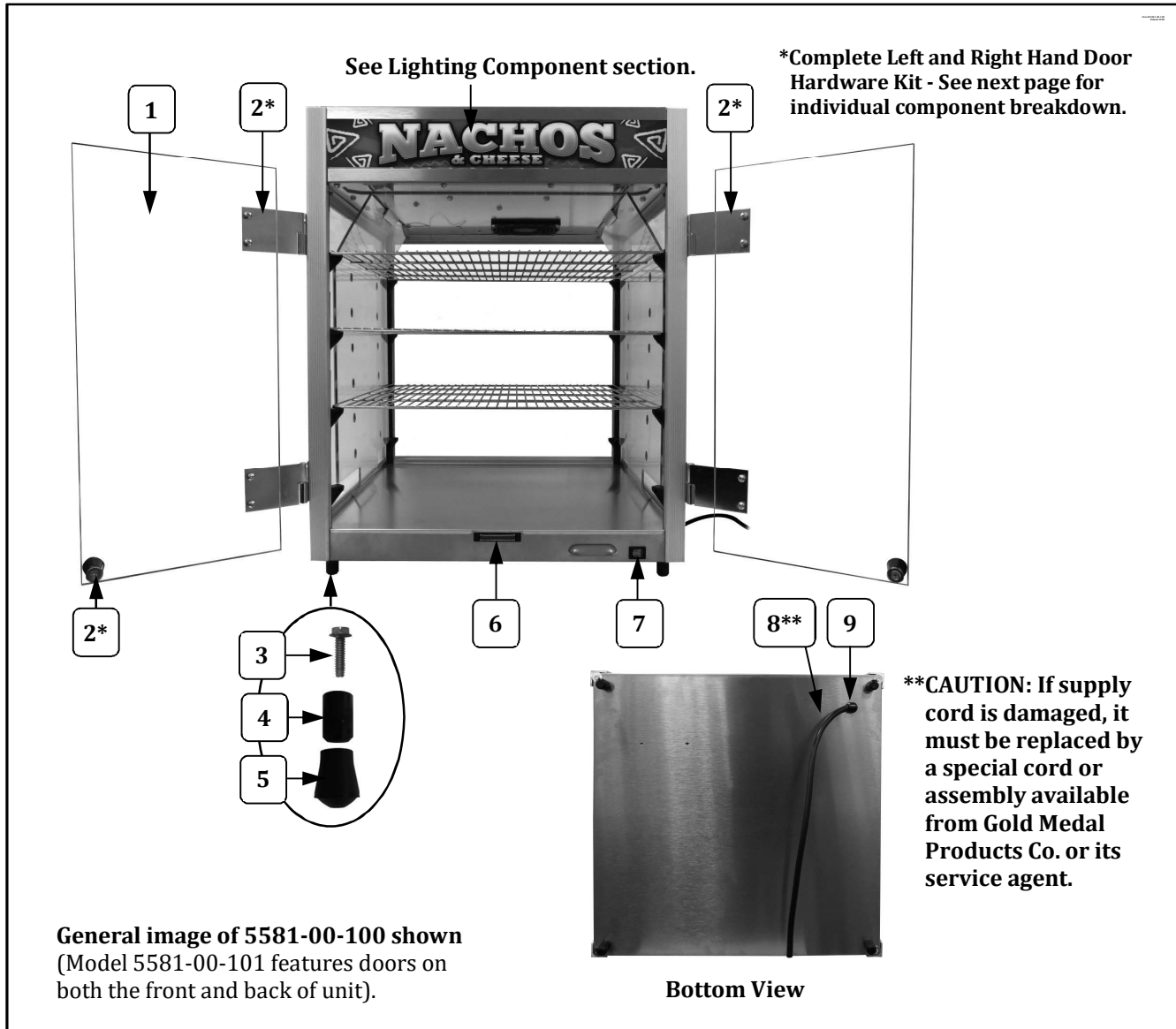
## Cabinet Exterior – Front and Bottom View



Item	Part Description	Part Number		
		5581-00-100	5581-01-100	5581-00-101
1	DOOR (1 door panel)	74166	74166	74166
2*	COMPLETE DOOR HARDWARE KIT	61380	61380	61380
3	10-24 X 3/4 HEX HEAD SCREW	41314	41314	41314
4	GLIDE	47328	47328	47328
5	CRUTCH TIP	49123	49123	49123
6	MAGNETIC CATCH	47561	47561	47561
7	DPST ROCKER SWITCH	42532	42532	42532
8**	LEAD-IN CORD 15 AMP PLUG	22038		22038
	EXPORT POWER SUPPLY CORD		42369	
9	SR-10-2 STRAIN RELIEF	87163	87163	87163



## Cabinet Exterior – Front and Bottom View

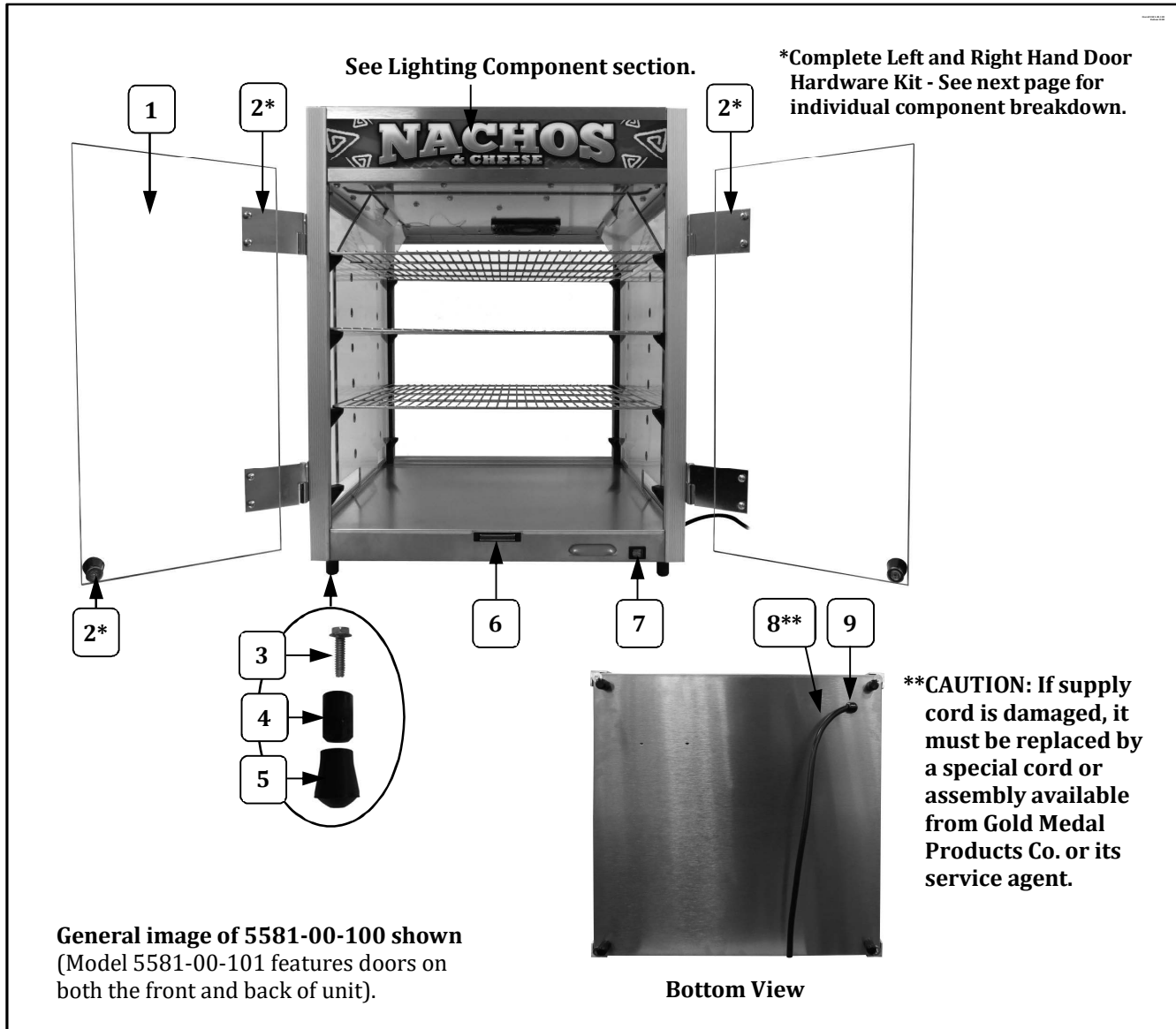


Item	Part Description	Part Number		
		5581-00-100	5581-01-100	5581-00-101
1	DOOR (1 door panel)	74166	74166	74166
2*	COMPLETE DOOR HARDWARE KIT	61380	61380	61380
3	10-24 X 3/4 HEX HEAD SCREW	41314	41314	41314
4	GLIDE	47328	47328	47328
5	CRUTCH TIP	49123	49123	49123
6	MAGNETIC CATCH	47561	47561	47561
7	DPST ROCKER SWITCH	42532	42532	42532
8**	LEAD-IN CORD 15 AMP PLUG	22038		22038
	EXPORT POWER SUPPLY CORD		42369	
9	SR-10-2 STRAIN RELIEF	87163	87163	87163





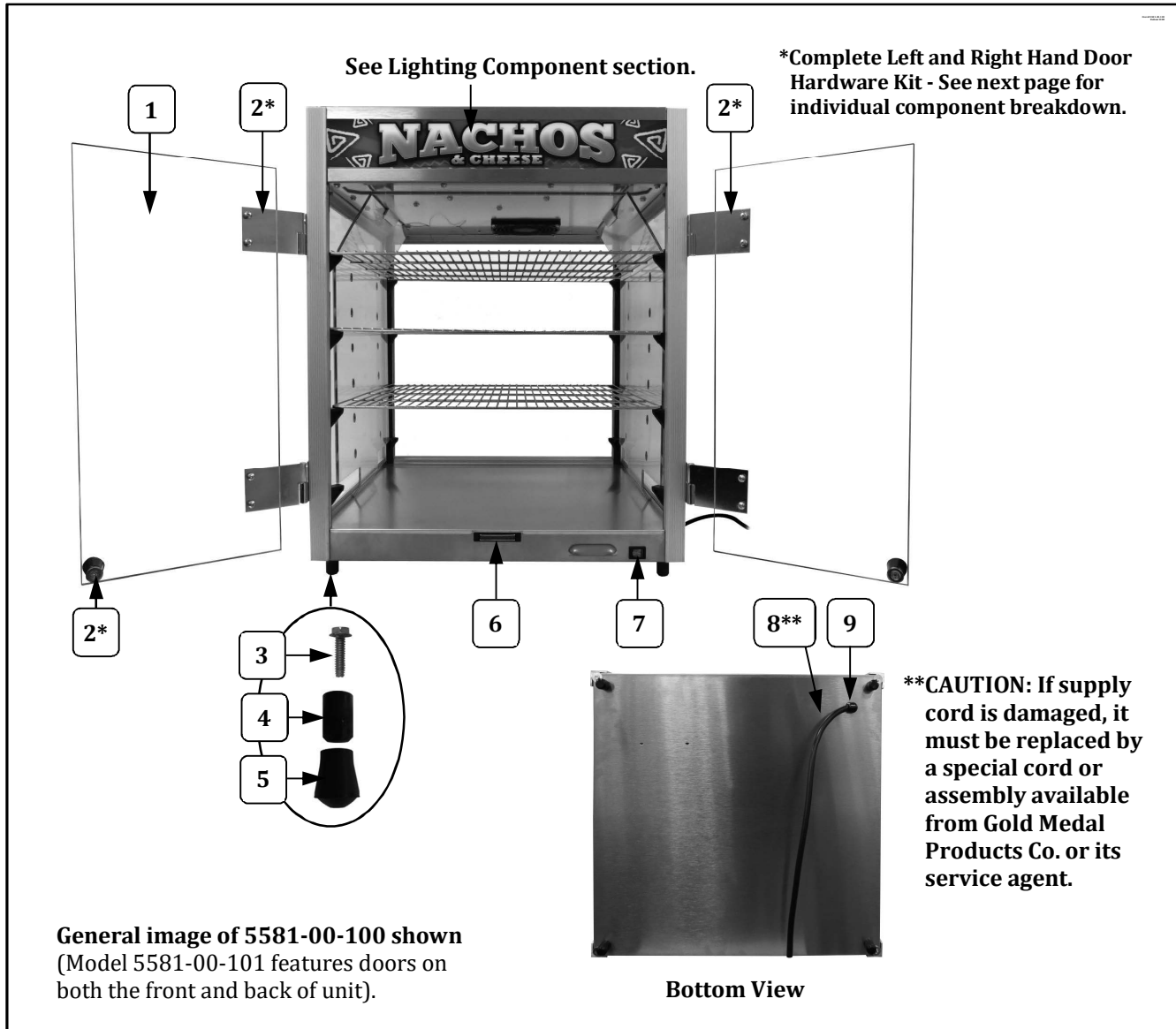
## Cabinet Exterior – Front and Bottom View



Item	Part Description	Part Number		
		5581-00-100	5581-01-100	5581-00-101
1	DOOR (1 door panel)	74166	74166	74166
2*	COMPLETE DOOR HARDWARE KIT	61380	61380	61380
3	10-24 X 3/4 HEX HEAD SCREW	41314	41314	41314
4	GLIDE	47328	47328	47328
5	CRUTCH TIP	49123	49123	49123
6	MAGNETIC CATCH	47561	47561	47561
7	DPST ROCKER SWITCH	42532	42532	42532
8**	LEAD-IN CORD 15 AMP PLUG	22038		22038
	EXPORT POWER SUPPLY CORD		42369	
9	SR-10-2 STRAIN RELIEF	87163	87163	87163



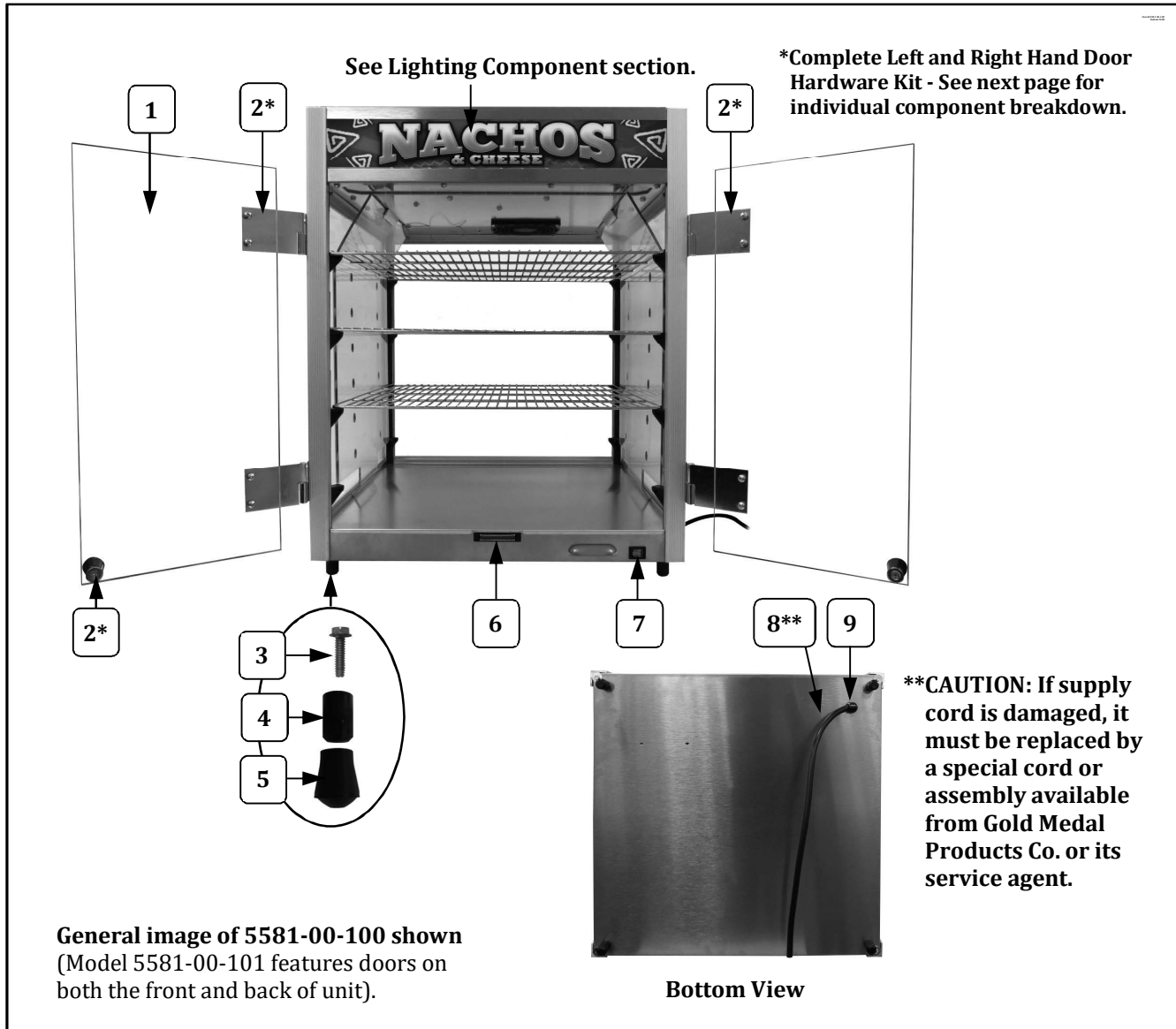
## Cabinet Exterior – Front and Bottom View



Item	Part Description	Part Number		
		5581-00-100	5581-01-100	5581-00-101
1	DOOR (1 door panel)	74166	74166	74166
2*	COMPLETE DOOR HARDWARE KIT	61380	61380	61380
3	10-24 X 3/4 HEX HEAD SCREW	41314	41314	41314
4	GLIDE	47328	47328	47328
5	CRUTCH TIP	49123	49123	49123
6	MAGNETIC CATCH	47561	47561	47561
7	DPST ROCKER SWITCH	42532	42532	42532
8**	LEAD-IN CORD 15 AMP PLUG	22038		22038
	EXPORT POWER SUPPLY CORD		42369	
9	SR-10-2 STRAIN RELIEF	87163	87163	87163



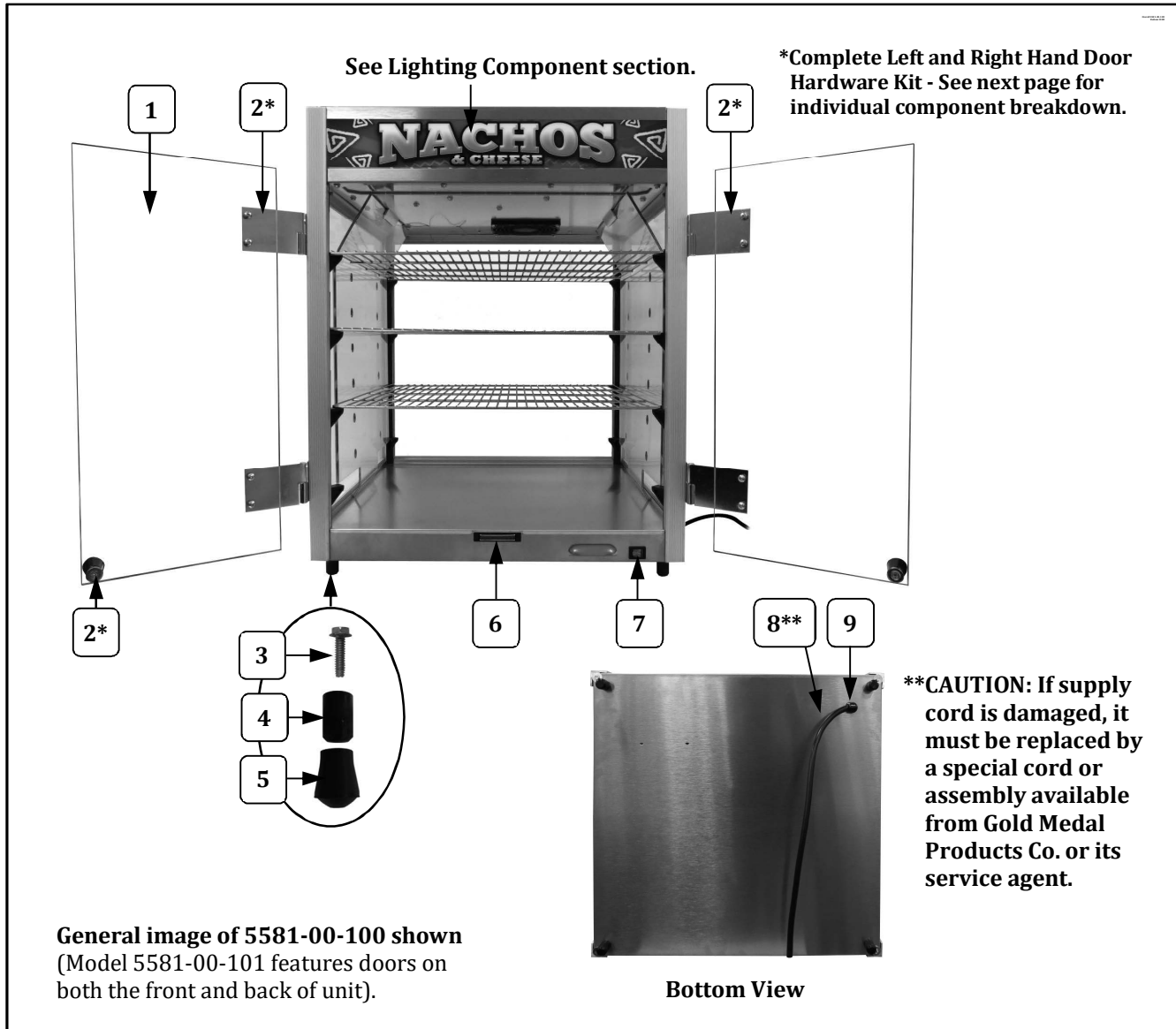
## Cabinet Exterior – Front and Bottom View



Item	Part Description	Part Number		
		5581-00-100	5581-01-100	5581-00-101
1	DOOR (1 door panel)	74166	74166	74166
2*	COMPLETE DOOR HARDWARE KIT	61380	61380	61380
3	10-24 X 3/4 HEX HEAD SCREW	41314	41314	41314
4	GLIDE	47328	47328	47328
5	CRUTCH TIP	49123	49123	49123
6	MAGNETIC CATCH	47561	47561	47561
7	DPST ROCKER SWITCH	42532	42532	42532
8**	LEAD-IN CORD 15 AMP PLUG	22038		22038
	EXPORT POWER SUPPLY CORD		42369	
9	SR-10-2 STRAIN RELIEF	87163	87163	87163



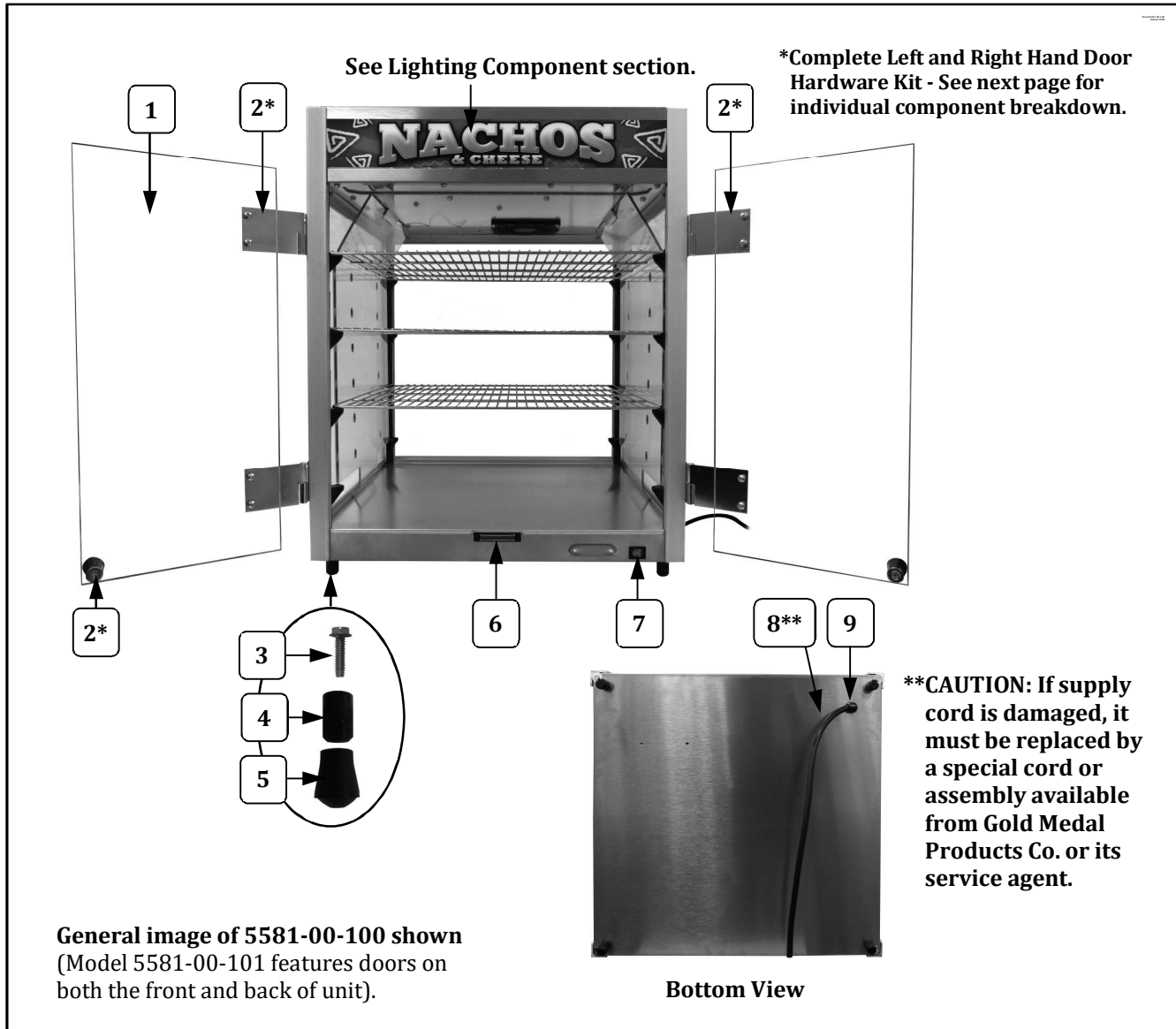
## Cabinet Exterior – Front and Bottom View



Item	Part Description	Part Number		
		5581-00-100	5581-01-100	5581-00-101
1	DOOR (1 door panel)	74166	74166	74166
2*	COMPLETE DOOR HARDWARE KIT	61380	61380	61380
3	10-24 X 3/4 HEX HEAD SCREW	41314	41314	41314
4	GLIDE	47328	47328	47328
5	CRUTCH TIP	49123	49123	49123
6	MAGNETIC CATCH	47561	47561	47561
7	DPST ROCKER SWITCH	42532	42532	42532
8**	LEAD-IN CORD 15 AMP PLUG	22038		22038
	EXPORT POWER SUPPLY CORD		42369	
9	SR-10-2 STRAIN RELIEF	87163	87163	87163



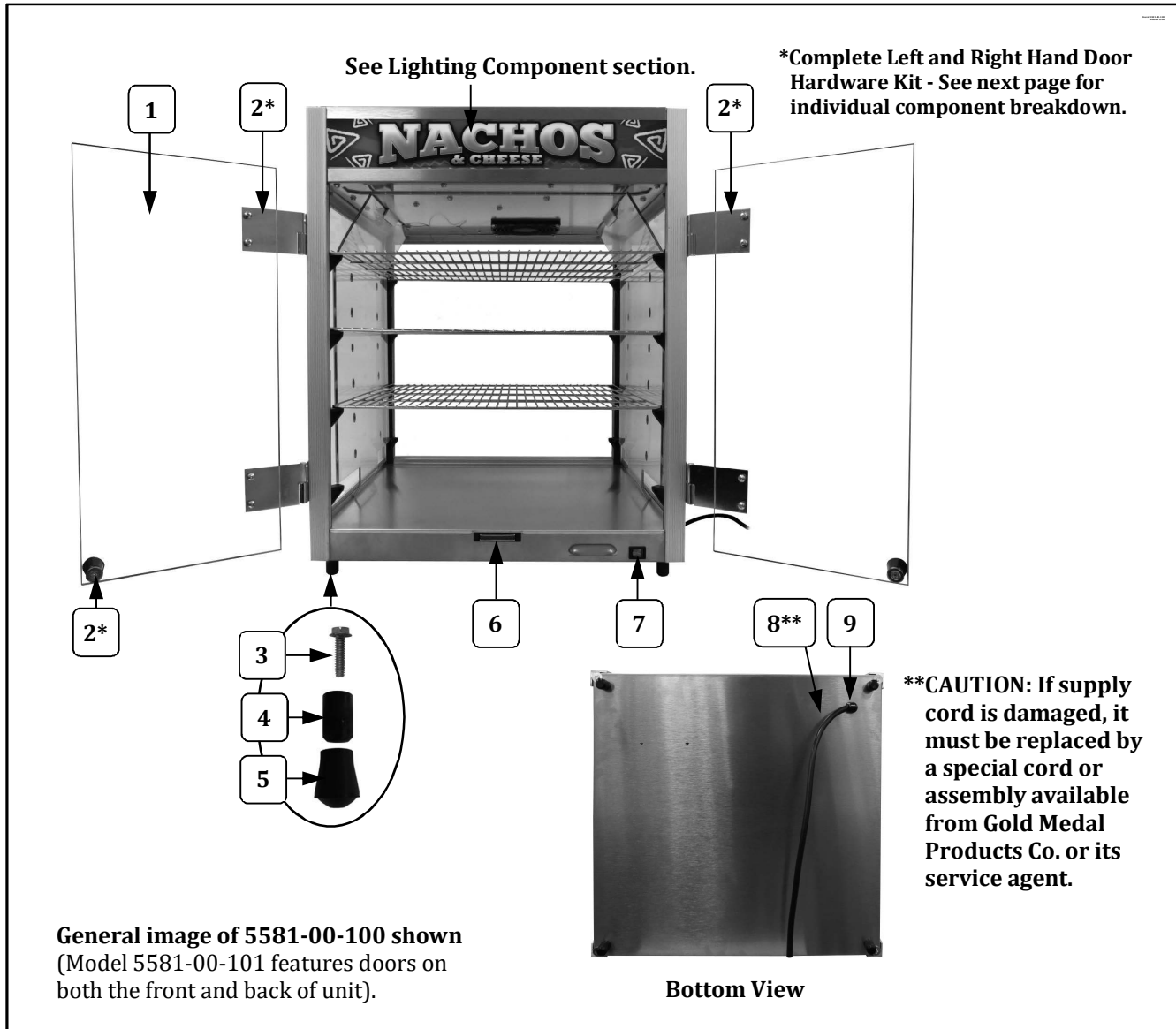
## Cabinet Exterior – Front and Bottom View



Item	Part Description	Part Number		
		5581-00-100	5581-01-100	5581-00-101
1	DOOR (1 door panel)	74166	74166	74166
2*	COMPLETE DOOR HARDWARE KIT	61380	61380	61380
3	10-24 X 3/4 HEX HEAD SCREW	41314	41314	41314
4	GLIDE	47328	47328	47328
5	CRUTCH TIP	49123	49123	49123
6	MAGNETIC CATCH	47561	47561	47561
7	DPST ROCKER SWITCH	42532	42532	42532
8**	LEAD-IN CORD 15 AMP PLUG	22038		22038
	EXPORT POWER SUPPLY CORD		42369	
9	SR-10-2 STRAIN RELIEF	87163	87163	87163



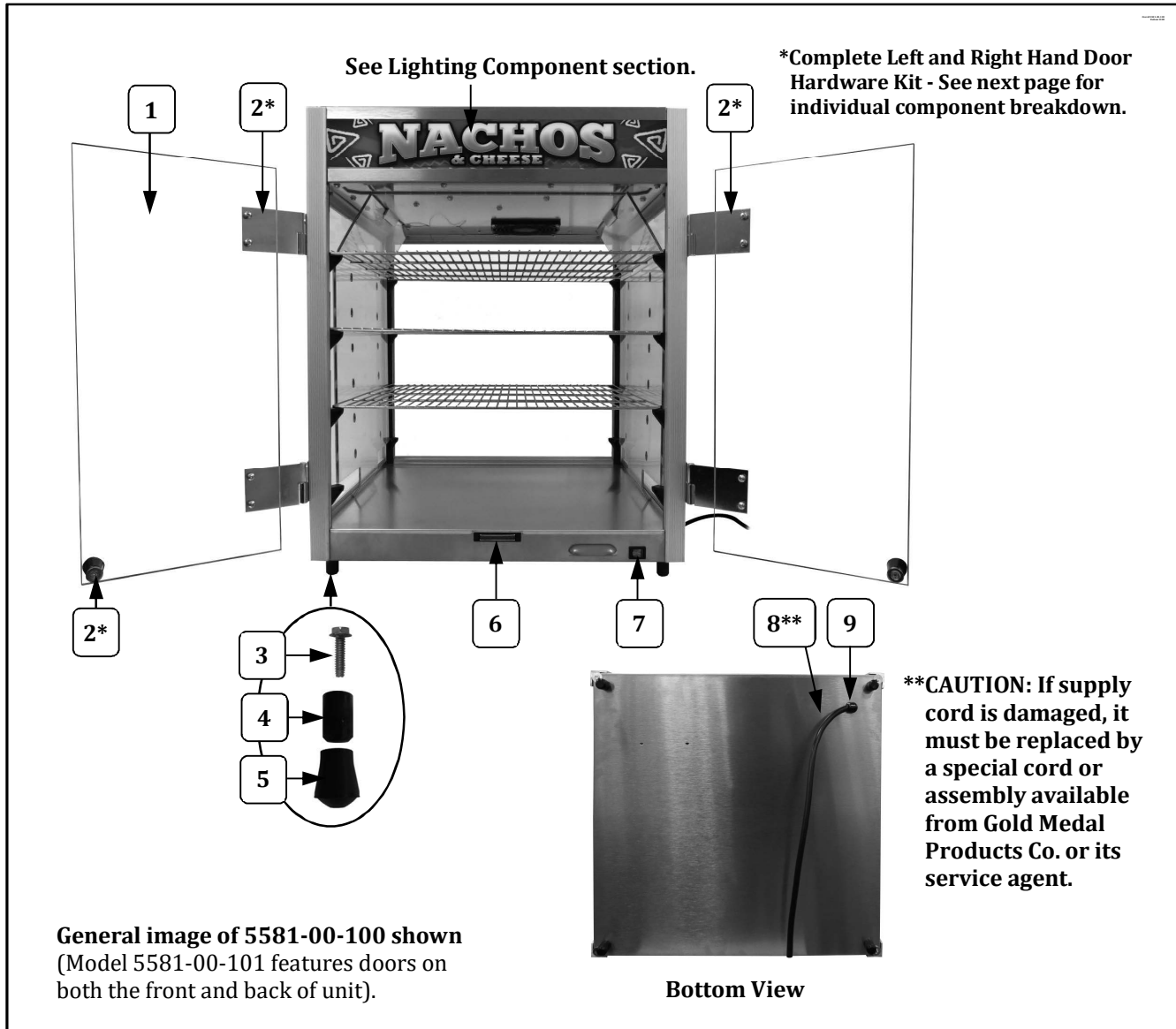
## Cabinet Exterior – Front and Bottom View



Item	Part Description	Part Number		
		5581-00-100	5581-01-100	5581-00-101
1	DOOR (1 door panel)	74166	74166	74166
2*	COMPLETE DOOR HARDWARE KIT	61380	61380	61380
3	10-24 X 3/4 HEX HEAD SCREW	41314	41314	41314
4	GLIDE	47328	47328	47328
5	CRUTCH TIP	49123	49123	49123
6	MAGNETIC CATCH	47561	47561	47561
7	DPST ROCKER SWITCH	42532	42532	42532
8**	LEAD-IN CORD 15 AMP PLUG	22038		22038
	EXPORT POWER SUPPLY CORD		42369	
9	SR-10-2 STRAIN RELIEF	87163	87163	87163



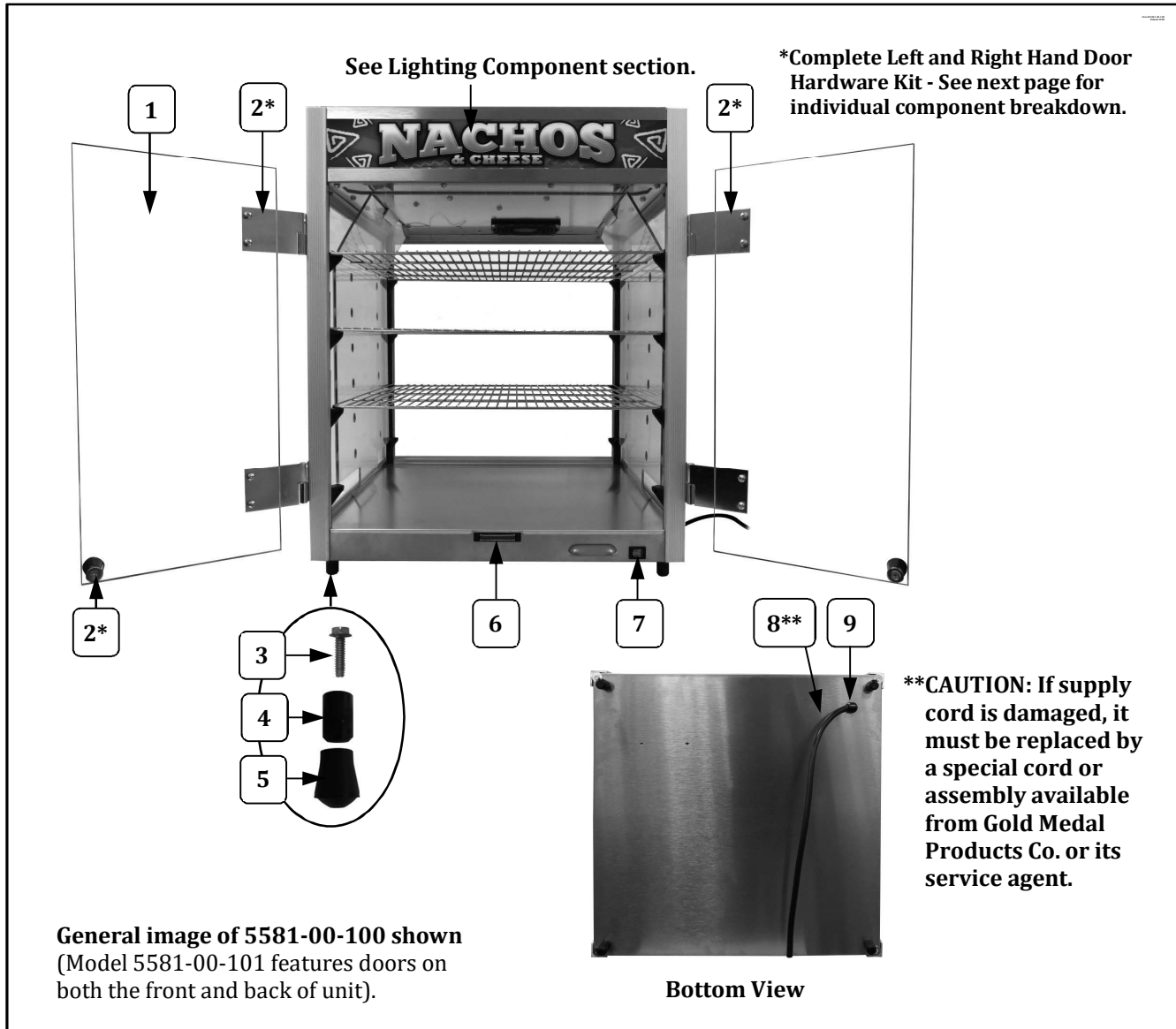
## Cabinet Exterior – Front and Bottom View



Item	Part Description	Part Number		
		5581-00-100	5581-01-100	5581-00-101
1	DOOR (1 door panel)	74166	74166	74166
2*	COMPLETE DOOR HARDWARE KIT	61380	61380	61380
3	10-24 X 3/4 HEX HEAD SCREW	41314	41314	41314
4	GLIDE	47328	47328	47328
5	CRUTCH TIP	49123	49123	49123
6	MAGNETIC CATCH	47561	47561	47561
7	DPST ROCKER SWITCH	42532	42532	42532
8**	LEAD-IN CORD 15 AMP PLUG	22038		22038
	EXPORT POWER SUPPLY CORD		42369	
9	SR-10-2 STRAIN RELIEF	87163	87163	87163



## Cabinet Exterior – Front and Bottom View

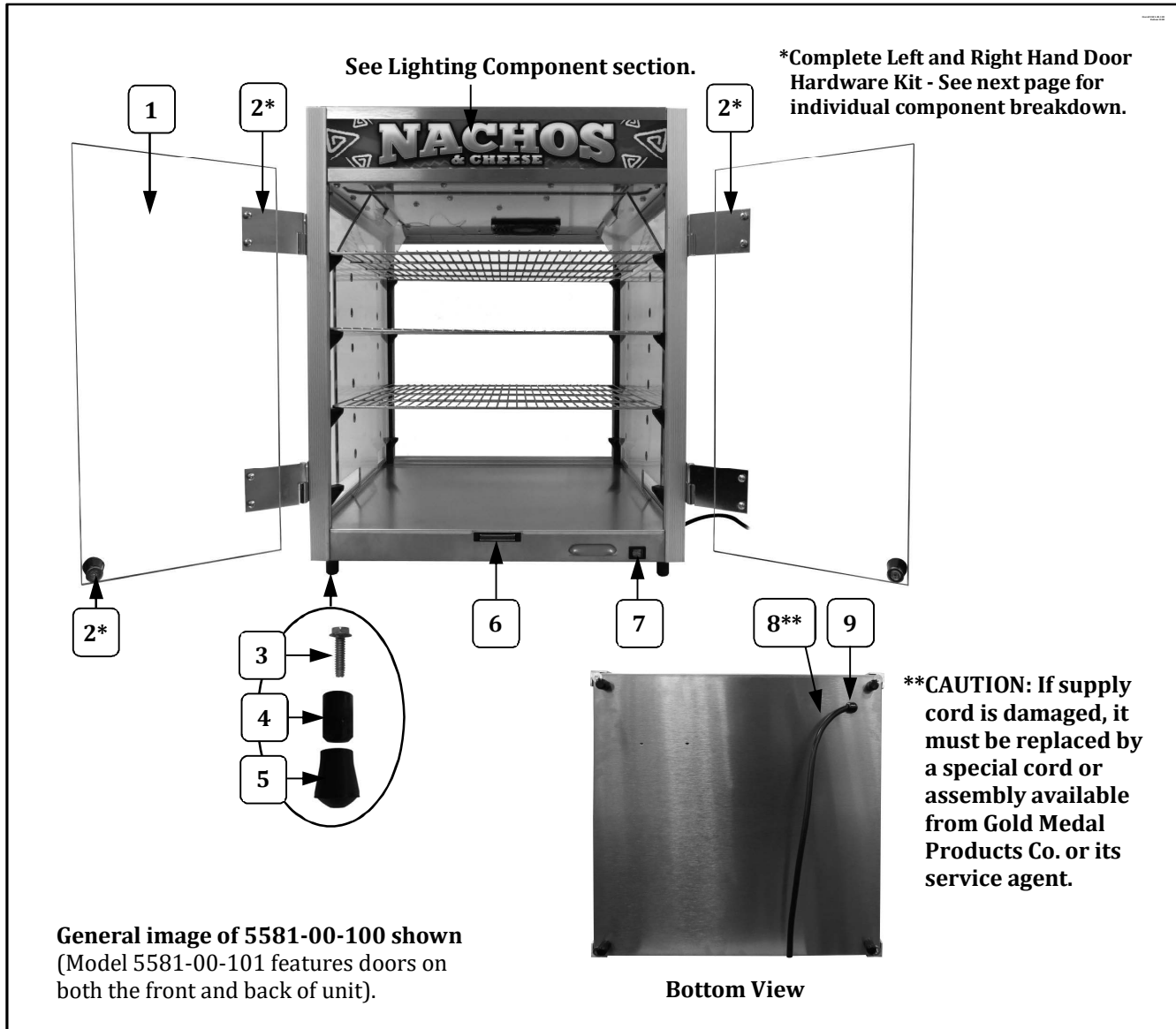


Item	Part Description	Part Number		
		5581-00-100	5581-01-100	5581-00-101
1	DOOR (1 door panel)	74166	74166	74166
2*	COMPLETE DOOR HARDWARE KIT	61380	61380	61380
3	10-24 X 3/4 HEX HEAD SCREW	41314	41314	41314
4	GLIDE	47328	47328	47328
5	CRUTCH TIP	49123	49123	49123
6	MAGNETIC CATCH	47561	47561	47561
7	DPST ROCKER SWITCH	42532	42532	42532
8**	LEAD-IN CORD 15 AMP PLUG	22038		22038
	EXPORT POWER SUPPLY CORD		42369	
9	SR-10-2 STRAIN RELIEF	87163	87163	87163





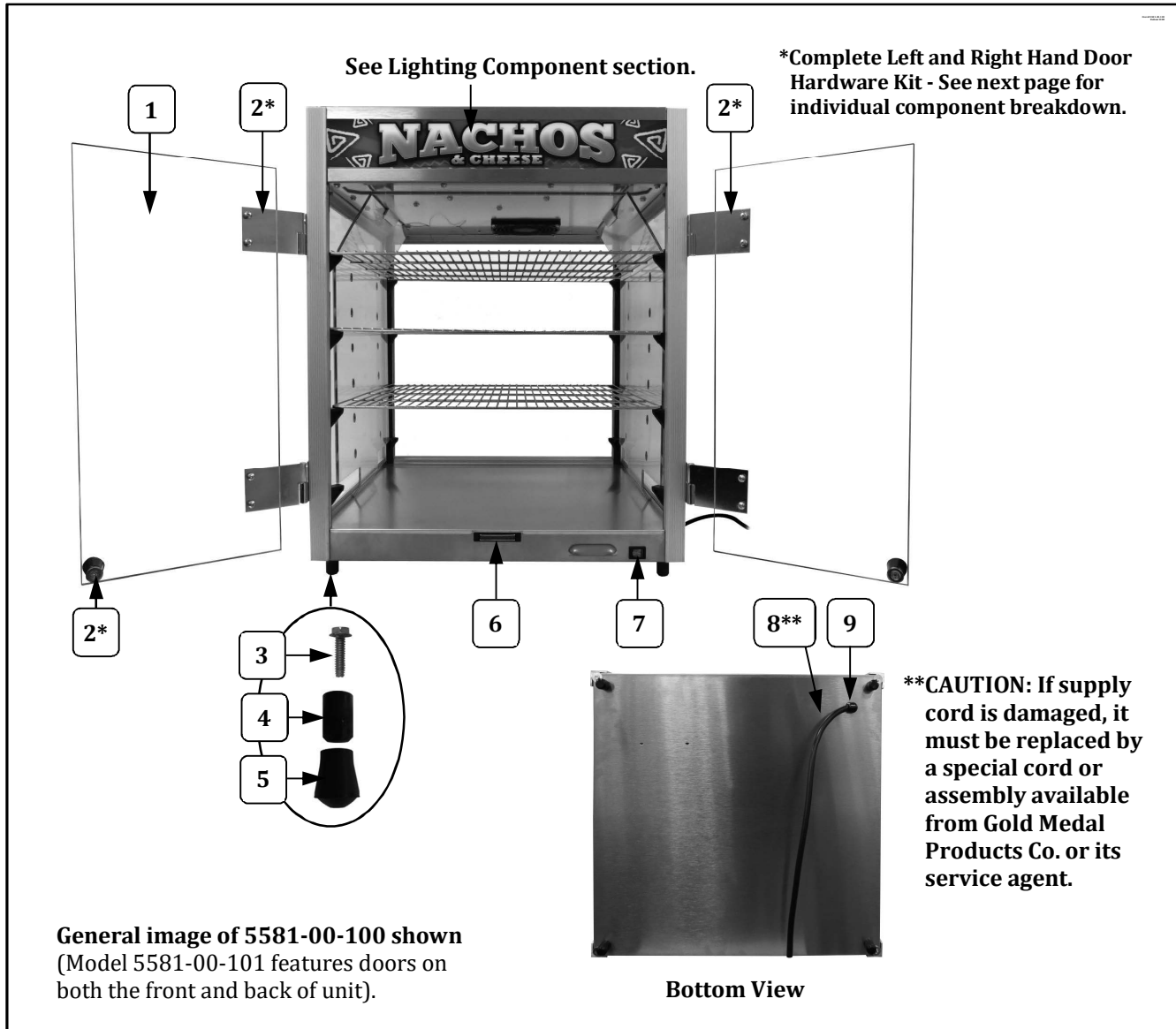
## Cabinet Exterior – Front and Bottom View



Item	Part Description	Part Number		
		5581-00-100	5581-01-100	5581-00-101
1	DOOR (1 door panel)	74166	74166	74166
2*	COMPLETE DOOR HARDWARE KIT	61380	61380	61380
3	10-24 X 3/4 HEX HEAD SCREW	41314	41314	41314
4	GLIDE	47328	47328	47328
5	CRUTCH TIP	49123	49123	49123
6	MAGNETIC CATCH	47561	47561	47561
7	DPST ROCKER SWITCH	42532	42532	42532
8**	LEAD-IN CORD 15 AMP PLUG	22038		22038
	EXPORT POWER SUPPLY CORD		42369	
9	SR-10-2 STRAIN RELIEF	87163	87163	87163



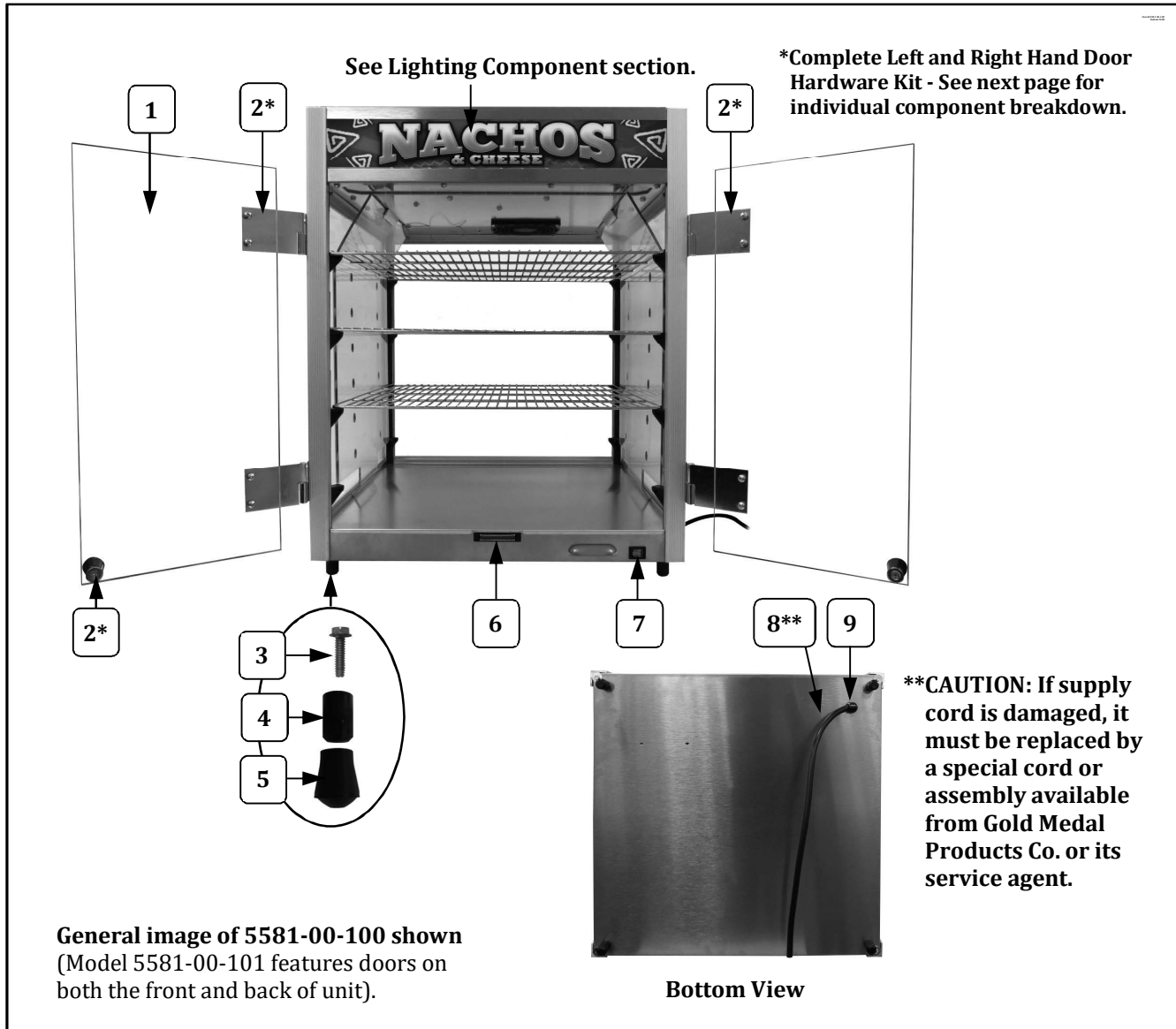
## Cabinet Exterior – Front and Bottom View



Item	Part Description	Part Number		
		5581-00-100	5581-01-100	5581-00-101
1	DOOR (1 door panel)	74166	74166	74166
2*	COMPLETE DOOR HARDWARE KIT	61380	61380	61380
3	10-24 X 3/4 HEX HEAD SCREW	41314	41314	41314
4	GLIDE	47328	47328	47328
5	CRUTCH TIP	49123	49123	49123
6	MAGNETIC CATCH	47561	47561	47561
7	DPST ROCKER SWITCH	42532	42532	42532
8**	LEAD-IN CORD 15 AMP PLUG	22038		22038
	EXPORT POWER SUPPLY CORD		42369	
9	SR-10-2 STRAIN RELIEF	87163	87163	87163



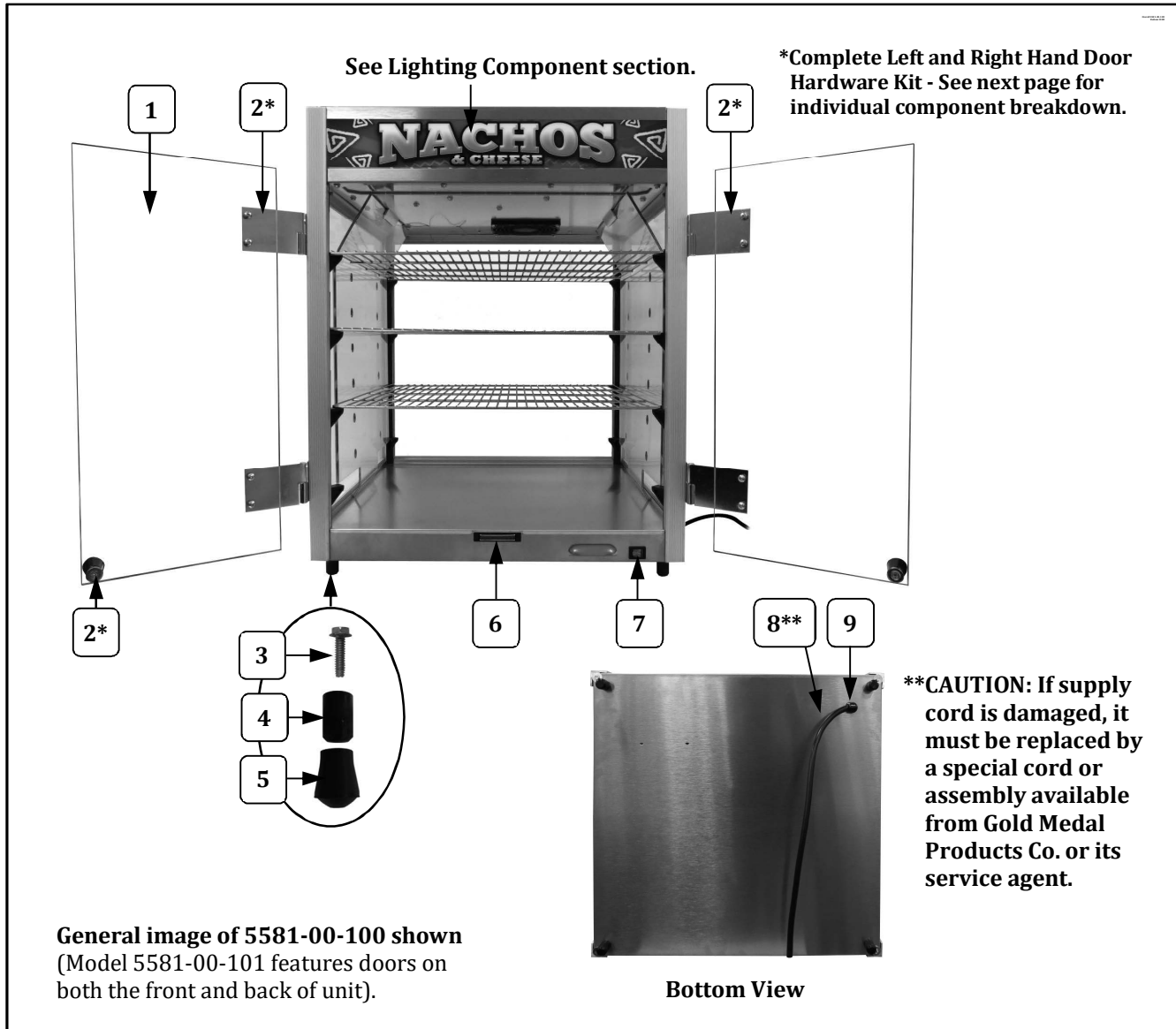
## Cabinet Exterior – Front and Bottom View



Item	Part Description	Part Number		
		5581-00-100	5581-01-100	5581-00-101
1	DOOR (1 door panel)	74166	74166	74166
2*	COMPLETE DOOR HARDWARE KIT	61380	61380	61380
3	10-24 X 3/4 HEX HEAD SCREW	41314	41314	41314
4	GLIDE	47328	47328	47328
5	CRUTCH TIP	49123	49123	49123
6	MAGNETIC CATCH	47561	47561	47561
7	DPST ROCKER SWITCH	42532	42532	42532
8**	LEAD-IN CORD 15 AMP PLUG	22038		22038
	EXPORT POWER SUPPLY CORD		42369	
9	SR-10-2 STRAIN RELIEF	87163	87163	87163



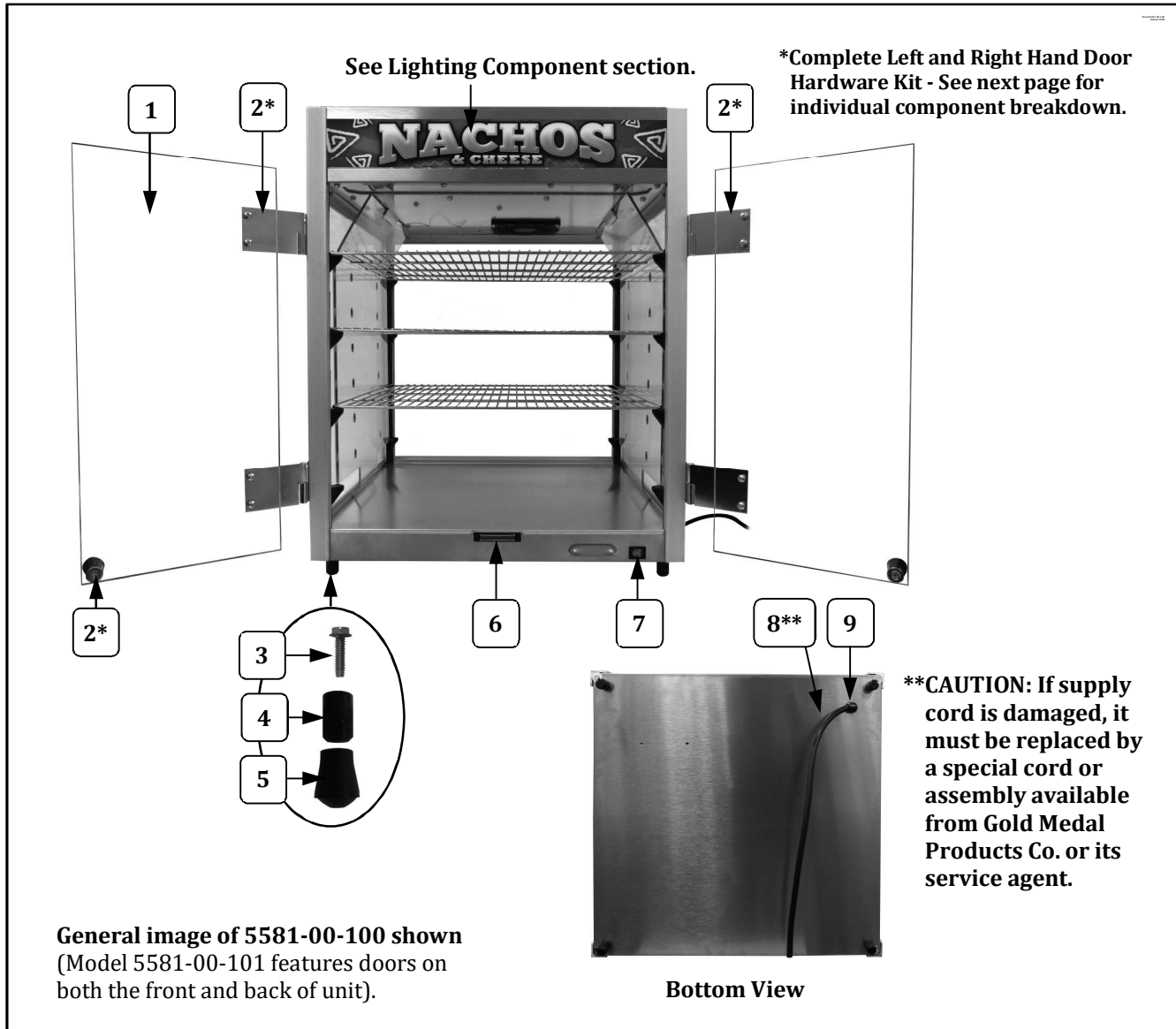
## Cabinet Exterior – Front and Bottom View



Item	Part Description	Part Number		
		5581-00-100	5581-01-100	5581-00-101
1	DOOR (1 door panel)	74166	74166	74166
2*	COMPLETE DOOR HARDWARE KIT	61380	61380	61380
3	10-24 X 3/4 HEX HEAD SCREW	41314	41314	41314
4	GLIDE	47328	47328	47328
5	CRUTCH TIP	49123	49123	49123
6	MAGNETIC CATCH	47561	47561	47561
7	DPST ROCKER SWITCH	42532	42532	42532
8**	LEAD-IN CORD 15 AMP PLUG	22038		22038
	EXPORT POWER SUPPLY CORD		42369	
9	SR-10-2 STRAIN RELIEF	87163	87163	87163



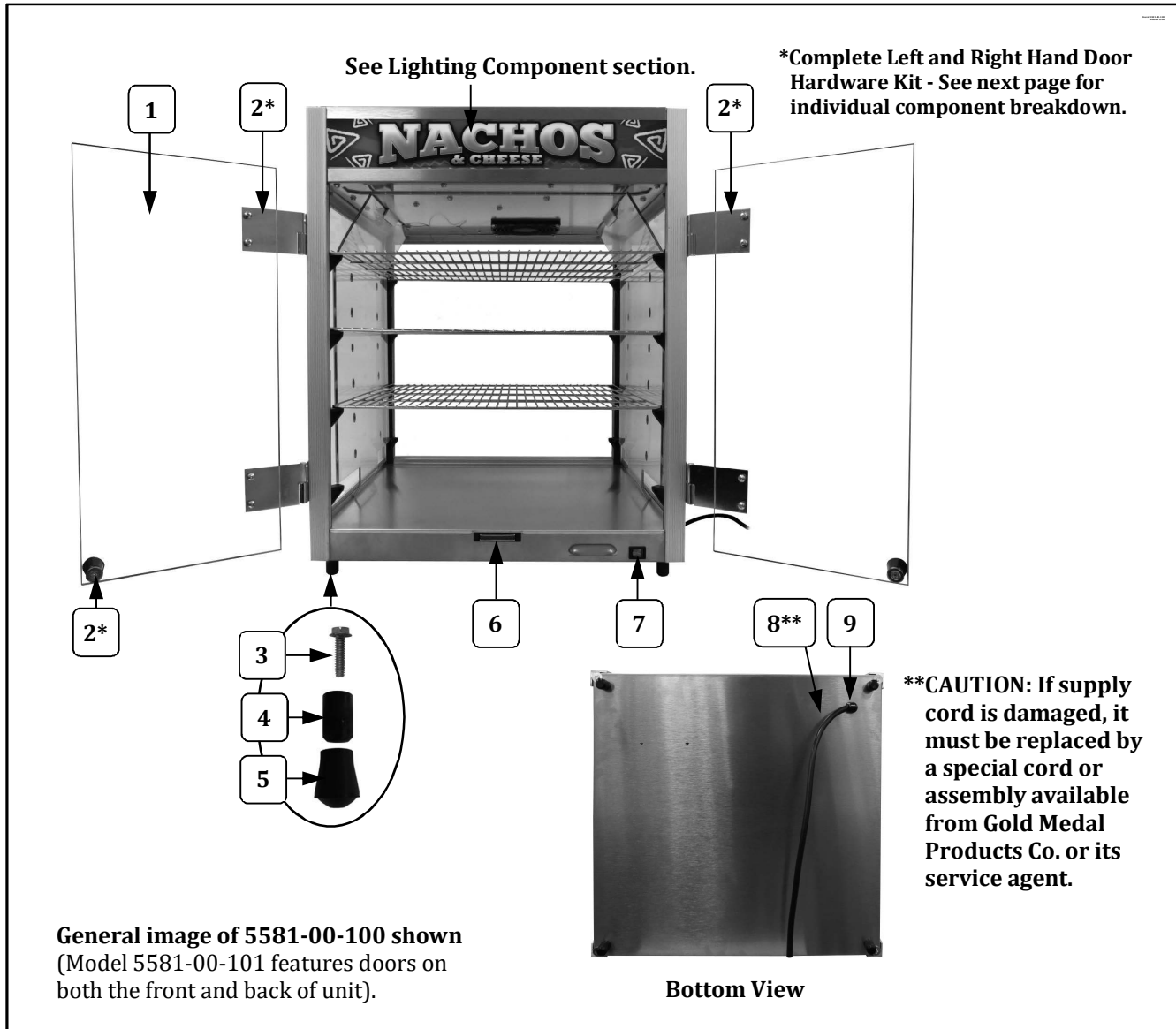
## Cabinet Exterior – Front and Bottom View



Item	Part Description	Part Number		
		5581-00-100	5581-01-100	5581-00-101
1	DOOR (1 door panel)	74166	74166	74166
2*	COMPLETE DOOR HARDWARE KIT	61380	61380	61380
3	10-24 X 3/4 HEX HEAD SCREW	41314	41314	41314
4	GLIDE	47328	47328	47328
5	CRUTCH TIP	49123	49123	49123
6	MAGNETIC CATCH	47561	47561	47561
7	DPST ROCKER SWITCH	42532	42532	42532
8**	LEAD-IN CORD 15 AMP PLUG	22038		22038
	EXPORT POWER SUPPLY CORD		42369	
9	SR-10-2 STRAIN RELIEF	87163	87163	87163



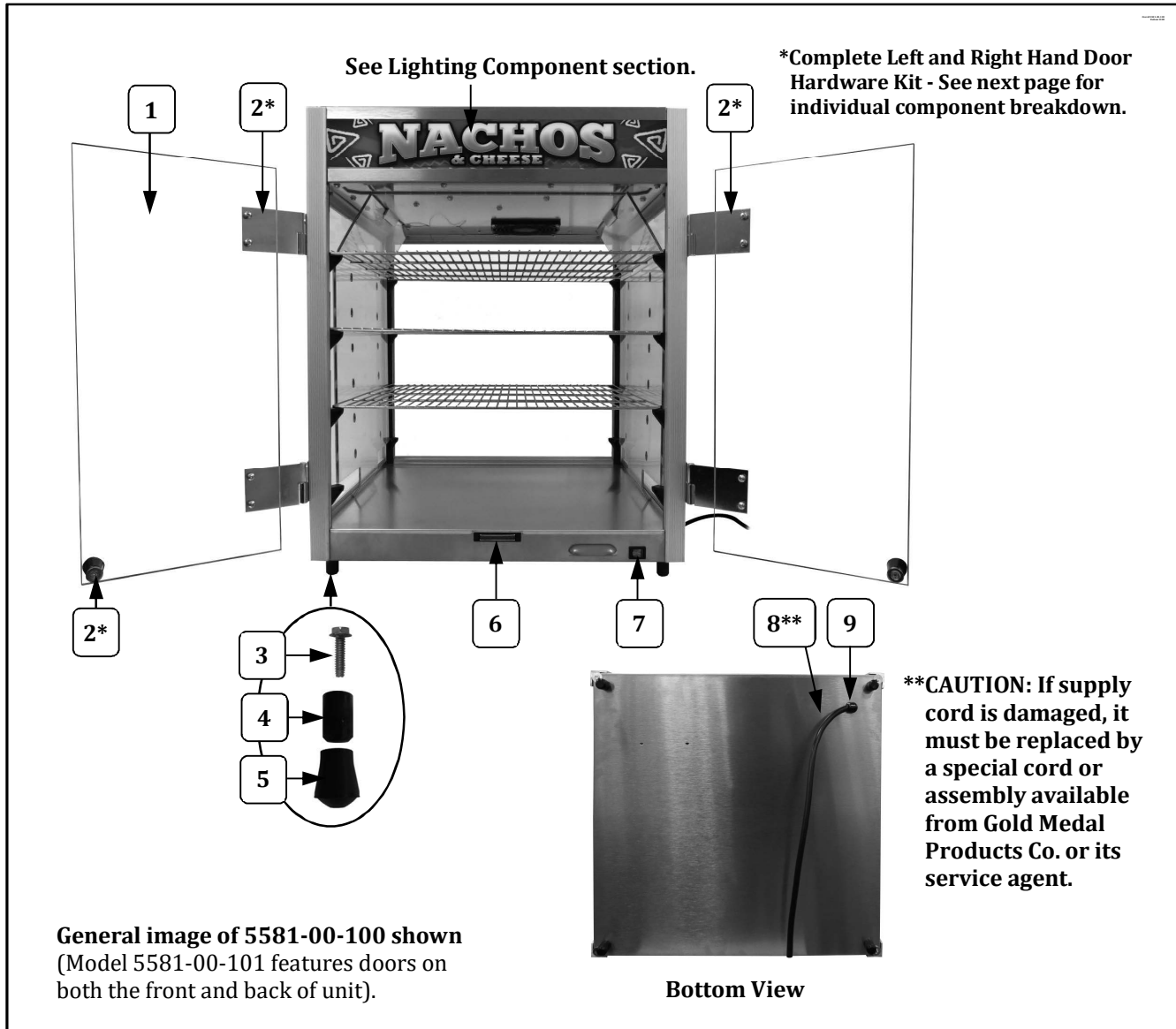
## Cabinet Exterior – Front and Bottom View



Item	Part Description	Part Number		
		5581-00-100	5581-01-100	5581-00-101
1	DOOR (1 door panel)	74166	74166	74166
2*	COMPLETE DOOR HARDWARE KIT	61380	61380	61380
3	10-24 X 3/4 HEX HEAD SCREW	41314	41314	41314
4	GLIDE	47328	47328	47328
5	CRUTCH TIP	49123	49123	49123
6	MAGNETIC CATCH	47561	47561	47561
7	DPST ROCKER SWITCH	42532	42532	42532
8**	LEAD-IN CORD 15 AMP PLUG	22038		22038
	EXPORT POWER SUPPLY CORD		42369	
9	SR-10-2 STRAIN RELIEF	87163	87163	87163



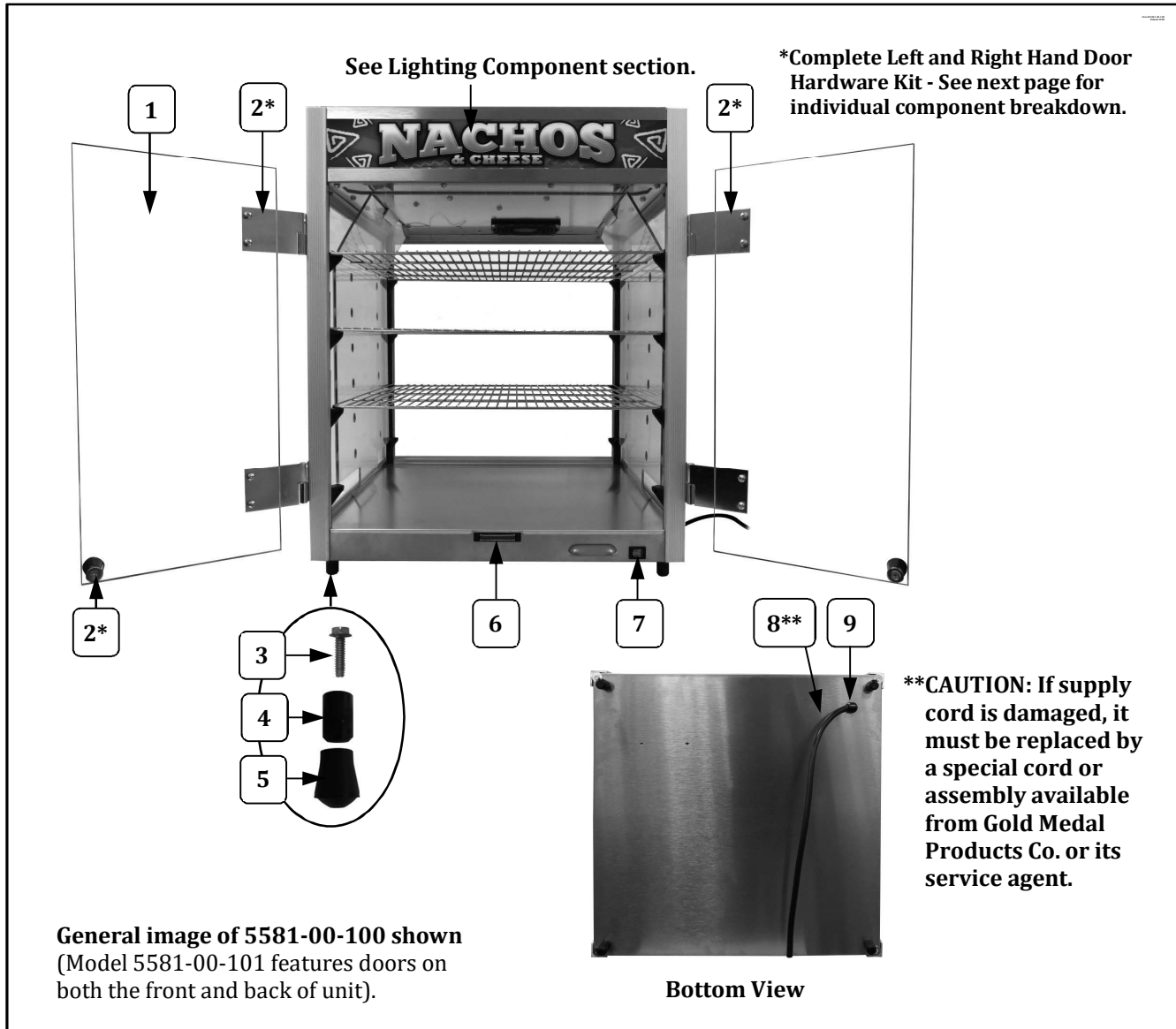
## Cabinet Exterior – Front and Bottom View



Item	Part Description	Part Number		
		5581-00-100	5581-01-100	5581-00-101
1	DOOR (1 door panel)	74166	74166	74166
2*	COMPLETE DOOR HARDWARE KIT	61380	61380	61380
3	10-24 X 3/4 HEX HEAD SCREW	41314	41314	41314
4	GLIDE	47328	47328	47328
5	CRUTCH TIP	49123	49123	49123
6	MAGNETIC CATCH	47561	47561	47561
7	DPST ROCKER SWITCH	42532	42532	42532
8**	LEAD-IN CORD 15 AMP PLUG	22038		22038
	EXPORT POWER SUPPLY CORD		42369	
9	SR-10-2 STRAIN RELIEF	87163	87163	87163



## Cabinet Exterior – Front and Bottom View

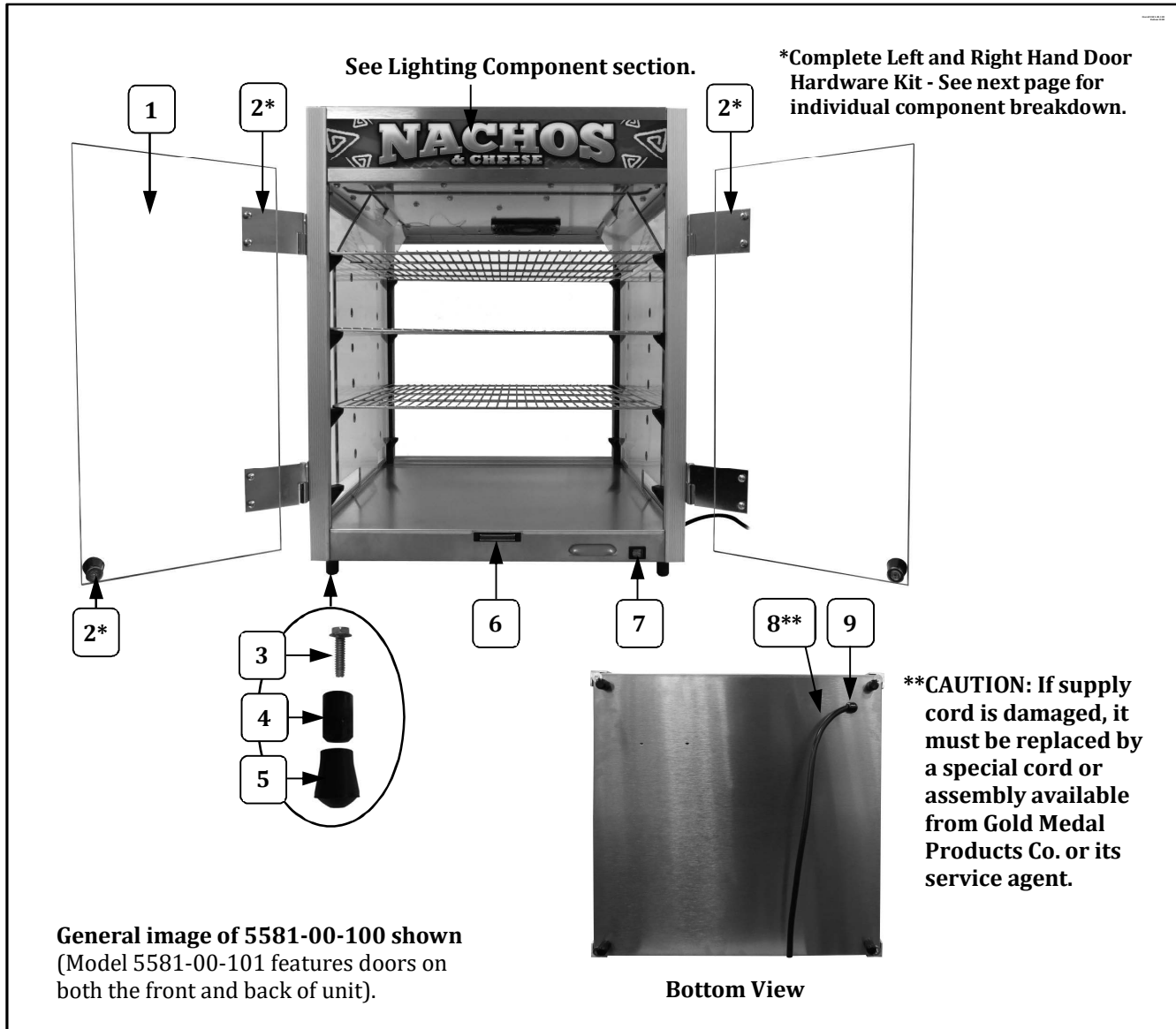


Item	Part Description	Part Number		
		5581-00-100	5581-01-100	5581-00-101
1	DOOR (1 door panel)	74166	74166	74166
2*	COMPLETE DOOR HARDWARE KIT	61380	61380	61380
3	10-24 X 3/4 HEX HEAD SCREW	41314	41314	41314
4	GLIDE	47328	47328	47328
5	CRUTCH TIP	49123	49123	49123
6	MAGNETIC CATCH	47561	47561	47561
7	DPST ROCKER SWITCH	42532	42532	42532
8**	LEAD-IN CORD 15 AMP PLUG	22038		22038
	EXPORT POWER SUPPLY CORD		42369	
9	SR-10-2 STRAIN RELIEF	87163	87163	87163





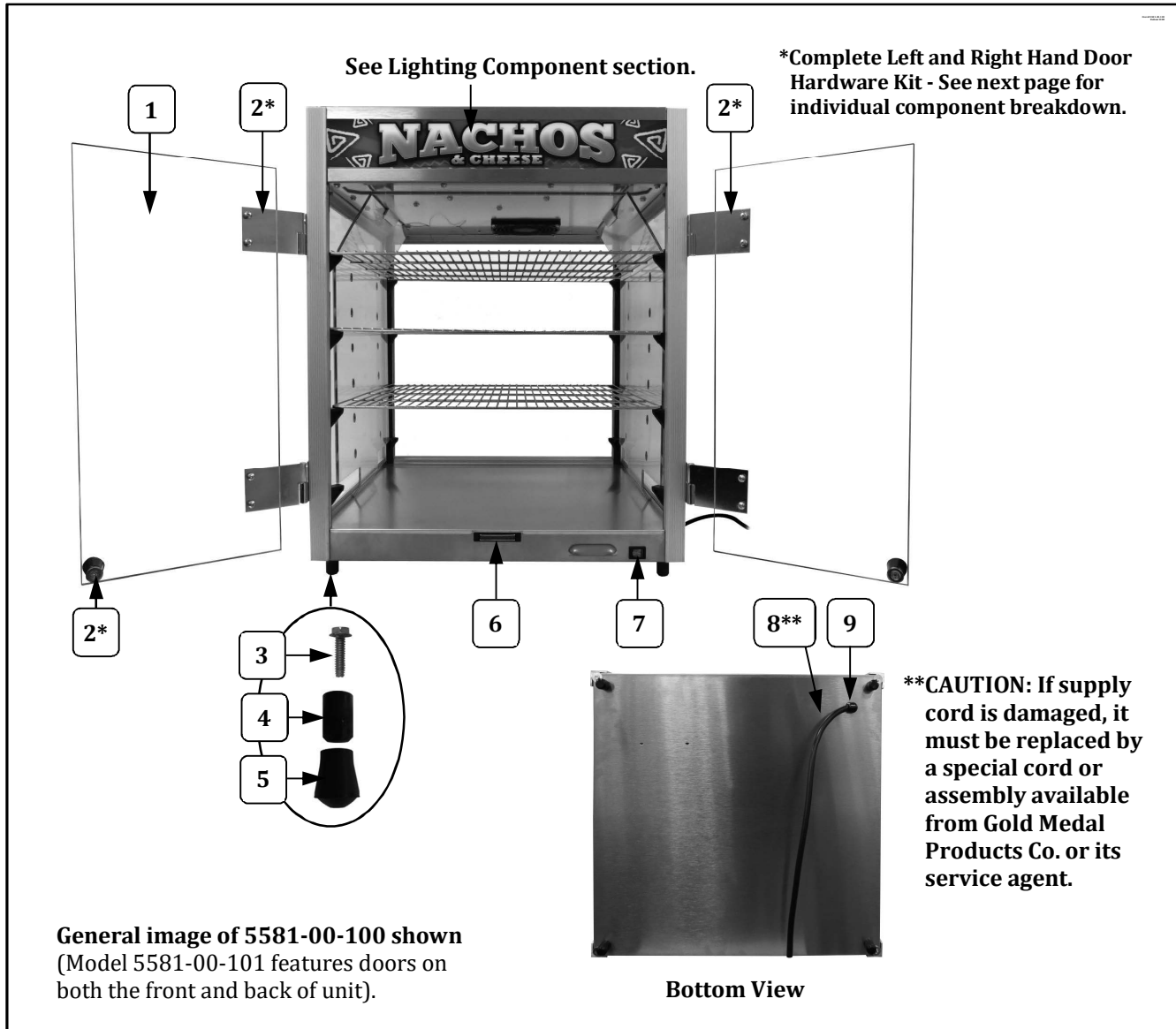
## Cabinet Exterior – Front and Bottom View



Item	Part Description	Part Number		
		5581-00-100	5581-01-100	5581-00-101
1	DOOR (1 door panel)	74166	74166	74166
2*	COMPLETE DOOR HARDWARE KIT	61380	61380	61380
3	10-24 X 3/4 HEX HEAD SCREW	41314	41314	41314
4	GLIDE	47328	47328	47328
5	CRUTCH TIP	49123	49123	49123
6	MAGNETIC CATCH	47561	47561	47561
7	DPST ROCKER SWITCH	42532	42532	42532
8**	LEAD-IN CORD 15 AMP PLUG	22038		22038
	EXPORT POWER SUPPLY CORD		42369	
9	SR-10-2 STRAIN RELIEF	87163	87163	87163



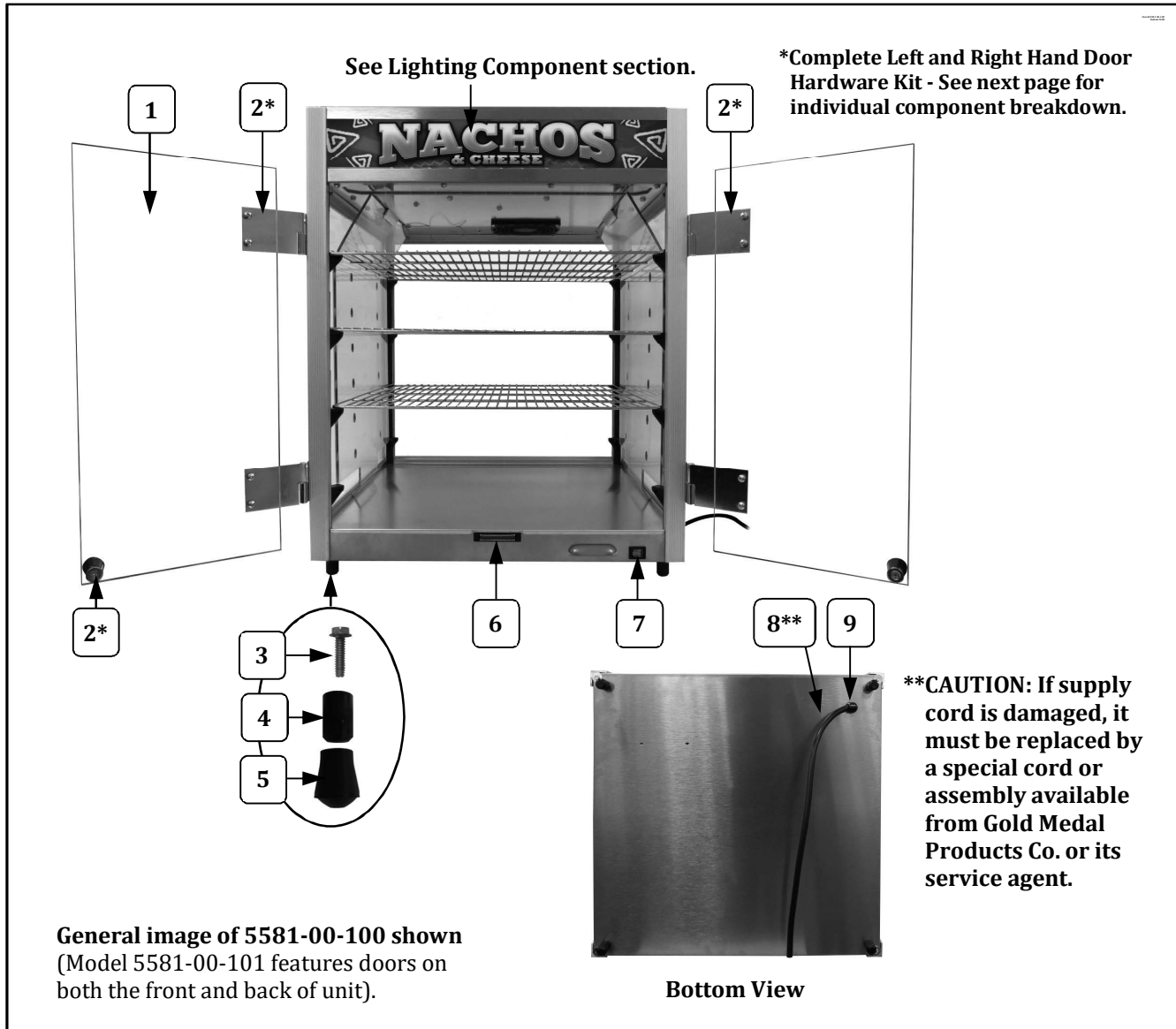
## Cabinet Exterior – Front and Bottom View



Item	Part Description	Part Number		
		5581-00-100	5581-01-100	5581-00-101
1	DOOR (1 door panel)	74166	74166	74166
2*	COMPLETE DOOR HARDWARE KIT	61380	61380	61380
3	10-24 X 3/4 HEX HEAD SCREW	41314	41314	41314
4	GLIDE	47328	47328	47328
5	CRUTCH TIP	49123	49123	49123
6	MAGNETIC CATCH	47561	47561	47561
7	DPST ROCKER SWITCH	42532	42532	42532
8**	LEAD-IN CORD 15 AMP PLUG	22038		22038
	EXPORT POWER SUPPLY CORD		42369	
9	SR-10-2 STRAIN RELIEF	87163	87163	87163



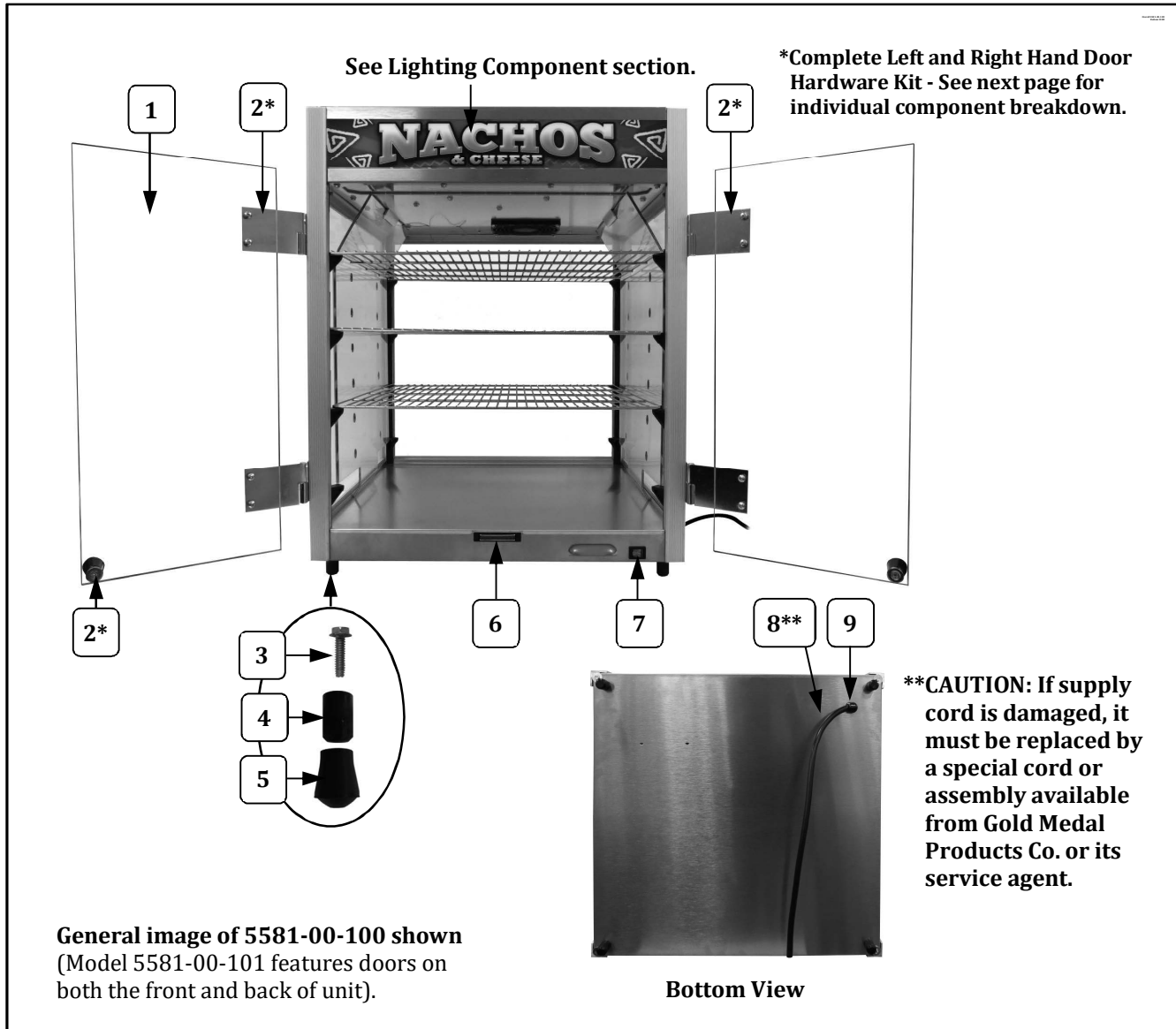
## Cabinet Exterior – Front and Bottom View



Item	Part Description	Part Number		
		5581-00-100	5581-01-100	5581-00-101
1	DOOR (1 door panel)	74166	74166	74166
2*	COMPLETE DOOR HARDWARE KIT	61380	61380	61380
3	10-24 X 3/4 HEX HEAD SCREW	41314	41314	41314
4	GLIDE	47328	47328	47328
5	CRUTCH TIP	49123	49123	49123
6	MAGNETIC CATCH	47561	47561	47561
7	DPST ROCKER SWITCH	42532	42532	42532
8**	LEAD-IN CORD 15 AMP PLUG	22038		22038
	EXPORT POWER SUPPLY CORD		42369	
9	SR-10-2 STRAIN RELIEF	87163	87163	87163



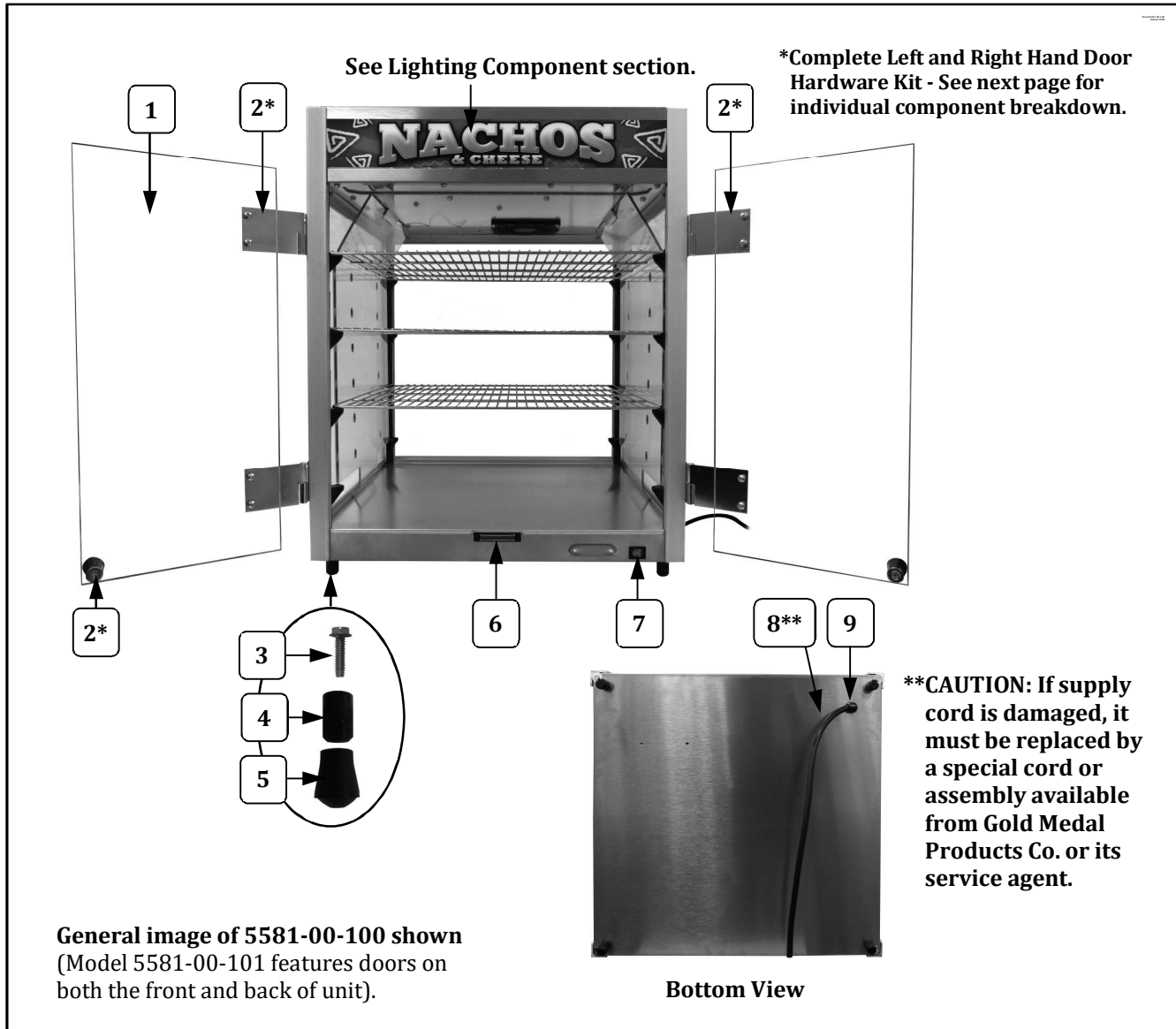
## Cabinet Exterior – Front and Bottom View



Item	Part Description	Part Number		
		5581-00-100	5581-01-100	5581-00-101
1	DOOR (1 door panel)	74166	74166	74166
2*	COMPLETE DOOR HARDWARE KIT	61380	61380	61380
3	10-24 X 3/4 HEX HEAD SCREW	41314	41314	41314
4	GLIDE	47328	47328	47328
5	CRUTCH TIP	49123	49123	49123
6	MAGNETIC CATCH	47561	47561	47561
7	DPST ROCKER SWITCH	42532	42532	42532
8**	LEAD-IN CORD 15 AMP PLUG	22038		22038
	EXPORT POWER SUPPLY CORD		42369	
9	SR-10-2 STRAIN RELIEF	87163	87163	87163



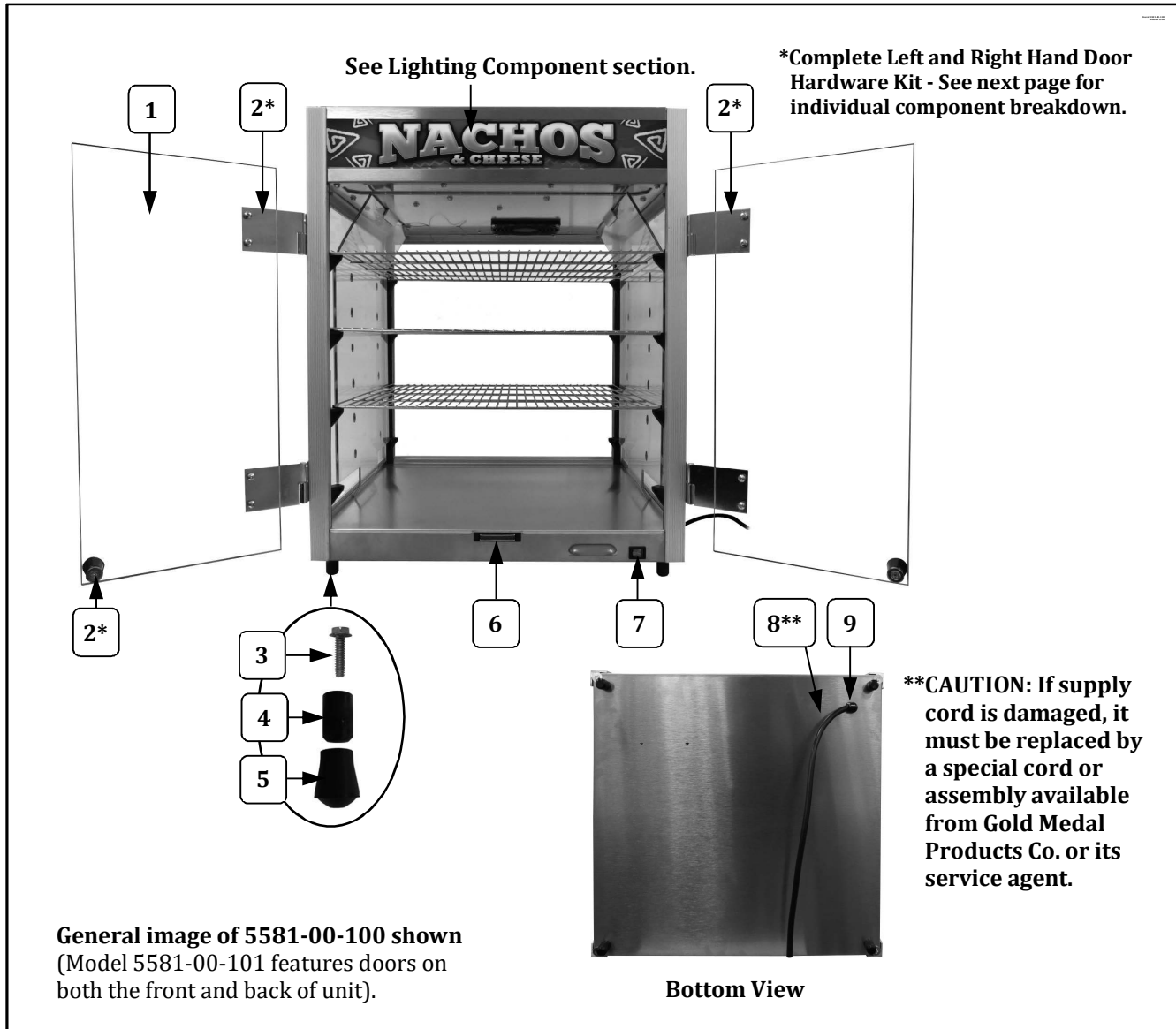
## Cabinet Exterior – Front and Bottom View



Item	Part Description	Part Number		
		5581-00-100	5581-01-100	5581-00-101
1	DOOR (1 door panel)	74166	74166	74166
2*	COMPLETE DOOR HARDWARE KIT	61380	61380	61380
3	10-24 X 3/4 HEX HEAD SCREW	41314	41314	41314
4	GLIDE	47328	47328	47328
5	CRUTCH TIP	49123	49123	49123
6	MAGNETIC CATCH	47561	47561	47561
7	DPST ROCKER SWITCH	42532	42532	42532
8**	LEAD-IN CORD 15 AMP PLUG	22038		22038
	EXPORT POWER SUPPLY CORD		42369	
9	SR-10-2 STRAIN RELIEF	87163	87163	87163



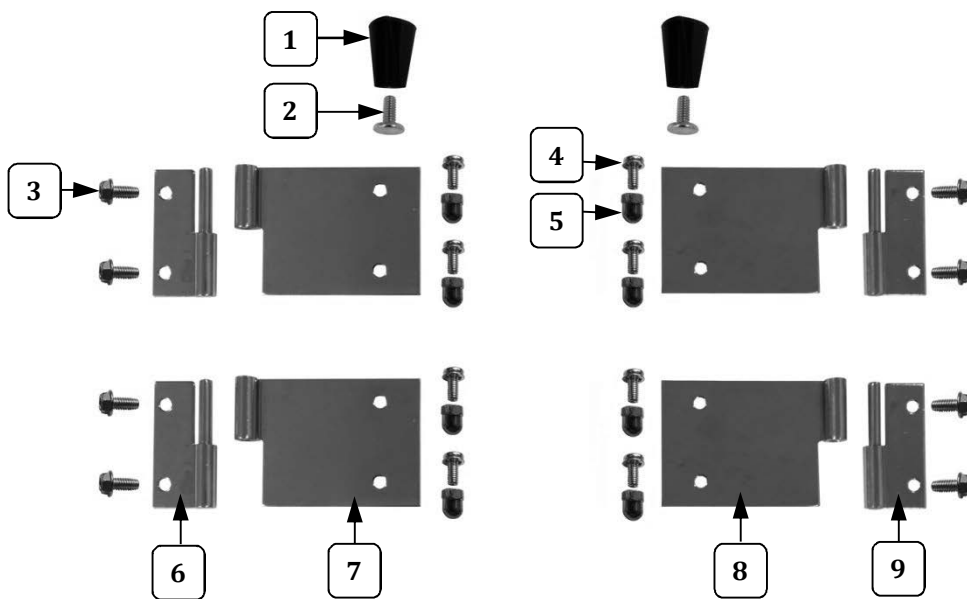
## Cabinet Exterior – Front and Bottom View



Item	Part Description	Part Number		
		5581-00-100	5581-01-100	5581-00-101
1	DOOR (1 door panel)	74166	74166	74166
2*	COMPLETE DOOR HARDWARE KIT	61380	61380	61380
3	10-24 X 3/4 HEX HEAD SCREW	41314	41314	41314
4	GLIDE	47328	47328	47328
5	CRUTCH TIP	49123	49123	49123
6	MAGNETIC CATCH	47561	47561	47561
7	DPST ROCKER SWITCH	42532	42532	42532
8**	LEAD-IN CORD 15 AMP PLUG	22038		22038
	EXPORT POWER SUPPLY CORD		42369	
9	SR-10-2 STRAIN RELIEF	87163	87163	87163



## Door Hardware Kit 61380 – Individual Component Breakdown

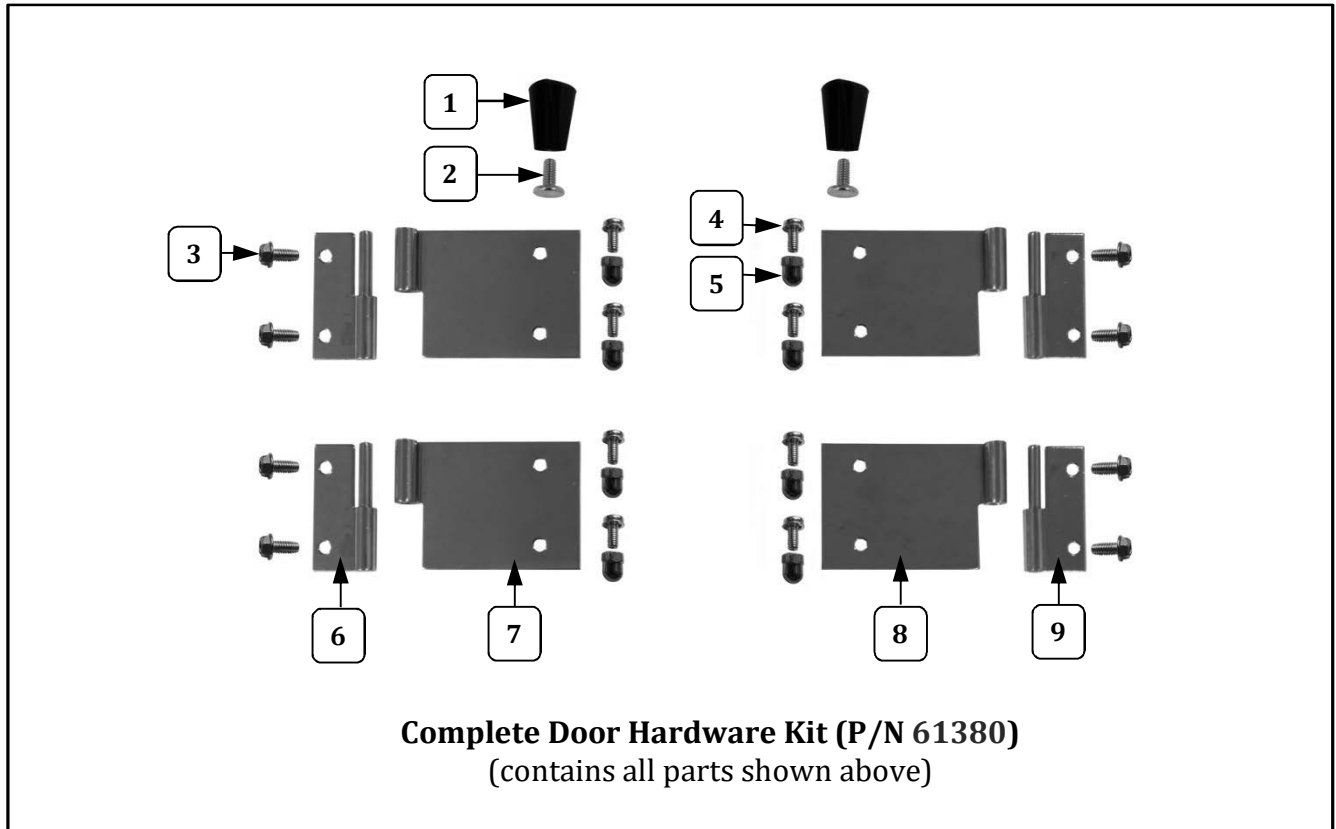


**Complete Door Hardware Kit (P/N 61380)**  
(contains all parts shown above)

Item	Part Description	Part Number
		61380
1	KNOB LID LIFT	47120
2	TEE BOLT	75267
3	8-32 X 5/16 SLOTTED HEX	49594
4	8-32 X 3/8 PH PAN W/SEMS	42227
5	ACORN NUT #8-32	47702
6	MALE HINGE SHORT LEFT	41349
7	FEMALE HINGE LEFT HAND	61359
8	FEMALE HINGE RIGHT HAND	61373
9	MALE HINGE SHORT RIGHT	41350



## Door Hardware Kit 61380 – Individual Component Breakdown

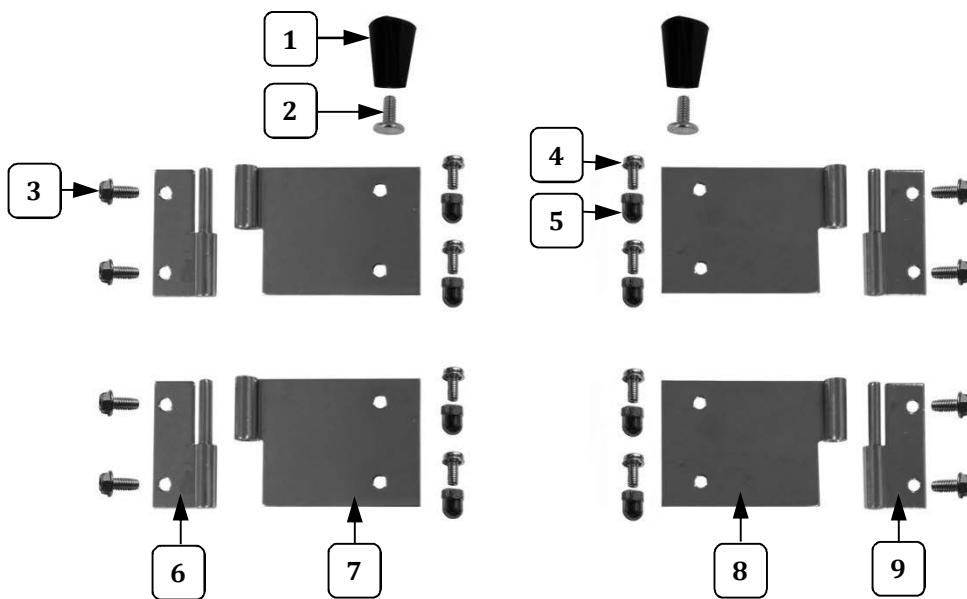


Item	Part Description	Part Number
		61380
1	KNOB LID LIFT	47120
2	TEE BOLT	75267
3	8-32 X 5/16 SLOTTED HEX	49594
4	8-32 X 3/8 PH PAN W/SEMS	42227
5	ACORN NUT #8-32	47702
6	MALE HINGE SHORT LEFT	41349
7	FEMALE HINGE LEFT HAND	61359
8	FEMALE HINGE RIGHT HAND	61373
9	MALE HINGE SHORT RIGHT	41350





## Door Hardware Kit 61380 – Individual Component Breakdown

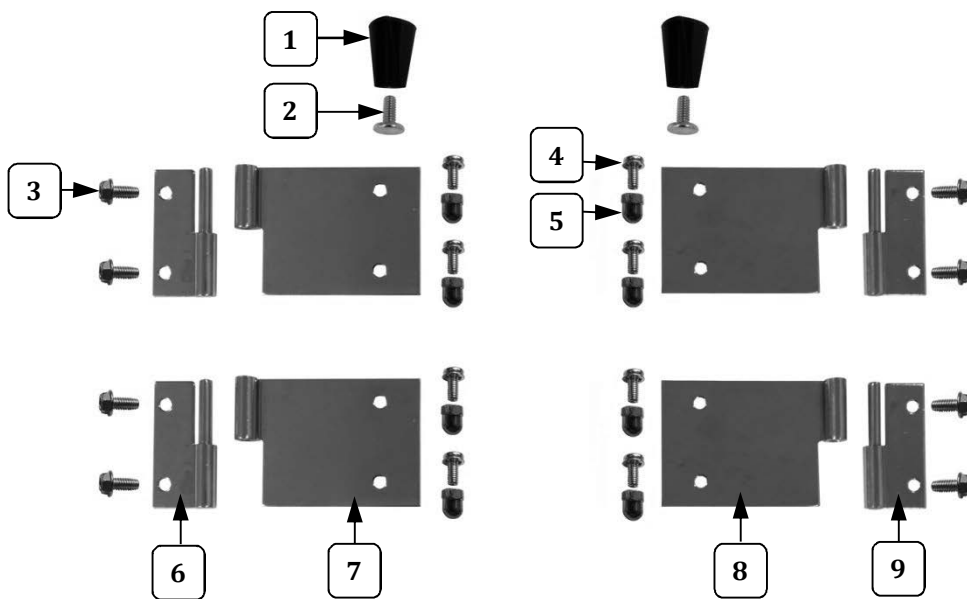


**Complete Door Hardware Kit (P/N 61380)**  
(contains all parts shown above)

Item	Part Description	Part Number
		61380
1	KNOB LID LIFT	47120
2	TEE BOLT	75267
3	8-32 X 5/16 SLOTTED HEX	49594
4	8-32 X 3/8 PH PAN W/SEMS	42227
5	ACORN NUT #8-32	47702
6	MALE HINGE SHORT LEFT	41349
7	FEMALE HINGE LEFT HAND	61359
8	FEMALE HINGE RIGHT HAND	61373
9	MALE HINGE SHORT RIGHT	41350



## Door Hardware Kit 61380 – Individual Component Breakdown

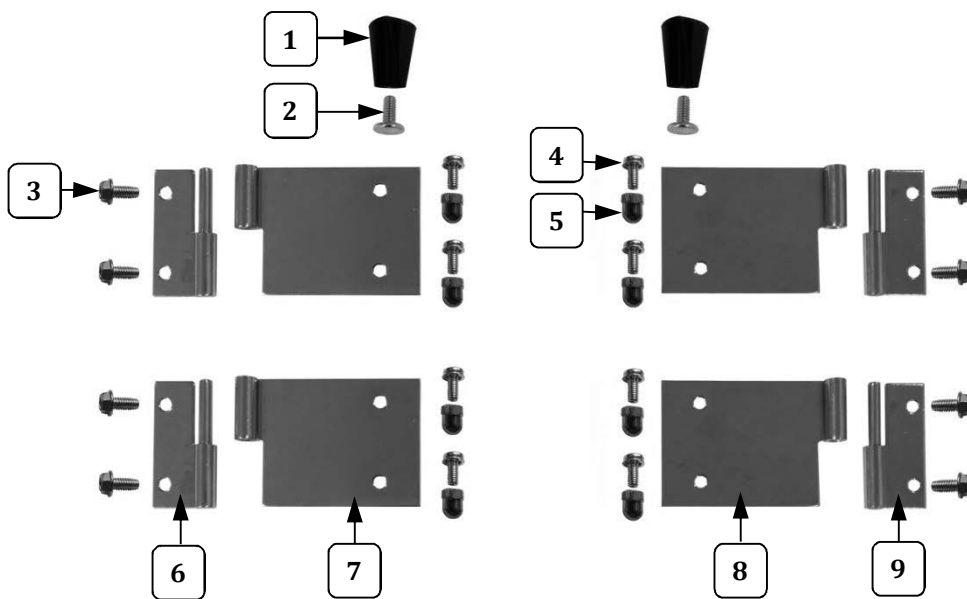


**Complete Door Hardware Kit (P/N 61380)**  
(contains all parts shown above)

Item	Part Description	Part Number
		61380
1	KNOB LID LIFT	47120
2	TEE BOLT	75267
3	8-32 X 5/16 SLOTTED HEX	49594
4	8-32 X 3/8 PH PAN W/SEMS	42227
5	ACORN NUT #8-32	47702
6	MALE HINGE SHORT LEFT	41349
7	FEMALE HINGE LEFT HAND	61359
8	FEMALE HINGE RIGHT HAND	61373
9	MALE HINGE SHORT RIGHT	41350



## Door Hardware Kit 61380 – Individual Component Breakdown

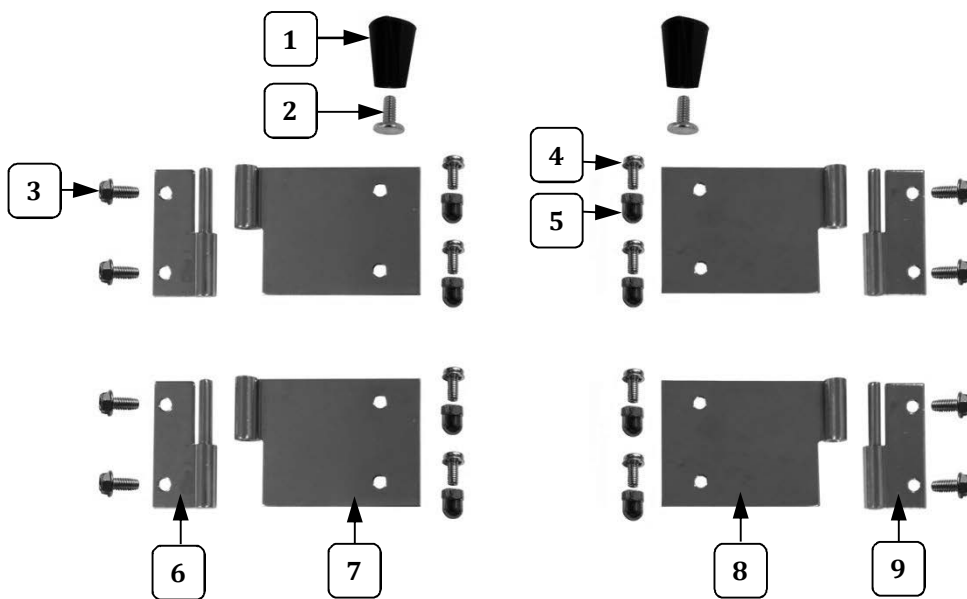


**Complete Door Hardware Kit (P/N 61380)**  
(contains all parts shown above)

Item	Part Description	Part Number
		61380
1	KNOB LID LIFT	47120
2	TEE BOLT	75267
3	8-32 X 5/16 SLOTTED HEX	49594
4	8-32 X 3/8 PH PAN W/SEMS	42227
5	ACORN NUT #8-32	47702
6	MALE HINGE SHORT LEFT	41349
7	FEMALE HINGE LEFT HAND	61359
8	FEMALE HINGE RIGHT HAND	61373
9	MALE HINGE SHORT RIGHT	41350



## Door Hardware Kit 61380 – Individual Component Breakdown

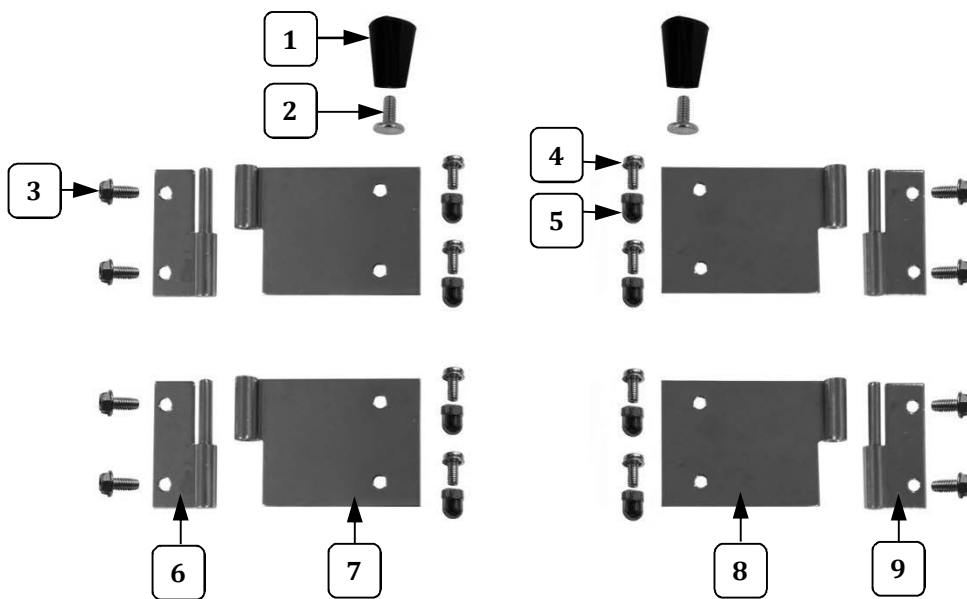


**Complete Door Hardware Kit (P/N 61380)**  
(contains all parts shown above)

Item	Part Description	Part Number
		61380
1	KNOB LID LIFT	47120
2	TEE BOLT	75267
3	8-32 X 5/16 SLOTTED HEX	49594
4	8-32 X 3/8 PH PAN W/SEMS	42227
5	ACORN NUT #8-32	47702
6	MALE HINGE SHORT LEFT	41349
7	FEMALE HINGE LEFT HAND	61359
8	FEMALE HINGE RIGHT HAND	61373
9	MALE HINGE SHORT RIGHT	41350



## Door Hardware Kit 61380 – Individual Component Breakdown

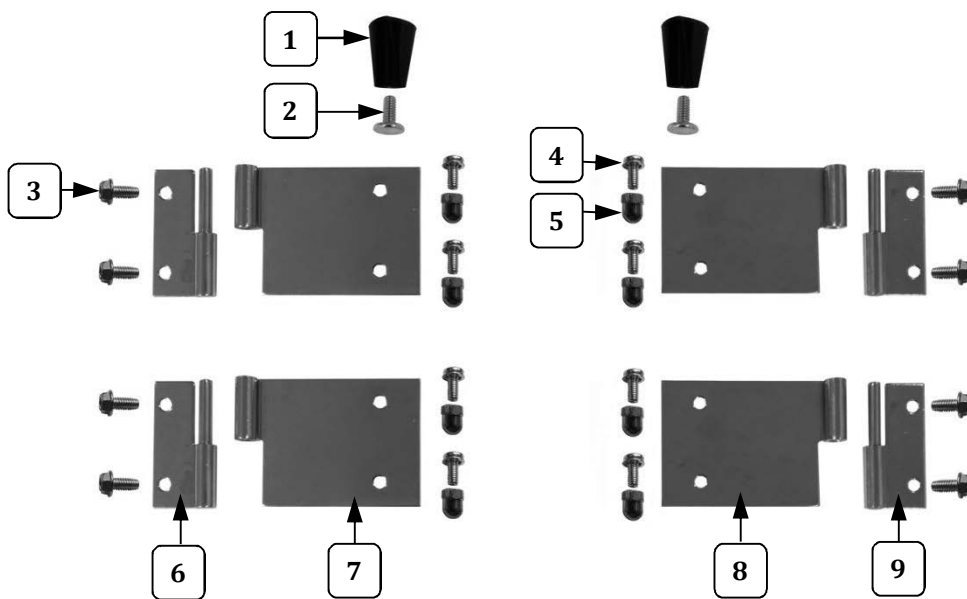


**Complete Door Hardware Kit (P/N 61380)**  
(contains all parts shown above)

Item	Part Description	Part Number
		61380
1	KNOB LID LIFT	47120
2	TEE BOLT	75267
3	8-32 X 5/16 SLOTTED HEX	49594
4	8-32 X 3/8 PH PAN W/SEMS	42227
5	ACORN NUT #8-32	47702
6	MALE HINGE SHORT LEFT	41349
7	FEMALE HINGE LEFT HAND	61359
8	FEMALE HINGE RIGHT HAND	61373
9	MALE HINGE SHORT RIGHT	41350



## Door Hardware Kit 61380 – Individual Component Breakdown

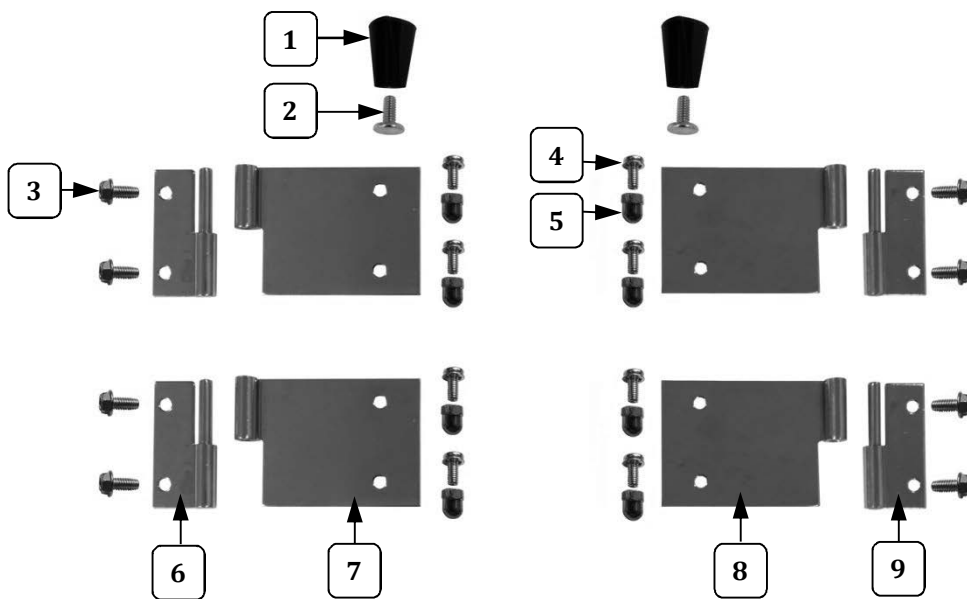


**Complete Door Hardware Kit (P/N 61380)**  
(contains all parts shown above)

Item	Part Description	Part Number
		61380
1	KNOB LID LIFT	47120
2	TEE BOLT	75267
3	8-32 X 5/16 SLOTTED HEX	49594
4	8-32 X 3/8 PH PAN W/SEMS	42227
5	ACORN NUT #8-32	47702
6	MALE HINGE SHORT LEFT	41349
7	FEMALE HINGE LEFT HAND	61359
8	FEMALE HINGE RIGHT HAND	61373
9	MALE HINGE SHORT RIGHT	41350



## Door Hardware Kit 61380 – Individual Component Breakdown

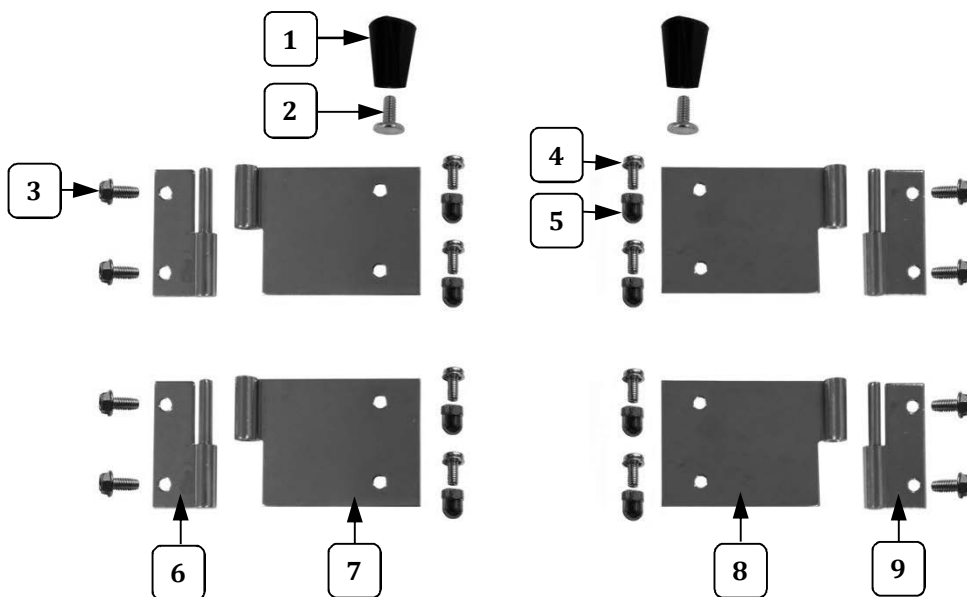


**Complete Door Hardware Kit (P/N 61380)**  
(contains all parts shown above)

Item	Part Description	Part Number
		61380
1	KNOB LID LIFT	47120
2	TEE BOLT	75267
3	8-32 X 5/16 SLOTTED HEX	49594
4	8-32 X 3/8 PH PAN W/SEMS	42227
5	ACORN NUT #8-32	47702
6	MALE HINGE SHORT LEFT	41349
7	FEMALE HINGE LEFT HAND	61359
8	FEMALE HINGE RIGHT HAND	61373
9	MALE HINGE SHORT RIGHT	41350



## Door Hardware Kit 61380 – Individual Component Breakdown



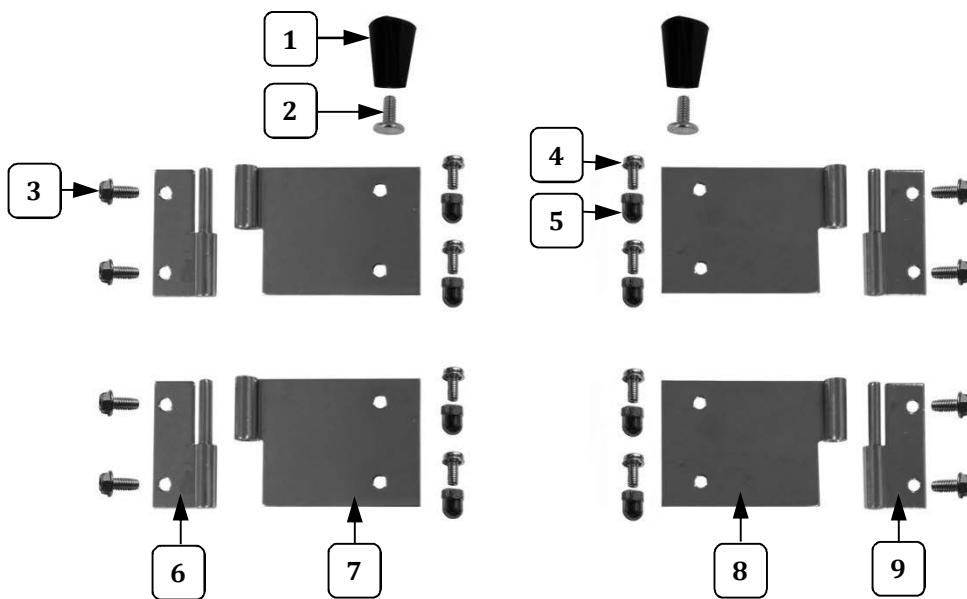
**Complete Door Hardware Kit (P/N 61380)**  
(contains all parts shown above)

Item	Part Description	Part Number
		61380
1	KNOB LID LIFT	47120
2	TEE BOLT	75267
3	8-32 X 5/16 SLOTTED HEX	49594
4	8-32 X 3/8 PH PAN W/SEMS	42227
5	ACORN NUT #8-32	47702
6	MALE HINGE SHORT LEFT	41349
7	FEMALE HINGE LEFT HAND	61359
8	FEMALE HINGE RIGHT HAND	61373
9	MALE HINGE SHORT RIGHT	41350





## Door Hardware Kit 61380 – Individual Component Breakdown

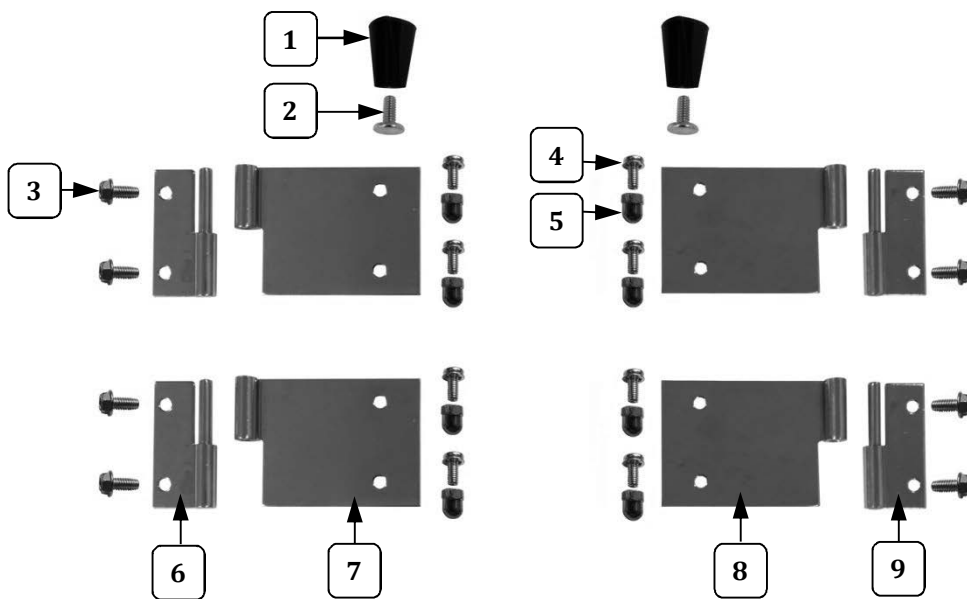


**Complete Door Hardware Kit (P/N 61380)**  
(contains all parts shown above)

Item	Part Description	Part Number
		61380
1	KNOB LID LIFT	47120
2	TEE BOLT	75267
3	8-32 X 5/16 SLOTTED HEX	49594
4	8-32 X 3/8 PH PAN W/SEMS	42227
5	ACORN NUT #8-32	47702
6	MALE HINGE SHORT LEFT	41349
7	FEMALE HINGE LEFT HAND	61359
8	FEMALE HINGE RIGHT HAND	61373
9	MALE HINGE SHORT RIGHT	41350



## Door Hardware Kit 61380 – Individual Component Breakdown

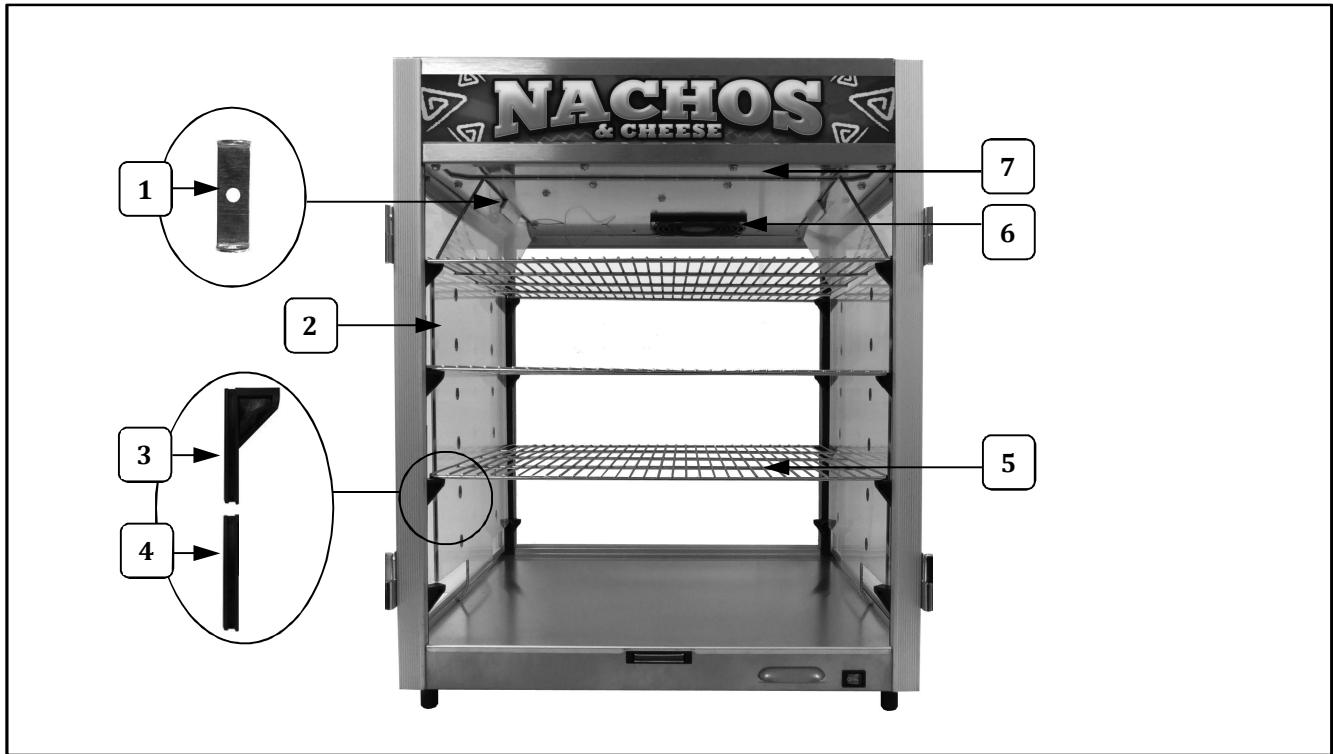


**Complete Door Hardware Kit (P/N 61380)**  
(contains all parts shown above)

Item	Part Description	Part Number
		61380
1	KNOB LID LIFT	47120
2	TEE BOLT	75267
3	8-32 X 5/16 SLOTTED HEX	49594
4	8-32 X 3/8 PH PAN W/SEMS	42227
5	ACORN NUT #8-32	47702
6	MALE HINGE SHORT LEFT	41349
7	FEMALE HINGE LEFT HAND	61359
8	FEMALE HINGE RIGHT HAND	61373
9	MALE HINGE SHORT RIGHT	41350



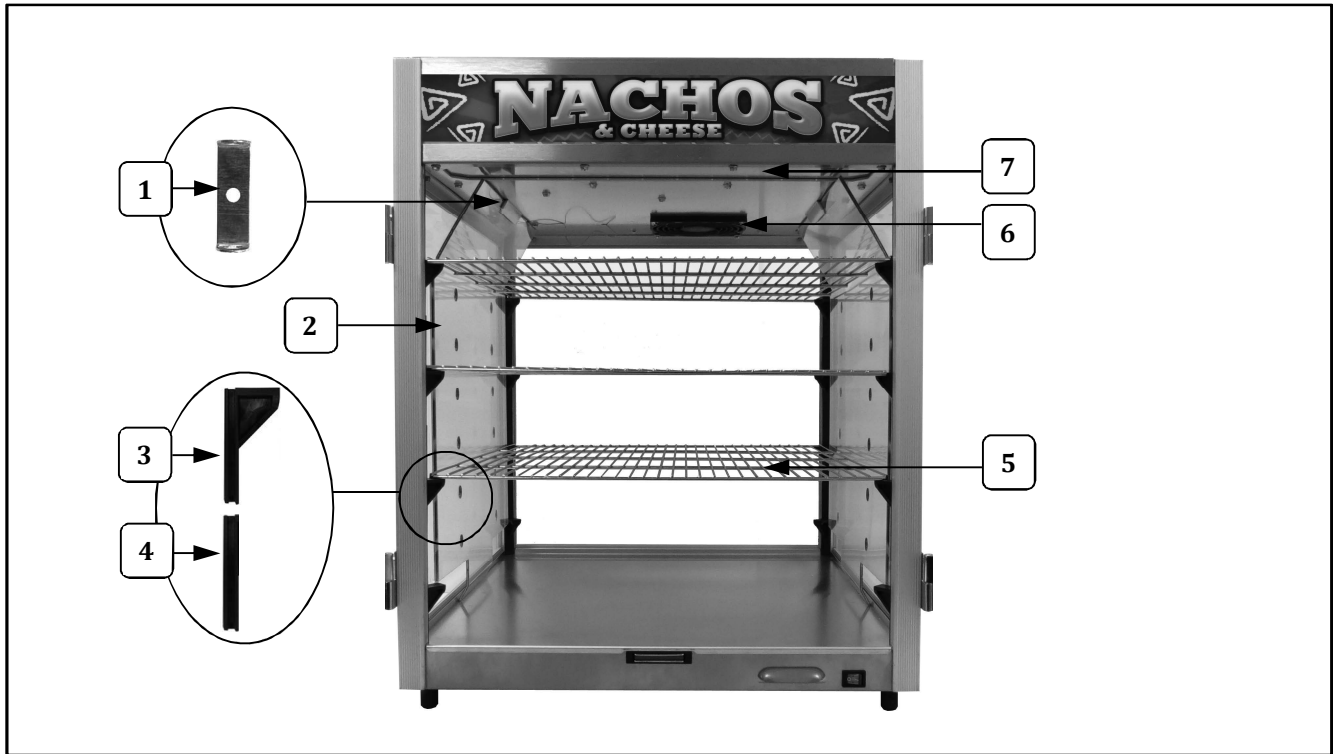
## Cabinet Interior View



Item	Part Description	Part Number		
		5581-00-100	5581-01-100	5581-00-101
1	SENSOR BRACKET	40838	40838	40838
2	AIR DUCT	17512	17512	17512
3	RACK HOLDER	39899	39899	39899
4	2" GROOVE FILLER	39903	39903	39903
5	SHELF	17285	17285	17285
6	FINGER GUARD (covers blower fan)	47200	47200	47200
7	LIGHT COVER	74788	74788	74788

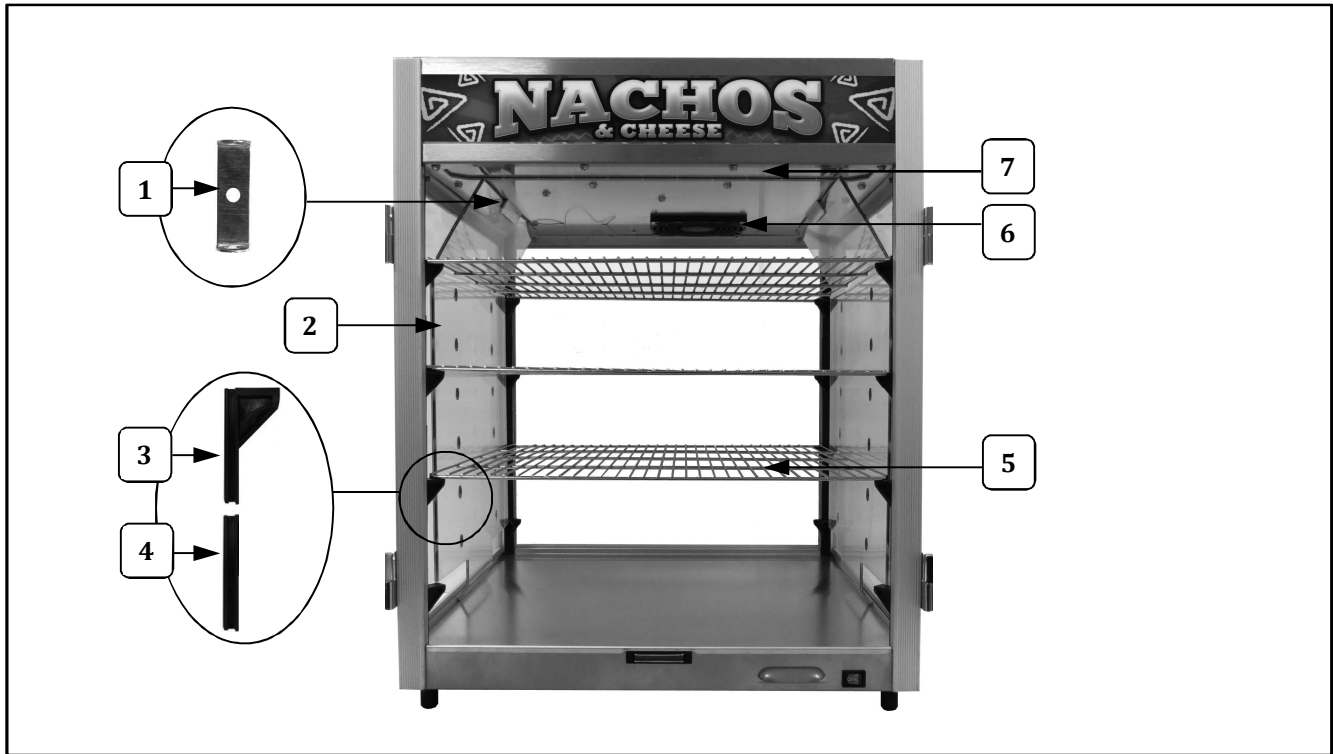


## Cabinet Interior View



Item	Part Description	Part Number		
		5581-00-100	5581-01-100	5581-00-101
1	SENSOR BRACKET	40838	40838	40838
2	AIR DUCT	17512	17512	17512
3	RACK HOLDER	39899	39899	39899
4	2" GROOVE FILLER	39903	39903	39903
5	SHELF	17285	17285	17285
6	FINGER GUARD (covers blower fan)	47200	47200	47200
7	LIGHT COVER	74788	74788	74788

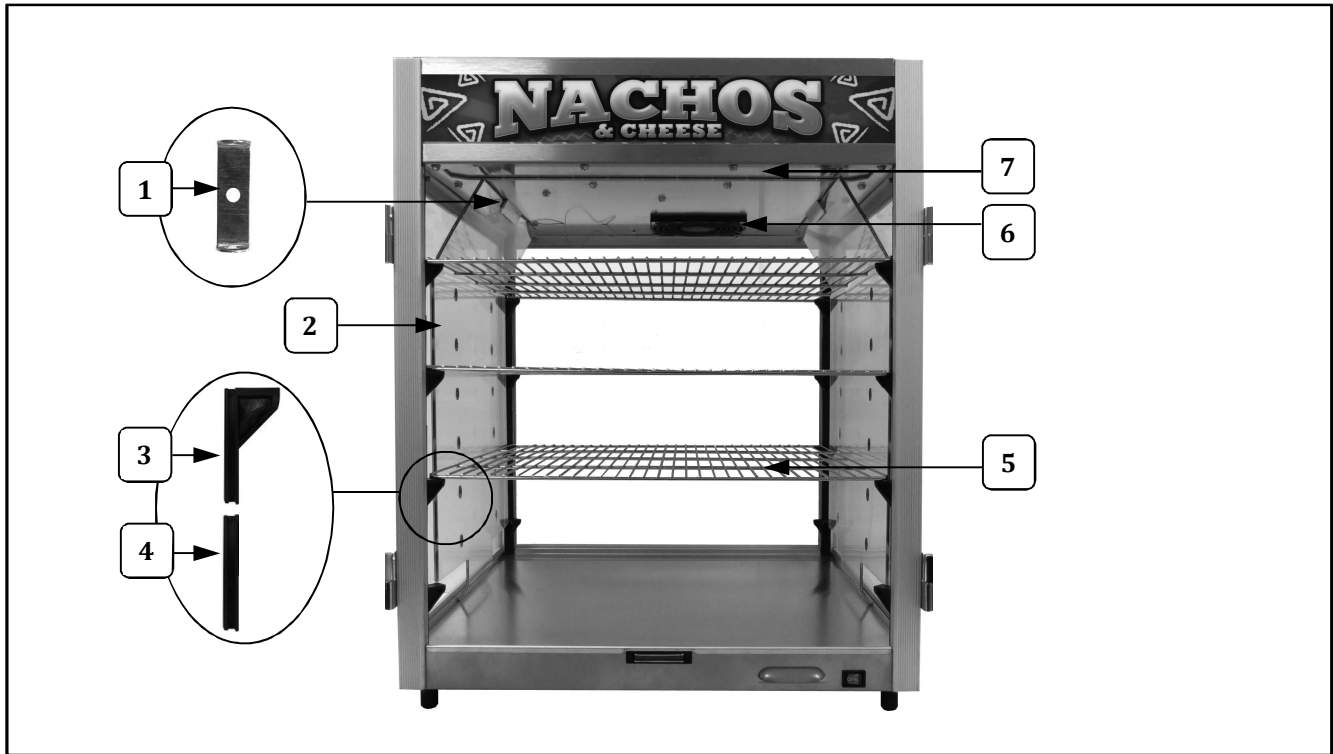
## Cabinet Interior View



Item	Part Description	Part Number		
		5581-00-100	5581-01-100	5581-00-101
1	SENSOR BRACKET	40838	40838	40838
2	AIR DUCT	17512	17512	17512
3	RACK HOLDER	39899	39899	39899
4	2" GROOVE FILLER	39903	39903	39903
5	SHELF	17285	17285	17285
6	FINGER GUARD (covers blower fan)	47200	47200	47200
7	LIGHT COVER	74788	74788	74788



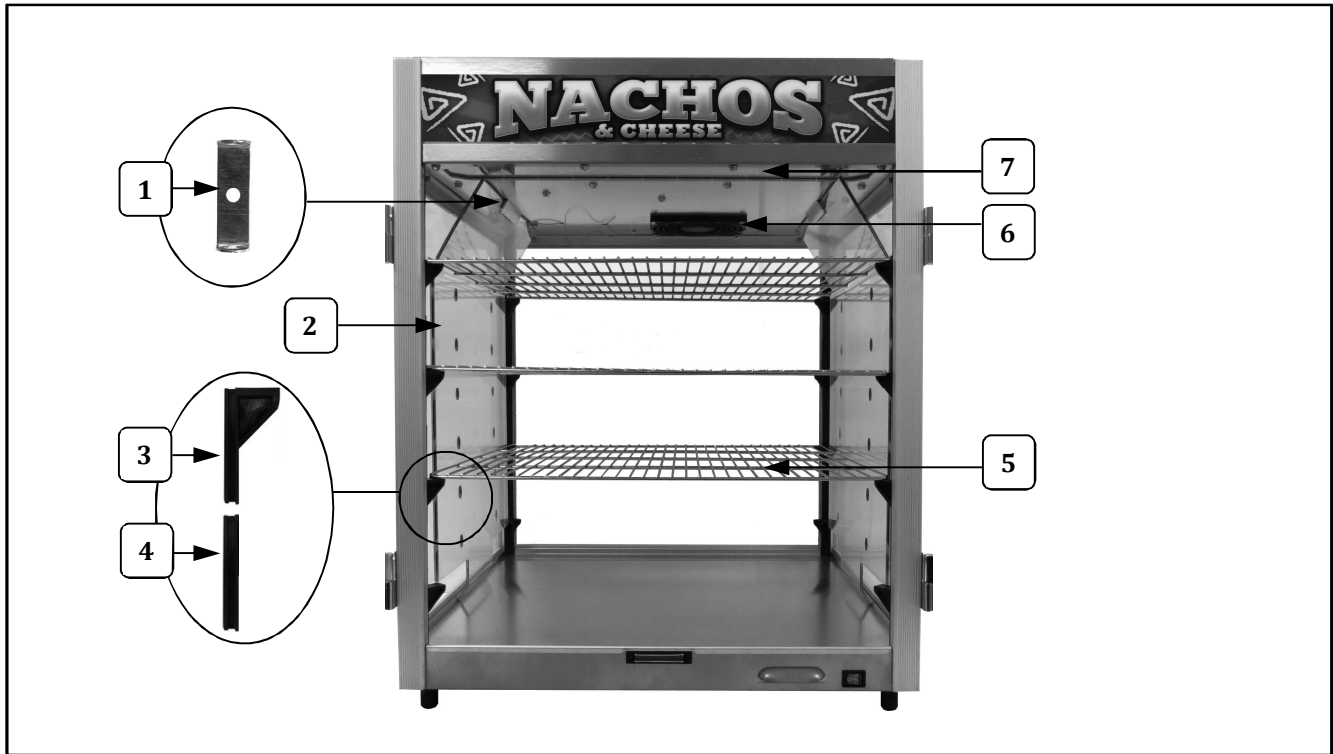
## Cabinet Interior View



Item	Part Description	Part Number		
		5581-00-100	5581-01-100	5581-00-101
1	SENSOR BRACKET	40838	40838	40838
2	AIR DUCT	17512	17512	17512
3	RACK HOLDER	39899	39899	39899
4	2" GROOVE FILLER	39903	39903	39903
5	SHELF	17285	17285	17285
6	FINGER GUARD (covers blower fan)	47200	47200	47200
7	LIGHT COVER	74788	74788	74788



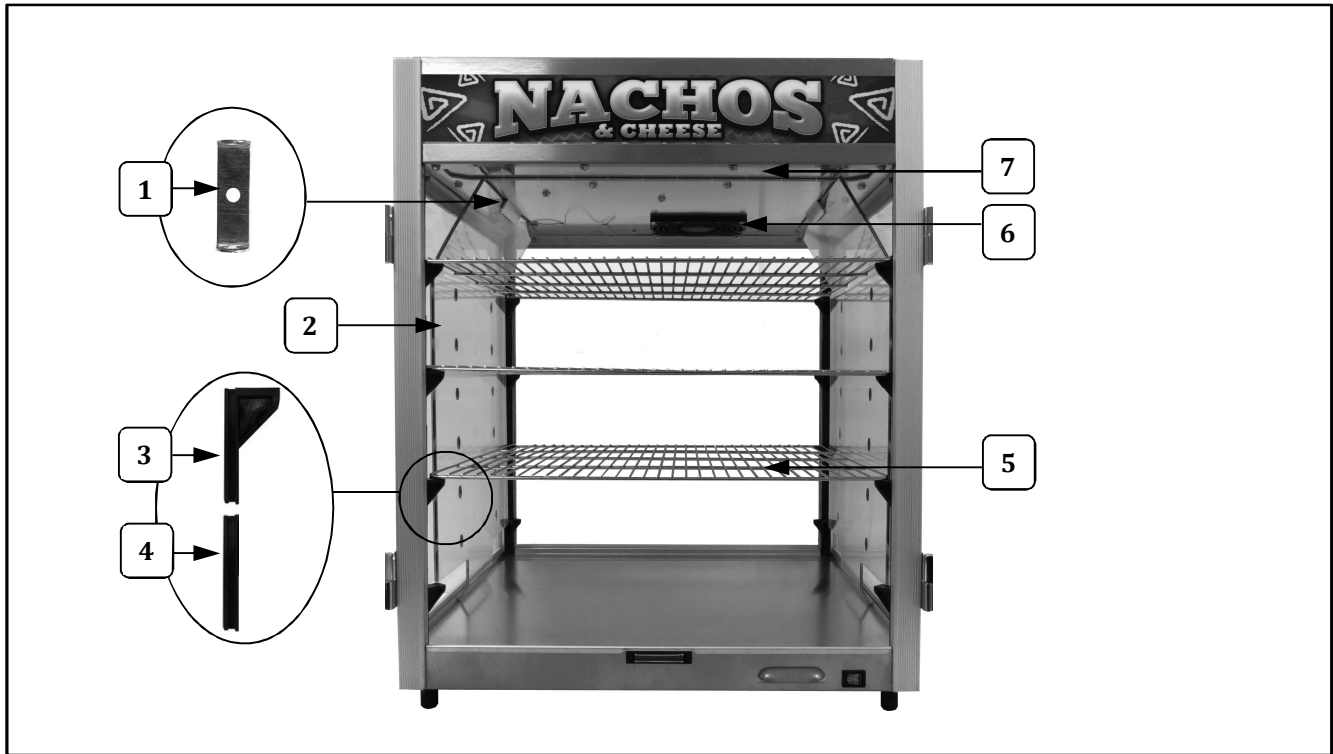
## Cabinet Interior View



Item	Part Description	Part Number		
		5581-00-100	5581-01-100	5581-00-101
1	SENSOR BRACKET	40838	40838	40838
2	AIR DUCT	17512	17512	17512
3	RACK HOLDER	39899	39899	39899
4	2" GROOVE FILLER	39903	39903	39903
5	SHELF	17285	17285	17285
6	FINGER GUARD (covers blower fan)	47200	47200	47200
7	LIGHT COVER	74788	74788	74788



## Cabinet Interior View

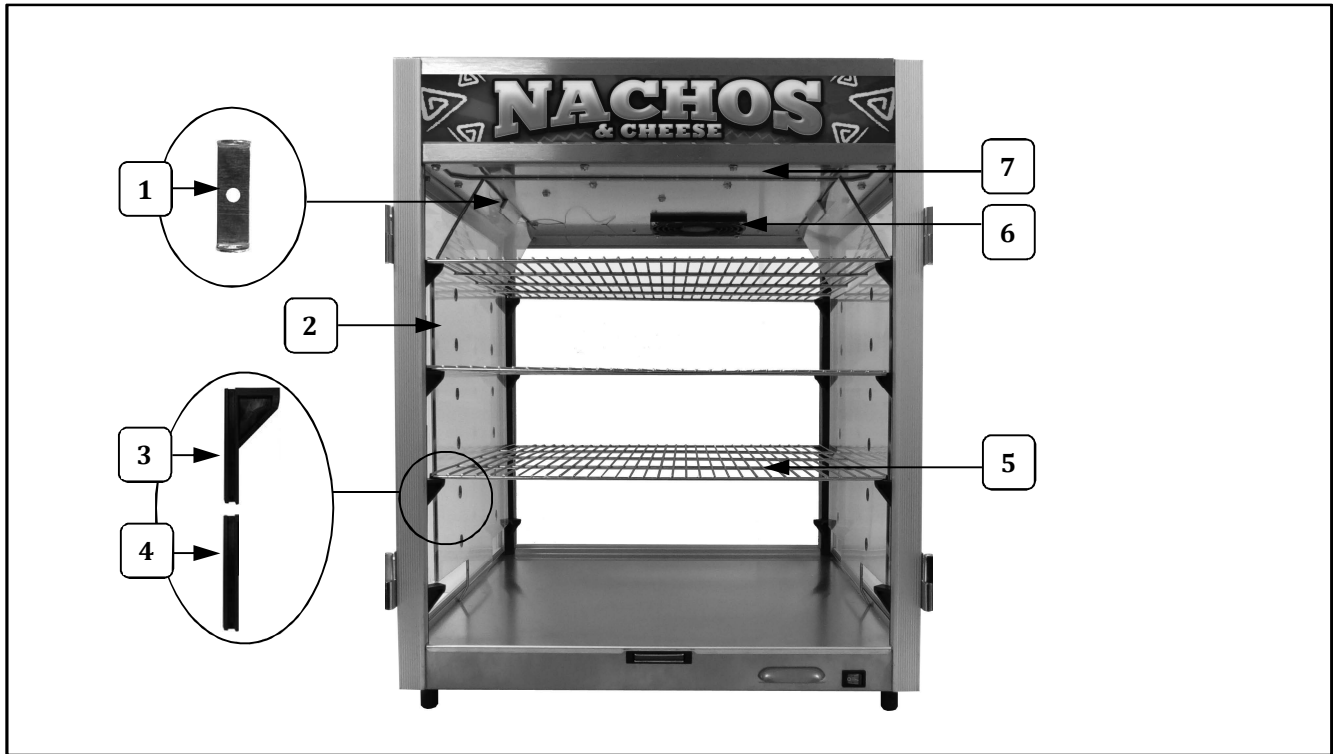


Item	Part Description	Part Number		
		5581-00-100	5581-01-100	5581-00-101
1	SENSOR BRACKET	40838	40838	40838
2	AIR DUCT	17512	17512	17512
3	RACK HOLDER	39899	39899	39899
4	2" GROOVE FILLER	39903	39903	39903
5	SHELF	17285	17285	17285
6	FINGER GUARD (covers blower fan)	47200	47200	47200
7	LIGHT COVER	74788	74788	74788





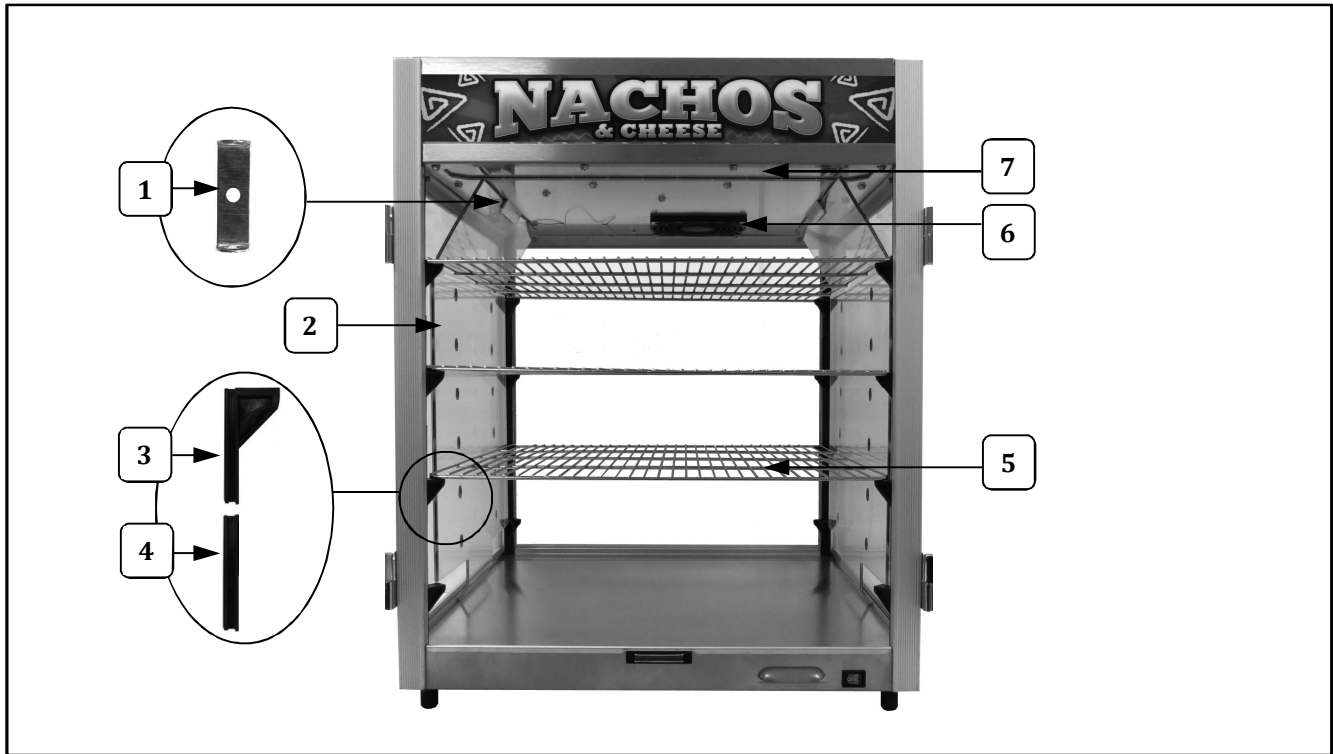
## Cabinet Interior View



Item	Part Description	Part Number		
		5581-00-100	5581-01-100	5581-00-101
1	SENSOR BRACKET	40838	40838	40838
2	AIR DUCT	17512	17512	17512
3	RACK HOLDER	39899	39899	39899
4	2" GROOVE FILLER	39903	39903	39903
5	SHELF	17285	17285	17285
6	FINGER GUARD (covers blower fan)	47200	47200	47200
7	LIGHT COVER	74788	74788	74788



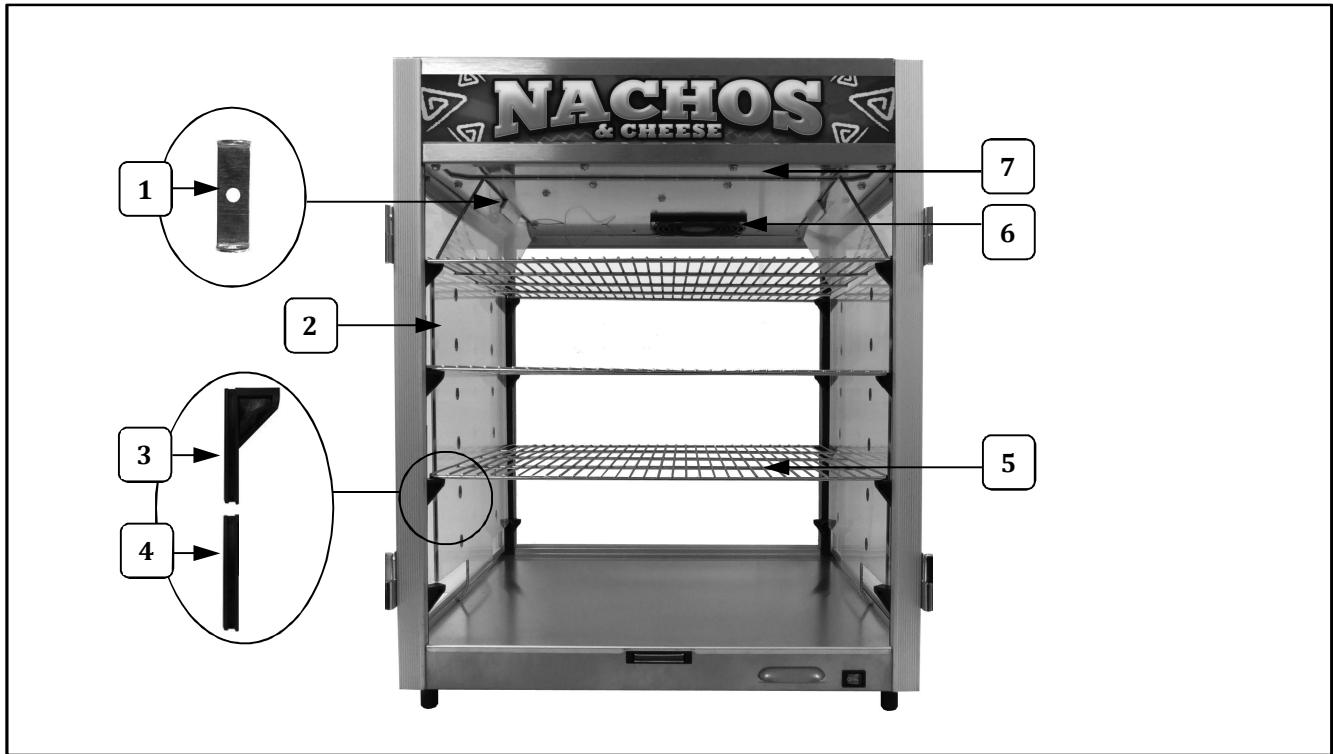
## Cabinet Interior View



Item	Part Description	Part Number		
		5581-00-100	5581-01-100	5581-00-101
1	SENSOR BRACKET	40838	40838	40838
2	AIR DUCT	17512	17512	17512
3	RACK HOLDER	39899	39899	39899
4	2" GROOVE FILLER	39903	39903	39903
5	SHELF	17285	17285	17285
6	FINGER GUARD (covers blower fan)	47200	47200	47200
7	LIGHT COVER	74788	74788	74788



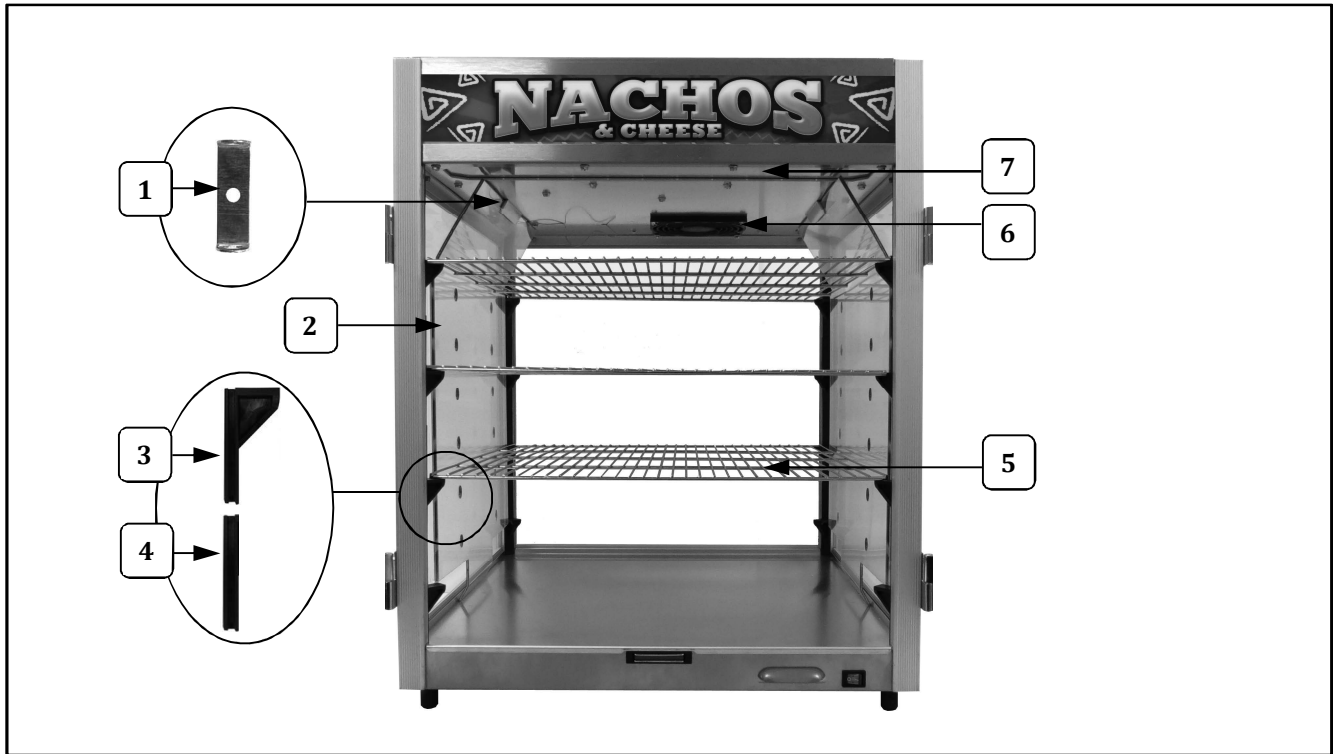
## Cabinet Interior View



Item	Part Description	Part Number		
		5581-00-100	5581-01-100	5581-00-101
1	SENSOR BRACKET	40838	40838	40838
2	AIR DUCT	17512	17512	17512
3	RACK HOLDER	39899	39899	39899
4	2" GROOVE FILLER	39903	39903	39903
5	SHELF	17285	17285	17285
6	FINGER GUARD (covers blower fan)	47200	47200	47200
7	LIGHT COVER	74788	74788	74788

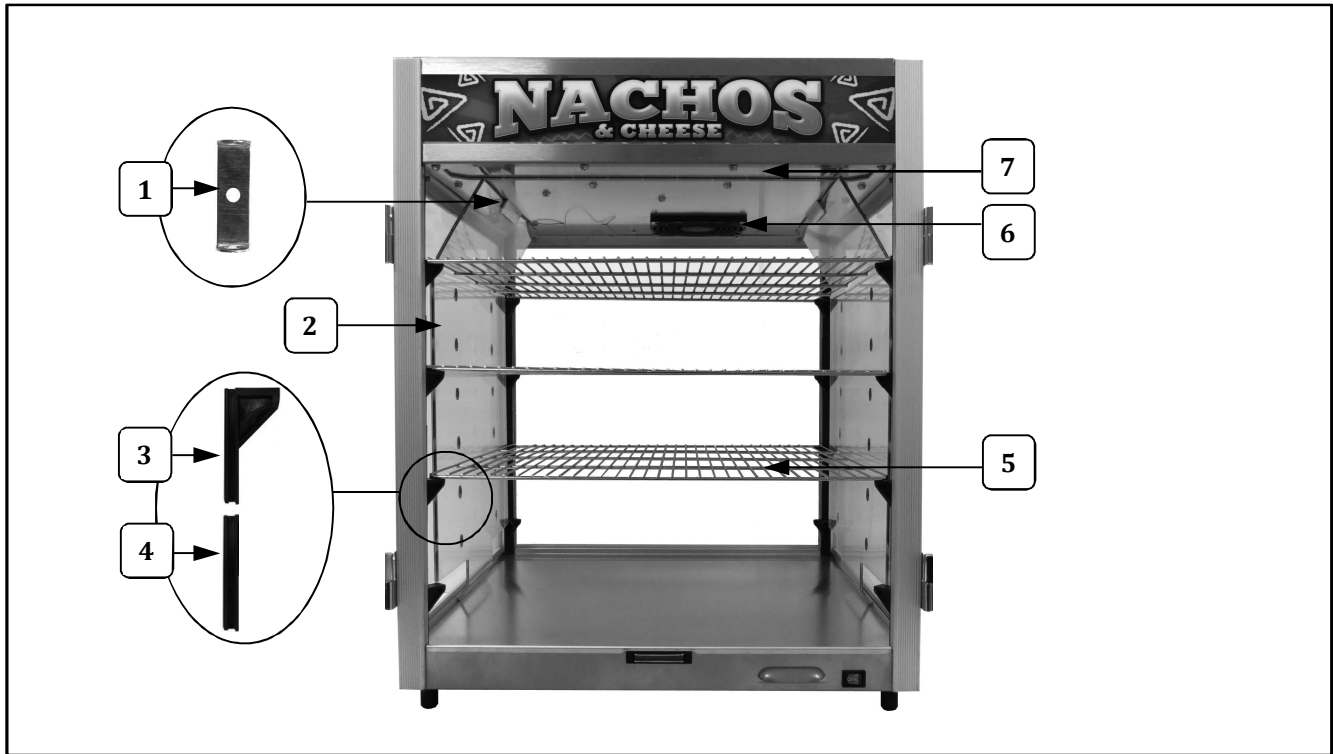


## Cabinet Interior View



Item	Part Description	Part Number		
		5581-00-100	5581-01-100	5581-00-101
1	SENSOR BRACKET	40838	40838	40838
2	AIR DUCT	17512	17512	17512
3	RACK HOLDER	39899	39899	39899
4	2" GROOVE FILLER	39903	39903	39903
5	SHELF	17285	17285	17285
6	FINGER GUARD (covers blower fan)	47200	47200	47200
7	LIGHT COVER	74788	74788	74788

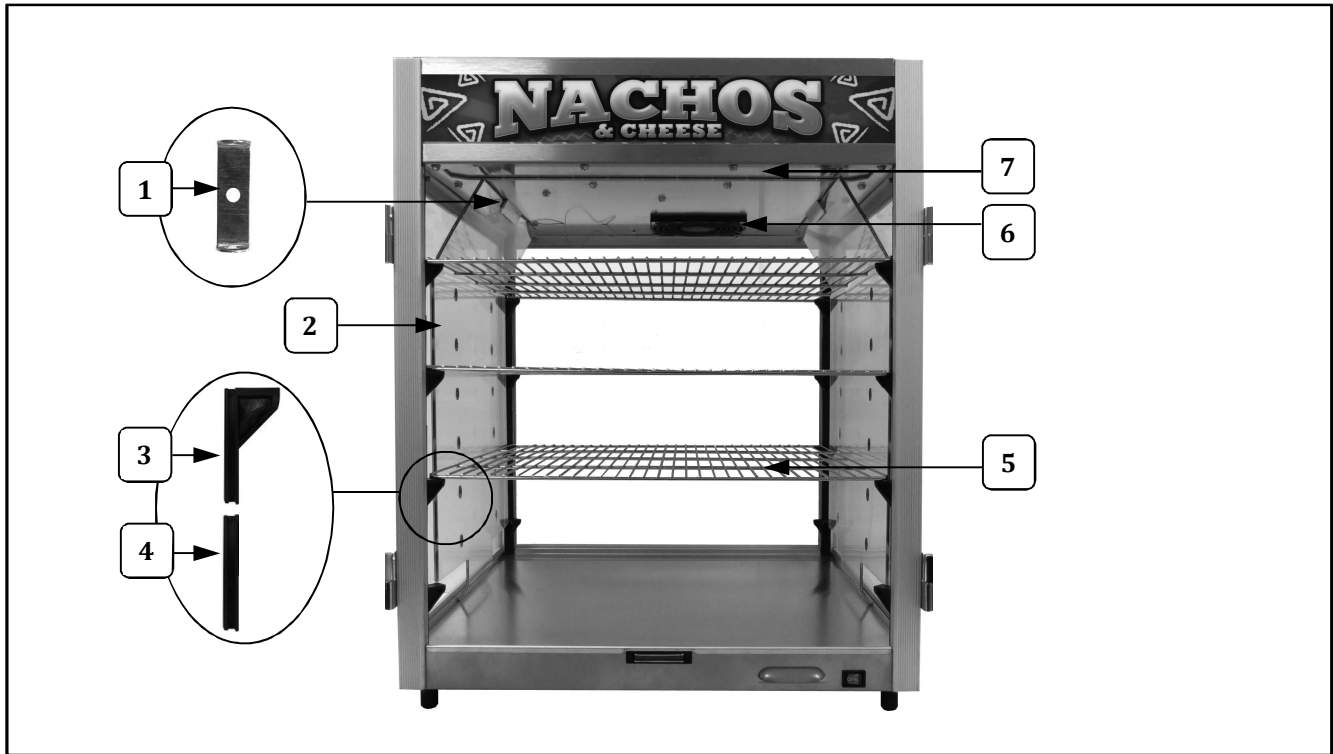
## Cabinet Interior View



Item	Part Description	Part Number		
		5581-00-100	5581-01-100	5581-00-101
1	SENSOR BRACKET	40838	40838	40838
2	AIR DUCT	17512	17512	17512
3	RACK HOLDER	39899	39899	39899
4	2" GROOVE FILLER	39903	39903	39903
5	SHELF	17285	17285	17285
6	FINGER GUARD (covers blower fan)	47200	47200	47200
7	LIGHT COVER	74788	74788	74788



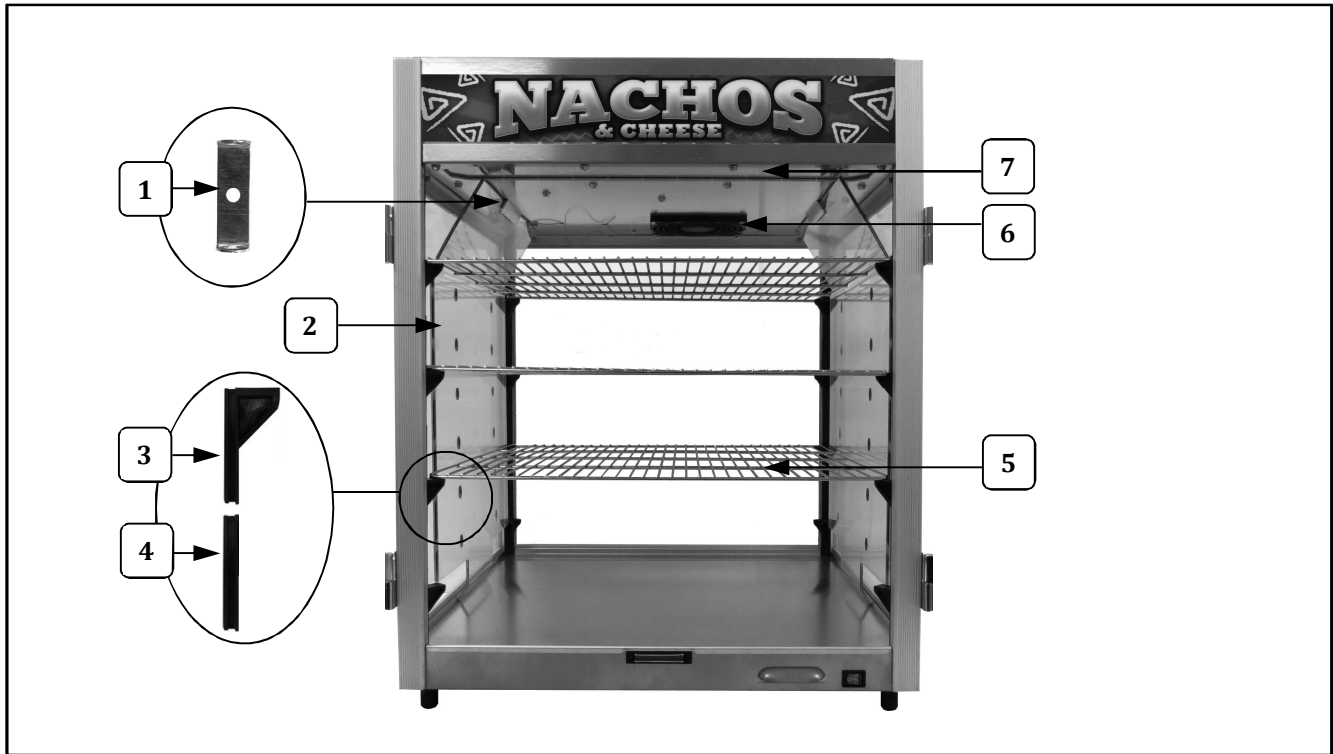
## Cabinet Interior View



Item	Part Description	Part Number		
		5581-00-100	5581-01-100	5581-00-101
1	SENSOR BRACKET	40838	40838	40838
2	AIR DUCT	17512	17512	17512
3	RACK HOLDER	39899	39899	39899
4	2" GROOVE FILLER	39903	39903	39903
5	SHELF	17285	17285	17285
6	FINGER GUARD (covers blower fan)	47200	47200	47200
7	LIGHT COVER	74788	74788	74788



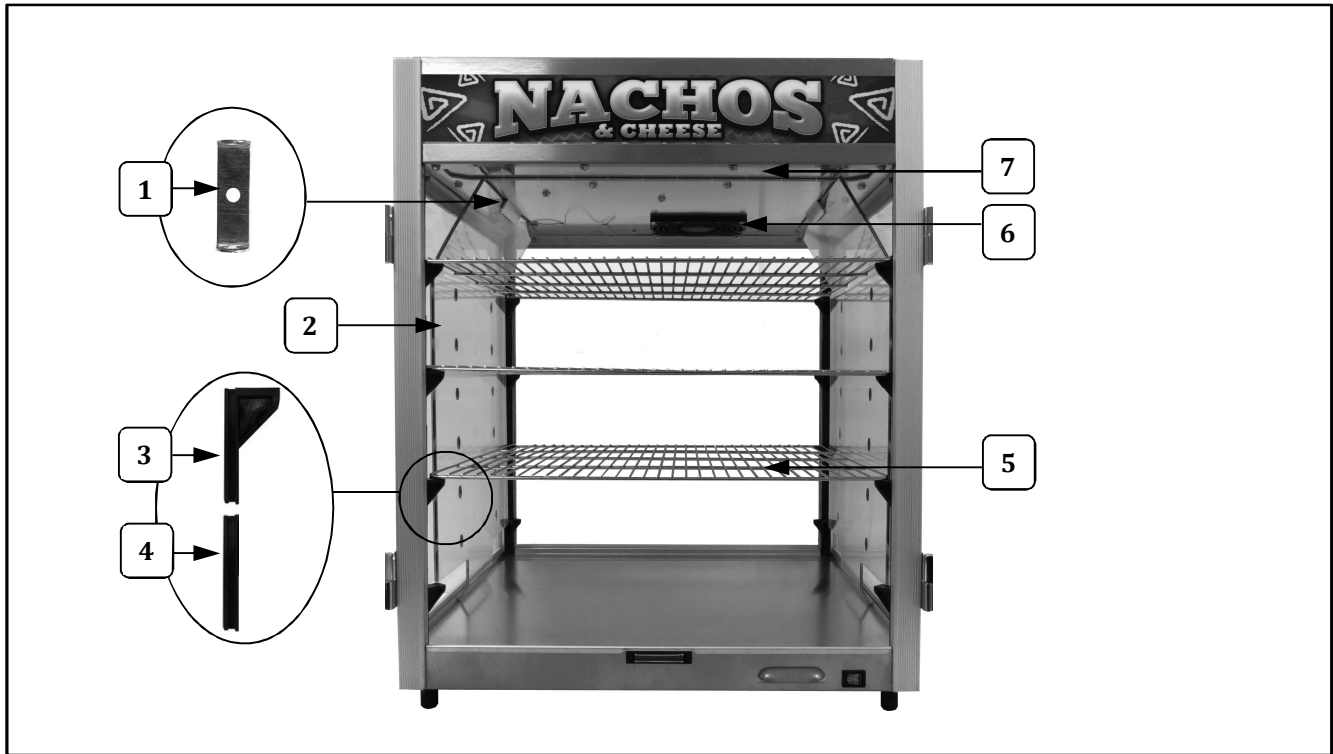
## Cabinet Interior View



Item	Part Description	Part Number		
		5581-00-100	5581-01-100	5581-00-101
1	SENSOR BRACKET	40838	40838	40838
2	AIR DUCT	17512	17512	17512
3	RACK HOLDER	39899	39899	39899
4	2" GROOVE FILLER	39903	39903	39903
5	SHELF	17285	17285	17285
6	FINGER GUARD (covers blower fan)	47200	47200	47200
7	LIGHT COVER	74788	74788	74788



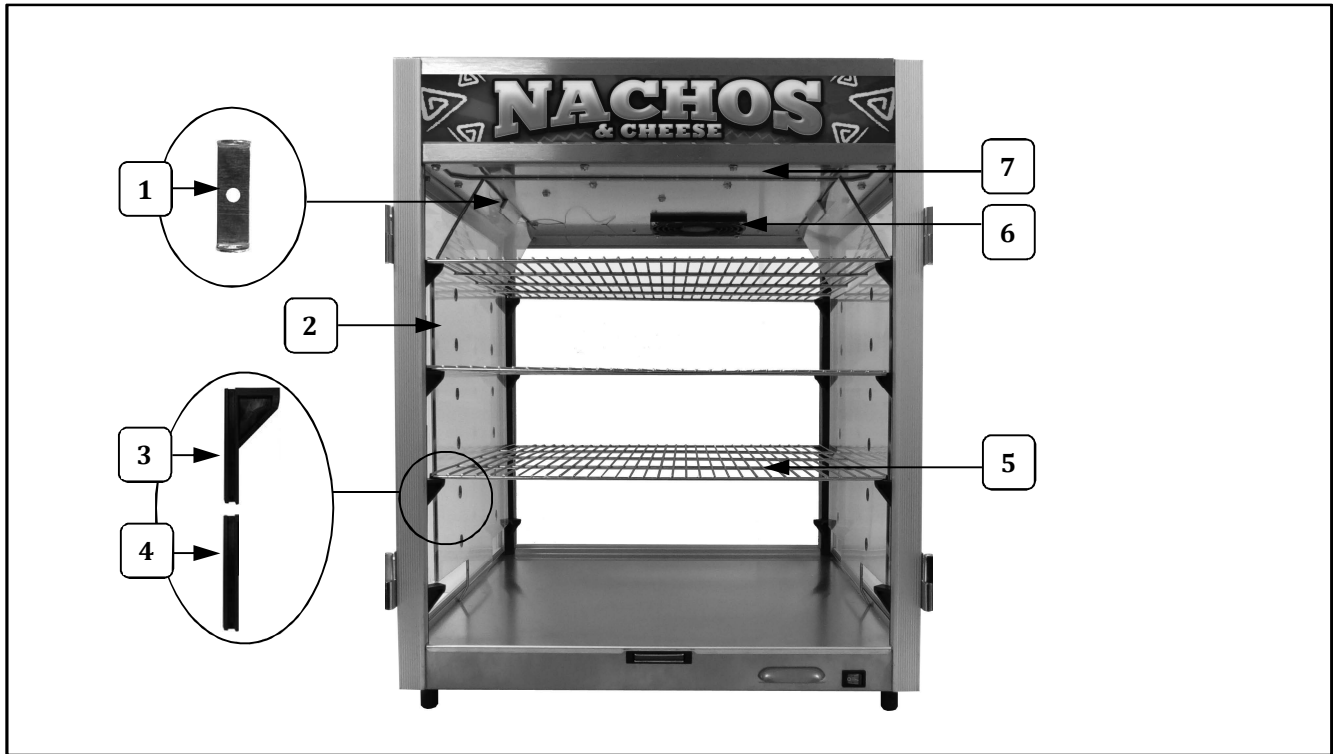
## Cabinet Interior View



Item	Part Description	Part Number		
		5581-00-100	5581-01-100	5581-00-101
1	SENSOR BRACKET	40838	40838	40838
2	AIR DUCT	17512	17512	17512
3	RACK HOLDER	39899	39899	39899
4	2" GROOVE FILLER	39903	39903	39903
5	SHELF	17285	17285	17285
6	FINGER GUARD (covers blower fan)	47200	47200	47200
7	LIGHT COVER	74788	74788	74788



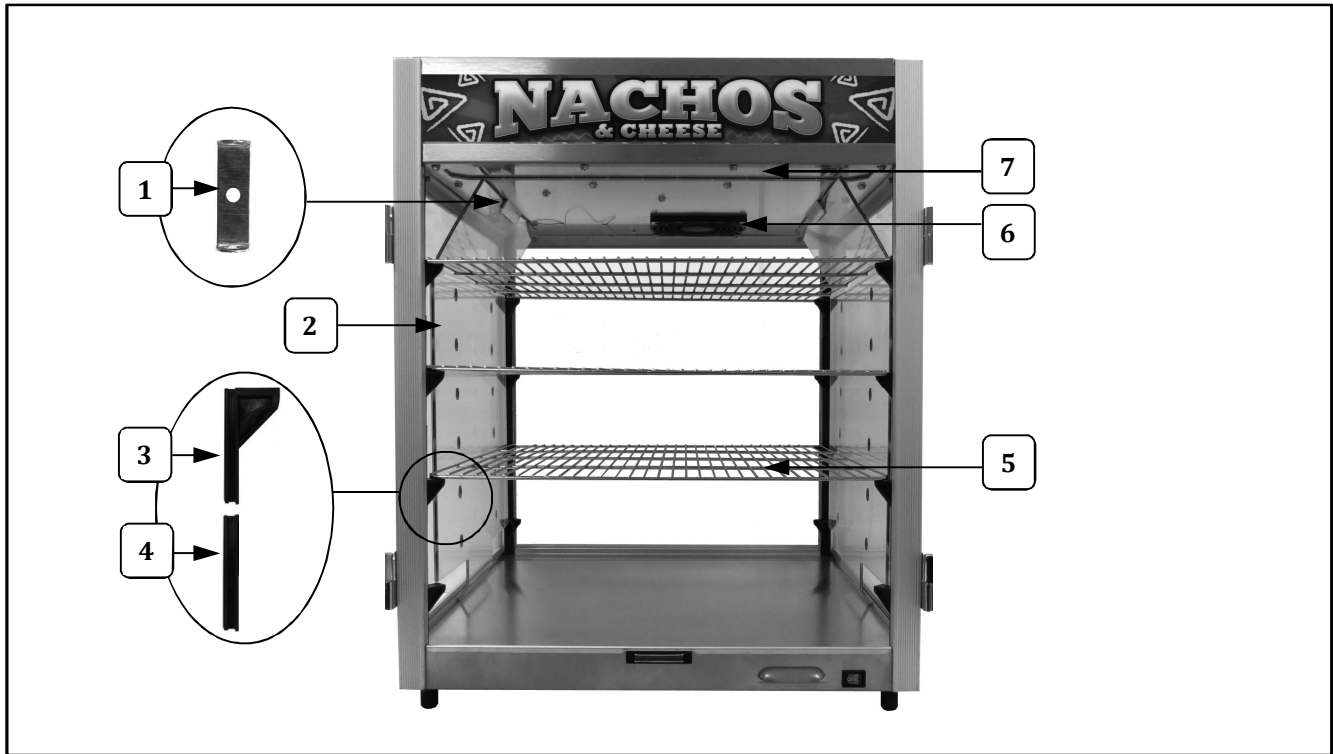
## Cabinet Interior View



Item	Part Description	Part Number		
		5581-00-100	5581-01-100	5581-00-101
1	SENSOR BRACKET	40838	40838	40838
2	AIR DUCT	17512	17512	17512
3	RACK HOLDER	39899	39899	39899
4	2" GROOVE FILLER	39903	39903	39903
5	SHELF	17285	17285	17285
6	FINGER GUARD (covers blower fan)	47200	47200	47200
7	LIGHT COVER	74788	74788	74788



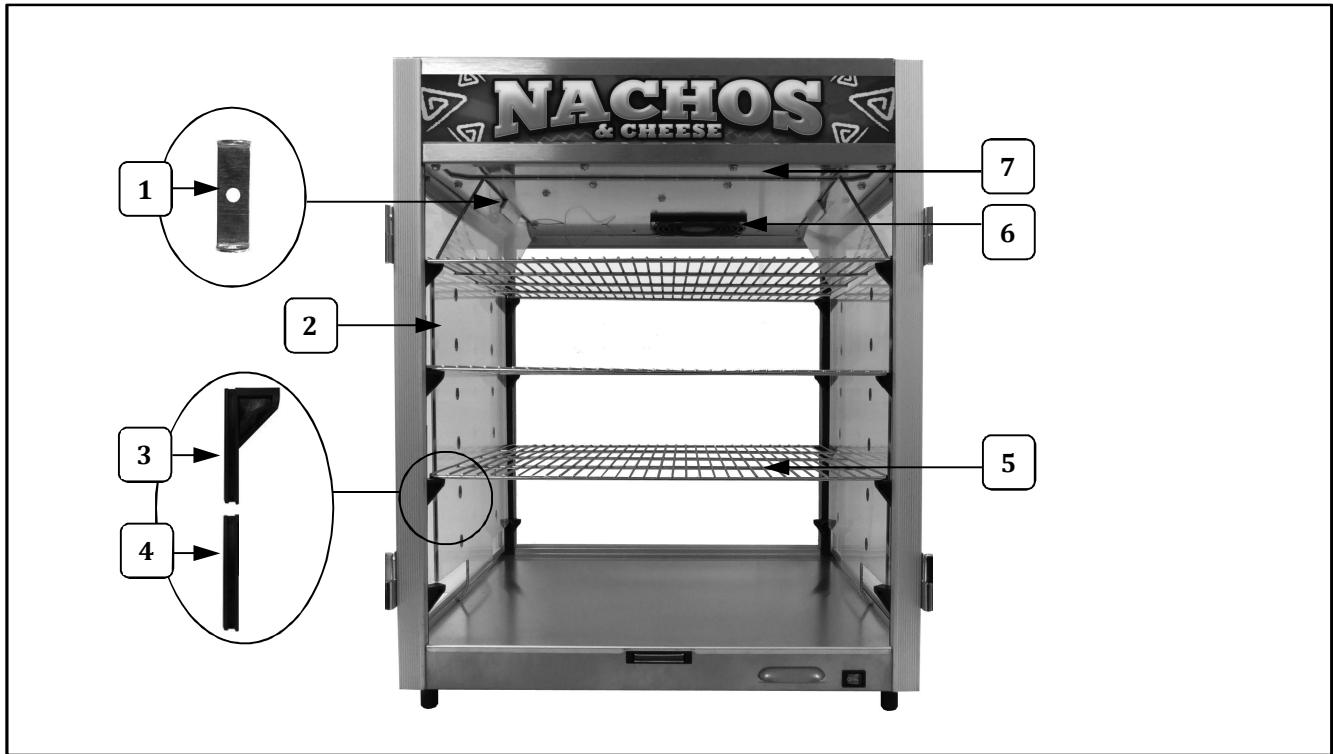
## Cabinet Interior View



Item	Part Description	Part Number		
		5581-00-100	5581-01-100	5581-00-101
1	SENSOR BRACKET	40838	40838	40838
2	AIR DUCT	17512	17512	17512
3	RACK HOLDER	39899	39899	39899
4	2" GROOVE FILLER	39903	39903	39903
5	SHELF	17285	17285	17285
6	FINGER GUARD (covers blower fan)	47200	47200	47200
7	LIGHT COVER	74788	74788	74788



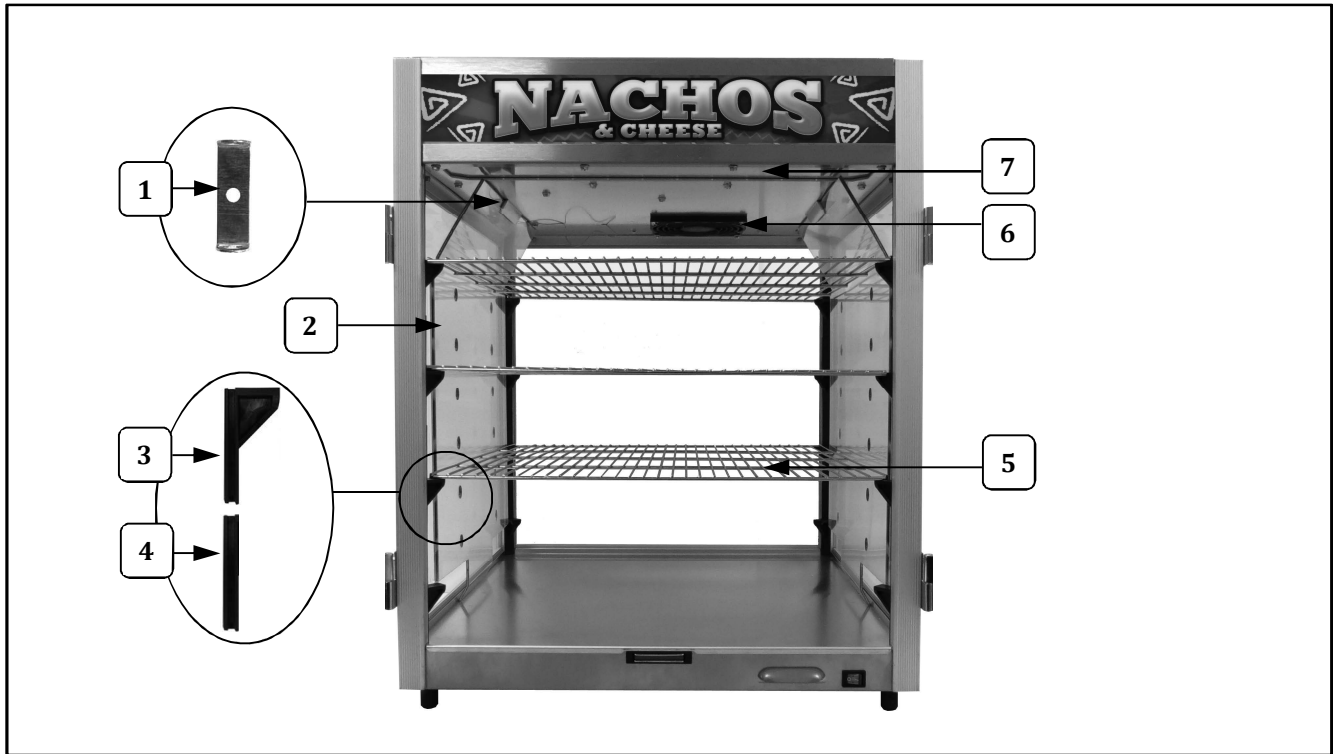
## Cabinet Interior View



Item	Part Description	Part Number		
		5581-00-100	5581-01-100	5581-00-101
1	SENSOR BRACKET	40838	40838	40838
2	AIR DUCT	17512	17512	17512
3	RACK HOLDER	39899	39899	39899
4	2" GROOVE FILLER	39903	39903	39903
5	SHELF	17285	17285	17285
6	FINGER GUARD (covers blower fan)	47200	47200	47200
7	LIGHT COVER	74788	74788	74788



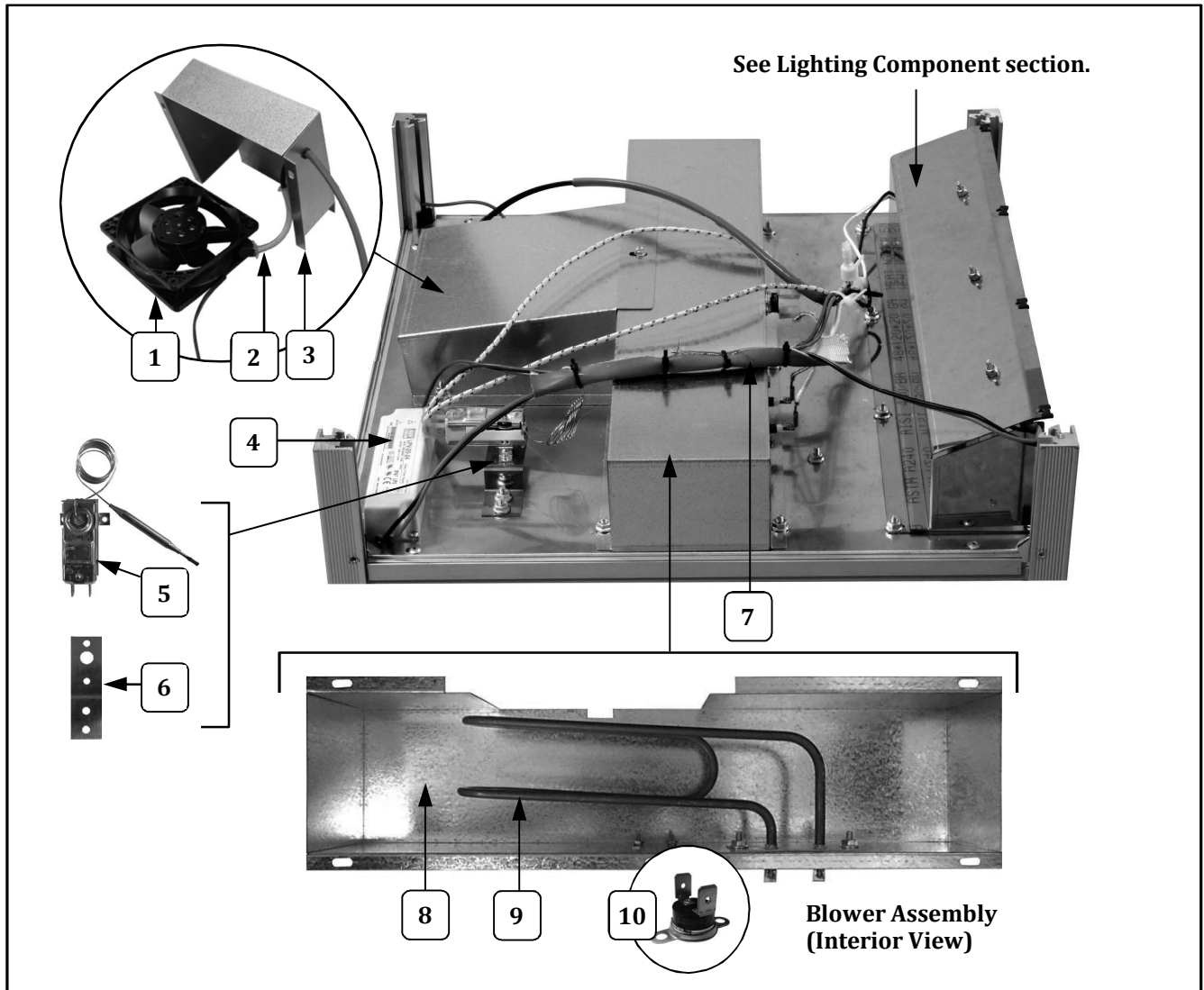
## Cabinet Interior View



Item	Part Description	Part Number		
		5581-00-100	5581-01-100	5581-00-101
1	SENSOR BRACKET	40838	40838	40838
2	AIR DUCT	17512	17512	17512
3	RACK HOLDER	39899	39899	39899
4	2" GROOVE FILLER	39903	39903	39903
5	SHELF	17285	17285	17285
6	FINGER GUARD (covers blower fan)	47200	47200	47200
7	LIGHT COVER	74788	74788	74788



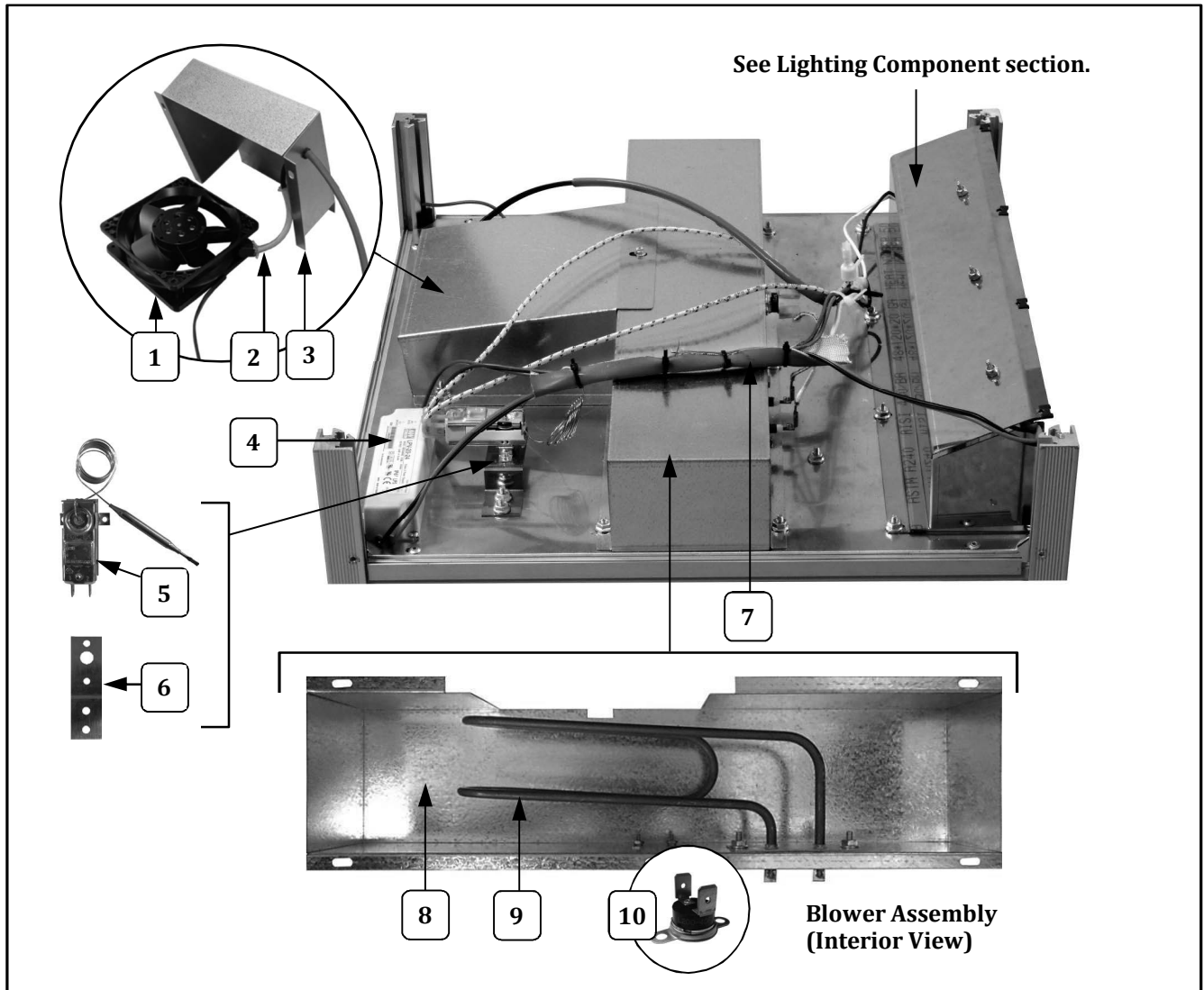
## Motor Plate Components



Item	Part Description	Part Number		
		5581-00-100	5581-01-100	5581-00-101
1	AXIAL FAN	40721		40721
	230 VOLT AXIAL FAN		40721EX	
2	EXHAUST BLOWER PLUG & CORD	47199	47199	47199
3	BLOWER WRAPPER	74738	74738	74738
4	POWER SUPPLY	55394	55394	55394
5	145°F THERMOSTAT BULB	87996	87996	87996
6	THERMOSTAT BRACKET	74667	74667	74667
7	SILICONE SLEEVING 6 IN LG	87315-6	87315-6	87315-6
8	BLOWER BOX	74736	74736	74736
	HEAT ELEMENT 475W 120V	74720		74720
9	HEAT ELEMENT 475W 230V		74720EX	
	THERMOSTAT, 260F	74748	74748	74748



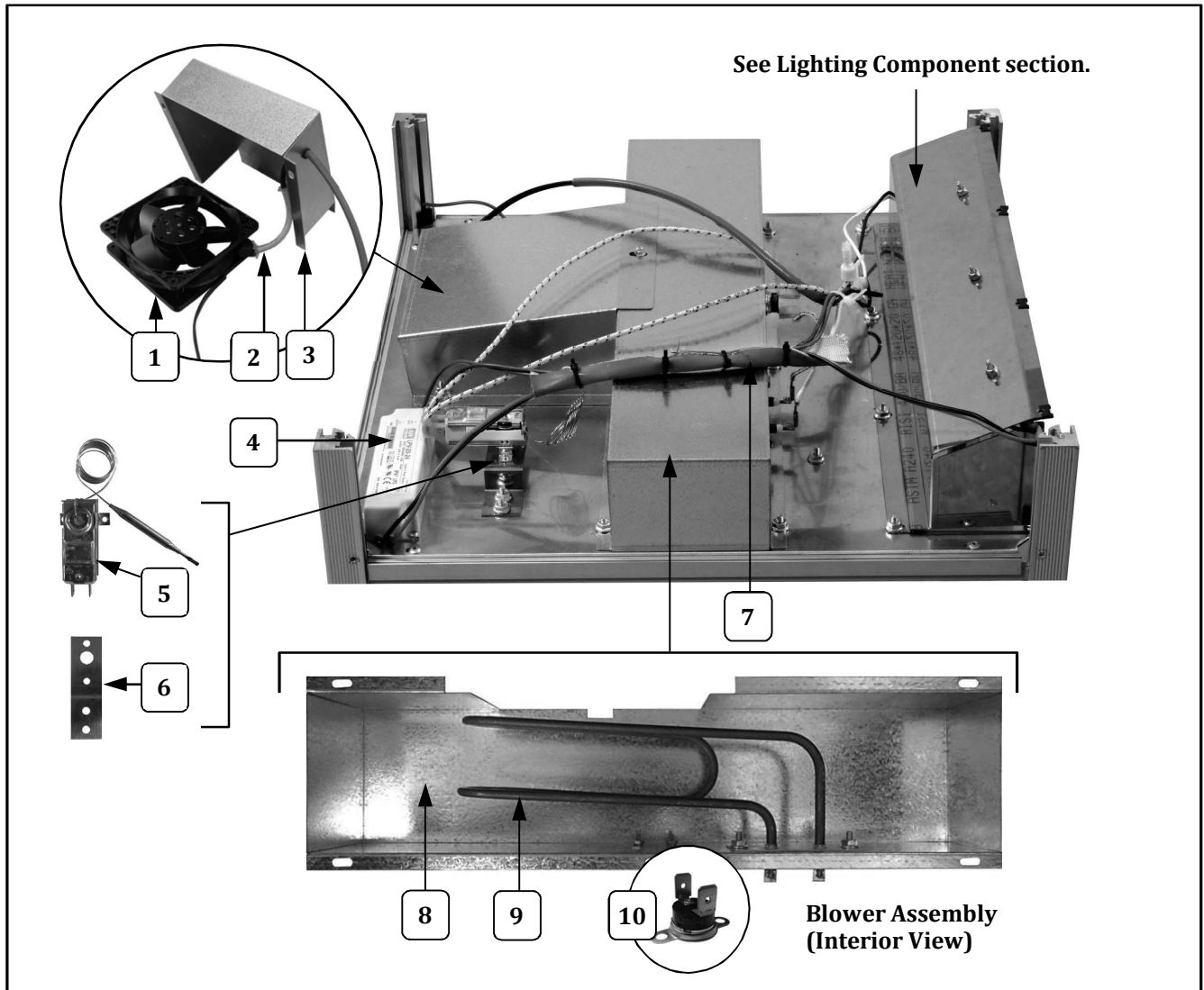
## Motor Plate Components



Item	Part Description	Part Number		
		5581-00-100	5581-01-100	5581-00-101
1	AXIAL FAN	40721		40721
	230 VOLT AXIAL FAN		40721EX	
2	EXHAUST BLOWER PLUG & CORD	47199	47199	47199
3	BLOWER WRAPPER	74738	74738	74738
4	POWER SUPPLY	55394	55394	55394
5	145°F THERMOSTAT BULB	87996	87996	87996
6	THERMOSTAT BRACKET	74667	74667	74667
7	SILICONE SLEEVING 6 IN LG	87315-6	87315-6	87315-6
8	BLOWER BOX	74736	74736	74736
	HEAT ELEMENT 475W 120V	74720		74720
9	HEAT ELEMENT 475W 230V		74720EX	
	THERMOSTAT, 260F	74748	74748	74748



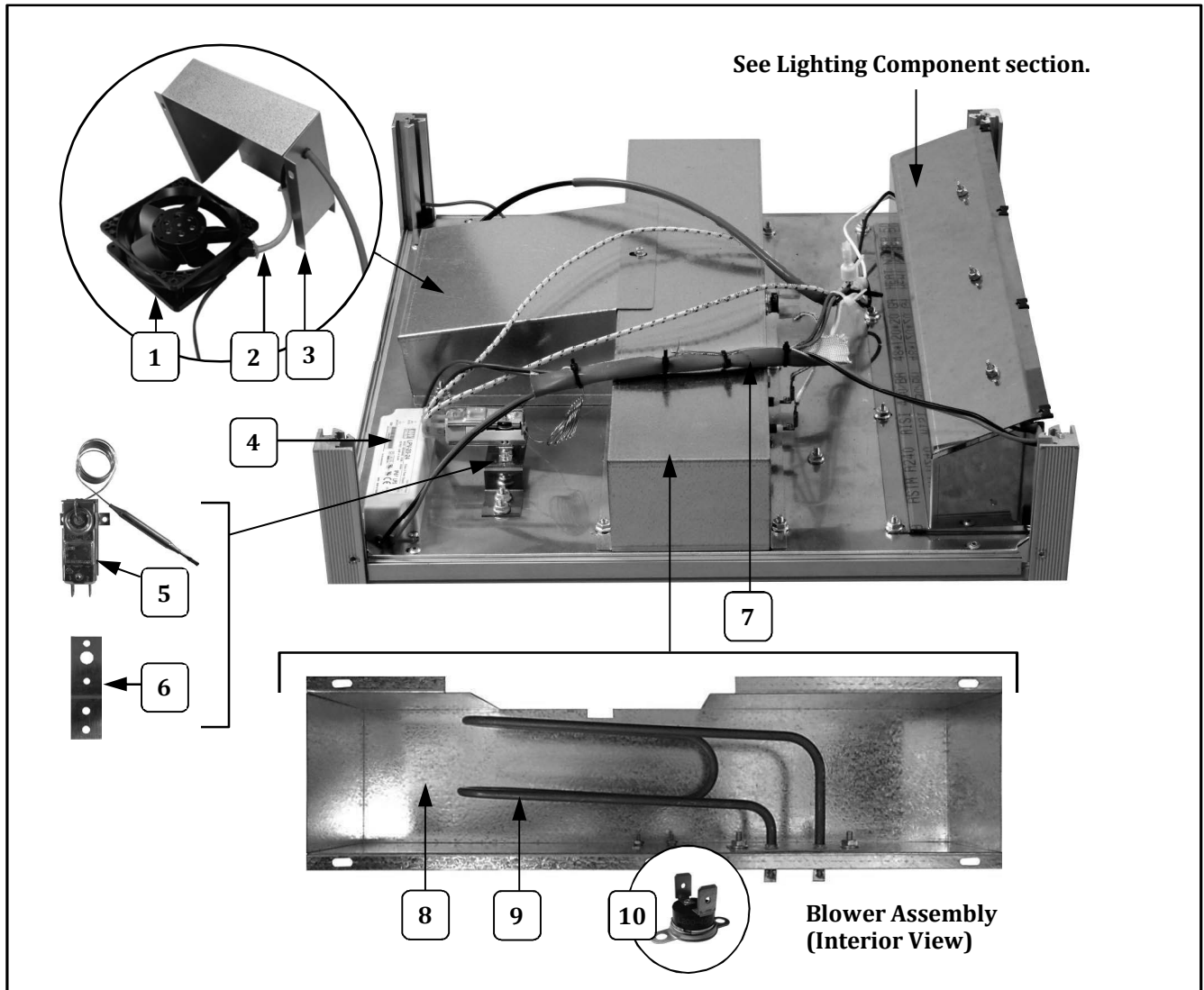
## Motor Plate Components



Item	Part Description	Part Number		
		5581-00-100	5581-01-100	5581-00-101
1	AXIAL FAN	40721		40721
	230 VOLT AXIAL FAN		40721EX	
2	EXHAUST BLOWER PLUG & CORD	47199	47199	47199
3	BLOWER WRAPPER	74738	74738	74738
4	POWER SUPPLY	55394	55394	55394
5	145°F THERMOSTAT BULB	87996	87996	87996
6	THERMOSTAT BRACKET	74667	74667	74667
7	SILICONE SLEEVING 6 IN LG	87315-6	87315-6	87315-6
8	BLOWER BOX	74736	74736	74736
	HEAT ELEMENT 475W 120V	74720		74720
9	HEAT ELEMENT 475W 230V		74720EX	
	THERMOSTAT, 260F	74748	74748	74748



## Motor Plate Components

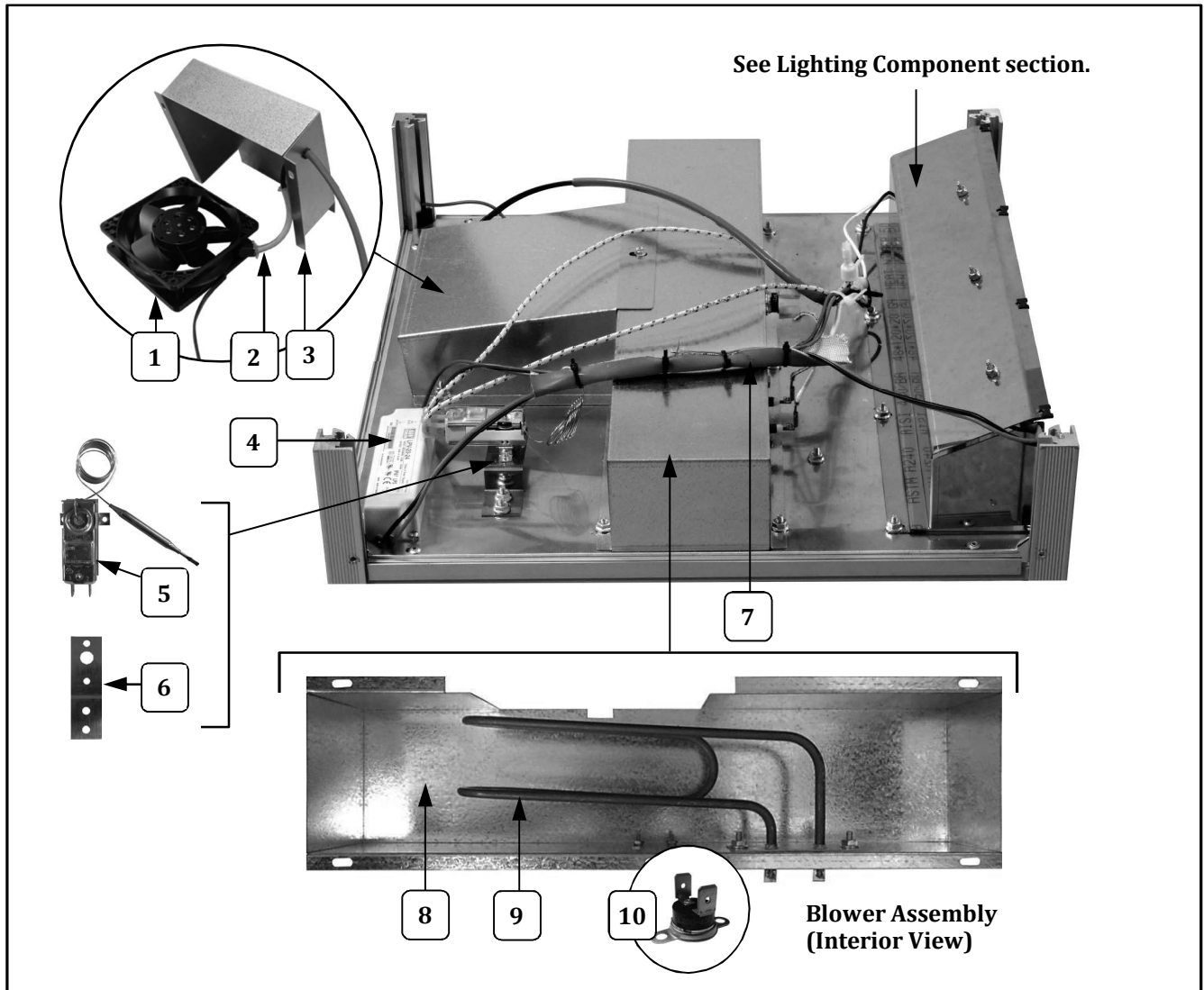


Item	Part Description	Part Number		
		5581-00-100	5581-01-100	5581-00-101
1	AXIAL FAN	40721		40721
	230 VOLT AXIAL FAN		40721EX	
2	EXHAUST BLOWER PLUG & CORD	47199	47199	47199
3	BLOWER WRAPPER	74738	74738	74738
4	POWER SUPPLY	55394	55394	55394
5	145°F THERMOSTAT BULB	87996	87996	87996
6	THERMOSTAT BRACKET	74667	74667	74667
7	SILICONE SLEEVING 6 IN LG	87315-6	87315-6	87315-6
8	BLOWER BOX	74736	74736	74736
	HEAT ELEMENT 475W 120V	74720		74720
9	HEAT ELEMENT 475W 230V		74720EX	
	THERMOSTAT, 260F	74748	74748	74748





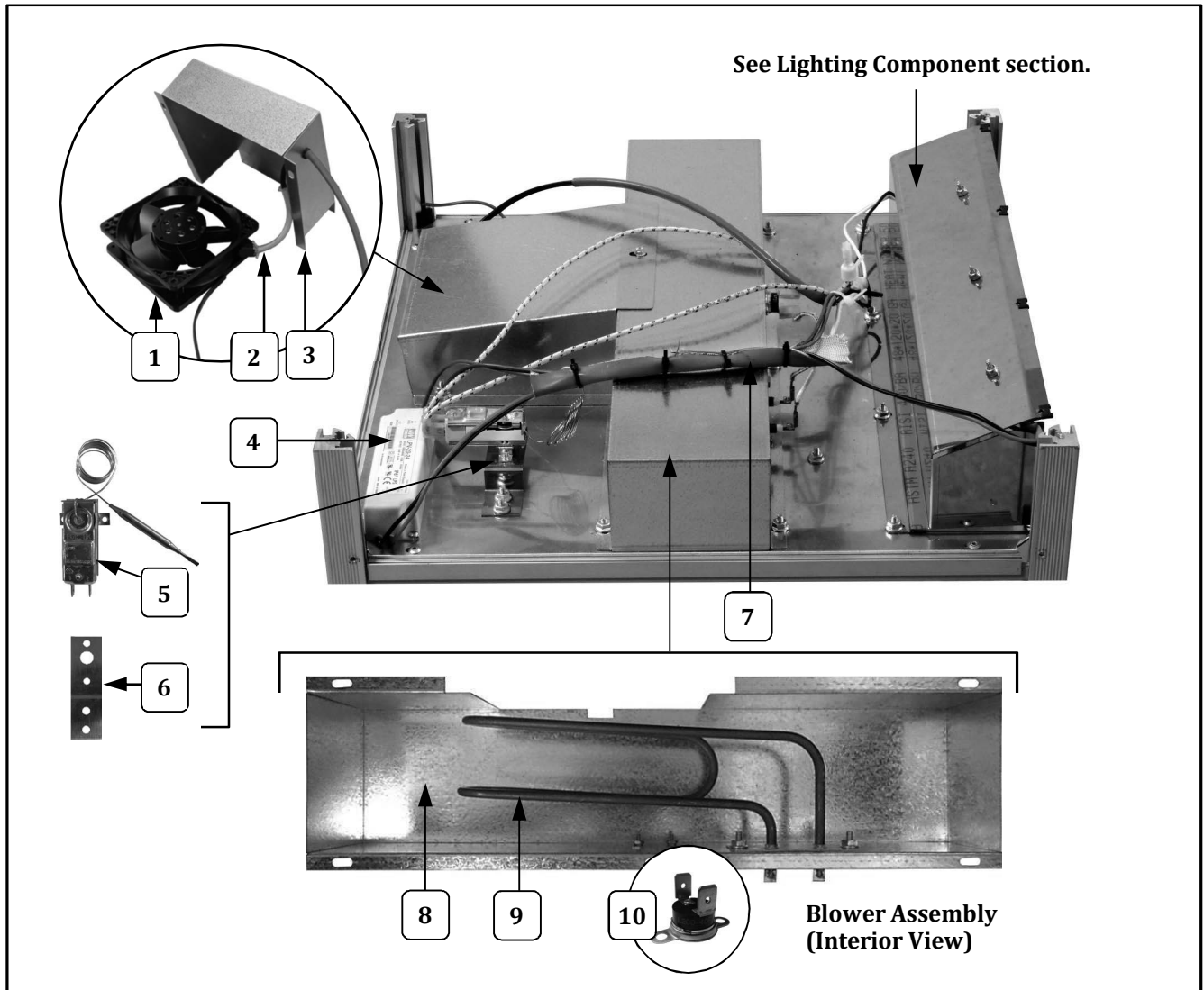
## Motor Plate Components



Item	Part Description	Part Number		
		5581-00-100	5581-01-100	5581-00-101
1	AXIAL FAN	40721		40721
	230 VOLT AXIAL FAN		40721EX	
2	EXHAUST BLOWER PLUG & CORD	47199	47199	47199
3	BLOWER WRAPPER	74738	74738	74738
4	POWER SUPPLY	55394	55394	55394
5	145°F THERMOSTAT BULB	87996	87996	87996
6	THERMOSTAT BRACKET	74667	74667	74667
7	SILICONE SLEEVING 6 IN LG	87315-6	87315-6	87315-6
8	BLOWER BOX	74736	74736	74736
	HEAT ELEMENT 475W 120V	74720		74720
9	HEAT ELEMENT 475W 230V		74720EX	
	THERMOSTAT, 260F	74748	74748	74748



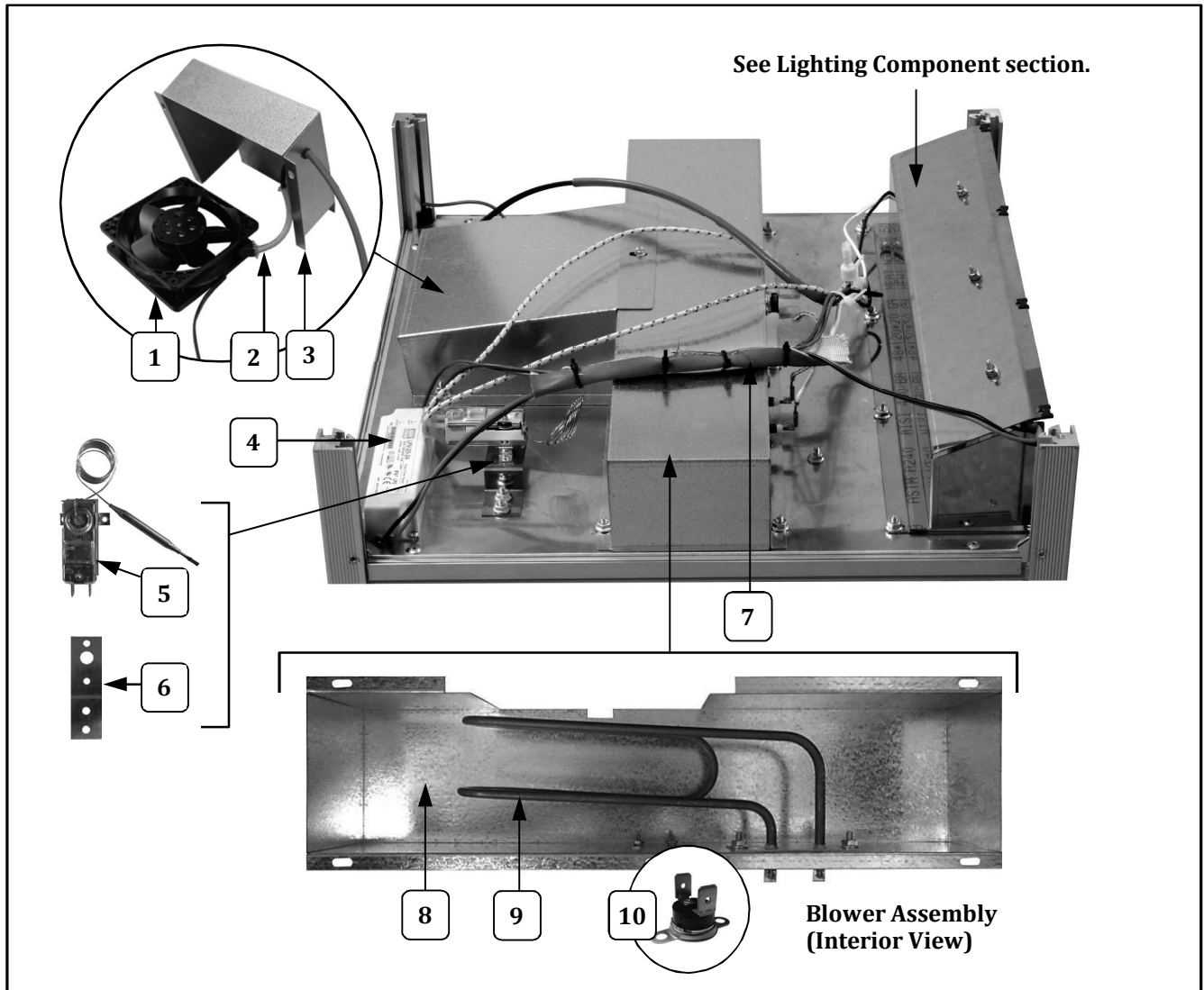
## Motor Plate Components



Item	Part Description	Part Number		
		5581-00-100	5581-01-100	5581-00-101
1	AXIAL FAN	40721		40721
	230 VOLT AXIAL FAN		40721EX	
2	EXHAUST BLOWER PLUG & CORD	47199	47199	47199
3	BLOWER WRAPPER	74738	74738	74738
4	POWER SUPPLY	55394	55394	55394
5	145°F THERMOSTAT BULB	87996	87996	87996
6	THERMOSTAT BRACKET	74667	74667	74667
7	SILICONE SLEEVING 6 IN LG	87315-6	87315-6	87315-6
8	BLOWER BOX	74736	74736	74736
	HEAT ELEMENT 475W 120V	74720		74720
9	HEAT ELEMENT 475W 230V		74720EX	
	THERMOSTAT, 260F	74748	74748	74748



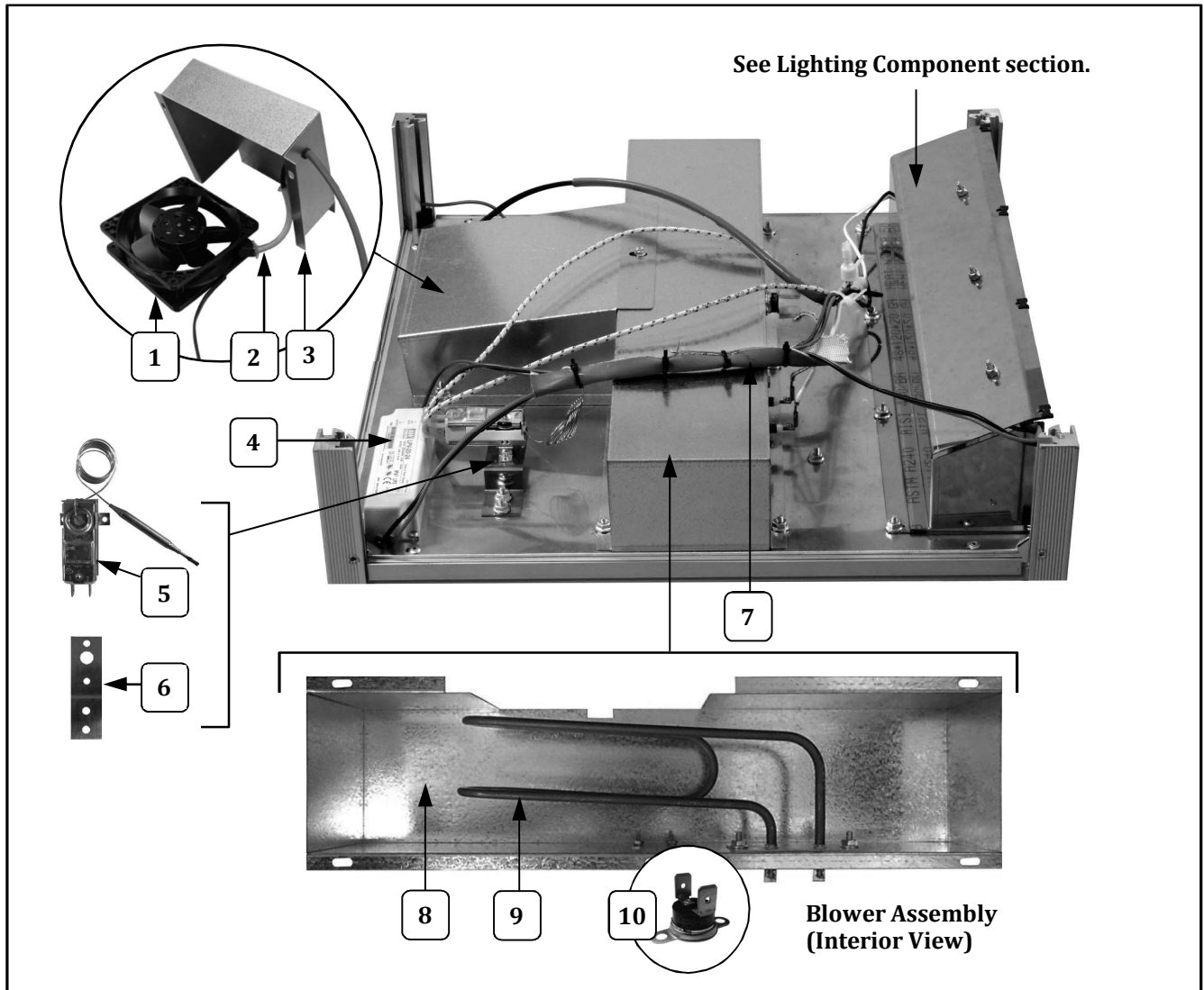
## Motor Plate Components



Item	Part Description	Part Number		
		5581-00-100	5581-01-100	5581-00-101
1	AXIAL FAN	40721		40721
	230 VOLT AXIAL FAN		40721EX	
2	EXHAUST BLOWER PLUG & CORD	47199	47199	47199
3	BLOWER WRAPPER	74738	74738	74738
4	POWER SUPPLY	55394	55394	55394
5	145°F THERMOSTAT BULB	87996	87996	87996
6	THERMOSTAT BRACKET	74667	74667	74667
7	SILICONE SLEEVING 6 IN LG	87315-6	87315-6	87315-6
8	BLOWER BOX	74736	74736	74736
	HEAT ELEMENT 475W 120V	74720		74720
9	HEAT ELEMENT 475W 230V		74720EX	
	THERMOSTAT, 260F	74748	74748	74748



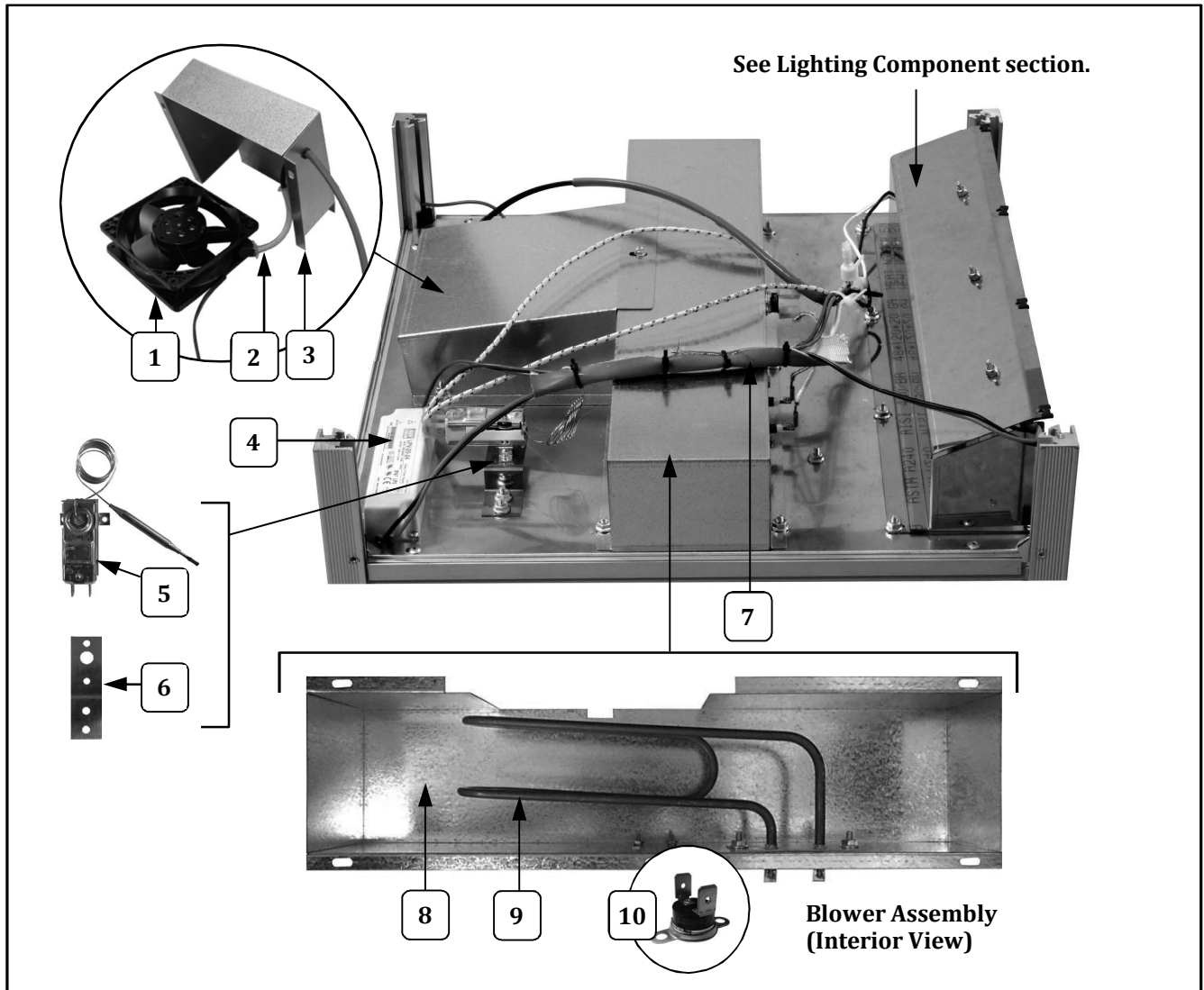
## Motor Plate Components



Item	Part Description	Part Number		
		5581-00-100	5581-01-100	5581-00-101
1	AXIAL FAN	40721		40721
	230 VOLT AXIAL FAN		40721EX	
2	EXHAUST BLOWER PLUG & CORD	47199	47199	47199
3	BLOWER WRAPPER	74738	74738	74738
4	POWER SUPPLY	55394	55394	55394
5	145°F THERMOSTAT BULB	87996	87996	87996
6	THERMOSTAT BRACKET	74667	74667	74667
7	SILICONE SLEEVING 6 IN LG	87315-6	87315-6	87315-6
8	BLOWER BOX	74736	74736	74736
	HEAT ELEMENT 475W 120V	74720		74720
9	HEAT ELEMENT 475W 230V		74720EX	
	THERMOSTAT, 260F	74748	74748	74748



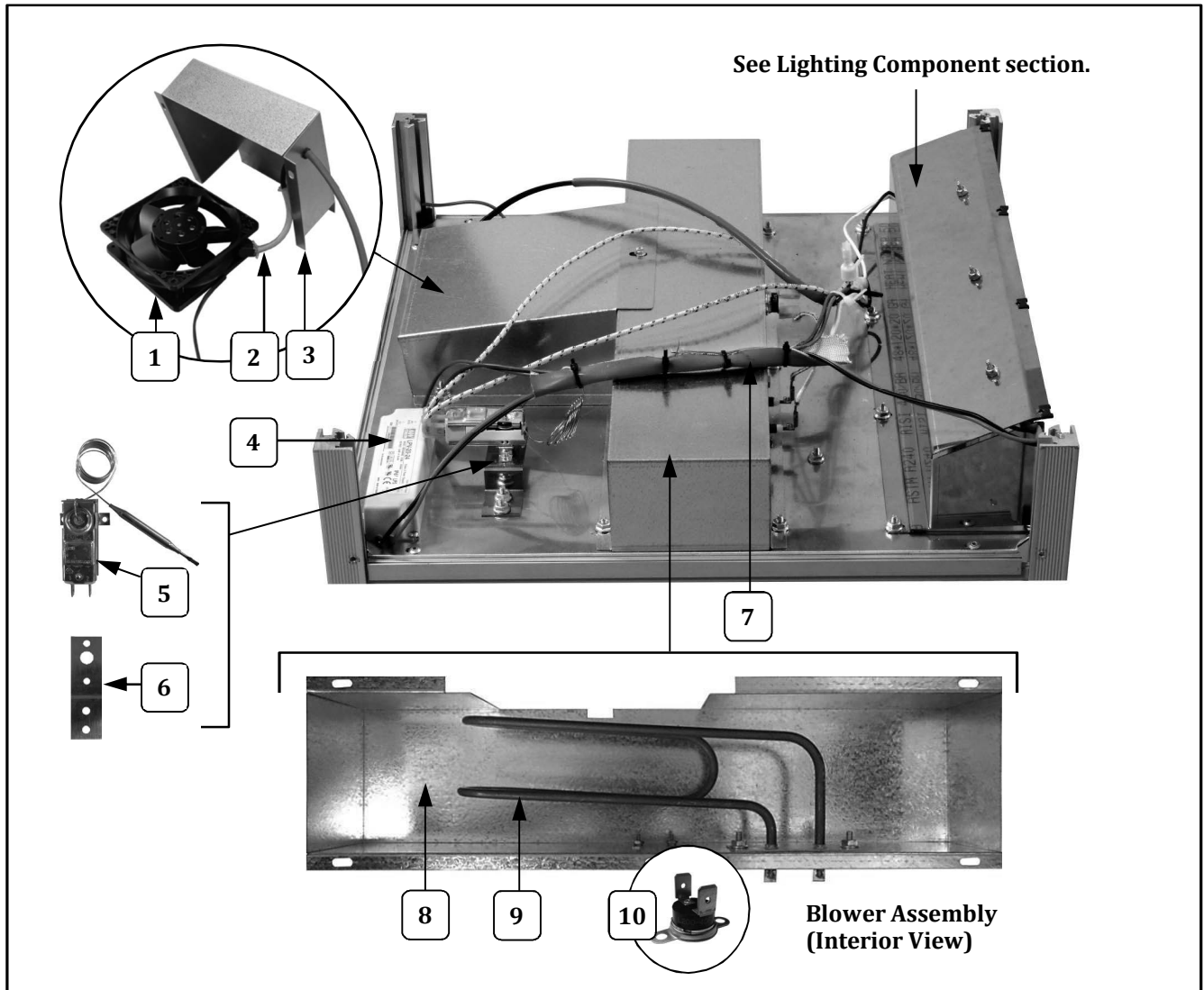
## Motor Plate Components



Item	Part Description	Part Number		
		5581-00-100	5581-01-100	5581-00-101
1	AXIAL FAN	40721		40721
	230 VOLT AXIAL FAN		40721EX	
2	EXHAUST BLOWER PLUG & CORD	47199	47199	47199
3	BLOWER WRAPPER	74738	74738	74738
4	POWER SUPPLY	55394	55394	55394
5	145°F THERMOSTAT BULB	87996	87996	87996
6	THERMOSTAT BRACKET	74667	74667	74667
7	SILICONE SLEEVING 6 IN LG	87315-6	87315-6	87315-6
8	BLOWER BOX	74736	74736	74736
	HEAT ELEMENT 475W 120V	74720		74720
9	HEAT ELEMENT 475W 230V		74720EX	
	THERMOSTAT, 260F	74748	74748	74748



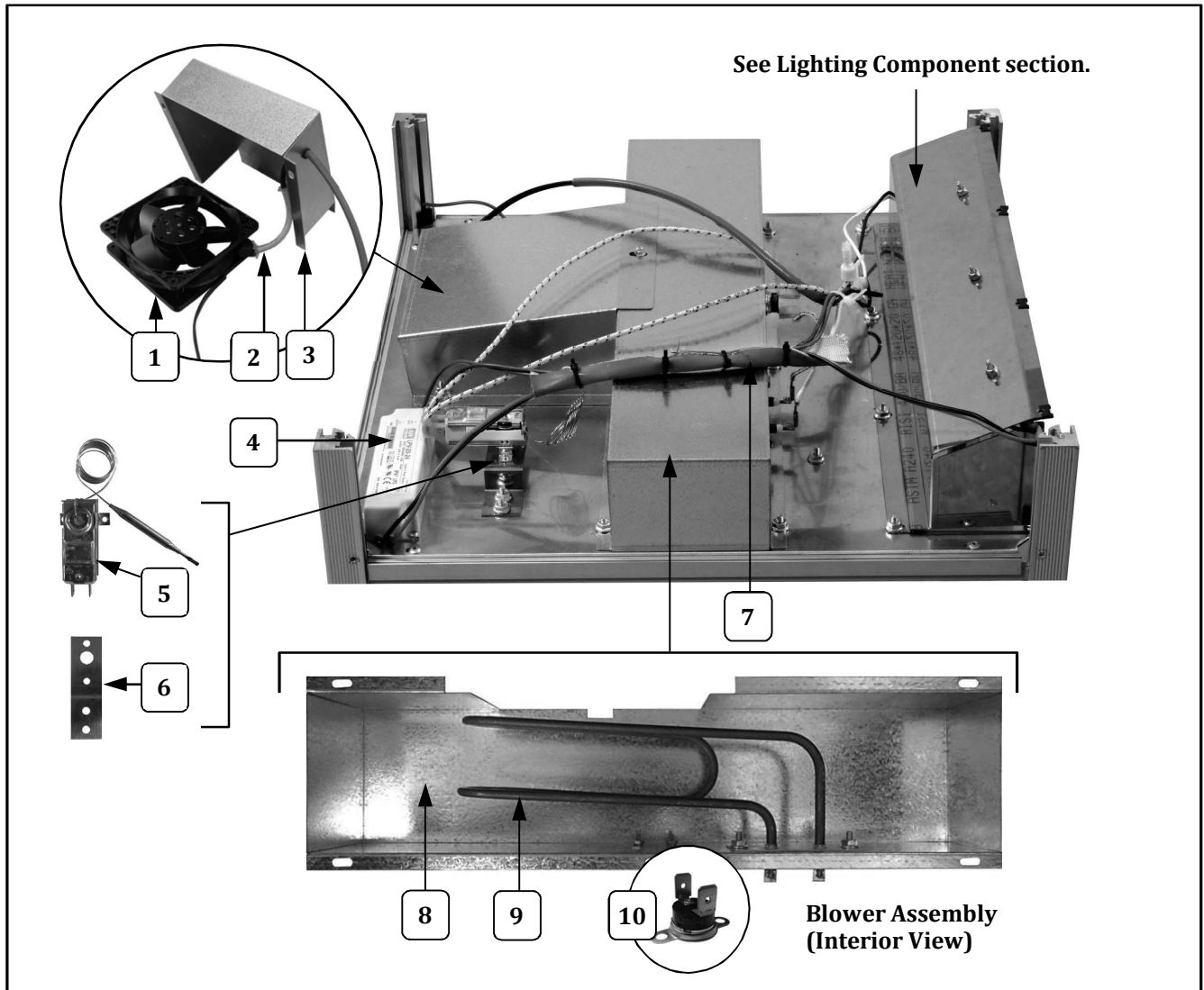
## Motor Plate Components



Item	Part Description	Part Number		
		5581-00-100	5581-01-100	5581-00-101
1	AXIAL FAN	40721		40721
	230 VOLT AXIAL FAN		40721EX	
2	EXHAUST BLOWER PLUG & CORD	47199	47199	47199
3	BLOWER WRAPPER	74738	74738	74738
4	POWER SUPPLY	55394	55394	55394
5	145°F THERMOSTAT BULB	87996	87996	87996
6	THERMOSTAT BRACKET	74667	74667	74667
7	SILICONE SLEEVING 6 IN LG	87315-6	87315-6	87315-6
8	BLOWER BOX	74736	74736	74736
	HEAT ELEMENT 475W 120V	74720		74720
9	HEAT ELEMENT 475W 230V		74720EX	
	THERMOSTAT, 260F	74748	74748	74748



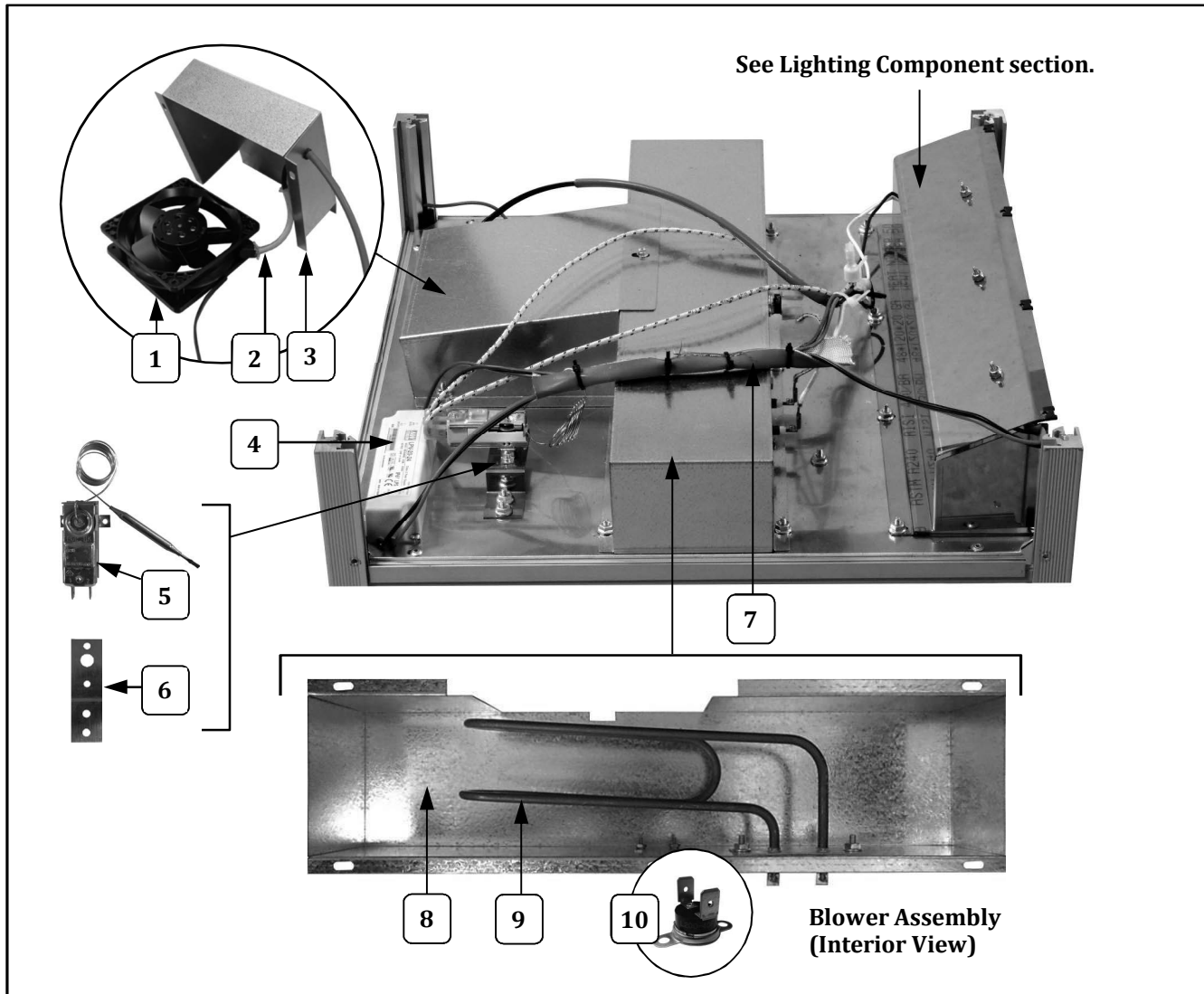
## Motor Plate Components



Item	Part Description	Part Number		
		5581-00-100	5581-01-100	5581-00-101
1	AXIAL FAN	40721		40721
	230 VOLT AXIAL FAN		40721EX	
2	EXHAUST BLOWER PLUG & CORD	47199	47199	47199
3	BLOWER WRAPPER	74738	74738	74738
4	POWER SUPPLY	55394	55394	55394
5	145°F THERMOSTAT BULB	87996	87996	87996
6	THERMOSTAT BRACKET	74667	74667	74667
7	SILICONE SLEEVING 6 IN LG	87315-6	87315-6	87315-6
8	BLOWER BOX	74736	74736	74736
	HEAT ELEMENT 475W 120V	74720		74720
9	HEAT ELEMENT 475W 230V		74720EX	
	THERMOSTAT, 260F	74748	74748	74748



## Motor Plate Components

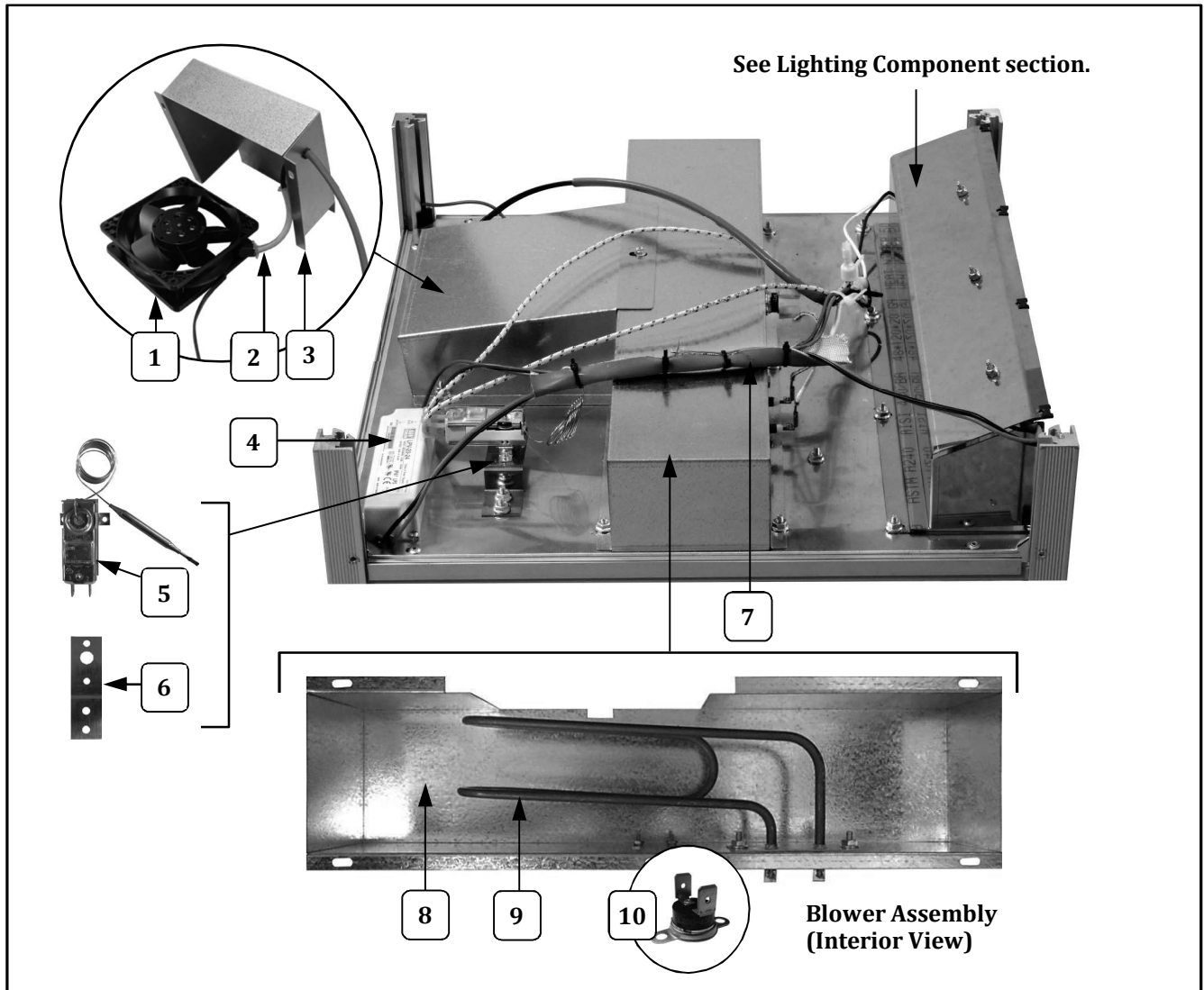


Item	Part Description	Part Number		
		5581-00-100	5581-01-100	5581-00-101
1	AXIAL FAN	40721		40721
	230 VOLT AXIAL FAN		40721EX	
2	EXHAUST BLOWER PLUG & CORD	47199	47199	47199
3	BLOWER WRAPPER	74738	74738	74738
4	POWER SUPPLY	55394	55394	55394
5	145°F THERMOSTAT BULB	87996	87996	87996
6	THERMOSTAT BRACKET	74667	74667	74667
7	SILICONE SLEEVING 6 IN LG	87315-6	87315-6	87315-6
8	BLOWER BOX	74736	74736	74736
	HEAT ELEMENT 475W 120V	74720		74720
9	HEAT ELEMENT 475W 230V		74720EX	
	THERMOSTAT, 260F	74748	74748	74748





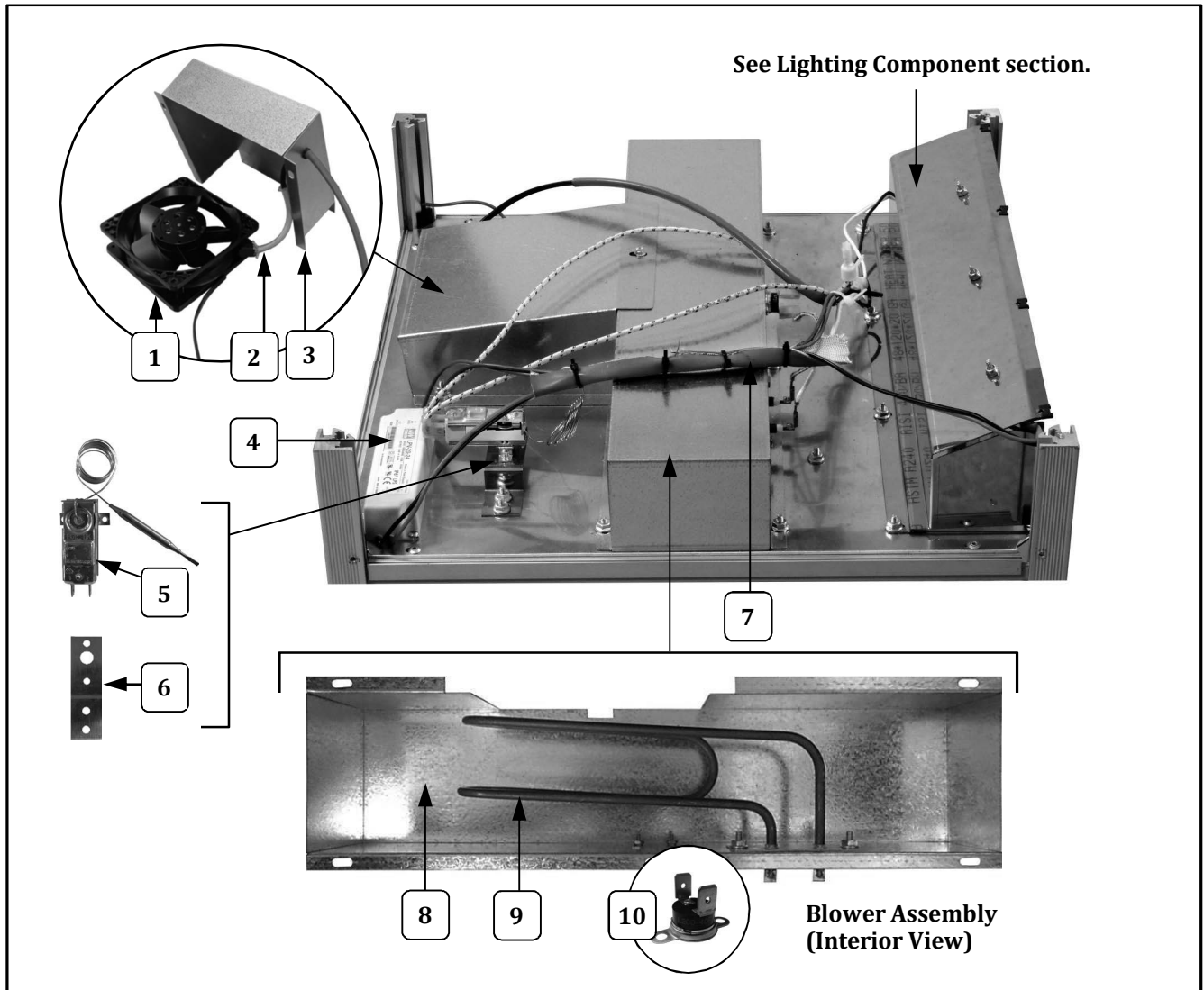
## Motor Plate Components



Item	Part Description	Part Number		
		5581-00-100	5581-01-100	5581-00-101
1	AXIAL FAN	40721		40721
	230 VOLT AXIAL FAN		40721EX	
2	EXHAUST BLOWER PLUG & CORD	47199	47199	47199
3	BLOWER WRAPPER	74738	74738	74738
4	POWER SUPPLY	55394	55394	55394
5	145°F THERMOSTAT BULB	87996	87996	87996
6	THERMOSTAT BRACKET	74667	74667	74667
7	SILICONE SLEEVING 6 IN LG	87315-6	87315-6	87315-6
8	BLOWER BOX	74736	74736	74736
	HEAT ELEMENT 475W 120V	74720		74720
9	HEAT ELEMENT 475W 230V		74720EX	
	THERMOSTAT, 260F	74748	74748	74748



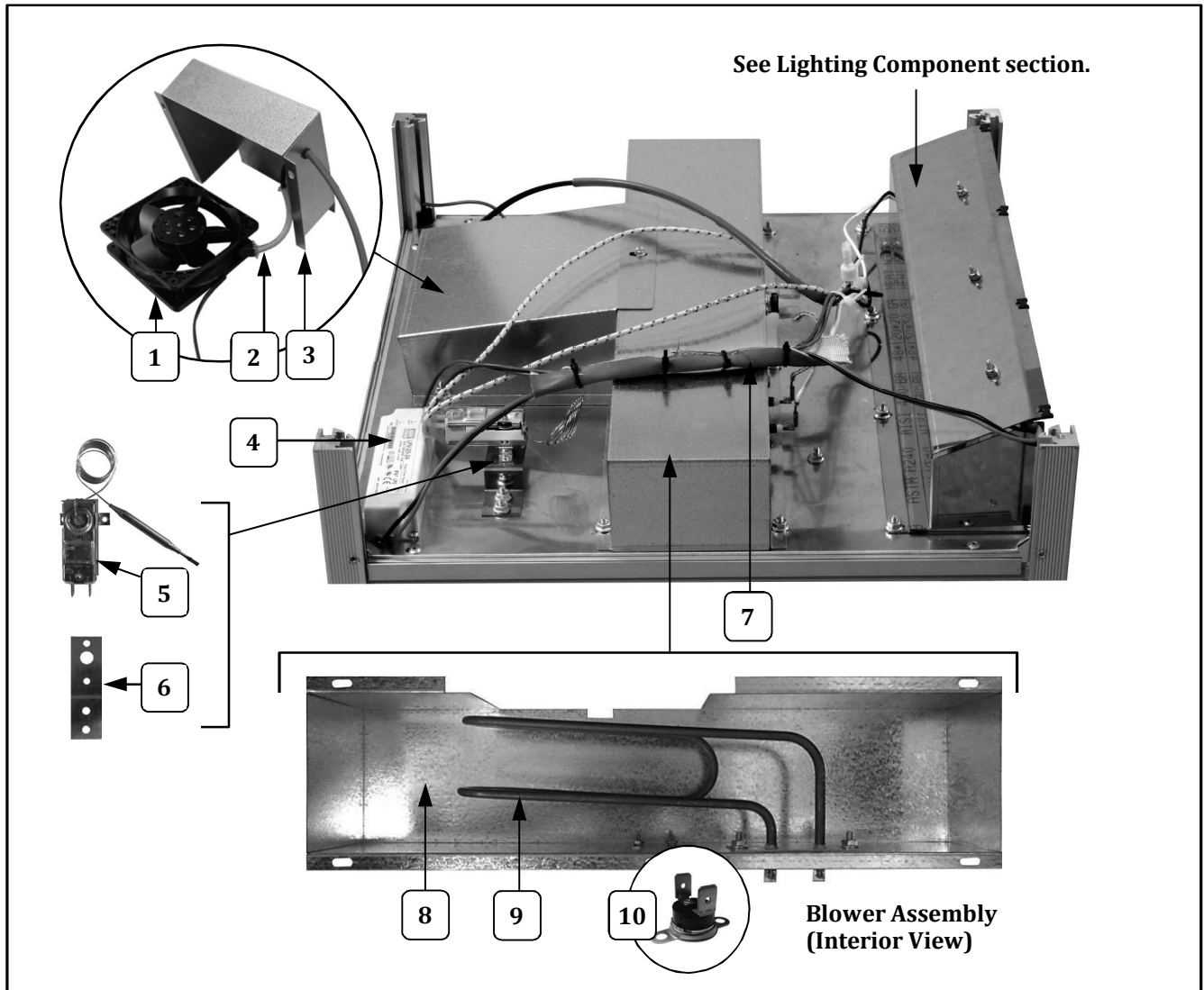
## Motor Plate Components



Item	Part Description	Part Number		
		5581-00-100	5581-01-100	5581-00-101
1	AXIAL FAN	40721		40721
	230 VOLT AXIAL FAN		40721EX	
2	EXHAUST BLOWER PLUG & CORD	47199	47199	47199
3	BLOWER WRAPPER	74738	74738	74738
4	POWER SUPPLY	55394	55394	55394
5	145°F THERMOSTAT BULB	87996	87996	87996
6	THERMOSTAT BRACKET	74667	74667	74667
7	SILICONE SLEEVING 6 IN LG	87315-6	87315-6	87315-6
8	BLOWER BOX	74736	74736	74736
	HEAT ELEMENT 475W 120V	74720		74720
9	HEAT ELEMENT 475W 230V		74720EX	
	THERMOSTAT, 260F	74748	74748	74748



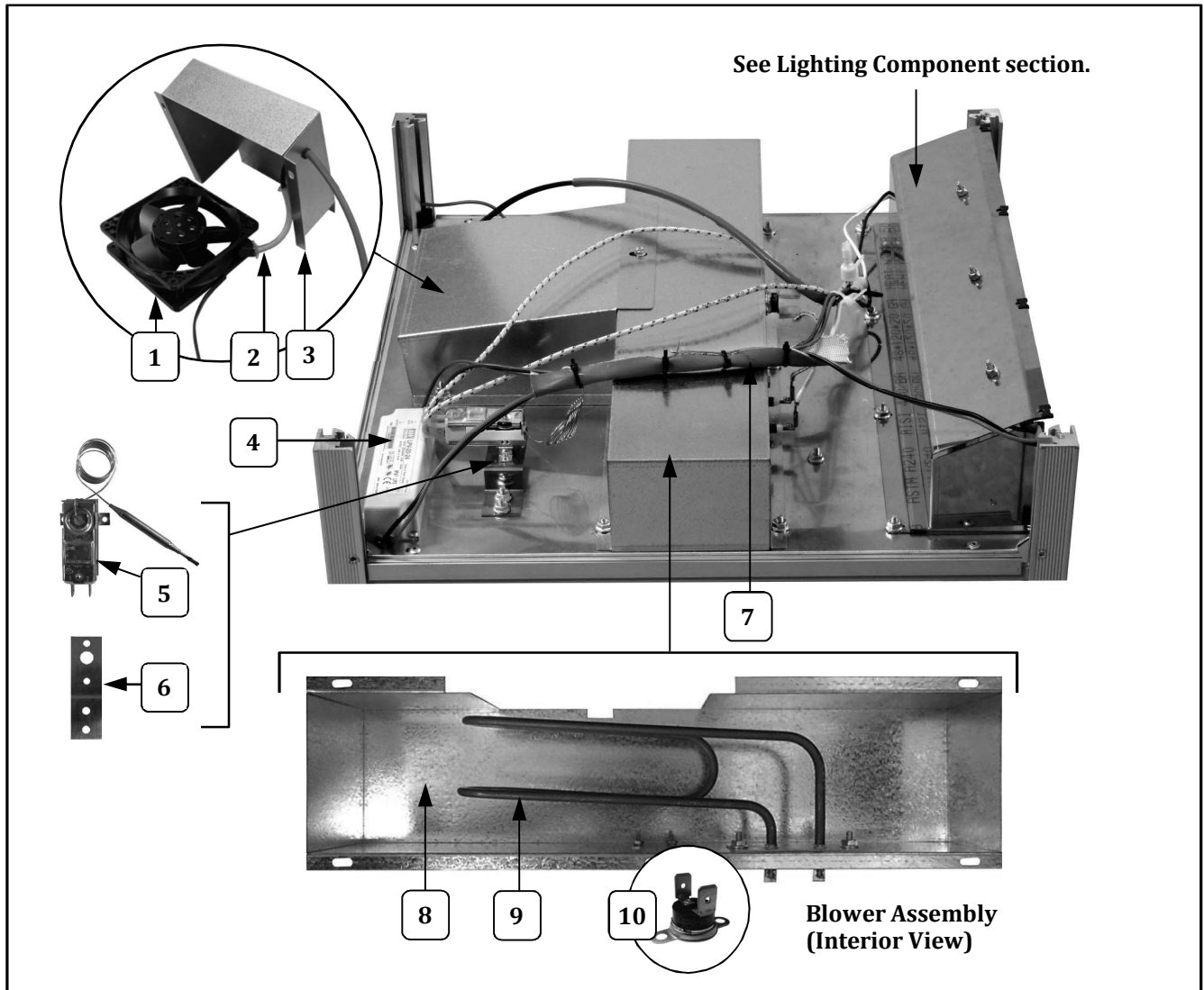
## Motor Plate Components



Item	Part Description	Part Number		
		5581-00-100	5581-01-100	5581-00-101
1	AXIAL FAN	40721		40721
	230 VOLT AXIAL FAN		40721EX	
2	EXHAUST BLOWER PLUG & CORD	47199	47199	47199
3	BLOWER WRAPPER	74738	74738	74738
4	POWER SUPPLY	55394	55394	55394
5	145°F THERMOSTAT BULB	87996	87996	87996
6	THERMOSTAT BRACKET	74667	74667	74667
7	SILICONE SLEEVING 6 IN LG	87315-6	87315-6	87315-6
8	BLOWER BOX	74736	74736	74736
	HEAT ELEMENT 475W 120V	74720		74720
9	HEAT ELEMENT 475W 230V		74720EX	
	THERMOSTAT, 260F	74748	74748	74748



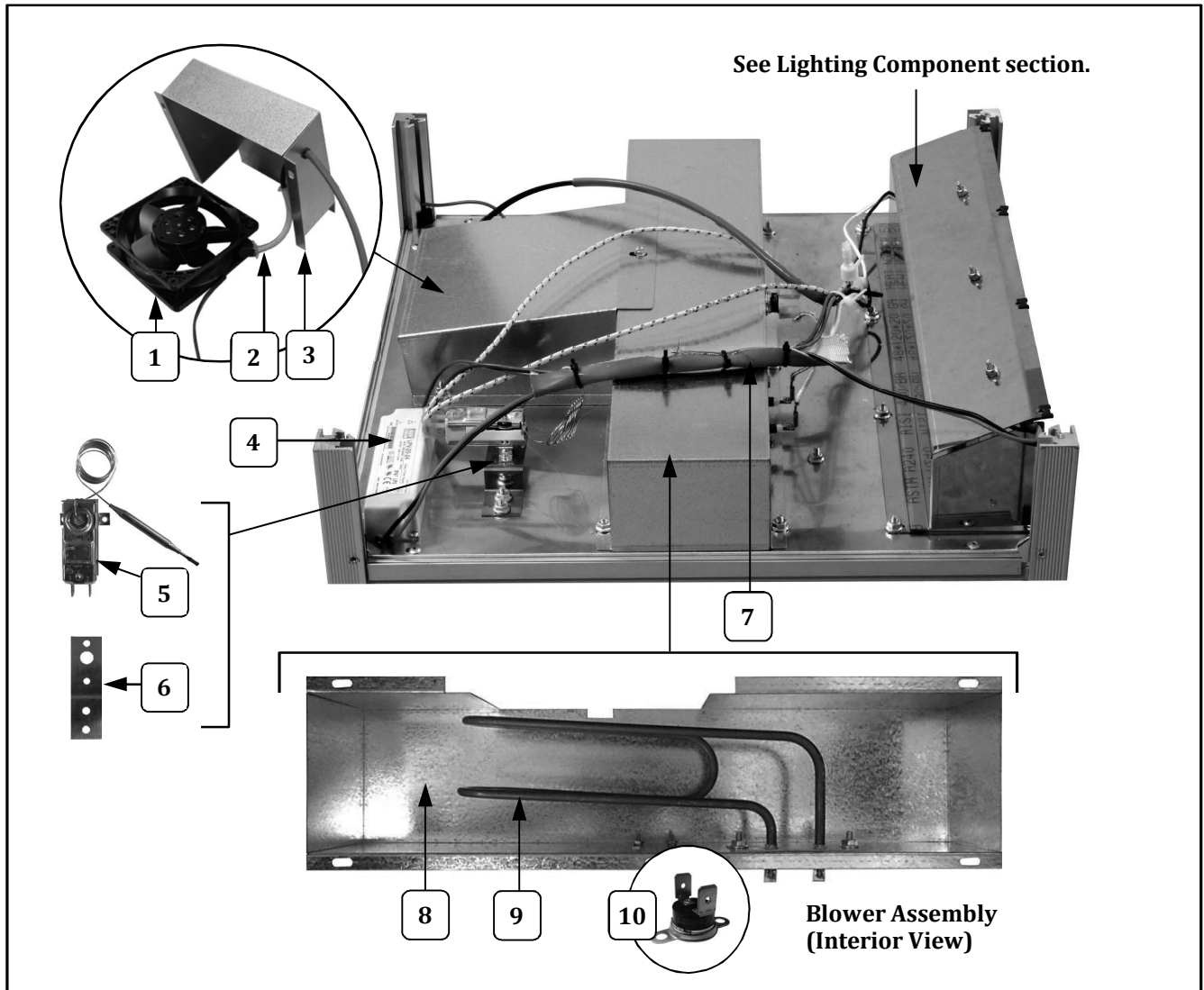
## Motor Plate Components



Item	Part Description	Part Number		
		5581-00-100	5581-01-100	5581-00-101
1	AXIAL FAN	40721		40721
	230 VOLT AXIAL FAN		40721EX	
2	EXHAUST BLOWER PLUG & CORD	47199	47199	47199
3	BLOWER WRAPPER	74738	74738	74738
4	POWER SUPPLY	55394	55394	55394
5	145°F THERMOSTAT BULB	87996	87996	87996
6	THERMOSTAT BRACKET	74667	74667	74667
7	SILICONE SLEEVING 6 IN LG	87315-6	87315-6	87315-6
8	BLOWER BOX	74736	74736	74736
	HEAT ELEMENT 475W 120V	74720		74720
9	HEAT ELEMENT 475W 230V		74720EX	
	THERMOSTAT, 260F	74748	74748	74748



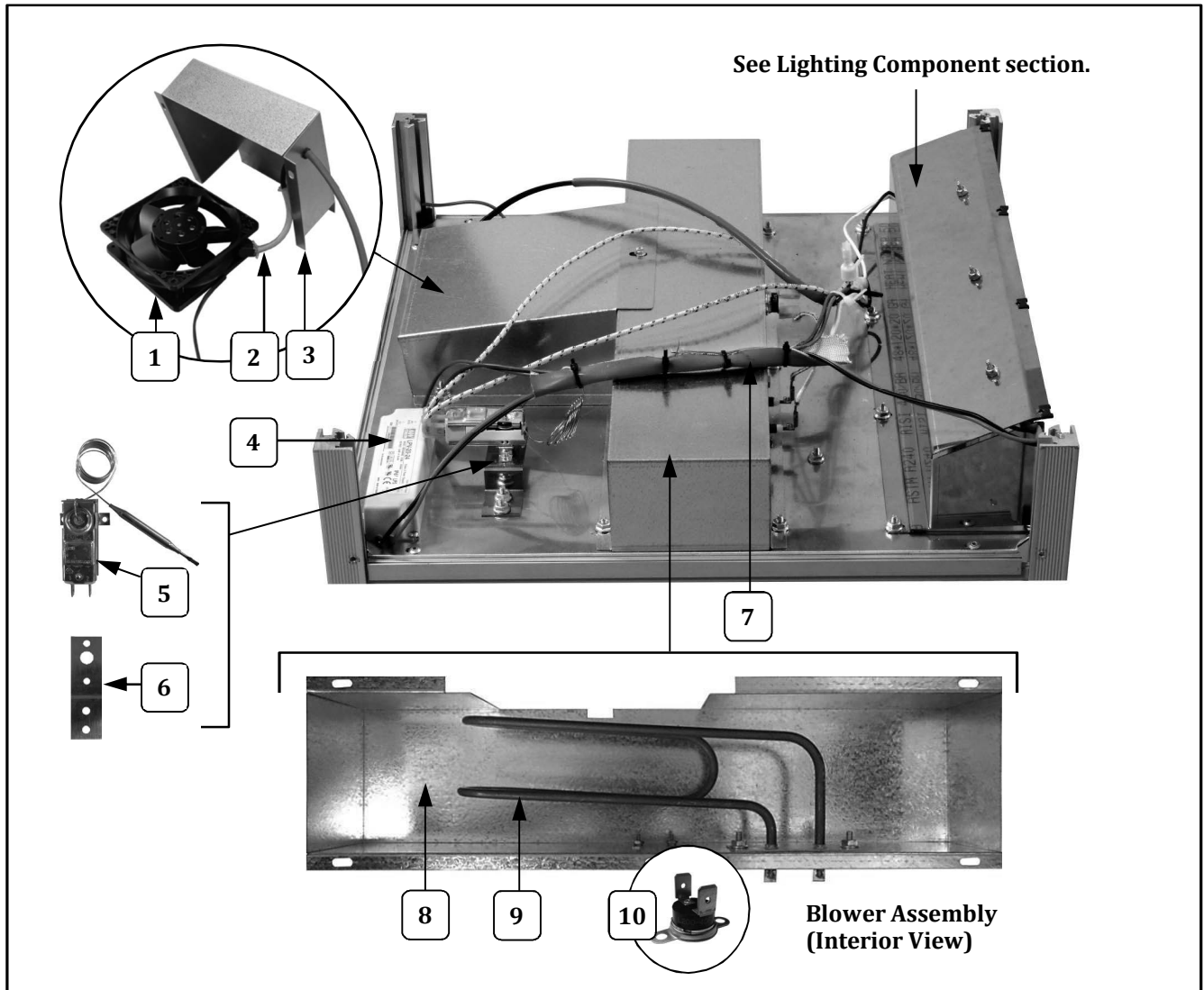
## Motor Plate Components



Item	Part Description	Part Number		
		5581-00-100	5581-01-100	5581-00-101
1	AXIAL FAN	40721		40721
	230 VOLT AXIAL FAN		40721EX	
2	EXHAUST BLOWER PLUG & CORD	47199	47199	47199
3	BLOWER WRAPPER	74738	74738	74738
4	POWER SUPPLY	55394	55394	55394
5	145°F THERMOSTAT BULB	87996	87996	87996
6	THERMOSTAT BRACKET	74667	74667	74667
7	SILICONE SLEEVING 6 IN LG	87315-6	87315-6	87315-6
8	BLOWER BOX	74736	74736	74736
	HEAT ELEMENT 475W 120V	74720		74720
9	HEAT ELEMENT 475W 230V		74720EX	
	THERMOSTAT, 260F	74748	74748	74748



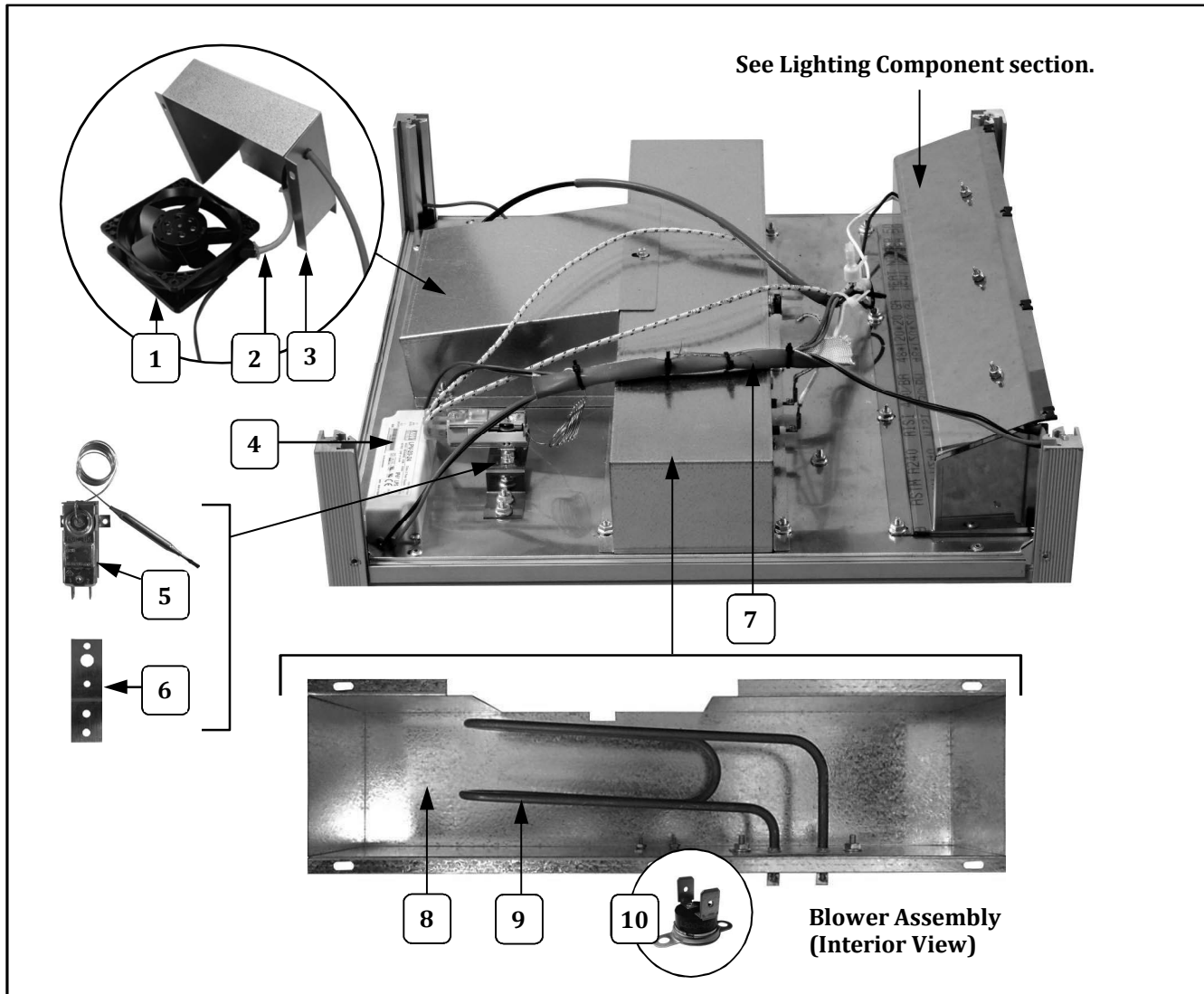
## Motor Plate Components



Item	Part Description	Part Number		
		5581-00-100	5581-01-100	5581-00-101
1	AXIAL FAN	40721		40721
	230 VOLT AXIAL FAN		40721EX	
2	EXHAUST BLOWER PLUG & CORD	47199	47199	47199
3	BLOWER WRAPPER	74738	74738	74738
4	POWER SUPPLY	55394	55394	55394
5	145°F THERMOSTAT BULB	87996	87996	87996
6	THERMOSTAT BRACKET	74667	74667	74667
7	SILICONE SLEEVING 6 IN LG	87315-6	87315-6	87315-6
8	BLOWER BOX	74736	74736	74736
	HEAT ELEMENT 475W 120V	74720		74720
9	HEAT ELEMENT 475W 230V		74720EX	
	THERMOSTAT, 260F	74748	74748	74748



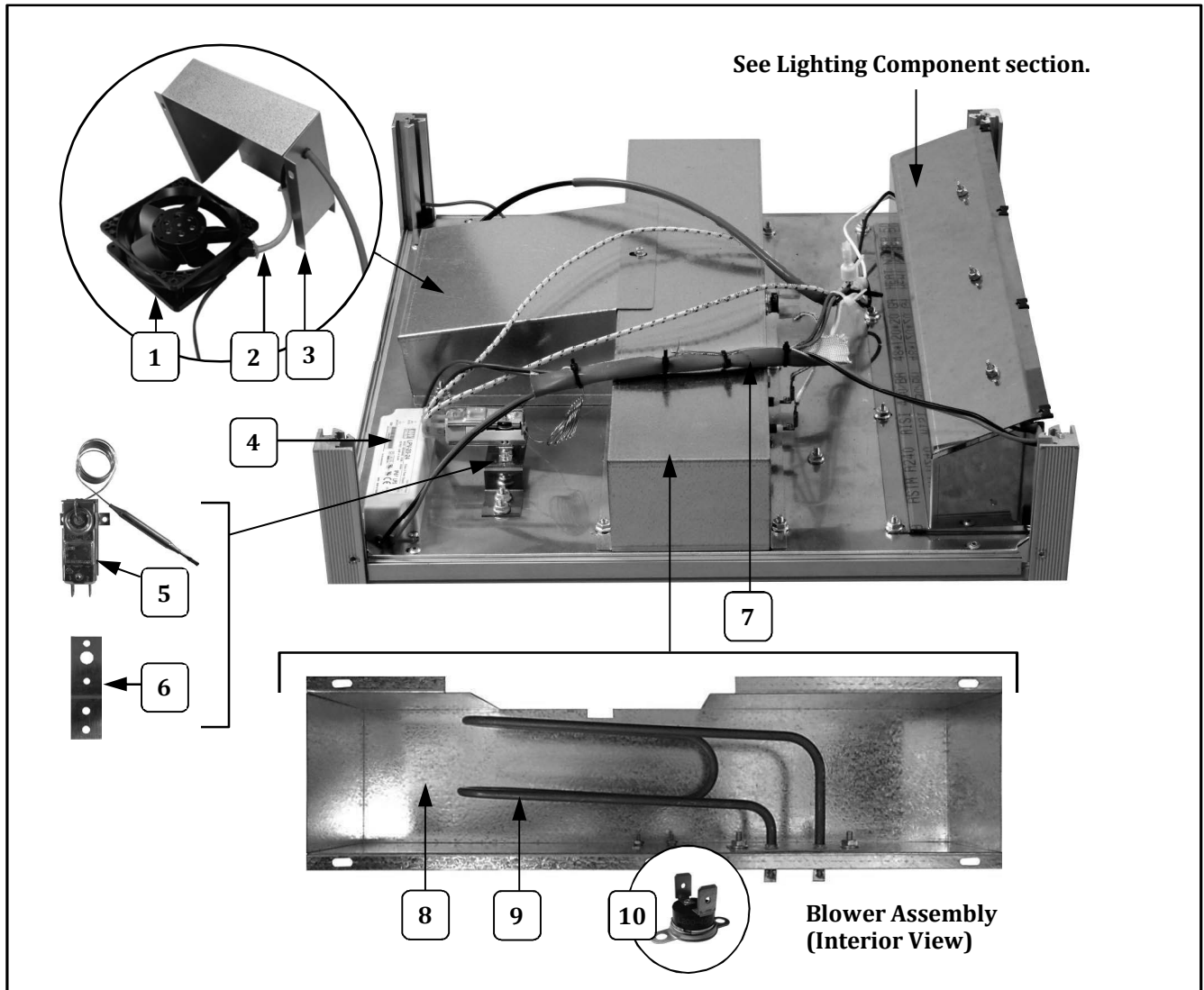
## Motor Plate Components



Item	Part Description	Part Number		
		5581-00-100	5581-01-100	5581-00-101
1	AXIAL FAN	40721		40721
	230 VOLT AXIAL FAN		40721EX	
2	EXHAUST BLOWER PLUG & CORD	47199	47199	47199
3	BLOWER WRAPPER	74738	74738	74738
4	POWER SUPPLY	55394	55394	55394
5	145°F THERMOSTAT BULB	87996	87996	87996
6	THERMOSTAT BRACKET	74667	74667	74667
7	SILICONE SLEEVING 6 IN LG	87315-6	87315-6	87315-6
8	BLOWER BOX	74736	74736	74736
	HEAT ELEMENT 475W 120V	74720		74720
9	HEAT ELEMENT 475W 230V		74720EX	
	THERMOSTAT, 260F	74748	74748	74748



## Motor Plate Components

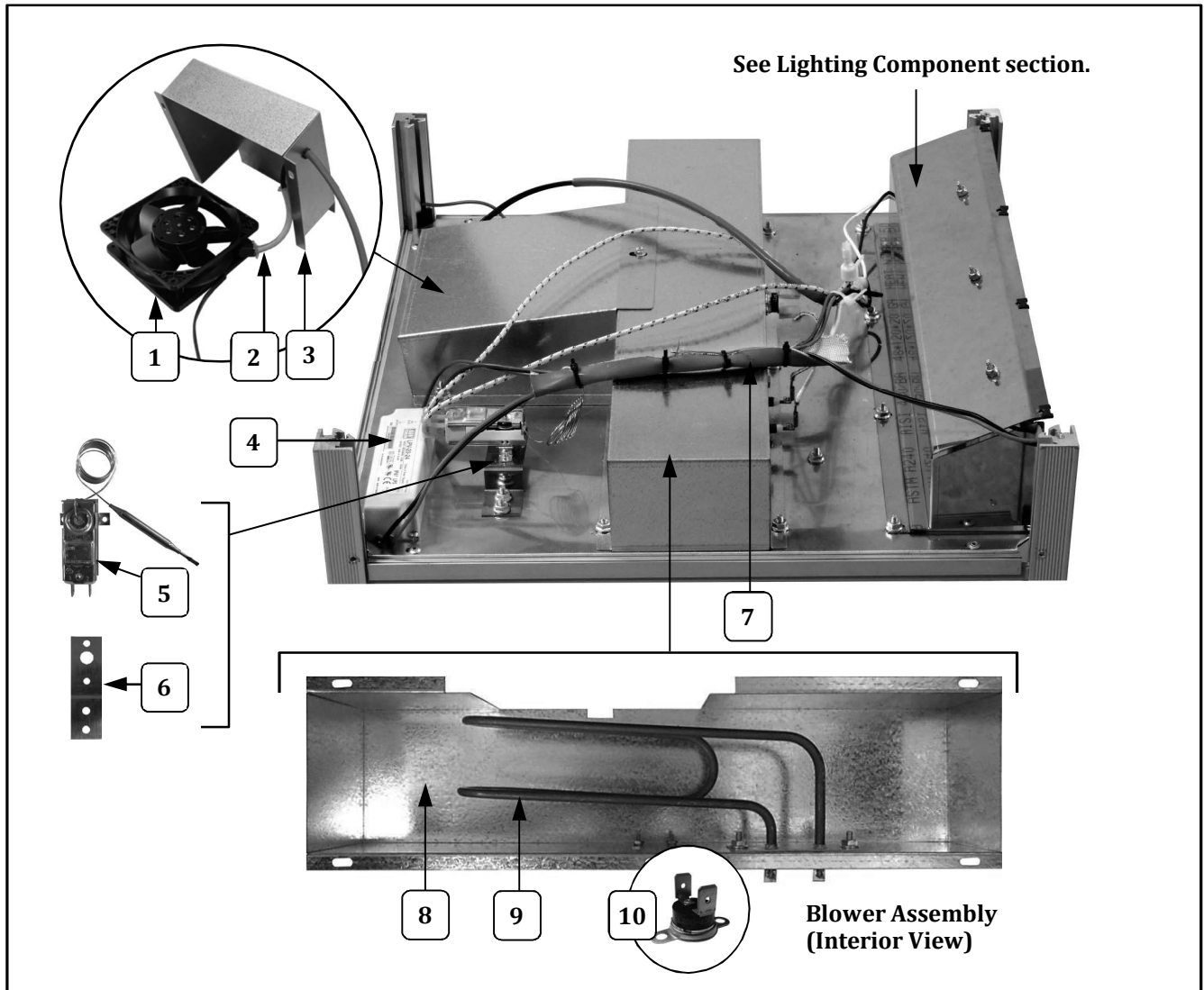


Item	Part Description	Part Number		
		5581-00-100	5581-01-100	5581-00-101
1	AXIAL FAN	40721		40721
	230 VOLT AXIAL FAN		40721EX	
2	EXHAUST BLOWER PLUG & CORD	47199	47199	47199
3	BLOWER WRAPPER	74738	74738	74738
4	POWER SUPPLY	55394	55394	55394
5	145°F THERMOSTAT BULB	87996	87996	87996
6	THERMOSTAT BRACKET	74667	74667	74667
7	SILICONE SLEEVING 6 IN LG	87315-6	87315-6	87315-6
8	BLOWER BOX	74736	74736	74736
	HEAT ELEMENT 475W 120V	74720		74720
9	HEAT ELEMENT 475W 230V		74720EX	
	THERMOSTAT, 260F	74748	74748	74748





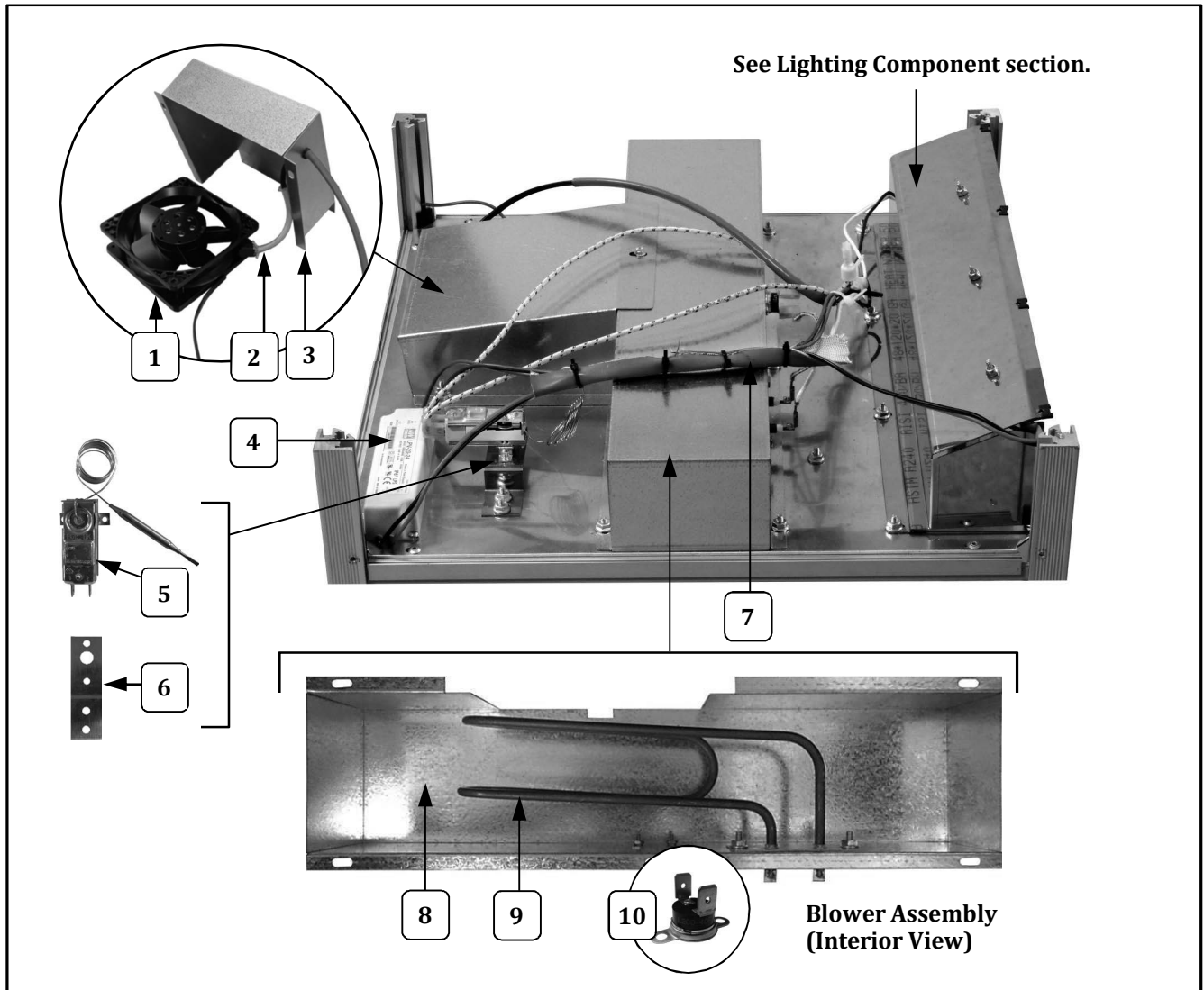
## Motor Plate Components



Item	Part Description	Part Number		
		5581-00-100	5581-01-100	5581-00-101
1	AXIAL FAN	40721		40721
	230 VOLT AXIAL FAN		40721EX	
2	EXHAUST BLOWER PLUG & CORD	47199	47199	47199
3	BLOWER WRAPPER	74738	74738	74738
4	POWER SUPPLY	55394	55394	55394
5	145°F THERMOSTAT BULB	87996	87996	87996
6	THERMOSTAT BRACKET	74667	74667	74667
7	SILICONE SLEEVING 6 IN LG	87315-6	87315-6	87315-6
8	BLOWER BOX	74736	74736	74736
	HEAT ELEMENT 475W 120V	74720		74720
9	HEAT ELEMENT 475W 230V		74720EX	
	THERMOSTAT, 260F	74748	74748	74748



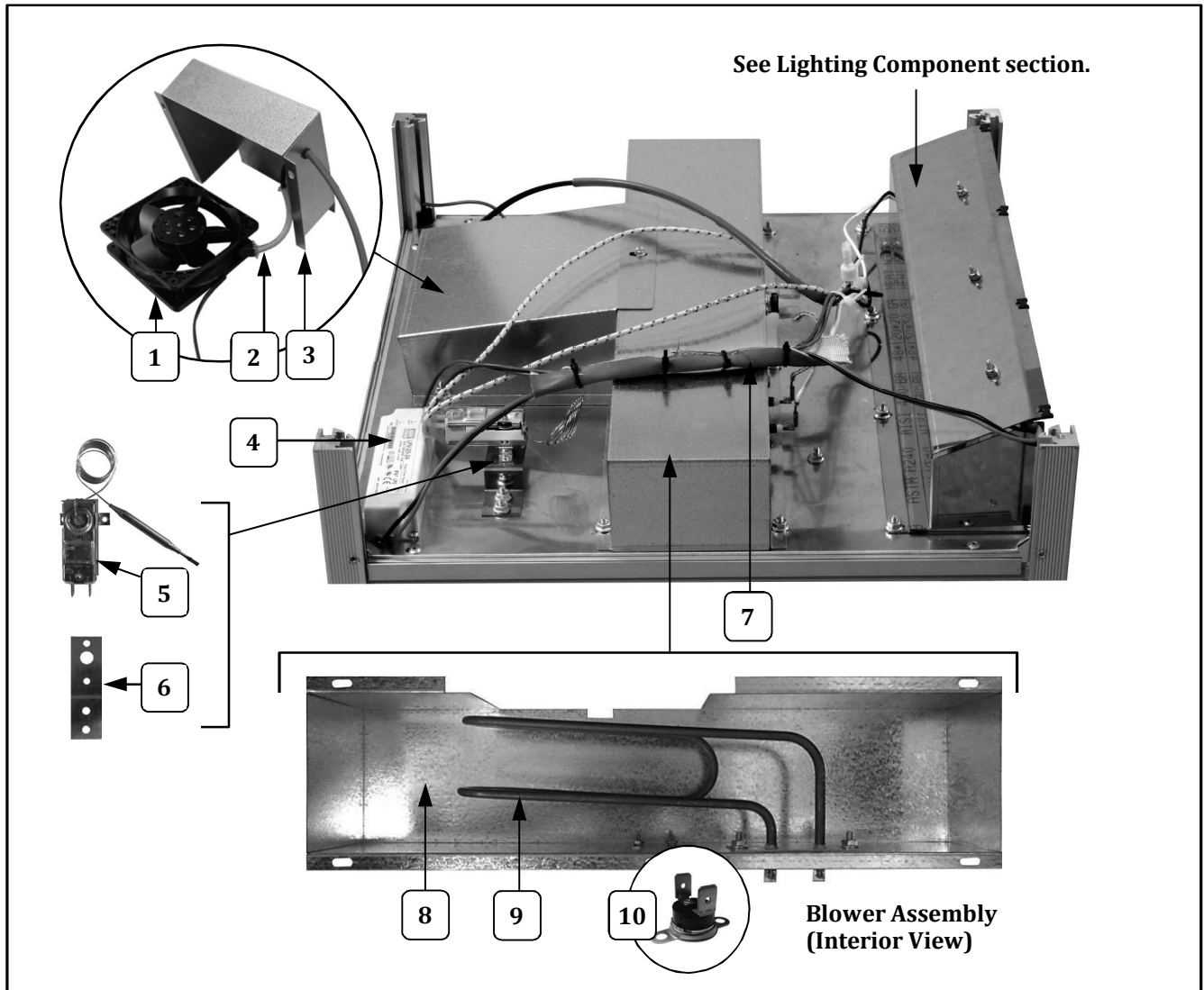
## Motor Plate Components



Item	Part Description	Part Number		
		5581-00-100	5581-01-100	5581-00-101
1	AXIAL FAN	40721		40721
	230 VOLT AXIAL FAN		40721EX	
2	EXHAUST BLOWER PLUG & CORD	47199	47199	47199
3	BLOWER WRAPPER	74738	74738	74738
4	POWER SUPPLY	55394	55394	55394
5	145°F THERMOSTAT BULB	87996	87996	87996
6	THERMOSTAT BRACKET	74667	74667	74667
7	SILICONE SLEEVING 6 IN LG	87315-6	87315-6	87315-6
8	BLOWER BOX	74736	74736	74736
	HEAT ELEMENT 475W 120V	74720		74720
9	HEAT ELEMENT 475W 230V		74720EX	
	THERMOSTAT, 260F	74748	74748	74748



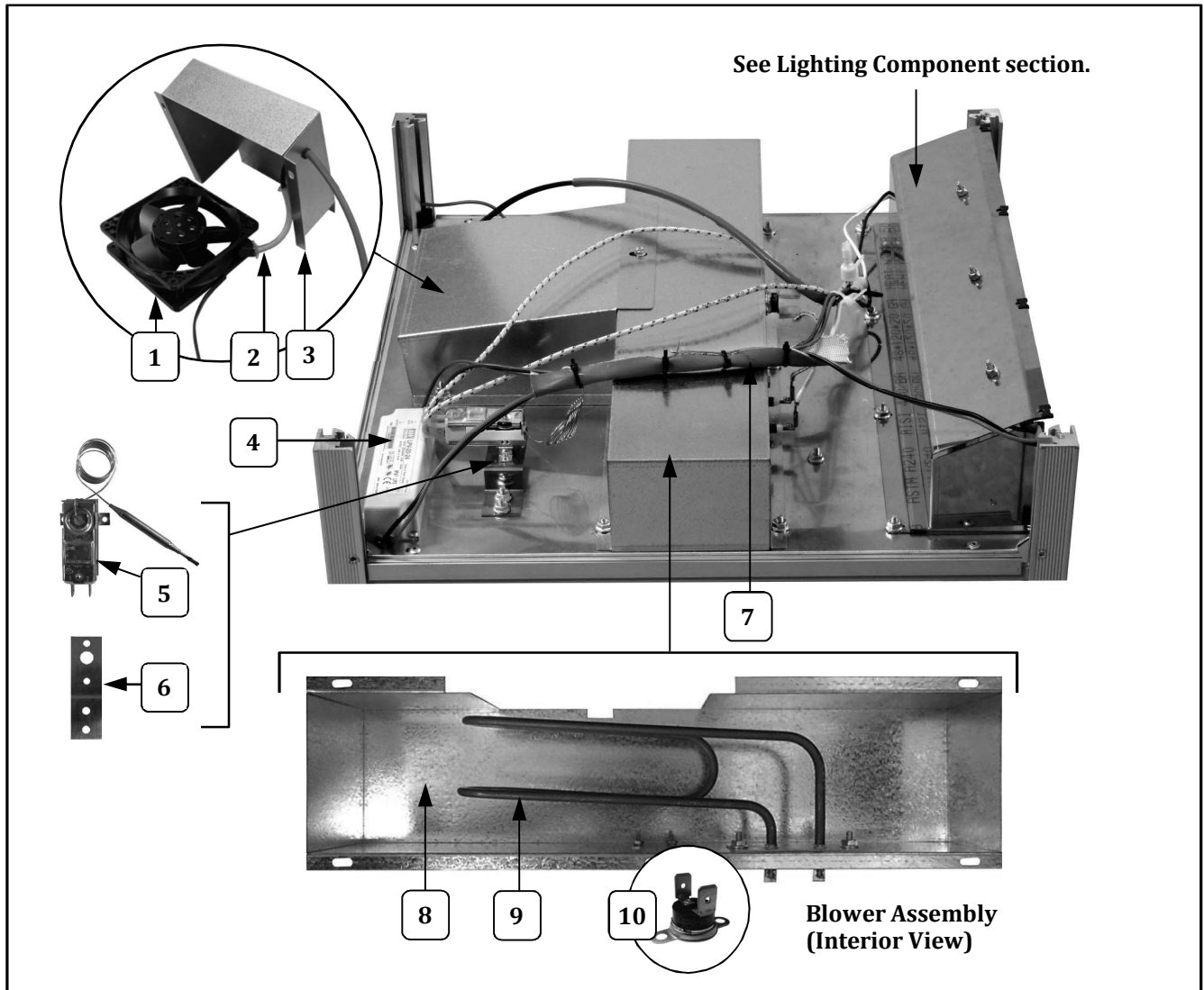
## Motor Plate Components



Item	Part Description	Part Number		
		5581-00-100	5581-01-100	5581-00-101
1	AXIAL FAN	40721		40721
	230 VOLT AXIAL FAN		40721EX	
2	EXHAUST BLOWER PLUG & CORD	47199	47199	47199
3	BLOWER WRAPPER	74738	74738	74738
4	POWER SUPPLY	55394	55394	55394
5	145°F THERMOSTAT BULB	87996	87996	87996
6	THERMOSTAT BRACKET	74667	74667	74667
7	SILICONE SLEEVING 6 IN LG	87315-6	87315-6	87315-6
8	BLOWER BOX	74736	74736	74736
	HEAT ELEMENT 475W 120V	74720		74720
9	HEAT ELEMENT 475W 230V		74720EX	
	THERMOSTAT, 260F	74748	74748	74748



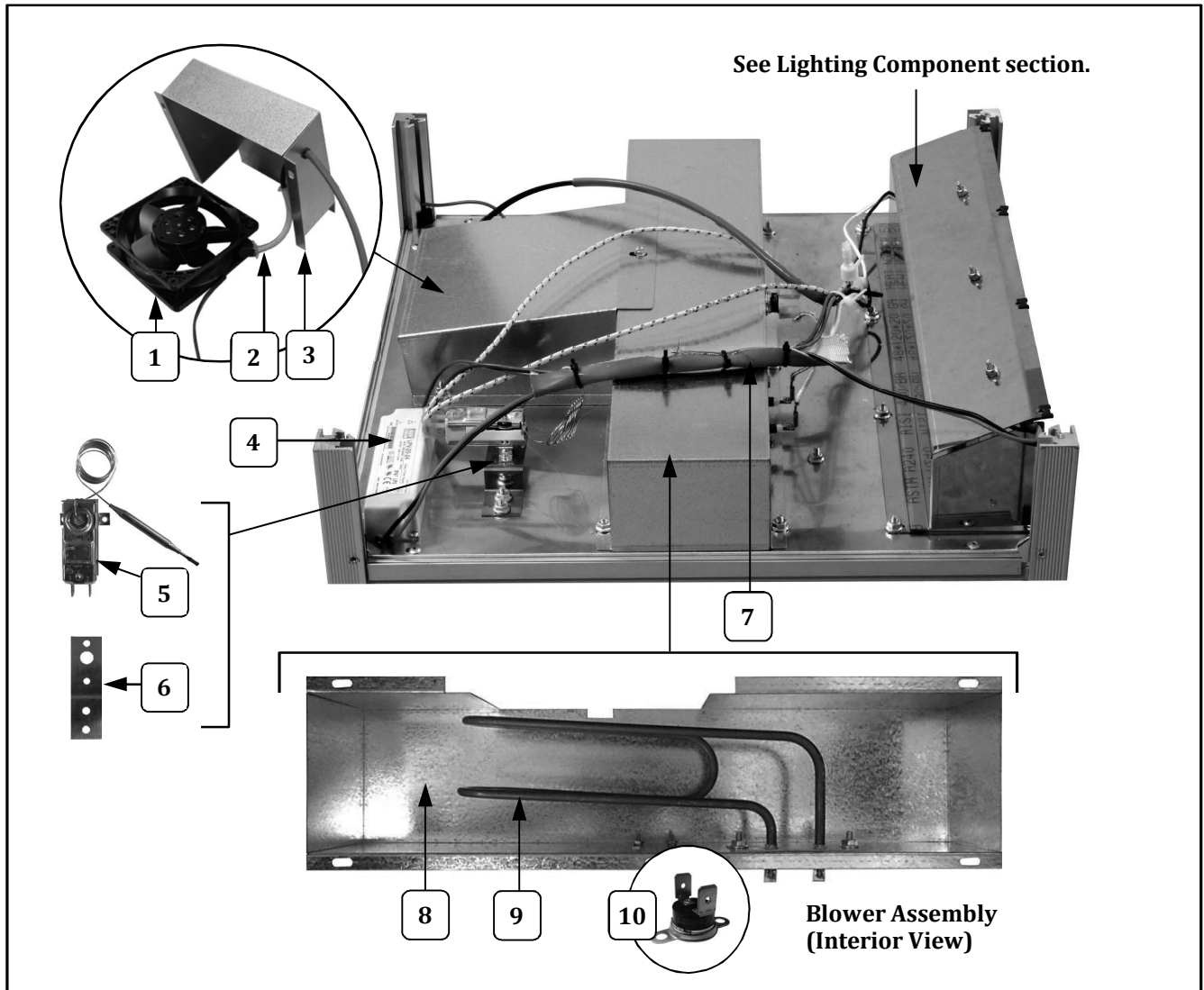
## Motor Plate Components



Item	Part Description	Part Number		
		5581-00-100	5581-01-100	5581-00-101
1	AXIAL FAN	40721		40721
	230 VOLT AXIAL FAN		40721EX	
2	EXHAUST BLOWER PLUG & CORD	47199	47199	47199
3	BLOWER WRAPPER	74738	74738	74738
4	POWER SUPPLY	55394	55394	55394
5	145°F THERMOSTAT BULB	87996	87996	87996
6	THERMOSTAT BRACKET	74667	74667	74667
7	SILICONE SLEEVING 6 IN LG	87315-6	87315-6	87315-6
8	BLOWER BOX	74736	74736	74736
	HEAT ELEMENT 475W 120V	74720		74720
9	HEAT ELEMENT 475W 230V		74720EX	
	THERMOSTAT, 260F	74748	74748	74748



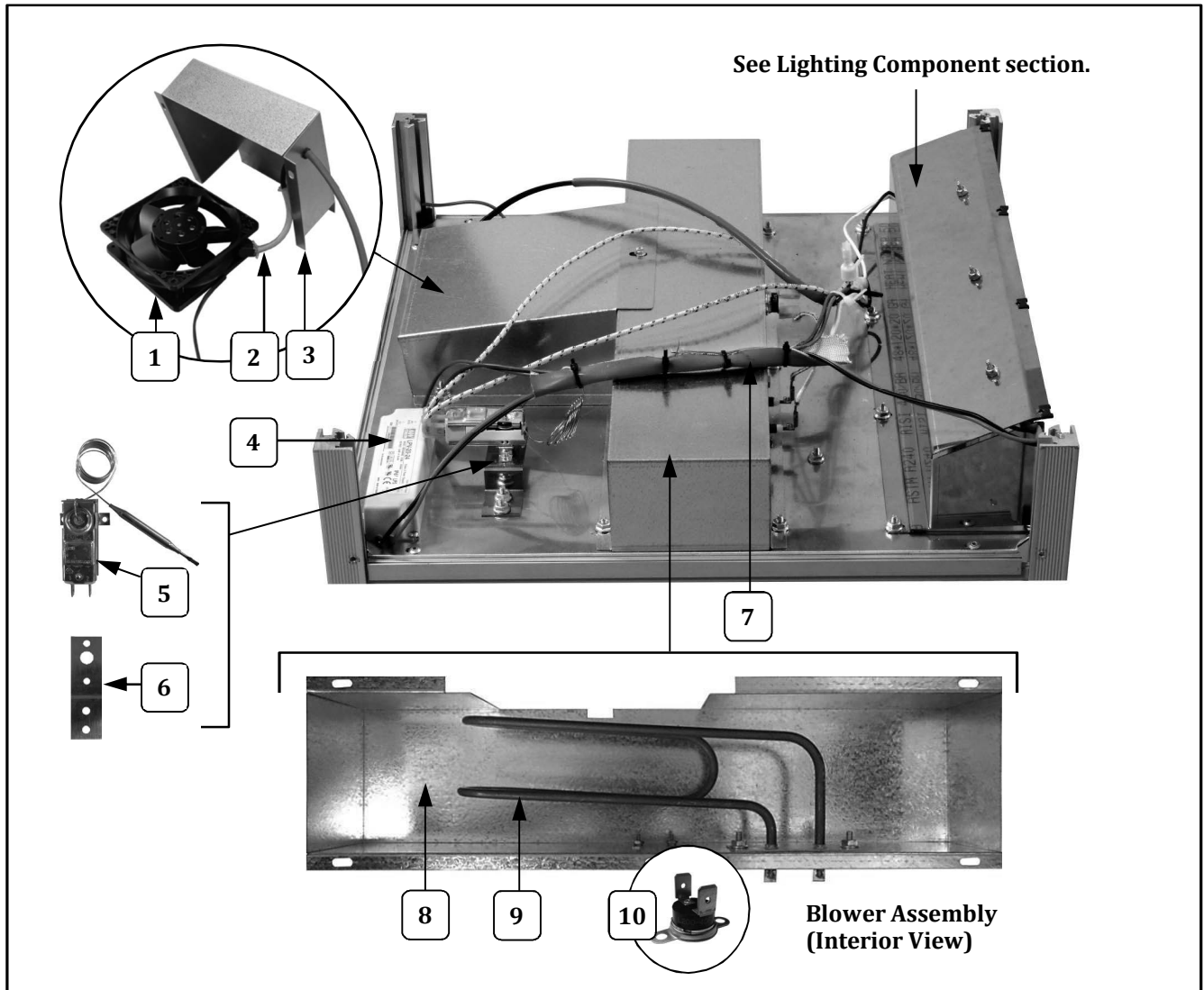
## Motor Plate Components



Item	Part Description	Part Number		
		5581-00-100	5581-01-100	5581-00-101
1	AXIAL FAN	40721		40721
	230 VOLT AXIAL FAN		40721EX	
2	EXHAUST BLOWER PLUG & CORD	47199	47199	47199
3	BLOWER WRAPPER	74738	74738	74738
4	POWER SUPPLY	55394	55394	55394
5	145°F THERMOSTAT BULB	87996	87996	87996
6	THERMOSTAT BRACKET	74667	74667	74667
7	SILICONE SLEEVING 6 IN LG	87315-6	87315-6	87315-6
8	BLOWER BOX	74736	74736	74736
	HEAT ELEMENT 475W 120V	74720		74720
9	HEAT ELEMENT 475W 230V		74720EX	
	THERMOSTAT, 260F	74748	74748	74748



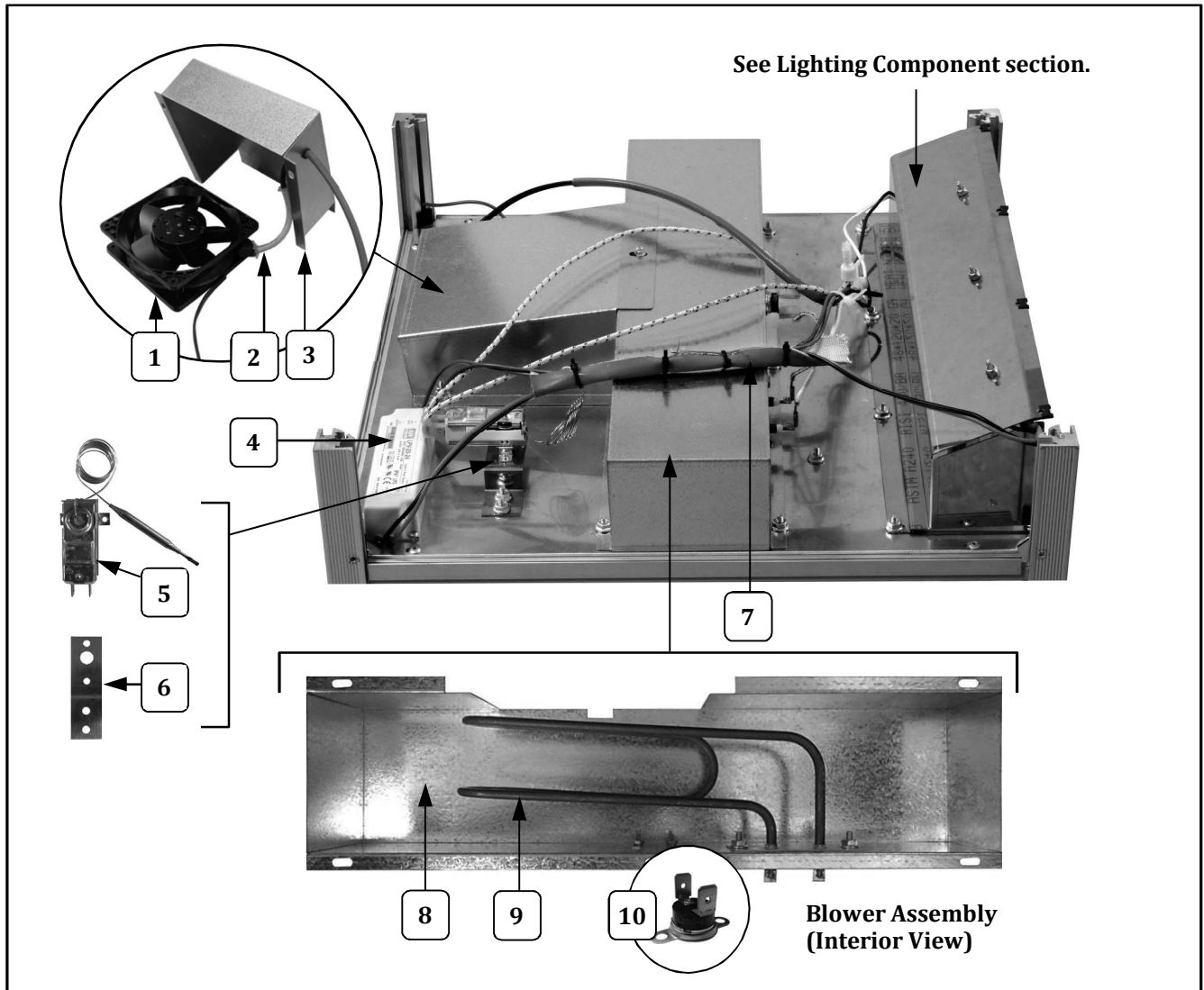
## Motor Plate Components



Item	Part Description	Part Number		
		5581-00-100	5581-01-100	5581-00-101
1	AXIAL FAN	40721		40721
	230 VOLT AXIAL FAN		40721EX	
2	EXHAUST BLOWER PLUG & CORD	47199	47199	47199
3	BLOWER WRAPPER	74738	74738	74738
4	POWER SUPPLY	55394	55394	55394
5	145°F THERMOSTAT BULB	87996	87996	87996
6	THERMOSTAT BRACKET	74667	74667	74667
7	SILICONE SLEEVING 6 IN LG	87315-6	87315-6	87315-6
8	BLOWER BOX	74736	74736	74736
	HEAT ELEMENT 475W 120V	74720		74720
9	HEAT ELEMENT 475W 230V		74720EX	
	THERMOSTAT, 260F	74748	74748	74748



## Motor Plate Components



Item	Part Description	Part Number		
		5581-00-100	5581-01-100	5581-00-101
1	AXIAL FAN	40721		40721
	230 VOLT AXIAL FAN		40721EX	
2	EXHAUST BLOWER PLUG & CORD	47199	47199	47199
3	BLOWER WRAPPER	74738	74738	74738
4	POWER SUPPLY	55394	55394	55394
5	145°F THERMOSTAT BULB	87996	87996	87996
6	THERMOSTAT BRACKET	74667	74667	74667
7	SILICONE SLEEVING 6 IN LG	87315-6	87315-6	87315-6
8	BLOWER BOX	74736	74736	74736
	HEAT ELEMENT 475W 120V	74720		74720
9	HEAT ELEMENT 475W 230V		74720EX	
	THERMOSTAT, 260F	74748	74748	74748



## Lighting Component Breakdown



Item	Part Description	Part Number		
		5581-00-100	5581-01-100	5581-00-101
1	NACHO SIGN	103080	103080	103080
2	LED STRIP COOL WHITE	55379	55379	55379
3	6-32 X 1/2 PHIL PAN M/S	42237	42237	42237
4	6-32 GRIP NUT ZINC PLATED	47517	47517	47517
5	#8-32 TINNEMAN FASTENER	47299	47299	47299
6	LIGHT DEFLECTOR	103079	103079	103079





## Lighting Component Breakdown



Item	Part Description	Part Number		
		5581-00-100	5581-01-100	5581-00-101
1	NACHO SIGN	103080	103080	103080
2	LED STRIP COOL WHITE	55379	55379	55379
3	6-32 X 1/2 PHIL PAN M/S	42237	42237	42237
4	6-32 GRIP NUT ZINC PLATED	47517	47517	47517
5	#8-32 TINNEMAN FASTENER	47299	47299	47299
6	LIGHT DEFLECTOR	103079	103079	103079



## Lighting Component Breakdown



Item	Part Description	Part Number		
		5581-00-100	5581-01-100	5581-00-101
1	NACHO SIGN	103080	103080	103080
2	LED STRIP COOL WHITE	55379	55379	55379
3	6-32 X 1/2 PHIL PAN M/S	42237	42237	42237
4	6-32 GRIP NUT ZINC PLATED	47517	47517	47517
5	#8-32 TINNEMAN FASTENER	47299	47299	47299
6	LIGHT DEFLECTOR	103079	103079	103079



## Lighting Component Breakdown



Item	Part Description	Part Number		
		5581-00-100	5581-01-100	5581-00-101
1	NACHO SIGN	103080	103080	103080
2	LED STRIP COOL WHITE	55379	55379	55379
3	6-32 X 1/2 PHIL PAN M/S	42237	42237	42237
4	6-32 GRIP NUT ZINC PLATED	47517	47517	47517
5	#8-32 TINNEMAN FASTENER	47299	47299	47299
6	LIGHT DEFLECTOR	103079	103079	103079



## Lighting Component Breakdown



Item	Part Description	Part Number		
		5581-00-100	5581-01-100	5581-00-101
1	NACHO SIGN	103080	103080	103080
2	LED STRIP COOL WHITE	55379	55379	55379
3	6-32 X 1/2 PHIL PAN M/S	42237	42237	42237
4	6-32 GRIP NUT ZINC PLATED	47517	47517	47517
5	#8-32 TINNEMAN FASTENER	47299	47299	47299
6	LIGHT DEFLECTOR	103079	103079	103079



## Lighting Component Breakdown



Item	Part Description	Part Number		
		5581-00-100	5581-01-100	5581-00-101
1	NACHO SIGN	103080	103080	103080
2	LED STRIP COOL WHITE	55379	55379	55379
3	6-32 X 1/2 PHIL PAN M/S	42237	42237	42237
4	6-32 GRIP NUT ZINC PLATED	47517	47517	47517
5	#8-32 TINNEMAN FASTENER	47299	47299	47299
6	LIGHT DEFLECTOR	103079	103079	103079



## Lighting Component Breakdown



Item	Part Description	Part Number		
		5581-00-100	5581-01-100	5581-00-101
1	NACHO SIGN	103080	103080	103080
2	LED STRIP COOL WHITE	55379	55379	55379
3	6-32 X 1/2 PHIL PAN M/S	42237	42237	42237
4	6-32 GRIP NUT ZINC PLATED	47517	47517	47517
5	#8-32 TINNEMAN FASTENER	47299	47299	47299
6	LIGHT DEFLECTOR	103079	103079	103079



## Lighting Component Breakdown



Item	Part Description	Part Number		
		5581-00-100	5581-01-100	5581-00-101
1	NACHO SIGN	103080	103080	103080
2	LED STRIP COOL WHITE	55379	55379	55379
3	6-32 X 1/2 PHIL PAN M/S	42237	42237	42237
4	6-32 GRIP NUT ZINC PLATED	47517	47517	47517
5	#8-32 TINNEMAN FASTENER	47299	47299	47299
6	LIGHT DEFLECTOR	103079	103079	103079



## Lighting Component Breakdown



Item	Part Description	Part Number		
		5581-00-100	5581-01-100	5581-00-101
1	NACHO SIGN	103080	103080	103080
2	LED STRIP COOL WHITE	55379	55379	55379
3	6-32 X 1/2 PHIL PAN M/S	42237	42237	42237
4	6-32 GRIP NUT ZINC PLATED	47517	47517	47517
5	#8-32 TINNEMAN FASTENER	47299	47299	47299
6	LIGHT DEFLECTOR	103079	103079	103079





## Lighting Component Breakdown



Item	Part Description	Part Number		
		5581-00-100	5581-01-100	5581-00-101
1	NACHO SIGN	103080	103080	103080
2	LED STRIP COOL WHITE	55379	55379	55379
3	6-32 X 1/2 PHIL PAN M/S	42237	42237	42237
4	6-32 GRIP NUT ZINC PLATED	47517	47517	47517
5	#8-32 TINNEMAN FASTENER	47299	47299	47299
6	LIGHT DEFLECTOR	103079	103079	103079



## Lighting Component Breakdown



Item	Part Description	Part Number		
		5581-00-100	5581-01-100	5581-00-101
1	NACHO SIGN	103080	103080	103080
2	LED STRIP COOL WHITE	55379	55379	55379
3	6-32 X 1/2 PHIL PAN M/S	42237	42237	42237
4	6-32 GRIP NUT ZINC PLATED	47517	47517	47517
5	#8-32 TINNEMAN FASTENER	47299	47299	47299
6	LIGHT DEFLECTOR	103079	103079	103079



## Lighting Component Breakdown



Item	Part Description	Part Number		
		5581-00-100	5581-01-100	5581-00-101
1	NACHO SIGN	103080	103080	103080
2	LED STRIP COOL WHITE	55379	55379	55379
3	6-32 X 1/2 PHIL PAN M/S	42237	42237	42237
4	6-32 GRIP NUT ZINC PLATED	47517	47517	47517
5	#8-32 TINNEMAN FASTENER	47299	47299	47299
6	LIGHT DEFLECTOR	103079	103079	103079



## Lighting Component Breakdown



Item	Part Description	Part Number		
		5581-00-100	5581-01-100	5581-00-101
1	NACHO SIGN	103080	103080	103080
2	LED STRIP COOL WHITE	55379	55379	55379
3	6-32 X 1/2 PHIL PAN M/S	42237	42237	42237
4	6-32 GRIP NUT ZINC PLATED	47517	47517	47517
5	#8-32 TINNEMAN FASTENER	47299	47299	47299
6	LIGHT DEFLECTOR	103079	103079	103079



## Lighting Component Breakdown



Item	Part Description	Part Number		
		5581-00-100	5581-01-100	5581-00-101
1	NACHO SIGN	103080	103080	103080
2	LED STRIP COOL WHITE	55379	55379	55379
3	6-32 X 1/2 PHIL PAN M/S	42237	42237	42237
4	6-32 GRIP NUT ZINC PLATED	47517	47517	47517
5	#8-32 TINNEMAN FASTENER	47299	47299	47299
6	LIGHT DEFLECTOR	103079	103079	103079



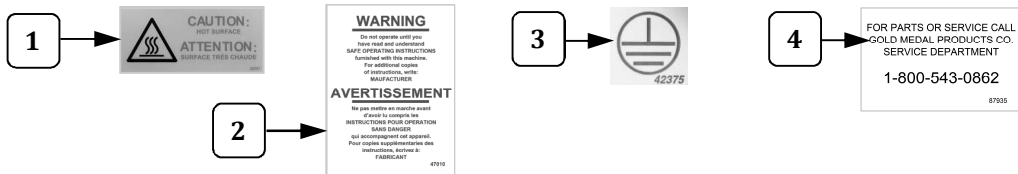
## Lighting Component Breakdown



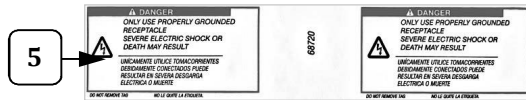
Item	Part Description	Part Number		
		5581-00-100	5581-01-100	5581-00-101
1	NACHO SIGN	103080	103080	103080
2	LED STRIP COOL WHITE	55379	55379	55379
3	6-32 X 1/2 PHIL PAN M/S	42237	42237	42237
4	6-32 GRIP NUT ZINC PLATED	47517	47517	47517
5	#8-32 TINNEMAN FASTENER	47299	47299	47299
6	LIGHT DEFLECTOR	103079	103079	103079



## Safety Labels



## Unit Labels

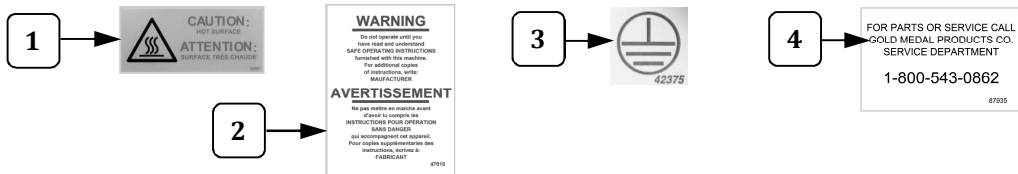


## Power Cord Label

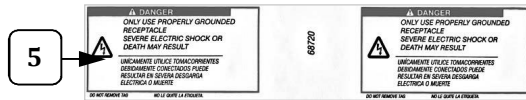
Item	Part Description	Part Number
1	LABEL, CAUTION HOT	38201
2	LABEL SAFE OPERATING INST	47010
3	MAIN GROUND LABEL	72375
4	SERVICE LABEL	87935
5	WARNING LABEL CORD	68720



## Safety Labels



## Unit Labels



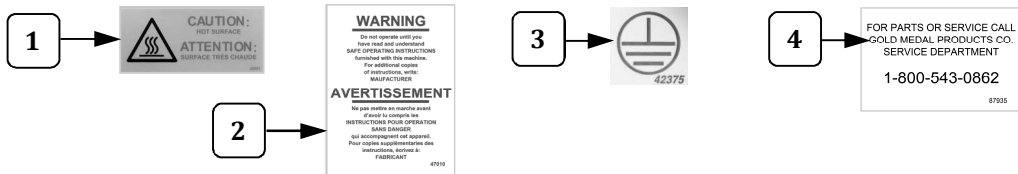
## Power Cord Label

Item	Part Description	Part Number
1	LABEL, CAUTION HOT	38201
2	LABEL SAFE OPERATING INST	47010
3	MAIN GROUND LABEL	72375
4	SERVICE LABEL	87935
5	WARNING LABEL CORD	68720

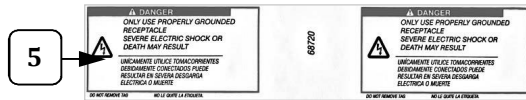




## Safety Labels



## Unit Labels

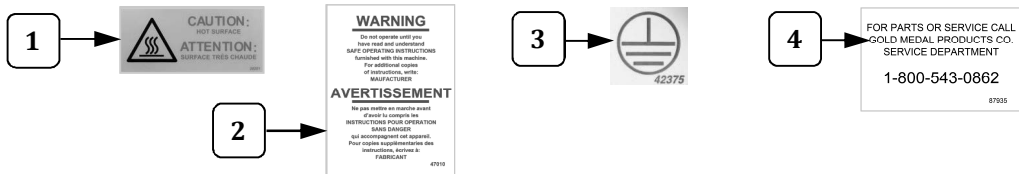


## Power Cord Label

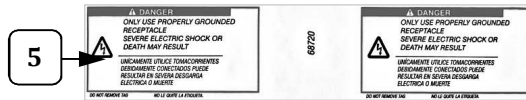
Item	Part Description	Part Number
1	LABEL, CAUTION HOT	38201
2	LABEL SAFE OPERATING INST	47010
3	MAIN GROUND LABEL	72375
4	SERVICE LABEL	87935
5	WARNING LABEL CORD	68720



# Safety Labels



## Unit Labels



## Power Cord Label

Item	Part Description	Part Number
1	LABEL, CAUTION HOT	38201
2	LABEL SAFE OPERATING INST	47010
3	MAIN GROUND LABEL	72375
4	SERVICE LABEL	87935
5	WARNING LABEL CORD	68720