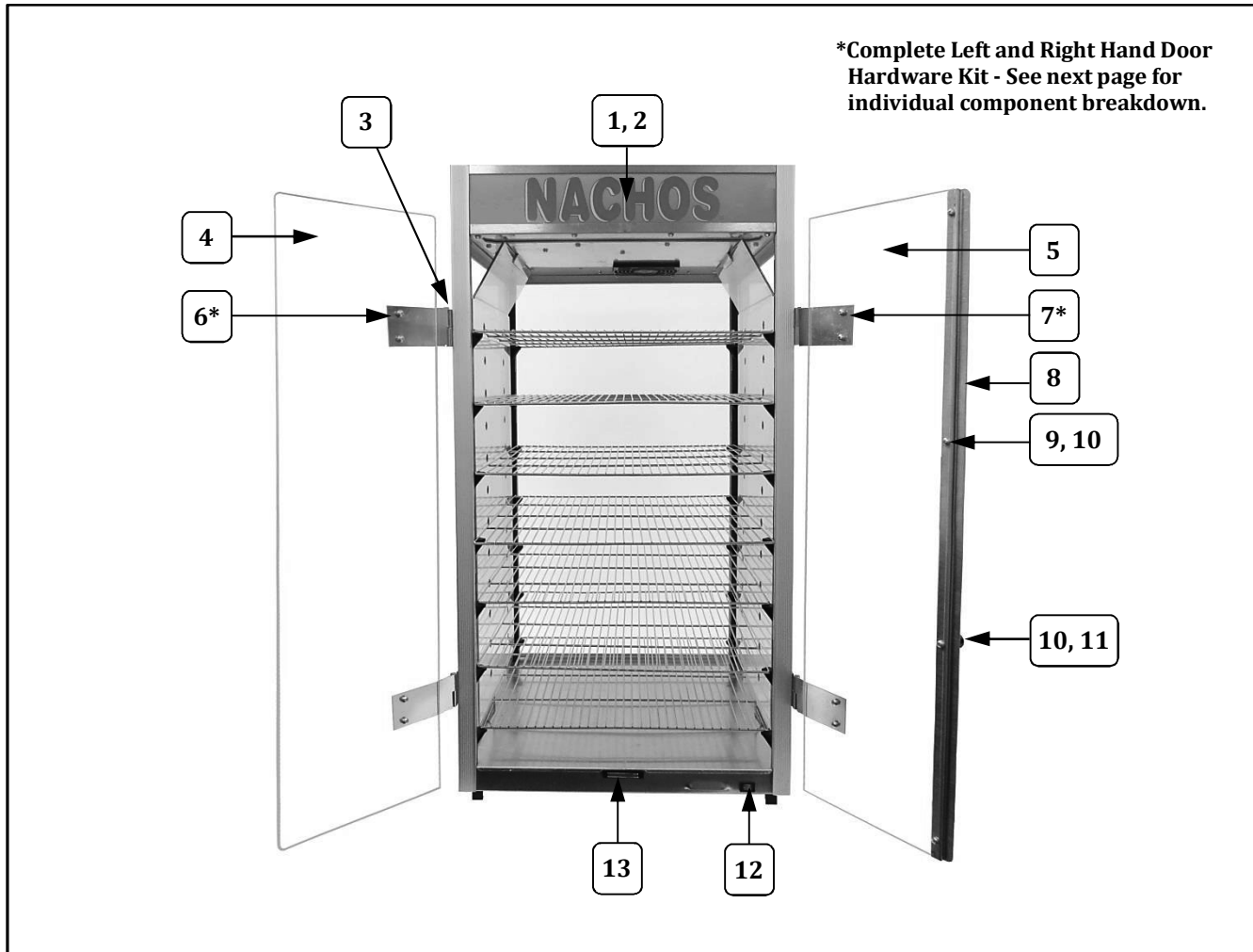




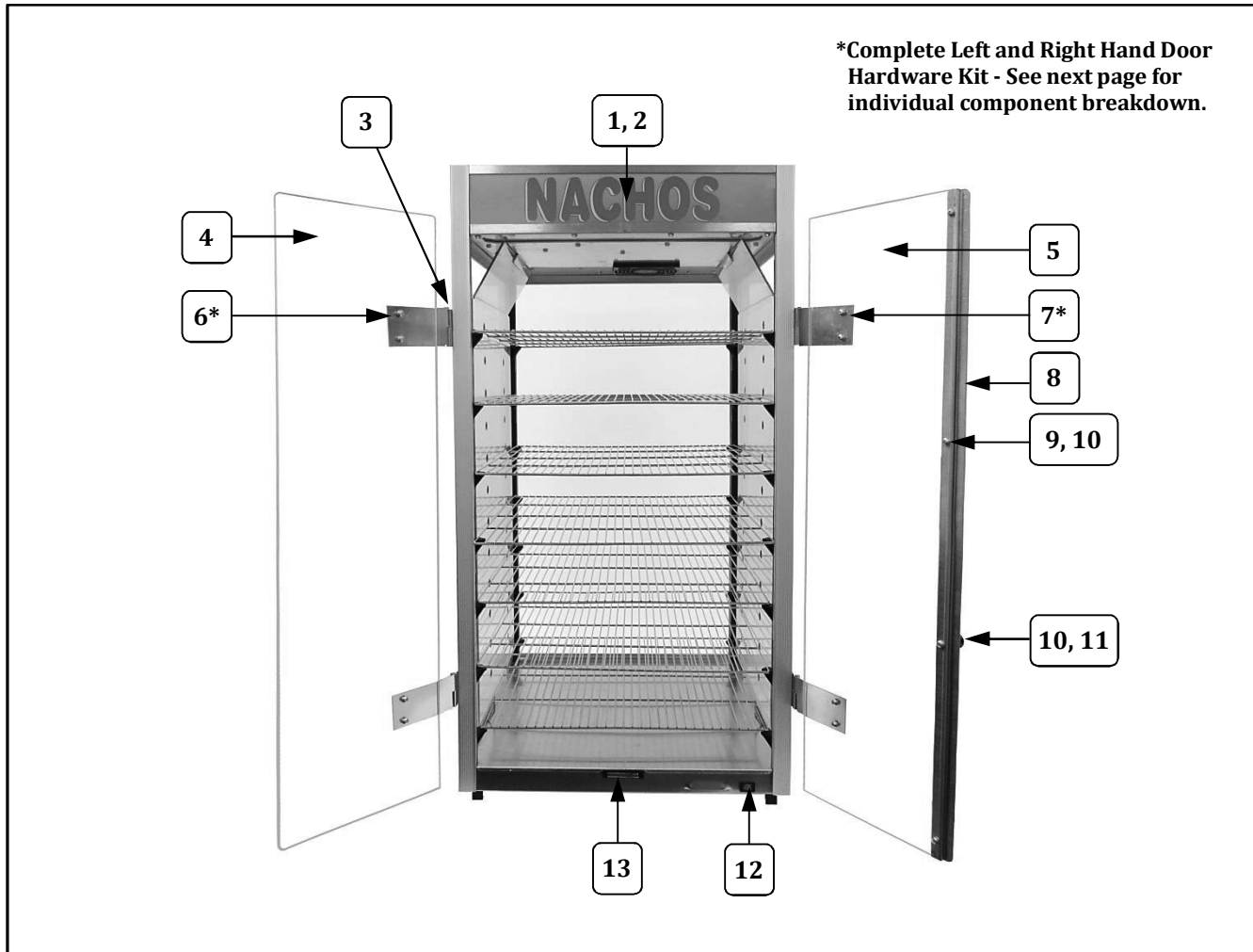
Cabinet Exterior – Front View



| Item | Parts Description | Qty. | Part Number | | | |
|------|--|------|-------------|--------|--------|--------|
| | | | 5588 | 5888 | 5588EX | 5888EX |
| 1 | NACHOS SIGN | 1 | 74179 | | 74179 | |
| | HOT AND FRESH SIGN | 1 | | 74912 | | 74912 |
| 2 | SIGN COVER | 1 | 74181 | 74181 | 74181 | 74181 |
| 3 | 8-32 X 3/8 SLT. HWH M/S (Frame Hinge Screws not included in Door Hardware Kit) | 8 | 42044 | 42044 | 42044 | 42044 |
| 4 | LEFT DOOR | 1 | 74961 | 74961 | 74961 | 74961 |
| 5 | RIGHT DOOR | 1 | 74961R | 74961R | 74961R | 74961R |
| 6* | COMPLETE LH DOOR HARDWARE KIT * | 1 | 47054 | 47054 | 47054 | 47054 |
| 7* | COMPLETE RH DOOR HARDWARE KIT * | 1 | 47055 | 47055 | 47055 | 47055 |
| 8 | DOOR SUPPORT | 1 | 74673 | 74673 | 74673 | 74673 |
| 9 | 8-32 ACORN NUT | 3 | 47702 | 47702 | 47702 | 47702 |
| 10 | 8-32 X 1/2 PH PAN | 4 | 47124 | 47124 | 47124 | 47124 |
| 11 | KNOB LID LIFT | 1 | 47120 | 47120 | 47120 | 47120 |
| 12 | DPST ROCKER SWITCH | 1 | 42532 | 42532 | 42532 | 42532 |
| 12 | MAGNETIC CATCH | 1 | 47561 | 47561 | 47561 | 47561 |



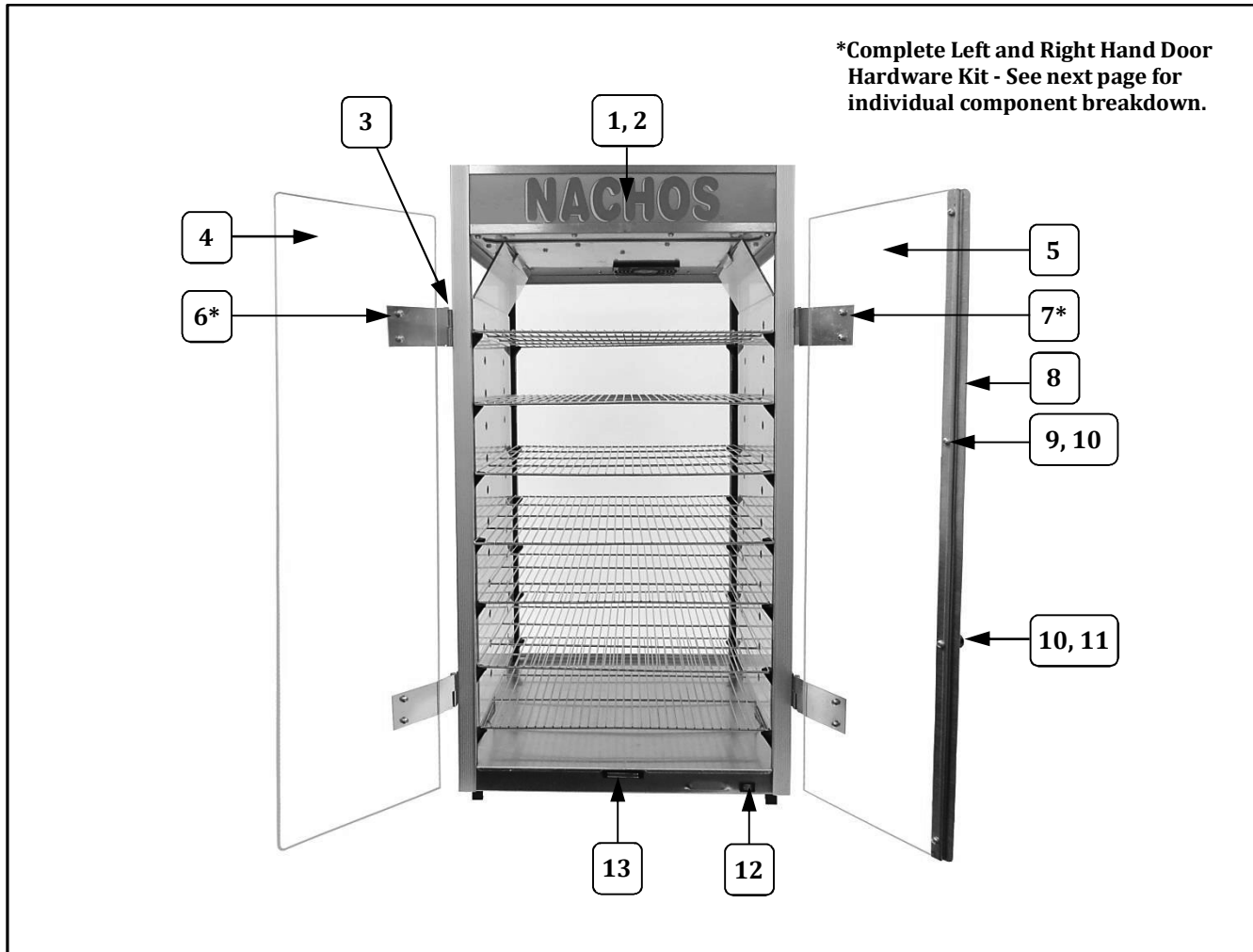
Cabinet Exterior – Front View



| Item | Parts Description | Qty. | Part Number | | | |
|------|--|------|-------------|--------|--------|--------|
| | | | 5588 | 5888 | 5588EX | 5888EX |
| 1 | NACHOS SIGN | 1 | 74179 | | 74179 | |
| | HOT AND FRESH SIGN | 1 | | 74912 | | 74912 |
| 2 | SIGN COVER | 1 | 74181 | 74181 | 74181 | 74181 |
| 3 | 8-32 X 3/8 SLT. HWH M/S (Frame Hinge Screws not included in Door Hardware Kit) | 8 | 42044 | 42044 | 42044 | 42044 |
| 4 | LEFT DOOR | 1 | 74961 | 74961 | 74961 | 74961 |
| 5 | RIGHT DOOR | 1 | 74961R | 74961R | 74961R | 74961R |
| 6* | COMPLETE LH DOOR HARDWARE KIT * | 1 | 47054 | 47054 | 47054 | 47054 |
| 7* | COMPLETE RH DOOR HARDWARE KIT * | 1 | 47055 | 47055 | 47055 | 47055 |
| 8 | DOOR SUPPORT | 1 | 74673 | 74673 | 74673 | 74673 |
| 9 | 8-32 ACORN NUT | 3 | 47702 | 47702 | 47702 | 47702 |
| 10 | 8-32 X 1/2 PH PAN | 4 | 47124 | 47124 | 47124 | 47124 |
| 11 | KNOB LID LIFT | 1 | 47120 | 47120 | 47120 | 47120 |
| 12 | DPST ROCKER SWITCH | 1 | 42532 | 42532 | 42532 | 42532 |
| 12 | MAGNETIC CATCH | 1 | 47561 | 47561 | 47561 | 47561 |



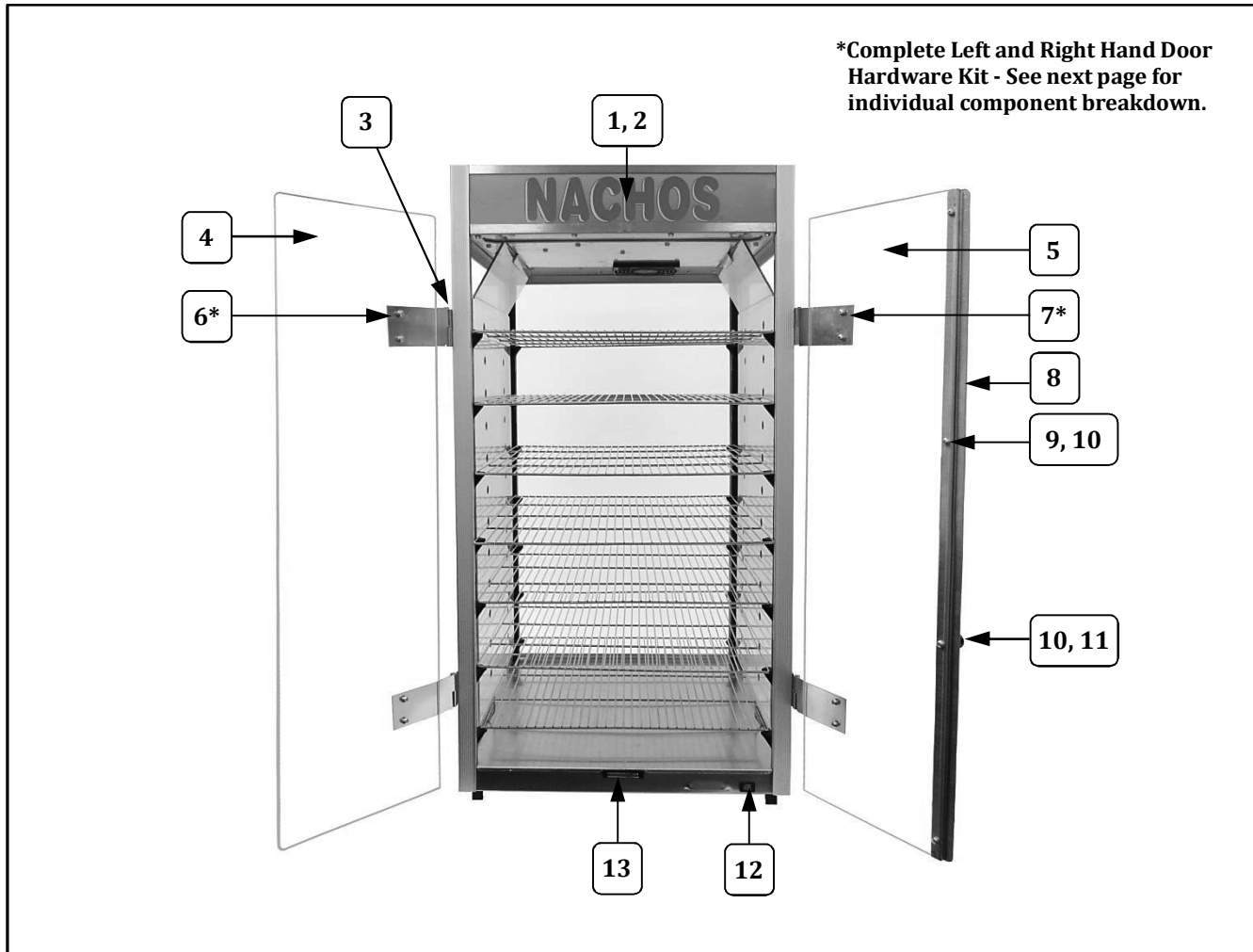
Cabinet Exterior – Front View



| Item | Parts Description | Qty. | Part Number | | | |
|------|--|------|-------------|--------|--------|--------|
| | | | 5588 | 5888 | 5588EX | 5888EX |
| 1 | NACHOS SIGN | 1 | 74179 | | 74179 | |
| | HOT AND FRESH SIGN | 1 | | 74912 | | 74912 |
| 2 | SIGN COVER | 1 | 74181 | 74181 | 74181 | 74181 |
| 3 | 8-32 X 3/8 SLT. HWH M/S (Frame Hinge Screws not included in Door Hardware Kit) | 8 | 42044 | 42044 | 42044 | 42044 |
| 4 | LEFT DOOR | 1 | 74961 | 74961 | 74961 | 74961 |
| 5 | RIGHT DOOR | 1 | 74961R | 74961R | 74961R | 74961R |
| 6* | COMPLETE LH DOOR HARDWARE KIT * | 1 | 47054 | 47054 | 47054 | 47054 |
| 7* | COMPLETE RH DOOR HARDWARE KIT * | 1 | 47055 | 47055 | 47055 | 47055 |
| 8 | DOOR SUPPORT | 1 | 74673 | 74673 | 74673 | 74673 |
| 9 | 8-32 ACORN NUT | 3 | 47702 | 47702 | 47702 | 47702 |
| 10 | 8-32 X 1/2 PH PAN | 4 | 47124 | 47124 | 47124 | 47124 |
| 11 | KNOB LID LIFT | 1 | 47120 | 47120 | 47120 | 47120 |
| 12 | DPST ROCKER SWITCH | 1 | 42532 | 42532 | 42532 | 42532 |
| 12 | MAGNETIC CATCH | 1 | 47561 | 47561 | 47561 | 47561 |



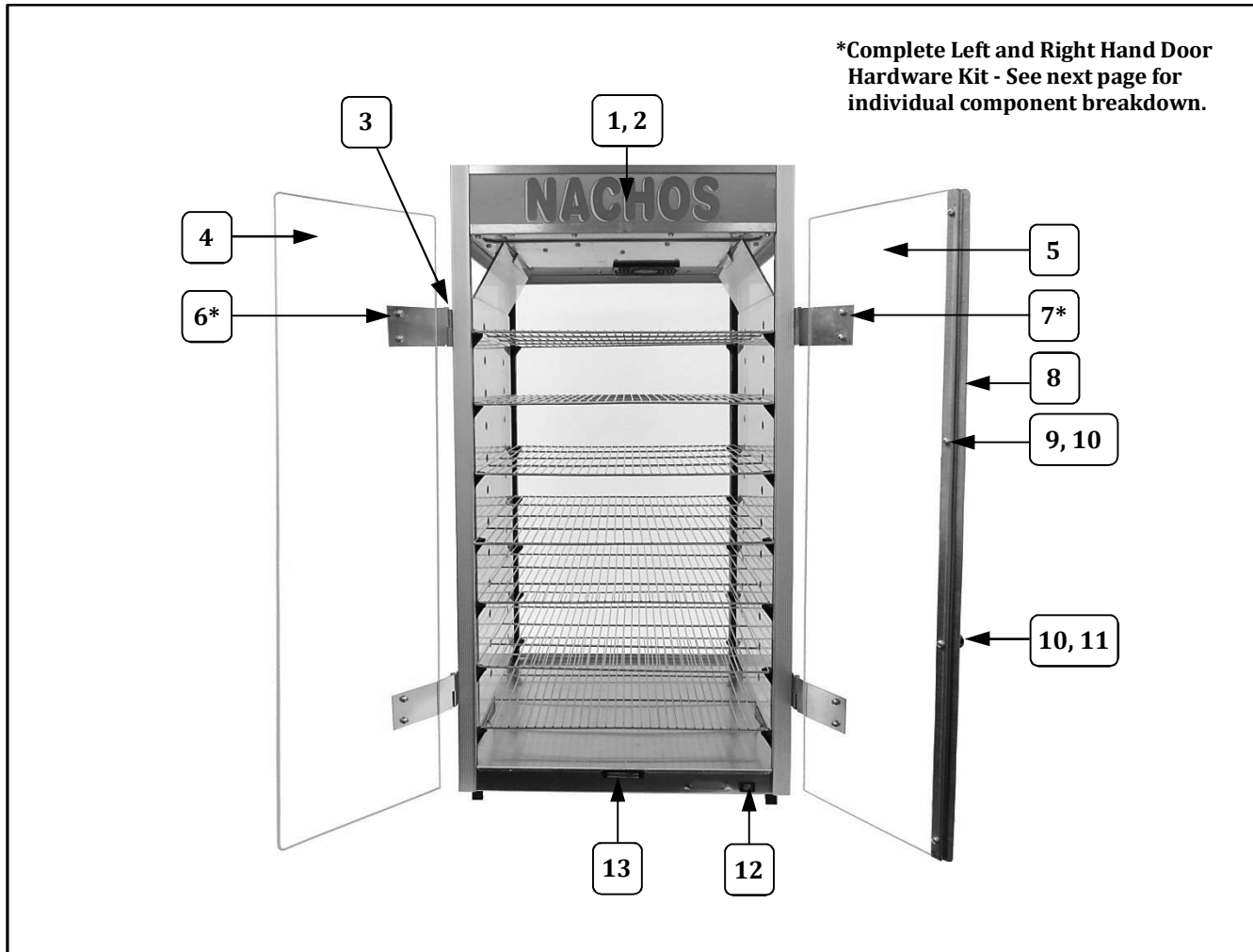
Cabinet Exterior – Front View



| Item | Parts Description | Qty. | Part Number | | | |
|------|--|------|-------------|--------|--------|--------|
| | | | 5588 | 5888 | 5588EX | 5888EX |
| 1 | NACHOS SIGN | 1 | 74179 | | 74179 | |
| | HOT AND FRESH SIGN | 1 | | 74912 | | 74912 |
| 2 | SIGN COVER | 1 | 74181 | 74181 | 74181 | 74181 |
| 3 | 8-32 X 3/8 SLT. HWH M/S (Frame Hinge Screws not included in Door Hardware Kit) | 8 | 42044 | 42044 | 42044 | 42044 |
| 4 | LEFT DOOR | 1 | 74961 | 74961 | 74961 | 74961 |
| 5 | RIGHT DOOR | 1 | 74961R | 74961R | 74961R | 74961R |
| 6* | COMPLETE LH DOOR HARDWARE KIT * | 1 | 47054 | 47054 | 47054 | 47054 |
| 7* | COMPLETE RH DOOR HARDWARE KIT * | 1 | 47055 | 47055 | 47055 | 47055 |
| 8 | DOOR SUPPORT | 1 | 74673 | 74673 | 74673 | 74673 |
| 9 | 8-32 ACORN NUT | 3 | 47702 | 47702 | 47702 | 47702 |
| 10 | 8-32 X 1/2 PH PAN | 4 | 47124 | 47124 | 47124 | 47124 |
| 11 | KNOB LID LIFT | 1 | 47120 | 47120 | 47120 | 47120 |
| 12 | DPST ROCKER SWITCH | 1 | 42532 | 42532 | 42532 | 42532 |
| 12 | MAGNETIC CATCH | 1 | 47561 | 47561 | 47561 | 47561 |



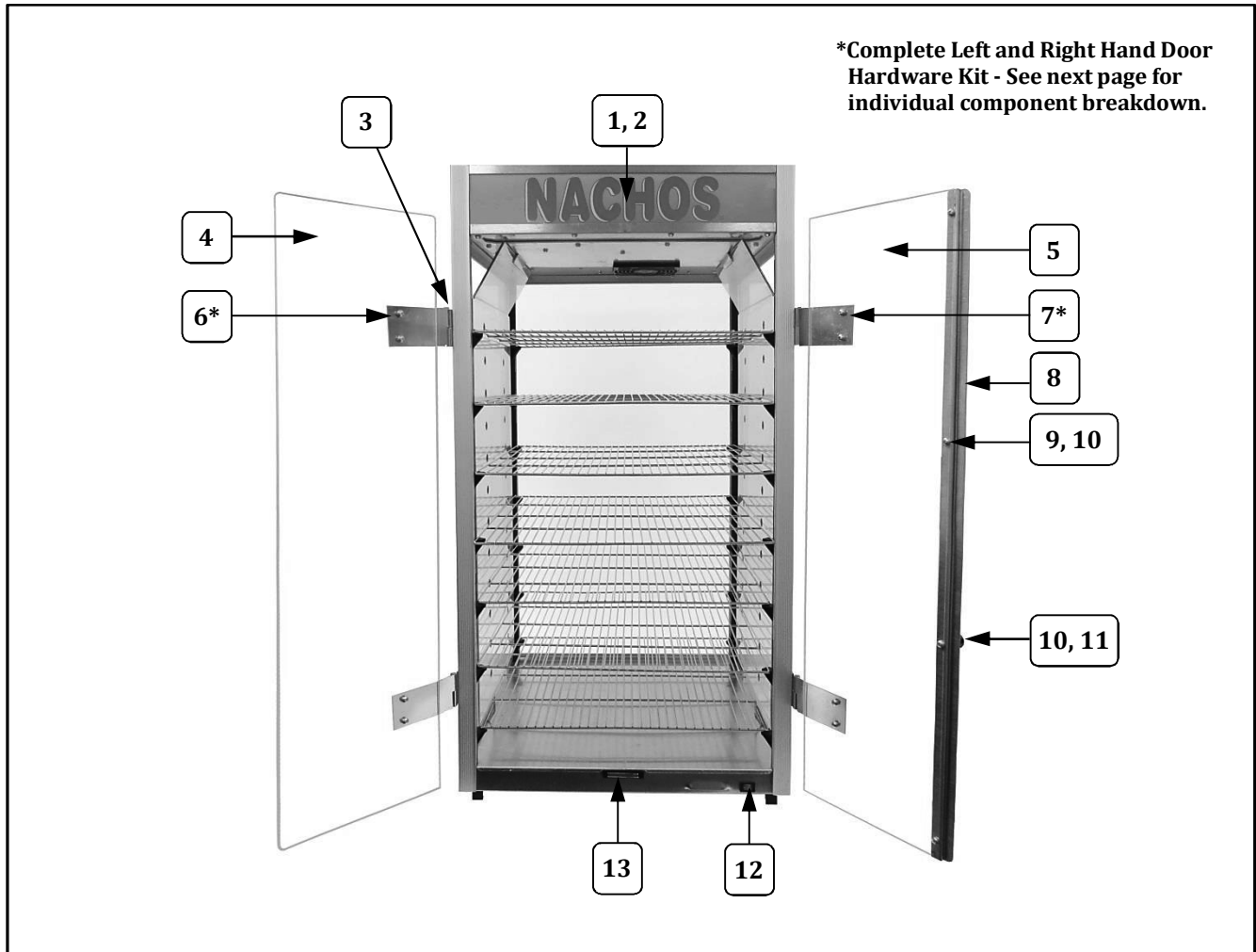
Cabinet Exterior – Front View



| Item | Parts Description | Qty. | Part Number | | | |
|------|--|------|-------------|--------|--------|--------|
| | | | 5588 | 5888 | 5588EX | 5888EX |
| 1 | NACHOS SIGN | 1 | 74179 | | 74179 | |
| | HOT AND FRESH SIGN | 1 | | 74912 | | 74912 |
| 2 | SIGN COVER | 1 | 74181 | 74181 | 74181 | 74181 |
| 3 | 8-32 X 3/8 SLT. HWH M/S (Frame Hinge Screws not included in Door Hardware Kit) | 8 | 42044 | 42044 | 42044 | 42044 |
| 4 | LEFT DOOR | 1 | 74961 | 74961 | 74961 | 74961 |
| 5 | RIGHT DOOR | 1 | 74961R | 74961R | 74961R | 74961R |
| 6* | COMPLETE LH DOOR HARDWARE KIT * | 1 | 47054 | 47054 | 47054 | 47054 |
| 7* | COMPLETE RH DOOR HARDWARE KIT * | 1 | 47055 | 47055 | 47055 | 47055 |
| 8 | DOOR SUPPORT | 1 | 74673 | 74673 | 74673 | 74673 |
| 9 | 8-32 ACORN NUT | 3 | 47702 | 47702 | 47702 | 47702 |
| 10 | 8-32 X 1/2 PH PAN | 4 | 47124 | 47124 | 47124 | 47124 |
| 11 | KNOB LID LIFT | 1 | 47120 | 47120 | 47120 | 47120 |
| 12 | DPST ROCKER SWITCH | 1 | 42532 | 42532 | 42532 | 42532 |
| 12 | MAGNETIC CATCH | 1 | 47561 | 47561 | 47561 | 47561 |



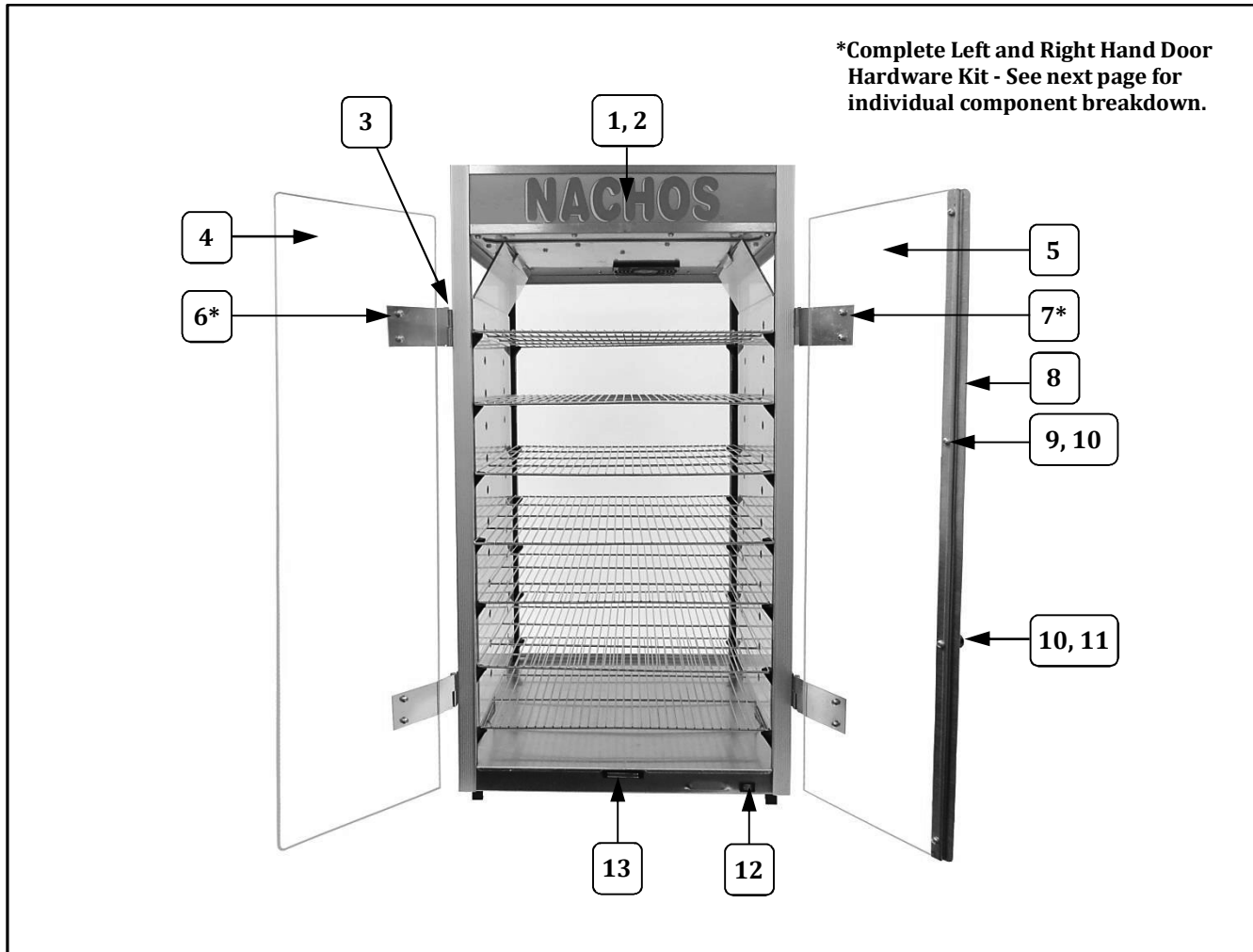
Cabinet Exterior – Front View



| Item | Parts Description | Qty. | Part Number | | | |
|------|--|------|-------------|--------|--------|--------|
| | | | 5588 | 5888 | 5588EX | 5888EX |
| 1 | NACHOS SIGN | 1 | 74179 | | 74179 | |
| | HOT AND FRESH SIGN | 1 | | 74912 | | 74912 |
| 2 | SIGN COVER | 1 | 74181 | 74181 | 74181 | 74181 |
| 3 | 8-32 X 3/8 SLT. HWH M/S (Frame Hinge Screws not included in Door Hardware Kit) | 8 | 42044 | 42044 | 42044 | 42044 |
| 4 | LEFT DOOR | 1 | 74961 | 74961 | 74961 | 74961 |
| 5 | RIGHT DOOR | 1 | 74961R | 74961R | 74961R | 74961R |
| 6* | COMPLETE LH DOOR HARDWARE KIT * | 1 | 47054 | 47054 | 47054 | 47054 |
| 7* | COMPLETE RH DOOR HARDWARE KIT * | 1 | 47055 | 47055 | 47055 | 47055 |
| 8 | DOOR SUPPORT | 1 | 74673 | 74673 | 74673 | 74673 |
| 9 | 8-32 ACORN NUT | 3 | 47702 | 47702 | 47702 | 47702 |
| 10 | 8-32 X 1/2 PH PAN | 4 | 47124 | 47124 | 47124 | 47124 |
| 11 | KNOB LID LIFT | 1 | 47120 | 47120 | 47120 | 47120 |
| 12 | DPST ROCKER SWITCH | 1 | 42532 | 42532 | 42532 | 42532 |
| 12 | MAGNETIC CATCH | 1 | 47561 | 47561 | 47561 | 47561 |



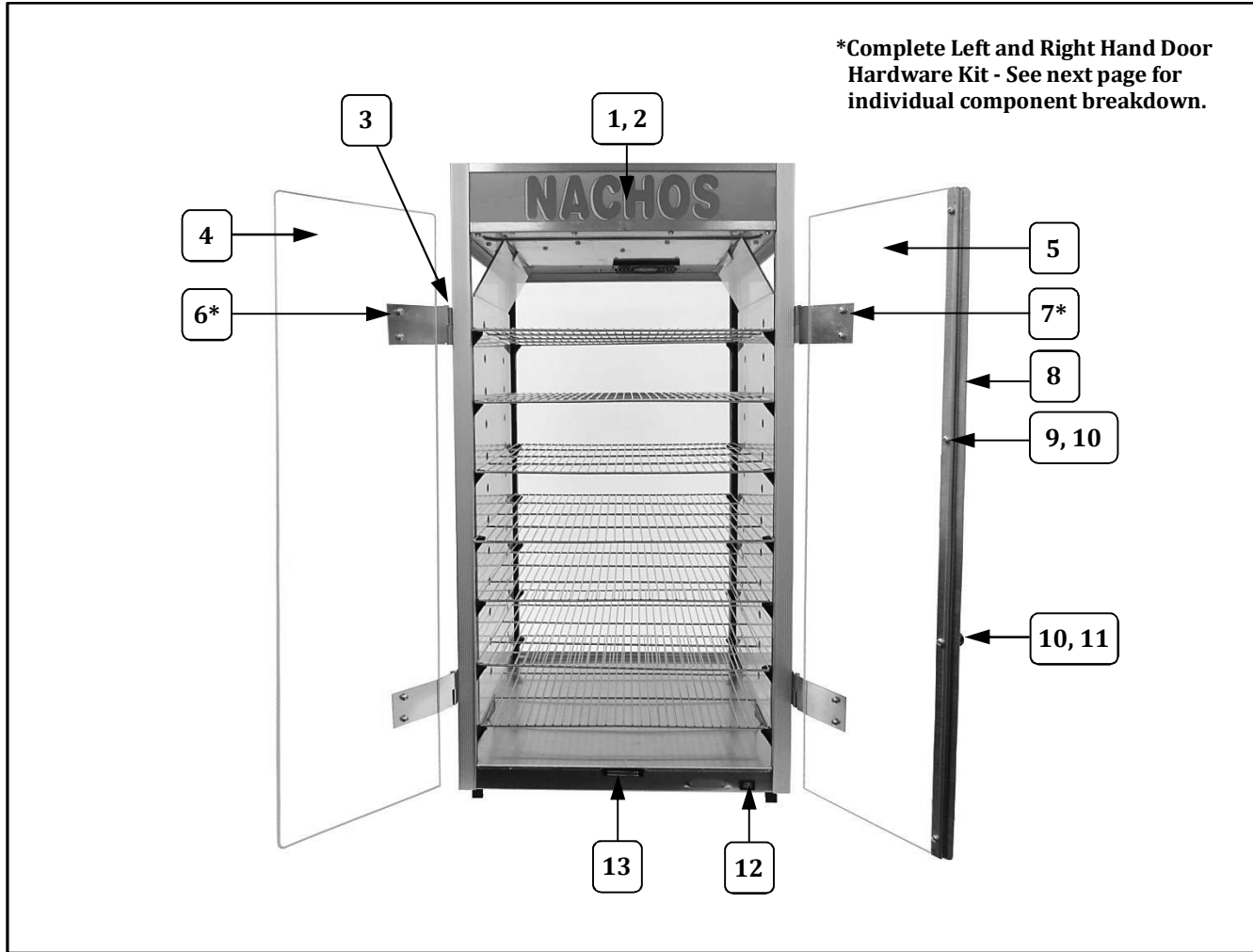
Cabinet Exterior – Front View



| Item | Parts Description | Qty. | Part Number | | | |
|------|--|------|-------------|--------|--------|--------|
| | | | 5588 | 5888 | 5588EX | 5888EX |
| 1 | NACHOS SIGN | 1 | 74179 | | 74179 | |
| | HOT AND FRESH SIGN | 1 | | 74912 | | 74912 |
| 2 | SIGN COVER | 1 | 74181 | 74181 | 74181 | 74181 |
| 3 | 8-32 X 3/8 SLT. HWH M/S (Frame Hinge Screws not included in Door Hardware Kit) | 8 | 42044 | 42044 | 42044 | 42044 |
| 4 | LEFT DOOR | 1 | 74961 | 74961 | 74961 | 74961 |
| 5 | RIGHT DOOR | 1 | 74961R | 74961R | 74961R | 74961R |
| 6* | COMPLETE LH DOOR HARDWARE KIT * | 1 | 47054 | 47054 | 47054 | 47054 |
| 7* | COMPLETE RH DOOR HARDWARE KIT * | 1 | 47055 | 47055 | 47055 | 47055 |
| 8 | DOOR SUPPORT | 1 | 74673 | 74673 | 74673 | 74673 |
| 9 | 8-32 ACORN NUT | 3 | 47702 | 47702 | 47702 | 47702 |
| 10 | 8-32 X 1/2 PH PAN | 4 | 47124 | 47124 | 47124 | 47124 |
| 11 | KNOB LID LIFT | 1 | 47120 | 47120 | 47120 | 47120 |
| 12 | DPST ROCKER SWITCH | 1 | 42532 | 42532 | 42532 | 42532 |
| 12 | MAGNETIC CATCH | 1 | 47561 | 47561 | 47561 | 47561 |



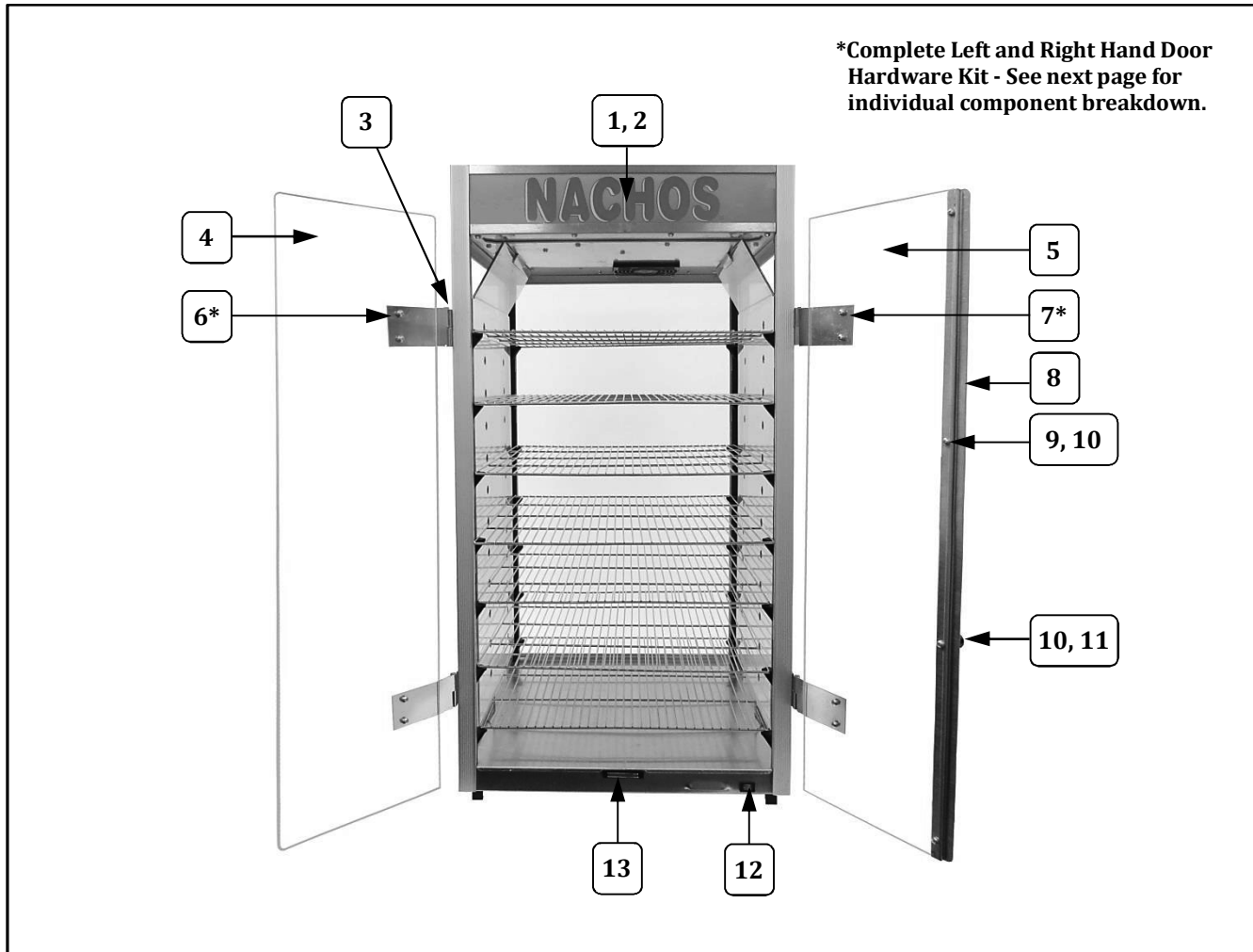
Cabinet Exterior – Front View



| Item | Parts Description | Qty. | Part Number | | | |
|------|--|------|-------------|--------|--------|--------|
| | | | 5588 | 5888 | 5588EX | 5888EX |
| 1 | NACHOS SIGN | 1 | 74179 | | 74179 | |
| | HOT AND FRESH SIGN | 1 | | 74912 | | 74912 |
| 2 | SIGN COVER | 1 | 74181 | 74181 | 74181 | 74181 |
| 3 | 8-32 X 3/8 SLT. HWH M/S (Frame Hinge Screws not included in Door Hardware Kit) | 8 | 42044 | 42044 | 42044 | 42044 |
| 4 | LEFT DOOR | 1 | 74961 | 74961 | 74961 | 74961 |
| 5 | RIGHT DOOR | 1 | 74961R | 74961R | 74961R | 74961R |
| 6* | COMPLETE LH DOOR HARDWARE KIT * | 1 | 47054 | 47054 | 47054 | 47054 |
| 7* | COMPLETE RH DOOR HARDWARE KIT * | 1 | 47055 | 47055 | 47055 | 47055 |
| 8 | DOOR SUPPORT | 1 | 74673 | 74673 | 74673 | 74673 |
| 9 | 8-32 ACORN NUT | 3 | 47702 | 47702 | 47702 | 47702 |
| 10 | 8-32 X 1/2 PH PAN | 4 | 47124 | 47124 | 47124 | 47124 |
| 11 | KNOB LID LIFT | 1 | 47120 | 47120 | 47120 | 47120 |
| 12 | DPST ROCKER SWITCH | 1 | 42532 | 42532 | 42532 | 42532 |
| 12 | MAGNETIC CATCH | 1 | 47561 | 47561 | 47561 | 47561 |



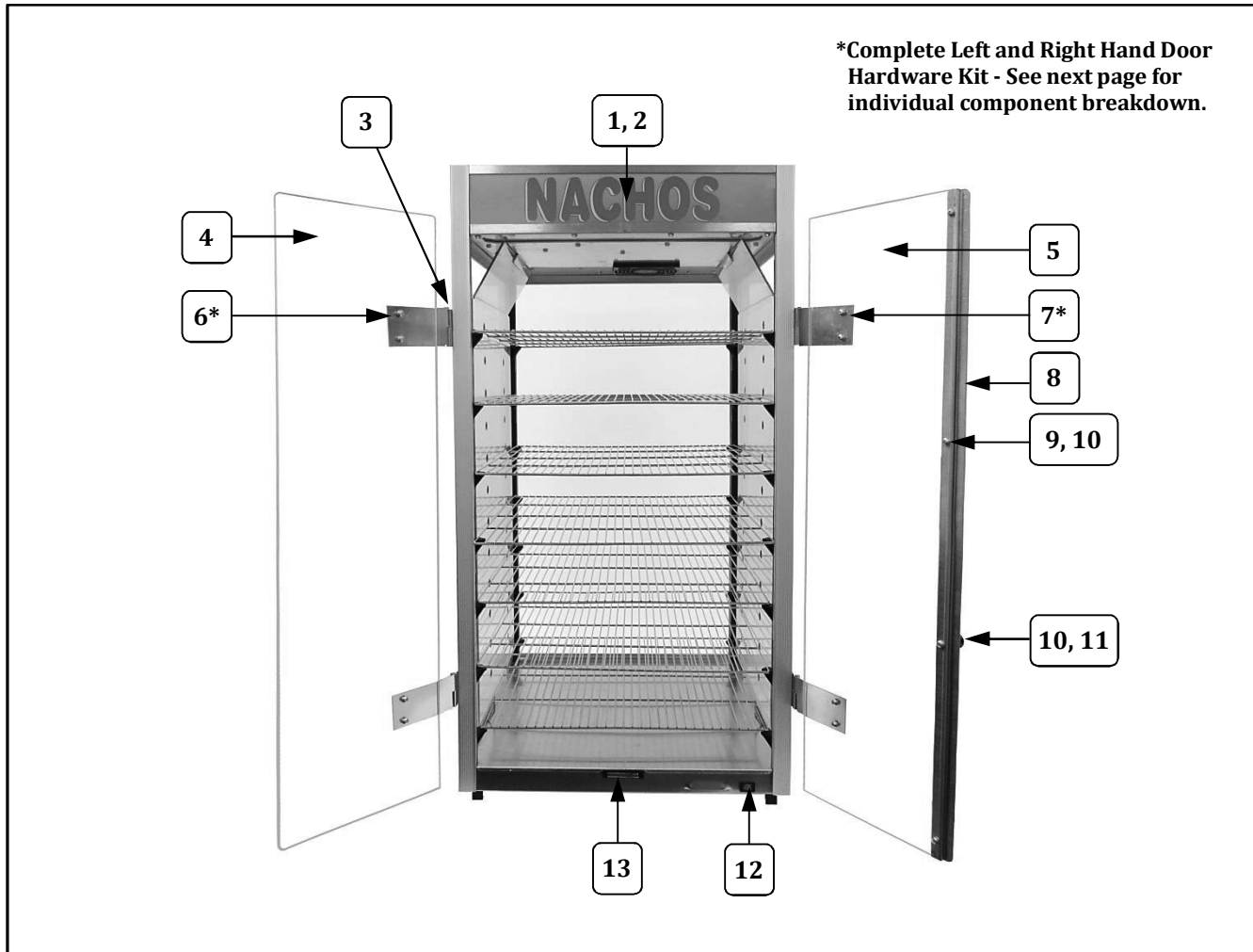
Cabinet Exterior – Front View



| Item | Parts Description | Qty. | Part Number | | | |
|------|--|------|-------------|--------|--------|--------|
| | | | 5588 | 5888 | 5588EX | 5888EX |
| 1 | NACHOS SIGN | 1 | 74179 | | 74179 | |
| | HOT AND FRESH SIGN | 1 | | 74912 | | 74912 |
| 2 | SIGN COVER | 1 | 74181 | 74181 | 74181 | 74181 |
| 3 | 8-32 X 3/8 SLT. HWH M/S (Frame Hinge Screws not included in Door Hardware Kit) | 8 | 42044 | 42044 | 42044 | 42044 |
| 4 | LEFT DOOR | 1 | 74961 | 74961 | 74961 | 74961 |
| 5 | RIGHT DOOR | 1 | 74961R | 74961R | 74961R | 74961R |
| 6* | COMPLETE LH DOOR HARDWARE KIT * | 1 | 47054 | 47054 | 47054 | 47054 |
| 7* | COMPLETE RH DOOR HARDWARE KIT * | 1 | 47055 | 47055 | 47055 | 47055 |
| 8 | DOOR SUPPORT | 1 | 74673 | 74673 | 74673 | 74673 |
| 9 | 8-32 ACORN NUT | 3 | 47702 | 47702 | 47702 | 47702 |
| 10 | 8-32 X 1/2 PH PAN | 4 | 47124 | 47124 | 47124 | 47124 |
| 11 | KNOB LID LIFT | 1 | 47120 | 47120 | 47120 | 47120 |
| 12 | DPST ROCKER SWITCH | 1 | 42532 | 42532 | 42532 | 42532 |
| 12 | MAGNETIC CATCH | 1 | 47561 | 47561 | 47561 | 47561 |



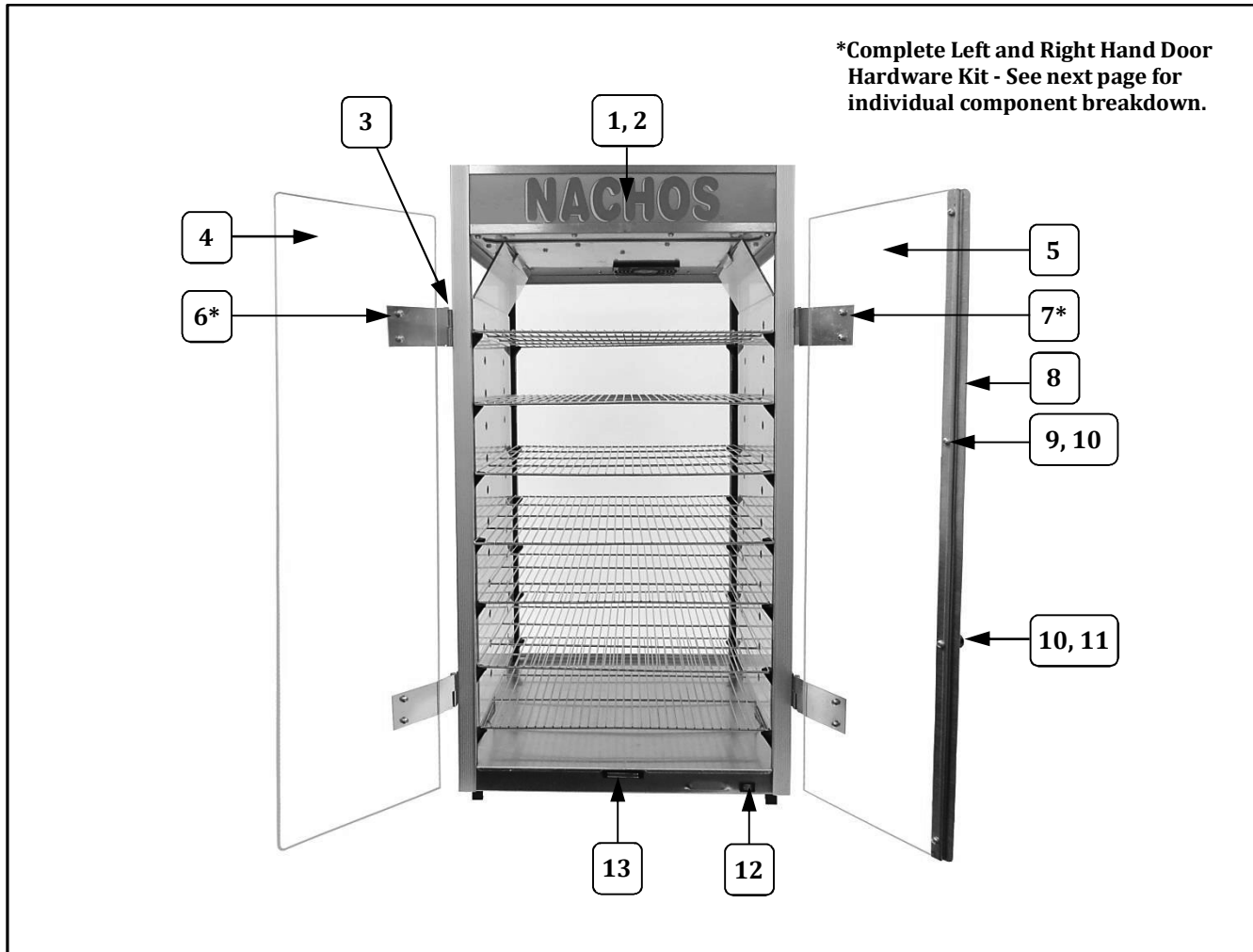
Cabinet Exterior – Front View



| Item | Parts Description | Qty. | Part Number | | | |
|------|--|------|-------------|--------|--------|--------|
| | | | 5588 | 5888 | 5588EX | 5888EX |
| 1 | NACHOS SIGN | 1 | 74179 | | 74179 | |
| | HOT AND FRESH SIGN | 1 | | 74912 | | 74912 |
| 2 | SIGN COVER | 1 | 74181 | 74181 | 74181 | 74181 |
| 3 | 8-32 X 3/8 SLT. HWH M/S (Frame Hinge Screws not included in Door Hardware Kit) | 8 | 42044 | 42044 | 42044 | 42044 |
| 4 | LEFT DOOR | 1 | 74961 | 74961 | 74961 | 74961 |
| 5 | RIGHT DOOR | 1 | 74961R | 74961R | 74961R | 74961R |
| 6* | COMPLETE LH DOOR HARDWARE KIT * | 1 | 47054 | 47054 | 47054 | 47054 |
| 7* | COMPLETE RH DOOR HARDWARE KIT * | 1 | 47055 | 47055 | 47055 | 47055 |
| 8 | DOOR SUPPORT | 1 | 74673 | 74673 | 74673 | 74673 |
| 9 | 8-32 ACORN NUT | 3 | 47702 | 47702 | 47702 | 47702 |
| 10 | 8-32 X 1/2 PH PAN | 4 | 47124 | 47124 | 47124 | 47124 |
| 11 | KNOB LID LIFT | 1 | 47120 | 47120 | 47120 | 47120 |
| 12 | DPST ROCKER SWITCH | 1 | 42532 | 42532 | 42532 | 42532 |
| 12 | MAGNETIC CATCH | 1 | 47561 | 47561 | 47561 | 47561 |



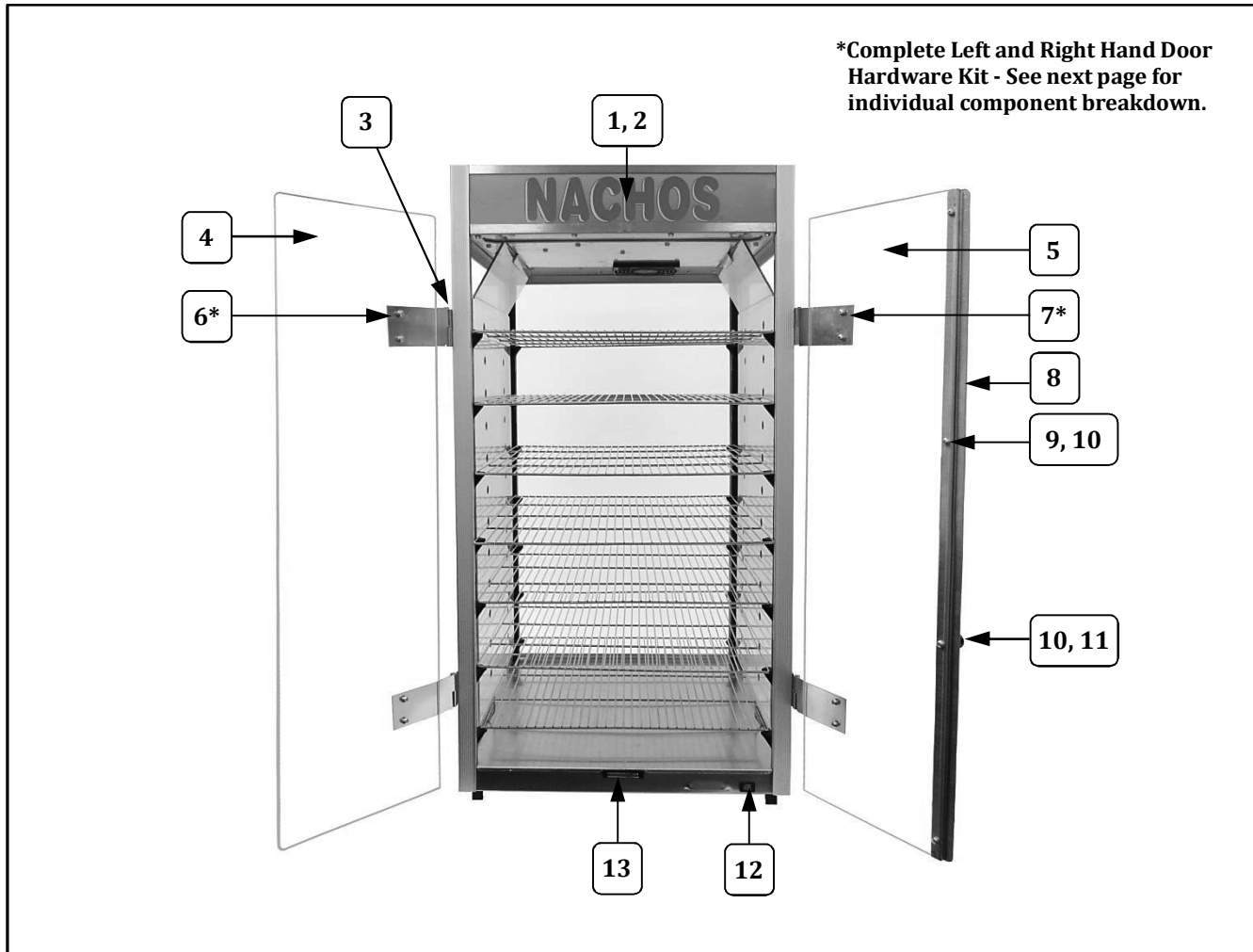
Cabinet Exterior – Front View



| Item | Parts Description | Qty. | Part Number | | | |
|------|--|------|-------------|--------|--------|--------|
| | | | 5588 | 5888 | 5588EX | 5888EX |
| 1 | NACHOS SIGN | 1 | 74179 | | 74179 | |
| | HOT AND FRESH SIGN | 1 | | 74912 | | 74912 |
| 2 | SIGN COVER | 1 | 74181 | 74181 | 74181 | 74181 |
| 3 | 8-32 X 3/8 SLT. HWH M/S (Frame Hinge Screws not included in Door Hardware Kit) | 8 | 42044 | 42044 | 42044 | 42044 |
| 4 | LEFT DOOR | 1 | 74961 | 74961 | 74961 | 74961 |
| 5 | RIGHT DOOR | 1 | 74961R | 74961R | 74961R | 74961R |
| 6* | COMPLETE LH DOOR HARDWARE KIT * | 1 | 47054 | 47054 | 47054 | 47054 |
| 7* | COMPLETE RH DOOR HARDWARE KIT * | 1 | 47055 | 47055 | 47055 | 47055 |
| 8 | DOOR SUPPORT | 1 | 74673 | 74673 | 74673 | 74673 |
| 9 | 8-32 ACORN NUT | 3 | 47702 | 47702 | 47702 | 47702 |
| 10 | 8-32 X 1/2 PH PAN | 4 | 47124 | 47124 | 47124 | 47124 |
| 11 | KNOB LID LIFT | 1 | 47120 | 47120 | 47120 | 47120 |
| 12 | DPST ROCKER SWITCH | 1 | 42532 | 42532 | 42532 | 42532 |
| 12 | MAGNETIC CATCH | 1 | 47561 | 47561 | 47561 | 47561 |



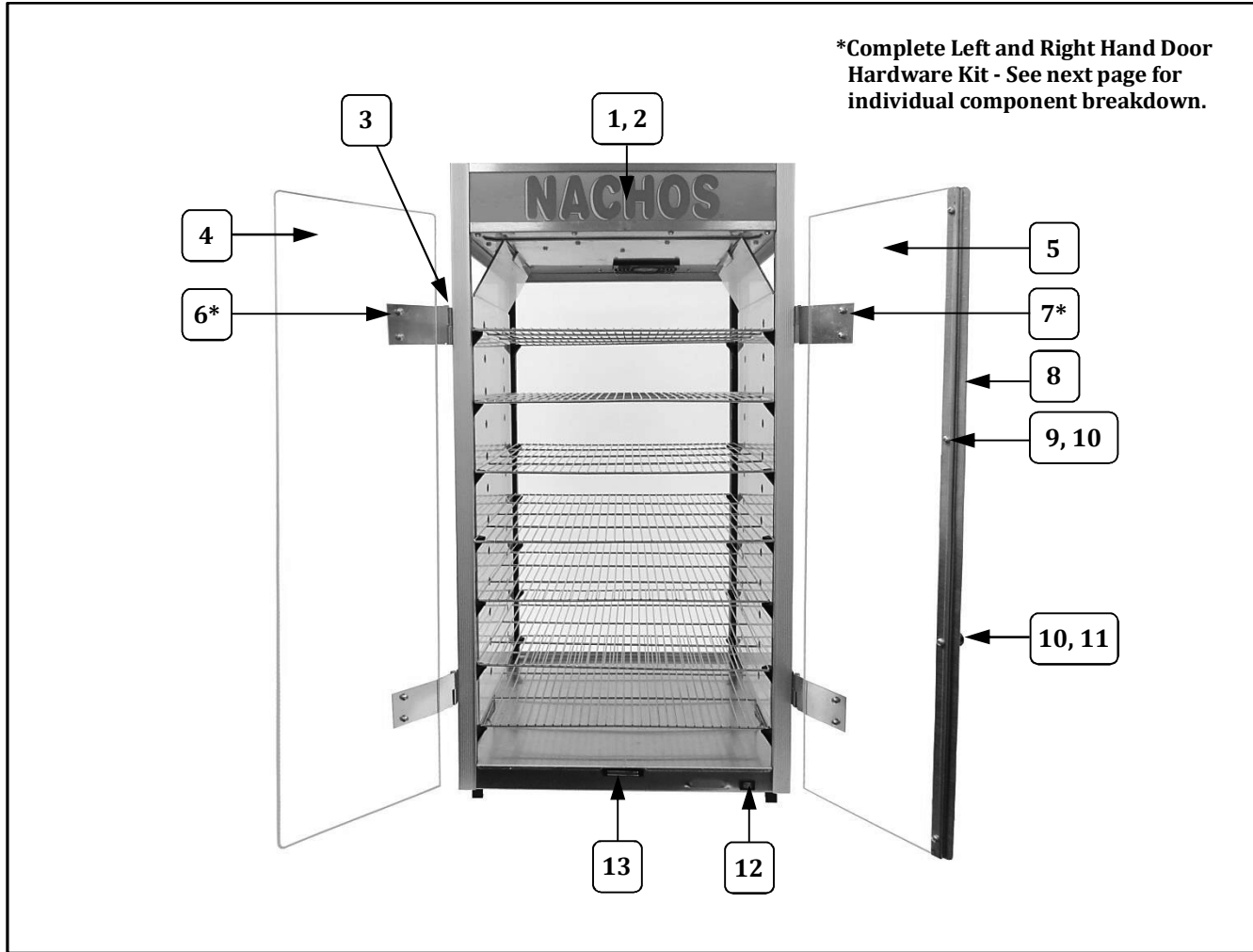
Cabinet Exterior – Front View



| Item | Parts Description | Qty. | Part Number | | | |
|------|--|------|-------------|--------|--------|--------|
| | | | 5588 | 5888 | 5588EX | 5888EX |
| 1 | NACHOS SIGN | 1 | 74179 | | 74179 | |
| | HOT AND FRESH SIGN | 1 | | 74912 | | 74912 |
| 2 | SIGN COVER | 1 | 74181 | 74181 | 74181 | 74181 |
| 3 | 8-32 X 3/8 SLT. HWH M/S (Frame Hinge Screws not included in Door Hardware Kit) | 8 | 42044 | 42044 | 42044 | 42044 |
| 4 | LEFT DOOR | 1 | 74961 | 74961 | 74961 | 74961 |
| 5 | RIGHT DOOR | 1 | 74961R | 74961R | 74961R | 74961R |
| 6* | COMPLETE LH DOOR HARDWARE KIT * | 1 | 47054 | 47054 | 47054 | 47054 |
| 7* | COMPLETE RH DOOR HARDWARE KIT * | 1 | 47055 | 47055 | 47055 | 47055 |
| 8 | DOOR SUPPORT | 1 | 74673 | 74673 | 74673 | 74673 |
| 9 | 8-32 ACORN NUT | 3 | 47702 | 47702 | 47702 | 47702 |
| 10 | 8-32 X 1/2 PH PAN | 4 | 47124 | 47124 | 47124 | 47124 |
| 11 | KNOB LID LIFT | 1 | 47120 | 47120 | 47120 | 47120 |
| 12 | DPST ROCKER SWITCH | 1 | 42532 | 42532 | 42532 | 42532 |
| 12 | MAGNETIC CATCH | 1 | 47561 | 47561 | 47561 | 47561 |

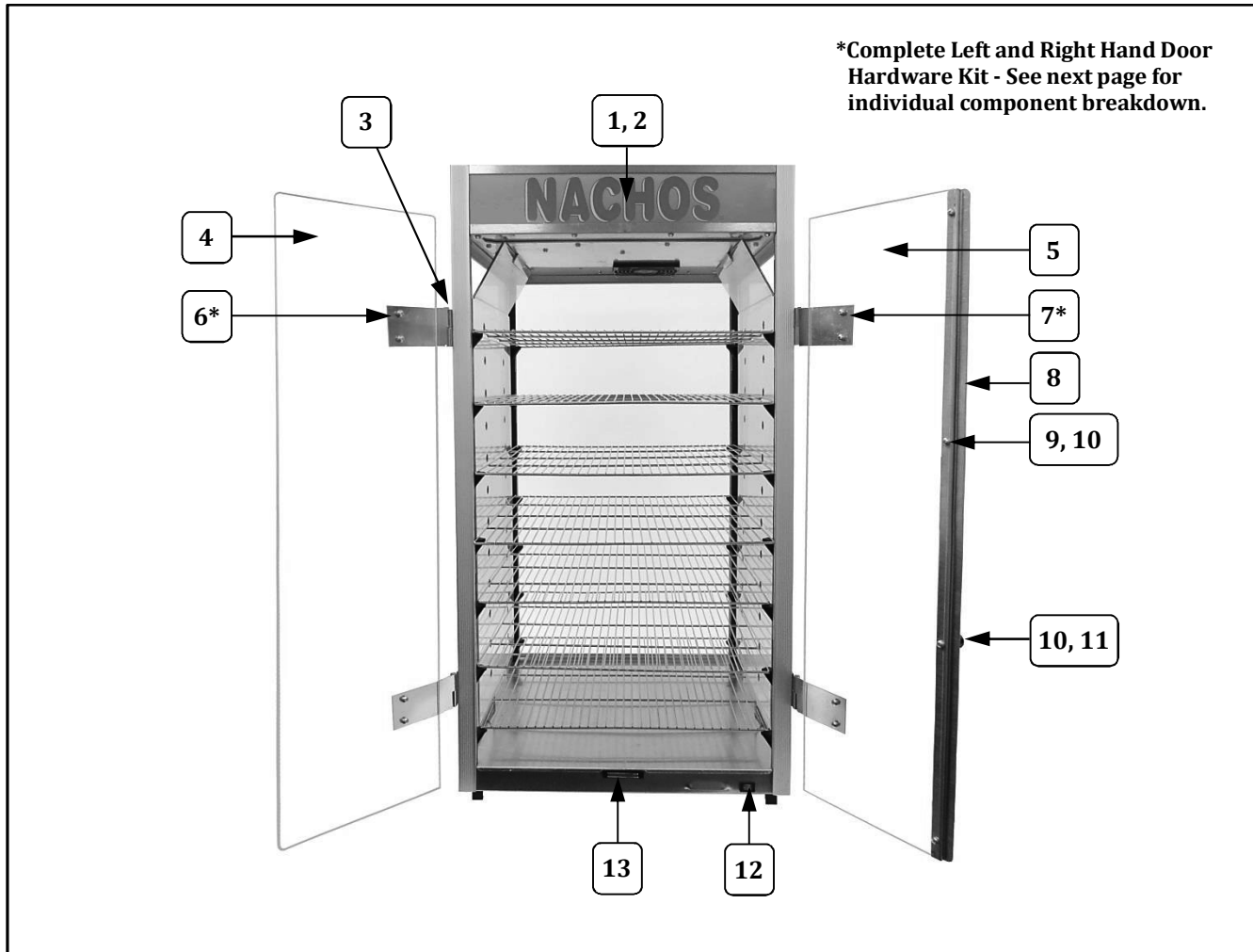


Cabinet Exterior – Front View



| Item | Parts Description | Qty. | Part Number | | | |
|------|--|------|-------------|--------|--------|--------|
| | | | 5588 | 5888 | 5588EX | 5888EX |
| 1 | NACHOS SIGN | 1 | 74179 | | 74179 | |
| | HOT AND FRESH SIGN | 1 | | 74912 | | 74912 |
| 2 | SIGN COVER | 1 | 74181 | 74181 | 74181 | 74181 |
| 3 | 8-32 X 3/8 SLT. HWH M/S (Frame Hinge Screws not included in Door Hardware Kit) | 8 | 42044 | 42044 | 42044 | 42044 |
| 4 | LEFT DOOR | 1 | 74961 | 74961 | 74961 | 74961 |
| 5 | RIGHT DOOR | 1 | 74961R | 74961R | 74961R | 74961R |
| 6* | COMPLETE LH DOOR HARDWARE KIT * | 1 | 47054 | 47054 | 47054 | 47054 |
| 7* | COMPLETE RH DOOR HARDWARE KIT * | 1 | 47055 | 47055 | 47055 | 47055 |
| 8 | DOOR SUPPORT | 1 | 74673 | 74673 | 74673 | 74673 |
| 9 | 8-32 ACORN NUT | 3 | 47702 | 47702 | 47702 | 47702 |
| 10 | 8-32 X 1/2 PH PAN | 4 | 47124 | 47124 | 47124 | 47124 |
| 11 | KNOB LID LIFT | 1 | 47120 | 47120 | 47120 | 47120 |
| 12 | DPST ROCKER SWITCH | 1 | 42532 | 42532 | 42532 | 42532 |
| 12 | MAGNETIC CATCH | 1 | 47561 | 47561 | 47561 | 47561 |

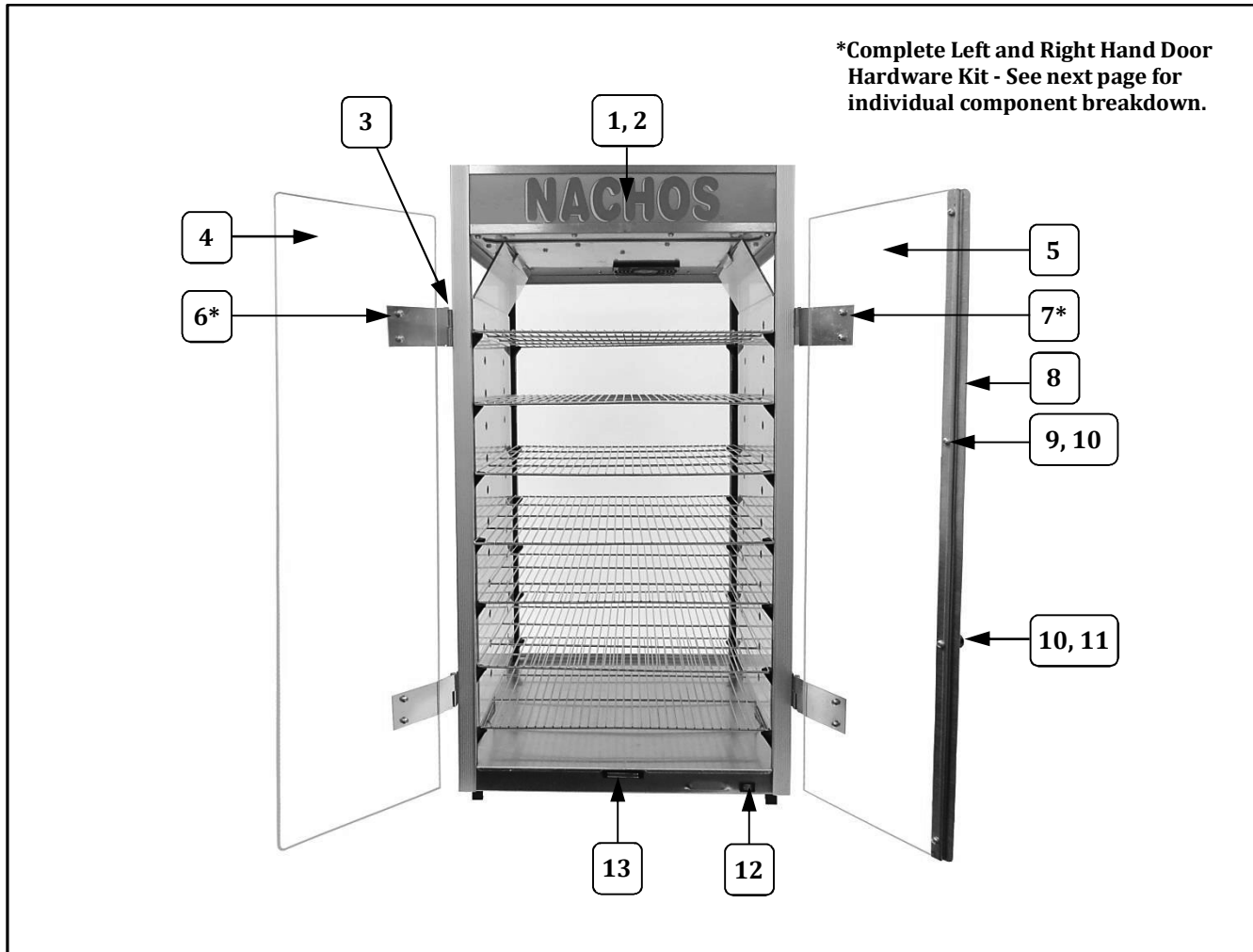
Cabinet Exterior – Front View



| Item | Parts Description | Qty. | Part Number | | | |
|------|--|------|-------------|--------|--------|--------|
| | | | 5588 | 5888 | 5588EX | 5888EX |
| 1 | NACHOS SIGN | 1 | 74179 | | 74179 | |
| | HOT AND FRESH SIGN | 1 | | 74912 | | 74912 |
| 2 | SIGN COVER | 1 | 74181 | 74181 | 74181 | 74181 |
| 3 | 8-32 X 3/8 SLT. HWH M/S (Frame Hinge Screws not included in Door Hardware Kit) | 8 | 42044 | 42044 | 42044 | 42044 |
| 4 | LEFT DOOR | 1 | 74961 | 74961 | 74961 | 74961 |
| 5 | RIGHT DOOR | 1 | 74961R | 74961R | 74961R | 74961R |
| 6* | COMPLETE LH DOOR HARDWARE KIT * | 1 | 47054 | 47054 | 47054 | 47054 |
| 7* | COMPLETE RH DOOR HARDWARE KIT * | 1 | 47055 | 47055 | 47055 | 47055 |
| 8 | DOOR SUPPORT | 1 | 74673 | 74673 | 74673 | 74673 |
| 9 | 8-32 ACORN NUT | 3 | 47702 | 47702 | 47702 | 47702 |
| 10 | 8-32 X 1/2 PH PAN | 4 | 47124 | 47124 | 47124 | 47124 |
| 11 | KNOB LID LIFT | 1 | 47120 | 47120 | 47120 | 47120 |
| 12 | DPST ROCKER SWITCH | 1 | 42532 | 42532 | 42532 | 42532 |
| 12 | MAGNETIC CATCH | 1 | 47561 | 47561 | 47561 | 47561 |



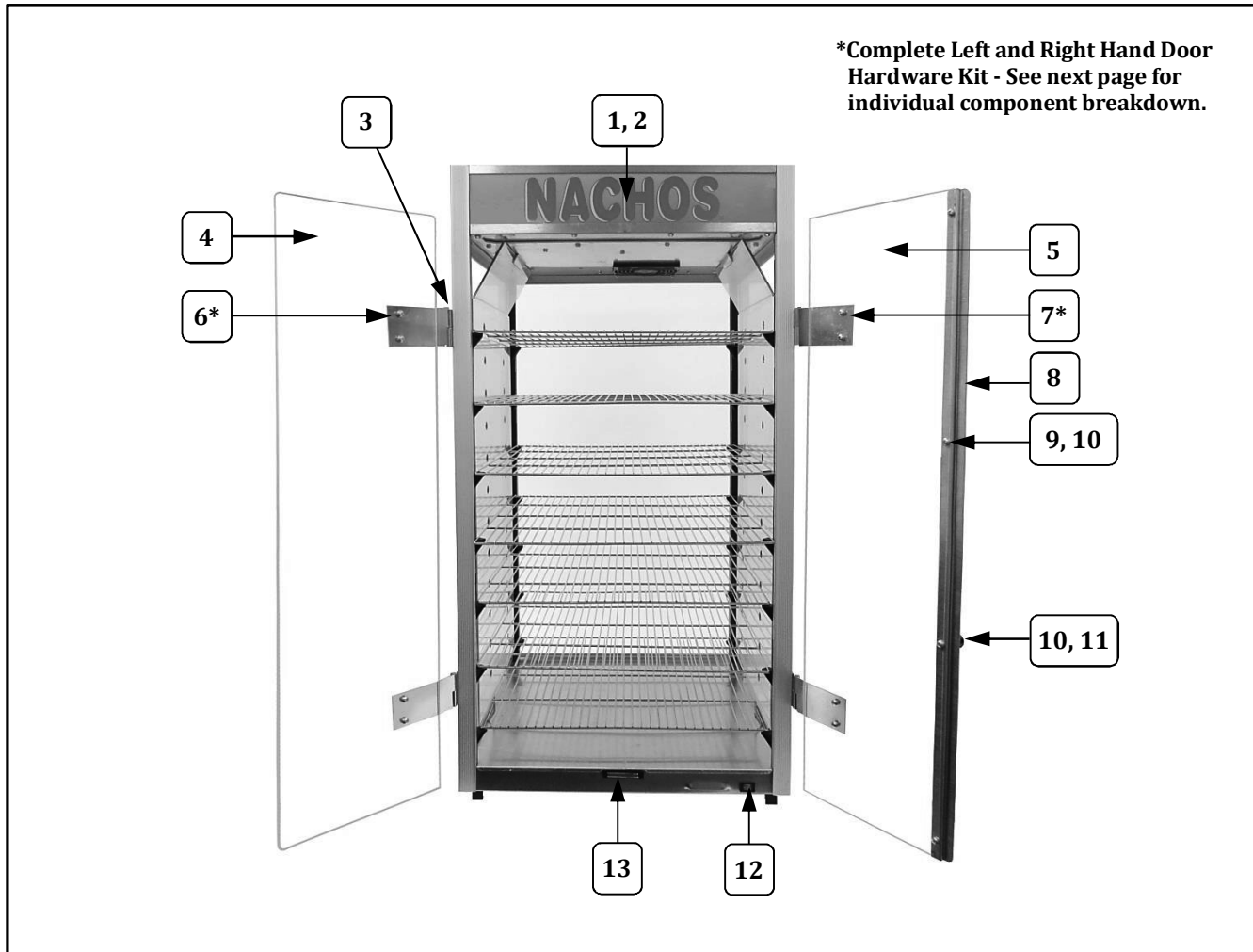
Cabinet Exterior – Front View



| Item | Parts Description | Qty. | Part Number | | | |
|------|--|------|-------------|--------|--------|--------|
| | | | 5588 | 5888 | 5588EX | 5888EX |
| 1 | NACHOS SIGN | 1 | 74179 | | 74179 | |
| | HOT AND FRESH SIGN | 1 | | 74912 | | 74912 |
| 2 | SIGN COVER | 1 | 74181 | 74181 | 74181 | 74181 |
| 3 | 8-32 X 3/8 SLT. HWH M/S (Frame Hinge Screws not included in Door Hardware Kit) | 8 | 42044 | 42044 | 42044 | 42044 |
| 4 | LEFT DOOR | 1 | 74961 | 74961 | 74961 | 74961 |
| 5 | RIGHT DOOR | 1 | 74961R | 74961R | 74961R | 74961R |
| 6* | COMPLETE LH DOOR HARDWARE KIT * | 1 | 47054 | 47054 | 47054 | 47054 |
| 7* | COMPLETE RH DOOR HARDWARE KIT * | 1 | 47055 | 47055 | 47055 | 47055 |
| 8 | DOOR SUPPORT | 1 | 74673 | 74673 | 74673 | 74673 |
| 9 | 8-32 ACORN NUT | 3 | 47702 | 47702 | 47702 | 47702 |
| 10 | 8-32 X 1/2 PH PAN | 4 | 47124 | 47124 | 47124 | 47124 |
| 11 | KNOB LID LIFT | 1 | 47120 | 47120 | 47120 | 47120 |
| 12 | DPST ROCKER SWITCH | 1 | 42532 | 42532 | 42532 | 42532 |
| 12 | MAGNETIC CATCH | 1 | 47561 | 47561 | 47561 | 47561 |



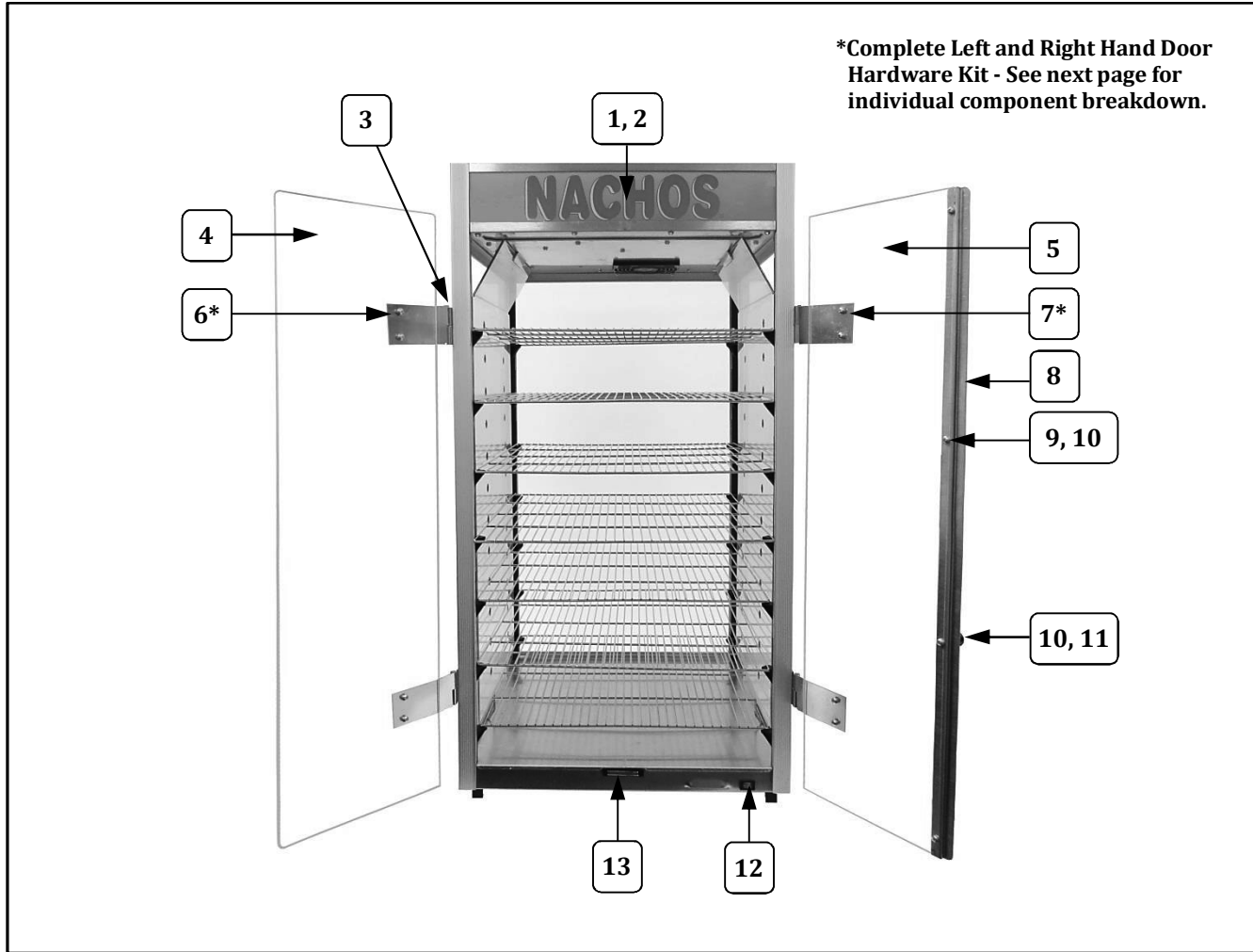
Cabinet Exterior – Front View



| Item | Parts Description | Qty. | Part Number | | | |
|------|--|------|-------------|--------|--------|--------|
| | | | 5588 | 5888 | 5588EX | 5888EX |
| 1 | NACHOS SIGN | 1 | 74179 | | 74179 | |
| | HOT AND FRESH SIGN | 1 | | 74912 | | 74912 |
| 2 | SIGN COVER | 1 | 74181 | 74181 | 74181 | 74181 |
| 3 | 8-32 X 3/8 SLT. HWH M/S (Frame Hinge Screws not included in Door Hardware Kit) | 8 | 42044 | 42044 | 42044 | 42044 |
| 4 | LEFT DOOR | 1 | 74961 | 74961 | 74961 | 74961 |
| 5 | RIGHT DOOR | 1 | 74961R | 74961R | 74961R | 74961R |
| 6* | COMPLETE LH DOOR HARDWARE KIT * | 1 | 47054 | 47054 | 47054 | 47054 |
| 7* | COMPLETE RH DOOR HARDWARE KIT * | 1 | 47055 | 47055 | 47055 | 47055 |
| 8 | DOOR SUPPORT | 1 | 74673 | 74673 | 74673 | 74673 |
| 9 | 8-32 ACORN NUT | 3 | 47702 | 47702 | 47702 | 47702 |
| 10 | 8-32 X 1/2 PH PAN | 4 | 47124 | 47124 | 47124 | 47124 |
| 11 | KNOB LID LIFT | 1 | 47120 | 47120 | 47120 | 47120 |
| 12 | DPST ROCKER SWITCH | 1 | 42532 | 42532 | 42532 | 42532 |
| 12 | MAGNETIC CATCH | 1 | 47561 | 47561 | 47561 | 47561 |



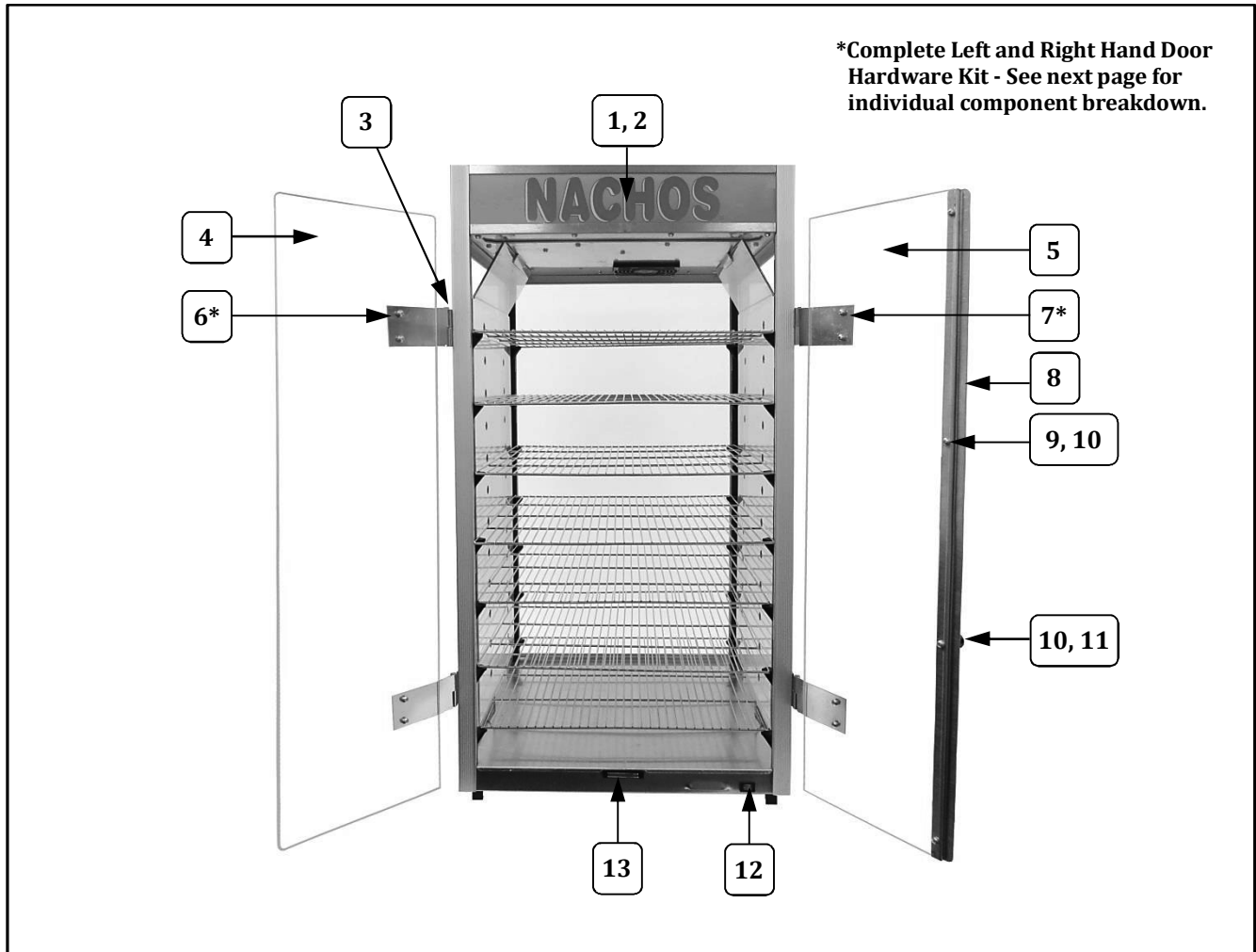
Cabinet Exterior – Front View



| Item | Parts Description | Qty. | Part Number | | | |
|------|--|------|-------------|--------|--------|--------|
| | | | 5588 | 5888 | 5588EX | 5888EX |
| 1 | NACHOS SIGN | 1 | 74179 | | 74179 | |
| | HOT AND FRESH SIGN | 1 | | 74912 | | 74912 |
| 2 | SIGN COVER | 1 | 74181 | 74181 | 74181 | 74181 |
| 3 | 8-32 X 3/8 SLT. HWH M/S (Frame Hinge Screws not included in Door Hardware Kit) | 8 | 42044 | 42044 | 42044 | 42044 |
| 4 | LEFT DOOR | 1 | 74961 | 74961 | 74961 | 74961 |
| 5 | RIGHT DOOR | 1 | 74961R | 74961R | 74961R | 74961R |
| 6* | COMPLETE LH DOOR HARDWARE KIT * | 1 | 47054 | 47054 | 47054 | 47054 |
| 7* | COMPLETE RH DOOR HARDWARE KIT * | 1 | 47055 | 47055 | 47055 | 47055 |
| 8 | DOOR SUPPORT | 1 | 74673 | 74673 | 74673 | 74673 |
| 9 | 8-32 ACORN NUT | 3 | 47702 | 47702 | 47702 | 47702 |
| 10 | 8-32 X 1/2 PH PAN | 4 | 47124 | 47124 | 47124 | 47124 |
| 11 | KNOB LID LIFT | 1 | 47120 | 47120 | 47120 | 47120 |
| 12 | DPST ROCKER SWITCH | 1 | 42532 | 42532 | 42532 | 42532 |
| 12 | MAGNETIC CATCH | 1 | 47561 | 47561 | 47561 | 47561 |



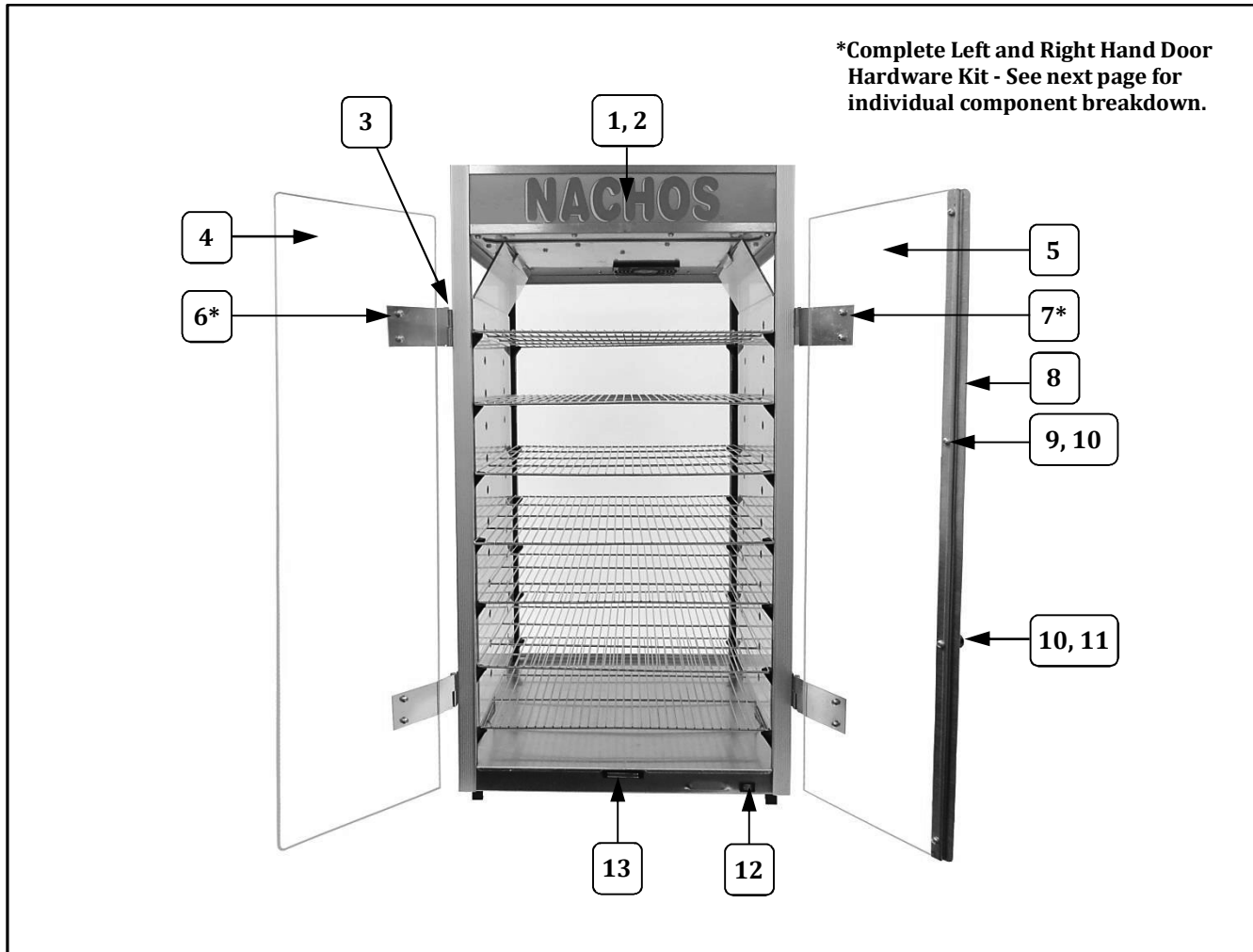
Cabinet Exterior – Front View



| Item | Parts Description | Qty. | Part Number | | | |
|------|--|------|-------------|--------|--------|--------|
| | | | 5588 | 5888 | 5588EX | 5888EX |
| 1 | NACHOS SIGN | 1 | 74179 | | 74179 | |
| | HOT AND FRESH SIGN | 1 | | 74912 | | 74912 |
| 2 | SIGN COVER | 1 | 74181 | 74181 | 74181 | 74181 |
| 3 | 8-32 X 3/8 SLT. HWH M/S (Frame Hinge Screws not included in Door Hardware Kit) | 8 | 42044 | 42044 | 42044 | 42044 |
| 4 | LEFT DOOR | 1 | 74961 | 74961 | 74961 | 74961 |
| 5 | RIGHT DOOR | 1 | 74961R | 74961R | 74961R | 74961R |
| 6* | COMPLETE LH DOOR HARDWARE KIT * | 1 | 47054 | 47054 | 47054 | 47054 |
| 7* | COMPLETE RH DOOR HARDWARE KIT * | 1 | 47055 | 47055 | 47055 | 47055 |
| 8 | DOOR SUPPORT | 1 | 74673 | 74673 | 74673 | 74673 |
| 9 | 8-32 ACORN NUT | 3 | 47702 | 47702 | 47702 | 47702 |
| 10 | 8-32 X 1/2 PH PAN | 4 | 47124 | 47124 | 47124 | 47124 |
| 11 | KNOB LID LIFT | 1 | 47120 | 47120 | 47120 | 47120 |
| 12 | DPST ROCKER SWITCH | 1 | 42532 | 42532 | 42532 | 42532 |
| 12 | MAGNETIC CATCH | 1 | 47561 | 47561 | 47561 | 47561 |



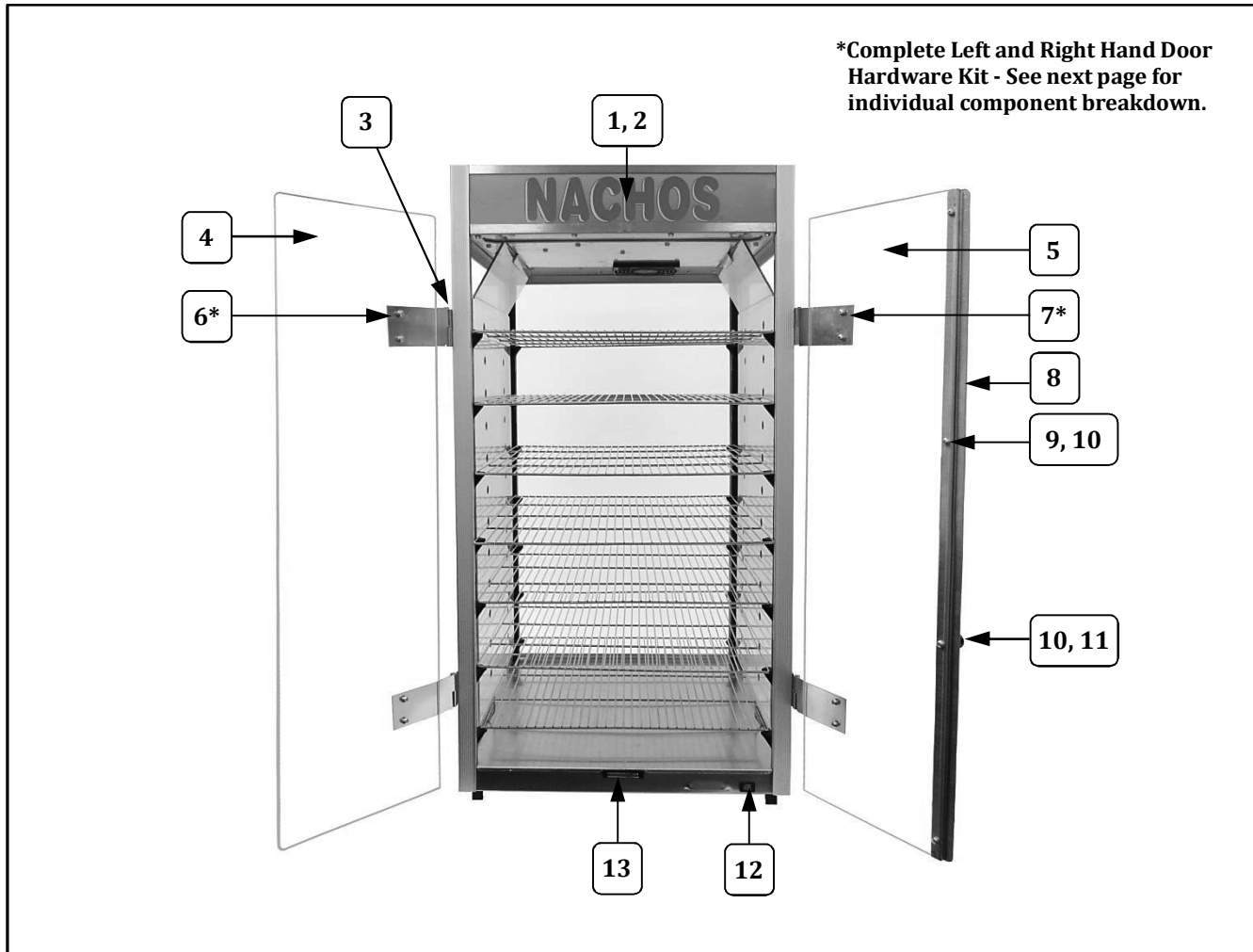
Cabinet Exterior – Front View



| Item | Parts Description | Qty. | Part Number | | | |
|------|--|------|-------------|--------|--------|--------|
| | | | 5588 | 5888 | 5588EX | 5888EX |
| 1 | NACHOS SIGN | 1 | 74179 | | 74179 | |
| | HOT AND FRESH SIGN | 1 | | 74912 | | 74912 |
| 2 | SIGN COVER | 1 | 74181 | 74181 | 74181 | 74181 |
| 3 | 8-32 X 3/8 SLT. HWH M/S (Frame Hinge Screws not included in Door Hardware Kit) | 8 | 42044 | 42044 | 42044 | 42044 |
| 4 | LEFT DOOR | 1 | 74961 | 74961 | 74961 | 74961 |
| 5 | RIGHT DOOR | 1 | 74961R | 74961R | 74961R | 74961R |
| 6* | COMPLETE LH DOOR HARDWARE KIT * | 1 | 47054 | 47054 | 47054 | 47054 |
| 7* | COMPLETE RH DOOR HARDWARE KIT * | 1 | 47055 | 47055 | 47055 | 47055 |
| 8 | DOOR SUPPORT | 1 | 74673 | 74673 | 74673 | 74673 |
| 9 | 8-32 ACORN NUT | 3 | 47702 | 47702 | 47702 | 47702 |
| 10 | 8-32 X 1/2 PH PAN | 4 | 47124 | 47124 | 47124 | 47124 |
| 11 | KNOB LID LIFT | 1 | 47120 | 47120 | 47120 | 47120 |
| 12 | DPST ROCKER SWITCH | 1 | 42532 | 42532 | 42532 | 42532 |
| 12 | MAGNETIC CATCH | 1 | 47561 | 47561 | 47561 | 47561 |



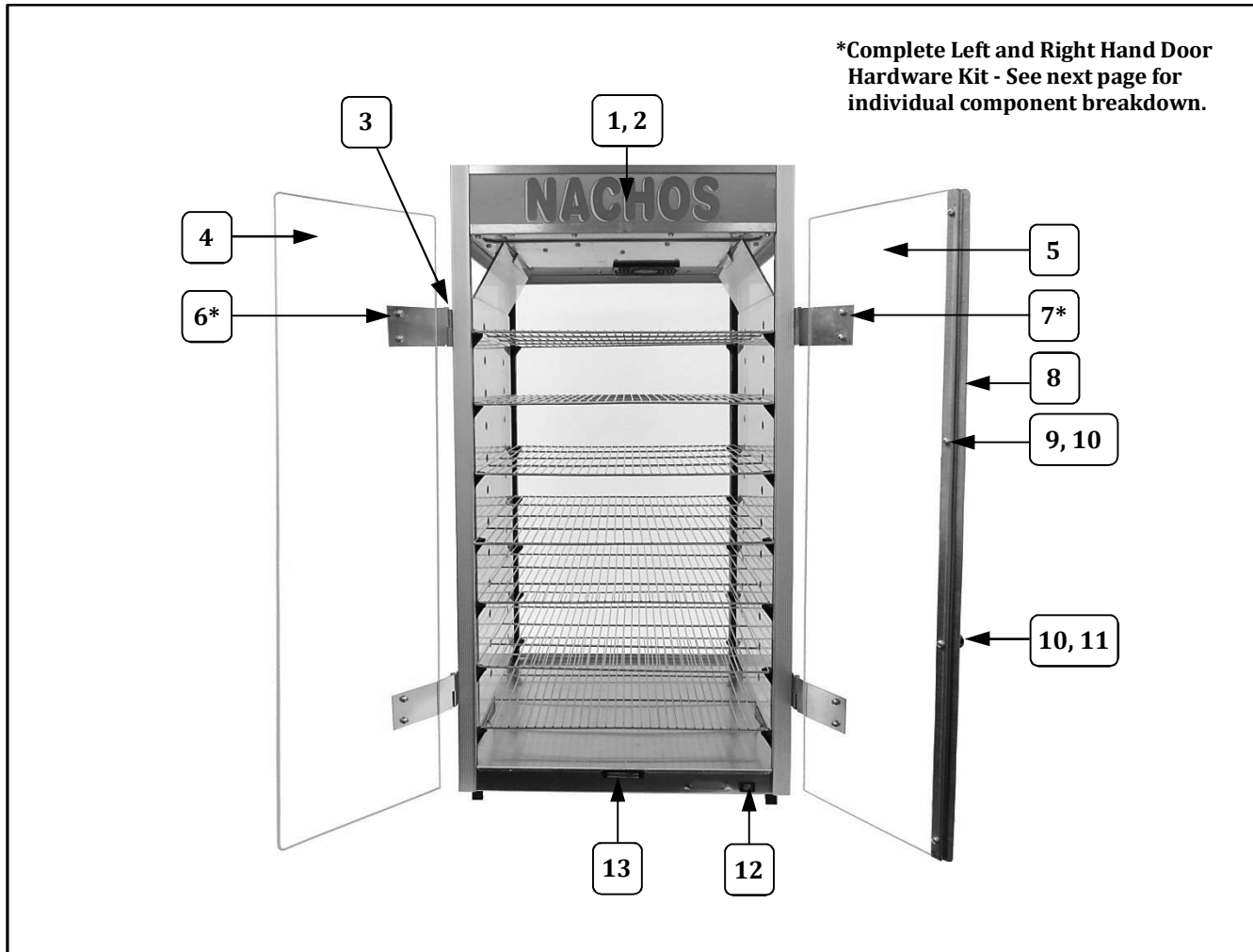
Cabinet Exterior – Front View



| Item | Parts Description | Qty. | Part Number | | | |
|------|--|------|-------------|--------|--------|--------|
| | | | 5588 | 5888 | 5588EX | 5888EX |
| 1 | NACHOS SIGN | 1 | 74179 | | 74179 | |
| | HOT AND FRESH SIGN | 1 | | 74912 | | 74912 |
| 2 | SIGN COVER | 1 | 74181 | 74181 | 74181 | 74181 |
| 3 | 8-32 X 3/8 SLT. HWH M/S (Frame Hinge Screws not included in Door Hardware Kit) | 8 | 42044 | 42044 | 42044 | 42044 |
| 4 | LEFT DOOR | 1 | 74961 | 74961 | 74961 | 74961 |
| 5 | RIGHT DOOR | 1 | 74961R | 74961R | 74961R | 74961R |
| 6* | COMPLETE LH DOOR HARDWARE KIT * | 1 | 47054 | 47054 | 47054 | 47054 |
| 7* | COMPLETE RH DOOR HARDWARE KIT * | 1 | 47055 | 47055 | 47055 | 47055 |
| 8 | DOOR SUPPORT | 1 | 74673 | 74673 | 74673 | 74673 |
| 9 | 8-32 ACORN NUT | 3 | 47702 | 47702 | 47702 | 47702 |
| 10 | 8-32 X 1/2 PH PAN | 4 | 47124 | 47124 | 47124 | 47124 |
| 11 | KNOB LID LIFT | 1 | 47120 | 47120 | 47120 | 47120 |
| 12 | DPST ROCKER SWITCH | 1 | 42532 | 42532 | 42532 | 42532 |
| 12 | MAGNETIC CATCH | 1 | 47561 | 47561 | 47561 | 47561 |



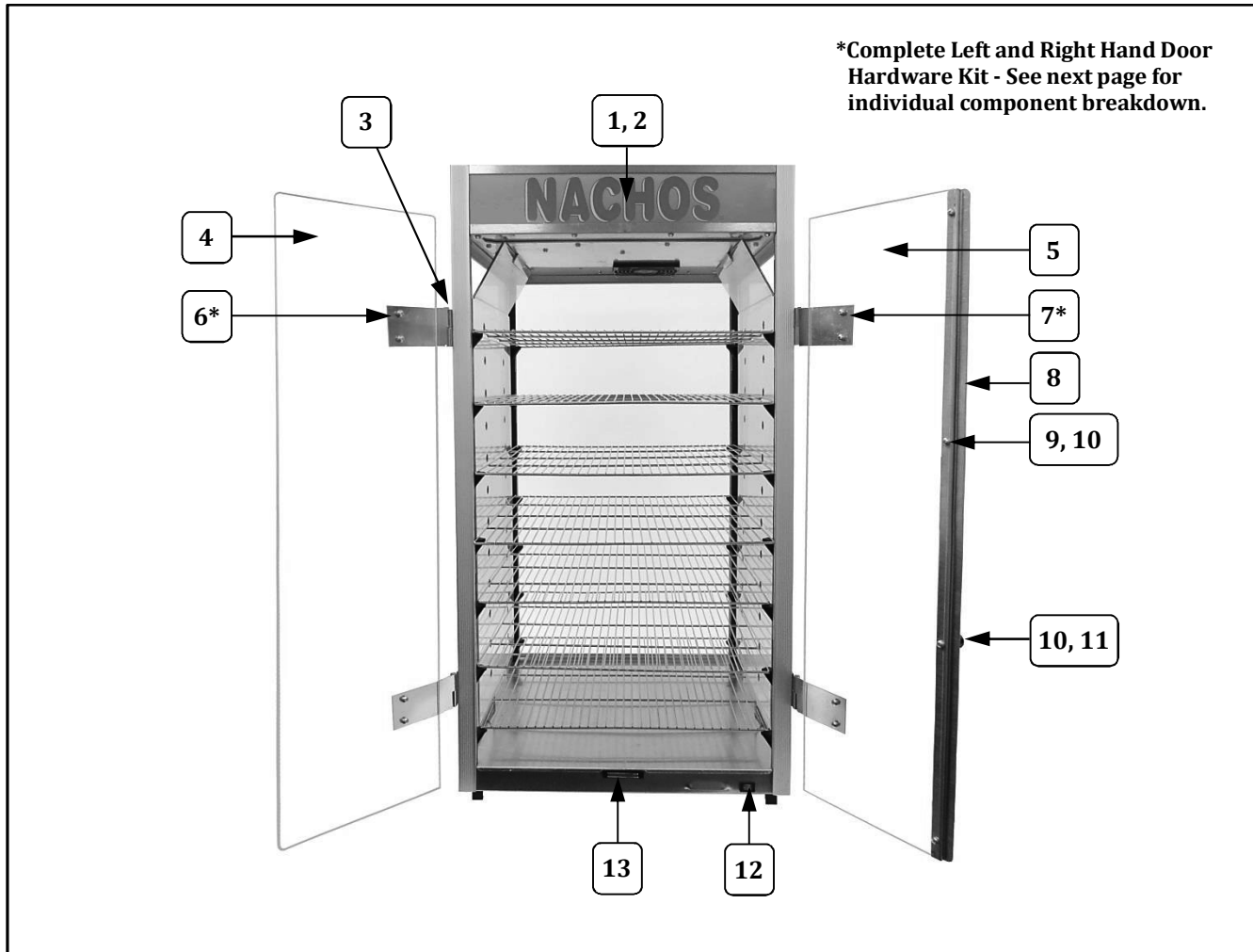
Cabinet Exterior – Front View



| Item | Parts Description | Qty. | Part Number | | | |
|------|--|------|-------------|--------|--------|--------|
| | | | 5588 | 5888 | 5588EX | 5888EX |
| 1 | NACHOS SIGN | 1 | 74179 | | 74179 | |
| | HOT AND FRESH SIGN | 1 | | 74912 | | 74912 |
| 2 | SIGN COVER | 1 | 74181 | 74181 | 74181 | 74181 |
| 3 | 8-32 X 3/8 SLT. HWH M/S (Frame Hinge Screws not included in Door Hardware Kit) | 8 | 42044 | 42044 | 42044 | 42044 |
| 4 | LEFT DOOR | 1 | 74961 | 74961 | 74961 | 74961 |
| 5 | RIGHT DOOR | 1 | 74961R | 74961R | 74961R | 74961R |
| 6* | COMPLETE LH DOOR HARDWARE KIT * | 1 | 47054 | 47054 | 47054 | 47054 |
| 7* | COMPLETE RH DOOR HARDWARE KIT * | 1 | 47055 | 47055 | 47055 | 47055 |
| 8 | DOOR SUPPORT | 1 | 74673 | 74673 | 74673 | 74673 |
| 9 | 8-32 ACORN NUT | 3 | 47702 | 47702 | 47702 | 47702 |
| 10 | 8-32 X 1/2 PH PAN | 4 | 47124 | 47124 | 47124 | 47124 |
| 11 | KNOB LID LIFT | 1 | 47120 | 47120 | 47120 | 47120 |
| 12 | DPST ROCKER SWITCH | 1 | 42532 | 42532 | 42532 | 42532 |
| 12 | MAGNETIC CATCH | 1 | 47561 | 47561 | 47561 | 47561 |



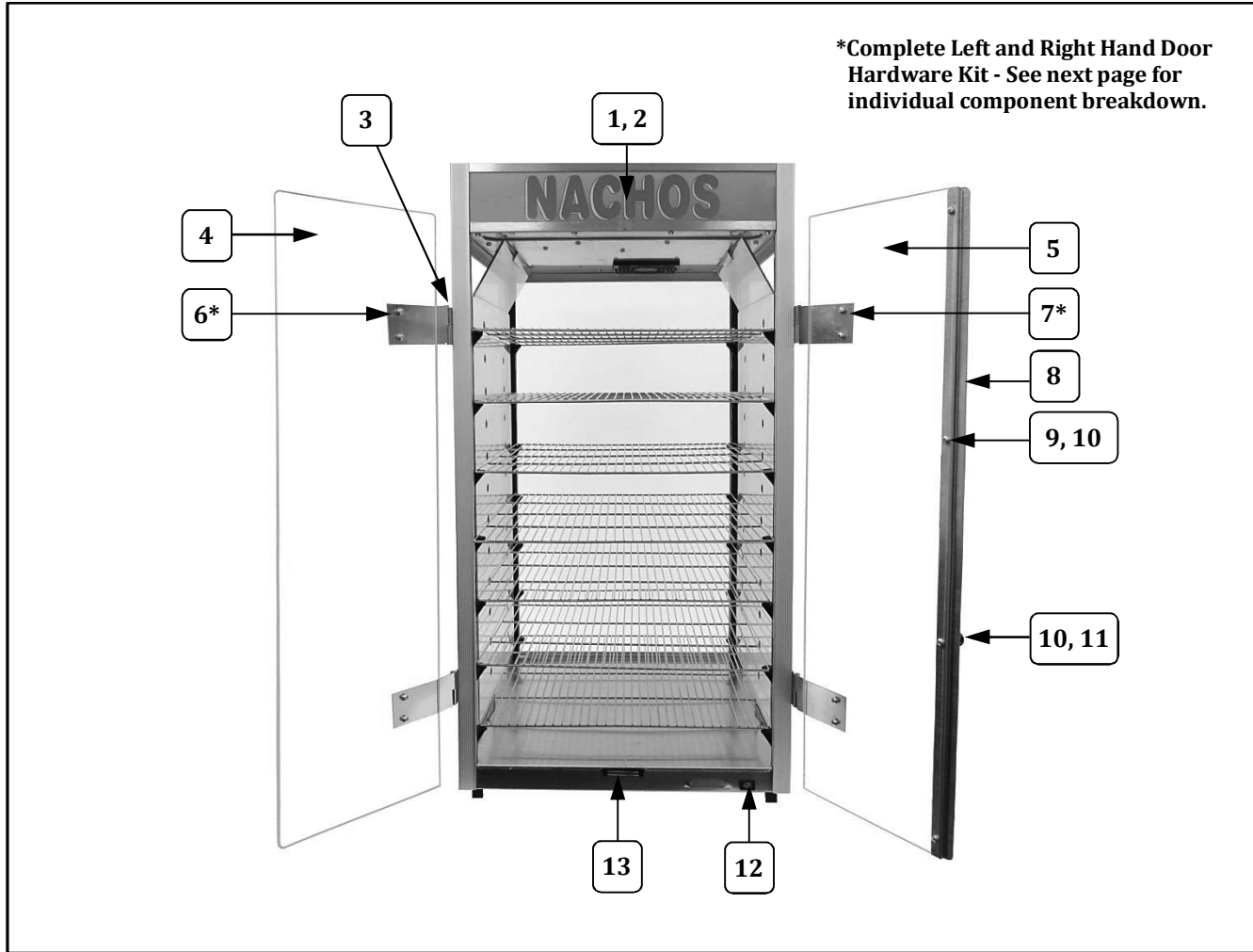
Cabinet Exterior – Front View



| Item | Parts Description | Qty. | Part Number | | | |
|------|--|------|-------------|--------|--------|--------|
| | | | 5588 | 5888 | 5588EX | 5888EX |
| 1 | NACHOS SIGN | 1 | 74179 | | 74179 | |
| | HOT AND FRESH SIGN | 1 | | 74912 | | 74912 |
| 2 | SIGN COVER | 1 | 74181 | 74181 | 74181 | 74181 |
| 3 | 8-32 X 3/8 SLT. HWH M/S (Frame Hinge Screws not included in Door Hardware Kit) | 8 | 42044 | 42044 | 42044 | 42044 |
| 4 | LEFT DOOR | 1 | 74961 | 74961 | 74961 | 74961 |
| 5 | RIGHT DOOR | 1 | 74961R | 74961R | 74961R | 74961R |
| 6* | COMPLETE LH DOOR HARDWARE KIT * | 1 | 47054 | 47054 | 47054 | 47054 |
| 7* | COMPLETE RH DOOR HARDWARE KIT * | 1 | 47055 | 47055 | 47055 | 47055 |
| 8 | DOOR SUPPORT | 1 | 74673 | 74673 | 74673 | 74673 |
| 9 | 8-32 ACORN NUT | 3 | 47702 | 47702 | 47702 | 47702 |
| 10 | 8-32 X 1/2 PH PAN | 4 | 47124 | 47124 | 47124 | 47124 |
| 11 | KNOB LID LIFT | 1 | 47120 | 47120 | 47120 | 47120 |
| 12 | DPST ROCKER SWITCH | 1 | 42532 | 42532 | 42532 | 42532 |
| 12 | MAGNETIC CATCH | 1 | 47561 | 47561 | 47561 | 47561 |



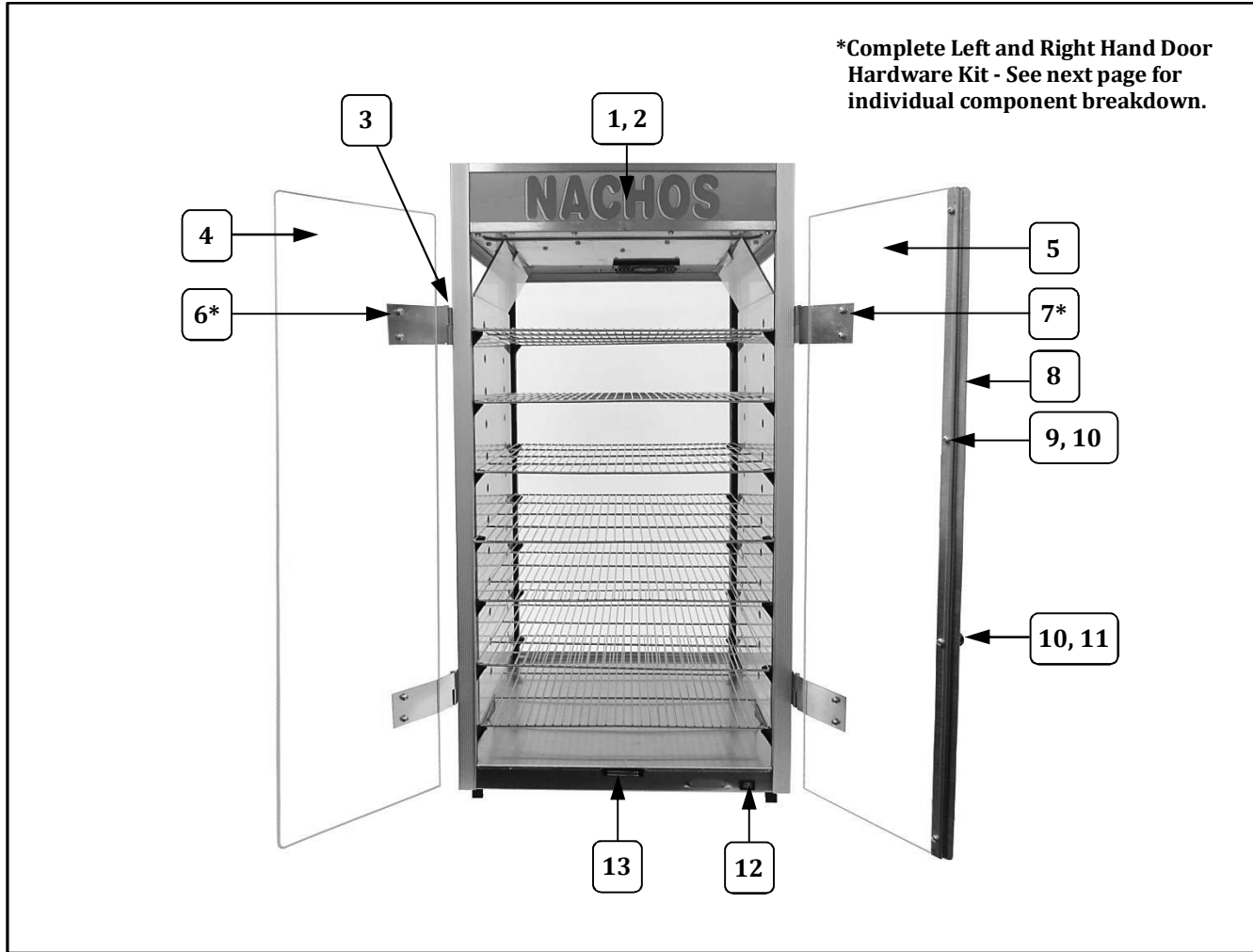
Cabinet Exterior – Front View



| Item | Parts Description | Qty. | Part Number | | | |
|------|--|------|-------------|--------|--------|--------|
| | | | 5588 | 5888 | 5588EX | 5888EX |
| 1 | NACHOS SIGN | 1 | 74179 | | 74179 | |
| | HOT AND FRESH SIGN | 1 | | 74912 | | 74912 |
| 2 | SIGN COVER | 1 | 74181 | 74181 | 74181 | 74181 |
| 3 | 8-32 X 3/8 SLT. HWH M/S (Frame Hinge Screws not included in Door Hardware Kit) | 8 | 42044 | 42044 | 42044 | 42044 |
| 4 | LEFT DOOR | 1 | 74961 | 74961 | 74961 | 74961 |
| 5 | RIGHT DOOR | 1 | 74961R | 74961R | 74961R | 74961R |
| 6* | COMPLETE LH DOOR HARDWARE KIT * | 1 | 47054 | 47054 | 47054 | 47054 |
| 7* | COMPLETE RH DOOR HARDWARE KIT * | 1 | 47055 | 47055 | 47055 | 47055 |
| 8 | DOOR SUPPORT | 1 | 74673 | 74673 | 74673 | 74673 |
| 9 | 8-32 ACORN NUT | 3 | 47702 | 47702 | 47702 | 47702 |
| 10 | 8-32 X 1/2 PH PAN | 4 | 47124 | 47124 | 47124 | 47124 |
| 11 | KNOB LID LIFT | 1 | 47120 | 47120 | 47120 | 47120 |
| 12 | DPST ROCKER SWITCH | 1 | 42532 | 42532 | 42532 | 42532 |
| 12 | MAGNETIC CATCH | 1 | 47561 | 47561 | 47561 | 47561 |



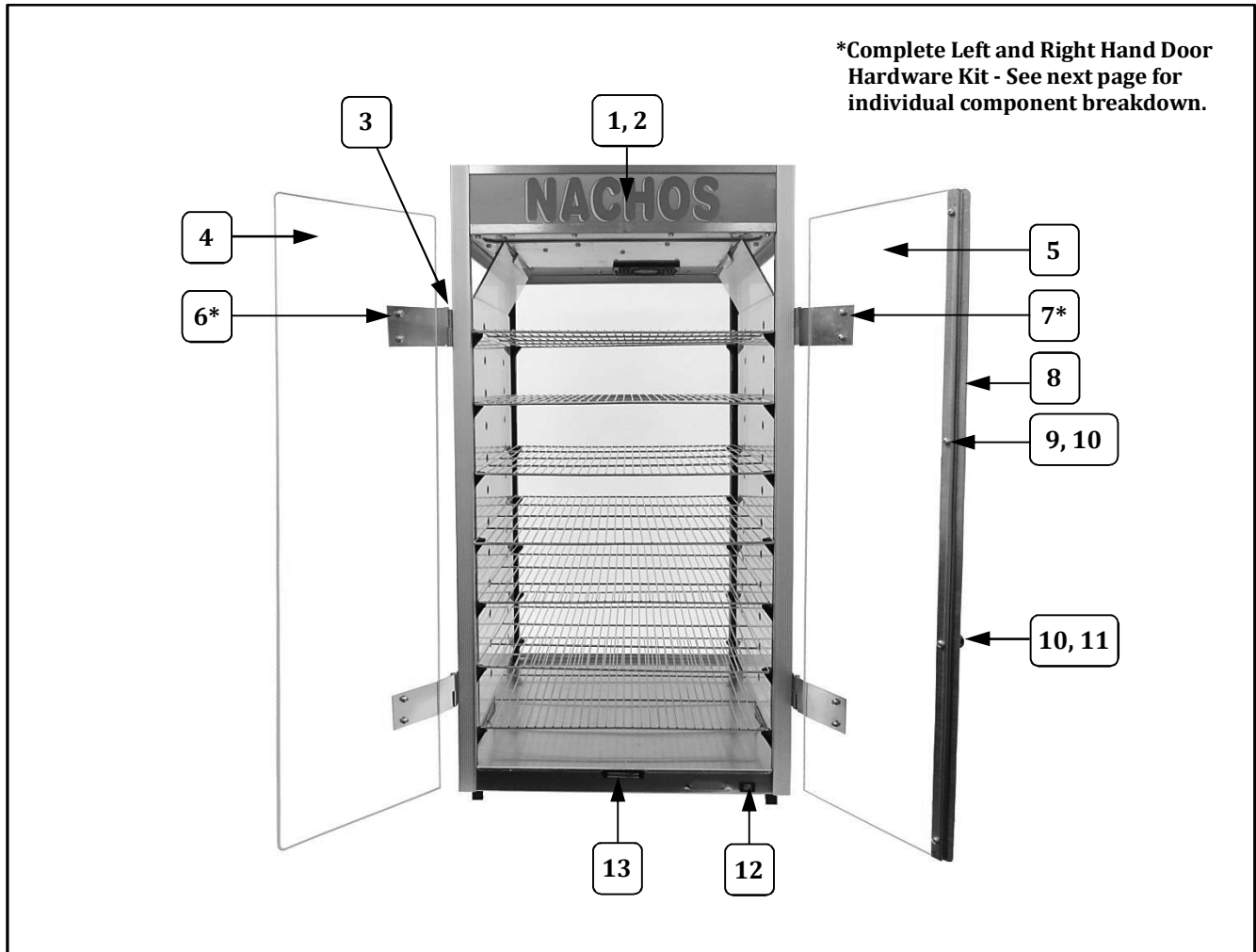
Cabinet Exterior – Front View



| Item | Parts Description | Qty. | Part Number | | | |
|------|--|------|-------------|--------|--------|--------|
| | | | 5588 | 5888 | 5588EX | 5888EX |
| 1 | NACHOS SIGN | 1 | 74179 | | 74179 | |
| | HOT AND FRESH SIGN | 1 | | 74912 | | 74912 |
| 2 | SIGN COVER | 1 | 74181 | 74181 | 74181 | 74181 |
| 3 | 8-32 X 3/8 SLT. HWH M/S (Frame Hinge Screws not included in Door Hardware Kit) | 8 | 42044 | 42044 | 42044 | 42044 |
| 4 | LEFT DOOR | 1 | 74961 | 74961 | 74961 | 74961 |
| 5 | RIGHT DOOR | 1 | 74961R | 74961R | 74961R | 74961R |
| 6* | COMPLETE LH DOOR HARDWARE KIT * | 1 | 47054 | 47054 | 47054 | 47054 |
| 7* | COMPLETE RH DOOR HARDWARE KIT * | 1 | 47055 | 47055 | 47055 | 47055 |
| 8 | DOOR SUPPORT | 1 | 74673 | 74673 | 74673 | 74673 |
| 9 | 8-32 ACORN NUT | 3 | 47702 | 47702 | 47702 | 47702 |
| 10 | 8-32 X 1/2 PH PAN | 4 | 47124 | 47124 | 47124 | 47124 |
| 11 | KNOB LID LIFT | 1 | 47120 | 47120 | 47120 | 47120 |
| 12 | DPST ROCKER SWITCH | 1 | 42532 | 42532 | 42532 | 42532 |
| 12 | MAGNETIC CATCH | 1 | 47561 | 47561 | 47561 | 47561 |



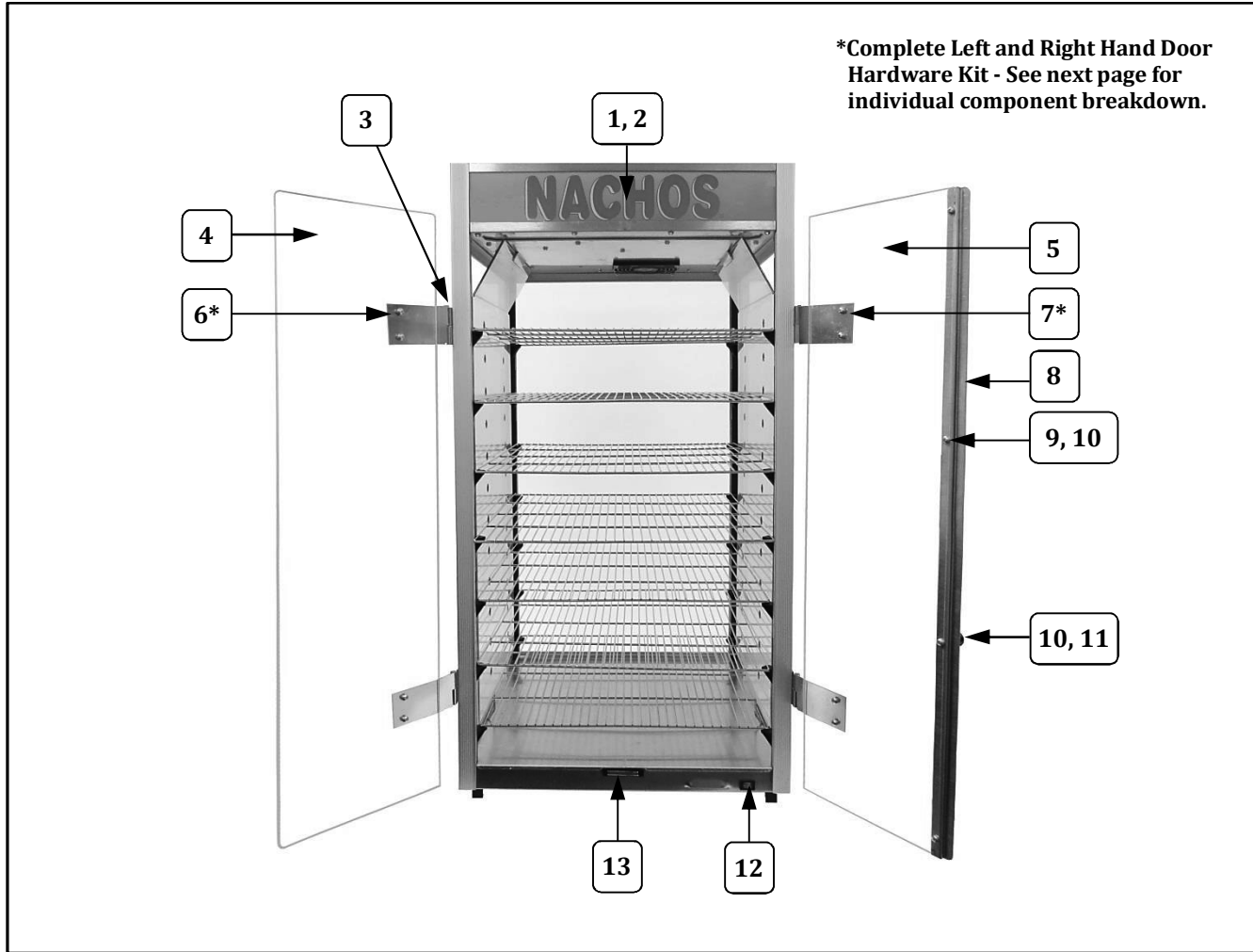
Cabinet Exterior – Front View



| Item | Parts Description | Qty. | Part Number | | | |
|------|--|------|-------------|--------|--------|--------|
| | | | 5588 | 5888 | 5588EX | 5888EX |
| 1 | NACHOS SIGN | 1 | 74179 | | 74179 | |
| | HOT AND FRESH SIGN | 1 | | 74912 | | 74912 |
| 2 | SIGN COVER | 1 | 74181 | 74181 | 74181 | 74181 |
| 3 | 8-32 X 3/8 SLT. HWH M/S (Frame Hinge Screws not included in Door Hardware Kit) | 8 | 42044 | 42044 | 42044 | 42044 |
| 4 | LEFT DOOR | 1 | 74961 | 74961 | 74961 | 74961 |
| 5 | RIGHT DOOR | 1 | 74961R | 74961R | 74961R | 74961R |
| 6* | COMPLETE LH DOOR HARDWARE KIT * | 1 | 47054 | 47054 | 47054 | 47054 |
| 7* | COMPLETE RH DOOR HARDWARE KIT * | 1 | 47055 | 47055 | 47055 | 47055 |
| 8 | DOOR SUPPORT | 1 | 74673 | 74673 | 74673 | 74673 |
| 9 | 8-32 ACORN NUT | 3 | 47702 | 47702 | 47702 | 47702 |
| 10 | 8-32 X 1/2 PH PAN | 4 | 47124 | 47124 | 47124 | 47124 |
| 11 | KNOB LID LIFT | 1 | 47120 | 47120 | 47120 | 47120 |
| 12 | DPST ROCKER SWITCH | 1 | 42532 | 42532 | 42532 | 42532 |
| 12 | MAGNETIC CATCH | 1 | 47561 | 47561 | 47561 | 47561 |



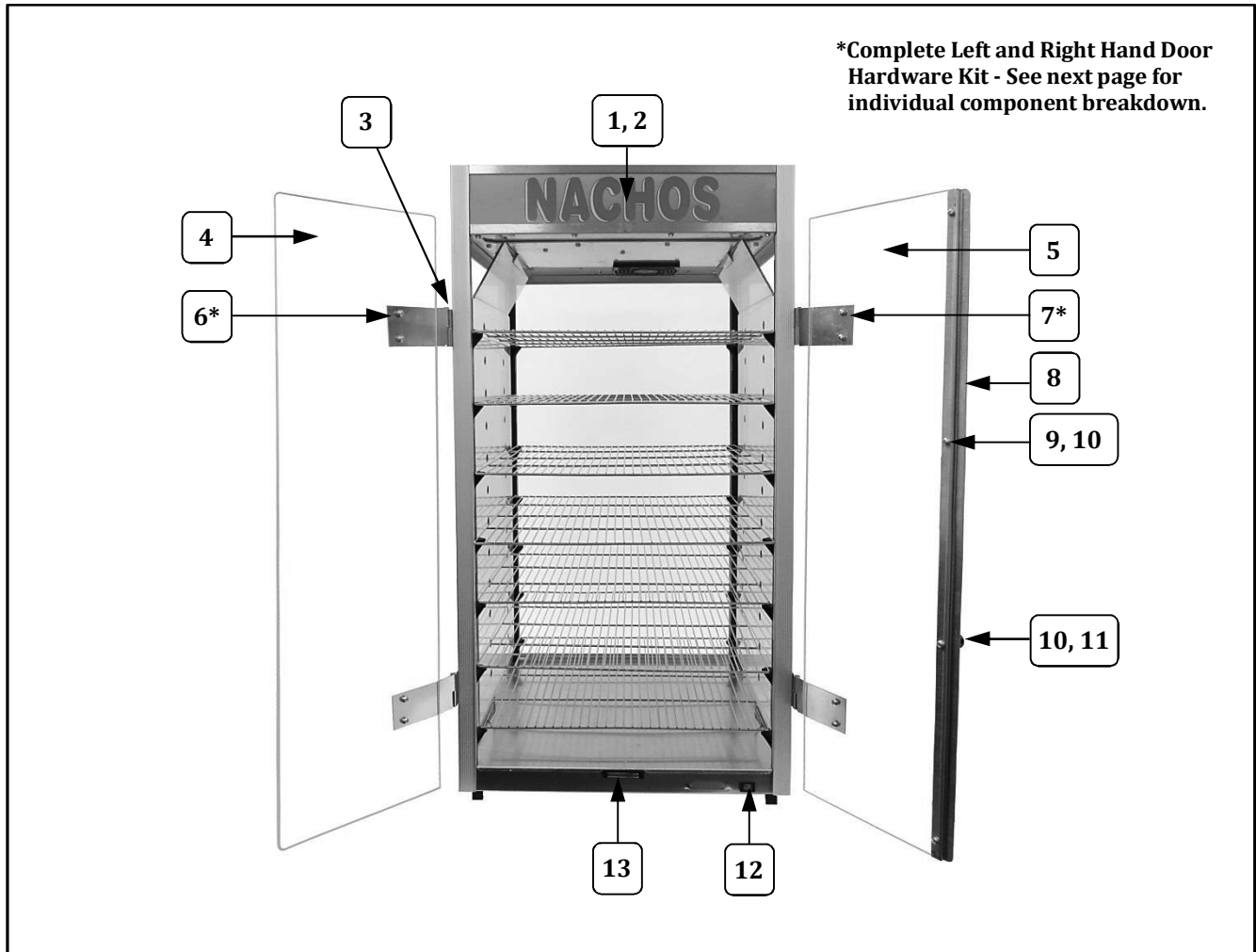
Cabinet Exterior – Front View



| Item | Parts Description | Qty. | Part Number | | | |
|------|--|------|-------------|--------|--------|--------|
| | | | 5588 | 5888 | 5588EX | 5888EX |
| 1 | NACHOS SIGN | 1 | 74179 | | 74179 | |
| | HOT AND FRESH SIGN | 1 | | 74912 | | 74912 |
| 2 | SIGN COVER | 1 | 74181 | 74181 | 74181 | 74181 |
| 3 | 8-32 X 3/8 SLT. HWH M/S (Frame Hinge Screws not included in Door Hardware Kit) | 8 | 42044 | 42044 | 42044 | 42044 |
| 4 | LEFT DOOR | 1 | 74961 | 74961 | 74961 | 74961 |
| 5 | RIGHT DOOR | 1 | 74961R | 74961R | 74961R | 74961R |
| 6* | COMPLETE LH DOOR HARDWARE KIT * | 1 | 47054 | 47054 | 47054 | 47054 |
| 7* | COMPLETE RH DOOR HARDWARE KIT * | 1 | 47055 | 47055 | 47055 | 47055 |
| 8 | DOOR SUPPORT | 1 | 74673 | 74673 | 74673 | 74673 |
| 9 | 8-32 ACORN NUT | 3 | 47702 | 47702 | 47702 | 47702 |
| 10 | 8-32 X 1/2 PH PAN | 4 | 47124 | 47124 | 47124 | 47124 |
| 11 | KNOB LID LIFT | 1 | 47120 | 47120 | 47120 | 47120 |
| 12 | DPST ROCKER SWITCH | 1 | 42532 | 42532 | 42532 | 42532 |
| 12 | MAGNETIC CATCH | 1 | 47561 | 47561 | 47561 | 47561 |



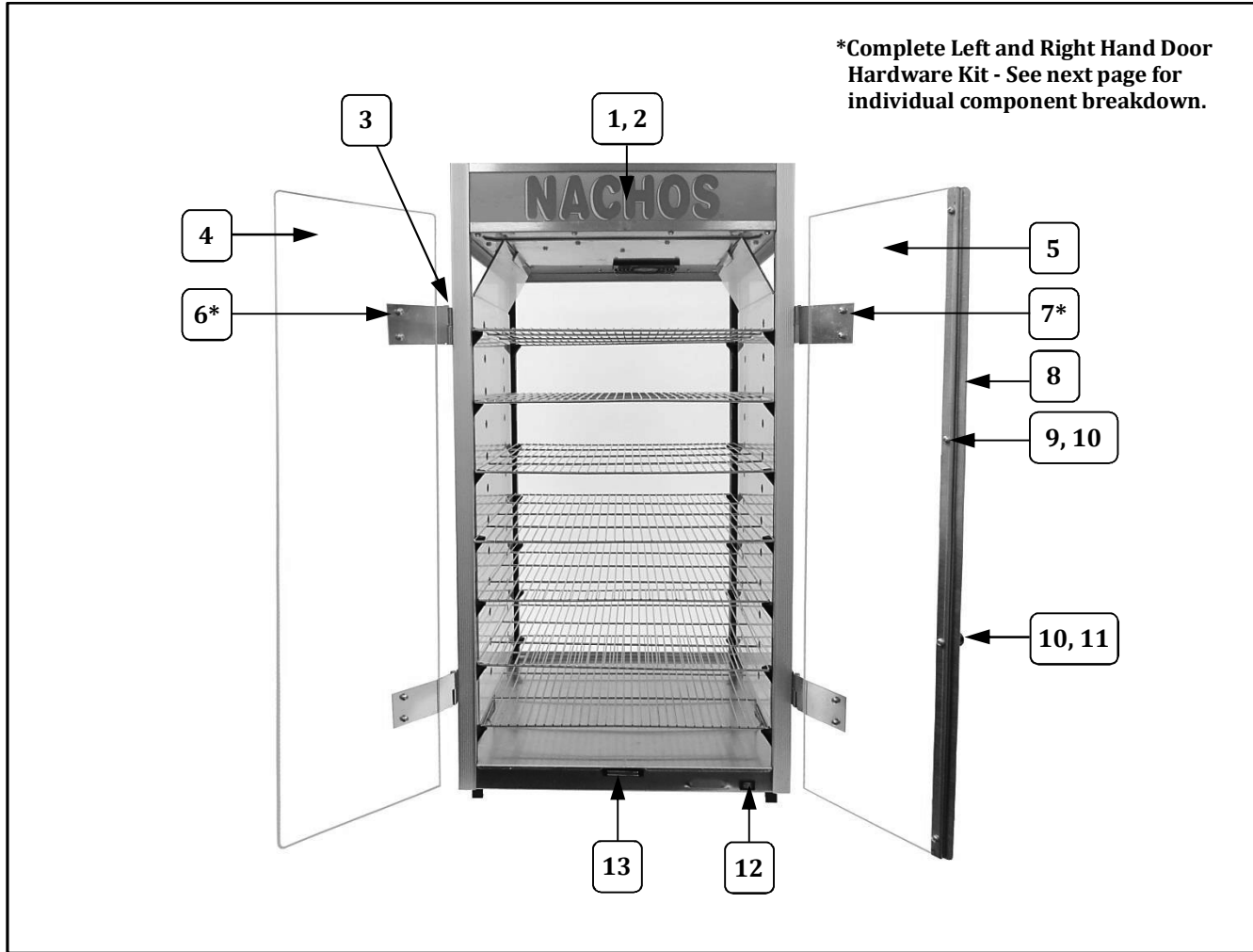
Cabinet Exterior – Front View



| Item | Parts Description | Qty. | Part Number | | | |
|------|--|------|-------------|--------|--------|--------|
| | | | 5588 | 5888 | 5588EX | 5888EX |
| 1 | NACHOS SIGN | 1 | 74179 | | 74179 | |
| | HOT AND FRESH SIGN | 1 | | 74912 | | 74912 |
| 2 | SIGN COVER | 1 | 74181 | 74181 | 74181 | 74181 |
| 3 | 8-32 X 3/8 SLT. HWH M/S (Frame Hinge Screws not included in Door Hardware Kit) | 8 | 42044 | 42044 | 42044 | 42044 |
| 4 | LEFT DOOR | 1 | 74961 | 74961 | 74961 | 74961 |
| 5 | RIGHT DOOR | 1 | 74961R | 74961R | 74961R | 74961R |
| 6* | COMPLETE LH DOOR HARDWARE KIT * | 1 | 47054 | 47054 | 47054 | 47054 |
| 7* | COMPLETE RH DOOR HARDWARE KIT * | 1 | 47055 | 47055 | 47055 | 47055 |
| 8 | DOOR SUPPORT | 1 | 74673 | 74673 | 74673 | 74673 |
| 9 | 8-32 ACORN NUT | 3 | 47702 | 47702 | 47702 | 47702 |
| 10 | 8-32 X 1/2 PH PAN | 4 | 47124 | 47124 | 47124 | 47124 |
| 11 | KNOB LID LIFT | 1 | 47120 | 47120 | 47120 | 47120 |
| 12 | DPST ROCKER SWITCH | 1 | 42532 | 42532 | 42532 | 42532 |
| 12 | MAGNETIC CATCH | 1 | 47561 | 47561 | 47561 | 47561 |



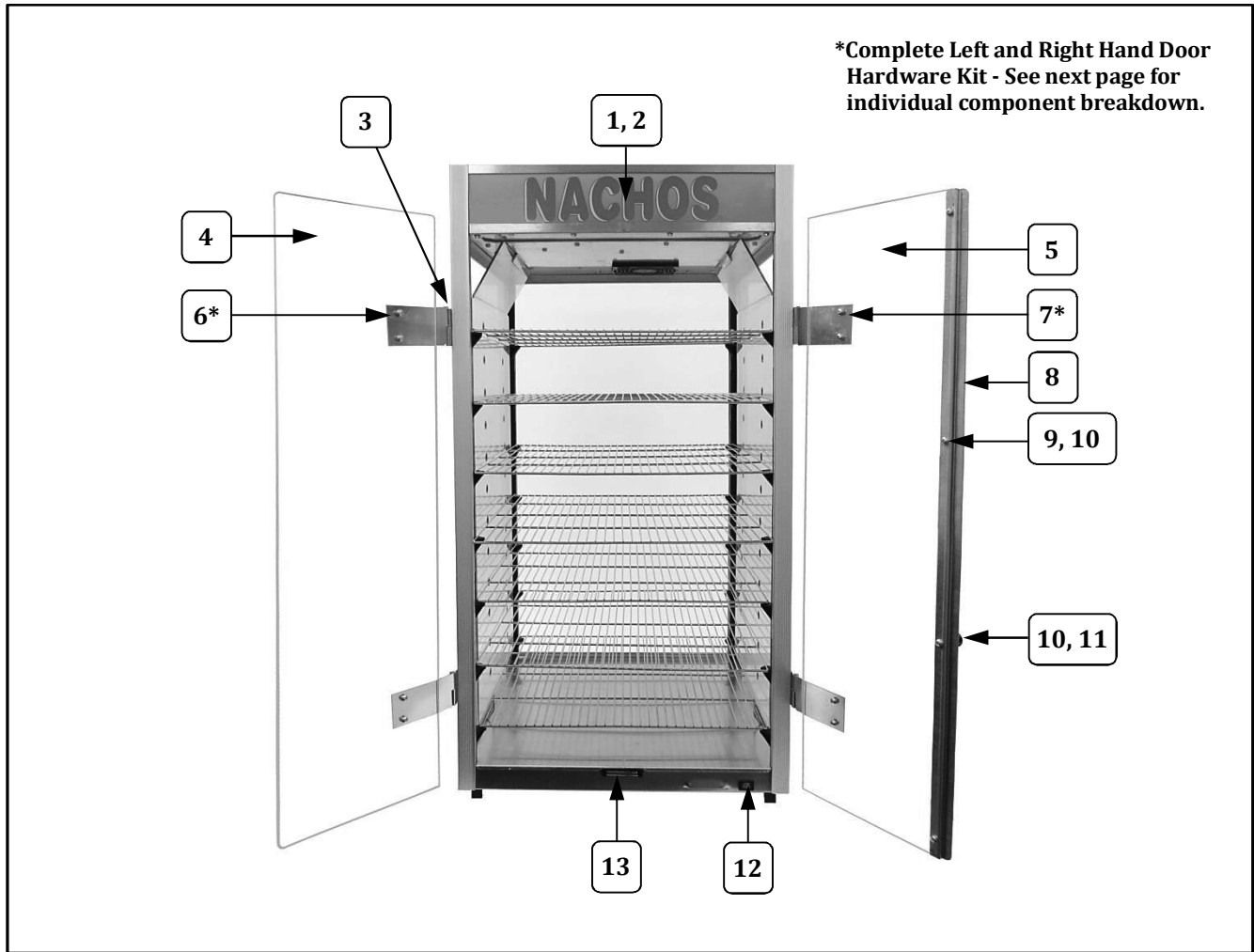
Cabinet Exterior – Front View



| Item | Parts Description | Qty. | Part Number | | | |
|------|--|------|-------------|--------|--------|--------|
| | | | 5588 | 5888 | 5588EX | 5888EX |
| 1 | NACHOS SIGN | 1 | 74179 | | 74179 | |
| | HOT AND FRESH SIGN | 1 | | 74912 | | 74912 |
| 2 | SIGN COVER | 1 | 74181 | 74181 | 74181 | 74181 |
| 3 | 8-32 X 3/8 SLT. HWH M/S (Frame Hinge Screws not included in Door Hardware Kit) | 8 | 42044 | 42044 | 42044 | 42044 |
| 4 | LEFT DOOR | 1 | 74961 | 74961 | 74961 | 74961 |
| 5 | RIGHT DOOR | 1 | 74961R | 74961R | 74961R | 74961R |
| 6* | COMPLETE LH DOOR HARDWARE KIT * | 1 | 47054 | 47054 | 47054 | 47054 |
| 7* | COMPLETE RH DOOR HARDWARE KIT * | 1 | 47055 | 47055 | 47055 | 47055 |
| 8 | DOOR SUPPORT | 1 | 74673 | 74673 | 74673 | 74673 |
| 9 | 8-32 ACORN NUT | 3 | 47702 | 47702 | 47702 | 47702 |
| 10 | 8-32 X 1/2 PH PAN | 4 | 47124 | 47124 | 47124 | 47124 |
| 11 | KNOB LID LIFT | 1 | 47120 | 47120 | 47120 | 47120 |
| 12 | DPST ROCKER SWITCH | 1 | 42532 | 42532 | 42532 | 42532 |
| 12 | MAGNETIC CATCH | 1 | 47561 | 47561 | 47561 | 47561 |

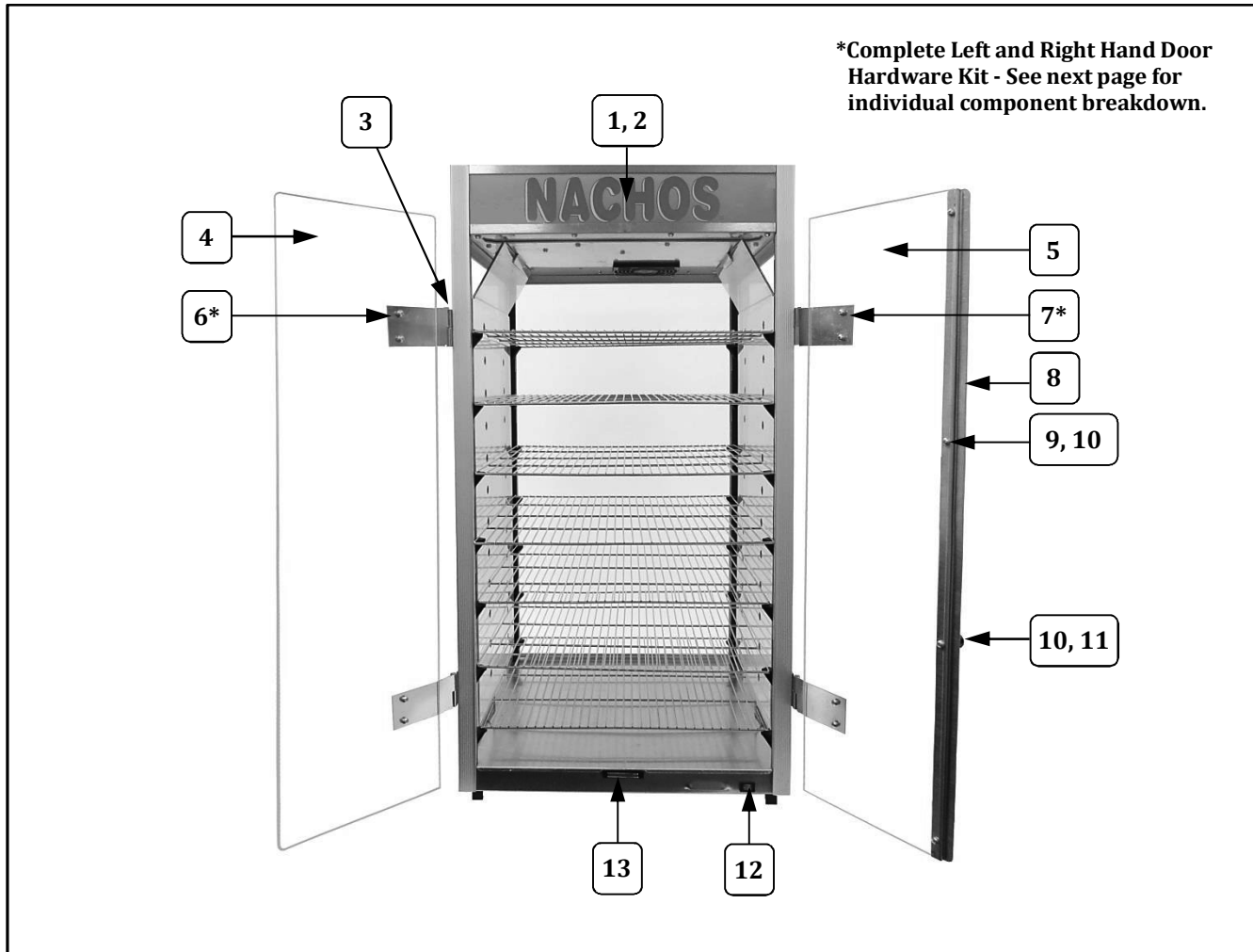


Cabinet Exterior – Front View



| Item | Parts Description | Qty. | Part Number | | | |
|------|--|------|-------------|--------|--------|--------|
| | | | 5588 | 5888 | 5588EX | 5888EX |
| 1 | NACHOS SIGN | 1 | 74179 | | 74179 | |
| | HOT AND FRESH SIGN | 1 | | 74912 | | 74912 |
| 2 | SIGN COVER | 1 | 74181 | 74181 | 74181 | 74181 |
| 3 | 8-32 X 3/8 SLT. HWH M/S (Frame Hinge Screws not included in Door Hardware Kit) | 8 | 42044 | 42044 | 42044 | 42044 |
| 4 | LEFT DOOR | 1 | 74961 | 74961 | 74961 | 74961 |
| 5 | RIGHT DOOR | 1 | 74961R | 74961R | 74961R | 74961R |
| 6* | COMPLETE LH DOOR HARDWARE KIT * | 1 | 47054 | 47054 | 47054 | 47054 |
| 7* | COMPLETE RH DOOR HARDWARE KIT * | 1 | 47055 | 47055 | 47055 | 47055 |
| 8 | DOOR SUPPORT | 1 | 74673 | 74673 | 74673 | 74673 |
| 9 | 8-32 ACORN NUT | 3 | 47702 | 47702 | 47702 | 47702 |
| 10 | 8-32 X 1/2 PH PAN | 4 | 47124 | 47124 | 47124 | 47124 |
| 11 | KNOB LID LIFT | 1 | 47120 | 47120 | 47120 | 47120 |
| 12 | DPST ROCKER SWITCH | 1 | 42532 | 42532 | 42532 | 42532 |
| 12 | MAGNETIC CATCH | 1 | 47561 | 47561 | 47561 | 47561 |

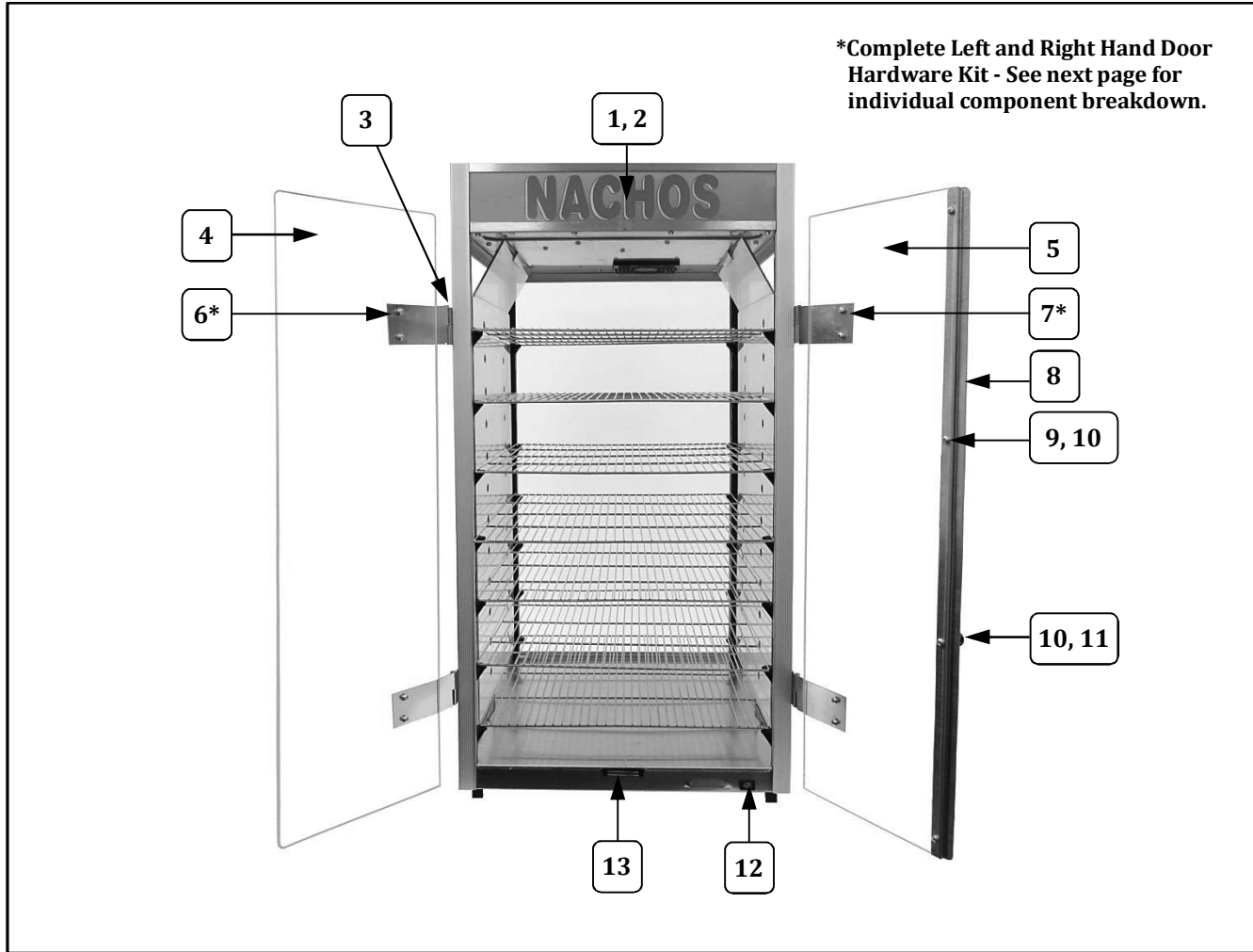
Cabinet Exterior – Front View



| Item | Parts Description | Qty. | Part Number | | | |
|------|--|------|-------------|--------|--------|--------|
| | | | 5588 | 5888 | 5588EX | 5888EX |
| 1 | NACHOS SIGN | 1 | 74179 | | 74179 | |
| | HOT AND FRESH SIGN | 1 | | 74912 | | 74912 |
| 2 | SIGN COVER | 1 | 74181 | 74181 | 74181 | 74181 |
| 3 | 8-32 X 3/8 SLT. HWH M/S (Frame Hinge Screws not included in Door Hardware Kit) | 8 | 42044 | 42044 | 42044 | 42044 |
| 4 | LEFT DOOR | 1 | 74961 | 74961 | 74961 | 74961 |
| 5 | RIGHT DOOR | 1 | 74961R | 74961R | 74961R | 74961R |
| 6* | COMPLETE LH DOOR HARDWARE KIT * | 1 | 47054 | 47054 | 47054 | 47054 |
| 7* | COMPLETE RH DOOR HARDWARE KIT * | 1 | 47055 | 47055 | 47055 | 47055 |
| 8 | DOOR SUPPORT | 1 | 74673 | 74673 | 74673 | 74673 |
| 9 | 8-32 ACORN NUT | 3 | 47702 | 47702 | 47702 | 47702 |
| 10 | 8-32 X 1/2 PH PAN | 4 | 47124 | 47124 | 47124 | 47124 |
| 11 | KNOB LID LIFT | 1 | 47120 | 47120 | 47120 | 47120 |
| 12 | DPST ROCKER SWITCH | 1 | 42532 | 42532 | 42532 | 42532 |
| 12 | MAGNETIC CATCH | 1 | 47561 | 47561 | 47561 | 47561 |



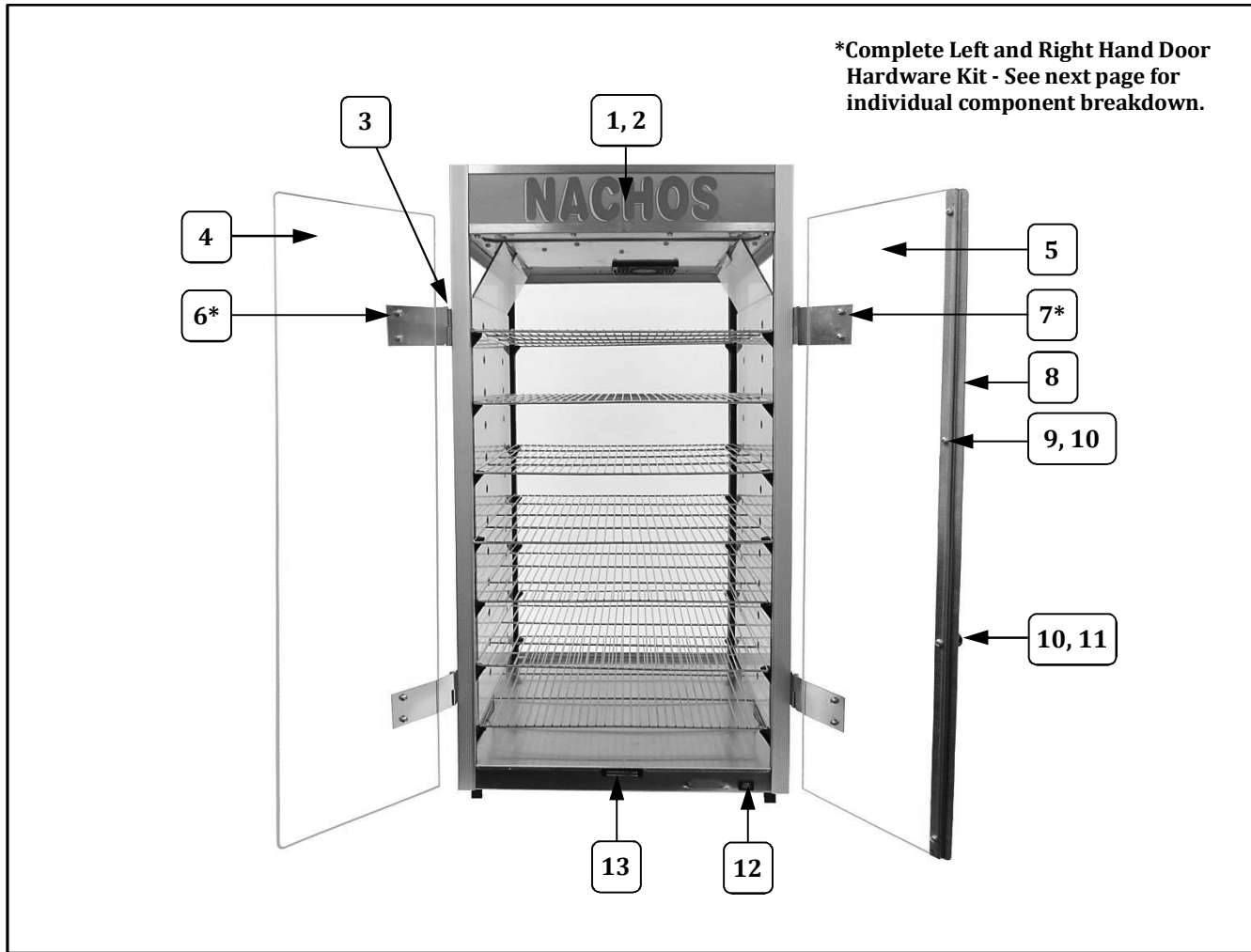
Cabinet Exterior – Front View



| Item | Parts Description | Qty. | Part Number | | | |
|------|--|------|-------------|--------|--------|--------|
| | | | 5588 | 5888 | 5588EX | 5888EX |
| 1 | NACHOS SIGN | 1 | 74179 | | 74179 | |
| | HOT AND FRESH SIGN | 1 | | 74912 | | 74912 |
| 2 | SIGN COVER | 1 | 74181 | 74181 | 74181 | 74181 |
| 3 | 8-32 X 3/8 SLT. HWH M/S (Frame Hinge Screws not included in Door Hardware Kit) | 8 | 42044 | 42044 | 42044 | 42044 |
| 4 | LEFT DOOR | 1 | 74961 | 74961 | 74961 | 74961 |
| 5 | RIGHT DOOR | 1 | 74961R | 74961R | 74961R | 74961R |
| 6* | COMPLETE LH DOOR HARDWARE KIT * | 1 | 47054 | 47054 | 47054 | 47054 |
| 7* | COMPLETE RH DOOR HARDWARE KIT * | 1 | 47055 | 47055 | 47055 | 47055 |
| 8 | DOOR SUPPORT | 1 | 74673 | 74673 | 74673 | 74673 |
| 9 | 8-32 ACORN NUT | 3 | 47702 | 47702 | 47702 | 47702 |
| 10 | 8-32 X 1/2 PH PAN | 4 | 47124 | 47124 | 47124 | 47124 |
| 11 | KNOB LID LIFT | 1 | 47120 | 47120 | 47120 | 47120 |
| 12 | DPST ROCKER SWITCH | 1 | 42532 | 42532 | 42532 | 42532 |
| 12 | MAGNETIC CATCH | 1 | 47561 | 47561 | 47561 | 47561 |



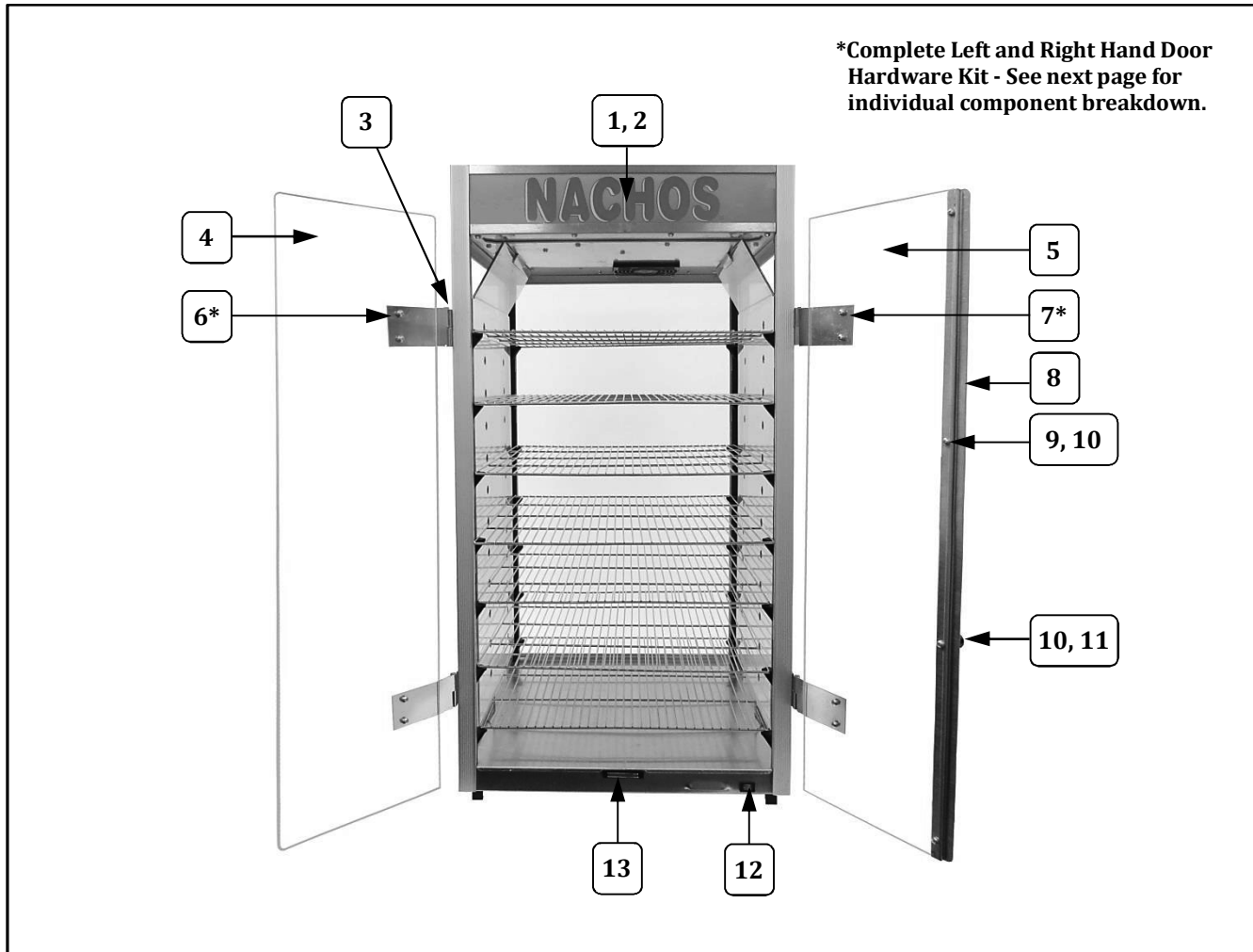
Cabinet Exterior – Front View



| Item | Parts Description | Qty. | Part Number | | | |
|------|--|------|-------------|--------|--------|--------|
| | | | 5588 | 5888 | 5588EX | 5888EX |
| 1 | NACHOS SIGN | 1 | 74179 | | 74179 | |
| | HOT AND FRESH SIGN | 1 | | 74912 | | 74912 |
| 2 | SIGN COVER | 1 | 74181 | 74181 | 74181 | 74181 |
| 3 | 8-32 X 3/8 SLT. HWH M/S (Frame Hinge Screws not included in Door Hardware Kit) | 8 | 42044 | 42044 | 42044 | 42044 |
| 4 | LEFT DOOR | 1 | 74961 | 74961 | 74961 | 74961 |
| 5 | RIGHT DOOR | 1 | 74961R | 74961R | 74961R | 74961R |
| 6* | COMPLETE LH DOOR HARDWARE KIT * | 1 | 47054 | 47054 | 47054 | 47054 |
| 7* | COMPLETE RH DOOR HARDWARE KIT * | 1 | 47055 | 47055 | 47055 | 47055 |
| 8 | DOOR SUPPORT | 1 | 74673 | 74673 | 74673 | 74673 |
| 9 | 8-32 ACORN NUT | 3 | 47702 | 47702 | 47702 | 47702 |
| 10 | 8-32 X 1/2 PH PAN | 4 | 47124 | 47124 | 47124 | 47124 |
| 11 | KNOB LID LIFT | 1 | 47120 | 47120 | 47120 | 47120 |
| 12 | DPST ROCKER SWITCH | 1 | 42532 | 42532 | 42532 | 42532 |
| 12 | MAGNETIC CATCH | 1 | 47561 | 47561 | 47561 | 47561 |



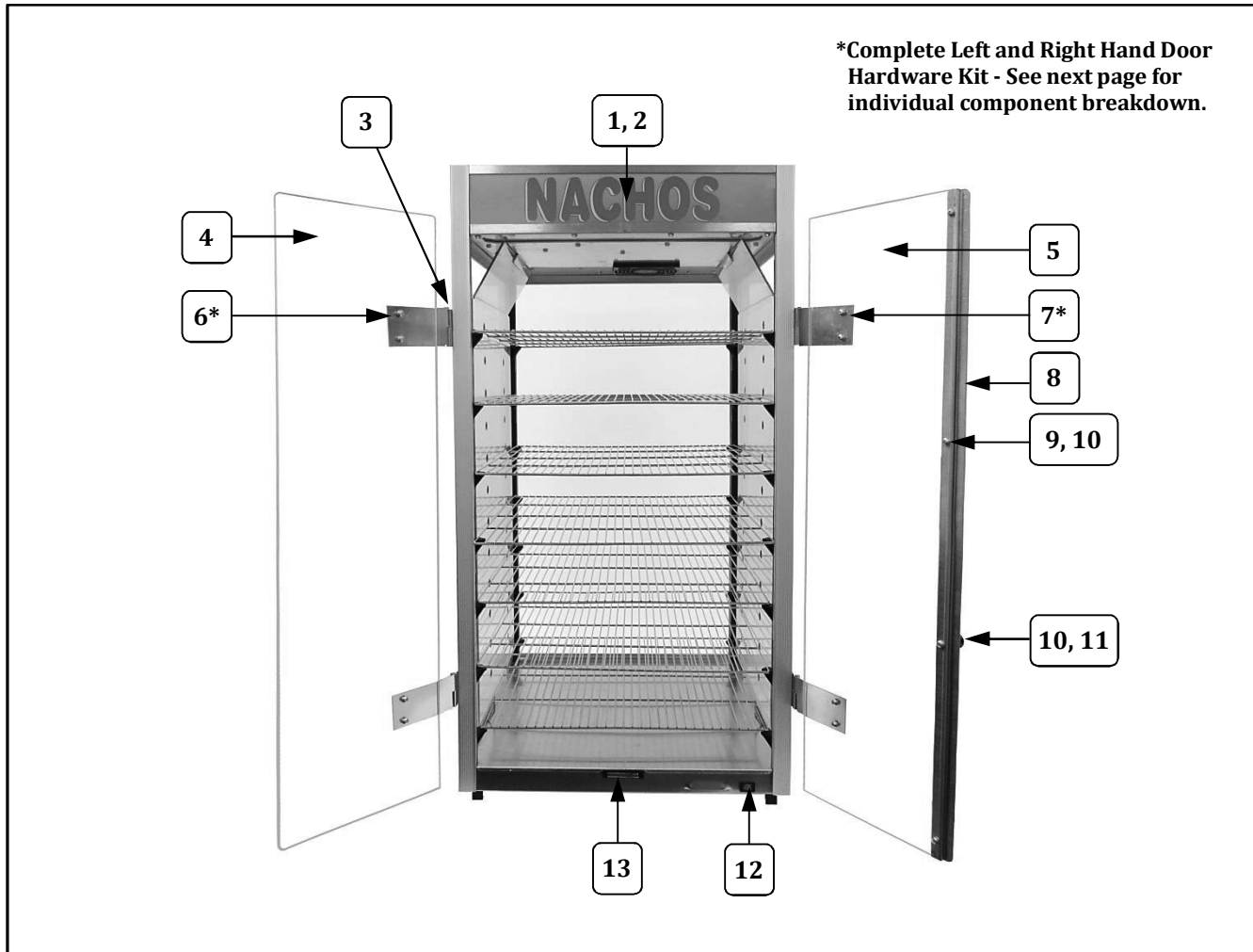
Cabinet Exterior – Front View



| Item | Parts Description | Qty. | Part Number | | | |
|------|--|------|-------------|--------|--------|--------|
| | | | 5588 | 5888 | 5588EX | 5888EX |
| 1 | NACHOS SIGN | 1 | 74179 | | 74179 | |
| | HOT AND FRESH SIGN | 1 | | 74912 | | 74912 |
| 2 | SIGN COVER | 1 | 74181 | 74181 | 74181 | 74181 |
| 3 | 8-32 X 3/8 SLT. HWH M/S (Frame Hinge Screws not included in Door Hardware Kit) | 8 | 42044 | 42044 | 42044 | 42044 |
| 4 | LEFT DOOR | 1 | 74961 | 74961 | 74961 | 74961 |
| 5 | RIGHT DOOR | 1 | 74961R | 74961R | 74961R | 74961R |
| 6* | COMPLETE LH DOOR HARDWARE KIT * | 1 | 47054 | 47054 | 47054 | 47054 |
| 7* | COMPLETE RH DOOR HARDWARE KIT * | 1 | 47055 | 47055 | 47055 | 47055 |
| 8 | DOOR SUPPORT | 1 | 74673 | 74673 | 74673 | 74673 |
| 9 | 8-32 ACORN NUT | 3 | 47702 | 47702 | 47702 | 47702 |
| 10 | 8-32 X 1/2 PH PAN | 4 | 47124 | 47124 | 47124 | 47124 |
| 11 | KNOB LID LIFT | 1 | 47120 | 47120 | 47120 | 47120 |
| 12 | DPST ROCKER SWITCH | 1 | 42532 | 42532 | 42532 | 42532 |
| 12 | MAGNETIC CATCH | 1 | 47561 | 47561 | 47561 | 47561 |



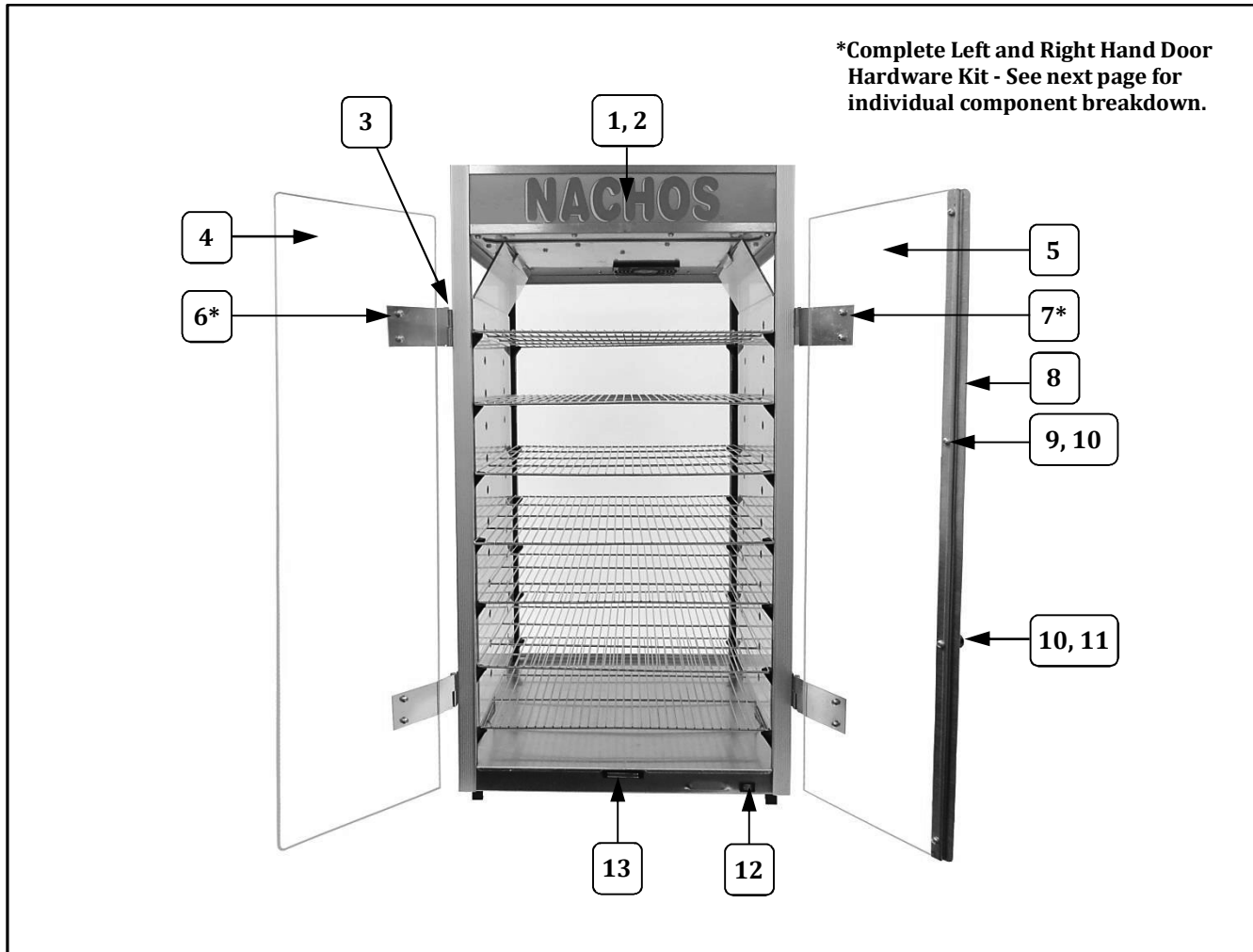
Cabinet Exterior – Front View



| Item | Parts Description | Qty. | Part Number | | | |
|------|--|------|-------------|--------|--------|--------|
| | | | 5588 | 5888 | 5588EX | 5888EX |
| 1 | NACHOS SIGN | 1 | 74179 | | 74179 | |
| | HOT AND FRESH SIGN | 1 | | 74912 | | 74912 |
| 2 | SIGN COVER | 1 | 74181 | 74181 | 74181 | 74181 |
| 3 | 8-32 X 3/8 SLT. HWH M/S (Frame Hinge Screws not included in Door Hardware Kit) | 8 | 42044 | 42044 | 42044 | 42044 |
| 4 | LEFT DOOR | 1 | 74961 | 74961 | 74961 | 74961 |
| 5 | RIGHT DOOR | 1 | 74961R | 74961R | 74961R | 74961R |
| 6* | COMPLETE LH DOOR HARDWARE KIT * | 1 | 47054 | 47054 | 47054 | 47054 |
| 7* | COMPLETE RH DOOR HARDWARE KIT * | 1 | 47055 | 47055 | 47055 | 47055 |
| 8 | DOOR SUPPORT | 1 | 74673 | 74673 | 74673 | 74673 |
| 9 | 8-32 ACORN NUT | 3 | 47702 | 47702 | 47702 | 47702 |
| 10 | 8-32 X 1/2 PH PAN | 4 | 47124 | 47124 | 47124 | 47124 |
| 11 | KNOB LID LIFT | 1 | 47120 | 47120 | 47120 | 47120 |
| 12 | DPST ROCKER SWITCH | 1 | 42532 | 42532 | 42532 | 42532 |
| 12 | MAGNETIC CATCH | 1 | 47561 | 47561 | 47561 | 47561 |



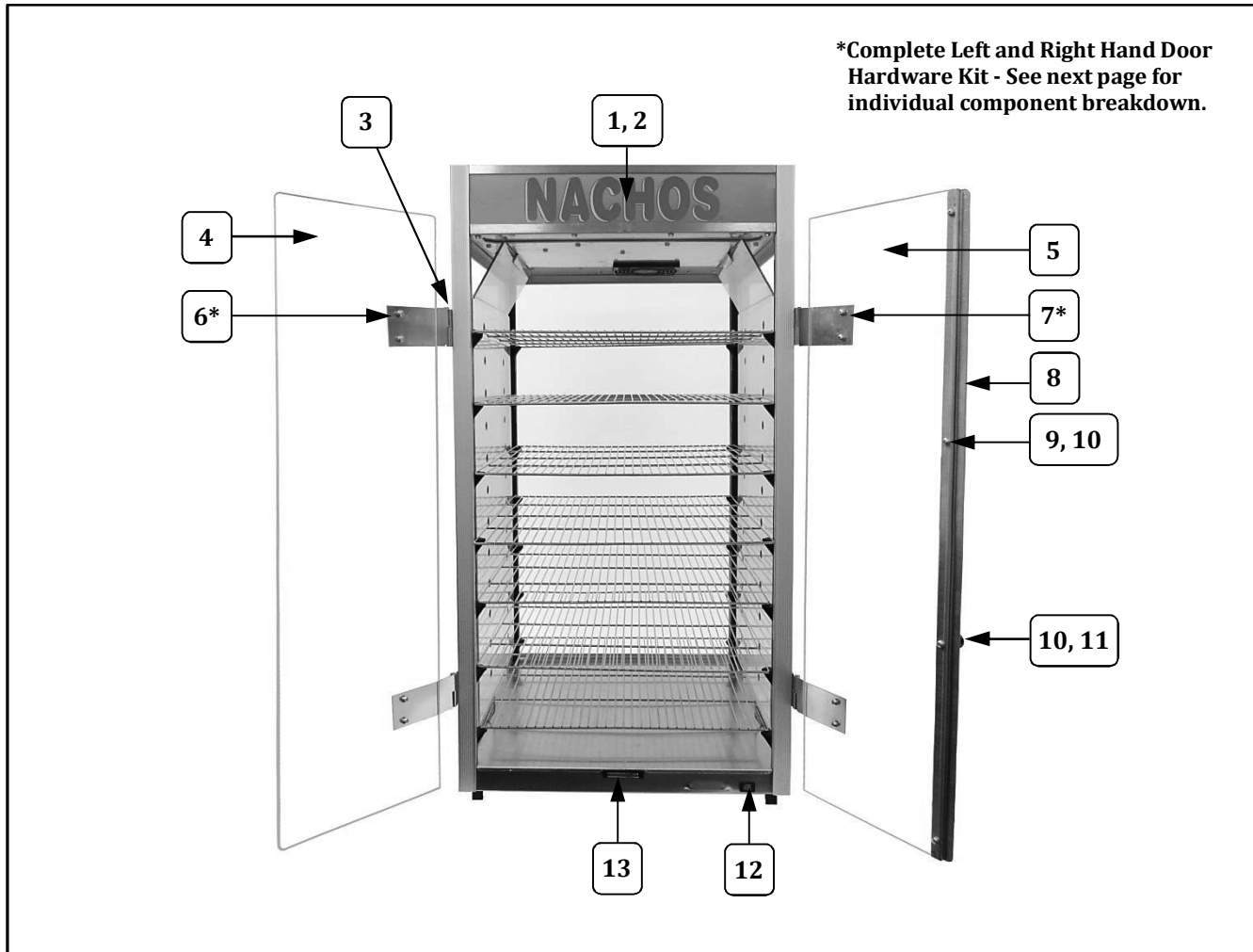
Cabinet Exterior – Front View



| Item | Parts Description | Qty. | Part Number | | | |
|------|--|------|-------------|--------|--------|--------|
| | | | 5588 | 5888 | 5588EX | 5888EX |
| 1 | NACHOS SIGN | 1 | 74179 | | 74179 | |
| | HOT AND FRESH SIGN | 1 | | 74912 | | 74912 |
| 2 | SIGN COVER | 1 | 74181 | 74181 | 74181 | 74181 |
| 3 | 8-32 X 3/8 SLT. HWH M/S (Frame Hinge Screws not included in Door Hardware Kit) | 8 | 42044 | 42044 | 42044 | 42044 |
| 4 | LEFT DOOR | 1 | 74961 | 74961 | 74961 | 74961 |
| 5 | RIGHT DOOR | 1 | 74961R | 74961R | 74961R | 74961R |
| 6* | COMPLETE LH DOOR HARDWARE KIT * | 1 | 47054 | 47054 | 47054 | 47054 |
| 7* | COMPLETE RH DOOR HARDWARE KIT * | 1 | 47055 | 47055 | 47055 | 47055 |
| 8 | DOOR SUPPORT | 1 | 74673 | 74673 | 74673 | 74673 |
| 9 | 8-32 ACORN NUT | 3 | 47702 | 47702 | 47702 | 47702 |
| 10 | 8-32 X 1/2 PH PAN | 4 | 47124 | 47124 | 47124 | 47124 |
| 11 | KNOB LID LIFT | 1 | 47120 | 47120 | 47120 | 47120 |
| 12 | DPST ROCKER SWITCH | 1 | 42532 | 42532 | 42532 | 42532 |
| 12 | MAGNETIC CATCH | 1 | 47561 | 47561 | 47561 | 47561 |



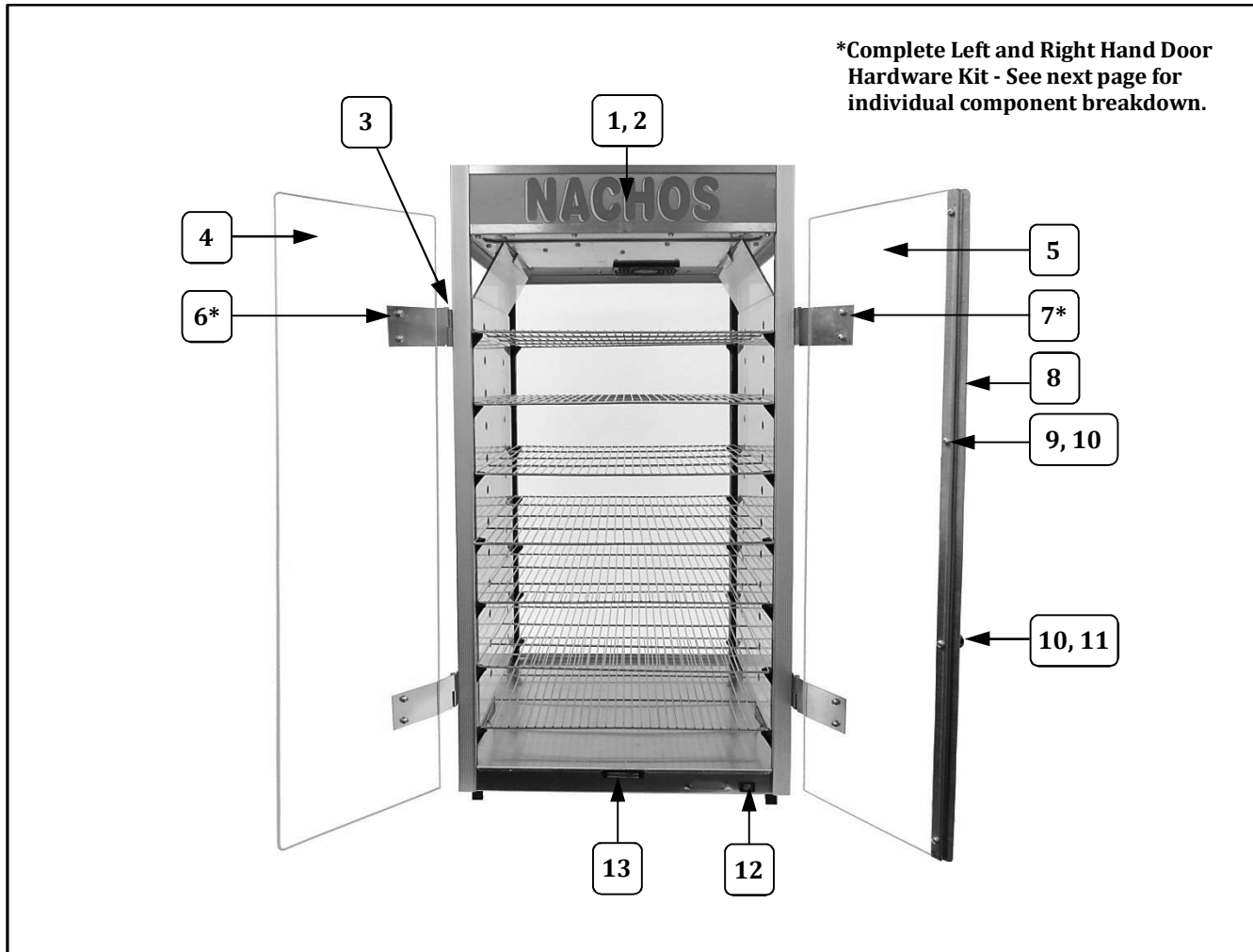
Cabinet Exterior – Front View



| Item | Parts Description | Qty. | Part Number | | | |
|------|--|------|-------------|--------|--------|--------|
| | | | 5588 | 5888 | 5588EX | 5888EX |
| 1 | NACHOS SIGN | 1 | 74179 | | 74179 | |
| | HOT AND FRESH SIGN | 1 | | 74912 | | 74912 |
| 2 | SIGN COVER | 1 | 74181 | 74181 | 74181 | 74181 |
| 3 | 8-32 X 3/8 SLT. HWH M/S (Frame Hinge Screws not included in Door Hardware Kit) | 8 | 42044 | 42044 | 42044 | 42044 |
| 4 | LEFT DOOR | 1 | 74961 | 74961 | 74961 | 74961 |
| 5 | RIGHT DOOR | 1 | 74961R | 74961R | 74961R | 74961R |
| 6* | COMPLETE LH DOOR HARDWARE KIT * | 1 | 47054 | 47054 | 47054 | 47054 |
| 7* | COMPLETE RH DOOR HARDWARE KIT * | 1 | 47055 | 47055 | 47055 | 47055 |
| 8 | DOOR SUPPORT | 1 | 74673 | 74673 | 74673 | 74673 |
| 9 | 8-32 ACORN NUT | 3 | 47702 | 47702 | 47702 | 47702 |
| 10 | 8-32 X 1/2 PH PAN | 4 | 47124 | 47124 | 47124 | 47124 |
| 11 | KNOB LID LIFT | 1 | 47120 | 47120 | 47120 | 47120 |
| 12 | DPST ROCKER SWITCH | 1 | 42532 | 42532 | 42532 | 42532 |
| 12 | MAGNETIC CATCH | 1 | 47561 | 47561 | 47561 | 47561 |



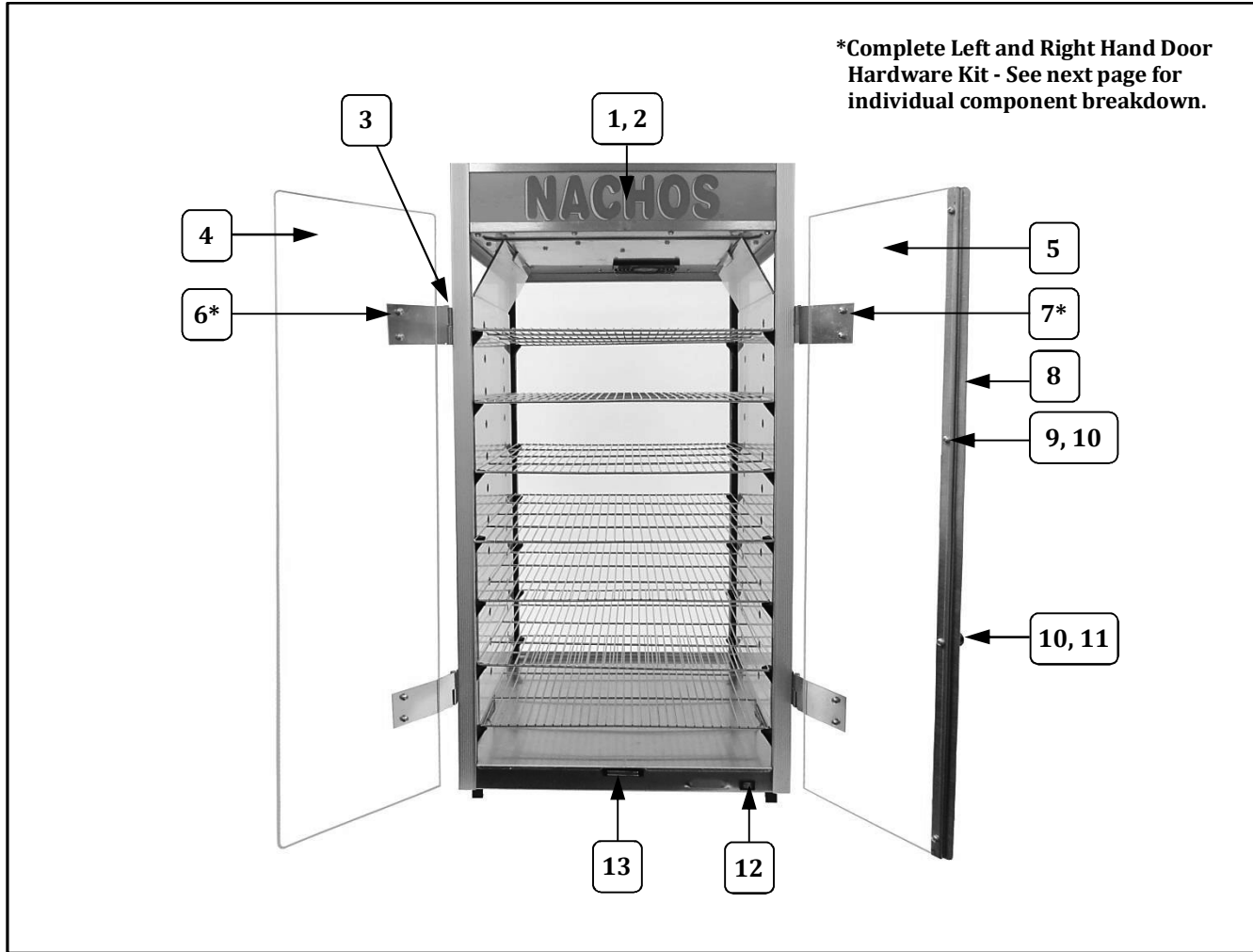
Cabinet Exterior – Front View



| Item | Parts Description | Qty. | Part Number | | | |
|------|--|------|-------------|--------|--------|--------|
| | | | 5588 | 5888 | 5588EX | 5888EX |
| 1 | NACHOS SIGN | 1 | 74179 | | 74179 | |
| | HOT AND FRESH SIGN | 1 | | 74912 | | 74912 |
| 2 | SIGN COVER | 1 | 74181 | 74181 | 74181 | 74181 |
| 3 | 8-32 X 3/8 SLT. HWH M/S (Frame Hinge Screws not included in Door Hardware Kit) | 8 | 42044 | 42044 | 42044 | 42044 |
| 4 | LEFT DOOR | 1 | 74961 | 74961 | 74961 | 74961 |
| 5 | RIGHT DOOR | 1 | 74961R | 74961R | 74961R | 74961R |
| 6* | COMPLETE LH DOOR HARDWARE KIT * | 1 | 47054 | 47054 | 47054 | 47054 |
| 7* | COMPLETE RH DOOR HARDWARE KIT * | 1 | 47055 | 47055 | 47055 | 47055 |
| 8 | DOOR SUPPORT | 1 | 74673 | 74673 | 74673 | 74673 |
| 9 | 8-32 ACORN NUT | 3 | 47702 | 47702 | 47702 | 47702 |
| 10 | 8-32 X 1/2 PH PAN | 4 | 47124 | 47124 | 47124 | 47124 |
| 11 | KNOB LID LIFT | 1 | 47120 | 47120 | 47120 | 47120 |
| 12 | DPST ROCKER SWITCH | 1 | 42532 | 42532 | 42532 | 42532 |
| 12 | MAGNETIC CATCH | 1 | 47561 | 47561 | 47561 | 47561 |



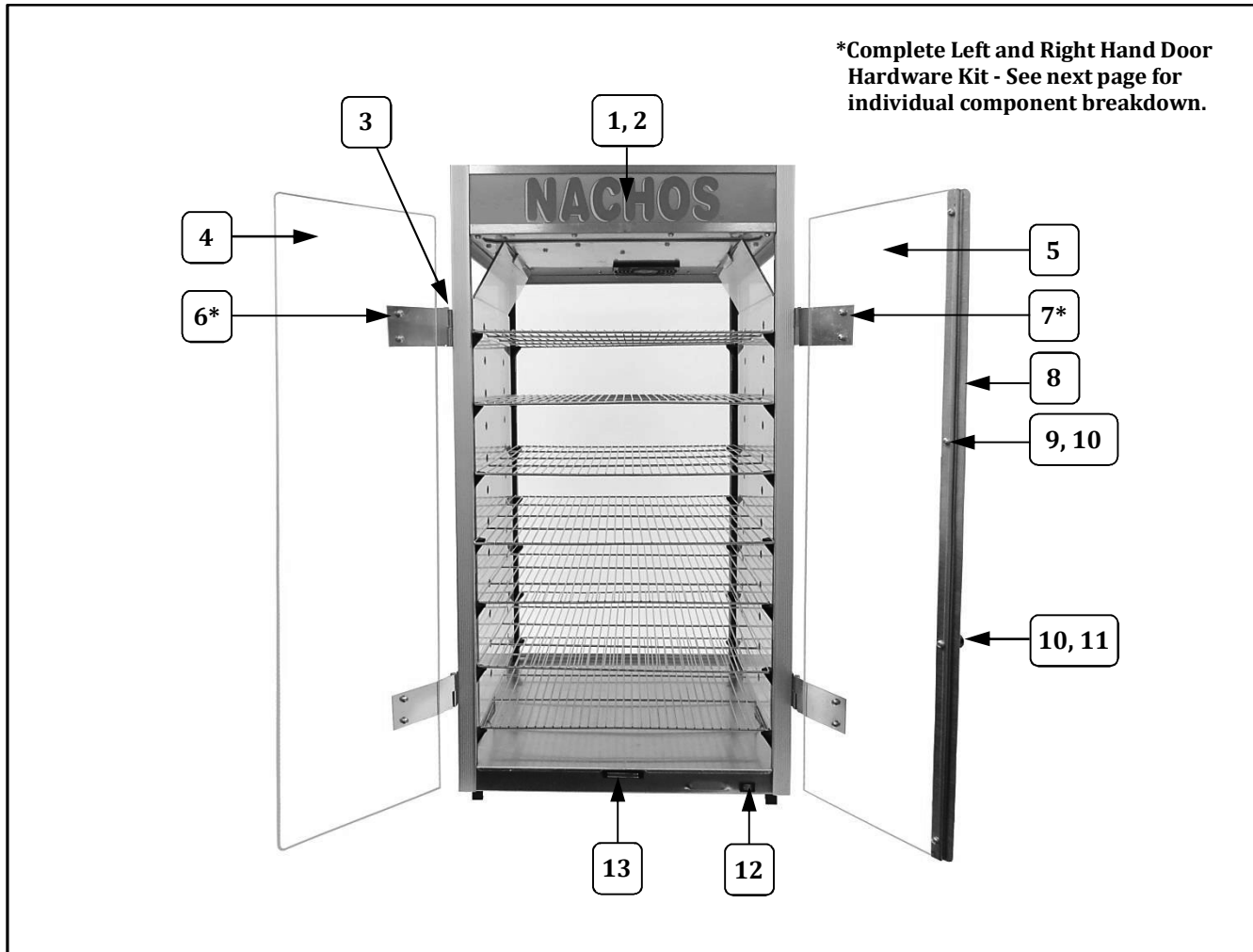
Cabinet Exterior – Front View



| Item | Parts Description | Qty. | Part Number | | | |
|------|--|------|-------------|--------|--------|--------|
| | | | 5588 | 5888 | 5588EX | 5888EX |
| 1 | NACHOS SIGN | 1 | 74179 | | 74179 | |
| | HOT AND FRESH SIGN | 1 | | 74912 | | 74912 |
| 2 | SIGN COVER | 1 | 74181 | 74181 | 74181 | 74181 |
| 3 | 8-32 X 3/8 SLT. HWH M/S (Frame Hinge Screws not included in Door Hardware Kit) | 8 | 42044 | 42044 | 42044 | 42044 |
| 4 | LEFT DOOR | 1 | 74961 | 74961 | 74961 | 74961 |
| 5 | RIGHT DOOR | 1 | 74961R | 74961R | 74961R | 74961R |
| 6* | COMPLETE LH DOOR HARDWARE KIT * | 1 | 47054 | 47054 | 47054 | 47054 |
| 7* | COMPLETE RH DOOR HARDWARE KIT * | 1 | 47055 | 47055 | 47055 | 47055 |
| 8 | DOOR SUPPORT | 1 | 74673 | 74673 | 74673 | 74673 |
| 9 | 8-32 ACORN NUT | 3 | 47702 | 47702 | 47702 | 47702 |
| 10 | 8-32 X 1/2 PH PAN | 4 | 47124 | 47124 | 47124 | 47124 |
| 11 | KNOB LID LIFT | 1 | 47120 | 47120 | 47120 | 47120 |
| 12 | DPST ROCKER SWITCH | 1 | 42532 | 42532 | 42532 | 42532 |
| 12 | MAGNETIC CATCH | 1 | 47561 | 47561 | 47561 | 47561 |



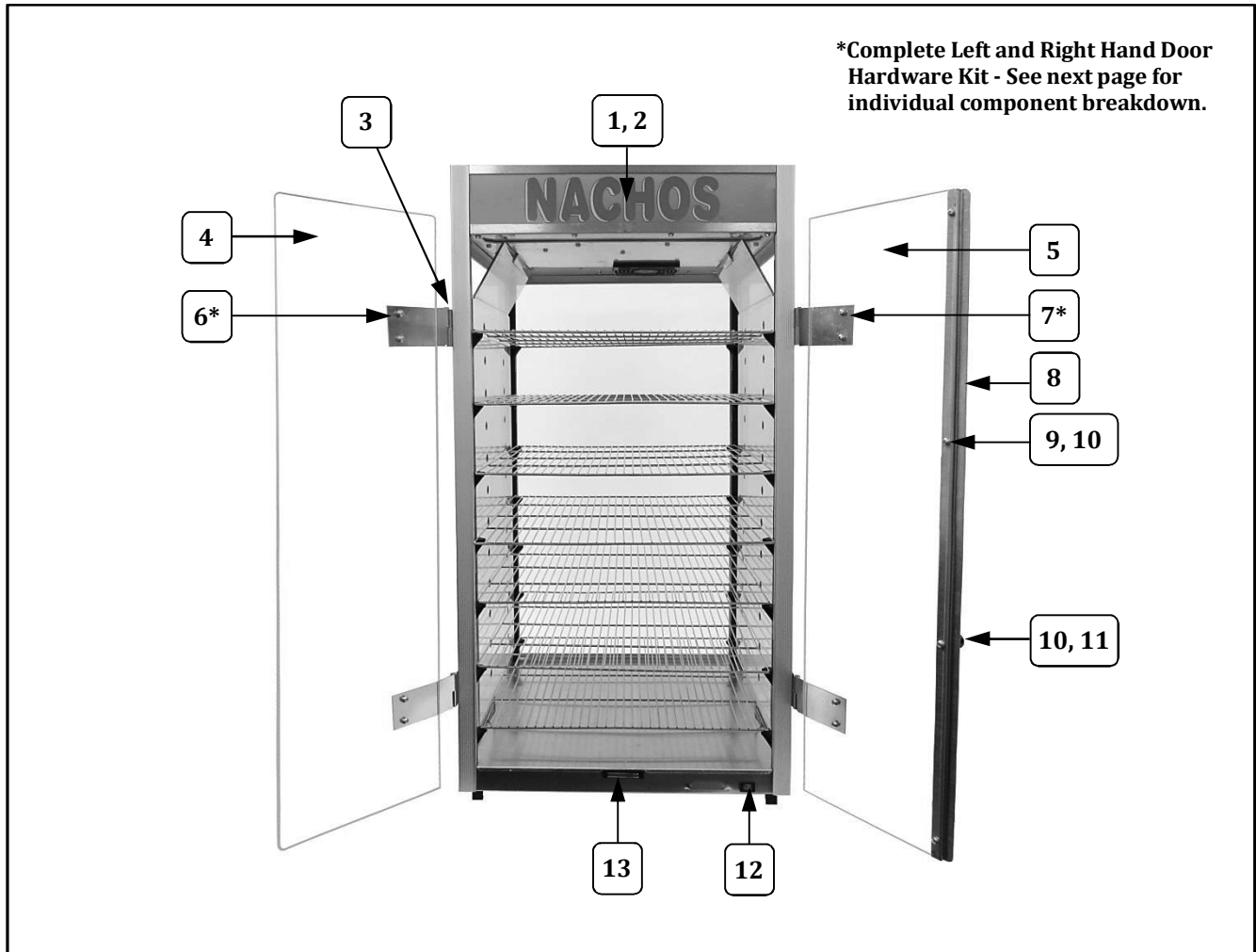
Cabinet Exterior – Front View



| Item | Parts Description | Qty. | Part Number | | | |
|------|--|------|-------------|--------|--------|--------|
| | | | 5588 | 5888 | 5588EX | 5888EX |
| 1 | NACHOS SIGN | 1 | 74179 | | 74179 | |
| | HOT AND FRESH SIGN | 1 | | 74912 | | 74912 |
| 2 | SIGN COVER | 1 | 74181 | 74181 | 74181 | 74181 |
| 3 | 8-32 X 3/8 SLT. HWH M/S (Frame Hinge Screws not included in Door Hardware Kit) | 8 | 42044 | 42044 | 42044 | 42044 |
| 4 | LEFT DOOR | 1 | 74961 | 74961 | 74961 | 74961 |
| 5 | RIGHT DOOR | 1 | 74961R | 74961R | 74961R | 74961R |
| 6* | COMPLETE LH DOOR HARDWARE KIT * | 1 | 47054 | 47054 | 47054 | 47054 |
| 7* | COMPLETE RH DOOR HARDWARE KIT * | 1 | 47055 | 47055 | 47055 | 47055 |
| 8 | DOOR SUPPORT | 1 | 74673 | 74673 | 74673 | 74673 |
| 9 | 8-32 ACORN NUT | 3 | 47702 | 47702 | 47702 | 47702 |
| 10 | 8-32 X 1/2 PH PAN | 4 | 47124 | 47124 | 47124 | 47124 |
| 11 | KNOB LID LIFT | 1 | 47120 | 47120 | 47120 | 47120 |
| 12 | DPST ROCKER SWITCH | 1 | 42532 | 42532 | 42532 | 42532 |
| 12 | MAGNETIC CATCH | 1 | 47561 | 47561 | 47561 | 47561 |



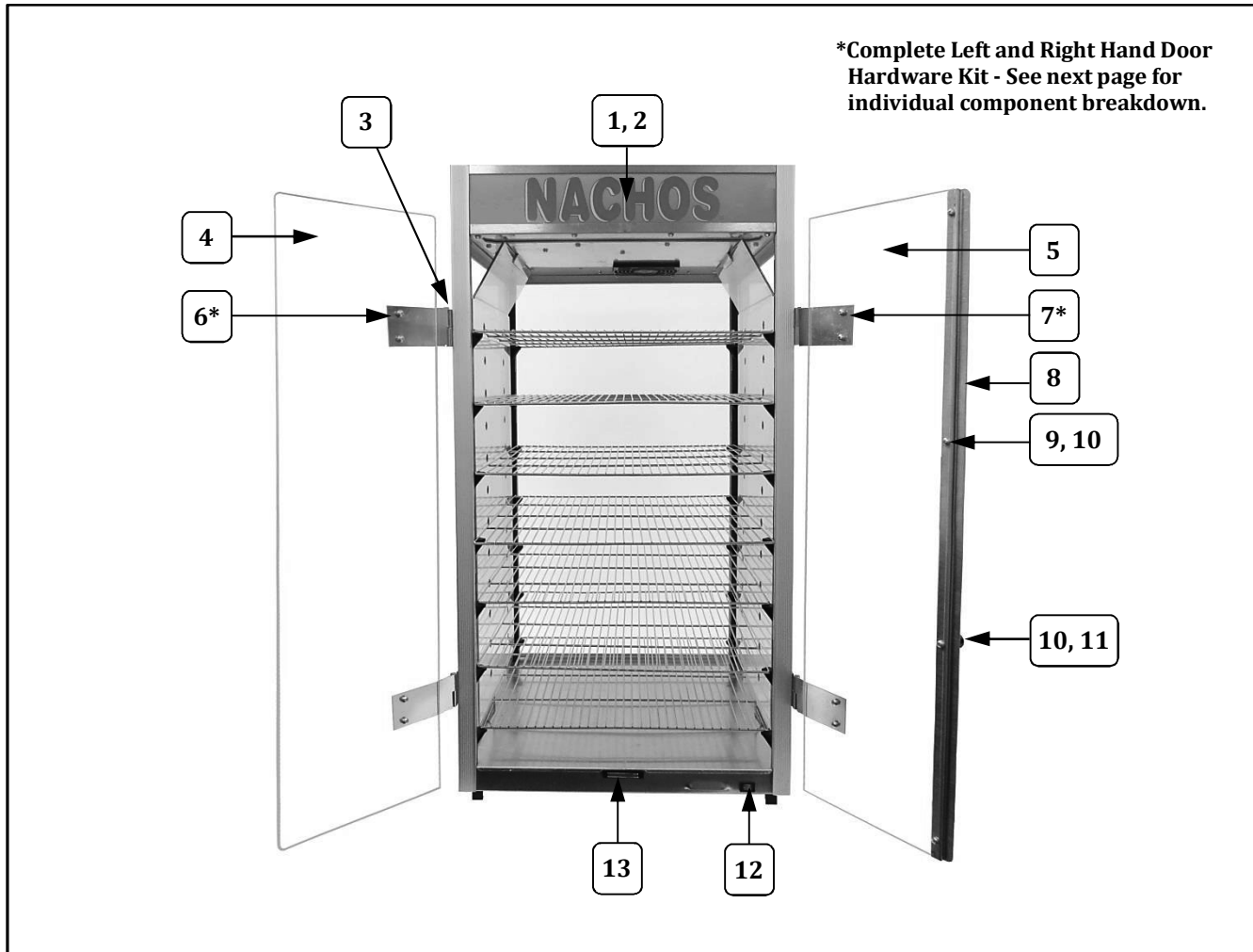
Cabinet Exterior – Front View



| Item | Parts Description | Qty. | Part Number | | | |
|------|--|------|-------------|--------|--------|--------|
| | | | 5588 | 5888 | 5588EX | 5888EX |
| 1 | NACHOS SIGN | 1 | 74179 | | 74179 | |
| | HOT AND FRESH SIGN | 1 | | 74912 | | 74912 |
| 2 | SIGN COVER | 1 | 74181 | 74181 | 74181 | 74181 |
| 3 | 8-32 X 3/8 SLT. HWH M/S (Frame Hinge Screws not included in Door Hardware Kit) | 8 | 42044 | 42044 | 42044 | 42044 |
| 4 | LEFT DOOR | 1 | 74961 | 74961 | 74961 | 74961 |
| 5 | RIGHT DOOR | 1 | 74961R | 74961R | 74961R | 74961R |
| 6* | COMPLETE LH DOOR HARDWARE KIT * | 1 | 47054 | 47054 | 47054 | 47054 |
| 7* | COMPLETE RH DOOR HARDWARE KIT * | 1 | 47055 | 47055 | 47055 | 47055 |
| 8 | DOOR SUPPORT | 1 | 74673 | 74673 | 74673 | 74673 |
| 9 | 8-32 ACORN NUT | 3 | 47702 | 47702 | 47702 | 47702 |
| 10 | 8-32 X 1/2 PH PAN | 4 | 47124 | 47124 | 47124 | 47124 |
| 11 | KNOB LID LIFT | 1 | 47120 | 47120 | 47120 | 47120 |
| 12 | DPST ROCKER SWITCH | 1 | 42532 | 42532 | 42532 | 42532 |
| 12 | MAGNETIC CATCH | 1 | 47561 | 47561 | 47561 | 47561 |

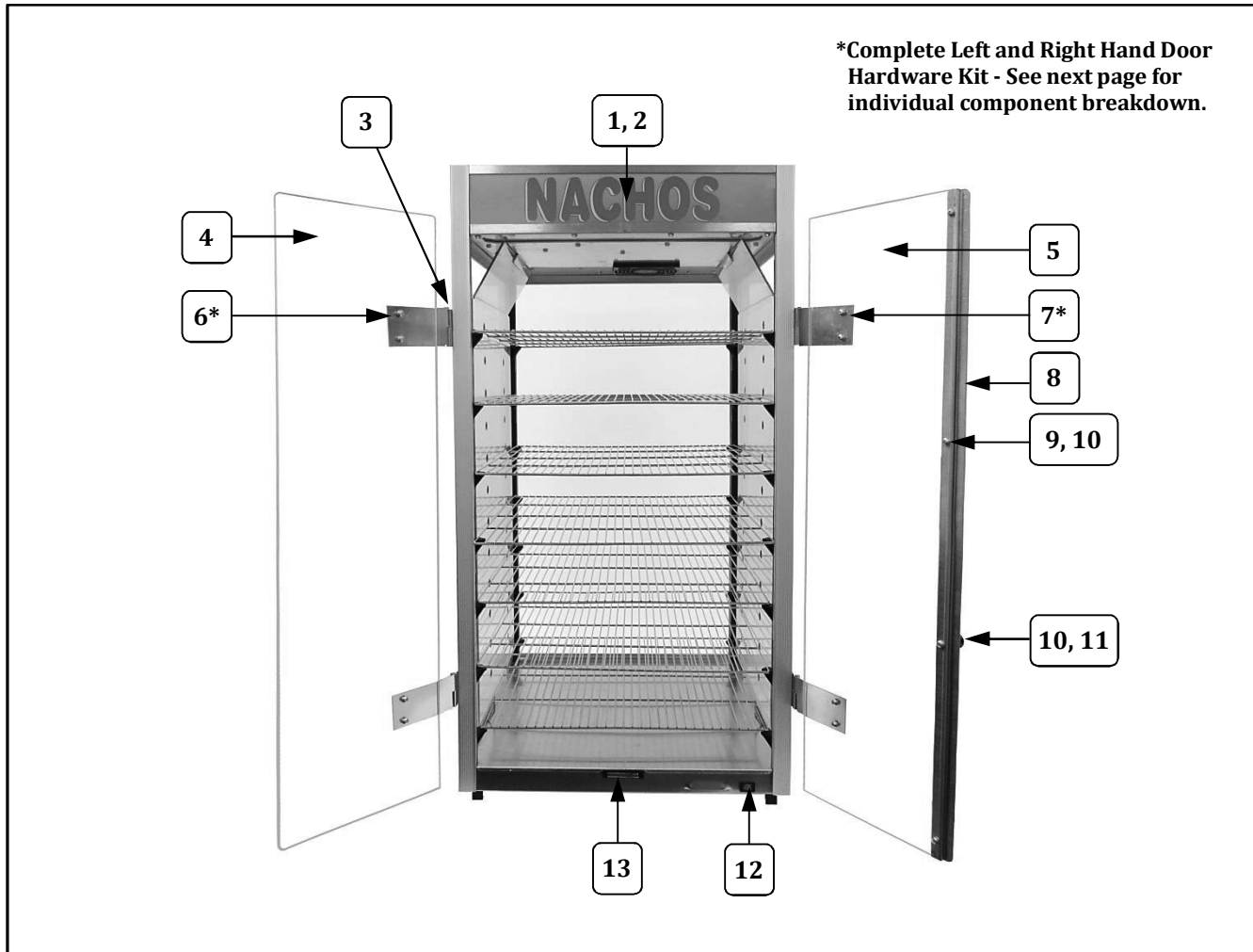


Cabinet Exterior – Front View



| Item | Parts Description | Qty. | Part Number | | | |
|------|--|------|-------------|--------|--------|--------|
| | | | 5588 | 5888 | 5588EX | 5888EX |
| 1 | NACHOS SIGN | 1 | 74179 | | 74179 | |
| | HOT AND FRESH SIGN | 1 | | 74912 | | 74912 |
| 2 | SIGN COVER | 1 | 74181 | 74181 | 74181 | 74181 |
| 3 | 8-32 X 3/8 SLT. HWH M/S (Frame Hinge Screws not included in Door Hardware Kit) | 8 | 42044 | 42044 | 42044 | 42044 |
| 4 | LEFT DOOR | 1 | 74961 | 74961 | 74961 | 74961 |
| 5 | RIGHT DOOR | 1 | 74961R | 74961R | 74961R | 74961R |
| 6* | COMPLETE LH DOOR HARDWARE KIT * | 1 | 47054 | 47054 | 47054 | 47054 |
| 7* | COMPLETE RH DOOR HARDWARE KIT * | 1 | 47055 | 47055 | 47055 | 47055 |
| 8 | DOOR SUPPORT | 1 | 74673 | 74673 | 74673 | 74673 |
| 9 | 8-32 ACORN NUT | 3 | 47702 | 47702 | 47702 | 47702 |
| 10 | 8-32 X 1/2 PH PAN | 4 | 47124 | 47124 | 47124 | 47124 |
| 11 | KNOB LID LIFT | 1 | 47120 | 47120 | 47120 | 47120 |
| 12 | DPST ROCKER SWITCH | 1 | 42532 | 42532 | 42532 | 42532 |
| 12 | MAGNETIC CATCH | 1 | 47561 | 47561 | 47561 | 47561 |

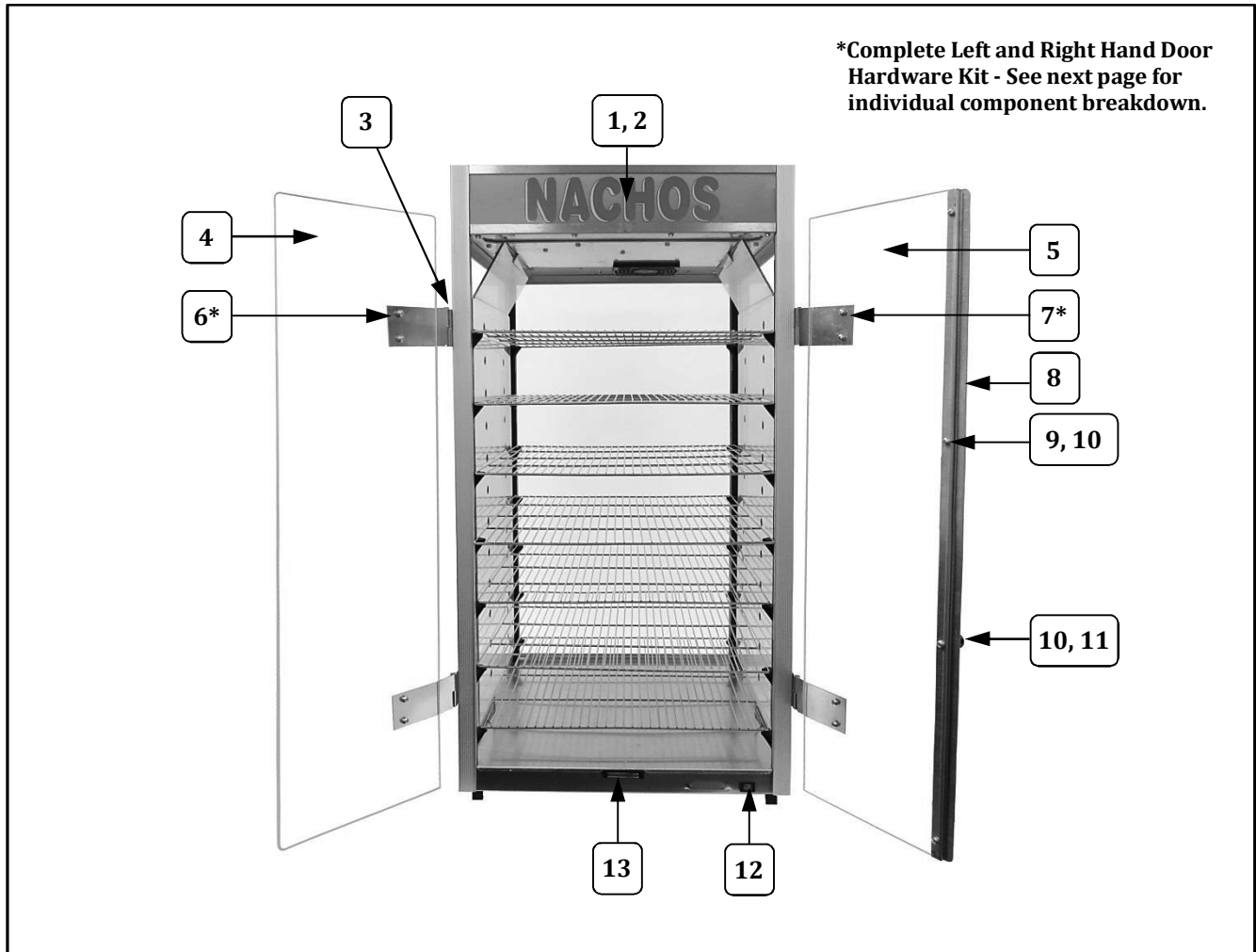
Cabinet Exterior – Front View



| Item | Parts Description | Qty. | Part Number | | | |
|------|--|------|-------------|--------|--------|--------|
| | | | 5588 | 5888 | 5588EX | 5888EX |
| 1 | NACHOS SIGN | 1 | 74179 | | 74179 | |
| | HOT AND FRESH SIGN | 1 | | 74912 | | 74912 |
| 2 | SIGN COVER | 1 | 74181 | 74181 | 74181 | 74181 |
| 3 | 8-32 X 3/8 SLT. HWH M/S (Frame Hinge Screws not included in Door Hardware Kit) | 8 | 42044 | 42044 | 42044 | 42044 |
| 4 | LEFT DOOR | 1 | 74961 | 74961 | 74961 | 74961 |
| 5 | RIGHT DOOR | 1 | 74961R | 74961R | 74961R | 74961R |
| 6* | COMPLETE LH DOOR HARDWARE KIT * | 1 | 47054 | 47054 | 47054 | 47054 |
| 7* | COMPLETE RH DOOR HARDWARE KIT * | 1 | 47055 | 47055 | 47055 | 47055 |
| 8 | DOOR SUPPORT | 1 | 74673 | 74673 | 74673 | 74673 |
| 9 | 8-32 ACORN NUT | 3 | 47702 | 47702 | 47702 | 47702 |
| 10 | 8-32 X 1/2 PH PAN | 4 | 47124 | 47124 | 47124 | 47124 |
| 11 | KNOB LID LIFT | 1 | 47120 | 47120 | 47120 | 47120 |
| 12 | DPST ROCKER SWITCH | 1 | 42532 | 42532 | 42532 | 42532 |
| 12 | MAGNETIC CATCH | 1 | 47561 | 47561 | 47561 | 47561 |



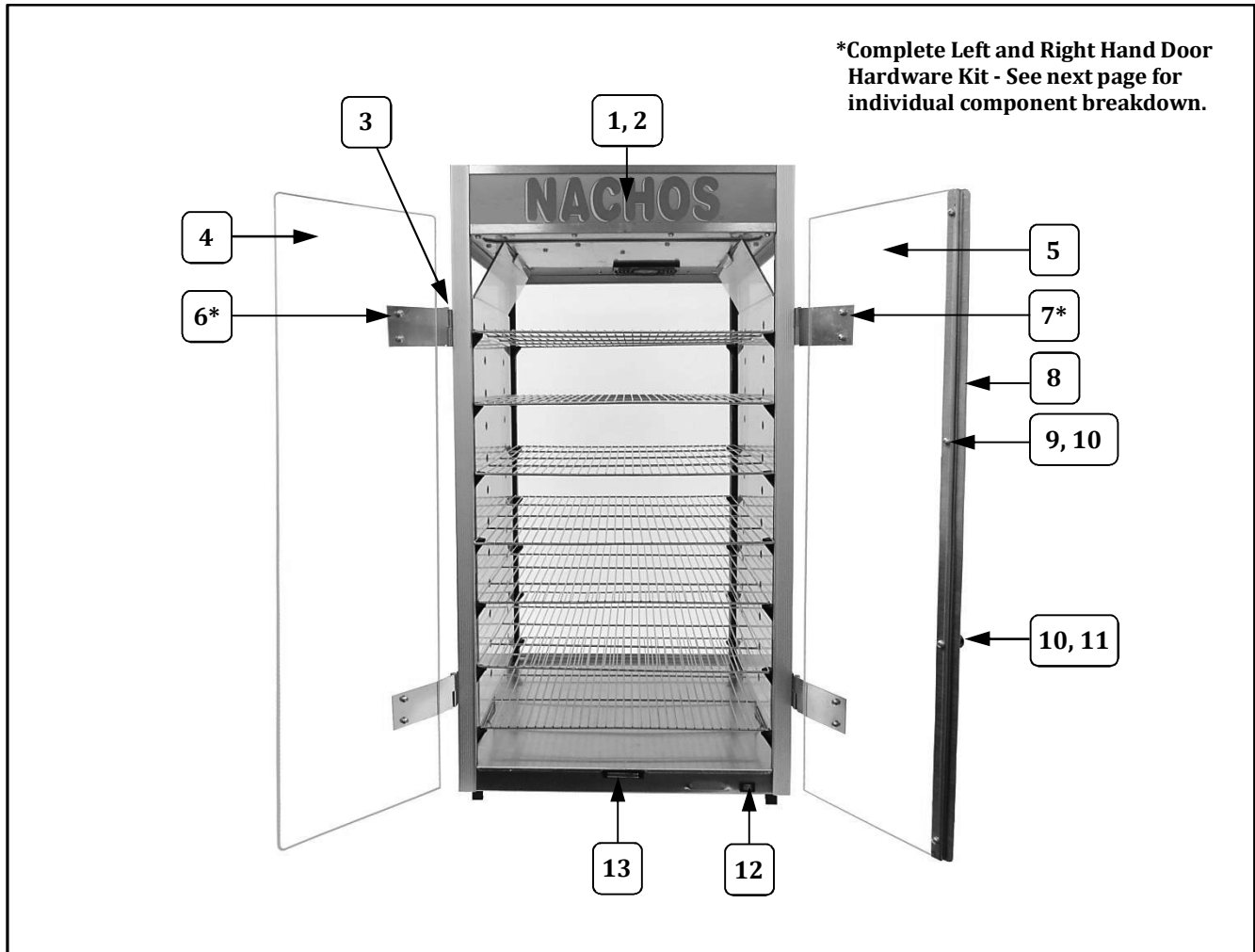
Cabinet Exterior – Front View



| Item | Parts Description | Qty. | Part Number | | | |
|------|--|------|-------------|--------|--------|--------|
| | | | 5588 | 5888 | 5588EX | 5888EX |
| 1 | NACHOS SIGN | 1 | 74179 | | 74179 | |
| | HOT AND FRESH SIGN | 1 | | 74912 | | 74912 |
| 2 | SIGN COVER | 1 | 74181 | 74181 | 74181 | 74181 |
| 3 | 8-32 X 3/8 SLT. HWH M/S (Frame Hinge Screws not included in Door Hardware Kit) | 8 | 42044 | 42044 | 42044 | 42044 |
| 4 | LEFT DOOR | 1 | 74961 | 74961 | 74961 | 74961 |
| 5 | RIGHT DOOR | 1 | 74961R | 74961R | 74961R | 74961R |
| 6* | COMPLETE LH DOOR HARDWARE KIT * | 1 | 47054 | 47054 | 47054 | 47054 |
| 7* | COMPLETE RH DOOR HARDWARE KIT * | 1 | 47055 | 47055 | 47055 | 47055 |
| 8 | DOOR SUPPORT | 1 | 74673 | 74673 | 74673 | 74673 |
| 9 | 8-32 ACORN NUT | 3 | 47702 | 47702 | 47702 | 47702 |
| 10 | 8-32 X 1/2 PH PAN | 4 | 47124 | 47124 | 47124 | 47124 |
| 11 | KNOB LID LIFT | 1 | 47120 | 47120 | 47120 | 47120 |
| 12 | DPST ROCKER SWITCH | 1 | 42532 | 42532 | 42532 | 42532 |
| 12 | MAGNETIC CATCH | 1 | 47561 | 47561 | 47561 | 47561 |



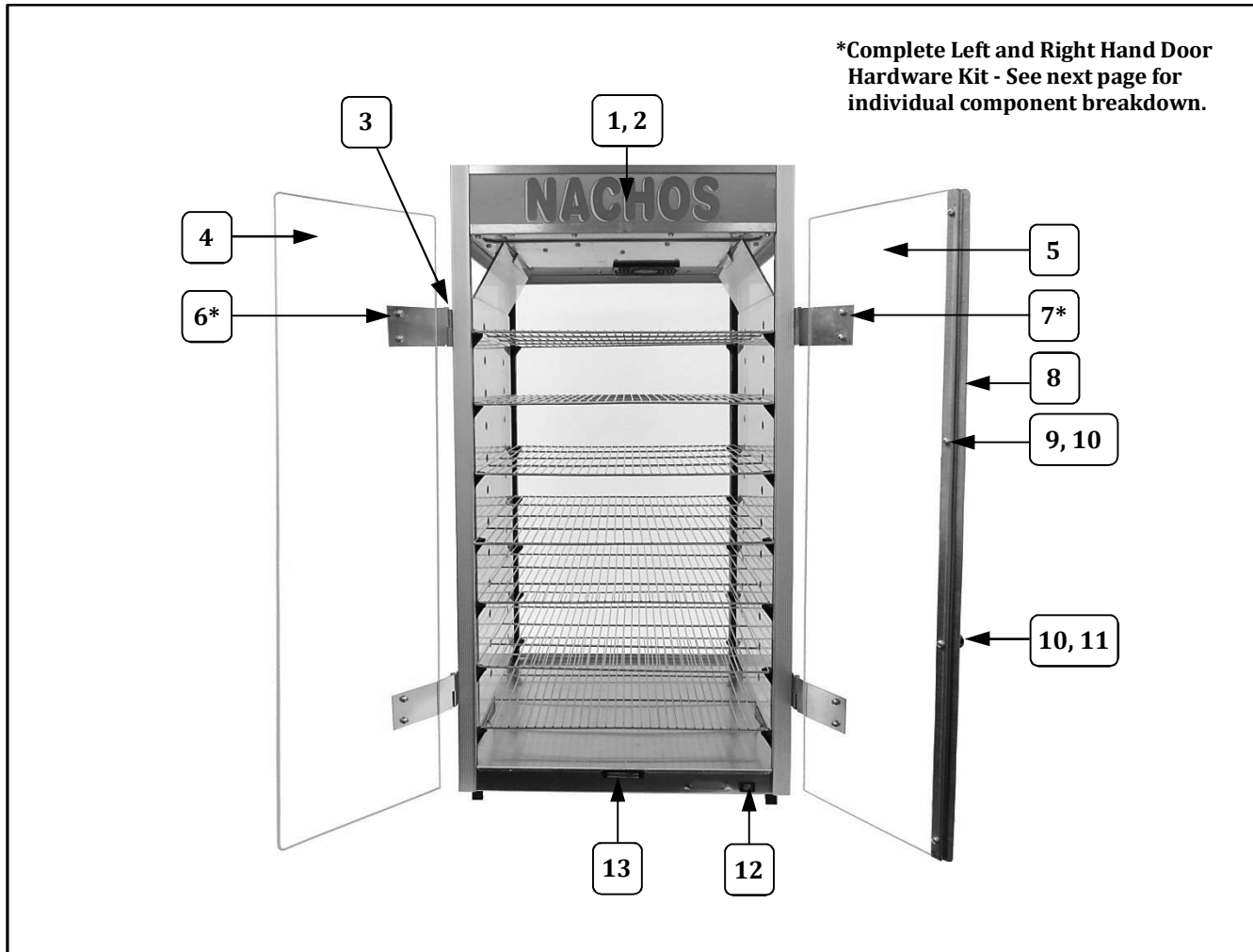
Cabinet Exterior – Front View



| Item | Parts Description | Qty. | Part Number | | | |
|------|--|------|-------------|--------|--------|--------|
| | | | 5588 | 5888 | 5588EX | 5888EX |
| 1 | NACHOS SIGN | 1 | 74179 | | 74179 | |
| | HOT AND FRESH SIGN | 1 | | 74912 | | 74912 |
| 2 | SIGN COVER | 1 | 74181 | 74181 | 74181 | 74181 |
| 3 | 8-32 X 3/8 SLT. HWH M/S (Frame Hinge Screws not included in Door Hardware Kit) | 8 | 42044 | 42044 | 42044 | 42044 |
| 4 | LEFT DOOR | 1 | 74961 | 74961 | 74961 | 74961 |
| 5 | RIGHT DOOR | 1 | 74961R | 74961R | 74961R | 74961R |
| 6* | COMPLETE LH DOOR HARDWARE KIT * | 1 | 47054 | 47054 | 47054 | 47054 |
| 7* | COMPLETE RH DOOR HARDWARE KIT * | 1 | 47055 | 47055 | 47055 | 47055 |
| 8 | DOOR SUPPORT | 1 | 74673 | 74673 | 74673 | 74673 |
| 9 | 8-32 ACORN NUT | 3 | 47702 | 47702 | 47702 | 47702 |
| 10 | 8-32 X 1/2 PH PAN | 4 | 47124 | 47124 | 47124 | 47124 |
| 11 | KNOB LID LIFT | 1 | 47120 | 47120 | 47120 | 47120 |
| 12 | DPST ROCKER SWITCH | 1 | 42532 | 42532 | 42532 | 42532 |
| 12 | MAGNETIC CATCH | 1 | 47561 | 47561 | 47561 | 47561 |



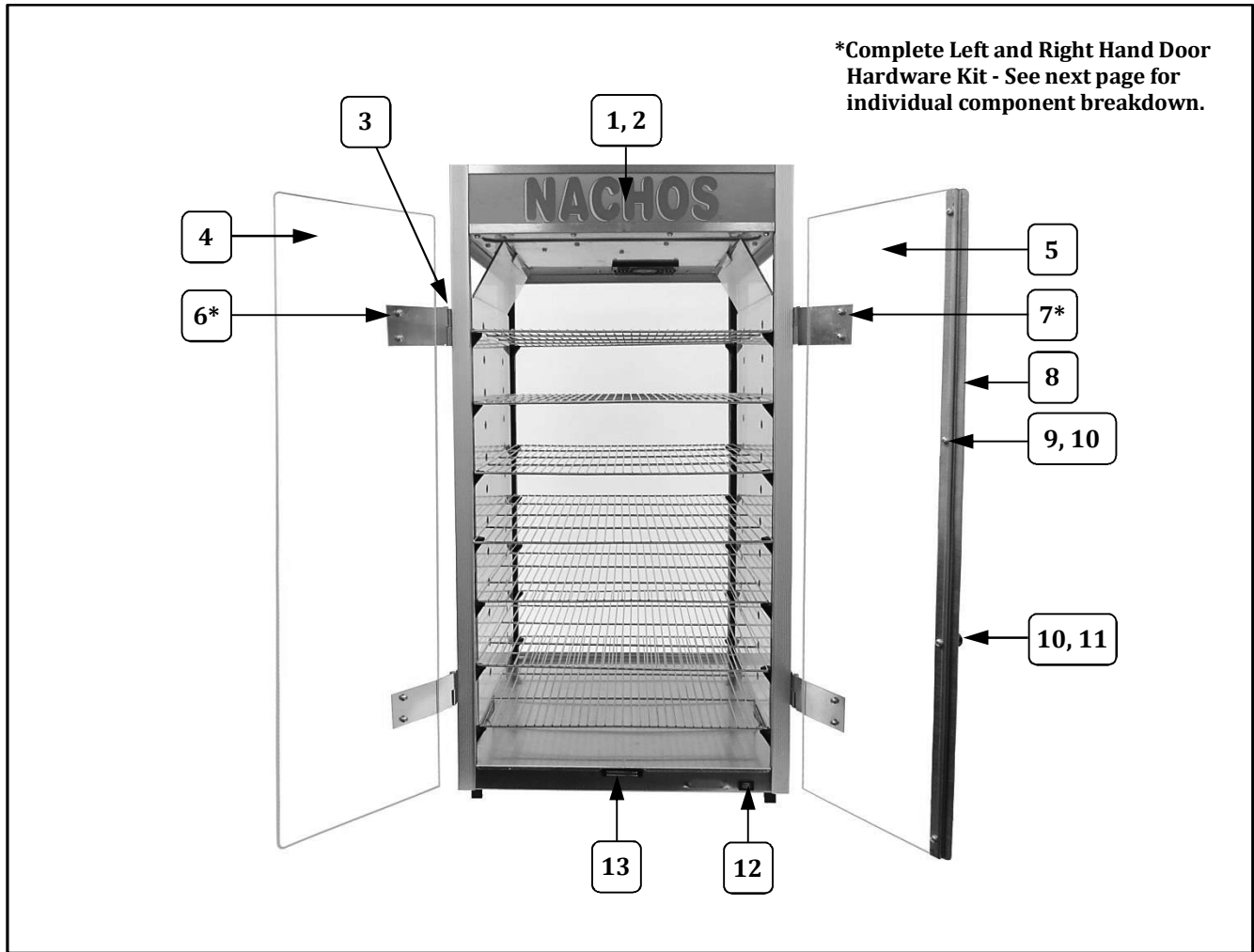
Cabinet Exterior – Front View



| Item | Parts Description | Qty. | Part Number | | | |
|------|--|------|-------------|--------|--------|--------|
| | | | 5588 | 5888 | 5588EX | 5888EX |
| 1 | NACHOS SIGN | 1 | 74179 | | 74179 | |
| | HOT AND FRESH SIGN | 1 | | 74912 | | 74912 |
| 2 | SIGN COVER | 1 | 74181 | 74181 | 74181 | 74181 |
| 3 | 8-32 X 3/8 SLT. HWH M/S (Frame Hinge Screws not included in Door Hardware Kit) | 8 | 42044 | 42044 | 42044 | 42044 |
| 4 | LEFT DOOR | 1 | 74961 | 74961 | 74961 | 74961 |
| 5 | RIGHT DOOR | 1 | 74961R | 74961R | 74961R | 74961R |
| 6* | COMPLETE LH DOOR HARDWARE KIT * | 1 | 47054 | 47054 | 47054 | 47054 |
| 7* | COMPLETE RH DOOR HARDWARE KIT * | 1 | 47055 | 47055 | 47055 | 47055 |
| 8 | DOOR SUPPORT | 1 | 74673 | 74673 | 74673 | 74673 |
| 9 | 8-32 ACORN NUT | 3 | 47702 | 47702 | 47702 | 47702 |
| 10 | 8-32 X 1/2 PH PAN | 4 | 47124 | 47124 | 47124 | 47124 |
| 11 | KNOB LID LIFT | 1 | 47120 | 47120 | 47120 | 47120 |
| 12 | DPST ROCKER SWITCH | 1 | 42532 | 42532 | 42532 | 42532 |
| 12 | MAGNETIC CATCH | 1 | 47561 | 47561 | 47561 | 47561 |



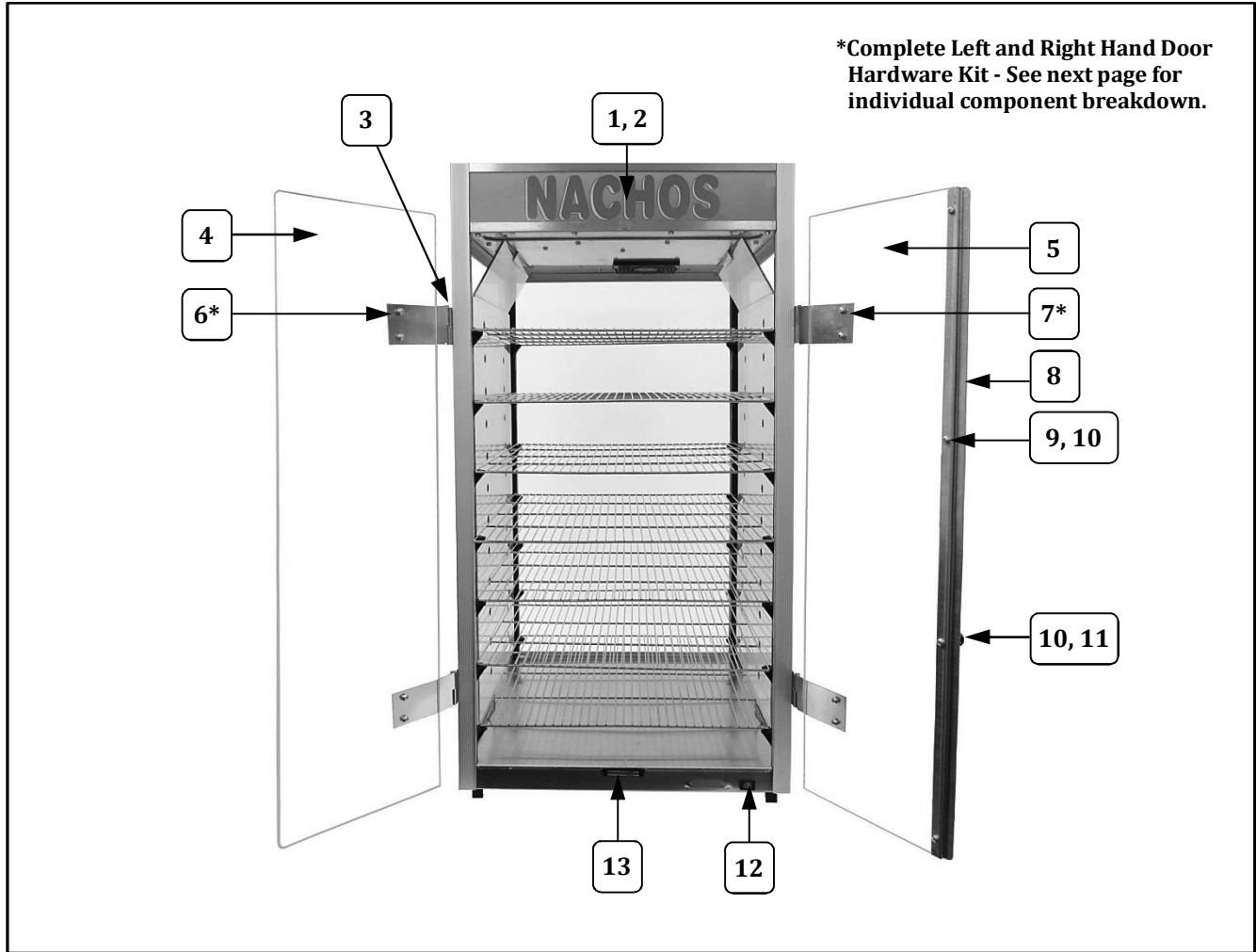
Cabinet Exterior – Front View



| Item | Parts Description | Qty. | Part Number | | | |
|------|--|------|-------------|--------|--------|--------|
| | | | 5588 | 5888 | 5588EX | 5888EX |
| 1 | NACHOS SIGN | 1 | 74179 | | 74179 | |
| | HOT AND FRESH SIGN | 1 | | 74912 | | 74912 |
| 2 | SIGN COVER | 1 | 74181 | 74181 | 74181 | 74181 |
| 3 | 8-32 X 3/8 SLT. HWH M/S (Frame Hinge Screws not included in Door Hardware Kit) | 8 | 42044 | 42044 | 42044 | 42044 |
| 4 | LEFT DOOR | 1 | 74961 | 74961 | 74961 | 74961 |
| 5 | RIGHT DOOR | 1 | 74961R | 74961R | 74961R | 74961R |
| 6* | COMPLETE LH DOOR HARDWARE KIT * | 1 | 47054 | 47054 | 47054 | 47054 |
| 7* | COMPLETE RH DOOR HARDWARE KIT * | 1 | 47055 | 47055 | 47055 | 47055 |
| 8 | DOOR SUPPORT | 1 | 74673 | 74673 | 74673 | 74673 |
| 9 | 8-32 ACORN NUT | 3 | 47702 | 47702 | 47702 | 47702 |
| 10 | 8-32 X 1/2 PH PAN | 4 | 47124 | 47124 | 47124 | 47124 |
| 11 | KNOB LID LIFT | 1 | 47120 | 47120 | 47120 | 47120 |
| 12 | DPST ROCKER SWITCH | 1 | 42532 | 42532 | 42532 | 42532 |
| 12 | MAGNETIC CATCH | 1 | 47561 | 47561 | 47561 | 47561 |



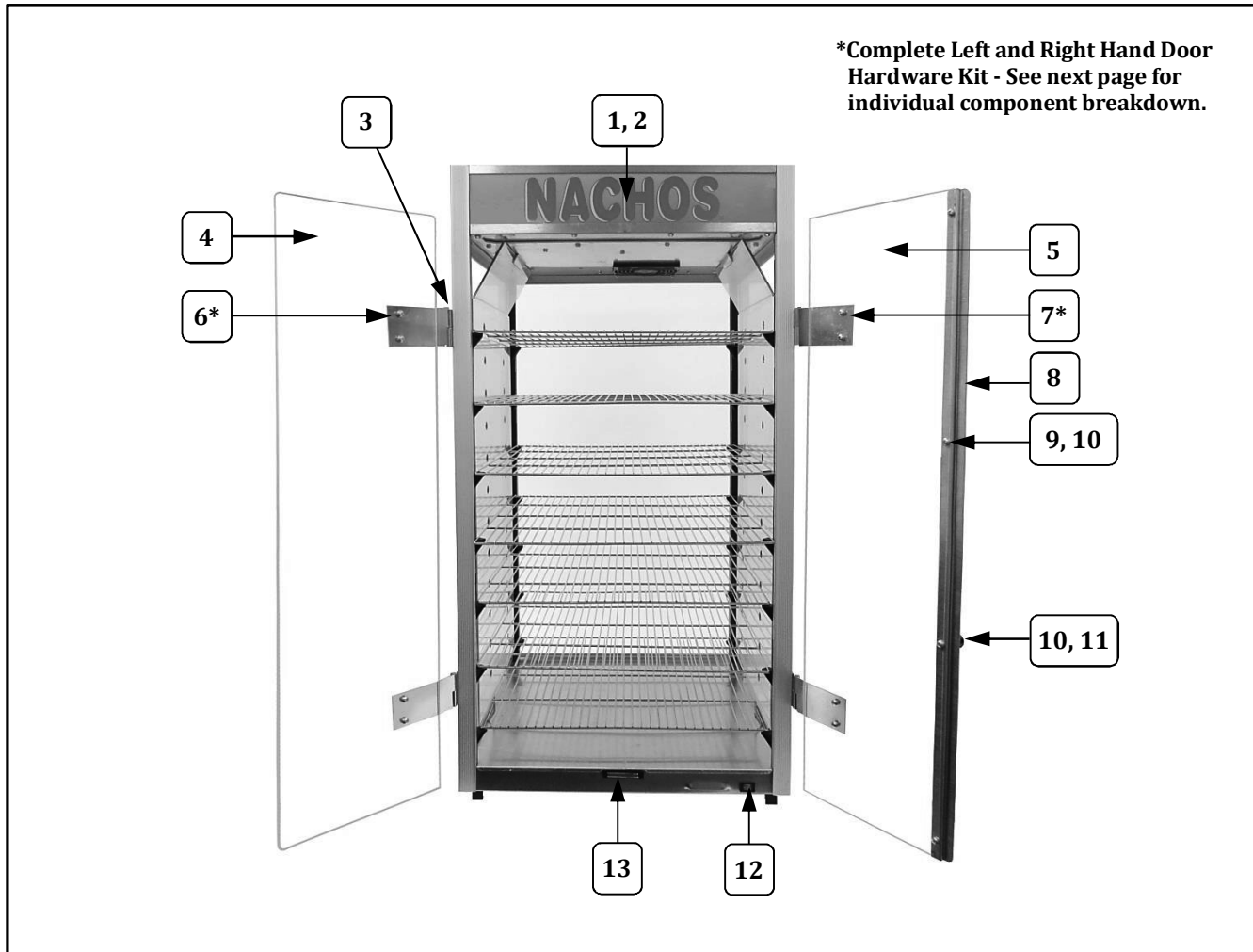
Cabinet Exterior – Front View



| Item | Parts Description | Qty. | Part Number | | | |
|------|--|------|-------------|--------|--------|--------|
| | | | 5588 | 5888 | 5588EX | 5888EX |
| 1 | NACHOS SIGN | 1 | 74179 | | 74179 | |
| | HOT AND FRESH SIGN | 1 | | 74912 | | 74912 |
| 2 | SIGN COVER | 1 | 74181 | 74181 | 74181 | 74181 |
| 3 | 8-32 X 3/8 SLT. HWH M/S (Frame Hinge Screws not included in Door Hardware Kit) | 8 | 42044 | 42044 | 42044 | 42044 |
| 4 | LEFT DOOR | 1 | 74961 | 74961 | 74961 | 74961 |
| 5 | RIGHT DOOR | 1 | 74961R | 74961R | 74961R | 74961R |
| 6* | COMPLETE LH DOOR HARDWARE KIT * | 1 | 47054 | 47054 | 47054 | 47054 |
| 7* | COMPLETE RH DOOR HARDWARE KIT * | 1 | 47055 | 47055 | 47055 | 47055 |
| 8 | DOOR SUPPORT | 1 | 74673 | 74673 | 74673 | 74673 |
| 9 | 8-32 ACORN NUT | 3 | 47702 | 47702 | 47702 | 47702 |
| 10 | 8-32 X 1/2 PH PAN | 4 | 47124 | 47124 | 47124 | 47124 |
| 11 | KNOB LID LIFT | 1 | 47120 | 47120 | 47120 | 47120 |
| 12 | DPST ROCKER SWITCH | 1 | 42532 | 42532 | 42532 | 42532 |
| 12 | MAGNETIC CATCH | 1 | 47561 | 47561 | 47561 | 47561 |

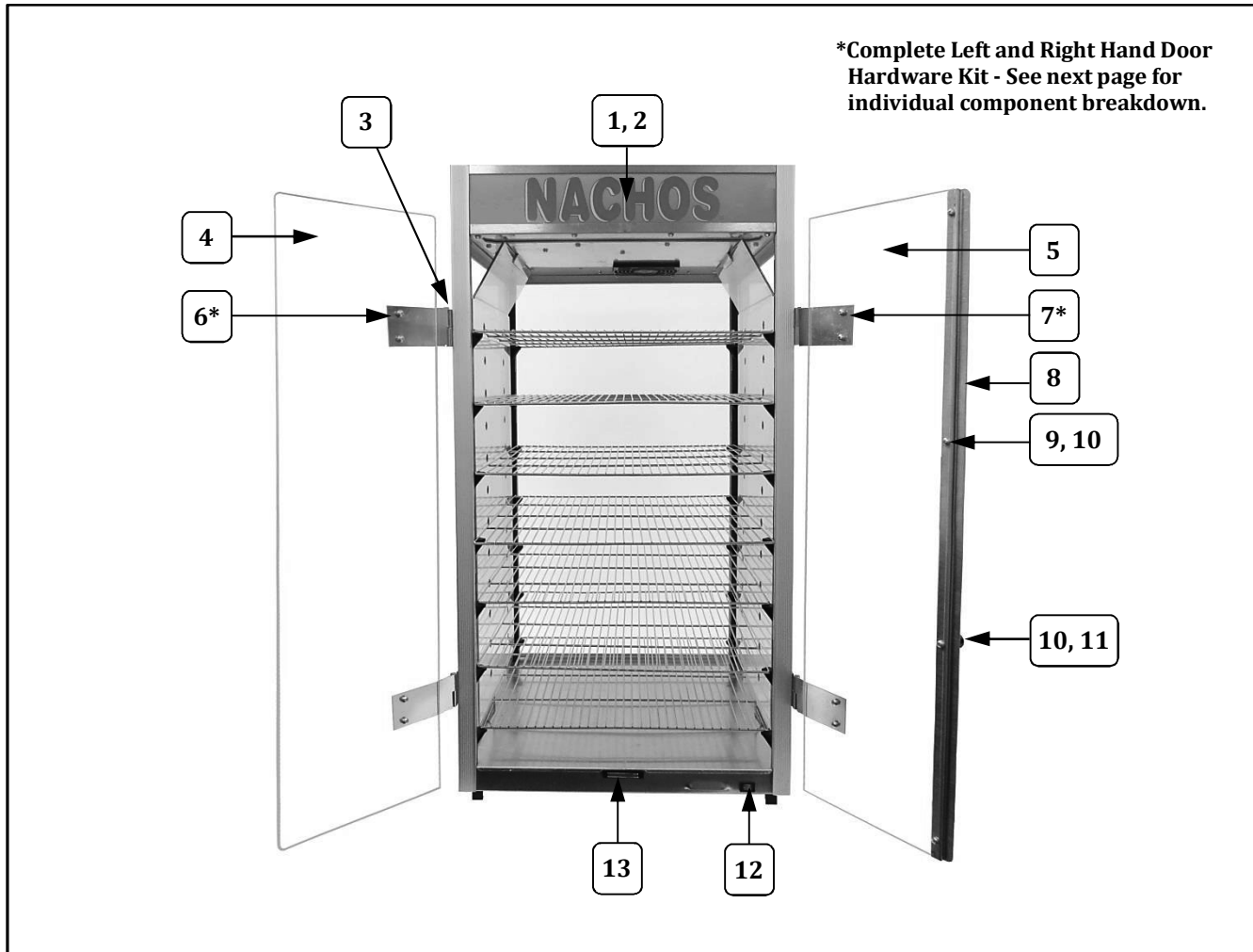


Cabinet Exterior – Front View



| Item | Parts Description | Qty. | Part Number | | | |
|------|--|------|-------------|--------|--------|--------|
| | | | 5588 | 5888 | 5588EX | 5888EX |
| 1 | NACHOS SIGN | 1 | 74179 | | 74179 | |
| | HOT AND FRESH SIGN | 1 | | 74912 | | 74912 |
| 2 | SIGN COVER | 1 | 74181 | 74181 | 74181 | 74181 |
| 3 | 8-32 X 3/8 SLT. HWH M/S (Frame Hinge Screws not included in Door Hardware Kit) | 8 | 42044 | 42044 | 42044 | 42044 |
| 4 | LEFT DOOR | 1 | 74961 | 74961 | 74961 | 74961 |
| 5 | RIGHT DOOR | 1 | 74961R | 74961R | 74961R | 74961R |
| 6* | COMPLETE LH DOOR HARDWARE KIT * | 1 | 47054 | 47054 | 47054 | 47054 |
| 7* | COMPLETE RH DOOR HARDWARE KIT * | 1 | 47055 | 47055 | 47055 | 47055 |
| 8 | DOOR SUPPORT | 1 | 74673 | 74673 | 74673 | 74673 |
| 9 | 8-32 ACORN NUT | 3 | 47702 | 47702 | 47702 | 47702 |
| 10 | 8-32 X 1/2 PH PAN | 4 | 47124 | 47124 | 47124 | 47124 |
| 11 | KNOB LID LIFT | 1 | 47120 | 47120 | 47120 | 47120 |
| 12 | DPST ROCKER SWITCH | 1 | 42532 | 42532 | 42532 | 42532 |
| 12 | MAGNETIC CATCH | 1 | 47561 | 47561 | 47561 | 47561 |

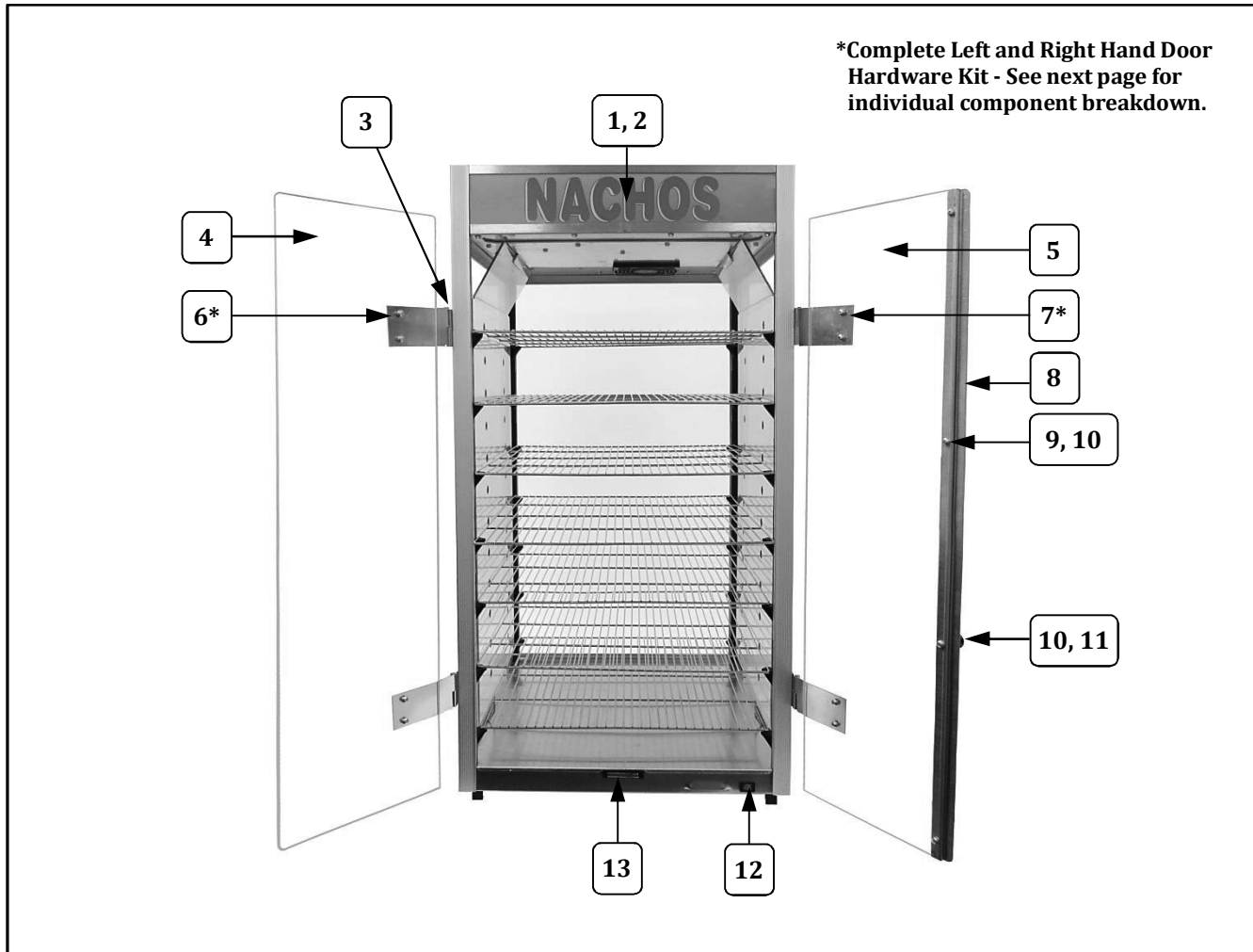
Cabinet Exterior – Front View



| Item | Parts Description | Qty. | Part Number | | | |
|------|--|------|-------------|--------|--------|--------|
| | | | 5588 | 5888 | 5588EX | 5888EX |
| 1 | NACHOS SIGN | 1 | 74179 | | 74179 | |
| | HOT AND FRESH SIGN | 1 | | 74912 | | 74912 |
| 2 | SIGN COVER | 1 | 74181 | 74181 | 74181 | 74181 |
| 3 | 8-32 X 3/8 SLT. HWH M/S (Frame Hinge Screws not included in Door Hardware Kit) | 8 | 42044 | 42044 | 42044 | 42044 |
| 4 | LEFT DOOR | 1 | 74961 | 74961 | 74961 | 74961 |
| 5 | RIGHT DOOR | 1 | 74961R | 74961R | 74961R | 74961R |
| 6* | COMPLETE LH DOOR HARDWARE KIT * | 1 | 47054 | 47054 | 47054 | 47054 |
| 7* | COMPLETE RH DOOR HARDWARE KIT * | 1 | 47055 | 47055 | 47055 | 47055 |
| 8 | DOOR SUPPORT | 1 | 74673 | 74673 | 74673 | 74673 |
| 9 | 8-32 ACORN NUT | 3 | 47702 | 47702 | 47702 | 47702 |
| 10 | 8-32 X 1/2 PH PAN | 4 | 47124 | 47124 | 47124 | 47124 |
| 11 | KNOB LID LIFT | 1 | 47120 | 47120 | 47120 | 47120 |
| 12 | DPST ROCKER SWITCH | 1 | 42532 | 42532 | 42532 | 42532 |
| 12 | MAGNETIC CATCH | 1 | 47561 | 47561 | 47561 | 47561 |



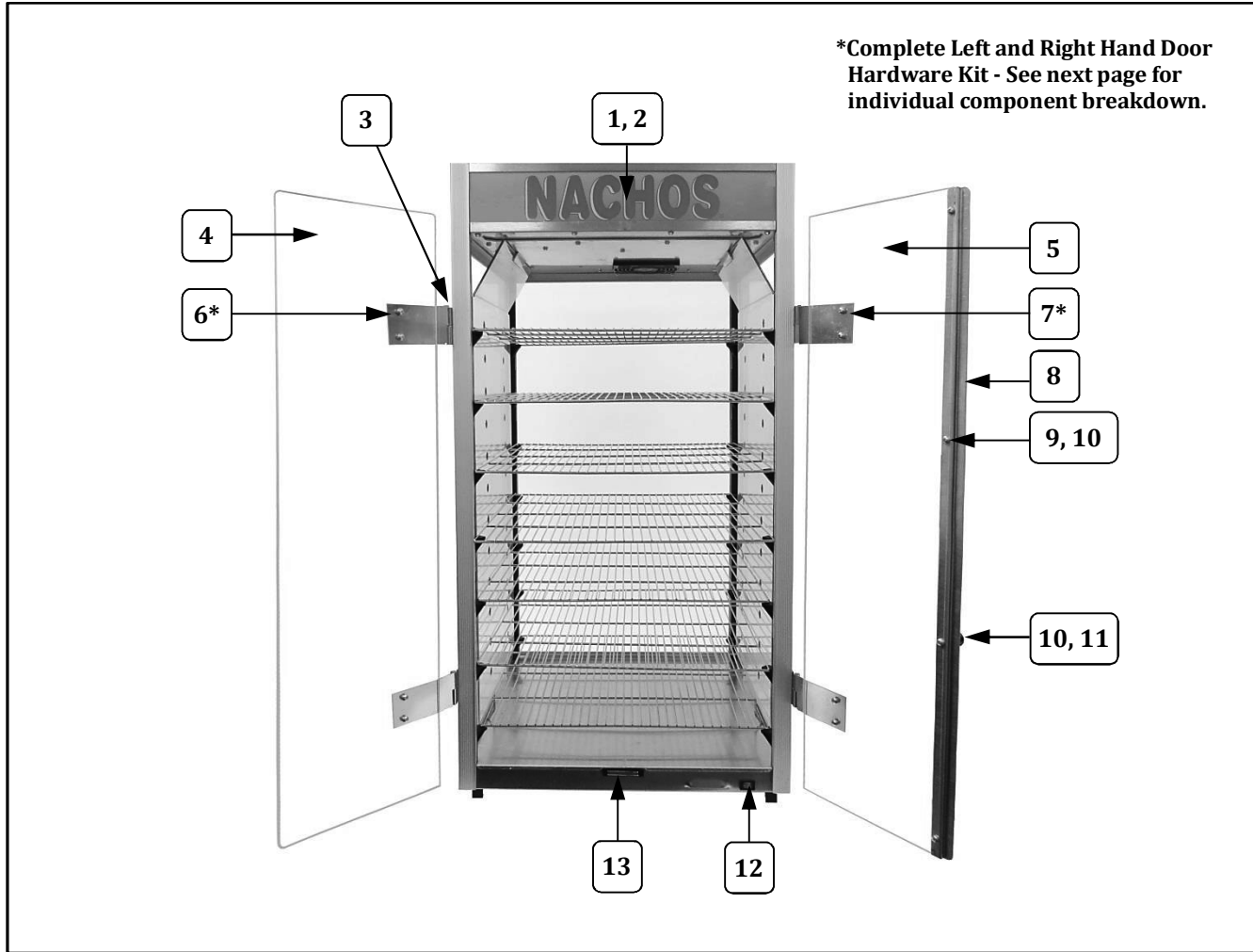
Cabinet Exterior – Front View



| Item | Parts Description | Qty. | Part Number | | | |
|------|--|------|-------------|--------|--------|--------|
| | | | 5588 | 5888 | 5588EX | 5888EX |
| 1 | NACHOS SIGN | 1 | 74179 | | 74179 | |
| | HOT AND FRESH SIGN | 1 | | 74912 | | 74912 |
| 2 | SIGN COVER | 1 | 74181 | 74181 | 74181 | 74181 |
| 3 | 8-32 X 3/8 SLT. HWH M/S (Frame Hinge Screws not included in Door Hardware Kit) | 8 | 42044 | 42044 | 42044 | 42044 |
| 4 | LEFT DOOR | 1 | 74961 | 74961 | 74961 | 74961 |
| 5 | RIGHT DOOR | 1 | 74961R | 74961R | 74961R | 74961R |
| 6* | COMPLETE LH DOOR HARDWARE KIT * | 1 | 47054 | 47054 | 47054 | 47054 |
| 7* | COMPLETE RH DOOR HARDWARE KIT * | 1 | 47055 | 47055 | 47055 | 47055 |
| 8 | DOOR SUPPORT | 1 | 74673 | 74673 | 74673 | 74673 |
| 9 | 8-32 ACORN NUT | 3 | 47702 | 47702 | 47702 | 47702 |
| 10 | 8-32 X 1/2 PH PAN | 4 | 47124 | 47124 | 47124 | 47124 |
| 11 | KNOB LID LIFT | 1 | 47120 | 47120 | 47120 | 47120 |
| 12 | DPST ROCKER SWITCH | 1 | 42532 | 42532 | 42532 | 42532 |
| 12 | MAGNETIC CATCH | 1 | 47561 | 47561 | 47561 | 47561 |



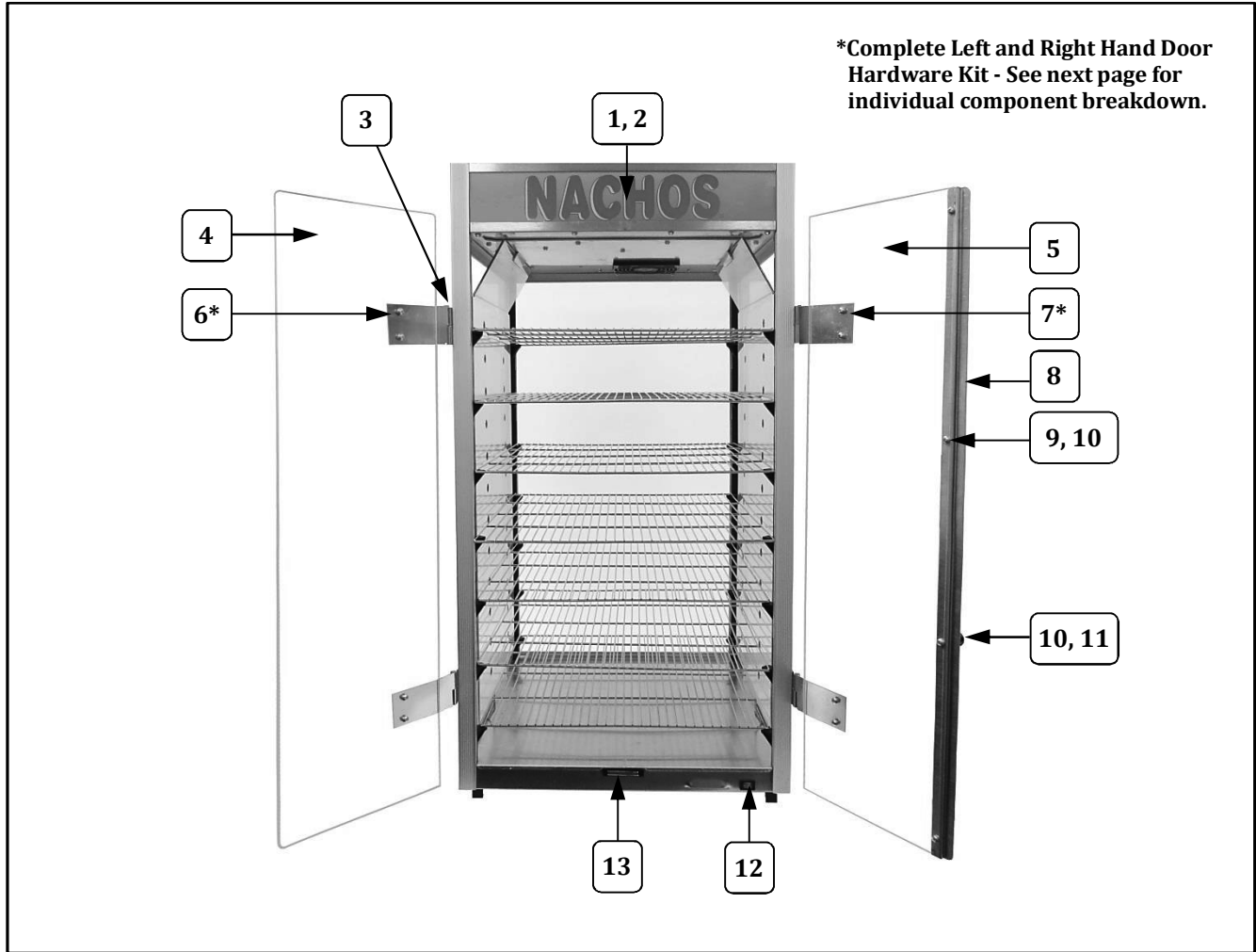
Cabinet Exterior – Front View



| Item | Parts Description | Qty. | Part Number | | | |
|------|--|------|-------------|--------|--------|--------|
| | | | 5588 | 5888 | 5588EX | 5888EX |
| 1 | NACHOS SIGN | 1 | 74179 | | 74179 | |
| | HOT AND FRESH SIGN | 1 | | 74912 | | 74912 |
| 2 | SIGN COVER | 1 | 74181 | 74181 | 74181 | 74181 |
| 3 | 8-32 X 3/8 SLT. HWH M/S (Frame Hinge Screws not included in Door Hardware Kit) | 8 | 42044 | 42044 | 42044 | 42044 |
| 4 | LEFT DOOR | 1 | 74961 | 74961 | 74961 | 74961 |
| 5 | RIGHT DOOR | 1 | 74961R | 74961R | 74961R | 74961R |
| 6* | COMPLETE LH DOOR HARDWARE KIT * | 1 | 47054 | 47054 | 47054 | 47054 |
| 7* | COMPLETE RH DOOR HARDWARE KIT * | 1 | 47055 | 47055 | 47055 | 47055 |
| 8 | DOOR SUPPORT | 1 | 74673 | 74673 | 74673 | 74673 |
| 9 | 8-32 ACORN NUT | 3 | 47702 | 47702 | 47702 | 47702 |
| 10 | 8-32 X 1/2 PH PAN | 4 | 47124 | 47124 | 47124 | 47124 |
| 11 | KNOB LID LIFT | 1 | 47120 | 47120 | 47120 | 47120 |
| 12 | DPST ROCKER SWITCH | 1 | 42532 | 42532 | 42532 | 42532 |
| 12 | MAGNETIC CATCH | 1 | 47561 | 47561 | 47561 | 47561 |



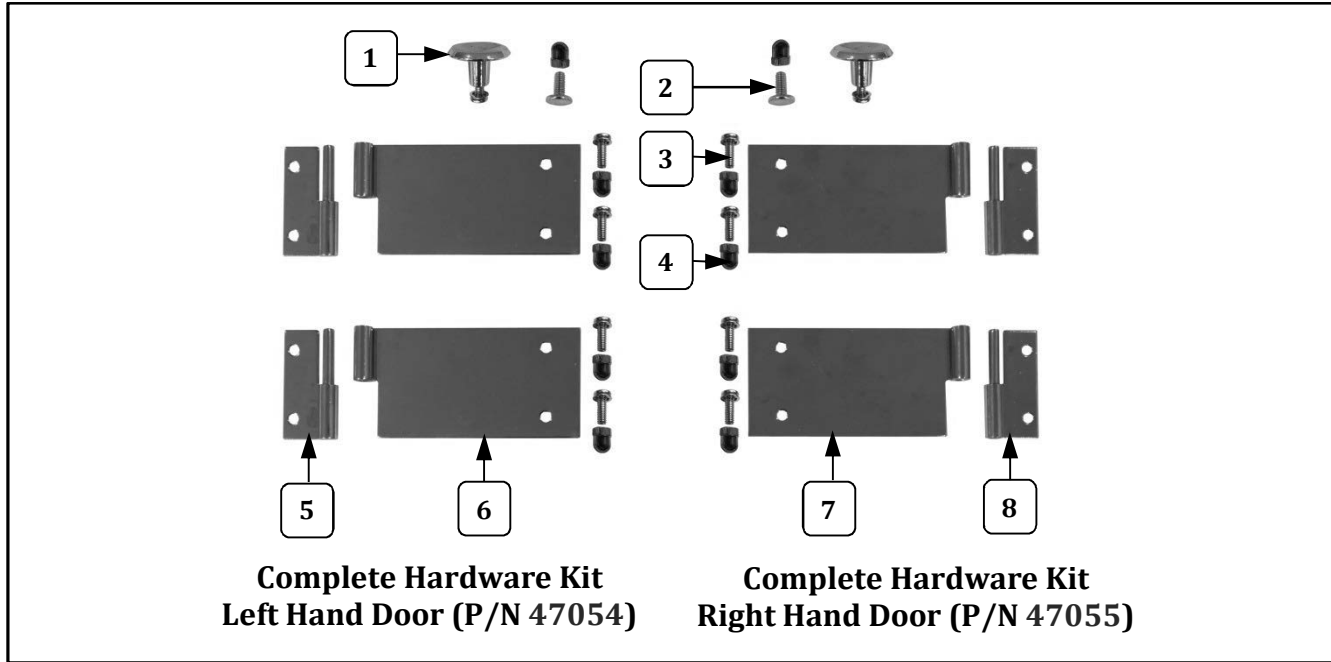
Cabinet Exterior – Front View



| Item | Parts Description | Qty. | Part Number | | | |
|------|--|------|-------------|--------|--------|--------|
| | | | 5588 | 5888 | 5588EX | 5888EX |
| 1 | NACHOS SIGN | 1 | 74179 | | 74179 | |
| | HOT AND FRESH SIGN | 1 | | 74912 | | 74912 |
| 2 | SIGN COVER | 1 | 74181 | 74181 | 74181 | 74181 |
| 3 | 8-32 X 3/8 SLT. HWH M/S (Frame Hinge Screws not included in Door Hardware Kit) | 8 | 42044 | 42044 | 42044 | 42044 |
| 4 | LEFT DOOR | 1 | 74961 | 74961 | 74961 | 74961 |
| 5 | RIGHT DOOR | 1 | 74961R | 74961R | 74961R | 74961R |
| 6* | COMPLETE LH DOOR HARDWARE KIT * | 1 | 47054 | 47054 | 47054 | 47054 |
| 7* | COMPLETE RH DOOR HARDWARE KIT * | 1 | 47055 | 47055 | 47055 | 47055 |
| 8 | DOOR SUPPORT | 1 | 74673 | 74673 | 74673 | 74673 |
| 9 | 8-32 ACORN NUT | 3 | 47702 | 47702 | 47702 | 47702 |
| 10 | 8-32 X 1/2 PH PAN | 4 | 47124 | 47124 | 47124 | 47124 |
| 11 | KNOB LID LIFT | 1 | 47120 | 47120 | 47120 | 47120 |
| 12 | DPST ROCKER SWITCH | 1 | 42532 | 42532 | 42532 | 42532 |
| 12 | MAGNETIC CATCH | 1 | 47561 | 47561 | 47561 | 47561 |



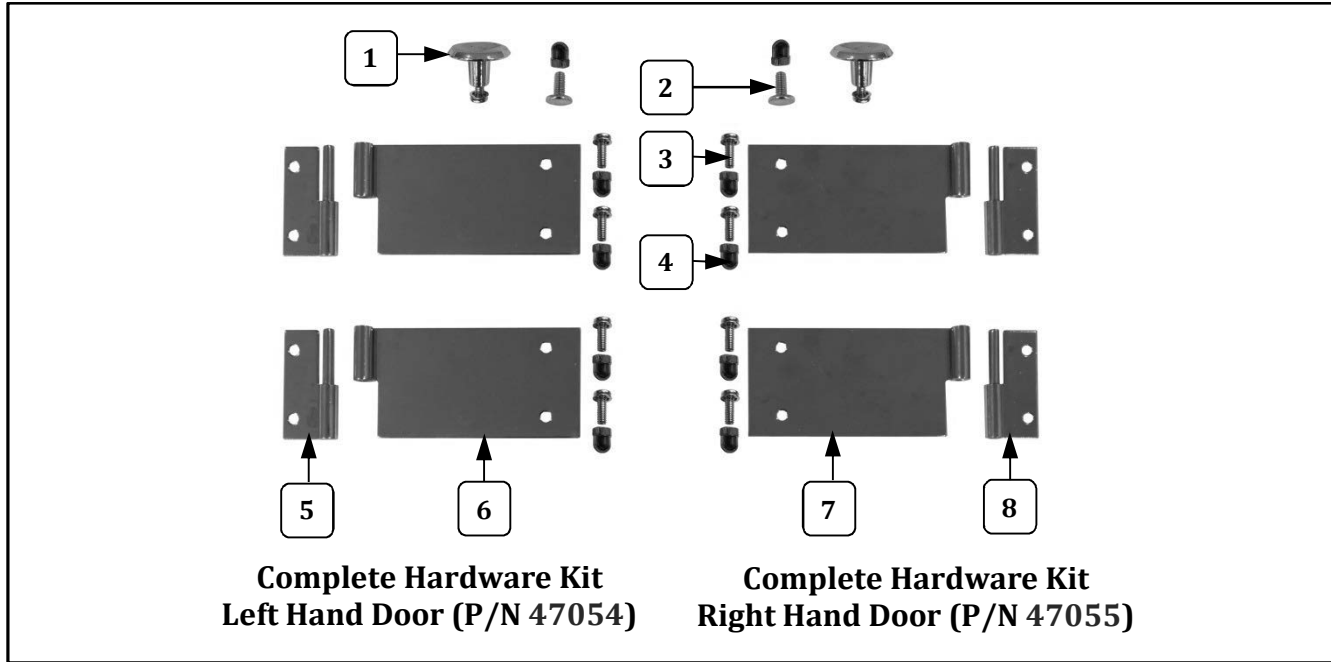
Door Hardware Kits – Individual Component Breakdown



| Item | Part Description | Qty. | Part Number | |
|------|---------------------------------|------|-------------|-------|
| | | | 47054 | 47055 |
| 1 | DOOR KNOB | 1 | 41013 | 41013 |
| 2 | TEE BOLT | 1 | 75267 | 75267 |
| 3 | 8-32 X 1/2 SCREWS PH PAN W/SEMS | 5 | 47124 | 47124 |
| 4 | ACORN NUT #8-32 | 5 | 47702 | 47702 |
| 5 | MALE HINGE SHORT LEFT | 2 | 41349 | |
| 6 | FEMALE HINGE LONG LEFT | 2 | 41352 | |
| 7 | FEMALE HINGE LONG RIGHT | 2 | | 41351 |
| 8 | MALE HINGE SHORT RIGHT | 2 | | 41350 |



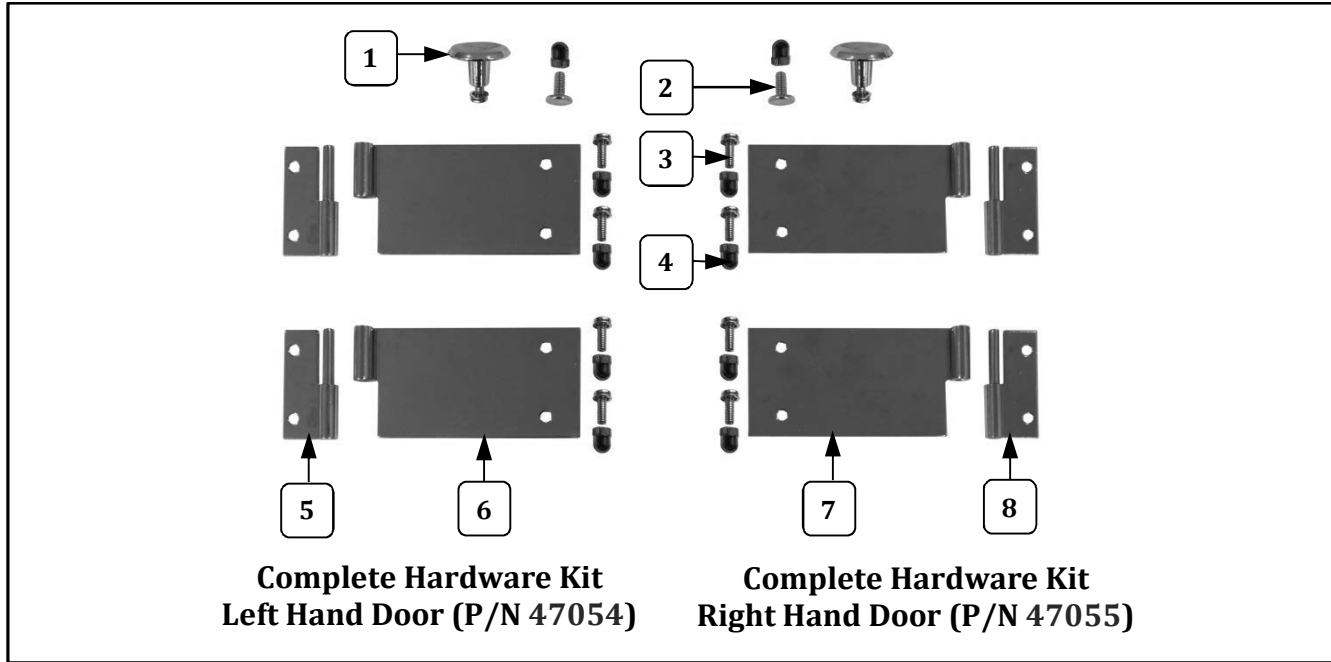
Door Hardware Kits – Individual Component Breakdown



| Item | Part Description | Qty. | Part Number | |
|------|---------------------------------|------|-------------|-------|
| | | | 47054 | 47055 |
| 1 | DOOR KNOB | 1 | 41013 | 41013 |
| 2 | TEE BOLT | 1 | 75267 | 75267 |
| 3 | 8-32 X 1/2 SCREWS PH PAN W/SEMS | 5 | 47124 | 47124 |
| 4 | ACORN NUT #8-32 | 5 | 47702 | 47702 |
| 5 | MALE HINGE SHORT LEFT | 2 | 41349 | |
| 6 | FEMALE HINGE LONG LEFT | 2 | 41352 | |
| 7 | FEMALE HINGE LONG RIGHT | 2 | | 41351 |
| 8 | MALE HINGE SHORT RIGHT | 2 | | 41350 |



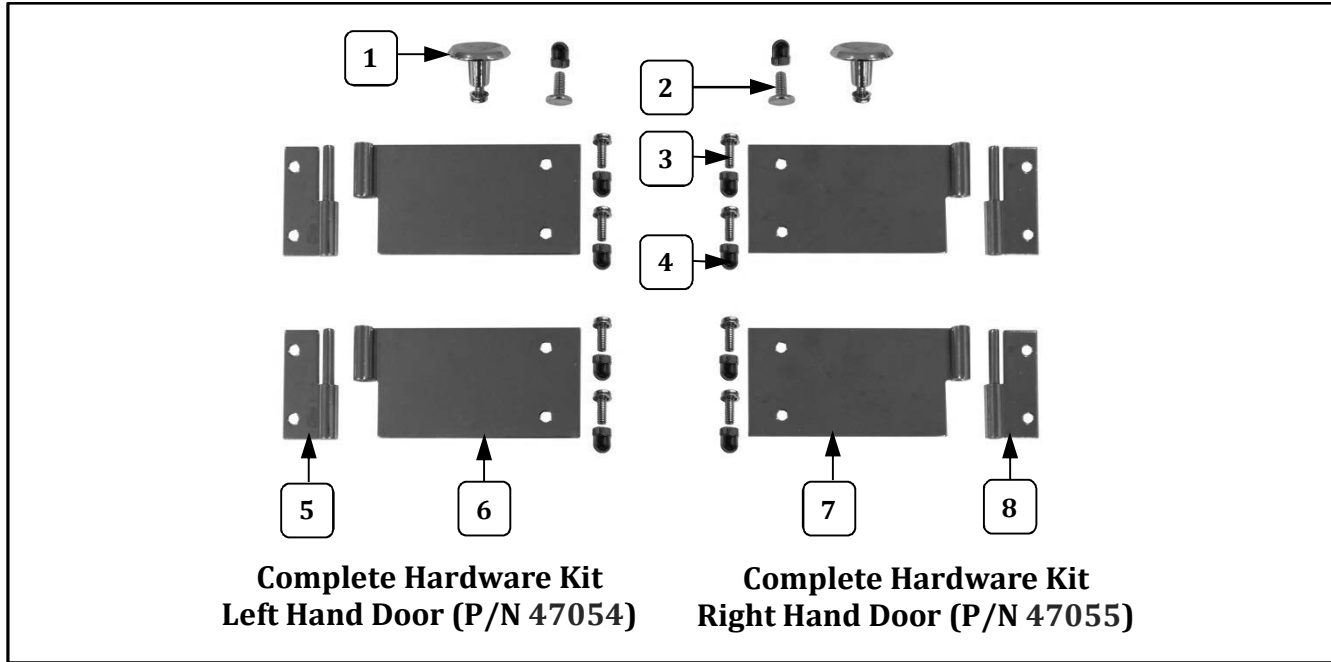
Door Hardware Kits – Individual Component Breakdown



| Item | Part Description | Qty. | Part Number | |
|------|---------------------------------|------|-------------|-------|
| | | | 47054 | 47055 |
| 1 | DOOR KNOB | 1 | 41013 | 41013 |
| 2 | TEE BOLT | 1 | 75267 | 75267 |
| 3 | 8-32 X 1/2 SCREWS PH PAN W/SEMS | 5 | 47124 | 47124 |
| 4 | ACORN NUT #8-32 | 5 | 47702 | 47702 |
| 5 | MALE HINGE SHORT LEFT | 2 | 41349 | |
| 6 | FEMALE HINGE LONG LEFT | 2 | 41352 | |
| 7 | FEMALE HINGE LONG RIGHT | 2 | | 41351 |
| 8 | MALE HINGE SHORT RIGHT | 2 | | 41350 |



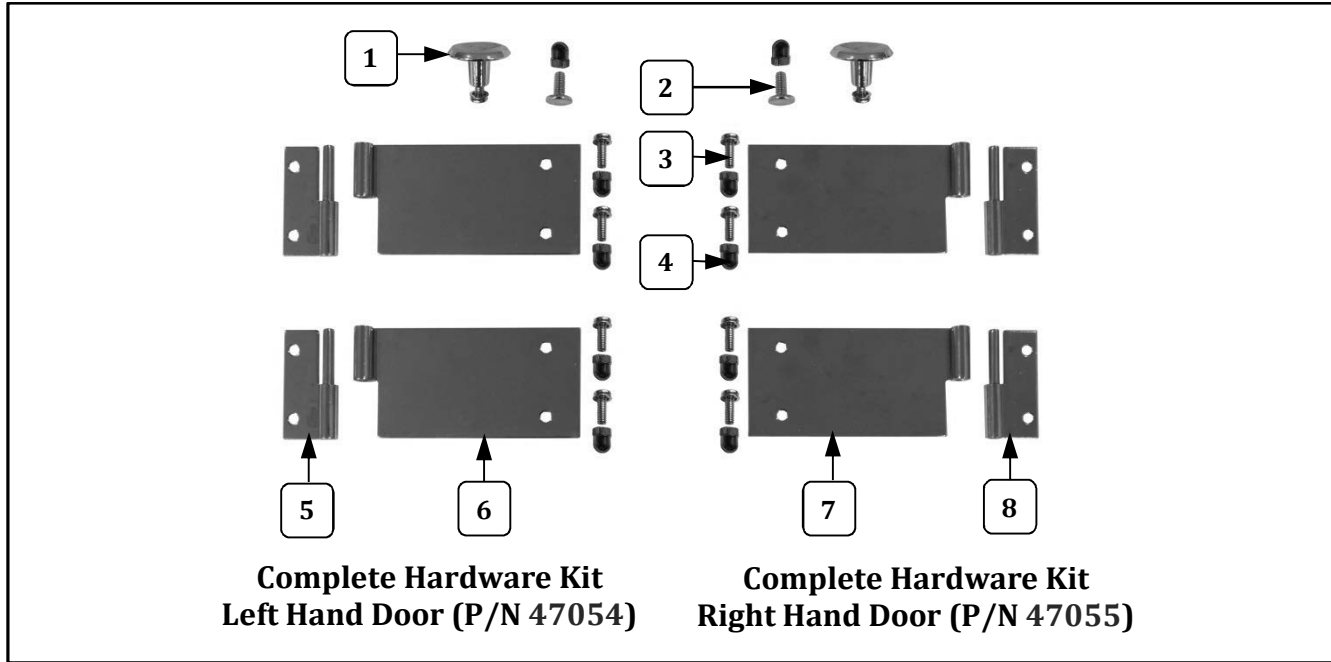
Door Hardware Kits – Individual Component Breakdown



| Item | Part Description | Qty. | Part Number | |
|------|---------------------------------|------|-------------|-------|
| | | | 47054 | 47055 |
| 1 | DOOR KNOB | 1 | 41013 | 41013 |
| 2 | TEE BOLT | 1 | 75267 | 75267 |
| 3 | 8-32 X 1/2 SCREWS PH PAN W/SEMS | 5 | 47124 | 47124 |
| 4 | ACORN NUT #8-32 | 5 | 47702 | 47702 |
| 5 | MALE HINGE SHORT LEFT | 2 | 41349 | |
| 6 | FEMALE HINGE LONG LEFT | 2 | 41352 | |
| 7 | FEMALE HINGE LONG RIGHT | 2 | | 41351 |
| 8 | MALE HINGE SHORT RIGHT | 2 | | 41350 |



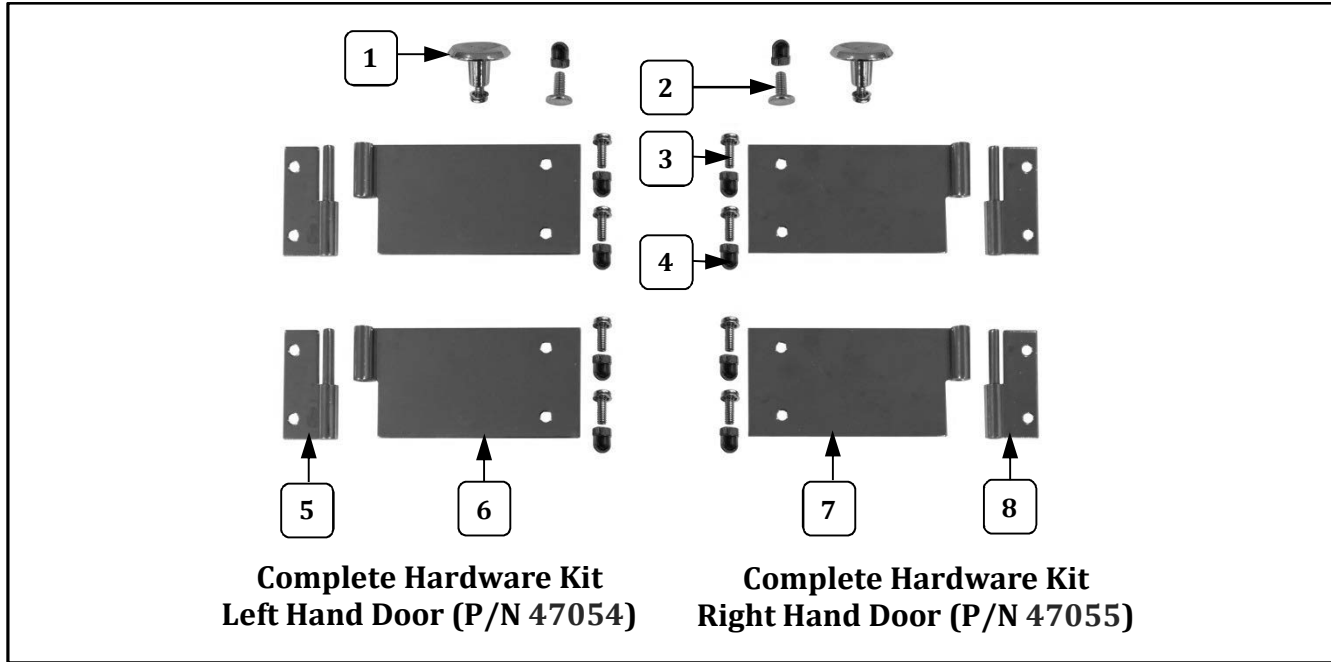
Door Hardware Kits – Individual Component Breakdown



| Item | Part Description | Qty. | Part Number | |
|------|---------------------------------|------|-------------|-------|
| | | | 47054 | 47055 |
| 1 | DOOR KNOB | 1 | 41013 | 41013 |
| 2 | TEE BOLT | 1 | 75267 | 75267 |
| 3 | 8-32 X 1/2 SCREWS PH PAN W/SEMS | 5 | 47124 | 47124 |
| 4 | ACORN NUT #8-32 | 5 | 47702 | 47702 |
| 5 | MALE HINGE SHORT LEFT | 2 | 41349 | |
| 6 | FEMALE HINGE LONG LEFT | 2 | 41352 | |
| 7 | FEMALE HINGE LONG RIGHT | 2 | | 41351 |
| 8 | MALE HINGE SHORT RIGHT | 2 | | 41350 |



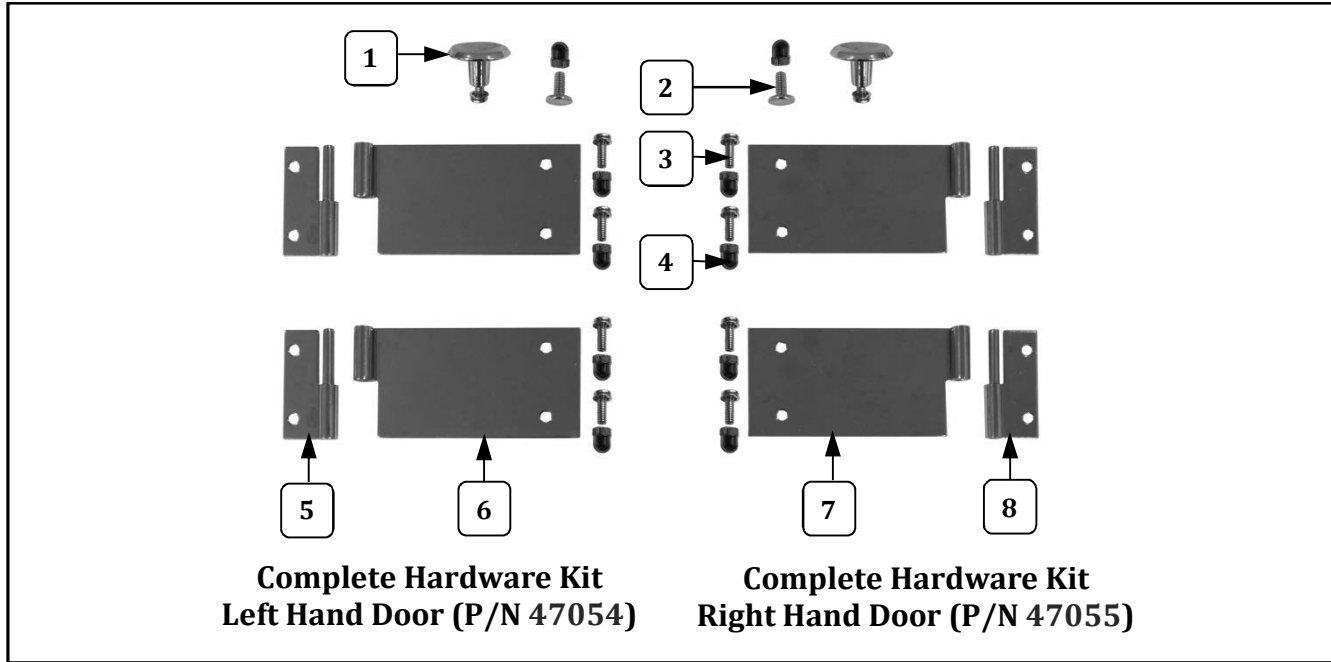
Door Hardware Kits – Individual Component Breakdown



| Item | Part Description | Qty. | Part Number | |
|------|---------------------------------|------|-------------|-------|
| | | | 47054 | 47055 |
| 1 | DOOR KNOB | 1 | 41013 | 41013 |
| 2 | TEE BOLT | 1 | 75267 | 75267 |
| 3 | 8-32 X 1/2 SCREWS PH PAN W/SEMS | 5 | 47124 | 47124 |
| 4 | ACORN NUT #8-32 | 5 | 47702 | 47702 |
| 5 | MALE HINGE SHORT LEFT | 2 | 41349 | |
| 6 | FEMALE HINGE LONG LEFT | 2 | 41352 | |
| 7 | FEMALE HINGE LONG RIGHT | 2 | | 41351 |
| 8 | MALE HINGE SHORT RIGHT | 2 | | 41350 |



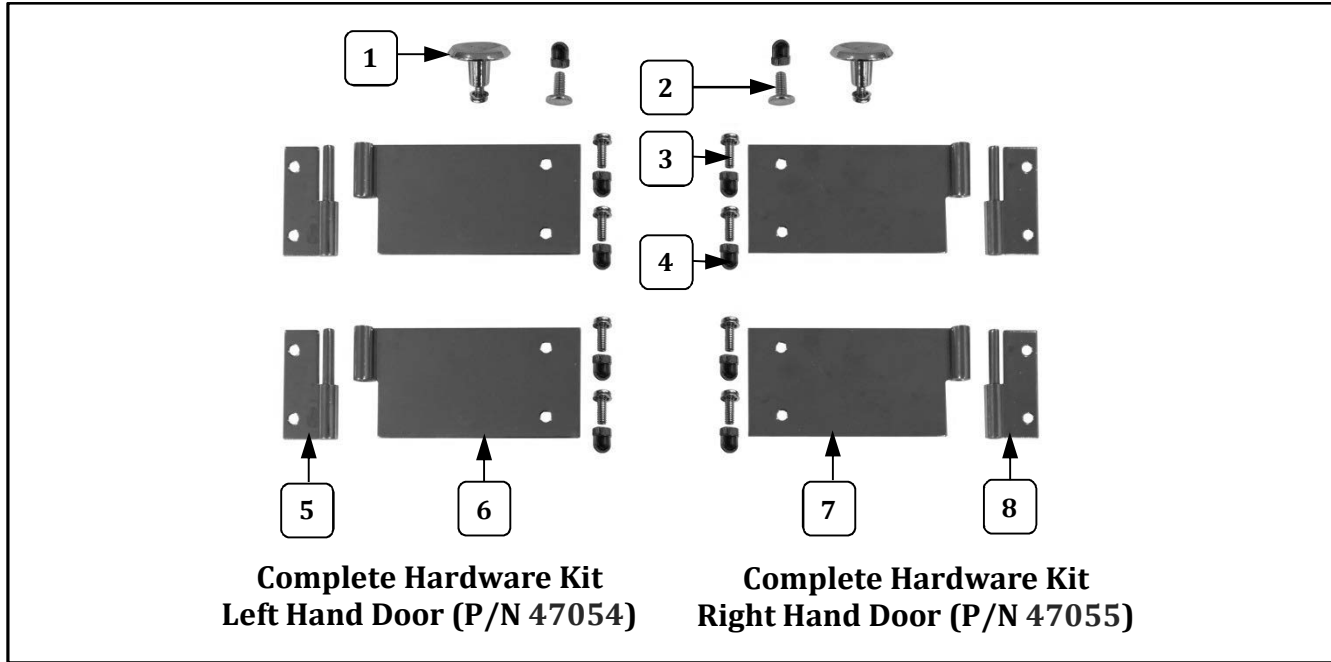
Door Hardware Kits – Individual Component Breakdown



| Item | Part Description | Qty. | Part Number | |
|------|---------------------------------|------|-------------|-------|
| | | | 47054 | 47055 |
| 1 | DOOR KNOB | 1 | 41013 | 41013 |
| 2 | TEE BOLT | 1 | 75267 | 75267 |
| 3 | 8-32 X 1/2 SCREWS PH PAN W/SEMS | 5 | 47124 | 47124 |
| 4 | ACORN NUT #8-32 | 5 | 47702 | 47702 |
| 5 | MALE HINGE SHORT LEFT | 2 | 41349 | |
| 6 | FEMALE HINGE LONG LEFT | 2 | 41352 | |
| 7 | FEMALE HINGE LONG RIGHT | 2 | | 41351 |
| 8 | MALE HINGE SHORT RIGHT | 2 | | 41350 |



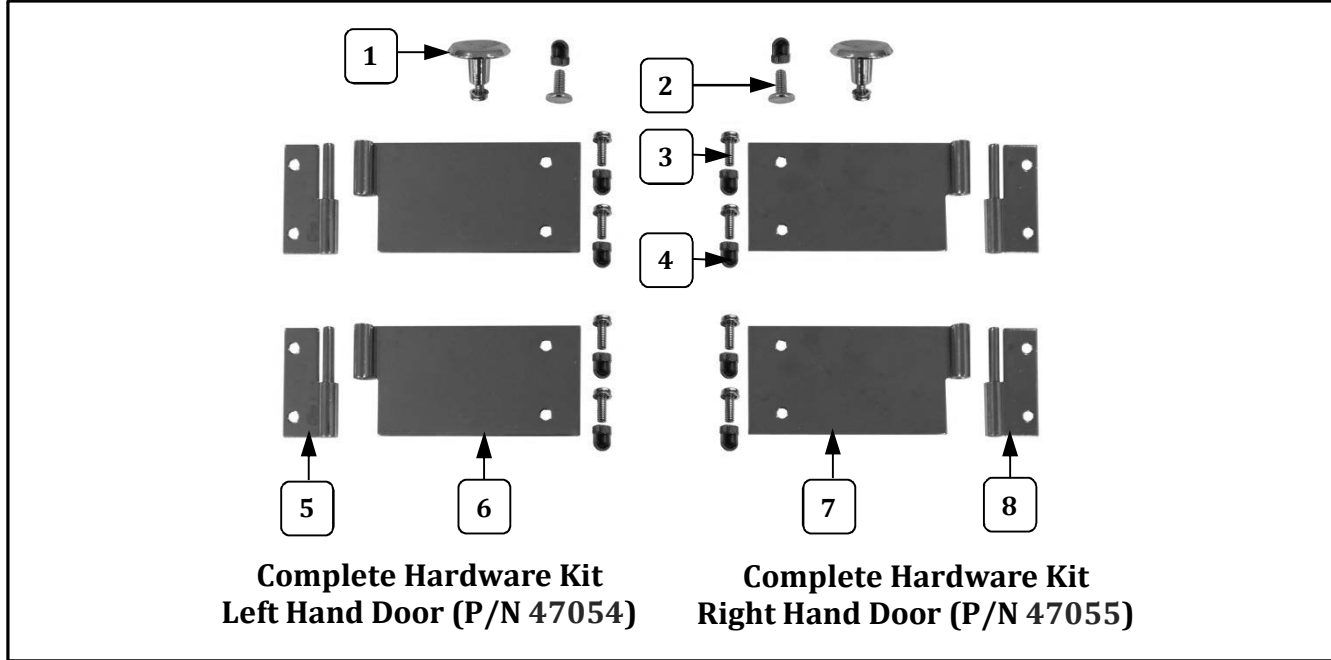
Door Hardware Kits – Individual Component Breakdown



| Item | Part Description | Qty. | Part Number | |
|------|---------------------------------|------|-------------|-------|
| | | | 47054 | 47055 |
| 1 | DOOR KNOB | 1 | 41013 | 41013 |
| 2 | TEE BOLT | 1 | 75267 | 75267 |
| 3 | 8-32 X 1/2 SCREWS PH PAN W/SEMS | 5 | 47124 | 47124 |
| 4 | ACORN NUT #8-32 | 5 | 47702 | 47702 |
| 5 | MALE HINGE SHORT LEFT | 2 | 41349 | |
| 6 | FEMALE HINGE LONG LEFT | 2 | 41352 | |
| 7 | FEMALE HINGE LONG RIGHT | 2 | | 41351 |
| 8 | MALE HINGE SHORT RIGHT | 2 | | 41350 |



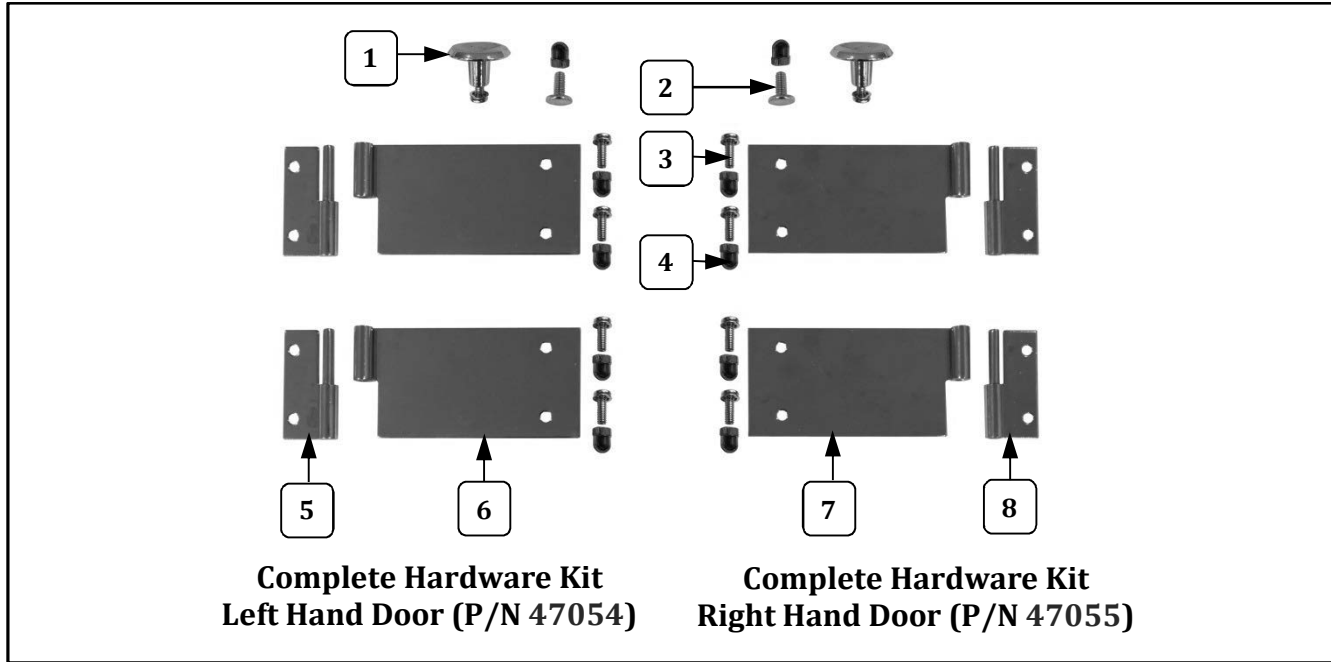
Door Hardware Kits – Individual Component Breakdown



| Item | Part Description | Qty. | Part Number | |
|------|---------------------------------|------|-------------|-------|
| | | | 47054 | 47055 |
| 1 | DOOR KNOB | 1 | 41013 | 41013 |
| 2 | TEE BOLT | 1 | 75267 | 75267 |
| 3 | 8-32 X 1/2 SCREWS PH PAN W/SEMS | 5 | 47124 | 47124 |
| 4 | ACORN NUT #8-32 | 5 | 47702 | 47702 |
| 5 | MALE HINGE SHORT LEFT | 2 | 41349 | |
| 6 | FEMALE HINGE LONG LEFT | 2 | 41352 | |
| 7 | FEMALE HINGE LONG RIGHT | 2 | | 41351 |
| 8 | MALE HINGE SHORT RIGHT | 2 | | 41350 |



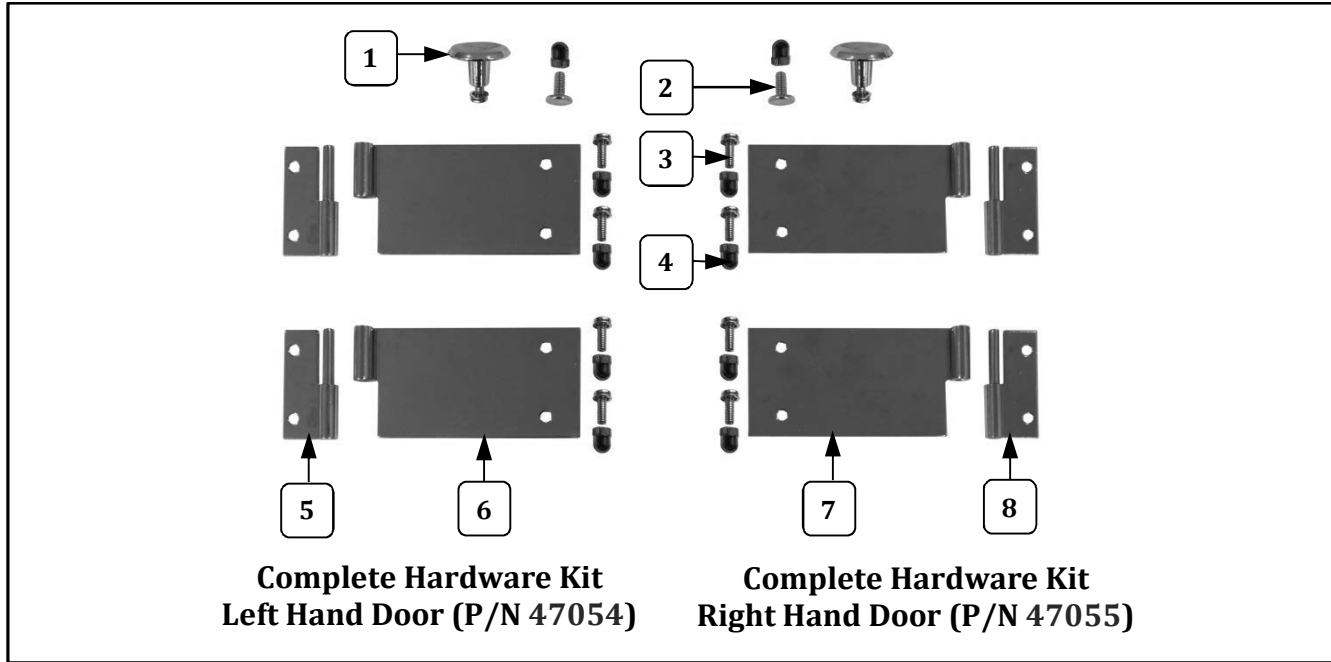
Door Hardware Kits – Individual Component Breakdown



| Item | Part Description | Qty. | Part Number | |
|------|---------------------------------|------|-------------|-------|
| | | | 47054 | 47055 |
| 1 | DOOR KNOB | 1 | 41013 | 41013 |
| 2 | TEE BOLT | 1 | 75267 | 75267 |
| 3 | 8-32 X 1/2 SCREWS PH PAN W/SEMS | 5 | 47124 | 47124 |
| 4 | ACORN NUT #8-32 | 5 | 47702 | 47702 |
| 5 | MALE HINGE SHORT LEFT | 2 | 41349 | |
| 6 | FEMALE HINGE LONG LEFT | 2 | 41352 | |
| 7 | FEMALE HINGE LONG RIGHT | 2 | | 41351 |
| 8 | MALE HINGE SHORT RIGHT | 2 | | 41350 |



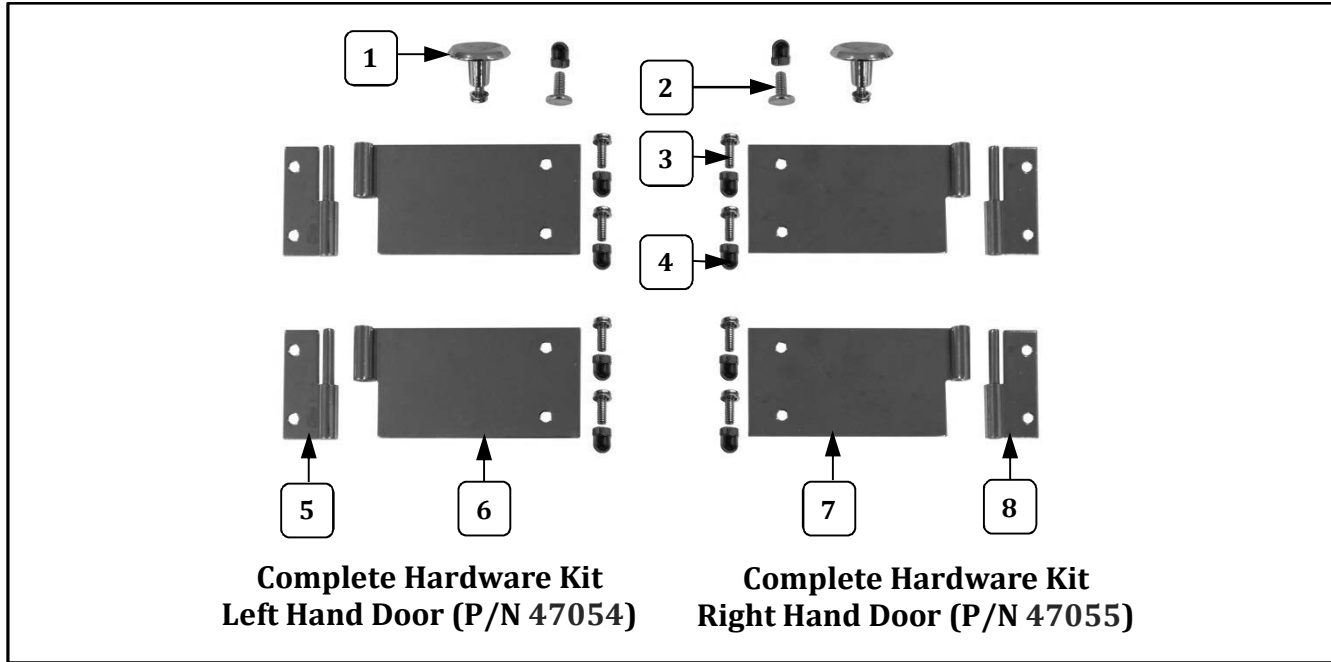
Door Hardware Kits – Individual Component Breakdown



| Item | Part Description | Qty. | Part Number | |
|------|---------------------------------|------|-------------|-------|
| | | | 47054 | 47055 |
| 1 | DOOR KNOB | 1 | 41013 | 41013 |
| 2 | TEE BOLT | 1 | 75267 | 75267 |
| 3 | 8-32 X 1/2 SCREWS PH PAN W/SEMS | 5 | 47124 | 47124 |
| 4 | ACORN NUT #8-32 | 5 | 47702 | 47702 |
| 5 | MALE HINGE SHORT LEFT | 2 | 41349 | |
| 6 | FEMALE HINGE LONG LEFT | 2 | 41352 | |
| 7 | FEMALE HINGE LONG RIGHT | 2 | | 41351 |
| 8 | MALE HINGE SHORT RIGHT | 2 | | 41350 |



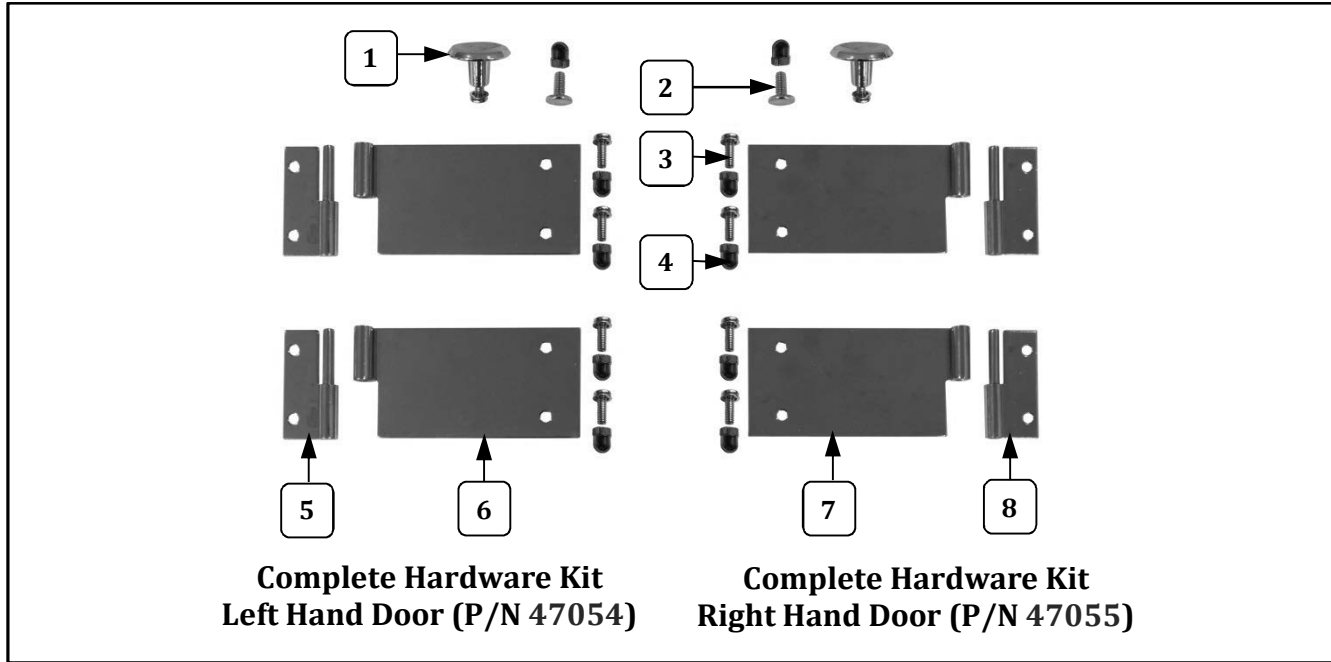
Door Hardware Kits – Individual Component Breakdown



| Item | Part Description | Qty. | Part Number | |
|------|---------------------------------|------|-------------|-------|
| | | | 47054 | 47055 |
| 1 | DOOR KNOB | 1 | 41013 | 41013 |
| 2 | TEE BOLT | 1 | 75267 | 75267 |
| 3 | 8-32 X 1/2 SCREWS PH PAN W/SEMS | 5 | 47124 | 47124 |
| 4 | ACORN NUT #8-32 | 5 | 47702 | 47702 |
| 5 | MALE HINGE SHORT LEFT | 2 | 41349 | |
| 6 | FEMALE HINGE LONG LEFT | 2 | 41352 | |
| 7 | FEMALE HINGE LONG RIGHT | 2 | | 41351 |
| 8 | MALE HINGE SHORT RIGHT | 2 | | 41350 |



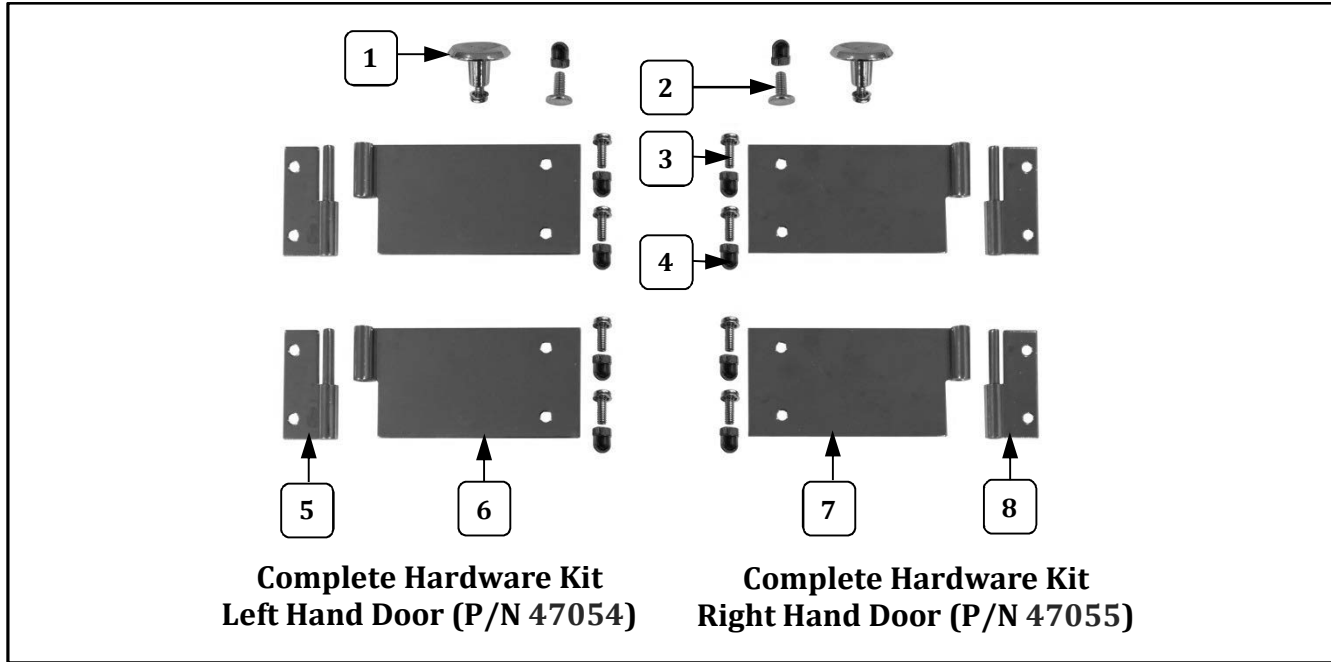
Door Hardware Kits – Individual Component Breakdown



| Item | Part Description | Qty. | Part Number | |
|------|---------------------------------|------|-------------|-------|
| | | | 47054 | 47055 |
| 1 | DOOR KNOB | 1 | 41013 | 41013 |
| 2 | TEE BOLT | 1 | 75267 | 75267 |
| 3 | 8-32 X 1/2 SCREWS PH PAN W/SEMS | 5 | 47124 | 47124 |
| 4 | ACORN NUT #8-32 | 5 | 47702 | 47702 |
| 5 | MALE HINGE SHORT LEFT | 2 | 41349 | |
| 6 | FEMALE HINGE LONG LEFT | 2 | 41352 | |
| 7 | FEMALE HINGE LONG RIGHT | 2 | | 41351 |
| 8 | MALE HINGE SHORT RIGHT | 2 | | 41350 |



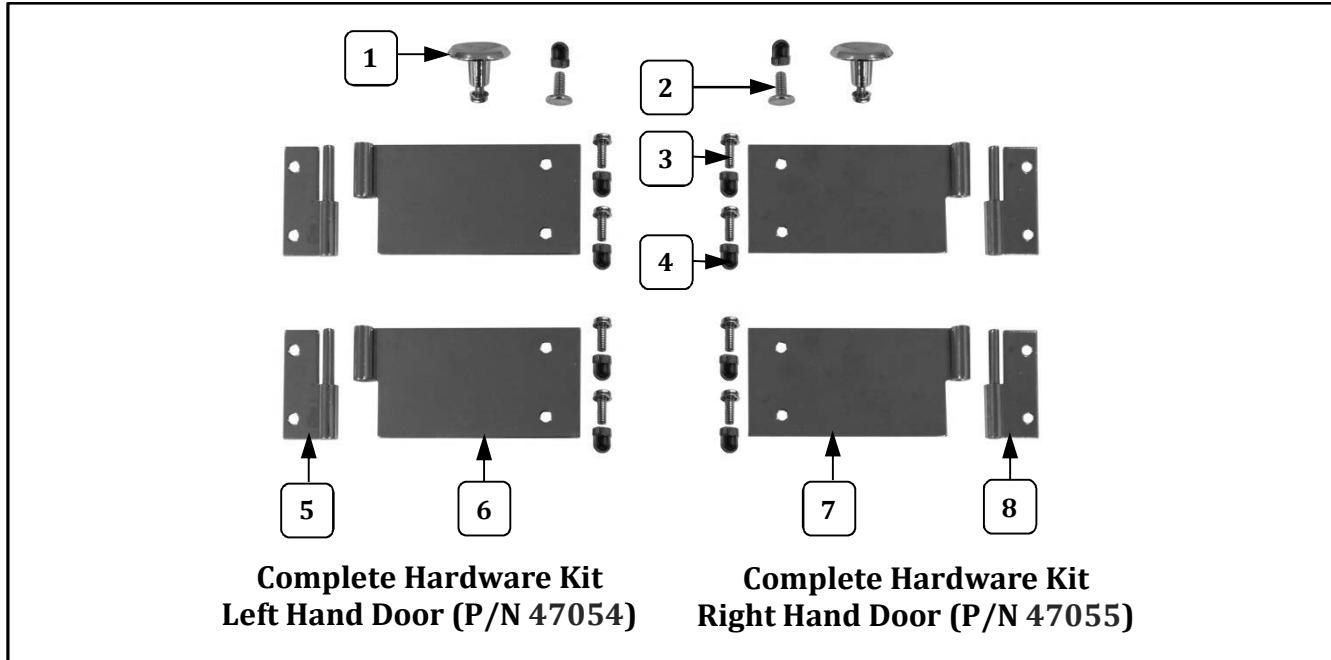
Door Hardware Kits – Individual Component Breakdown



| Item | Part Description | Qty. | Part Number | |
|------|---------------------------------|------|-------------|-------|
| | | | 47054 | 47055 |
| 1 | DOOR KNOB | 1 | 41013 | 41013 |
| 2 | TEE BOLT | 1 | 75267 | 75267 |
| 3 | 8-32 X 1/2 SCREWS PH PAN W/SEMS | 5 | 47124 | 47124 |
| 4 | ACORN NUT #8-32 | 5 | 47702 | 47702 |
| 5 | MALE HINGE SHORT LEFT | 2 | 41349 | |
| 6 | FEMALE HINGE LONG LEFT | 2 | 41352 | |
| 7 | FEMALE HINGE LONG RIGHT | 2 | | 41351 |
| 8 | MALE HINGE SHORT RIGHT | 2 | | 41350 |



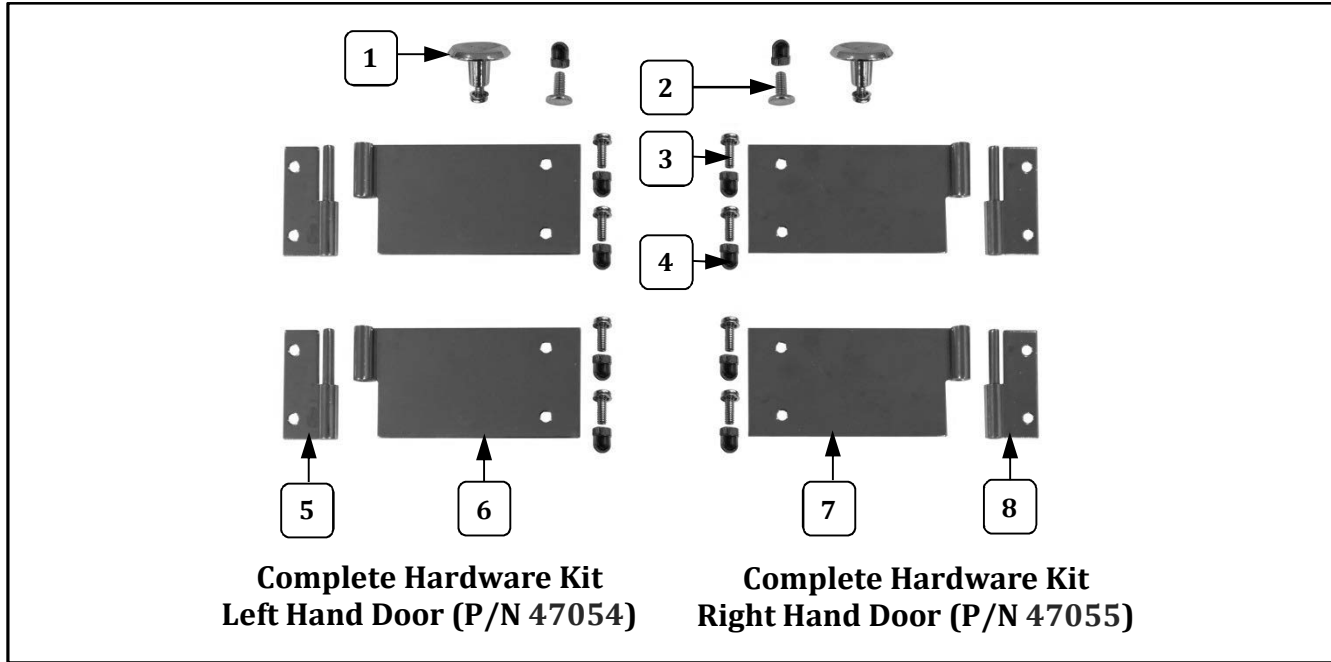
Door Hardware Kits – Individual Component Breakdown



| Item | Part Description | Qty. | Part Number | |
|------|---------------------------------|------|-------------|-------|
| | | | 47054 | 47055 |
| 1 | DOOR KNOB | 1 | 41013 | 41013 |
| 2 | TEE BOLT | 1 | 75267 | 75267 |
| 3 | 8-32 X 1/2 SCREWS PH PAN W/SEMS | 5 | 47124 | 47124 |
| 4 | ACORN NUT #8-32 | 5 | 47702 | 47702 |
| 5 | MALE HINGE SHORT LEFT | 2 | 41349 | |
| 6 | FEMALE HINGE LONG LEFT | 2 | 41352 | |
| 7 | FEMALE HINGE LONG RIGHT | 2 | | 41351 |
| 8 | MALE HINGE SHORT RIGHT | 2 | | 41350 |

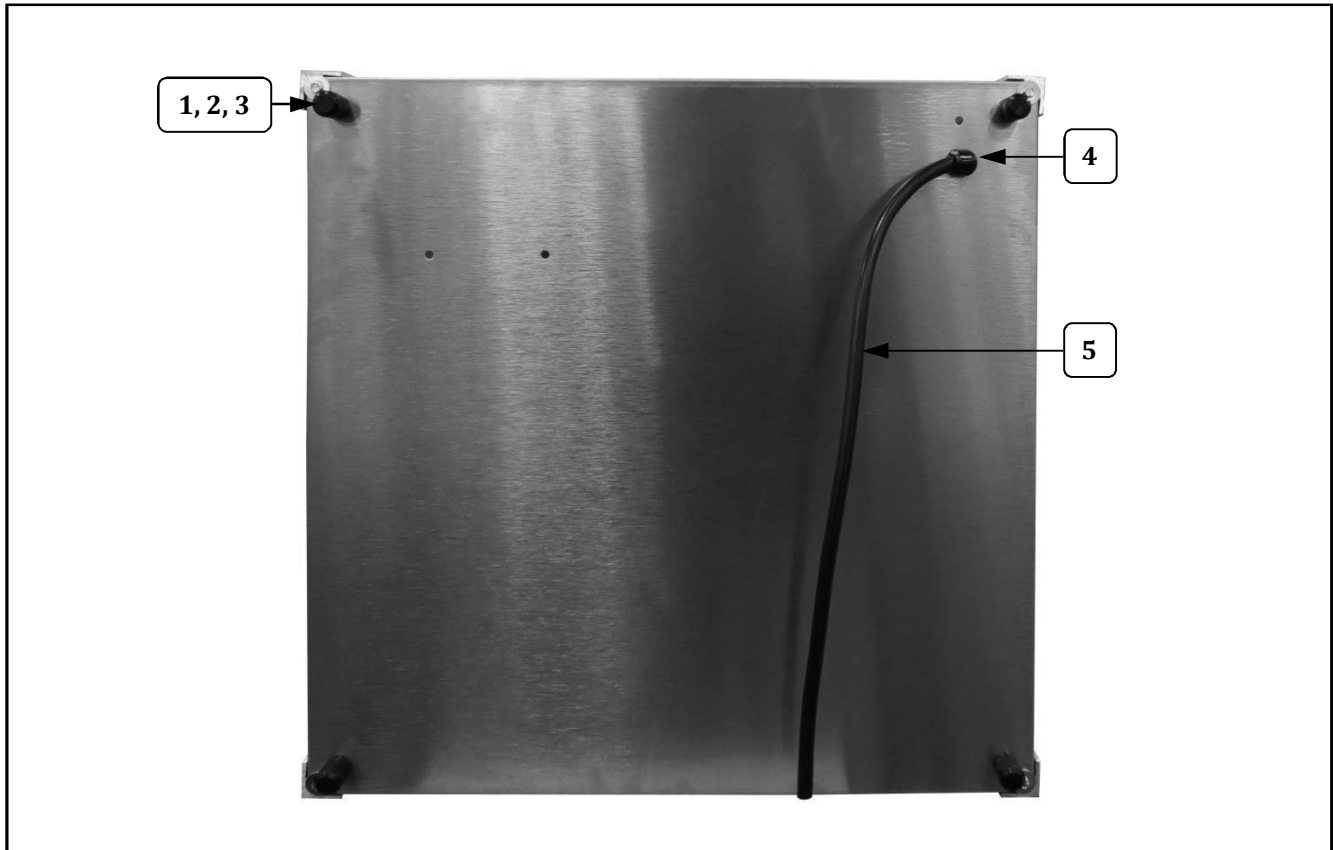


Door Hardware Kits – Individual Component Breakdown



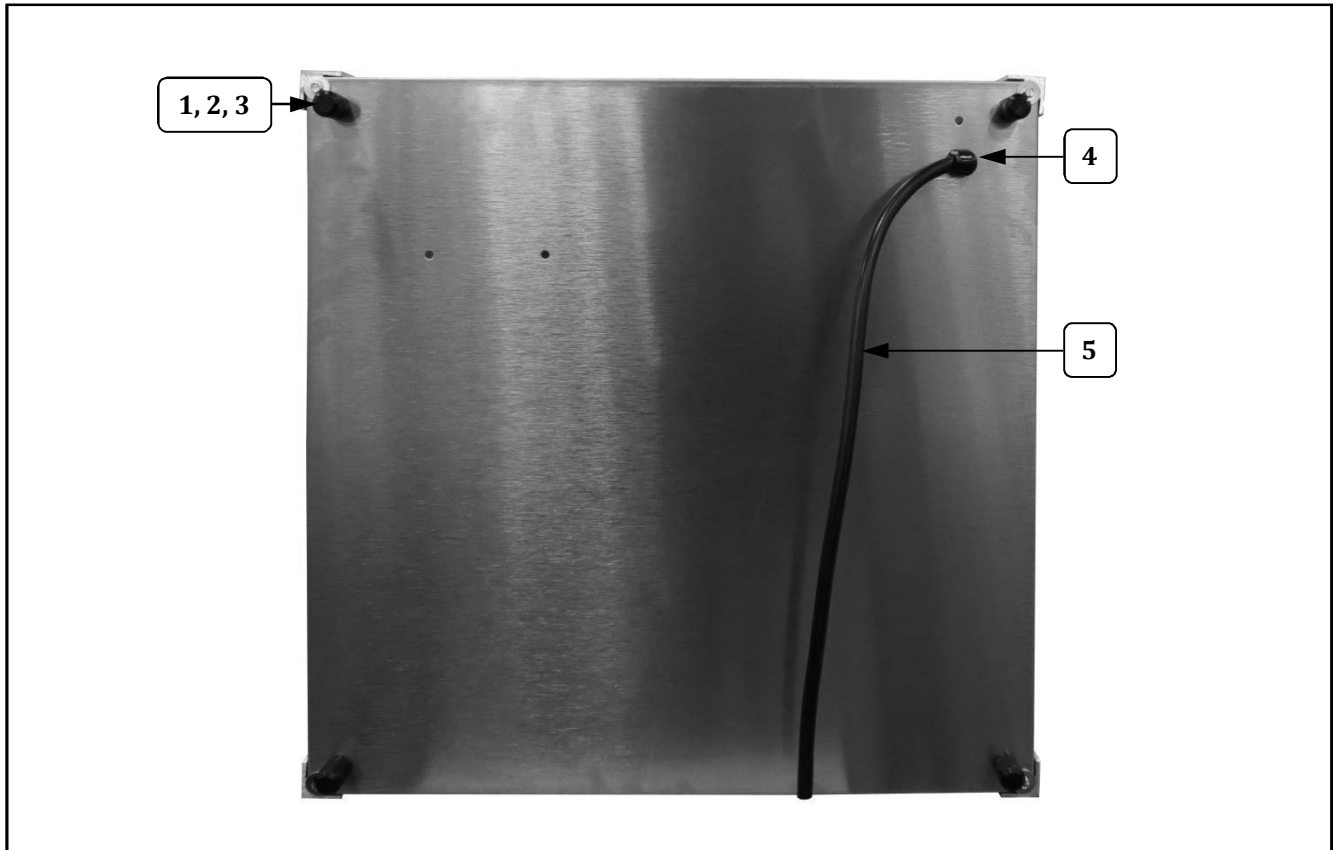
| Item | Part Description | Qty. | Part Number | |
|------|---------------------------------|------|-------------|-------|
| | | | 47054 | 47055 |
| 1 | DOOR KNOB | 1 | 41013 | 41013 |
| 2 | TEE BOLT | 1 | 75267 | 75267 |
| 3 | 8-32 X 1/2 SCREWS PH PAN W/SEMS | 5 | 47124 | 47124 |
| 4 | ACORN NUT #8-32 | 5 | 47702 | 47702 |
| 5 | MALE HINGE SHORT LEFT | 2 | 41349 | |
| 6 | FEMALE HINGE LONG LEFT | 2 | 41352 | |
| 7 | FEMALE HINGE LONG RIGHT | 2 | | 41351 |
| 8 | MALE HINGE SHORT RIGHT | 2 | | 41350 |

Cabinet Exterior – Bottom View



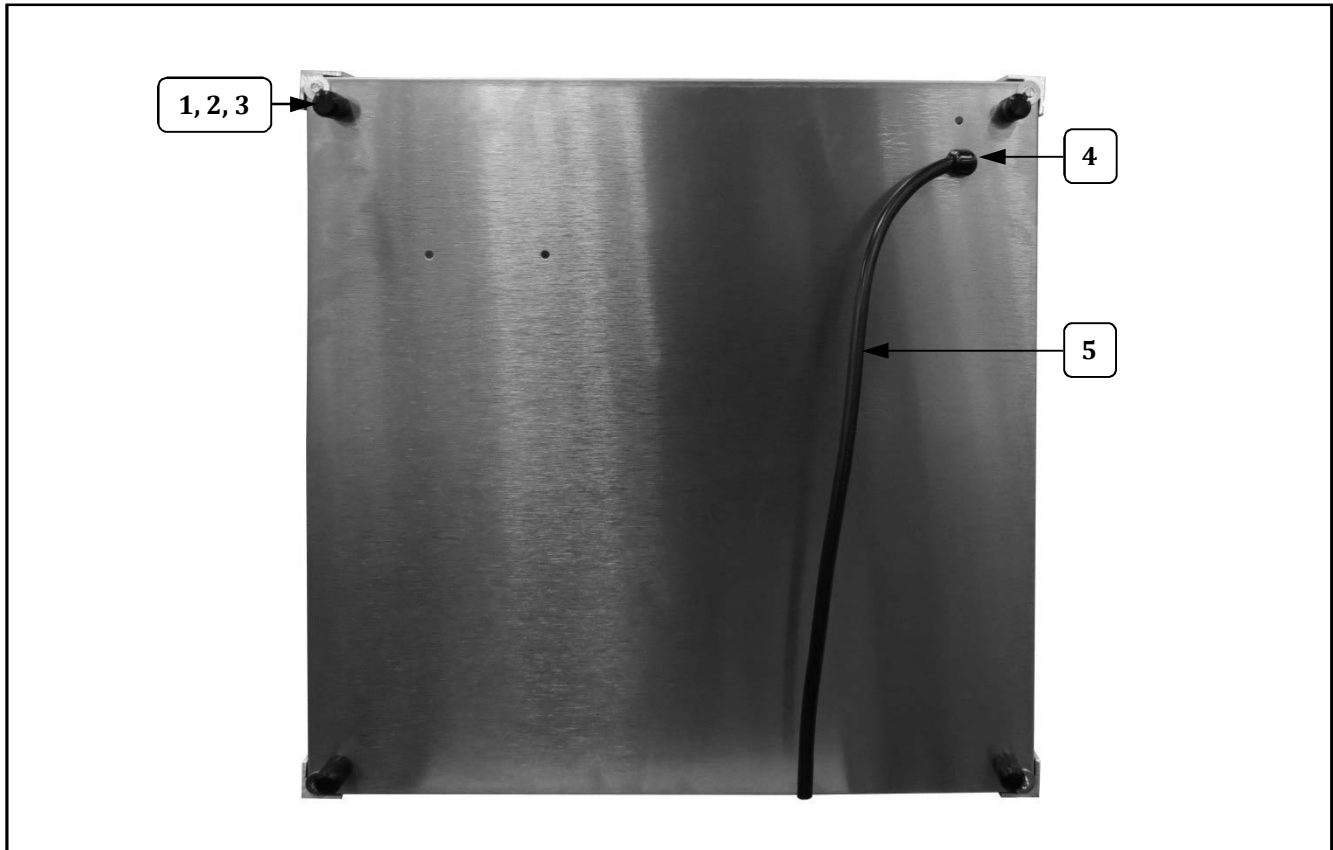
| Item | Parts Description | Qty. | Part Number | | | |
|------|----------------------------|------|-------------|-------|--------|--------|
| | | | 5588 | 5888 | 5588EX | 5888EX |
| 1 | GLIDE | 4 | 47328 | 47328 | 47328 | 47328 |
| 2 | CRUTCH TIP | 4 | 49123 | 49123 | 49123 | 49123 |
| 3 | 10-24 X 3/4 HEX HEAD SCREW | 4 | 41314 | 41314 | 41314 | 41314 |
| 4 | SR-10-2 STRAIN RELIEF | 1 | 87163 | 87163 | 87163 | 87163 |
| 5 | LEAD-IN CORD 15 AMP PLUG | 1 | 22038 | 22038 | | |
| | EXPORT POWER SUPPLY CORD | 1 | | | 42369 | 42369 |

Cabinet Exterior – Bottom View



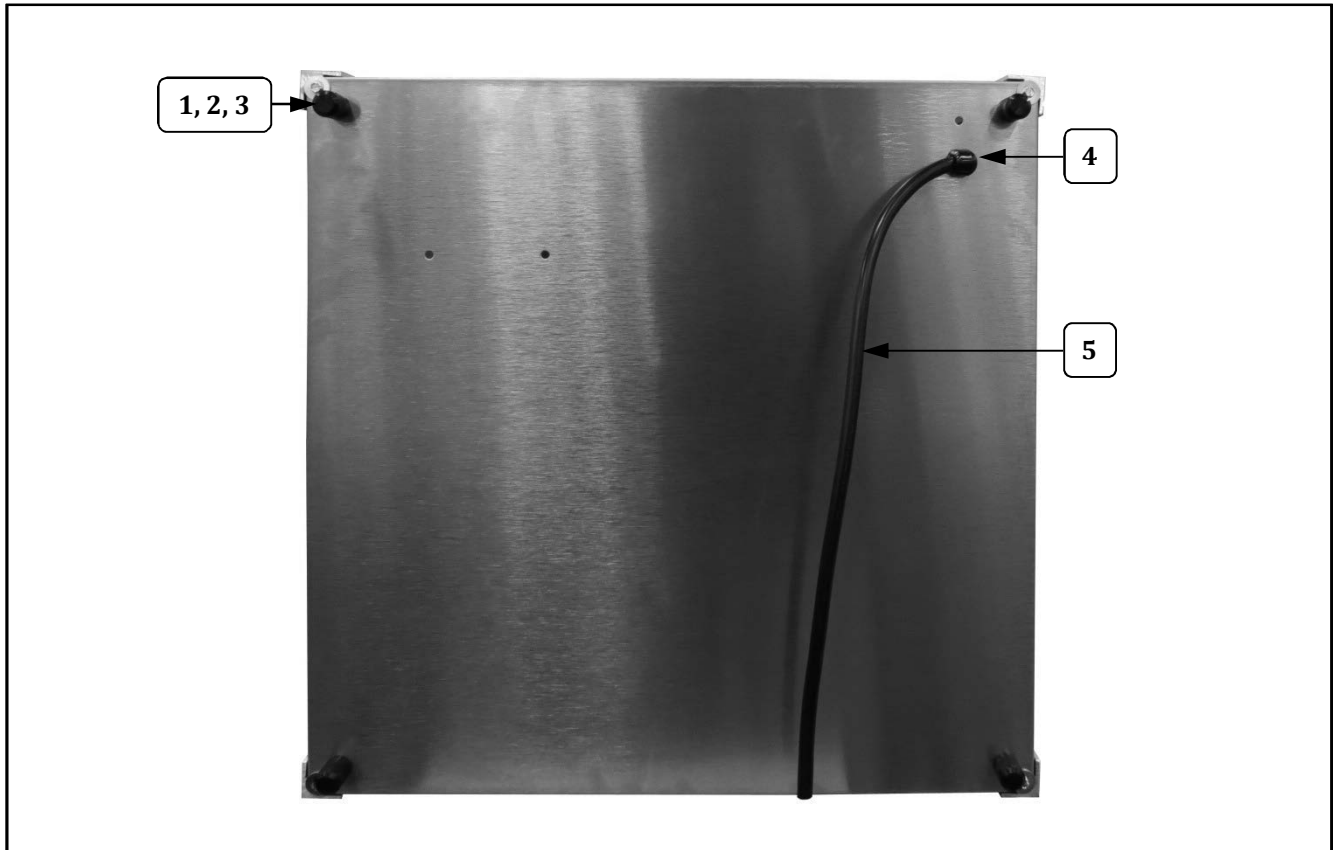
| Item | Parts Description | Qty. | Part Number | | | |
|------|----------------------------|------|-------------|-------|--------|--------|
| | | | 5588 | 5888 | 5588EX | 5888EX |
| 1 | GLIDE | 4 | 47328 | 47328 | 47328 | 47328 |
| 2 | CRUTCH TIP | 4 | 49123 | 49123 | 49123 | 49123 |
| 3 | 10-24 X 3/4 HEX HEAD SCREW | 4 | 41314 | 41314 | 41314 | 41314 |
| 4 | SR-10-2 STRAIN RELIEF | 1 | 87163 | 87163 | 87163 | 87163 |
| 5 | LEAD-IN CORD 15 AMP PLUG | 1 | 22038 | 22038 | | |
| | EXPORT POWER SUPPLY CORD | 1 | | | 42369 | 42369 |

Cabinet Exterior – Bottom View



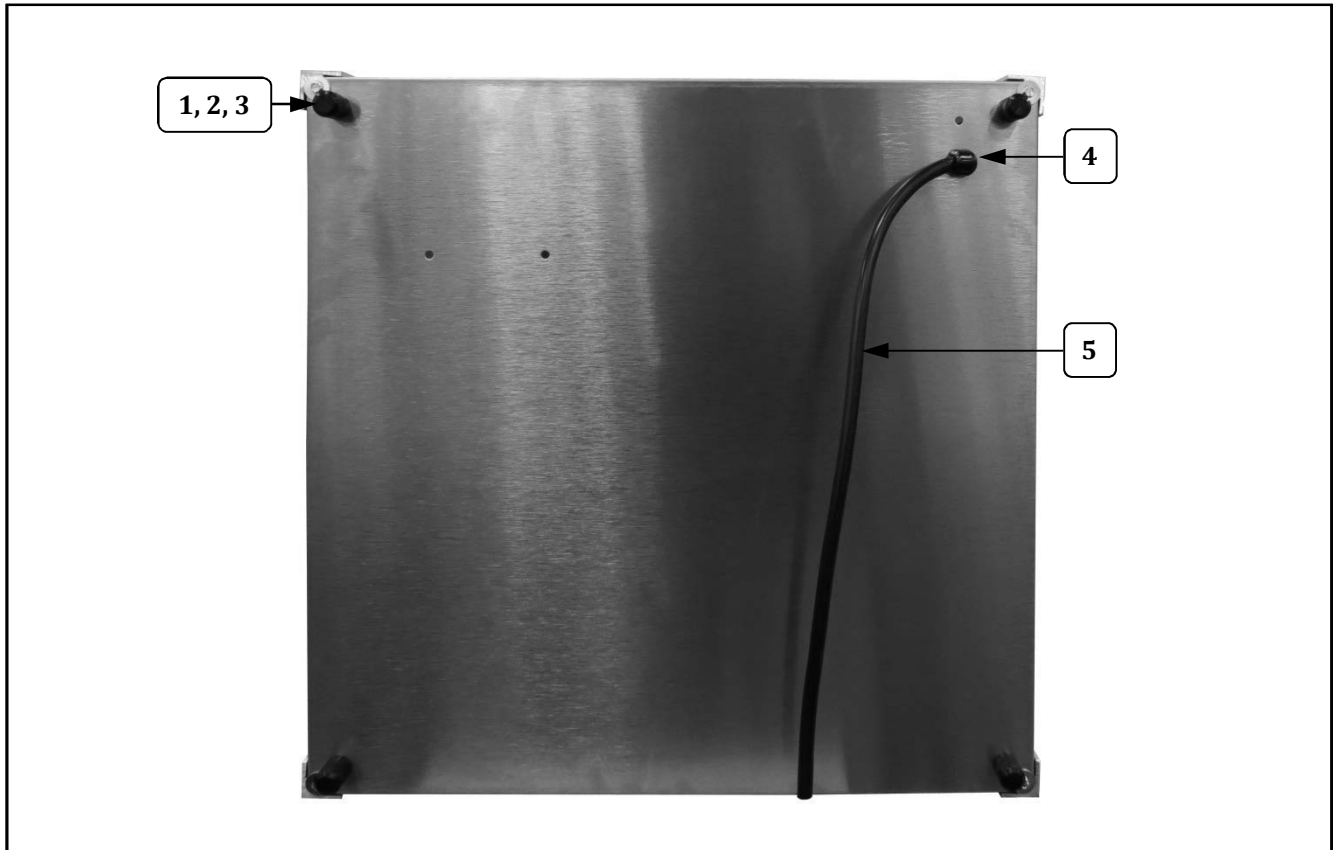
| Item | Parts Description | Qty. | Part Number | | | |
|------|----------------------------|------|-------------|-------|--------|--------|
| | | | 5588 | 5888 | 5588EX | 5888EX |
| 1 | GLIDE | 4 | 47328 | 47328 | 47328 | 47328 |
| 2 | CRUTCH TIP | 4 | 49123 | 49123 | 49123 | 49123 |
| 3 | 10-24 X 3/4 HEX HEAD SCREW | 4 | 41314 | 41314 | 41314 | 41314 |
| 4 | SR-10-2 STRAIN RELIEF | 1 | 87163 | 87163 | 87163 | 87163 |
| 5 | LEAD-IN CORD 15 AMP PLUG | 1 | 22038 | 22038 | | |
| | EXPORT POWER SUPPLY CORD | 1 | | | 42369 | 42369 |

Cabinet Exterior – Bottom View



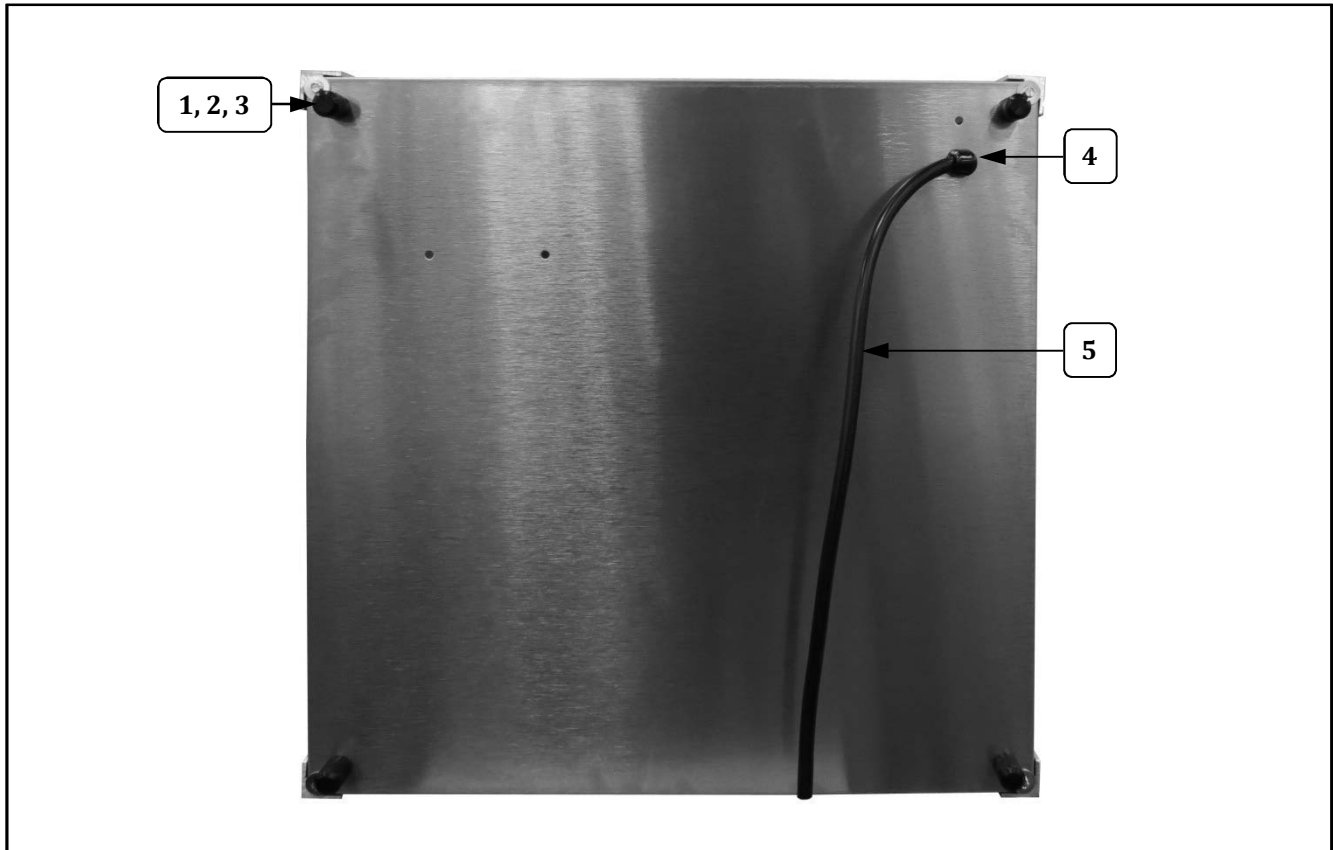
| Item | Parts Description | Qty. | Part Number | | | |
|------|----------------------------|------|-------------|-------|--------|--------|
| | | | 5588 | 5888 | 5588EX | 5888EX |
| 1 | GLIDE | 4 | 47328 | 47328 | 47328 | 47328 |
| 2 | CRUTCH TIP | 4 | 49123 | 49123 | 49123 | 49123 |
| 3 | 10-24 X 3/4 HEX HEAD SCREW | 4 | 41314 | 41314 | 41314 | 41314 |
| 4 | SR-10-2 STRAIN RELIEF | 1 | 87163 | 87163 | 87163 | 87163 |
| 5 | LEAD-IN CORD 15 AMP PLUG | 1 | 22038 | 22038 | | |
| | EXPORT POWER SUPPLY CORD | 1 | | | 42369 | 42369 |

Cabinet Exterior – Bottom View



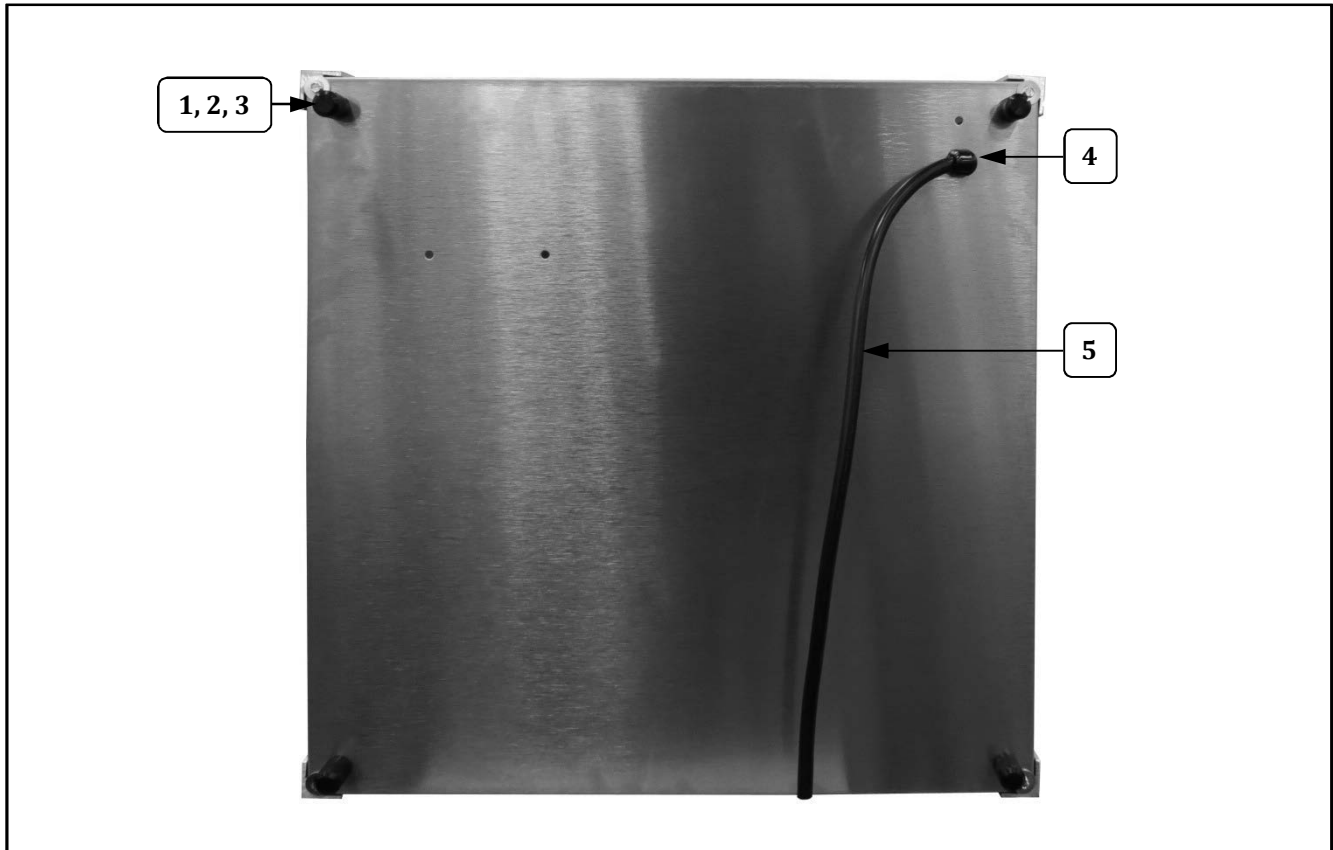
| Item | Parts Description | Qty. | Part Number | | | |
|------|----------------------------|------|-------------|-------|--------|--------|
| | | | 5588 | 5888 | 5588EX | 5888EX |
| 1 | GLIDE | 4 | 47328 | 47328 | 47328 | 47328 |
| 2 | CRUTCH TIP | 4 | 49123 | 49123 | 49123 | 49123 |
| 3 | 10-24 X 3/4 HEX HEAD SCREW | 4 | 41314 | 41314 | 41314 | 41314 |
| 4 | SR-10-2 STRAIN RELIEF | 1 | 87163 | 87163 | 87163 | 87163 |
| 5 | LEAD-IN CORD 15 AMP PLUG | 1 | 22038 | 22038 | | |
| | EXPORT POWER SUPPLY CORD | 1 | | | 42369 | 42369 |

Cabinet Exterior – Bottom View



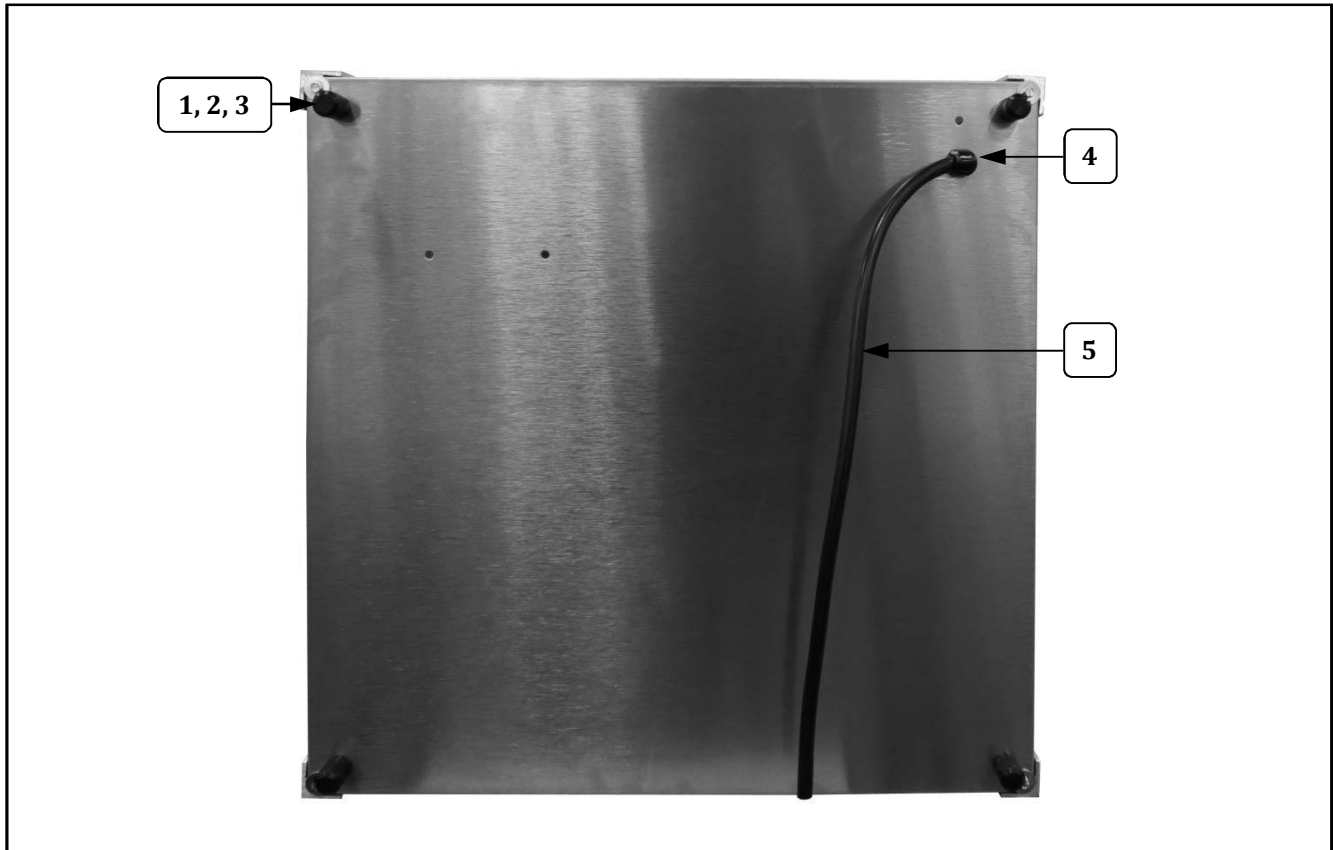
| Item | Parts Description | Qty. | Part Number | | | |
|------|----------------------------|------|-------------|-------|--------|--------|
| | | | 5588 | 5888 | 5588EX | 5888EX |
| 1 | GLIDE | 4 | 47328 | 47328 | 47328 | 47328 |
| 2 | CRUTCH TIP | 4 | 49123 | 49123 | 49123 | 49123 |
| 3 | 10-24 X 3/4 HEX HEAD SCREW | 4 | 41314 | 41314 | 41314 | 41314 |
| 4 | SR-10-2 STRAIN RELIEF | 1 | 87163 | 87163 | 87163 | 87163 |
| 5 | LEAD-IN CORD 15 AMP PLUG | 1 | 22038 | 22038 | | |
| | EXPORT POWER SUPPLY CORD | 1 | | | 42369 | 42369 |

Cabinet Exterior – Bottom View



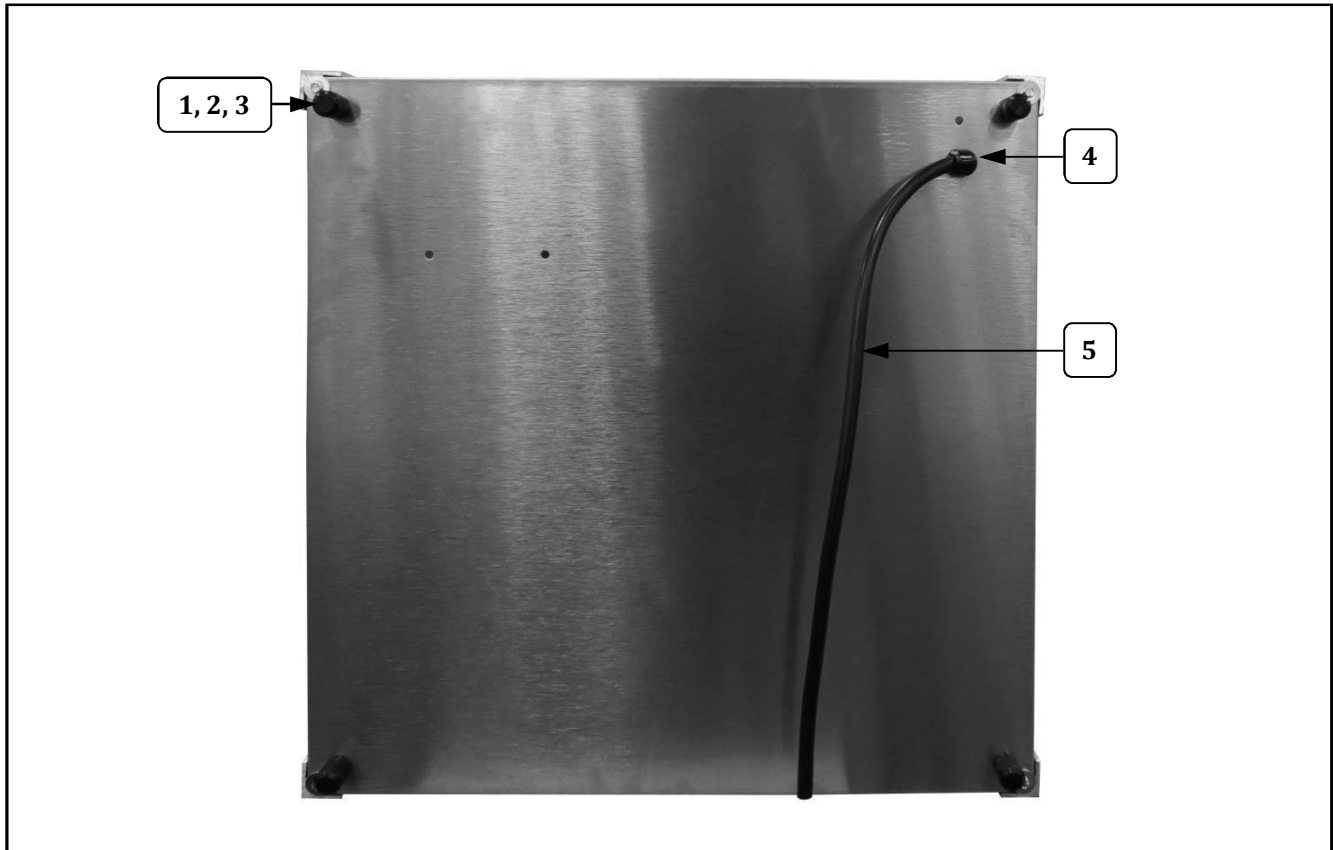
| Item | Parts Description | Qty. | Part Number | | | |
|------|----------------------------|------|-------------|-------|--------|--------|
| | | | 5588 | 5888 | 5588EX | 5888EX |
| 1 | GLIDE | 4 | 47328 | 47328 | 47328 | 47328 |
| 2 | CRUTCH TIP | 4 | 49123 | 49123 | 49123 | 49123 |
| 3 | 10-24 X 3/4 HEX HEAD SCREW | 4 | 41314 | 41314 | 41314 | 41314 |
| 4 | SR-10-2 STRAIN RELIEF | 1 | 87163 | 87163 | 87163 | 87163 |
| 5 | LEAD-IN CORD 15 AMP PLUG | 1 | 22038 | 22038 | | |
| | EXPORT POWER SUPPLY CORD | 1 | | | 42369 | 42369 |

Cabinet Exterior – Bottom View



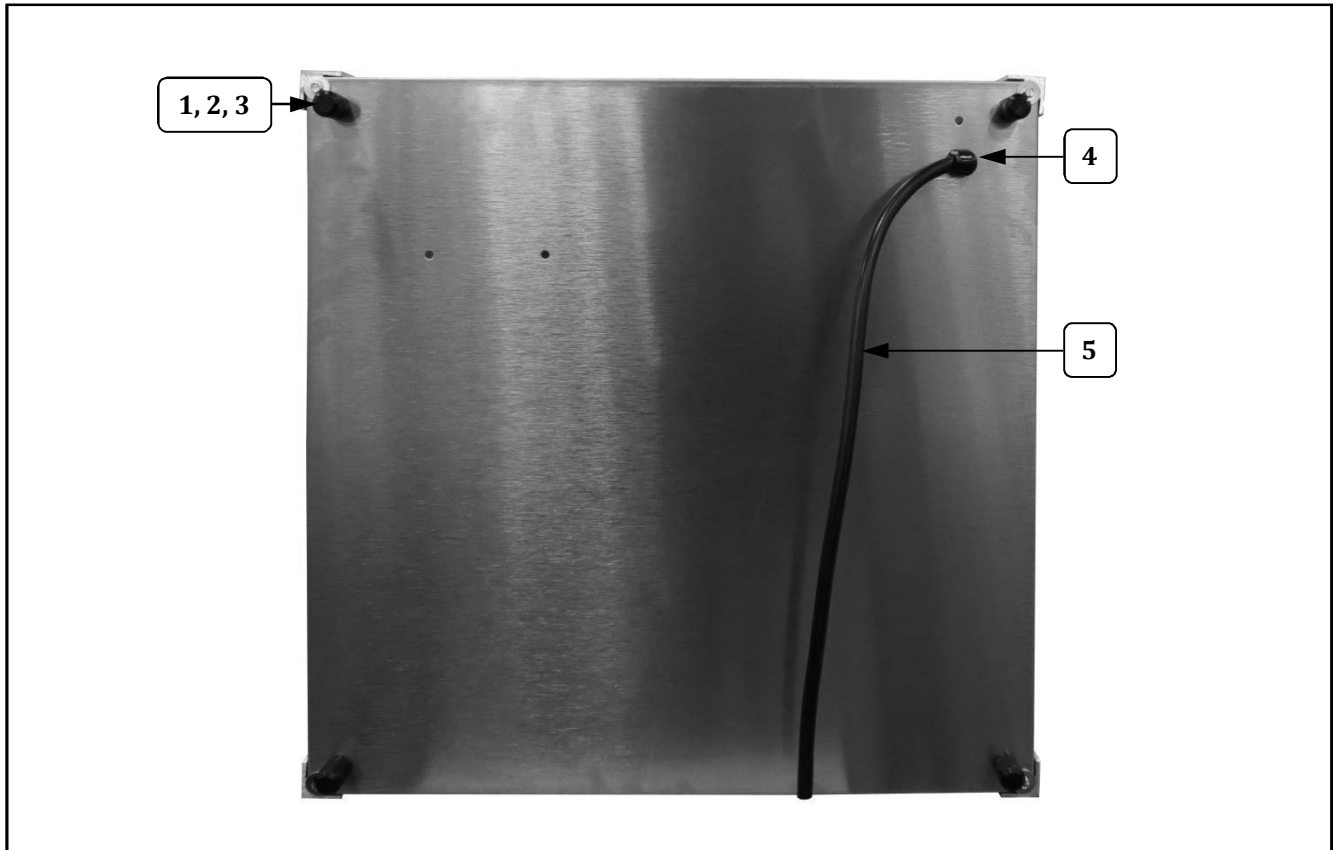
| Item | Parts Description | Qty. | Part Number | | | |
|------|----------------------------|------|-------------|-------|--------|--------|
| | | | 5588 | 5888 | 5588EX | 5888EX |
| 1 | GLIDE | 4 | 47328 | 47328 | 47328 | 47328 |
| 2 | CRUTCH TIP | 4 | 49123 | 49123 | 49123 | 49123 |
| 3 | 10-24 X 3/4 HEX HEAD SCREW | 4 | 41314 | 41314 | 41314 | 41314 |
| 4 | SR-10-2 STRAIN RELIEF | 1 | 87163 | 87163 | 87163 | 87163 |
| 5 | LEAD-IN CORD 15 AMP PLUG | 1 | 22038 | 22038 | | |
| | EXPORT POWER SUPPLY CORD | 1 | | | 42369 | 42369 |

Cabinet Exterior – Bottom View



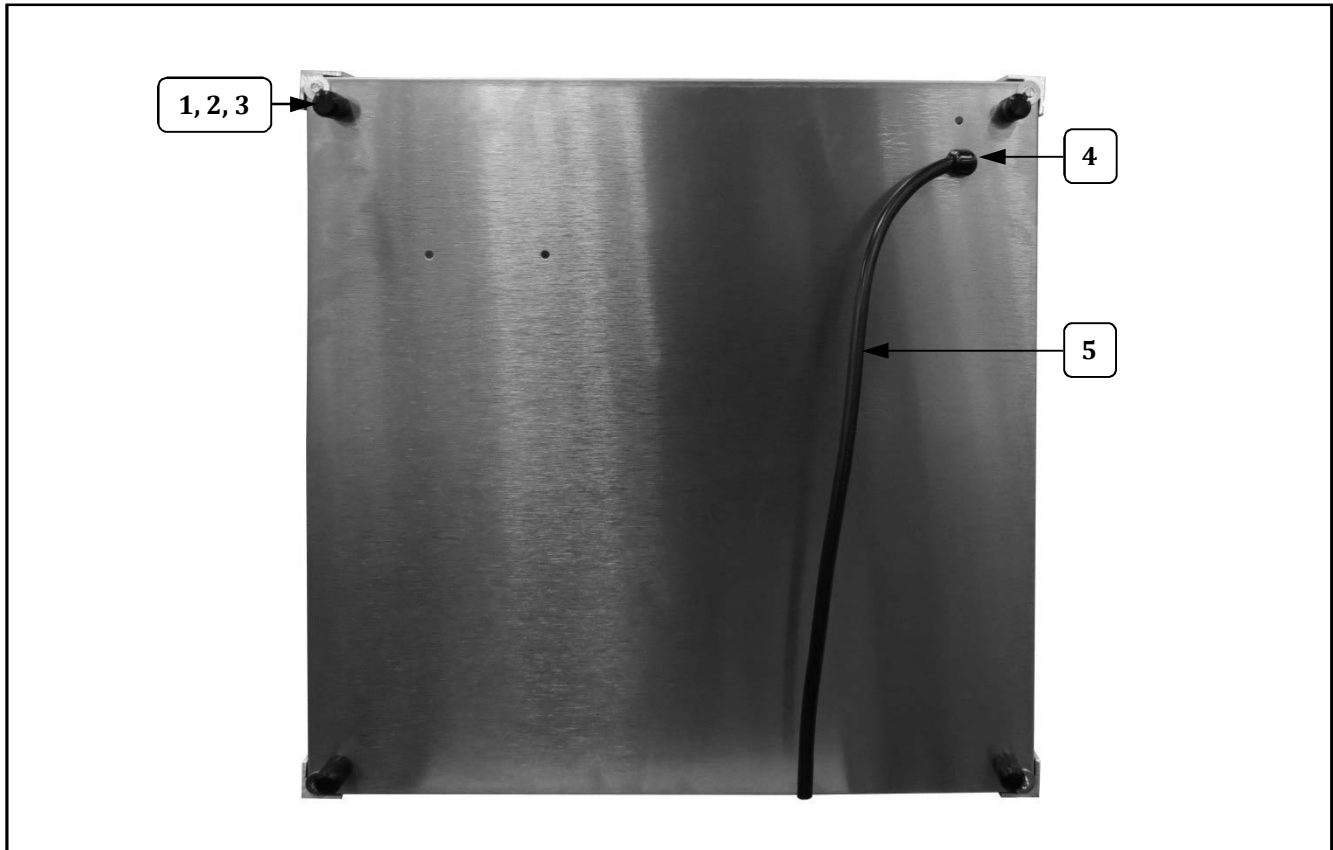
| Item | Parts Description | Qty. | Part Number | | | |
|------|----------------------------|------|-------------|-------|--------|--------|
| | | | 5588 | 5888 | 5588EX | 5888EX |
| 1 | GLIDE | 4 | 47328 | 47328 | 47328 | 47328 |
| 2 | CRUTCH TIP | 4 | 49123 | 49123 | 49123 | 49123 |
| 3 | 10-24 X 3/4 HEX HEAD SCREW | 4 | 41314 | 41314 | 41314 | 41314 |
| 4 | SR-10-2 STRAIN RELIEF | 1 | 87163 | 87163 | 87163 | 87163 |
| 5 | LEAD-IN CORD 15 AMP PLUG | 1 | 22038 | 22038 | | |
| | EXPORT POWER SUPPLY CORD | 1 | | | 42369 | 42369 |

Cabinet Exterior – Bottom View



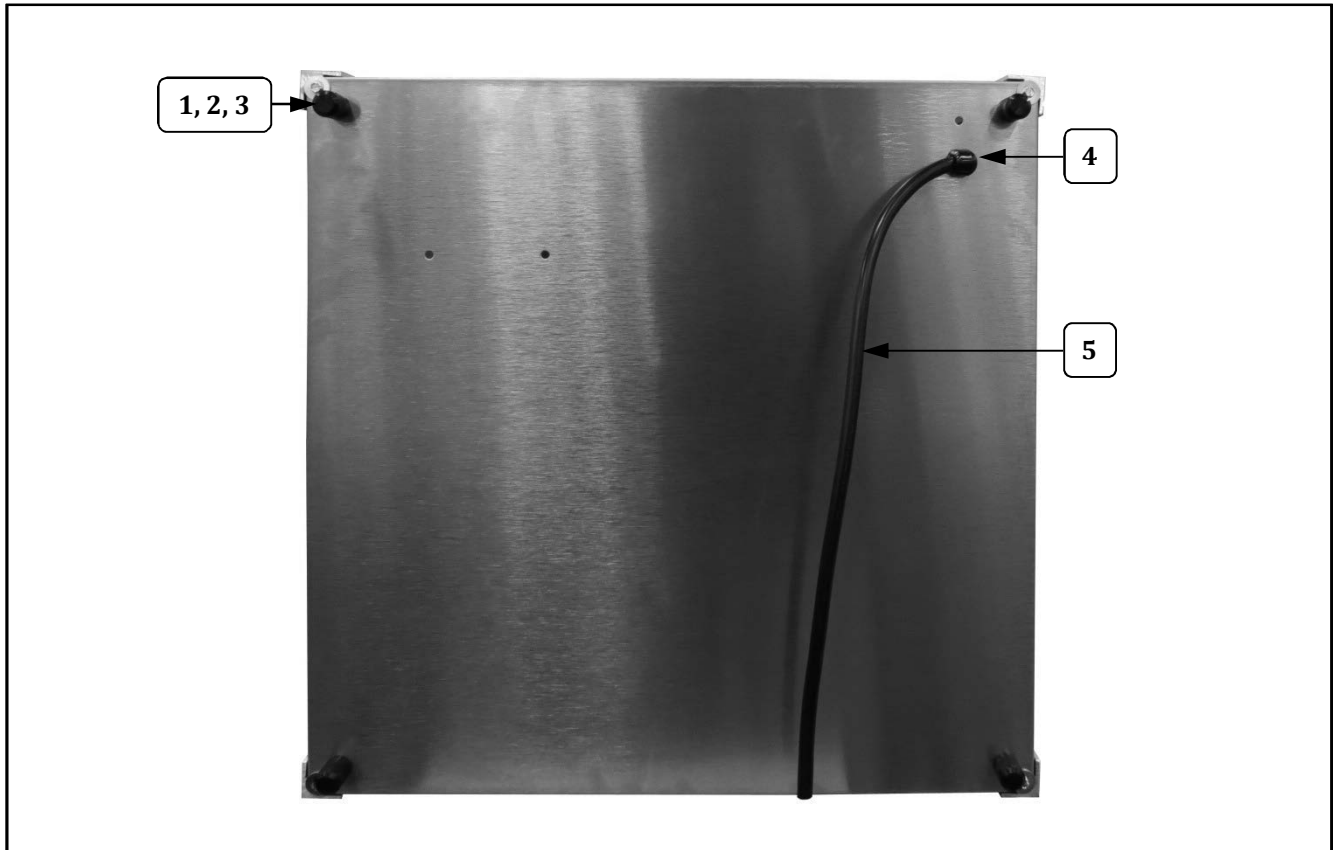
| Item | Parts Description | Qty. | Part Number | | | |
|------|----------------------------|------|-------------|-------|--------|--------|
| | | | 5588 | 5888 | 5588EX | 5888EX |
| 1 | GLIDE | 4 | 47328 | 47328 | 47328 | 47328 |
| 2 | CRUTCH TIP | 4 | 49123 | 49123 | 49123 | 49123 |
| 3 | 10-24 X 3/4 HEX HEAD SCREW | 4 | 41314 | 41314 | 41314 | 41314 |
| 4 | SR-10-2 STRAIN RELIEF | 1 | 87163 | 87163 | 87163 | 87163 |
| 5 | LEAD-IN CORD 15 AMP PLUG | 1 | 22038 | 22038 | | |
| | EXPORT POWER SUPPLY CORD | 1 | | | 42369 | 42369 |

Cabinet Exterior – Bottom View



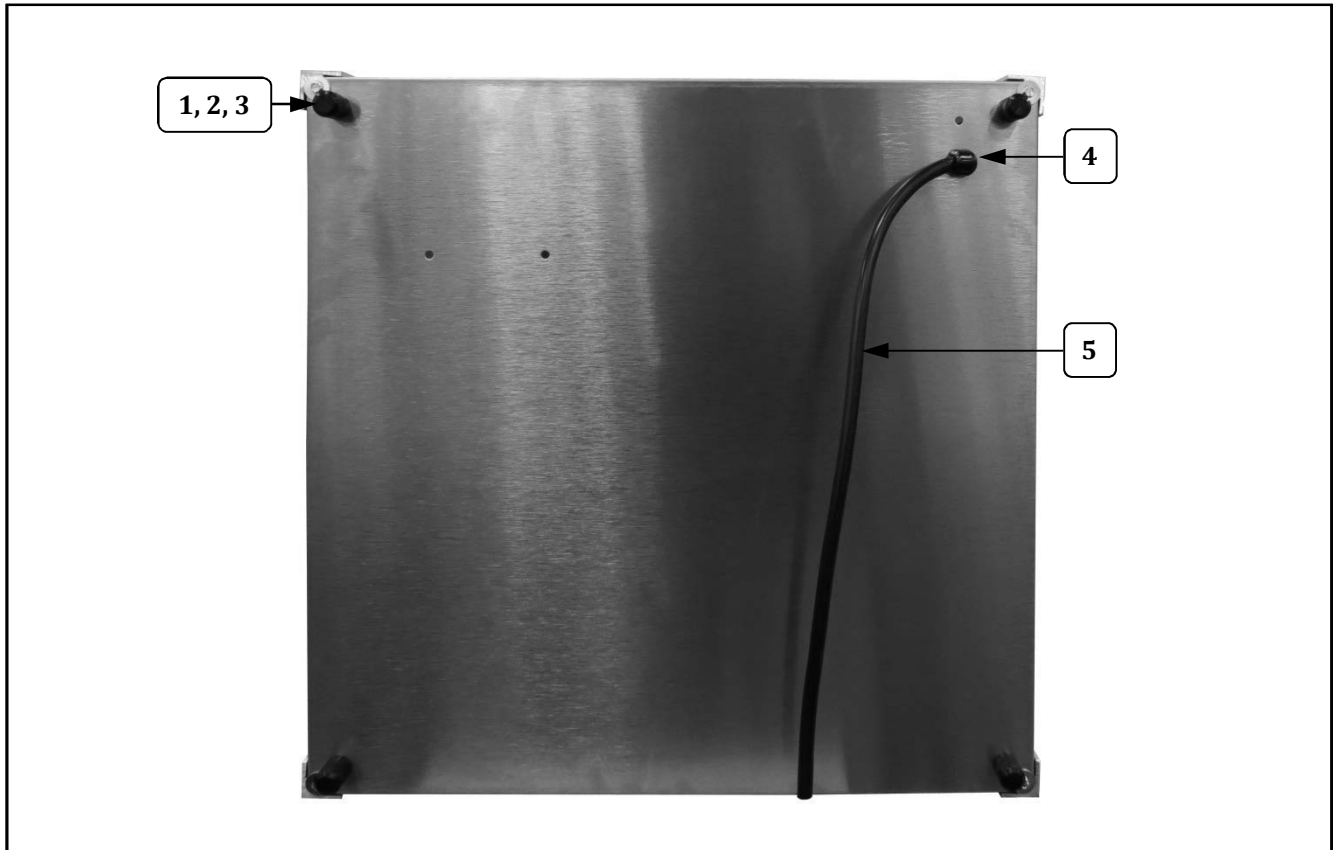
| Item | Parts Description | Qty. | Part Number | | | |
|------|----------------------------|------|-------------|-------|--------|--------|
| | | | 5588 | 5888 | 5588EX | 5888EX |
| 1 | GLIDE | 4 | 47328 | 47328 | 47328 | 47328 |
| 2 | CRUTCH TIP | 4 | 49123 | 49123 | 49123 | 49123 |
| 3 | 10-24 X 3/4 HEX HEAD SCREW | 4 | 41314 | 41314 | 41314 | 41314 |
| 4 | SR-10-2 STRAIN RELIEF | 1 | 87163 | 87163 | 87163 | 87163 |
| 5 | LEAD-IN CORD 15 AMP PLUG | 1 | 22038 | 22038 | | |
| | EXPORT POWER SUPPLY CORD | 1 | | | 42369 | 42369 |

Cabinet Exterior – Bottom View



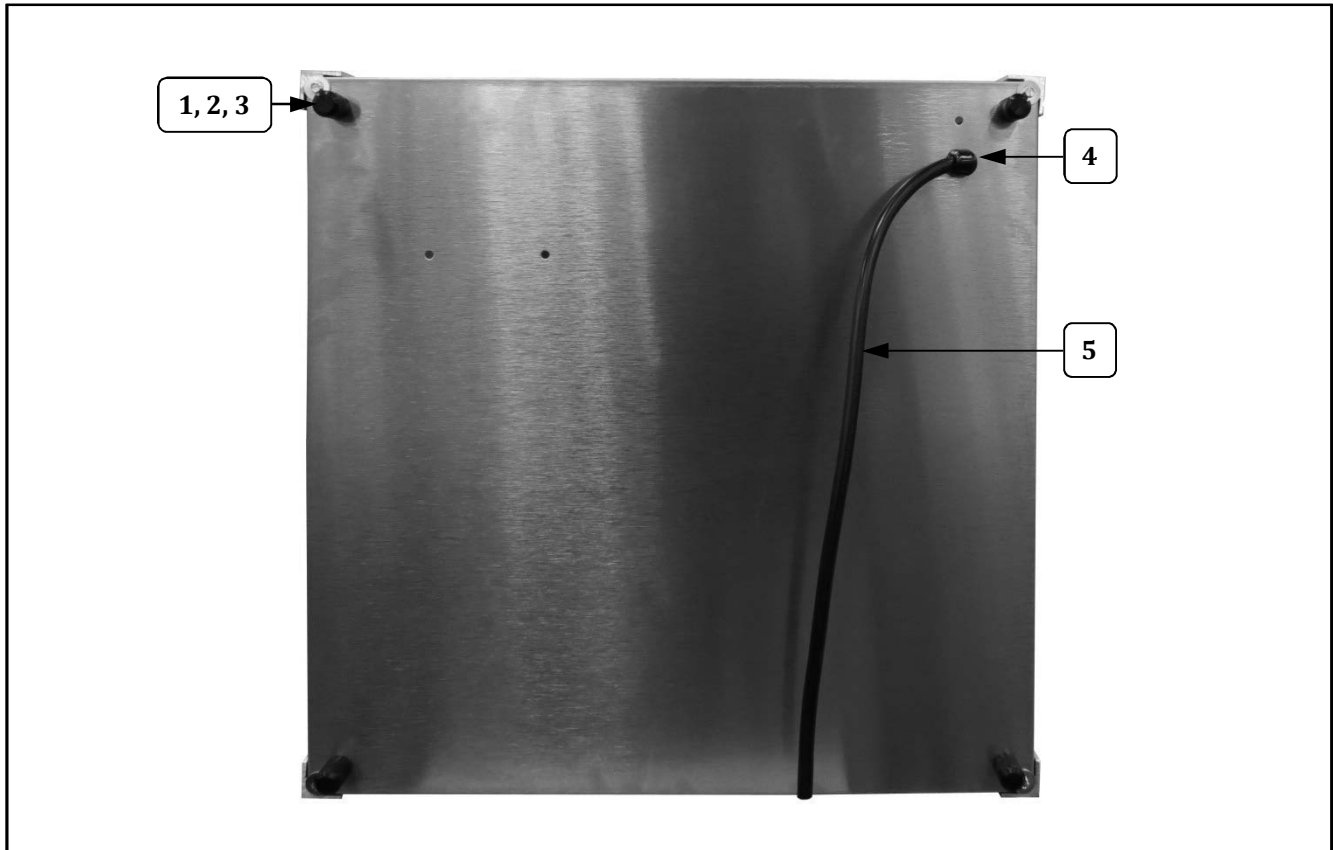
| Item | Parts Description | Qty. | Part Number | | | |
|------|----------------------------|------|-------------|-------|--------|--------|
| | | | 5588 | 5888 | 5588EX | 5888EX |
| 1 | GLIDE | 4 | 47328 | 47328 | 47328 | 47328 |
| 2 | CRUTCH TIP | 4 | 49123 | 49123 | 49123 | 49123 |
| 3 | 10-24 X 3/4 HEX HEAD SCREW | 4 | 41314 | 41314 | 41314 | 41314 |
| 4 | SR-10-2 STRAIN RELIEF | 1 | 87163 | 87163 | 87163 | 87163 |
| 5 | LEAD-IN CORD 15 AMP PLUG | 1 | 22038 | 22038 | | |
| | EXPORT POWER SUPPLY CORD | 1 | | | 42369 | 42369 |

Cabinet Exterior – Bottom View



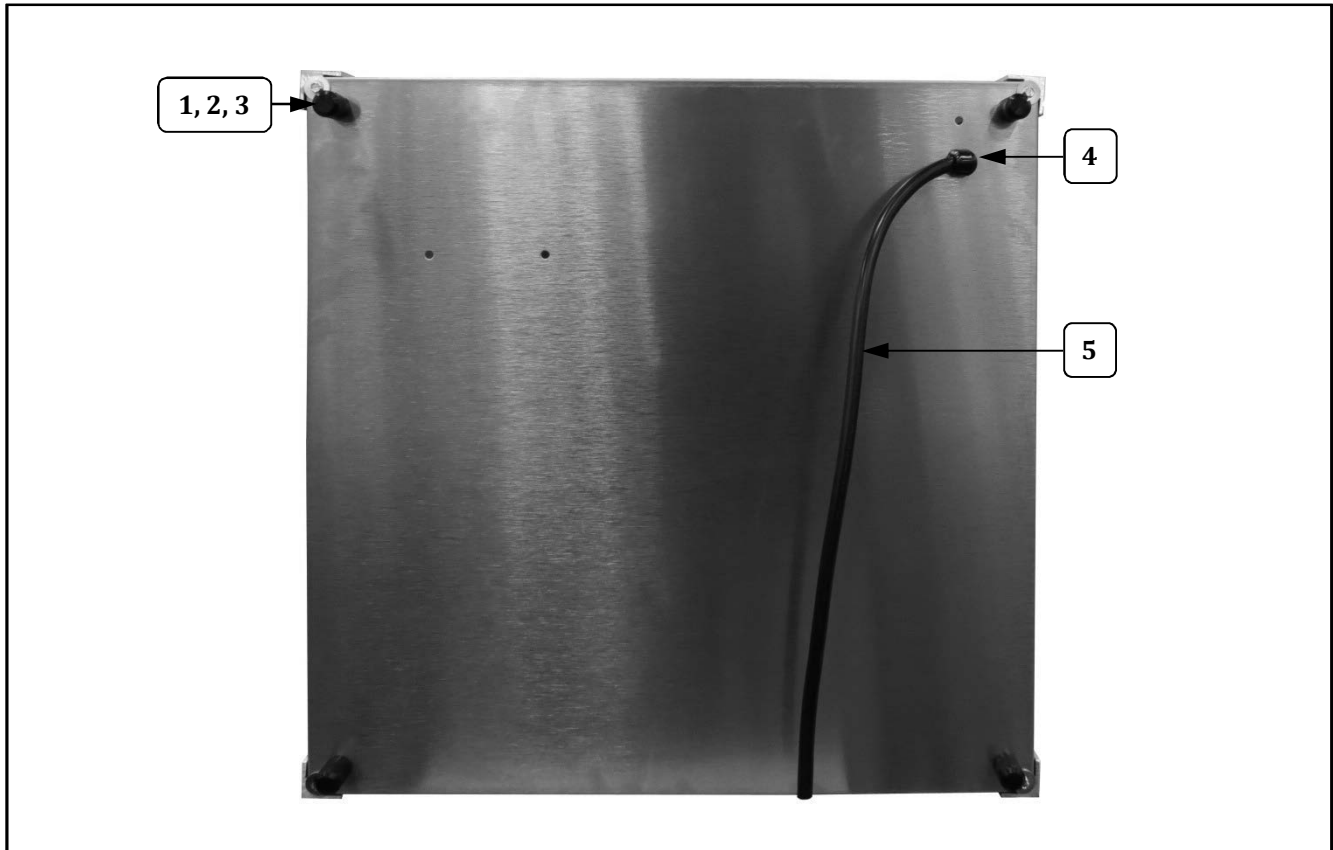
| Item | Parts Description | Qty. | Part Number | | | |
|------|----------------------------|------|-------------|-------|--------|--------|
| | | | 5588 | 5888 | 5588EX | 5888EX |
| 1 | GLIDE | 4 | 47328 | 47328 | 47328 | 47328 |
| 2 | CRUTCH TIP | 4 | 49123 | 49123 | 49123 | 49123 |
| 3 | 10-24 X 3/4 HEX HEAD SCREW | 4 | 41314 | 41314 | 41314 | 41314 |
| 4 | SR-10-2 STRAIN RELIEF | 1 | 87163 | 87163 | 87163 | 87163 |
| 5 | LEAD-IN CORD 15 AMP PLUG | 1 | 22038 | 22038 | | |
| | EXPORT POWER SUPPLY CORD | 1 | | | 42369 | 42369 |

Cabinet Exterior – Bottom View



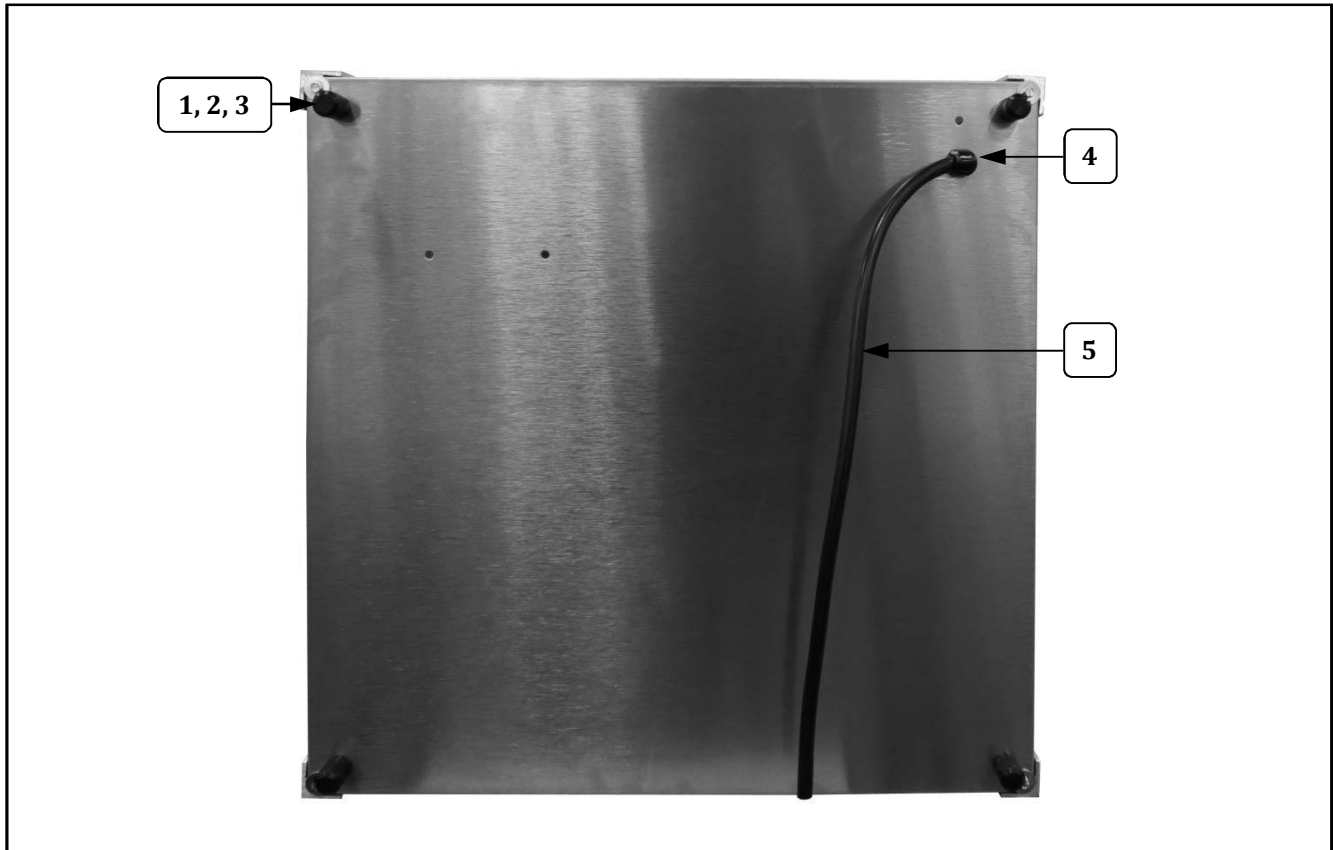
| Item | Parts Description | Qty. | Part Number | | | |
|------|----------------------------|------|-------------|-------|--------|--------|
| | | | 5588 | 5888 | 5588EX | 5888EX |
| 1 | GLIDE | 4 | 47328 | 47328 | 47328 | 47328 |
| 2 | CRUTCH TIP | 4 | 49123 | 49123 | 49123 | 49123 |
| 3 | 10-24 X 3/4 HEX HEAD SCREW | 4 | 41314 | 41314 | 41314 | 41314 |
| 4 | SR-10-2 STRAIN RELIEF | 1 | 87163 | 87163 | 87163 | 87163 |
| 5 | LEAD-IN CORD 15 AMP PLUG | 1 | 22038 | 22038 | | |
| | EXPORT POWER SUPPLY CORD | 1 | | | 42369 | 42369 |

Cabinet Exterior – Bottom View



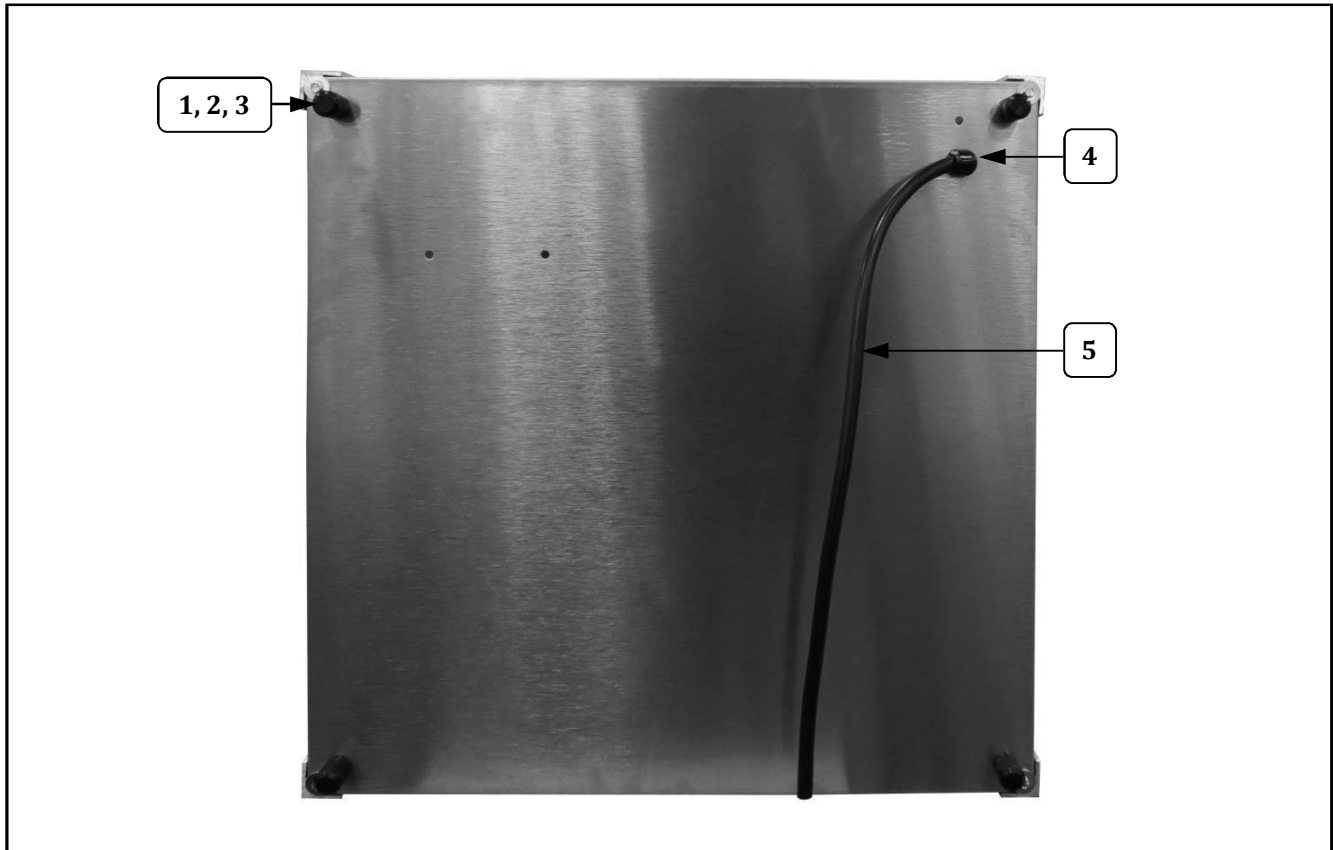
| Item | Parts Description | Qty. | Part Number | | | |
|------|----------------------------|------|-------------|-------|--------|--------|
| | | | 5588 | 5888 | 5588EX | 5888EX |
| 1 | GLIDE | 4 | 47328 | 47328 | 47328 | 47328 |
| 2 | CRUTCH TIP | 4 | 49123 | 49123 | 49123 | 49123 |
| 3 | 10-24 X 3/4 HEX HEAD SCREW | 4 | 41314 | 41314 | 41314 | 41314 |
| 4 | SR-10-2 STRAIN RELIEF | 1 | 87163 | 87163 | 87163 | 87163 |
| 5 | LEAD-IN CORD 15 AMP PLUG | 1 | 22038 | 22038 | | |
| | EXPORT POWER SUPPLY CORD | 1 | | | 42369 | 42369 |

Cabinet Exterior – Bottom View



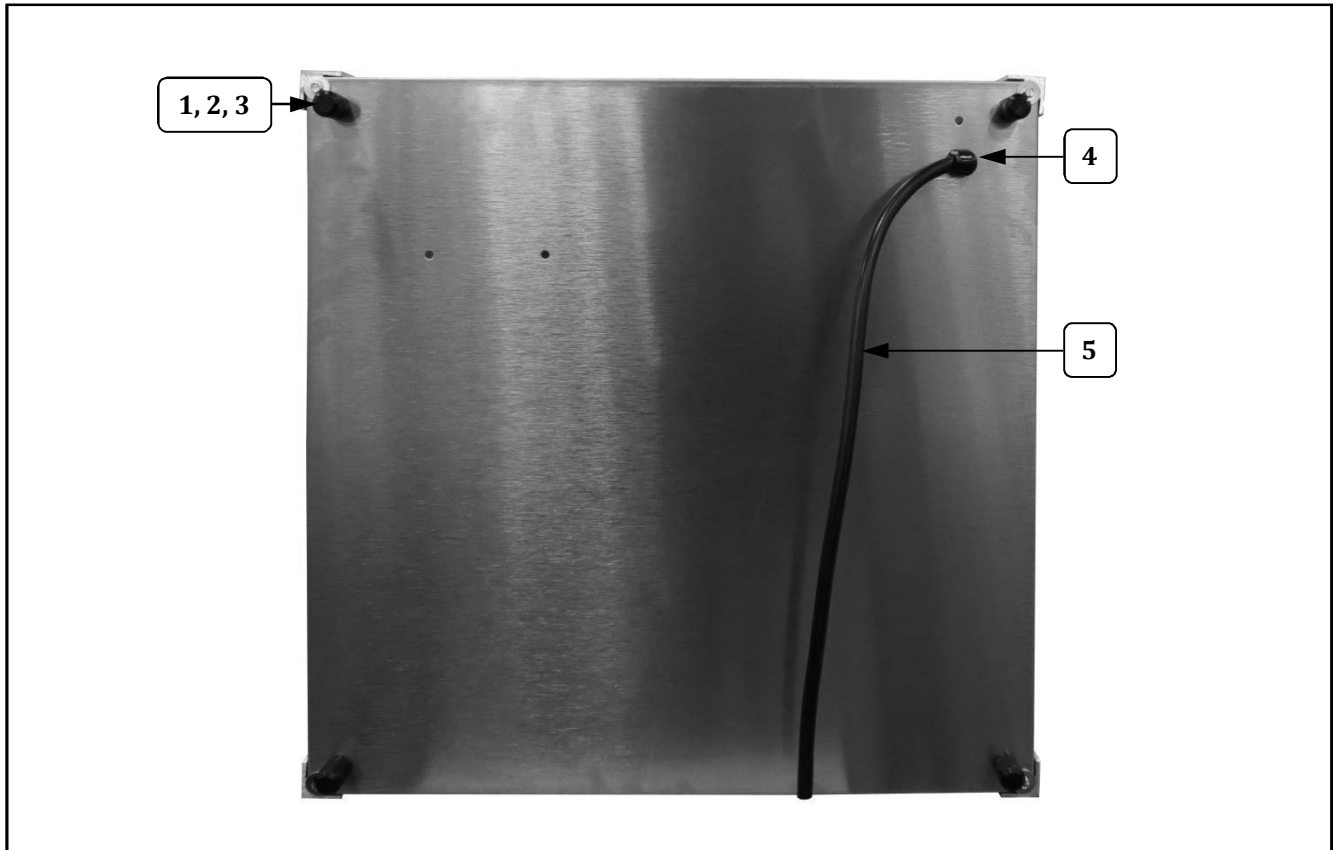
| Item | Parts Description | Qty. | Part Number | | | |
|------|----------------------------|------|-------------|-------|--------|--------|
| | | | 5588 | 5888 | 5588EX | 5888EX |
| 1 | GLIDE | 4 | 47328 | 47328 | 47328 | 47328 |
| 2 | CRUTCH TIP | 4 | 49123 | 49123 | 49123 | 49123 |
| 3 | 10-24 X 3/4 HEX HEAD SCREW | 4 | 41314 | 41314 | 41314 | 41314 |
| 4 | SR-10-2 STRAIN RELIEF | 1 | 87163 | 87163 | 87163 | 87163 |
| 5 | LEAD-IN CORD 15 AMP PLUG | 1 | 22038 | 22038 | | |
| | EXPORT POWER SUPPLY CORD | 1 | | | 42369 | 42369 |

Cabinet Exterior – Bottom View



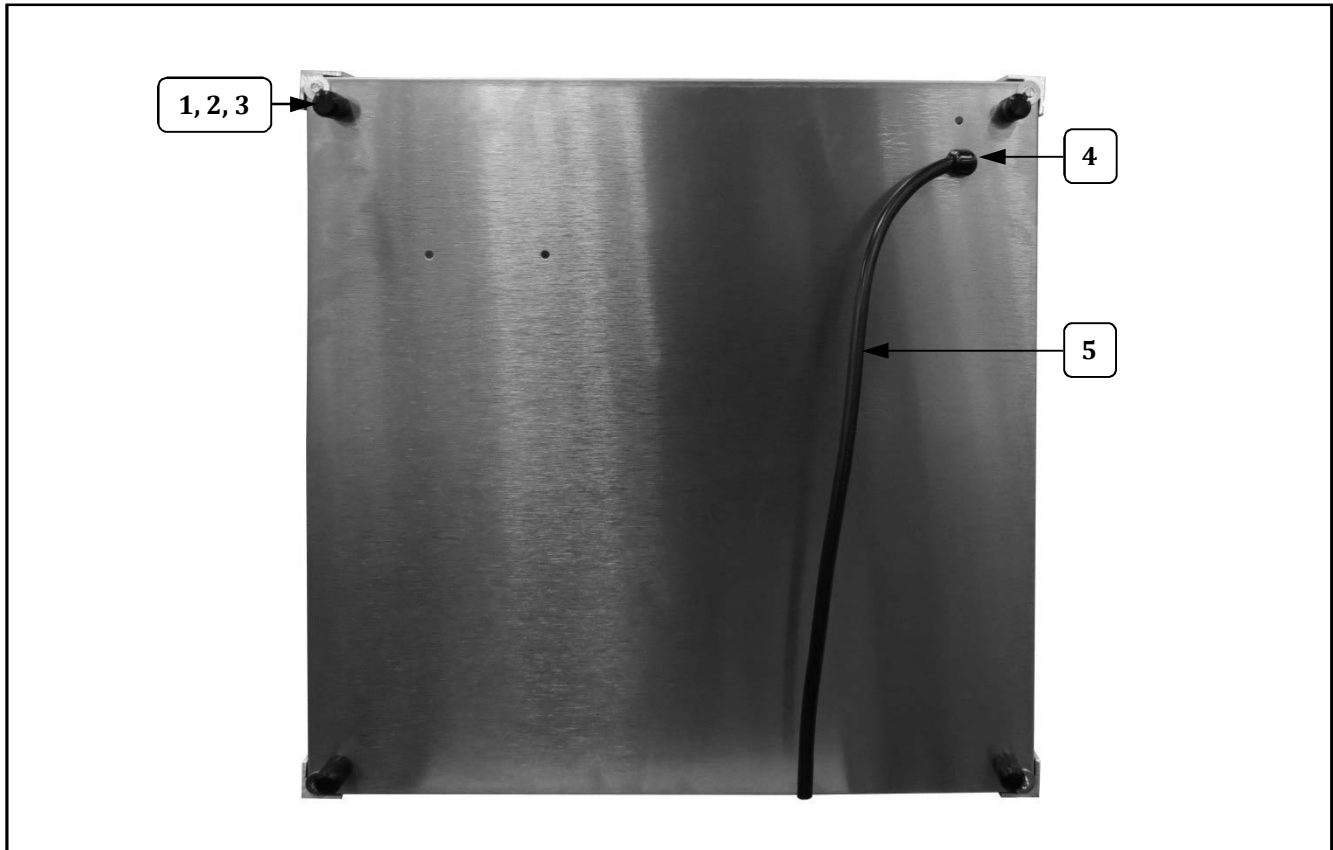
| Item | Parts Description | Qty. | Part Number | | | |
|------|----------------------------|------|-------------|-------|--------|--------|
| | | | 5588 | 5888 | 5588EX | 5888EX |
| 1 | GLIDE | 4 | 47328 | 47328 | 47328 | 47328 |
| 2 | CRUTCH TIP | 4 | 49123 | 49123 | 49123 | 49123 |
| 3 | 10-24 X 3/4 HEX HEAD SCREW | 4 | 41314 | 41314 | 41314 | 41314 |
| 4 | SR-10-2 STRAIN RELIEF | 1 | 87163 | 87163 | 87163 | 87163 |
| 5 | LEAD-IN CORD 15 AMP PLUG | 1 | 22038 | 22038 | | |
| | EXPORT POWER SUPPLY CORD | 1 | | | 42369 | 42369 |

Cabinet Exterior – Bottom View



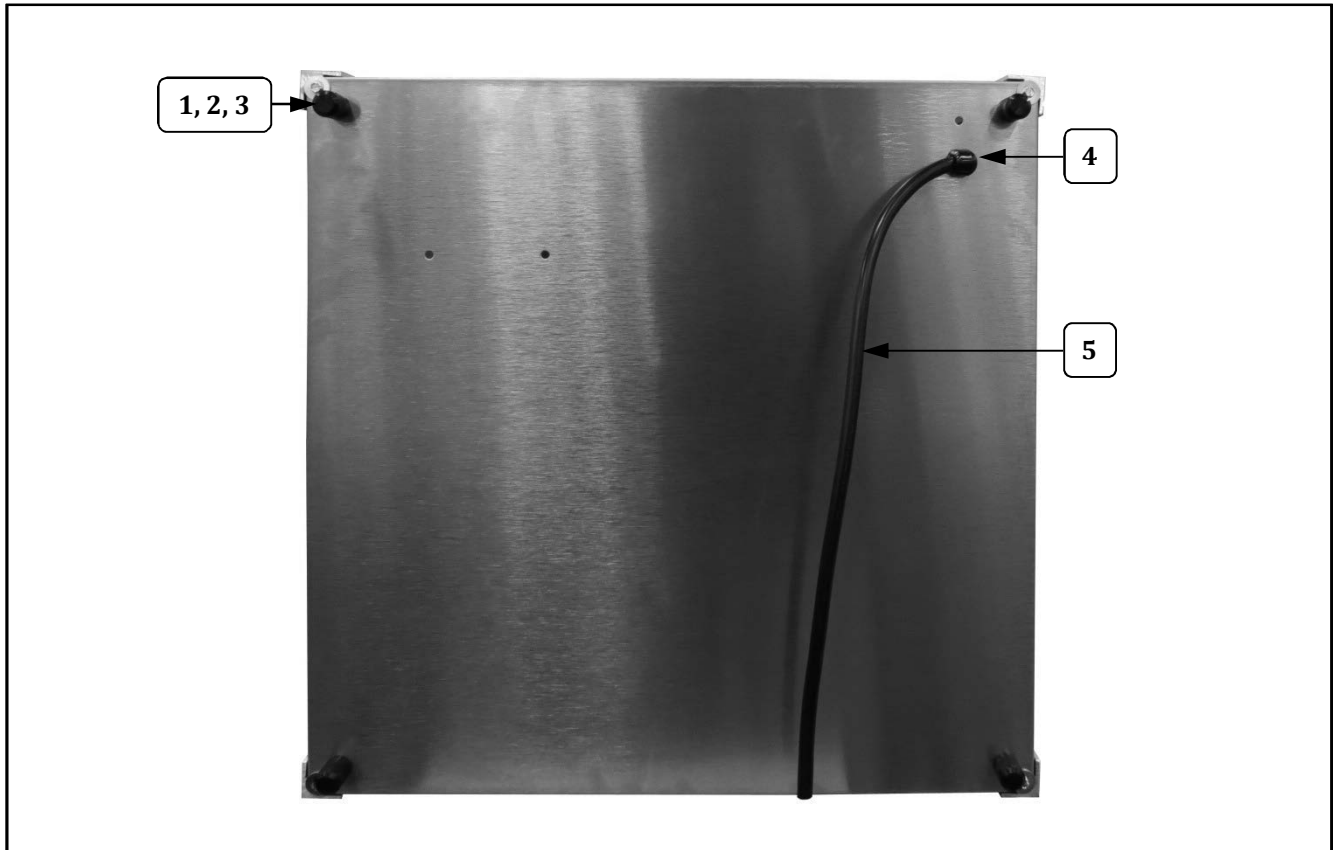
| Item | Parts Description | Qty. | Part Number | | | |
|------|----------------------------|------|-------------|-------|--------|--------|
| | | | 5588 | 5888 | 5588EX | 5888EX |
| 1 | GLIDE | 4 | 47328 | 47328 | 47328 | 47328 |
| 2 | CRUTCH TIP | 4 | 49123 | 49123 | 49123 | 49123 |
| 3 | 10-24 X 3/4 HEX HEAD SCREW | 4 | 41314 | 41314 | 41314 | 41314 |
| 4 | SR-10-2 STRAIN RELIEF | 1 | 87163 | 87163 | 87163 | 87163 |
| 5 | LEAD-IN CORD 15 AMP PLUG | 1 | 22038 | 22038 | | |
| | EXPORT POWER SUPPLY CORD | 1 | | | 42369 | 42369 |

Cabinet Exterior – Bottom View



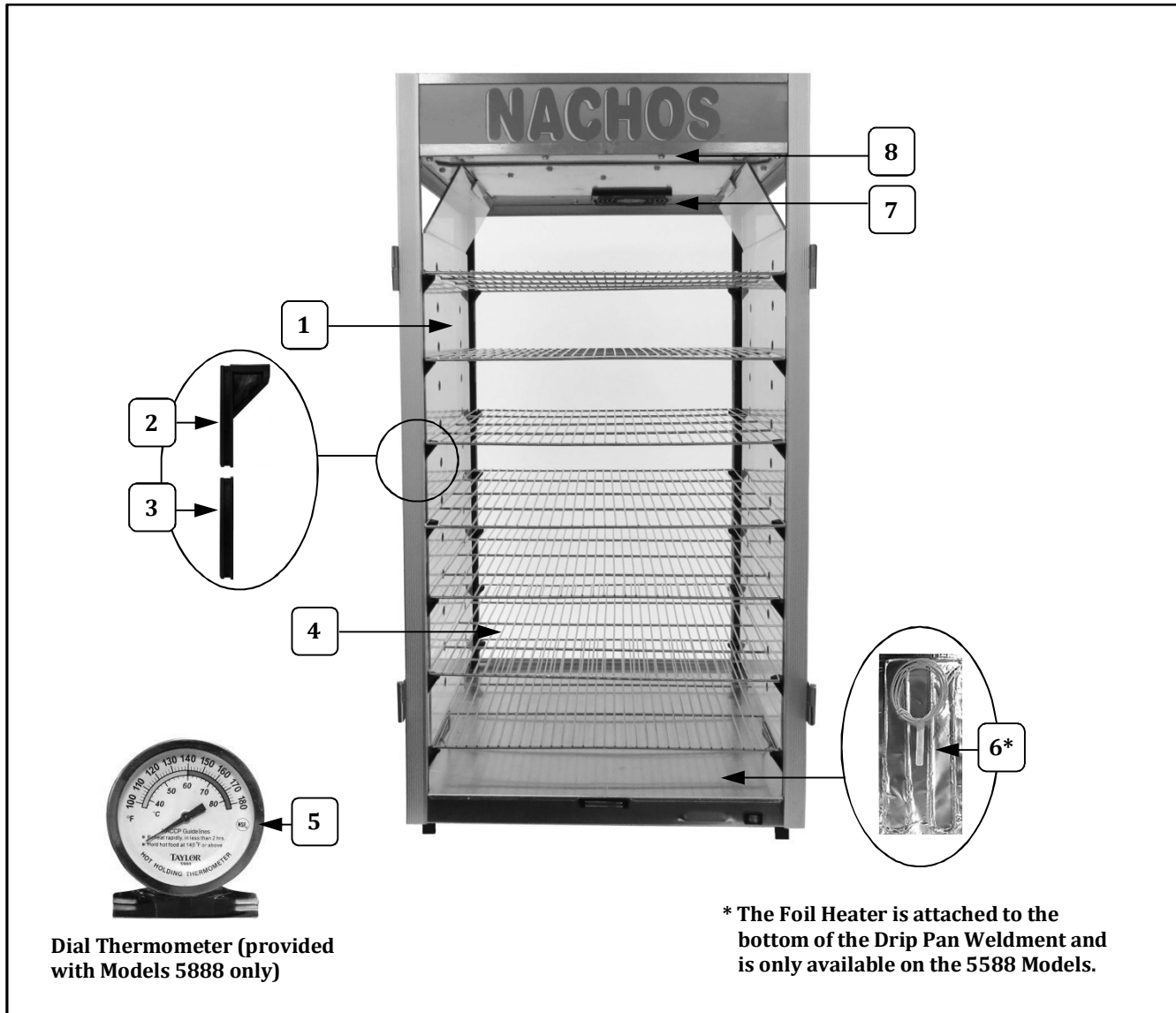
| Item | Parts Description | Qty. | Part Number | | | |
|------|----------------------------|------|-------------|-------|--------|--------|
| | | | 5588 | 5888 | 5588EX | 5888EX |
| 1 | GLIDE | 4 | 47328 | 47328 | 47328 | 47328 |
| 2 | CRUTCH TIP | 4 | 49123 | 49123 | 49123 | 49123 |
| 3 | 10-24 X 3/4 HEX HEAD SCREW | 4 | 41314 | 41314 | 41314 | 41314 |
| 4 | SR-10-2 STRAIN RELIEF | 1 | 87163 | 87163 | 87163 | 87163 |
| 5 | LEAD-IN CORD 15 AMP PLUG | 1 | 22038 | 22038 | | |
| | EXPORT POWER SUPPLY CORD | 1 | | | 42369 | 42369 |

Cabinet Exterior – Bottom View



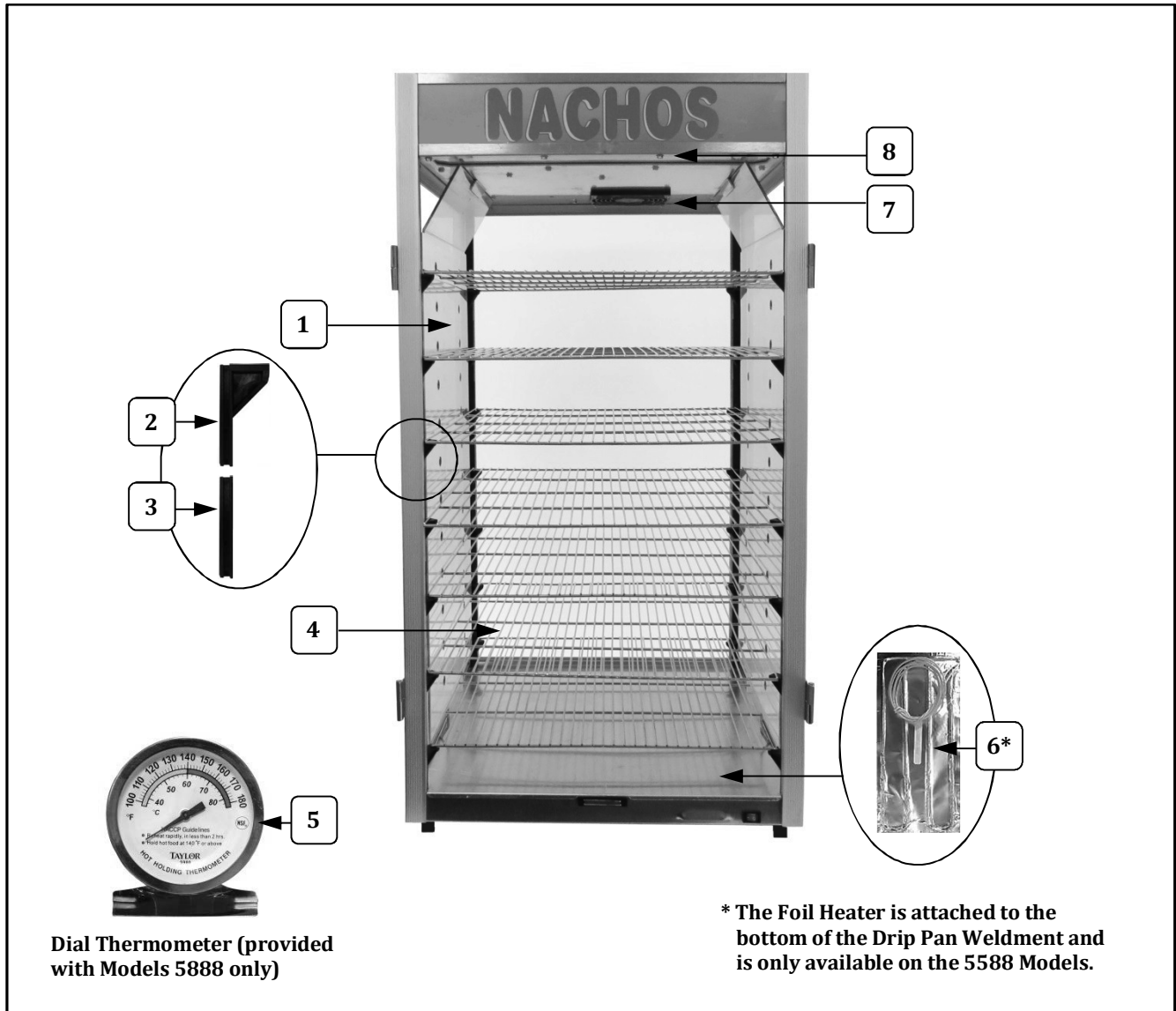
| Item | Parts Description | Qty. | Part Number | | | |
|------|----------------------------|------|-------------|-------|--------|--------|
| | | | 5588 | 5888 | 5588EX | 5888EX |
| 1 | GLIDE | 4 | 47328 | 47328 | 47328 | 47328 |
| 2 | CRUTCH TIP | 4 | 49123 | 49123 | 49123 | 49123 |
| 3 | 10-24 X 3/4 HEX HEAD SCREW | 4 | 41314 | 41314 | 41314 | 41314 |
| 4 | SR-10-2 STRAIN RELIEF | 1 | 87163 | 87163 | 87163 | 87163 |
| 5 | LEAD-IN CORD 15 AMP PLUG | 1 | 22038 | 22038 | | |
| | EXPORT POWER SUPPLY CORD | 1 | | | 42369 | 42369 |

Cabinet Interior – Front View



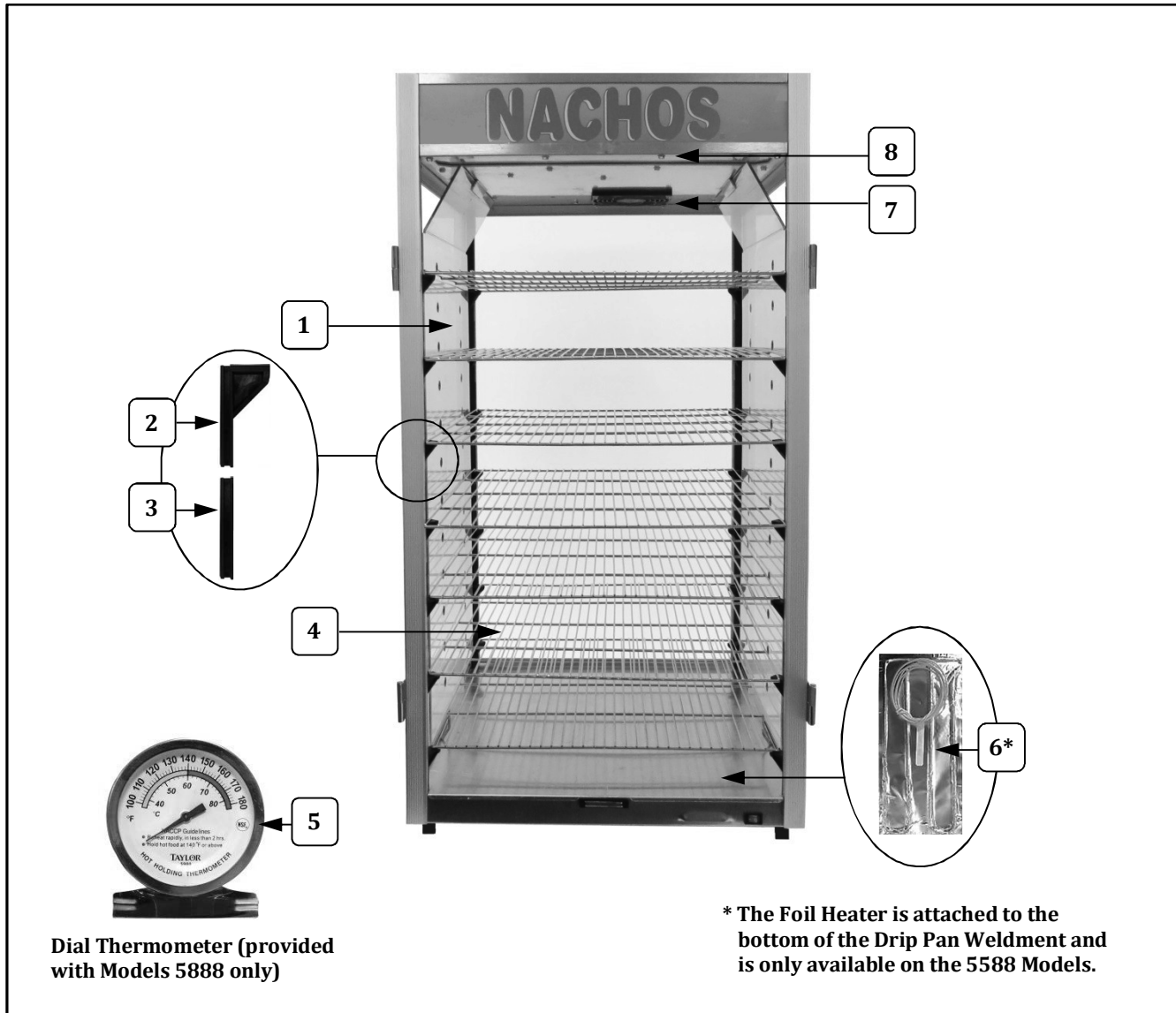
| Item | Parts Description | Qty. | Part Number | | | |
|------|------------------------------|------|-------------|-------|---------|--------|
| | | | 5588 | 5888 | 5588EX | 5888EX |
| 1 | AIR DUCT | 2 | 17475 | 17475 | 17475 | 17475 |
| 2 | RACK HOLDER | 28 | 39899 | 39899 | 39899 | 39899 |
| 3 | 2" GROOVE FILLER | 28 | 39903 | 39903 | 39903 | 39903 |
| 4 | 5558 AND 5888 SHELF | 7 | 17285 | 17285 | 17285 | 17285 |
| 5 | DIAL THERMOMETER | 1 | | 47913 | | 47913 |
| 6* | 120 VOLT 20 WATT FOIL HEATER | 1 | 40557 | | | |
| | 230 VOLT 20 WATT FOIL HEATER | 1 | | | 40557EX | |
| 7 | FINGER GUARD | 1 | 47200 | 47200 | 47200 | 47200 |
| 8 | LIGHT TUBE COVER | 1 | 74788 | 74788 | 74788 | 74788 |

Cabinet Interior – Front View



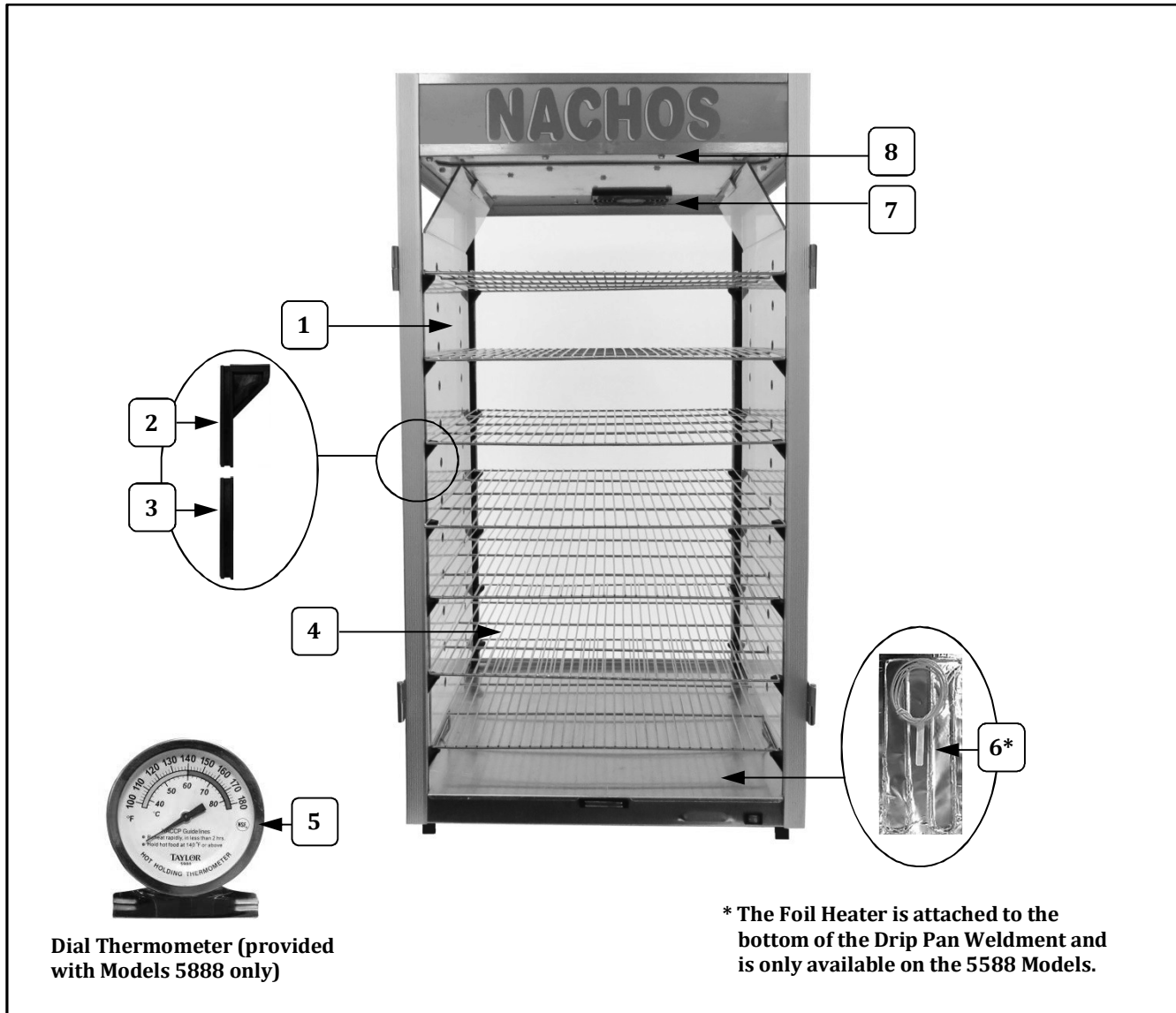
| Item | Parts Description | Qty. | Part Number | | | |
|------|------------------------------|------|-------------|-------|---------|--------|
| | | | 5588 | 5888 | 5588EX | 5888EX |
| 1 | AIR DUCT | 2 | 17475 | 17475 | 17475 | 17475 |
| 2 | RACK HOLDER | 28 | 39899 | 39899 | 39899 | 39899 |
| 3 | 2" GROOVE FILLER | 28 | 39903 | 39903 | 39903 | 39903 |
| 4 | 5558 AND 5888 SHELF | 7 | 17285 | 17285 | 17285 | 17285 |
| 5 | DIAL THERMOMETER | 1 | | 47913 | | 47913 |
| 6* | 120 VOLT 20 WATT FOIL HEATER | 1 | 40557 | | | |
| | 230 VOLT 20 WATT FOIL HEATER | 1 | | | 40557EX | |
| 7 | FINGER GUARD | 1 | 47200 | 47200 | 47200 | 47200 |
| 8 | LIGHT TUBE COVER | 1 | 74788 | 74788 | 74788 | 74788 |

Cabinet Interior – Front View



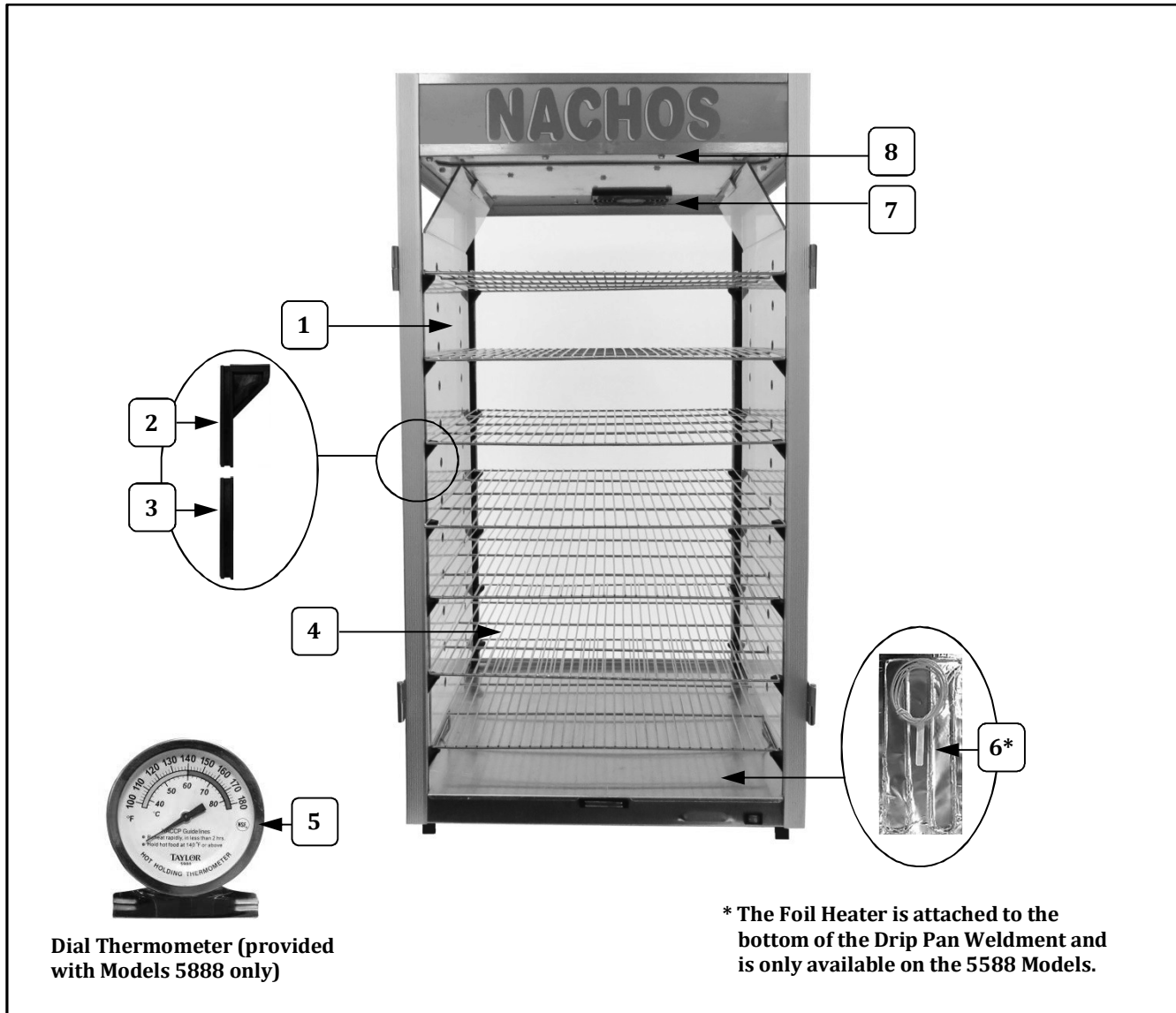
| Item | Parts Description | Qty. | Part Number | | | |
|------|------------------------------|------|-------------|-------|---------|--------|
| | | | 5588 | 5888 | 5588EX | 5888EX |
| 1 | AIR DUCT | 2 | 17475 | 17475 | 17475 | 17475 |
| 2 | RACK HOLDER | 28 | 39899 | 39899 | 39899 | 39899 |
| 3 | 2" GROOVE FILLER | 28 | 39903 | 39903 | 39903 | 39903 |
| 4 | 5558 AND 5888 SHELF | 7 | 17285 | 17285 | 17285 | 17285 |
| 5 | DIAL THERMOMETER | 1 | | 47913 | | 47913 |
| 6* | 120 VOLT 20 WATT FOIL HEATER | 1 | 40557 | | | |
| | 230 VOLT 20 WATT FOIL HEATER | 1 | | | 40557EX | |
| 7 | FINGER GUARD | 1 | 47200 | 47200 | 47200 | 47200 |
| 8 | LIGHT TUBE COVER | 1 | 74788 | 74788 | 74788 | 74788 |

Cabinet Interior – Front View



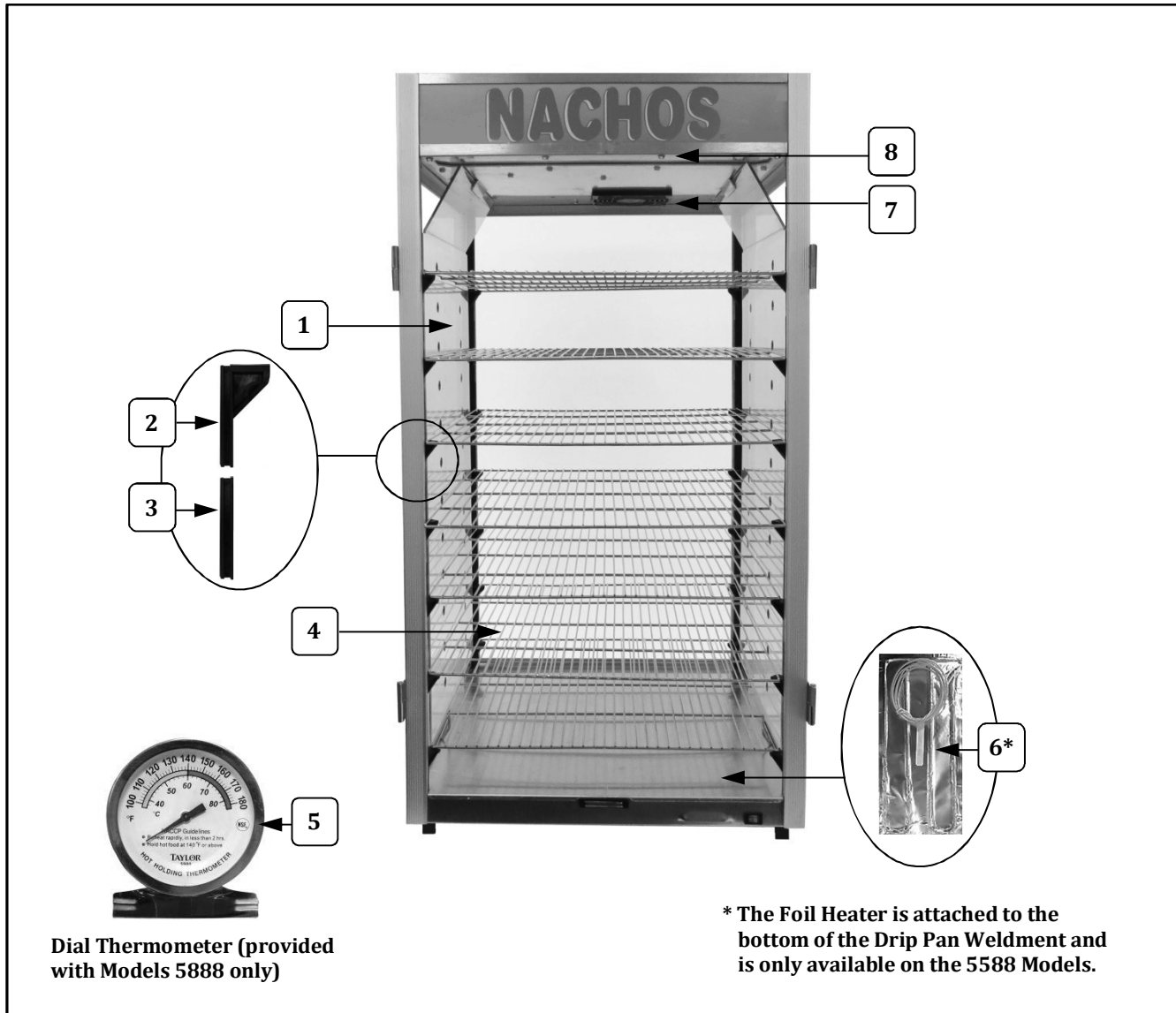
| Item | Parts Description | Qty. | Part Number | | | |
|------|------------------------------|------|-------------|-------|---------|--------|
| | | | 5588 | 5888 | 5588EX | 5888EX |
| 1 | AIR DUCT | 2 | 17475 | 17475 | 17475 | 17475 |
| 2 | RACK HOLDER | 28 | 39899 | 39899 | 39899 | 39899 |
| 3 | 2" GROOVE FILLER | 28 | 39903 | 39903 | 39903 | 39903 |
| 4 | 5558 AND 5888 SHELF | 7 | 17285 | 17285 | 17285 | 17285 |
| 5 | DIAL THERMOMETER | 1 | | 47913 | | 47913 |
| 6* | 120 VOLT 20 WATT FOIL HEATER | 1 | 40557 | | | |
| | 230 VOLT 20 WATT FOIL HEATER | 1 | | | 40557EX | |
| 7 | FINGER GUARD | 1 | 47200 | 47200 | 47200 | 47200 |
| 8 | LIGHT TUBE COVER | 1 | 74788 | 74788 | 74788 | 74788 |

Cabinet Interior – Front View



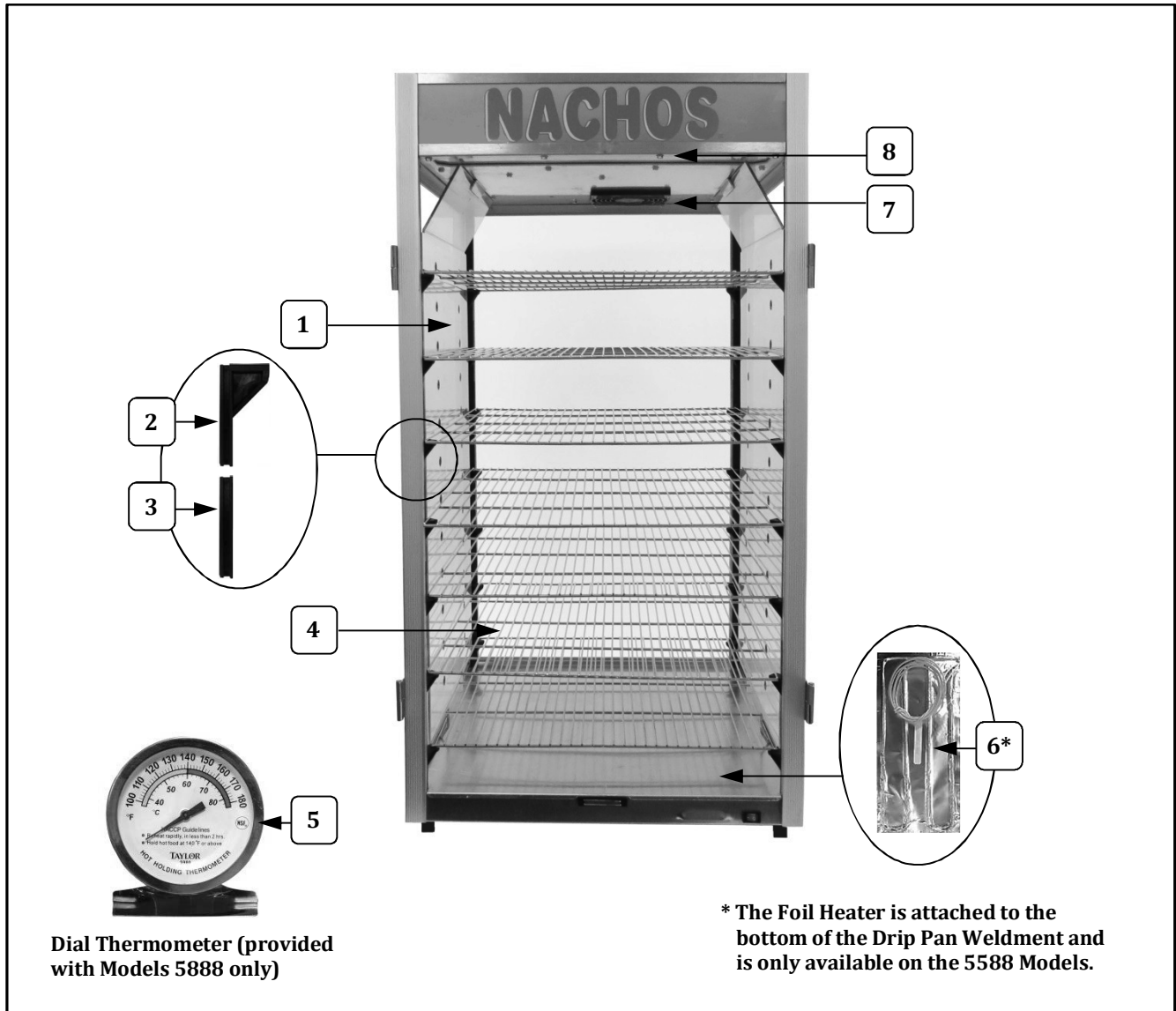
| Item | Parts Description | Qty. | Part Number | | | |
|------|------------------------------|------|-------------|-------|---------|--------|
| | | | 5588 | 5888 | 5588EX | 5888EX |
| 1 | AIR DUCT | 2 | 17475 | 17475 | 17475 | 17475 |
| 2 | RACK HOLDER | 28 | 39899 | 39899 | 39899 | 39899 |
| 3 | 2" GROOVE FILLER | 28 | 39903 | 39903 | 39903 | 39903 |
| 4 | 5558 AND 5888 SHELF | 7 | 17285 | 17285 | 17285 | 17285 |
| 5 | DIAL THERMOMETER | 1 | | 47913 | | 47913 |
| 6* | 120 VOLT 20 WATT FOIL HEATER | 1 | 40557 | | | |
| | 230 VOLT 20 WATT FOIL HEATER | 1 | | | 40557EX | |
| 7 | FINGER GUARD | 1 | 47200 | 47200 | 47200 | 47200 |
| 8 | LIGHT TUBE COVER | 1 | 74788 | 74788 | 74788 | 74788 |

Cabinet Interior – Front View



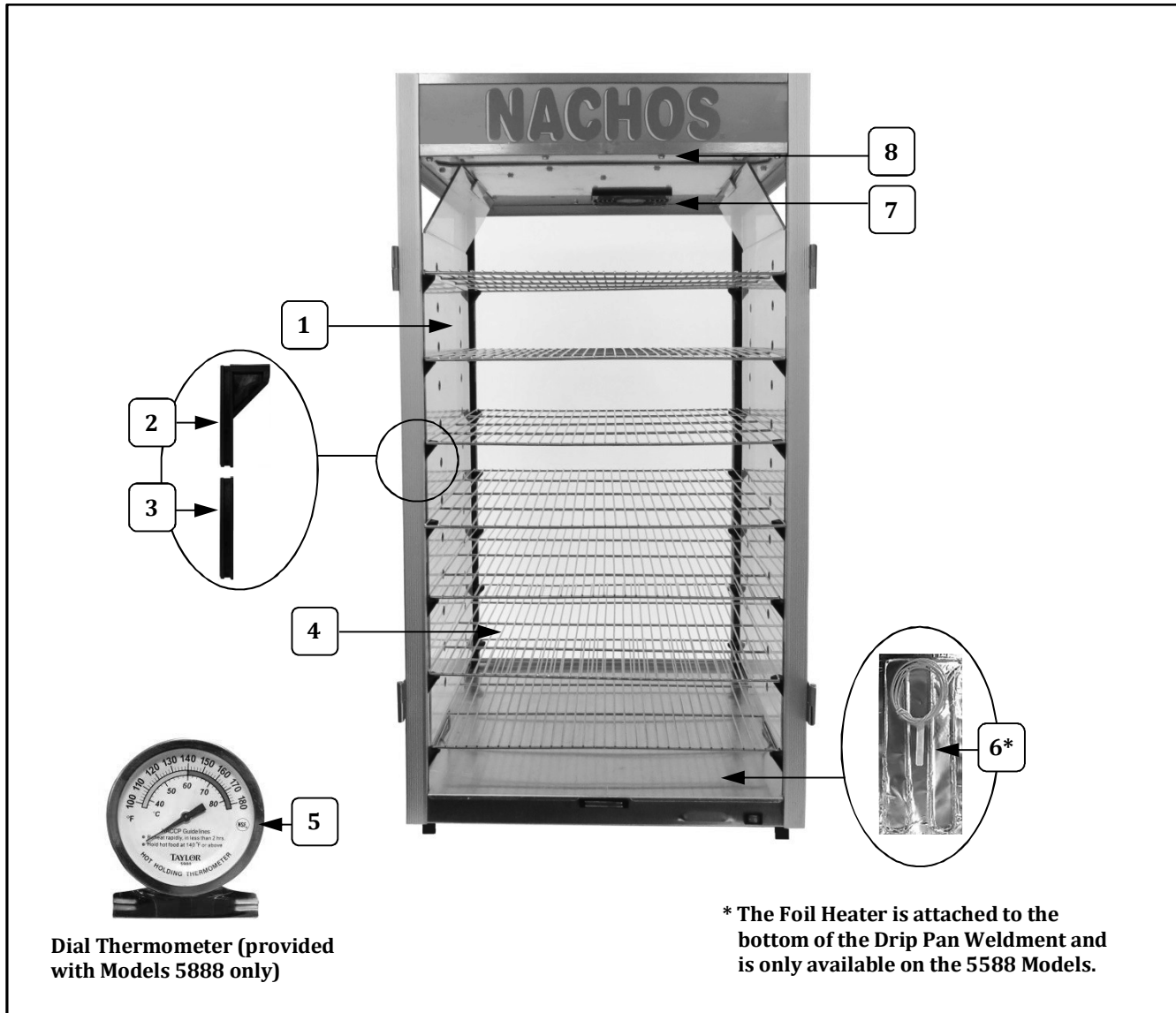
| Item | Parts Description | Qty. | Part Number | | | |
|------|------------------------------|------|-------------|-------|---------|--------|
| | | | 5588 | 5888 | 5588EX | 5888EX |
| 1 | AIR DUCT | 2 | 17475 | 17475 | 17475 | 17475 |
| 2 | RACK HOLDER | 28 | 39899 | 39899 | 39899 | 39899 |
| 3 | 2" GROOVE FILLER | 28 | 39903 | 39903 | 39903 | 39903 |
| 4 | 5558 AND 5888 SHELF | 7 | 17285 | 17285 | 17285 | 17285 |
| 5 | DIAL THERMOMETER | 1 | | 47913 | | 47913 |
| 6* | 120 VOLT 20 WATT FOIL HEATER | 1 | 40557 | | | |
| | 230 VOLT 20 WATT FOIL HEATER | 1 | | | 40557EX | |
| 7 | FINGER GUARD | 1 | 47200 | 47200 | 47200 | 47200 |
| 8 | LIGHT TUBE COVER | 1 | 74788 | 74788 | 74788 | 74788 |

Cabinet Interior – Front View



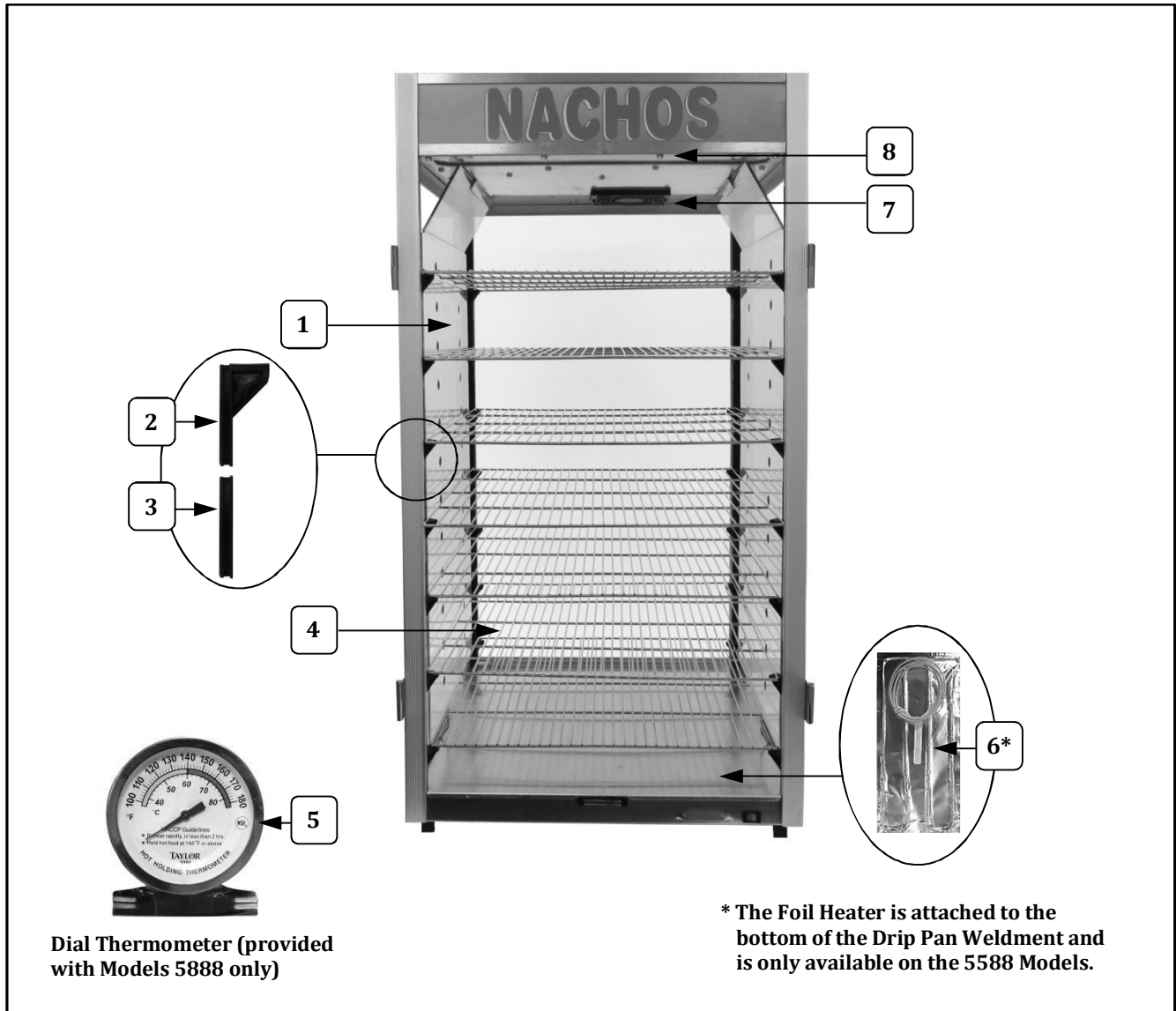
| Item | Parts Description | Qty. | Part Number | | | |
|------|------------------------------|------|-------------|-------|---------|--------|
| | | | 5588 | 5888 | 5588EX | 5888EX |
| 1 | AIR DUCT | 2 | 17475 | 17475 | 17475 | 17475 |
| 2 | RACK HOLDER | 28 | 39899 | 39899 | 39899 | 39899 |
| 3 | 2" GROOVE FILLER | 28 | 39903 | 39903 | 39903 | 39903 |
| 4 | 5558 AND 5888 SHELF | 7 | 17285 | 17285 | 17285 | 17285 |
| 5 | DIAL THERMOMETER | 1 | | 47913 | | 47913 |
| 6* | 120 VOLT 20 WATT FOIL HEATER | 1 | 40557 | | | |
| | 230 VOLT 20 WATT FOIL HEATER | 1 | | | 40557EX | |
| 7 | FINGER GUARD | 1 | 47200 | 47200 | 47200 | 47200 |
| 8 | LIGHT TUBE COVER | 1 | 74788 | 74788 | 74788 | 74788 |

Cabinet Interior – Front View



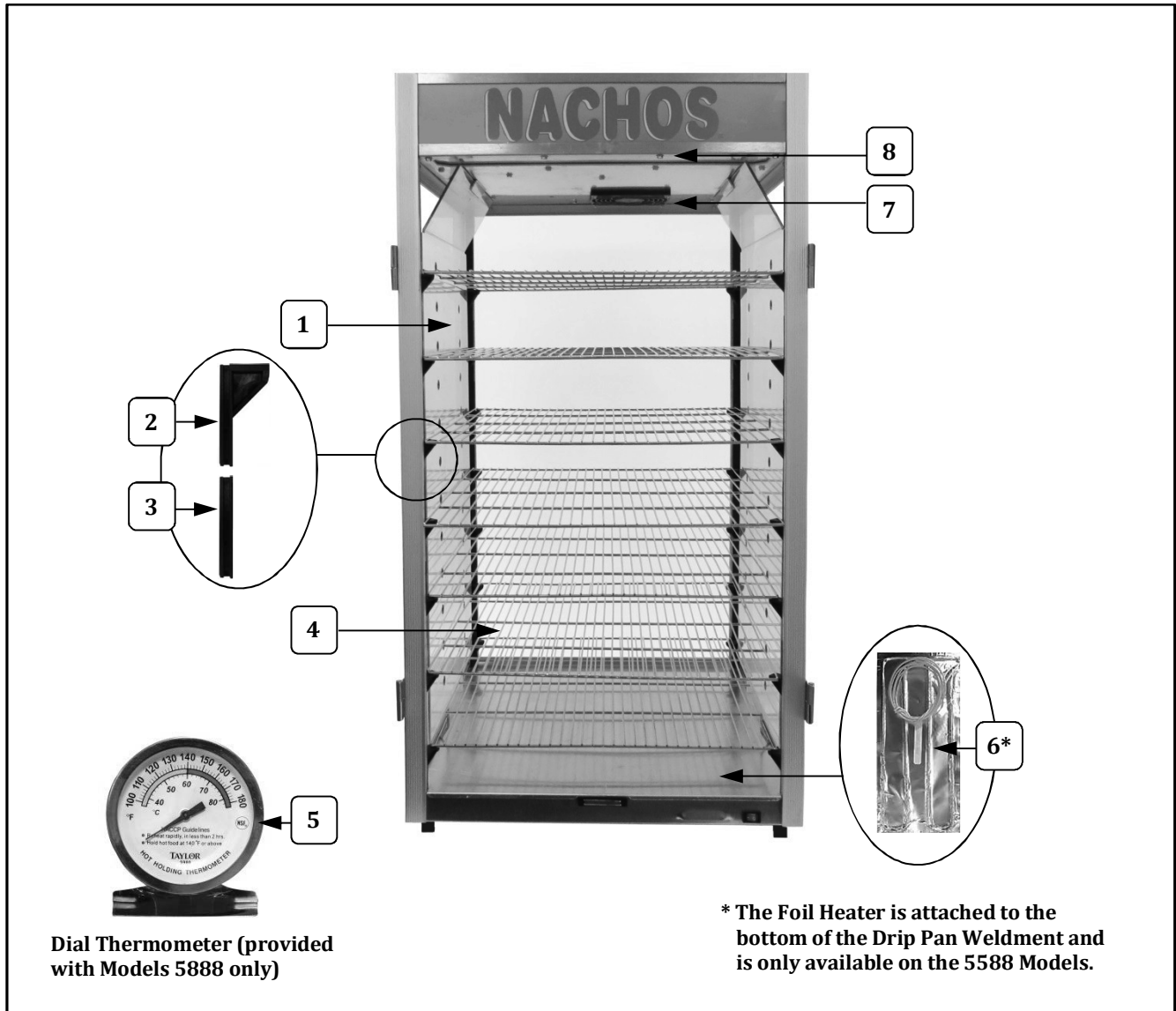
| Item | Parts Description | Qty. | Part Number | | | |
|------|------------------------------|------|-------------|-------|---------|--------|
| | | | 5588 | 5888 | 5588EX | 5888EX |
| 1 | AIR DUCT | 2 | 17475 | 17475 | 17475 | 17475 |
| 2 | RACK HOLDER | 28 | 39899 | 39899 | 39899 | 39899 |
| 3 | 2" GROOVE FILLER | 28 | 39903 | 39903 | 39903 | 39903 |
| 4 | 5558 AND 5888 SHELF | 7 | 17285 | 17285 | 17285 | 17285 |
| 5 | DIAL THERMOMETER | 1 | | 47913 | | 47913 |
| 6* | 120 VOLT 20 WATT FOIL HEATER | 1 | 40557 | | | |
| | 230 VOLT 20 WATT FOIL HEATER | 1 | | | 40557EX | |
| 7 | FINGER GUARD | 1 | 47200 | 47200 | 47200 | 47200 |
| 8 | LIGHT TUBE COVER | 1 | 74788 | 74788 | 74788 | 74788 |

Cabinet Interior – Front View



| Item | Parts Description | Qty. | Part Number | | | |
|------|------------------------------|------|-------------|-------|---------|--------|
| | | | 5588 | 5888 | 5588EX | 5888EX |
| 1 | AIR DUCT | 2 | 17475 | 17475 | 17475 | 17475 |
| 2 | RACK HOLDER | 28 | 39899 | 39899 | 39899 | 39899 |
| 3 | 2" GROOVE FILLER | 28 | 39903 | 39903 | 39903 | 39903 |
| 4 | 5558 AND 5888 SHELF | 7 | 17285 | 17285 | 17285 | 17285 |
| 5 | DIAL THERMOMETER | 1 | | 47913 | | 47913 |
| 6* | 120 VOLT 20 WATT FOIL HEATER | 1 | 40557 | | | |
| | 230 VOLT 20 WATT FOIL HEATER | 1 | | | 40557EX | |
| 7 | FINGER GUARD | 1 | 47200 | 47200 | 47200 | 47200 |
| 8 | LIGHT TUBE COVER | 1 | 74788 | 74788 | 74788 | 74788 |

Cabinet Interior – Front View

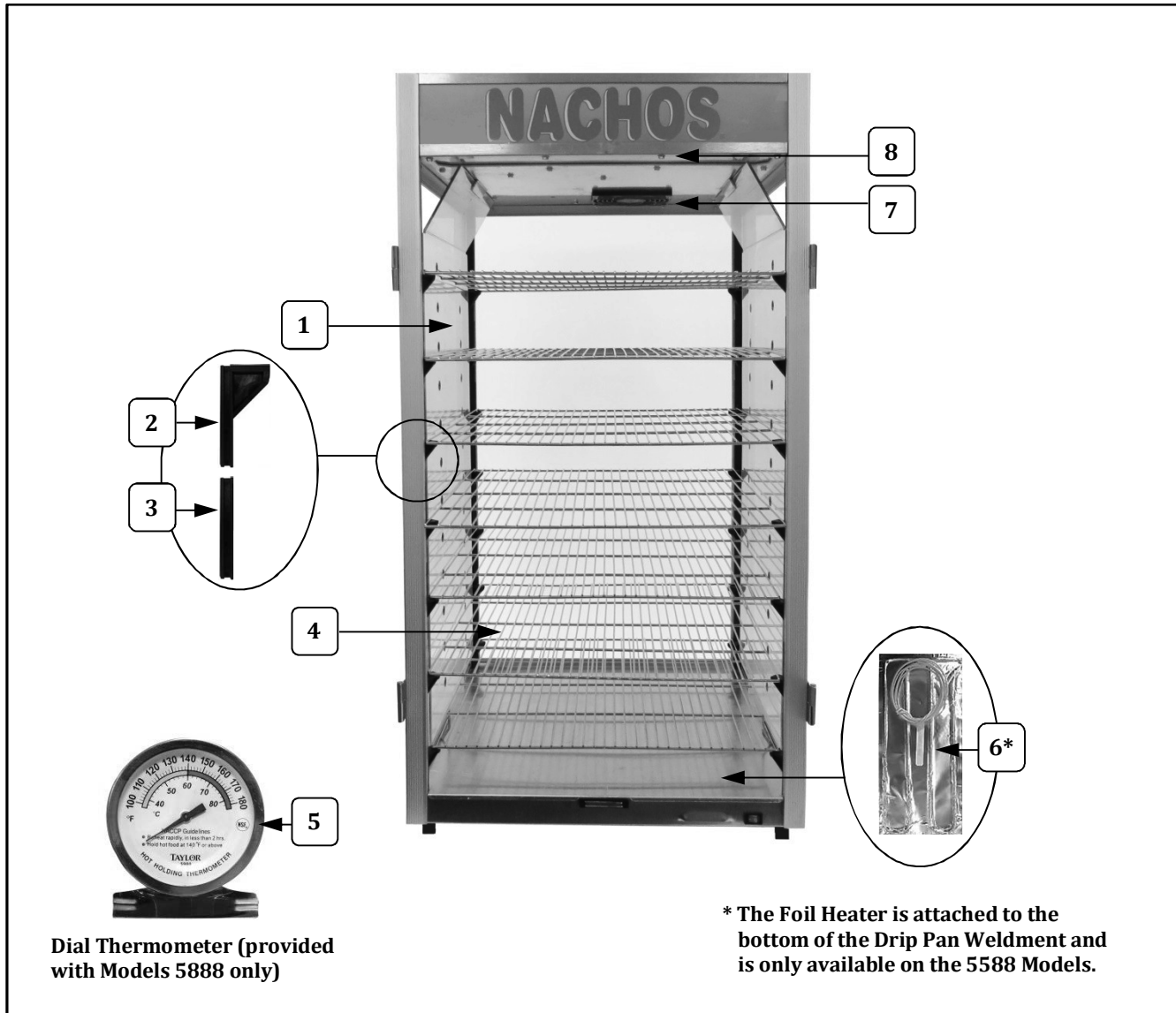


Dial Thermometer (provided with Models 5888 only)

* The Foil Heater is attached to the bottom of the Drip Pan Weldment and is only available on the 5588 Models.

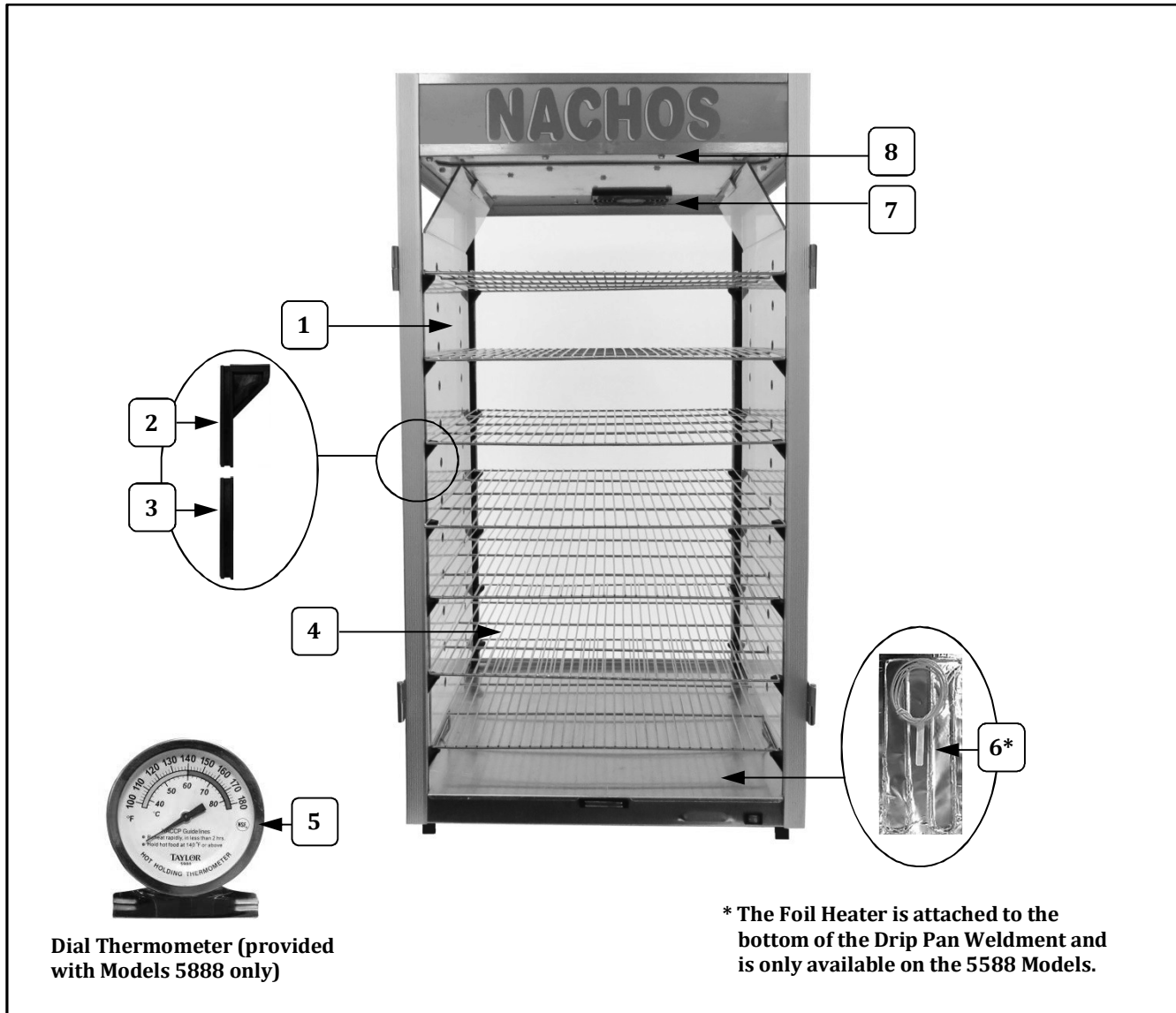
| Item | Parts Description | Qty. | Part Number | | | |
|------|------------------------------|------|-------------|-------|---------|--------|
| | | | 5588 | 5888 | 5588EX | 5888EX |
| 1 | AIR DUCT | 2 | 17475 | 17475 | 17475 | 17475 |
| 2 | RACK HOLDER | 28 | 39899 | 39899 | 39899 | 39899 |
| 3 | 2" GROOVE FILLER | 28 | 39903 | 39903 | 39903 | 39903 |
| 4 | 5558 AND 5888 SHELF | 7 | 17285 | 17285 | 17285 | 17285 |
| 5 | DIAL THERMOMETER | 1 | | 47913 | | 47913 |
| 6* | 120 VOLT 20 WATT FOIL HEATER | 1 | 40557 | | | |
| | 230 VOLT 20 WATT FOIL HEATER | 1 | | | 40557EX | |
| 7 | FINGER GUARD | 1 | 47200 | 47200 | 47200 | 47200 |
| 8 | LIGHT TUBE COVER | 1 | 74788 | 74788 | 74788 | 74788 |

Cabinet Interior – Front View



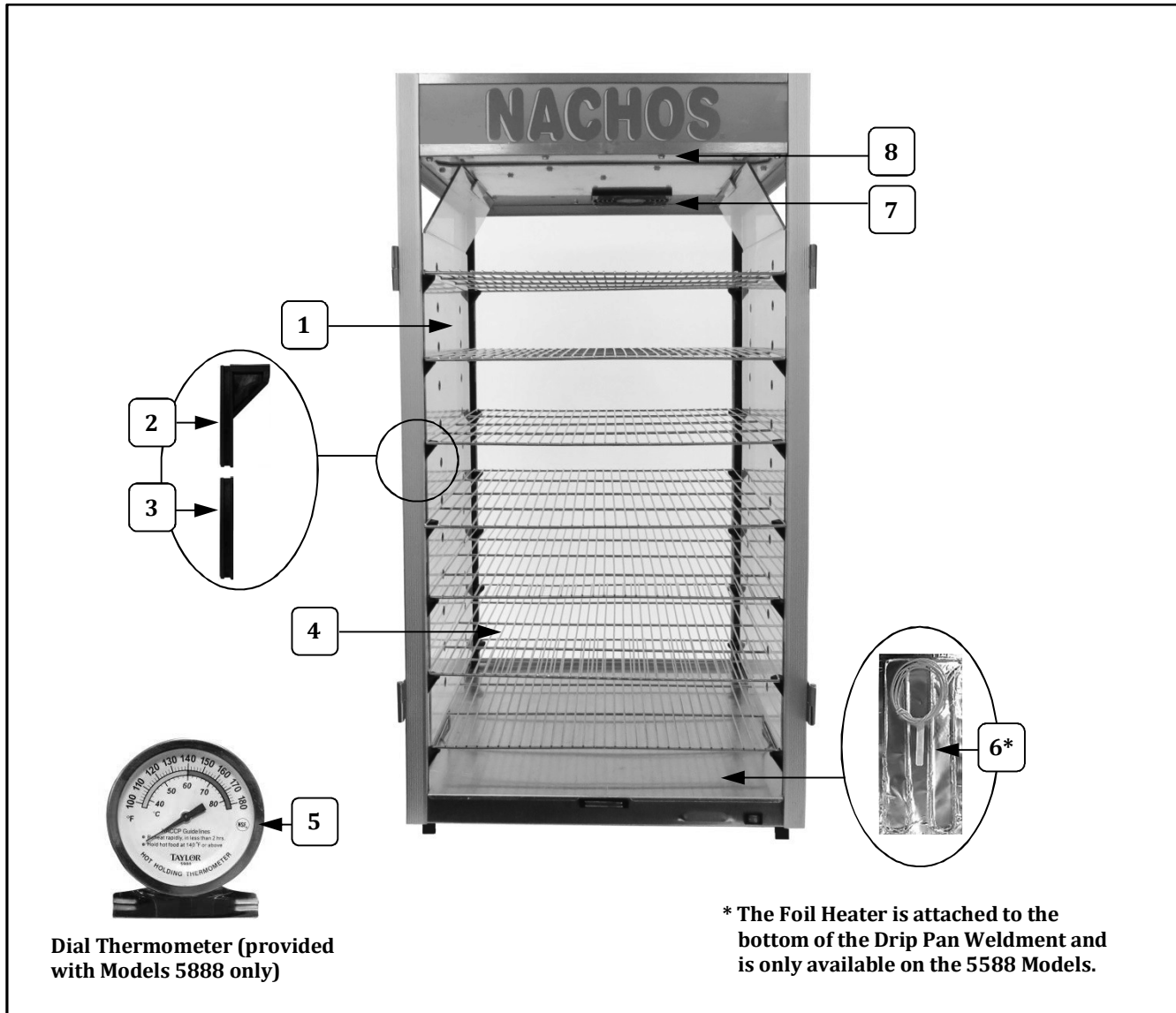
| Item | Parts Description | Qty. | Part Number | | | |
|------|------------------------------|------|-------------|-------|---------|--------|
| | | | 5588 | 5888 | 5588EX | 5888EX |
| 1 | AIR DUCT | 2 | 17475 | 17475 | 17475 | 17475 |
| 2 | RACK HOLDER | 28 | 39899 | 39899 | 39899 | 39899 |
| 3 | 2" GROOVE FILLER | 28 | 39903 | 39903 | 39903 | 39903 |
| 4 | 5558 AND 5888 SHELF | 7 | 17285 | 17285 | 17285 | 17285 |
| 5 | DIAL THERMOMETER | 1 | | 47913 | | 47913 |
| 6* | 120 VOLT 20 WATT FOIL HEATER | 1 | 40557 | | | |
| | 230 VOLT 20 WATT FOIL HEATER | 1 | | | 40557EX | |
| 7 | FINGER GUARD | 1 | 47200 | 47200 | 47200 | 47200 |
| 8 | LIGHT TUBE COVER | 1 | 74788 | 74788 | 74788 | 74788 |

Cabinet Interior – Front View



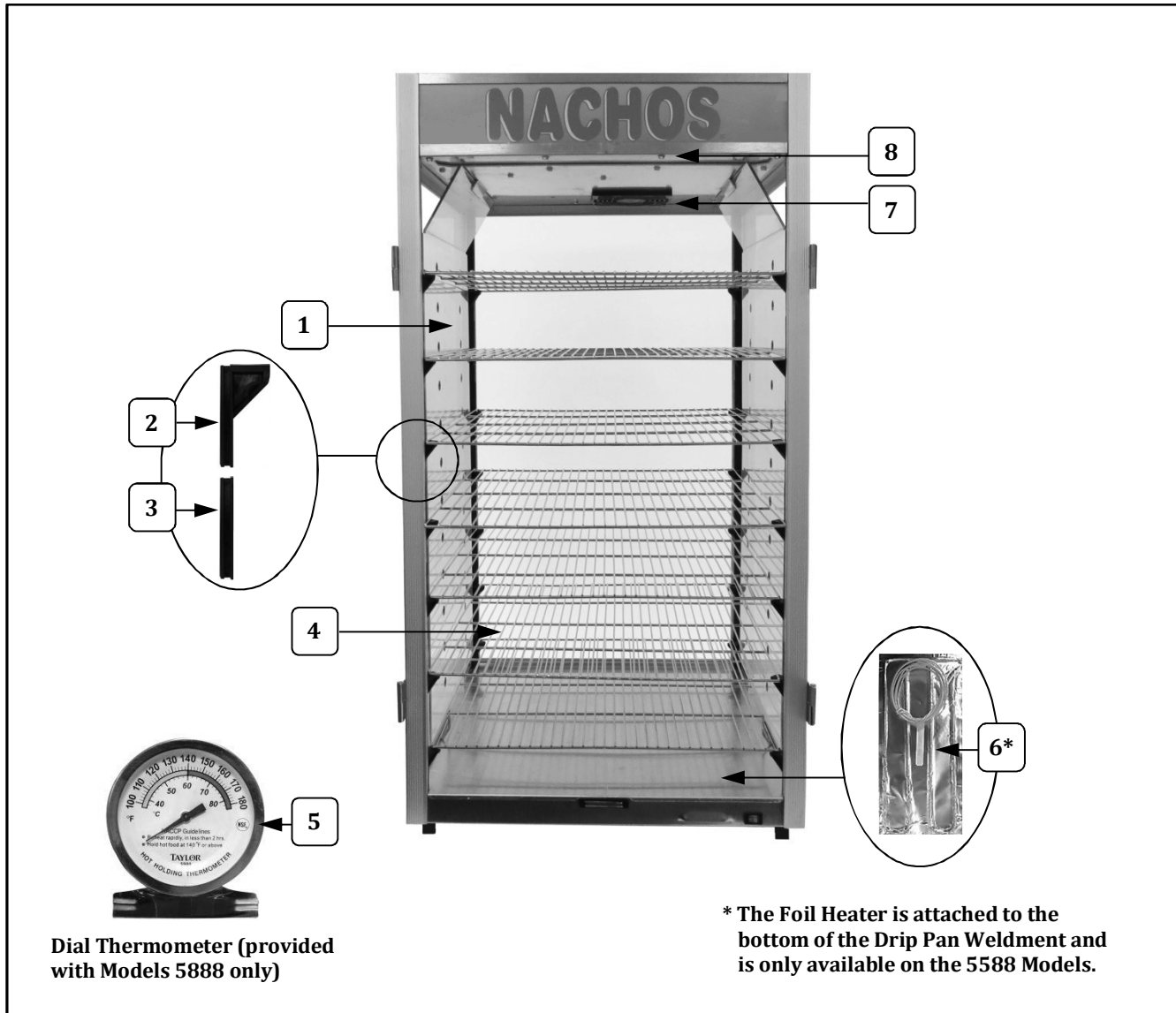
| Item | Parts Description | Qty. | Part Number | | | |
|------|------------------------------|------|-------------|-------|---------|--------|
| | | | 5588 | 5888 | 5588EX | 5888EX |
| 1 | AIR DUCT | 2 | 17475 | 17475 | 17475 | 17475 |
| 2 | RACK HOLDER | 28 | 39899 | 39899 | 39899 | 39899 |
| 3 | 2" GROOVE FILLER | 28 | 39903 | 39903 | 39903 | 39903 |
| 4 | 5558 AND 5888 SHELF | 7 | 17285 | 17285 | 17285 | 17285 |
| 5 | DIAL THERMOMETER | 1 | | 47913 | | 47913 |
| 6* | 120 VOLT 20 WATT FOIL HEATER | 1 | 40557 | | | |
| | 230 VOLT 20 WATT FOIL HEATER | 1 | | | 40557EX | |
| 7 | FINGER GUARD | 1 | 47200 | 47200 | 47200 | 47200 |
| 8 | LIGHT TUBE COVER | 1 | 74788 | 74788 | 74788 | 74788 |

Cabinet Interior – Front View



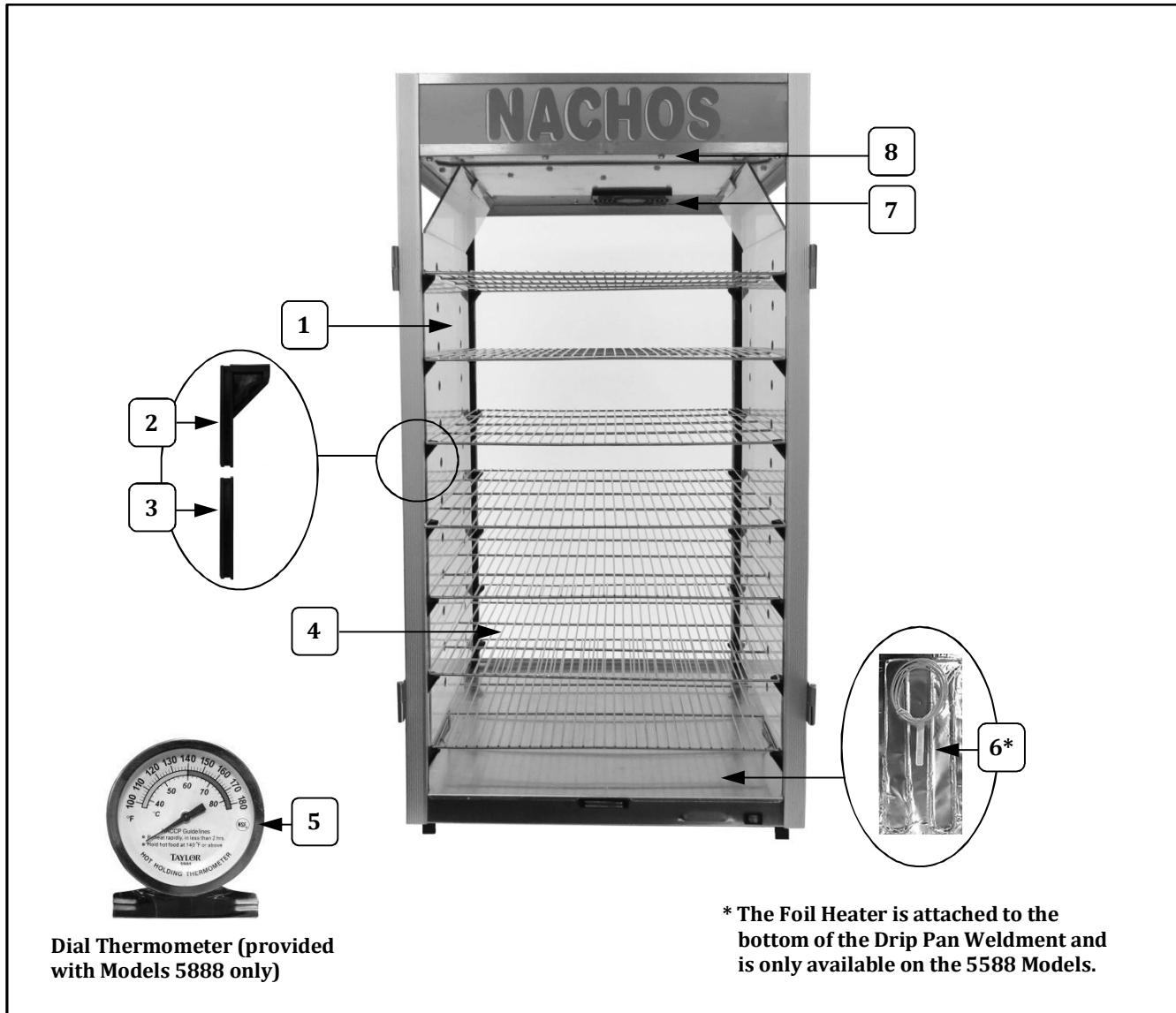
| Item | Parts Description | Qty. | Part Number | | | |
|------|------------------------------|------|-------------|-------|---------|--------|
| | | | 5588 | 5888 | 5588EX | 5888EX |
| 1 | AIR DUCT | 2 | 17475 | 17475 | 17475 | 17475 |
| 2 | RACK HOLDER | 28 | 39899 | 39899 | 39899 | 39899 |
| 3 | 2" GROOVE FILLER | 28 | 39903 | 39903 | 39903 | 39903 |
| 4 | 5558 AND 5888 SHELF | 7 | 17285 | 17285 | 17285 | 17285 |
| 5 | DIAL THERMOMETER | 1 | | 47913 | | 47913 |
| 6* | 120 VOLT 20 WATT FOIL HEATER | 1 | 40557 | | | |
| | 230 VOLT 20 WATT FOIL HEATER | 1 | | | 40557EX | |
| 7 | FINGER GUARD | 1 | 47200 | 47200 | 47200 | 47200 |
| 8 | LIGHT TUBE COVER | 1 | 74788 | 74788 | 74788 | 74788 |

Cabinet Interior – Front View



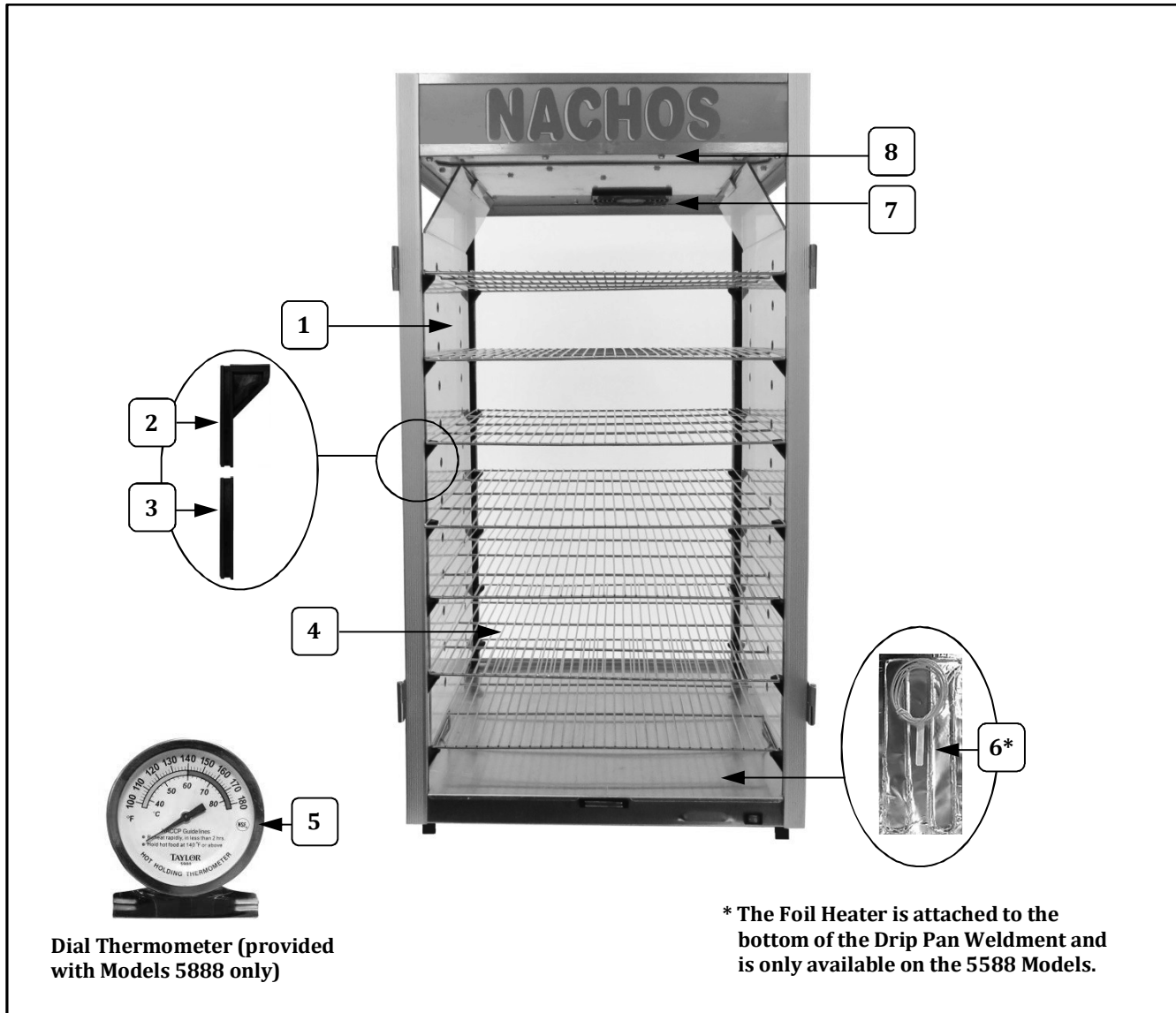
| Item | Parts Description | Qty. | Part Number | | | |
|------|------------------------------|------|-------------|-------|---------|--------|
| | | | 5588 | 5888 | 5588EX | 5888EX |
| 1 | AIR DUCT | 2 | 17475 | 17475 | 17475 | 17475 |
| 2 | RACK HOLDER | 28 | 39899 | 39899 | 39899 | 39899 |
| 3 | 2" GROOVE FILLER | 28 | 39903 | 39903 | 39903 | 39903 |
| 4 | 5558 AND 5888 SHELF | 7 | 17285 | 17285 | 17285 | 17285 |
| 5 | DIAL THERMOMETER | 1 | | 47913 | | 47913 |
| 6* | 120 VOLT 20 WATT FOIL HEATER | 1 | 40557 | | | |
| | 230 VOLT 20 WATT FOIL HEATER | 1 | | | 40557EX | |
| 7 | FINGER GUARD | 1 | 47200 | 47200 | 47200 | 47200 |
| 8 | LIGHT TUBE COVER | 1 | 74788 | 74788 | 74788 | 74788 |

Cabinet Interior – Front View



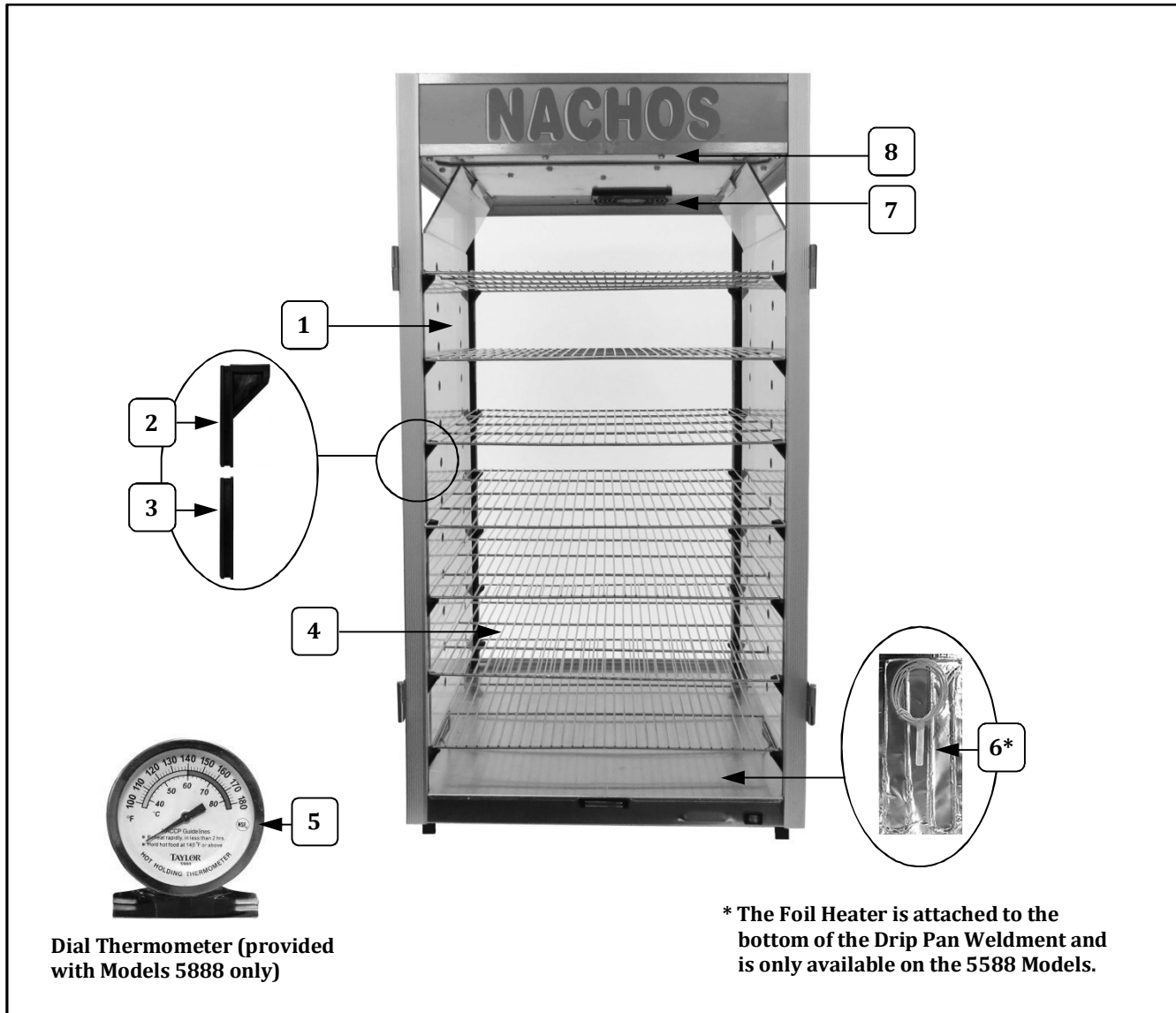
| Item | Parts Description | Qty. | Part Number | | | |
|------|------------------------------|------|-------------|-------|---------|--------|
| | | | 5588 | 5888 | 5588EX | 5888EX |
| 1 | AIR DUCT | 2 | 17475 | 17475 | 17475 | 17475 |
| 2 | RACK HOLDER | 28 | 39899 | 39899 | 39899 | 39899 |
| 3 | 2" GROOVE FILLER | 28 | 39903 | 39903 | 39903 | 39903 |
| 4 | 5558 AND 5888 SHELF | 7 | 17285 | 17285 | 17285 | 17285 |
| 5 | DIAL THERMOMETER | 1 | | 47913 | | 47913 |
| 6* | 120 VOLT 20 WATT FOIL HEATER | 1 | 40557 | | | |
| | 230 VOLT 20 WATT FOIL HEATER | 1 | | | 40557EX | |
| 7 | FINGER GUARD | 1 | 47200 | 47200 | 47200 | 47200 |
| 8 | LIGHT TUBE COVER | 1 | 74788 | 74788 | 74788 | 74788 |

Cabinet Interior – Front View



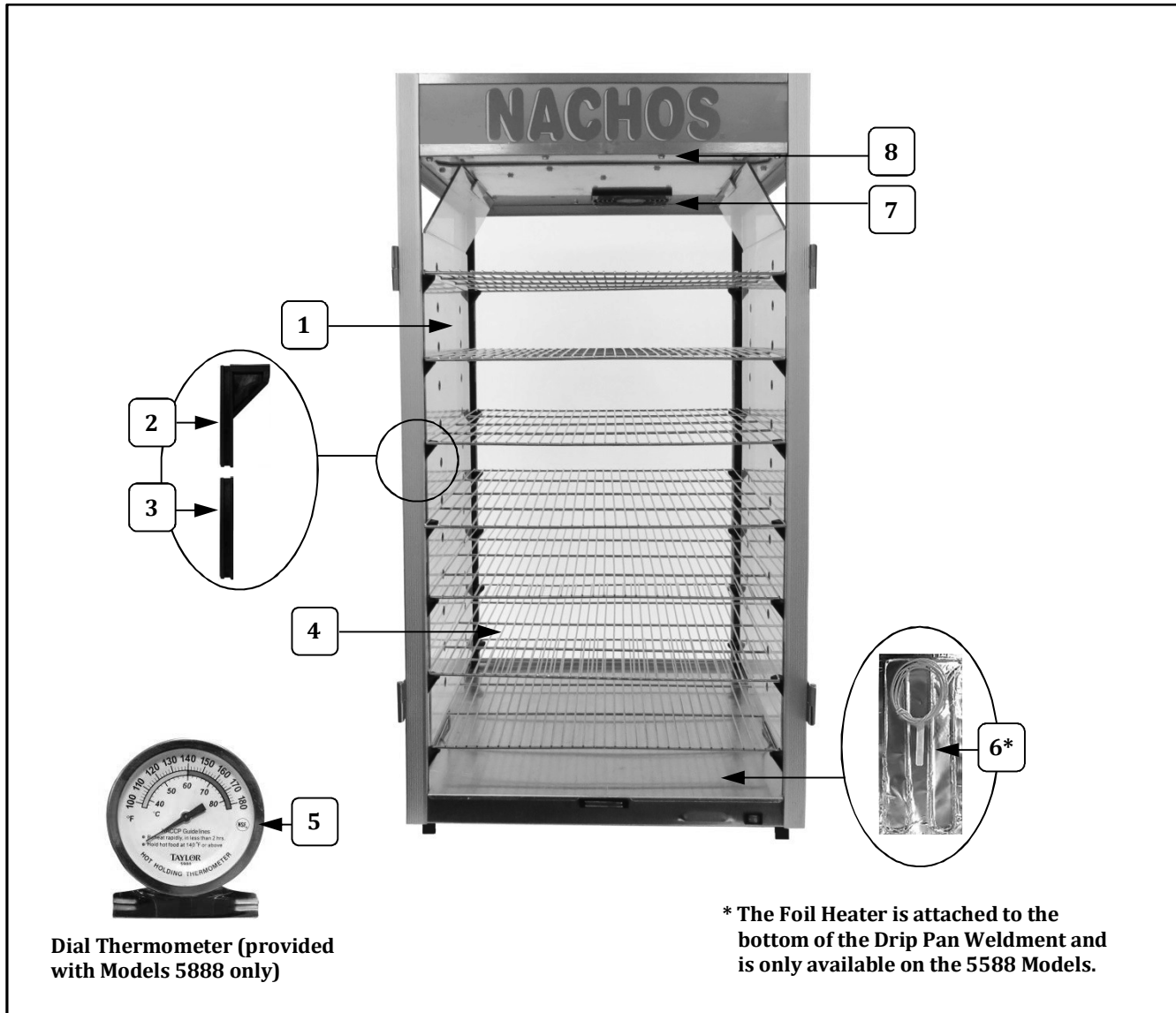
| Item | Parts Description | Qty. | Part Number | | | |
|------|------------------------------|------|-------------|-------|---------|--------|
| | | | 5588 | 5888 | 5588EX | 5888EX |
| 1 | AIR DUCT | 2 | 17475 | 17475 | 17475 | 17475 |
| 2 | RACK HOLDER | 28 | 39899 | 39899 | 39899 | 39899 |
| 3 | 2" GROOVE FILLER | 28 | 39903 | 39903 | 39903 | 39903 |
| 4 | 5558 AND 5888 SHELF | 7 | 17285 | 17285 | 17285 | 17285 |
| 5 | DIAL THERMOMETER | 1 | | 47913 | | 47913 |
| 6* | 120 VOLT 20 WATT FOIL HEATER | 1 | 40557 | | | |
| | 230 VOLT 20 WATT FOIL HEATER | 1 | | | 40557EX | |
| 7 | FINGER GUARD | 1 | 47200 | 47200 | 47200 | 47200 |
| 8 | LIGHT TUBE COVER | 1 | 74788 | 74788 | 74788 | 74788 |

Cabinet Interior – Front View



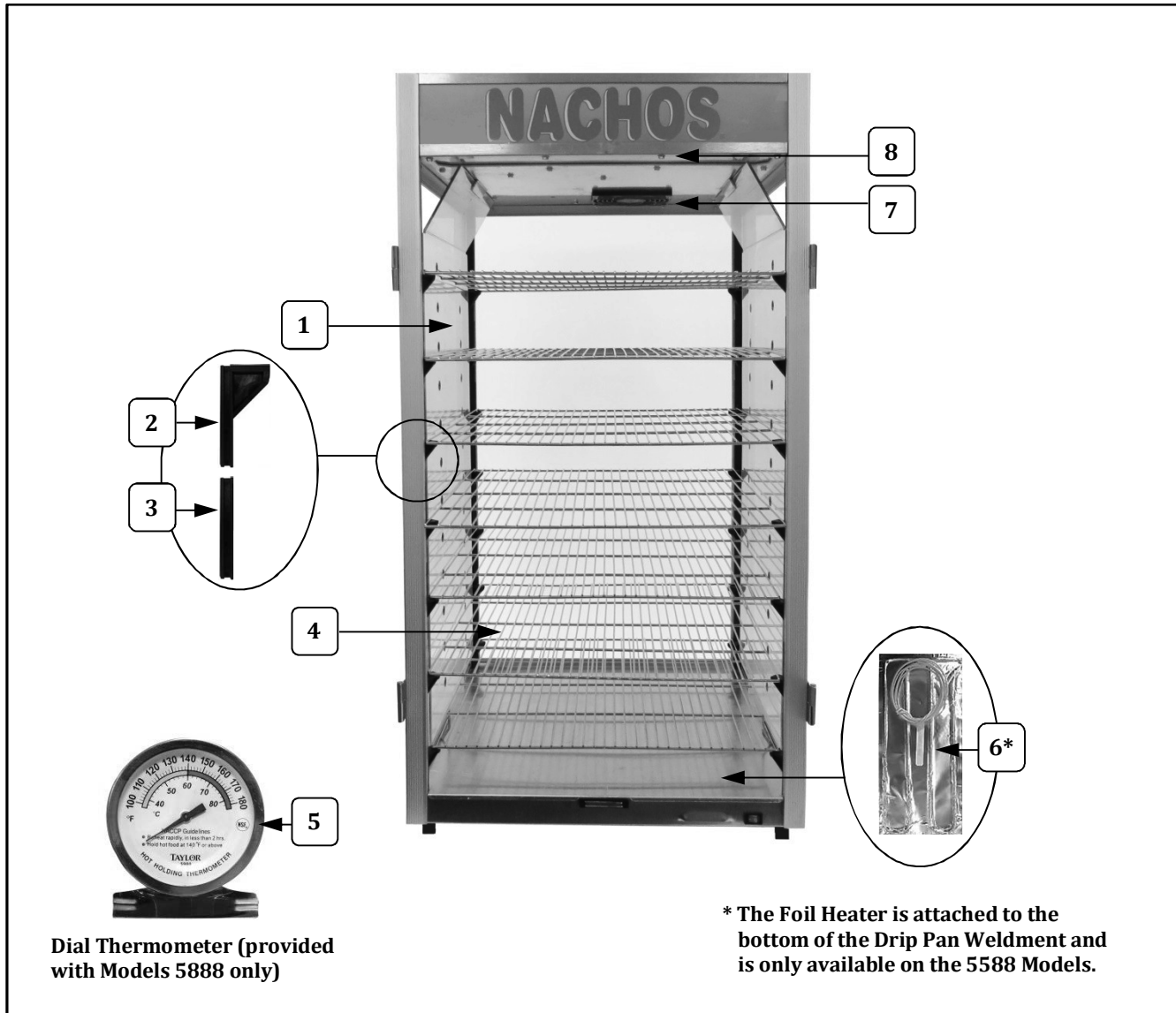
| Item | Parts Description | Qty. | Part Number | | | |
|------|------------------------------|------|-------------|-------|---------|--------|
| | | | 5588 | 5888 | 5588EX | 5888EX |
| 1 | AIR DUCT | 2 | 17475 | 17475 | 17475 | 17475 |
| 2 | RACK HOLDER | 28 | 39899 | 39899 | 39899 | 39899 |
| 3 | 2" GROOVE FILLER | 28 | 39903 | 39903 | 39903 | 39903 |
| 4 | 5558 AND 5888 SHELF | 7 | 17285 | 17285 | 17285 | 17285 |
| 5 | DIAL THERMOMETER | 1 | | 47913 | | 47913 |
| 6* | 120 VOLT 20 WATT FOIL HEATER | 1 | 40557 | | | |
| | 230 VOLT 20 WATT FOIL HEATER | 1 | | | 40557EX | |
| 7 | FINGER GUARD | 1 | 47200 | 47200 | 47200 | 47200 |
| 8 | LIGHT TUBE COVER | 1 | 74788 | 74788 | 74788 | 74788 |

Cabinet Interior – Front View



| Item | Parts Description | Qty. | Part Number | | | |
|------|------------------------------|------|-------------|-------|---------|--------|
| | | | 5588 | 5888 | 5588EX | 5888EX |
| 1 | AIR DUCT | 2 | 17475 | 17475 | 17475 | 17475 |
| 2 | RACK HOLDER | 28 | 39899 | 39899 | 39899 | 39899 |
| 3 | 2" GROOVE FILLER | 28 | 39903 | 39903 | 39903 | 39903 |
| 4 | 5558 AND 5888 SHELF | 7 | 17285 | 17285 | 17285 | 17285 |
| 5 | DIAL THERMOMETER | 1 | | 47913 | | 47913 |
| 6* | 120 VOLT 20 WATT FOIL HEATER | 1 | 40557 | | | |
| | 230 VOLT 20 WATT FOIL HEATER | 1 | | | 40557EX | |
| 7 | FINGER GUARD | 1 | 47200 | 47200 | 47200 | 47200 |
| 8 | LIGHT TUBE COVER | 1 | 74788 | 74788 | 74788 | 74788 |

Cabinet Interior – Front View

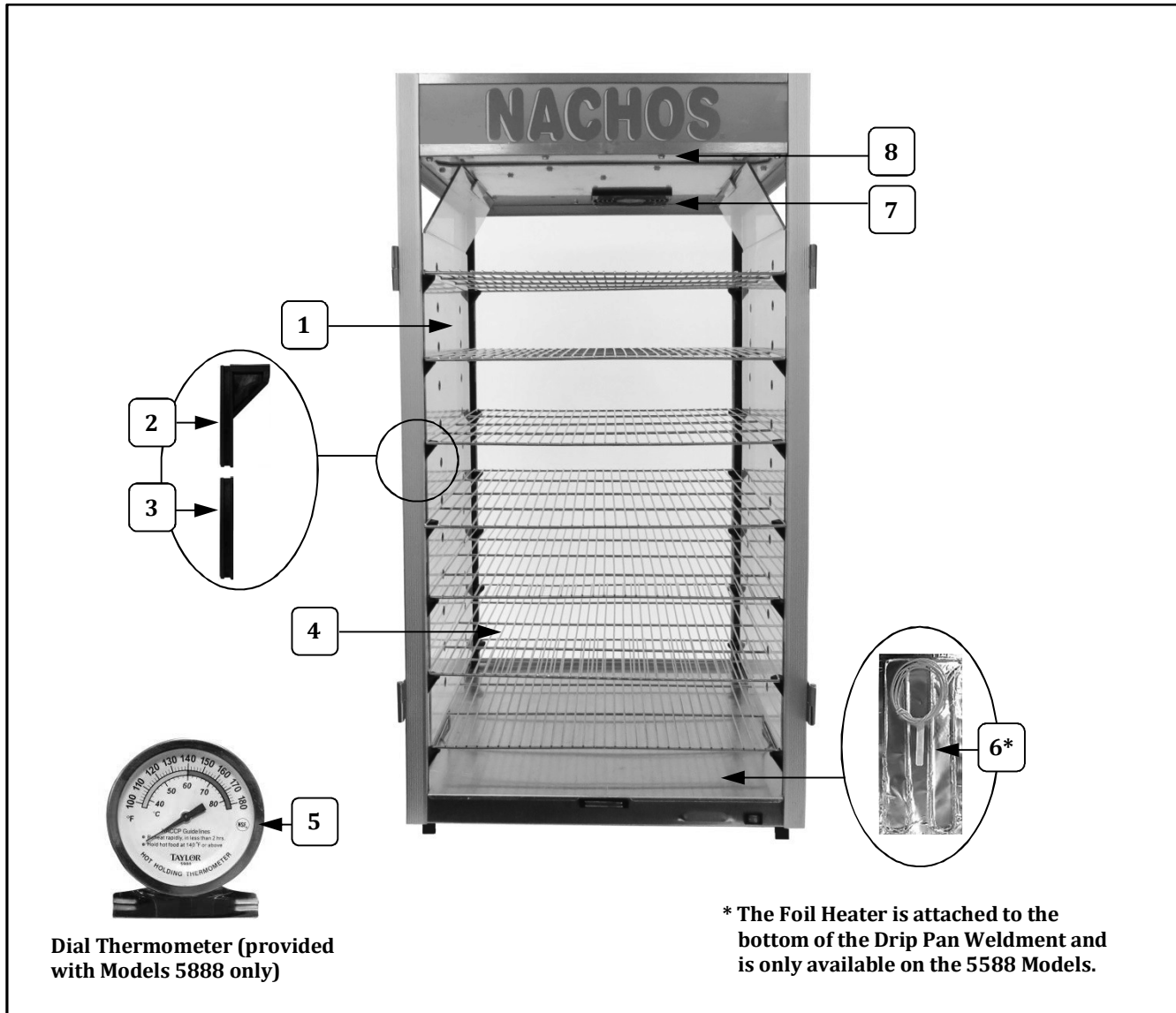


Dial Thermometer (provided with Models 5888 only)

* The Foil Heater is attached to the bottom of the Drip Pan Weldment and is only available on the 5588 Models.

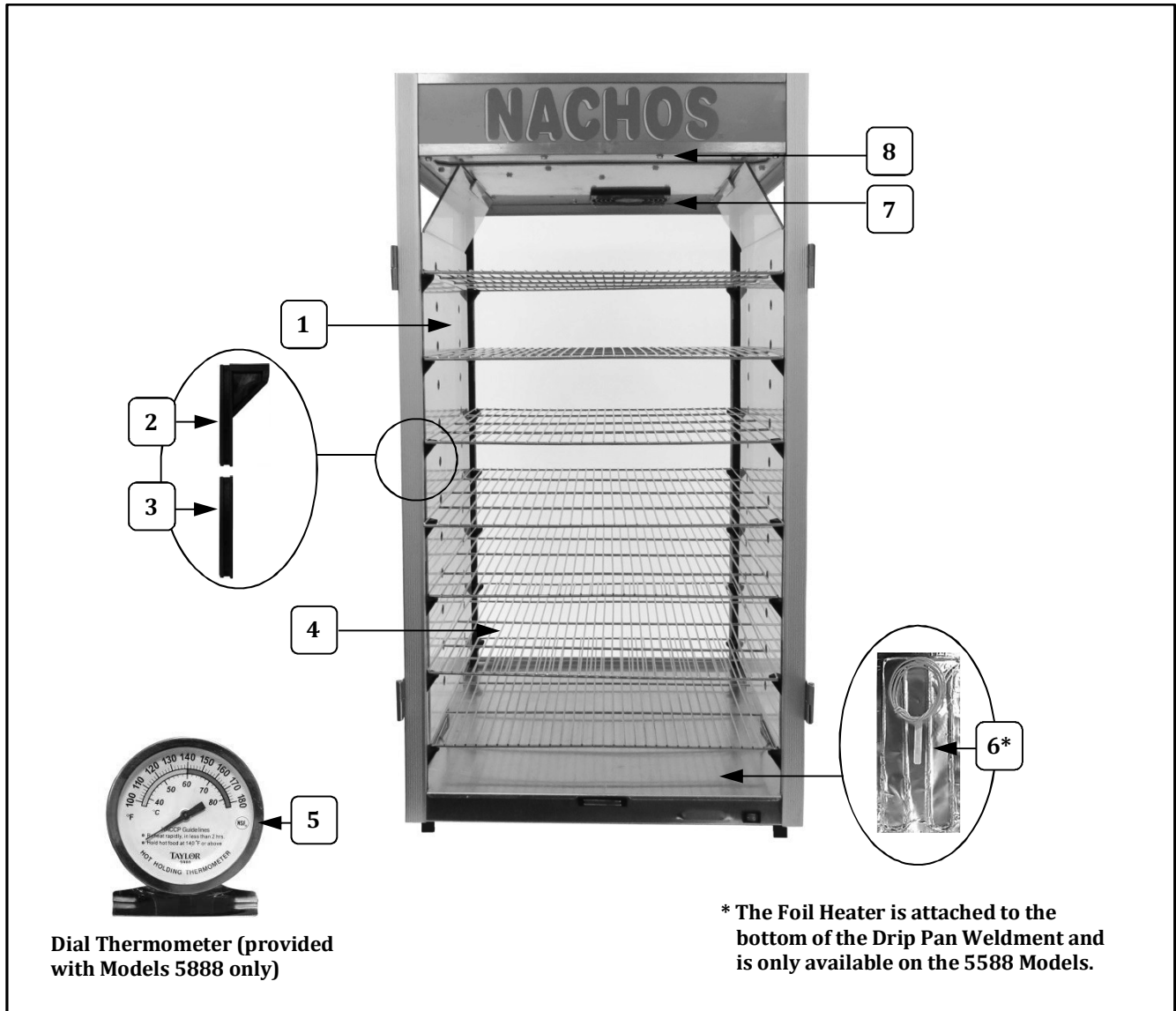
| Item | Parts Description | Qty. | Part Number | | | |
|------|------------------------------|------|-------------|-------|---------|--------|
| | | | 5588 | 5888 | 5588EX | 5888EX |
| 1 | AIR DUCT | 2 | 17475 | 17475 | 17475 | 17475 |
| 2 | RACK HOLDER | 28 | 39899 | 39899 | 39899 | 39899 |
| 3 | 2" GROOVE FILLER | 28 | 39903 | 39903 | 39903 | 39903 |
| 4 | 5558 AND 5888 SHELF | 7 | 17285 | 17285 | 17285 | 17285 |
| 5 | DIAL THERMOMETER | 1 | | 47913 | | 47913 |
| 6* | 120 VOLT 20 WATT FOIL HEATER | 1 | 40557 | | | |
| | 230 VOLT 20 WATT FOIL HEATER | 1 | | | 40557EX | |
| 7 | FINGER GUARD | 1 | 47200 | 47200 | 47200 | 47200 |
| 8 | LIGHT TUBE COVER | 1 | 74788 | 74788 | 74788 | 74788 |

Cabinet Interior – Front View



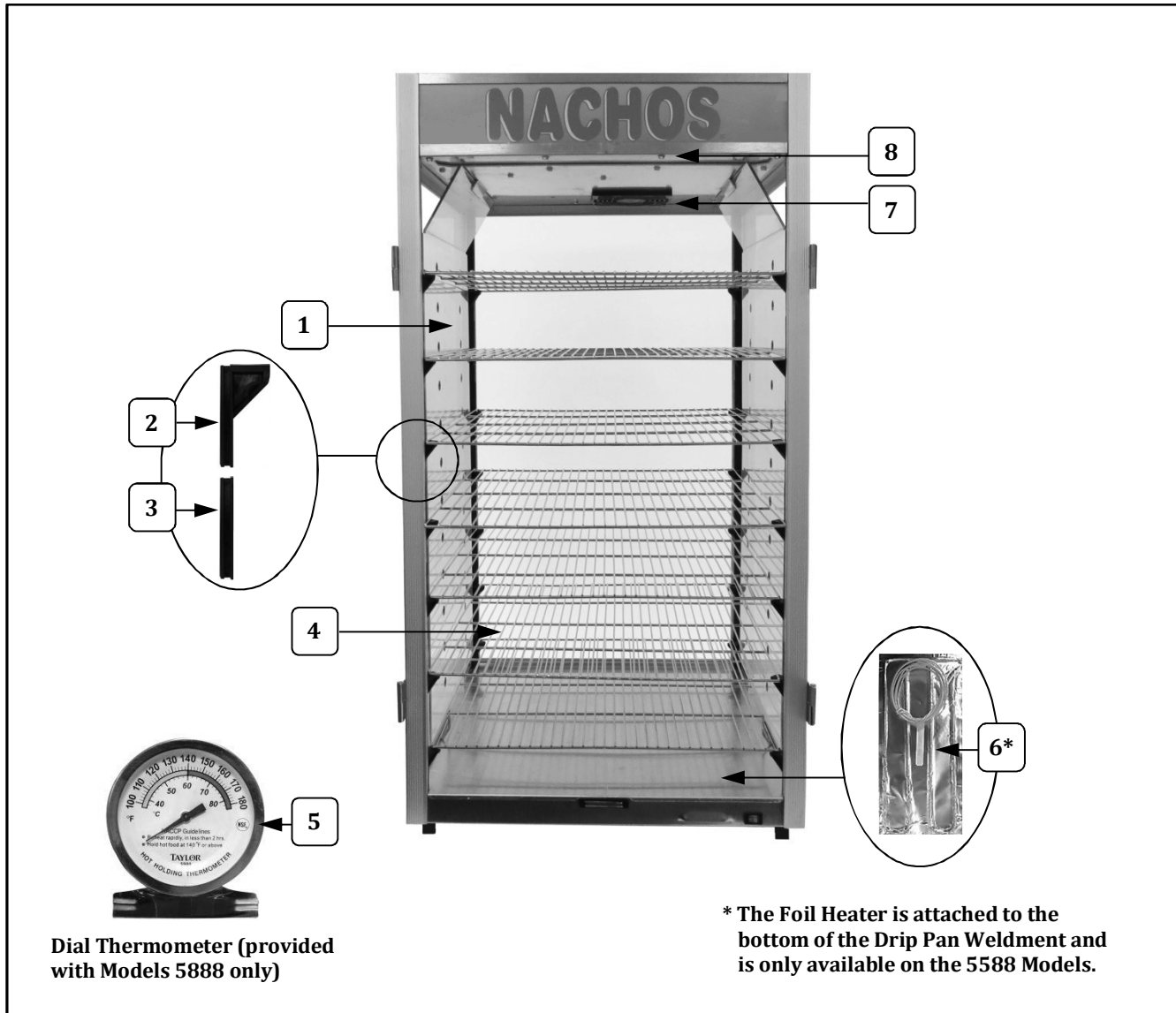
| Item | Parts Description | Qty. | Part Number | | | |
|------|------------------------------|------|-------------|-------|---------|--------|
| | | | 5588 | 5888 | 5588EX | 5888EX |
| 1 | AIR DUCT | 2 | 17475 | 17475 | 17475 | 17475 |
| 2 | RACK HOLDER | 28 | 39899 | 39899 | 39899 | 39899 |
| 3 | 2" GROOVE FILLER | 28 | 39903 | 39903 | 39903 | 39903 |
| 4 | 5558 AND 5888 SHELF | 7 | 17285 | 17285 | 17285 | 17285 |
| 5 | DIAL THERMOMETER | 1 | | 47913 | | 47913 |
| 6* | 120 VOLT 20 WATT FOIL HEATER | 1 | 40557 | | | |
| | 230 VOLT 20 WATT FOIL HEATER | 1 | | | 40557EX | |
| 7 | FINGER GUARD | 1 | 47200 | 47200 | 47200 | 47200 |
| 8 | LIGHT TUBE COVER | 1 | 74788 | 74788 | 74788 | 74788 |

Cabinet Interior – Front View



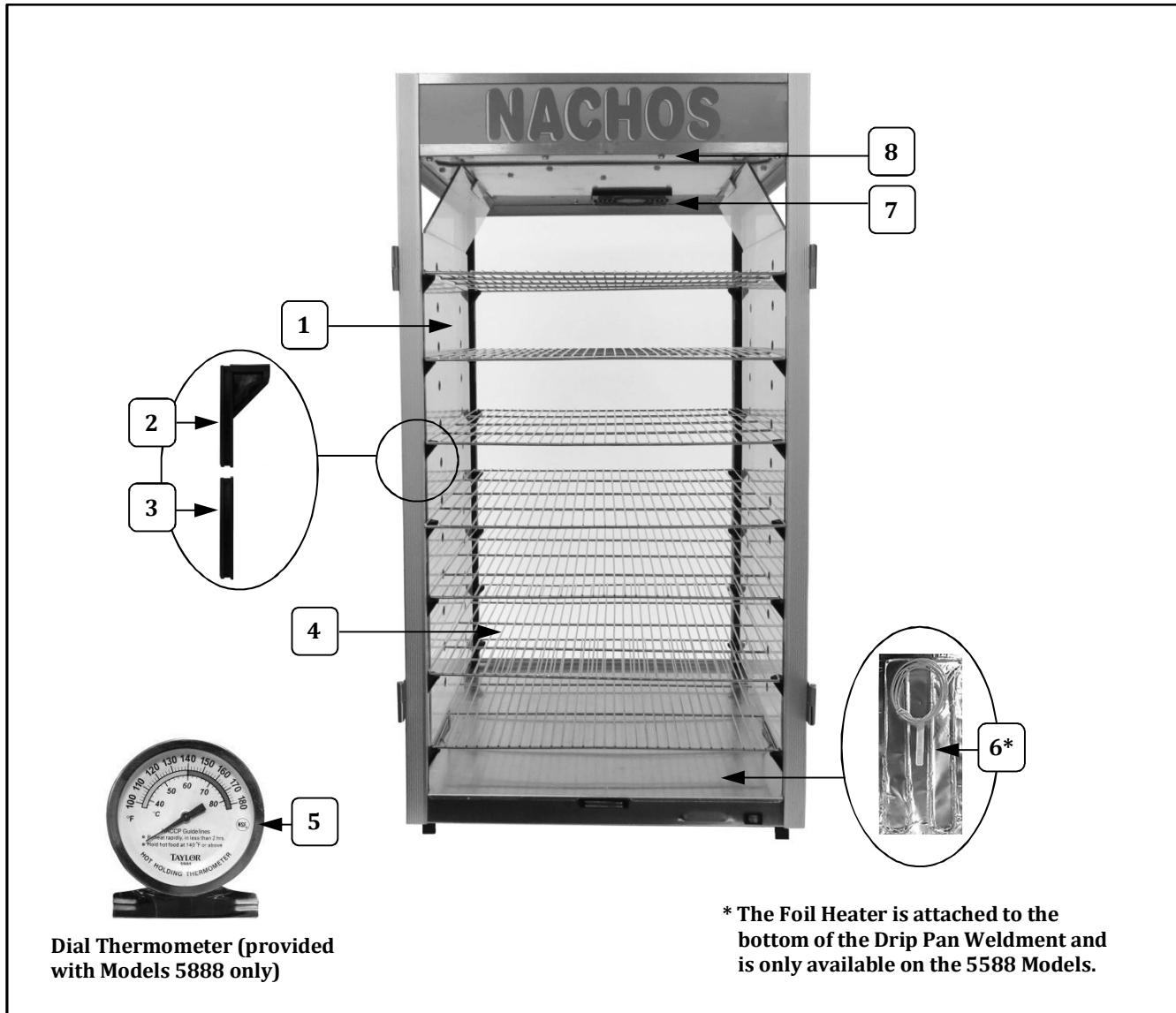
| Item | Parts Description | Qty. | Part Number | | | |
|------|------------------------------|------|-------------|-------|---------|--------|
| | | | 5588 | 5888 | 5588EX | 5888EX |
| 1 | AIR DUCT | 2 | 17475 | 17475 | 17475 | 17475 |
| 2 | RACK HOLDER | 28 | 39899 | 39899 | 39899 | 39899 |
| 3 | 2" GROOVE FILLER | 28 | 39903 | 39903 | 39903 | 39903 |
| 4 | 5558 AND 5888 SHELF | 7 | 17285 | 17285 | 17285 | 17285 |
| 5 | DIAL THERMOMETER | 1 | | 47913 | | 47913 |
| 6* | 120 VOLT 20 WATT FOIL HEATER | 1 | 40557 | | | |
| | 230 VOLT 20 WATT FOIL HEATER | 1 | | | 40557EX | |
| 7 | FINGER GUARD | 1 | 47200 | 47200 | 47200 | 47200 |
| 8 | LIGHT TUBE COVER | 1 | 74788 | 74788 | 74788 | 74788 |

Cabinet Interior – Front View



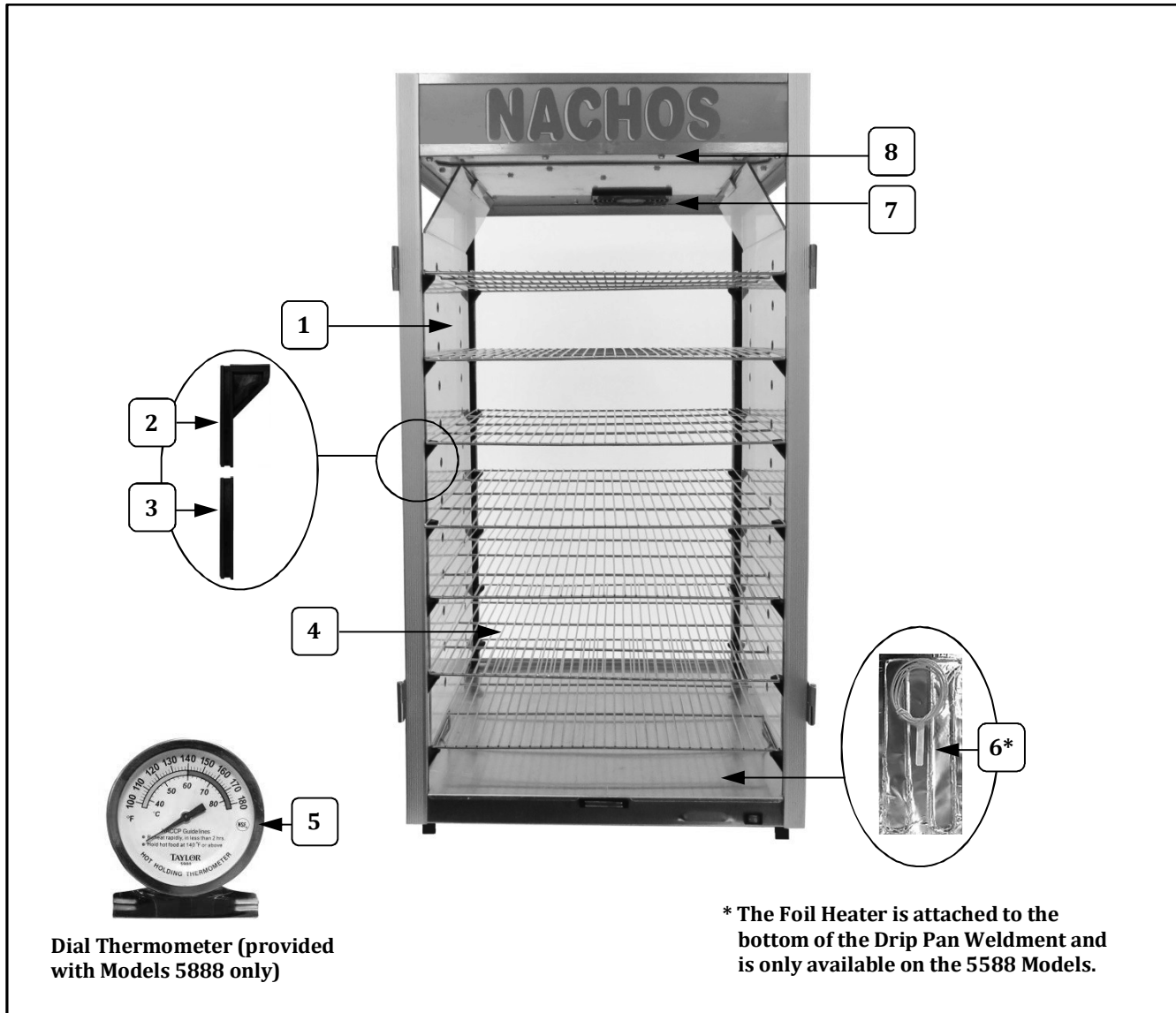
| Item | Parts Description | Qty. | Part Number | | | |
|------|------------------------------|------|-------------|-------|---------|--------|
| | | | 5588 | 5888 | 5588EX | 5888EX |
| 1 | AIR DUCT | 2 | 17475 | 17475 | 17475 | 17475 |
| 2 | RACK HOLDER | 28 | 39899 | 39899 | 39899 | 39899 |
| 3 | 2" GROOVE FILLER | 28 | 39903 | 39903 | 39903 | 39903 |
| 4 | 5558 AND 5888 SHELF | 7 | 17285 | 17285 | 17285 | 17285 |
| 5 | DIAL THERMOMETER | 1 | | 47913 | | 47913 |
| 6* | 120 VOLT 20 WATT FOIL HEATER | 1 | 40557 | | | |
| | 230 VOLT 20 WATT FOIL HEATER | 1 | | | 40557EX | |
| 7 | FINGER GUARD | 1 | 47200 | 47200 | 47200 | 47200 |
| 8 | LIGHT TUBE COVER | 1 | 74788 | 74788 | 74788 | 74788 |

Cabinet Interior – Front View



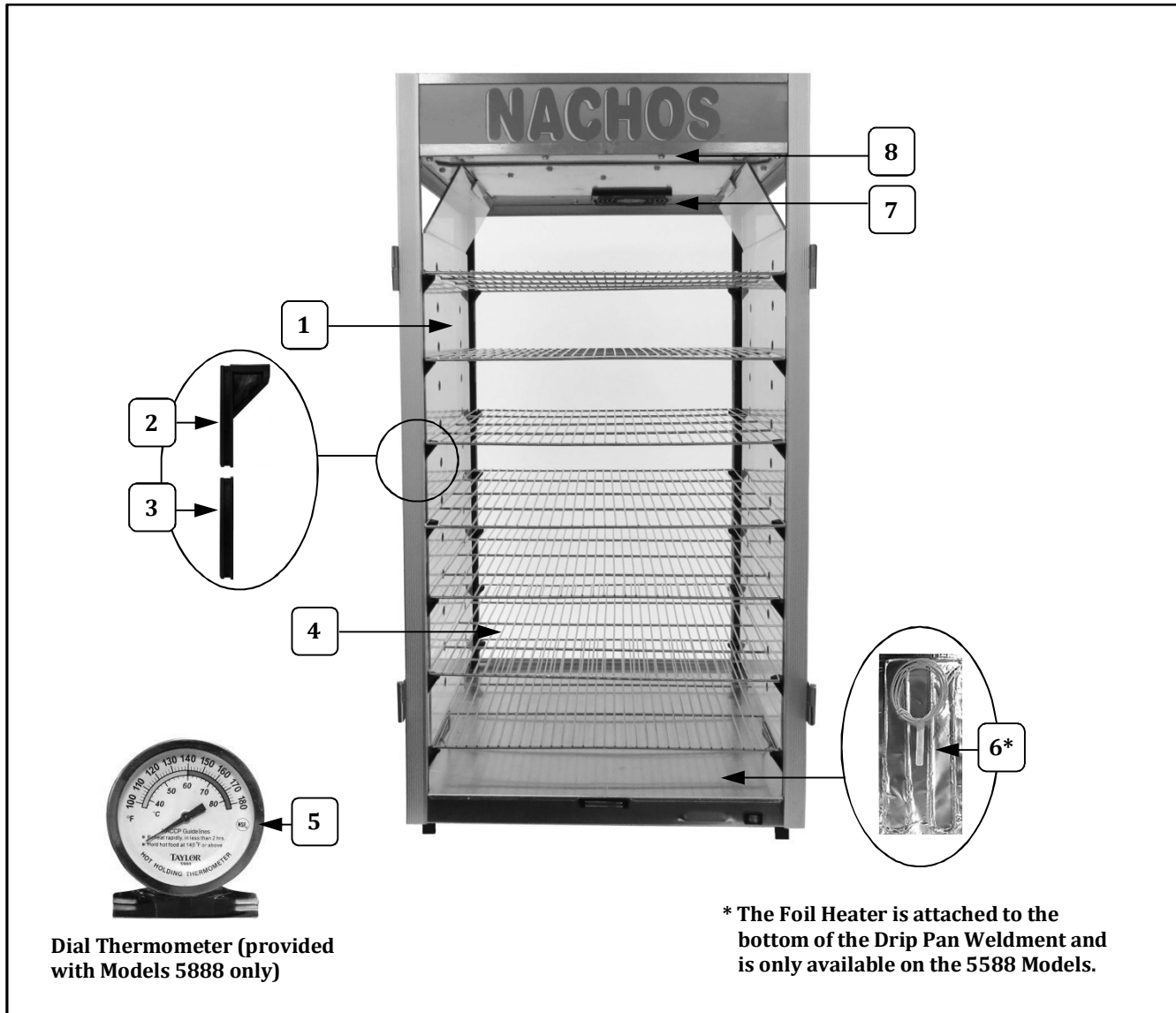
| Item | Parts Description | Qty. | Part Number | | | |
|------|------------------------------|------|-------------|-------|---------|--------|
| | | | 5588 | 5888 | 5588EX | 5888EX |
| 1 | AIR DUCT | 2 | 17475 | 17475 | 17475 | 17475 |
| 2 | RACK HOLDER | 28 | 39899 | 39899 | 39899 | 39899 |
| 3 | 2" GROOVE FILLER | 28 | 39903 | 39903 | 39903 | 39903 |
| 4 | 5558 AND 5888 SHELF | 7 | 17285 | 17285 | 17285 | 17285 |
| 5 | DIAL THERMOMETER | 1 | | 47913 | | 47913 |
| 6* | 120 VOLT 20 WATT FOIL HEATER | 1 | 40557 | | | |
| | 230 VOLT 20 WATT FOIL HEATER | 1 | | | 40557EX | |
| 7 | FINGER GUARD | 1 | 47200 | 47200 | 47200 | 47200 |
| 8 | LIGHT TUBE COVER | 1 | 74788 | 74788 | 74788 | 74788 |

Cabinet Interior – Front View



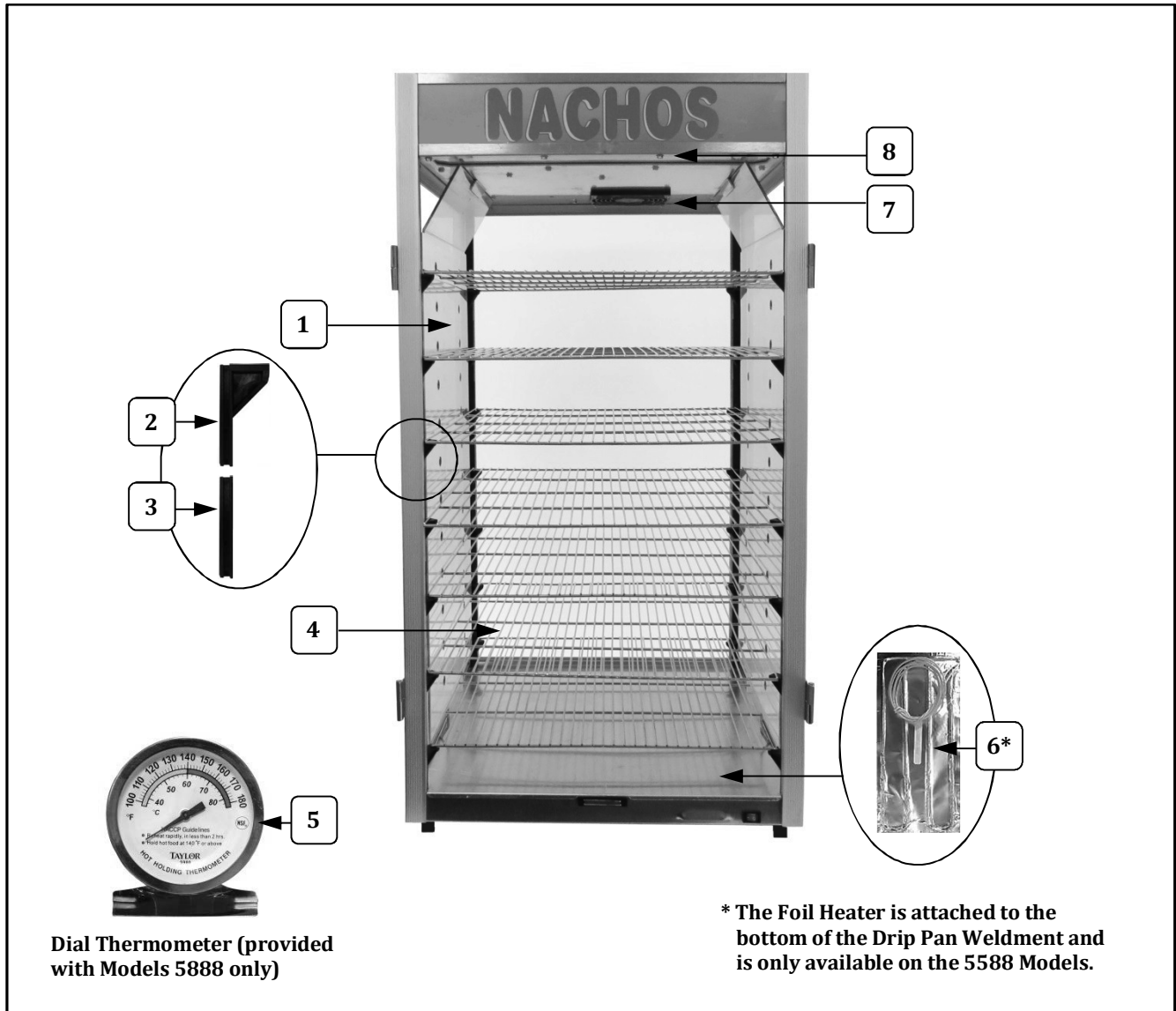
| Item | Parts Description | Qty. | Part Number | | | |
|------|------------------------------|------|-------------|-------|---------|--------|
| | | | 5588 | 5888 | 5588EX | 5888EX |
| 1 | AIR DUCT | 2 | 17475 | 17475 | 17475 | 17475 |
| 2 | RACK HOLDER | 28 | 39899 | 39899 | 39899 | 39899 |
| 3 | 2" GROOVE FILLER | 28 | 39903 | 39903 | 39903 | 39903 |
| 4 | 5558 AND 5888 SHELF | 7 | 17285 | 17285 | 17285 | 17285 |
| 5 | DIAL THERMOMETER | 1 | | 47913 | | 47913 |
| 6* | 120 VOLT 20 WATT FOIL HEATER | 1 | 40557 | | | |
| | 230 VOLT 20 WATT FOIL HEATER | 1 | | | 40557EX | |
| 7 | FINGER GUARD | 1 | 47200 | 47200 | 47200 | 47200 |
| 8 | LIGHT TUBE COVER | 1 | 74788 | 74788 | 74788 | 74788 |

Cabinet Interior – Front View



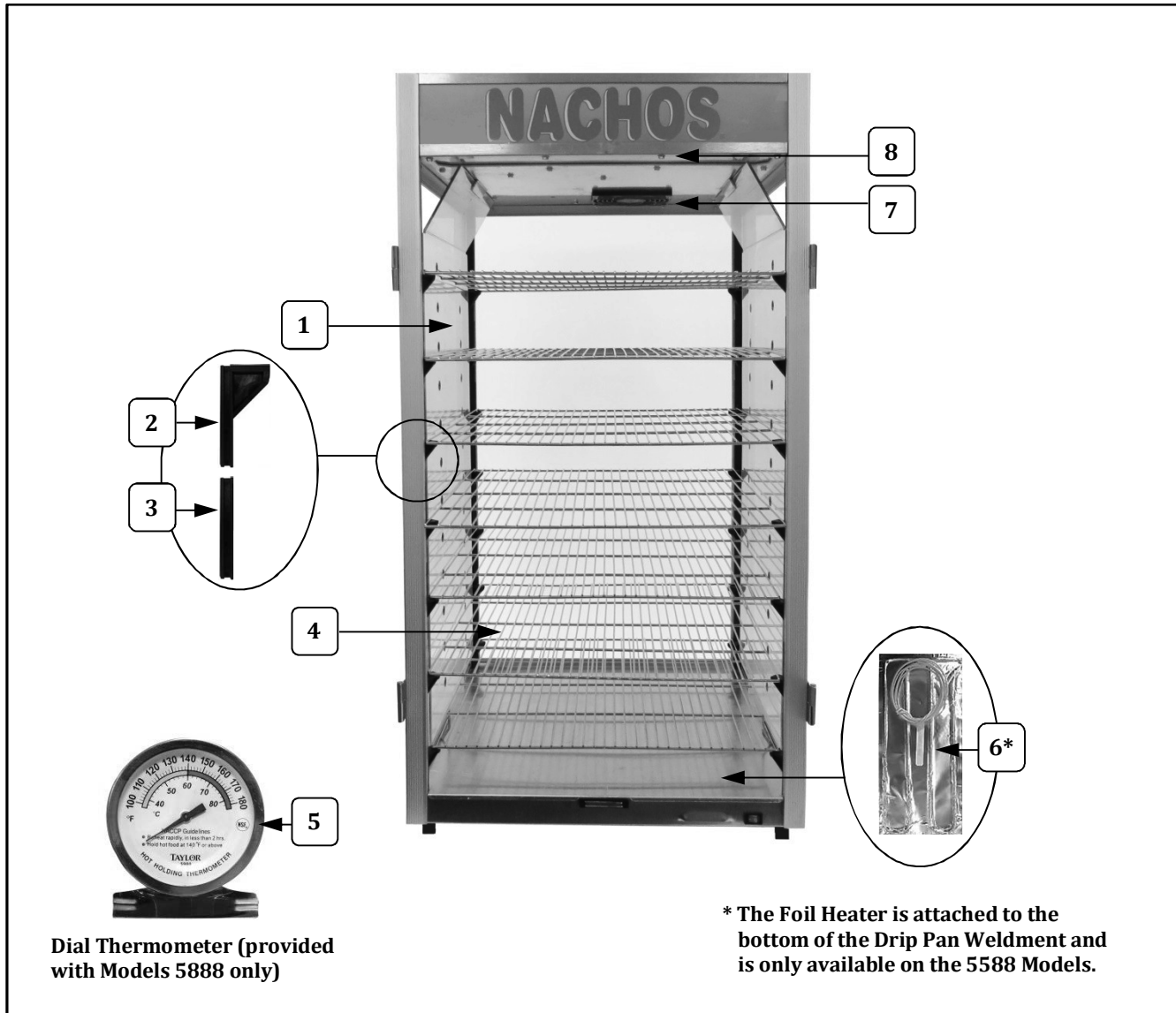
| Item | Parts Description | Qty. | Part Number | | | |
|------|------------------------------|------|-------------|-------|---------|--------|
| | | | 5588 | 5888 | 5588EX | 5888EX |
| 1 | AIR DUCT | 2 | 17475 | 17475 | 17475 | 17475 |
| 2 | RACK HOLDER | 28 | 39899 | 39899 | 39899 | 39899 |
| 3 | 2" GROOVE FILLER | 28 | 39903 | 39903 | 39903 | 39903 |
| 4 | 5558 AND 5888 SHELF | 7 | 17285 | 17285 | 17285 | 17285 |
| 5 | DIAL THERMOMETER | 1 | | 47913 | | 47913 |
| 6* | 120 VOLT 20 WATT FOIL HEATER | 1 | 40557 | | | |
| | 230 VOLT 20 WATT FOIL HEATER | 1 | | | 40557EX | |
| 7 | FINGER GUARD | 1 | 47200 | 47200 | 47200 | 47200 |
| 8 | LIGHT TUBE COVER | 1 | 74788 | 74788 | 74788 | 74788 |

Cabinet Interior – Front View



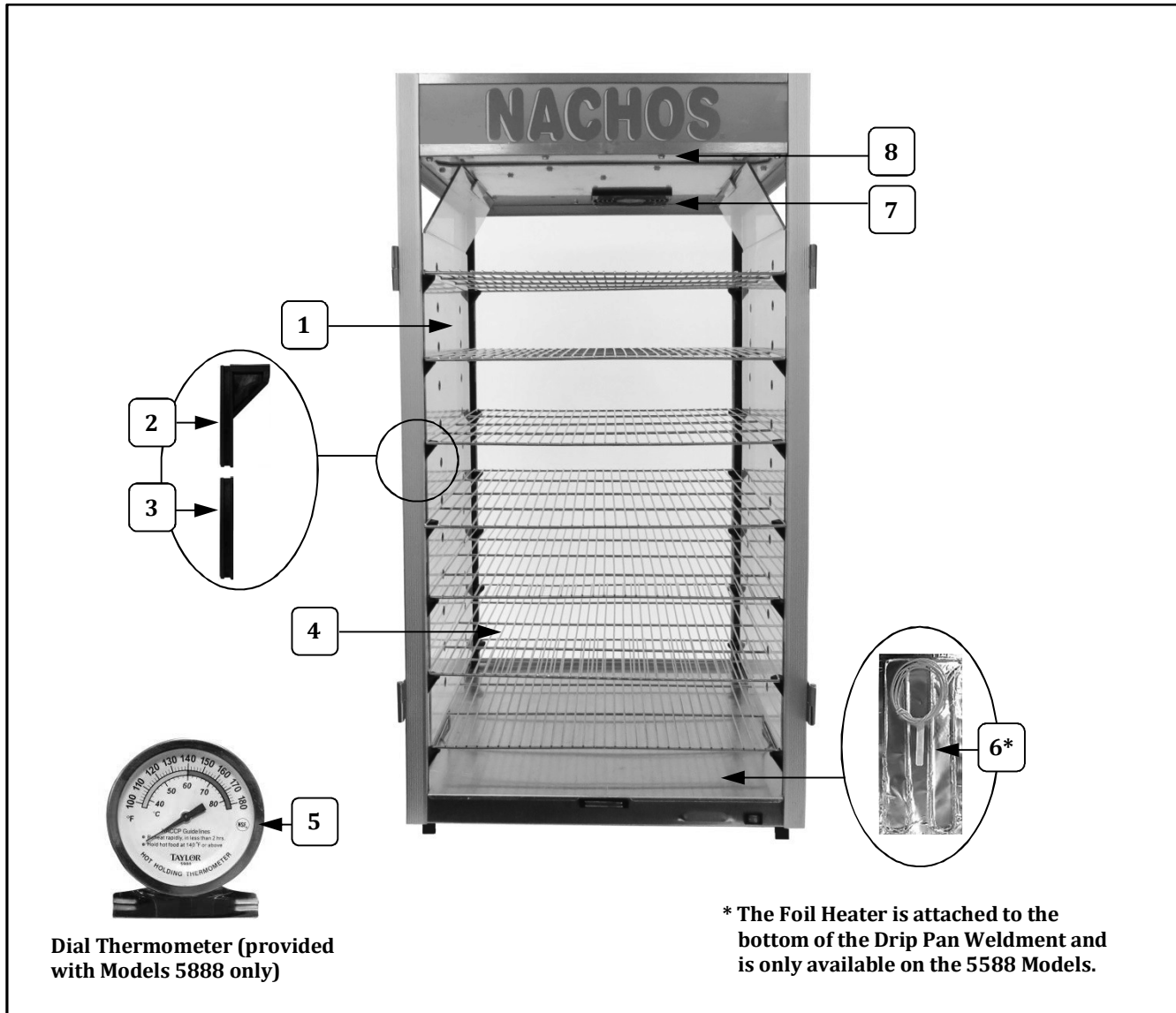
| Item | Parts Description | Qty. | Part Number | | | |
|------|------------------------------|------|-------------|-------|---------|--------|
| | | | 5588 | 5888 | 5588EX | 5888EX |
| 1 | AIR DUCT | 2 | 17475 | 17475 | 17475 | 17475 |
| 2 | RACK HOLDER | 28 | 39899 | 39899 | 39899 | 39899 |
| 3 | 2" GROOVE FILLER | 28 | 39903 | 39903 | 39903 | 39903 |
| 4 | 5558 AND 5888 SHELF | 7 | 17285 | 17285 | 17285 | 17285 |
| 5 | DIAL THERMOMETER | 1 | | 47913 | | 47913 |
| 6* | 120 VOLT 20 WATT FOIL HEATER | 1 | 40557 | | | |
| | 230 VOLT 20 WATT FOIL HEATER | 1 | | | 40557EX | |
| 7 | FINGER GUARD | 1 | 47200 | 47200 | 47200 | 47200 |
| 8 | LIGHT TUBE COVER | 1 | 74788 | 74788 | 74788 | 74788 |

Cabinet Interior – Front View



| Item | Parts Description | Qty. | Part Number | | | |
|------|------------------------------|------|-------------|-------|---------|--------|
| | | | 5588 | 5888 | 5588EX | 5888EX |
| 1 | AIR DUCT | 2 | 17475 | 17475 | 17475 | 17475 |
| 2 | RACK HOLDER | 28 | 39899 | 39899 | 39899 | 39899 |
| 3 | 2" GROOVE FILLER | 28 | 39903 | 39903 | 39903 | 39903 |
| 4 | 5558 AND 5888 SHELF | 7 | 17285 | 17285 | 17285 | 17285 |
| 5 | DIAL THERMOMETER | 1 | | 47913 | | 47913 |
| 6* | 120 VOLT 20 WATT FOIL HEATER | 1 | 40557 | | | |
| | 230 VOLT 20 WATT FOIL HEATER | 1 | | | 40557EX | |
| 7 | FINGER GUARD | 1 | 47200 | 47200 | 47200 | 47200 |
| 8 | LIGHT TUBE COVER | 1 | 74788 | 74788 | 74788 | 74788 |

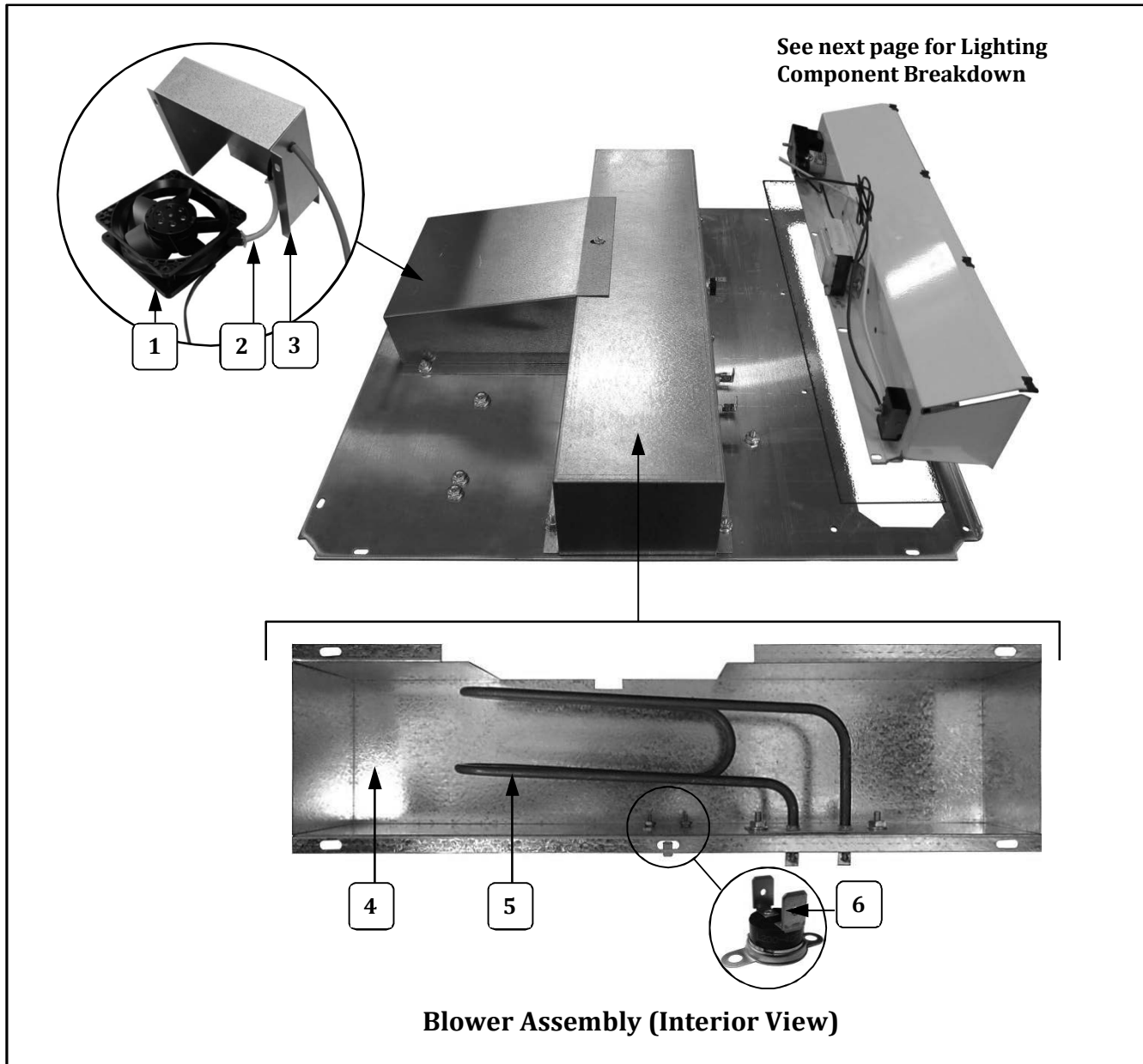
Cabinet Interior – Front View



| Item | Parts Description | Qty. | Part Number | | | |
|------|------------------------------|------|-------------|-------|---------|--------|
| | | | 5588 | 5888 | 5588EX | 5888EX |
| 1 | AIR DUCT | 2 | 17475 | 17475 | 17475 | 17475 |
| 2 | RACK HOLDER | 28 | 39899 | 39899 | 39899 | 39899 |
| 3 | 2" GROOVE FILLER | 28 | 39903 | 39903 | 39903 | 39903 |
| 4 | 5558 AND 5888 SHELF | 7 | 17285 | 17285 | 17285 | 17285 |
| 5 | DIAL THERMOMETER | 1 | | 47913 | | 47913 |
| 6* | 120 VOLT 20 WATT FOIL HEATER | 1 | 40557 | | | |
| | 230 VOLT 20 WATT FOIL HEATER | 1 | | | 40557EX | |
| 7 | FINGER GUARD | 1 | 47200 | 47200 | 47200 | 47200 |
| 8 | LIGHT TUBE COVER | 1 | 74788 | 74788 | 74788 | 74788 |

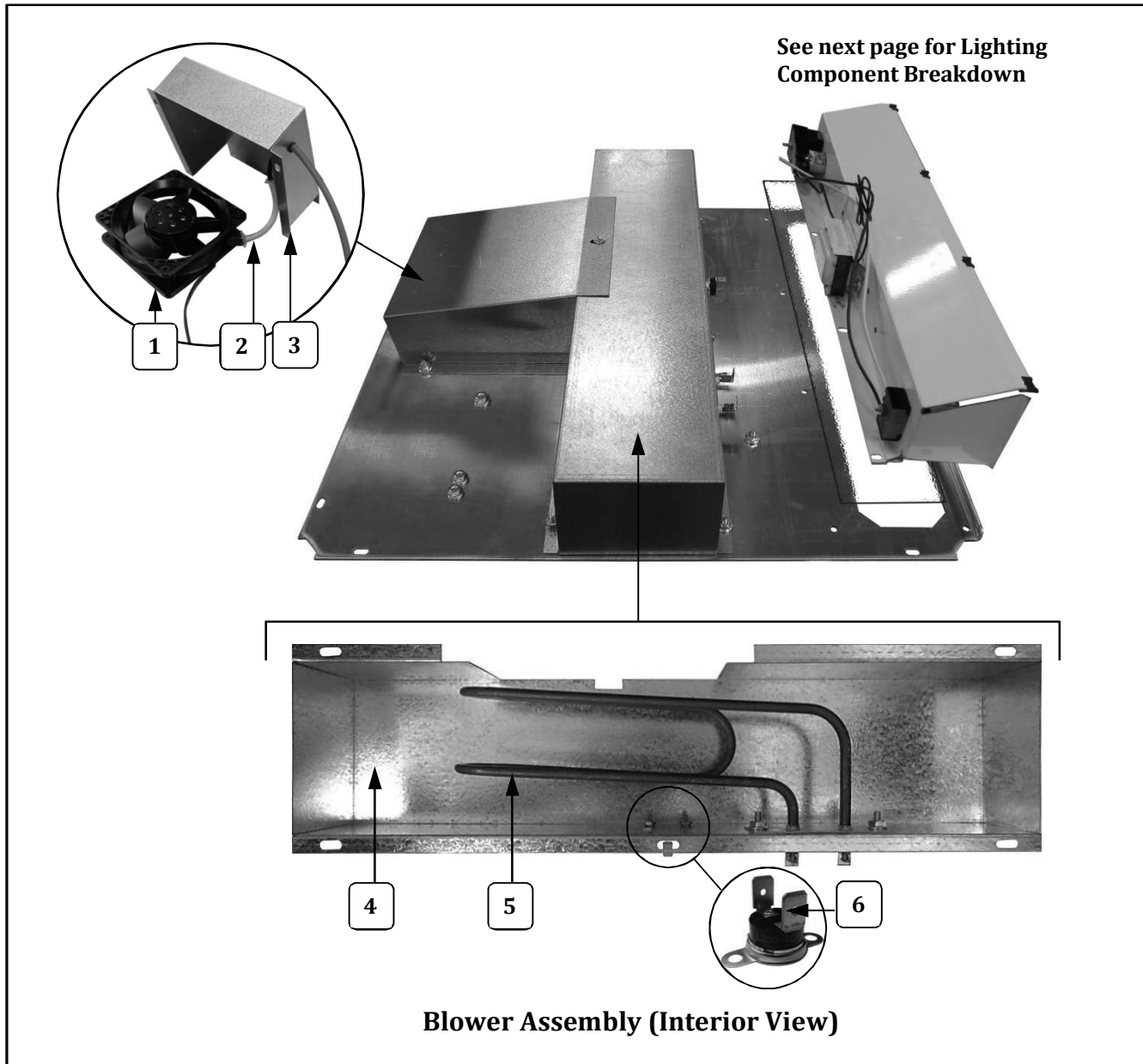


Motor Plate Components



| Item | Part Description | Qty. | Part Number | | | |
|------|----------------------------|------|-------------|-------|---------|---------|
| | | | 5588 | 5888 | 5588EX | 5888EX |
| 1 | AXIAL FAN | 1 | 40721 | 40721 | | |
| | 230 VOLT AXIAL FAN | | | | 40721EX | 40721EX |
| 2 | EXHAUST BLOWER PLUG & CORD | 1 | 47199 | 47199 | 47199 | 47199 |
| 3 | BLOWER WRAPPER | 1 | 74738 | 74738 | 74738 | 74738 |
| 4 | BLOWER BOX | 1 | 74736 | 74736 | 74736 | 74736 |
| 5 | HEAT ELEMENT 475W 120V | 1 | 74720 | | | |
| | HEAT ELEMENT 475W 230V | 1 | | | 74720EX | |
| | HEAT ELEMENT 660W 120V | 1 | | 55235 | | |
| | HEAT ELEMENT 660W 230V | 1 | | | | 55235EX |
| 6 | THERMOSTAT, 260F | 1 | 74748 | 74748 | 74748 | 74748 |

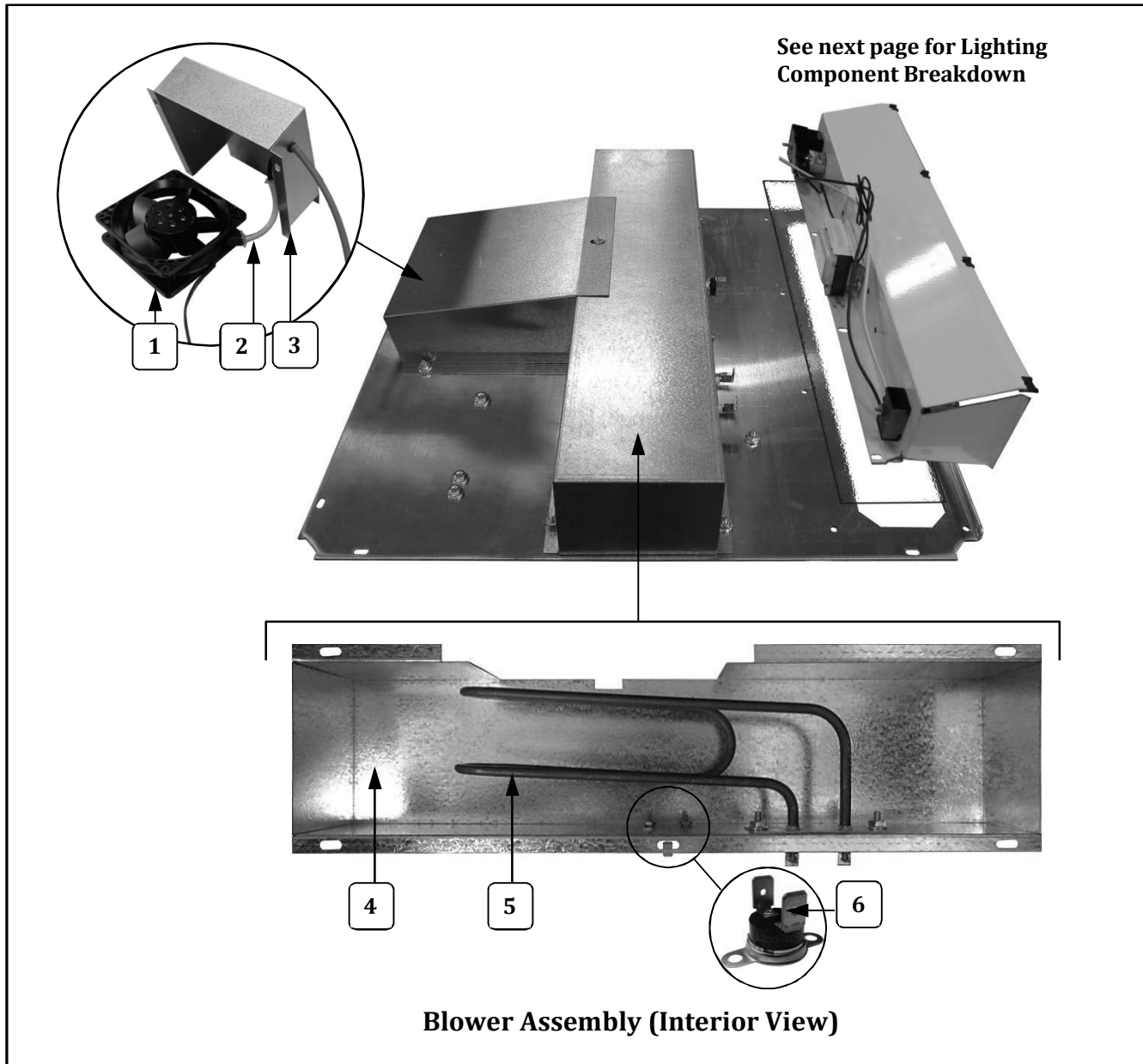
Motor Plate Components



| Item | Part Description | Qty. | Part Number | | | |
|------|----------------------------|------|-------------|-------|---------|---------|
| | | | 5588 | 5888 | 5588EX | 5888EX |
| 1 | AXIAL FAN | 1 | 40721 | 40721 | | |
| | 230 VOLT AXIAL FAN | | | | 40721EX | 40721EX |
| 2 | EXHAUST BLOWER PLUG & CORD | 1 | 47199 | 47199 | 47199 | 47199 |
| 3 | BLOWER WRAPPER | 1 | 74738 | 74738 | 74738 | 74738 |
| 4 | BLOWER BOX | 1 | 74736 | 74736 | 74736 | 74736 |
| 5 | HEAT ELEMENT 475W 120V | 1 | 74720 | | | |
| | HEAT ELEMENT 475W 230V | 1 | | | 74720EX | |
| | HEAT ELEMENT 660W 120V | 1 | | 55235 | | |
| | HEAT ELEMENT 660W 230V | 1 | | | | 55235EX |
| 6 | THERMOSTAT, 260F | 1 | 74748 | 74748 | 74748 | 74748 |



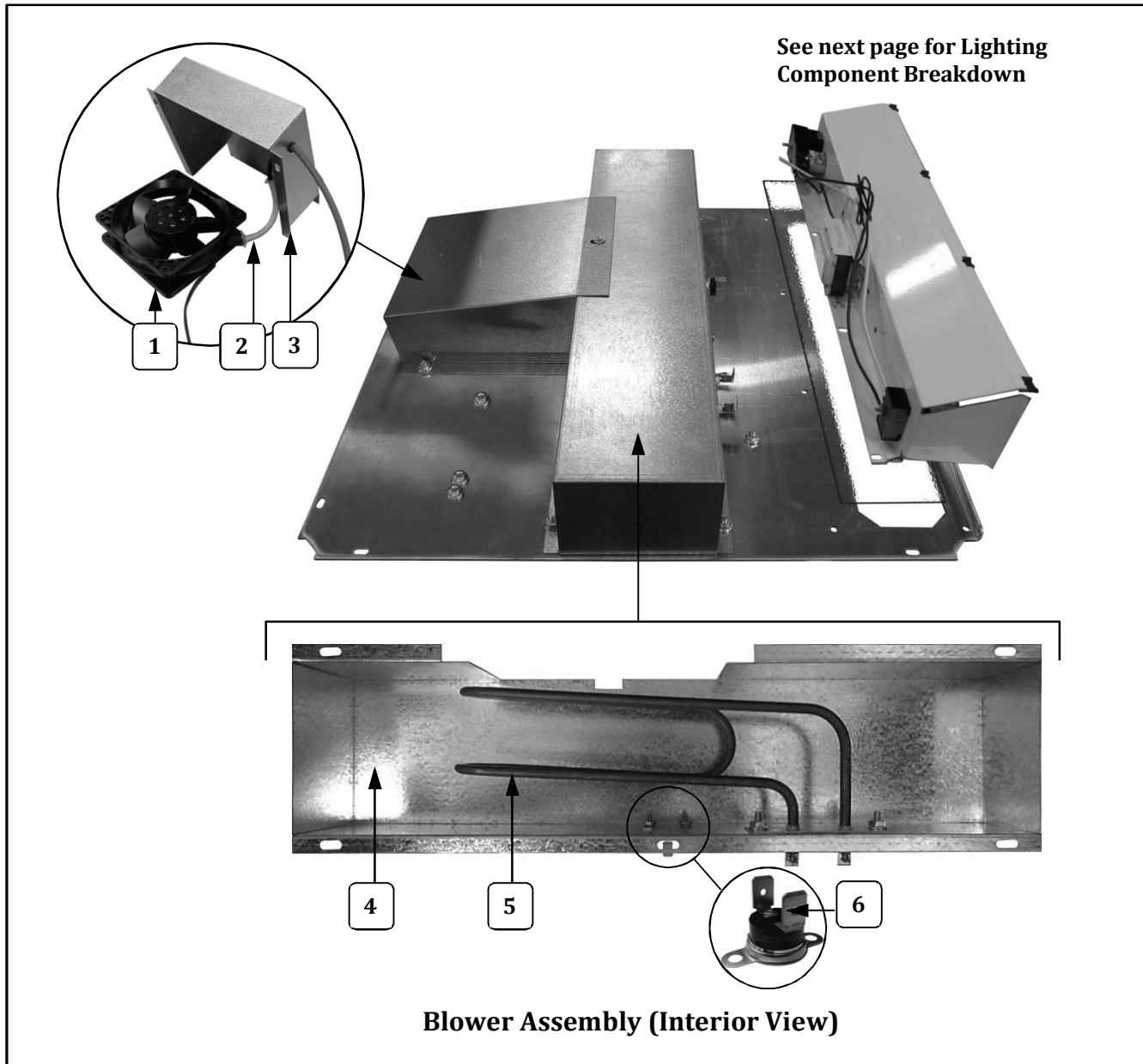
Motor Plate Components



| Item | Part Description | Qty. | Part Number | | | |
|------|----------------------------|------|-------------|-------|---------|---------|
| | | | 5588 | 5888 | 5588EX | 5888EX |
| 1 | AXIAL FAN | 1 | 40721 | 40721 | | |
| | 230 VOLT AXIAL FAN | | | | 40721EX | 40721EX |
| 2 | EXHAUST BLOWER PLUG & CORD | 1 | 47199 | 47199 | 47199 | 47199 |
| 3 | BLOWER WRAPPER | 1 | 74738 | 74738 | 74738 | 74738 |
| 4 | BLOWER BOX | 1 | 74736 | 74736 | 74736 | 74736 |
| 5 | HEAT ELEMENT 475W 120V | 1 | 74720 | | | |
| | HEAT ELEMENT 475W 230V | 1 | | | 74720EX | |
| | HEAT ELEMENT 660W 120V | 1 | | 55235 | | |
| | HEAT ELEMENT 660W 230V | 1 | | | | 55235EX |
| 6 | THERMOSTAT, 260F | 1 | 74748 | 74748 | 74748 | 74748 |



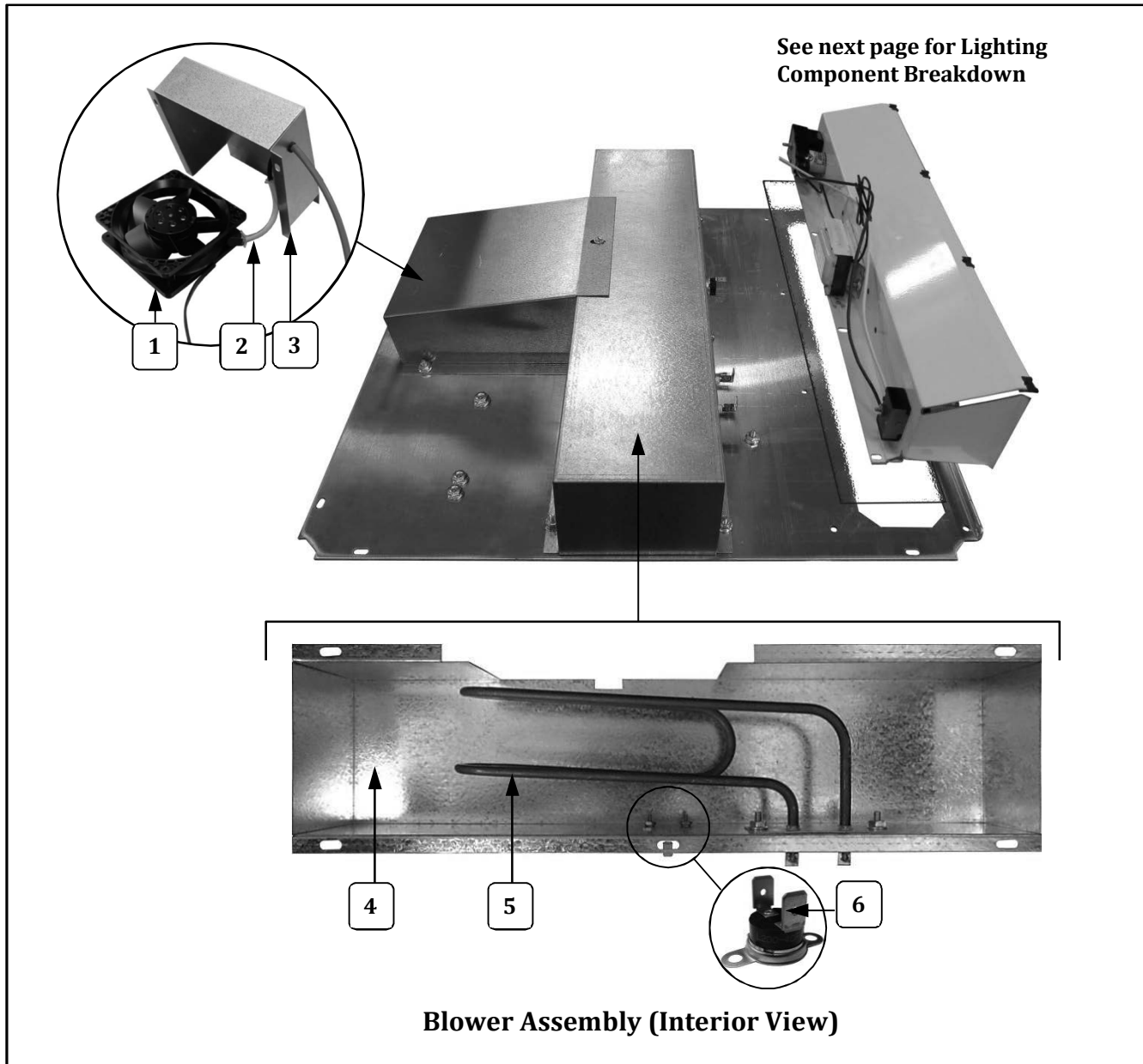
Motor Plate Components



| Item | Part Description | Qty. | Part Number | | | |
|------|----------------------------|------|-------------|-------|---------|---------|
| | | | 5588 | 5888 | 5588EX | 5888EX |
| 1 | AXIAL FAN | 1 | 40721 | 40721 | | |
| | 230 VOLT AXIAL FAN | | | | 40721EX | 40721EX |
| 2 | EXHAUST BLOWER PLUG & CORD | 1 | 47199 | 47199 | 47199 | 47199 |
| 3 | BLOWER WRAPPER | 1 | 74738 | 74738 | 74738 | 74738 |
| 4 | BLOWER BOX | 1 | 74736 | 74736 | 74736 | 74736 |
| 5 | HEAT ELEMENT 475W 120V | 1 | 74720 | | | |
| | HEAT ELEMENT 475W 230V | 1 | | | 74720EX | |
| | HEAT ELEMENT 660W 120V | 1 | | 55235 | | |
| | HEAT ELEMENT 660W 230V | 1 | | | | 55235EX |
| 6 | THERMOSTAT, 260F | 1 | 74748 | 74748 | 74748 | 74748 |

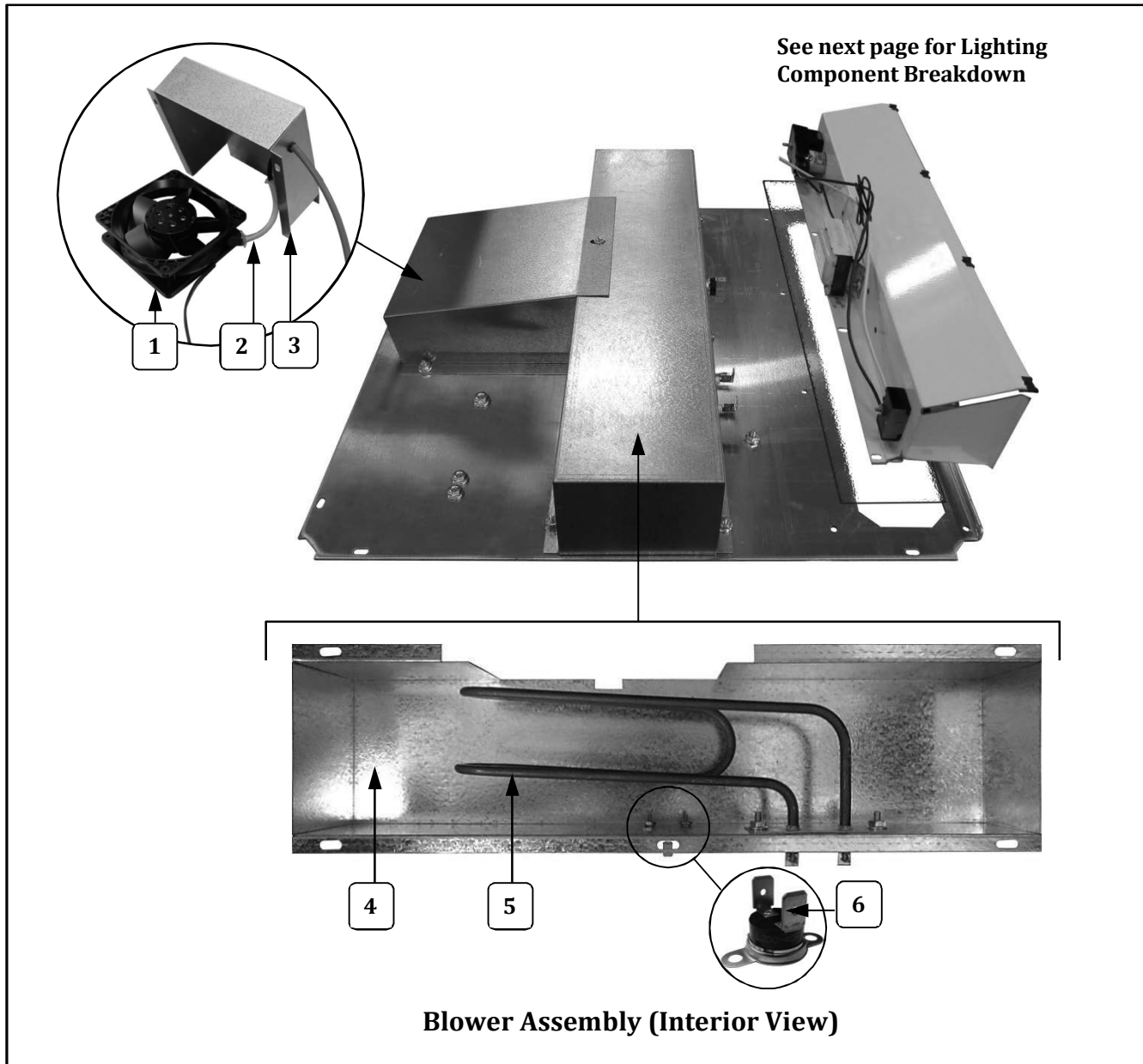


Motor Plate Components



| Item | Part Description | Qty. | Part Number | | | |
|------|----------------------------|------|-------------|-------|---------|---------|
| | | | 5588 | 5888 | 5588EX | 5888EX |
| 1 | AXIAL FAN | 1 | 40721 | 40721 | | |
| | 230 VOLT AXIAL FAN | | | | 40721EX | 40721EX |
| 2 | EXHAUST BLOWER PLUG & CORD | 1 | 47199 | 47199 | 47199 | 47199 |
| 3 | BLOWER WRAPPER | 1 | 74738 | 74738 | 74738 | 74738 |
| 4 | BLOWER BOX | 1 | 74736 | 74736 | 74736 | 74736 |
| 5 | HEAT ELEMENT 475W 120V | 1 | 74720 | | | |
| | HEAT ELEMENT 475W 230V | 1 | | | 74720EX | |
| | HEAT ELEMENT 660W 120V | 1 | | 55235 | | |
| | HEAT ELEMENT 660W 230V | 1 | | | | 55235EX |
| 6 | THERMOSTAT, 260F | 1 | 74748 | 74748 | 74748 | 74748 |

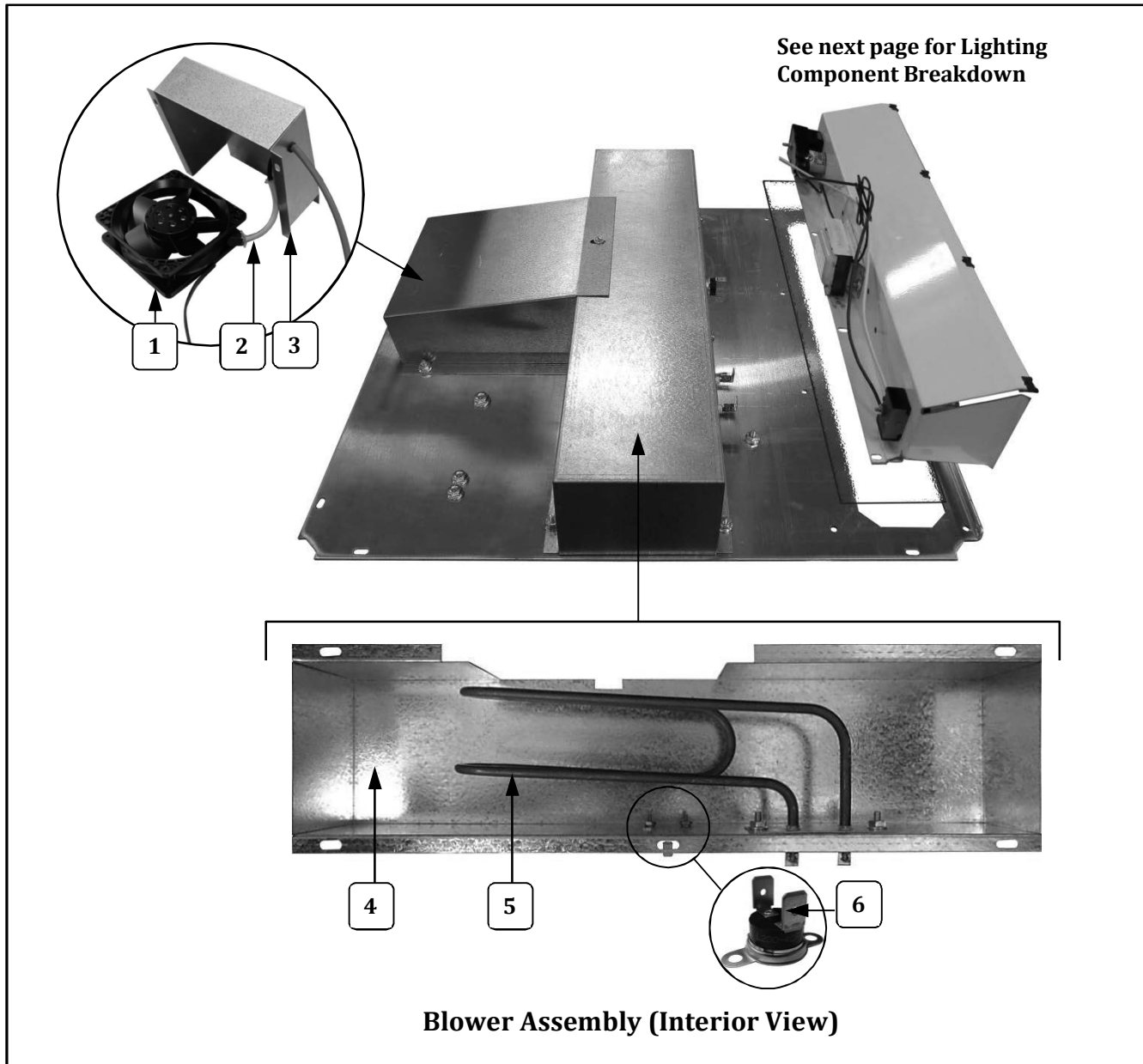
Motor Plate Components



| Item | Part Description | Qty. | Part Number | | | |
|------|----------------------------|------|-------------|-------|---------|---------|
| | | | 5588 | 5888 | 5588EX | 5888EX |
| 1 | AXIAL FAN | 1 | 40721 | 40721 | | |
| | 230 VOLT AXIAL FAN | | | | 40721EX | 40721EX |
| 2 | EXHAUST BLOWER PLUG & CORD | 1 | 47199 | 47199 | 47199 | 47199 |
| 3 | BLOWER WRAPPER | 1 | 74738 | 74738 | 74738 | 74738 |
| 4 | BLOWER BOX | 1 | 74736 | 74736 | 74736 | 74736 |
| 5 | HEAT ELEMENT 475W 120V | 1 | 74720 | | | |
| | HEAT ELEMENT 475W 230V | 1 | | | 74720EX | |
| | HEAT ELEMENT 660W 120V | 1 | | 55235 | | |
| | HEAT ELEMENT 660W 230V | 1 | | | | 55235EX |
| 6 | THERMOSTAT, 260F | 1 | 74748 | 74748 | 74748 | 74748 |



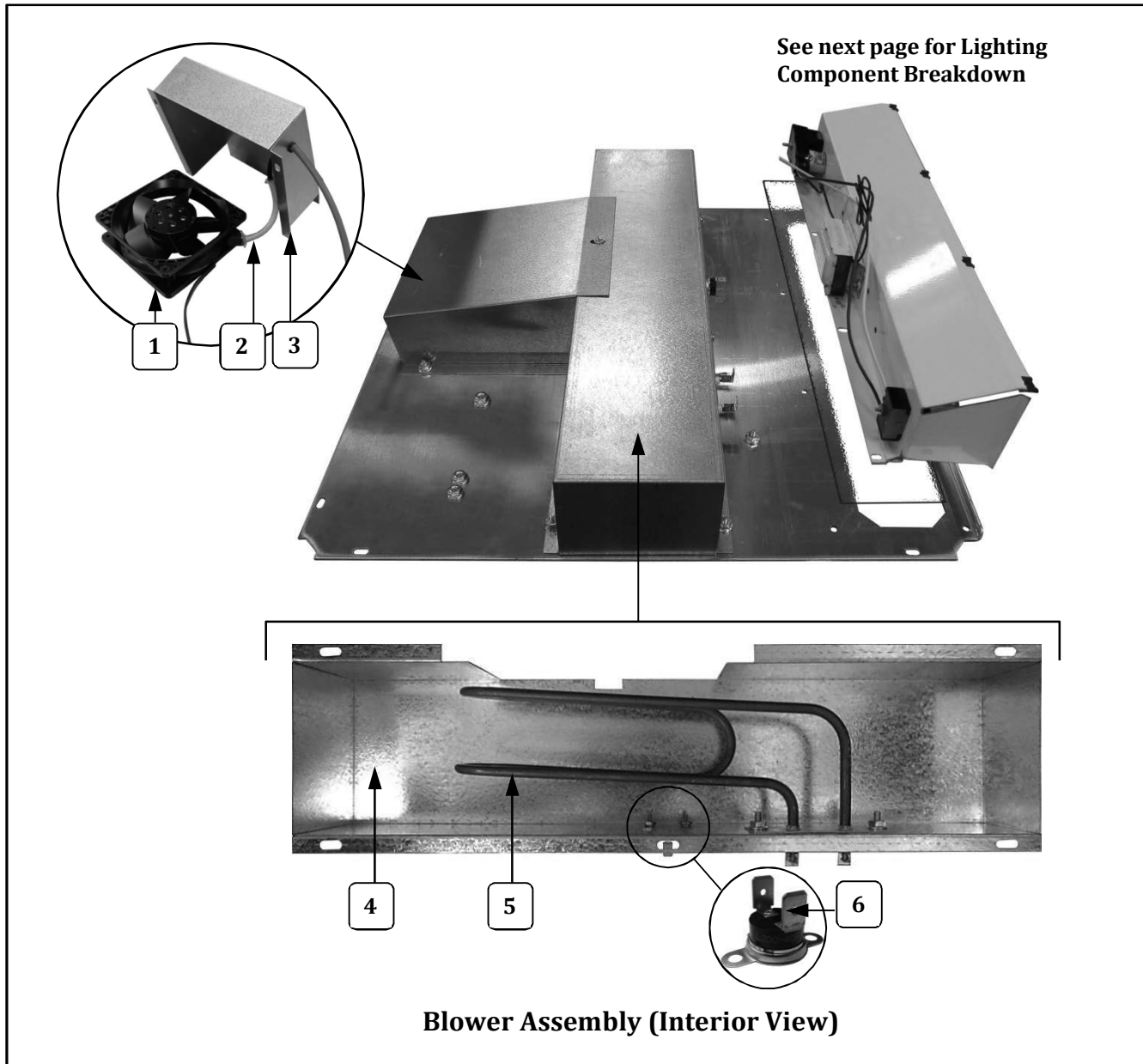
Motor Plate Components



| Item | Part Description | Qty. | Part Number | | | |
|------|----------------------------|------|-------------|-------|---------|---------|
| | | | 5588 | 5888 | 5588EX | 5888EX |
| 1 | AXIAL FAN | 1 | 40721 | 40721 | | |
| | 230 VOLT AXIAL FAN | | | | 40721EX | 40721EX |
| 2 | EXHAUST BLOWER PLUG & CORD | 1 | 47199 | 47199 | 47199 | 47199 |
| 3 | BLOWER WRAPPER | 1 | 74738 | 74738 | 74738 | 74738 |
| 4 | BLOWER BOX | 1 | 74736 | 74736 | 74736 | 74736 |
| 5 | HEAT ELEMENT 475W 120V | 1 | 74720 | | | |
| | HEAT ELEMENT 475W 230V | 1 | | | 74720EX | |
| | HEAT ELEMENT 660W 120V | 1 | | 55235 | | |
| | HEAT ELEMENT 660W 230V | 1 | | | | 55235EX |
| 6 | THERMOSTAT, 260F | 1 | 74748 | 74748 | 74748 | 74748 |

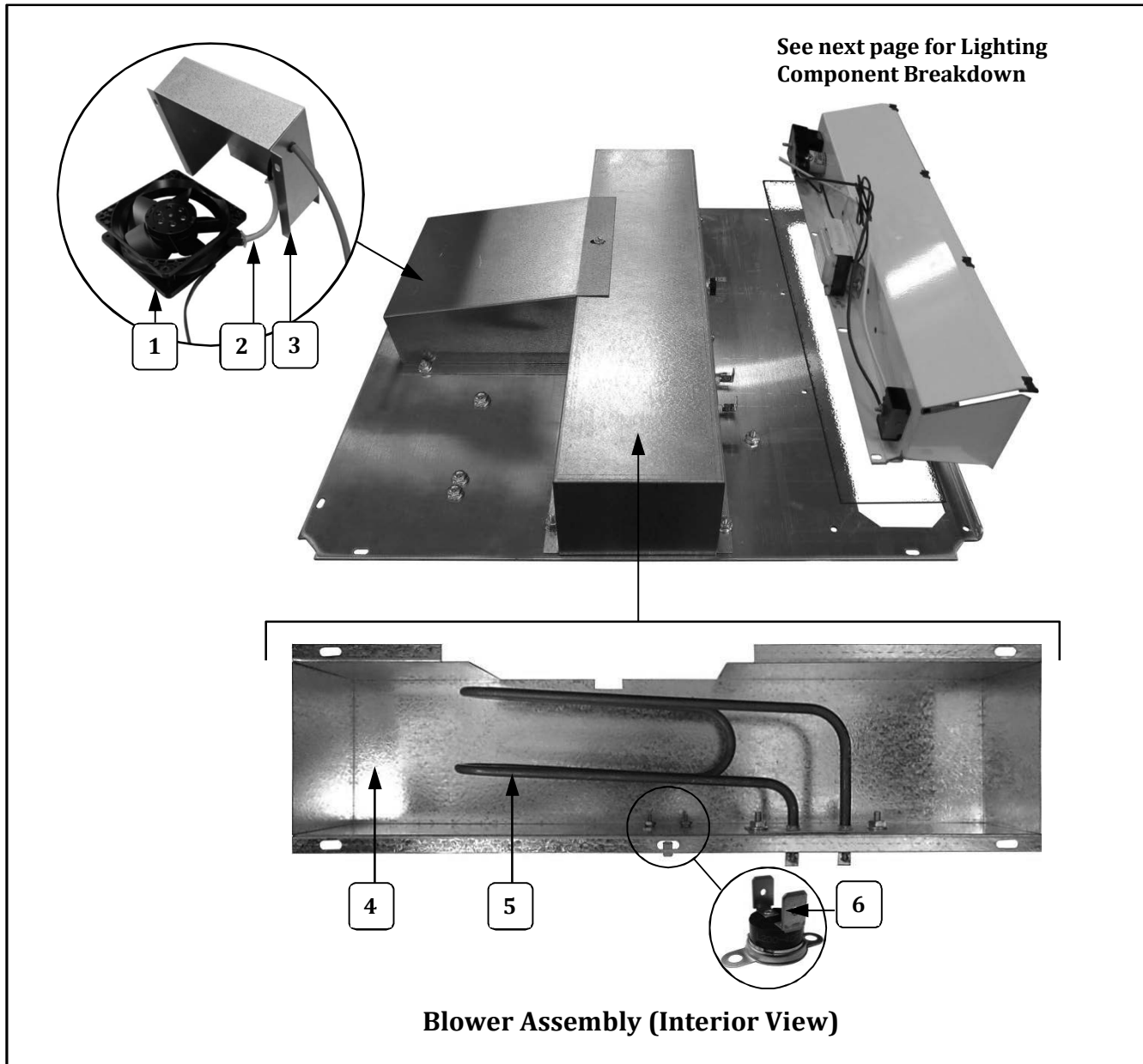


Motor Plate Components



| Item | Part Description | Qty. | Part Number | | | |
|------|----------------------------|------|-------------|-------|---------|---------|
| | | | 5588 | 5888 | 5588EX | 5888EX |
| 1 | AXIAL FAN | 1 | 40721 | 40721 | | |
| | 230 VOLT AXIAL FAN | | | | 40721EX | 40721EX |
| 2 | EXHAUST BLOWER PLUG & CORD | 1 | 47199 | 47199 | 47199 | 47199 |
| 3 | BLOWER WRAPPER | 1 | 74738 | 74738 | 74738 | 74738 |
| 4 | BLOWER BOX | 1 | 74736 | 74736 | 74736 | 74736 |
| 5 | HEAT ELEMENT 475W 120V | 1 | 74720 | | | |
| | HEAT ELEMENT 475W 230V | 1 | | | 74720EX | |
| | HEAT ELEMENT 660W 120V | 1 | | 55235 | | |
| | HEAT ELEMENT 660W 230V | 1 | | | | 55235EX |
| 6 | THERMOSTAT, 260F | 1 | 74748 | 74748 | 74748 | 74748 |

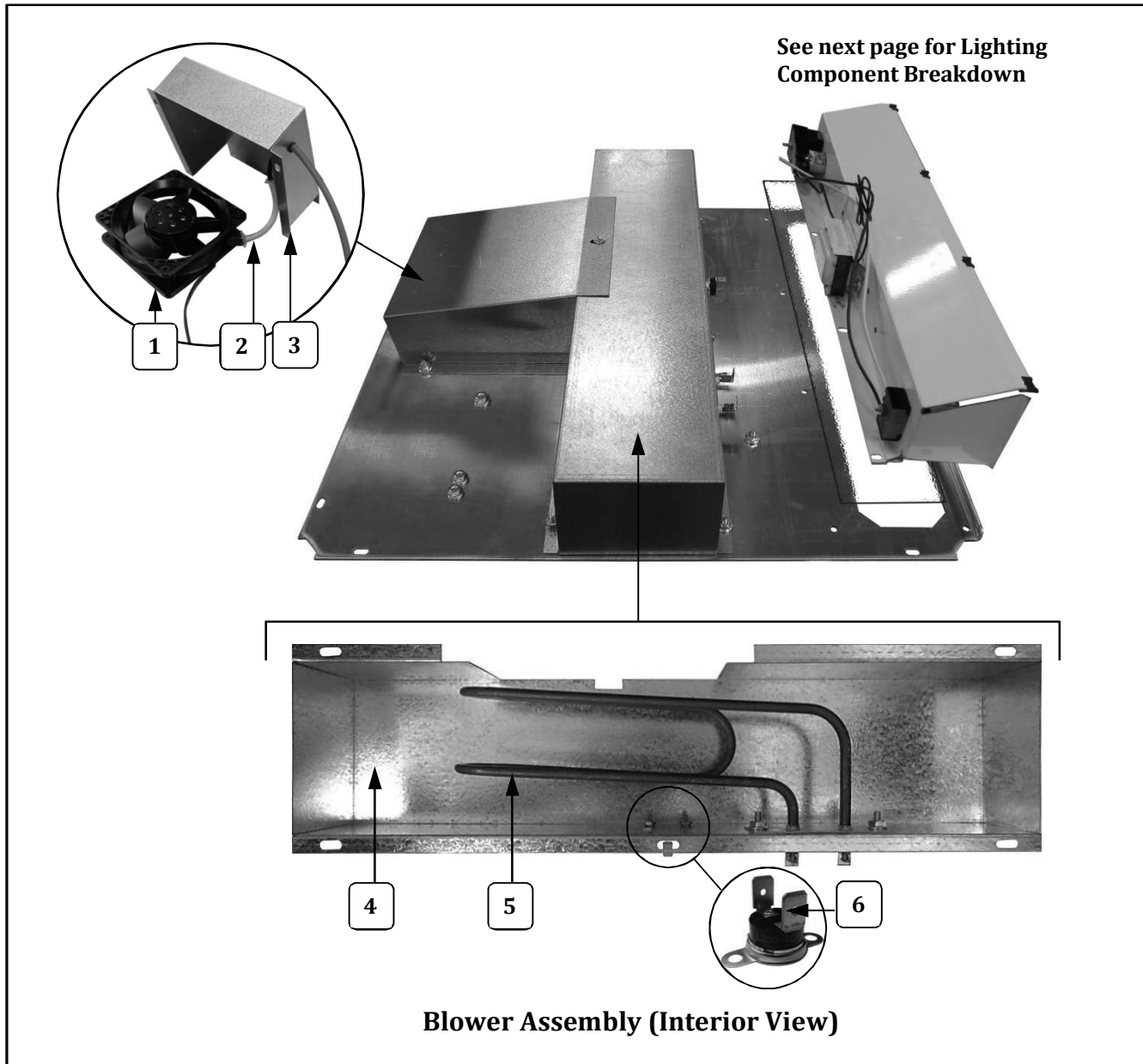
Motor Plate Components



| Item | Part Description | Qty. | Part Number | | | |
|------|----------------------------|------|-------------|-------|---------|---------|
| | | | 5588 | 5888 | 5588EX | 5888EX |
| 1 | AXIAL FAN | 1 | 40721 | 40721 | | |
| | 230 VOLT AXIAL FAN | | | | 40721EX | 40721EX |
| 2 | EXHAUST BLOWER PLUG & CORD | 1 | 47199 | 47199 | 47199 | 47199 |
| 3 | BLOWER WRAPPER | 1 | 74738 | 74738 | 74738 | 74738 |
| 4 | BLOWER BOX | 1 | 74736 | 74736 | 74736 | 74736 |
| 5 | HEAT ELEMENT 475W 120V | 1 | 74720 | | | |
| | HEAT ELEMENT 475W 230V | 1 | | | 74720EX | |
| | HEAT ELEMENT 660W 120V | 1 | | 55235 | | |
| | HEAT ELEMENT 660W 230V | 1 | | | | 55235EX |
| 6 | THERMOSTAT, 260F | 1 | 74748 | 74748 | 74748 | 74748 |



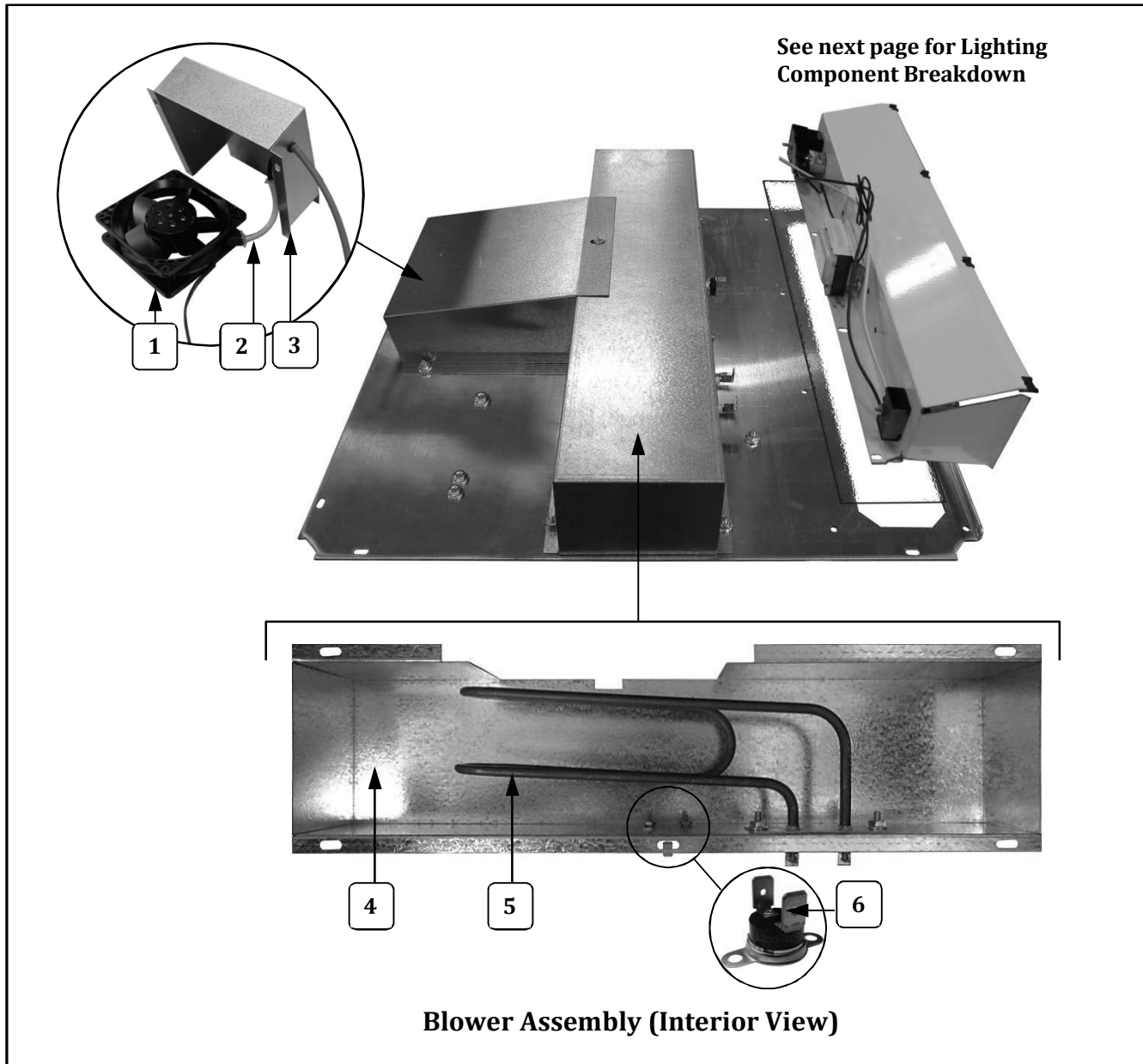
Motor Plate Components



| Item | Part Description | Qty. | Part Number | | | |
|------|----------------------------|------|-------------|-------|---------|---------|
| | | | 5588 | 5888 | 5588EX | 5888EX |
| 1 | AXIAL FAN | 1 | 40721 | 40721 | | |
| | 230 VOLT AXIAL FAN | | | | 40721EX | 40721EX |
| 2 | EXHAUST BLOWER PLUG & CORD | 1 | 47199 | 47199 | 47199 | 47199 |
| 3 | BLOWER WRAPPER | 1 | 74738 | 74738 | 74738 | 74738 |
| 4 | BLOWER BOX | 1 | 74736 | 74736 | 74736 | 74736 |
| 5 | HEAT ELEMENT 475W 120V | 1 | 74720 | | | |
| | HEAT ELEMENT 475W 230V | 1 | | | 74720EX | |
| | HEAT ELEMENT 660W 120V | 1 | | 55235 | | |
| | HEAT ELEMENT 660W 230V | 1 | | | | 55235EX |
| 6 | THERMOSTAT, 260F | 1 | 74748 | 74748 | 74748 | 74748 |

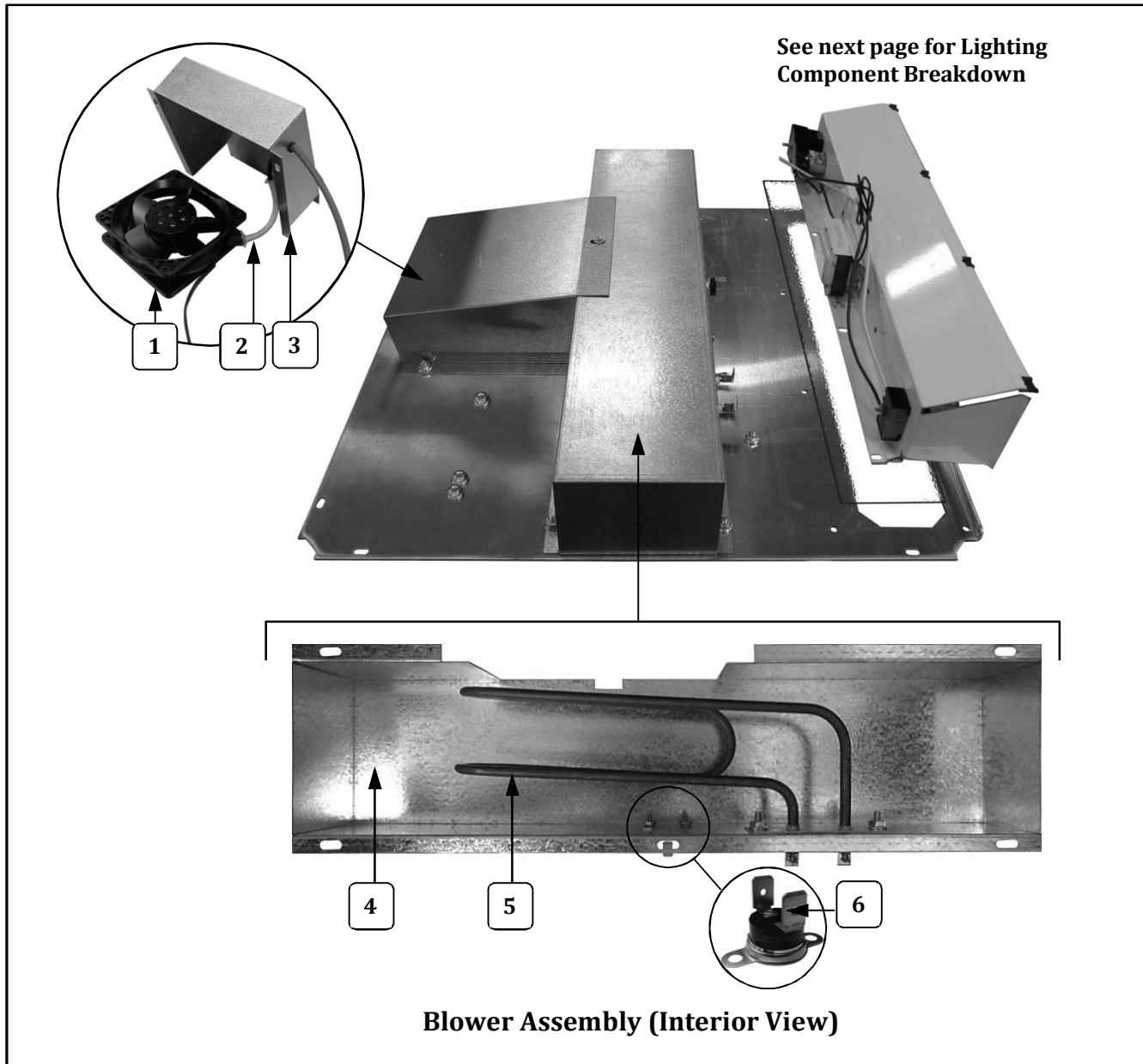


Motor Plate Components



| Item | Part Description | Qty. | Part Number | | | |
|------|----------------------------|------|-------------|-------|---------|---------|
| | | | 5588 | 5888 | 5588EX | 5888EX |
| 1 | AXIAL FAN | 1 | 40721 | 40721 | | |
| | 230 VOLT AXIAL FAN | | | | 40721EX | 40721EX |
| 2 | EXHAUST BLOWER PLUG & CORD | 1 | 47199 | 47199 | 47199 | 47199 |
| 3 | BLOWER WRAPPER | 1 | 74738 | 74738 | 74738 | 74738 |
| 4 | BLOWER BOX | 1 | 74736 | 74736 | 74736 | 74736 |
| 5 | HEAT ELEMENT 475W 120V | 1 | 74720 | | | |
| | HEAT ELEMENT 475W 230V | 1 | | | 74720EX | |
| | HEAT ELEMENT 660W 120V | 1 | | 55235 | | |
| | HEAT ELEMENT 660W 230V | 1 | | | | 55235EX |
| 6 | THERMOSTAT, 260F | 1 | 74748 | 74748 | 74748 | 74748 |

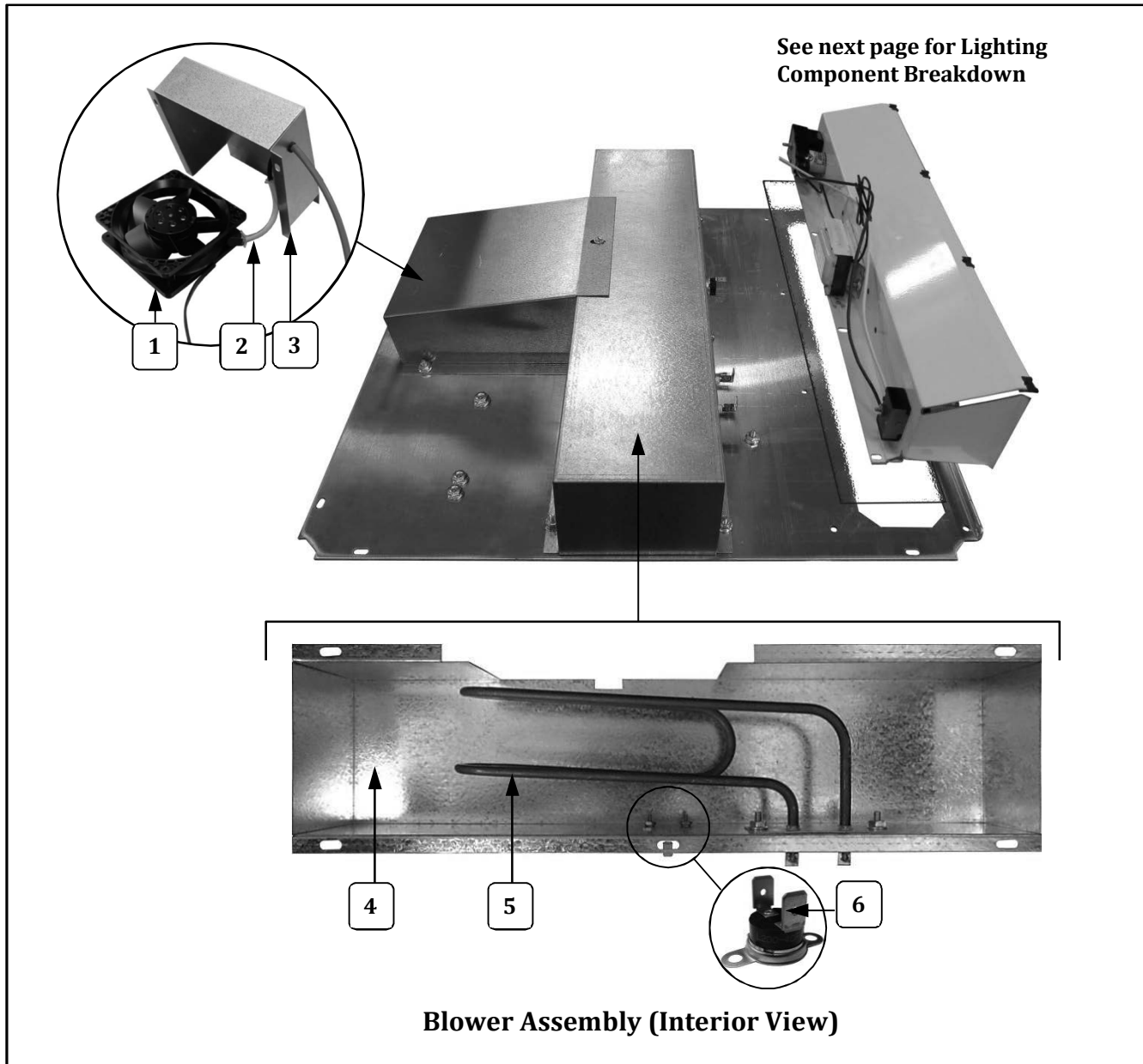
Motor Plate Components



| Item | Part Description | Qty. | Part Number | | | |
|------|----------------------------|------|-------------|-------|---------|---------|
| | | | 5588 | 5888 | 5588EX | 5888EX |
| 1 | AXIAL FAN | 1 | 40721 | 40721 | | |
| | 230 VOLT AXIAL FAN | | | | 40721EX | 40721EX |
| 2 | EXHAUST BLOWER PLUG & CORD | 1 | 47199 | 47199 | 47199 | 47199 |
| 3 | BLOWER WRAPPER | 1 | 74738 | 74738 | 74738 | 74738 |
| 4 | BLOWER BOX | 1 | 74736 | 74736 | 74736 | 74736 |
| 5 | HEAT ELEMENT 475W 120V | 1 | 74720 | | | |
| | HEAT ELEMENT 475W 230V | 1 | | | 74720EX | |
| | HEAT ELEMENT 660W 120V | 1 | | 55235 | | |
| | HEAT ELEMENT 660W 230V | 1 | | | | 55235EX |
| 6 | THERMOSTAT, 260F | 1 | 74748 | 74748 | 74748 | 74748 |



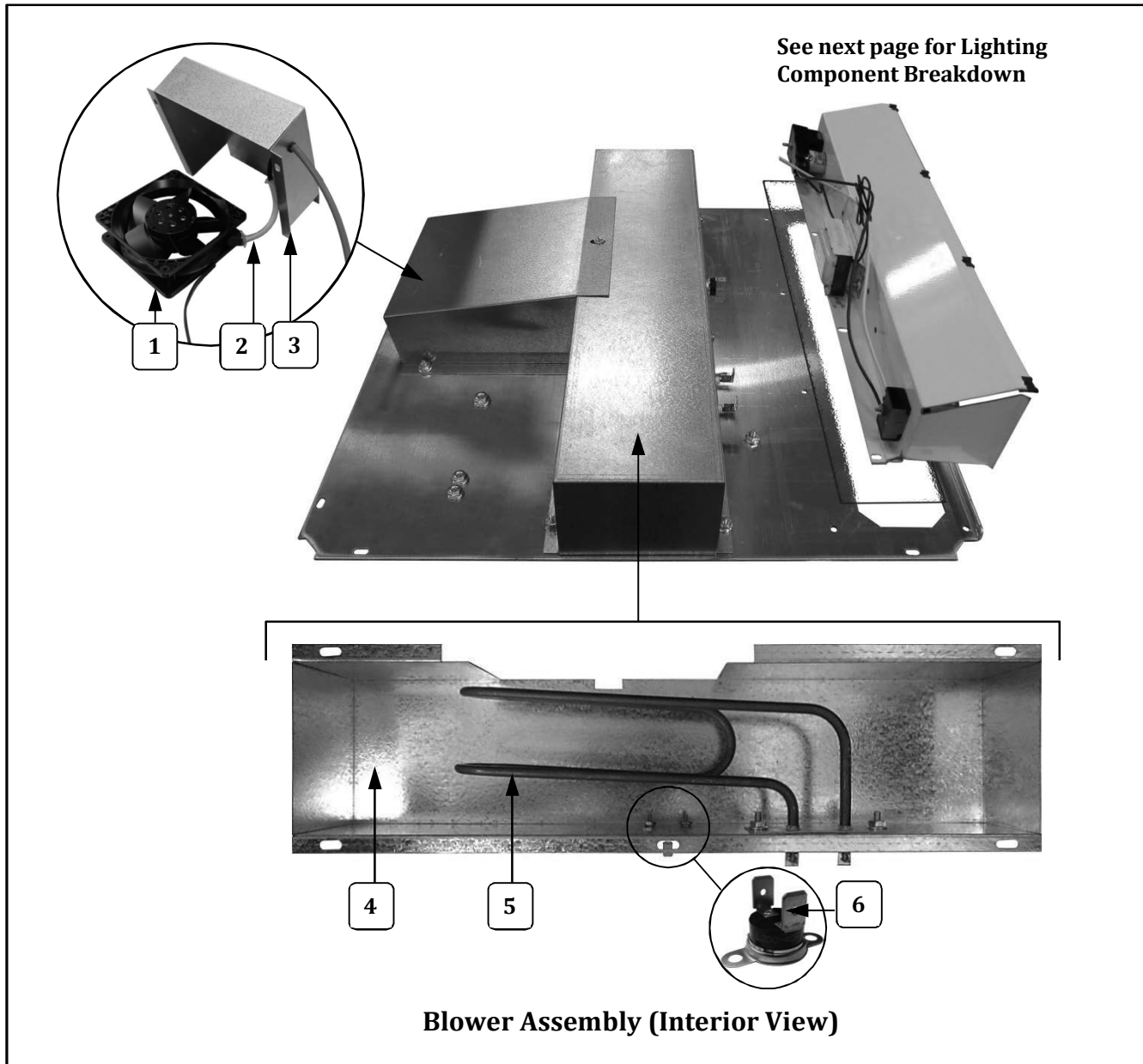
Motor Plate Components



| Item | Part Description | Qty. | Part Number | | | |
|------|----------------------------|------|-------------|-------|---------|---------|
| | | | 5588 | 5888 | 5588EX | 5888EX |
| 1 | AXIAL FAN | 1 | 40721 | 40721 | | |
| | 230 VOLT AXIAL FAN | | | | 40721EX | 40721EX |
| 2 | EXHAUST BLOWER PLUG & CORD | 1 | 47199 | 47199 | 47199 | 47199 |
| 3 | BLOWER WRAPPER | 1 | 74738 | 74738 | 74738 | 74738 |
| 4 | BLOWER BOX | 1 | 74736 | 74736 | 74736 | 74736 |
| 5 | HEAT ELEMENT 475W 120V | 1 | 74720 | | | |
| | HEAT ELEMENT 475W 230V | 1 | | | 74720EX | |
| | HEAT ELEMENT 660W 120V | 1 | | 55235 | | |
| | HEAT ELEMENT 660W 230V | 1 | | | | 55235EX |
| 6 | THERMOSTAT, 260F | 1 | 74748 | 74748 | 74748 | 74748 |



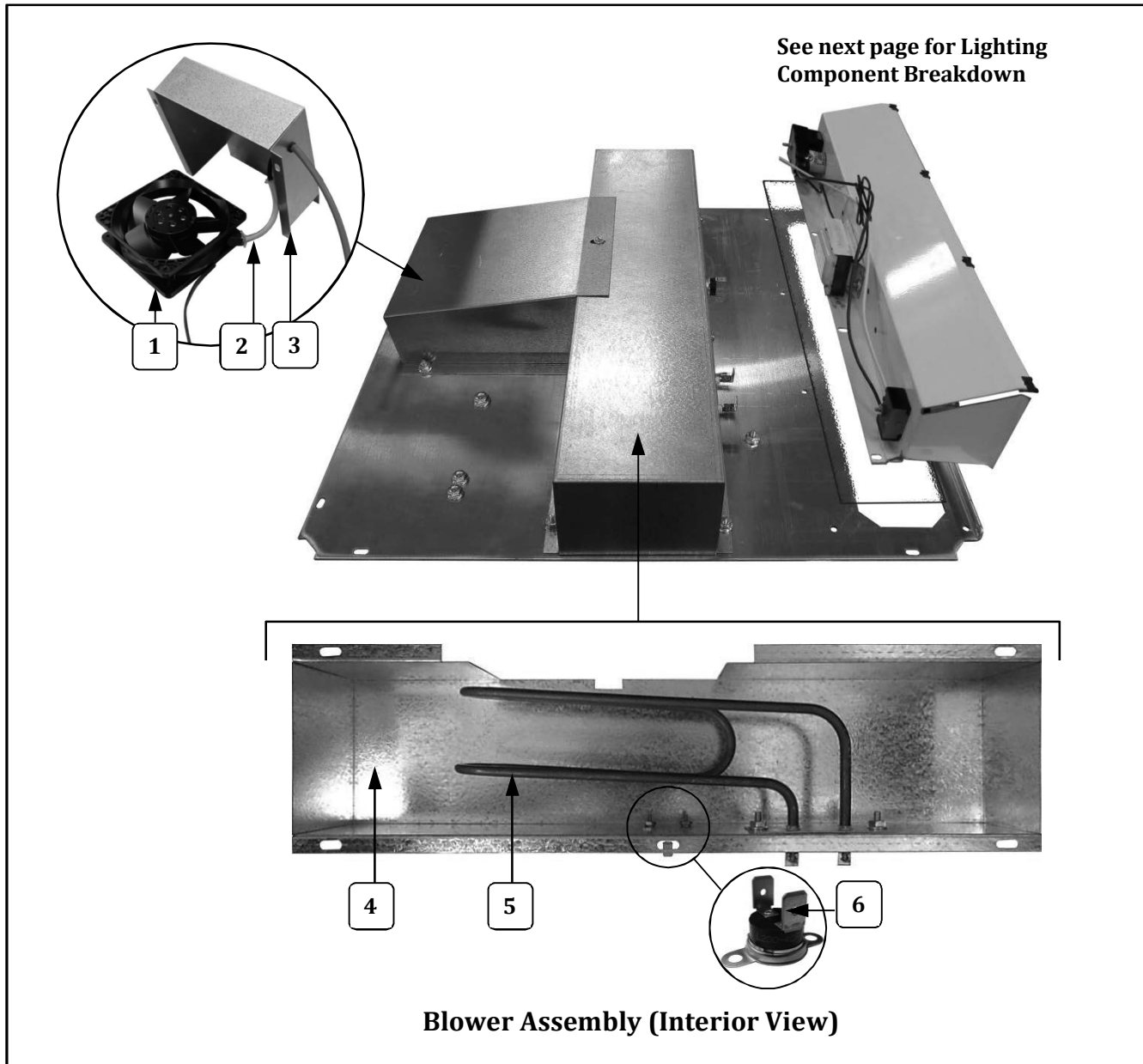
Motor Plate Components



| Item | Part Description | Qty. | Part Number | | | |
|------|----------------------------|------|-------------|-------|---------|---------|
| | | | 5588 | 5888 | 5588EX | 5888EX |
| 1 | AXIAL FAN | 1 | 40721 | 40721 | | |
| | 230 VOLT AXIAL FAN | | | | 40721EX | 40721EX |
| 2 | EXHAUST BLOWER PLUG & CORD | 1 | 47199 | 47199 | 47199 | 47199 |
| 3 | BLOWER WRAPPER | 1 | 74738 | 74738 | 74738 | 74738 |
| 4 | BLOWER BOX | 1 | 74736 | 74736 | 74736 | 74736 |
| 5 | HEAT ELEMENT 475W 120V | 1 | 74720 | | | |
| | HEAT ELEMENT 475W 230V | 1 | | | 74720EX | |
| | HEAT ELEMENT 660W 120V | 1 | | 55235 | | |
| | HEAT ELEMENT 660W 230V | 1 | | | | 55235EX |
| 6 | THERMOSTAT, 260F | 1 | 74748 | 74748 | 74748 | 74748 |

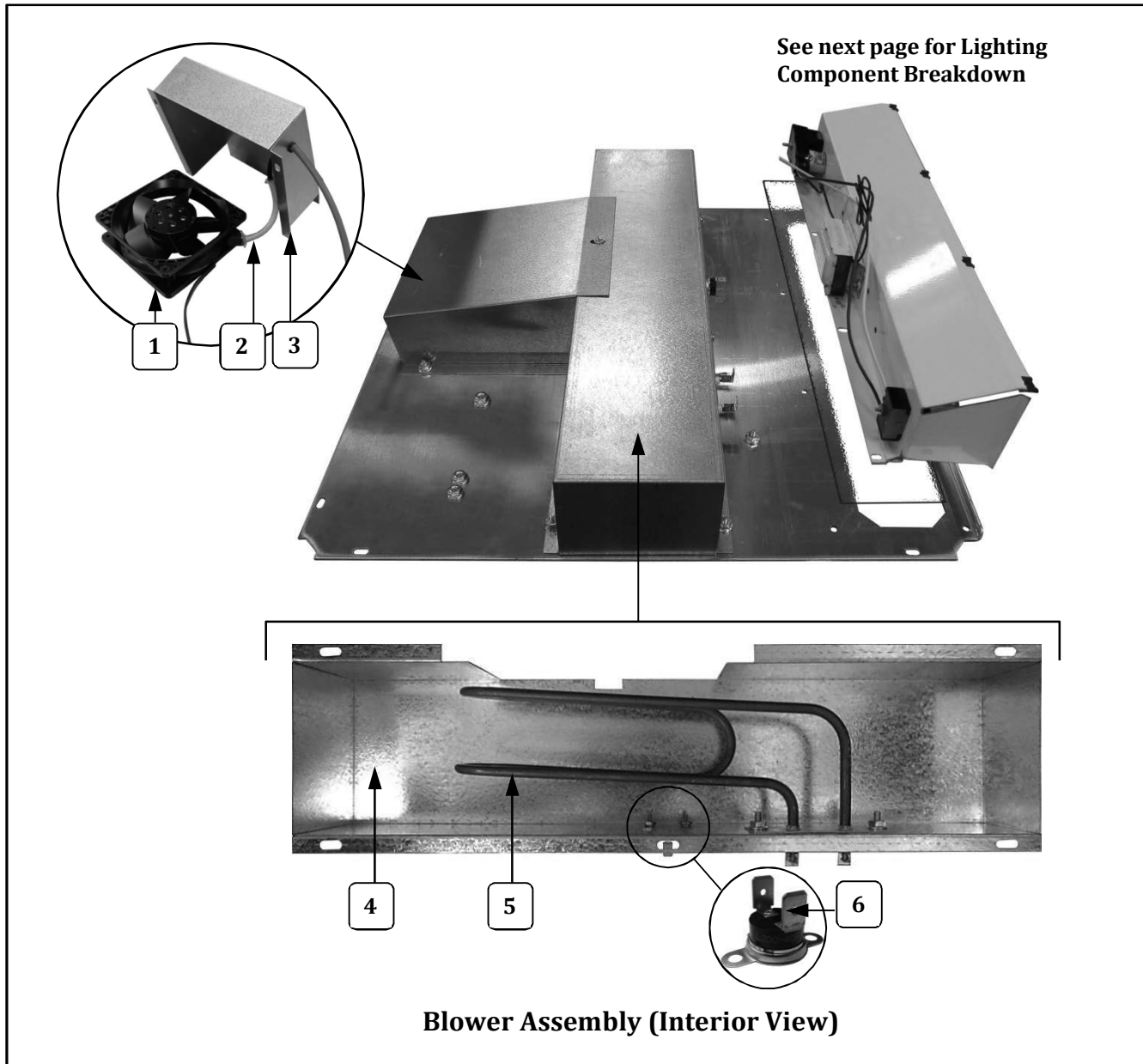


Motor Plate Components



| Item | Part Description | Qty. | Part Number | | | |
|------|----------------------------|------|-------------|-------|---------|---------|
| | | | 5588 | 5888 | 5588EX | 5888EX |
| 1 | AXIAL FAN | 1 | 40721 | 40721 | | |
| | 230 VOLT AXIAL FAN | | | | 40721EX | 40721EX |
| 2 | EXHAUST BLOWER PLUG & CORD | 1 | 47199 | 47199 | 47199 | 47199 |
| 3 | BLOWER WRAPPER | 1 | 74738 | 74738 | 74738 | 74738 |
| 4 | BLOWER BOX | 1 | 74736 | 74736 | 74736 | 74736 |
| 5 | HEAT ELEMENT 475W 120V | 1 | 74720 | | | |
| | HEAT ELEMENT 475W 230V | 1 | | | 74720EX | |
| | HEAT ELEMENT 660W 120V | 1 | | 55235 | | |
| | HEAT ELEMENT 660W 230V | 1 | | | | 55235EX |
| 6 | THERMOSTAT, 260F | 1 | 74748 | 74748 | 74748 | 74748 |

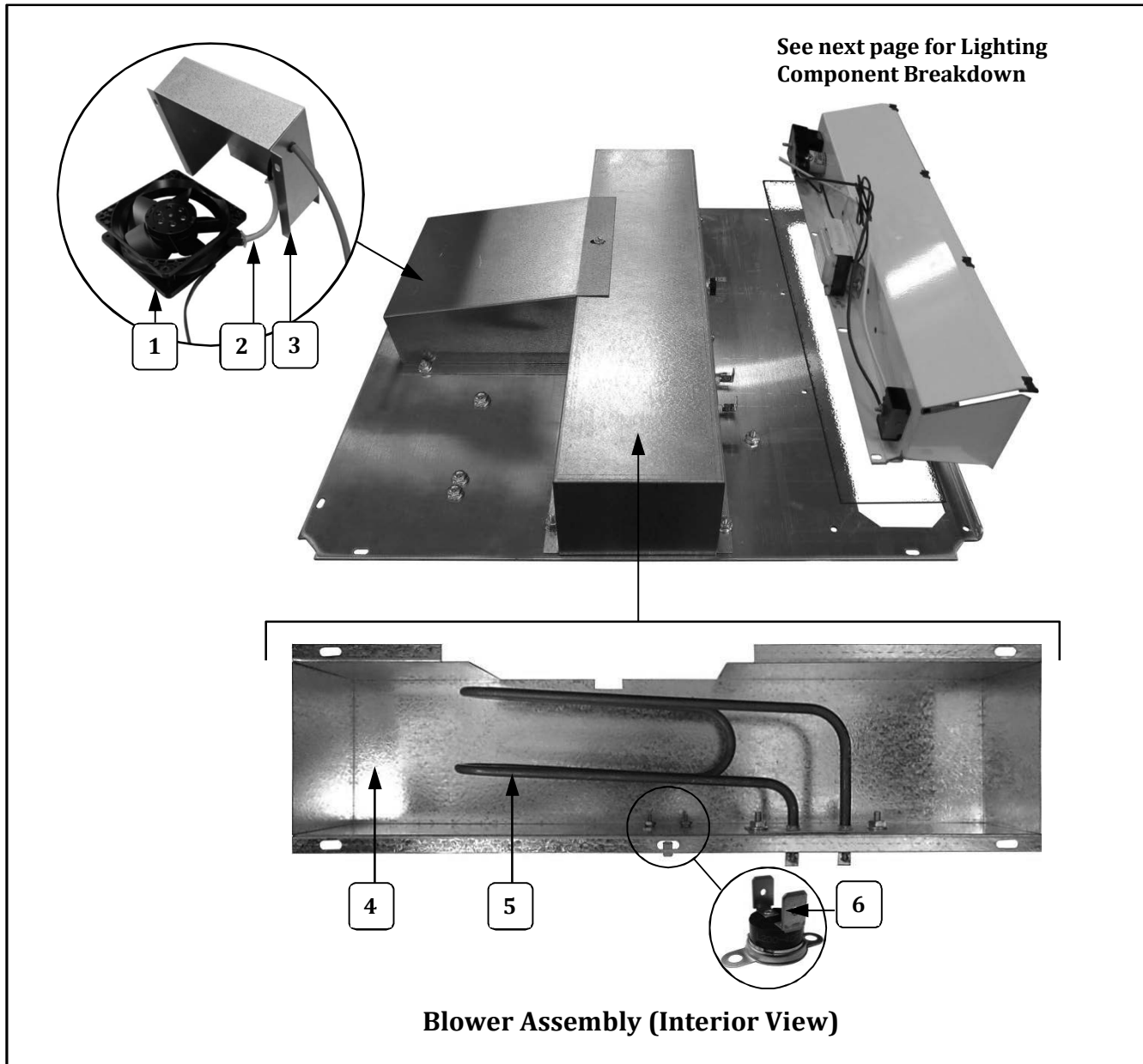
Motor Plate Components



| Item | Part Description | Qty. | Part Number | | | |
|------|----------------------------|------|-------------|-------|---------|---------|
| | | | 5588 | 5888 | 5588EX | 5888EX |
| 1 | AXIAL FAN | 1 | 40721 | 40721 | | |
| | 230 VOLT AXIAL FAN | | | | 40721EX | 40721EX |
| 2 | EXHAUST BLOWER PLUG & CORD | 1 | 47199 | 47199 | 47199 | 47199 |
| 3 | BLOWER WRAPPER | 1 | 74738 | 74738 | 74738 | 74738 |
| 4 | BLOWER BOX | 1 | 74736 | 74736 | 74736 | 74736 |
| 5 | HEAT ELEMENT 475W 120V | 1 | 74720 | | | |
| | HEAT ELEMENT 475W 230V | 1 | | | 74720EX | |
| | HEAT ELEMENT 660W 120V | 1 | | 55235 | | |
| | HEAT ELEMENT 660W 230V | 1 | | | | 55235EX |
| 6 | THERMOSTAT, 260F | 1 | 74748 | 74748 | 74748 | 74748 |



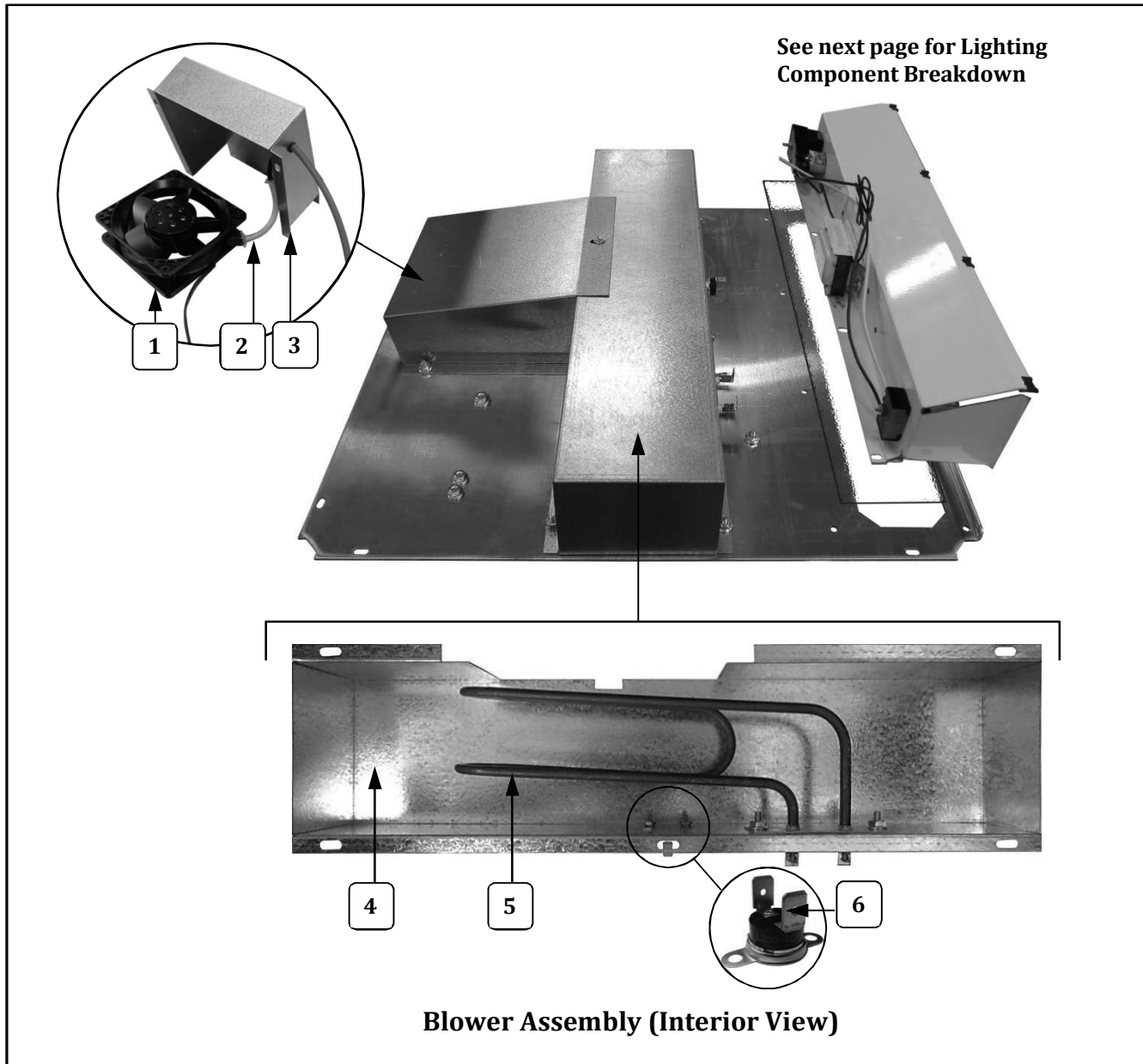
Motor Plate Components



| Item | Part Description | Qty. | Part Number | | | |
|------|----------------------------|------|-------------|-------|---------|---------|
| | | | 5588 | 5888 | 5588EX | 5888EX |
| 1 | AXIAL FAN | 1 | 40721 | 40721 | | |
| | 230 VOLT AXIAL FAN | | | | 40721EX | 40721EX |
| 2 | EXHAUST BLOWER PLUG & CORD | 1 | 47199 | 47199 | 47199 | 47199 |
| 3 | BLOWER WRAPPER | 1 | 74738 | 74738 | 74738 | 74738 |
| 4 | BLOWER BOX | 1 | 74736 | 74736 | 74736 | 74736 |
| 5 | HEAT ELEMENT 475W 120V | 1 | 74720 | | | |
| | HEAT ELEMENT 475W 230V | 1 | | | 74720EX | |
| | HEAT ELEMENT 660W 120V | 1 | | 55235 | | |
| | HEAT ELEMENT 660W 230V | 1 | | | | 55235EX |
| 6 | THERMOSTAT, 260F | 1 | 74748 | 74748 | 74748 | 74748 |

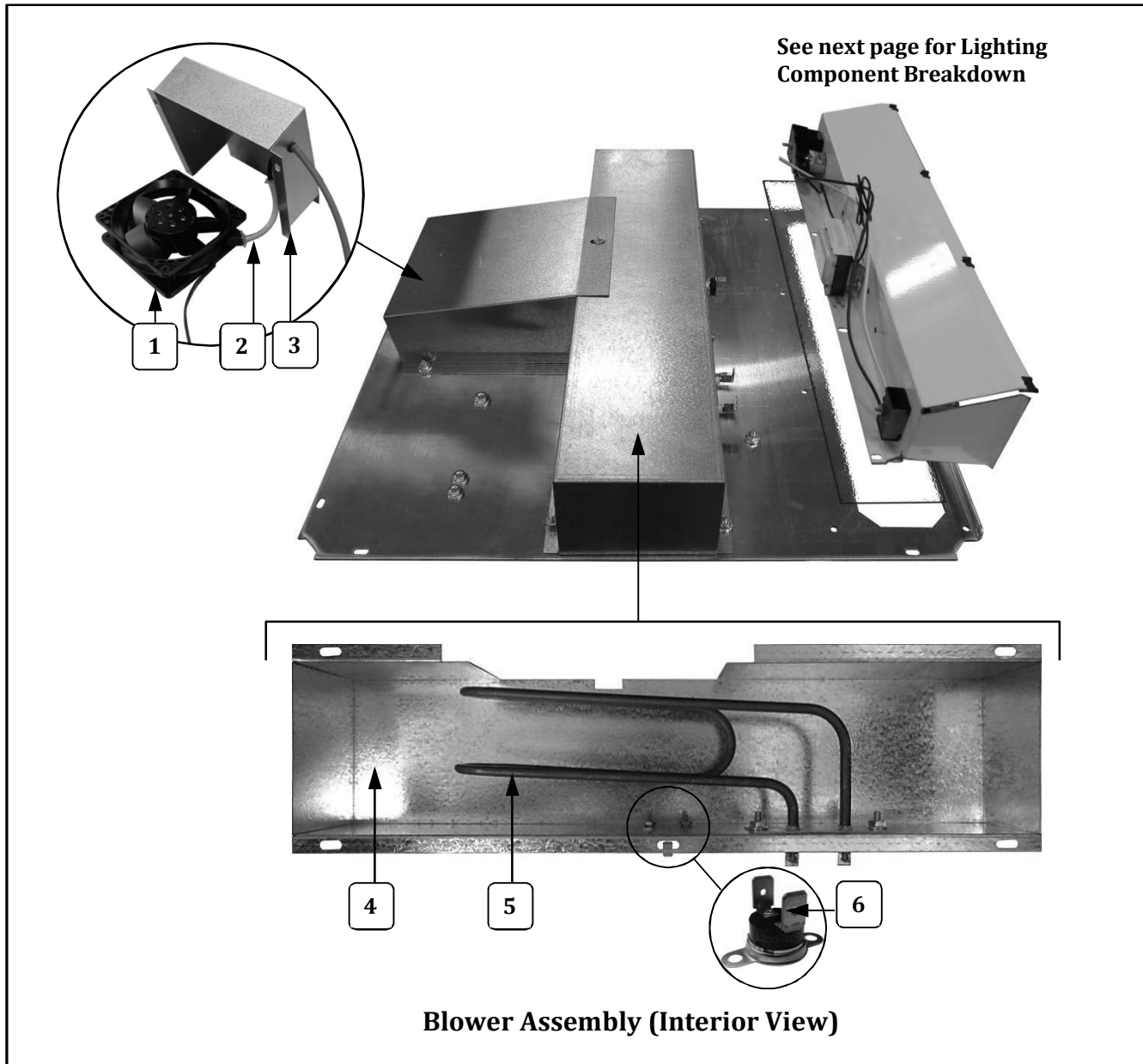


Motor Plate Components



| Item | Part Description | Qty. | Part Number | | | |
|------|----------------------------|------|-------------|-------|---------|---------|
| | | | 5588 | 5888 | 5588EX | 5888EX |
| 1 | AXIAL FAN | 1 | 40721 | 40721 | | |
| | 230 VOLT AXIAL FAN | | | | 40721EX | 40721EX |
| 2 | EXHAUST BLOWER PLUG & CORD | 1 | 47199 | 47199 | 47199 | 47199 |
| 3 | BLOWER WRAPPER | 1 | 74738 | 74738 | 74738 | 74738 |
| 4 | BLOWER BOX | 1 | 74736 | 74736 | 74736 | 74736 |
| 5 | HEAT ELEMENT 475W 120V | 1 | 74720 | | | |
| | HEAT ELEMENT 475W 230V | 1 | | | 74720EX | |
| | HEAT ELEMENT 660W 120V | 1 | | 55235 | | |
| | HEAT ELEMENT 660W 230V | 1 | | | | 55235EX |
| 6 | THERMOSTAT, 260F | 1 | 74748 | 74748 | 74748 | 74748 |

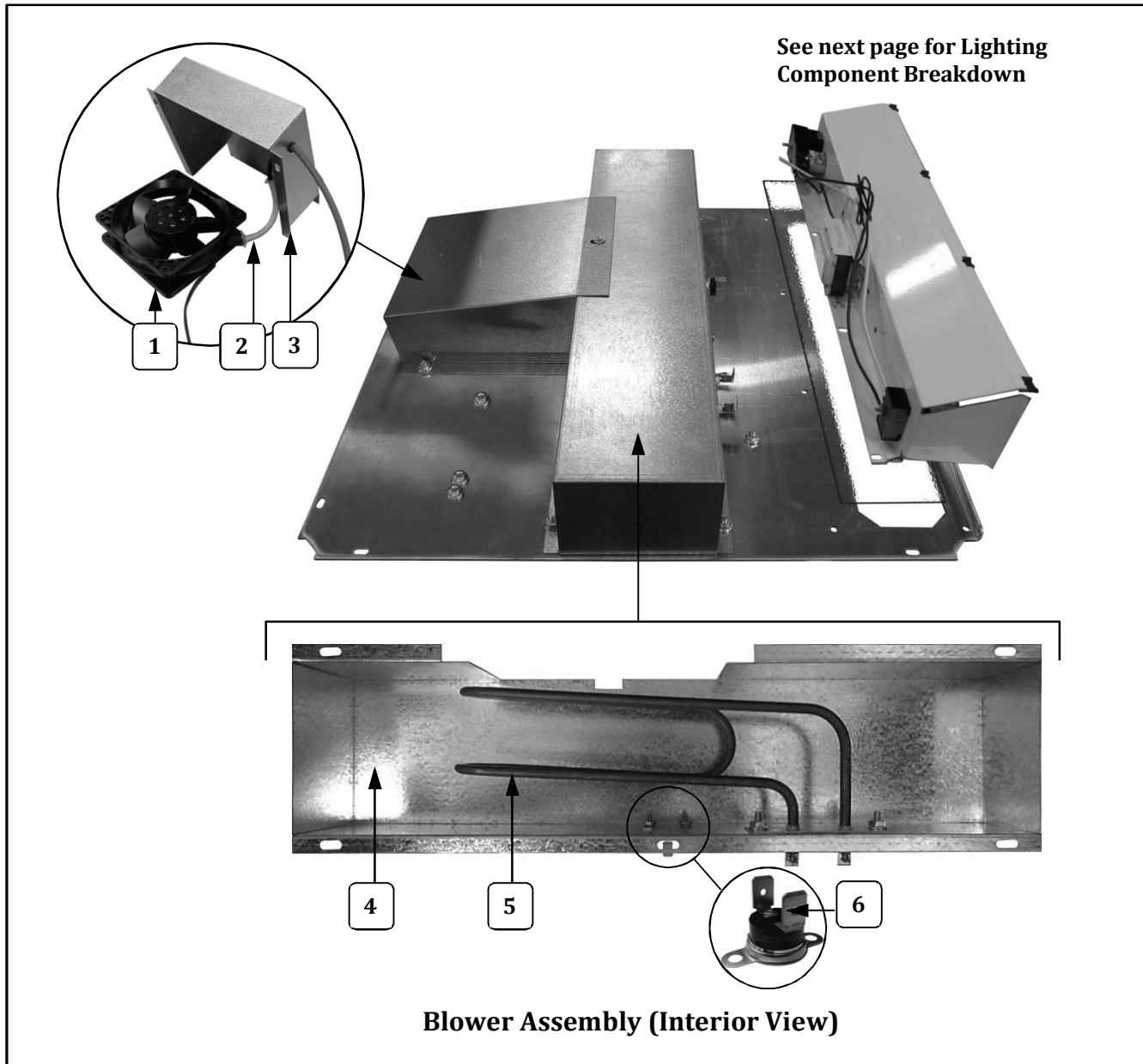
Motor Plate Components



| Item | Part Description | Qty. | Part Number | | | |
|------|----------------------------|------|-------------|-------|---------|---------|
| | | | 5588 | 5888 | 5588EX | 5888EX |
| 1 | AXIAL FAN | 1 | 40721 | 40721 | | |
| | 230 VOLT AXIAL FAN | | | | 40721EX | 40721EX |
| 2 | EXHAUST BLOWER PLUG & CORD | 1 | 47199 | 47199 | 47199 | 47199 |
| 3 | BLOWER WRAPPER | 1 | 74738 | 74738 | 74738 | 74738 |
| 4 | BLOWER BOX | 1 | 74736 | 74736 | 74736 | 74736 |
| 5 | HEAT ELEMENT 475W 120V | 1 | 74720 | | | |
| | HEAT ELEMENT 475W 230V | 1 | | | 74720EX | |
| | HEAT ELEMENT 660W 120V | 1 | | 55235 | | |
| | HEAT ELEMENT 660W 230V | 1 | | | | 55235EX |
| 6 | THERMOSTAT, 260F | 1 | 74748 | 74748 | 74748 | 74748 |



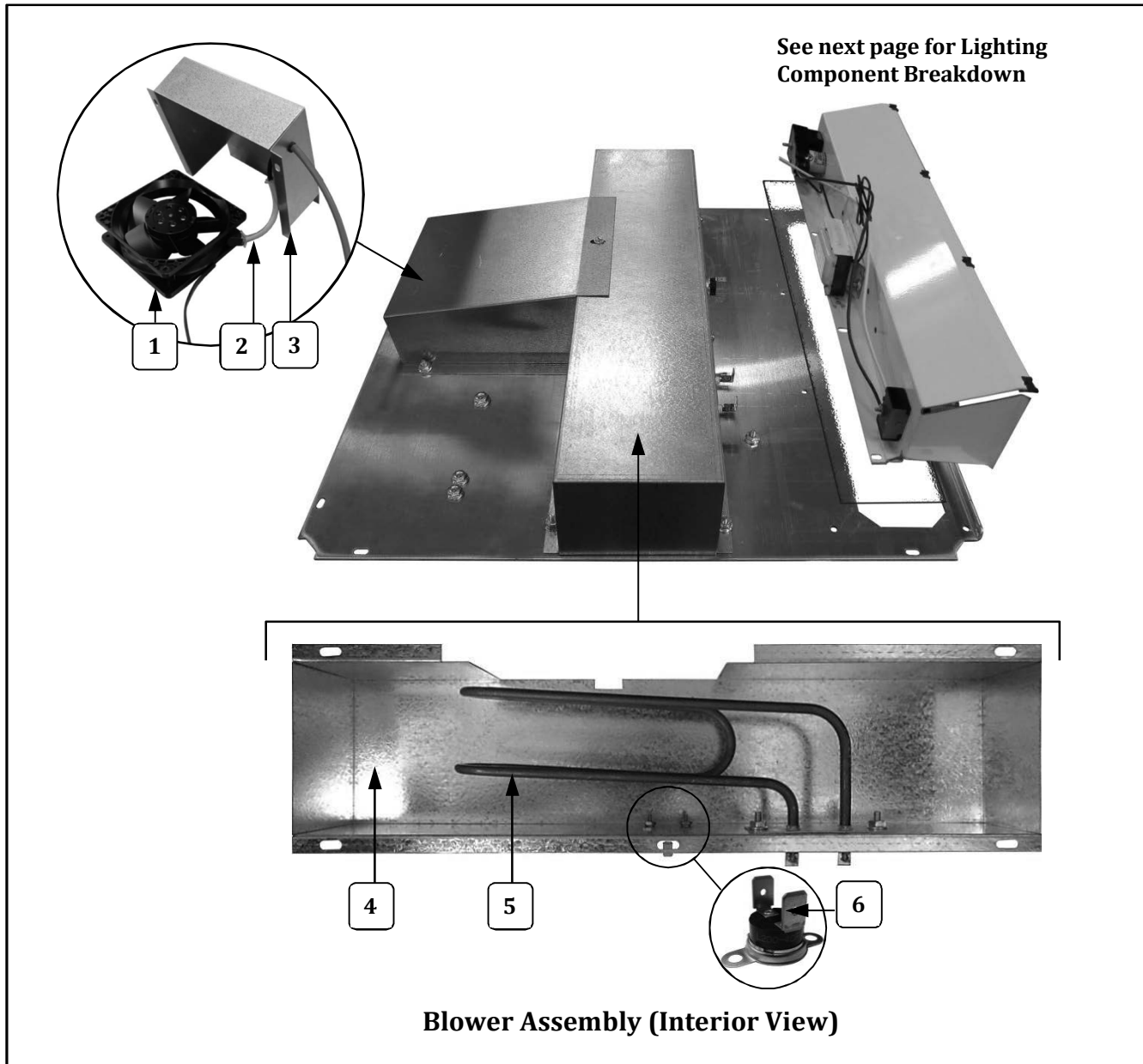
Motor Plate Components



| Item | Part Description | Qty. | Part Number | | | |
|------|----------------------------|------|-------------|-------|---------|---------|
| | | | 5588 | 5888 | 5588EX | 5888EX |
| 1 | AXIAL FAN | 1 | 40721 | 40721 | | |
| | 230 VOLT AXIAL FAN | | | | 40721EX | 40721EX |
| 2 | EXHAUST BLOWER PLUG & CORD | 1 | 47199 | 47199 | 47199 | 47199 |
| 3 | BLOWER WRAPPER | 1 | 74738 | 74738 | 74738 | 74738 |
| 4 | BLOWER BOX | 1 | 74736 | 74736 | 74736 | 74736 |
| 5 | HEAT ELEMENT 475W 120V | 1 | 74720 | | | |
| | HEAT ELEMENT 475W 230V | 1 | | | 74720EX | |
| | HEAT ELEMENT 660W 120V | 1 | | 55235 | | |
| | HEAT ELEMENT 660W 230V | 1 | | | | 55235EX |
| 6 | THERMOSTAT, 260F | 1 | 74748 | 74748 | 74748 | 74748 |

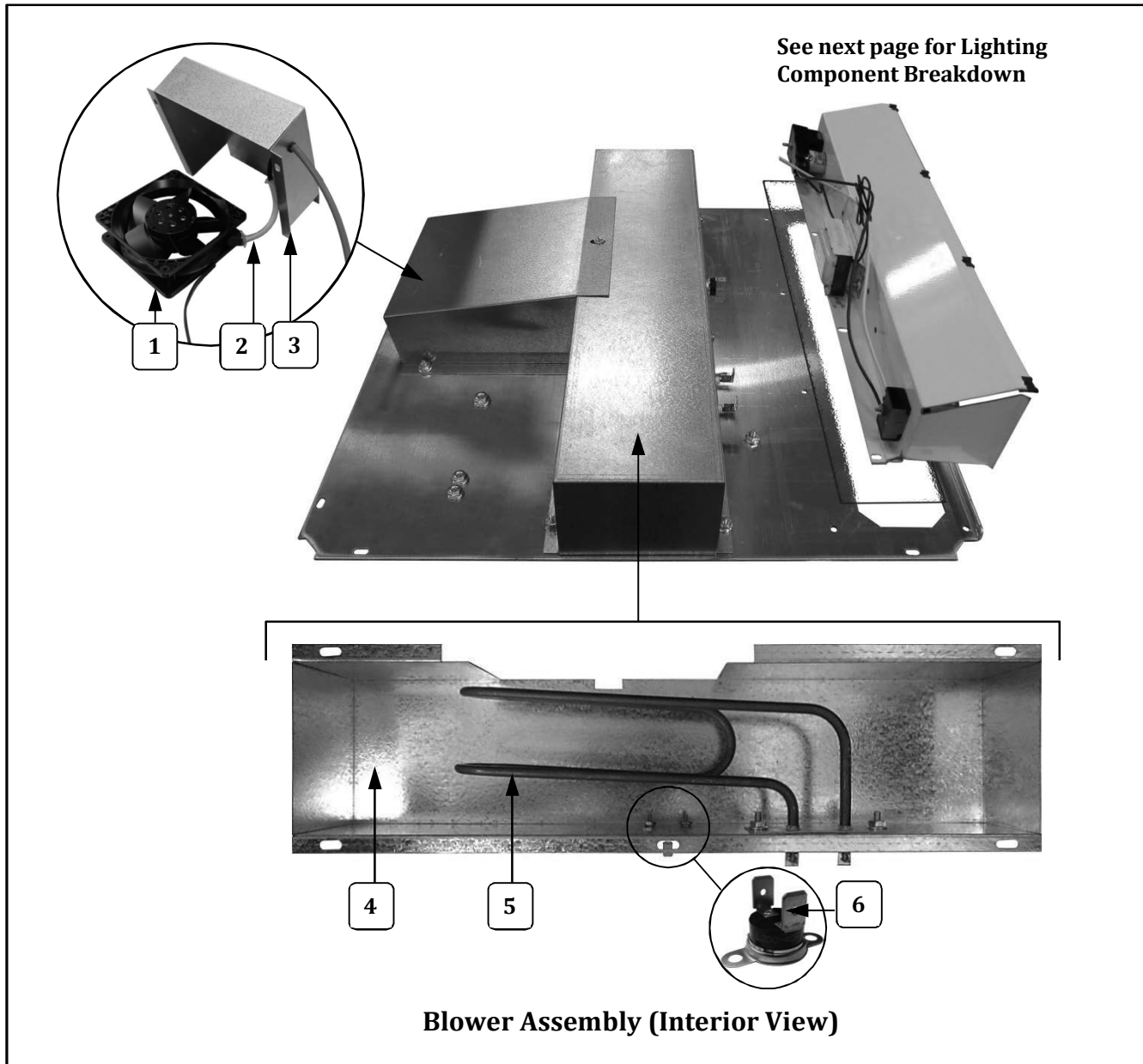


Motor Plate Components



| Item | Part Description | Qty. | Part Number | | | |
|------|----------------------------|------|-------------|-------|---------|---------|
| | | | 5588 | 5888 | 5588EX | 5888EX |
| 1 | AXIAL FAN | 1 | 40721 | 40721 | | |
| | 230 VOLT AXIAL FAN | | | | 40721EX | 40721EX |
| 2 | EXHAUST BLOWER PLUG & CORD | 1 | 47199 | 47199 | 47199 | 47199 |
| 3 | BLOWER WRAPPER | 1 | 74738 | 74738 | 74738 | 74738 |
| 4 | BLOWER BOX | 1 | 74736 | 74736 | 74736 | 74736 |
| 5 | HEAT ELEMENT 475W 120V | 1 | 74720 | | | |
| | HEAT ELEMENT 475W 230V | 1 | | | 74720EX | |
| | HEAT ELEMENT 660W 120V | 1 | | 55235 | | |
| | HEAT ELEMENT 660W 230V | 1 | | | | 55235EX |
| 6 | THERMOSTAT, 260F | 1 | 74748 | 74748 | 74748 | 74748 |

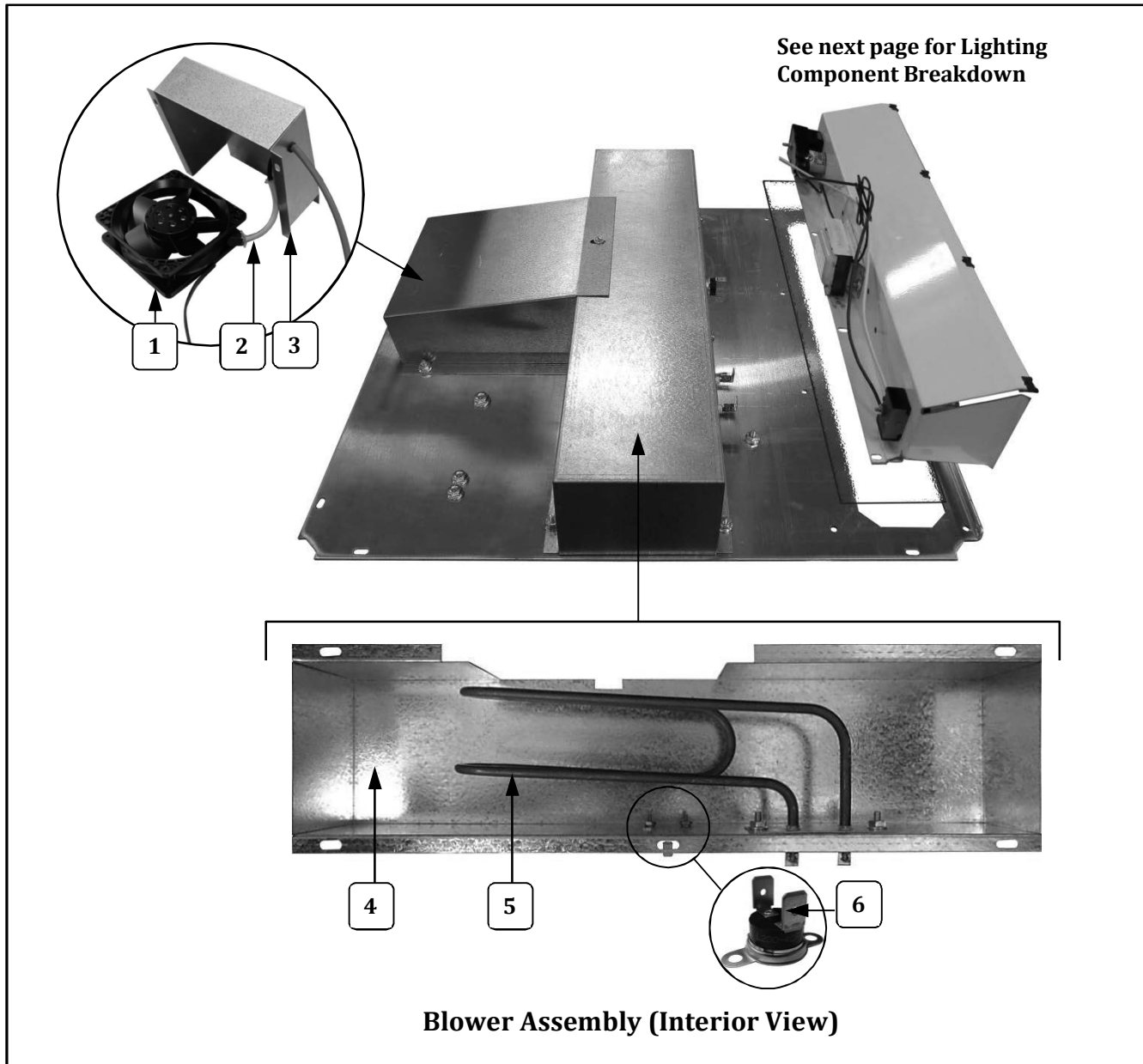
Motor Plate Components



| Item | Part Description | Qty. | Part Number | | | |
|------|----------------------------|------|-------------|-------|---------|---------|
| | | | 5588 | 5888 | 5588EX | 5888EX |
| 1 | AXIAL FAN | 1 | 40721 | 40721 | | |
| | 230 VOLT AXIAL FAN | | | | 40721EX | 40721EX |
| 2 | EXHAUST BLOWER PLUG & CORD | 1 | 47199 | 47199 | 47199 | 47199 |
| 3 | BLOWER WRAPPER | 1 | 74738 | 74738 | 74738 | 74738 |
| 4 | BLOWER BOX | 1 | 74736 | 74736 | 74736 | 74736 |
| 5 | HEAT ELEMENT 475W 120V | 1 | 74720 | | | |
| | HEAT ELEMENT 475W 230V | 1 | | | 74720EX | |
| | HEAT ELEMENT 660W 120V | 1 | | 55235 | | |
| | HEAT ELEMENT 660W 230V | 1 | | | | 55235EX |
| 6 | THERMOSTAT, 260F | 1 | 74748 | 74748 | 74748 | 74748 |

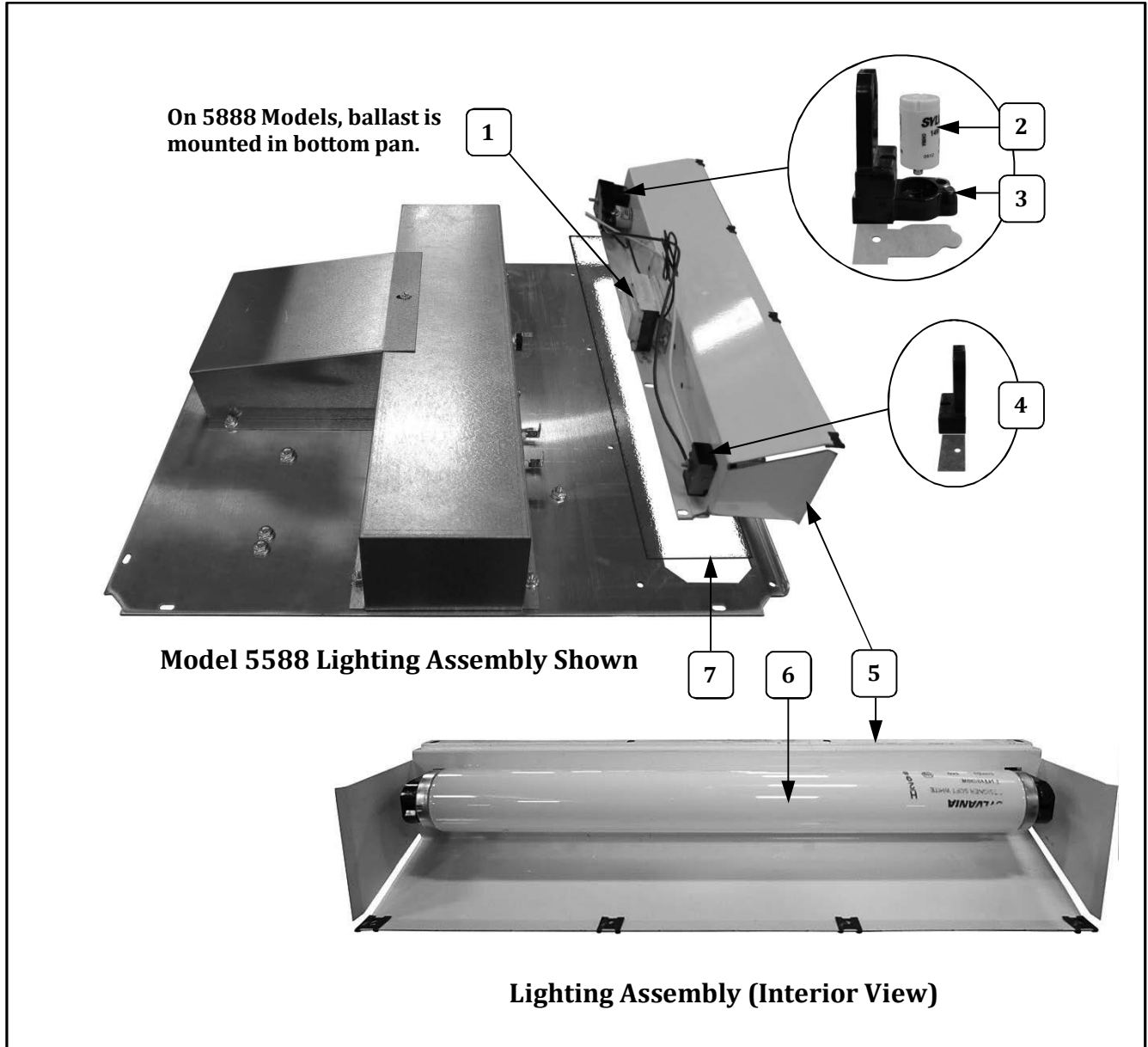


Motor Plate Components



| Item | Part Description | Qty. | Part Number | | | |
|------|----------------------------|------|-------------|-------|---------|---------|
| | | | 5588 | 5888 | 5588EX | 5888EX |
| 1 | AXIAL FAN | 1 | 40721 | 40721 | | |
| | 230 VOLT AXIAL FAN | | | | 40721EX | 40721EX |
| 2 | EXHAUST BLOWER PLUG & CORD | 1 | 47199 | 47199 | 47199 | 47199 |
| 3 | BLOWER WRAPPER | 1 | 74738 | 74738 | 74738 | 74738 |
| 4 | BLOWER BOX | 1 | 74736 | 74736 | 74736 | 74736 |
| 5 | HEAT ELEMENT 475W 120V | 1 | 74720 | | | |
| | HEAT ELEMENT 475W 230V | 1 | | | 74720EX | |
| | HEAT ELEMENT 660W 120V | 1 | | 55235 | | |
| | HEAT ELEMENT 660W 230V | 1 | | | | 55235EX |
| 6 | THERMOSTAT, 260F | 1 | 74748 | 74748 | 74748 | 74748 |

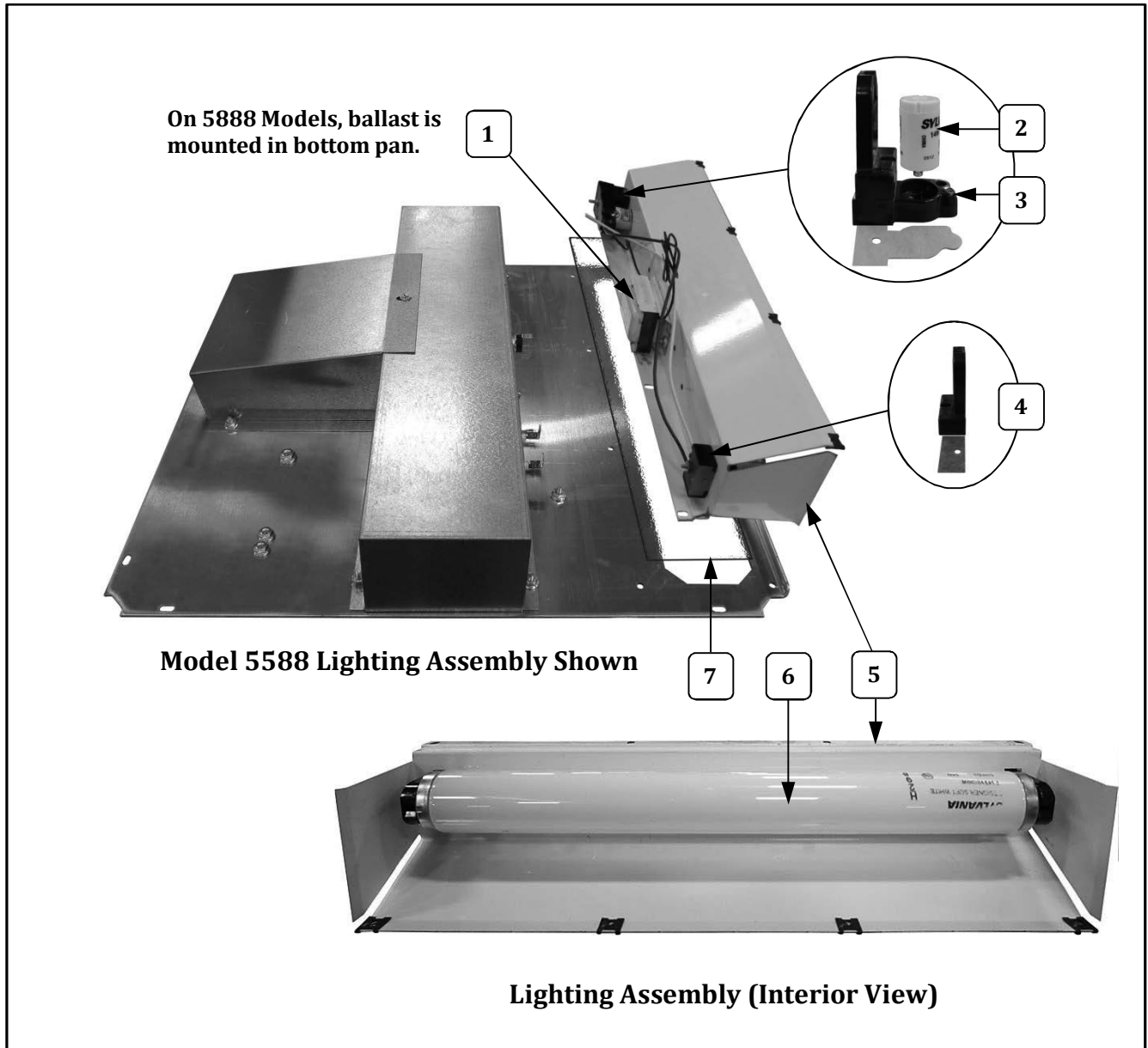
Lighting Component Breakdown



| Item | Part Description | Qty. | Part Number | | | |
|------|-----------------------------|------|-------------|-------|--------|--------|
| | | | 5588 | 5888 | 5588EX | 5888EX |
| 1 | LIGHT BALLAST 120V 60HZ | 1 | 41022 | 41022 | | |
| | LIGHT BALLAST 240V 50Hz | 1 | | | 41722 | 41722 |
| 2 | LIGHT STARTER | 1 | 41023 | 41023 | 41023 | 41023 |
| 3 | LIGHT TUBE HOLDER - STARTER | 1 | 41021 | 41021 | 41021 | 41021 |
| 4 | LIGHT TUBE HOLDER | 1 | 41020 | 41020 | 41020 | 41020 |
| 5 | LIGHT DEFLECTOR | 1 | 74787 | 74787 | 74787 | 74787 |
| 6 | LIGHT TUBE | 1 | 41057 | 41057 | 41057 | 41057 |
| 7 | LIGHT TUBE COVER | 1 | 74788 | 74788 | 74788 | 74788 |

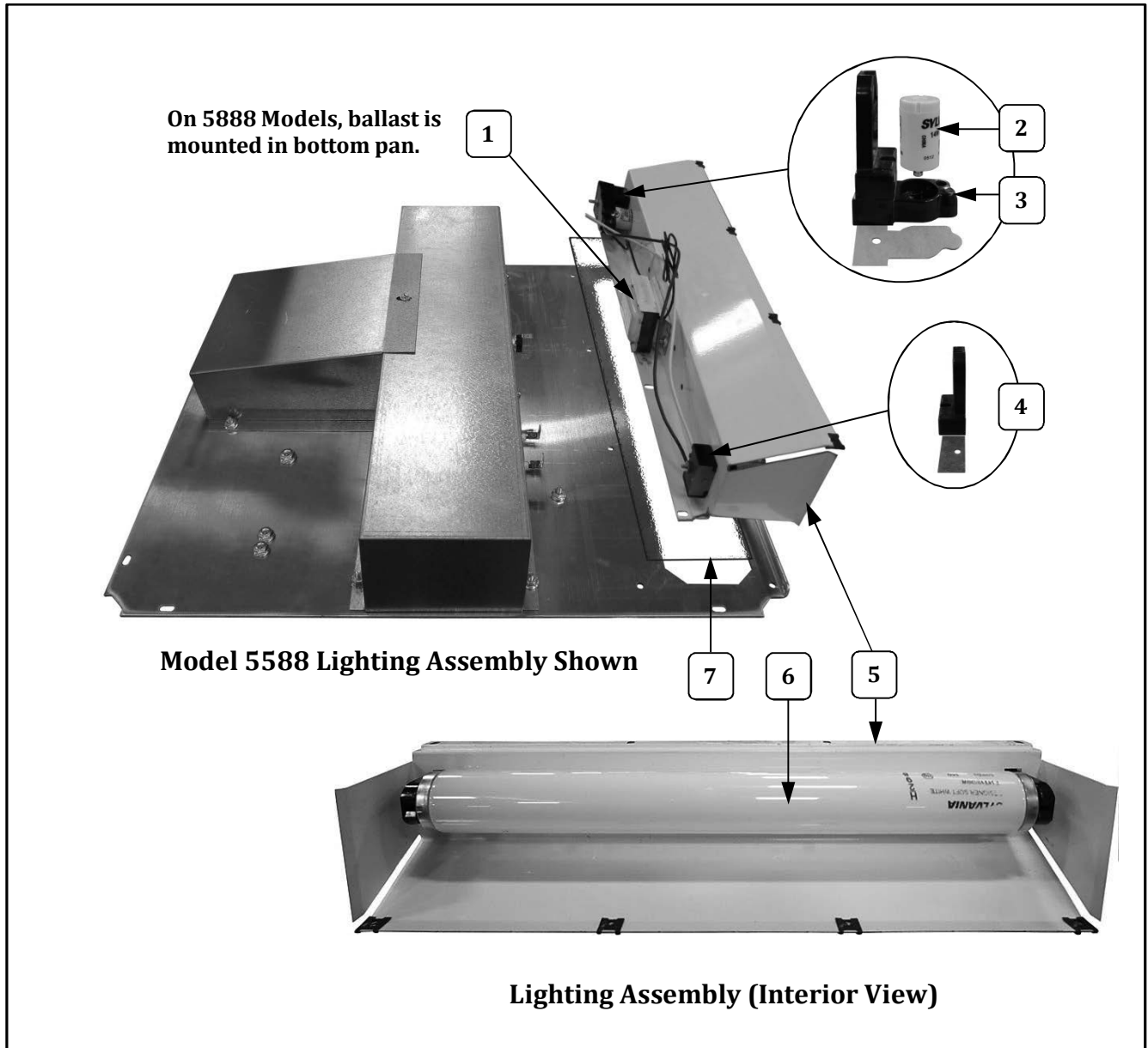


Lighting Component Breakdown



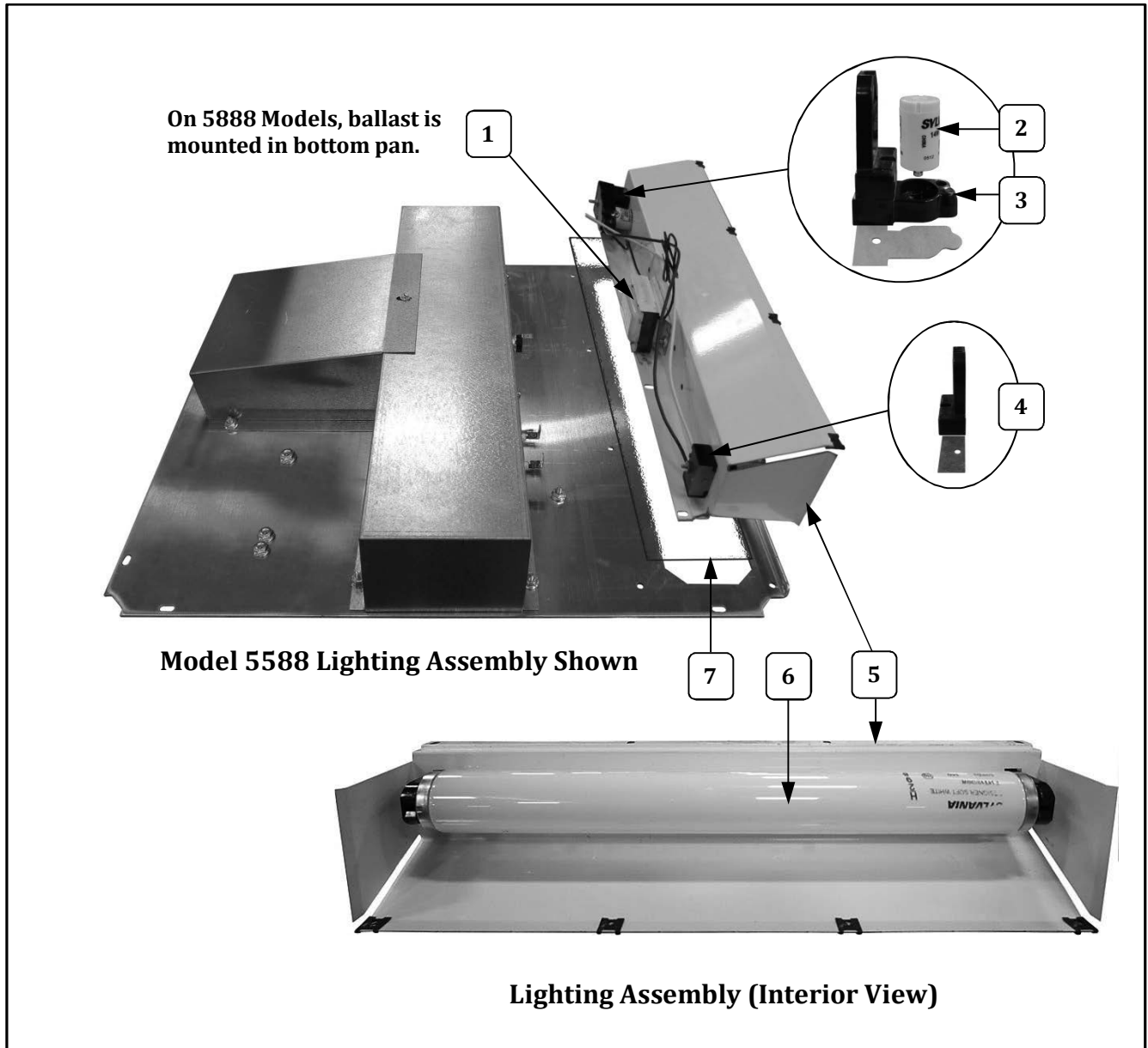
| Item | Part Description | Qty. | Part Number | | | |
|------|-----------------------------|------|-------------|-------|--------|--------|
| | | | 5588 | 5888 | 5588EX | 5888EX |
| 1 | LIGHT BALLAST 120V 60HZ | 1 | 41022 | 41022 | | |
| | LIGHT BALLAST 240V 50Hz | 1 | | | 41722 | 41722 |
| 2 | LIGHT STARTER | 1 | 41023 | 41023 | 41023 | 41023 |
| 3 | LIGHT TUBE HOLDER - STARTER | 1 | 41021 | 41021 | 41021 | 41021 |
| 4 | LIGHT TUBE HOLDER | 1 | 41020 | 41020 | 41020 | 41020 |
| 5 | LIGHT DEFLECTOR | 1 | 74787 | 74787 | 74787 | 74787 |
| 6 | LIGHT TUBE | 1 | 41057 | 41057 | 41057 | 41057 |
| 7 | LIGHT TUBE COVER | 1 | 74788 | 74788 | 74788 | 74788 |

Lighting Component Breakdown



| Item | Part Description | Qty. | Part Number | | | |
|------|-----------------------------|------|-------------|-------|--------|--------|
| | | | 5588 | 5888 | 5588EX | 5888EX |
| 1 | LIGHT BALLAST 120V 60HZ | 1 | 41022 | 41022 | | |
| | LIGHT BALLAST 240V 50Hz | 1 | | | 41722 | 41722 |
| 2 | LIGHT STARTER | 1 | 41023 | 41023 | 41023 | 41023 |
| 3 | LIGHT TUBE HOLDER - STARTER | 1 | 41021 | 41021 | 41021 | 41021 |
| 4 | LIGHT TUBE HOLDER | 1 | 41020 | 41020 | 41020 | 41020 |
| 5 | LIGHT DEFLECTOR | 1 | 74787 | 74787 | 74787 | 74787 |
| 6 | LIGHT TUBE | 1 | 41057 | 41057 | 41057 | 41057 |
| 7 | LIGHT TUBE COVER | 1 | 74788 | 74788 | 74788 | 74788 |

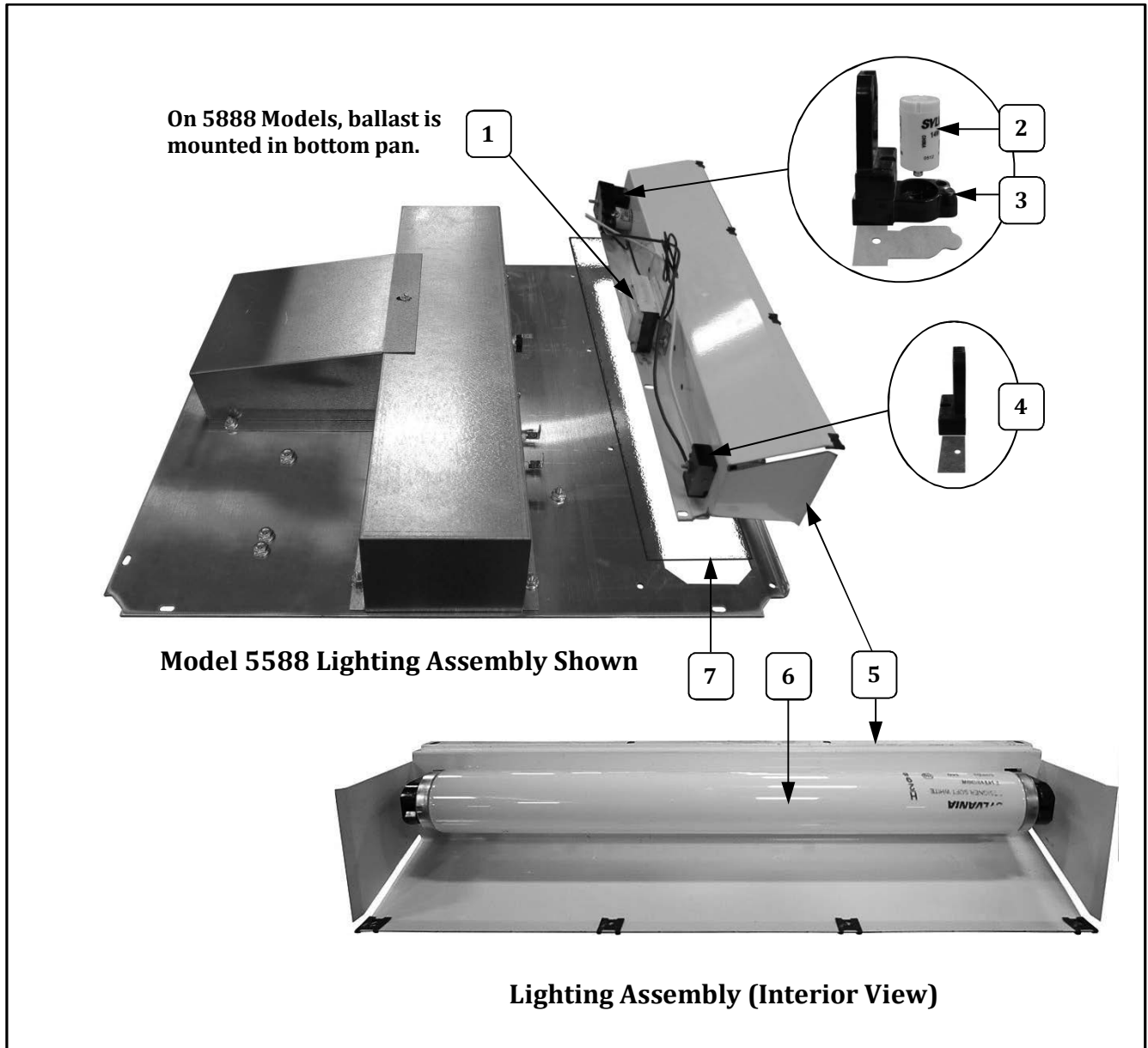
Lighting Component Breakdown



| Item | Part Description | Qty. | Part Number | | | |
|------|-----------------------------|------|-------------|-------|--------|--------|
| | | | 5588 | 5888 | 5588EX | 5888EX |
| 1 | LIGHT BALLAST 120V 60HZ | 1 | 41022 | 41022 | | |
| | LIGHT BALLAST 240V 50Hz | 1 | | | 41722 | 41722 |
| 2 | LIGHT STARTER | 1 | 41023 | 41023 | 41023 | 41023 |
| 3 | LIGHT TUBE HOLDER - STARTER | 1 | 41021 | 41021 | 41021 | 41021 |
| 4 | LIGHT TUBE HOLDER | 1 | 41020 | 41020 | 41020 | 41020 |
| 5 | LIGHT DEFLECTOR | 1 | 74787 | 74787 | 74787 | 74787 |
| 6 | LIGHT TUBE | 1 | 41057 | 41057 | 41057 | 41057 |
| 7 | LIGHT TUBE COVER | 1 | 74788 | 74788 | 74788 | 74788 |



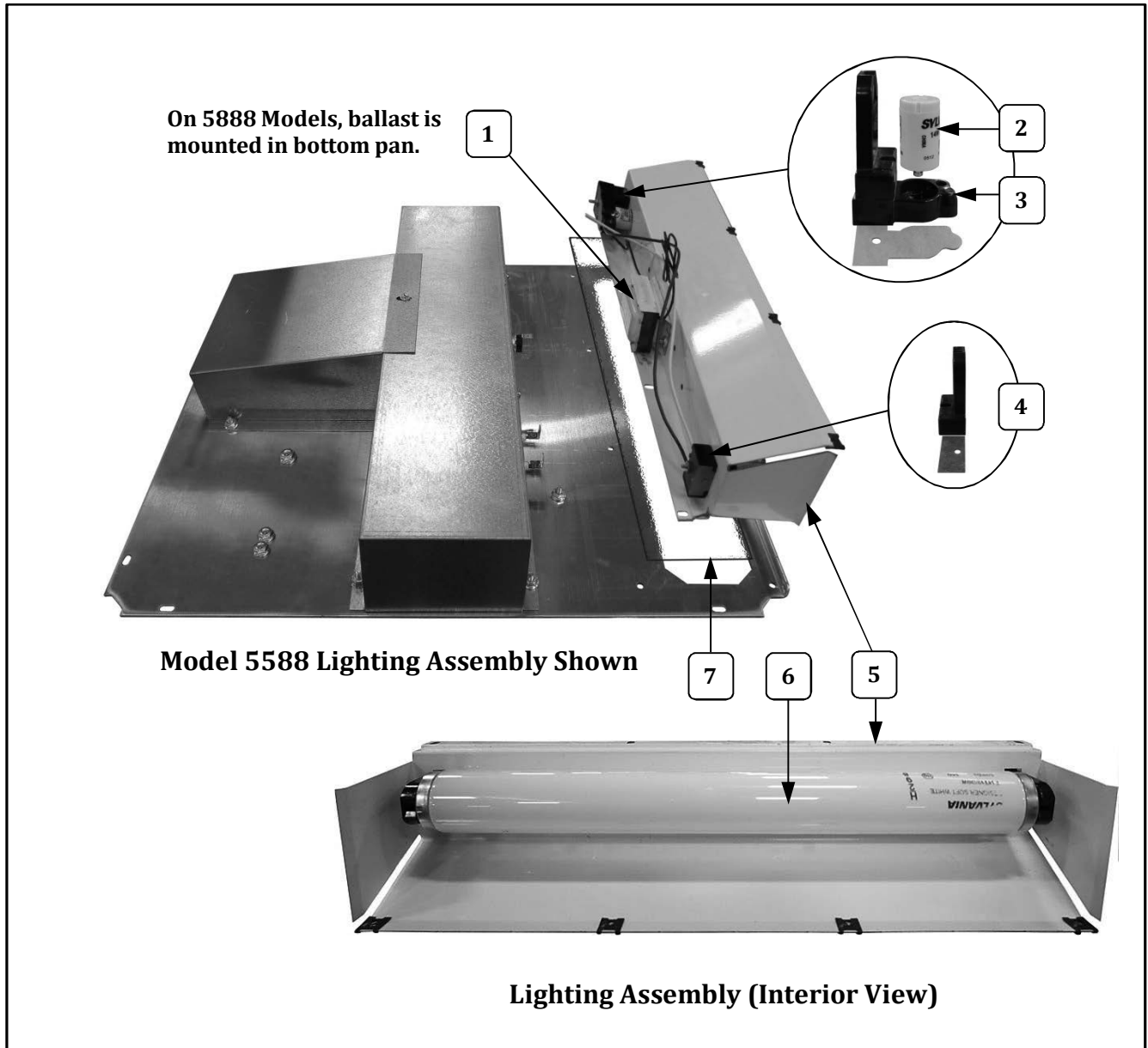
Lighting Component Breakdown



| Item | Part Description | Qty. | Part Number | | | |
|------|-----------------------------|------|-------------|-------|--------|--------|
| | | | 5588 | 5888 | 5588EX | 5888EX |
| 1 | LIGHT BALLAST 120V 60HZ | 1 | 41022 | 41022 | | |
| | LIGHT BALLAST 240V 50Hz | 1 | | | 41722 | 41722 |
| 2 | LIGHT STARTER | 1 | 41023 | 41023 | 41023 | 41023 |
| 3 | LIGHT TUBE HOLDER - STARTER | 1 | 41021 | 41021 | 41021 | 41021 |
| 4 | LIGHT TUBE HOLDER | 1 | 41020 | 41020 | 41020 | 41020 |
| 5 | LIGHT DEFLECTOR | 1 | 74787 | 74787 | 74787 | 74787 |
| 6 | LIGHT TUBE | 1 | 41057 | 41057 | 41057 | 41057 |
| 7 | LIGHT TUBE COVER | 1 | 74788 | 74788 | 74788 | 74788 |



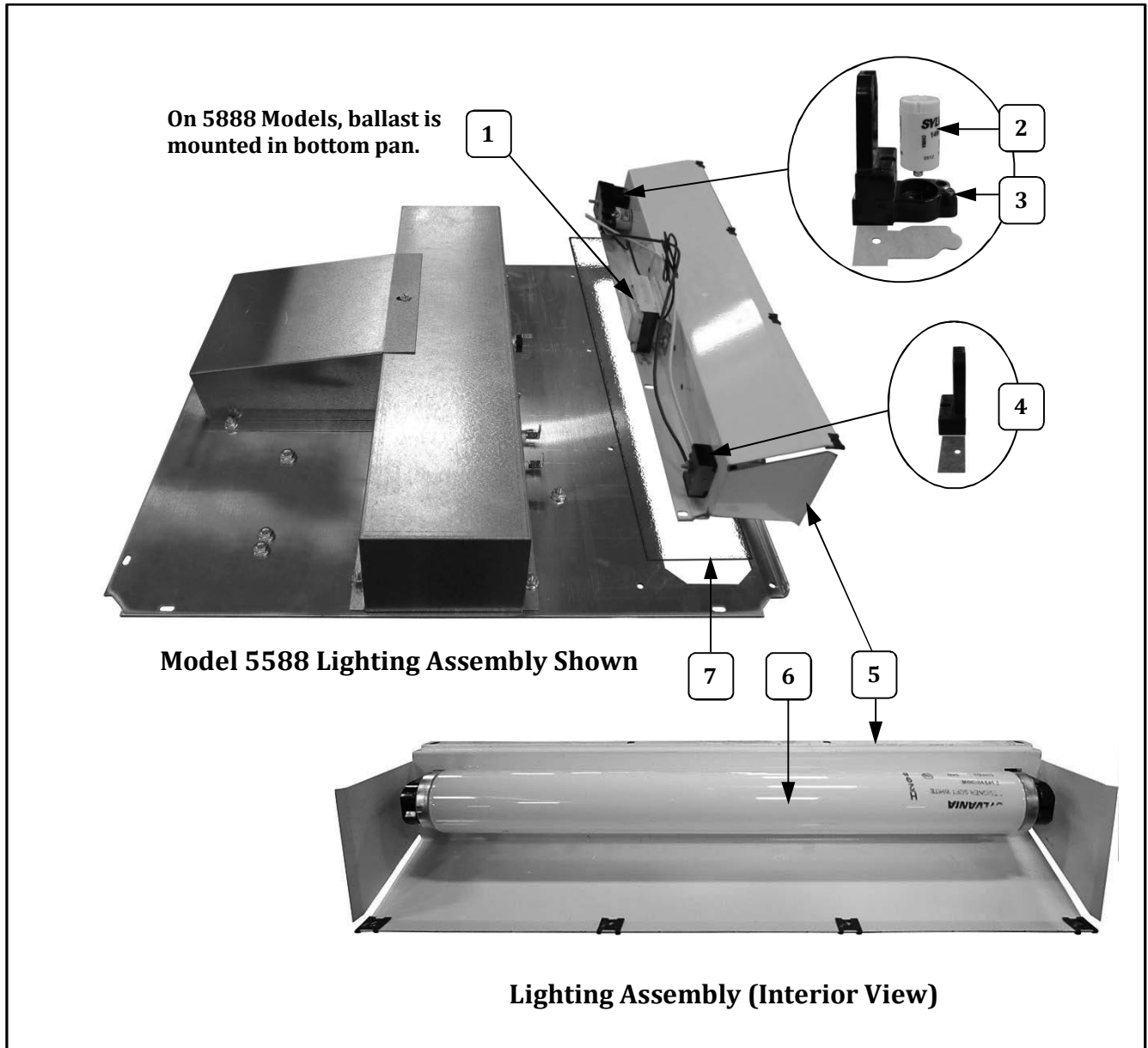
Lighting Component Breakdown



| Item | Part Description | Qty. | Part Number | | | |
|------|-----------------------------|------|-------------|-------|--------|--------|
| | | | 5588 | 5888 | 5588EX | 5888EX |
| 1 | LIGHT BALLAST 120V 60HZ | 1 | 41022 | 41022 | | |
| | LIGHT BALLAST 240V 50Hz | 1 | | | 41722 | 41722 |
| 2 | LIGHT STARTER | 1 | 41023 | 41023 | 41023 | 41023 |
| 3 | LIGHT TUBE HOLDER - STARTER | 1 | 41021 | 41021 | 41021 | 41021 |
| 4 | LIGHT TUBE HOLDER | 1 | 41020 | 41020 | 41020 | 41020 |
| 5 | LIGHT DEFLECTOR | 1 | 74787 | 74787 | 74787 | 74787 |
| 6 | LIGHT TUBE | 1 | 41057 | 41057 | 41057 | 41057 |
| 7 | LIGHT TUBE COVER | 1 | 74788 | 74788 | 74788 | 74788 |



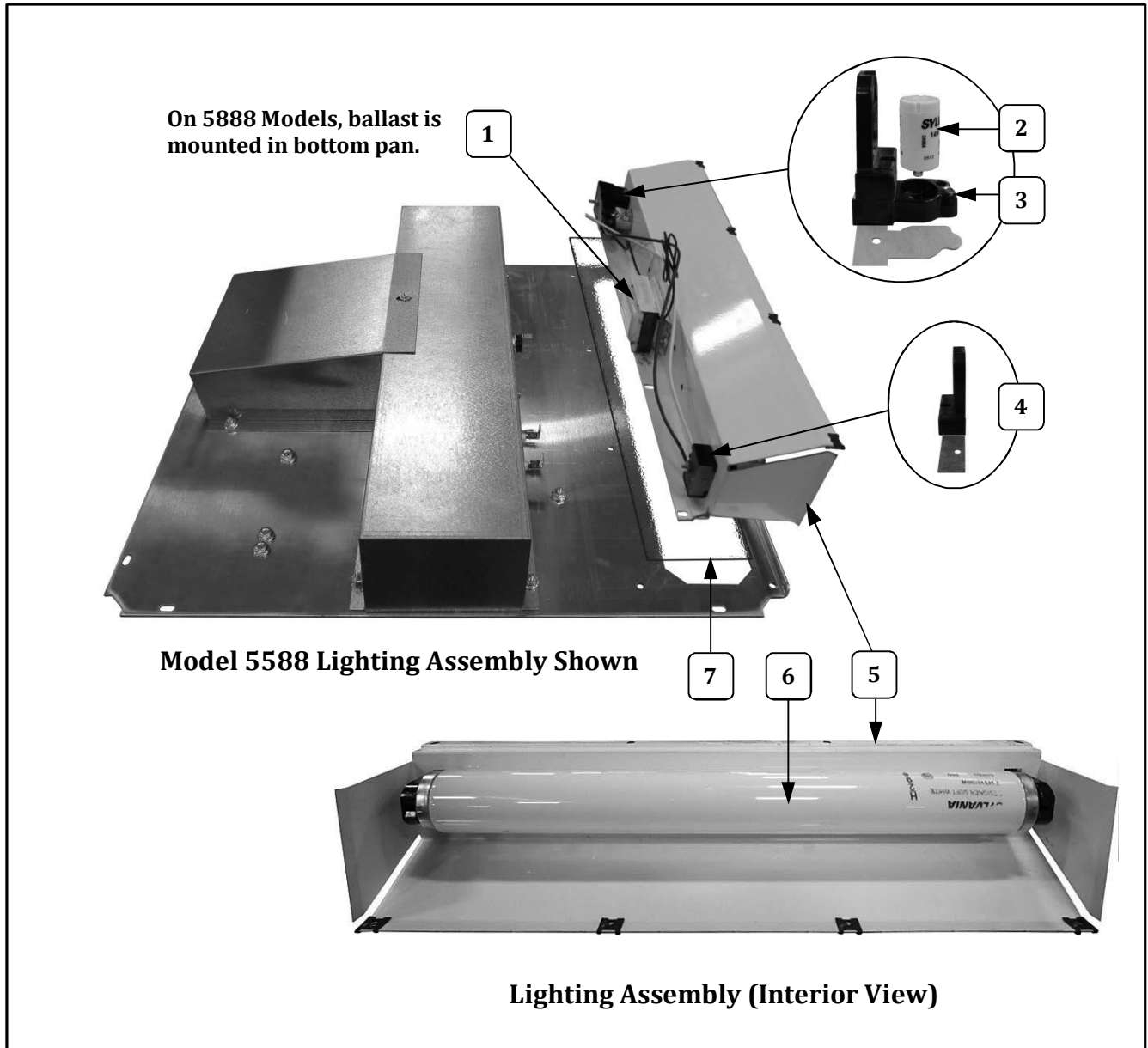
Lighting Component Breakdown



| Item | Part Description | Qty. | Part Number | | | |
|------|-----------------------------|------|-------------|-------|--------|--------|
| | | | 5588 | 5888 | 5588EX | 5888EX |
| 1 | LIGHT BALLAST 120V 60HZ | 1 | 41022 | 41022 | | |
| | LIGHT BALLAST 240V 50Hz | 1 | | | 41722 | 41722 |
| 2 | LIGHT STARTER | 1 | 41023 | 41023 | 41023 | 41023 |
| 3 | LIGHT TUBE HOLDER - STARTER | 1 | 41021 | 41021 | 41021 | 41021 |
| 4 | LIGHT TUBE HOLDER | 1 | 41020 | 41020 | 41020 | 41020 |
| 5 | LIGHT DEFLECTOR | 1 | 74787 | 74787 | 74787 | 74787 |
| 6 | LIGHT TUBE | 1 | 41057 | 41057 | 41057 | 41057 |
| 7 | LIGHT TUBE COVER | 1 | 74788 | 74788 | 74788 | 74788 |



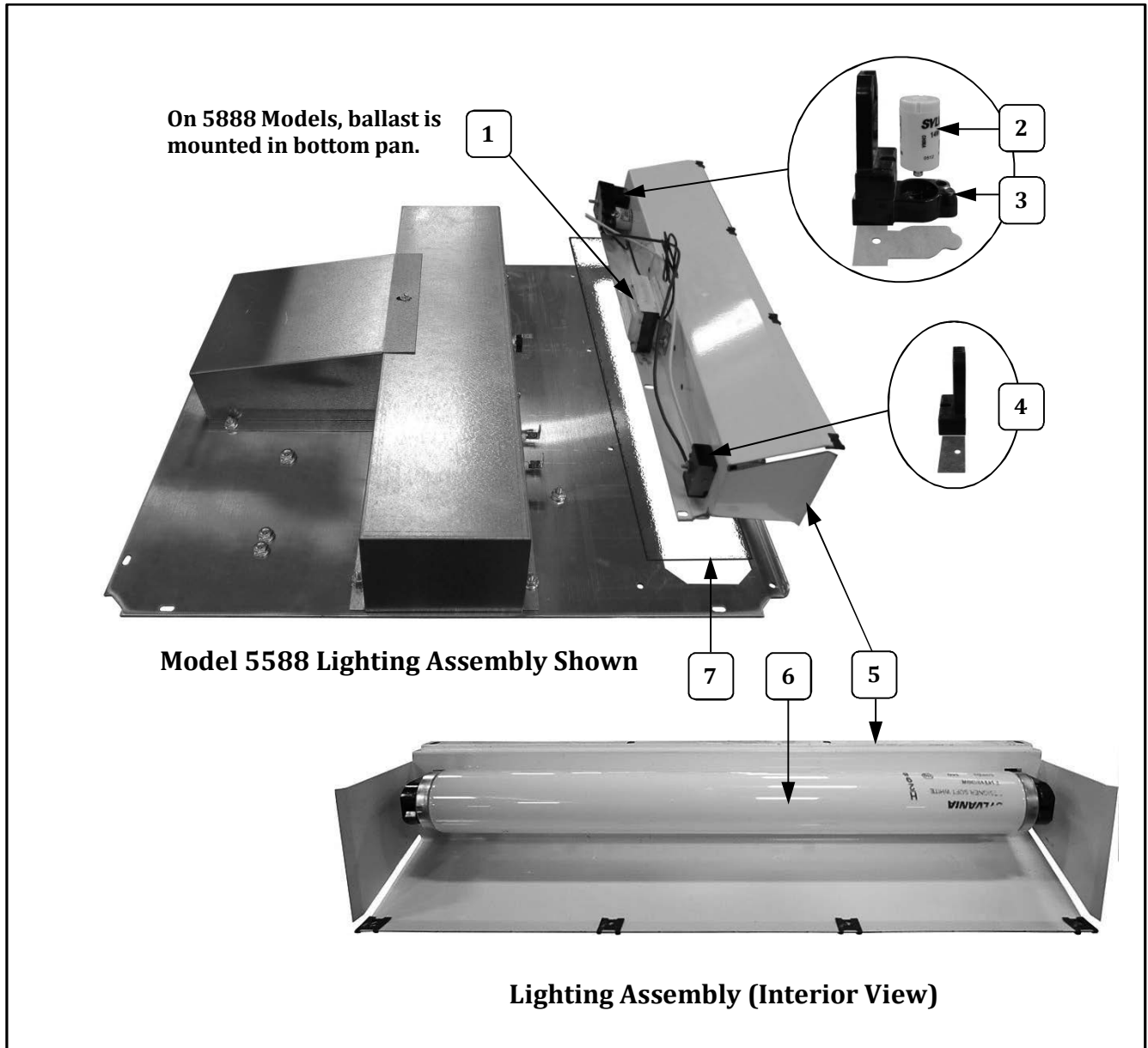
Lighting Component Breakdown



| Item | Part Description | Qty. | Part Number | | | |
|------|-----------------------------|------|-------------|-------|--------|--------|
| | | | 5588 | 5888 | 5588EX | 5888EX |
| 1 | LIGHT BALLAST 120V 60HZ | 1 | 41022 | 41022 | | |
| | LIGHT BALLAST 240V 50Hz | 1 | | | 41722 | 41722 |
| 2 | LIGHT STARTER | 1 | 41023 | 41023 | 41023 | 41023 |
| 3 | LIGHT TUBE HOLDER - STARTER | 1 | 41021 | 41021 | 41021 | 41021 |
| 4 | LIGHT TUBE HOLDER | 1 | 41020 | 41020 | 41020 | 41020 |
| 5 | LIGHT DEFLECTOR | 1 | 74787 | 74787 | 74787 | 74787 |
| 6 | LIGHT TUBE | 1 | 41057 | 41057 | 41057 | 41057 |
| 7 | LIGHT TUBE COVER | 1 | 74788 | 74788 | 74788 | 74788 |



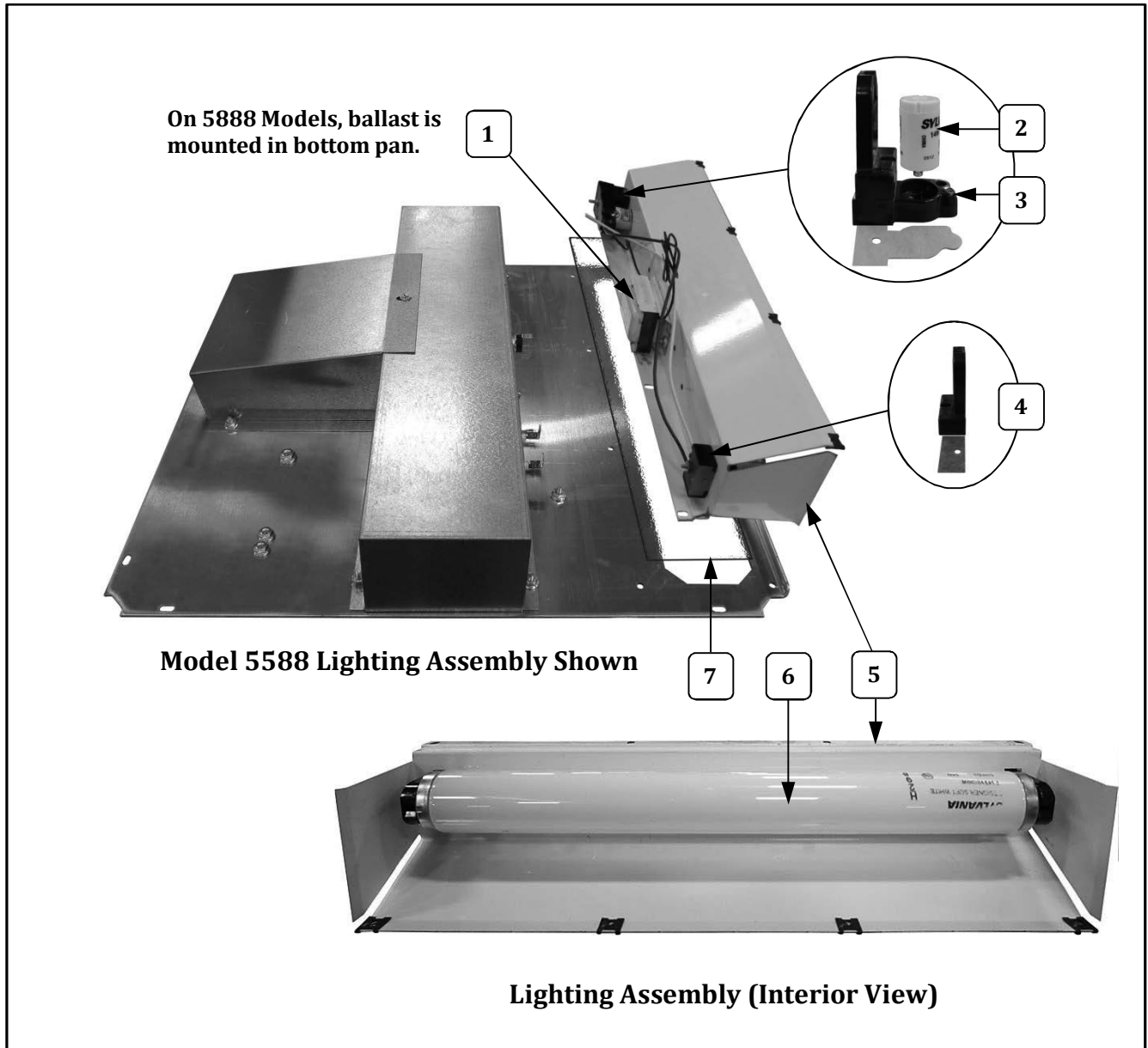
Lighting Component Breakdown



| Item | Part Description | Qty. | Part Number | | | |
|------|-----------------------------|------|-------------|-------|--------|--------|
| | | | 5588 | 5888 | 5588EX | 5888EX |
| 1 | LIGHT BALLAST 120V 60HZ | 1 | 41022 | 41022 | | |
| | LIGHT BALLAST 240V 50Hz | 1 | | | 41722 | 41722 |
| 2 | LIGHT STARTER | 1 | 41023 | 41023 | 41023 | 41023 |
| 3 | LIGHT TUBE HOLDER - STARTER | 1 | 41021 | 41021 | 41021 | 41021 |
| 4 | LIGHT TUBE HOLDER | 1 | 41020 | 41020 | 41020 | 41020 |
| 5 | LIGHT DEFLECTOR | 1 | 74787 | 74787 | 74787 | 74787 |
| 6 | LIGHT TUBE | 1 | 41057 | 41057 | 41057 | 41057 |
| 7 | LIGHT TUBE COVER | 1 | 74788 | 74788 | 74788 | 74788 |

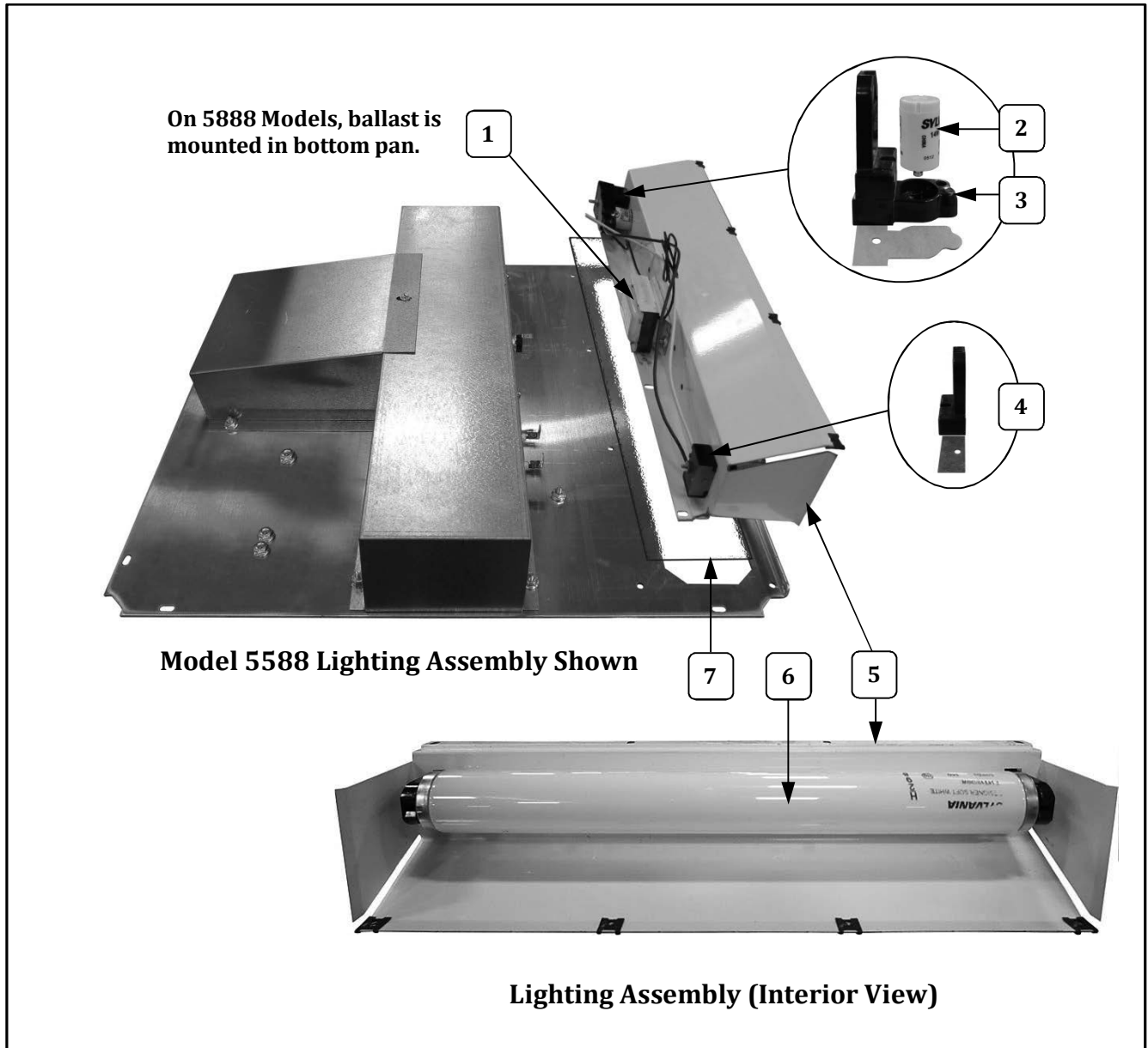


Lighting Component Breakdown



| Item | Part Description | Qty. | Part Number | | | |
|------|-----------------------------|------|-------------|-------|--------|--------|
| | | | 5588 | 5888 | 5588EX | 5888EX |
| 1 | LIGHT BALLAST 120V 60HZ | 1 | 41022 | 41022 | | |
| | LIGHT BALLAST 240V 50Hz | 1 | | | 41722 | 41722 |
| 2 | LIGHT STARTER | 1 | 41023 | 41023 | 41023 | 41023 |
| 3 | LIGHT TUBE HOLDER - STARTER | 1 | 41021 | 41021 | 41021 | 41021 |
| 4 | LIGHT TUBE HOLDER | 1 | 41020 | 41020 | 41020 | 41020 |
| 5 | LIGHT DEFLECTOR | 1 | 74787 | 74787 | 74787 | 74787 |
| 6 | LIGHT TUBE | 1 | 41057 | 41057 | 41057 | 41057 |
| 7 | LIGHT TUBE COVER | 1 | 74788 | 74788 | 74788 | 74788 |

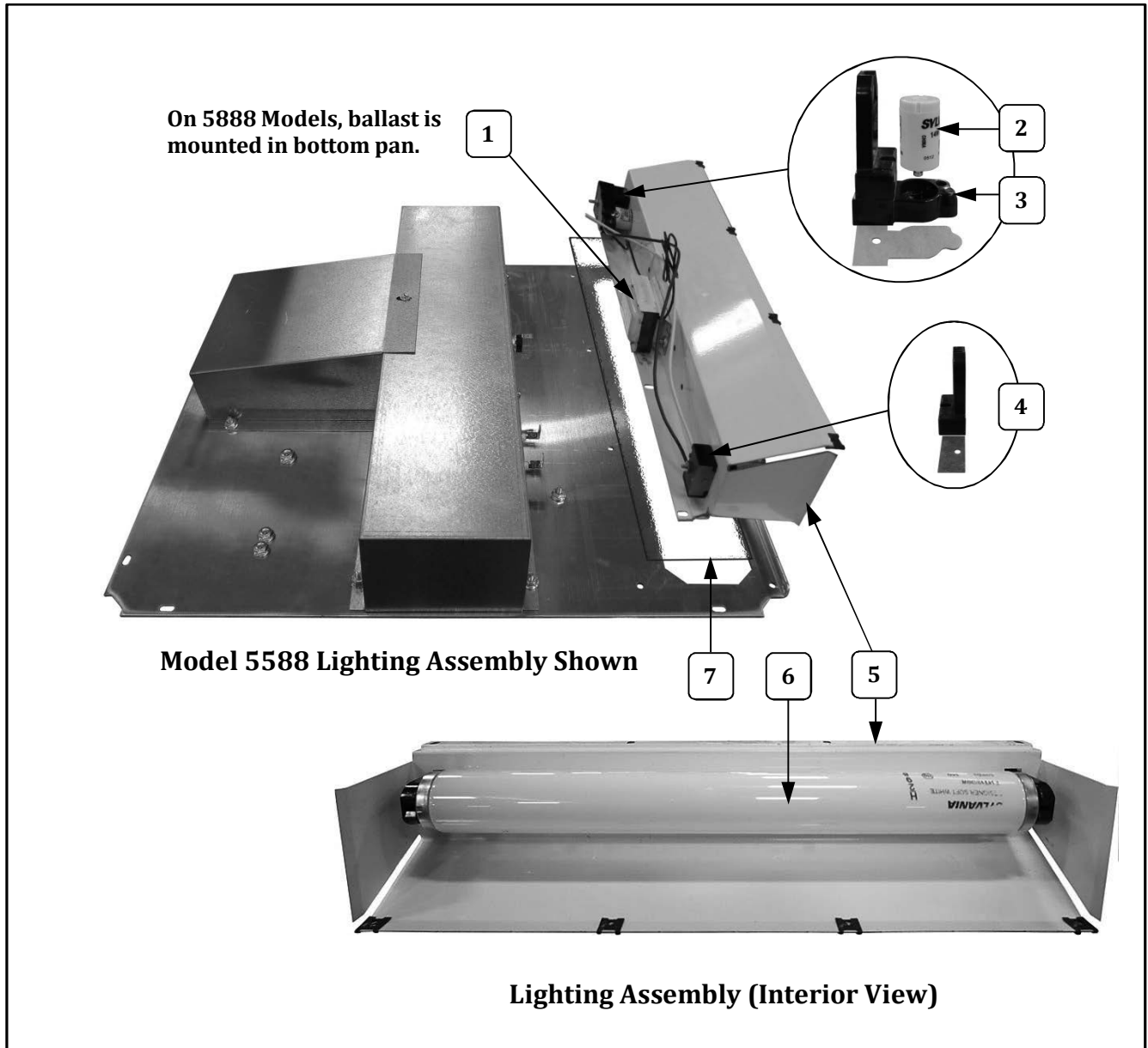
Lighting Component Breakdown



| Item | Part Description | Qty. | Part Number | | | |
|------|-----------------------------|------|-------------|-------|--------|--------|
| | | | 5588 | 5888 | 5588EX | 5888EX |
| 1 | LIGHT BALLAST 120V 60HZ | 1 | 41022 | 41022 | | |
| | LIGHT BALLAST 240V 50Hz | 1 | | | 41722 | 41722 |
| 2 | LIGHT STARTER | 1 | 41023 | 41023 | 41023 | 41023 |
| 3 | LIGHT TUBE HOLDER - STARTER | 1 | 41021 | 41021 | 41021 | 41021 |
| 4 | LIGHT TUBE HOLDER | 1 | 41020 | 41020 | 41020 | 41020 |
| 5 | LIGHT DEFLECTOR | 1 | 74787 | 74787 | 74787 | 74787 |
| 6 | LIGHT TUBE | 1 | 41057 | 41057 | 41057 | 41057 |
| 7 | LIGHT TUBE COVER | 1 | 74788 | 74788 | 74788 | 74788 |

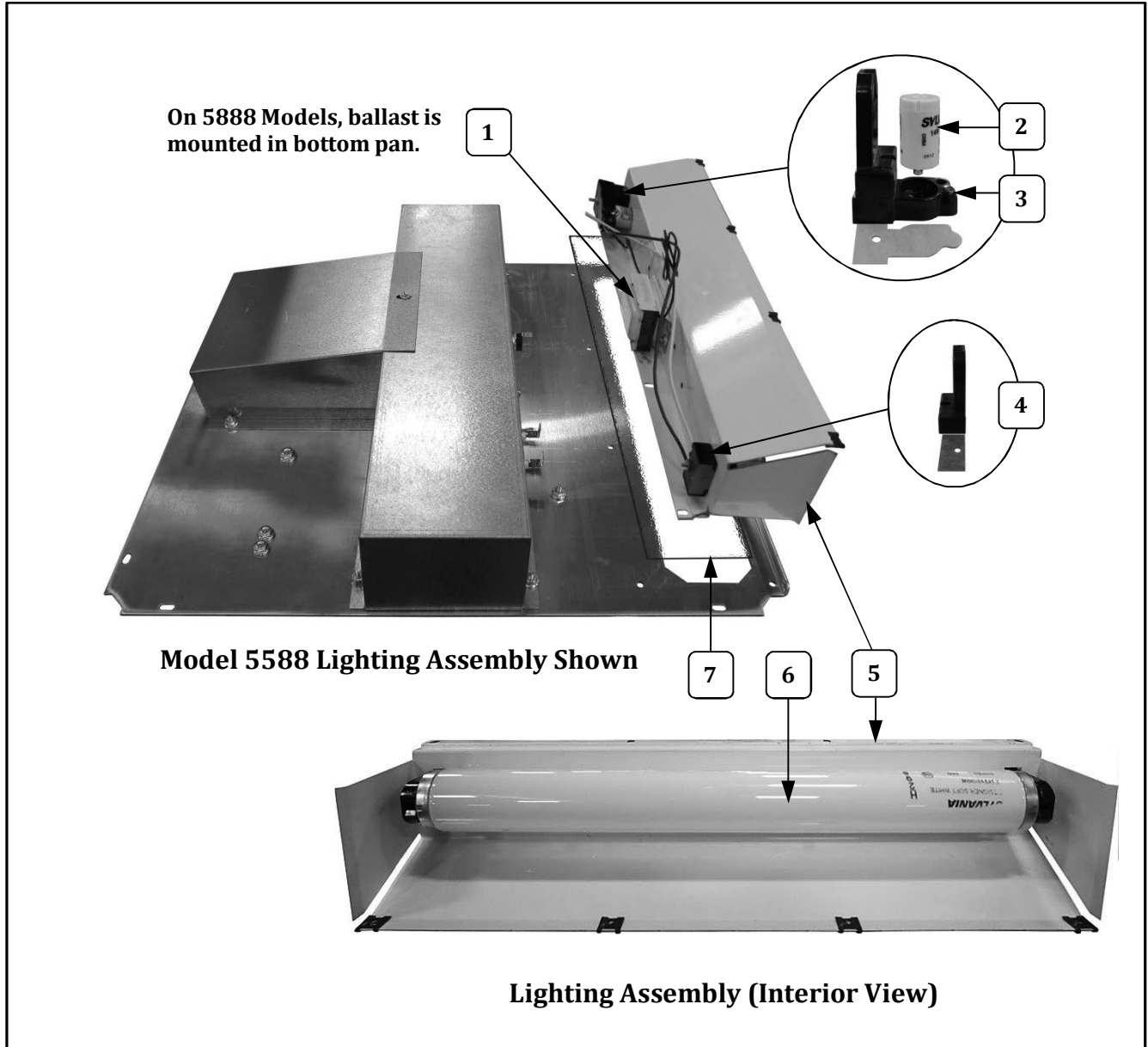


Lighting Component Breakdown



| Item | Part Description | Qty. | Part Number | | | |
|------|-----------------------------|------|-------------|-------|--------|--------|
| | | | 5588 | 5888 | 5588EX | 5888EX |
| 1 | LIGHT BALLAST 120V 60HZ | 1 | 41022 | 41022 | | |
| | LIGHT BALLAST 240V 50Hz | 1 | | | 41722 | 41722 |
| 2 | LIGHT STARTER | 1 | 41023 | 41023 | 41023 | 41023 |
| 3 | LIGHT TUBE HOLDER - STARTER | 1 | 41021 | 41021 | 41021 | 41021 |
| 4 | LIGHT TUBE HOLDER | 1 | 41020 | 41020 | 41020 | 41020 |
| 5 | LIGHT DEFLECTOR | 1 | 74787 | 74787 | 74787 | 74787 |
| 6 | LIGHT TUBE | 1 | 41057 | 41057 | 41057 | 41057 |
| 7 | LIGHT TUBE COVER | 1 | 74788 | 74788 | 74788 | 74788 |

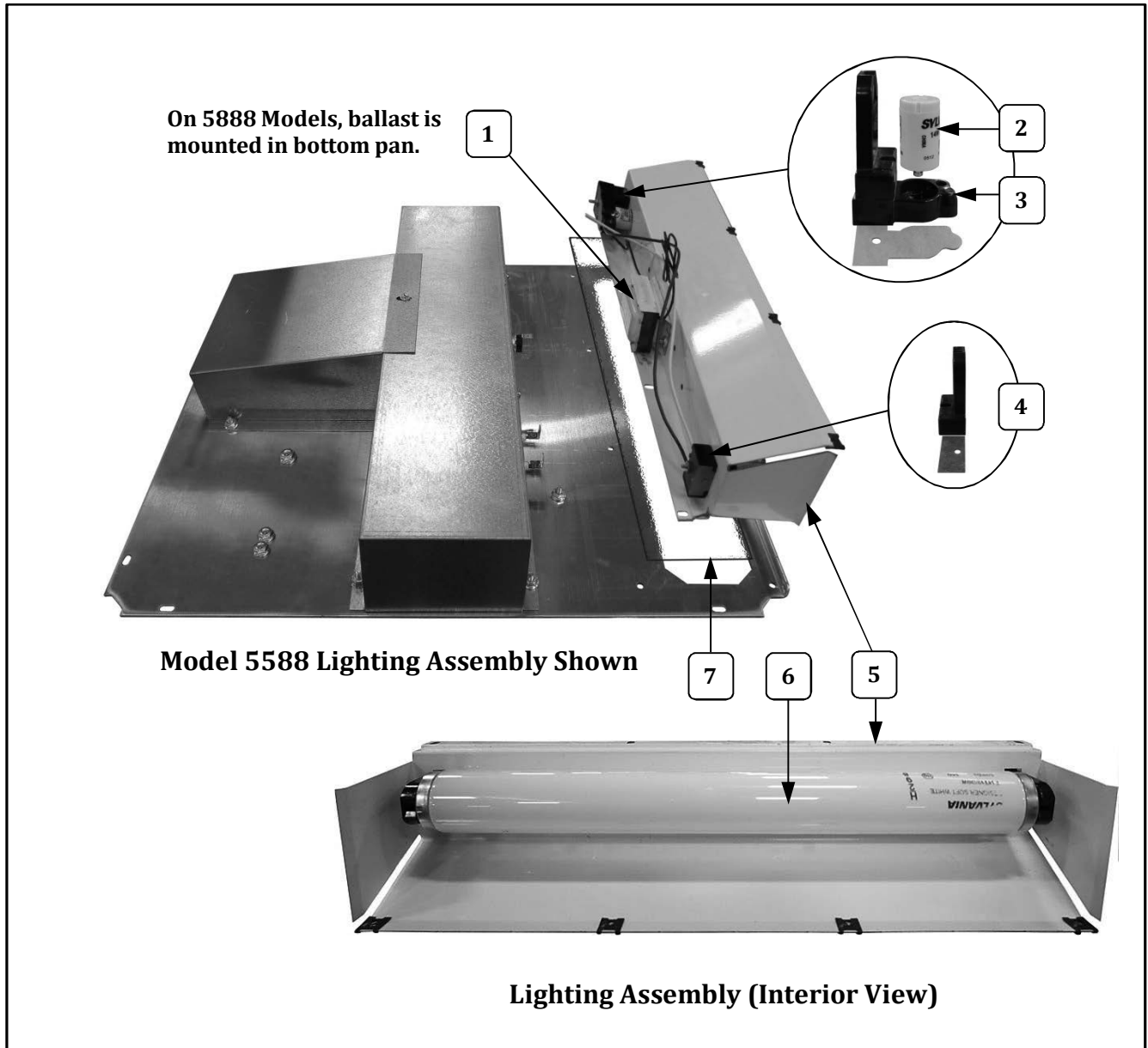
Lighting Component Breakdown



| Item | Part Description | Qty. | Part Number | | | |
|------|-----------------------------|------|-------------|-------|--------|--------|
| | | | 5588 | 5888 | 5588EX | 5888EX |
| 1 | LIGHT BALLAST 120V 60HZ | 1 | 41022 | 41022 | | |
| | LIGHT BALLAST 240V 50Hz | 1 | | | 41722 | 41722 |
| 2 | LIGHT STARTER | 1 | 41023 | 41023 | 41023 | 41023 |
| 3 | LIGHT TUBE HOLDER - STARTER | 1 | 41021 | 41021 | 41021 | 41021 |
| 4 | LIGHT TUBE HOLDER | 1 | 41020 | 41020 | 41020 | 41020 |
| 5 | LIGHT DEFLECTOR | 1 | 74787 | 74787 | 74787 | 74787 |
| 6 | LIGHT TUBE | 1 | 41057 | 41057 | 41057 | 41057 |
| 7 | LIGHT TUBE COVER | 1 | 74788 | 74788 | 74788 | 74788 |

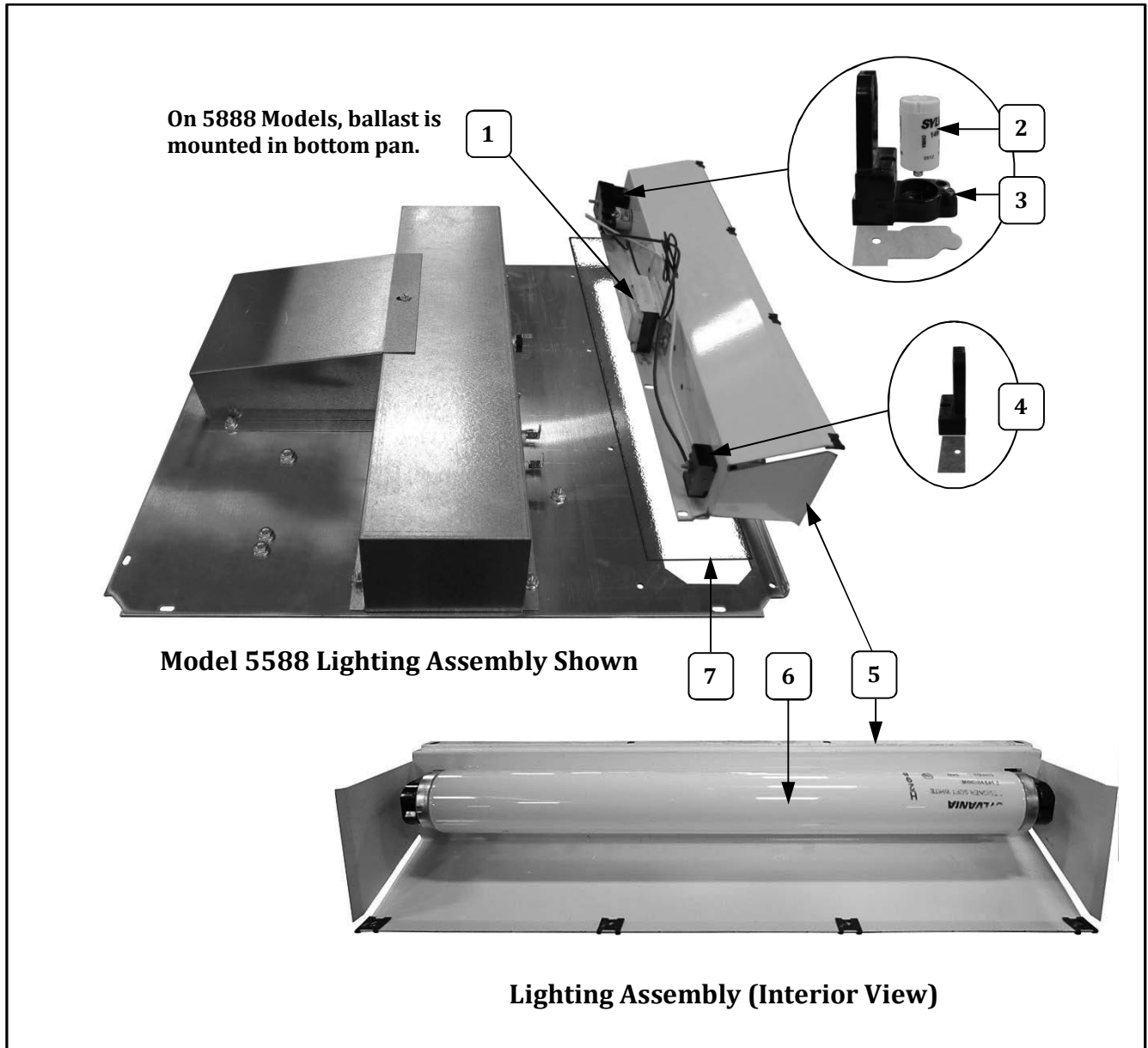


Lighting Component Breakdown



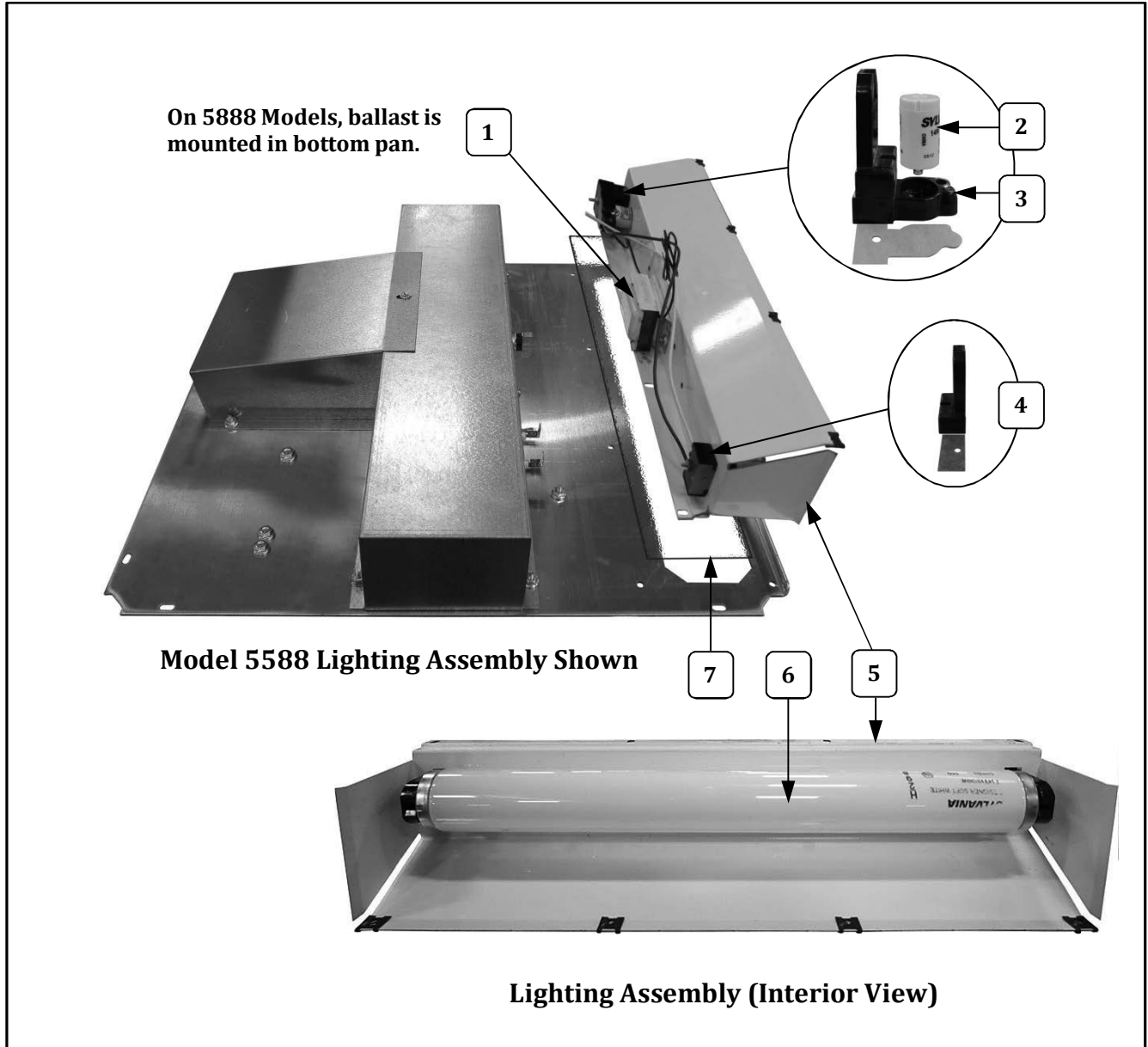
| Item | Part Description | Qty. | Part Number | | | |
|------|-----------------------------|------|-------------|-------|--------|--------|
| | | | 5588 | 5888 | 5588EX | 5888EX |
| 1 | LIGHT BALLAST 120V 60HZ | 1 | 41022 | 41022 | | |
| | LIGHT BALLAST 240V 50Hz | 1 | | | 41722 | 41722 |
| 2 | LIGHT STARTER | 1 | 41023 | 41023 | 41023 | 41023 |
| 3 | LIGHT TUBE HOLDER - STARTER | 1 | 41021 | 41021 | 41021 | 41021 |
| 4 | LIGHT TUBE HOLDER | 1 | 41020 | 41020 | 41020 | 41020 |
| 5 | LIGHT DEFLECTOR | 1 | 74787 | 74787 | 74787 | 74787 |
| 6 | LIGHT TUBE | 1 | 41057 | 41057 | 41057 | 41057 |
| 7 | LIGHT TUBE COVER | 1 | 74788 | 74788 | 74788 | 74788 |

Lighting Component Breakdown



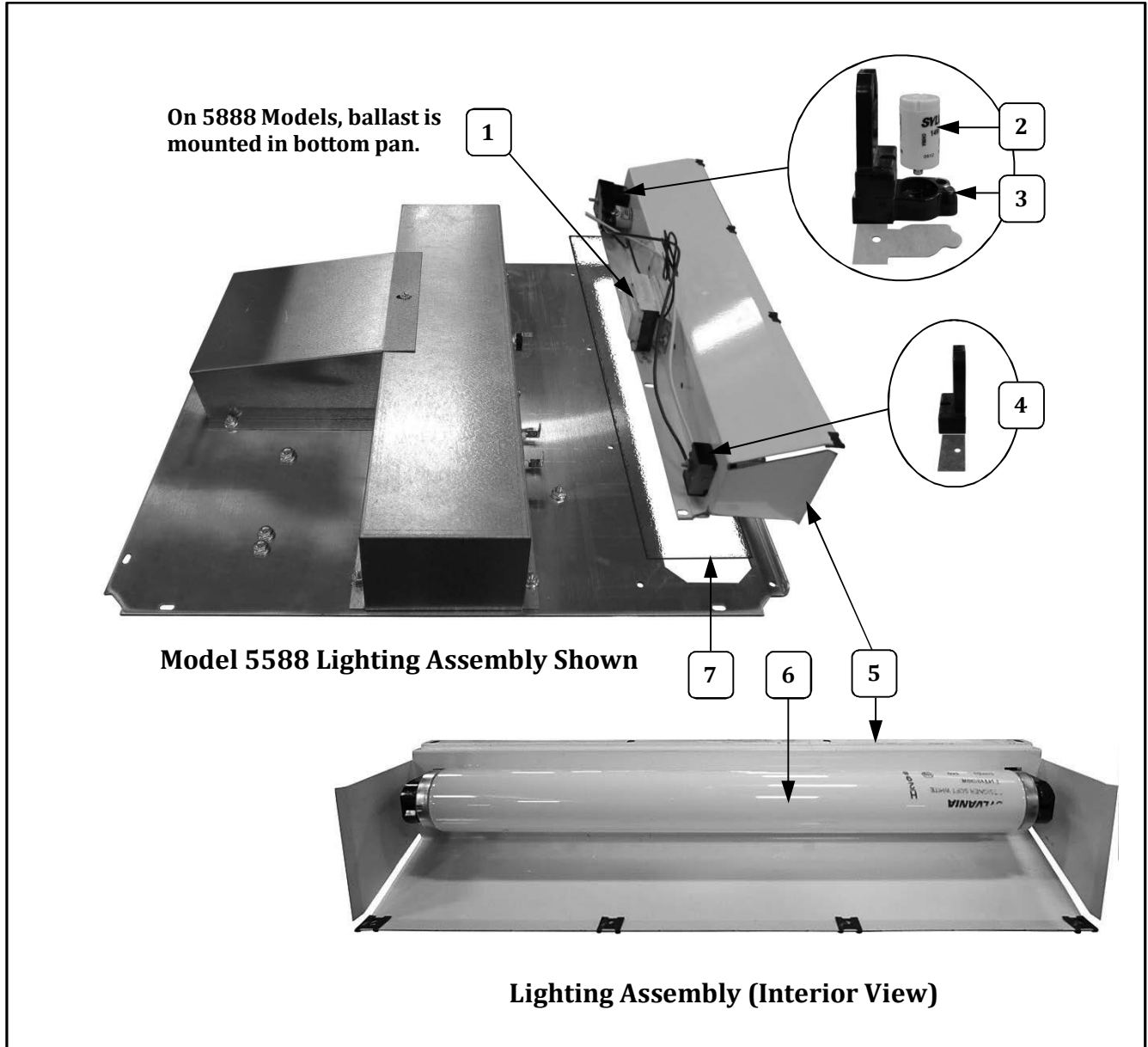
| Item | Part Description | Qty. | Part Number | | | |
|------|-----------------------------|------|-------------|-------|--------|--------|
| | | | 5588 | 5888 | 5588EX | 5888EX |
| 1 | LIGHT BALLAST 120V 60HZ | 1 | 41022 | 41022 | | |
| | LIGHT BALLAST 240V 50Hz | 1 | | | 41722 | 41722 |
| 2 | LIGHT STARTER | 1 | 41023 | 41023 | 41023 | 41023 |
| 3 | LIGHT TUBE HOLDER - STARTER | 1 | 41021 | 41021 | 41021 | 41021 |
| 4 | LIGHT TUBE HOLDER | 1 | 41020 | 41020 | 41020 | 41020 |
| 5 | LIGHT DEFLECTOR | 1 | 74787 | 74787 | 74787 | 74787 |
| 6 | LIGHT TUBE | 1 | 41057 | 41057 | 41057 | 41057 |
| 7 | LIGHT TUBE COVER | 1 | 74788 | 74788 | 74788 | 74788 |

Lighting Component Breakdown



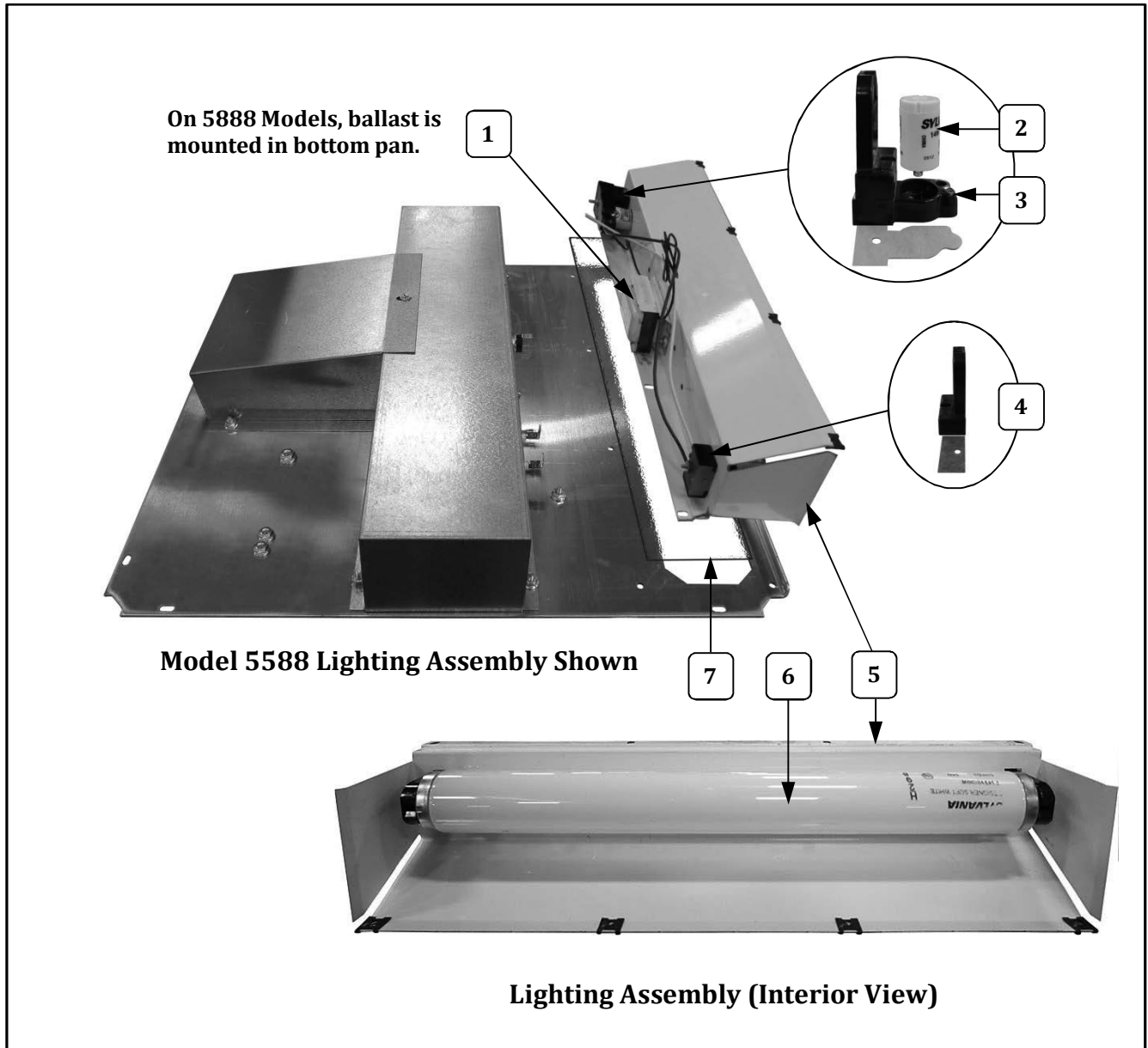
| Item | Part Description | Qty. | Part Number | | | |
|------|-----------------------------|------|-------------|-------|--------|--------|
| | | | 5588 | 5888 | 5588EX | 5888EX |
| 1 | LIGHT BALLAST 120V 60HZ | 1 | 41022 | 41022 | | |
| | LIGHT BALLAST 240V 50Hz | 1 | | | 41722 | 41722 |
| 2 | LIGHT STARTER | 1 | 41023 | 41023 | 41023 | 41023 |
| 3 | LIGHT TUBE HOLDER - STARTER | 1 | 41021 | 41021 | 41021 | 41021 |
| 4 | LIGHT TUBE HOLDER | 1 | 41020 | 41020 | 41020 | 41020 |
| 5 | LIGHT DEFLECTOR | 1 | 74787 | 74787 | 74787 | 74787 |
| 6 | LIGHT TUBE | 1 | 41057 | 41057 | 41057 | 41057 |
| 7 | LIGHT TUBE COVER | 1 | 74788 | 74788 | 74788 | 74788 |

Lighting Component Breakdown



| Item | Part Description | Qty. | Part Number | | | |
|------|-----------------------------|------|-------------|-------|--------|--------|
| | | | 5588 | 5888 | 5588EX | 5888EX |
| 1 | LIGHT BALLAST 120V 60HZ | 1 | 41022 | 41022 | | |
| | LIGHT BALLAST 240V 50Hz | 1 | | | 41722 | 41722 |
| 2 | LIGHT STARTER | 1 | 41023 | 41023 | 41023 | 41023 |
| 3 | LIGHT TUBE HOLDER - STARTER | 1 | 41021 | 41021 | 41021 | 41021 |
| 4 | LIGHT TUBE HOLDER | 1 | 41020 | 41020 | 41020 | 41020 |
| 5 | LIGHT DEFLECTOR | 1 | 74787 | 74787 | 74787 | 74787 |
| 6 | LIGHT TUBE | 1 | 41057 | 41057 | 41057 | 41057 |
| 7 | LIGHT TUBE COVER | 1 | 74788 | 74788 | 74788 | 74788 |

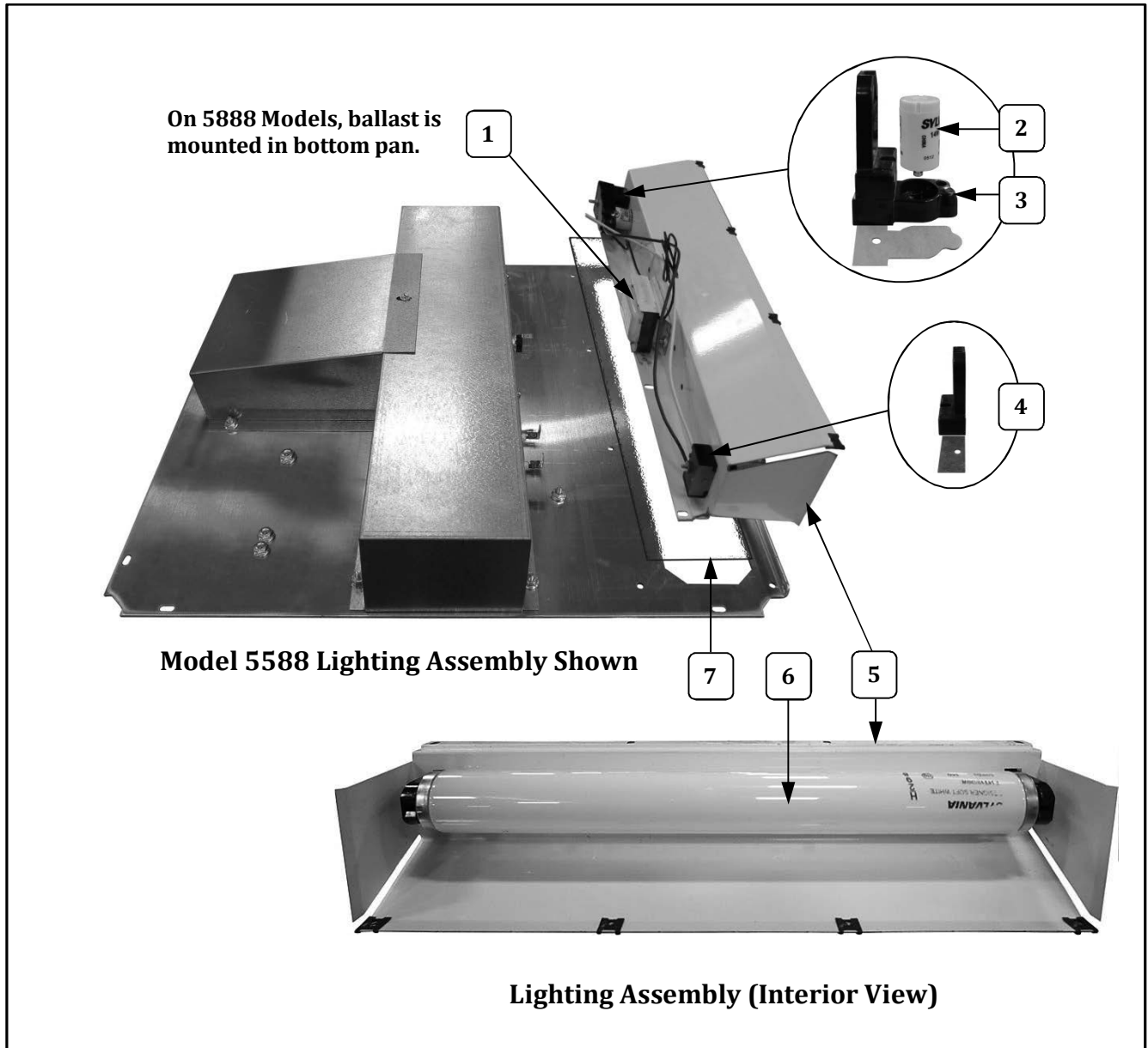
Lighting Component Breakdown



| Item | Part Description | Qty. | Part Number | | | |
|------|-----------------------------|------|-------------|-------|--------|--------|
| | | | 5588 | 5888 | 5588EX | 5888EX |
| 1 | LIGHT BALLAST 120V 60HZ | 1 | 41022 | 41022 | | |
| | LIGHT BALLAST 240V 50Hz | 1 | | | 41722 | 41722 |
| 2 | LIGHT STARTER | 1 | 41023 | 41023 | 41023 | 41023 |
| 3 | LIGHT TUBE HOLDER - STARTER | 1 | 41021 | 41021 | 41021 | 41021 |
| 4 | LIGHT TUBE HOLDER | 1 | 41020 | 41020 | 41020 | 41020 |
| 5 | LIGHT DEFLECTOR | 1 | 74787 | 74787 | 74787 | 74787 |
| 6 | LIGHT TUBE | 1 | 41057 | 41057 | 41057 | 41057 |
| 7 | LIGHT TUBE COVER | 1 | 74788 | 74788 | 74788 | 74788 |



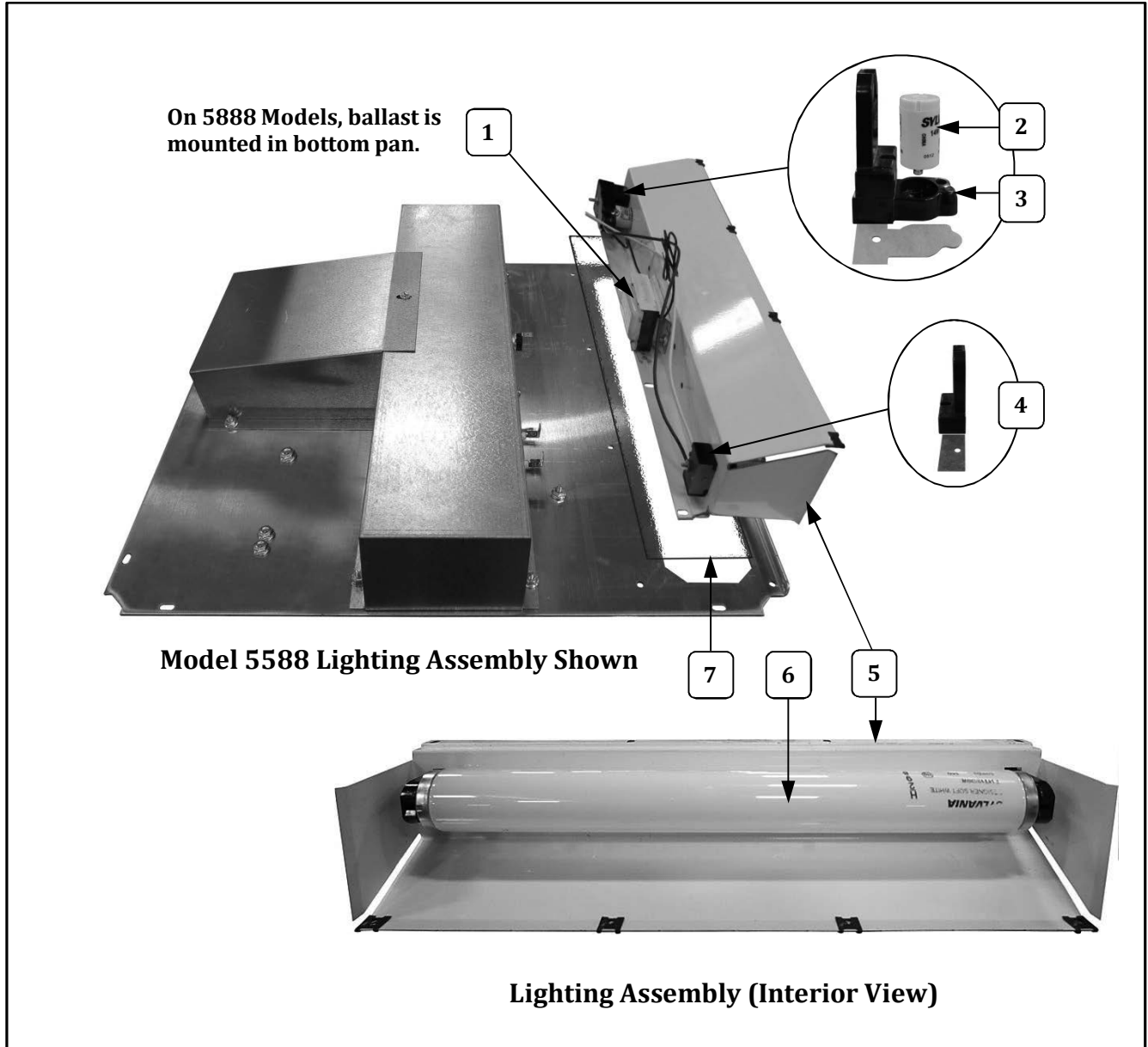
Lighting Component Breakdown



| Item | Part Description | Qty. | Part Number | | | |
|------|-----------------------------|------|-------------|-------|--------|--------|
| | | | 5588 | 5888 | 5588EX | 5888EX |
| 1 | LIGHT BALLAST 120V 60HZ | 1 | 41022 | 41022 | | |
| | LIGHT BALLAST 240V 50Hz | 1 | | | 41722 | 41722 |
| 2 | LIGHT STARTER | 1 | 41023 | 41023 | 41023 | 41023 |
| 3 | LIGHT TUBE HOLDER - STARTER | 1 | 41021 | 41021 | 41021 | 41021 |
| 4 | LIGHT TUBE HOLDER | 1 | 41020 | 41020 | 41020 | 41020 |
| 5 | LIGHT DEFLECTOR | 1 | 74787 | 74787 | 74787 | 74787 |
| 6 | LIGHT TUBE | 1 | 41057 | 41057 | 41057 | 41057 |
| 7 | LIGHT TUBE COVER | 1 | 74788 | 74788 | 74788 | 74788 |



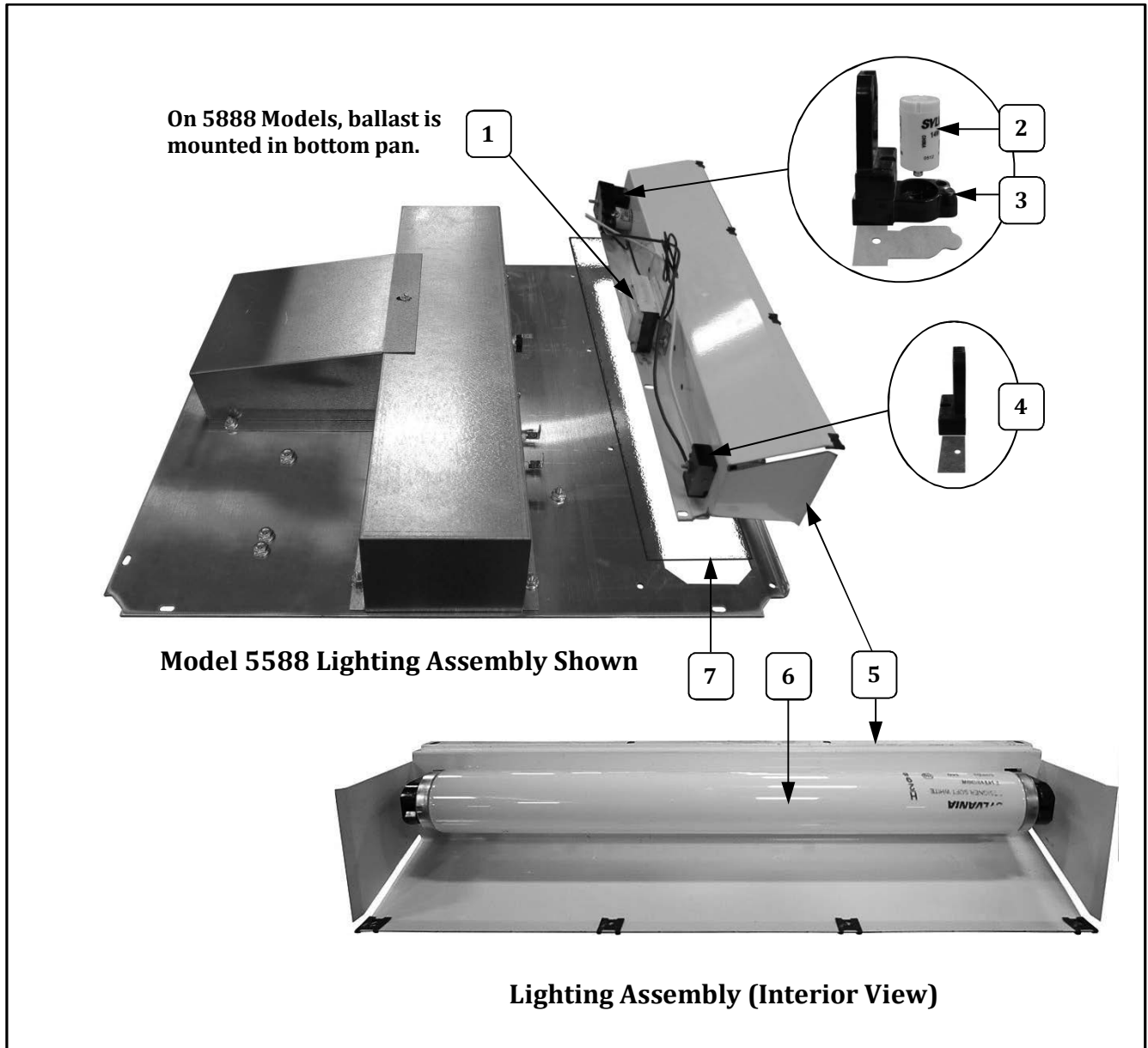
Lighting Component Breakdown



| Item | Part Description | Qty. | Part Number | | | |
|------|-----------------------------|------|-------------|-------|--------|--------|
| | | | 5588 | 5888 | 5588EX | 5888EX |
| 1 | LIGHT BALLAST 120V 60HZ | 1 | 41022 | 41022 | | |
| | LIGHT BALLAST 240V 50Hz | 1 | | | 41722 | 41722 |
| 2 | LIGHT STARTER | 1 | 41023 | 41023 | 41023 | 41023 |
| 3 | LIGHT TUBE HOLDER - STARTER | 1 | 41021 | 41021 | 41021 | 41021 |
| 4 | LIGHT TUBE HOLDER | 1 | 41020 | 41020 | 41020 | 41020 |
| 5 | LIGHT DEFLECTOR | 1 | 74787 | 74787 | 74787 | 74787 |
| 6 | LIGHT TUBE | 1 | 41057 | 41057 | 41057 | 41057 |
| 7 | LIGHT TUBE COVER | 1 | 74788 | 74788 | 74788 | 74788 |

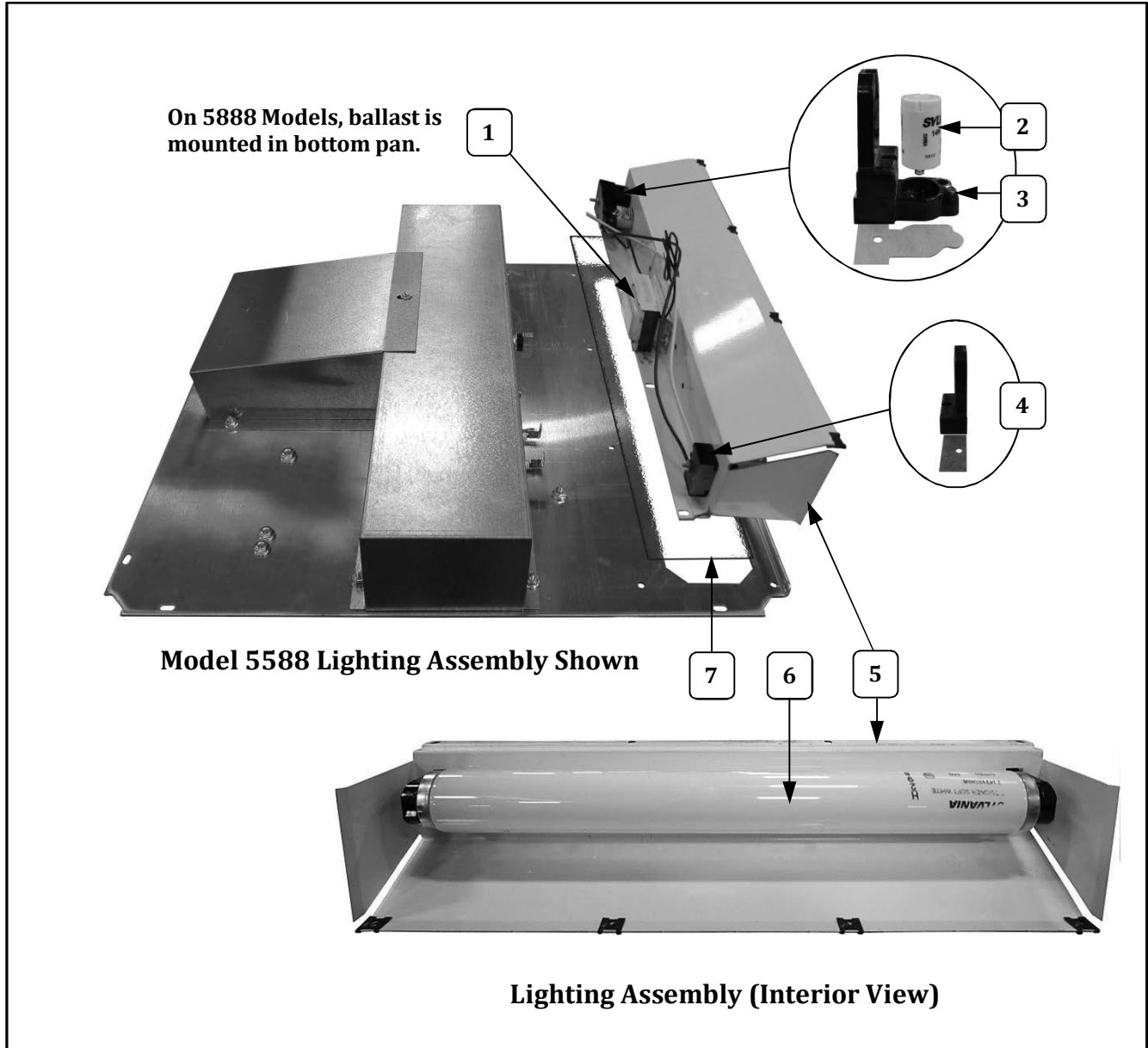


Lighting Component Breakdown



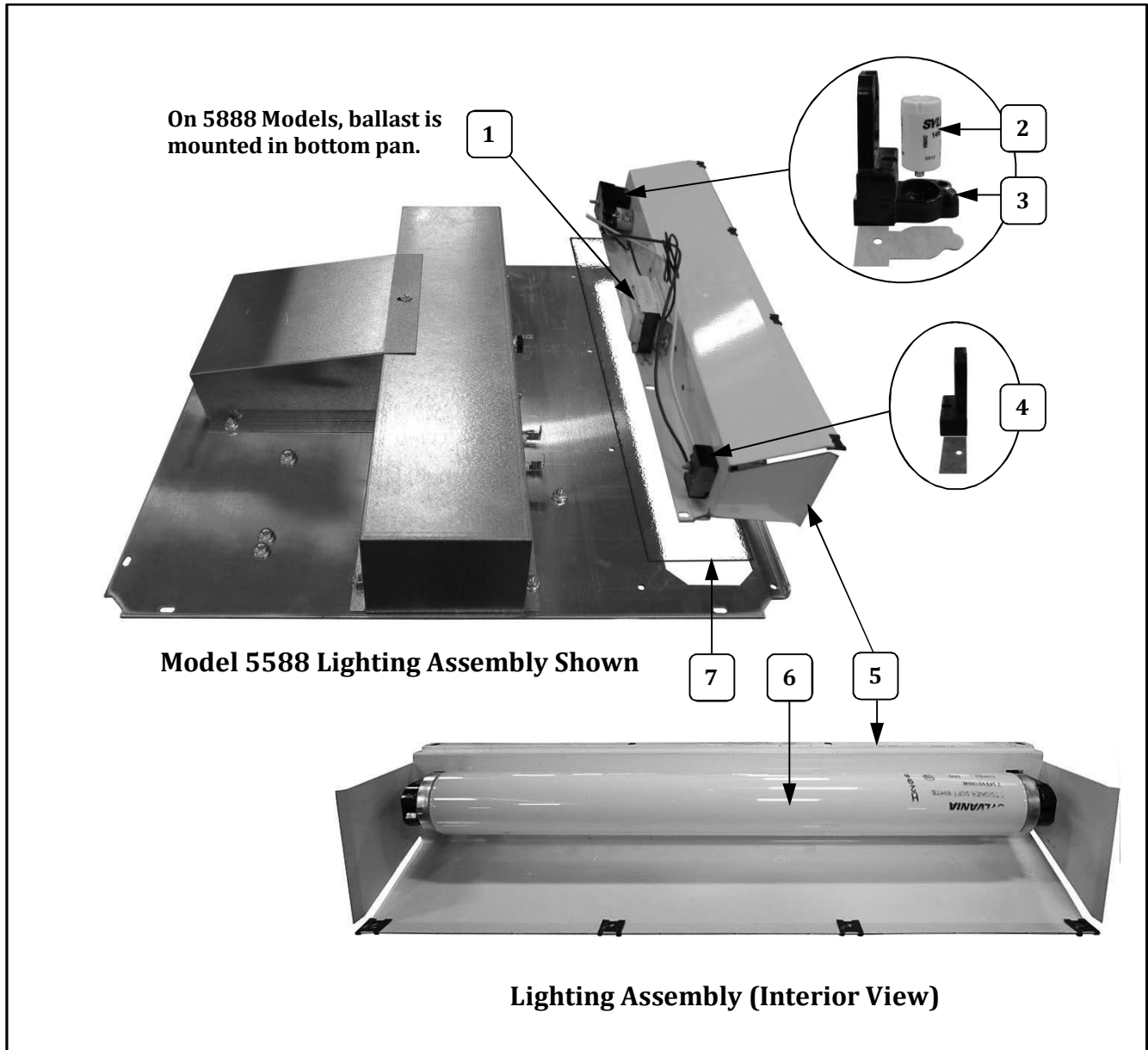
| Item | Part Description | Qty. | Part Number | | | |
|------|-----------------------------|------|-------------|-------|--------|--------|
| | | | 5588 | 5888 | 5588EX | 5888EX |
| 1 | LIGHT BALLAST 120V 60HZ | 1 | 41022 | 41022 | | |
| | LIGHT BALLAST 240V 50Hz | 1 | | | 41722 | 41722 |
| 2 | LIGHT STARTER | 1 | 41023 | 41023 | 41023 | 41023 |
| 3 | LIGHT TUBE HOLDER - STARTER | 1 | 41021 | 41021 | 41021 | 41021 |
| 4 | LIGHT TUBE HOLDER | 1 | 41020 | 41020 | 41020 | 41020 |
| 5 | LIGHT DEFLECTOR | 1 | 74787 | 74787 | 74787 | 74787 |
| 6 | LIGHT TUBE | 1 | 41057 | 41057 | 41057 | 41057 |
| 7 | LIGHT TUBE COVER | 1 | 74788 | 74788 | 74788 | 74788 |

Lighting Component Breakdown



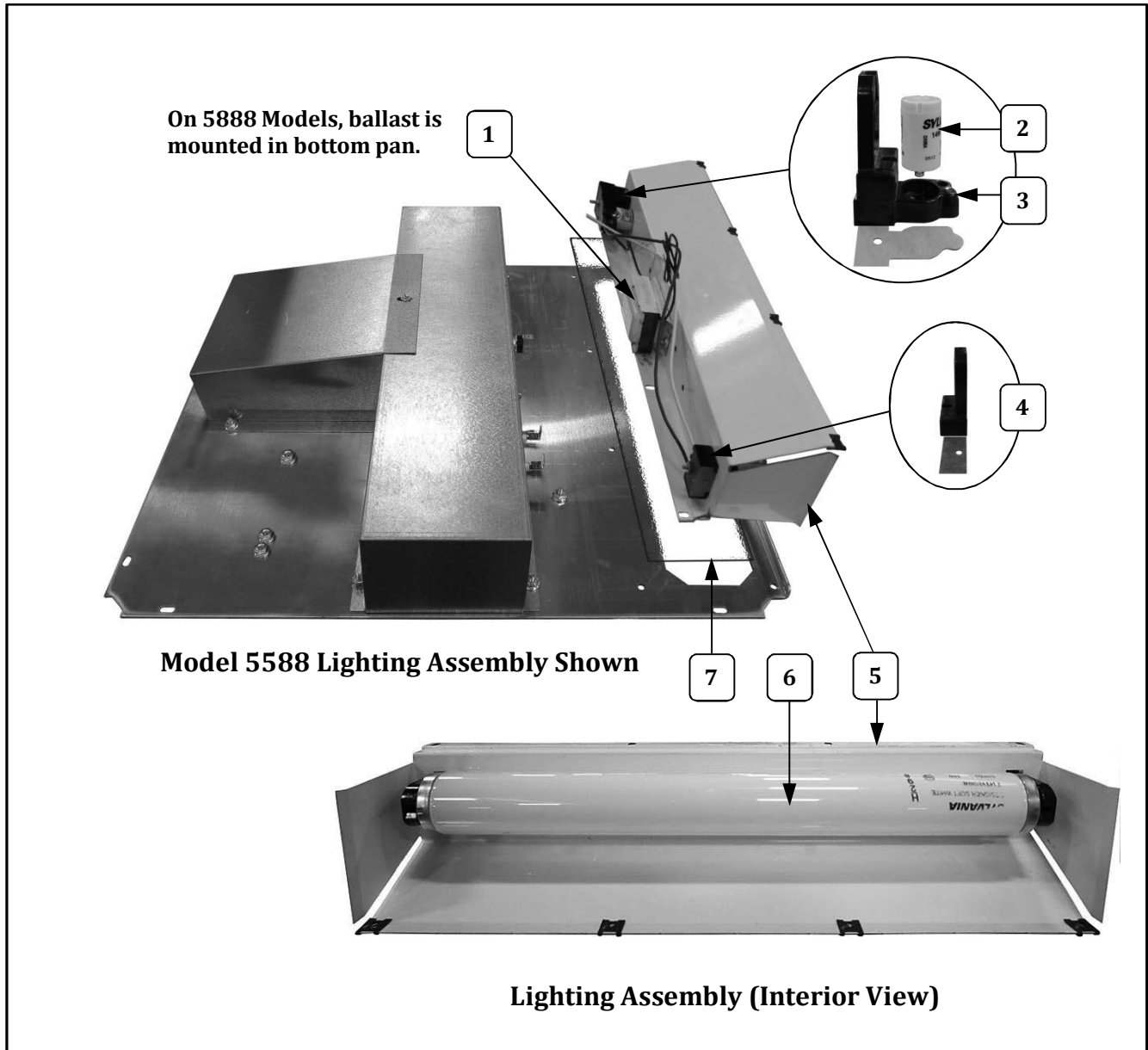
| Item | Part Description | Qty. | Part Number | | | |
|------|-----------------------------|------|-------------|-------|--------|--------|
| | | | 5588 | 5888 | 5588EX | 5888EX |
| 1 | LIGHT BALLAST 120V 60HZ | 1 | 41022 | 41022 | | |
| | LIGHT BALLAST 240V 50Hz | 1 | | | 41722 | 41722 |
| 2 | LIGHT STARTER | 1 | 41023 | 41023 | 41023 | 41023 |
| 3 | LIGHT TUBE HOLDER - STARTER | 1 | 41021 | 41021 | 41021 | 41021 |
| 4 | LIGHT TUBE HOLDER | 1 | 41020 | 41020 | 41020 | 41020 |
| 5 | LIGHT DEFLECTOR | 1 | 74787 | 74787 | 74787 | 74787 |
| 6 | LIGHT TUBE | 1 | 41057 | 41057 | 41057 | 41057 |
| 7 | LIGHT TUBE COVER | 1 | 74788 | 74788 | 74788 | 74788 |

Lighting Component Breakdown



| Item | Part Description | Qty. | Part Number | | | |
|------|-----------------------------|------|-------------|-------|--------|--------|
| | | | 5588 | 5888 | 5588EX | 5888EX |
| 1 | LIGHT BALLAST 120V 60HZ | 1 | 41022 | 41022 | | |
| | LIGHT BALLAST 240V 50Hz | 1 | | | 41722 | 41722 |
| 2 | LIGHT STARTER | 1 | 41023 | 41023 | 41023 | 41023 |
| 3 | LIGHT TUBE HOLDER - STARTER | 1 | 41021 | 41021 | 41021 | 41021 |
| 4 | LIGHT TUBE HOLDER | 1 | 41020 | 41020 | 41020 | 41020 |
| 5 | LIGHT DEFLECTOR | 1 | 74787 | 74787 | 74787 | 74787 |
| 6 | LIGHT TUBE | 1 | 41057 | 41057 | 41057 | 41057 |
| 7 | LIGHT TUBE COVER | 1 | 74788 | 74788 | 74788 | 74788 |

Lighting Component Breakdown



| Item | Part Description | Qty. | Part Number | | | |
|------|-----------------------------|------|-------------|-------|--------|--------|
| | | | 5588 | 5888 | 5588EX | 5888EX |
| 1 | LIGHT BALLAST 120V 60HZ | 1 | 41022 | 41022 | | |
| | LIGHT BALLAST 240V 50Hz | 1 | | | 41722 | 41722 |
| 2 | LIGHT STARTER | 1 | 41023 | 41023 | 41023 | 41023 |
| 3 | LIGHT TUBE HOLDER - STARTER | 1 | 41021 | 41021 | 41021 | 41021 |
| 4 | LIGHT TUBE HOLDER | 1 | 41020 | 41020 | 41020 | 41020 |
| 5 | LIGHT DEFLECTOR | 1 | 74787 | 74787 | 74787 | 74787 |
| 6 | LIGHT TUBE | 1 | 41057 | 41057 | 41057 | 41057 |
| 7 | LIGHT TUBE COVER | 1 | 74788 | 74788 | 74788 | 74788 |