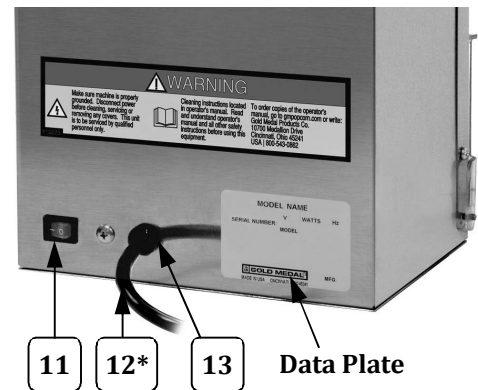
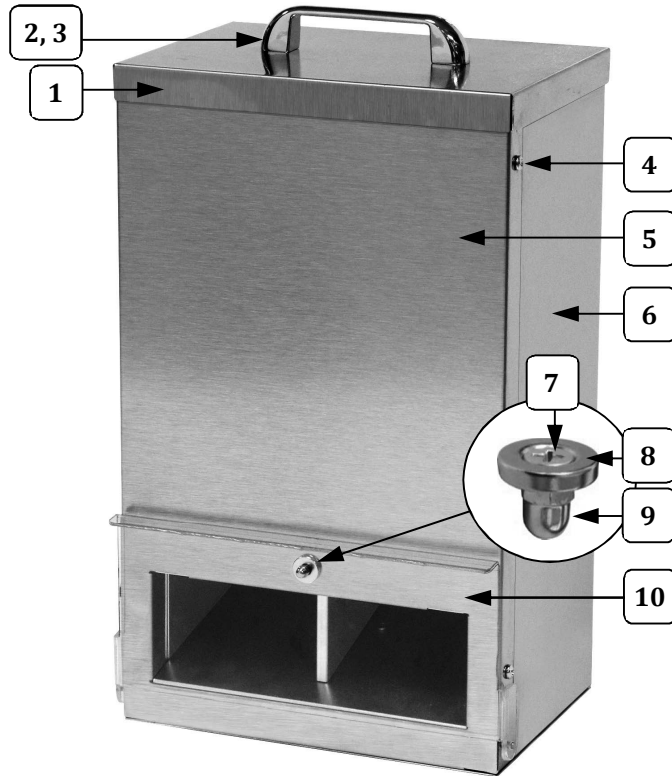


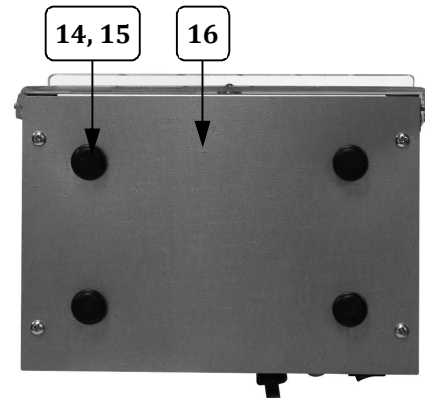


Cabinet Exterior

For Cheese or Chili/Cheese Decals, see label section.



Rear View



Bottom View

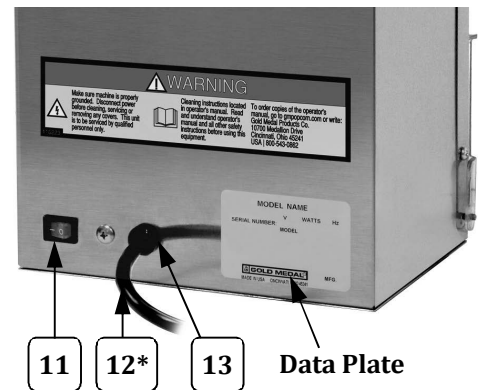
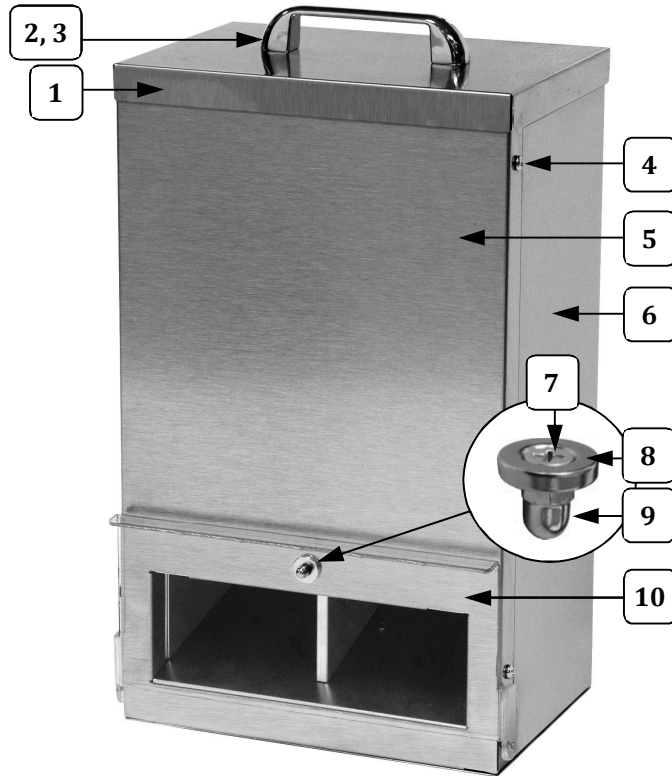
***CAUTION:** If supply cord is damaged, it must be replaced by Gold Medal Products Co., its service agent, or similarly qualified persons in order to avoid a hazard.

| Item | Part Description | Part Number |
|------|---|-------------|
| | | 5599-00-100 |
| 1 | LID (handle sold separately) | 116210 |
| 2 | DRAWER HANDLE | 87420 |
| 3 | 10-24 X 5/8 PHIL PAN M/S (fastens handle) | 76000 |
| 4 | 8-32 X 1/4 PHIL PAN M/S | 87314 |
| 5 | FRONT PANEL | 116212 |
| 6 | OUTER WRAPPER WELD ASSY | 116219 |
| 7 | 4-40 X 3/8 FLT HD SS SCR | 38583 |
| 8 | MAGNET USES 4 FLT HD SC | 67512 |
| 9 | 4-40 ACORN NUT STAINLESS | 38584 |
| 10 | DOOR, FORMED LEXAN | 116214 |
| 11 | ROCKER SWITCH DPST | 42532 |
| 12 | POWER SUPPLY CORD 15 AMP | 22038 |
| 13 | STRAIN RELIEF SR-6P3-4 | 76026 |
| 14 | RUBBER BUMPER/FOOT (4 required) | 87247 |
| 15 | 8-32 SERRATED FLANGE NUT (fastens foot) | 61151 |
| 16 | BOTTOM COVER | 116213 |

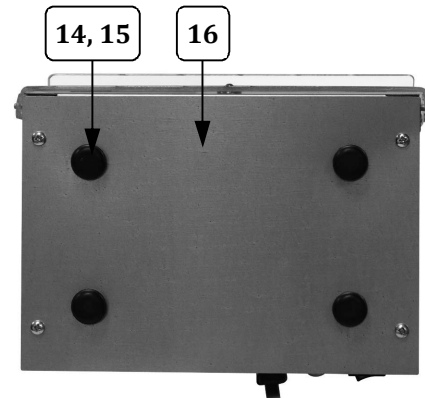


Cabinet Exterior

For Cheese or Chili/Cheese Decals, see label section.



Rear View



Bottom View

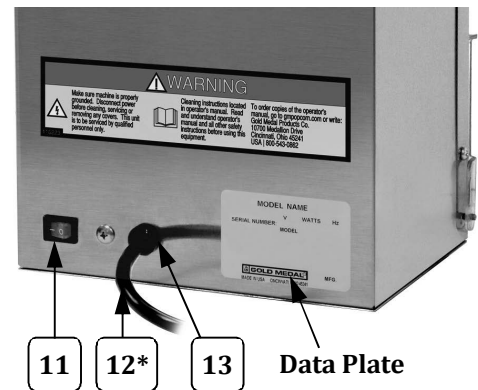
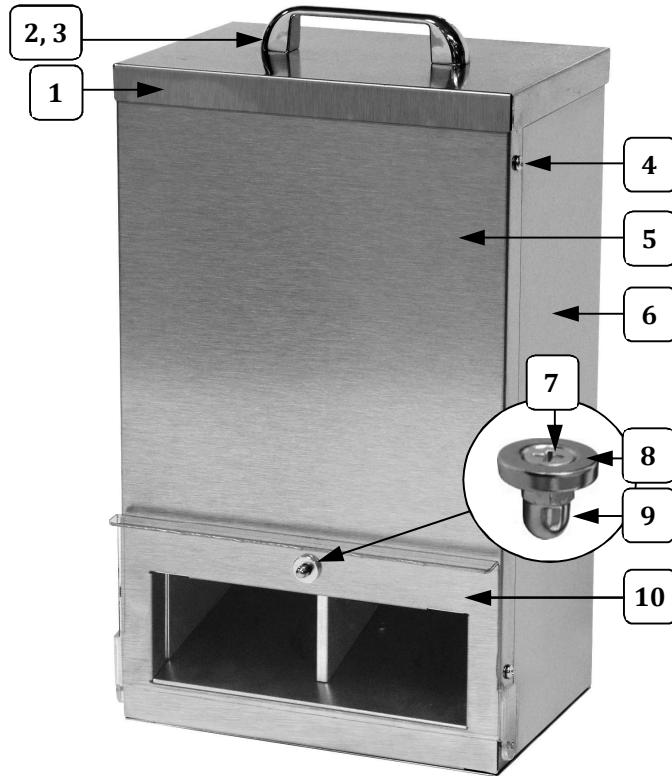
***CAUTION:** If supply cord is damaged, it must be replaced by Gold Medal Products Co., its service agent, or similarly qualified persons in order to avoid a hazard.

| Item | Part Description | Part Number |
|------|---|-------------|
| | | 5599-00-100 |
| 1 | LID (handle sold separately) | 116210 |
| 2 | DRAWER HANDLE | 87420 |
| 3 | 10-24 X 5/8 PHIL PAN M/S (fastens handle) | 76000 |
| 4 | 8-32 X 1/4 PHIL PAN M/S | 87314 |
| 5 | FRONT PANEL | 116212 |
| 6 | OUTER WRAPPER WELD ASSY | 116219 |
| 7 | 4-40 X 3/8 FLT HD SS SCR | 38583 |
| 8 | MAGNET USES 4 FLT HD SC | 67512 |
| 9 | 4-40 ACORN NUT STAINLESS | 38584 |
| 10 | DOOR, FORMED LEXAN | 116214 |
| 11 | ROCKER SWITCH DPST | 42532 |
| 12 | POWER SUPPLY CORD 15 AMP | 22038 |
| 13 | STRAIN RELIEF SR-6P3-4 | 76026 |
| 14 | RUBBER BUMPER/FOOT (4 required) | 87247 |
| 15 | 8-32 SERRATED FLANGE NUT (fastens foot) | 61151 |
| 16 | BOTTOM COVER | 116213 |

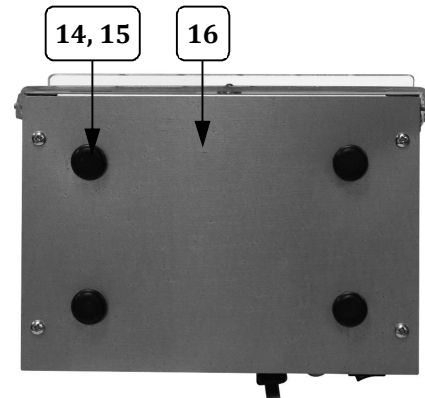


Cabinet Exterior

For Cheese or Chili/Cheese Decals, see label section.



Rear View



Bottom View

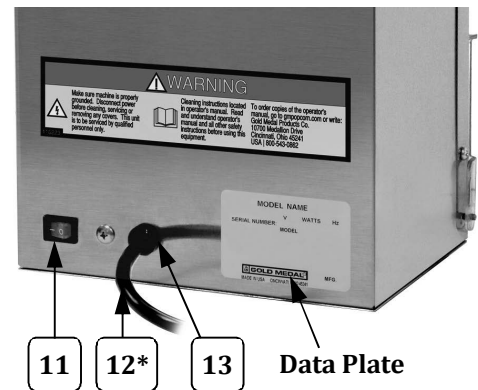
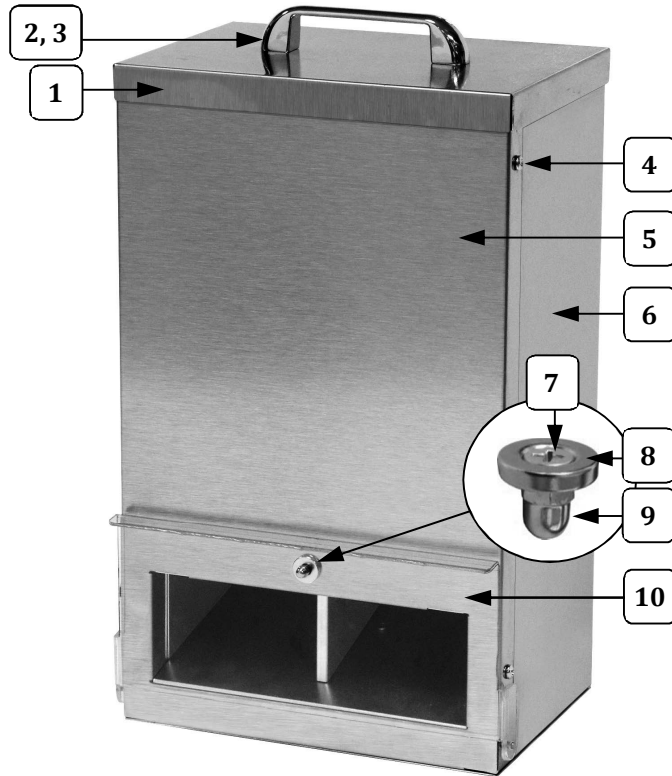
***CAUTION:** If supply cord is damaged, it must be replaced by Gold Medal Products Co., its service agent, or similarly qualified persons in order to avoid a hazard.

| Item | Part Description | Part Number |
|------|---|-------------|
| | | 5599-00-100 |
| 1 | LID (handle sold separately) | 116210 |
| 2 | DRAWER HANDLE | 87420 |
| 3 | 10-24 X 5/8 PHIL PAN M/S (fastens handle) | 76000 |
| 4 | 8-32 X 1/4 PHIL PAN M/S | 87314 |
| 5 | FRONT PANEL | 116212 |
| 6 | OUTER WRAPPER WELD ASSY | 116219 |
| 7 | 4-40 X 3/8 FLT HD SS SCR | 38583 |
| 8 | MAGNET USES 4 FLT HD SC | 67512 |
| 9 | 4-40 ACORN NUT STAINLESS | 38584 |
| 10 | DOOR, FORMED LEXAN | 116214 |
| 11 | ROCKER SWITCH DPST | 42532 |
| 12 | POWER SUPPLY CORD 15 AMP | 22038 |
| 13 | STRAIN RELIEF SR-6P3-4 | 76026 |
| 14 | RUBBER BUMPER/FOOT (4 required) | 87247 |
| 15 | 8-32 SERRATED FLANGE NUT (fastens foot) | 61151 |
| 16 | BOTTOM COVER | 116213 |

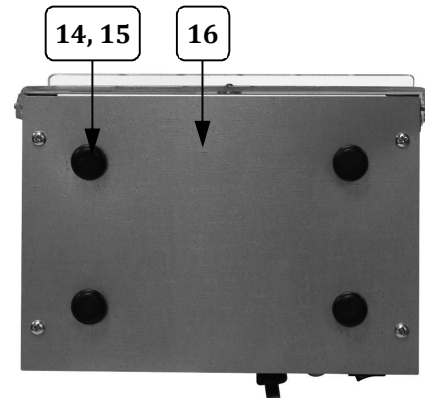


Cabinet Exterior

For Cheese or Chili/Cheese Decals, see label section.



Rear View



Bottom View

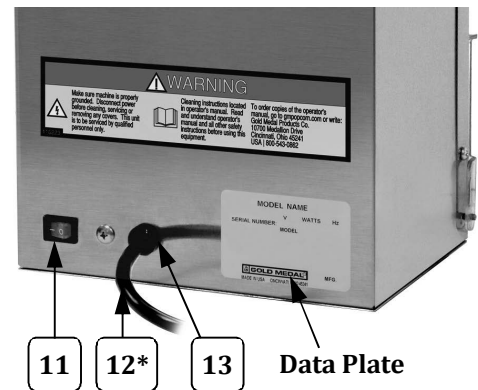
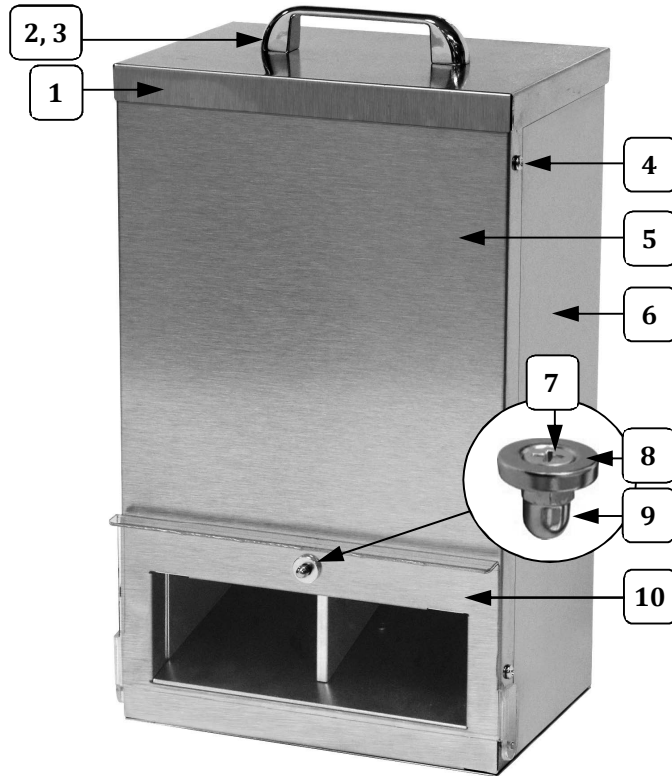
***CAUTION:** If supply cord is damaged, it must be replaced by Gold Medal Products Co., its service agent, or similarly qualified persons in order to avoid a hazard.

| Item | Part Description | Part Number |
|------|---|-------------|
| | | 5599-00-100 |
| 1 | LID (handle sold separately) | 116210 |
| 2 | DRAWER HANDLE | 87420 |
| 3 | 10-24 X 5/8 PHIL PAN M/S (fastens handle) | 76000 |
| 4 | 8-32 X 1/4 PHIL PAN M/S | 87314 |
| 5 | FRONT PANEL | 116212 |
| 6 | OUTER WRAPPER WELD ASSY | 116219 |
| 7 | 4-40 X 3/8 FLT HD SS SCR | 38583 |
| 8 | MAGNET USES 4 FLT HD SC | 67512 |
| 9 | 4-40 ACORN NUT STAINLESS | 38584 |
| 10 | DOOR, FORMED LEXAN | 116214 |
| 11 | ROCKER SWITCH DPST | 42532 |
| 12 | POWER SUPPLY CORD 15 AMP | 22038 |
| 13 | STRAIN RELIEF SR-6P3-4 | 76026 |
| 14 | RUBBER BUMPER/FOOT (4 required) | 87247 |
| 15 | 8-32 SERRATED FLANGE NUT (fastens foot) | 61151 |
| 16 | BOTTOM COVER | 116213 |

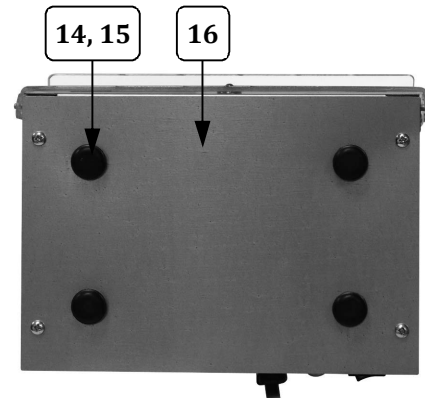


Cabinet Exterior

For Cheese or Chili/Cheese Decals, see label section.



Rear View



Bottom View

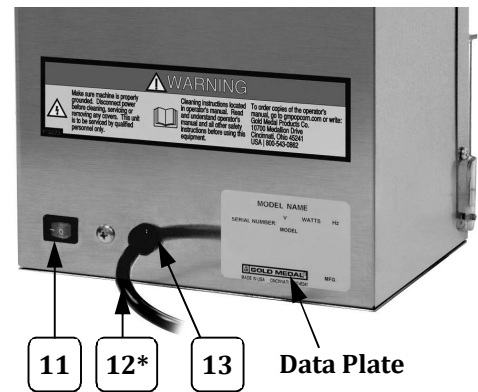
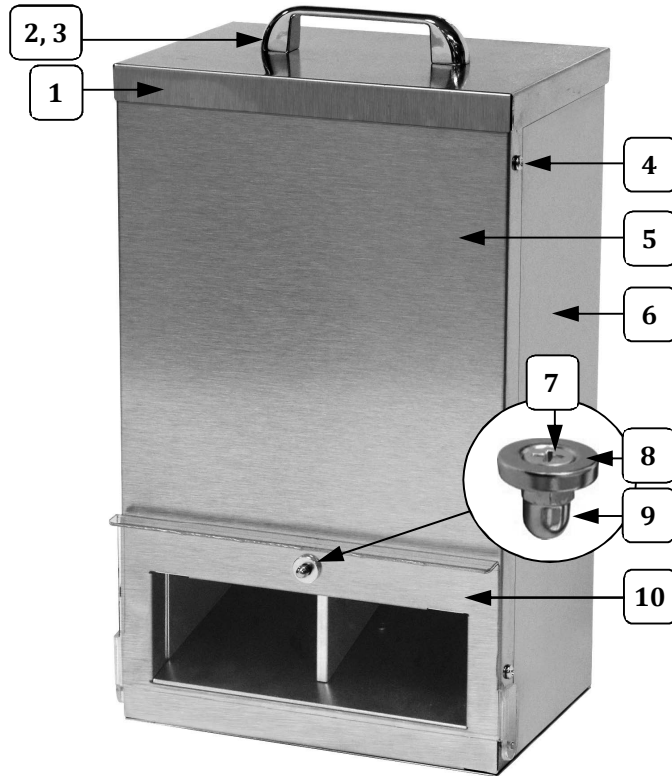
***CAUTION:** If supply cord is damaged, it must be replaced by Gold Medal Products Co., its service agent, or similarly qualified persons in order to avoid a hazard.

| Item | Part Description | Part Number |
|------|---|-------------|
| | | 5599-00-100 |
| 1 | LID (handle sold separately) | 116210 |
| 2 | DRAWER HANDLE | 87420 |
| 3 | 10-24 X 5/8 PHIL PAN M/S (fastens handle) | 76000 |
| 4 | 8-32 X 1/4 PHIL PAN M/S | 87314 |
| 5 | FRONT PANEL | 116212 |
| 6 | OUTER WRAPPER WELD ASSY | 116219 |
| 7 | 4-40 X 3/8 FLT HD SS SCR | 38583 |
| 8 | MAGNET USES 4 FLT HD SC | 67512 |
| 9 | 4-40 ACORN NUT STAINLESS | 38584 |
| 10 | DOOR, FORMED LEXAN | 116214 |
| 11 | ROCKER SWITCH DPST | 42532 |
| 12 | POWER SUPPLY CORD 15 AMP | 22038 |
| 13 | STRAIN RELIEF SR-6P3-4 | 76026 |
| 14 | RUBBER BUMPER/FOOT (4 required) | 87247 |
| 15 | 8-32 SERRATED FLANGE NUT (fastens foot) | 61151 |
| 16 | BOTTOM COVER | 116213 |

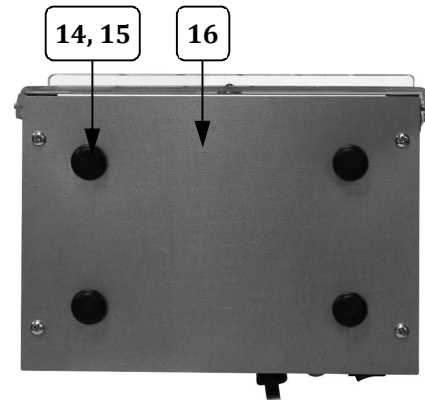


Cabinet Exterior

For Cheese or Chili/Cheese Decals, see label section.



Rear View



Bottom View

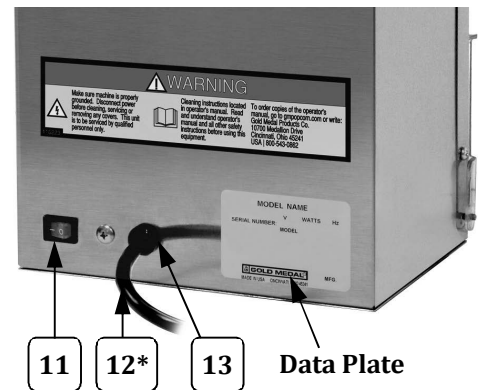
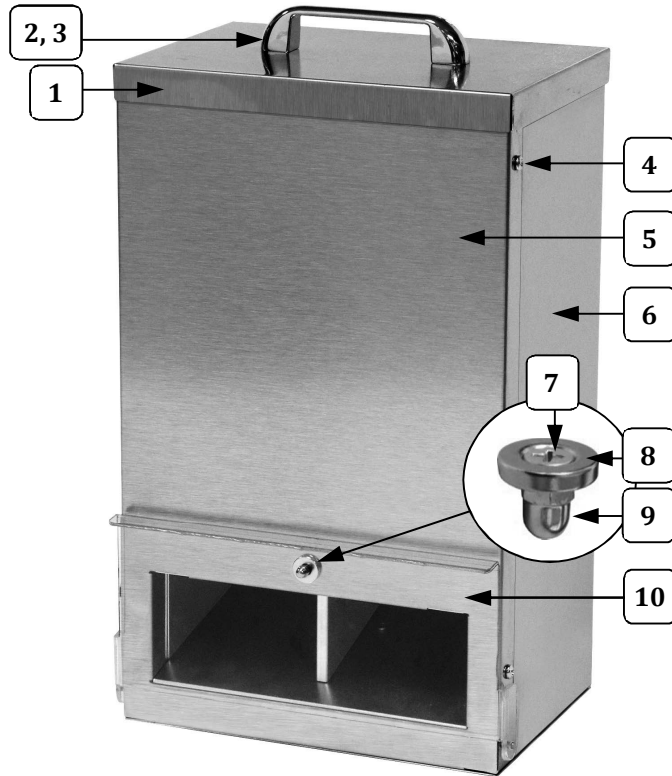
***CAUTION:** If supply cord is damaged, it must be replaced by Gold Medal Products Co., its service agent, or similarly qualified persons in order to avoid a hazard.

| Item | Part Description | Part Number |
|------|---|-------------|
| | | 5599-00-100 |
| 1 | LID (handle sold separately) | 116210 |
| 2 | DRAWER HANDLE | 87420 |
| 3 | 10-24 X 5/8 PHIL PAN M/S (fastens handle) | 76000 |
| 4 | 8-32 X 1/4 PHIL PAN M/S | 87314 |
| 5 | FRONT PANEL | 116212 |
| 6 | OUTER WRAPPER WELD ASSY | 116219 |
| 7 | 4-40 X 3/8 FLT HD SS SCR | 38583 |
| 8 | MAGNET USES 4 FLT HD SC | 67512 |
| 9 | 4-40 ACORN NUT STAINLESS | 38584 |
| 10 | DOOR, FORMED LEXAN | 116214 |
| 11 | ROCKER SWITCH DPST | 42532 |
| 12 | POWER SUPPLY CORD 15 AMP | 22038 |
| 13 | STRAIN RELIEF SR-6P3-4 | 76026 |
| 14 | RUBBER BUMPER/FOOT (4 required) | 87247 |
| 15 | 8-32 SERRATED FLANGE NUT (fastens foot) | 61151 |
| 16 | BOTTOM COVER | 116213 |

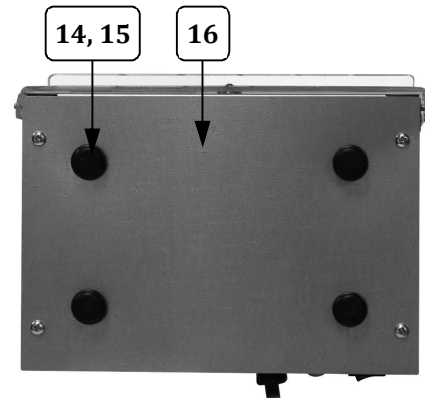


Cabinet Exterior

For Cheese or Chili/Cheese Decals, see label section.



Rear View



Bottom View

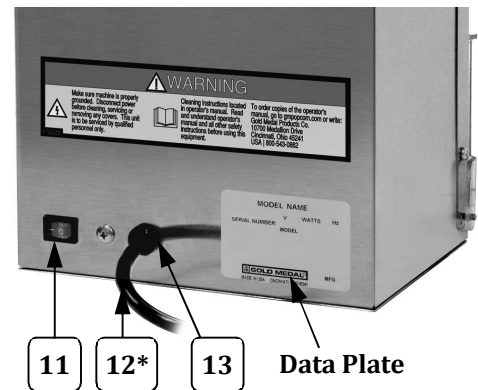
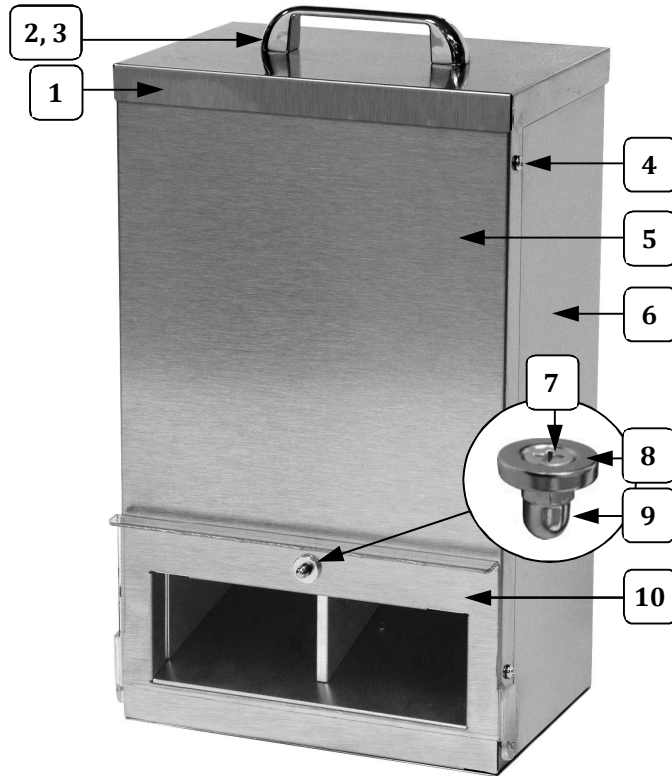
***CAUTION:** If supply cord is damaged, it must be replaced by Gold Medal Products Co., its service agent, or similarly qualified persons in order to avoid a hazard.

| Item | Part Description | Part Number |
|------|---|-------------|
| | | 5599-00-100 |
| 1 | LID (handle sold separately) | 116210 |
| 2 | DRAWER HANDLE | 87420 |
| 3 | 10-24 X 5/8 PHIL PAN M/S (fastens handle) | 76000 |
| 4 | 8-32 X 1/4 PHIL PAN M/S | 87314 |
| 5 | FRONT PANEL | 116212 |
| 6 | OUTER WRAPPER WELD ASSY | 116219 |
| 7 | 4-40 X 3/8 FLT HD SS SCR | 38583 |
| 8 | MAGNET USES 4 FLT HD SC | 67512 |
| 9 | 4-40 ACORN NUT STAINLESS | 38584 |
| 10 | DOOR, FORMED LEXAN | 116214 |
| 11 | ROCKER SWITCH DPST | 42532 |
| 12 | POWER SUPPLY CORD 15 AMP | 22038 |
| 13 | STRAIN RELIEF SR-6P3-4 | 76026 |
| 14 | RUBBER BUMPER/FOOT (4 required) | 87247 |
| 15 | 8-32 SERRATED FLANGE NUT (fastens foot) | 61151 |
| 16 | BOTTOM COVER | 116213 |

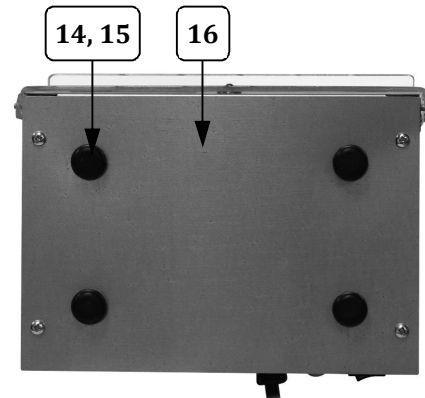


Cabinet Exterior

For Cheese or Chili/Cheese Decals, see label section.



Rear View



Bottom View

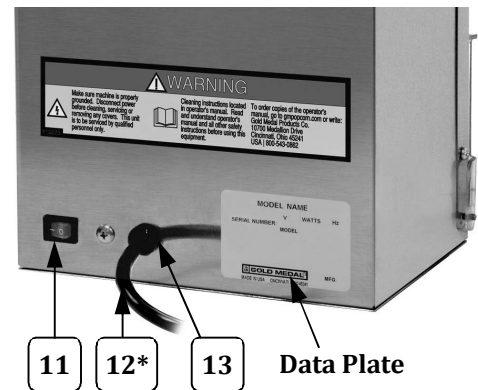
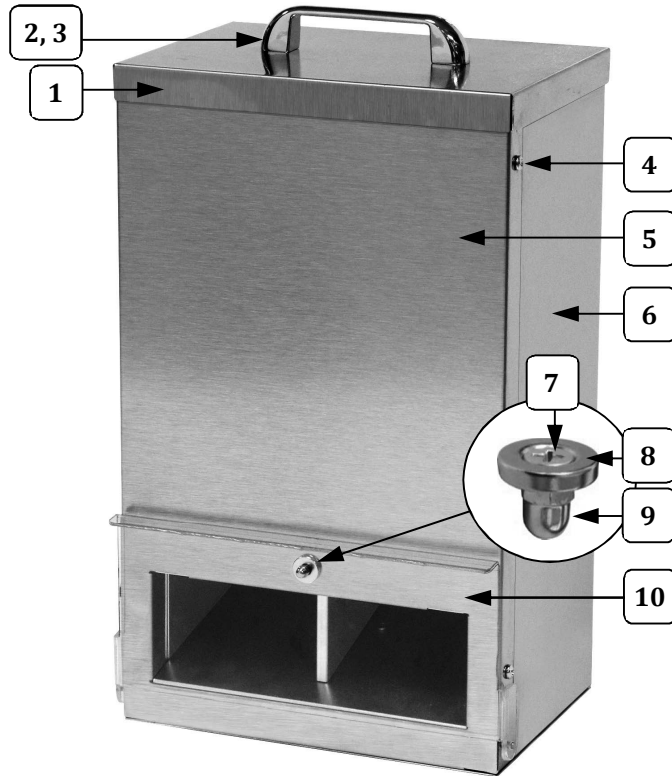
***CAUTION:** If supply cord is damaged, it must be replaced by Gold Medal Products Co., its service agent, or similarly qualified persons in order to avoid a hazard.

| Item | Part Description | Part Number |
|------|---|-------------|
| | | 5599-00-100 |
| 1 | LID (handle sold separately) | 116210 |
| 2 | DRAWER HANDLE | 87420 |
| 3 | 10-24 X 5/8 PHIL PAN M/S (fastens handle) | 76000 |
| 4 | 8-32 X 1/4 PHIL PAN M/S | 87314 |
| 5 | FRONT PANEL | 116212 |
| 6 | OUTER WRAPPER WELD ASSY | 116219 |
| 7 | 4-40 X 3/8 FLT HD SS SCR | 38583 |
| 8 | MAGNET USES 4 FLT HD SC | 67512 |
| 9 | 4-40 ACORN NUT STAINLESS | 38584 |
| 10 | DOOR, FORMED LEXAN | 116214 |
| 11 | ROCKER SWITCH DPST | 42532 |
| 12 | POWER SUPPLY CORD 15 AMP | 22038 |
| 13 | STRAIN RELIEF SR-6P3-4 | 76026 |
| 14 | RUBBER BUMPER/FOOT (4 required) | 87247 |
| 15 | 8-32 SERRATED FLANGE NUT (fastens foot) | 61151 |
| 16 | BOTTOM COVER | 116213 |

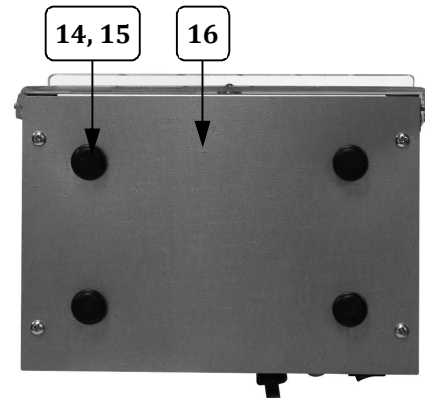


Cabinet Exterior

For Cheese or Chili/Cheese Decals, see label section.



Rear View



Bottom View

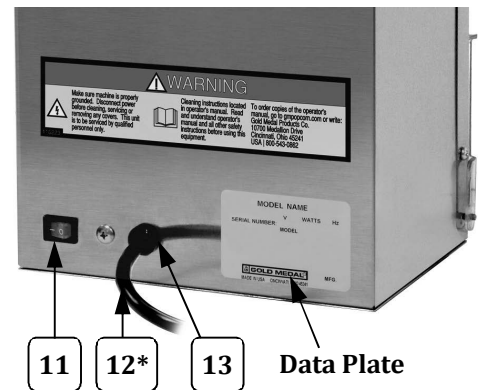
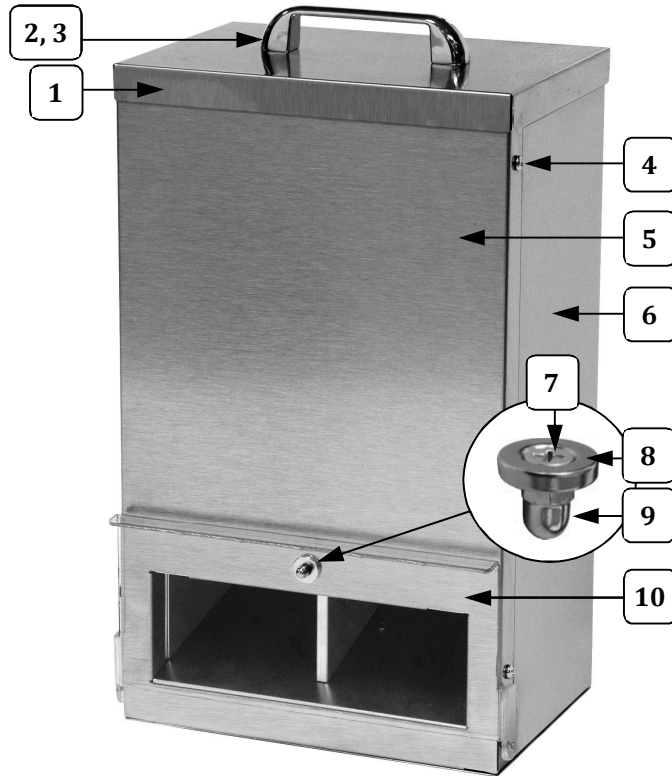
***CAUTION:** If supply cord is damaged, it must be replaced by Gold Medal Products Co., its service agent, or similarly qualified persons in order to avoid a hazard.

| Item | Part Description | Part Number |
|------|---|-------------|
| | | 5599-00-100 |
| 1 | LID (handle sold separately) | 116210 |
| 2 | DRAWER HANDLE | 87420 |
| 3 | 10-24 X 5/8 PHIL PAN M/S (fastens handle) | 76000 |
| 4 | 8-32 X 1/4 PHIL PAN M/S | 87314 |
| 5 | FRONT PANEL | 116212 |
| 6 | OUTER WRAPPER WELD ASSY | 116219 |
| 7 | 4-40 X 3/8 FLT HD SS SCR | 38583 |
| 8 | MAGNET USES 4 FLT HD SC | 67512 |
| 9 | 4-40 ACORN NUT STAINLESS | 38584 |
| 10 | DOOR, FORMED LEXAN | 116214 |
| 11 | ROCKER SWITCH DPST | 42532 |
| 12 | POWER SUPPLY CORD 15 AMP | 22038 |
| 13 | STRAIN RELIEF SR-6P3-4 | 76026 |
| 14 | RUBBER BUMPER/FOOT (4 required) | 87247 |
| 15 | 8-32 SERRATED FLANGE NUT (fastens foot) | 61151 |
| 16 | BOTTOM COVER | 116213 |

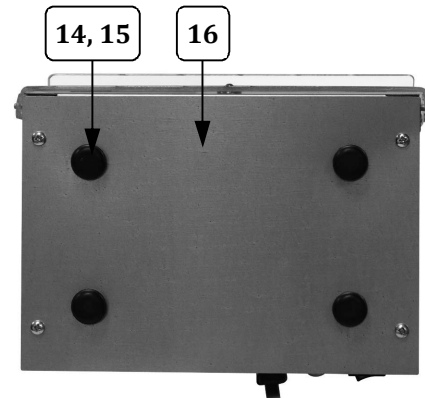


Cabinet Exterior

For Cheese or Chili/Cheese Decals, see label section.



Rear View



Bottom View

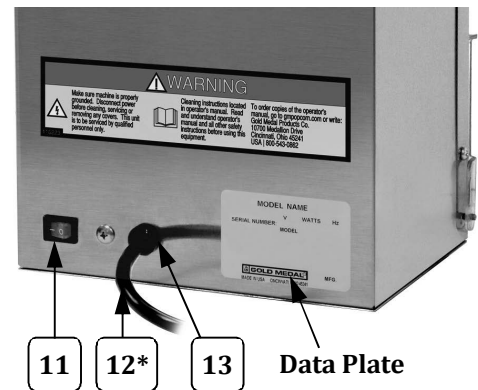
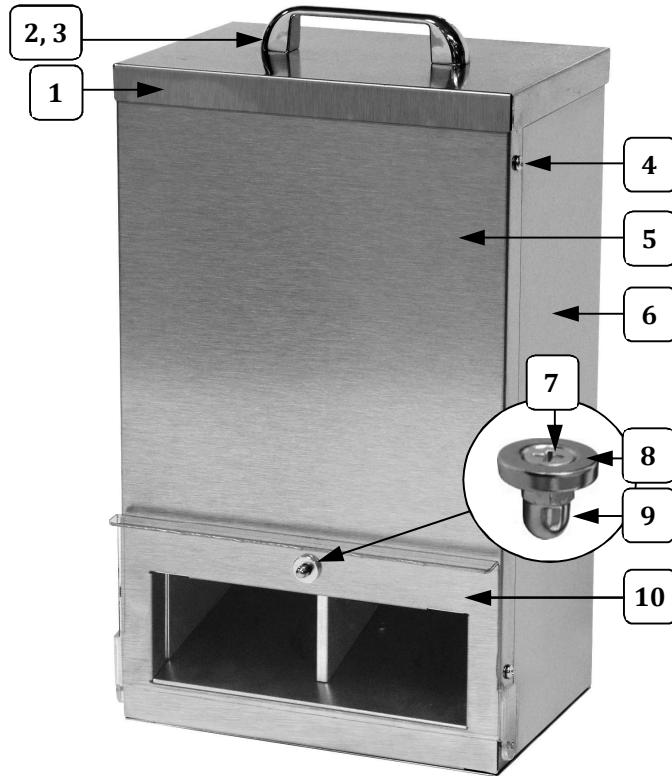
***CAUTION:** If supply cord is damaged, it must be replaced by Gold Medal Products Co., its service agent, or similarly qualified persons in order to avoid a hazard.

| Item | Part Description | Part Number |
|------|---|-------------|
| | | 5599-00-100 |
| 1 | LID (handle sold separately) | 116210 |
| 2 | DRAWER HANDLE | 87420 |
| 3 | 10-24 X 5/8 PHIL PAN M/S (fastens handle) | 76000 |
| 4 | 8-32 X 1/4 PHIL PAN M/S | 87314 |
| 5 | FRONT PANEL | 116212 |
| 6 | OUTER WRAPPER WELD ASSY | 116219 |
| 7 | 4-40 X 3/8 FLT HD SS SCR | 38583 |
| 8 | MAGNET USES 4 FLT HD SC | 67512 |
| 9 | 4-40 ACORN NUT STAINLESS | 38584 |
| 10 | DOOR, FORMED LEXAN | 116214 |
| 11 | ROCKER SWITCH DPST | 42532 |
| 12 | POWER SUPPLY CORD 15 AMP | 22038 |
| 13 | STRAIN RELIEF SR-6P3-4 | 76026 |
| 14 | RUBBER BUMPER/FOOT (4 required) | 87247 |
| 15 | 8-32 SERRATED FLANGE NUT (fastens foot) | 61151 |
| 16 | BOTTOM COVER | 116213 |

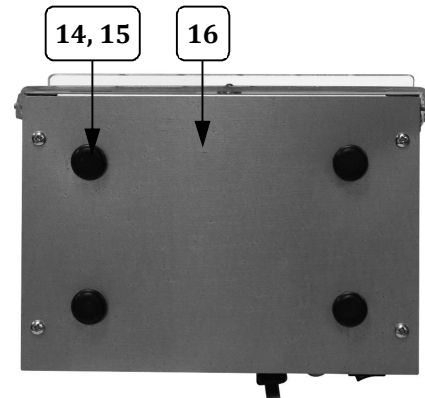


Cabinet Exterior

For Cheese or Chili/Cheese Decals, see label section.



Rear View

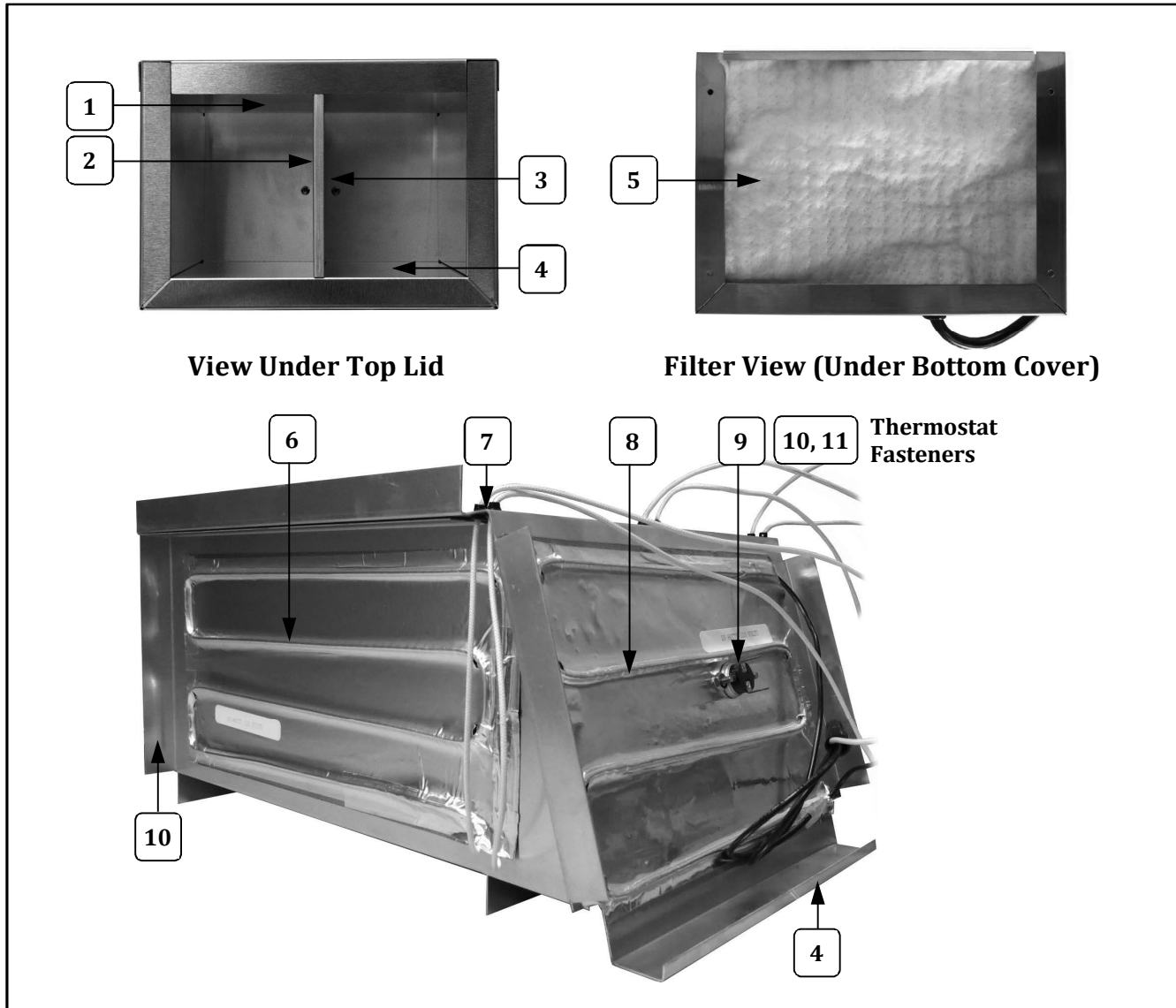


Bottom View

***CAUTION:** If supply cord is damaged, it must be replaced by Gold Medal Products Co., its service agent, or similarly qualified persons in order to avoid a hazard.

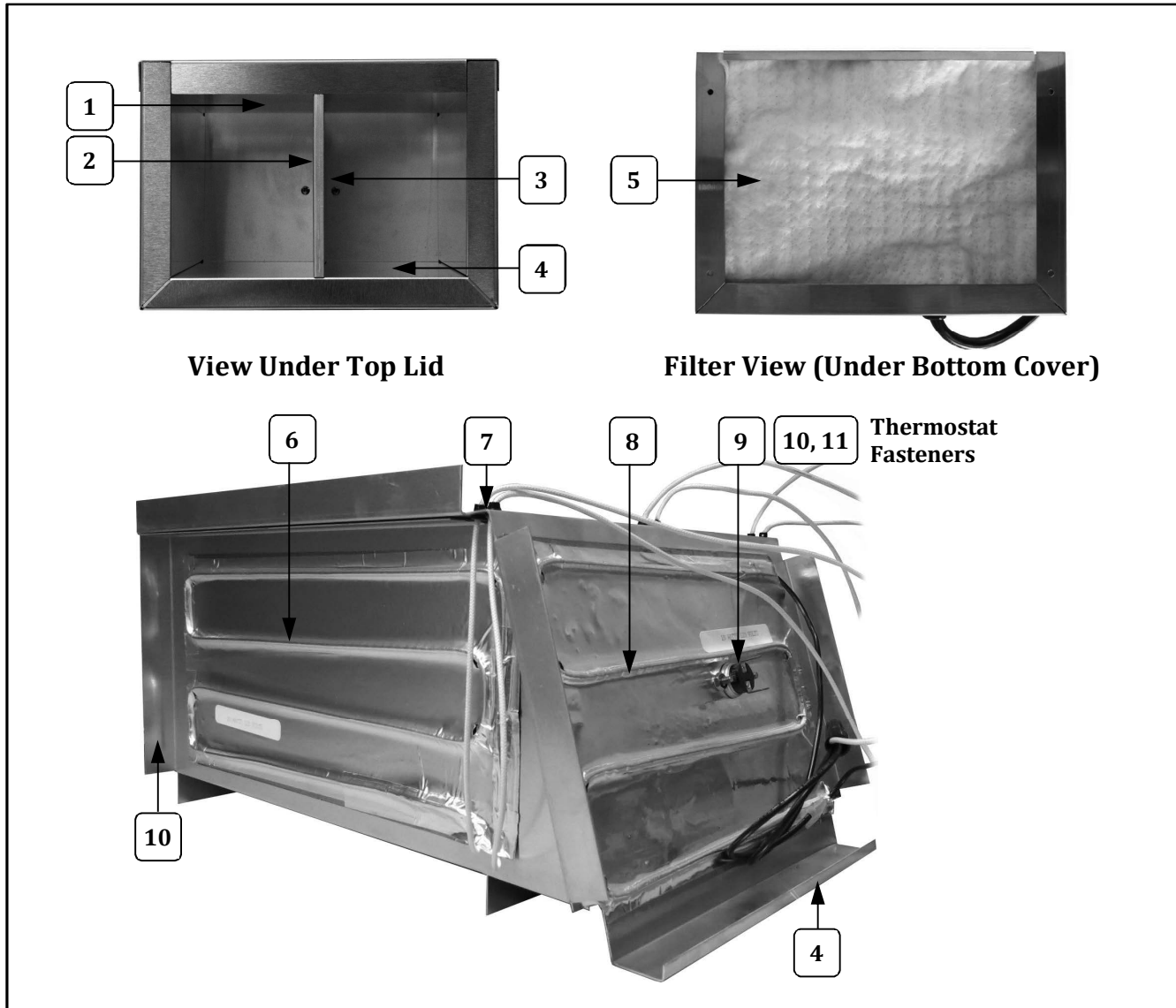
| Item | Part Description | Part Number |
|------|---|-------------|
| | | 5599-00-100 |
| 1 | LID (handle sold separately) | 116210 |
| 2 | DRAWER HANDLE | 87420 |
| 3 | 10-24 X 5/8 PHIL PAN M/S (fastens handle) | 76000 |
| 4 | 8-32 X 1/4 PHIL PAN M/S | 87314 |
| 5 | FRONT PANEL | 116212 |
| 6 | OUTER WRAPPER WELD ASSY | 116219 |
| 7 | 4-40 X 3/8 FLT HD SS SCR | 38583 |
| 8 | MAGNET USES 4 FLT HD SC | 67512 |
| 9 | 4-40 ACORN NUT STAINLESS | 38584 |
| 10 | DOOR, FORMED LEXAN | 116214 |
| 11 | ROCKER SWITCH DPST | 42532 |
| 12 | POWER SUPPLY CORD 15 AMP | 22038 |
| 13 | STRAIN RELIEF SR-6P3-4 | 76026 |
| 14 | RUBBER BUMPER/FOOT (4 required) | 87247 |
| 15 | 8-32 SERRATED FLANGE NUT (fastens foot) | 61151 |
| 16 | BOTTOM COVER | 116213 |

Cabinet Interior View



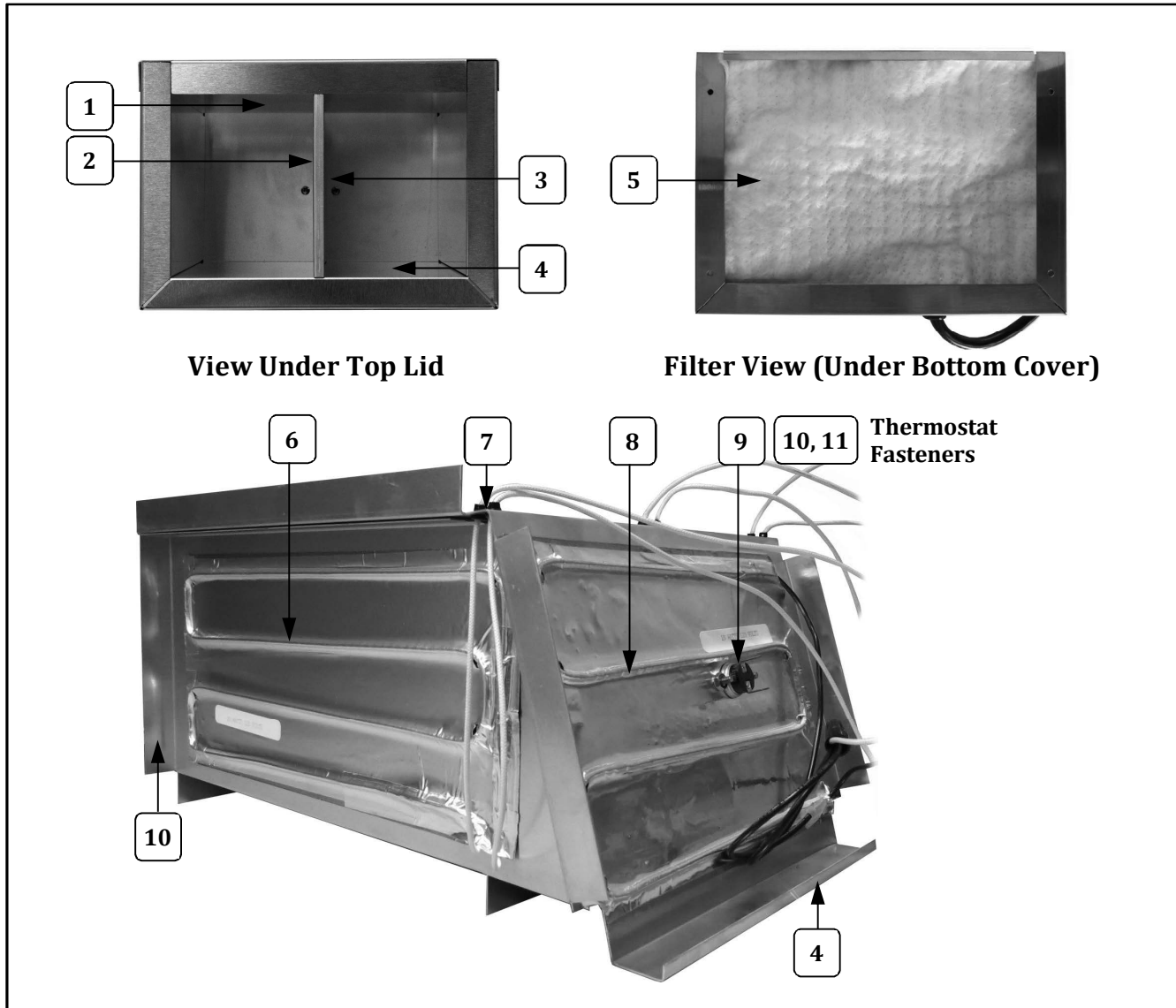
| Item | Part Description | Part Number |
|------|---|-------------|
| | | 5599-00-100 |
| 1 | INNER WALL (front interior – door side of unit) | 116217 |
| 2 | RIGHT SIDE PARTITION | 116216 |
| 3 | LEFT SIDE PARTITION | 116215 |
| 4 | INNER WRAPPER (back interior of unit) | 116211 |
| 5 | INSULATION WRAP 5.5 X 8.5 | 40761 |
| 6 | 120V FOIL HEATER, 20 WATT (for side panels and partition) | 40557 |
| 7 | BUSHING, SNAP .187 IN | 38578 |
| 8 | FOIL HEATER 20W 120V (bottom element) | 38585 |
| 9 | THERMOSTAT, 145F | 38533 |
| 10 | 8-32 X 3/4 PHIL PAN MS SS (fastens thermostat) | 39007 |
| 11 | HEX NUT #8-32 STAINLESS (fastens thermostat) | 89129 |

Cabinet Interior View



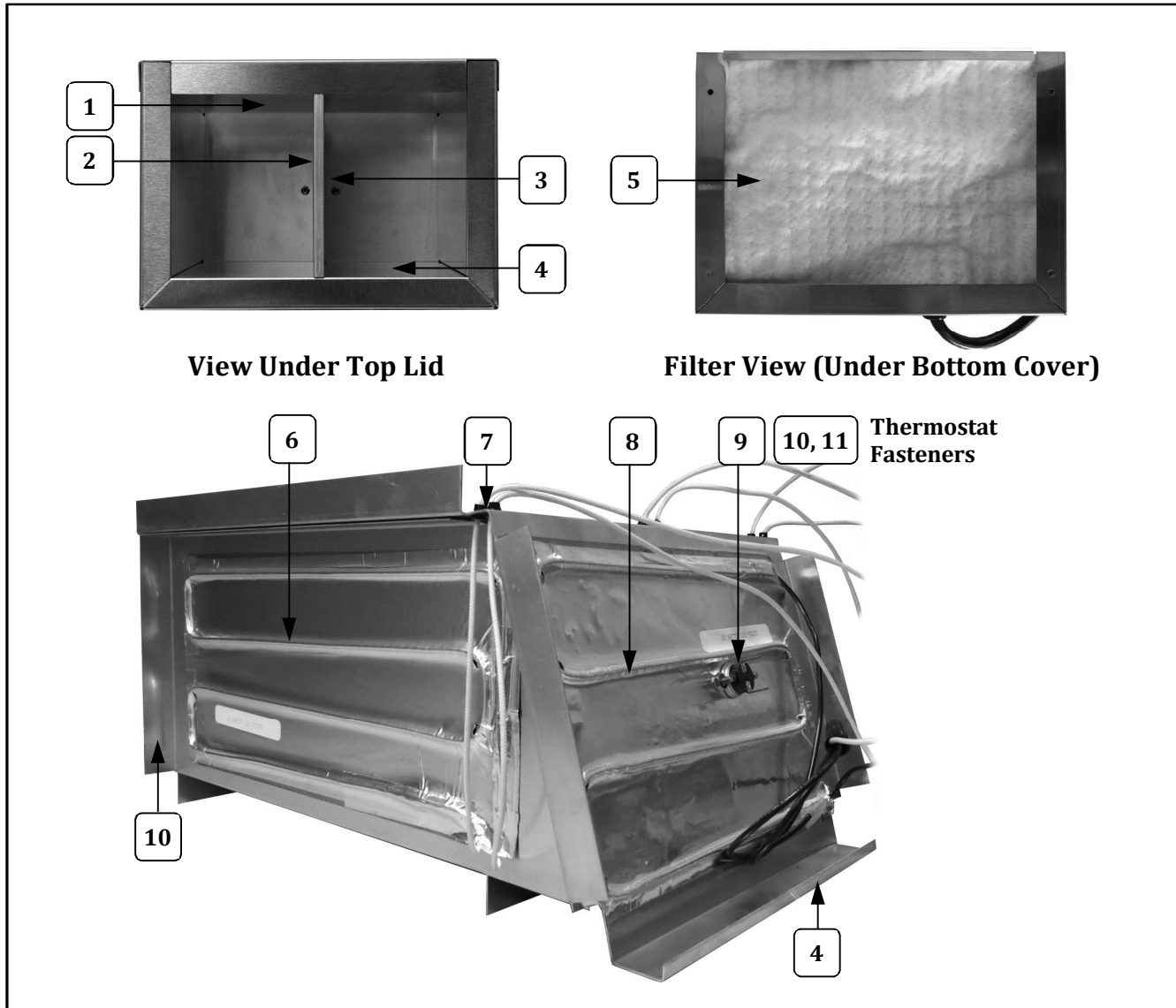
| Item | Part Description | Part Number |
|------|---|-------------|
| | | 5599-00-100 |
| 1 | INNER WALL (front interior – door side of unit) | 116217 |
| 2 | RIGHT SIDE PARTITION | 116216 |
| 3 | LEFT SIDE PARTITION | 116215 |
| 4 | INNER WRAPPER (back interior of unit) | 116211 |
| 5 | INSULATION WRAP 5.5 X 8.5 | 40761 |
| 6 | 120V FOIL HEATER, 20 WATT (for side panels and partition) | 40557 |
| 7 | BUSHING, SNAP .187 IN | 38578 |
| 8 | FOIL HEATER 20W 120V (bottom element) | 38585 |
| 9 | THERMOSTAT, 145F | 38533 |
| 10 | 8-32 X 3/4 PHIL PAN MS SS (fastens thermostat) | 39007 |
| 11 | HEX NUT #8-32 STAINLESS (fastens thermostat) | 89129 |

Cabinet Interior View



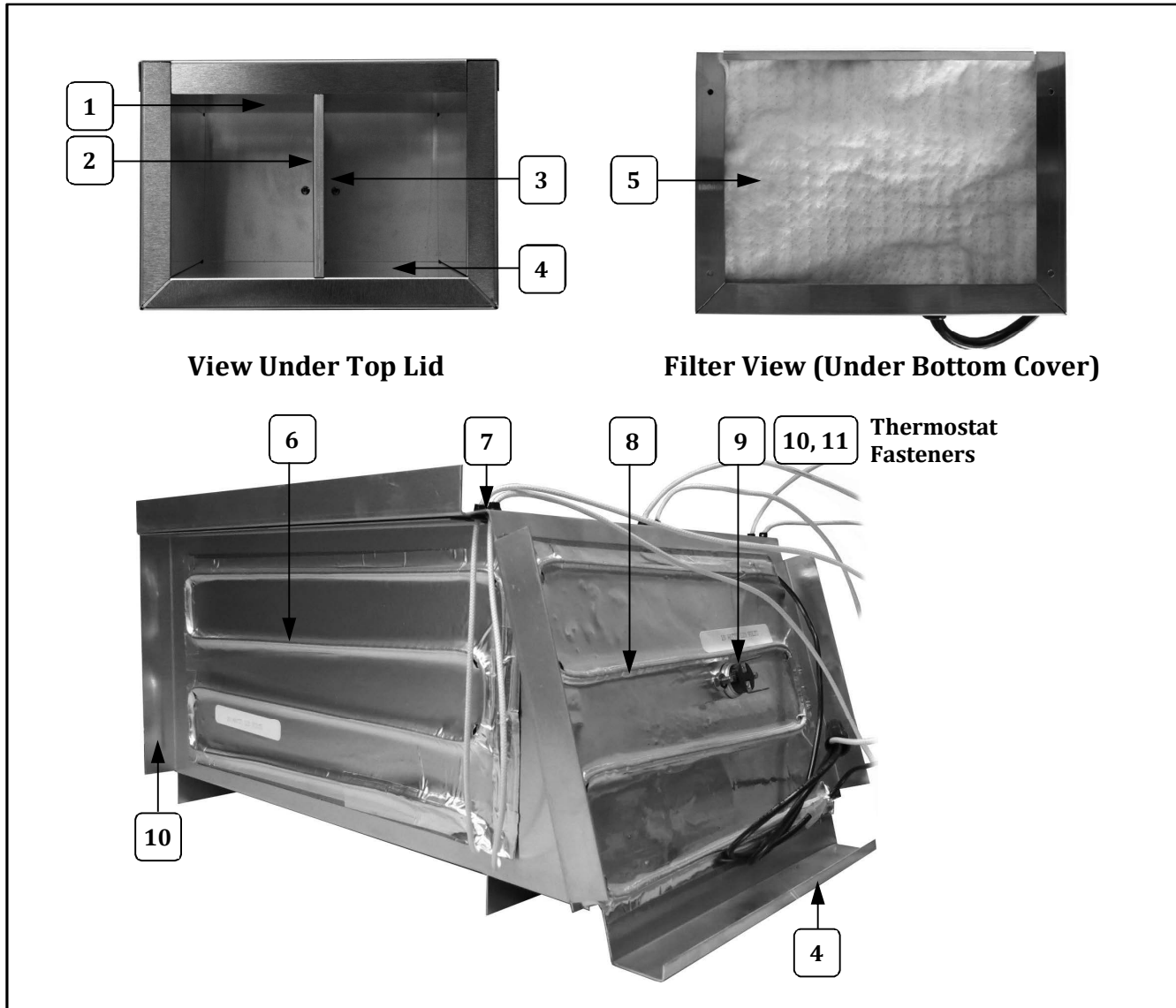
| Item | Part Description | Part Number |
|------|---|-------------|
| | | 5599-00-100 |
| 1 | INNER WALL (front interior – door side of unit) | 116217 |
| 2 | RIGHT SIDE PARTITION | 116216 |
| 3 | LEFT SIDE PARTITION | 116215 |
| 4 | INNER WRAPPER (back interior of unit) | 116211 |
| 5 | INSULATION WRAP 5.5 X 8.5 | 40761 |
| 6 | 120V FOIL HEATER, 20 WATT (for side panels and partition) | 40557 |
| 7 | BUSHING, SNAP .187 IN | 38578 |
| 8 | FOIL HEATER 20W 120V (bottom element) | 38585 |
| 9 | THERMOSTAT, 145F | 38533 |
| 10 | 8-32 X 3/4 PHIL PAN MS SS (fastens thermostat) | 39007 |
| 11 | HEX NUT #8-32 STAINLESS (fastens thermostat) | 89129 |

Cabinet Interior View



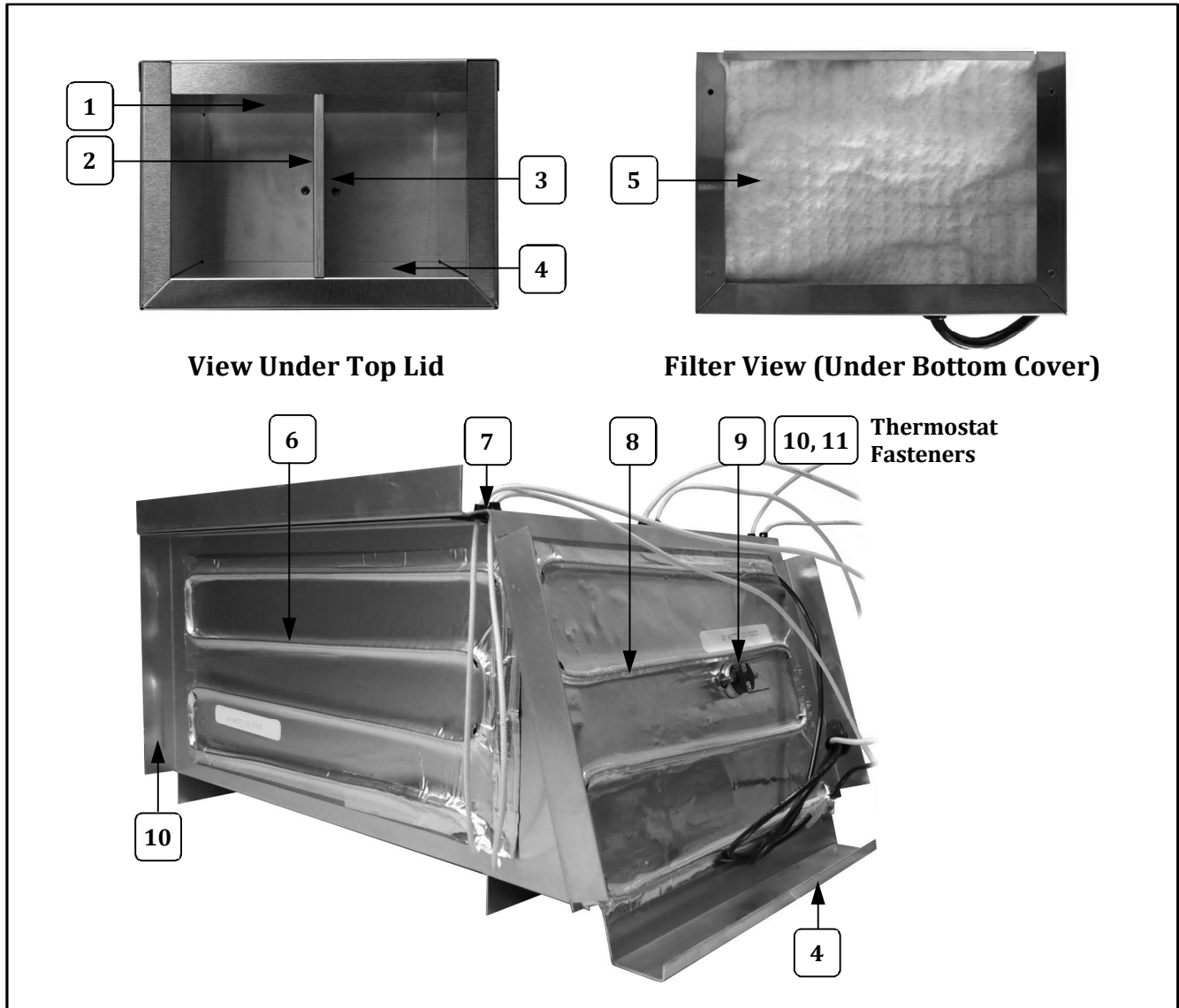
| Item | Part Description | Part Number |
|------|---|-------------|
| | | 5599-00-100 |
| 1 | INNER WALL (front interior – door side of unit) | 116217 |
| 2 | RIGHT SIDE PARTITION | 116216 |
| 3 | LEFT SIDE PARTITION | 116215 |
| 4 | INNER WRAPPER (back interior of unit) | 116211 |
| 5 | INSULATION WRAP 5.5 X 8.5 | 40761 |
| 6 | 120V FOIL HEATER, 20 WATT (for side panels and partition) | 40557 |
| 7 | BUSHING, SNAP .187 IN | 38578 |
| 8 | FOIL HEATER 20W 120V (bottom element) | 38585 |
| 9 | THERMOSTAT, 145F | 38533 |
| 10 | 8-32 X 3/4 PHIL PAN MS SS (fastens thermostat) | 39007 |
| 11 | HEX NUT #8-32 STAINLESS (fastens thermostat) | 89129 |

Cabinet Interior View



| Item | Part Description | Part Number |
|------|---|-------------|
| | | 5599-00-100 |
| 1 | INNER WALL (front interior – door side of unit) | 116217 |
| 2 | RIGHT SIDE PARTITION | 116216 |
| 3 | LEFT SIDE PARTITION | 116215 |
| 4 | INNER WRAPPER (back interior of unit) | 116211 |
| 5 | INSULATION WRAP 5.5 X 8.5 | 40761 |
| 6 | 120V FOIL HEATER, 20 WATT (for side panels and partition) | 40557 |
| 7 | BUSHING, SNAP .187 IN | 38578 |
| 8 | FOIL HEATER 20W 120V (bottom element) | 38585 |
| 9 | THERMOSTAT, 145F | 38533 |
| 10 | 8-32 X 3/4 PHIL PAN MS SS (fastens thermostat) | 39007 |
| 11 | HEX NUT #8-32 STAINLESS (fastens thermostat) | 89129 |

Cabinet Interior View



| Item | Part Description | Part Number |
|------|---|-------------|
| | | 5599-00-100 |
| 1 | INNER WALL (front interior – door side of unit) | 116217 |
| 2 | RIGHT SIDE PARTITION | 116216 |
| 3 | LEFT SIDE PARTITION | 116215 |
| 4 | INNER WRAPPER (back interior of unit) | 116211 |
| 5 | INSULATION WRAP 5.5 X 8.5 | 40761 |
| 6 | 120V FOIL HEATER, 20 WATT (for side panels and partition) | 40557 |
| 7 | BUSHING, SNAP .187 IN | 38578 |
| 8 | FOIL HEATER 20W 120V (bottom element) | 38585 |
| 9 | THERMOSTAT, 145F | 38533 |
| 10 | 8-32 X 3/4 PHIL PAN MS SS (fastens thermostat) | 39007 |
| 11 | HEX NUT #8-32 STAINLESS (fastens thermostat) | 89129 |

Unit Decals – Safety Labels

Unit Decals



Safety Labels



| Item | Part Description | Part Number |
|------|--------------------------|-------------|
| | | 5599-00-100 |
| 1 | NACHO CHILI/CHEESE DECAL | 116190 |
| 2 | NACHO CHEESE DECAL | 116189 |
| 3 | WARNING LABEL | 116223 |
| 4 | WARNING LABEL CORD | 68720 |