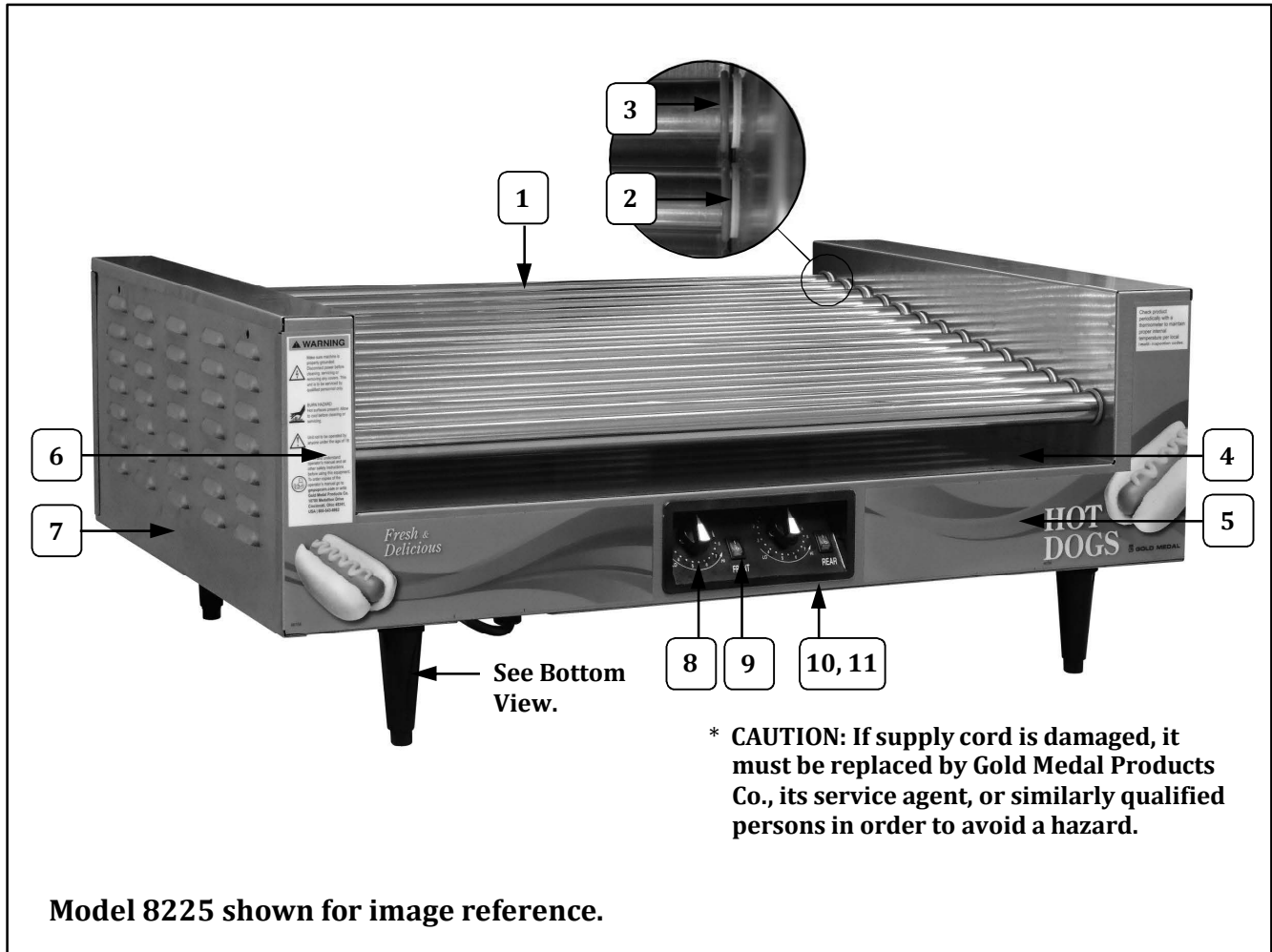
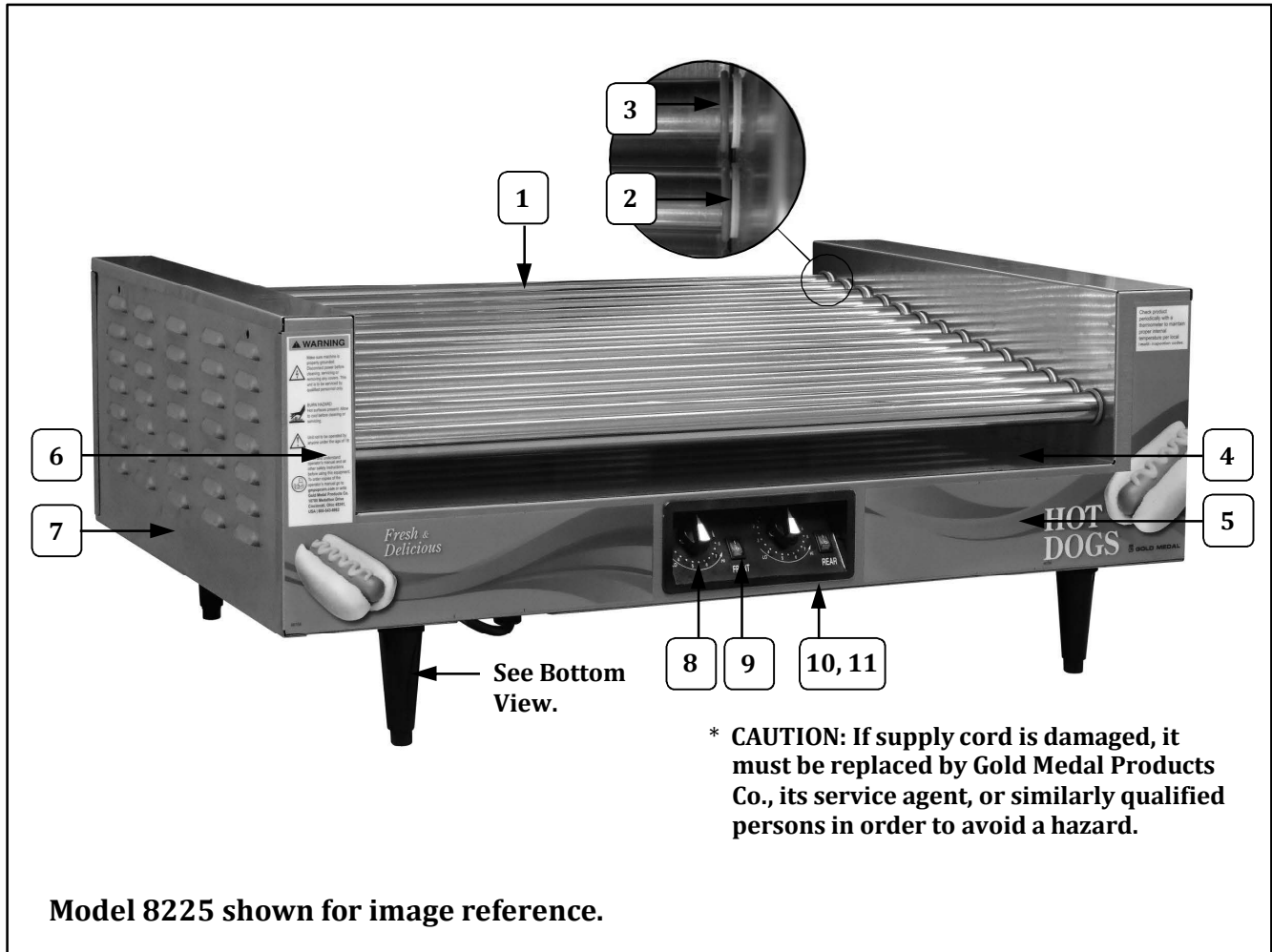


Cabinet Exterior



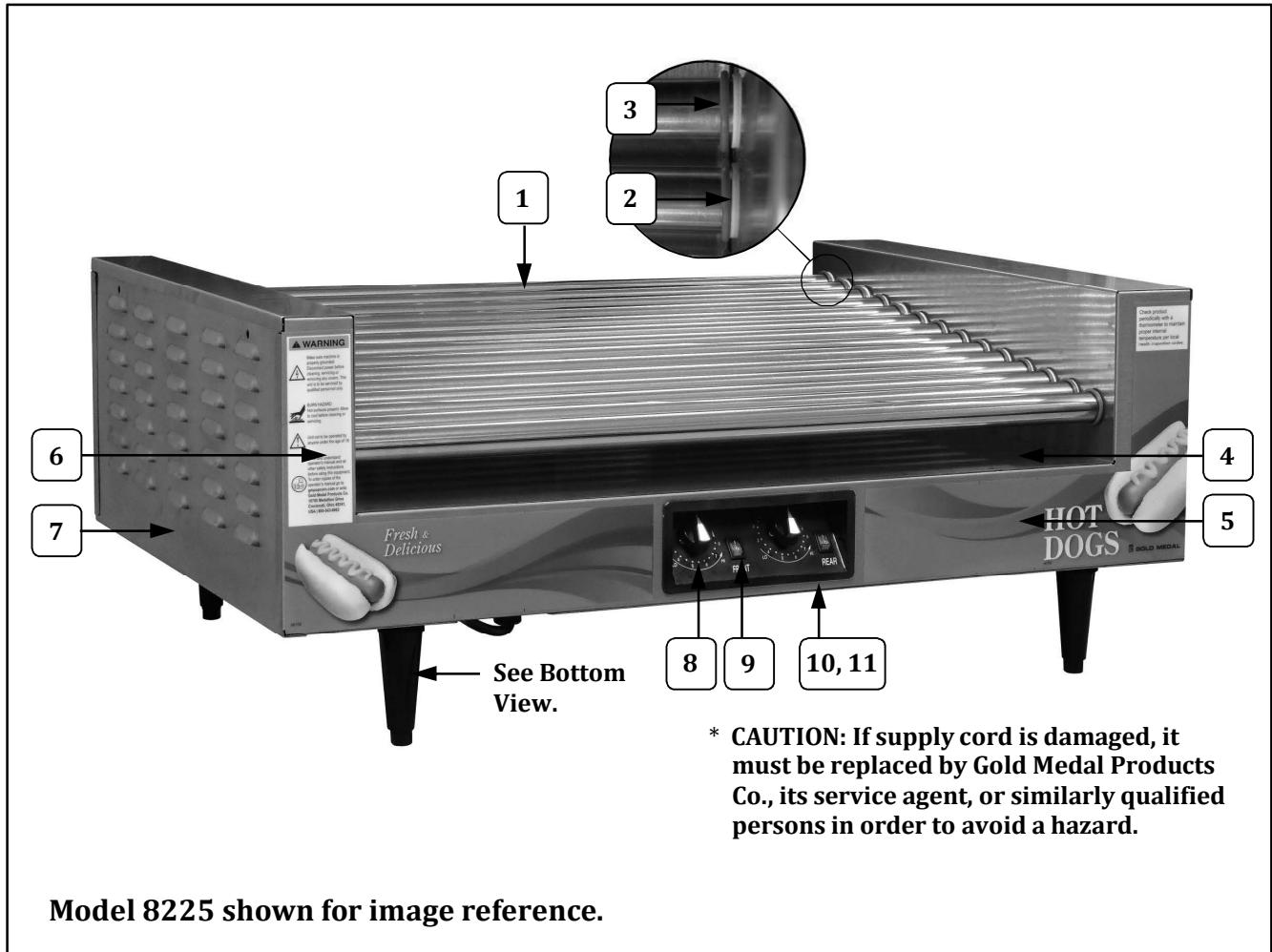
Item	Part Description	Part Number	
		8225	8225PE
1	ROLLER ASSEMBLY (14 required)	88233	88233PE
2	ANTI-ROTATION TEFLON BUSHING (White)	77918	77918
3	O-RING (Red)	87511	87511
4	LARGE ROLLER DRIP TRAY	88475	88475
5	RIGHT DECAL	88759	88759
6	LEFT DECAL	88758	88758
7	END COVER WELDMENT	88234	88531
8	CONTROL KNOB	38389	38389
9	DPST ROCKER SWITCH	42532	42532
10	CONTROL BOX	88101	88101
11	CONTROL LABEL 8023	88129	88129

Cabinet Exterior



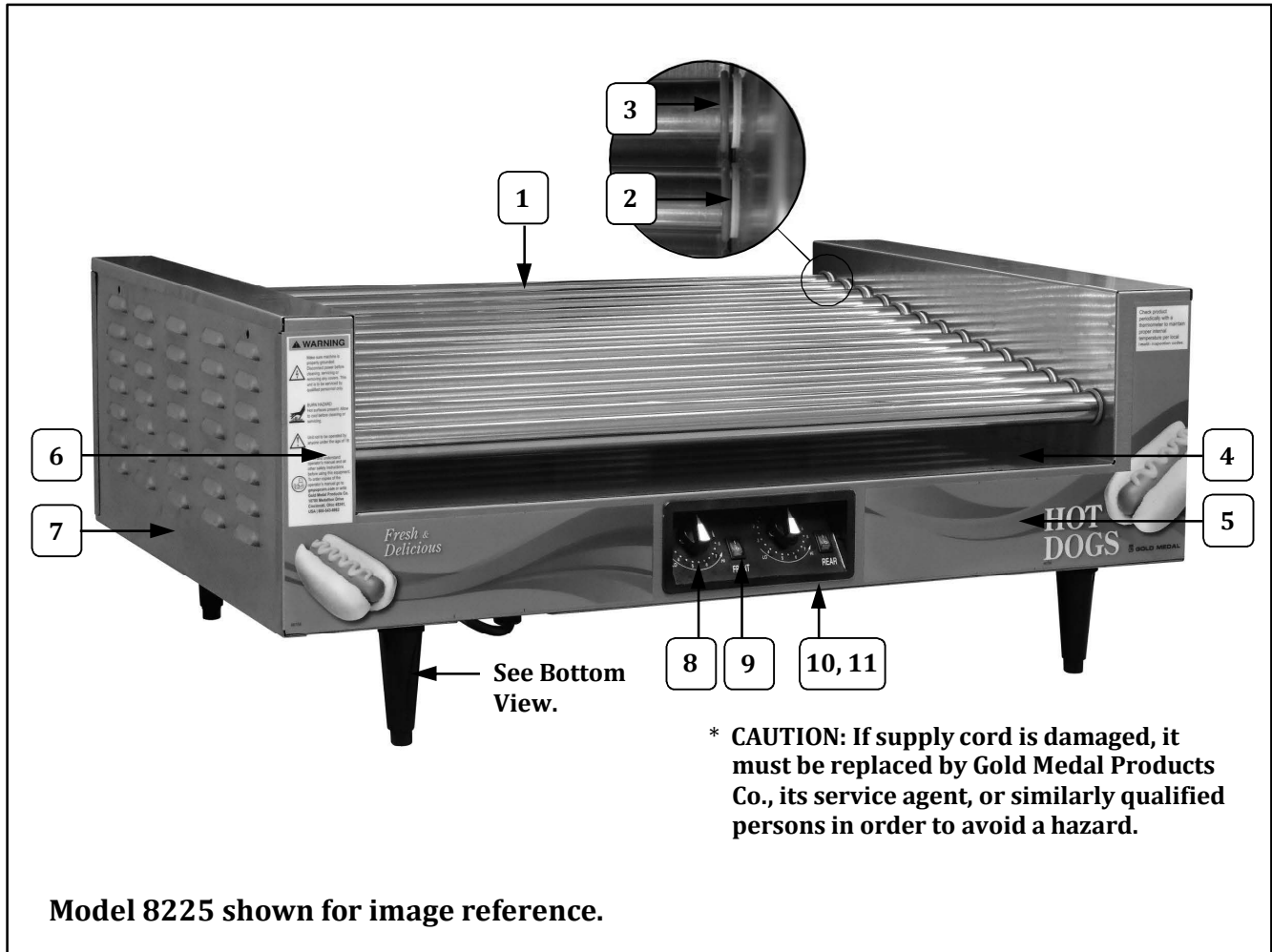
Item	Part Description	Part Number	
		8225	8225PE
1	ROLLER ASSEMBLY (14 required)	88233	88233PE
2	ANTI-ROTATION TEFLON BUSHING (White)	77918	77918
3	O-RING (Red)	87511	87511
4	LARGE ROLLER DRIP TRAY	88475	88475
5	RIGHT DECAL	88759	88759
6	LEFT DECAL	88758	88758
7	END COVER WELDMENT	88234	88531
8	CONTROL KNOB	38389	38389
9	DPST ROCKER SWITCH	42532	42532
10	CONTROL BOX	88101	88101
11	CONTROL LABEL 8023	88129	88129

Cabinet Exterior



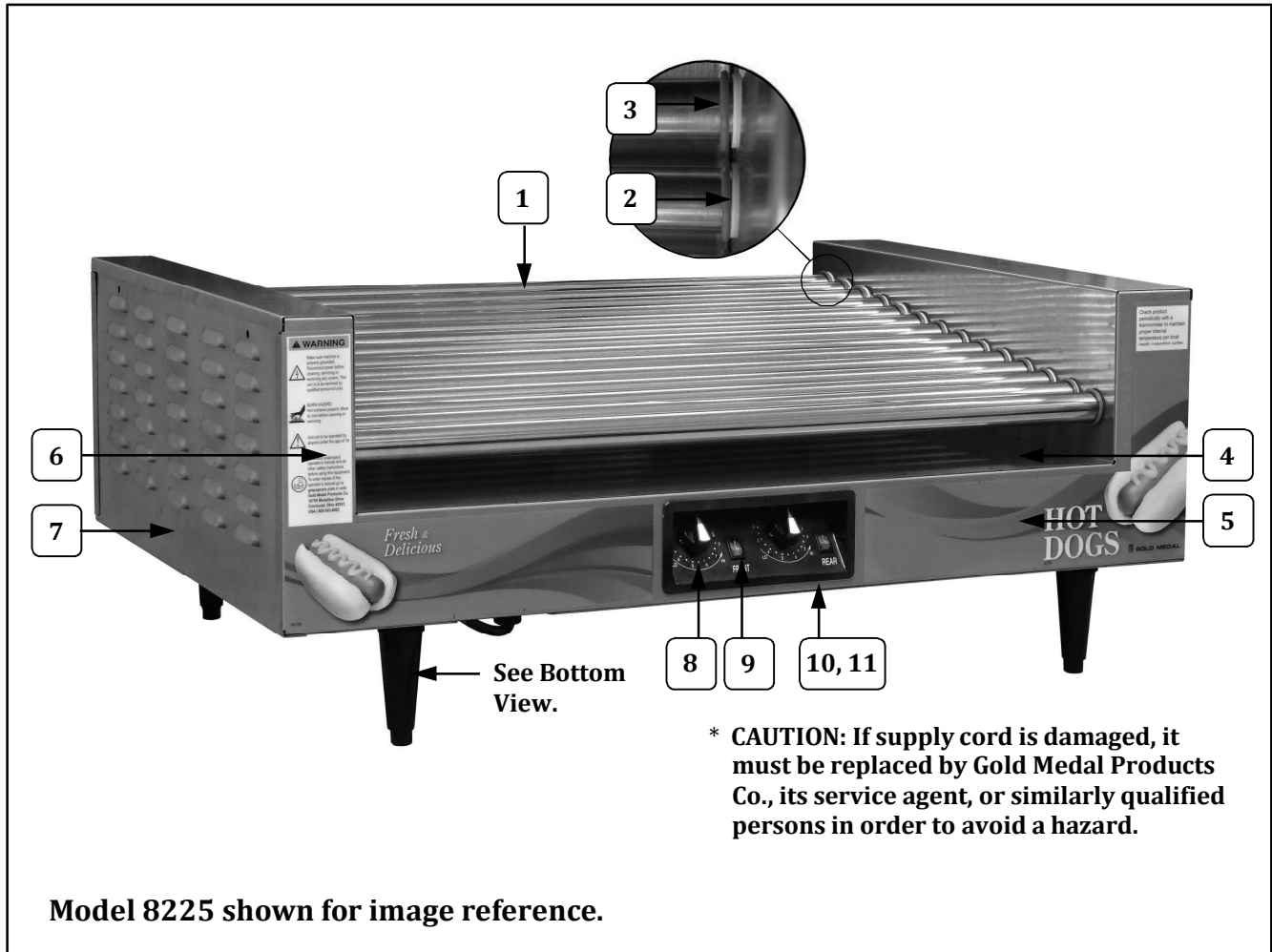
Item	Part Description	Part Number	
		8225	8225PE
1	ROLLER ASSEMBLY (14 required)	88233	88233PE
2	ANTI-ROTATION TEFLON BUSHING (White)	77918	77918
3	O-RING (Red)	87511	87511
4	LARGE ROLLER DRIP TRAY	88475	88475
5	RIGHT DECAL	88759	88759
6	LEFT DECAL	88758	88758
7	END COVER WELDMENT	88234	88531
8	CONTROL KNOB	38389	38389
9	DPST ROCKER SWITCH	42532	42532
10	CONTROL BOX	88101	88101
11	CONTROL LABEL 8023	88129	88129

Cabinet Exterior



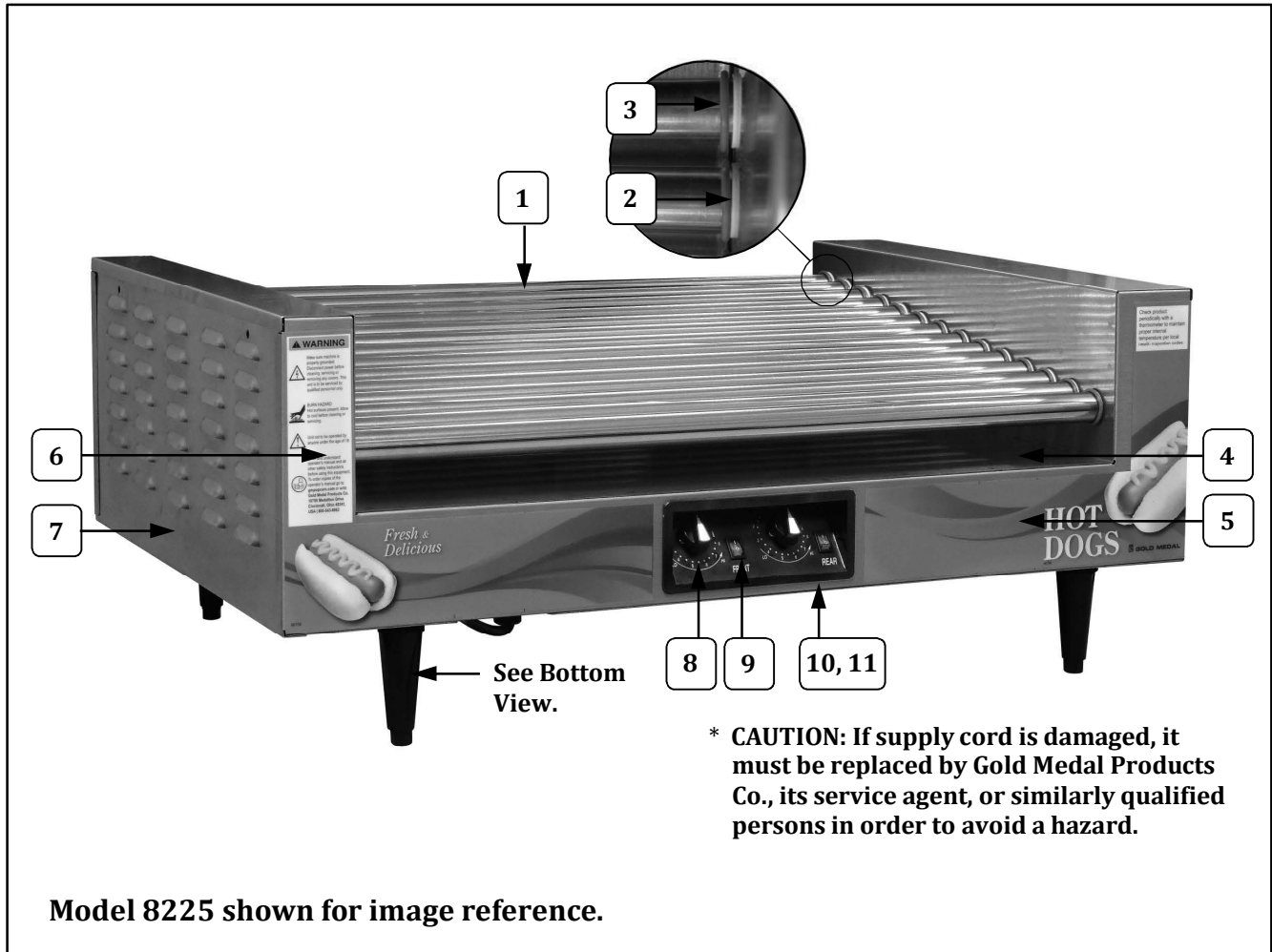
Item	Part Description	Part Number	
		8225	8225PE
1	ROLLER ASSEMBLY (14 required)	88233	88233PE
2	ANTI-ROTATION TEFLON BUSHING (White)	77918	77918
3	O-RING (Red)	87511	87511
4	LARGE ROLLER DRIP TRAY	88475	88475
5	RIGHT DECAL	88759	88759
6	LEFT DECAL	88758	88758
7	END COVER WELDMENT	88234	88531
8	CONTROL KNOB	38389	38389
9	DPST ROCKER SWITCH	42532	42532
10	CONTROL BOX	88101	88101
11	CONTROL LABEL 8023	88129	88129

Cabinet Exterior



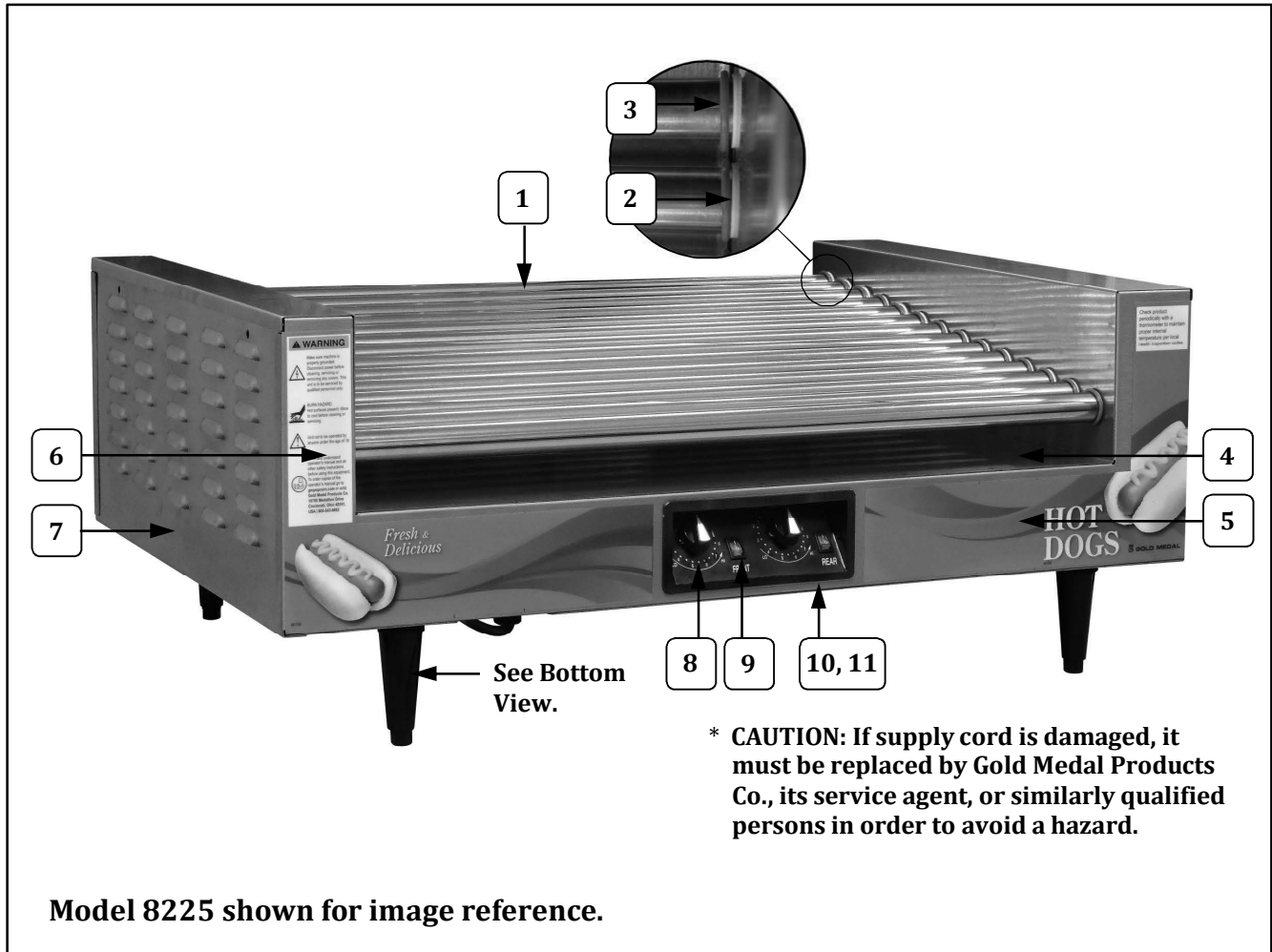
Item	Part Description	Part Number	
		8225	8225PE
1	ROLLER ASSEMBLY (14 required)	88233	88233PE
2	ANTI-ROTATION TEFLON BUSHING (White)	77918	77918
3	O-RING (Red)	87511	87511
4	LARGE ROLLER DRIP TRAY	88475	88475
5	RIGHT DECAL	88759	88759
6	LEFT DECAL	88758	88758
7	END COVER WELDMENT	88234	88531
8	CONTROL KNOB	38389	38389
9	DPST ROCKER SWITCH	42532	42532
10	CONTROL BOX	88101	88101
11	CONTROL LABEL 8023	88129	88129

Cabinet Exterior



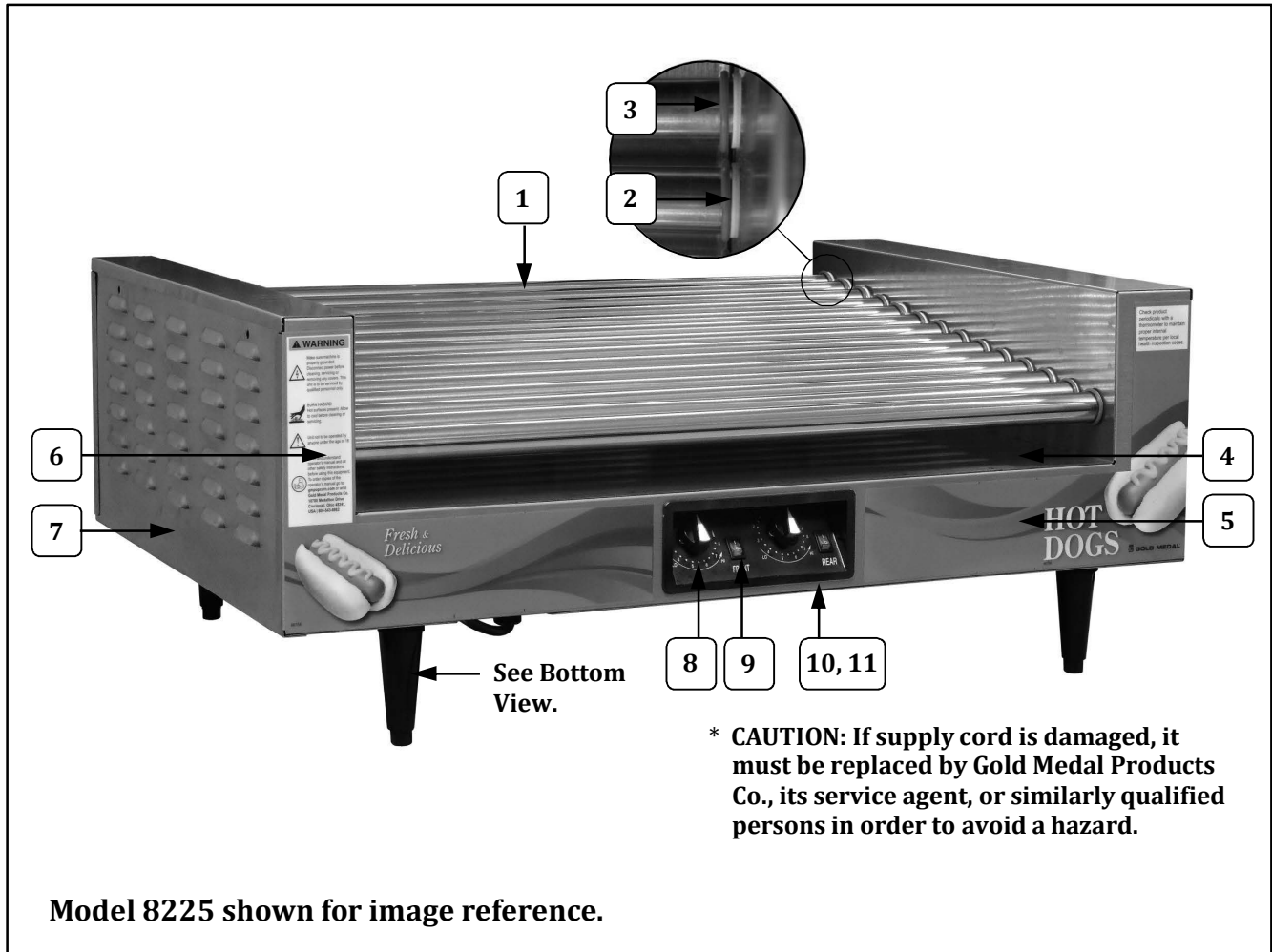
Item	Part Description	Part Number	
		8225	8225PE
1	ROLLER ASSEMBLY (14 required)	88233	88233PE
2	ANTI-ROTATION TEFLON BUSHING (White)	77918	77918
3	O-RING (Red)	87511	87511
4	LARGE ROLLER DRIP TRAY	88475	88475
5	RIGHT DECAL	88759	88759
6	LEFT DECAL	88758	88758
7	END COVER WELDMENT	88234	88531
8	CONTROL KNOB	38389	38389
9	DPST ROCKER SWITCH	42532	42532
10	CONTROL BOX	88101	88101
11	CONTROL LABEL 8023	88129	88129

Cabinet Exterior



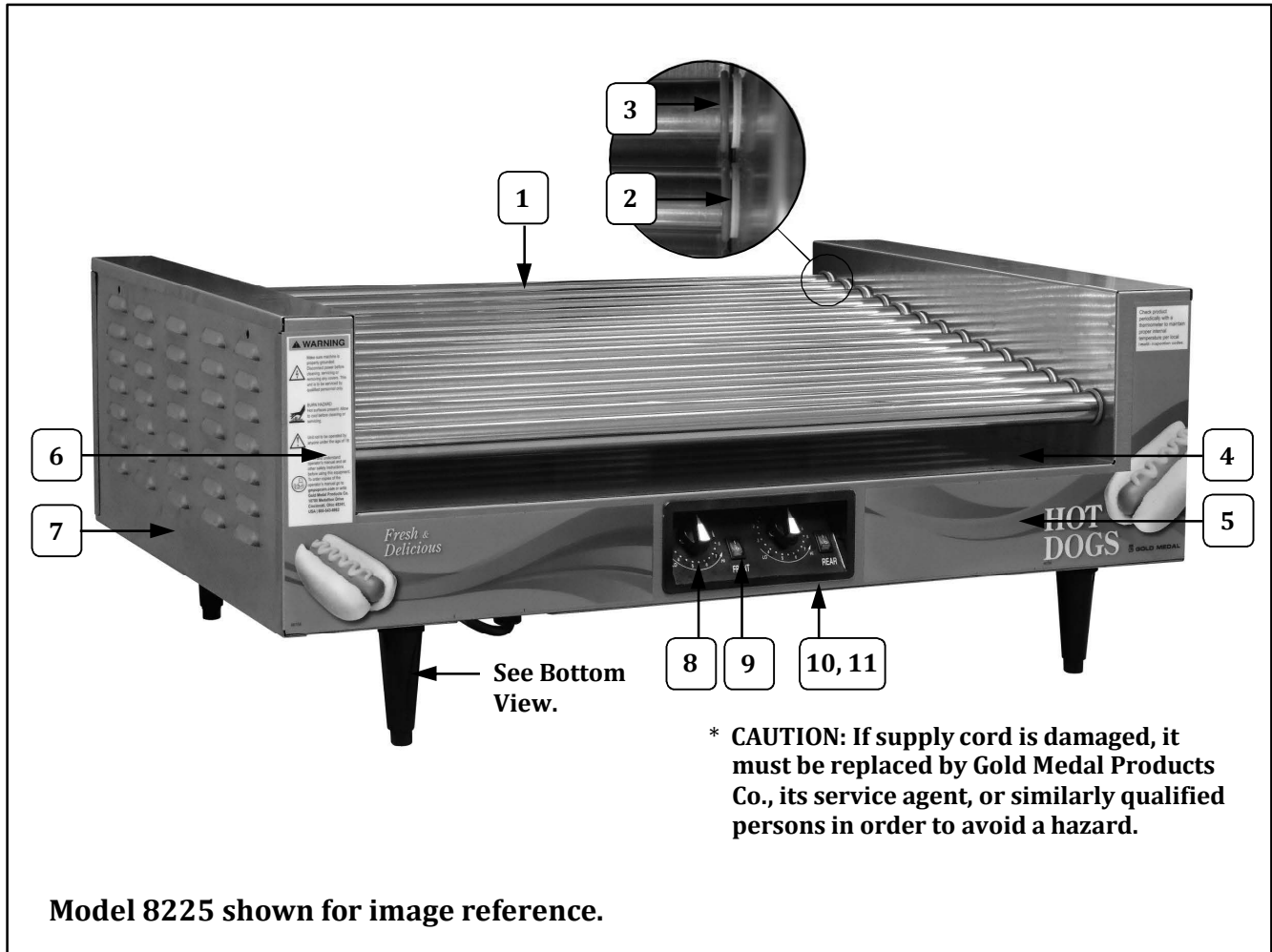
Item	Part Description	Part Number	
		8225	8225PE
1	ROLLER ASSEMBLY (14 required)	88233	88233PE
2	ANTI-ROTATION TEFLON BUSHING (White)	77918	77918
3	O-RING (Red)	87511	87511
4	LARGE ROLLER DRIP TRAY	88475	88475
5	RIGHT DECAL	88759	88759
6	LEFT DECAL	88758	88758
7	END COVER WELDMENT	88234	88531
8	CONTROL KNOB	38389	38389
9	DPST ROCKER SWITCH	42532	42532
10	CONTROL BOX	88101	88101
11	CONTROL LABEL 8023	88129	88129

Cabinet Exterior



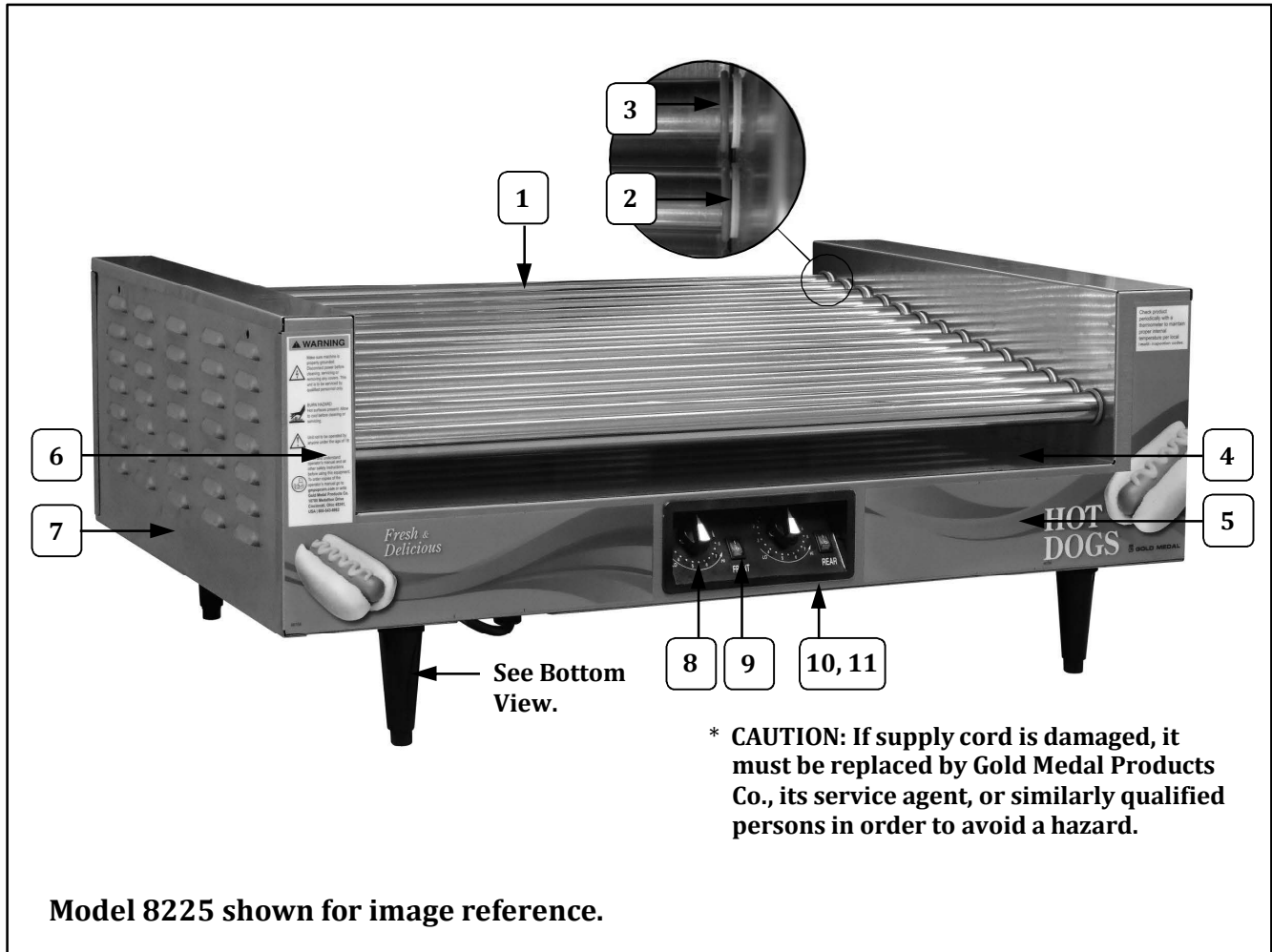
Item	Part Description	Part Number	
		8225	8225PE
1	ROLLER ASSEMBLY (14 required)	88233	88233PE
2	ANTI-ROTATION TEFLON BUSHING (White)	77918	77918
3	O-RING (Red)	87511	87511
4	LARGE ROLLER DRIP TRAY	88475	88475
5	RIGHT DECAL	88759	88759
6	LEFT DECAL	88758	88758
7	END COVER WELDMENT	88234	88531
8	CONTROL KNOB	38389	38389
9	DPST ROCKER SWITCH	42532	42532
10	CONTROL BOX	88101	88101
11	CONTROL LABEL 8023	88129	88129

Cabinet Exterior



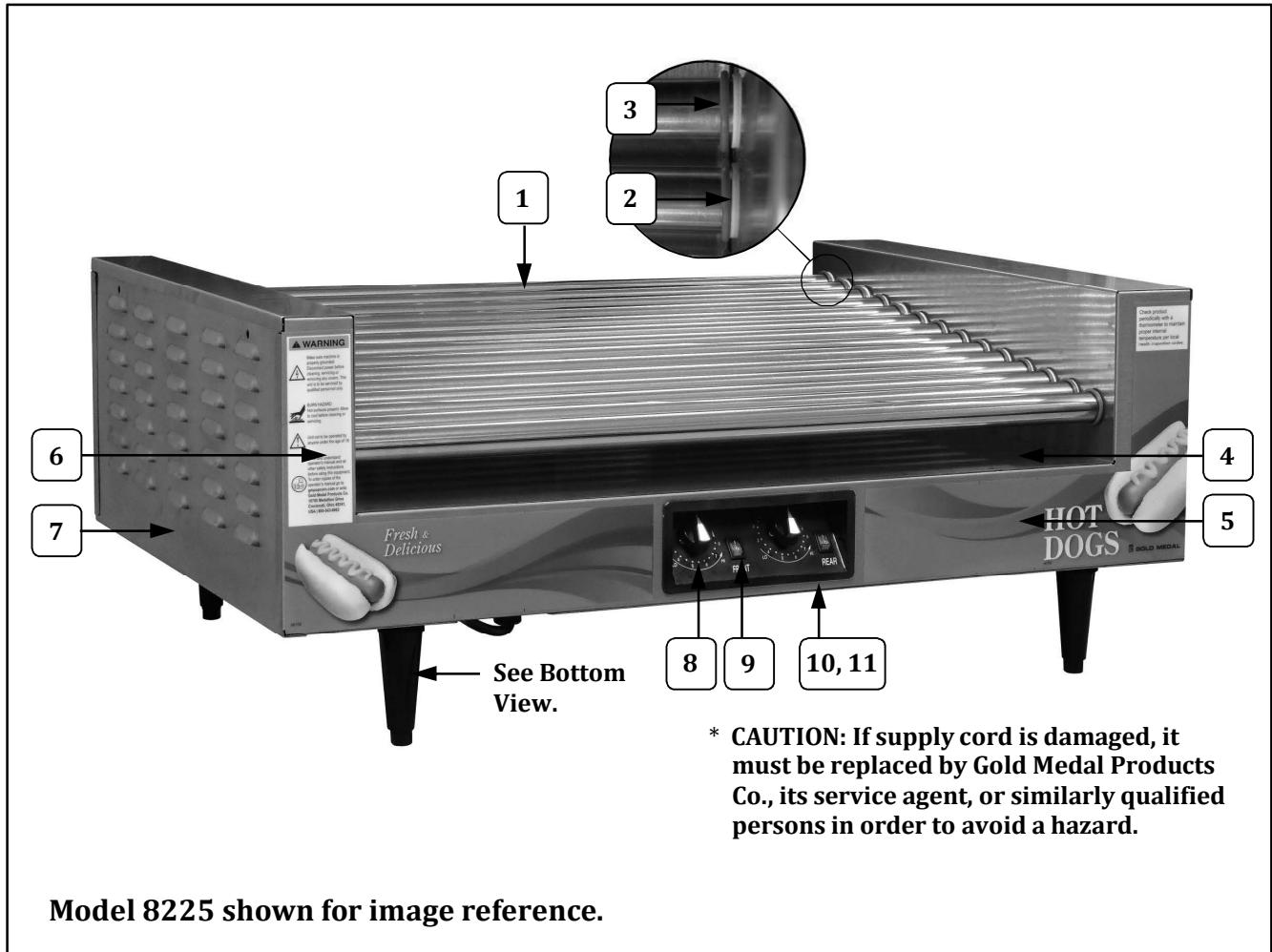
Item	Part Description	Part Number	
		8225	8225PE
1	ROLLER ASSEMBLY (14 required)	88233	88233PE
2	ANTI-ROTATION TEFLON BUSHING (White)	77918	77918
3	O-RING (Red)	87511	87511
4	LARGE ROLLER DRIP TRAY	88475	88475
5	RIGHT DECAL	88759	88759
6	LEFT DECAL	88758	88758
7	END COVER WELDMENT	88234	88531
8	CONTROL KNOB	38389	38389
9	DPST ROCKER SWITCH	42532	42532
10	CONTROL BOX	88101	88101
11	CONTROL LABEL 8023	88129	88129

Cabinet Exterior



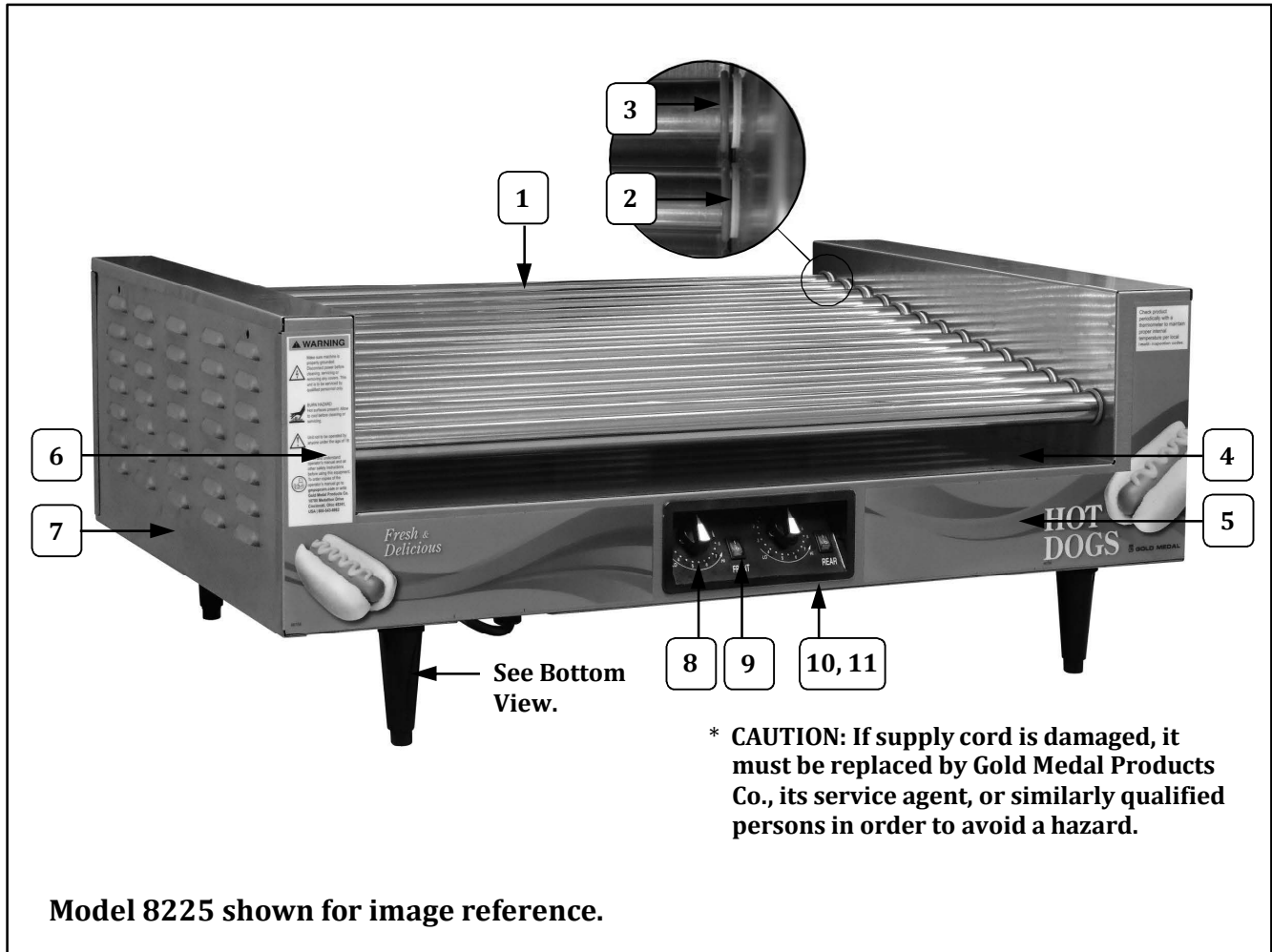
Item	Part Description	Part Number	
		8225	8225PE
1	ROLLER ASSEMBLY (14 required)	88233	88233PE
2	ANTI-ROTATION TEFLON BUSHING (White)	77918	77918
3	O-RING (Red)	87511	87511
4	LARGE ROLLER DRIP TRAY	88475	88475
5	RIGHT DECAL	88759	88759
6	LEFT DECAL	88758	88758
7	END COVER WELDMENT	88234	88531
8	CONTROL KNOB	38389	38389
9	DPST ROCKER SWITCH	42532	42532
10	CONTROL BOX	88101	88101
11	CONTROL LABEL 8023	88129	88129

Cabinet Exterior



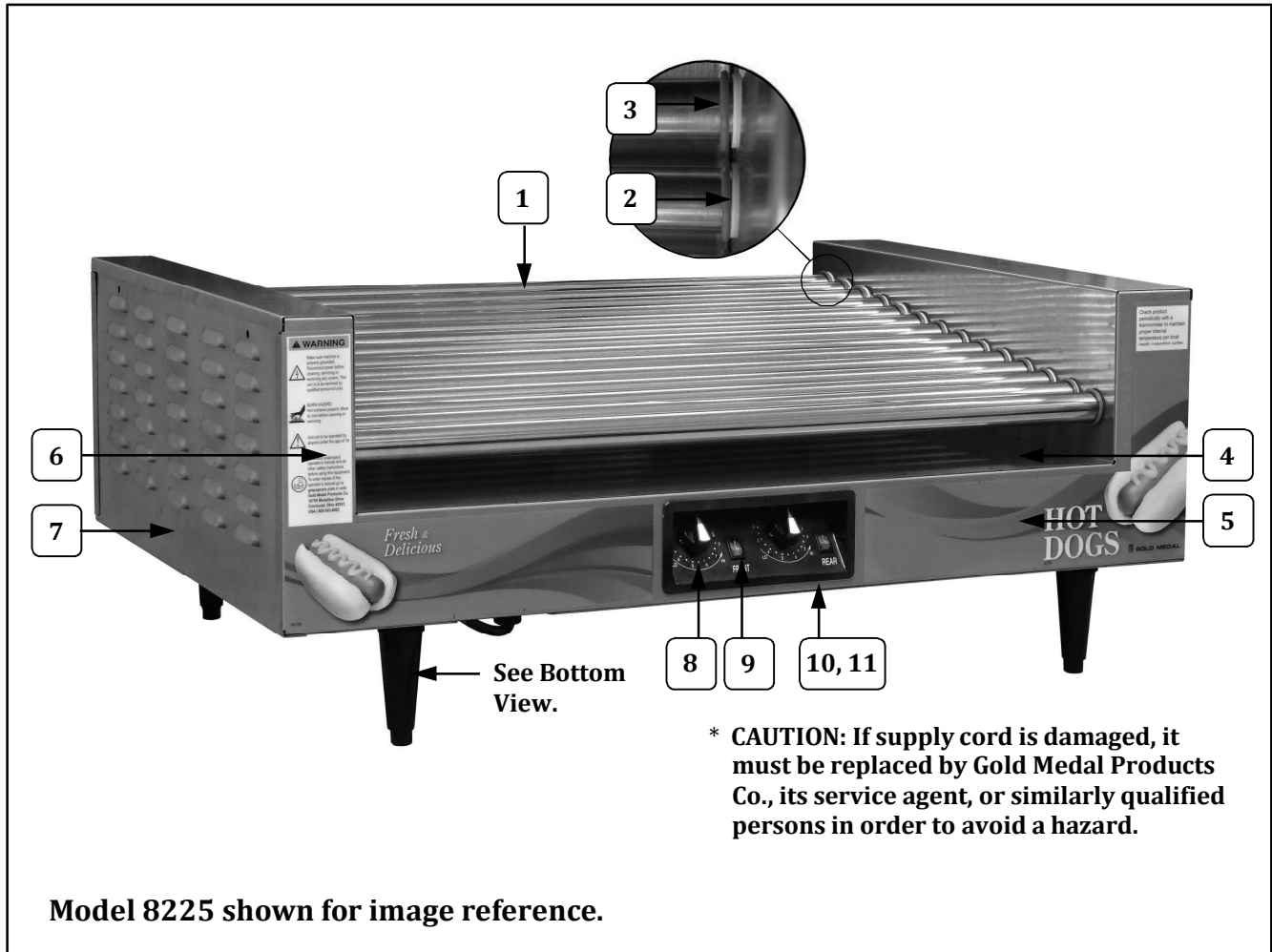
Item	Part Description	Part Number	
		8225	8225PE
1	ROLLER ASSEMBLY (14 required)	88233	88233PE
2	ANTI-ROTATION TEFLON BUSHING (White)	77918	77918
3	O-RING (Red)	87511	87511
4	LARGE ROLLER DRIP TRAY	88475	88475
5	RIGHT DECAL	88759	88759
6	LEFT DECAL	88758	88758
7	END COVER WELDMENT	88234	88531
8	CONTROL KNOB	38389	38389
9	DPST ROCKER SWITCH	42532	42532
10	CONTROL BOX	88101	88101
11	CONTROL LABEL 8023	88129	88129

Cabinet Exterior



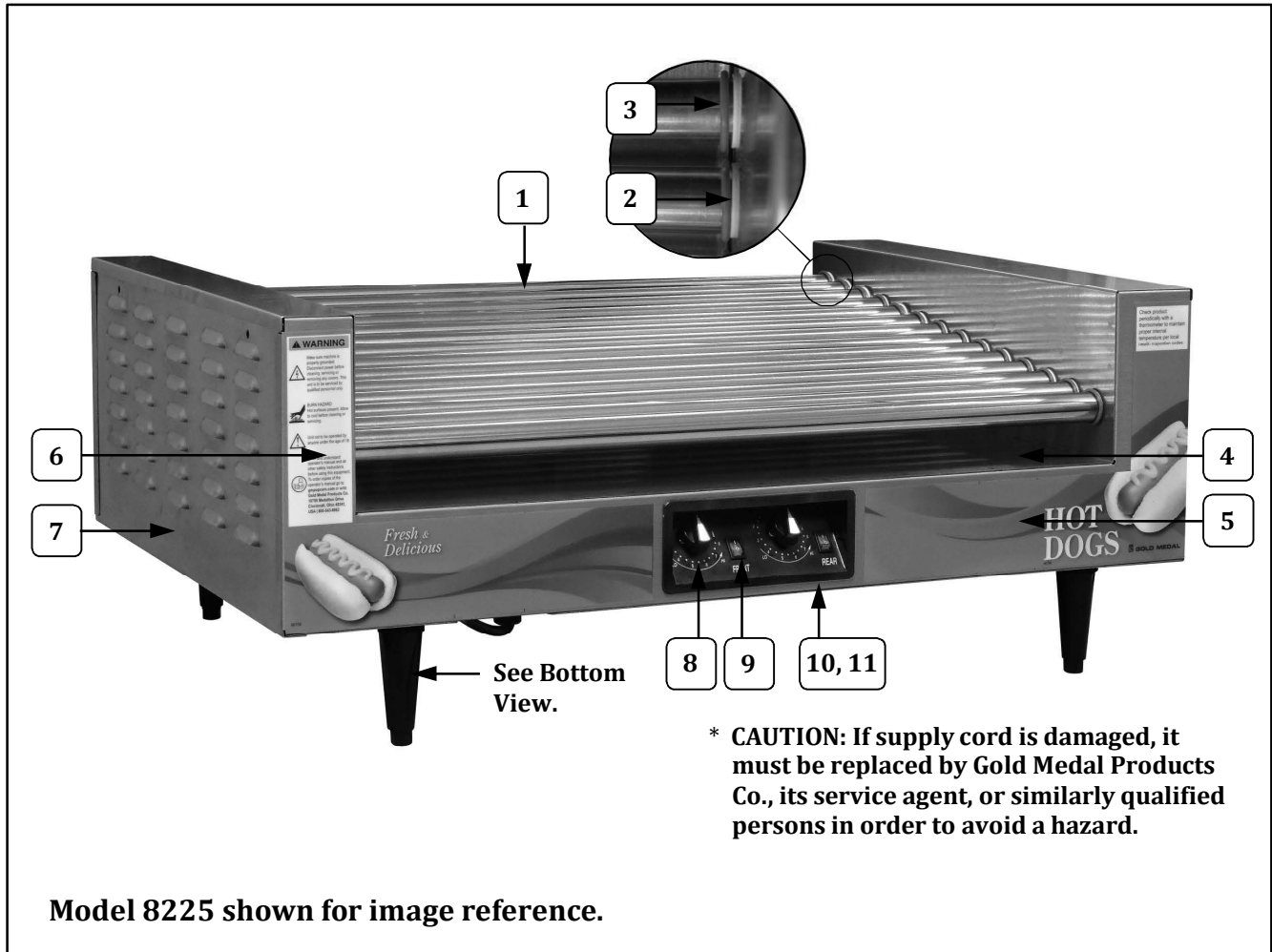
Item	Part Description	Part Number	
		8225	8225PE
1	ROLLER ASSEMBLY (14 required)	88233	88233PE
2	ANTI-ROTATION TEFLON BUSHING (White)	77918	77918
3	O-RING (Red)	87511	87511
4	LARGE ROLLER DRIP TRAY	88475	88475
5	RIGHT DECAL	88759	88759
6	LEFT DECAL	88758	88758
7	END COVER WELDMENT	88234	88531
8	CONTROL KNOB	38389	38389
9	DPST ROCKER SWITCH	42532	42532
10	CONTROL BOX	88101	88101
11	CONTROL LABEL 8023	88129	88129

Cabinet Exterior



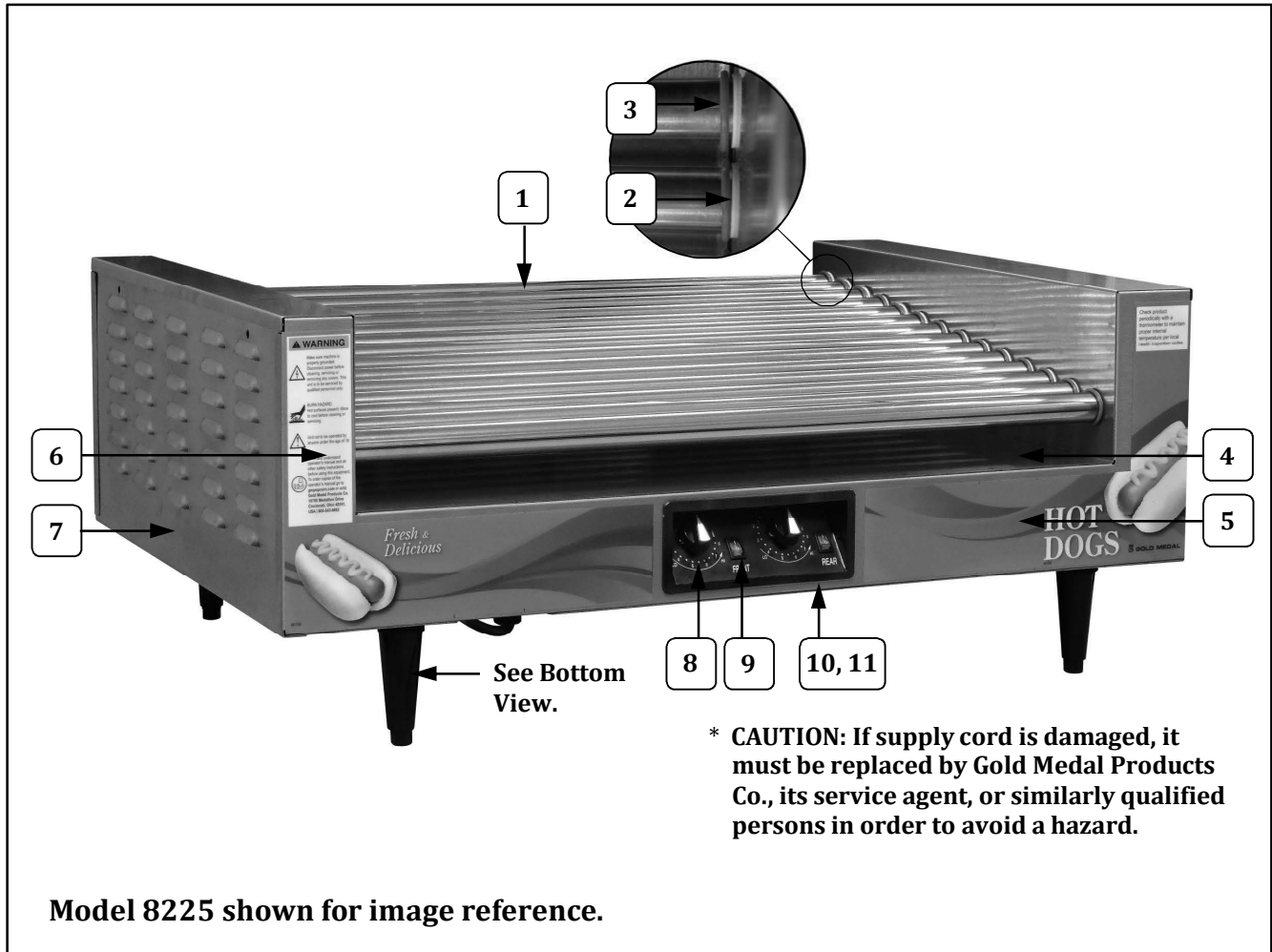
Item	Part Description	Part Number	
		8225	8225PE
1	ROLLER ASSEMBLY (14 required)	88233	88233PE
2	ANTI-ROTATION TEFLON BUSHING (White)	77918	77918
3	O-RING (Red)	87511	87511
4	LARGE ROLLER DRIP TRAY	88475	88475
5	RIGHT DECAL	88759	88759
6	LEFT DECAL	88758	88758
7	END COVER WELDMENT	88234	88531
8	CONTROL KNOB	38389	38389
9	DPST ROCKER SWITCH	42532	42532
10	CONTROL BOX	88101	88101
11	CONTROL LABEL 8023	88129	88129

Cabinet Exterior



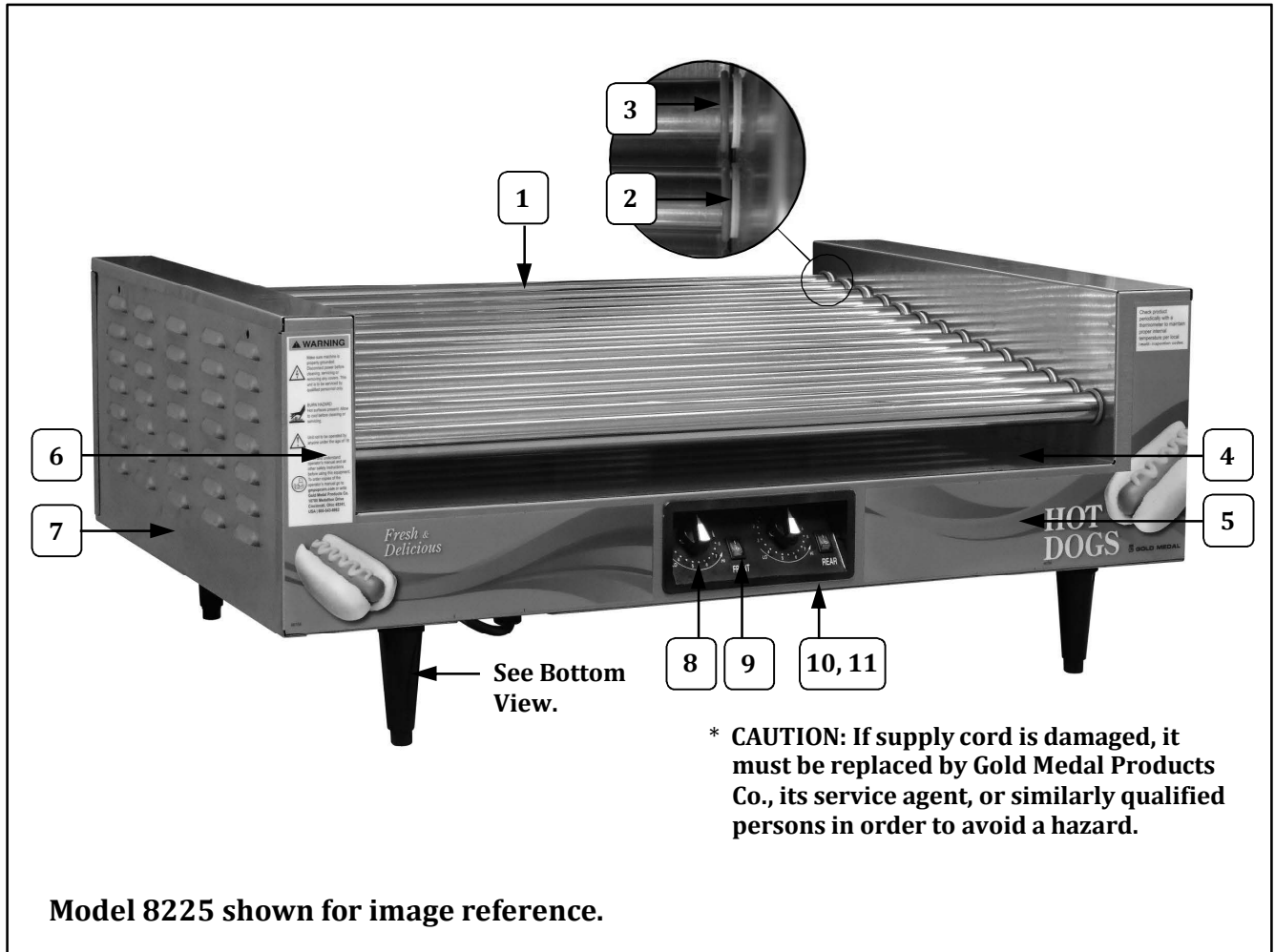
Item	Part Description	Part Number	
		8225	8225PE
1	ROLLER ASSEMBLY (14 required)	88233	88233PE
2	ANTI-ROTATION TEFLON BUSHING (White)	77918	77918
3	O-RING (Red)	87511	87511
4	LARGE ROLLER DRIP TRAY	88475	88475
5	RIGHT DECAL	88759	88759
6	LEFT DECAL	88758	88758
7	END COVER WELDMENT	88234	88531
8	CONTROL KNOB	38389	38389
9	DPST ROCKER SWITCH	42532	42532
10	CONTROL BOX	88101	88101
11	CONTROL LABEL 8023	88129	88129

Cabinet Exterior



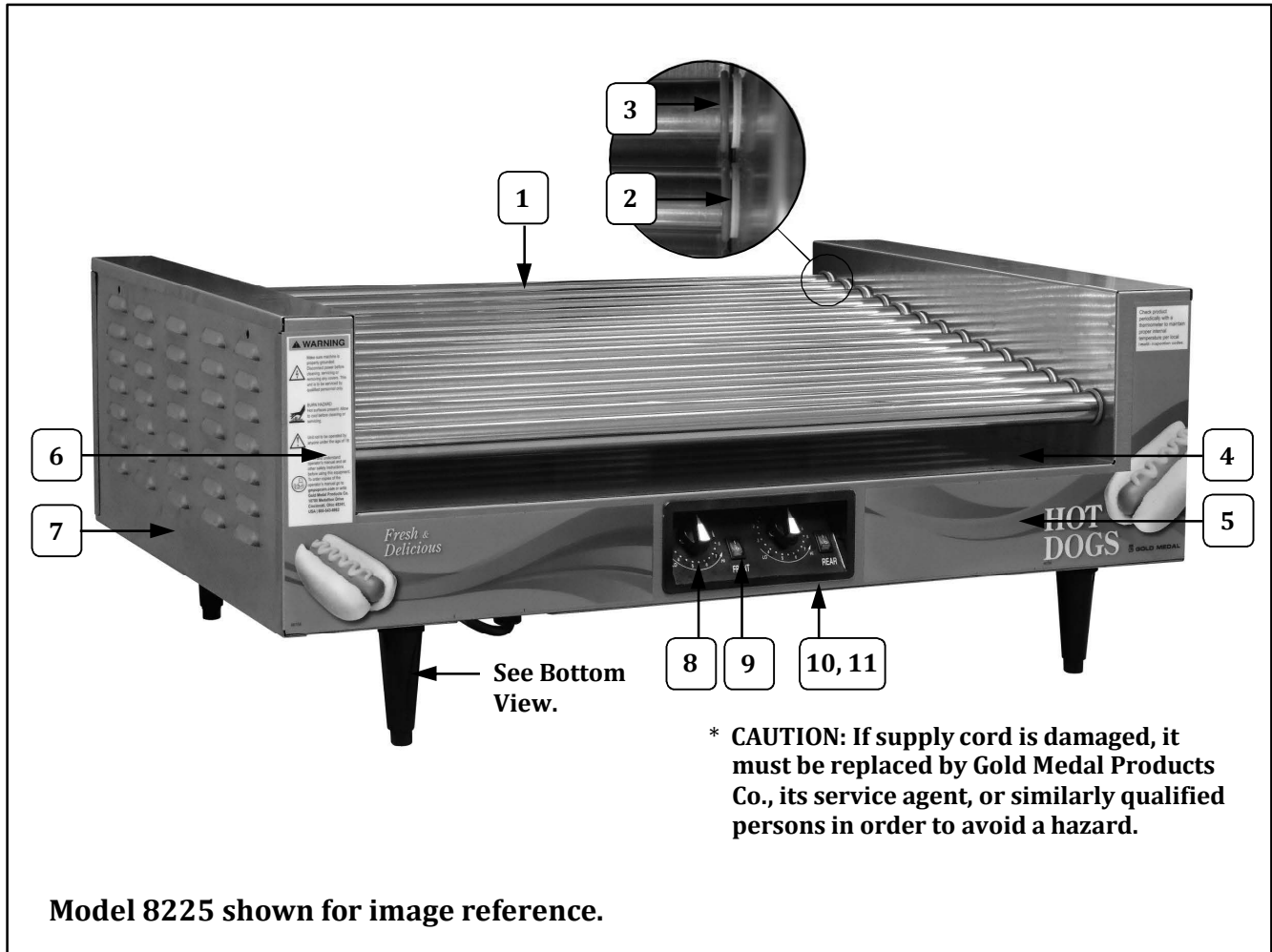
Item	Part Description	Part Number	
		8225	8225PE
1	ROLLER ASSEMBLY (14 required)	88233	88233PE
2	ANTI-ROTATION TEFLON BUSHING (White)	77918	77918
3	O-RING (Red)	87511	87511
4	LARGE ROLLER DRIP TRAY	88475	88475
5	RIGHT DECAL	88759	88759
6	LEFT DECAL	88758	88758
7	END COVER WELDMENT	88234	88531
8	CONTROL KNOB	38389	38389
9	DPST ROCKER SWITCH	42532	42532
10	CONTROL BOX	88101	88101
11	CONTROL LABEL 8023	88129	88129

Cabinet Exterior



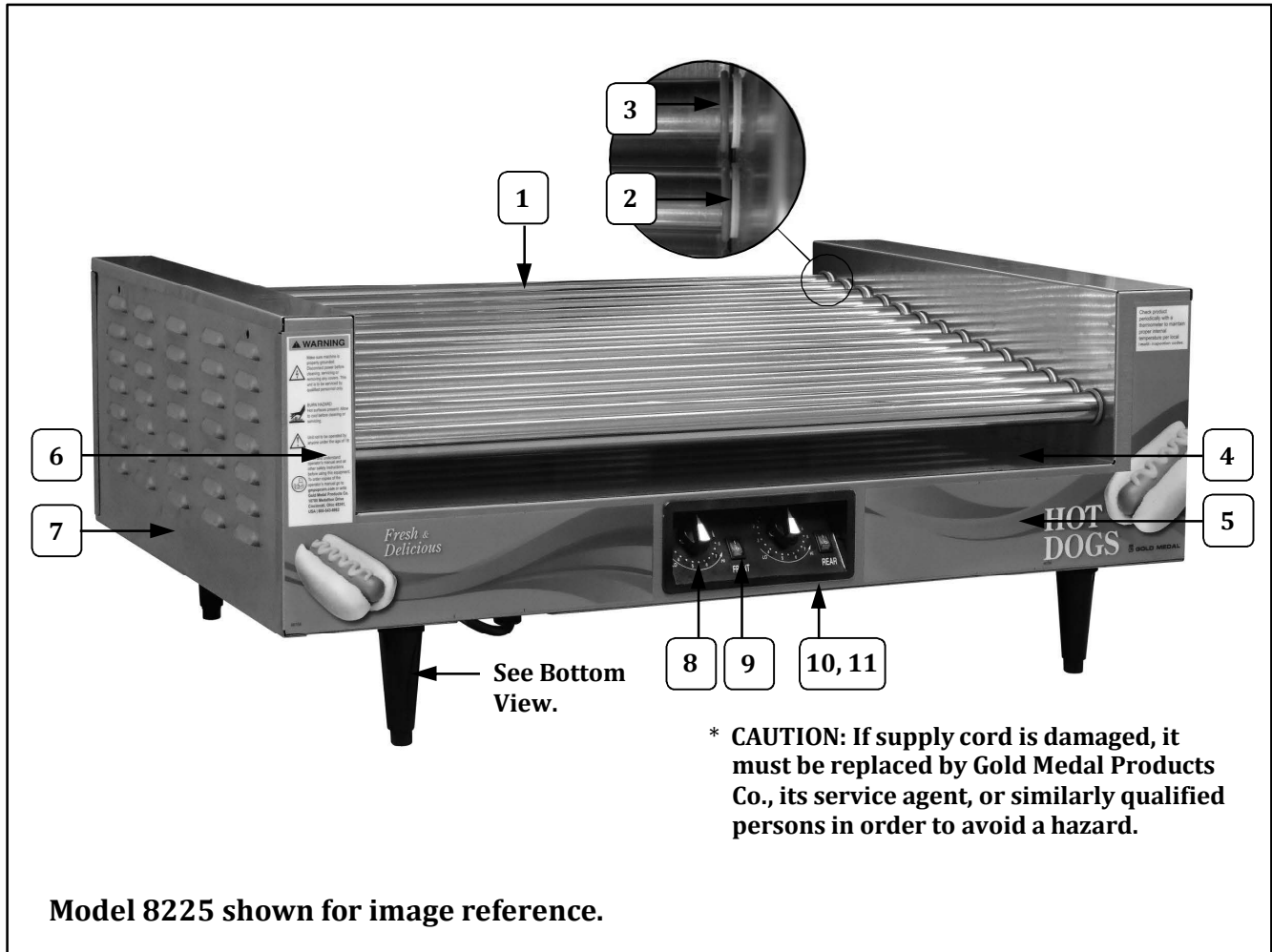
Item	Part Description	Part Number	
		8225	8225PE
1	ROLLER ASSEMBLY (14 required)	88233	88233PE
2	ANTI-ROTATION TEFLON BUSHING (White)	77918	77918
3	O-RING (Red)	87511	87511
4	LARGE ROLLER DRIP TRAY	88475	88475
5	RIGHT DECAL	88759	88759
6	LEFT DECAL	88758	88758
7	END COVER WELDMENT	88234	88531
8	CONTROL KNOB	38389	38389
9	DPST ROCKER SWITCH	42532	42532
10	CONTROL BOX	88101	88101
11	CONTROL LABEL 8023	88129	88129

Cabinet Exterior



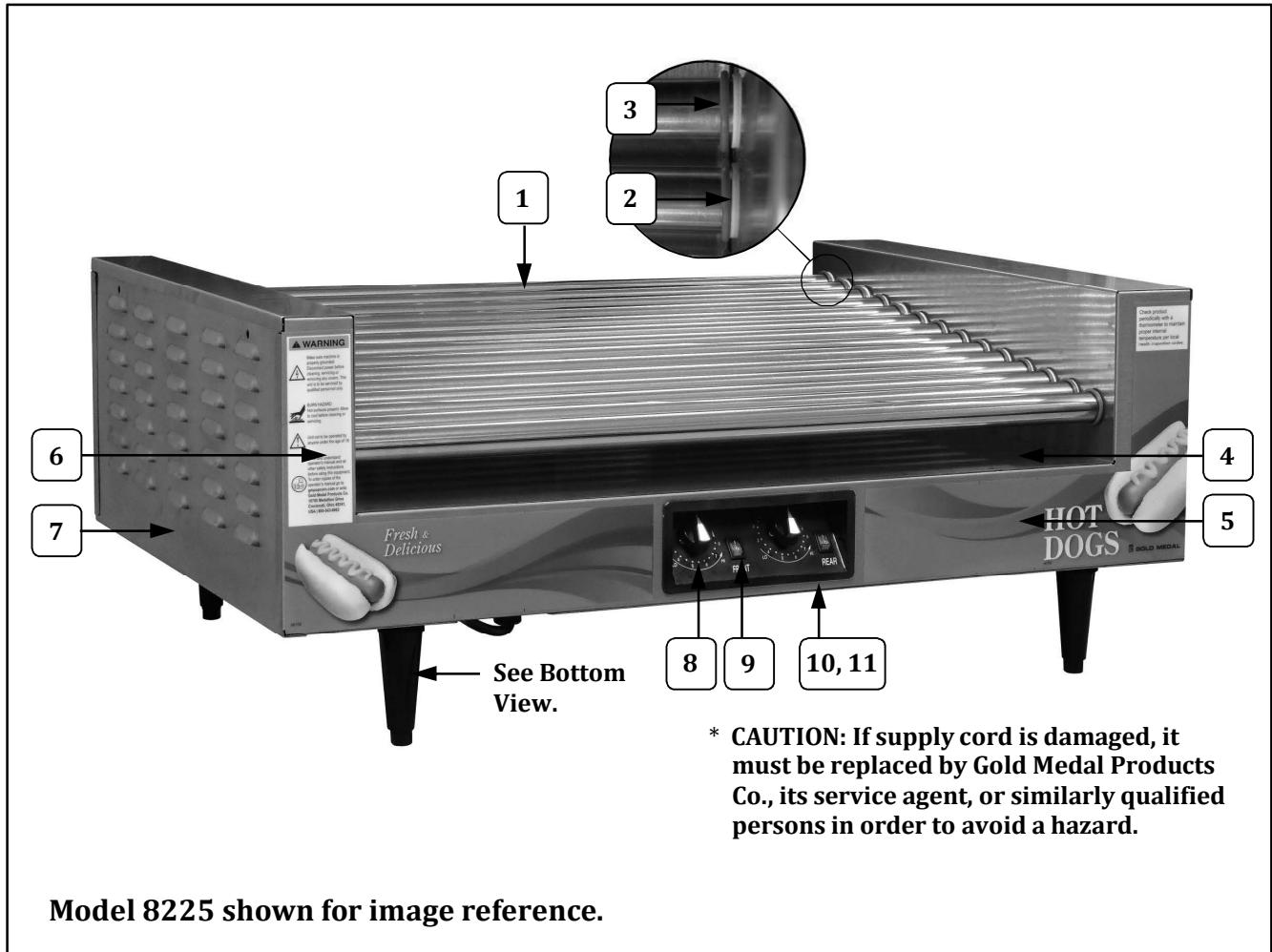
Item	Part Description	Part Number	
		8225	8225PE
1	ROLLER ASSEMBLY (14 required)	88233	88233PE
2	ANTI-ROTATION TEFLON BUSHING (White)	77918	77918
3	O-RING (Red)	87511	87511
4	LARGE ROLLER DRIP TRAY	88475	88475
5	RIGHT DECAL	88759	88759
6	LEFT DECAL	88758	88758
7	END COVER WELDMENT	88234	88531
8	CONTROL KNOB	38389	38389
9	DPST ROCKER SWITCH	42532	42532
10	CONTROL BOX	88101	88101
11	CONTROL LABEL 8023	88129	88129

Cabinet Exterior



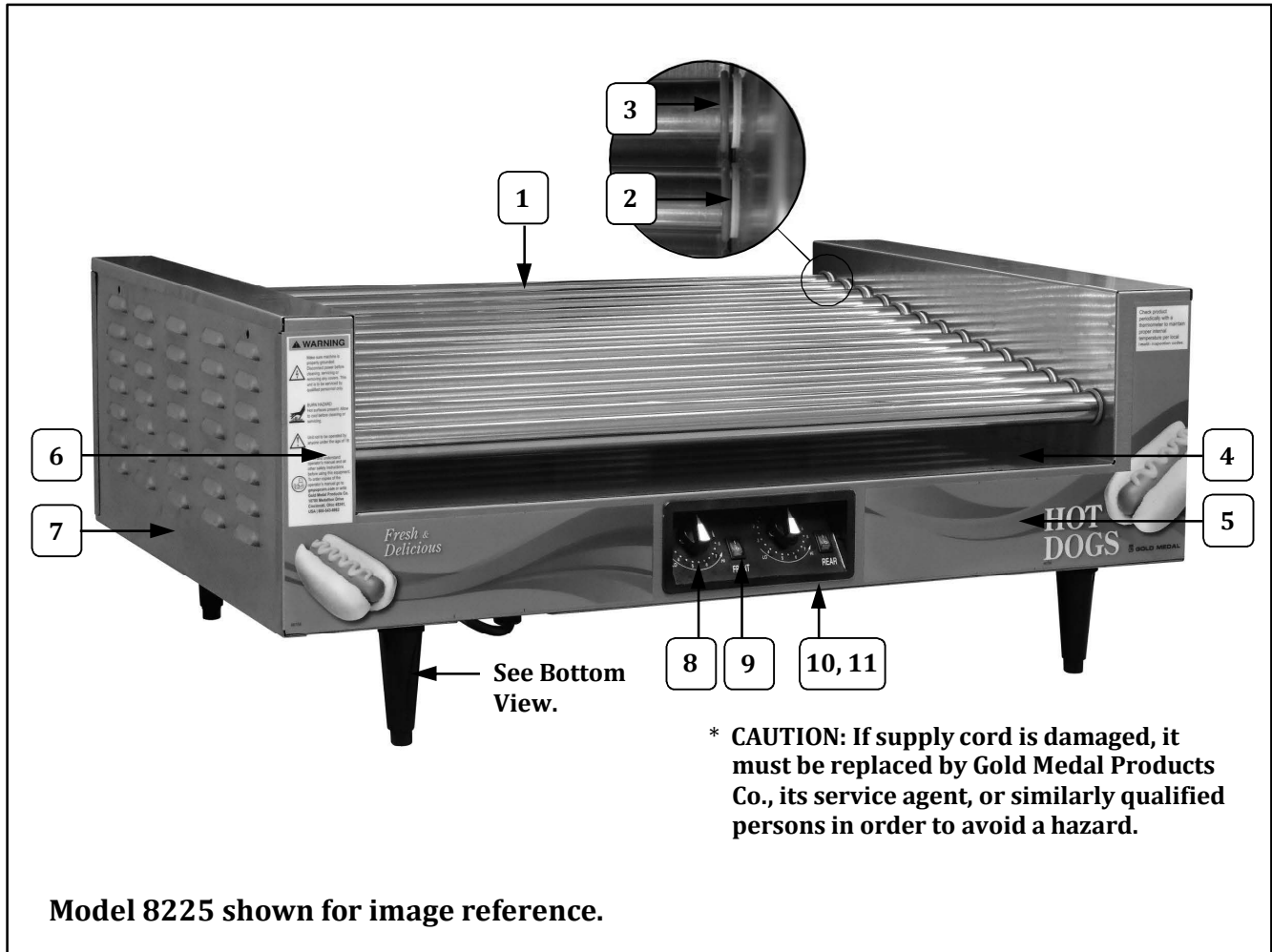
Item	Part Description	Part Number	
		8225	8225PE
1	ROLLER ASSEMBLY (14 required)	88233	88233PE
2	ANTI-ROTATION TEFLON BUSHING (White)	77918	77918
3	O-RING (Red)	87511	87511
4	LARGE ROLLER DRIP TRAY	88475	88475
5	RIGHT DECAL	88759	88759
6	LEFT DECAL	88758	88758
7	END COVER WELDMENT	88234	88531
8	CONTROL KNOB	38389	38389
9	DPST ROCKER SWITCH	42532	42532
10	CONTROL BOX	88101	88101
11	CONTROL LABEL 8023	88129	88129

Cabinet Exterior



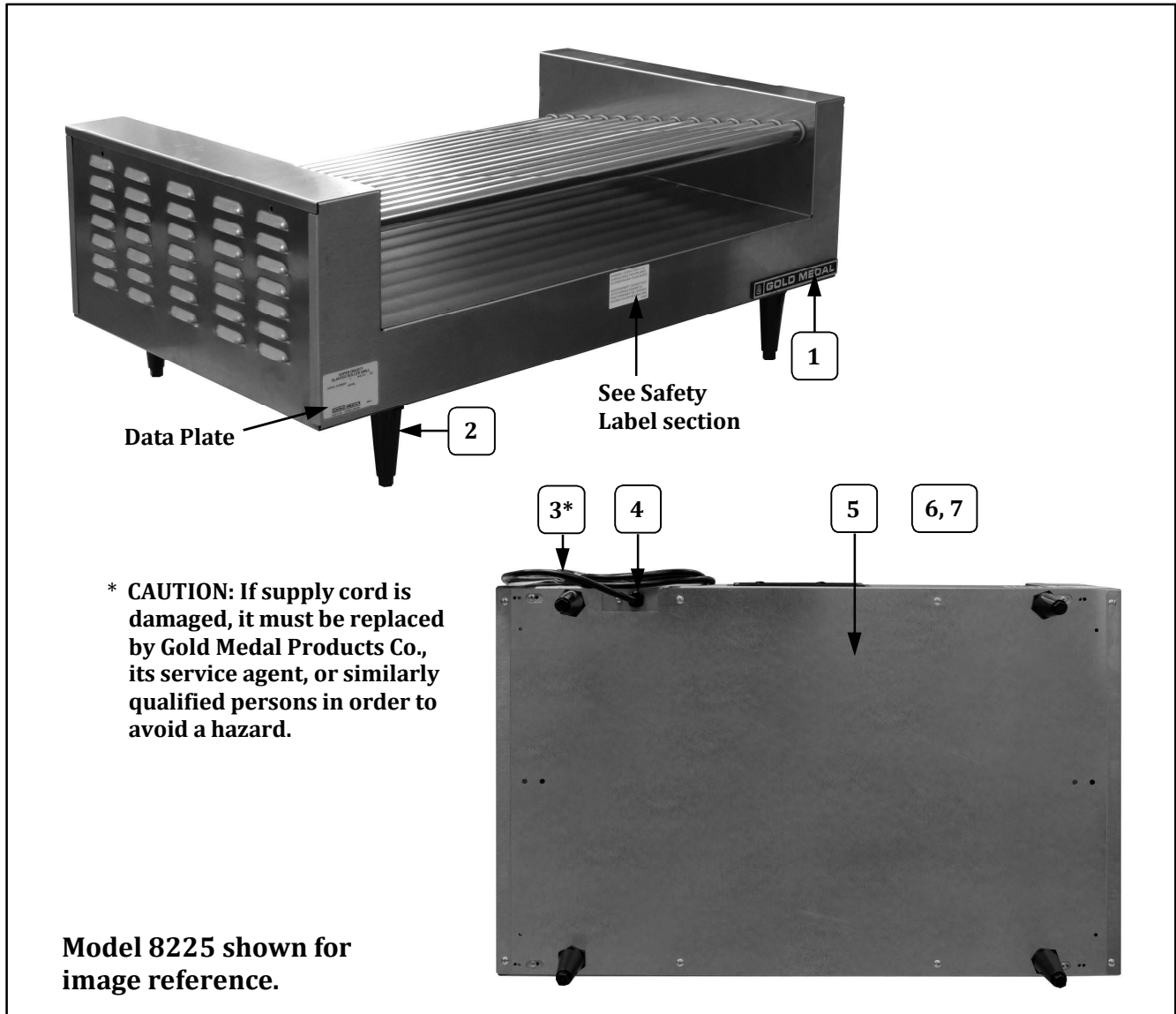
Item	Part Description	Part Number	
		8225	8225PE
1	ROLLER ASSEMBLY (14 required)	88233	88233PE
2	ANTI-ROTATION TEFLON BUSHING (White)	77918	77918
3	O-RING (Red)	87511	87511
4	LARGE ROLLER DRIP TRAY	88475	88475
5	RIGHT DECAL	88759	88759
6	LEFT DECAL	88758	88758
7	END COVER WELDMENT	88234	88531
8	CONTROL KNOB	38389	38389
9	DPST ROCKER SWITCH	42532	42532
10	CONTROL BOX	88101	88101
11	CONTROL LABEL 8023	88129	88129

Cabinet Exterior



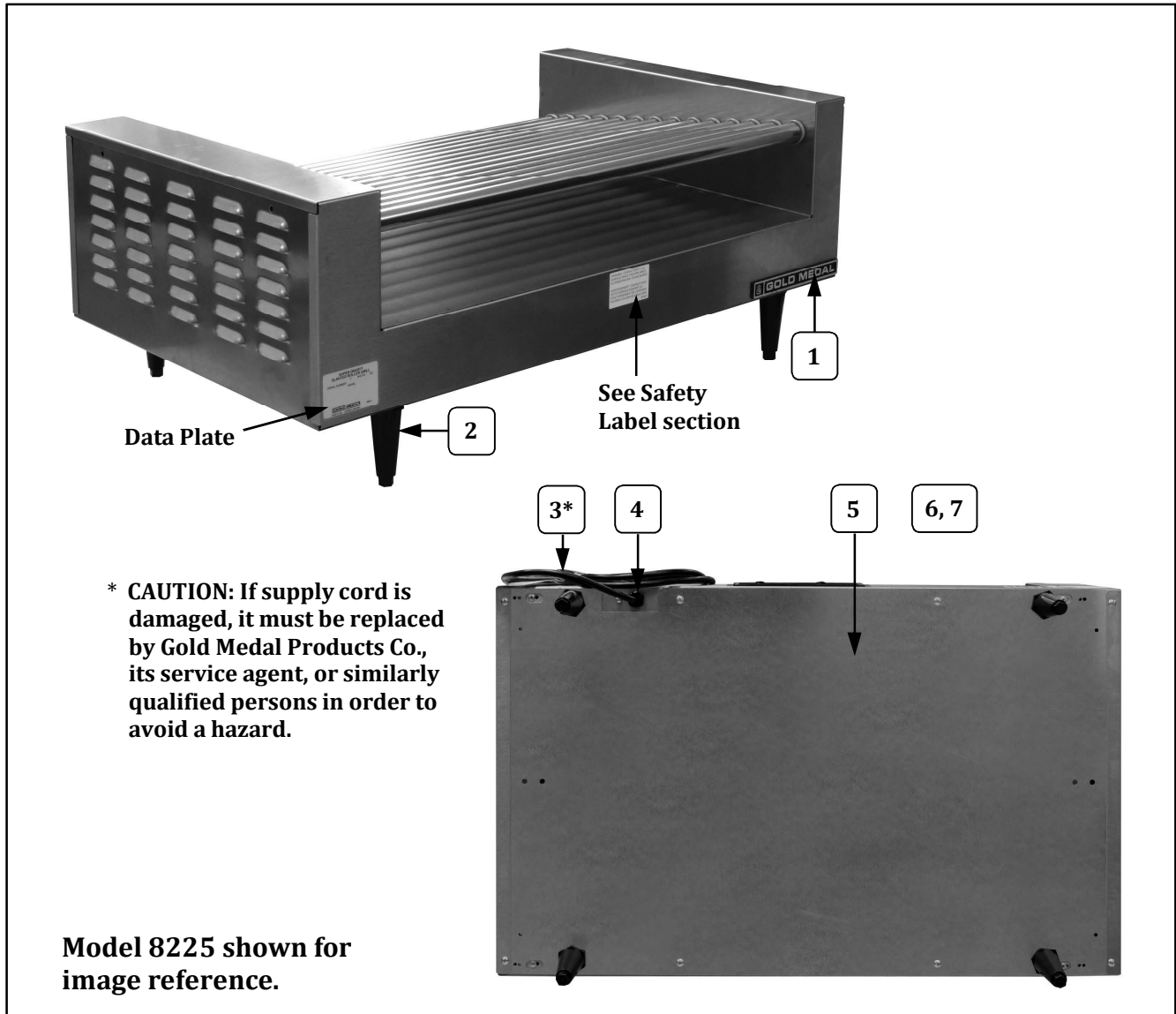
Item	Part Description	Part Number	
		8225	8225PE
1	ROLLER ASSEMBLY (14 required)	88233	88233PE
2	ANTI-ROTATION TEFLON BUSHING (White)	77918	77918
3	O-RING (Red)	87511	87511
4	LARGE ROLLER DRIP TRAY	88475	88475
5	RIGHT DECAL	88759	88759
6	LEFT DECAL	88758	88758
7	END COVER WELDMENT	88234	88531
8	CONTROL KNOB	38389	38389
9	DPST ROCKER SWITCH	42532	42532
10	CONTROL BOX	88101	88101
11	CONTROL LABEL 8023	88129	88129

Cabinet Exterior – Back and Bottom View



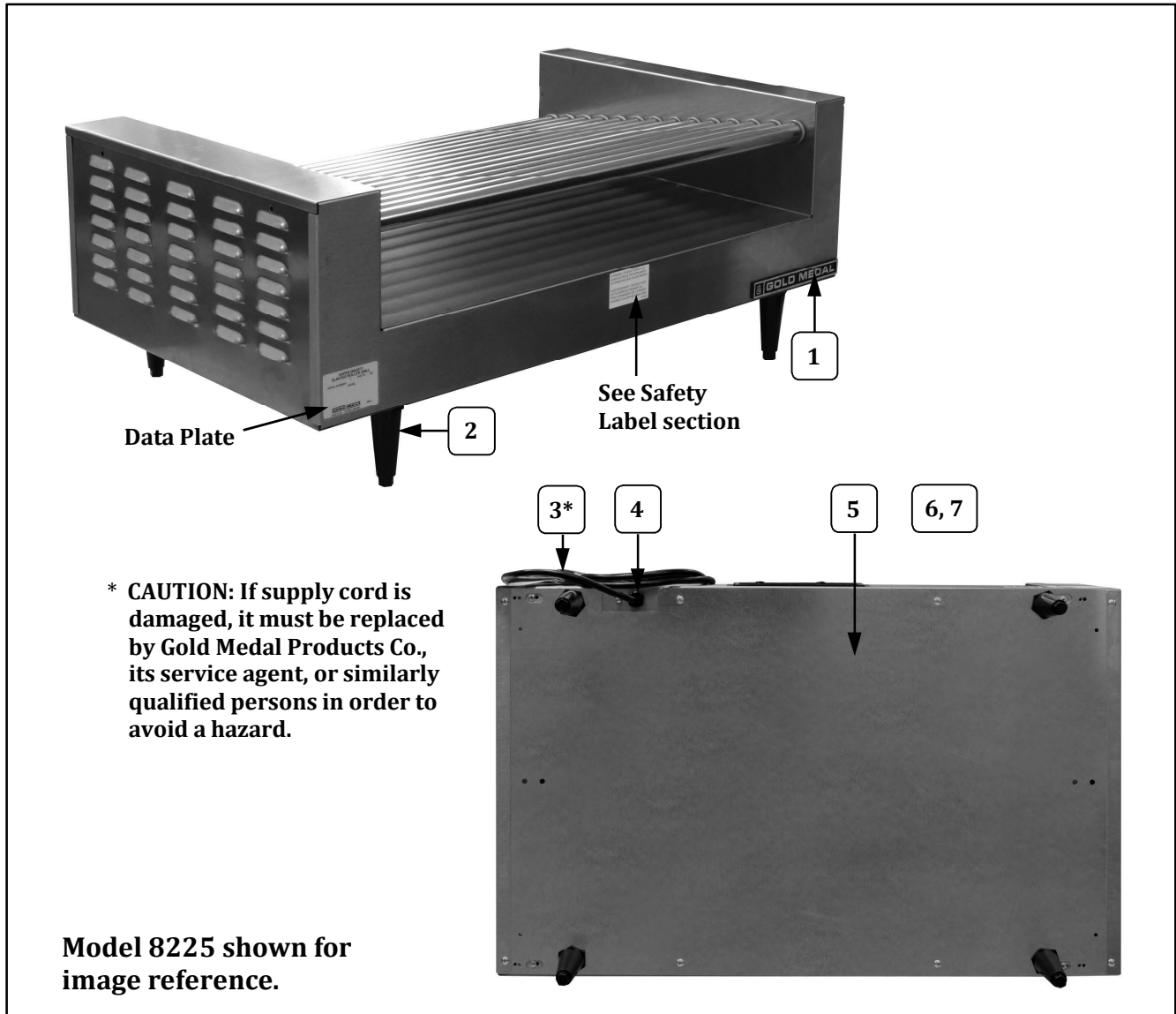
Item	Part Description	Part No.
		All Models
1	GOLD MEDAL NAMEPLATE S GL	41192S
2	4 INCH PLASTIC NSF LEGS	42616
3*	LEAD-IN CORD 20 AMP PLUG	87148
4	STRAIN RELIEF SR-7W-2	67060
5	BOTTOM PLATE	88219
6	10-32 X 1/2 PH TRUSS M/S (bottom fastener)	42274
7	8-32 X 3/8 SLT. HWH M/S (bottom fastener)	42044

Cabinet Exterior – Back and Bottom View



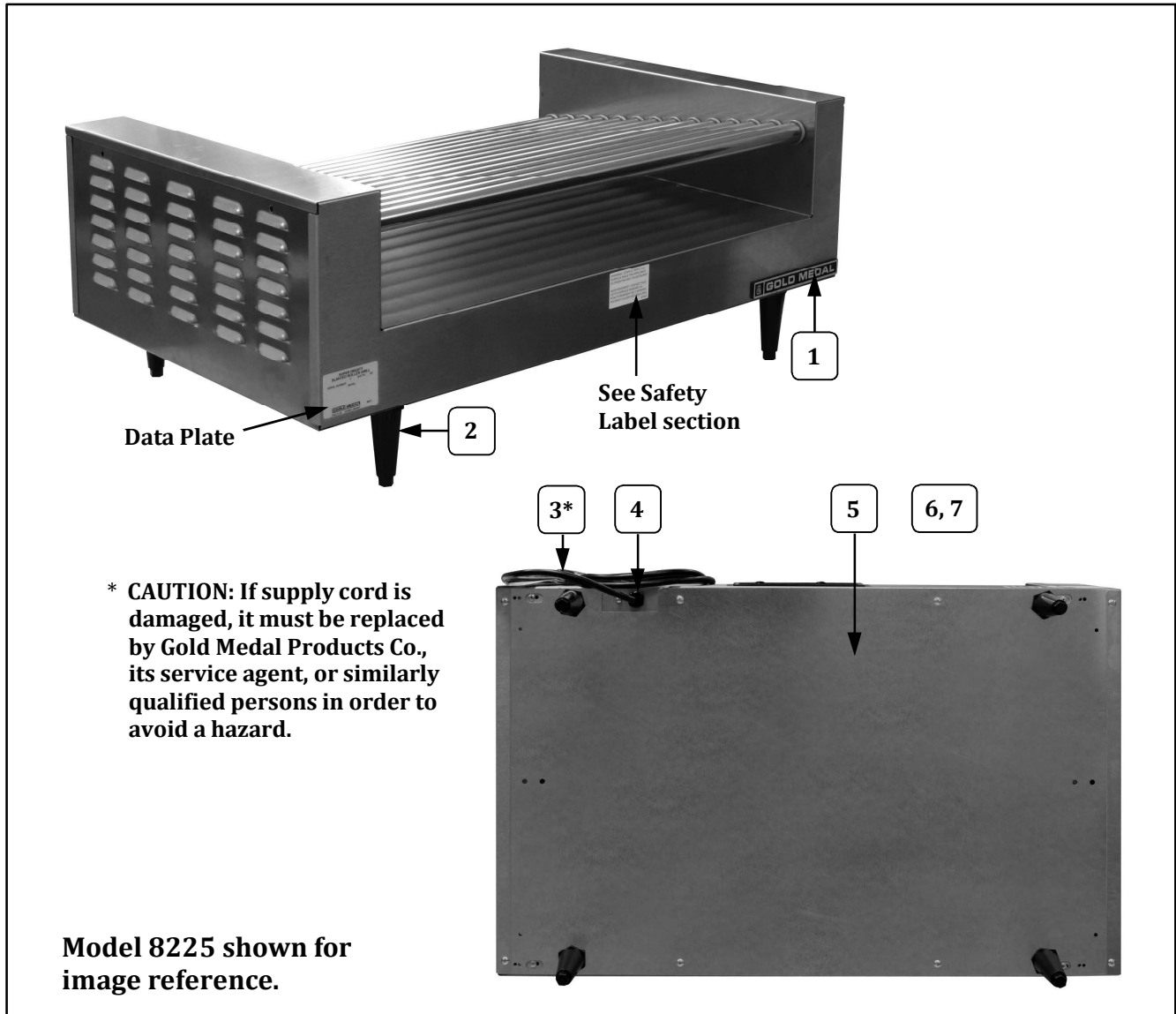
Item	Part Description	Part No.
		All Models
1	GOLD MEDAL NAMEPLATE S GL	41192S
2	4 INCH PLASTIC NSF LEGS	42616
3*	LEAD-IN CORD 20 AMP PLUG	87148
4	STRAIN RELIEF SR-7W-2	67060
5	BOTTOM PLATE	88219
6	10-32 X 1/2 PH TRUSS M/S (bottom fastener)	42274
7	8-32 X 3/8 SLT. HWH M/S (bottom fastener)	42044

Cabinet Exterior – Back and Bottom View



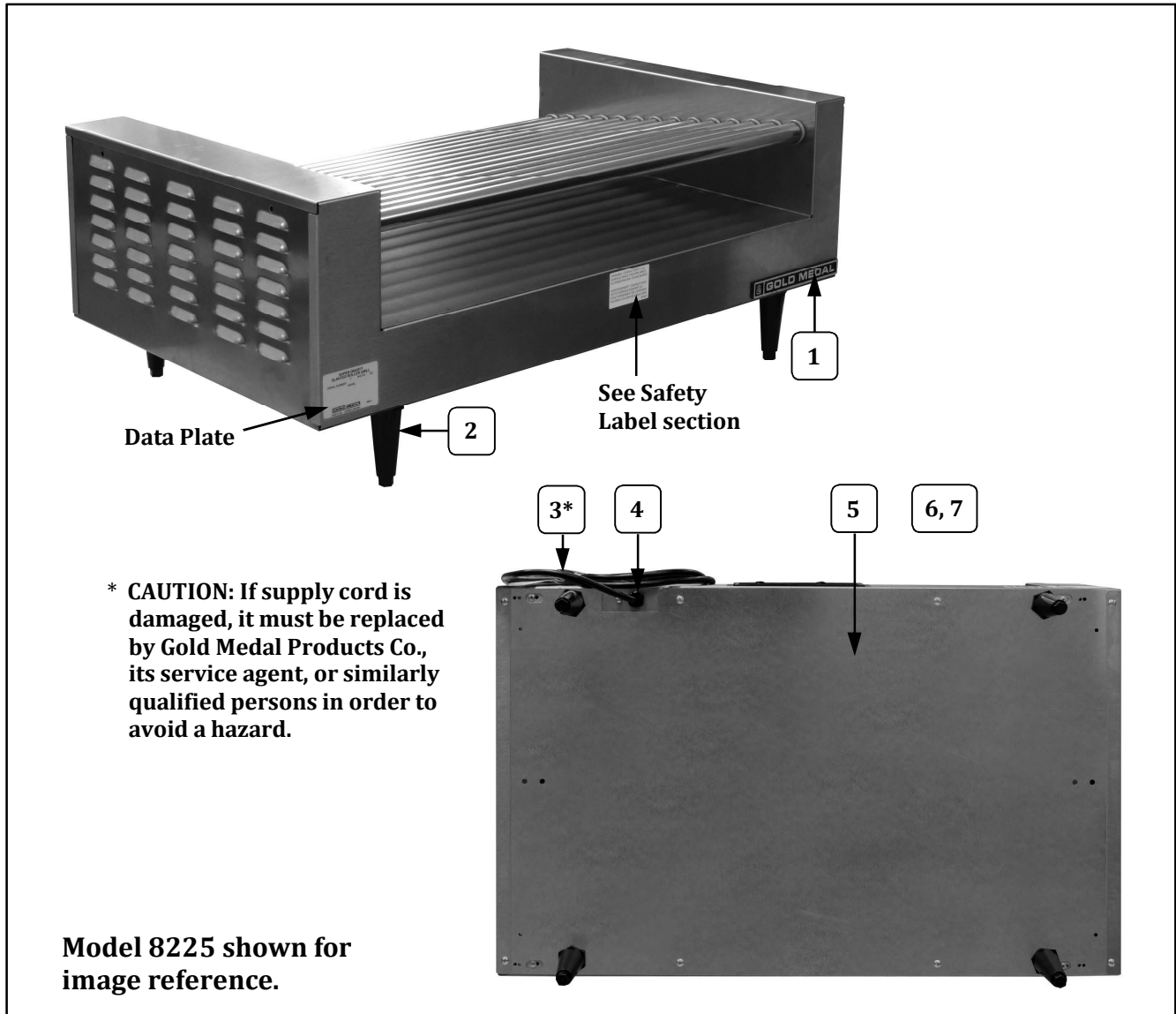
Item	Part Description	Part No.
		All Models
1	GOLD MEDAL NAMEPLATE S GL	41192S
2	4 INCH PLASTIC NSF LEGS	42616
3*	LEAD-IN CORD 20 AMP PLUG	87148
4	STRAIN RELIEF SR-7W-2	67060
5	BOTTOM PLATE	88219
6	10-32 X 1/2 PH TRUSS M/S (bottom fastener)	42274
7	8-32 X 3/8 SLT. HWH M/S (bottom fastener)	42044

Cabinet Exterior – Back and Bottom View



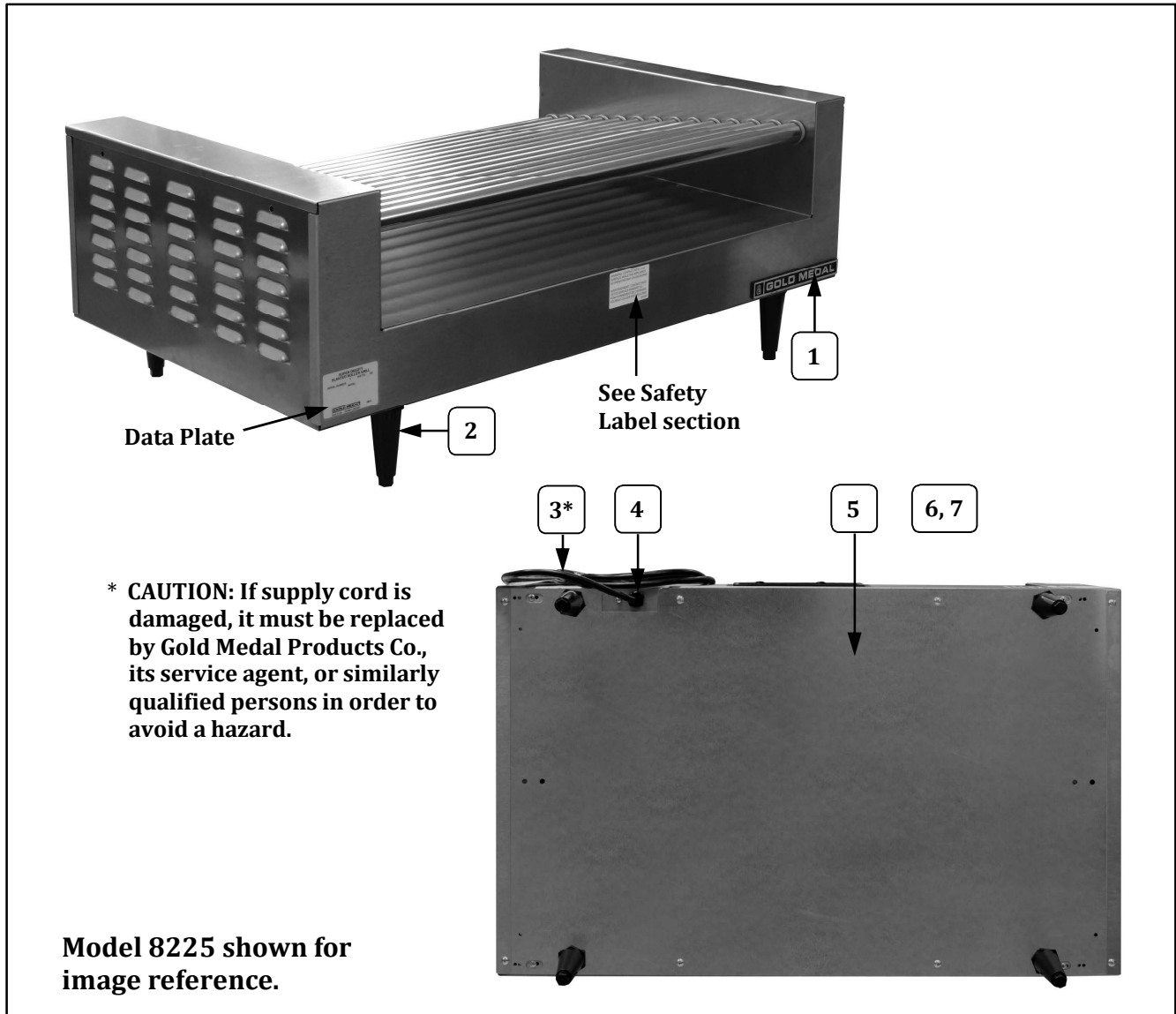
Item	Part Description	Part No.
		All Models
1	GOLD MEDAL NAMEPLATE S GL	41192S
2	4 INCH PLASTIC NSF LEGS	42616
3*	LEAD-IN CORD 20 AMP PLUG	87148
4	STRAIN RELIEF SR-7W-2	67060
5	BOTTOM PLATE	88219
6	10-32 X 1/2 PH TRUSS M/S (bottom fastener)	42274
7	8-32 X 3/8 SLT. HWH M/S (bottom fastener)	42044

Cabinet Exterior – Back and Bottom View



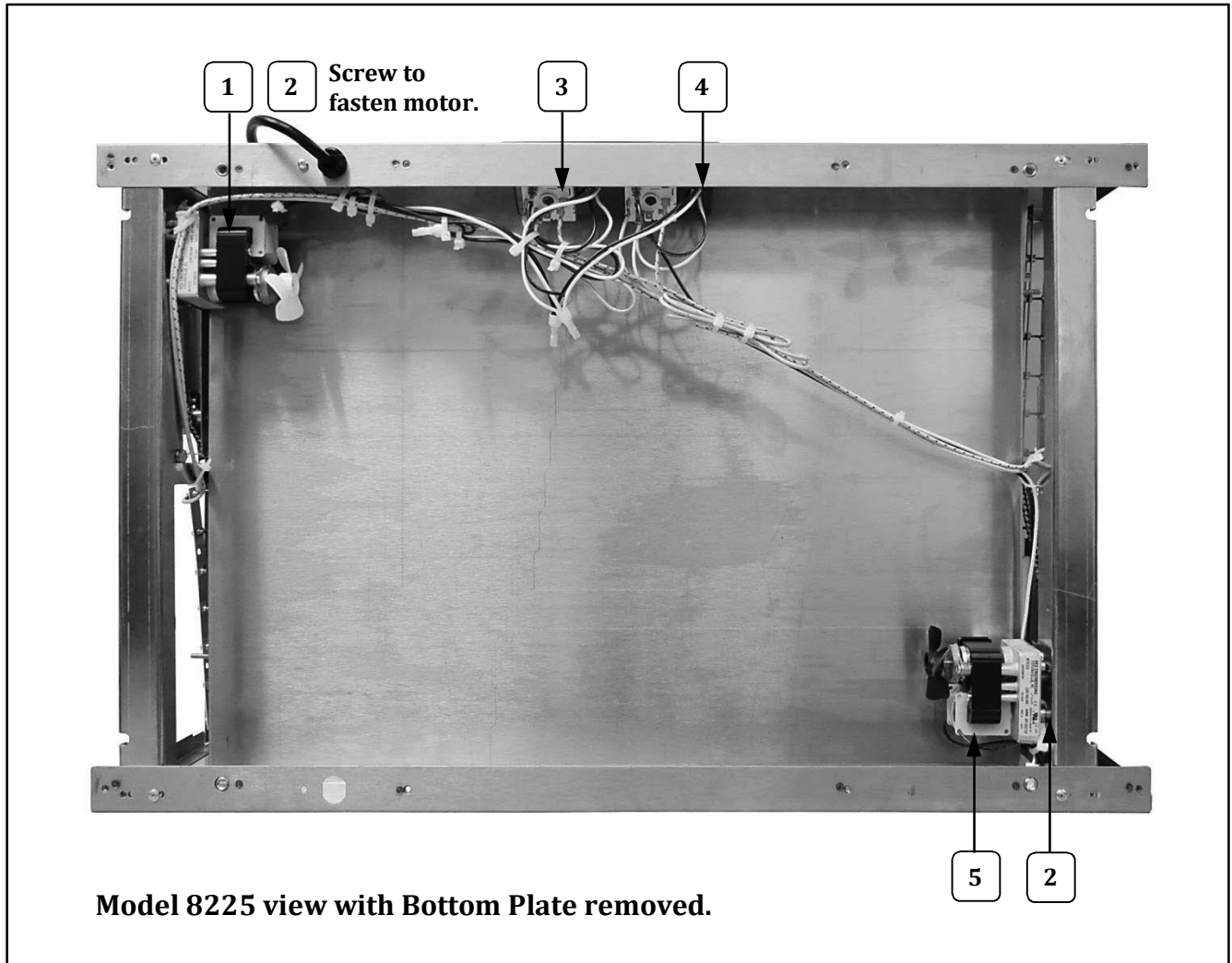
Item	Part Description	Part No.
		All Models
1	GOLD MEDAL NAMEPLATE S GL	41192S
2	4 INCH PLASTIC NSF LEGS	42616
3*	LEAD-IN CORD 20 AMP PLUG	87148
4	STRAIN RELIEF SR-7W-2	67060
5	BOTTOM PLATE	88219
6	10-32 X 1/2 PH TRUSS M/S (bottom fastener)	42274
7	8-32 X 3/8 SLT. HWH M/S (bottom fastener)	42044

Cabinet Exterior – Back and Bottom View



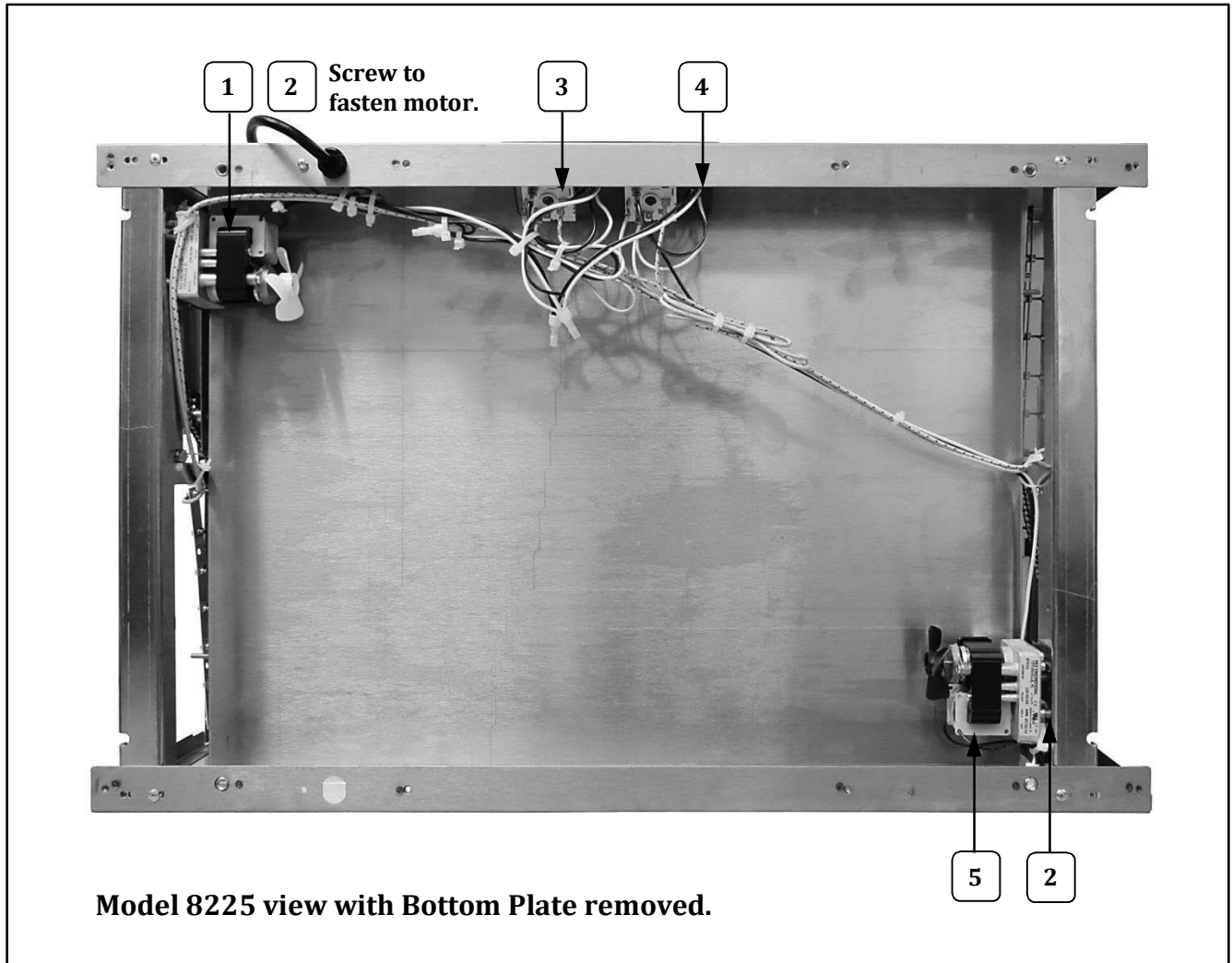
Item	Part Description	Part No.
		All Models
1	GOLD MEDAL NAMEPLATE S GL	41192S
2	4 INCH PLASTIC NSF LEGS	42616
3*	LEAD-IN CORD 20 AMP PLUG	87148
4	STRAIN RELIEF SR-7W-2	67060
5	BOTTOM PLATE	88219
6	10-32 X 1/2 PH TRUSS M/S (bottom fastener)	42274
7	8-32 X 3/8 SLT. HWH M/S (bottom fastener)	42044

Cabinet Interior – Electrical Components



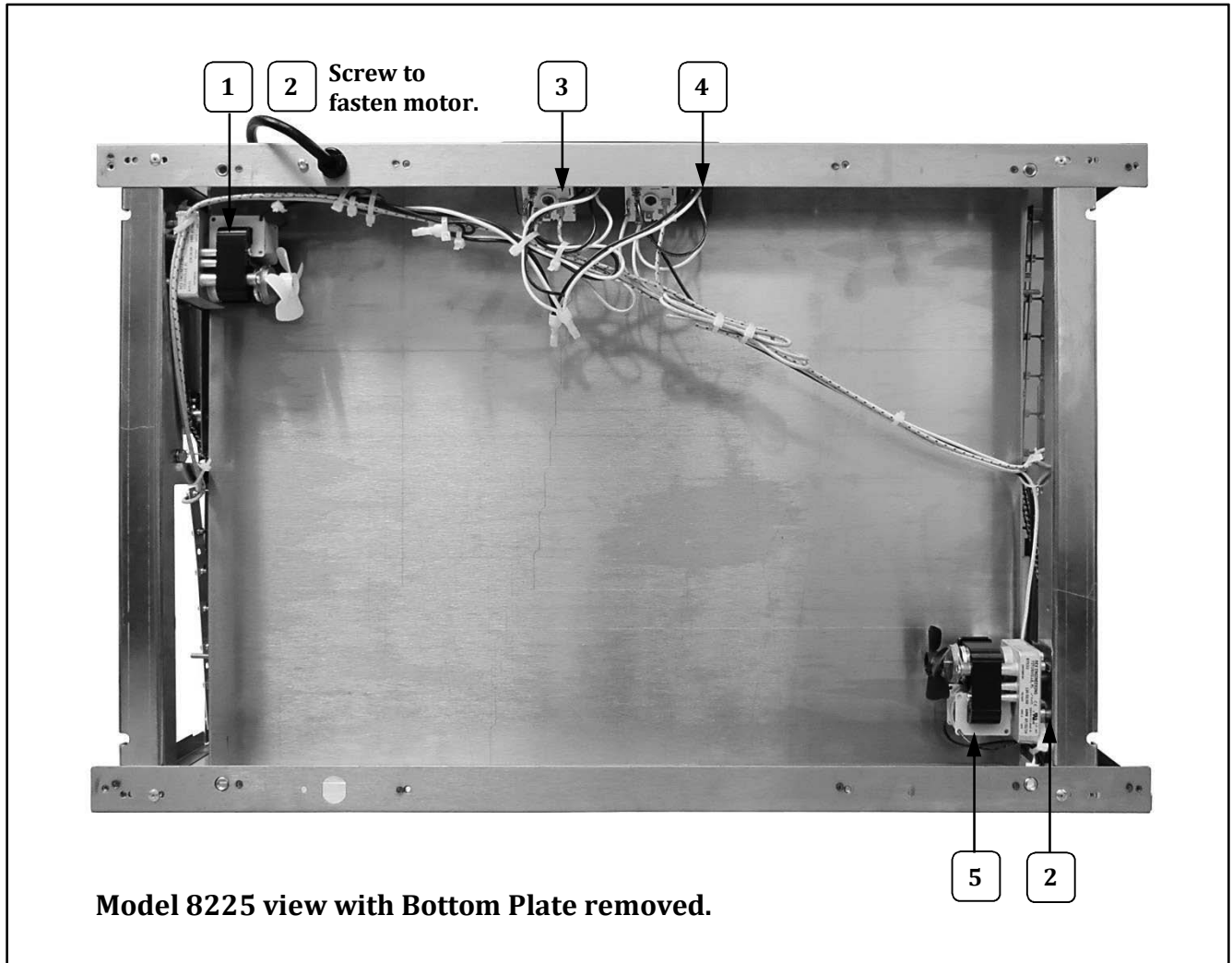
Item	Part Description	Part No.
		All Models
1	120V CW MOTOR (White Fan)	87531
2	8-32 X 1/4 HX HD WHIZLOCK	42045
3	HEAT CONTROL	87297
4	DPST ROCKER SWITCH	42532
5	120V CCW MOTOR (Black Fan)	87532

Cabinet Interior – Electrical Components



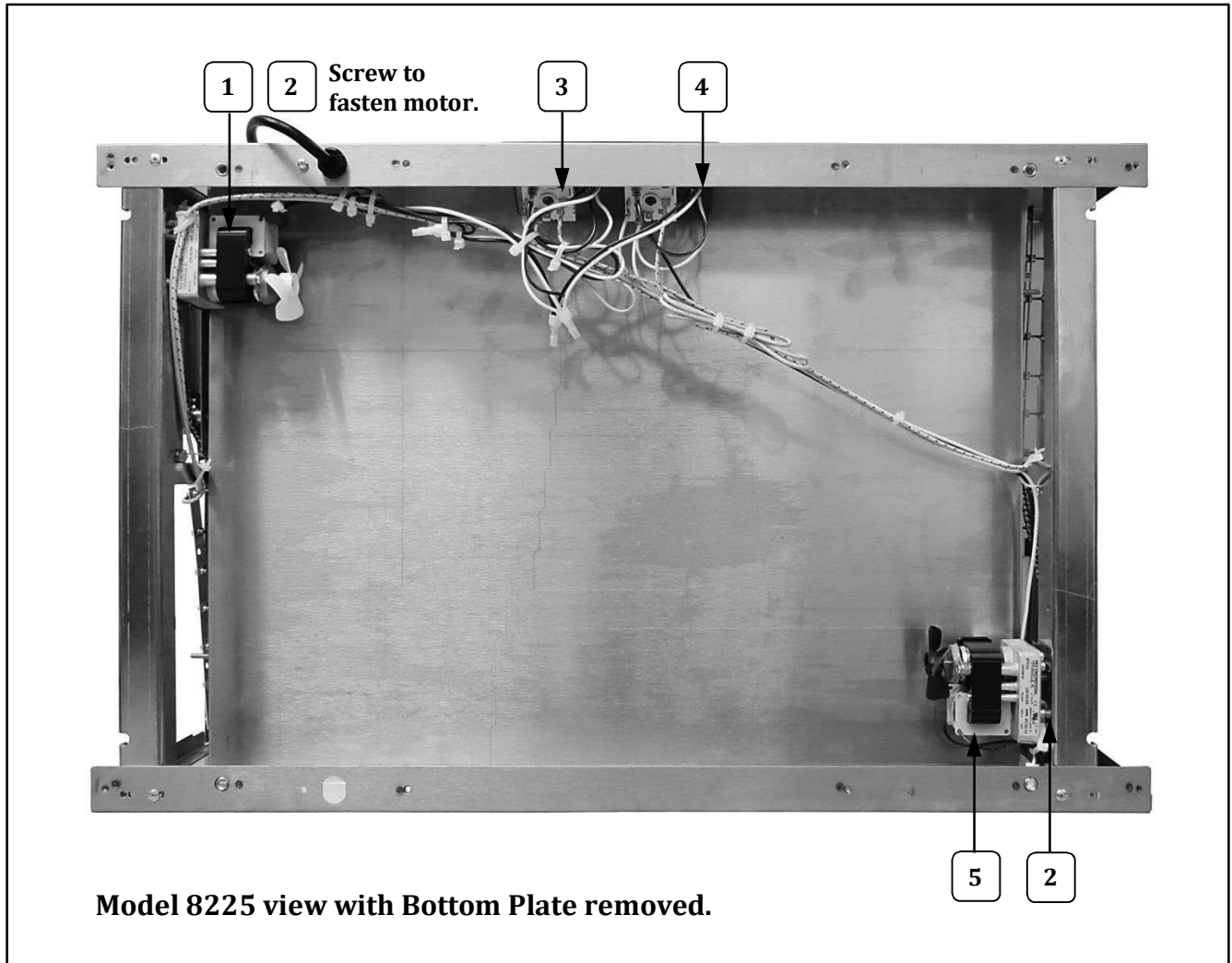
Item	Part Description	Part No.
		All Models
1	120V CW MOTOR (White Fan)	87531
2	8-32 X 1/4 HX HD WHIZLOCK	42045
3	HEAT CONTROL	87297
4	DPST ROCKER SWITCH	42532
5	120V CCW MOTOR (Black Fan)	87532

Cabinet Interior – Electrical Components



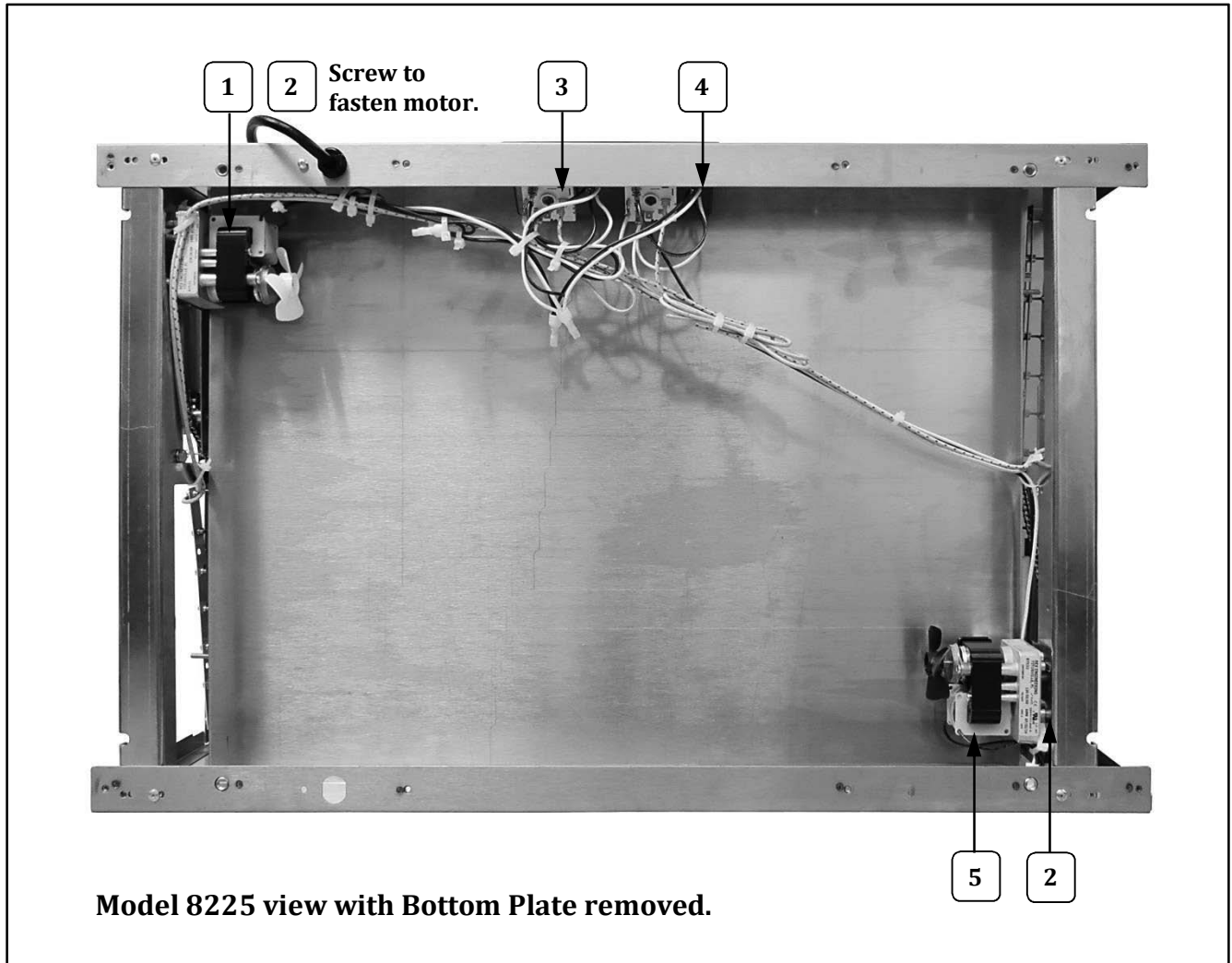
Item	Part Description	Part No.
		All Models
1	120V CW MOTOR (White Fan)	87531
2	8-32 X 1/4 HX HD WHIZLOCK	42045
3	HEAT CONTROL	87297
4	DPST ROCKER SWITCH	42532
5	120V CCW MOTOR (Black Fan)	87532

Cabinet Interior – Electrical Components



Item	Part Description	Part No.
		All Models
1	120V CW MOTOR (White Fan)	87531
2	8-32 X 1/4 HX HD WHIZLOCK	42045
3	HEAT CONTROL	87297
4	DPST ROCKER SWITCH	42532
5	120V CCW MOTOR (Black Fan)	87532

Cabinet Interior – Electrical Components



Item	Part Description	Part No.
		All Models
1	120V CW MOTOR (White Fan)	87531
2	8-32 X 1/4 HX HD WHIZLOCK	42045
3	HEAT CONTROL	87297
4	DPST ROCKER SWITCH	42532
5	120V CCW MOTOR (Black Fan)	87532



Cabinet Interior – Right Side – Parts List

Item	Part Description	Part No.
		All Models
1	125 WATT HEAT ELEMENT - SCREW INCLUDED (14 Required)	88236
2	TUBE COVER PLATE (Non-Drive End)	111869
3	10-32 WHIZ LOCK NUT HARD	42441
4	CONDUCTOR PLATE	88165
5	OUTER RETAINER	88228
6	8-32 X 1 PH PAN M/S S.S.	12219
7	POSITRACTION SPROCKET	87988
8	TUBE COVER PLATE (Drive End)	111868
9	INSULATOR BOARD	88194
10	ASSEMBLY MOUNTING BRACKET	88508
11	MOTOR MOUNTING BRACKET	88509
12*	UPPER DRIVE CHAIN (Order a Master Link for each Drive Chain being ordered.)	88192
13	MASTER LINK DRIVE CHAIN	87044
14	8-32 X 1/4 HX HD WHIZLOCK	42045
15	DRIVE SPROCKET	87353
16	IDLER ASSEMBLY (includes itemized parts listed below)	67831
17	IDLER SPROCKET	69824
18	8-32 X 3/4 PHIL PAN SMS	87255
19	SPRING	68734
20	RH IDLER BRACKET	67830
21	IDLER PIVOT	83106
22	#10 FLAT WASHER - Stainless Steel	12178
23	10-32 X 1/2 UNSL HX M/S	12526



Cabinet Interior – Right Side – Parts List

Item	Part Description	Part No.
		All Models
1	125 WATT HEAT ELEMENT - SCREW INCLUDED (14 Required)	88236
2	TUBE COVER PLATE (Non-Drive End)	111869
3	10-32 WHIZ LOCK NUT HARD	42441
4	CONDUCTOR PLATE	88165
5	OUTER RETAINER	88228
6	8-32 X 1 PH PAN M/S S.S.	12219
7	POSITRACTION SPROCKET	87988
8	TUBE COVER PLATE (Drive End)	111868
9	INSULATOR BOARD	88194
10	ASSEMBLY MOUNTING BRACKET	88508
11	MOTOR MOUNTING BRACKET	88509
12*	UPPER DRIVE CHAIN (Order a Master Link for each Drive Chain being ordered.)	88192
13	MASTER LINK DRIVE CHAIN	87044
14	8-32 X 1/4 HX HD WHIZLOCK	42045
15	DRIVE SPROCKET	87353
16	IDLER ASSEMBLY (includes itemized parts listed below)	67831
17	IDLER SPROCKET	69824
18	8-32 X 3/4 PHIL PAN SMS	87255
19	SPRING	68734
20	RH IDLER BRACKET	67830
21	IDLER PIVOT	83106
22	#10 FLAT WASHER - Stainless Steel	12178
23	10-32 X 1/2 UNSL HX M/S	12526



Cabinet Interior – Right Side – Parts List

Item	Part Description	Part No.
		All Models
1	125 WATT HEAT ELEMENT - SCREW INCLUDED (14 Required)	88236
2	TUBE COVER PLATE (Non-Drive End)	111869
3	10-32 WHIZ LOCK NUT HARD	42441
4	CONDUCTOR PLATE	88165
5	OUTER RETAINER	88228
6	8-32 X 1 PH PAN M/S S.S.	12219
7	POSITRACTION SPROCKET	87988
8	TUBE COVER PLATE (Drive End)	111868
9	INSULATOR BOARD	88194
10	ASSEMBLY MOUNTING BRACKET	88508
11	MOTOR MOUNTING BRACKET	88509
12*	UPPER DRIVE CHAIN (Order a Master Link for each Drive Chain being ordered.)	88192
13	MASTER LINK DRIVE CHAIN	87044
14	8-32 X 1/4 HX HD WHIZLOCK	42045
15	DRIVE SPROCKET	87353
16	IDLER ASSEMBLY (includes itemized parts listed below)	67831
17	IDLER SPROCKET	69824
18	8-32 X 3/4 PHIL PAN SMS	87255
19	SPRING	68734
20	RH IDLER BRACKET	67830
21	IDLER PIVOT	83106
22	#10 FLAT WASHER - Stainless Steel	12178
23	10-32 X 1/2 UNSL HX M/S	12526



Cabinet Interior – Right Side – Parts List

Item	Part Description	Part No.
		All Models
1	125 WATT HEAT ELEMENT - SCREW INCLUDED (14 Required)	88236
2	TUBE COVER PLATE (Non-Drive End)	111869
3	10-32 WHIZ LOCK NUT HARD	42441
4	CONDUCTOR PLATE	88165
5	OUTER RETAINER	88228
6	8-32 X 1 PH PAN M/S S.S.	12219
7	POSITRACTION SPROCKET	87988
8	TUBE COVER PLATE (Drive End)	111868
9	INSULATOR BOARD	88194
10	ASSEMBLY MOUNTING BRACKET	88508
11	MOTOR MOUNTING BRACKET	88509
12*	UPPER DRIVE CHAIN (Order a Master Link for each Drive Chain being ordered.)	88192
13	MASTER LINK DRIVE CHAIN	87044
14	8-32 X 1/4 HX HD WHIZLOCK	42045
15	DRIVE SPROCKET	87353
16	IDLER ASSEMBLY (includes itemized parts listed below)	67831
17	IDLER SPROCKET	69824
18	8-32 X 3/4 PHIL PAN SMS	87255
19	SPRING	68734
20	RH IDLER BRACKET	67830
21	IDLER PIVOT	83106
22	#10 FLAT WASHER - Stainless Steel	12178
23	10-32 X 1/2 UNSL HX M/S	12526



Cabinet Interior – Right Side – Parts List

Item	Part Description	Part No.
		All Models
1	125 WATT HEAT ELEMENT - SCREW INCLUDED (14 Required)	88236
2	TUBE COVER PLATE (Non-Drive End)	111869
3	10-32 WHIZ LOCK NUT HARD	42441
4	CONDUCTOR PLATE	88165
5	OUTER RETAINER	88228
6	8-32 X 1 PH PAN M/S S.S.	12219
7	POSITRACTION SPROCKET	87988
8	TUBE COVER PLATE (Drive End)	111868
9	INSULATOR BOARD	88194
10	ASSEMBLY MOUNTING BRACKET	88508
11	MOTOR MOUNTING BRACKET	88509
12*	UPPER DRIVE CHAIN (Order a Master Link for each Drive Chain being ordered.)	88192
13	MASTER LINK DRIVE CHAIN	87044
14	8-32 X 1/4 HX HD WHIZLOCK	42045
15	DRIVE SPROCKET	87353
16	IDLER ASSEMBLY (includes itemized parts listed below)	67831
17	IDLER SPROCKET	69824
18	8-32 X 3/4 PHIL PAN SMS	87255
19	SPRING	68734
20	RH IDLER BRACKET	67830
21	IDLER PIVOT	83106
22	#10 FLAT WASHER - Stainless Steel	12178
23	10-32 X 1/2 UNSL HX M/S	12526



Cabinet Interior – Right Side – Parts List

Item	Part Description	Part No.
		All Models
1	125 WATT HEAT ELEMENT - SCREW INCLUDED (14 Required)	88236
2	TUBE COVER PLATE (Non-Drive End)	111869
3	10-32 WHIZ LOCK NUT HARD	42441
4	CONDUCTOR PLATE	88165
5	OUTER RETAINER	88228
6	8-32 X 1 PH PAN M/S S.S.	12219
7	POSITRACTION SPROCKET	87988
8	TUBE COVER PLATE (Drive End)	111868
9	INSULATOR BOARD	88194
10	ASSEMBLY MOUNTING BRACKET	88508
11	MOTOR MOUNTING BRACKET	88509
12*	UPPER DRIVE CHAIN (Order a Master Link for each Drive Chain being ordered.)	88192
13	MASTER LINK DRIVE CHAIN	87044
14	8-32 X 1/4 HX HD WHIZLOCK	42045
15	DRIVE SPROCKET	87353
16	IDLER ASSEMBLY (includes itemized parts listed below)	67831
17	IDLER SPROCKET	69824
18	8-32 X 3/4 PHIL PAN SMS	87255
19	SPRING	68734
20	RH IDLER BRACKET	67830
21	IDLER PIVOT	83106
22	#10 FLAT WASHER - Stainless Steel	12178
23	10-32 X 1/2 UNSL HX M/S	12526



Cabinet Interior – Right Side – Parts List

Item	Part Description	Part No.
		All Models
1	125 WATT HEAT ELEMENT - SCREW INCLUDED (14 Required)	88236
2	TUBE COVER PLATE (Non-Drive End)	111869
3	10-32 WHIZ LOCK NUT HARD	42441
4	CONDUCTOR PLATE	88165
5	OUTER RETAINER	88228
6	8-32 X 1 PH PAN M/S S.S.	12219
7	POSITRACTION SPROCKET	87988
8	TUBE COVER PLATE (Drive End)	111868
9	INSULATOR BOARD	88194
10	ASSEMBLY MOUNTING BRACKET	88508
11	MOTOR MOUNTING BRACKET	88509
12*	UPPER DRIVE CHAIN (Order a Master Link for each Drive Chain being ordered.)	88192
13	MASTER LINK DRIVE CHAIN	87044
14	8-32 X 1/4 HX HD WHIZLOCK	42045
15	DRIVE SPROCKET	87353
16	IDLER ASSEMBLY (includes itemized parts listed below)	67831
17	IDLER SPROCKET	69824
18	8-32 X 3/4 PHIL PAN SMS	87255
19	SPRING	68734
20	RH IDLER BRACKET	67830
21	IDLER PIVOT	83106
22	#10 FLAT WASHER - Stainless Steel	12178
23	10-32 X 1/2 UNSL HX M/S	12526



Cabinet Interior – Right Side – Parts List

Item	Part Description	Part No.
		All Models
1	125 WATT HEAT ELEMENT - SCREW INCLUDED (14 Required)	88236
2	TUBE COVER PLATE (Non-Drive End)	111869
3	10-32 WHIZ LOCK NUT HARD	42441
4	CONDUCTOR PLATE	88165
5	OUTER RETAINER	88228
6	8-32 X 1 PH PAN M/S S.S.	12219
7	POSITRACTION SPROCKET	87988
8	TUBE COVER PLATE (Drive End)	111868
9	INSULATOR BOARD	88194
10	ASSEMBLY MOUNTING BRACKET	88508
11	MOTOR MOUNTING BRACKET	88509
12*	UPPER DRIVE CHAIN (Order a Master Link for each Drive Chain being ordered.)	88192
13	MASTER LINK DRIVE CHAIN	87044
14	8-32 X 1/4 HX HD WHIZLOCK	42045
15	DRIVE SPROCKET	87353
16	IDLER ASSEMBLY (includes itemized parts listed below)	67831
17	IDLER SPROCKET	69824
18	8-32 X 3/4 PHIL PAN SMS	87255
19	SPRING	68734
20	RH IDLER BRACKET	67830
21	IDLER PIVOT	83106
22	#10 FLAT WASHER - Stainless Steel	12178
23	10-32 X 1/2 UNSL HX M/S	12526



Cabinet Interior – Right Side – Parts List

Item	Part Description	Part No.
		All Models
1	125 WATT HEAT ELEMENT - SCREW INCLUDED (14 Required)	88236
2	TUBE COVER PLATE (Non-Drive End)	111869
3	10-32 WHIZ LOCK NUT HARD	42441
4	CONDUCTOR PLATE	88165
5	OUTER RETAINER	88228
6	8-32 X 1 PH PAN M/S S.S.	12219
7	POSITRACTION SPROCKET	87988
8	TUBE COVER PLATE (Drive End)	111868
9	INSULATOR BOARD	88194
10	ASSEMBLY MOUNTING BRACKET	88508
11	MOTOR MOUNTING BRACKET	88509
12*	UPPER DRIVE CHAIN (Order a Master Link for each Drive Chain being ordered.)	88192
13	MASTER LINK DRIVE CHAIN	87044
14	8-32 X 1/4 HX HD WHIZLOCK	42045
15	DRIVE SPROCKET	87353
16	IDLER ASSEMBLY (includes itemized parts listed below)	67831
17	IDLER SPROCKET	69824
18	8-32 X 3/4 PHIL PAN SMS	87255
19	SPRING	68734
20	RH IDLER BRACKET	67830
21	IDLER PIVOT	83106
22	#10 FLAT WASHER - Stainless Steel	12178
23	10-32 X 1/2 UNSL HX M/S	12526



Cabinet Interior – Right Side – Parts List

Item	Part Description	Part No.
		All Models
1	125 WATT HEAT ELEMENT - SCREW INCLUDED (14 Required)	88236
2	TUBE COVER PLATE (Non-Drive End)	111869
3	10-32 WHIZ LOCK NUT HARD	42441
4	CONDUCTOR PLATE	88165
5	OUTER RETAINER	88228
6	8-32 X 1 PH PAN M/S S.S.	12219
7	POSITRACTION SPROCKET	87988
8	TUBE COVER PLATE (Drive End)	111868
9	INSULATOR BOARD	88194
10	ASSEMBLY MOUNTING BRACKET	88508
11	MOTOR MOUNTING BRACKET	88509
12*	UPPER DRIVE CHAIN (Order a Master Link for each Drive Chain being ordered.)	88192
13	MASTER LINK DRIVE CHAIN	87044
14	8-32 X 1/4 HX HD WHIZLOCK	42045
15	DRIVE SPROCKET	87353
16	IDLER ASSEMBLY (includes itemized parts listed below)	67831
17	IDLER SPROCKET	69824
18	8-32 X 3/4 PHIL PAN SMS	87255
19	SPRING	68734
20	RH IDLER BRACKET	67830
21	IDLER PIVOT	83106
22	#10 FLAT WASHER - Stainless Steel	12178
23	10-32 X 1/2 UNSL HX M/S	12526



Cabinet Interior – Right Side – Parts List

Item	Part Description	Part No.
		All Models
1	125 WATT HEAT ELEMENT - SCREW INCLUDED (14 Required)	88236
2	TUBE COVER PLATE (Non-Drive End)	111869
3	10-32 WHIZ LOCK NUT HARD	42441
4	CONDUCTOR PLATE	88165
5	OUTER RETAINER	88228
6	8-32 X 1 PH PAN M/S S.S.	12219
7	POSITRACTION SPROCKET	87988
8	TUBE COVER PLATE (Drive End)	111868
9	INSULATOR BOARD	88194
10	ASSEMBLY MOUNTING BRACKET	88508
11	MOTOR MOUNTING BRACKET	88509
12*	UPPER DRIVE CHAIN (Order a Master Link for each Drive Chain being ordered.)	88192
13	MASTER LINK DRIVE CHAIN	87044
14	8-32 X 1/4 HX HD WHIZLOCK	42045
15	DRIVE SPROCKET	87353
16	IDLER ASSEMBLY (includes itemized parts listed below)	67831
17	IDLER SPROCKET	69824
18	8-32 X 3/4 PHIL PAN SMS	87255
19	SPRING	68734
20	RH IDLER BRACKET	67830
21	IDLER PIVOT	83106
22	#10 FLAT WASHER - Stainless Steel	12178
23	10-32 X 1/2 UNSL HX M/S	12526



Cabinet Interior – Right Side – Parts List

Item	Part Description	Part No.
		All Models
1	125 WATT HEAT ELEMENT - SCREW INCLUDED (14 Required)	88236
2	TUBE COVER PLATE (Non-Drive End)	111869
3	10-32 WHIZ LOCK NUT HARD	42441
4	CONDUCTOR PLATE	88165
5	OUTER RETAINER	88228
6	8-32 X 1 PH PAN M/S S.S.	12219
7	POSITRACTION SPROCKET	87988
8	TUBE COVER PLATE (Drive End)	111868
9	INSULATOR BOARD	88194
10	ASSEMBLY MOUNTING BRACKET	88508
11	MOTOR MOUNTING BRACKET	88509
12*	UPPER DRIVE CHAIN (Order a Master Link for each Drive Chain being ordered.)	88192
13	MASTER LINK DRIVE CHAIN	87044
14	8-32 X 1/4 HX HD WHIZLOCK	42045
15	DRIVE SPROCKET	87353
16	IDLER ASSEMBLY (includes itemized parts listed below)	67831
17	IDLER SPROCKET	69824
18	8-32 X 3/4 PHIL PAN SMS	87255
19	SPRING	68734
20	RH IDLER BRACKET	67830
21	IDLER PIVOT	83106
22	#10 FLAT WASHER - Stainless Steel	12178
23	10-32 X 1/2 UNSL HX M/S	12526



Cabinet Interior – Right Side – Parts List

Item	Part Description	Part No.
		All Models
1	125 WATT HEAT ELEMENT - SCREW INCLUDED (14 Required)	88236
2	TUBE COVER PLATE (Non-Drive End)	111869
3	10-32 WHIZ LOCK NUT HARD	42441
4	CONDUCTOR PLATE	88165
5	OUTER RETAINER	88228
6	8-32 X 1 PH PAN M/S S.S.	12219
7	POSITRACTION SPROCKET	87988
8	TUBE COVER PLATE (Drive End)	111868
9	INSULATOR BOARD	88194
10	ASSEMBLY MOUNTING BRACKET	88508
11	MOTOR MOUNTING BRACKET	88509
12*	UPPER DRIVE CHAIN (Order a Master Link for each Drive Chain being ordered.)	88192
13	MASTER LINK DRIVE CHAIN	87044
14	8-32 X 1/4 HX HD WHIZLOCK	42045
15	DRIVE SPROCKET	87353
16	IDLER ASSEMBLY (includes itemized parts listed below)	67831
17	IDLER SPROCKET	69824
18	8-32 X 3/4 PHIL PAN SMS	87255
19	SPRING	68734
20	RH IDLER BRACKET	67830
21	IDLER PIVOT	83106
22	#10 FLAT WASHER - Stainless Steel	12178
23	10-32 X 1/2 UNSL HX M/S	12526



Cabinet Interior – Right Side – Parts List

Item	Part Description	Part No.
		All Models
1	125 WATT HEAT ELEMENT - SCREW INCLUDED (14 Required)	88236
2	TUBE COVER PLATE (Non-Drive End)	111869
3	10-32 WHIZ LOCK NUT HARD	42441
4	CONDUCTOR PLATE	88165
5	OUTER RETAINER	88228
6	8-32 X 1 PH PAN M/S S.S.	12219
7	POSITRACTION SPROCKET	87988
8	TUBE COVER PLATE (Drive End)	111868
9	INSULATOR BOARD	88194
10	ASSEMBLY MOUNTING BRACKET	88508
11	MOTOR MOUNTING BRACKET	88509
12*	UPPER DRIVE CHAIN (Order a Master Link for each Drive Chain being ordered.)	88192
13	MASTER LINK DRIVE CHAIN	87044
14	8-32 X 1/4 HX HD WHIZLOCK	42045
15	DRIVE SPROCKET	87353
16	IDLER ASSEMBLY (includes itemized parts listed below)	67831
17	IDLER SPROCKET	69824
18	8-32 X 3/4 PHIL PAN SMS	87255
19	SPRING	68734
20	RH IDLER BRACKET	67830
21	IDLER PIVOT	83106
22	#10 FLAT WASHER - Stainless Steel	12178
23	10-32 X 1/2 UNSL HX M/S	12526



Cabinet Interior – Right Side – Parts List

Item	Part Description	Part No.
		All Models
1	125 WATT HEAT ELEMENT - SCREW INCLUDED (14 Required)	88236
2	TUBE COVER PLATE (Non-Drive End)	111869
3	10-32 WHIZ LOCK NUT HARD	42441
4	CONDUCTOR PLATE	88165
5	OUTER RETAINER	88228
6	8-32 X 1 PH PAN M/S S.S.	12219
7	POSITRACTION SPROCKET	87988
8	TUBE COVER PLATE (Drive End)	111868
9	INSULATOR BOARD	88194
10	ASSEMBLY MOUNTING BRACKET	88508
11	MOTOR MOUNTING BRACKET	88509
12*	UPPER DRIVE CHAIN (Order a Master Link for each Drive Chain being ordered.)	88192
13	MASTER LINK DRIVE CHAIN	87044
14	8-32 X 1/4 HX HD WHIZLOCK	42045
15	DRIVE SPROCKET	87353
16	IDLER ASSEMBLY (includes itemized parts listed below)	67831
17	IDLER SPROCKET	69824
18	8-32 X 3/4 PHIL PAN SMS	87255
19	SPRING	68734
20	RH IDLER BRACKET	67830
21	IDLER PIVOT	83106
22	#10 FLAT WASHER - Stainless Steel	12178
23	10-32 X 1/2 UNSL HX M/S	12526



Cabinet Interior – Right Side – Parts List

Item	Part Description	Part No.
		All Models
1	125 WATT HEAT ELEMENT - SCREW INCLUDED (14 Required)	88236
2	TUBE COVER PLATE (Non-Drive End)	111869
3	10-32 WHIZ LOCK NUT HARD	42441
4	CONDUCTOR PLATE	88165
5	OUTER RETAINER	88228
6	8-32 X 1 PH PAN M/S S.S.	12219
7	POSITRACTION SPROCKET	87988
8	TUBE COVER PLATE (Drive End)	111868
9	INSULATOR BOARD	88194
10	ASSEMBLY MOUNTING BRACKET	88508
11	MOTOR MOUNTING BRACKET	88509
12*	UPPER DRIVE CHAIN (Order a Master Link for each Drive Chain being ordered.)	88192
13	MASTER LINK DRIVE CHAIN	87044
14	8-32 X 1/4 HX HD WHIZLOCK	42045
15	DRIVE SPROCKET	87353
16	IDLER ASSEMBLY (includes itemized parts listed below)	67831
17	IDLER SPROCKET	69824
18	8-32 X 3/4 PHIL PAN SMS	87255
19	SPRING	68734
20	RH IDLER BRACKET	67830
21	IDLER PIVOT	83106
22	#10 FLAT WASHER - Stainless Steel	12178
23	10-32 X 1/2 UNSL HX M/S	12526



Cabinet Interior – Right Side – Parts List

Item	Part Description	Part No.
		All Models
1	125 WATT HEAT ELEMENT - SCREW INCLUDED (14 Required)	88236
2	TUBE COVER PLATE (Non-Drive End)	111869
3	10-32 WHIZ LOCK NUT HARD	42441
4	CONDUCTOR PLATE	88165
5	OUTER RETAINER	88228
6	8-32 X 1 PH PAN M/S S.S.	12219
7	POSITRACTION SPROCKET	87988
8	TUBE COVER PLATE (Drive End)	111868
9	INSULATOR BOARD	88194
10	ASSEMBLY MOUNTING BRACKET	88508
11	MOTOR MOUNTING BRACKET	88509
12*	UPPER DRIVE CHAIN (Order a Master Link for each Drive Chain being ordered.)	88192
13	MASTER LINK DRIVE CHAIN	87044
14	8-32 X 1/4 HX HD WHIZLOCK	42045
15	DRIVE SPROCKET	87353
16	IDLER ASSEMBLY (includes itemized parts listed below)	67831
17	IDLER SPROCKET	69824
18	8-32 X 3/4 PHIL PAN SMS	87255
19	SPRING	68734
20	RH IDLER BRACKET	67830
21	IDLER PIVOT	83106
22	#10 FLAT WASHER - Stainless Steel	12178
23	10-32 X 1/2 UNSL HX M/S	12526



Cabinet Interior – Right Side – Parts List

Item	Part Description	Part No.
		All Models
1	125 WATT HEAT ELEMENT - SCREW INCLUDED (14 Required)	88236
2	TUBE COVER PLATE (Non-Drive End)	111869
3	10-32 WHIZ LOCK NUT HARD	42441
4	CONDUCTOR PLATE	88165
5	OUTER RETAINER	88228
6	8-32 X 1 PH PAN M/S S.S.	12219
7	POSITRACTION SPROCKET	87988
8	TUBE COVER PLATE (Drive End)	111868
9	INSULATOR BOARD	88194
10	ASSEMBLY MOUNTING BRACKET	88508
11	MOTOR MOUNTING BRACKET	88509
12*	UPPER DRIVE CHAIN (Order a Master Link for each Drive Chain being ordered.)	88192
13	MASTER LINK DRIVE CHAIN	87044
14	8-32 X 1/4 HX HD WHIZLOCK	42045
15	DRIVE SPROCKET	87353
16	IDLER ASSEMBLY (includes itemized parts listed below)	67831
17	IDLER SPROCKET	69824
18	8-32 X 3/4 PHIL PAN SMS	87255
19	SPRING	68734
20	RH IDLER BRACKET	67830
21	IDLER PIVOT	83106
22	#10 FLAT WASHER - Stainless Steel	12178
23	10-32 X 1/2 UNSL HX M/S	12526



Cabinet Interior – Right Side – Parts List

Item	Part Description	Part No.
		All Models
1	125 WATT HEAT ELEMENT - SCREW INCLUDED (14 Required)	88236
2	TUBE COVER PLATE (Non-Drive End)	111869
3	10-32 WHIZ LOCK NUT HARD	42441
4	CONDUCTOR PLATE	88165
5	OUTER RETAINER	88228
6	8-32 X 1 PH PAN M/S S.S.	12219
7	POSITRACTION SPROCKET	87988
8	TUBE COVER PLATE (Drive End)	111868
9	INSULATOR BOARD	88194
10	ASSEMBLY MOUNTING BRACKET	88508
11	MOTOR MOUNTING BRACKET	88509
12*	UPPER DRIVE CHAIN (Order a Master Link for each Drive Chain being ordered.)	88192
13	MASTER LINK DRIVE CHAIN	87044
14	8-32 X 1/4 HX HD WHIZLOCK	42045
15	DRIVE SPROCKET	87353
16	IDLER ASSEMBLY (includes itemized parts listed below)	67831
17	IDLER SPROCKET	69824
18	8-32 X 3/4 PHIL PAN SMS	87255
19	SPRING	68734
20	RH IDLER BRACKET	67830
21	IDLER PIVOT	83106
22	#10 FLAT WASHER - Stainless Steel	12178
23	10-32 X 1/2 UNSL HX M/S	12526

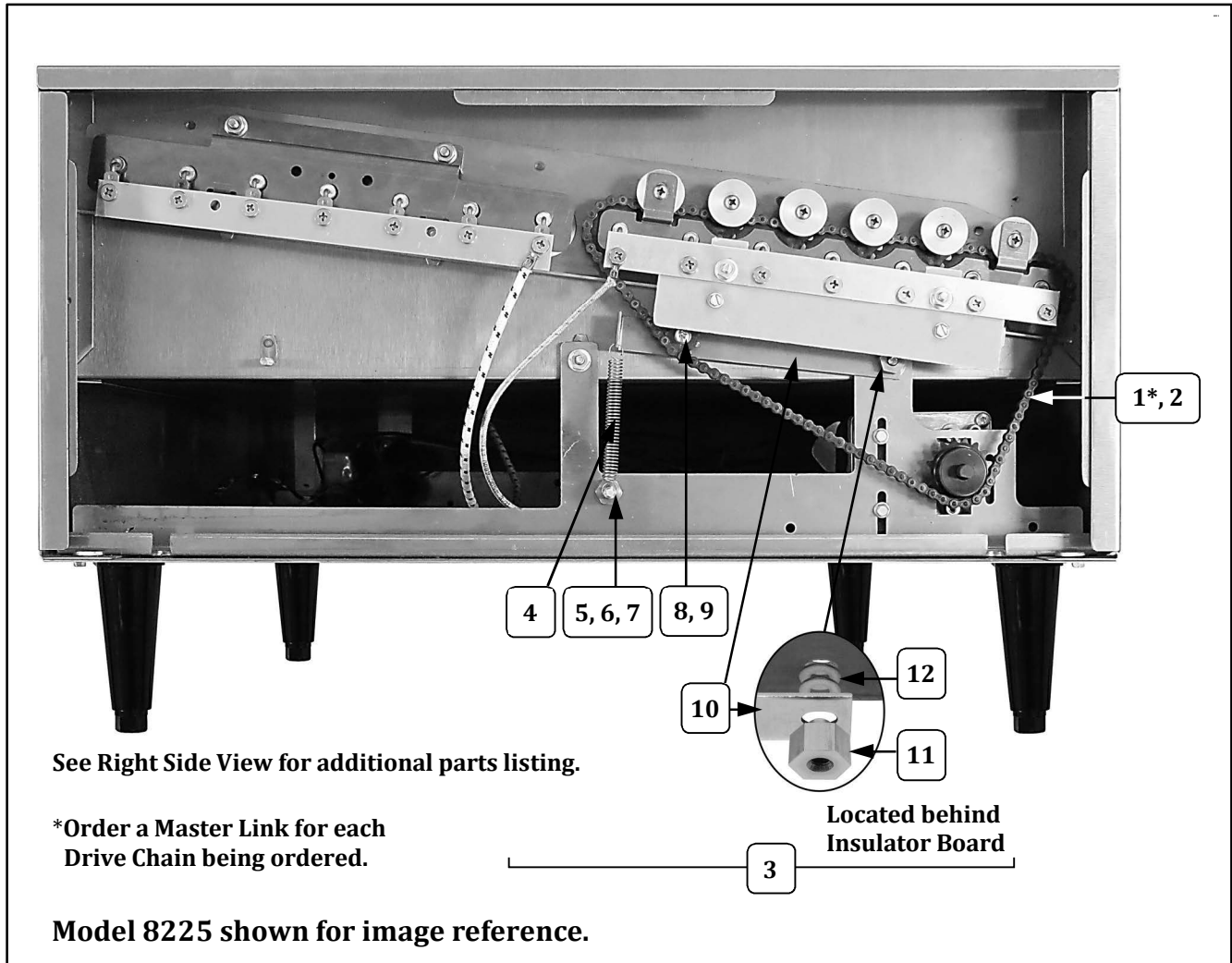


Cabinet Interior – Right Side – Parts List

Item	Part Description	Part No.
		All Models
1	125 WATT HEAT ELEMENT - SCREW INCLUDED (14 Required)	88236
2	TUBE COVER PLATE (Non-Drive End)	111869
3	10-32 WHIZ LOCK NUT HARD	42441
4	CONDUCTOR PLATE	88165
5	OUTER RETAINER	88228
6	8-32 X 1 PH PAN M/S S.S.	12219
7	POSITRACTION SPROCKET	87988
8	TUBE COVER PLATE (Drive End)	111868
9	INSULATOR BOARD	88194
10	ASSEMBLY MOUNTING BRACKET	88508
11	MOTOR MOUNTING BRACKET	88509
12*	UPPER DRIVE CHAIN (Order a Master Link for each Drive Chain being ordered.)	88192
13	MASTER LINK DRIVE CHAIN	87044
14	8-32 X 1/4 HX HD WHIZLOCK	42045
15	DRIVE SPROCKET	87353
16	IDLER ASSEMBLY (includes itemized parts listed below)	67831
17	IDLER SPROCKET	69824
18	8-32 X 3/4 PHIL PAN SMS	87255
19	SPRING	68734
20	RH IDLER BRACKET	67830
21	IDLER PIVOT	83106
22	#10 FLAT WASHER - Stainless Steel	12178
23	10-32 X 1/2 UNSL HX M/S	12526



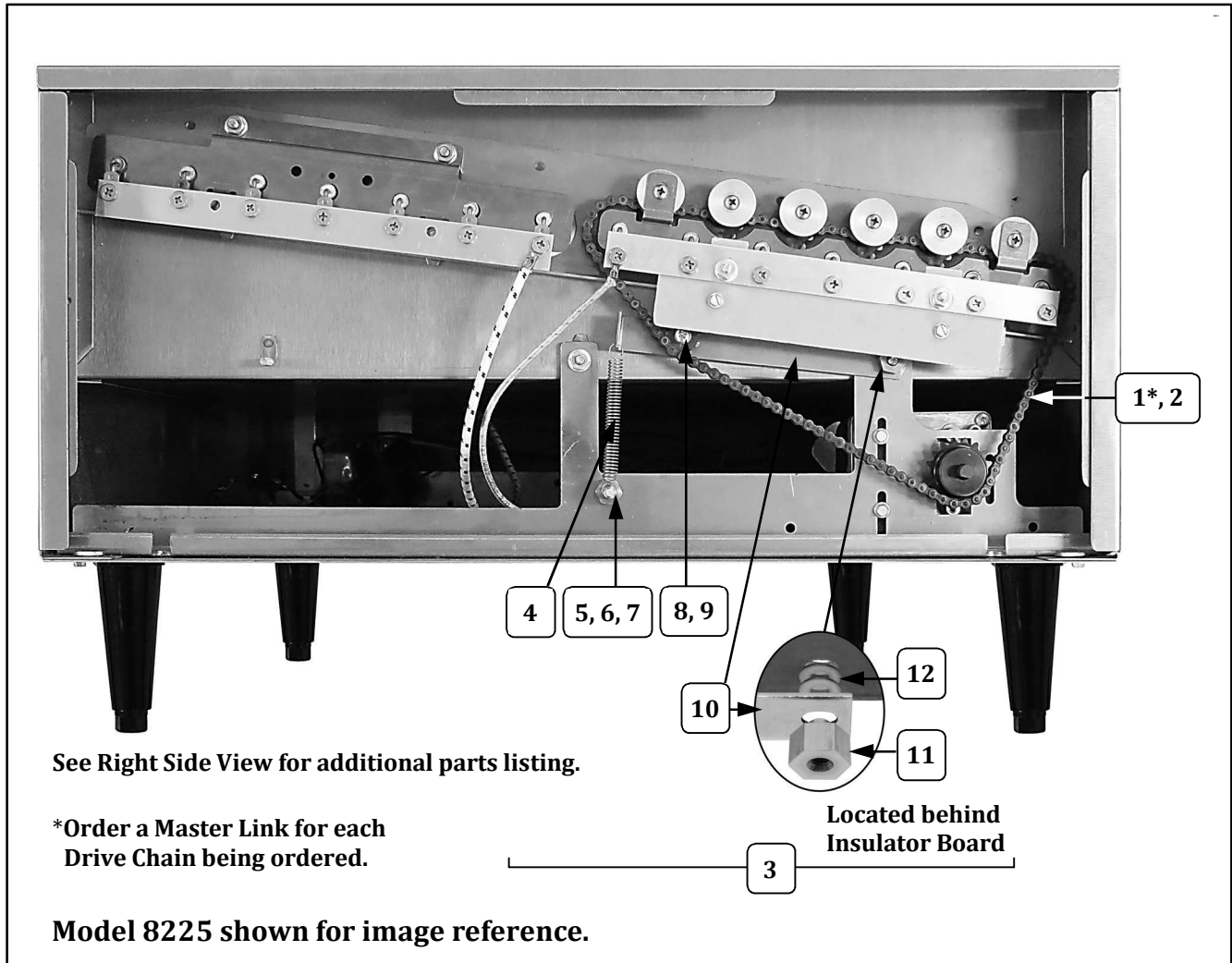
Cabinet Interior – Left Side



Item	Part Description	Part No. All Models
1*	LOWER DRIVE CHAIN UPPER DRIVE CHAIN (Order a Master Link for each Drive Chain being ordered.)	88191
2	MASTER LINK DRIVE CHAIN	87044
3	IDLER ASSEMBLY LH (includes itemized parts listed below)	68718
4	SPRING	68734
5	SPRING PIVOT	83107
6	1/4-20 X 1/2 HX HD BOLT - Stainless Steel	14821
7	1/4 MED SPLIT LOCK WASHER	74526
8	IDLER SPROCKET	69824
9	8-32 X 3/4 PHIL PAN SMS	87255
10	IDLER BRACKET Assembly	68711
11	IDLER PIVOT	83106
12	#10 FLAT WASHER - Stainless Steel	12178



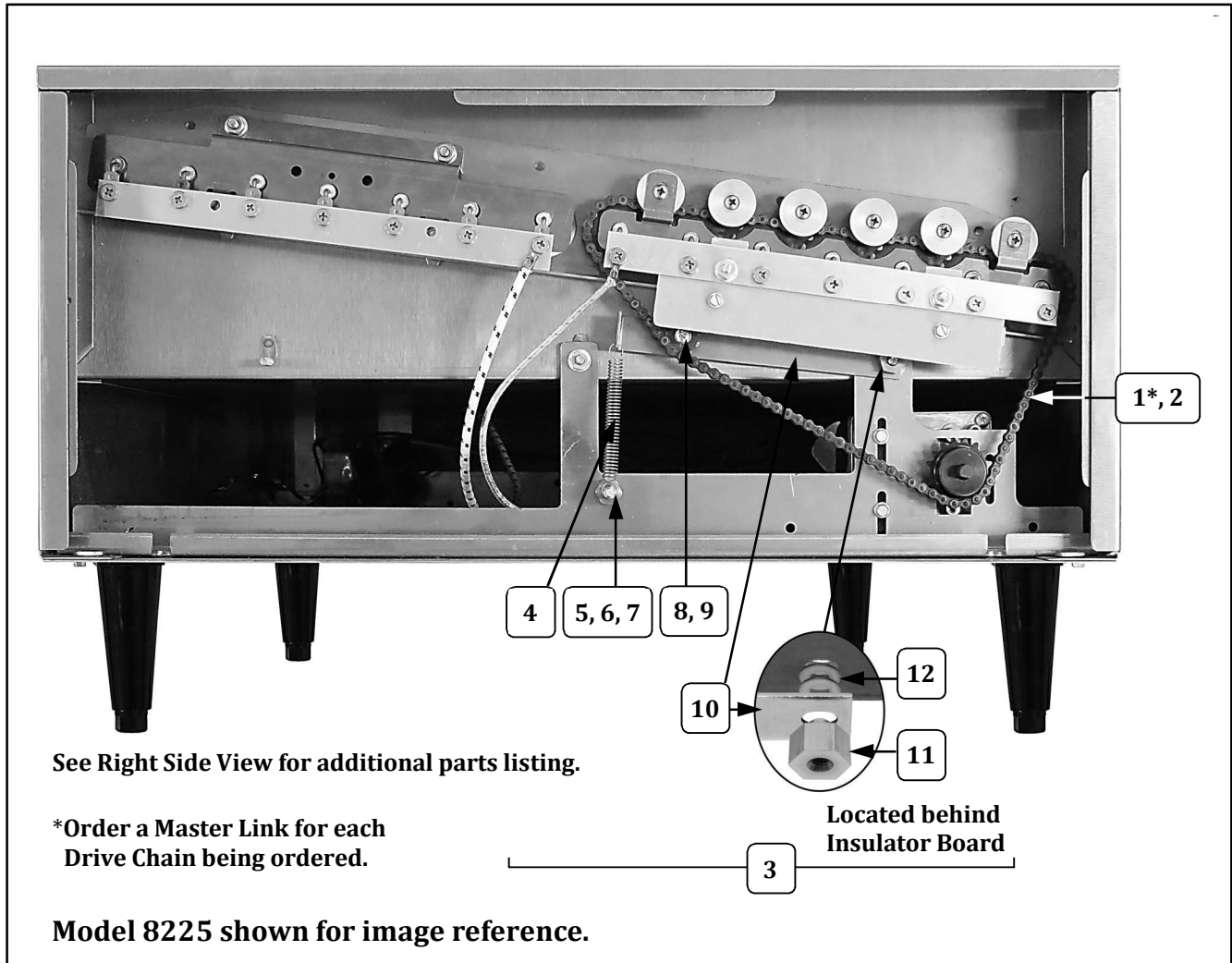
Cabinet Interior – Left Side



Item	Part Description	Part No. All Models
1*	LOWER DRIVE CHAIN UPPER DRIVE CHAIN (Order a Master Link for each Drive Chain being ordered.)	88191
2	MASTER LINK DRIVE CHAIN	87044
3	IDLER ASSEMBLY LH (includes itemized parts listed below)	68718
4	SPRING	68734
5	SPRING PIVOT	83107
6	1/4-20 X 1/2 HX HD BOLT - Stainless Steel	14821
7	1/4 MED SPLIT LOCK WASHER	74526
8	IDLER SPROCKET	69824
9	8-32 X 3/4 PHIL PAN SMS	87255
10	IDLER BRACKET Assembly	68711
11	IDLER PIVOT	83106
12	#10 FLAT WASHER - Stainless Steel	12178



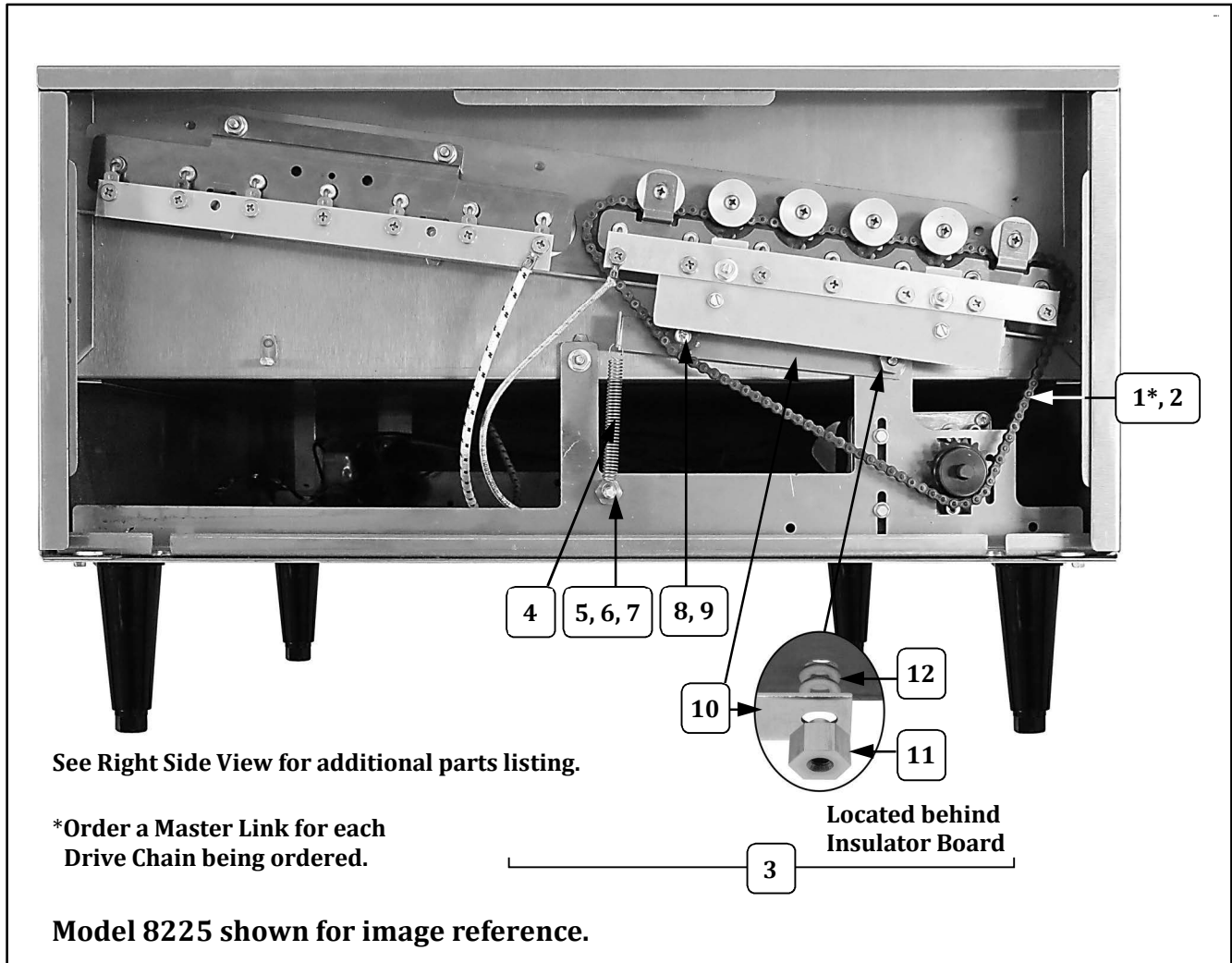
Cabinet Interior – Left Side



Item	Part Description	Part No. All Models
1*	LOWER DRIVE CHAIN UPPER DRIVE CHAIN (Order a Master Link for each Drive Chain being ordered.)	88191
2	MASTER LINK DRIVE CHAIN	87044
3	IDLER ASSEMBLY LH (includes itemized parts listed below)	68718
4	SPRING	68734
5	SPRING PIVOT	83107
6	1/4-20 X 1/2 HX HD BOLT - Stainless Steel	14821
7	1/4 MED SPLIT LOCK WASHER	74526
8	IDLER SPROCKET	69824
9	8-32 X 3/4 PHIL PAN SMS	87255
10	IDLER BRACKET Assembly	68711
11	IDLER PIVOT	83106
12	#10 FLAT WASHER - Stainless Steel	12178



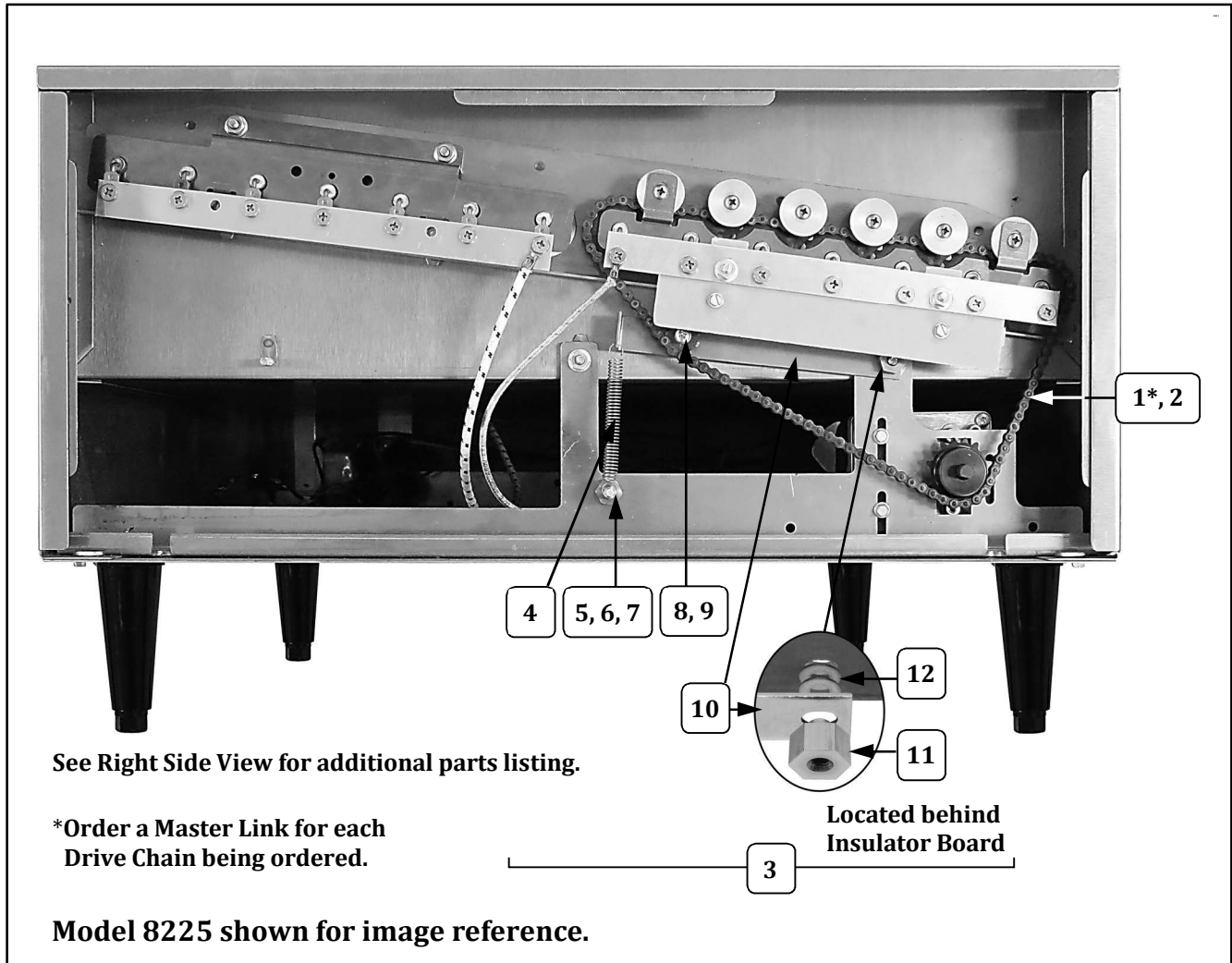
Cabinet Interior – Left Side



Item	Part Description	Part No. All Models
1*	LOWER DRIVE CHAIN UPPER DRIVE CHAIN (Order a Master Link for each Drive Chain being ordered.)	88191
2	MASTER LINK DRIVE CHAIN	87044
3	IDLER ASSEMBLY LH (includes itemized parts listed below)	68718
4	SPRING	68734
5	SPRING PIVOT	83107
6	1/4-20 X 1/2 HX HD BOLT - Stainless Steel	14821
7	1/4 MED SPLIT LOCK WASHER	74526
8	IDLER SPROCKET	69824
9	8-32 X 3/4 PHIL PAN SMS	87255
10	IDLER BRACKET Assembly	68711
11	IDLER PIVOT	83106
12	#10 FLAT WASHER - Stainless Steel	12178



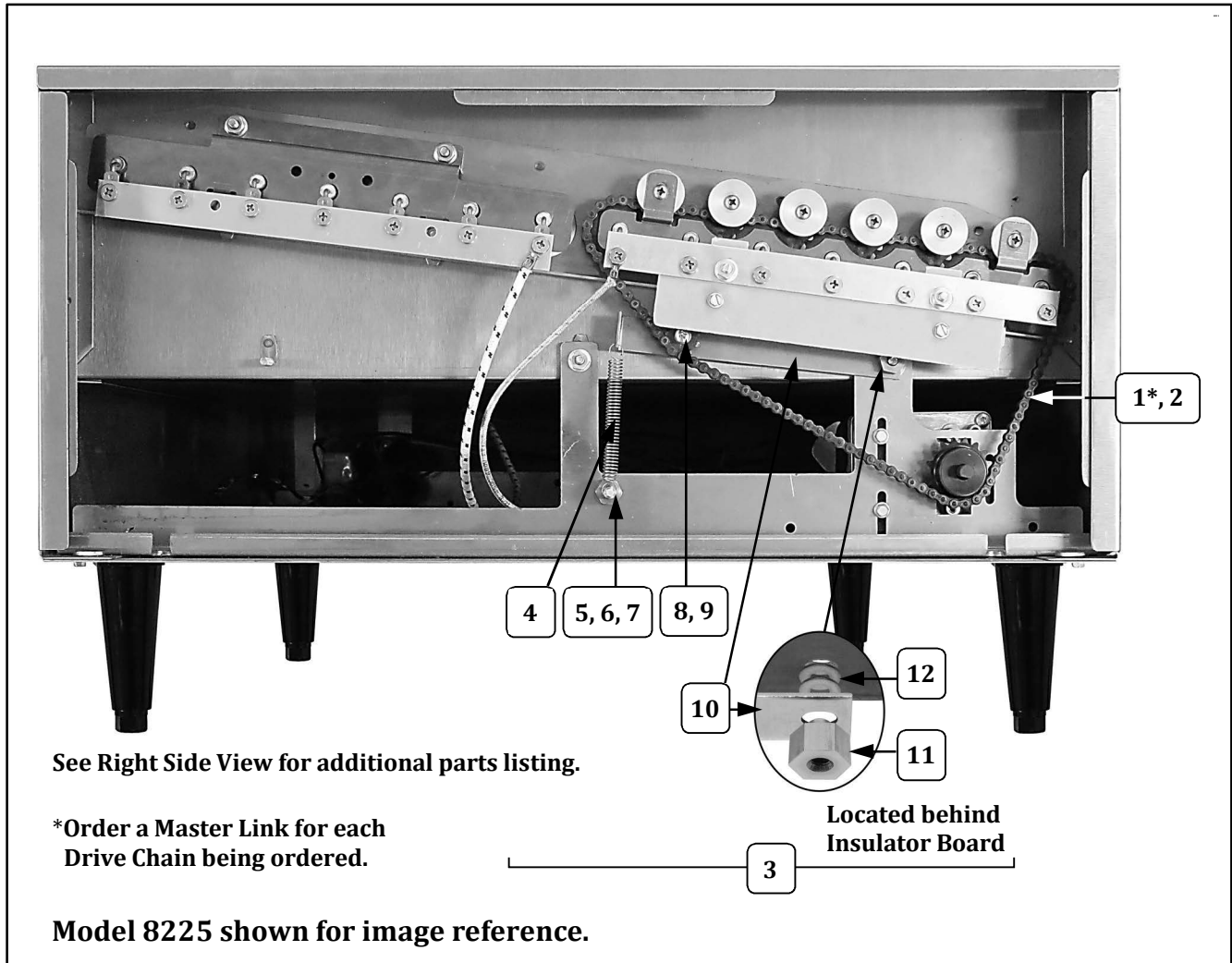
Cabinet Interior – Left Side



Item	Part Description	Part No. All Models
1*	LOWER DRIVE CHAIN UPPER DRIVE CHAIN (Order a Master Link for each Drive Chain being ordered.)	88191
2	MASTER LINK DRIVE CHAIN	87044
3	IDLER ASSEMBLY LH (includes itemized parts listed below)	68718
4	SPRING	68734
5	SPRING PIVOT	83107
6	1/4-20 X 1/2 HX HD BOLT - Stainless Steel	14821
7	1/4 MED SPLIT LOCK WASHER	74526
8	IDLER SPROCKET	69824
9	8-32 X 3/4 PHIL PAN SMS	87255
10	IDLER BRACKET Assembly	68711
11	IDLER PIVOT	83106
12	#10 FLAT WASHER - Stainless Steel	12178



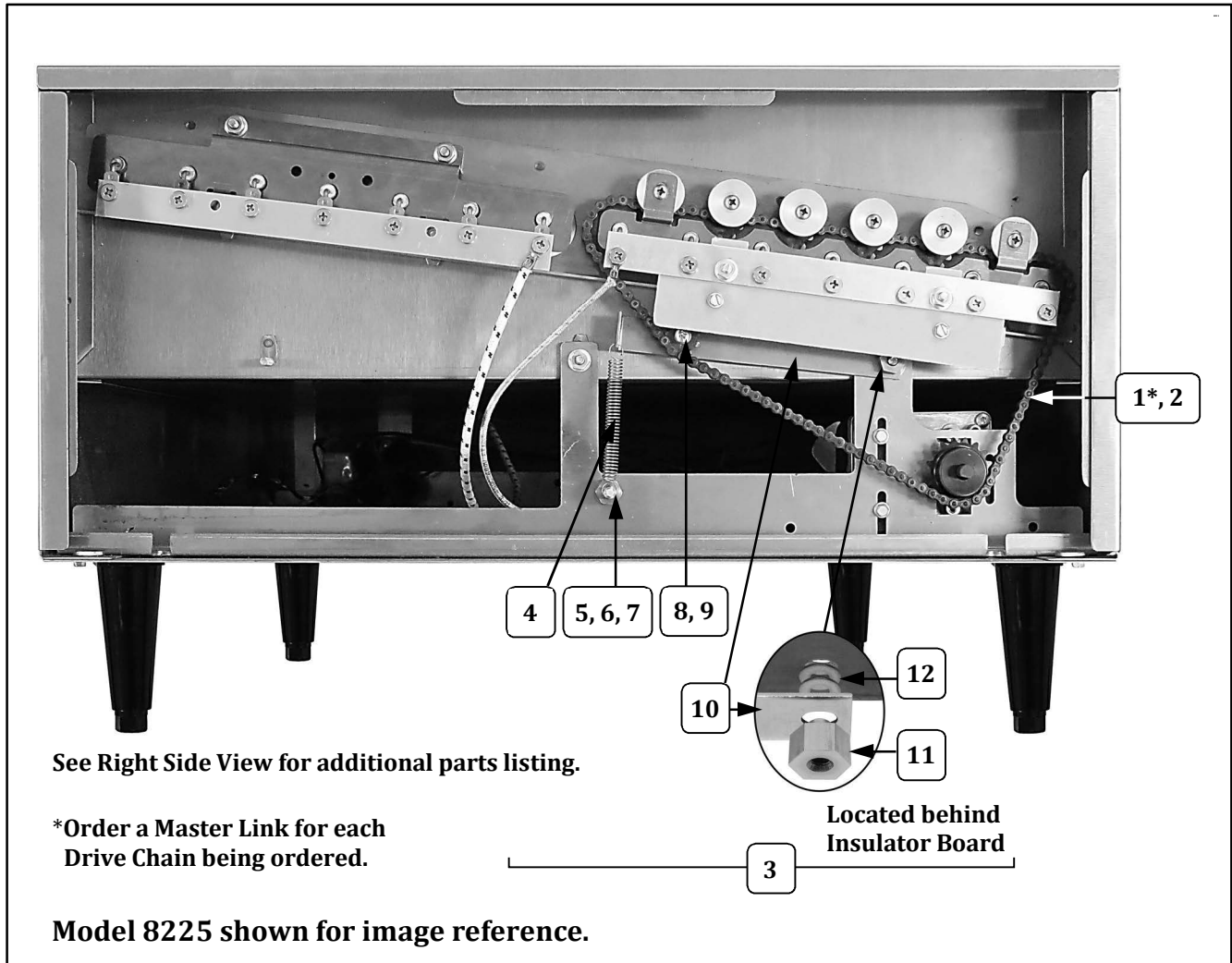
Cabinet Interior – Left Side



Item	Part Description	Part No. All Models
1*	LOWER DRIVE CHAIN UPPER DRIVE CHAIN (Order a Master Link for each Drive Chain being ordered.)	88191
2	MASTER LINK DRIVE CHAIN	87044
3	IDLER ASSEMBLY LH (includes itemized parts listed below)	68718
4	SPRING	68734
5	SPRING PIVOT	83107
6	1/4-20 X 1/2 HX HD BOLT - Stainless Steel	14821
7	1/4 MED SPLIT LOCK WASHER	74526
8	IDLER SPROCKET	69824
9	8-32 X 3/4 PHIL PAN SMS	87255
10	IDLER BRACKET Assembly	68711
11	IDLER PIVOT	83106
12	#10 FLAT WASHER - Stainless Steel	12178



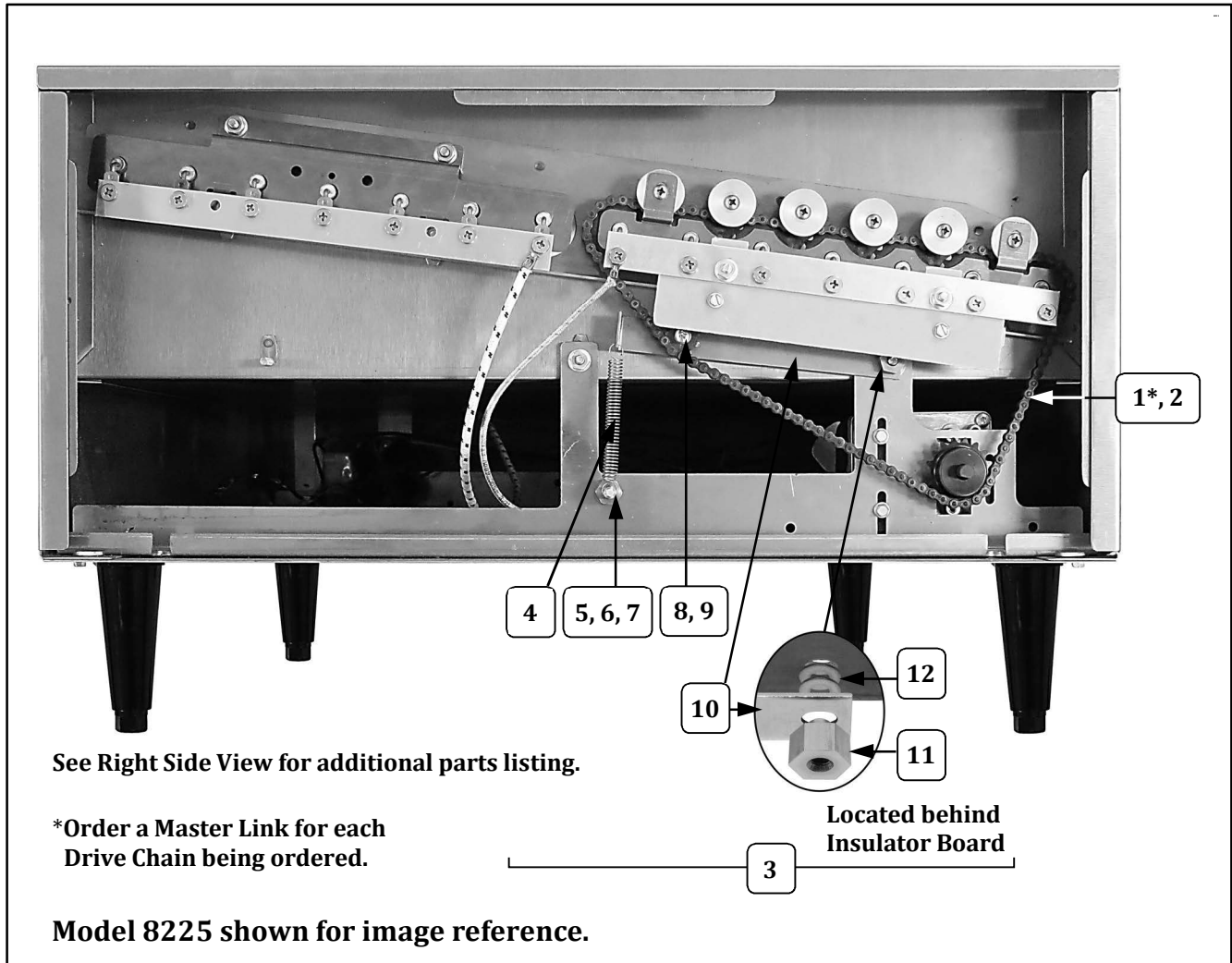
Cabinet Interior – Left Side



Item	Part Description	Part No. All Models
1*	LOWER DRIVE CHAIN UPPER DRIVE CHAIN (Order a Master Link for each Drive Chain being ordered.)	88191
2	MASTER LINK DRIVE CHAIN	87044
3	IDLER ASSEMBLY LH (includes itemized parts listed below)	68718
4	SPRING	68734
5	SPRING PIVOT	83107
6	1/4-20 X 1/2 HX HD BOLT - Stainless Steel	14821
7	1/4 MED SPLIT LOCK WASHER	74526
8	IDLER SPROCKET	69824
9	8-32 X 3/4 PHIL PAN SMS	87255
10	IDLER BRACKET Assembly	68711
11	IDLER PIVOT	83106
12	#10 FLAT WASHER - Stainless Steel	12178



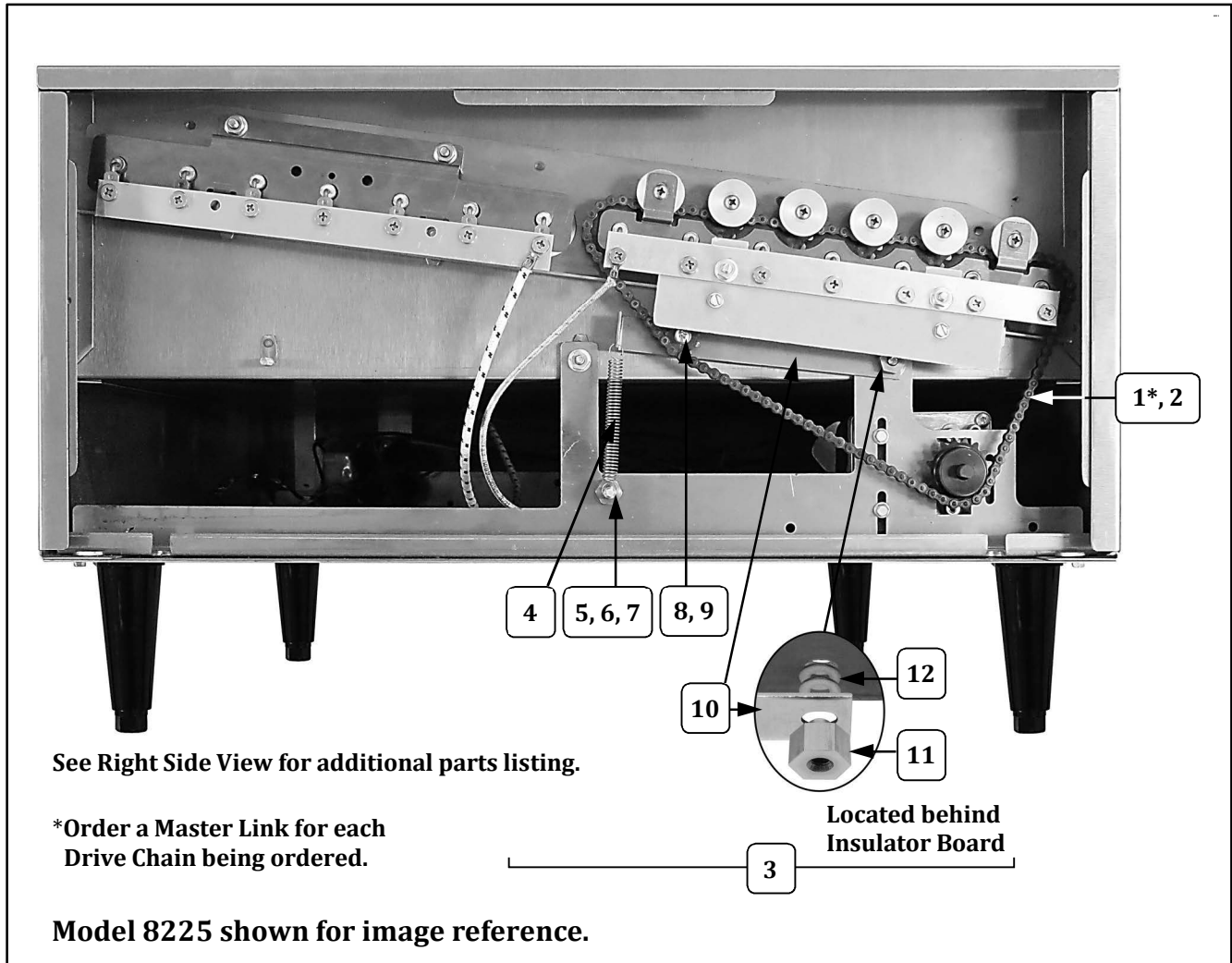
Cabinet Interior – Left Side



Item	Part Description	Part No. All Models
1*	LOWER DRIVE CHAIN UPPER DRIVE CHAIN (Order a Master Link for each Drive Chain being ordered.)	88191
2	MASTER LINK DRIVE CHAIN	87044
3	IDLER ASSEMBLY LH (includes itemized parts listed below)	68718
4	SPRING	68734
5	SPRING PIVOT	83107
6	1/4-20 X 1/2 HX HD BOLT - Stainless Steel	14821
7	1/4 MED SPLIT LOCK WASHER	74526
8	IDLER SPROCKET	69824
9	8-32 X 3/4 PHIL PAN SMS	87255
10	IDLER BRACKET Assembly	68711
11	IDLER PIVOT	83106
12	#10 FLAT WASHER - Stainless Steel	12178



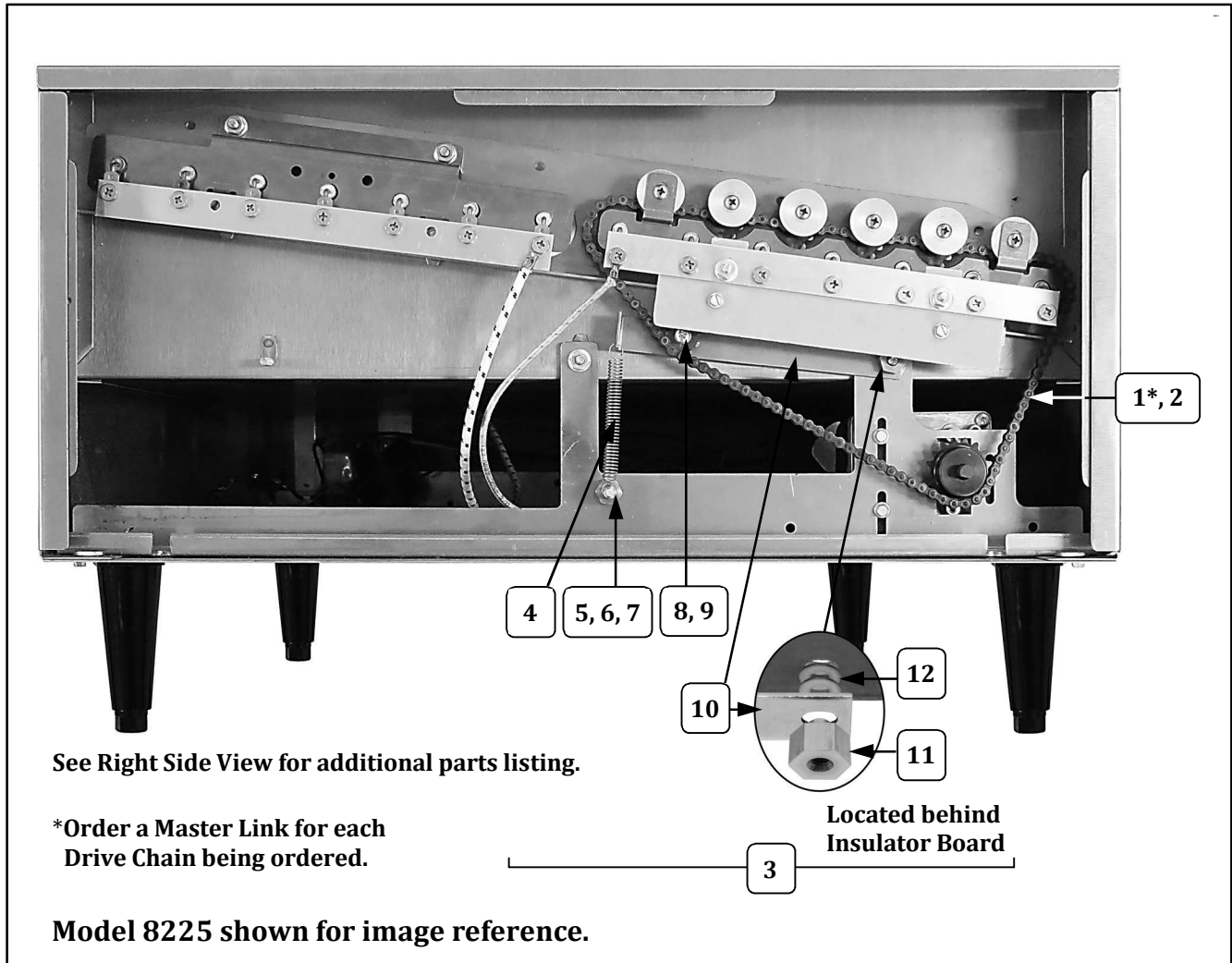
Cabinet Interior – Left Side



Item	Part Description	Part No. All Models
1*	LOWER DRIVE CHAIN UPPER DRIVE CHAIN (Order a Master Link for each Drive Chain being ordered.)	88191
2	MASTER LINK DRIVE CHAIN	87044
3	IDLER ASSEMBLY LH (includes itemized parts listed below)	68718
4	SPRING	68734
5	SPRING PIVOT	83107
6	1/4-20 X 1/2 HX HD BOLT - Stainless Steel	14821
7	1/4 MED SPLIT LOCK WASHER	74526
8	IDLER SPROCKET	69824
9	8-32 X 3/4 PHIL PAN SMS	87255
10	IDLER BRACKET Assembly	68711
11	IDLER PIVOT	83106
12	#10 FLAT WASHER - Stainless Steel	12178



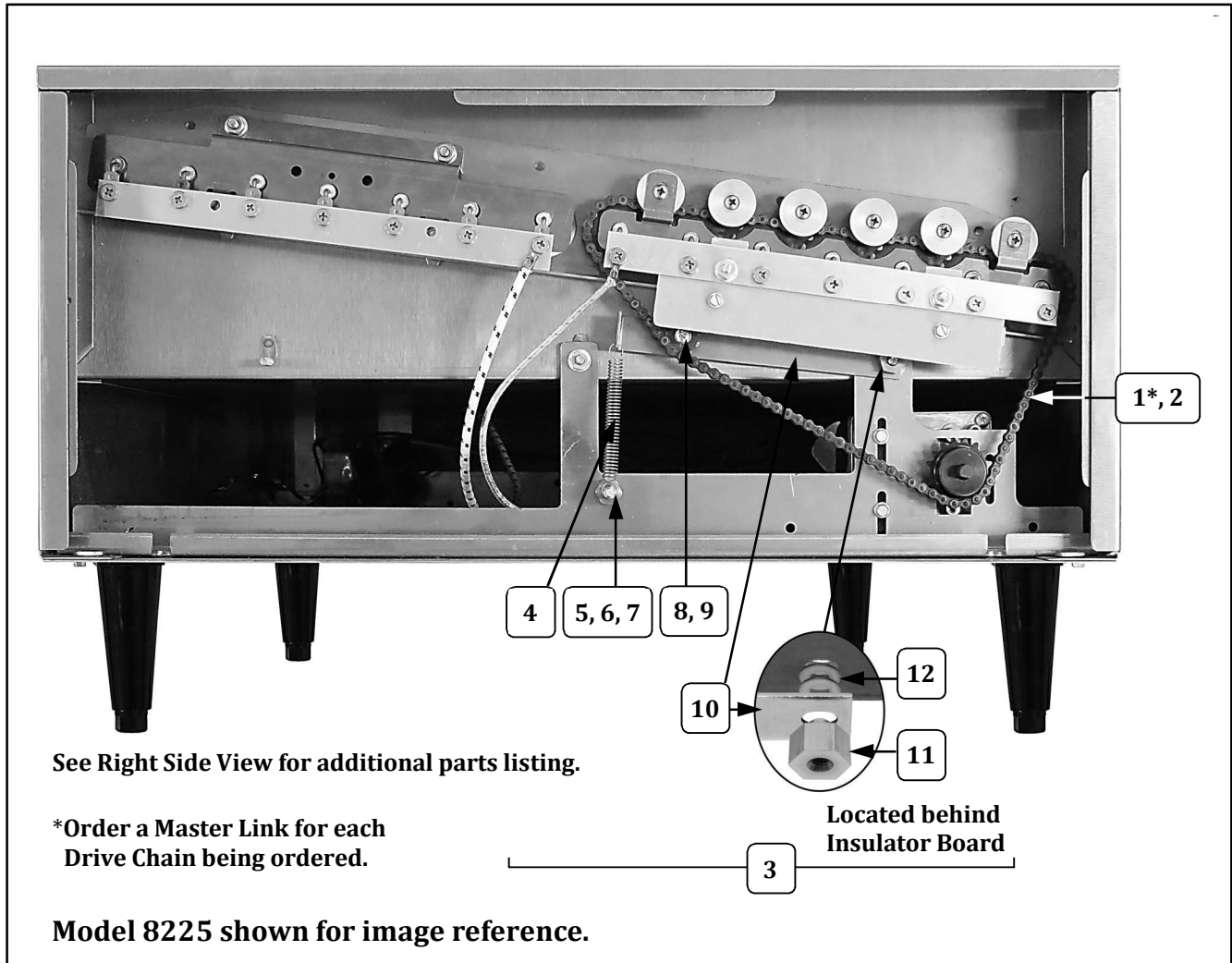
Cabinet Interior – Left Side



Item	Part Description	Part No. All Models
1*	LOWER DRIVE CHAIN UPPER DRIVE CHAIN (Order a Master Link for each Drive Chain being ordered.)	88191
2	MASTER LINK DRIVE CHAIN	87044
3	IDLER ASSEMBLY LH (includes itemized parts listed below)	68718
4	SPRING	68734
5	SPRING PIVOT	83107
6	1/4-20 X 1/2 HX HD BOLT - Stainless Steel	14821
7	1/4 MED SPLIT LOCK WASHER	74526
8	IDLER SPROCKET	69824
9	8-32 X 3/4 PHIL PAN SMS	87255
10	IDLER BRACKET Assembly	68711
11	IDLER PIVOT	83106
12	#10 FLAT WASHER - Stainless Steel	12178



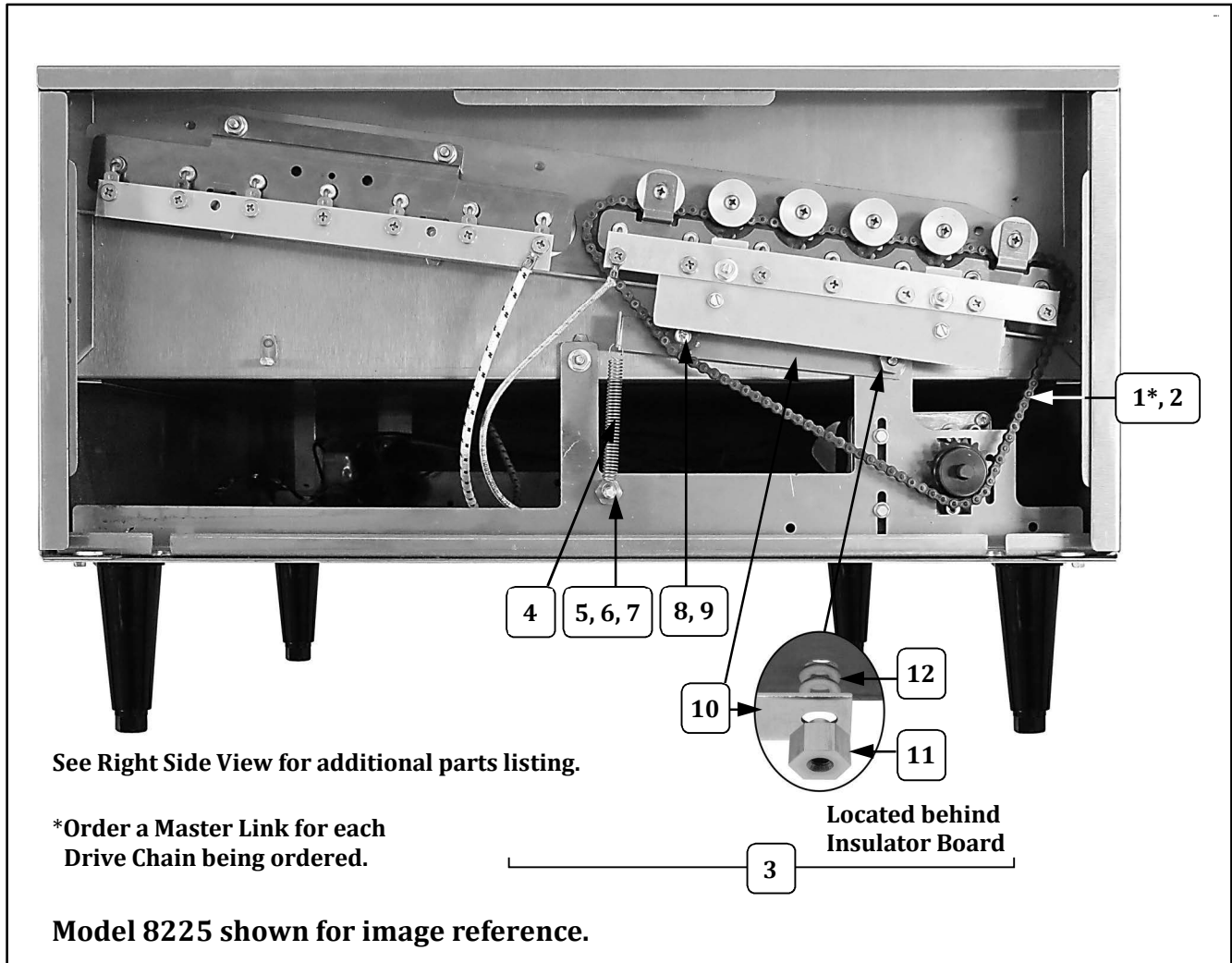
Cabinet Interior – Left Side



Item	Part Description	Part No. All Models
1*	LOWER DRIVE CHAIN UPPER DRIVE CHAIN (Order a Master Link for each Drive Chain being ordered.)	88191
2	MASTER LINK DRIVE CHAIN	87044
3	IDLER ASSEMBLY LH (includes itemized parts listed below)	68718
4	SPRING	68734
5	SPRING PIVOT	83107
6	1/4-20 X 1/2 HX HD BOLT - Stainless Steel	14821
7	1/4 MED SPLIT LOCK WASHER	74526
8	IDLER SPROCKET	69824
9	8-32 X 3/4 PHIL PAN SMS	87255
10	IDLER BRACKET Assembly	68711
11	IDLER PIVOT	83106
12	#10 FLAT WASHER - Stainless Steel	12178



Cabinet Interior – Left Side



Item	Part Description	Part No. All Models
1*	LOWER DRIVE CHAIN UPPER DRIVE CHAIN (Order a Master Link for each Drive Chain being ordered.)	88191
2	MASTER LINK DRIVE CHAIN	87044
3	IDLER ASSEMBLY LH (includes itemized parts listed below)	68718
4	SPRING	68734
5	SPRING PIVOT	83107
6	1/4-20 X 1/2 HX HD BOLT - Stainless Steel	14821
7	1/4 MED SPLIT LOCK WASHER	74526
8	IDLER SPROCKET	69824
9	8-32 X 3/4 PHIL PAN SMS	87255
10	IDLER BRACKET Assembly	68711
11	IDLER PIVOT	83106
12	#10 FLAT WASHER - Stainless Steel	12178



Safety Labels

WARNING! CONTACT WITH THIS SURFACE WHILE THE APPLIANCE IS OPERATING MAY CAUSE BURNS

AVERTISSEMENT! CONTACT AVEC CETTE SURFACE PENDANT LE FONCTIONNEMENT DE L'APPAREIL POURRAIT CAUSER DES BRULURES

87087

← **1**

Unit Label (for unit decals, see section Cabinet Exterior - Front View)

⚠ DANGER

ONLY USE PROPERLY GROUNDED RECEPTACLE

SEVERE ELECTRIC SHOCK OR DEATH MAY RESULT

UNICAMENTE UTILICE TOMACORRIENTES DEBIDAMENTE CONECTADOS PUEDE RESULTAR EN SEVERA DESGARGA ELECTRICA O MUERTE

DO NOT REMOVE TAG NO LE quite LA ETIQUETA

⚠ DANGER

ONLY USE PROPERLY GROUNDED RECEPTACLE

SEVERE ELECTRIC SHOCK OR DEATH MAY RESULT

UNICAMENTE UTILICE TOMACORRIENTES DEBIDAMENTE CONECTADOS PUEDE RESULTAR EN SEVERA DESGARGA ELECTRICA O MUERTE

DO NOT REMOVE TAG NO LE quite LA ETIQUETA

← **2**

WARNING

ELECTRICAL GROUNDING INSTRUCTIONS

THIS APPLIANCE IS EQUIPPED WITH A THREE PRONG GROUNDING PLUG FOR YOUR PROTECTION AGAINST SHOCK HAZARD AND SHOULD BE PLUGGED DIRECTLY INTO A PROPERLY GROUNDED THREE PRONG RECEPTACLE. DO NOT CUT OR REMOVE THE GROUNDING PRONG FROM THIS PLUG.

AVERTISSEMENT

INSTRUCTIONS DE MISE A LA TERRE


CET APPAREIL COMPORTE UNE FICHE A TROIS BROCHES AVEC MISE A LA TERRE POUR PROTGER CONTRE LES CHOCX ELECTRIQUES CETTE FICHE DOIT ETRE RACCORDEE DIRECTEMENT A UNE PRISE A TROIS BROCHES. NE PAS COUPER NI RETIRER LA BROCHE DE TERRE DE LA FICHE

← **3**


Power Cord Label

Item	Part Description	Part No.
		All Models
1	WARNING, SURFACE CONTACT	87087
2	WARNING LABEL CORD	68720
3	POWER CORD TAG	76135


Accessories



↑ **1**



↑ **2**



← **3**

Item	Part Description	Part No.
		All Models
1	TONG HOLDER ASSEMBLY	69075
2	9" PLASTIC TONGS	87092
3	1 IN. DIAL THERMOMETER	8000



Safety Labels

WARNING! CONTACT WITH THIS SURFACE WHILE THE APPLIANCE IS OPERATING MAY CAUSE BURNS

AVERTISSEMENT! CONTACT AVEC CETTE SURFACE PENDANT LE FONCTIONNEMENT DE L'APPAREIL POURRAIT CAUSER DES BRULURES

87087

← 1

Unit Label (for unit decals, see section Cabinet Exterior - Front View)

⚠ DANGER

ONLY USE PROPERLY GROUNDED RECEPTACLE

SEVERE ELECTRIC SHOCK OR DEATH MAY RESULT

UNICAMENTE UTILICE TOMACORRIENTES DEBIDAMENTE CONECTADOS PUEDE RESULTAR EN SEVERA DESGARGA ELECTRICA O MUERTE

DO NOT REMOVE TAG NO LE quite LA ETIQUETA

← 2

WARNING

ELECTRICAL GROUNDING INSTRUCTIONS

THIS APPLIANCE IS EQUIPPED WITH A THREE PRONG GROUNDING PLUG FOR YOUR PROTECTION AGAINST SHOCK HAZARD AND SHOULD BE PLUGGED DIRECTLY INTO A PROPERLY GROUNDED THREE PRONG RECEPTACLE. DO NOT CUT OR REMOVE THE GROUNDING PRONG FROM THIS PLUG.

AVERTISSEMENT

INSTRUCTIONS DE MISE A LA TERRE


CET APPAREIL COMPORTE UNE FICHE A TROIS BROCHES AVEC MISE A LA TERRE POUR PROTGER CONTRE LES CHOCs ELECTRIQUES CETTE FICHE DOIT ETRE RACCORDEE DIRECTEMENT A UNE PRISE A TROIS BROCHES. NE PAS COUPER NI RETIRER LA BROCHE DE TERRE DE LA FICHE

← 3


Power Cord Label

Item	Part Description	Part No.
		All Models
1	WARNING, SURFACE CONTACT	87087
2	WARNING LABEL CORD	68720
3	POWER CORD TAG	76135


Accessories



↑ 1



↑ 2



← 3

Item	Part Description	Part No.
		All Models
1	TONG HOLDER ASSEMBLY	69075
2	9" PLASTIC TONGS	87092
3	1 IN. DIAL THERMOMETER	8000



Safety Labels

WARNING! CONTACT WITH THIS SURFACE WHILE THE APPLIANCE IS OPERATING MAY CAUSE BURNS

AVERTISSEMENT! CONTACT AVEC CETTE SURFACE PENDANT LE FONCTIONNEMENT DE L'APPAREIL POURRAIT CAUSER DES BRULURES

87087

← **1**

Unit Label (for unit decals, see section Cabinet Exterior - Front View)

⚠ DANGER

ONLY USE PROPERLY GROUNDED RECEPTACLE

SEVERE ELECTRIC SHOCK OR DEATH MAY RESULT

UNICAMENTE UTILICE TOMACORRIENTES DEBIDAMENTE CONECTADOS PUEDE RESULTAR EN SEVERA DESGARGA ELECTRICA O MUERTE

DO NOT REMOVE TAG NO LE quite LA ETIQUETA

⚠ DANGER

ONLY USE PROPERLY GROUNDED RECEPTACLE

SEVERE ELECTRIC SHOCK OR DEATH MAY RESULT

UNICAMENTE UTILICE TOMACORRIENTES DEBIDAMENTE CONECTADOS PUEDE RESULTAR EN SEVERA DESGARGA ELECTRICA O MUERTE

DO NOT REMOVE TAG NO LE quite LA ETIQUETA

← **2**

WARNING

ELECTRICAL GROUNDING INSTRUCTIONS

THIS APPLIANCE IS EQUIPPED WITH A THREE PRONG GROUNDING PLUG FOR YOUR PROTECTION AGAINST SHOCK HAZARD AND SHOULD BE PLUGGED DIRECTLY INTO A PROPERLY GROUNDED THREE PRONG RECEPTACLE. DO NOT CUT OR REMOVE THE GROUNDING PRONG FROM THIS PLUG.

AVERTISSEMENT

INSTRUCTIONS DE MISE A LA TERRE


CET APPAREIL COMPORTE UNE FICHE A TROIS BROCHES AVEC MISE A LA TERRE POUR PROTGER CONTRE LES CHOCs ELECTRIQUES CETTE FICHE DOIT ETRE RACCORDEE DIRECTEMENT A UNE PRISE A TROIS BROCHES. NE PAS COUPER NI RETIRER LA BROCHE DE TERRE DE LA FICHE

← **3**


Power Cord Label

Item	Part Description	Part No.
		All Models
1	WARNING, SURFACE CONTACT	87087
2	WARNING LABEL CORD	68720
3	POWER CORD TAG	76135


Accessories



↑ **1**



↑ **2**



← **3**

Item	Part Description	Part No.
		All Models
1	TONG HOLDER ASSEMBLY	69075
2	9" PLASTIC TONGS	87092
3	1 IN. DIAL THERMOMETER	8000



Safety Labels

WARNING! CONTACT WITH THIS SURFACE WHILE THE APPLIANCE IS OPERATING MAY CAUSE BURNS

AVERTISSEMENT! CONTACT AVEC CETTE SURFACE PENDANT LE FONCTIONNEMENT DE L'APPAREIL POURRAIT CAUSER DES BRULURES

87087

← **1**

Unit Label (for unit decals, see section Cabinet Exterior - Front View)

⚠ DANGER

ONLY USE PROPERLY GROUNDED RECEPTACLE

SEVERE ELECTRIC SHOCK OR DEATH MAY RESULT

UNICAMENTE UTILICE TOMACORRIENTES DEBIDAMENTE CONECTADOS PUEDE RESULTAR EN SEVERA DESGARGA ELECTRICA O MUERTE

DO NOT REMOVE TAG NO LE quite LA ETIQUETA

⚠ DANGER

ONLY USE PROPERLY GROUNDED RECEPTACLE

SEVERE ELECTRIC SHOCK OR DEATH MAY RESULT

UNICAMENTE UTILICE TOMACORRIENTES DEBIDAMENTE CONECTADOS PUEDE RESULTAR EN SEVERA DESGARGA ELECTRICA O MUERTE

DO NOT REMOVE TAG NO LE quite LA ETIQUETA

← **2**

WARNING

ELECTRICAL GROUNDING INSTRUCTIONS

THIS APPLIANCE IS EQUIPPED WITH A THREE PRONG GROUNDING PLUG FOR YOUR PROTECTION AGAINST SHOCK HAZARD AND SHOULD BE PLUGGED DIRECTLY INTO A PROPERLY GROUNDED THREE PRONG RECEPTACLE. DO NOT CUT OR REMOVE THE GROUNDING PRONG FROM THIS PLUG.

AVERTISSEMENT

INSTRUCTIONS DE MISE A LA TERRE


CET APPAREIL COMPORTE UNE FICHE A TROIS BROCHES AVEC MISE A LA TERRE POUR PROTGER CONTRE LES CHOCs ELECTRIQUES CETTE FICHE DOIT ETRE RACCORDEE DIRECTEMENT A UNE PRISE A TROIS BROCHES. NE PAS COUPER NI RETIRER LA BROCHE DE TERRE DE LA FICHE

← **3**


Power Cord Label

Item	Part Description	Part No.
		All Models
1	WARNING, SURFACE CONTACT	87087
2	WARNING LABEL CORD	68720
3	POWER CORD TAG	76135


Accessories



↑ **1**



↑ **2**



← **3**

Item	Part Description	Part No.
		All Models
1	TONG HOLDER ASSEMBLY	69075
2	9" PLASTIC TONGS	87092
3	1 IN. DIAL THERMOMETER	8000



Safety Labels

WARNING! CONTACT WITH THIS SURFACE WHILE THE APPLIANCE IS OPERATING MAY CAUSE BURNS

AVERTISSEMENT! CONTACT AVEC CETTE SURFACE PENDANT LE FONCTIONNEMENT DE L'APPAREIL POURRAIT CAUSER DES BRULURES

87087

← 1

Unit Label (for unit decals, see section Cabinet Exterior - Front View)

⚠ DANGER

ONLY USE PROPERLY GROUNDED RECEPTACLE

SEVERE ELECTRIC SHOCK OR DEATH MAY RESULT

UNICAMENTE UTILICE TOMACORRIENTES DEBIDAMENTE CONECTADOS PUEDE RESULTAR EN SEVERA DESGARGA ELECTRICA O MUERTE

DO NOT REMOVE TAG NO LE quite LA ETIQUETA

← 2

WARNING

ELECTRICAL GROUNDING INSTRUCTIONS

THIS APPLIANCE IS EQUIPPED WITH A THREE PRONG GROUNDING PLUG FOR YOUR PROTECTION AGAINST SHOCK HAZARD AND SHOULD BE PLUGGED DIRECTLY INTO A PROPERLY GROUNDED THREE PRONG RECEPTACLE. DO NOT CUT OR REMOVE THE GROUNDING PRONG FROM THIS PLUG.

AVERTISSEMENT

INSTRUCTIONS DE MISE A LA TERRE


CET APPAREIL COMPORTE UNE FICHE A TROIS BROCHES AVEC MISE A LA TERRE POUR PROTGER CONTRE LES CHOCs ELECTRIQUES CETTE FICHE DOIT ETRE RACCORDEE DIRECTEMENT A UNE PRISE A TROIS BROCHES. NE PAS COUPER NI RETIRER LA BROCHE DE TERRE DE LA FICHE

← 3


Power Cord Label

Item	Part Description	Part No.
		All Models
1	WARNING, SURFACE CONTACT	87087
2	WARNING LABEL CORD	68720
3	POWER CORD TAG	76135


Accessories



↑ 1



↑ 2



← 3

Item	Part Description	Part No.
		All Models
1	TONG HOLDER ASSEMBLY	69075
2	9" PLASTIC TONGS	87092
3	1 IN. DIAL THERMOMETER	8000