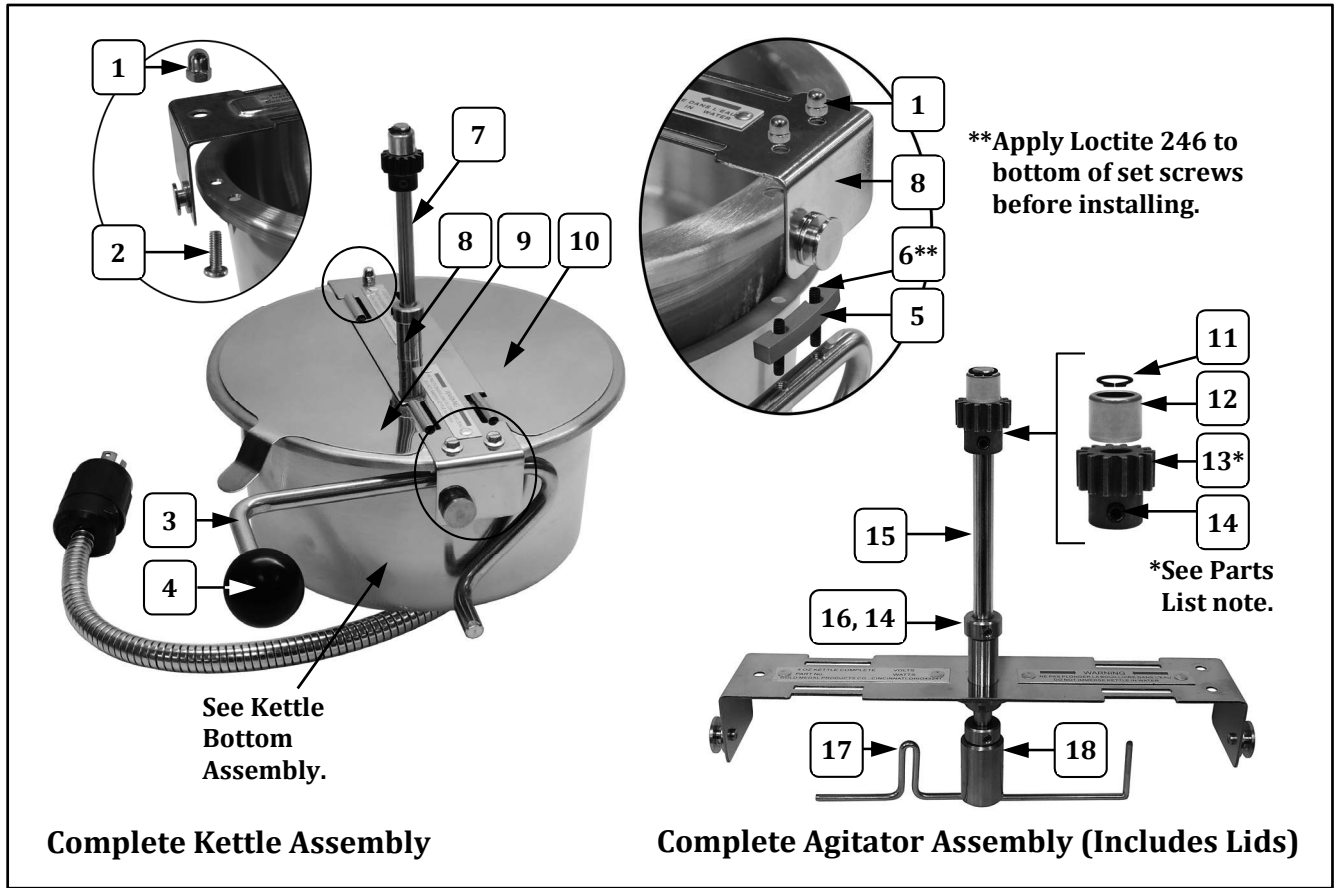




4 oz. Kettle Assembly (54000, 54000EX) – Agitator Assembly View



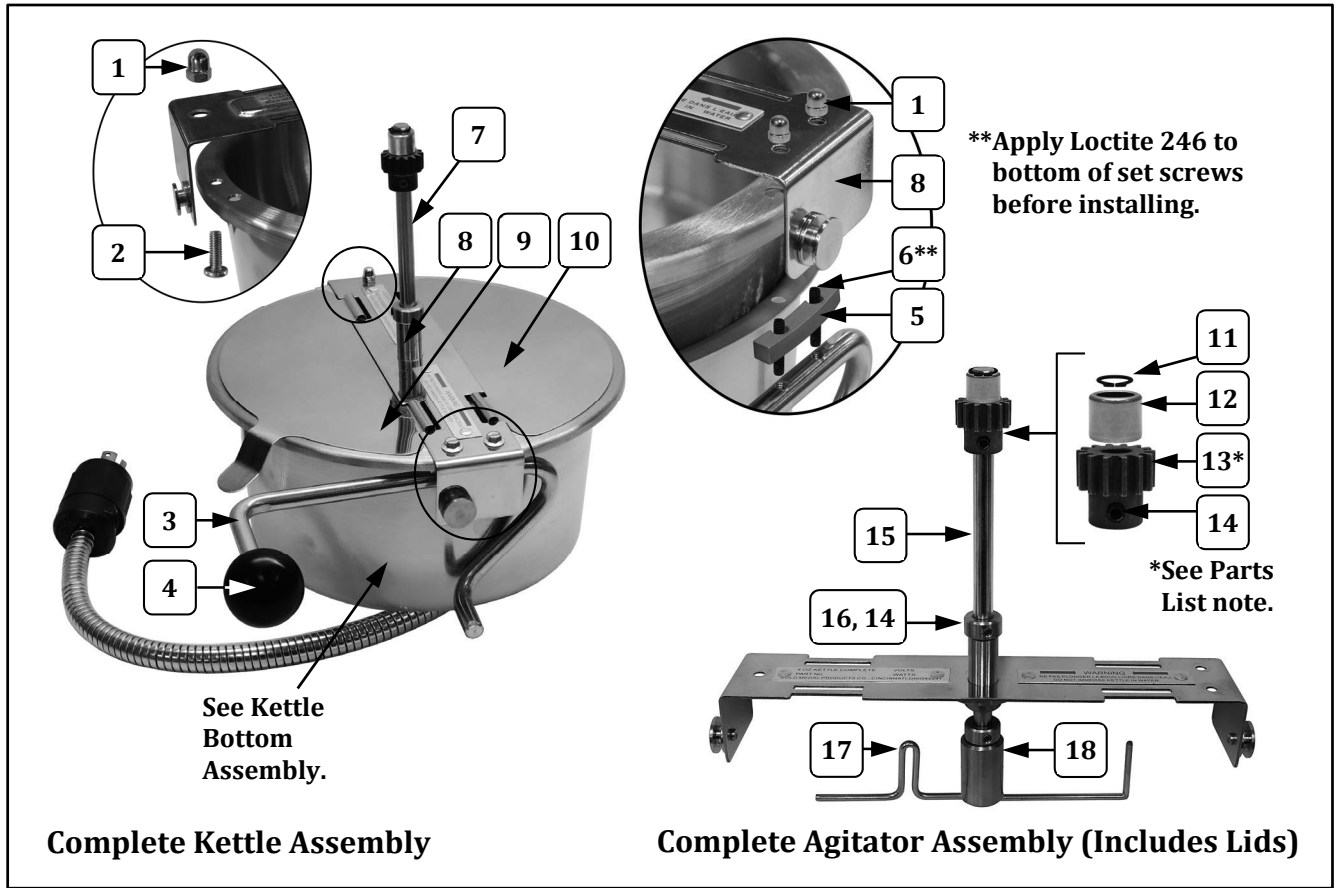
Complete Kettle Assembly

Complete Agitator Assembly (Includes Lids)

Item	Part Description	Part Number	
		54000	54000EX
1	ACORN NUT	47702	47702
2	8-32 X 1/2 PHIL PAN M/S	47141	47141
3	DUMP HANDLE RH	49314	49314
4	DUMP HANDLE KNOB	47110	47110
5	SPACER (for Dump Handle)	49362	49362
6	8-32 X 1" SET SCREW	77933	77933
7	AGITATOR & LID ASSY (Complete Assembly)	54407	54407EX
8	KETTLE CROSSBAR ASSEMBLY	46779	46779EX
9	FRONT LID W/FORMED LIFTER	55074	55074
10	REAR KETTLE LID	55073	55073
11	RETAINING RING	49701	49701
12	NEEDLE BEARING	47106	47106
13*	SPUR GEAR KIT (Includes 2 gears with set screws. Always replace Agitator Spur Gear and Kettle Drive Motor Gear as a set.)	47059K	47059K
14	SET SCREW #10-32 X 3/16	41742	41742
15	4 OZ KETTLE AGITATOR SHAFT	54007	54007
16	SET COLLAR 5/16 ID 5/8 OD	46649	46649
17	4 OZ STIR ROD	54030	54030
18	AGITATOR WEIGHT	49013	49013



4 oz. Kettle Assembly (54000, 54000EX) – Agitator Assembly View



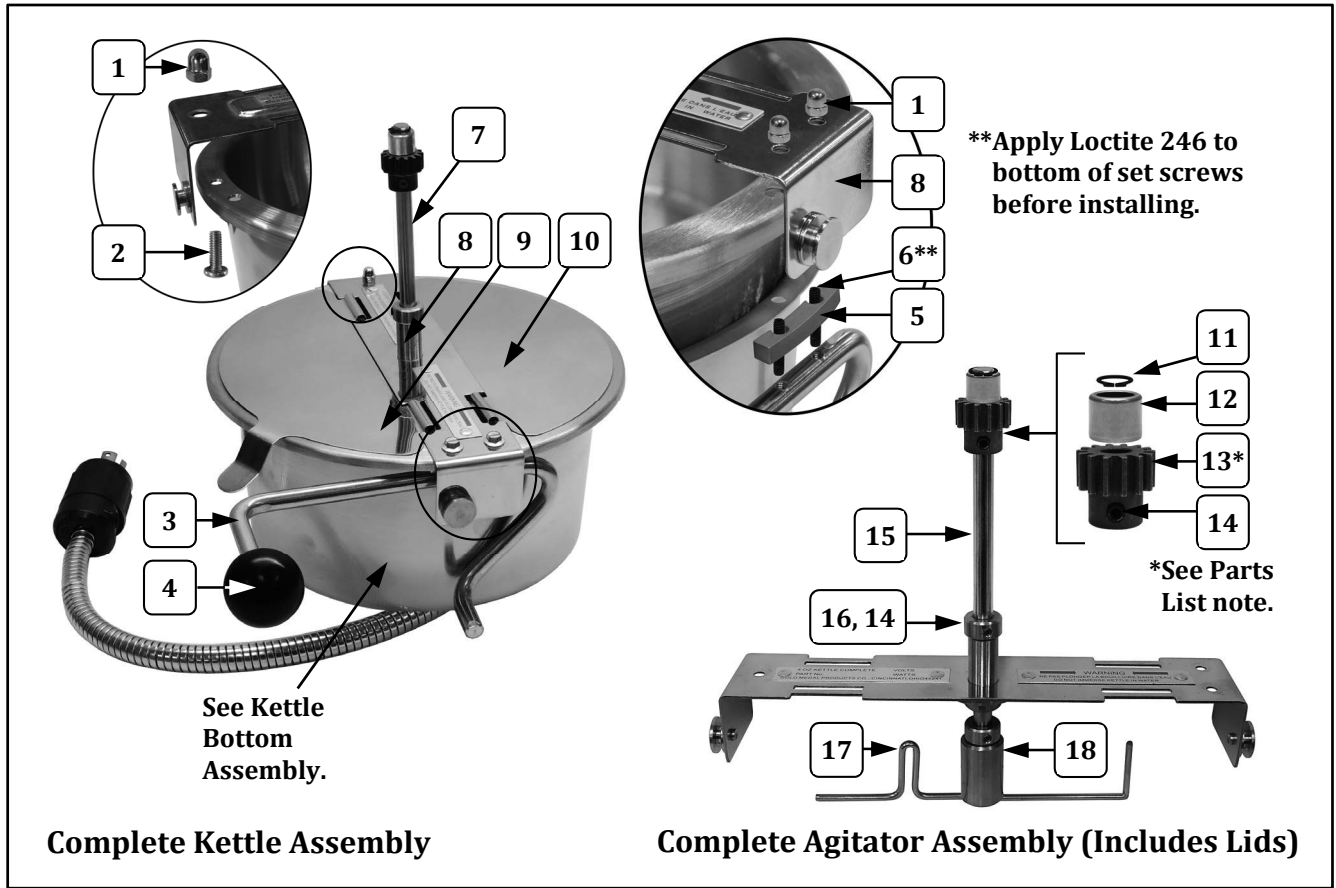
Complete Kettle Assembly

Complete Agitator Assembly (Includes Lids)

Item	Part Description	Part Number	
		54000	54000EX
1	ACORN NUT	47702	47702
2	8-32 X 1/2 PHIL PAN M/S	47141	47141
3	DUMP HANDLE RH	49314	49314
4	DUMP HANDLE KNOB	47110	47110
5	SPACER (for Dump Handle)	49362	49362
6	8-32 X 1" SET SCREW	77933	77933
7	AGITATOR & LID ASSY (Complete Assembly)	54407	54407EX
8	KETTLE CROSSBAR ASSEMBLY	46779	46779EX
9	FRONT LID W/FORMED LIFTER	55074	55074
10	REAR KETTLE LID	55073	55073
11	RETAINING RING	49701	49701
12	NEEDLE BEARING	47106	47106
13*	SPUR GEAR KIT (Includes 2 gears with set screws. Always replace Agitator Spur Gear and Kettle Drive Motor Gear as a set.)	47059K	47059K
14	SET SCREW #10-32 X 3/16	41742	41742
15	4 OZ KETTLE AGITATOR SHAFT	54007	54007
16	SET COLLAR 5/16 ID 5/8 OD	46649	46649
17	4 OZ STIR ROD	54030	54030
18	AGITATOR WEIGHT	49013	49013



4 oz. Kettle Assembly (54000, 54000EX) – Agitator Assembly View



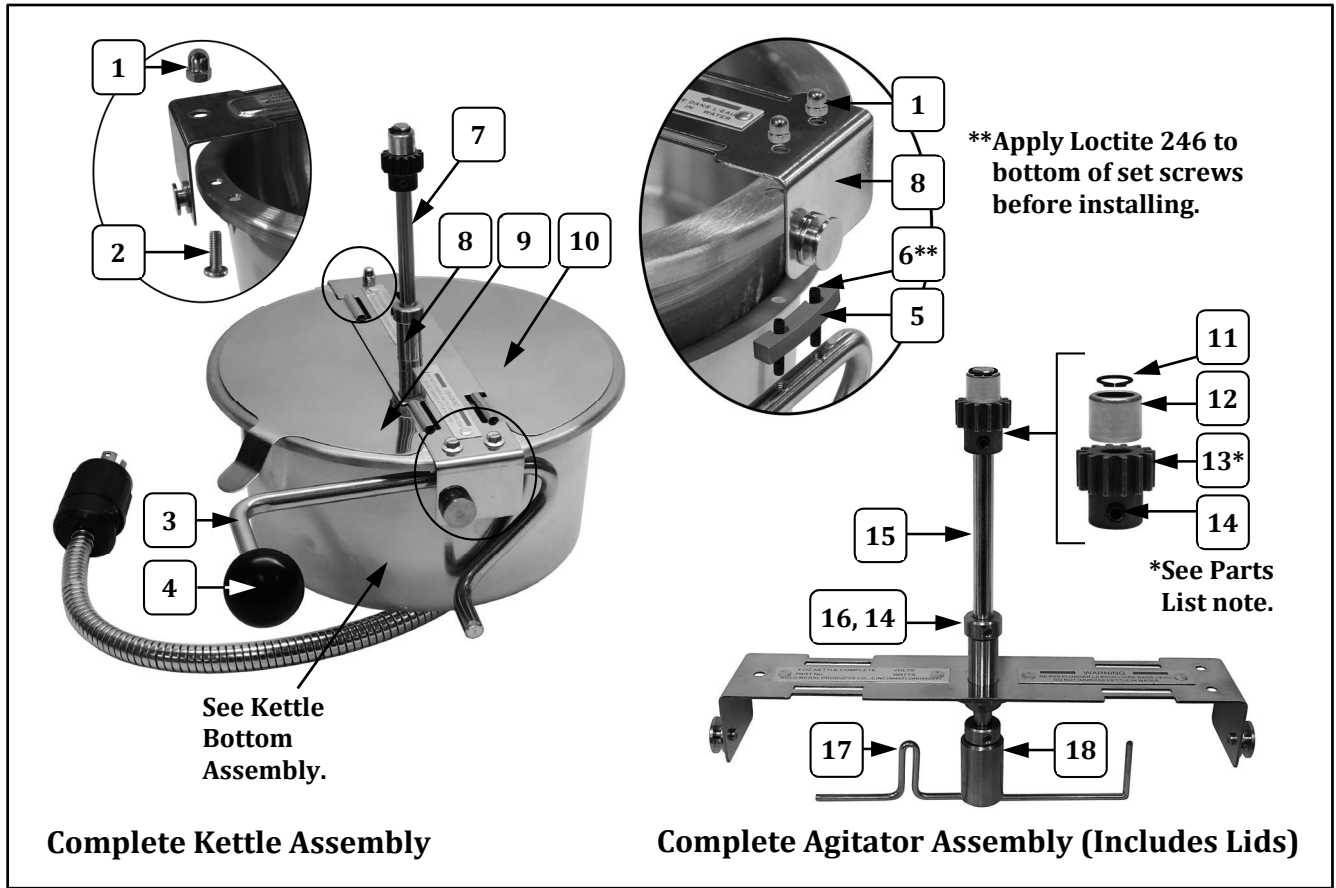
Complete Kettle Assembly

Complete Agitator Assembly (Includes Lids)

Item	Part Description	Part Number	
		54000	54000EX
1	ACORN NUT	47702	47702
2	8-32 X 1/2 PHIL PAN M/S	47141	47141
3	DUMP HANDLE RH	49314	49314
4	DUMP HANDLE KNOB	47110	47110
5	SPACER (for Dump Handle)	49362	49362
6	8-32 X 1" SET SCREW	77933	77933
7	AGITATOR & LID ASSY (Complete Assembly)	54407	54407EX
8	KETTLE CROSSBAR ASSEMBLY	46779	46779EX
9	FRONT LID W/FORMED LIFTER	55074	55074
10	REAR KETTLE LID	55073	55073
11	RETAINING RING	49701	49701
12	NEEDLE BEARING	47106	47106
13*	SPUR GEAR KIT (Includes 2 gears with set screws. Always replace Agitator Spur Gear and Kettle Drive Motor Gear as a set.)	47059K	47059K
14	SET SCREW #10-32 X 3/16	41742	41742
15	4 OZ KETTLE AGITATOR SHAFT	54007	54007
16	SET COLLAR 5/16 ID 5/8 OD	46649	46649
17	4 OZ STIR ROD	54030	54030
18	AGITATOR WEIGHT	49013	49013



4 oz. Kettle Assembly (54000, 54000EX) – Agitator Assembly View



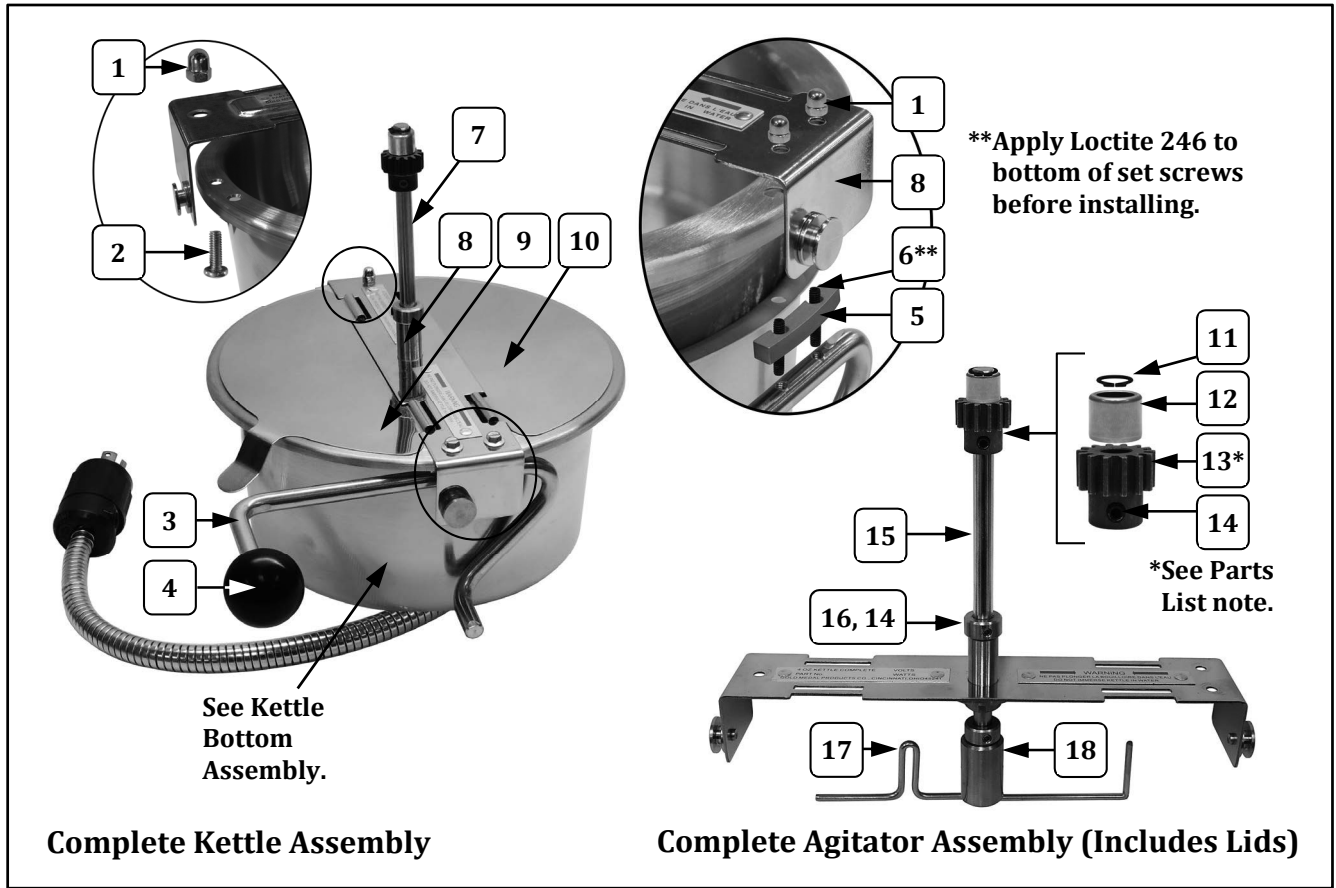
Complete Kettle Assembly

Complete Agitator Assembly (Includes Lids)

Item	Part Description	Part Number	
		54000	54000EX
1	ACORN NUT	47702	47702
2	8-32 X 1/2 PHIL PAN M/S	47141	47141
3	DUMP HANDLE RH	49314	49314
4	DUMP HANDLE KNOB	47110	47110
5	SPACER (for Dump Handle)	49362	49362
6	8-32 X 1" SET SCREW	77933	77933
7	AGITATOR & LID ASSY (Complete Assembly)	54407	54407EX
8	KETTLE CROSSBAR ASSEMBLY	46779	46779EX
9	FRONT LID W/FORMED LIFTER	55074	55074
10	REAR KETTLE LID	55073	55073
11	RETAINING RING	49701	49701
12	NEEDLE BEARING	47106	47106
13*	SPUR GEAR KIT (Includes 2 gears with set screws. Always replace Agitator Spur Gear and Kettle Drive Motor Gear as a set.)	47059K	47059K
14	SET SCREW #10-32 X 3/16	41742	41742
15	4 OZ KETTLE AGITATOR SHAFT	54007	54007
16	SET COLLAR 5/16 ID 5/8 OD	46649	46649
17	4 OZ STIR ROD	54030	54030
18	AGITATOR WEIGHT	49013	49013



4 oz. Kettle Assembly (54000, 54000EX) – Agitator Assembly View



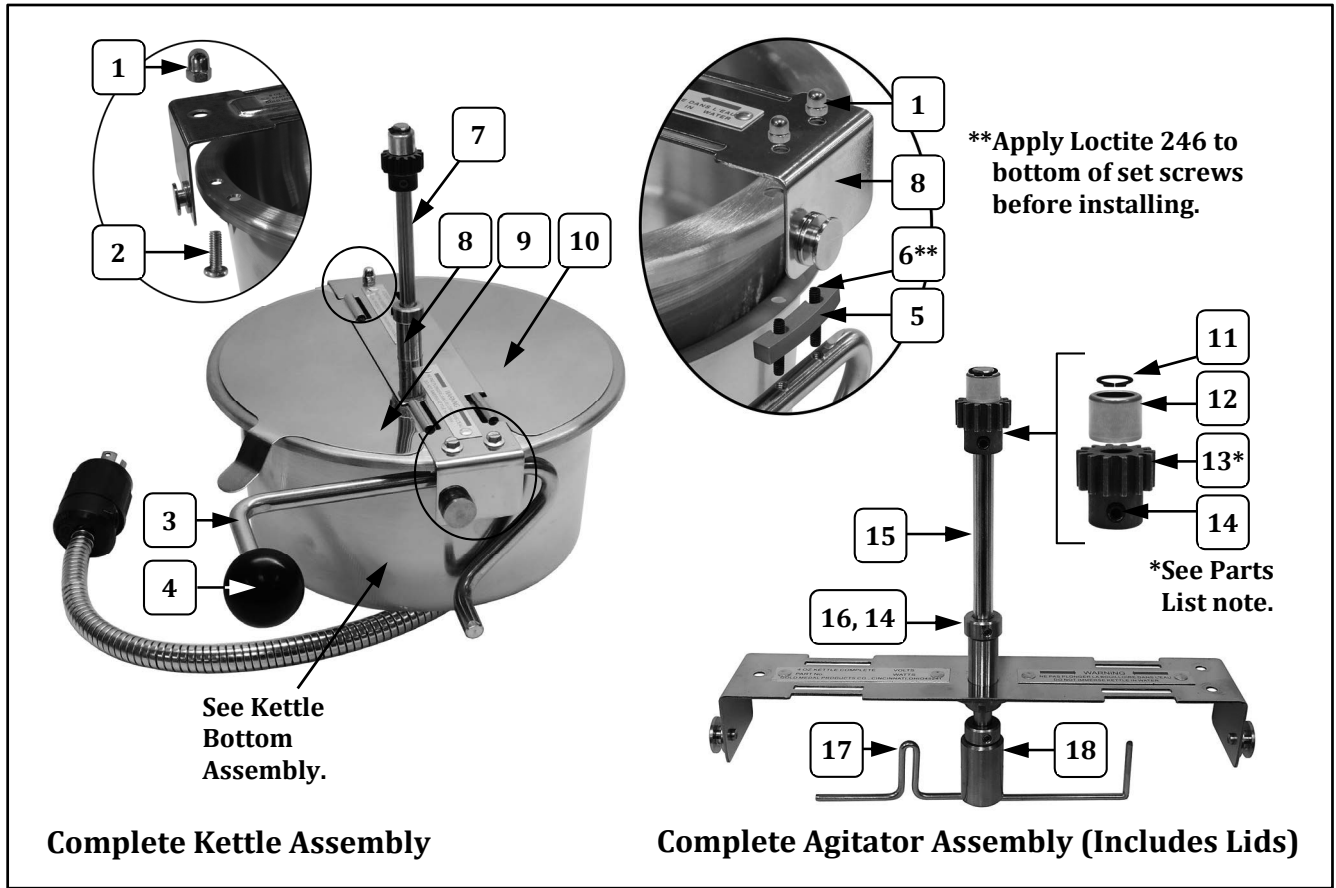
Complete Kettle Assembly

Complete Agitator Assembly (Includes Lids)

Item	Part Description	Part Number	
		54000	54000EX
1	ACORN NUT	47702	47702
2	8-32 X 1/2 PHIL PAN M/S	47141	47141
3	DUMP HANDLE RH	49314	49314
4	DUMP HANDLE KNOB	47110	47110
5	SPACER (for Dump Handle)	49362	49362
6	8-32 X 1" SET SCREW	77933	77933
7	AGITATOR & LID ASSY (Complete Assembly)	54407	54407EX
8	KETTLE CROSSBAR ASSEMBLY	46779	46779EX
9	FRONT LID W/FORMED LIFTER	55074	55074
10	REAR KETTLE LID	55073	55073
11	RETAINING RING	49701	49701
12	NEEDLE BEARING	47106	47106
13*	SPUR GEAR KIT (Includes 2 gears with set screws. Always replace Agitator Spur Gear and Kettle Drive Motor Gear as a set.)	47059K	47059K
14	SET SCREW #10-32 X 3/16	41742	41742
15	4 OZ KETTLE AGITATOR SHAFT	54007	54007
16	SET COLLAR 5/16 ID 5/8 OD	46649	46649
17	4 OZ STIR ROD	54030	54030
18	AGITATOR WEIGHT	49013	49013



4 oz. Kettle Assembly (54000, 54000EX) – Agitator Assembly View



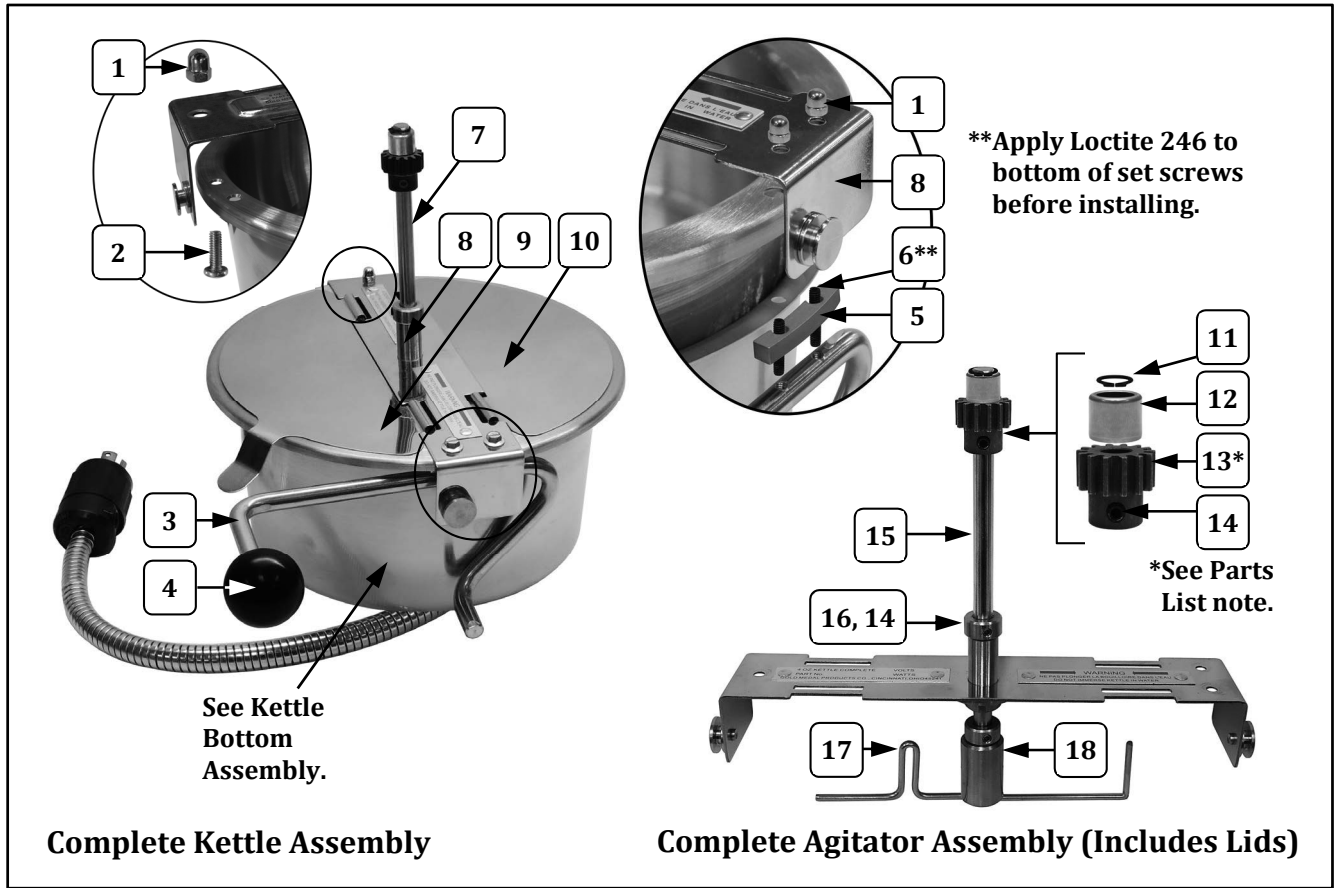
Complete Kettle Assembly

Complete Agitator Assembly (Includes Lids)

Item	Part Description	Part Number	
		54000	54000EX
1	ACORN NUT	47702	47702
2	8-32 X 1/2 PHIL PAN M/S	47141	47141
3	DUMP HANDLE RH	49314	49314
4	DUMP HANDLE KNOB	47110	47110
5	SPACER (for Dump Handle)	49362	49362
6	8-32 X 1" SET SCREW	77933	77933
7	AGITATOR & LID ASSY (Complete Assembly)	54407	54407EX
8	KETTLE CROSSBAR ASSEMBLY	46779	46779EX
9	FRONT LID W/FORMED LIFTER	55074	55074
10	REAR KETTLE LID	55073	55073
11	RETAINING RING	49701	49701
12	NEEDLE BEARING	47106	47106
13*	SPUR GEAR KIT (Includes 2 gears with set screws. Always replace Agitator Spur Gear and Kettle Drive Motor Gear as a set.)	47059K	47059K
14	SET SCREW #10-32 X 3/16	41742	41742
15	4 OZ KETTLE AGITATOR SHAFT	54007	54007
16	SET COLLAR 5/16 ID 5/8 OD	46649	46649
17	4 OZ STIR ROD	54030	54030
18	AGITATOR WEIGHT	49013	49013



4 oz. Kettle Assembly (54000, 54000EX) – Agitator Assembly View



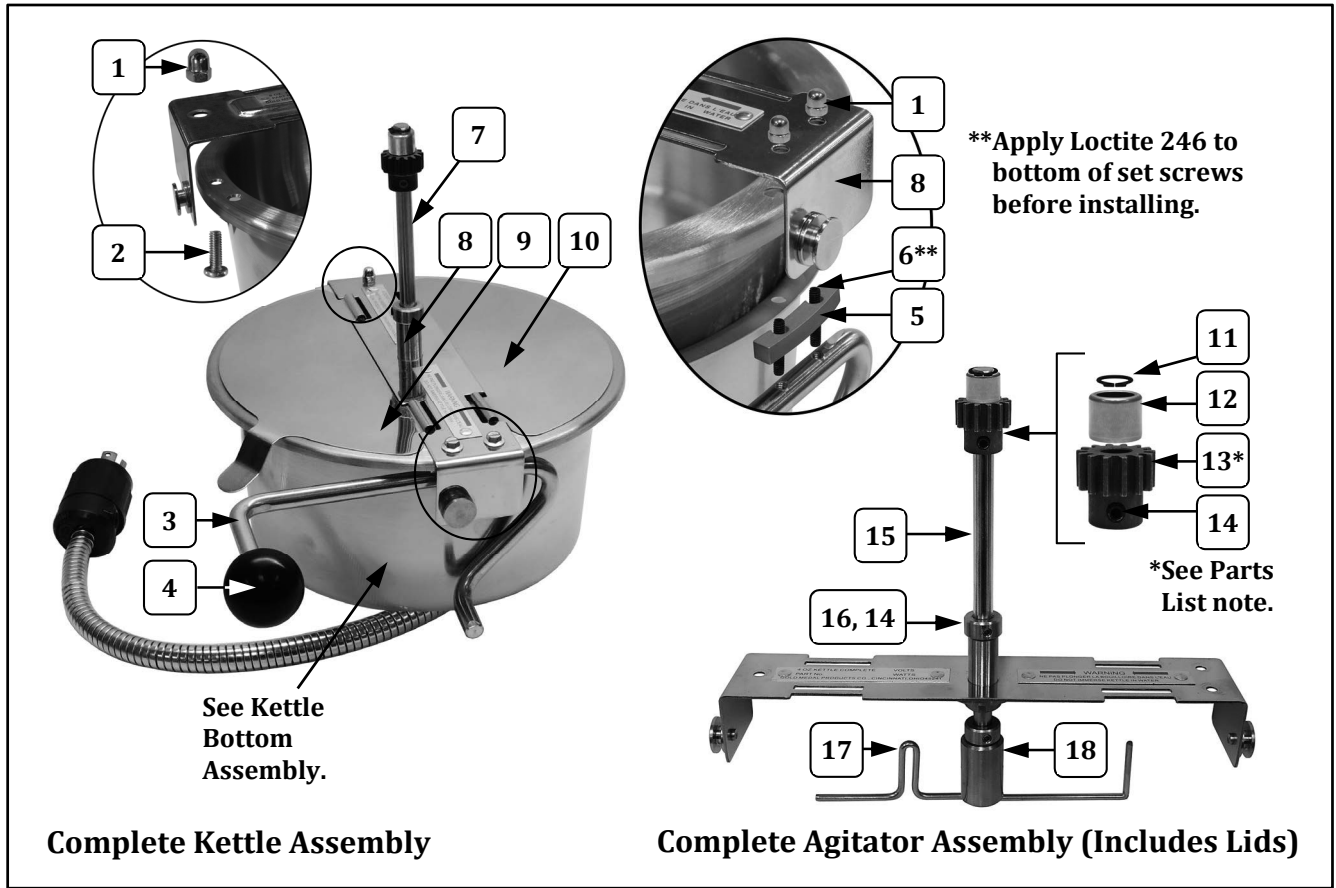
Complete Kettle Assembly

Complete Agitator Assembly (Includes Lids)

Item	Part Description	Part Number	
		54000	54000EX
1	ACORN NUT	47702	47702
2	8-32 X 1/2 PHIL PAN M/S	47141	47141
3	DUMP HANDLE RH	49314	49314
4	DUMP HANDLE KNOB	47110	47110
5	SPACER (for Dump Handle)	49362	49362
6	8-32 X 1" SET SCREW	77933	77933
7	AGITATOR & LID ASSY (Complete Assembly)	54407	54407EX
8	KETTLE CROSSBAR ASSEMBLY	46779	46779EX
9	FRONT LID W/FORMED LIFTER	55074	55074
10	REAR KETTLE LID	55073	55073
11	RETAINING RING	49701	49701
12	NEEDLE BEARING	47106	47106
13*	SPUR GEAR KIT (Includes 2 gears with set screws. Always replace Agitator Spur Gear and Kettle Drive Motor Gear as a set.)	47059K	47059K
14	SET SCREW #10-32 X 3/16	41742	41742
15	4 OZ KETTLE AGITATOR SHAFT	54007	54007
16	SET COLLAR 5/16 ID 5/8 OD	46649	46649
17	4 OZ STIR ROD	54030	54030
18	AGITATOR WEIGHT	49013	49013



4 oz. Kettle Assembly (54000, 54000EX) – Agitator Assembly View



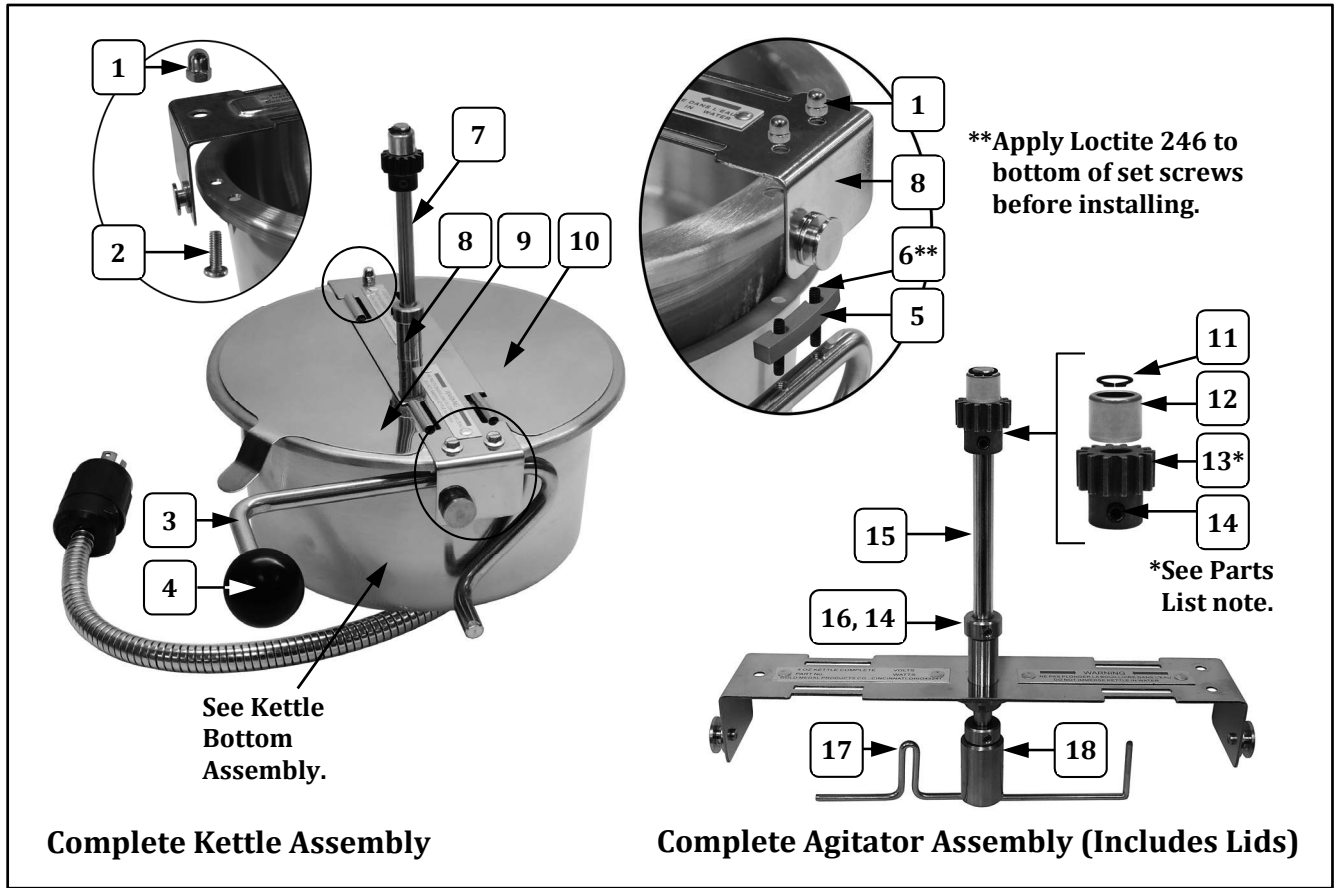
Complete Kettle Assembly

Complete Agitator Assembly (Includes Lids)

Item	Part Description	Part Number	
		54000	54000EX
1	ACORN NUT	47702	47702
2	8-32 X 1/2 PHIL PAN M/S	47141	47141
3	DUMP HANDLE RH	49314	49314
4	DUMP HANDLE KNOB	47110	47110
5	SPACER (for Dump Handle)	49362	49362
6	8-32 X 1" SET SCREW	77933	77933
7	AGITATOR & LID ASSY (Complete Assembly)	54407	54407EX
8	KETTLE CROSSBAR ASSEMBLY	46779	46779EX
9	FRONT LID W/FORMED LIFTER	55074	55074
10	REAR KETTLE LID	55073	55073
11	RETAINING RING	49701	49701
12	NEEDLE BEARING	47106	47106
13*	SPUR GEAR KIT (Includes 2 gears with set screws. Always replace Agitator Spur Gear and Kettle Drive Motor Gear as a set.)	47059K	47059K
14	SET SCREW #10-32 X 3/16	41742	41742
15	4 OZ KETTLE AGITATOR SHAFT	54007	54007
16	SET COLLAR 5/16 ID 5/8 OD	46649	46649
17	4 OZ STIR ROD	54030	54030
18	AGITATOR WEIGHT	49013	49013



4 oz. Kettle Assembly (54000, 54000EX) – Agitator Assembly View



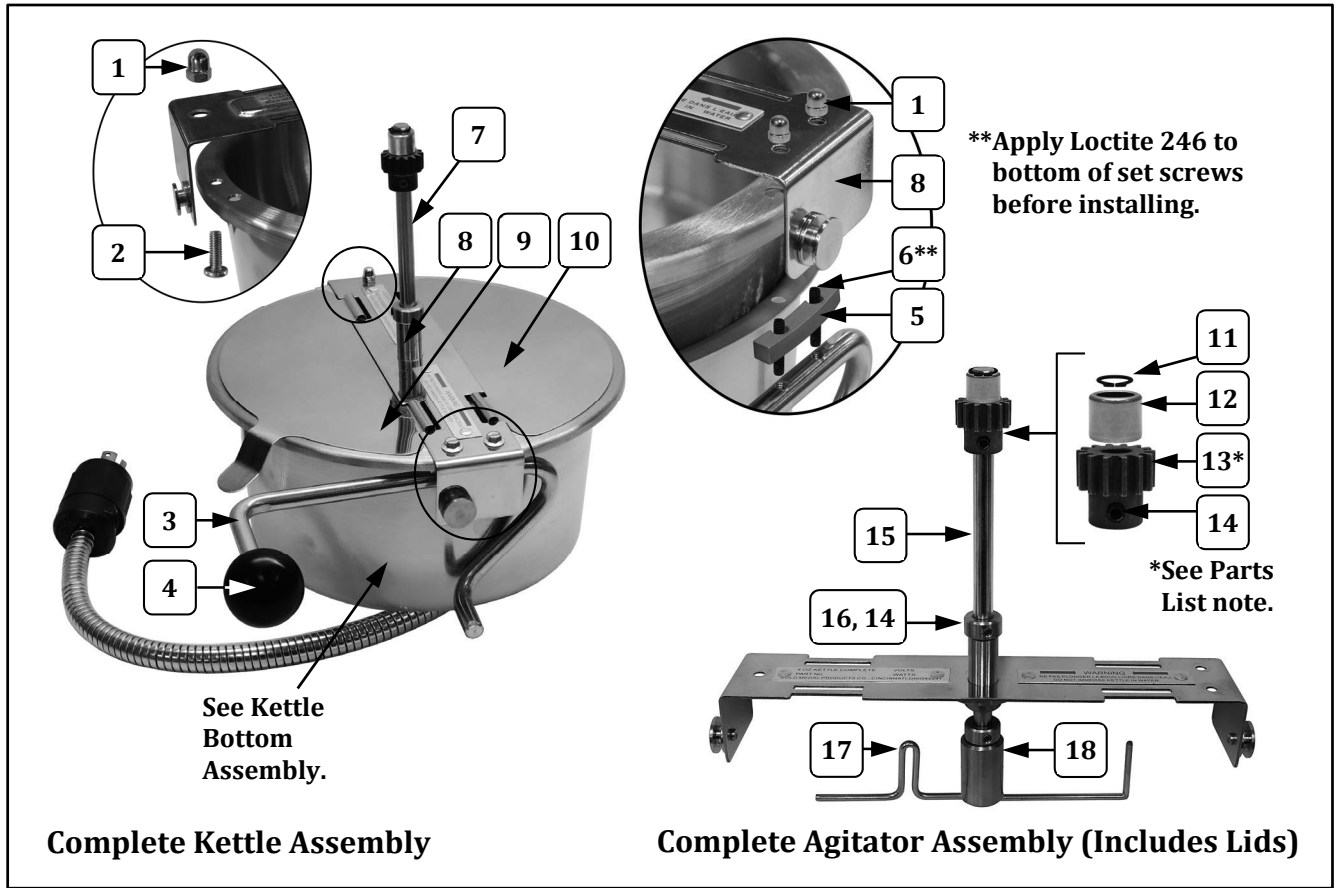
Complete Kettle Assembly

Complete Agitator Assembly (Includes Lids)

Item	Part Description	Part Number	
		54000	54000EX
1	ACORN NUT	47702	47702
2	8-32 X 1/2 PHIL PAN M/S	47141	47141
3	DUMP HANDLE RH	49314	49314
4	DUMP HANDLE KNOB	47110	47110
5	SPACER (for Dump Handle)	49362	49362
6	8-32 X 1" SET SCREW	77933	77933
7	AGITATOR & LID ASSY (Complete Assembly)	54407	54407EX
8	KETTLE CROSSBAR ASSEMBLY	46779	46779EX
9	FRONT LID W/FORMED LIFTER	55074	55074
10	REAR KETTLE LID	55073	55073
11	RETAINING RING	49701	49701
12	NEEDLE BEARING	47106	47106
13*	SPUR GEAR KIT (Includes 2 gears with set screws. Always replace Agitator Spur Gear and Kettle Drive Motor Gear as a set.)	47059K	47059K
14	SET SCREW #10-32 X 3/16	41742	41742
15	4 OZ KETTLE AGITATOR SHAFT	54007	54007
16	SET COLLAR 5/16 ID 5/8 OD	46649	46649
17	4 OZ STIR ROD	54030	54030
18	AGITATOR WEIGHT	49013	49013



4 oz. Kettle Assembly (54000, 54000EX) – Agitator Assembly View



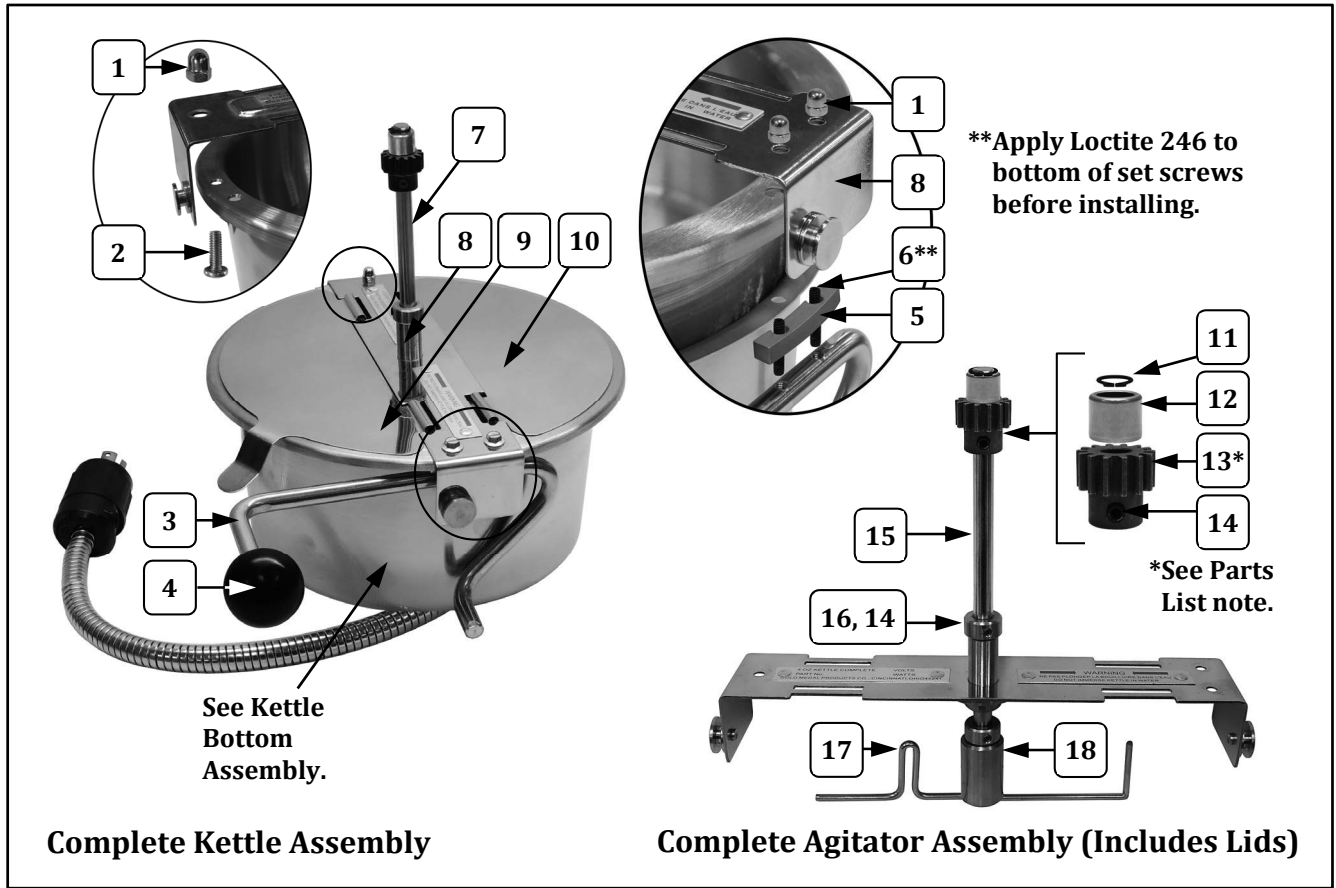
Complete Kettle Assembly

Complete Agitator Assembly (Includes Lids)

Item	Part Description	Part Number	
		54000	54000EX
1	ACORN NUT	47702	47702
2	8-32 X 1/2 PHIL PAN M/S	47141	47141
3	DUMP HANDLE RH	49314	49314
4	DUMP HANDLE KNOB	47110	47110
5	SPACER (for Dump Handle)	49362	49362
6	8-32 X 1" SET SCREW	77933	77933
7	AGITATOR & LID ASSY (Complete Assembly)	54407	54407EX
8	KETTLE CROSSBAR ASSEMBLY	46779	46779EX
9	FRONT LID W/FORMED LIFTER	55074	55074
10	REAR KETTLE LID	55073	55073
11	RETAINING RING	49701	49701
12	NEEDLE BEARING	47106	47106
13*	SPUR GEAR KIT (Includes 2 gears with set screws. Always replace Agitator Spur Gear and Kettle Drive Motor Gear as a set.)	47059K	47059K
14	SET SCREW #10-32 X 3/16	41742	41742
15	4 OZ KETTLE AGITATOR SHAFT	54007	54007
16	SET COLLAR 5/16 ID 5/8 OD	46649	46649
17	4 OZ STIR ROD	54030	54030
18	AGITATOR WEIGHT	49013	49013



4 oz. Kettle Assembly (54000, 54000EX) – Agitator Assembly View



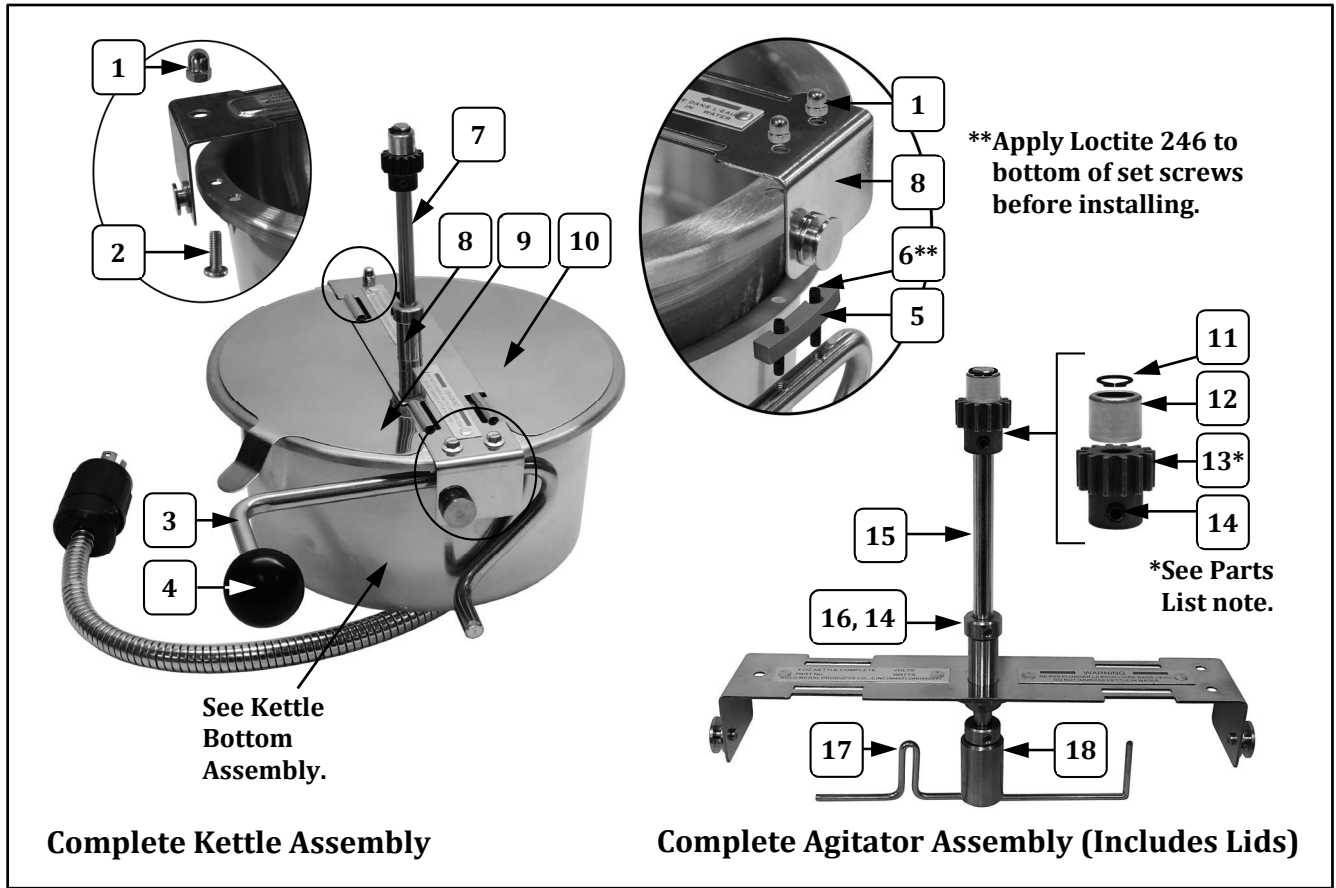
Complete Kettle Assembly

Complete Agitator Assembly (Includes Lids)

Item	Part Description	Part Number	
		54000	54000EX
1	ACORN NUT	47702	47702
2	8-32 X 1/2 PHIL PAN M/S	47141	47141
3	DUMP HANDLE RH	49314	49314
4	DUMP HANDLE KNOB	47110	47110
5	SPACER (for Dump Handle)	49362	49362
6	8-32 X 1" SET SCREW	77933	77933
7	AGITATOR & LID ASSY (Complete Assembly)	54407	54407EX
8	KETTLE CROSSBAR ASSEMBLY	46779	46779EX
9	FRONT LID W/FORMED LIFTER	55074	55074
10	REAR KETTLE LID	55073	55073
11	RETAINING RING	49701	49701
12	NEEDLE BEARING	47106	47106
13*	SPUR GEAR KIT (Includes 2 gears with set screws. Always replace Agitator Spur Gear and Kettle Drive Motor Gear as a set.)	47059K	47059K
14	SET SCREW #10-32 X 3/16	41742	41742
15	4 OZ KETTLE AGITATOR SHAFT	54007	54007
16	SET COLLAR 5/16 ID 5/8 OD	46649	46649
17	4 OZ STIR ROD	54030	54030
18	AGITATOR WEIGHT	49013	49013



4 oz. Kettle Assembly (54000, 54000EX) – Agitator Assembly View



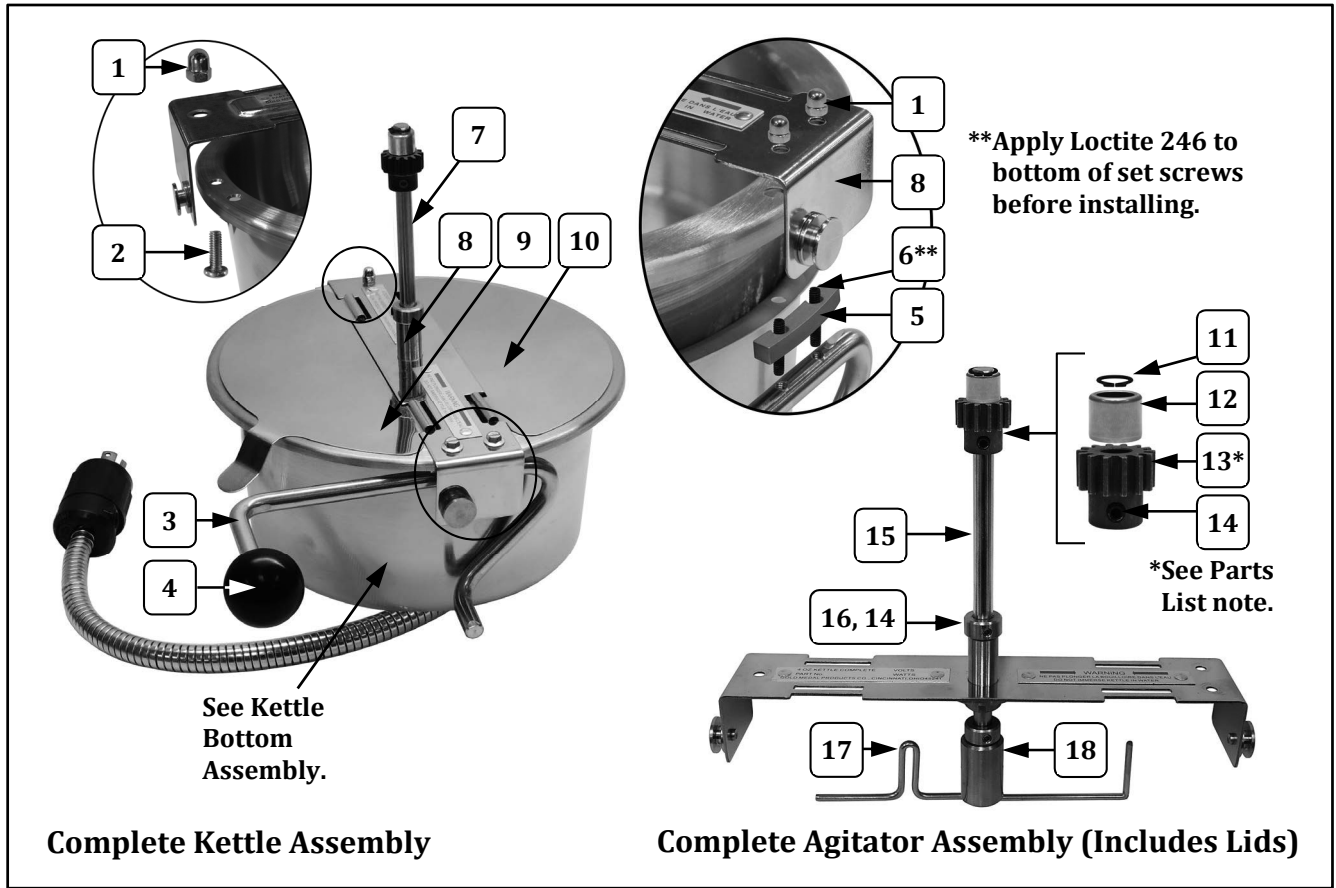
Complete Kettle Assembly

Complete Agitator Assembly (Includes Lids)

Item	Part Description	Part Number	
		54000	54000EX
1	ACORN NUT	47702	47702
2	8-32 X 1/2 PHIL PAN M/S	47141	47141
3	DUMP HANDLE RH	49314	49314
4	DUMP HANDLE KNOB	47110	47110
5	SPACER (for Dump Handle)	49362	49362
6	8-32 X 1" SET SCREW	77933	77933
7	AGITATOR & LID ASSY (Complete Assembly)	54407	54407EX
8	KETTLE CROSSBAR ASSEMBLY	46779	46779EX
9	FRONT LID W/FORMED LIFTER	55074	55074
10	REAR KETTLE LID	55073	55073
11	RETAINING RING	49701	49701
12	NEEDLE BEARING	47106	47106
13*	SPUR GEAR KIT (Includes 2 gears with set screws. Always replace Agitator Spur Gear and Kettle Drive Motor Gear as a set.)	47059K	47059K
14	SET SCREW #10-32 X 3/16	41742	41742
15	4 OZ KETTLE AGITATOR SHAFT	54007	54007
16	SET COLLAR 5/16 ID 5/8 OD	46649	46649
17	4 OZ STIR ROD	54030	54030
18	AGITATOR WEIGHT	49013	49013



4 oz. Kettle Assembly (54000, 54000EX) – Agitator Assembly View



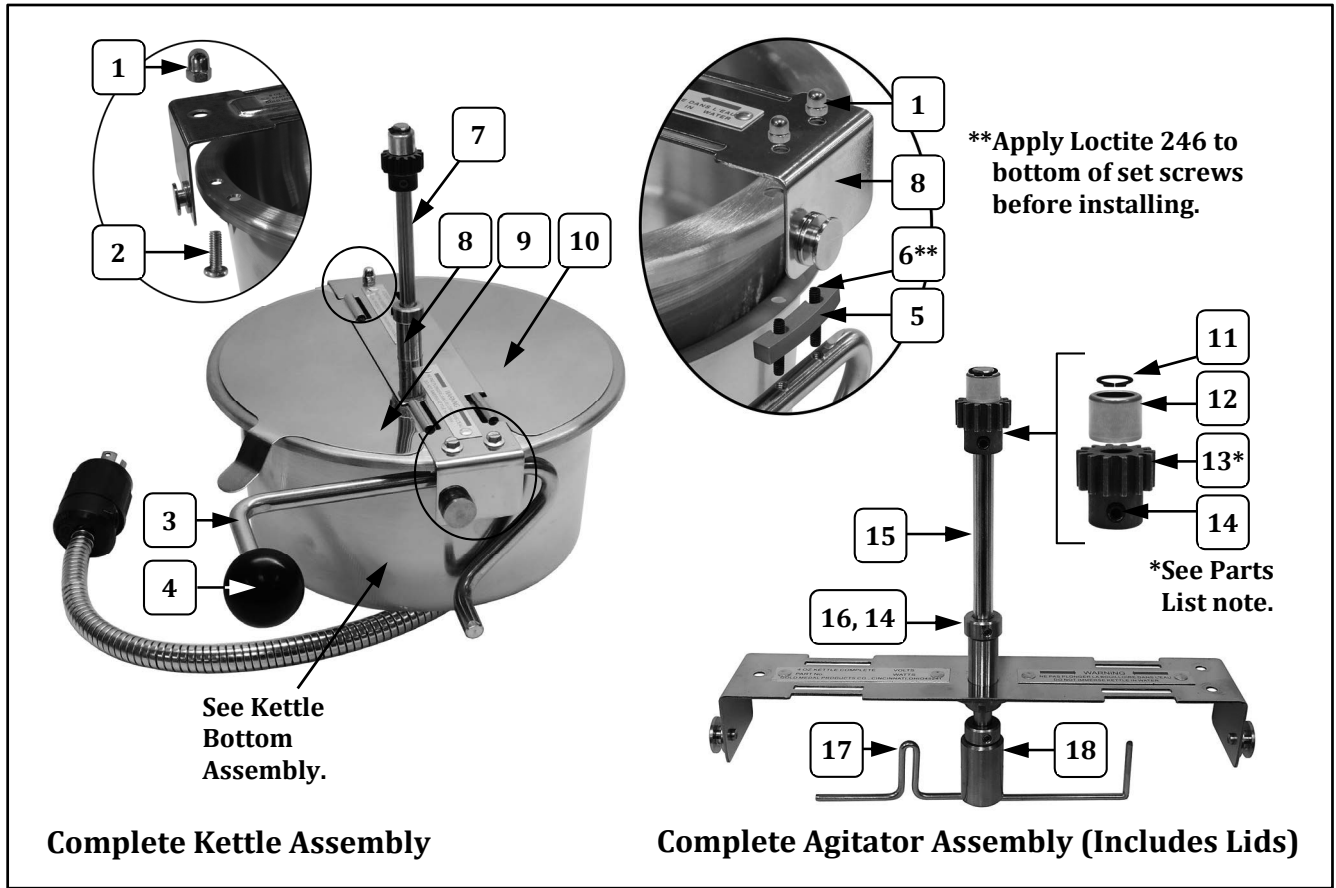
Complete Kettle Assembly

Complete Agitator Assembly (Includes Lids)

Item	Part Description	Part Number	
		54000	54000EX
1	ACORN NUT	47702	47702
2	8-32 X 1/2 PHIL PAN M/S	47141	47141
3	DUMP HANDLE RH	49314	49314
4	DUMP HANDLE KNOB	47110	47110
5	SPACER (for Dump Handle)	49362	49362
6	8-32 X 1" SET SCREW	77933	77933
7	AGITATOR & LID ASSY (Complete Assembly)	54407	54407EX
8	KETTLE CROSSBAR ASSEMBLY	46779	46779EX
9	FRONT LID W/FORMED LIFTER	55074	55074
10	REAR KETTLE LID	55073	55073
11	RETAINING RING	49701	49701
12	NEEDLE BEARING	47106	47106
13*	SPUR GEAR KIT (Includes 2 gears with set screws. Always replace Agitator Spur Gear and Kettle Drive Motor Gear as a set.)	47059K	47059K
14	SET SCREW #10-32 X 3/16	41742	41742
15	4 OZ KETTLE AGITATOR SHAFT	54007	54007
16	SET COLLAR 5/16 ID 5/8 OD	46649	46649
17	4 OZ STIR ROD	54030	54030
18	AGITATOR WEIGHT	49013	49013



4 oz. Kettle Assembly (54000, 54000EX) – Agitator Assembly View



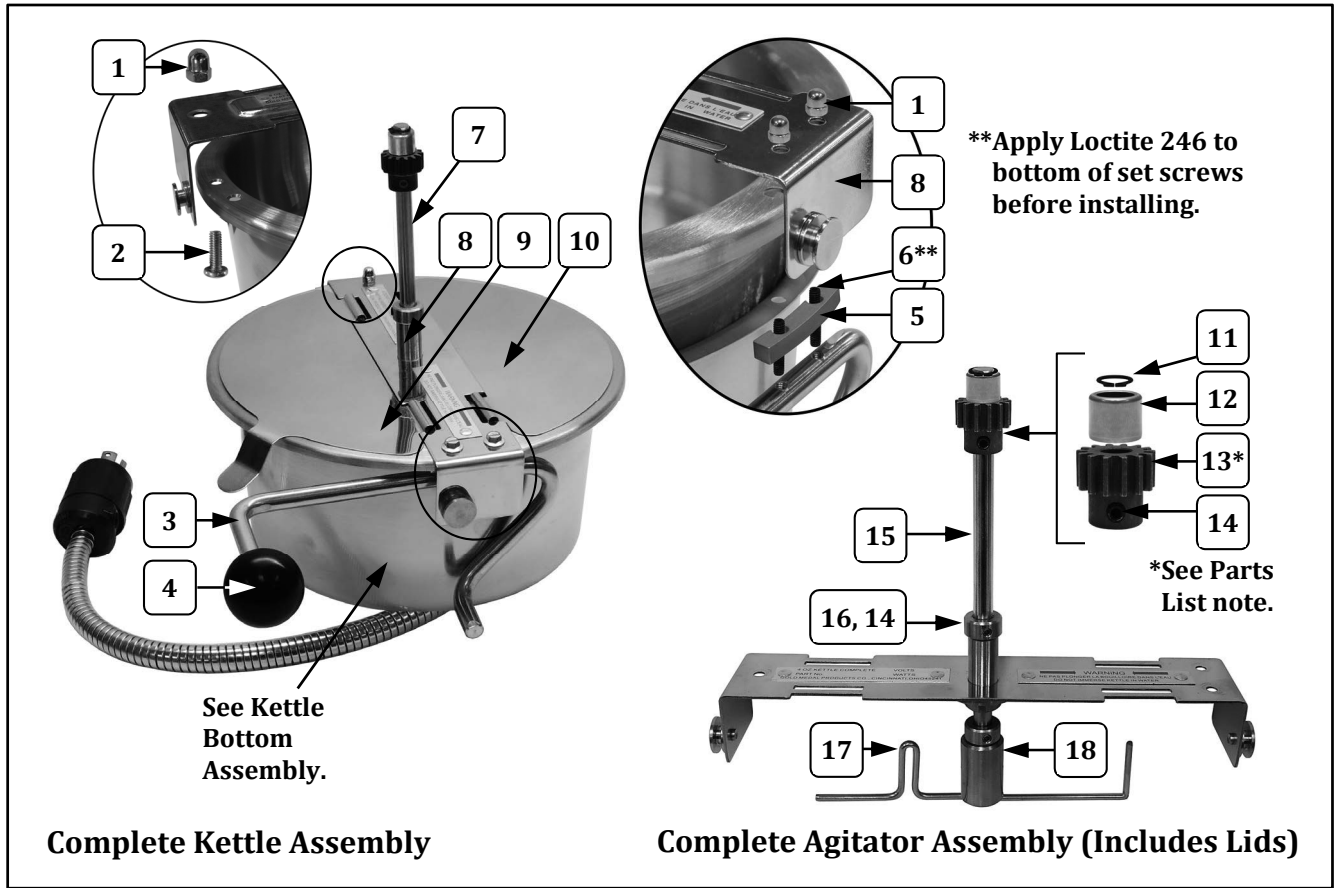
Complete Kettle Assembly

Complete Agitator Assembly (Includes Lids)

Item	Part Description	Part Number	
		54000	54000EX
1	ACORN NUT	47702	47702
2	8-32 X 1/2 PHIL PAN M/S	47141	47141
3	DUMP HANDLE RH	49314	49314
4	DUMP HANDLE KNOB	47110	47110
5	SPACER (for Dump Handle)	49362	49362
6	8-32 X 1" SET SCREW	77933	77933
7	AGITATOR & LID ASSY (Complete Assembly)	54407	54407EX
8	KETTLE CROSSBAR ASSEMBLY	46779	46779EX
9	FRONT LID W/FORMED LIFTER	55074	55074
10	REAR KETTLE LID	55073	55073
11	RETAINING RING	49701	49701
12	NEEDLE BEARING	47106	47106
13*	SPUR GEAR KIT (Includes 2 gears with set screws. Always replace Agitator Spur Gear and Kettle Drive Motor Gear as a set.)	47059K	47059K
14	SET SCREW #10-32 X 3/16	41742	41742
15	4 OZ KETTLE AGITATOR SHAFT	54007	54007
16	SET COLLAR 5/16 ID 5/8 OD	46649	46649
17	4 OZ STIR ROD	54030	54030
18	AGITATOR WEIGHT	49013	49013



4 oz. Kettle Assembly (54000, 54000EX) – Agitator Assembly View



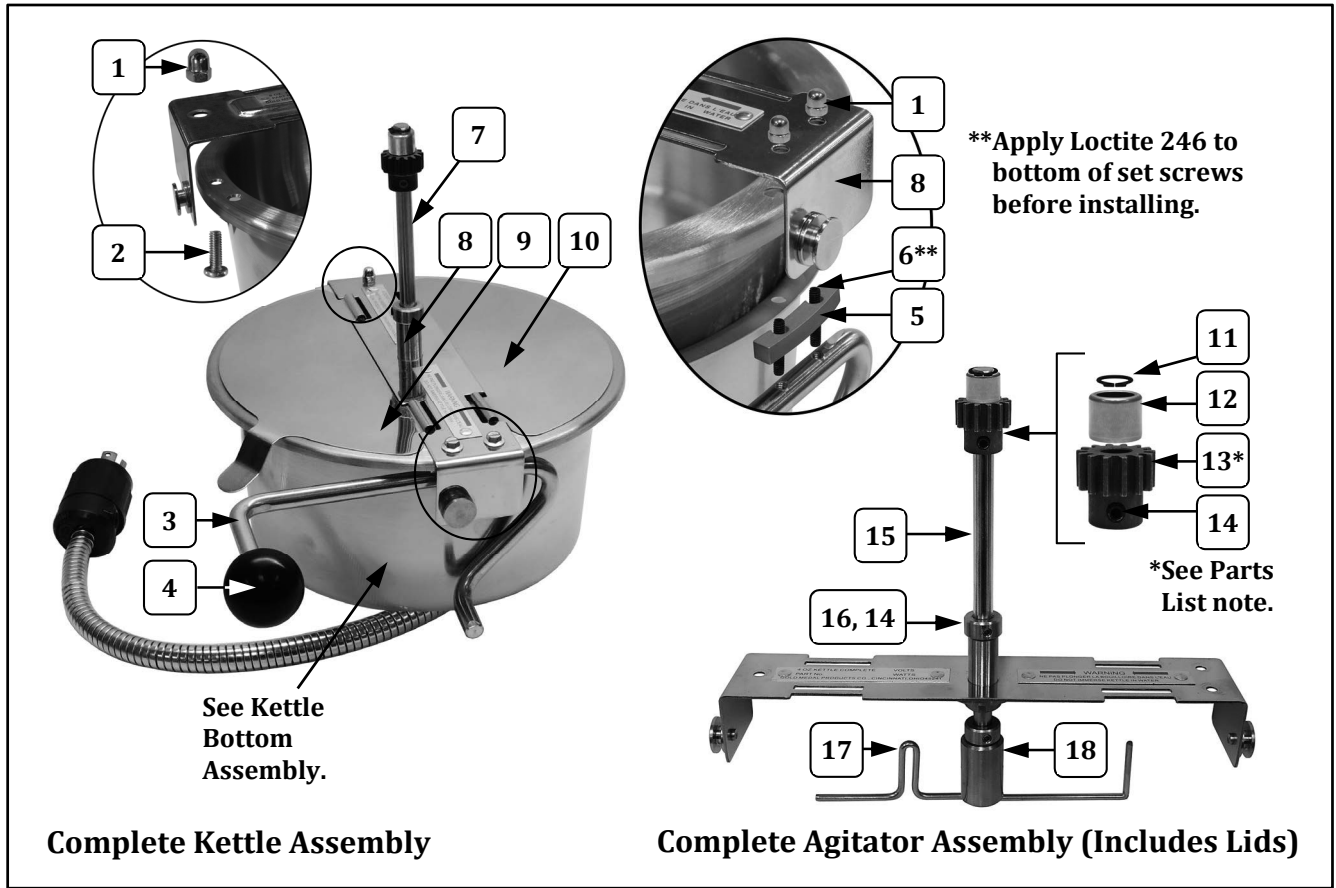
Complete Kettle Assembly

Complete Agitator Assembly (Includes Lids)

Item	Part Description	Part Number	
		54000	54000EX
1	ACORN NUT	47702	47702
2	8-32 X 1/2 PHIL PAN M/S	47141	47141
3	DUMP HANDLE RH	49314	49314
4	DUMP HANDLE KNOB	47110	47110
5	SPACER (for Dump Handle)	49362	49362
6	8-32 X 1" SET SCREW	77933	77933
7	AGITATOR & LID ASSY (Complete Assembly)	54407	54407EX
8	KETTLE CROSSBAR ASSEMBLY	46779	46779EX
9	FRONT LID W/FORMED LIFTER	55074	55074
10	REAR KETTLE LID	55073	55073
11	RETAINING RING	49701	49701
12	NEEDLE BEARING	47106	47106
13*	SPUR GEAR KIT (Includes 2 gears with set screws. Always replace Agitator Spur Gear and Kettle Drive Motor Gear as a set.)	47059K	47059K
14	SET SCREW #10-32 X 3/16	41742	41742
15	4 OZ KETTLE AGITATOR SHAFT	54007	54007
16	SET COLLAR 5/16 ID 5/8 OD	46649	46649
17	4 OZ STIR ROD	54030	54030
18	AGITATOR WEIGHT	49013	49013



4 oz. Kettle Assembly (54000, 54000EX) – Agitator Assembly View



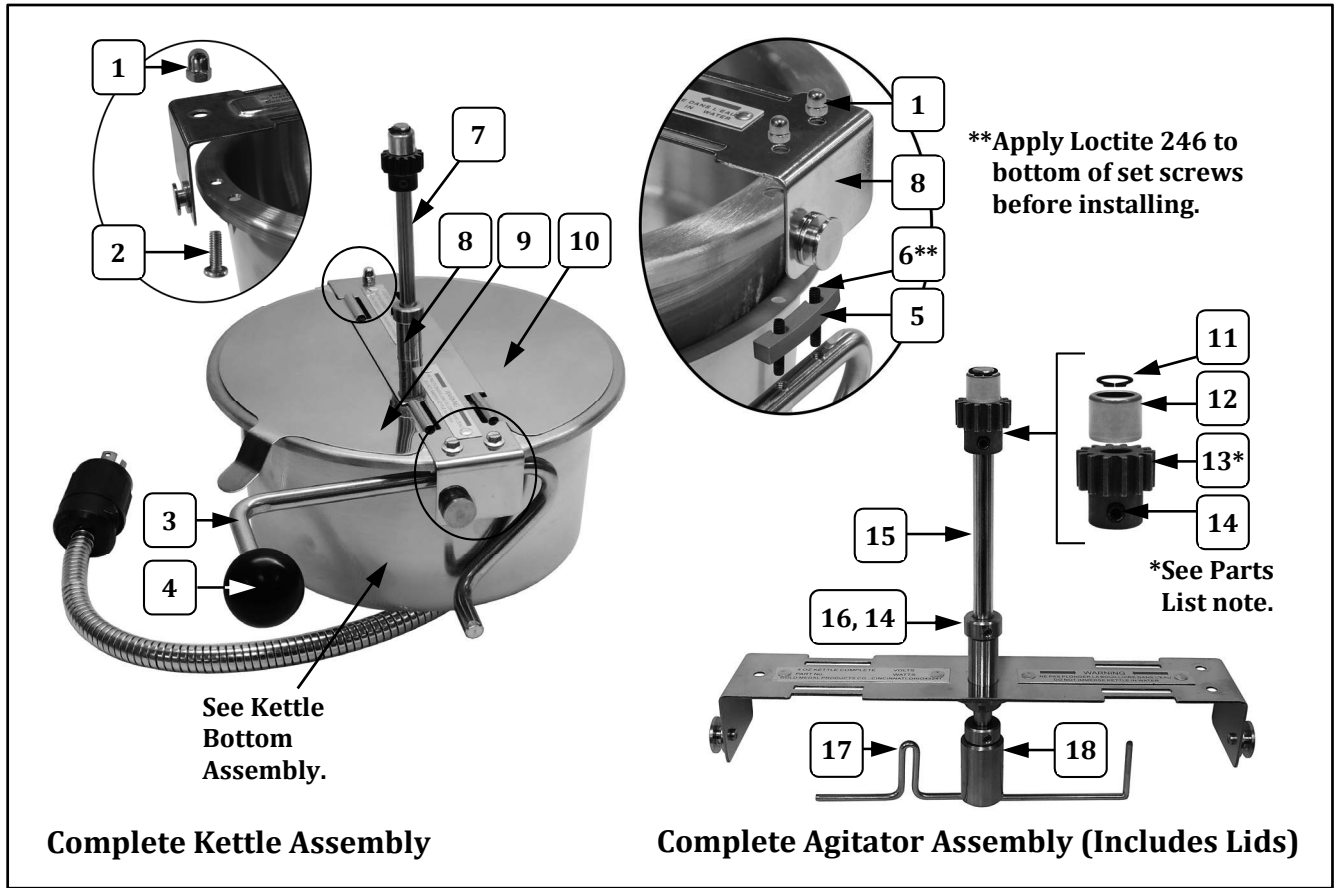
Complete Kettle Assembly

Complete Agitator Assembly (Includes Lids)

Item	Part Description	Part Number	
		54000	54000EX
1	ACORN NUT	47702	47702
2	8-32 X 1/2 PHIL PAN M/S	47141	47141
3	DUMP HANDLE RH	49314	49314
4	DUMP HANDLE KNOB	47110	47110
5	SPACER (for Dump Handle)	49362	49362
6	8-32 X 1" SET SCREW	77933	77933
7	AGITATOR & LID ASSY (Complete Assembly)	54407	54407EX
8	KETTLE CROSSBAR ASSEMBLY	46779	46779EX
9	FRONT LID W/FORMED LIFTER	55074	55074
10	REAR KETTLE LID	55073	55073
11	RETAINING RING	49701	49701
12	NEEDLE BEARING	47106	47106
13*	SPUR GEAR KIT (Includes 2 gears with set screws. Always replace Agitator Spur Gear and Kettle Drive Motor Gear as a set.)	47059K	47059K
14	SET SCREW #10-32 X 3/16	41742	41742
15	4 OZ KETTLE AGITATOR SHAFT	54007	54007
16	SET COLLAR 5/16 ID 5/8 OD	46649	46649
17	4 OZ STIR ROD	54030	54030
18	AGITATOR WEIGHT	49013	49013



4 oz. Kettle Assembly (54000, 54000EX) – Agitator Assembly View



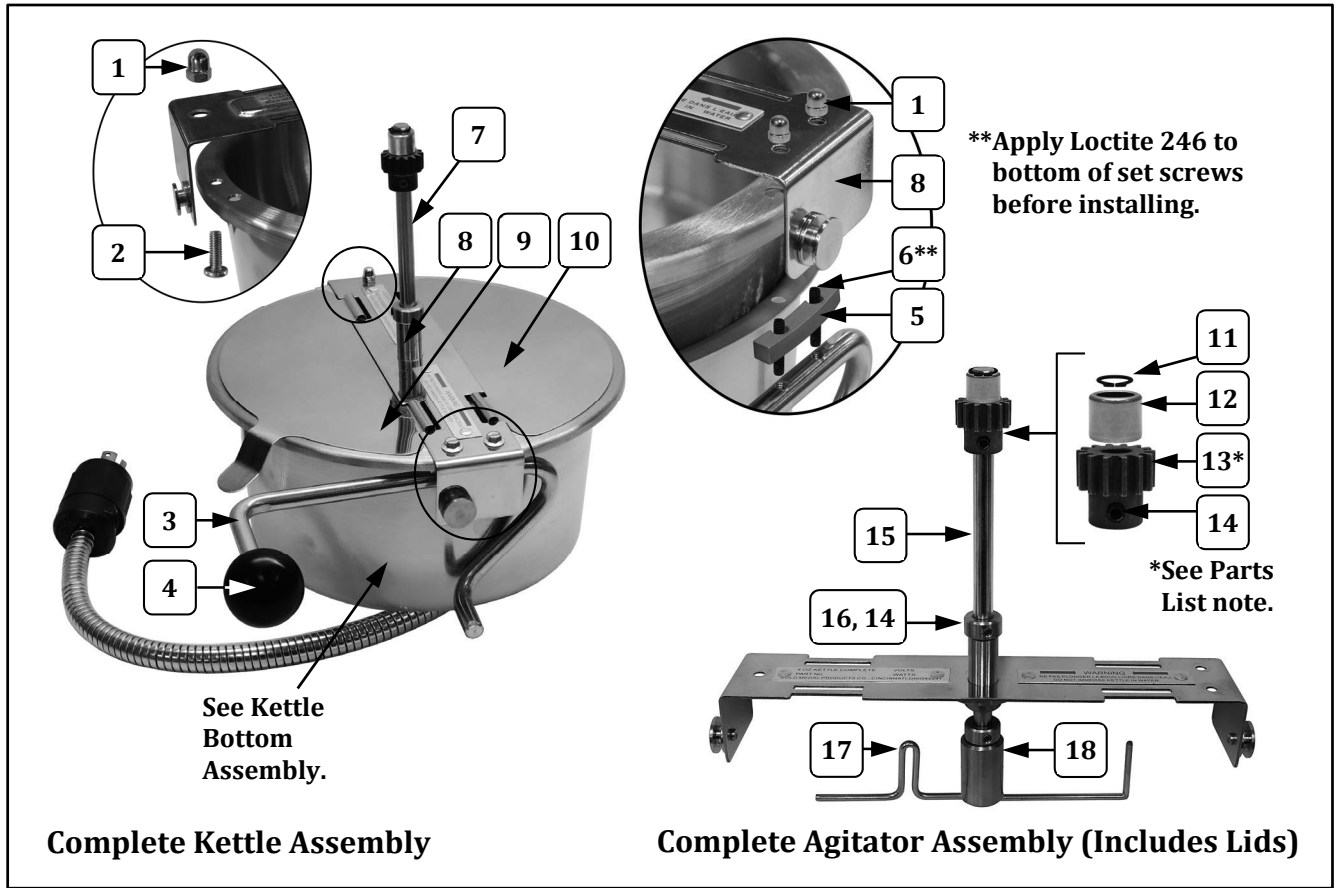
Complete Kettle Assembly

Complete Agitator Assembly (Includes Lids)

Item	Part Description	Part Number	
		54000	54000EX
1	ACORN NUT	47702	47702
2	8-32 X 1/2 PHIL PAN M/S	47141	47141
3	DUMP HANDLE RH	49314	49314
4	DUMP HANDLE KNOB	47110	47110
5	SPACER (for Dump Handle)	49362	49362
6	8-32 X 1" SET SCREW	77933	77933
7	AGITATOR & LID ASSY (Complete Assembly)	54407	54407EX
8	KETTLE CROSSBAR ASSEMBLY	46779	46779EX
9	FRONT LID W/FORMED LIFTER	55074	55074
10	REAR KETTLE LID	55073	55073
11	RETAINING RING	49701	49701
12	NEEDLE BEARING	47106	47106
13*	SPUR GEAR KIT (Includes 2 gears with set screws. Always replace Agitator Spur Gear and Kettle Drive Motor Gear as a set.)	47059K	47059K
14	SET SCREW #10-32 X 3/16	41742	41742
15	4 OZ KETTLE AGITATOR SHAFT	54007	54007
16	SET COLLAR 5/16 ID 5/8 OD	46649	46649
17	4 OZ STIR ROD	54030	54030
18	AGITATOR WEIGHT	49013	49013



4 oz. Kettle Assembly (54000, 54000EX) – Agitator Assembly View



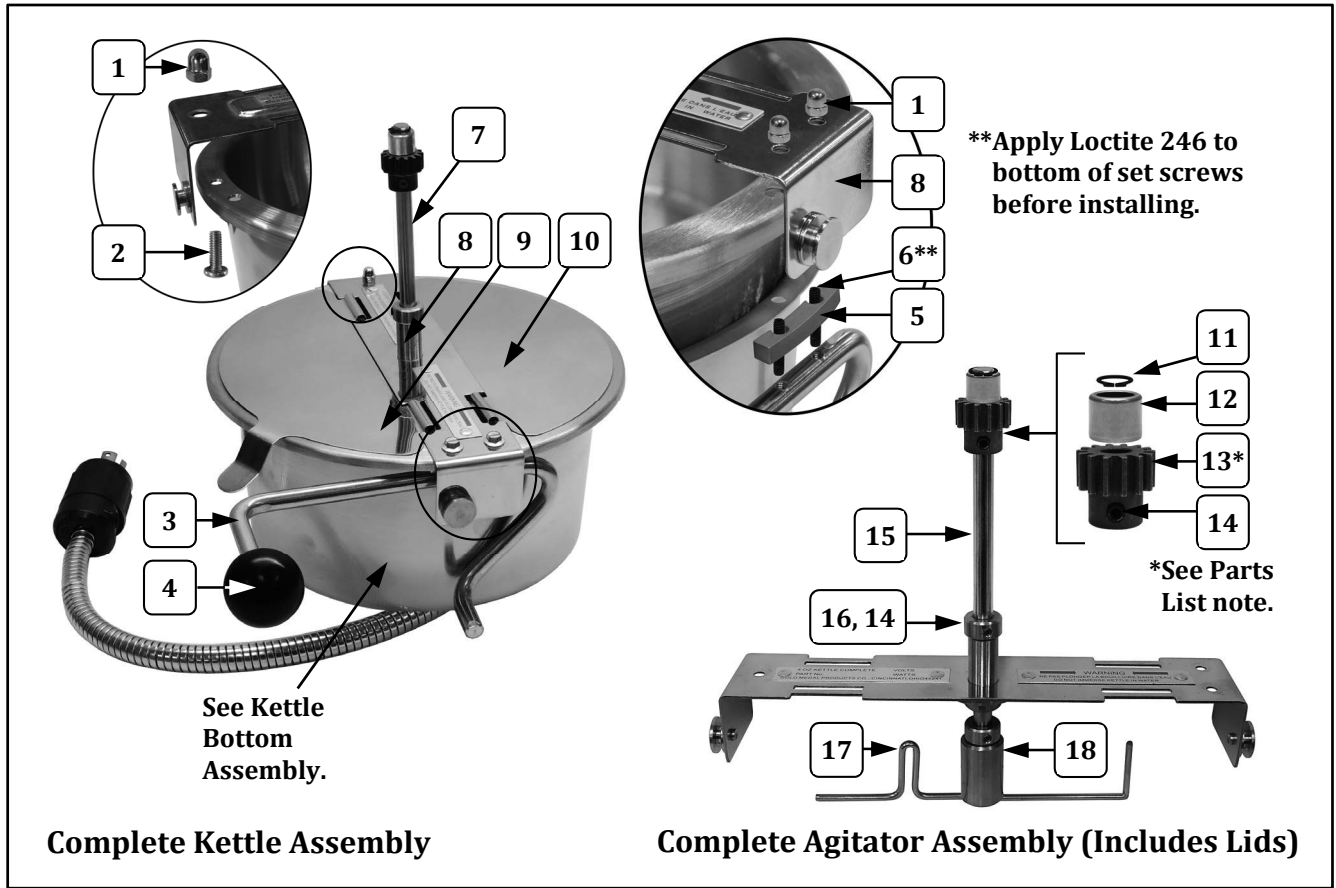
Complete Kettle Assembly

Complete Agitator Assembly (Includes Lids)

Item	Part Description	Part Number	
		54000	54000EX
1	ACORN NUT	47702	47702
2	8-32 X 1/2 PHIL PAN M/S	47141	47141
3	DUMP HANDLE RH	49314	49314
4	DUMP HANDLE KNOB	47110	47110
5	SPACER (for Dump Handle)	49362	49362
6	8-32 X 1" SET SCREW	77933	77933
7	AGITATOR & LID ASSY (Complete Assembly)	54407	54407EX
8	KETTLE CROSSBAR ASSEMBLY	46779	46779EX
9	FRONT LID W/FORMED LIFTER	55074	55074
10	REAR KETTLE LID	55073	55073
11	RETAINING RING	49701	49701
12	NEEDLE BEARING	47106	47106
13*	SPUR GEAR KIT (Includes 2 gears with set screws. Always replace Agitator Spur Gear and Kettle Drive Motor Gear as a set.)	47059K	47059K
14	SET SCREW #10-32 X 3/16	41742	41742
15	4 OZ KETTLE AGITATOR SHAFT	54007	54007
16	SET COLLAR 5/16 ID 5/8 OD	46649	46649
17	4 OZ STIR ROD	54030	54030
18	AGITATOR WEIGHT	49013	49013



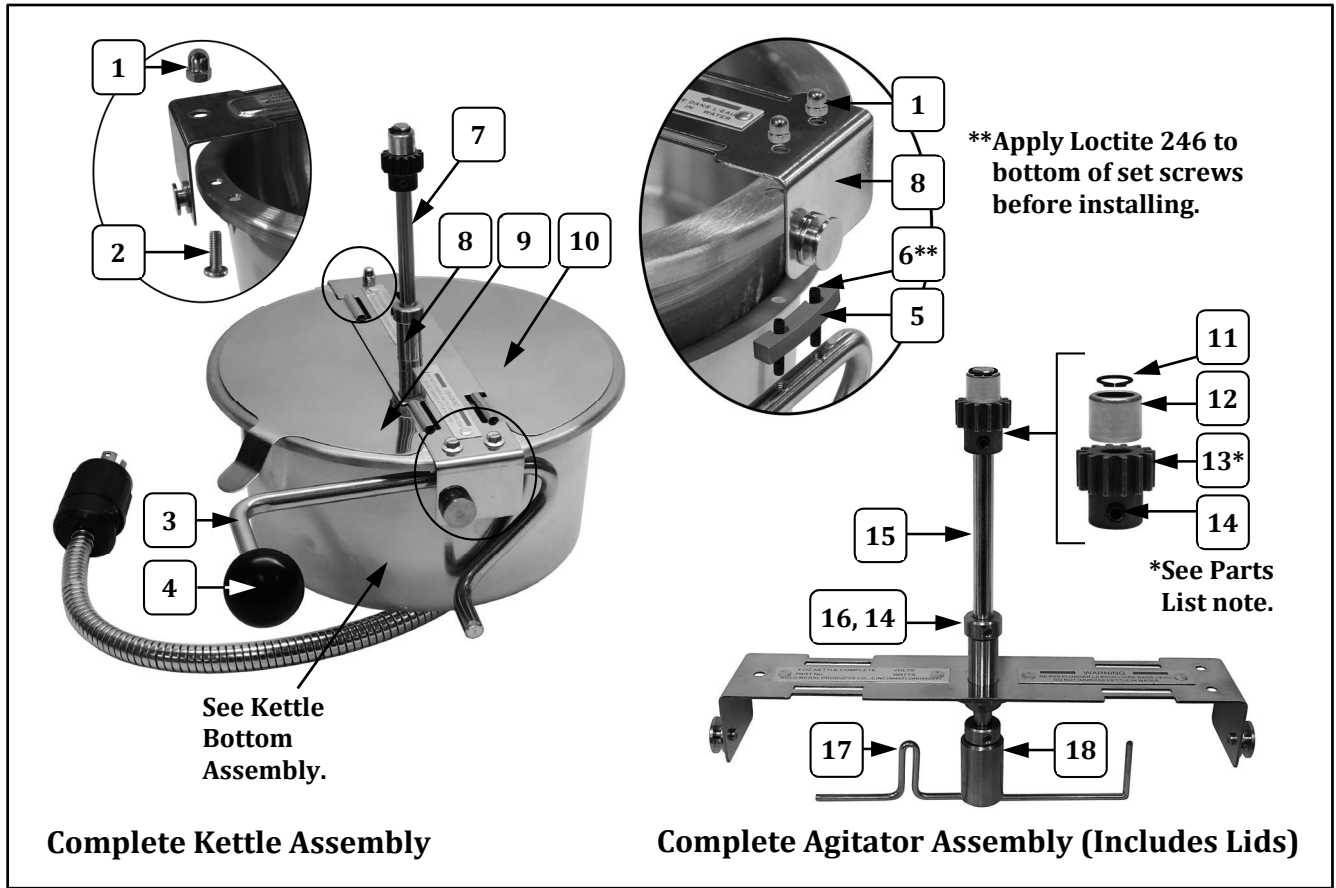
4 oz. Kettle Assembly (54000, 54000EX) – Agitator Assembly View



Item	Part Description	Part Number	
		54000	54000EX
1	ACORN NUT	47702	47702
2	8-32 X 1/2 PHIL PAN M/S	47141	47141
3	DUMP HANDLE RH	49314	49314
4	DUMP HANDLE KNOB	47110	47110
5	SPACER (for Dump Handle)	49362	49362
6	8-32 X 1" SET SCREW	77933	77933
7	AGITATOR & LID ASSY (Complete Assembly)	54407	54407EX
8	KETTLE CROSSBAR ASSEMBLY	46779	46779EX
9	FRONT LID W/FORMED LIFTER	55074	55074
10	REAR KETTLE LID	55073	55073
11	RETAINING RING	49701	49701
12	NEEDLE BEARING	47106	47106
13*	SPUR GEAR KIT (Includes 2 gears with set screws. Always replace Agitator Spur Gear and Kettle Drive Motor Gear as a set.)	47059K	47059K
14	SET SCREW #10-32 X 3/16	41742	41742
15	4 OZ KETTLE AGITATOR SHAFT	54007	54007
16	SET COLLAR 5/16 ID 5/8 OD	46649	46649
17	4 OZ STIR ROD	54030	54030
18	AGITATOR WEIGHT	49013	49013



4 oz. Kettle Assembly (54000, 54000EX) – Agitator Assembly View



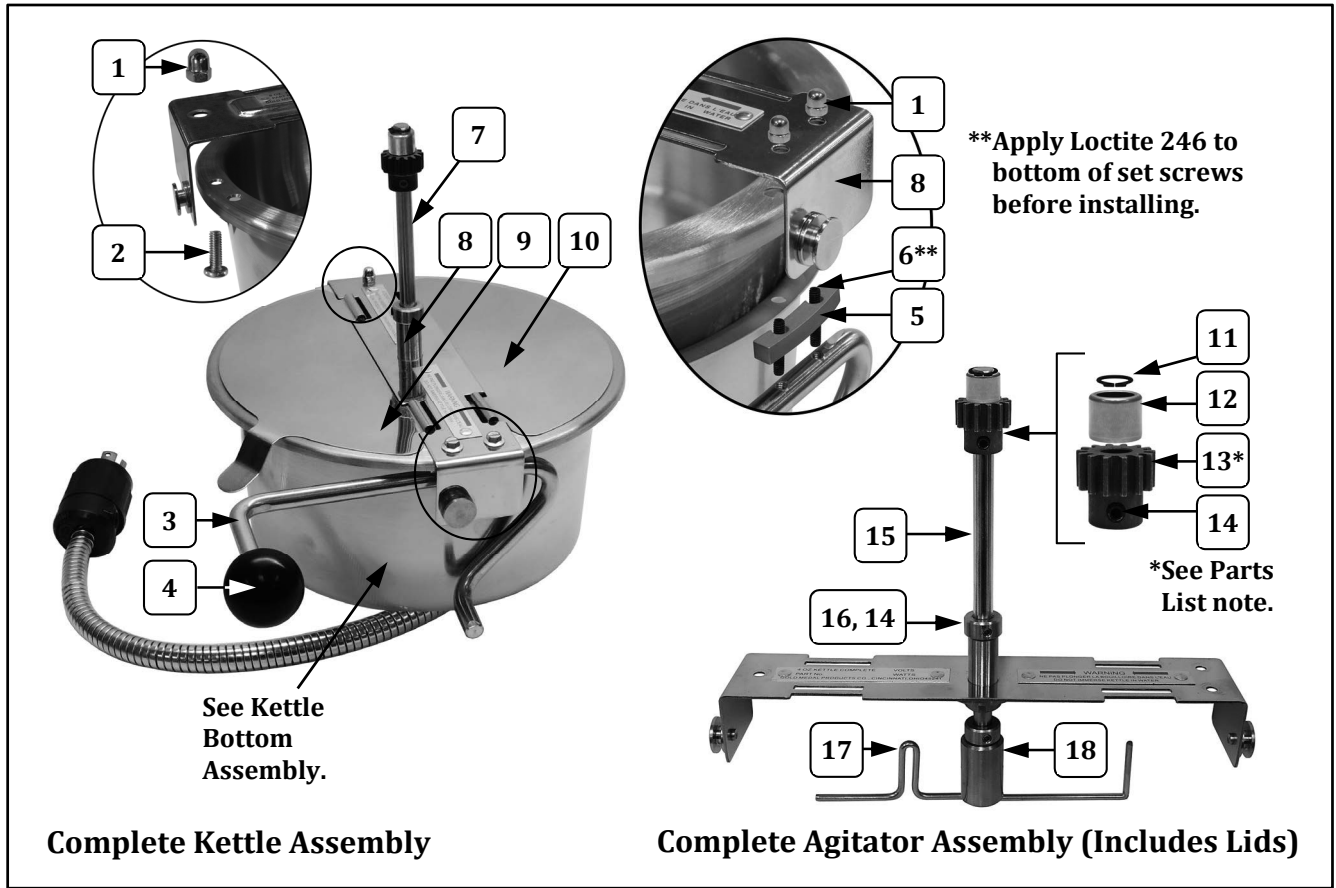
Complete Kettle Assembly

Complete Agitator Assembly (Includes Lids)

Item	Part Description	Part Number	
		54000	54000EX
1	ACORN NUT	47702	47702
2	8-32 X 1/2 PHIL PAN M/S	47141	47141
3	DUMP HANDLE RH	49314	49314
4	DUMP HANDLE KNOB	47110	47110
5	SPACER (for Dump Handle)	49362	49362
6	8-32 X 1" SET SCREW	77933	77933
7	AGITATOR & LID ASSY (Complete Assembly)	54407	54407EX
8	KETTLE CROSSBAR ASSEMBLY	46779	46779EX
9	FRONT LID W/FORMED LIFTER	55074	55074
10	REAR KETTLE LID	55073	55073
11	RETAINING RING	49701	49701
12	NEEDLE BEARING	47106	47106
13*	SPUR GEAR KIT (Includes 2 gears with set screws. Always replace Agitator Spur Gear and Kettle Drive Motor Gear as a set.)	47059K	47059K
14	SET SCREW #10-32 X 3/16	41742	41742
15	4 OZ KETTLE AGITATOR SHAFT	54007	54007
16	SET COLLAR 5/16 ID 5/8 OD	46649	46649
17	4 OZ STIR ROD	54030	54030
18	AGITATOR WEIGHT	49013	49013



4 oz. Kettle Assembly (54000, 54000EX) – Agitator Assembly View



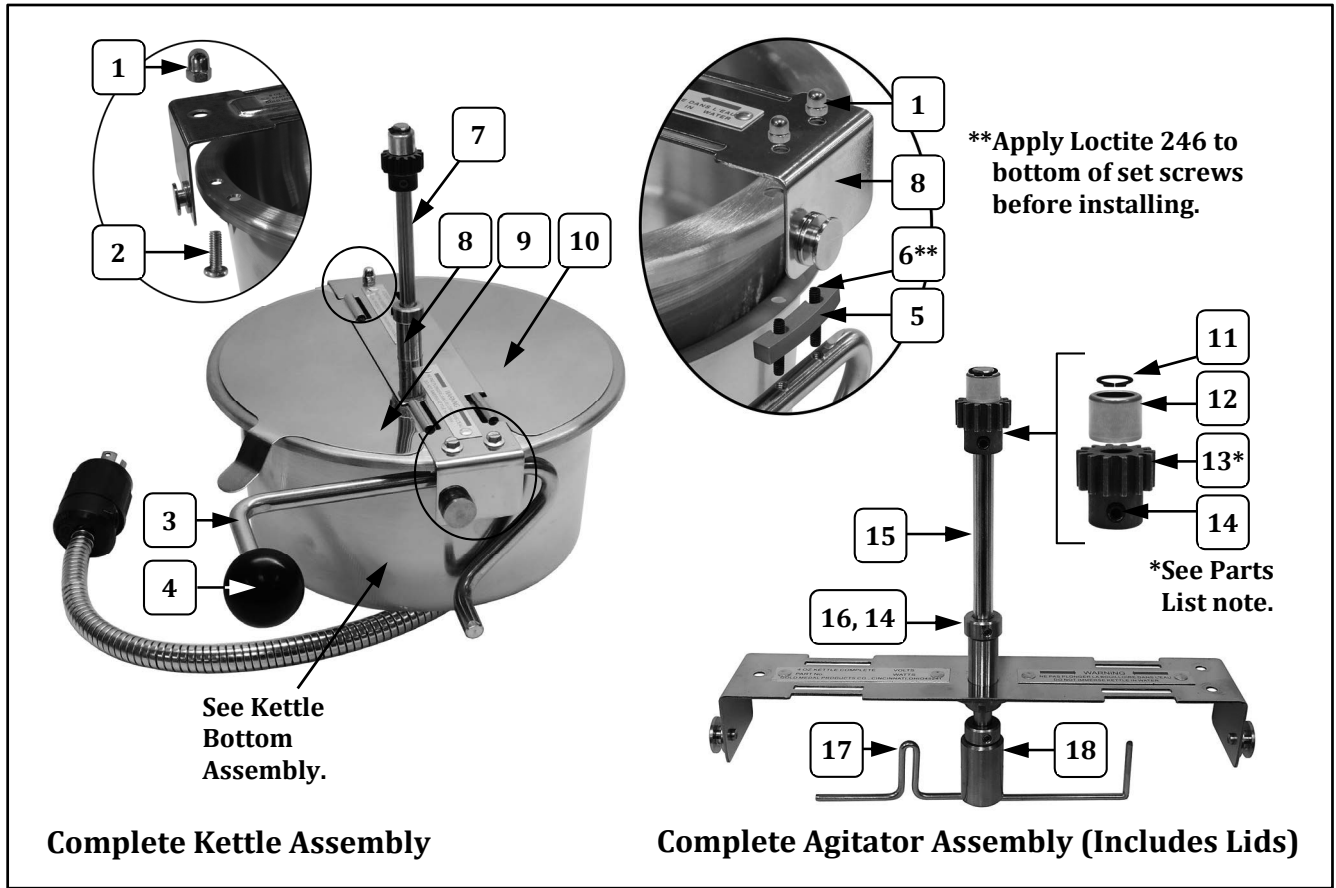
Complete Kettle Assembly

Complete Agitator Assembly (Includes Lids)

Item	Part Description	Part Number	
		54000	54000EX
1	ACORN NUT	47702	47702
2	8-32 X 1/2 PHIL PAN M/S	47141	47141
3	DUMP HANDLE RH	49314	49314
4	DUMP HANDLE KNOB	47110	47110
5	SPACER (for Dump Handle)	49362	49362
6	8-32 X 1" SET SCREW	77933	77933
7	AGITATOR & LID ASSY (Complete Assembly)	54407	54407EX
8	KETTLE CROSSBAR ASSEMBLY	46779	46779EX
9	FRONT LID W/FORMED LIFTER	55074	55074
10	REAR KETTLE LID	55073	55073
11	RETAINING RING	49701	49701
12	NEEDLE BEARING	47106	47106
13*	SPUR GEAR KIT (Includes 2 gears with set screws. Always replace Agitator Spur Gear and Kettle Drive Motor Gear as a set.)	47059K	47059K
14	SET SCREW #10-32 X 3/16	41742	41742
15	4 OZ KETTLE AGITATOR SHAFT	54007	54007
16	SET COLLAR 5/16 ID 5/8 OD	46649	46649
17	4 OZ STIR ROD	54030	54030
18	AGITATOR WEIGHT	49013	49013



4 oz. Kettle Assembly (54000, 54000EX) – Agitator Assembly View



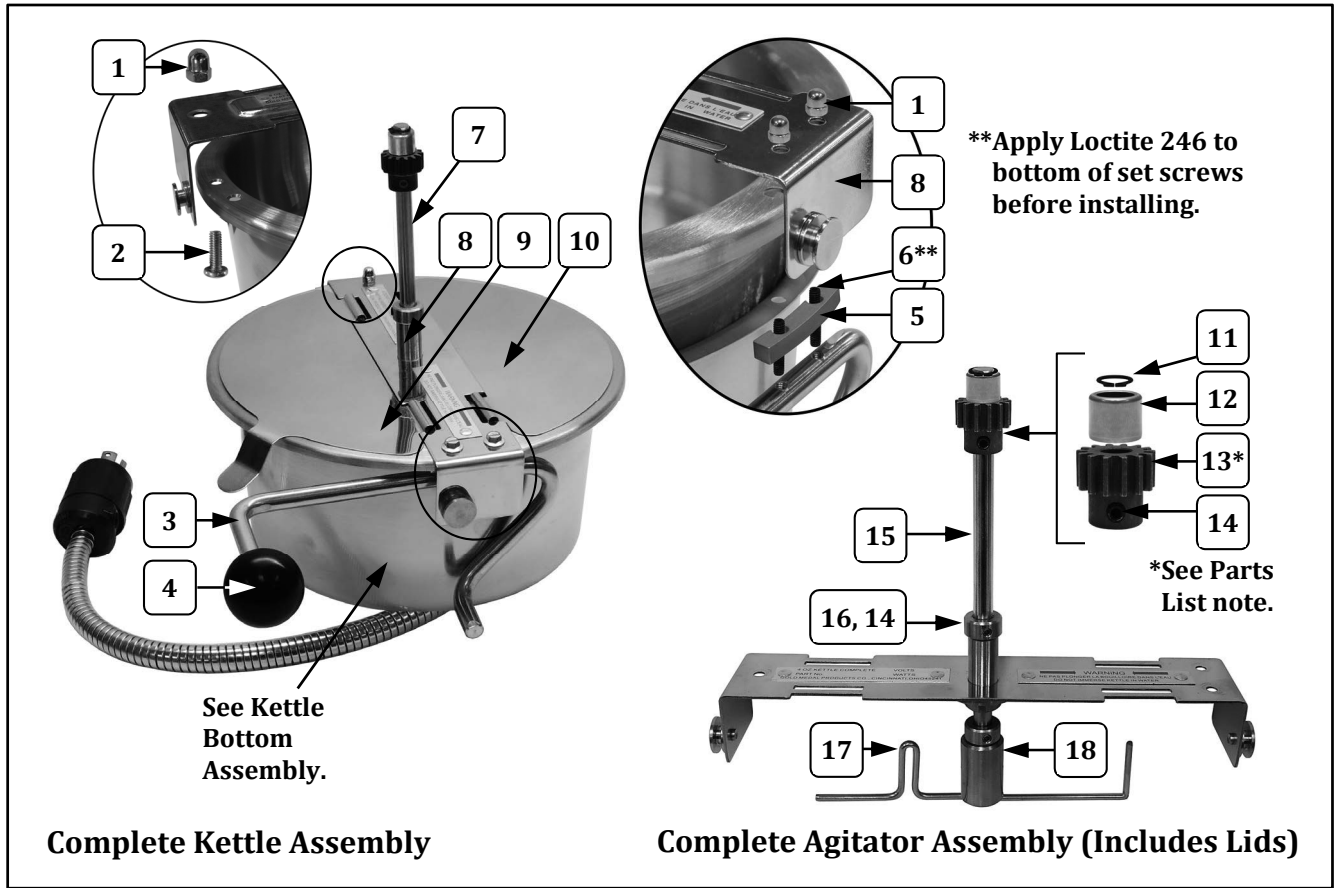
Complete Kettle Assembly

Complete Agitator Assembly (Includes Lids)

Item	Part Description	Part Number	
		54000	54000EX
1	ACORN NUT	47702	47702
2	8-32 X 1/2 PHIL PAN M/S	47141	47141
3	DUMP HANDLE RH	49314	49314
4	DUMP HANDLE KNOB	47110	47110
5	SPACER (for Dump Handle)	49362	49362
6	8-32 X 1" SET SCREW	77933	77933
7	AGITATOR & LID ASSY (Complete Assembly)	54407	54407EX
8	KETTLE CROSSBAR ASSEMBLY	46779	46779EX
9	FRONT LID W/FORMED LIFTER	55074	55074
10	REAR KETTLE LID	55073	55073
11	RETAINING RING	49701	49701
12	NEEDLE BEARING	47106	47106
13*	SPUR GEAR KIT (Includes 2 gears with set screws. Always replace Agitator Spur Gear and Kettle Drive Motor Gear as a set.)	47059K	47059K
14	SET SCREW #10-32 X 3/16	41742	41742
15	4 OZ KETTLE AGITATOR SHAFT	54007	54007
16	SET COLLAR 5/16 ID 5/8 OD	46649	46649
17	4 OZ STIR ROD	54030	54030
18	AGITATOR WEIGHT	49013	49013



4 oz. Kettle Assembly (54000, 54000EX) – Agitator Assembly View



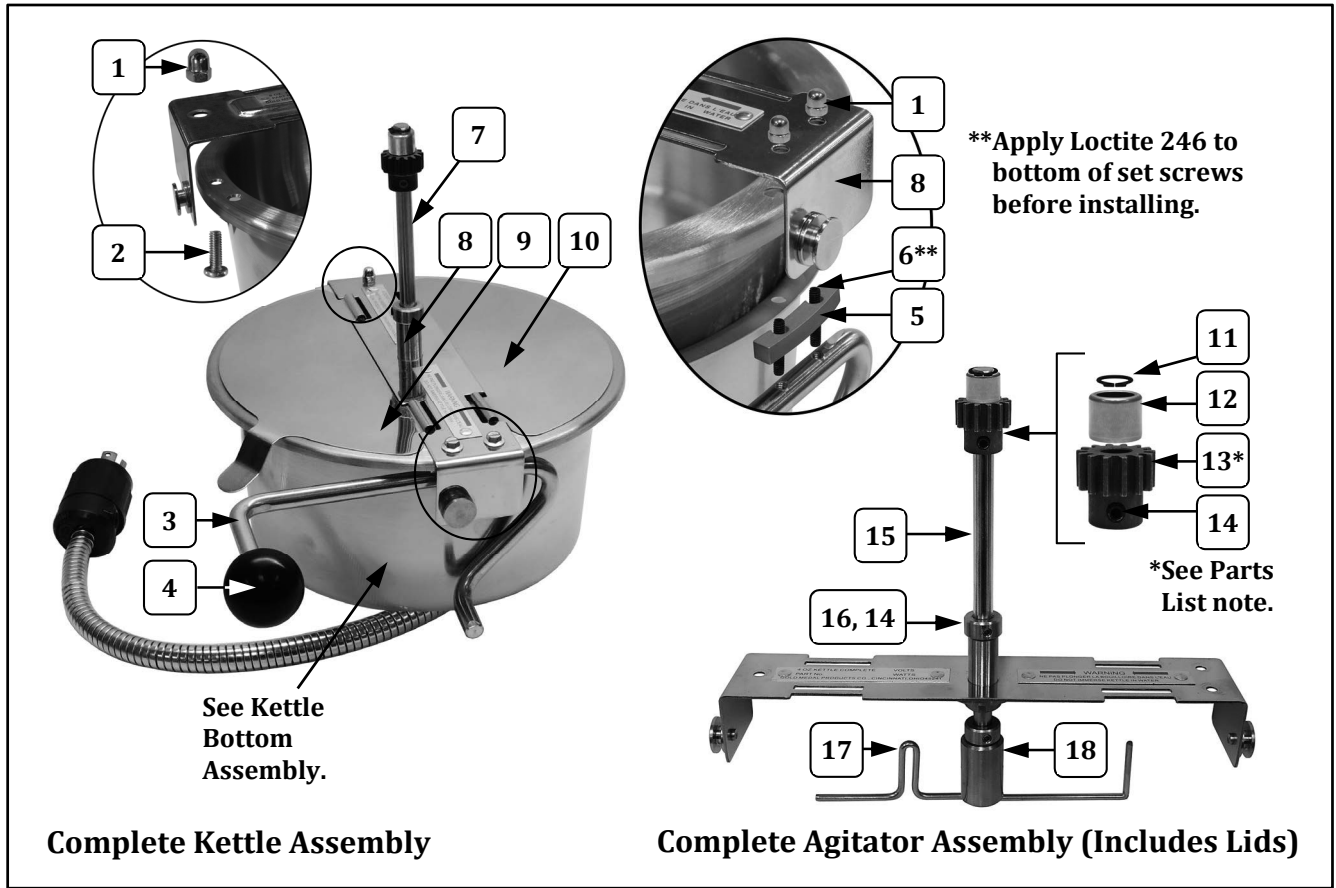
Complete Kettle Assembly

Complete Agitator Assembly (Includes Lids)

Item	Part Description	Part Number	
		54000	54000EX
1	ACORN NUT	47702	47702
2	8-32 X 1/2 PHIL PAN M/S	47141	47141
3	DUMP HANDLE RH	49314	49314
4	DUMP HANDLE KNOB	47110	47110
5	SPACER (for Dump Handle)	49362	49362
6	8-32 X 1" SET SCREW	77933	77933
7	AGITATOR & LID ASSY (Complete Assembly)	54407	54407EX
8	KETTLE CROSSBAR ASSEMBLY	46779	46779EX
9	FRONT LID W/FORMED LIFTER	55074	55074
10	REAR KETTLE LID	55073	55073
11	RETAINING RING	49701	49701
12	NEEDLE BEARING	47106	47106
13*	SPUR GEAR KIT (Includes 2 gears with set screws. Always replace Agitator Spur Gear and Kettle Drive Motor Gear as a set.)	47059K	47059K
14	SET SCREW #10-32 X 3/16	41742	41742
15	4 OZ KETTLE AGITATOR SHAFT	54007	54007
16	SET COLLAR 5/16 ID 5/8 OD	46649	46649
17	4 OZ STIR ROD	54030	54030
18	AGITATOR WEIGHT	49013	49013



4 oz. Kettle Assembly (54000, 54000EX) – Agitator Assembly View



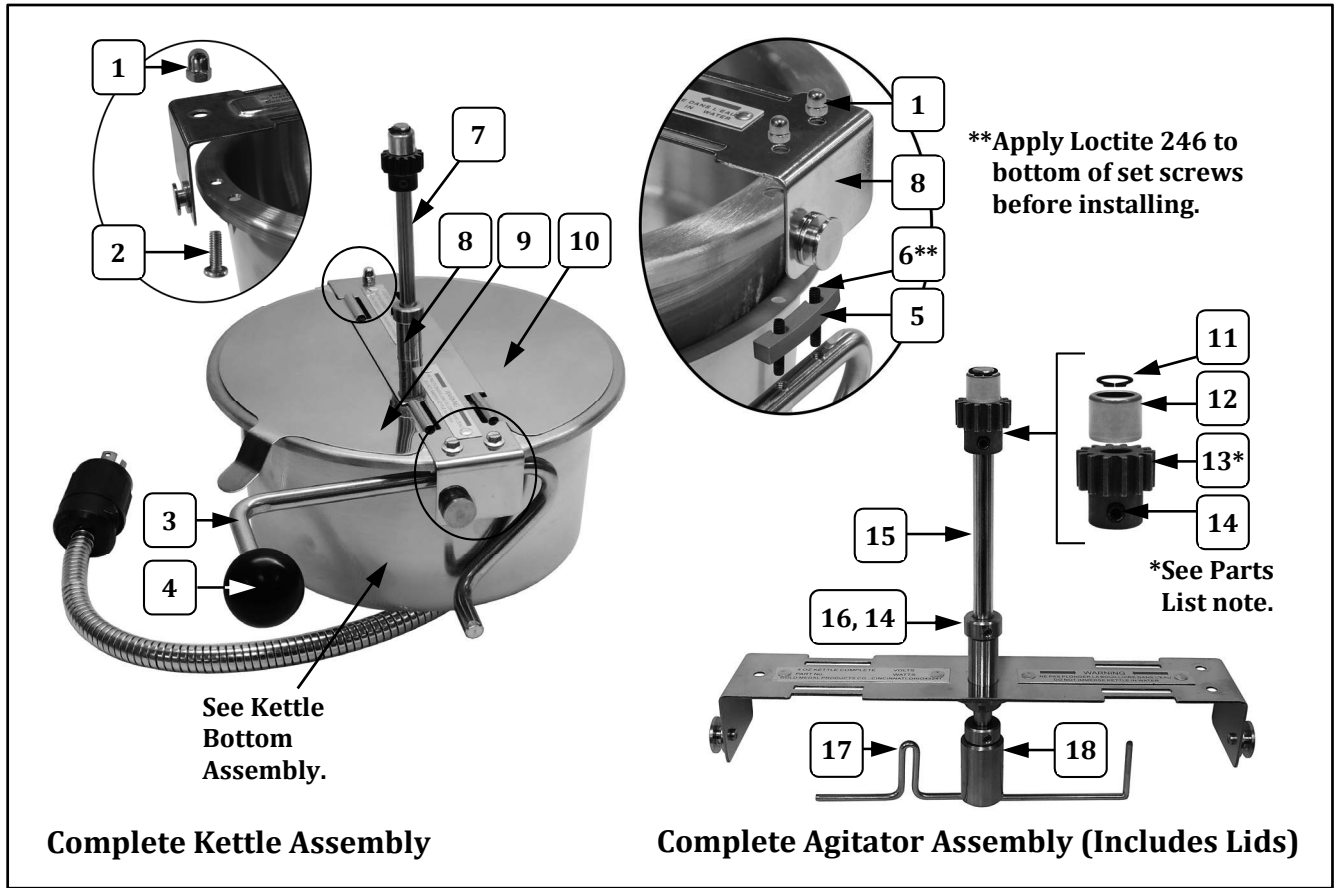
Complete Kettle Assembly

Complete Agitator Assembly (Includes Lids)

Item	Part Description	Part Number	
		54000	54000EX
1	ACORN NUT	47702	47702
2	8-32 X 1/2 PHIL PAN M/S	47141	47141
3	DUMP HANDLE RH	49314	49314
4	DUMP HANDLE KNOB	47110	47110
5	SPACER (for Dump Handle)	49362	49362
6	8-32 X 1" SET SCREW	77933	77933
7	AGITATOR & LID ASSY (Complete Assembly)	54407	54407EX
8	KETTLE CROSSBAR ASSEMBLY	46779	46779EX
9	FRONT LID W/FORMED LIFTER	55074	55074
10	REAR KETTLE LID	55073	55073
11	RETAINING RING	49701	49701
12	NEEDLE BEARING	47106	47106
13*	SPUR GEAR KIT (Includes 2 gears with set screws. Always replace Agitator Spur Gear and Kettle Drive Motor Gear as a set.)	47059K	47059K
14	SET SCREW #10-32 X 3/16	41742	41742
15	4 OZ KETTLE AGITATOR SHAFT	54007	54007
16	SET COLLAR 5/16 ID 5/8 OD	46649	46649
17	4 OZ STIR ROD	54030	54030
18	AGITATOR WEIGHT	49013	49013



4 oz. Kettle Assembly (54000, 54000EX) – Agitator Assembly View



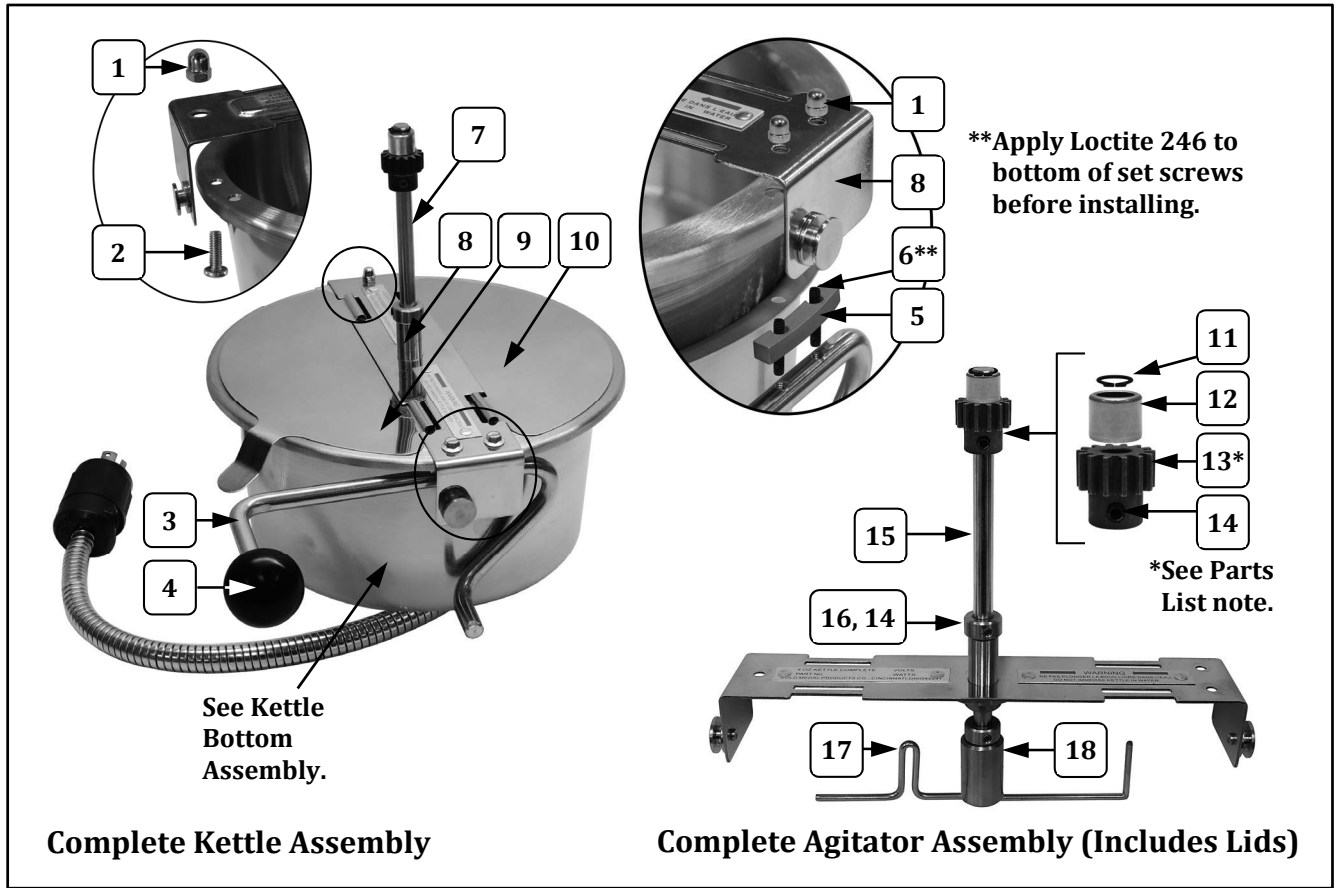
Complete Kettle Assembly

Complete Agitator Assembly (Includes Lids)

Item	Part Description	Part Number	
		54000	54000EX
1	ACORN NUT	47702	47702
2	8-32 X 1/2 PHIL PAN M/S	47141	47141
3	DUMP HANDLE RH	49314	49314
4	DUMP HANDLE KNOB	47110	47110
5	SPACER (for Dump Handle)	49362	49362
6	8-32 X 1" SET SCREW	77933	77933
7	AGITATOR & LID ASSY (Complete Assembly)	54407	54407EX
8	KETTLE CROSSBAR ASSEMBLY	46779	46779EX
9	FRONT LID W/FORMED LIFTER	55074	55074
10	REAR KETTLE LID	55073	55073
11	RETAINING RING	49701	49701
12	NEEDLE BEARING	47106	47106
13*	SPUR GEAR KIT (Includes 2 gears with set screws. Always replace Agitator Spur Gear and Kettle Drive Motor Gear as a set.)	47059K	47059K
14	SET SCREW #10-32 X 3/16	41742	41742
15	4 OZ KETTLE AGITATOR SHAFT	54007	54007
16	SET COLLAR 5/16 ID 5/8 OD	46649	46649
17	4 OZ STIR ROD	54030	54030
18	AGITATOR WEIGHT	49013	49013



4 oz. Kettle Assembly (54000, 54000EX) – Agitator Assembly View



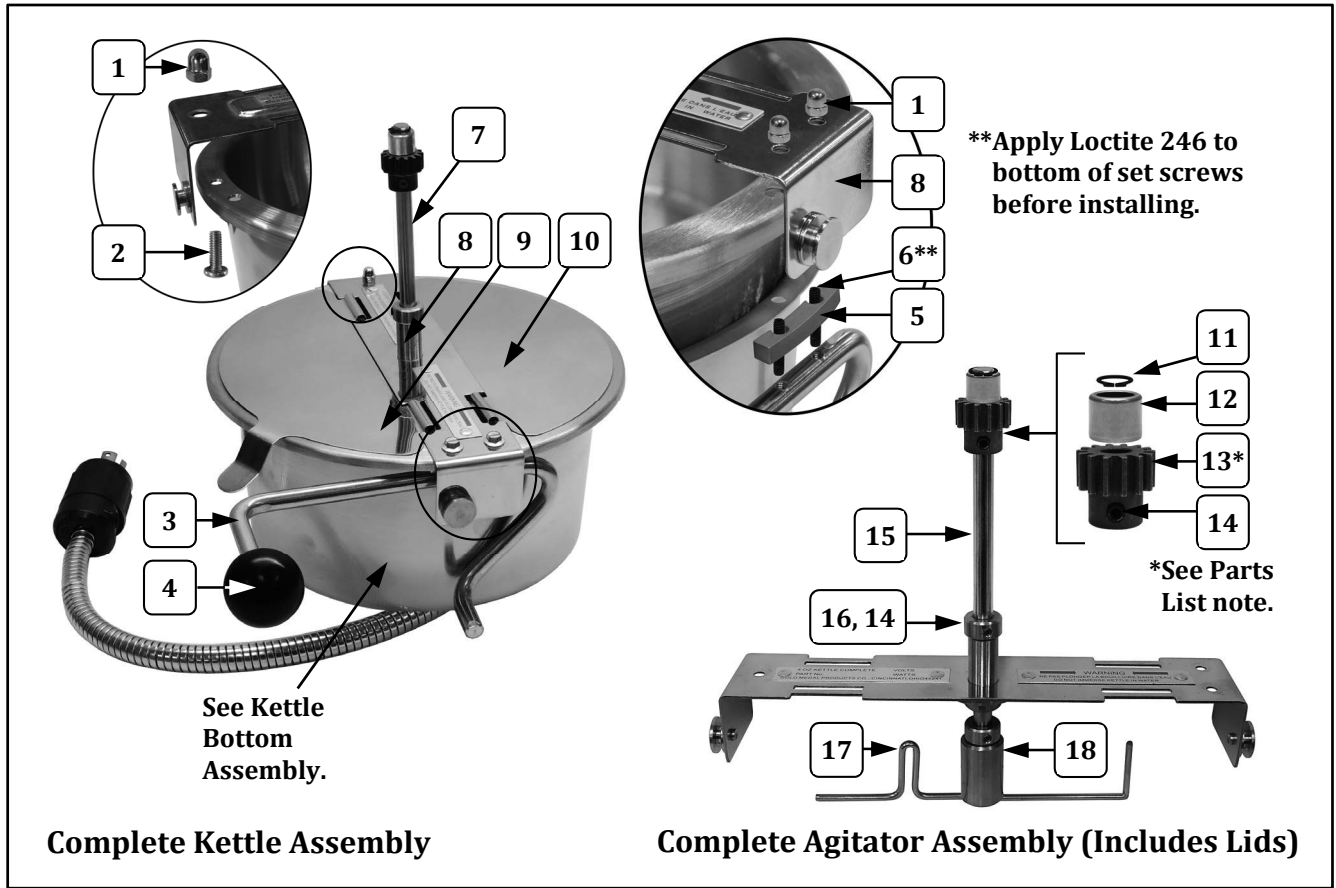
Complete Kettle Assembly

Complete Agitator Assembly (Includes Lids)

Item	Part Description	Part Number	
		54000	54000EX
1	ACORN NUT	47702	47702
2	8-32 X 1/2 PHIL PAN M/S	47141	47141
3	DUMP HANDLE RH	49314	49314
4	DUMP HANDLE KNOB	47110	47110
5	SPACER (for Dump Handle)	49362	49362
6	8-32 X 1" SET SCREW	77933	77933
7	AGITATOR & LID ASSY (Complete Assembly)	54407	54407EX
8	KETTLE CROSSBAR ASSEMBLY	46779	46779EX
9	FRONT LID W/FORMED LIFTER	55074	55074
10	REAR KETTLE LID	55073	55073
11	RETAINING RING	49701	49701
12	NEEDLE BEARING	47106	47106
13*	SPUR GEAR KIT (Includes 2 gears with set screws. Always replace Agitator Spur Gear and Kettle Drive Motor Gear as a set.)	47059K	47059K
14	SET SCREW #10-32 X 3/16	41742	41742
15	4 OZ KETTLE AGITATOR SHAFT	54007	54007
16	SET COLLAR 5/16 ID 5/8 OD	46649	46649
17	4 OZ STIR ROD	54030	54030
18	AGITATOR WEIGHT	49013	49013



4 oz. Kettle Assembly (54000, 54000EX) – Agitator Assembly View



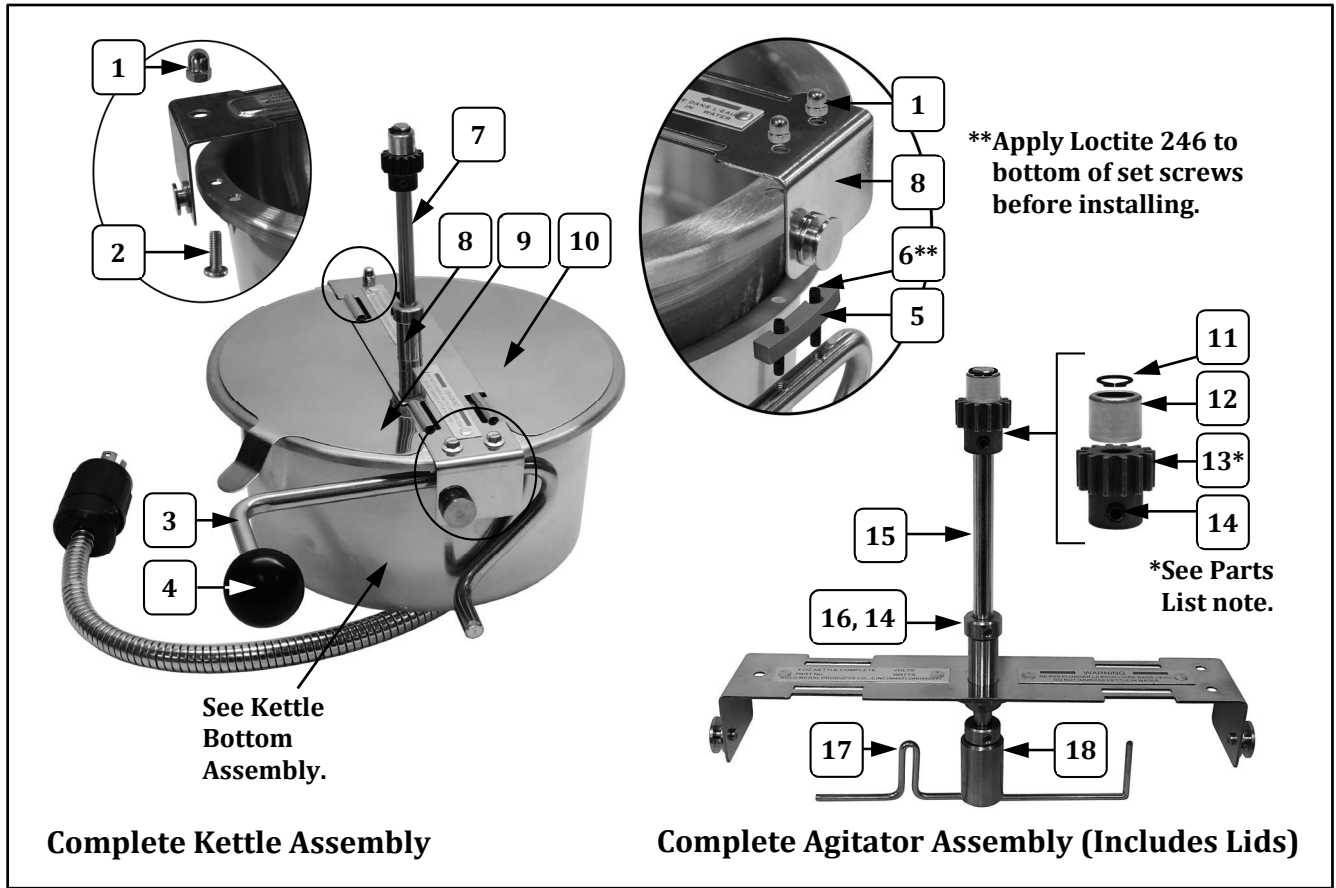
Complete Kettle Assembly

Complete Agitator Assembly (Includes Lids)

Item	Part Description	Part Number	
		54000	54000EX
1	ACORN NUT	47702	47702
2	8-32 X 1/2 PHIL PAN M/S	47141	47141
3	DUMP HANDLE RH	49314	49314
4	DUMP HANDLE KNOB	47110	47110
5	SPACER (for Dump Handle)	49362	49362
6	8-32 X 1" SET SCREW	77933	77933
7	AGITATOR & LID ASSY (Complete Assembly)	54407	54407EX
8	KETTLE CROSSBAR ASSEMBLY	46779	46779EX
9	FRONT LID W/FORMED LIFTER	55074	55074
10	REAR KETTLE LID	55073	55073
11	RETAINING RING	49701	49701
12	NEEDLE BEARING	47106	47106
13*	SPUR GEAR KIT (Includes 2 gears with set screws. Always replace Agitator Spur Gear and Kettle Drive Motor Gear as a set.)	47059K	47059K
14	SET SCREW #10-32 X 3/16	41742	41742
15	4 OZ KETTLE AGITATOR SHAFT	54007	54007
16	SET COLLAR 5/16 ID 5/8 OD	46649	46649
17	4 OZ STIR ROD	54030	54030
18	AGITATOR WEIGHT	49013	49013



4 oz. Kettle Assembly (54000, 54000EX) – Agitator Assembly View



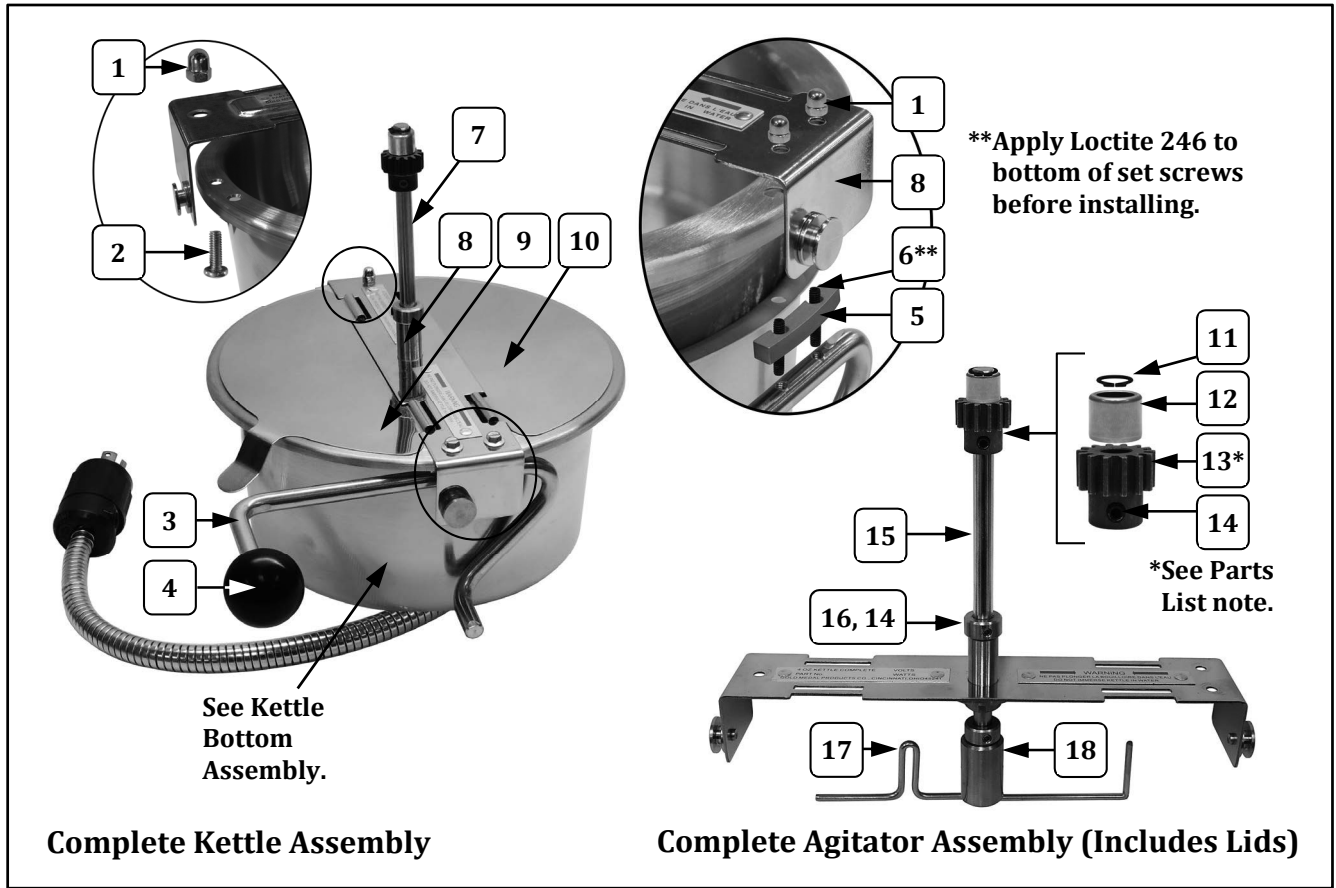
Complete Kettle Assembly

Complete Agitator Assembly (Includes Lids)

Item	Part Description	Part Number	
		54000	54000EX
1	ACORN NUT	47702	47702
2	8-32 X 1/2 PHIL PAN M/S	47141	47141
3	DUMP HANDLE RH	49314	49314
4	DUMP HANDLE KNOB	47110	47110
5	SPACER (for Dump Handle)	49362	49362
6	8-32 X 1" SET SCREW	77933	77933
7	AGITATOR & LID ASSY (Complete Assembly)	54407	54407EX
8	KETTLE CROSSBAR ASSEMBLY	46779	46779EX
9	FRONT LID W/FORMED LIFTER	55074	55074
10	REAR KETTLE LID	55073	55073
11	RETAINING RING	49701	49701
12	NEEDLE BEARING	47106	47106
13*	SPUR GEAR KIT (Includes 2 gears with set screws. Always replace Agitator Spur Gear and Kettle Drive Motor Gear as a set.)	47059K	47059K
14	SET SCREW #10-32 X 3/16	41742	41742
15	4 OZ KETTLE AGITATOR SHAFT	54007	54007
16	SET COLLAR 5/16 ID 5/8 OD	46649	46649
17	4 OZ STIR ROD	54030	54030
18	AGITATOR WEIGHT	49013	49013



4 oz. Kettle Assembly (54000, 54000EX) – Agitator Assembly View



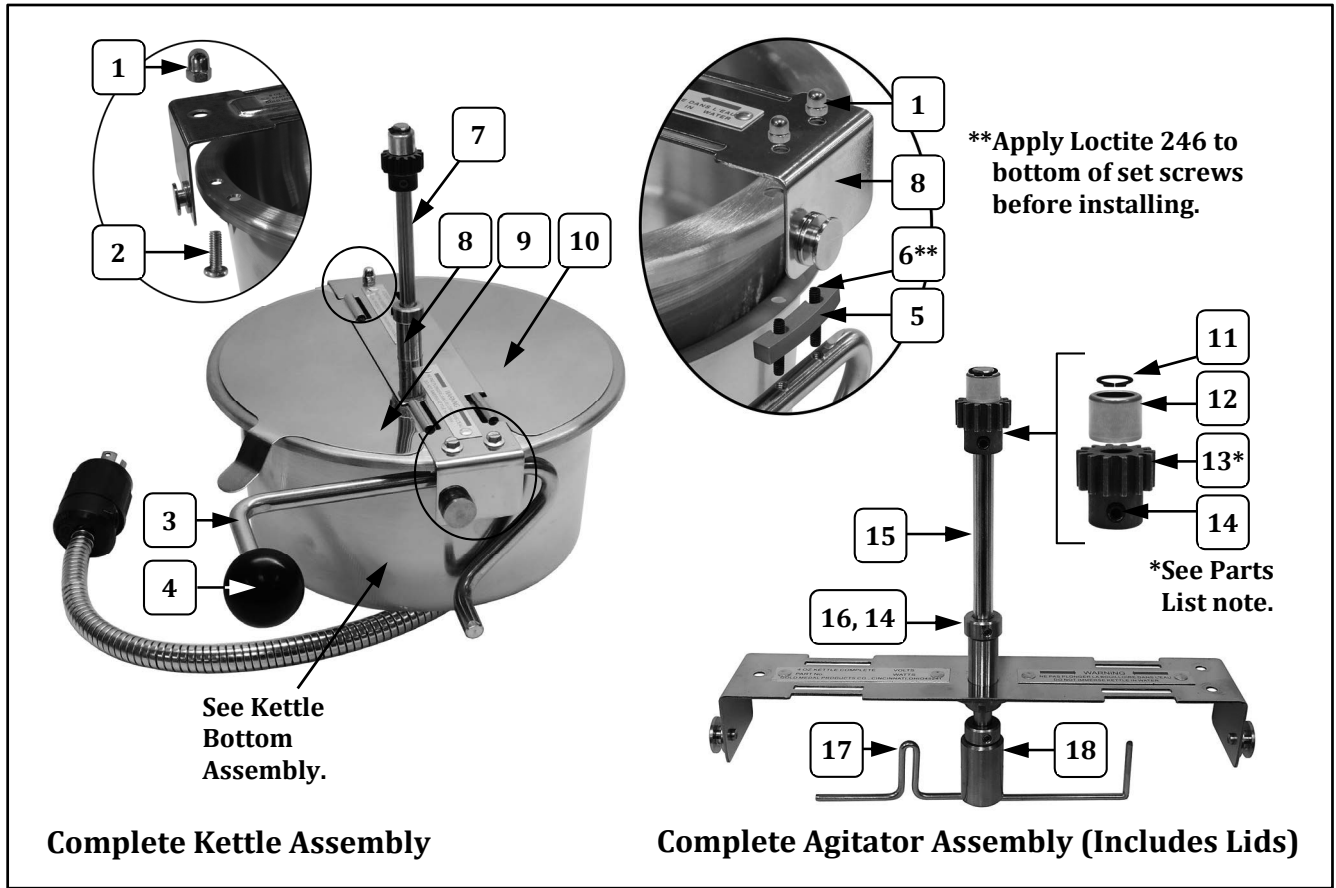
Complete Kettle Assembly

Complete Agitator Assembly (Includes Lids)

Item	Part Description	Part Number	
		54000	54000EX
1	ACORN NUT	47702	47702
2	8-32 X 1/2 PHIL PAN M/S	47141	47141
3	DUMP HANDLE RH	49314	49314
4	DUMP HANDLE KNOB	47110	47110
5	SPACER (for Dump Handle)	49362	49362
6	8-32 X 1" SET SCREW	77933	77933
7	AGITATOR & LID ASSY (Complete Assembly)	54407	54407EX
8	KETTLE CROSSBAR ASSEMBLY	46779	46779EX
9	FRONT LID W/FORMED LIFTER	55074	55074
10	REAR KETTLE LID	55073	55073
11	RETAINING RING	49701	49701
12	NEEDLE BEARING	47106	47106
13*	SPUR GEAR KIT (Includes 2 gears with set screws. Always replace Agitator Spur Gear and Kettle Drive Motor Gear as a set.)	47059K	47059K
14	SET SCREW #10-32 X 3/16	41742	41742
15	4 OZ KETTLE AGITATOR SHAFT	54007	54007
16	SET COLLAR 5/16 ID 5/8 OD	46649	46649
17	4 OZ STIR ROD	54030	54030
18	AGITATOR WEIGHT	49013	49013



4 oz. Kettle Assembly (54000, 54000EX) – Agitator Assembly View



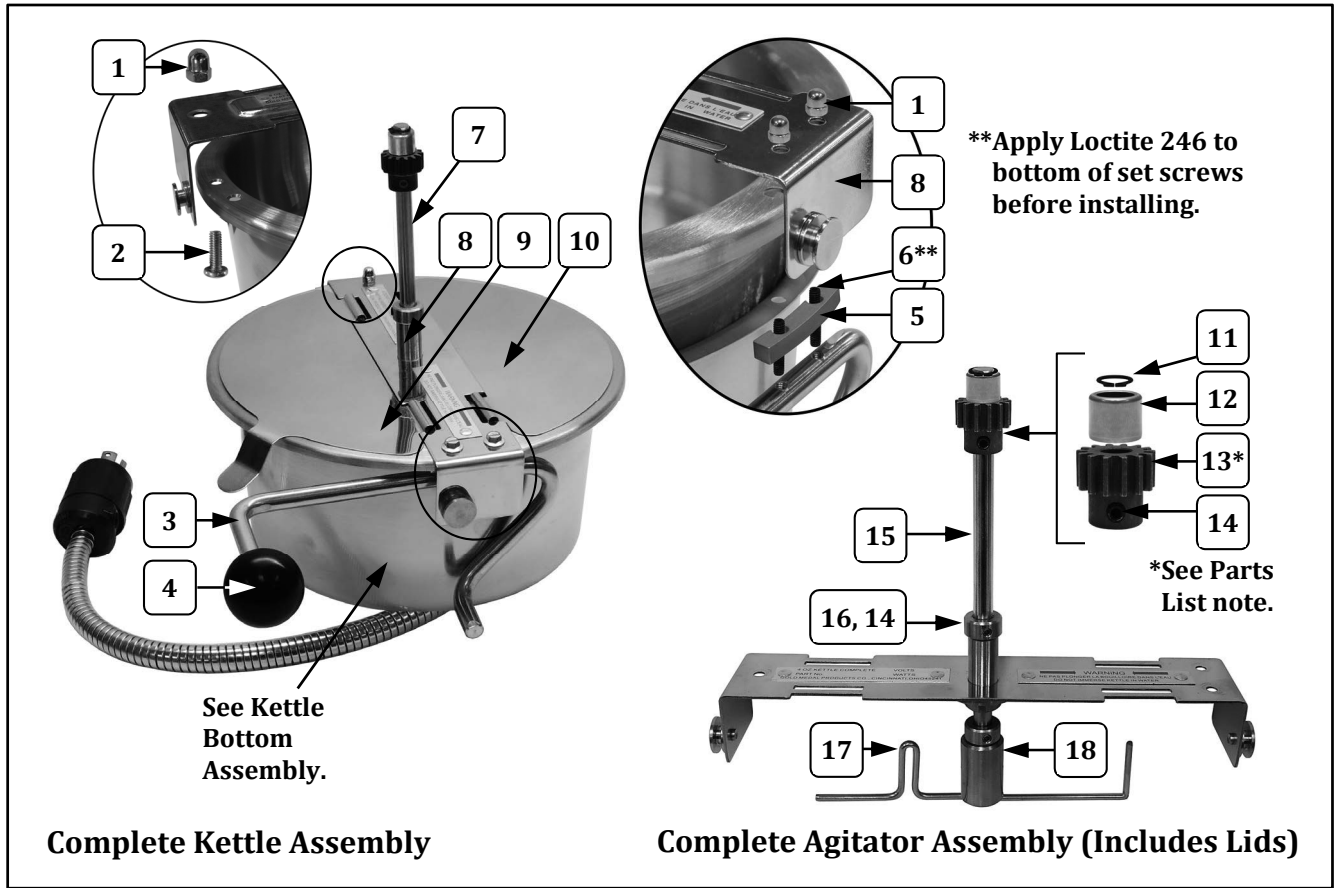
Complete Kettle Assembly

Complete Agitator Assembly (Includes Lids)

Item	Part Description	Part Number	
		54000	54000EX
1	ACORN NUT	47702	47702
2	8-32 X 1/2 PHIL PAN M/S	47141	47141
3	DUMP HANDLE RH	49314	49314
4	DUMP HANDLE KNOB	47110	47110
5	SPACER (for Dump Handle)	49362	49362
6	8-32 X 1" SET SCREW	77933	77933
7	AGITATOR & LID ASSY (Complete Assembly)	54407	54407EX
8	KETTLE CROSSBAR ASSEMBLY	46779	46779EX
9	FRONT LID W/FORMED LIFTER	55074	55074
10	REAR KETTLE LID	55073	55073
11	RETAINING RING	49701	49701
12	NEEDLE BEARING	47106	47106
13*	SPUR GEAR KIT (Includes 2 gears with set screws. Always replace Agitator Spur Gear and Kettle Drive Motor Gear as a set.)	47059K	47059K
14	SET SCREW #10-32 X 3/16	41742	41742
15	4 OZ KETTLE AGITATOR SHAFT	54007	54007
16	SET COLLAR 5/16 ID 5/8 OD	46649	46649
17	4 OZ STIR ROD	54030	54030
18	AGITATOR WEIGHT	49013	49013



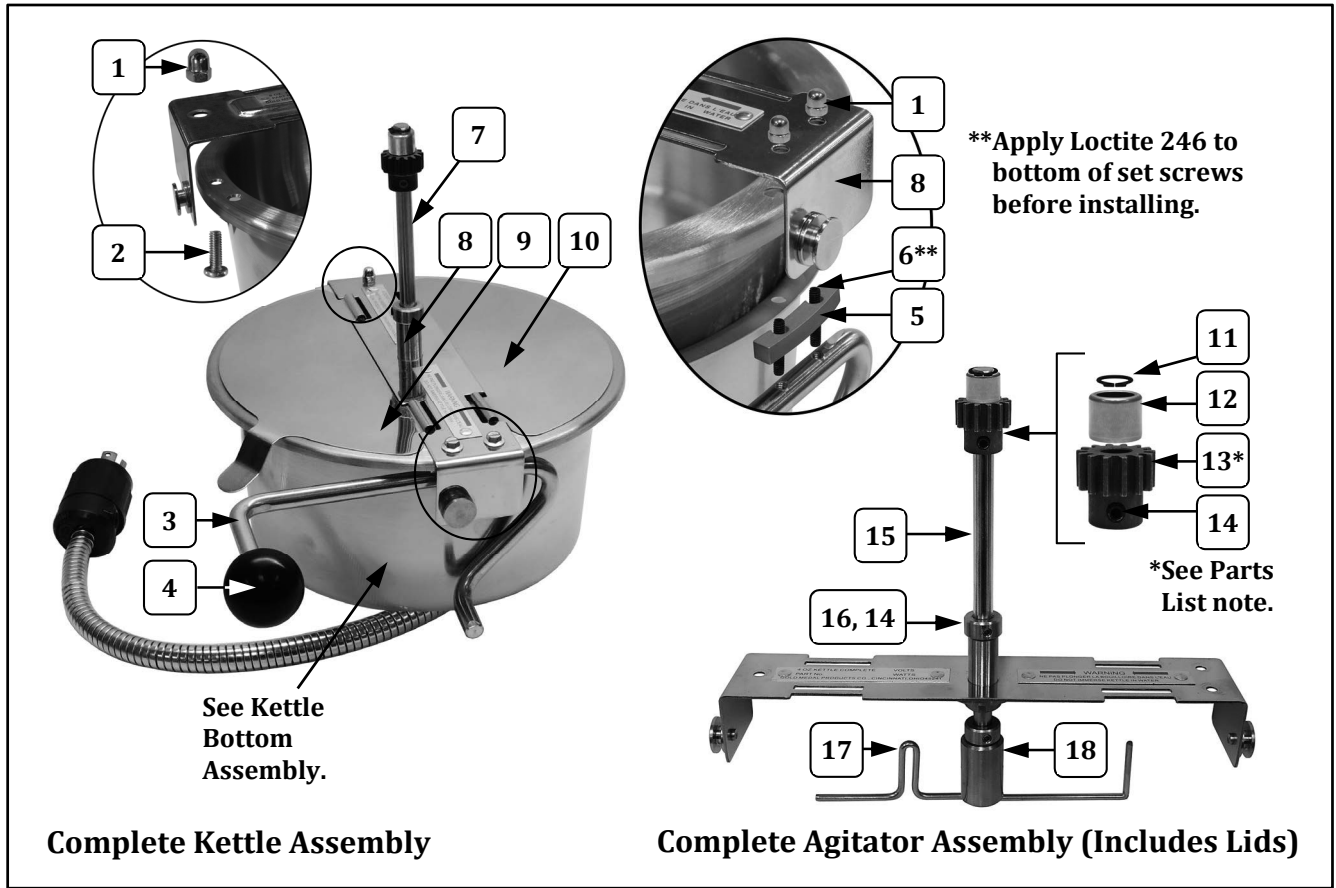
4 oz. Kettle Assembly (54000, 54000EX) – Agitator Assembly View



Item	Part Description	Part Number	
		54000	54000EX
1	ACORN NUT	47702	47702
2	8-32 X 1/2 PHIL PAN M/S	47141	47141
3	DUMP HANDLE RH	49314	49314
4	DUMP HANDLE KNOB	47110	47110
5	SPACER (for Dump Handle)	49362	49362
6	8-32 X 1" SET SCREW	77933	77933
7	AGITATOR & LID ASSY (Complete Assembly)	54407	54407EX
8	KETTLE CROSSBAR ASSEMBLY	46779	46779EX
9	FRONT LID W/FORMED LIFTER	55074	55074
10	REAR KETTLE LID	55073	55073
11	RETAINING RING	49701	49701
12	NEEDLE BEARING	47106	47106
13*	SPUR GEAR KIT (Includes 2 gears with set screws. Always replace Agitator Spur Gear and Kettle Drive Motor Gear as a set.)	47059K	47059K
14	SET SCREW #10-32 X 3/16	41742	41742
15	4 OZ KETTLE AGITATOR SHAFT	54007	54007
16	SET COLLAR 5/16 ID 5/8 OD	46649	46649
17	4 OZ STIR ROD	54030	54030
18	AGITATOR WEIGHT	49013	49013



4 oz. Kettle Assembly (54000, 54000EX) – Agitator Assembly View



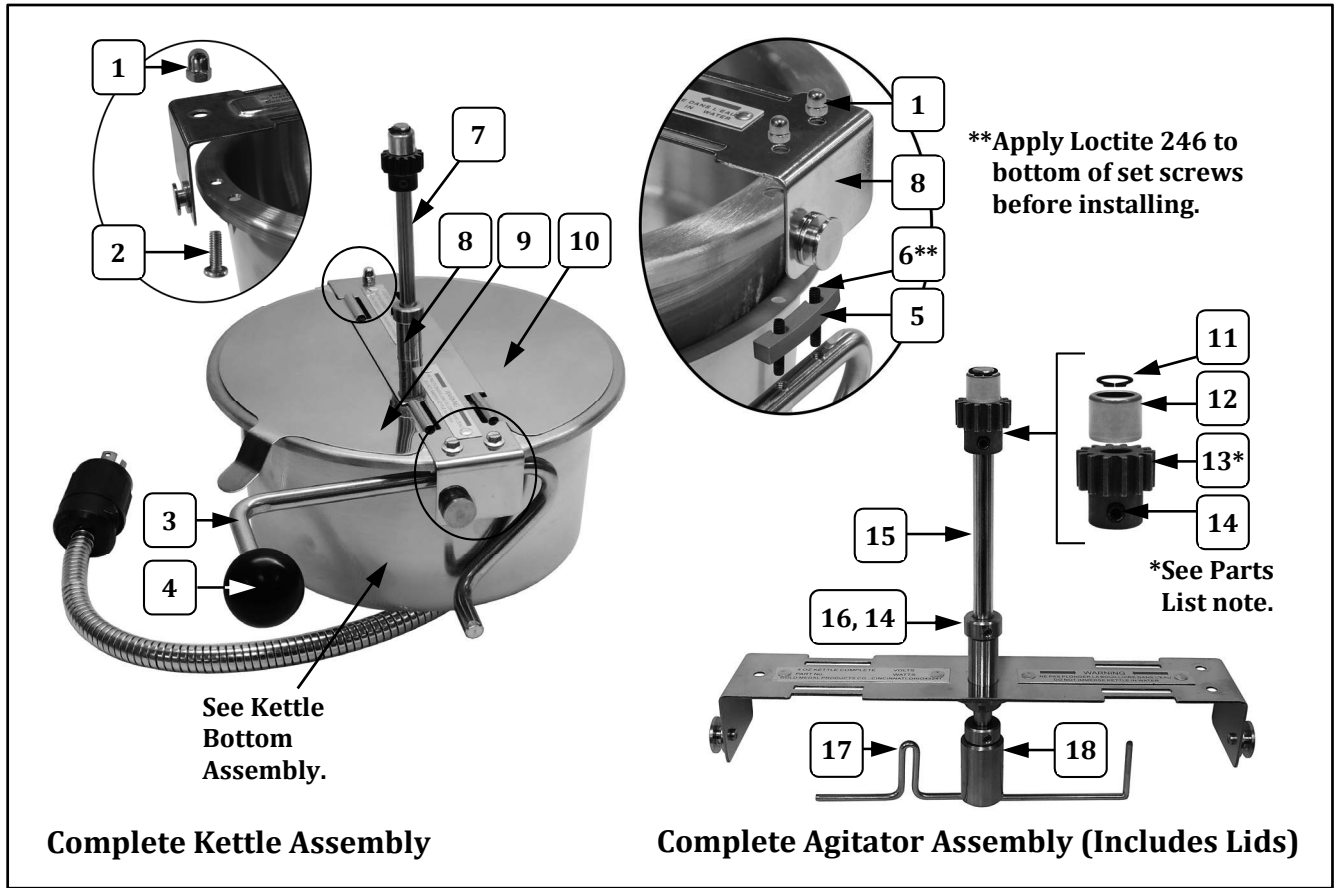
Complete Kettle Assembly

Complete Agitator Assembly (Includes Lids)

Item	Part Description	Part Number	
		54000	54000EX
1	ACORN NUT	47702	47702
2	8-32 X 1/2 PHIL PAN M/S	47141	47141
3	DUMP HANDLE RH	49314	49314
4	DUMP HANDLE KNOB	47110	47110
5	SPACER (for Dump Handle)	49362	49362
6	8-32 X 1" SET SCREW	77933	77933
7	AGITATOR & LID ASSY (Complete Assembly)	54407	54407EX
8	KETTLE CROSSBAR ASSEMBLY	46779	46779EX
9	FRONT LID W/FORMED LIFTER	55074	55074
10	REAR KETTLE LID	55073	55073
11	RETAINING RING	49701	49701
12	NEEDLE BEARING	47106	47106
13*	SPUR GEAR KIT (Includes 2 gears with set screws. Always replace Agitator Spur Gear and Kettle Drive Motor Gear as a set.)	47059K	47059K
14	SET SCREW #10-32 X 3/16	41742	41742
15	4 OZ KETTLE AGITATOR SHAFT	54007	54007
16	SET COLLAR 5/16 ID 5/8 OD	46649	46649
17	4 OZ STIR ROD	54030	54030
18	AGITATOR WEIGHT	49013	49013



4 oz. Kettle Assembly (54000, 54000EX) – Agitator Assembly View



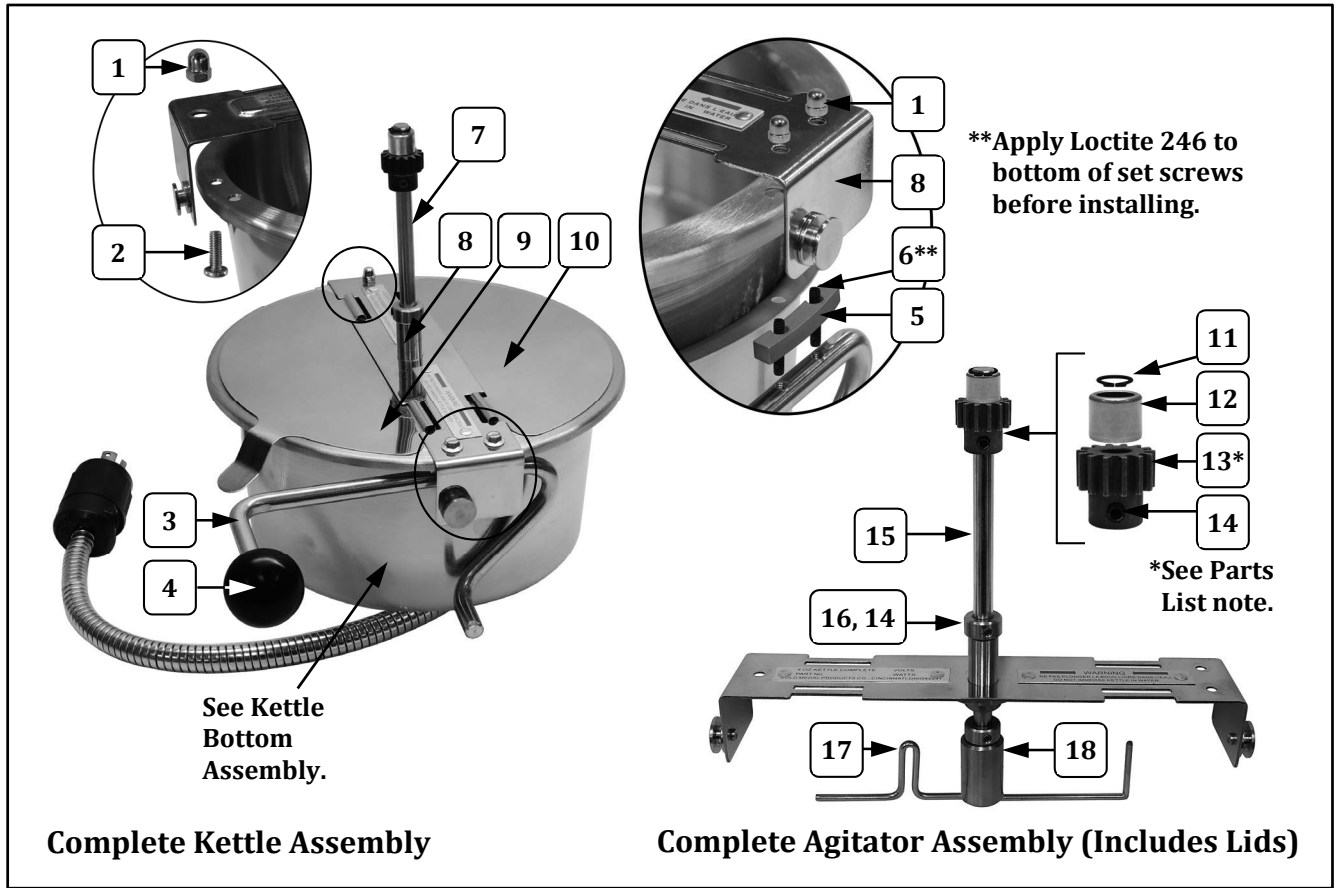
Complete Kettle Assembly

Complete Agitator Assembly (Includes Lids)

Item	Part Description	Part Number	
		54000	54000EX
1	ACORN NUT	47702	47702
2	8-32 X 1/2 PHIL PAN M/S	47141	47141
3	DUMP HANDLE RH	49314	49314
4	DUMP HANDLE KNOB	47110	47110
5	SPACER (for Dump Handle)	49362	49362
6	8-32 X 1" SET SCREW	77933	77933
7	AGITATOR & LID ASSY (Complete Assembly)	54407	54407EX
8	KETTLE CROSSBAR ASSEMBLY	46779	46779EX
9	FRONT LID W/FORMED LIFTER	55074	55074
10	REAR KETTLE LID	55073	55073
11	RETAINING RING	49701	49701
12	NEEDLE BEARING	47106	47106
13*	SPUR GEAR KIT (Includes 2 gears with set screws. Always replace Agitator Spur Gear and Kettle Drive Motor Gear as a set.)	47059K	47059K
14	SET SCREW #10-32 X 3/16	41742	41742
15	4 OZ KETTLE AGITATOR SHAFT	54007	54007
16	SET COLLAR 5/16 ID 5/8 OD	46649	46649
17	4 OZ STIR ROD	54030	54030
18	AGITATOR WEIGHT	49013	49013



4 oz. Kettle Assembly (54000, 54000EX) – Agitator Assembly View



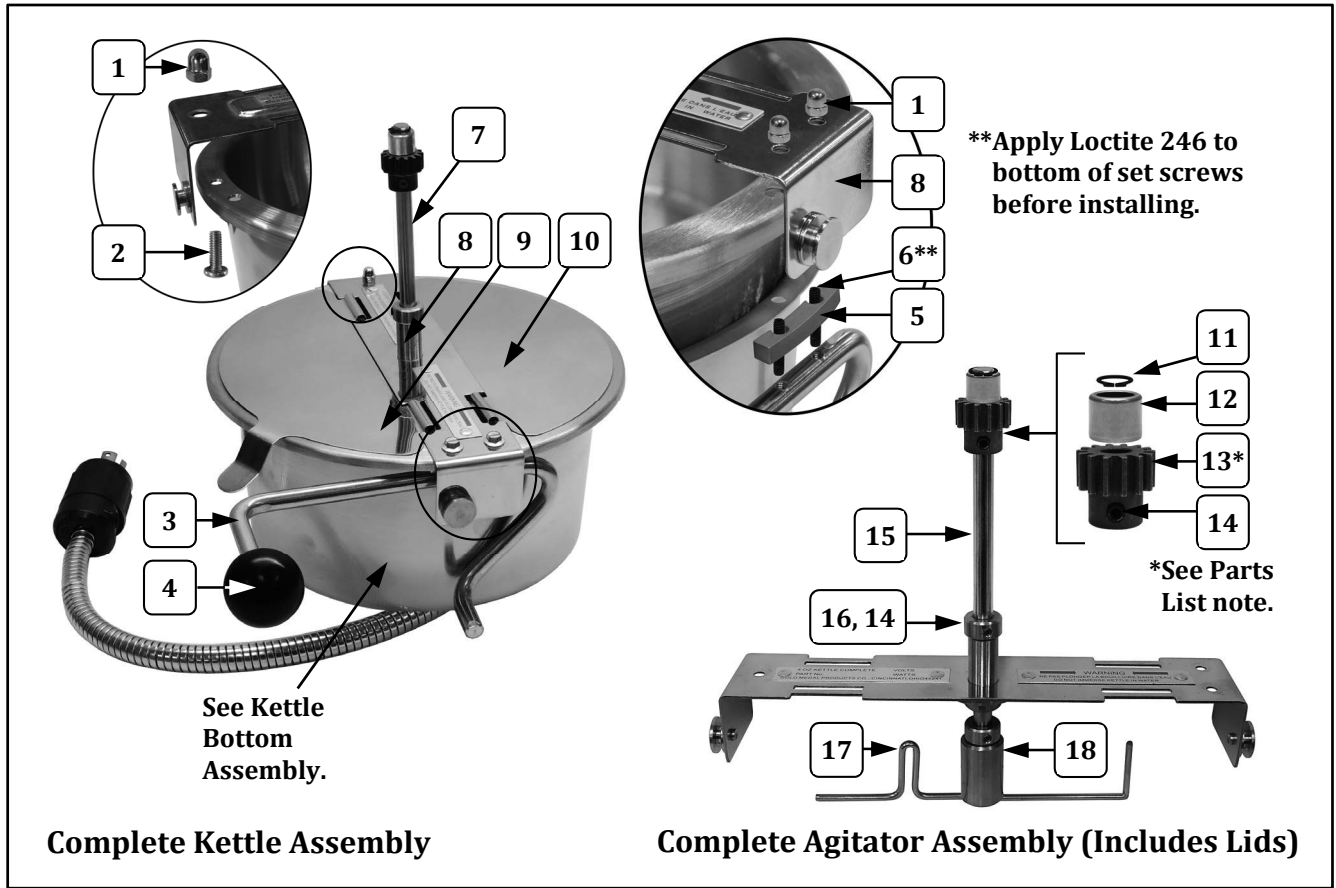
Complete Kettle Assembly

Complete Agitator Assembly (Includes Lids)

Item	Part Description	Part Number	
		54000	54000EX
1	ACORN NUT	47702	47702
2	8-32 X 1/2 PHIL PAN M/S	47141	47141
3	DUMP HANDLE RH	49314	49314
4	DUMP HANDLE KNOB	47110	47110
5	SPACER (for Dump Handle)	49362	49362
6	8-32 X 1" SET SCREW	77933	77933
7	AGITATOR & LID ASSY (Complete Assembly)	54407	54407EX
8	KETTLE CROSSBAR ASSEMBLY	46779	46779EX
9	FRONT LID W/FORMED LIFTER	55074	55074
10	REAR KETTLE LID	55073	55073
11	RETAINING RING	49701	49701
12	NEEDLE BEARING	47106	47106
13*	SPUR GEAR KIT (Includes 2 gears with set screws. Always replace Agitator Spur Gear and Kettle Drive Motor Gear as a set.)	47059K	47059K
14	SET SCREW #10-32 X 3/16	41742	41742
15	4 OZ KETTLE AGITATOR SHAFT	54007	54007
16	SET COLLAR 5/16 ID 5/8 OD	46649	46649
17	4 OZ STIR ROD	54030	54030
18	AGITATOR WEIGHT	49013	49013



4 oz. Kettle Assembly (54000, 54000EX) – Agitator Assembly View



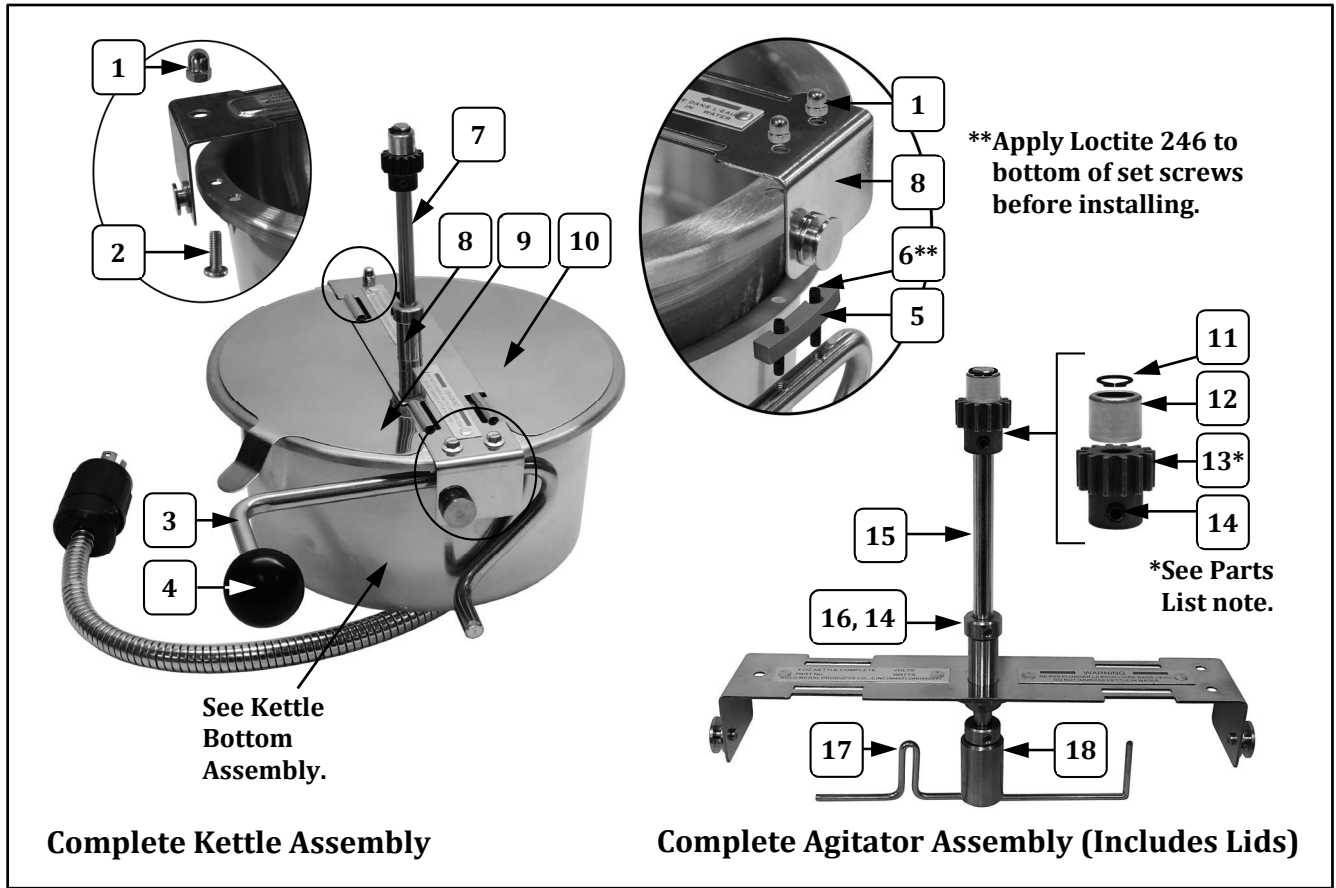
Complete Kettle Assembly

Complete Agitator Assembly (Includes Lids)

Item	Part Description	Part Number	
		54000	54000EX
1	ACORN NUT	47702	47702
2	8-32 X 1/2 PHIL PAN M/S	47141	47141
3	DUMP HANDLE RH	49314	49314
4	DUMP HANDLE KNOB	47110	47110
5	SPACER (for Dump Handle)	49362	49362
6	8-32 X 1" SET SCREW	77933	77933
7	AGITATOR & LID ASSY (Complete Assembly)	54407	54407EX
8	KETTLE CROSSBAR ASSEMBLY	46779	46779EX
9	FRONT LID W/FORMED LIFTER	55074	55074
10	REAR KETTLE LID	55073	55073
11	RETAINING RING	49701	49701
12	NEEDLE BEARING	47106	47106
13*	SPUR GEAR KIT (Includes 2 gears with set screws. Always replace Agitator Spur Gear and Kettle Drive Motor Gear as a set.)	47059K	47059K
14	SET SCREW #10-32 X 3/16	41742	41742
15	4 OZ KETTLE AGITATOR SHAFT	54007	54007
16	SET COLLAR 5/16 ID 5/8 OD	46649	46649
17	4 OZ STIR ROD	54030	54030
18	AGITATOR WEIGHT	49013	49013



4 oz. Kettle Assembly (54000, 54000EX) – Agitator Assembly View



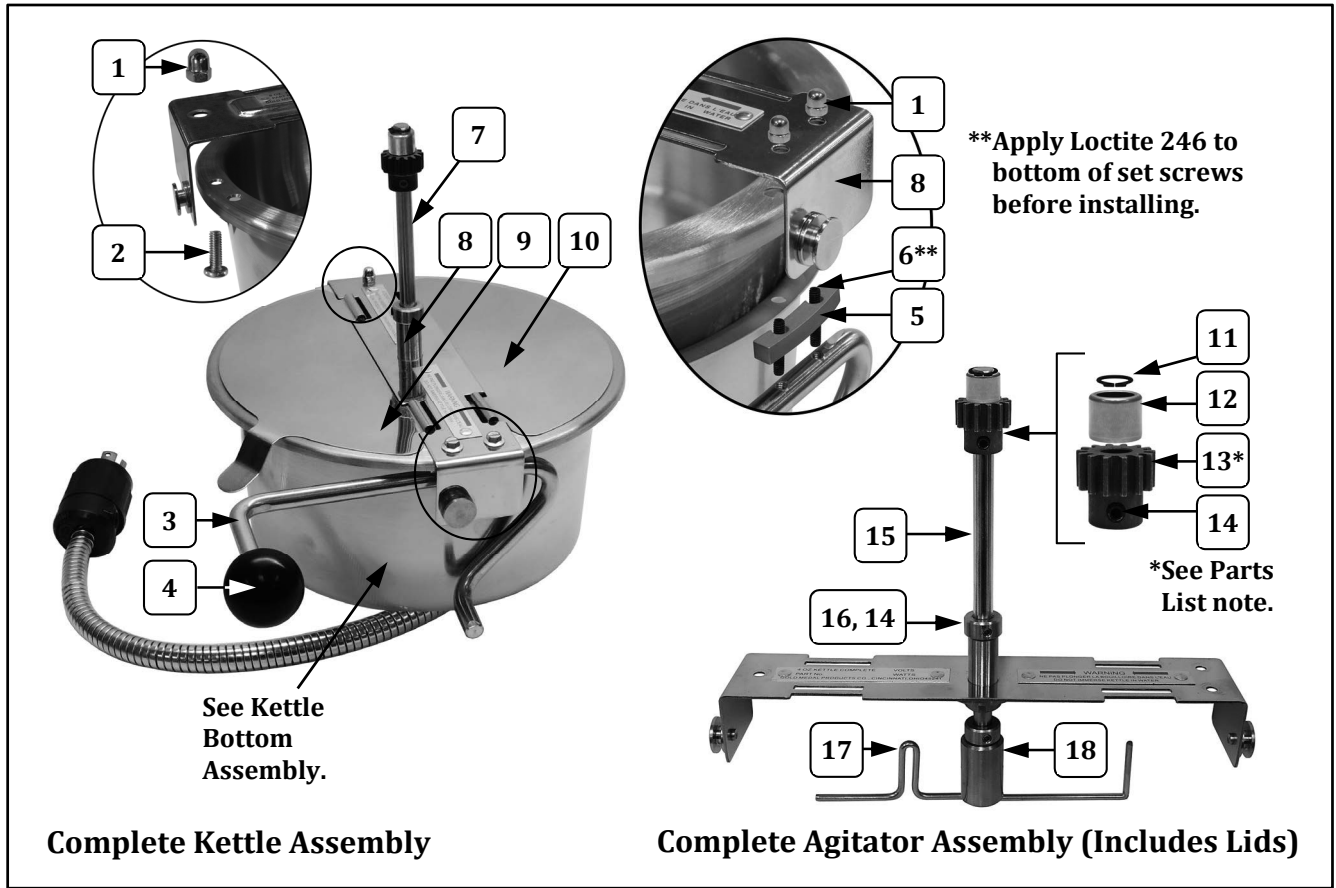
Complete Kettle Assembly

Complete Agitator Assembly (Includes Lids)

Item	Part Description	Part Number	
		54000	54000EX
1	ACORN NUT	47702	47702
2	8-32 X 1/2 PHIL PAN M/S	47141	47141
3	DUMP HANDLE RH	49314	49314
4	DUMP HANDLE KNOB	47110	47110
5	SPACER (for Dump Handle)	49362	49362
6	8-32 X 1" SET SCREW	77933	77933
7	AGITATOR & LID ASSY (Complete Assembly)	54407	54407EX
8	KETTLE CROSSBAR ASSEMBLY	46779	46779EX
9	FRONT LID W/FORMED LIFTER	55074	55074
10	REAR KETTLE LID	55073	55073
11	RETAINING RING	49701	49701
12	NEEDLE BEARING	47106	47106
13*	SPUR GEAR KIT (Includes 2 gears with set screws. Always replace Agitator Spur Gear and Kettle Drive Motor Gear as a set.)	47059K	47059K
14	SET SCREW #10-32 X 3/16	41742	41742
15	4 OZ KETTLE AGITATOR SHAFT	54007	54007
16	SET COLLAR 5/16 ID 5/8 OD	46649	46649
17	4 OZ STIR ROD	54030	54030
18	AGITATOR WEIGHT	49013	49013



4 oz. Kettle Assembly (54000, 54000EX) – Agitator Assembly View



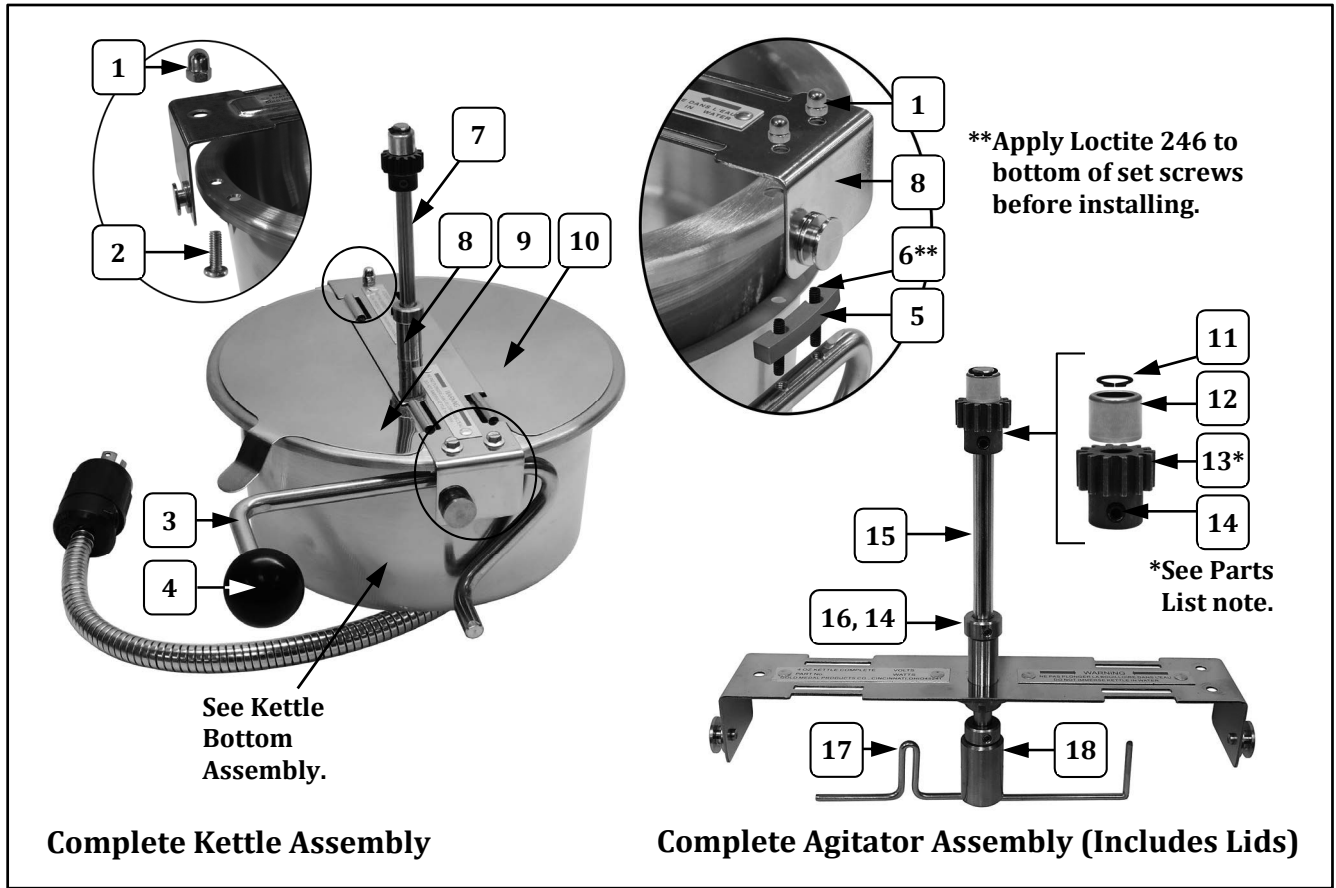
Complete Kettle Assembly

Complete Agitator Assembly (Includes Lids)

Item	Part Description	Part Number	
		54000	54000EX
1	ACORN NUT	47702	47702
2	8-32 X 1/2 PHIL PAN M/S	47141	47141
3	DUMP HANDLE RH	49314	49314
4	DUMP HANDLE KNOB	47110	47110
5	SPACER (for Dump Handle)	49362	49362
6	8-32 X 1" SET SCREW	77933	77933
7	AGITATOR & LID ASSY (Complete Assembly)	54407	54407EX
8	KETTLE CROSSBAR ASSEMBLY	46779	46779EX
9	FRONT LID W/FORMED LIFTER	55074	55074
10	REAR KETTLE LID	55073	55073
11	RETAINING RING	49701	49701
12	NEEDLE BEARING	47106	47106
13*	SPUR GEAR KIT (Includes 2 gears with set screws. Always replace Agitator Spur Gear and Kettle Drive Motor Gear as a set.)	47059K	47059K
14	SET SCREW #10-32 X 3/16	41742	41742
15	4 OZ KETTLE AGITATOR SHAFT	54007	54007
16	SET COLLAR 5/16 ID 5/8 OD	46649	46649
17	4 OZ STIR ROD	54030	54030
18	AGITATOR WEIGHT	49013	49013



4 oz. Kettle Assembly (54000, 54000EX) – Agitator Assembly View



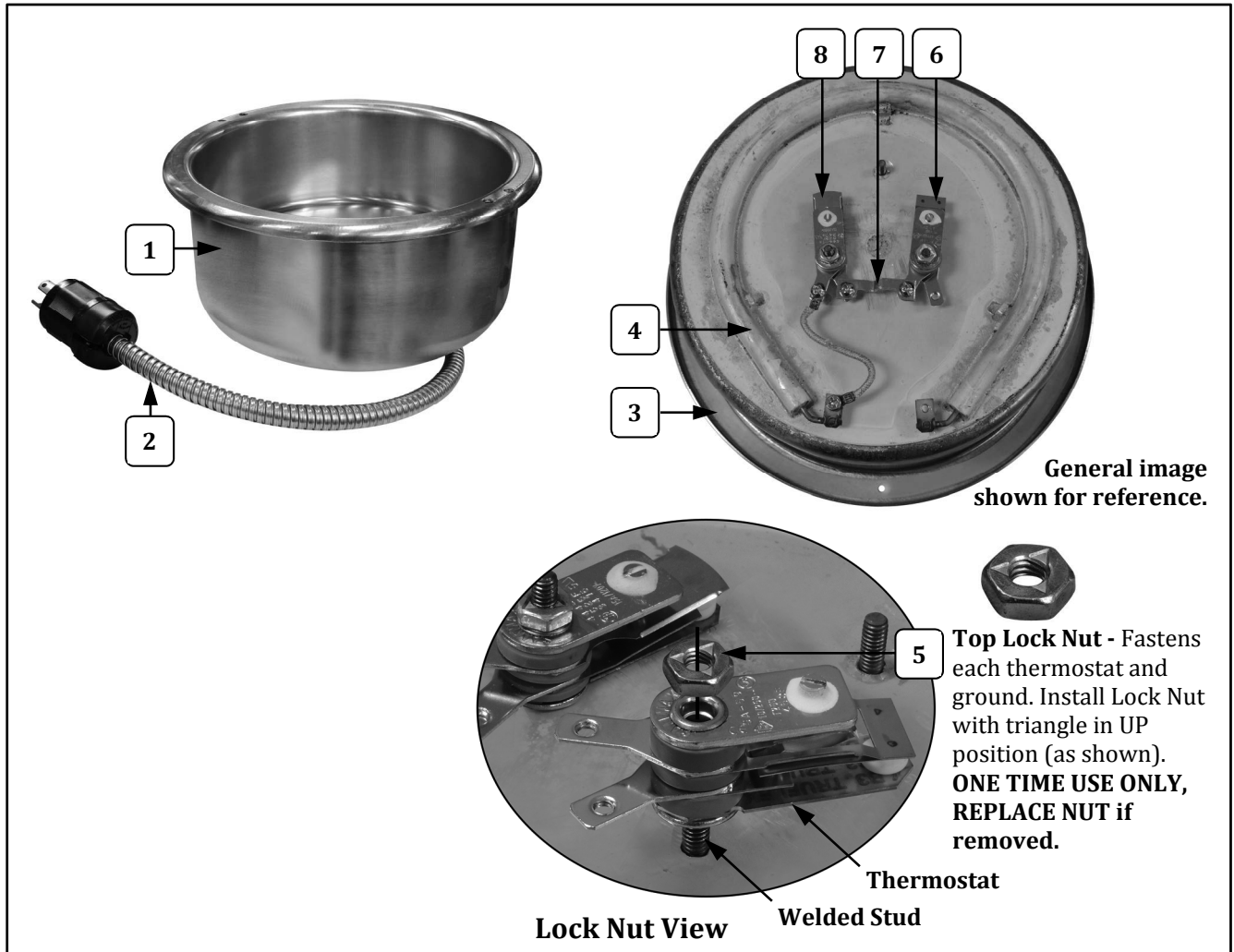
Complete Kettle Assembly

Complete Agitator Assembly (Includes Lids)

Item	Part Description	Part Number	
		54000	54000EX
1	ACORN NUT	47702	47702
2	8-32 X 1/2 PHIL PAN M/S	47141	47141
3	DUMP HANDLE RH	49314	49314
4	DUMP HANDLE KNOB	47110	47110
5	SPACER (for Dump Handle)	49362	49362
6	8-32 X 1" SET SCREW	77933	77933
7	AGITATOR & LID ASSY (Complete Assembly)	54407	54407EX
8	KETTLE CROSSBAR ASSEMBLY	46779	46779EX
9	FRONT LID W/FORMED LIFTER	55074	55074
10	REAR KETTLE LID	55073	55073
11	RETAINING RING	49701	49701
12	NEEDLE BEARING	47106	47106
13*	SPUR GEAR KIT (Includes 2 gears with set screws. Always replace Agitator Spur Gear and Kettle Drive Motor Gear as a set.)	47059K	47059K
14	SET SCREW #10-32 X 3/16	41742	41742
15	4 OZ KETTLE AGITATOR SHAFT	54007	54007
16	SET COLLAR 5/16 ID 5/8 OD	46649	46649
17	4 OZ STIR ROD	54030	54030
18	AGITATOR WEIGHT	49013	49013



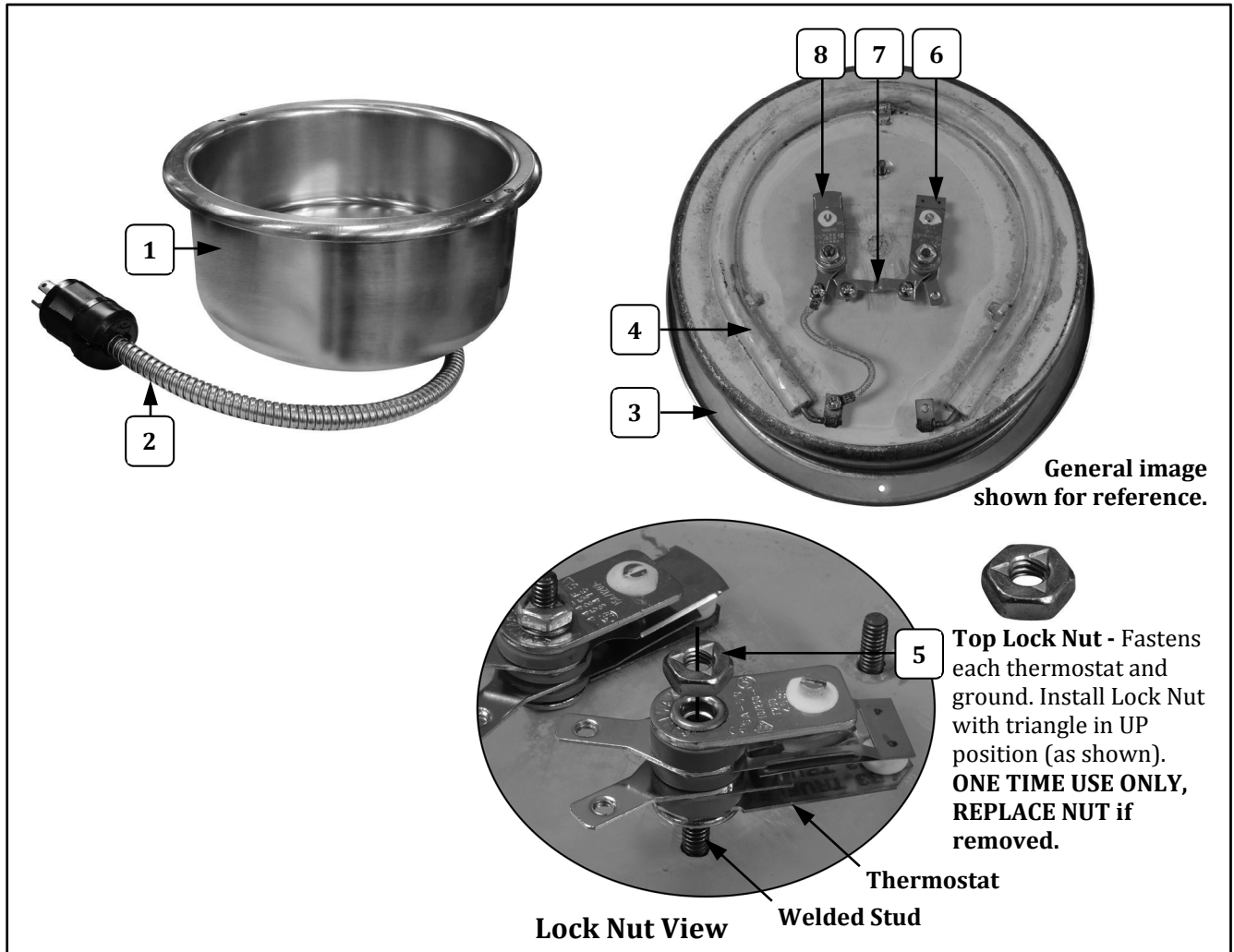
4 oz. Kettle Assembly (54000) – Kettle Bottom Assembly



Item	Part Description	Part Number
		54000
1	4 OZ. KETTLE SHELL	54004
2	4 OZ. KETTLE LEAD ASSEMBLY	54028
3	4 OZ. KETTLE GASKET	54003
4	4 OZ. KETTLE/HEAT ELEMENT	54027
5	8-32 TOP LOCK NUT (always replace if removed)	67943
6	450°F THERMOSTAT (includes two 6-32 screws)	76089
7	THERMOSTAT SHUNT BAR	47193
8	525°F THERMOSTAT (includes two 6-32 screws)	76702



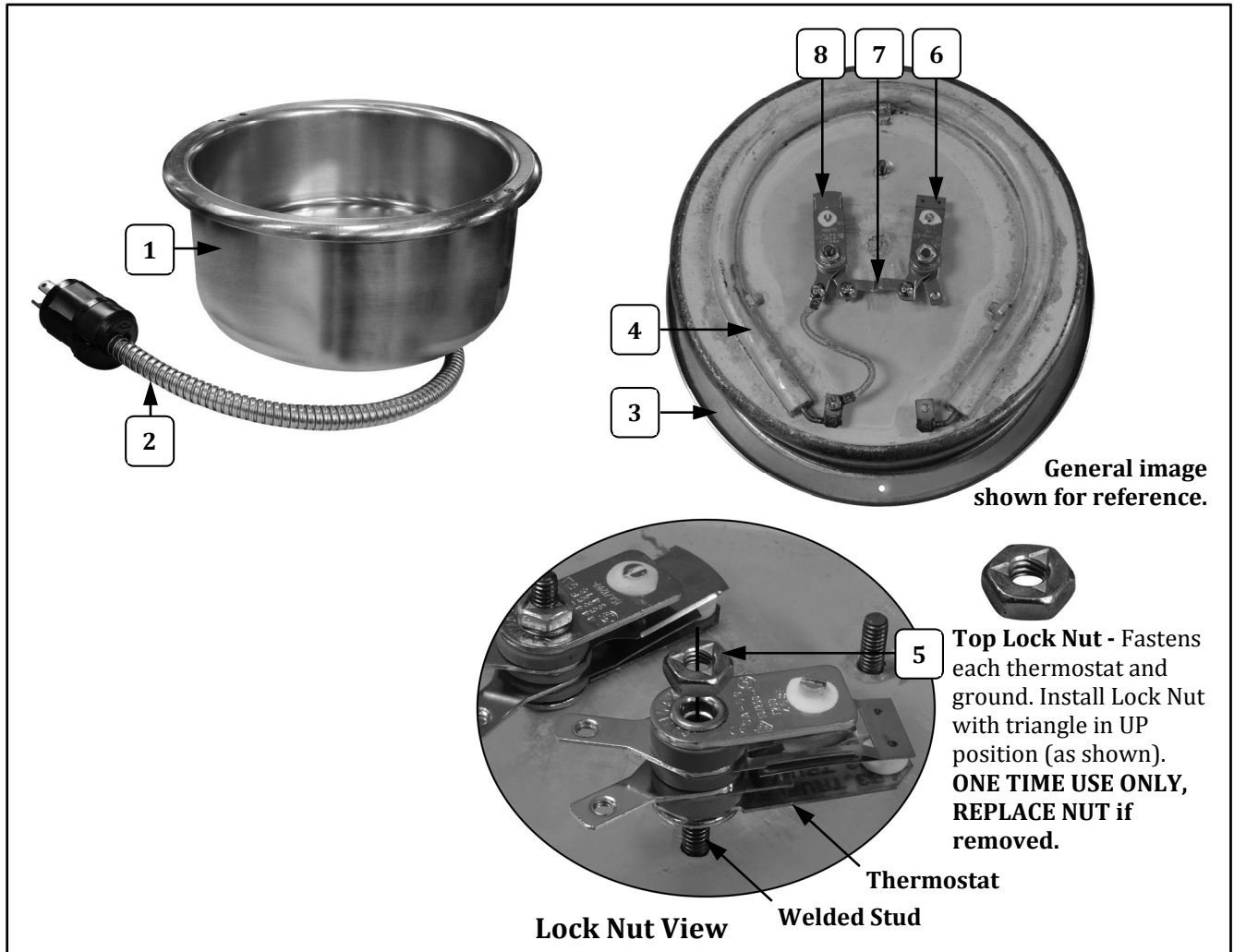
4 oz. Kettle Assembly (54000) – Kettle Bottom Assembly



Item	Part Description	Part Number
		54000
1	4 OZ. KETTLE SHELL	54004
2	4 OZ. KETTLE LEAD ASSEMBLY	54028
3	4 OZ. KETTLE GASKET	54003
4	4 OZ. KETTLE/HEAT ELEMENT	54027
5	8-32 TOP LOCK NUT (always replace if removed)	67943
6	450°F THERMOSTAT (includes two 6-32 screws)	76089
7	THERMOSTAT SHUNT BAR	47193
8	525°F THERMOSTAT (includes two 6-32 screws)	76702



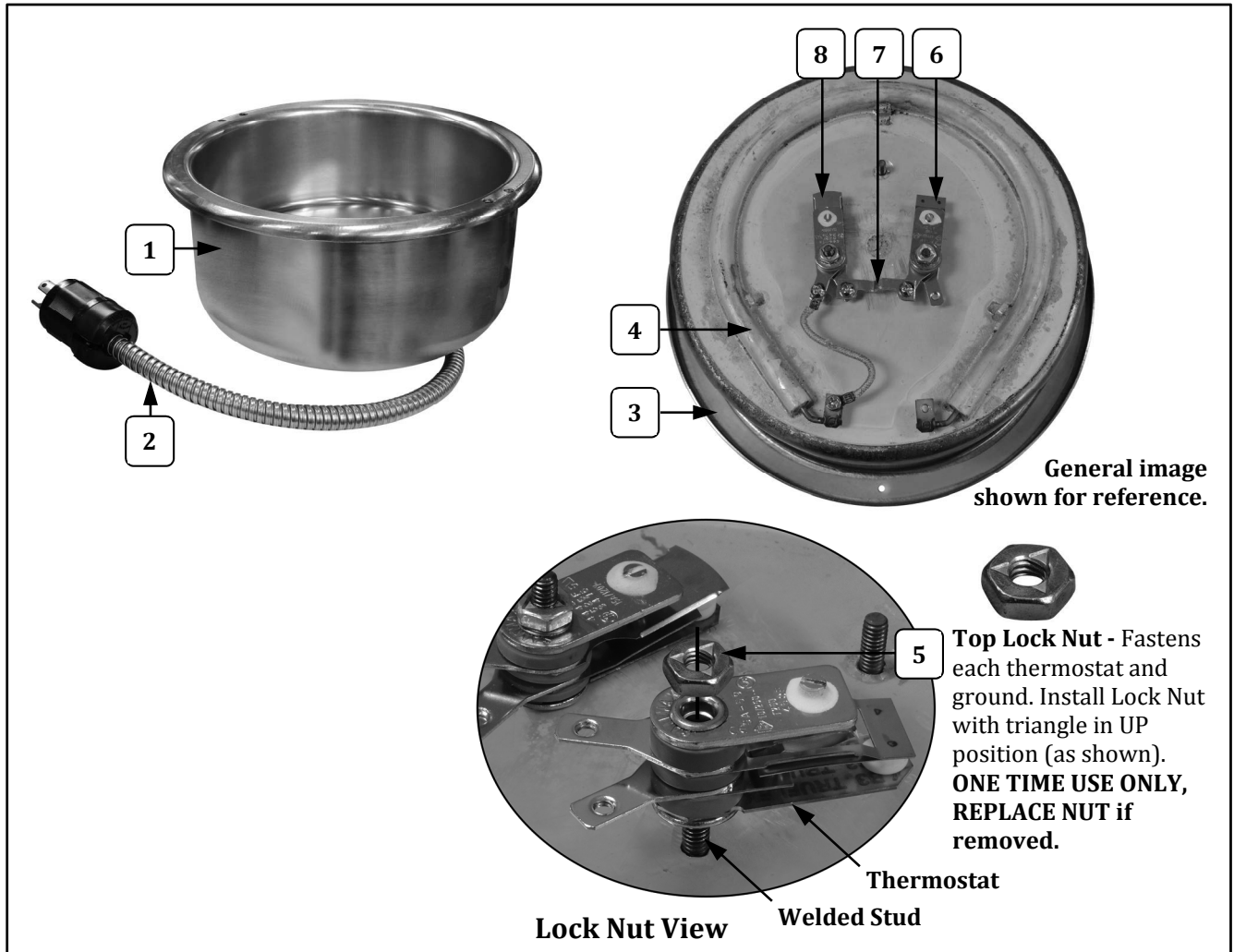
4 oz. Kettle Assembly (54000) – Kettle Bottom Assembly



Item	Part Description	Part Number
		54000
1	4 OZ. KETTLE SHELL	54004
2	4 OZ. KETTLE LEAD ASSEMBLY	54028
3	4 OZ. KETTLE GASKET	54003
4	4 OZ. KETTLE/HEAT ELEMENT	54027
5	8-32 TOP LOCK NUT (always replace if removed)	67943
6	450°F THERMOSTAT (includes two 6-32 screws)	76089
7	THERMOSTAT SHUNT BAR	47193
8	525°F THERMOSTAT (includes two 6-32 screws)	76702



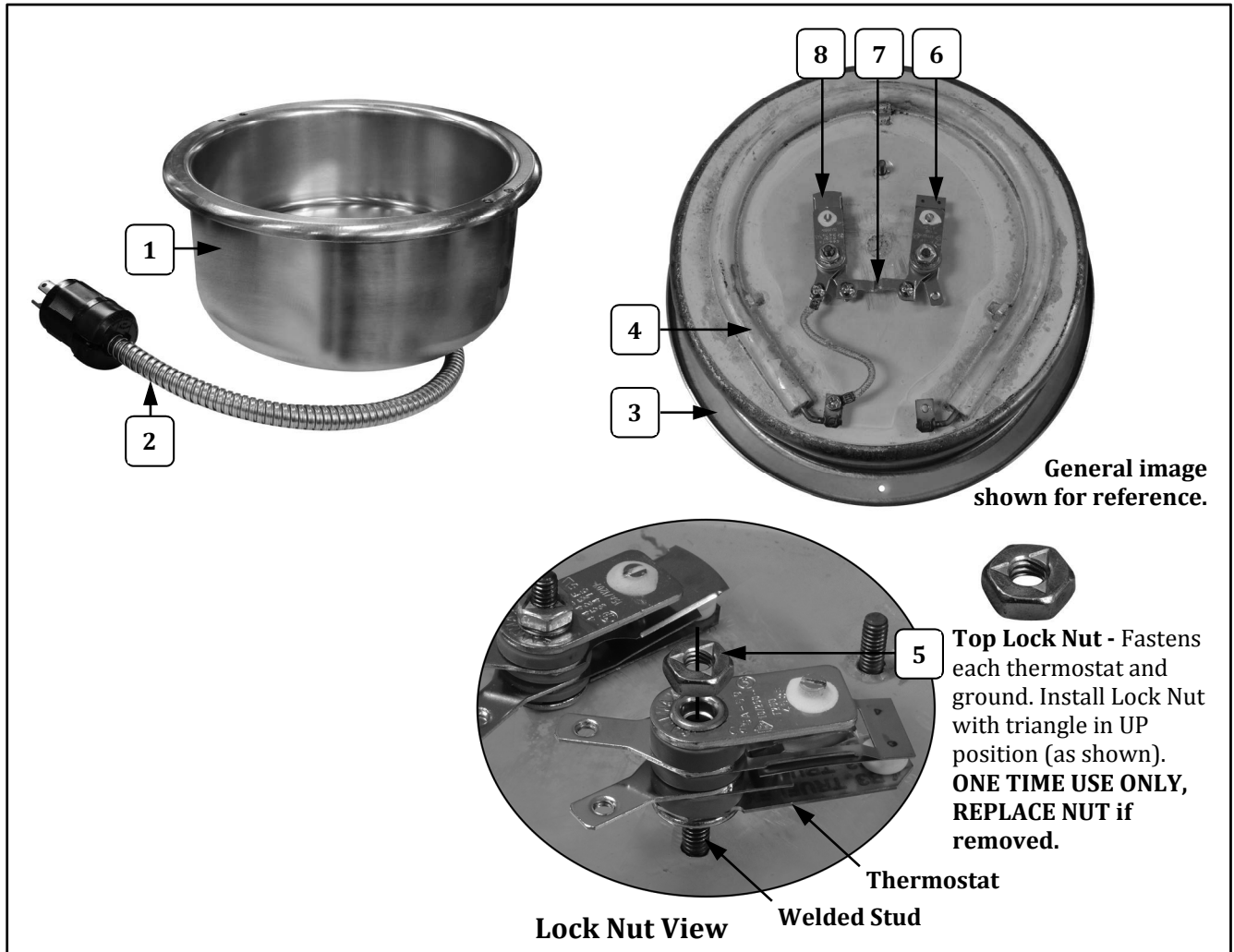
4 oz. Kettle Assembly (54000) – Kettle Bottom Assembly



Item	Part Description	Part Number
		54000
1	4 OZ. KETTLE SHELL	54004
2	4 OZ. KETTLE LEAD ASSEMBLY	54028
3	4 OZ. KETTLE GASKET	54003
4	4 OZ. KETTLE/HEAT ELEMENT	54027
5	8-32 TOP LOCK NUT (always replace if removed)	67943
6	450°F THERMOSTAT (includes two 6-32 screws)	76089
7	THERMOSTAT SHUNT BAR	47193
8	525°F THERMOSTAT (includes two 6-32 screws)	76702



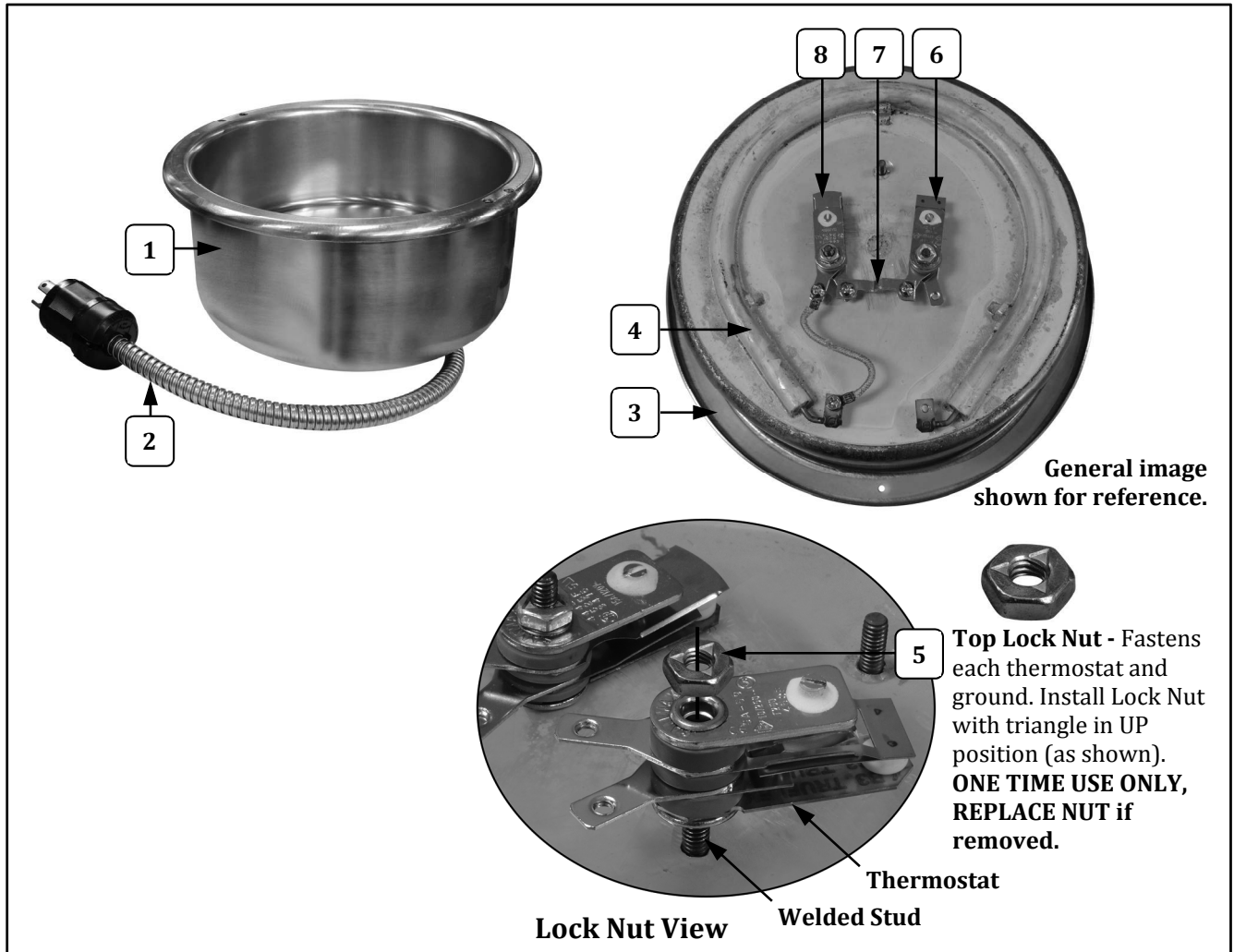
4 oz. Kettle Assembly (54000) – Kettle Bottom Assembly



Item	Part Description	Part Number
		54000
1	4 OZ. KETTLE SHELL	54004
2	4 OZ. KETTLE LEAD ASSEMBLY	54028
3	4 OZ. KETTLE GASKET	54003
4	4 OZ. KETTLE/HEAT ELEMENT	54027
5	8-32 TOP LOCK NUT (always replace if removed)	67943
6	450°F THERMOSTAT (includes two 6-32 screws)	76089
7	THERMOSTAT SHUNT BAR	47193
8	525°F THERMOSTAT (includes two 6-32 screws)	76702



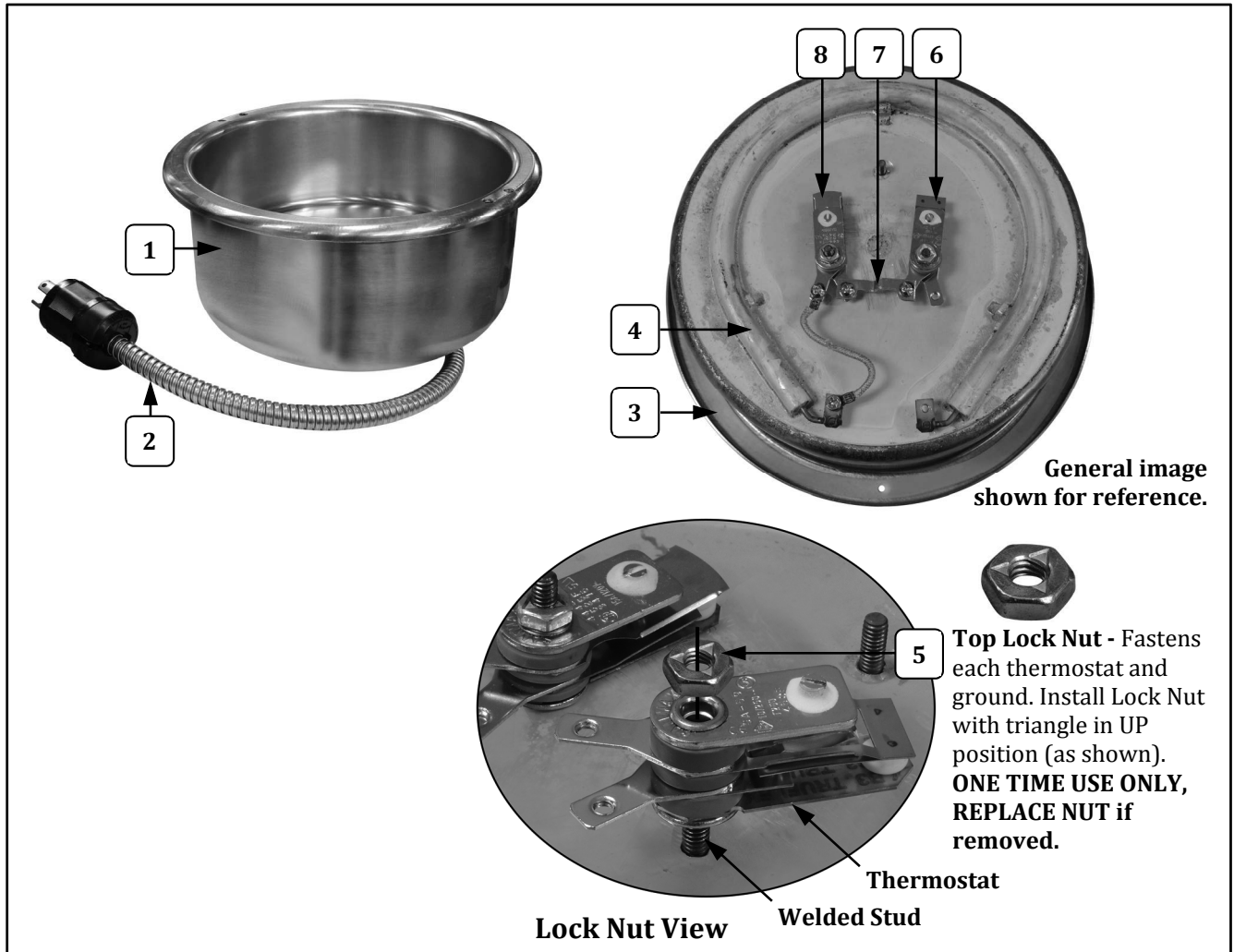
4 oz. Kettle Assembly (54000) – Kettle Bottom Assembly



Item	Part Description	Part Number
		54000
1	4 OZ. KETTLE SHELL	54004
2	4 OZ. KETTLE LEAD ASSEMBLY	54028
3	4 OZ. KETTLE GASKET	54003
4	4 OZ. KETTLE/HEAT ELEMENT	54027
5	8-32 TOP LOCK NUT (always replace if removed)	67943
6	450°F THERMOSTAT (includes two 6-32 screws)	76089
7	THERMOSTAT SHUNT BAR	47193
8	525°F THERMOSTAT (includes two 6-32 screws)	76702



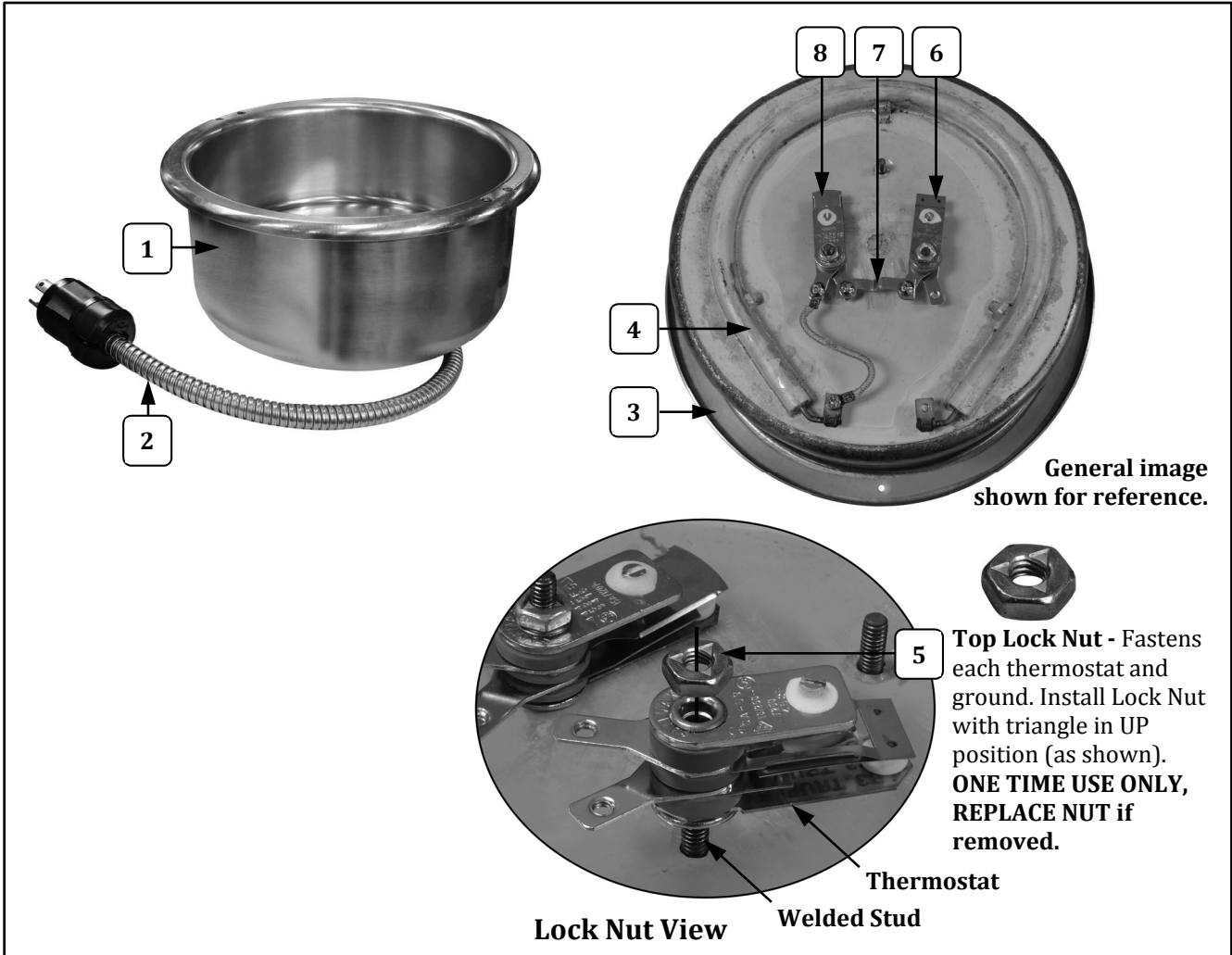
4 oz. Kettle Assembly (54000) – Kettle Bottom Assembly



Item	Part Description	Part Number
		54000
1	4 OZ. KETTLE SHELL	54004
2	4 OZ. KETTLE LEAD ASSEMBLY	54028
3	4 OZ. KETTLE GASKET	54003
4	4 OZ. KETTLE/HEAT ELEMENT	54027
5	8-32 TOP LOCK NUT (always replace if removed)	67943
6	450°F THERMOSTAT (includes two 6-32 screws)	76089
7	THERMOSTAT SHUNT BAR	47193
8	525°F THERMOSTAT (includes two 6-32 screws)	76702



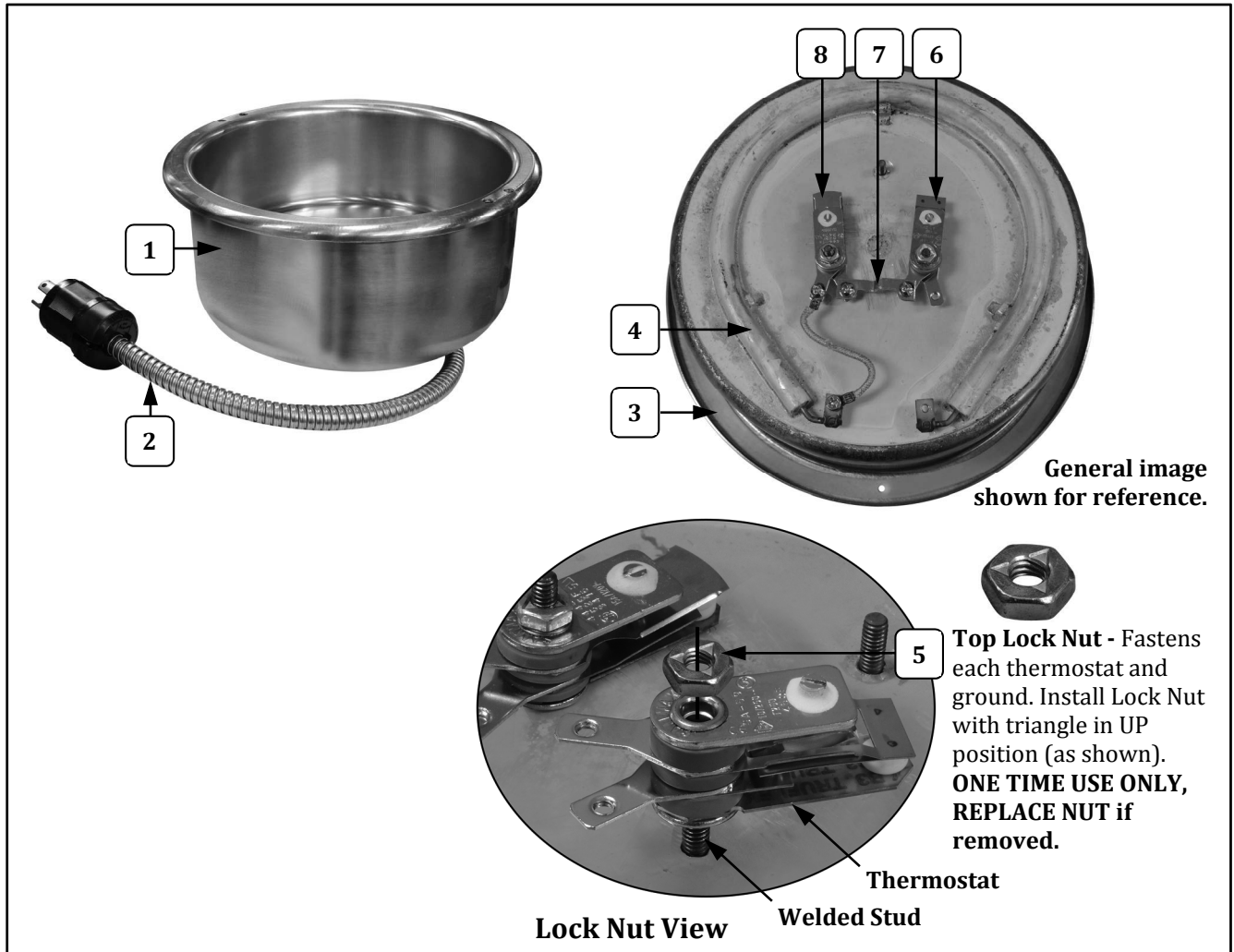
4 oz. Kettle Assembly (54000) – Kettle Bottom Assembly



Item	Part Description	Part Number
		54000
1	4 OZ. KETTLE SHELL	54004
2	4 OZ. KETTLE LEAD ASSEMBLY	54028
3	4 OZ. KETTLE GASKET	54003
4	4 OZ. KETTLE/HEAT ELEMENT	54027
5	8-32 TOP LOCK NUT (always replace if removed)	67943
6	450°F THERMOSTAT (includes two 6-32 screws)	76089
7	THERMOSTAT SHUNT BAR	47193
8	525°F THERMOSTAT (includes two 6-32 screws)	76702



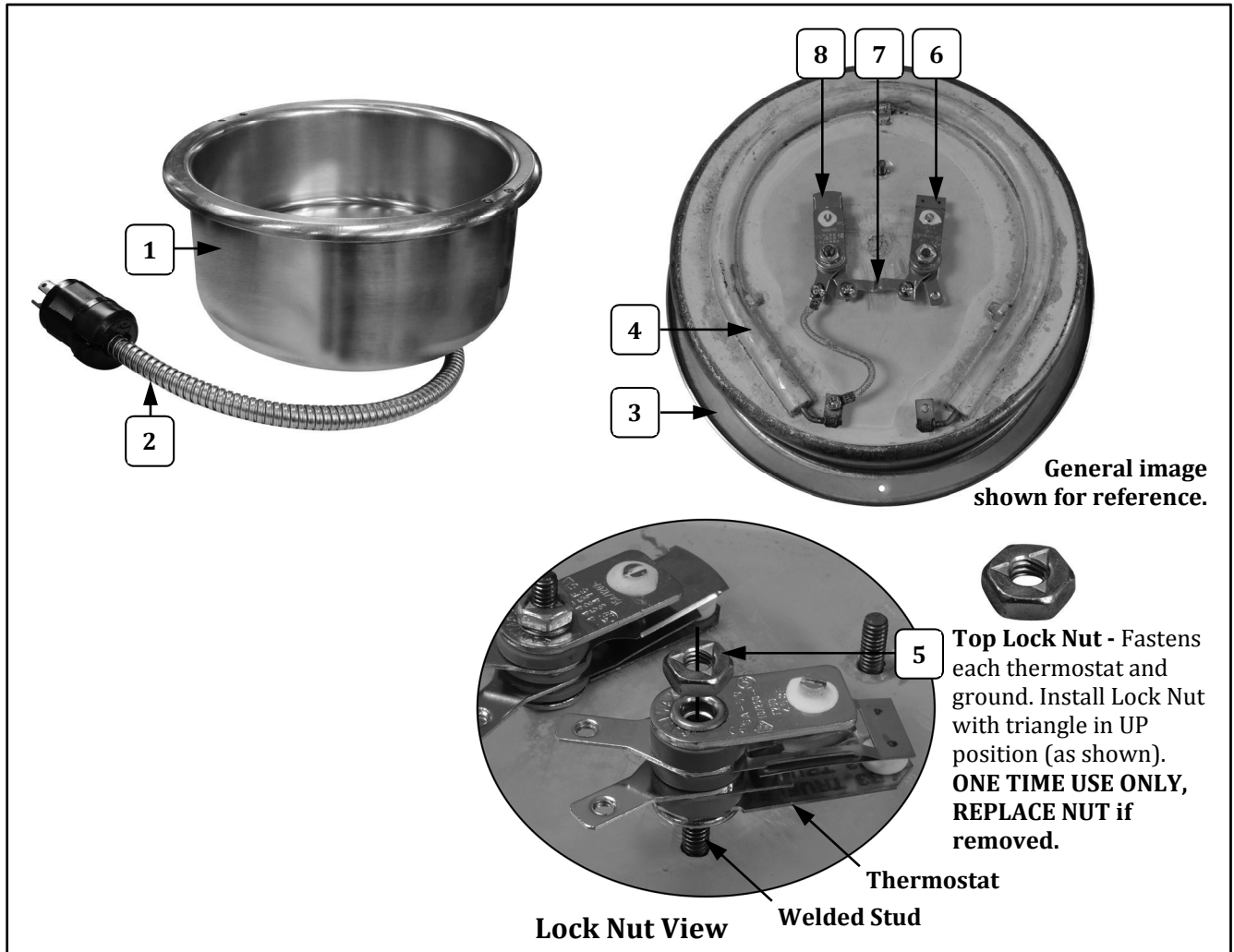
4 oz. Kettle Assembly (54000) – Kettle Bottom Assembly



Item	Part Description	Part Number
		54000
1	4 OZ. KETTLE SHELL	54004
2	4 OZ. KETTLE LEAD ASSEMBLY	54028
3	4 OZ. KETTLE GASKET	54003
4	4 OZ. KETTLE/HEAT ELEMENT	54027
5	8-32 TOP LOCK NUT (always replace if removed)	67943
6	450°F THERMOSTAT (includes two 6-32 screws)	76089
7	THERMOSTAT SHUNT BAR	47193
8	525°F THERMOSTAT (includes two 6-32 screws)	76702



4 oz. Kettle Assembly (54000) – Kettle Bottom Assembly



Item	Part Description	Part Number
		54000
1	4 OZ. KETTLE SHELL	54004
2	4 OZ. KETTLE LEAD ASSEMBLY	54028
3	4 OZ. KETTLE GASKET	54003
4	4 OZ. KETTLE/HEAT ELEMENT	54027
5	8-32 TOP LOCK NUT (always replace if removed)	67943
6	450°F THERMOSTAT (includes two 6-32 screws)	76089
7	THERMOSTAT SHUNT BAR	47193
8	525°F THERMOSTAT (includes two 6-32 screws)	76702



4 oz. Kettle Assembly (54000EX) – Kettle Bottom Assembly

As of February 1, 2016, the **EXPORT** Kettle Lead-in Assembly Plug is 230V (NEMA L-6). When replacing the lead-in assembly, ensure the kettle receptacle will match the new configuration (see image below).

**Export L6-15R
Kettle Recept.
(P/N 49330EX)**

**Export L6-15P
Kettle Plug
Configuration**

Top Lock Nut - Fastens each thermostat and ground. Install Lock Nut with triangle in UP position (as shown). **ONE TIME USE ONLY, REPLACE NUT if removed.**

Lock Nut View **Thermostat**
Welded Stud

General image shown for reference.

Item	Part Description	Part Number
		54000EX
1	4 OZ. KETTLE SHELL	54004
2	4 OZ. KETTLE LEAD ASSEMBLY	54028EX
3	4 OZ. KETTLE GASKET	54003
4	8 OZ. 230 VOLT KETTLE/HEATER	54027EX
5	THERMOSTAT SHUNT BAR	47193
6	8-32 TOP LOCK NUT (always replace if removed)	67943
7	450°F THERMOSTAT (2 required) (includes two 6-32 screws)	76089



4 oz. Kettle Assembly (54000EX) – Kettle Bottom Assembly

As of February 1, 2016, the **EXPORT** Kettle Lead-in Assembly Plug is 230V (NEMA L-6). When replacing the lead-in assembly, ensure the kettle receptacle will match the new configuration (see image below).

**Export L6-15R
Kettle Recept.
(P/N 49330EX)**

**Export L6-15P
Kettle Plug
Configuration**

Top Lock Nut - Fastens each thermostat and ground. Install Lock Nut with triangle in UP position (as shown). **ONE TIME USE ONLY, REPLACE NUT if removed.**

Lock Nut View **Thermostat**
Welded Stud

General image shown for reference.

Item	Part Description	Part Number
		54000EX
1	4 OZ. KETTLE SHELL	54004
2	4 OZ. KETTLE LEAD ASSEMBLY	54028EX
3	4 OZ. KETTLE GASKET	54003
4	8 OZ. 230 VOLT KETTLE/HEATER	54027EX
5	THERMOSTAT SHUNT BAR	47193
6	8-32 TOP LOCK NUT (always replace if removed)	67943
7	450°F THERMOSTAT (2 required) (includes two 6-32 screws)	76089



4 oz. Kettle Assembly (54000EX) – Kettle Bottom Assembly

As of February 1, 2016, the **EXPORT** Kettle Lead-in Assembly Plug is 230V (NEMA L-6). When replacing the lead-in assembly, ensure the kettle receptacle will match the new configuration (see image below).

**Export L6-15R
Kettle Recept.
(P/N 49330EX)**

**Export L6-15P
Kettle Plug
Configuration**

Top Lock Nut - Fastens each thermostat and ground. Install Lock Nut with triangle in UP position (as shown). **ONE TIME USE ONLY, REPLACE NUT if removed.**

Lock Nut View **Thermostat**
Welded Stud

General image shown for reference.

Item	Part Description	Part Number
		54000EX
1	4 OZ. KETTLE SHELL	54004
2	4 OZ. KETTLE LEAD ASSEMBLY	54028EX
3	4 OZ. KETTLE GASKET	54003
4	8 OZ. 230 VOLT KETTLE/HEATER	54027EX
5	THERMOSTAT SHUNT BAR	47193
6	8-32 TOP LOCK NUT (always replace if removed)	67943
7	450°F THERMOSTAT (2 required) (includes two 6-32 screws)	76089



4 oz. Kettle Assembly (54000EX) – Kettle Bottom Assembly

As of February 1, 2016, the **EXPORT** Kettle Lead-in Assembly Plug is 230V (NEMA L-6). When replacing the lead-in assembly, ensure the kettle receptacle will match the new configuration (see image below).

**Export L6-15R
Kettle Recept.
(P/N 49330EX)**

**Export L6-15P
Kettle Plug
Configuration**

Top Lock Nut - Fastens each thermostat and ground. Install Lock Nut with triangle in UP position (as shown). **ONE TIME USE ONLY, REPLACE NUT if removed.**

Thermostat
Welded Stud

Lock Nut View

General image shown for reference.

Item	Part Description	Part Number
		54000EX
1	4 OZ. KETTLE SHELL	54004
2	4 OZ. KETTLE LEAD ASSEMBLY	54028EX
3	4 OZ. KETTLE GASKET	54003
4	8 OZ. 230 VOLT KETTLE/HEATER	54027EX
5	THERMOSTAT SHUNT BAR	47193
6	8-32 TOP LOCK NUT (always replace if removed)	67943
7	450°F THERMOSTAT (2 required) (includes two 6-32 screws)	76089



4 oz. Kettle Assembly (54000EX) – Kettle Bottom Assembly

As of February 1, 2016, the **EXPORT** Kettle Lead-in Assembly Plug is 230V (NEMA L-6). When replacing the lead-in assembly, ensure the kettle receptacle will match the new configuration (see image below).

**Export L6-15R
Kettle Recept.
(P/N 49330EX)**

**Export L6-15P
Kettle Plug
Configuration**

Top Lock Nut - Fastens each thermostat and ground. Install Lock Nut with triangle in UP position (as shown). **ONE TIME USE ONLY, REPLACE NUT if removed.**

Thermostat
Welded Stud

Lock Nut View

General image shown for reference.

Item	Part Description	Part Number
		54000EX
1	4 OZ. KETTLE SHELL	54004
2	4 OZ. KETTLE LEAD ASSEMBLY	54028EX
3	4 OZ. KETTLE GASKET	54003
4	8 OZ. 230 VOLT KETTLE/HEATER	54027EX
5	THERMOSTAT SHUNT BAR	47193
6	8-32 TOP LOCK NUT (always replace if removed)	67943
7	450°F THERMOSTAT (2 required) (includes two 6-32 screws)	76089



4 oz. Kettle Assembly (54000EX) – Kettle Bottom Assembly

As of February 1, 2016, the **EXPORT** Kettle Lead-in Assembly Plug is 230V (NEMA L-6). When replacing the lead-in assembly, ensure the kettle receptacle will match the new configuration (see image below).

**Export L6-15R
Kettle Recept.
(P/N 49330EX)**

**Export L6-15P
Kettle Plug
Configuration**

Top Lock Nut - Fastens each thermostat and ground. Install Lock Nut with triangle in UP position (as shown). **ONE TIME USE ONLY, REPLACE NUT if removed.**

Thermostat
Welded Stud

Lock Nut View

General image shown for reference.

Item	Part Description	Part Number
		54000EX
1	4 OZ. KETTLE SHELL	54004
2	4 OZ. KETTLE LEAD ASSEMBLY	54028EX
3	4 OZ. KETTLE GASKET	54003
4	8 OZ. 230 VOLT KETTLE/HEATER	54027EX
5	THERMOSTAT SHUNT BAR	47193
6	8-32 TOP LOCK NUT (always replace if removed)	67943
7	450°F THERMOSTAT (2 required) (includes two 6-32 screws)	76089



4 oz. Kettle Assembly (54000EX) – Kettle Bottom Assembly

As of February 1, 2016, the **EXPORT** Kettle Lead-in Assembly Plug is 230V (NEMA L-6). When replacing the lead-in assembly, ensure the kettle receptacle will match the new configuration (see image below).

**Export L6-15R
Kettle Recept.
(P/N 49330EX)**

**Export L6-15P
Kettle Plug
Configuration**

Lock Nut View **Welded Stud** **Thermostat**

Top Lock Nut - Fastens each thermostat and ground. Install Lock Nut with triangle in UP position (as shown). **ONE TIME USE ONLY, REPLACE NUT if removed.**

General image shown for reference.

Item	Part Description	Part Number
		54000EX
1	4 OZ. KETTLE SHELL	54004
2	4 OZ. KETTLE LEAD ASSEMBLY	54028EX
3	4 OZ. KETTLE GASKET	54003
4	8 OZ. 230 VOLT KETTLE/HEATER	54027EX
5	THERMOSTAT SHUNT BAR	47193
6	8-32 TOP LOCK NUT (always replace if removed)	67943
7	450°F THERMOSTAT (2 required) (includes two 6-32 screws)	76089



4 oz. Kettle Assembly (54000EX) – Kettle Bottom Assembly

As of February 1, 2016, the **EXPORT** Kettle Lead-in Assembly Plug is 230V (NEMA L-6). When replacing the lead-in assembly, ensure the kettle receptacle will match the new configuration (see image below).

**Export L6-15R
Kettle Recept.
(P/N 49330EX)**

**Export L6-15P
Kettle Plug
Configuration**

Lock Nut View **Welded Stud** **Thermostat**

Top Lock Nut - Fastens each thermostat and ground. Install Lock Nut with triangle in UP position (as shown). **ONE TIME USE ONLY, REPLACE NUT if removed.**

General image shown for reference.

Item	Part Description	Part Number
		54000EX
1	4 OZ. KETTLE SHELL	54004
2	4 OZ. KETTLE LEAD ASSEMBLY	54028EX
3	4 OZ. KETTLE GASKET	54003
4	8 OZ. 230 VOLT KETTLE/HEATER	54027EX
5	THERMOSTAT SHUNT BAR	47193
6	8-32 TOP LOCK NUT (always replace if removed)	67943
7	450°F THERMOSTAT (2 required) (includes two 6-32 screws)	76089



4 oz. Kettle Assembly (54000EX) – Kettle Bottom Assembly

As of February 1, 2016, the **EXPORT** Kettle Lead-in Assembly Plug is 230V (NEMA L-6). When replacing the lead-in assembly, ensure the kettle receptacle will match the new configuration (see image below).

**Export L6-15R
Kettle Recept.
(P/N 49330EX)**

**Export L6-15P
Kettle Plug
Configuration**

Lock Nut View **Welded Stud** **Thermostat**

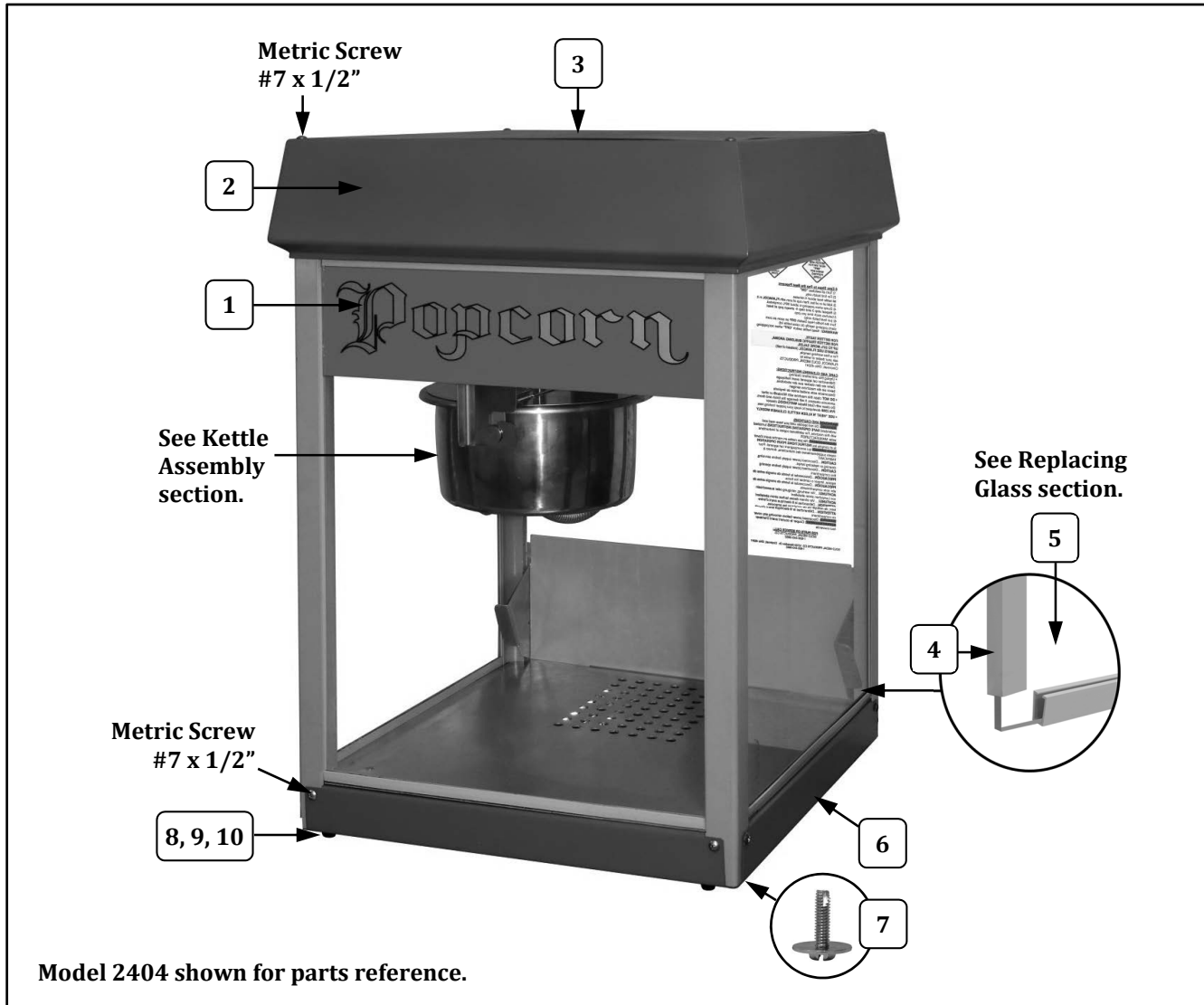
Top Lock Nut - Fastens each thermostat and ground. Install Lock Nut with triangle in UP position (as shown). **ONE TIME USE ONLY, REPLACE NUT if removed.**

General image shown for reference.

Item	Part Description	Part Number
		54000EX
1	4 OZ. KETTLE SHELL	54004
2	4 OZ. KETTLE LEAD ASSEMBLY	54028EX
3	4 OZ. KETTLE GASKET	54003
4	8 OZ. 230 VOLT KETTLE/HEATER	54027EX
5	THERMOSTAT SHUNT BAR	47193
6	8-32 TOP LOCK NUT (always replace if removed)	67943
7	450°F THERMOSTAT (2 required) (includes two 6-32 screws)	76089



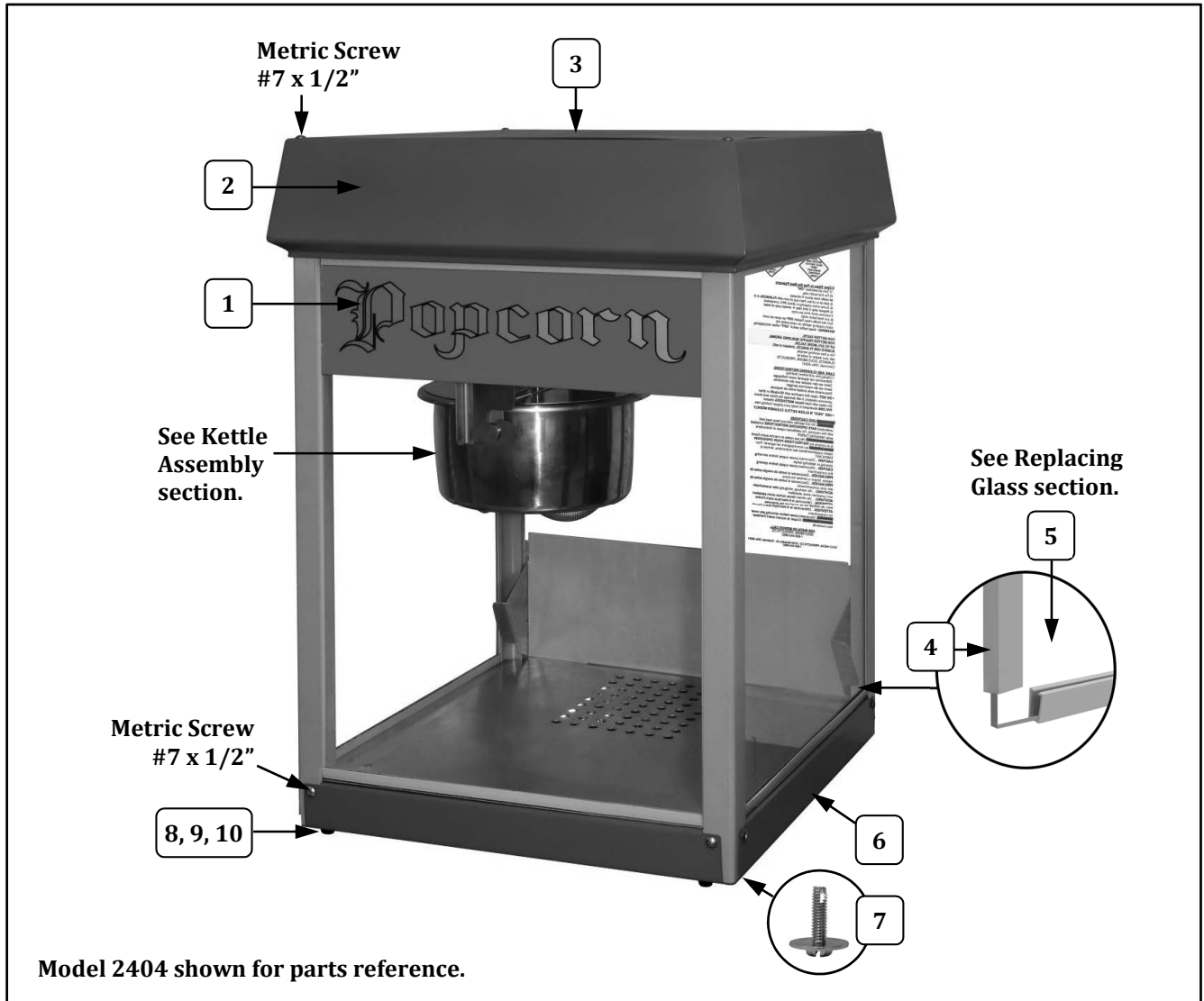
Cabinet Exterior – Front View



Item	Part Description	Part Number			
		2404	2404EX	2404MD	2404MDX
1	DECAL POPCORN FRONT GLASS	56001	56001	56001MD	56001MD
2	DOME TOP WELDED ASSEMBLY	55089	55089	55089BK	55089BK
3	DOME COVER	55101	58101	55101BK	55101BK
4	GLASS CHAN 18.226 (used for top and bottom edges of glass panels – cut as needed)	55079	55079	55079	55079
5	GLASS 4 OZ POPPER (3 panels used)	50022	50022	50022	50022
6	BASE PAN (Domestic)	55063		55063BK	
	BASE PAN (Export)		55063EX		N/A
7	8-32 X 5/8 TYPE 23 HX HD (fastens base pan)	49052	49052	49052	49052
8	RUBBER BUMPER/FOOT	87247	87247	87247	87247
9	#8 INTERAL TOOTH WASHER	12132	12132	12132	12132
10	#8-32 STAINLESS HEX NUT (fastens foot)	89129	89129	89129	89129



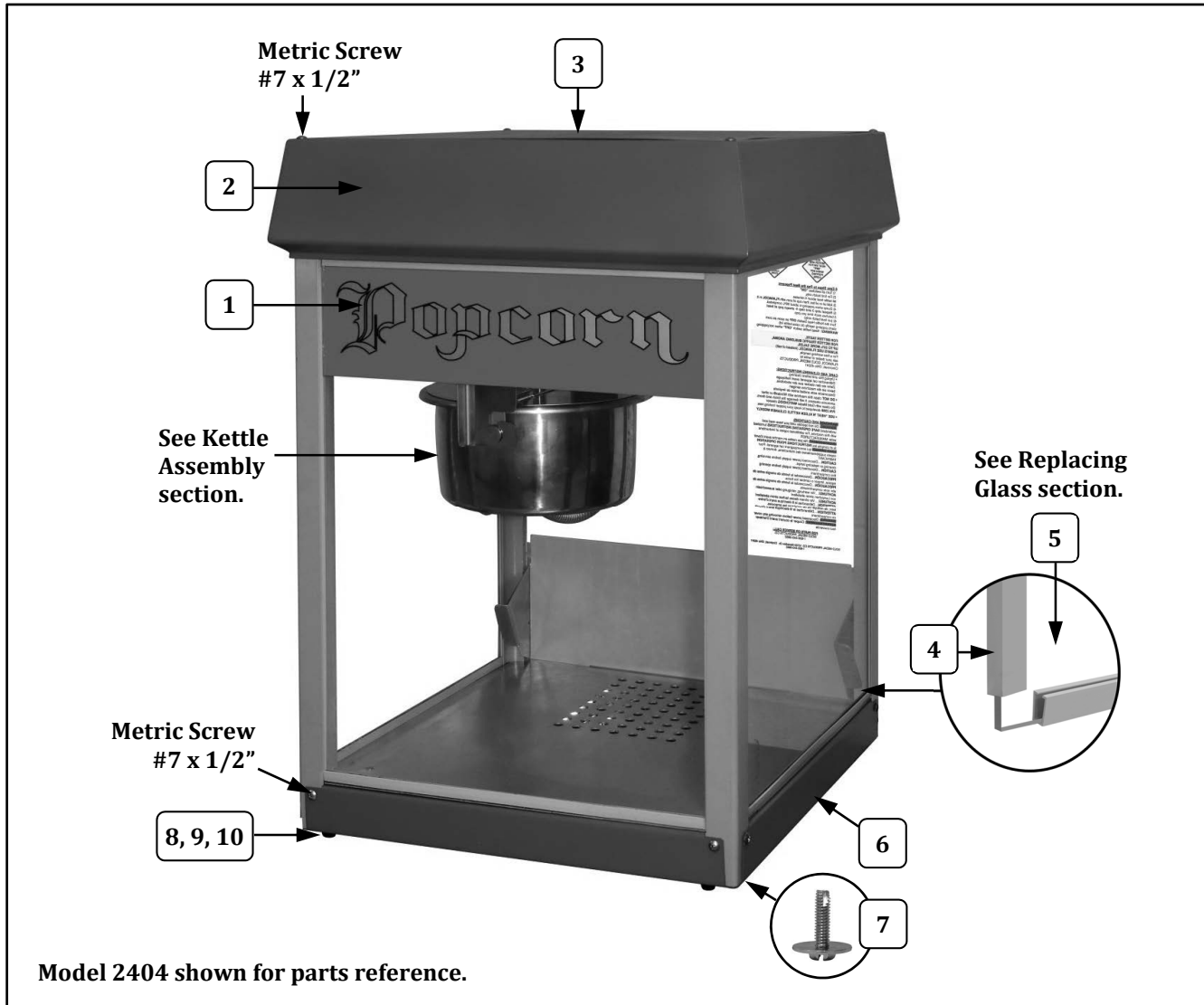
Cabinet Exterior – Front View



Item	Part Description	Part Number			
		2404	2404EX	2404MD	2404MDX
1	DECAL POPCORN FRONT GLASS	56001	56001	56001MD	56001MD
2	DOME TOP WELDED ASSEMBLY	55089	55089	55089BK	55089BK
3	DOME COVER	55101	58101	55101BK	55101BK
4	GLASS CHAN 18.226 (used for top and bottom edges of glass panels – cut as needed)	55079	55079	55079	55079
5	GLASS 4 OZ POPPER (3 panels used)	50022	50022	50022	50022
6	BASE PAN (Domestic)	55063		55063BK	
	BASE PAN (Export)		55063EX		N/A
7	8-32 X 5/8 TYPE 23 HX HD (fastens base pan)	49052	49052	49052	49052
8	RUBBER BUMPER/FOOT	87247	87247	87247	87247
9	#8 INTERNAL TOOTH WASHER	12132	12132	12132	12132
10	#8-32 STAINLESS HEX NUT (fastens foot)	89129	89129	89129	89129



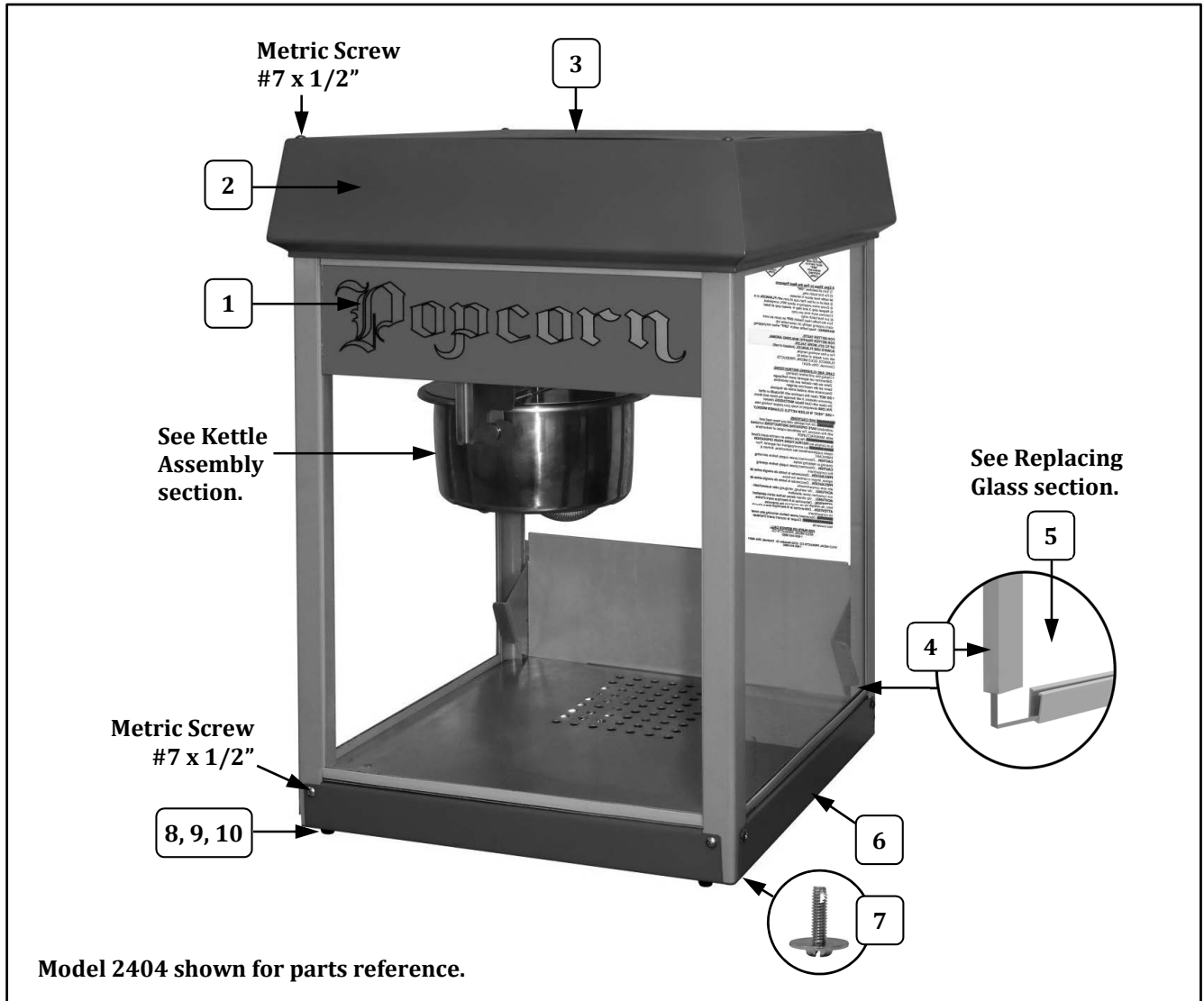
Cabinet Exterior – Front View



Item	Part Description	Part Number			
		2404	2404EX	2404MD	2404MDX
1	DECAL POPCORN FRONT GLASS	56001	56001	56001MD	56001MD
2	DOME TOP WELDED ASSEMBLY	55089	55089	55089BK	55089BK
3	DOME COVER	55101	58101	55101BK	55101BK
4	GLASS CHAN 18.226 (used for top and bottom edges of glass panels – cut as needed)	55079	55079	55079	55079
5	GLASS 4 OZ POPPER (3 panels used)	50022	50022	50022	50022
6	BASE PAN (Domestic)	55063		55063BK	
	BASE PAN (Export)		55063EX		N/A
7	8-32 X 5/8 TYPE 23 HX HD (fastens base pan)	49052	49052	49052	49052
8	RUBBER BUMPER/FOOT	87247	87247	87247	87247
9	#8 INTERAL TOOTH WASHER	12132	12132	12132	12132
10	#8-32 STAINLESS HEX NUT (fastens foot)	89129	89129	89129	89129



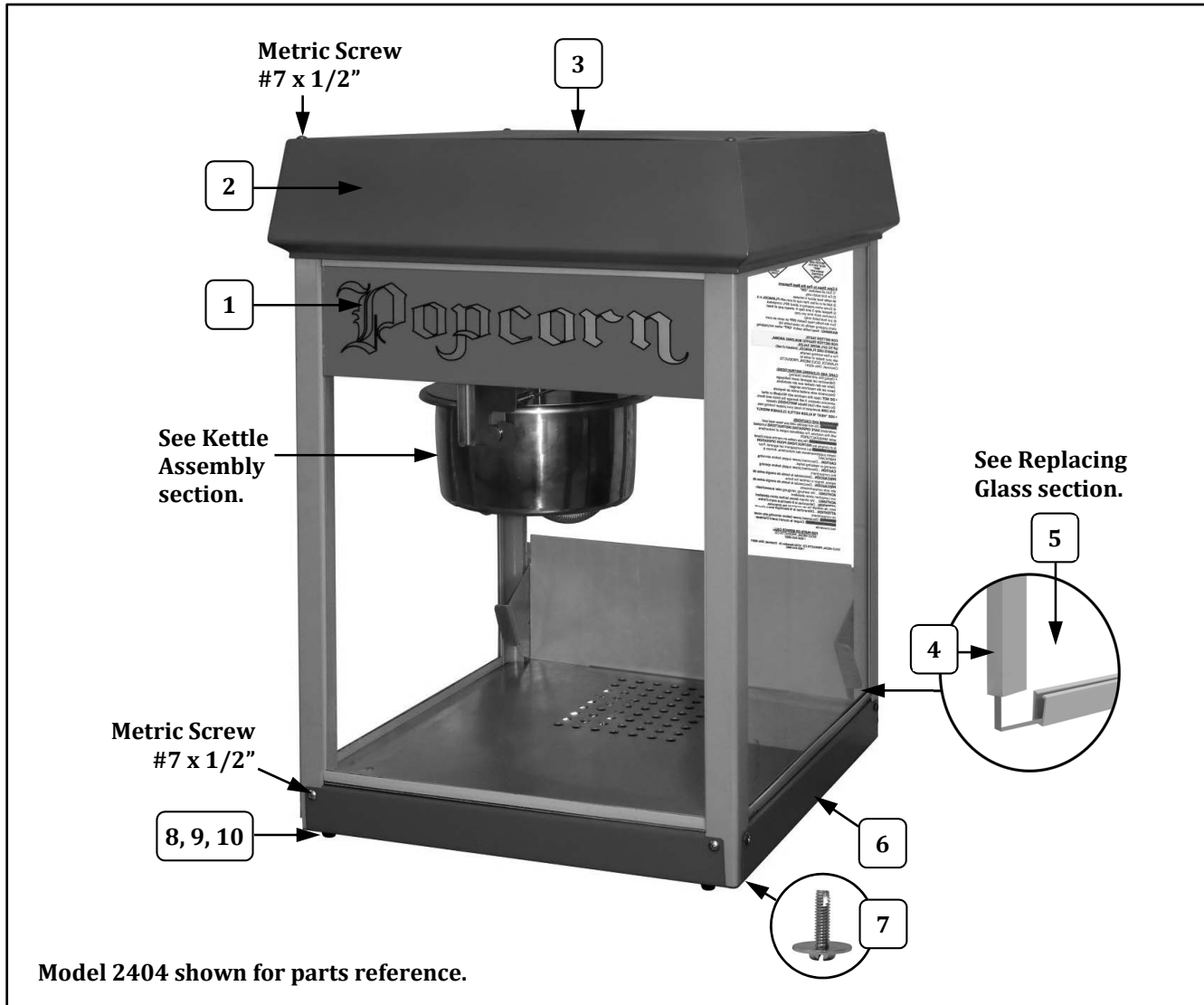
Cabinet Exterior – Front View



Item	Part Description	Part Number			
		2404	2404EX	2404MD	2404MDX
1	DECAL POPCORN FRONT GLASS	56001	56001	56001MD	56001MD
2	DOME TOP WELDED ASSEMBLY	55089	55089	55089BK	55089BK
3	DOME COVER	55101	58101	55101BK	55101BK
4	GLASS CHAN 18.226 (used for top and bottom edges of glass panels – cut as needed)	55079	55079	55079	55079
5	GLASS 4 OZ POPPER (3 panels used)	50022	50022	50022	50022
6	BASE PAN (Domestic)	55063		55063BK	
	BASE PAN (Export)		55063EX		N/A
7	8-32 X 5/8 TYPE 23 HX HD (fastens base pan)	49052	49052	49052	49052
8	RUBBER BUMPER/FOOT	87247	87247	87247	87247
9	#8 INTERNAL TOOTH WASHER	12132	12132	12132	12132
10	#8-32 STAINLESS HEX NUT (fastens foot)	89129	89129	89129	89129



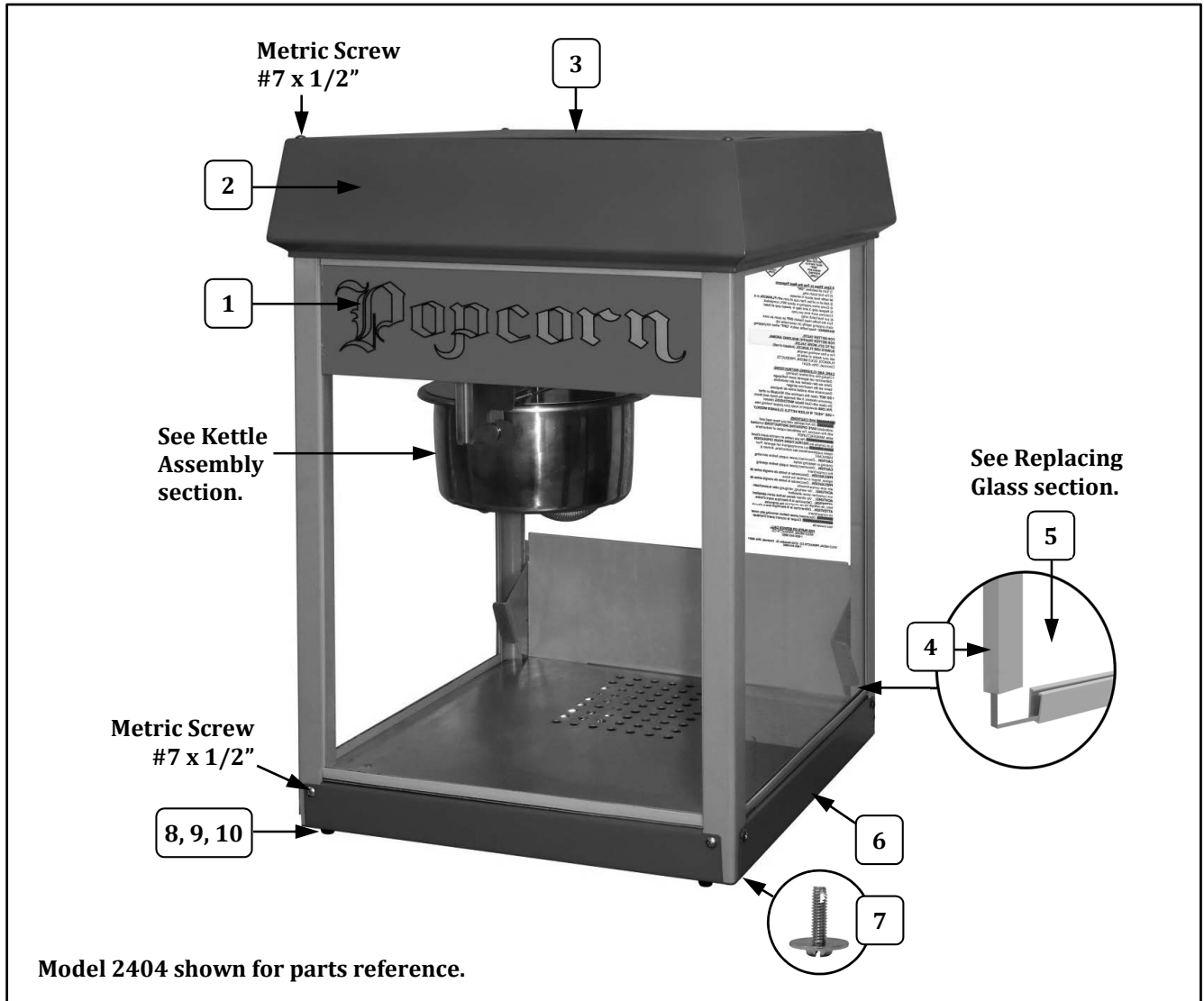
Cabinet Exterior – Front View



Item	Part Description	Part Number			
		2404	2404EX	2404MD	2404MDX
1	DECAL POPCORN FRONT GLASS	56001	56001	56001MD	56001MD
2	DOME TOP WELDED ASSEMBLY	55089	55089	55089BK	55089BK
3	DOME COVER	55101	58101	55101BK	55101BK
4	GLASS CHAN 18.226 (used for top and bottom edges of glass panels – cut as needed)	55079	55079	55079	55079
5	GLASS 4 OZ POPPER (3 panels used)	50022	50022	50022	50022
6	BASE PAN (Domestic)	55063		55063BK	
	BASE PAN (Export)		55063EX		N/A
7	8-32 X 5/8 TYPE 23 HX HD (fastens base pan)	49052	49052	49052	49052
8	RUBBER BUMPER/FOOT	87247	87247	87247	87247
9	#8 INTERAL TOOTH WASHER	12132	12132	12132	12132
10	#8-32 STAINLESS HEX NUT (fastens foot)	89129	89129	89129	89129



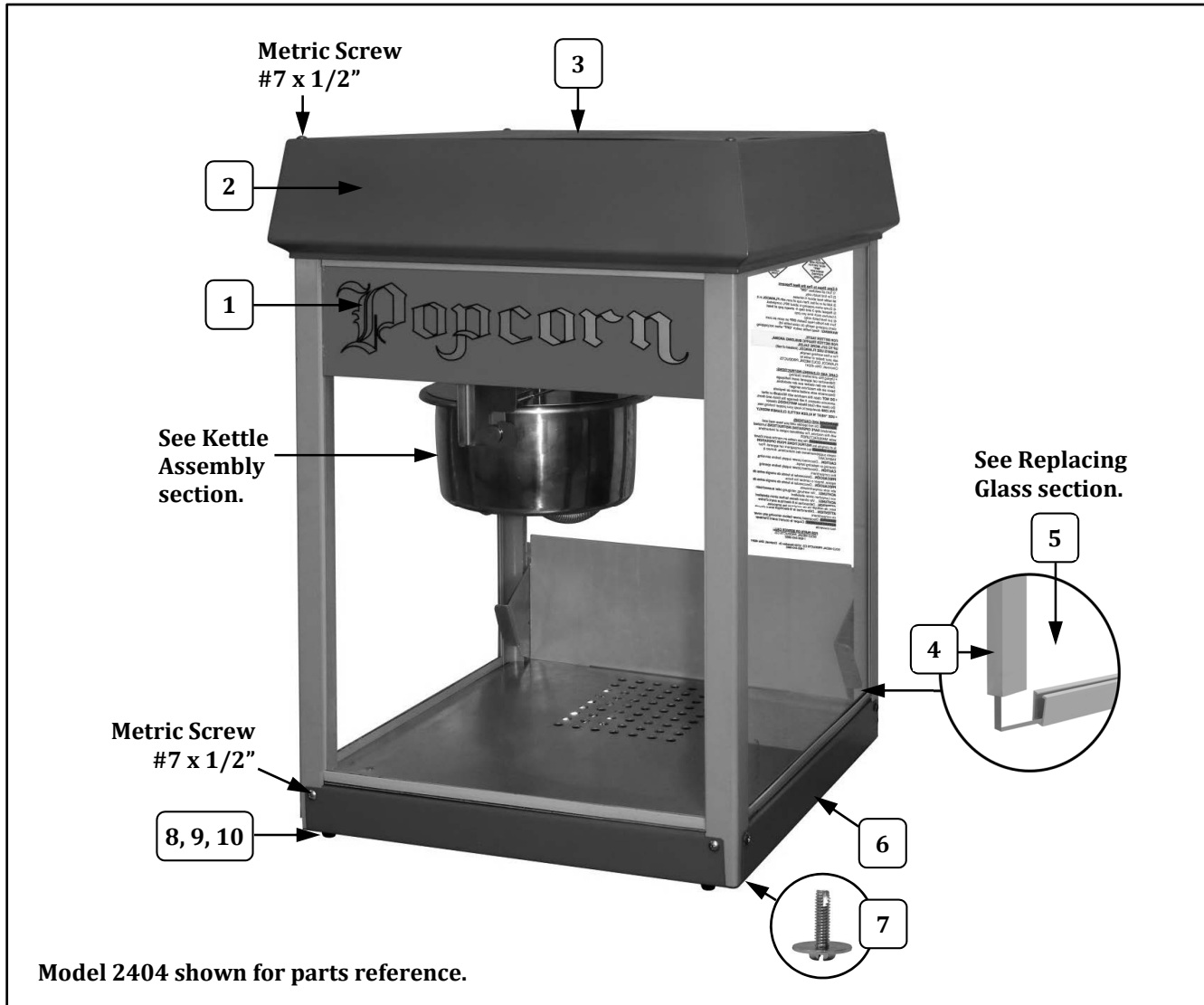
Cabinet Exterior – Front View



Item	Part Description	Part Number			
		2404	2404EX	2404MD	2404MDX
1	DECAL POPCORN FRONT GLASS	56001	56001	56001MD	56001MD
2	DOME TOP WELDED ASSEMBLY	55089	55089	55089BK	55089BK
3	DOME COVER	55101	58101	55101BK	55101BK
4	GLASS CHAN 18.226 (used for top and bottom edges of glass panels – cut as needed)	55079	55079	55079	55079
5	GLASS 4 OZ POPPER (3 panels used)	50022	50022	50022	50022
6	BASE PAN (Domestic)	55063		55063BK	
	BASE PAN (Export)		55063EX		N/A
7	8-32 X 5/8 TYPE 23 HX HD (fastens base pan)	49052	49052	49052	49052
8	RUBBER BUMPER/FOOT	87247	87247	87247	87247
9	#8 INTERAL TOOTH WASHER	12132	12132	12132	12132
10	#8-32 STAINLESS HEX NUT (fastens foot)	89129	89129	89129	89129



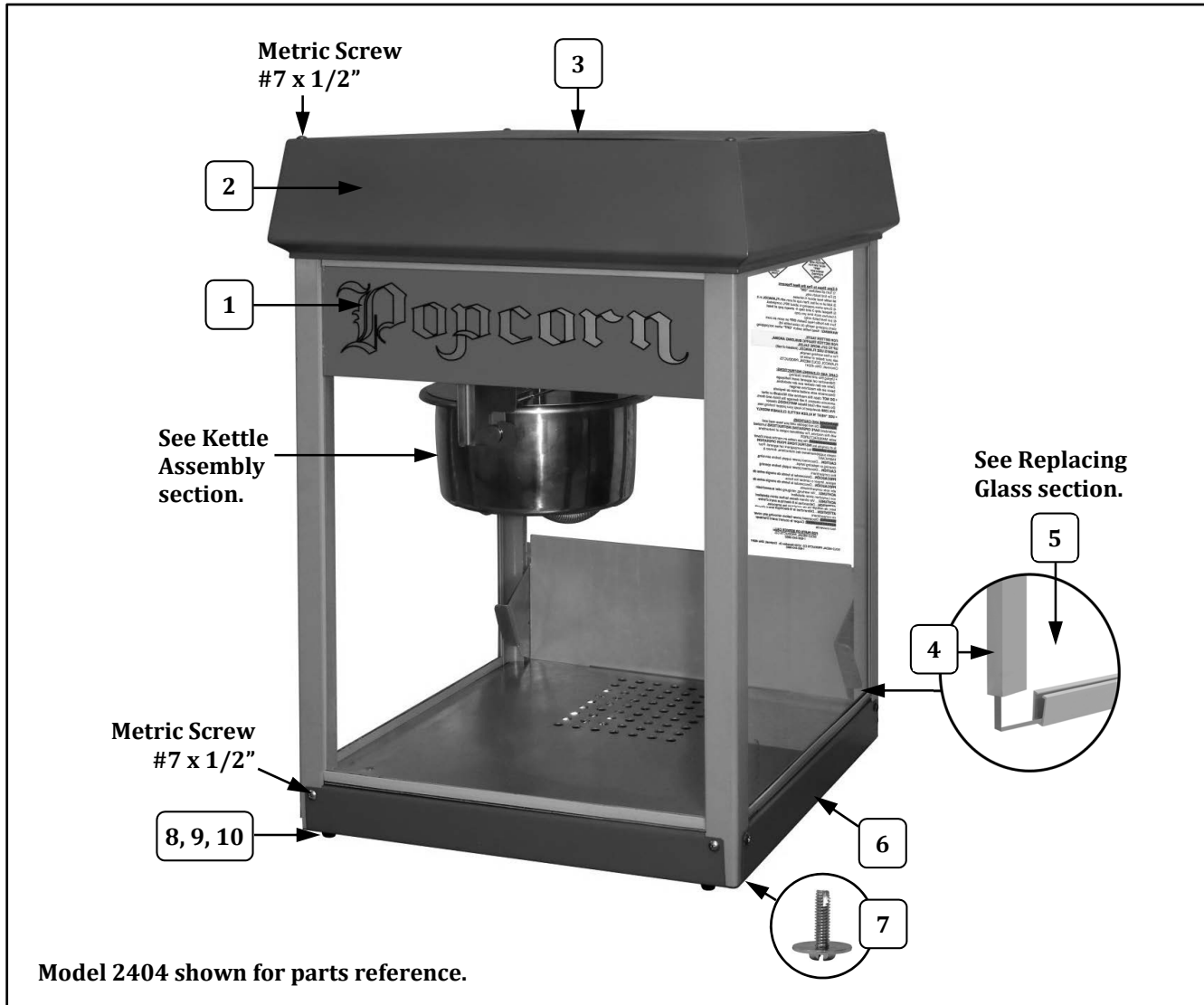
Cabinet Exterior – Front View



Item	Part Description	Part Number			
		2404	2404EX	2404MD	2404MDX
1	DECAL POPCORN FRONT GLASS	56001	56001	56001MD	56001MD
2	DOME TOP WELDED ASSEMBLY	55089	55089	55089BK	55089BK
3	DOME COVER	55101	58101	55101BK	55101BK
4	GLASS CHAN 18.226 (used for top and bottom edges of glass panels – cut as needed)	55079	55079	55079	55079
5	GLASS 4 OZ POPPER (3 panels used)	50022	50022	50022	50022
6	BASE PAN (Domestic)	55063		55063BK	
	BASE PAN (Export)		55063EX		N/A
7	8-32 X 5/8 TYPE 23 HX HD (fastens base pan)	49052	49052	49052	49052
8	RUBBER BUMPER/FOOT	87247	87247	87247	87247
9	#8 INTERAL TOOTH WASHER	12132	12132	12132	12132
10	#8-32 STAINLESS HEX NUT (fastens foot)	89129	89129	89129	89129



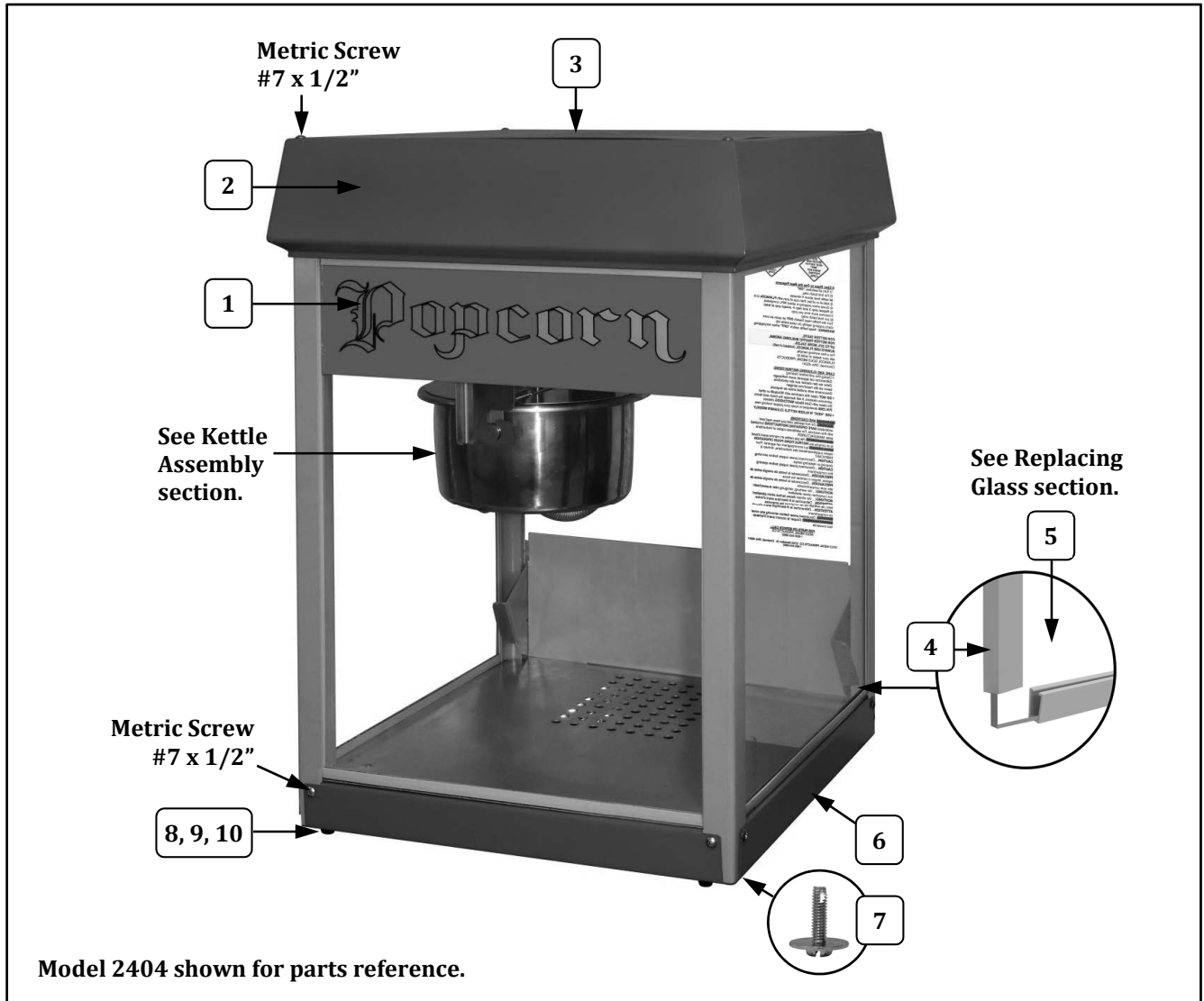
Cabinet Exterior – Front View



Item	Part Description	Part Number			
		2404	2404EX	2404MD	2404MDX
1	DECAL POPCORN FRONT GLASS	56001	56001	56001MD	56001MD
2	DOME TOP WELDED ASSEMBLY	55089	55089	55089BK	55089BK
3	DOME COVER	55101	58101	55101BK	55101BK
4	GLASS CHAN 18.226 (used for top and bottom edges of glass panels – cut as needed)	55079	55079	55079	55079
5	GLASS 4 OZ POPPER (3 panels used)	50022	50022	50022	50022
6	BASE PAN (Domestic)	55063		55063BK	
	BASE PAN (Export)		55063EX		N/A
7	8-32 X 5/8 TYPE 23 HX HD (fastens base pan)	49052	49052	49052	49052
8	RUBBER BUMPER/FOOT	87247	87247	87247	87247
9	#8 INTERNAL TOOTH WASHER	12132	12132	12132	12132
10	#8-32 STAINLESS HEX NUT (fastens foot)	89129	89129	89129	89129



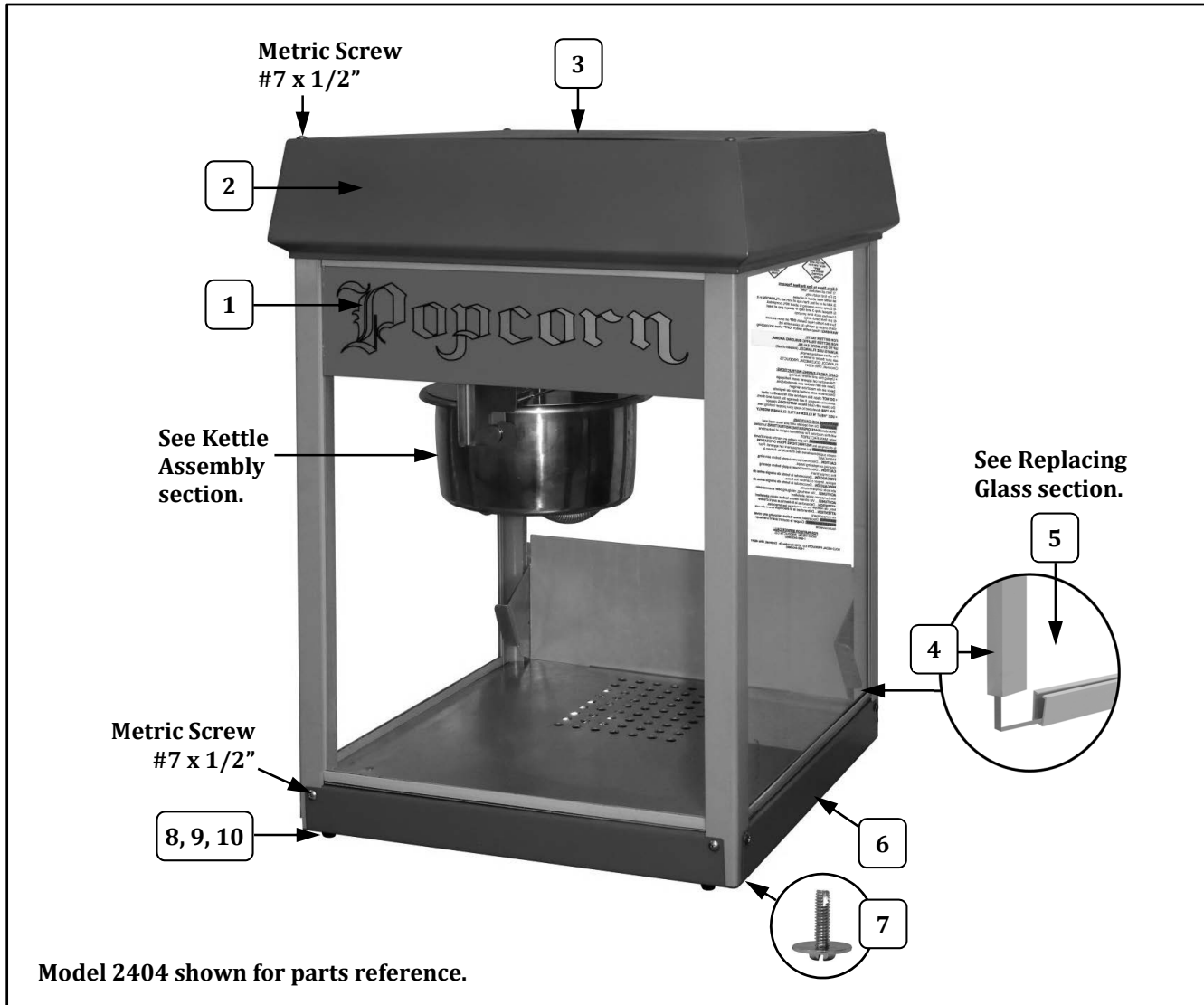
Cabinet Exterior – Front View



Item	Part Description	Part Number			
		2404	2404EX	2404MD	2404MDX
1	DECAL POPCORN FRONT GLASS	56001	56001	56001MD	56001MD
2	DOME TOP WELDED ASSEMBLY	55089	55089	55089BK	55089BK
3	DOME COVER	55101	58101	55101BK	55101BK
4	GLASS CHAN 18.226 (used for top and bottom edges of glass panels – cut as needed)	55079	55079	55079	55079
5	GLASS 4 OZ POPPER (3 panels used)	50022	50022	50022	50022
6	BASE PAN (Domestic)	55063		55063BK	
	BASE PAN (Export)		55063EX		N/A
7	8-32 X 5/8 TYPE 23 HX HD (fastens base pan)	49052	49052	49052	49052
8	RUBBER BUMPER/FOOT	87247	87247	87247	87247
9	#8 INTERAL TOOTH WASHER	12132	12132	12132	12132
10	#8-32 STAINLESS HEX NUT (fastens foot)	89129	89129	89129	89129



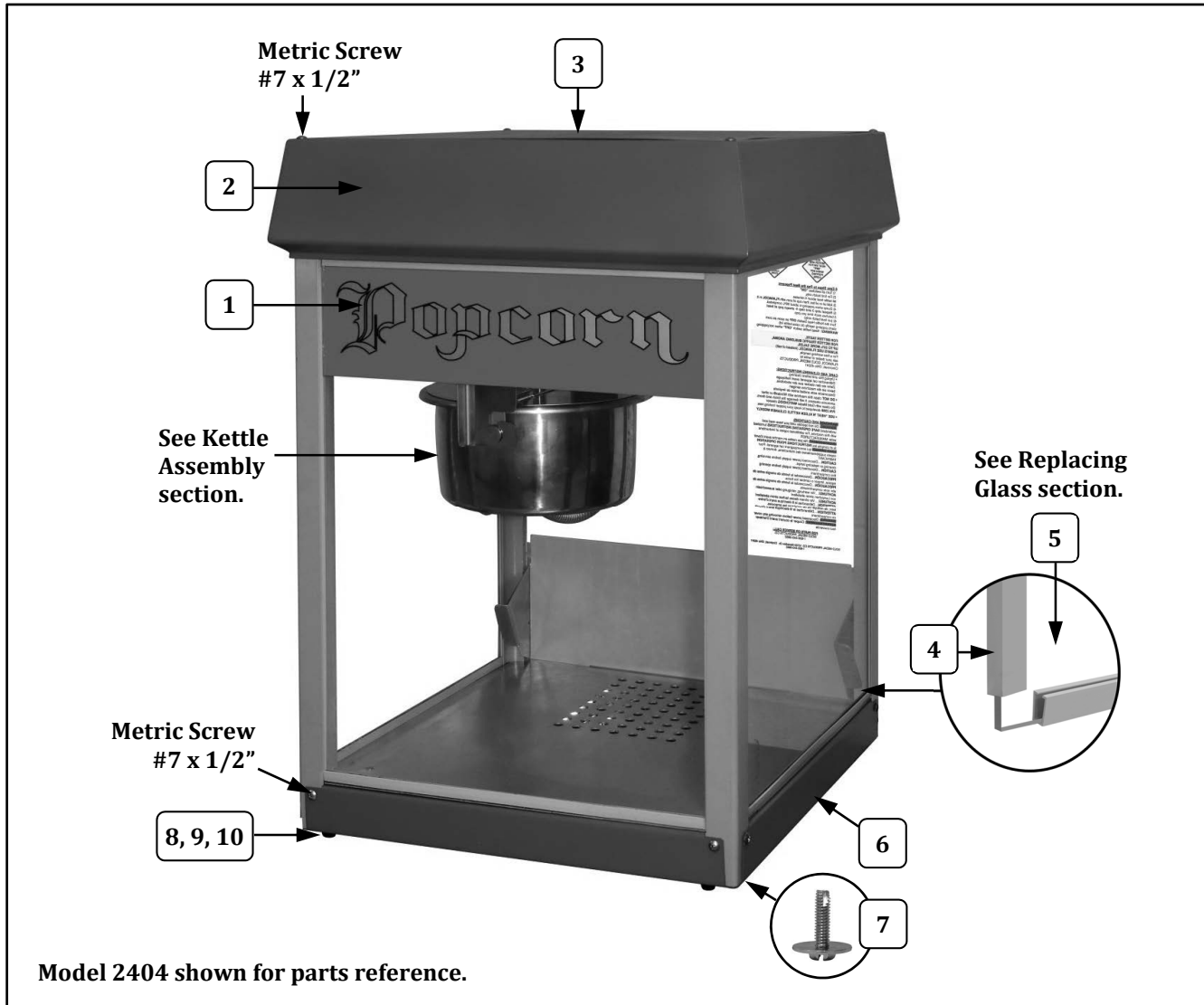
Cabinet Exterior – Front View



Item	Part Description	Part Number			
		2404	2404EX	2404MD	2404MDX
1	DECAL POPCORN FRONT GLASS	56001	56001	56001MD	56001MD
2	DOME TOP WELDED ASSEMBLY	55089	55089	55089BK	55089BK
3	DOME COVER	55101	58101	55101BK	55101BK
4	GLASS CHAN 18.226 (used for top and bottom edges of glass panels – cut as needed)	55079	55079	55079	55079
5	GLASS 4 OZ POPPER (3 panels used)	50022	50022	50022	50022
6	BASE PAN (Domestic)	55063		55063BK	
	BASE PAN (Export)		55063EX		N/A
7	8-32 X 5/8 TYPE 23 HX HD (fastens base pan)	49052	49052	49052	49052
8	RUBBER BUMPER/FOOT	87247	87247	87247	87247
9	#8 INTERAL TOOTH WASHER	12132	12132	12132	12132
10	#8-32 STAINLESS HEX NUT (fastens foot)	89129	89129	89129	89129



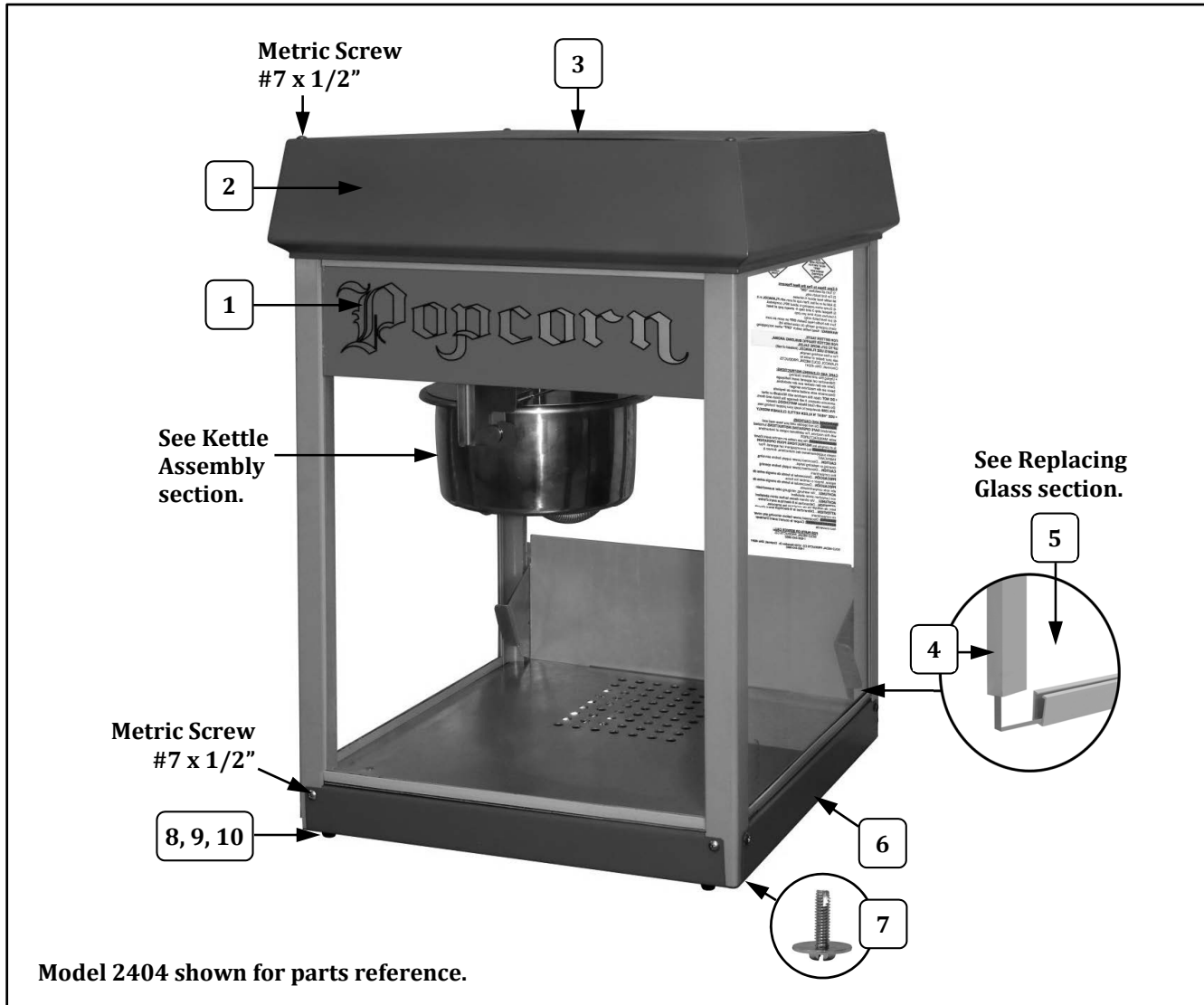
Cabinet Exterior – Front View



Item	Part Description	Part Number			
		2404	2404EX	2404MD	2404MDX
1	DECAL POPCORN FRONT GLASS	56001	56001	56001MD	56001MD
2	DOME TOP WELDED ASSEMBLY	55089	55089	55089BK	55089BK
3	DOME COVER	55101	58101	55101BK	55101BK
4	GLASS CHAN 18.226 (used for top and bottom edges of glass panels – cut as needed)	55079	55079	55079	55079
5	GLASS 4 OZ POPPER (3 panels used)	50022	50022	50022	50022
6	BASE PAN (Domestic)	55063		55063BK	
	BASE PAN (Export)		55063EX		N/A
7	8-32 X 5/8 TYPE 23 HX HD (fastens base pan)	49052	49052	49052	49052
8	RUBBER BUMPER/FOOT	87247	87247	87247	87247
9	#8 INTERAL TOOTH WASHER	12132	12132	12132	12132
10	#8-32 STAINLESS HEX NUT (fastens foot)	89129	89129	89129	89129



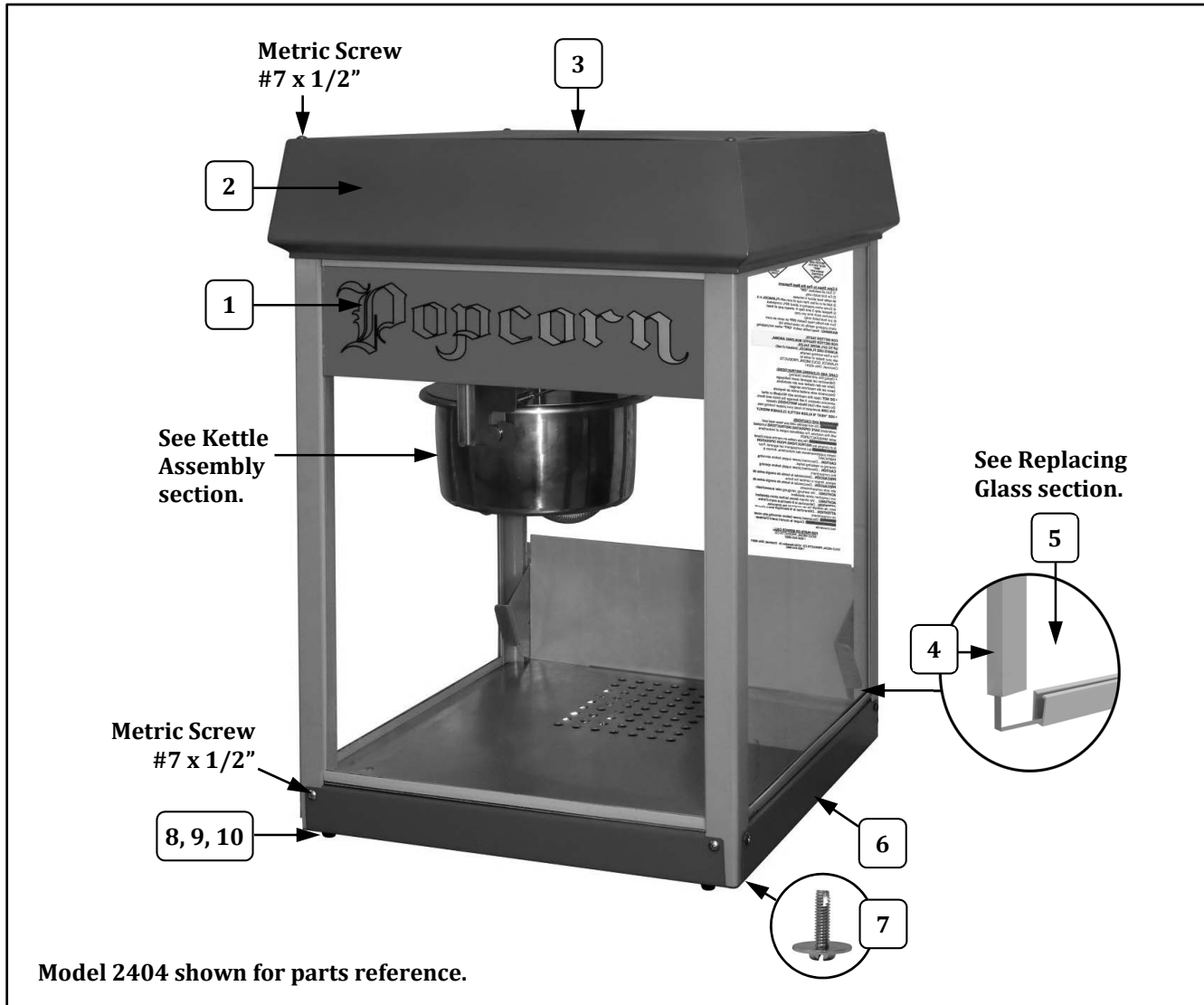
Cabinet Exterior – Front View



Item	Part Description	Part Number			
		2404	2404EX	2404MD	2404MDX
1	DECAL POPCORN FRONT GLASS	56001	56001	56001MD	56001MD
2	DOME TOP WELDED ASSEMBLY	55089	55089	55089BK	55089BK
3	DOME COVER	55101	58101	55101BK	55101BK
4	GLASS CHAN 18.226 (used for top and bottom edges of glass panels – cut as needed)	55079	55079	55079	55079
5	GLASS 4 OZ POPPER (3 panels used)	50022	50022	50022	50022
6	BASE PAN (Domestic)	55063		55063BK	
	BASE PAN (Export)		55063EX		N/A
7	8-32 X 5/8 TYPE 23 HX HD (fastens base pan)	49052	49052	49052	49052
8	RUBBER BUMPER/FOOT	87247	87247	87247	87247
9	#8 INTERAL TOOTH WASHER	12132	12132	12132	12132
10	#8-32 STAINLESS HEX NUT (fastens foot)	89129	89129	89129	89129



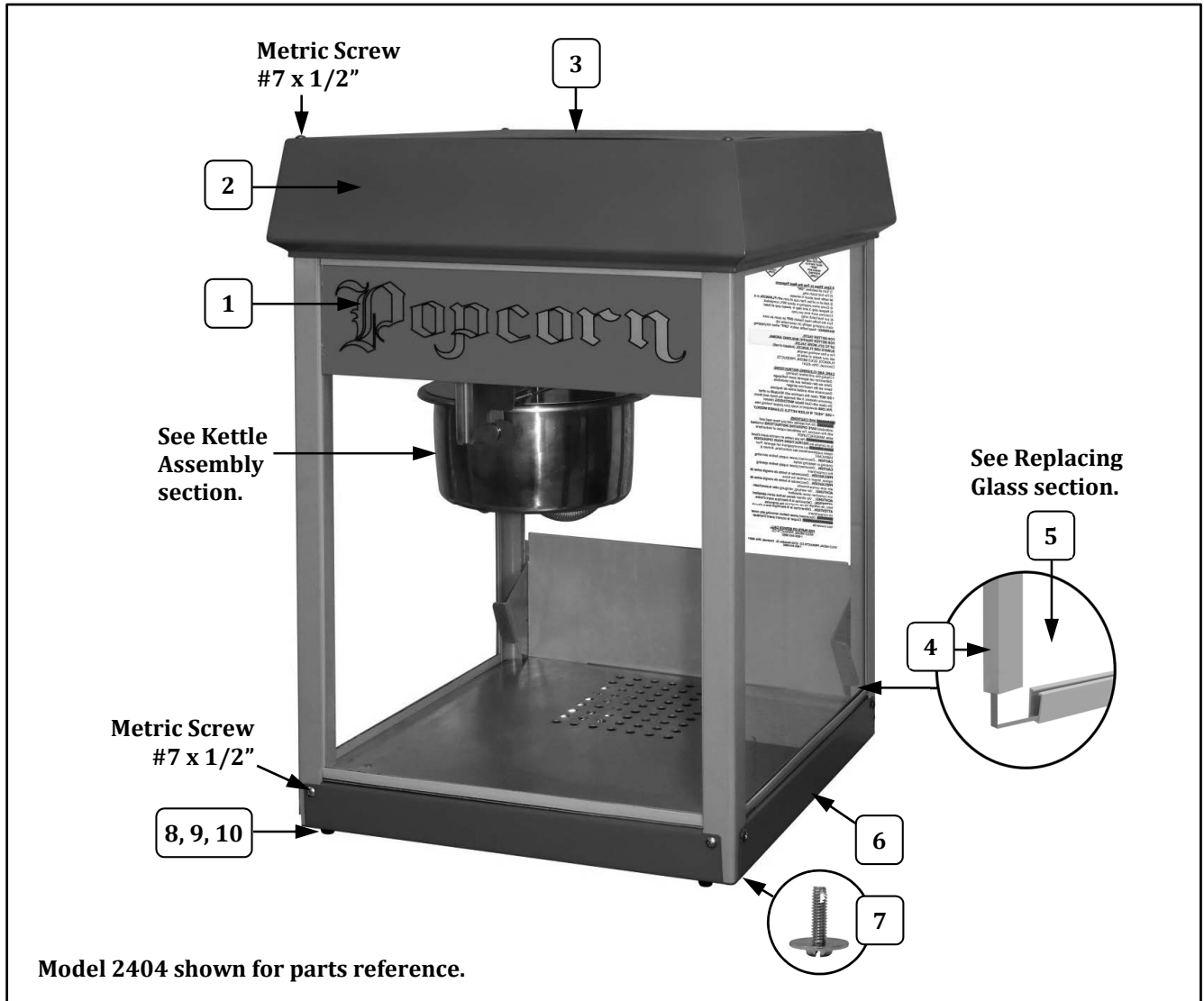
Cabinet Exterior – Front View



Item	Part Description	Part Number			
		2404	2404EX	2404MD	2404MDX
1	DECAL POPCORN FRONT GLASS	56001	56001	56001MD	56001MD
2	DOME TOP WELDED ASSEMBLY	55089	55089	55089BK	55089BK
3	DOME COVER	55101	58101	55101BK	55101BK
4	GLASS CHAN 18.226 (used for top and bottom edges of glass panels – cut as needed)	55079	55079	55079	55079
5	GLASS 4 OZ POPPER (3 panels used)	50022	50022	50022	50022
6	BASE PAN (Domestic)	55063		55063BK	
	BASE PAN (Export)		55063EX		N/A
7	8-32 X 5/8 TYPE 23 HX HD (fastens base pan)	49052	49052	49052	49052
8	RUBBER BUMPER/FOOT	87247	87247	87247	87247
9	#8 INTERAL TOOTH WASHER	12132	12132	12132	12132
10	#8-32 STAINLESS HEX NUT (fastens foot)	89129	89129	89129	89129



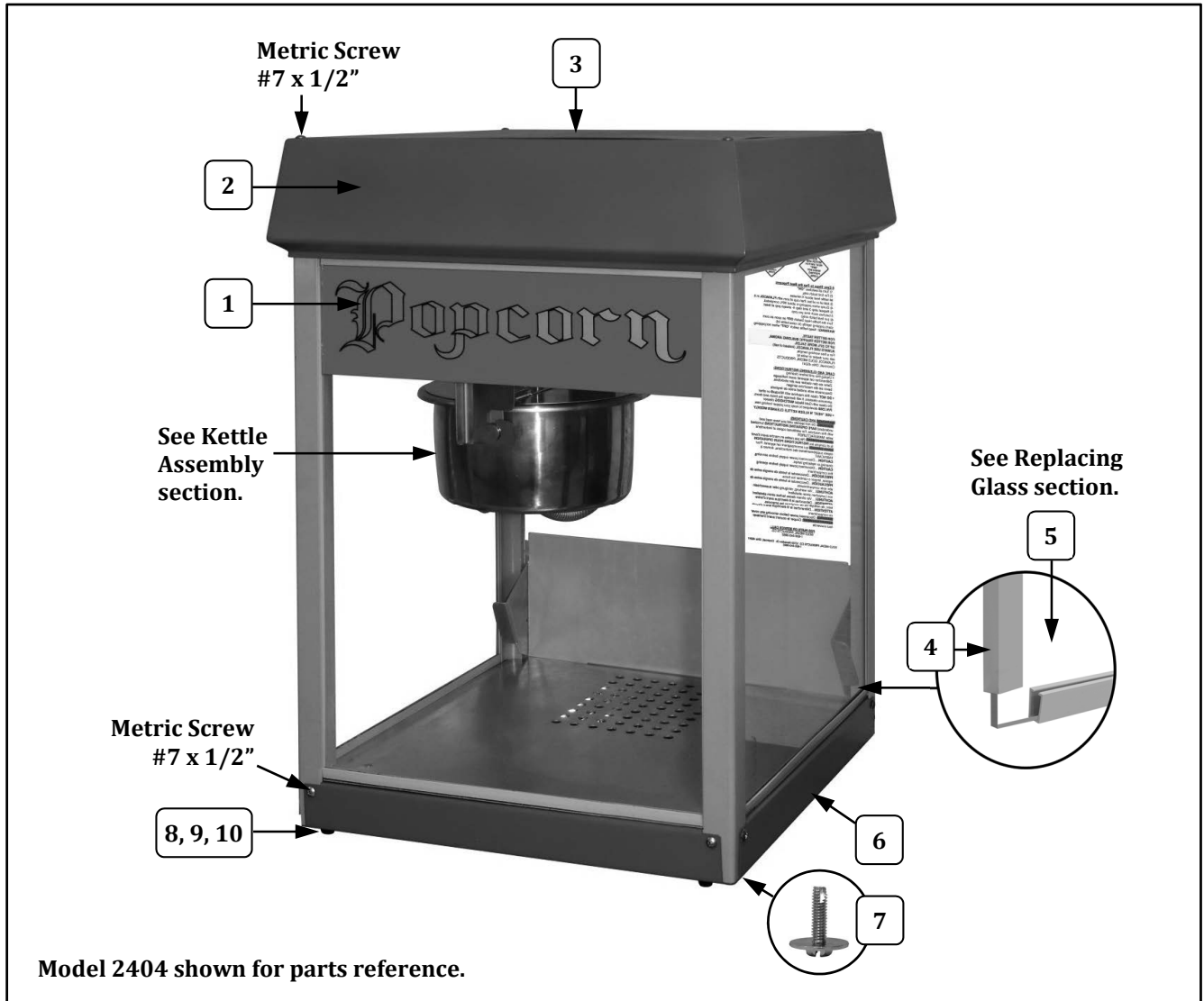
Cabinet Exterior – Front View



Item	Part Description	Part Number			
		2404	2404EX	2404MD	2404MDX
1	DECAL POPCORN FRONT GLASS	56001	56001	56001MD	56001MD
2	DOME TOP WELDED ASSEMBLY	55089	55089	55089BK	55089BK
3	DOME COVER	55101	58101	55101BK	55101BK
4	GLASS CHAN 18.226 (used for top and bottom edges of glass panels – cut as needed)	55079	55079	55079	55079
5	GLASS 4 OZ POPPER (3 panels used)	50022	50022	50022	50022
6	BASE PAN (Domestic)	55063		55063BK	
	BASE PAN (Export)		55063EX		N/A
7	8-32 X 5/8 TYPE 23 HX HD (fastens base pan)	49052	49052	49052	49052
8	RUBBER BUMPER/FOOT	87247	87247	87247	87247
9	#8 INTERAL TOOTH WASHER	12132	12132	12132	12132
10	#8-32 STAINLESS HEX NUT (fastens foot)	89129	89129	89129	89129



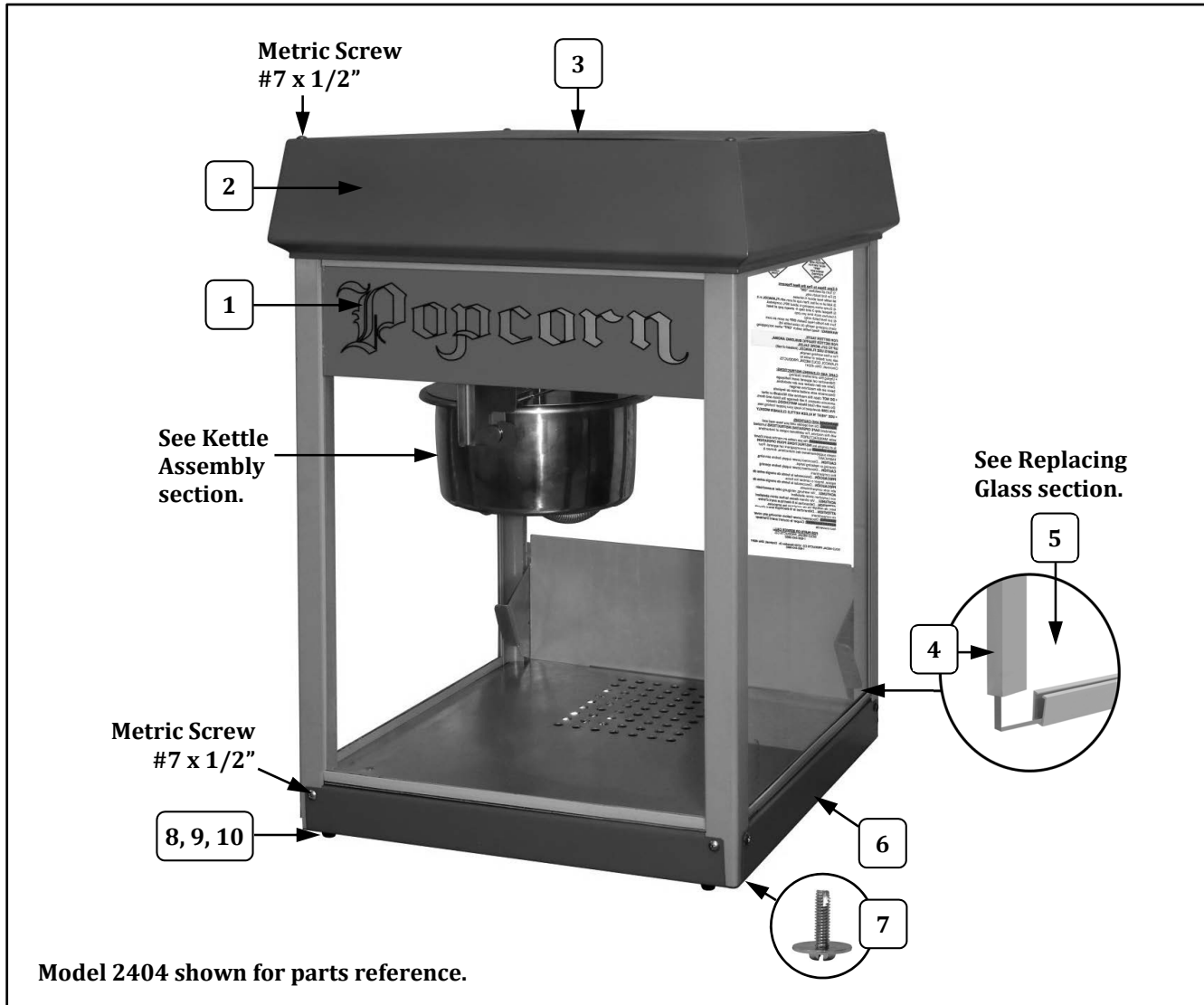
Cabinet Exterior – Front View



Item	Part Description	Part Number			
		2404	2404EX	2404MD	2404MDX
1	DECAL POPCORN FRONT GLASS	56001	56001	56001MD	56001MD
2	DOME TOP WELDED ASSEMBLY	55089	55089	55089BK	55089BK
3	DOME COVER	55101	58101	55101BK	55101BK
4	GLASS CHAN 18.226 (used for top and bottom edges of glass panels – cut as needed)	55079	55079	55079	55079
5	GLASS 4 OZ POPPER (3 panels used)	50022	50022	50022	50022
6	BASE PAN (Domestic)	55063		55063BK	
	BASE PAN (Export)		55063EX		N/A
7	8-32 X 5/8 TYPE 23 HX HD (fastens base pan)	49052	49052	49052	49052
8	RUBBER BUMPER/FOOT	87247	87247	87247	87247
9	#8 INTERAL TOOTH WASHER	12132	12132	12132	12132
10	#8-32 STAINLESS HEX NUT (fastens foot)	89129	89129	89129	89129



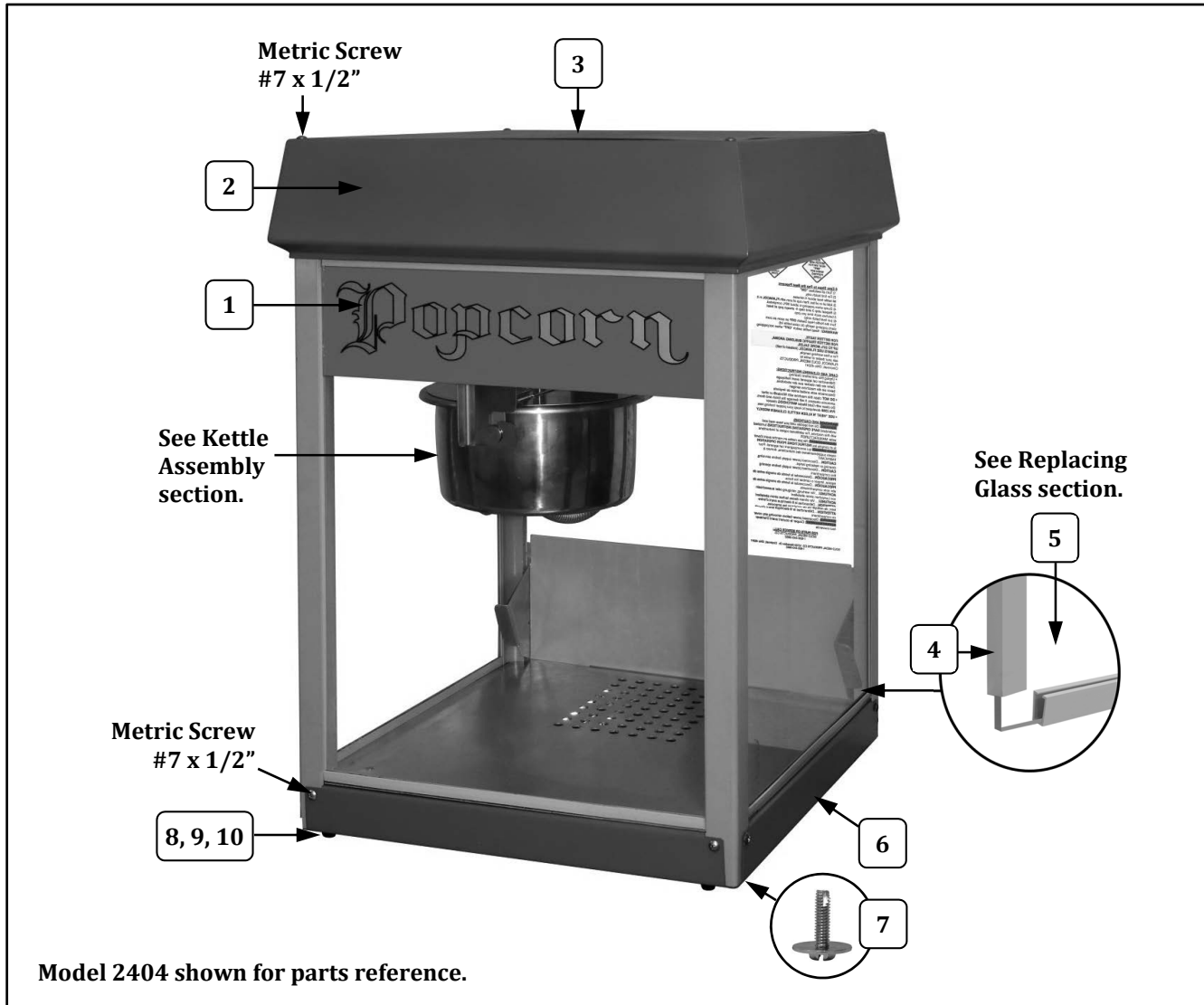
Cabinet Exterior – Front View



Item	Part Description	Part Number			
		2404	2404EX	2404MD	2404MDX
1	DECAL POPCORN FRONT GLASS	56001	56001	56001MD	56001MD
2	DOME TOP WELDED ASSEMBLY	55089	55089	55089BK	55089BK
3	DOME COVER	55101	58101	55101BK	55101BK
4	GLASS CHAN 18.226 (used for top and bottom edges of glass panels – cut as needed)	55079	55079	55079	55079
5	GLASS 4 OZ POPPER (3 panels used)	50022	50022	50022	50022
6	BASE PAN (Domestic)	55063		55063BK	
	BASE PAN (Export)		55063EX		N/A
7	8-32 X 5/8 TYPE 23 HX HD (fastens base pan)	49052	49052	49052	49052
8	RUBBER BUMPER/FOOT	87247	87247	87247	87247
9	#8 INTERAL TOOTH WASHER	12132	12132	12132	12132
10	#8-32 STAINLESS HEX NUT (fastens foot)	89129	89129	89129	89129



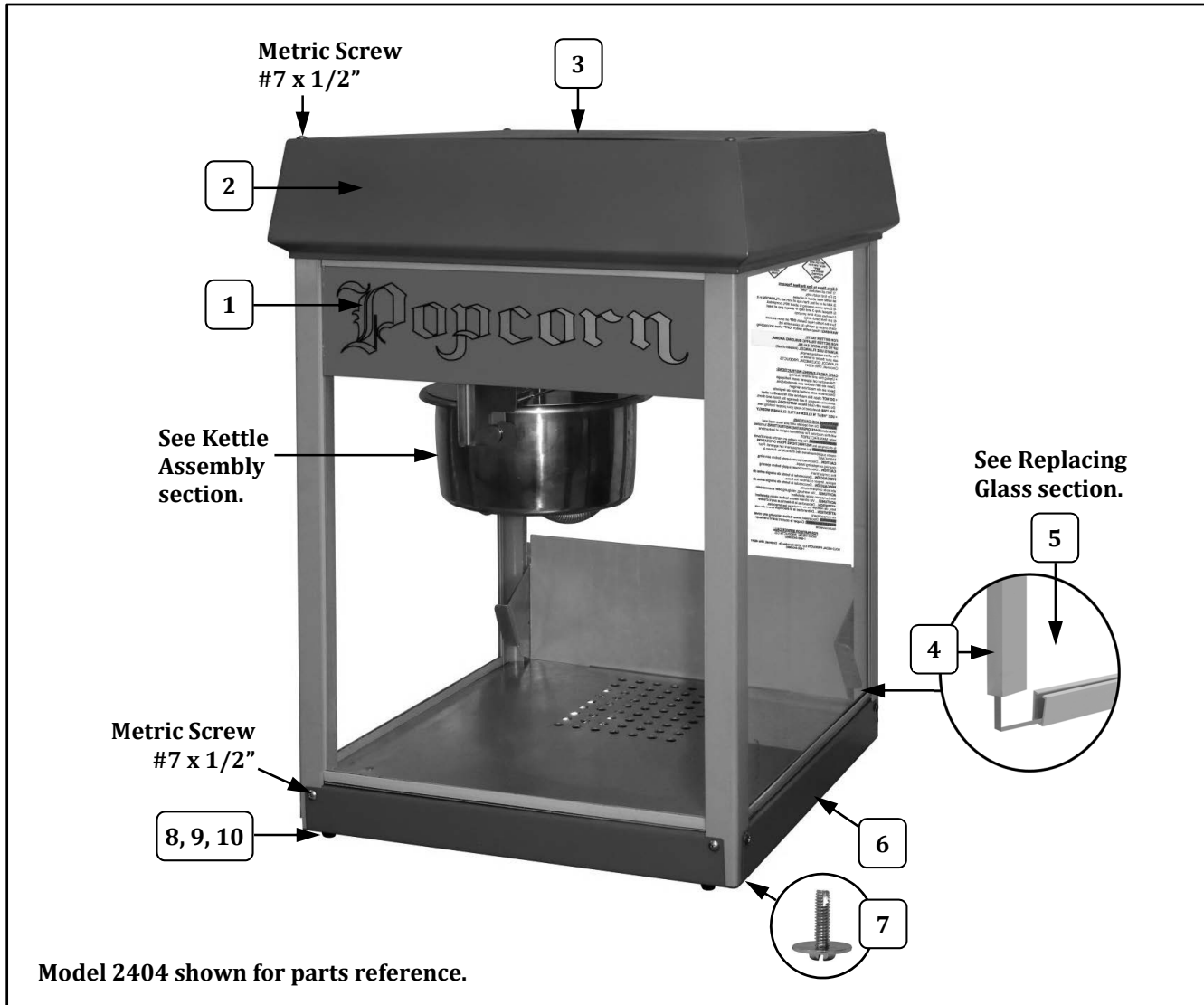
Cabinet Exterior – Front View



Item	Part Description	Part Number			
		2404	2404EX	2404MD	2404MDX
1	DECAL POPCORN FRONT GLASS	56001	56001	56001MD	56001MD
2	DOME TOP WELDED ASSEMBLY	55089	55089	55089BK	55089BK
3	DOME COVER	55101	58101	55101BK	55101BK
4	GLASS CHAN 18.226 (used for top and bottom edges of glass panels – cut as needed)	55079	55079	55079	55079
5	GLASS 4 OZ POPPER (3 panels used)	50022	50022	50022	50022
6	BASE PAN (Domestic)	55063		55063BK	
	BASE PAN (Export)		55063EX		N/A
7	8-32 X 5/8 TYPE 23 HX HD (fastens base pan)	49052	49052	49052	49052
8	RUBBER BUMPER/FOOT	87247	87247	87247	87247
9	#8 INTERAL TOOTH WASHER	12132	12132	12132	12132
10	#8-32 STAINLESS HEX NUT (fastens foot)	89129	89129	89129	89129



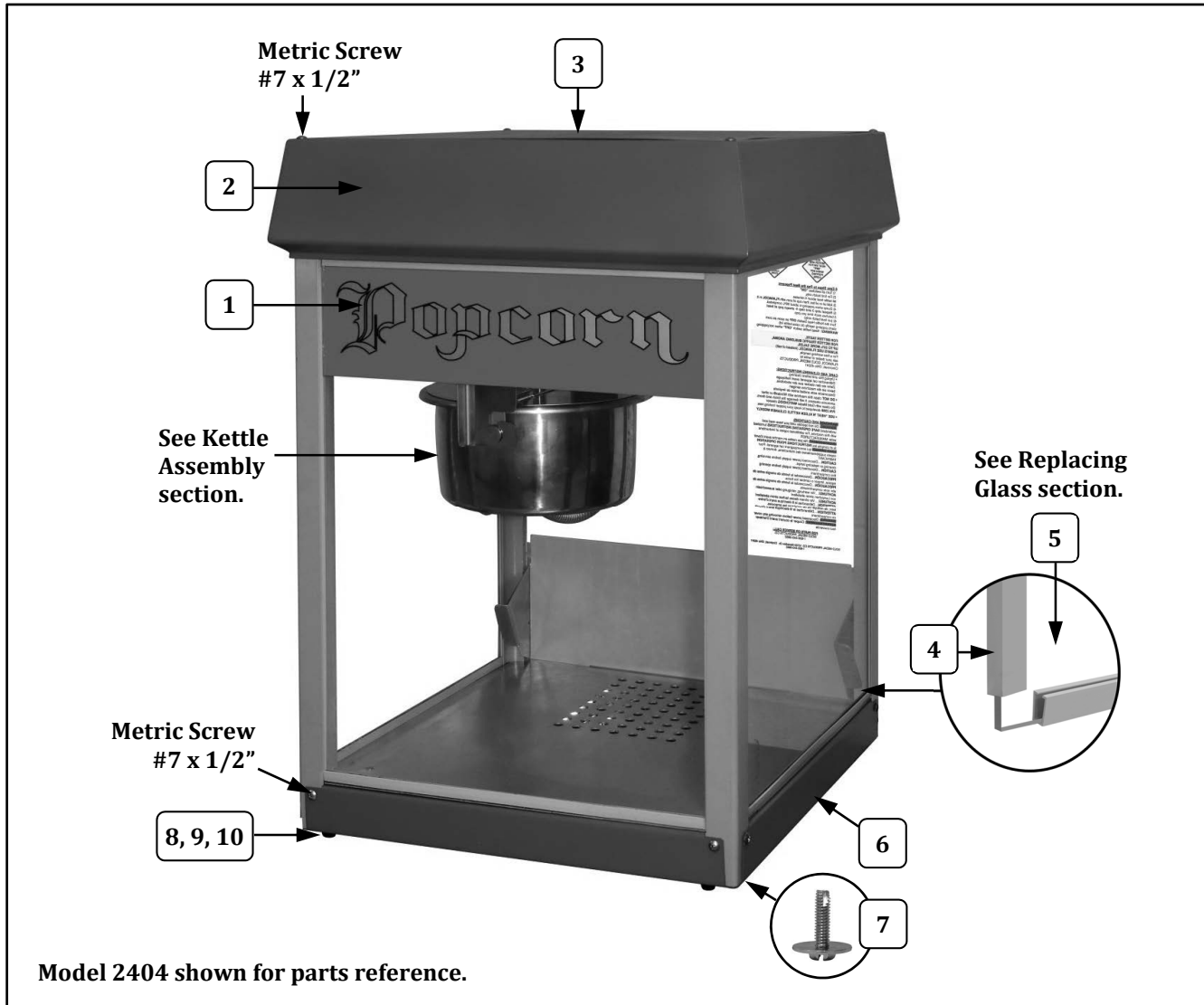
Cabinet Exterior – Front View



Item	Part Description	Part Number			
		2404	2404EX	2404MD	2404MDX
1	DECAL POPCORN FRONT GLASS	56001	56001	56001MD	56001MD
2	DOME TOP WELDED ASSEMBLY	55089	55089	55089BK	55089BK
3	DOME COVER	55101	58101	55101BK	55101BK
4	GLASS CHAN 18.226 (used for top and bottom edges of glass panels – cut as needed)	55079	55079	55079	55079
5	GLASS 4 OZ POPPER (3 panels used)	50022	50022	50022	50022
6	BASE PAN (Domestic)	55063		55063BK	
	BASE PAN (Export)		55063EX		N/A
7	8-32 X 5/8 TYPE 23 HX HD (fastens base pan)	49052	49052	49052	49052
8	RUBBER BUMPER/FOOT	87247	87247	87247	87247
9	#8 INTERAL TOOTH WASHER	12132	12132	12132	12132
10	#8-32 STAINLESS HEX NUT (fastens foot)	89129	89129	89129	89129



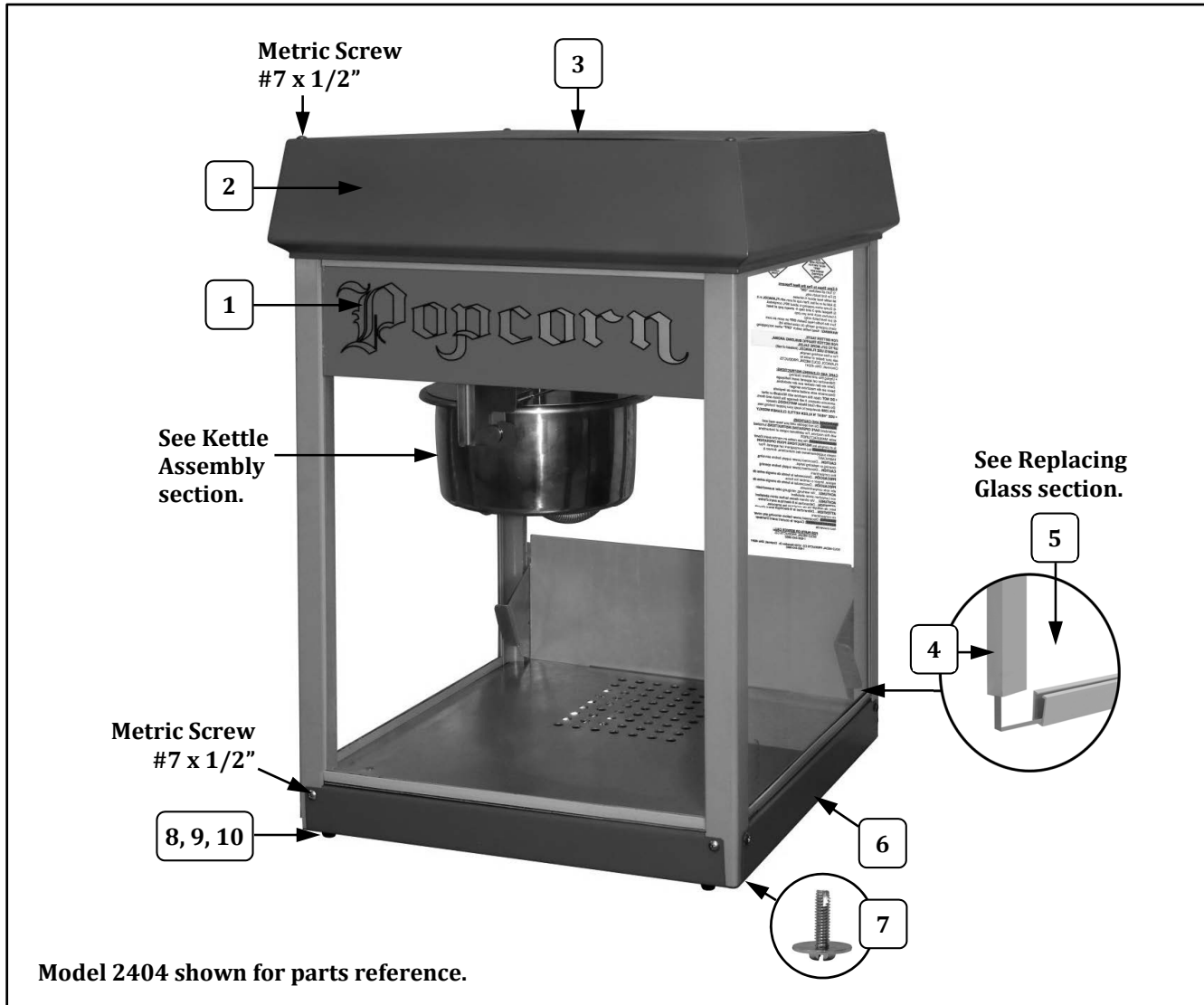
Cabinet Exterior – Front View



Item	Part Description	Part Number			
		2404	2404EX	2404MD	2404MDX
1	DECAL POPCORN FRONT GLASS	56001	56001	56001MD	56001MD
2	DOME TOP WELDED ASSEMBLY	55089	55089	55089BK	55089BK
3	DOME COVER	55101	58101	55101BK	55101BK
4	GLASS CHAN 18.226 (used for top and bottom edges of glass panels – cut as needed)	55079	55079	55079	55079
5	GLASS 4 OZ POPPER (3 panels used)	50022	50022	50022	50022
6	BASE PAN (Domestic)	55063		55063BK	
	BASE PAN (Export)		55063EX		N/A
7	8-32 X 5/8 TYPE 23 HX HD (fastens base pan)	49052	49052	49052	49052
8	RUBBER BUMPER/FOOT	87247	87247	87247	87247
9	#8 INTERAL TOOTH WASHER	12132	12132	12132	12132
10	#8-32 STAINLESS HEX NUT (fastens foot)	89129	89129	89129	89129



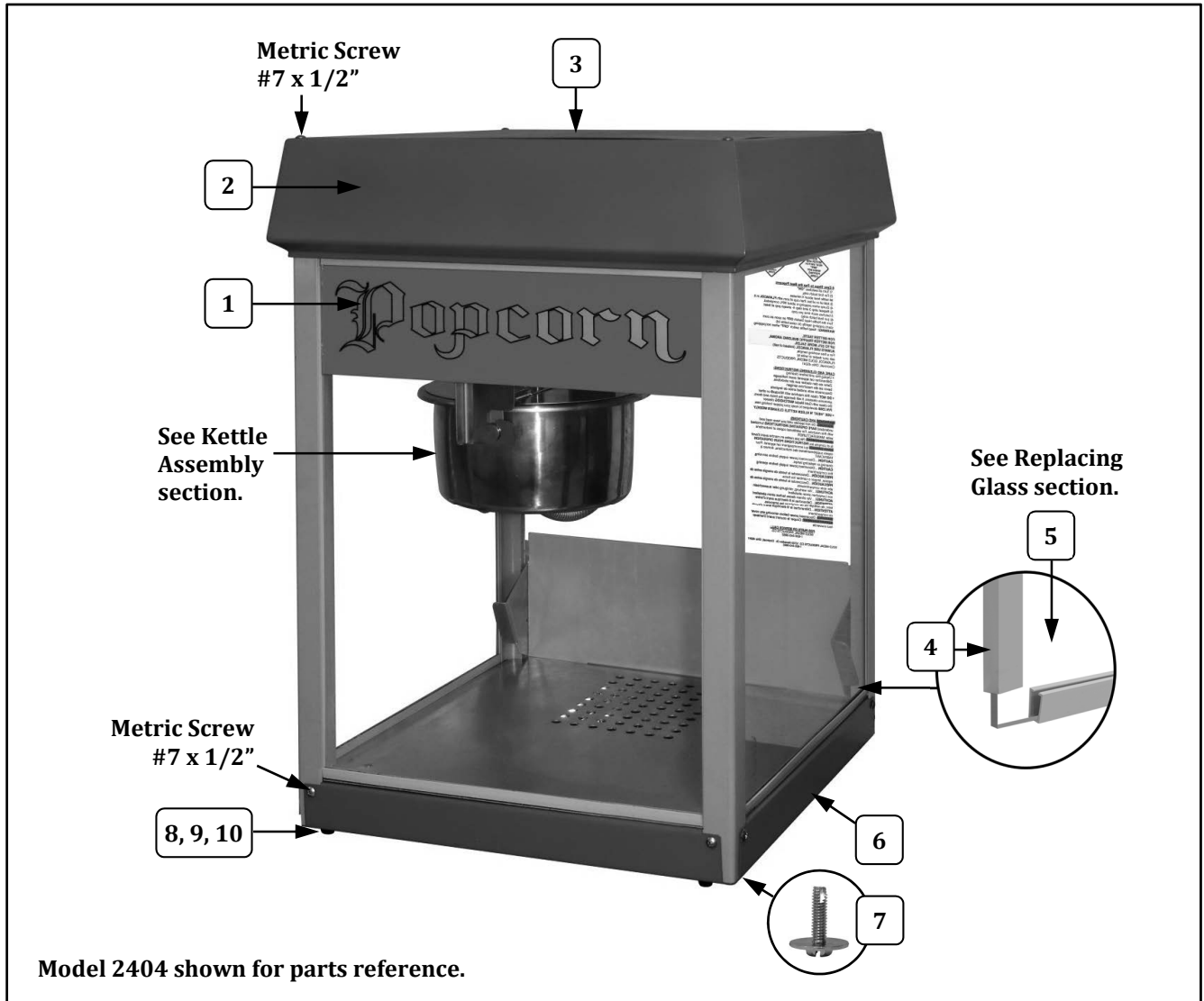
Cabinet Exterior – Front View



Item	Part Description	Part Number			
		2404	2404EX	2404MD	2404MDX
1	DECAL POPCORN FRONT GLASS	56001	56001	56001MD	56001MD
2	DOME TOP WELDED ASSEMBLY	55089	55089	55089BK	55089BK
3	DOME COVER	55101	58101	55101BK	55101BK
4	GLASS CHAN 18.226 (used for top and bottom edges of glass panels – cut as needed)	55079	55079	55079	55079
5	GLASS 4 OZ POPPER (3 panels used)	50022	50022	50022	50022
6	BASE PAN (Domestic)	55063		55063BK	
	BASE PAN (Export)		55063EX		N/A
7	8-32 X 5/8 TYPE 23 HX HD (fastens base pan)	49052	49052	49052	49052
8	RUBBER BUMPER/FOOT	87247	87247	87247	87247
9	#8 INTERNAL TOOTH WASHER	12132	12132	12132	12132
10	#8-32 STAINLESS HEX NUT (fastens foot)	89129	89129	89129	89129



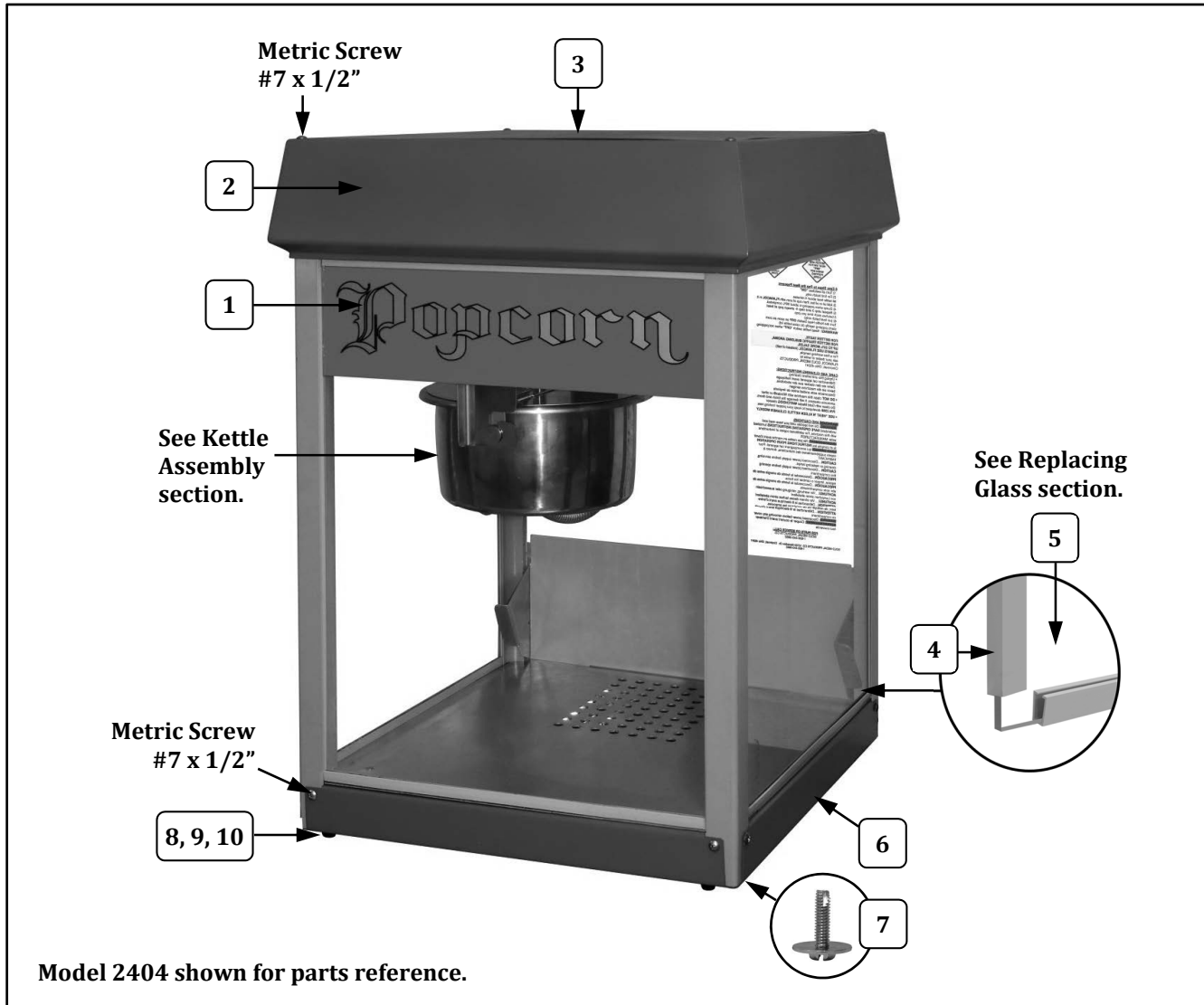
Cabinet Exterior – Front View



Item	Part Description	Part Number			
		2404	2404EX	2404MD	2404MDX
1	DECAL POPCORN FRONT GLASS	56001	56001	56001MD	56001MD
2	DOME TOP WELDED ASSEMBLY	55089	55089	55089BK	55089BK
3	DOME COVER	55101	58101	55101BK	55101BK
4	GLASS CHAN 18.226 (used for top and bottom edges of glass panels – cut as needed)	55079	55079	55079	55079
5	GLASS 4 OZ POPPER (3 panels used)	50022	50022	50022	50022
6	BASE PAN (Domestic)	55063		55063BK	
	BASE PAN (Export)		55063EX		N/A
7	8-32 X 5/8 TYPE 23 HX HD (fastens base pan)	49052	49052	49052	49052
8	RUBBER BUMPER/FOOT	87247	87247	87247	87247
9	#8 INTERNAL TOOTH WASHER	12132	12132	12132	12132
10	#8-32 STAINLESS HEX NUT (fastens foot)	89129	89129	89129	89129



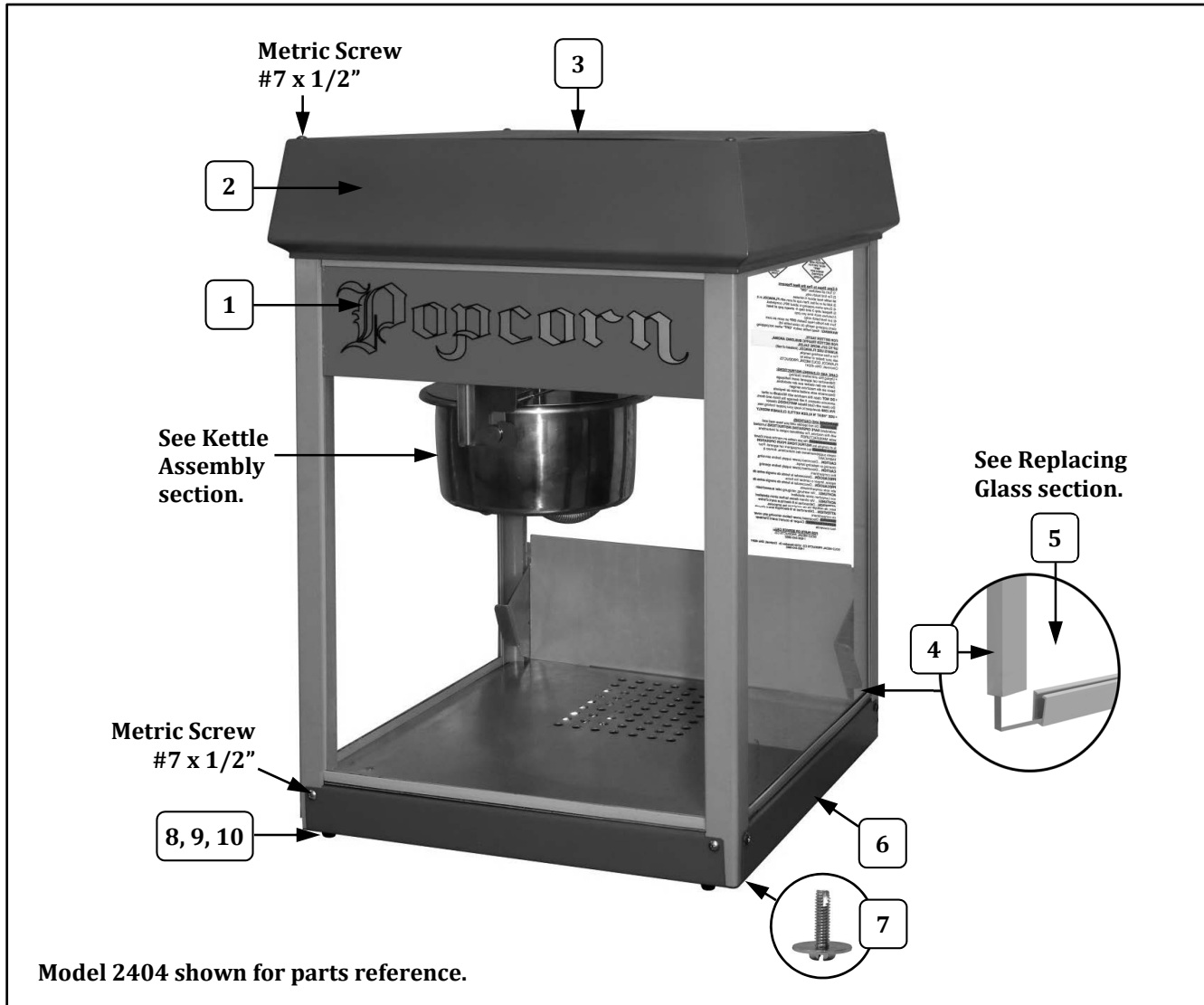
Cabinet Exterior – Front View



Item	Part Description	Part Number			
		2404	2404EX	2404MD	2404MDX
1	DECAL POPCORN FRONT GLASS	56001	56001	56001MD	56001MD
2	DOME TOP WELDED ASSEMBLY	55089	55089	55089BK	55089BK
3	DOME COVER	55101	58101	55101BK	55101BK
4	GLASS CHAN 18.226 (used for top and bottom edges of glass panels – cut as needed)	55079	55079	55079	55079
5	GLASS 4 OZ POPPER (3 panels used)	50022	50022	50022	50022
6	BASE PAN (Domestic)	55063		55063BK	
	BASE PAN (Export)		55063EX		N/A
7	8-32 X 5/8 TYPE 23 HX HD (fastens base pan)	49052	49052	49052	49052
8	RUBBER BUMPER/FOOT	87247	87247	87247	87247
9	#8 INTERAL TOOTH WASHER	12132	12132	12132	12132
10	#8-32 STAINLESS HEX NUT (fastens foot)	89129	89129	89129	89129



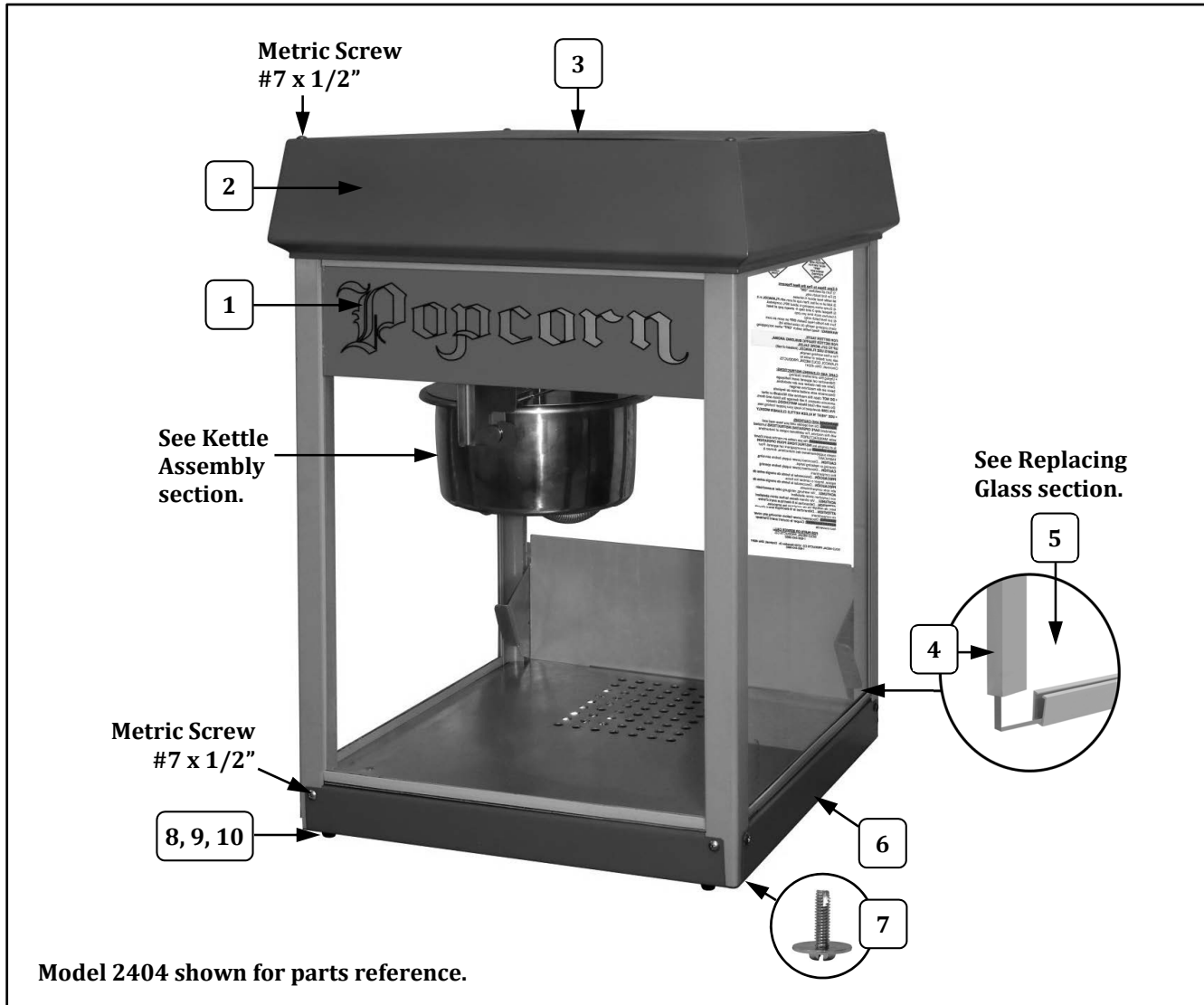
Cabinet Exterior – Front View



Item	Part Description	Part Number			
		2404	2404EX	2404MD	2404MDX
1	DECAL POPCORN FRONT GLASS	56001	56001	56001MD	56001MD
2	DOME TOP WELDED ASSEMBLY	55089	55089	55089BK	55089BK
3	DOME COVER	55101	58101	55101BK	55101BK
4	GLASS CHAN 18.226 (used for top and bottom edges of glass panels – cut as needed)	55079	55079	55079	55079
5	GLASS 4 OZ POPPER (3 panels used)	50022	50022	50022	50022
6	BASE PAN (Domestic)	55063		55063BK	
	BASE PAN (Export)		55063EX		N/A
7	8-32 X 5/8 TYPE 23 HX HD (fastens base pan)	49052	49052	49052	49052
8	RUBBER BUMPER/FOOT	87247	87247	87247	87247
9	#8 INTERNAL TOOTH WASHER	12132	12132	12132	12132
10	#8-32 STAINLESS HEX NUT (fastens foot)	89129	89129	89129	89129



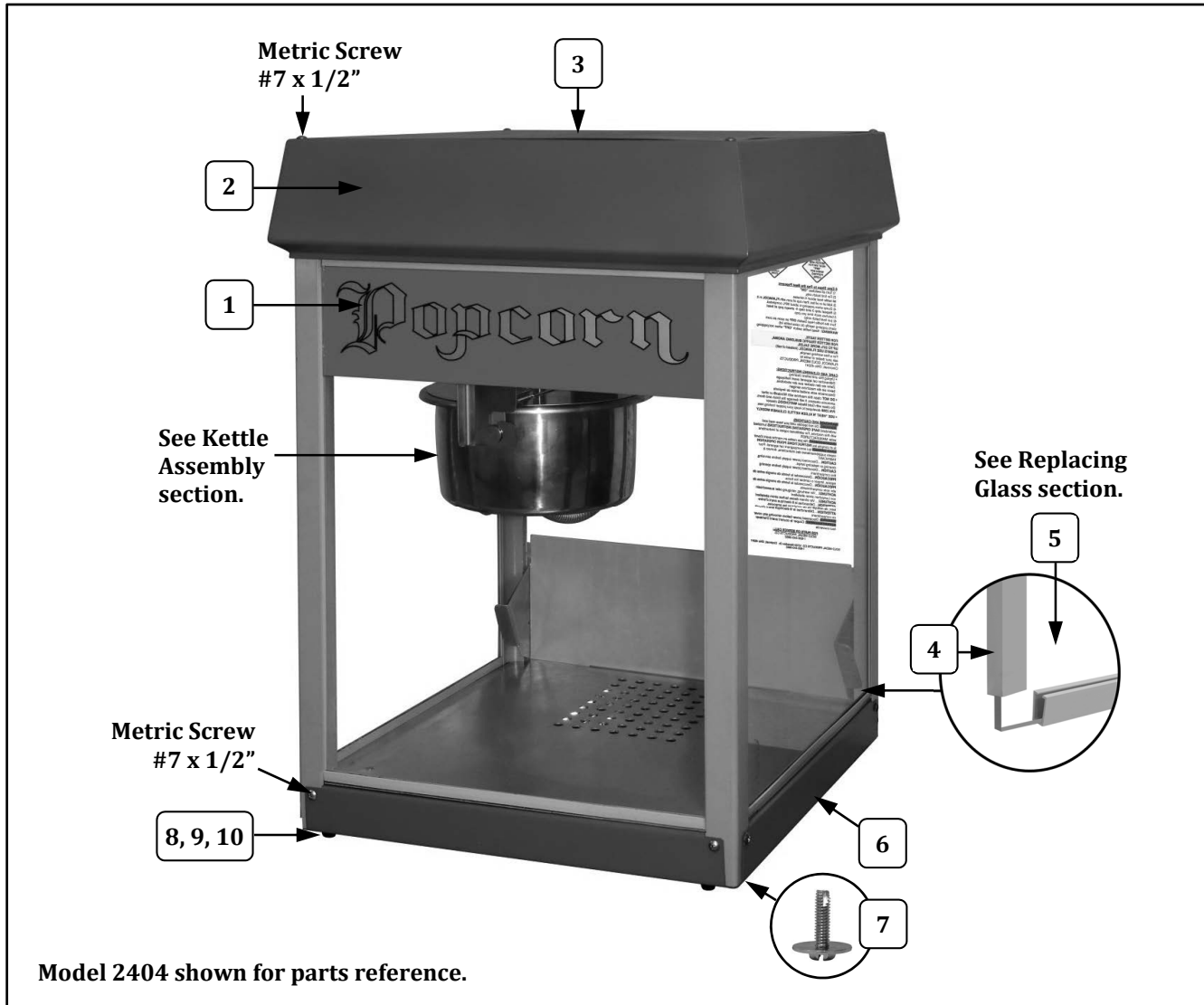
Cabinet Exterior – Front View



Item	Part Description	Part Number			
		2404	2404EX	2404MD	2404MDX
1	DECAL POPCORN FRONT GLASS	56001	56001	56001MD	56001MD
2	DOME TOP WELDED ASSEMBLY	55089	55089	55089BK	55089BK
3	DOME COVER	55101	58101	55101BK	55101BK
4	GLASS CHAN 18.226 (used for top and bottom edges of glass panels – cut as needed)	55079	55079	55079	55079
5	GLASS 4 OZ POPPER (3 panels used)	50022	50022	50022	50022
6	BASE PAN (Domestic)	55063		55063BK	
	BASE PAN (Export)		55063EX		N/A
7	8-32 X 5/8 TYPE 23 HX HD (fastens base pan)	49052	49052	49052	49052
8	RUBBER BUMPER/FOOT	87247	87247	87247	87247
9	#8 INTERAL TOOTH WASHER	12132	12132	12132	12132
10	#8-32 STAINLESS HEX NUT (fastens foot)	89129	89129	89129	89129



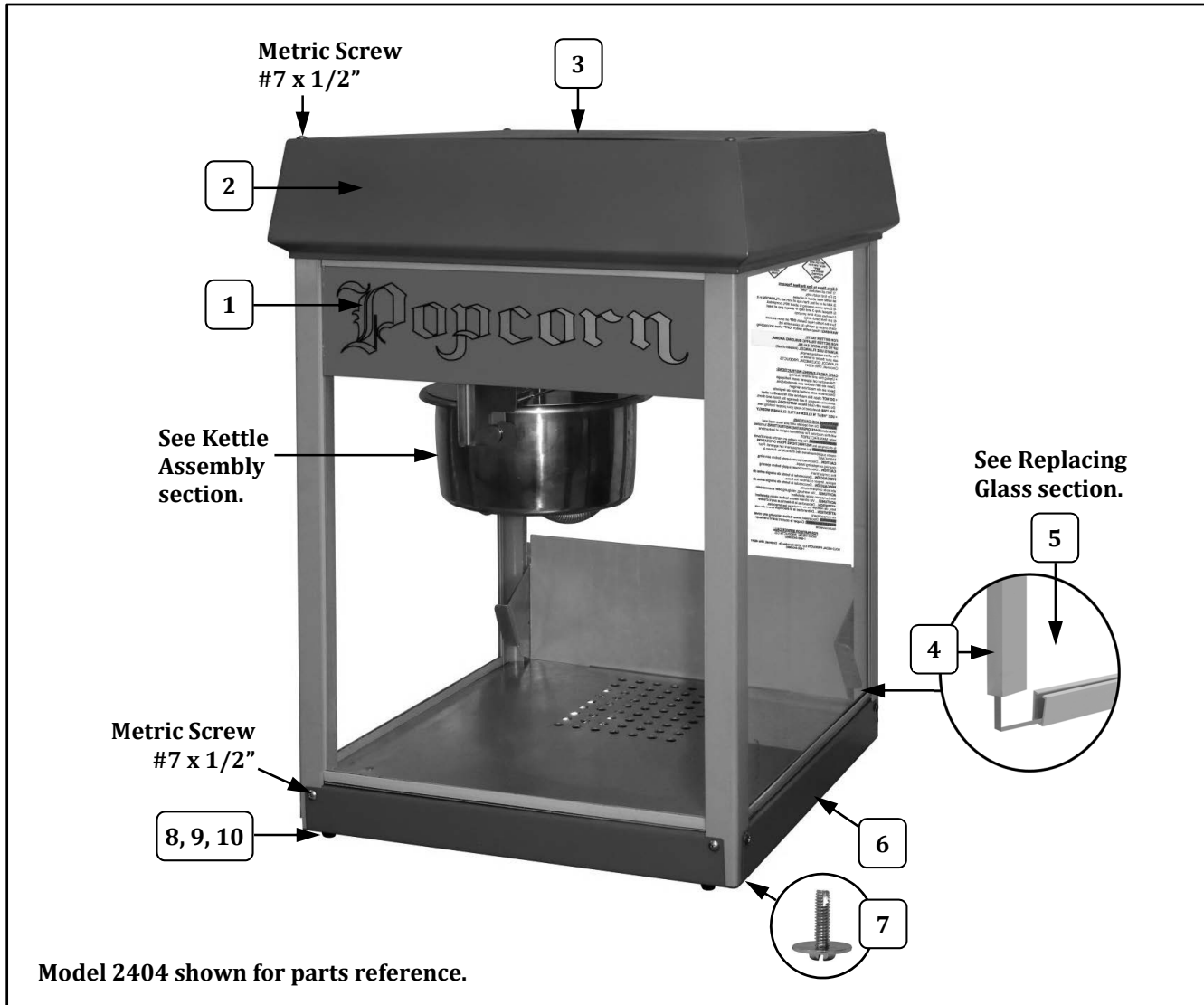
Cabinet Exterior – Front View



Item	Part Description	Part Number			
		2404	2404EX	2404MD	2404MDX
1	DECAL POPCORN FRONT GLASS	56001	56001	56001MD	56001MD
2	DOME TOP WELDED ASSEMBLY	55089	55089	55089BK	55089BK
3	DOME COVER	55101	58101	55101BK	55101BK
4	GLASS CHAN 18.226 (used for top and bottom edges of glass panels – cut as needed)	55079	55079	55079	55079
5	GLASS 4 OZ POPPER (3 panels used)	50022	50022	50022	50022
6	BASE PAN (Domestic)	55063		55063BK	
	BASE PAN (Export)		55063EX		N/A
7	8-32 X 5/8 TYPE 23 HX HD (fastens base pan)	49052	49052	49052	49052
8	RUBBER BUMPER/FOOT	87247	87247	87247	87247
9	#8 INTERAL TOOTH WASHER	12132	12132	12132	12132
10	#8-32 STAINLESS HEX NUT (fastens foot)	89129	89129	89129	89129



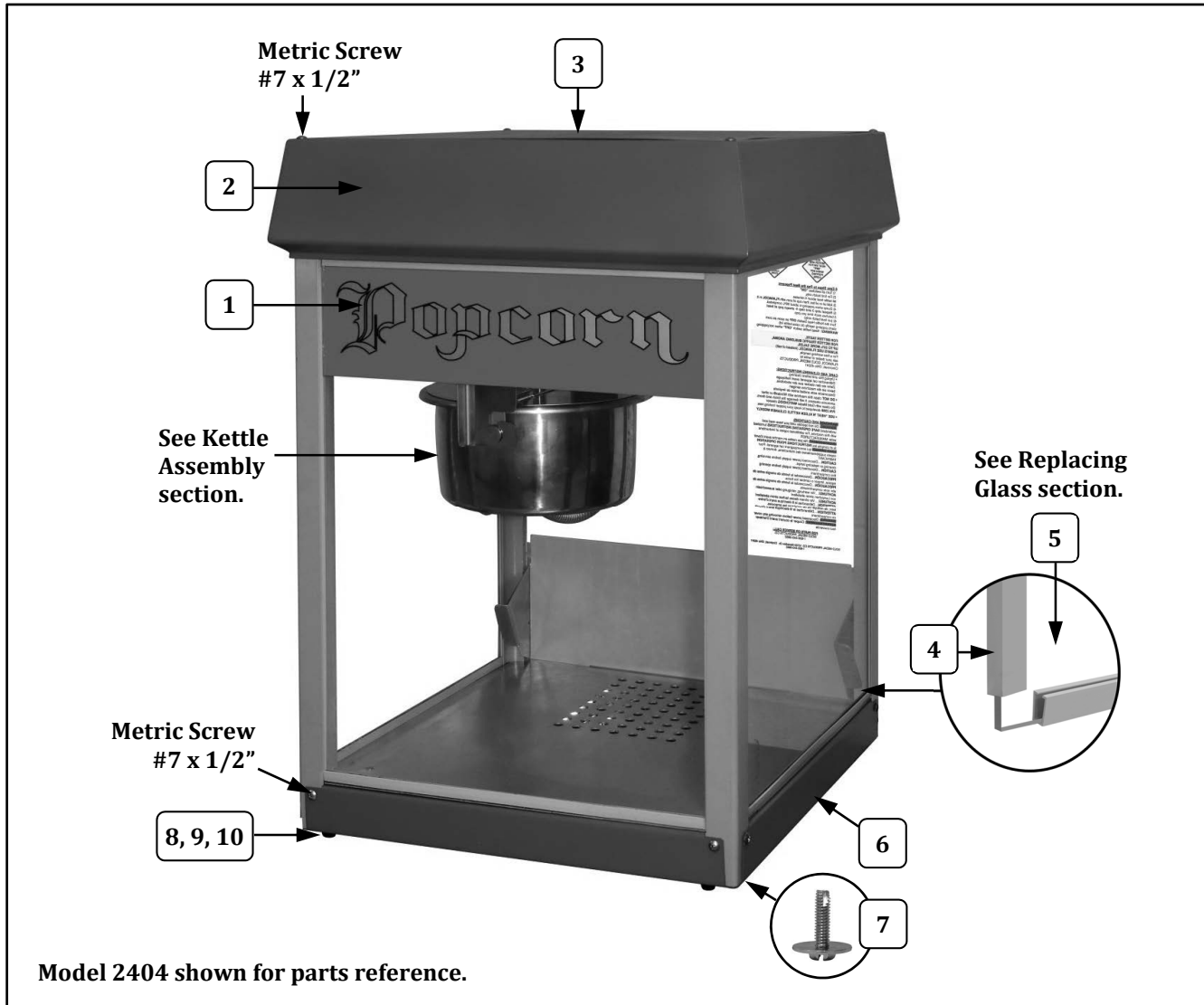
Cabinet Exterior – Front View



Item	Part Description	Part Number			
		2404	2404EX	2404MD	2404MDX
1	DECAL POPCORN FRONT GLASS	56001	56001	56001MD	56001MD
2	DOME TOP WELDED ASSEMBLY	55089	55089	55089BK	55089BK
3	DOME COVER	55101	58101	55101BK	55101BK
4	GLASS CHAN 18.226 (used for top and bottom edges of glass panels – cut as needed)	55079	55079	55079	55079
5	GLASS 4 OZ POPPER (3 panels used)	50022	50022	50022	50022
6	BASE PAN (Domestic)	55063		55063BK	
	BASE PAN (Export)		55063EX		N/A
7	8-32 X 5/8 TYPE 23 HX HD (fastens base pan)	49052	49052	49052	49052
8	RUBBER BUMPER/FOOT	87247	87247	87247	87247
9	#8 INTERAL TOOTH WASHER	12132	12132	12132	12132
10	#8-32 STAINLESS HEX NUT (fastens foot)	89129	89129	89129	89129



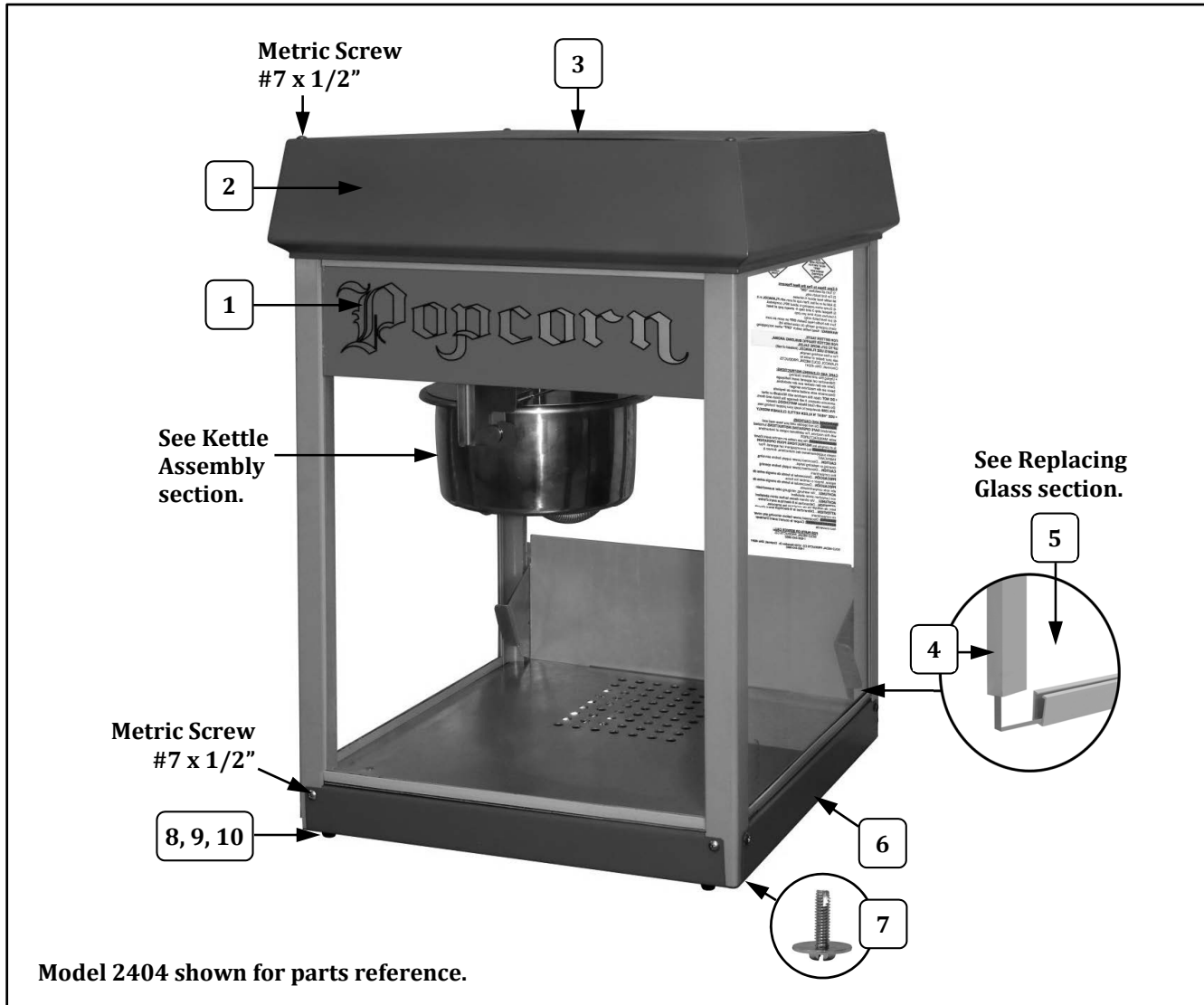
Cabinet Exterior – Front View



Item	Part Description	Part Number			
		2404	2404EX	2404MD	2404MDX
1	DECAL POPCORN FRONT GLASS	56001	56001	56001MD	56001MD
2	DOME TOP WELDED ASSEMBLY	55089	55089	55089BK	55089BK
3	DOME COVER	55101	58101	55101BK	55101BK
4	GLASS CHAN 18.226 (used for top and bottom edges of glass panels – cut as needed)	55079	55079	55079	55079
5	GLASS 4 OZ POPPER (3 panels used)	50022	50022	50022	50022
6	BASE PAN (Domestic)	55063		55063BK	
	BASE PAN (Export)		55063EX		N/A
7	8-32 X 5/8 TYPE 23 HX HD (fastens base pan)	49052	49052	49052	49052
8	RUBBER BUMPER/FOOT	87247	87247	87247	87247
9	#8 INTERAL TOOTH WASHER	12132	12132	12132	12132
10	#8-32 STAINLESS HEX NUT (fastens foot)	89129	89129	89129	89129



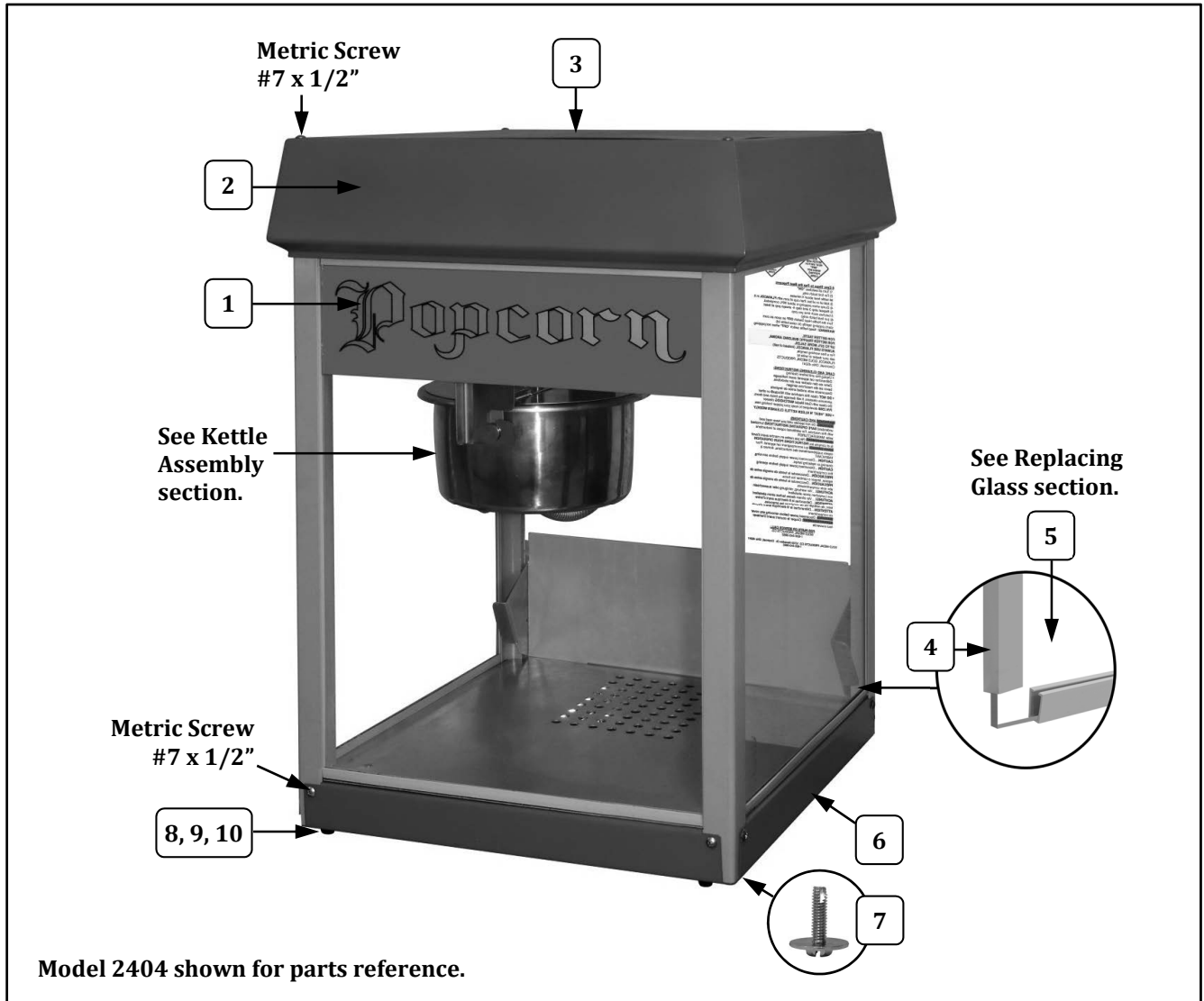
Cabinet Exterior – Front View



Item	Part Description	Part Number			
		2404	2404EX	2404MD	2404MDX
1	DECAL POPCORN FRONT GLASS	56001	56001	56001MD	56001MD
2	DOME TOP WELDED ASSEMBLY	55089	55089	55089BK	55089BK
3	DOME COVER	55101	58101	55101BK	55101BK
4	GLASS CHAN 18.226 (used for top and bottom edges of glass panels – cut as needed)	55079	55079	55079	55079
5	GLASS 4 OZ POPPER (3 panels used)	50022	50022	50022	50022
6	BASE PAN (Domestic)	55063		55063BK	
	BASE PAN (Export)		55063EX		N/A
7	8-32 X 5/8 TYPE 23 HX HD (fastens base pan)	49052	49052	49052	49052
8	RUBBER BUMPER/FOOT	87247	87247	87247	87247
9	#8 INTERAL TOOTH WASHER	12132	12132	12132	12132
10	#8-32 STAINLESS HEX NUT (fastens foot)	89129	89129	89129	89129



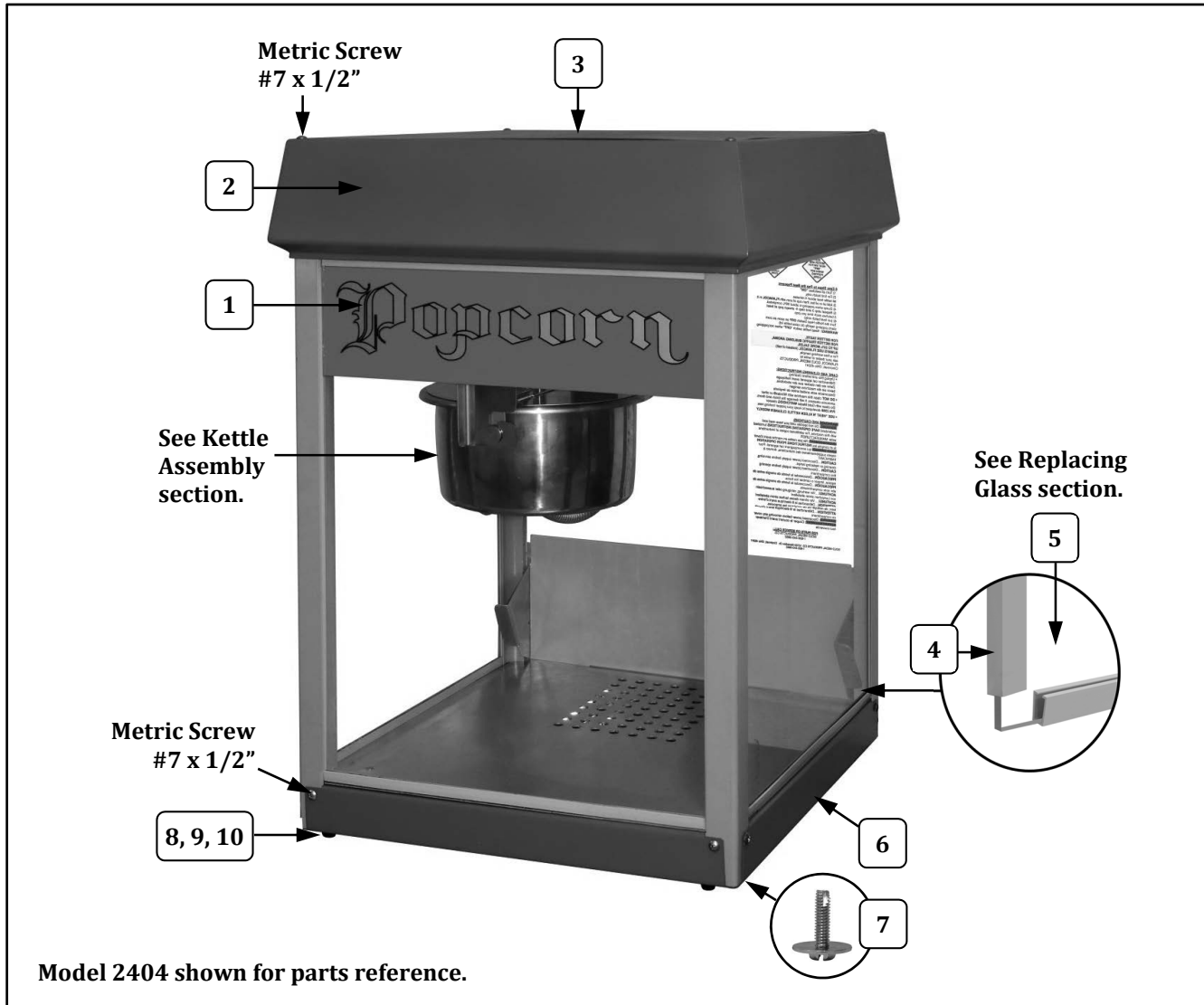
Cabinet Exterior – Front View



Item	Part Description	Part Number			
		2404	2404EX	2404MD	2404MDX
1	DECAL POPCORN FRONT GLASS	56001	56001	56001MD	56001MD
2	DOME TOP WELDED ASSEMBLY	55089	55089	55089BK	55089BK
3	DOME COVER	55101	58101	55101BK	55101BK
4	GLASS CHAN 18.226 (used for top and bottom edges of glass panels – cut as needed)	55079	55079	55079	55079
5	GLASS 4 OZ POPPER (3 panels used)	50022	50022	50022	50022
6	BASE PAN (Domestic)	55063		55063BK	
	BASE PAN (Export)		55063EX		N/A
7	8-32 X 5/8 TYPE 23 HX HD (fastens base pan)	49052	49052	49052	49052
8	RUBBER BUMPER/FOOT	87247	87247	87247	87247
9	#8 INTERNAL TOOTH WASHER	12132	12132	12132	12132
10	#8-32 STAINLESS HEX NUT (fastens foot)	89129	89129	89129	89129



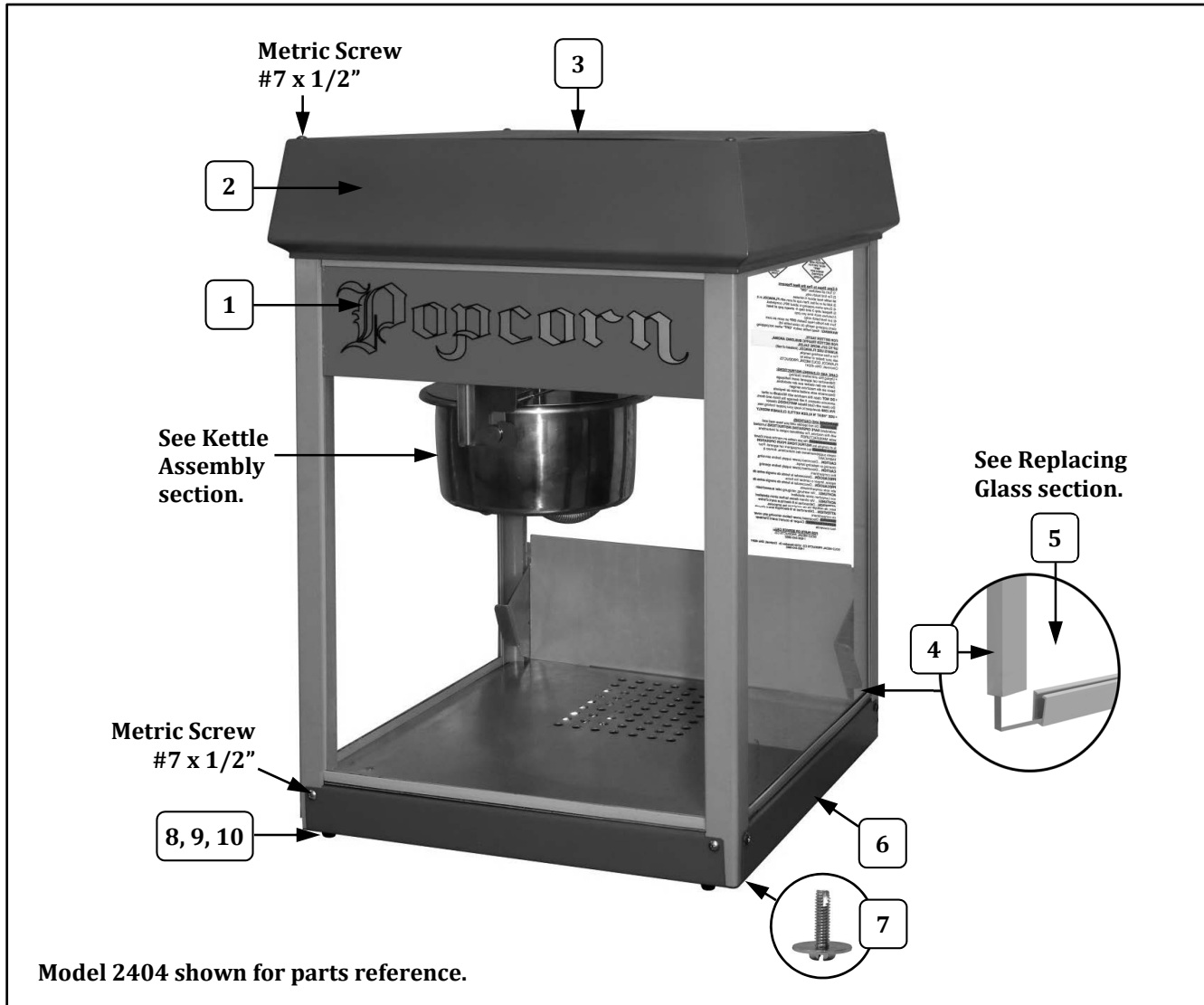
Cabinet Exterior – Front View



Item	Part Description	Part Number			
		2404	2404EX	2404MD	2404MDX
1	DECAL POPCORN FRONT GLASS	56001	56001	56001MD	56001MD
2	DOME TOP WELDED ASSEMBLY	55089	55089	55089BK	55089BK
3	DOME COVER	55101	58101	55101BK	55101BK
4	GLASS CHAN 18.226 (used for top and bottom edges of glass panels – cut as needed)	55079	55079	55079	55079
5	GLASS 4 OZ POPPER (3 panels used)	50022	50022	50022	50022
6	BASE PAN (Domestic)	55063		55063BK	
	BASE PAN (Export)		55063EX		N/A
7	8-32 X 5/8 TYPE 23 HX HD (fastens base pan)	49052	49052	49052	49052
8	RUBBER BUMPER/FOOT	87247	87247	87247	87247
9	#8 INTERAL TOOTH WASHER	12132	12132	12132	12132
10	#8-32 STAINLESS HEX NUT (fastens foot)	89129	89129	89129	89129



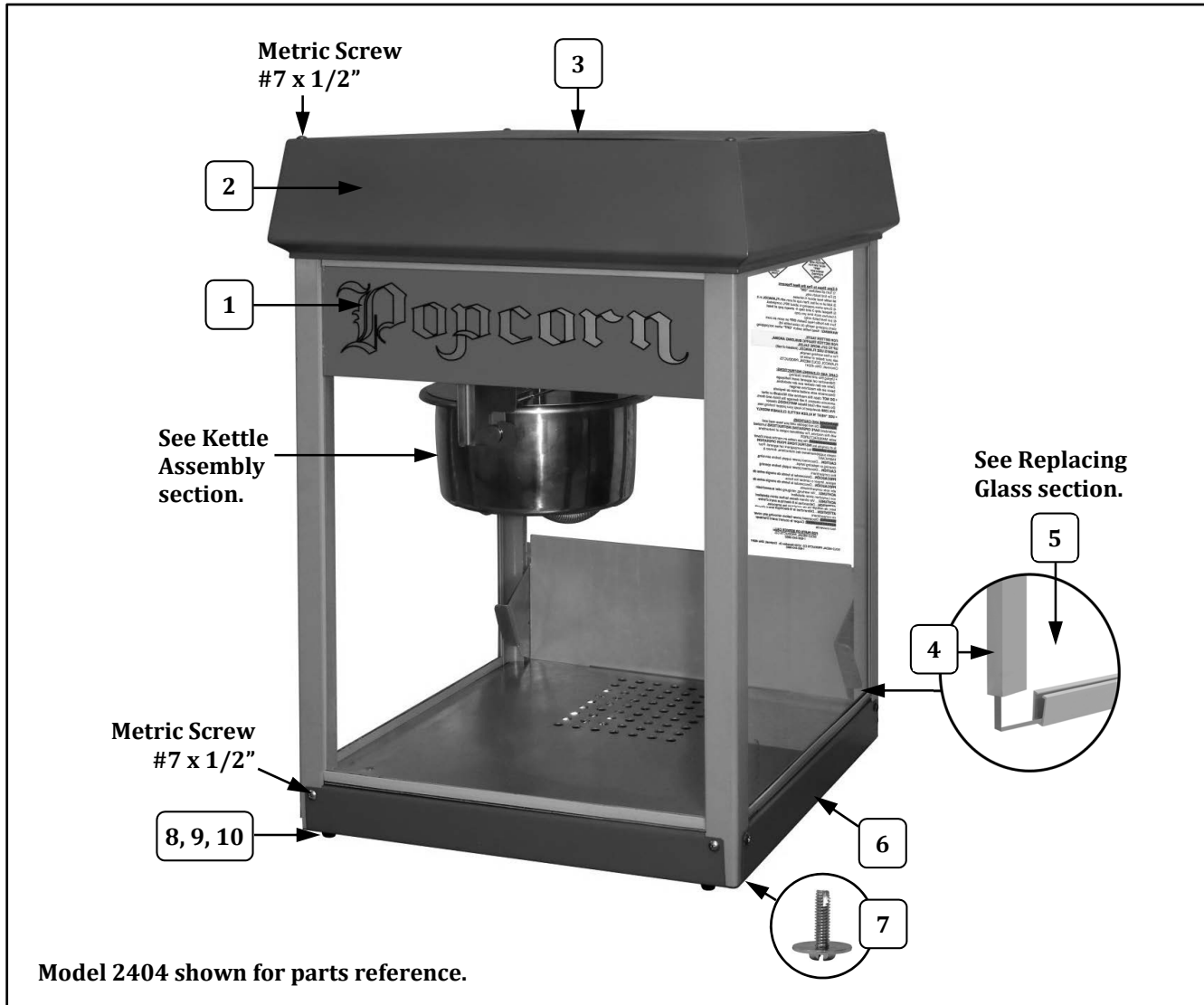
Cabinet Exterior – Front View



Item	Part Description	Part Number			
		2404	2404EX	2404MD	2404MDX
1	DECAL POPCORN FRONT GLASS	56001	56001	56001MD	56001MD
2	DOME TOP WELDED ASSEMBLY	55089	55089	55089BK	55089BK
3	DOME COVER	55101	58101	55101BK	55101BK
4	GLASS CHAN 18.226 (used for top and bottom edges of glass panels – cut as needed)	55079	55079	55079	55079
5	GLASS 4 OZ POPPER (3 panels used)	50022	50022	50022	50022
6	BASE PAN (Domestic)	55063		55063BK	
	BASE PAN (Export)		55063EX		N/A
7	8-32 X 5/8 TYPE 23 HX HD (fastens base pan)	49052	49052	49052	49052
8	RUBBER BUMPER/FOOT	87247	87247	87247	87247
9	#8 INTERAL TOOTH WASHER	12132	12132	12132	12132
10	#8-32 STAINLESS HEX NUT (fastens foot)	89129	89129	89129	89129



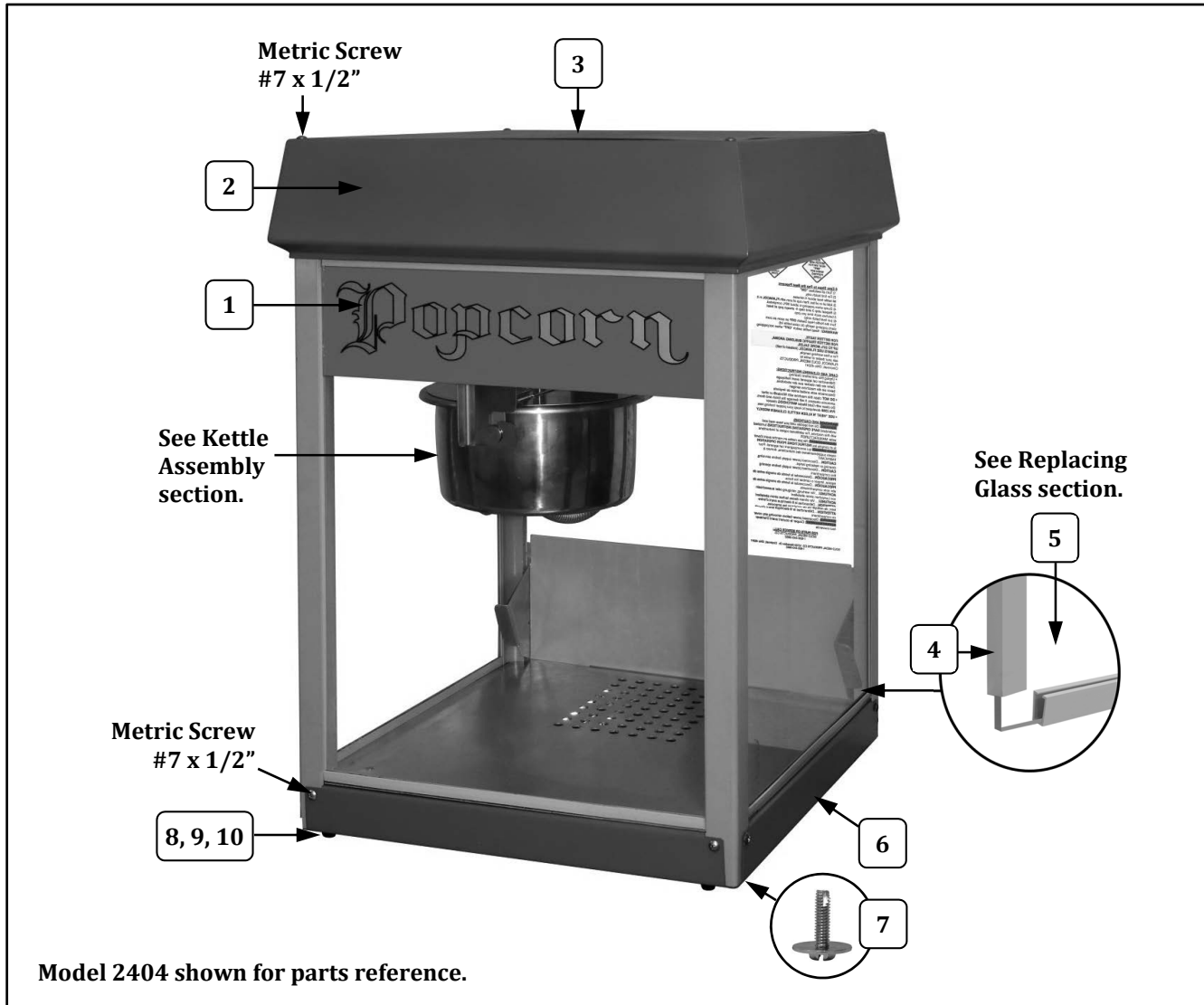
Cabinet Exterior – Front View



Item	Part Description	Part Number			
		2404	2404EX	2404MD	2404MDX
1	DECAL POPCORN FRONT GLASS	56001	56001	56001MD	56001MD
2	DOME TOP WELDED ASSEMBLY	55089	55089	55089BK	55089BK
3	DOME COVER	55101	58101	55101BK	55101BK
4	GLASS CHAN 18.226 (used for top and bottom edges of glass panels – cut as needed)	55079	55079	55079	55079
5	GLASS 4 OZ POPPER (3 panels used)	50022	50022	50022	50022
6	BASE PAN (Domestic)	55063		55063BK	
	BASE PAN (Export)		55063EX		N/A
7	8-32 X 5/8 TYPE 23 HX HD (fastens base pan)	49052	49052	49052	49052
8	RUBBER BUMPER/FOOT	87247	87247	87247	87247
9	#8 INTERAL TOOTH WASHER	12132	12132	12132	12132
10	#8-32 STAINLESS HEX NUT (fastens foot)	89129	89129	89129	89129



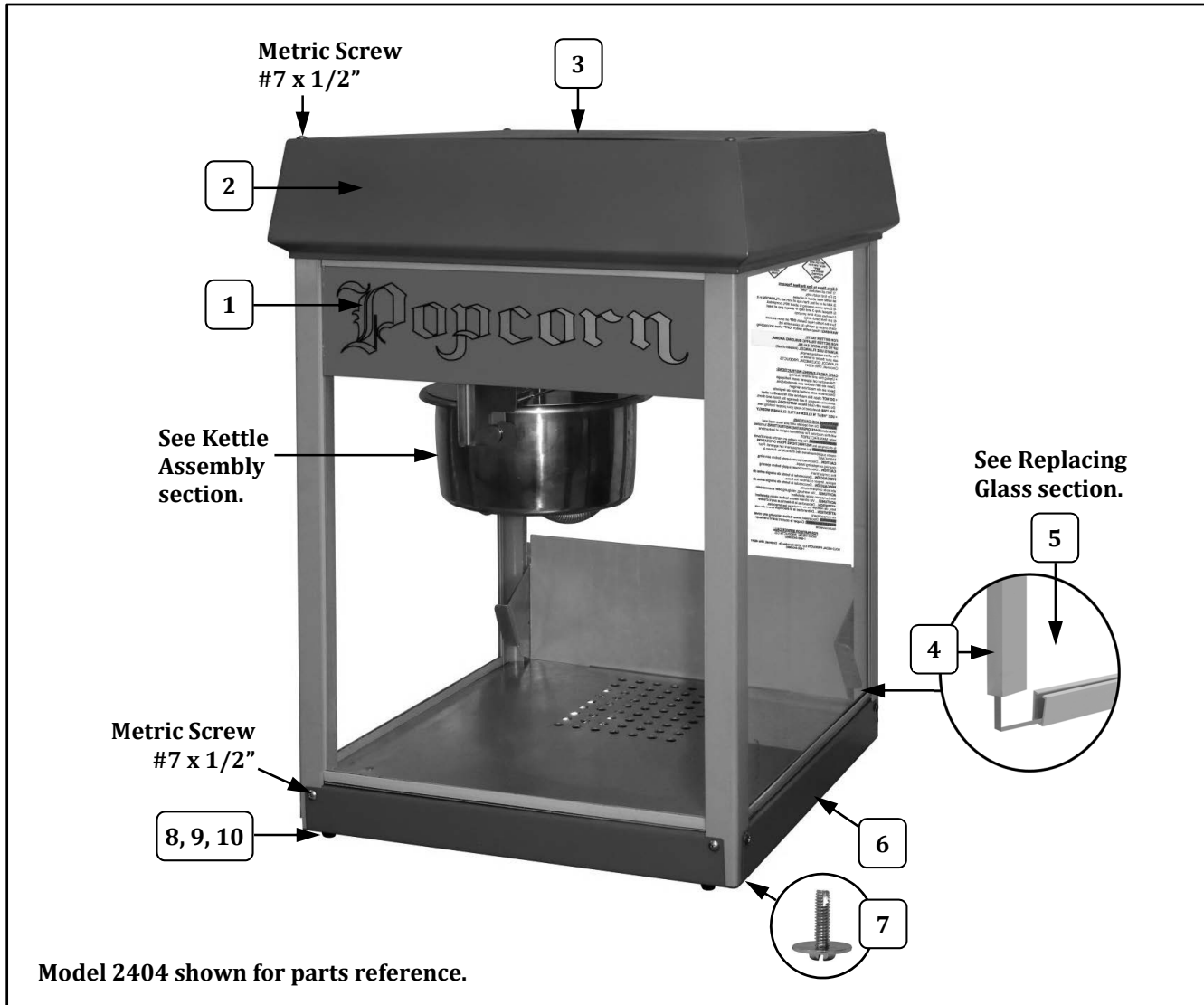
Cabinet Exterior – Front View



Item	Part Description	Part Number			
		2404	2404EX	2404MD	2404MDX
1	DECAL POPCORN FRONT GLASS	56001	56001	56001MD	56001MD
2	DOME TOP WELDED ASSEMBLY	55089	55089	55089BK	55089BK
3	DOME COVER	55101	58101	55101BK	55101BK
4	GLASS CHAN 18.226 (used for top and bottom edges of glass panels – cut as needed)	55079	55079	55079	55079
5	GLASS 4 OZ POPPER (3 panels used)	50022	50022	50022	50022
6	BASE PAN (Domestic)	55063		55063BK	
	BASE PAN (Export)		55063EX		N/A
7	8-32 X 5/8 TYPE 23 HX HD (fastens base pan)	49052	49052	49052	49052
8	RUBBER BUMPER/FOOT	87247	87247	87247	87247
9	#8 INTERAL TOOTH WASHER	12132	12132	12132	12132
10	#8-32 STAINLESS HEX NUT (fastens foot)	89129	89129	89129	89129



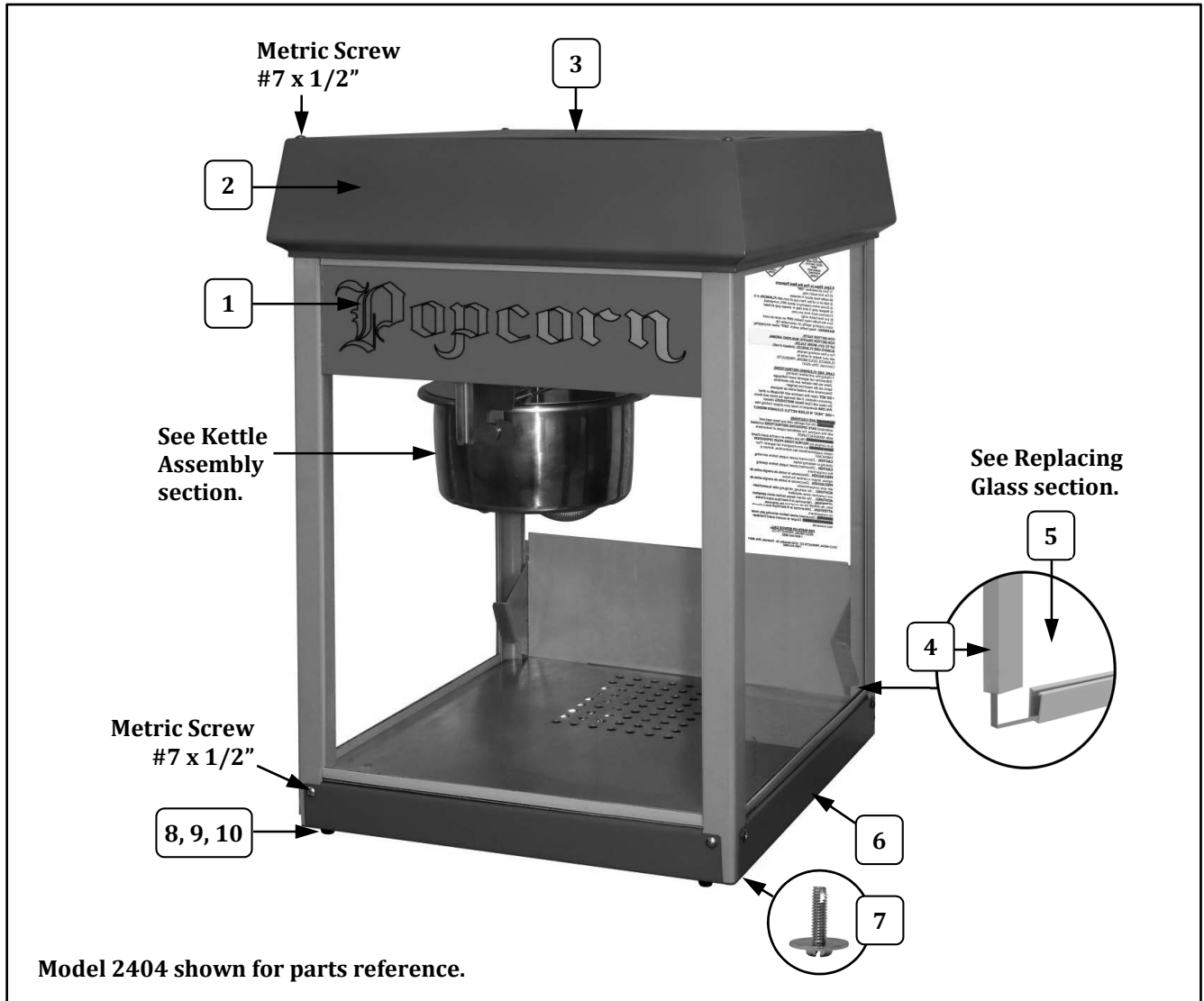
Cabinet Exterior – Front View



Item	Part Description	Part Number			
		2404	2404EX	2404MD	2404MDX
1	DECAL POPCORN FRONT GLASS	56001	56001	56001MD	56001MD
2	DOME TOP WELDED ASSEMBLY	55089	55089	55089BK	55089BK
3	DOME COVER	55101	58101	55101BK	55101BK
4	GLASS CHAN 18.226 (used for top and bottom edges of glass panels – cut as needed)	55079	55079	55079	55079
5	GLASS 4 OZ POPPER (3 panels used)	50022	50022	50022	50022
6	BASE PAN (Domestic)	55063		55063BK	
	BASE PAN (Export)		55063EX		N/A
7	8-32 X 5/8 TYPE 23 HX HD (fastens base pan)	49052	49052	49052	49052
8	RUBBER BUMPER/FOOT	87247	87247	87247	87247
9	#8 INTERAL TOOTH WASHER	12132	12132	12132	12132
10	#8-32 STAINLESS HEX NUT (fastens foot)	89129	89129	89129	89129



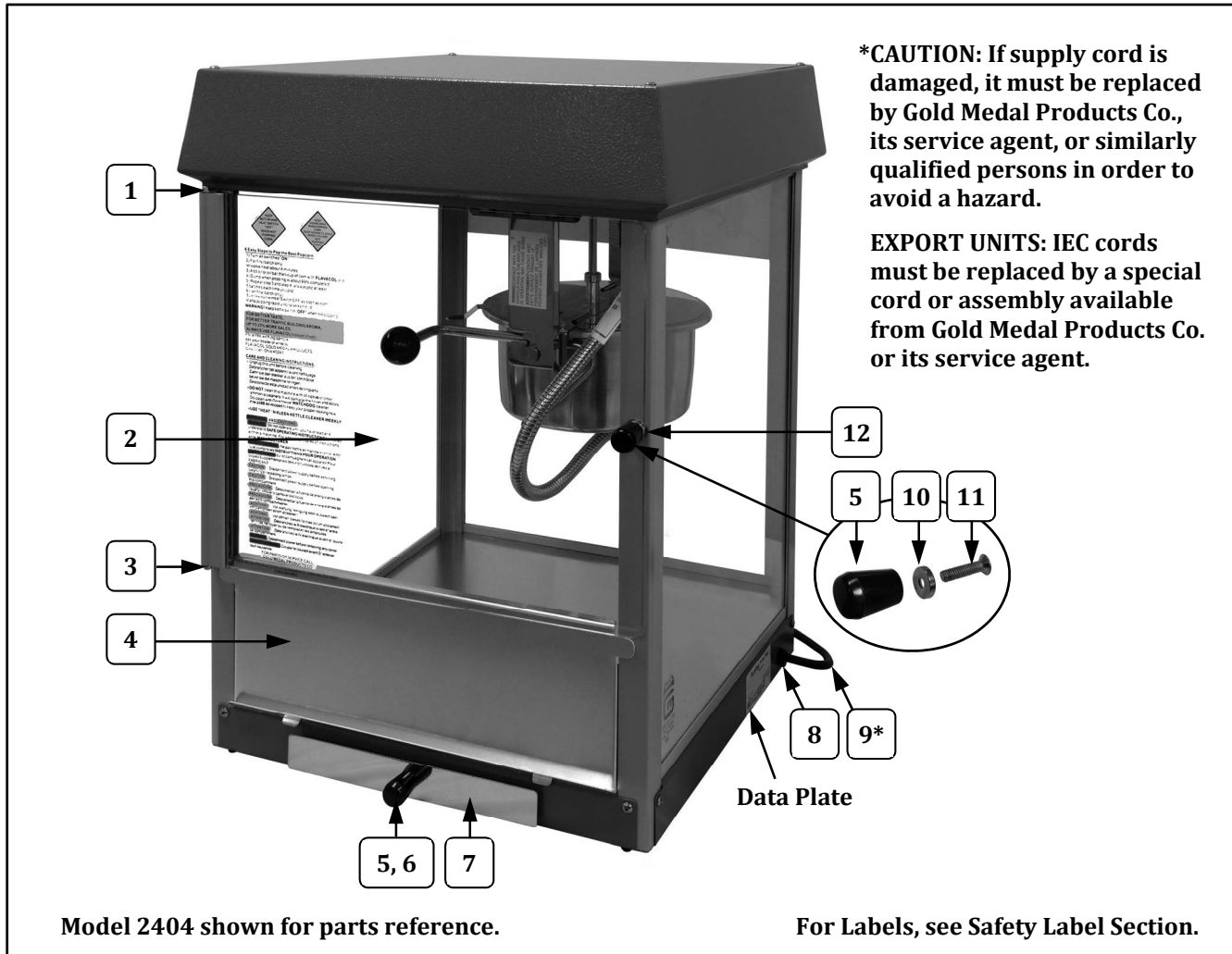
Cabinet Exterior – Front View



Item	Part Description	Part Number			
		2404	2404EX	2404MD	2404MDX
1	DECAL POPCORN FRONT GLASS	56001	56001	56001MD	56001MD
2	DOME TOP WELDED ASSEMBLY	55089	55089	55089BK	55089BK
3	DOME COVER	55101	58101	55101BK	55101BK
4	GLASS CHAN 18.226 (used for top and bottom edges of glass panels – cut as needed)	55079	55079	55079	55079
5	GLASS 4 OZ POPPER (3 panels used)	50022	50022	50022	50022
6	BASE PAN (Domestic)	55063		55063BK	
	BASE PAN (Export)		55063EX		N/A
7	8-32 X 5/8 TYPE 23 HX HD (fastens base pan)	49052	49052	49052	49052
8	RUBBER BUMPER/FOOT	87247	87247	87247	87247
9	#8 INTERAL TOOTH WASHER	12132	12132	12132	12132
10	#8-32 STAINLESS HEX NUT (fastens foot)	89129	89129	89129	89129



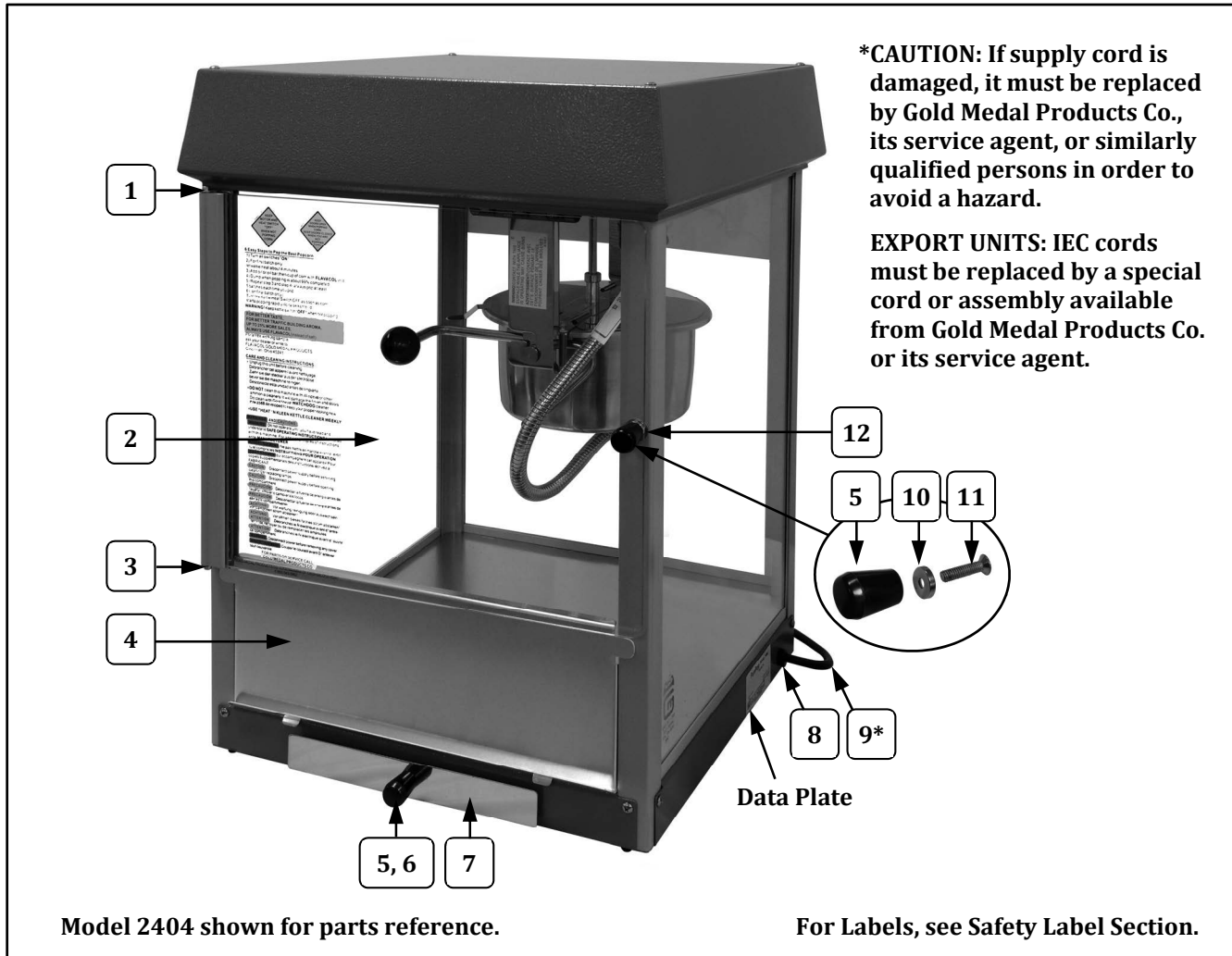
Cabinet Exterior – Rear View



Item	Part Description	Part Number	
		2404, 2404MD	2404EX, 2404MDX
1	TOP HINGE DOOR PIVOT BRACKET	55060	55060
2	DOOR ASSEMBLY (includes door, hinge extrusion, and pins)	56011	56011SLVR
3	BOTTOM HINGE DOOR PIVOT BRACKET	55061	55061
4	DROP PANEL 4 OZ POPPER	55065	55065
5	KNOB	47120	47120
6	8-32 X 3/8 PH PAN W/SEMS (screw for knob)	42227	42227
7	OLD MAID PAN	49100	49100
8	SR-6P3-4 STRAIN RELIEF IEC SNAP IN RECEPTACLE (not shown)	76026	42373
9*	LEAD-IN CORD 15 AMP PLUG POWER CORD IEC SCHUKO (not shown)	22038	42372
10	MAGNET	50013	50013
11	8-32X1/2 FL HD PH MS (screw for knob)	20066	20066
12	LATCH CATCH	55104	55104



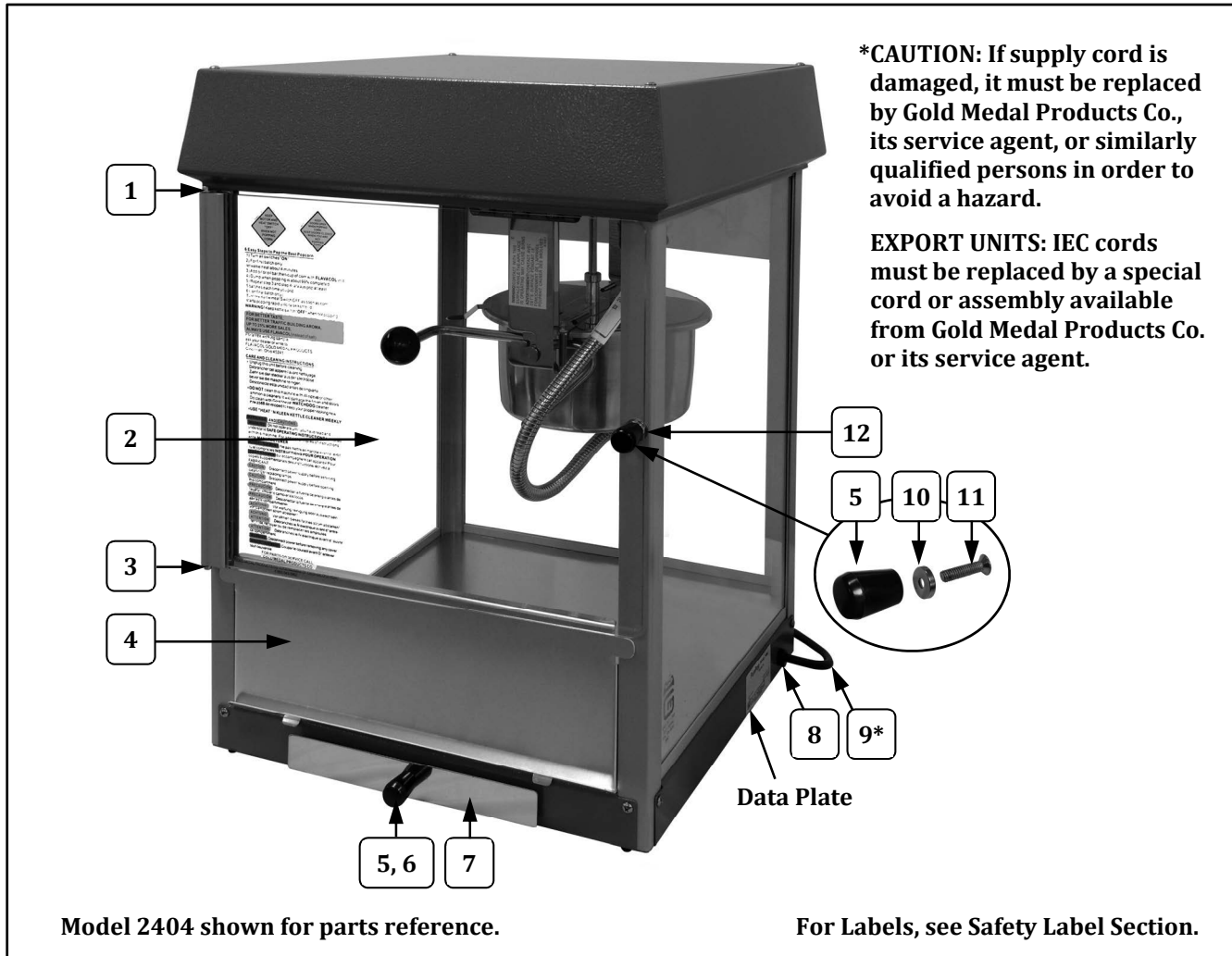
Cabinet Exterior – Rear View



Item	Part Description	Part Number	
		2404, 2404MD	2404EX, 2404MDX
1	TOP HINGE DOOR PIVOT BRACKET	55060	55060
2	DOOR ASSEMBLY (includes door, hinge extrusion, and pins)	56011	56011SLVR
3	BOTTOM HINGE DOOR PIVOT BRACKET	55061	55061
4	DROP PANEL 4 OZ POPPER	55065	55065
5	KNOB	47120	47120
6	8-32 X 3/8 PH PAN W/SEMS (screw for knob)	42227	42227
7	OLD MAID PAN	49100	49100
8	SR-6P3-4 STRAIN RELIEF IEC SNAP IN RECEPTACLE (not shown)	76026	42373
9*	LEAD-IN CORD 15 AMP PLUG POWER CORD IEC SCHUKO (not shown)	22038	42372
10	MAGNET	50013	50013
11	8-32X1/2 FL HD PH MS (screw for knob)	20066	20066
12	LATCH CATCH	55104	55104



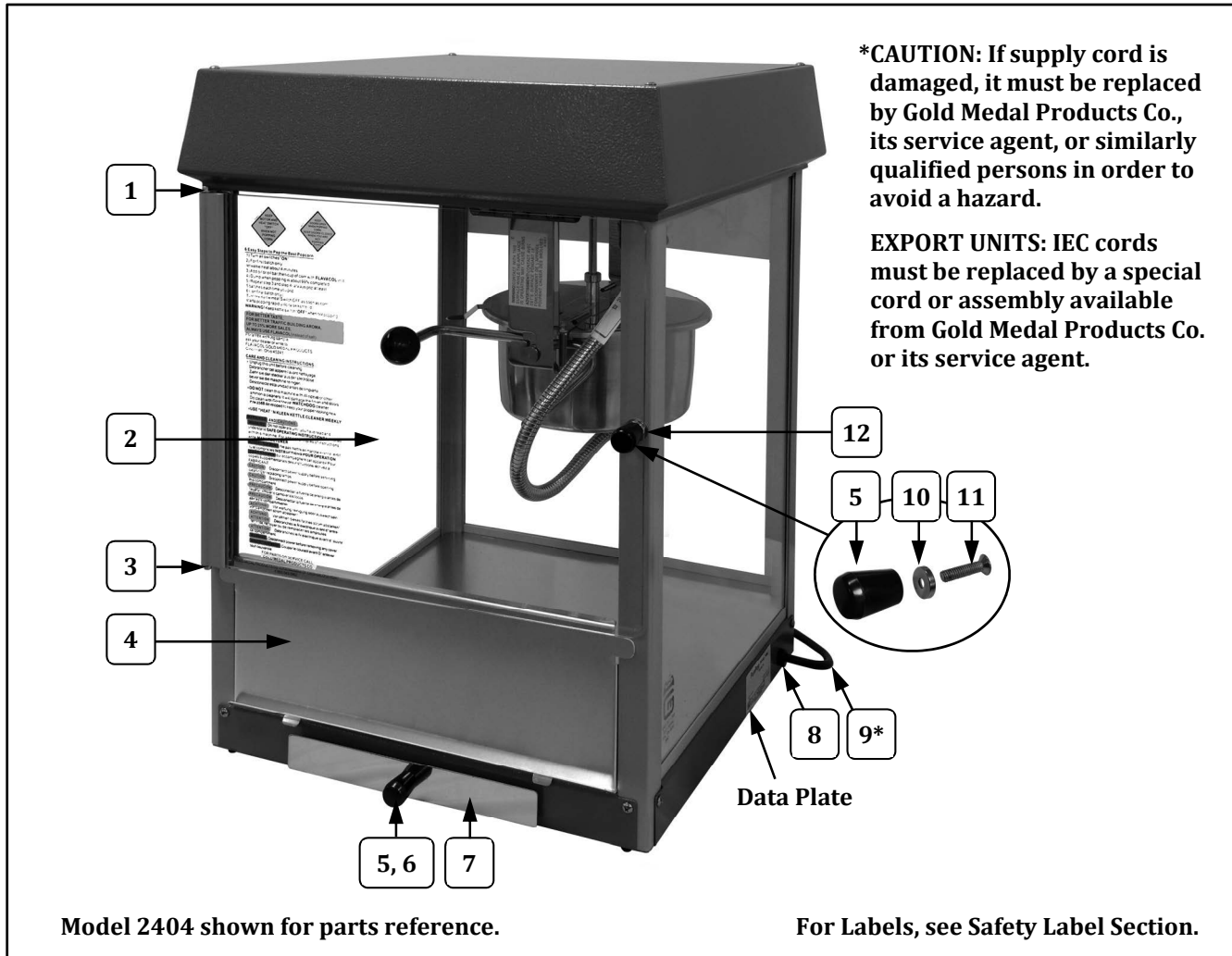
Cabinet Exterior – Rear View



Item	Part Description	Part Number	
		2404, 2404MD	2404EX, 2404MDX
1	TOP HINGE DOOR PIVOT BRACKET	55060	55060
2	DOOR ASSEMBLY (includes door, hinge extrusion, and pins)	56011	56011SLVR
3	BOTTOM HINGE DOOR PIVOT BRACKET	55061	55061
4	DROP PANEL 4 OZ POPPER	55065	55065
5	KNOB	47120	47120
6	8-32 X 3/8 PH PAN W/SEMS (screw for knob)	42227	42227
7	OLD MAID PAN	49100	49100
8	SR-6P3-4 STRAIN RELIEF IEC SNAP IN RECEPTACLE (not shown)	76026	42373
9*	LEAD-IN CORD 15 AMP PLUG POWER CORD IEC SCHUKO (not shown)	22038	42372
10	MAGNET	50013	50013
11	8-32X1/2 FL HD PH MS (screw for knob)	20066	20066
12	LATCH CATCH	55104	55104



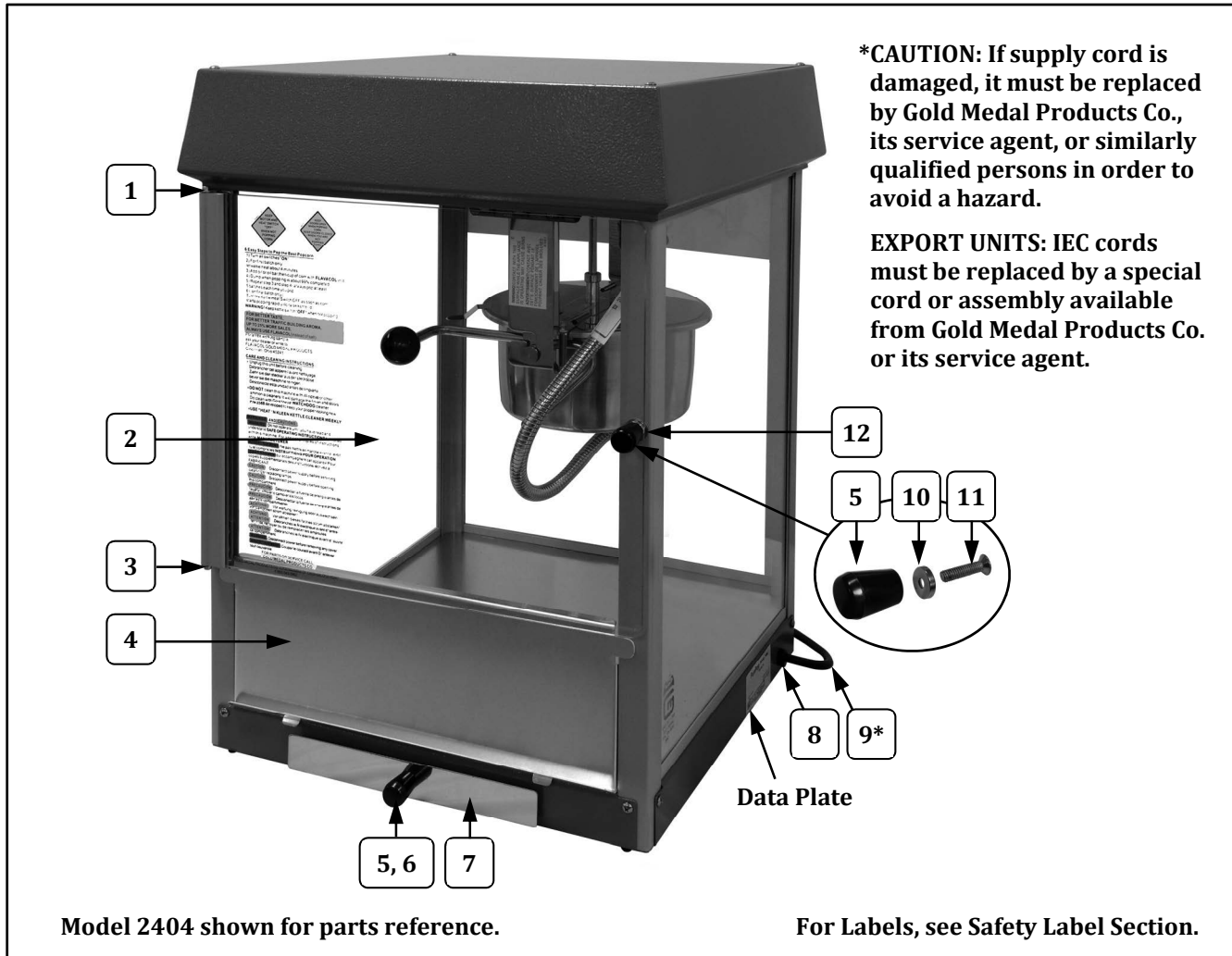
Cabinet Exterior – Rear View



Item	Part Description	Part Number	
		2404, 2404MD	2404EX, 2404MDX
1	TOP HINGE DOOR PIVOT BRACKET	55060	55060
2	DOOR ASSEMBLY (includes door, hinge extrusion, and pins)	56011	56011SLVR
3	BOTTOM HINGE DOOR PIVOT BRACKET	55061	55061
4	DROP PANEL 4 OZ POPPER	55065	55065
5	KNOB	47120	47120
6	8-32 X 3/8 PH PAN W/SEMS (screw for knob)	42227	42227
7	OLD MAID PAN	49100	49100
8	SR-6P3-4 STRAIN RELIEF IEC SNAP IN RECEPTACLE (not shown)	76026	42373
9*	LEAD-IN CORD 15 AMP PLUG POWER CORD IEC SCHUKO (not shown)	22038	42372
10	MAGNET	50013	50013
11	8-32X1/2 FL HD PH MS (screw for knob)	20066	20066
12	LATCH CATCH	55104	55104



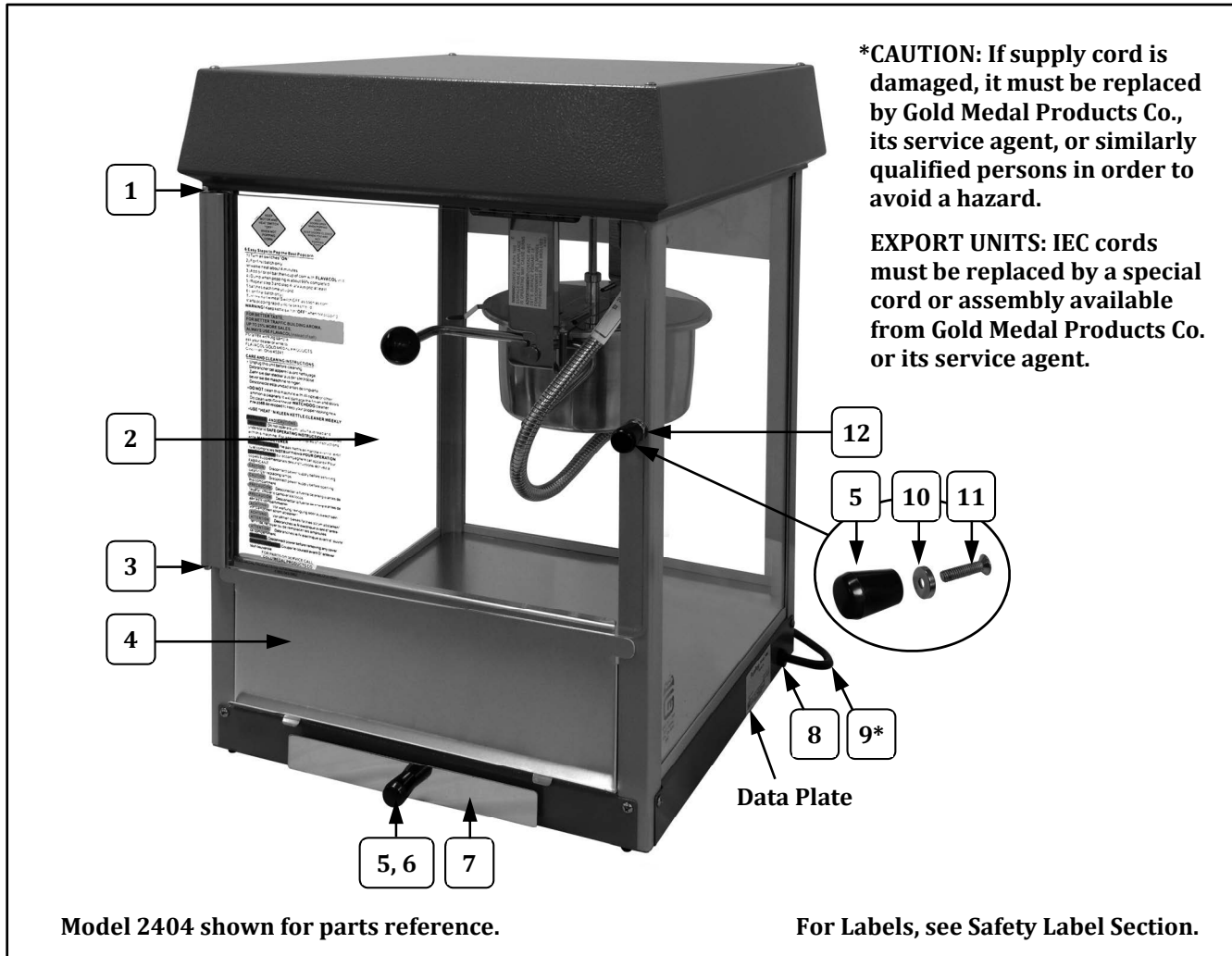
Cabinet Exterior – Rear View



Item	Part Description	Part Number	
		2404, 2404MD	2404EX, 2404MDX
1	TOP HINGE DOOR PIVOT BRACKET	55060	55060
2	DOOR ASSEMBLY (includes door, hinge extrusion, and pins)	56011	56011SLVR
3	BOTTOM HINGE DOOR PIVOT BRACKET	55061	55061
4	DROP PANEL 4 OZ POPPER	55065	55065
5	KNOB	47120	47120
6	8-32 X 3/8 PH PAN W/SEMS (screw for knob)	42227	42227
7	OLD MAID PAN	49100	49100
8	SR-6P3-4 STRAIN RELIEF IEC SNAP IN RECEPTACLE (not shown)	76026	42373
9*	LEAD-IN CORD 15 AMP PLUG POWER CORD IEC SCHUKO (not shown)	22038	42372
10	MAGNET	50013	50013
11	8-32X1/2 FL HD PH MS (screw for knob)	20066	20066
12	LATCH CATCH	55104	55104



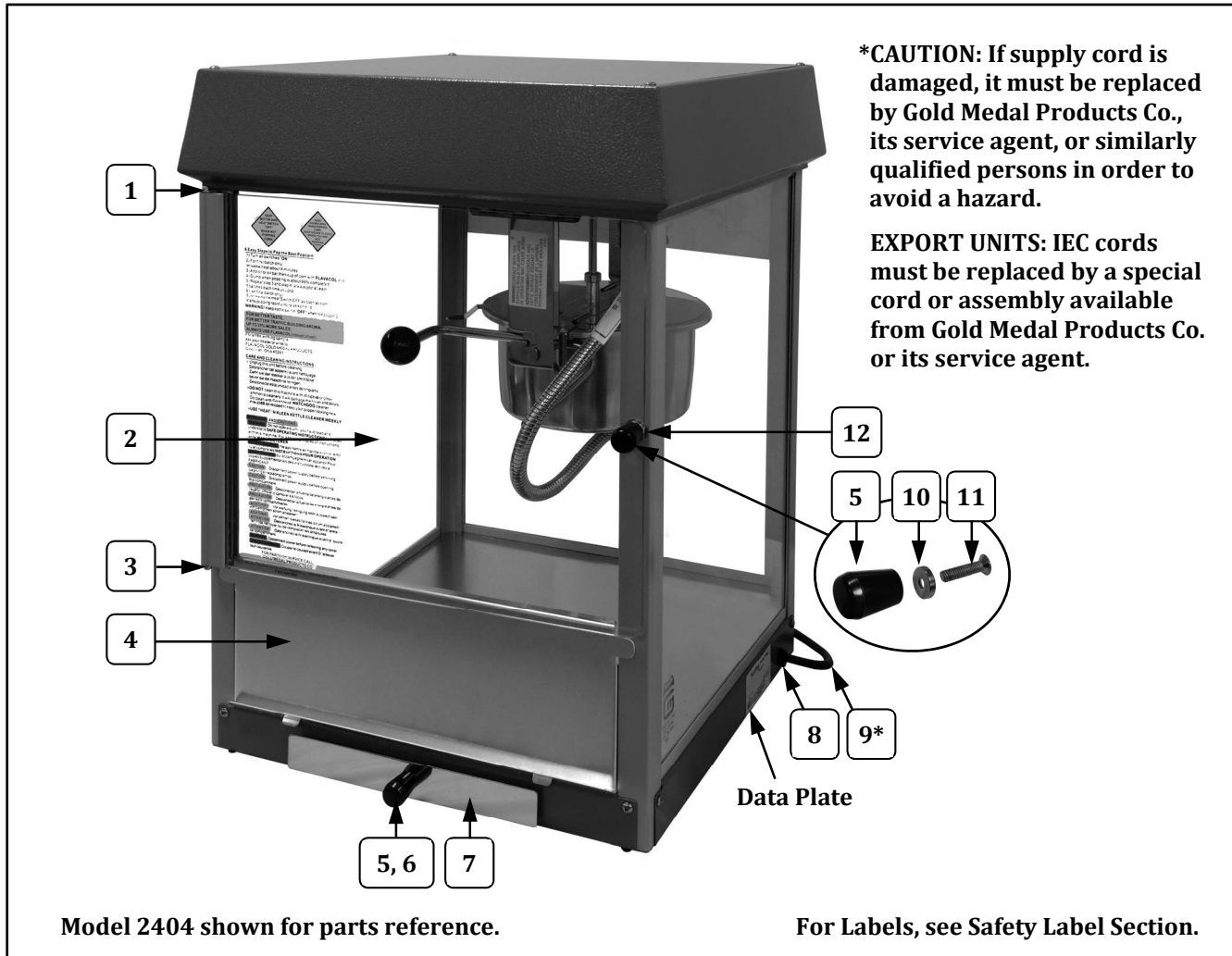
Cabinet Exterior – Rear View



Item	Part Description	Part Number	
		2404, 2404MD	2404EX, 2404MDX
1	TOP HINGE DOOR PIVOT BRACKET	55060	55060
2	DOOR ASSEMBLY (includes door, hinge extrusion, and pins)	56011	56011SLVR
3	BOTTOM HINGE DOOR PIVOT BRACKET	55061	55061
4	DROP PANEL 4 OZ POPPER	55065	55065
5	KNOB	47120	47120
6	8-32 X 3/8 PH PAN W/SEMS (screw for knob)	42227	42227
7	OLD MAID PAN	49100	49100
8	SR-6P3-4 STRAIN RELIEF IEC SNAP IN RECEPTACLE (not shown)	76026	42373
9*	LEAD-IN CORD 15 AMP PLUG POWER CORD IEC SCHUKO (not shown)	22038	42372
10	MAGNET	50013	50013
11	8-32X1/2 FL HD PH MS (screw for knob)	20066	20066
12	LATCH CATCH	55104	55104



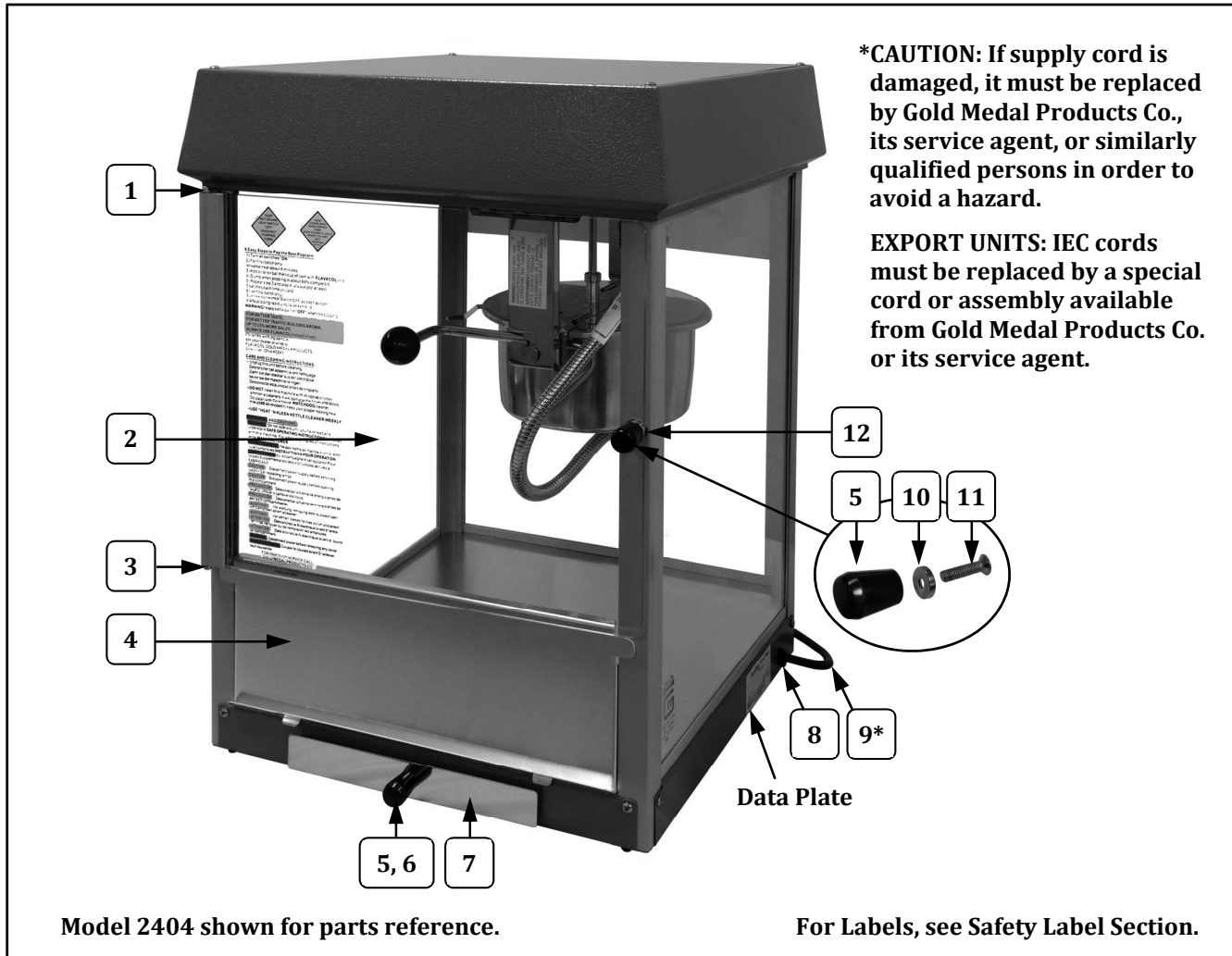
Cabinet Exterior – Rear View



Item	Part Description	Part Number	
		2404, 2404MD	2404EX, 2404MDX
1	TOP HINGE DOOR PIVOT BRACKET	55060	55060
2	DOOR ASSEMBLY (includes door, hinge extrusion, and pins)	56011	56011SLVR
3	BOTTOM HINGE DOOR PIVOT BRACKET	55061	55061
4	DROP PANEL 4 OZ POPPER	55065	55065
5	KNOB	47120	47120
6	8-32 X 3/8 PH PAN W/SEMS (screw for knob)	42227	42227
7	OLD MAID PAN	49100	49100
8	SR-6P3-4 STRAIN RELIEF IEC SNAP IN RECEPTACLE (not shown)	76026	42373
9*	LEAD-IN CORD 15 AMP PLUG POWER CORD IEC SCHUKO (not shown)	22038	42372
10	MAGNET	50013	50013
11	8-32X1/2 FL HD PH MS (screw for knob)	20066	20066
12	LATCH CATCH	55104	55104



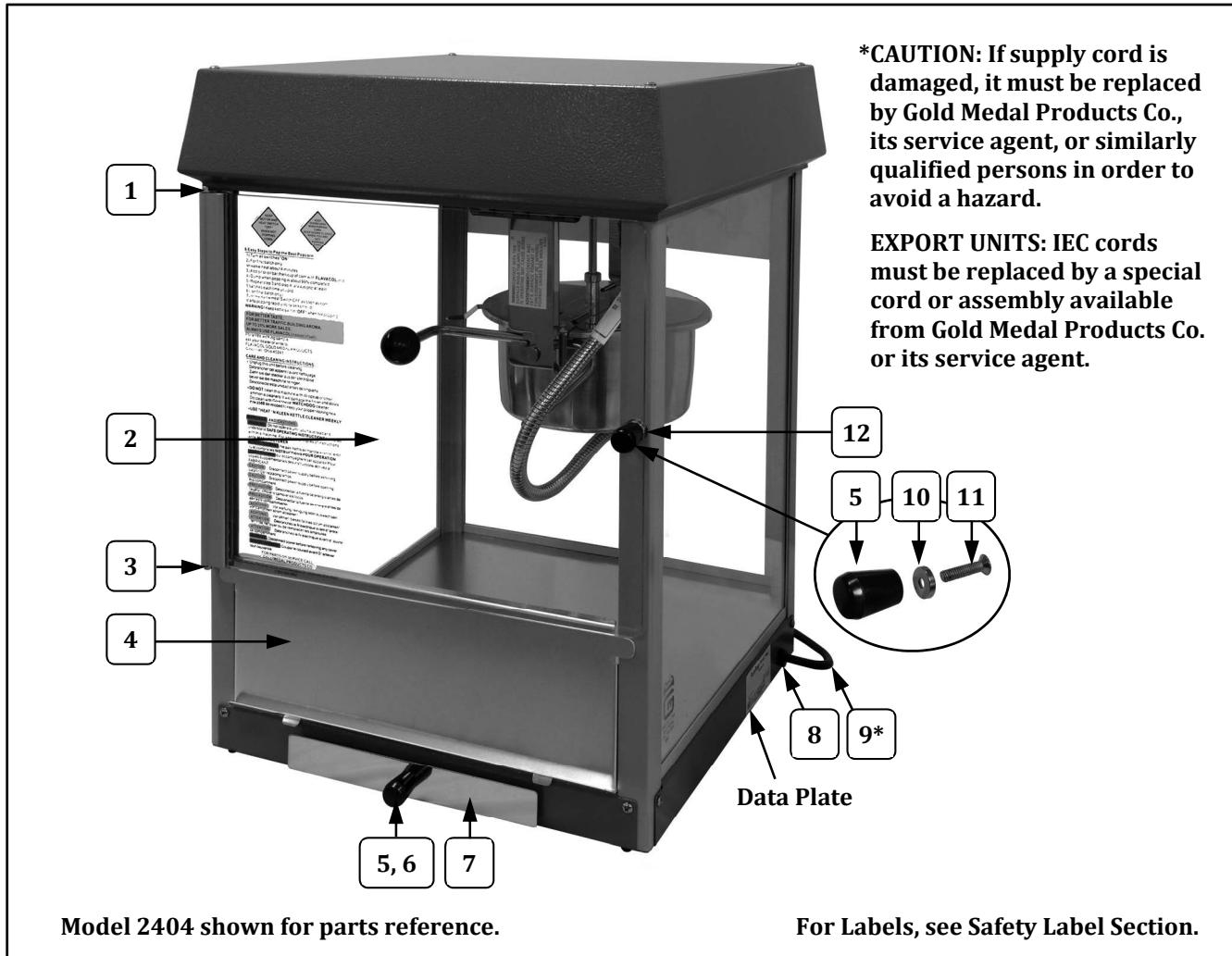
Cabinet Exterior – Rear View



Item	Part Description	Part Number	
		2404, 2404MD	2404EX, 2404MDX
1	TOP HINGE DOOR PIVOT BRACKET	55060	55060
2	DOOR ASSEMBLY (includes door, hinge extrusion, and pins)	56011	56011SLVR
3	BOTTOM HINGE DOOR PIVOT BRACKET	55061	55061
4	DROP PANEL 4 OZ POPPER	55065	55065
5	KNOB	47120	47120
6	8-32 X 3/8 PH PAN W/SEMS (screw for knob)	42227	42227
7	OLD MAID PAN	49100	49100
8	SR-6P3-4 STRAIN RELIEF IEC SNAP IN RECEPTACLE (not shown)	76026	42373
9*	LEAD-IN CORD 15 AMP PLUG POWER CORD IEC SCHUKO (not shown)	22038	42372
10	MAGNET	50013	50013
11	8-32X1/2 FL HD PH MS (screw for knob)	20066	20066
12	LATCH CATCH	55104	55104



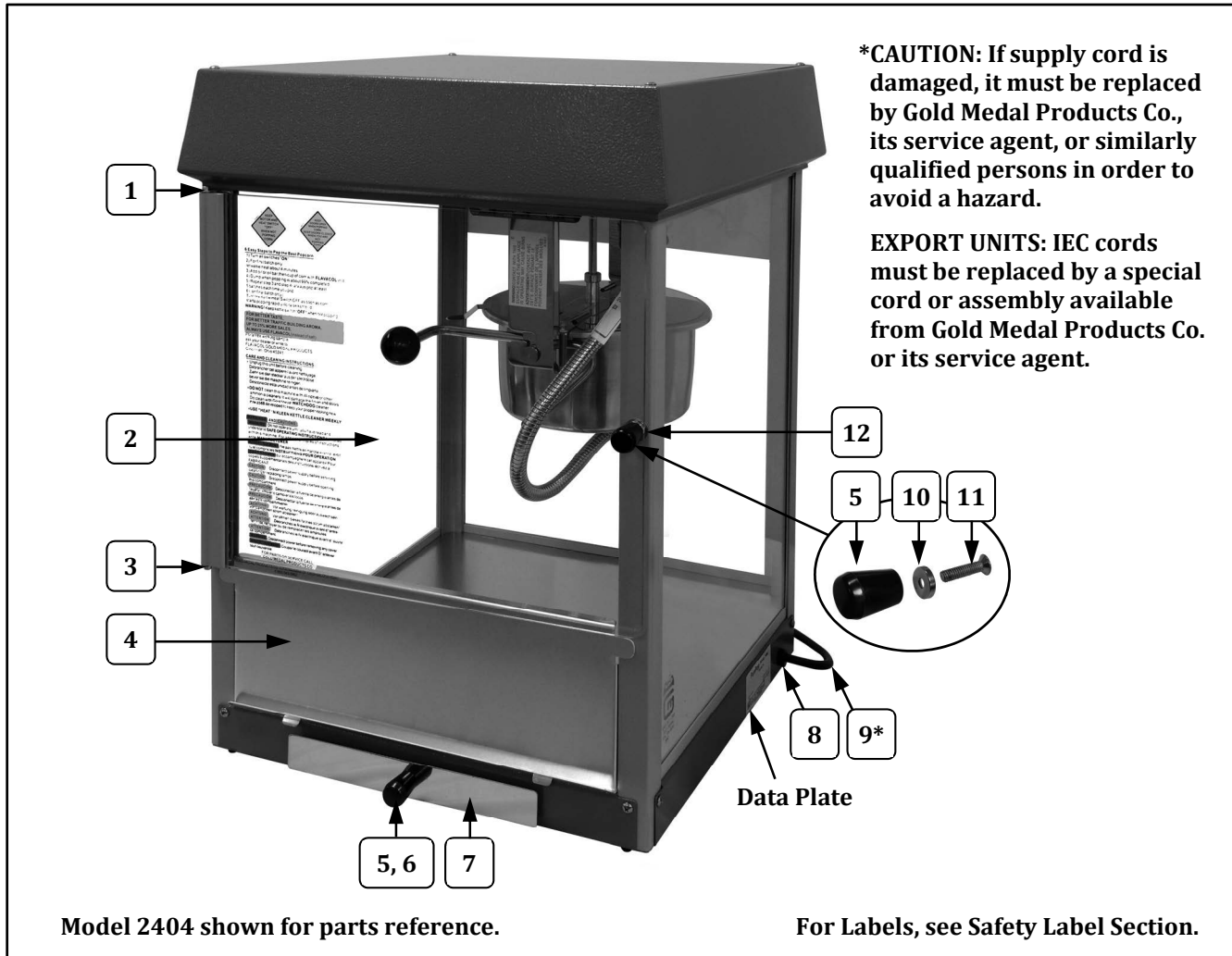
Cabinet Exterior – Rear View



Item	Part Description	Part Number	
		2404, 2404MD	2404EX, 2404MDX
1	TOP HINGE DOOR PIVOT BRACKET	55060	55060
2	DOOR ASSEMBLY (includes door, hinge extrusion, and pins)	56011	56011SLVR
3	BOTTOM HINGE DOOR PIVOT BRACKET	55061	55061
4	DROP PANEL 4 OZ POPPER	55065	55065
5	KNOB	47120	47120
6	8-32 X 3/8 PH PAN W/SEMS (screw for knob)	42227	42227
7	OLD MAID PAN	49100	49100
8	SR-6P3-4 STRAIN RELIEF IEC SNAP IN RECEPTACLE (not shown)	76026	42373
9*	LEAD-IN CORD 15 AMP PLUG POWER CORD IEC SCHUKO (not shown)	22038	42372
10	MAGNET	50013	50013
11	8-32X1/2 FL HD PH MS (screw for knob)	20066	20066
12	LATCH CATCH	55104	55104



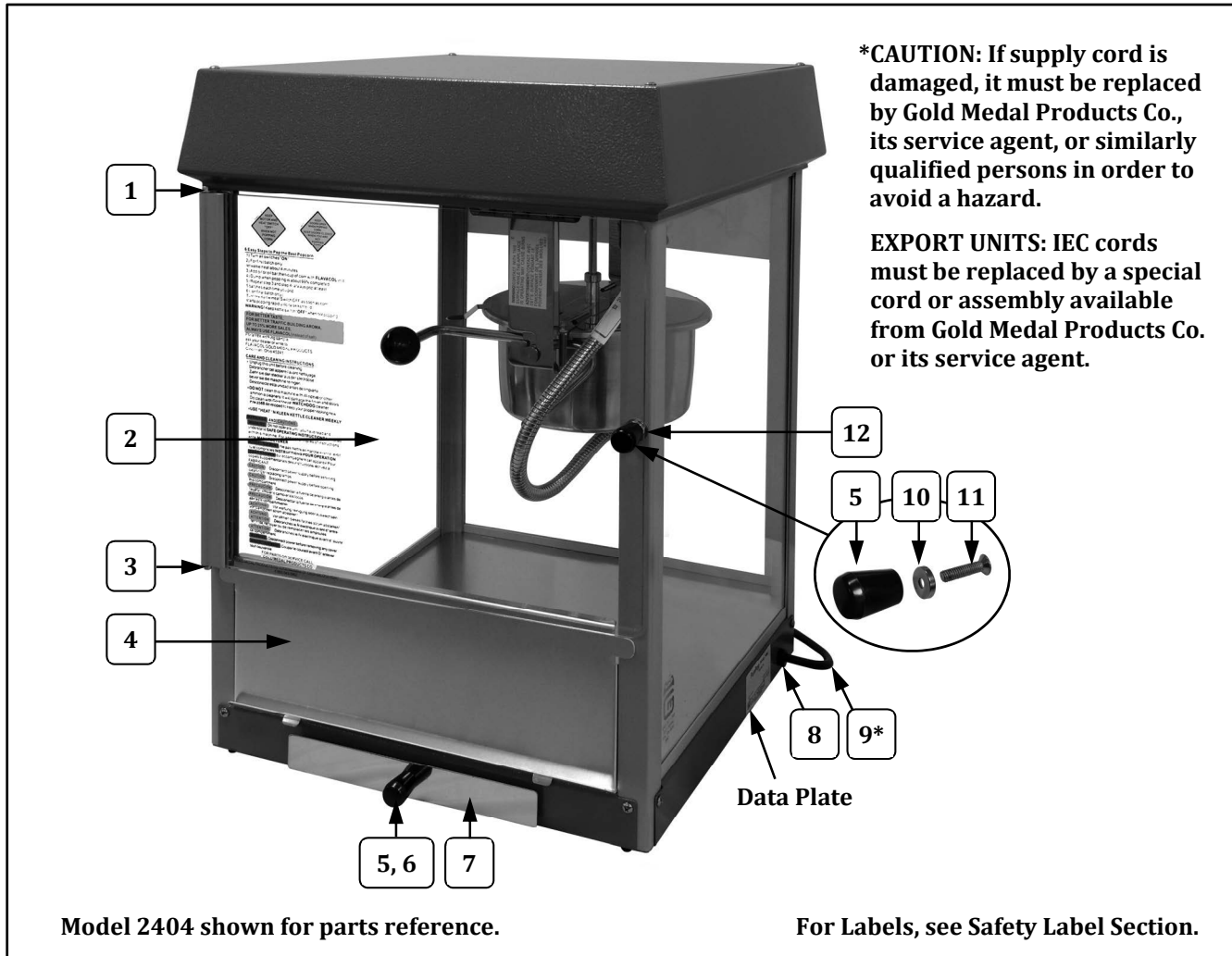
Cabinet Exterior – Rear View



Item	Part Description	Part Number	
		2404, 2404MD	2404EX, 2404MDX
1	TOP HINGE DOOR PIVOT BRACKET	55060	55060
2	DOOR ASSEMBLY (includes door, hinge extrusion, and pins)	56011	56011SLVR
3	BOTTOM HINGE DOOR PIVOT BRACKET	55061	55061
4	DROP PANEL 4 OZ POPPER	55065	55065
5	KNOB	47120	47120
6	8-32 X 3/8 PH PAN W/SEMS (screw for knob)	42227	42227
7	OLD MAID PAN	49100	49100
8	SR-6P3-4 STRAIN RELIEF IEC SNAP IN RECEPTACLE (not shown)	76026	42373
9*	LEAD-IN CORD 15 AMP PLUG POWER CORD IEC SCHUKO (not shown)	22038	42372
10	MAGNET	50013	50013
11	8-32X1/2 FL HD PH MS (screw for knob)	20066	20066
12	LATCH CATCH	55104	55104



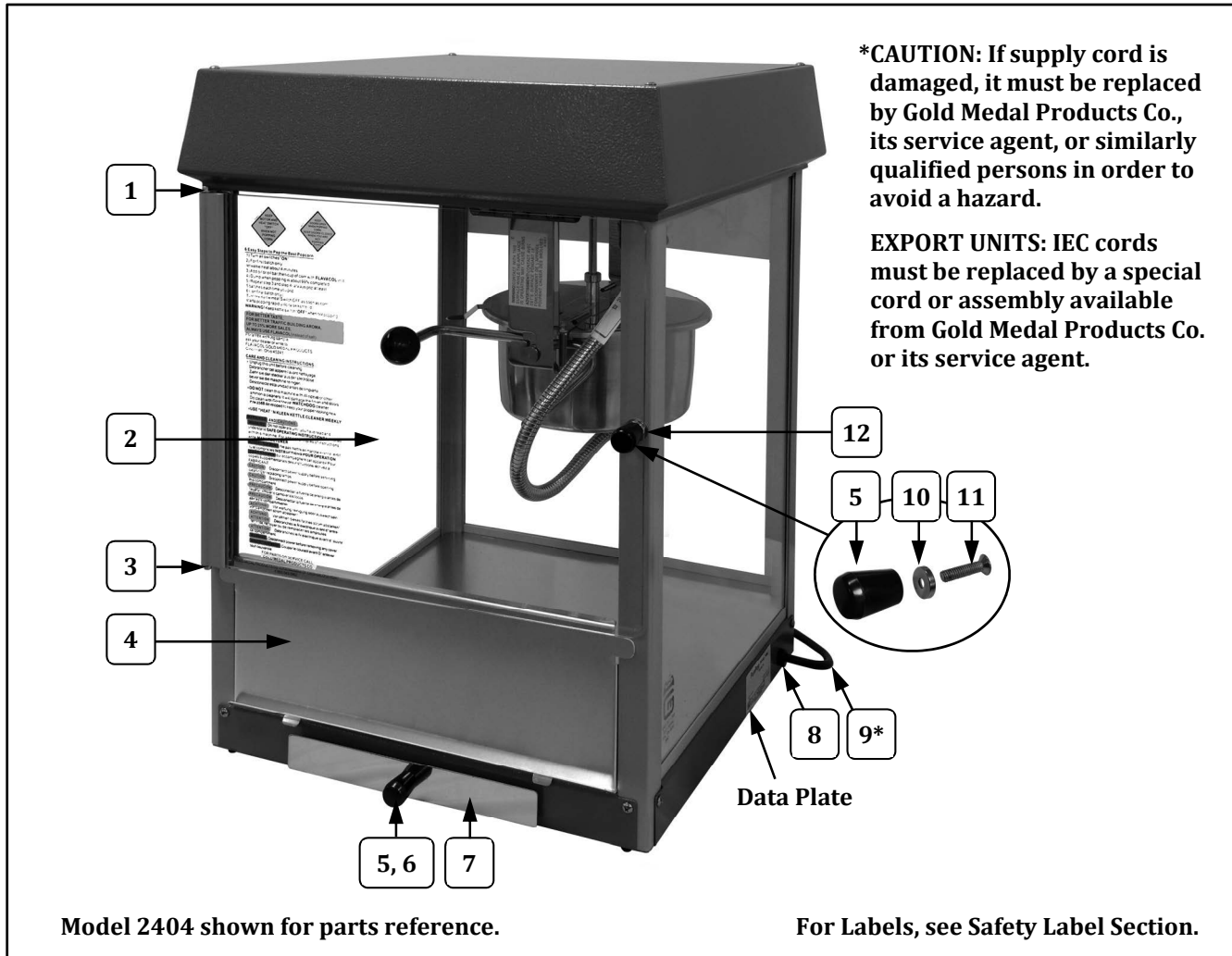
Cabinet Exterior – Rear View



Item	Part Description	Part Number	
		2404, 2404MD	2404EX, 2404MDX
1	TOP HINGE DOOR PIVOT BRACKET	55060	55060
2	DOOR ASSEMBLY (includes door, hinge extrusion, and pins)	56011	56011SLVR
3	BOTTOM HINGE DOOR PIVOT BRACKET	55061	55061
4	DROP PANEL 4 OZ POPPER	55065	55065
5	KNOB	47120	47120
6	8-32 X 3/8 PH PAN W/SEMS (screw for knob)	42227	42227
7	OLD MAID PAN	49100	49100
8	SR-6P3-4 STRAIN RELIEF IEC SNAP IN RECEPTACLE (not shown)	76026	42373
9*	LEAD-IN CORD 15 AMP PLUG POWER CORD IEC SCHUKO (not shown)	22038	42372
10	MAGNET	50013	50013
11	8-32X1/2 FL HD PH MS (screw for knob)	20066	20066
12	LATCH CATCH	55104	55104



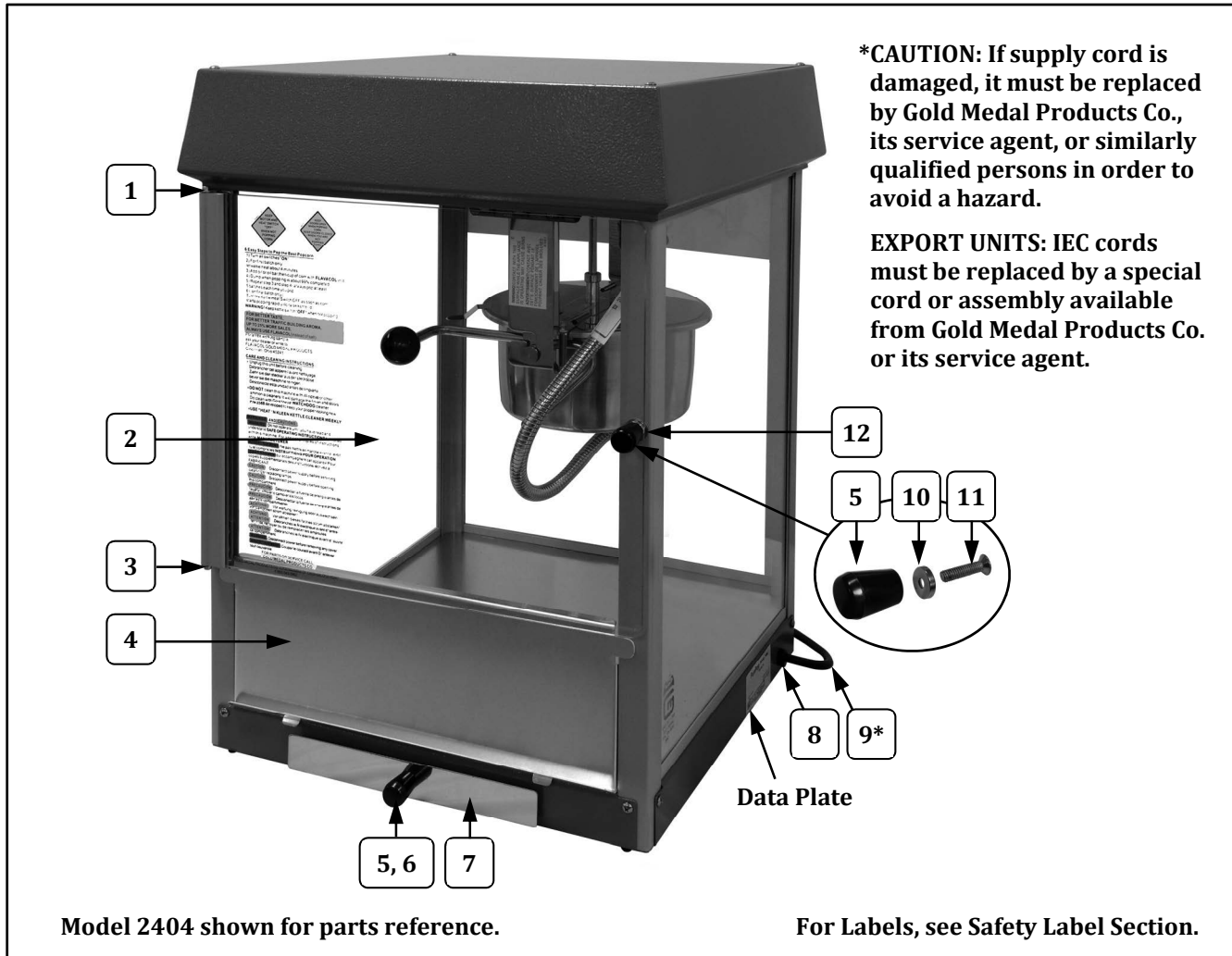
Cabinet Exterior – Rear View



Item	Part Description	Part Number	
		2404, 2404MD	2404EX, 2404MDX
1	TOP HINGE DOOR PIVOT BRACKET	55060	55060
2	DOOR ASSEMBLY (includes door, hinge extrusion, and pins)	56011	56011SLVR
3	BOTTOM HINGE DOOR PIVOT BRACKET	55061	55061
4	DROP PANEL 4 OZ POPPER	55065	55065
5	KNOB	47120	47120
6	8-32 X 3/8 PH PAN W/SEMS (screw for knob)	42227	42227
7	OLD MAID PAN	49100	49100
8	SR-6P3-4 STRAIN RELIEF IEC SNAP IN RECEPTACLE (not shown)	76026	42373
9*	LEAD-IN CORD 15 AMP PLUG POWER CORD IEC SCHUKO (not shown)	22038	42372
10	MAGNET	50013	50013
11	8-32X1/2 FL HD PH MS (screw for knob)	20066	20066
12	LATCH CATCH	55104	55104



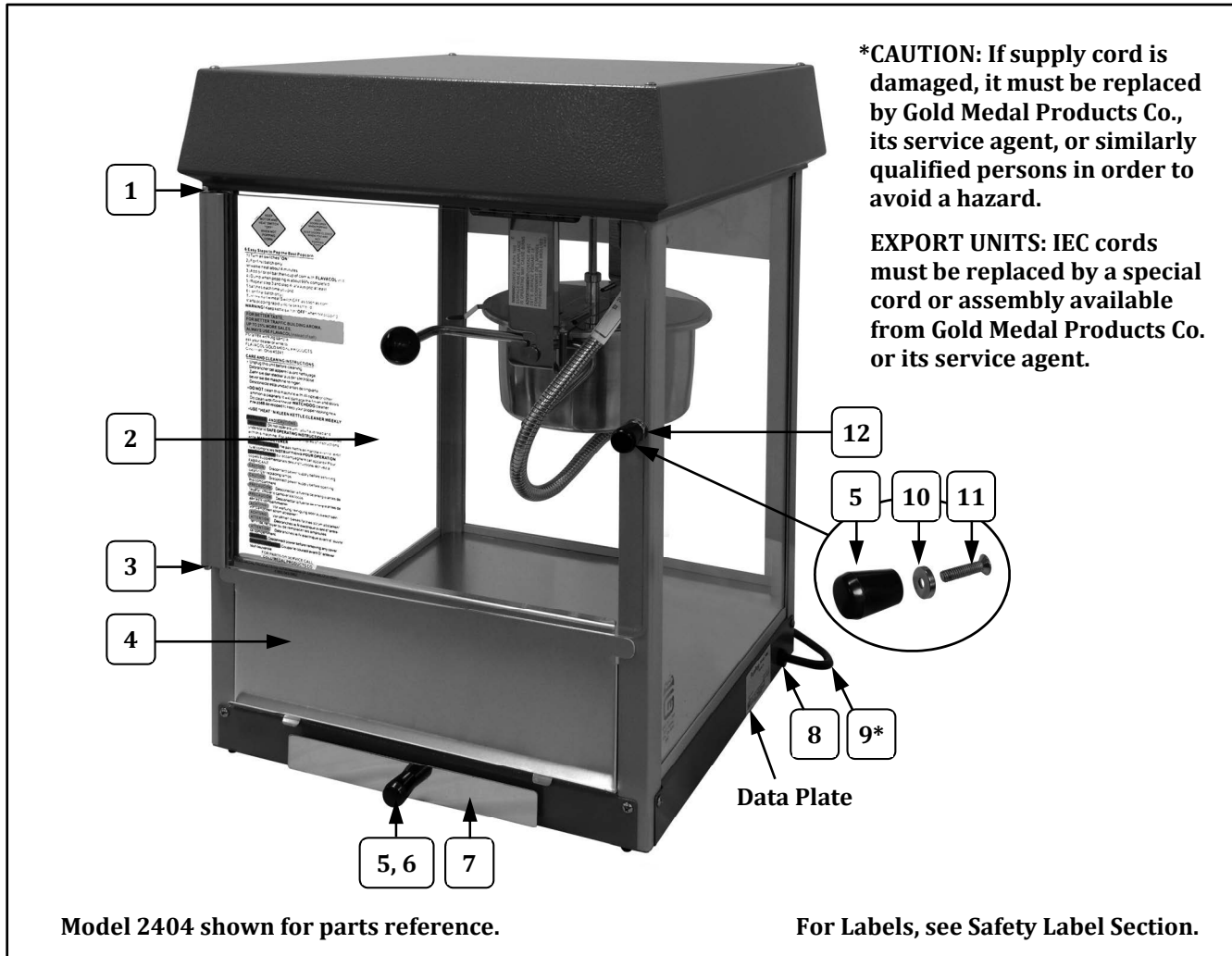
Cabinet Exterior – Rear View



Item	Part Description	Part Number	
		2404, 2404MD	2404EX, 2404MDX
1	TOP HINGE DOOR PIVOT BRACKET	55060	55060
2	DOOR ASSEMBLY (includes door, hinge extrusion, and pins)	56011	56011SLVR
3	BOTTOM HINGE DOOR PIVOT BRACKET	55061	55061
4	DROP PANEL 4 OZ POPPER	55065	55065
5	KNOB	47120	47120
6	8-32 X 3/8 PH PAN W/SEMS (screw for knob)	42227	42227
7	OLD MAID PAN	49100	49100
8	SR-6P3-4 STRAIN RELIEF IEC SNAP IN RECEPTACLE (not shown)	76026	42373
9*	LEAD-IN CORD 15 AMP PLUG POWER CORD IEC SCHUKO (not shown)	22038	42372
10	MAGNET	50013	50013
11	8-32X1/2 FL HD PH MS (screw for knob)	20066	20066
12	LATCH CATCH	55104	55104



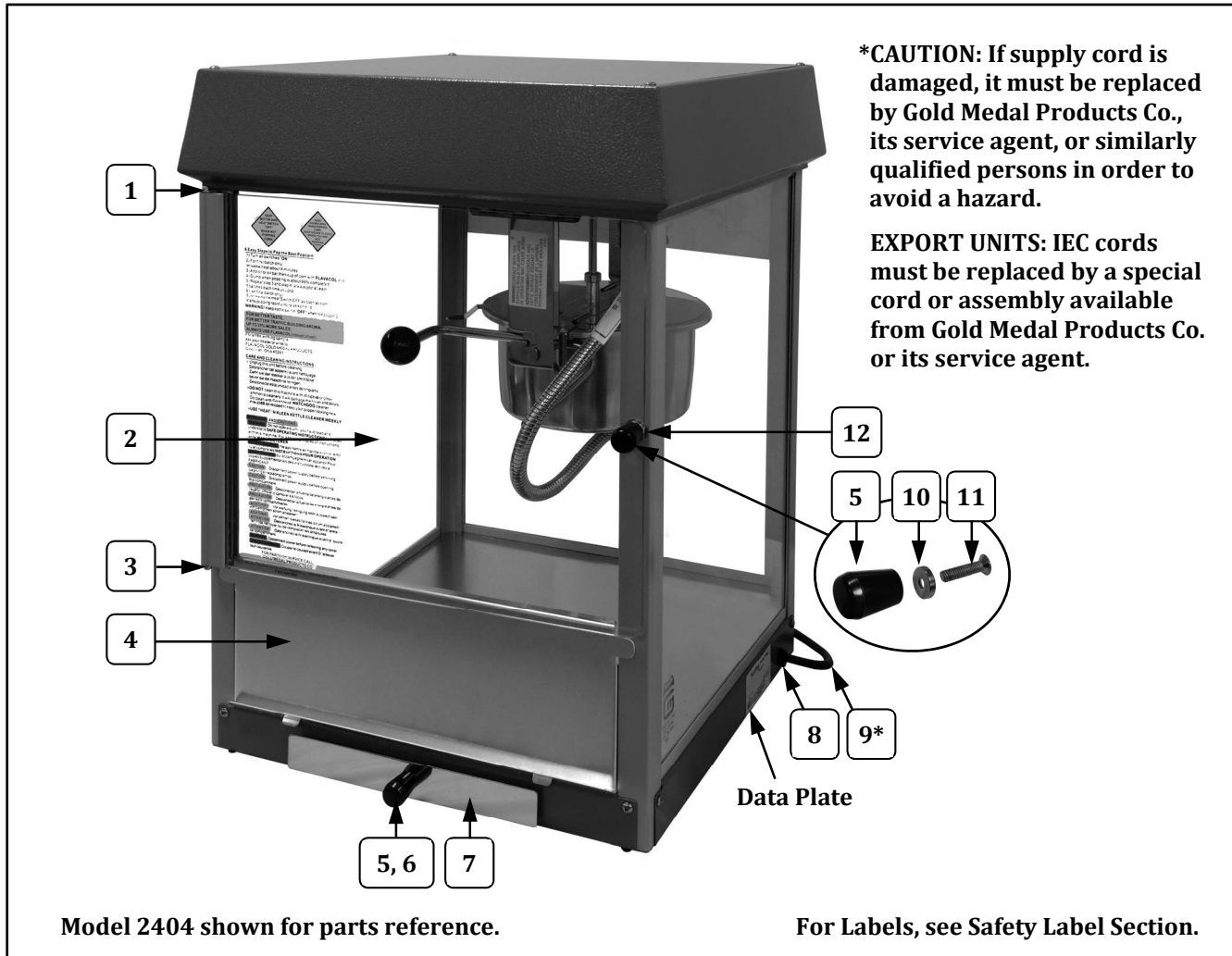
Cabinet Exterior – Rear View



Item	Part Description	Part Number	
		2404, 2404MD	2404EX, 2404MDX
1	TOP HINGE DOOR PIVOT BRACKET	55060	55060
2	DOOR ASSEMBLY (includes door, hinge extrusion, and pins)	56011	56011SLVR
3	BOTTOM HINGE DOOR PIVOT BRACKET	55061	55061
4	DROP PANEL 4 OZ POPPER	55065	55065
5	KNOB	47120	47120
6	8-32 X 3/8 PH PAN W/SEMS (screw for knob)	42227	42227
7	OLD MAID PAN	49100	49100
8	SR-6P3-4 STRAIN RELIEF IEC SNAP IN RECEPTACLE (not shown)	76026	42373
9*	LEAD-IN CORD 15 AMP PLUG POWER CORD IEC SCHUKO (not shown)	22038	42372
10	MAGNET	50013	50013
11	8-32X1/2 FL HD PH MS (screw for knob)	20066	20066
12	LATCH CATCH	55104	55104



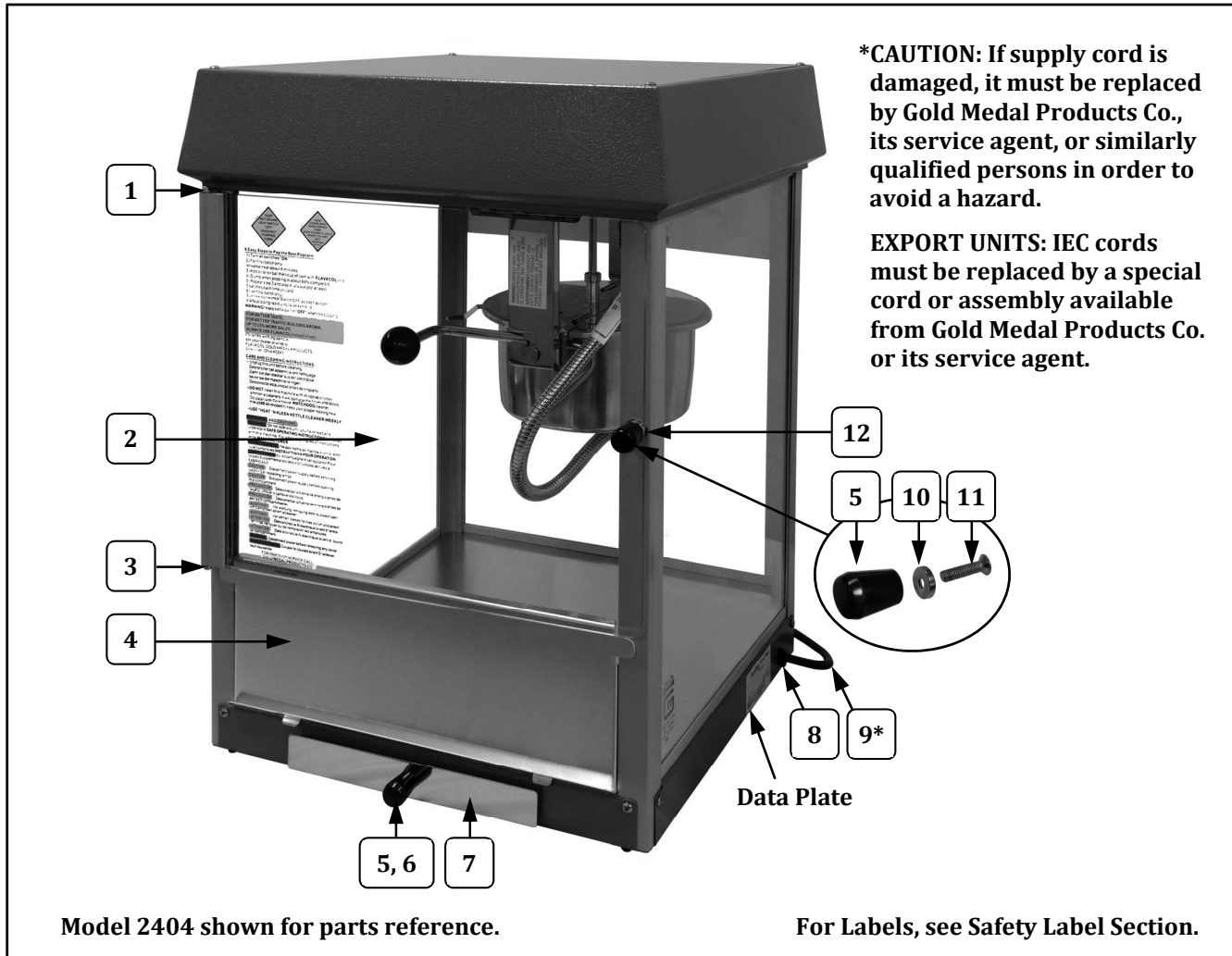
Cabinet Exterior – Rear View



Item	Part Description	Part Number	
		2404, 2404MD	2404EX, 2404MDX
1	TOP HINGE DOOR PIVOT BRACKET	55060	55060
2	DOOR ASSEMBLY (includes door, hinge extrusion, and pins)	56011	56011SLVR
3	BOTTOM HINGE DOOR PIVOT BRACKET	55061	55061
4	DROP PANEL 4 OZ POPPER	55065	55065
5	KNOB	47120	47120
6	8-32 X 3/8 PH PAN W/SEMS (screw for knob)	42227	42227
7	OLD MAID PAN	49100	49100
8	SR-6P3-4 STRAIN RELIEF IEC SNAP IN RECEPTACLE (not shown)	76026	42373
9*	LEAD-IN CORD 15 AMP PLUG POWER CORD IEC SCHUKO (not shown)	22038	42372
10	MAGNET	50013	50013
11	8-32X1/2 FL HD PH MS (screw for knob)	20066	20066
12	LATCH CATCH	55104	55104



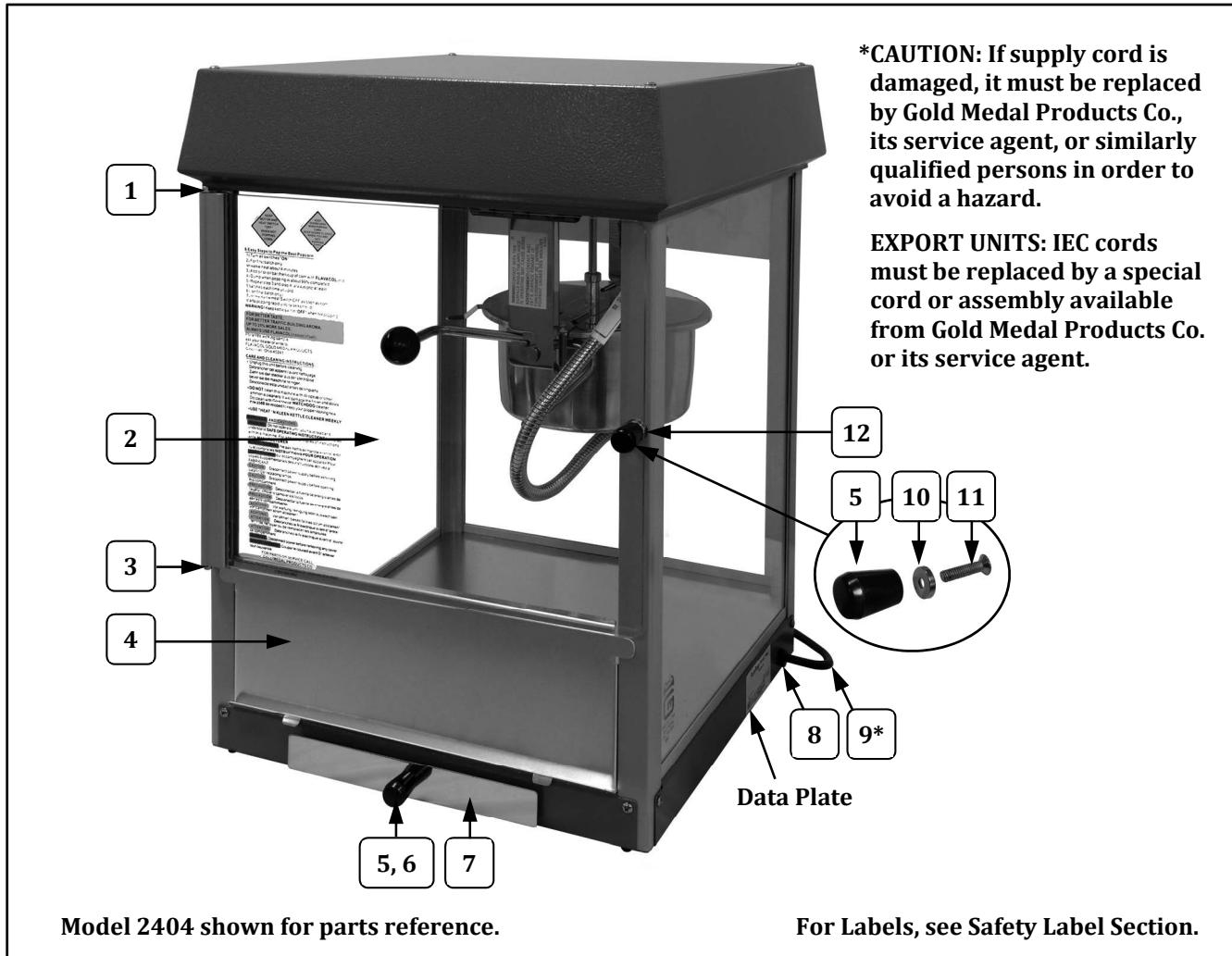
Cabinet Exterior – Rear View



Item	Part Description	Part Number	
		2404, 2404MD	2404EX, 2404MDX
1	TOP HINGE DOOR PIVOT BRACKET	55060	55060
2	DOOR ASSEMBLY (includes door, hinge extrusion, and pins)	56011	56011SLVR
3	BOTTOM HINGE DOOR PIVOT BRACKET	55061	55061
4	DROP PANEL 4 OZ POPPER	55065	55065
5	KNOB	47120	47120
6	8-32 X 3/8 PH PAN W/SEMS (screw for knob)	42227	42227
7	OLD MAID PAN	49100	49100
8	SR-6P3-4 STRAIN RELIEF IEC SNAP IN RECEPTACLE (not shown)	76026	42373
9*	LEAD-IN CORD 15 AMP PLUG POWER CORD IEC SCHUKO (not shown)	22038	42372
10	MAGNET	50013	50013
11	8-32X1/2 FL HD PH MS (screw for knob)	20066	20066
12	LATCH CATCH	55104	55104



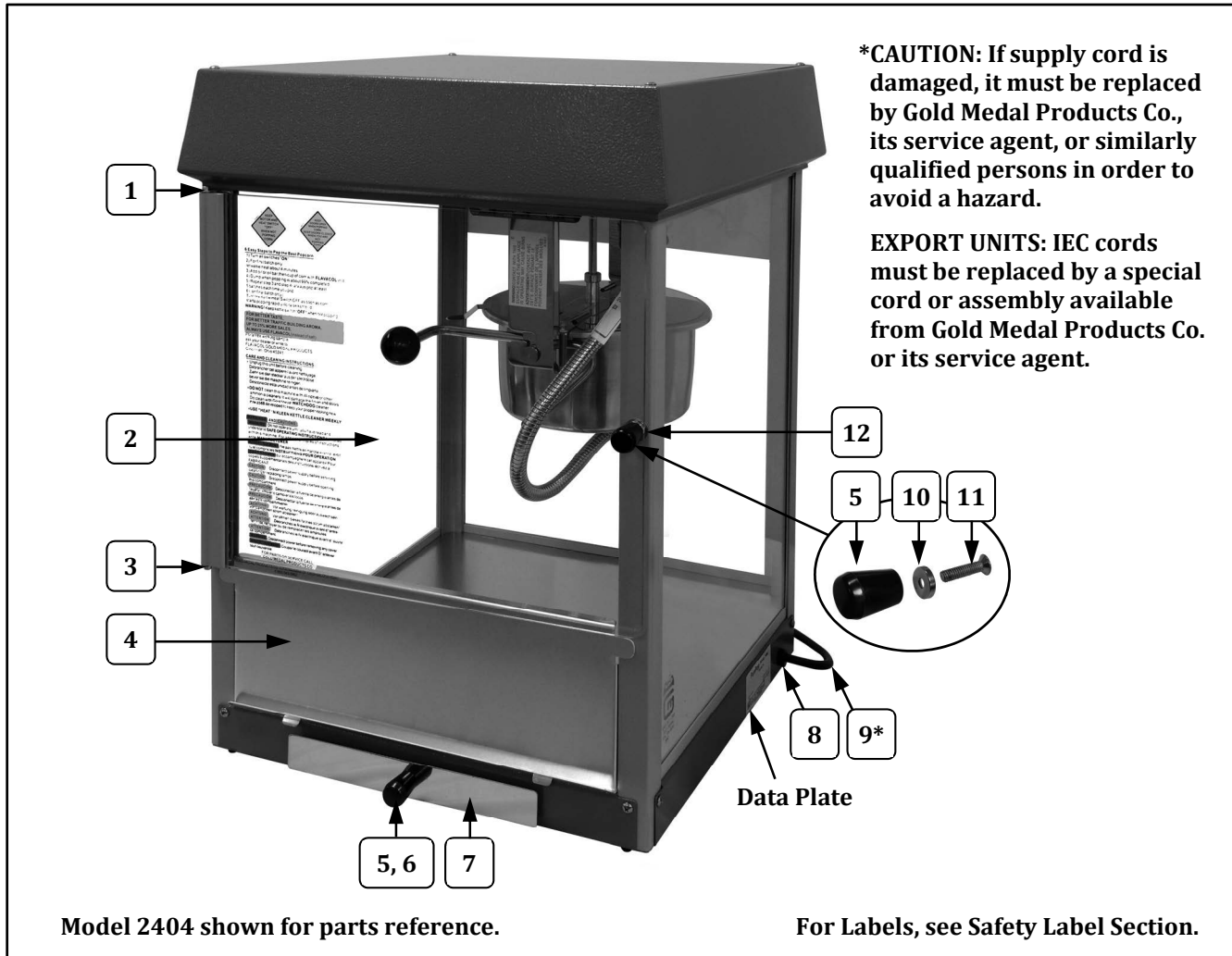
Cabinet Exterior – Rear View



Item	Part Description	Part Number	
		2404, 2404MD	2404EX, 2404MDX
1	TOP HINGE DOOR PIVOT BRACKET	55060	55060
2	DOOR ASSEMBLY (includes door, hinge extrusion, and pins)	56011	56011SLVR
3	BOTTOM HINGE DOOR PIVOT BRACKET	55061	55061
4	DROP PANEL 4 OZ POPPER	55065	55065
5	KNOB	47120	47120
6	8-32 X 3/8 PH PAN W/SEMS (screw for knob)	42227	42227
7	OLD MAID PAN	49100	49100
8	SR-6P3-4 STRAIN RELIEF IEC SNAP IN RECEPTACLE (not shown)	76026	42373
9*	LEAD-IN CORD 15 AMP PLUG POWER CORD IEC SCHUKO (not shown)	22038	42372
10	MAGNET	50013	50013
11	8-32X1/2 FL HD PH MS (screw for knob)	20066	20066
12	LATCH CATCH	55104	55104



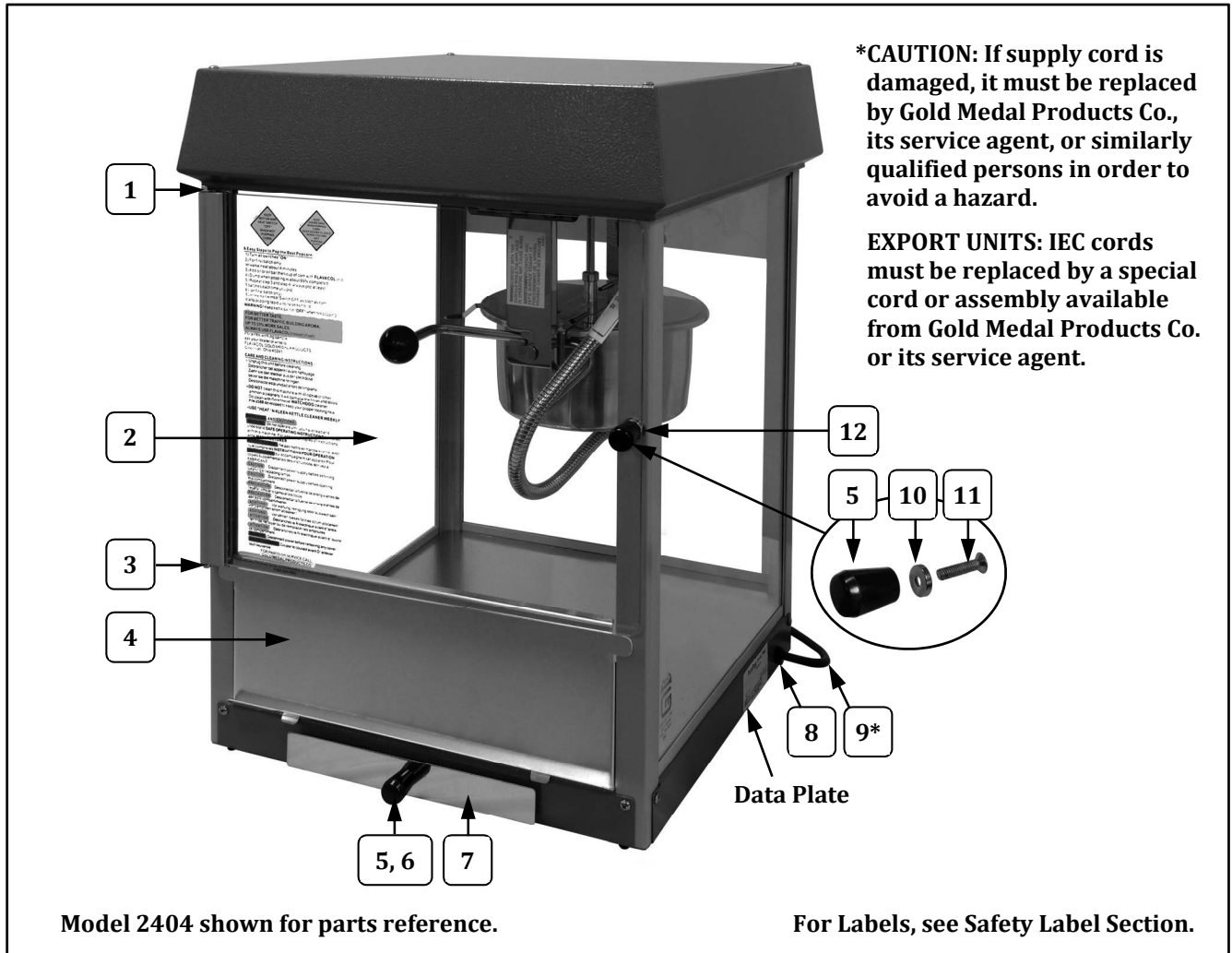
Cabinet Exterior – Rear View



Item	Part Description	Part Number	
		2404, 2404MD	2404EX, 2404MDX
1	TOP HINGE DOOR PIVOT BRACKET	55060	55060
2	DOOR ASSEMBLY (includes door, hinge extrusion, and pins)	56011	56011SLVR
3	BOTTOM HINGE DOOR PIVOT BRACKET	55061	55061
4	DROP PANEL 4 OZ POPPER	55065	55065
5	KNOB	47120	47120
6	8-32 X 3/8 PH PAN W/SEMS (screw for knob)	42227	42227
7	OLD MAID PAN	49100	49100
8	SR-6P3-4 STRAIN RELIEF IEC SNAP IN RECEPTACLE (not shown)	76026	42373
9*	LEAD-IN CORD 15 AMP PLUG POWER CORD IEC SCHUKO (not shown)	22038	42372
10	MAGNET	50013	50013
11	8-32X1/2 FL HD PH MS (screw for knob)	20066	20066
12	LATCH CATCH	55104	55104



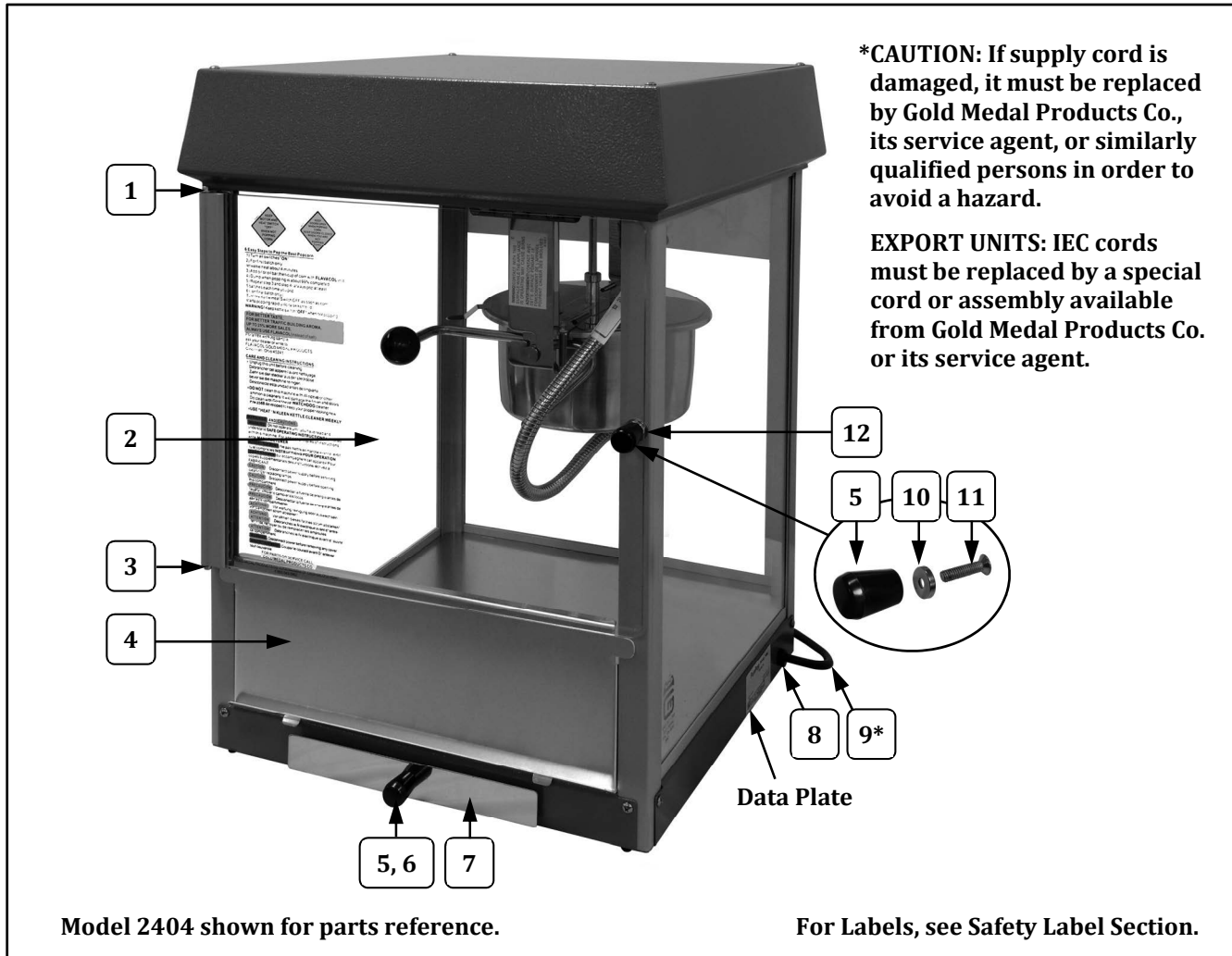
Cabinet Exterior – Rear View



Item	Part Description	Part Number	
		2404, 2404MD	2404EX, 2404MDX
1	TOP HINGE DOOR PIVOT BRACKET	55060	55060
2	DOOR ASSEMBLY (includes door, hinge extrusion, and pins)	56011	56011SLVR
3	BOTTOM HINGE DOOR PIVOT BRACKET	55061	55061
4	DROP PANEL 4 OZ POPPER	55065	55065
5	KNOB	47120	47120
6	8-32 X 3/8 PH PAN W/SEMS (screw for knob)	42227	42227
7	OLD MAID PAN	49100	49100
8	SR-6P3-4 STRAIN RELIEF IEC SNAP IN RECEPTACLE (not shown)	76026	42373
9*	LEAD-IN CORD 15 AMP PLUG POWER CORD IEC SCHUKO (not shown)	22038	42372
10	MAGNET	50013	50013
11	8-32X1/2 FL HD PH MS (screw for knob)	20066	20066
12	LATCH CATCH	55104	55104



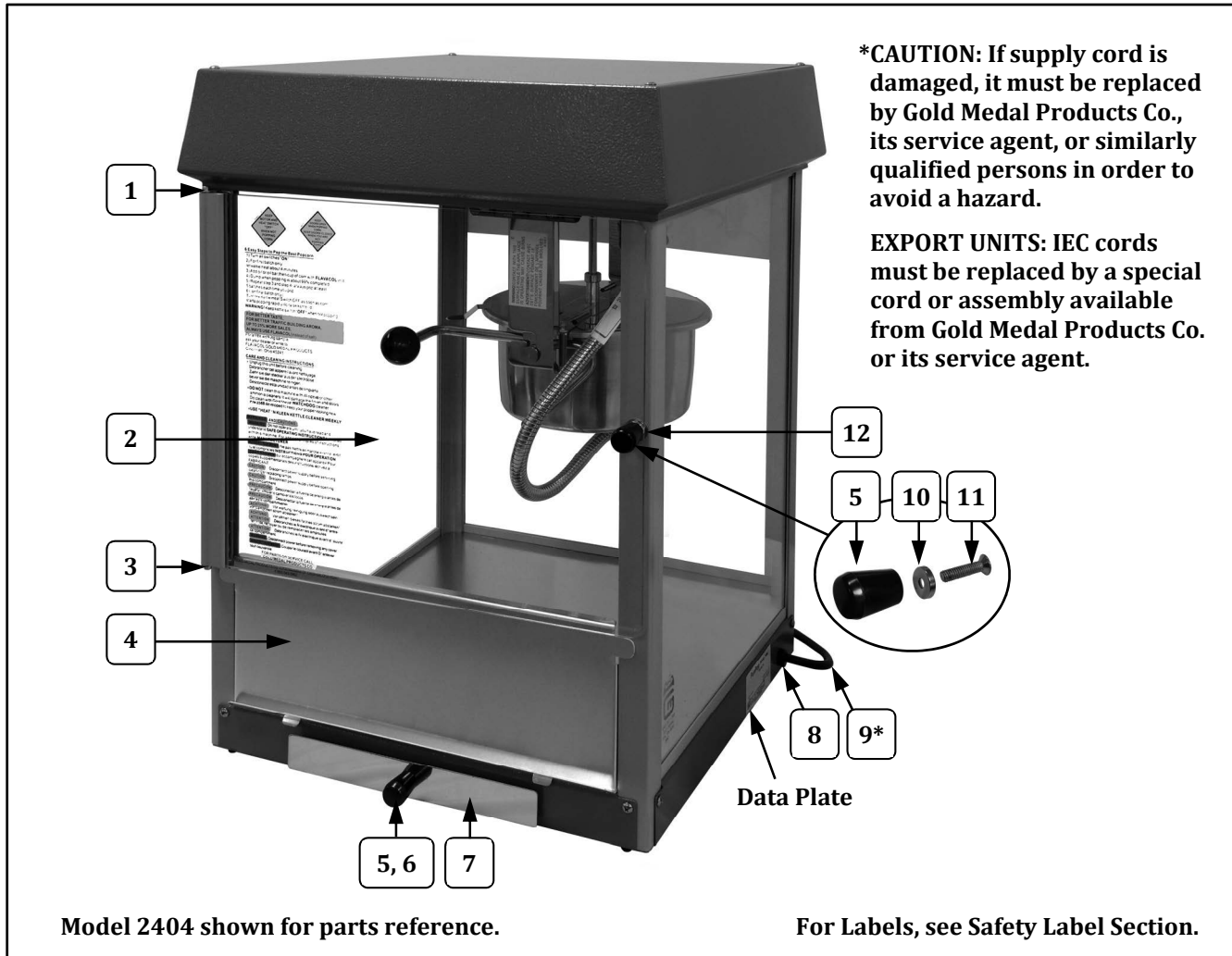
Cabinet Exterior – Rear View



Item	Part Description	Part Number	
		2404, 2404MD	2404EX, 2404MDX
1	TOP HINGE DOOR PIVOT BRACKET	55060	55060
2	DOOR ASSEMBLY (includes door, hinge extrusion, and pins)	56011	56011SLVR
3	BOTTOM HINGE DOOR PIVOT BRACKET	55061	55061
4	DROP PANEL 4 OZ POPPER	55065	55065
5	KNOB	47120	47120
6	8-32 X 3/8 PH PAN W/SEMS (screw for knob)	42227	42227
7	OLD MAID PAN	49100	49100
8	SR-6P3-4 STRAIN RELIEF IEC SNAP IN RECEPTACLE (not shown)	76026	42373
9*	LEAD-IN CORD 15 AMP PLUG POWER CORD IEC SCHUKO (not shown)	22038	42372
10	MAGNET	50013	50013
11	8-32X1/2 FL HD PH MS (screw for knob)	20066	20066
12	LATCH CATCH	55104	55104



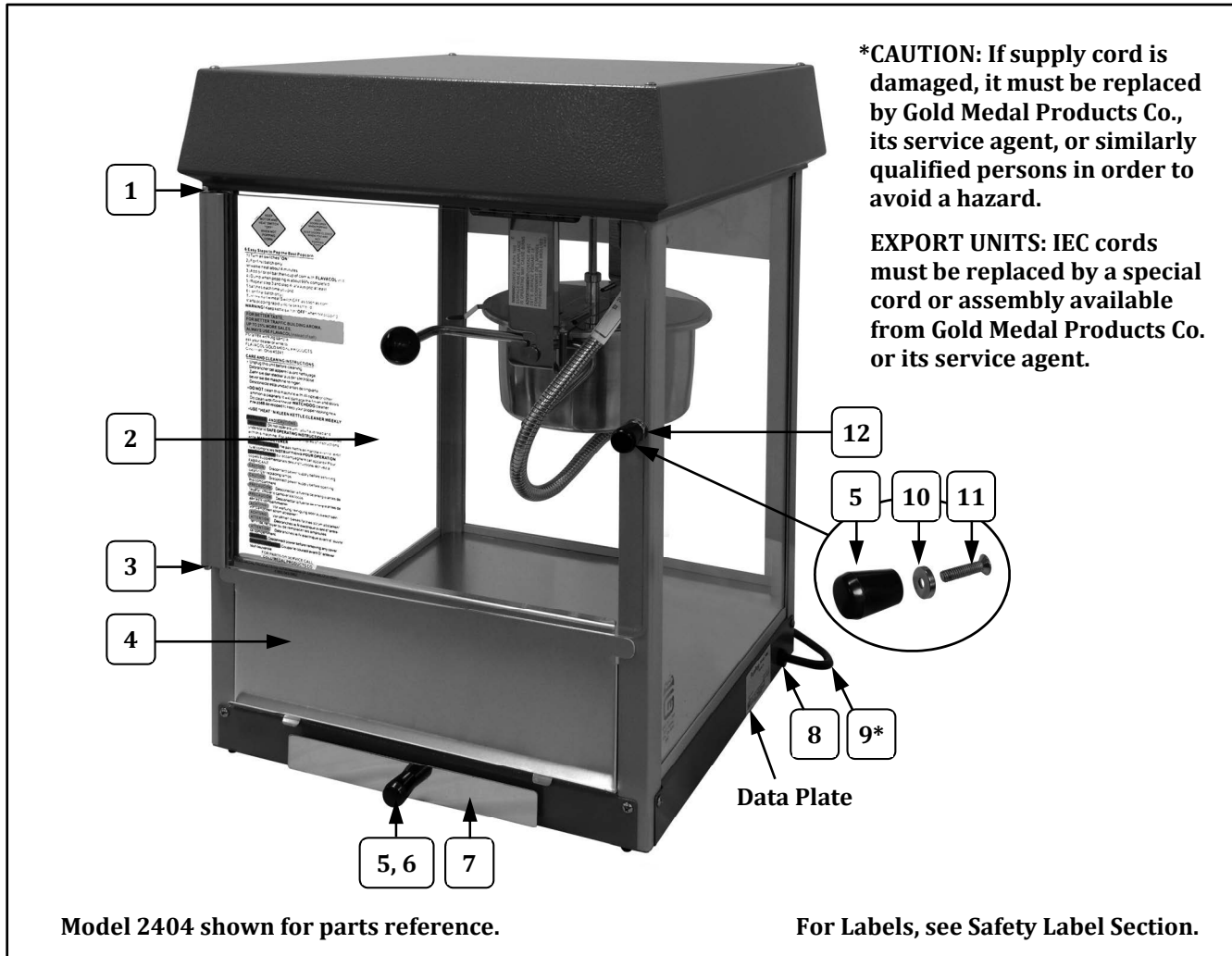
Cabinet Exterior – Rear View



Item	Part Description	Part Number	
		2404, 2404MD	2404EX, 2404MDX
1	TOP HINGE DOOR PIVOT BRACKET	55060	55060
2	DOOR ASSEMBLY (includes door, hinge extrusion, and pins)	56011	56011SLVR
3	BOTTOM HINGE DOOR PIVOT BRACKET	55061	55061
4	DROP PANEL 4 OZ POPPER	55065	55065
5	KNOB	47120	47120
6	8-32 X 3/8 PH PAN W/SEMS (screw for knob)	42227	42227
7	OLD MAID PAN	49100	49100
8	SR-6P3-4 STRAIN RELIEF IEC SNAP IN RECEPTACLE (not shown)	76026	42373
9*	LEAD-IN CORD 15 AMP PLUG POWER CORD IEC SCHUKO (not shown)	22038	42372
10	MAGNET	50013	50013
11	8-32X1/2 FL HD PH MS (screw for knob)	20066	20066
12	LATCH CATCH	55104	55104



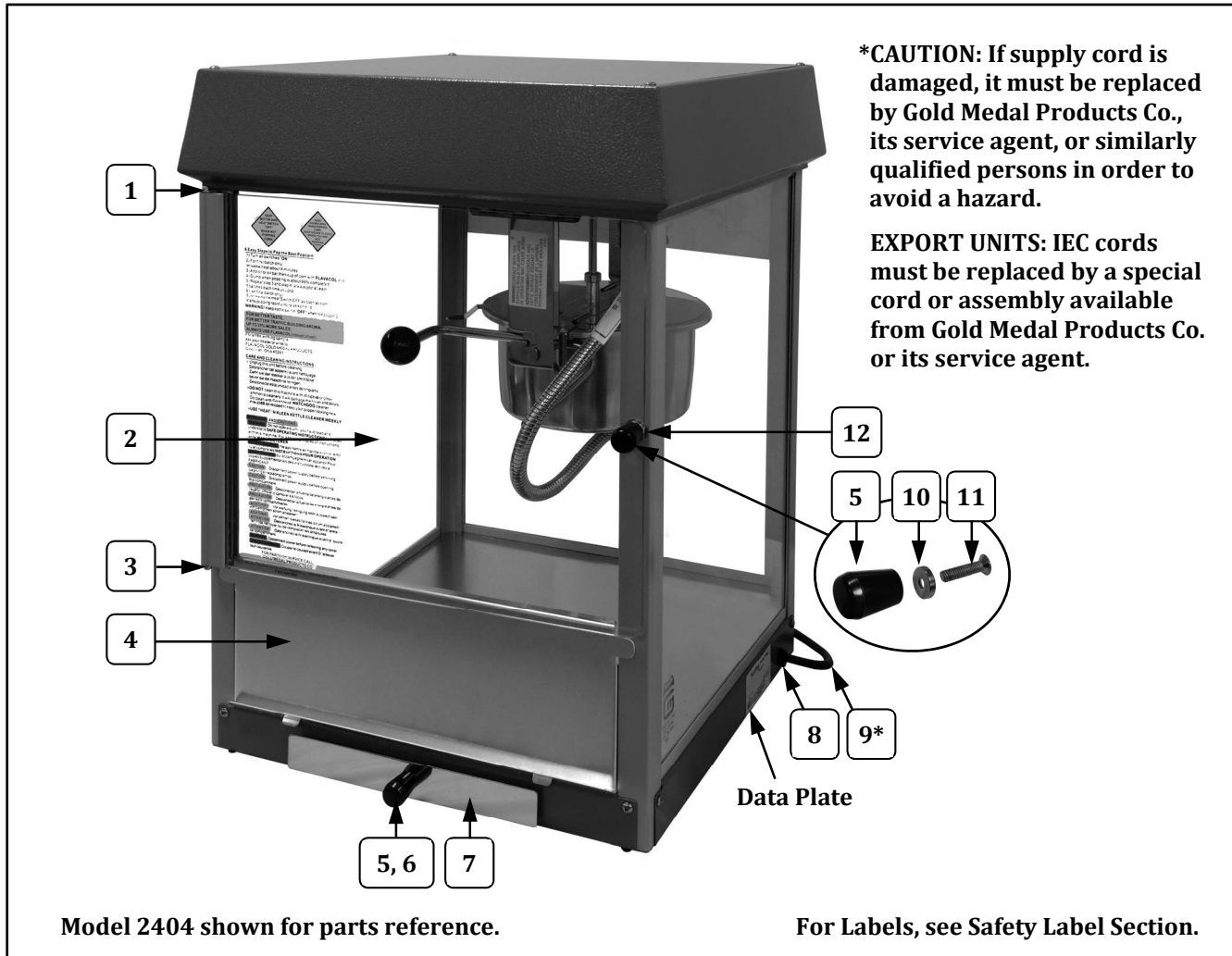
Cabinet Exterior – Rear View



Item	Part Description	Part Number	
		2404, 2404MD	2404EX, 2404MDX
1	TOP HINGE DOOR PIVOT BRACKET	55060	55060
2	DOOR ASSEMBLY (includes door, hinge extrusion, and pins)	56011	56011SLVR
3	BOTTOM HINGE DOOR PIVOT BRACKET	55061	55061
4	DROP PANEL 4 OZ POPPER	55065	55065
5	KNOB	47120	47120
6	8-32 X 3/8 PH PAN W/SEMS (screw for knob)	42227	42227
7	OLD MAID PAN	49100	49100
8	SR-6P3-4 STRAIN RELIEF IEC SNAP IN RECEPTACLE (not shown)	76026	42373
9*	LEAD-IN CORD 15 AMP PLUG POWER CORD IEC SCHUKO (not shown)	22038	42372
10	MAGNET	50013	50013
11	8-32X1/2 FL HD PH MS (screw for knob)	20066	20066
12	LATCH CATCH	55104	55104



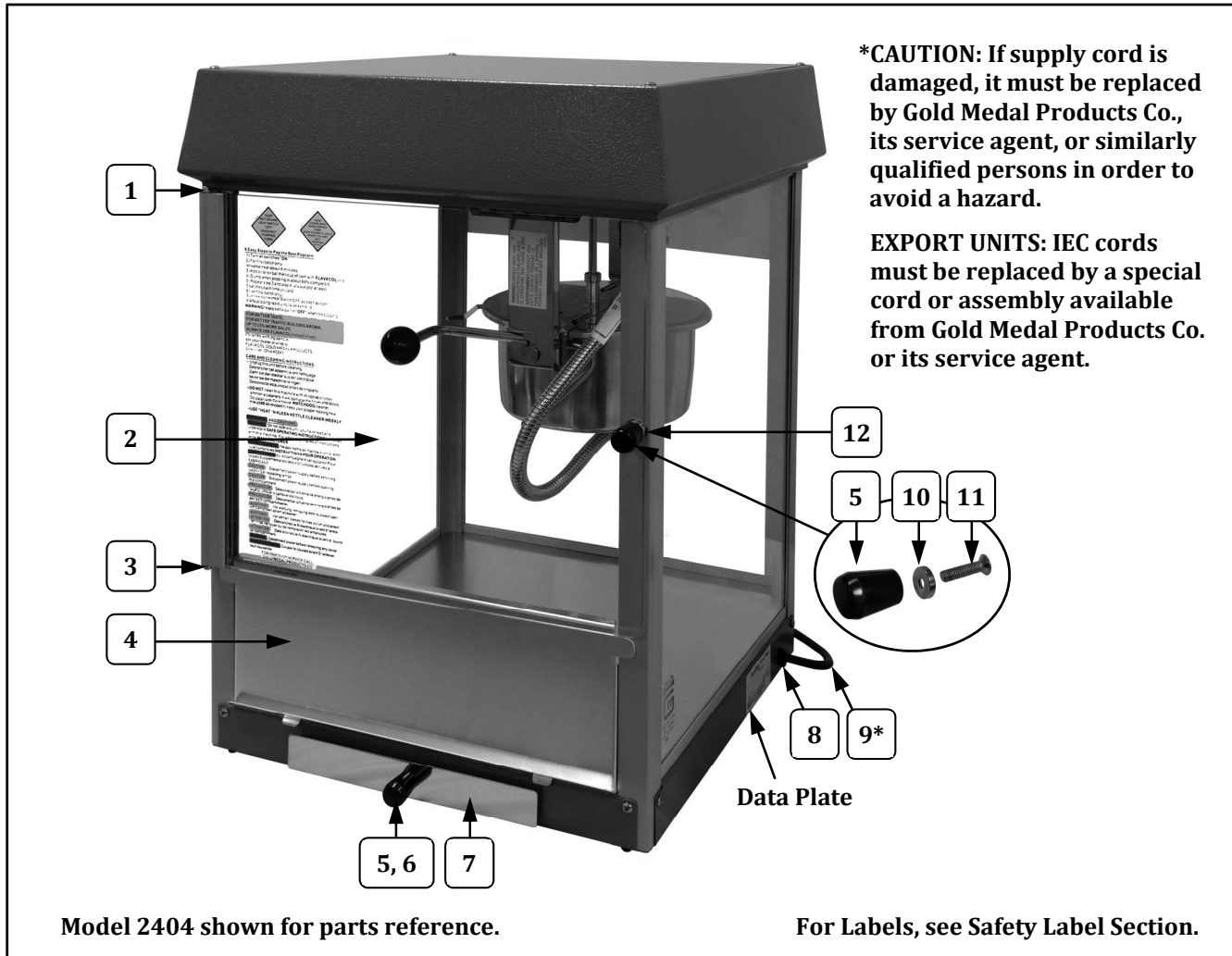
Cabinet Exterior – Rear View



Item	Part Description	Part Number	
		2404, 2404MD	2404EX, 2404MDX
1	TOP HINGE DOOR PIVOT BRACKET	55060	55060
2	DOOR ASSEMBLY (includes door, hinge extrusion, and pins)	56011	56011SLVR
3	BOTTOM HINGE DOOR PIVOT BRACKET	55061	55061
4	DROP PANEL 4 OZ POPPER	55065	55065
5	KNOB	47120	47120
6	8-32 X 3/8 PH PAN W/SEMS (screw for knob)	42227	42227
7	OLD MAID PAN	49100	49100
8	SR-6P3-4 STRAIN RELIEF IEC SNAP IN RECEPTACLE (not shown)	76026	42373
9*	LEAD-IN CORD 15 AMP PLUG POWER CORD IEC SCHUKO (not shown)	22038	42372
10	MAGNET	50013	50013
11	8-32X1/2 FL HD PH MS (screw for knob)	20066	20066
12	LATCH CATCH	55104	55104



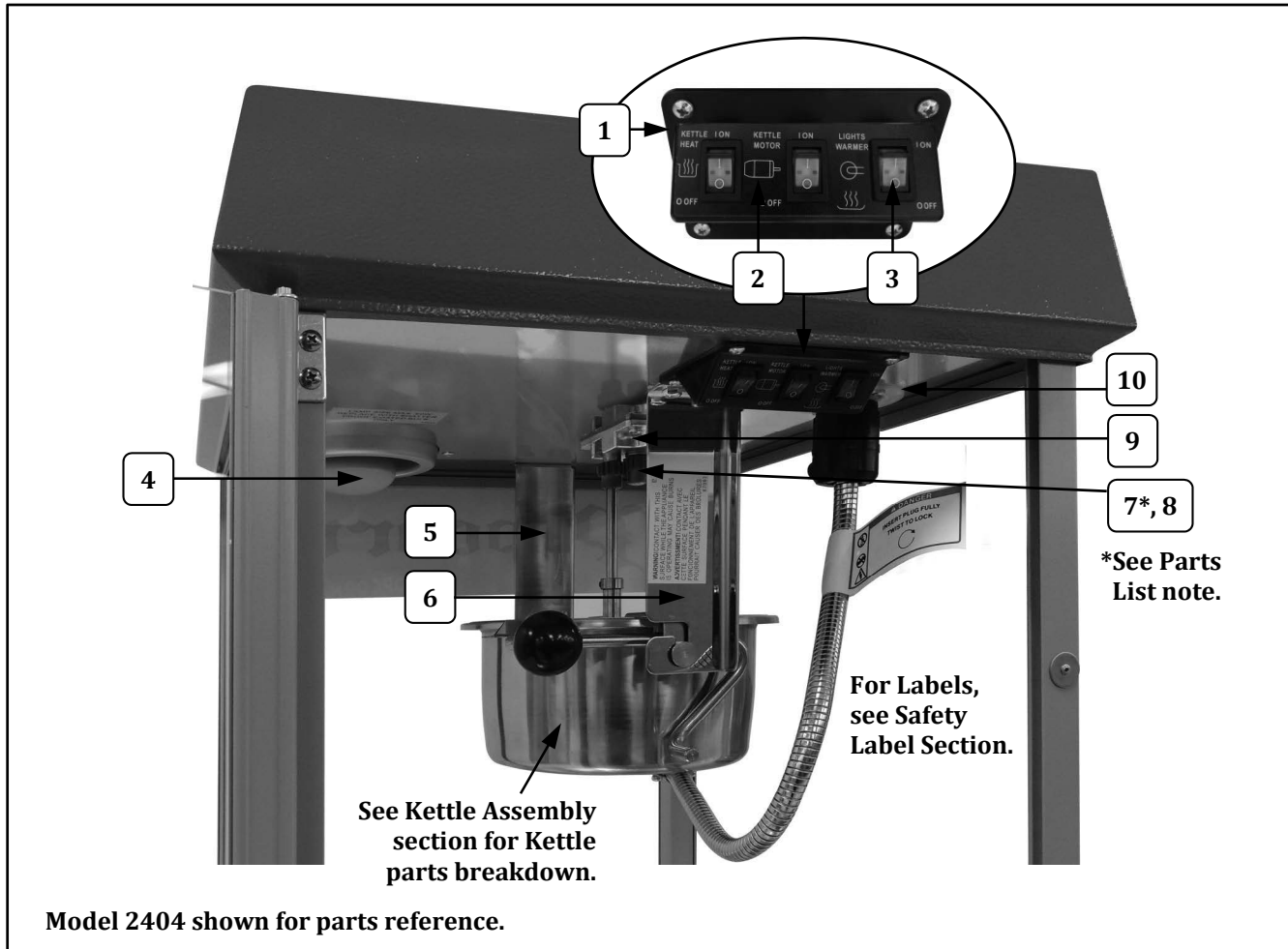
Cabinet Exterior – Rear View



Item	Part Description	Part Number	
		2404, 2404MD	2404EX, 2404MDX
1	TOP HINGE DOOR PIVOT BRACKET	55060	55060
2	DOOR ASSEMBLY (includes door, hinge extrusion, and pins)	56011	56011SLVR
3	BOTTOM HINGE DOOR PIVOT BRACKET	55061	55061
4	DROP PANEL 4 OZ POPPER	55065	55065
5	KNOB	47120	47120
6	8-32 X 3/8 PH PAN W/SEMS (screw for knob)	42227	42227
7	OLD MAID PAN	49100	49100
8	SR-6P3-4 STRAIN RELIEF IEC SNAP IN RECEPTACLE (not shown)	76026	42373
9*	LEAD-IN CORD 15 AMP PLUG POWER CORD IEC SCHUKO (not shown)	22038	42372
10	MAGNET	50013	50013
11	8-32X1/2 FL HD PH MS (screw for knob)	20066	20066
12	LATCH CATCH	55104	55104



Cabinet Interior – Hanger Assembly/Controls View

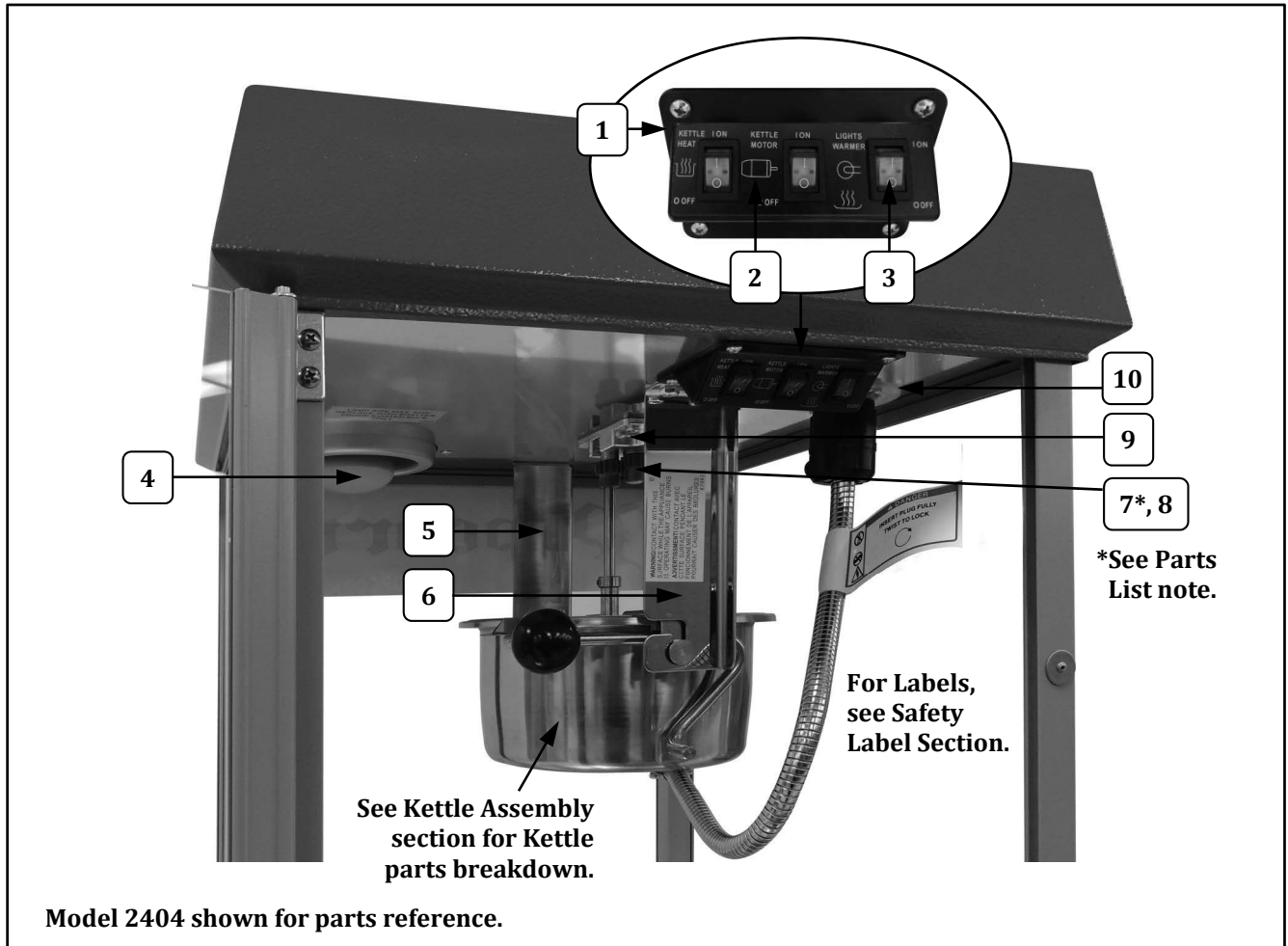


Model 2404 shown for parts reference.

Item	Part Description	Part Number	
		2404, 2404MD	2404EX, 2404MDX
1	SWITCH MOUNT	55076	55076
2	SWITCH MOUNT DECAL	44070	44070
3	DPST ROCKER SWITCH	42532	42532
4	50 W FLOOD LIGHT COATED FLOOD, 240V 40W COATED	42947	13122
5	HANGER ARM REAR 4 OZ POPPER	55071	55071
6	HANGER ARM FT 4 OZ POPPER	55070	55070
7*	SPUR GEAR KIT (Includes 2 gears with set screws. Always replace Agitator Spur Gear and Kettle Drive Motor Gear as a set.)	47059K	47059K
8	10-32" X 3/16" SET SCREW	41742	41742
9	GEAR BLK 4OZ ALUM DIE CST	55098A	55098A
10	L5-15R 15A RECEPTACLE	49330	
	L6-15R 15A-250V RECEPTACLE (ref. Kettle Bottom Assy. for kettle plug configuration note)		49330EX



Cabinet Interior – Hanger Assembly/Controls View

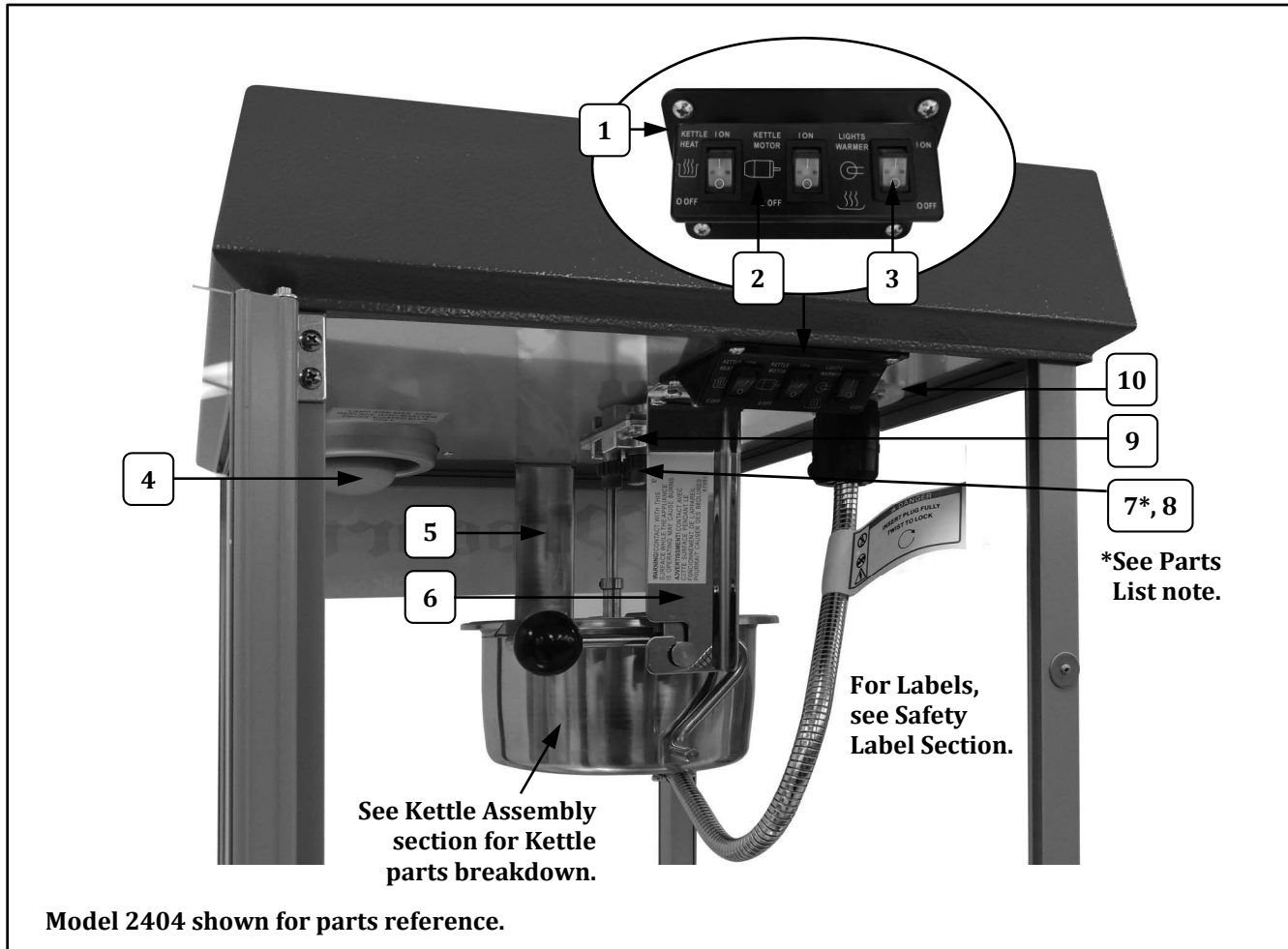


Model 2404 shown for parts reference.

Item	Part Description	Part Number	
		2404, 2404MD	2404EX, 2404MDX
1	SWITCH MOUNT	55076	55076
2	SWITCH MOUNT DECAL	44070	44070
3	DPST ROCKER SWITCH	42532	42532
4	50 W FLOOD LIGHT COATED FLOOD, 240V 40W COATED	42947	13122
5	HANGER ARM REAR 4 OZ POPPER	55071	55071
6	HANGER ARM FT 4 OZ POPPER	55070	55070
7*	SPUR GEAR KIT (Includes 2 gears with set screws. Always replace Agitator Spur Gear and Kettle Drive Motor Gear as a set.)	47059K	47059K
8	10-32" X 3/16" SET SCREW	41742	41742
9	GEAR BLK 4OZ ALUM DIE CST	55098A	55098A
10	L5-15R 15A RECEPTACLE	49330	
	L6-15R 15A-250V RECEPTACLE (ref. Kettle Bottom Assy. for kettle plug configuration note)		49330EX



Cabinet Interior – Hanger Assembly/Controls View

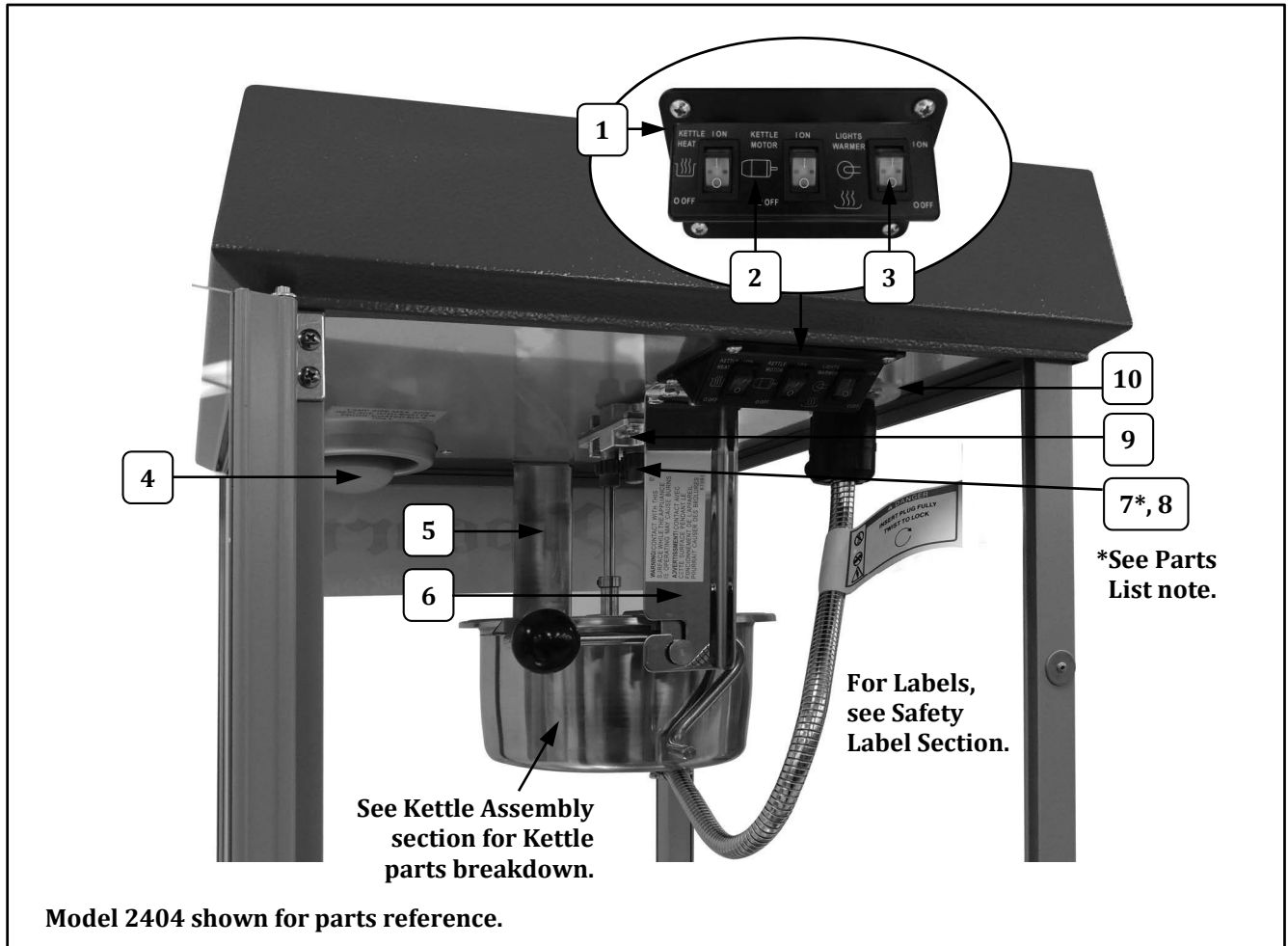


Model 2404 shown for parts reference.

Item	Part Description	Part Number	
		2404, 2404MD	2404EX, 2404MDX
1	SWITCH MOUNT	55076	55076
2	SWITCH MOUNT DECAL	44070	44070
3	DPST ROCKER SWITCH	42532	42532
4	50 W FLOOD LIGHT COATED FLOOD, 240V 40W COATED	42947	13122
5	HANGER ARM REAR 4 OZ POPPER	55071	55071
6	HANGER ARM FT 4 OZ POPPER	55070	55070
7*	SPUR GEAR KIT (Includes 2 gears with set screws. Always replace Agitator Spur Gear and Kettle Drive Motor Gear as a set.)	47059K	47059K
8	10-32" X 3/16" SET SCREW	41742	41742
9	GEAR BLK 4OZ ALUM DIE CST	55098A	55098A
10	L5-15R 15A RECEPTACLE	49330	
	L6-15R 15A-250V RECEPTACLE (ref. Kettle Bottom Assy. for kettle plug configuration note)		49330EX



Cabinet Interior – Hanger Assembly/Controls View

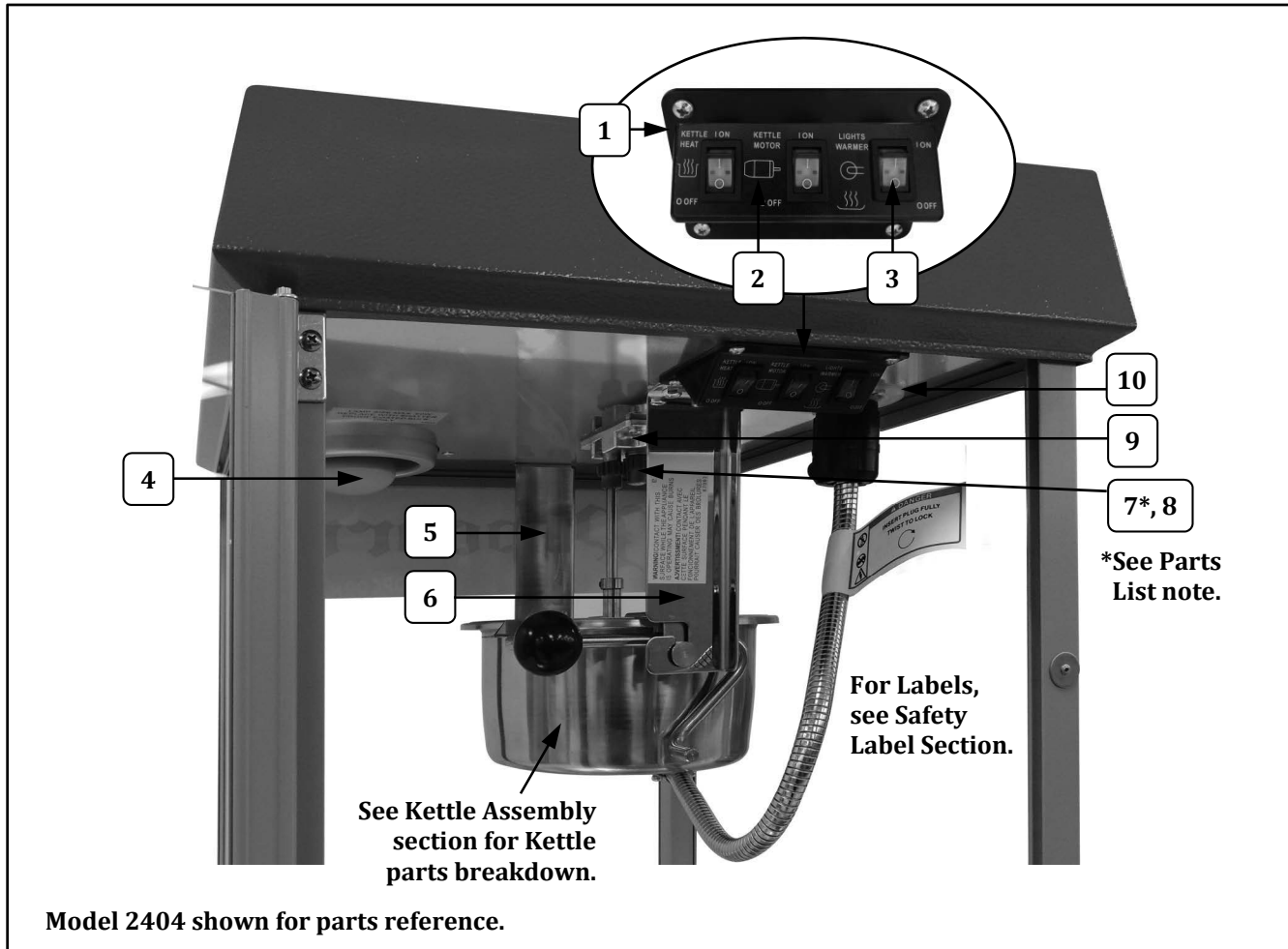


Model 2404 shown for parts reference.

Item	Part Description	Part Number	
		2404, 2404MD	2404EX, 2404MDX
1	SWITCH MOUNT	55076	55076
2	SWITCH MOUNT DECAL	44070	44070
3	DPST ROCKER SWITCH	42532	42532
4	50 W FLOOD LIGHT COATED FLOOD, 240V 40W COATED	42947	13122
5	HANGER ARM REAR 4 OZ POPPER	55071	55071
6	HANGER ARM FT 4 OZ POPPER	55070	55070
7*	SPUR GEAR KIT (Includes 2 gears with set screws. Always replace Agitator Spur Gear and Kettle Drive Motor Gear as a set.)	47059K	47059K
8	10-32" X 3/16" SET SCREW	41742	41742
9	GEAR BLK 4OZ ALUM DIE CST	55098A	55098A
10	L5-15R 15A RECEPTACLE	49330	
	L6-15R 15A-250V RECEPTACLE (ref. Kettle Bottom Assy. for kettle plug configuration note)		49330EX



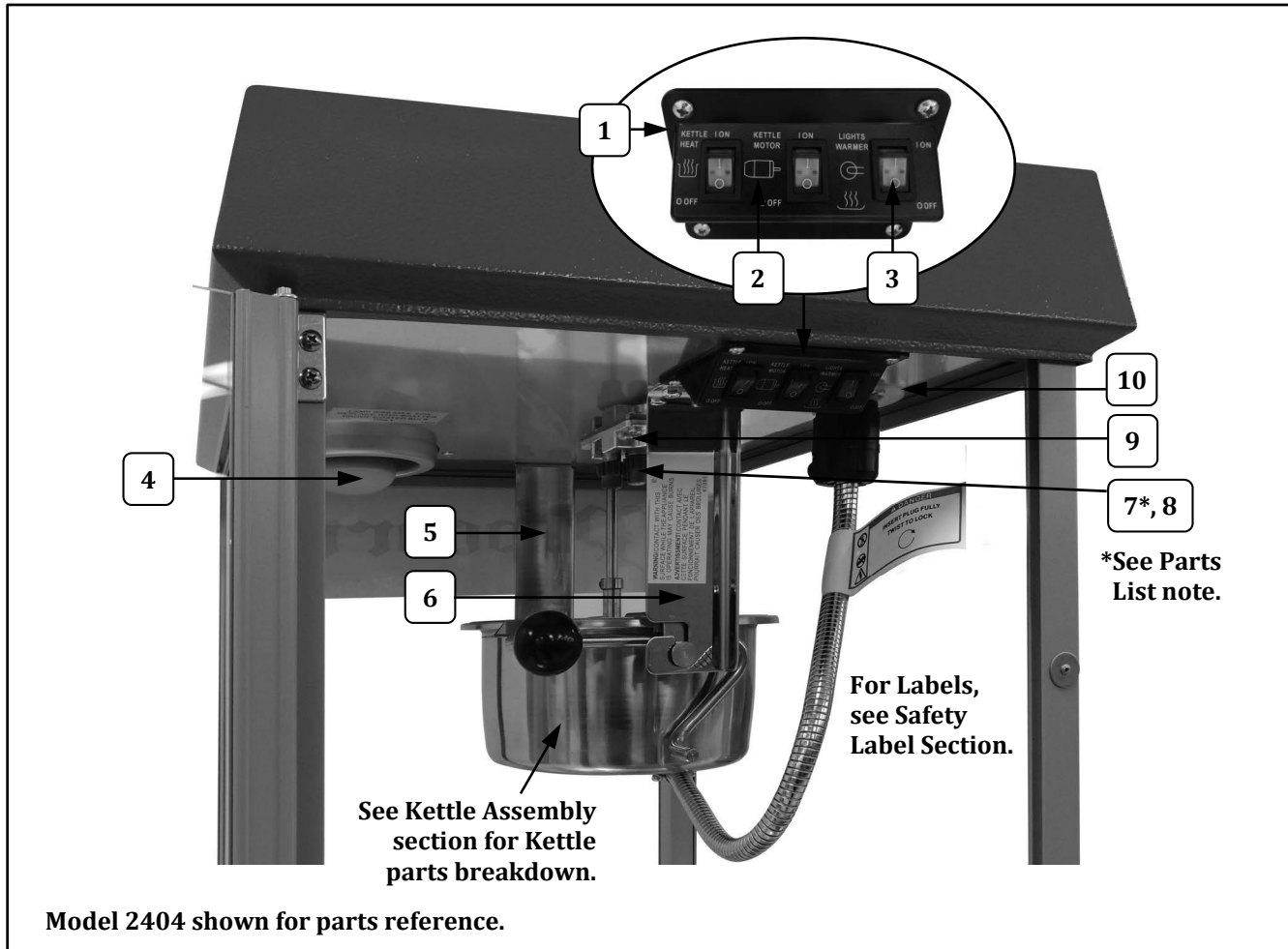
Cabinet Interior – Hanger Assembly/Controls View



Item	Part Description	Part Number	
		2404, 2404MD	2404EX, 2404MDX
1	SWITCH MOUNT	55076	55076
2	SWITCH MOUNT DECAL	44070	44070
3	DPST ROCKER SWITCH	42532	42532
4	50 W FLOOD LIGHT COATED FLOOD, 240V 40W COATED	42947	13122
5	HANGER ARM REAR 4 OZ POPPER	55071	55071
6	HANGER ARM FT 4 OZ POPPER	55070	55070
7*	SPUR GEAR KIT (Includes 2 gears with set screws. Always replace Agitator Spur Gear and Kettle Drive Motor Gear as a set.)	47059K	47059K
8	10-32" X 3/16" SET SCREW	41742	41742
9	GEAR BLK 4OZ ALUM DIE CST	55098A	55098A
10	L5-15R 15A RECEPTACLE	49330	
	L6-15R 15A-250V RECEPTACLE (ref. Kettle Bottom Assy. for kettle plug configuration note)		49330EX



Cabinet Interior – Hanger Assembly/Controls View

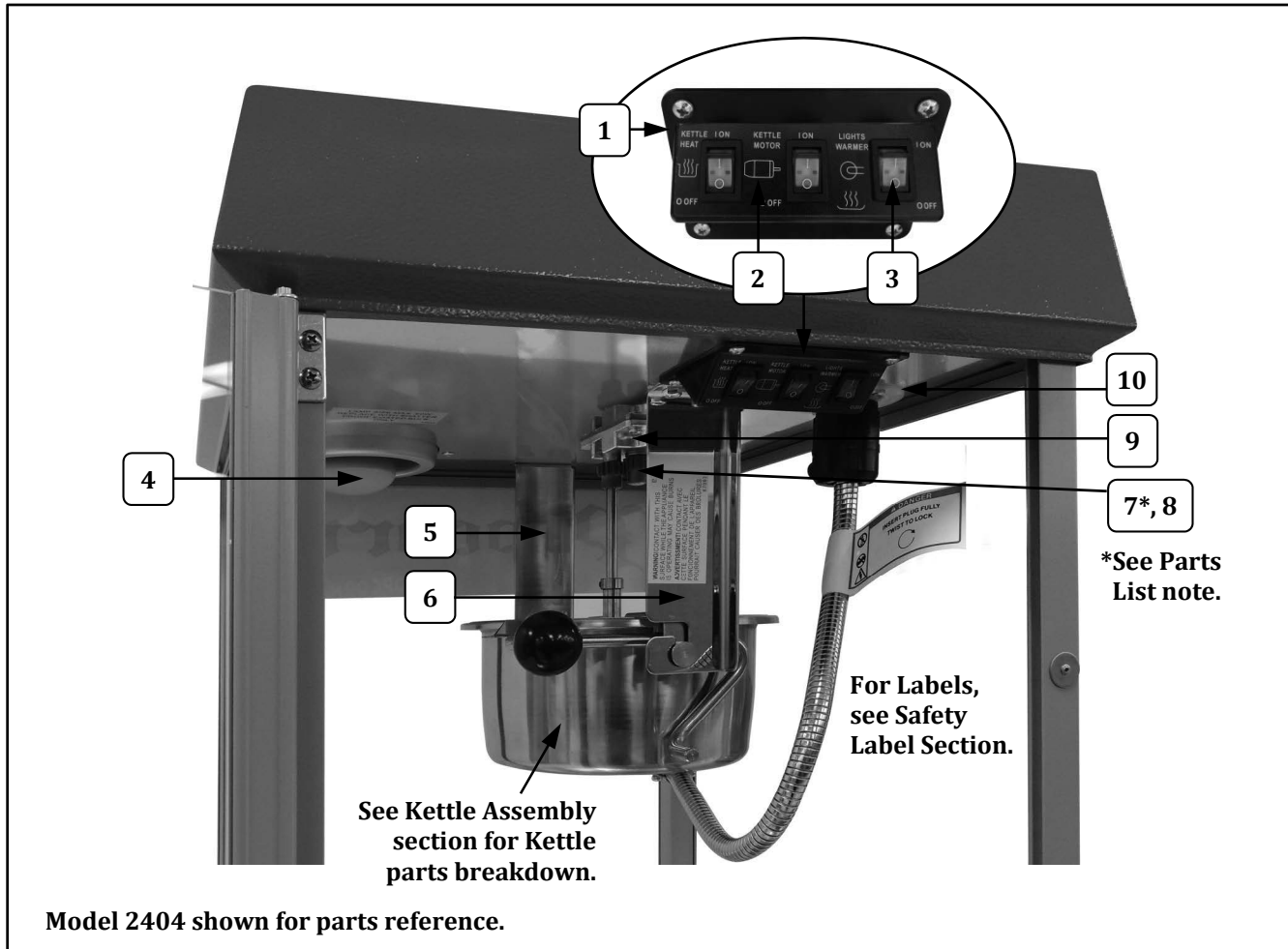


Model 2404 shown for parts reference.

Item	Part Description	Part Number	
		2404, 2404MD	2404EX, 2404MDX
1	SWITCH MOUNT	55076	55076
2	SWITCH MOUNT DECAL	44070	44070
3	DPST ROCKER SWITCH	42532	42532
4	50 W FLOOD LIGHT COATED FLOOD, 240V 40W COATED	42947	13122
5	HANGER ARM REAR 4 OZ POPPER	55071	55071
6	HANGER ARM FT 4 OZ POPPER	55070	55070
7*	SPUR GEAR KIT (Includes 2 gears with set screws. Always replace Agitator Spur Gear and Kettle Drive Motor Gear as a set.)	47059K	47059K
8	10-32" X 3/16" SET SCREW	41742	41742
9	GEAR BLK 4OZ ALUM DIE CST	55098A	55098A
10	L5-15R 15A RECEPTACLE	49330	
	L6-15R 15A-250V RECEPTACLE (ref. Kettle Bottom Assy. for kettle plug configuration note)		49330EX



Cabinet Interior – Hanger Assembly/Controls View

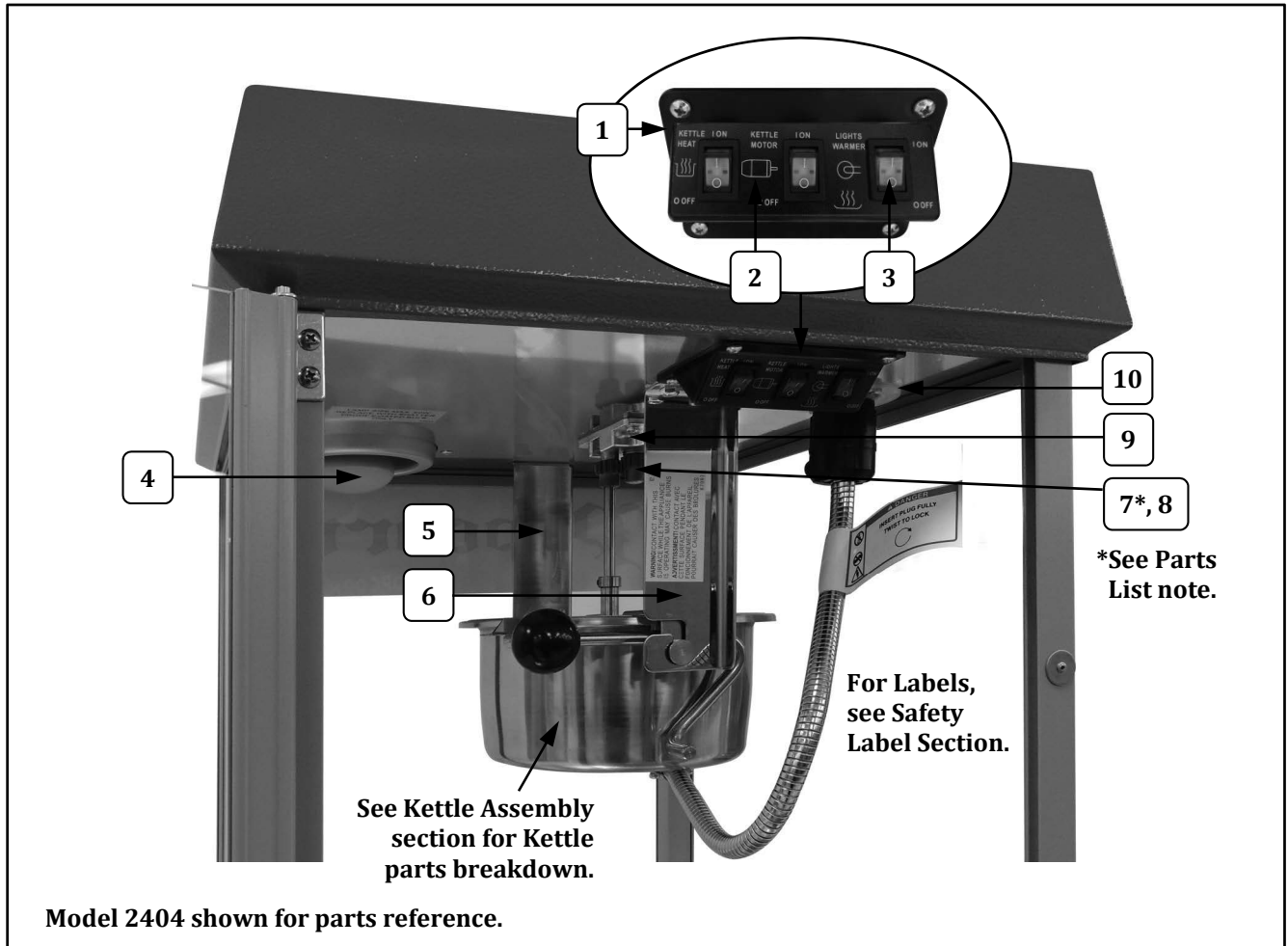


Model 2404 shown for parts reference.

Item	Part Description	Part Number	
		2404, 2404MD	2404EX, 2404MDX
1	SWITCH MOUNT	55076	55076
2	SWITCH MOUNT DECAL	44070	44070
3	DPST ROCKER SWITCH	42532	42532
4	50 W FLOOD LIGHT COATED FLOOD, 240V 40W COATED	42947	13122
5	HANGER ARM REAR 4 OZ POPPER	55071	55071
6	HANGER ARM FT 4 OZ POPPER	55070	55070
7*	SPUR GEAR KIT (Includes 2 gears with set screws. Always replace Agitator Spur Gear and Kettle Drive Motor Gear as a set.)	47059K	47059K
8	10-32" X 3/16" SET SCREW	41742	41742
9	GEAR BLK 4OZ ALUM DIE CST	55098A	55098A
10	L5-15R 15A RECEPTACLE	49330	
	L6-15R 15A-250V RECEPTACLE (ref. Kettle Bottom Assy. for kettle plug configuration note)		49330EX



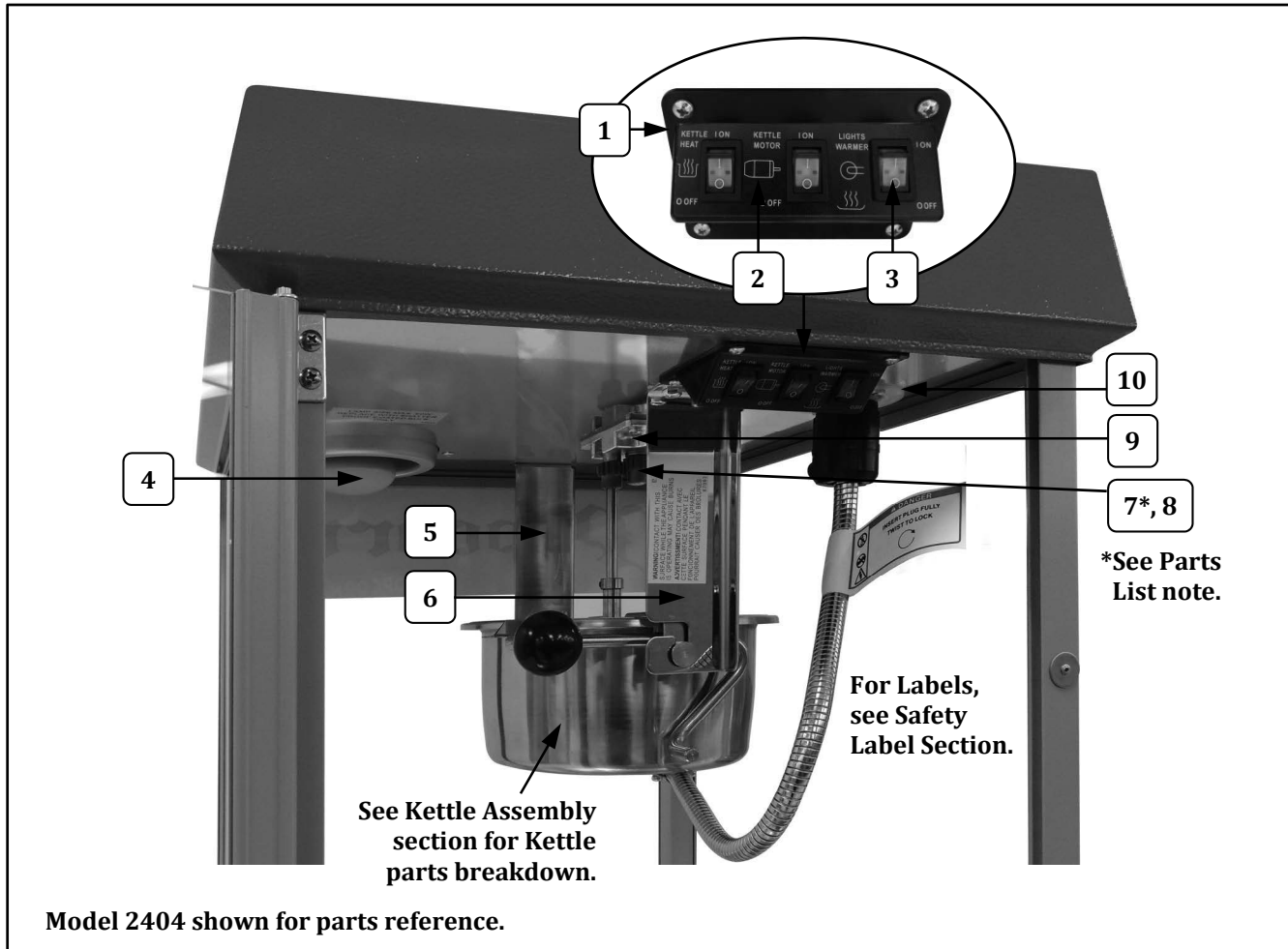
Cabinet Interior – Hanger Assembly/Controls View



Item	Part Description	Part Number	
		2404, 2404MD	2404EX, 2404MDX
1	SWITCH MOUNT	55076	55076
2	SWITCH MOUNT DECAL	44070	44070
3	DPST ROCKER SWITCH	42532	42532
4	50 W FLOOD LIGHT COATED FLOOD, 240V 40W COATED	42947	13122
5	HANGER ARM REAR 4 OZ POPPER	55071	55071
6	HANGER ARM FT 4 OZ POPPER	55070	55070
7*	SPUR GEAR KIT (Includes 2 gears with set screws. Always replace Agitator Spur Gear and Kettle Drive Motor Gear as a set.)	47059K	47059K
8	10-32" X 3/16" SET SCREW	41742	41742
9	GEAR BLK 4OZ ALUM DIE CST	55098A	55098A
10	L5-15R 15A RECEPTACLE	49330	
	L6-15R 15A-250V RECEPTACLE (ref. Kettle Bottom Assy. for kettle plug configuration note)		49330EX



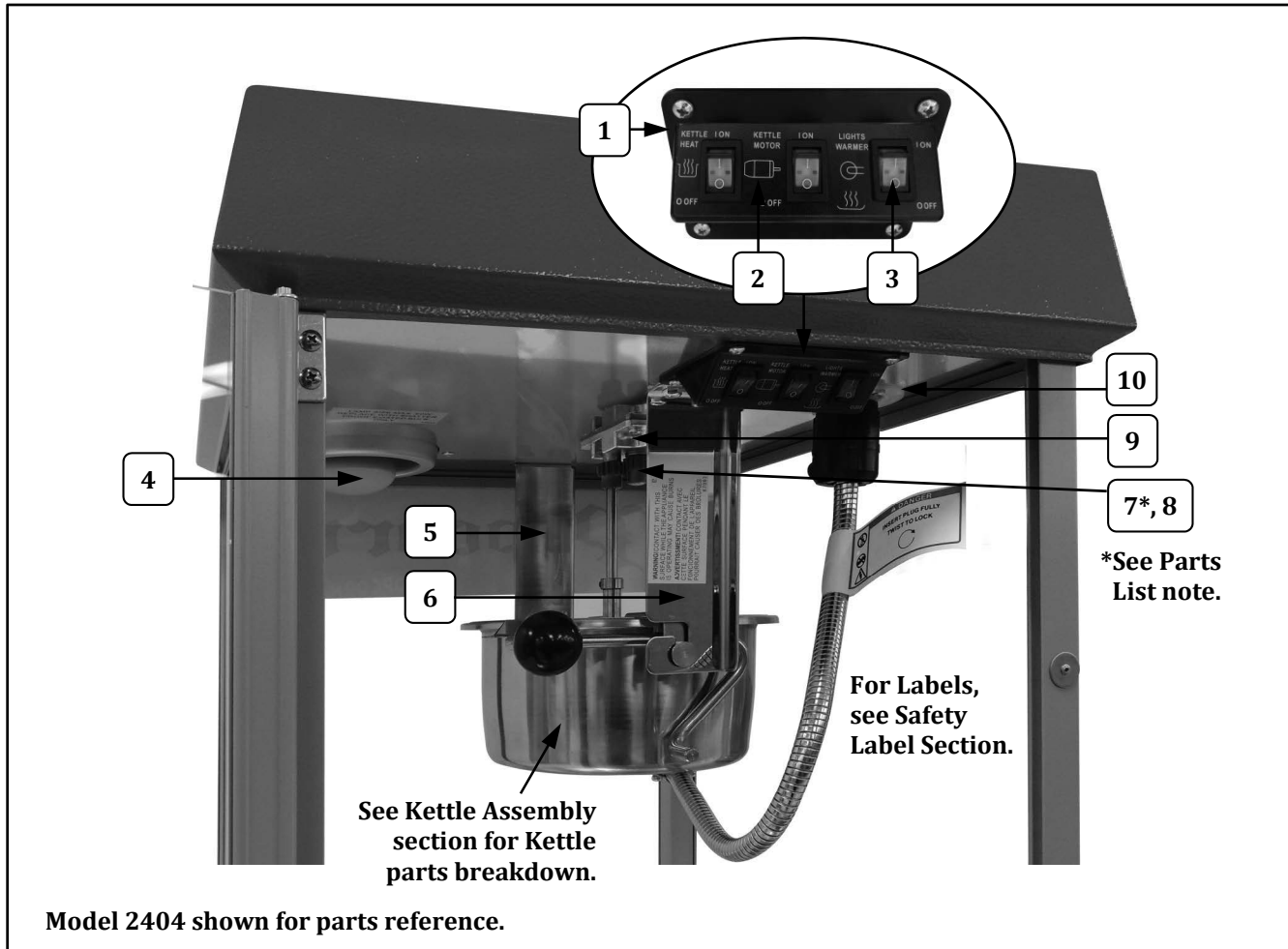
Cabinet Interior – Hanger Assembly/Controls View



Item	Part Description	Part Number	
		2404, 2404MD	2404EX, 2404MDX
1	SWITCH MOUNT	55076	55076
2	SWITCH MOUNT DECAL	44070	44070
3	DPST ROCKER SWITCH	42532	42532
4	50 W FLOOD LIGHT COATED FLOOD, 240V 40W COATED	42947	13122
5	HANGER ARM REAR 4 OZ POPPER	55071	55071
6	HANGER ARM FT 4 OZ POPPER	55070	55070
7*	SPUR GEAR KIT (Includes 2 gears with set screws. Always replace Agitator Spur Gear and Kettle Drive Motor Gear as a set.)	47059K	47059K
8	10-32" X 3/16" SET SCREW	41742	41742
9	GEAR BLK 4OZ ALUM DIE CST	55098A	55098A
10	L5-15R 15A RECEPTACLE	49330	
	L6-15R 15A-250V RECEPTACLE (ref. Kettle Bottom Assy. for kettle plug configuration note)		49330EX



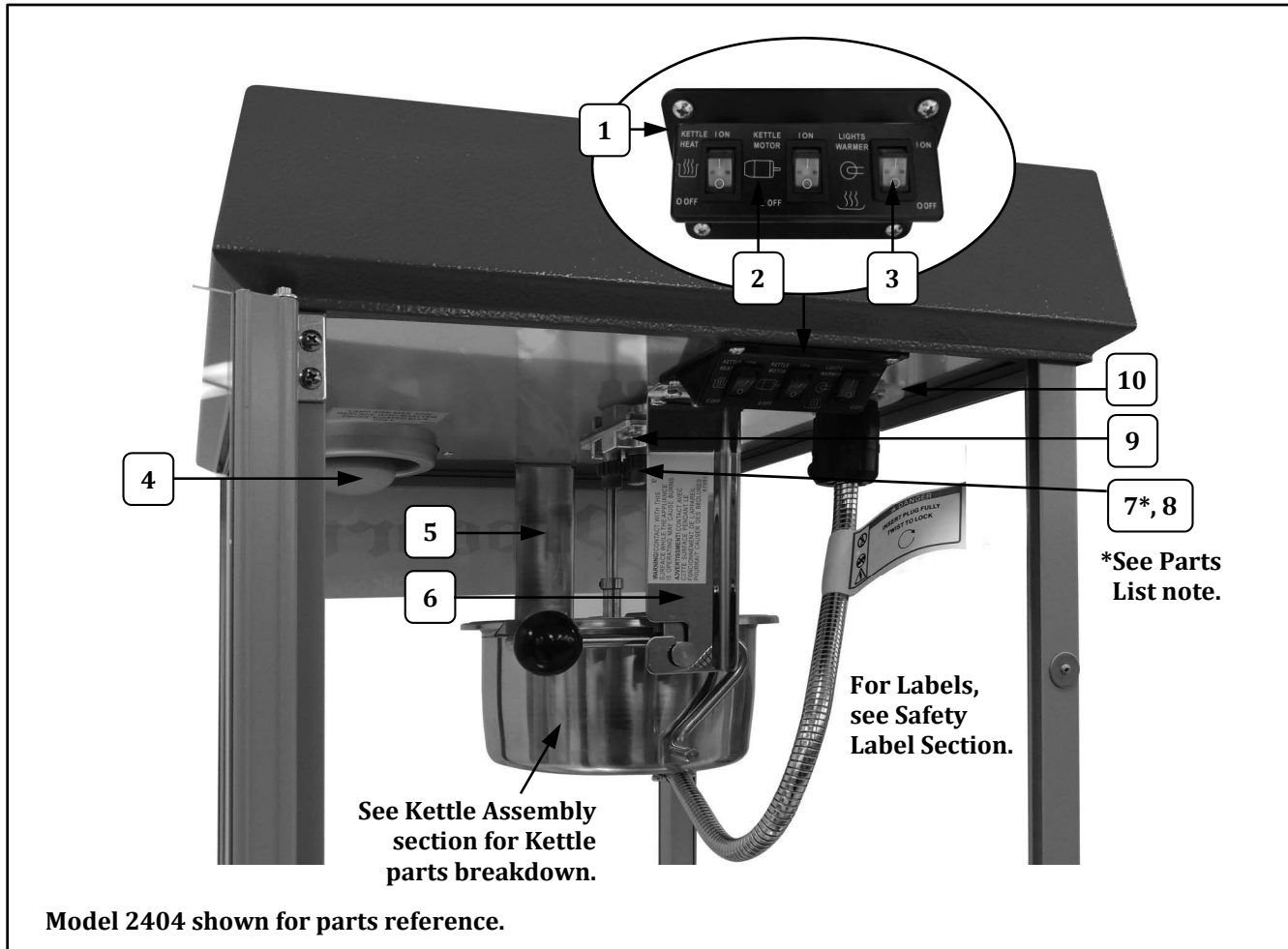
Cabinet Interior – Hanger Assembly/Controls View



Item	Part Description	Part Number	
		2404, 2404MD	2404EX, 2404MDX
1	SWITCH MOUNT	55076	55076
2	SWITCH MOUNT DECAL	44070	44070
3	DPST ROCKER SWITCH	42532	42532
4	50 W FLOOD LIGHT COATED FLOOD, 240V 40W COATED	42947	13122
5	HANGER ARM REAR 4 OZ POPPER	55071	55071
6	HANGER ARM FT 4 OZ POPPER	55070	55070
7*	SPUR GEAR KIT (Includes 2 gears with set screws. Always replace Agitator Spur Gear and Kettle Drive Motor Gear as a set.)	47059K	47059K
8	10-32" X 3/16" SET SCREW	41742	41742
9	GEAR BLK 4OZ ALUM DIE CST	55098A	55098A
10	L5-15R 15A RECEPTACLE	49330	
	L6-15R 15A-250V RECEPTACLE (ref. Kettle Bottom Assy. for kettle plug configuration note)		49330EX



Cabinet Interior – Hanger Assembly/Controls View

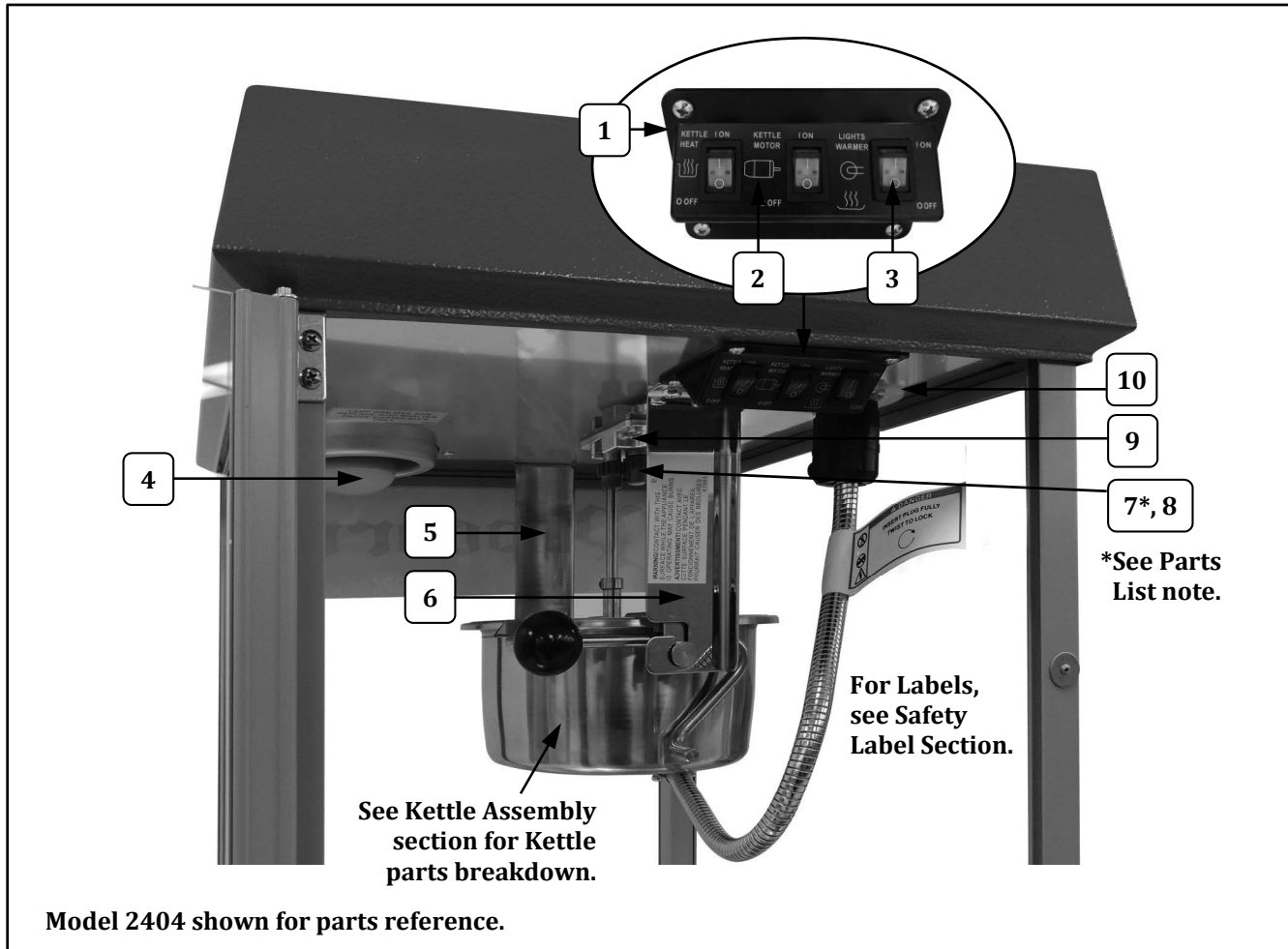


Model 2404 shown for parts reference.

Item	Part Description	Part Number	
		2404, 2404MD	2404EX, 2404MDX
1	SWITCH MOUNT	55076	55076
2	SWITCH MOUNT DECAL	44070	44070
3	DPST ROCKER SWITCH	42532	42532
4	50 W FLOOD LIGHT COATED FLOOD, 240V 40W COATED	42947	13122
5	HANGER ARM REAR 4 OZ POPPER	55071	55071
6	HANGER ARM FT 4 OZ POPPER	55070	55070
7*	SPUR GEAR KIT (Includes 2 gears with set screws. Always replace Agitator Spur Gear and Kettle Drive Motor Gear as a set.)	47059K	47059K
8	10-32" X 3/16" SET SCREW	41742	41742
9	GEAR BLK 4OZ ALUM DIE CST	55098A	55098A
10	L5-15R 15A RECEPTACLE	49330	
	L6-15R 15A-250V RECEPTACLE (ref. Kettle Bottom Assy. for kettle plug configuration note)		49330EX



Cabinet Interior – Hanger Assembly/Controls View

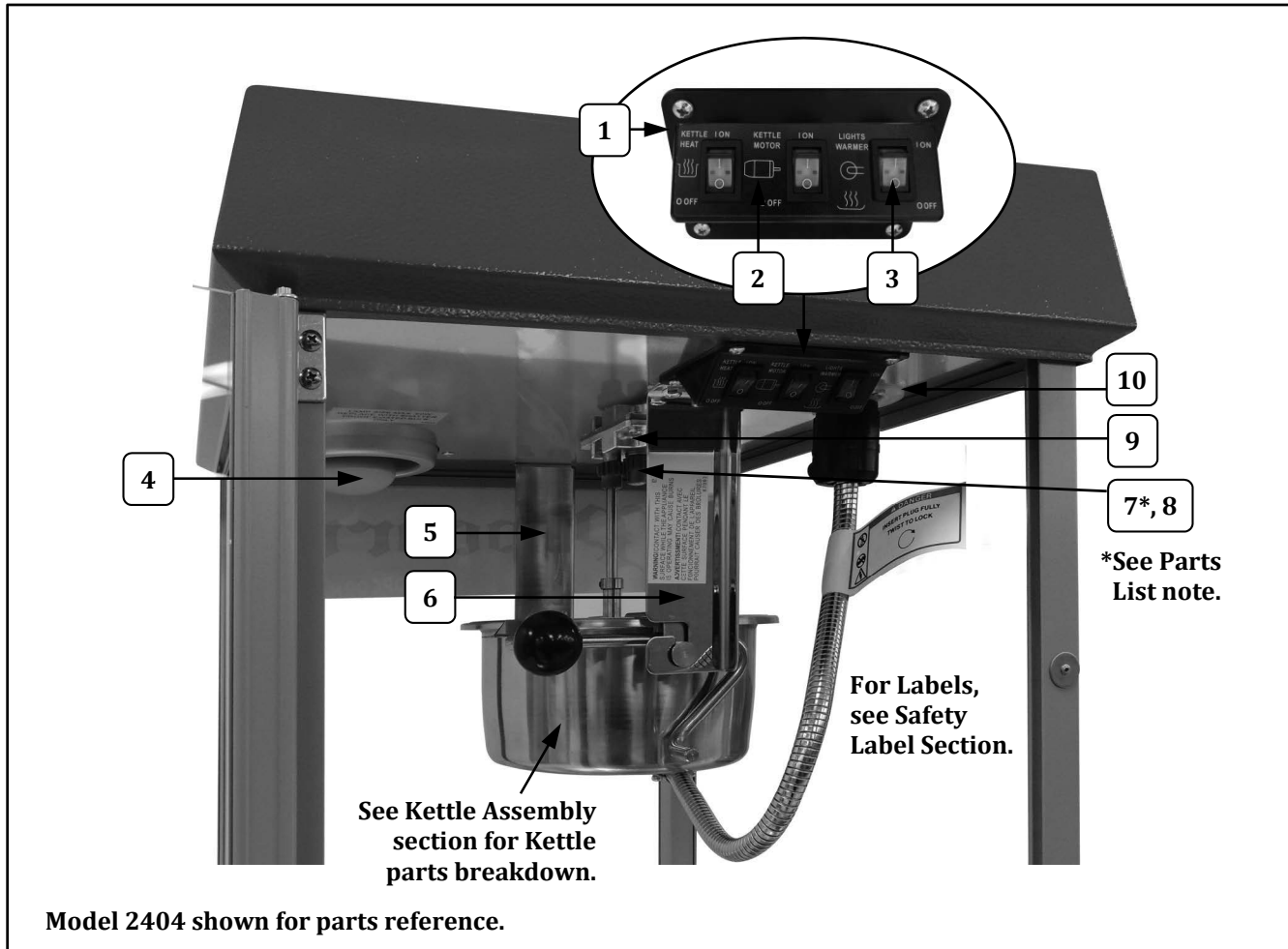


Model 2404 shown for parts reference.

Item	Part Description	Part Number	
		2404, 2404MD	2404EX, 2404MDX
1	SWITCH MOUNT	55076	55076
2	SWITCH MOUNT DECAL	44070	44070
3	DPST ROCKER SWITCH	42532	42532
4	50 W FLOOD LIGHT COATED FLOOD, 240V 40W COATED	42947	13122
5	HANGER ARM REAR 4 OZ POPPER	55071	55071
6	HANGER ARM FT 4 OZ POPPER	55070	55070
7*	SPUR GEAR KIT (Includes 2 gears with set screws. Always replace Agitator Spur Gear and Kettle Drive Motor Gear as a set.)	47059K	47059K
8	10-32" X 3/16" SET SCREW	41742	41742
9	GEAR BLK 4OZ ALUM DIE CST	55098A	55098A
10	L5-15R 15A RECEPTACLE	49330	
	L6-15R 15A-250V RECEPTACLE (ref. Kettle Bottom Assy. for kettle plug configuration note)		49330EX



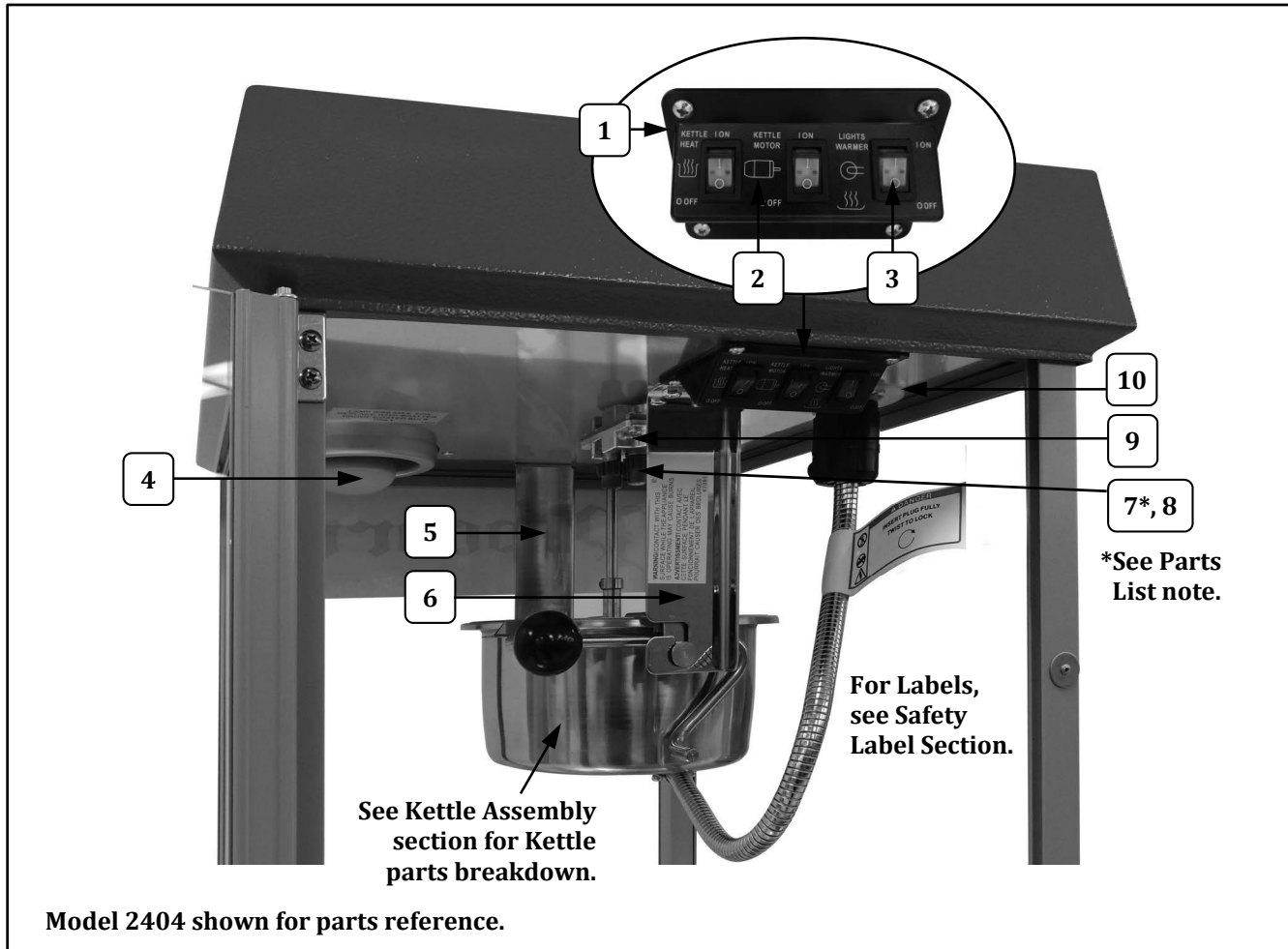
Cabinet Interior – Hanger Assembly/Controls View



Item	Part Description	Part Number	
		2404, 2404MD	2404EX, 2404MDX
1	SWITCH MOUNT	55076	55076
2	SWITCH MOUNT DECAL	44070	44070
3	DPST ROCKER SWITCH	42532	42532
4	50 W FLOOD LIGHT COATED FLOOD, 240V 40W COATED	42947	13122
5	HANGER ARM REAR 4 OZ POPPER	55071	55071
6	HANGER ARM FT 4 OZ POPPER	55070	55070
7*	SPUR GEAR KIT (Includes 2 gears with set screws. Always replace Agitator Spur Gear and Kettle Drive Motor Gear as a set.)	47059K	47059K
8	10-32" X 3/16" SET SCREW	41742	41742
9	GEAR BLK 4OZ ALUM DIE CST	55098A	55098A
10	L5-15R 15A RECEPTACLE	49330	
	L6-15R 15A-250V RECEPTACLE (ref. Kettle Bottom Assy. for kettle plug configuration note)		49330EX



Cabinet Interior – Hanger Assembly/Controls View

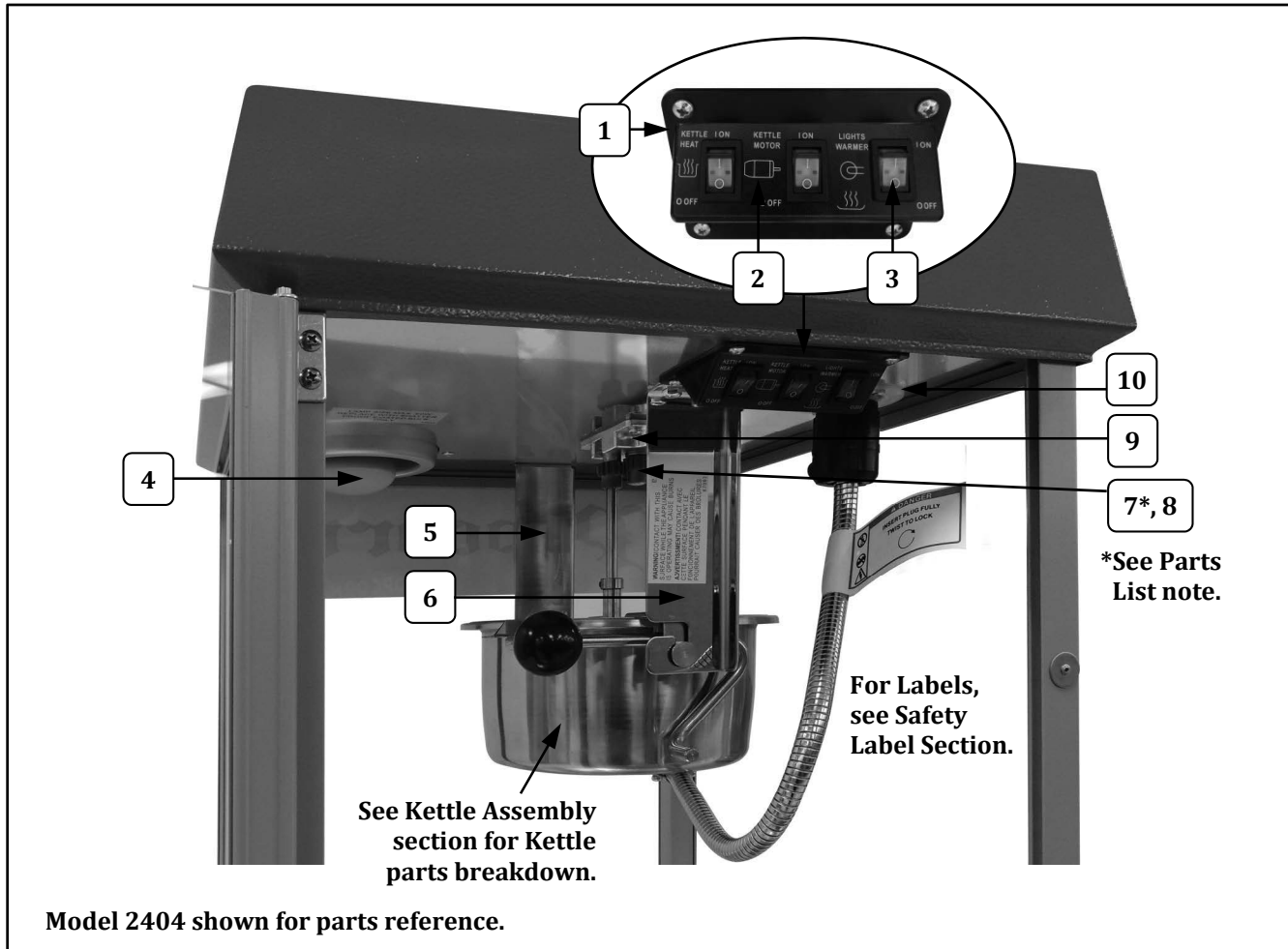


Model 2404 shown for parts reference.

Item	Part Description	Part Number	
		2404, 2404MD	2404EX, 2404MDX
1	SWITCH MOUNT	55076	55076
2	SWITCH MOUNT DECAL	44070	44070
3	DPST ROCKER SWITCH	42532	42532
4	50 W FLOOD LIGHT COATED FLOOD, 240V 40W COATED	42947	13122
5	HANGER ARM REAR 4 OZ POPPER	55071	55071
6	HANGER ARM FT 4 OZ POPPER	55070	55070
7*	SPUR GEAR KIT (Includes 2 gears with set screws. Always replace Agitator Spur Gear and Kettle Drive Motor Gear as a set.)	47059K	47059K
8	10-32" X 3/16" SET SCREW	41742	41742
9	GEAR BLK 4OZ ALUM DIE CST	55098A	55098A
10	L5-15R 15A RECEPTACLE	49330	
	L6-15R 15A-250V RECEPTACLE (ref. Kettle Bottom Assy. for kettle plug configuration note)		49330EX



Cabinet Interior – Hanger Assembly/Controls View

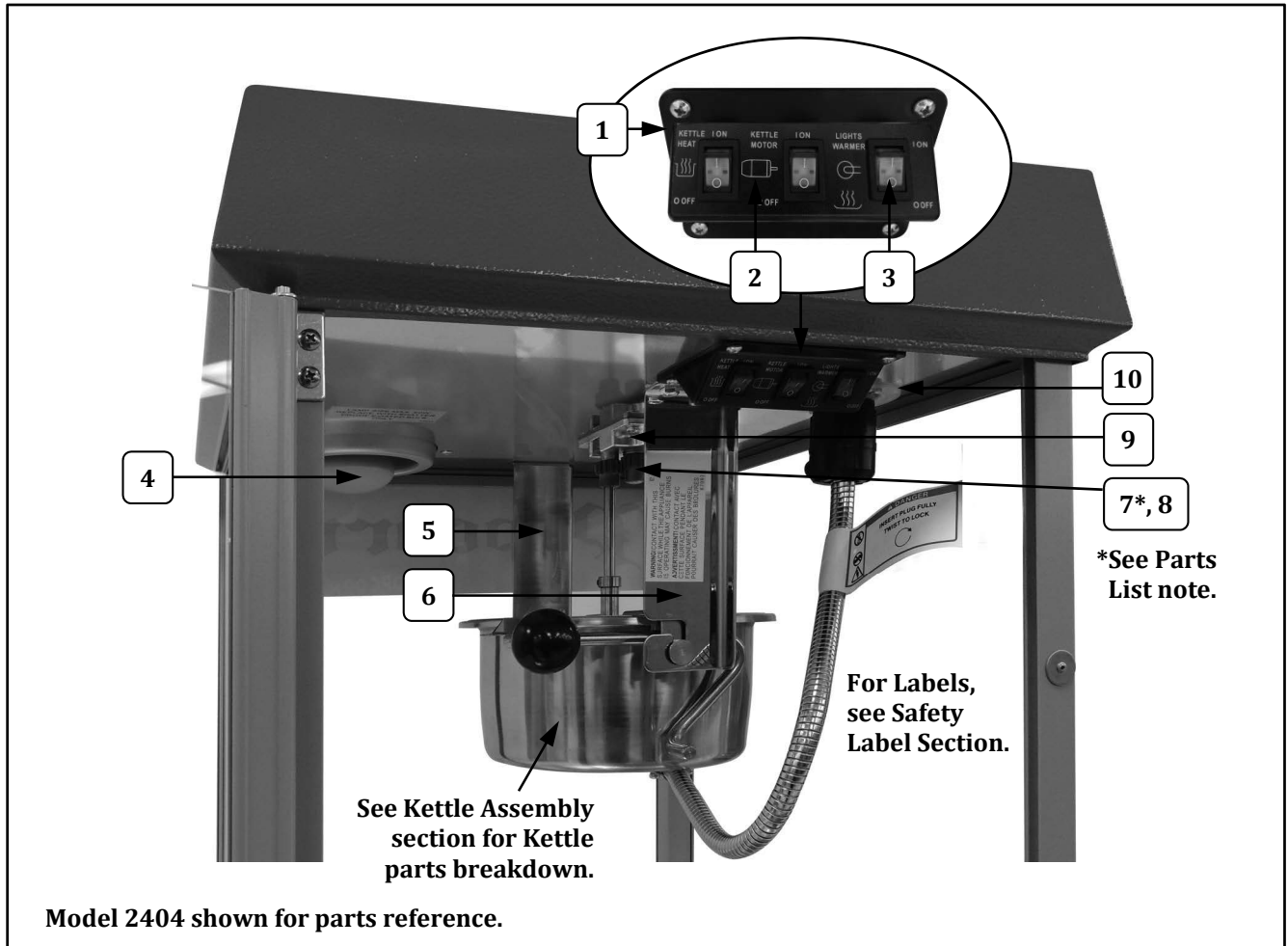


Model 2404 shown for parts reference.

Item	Part Description	Part Number	
		2404, 2404MD	2404EX, 2404MDX
1	SWITCH MOUNT	55076	55076
2	SWITCH MOUNT DECAL	44070	44070
3	DPST ROCKER SWITCH	42532	42532
4	50 W FLOOD LIGHT COATED FLOOD, 240V 40W COATED	42947	13122
5	HANGER ARM REAR 4 OZ POPPER	55071	55071
6	HANGER ARM FT 4 OZ POPPER	55070	55070
7*	SPUR GEAR KIT (Includes 2 gears with set screws. Always replace Agitator Spur Gear and Kettle Drive Motor Gear as a set.)	47059K	47059K
8	10-32" X 3/16" SET SCREW	41742	41742
9	GEAR BLK 4OZ ALUM DIE CST	55098A	55098A
10	L5-15R 15A RECEPTACLE	49330	
	L6-15R 15A-250V RECEPTACLE (ref. Kettle Bottom Assy. for kettle plug configuration note)		49330EX



Cabinet Interior – Hanger Assembly/Controls View

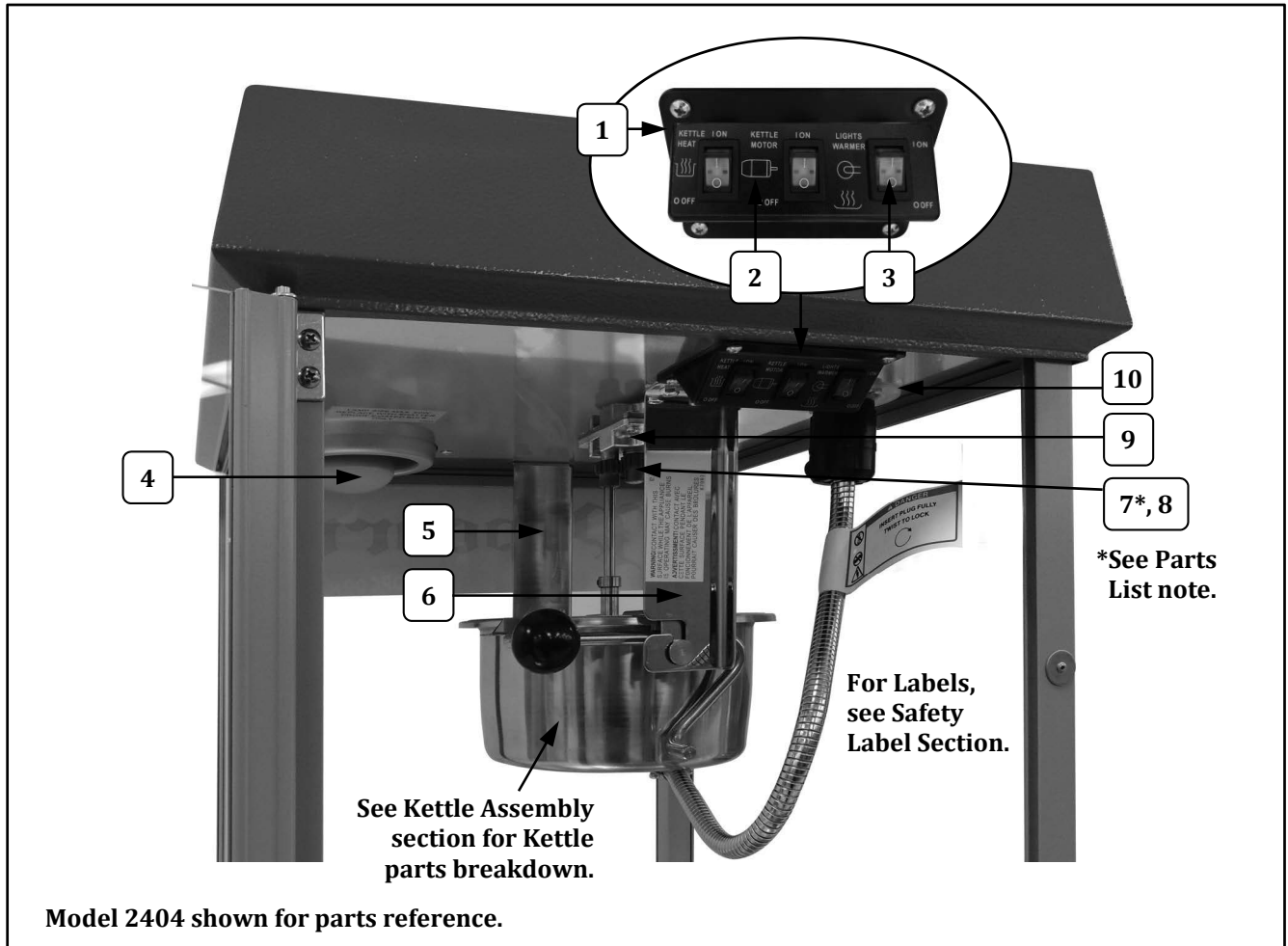


Model 2404 shown for parts reference.

Item	Part Description	Part Number	
		2404, 2404MD	2404EX, 2404MDX
1	SWITCH MOUNT	55076	55076
2	SWITCH MOUNT DECAL	44070	44070
3	DPST ROCKER SWITCH	42532	42532
4	50 W FLOOD LIGHT COATED FLOOD, 240V 40W COATED	42947	13122
5	HANGER ARM REAR 4 OZ POPPER	55071	55071
6	HANGER ARM FT 4 OZ POPPER	55070	55070
7*	SPUR GEAR KIT (Includes 2 gears with set screws. Always replace Agitator Spur Gear and Kettle Drive Motor Gear as a set.)	47059K	47059K
8	10-32" X 3/16" SET SCREW	41742	41742
9	GEAR BLK 4OZ ALUM DIE CST	55098A	55098A
10	L5-15R 15A RECEPTACLE	49330	
	L6-15R 15A-250V RECEPTACLE (ref. Kettle Bottom Assy. for kettle plug configuration note)		49330EX



Cabinet Interior – Hanger Assembly/Controls View

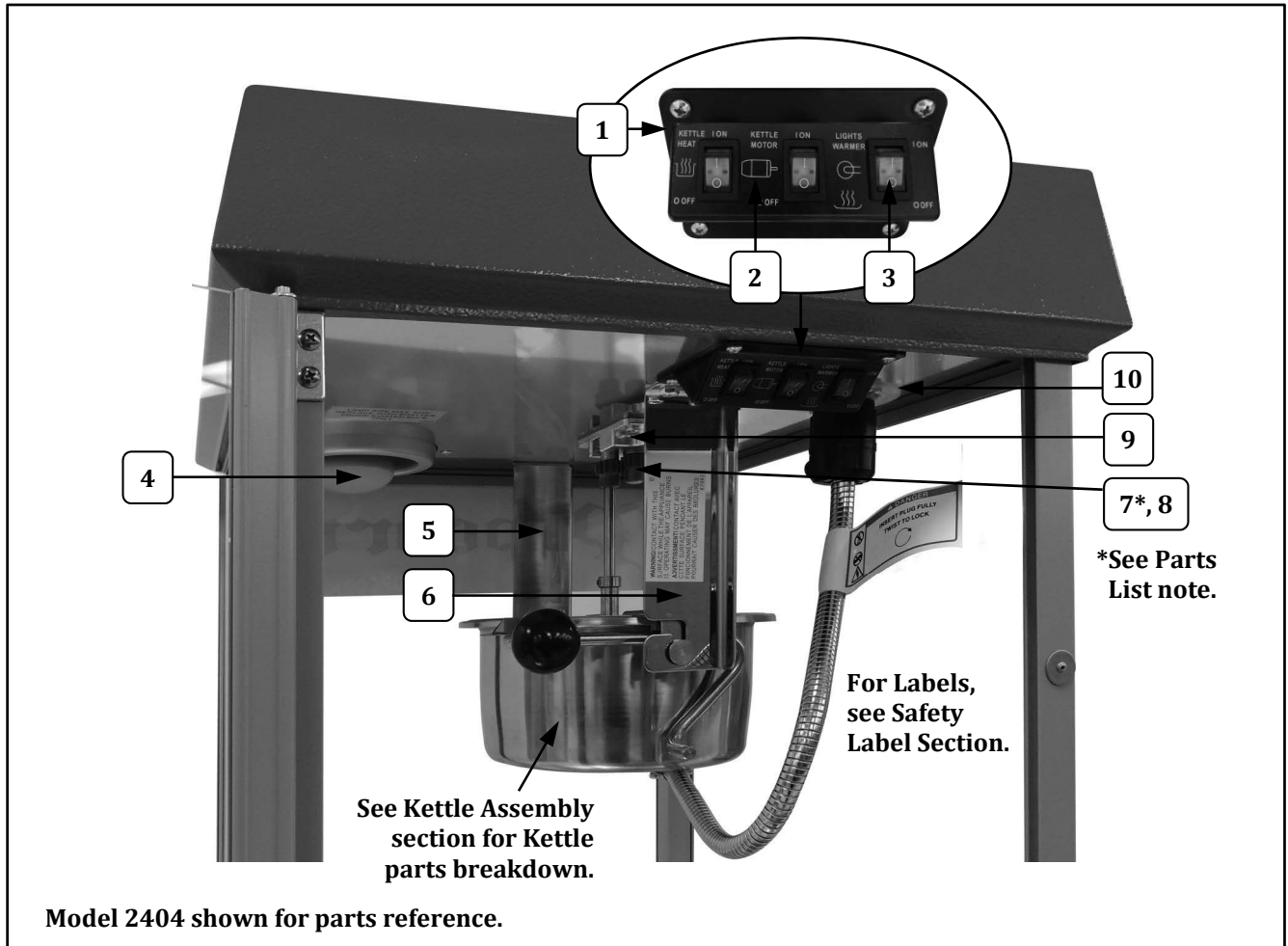


Model 2404 shown for parts reference.

Item	Part Description	Part Number	
		2404, 2404MD	2404EX, 2404MDX
1	SWITCH MOUNT	55076	55076
2	SWITCH MOUNT DECAL	44070	44070
3	DPST ROCKER SWITCH	42532	42532
4	50 W FLOOD LIGHT COATED FLOOD, 240V 40W COATED	42947	13122
5	HANGER ARM REAR 4 OZ POPPER	55071	55071
6	HANGER ARM FT 4 OZ POPPER	55070	55070
7*	SPUR GEAR KIT (Includes 2 gears with set screws. Always replace Agitator Spur Gear and Kettle Drive Motor Gear as a set.)	47059K	47059K
8	10-32" X 3/16" SET SCREW	41742	41742
9	GEAR BLK 4OZ ALUM DIE CST	55098A	55098A
10	L5-15R 15A RECEPTACLE	49330	
	L6-15R 15A-250V RECEPTACLE (ref. Kettle Bottom Assy. for kettle plug configuration note)		49330EX



Cabinet Interior – Hanger Assembly/Controls View

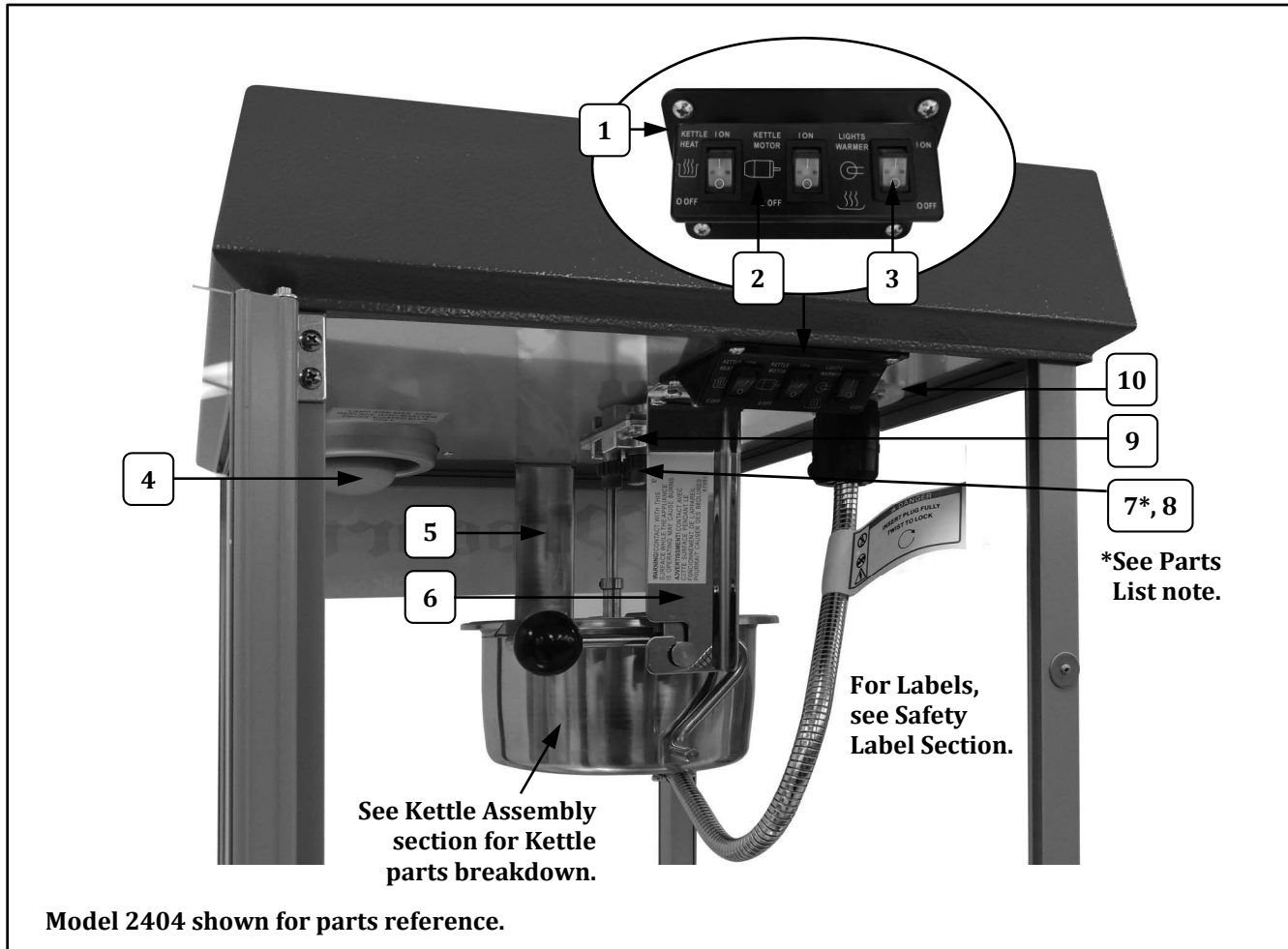


Model 2404 shown for parts reference.

Item	Part Description	Part Number	
		2404, 2404MD	2404EX, 2404MDX
1	SWITCH MOUNT	55076	55076
2	SWITCH MOUNT DECAL	44070	44070
3	DPST ROCKER SWITCH	42532	42532
4	50 W FLOOD LIGHT COATED FLOOD, 240V 40W COATED	42947	13122
5	HANGER ARM REAR 4 OZ POPPER	55071	55071
6	HANGER ARM FT 4 OZ POPPER	55070	55070
7*	SPUR GEAR KIT (Includes 2 gears with set screws. Always replace Agitator Spur Gear and Kettle Drive Motor Gear as a set.)	47059K	47059K
8	10-32" X 3/16" SET SCREW	41742	41742
9	GEAR BLK 4OZ ALUM DIE CST	55098A	55098A
10	L5-15R 15A RECEPTACLE	49330	
	L6-15R 15A-250V RECEPTACLE (ref. Kettle Bottom Assy. for kettle plug configuration note)		49330EX



Cabinet Interior – Hanger Assembly/Controls View

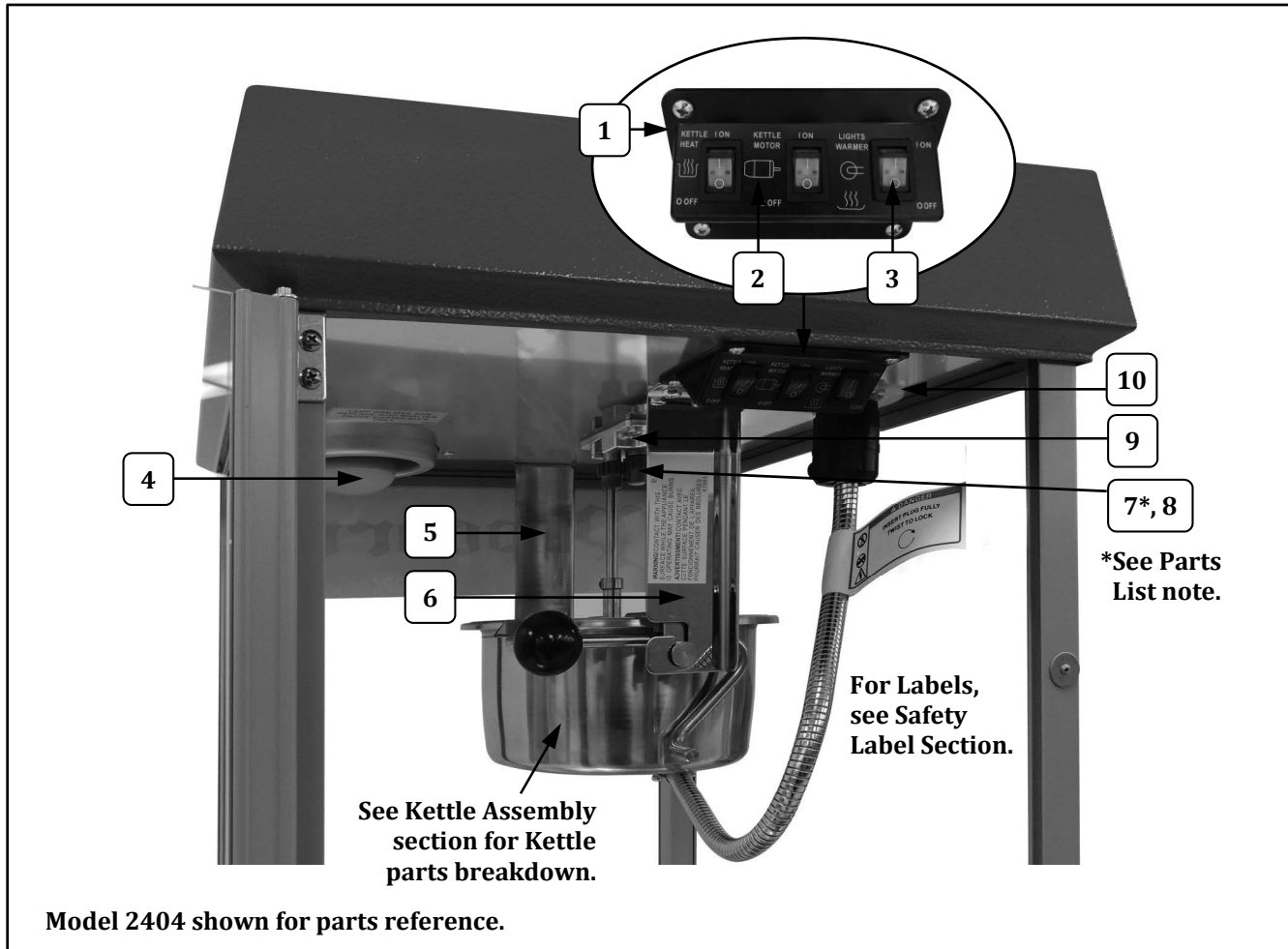


Model 2404 shown for parts reference.

Item	Part Description	Part Number	
		2404, 2404MD	2404EX, 2404MDX
1	SWITCH MOUNT	55076	55076
2	SWITCH MOUNT DECAL	44070	44070
3	DPST ROCKER SWITCH	42532	42532
4	50 W FLOOD LIGHT COATED FLOOD, 240V 40W COATED	42947	13122
5	HANGER ARM REAR 4 OZ POPPER	55071	55071
6	HANGER ARM FT 4 OZ POPPER	55070	55070
7*	SPUR GEAR KIT (Includes 2 gears with set screws. Always replace Agitator Spur Gear and Kettle Drive Motor Gear as a set.)	47059K	47059K
8	10-32" X 3/16" SET SCREW	41742	41742
9	GEAR BLK 4OZ ALUM DIE CST	55098A	55098A
10	L5-15R 15A RECEPTACLE	49330	
	L6-15R 15A-250V RECEPTACLE (ref. Kettle Bottom Assy. for kettle plug configuration note)		49330EX



Cabinet Interior – Hanger Assembly/Controls View

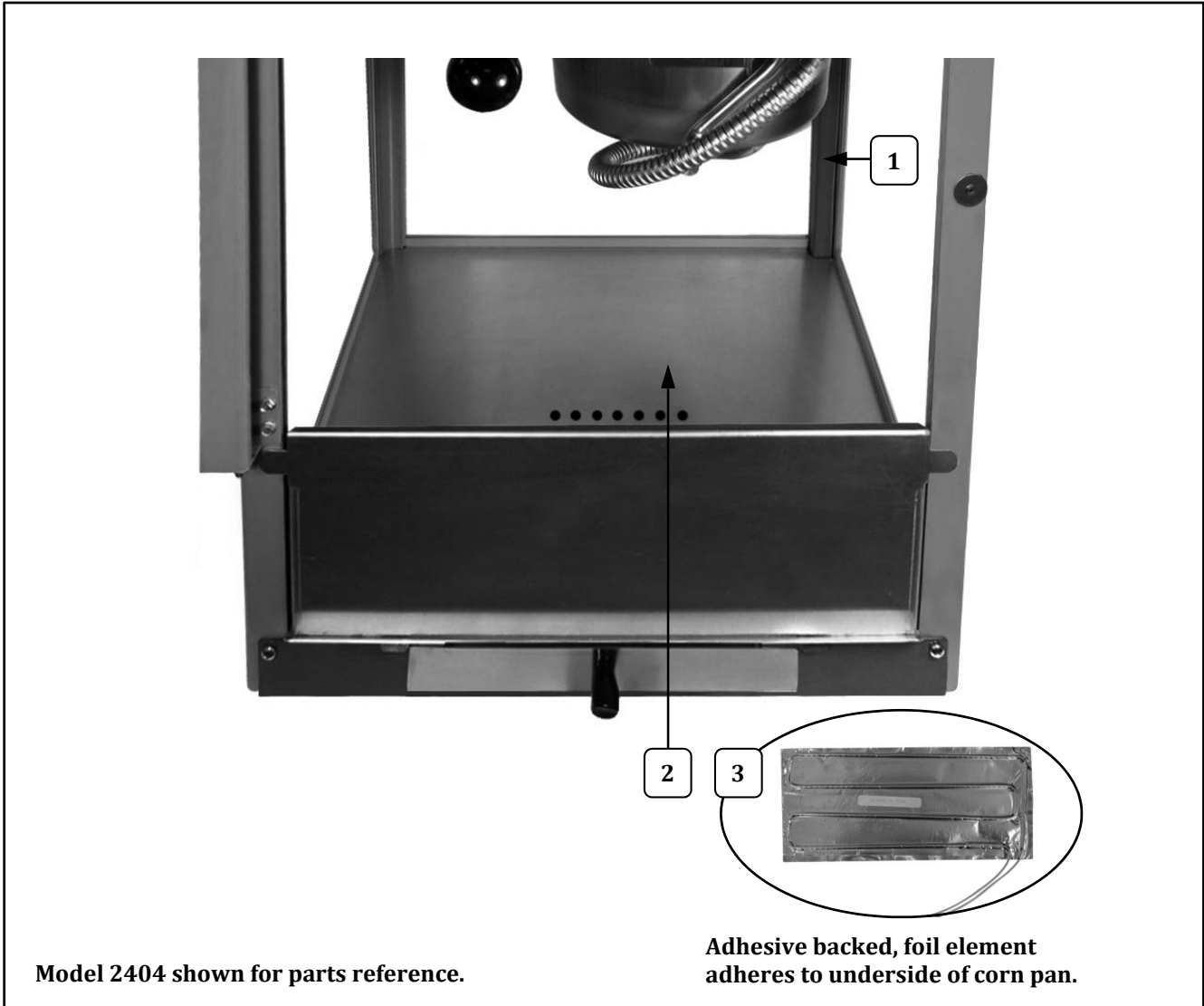


Model 2404 shown for parts reference.

Item	Part Description	Part Number	
		2404, 2404MD	2404EX, 2404MDX
1	SWITCH MOUNT	55076	55076
2	SWITCH MOUNT DECAL	44070	44070
3	DPST ROCKER SWITCH	42532	42532
4	50 W FLOOD LIGHT COATED FLOOD, 240V 40W COATED	42947	13122
5	HANGER ARM REAR 4 OZ POPPER	55071	55071
6	HANGER ARM FT 4 OZ POPPER	55070	55070
7*	SPUR GEAR KIT (Includes 2 gears with set screws. Always replace Agitator Spur Gear and Kettle Drive Motor Gear as a set.)	47059K	47059K
8	10-32" X 3/16" SET SCREW	41742	41742
9	GEAR BLK 4OZ ALUM DIE CST	55098A	55098A
10	L5-15R 15A RECEPTACLE	49330	
	L6-15R 15A-250V RECEPTACLE (ref. Kettle Bottom Assy. for kettle plug configuration note)		49330EX



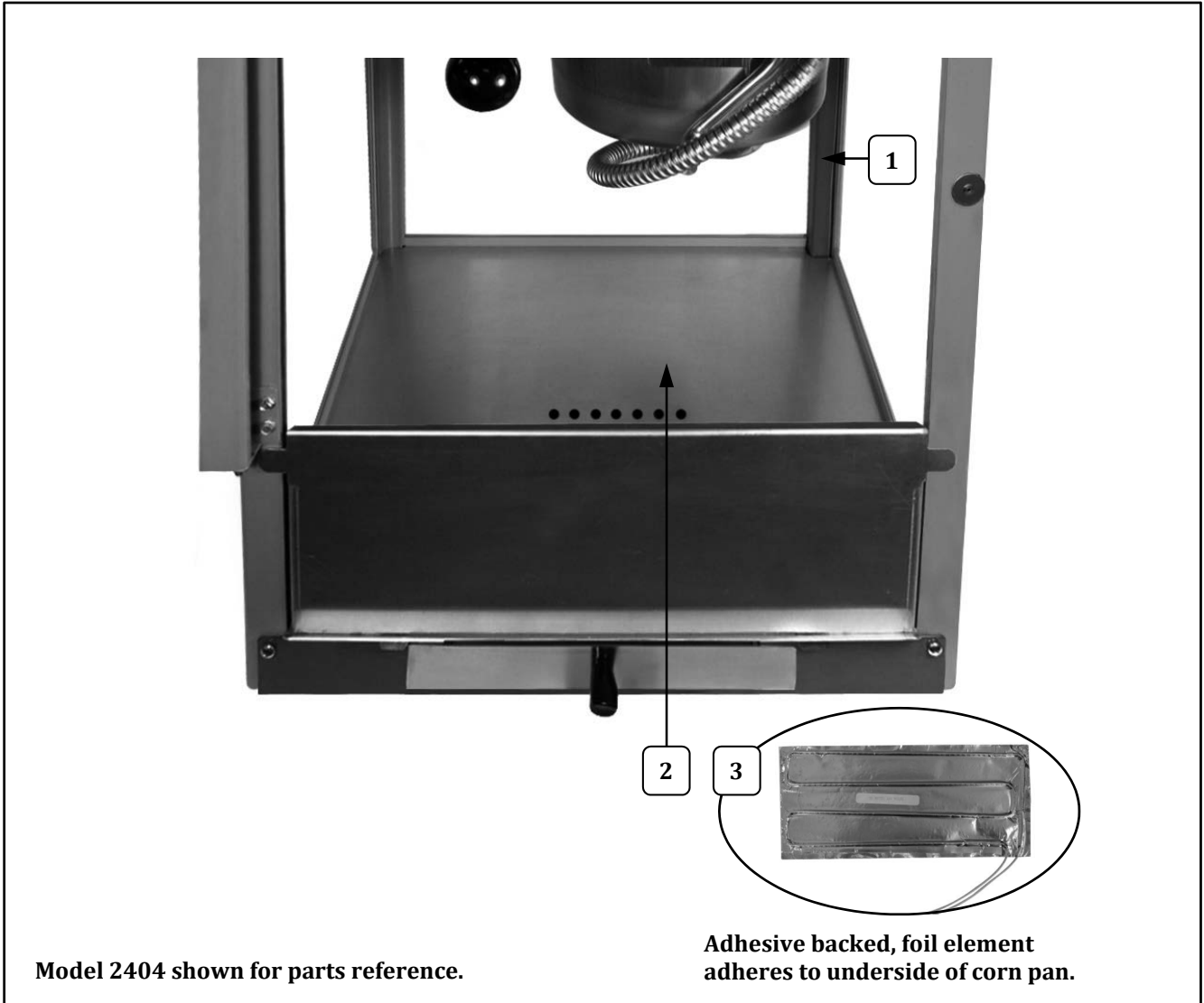
Cabinet Interior – Corn Pan/Element View



Item	Part Description	Part Number	
		2404, 2404MD	2404EX, 2404MDX
1	WIRE ROUTE COVER (runs the entire length of the corner post)	55077	55077
2	CORN PAN 4 OZ POPPER	55069	55069
3	20 WATT 120V FOIL HEATER	40557	
	20W FOIL HEATER, 230V		40557EX



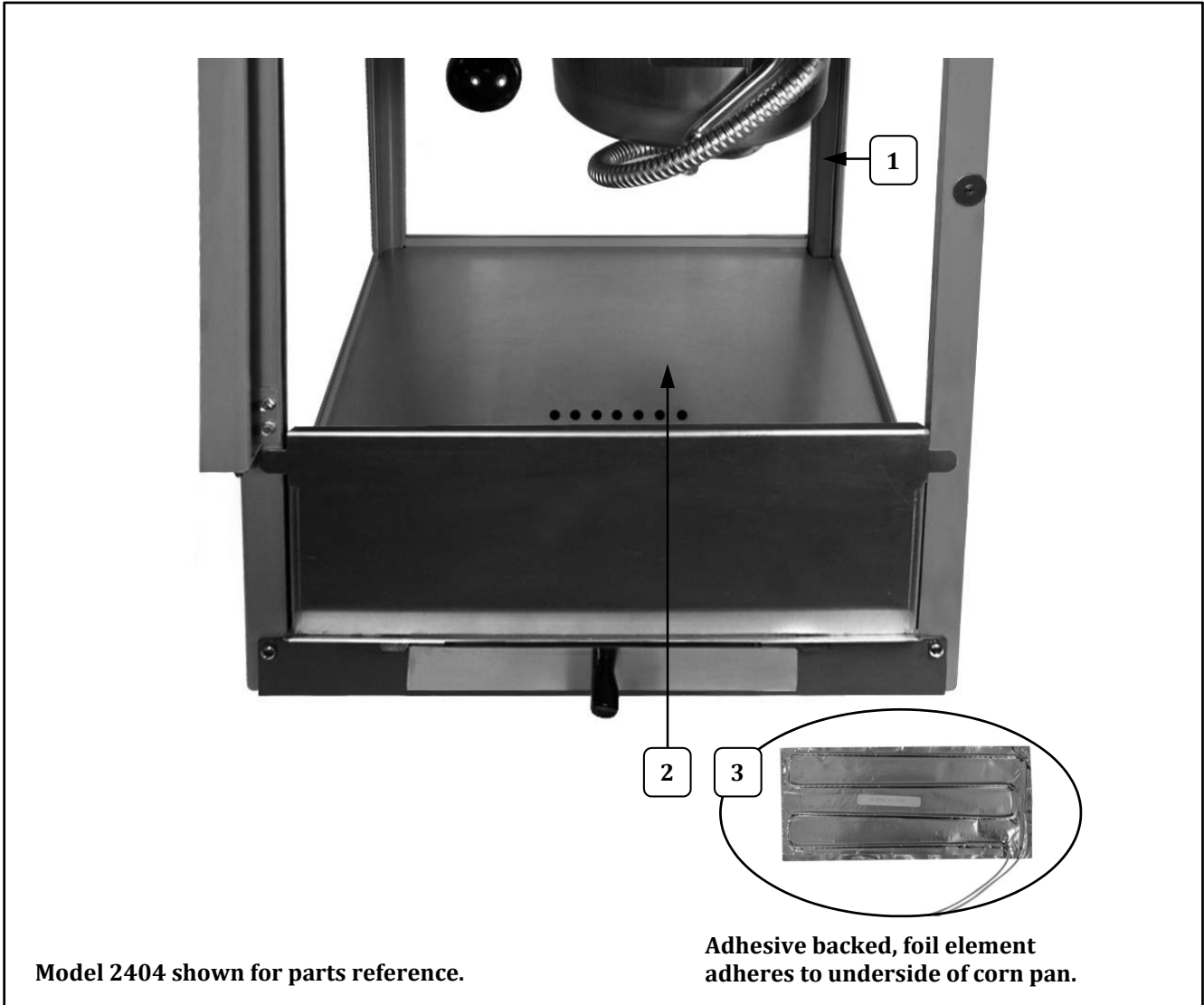
Cabinet Interior – Corn Pan/Element View



Item	Part Description	Part Number	
		2404, 2404MD	2404EX, 2404MDX
1	WIRE ROUTE COVER (runs the entire length of the corner post)	55077	55077
2	CORN PAN 4 OZ POPPER	55069	55069
3	20 WATT 120V FOIL HEATER	40557	
	20W FOIL HEATER, 230V		40557EX



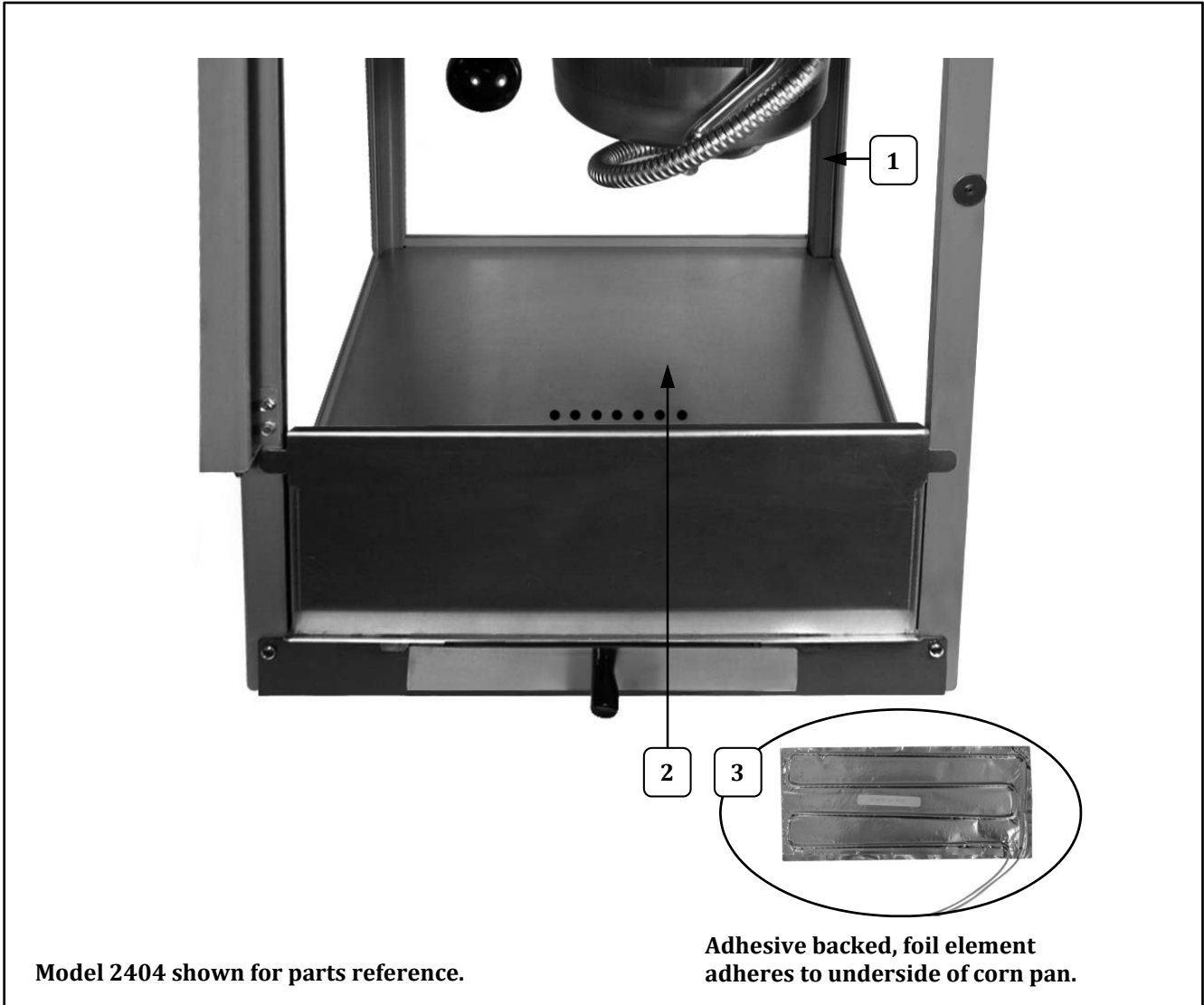
Cabinet Interior – Corn Pan/Element View



Item	Part Description	Part Number	
		2404, 2404MD	2404EX, 2404MDX
1	WIRE ROUTE COVER (runs the entire length of the corner post)	55077	55077
2	CORN PAN 4 OZ POPPER	55069	55069
3	20 WATT 120V FOIL HEATER	40557	
	20W FOIL HEATER, 230V		40557EX



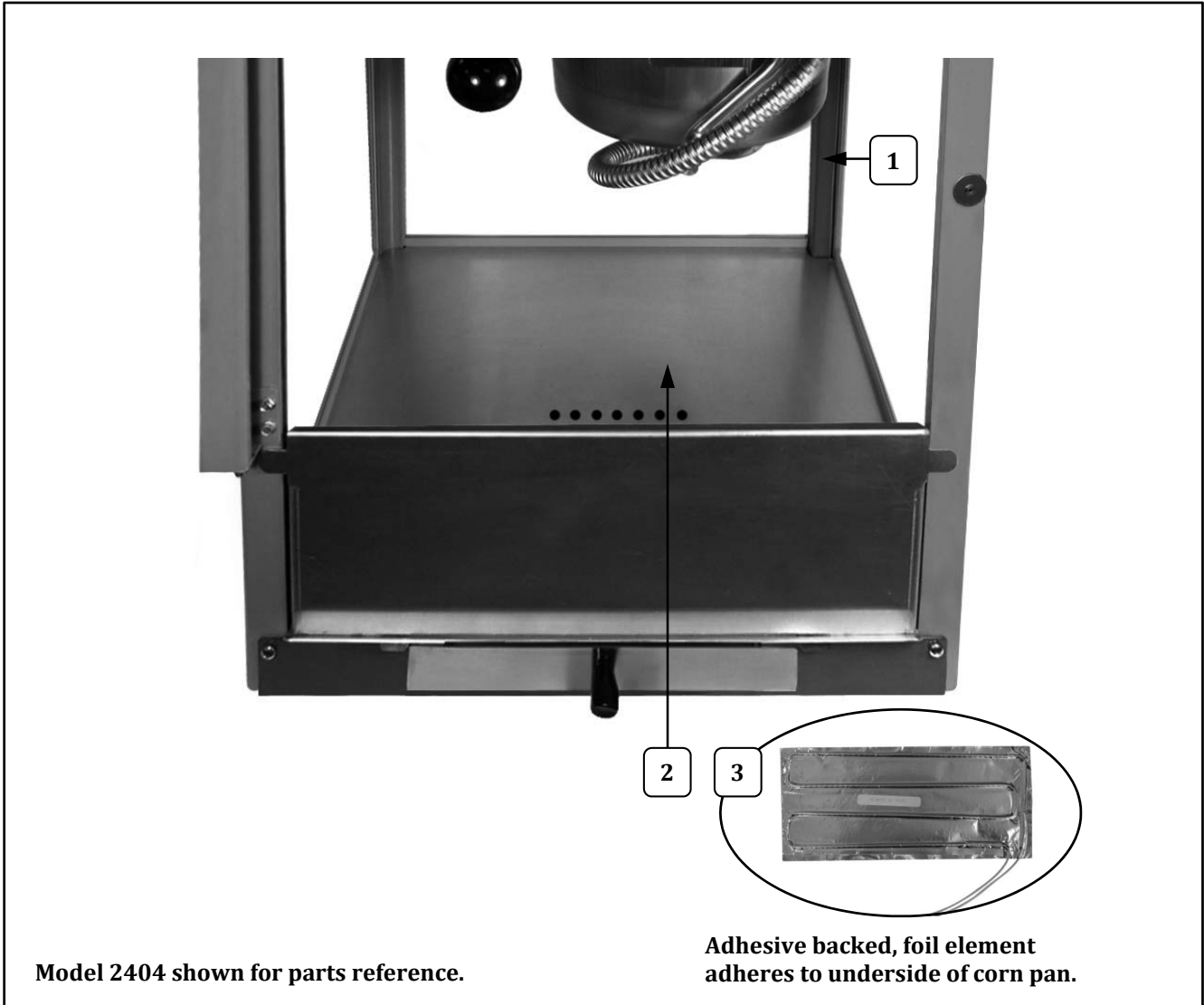
Cabinet Interior – Corn Pan/Element View



Item	Part Description	Part Number	
		2404, 2404MD	2404EX, 2404MDX
1	WIRE ROUTE COVER (runs the entire length of the corner post)	55077	55077
2	CORN PAN 4 OZ POPPER	55069	55069
3	20 WATT 120V FOIL HEATER	40557	
	20W FOIL HEATER, 230V		40557EX



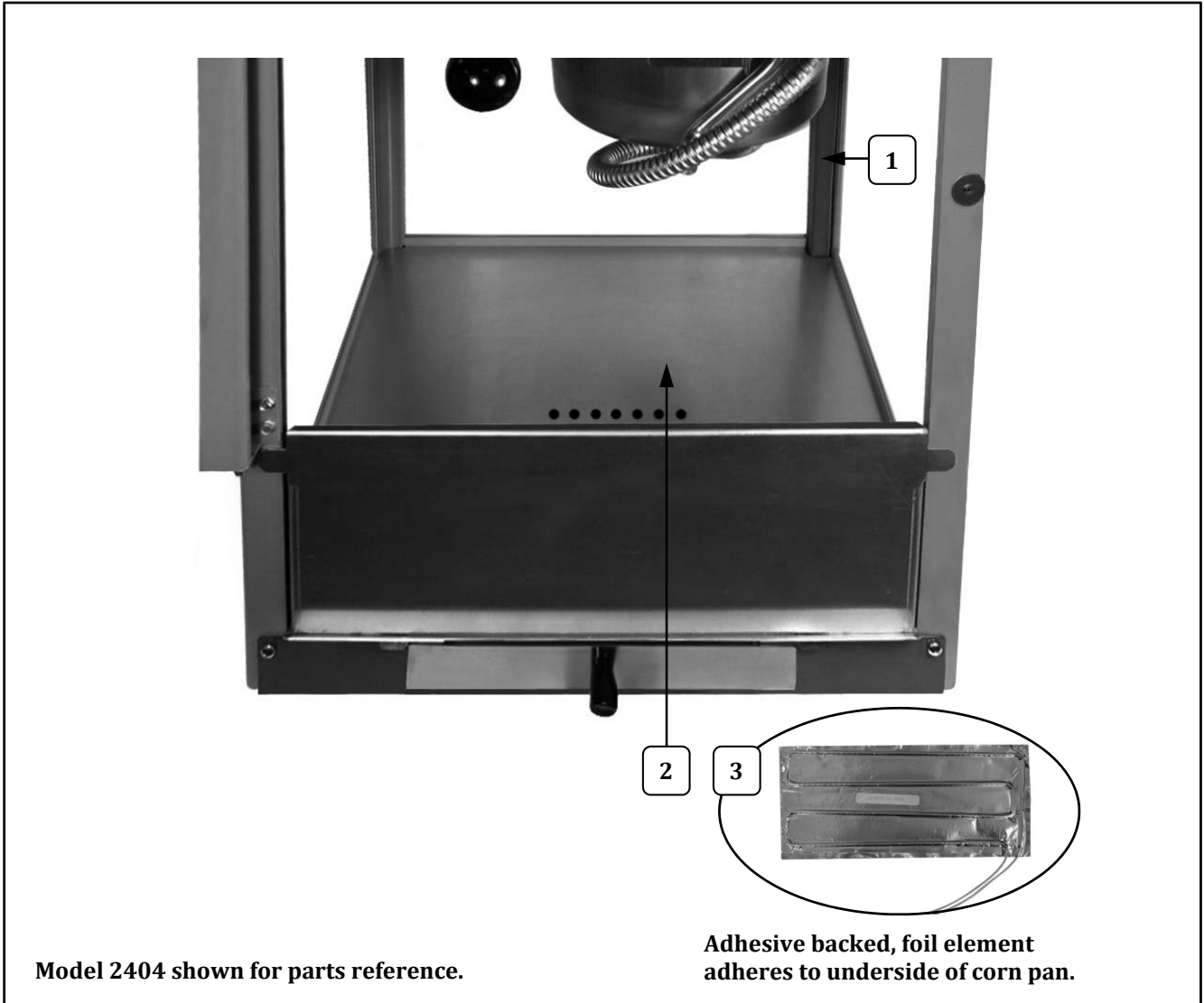
Cabinet Interior – Corn Pan/Element View



Item	Part Description	Part Number	
		2404, 2404MD	2404EX, 2404MDX
1	WIRE ROUTE COVER (runs the entire length of the corner post)	55077	55077
2	CORN PAN 4 OZ POPPER	55069	55069
3	20 WATT 120V FOIL HEATER	40557	
	20W FOIL HEATER, 230V		40557EX



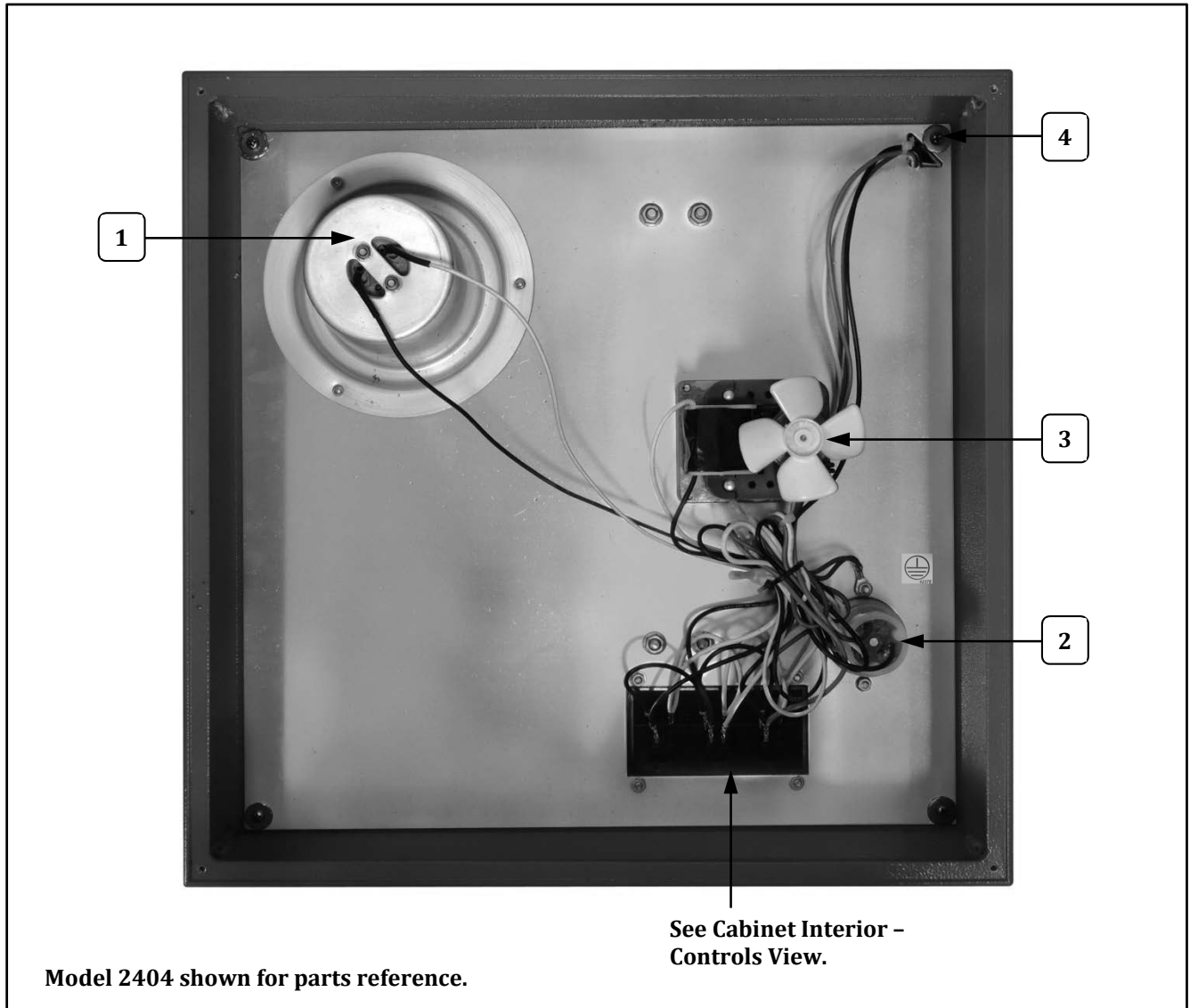
Cabinet Interior – Corn Pan/Element View



Item	Part Description	Part Number	
		2404, 2404MD	2404EX, 2404MDX
1	WIRE ROUTE COVER (runs the entire length of the corner post)	55077	55077
2	CORN PAN 4 OZ POPPER	55069	55069
3	20 WATT 120V FOIL HEATER	40557	
	20W FOIL HEATER, 230V		40557EX



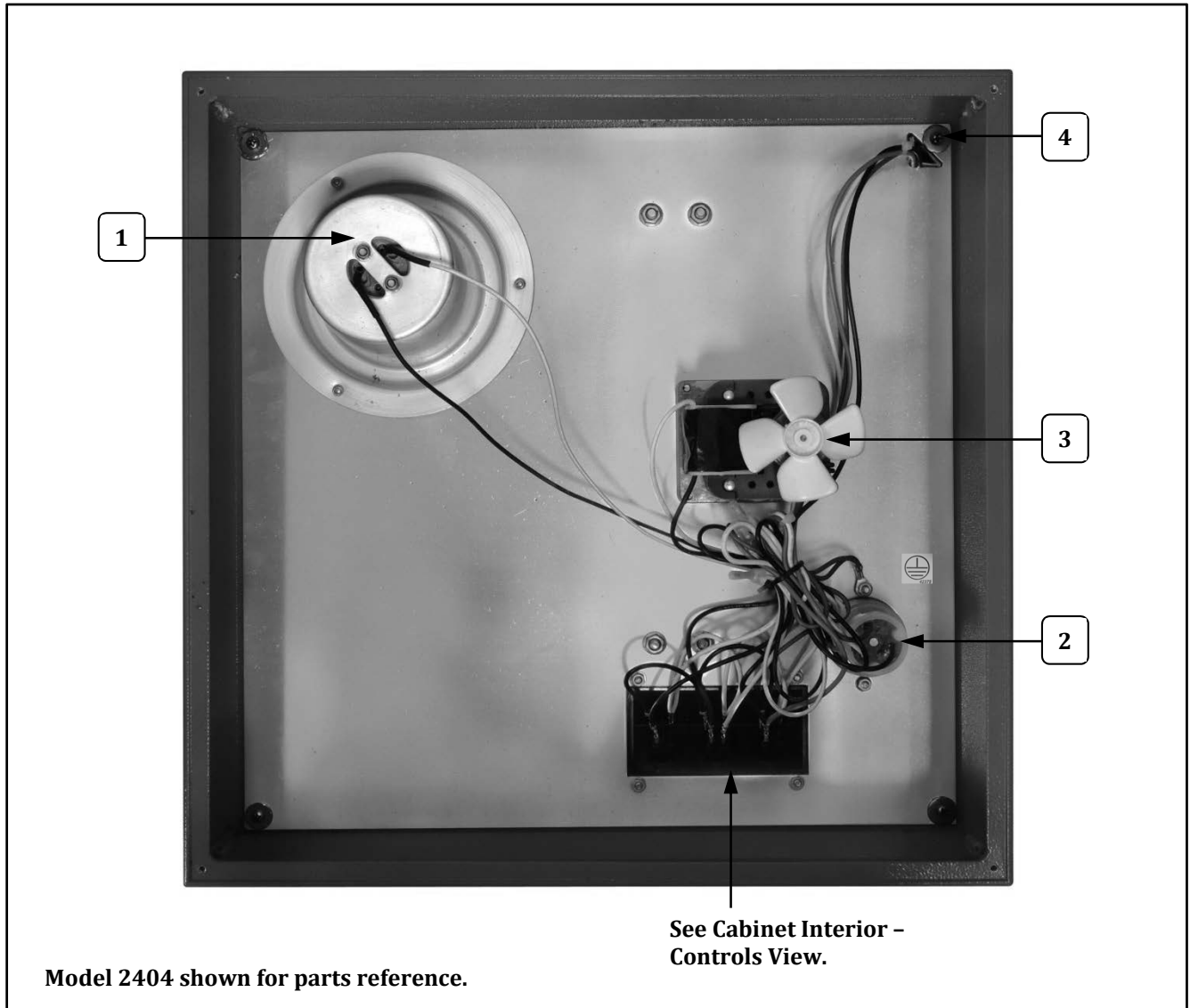
Dome Interior – Electrical Components



Item	Part Description	Part Number	
		2404, 2404MD	2404EX, 2404MDX
1	LITE CONE AND SOCKET ASSEMBLY	56070	56070
	L5-15R 15A RECEPTACLE	49330	
2	L6-15R 15A-250V RECEPTACLE (ref. Kettle Bottom Assy. for kettle plug configuration note)		49330EX
3	120V KETTLE DRIVE MOTOR	49045	
	230V KETTLE DRIVE MOTOR		49045EX
4	8-32 X 5/8 TYPE 23 HX HD	49052	49052



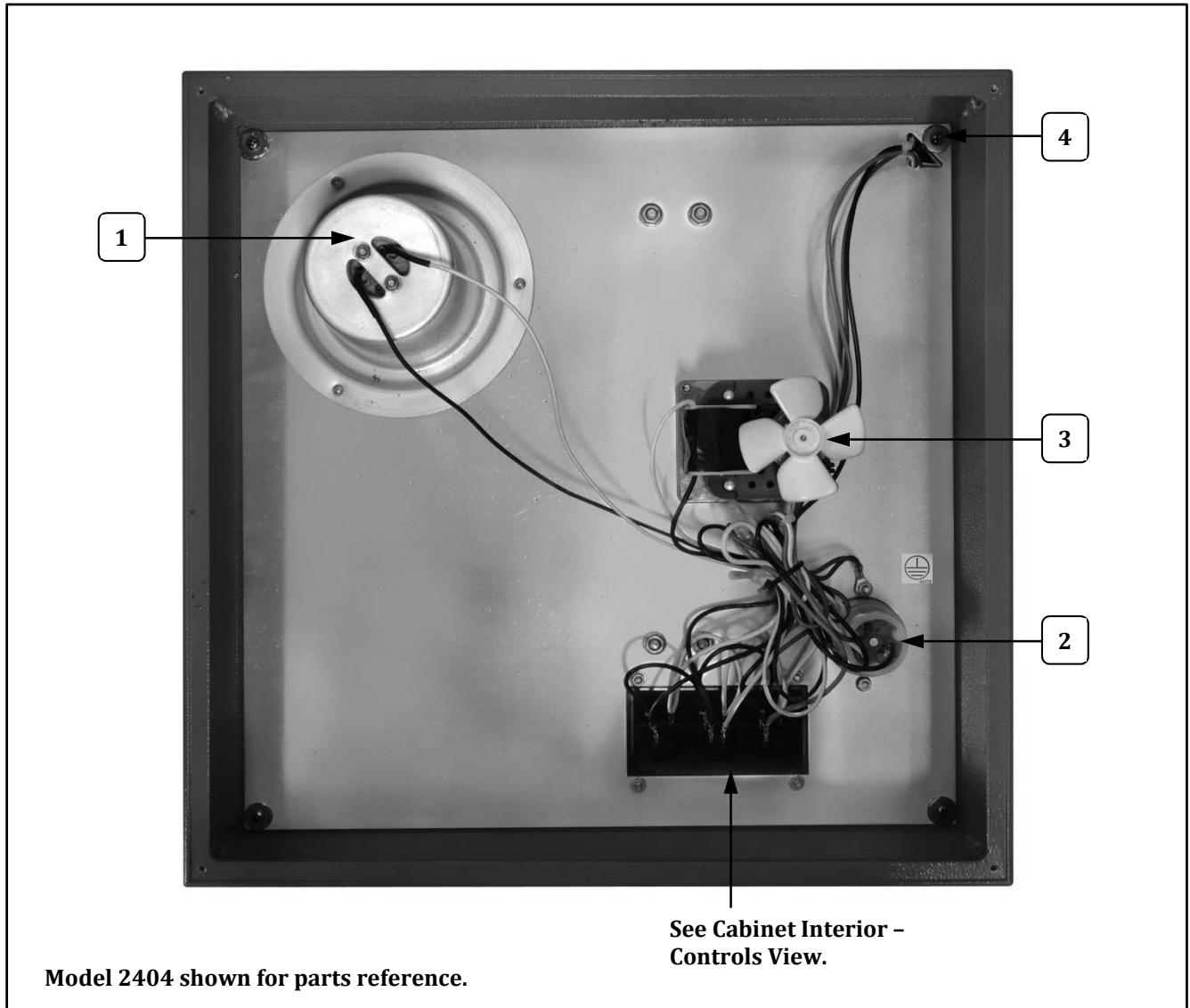
Dome Interior – Electrical Components



Item	Part Description	Part Number	
		2404, 2404MD	2404EX, 2404MDX
1	LITE CONE AND SOCKET ASSEMBLY	56070	56070
	L5-15R 15A RECEPTACLE	49330	
2	L6-15R 15A-250V RECEPTACLE (ref. Kettle Bottom Assy. for kettle plug configuration note)		49330EX
3	120V KETTLE DRIVE MOTOR	49045	
	230V KETTLE DRIVE MOTOR		49045EX
4	8-32 X 5/8 TYPE 23 HX HD	49052	49052



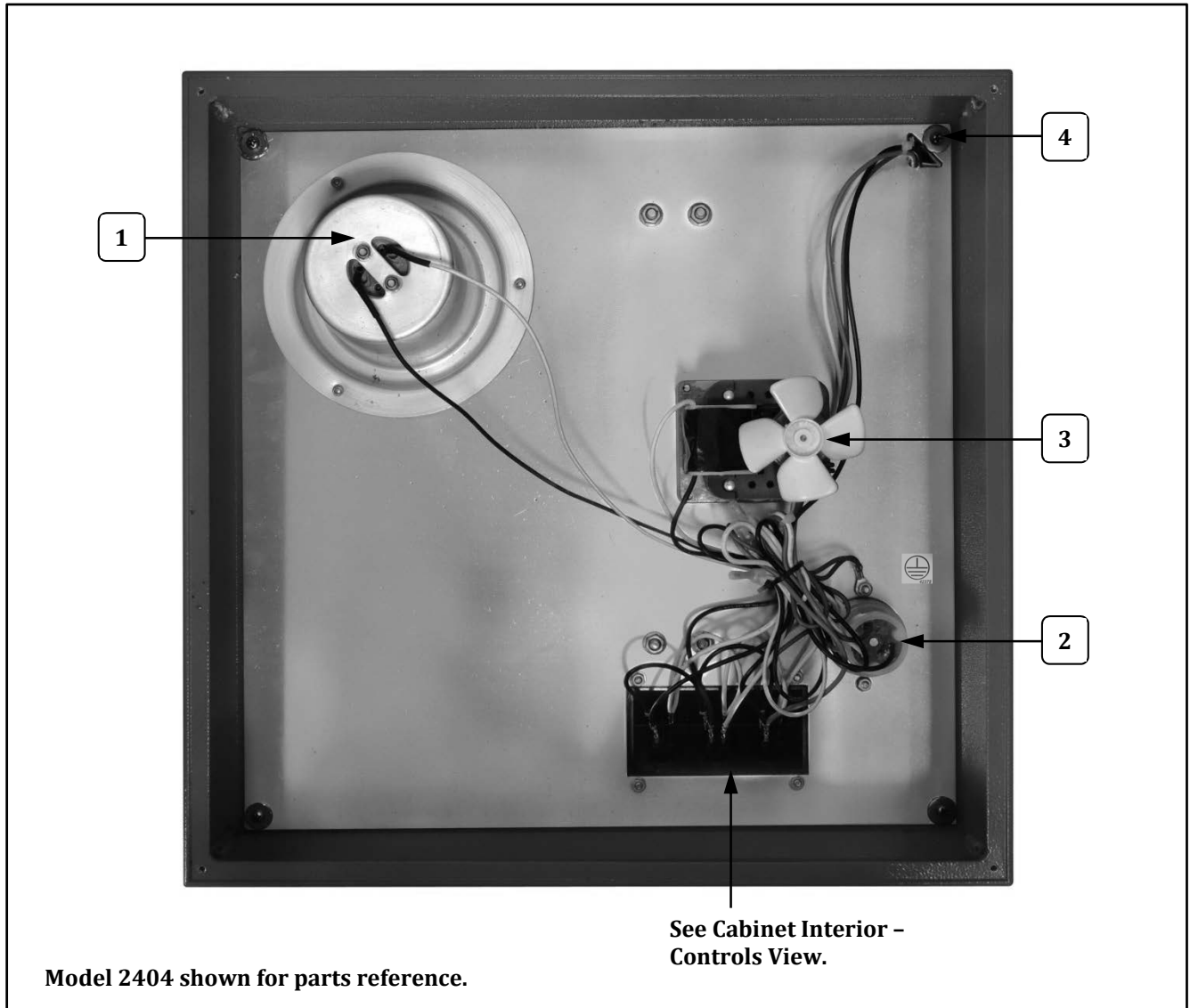
Dome Interior – Electrical Components



Item	Part Description	Part Number	
		2404, 2404MD	2404EX, 2404MDX
1	LITE CONE AND SOCKET ASSEMBLY	56070	56070
	L5-15R 15A RECEPTACLE	49330	
2	L6-15R 15A-250V RECEPTACLE (ref. Kettle Bottom Assy. for kettle plug configuration note)		49330EX
3	120V KETTLE DRIVE MOTOR	49045	
	230V KETTLE DRIVE MOTOR		49045EX
4	8-32 X 5/8 TYPE 23 HX HD	49052	49052



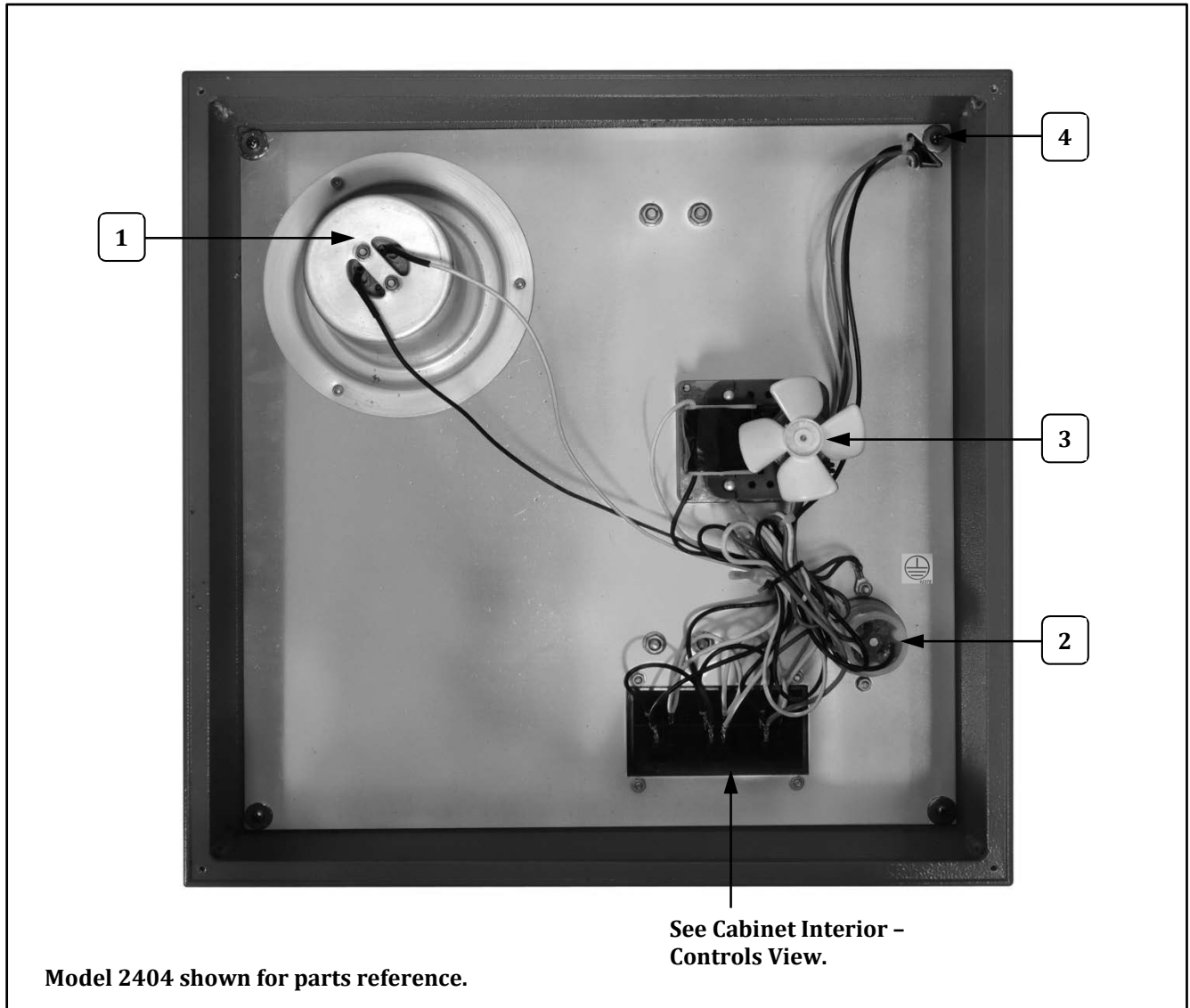
Dome Interior – Electrical Components



Item	Part Description	Part Number	
		2404, 2404MD	2404EX, 2404MDX
1	LITE CONE AND SOCKET ASSEMBLY	56070	56070
	L5-15R 15A RECEPTACLE	49330	
2	L6-15R 15A-250V RECEPTACLE (ref. Kettle Bottom Assy. for kettle plug configuration note)		49330EX
3	120V KETTLE DRIVE MOTOR	49045	
	230V KETTLE DRIVE MOTOR		49045EX
4	8-32 X 5/8 TYPE 23 HX HD	49052	49052



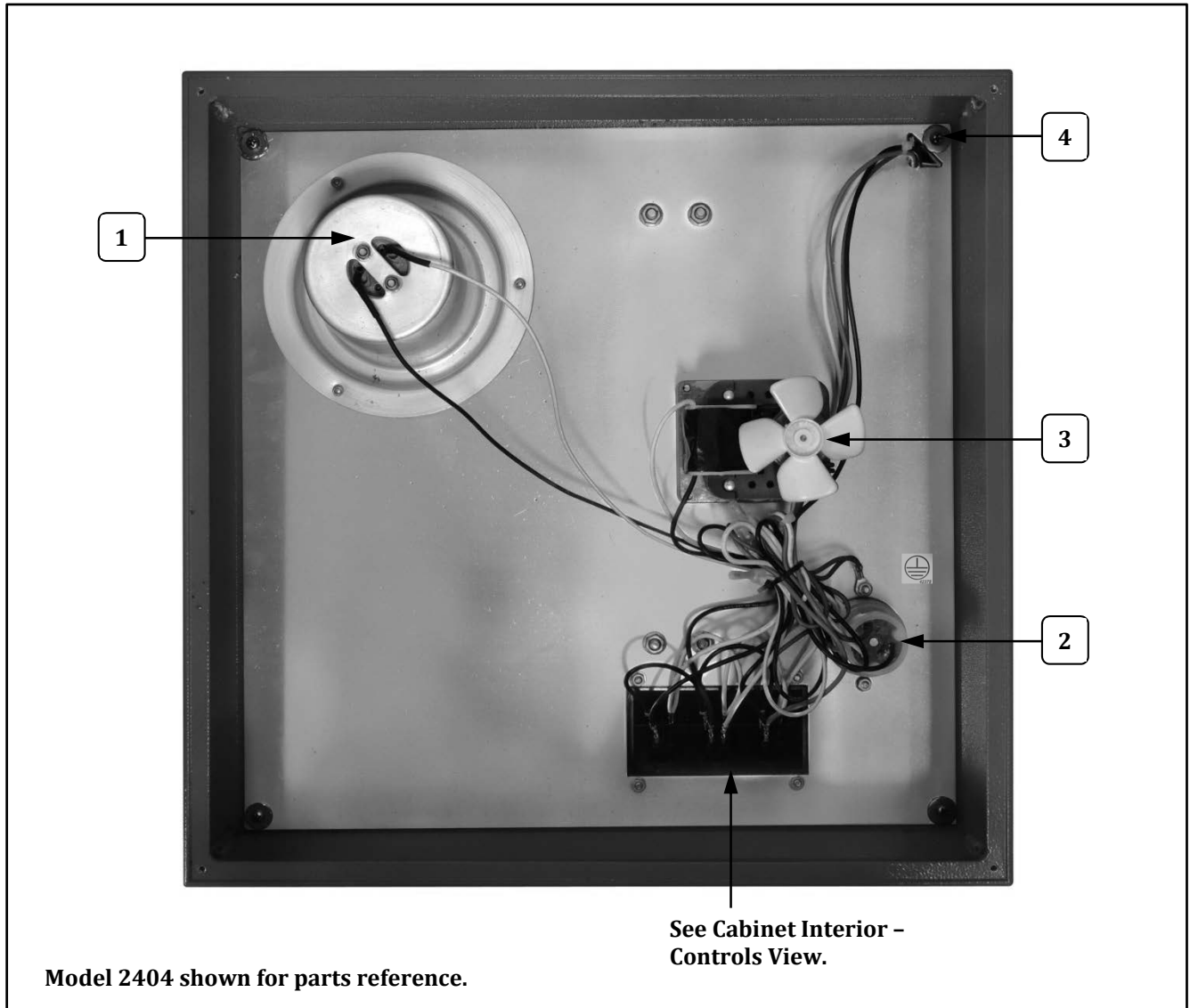
Dome Interior – Electrical Components



Item	Part Description	Part Number	
		2404, 2404MD	2404EX, 2404MDX
1	LITE CONE AND SOCKET ASSEMBLY	56070	56070
	L5-15R 15A RECEPTACLE	49330	
2	L6-15R 15A-250V RECEPTACLE (ref. Kettle Bottom Assy. for kettle plug configuration note)		49330EX
3	120V KETTLE DRIVE MOTOR	49045	
	230V KETTLE DRIVE MOTOR		49045EX
4	8-32 X 5/8 TYPE 23 HX HD	49052	49052



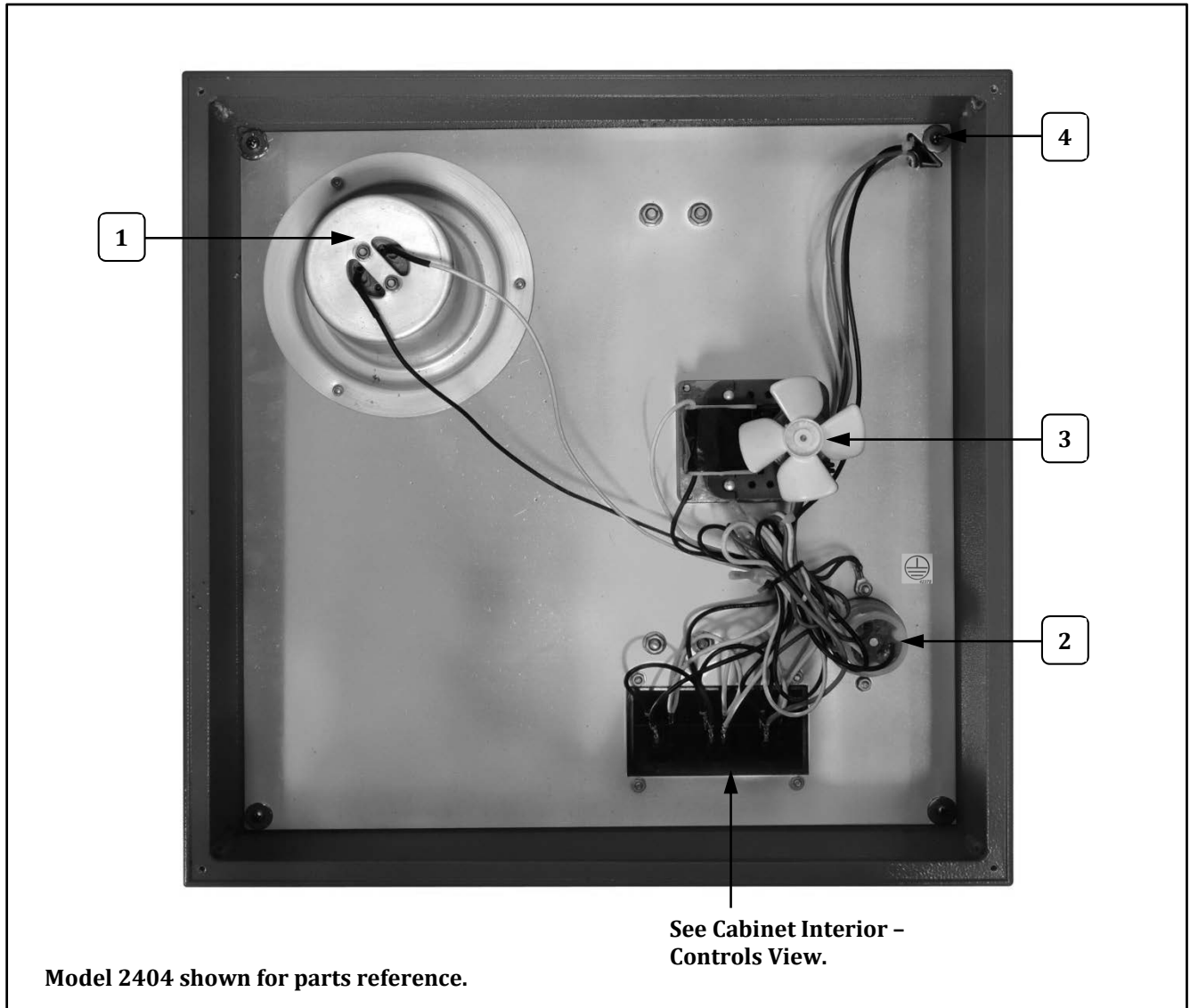
Dome Interior – Electrical Components



Item	Part Description	Part Number	
		2404, 2404MD	2404EX, 2404MDX
1	LITE CONE AND SOCKET ASSEMBLY	56070	56070
	L5-15R 15A RECEPTACLE	49330	
2	L6-15R 15A-250V RECEPTACLE (ref. Kettle Bottom Assy. for kettle plug configuration note)		49330EX
3	120V KETTLE DRIVE MOTOR	49045	
	230V KETTLE DRIVE MOTOR		49045EX
4	8-32 X 5/8 TYPE 23 HX HD	49052	49052



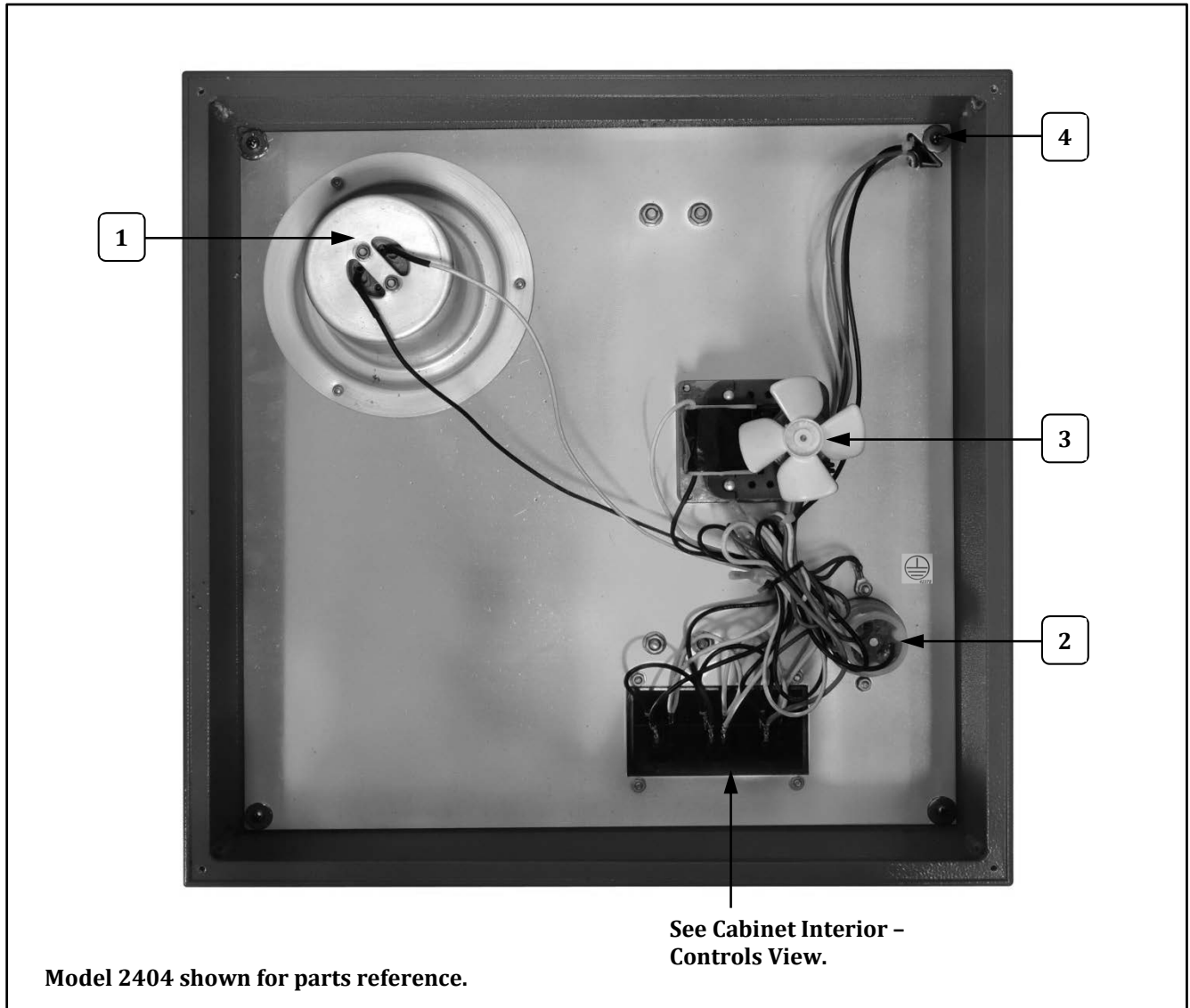
Dome Interior – Electrical Components



Item	Part Description	Part Number	
		2404, 2404MD	2404EX, 2404MDX
1	LITE CONE AND SOCKET ASSEMBLY	56070	56070
	L5-15R 15A RECEPTACLE	49330	
2	L6-15R 15A-250V RECEPTACLE (ref. Kettle Bottom Assy. for kettle plug configuration note)		49330EX
3	120V KETTLE DRIVE MOTOR	49045	
	230V KETTLE DRIVE MOTOR		49045EX
4	8-32 X 5/8 TYPE 23 HX HD	49052	49052



Dome Interior – Electrical Components



Item	Part Description	Part Number	
		2404, 2404MD	2404EX, 2404MDX
1	LITE CONE AND SOCKET ASSEMBLY	56070	56070
	L5-15R 15A RECEPTACLE	49330	
2	L6-15R 15A-250V RECEPTACLE (ref. Kettle Bottom Assy. for kettle plug configuration note)		49330EX
3	120V KETTLE DRIVE MOTOR	49045	
	230V KETTLE DRIVE MOTOR		49045EX
4	8-32 X 5/8 TYPE 23 HX HD	49052	49052



Safety Labels

Unit Labels

Power Cord Label

Kettle Lead-In Label

Item	Part Description	Part Number
		All Models
1	UNIVERSAL POPPER DECAL	41019
2	LABEL - MAX WATT COATED	44948
3	MAIN GROUND LABEL	42375
4	WARNING, SURFACE CONTACT	87087
5	CONDUIT WARNING LABEL	82840
6	WARNING LABEL CORD	68720

Accessories

1 2 3 4

Item	Part Description	Part Number
		All Models
1	SCOOP	2071NM
2	MEASURE 6.5CC	47678
3	OIL SCOOP 38 CC 2404	44446
4	4/6 OZ CORN MEAS CUP	44445



Safety Labels

Unit Labels

Power Cord Label

Kettle Lead-In Label

Item	Part Description	Part Number
		All Models
1	UNIVERSAL POPPER DECAL	41019
2	LABEL - MAX WATT COATED	44948
3	MAIN GROUND LABEL	42375
4	WARNING, SURFACE CONTACT	87087
5	CONDUIT WARNING LABEL	82840
6	WARNING LABEL CORD	68720

Accessories

1 2 3 4

Item	Part Description	Part Number
		All Models
1	SCOOP	2071NM
2	MEASURE 6.5CC	47678
3	OIL SCOOP 38 CC 2404	44446
4	4/6 OZ CORN MEAS CUP	44445



Safety Labels

Unit Labels

Power Cord Label

Kettle Lead-In Label

Item	Part Description	Part Number
		All Models
1	UNIVERSAL POPPER DECAL	41019
2	LABEL - MAX WATT COATED	44948
3	MAIN GROUND LABEL	42375
4	WARNING, SURFACE CONTACT	87087
5	CONDUIT WARNING LABEL	82840
6	WARNING LABEL CORD	68720

Accessories

1 2 3 4

Item	Part Description	Part Number
		All Models
1	SCOOP	2071NM
2	MEASURE 6.5CC	47678
3	OIL SCOOP 38 CC 2404	44446
4	4/6 OZ CORN MEAS CUP	44445



Safety Labels

Unit Labels

Power Cord Label

Kettle Lead-In Label

Item	Part Description	Part Number
		All Models
1	UNIVERSAL POPPER DECAL	41019
2	LABEL - MAX WATT COATED	44948
3	MAIN GROUND LABEL	42375
4	WARNING, SURFACE CONTACT	87087
5	CONDUIT WARNING LABEL	82840
6	WARNING LABEL CORD	68720

Accessories

1 2 3 4

Item	Part Description	Part Number
		All Models
1	SCOOP	2071NM
2	MEASURE 6.5CC	47678
3	OIL SCOOP 38 CC 2404	44446
4	4/6 OZ CORN MEAS CUP	44445



Safety Labels

Unit Labels

Power Cord Label

Kettle Lead-In Label

Item	Part Description	Part Number
		All Models
1	UNIVERSAL POPPER DECAL	41019
2	LABEL - MAX WATT COATED	44948
3	MAIN GROUND LABEL	42375
4	WARNING, SURFACE CONTACT	87087
5	CONDUIT WARNING LABEL	82840
6	WARNING LABEL CORD	68720

Accessories

1 2 3 4

Item	Part Description	Part Number
		All Models
1	SCOOP	2071NM
2	MEASURE 6.5CC	47678
3	OIL SCOOP 38 CC 2404	44446
4	4/6 OZ CORN MEAS CUP	44445



Safety Labels

Unit Labels

Power Cord Label

Kettle Lead-In Label

Item	Part Description	Part Number
		All Models
1	UNIVERSAL POPPER DECAL	41019
2	LABEL - MAX WATT COATED	44948
3	MAIN GROUND LABEL	42375
4	WARNING, SURFACE CONTACT	87087
5	CONDUIT WARNING LABEL	82840
6	WARNING LABEL CORD	68720

Accessories

1 2 3 4

Item	Part Description	Part Number
		All Models
1	SCOOP	2071NM
2	MEASURE 6.5CC	47678
3	OIL SCOOP 38 CC 2404	44446
4	4/6 OZ CORN MEAS CUP	44445



Safety Labels

Unit Labels

Power Cord Label

Kettle Lead-In Label

Item	Part Description	Part Number
		All Models
1	UNIVERSAL POPPER DECAL	41019
2	LABEL - MAX WATT COATED	44948
3	MAIN GROUND LABEL	42375
4	WARNING, SURFACE CONTACT	87087
5	CONDUIT WARNING LABEL	82840
6	WARNING LABEL CORD	68720

Accessories

1 2 3 4

Item	Part Description	Part Number
		All Models
1	SCOOP	2071NM
2	MEASURE 6.5CC	47678
3	OIL SCOOP 38 CC 2404	44446
4	4/6 OZ CORN MEAS CUP	44445