

# OPERATOR MANUAL

IMPORTANT INFORMATION, KEEP FOR OPERATOR

This manual provides information for:

## **MODELS AH/1E** *Domestic* **STEAM JACKETED KETTLE WITH STANDARD ELECTRONIC IGNITION**

- Self-Contained
- Gas Heated
- Floor Mounted
- Stationary



**THIS MANUAL MUST BE RETAINED FOR FUTURE REFERENCE. READ, UNDERSTAND AND FOLLOW THE INSTRUCTIONS AND WARNINGS CONTAINED IN THIS MANUAL.**

### **FOR YOUR SAFETY**

Do not store or use gasoline or other flammable vapors and liquids in the vicinity of this or any other appliance.

### **POST IN A PROMINENT LOCATION**

Instructions to be followed in the event user smells gas. This information shall be obtained by consulting your local gas supplier. As a minimum, turn off the gas and call your gas company and your authorized service agent. Evacuate all personnel from the area.

### **WARNING**

Improper installation, adjustment, alteration, service or maintenance can cause property damage, injury or death. Read the installation, operating and maintenance instructions thoroughly before installing or servicing this equipment.

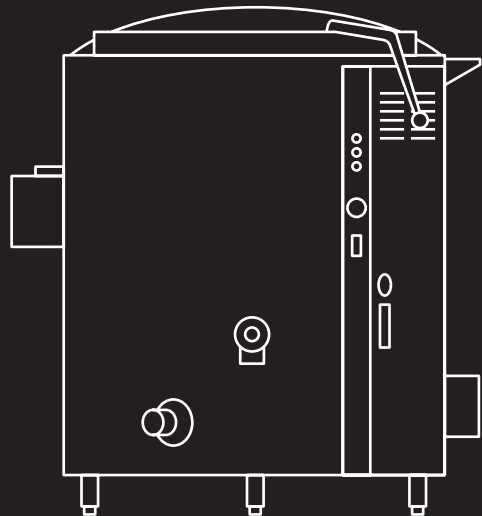
### **NOTIFY CARRIER OF DAMAGE AT ONCE**

It is the responsibility of the consignee to inspect the container upon receipt of same and to determine the possibility of any damage, including concealed damage. Unified Brands suggests that if you are suspicious of damage to make a notation on the delivery receipt. It will be the responsibility of the consignee to file a claim with the carrier. We recommend that you do so at once.

Manufacture Service/Questions 888-994-7636.

Information contained in this document is known to be current and accurate at the time of printing/creation. Unified Brands recommends referencing our product line websites, [unifiedbrands.net](http://unifiedbrands.net), for the most updated product information and specifications.

PART NUMBER 121051, REV. H (08/12)



1055 Mendell Davis Drive  
Jackson, MS 39272  
888-994-7636, fax 888-864-7636  
[unifiedbrands.net](http://unifiedbrands.net)

# IMPORTANT - READ FIRST - IMPORTANT

- WARNING:** IMPROPER INSTALLATION, ADJUSTMENT, ALTERATION, SERVICE OR MAINTENANCE CAN CAUSE PROPERTY DAMAGE, INJURY OR DEATH. READ THE INSTALLATION, OPERATING AND MAINTENANCE INSTRUCTIONS THOROUGHLY BEFORE INSTALLING OR SERVICING THIS EQUIPMENT.
- WARNING:** THE UNIT MUST BE INSTALLED BY PERSONNEL QUALIFIED TO WORK WITH GAS AND ELECTRICITY.
- WARNING:** UNIT MUST BE INSTALLED IN ACCORDANCE WITH ALL APPLICABLE CODES.
- CAUTION:** TO AVOID DAMAGING PARTS OF THE BURNER SYSTEM UNDERNEATH THE KETTLE, LIFT THE UNIT ONLY BY THE RING BENEATH THE OUTER PORTION OF THE BODY.
- WARNING:** DO NOT ATTACH THE UNIT TO A TYPE "B" VENT. IT COULD CAUSE FIRE OR PROPERTY DAMAGE.
- WARNING:** DO NOT CONNECT ANY PIPING TO THE SAFETY VALVE. IT MUST BE FREE TO VENT STEAM AS NEEDED. TO AVOID BURNS FROM THE VENTED STEAM THE VALVE DISCHARGE SHOULD POINT DOWN. IMPROPER INSTALLATION WILL VOID WARRANTY.
- WARNING:** FAILURE TO PERIODICALLY CHECK SAFETY VALVE OPERATION COULD RESULT IN PERSONAL INJURY AND/OR DAMAGE TO EQUIPMENT.
- WARNING:** WHEN TESTING, AVOID EXPOSURE TO THE STEAM BLOWING OUT OF THE SAFETY VALVE. DIRECT CONTACT COULD RESULT IN SEVERE BURNS.
- DANGER:** ELECTRICALLY GROUND THE UNIT AT THE TERMINAL PROVIDED. FAILURE TO GROUND THE UNIT COULD RESULT IN ELECTROCUTION AND DEATH.
- CAUTION:** BE SURE ALL OPERATORS READ, UNDERSTAND AND FOLLOW THE OPERATING INSTRUCTIONS, CAUTIONS AND SAFETY INSTRUCTIONS CONTAINED IN THIS MANUAL.
- CAUTION:** DO NOT OVER FILL THE KETTLE WHEN COOKING, HOLDING OR CLEANING. KEEP LIQUIDS A MINIMUM OF 2-3" (5-8 CM) BELOW THE KETTLE BODY RIM TO ALLOW CLEARANCE FOR STIRRING, BOILING AND SAFE PRODUCT TRANSFER.
- CAUTION:** KEEP FLOORS IN FRONT OF KETTLE WORK AREA CLEAN AND DRY. IF SPILLS OCCUR, CLEAN IMMEDIATELY TO AVOID SLIPS OR FALLS.
- WARNING:** KEEP WATER AND SOLUTIONS OUT OF CONTROLS AND BURNERS. NEVER SPRAY OR HOSE DOWN THE CONTROL CONSOLE, ELECTRICAL CONNECTIONS, ETC.
- CAUTION:** MOST CLEANERS ARE HARMFUL TO THE SKIN, EYES, MUCOUS MEMBRANES AND CLOTHING. TAKE PRECAUTIONS: WEAR RUBBER GLOVES, GOGGLES OR FACE SHIELD AND PROTECTIVE CLOTHING. CAREFULLY READ WARNINGS AND FOLLOW DIRECTIONS ON CLEANER LABELS.
- NOTICE:** NEVER LEAVE A SANITIZER IN CONTACT WITH STAINLESS STEEL SURFACES LONGER THAN 10 MINUTES. LONGER CONTACT CAN CAUSE CORROSION AND PITTING.
- WARNING:** TO AVOID INJURY, READ AND FOLLOW ALL PRECAUTIONS STATED ON THE LABEL OF THE WATER TREATMENT COMPOUND.
- WARNING:** BEFORE REPLACING ANY PARTS, DISCONNECT THE UNIT FROM THE ELECTRIC POWER SUPPLY AND CLOSE THE MAIN GAS VALVE. ALLOW FIVE MINUTES FOR GAS TO VENT.
- CAUTION:** USE OF ANY REPLACEMENT PARTS OTHER THAN THOSE SUPPLIED BY AUTHORIZED DISTRIBUTORS CAN CAUSE OPERATOR INJURY AND DAMAGE TO THE EQUIPMENT, AND WILL VOID ALL WARRANTIES.

# IMPORTANT - READ FIRST - IMPORTANT

**WARNING:** KEEP AREA AROUND KETTLE FREE AND CLEAR OF ALL COMBUSTIBLE MATERIALS. FAILURE TO DO SO COULD RESULT IN FIRE OR PROPERTY DAMAGE.

**CAUTION:** HEATING AN EMPTY KETTLE MAY CAUSE THE RELEASE OF STEAM FROM THE SAFETY VALVE.

**CAUTION:** UNIT WEIGHS 470 TO 1120 LB (212 TO 509 KG). FOR SAFE HANDLING, INSTALLER SHOULD OBTAIN HELP AS NEEDED, OR EMPLOY APPROPRIATE MATERIALS HANDLING EQUIPMENT (SUCH AS A FORKLIFT, DOLLY, OR PALLET JACK) TO REMOVE THE UNIT FROM THE SKID AND MOVE IT TO THE PLACE OF INSTALLATION.

**WARNING:** THIS UNIT IS DESIGNED FOR COMMERCIAL USE. NEVER USE HOME OR RESIDENTIAL GRADE GAS CONNECTIONS. THEY DO NOT MEET COMMERCIAL GAS CODES AND COULD BE HAZARDOUS.

**IMPORTANT:** SERVICE PERFORMED BY OTHER THAN FACTORY AUTHORIZED PERSONNEL WILL VOID WARRANTIES.

# Table of Contents

Important Operator Warnings .....	page 2-3
References .....	page 4
Equipment Description .....	page 5-6
Inspection and Unpacking .....	page 7
Installation .....	page 8-9
Initial Start-Up .....	page 10
Operation .....	page 11-12
Sequence of Operation .....	page 13
Cleaning .....	page 14-15
Maintenance .....	page 16-17
Troubleshooting .....	page 18-19
Parts List .....	page 20-26
Electrical Schematic .....	page 27
Service Log .....	page 28

## References

CSA AMERICA INC  
8501 East Pleasant Valley Road  
Cleveland, Ohio 44131

ANSI Z83.11

NSF INTERNATIONAL  
798 N. Dixboro Rd.  
P.O. Box 130140  
Ann Arbor, Michigan 48113-0140

NSF/ANSI 4

NATIONAL FIRE PROTECTION ASSOCIATION  
60 Battery March Park  
Quincy, Massachusetts 02269

NFPA/70 The National Electrical Code  
NFPA/54 Installation Gas Appliances & Piping

AMERICAN NATIONAL STANDARDS INST., INC  
1430 Broadway  
New York, New York 10018

Z223.1-1984 National Fuel Gas Code  
Z21.30 Installation of Gas Appliances & Piping

# Equipment Description

AH/1 steam kettles are stainless steel, floor mounted kettles with a self-contained steam source heated by gas. A closed steam jacket covers the lower portion of the kettle. Heat from the gas burner boils water in the jacket to produce steam under pressure. To ignite the burners, the kettle uses electronic spark ignition.

The kettles are stationary (non-tilting). Liquids can be removed through the tangent draw-off valve.

Exposed surfaces are stainless steel. Insulated sheathing protects the kettle body, and a housing encloses the controls. Three tubular legs support the unit. Bullet feet adjust to level the kettle.

A one piece dome cover is hinged to the kettle on the 20-gallon model. Covers for 40, 60, 80, and 100-gallon kettles are supplied with counterbalancing spring actuators to hold the covers in the fully open or closed position.

Controls provided include the ON/OFF switch, to control electric power for the unit, and the thermostat, to set the cooking temperature. The automatic controls and a brief description of each are as follows.

1. Gas pressure regulator: Protects the unit from high pressure in the gas supply line.
2. Automatic gas valves: Allow gas into the burners as needed.
3. Pressure limit switch: Turns off the burner when jacket pressure reaches 27 PSI. Lights the burner when pressure drops to 22 PSI.
4. Safety valve: Lets steam out of the jacket if the steam pressure exceeds 30 PSI.
5. Low-water cutoff: Turns off the burner if the water level in the jacket gets too low for safe operation.

Instruments also are provided to show what is happening inside the unit. These are:

1. Water level sight glass: Indicates whether there is enough water in the steam jacket.
2. Pressure/vacuum gauge: Shows steam pressure, and whether too much air has entered the jacket.
3. Heating indicator light: Indicates that the kettle is being heated.
4. Power on indicator light: Glows when the unit is turned on.
5. Low water indicator light: Lights to show that jacket water needs to be replenished.

# Equipment Description

The kettle body is welded into one piece and has a rim reinforced by a rectangular bar. The interior and exterior of the kettle is polished to a 180 emery grit finish. The unit is ASME shop inspected and registered with the National Board for working pressures up to 30 PSI.

The standard 2 inch tangent draw-off is a 316 stainless steel, compression disc valve. A removable strainer with 1/4 inch holes keeps pieces of product from entering the draw-off during cooking.

The jacket is filled at the factory with water containing rust inhibitors. The kettle can operate at steam pressures up to 30 PSI, which provide temperatures of 150°F (65°C) to approximately 270°F (135°C). This range allows warming, simmering, boiling, or braising.

For the kettles, options include:

1. Larger (3 inch) draw-off
2. Solid disc strainer or strainer with 1/8 inch perforations
3. Water fill faucets
4. Basket inserts
5. Kettle brush kit
6. Gallon etch marks
7. Flanged feet

Model	Kettle Capacity	Jacket Capacity	Kettle Inside Diameter	Kettle Depth	Overall Width	Front-to-Back	Rim Height
AH/1E-20	20 Gallon (75 liter)	4-1/2 Gallon (17 liter)	20 inches (508 mm)	18 inches (457 mm)	36-3/4 inches (934 mm)	39 inches (991 mm)	40 inches (1016 mm)
AH/1E-40	40 Gallon (150 liter)	7 Gallon (26.5 liter)	26 inches (660 mm)	22 inches (559 mm)	38-1/4 inches (972 mm)	45 inches (1143 mm)	42 inches (1067 mm)
AH/1E-60	60 Gallon (225 liter)	9-1.2 Gallon (36 liter)	30 inches (762 mm)	25 inches (635 mm)	41 inches (1041 mm)	49 inches (1245 mm)	49 inches (1245 mm)
AH/1E-80	80 Gallon (300 liter)	11-1/2 Gallon (43.5 liter)	32 inches (813 mm)	29 inches (737 mm)	42-1/2 inches (1080 mm)	51 inches (1295 mm)	55-1/2 inches (1410 mm)
AH/1E-100	100 Gallon (375 liter)	11-1/2 Gallon (43.5 liter)	32 inches (813 mm)	35 inches (889 mm)	42-1/2 inches (1080 mm)	51 inches (1295 mm)	61-1/2 inches (1562 mm)

Model	Ignition	FIRING RATE, BTU/HOUR	
		Natural Gas	Propane Gas
AH/1E-20	Spark	85,000	85,000
AH/1E-40	Spark	100,000	85,000
AH/1E-60	Spark	145,000	145,000
AH/1E-80	Spark	145,000	145,000
AH/1E-100	Spark	145,000	145,000

# Inspection & Unpacking

## WARNING

**INSTALLATION OF THE KETTLE MUST BE DONE BY A CERTIFIED ELECTRICIAN OR AUTHORIZED REPRESENTATIVE QUALIFIED TO WORK WITH ELECTRICITY. IMPROPER INSTALLATION CAN RESULT IN INJURY TO PERSONNEL AND/OR DAMAGE TO EQUIPMENT.**

## CAUTION

**SHIPPING STRAPS ARE UNDER TENSION AND CAN SNAP BACK WHEN CUT. TAKE CARE TO AVOID PERSONAL INJURY OR DAMAGE TO THE UNIT BY STAPLES LEFT IN THE WALLS OF THE CARTON.**

## CAUTION

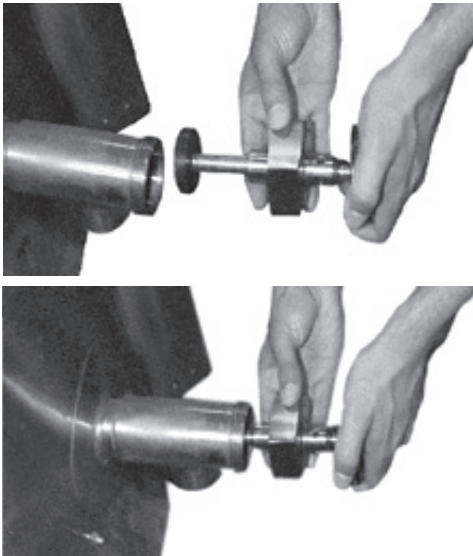
**UNIT WEIGHS FROM 468 LBS (212 KG) TO 1120 LBS (508 KG). FOR SAFE HANDLING, INSTALLER SHOULD OBTAIN HELP AS NEEDED AND USE MATERIAL HANDLING EQUIPMENT TO REMOVE THE UNIT FROM THE SKID AND MOVE IT TO ITS PLACE OF INSTALLATION.**

The unit arrives completely assembled, except for the TDO valve and flue gas converter, which are usually packed separately and shipped inside the kettle.. The unit is strapped on a skid in a heavy box. Inspect the box carefully for damage. Open the container and check the unit for hidden damage. Report shipping damage or shipment errors to the delivery agent.

Write down the model number, serial number, and installation date for your unit at the top of the Maintenance and Service Log at the back of this manual. Keep the manual with the unit.

To remove the kettle from the box, cut any straps from around the box. Detach the box sides from the skid. Pull the box up off the unit, taking care to avoid damage or injury from any staples left in the box walls. When installation is to begin, cut the straps holding the kettle to the skid, and lift the kettle straight up off the skid. Examine the packing materials to make sure no loose parts are discarded with the materials.

Once the kettle is unpacked, the tangent draw-off valve is easily attached, as shown below. The large nut which attaches the valve to the kettle should be hand tightened only.



Assemble and attach the tangent draw-off valve after the kettle is unpacked.

# Installation

## WARNING

**THIS PRODUCT MUST BE INSTALLED BY A LICENSED PLUMBER OR GAS FITTER WHEN INSTALLED WITHIN THE COMMON WEALTH OF MASSACHUSETTS. IMPROPER INSTALLATION CAN CAUSE INJURY TO PERSONNEL AND/OR DAMAGE TO THE EQUIPMENT. THIS UNIT IS FOR COMMERCIAL USE. NEVER USE HOME OR RESIDENTIAL GRADE GAS CONNECTIONS. THEY DO NOT MEET GAS CODES AND COULD BE HAZARDOUS.**

## NOTICE

**TO AVOID DAMAGING PARTS OF THE BURNER SYSTEM UNDERNEATH THE KETTLE, LIFT THE UNIT ONLY BY THE RING BENEATH THE OUTER PORTION OF THE BODY.**

## CAUTION

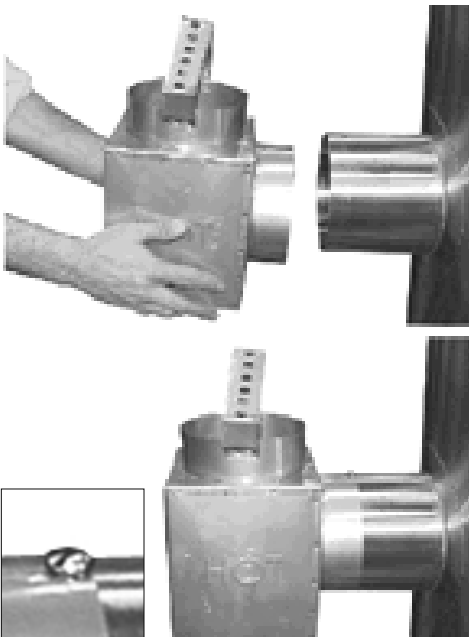
**DO NOT CONNECT ANY PIPING TO THE PRESSURE RELIEF SAFETY VALVE. IT MUST BE FREE TO VENT STEAM AS NEEDED. ELBOW SHOULD POINT DOWN TOWARD FLOOR. IMPROPER INSTALLATION WILL VOID WARRANTY!**

## DANGER

**ELECTRICALLY GROUND THE UNIT AT THE TERMINAL PROVIDED. FAILURE TO GROUND UNIT COULD RESULT IN ELECTROCUTION AND DEATH.**

The unit should be installed in a ventilated room for efficient performance. Items which may obstruct or restrict the flow of air for combustion and ventilation must be removed. The area directly around the appliance must be cleared of all combustible materials.

1. Installation requires connection with gas and electrical services. See items 8 to 14 for details.
2. To protect the unit from damage, leave it on the shipping pallet until the time of installation. When installation is to begin, cut the straps holding the kettle, and hoist the kettle straight up off the skid.
3. Install the unit with a minimum clearance to combustible and non-combustible construction of six inches at the sides and six inches between the draft diverter and the wall. Also leave enough room for cleaning, maintenance, and service.
4. The draft diverter shipped with the kettle is the correct height and shape to give maximum performance. Install the draft diverter as shown on the figures at left. Securely fasten the screw to attach draft directly. Do not change the diverter in any way. Install the unit under a ventilation hood, or vent the flue directly to a masonry chimney. Put a hood at least several inches above the upper end of the draft diverter. Do not rest hood supports on the diverter. Installation of a ventilating hood should comply with local codes and/or ANSI/NFPA-96 Latest Edition. Also, local codes may require that the kettle be electrically interlocked to shut off the gas supply and prevent the operation of the unit if the exhaust fan is not operating or if the fire suppression system is activated. Failure to follow these instructions can cause bodily injury and/or property damage.
5. To level the unit, adjust leg length by turning the bullet feet.
6. Make sure the water level is correct in the jacket, by confirming that the level is between the marks on the gauge glass. If the water level is low, follow the instructions under "Jacket Filling" in the "Maintenance" Section of this manual.
7. To protect personnel from steam coming out of the safety valve, the open end of the elbow at the outlet must be directed down. If it is not, turn the elbow to the correct position.
8. Provide 115 VAC, 60 HZ, 1 PH, 15 AMP electrical service for standard unit. Unit may be equipped for alternate electrical service of 208 VAC or 240 VAC, as ordered. Use 1/2 inch waterproof conduit and waterproof connections. Observe local codes and/or The National Electrical Code in accordance with ANSI/NFPA 70 - latest edition. AN ELECTRICAL GROUND IS REQUIRED. The electrical schematic is located on the inside of the service panel.  
  
In Canada, provide electrical service in accordance with the Canadian Electrical Code, CSA C22.1 Part 1 and/or local codes.
9. The internal gas lines of the unit were cleaned and closed off with a gas cock before the unit was shipped from the factory. Free all external gas lines of lint, dirt, metal chips, sealant, grease, oil, and other contaminants, before you connect the lines to the kettle.
10. Connect the gas cock of the kettle to the gas service main with 3/4 inch IPS line or approved equivalent.





# Installation

11. Installation must conform with local codes, or in the absence of local codes, with the National Fuel Gas Code, ANSI Z 223.1-1988 (or latest edition). The unit should be installed in an adequately ventilated room with a provision for adequate air supply. The best ventilation will utilize a vent hood and exhaust fan with no direct connection between the vent duct and the flue. Do NOT obstruct the flue or vent duct after installation.

In Canada, the installation must conform to the CAN/CGA B149 Installation Codes for Gas Burning Appliances and Equipment and/or local codes.

12. Adequate space for proper service and operation is required. No NOT block any air intake spacings to the combustion chamber or obstruct the air flow by piling or stacking anything near the kettle.
13. After the kettle has been connected to the gas supply, all gas line joints must be checked for leaks. DO NOT USE A FLAME TO CHECK FOR LEAKS. A thick soap solution or other suitable leak detector should be employed.
14. For a unit on casters, complete connection to the gas supply with connectors that comply with the standard for connectors for moveable gas appliances, ANSI Z21.69 - latest edition. Restrain movement of the unit by attaching a cable or chain to the eyelet (provided at the back of the frame) and anchoring the cable or chain to the wall or floor. Make the length and location of the cable such that the unit cannot pull on the gas connection while the cable is connected.
15. The appliance and its individual shutoff valve must be disconnected from the gas supply piping system during any pressure testing of that system at test pressures in excess of 1/2 PSIG (3.48 kPa). The appliance must be isolated from the gas supply piping system by closing its individual manual shutoff valve during any pressure testing of the gas supply piping system at test pressures equal to or less than 1/2 PSIG (3.48 kPa).
16. Check the following points to confirm that your kettle has been installed properly. Any mechanical, electrical, or gas type change must be approved by the Food Service Engineering Department.
  - a. Enough room between the kettle and nearby objects for cleaning and service.
  - b. Minimum clearance of 6 inches from sides and 6 inches from draft diverter.
  - c. Unit vented to a hood or chimney (not attached to a vent).
  - d. Kettle level.
  - e. Correct amount of water in the jacket.
  - f. Pressure relief safety valve outlet pointed down.
  - g. Connected with a waterproof, 115 volt, 15 AMP supply of electric power in accordance with electrical codes.
  - h. Gas lines cleaned before connection.
  - i. Gas connected with 3/4 inch pipe or equivalent.
  - j. Gas line joints checked for leaks.
  - k. No obstruction to air supply or venting.

# Initial Start-Up

**IMPORTANT**  
BE SURE ALL OPERATORS READ,  
UNDERSTAND AND FOLLOW THE  
OPERATING INSTRUCTIONS, CAUTIONS  
AND SAFETY INSTRUCTIONS CONTAINED  
IN THIS MANUAL.

**WARNING**  
AVOID ALL DIRECT CONTACT WITH HOT  
SURFACES. DIRECT SKIN CONTACT COULD  
RESULT IN SEVERE BURNS.

AVOID ALL DIRECT CONTACT WITH HOT  
FOOD OR WATER IN THE KETTLE. DIRECT  
CONTACT COULD RESULT IN SEVERE BURNS.



After kettle has been installed, the installer should test to ensure that it is operating correctly.

1. Remove all literature and packing materials from inside and outside of the unit.
2. Install the TDO valve.
3. Put a small amount of water into the kettle.
4. Verify that kettle water level is normal and that kettle is holding vacuum in jacket. Correct if not.
5. Make sure the supplies of gas and electric power are on.
6. Follow the “Start Kettle Heating” instructions in the Operation section of this manual. Begin heating the water at the highest thermostat setting. The indicator light should come on and heating should continue until the water boils.
7. To turn off the unit, follow “To Stop Kettle Heating” in the Operation section.

If the kettle functions as described, it is ready for use. If the unit does not operate as designed, contact authorized Service Agent.

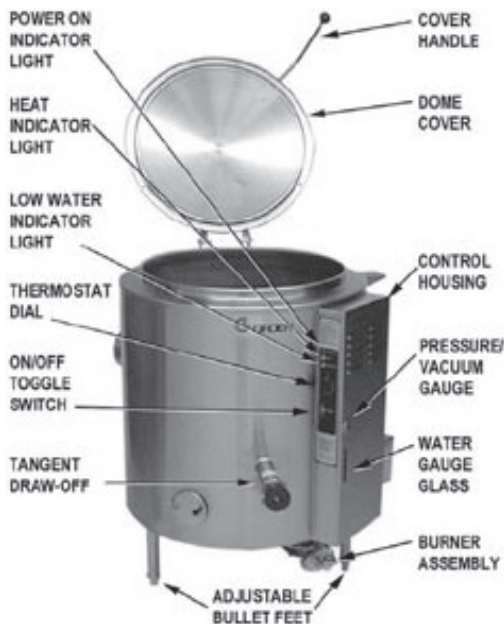
# Operation

**WARNING**  
ANY POTENTIAL USER OF THE EQUIPMENT  
MUST BE TRAINED IN SAFE AND CORRECT  
OPERATING PROCEDURES.

**WARNING**  
KEEP AREA AROUND KETTLE FREE AND  
CLEAR OF ALL COMBUSTIBLE MATERIALS.  
DO NOT ATTEMPT TO LIGHT ANY  
BURNER WITH A FLAME.

**CAUTION**  
HEATING AN EMPTY KETTLE MAY  
CAUSE THE RELEASE OF STEAM FROM  
THE SAFETY VALVE.

**WARNING**  
AVOID ALL DIRECT CONTACT WITH  
HOT FOOD OR WATER IN THE KETTLE.  
DIRECT CONTACT COULD RESULT IN  
SEVERE BURNS. TAKE CARE TO AVOID  
CONTACT WITH HOT KETTLE BODY OR HOT  
PRODUCT. WHEN ADDING INGREDIENTS,  
STIRRING OR TRANSFERRING PRODUCT  
TO ANOTHER CONTAINER.



Hinged cover for smaller models shown.

## A. Controls

1. Manual gas valve which controls the supply of gas from the main line to the unit.
2. On-Off (toggle) switch. This switch turns the control circuit power supply on or off.
3. Thermostat dial, which turns the thermostat on or off, and sets the kettle operating temperature.
4. Indicator Lights to alert operator of unit conditions:
  - a. Power On Indicator - shows that the unit is turned on
  - b. Heat Indicator - indicates that main gas is on to produce steam in the kettle jacket.
  - c. Low Water indicator - shows that jacket water is low
  - d. Unit gas pressure regulator adjustment - located behind the access door in the kettle skirt.

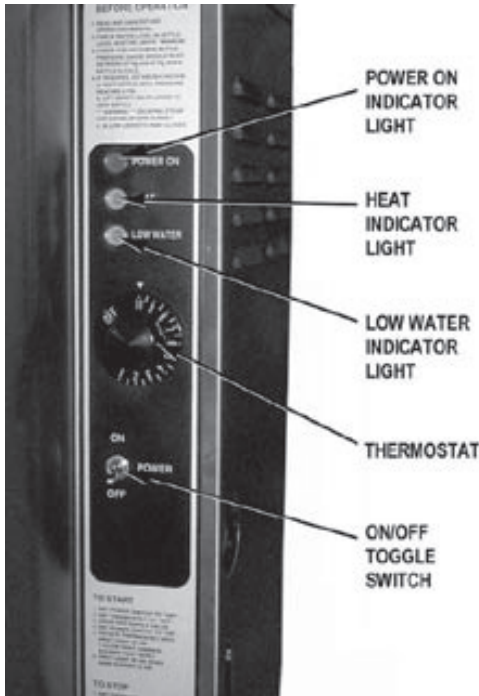
## B. Operating Instructions

1. To Start Kettle
  - a. CHECK THE WATER LEVEL IN THE JACKET EVERY DAY. The level should be at the middle of the sight glass. If the level is low, see Jacket Filling in the Maintenance section of this manual
  - b. Check the pressure/vacuum gauge. If the gauge does not show 20 to 30 inches of vacuum (i.e. a reading of 20 to 30 below zero), see Jacket Vacuum in the Maintenance section of this manual.
  - c. DO NOT attempt to light any burner with a flame.
  - d. Open main supply gas valve (handle in line with the pipe).
  - e. Turn the toggle switch to ON. For 90 seconds, or until it succeeds, the electronic ignition control will attempt to light the pilot.
  - f. Once the pilot is lit, turn the thermostat to the desired setting.
  - g. If the pilot does not light, turn it off and wait five minutes. At that time follow the instructions for starting once again.
  - h. If the unit repeatedly fails to light, contact an authorized Service Agency for assistance.

# Operation

## CAUTION

**DO NOT OVERFILL THE KETTLE WHEN COOKING, HOLDING OR CLEANING. KEEP LIQUIDS AT LEAST 2-3" (5-8 cm) BELOW THE KETTLE BODY RIM TO ALLOW CLEARANCE FOR STIRRING, BOILING PRODUCT AND SAFE TRANSFER.**



2. To Stop Kettle Heating
  - a. Turn the thermostat dial to OFF.
  - b. Turn the toggle switch OFF.
  - c. For a prolonged shut-down:
    - 1) Follow the procedure above.
    - 2) Disconnect the unit's electrical power.
3. To Relight Kettle
  - a. Close main gas supply valve.
  - b. Set ON/OFF switch to OFF.
  - c. Set thermostat to OFF.
  - d. Wait five minutes, then proceed as directed under To Start Kettle.
4. If electric power fails, do not attempt to operate the unit. When power is restored, proceed as directed in To Start Kettle.
5. Basket Insert
  - a. An optional kettle basket insert set will assist in cooking water-boiled products including eggs, potatoes, vegetables, shell fish, pasta and rice. The nylon mesh liners must be used when cooking product smaller than the mesh size of the basket, which is approximately 1/4" (6 mm). This includes rice and small pasta shapes.
  - b. Tips for use:
    - 1) Allow for water displacement by the baskets and product to be cooked. This may mean only filling the kettle half full of water. Test the basket and product displacement with the kettle OFF, and with cold water in the kettle.
    - 2) Load baskets on a level, stable work surface.
    - 3) Lift the loaded baskets with both hands. Get help from another person if the basket is too heavy for safe handling.
    - 4) Slowly lower product into the kettle.
    - 5) When removing baskets with cooked product, lift basket straight up, ensuring bottom of basket clears the rim and pouring lip of the kettle. Wear protective oven mitts and protective apron. If basket is too heavy for individual to lift and safely move, get help from another person.
    - 6) Allow hot water to fully drain from product, before moving basket away from the kettle.
    - 7) Remove product immediately from basket into another container, being sure to avoid contact with hot product and hot basket OR place basket with food on stable, flat surface, setting it inside a solid steamer or bake pan, to catch any remaining hot water draining from product.

# Sequence of Operation

The following “action-reaction” outline is provided to help understand how the kettle works.

1. When the power switch is turned on, it starts the spark igniter and opens the automatic valve for the pilot burner. The spark ignites a pilot flame, which heats the sensor. The sensor then sends a signal to turn off the spark. The flame thereafter acts as a standing pilot until the power is turned off.
2. If the pilot flame is not sensed within 90 seconds after spark begins, a timer shuts down the entire operation. To attempt a second trial for ignition, turn off the power switch. Check the gas supply valves and wait five minutes before trying again by switching power on. If you cannot establish a pilot flame in four tries, close all valves, turn off the power, and contact an authorized Service Agency.
3. When the operator sets a temperature on the thermostat, it causes the automatic valve to admit gas to the main burner, where it is ignited by the pilot flame. When the kettle reaches the set temperature, the thermostat switch opens. This stops the signal to the gas control valve and shuts off gas to the main burner. The pilot flame stays lit.
4. When the kettle cools below the set temperature, the thermostat switch closes and start another cycle. On and off cycling continues and maintains the kettle at the desired temperature. This action is indicated by the Heat Indicator light.

The kettle has the following safety features in addition to the 90-second ignition timer:

1. Low water cutoff relay that will shut off gas supplies to all burners until the jacket water level is corrected.
2. High limit pressure switch, set to open at about 26 PSI and to shut down the burners until jacket pressure is decreased.
3. Pressure relief safety valve, which will release steam if jacket pressure exceeds 30 PSI.
4. Gas pressure regulator built into the gas control valve.

# Cleaning

## WARNING

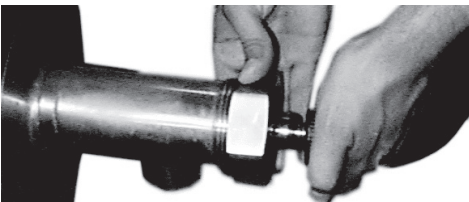
KEEP WATER AND SOLUTIONS OUT OF CONTROLS AND ELECTRICAL EQUIPMENT. DO NOT USE A HIGH PRESSURE HOSE TO CLEAN THE CONTROL CONSOLE, ELECTRICAL CONNECTIONS, ETC.

## CAUTION

NEVER LEAVE A CHLORINE SANITIZER IN CONTACT WITH STAINLESS STEEL SURFACES FOR LONGER THAN 30 MINUTES. LONGER CONTACT CAN CAUSE CORROSION.

## CAUTION

MOST CLEANERS ARE HARMFUL TO THE SKIN, EYES, MUCOUS MEMBRANES AND CLOTHING. PRECAUTIONS SHOULD BE TAKEN TO WEAR RUBBER GLOVES, GOGGLES OR FACE SHIELD AND PROTECTIVE CLOTHING. CAREFULLY READ THE WARNINGS AND FOLLOW LABEL DIRECTIONS.



When attaching the draw-off valve, just hand-tighten the nut.

## A. Suggested Cleaning Supplies

1. A high quality detergent and sanitizer, or a combination cleaning-sanitizing agent.
2. Kettle brushes in good condition.
3. Spray Degreaser.
4. De-limer/De-scaler.
5. A high quality stainless steel cleaner.

## B. Precautions

Before any cleaning operation, shut off the kettle by turning the thermostat dial to "OFF", the ON/OFF switch to OFF, and shut off all electric power to the unit at a remote switch, such as the circuit breaker.

## C. Procedure

1. Clean food contact surfaces as soon as possible after use, preferably while the kettle is still warm. If the unit is in continuous use, clean and sanitize inside and outside at least once every 24 hours.
2. Scrape and flush out large amounts of food residues. Be careful not to scratch the kettle with metal implements. Close the draw-off.
3. Prepare a solution of the detergent/cleaning compound as instructed by the supplier. Clean the unit thoroughly. A cloth moistened with cleaning solution can be used to clean controls, housing, electrical conduit, etc.
4. Rinse the kettle thoroughly with hot water. Then drain completely.
5. Disassemble the tangent draw-off valve. Clean the draw-off port and each valve part with a brush.
6. Rinse the kettle and draw-off valve parts thoroughly with hot water, then drain completely.
7. When you reassemble the draw-off valve, **HAND-TIGHTEN** the nut which holds it in place.
8. As part of the daily cleaning program, clean soiled external and internal surfaces. Remember to check the sides of the unit and control housing.
9. To remove burned-on foods, use a brush, sponge, cloth, plastic or rubber scraper, or plastic wool along with the cleaning solution. To reduce effort required in washing, let the detergent solution sit in the kettle for a few minutes and soak into the residue. Do NOT use abrasive materials or metal tools that might scratch the surface. Scratches make the surface harder to clean and provide places for bacteria to grow. Do not use steel wool, which will leave particles in the surface and cause eventual corrosion and pitting.
10. The outside of the unit may be polished with a recognized stainless steel cleaner.

# Cleaning

**CAUTION**  
**NEVER LEAVE A CHLORINE SANITIZER**  
**IN CONTACT WITH STAINLESS STEEL**  
**SURFACES FOR LONGER THAN 30**  
**MINUTES. LONGER CONTACT CAN**  
**CAUSE CORROSION.**



Use a brush, sponge, cloth, plastic or rubber scraper, or plastic wool to clean.



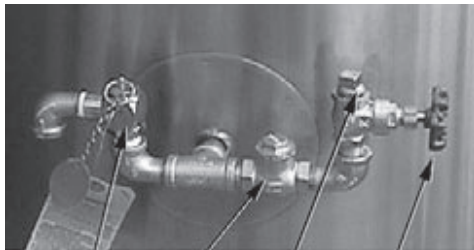
Don't use metal implements or steel wool when cleaning.

11. When the equipment needs to be sanitized, use a sanitizing solution equivalent to one that supplies 200 parts per million chlorine. Obtain advice on the best sanitizing agent from your supplier of sanitizing products. Following the suppliers instructions, apply the sanitizing agent after the unit has been cleaned and drained. Rinse off the sanitizer thoroughly.
12. It is recommended that each piece of equipment be sanitized just before use.
13. If there is difficulty removing mineral deposits or a film left by hard water or food residues, clean the kettle thoroughly and then use a deliming agent, in accordance with the manufacturer's directions. Rinse and drain the unit before further use.
14. If cleaning problems persist, contact your cleaning product supplier for assistance. The supplier has a trained technical staff with laboratory facilities to serve you.

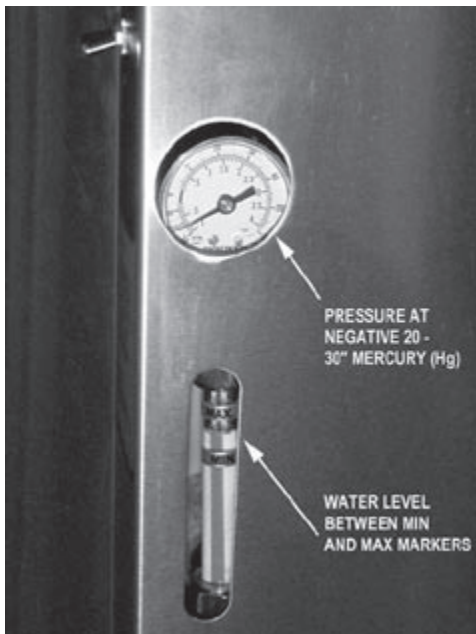


# Maintenance

**WARNING**  
WHEN USING THE EQUIPMENT OR TESTING, AVOID ANY EXPOSURE TO THE STEAM BLOWING OUT OF THE SAFETY VALVE. SEVERE BURNS CAN RESULT ON EXPOSED SKIN. FAILURE TO CHECK SAFETY VALVE OPERATION PERIODICALLY COULD RESULT IN PERSONAL INJURY AND/OR DAMAGE TO EQUIPMENT.



SAFETY VALVE    CHECK VALVE    PIPE PLUG    GATE VALVE



**NOTICE:** Contact an authorized representative when repairs are required.

A Maintenance & Service Log is provided at the back of this manual. Each time maintenance is performed on your kettle, enter the date on which the work was done, what was done, and who did it. Keep this manual on file and available for operators to use. Periodic inspection will minimize equipment down time and increase the efficiency of operation. The following points should be checked:

## A. Jacket Vacuum/Removing Air from Jacket

When the kettle is cold, a positive pressure reading on the pressure/vacuum gauge or a reading near zero indicates that there is air in the jacket. Air in the jacket acts as an insulator, and slows kettle heating.

To remove air:

1. Start the unit. (Be sure there is water or product in the kettle when heating).
2. When the pressure/vacuum gauge reaches a positive pressure reading of 5 PSI, release the trapped air and steam by pulling up or out on the safety valve lever or ring for about 1 second. Repeat this step, then let the pull ring or valve lever snap back into the closed position.
3. If there is little discharge (mostly air), and the pressure gauge drops back to 0 PSI, allow the pressure to build back to 5 PSI and repeat the procedure.
4. Once steam has been vented from the jacket as described in 2, remove the hot water from the kettle and replace it with cold. This will condense steam in the kettle jacket, and the pressure gauge should show a reading of 20 to 30 inches mercury (Hg) below zero. If it does not, or if the vacuum is leaking down, contact an authorized service agency.

## B. Test Pressure Relief Safety Valve

Test the pressure relief safety valve at least twice each month. With the kettle operating at 5 PSI (105 kPa), pull the test lever and let it snap back to its closed position. If there is little discharge (mostly air), and the pressure gauge drops back to 0 PSI, allow the pressure to build back to 5 PSI and repeat the procedure. (Tip: Using a will screwdriver or other implement to pull the ring help you avoid contact with the steam.)

## C. Jacket Filling

Every day, before you turn on the unit, make sure the water level is approximately in the center of the water gauge glass. The jacket was filled at the factory with the proper amount of treated water, and is air-tight, but over time steam may be vented and water lost.

From time to time, you may need to restore the water to its proper lever either because it was lost as venting steam or by draining. If you are replacing water lost as steam, use distilled water. If you are replacing treated water that ran out of the jacket, prepare more treated water as directed in Water Treatment Procedure on next page.



# Maintenance

**WARNING**  
**TO AVOID INJURY, READ AND FOLLOW ALL PRECAUTIONS STATED ON THE LABEL OF THE WATER TREATMENT COMPOUND.**

Model	Kettle Capacity	Jacket Capacity
AH/1E-20	20 Gallon (75 liter)	4-1/2 Gallon (17 liter)
AH/1E-40	40 Gallon (150 liter)	7 Gallon (26.5 liter)
AH/1E-60	60 Gallon (225 liter)	9-1.2 Gallon (36 liter)
AH/1E-80	80 Gallon (300 liter)	11-1/2 Gallon (43.5 liter)
AH/1E-100	100 Gallon (375 liter)	11-1/2 Gallon (43.5 liter)

## C. Jacket Filling

Every day, before you turn on the unit, make sure the water level is approximately in the center of the water gauge glass. The jacket was filled at the factory with the proper amount of treated water, and is air-tight, but over time steam may be vented and water lost.

From time to time, you may need to restore the water to its proper level either because it was lost as venting steam or by draining. If you are replacing water lost as steam, use distilled water. If you are replacing treated water that ran out of the jacket, prepare more treated water as directed in Water Treatment Procedure on next page.

Allow the kettle to cool completely. The procedure will be easier with the kettle under vacuum (pressure gauge reading below zero).

1. Make sure the fill (gate) valve is closed, and remove the square head pipe plug with open-ended wrench or crescent wrench.
2. Position a funnel in the opening and fill it with properly treated water.
3. Slowly open the fill valve to allow water to be sucked into the jacket. Quickly close the valve to prevent air from entering.
4. Check water level in the jacket to ensure that it is between minimum and maximum marks on glass.
5. Close the valve and reinstall the square-head pipe plug.
6. Reestablish the jacket vacuum as described above. If the pressure gauge does not show a negative reading of 20 to 30 inches mercury (Hg).

## D. Water Treatment

1. Fill a mixing container with the amount of water required. Use only distilled water.
2. Following instructions apply to Water Treatment Kit.
  - a. Hang a strip of pH test paper on the rim of the container, with about 1 inch of the strip below the surface of the water.
  - b. Stir the water continuously while you slowly add water treatment compound until a color between indicating a pH of 10.5 and 11.5 is reached. (Shown on the pH test kit chart.) Judge the pH by frequently comparing the test strip with the color chart provided in the kit.
  - c. Use a measuring cup to add the compound so that you may record the exact amount used.
  - d. The amount may be used again if the same water sources and compound are used in the future. However, it is best to check the pH each time treated water is prepared.

# Troubleshooting

Your kettle is designed to operate smoothly and efficiently if properly maintained. However, the following is a list of checks to make in the event of a problem. Wiring diagrams are furnished inside the service panel and in this manual. **If an item on the list is followed by x, the work should be done by a qualified service representative.**

## WARNING

**USE OF ANY REPLACEMENT PARTS OTHER THAN THOSE SUPPLIED BY AN AUTHORIZED SUPPLIER/DISTRIBUTOR WILL VOID ALL WARRANTIES AND COULD INJURE THE OPERATOR OR DAMAGE THE EQUIPMENT.**

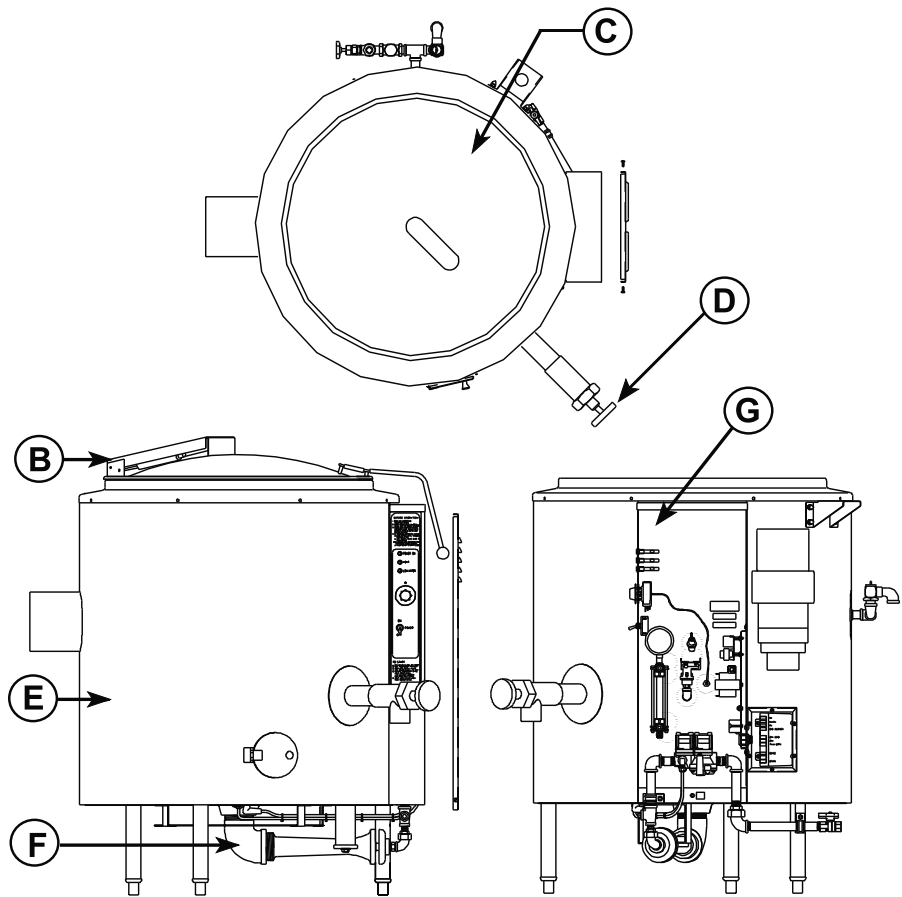
SYMPTOM	WHO	WHAT TO CHECK <small>X indicates items which must be performed by an authorized technician.</small>
Kettle continues heating after it reaches the desired temperature.	User	a. Thermostat dial setting.
	Auth Service Rep Only	b. Thermostat calibration. c. Thermostat operation. The thermostat should click when the dial is rotated above and below the setting for the temperature of the kettle. X
Kettle stops heating before it reaches the desired temperature.	User	a. Thermostat dial setting.
	Auth Service Rep Only	b. Thermostat calibration. X c. Thermostat operation. Thermostat should click when the dial is rotated above and below the setting for the temperature of the kettle. X
Safety valve pops open.	User	a. For air in the jacket. See "Jacket Vacuum" in the Maintenance section. b. Thermostat dial setting.
	Auth Service Rep Only	c. For defective thermostat. The thermostat should click when the dial is rotated to settings above and below the temperature of the kettle. If defective, replace. X d. For defective safety valve. If the valve pops at pressures below 29 PSI, replace. X
Burners will not light.	User	a. That the main gas supply valve is open. (handle is in line with the gas pipe). b. Gas supply to the building.
	Auth Service Rep Only	c. Thermostat operation. The thermostat should click when the dial is rotated to settings above and below the temperature of the kettle. X
System does not produce a spark.	Auth Service Rep Only	a. AC voltage between terminals on secondary side of transformer with unit power turned on. If it is not 24 Volt, replace the transformer. X b. That the high tension cable is firmly attached and in good condition. If cracked or brittle, replace. X c. Pilot burner ceramic insulator for crack or break. X d. Pilot spark gap. Regap. X
Spark is present but the pilot will not light.	Auth Service Rep Only	a. That the pilot valve is securely connected to terminals. X b. For 24 VAC at terminals PV and PV/MV. If 24V is not present, replace the ignition control module. X b. That gas pressure is at least 3.5" W.C.(8.7818 b). c. For gas at the pilot. If it is not flowing: (1) Check the pilot gas line for kinks and obstructions. X (2) Clean orifice, if necessary. X (3) Check magnetic operator for pilot valve on gas valve. Repair or replace as necessary. X d. That the pilot spark gap is located in the pilot gas stream. If not, adjust or replace the pilot burner. X e. For drafts. Shield the pilot burner, if necessary. X

# Troubleshooting

SYMPTOM	WHO	WHAT TO CHECK <i>X indicates items which must be performed by an authorized technician.</i>
Pilot lights, but main burner will not come on and spark does not stay on.	Auth Service Rep Only	a. For 24 V between terminals MV and PV/MV while pilot is burning. If 24V is not present, replace the ignition control module. X b. That gas pressure is at least 3.5" W.C.(8.7818 b). X c. Electrical connections of the main valve to terminals, to assure that they are securely attached. Check magnetic operator for main valve on gas valve. Repair or replace as necessary. X
Pilot lights, but main burner will not come on, the spark stays on.	Auth Service Rep Only	a. Check for bad burner ground. If necessary, repair with high temperature wire. X b. Pilot burner ceramic insulator for cracks. X c. That cable is not grounded out. If it is, correct the ground-out condition or replace cable. X d. For proper gas pressure. X e. Clean pilot assembly, or replace if necessary. X f. Tighten all mechanical and electrical connections. X g. If the pilot flame is weak, increase pilot orifice size. X h. Replace ignition control module. X
Main burner comes on but will not stay on.	Auth Service Rep Only	a. Check burner ground for bad wire or connection. Replace if necessary with high temperature wire. X b. Check for low gas supply pressure. If necessary, replace ignition control module. X

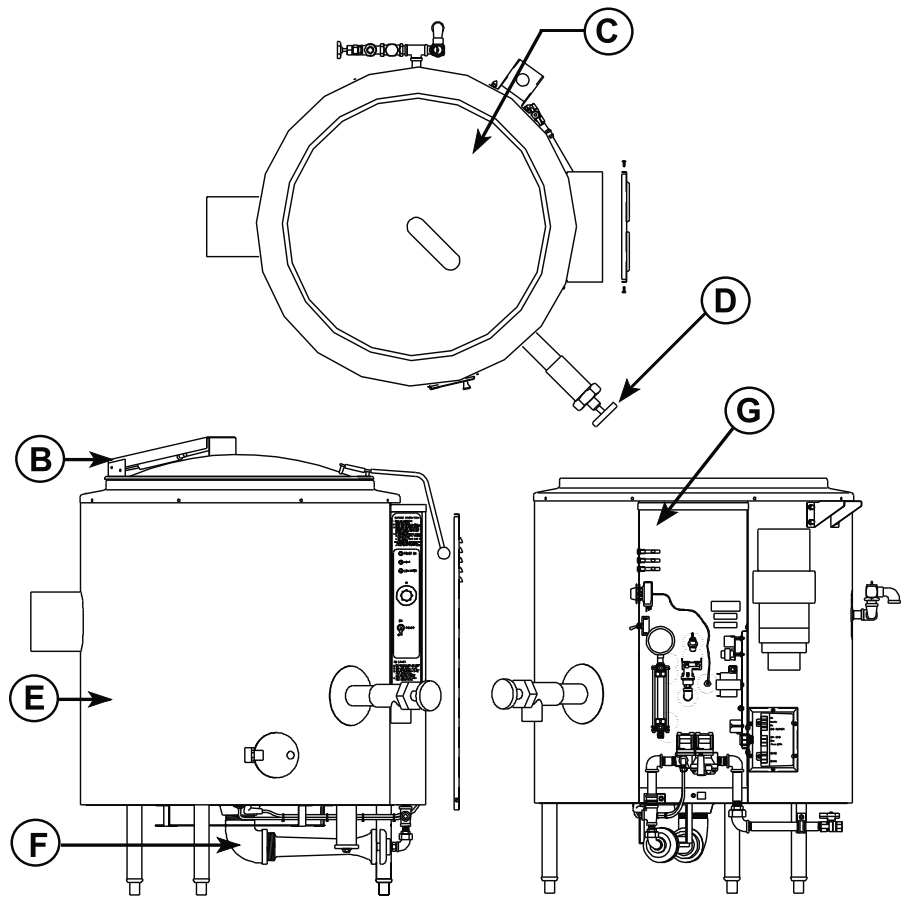
# Parts List Stationary Gas Kettle

Key	Description	Part No.
<b>A</b>	<b>HARDWARE ASM 40-GALLON SPARK IGNITION</b>	<b>117095</b>
	BRACKET, GAS MANIFOLD 1/8 X 1 X 15-3/4" LG	002006
	NAMEPLATE CLASS II 1" X 4-1/2" LONG	003479
	HINGE, SPRING LOADED 18 GA X 1 X 1-1/4"	004114
	CLAMP BAR PIPE 1/4" X 1 X 4-1/2" LG WITH STUD	004568
	DOOR INSULATED PILOT LIGHT ASSEMBLY	008201
	PLATE, CAUTION 1-3/8 X 2-1/4"	008350
	CHAIN SINGLE, JACK LINK #16 600" LONG	009009
	SCREW, SHEET METAL PAN HD #12 X 1/2" LG	008769
	BRACKET, FAUCET MOUNTING 16 GA X 4-3/4"	009054
	DIVERTER, DRAFT 6", 20, 40-GALLON	012474
	DIVERTER, DRAFT 7", 60, 80, 100-GALLON	000576
	NUT HEX KEPS 1/4" -20 W/ SHAKEPROOF WASHER	012940
	NAMEPLATE, LARGE	055450
	LABEL, WARRANTIES VOID	059201
	LABEL, WARNING	093614
<b>B</b>	<b>COVER POWER AID ASSEMBLY</b>	<b>047693</b>
<b>C</b>	<b>POT INNER ASSEMBLY</b>	-
<b>D</b>	<b>TDO KIT</b>	-
	NUT, WING #10-24 FOR 1-1/2" & 2"	009028
	HANDLE, 3" DIA SANITARY & TDO VALVE	127452
	STRAINER ASSEMBLY 9" DIA, 1/4" HOLES FOR 2"	009044
	HANDLE, SANITARY	170061



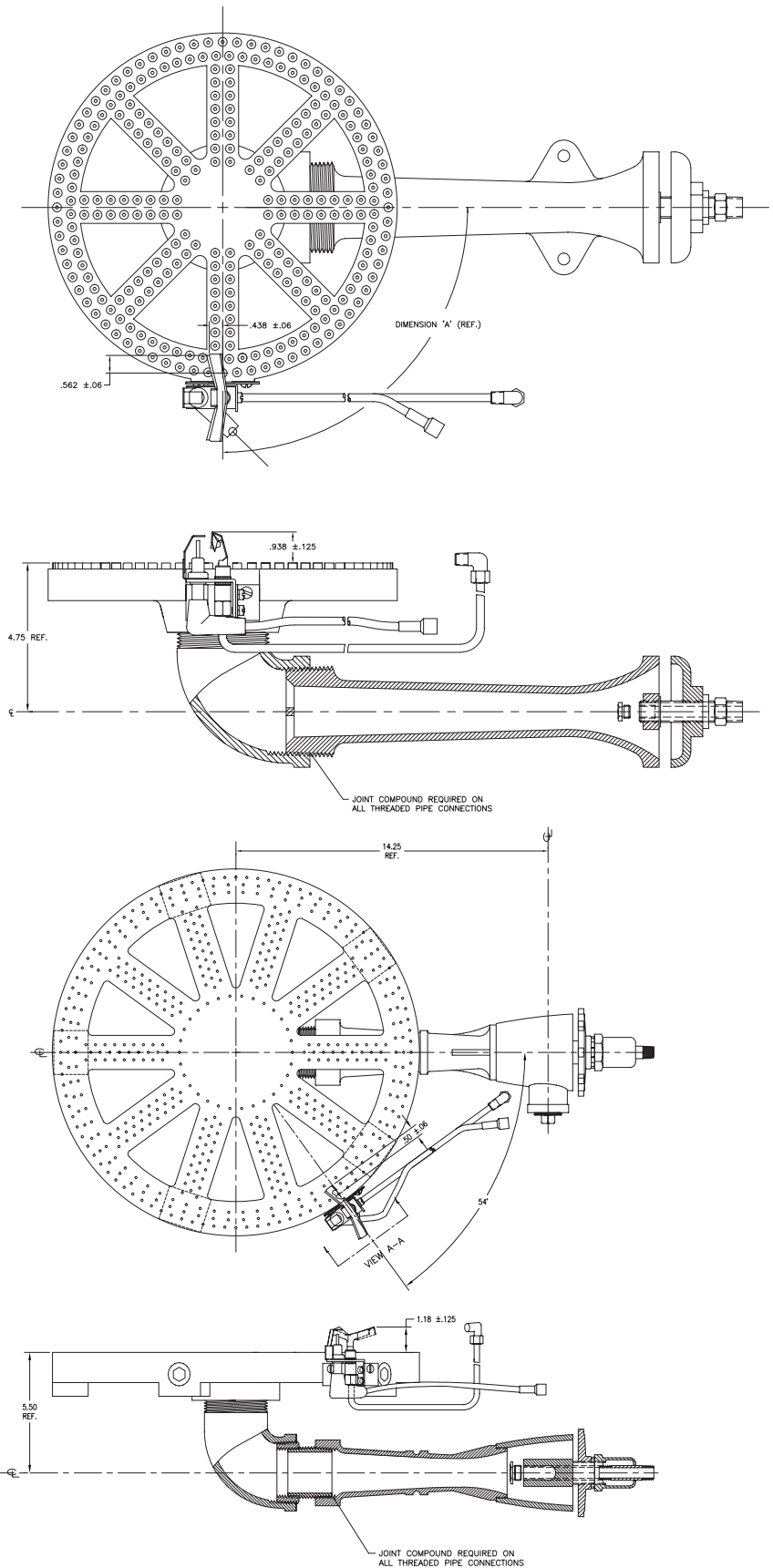
# Parts List Stationary Gas Kettle

Key	Description	Part No.
	<b>SAFETY VALVE AND WATER FILL ASSEMBLY</b>	<b>097010</b>
	SAFETY VALVE 30 PSI 1/2" NPT	156047
	ELBOW 90 DEG STREET 1/2" NPT BLACK	096905
	PLUG PIPE 1/2" NPT	011146
	ELBOW 90 DEG STREET 1/2" NPT	004185
	TEE, 1/2" NPT	008772
	VALVE SWING CHECK 1/2" NPT	004187
	NIPPLE, 1/2" NPT X CLOSE	008877
	VALVE, GATE 1/2" NPT	004180
	LABEL, WARNING	098171
	WIRING DIAGRAM LABEL	123863
	HARNESS WIRING	123864
	NUT HEX 3/8"-16	005619
	WASHER, LOCK #10	005619
	WASHER, LOCK 3/8"	005618
<b>E</b>	<b>SHELL OUTER/INNER ASSEMBLY</b>	<b>127445</b>
<b>F</b>	<b>BURNER AND SENSOR ASSEMBLY</b>	-
<b>G</b>	<b>GAS VALVE, PIPE &amp; ELEC ASSEMBLY</b>	<b>127335</b>
	<b>IGNITION MODULE BOX ASSEMBLY</b>	<b>127334</b>
	<b>ELECTRICAL PANEL ASSEMBLY</b>	<b>123823</b>



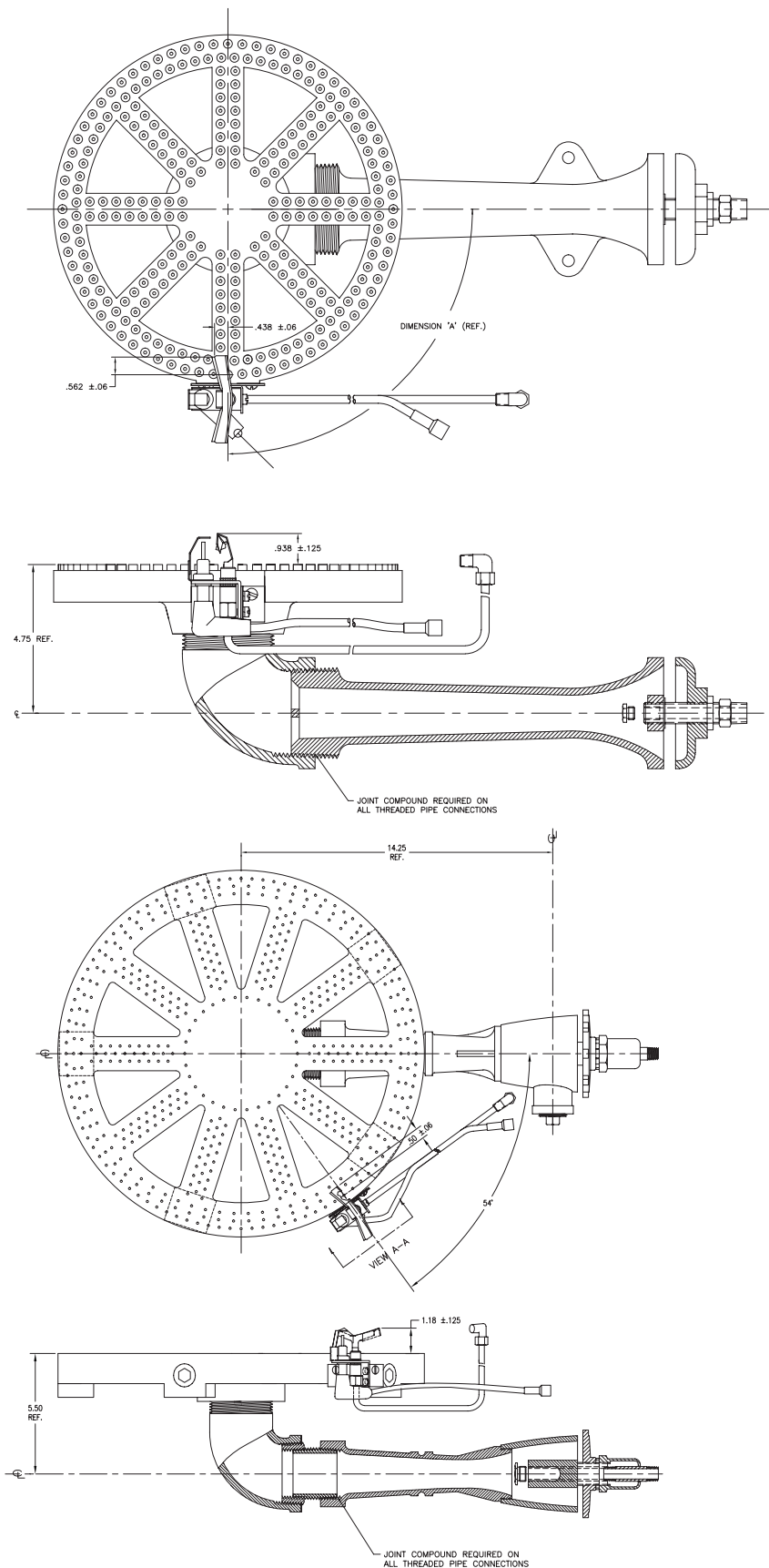
# Parts List Stationary Gas Kettle

Key	Description	Part No.
<b>F</b>	<b>BURNER ASSEMBLY 20 &amp; 40-GALLON</b>	<b>127331</b>
1	BURNER HEAD	000286
2	90° ELBOW, 2-1/2" NPT	000289
3	VENTURI	000287
4	AIR SHUTTER	000288
5	SPUD ORIFICE	000279
6	RETAINING RING, E TYPE	000460
7	LOCK NUT, 3/8" NPT	000294
8	ORIFICE, N.G., 20-GALLON, 0'-1500' ELEV	000489
8	ORIFICE, PROP, 20-GALLON, HIGHER ELEV	000281
8	ORIFICE, N.G., 40-GALLON, 0'-1500' ELEV	000280
8	ORIFICE, PROP, 40-GALLON, HIGHER ELEV	000281
9	BRACKET, PILOT BURNER MOUNTING	123824
10	SCREW #10-24 X 3/8" LG. ROUND HEAD	006009
11	PILOT BURNER ASSY 20-GALLON, 0'-1500' EL	096705
11	PILOT BURNER ASSY 20-GALLON, HIGHER EL	096706
11	PILOT BURNER ASSY 40-GALLON, 0'-1500' EL	096705
11	PILOT BURNER ASSY 40-GALLON, HIGHER EL	096706
12	SCREW #10-32 X 1/4 FILLISTER HEAD	090797
13	PILOT ORIFICE SPUD 40-GALLON, 0-1500' EL	098647
13	PILOT ORIFICE SPUD 40-GALLON, HIGHER EL	098647
14	PILOT TUBING, 1/4" OD ALUMINUM	006796
15	90° MALE ELBOW 1/8" NPT X 1/4" TUBING	097195
16	HI VOLT SPARK IGNITION CABLE 36" LONG	096728

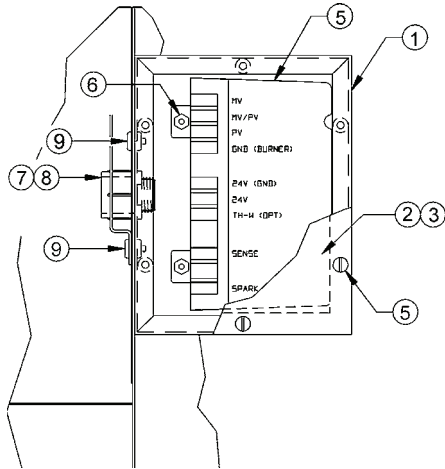


# Parts List Stationary Gas Kettle

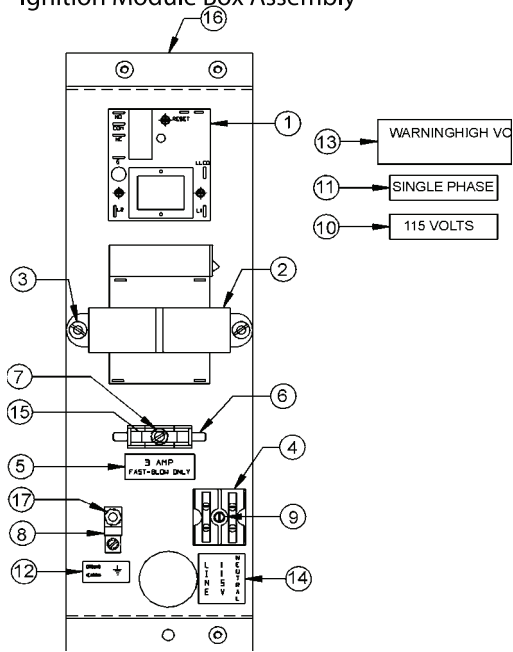
Key	Description	Part No.
<b>F</b>	<b>BURNER ASSEMBLY 60, 80 &amp; 100-GALLON</b>	<b>127349</b>
1	BURNER HEAD	008246
2	90° ELBOW, 2-1/2" NPT	000289
3	REDUCING BUSHING, 2-1/2" X 2" NPT	08774
4	NIPPLE, CLOSE 2" NPT	008731
5	VENTURI	010542
6	MIXER HEAD	000395
7	AIR SHUTTER	000396
8	LOCK NUT, 3/4" NPT	000397
9	END CAP	000398
10	ORIFICE, N.G., 0'-1500' ELEV	000399
10	ORIFICE, PROP, HIGHER ELEV	000403
11	BRACKET, PILOT BURNER MOUNTING	123824
12	SCREW #10-24 X 3/8" LG. ROUND HEAD	006009
13	PILOT BURNER ASSY, 0'-1500' ELEV	096705
13	PILOT BURNER ASSY, HIGHER ELEV	096705
14	SCREW #10-32 X 1/4 FILLISTER HEAD	090797
15	PLUG, PIPE, SQUARE HEAD 1" NPT	008507
16	PILOT TUBING, 1/4" OD ALUMINUM	006796
17	90° MALE ELBOW 1/8" NPT X 1/4" TUBING	097195
18	HI VOLT SPARK IGNITION CABLE 36" LONG	096728
19	PILOT ORIFICE SPUD	098647
20	NIPPLE, 3/8" X 2-1/2" LG	005676



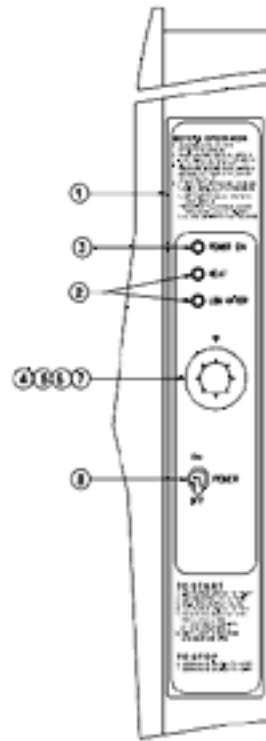
# Parts List



Ignition Module Box Assembly



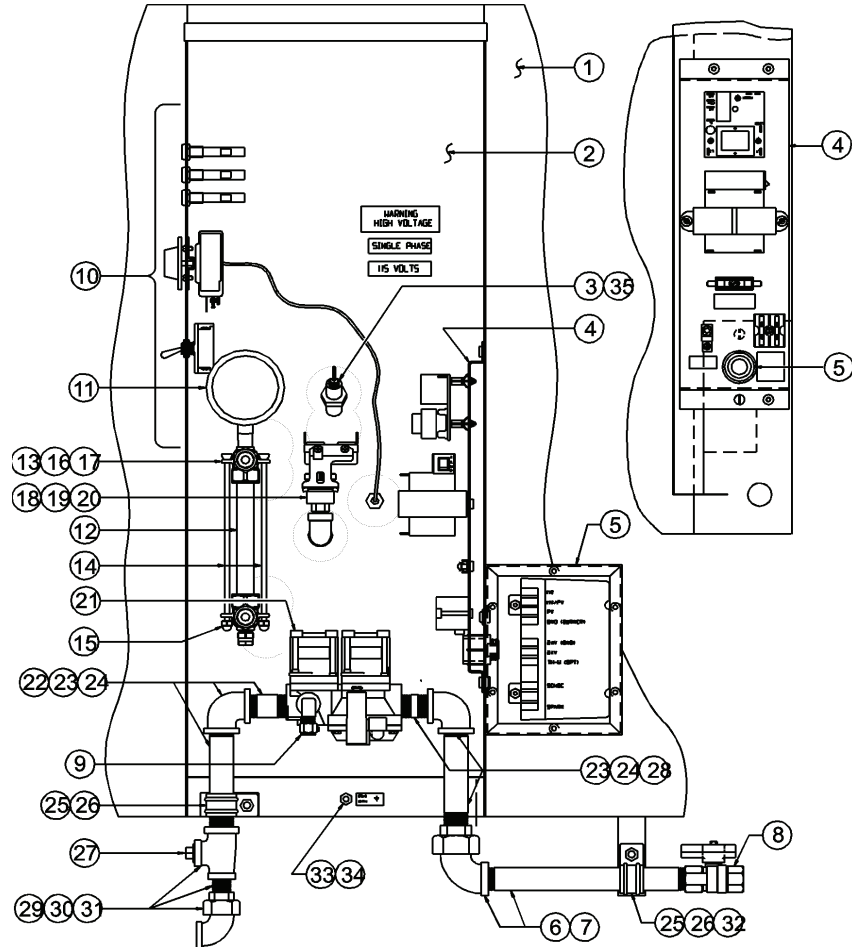
Electrical Panel Assembly



Front Panel Components Assembly



# Parts List



Gas Valve, Piping & Electrical Control Panel Assembly

# Parts List

Key	Description	Part No.
<b>G</b>	<b>GAS VALVE, PIPING &amp; ELEC. CTRL PAN ASSY</b>	<b>127335</b>
3	WATER LEVEL ELECTRODE	074665
4	ELECTRICAL COMPONENTS ASSEMBLY	123823
5	IGNITION MODULE BOX ASSEMBLY	127334
6	ELBOW, 90° UNION, 1/2" NPT	005495
7	NIPPLE, 1/2" NPT X 8" LONG	005557
8	VALVE, GAS, MANUAL SHUT-OFF 1/2" NPT	098458
9	FITTING 90° 1/8" NPT MALE X 1/4" TUBE	097195
10	FRONT PANEL COMPONENTS ASSY	123805
11	PRESSURE GAUGE 2" DIAMETER	156047
12	SIGHT TUBE, 5/8" DIA X 4-3/4" LONG	008742
13	FITTINGS, SIGHT GLASS ASSEMBLY	002845
14	GUARD ROD FOR GAUGE GLASS	002981
15	NUT, HEX #10-24	005470
16	COUPLING, FULL 1/2" NPT	005722
17	NIPPLE, 1/2" NPT X 2-1/2" LG.	005552
18	SWITCH PRESSURE 1/4" NPT 24 PSIG ± 1	108559
19	NIPPLE, 1/4" NPT X 2-1/2" LG	127330
20	ELBOW, 90° 1/4" NPT	005682
21	VALVE, GAS	123815
22	NIPPLE, 1/2" NPT X 2" LONG	005551
23	ELBOW 1/2" NPT	008747
24	NIPPLE, 1/2" NPT X 4" LONG	005554
25	CLAMP, RIGID CONDUIT 3/4" NFPC	127345
26	NUT, HES KEPS 1/4-20	095695
27	PLUG, PIPE SQUARE HEAD 3/8" NPT	008504
28	NIPPLE, 1/2" NPT X 1-1/2" LONG	004184
29	TEE REDUCING 1/2 NPT X 3/8 NPT X 3/8	123865
30	NIPPLE, 3/8" NPT X CLOSE	007439
31A	ELBOW, 90° STREET	009853
31B	UNION 3/8 NPT	005686
32	BOLT, HH, 1/4-20 X 3/4" LONG	005698
35	BOOT, LOW WATER PROBE	101143
37	NUT, KEPS 10-32 W/SHAKEPROOF WASHER	071256

Key	Description	Part No.
<b>ELECTRICAL PANEL ASSEMBLY</b>		<b>123823</b>
1	WATER LEVEL CONTROL - 24V	122192
2	TRANSFORMER 75A 24V SEC. 120V PRI.	121715
2	TRANSFMR 75A 24V SEC. 208-240V PRI.	106234
3	SCREW, PAN HEAD 8-32 X 3/8" LONG	005764
4	TERMINAL BLOCK, 2 POLE #4-#18 AWG	003887
5	LABEL, "3 AMP FAST BLOW ONLY"	102251
6	FUSE HOLDER	077854
7	SCREW, ROUND HEAD 6-32 X 1/4" LONG	018384
8	LUG, GROUND 14-6 AWG	119829
9	SCREW ROUND HEAD 8-32 X 1-1/4" LONG	005056
15	FUSE, 3.0 AMP TYPE 3 AG	077853
16	ELECTRICAL PANEL	123852
17	NUT, KEPS 10-32 W/SHAKEPROOF WASHER	071256
18	HARNESS, WIRING	123864
<b>IGNITION MODULE BOX</b>		<b>127334</b>
1	SPARK IGNITION MODULE ENCLOSURE	123775
2	COVER IGNITION MODULE ENCLOSURE	104948
3	GASKET, COVER	104941
4	SCREW 8-32 X 3/8" LONG	005764
5	IGNITION MODULE	085153
6	NUT, KEPS 6-32	071289
7	CONDUIT, PLASTIC MALE ADAPTER 1/2" NPT	123733
8	CONDUIT NUT, 1/2"	005487
9	SCREW 10-32 X 3/8" LONG	069773
<b>FRONT PANEL COMPONENTS ASSEMBLY</b>		<b>123805</b>
1	LABEL INDICATOR LIGHTS & INSTRUCTIONS	123803
2	INDICATOR LIGHT AMBER W/BEZEL	116384
3	INDICATOR LIGHT RED W/BEZEL	116383
4	THERMOSTAT	012313
5	THERMOSTAT ADAPTER (SHAFT BUSHING)	107172
6	SCREW ROUND HEAD 6-32 X 3/8" LONG	009697
7	KNOB, THERMOSTAT	012314
8	TOGGLE SWITCH, SPST, ON-OFF	006904













1055 Mendell Davis Drive • Jackson MS 39272  
888-994-7636 • 601-372-3903 • Fax 888-864-7636  
[unifiedbrands.net](http://unifiedbrands.net)