

INSTRUCTION SHEET

DEE/4 and DH Tilting Kettle Power-Aid (#51) Cover Kit

Assembly and Mounting

Introduction:

The DEE/4 and DH Tilting Kettle Power-Aid Cover Kits are shipped complete for field installation on a Groen Model DEE/4 or DH Kettle. The kits include a spun stainless steel disk cover with studs for attaching the hinge mechanism and a bent rod handle, a spring-assisted power aid hinge mechanism, a “U” shaped riser, a replacement cover for pedestal on the right hand side of the kettle stand, a reinforcing plate and gasket to stiffen the pedestal cover, and a hardware kit with items needed for attaching the cover and instructions for field installation. The instructions below will guide you through the process of orienting the cover on top of the kettle and securing the assembly bracket to the pedestal cover.

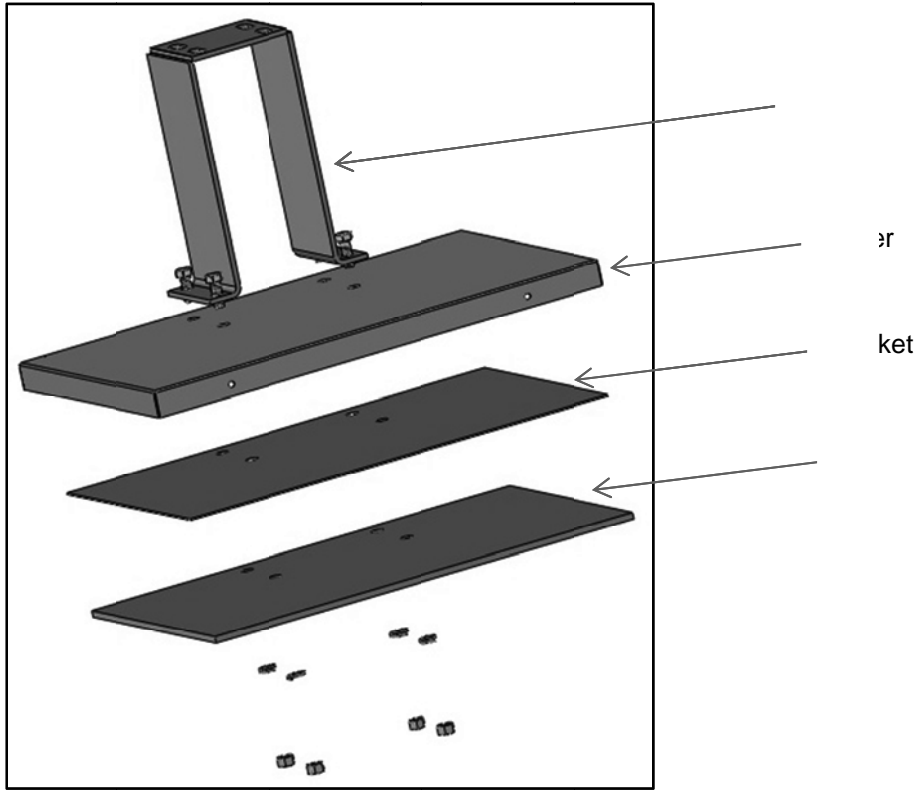
1.0 Riser Bracket Installation

1.1 Unpack the cover and components and locate the U-shaped riser bracket, new pedestal cover, gasket and mounting hardware.

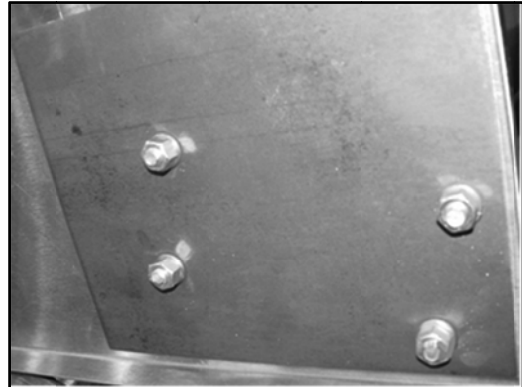
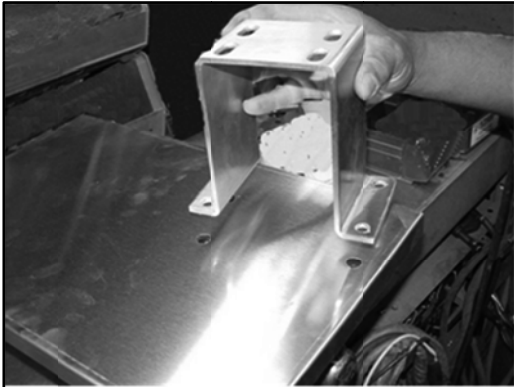
1.2 Remove the existing pedestal cover and discard. Retain the mounting screws to attach the new cover.



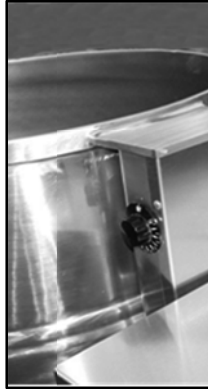
1.3 Assemble the riser to the new pedestal cover as shown below, installing the gasket directly under the cover and then the backing plate.



1.4 Align the holes in the riser bracket to the cover as shown and install the mounting bolts, lock washers and nuts to secure the bracket to the cover, gasket and backing plate. Tighten the nuts to a 20 ft/lb torque with a 3/8" open end or socket wrench.

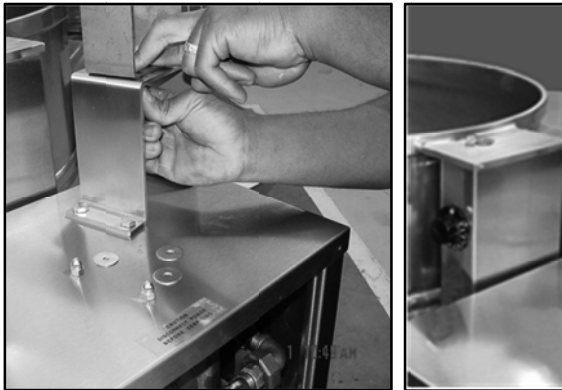


1.5 Install the new cover to the pedestal



2.0 Actuator and Cover Installation and Adjustment

2.1 Align the studs on the cover actuator. Assemble the fender washers and nuts to the actuator studs. Tighten the nuts enough for adjustment.



2.2 Assemble the actuator to the three studs on the pedestal. Tighten the locking compound and the dome nuts supplied with the actuator to the studs with a 1/4" open end or socket wrench. Tighten to 10-15 in/lb torque.

